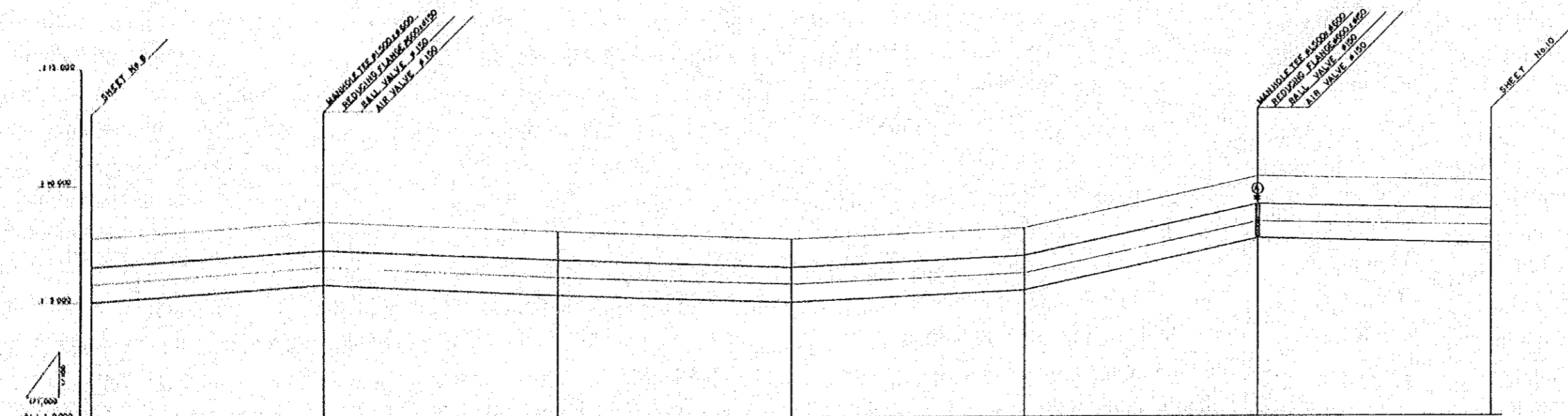
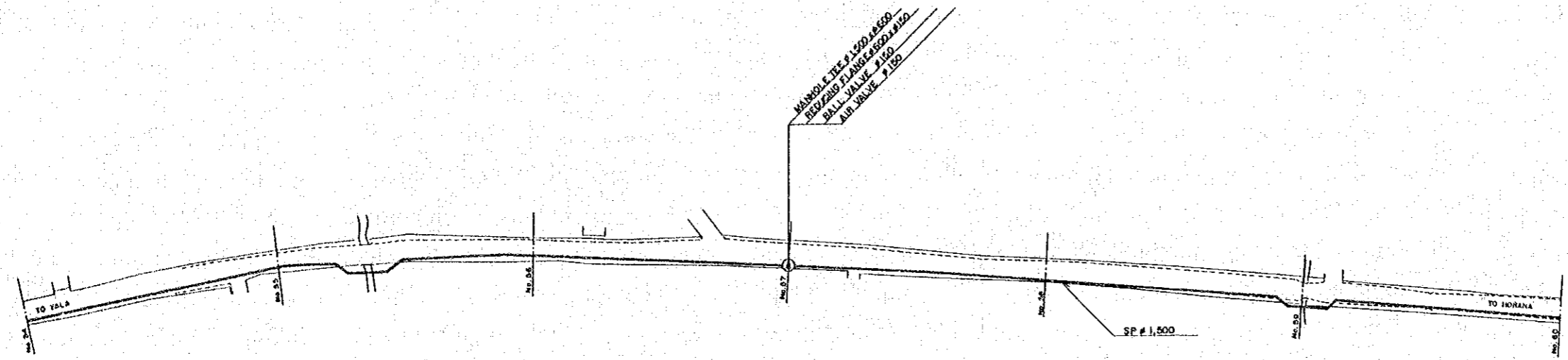


PLAN SCALE 1:1000

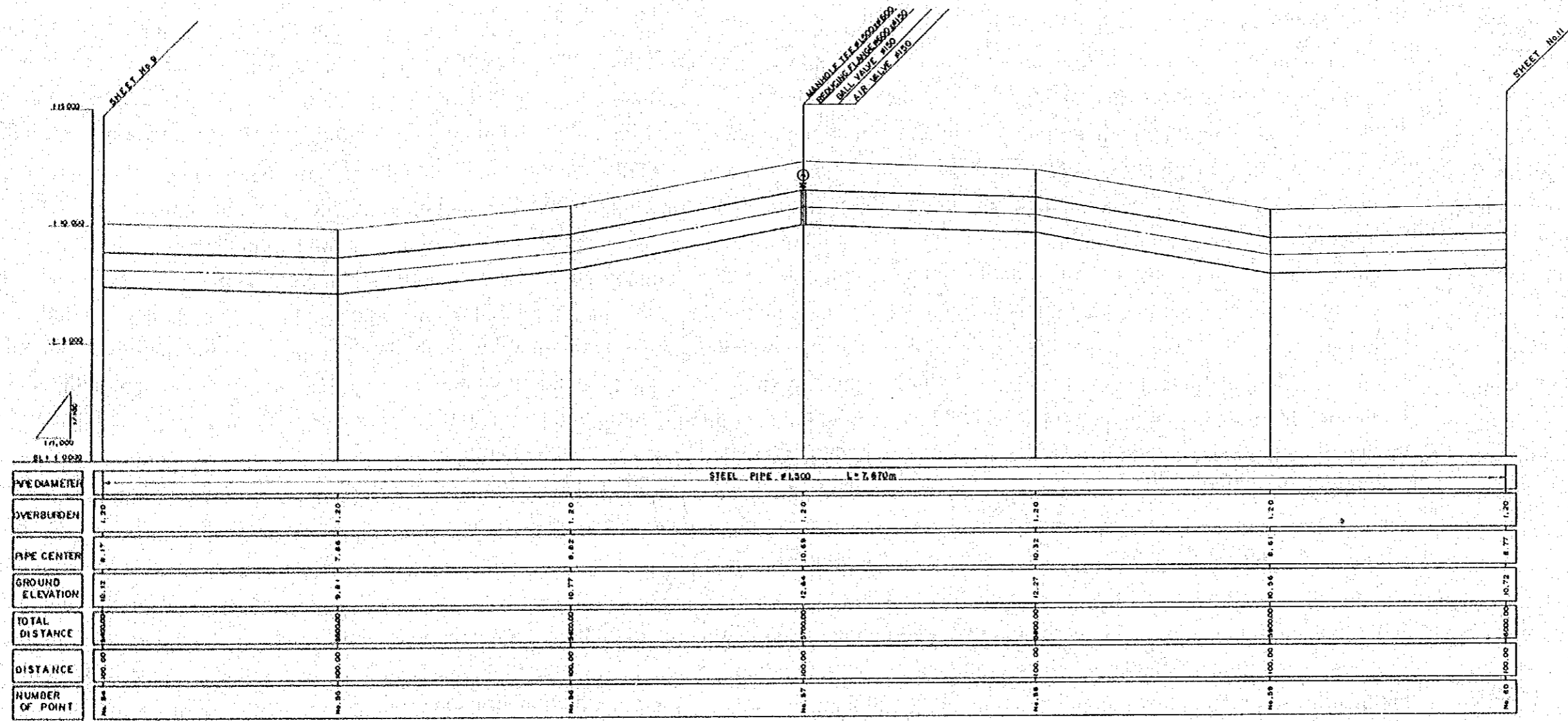


	STEEL PIPE #1500 L = 7.670m					
PIPE DIAMETER	1.20					
OVERBURDEN	1.20	1.20	1.20	1.20	1.20	1.20
PIPE CENTER	8.45	8.38	8.34	8.17	8.34	8.17
GROUND ELEVATION	8.45	7.93	7.89	8.12	10.33	10.12
TOTAL DISTANCE	0.000000	1000.00	2100.00	3000.00	4500.00	5400.00
DISTANCE	0.00	100.00	400.00	1000.00	1500.00	100.00
NUMBER OF POINT	1	2	3	4	5	6

PROFILE SCALE V=1:100 H=1:1000

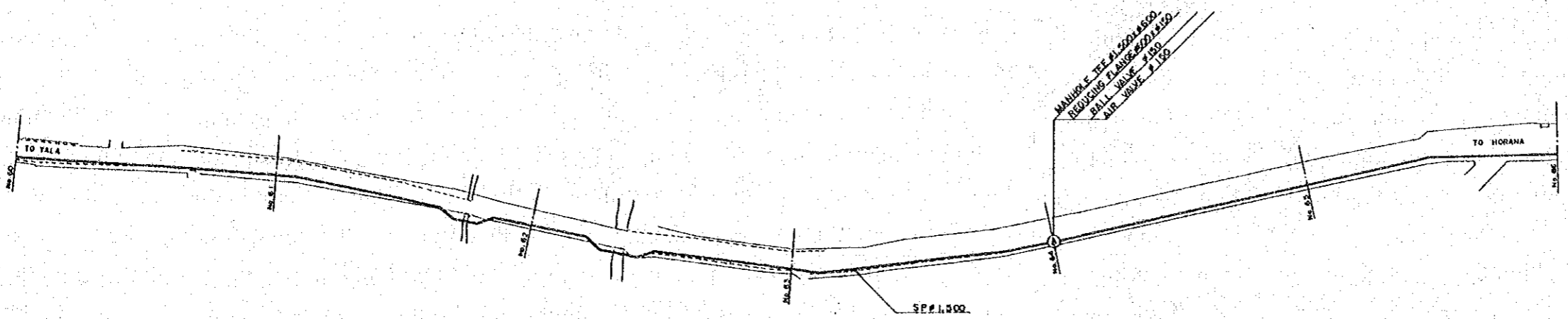
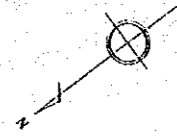


PLAN SCALE 1:1,000

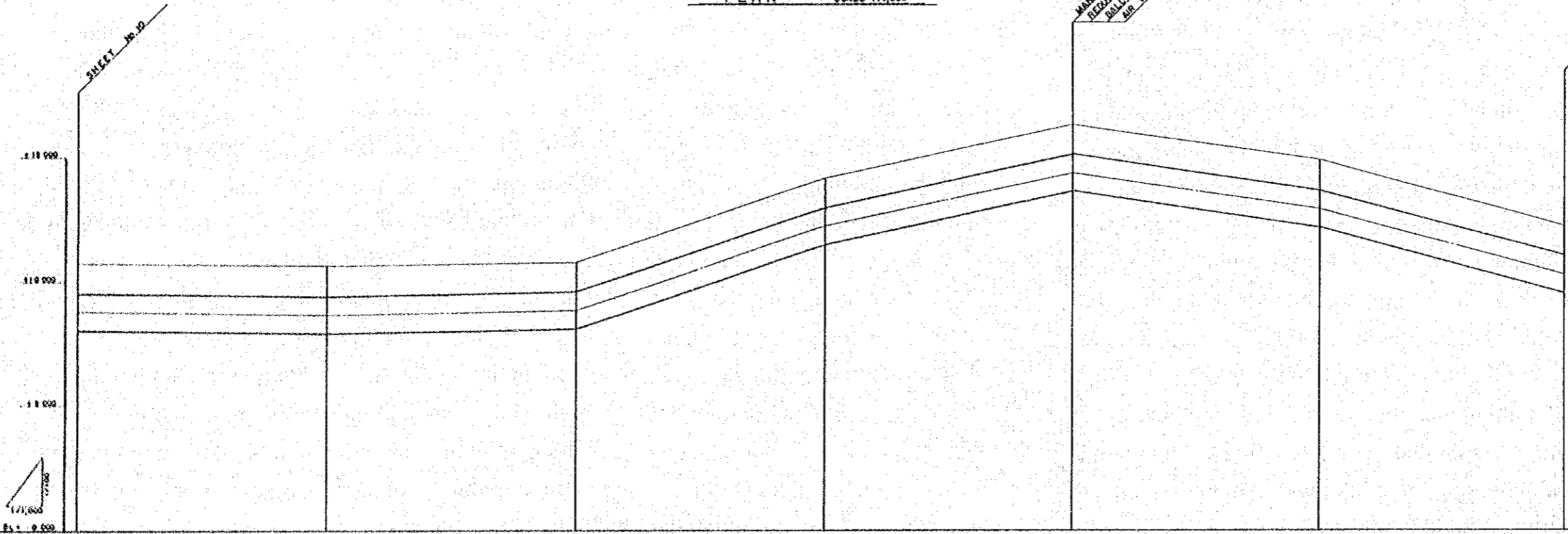


PROFILE SCALE V=1:100 H=1:1,000

R.10 PROFILE 10

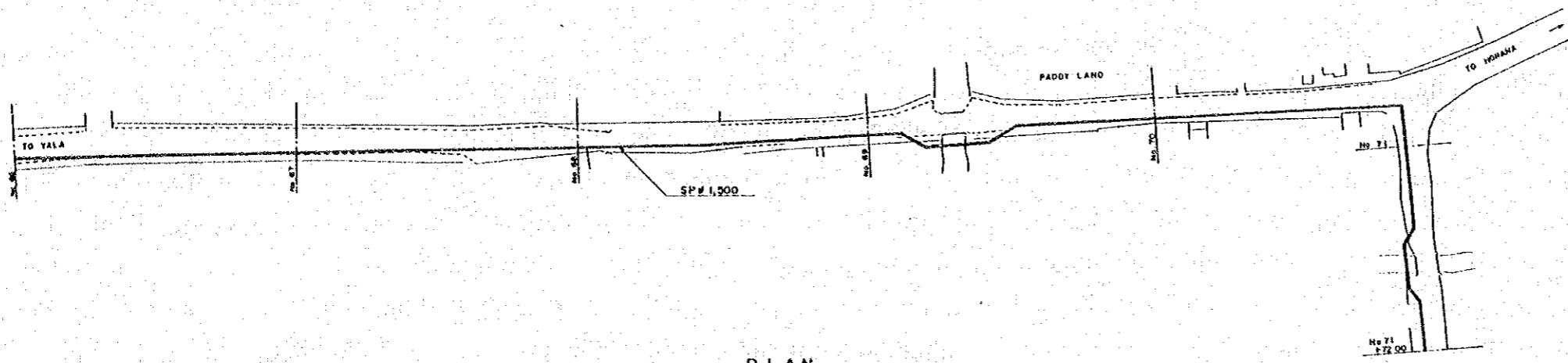
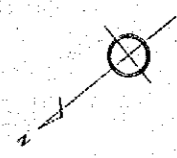


PLAN SCALE 1:1,000

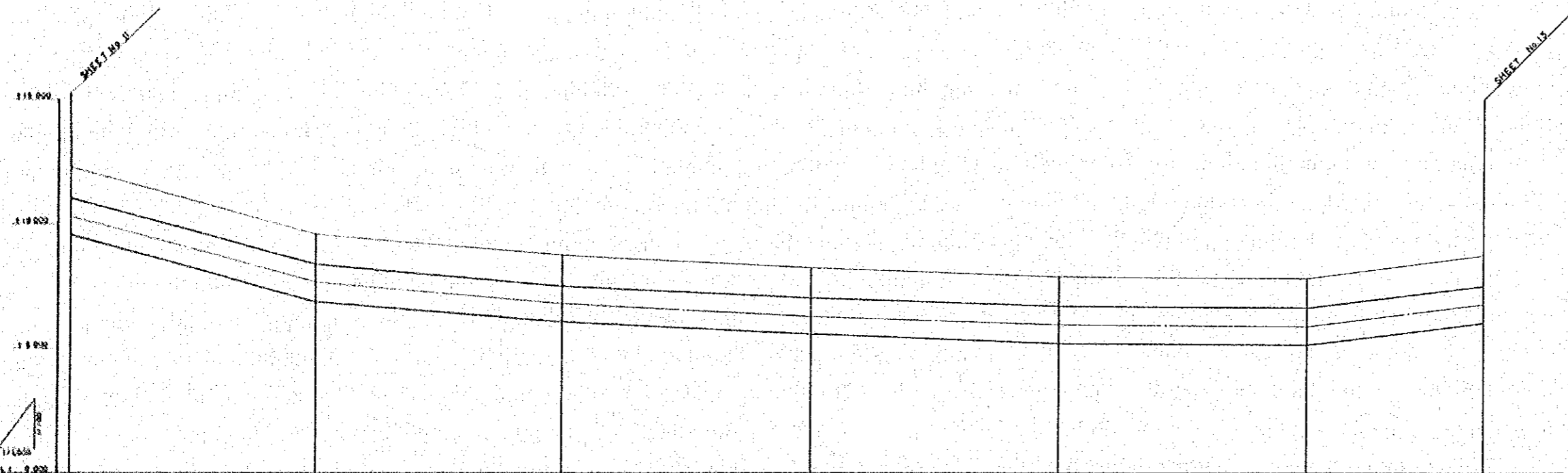


PROFILE SCALE V:1:100 H:1:1,000

	STEEL PIPE #1,500 L = 7.670m					
PIPE DIAMETER						
OVERBURDEN	1.20	1.20	1.20	1.20	1.20	1.20
PIPE CENTER	8.48	6.81	12.21	14.31	12.46	10.31
GROUND ELEVATION	119.61	119.74	119.18	119.26	118.93	118.28
TOTAL DISTANCE	0+000.00	1+000.00	2+000.00	3+000.00	4+000.00	5+000.00
DISTANCE	00	100	200	300	400	500
NUMBER OF POINT	No. 51	No. 52	No. 53	No. 54	No. 55	No. 56



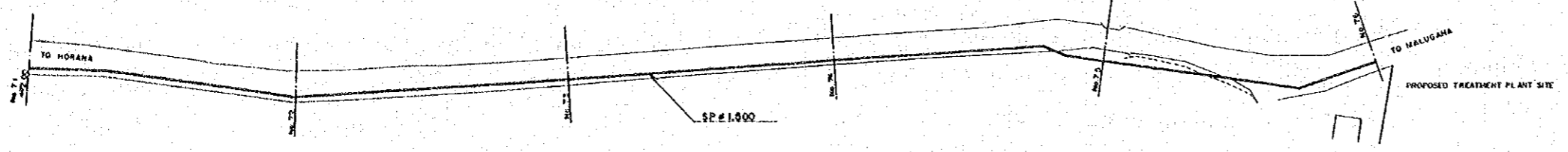
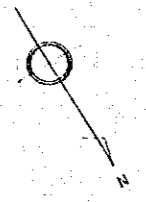
PLAN SCALE 1:1,000



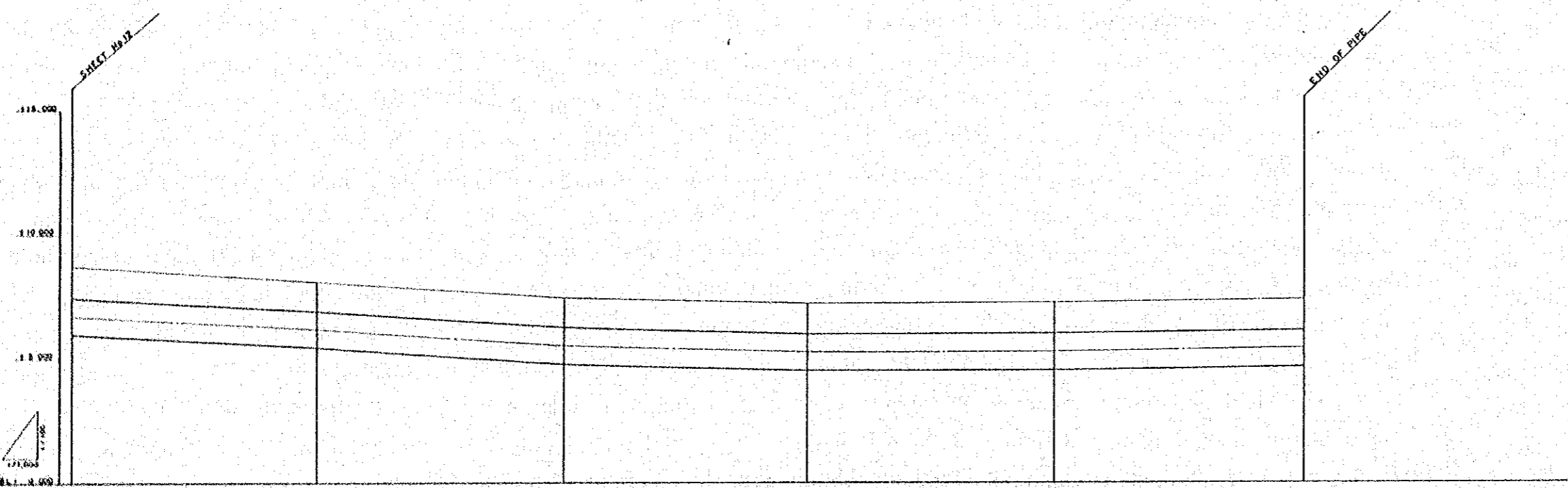
	STEEL PIPE $\phi$ 1,500 L = 7,870 M						
PIPE DIAMETER	1,500						
OVERBURDEN	1.20	1.20	1.20	1.20	1.20	1.20	1.20
PIPE CENTER	5.84	6.88	6.22	5.92	6.85	6.77	6.77
GROUND ELEVATION	118.82	118.84	118.77	118.87	118.80	118.72	118.72
TOTAL DISTANCE	0.00	100.00	400.00	1000.00	700.00	772.00	772.00
DISTANCE	0	100	500	1500	2200	2972	2972
NUMBER OF POINT	2	3	8	17	24	31	31

PROFILE SCALE V=1:100 H=1:1,000

R.12 PROFILE 12



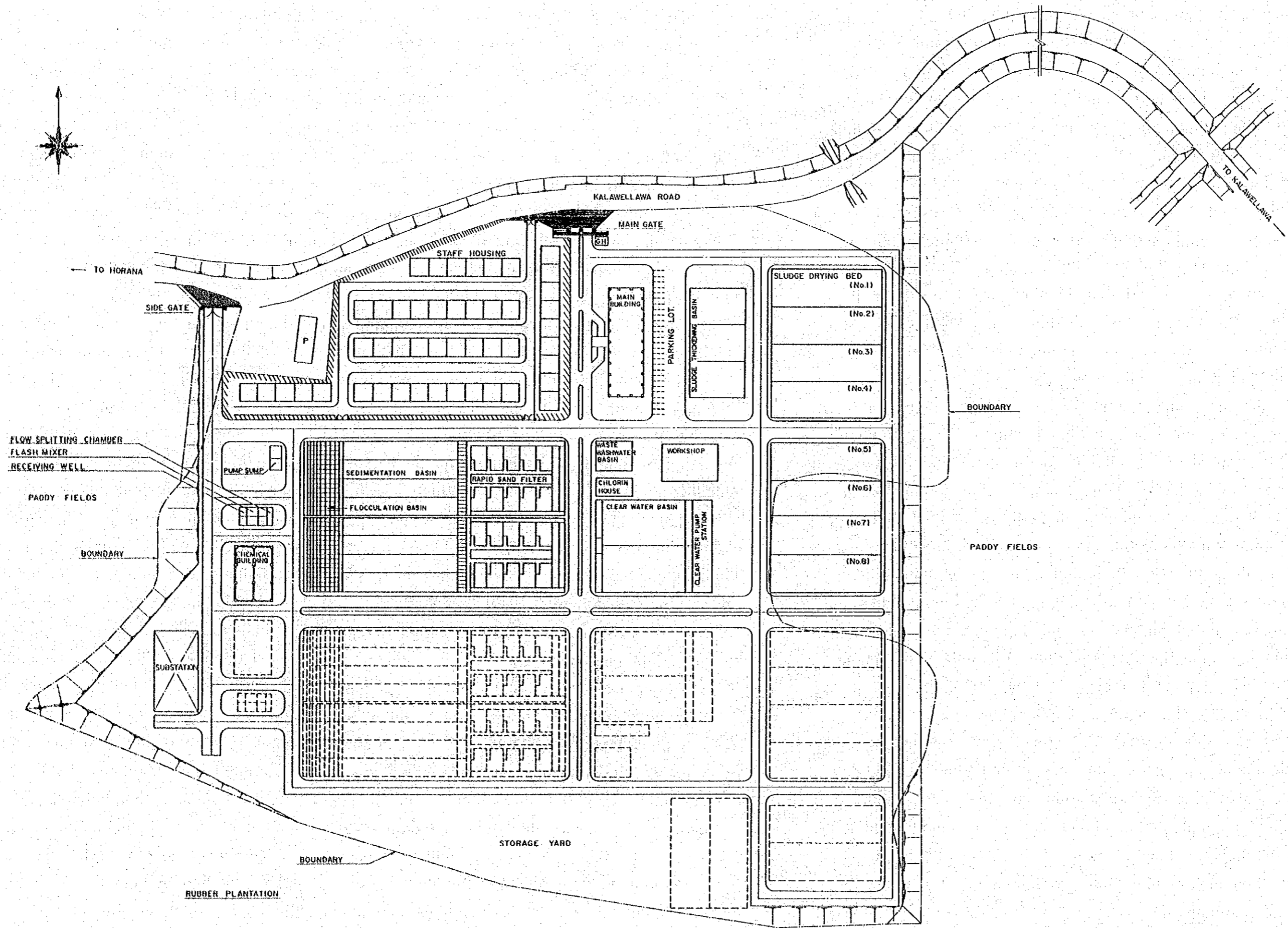
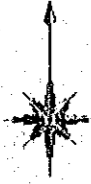
PLAN SCALE 1:1000



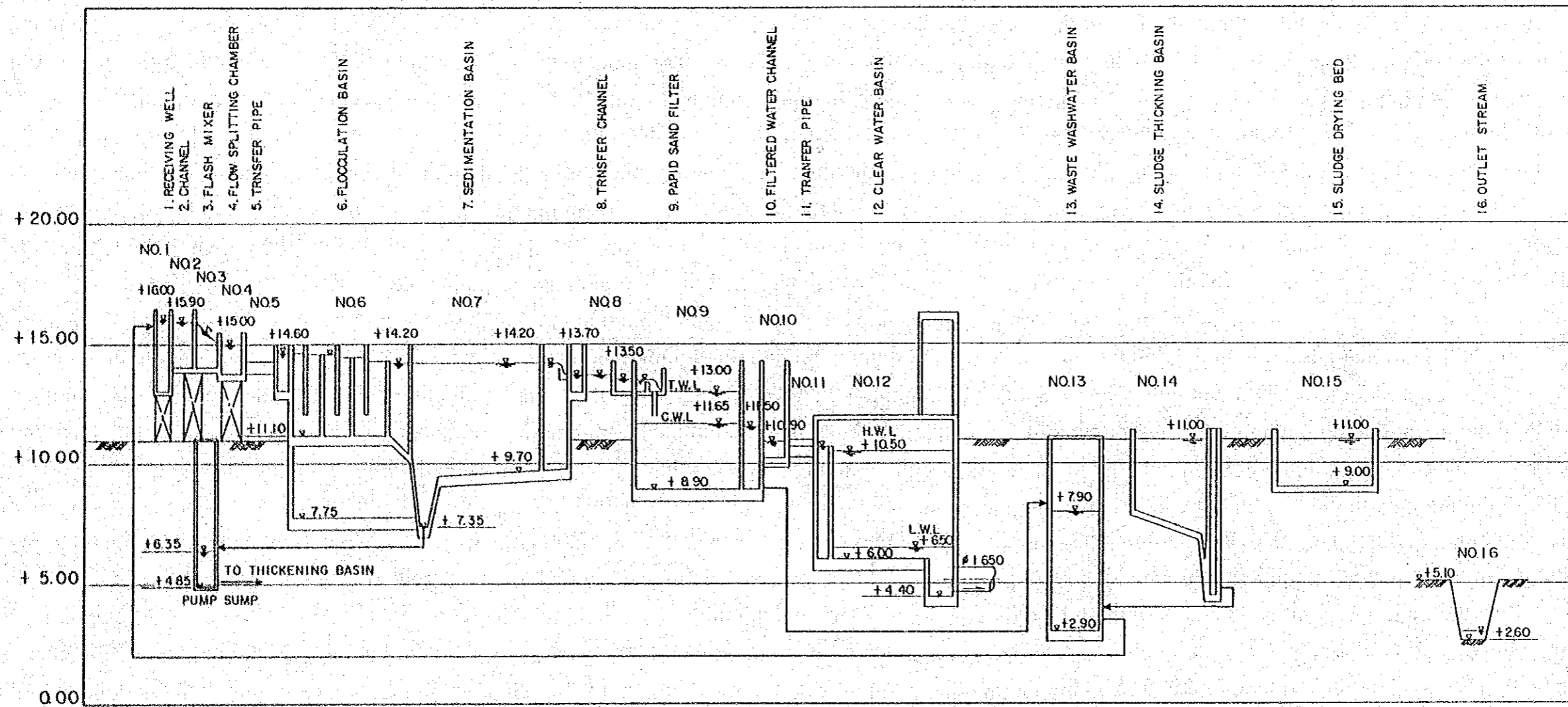
	STEEL PIPE φ1000 L = 7.679m					
PIPE DIAMETER	φ1000					
OVERBAND	0.50	1.50	1.50	1.50	1.50	1.50
PIPE CENTER	0.00	0.71	5.50	6.78	8.28	9.78
GROUND ELEVATION	121.72	121.16	120.45	119.72	119.23	118.39
TOTAL DISTANCE	0.00	100.00	700.00	700.00	700.00	700.00
DISTANCE	0.00	100.00	100.00	100.00	100.00	100.00
NUMBER OF POINT	0.00	73	73	74	75	76

PROFILE SCALE V=1:100 H=1:1000

# WATER TREATMENT PLANT



T.1 LAYOUT

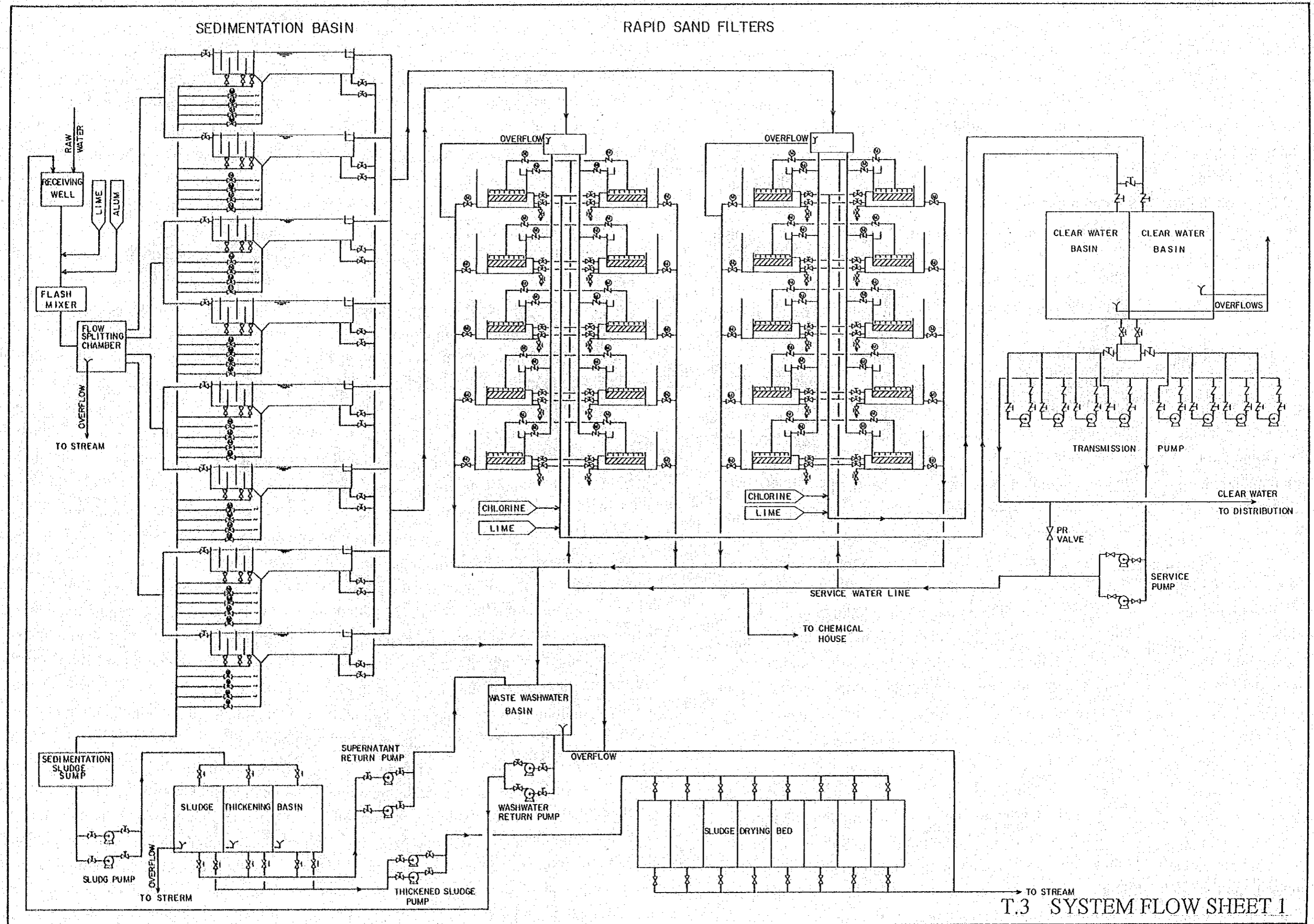


T.2 HYDRAULIC PROFILE

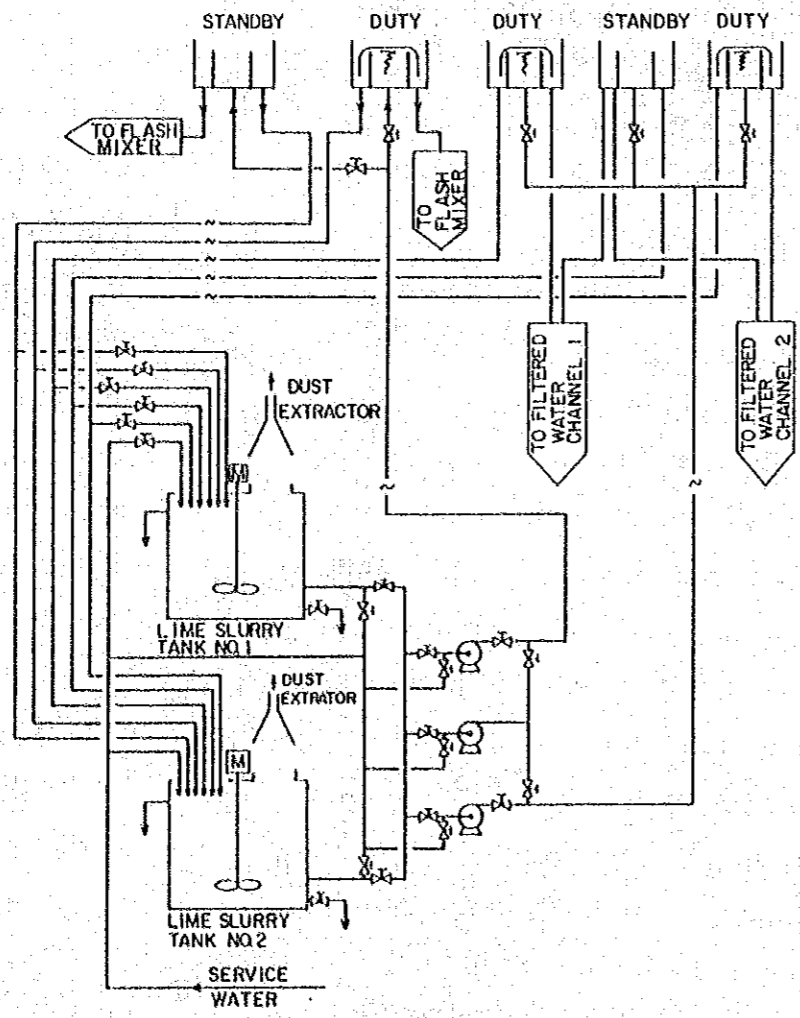


SEDIMENTATION BASIN

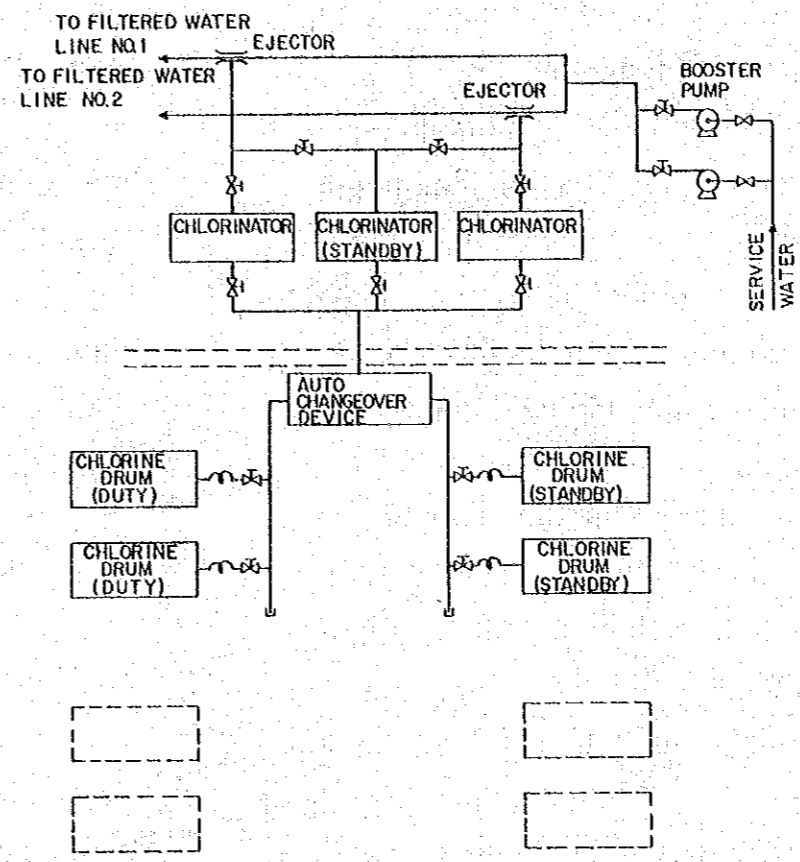
RAPID SAND FILTERS



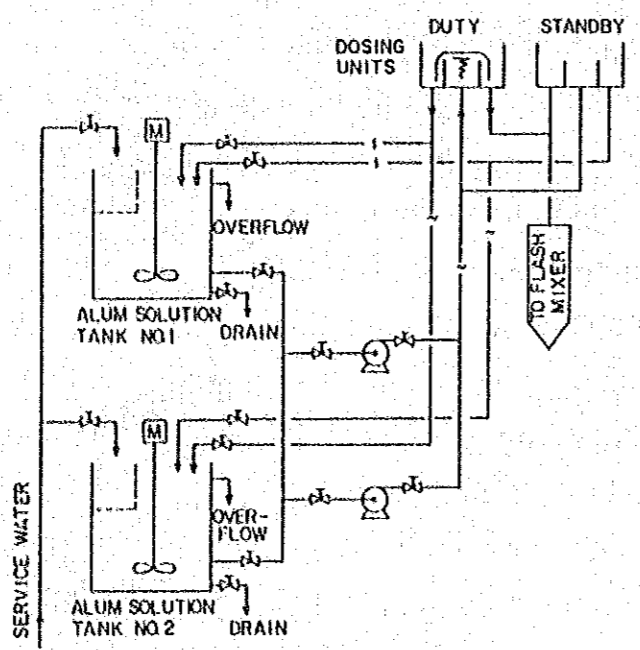
T.3 SYSTEM FLOW SHEET 1



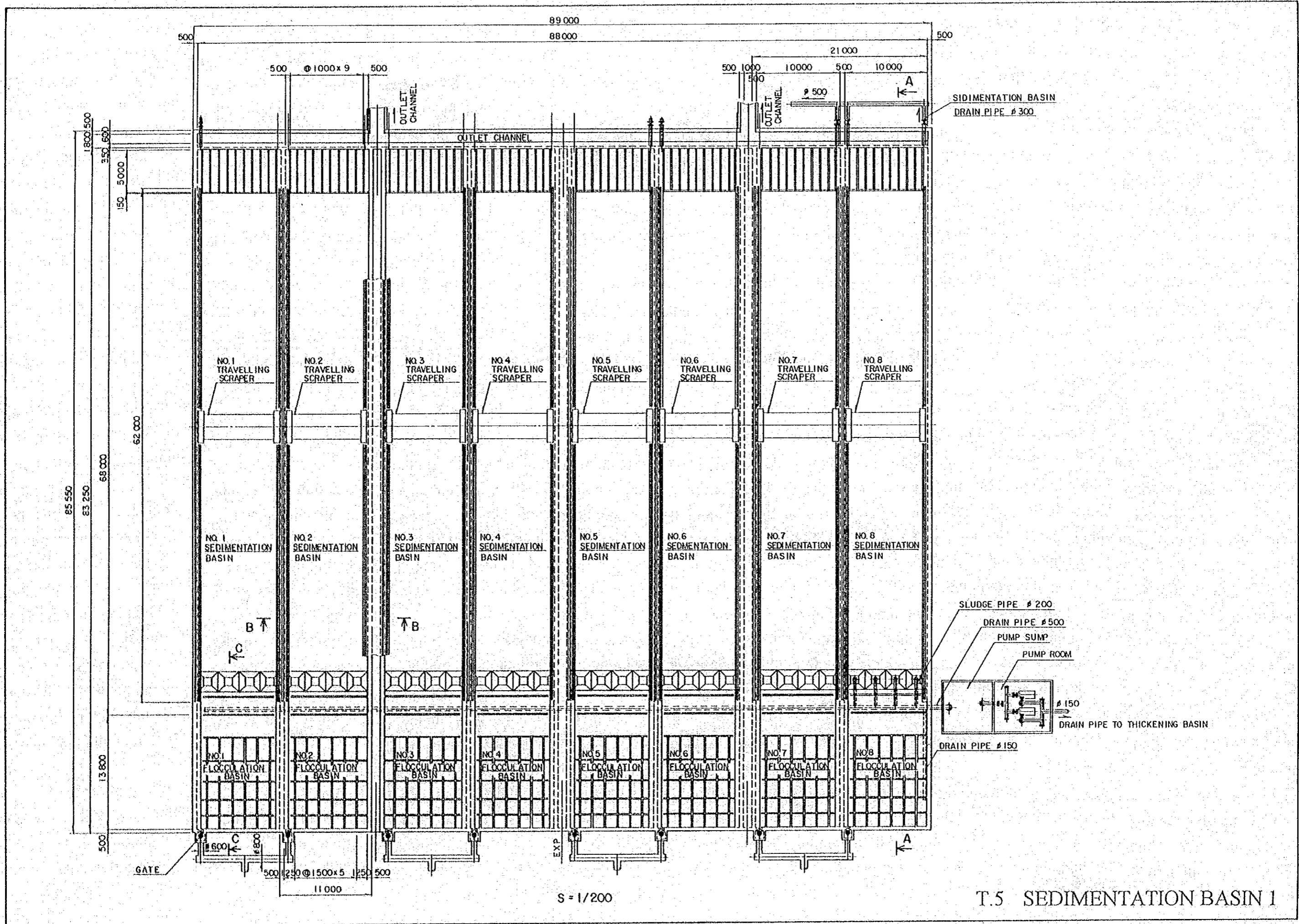
LIME DOSING FACILITY



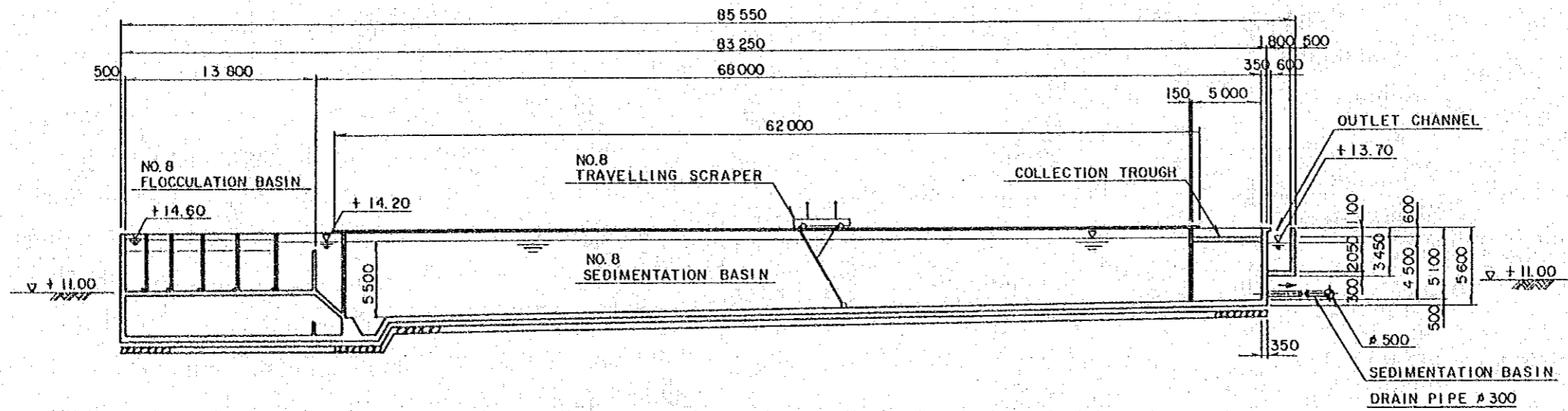
CHLORINATION FACILITY



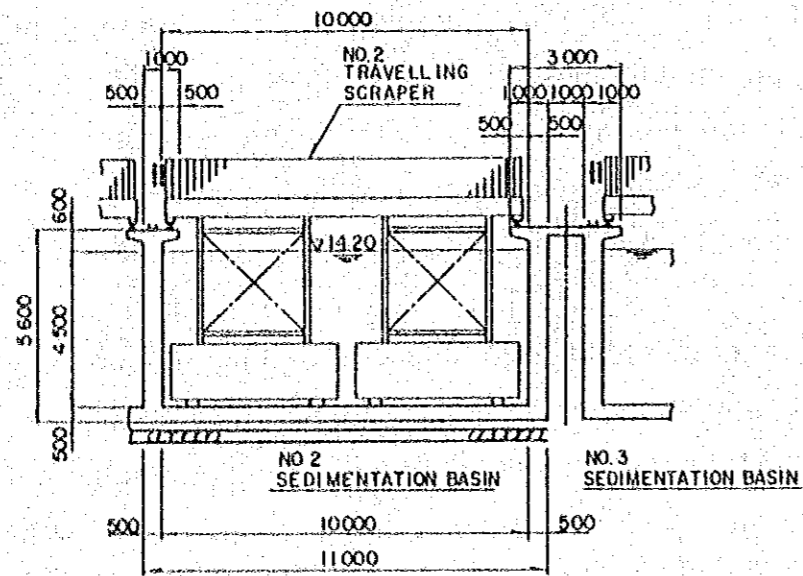
ALUM DOSING FACILITY



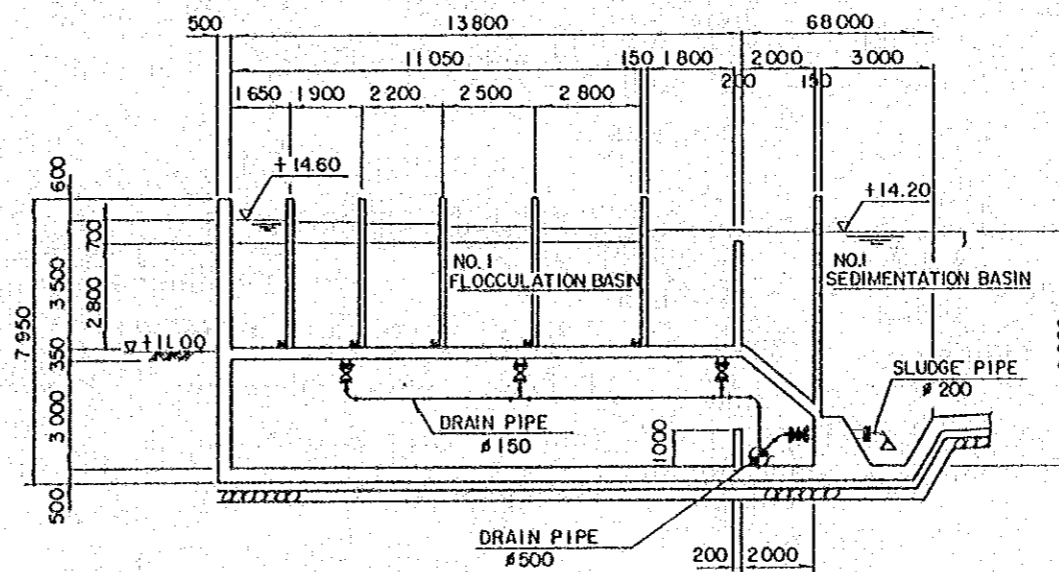
T.5 SEDIMENTATION BASIN 1



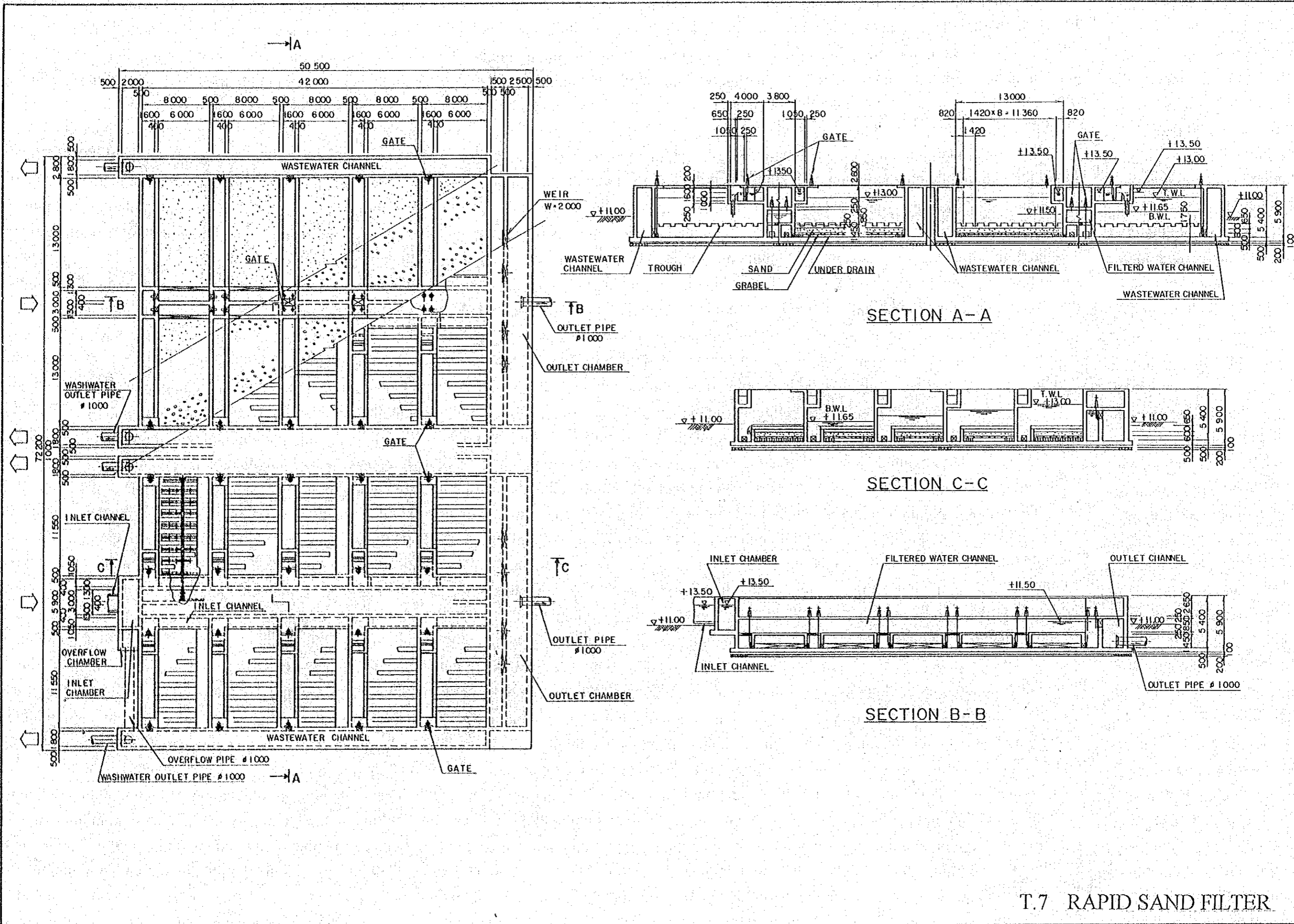
SECTION A-A s=1/200



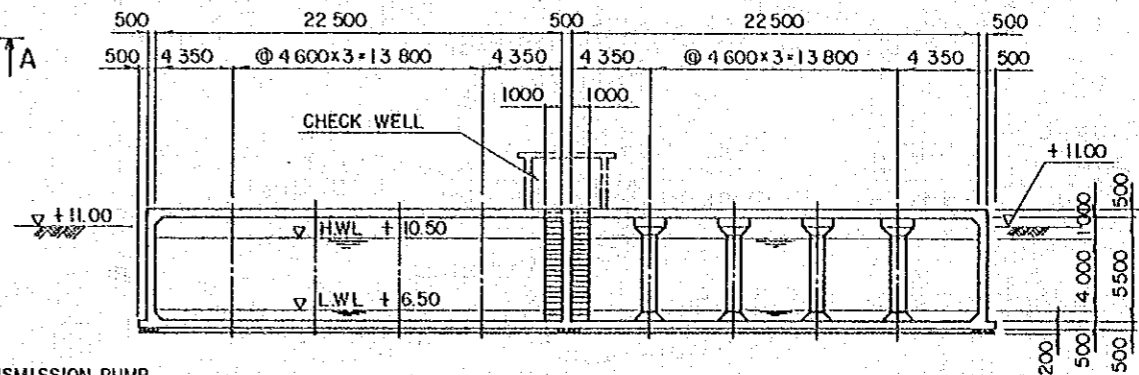
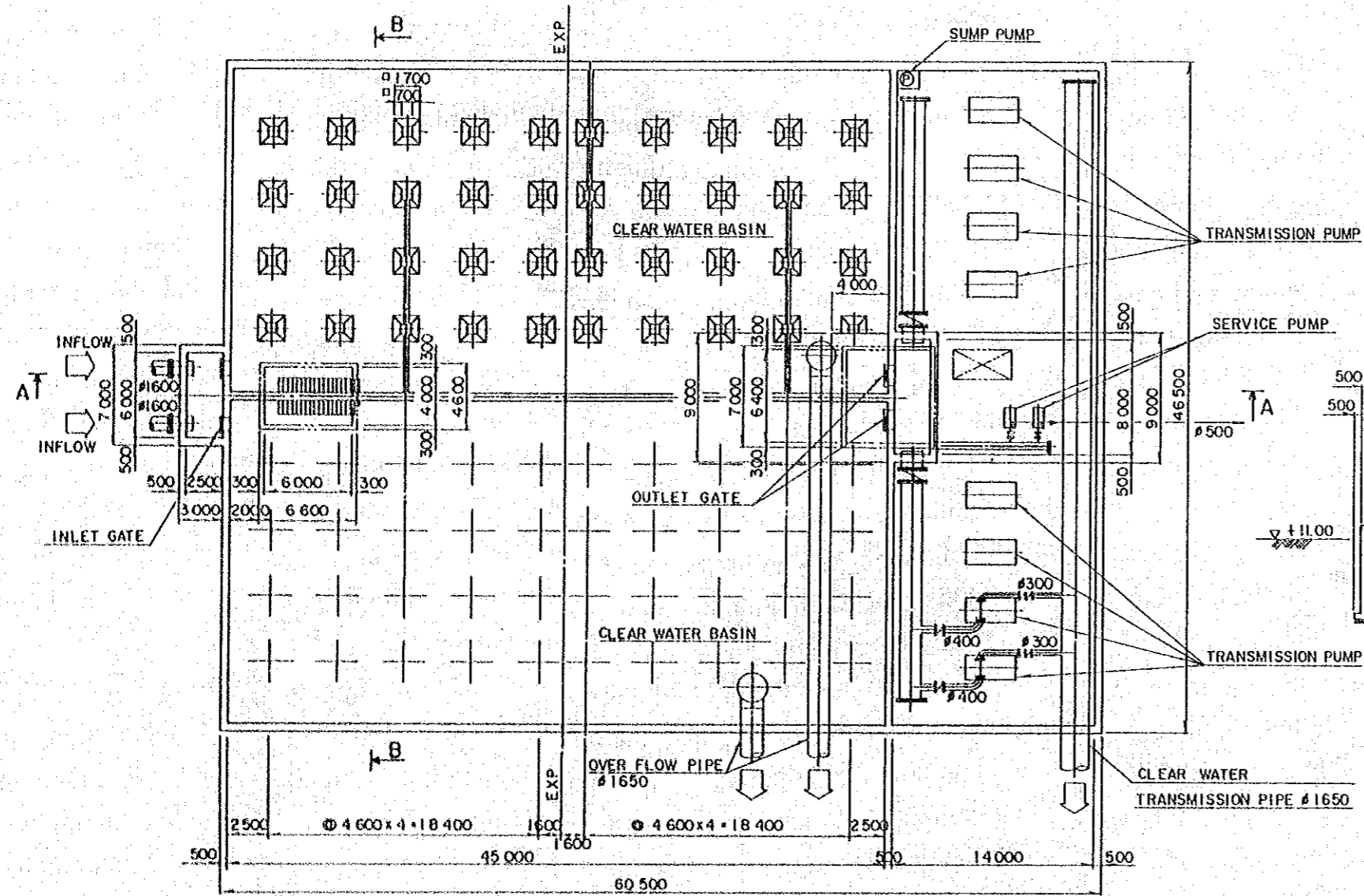
SECTION B-B (s=1/100)



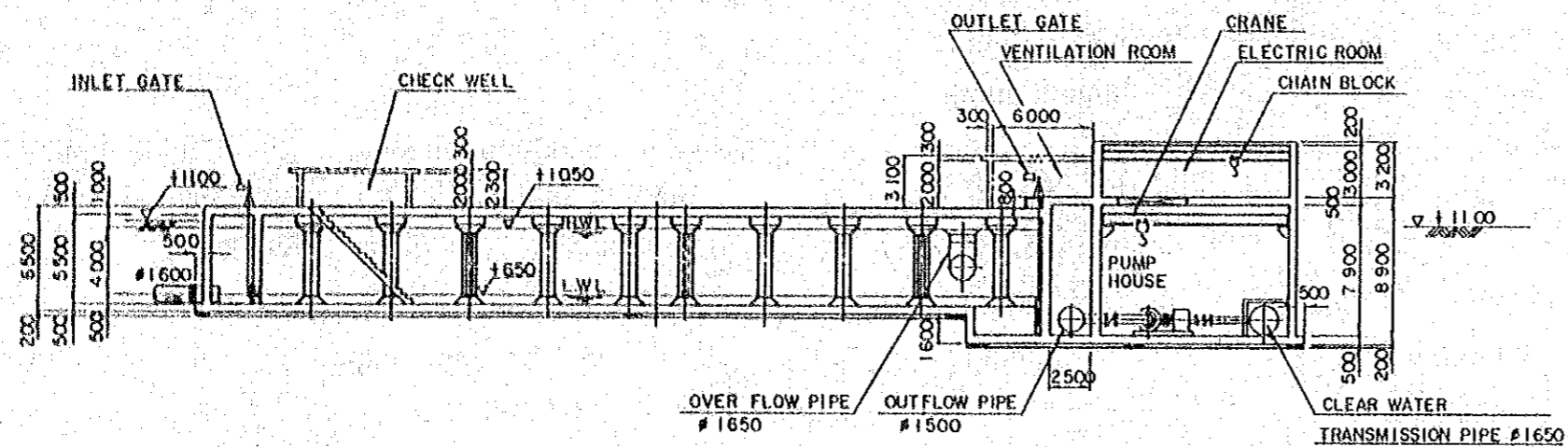
SECTION C-C (s=1/100)



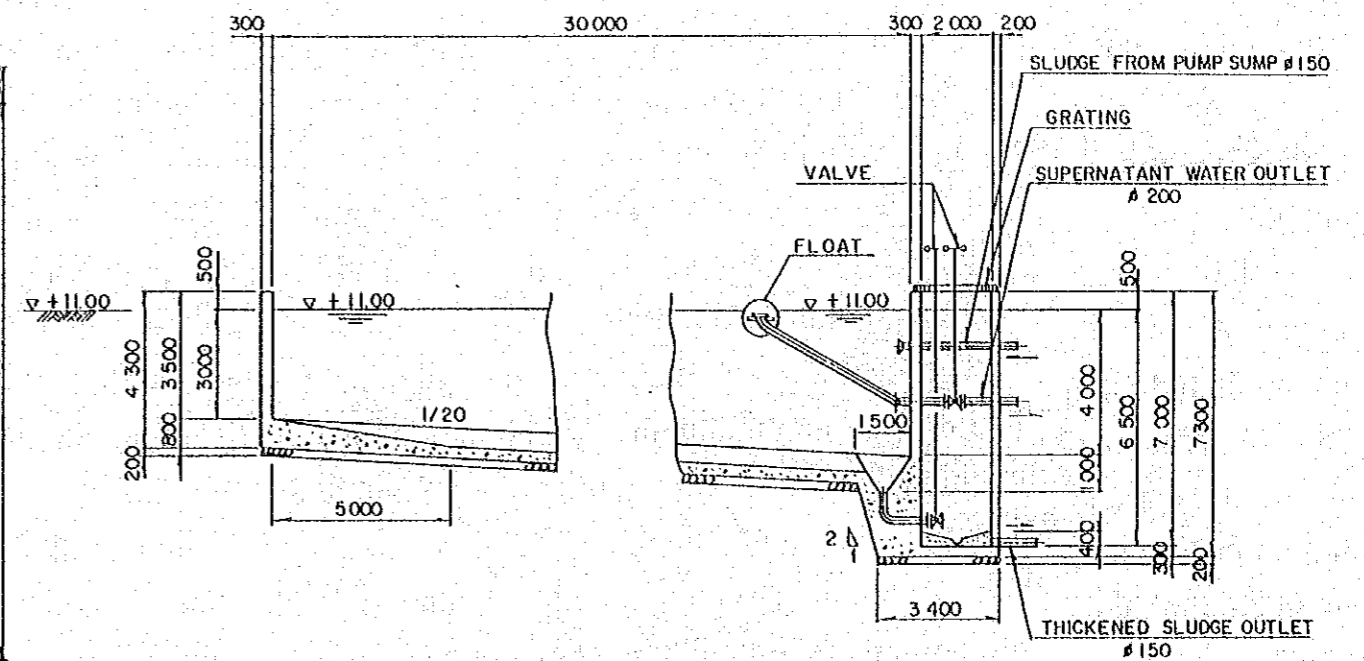
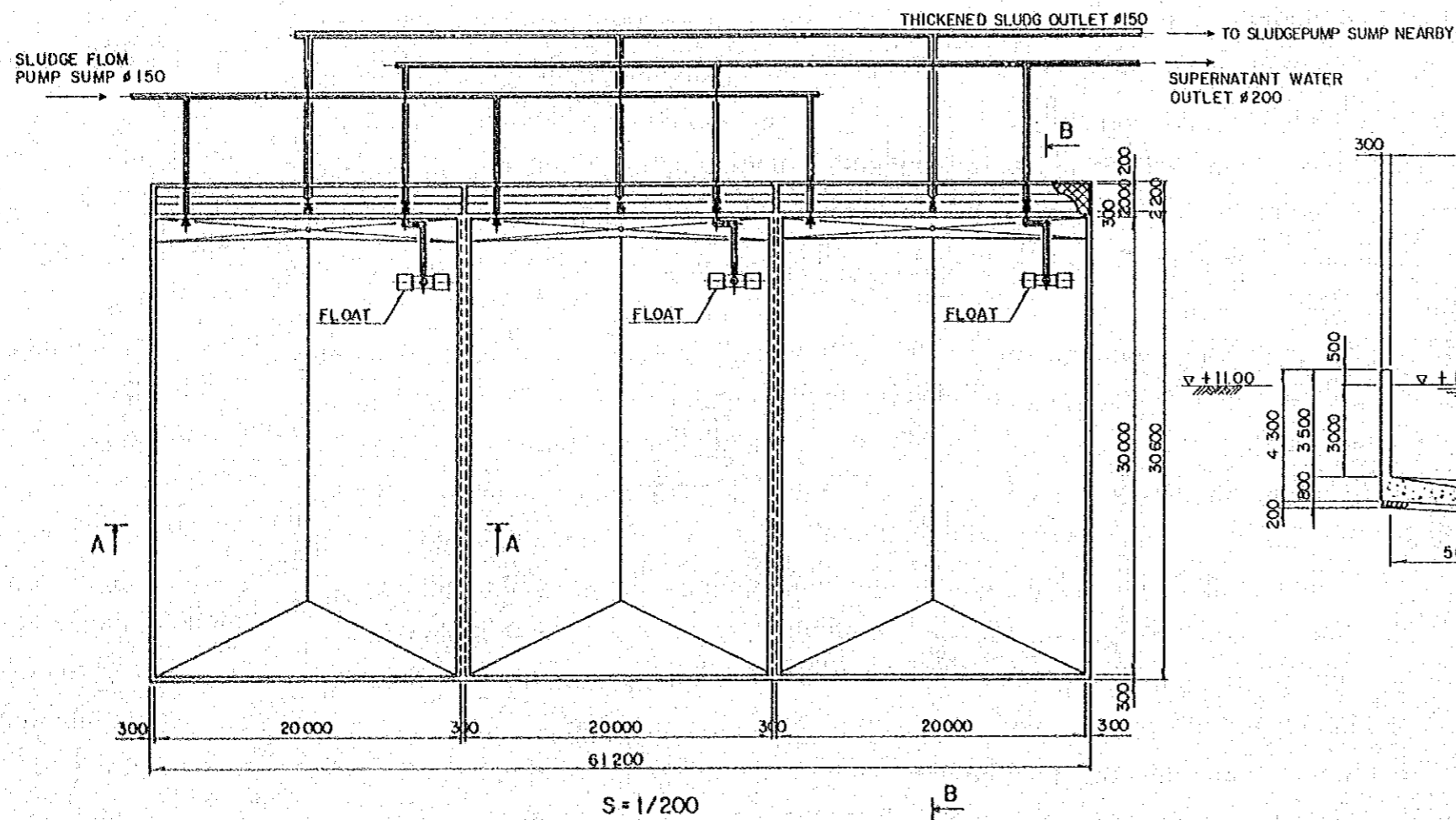
T.7 RAPID SAND FILTER



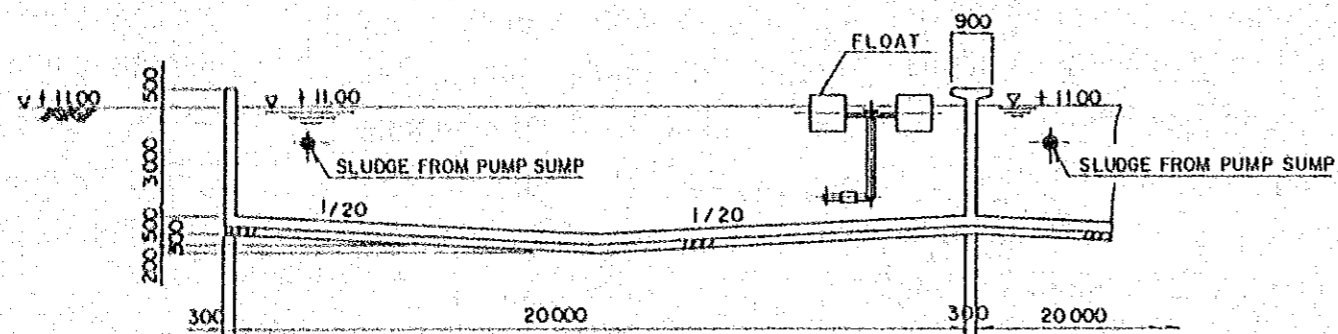
SECTION B-B



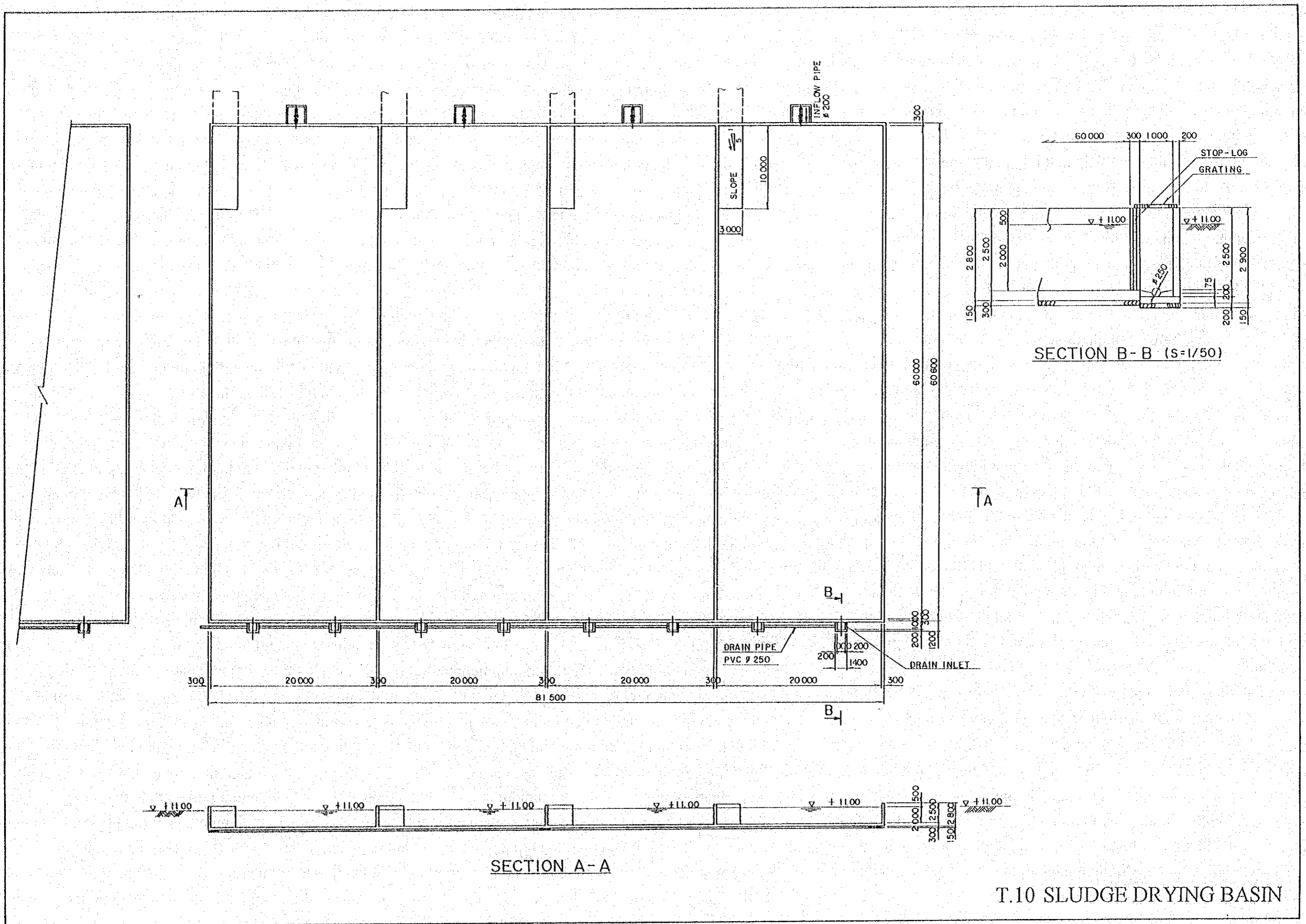
SECTION A-A



SECTION B - B (S=1/100)

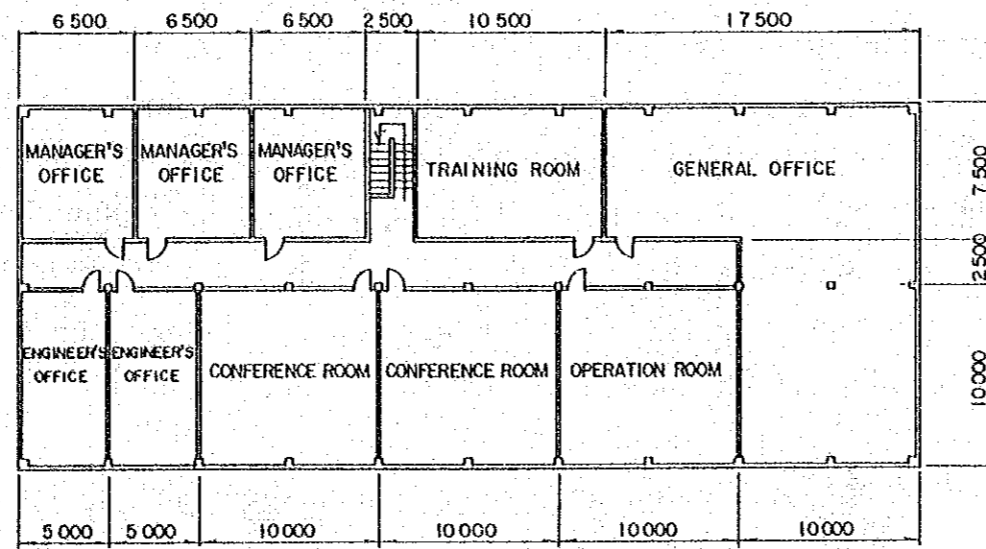


SECTION A - A (S=1/100)

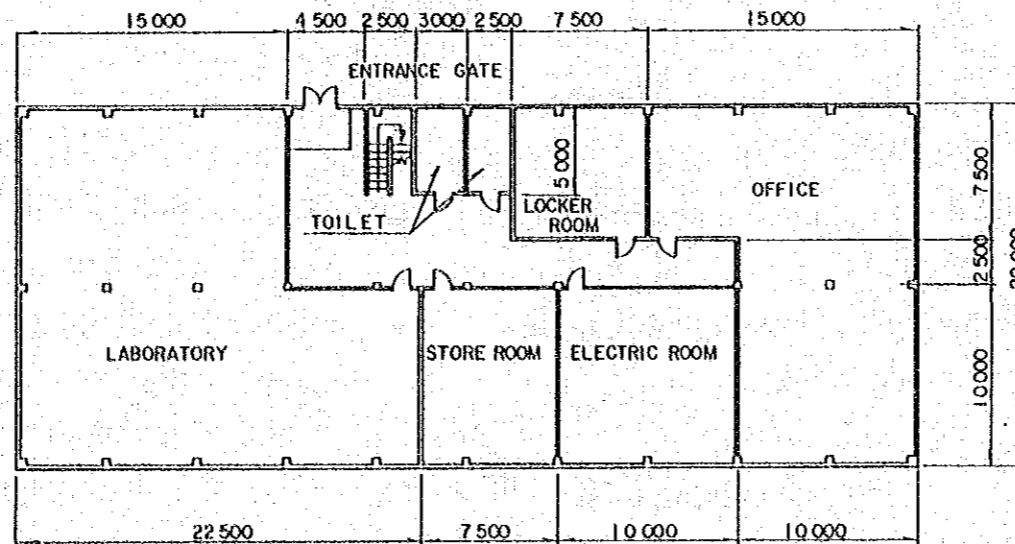


T.10 SLUDGE DRYING BASIN

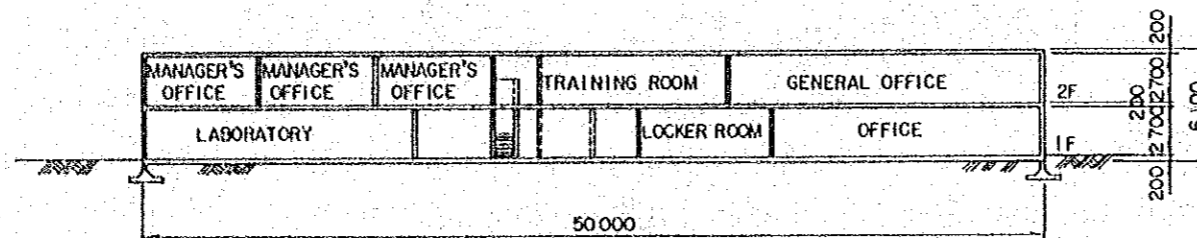




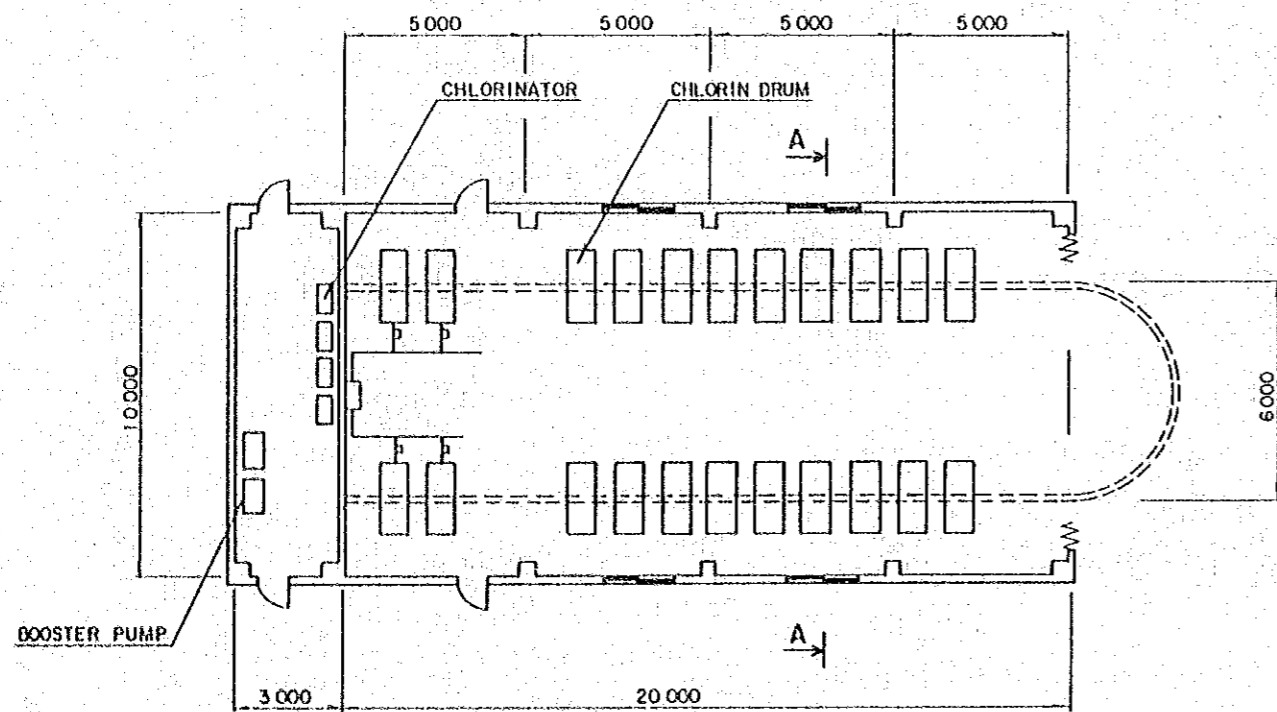
2F



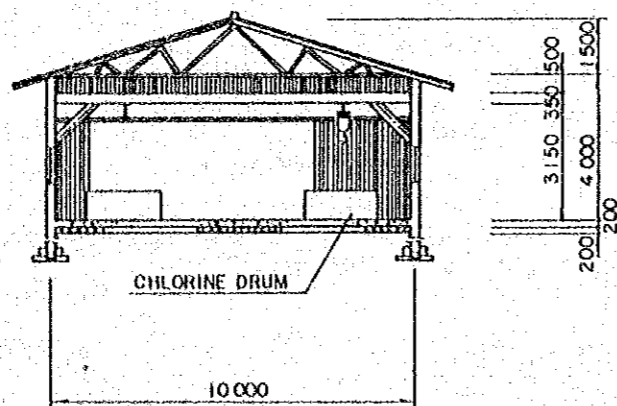
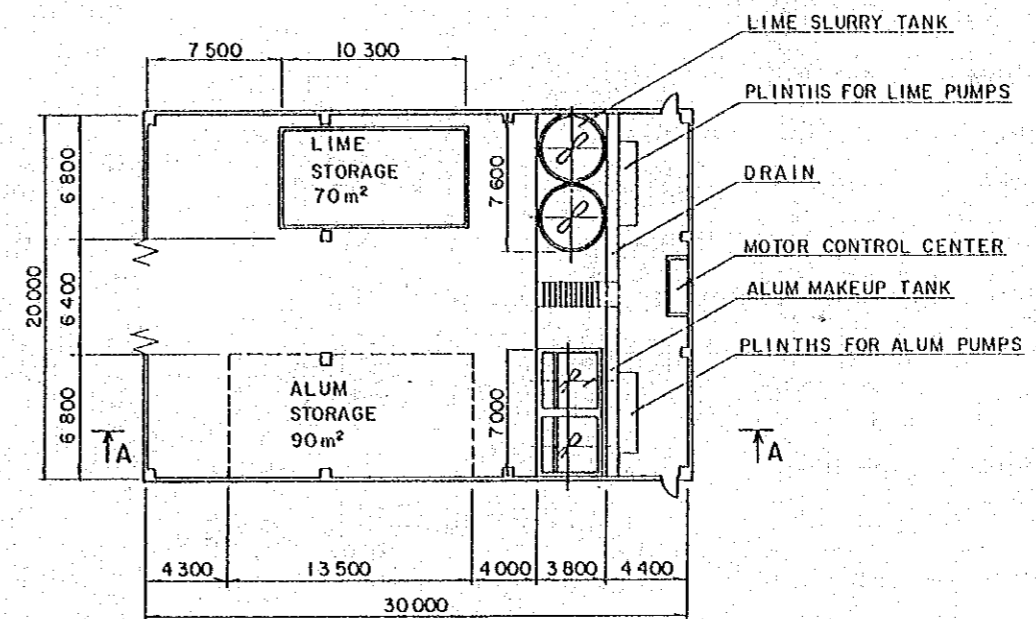
1F



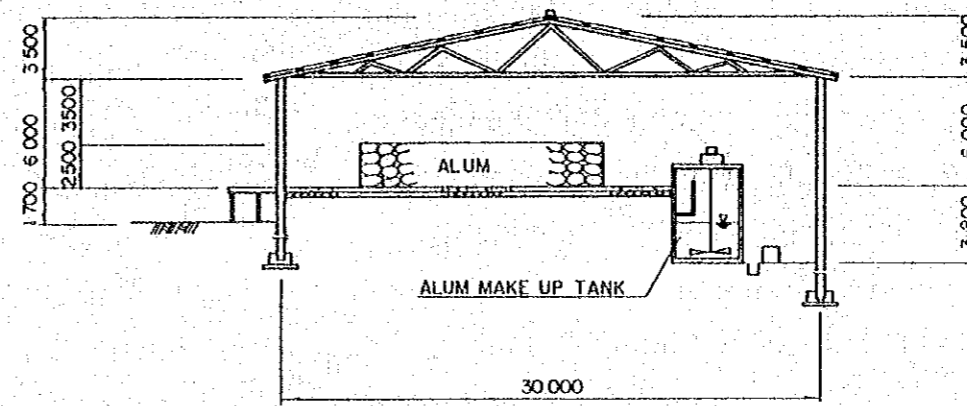
CROSS SECTION



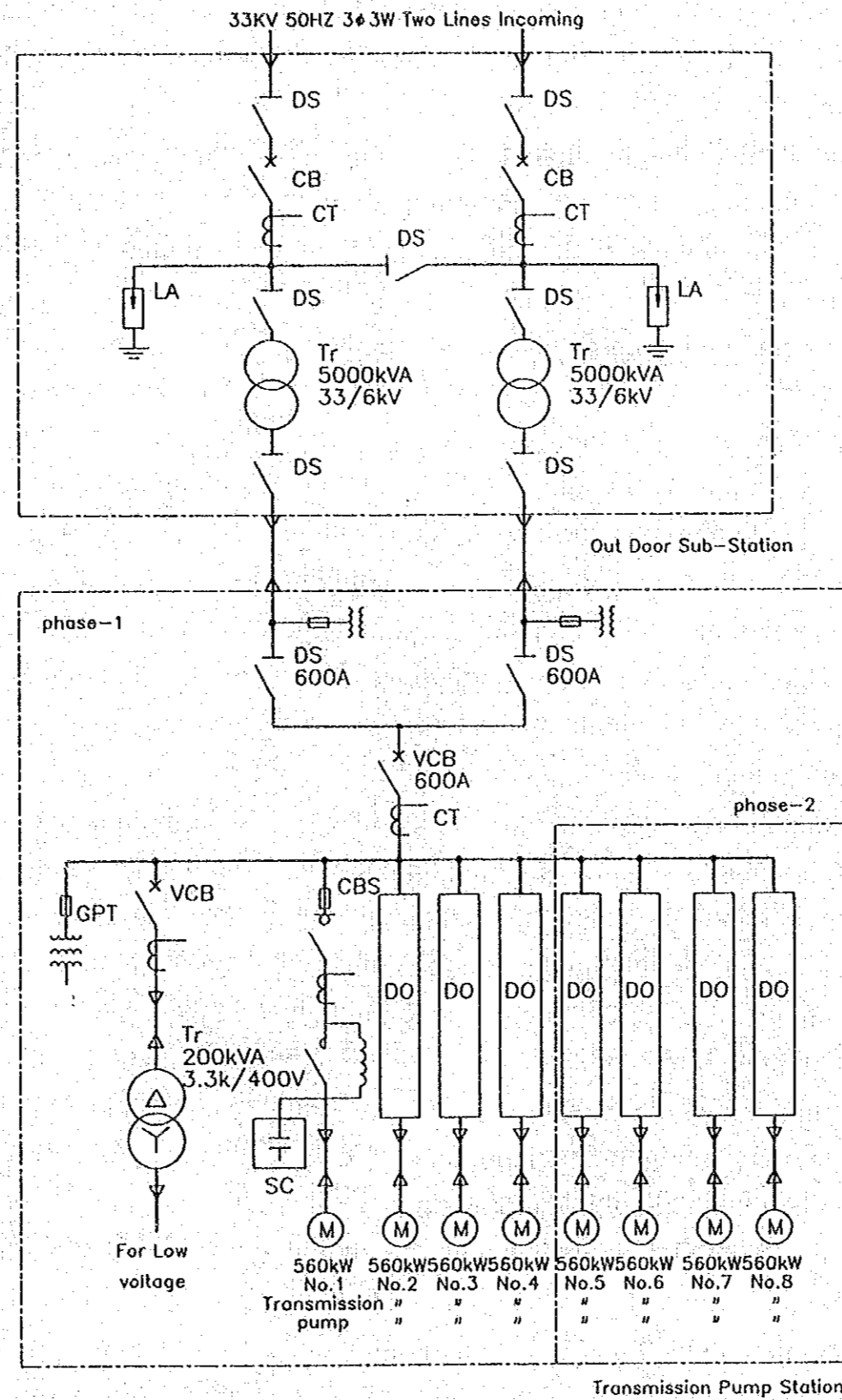
CHLORINE HOUSE s = 1/100



SECTION A - A

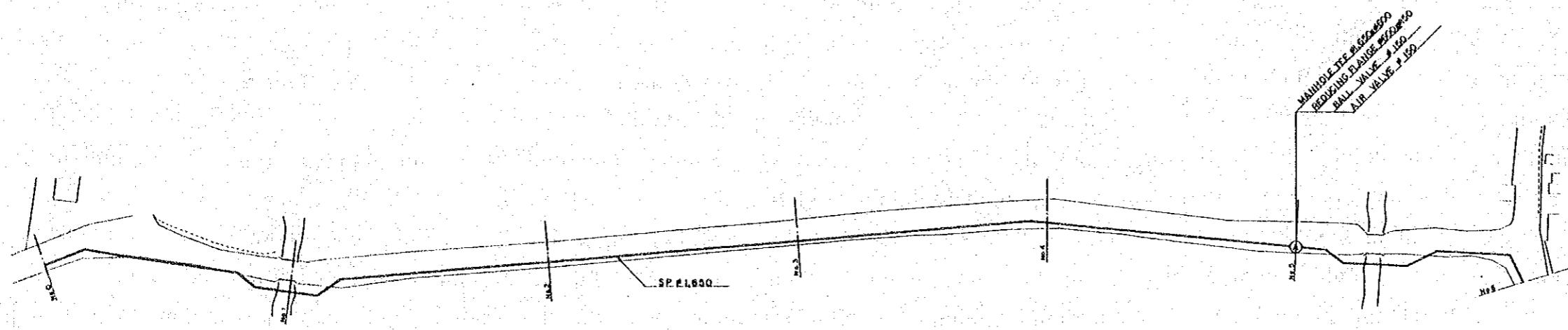


SECTION A - A

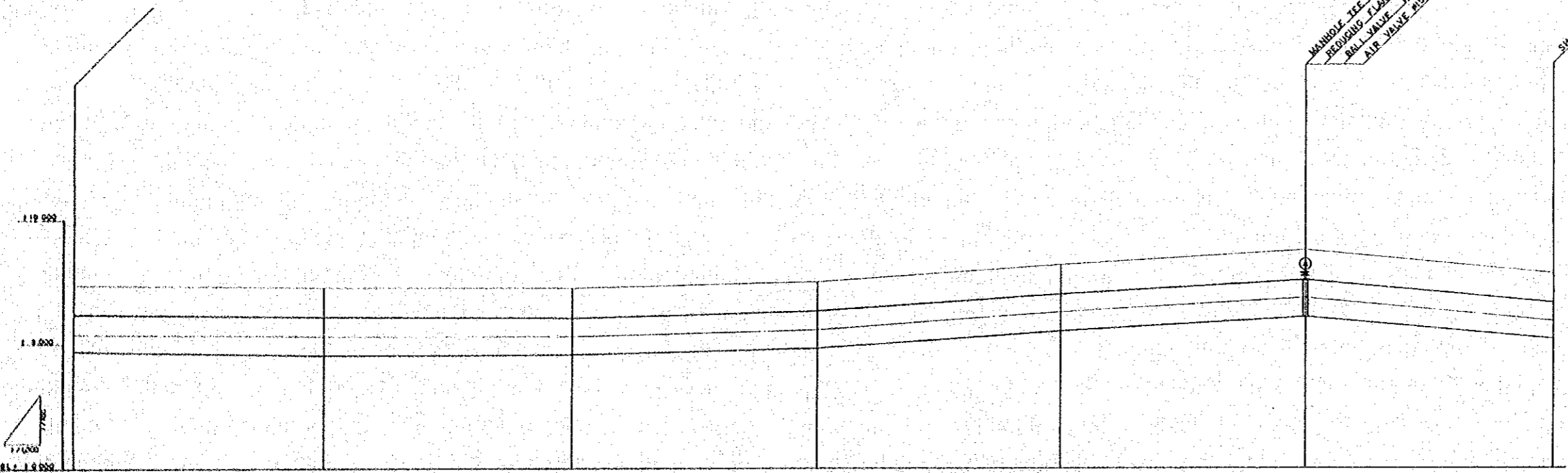


WTP Single Line Diagram

# CLEAR WATER TRANSMISSION MAIN 1



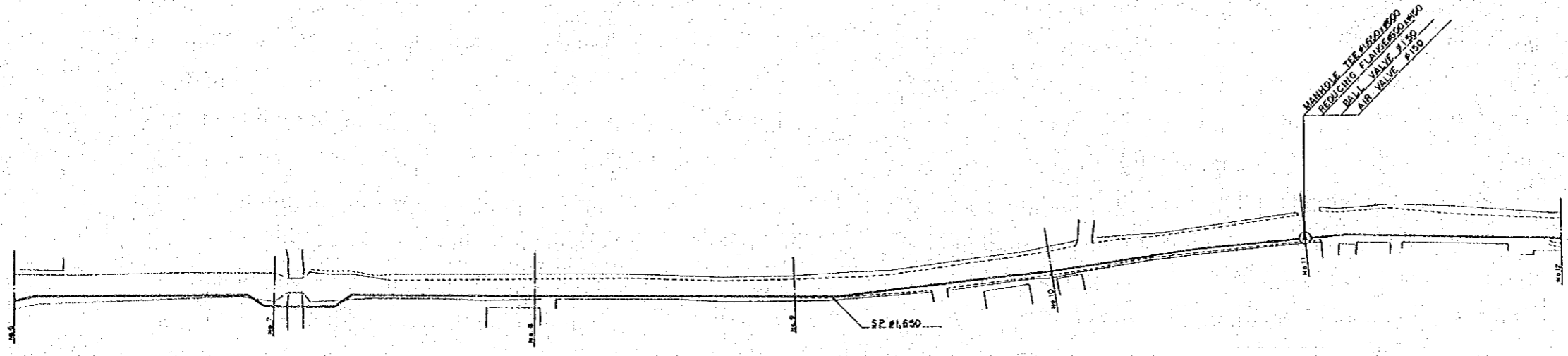
PLAN SCALE 1:1000



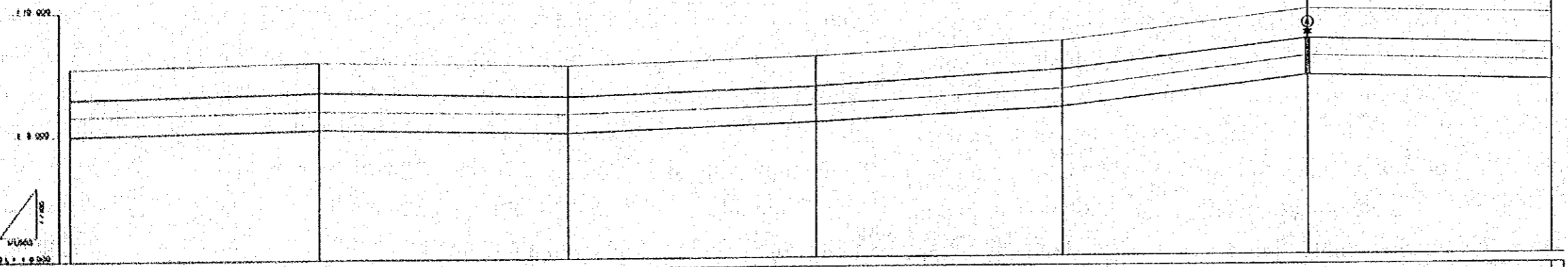
PROFILE SCALE V\*1:100 H\*1:1000

	STEEL PIPE #1.650 L = 3,000m					
THEODOLITE						
WERKBUIDEN	1.20	1.20	1.20	1.20	1.20	1.20
PIPE CENTER	5.38	5.20	5.18	5.42	6.15	6.77
GROUND ELEVATION	7.38	7.22	7.21	7.45	8.16	8.72
TOTAL DISTANCE	0.00	100.00	200.00	300.00	400.00	500.00
DISTANCE	0.00	100.00	200.00	300.00	400.00	500.00
NUMBER OF POINT	0	1	2	3	4	5
		M1.1	M1.2	M1.3	M1.4	M1.5

SHEET No. 2



PLAN SCALE 1:1,000

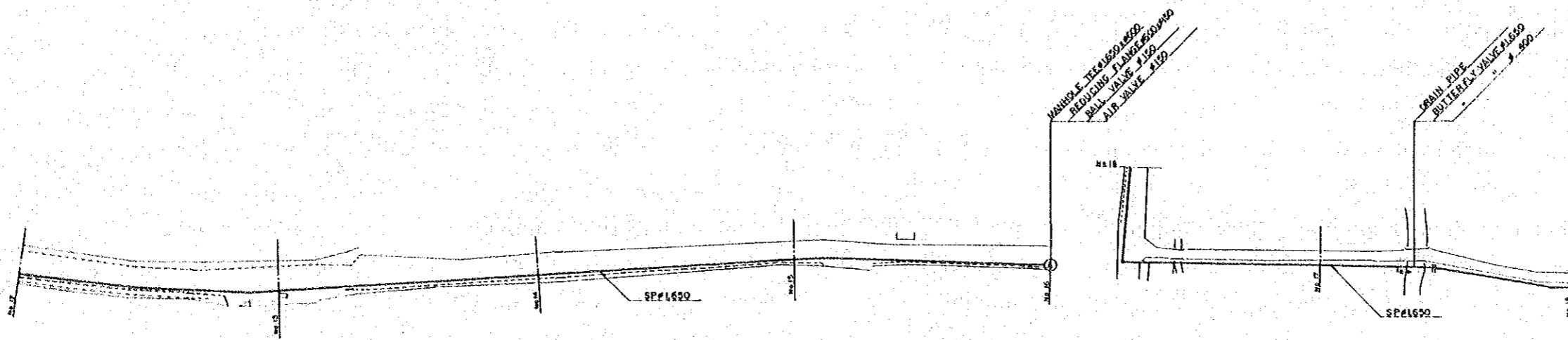


		STEEL PIPE #1,650 L = 3,000m					
WEATHER							
OVERSIGHT	0	1.20	1.10	1.20	1.20	1.20	1.20
PIPE CENTER	2.70	4.34	5.70	6.80	6.84	7.82	7.87
GROUND ELEVATION	7.40	7.97	7.73	6.13	6.65	6.93	6.70
TOTAL DISTANCE	0	100.00	200.00	300.00	400.00	500.00	600.00
DISTANCE	0	100.00	200.00	300.00	400.00	500.00	600.00
NUMBER OF POINT	4	21.7	21.8	21.9	22.0	22.1	22.2

PROFILE SCALE V=1:100 H=1:1000

MANHOLE TEE #1650/1650  
 REDUCING FLANGE #1650/1650  
 BALL VALVE #1650  
 AIR VALVE #1650

SHEET 183

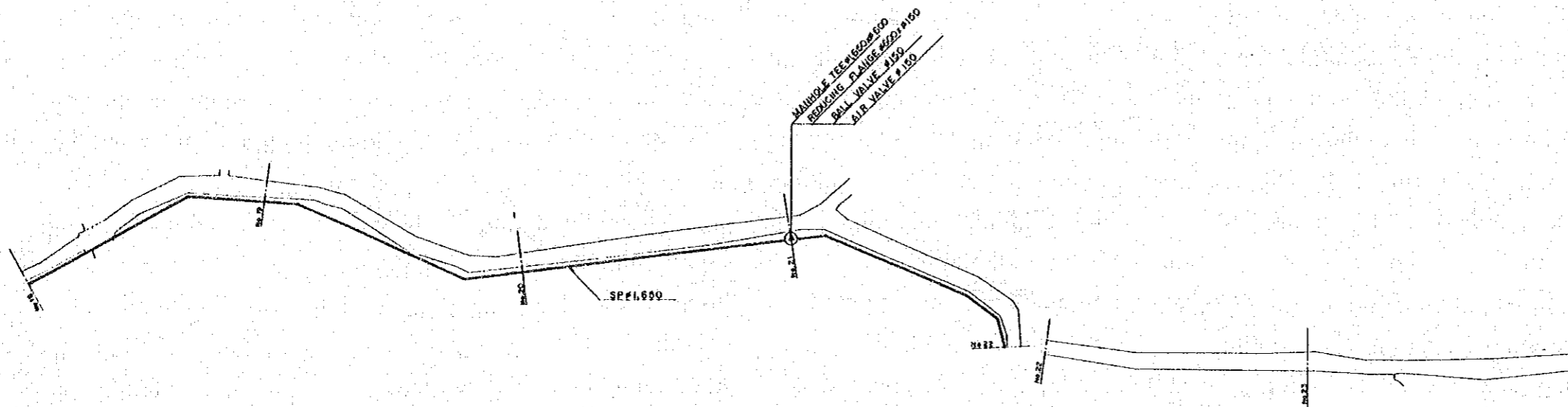


PLAN SCALE 1:1000



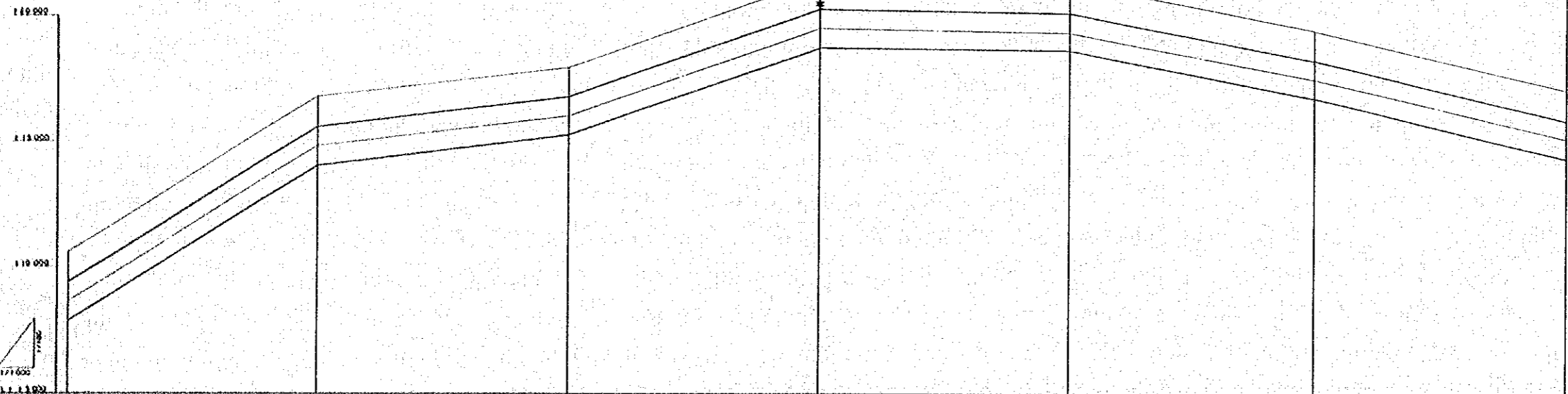
PROFILE SCALE 1:1000

	0+00	1+00	2+00	3+00	4+00	5+00	6+00	7+00
PIPE DIAMETER	STEEL PIPE #1650 Lt 3,000m							
OVERBANDEN	0.00	0.00	1.20	1.20	1.20	1.20	1.20	1.20
PIPE CENTER	0.00	0.00	0.40	0.40	0.40	0.40	0.27	0.40
GROUND ELEVATION	9.72	10.00	10.02	10.04	10.06	11.71	10.30	10.48
TOTAL DISTANCE	0.00	100.00	200.00	300.00	400.00	500.00	600.00	700.00
DISTANCE	0.00	100.00	200.00	300.00	400.00	500.00	600.00	700.00
NUMBER OF POINT	1	2	3	4	5	6	7	8



PLAN SCALE 1:1,000

MANHOLE 125x1650x100  
REMOVING FLANGE #150  
BALL VALVE #150  
AIR VALVE #150

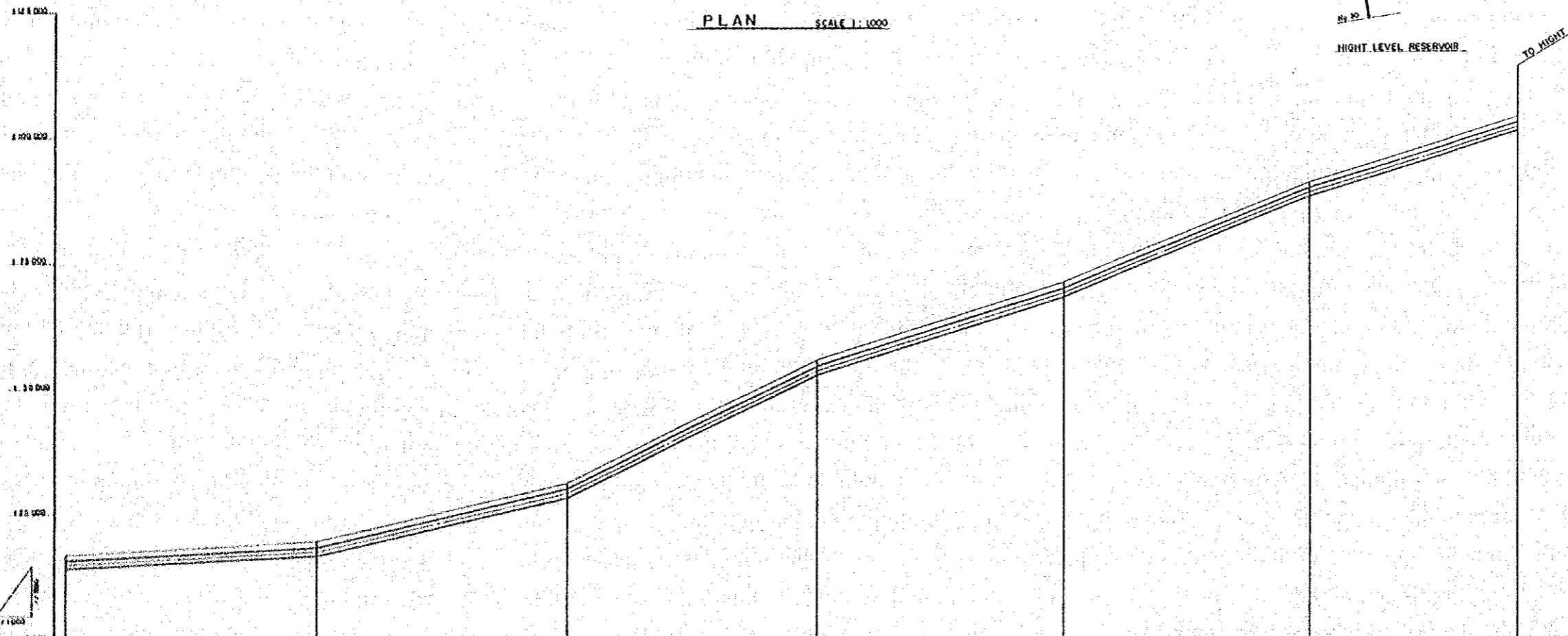
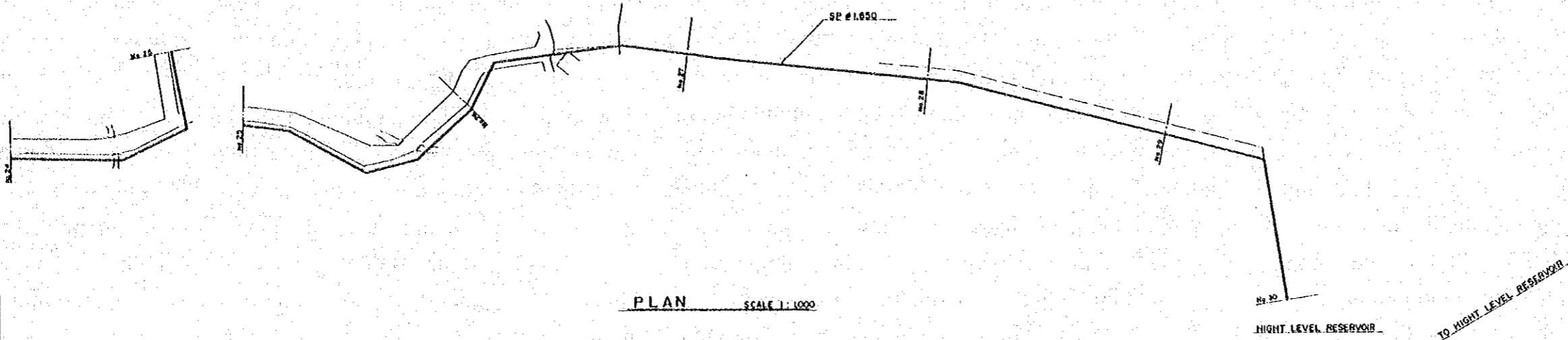


PROFILE SCALE V=1:100 H=1:1,000

PIPE DIAMETER	STEEL PIPE Ø1650 L = 3,000m					
COVER BURDEN	1.20	1.20	1.20	1.20	1.20	1.20
PIPE CENTER	15.76	15.84	16.48	16.29	17.41	15.04
GROUND ELEVATION	116.81	117.97	121.51	121.32	119.44	117.07
TOTAL DISTANCE	0+00-10+00	10+00-20+00	20+00-30+00	30+00-40+00	40+00-50+00	50+00-60+00
DISTANCE	00	10000	20000	30000	40000	50000
NUMBER OF POINT	14	16	18	22	23	24

SHEET No. 5

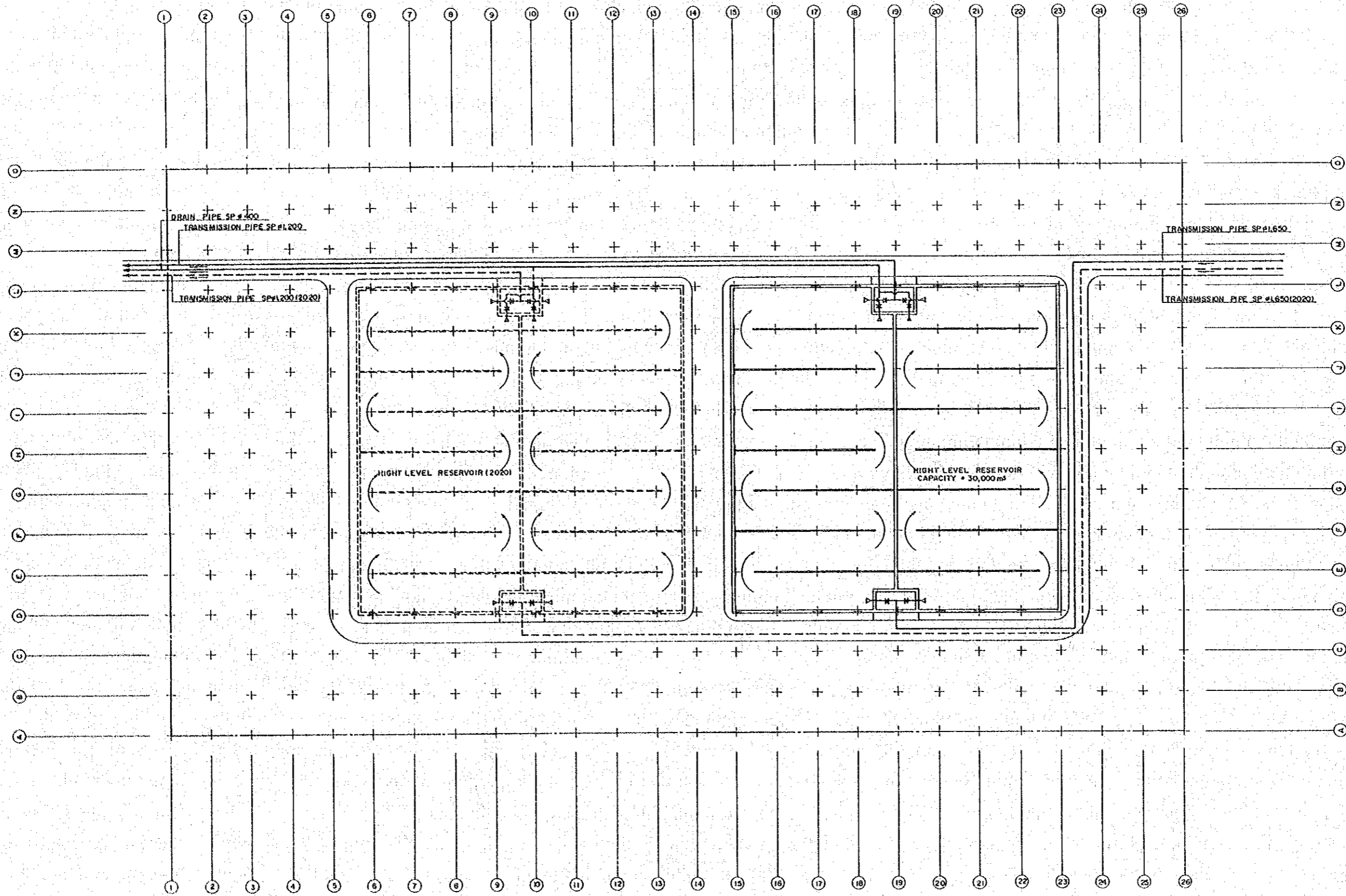




		STEEL PIPE #1.650 L=3000m					
PIPE DIAMETER	mm	1650					
OVER BURDEN	mm	120	120	120	120	120	120
PIPE CENTER	mm	118000	119000	121000	123000	125000	127000
GROUND ELEVATION	mm	118500	119500	121500	123500	125500	127500
TOTAL DISTANCE	mm	0	100000	200000	300000	400000	500000
DISTANCE	mm	0	100000	200000	300000	400000	500000
NUMBER OF POINT		No. 25	No. 26	No. 27	No. 28	No. 29	No. 30

PROFILE SCALE V:1:800 H:1:1000

# HIGH LEVEL RESERVOIR



H.1 LAYOUT