

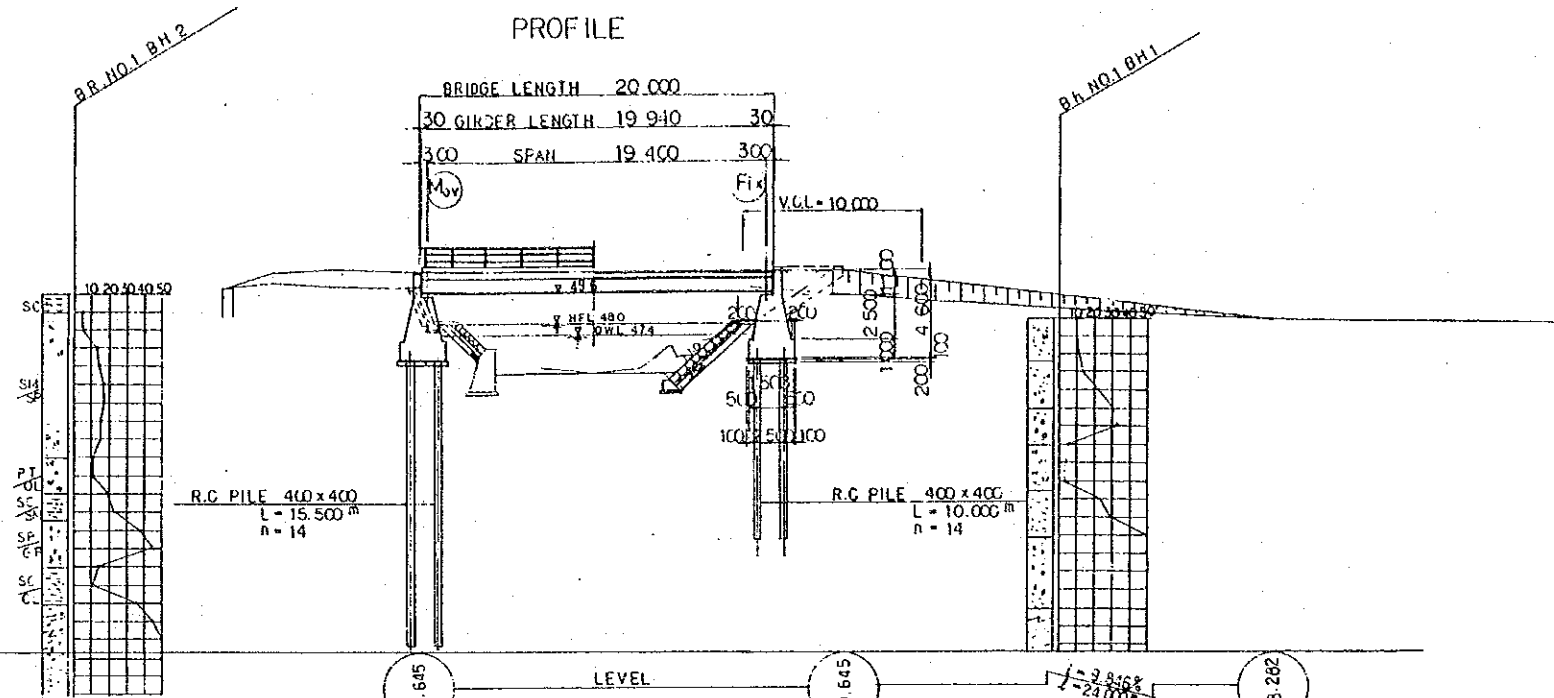
7. Basic Design Drawings

PROJECT SITE

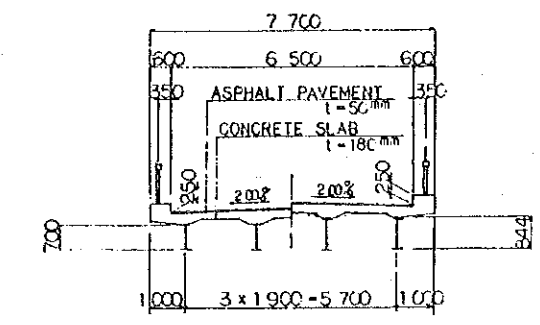


THE DEMOCRATIC SOCIALIST REPUBLIC OF SRI LANKA			
BASIC DESIGN STUDY ON IRDP(II) IN GAMPAHA DISTRICT			
PROJECT SITE			
DATE	Feb 1994	NO.	1
JAPAN INTERNATIONAL COOPERATION AGENCY			

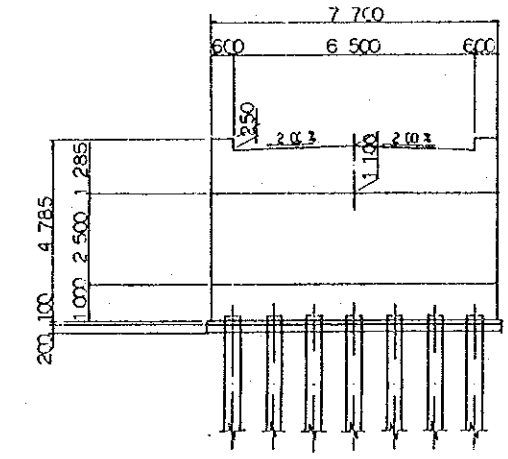
GENERAL PLAN SCALE 1:200



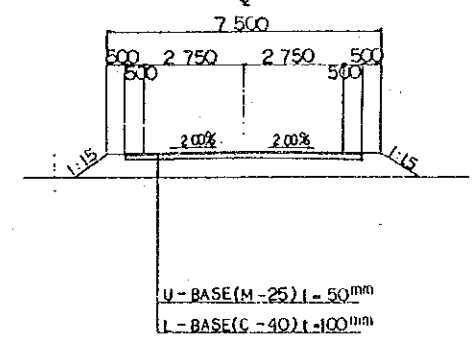
CROSS SECTION SCALE 1:100 (COMPOUND BEAM)



ABUTMENT SCALE 1:100

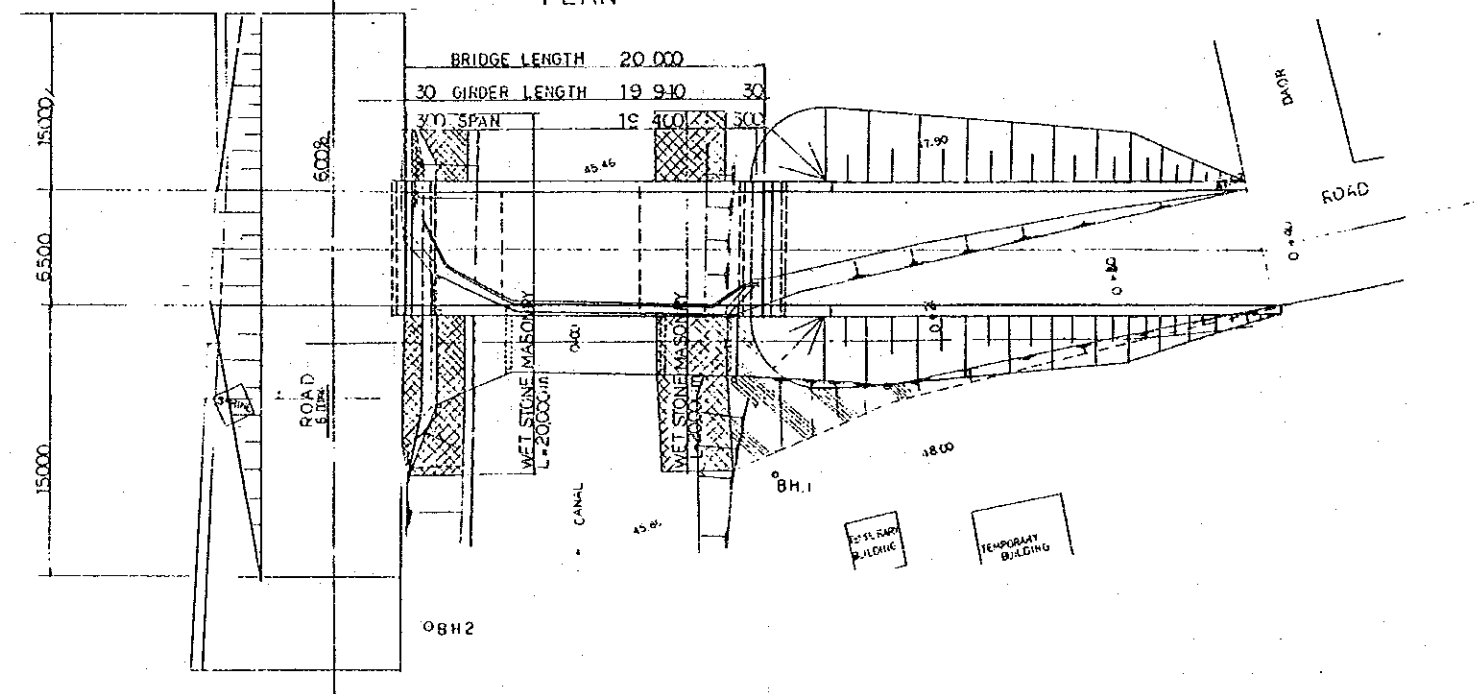


APPROACH ROAD



	DL = 30.000									
GRADE										
PROPOSED HEIGHT										
GROUND HEIGHT										
ACCUMULATED DISTANCE										
DISTANCE										
STATION										
CURVE										

PLAN



✓

BRIDGE No. 1

THE DEMOCRATIC SOCIALIST
REPUBLIC OF SRI LANKA

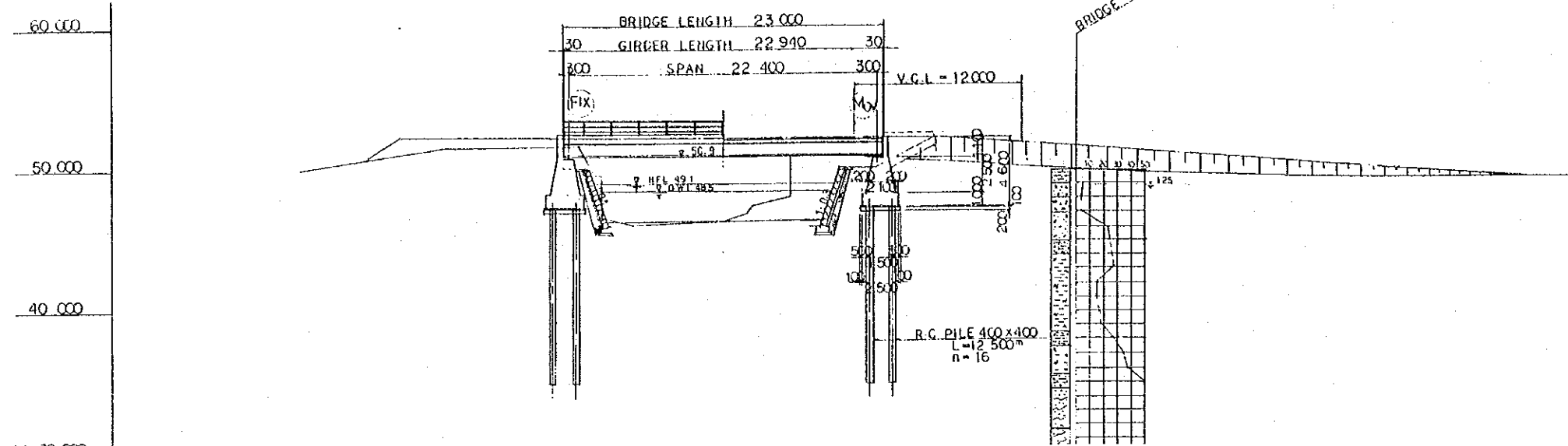
BASIC DESIGN STUDY
ON
IRDP (I) IN GAMPANA DISTRICT

BRIDGE No. 1 GENERAL PLAN

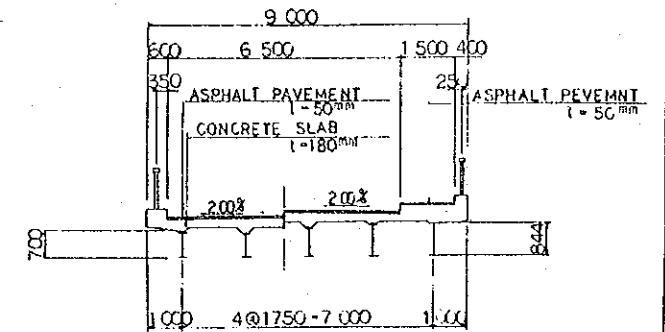
DATE	Feb 1994	NO.	2
------	----------	-----	---

JAPAN INTERNATIONAL COOPERATION AGENCY

GENERAL PLAN PROFILE SCALE 1:200

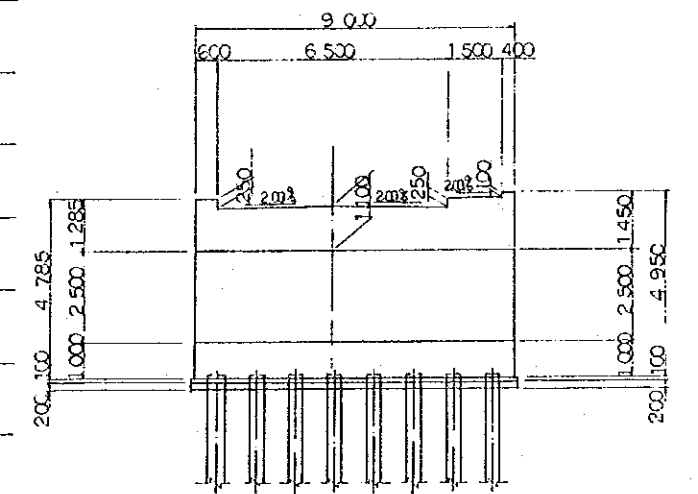


CROSS SECTION SCALE 1:100 (COMPOUND BEAM)

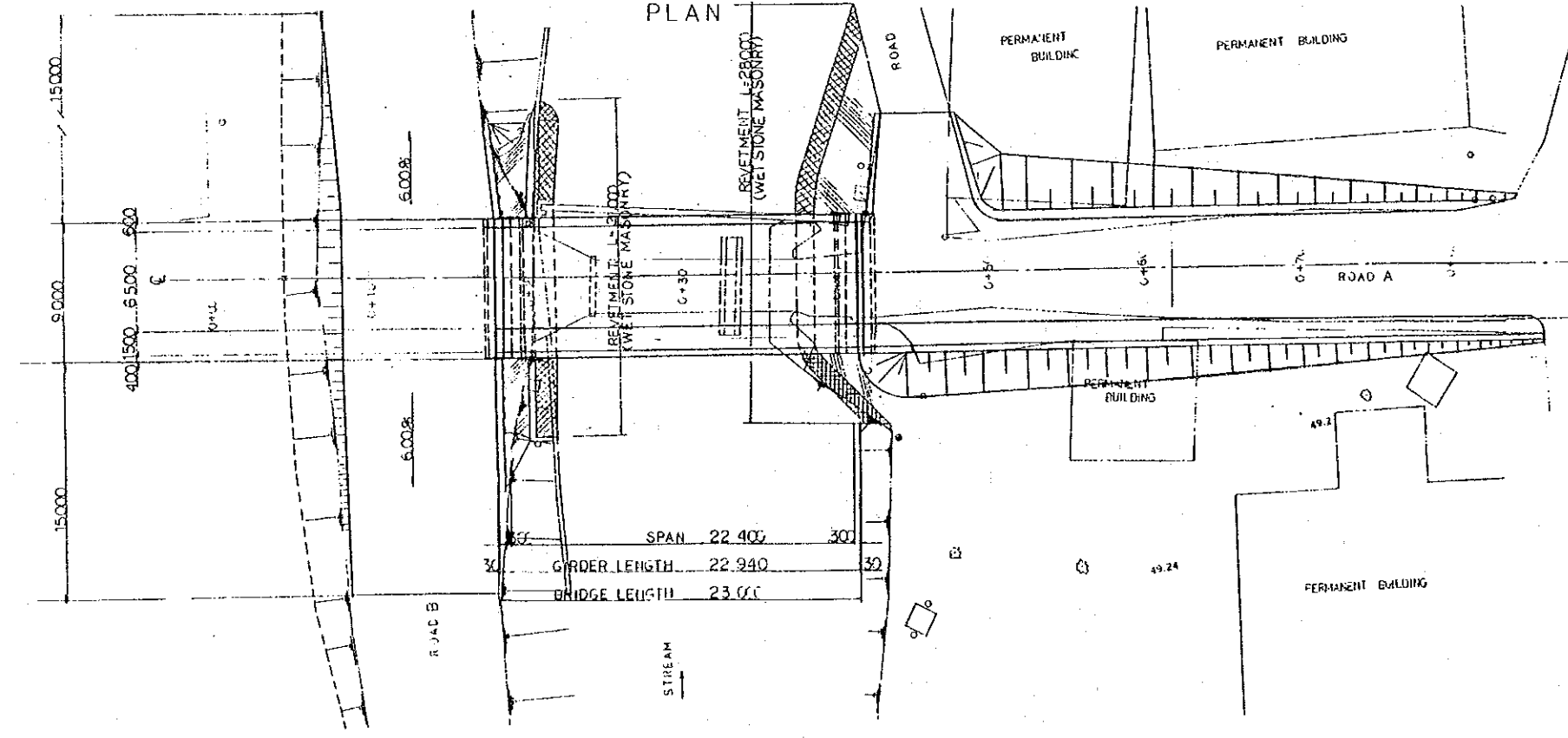


GRADE	LEVEL		LEVEL		LEVEL	
	51.958		51.958		49.438	
PROPOSED HEIGHT						
GROUND HEIGHT						
ACCUMULATED DISTANCE	0.000	10.000	18.500	30.000	40.000	50.000
DISTANCE	0.000	10.000	8.500	10.000	1.500	4.000
STATION	NO. 0	NO. 1	NO. 2	NO. 3	NO. 4	NO. 5
CURVE						

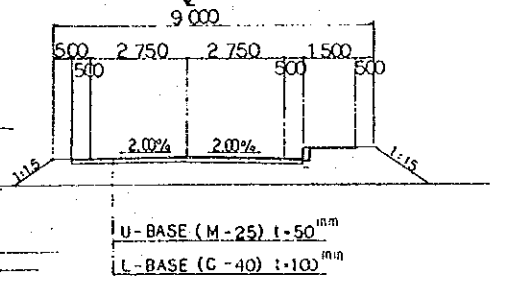
ABUTMENT SCALE 1:100



PLAN



APPROACH ROAD

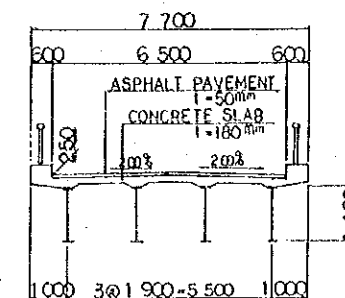
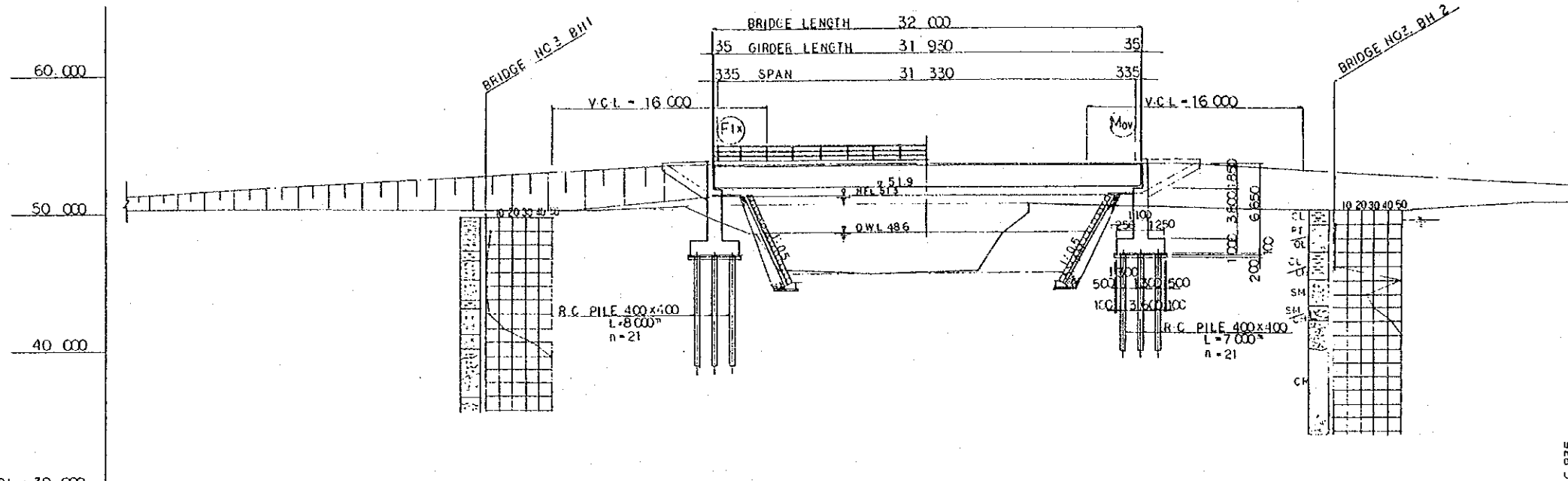


BRIDGE No. 2
 THE DEMOCRATIC SOCIALIST
 REPUBLIC OF SRI LANKA
 BASIC DESIGN STUDY
 ON
 IRDP(II) IN GAMPaha DISTRICT
 BRIDGE No. 2 GENERAL PLAN
 DATE Feb. 1994 NO. 3
 JAPAN INTERNATIONAL COOPERATION AGENCY

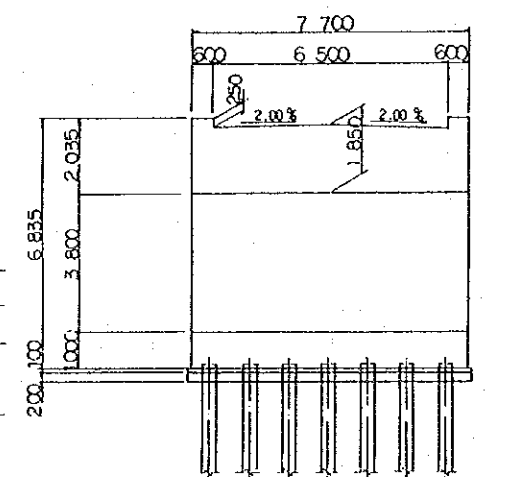
GENERAL PLAN SCALE 1:200

PROFILE

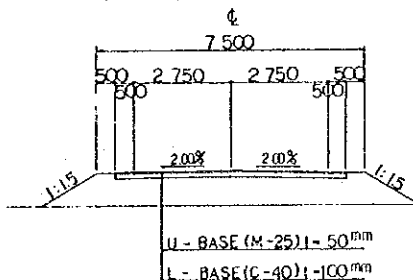
CROSS SECTION SCALE 1:100
(COMPOUND BEAM)



ABUTMENT SCALE 1:100

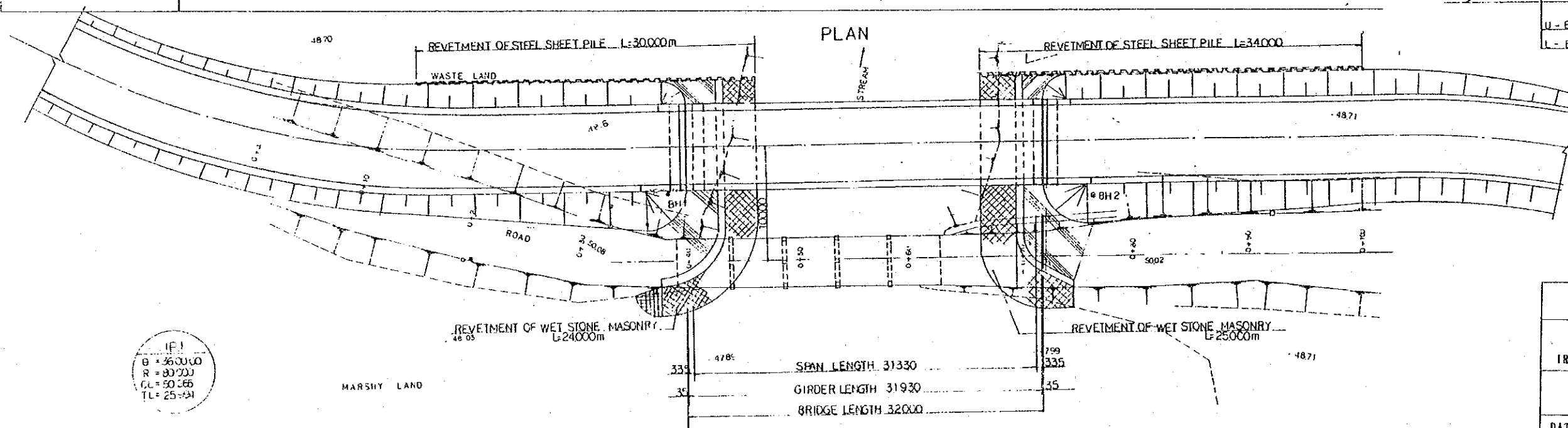


APPROACH ROAD



GRADE	LEVEL												
PROPOSED HEIGHT	53.634												
GROUND HEIGHT	50.074	50.068	50.036	50.078	53.634	50.375	50.391	50.419	50.181	53.634	50.020	50.030	50.614
ACCUMULATED DISTANCE	0.000	5.000	20.000	30.000	36.000	40.000	50.000	60.000	70.000	72.000	76.000	80.000	100.000
DISTANCE	0.000	9.000	10.000	10.000	6.000	4.000	10.000	10.000	10.000	2.000	4.000	6.000	10.000
STATION	NO. 0	NO. 1	NO. 2	NO. 3	NO. 4	NO. 5	NO. 6	NO. 7	NO. 8	NO. 9	NO. 10	NO. 11	NO. 12
CURVE	DL = 30.000												

PLAN

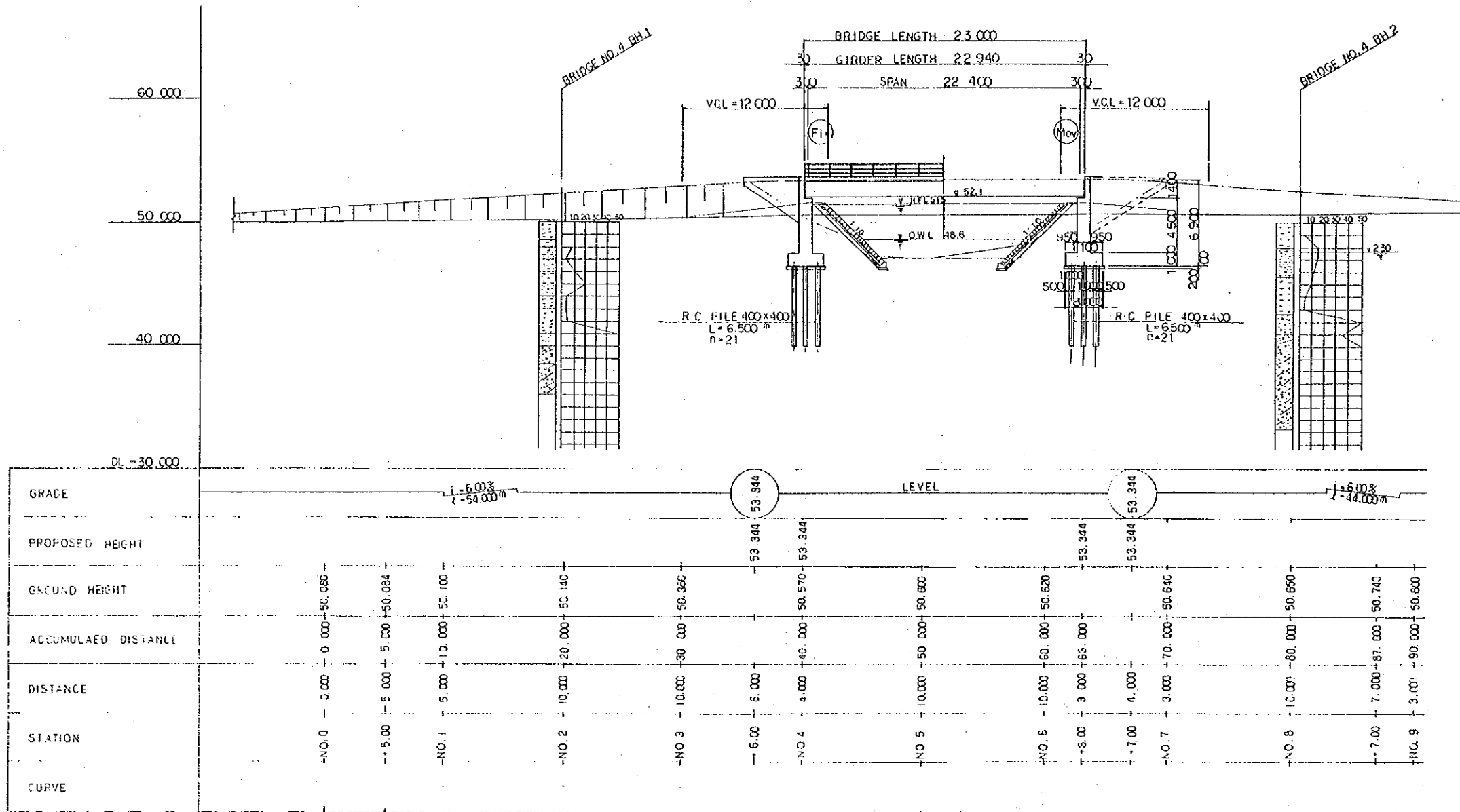


IF1
 θ = 360000
 R = 80000
 CL = 50.266
 TL = 25.341

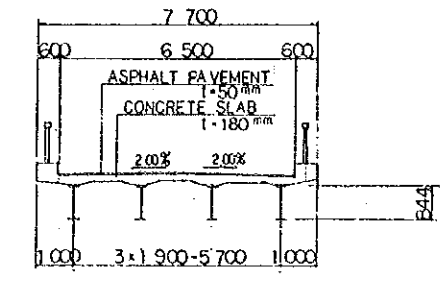
BRIDGE No. 3
 THE DEMOCRATIC SOCIALIST
 REPUBLIC OF SRI LANKA
 BASIC DESIGN STUDY
 ON
 IRDP(II) IN GAMPAHA DISTRICT
 BRIDGE No. 3 GENERAL PLAN
 DATE Feb. 1994 NO. 4
 JAPAN INTERNATIONAL COOPERATION AGENCY

GENERAL PLAN SCALE 1:200

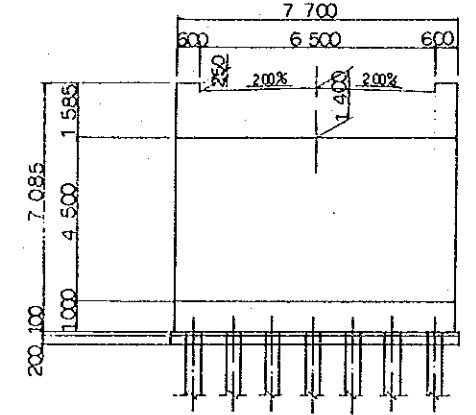
PROFILE



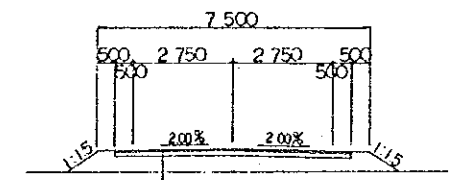
CROSS SECTION SCALE 1:100 (COMPOUND BEAM)



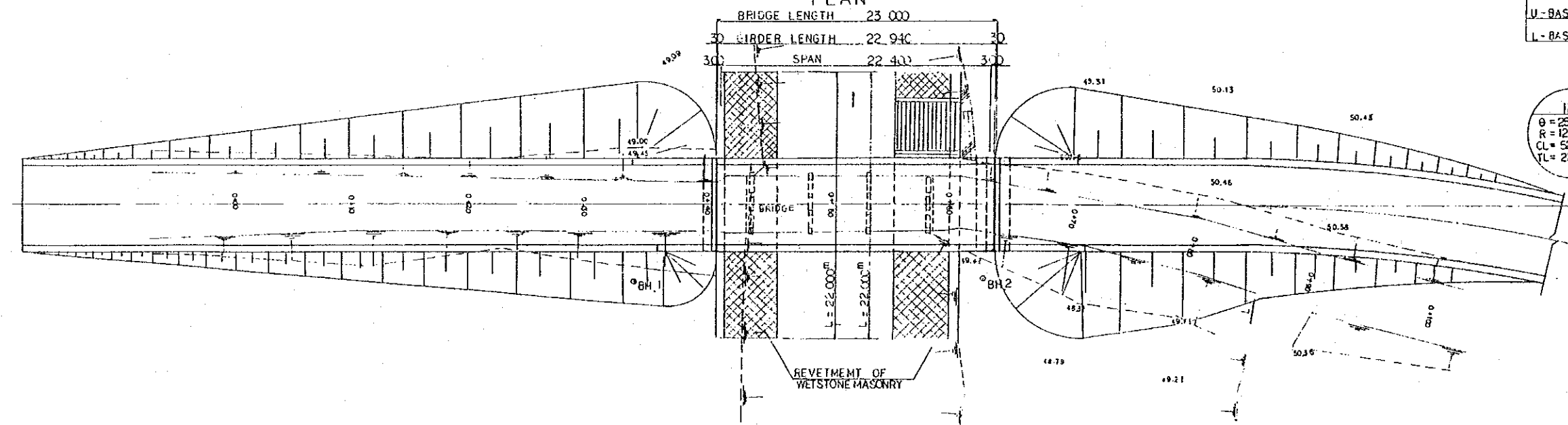
ABUTMENT SCALE 1:100



APPROACH ROAD SCALE 1:100



PLAN

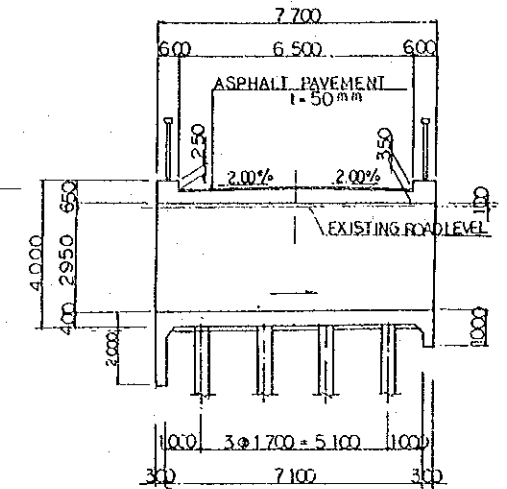
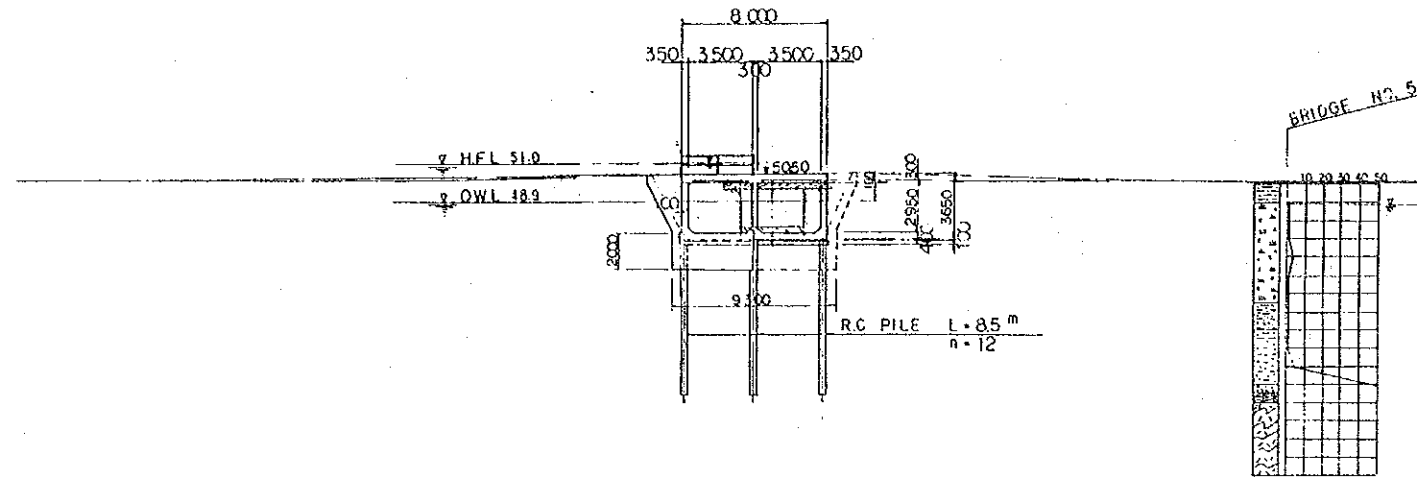
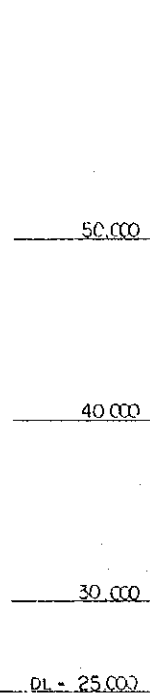


BRIDGE No. 4
 THE DEMOCRATIC SOCIALIST
 REPUBLIC OF SRI LANKA
 BASIC DESIGN STUDY
 ON
 IRDP(E) IN GAMPAHA DISTRICT
 BRIDGE No. 4 GENERAL PLAN
 DATE Feb 1994 NO. 5
 JAPAN INTERNATIONAL COOPERATION AGENCY

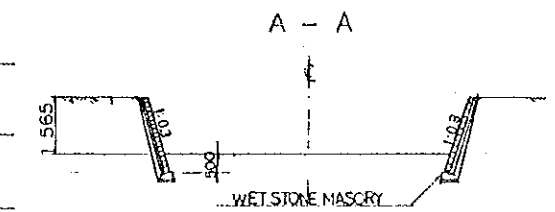
GENERAL PLAN SCALE 1:200

PROFILE

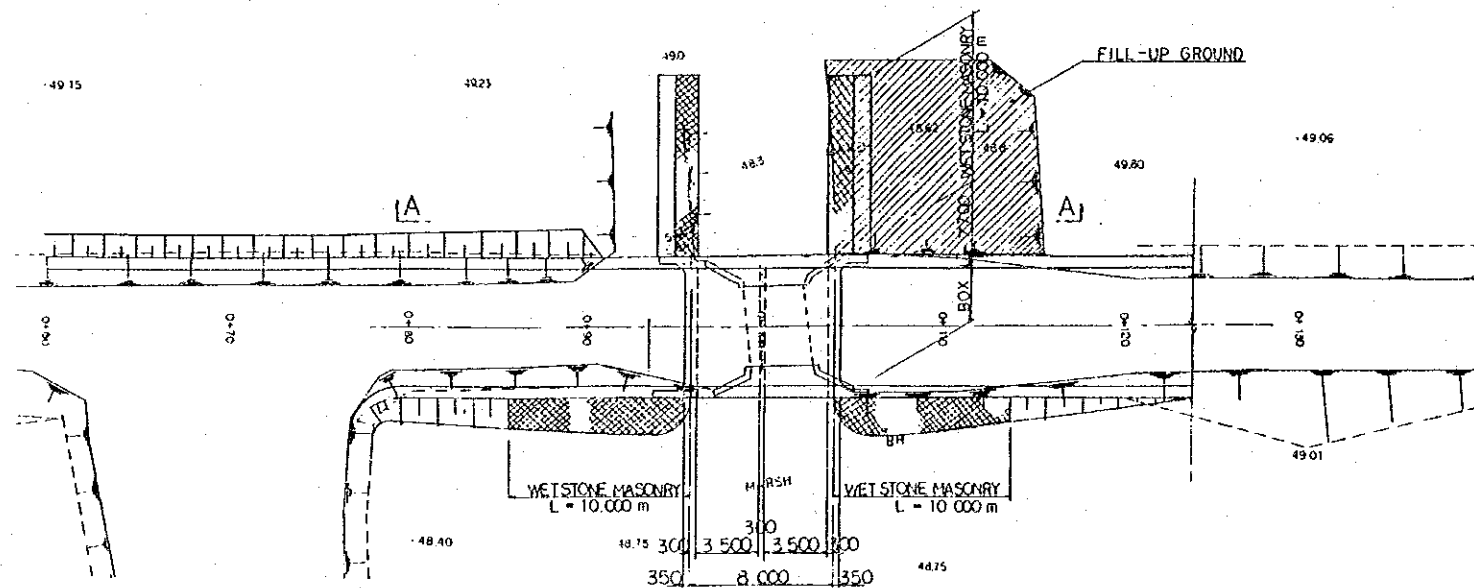
CROSS SECTION SCALE 1:100



GRADE	LEVEL													
PROPOSED HEIGHT	50.100	50.100	50.100	50.100	50.100	50.100	50.100	50.100	50.100	49.140	49.140	49.140	49.140	49.140
GROUND HEIGHT	50.100	50.100	50.120	50.240	50.100	50.130	50.090	50.120	50.110	50.090	50.120	50.110	50.110	50.110
ACCUMULATED DISTANCE	60.000	70.000	80.000	90.000	92.000	96.000	100.000	104.000	108.000	110.000	120.000	124.000	130.000	140.000
DISTANCE		10.000	10.000	10.000	2.000	4.000	4.000	4.000	4.000	2.000	10.000	4.000	6.000	10.000
STATION	NO. 6	NO. 7	NO. 8	NO. 9	+2.00	-6.00	NO. 10	-4.00	-8.00	NO. 11	NO. 12	-4.00	NO. 13	NO. 14
CURVE														

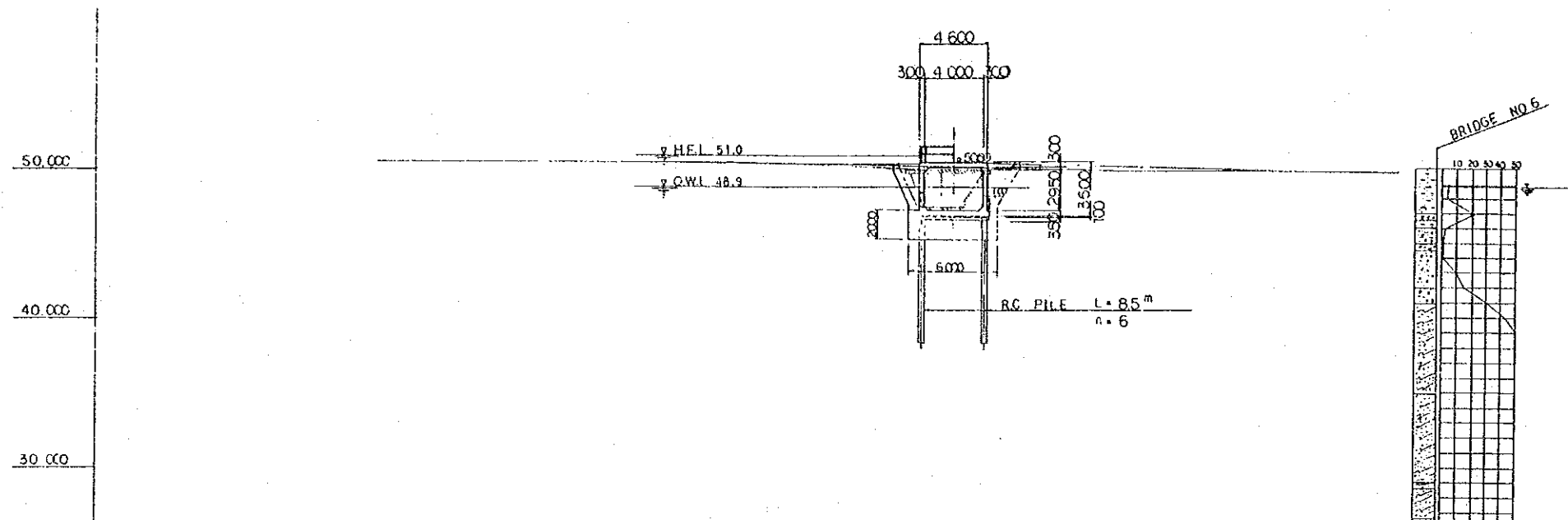


PLAN

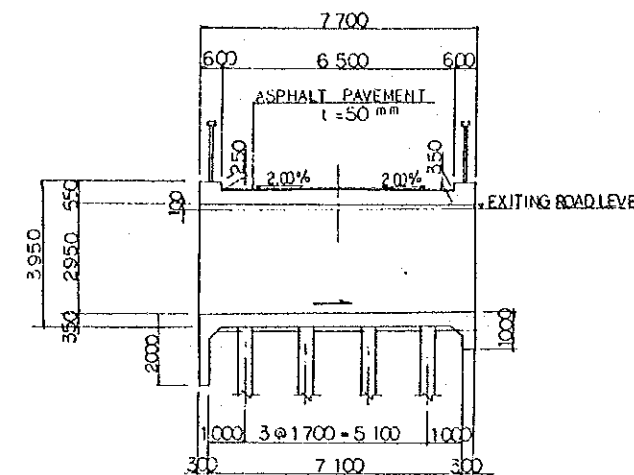


BRIDGE No. 5			
THE DEMOCRATIC SOCIALIST REPUBLIC OF SRI LANKA			
BASIC DESIGN STUDY ON IRD(P) IN GAMPAHA DISTRICT			
BRIDGE No. 5 GENERAL PLAN			
DATE	Feb 1994	NO.	6
JAPAN INTERNATIONAL COOPERATION AGENCY			

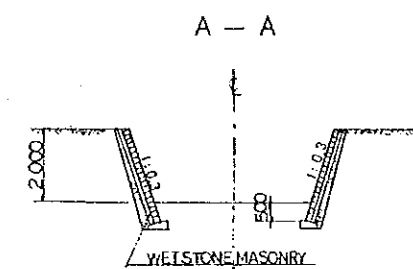
GENERAL PLAN PROFILE
SCALE 1:200



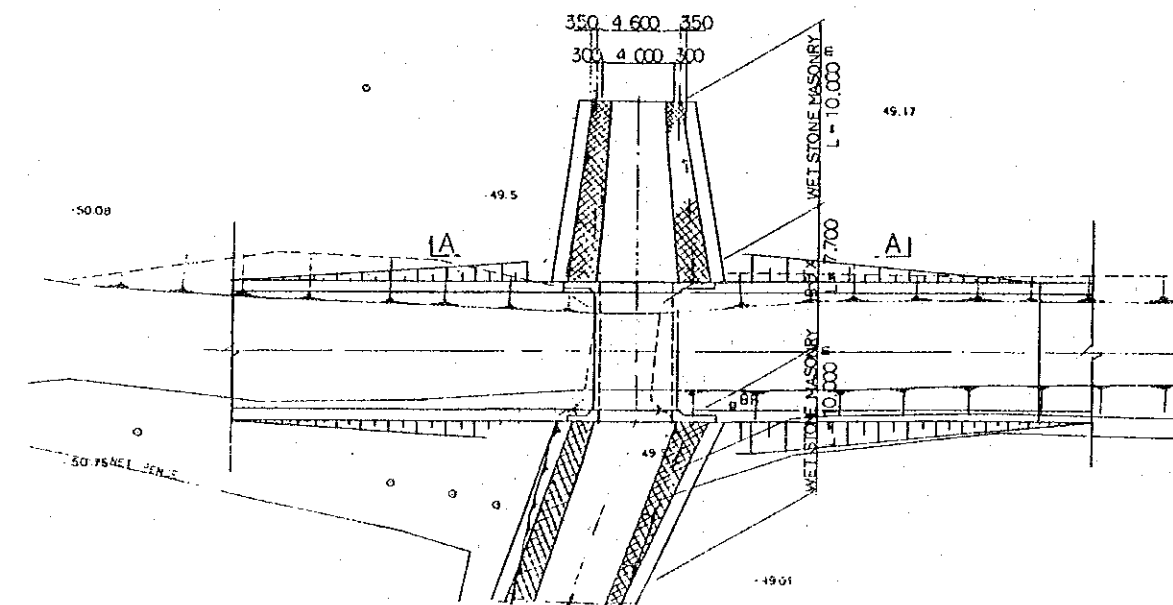
CROSS SECTION SCALE 1:100



GRADE	LEVEL														
PROPOSED HEIGHT	50.200														
GROUND HEIGHT	50.640	50.560	50.430	50.120	50.120	50.120	50.120	50.120	50.120	50.120	50.120	50.120	50.120	50.113	50.072
ACCUMULATED DISTANCE	70.000	77.700	80.000	90.000	93.700	97.700	100.000	102.300	106.300	110.000	120.000	122.300	130.000	140.000	
DI. DISTANCE	10.000	7.700	2.300	10.000	3.700	4.000	2.300	2.300	4.000	3.700	10.000	2.300	10.000	10.000	
STATION	NO. 7	+7.70	NO. 8	NO. 9	-3.70	+7.70	NO. 10	-2.30	-6.30	NO. 11	NO. 12	-2.30	NO. 13	NO. 14	
CURVE															

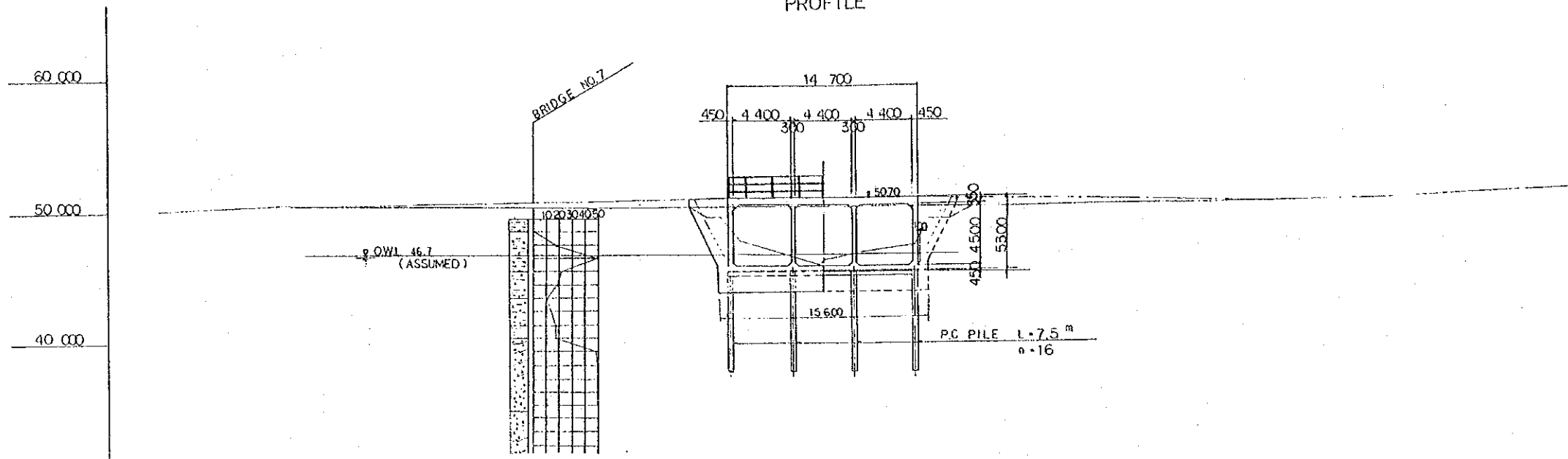


PLAN

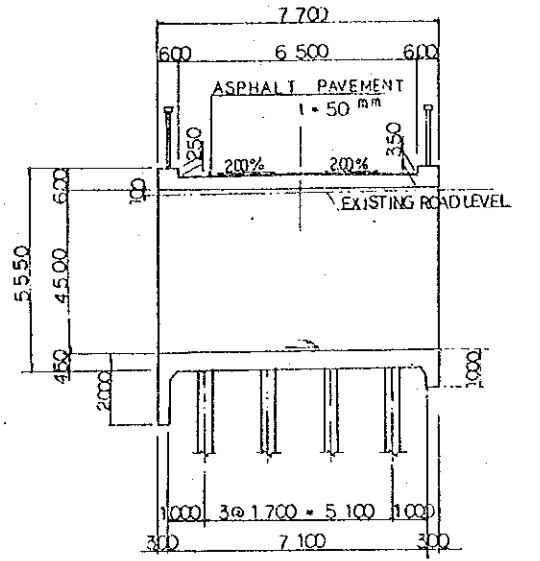


BRIDGE No.6
THE DEMOCRATIC SOCIALIST
REPUBLIC OF SRI LANKA
BASIC DESIGN STUDY
ON
IRDP(I) IN GAMPANA DISTRICT
BRIDGE No.6 GENERAL PLAN
DATE Feb. 1994 NO. 7
JAPAN INTERNATIONAL COOPERATION AGENCY

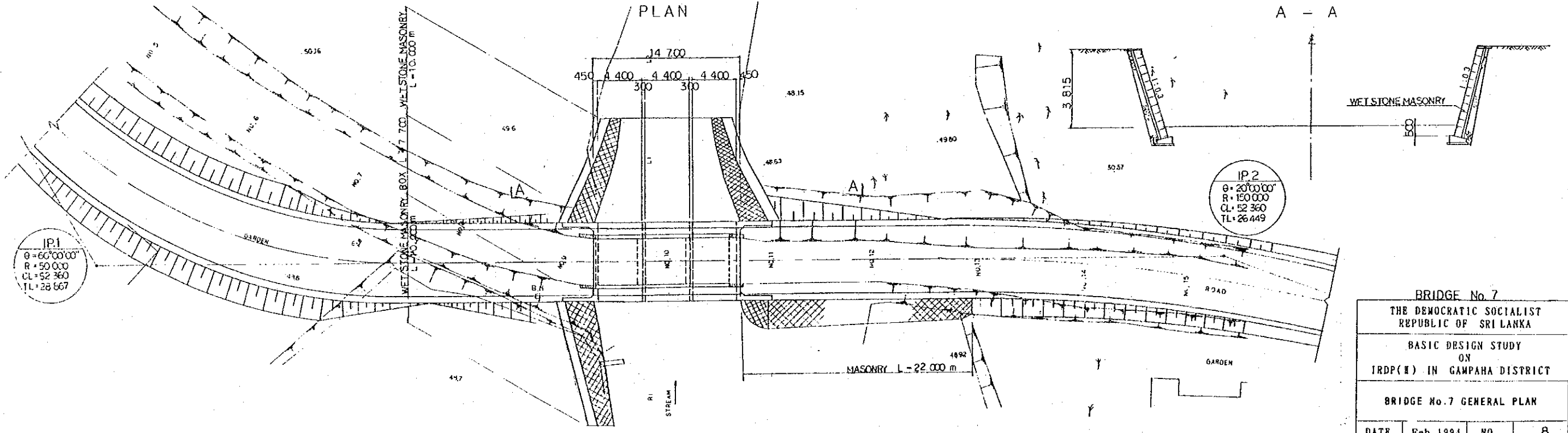
GENERAL PLAN SCALE 1:200
PROFILE



CROSS SECTION SCALE 1:100



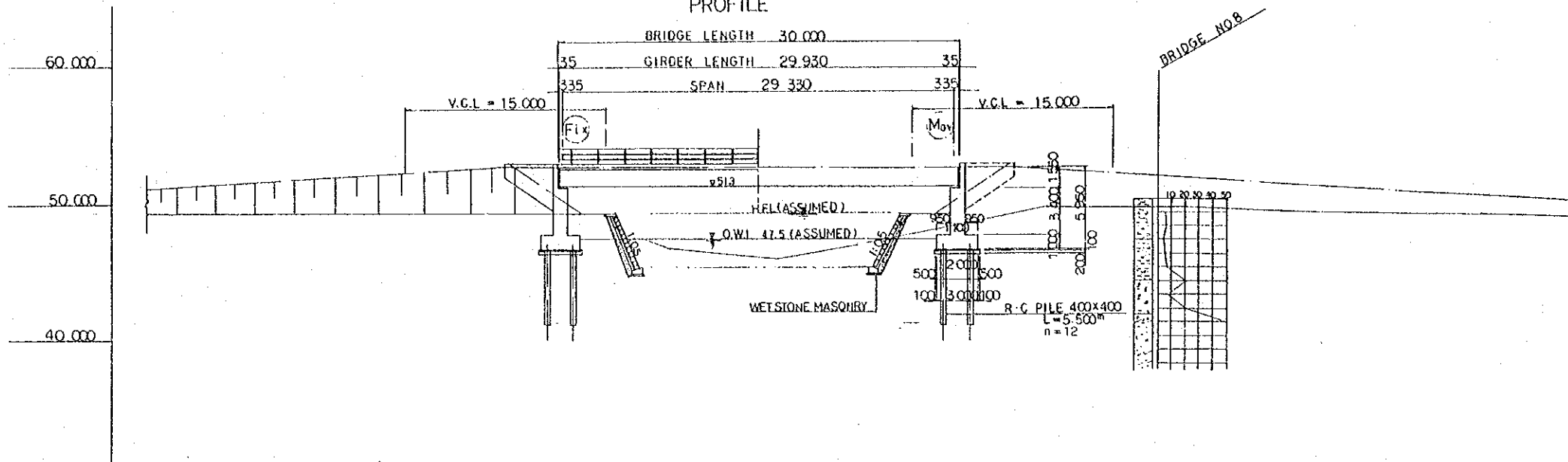
GRADE			50.100		50.200		50.200		50.000		50.000		
PROPOSED HEIGHT			50.100		50.200		50.200		50.000		50.000		
GROUND HEIGHT		50.070	50.350	50.130	50.010	50.100	50.170	49.990	49.950	50.060	50.260	50.590	
ACCUMULATED DISTANCE		50.000	60.000	70.000	80.000	88.700	90.000	107.300	110.000	127.300	140.000	150.000	
DISTANCE		10.000	10.000	2.700	7.300	8.700	1.300	7.300	2.700	7.300	10.000	10.000	
STATION		NO. 5	NO. 6	NO. 7	NO. 8	NO. 9	NO. 9 + 2.70	NO. 10	NO. 10 + 7.30	NO. 11	NO. 11 + 7.30	NO. 12	NO. 12 + 7.30
CURVE													



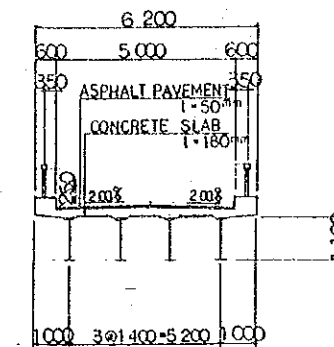
BRIDGE No. 7
THE DEMOCRATIC SOCIALIST
REPUBLIC OF SRI LANKA
BASIC DESIGN STUDY
ON
IRDP (I) IN GAMPAHA DISTRICT
BRIDGE No. 7 GENERAL PLAN
DATE Feb 1994 NO. 8
JAPAN INTERNATIONAL COOPERATION AGENCY

GENERAL PLAN SCALE 1:200

PROFILE

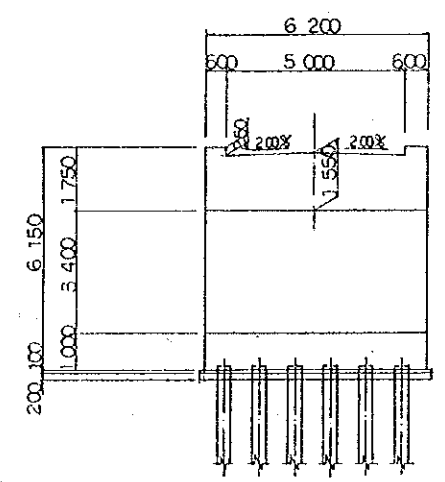


CROSS SECTION SCALE 1:100
(COMPOUND BEAM)

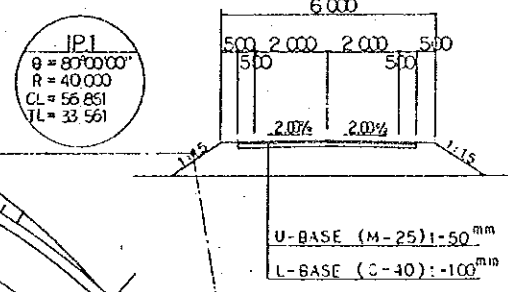


GRADE	LEVEL									
PROPOSED HEIGHT			52.726	52.726			52.726	52.726		
GROUND HEIGHT			49.320	47.150	46.420	47.590	50.250	50.260	50.080	49.870
ACCUMULATED DISTANCE	-10.000	-30.000	-30.000	-35.070	-10.000	0.000	10.000	15.000	20.000	30.000
DISTANCE	-10.000	-10.000	-1.000	-5.000	10.000	5.000	9.000	1.000	10.000	10.000
STATION	NO. 4	NO. 3	NO. 2	NO. 1	NO. 0	NO. 1	NO. 2	NO. 3	NO. 4	NO. 5
CURVE										

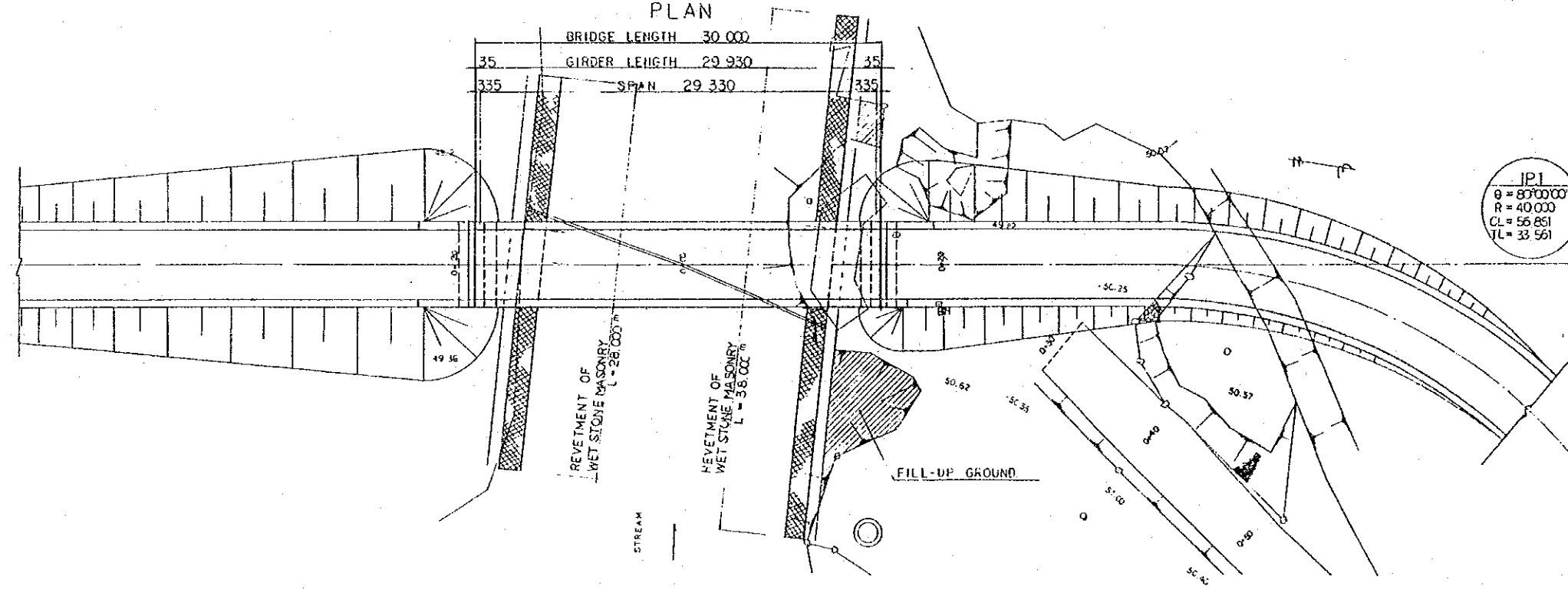
ABUTMENT SCALE 1:100



APPROACH ROAD

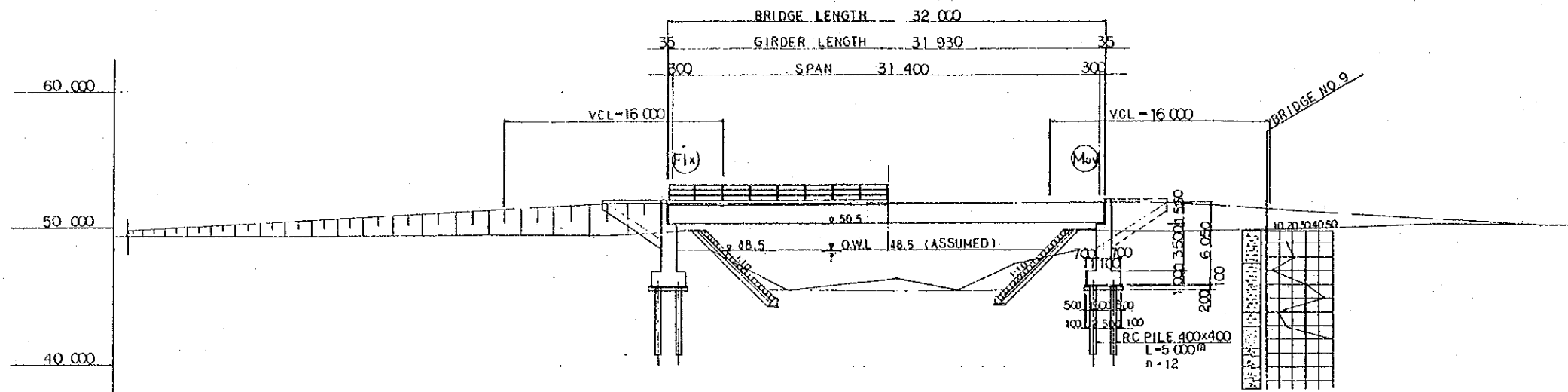


PLAN

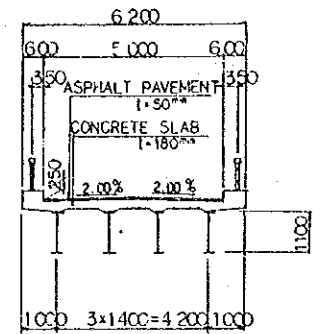


BRIDGE No. 8
 THE DEMOCRATIC SOCIALIST
 REPUBLIC OF SRI LANKA
 BASIC DESIGN STUDY
 ON
 IRDP(E) IN GAMPANA DISTRICT
BRIDGE No. 8 GENERAL PLAN
 DATE Feb. 1994 NO. 9
 JAPAN INTERNATIONAL COOPERATION AGENCY

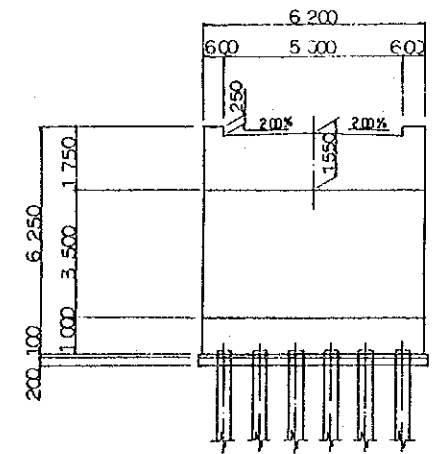
GENERAL PLAN PROFILE SCALE 1:200



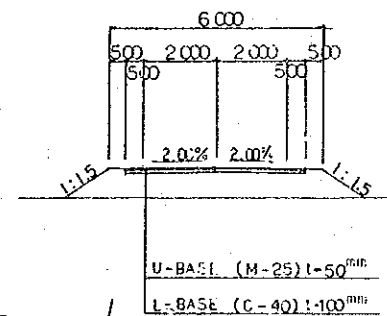
CROSS SECTION SCALE 1:100 (COMPOUND BEAM)



ABUTMENT SCALE 1:100

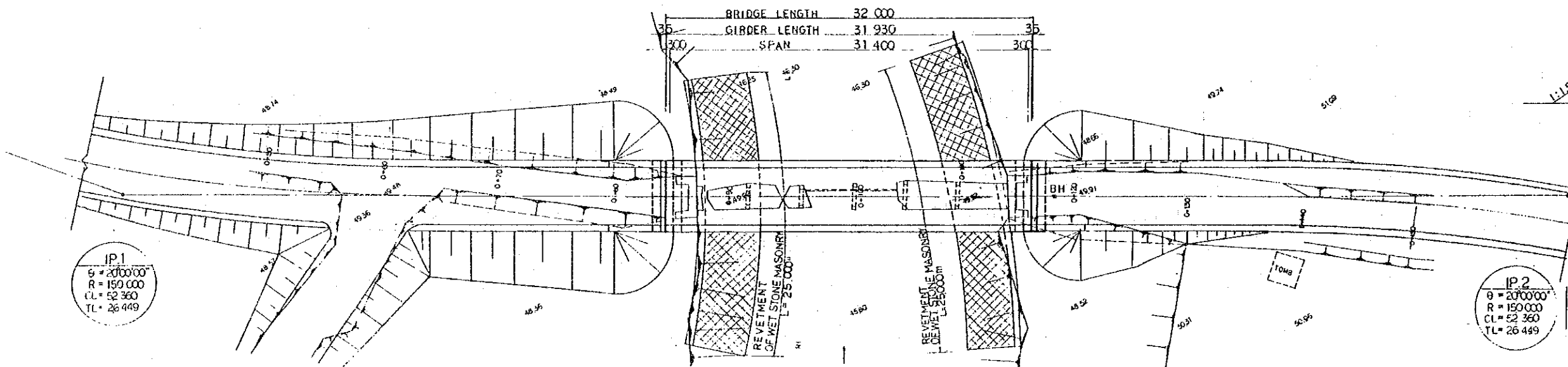


APPROACH ROAD



	DL = 30 000													
GRADE	LEVEL													
PROPOSED HEIGHT	LEVEL													
GRADE	$L = 6.00\%$ $Z = 45.00m$													
PROPOSED HEIGHT	$L = 6.00\%$ $Z = 26.00m$													
GROUND HEIGHT	49.230	49.330	49.450	49.470	49.620	49.550	49.920	49.910	50.110	50.309	50.289	50.289	50.289	50.289
ACCUMULATED DISTANCE	50.000	60.000	70.000	75.000	80.000	90.000	100.000	110.000	115.000	119.000	120.000	131.000	140.000	147.000
DISTANCE	10.000	10.000	10.000	9.000	1.000	7.000	10.000	10.000	5.000	4.000	1.000	10.000	10.000	7.000
STATION	NO.5	NO.6	NO.7	NO.8	NO.9	NO.10	NO.11	NO.12	NO.13	NO.14	NO.15	NO.16	NO.17	NO.18
CURVE														

PLAN

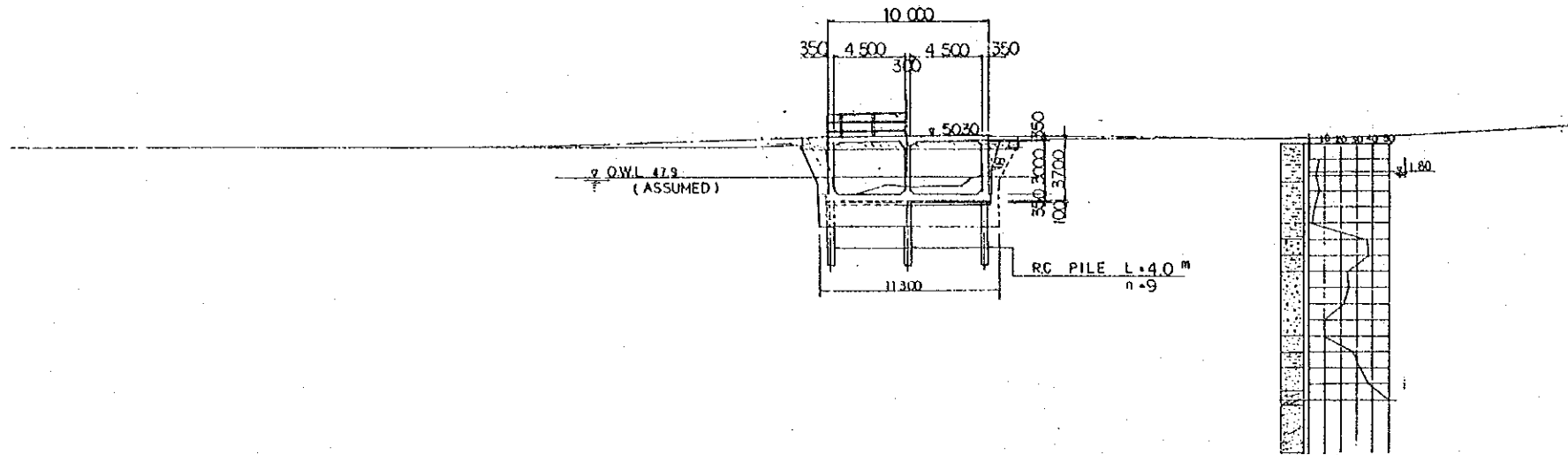
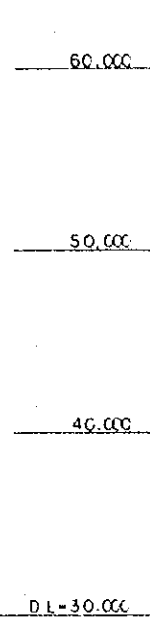


BRIDGE No.9

THE DEMOCRATIC SOCIALIST REPUBLIC OF SRI LANKA			
BASIC DESIGN STUDY ON IRDP (I) IN GAMPAHA DISTRICT			
BRIDGE No.9 GENERAL PLAN			
DATE	Feb 1994	NO.	10
JAPAN INTERNATIONAL COOPERATION AGENCY			

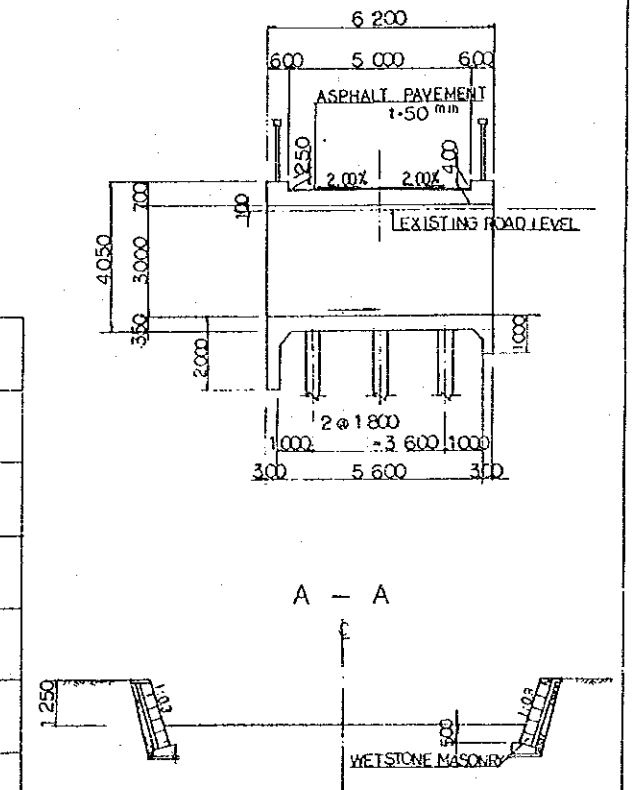
GENERAL PLAN
PROFILE

SCALE 1:200



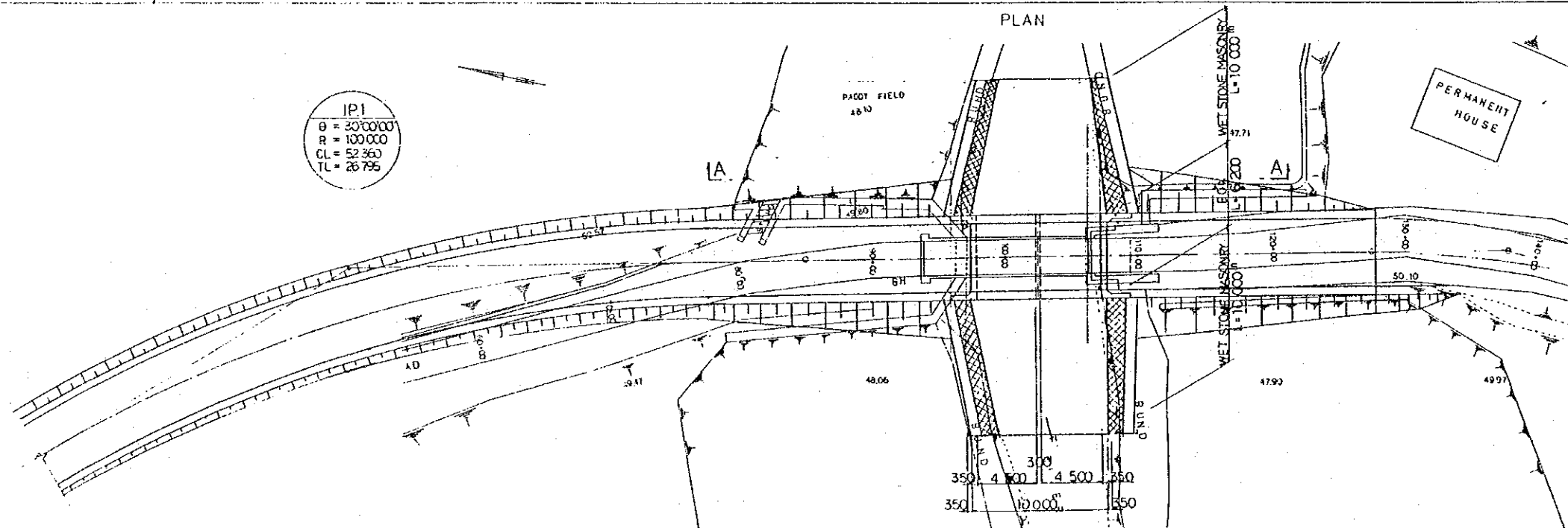
GRADE		49.800	LEVEL	49.800	LEVEL	49.800	LEVEL	49.800
PROPOSED HEIGHT		49.800		49.800		49.800		49.800
GROUND HEIGHT		49.954		49.856		49.896		49.800
ACCUMULATED DISTANCE		60.000	70.000	80.000	90.000	93.450	97.450	107.550
DISTANCE		10.000	10.000	3.450	4.000	2.550	2.500	2.450
STATION		NO. 6	NO. 7	NO. 8	NO. 9	NO. 10	NO. 11	NO. 12
CURVE								

CROSS SECTION SCALE 1:100



A - A

PLAN



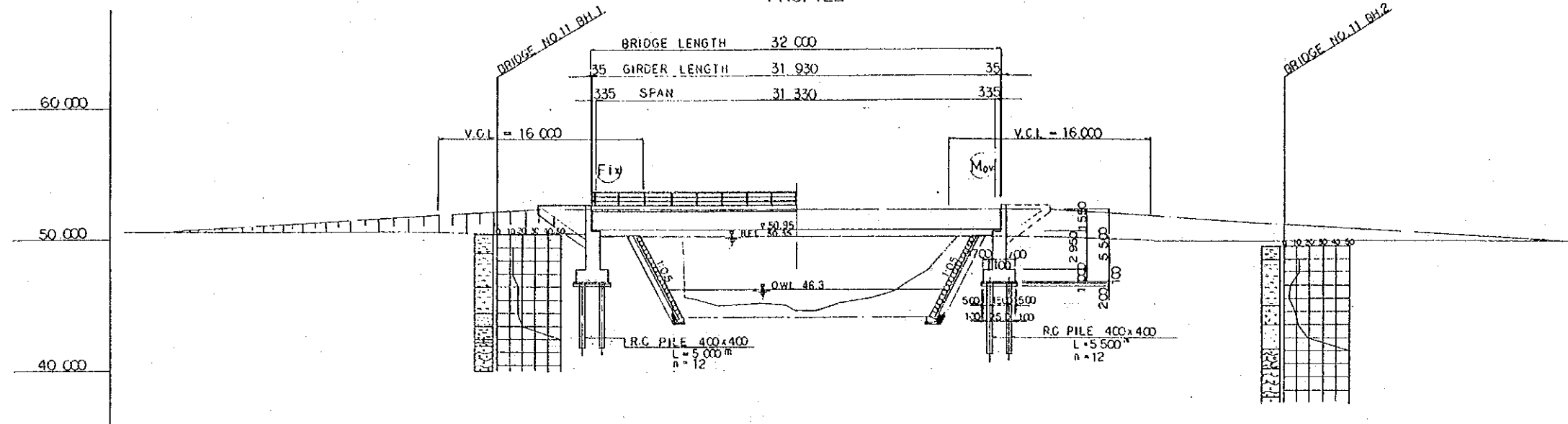
IPI
 $\theta = 30^{\circ}00'00''$
 $R = 100.000$
 $CL = 52.360$
 $TL = 26.795$

BRIDGE No.10

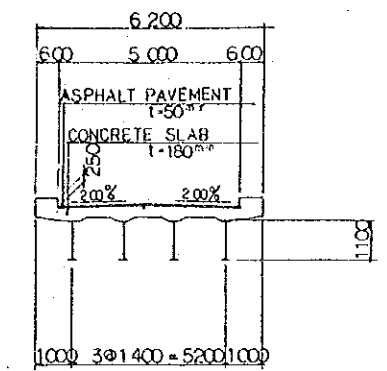
THE DEMOCRATIC SOCIALIST REPUBLIC OF SRI LANKA			
BASIC DESIGN STUDY ON IRDPA (II) IN GAMPAHA DISTRICT			
BRIDGE No.10 GENERAL PLAN			
DATE	Feb 1984	NO.	11
JAPAN INTERNATIONAL COOPERATION AGENCY			

GENERAL PLAN SCALE 1:200

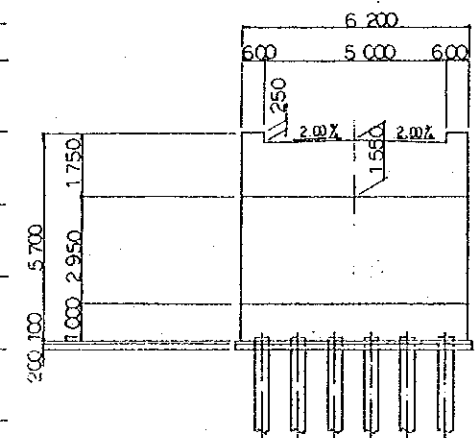
PROFILE



CROSS SECTION SCALE 1:100 (COMPOUND BEAM)

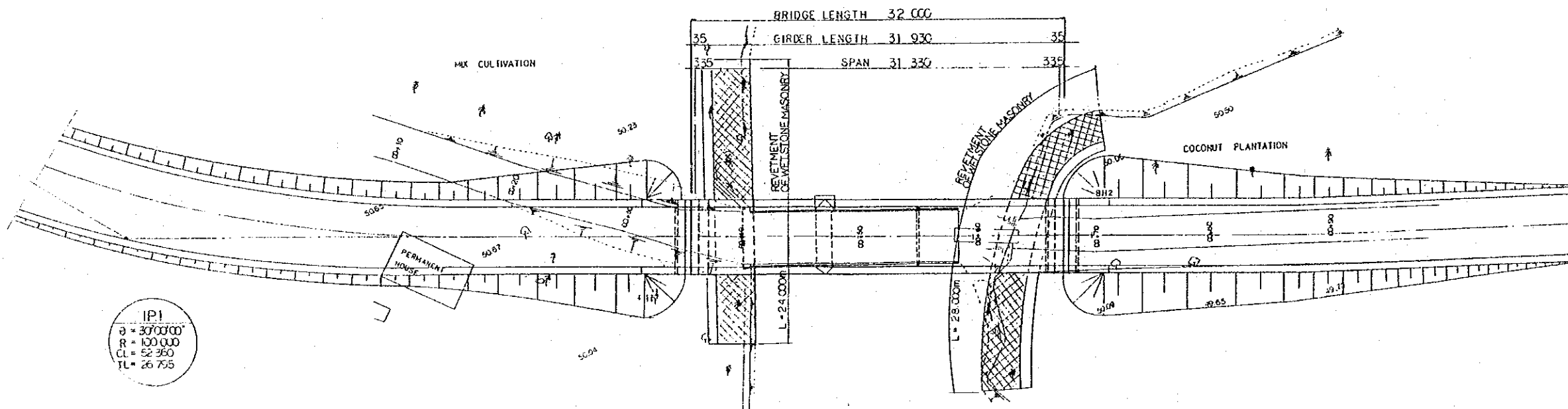


ABUTMENT SCALE 1:100

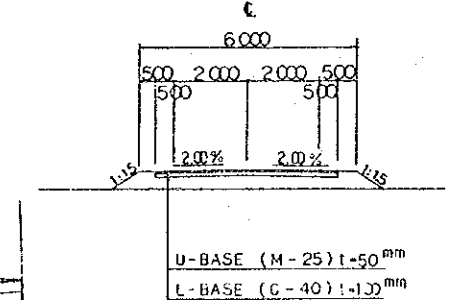


GRADE	LEVEL																				
PROPOSED HEIGHT	50.619	50.619	50.619	52.419	52.419	52.419	52.419	52.419	52.419	52.419											
GROUND HEIGHT	50.745	50.619	50.716	50.398	50.600	50.321	50.670	49.998	49.903	49.997											
ACCUMULATED DISTANCE	0.00	1.50	10.00	20.00	30.00	40.00	50.00	60.00	70.00	80.00											
DISTANCE	0.00	1.50	10.00	10.00	10.00	10.00	10.00	10.00	10.00	10.00											
STATION	NO. 0 +1.50		NO. 1 10.00		NO. 2 20.00		NO. 3 30.00		NO. 4 40.00		NO. 5 50.00		NO. 6 60.00		NO. 7 70.00		NO. 8 80.00		NO. 9 90.00		NO. 10 100.00
CURVE																					

PLAN



APPROACH ROAD



BRIDGE No. 11

THE DEMOCRATIC SOCIALIST
REPUBLIC OF SRI LANKA

BASIC DESIGN STUDY
ON
IRDPA (R) IN GAMPAHA DISTRICT

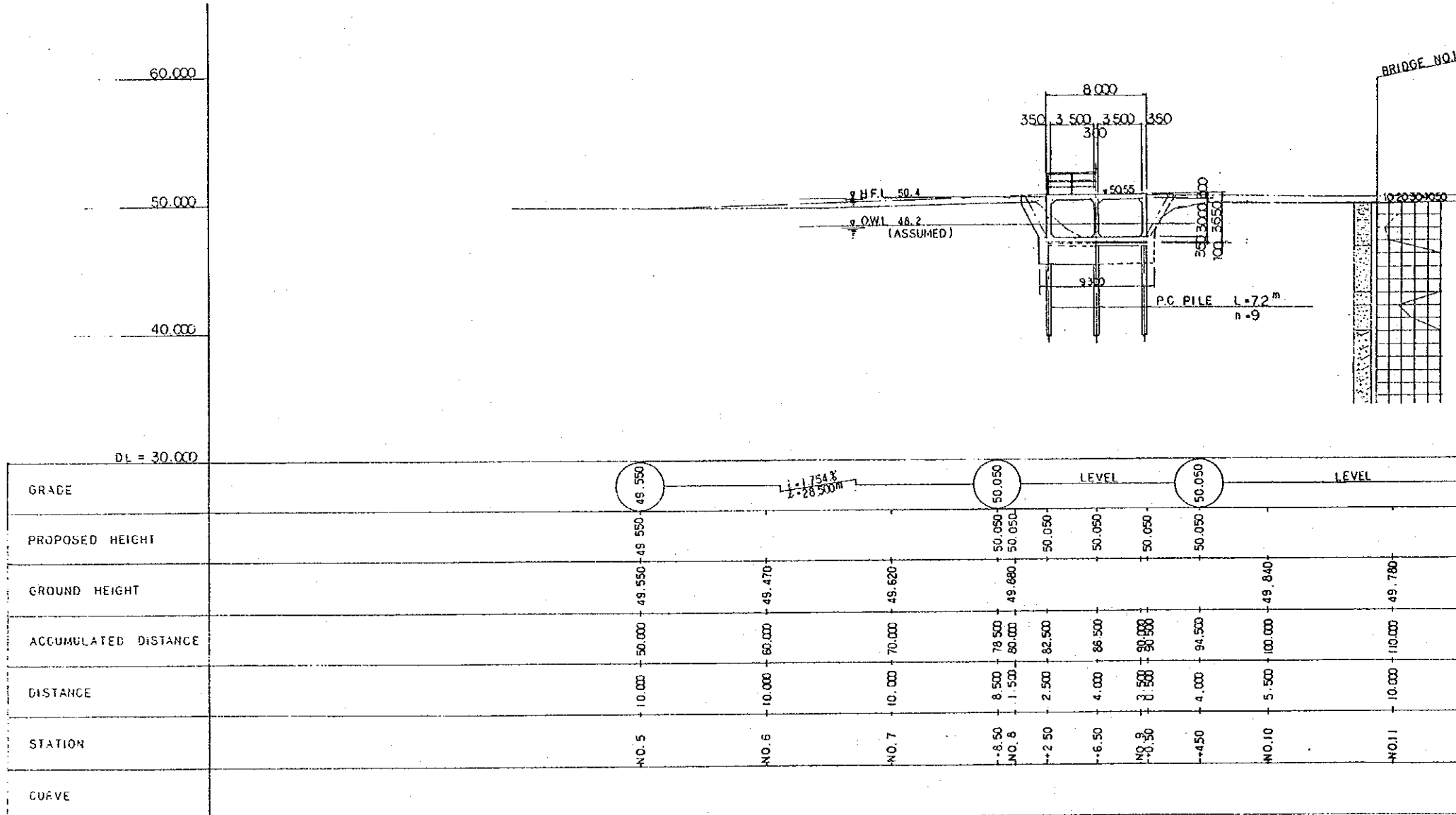
BRIDGE No. 11 GENERAL PLAN

DATE Feb 1994 NO. 12

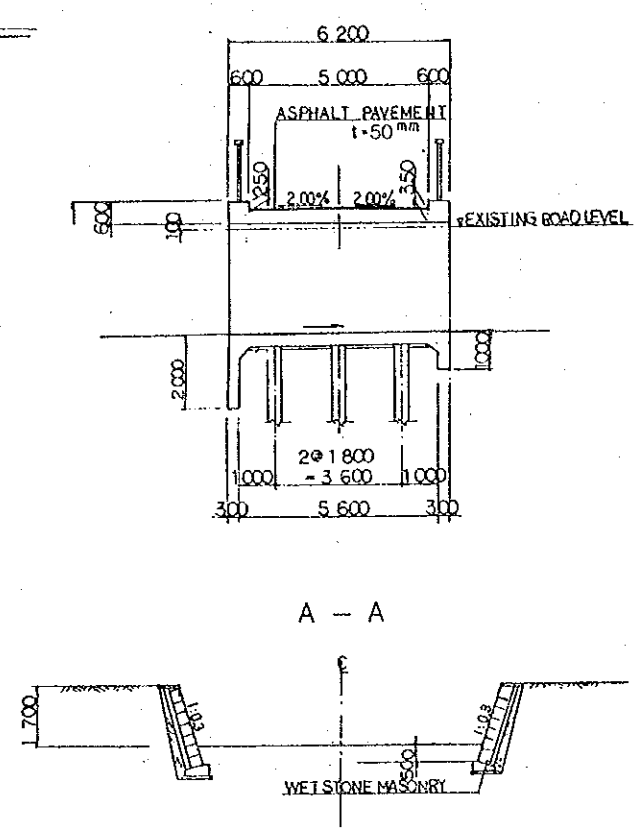
JAPAN INTERNATIONAL COOPERATION AGENCY

GENERAL PLAN SCALE 1:200

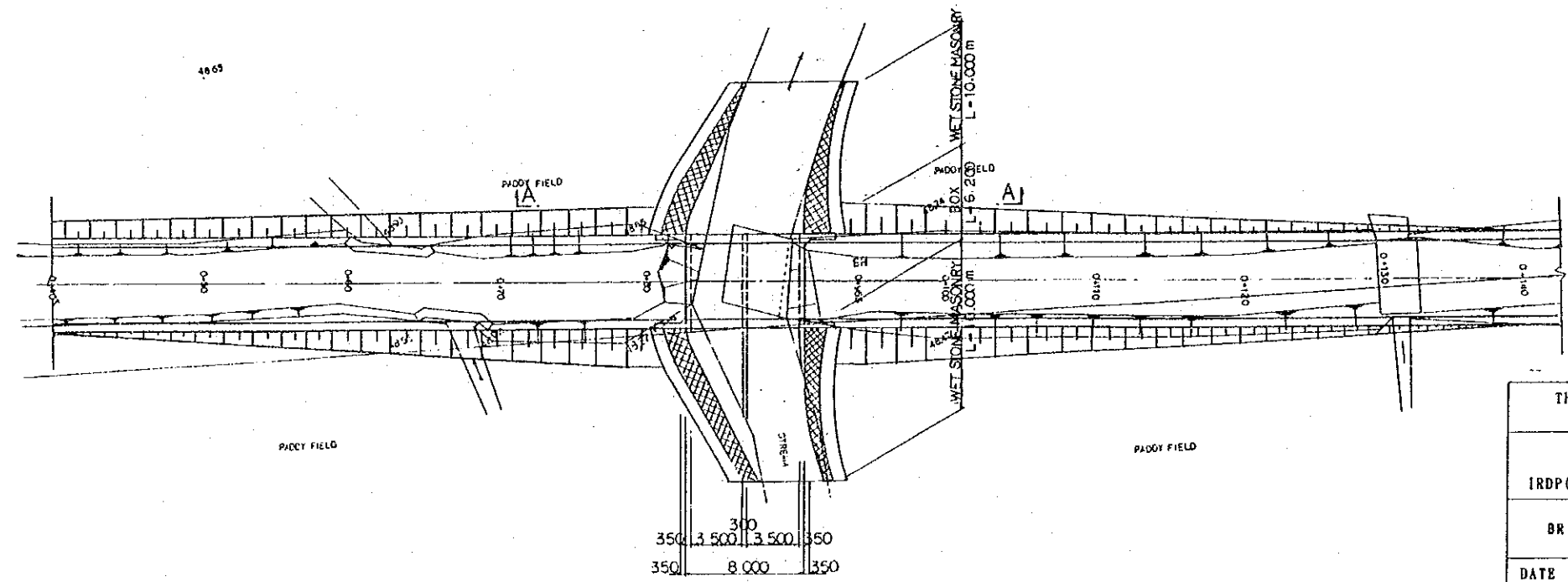
PROFILE



CROSS SECTION SCALE 1:100

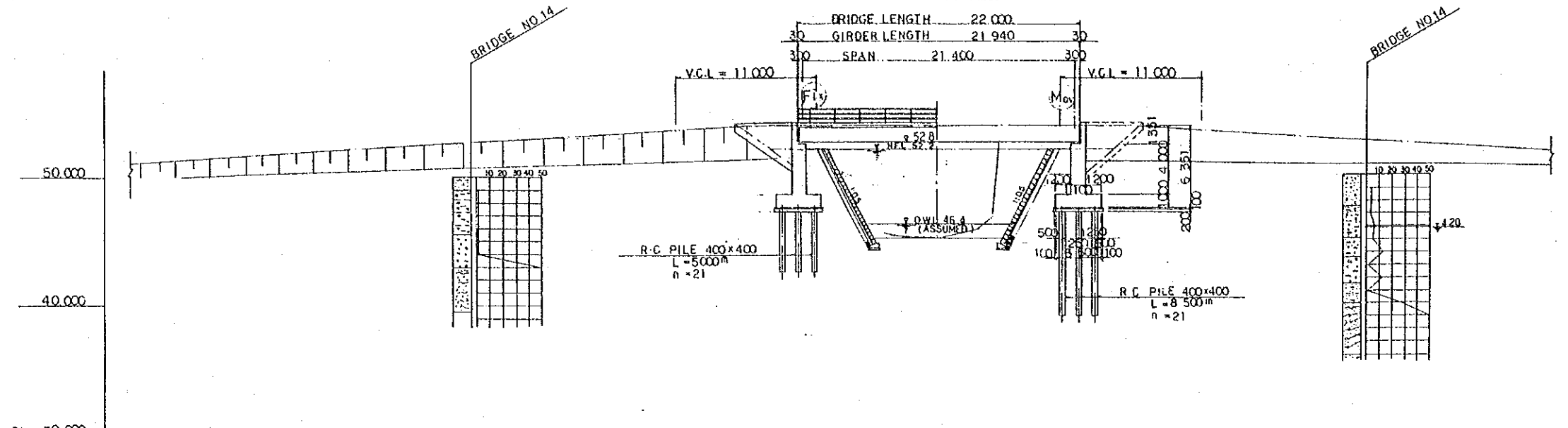


PLAN

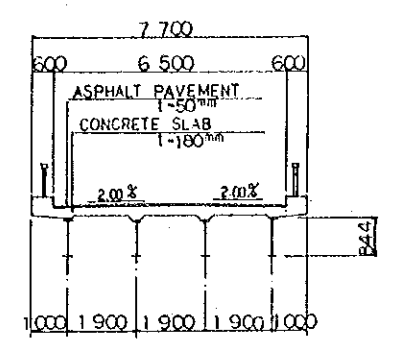


BRIDGE No.13
 THE DEMOCRATIC SOCIALIST
 REPUBLIC OF SRI LANKA
 BASIC DESIGN STUDY
 ON
 IRDP(II) IN GAMPAHA DISTRICT
 BRIDGE No.13 GENERAL PLAN
 DATE Feb 1994 NO. 13
 JAPAN INTERNATIONAL COOPERATION AGENCY

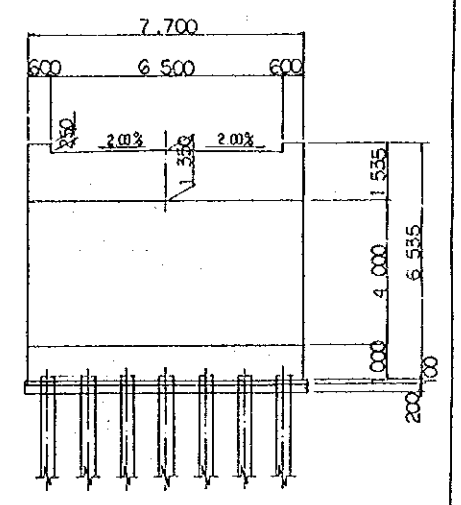
GENERAL PLAN PROFILE SCALE 1:200



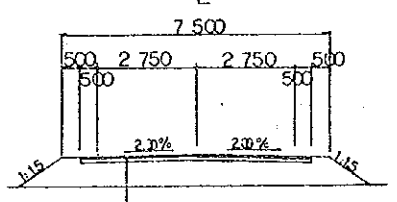
CROSS SECTION SCALE 1:100 (COMPOUND BEAM)



ABUTMENT SCALE 1:100



APPROACH ROAD

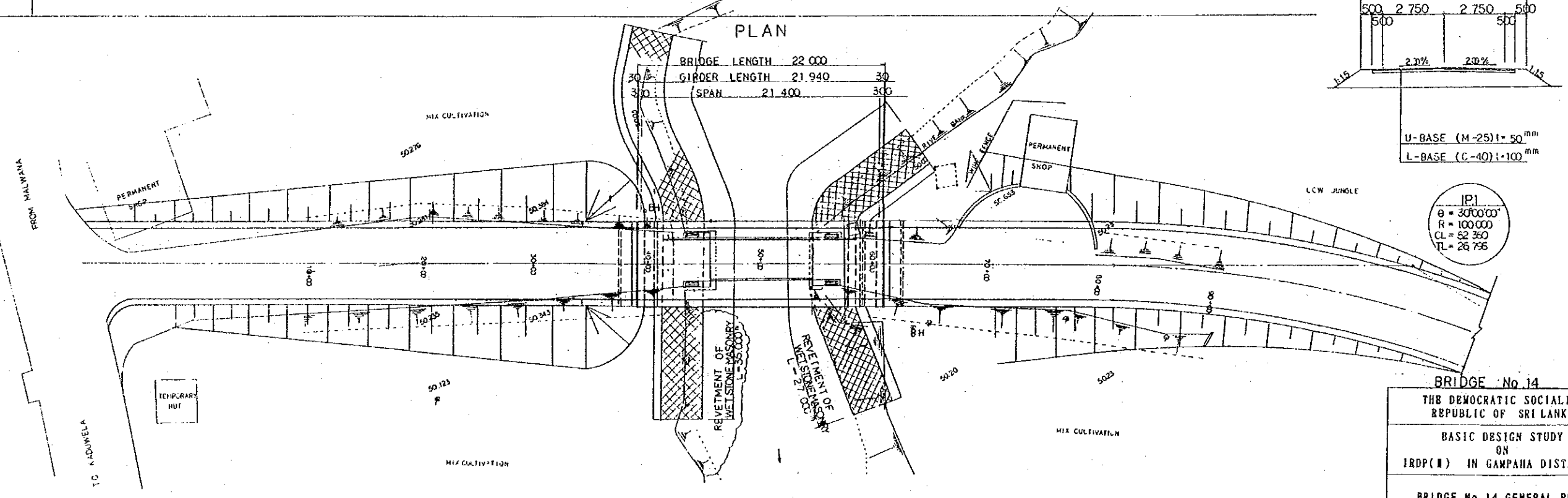


U-BASE (M-25) 1:50^{mm}
L-BASE (C-40) 1:100^{mm}

IP1
θ = 30°00'00"
R = 100000
CL = 52.350
TL = 26.736

GRADE	L = 6.00% L = 62.000m										L = 6.00% L = 54.000m									
PROPOSED HEIGHT	54.063										54.063									
GROUND HEIGHT																				
ACCUMULATED DISTANCE	0.00	10.00	20.00	30.00	40.00	45.00	49.00	50.00	60.00	70.00	71.00	74.00	80.00	90.00	100.00	103.00	108.00	110.00	115.00	120.00
DISTANCE	0.00	4.00	10.00	10.00	10.00	5.00	4.00	1.00	10.00	10.00	4.00	9.00	10.00	10.00	10.00	3.00	5.00	5.00	5.00	5.00
STATION	MC.0	MC.1	MC.2	MC.3	MC.4	MC.5	MC.6	MC.7	MC.8	MC.9	MC.10	MC.11	MC.12	MC.13	MC.14	MC.15	MC.16	MC.17	MC.18	MC.19
CURVE																				

PLAN



BRIDGE No. 14

THE DEMOCRATIC SOCIALIST
REPUBLIC OF SRI LANKA

BASIC DESIGN STUDY
ON
IRDP (M) IN GAMPANA DISTRICT

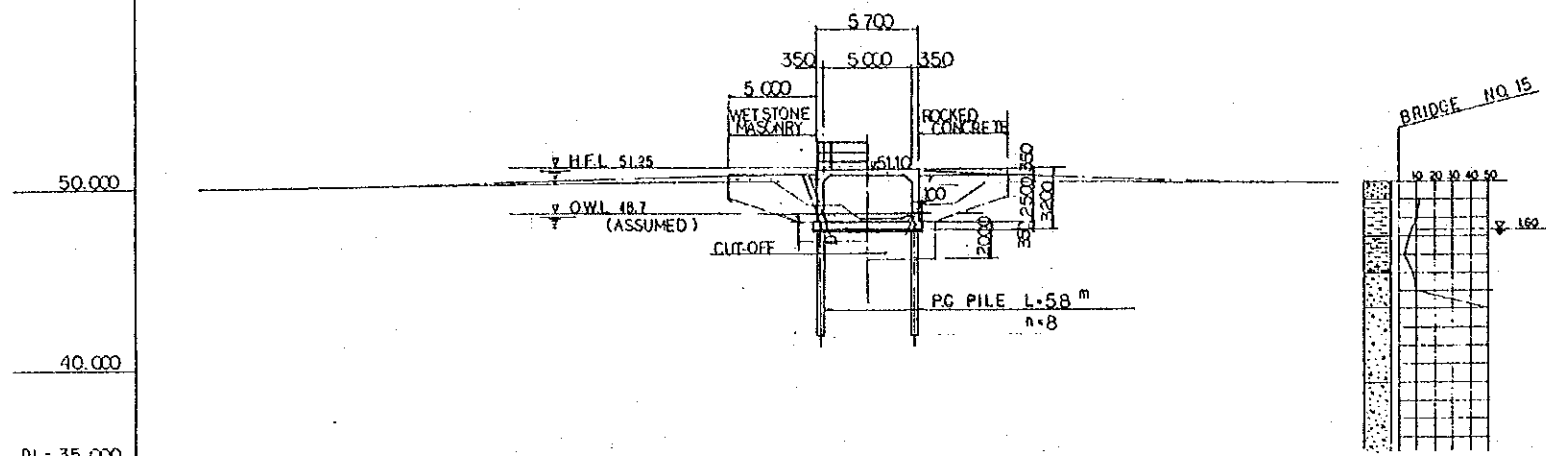
BRIDGE No. 14 GENERAL PLAN

DATE	Feb 1994	NO.	14
------	----------	-----	----

JAPAN INTERNATIONAL COOPERATION AGENCY

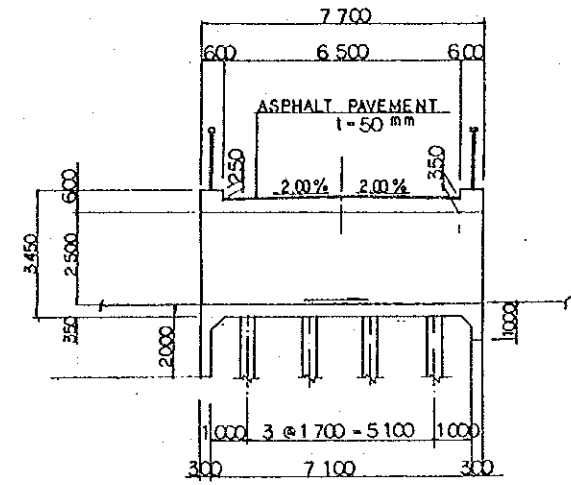
GENERAL PLAN SCALE 1:200

PROFILE

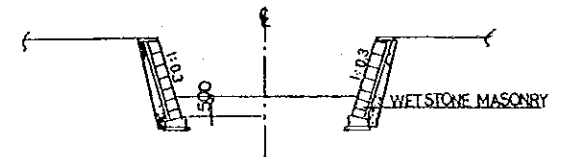


GRADE	50.275	50.600	50.600	50.600	50.260
PROPOSED	50.275	50.600	50.600	50.600	50.260
GROUND HEIGHT	50.275	50.405	50.576	50.326	50.254
ACCUMULATED DISTANCE	0.00	10.00	20.00	30.00	40.00
DISTANCE	0.00	10.00	10.00	10.00	10.00
STATION	NO. 0	NO. 1	NO. 2	NO. 3	NO. 4
CURVE					

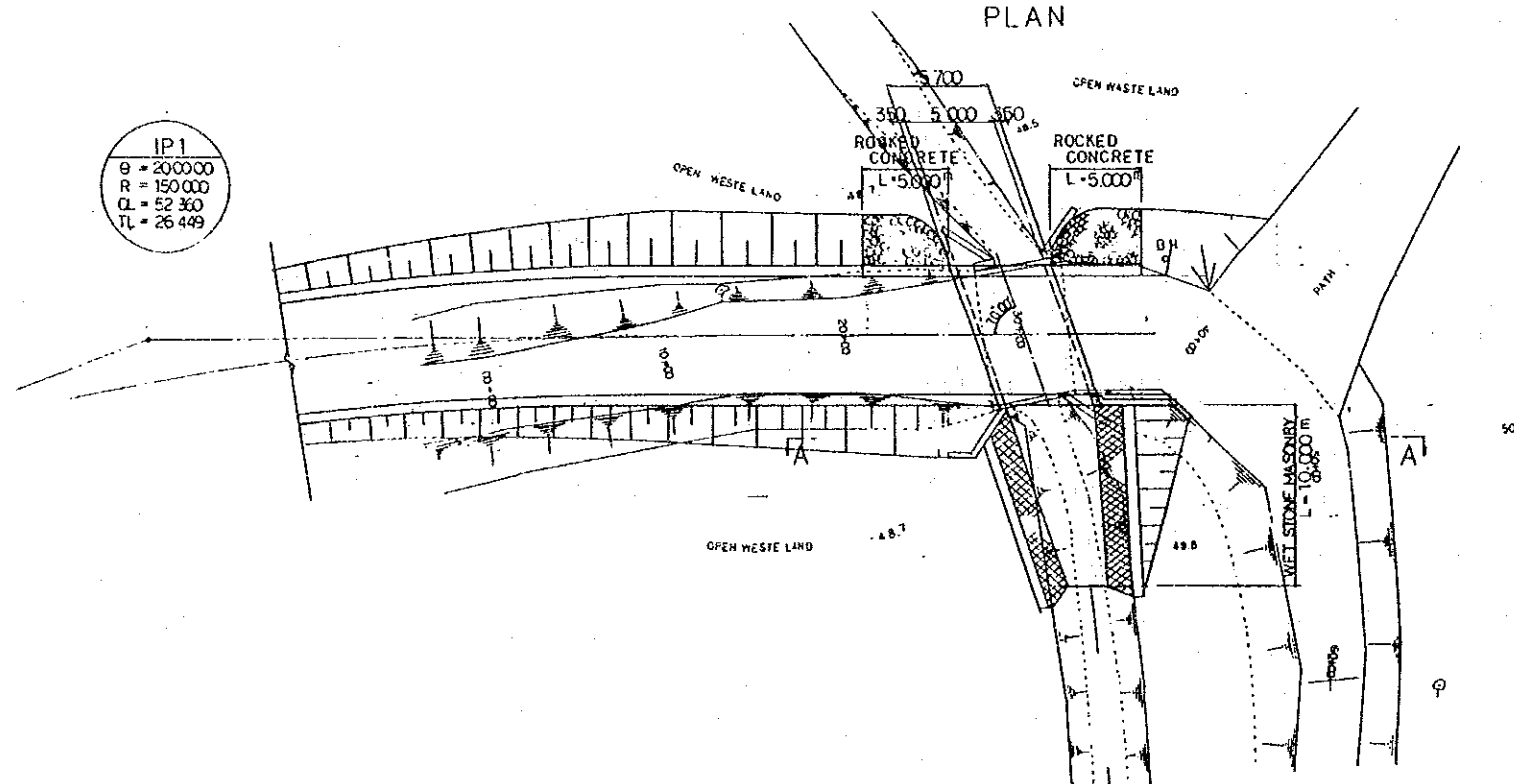
CROSS SECTION SCALE 1:100



A - A



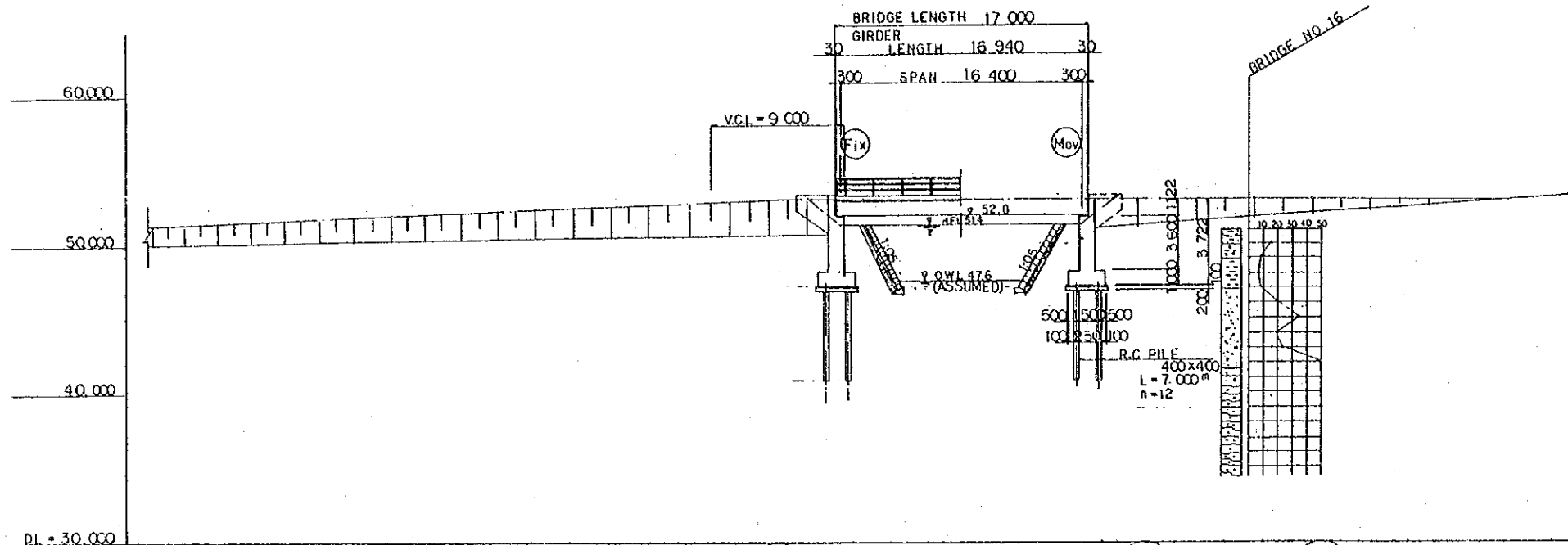
PLAN



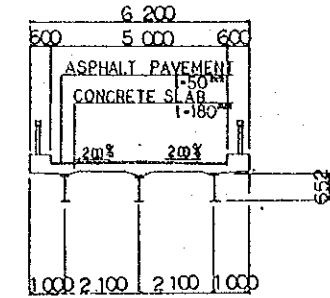
IP1
 θ = 200000
 R = 150000
 CL = 52.360
 TL = 26.449

BRIDGE No.15
 THE DEMOCRATIC SOCIALIST
 REPUBLIC OF SRI LANKA
 BASIC DESIGN STUDY
 ON
 IRDP(M) IN GAMPAHA DISTRICT
 BRIDGE No.15 GENERAL PLAN
 DATE Feb. 1994 NO. 15
 JAPAN INTERNATIONAL COOPERATION AGENCY

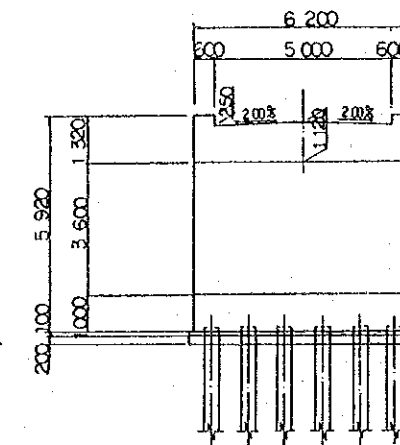
GENERAL PLAN SCALE 1:200
PROFILE



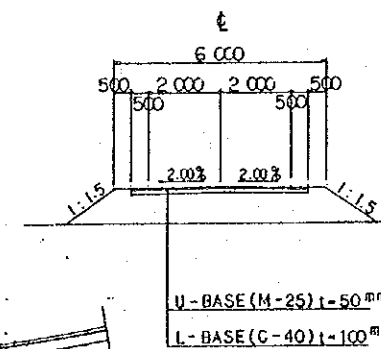
CROSS SECTION SCALE 1:100
(COMPOUND BEAM)



ABUTMENT SCALE 1:100

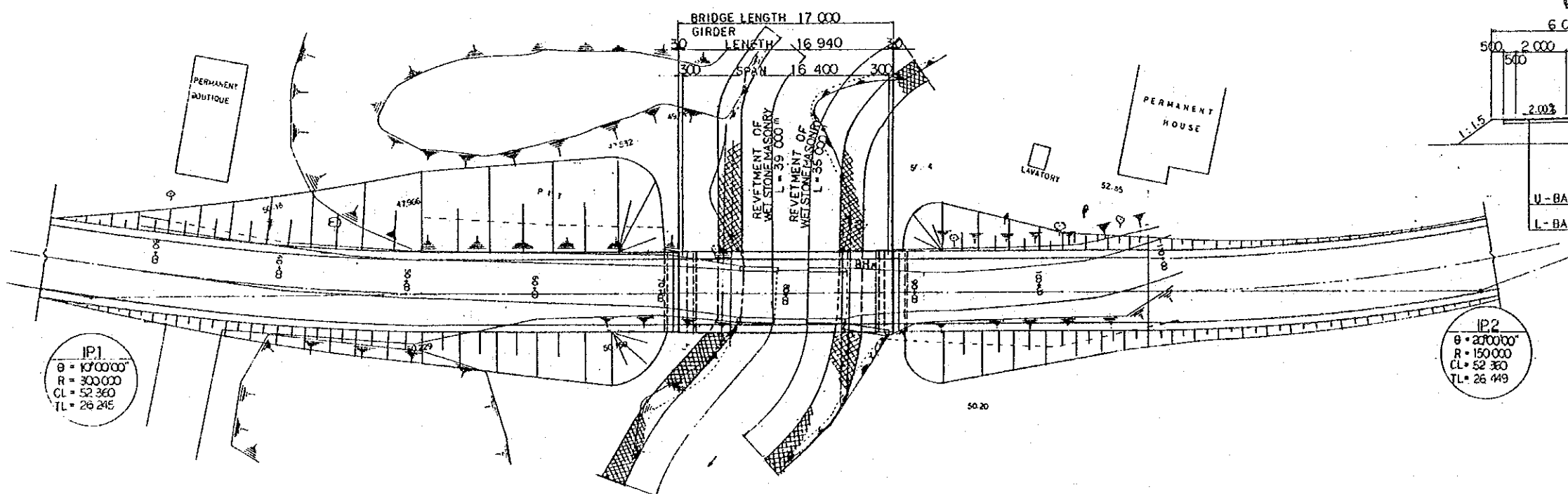


APPROACH ROAD



GRADE	LEVEL											
PROPOSED HEIGHT	LEVEL											
GROUND HEIGHT												
ACCUMULATED DISTANCE	0.000	10.000	20.000	30.000	40.000	50.000	60.000	70.000	80.000	90.000	100.000	110.000
DISTANCE	10.000	0.500	10.000	10.000	7.000	3.000	1.000	9.000	8.000	2.000	6.000	10.000
STATION	NO. 3	NO. 4	NO. 5	NO. 6	NO. 7	NO. 8	NO. 9	NO. 10	NO. 11	NO. 12	NO. 13	NO. 14
CURVE	L = 46,000 m, L = 6.00%											

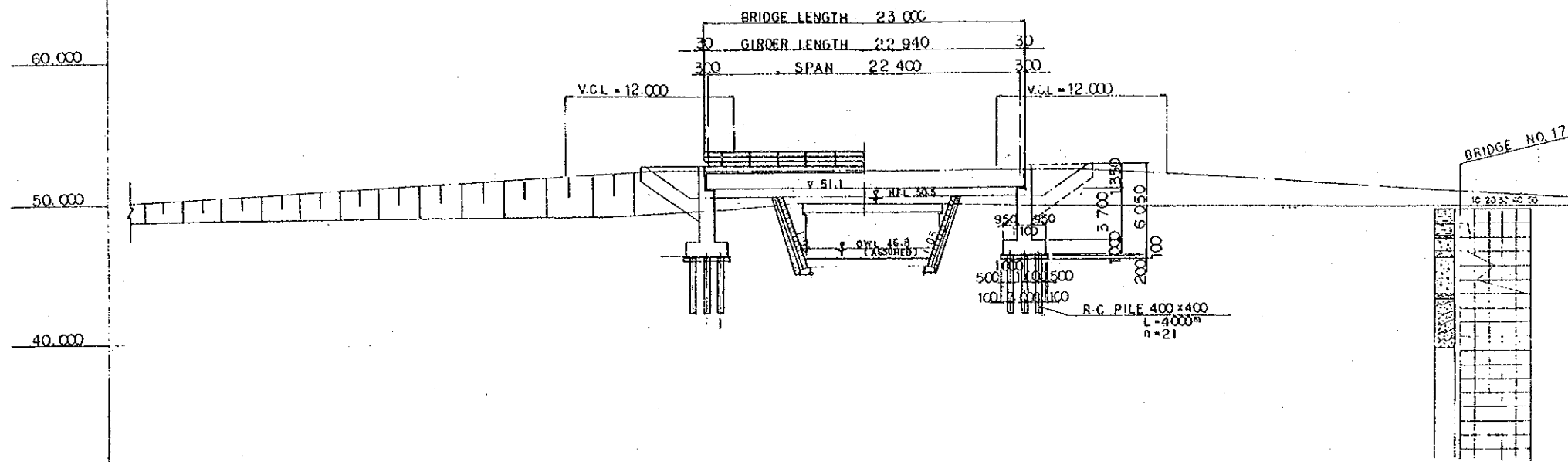
PLAN



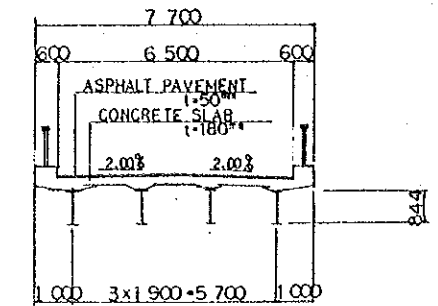
BRIDGE No. 16
THE DEMOCRATIC SOCIALIST
REPUBLIC OF SRI LANKA
BASIC DESIGN STUDY
ON
INDP(R) IN GAMPAHA DISTRICT
BRIDGE No. 16 GENERAL PLAN
DATE Feb. 1994 NO. 16
JAPAN INTERNATIONAL COOPERATION AGENCY

GENERAL PLAN SCALE 1:200

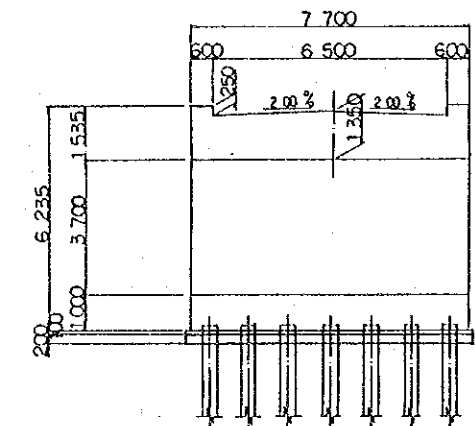
PROFILE



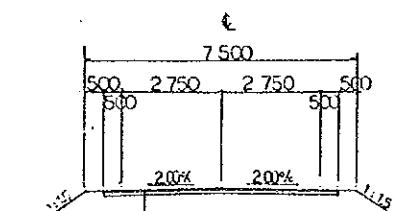
CROSS SECTION SCALE 1:100
(COMPOUND BEAM)



ABUTMENT SCALE 1:100

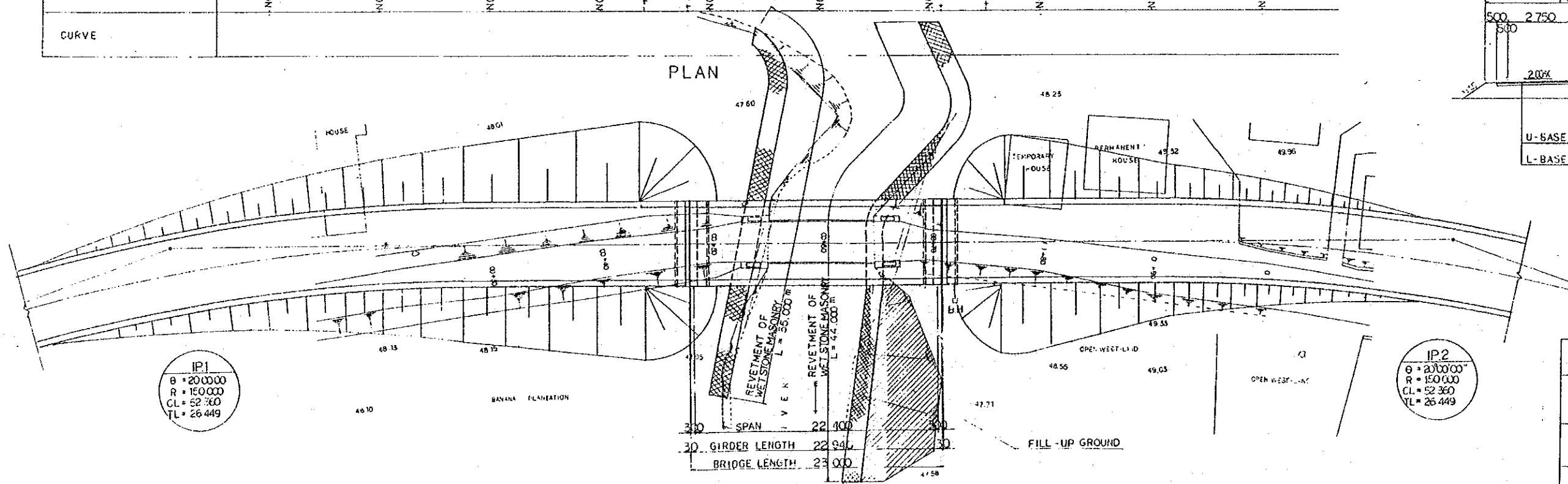


APPROACH ROAD



DL = 30.000	LEVEL												
GRADE													
PROPOSED HEIGHT				52.355	52.355		52.355	52.355					
GROUND HEIGHT		48.934	48.940	49.134	49.559	49.587	49.753	49.543	49.523	49.544			
ACCUMULATED DISTANCE	10.00	20.00	30.00	40.00	44.00	48.00	50.00	60.00	70.00	80.00	90.00	100.00	
DISTANCE	3.00	15.00	10.00	10.00	4.00	4.00	2.00	10.00	1.00	5.00	5.00	10.00	10.00
STATION	NO. 1	NO. 2	NO. 3	NO. 4	NO. 5	NO. 6	NO. 7	NO. 8	NO. 9	NO. 10			
CURVE													

PLAN



IP1
 θ = 200000°
 R = 150000
 CL = 52.360
 TL = 26.449

IP2
 θ = 200000°
 R = 150000
 CL = 52.360
 TL = 26.449

BRIDGE No. 17
 THE DEMOCRATIC SOCIALIST
 REPUBLIC OF SRI LANKA
 BASIC DESIGN STUDY
 ON
 IRDP(R) IN GAMPANA DISTRICT
 BRIDGE No. 17 GENERAL PLAN
 DATE Feb 1994 NO. 17
 JAPAN INTERNATIONAL COOPERATION AGENCY

JICA