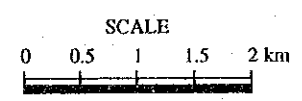
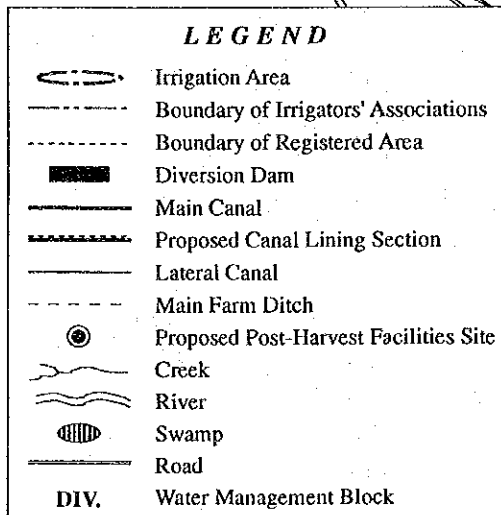
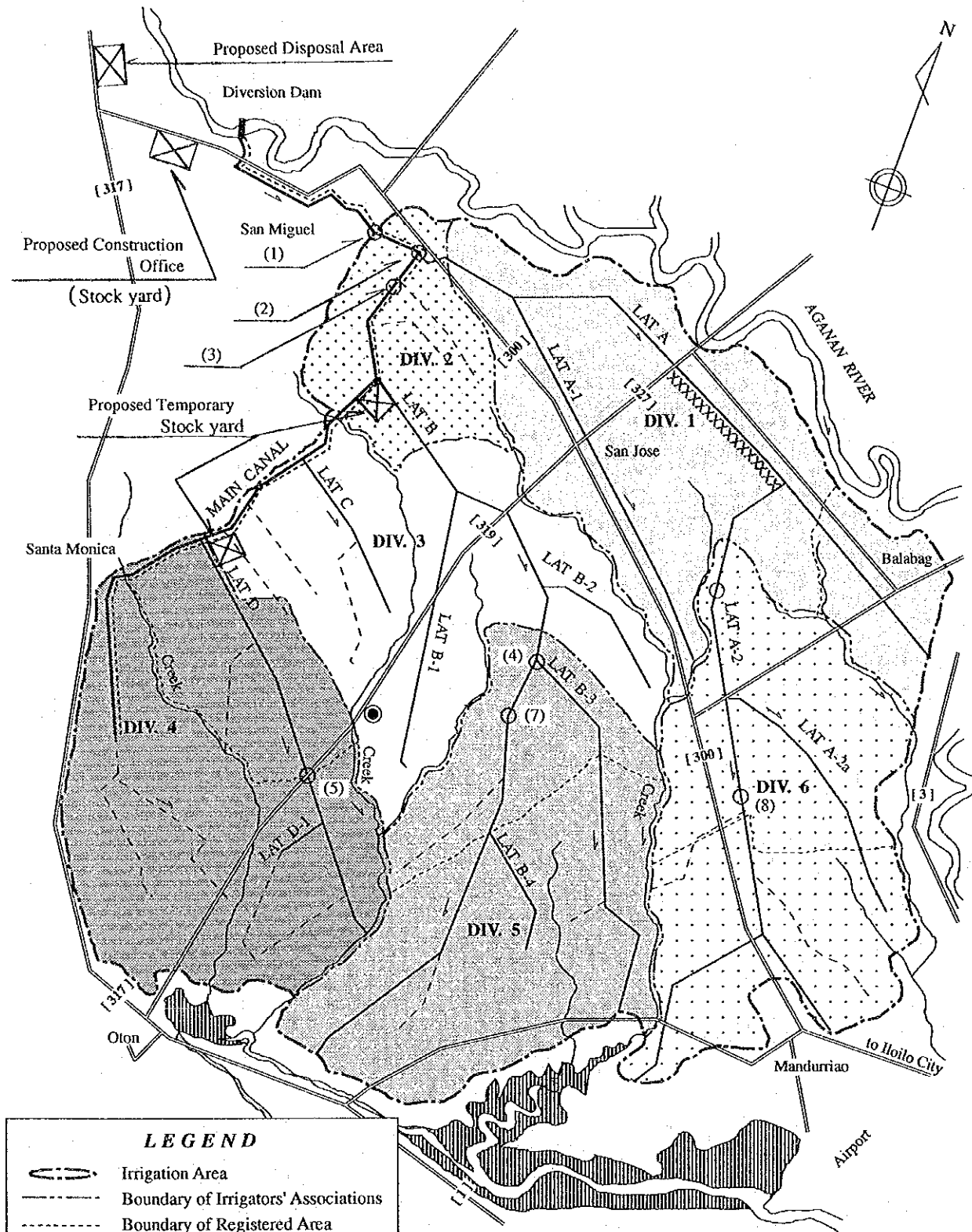


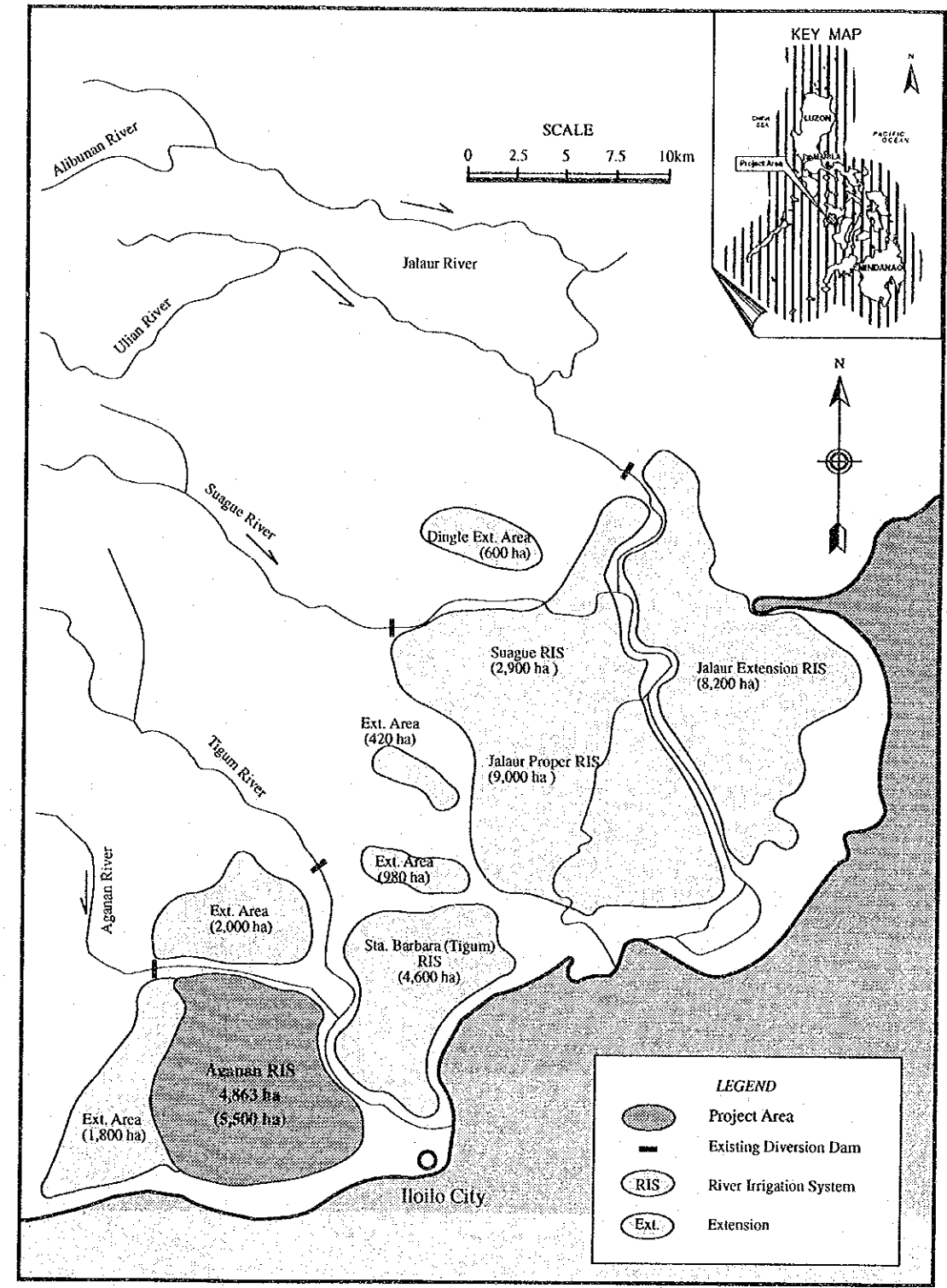
添付図面

図面リスト

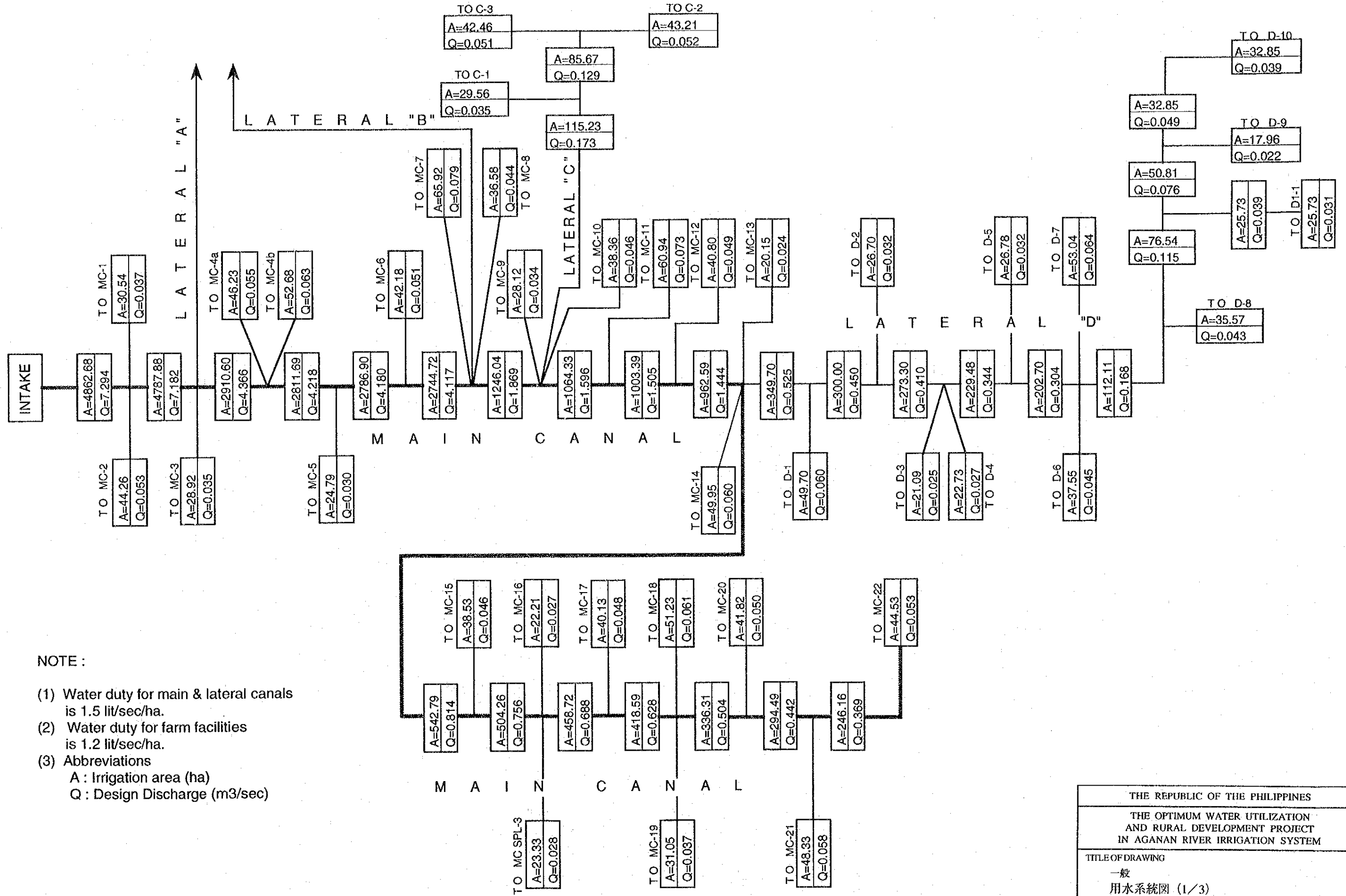
番号	図面番号	図面表題
1	0001	一般 事業計画概要図
2	0002	一般 用水系統図 (1/3)
3	0003	一般 用水系統図 (2/3)
4	0004	一般 用水系統図 (3/3)
5	1001	頭首工 平面縦横断面図
6	1002	頭首工 エプロン工/護床工
7	1003	頭首工 護岸工 (1/2)
8	1004	頭首工 護岸工 (2/2)
9	1005	頭首工 入口整備工
10	2001	用水路 平面縦断面図 (幹線用水路) (1/9)
11	2002	用水路 平面縦断面図 (幹線用水路) (2/9)
12	2003	用水路 平面縦断面図 (幹線用水路) (3/9)
13	2004	用水路 平面縦断面図 (幹線用水路) (4/9)
14	2005	用水路 平面縦断面図 (幹線用水路) (5/9)
15	2006	用水路 平面縦断面図 (幹線用水路) (6/9)
16	2007	用水路 平面縦断面図 (幹線用水路) (7/9)
17	2008	用水路 平面縦断面図 (幹線用水路) (8/9)
18	2009	用水路 平面縦断面図 (幹線用水路) (9/9)
19	3001	用水路関連構造物 水位・流量調整用ゲート取り替え (幹線用水路, STA 2+200)
20	3002	用水路関連構造物 大分水工及び水位調整用ゲート取り替え (幹線用水路, STA 2+773) (1/2)
21	3003	用水路関連構造物 大分水工及び水位調整用ゲート取り替え (幹線用水路, STA 2+773) (2/2)
22	3004	用水路関連構造物 水位調整用ゲート取り替え (幹線用水路, STA 3+106)
23	3005	用水路関連構造物 水位調整用ゲート取り替え (支線用水路 B-3, STA 3+830)
24	3006	用水路関連構造物 水位調整用ゲート取り替え (支線用水路 D, STA 2+890)
25	3007	用水路関連構造物 小分水工用ゲート取り替え
26	3008	用水路関連構造物 水位調整工付き水路横断工 (支線用水路 A-2, STA 1+540) (改修)
27	3009	用水路関連構造物 落差工付き水位調整工 (支線用水路 B, STA 4+510) (改修)
28	3010	用水路関連構造物 水位調整工付き水路横断工 (支線用水路 A-2, STA 3+830) (新設)
29	3011	用水路関連構造物 鋼製スライドゲート
30	4001	収穫後処理施設 全体平面図
31	4002	収穫後処理施設 乾燥場
32	4003	収穫後処理施設 ガラス室
33	4004	収穫後処理施設 刎倉庫 (1/2)
34	4005	収穫後処理施設 刎倉庫 (2/2)
35	4006	収穫後処理施設 管理棟
36	4007	収穫後処理施設 駐車場
37	4008	収穫後処理施設 門衛室
38	4009	収穫後処理施設 ポンプ室
39	4010	収穫後処理施設 電気・照明設備平面図
40	5001	共通 標準断面図 (幹線用水路及び管理用道路) 及び雑工



- XXX REHABILITATION OF O&M ROAD (LATERAL A, STA 3+270 - STA 4+990)
- (1) REPLACEMENT OF CHECK GATE (MAIN CANAL, STA 2+200)
 - (2) REPLACEMENT OF COMBINED CHECK AND HEAD GATE (MAIN CANAL, STA 2+773)
 - (3) REPLACEMENT OF CHECK GATE (MAIN CANAL, STA 3+106)
 - (4) REPLACEMENT OF HEAD GATE (LATERAL B, STA 3+830)
 - (5) REPLACEMENT OF CHECK GATE (LATERAL D, STA 2+890)
 - (6) REHABILITATION OF THRESHER CROSSING WITH CHECK (LATERAL A-2, STA 1+540)
 - (7) REHABILITATION OF CHECK WITH DROP (LATERAL B, STA 4+510)
 - (8) NEW CONSTRUCTION OF THRESHER CROSSING WITH CHECK (LATERAL A-2, STA 3+830)



THE REPUBLIC OF THE PHILIPPINES			
THE OPTIMUM WATER UTILIZATION AND RURAL DEVELOPMENT PROJECT IN AGANAN RIVER IRRIGATION SYSTEM			
TITLE OF DRAWING			
一般事業計画概要図			
DATE		DRAWING NO.	0001
JAPAN INTERNATIONAL COOPERATION AGENCY			

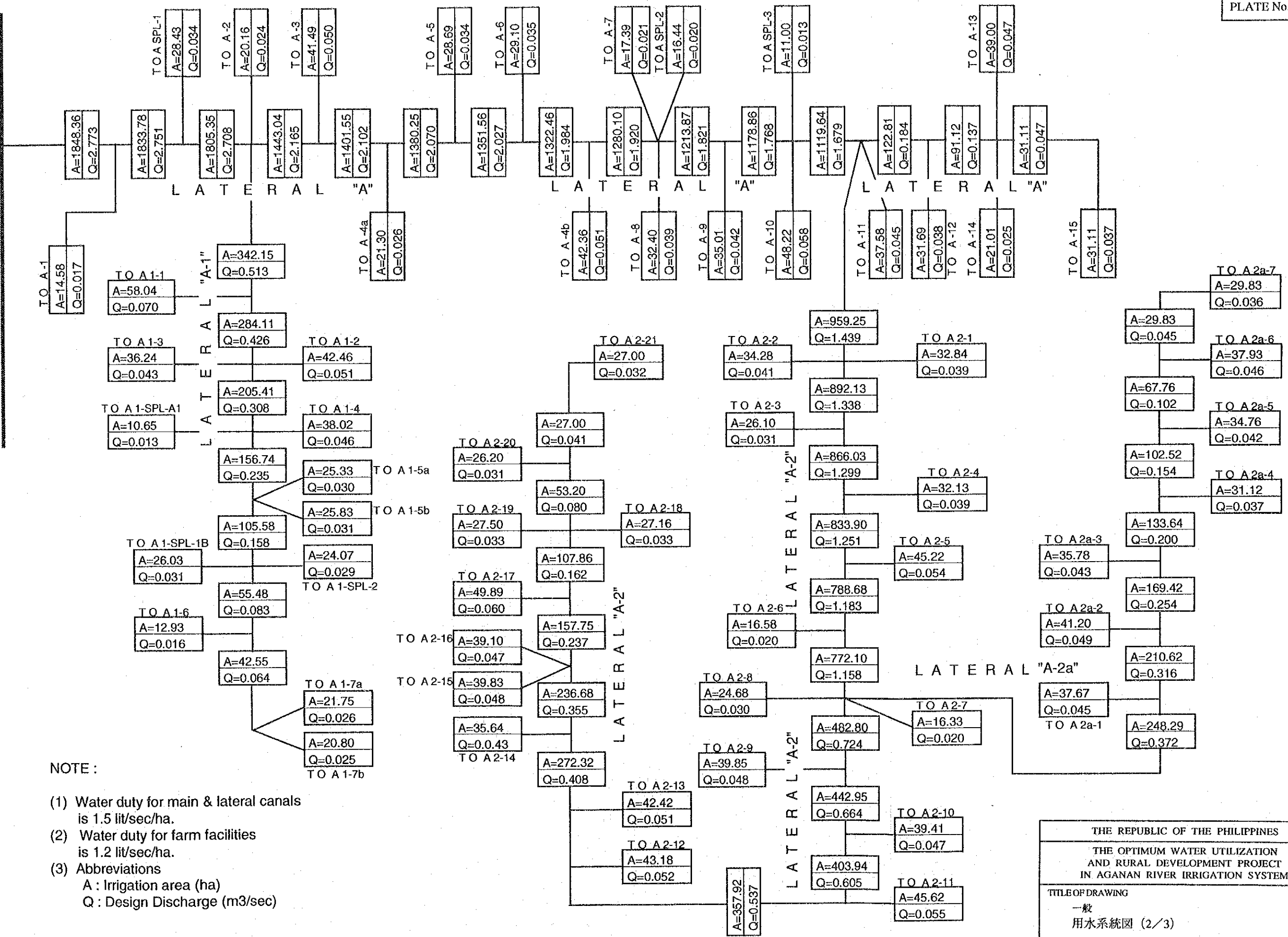


NOTE :

- (1) Water duty for main & lateral canals is 1.5 lit/sec/ha.
- (2) Water duty for farm facilities is 1.2 lit/sec/ha.
- (3) Abbreviations
 A : Irrigation area (ha)
 Q : Design Discharge (m³/sec)

THE REPUBLIC OF THE PHILIPPINES			
THE OPTIMUM WATER UTILIZATION AND RURAL DEVELOPMENT PROJECT IN AGANAN RIVER IRRIGATION SYSTEM			
TITLE OF DRAWING 一般用水系統図 (1/3)			
DATE		DRAWING NO.	0002
JAPAN INTERNATIONAL COOPERATION AGENCY			

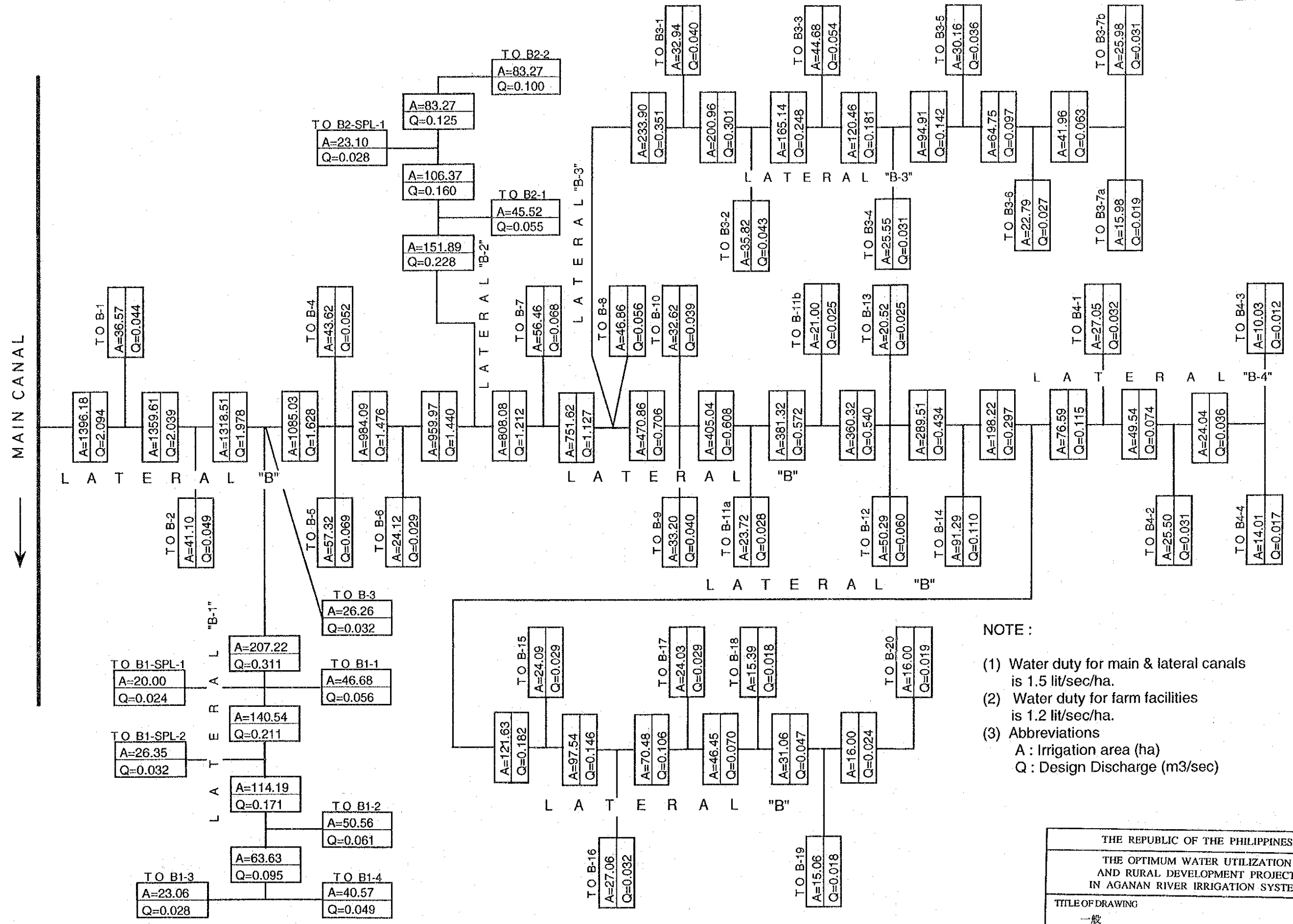
MAIN CANAL



NOTE :

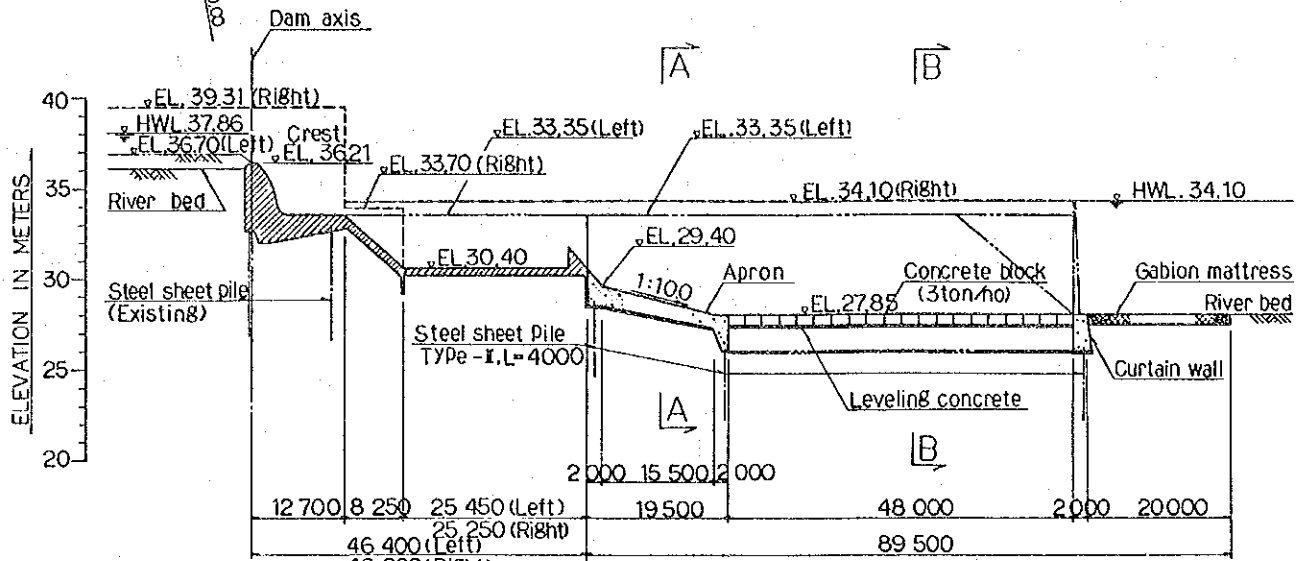
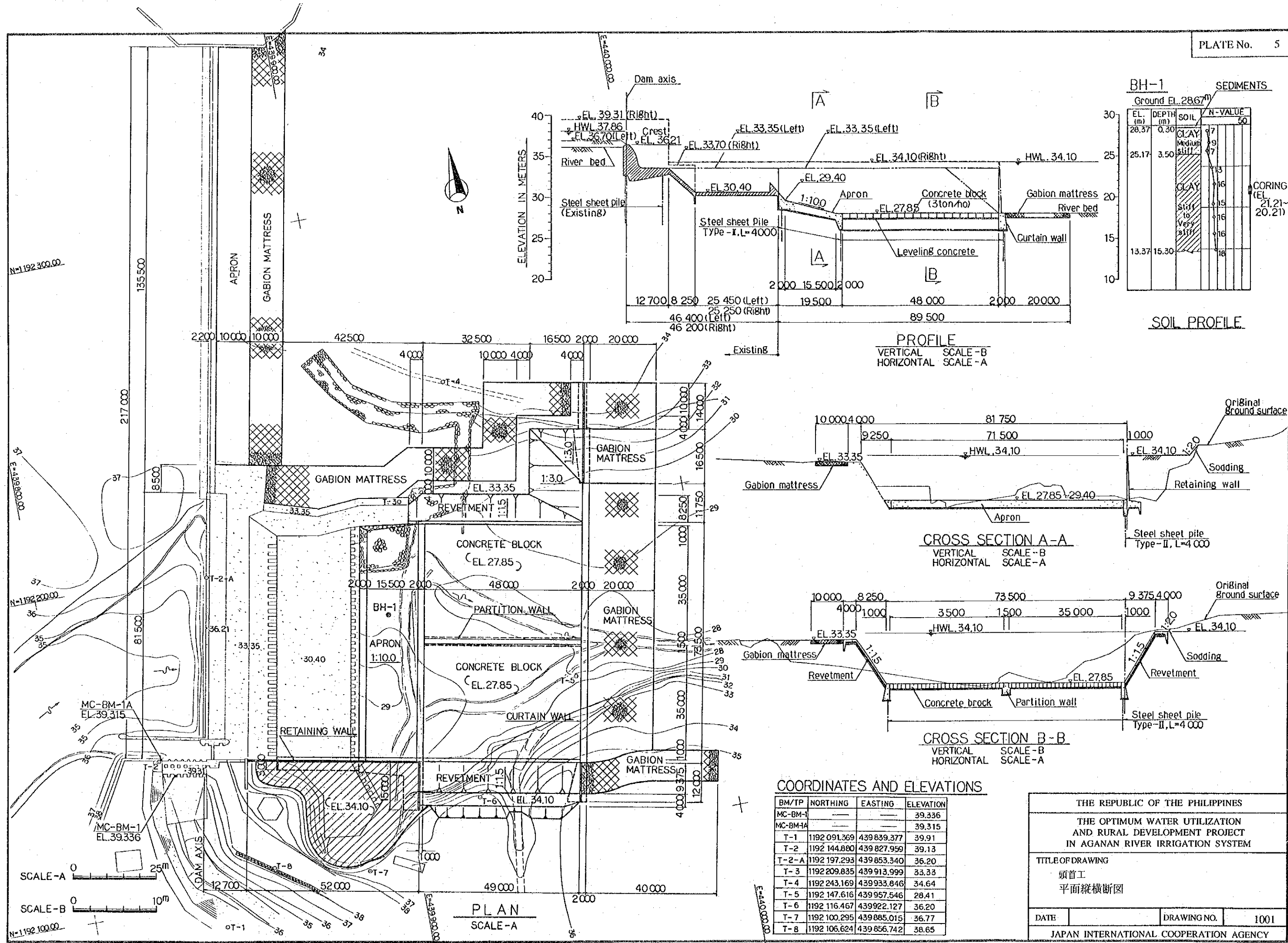
- (1) Water duty for main & lateral canals is 1.5 lit/sec/ha.
- (2) Water duty for farm facilities is 1.2 lit/sec/ha.
- (3) Abbreviations
 A : Irrigation area (ha)
 Q : Design Discharge (m3/sec)

THE REPUBLIC OF THE PHILIPPINES		
THE OPTIMUM WATER UTILIZATION AND RURAL DEVELOPMENT PROJECT IN AGANAN RIVER IRRIGATION SYSTEM		
TITLE OF DRAWING		
一般用水系統圖 (2/3)		
DATE	DRAWING NO.	0003
JAPAN INTERNATIONAL COOPERATION AGENCY		

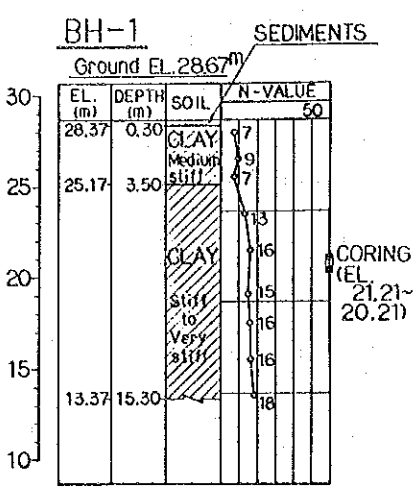


- NOTE :
- (1) Water duty for main & lateral canals is 1.5 lit/sec/ha.
 - (2) Water duty for farm facilities is 1.2 lit/sec/ha.
 - (3) Abbreviations
 A : Irrigation area (ha)
 Q : Design Discharge (m3/sec)

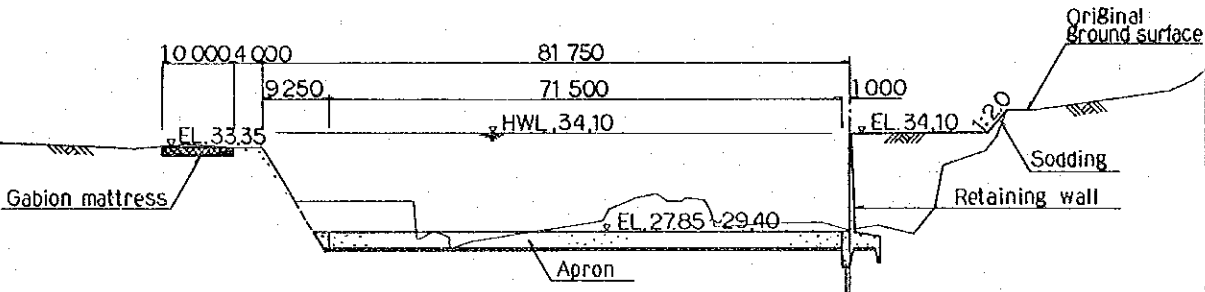
THE REPUBLIC OF THE PHILIPPINES		
THE OPTIMUM WATER UTILIZATION AND RURAL DEVELOPMENT PROJECT IN AGANAN RIVER IRRIGATION SYSTEM		
TITLE OF DRAWING 一般用水系統圖 (3/3)		
DATE	DRAWING NO.	0004
JAPAN INTERNATIONAL COOPERATION AGENCY		



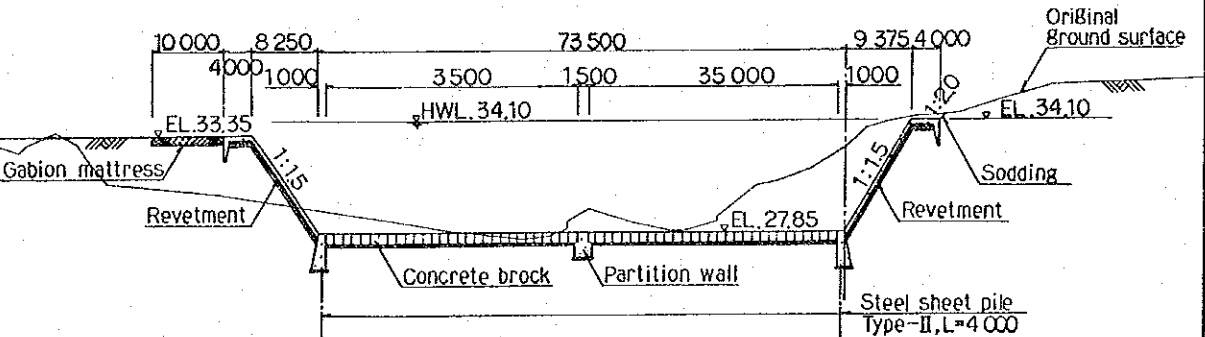
PROFILE
VERTICAL SCALE - B
HORIZONTAL SCALE - A



SOIL PROFILE



CROSS SECTION A-A
VERTICAL SCALE - B
HORIZONTAL SCALE - A

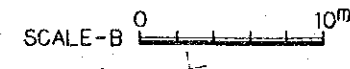


CROSS SECTION B-B
VERTICAL SCALE - B
HORIZONTAL SCALE - A

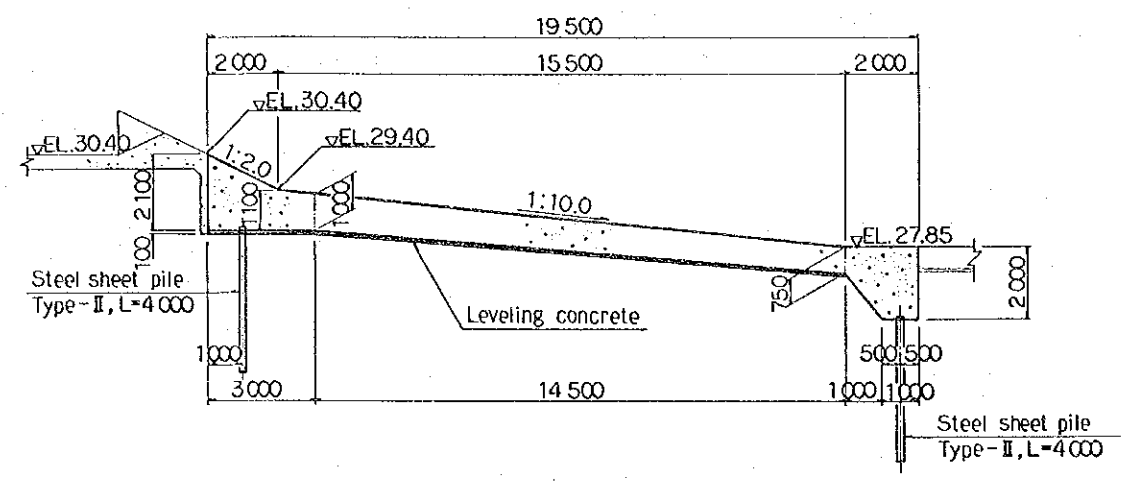
COORDINATES AND ELEVATIONS

BM/TP	NORTHING	EASTING	ELEVATION
MC-BM-1			39.336
MC-BM-1A			39.315
T-1	1192 091.369	439 839.377	39.91
T-2	1192 144.880	439 827.959	39.13
T-2-A	1192 197.293	439 853.340	36.20
T-3	1192 209.835	439 913.999	33.33
T-4	1192 243.169	439 933.846	34.64
T-5	1192 147.616	439 957.546	28.41
T-6	1192 116.467	439 922.127	36.20
T-7	1192 100.295	439 885.015	36.77
T-8	1192 106.624	439 856.742	38.65

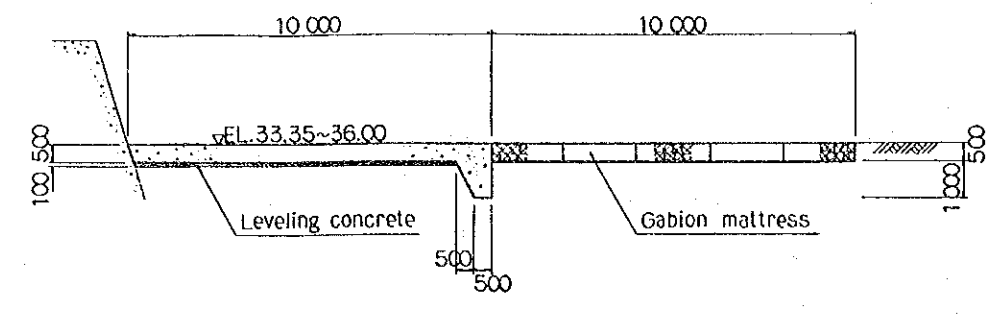
THE REPUBLIC OF THE PHILIPPINES		
THE OPTIMUM WATER UTILIZATION AND RURAL DEVELOPMENT PROJECT IN AGANAN RIVER IRRIGATION SYSTEM		
TITLE OF DRAWING 坝首工 平面縱横断面		
DATE	DRAWING NO.	1001
JAPAN INTERNATIONAL COOPERATION AGENCY		



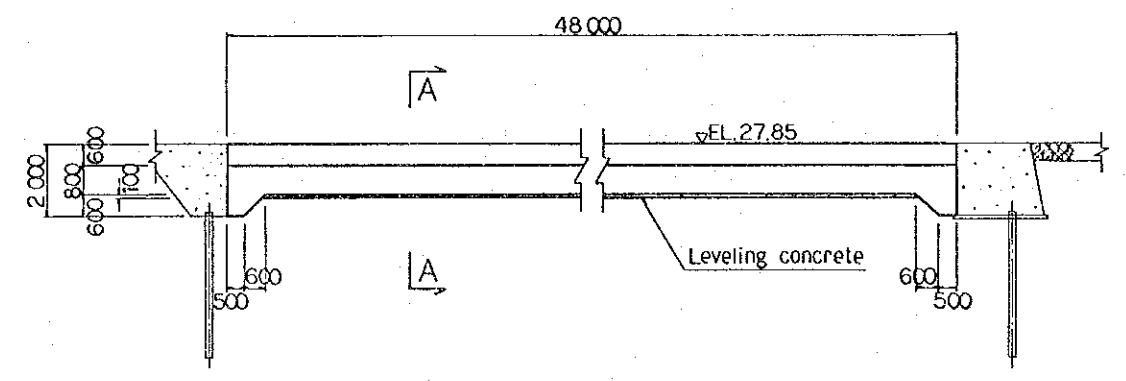
PLAN
SCALE - A



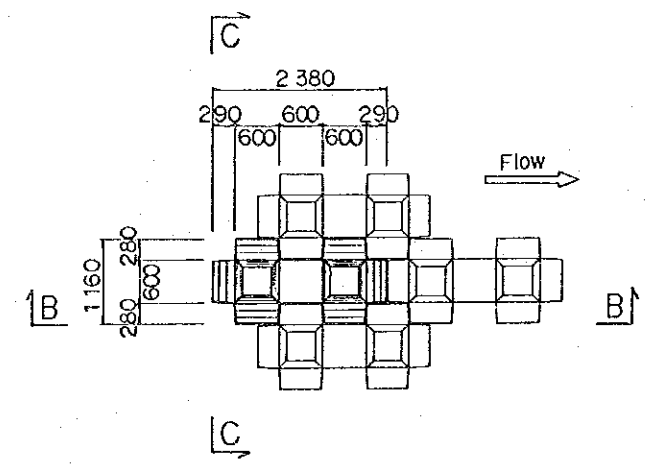
APRON (RIGHT)
SCALE - A



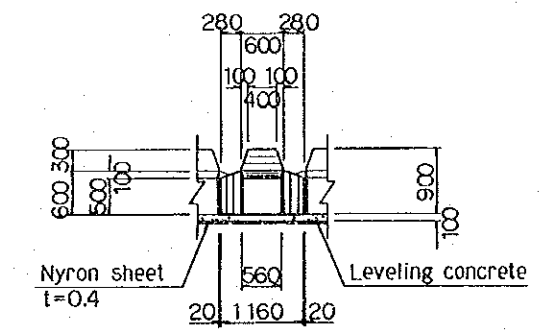
APRON (LEFT)
SCALE - A



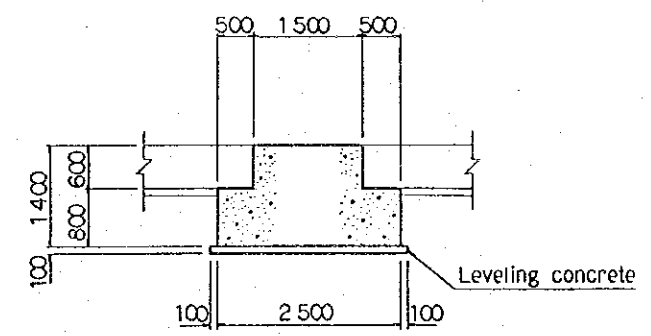
PARTITION WALL
SCALE - A



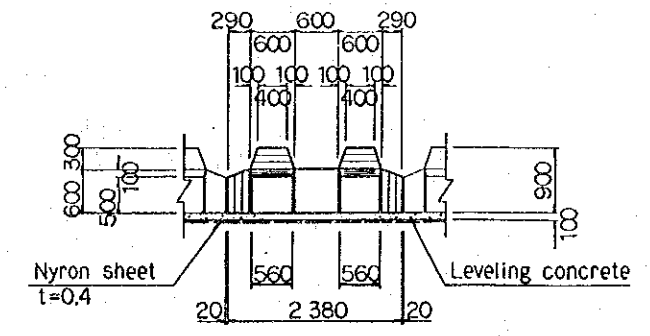
CONCRETE BLOCK
SCALE - B



SECTION C-C
SCALE - B



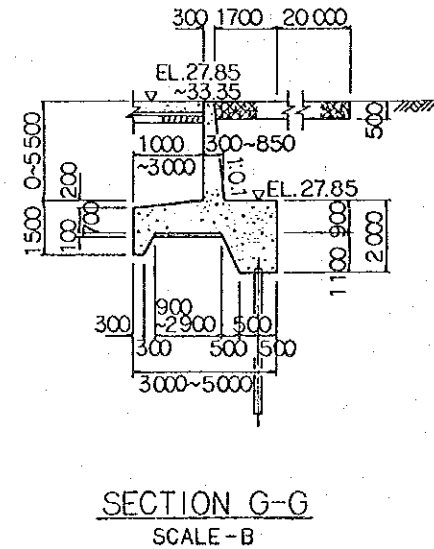
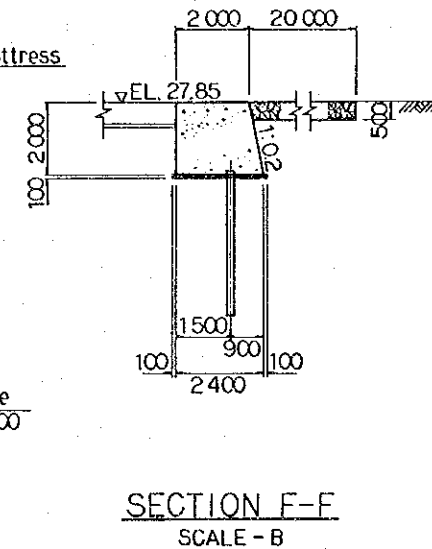
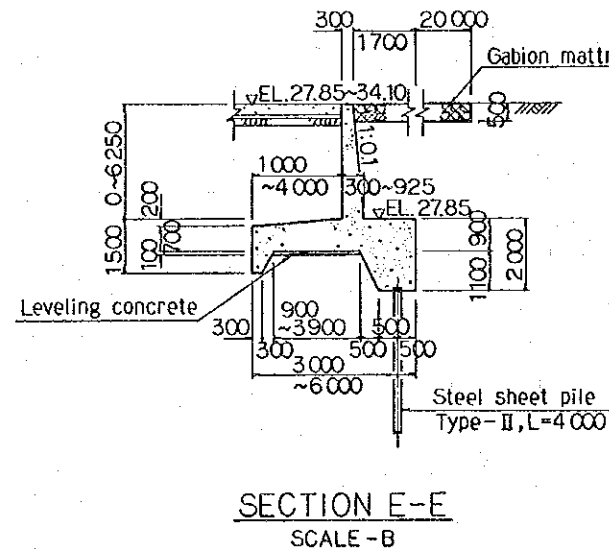
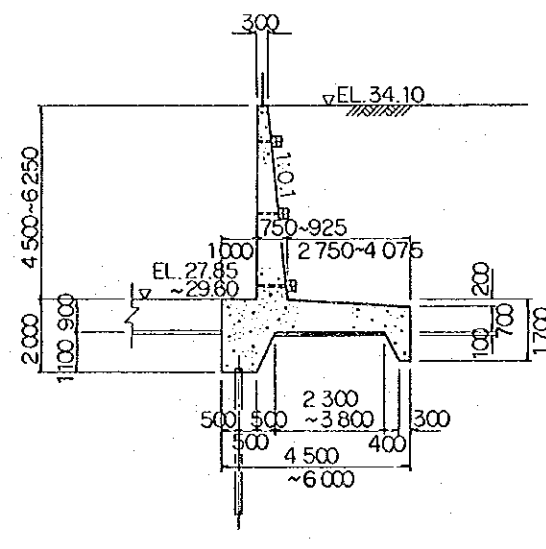
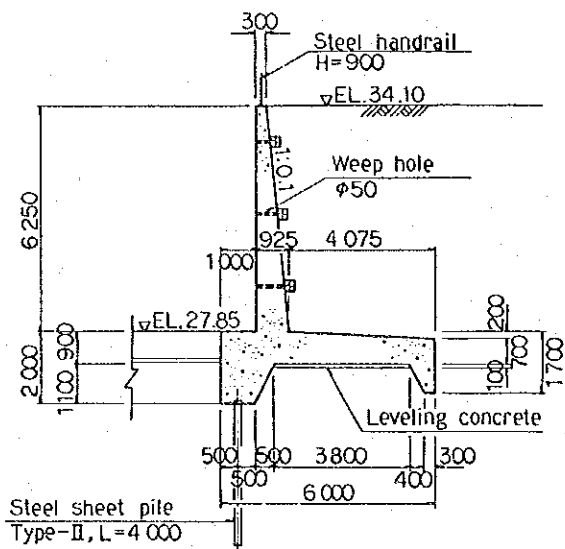
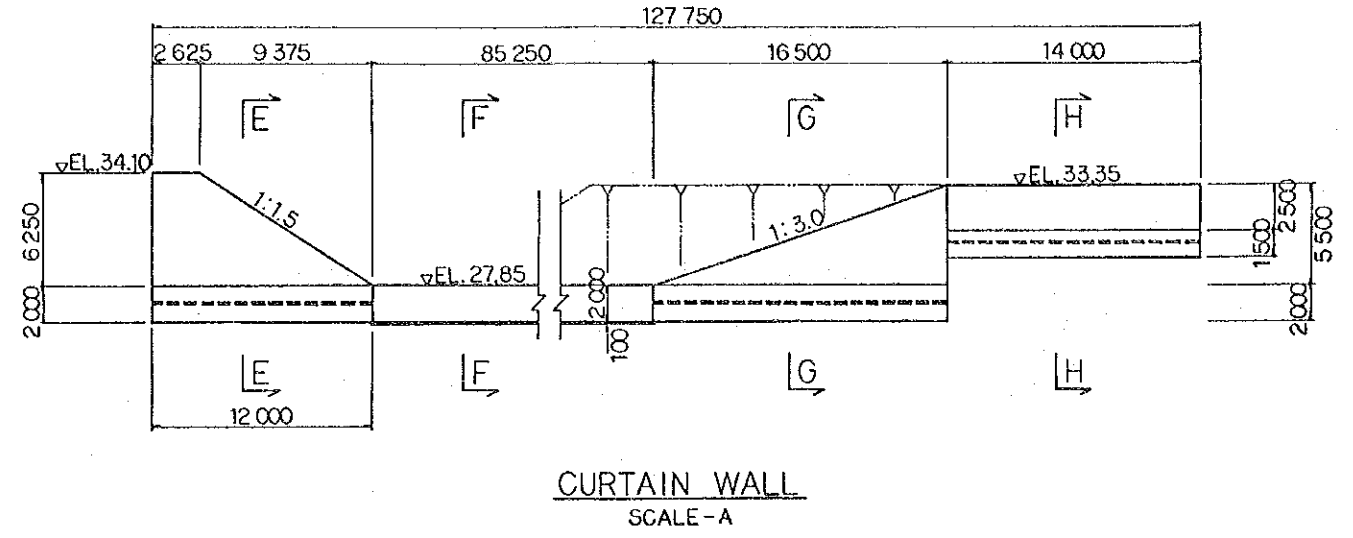
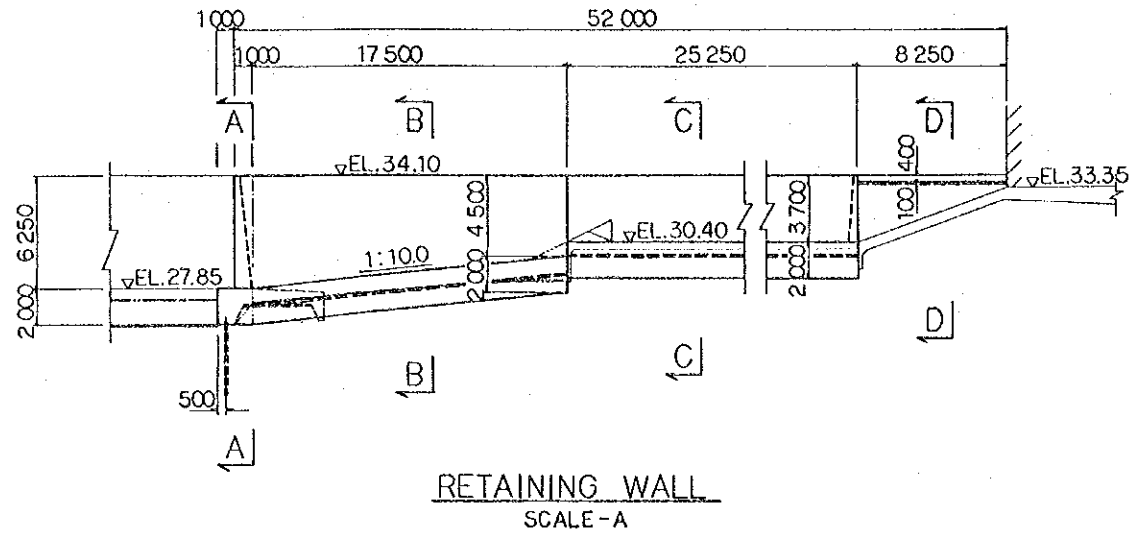
SECTION A-A
SCALE - B



SECTION B-B
SCALE - B



THE REPUBLIC OF THE PHILIPPINES			
THE OPTIMUM WATER UTILIZATION AND RURAL DEVELOPMENT PROJECT IN AGANAN RIVER IRRIGATION SYSTEM			
TITLE OF DRAWING 頭首工 エプロン工/護床工			
DATE		DRAWING NO.	1002
JAPAN INTERNATIONAL COOPERATION AGENCY			



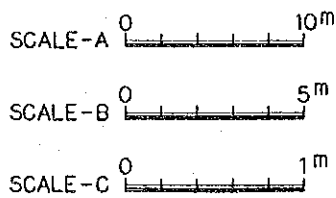
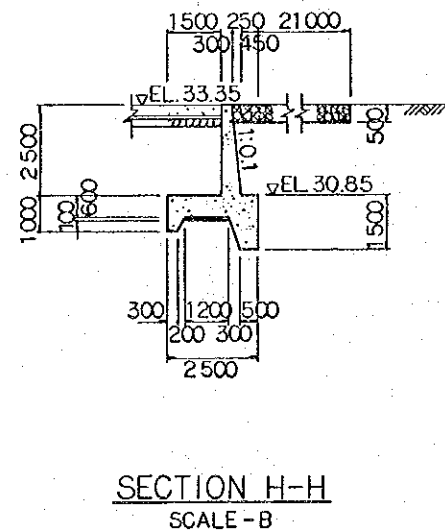
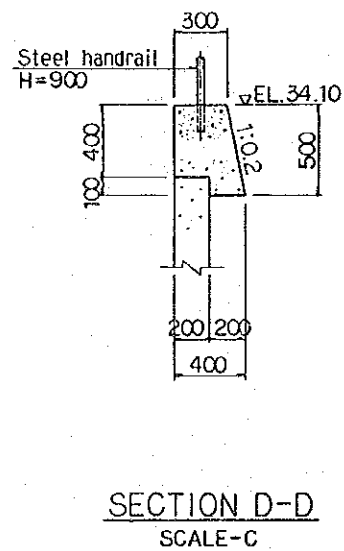
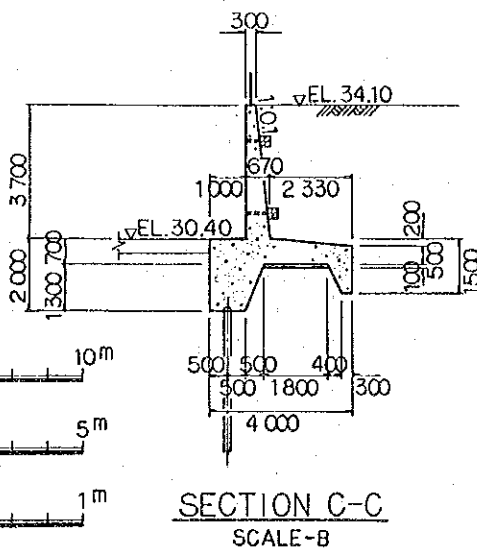
SECTION A-A
SCALE - B

SECTION B-B
SCALE - B

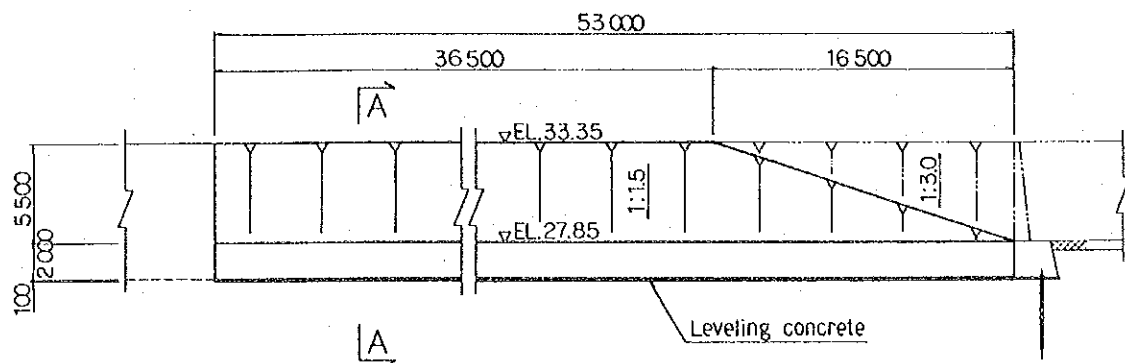
SECTION E-E
SCALE - B

SECTION F-F
SCALE - B

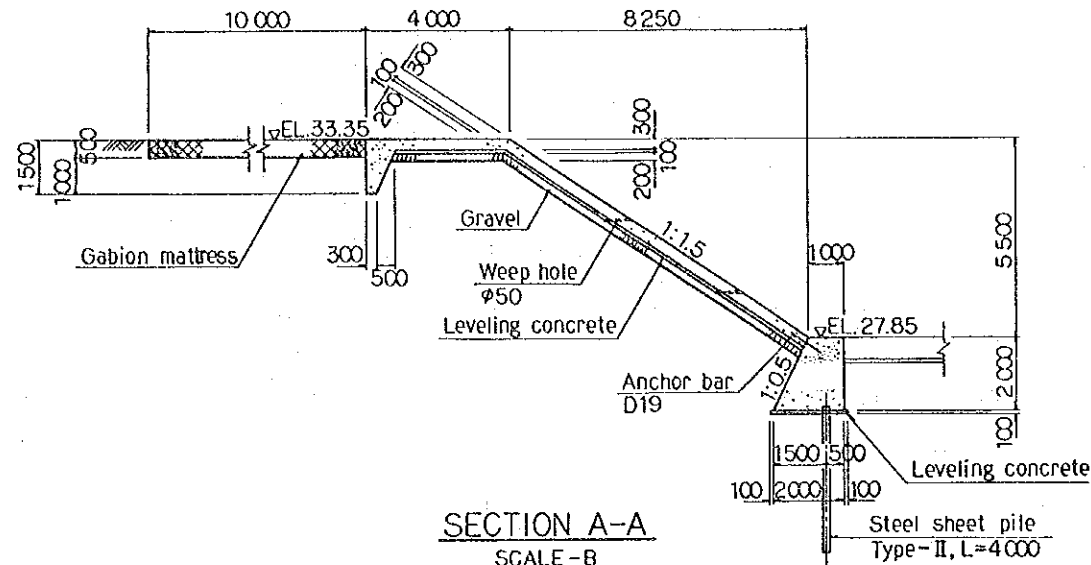
SECTION G-G
SCALE - B



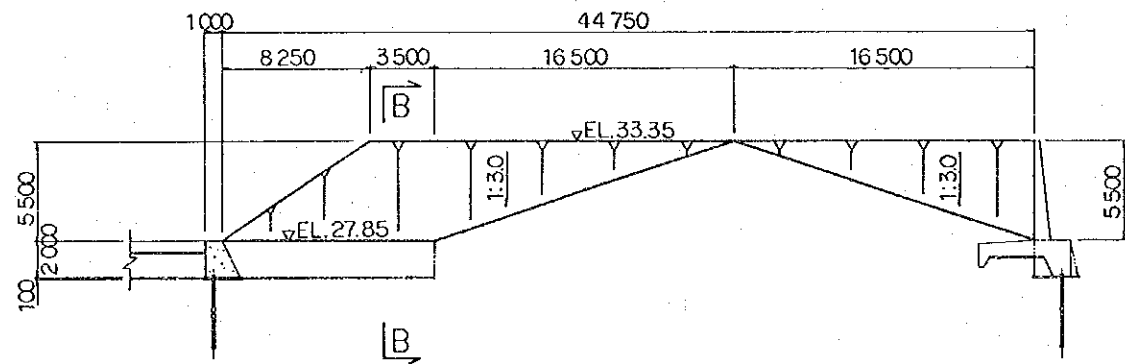
THE REPUBLIC OF THE PHILIPPINES		
THE OPTIMUM WATER UTILIZATION AND RURAL DEVELOPMENT PROJECT IN AGANAN RIVER IRRIGATION SYSTEM		
TITLE OF DRAWING 頭首工 護岸工 (1/2)		
DATE	DRAWING NO.	1003
JAPAN INTERNATIONAL COOPERATION AGENCY		



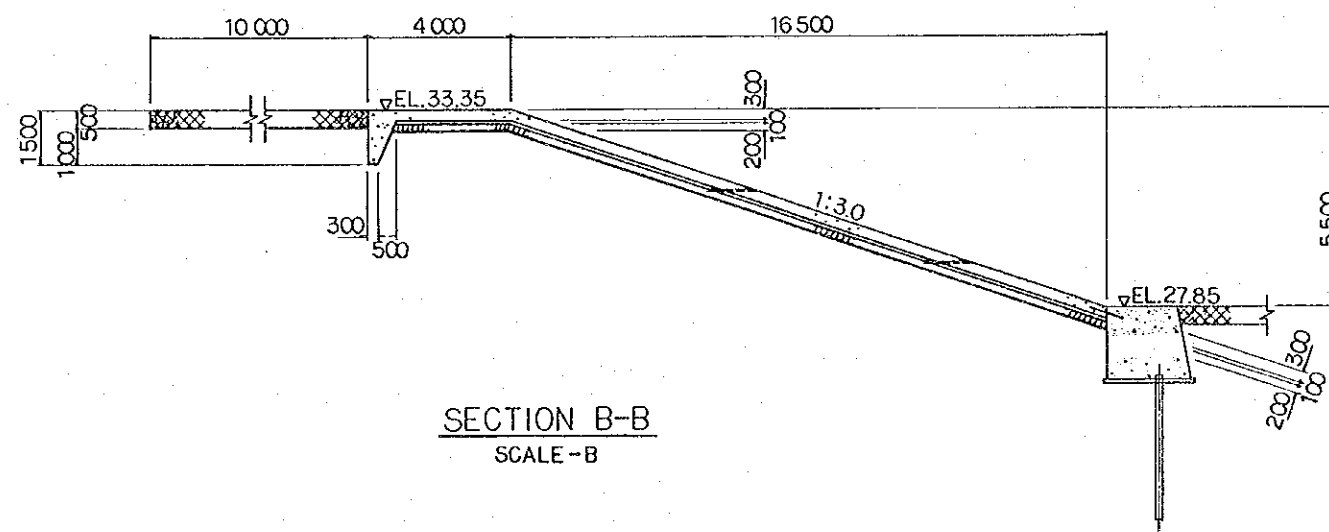
REVTMENT (LEFT)
SCALE - A



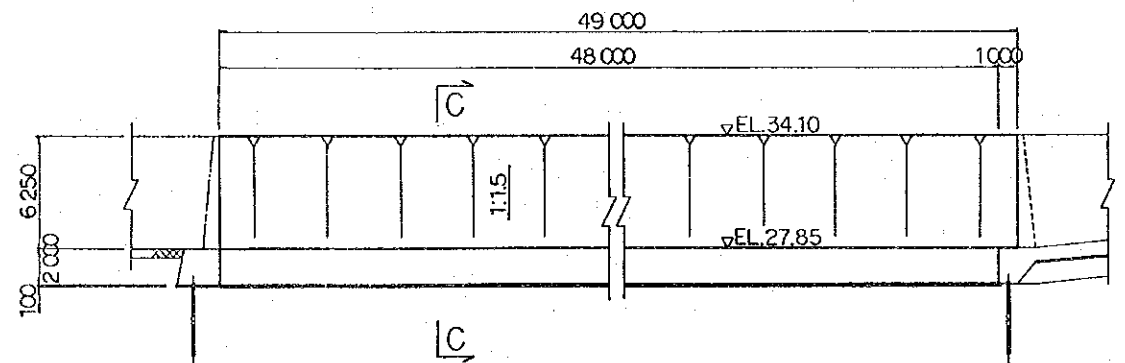
SECTION A-A
SCALE - B



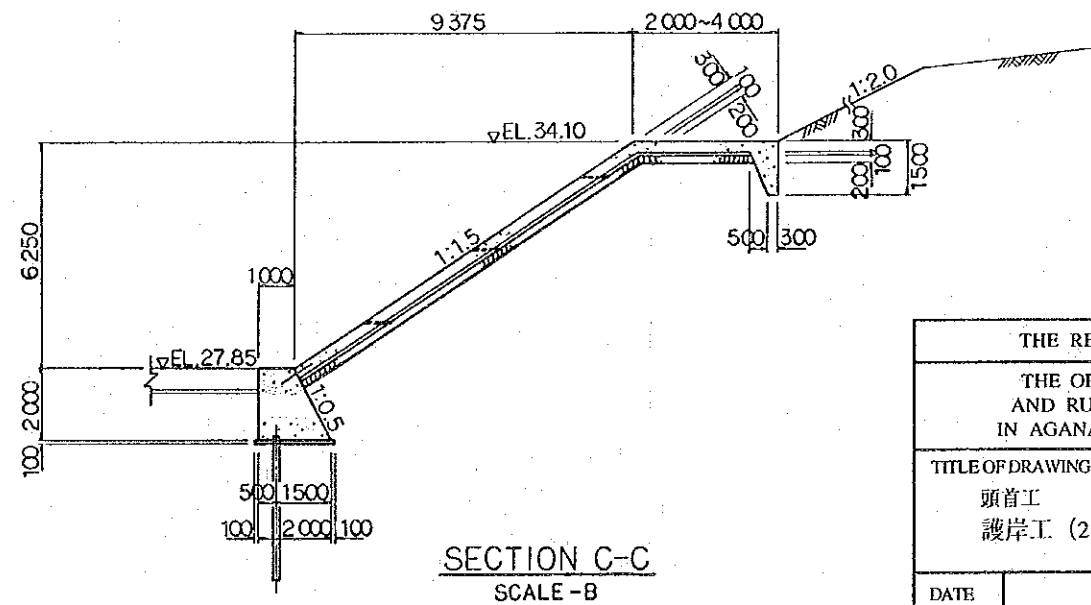
REVTMENT (LEFT)
SCALE - A



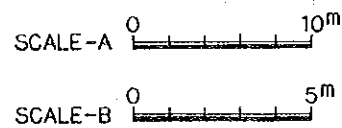
SECTION B-B
SCALE - B



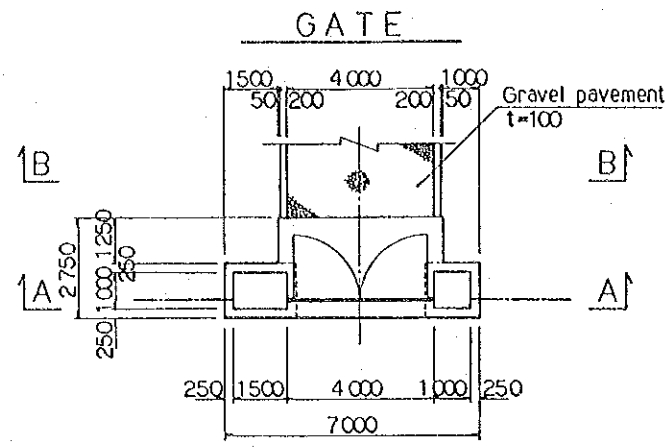
REVTMENT (RIGHT)
SCALE - A



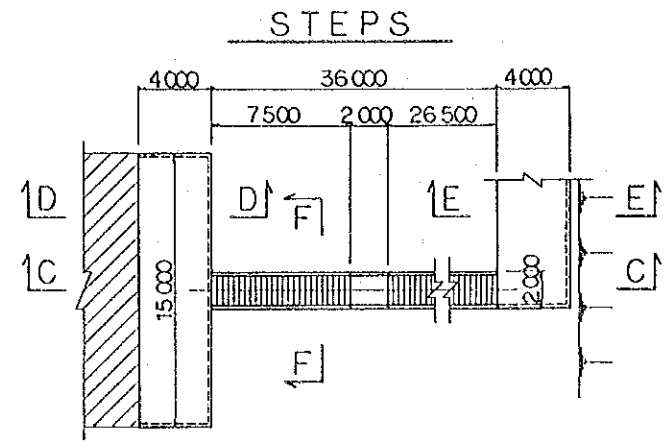
SECTION C-C
SCALE - B



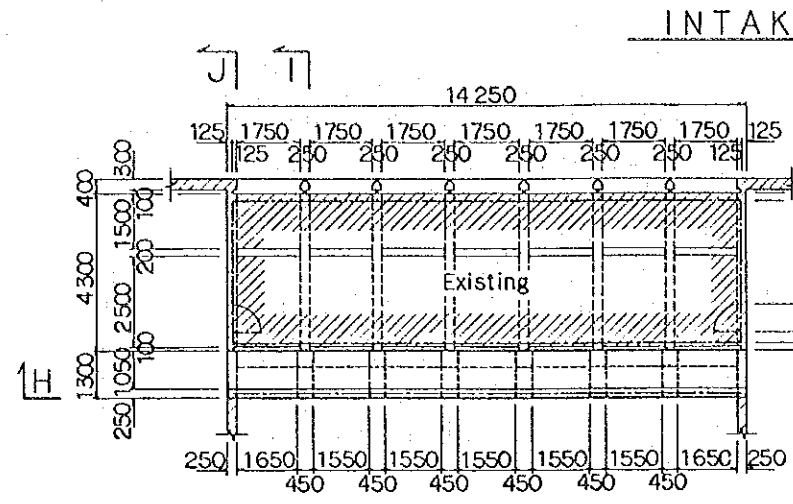
THE REPUBLIC OF THE PHILIPPINES		
THE OPTIMUM WATER UTILIZATION AND RURAL DEVELOPMENT PROJECT IN AGANAN RIVER IRRIGATION SYSTEM		
TITLE OF DRAWING 頭首工 護岸工 (2/2)		
DATE	DRAWING NO.	1004
JAPAN INTERNATIONAL COOPERATION AGENCY		



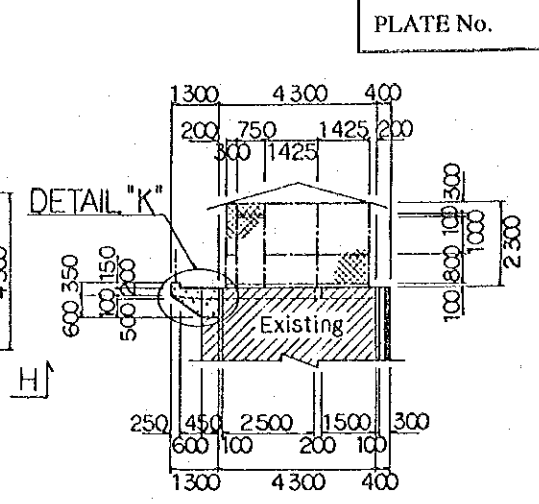
PLAN
SCALE - B



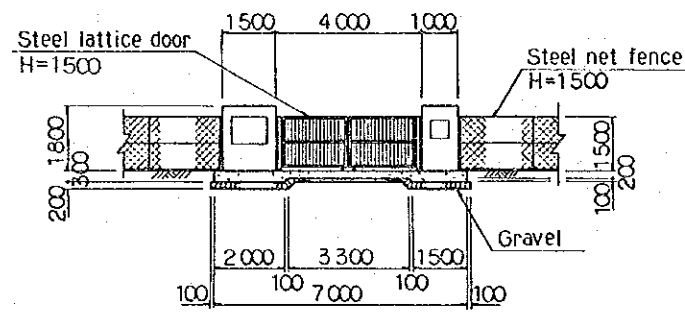
PLAN
SCALE - A



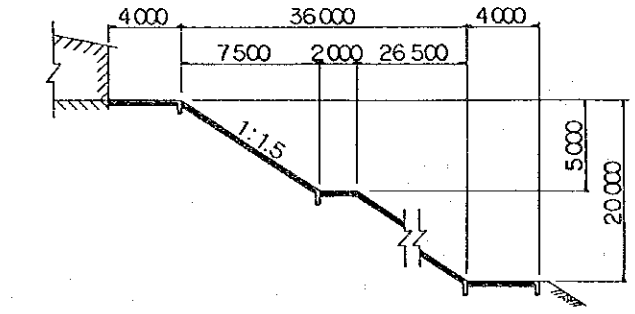
PLAN
SCALE - B



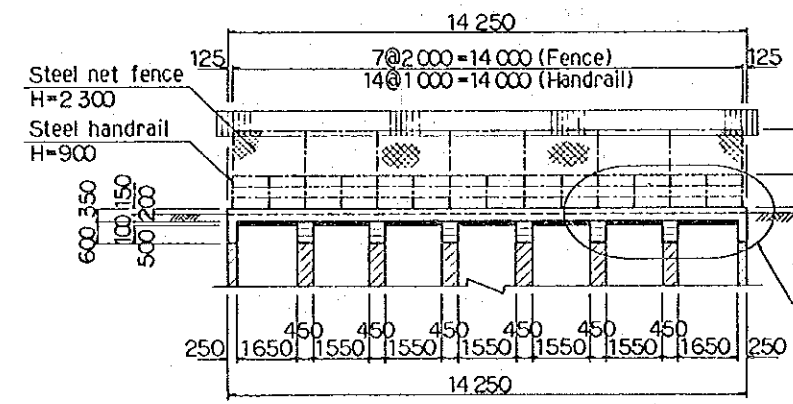
SECTION I-I
SCALE - B



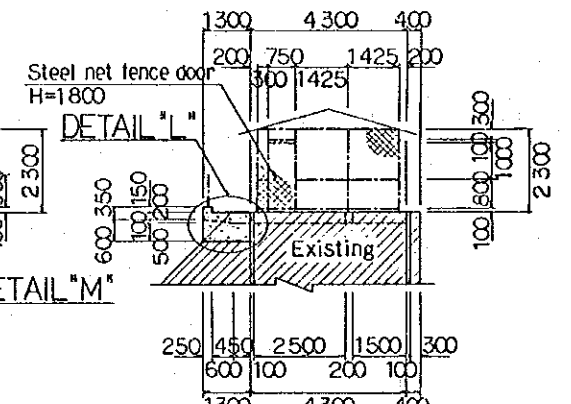
SECTION A-A
SCALE - B



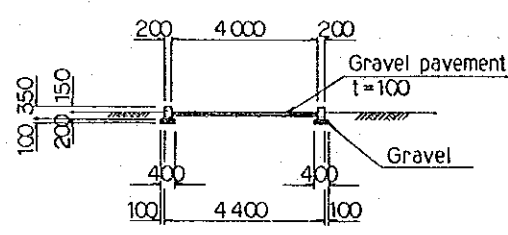
SECTION C-C
SCALE - A



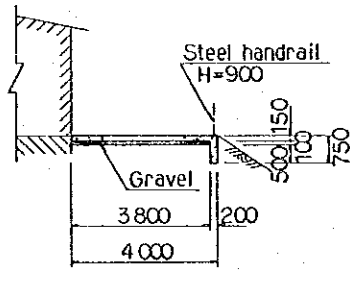
SECTION H-H
SCALE - B



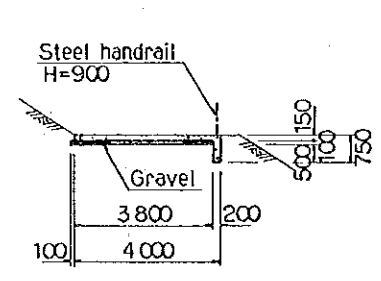
SECTION J-J
SCALE - B



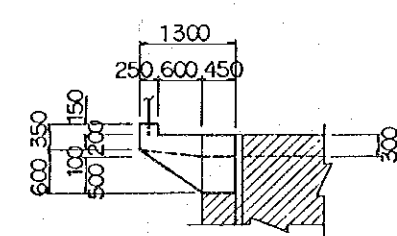
SECTION B-B
SCALE - B



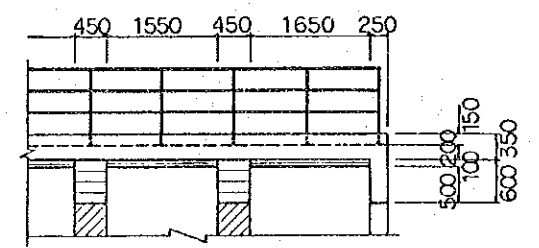
SECTION D-D
SCALE - B



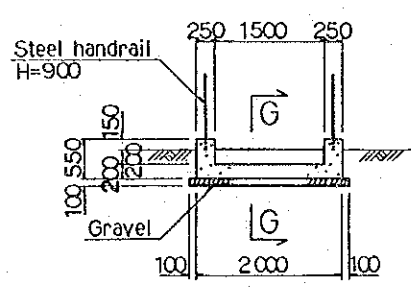
SECTION E-E
SCALE - B



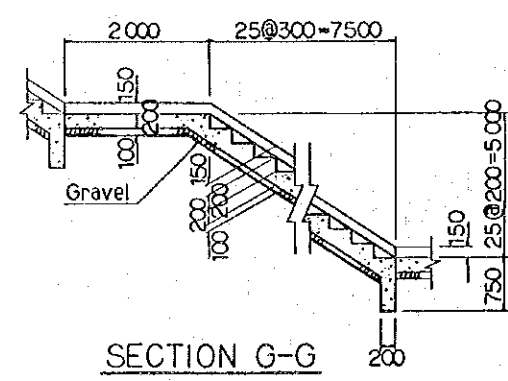
DETAIL "K"
SCALE - C



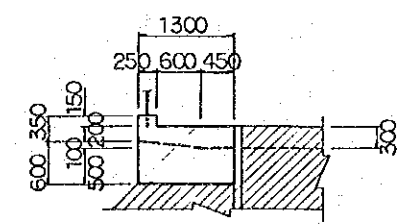
DETAIL "M"
SCALE - C



SECTION F-F
SCALE - C

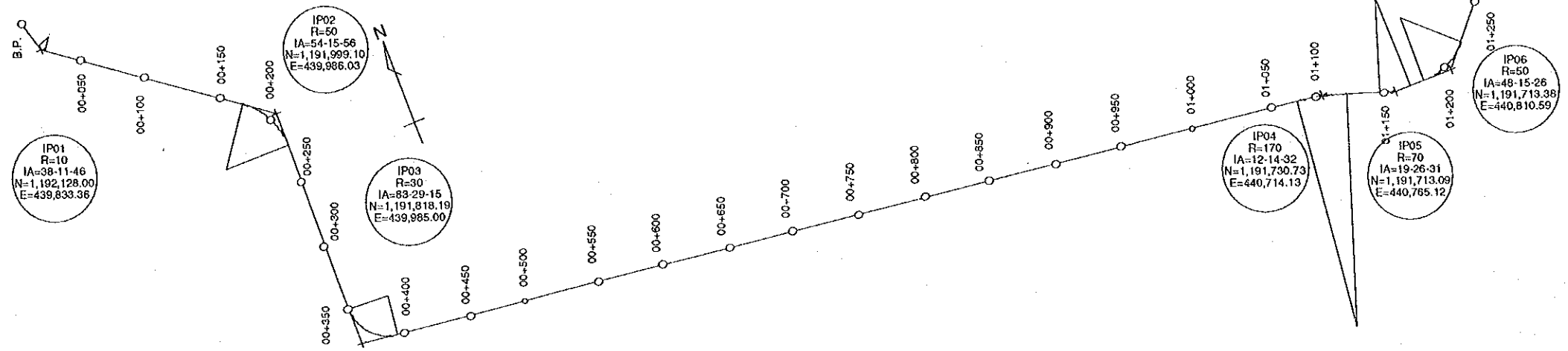


SECTION G-G
SCALE - C

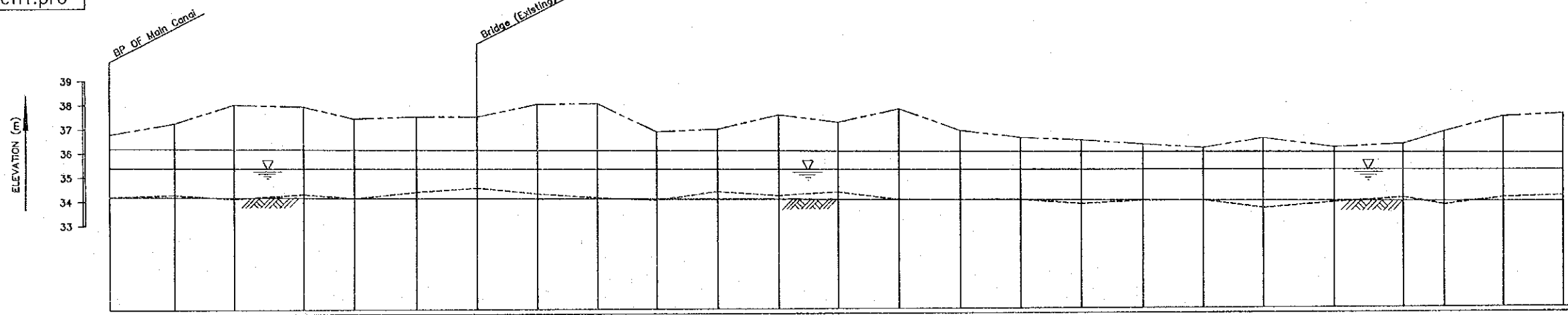


DETAIL "L"
SCALE - C

THE REPUBLIC OF THE PHILIPPINES			
THE OPTIMUM WATER UTILIZATION AND RURAL DEVELOPMENT PROJECT IN AGANAN RIVER IRRIGATION SYSTEM			
TITLE OF DRAWING 頭首工 入口整備工			
DATE		DRAWING NO.	1005
JAPAN INTERNATIONAL COOPERATION AGENCY			



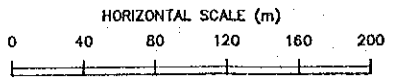
mcff1.pro



	TYPE I-1															TYPE I-2																																		
	Q=7.294 m ³ /s l=1/3,600 B=6.0 m																																																	
PROPOSED CANAL TYPE																																																		
PROPOSED CANAL BANK ELEVATION	36.18	36.17	36.15	36.14	36.12	36.11	36.10	36.05	36.07	36.05	36.04	36.03	36.07	36.00	35.98	35.97	35.95	35.94	35.93	35.92	35.90	35.88	35.87	35.86	35.85	36.18	36.17	36.15	36.14	36.12	36.11	36.10	36.05	36.07	36.05	36.04	36.03	36.07	36.00	35.98	35.97	35.95	35.94	35.93	35.92	35.90	35.88	35.87	35.86	35.85
PROPOSED WATER SURFACE ELEVATION	35.36	35.37	35.36	35.34	35.33	35.32	35.33	35.30	35.29	35.28	35.27	35.28	35.25	35.24	35.23	35.23	35.22	35.21	35.20	35.19	35.18	35.17	35.16	35.15	35.15	35.36	35.37	35.36	35.34	35.33	35.32	35.33	35.30	35.29	35.28	35.27	35.28	35.25	35.24	35.23	35.23	35.22	35.21	35.20	35.19	35.18	35.17	35.16	35.15	35.15
PROPOSED CANAL BASE ELEVATION	34.18	34.17	34.15	34.14	34.12	34.11	34.10	34.05	34.07	34.05	34.04	34.03	34.01	34.00	33.98	33.97	33.96	33.94	33.93	33.92	33.90	33.88	33.87	33.85	33.85	34.18	34.17	34.15	34.14	34.12	34.11	34.10	34.05	34.07	34.05	34.04	34.03	34.01	34.00	33.98	33.97	33.96	33.94	33.93	33.92	33.90	33.88	33.87	33.85	33.85
EXISTING CANAL BANK ELEVATION	36.77	37.23	36.00	37.91	37.41	37.49	37.48	37.99	38.01	36.83	36.93	37.51	37.20	37.75	36.84	36.54	36.43	36.25	36.09	36.48	36.10	36.23	36.74	37.35	37.47	36.77	37.23	36.00	37.91	37.41	37.49	37.48	37.99	38.01	36.83	36.93	37.51	37.20	37.75	36.84	36.54	36.43	36.25	36.09	36.48	36.10	36.23	36.74	37.35	37.47
EXISTING CANAL BASE ELEVATION	34.18	34.27	34.10	34.28	34.11	34.37	34.53	34.28	34.12	34.01	34.35	34.18	34.32	34.01	33.99	33.99	33.81	33.93	33.83	33.61	33.84	34.02	33.72	34.92	34.69	34.18	34.27	34.10	34.28	34.11	34.37	34.53	34.28	34.12	34.01	34.35	34.18	34.32	34.01	33.99	33.99	33.81	33.93	33.83	33.61	33.84	34.02	33.72	34.92	34.69
REDUCED CANAL DISTANCE	0.00	53.90	103.70	161.20	202.60	254.60	304.50	354.00	404.20	454.20	504.10	554.00	603.90	653.90	703.80	753.50	803.50	853.40	903.10	953.00	1010.45	1067.90	1102.10	1151.40	1201.50	0.00	53.90	103.70	161.20	202.60	254.60	304.50	354.00	404.20	454.20	504.10	554.00	603.90	653.90	703.80	753.50	803.50	853.40	903.10	953.00	1010.45	1067.90	1102.10	1151.40	1201.50
CANAL DISTANCE	0.00	53.90	98.00	57.50	41.40	52.00	49.90	49.50	50.20	50.00	49.90	49.90	49.90	50.00	49.70	49.90	50.00	49.90	48.70	49.90	57.45	57.45	34.20	49.30	50.10	0.00	53.90	98.00	57.50	41.40	52.00	49.90	49.50	50.20	50.00	49.90	49.90	49.90	50.00	49.70	49.90	50.00	49.90	48.70	49.90	57.45	57.45	34.20	49.30	50.10
SURVEY STATION NO.	0+000.00	0+050.00	0+100.00	0+150.00	0+200.00	0+250.00	0+300.00	0+350.00	0+400.00	0+450.00	0+500.00	0+550.00	0+600.00	0+650.00	0+700.00	0+750.00	0+800.00	0+850.00	0+900.00	0+950.00	1+000.00	1+050.00	1+100.00	1+150.00	1+200.00	0+000.00	0+050.00	0+100.00	0+150.00	0+200.00	0+250.00	0+300.00	0+350.00	0+400.00	0+450.00	0+500.00	0+550.00	0+600.00	0+650.00	0+700.00	0+750.00	0+800.00	0+850.00	0+900.00	0+950.00	1+000.00	1+050.00	1+100.00	1+150.00	1+200.00

LEGEND

- PROPOSED WATER SURFACE
- PROPOSED CANAL BANK
- PROPOSED CANAL BASE
- EXISTING CANAL BANK
- EXISTING CANAL BASE



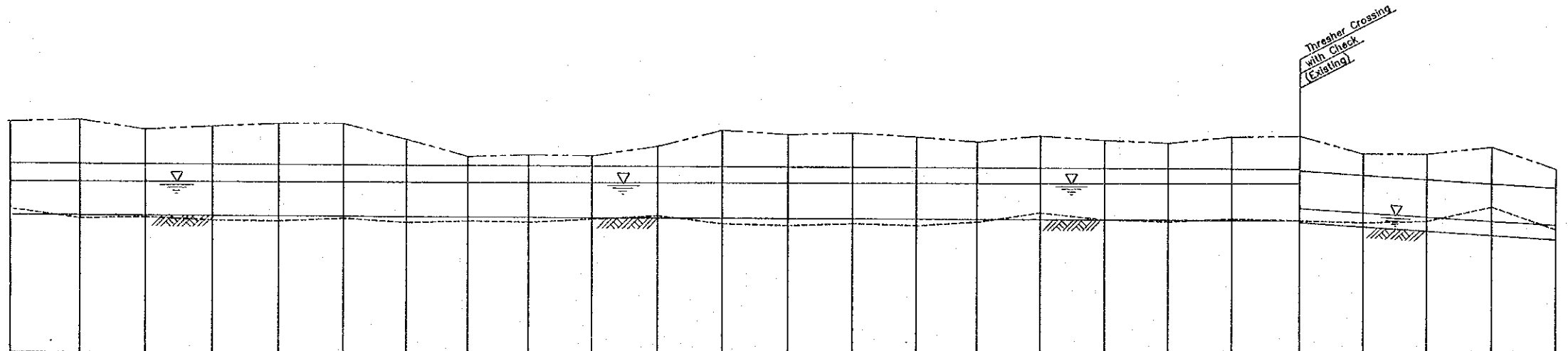
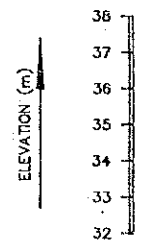
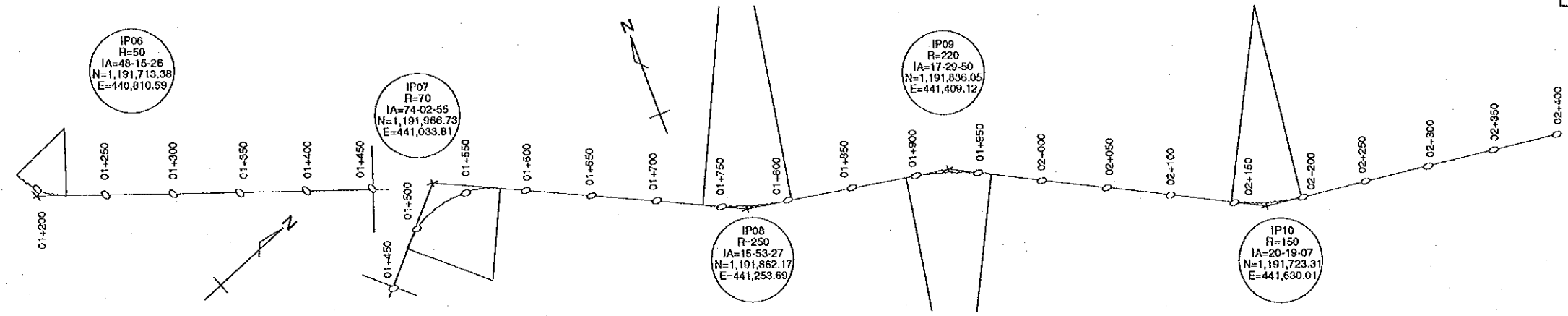
THE REPUBLIC OF THE PHILIPPINES

THE OPTIMUM WATER UTILIZATION AND RURAL DEVELOPMENT PROJECT IN AGANAN RIVER IRRIGATION SYSTEM

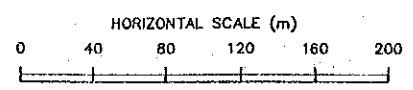
TITLE OF DRAWING
 用水路
 平面縦断面図 (幹線用水路) (1/9)

DATE	DRAWING NO.	2001
------	-------------	------

JAPAN INTERNATIONAL COOPERATION AGENCY



	TYPE I-2																		TYPE I-2							
	Q=7.294 m ³ /s l=1/3,600 B=6.0 m																		Q=7.182 m ³ /s l=1/300 B=6.0 m							
PROPOSED CANAL TYPE																										
PROPOSED CANAL BANK ELEVATION	35.85	35.63	35.85	35.80	35.79	35.78	35.78	35.78	35.75	35.74	35.72	35.72	35.71	35.70	35.68	35.67	35.65	35.64	35.63	35.61	35.57	35.55	35.54	35.18	35.01	34.84
PROPOSED WATER SURFACE ELEVATION	35.15	35.14	35.13	35.12	35.11	35.11	35.10	35.09	35.09	35.08	35.07	35.07	35.06	35.05	35.05	35.04	35.03	35.03	35.02	35.02	35.01	35.00	34.98	34.72	33.55	33.40
PROPOSED CANAL BASE ELEVATION	33.85	33.83	33.82	33.80	33.79	33.78	33.78	33.76	33.75	33.74	33.72	33.71	33.70	33.68	33.67	33.65	33.64	33.63	33.61	33.60	33.57	33.55	33.34	33.18	33.01	32.84
EXISTING CANAL BANK ELEVATION	37.47	37.54	37.16	37.28	37.38	37.36	36.77	36.10	36.16	36.12	36.49	37.11	36.94	36.98	36.84	36.65	36.88	36.70	36.68	36.82	36.85	36.17	36.17	36.44	36.57	
EXISTING CANAL BASE ELEVATION	34.09	33.71	33.75	33.63	33.59	33.69	33.53	33.59	33.55	33.66	33.80	33.48	33.41	33.48	33.40	33.53	33.89	33.62	33.53	33.64	33.57	33.50	33.56	34.11	33.22	
REDUCED CANAL DISTANCE	1201.50	1254.60	1304.70	1354.70	1405.10	1455.10	1503.50	1550.40	1598.30	1648.10	1698.20	1748.60	1800.60	1850.50	1900.20	1948.70	1998.30	2048.10	2098.10	2148.20	2200.50	2250.60	2300.50	2350.40	2400.30	
CANAL DISTANCE	50.10	53.10	50.10	50.00	50.40	50.00	48.40	46.90	47.90	49.80	50.10	50.40	52.00	48.90	49.70	48.50	49.60	49.80	50.00	50.10	52.30	50.10	48.90	48.90	48.90	
SURVEY STATION NO.	1+200.00	1+250.00	1+300.00	1+350.00	1+400.00	1+450.00	1+500.00	1+550.00	1+600.00	1+650.00	1+700.00	1+750.00	1+800.00	1+850.00	1+900.00	1+950.00	2+000.00	2+050.00	2+100.00	2+150.00	2+200.00	2+250.00	2+300.00	2+350.00	2+400.00	



LEGEND

- PROPOSED WATER SURFACE
- PROPOSED CANAL BANK
- PROPOSED CANAL BASE
- EXISTING CANAL BANK
- EXISTING CANAL BASE

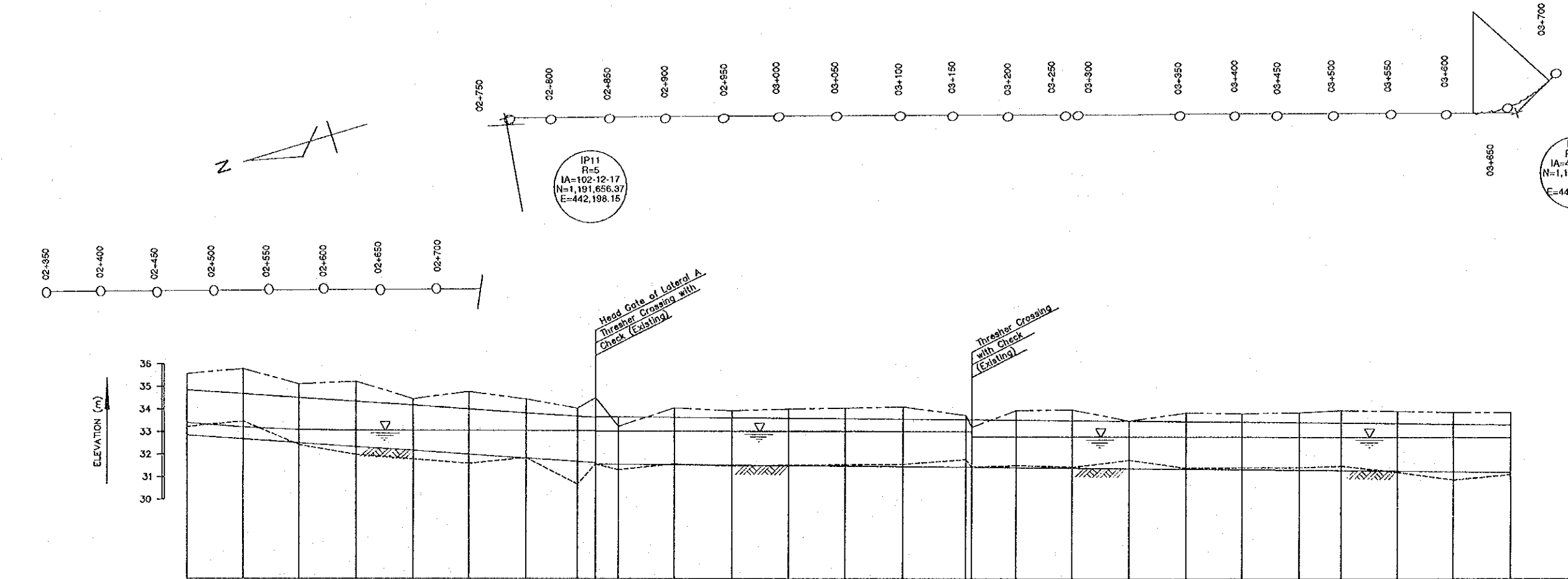
THE REPUBLIC OF THE PHILIPPINES

THE OPTIMUM WATER UTILIZATION
AND RURAL DEVELOPMENT PROJECT
IN AGANAN RIVER IRRIGATION SYSTEM

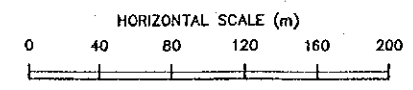
TITLE OF DRAWING
用水路
平面縦断面図 (幹線用水路) (2/9)

DATE	DRAWING NO.	2002
------	-------------	------

JAPAN INTERNATIONAL COOPERATION AGENCY



SURVEY STATION NO.	CANAL DISTANCE	REDUCED CANAL DISTANCE	EXISTING		PROPOSED	
			CANAL BANK ELEVATION	CANAL BASE ELEVATION	CANAL BANK ELEVATION	CANAL BASE ELEVATION
2+400.00	49.90	2+400.30	33.22	32.84	35.57	33.40
2+450.00	50.00	2+450.30	33.47	32.88	35.79	33.21
2+500.00	49.90	2+500.20	32.42	32.51	35.12	33.10
2+550.00	50.00	2+550.20	31.99	32.34	35.23	33.07
2+600.00	50.00	2+600.20	31.79	32.18	34.46	33.06
2+650.00	49.90	2+650.10	31.60	32.01	34.78	33.06
2+700.00	49.90	2+700.90	31.86	31.84	34.46	33.06
2+750.00	44.90	2+754.80	30.68	31.89	34.05	33.06
2+773.00	15.90	2+780.70	31.59	31.84	34.51	33.08
2+800.00	20.30	2+811.00	31.32	31.56	33.24	33.03
2+850.00	50.00	2+831.00	31.58	31.54	34.06	33.03
2+900.00	50.00	2+881.00	31.48	31.52	33.83	33.02
2+950.00	50.00	2+931.00	31.52	31.50	34.01	33.02
3+000.00	50.10	2+981.10	31.54	31.48	34.05	33.02
3+050.00	50.20	3+031.30	31.57	31.46	34.10	33.01
3+100.00	54.40	3+091.80	31.44	31.44	33.21	33.01
3+150.00	55.10	3+086.40	31.78	31.44	33.73	33.01
3+200.00	59.70	3+131.50	31.52	31.42	33.95	32.78
3+250.00	49.90	3+181.40	31.44	31.40	33.98	32.78
3+300.00	50.00	3+231.40	31.75	31.38	33.49	32.78
3+350.00	50.20	3+281.60	31.39	31.35	33.84	32.77
3+400.00	50.10	3+331.80	31.42	31.33	33.81	32.77
3+450.00	37.00	3+418.90	31.42	31.31	33.85	32.76
3+500.00	50.20	3+469.10	31.21	31.29	33.94	32.76
3+550.00	50.00	3+519.10	30.88	31.27	33.91	32.76
3+600.00	50.20	3+569.30	31.12	31.24	33.87	32.75



LEGEND

- PROPOSED WATER SURFACE
- PROPOSED CANAL BANK
- PROPOSED CANAL BASE
- EXISTING CANAL BANK
- EXISTING CANAL BASE

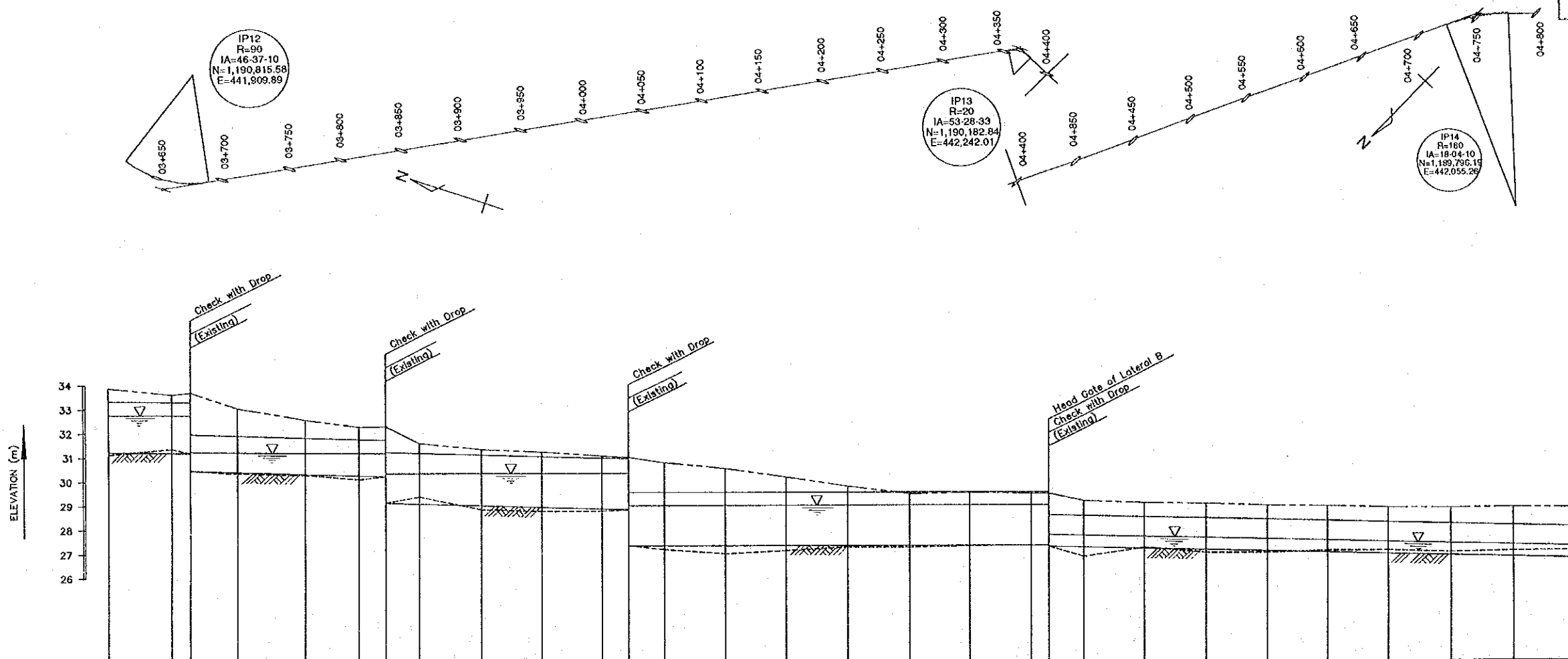
THE REPUBLIC OF THE PHILIPPINES

THE OPTIMUM WATER UTILIZATION AND RURAL DEVELOPMENT PROJECT IN AGANAN RIVER IRRIGATION SYSTEM

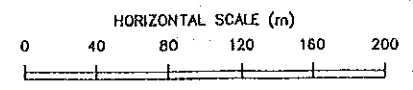
TITLE OF DRAWING
用水路
平面縦断面図 (幹線用水路) (3/9)

DATE	DRAWING NO.	2003
------	-------------	------

JAPAN INTERNATIONAL COOPERATION AGENCY



PROPOSED	CANAL TYPE	TYPE II-2		TYPE II-4		TYPE II-3		TYPE II-1		TYPE III	
		Q=4.218 m ³ /s	l=1/2,200	Q=4.218 m ³ /s	l=1/700	Q=4.117 m ³ /s	l=1/700	Q=4.117 m ³ /s	l=1/1,500	Q=1.869 m ³ /s	l=1/800
	CANAL BANK ELEVATION	33.32	33.30	31.82	31.78	31.12	31.04	29.53	29.52	28.33	28.27
	WATER SURFACE ELEVATION	32.75	32.75	31.20	31.19	30.35	30.34	28.99	28.99	27.92	27.46
	CANAL BASE ELEVATION	31.22	31.20	30.32	30.28	29.02	28.94	27.33	27.32	27.03	26.97
EXISTING	CANAL BANK ELEVATION	33.87	33.61	32.57	32.27	31.34	31.23	30.52	29.77	28.98	28.87
	CANAL BASE ELEVATION	31.12	31.38	30.28	30.10	28.85	28.77	27.00	27.12	26.95	27.04
	REDUCED CANAL DISTANCE	3569.30	3622.10	3731.60	3775.90	3875.90	3926.00	4076.30	4126.30	4226.60	4368.70
	CANAL DISTANCE	50.20	52.20	55.90	44.20	50.10	50.10	50.10	50.00	50.20	48.90
	SURVEY STATION NO.	3+600.00	3+650.00	3+700.00	3+750.00	3+800.00	3+850.00	3+900.00	3+950.00	4+000.00	4+050.00



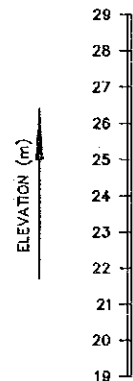
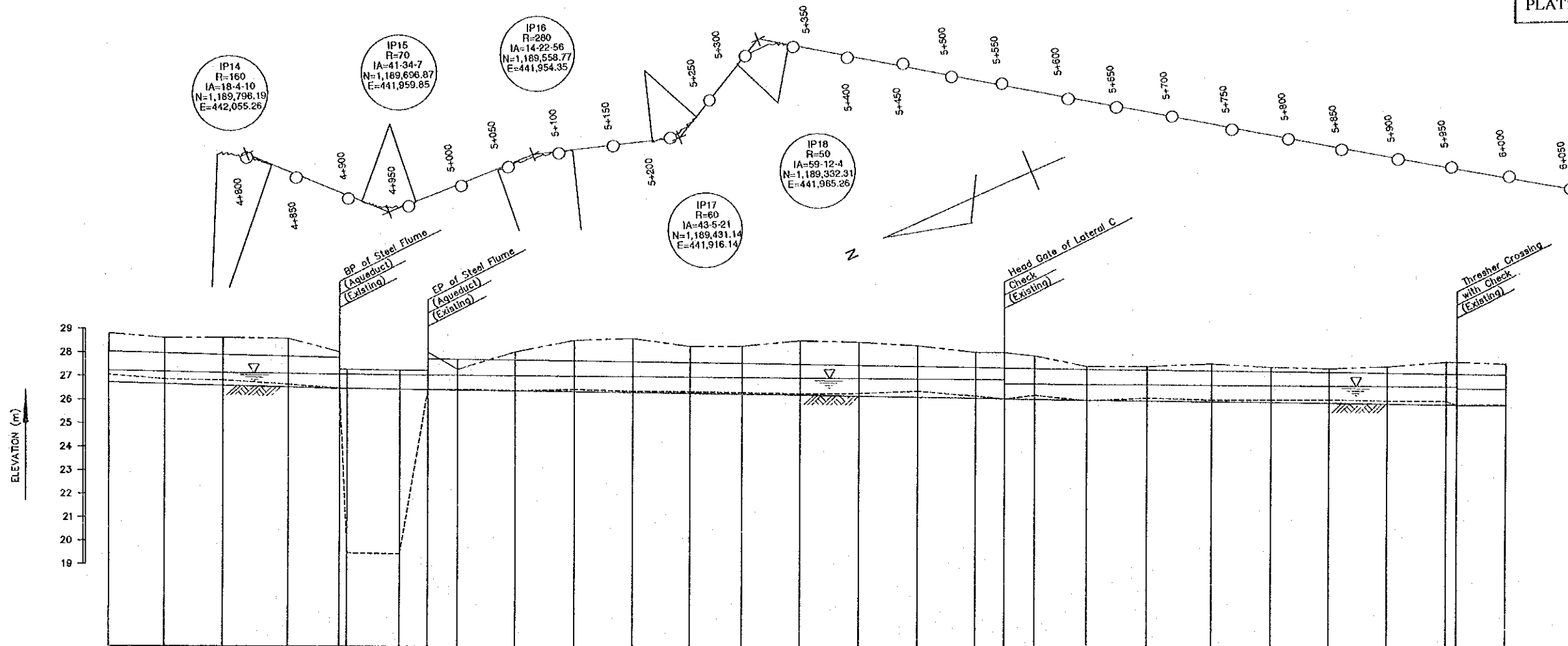
- LEGEND**
- PROPOSED WATER SURFACE
 - PROPOSED CANAL BANK
 - PROPOSED CANAL BASE
 - EXISTING CANAL BANK
 - EXISTING CANAL BASE

THE REPUBLIC OF THE PHILIPPINES
 THE OPTIMUM WATER UTILIZATION AND RURAL DEVELOPMENT PROJECT
 IN AGANAN RIVER IRRIGATION SYSTEM

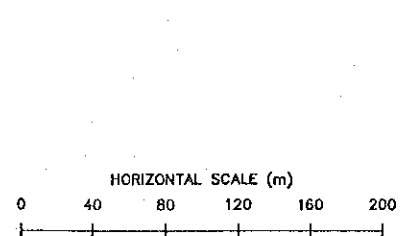
TITLE OF DRAWING
 用水路
 平面縦断面図 (幹線用水路) (4/9)

DATE	DRAWING NO.	2004
------	-------------	------

JAPAN INTERNATIONAL COOPERATION AGENCY



	TYPE III		TYPE III		TYPE III		TYPE III		TYPE III						
	Q=1.869m ³ /s	I=1/800	B=3.0 m	Q=1.869m ³ /s	I=1/1,498	B=3.0 m	Q=1.869m ³ /s	I=1/1,700	B=3.0 m	Q=1.596m ³ /s	I=1/1,800	B=3.0 m	Q=1.505m ³ /s	I=1/2,600	B=3.0 m
PROPOSED CANAL TYPE	TYPE III														
PROPOSED CANAL BANK ELEVATION	28.02	27.96	27.89	27.83	27.77	27.77	27.72	27.64	27.54	27.51	27.47	27.44	27.41	27.39	27.38
PROPOSED WATER SURFACE ELEVATION	27.22	27.18	27.13	27.10	27.07	27.07	27.07	27.04	27.03	27.03	26.92	26.91	26.90	26.89	26.88
PROPOSED CANAL BASE ELEVATION	26.72	26.66	26.59	26.53	26.47	26.47	26.47	26.44	26.43	26.43	26.37	26.36	26.35	26.34	26.33
EXISTING CANAL BANK ELEVATION	28.80	28.61	28.62	28.58	28.01	28.01	27.24	26.44	26.43	26.21	26.46	26.32	26.05	26.08	26.07
EXISTING CANAL BASE ELEVATION	27.04	26.85	26.81	26.64	26.47	26.47	19.47	19.43	26.43	26.26	26.29	26.39	26.20	26.08	26.02
REDUCED CANAL DISTANCE	4768.30	4817.20	4866.80	4921.90	4968.00	4972.50	5017.50	5046.90	5066.00	5115.50	5166.60	5216.70	5266.30	5310.10	5360.10
CANAL DISTANCE	49.10	48.90	48.60	55.10	44.10	6.50	45.00	23.40	25.10	49.50	51.10	50.10	48.60	44.80	50.00
SURVEY STATION NO.	4+000.00	4+050.00	4+100.00	4+150.00	4+200.00	4+250.00	4+300.00	4+350.00	4+400.00	4+450.00	4+500.00	4+550.00	4+600.00	4+650.00	4+700.00



LEGEND

	PROPOSED WATER SURFACE
	PROPOSED CANAL BANK
	PROPOSED CANAL BASE
	EXISTING CANAL BANK
	EXISTING CANAL BASE

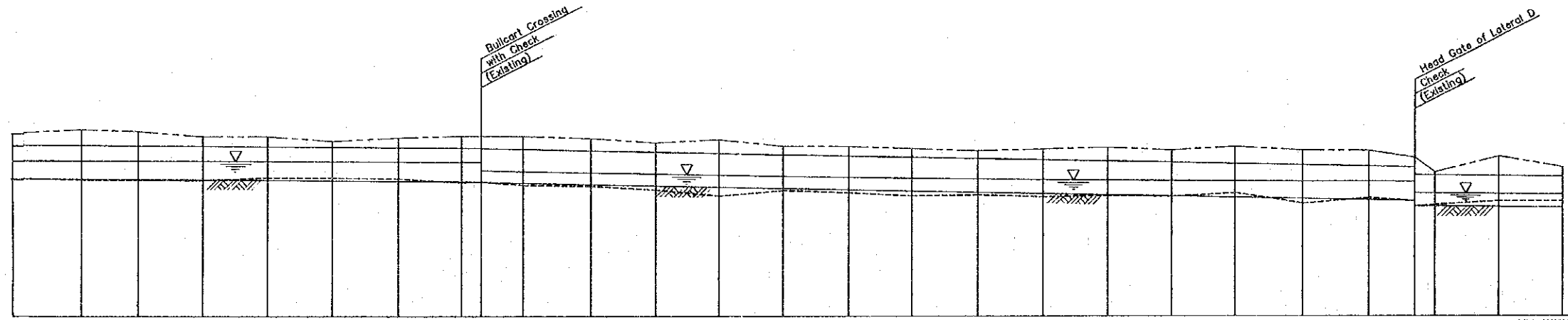
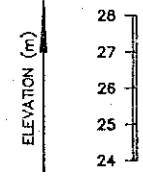
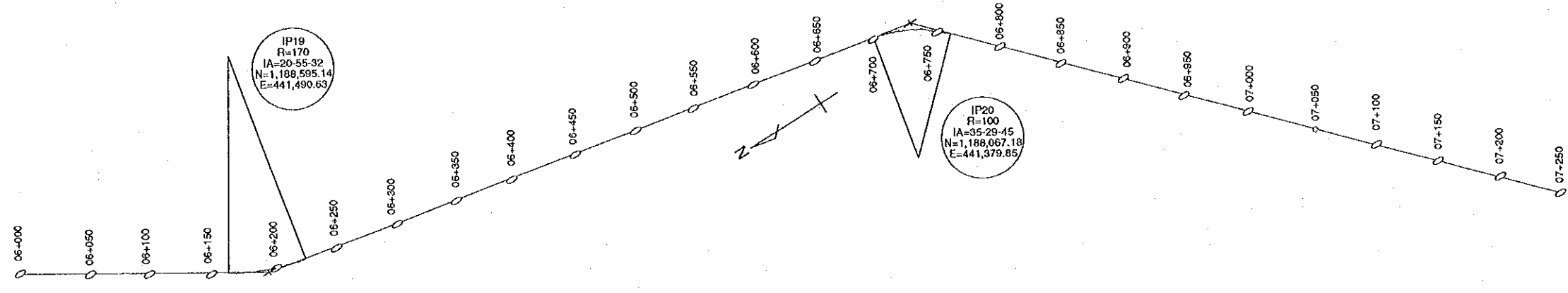
THE REPUBLIC OF THE PHILIPPINES

THE OPTIMUM WATER UTILIZATION AND RURAL DEVELOPMENT PROJECT IN AGANAN RIVER IRRIGATION SYSTEM

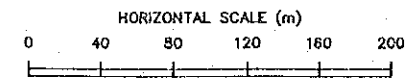
TITLE OF DRAWING
 用水路
 平面縦断面図 (幹線用水路) (5/9)

DATE	DRAWING NO.	2005
------	-------------	------

JAPAN INTERNATIONAL COOPERATION AGENCY



	SURVEY STATION NO.	TYPE III		TYPE III		TYPE IV-2		
		Q=1.505m ³ /s	l=1/2,600	Q=1.444m ³ /s	l=1/1,000	Q=0.814m ³ /s	l=1/1,900	
PROPOSED		CANAL TYPE						B=3.0 m
		CANAL BANK ELEVATION						
		WATER SURFACE ELEVATION						
		CANAL BASE ELEVATION						
EXISTING		CANAL BANK ELEVATION						
		CANAL BASE ELEVATION						
		REDUCED CANAL DISTANCE						
		CANAL DISTANCE						



LEGEND

- PROPOSED WATER SURFACE
- PROPOSED CANAL BANK
- PROPOSED CANAL BASE
- EXISTING CANAL BANK
- EXISTING CANAL BASE

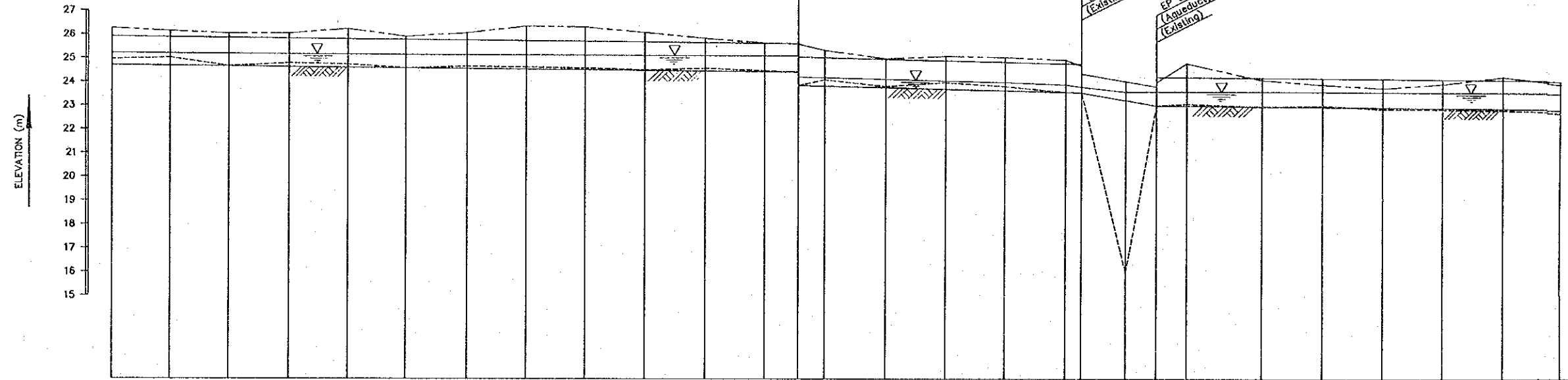
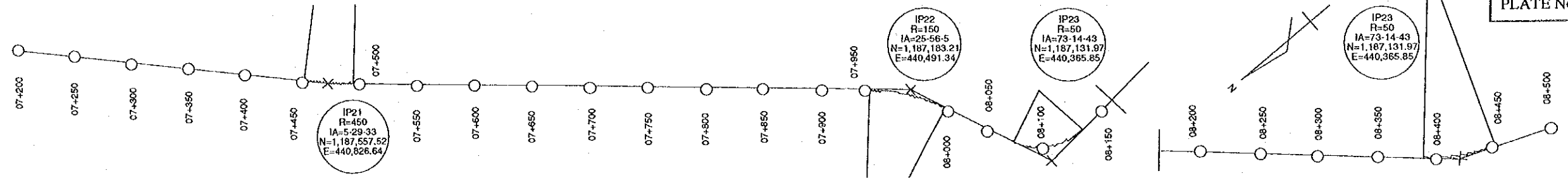
THE REPUBLIC OF THE PHILIPPINES

THE OPTIMUM WATER UTILIZATION AND RURAL DEVELOPMENT PROJECT IN AGANAN RIVER IRRIGATION SYSTEM

TITLE OF DRAWING
 用水路
 平面縦断図 (幹線用水路) (6/9)

DATE: _____ DRAWING NO.: _____ 2006

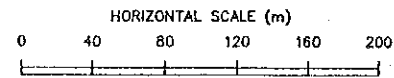
JAPAN INTERNATIONAL COOPERATION AGENCY



	TYPE IV-2															
	Q=0.814m ³ /s l=1/1,900 B=2.0 m				Q=0.756m ³ /s l=1/800 B=2.0 m				Q=0.756m ³ /s l=1/139 B=2.0 m				Q=0.756m ³ /s l=1/2,800 B=2.0 m			
PROPOSED CANAL TYPE	TYPE IV-2															
CANAL BANK ELEVATION	25.90	25.87	25.85	25.82	25.79	25.77	25.74	25.71	25.69	25.66	25.63	25.60	25.57	25.54	25.51	25.48
WATER SURFACE ELEVATION	25.21	25.19	25.18	25.16	25.15	25.13	25.12	25.11	25.10	25.09	25.08	25.07	25.07	25.07	25.07	25.07
CANAL BASE ELEVATION	24.70	24.67	24.65	24.62	24.59	24.57	24.54	24.51	24.49	24.46	24.43	24.40	24.39	24.38	24.37	24.36
EXISTING CANAL BANK ELEVATION	26.26	26.13	26.03	25.93	25.82	25.70	25.58	25.46	25.34	25.22	25.10	24.98	24.86	24.74	24.62	24.50
EXISTING CANAL BASE ELEVATION	24.95	25.01	24.66	24.78	24.73	24.57	24.64	24.60	24.56	24.48	24.55	24.44	24.38	24.06	23.79	23.51
REDUCED CANAL DISTANCE	7168.90	7218.90	7268.90	7318.90	7368.90	7418.70	7469.20	7519.00	7569.00	7619.00	7669.10	7719.10	7769.20	7819.20	7869.10	7919.00
CANAL DISTANCE	50.00	50.00	50.00	49.90	50.00	48.90	50.00	49.80	50.00	50.00	50.10	50.00	28.10	22.00	48.90	50.00
SURVEY STATION NO.	7+200.00	7+250.00	7+300.00	7+350.00	7+400.00	7+450.00	7+500.00	7+550.00	7+600.00	7+650.00	7+700.00	7+750.00	7+776.00	7+800.00	7+850.00	7+900.00

LEGEND

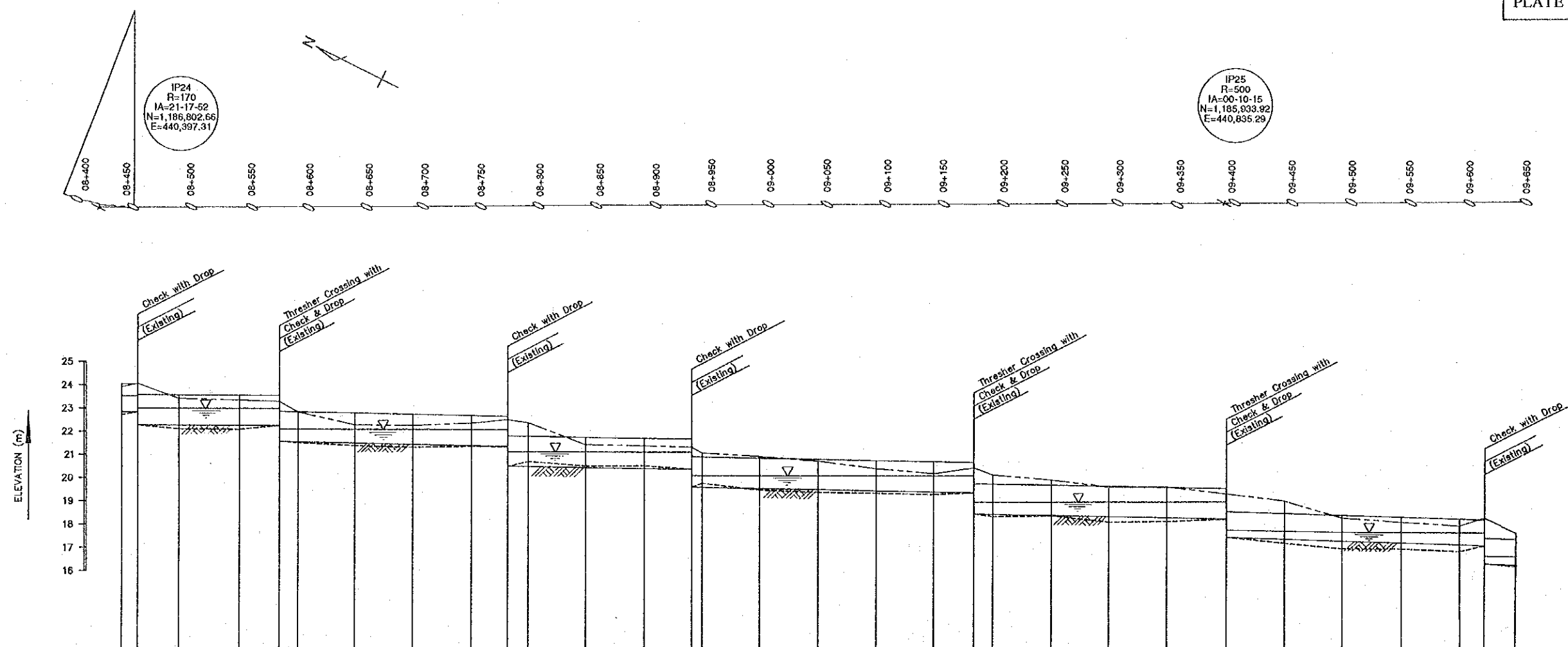
- PROPOSED WATER SURFACE
- PROPOSED CANAL BANK
- PROPOSED CANAL BASE
- EXISTING CANAL BANK
- EXISTING CANAL BASE



THE REPUBLIC OF THE PHILIPPINES
THE OPTIMUM WATER UTILIZATION AND RURAL DEVELOPMENT PROJECT IN AGANAN RIVER IRRIGATION SYSTEM

TITLE OF DRAWING
用水路
平面縦断面図 (幹線用水路) (7/9)

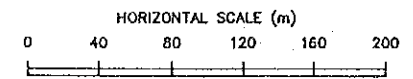
DATE _____ DRAWING NO. _____ 2007
JAPAN INTERNATIONAL COOPERATION AGENCY



	TYPE IV-2		TYPE IV-1		TYPE IV-1		TYPE IV-1		TYPE IV-1		TYPE IV-1		TYPE IV-3																			
	Q=0.756m ³ /s I=1/2,800 B=2.0 m	Q=0.688m ³ /s I=1/4,000 B=2.0 m	Q=0.688m ³ /s I=1/900 B=2.0 m	Q=0.688m ³ /s I=1/900 B=2.0 m	Q=0.688m ³ /s I=1/1,200 B=2.0 m	Q=0.688m ³ /s I=1/900 B=2.0 m	Q=0.688m ³ /s I=1/900 B=2.0 m	Q=0.628m ³ /s I=1/900 B=2.0 m	Q=0.628m ³ /s I=1/600 B=2.0 m	Q=0.628m ³ /s I=1/600 B=2.0 m	Q=0.628m ³ /s I=1/600 B=2.0 m	Q=0.628m ³ /s I=1/600 B=2.0 m	Q=0.628m ³ /s I=1/600 B=2.0 m	Q=0.628m ³ /s I=1/600 B=2.0 m																		
PROPOSED CANAL BANK ELEVATION	24.05	24.04	23.57	23.56	22.80	22.74	22.69	22.65	21.74	21.70	21.11	21.12	20.84	20.79	20.75	20.66	20.67	20.64	20.64	19.71	19.66	19.60	19.55	19.45	19.45	18.50	18.42	18.33	18.25	18.17	18.13	17.31
PROPOSED WATER SURFACE ELEVATION	23.53	23.53	23.00	22.99	22.08	22.08	22.08	22.08	21.12	21.12	21.11	21.12	20.09	20.08	20.08	20.07	20.07	20.07	19.73	18.84	18.84	18.93	18.93	18.92	18.92	18.52	18.52	17.61	17.61	17.58	17.58	16.57
PROPOSED CANAL BASE ELEVATION	22.85	22.84	22.27	22.26	21.50	21.44	21.39	21.35	20.44	20.40	20.37	20.44	19.54	19.49	19.43	19.38	19.34	19.34	18.43	18.41	18.41	18.36	18.30	18.25	18.25	18.15	18.15	17.23	17.23	17.15	17.07	16.21
EXISTING CANAL BANK ELEVATION	23.92	24.07	23.42	23.33	22.28	22.25	22.36	22.51	21.43	21.36	21.32	21.36	20.92	20.71	20.36	20.17	20.41	20.41	20.10	20.10	19.89	19.57	19.57	19.57	19.26	19.26	18.22	18.04	17.88	17.88	16.21	
EXISTING CANAL BASE ELEVATION	22.72	22.84	22.11	22.09	21.39	21.31	21.36	21.34	20.51	20.52	20.37	20.52	19.47	19.37	19.33	19.27	19.33	19.33	18.32	18.32	18.34	18.34	18.07	18.09	18.18	18.18	17.14	16.90	16.76	16.76	16.14	
REDUCED CANAL DISTANCE	8360.20	8394.20	8423.60	8481.30	8516.30	8532.70	8562.50	8622.80	8682.50	8714.40	8732.40	8782.40	8832.40	8873.40	8882.40	8932.30	8982.20	9032.20	9082.10	9116.30	9132.40	9182.40	9232.40	9282.30	9332.40	9352.40	9432.40	9482.50	9532.50	9554.50	9582.50	
CANAL DISTANCE	50.10	14.00	35.00	51.50	35.00	16.40	49.80	50.10	49.90	31.90	18.00	50.00	50.00	41.00	9.00	49.90	49.90	50.00	49.90	34.20	16.10	50.00	50.00	49.90	50.10	50.00	50.00	50.00	22.00	28.00		
SURVEY STATION NO.	8+400.00	8+414.00	8+450.00	8+500.00	8+534.00	8+550.00	8+600.00	8+650.00	8+700.00	8+732.00	8+750.00	8+800.00	8+850.00	8+881.00	8+900.00	8+950.00	9+000.00	9+050.00	9+100.00	9+134.00	9+150.00	9+200.00	9+250.00	9+300.00	9+350.00	9+400.00	9+450.00	9+500.00	9+530.00	9+572.00	9+600.00	

LEGEND

- PROPOSED WATER SURFACE
- PROPOSED CANAL BANK
- PROPOSED CANAL BASE
- EXISTING CANAL BANK
- EXISTING CANAL BASE



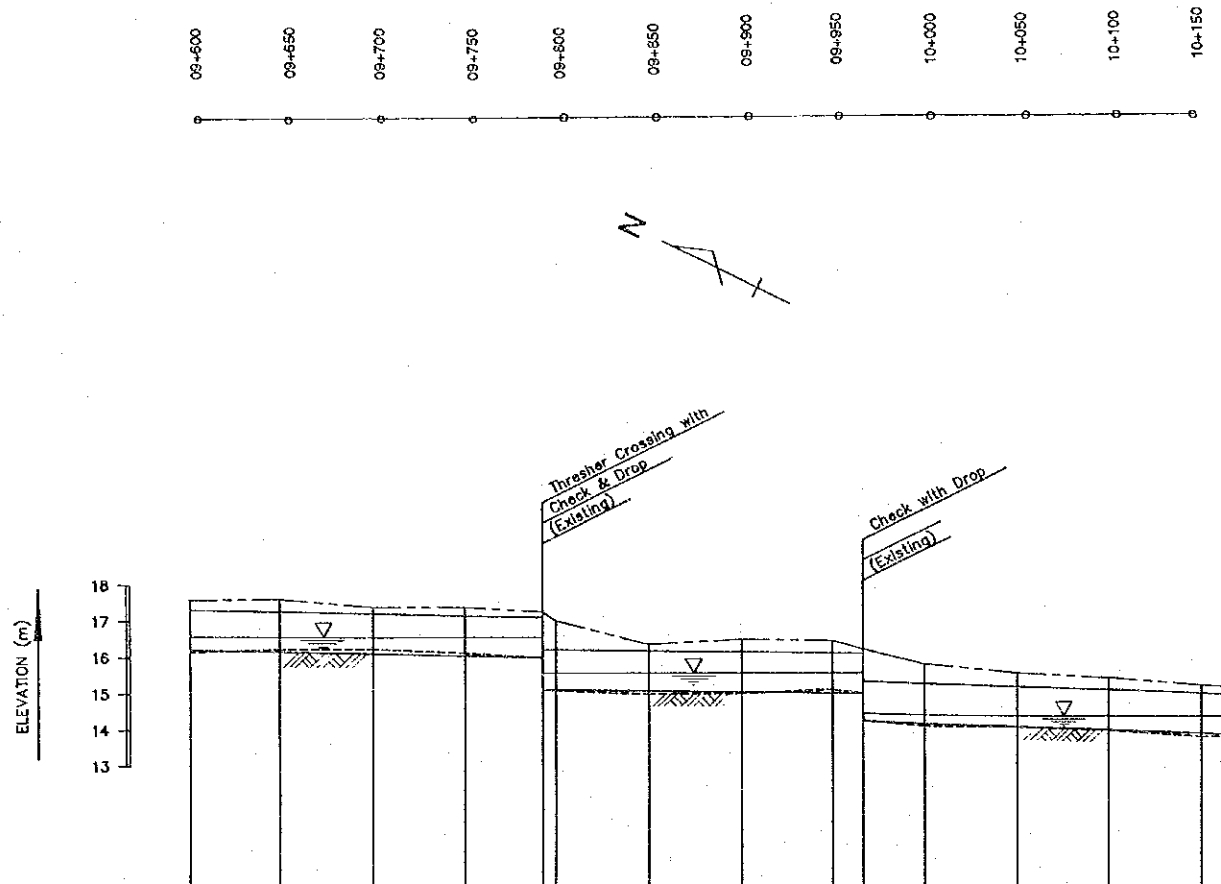
THE REPUBLIC OF THE PHILIPPINES

THE OPTIMUM WATER UTILIZATION
AND RURAL DEVELOPMENT PROJECT
IN AGANAN RIVER IRRIGATION SYSTEM

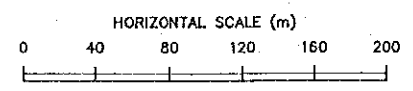
TITLE OF DRAWING
用水路
平面縦断面図 (幹線用水路) (8/9)

DATE	DRAWING NO.	2008
------	-------------	------

JAPAN INTERNATIONAL COOPERATION AGENCY



	TYPE IV-3			TYPE IV-3			TYPE IV-3									
	Q=0.504m ³ /s	l=1/800	B=2.0 m	Q=0.442m ³ /s	l=1/1,500	B=2.0 m	Q=0.369m ³ /s	l=1/500	B=2.0 m							
PROPOSED CANAL TYPE																
CANAL BANK ELEVATION	17.31	17.25	17.19	17.12	17.07	16.78	16.14	16.11	16.07	16.06	15.23	15.22	15.12	15.03	14.93	14.86
WATER SURFACE ELEVATION	16.57	16.55	16.53	16.53	16.52	16.54	15.53	15.53	15.52	15.52	14.40	14.35	14.31	14.30	14.29	14.29
CANAL BASE ELEVATION	16.21	16.15	16.09	16.02	15.97	15.08	15.04	15.01	14.97	14.96	14.19	14.12	14.02	13.93	13.83	13.76
EXISTING CANAL BANK ELEVATION	17.58	17.60	17.37	17.36	17.23	16.98	16.32	16.45	16.41	16.18	15.76	15.50	15.36	15.15	15.06	15.06
CANAL BASE ELEVATION	16.14	16.22	16.21	16.10	15.96	15.06	14.95	14.96	15.07	14.96	14.05	14.01	13.91	13.73	13.73	13.73
REDUCED CANAL DISTANCE	9692.50	9632.40	9682.50	9732.60	9775.40	9782.40	9832.30	9892.40	9832.30	9945.20	9952.00	10031.90	10081.70	10131.70	10164.70	10164.70
CANAL DISTANCE	28.00	49.90	50.10	50.10	42.80	7.00	49.90	50.10	49.90	16.90	32.90	49.90	49.90	50.00	33.00	33.00
SURVEY STATION NO.	9+500.00	9+650.00	9+700.00	9+750.00	9+793.00	9+800.00	9+850.00	9+900.00	9+950.00	9+987.00	10+000.00	10+050.00	10+100.00	10+150.00	10+183.00	10+183.00



LEGEND

- PROPOSED WATER SURFACE
- PROPOSED CANAL BANK
- PROPOSED CANAL BASE
- EXISTING CANAL BANK
- EXISTING CANAL BASE

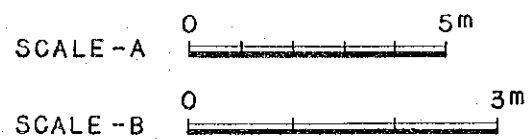
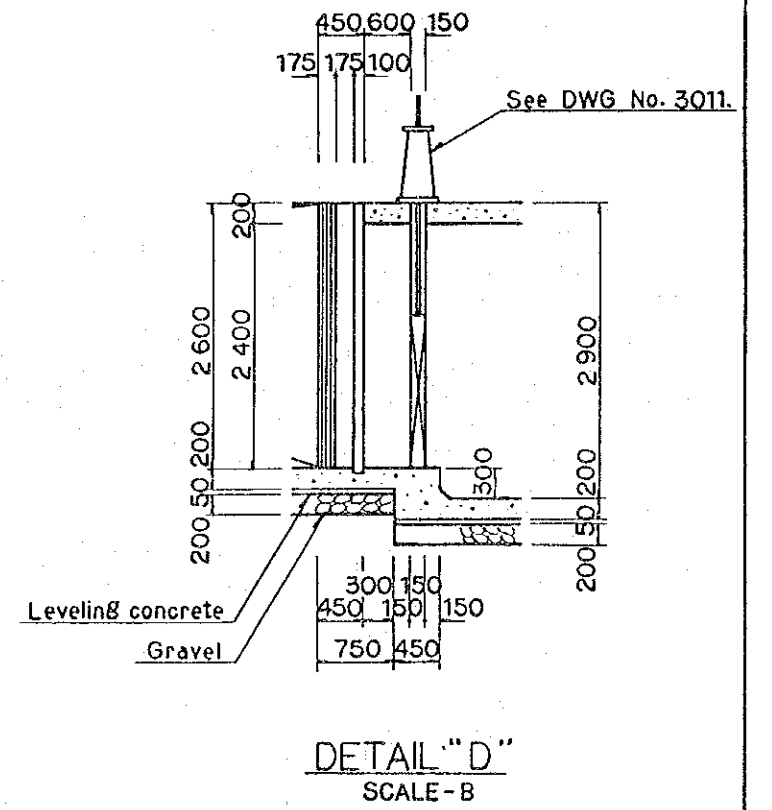
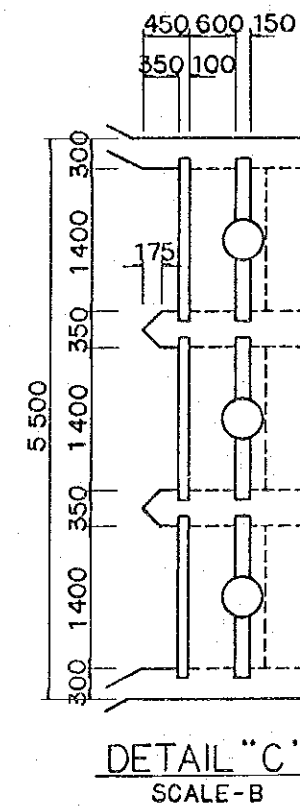
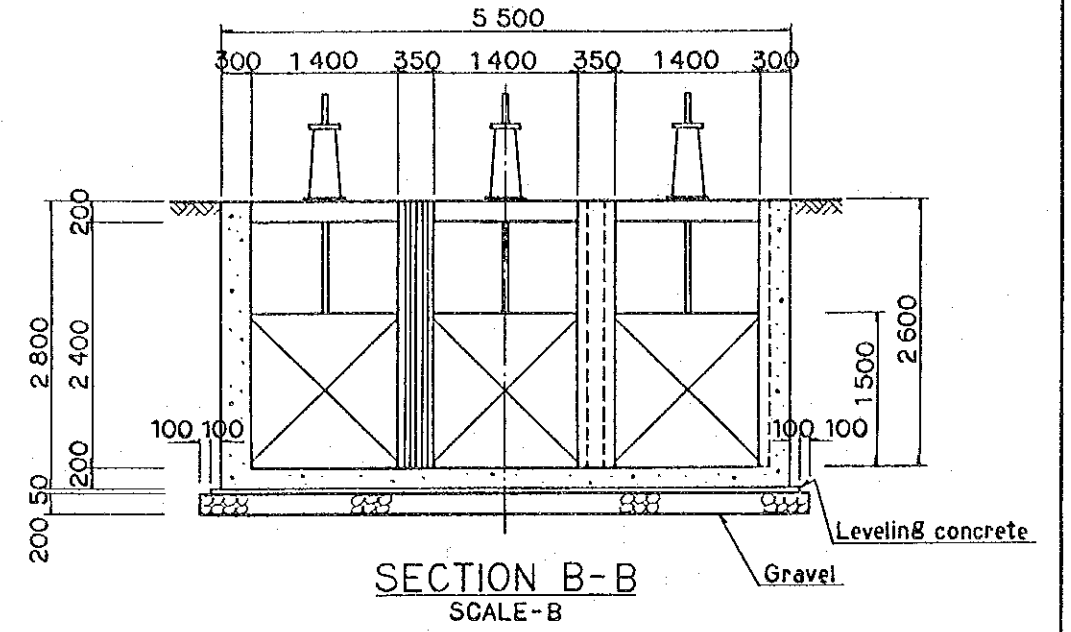
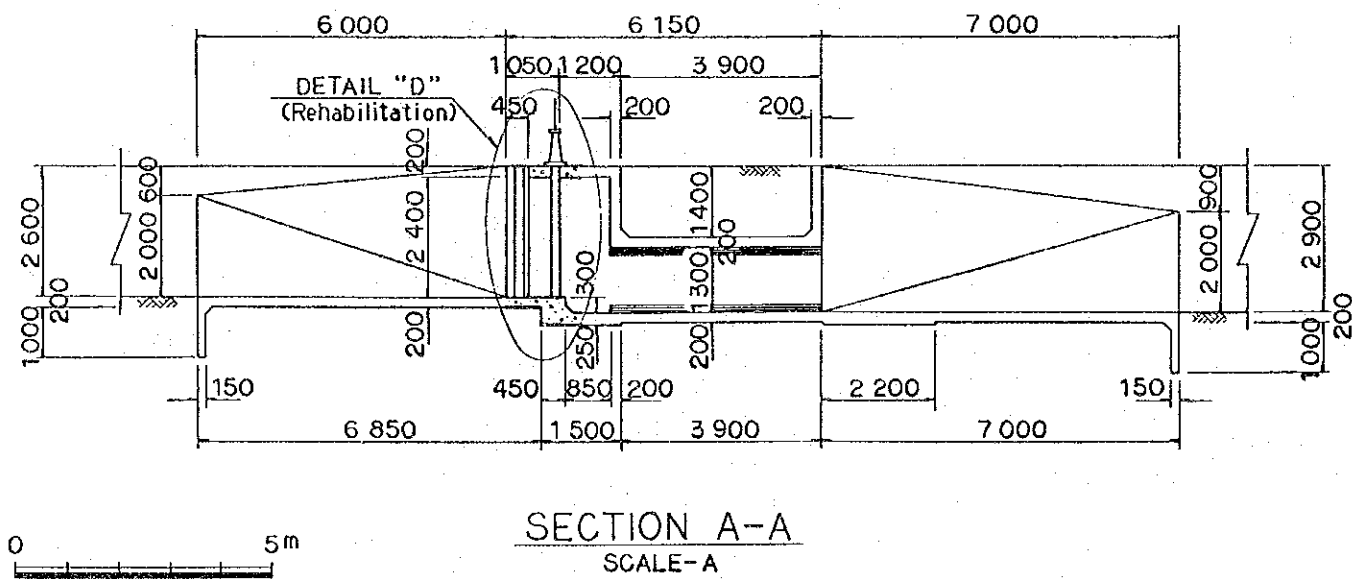
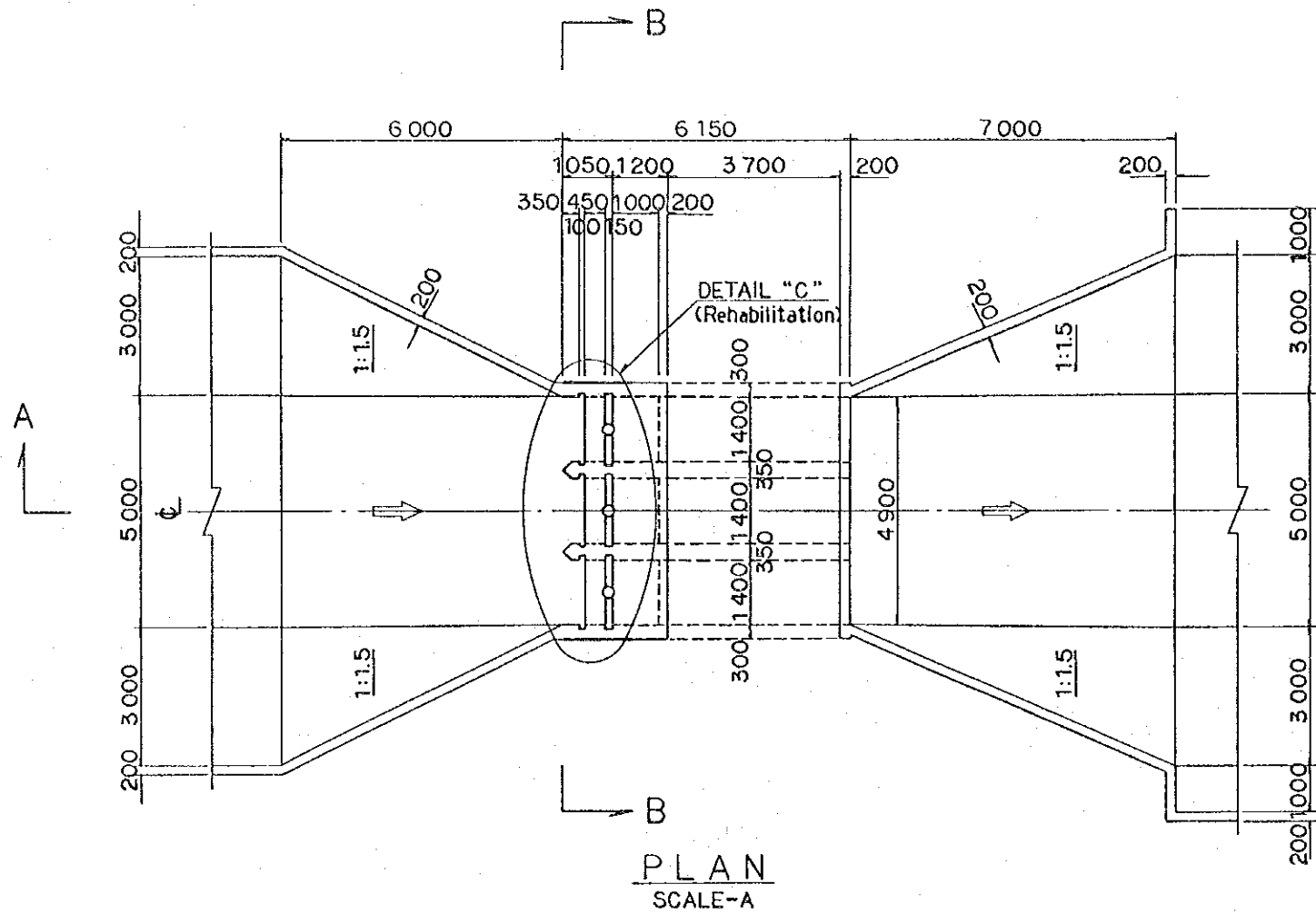
THE REPUBLIC OF THE PHILIPPINES

THE OPTIMUM WATER UTILIZATION AND RURAL DEVELOPMENT PROJECT IN AGANAN RIVER IRRIGATION SYSTEM

TITLE OF DRAWING
用水路
平面縦断面図 (幹線用水路) (9/9)

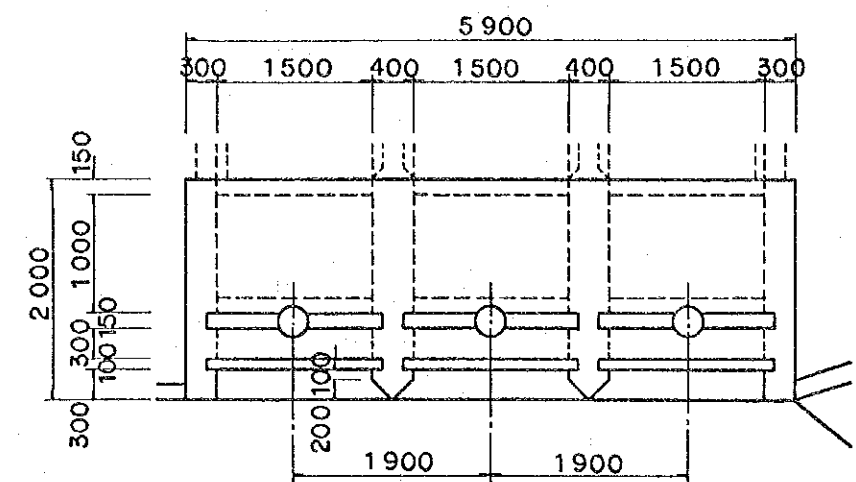
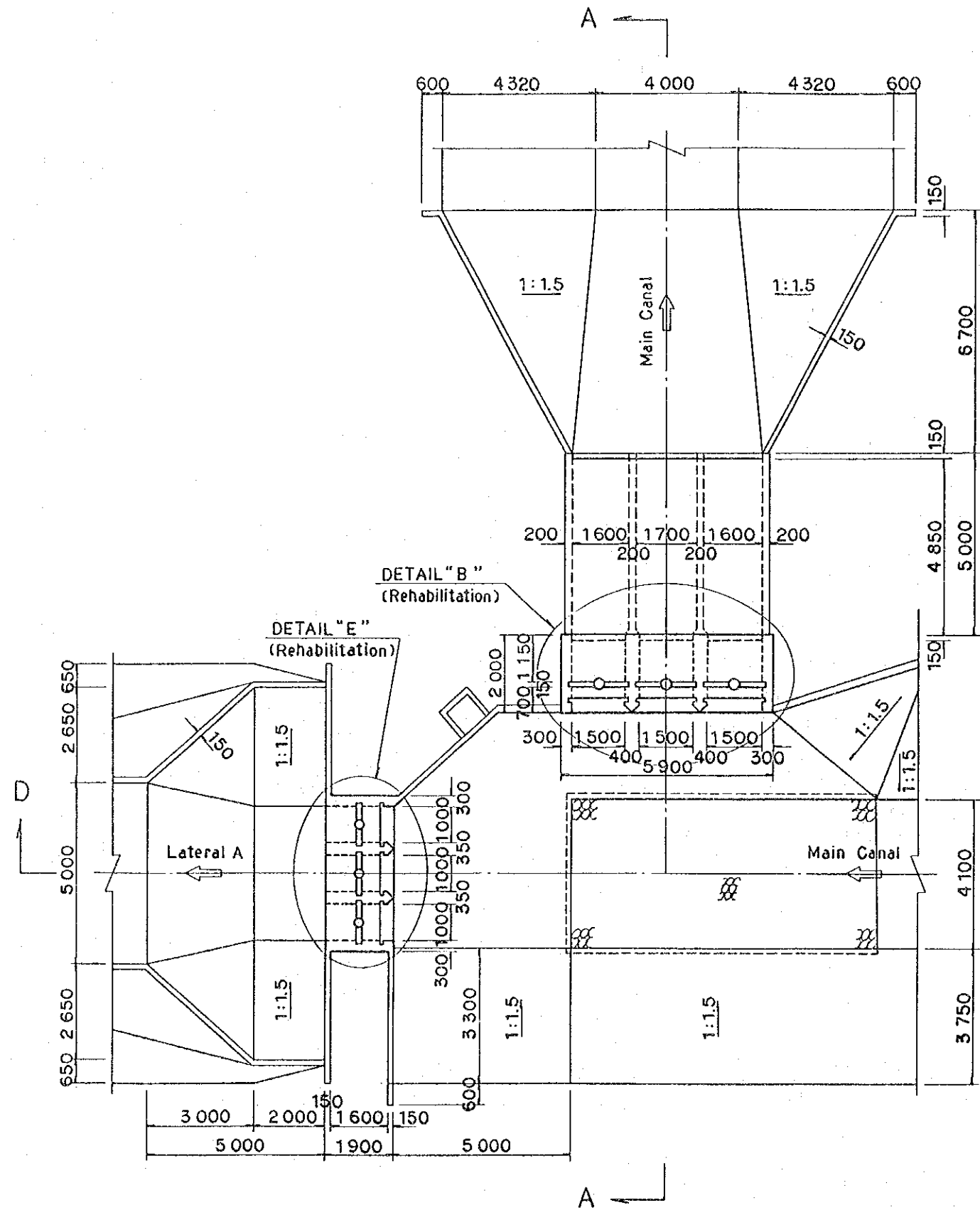
DATE		DRAWING NO.	2009
------	--	-------------	------

JAPAN INTERNATIONAL COOPERATION AGENCY

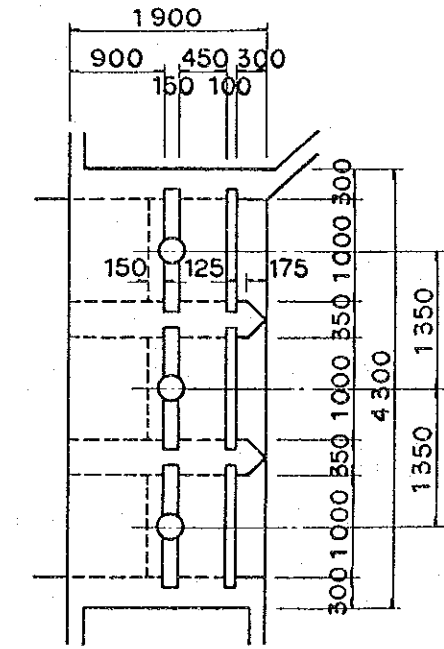


Note : The rehabilitation portion is shown in Detail "C" and "D".

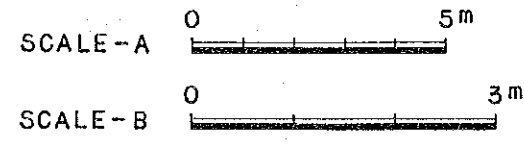
THE REPUBLIC OF THE PHILIPPINES		
THE OPTIMUM WATER UTILIZATION AND RURAL DEVELOPMENT PROJECT IN AGANAN RIVER IRRIGATION SYSTEM		
TITLE OF DRAWING 用水路関連構造物 水位・流量調整用ゲート取り替え (幹線用水路, STA 2+200)		
DATE	DRAWING NO.	3001
JAPAN INTERNATIONAL COOPERATION AGENCY		



DETAIL "B"
SCALE-B



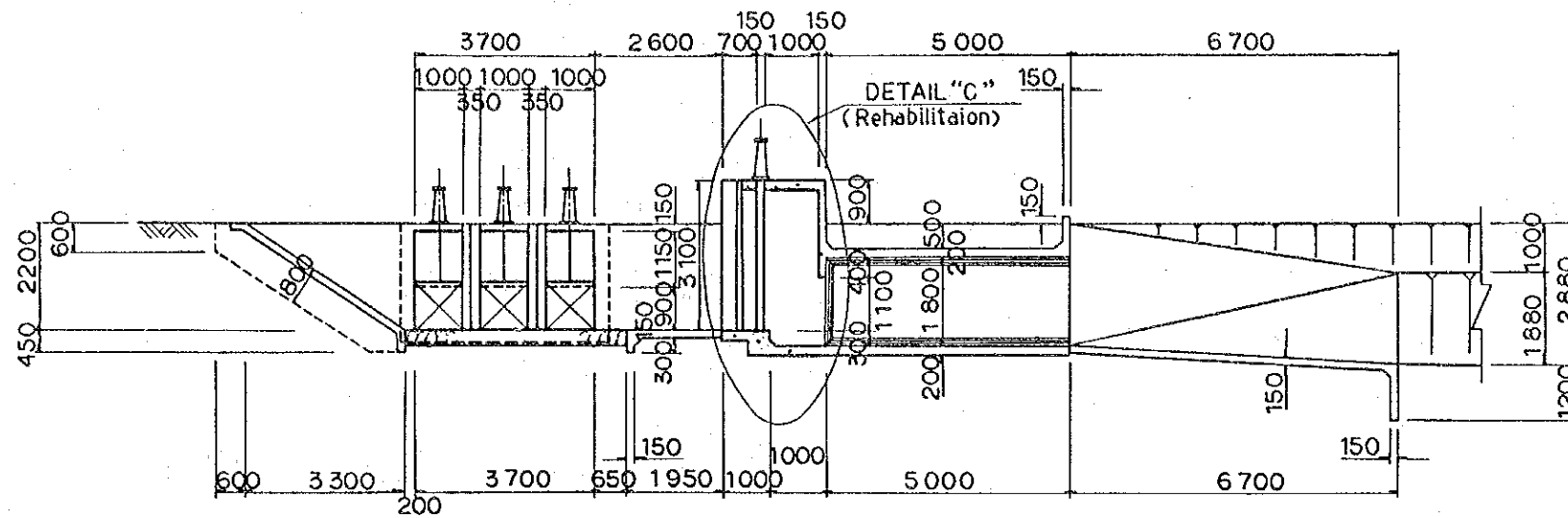
DETAIL "E"
SCALE-B



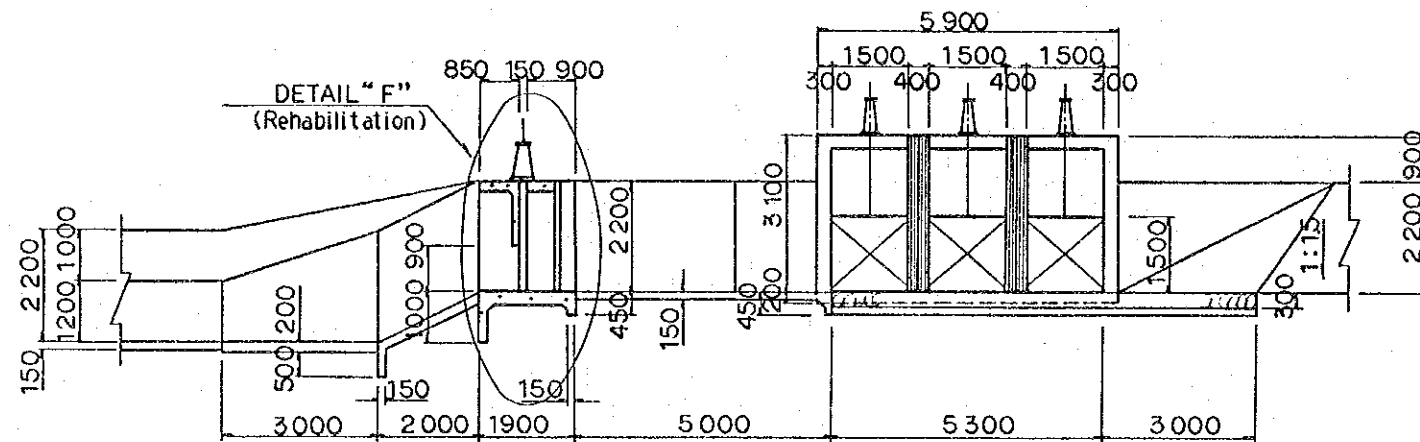
PLAN
SCALE-A

Note : Rehabilitation of Thresher Crossing with Check is shown in DETAIL "B" and "C".
Rehabilitation of Head Gate of Lateral A is shown in DETAIL "E" and "F".

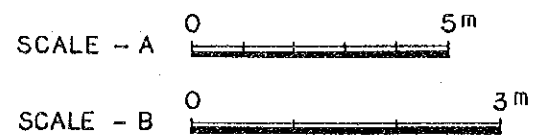
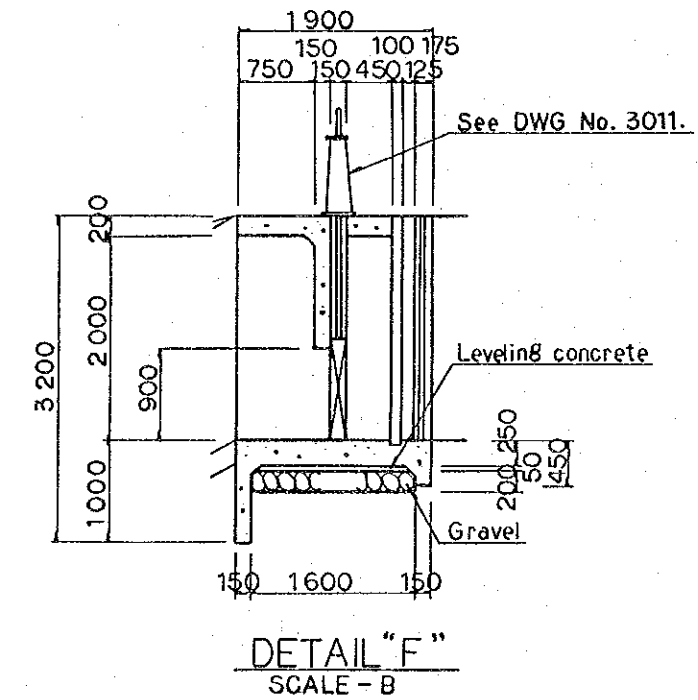
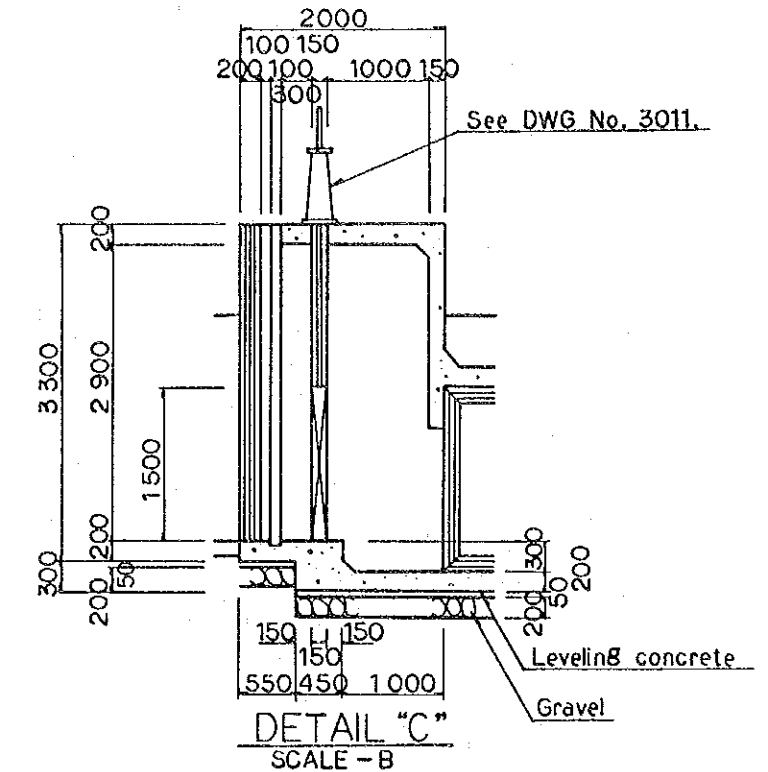
THE REPUBLIC OF THE PHILIPPINES	
THE OPTIMUM WATER UTILIZATION AND RURAL DEVELOPMENT PROJECT IN AGANAN RIVER IRRIGATION SYSTEM	
TITLE OF DRAWING 用水路関連構造物 大分水工及び水位調整用ゲート取り替え (幹線用水路, STA 2+773) (1/2)	
DATE	DRAWING NO. 3002
JAPAN INTERNATIONAL COOPERATION AGENCY	



SECTION A-A
SCALE - A

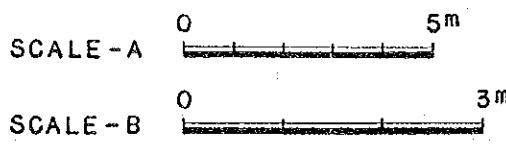
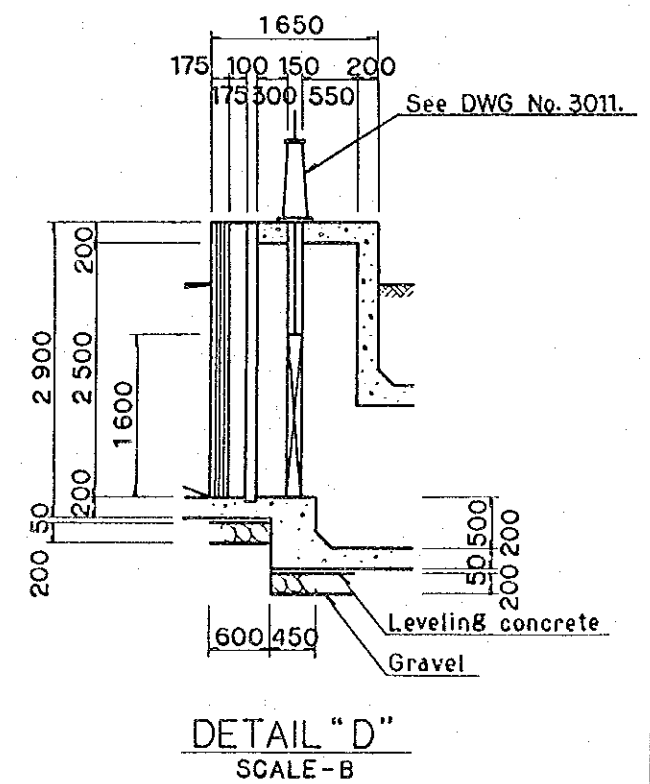
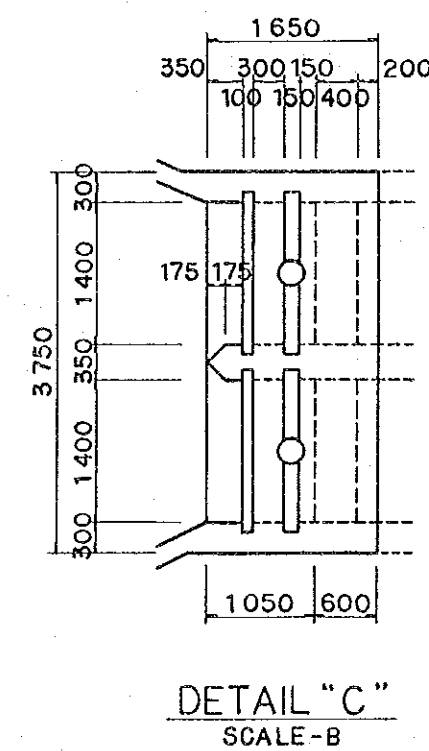
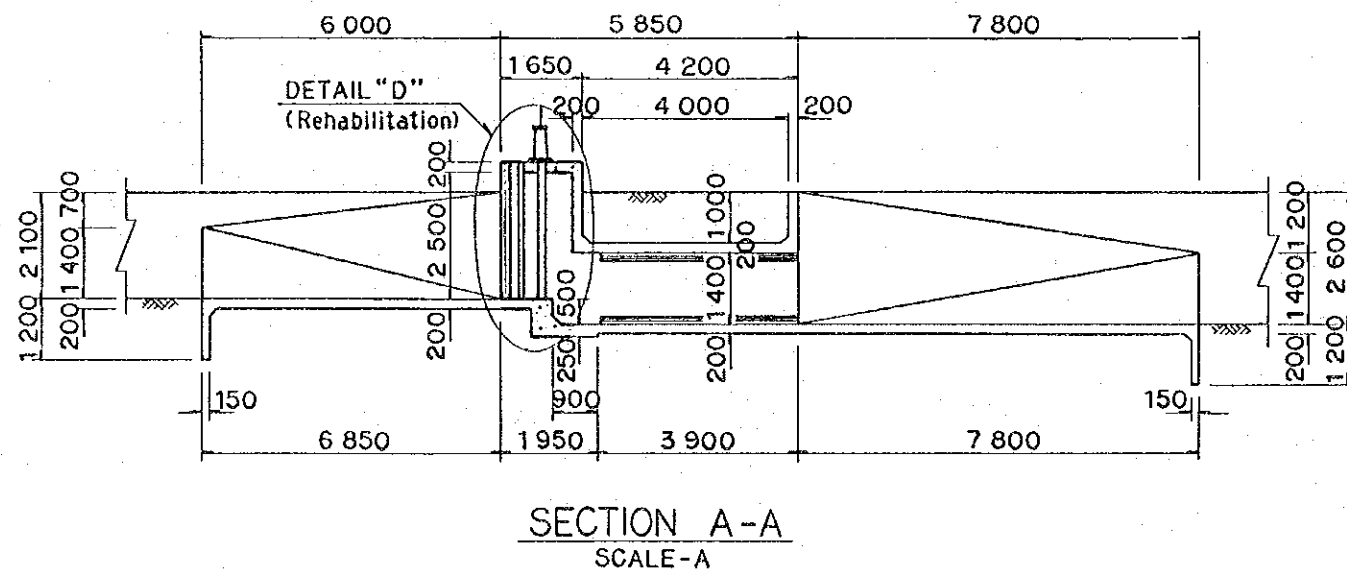
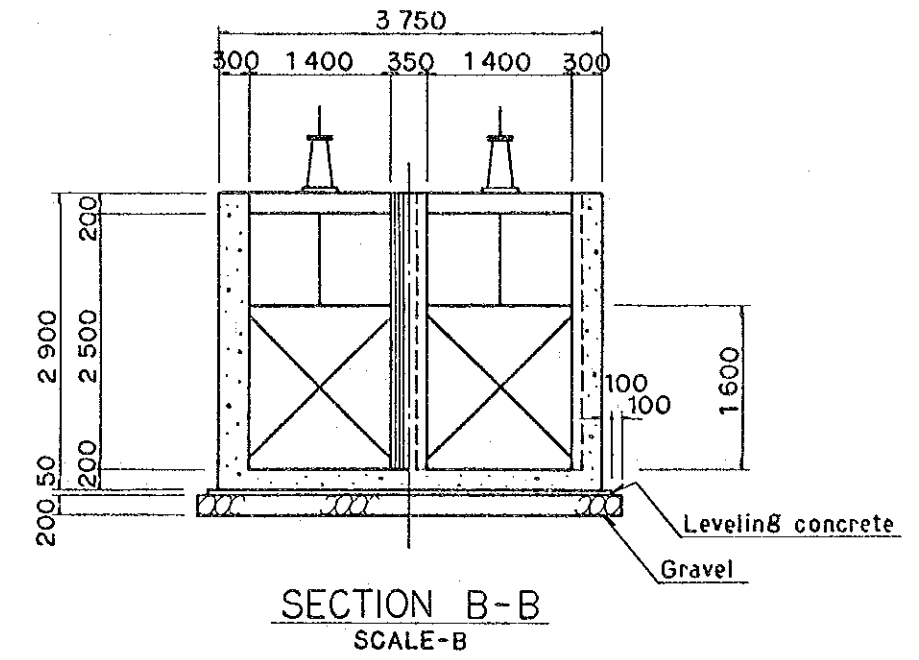
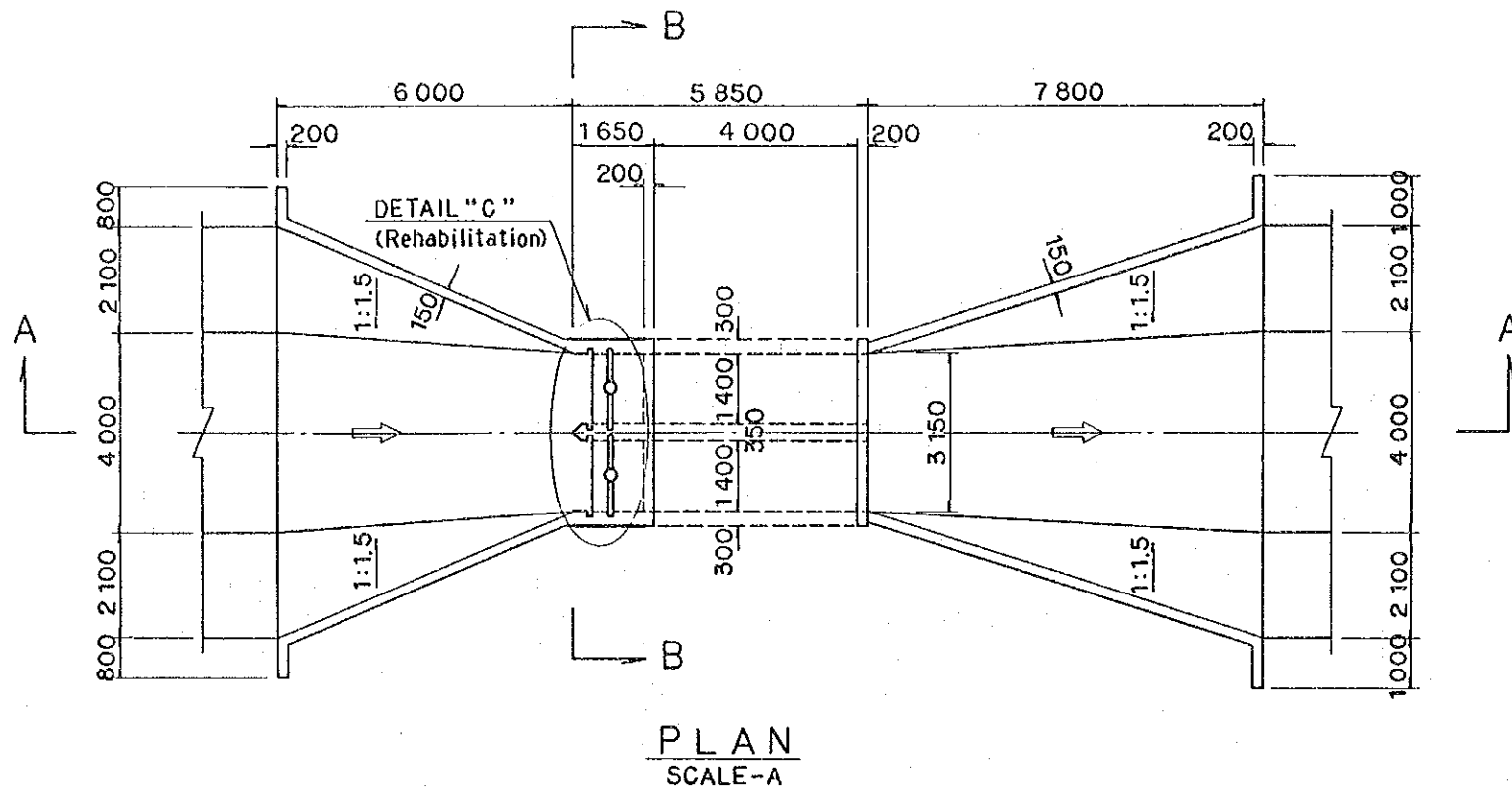


SECTION D-D
SCALE - A



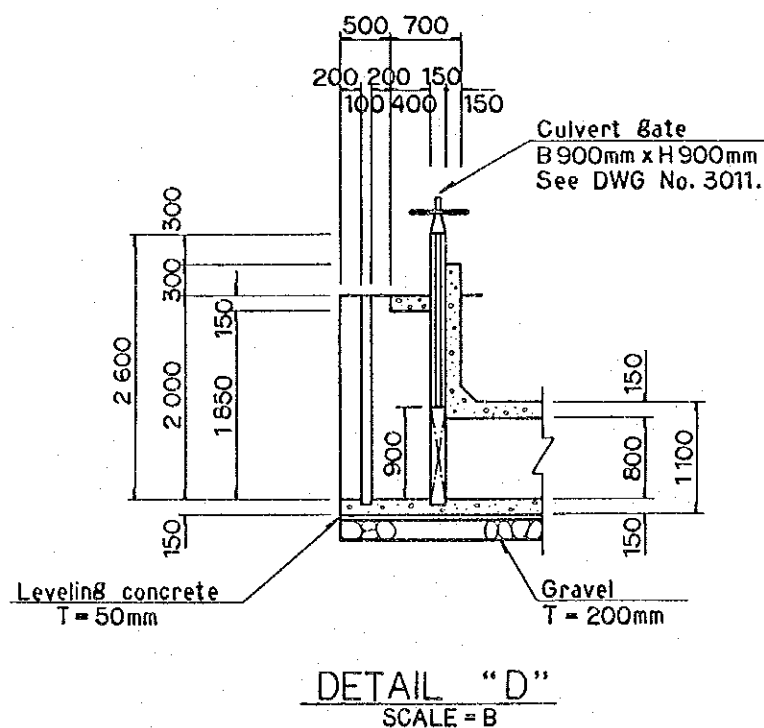
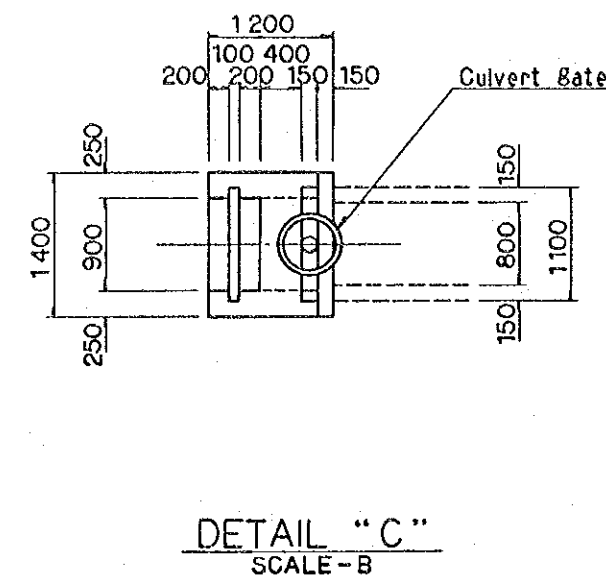
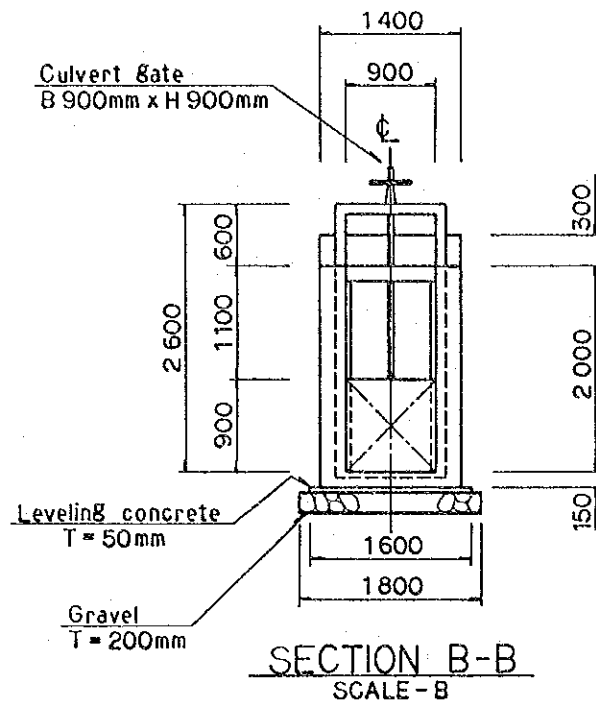
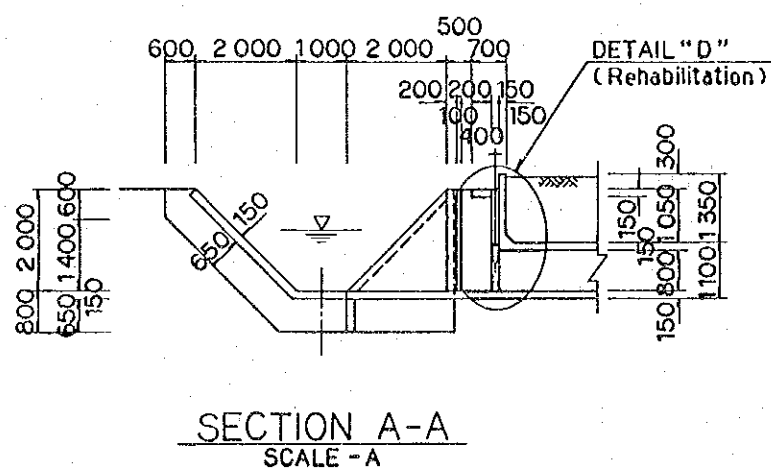
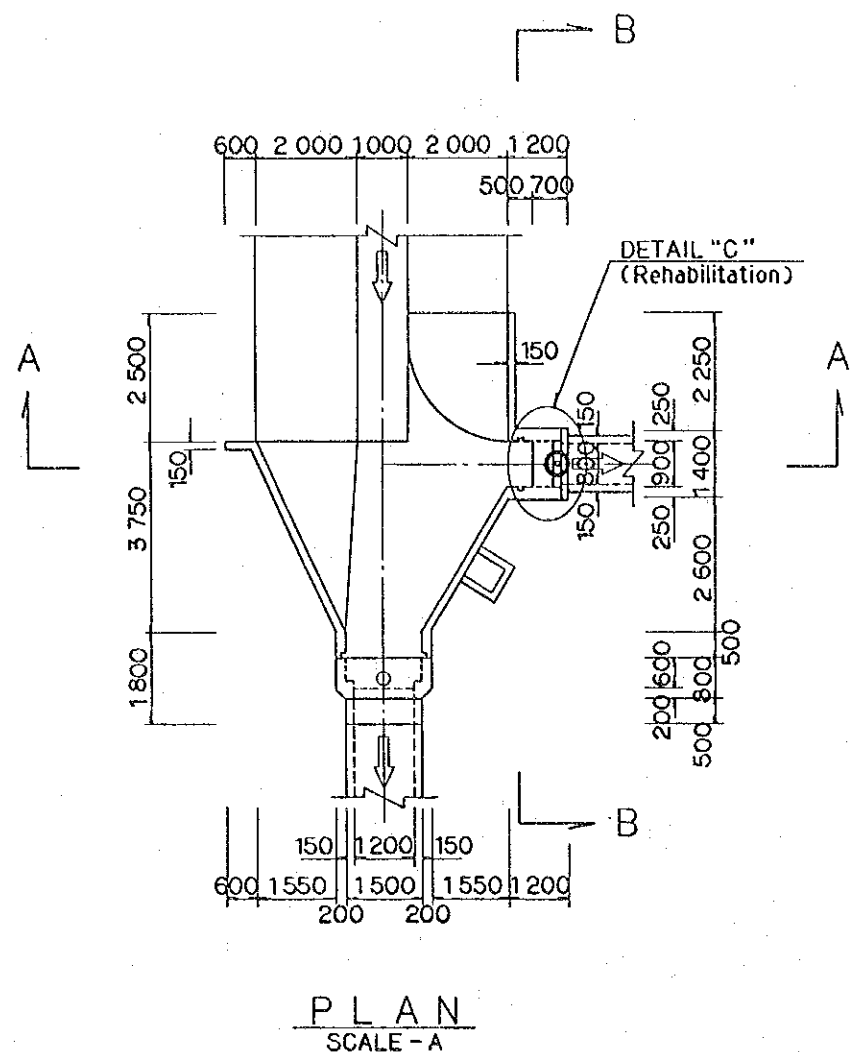
Note : Rehabilitation of Thresher Crossing with Check is shown in DETAIL "B" and "C".
Rehabilitation of Head Gate of Lateral A is shown in DETAIL "E" and "F".

THE REPUBLIC OF THE PHILIPPINES	
THE OPTIMUM WATER UTILIZATION AND RURAL DEVELOPMENT PROJECT IN AGANAN RIVER IRRIGATION SYSTEM	
TITLE OF DRAWING 用水路関連構造物 大分水工及び水位調整用ゲート取り替え (幹線用水路, STA 2+773) (2/2)	
DATE	DRAWING NO. 3003
JAPAN INTERNATIONAL COOPERATION AGENCY	



Note : Rehabilitation portion is shown in DETAIL "C" and "D".

THE REPUBLIC OF THE PHILIPPINES			
THE OPTIMUM WATER UTILIZATION AND RURAL DEVELOPMENT PROJECT IN AGANAN RIVER IRRIGATION SYSTEM			
TITLE OF DRAWING			
用水路関連構造物 水位調整用ゲート取り替え (幹線用水路, STA 3+106)			
DATE		DRAWING NO.	3004
JAPAN INTERNATIONAL COOPERATION AGENCY			

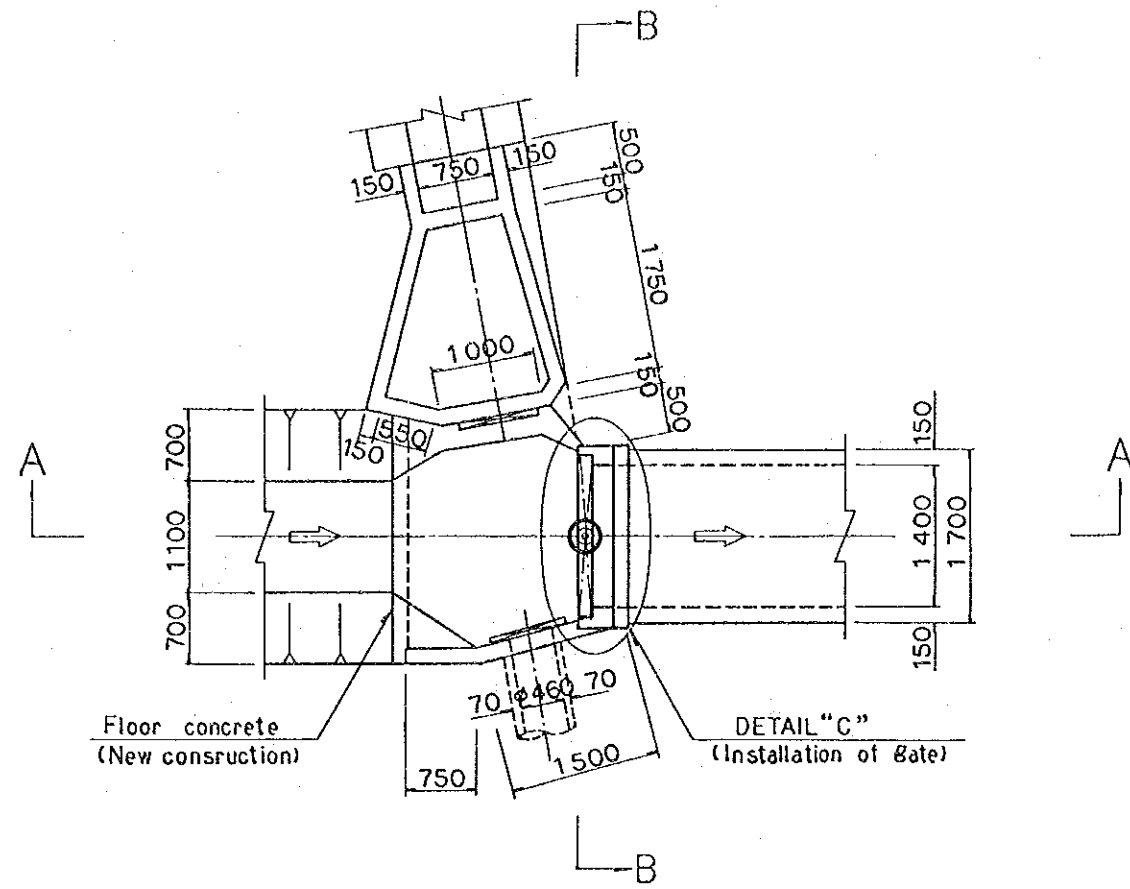


Note :

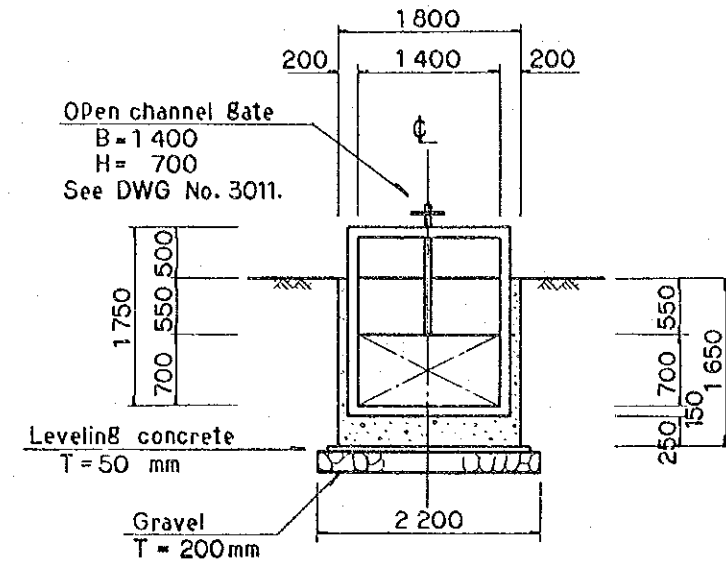
Rehabilitation portion is shown in
DETAIL "C" and "D".



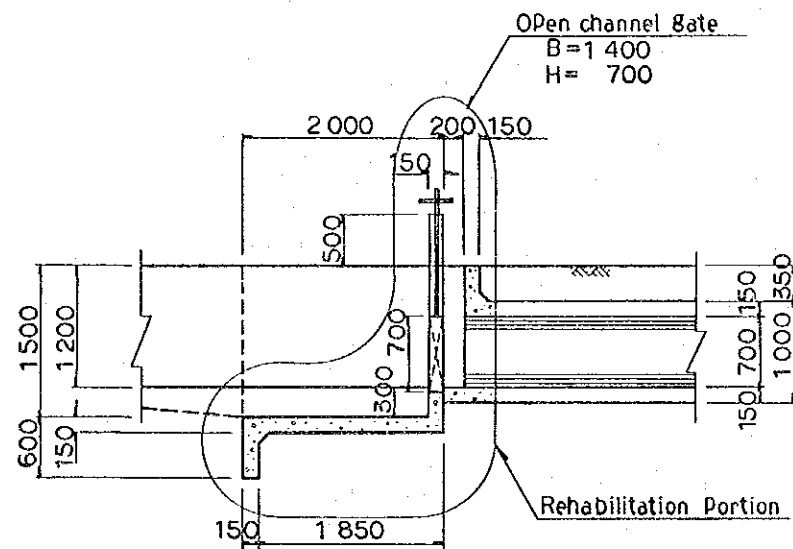
THE REPUBLIC OF THE PHILIPPINES			
THE OPTIMUM WATER UTILIZATION AND RURAL DEVELOPMENT PROJECT IN AGANAN RIVER IRRIGATION SYSTEM			
TITLE OF DRAWING 用水路関連構造物 水位調整用ゲート取り替え (支線用水路 B-3, STA 3+830)			
DATE		DRAWING NO.	3005
JAPAN INTERNATIONAL COOPERATION AGENCY			



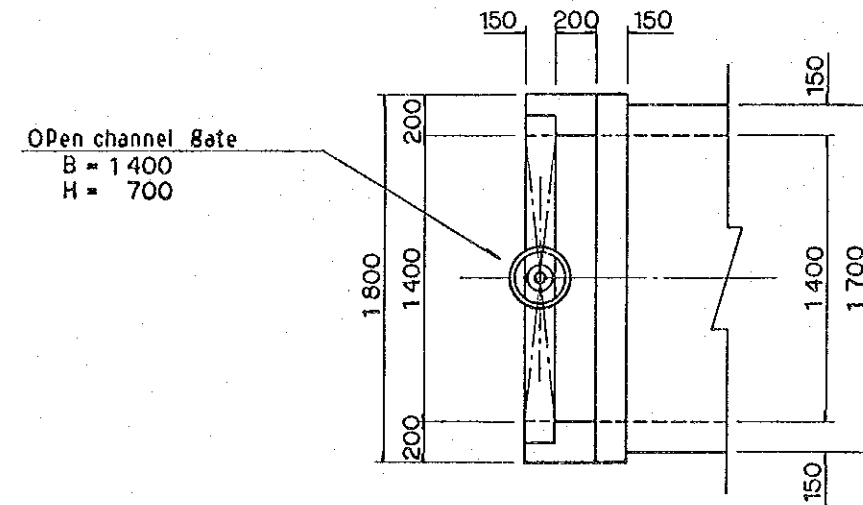
PLAN
SCALE - A



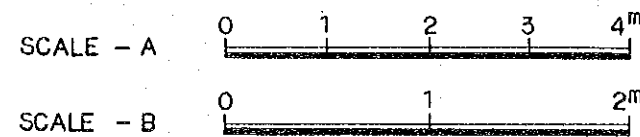
SECTION B-B
SCALE - A



SECTION A-A
SCALE - A

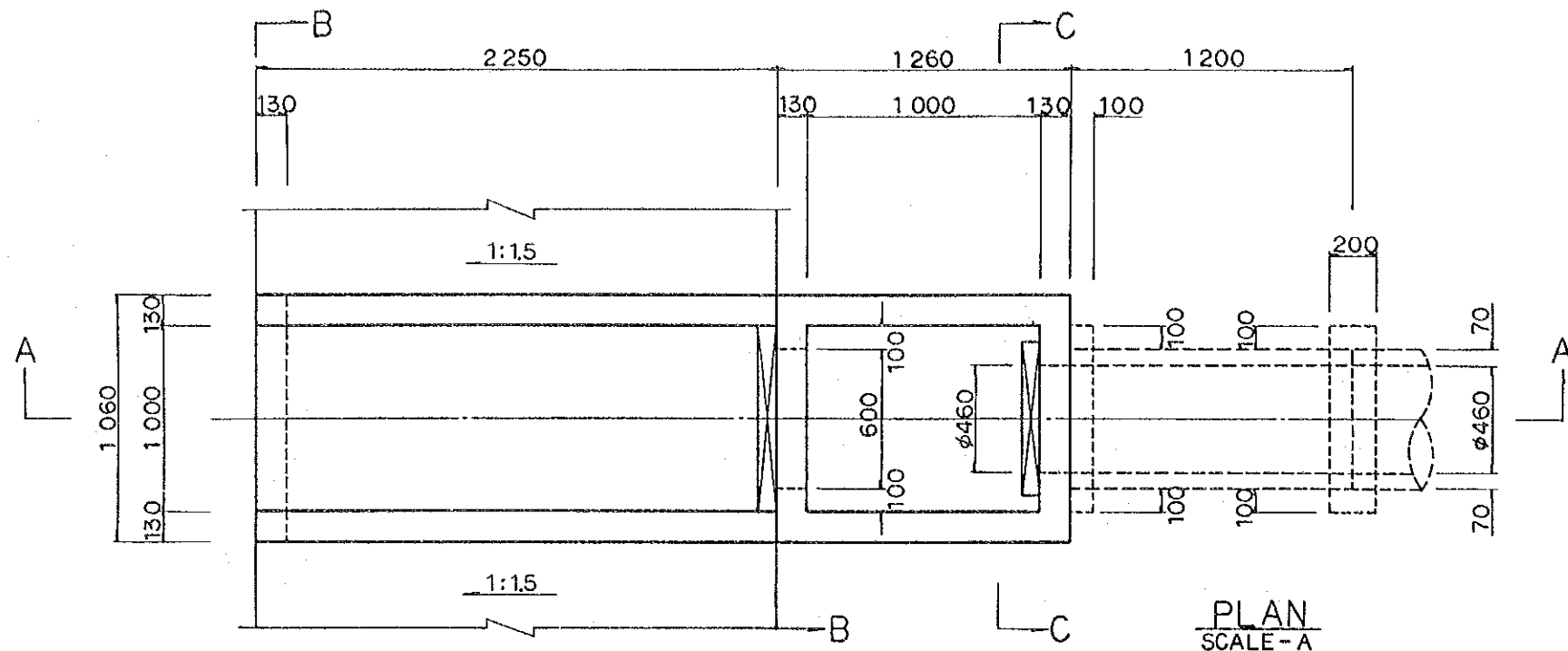


DETAIL "C"
SCALE - B

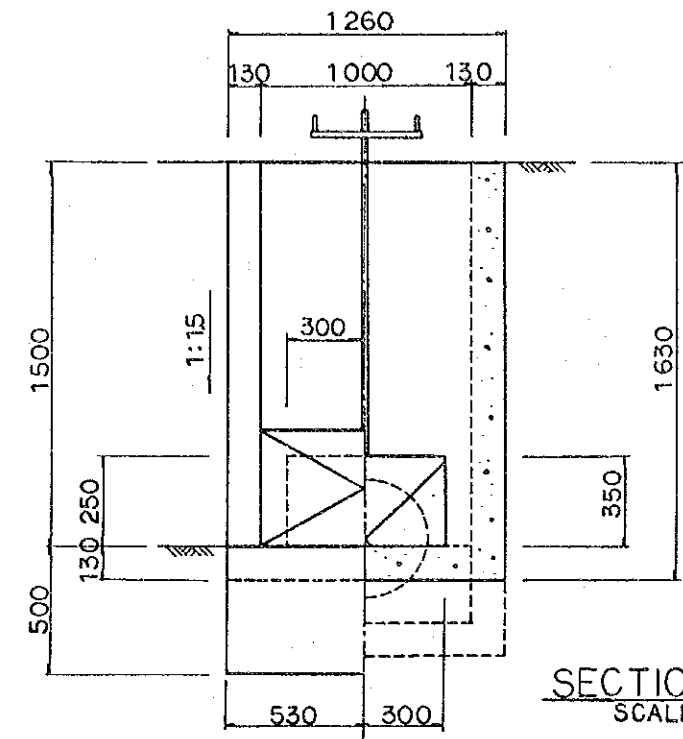


Note: Rehabilitation work consists of check gate installation and floor concrete placing.

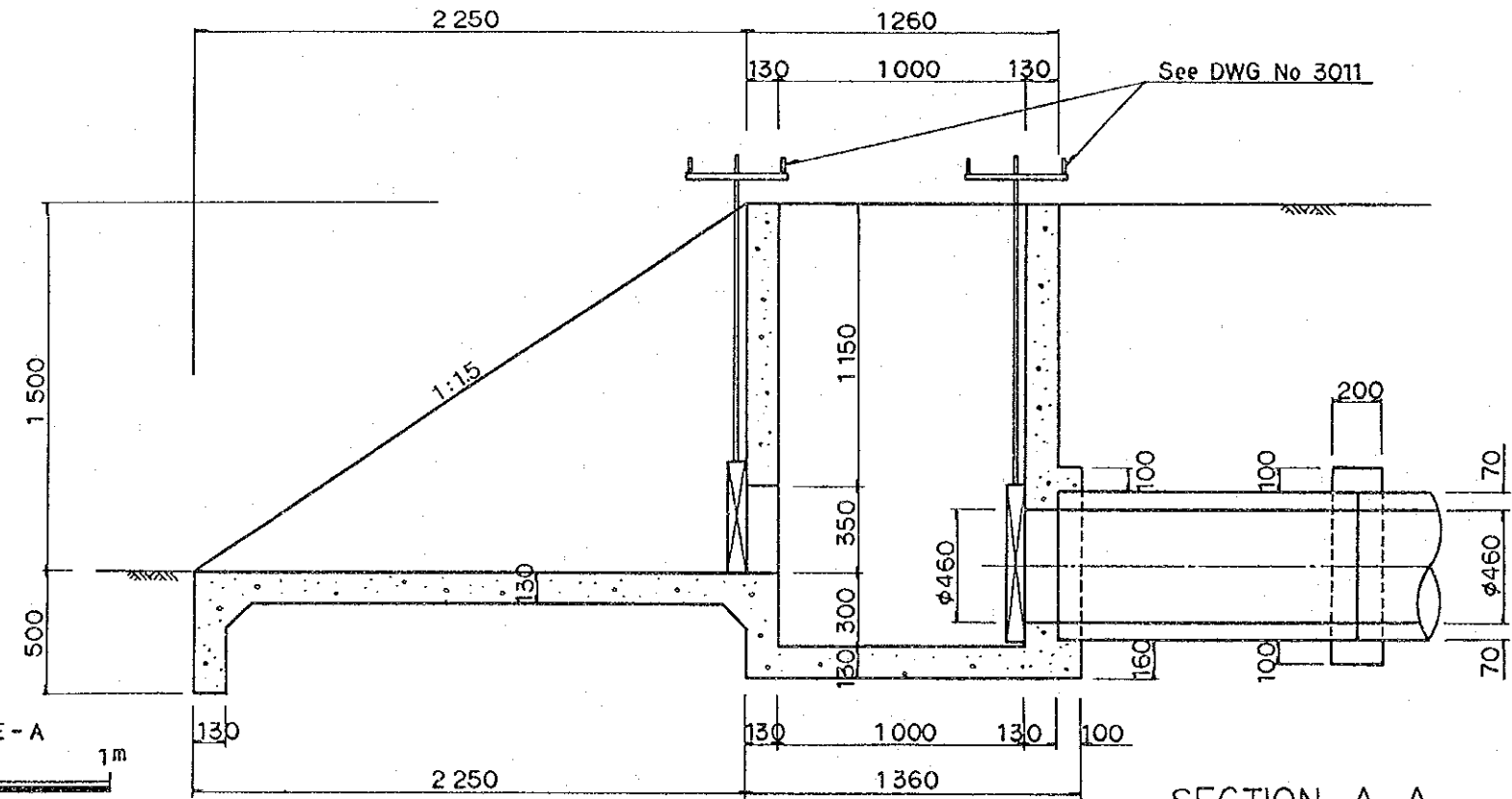
THE REPUBLIC OF THE PHILIPPINES			
THE OPTIMUM WATER UTILIZATION AND RURAL DEVELOPMENT PROJECT IN AGANAN RIVER IRRIGATION SYSTEM			
TITLE OF DRAWING 用水路関連構造物 水位調整用ゲート取り替え (支線用水路 D, STA 2+890)			
DATE		DRAWING NO.	3006
JAPAN INTERNATIONAL COOPERATION AGENCY			



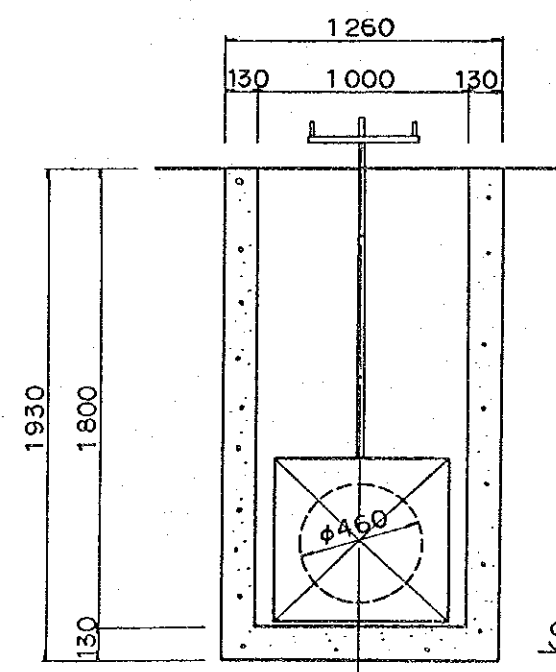
PLAN
SCALE - A



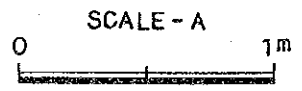
SECTION B-B
SCALE - A



SECTION A-A
SCALE - A



SECTION C-C
SCALE - A

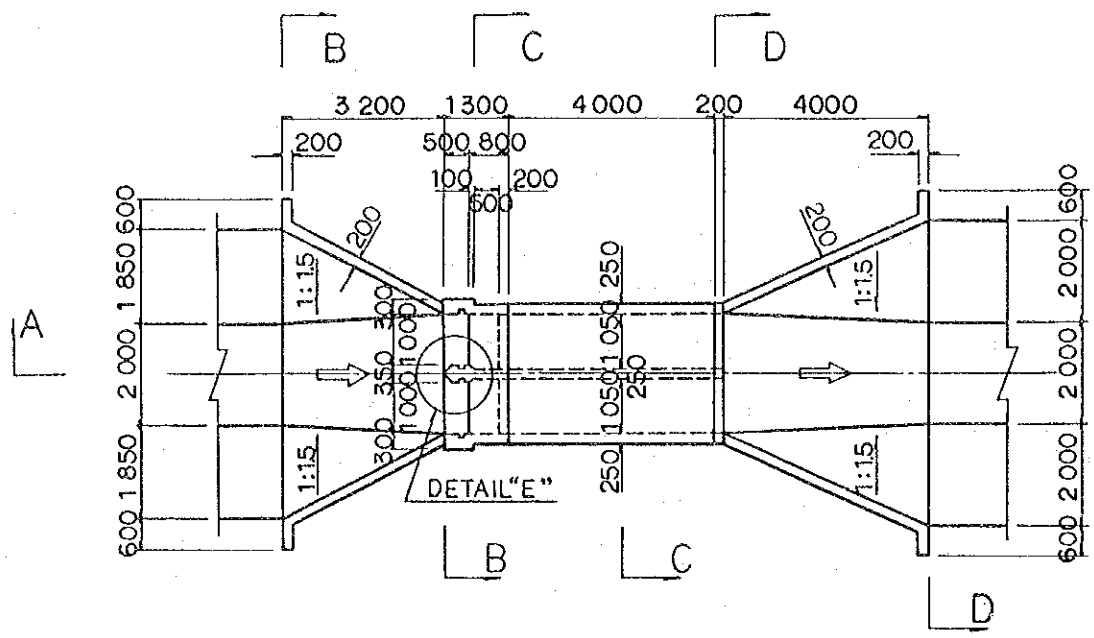


LIST OF TURNOUTS TO BE REHABILITATED

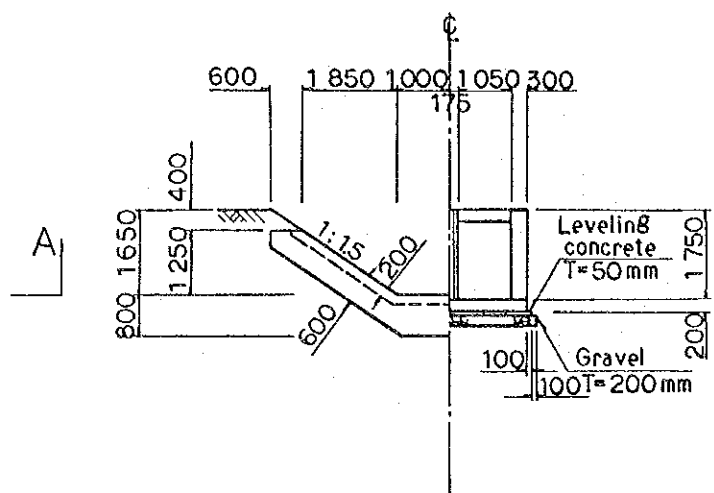
Canal Name	Station No.	Nos. of Stru.	Canal Name	Station No.	Nos. of Stru.
Main	1+750 -Right	1	Lateral B	0+795 -Right and Left	2
Main	5+090 -Right	1	Lateral B	1+185 -Left	1
Main	5+500 -Right	1	Lateral B	1+510 -Right and Left	2
Main	5+995 -Left	1	Lateral B	2+610 -Right and Left	2
Main	6+330 -Right	1	Lateral B	2+770 -Right	1
Main	6+660 -Right	1	Lateral B	3+150 -Right	1
Lateral A-2	0+345 -Right and Left	2	Lateral B	3+825 -Left	1
Lateral A-2	0+965 -Left	1	Lateral B	5+545 -Left	1
Lateral A-2	3+280 -Right	1	Lateral D	2+895 -Left	1

Note: Turnout structures to be rehabilitated are 22 in number and the locations of these structures are tabulated on the left. This drawing shows typical sections of the rehabilitation works for the 22 turnout structures.

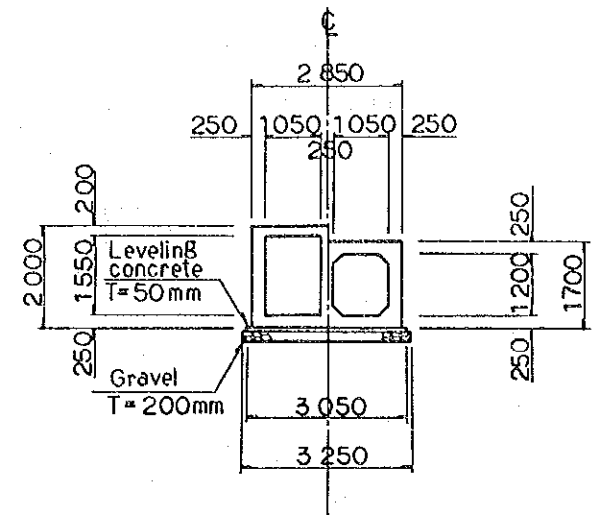
THE REPUBLIC OF THE PHILIPPINES			
THE OPTIMUM WATER UTILIZATION AND RURAL DEVELOPMENT PROJECT IN AGANAN RIVER IRRIGATION SYSTEM			
TITLE OF DRAWING			
用水路閘連構造物 小分水工用ゲート取り替え			
DATE		DRAWING NO.	3007
JAPAN INTERNATIONAL COOPERATION AGENCY			



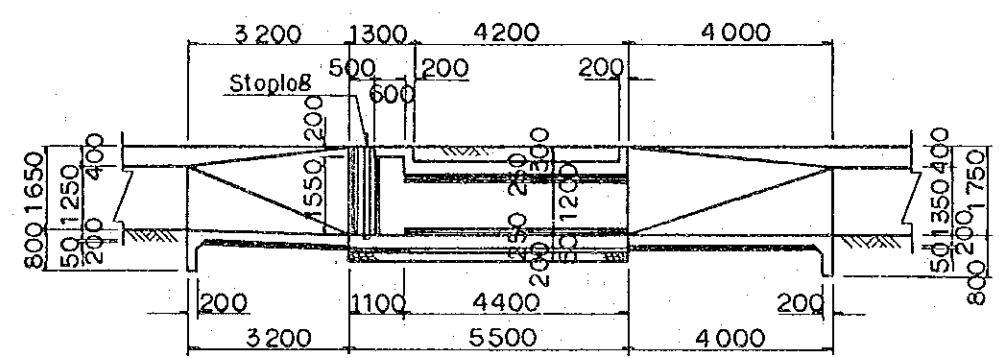
PLAN
SCALE-A



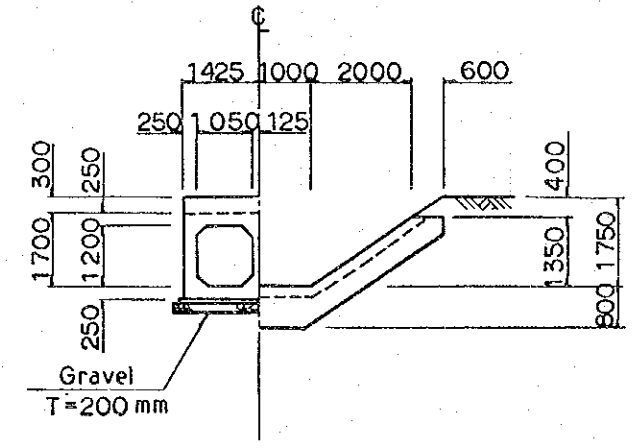
SECTION B-B
SCALE - A



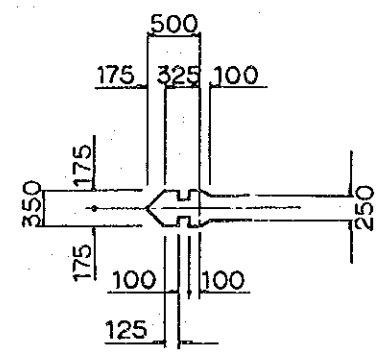
SECTION C-C
SCALE - A



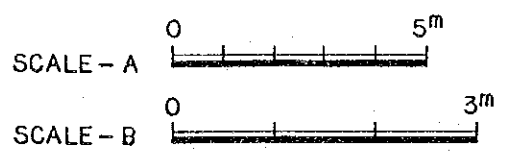
SECTION A-A
SCALE - A



SECTION D-D
SCALE - A

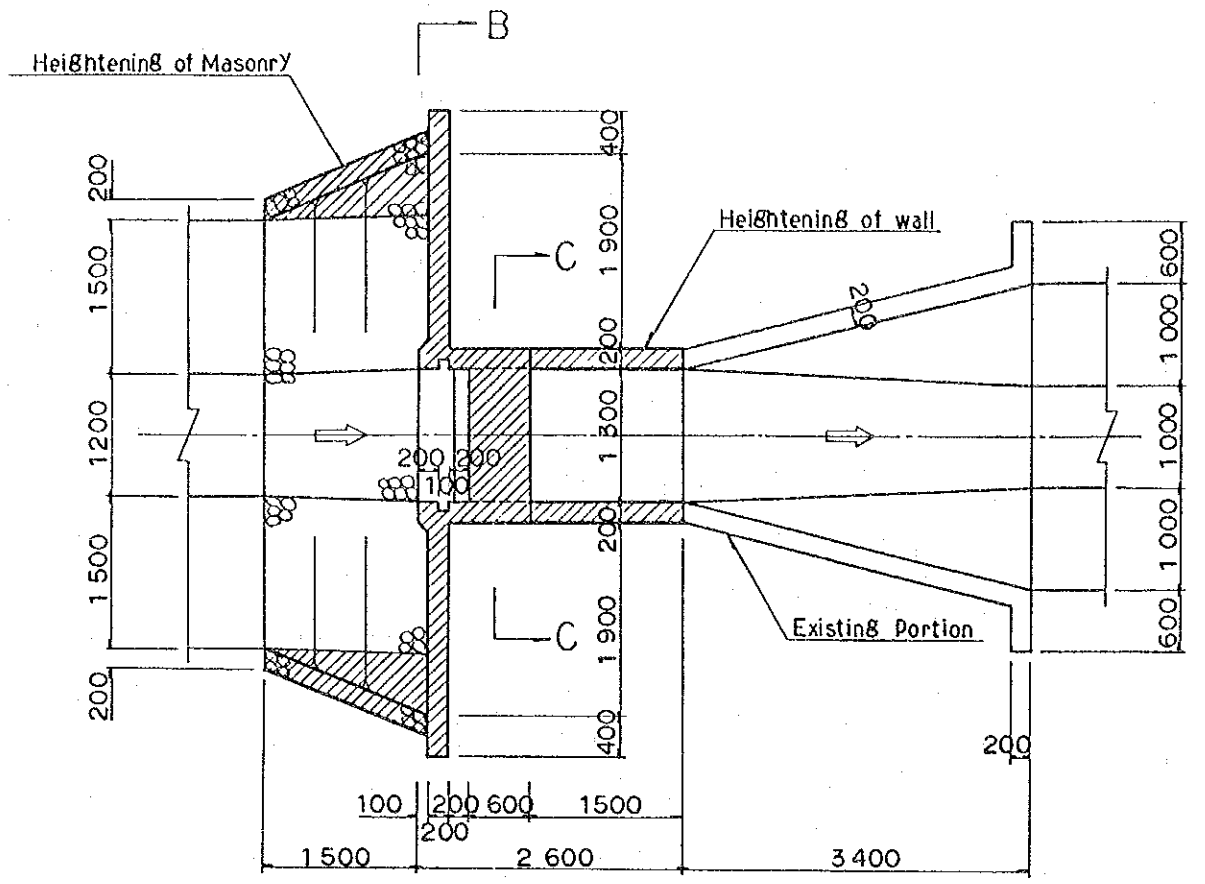


DETAIL "E"
SCALE - B

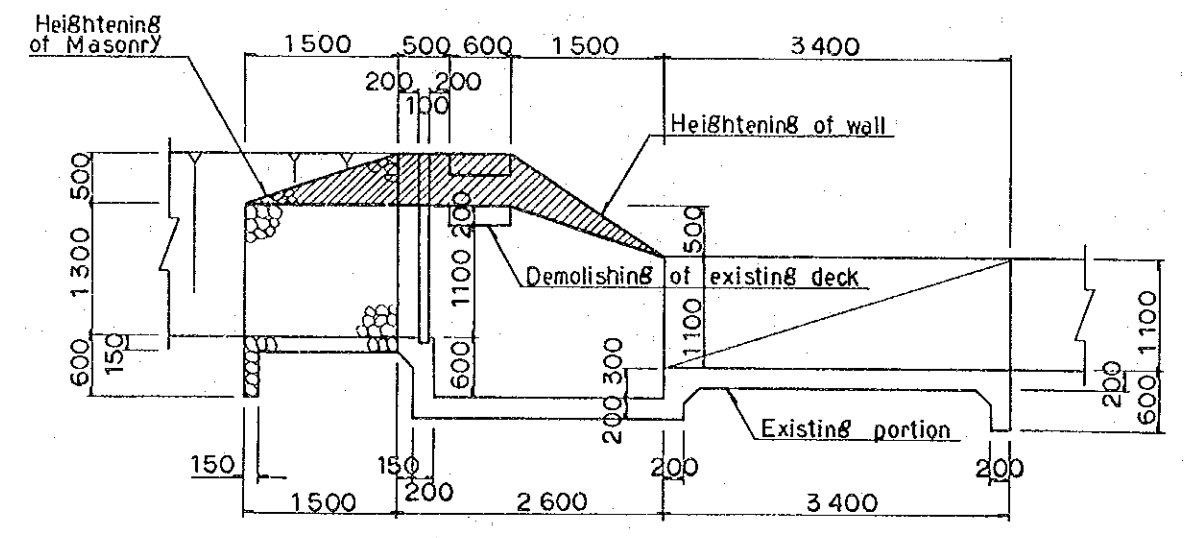


Note : This structure shall be reconstructed after demolishing existing structure.

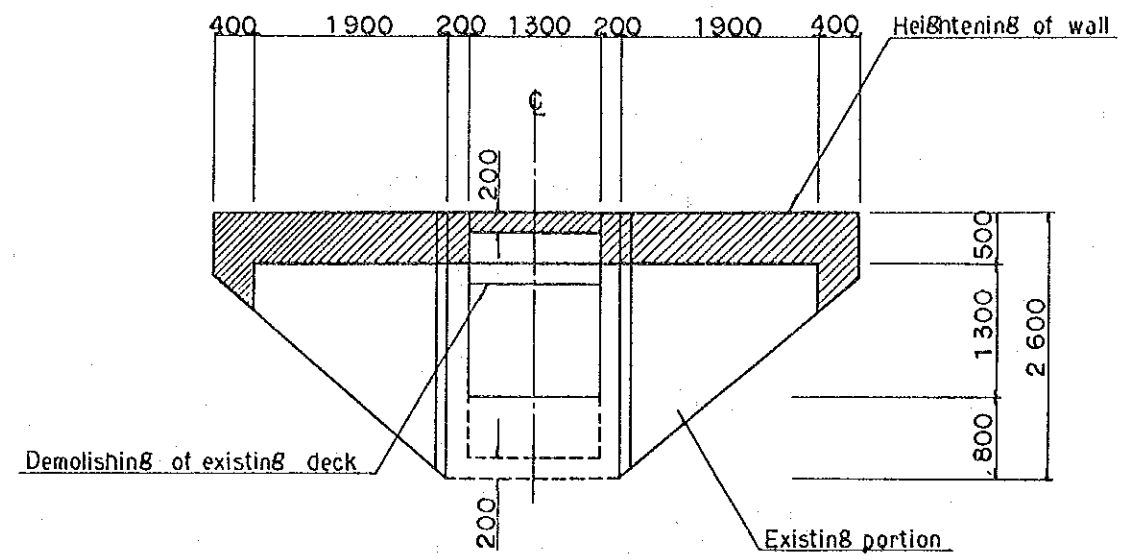
THE REPUBLIC OF THE PHILIPPINES			
THE OPTIMUM WATER UTILIZATION AND RURAL DEVELOPMENT PROJECT IN AGANAN RIVER IRRIGATION SYSTEM			
TITLE OF DRAWING 用水路関連構造物 水位調整工付き水路横断工 (支線用水路 A-2, STA 1+540) (改修)			
DATE		DRAWING NO.	3008
JAPAN INTERNATIONAL COOPERATION AGENCY			



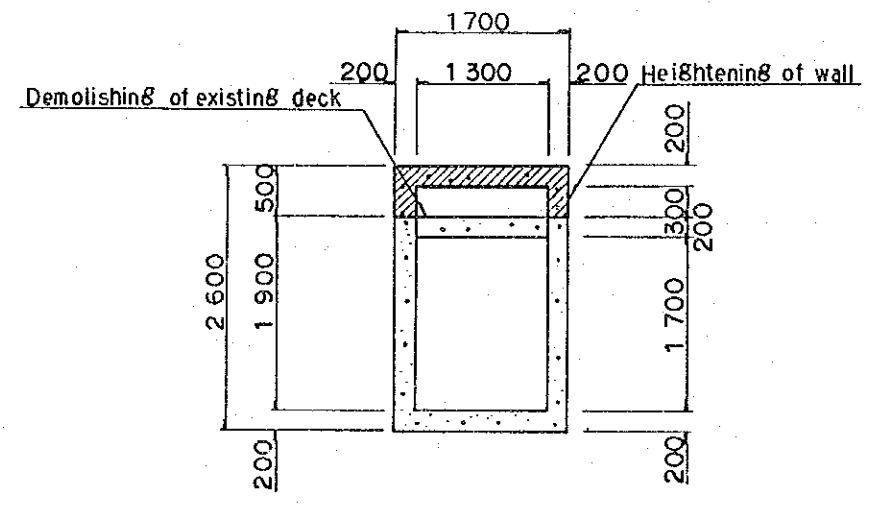
PLAN



SECTION A-A



SECTION B-B

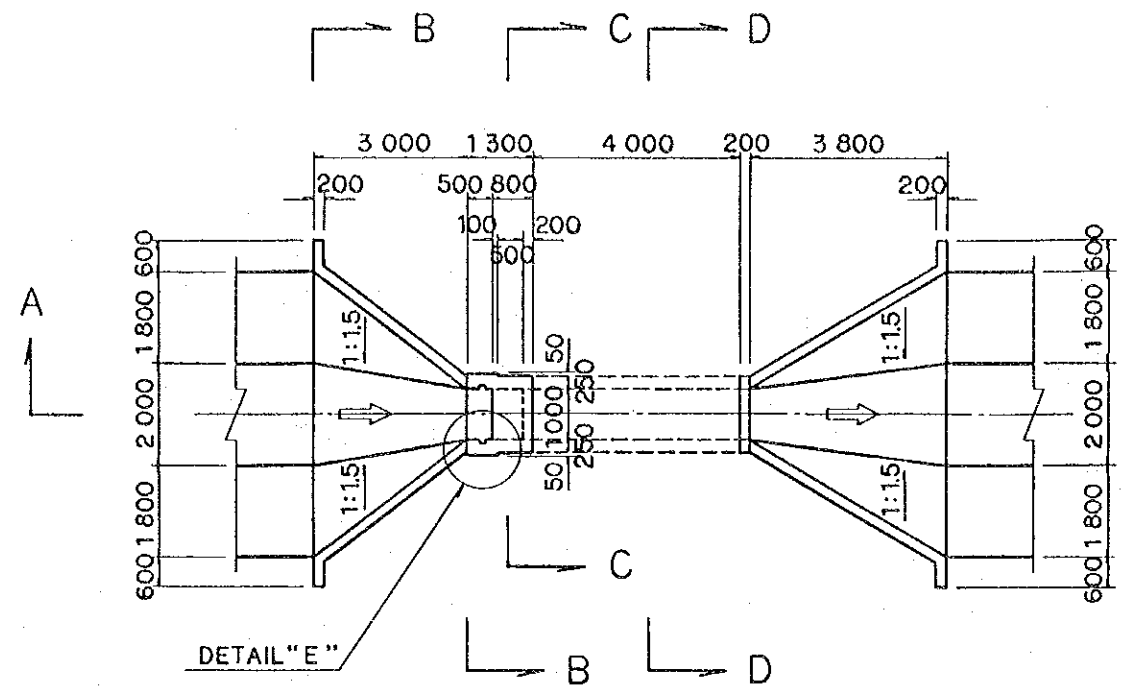


SECTION C-C

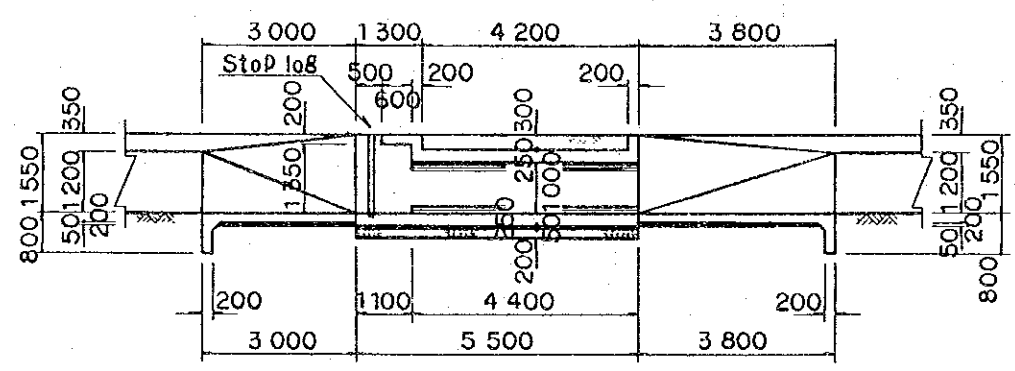


Note: This structure requires heightening work of masonry, wall and concrete deck after demolishing existing concrete deck.
Structures to be heightened are hatched.

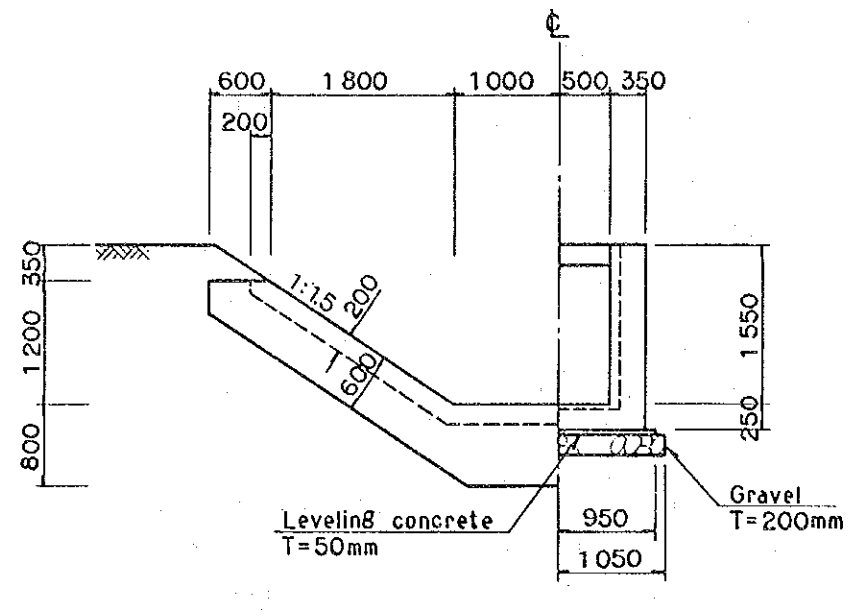
THE REPUBLIC OF THE PHILIPPINES			
THE OPTIMUM WATER UTILIZATION AND RURAL DEVELOPMENT PROJECT IN AGANAN RIVER IRRIGATION SYSTEM			
TITLE OF DRAWING 用水路関連構造物 落差工付き水位調整工 (支線用水路 B, STA 4+510) (改修)			
DATE		DRAWING NO.	3009
JAPAN INTERNATIONAL COOPERATION AGENCY			



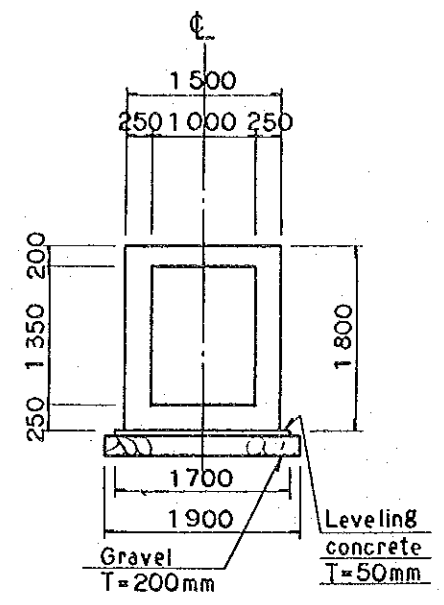
PLAN
SCALE - A



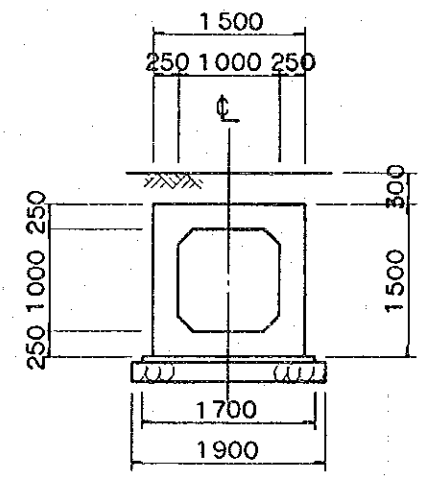
SECTION A-A
SCALE - A



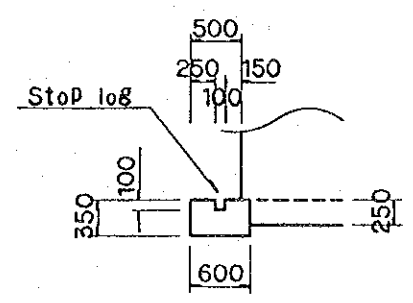
SECTION B-B
SCALE - B



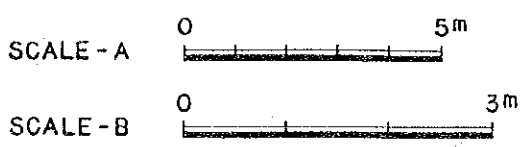
SECTION C-C
SCALE - B



SECTION D-D
SCALE - B

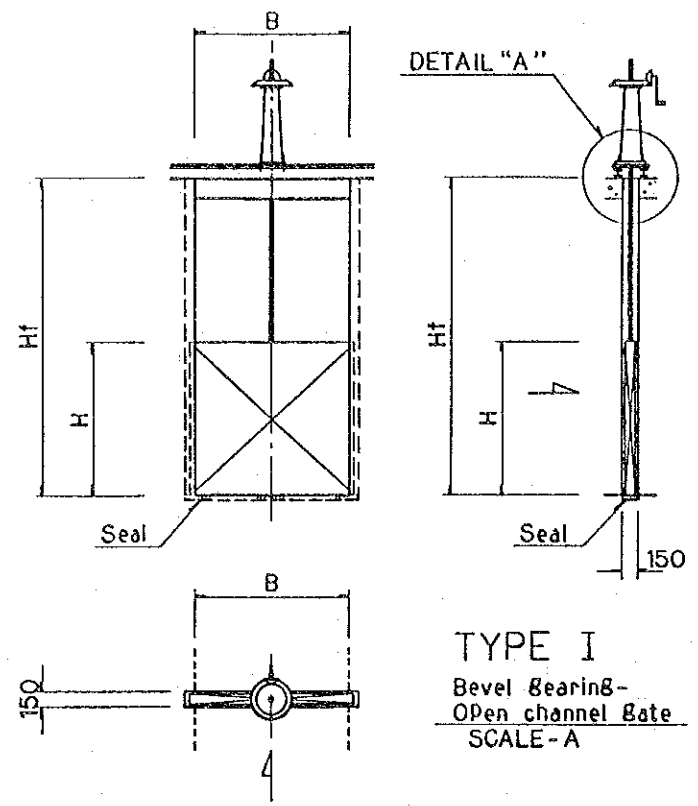


DETAIL "E"
SCALE - B

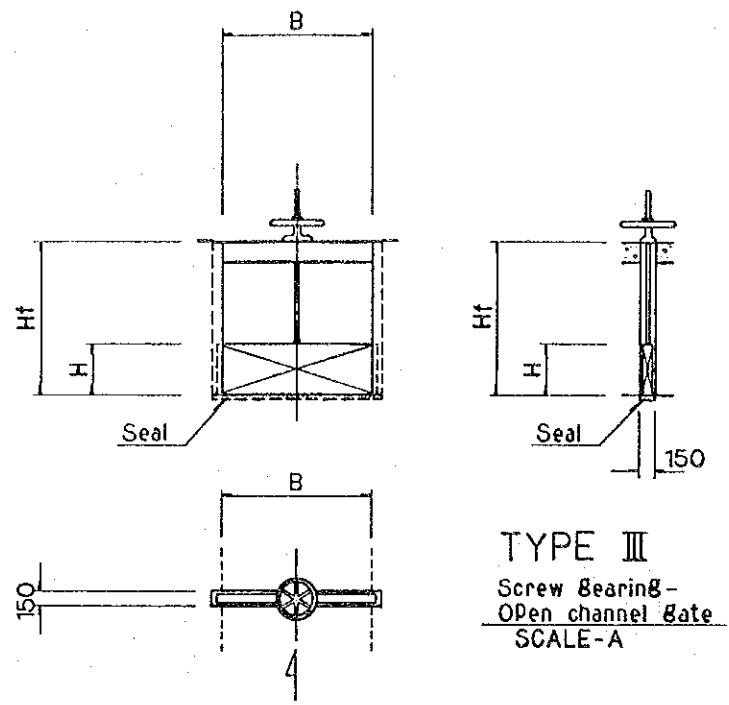


Note : This structure shall be newly constructed.

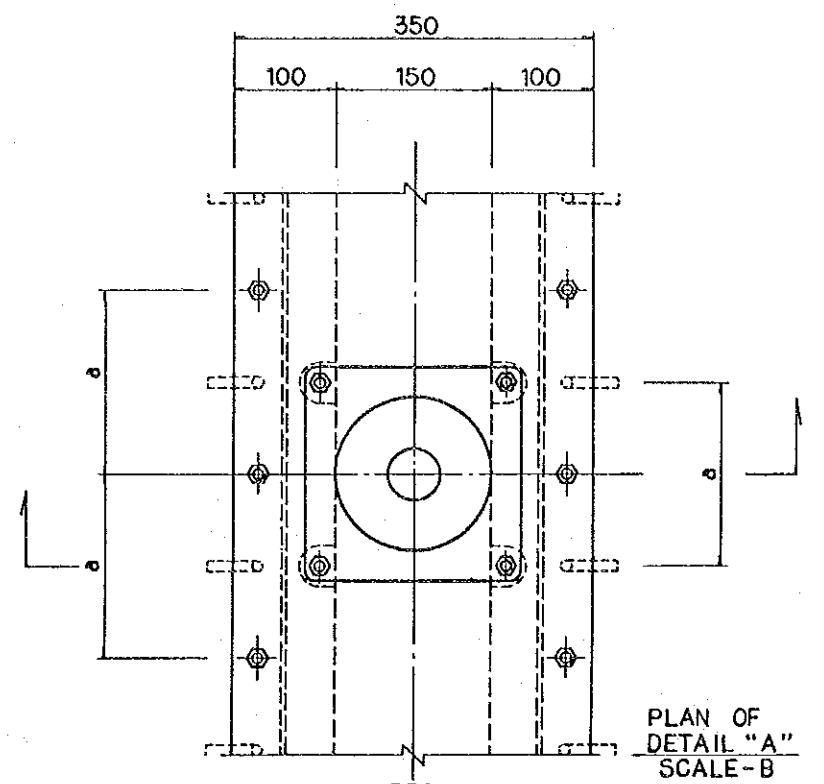
THE REPUBLIC OF THE PHILIPPINES		
THE OPTIMUM WATER UTILIZATION AND RURAL DEVELOPMENT PROJECT IN AGANAN RIVER IRRIGATION SYSTEM		
TITLE OF DRAWING 用水路関連構造物 水位調整工付き水路横断工 (支線用水路 A-2, STA 3+830) (新設)		
DATE	DRAWING NO.	3010
JAPAN INTERNATIONAL COOPERATION AGENCY		



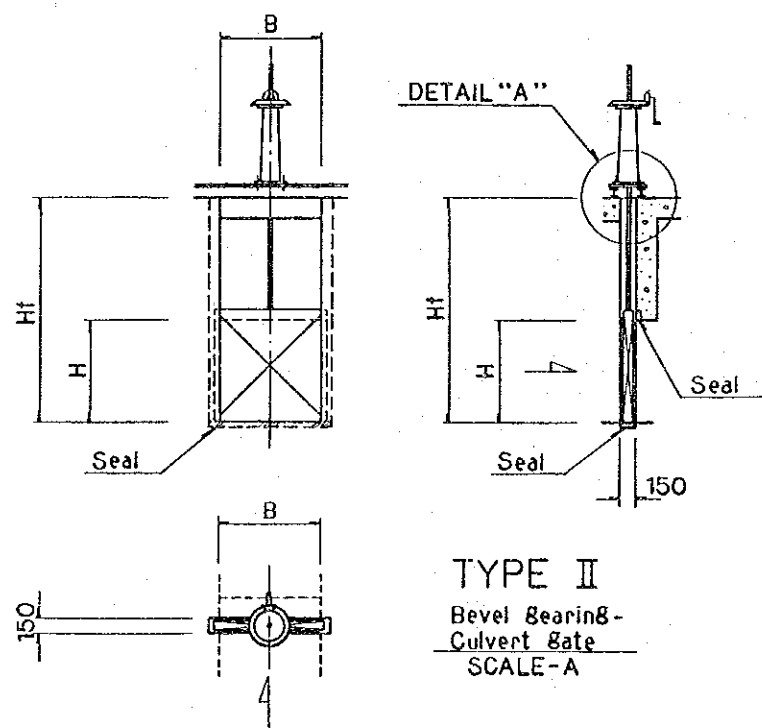
TYPE I
Bevel Bearing-
Open channel Gate
SCALE - A



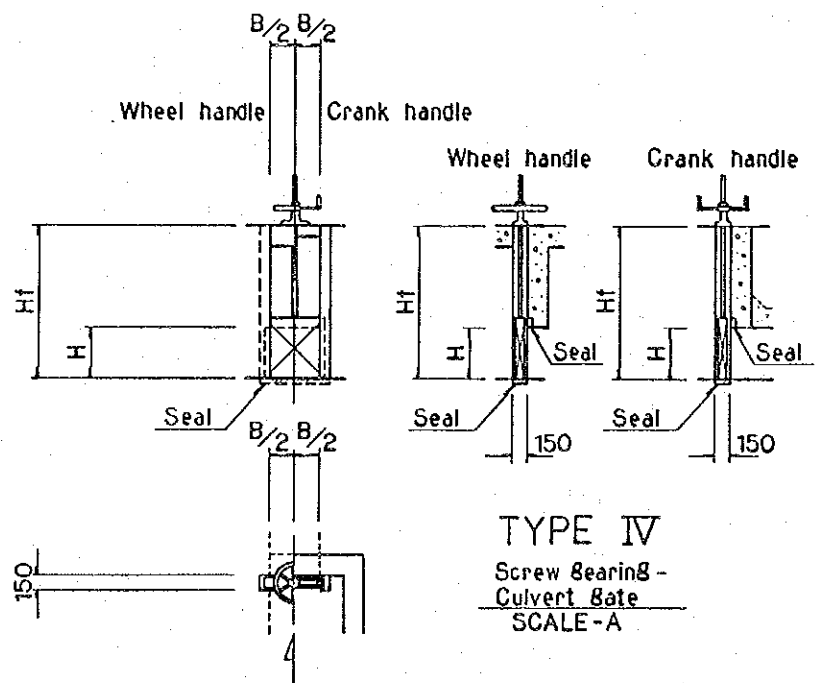
TYPE III
Screw Bearing-
Open channel Gate
SCALE - A



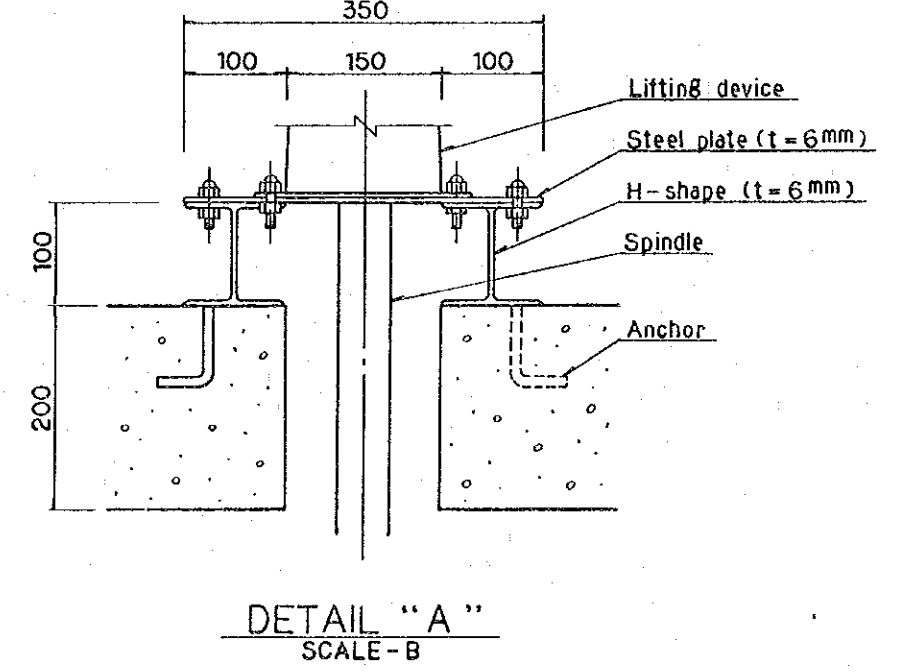
PLAN OF
DETAIL "A"
SCALE - B



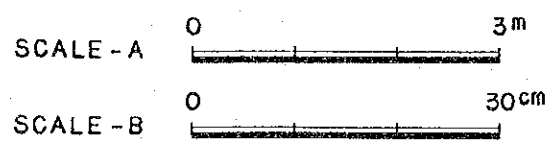
TYPE II
Bevel Bearing-
Culvert Gate
SCALE - A



TYPE IV
Screw Bearing-
Culvert Gate
SCALE - A



DETAIL "A"
SCALE - B



DIMENSION TABLE OF STEEL SLIDE GATE

Name of Structures	Check Gate	Check Gate	Head Gate of Lateral A		Head Gate of Lateral B-3		Turnouts	
			Check Gate	Check Gate	Check Gate	Check Gate	(The followings are typical dimensions.)	(The followings are typical dimensions.)
Name of Canal Station No.	Main 2+200	Main 2+773	Main 2+773	Main 3+106	Lateral B 3+830	Lateral D 2+890	See DWG No. 3007. (22 units)	
Gate Type	I	I	II	I	IV	III	IV	IV
Numbers of Gates (nos.)	3	3	3	2	1	1	22	22
B effective width (mm)	1 400	1 500	1 000	1 400	800	1 400	600	460
H effective height (mm)	1 500	1 500	900	1 600	800	700	350	460
Hf guide frame h. (mm)	2 600	2 900	2 200	2 700	2 600	1 750	1 500	1 800
Water Depth (m)	2.4	2.0	2.0	2.0	2.0	0.9	0.9	1.3
Handle Type	Crank	Crank	Crank	Crank	Wheel	Wheel	Crank	Crank

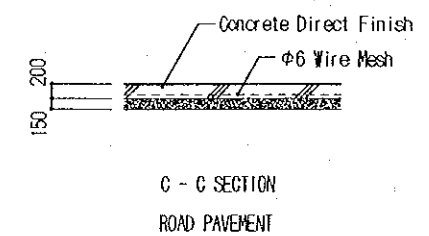
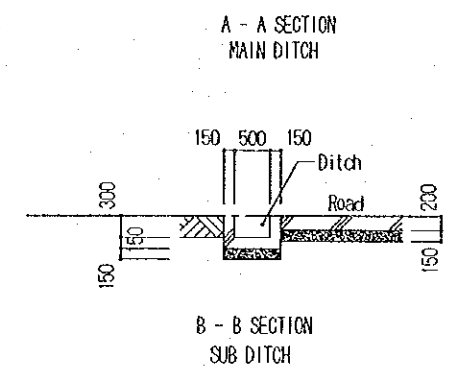
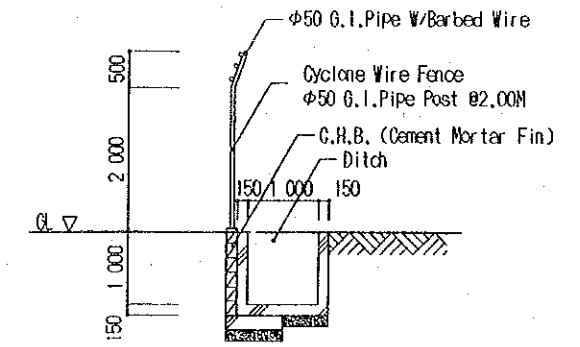
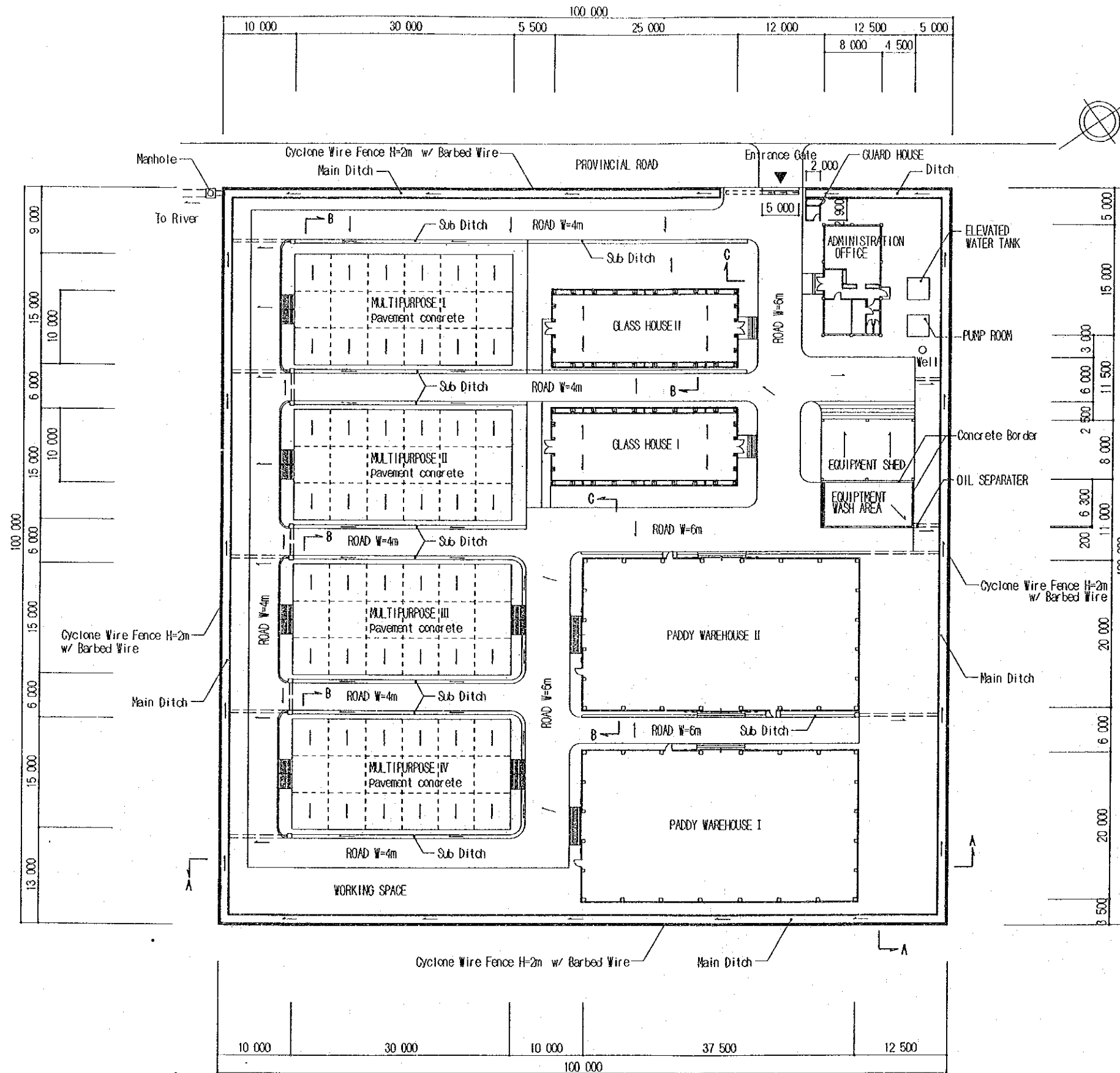
THE REPUBLIC OF THE PHILIPPINES

THE OPTIMUM WATER UTILIZATION AND RURAL DEVELOPMENT PROJECT IN AGANAN RIVER IRRIGATION SYSTEM

TITLE OF DRAWING
用水路関連構造物
鋼製スライドゲート

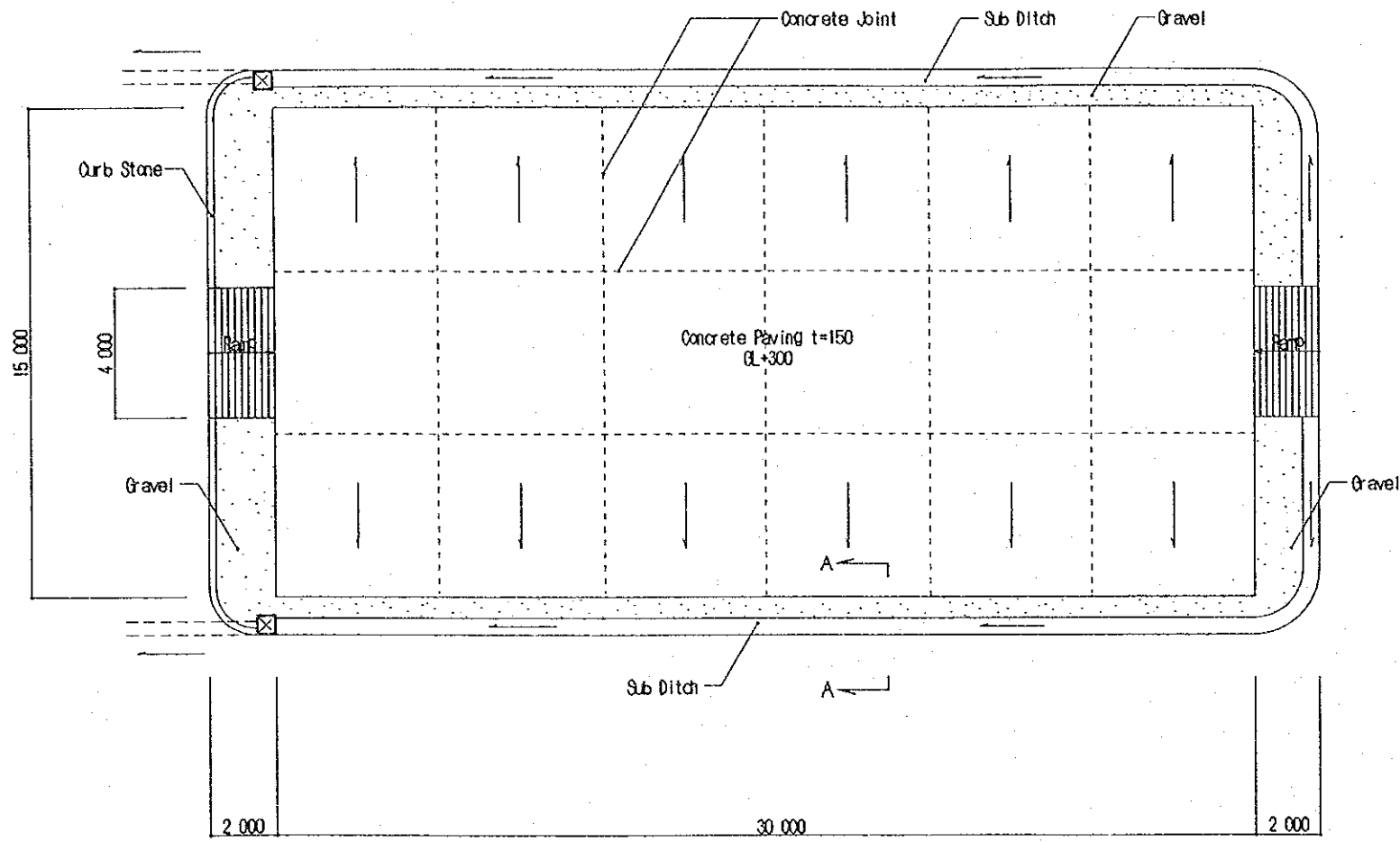
DATE	DRAWING NO.	3011
------	-------------	------

JAPAN INTERNATIONAL COOPERATION AGENCY

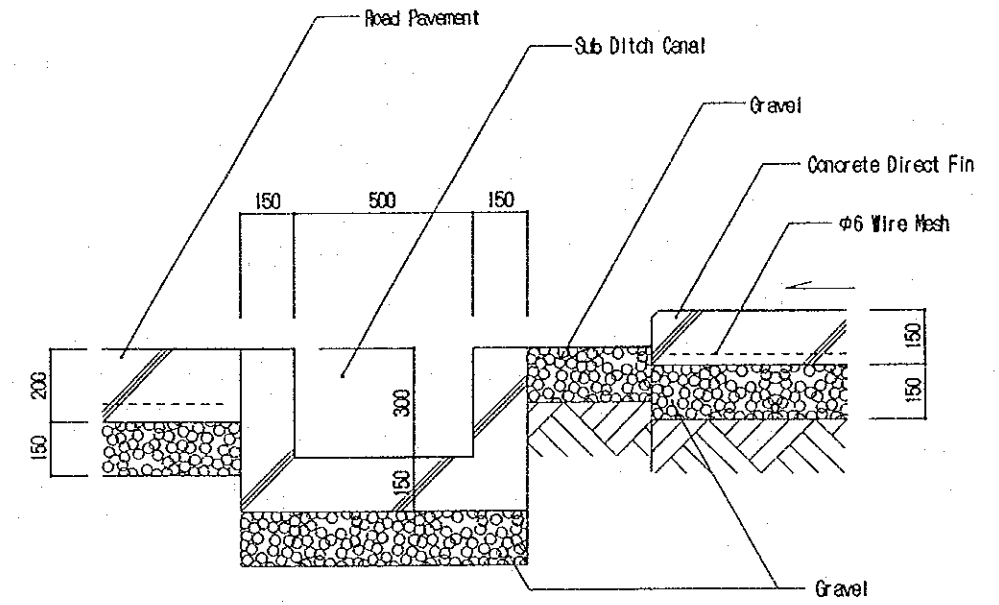


THE REPUBLIC OF THE PHILIPPINES			
THE OPTIMUM WATER UTILIZATION AND RURAL DEVELOPMENT PROJECT IN AGANAN RIVER IRRIGATION SYSTEM			
TITLE OF DRAWING 收穫後処理施設 全体平面図			
DATE		DRAWING NO.	4001
JAPAN INTERNATIONAL COOPERATION AGENCY			





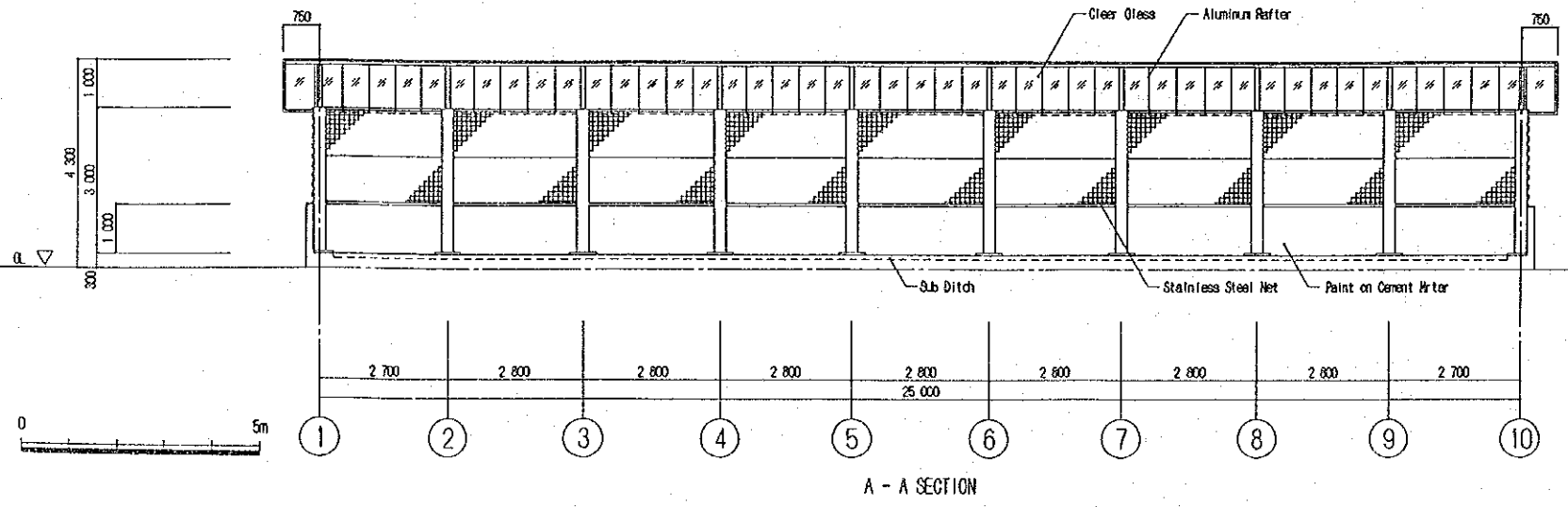
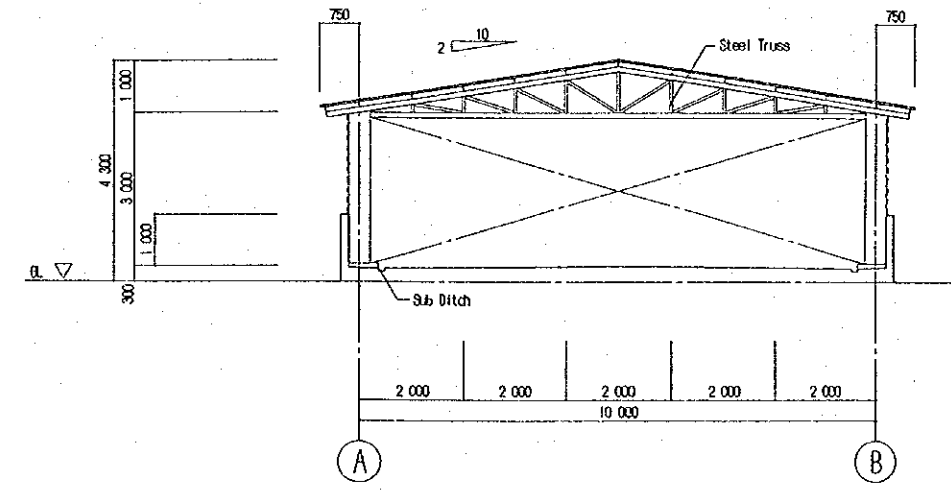
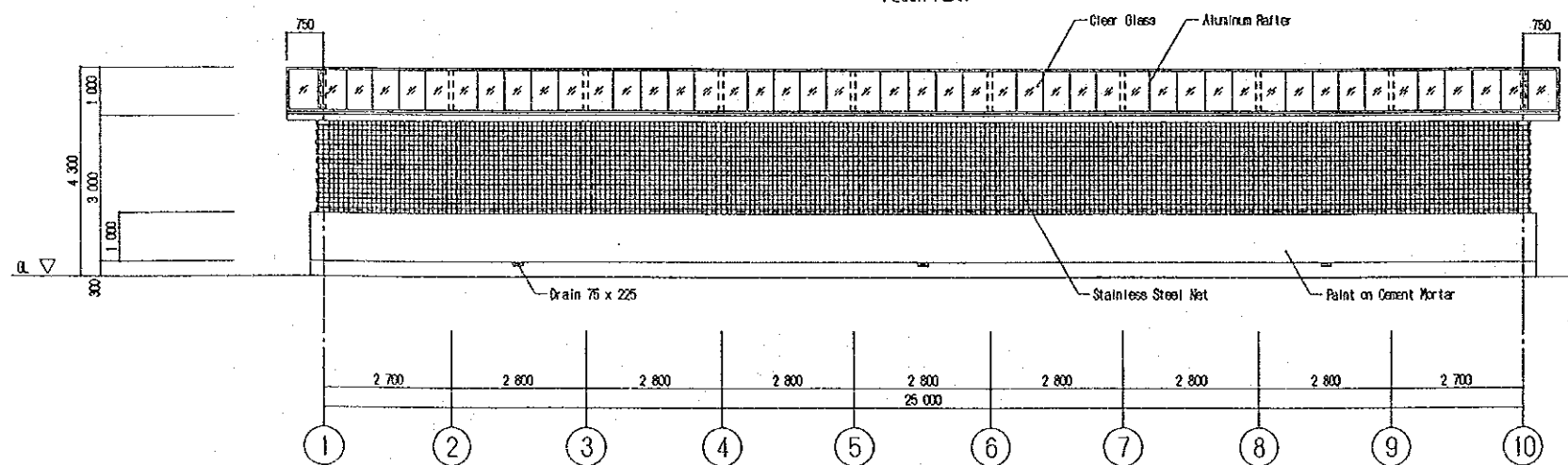
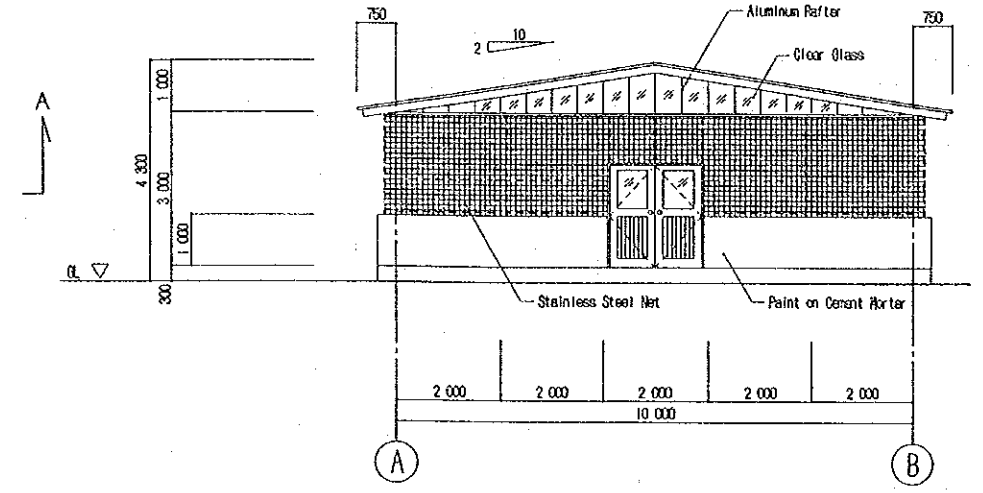
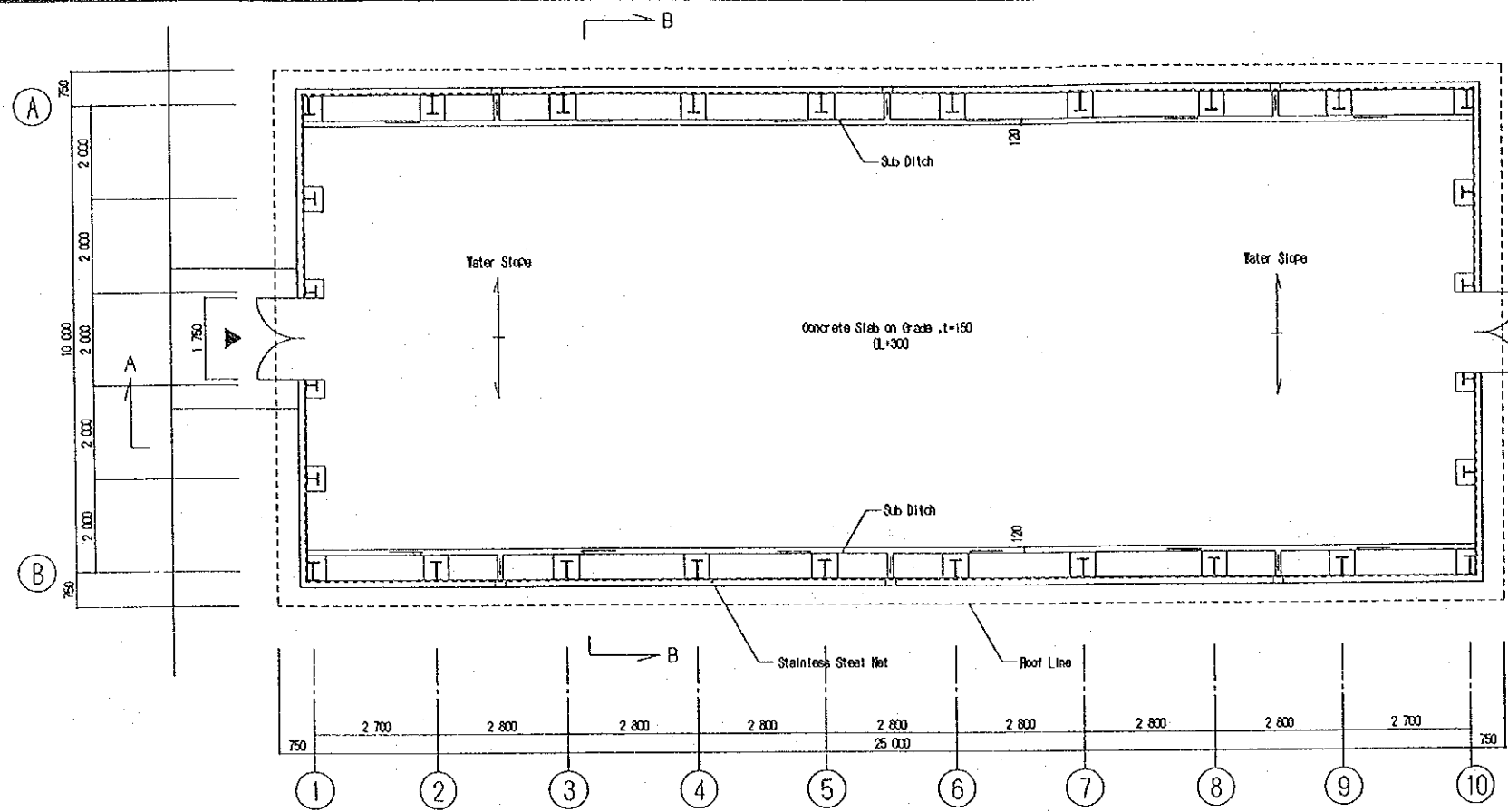
FLOOR PLAN



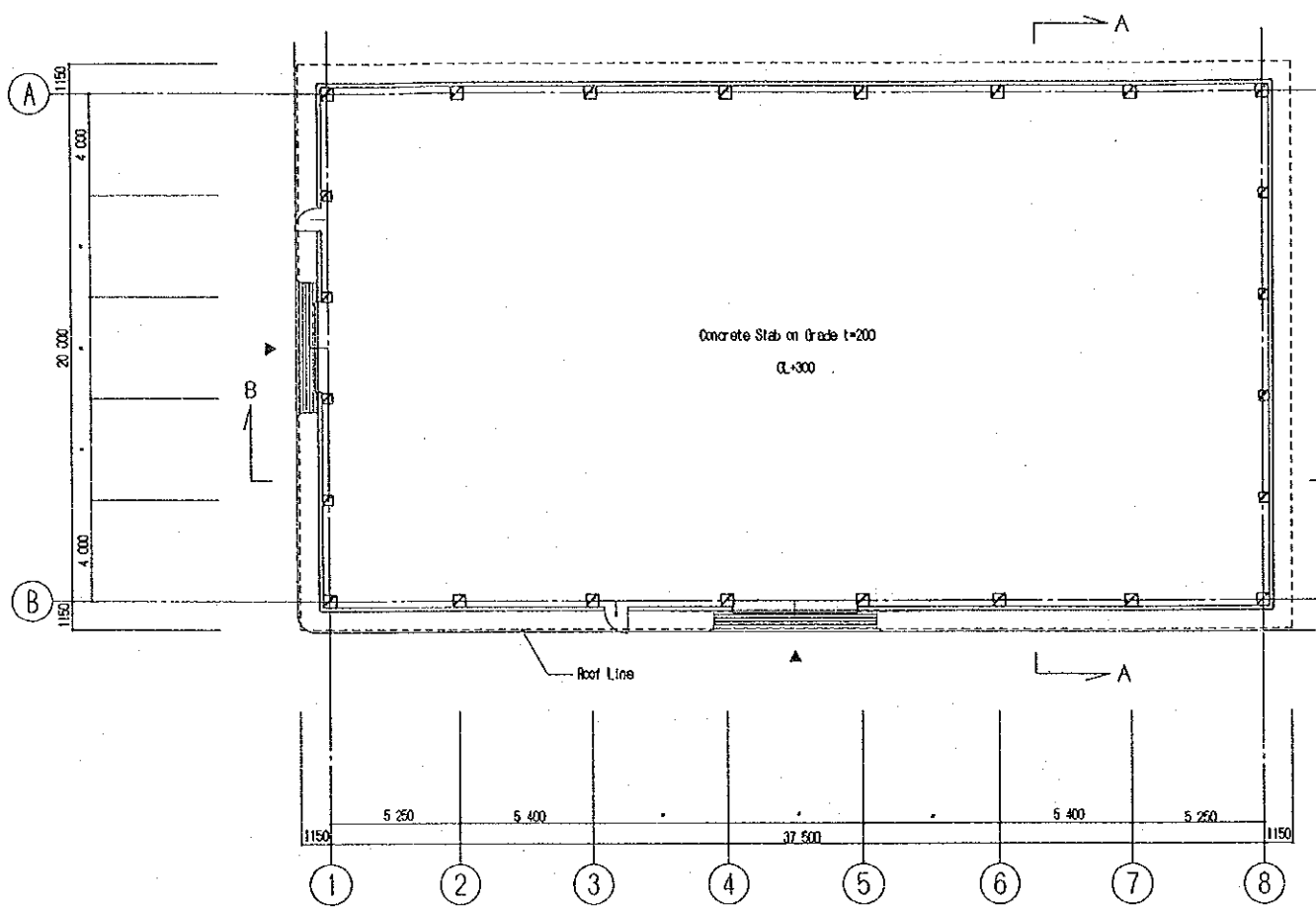
A - A SECTION



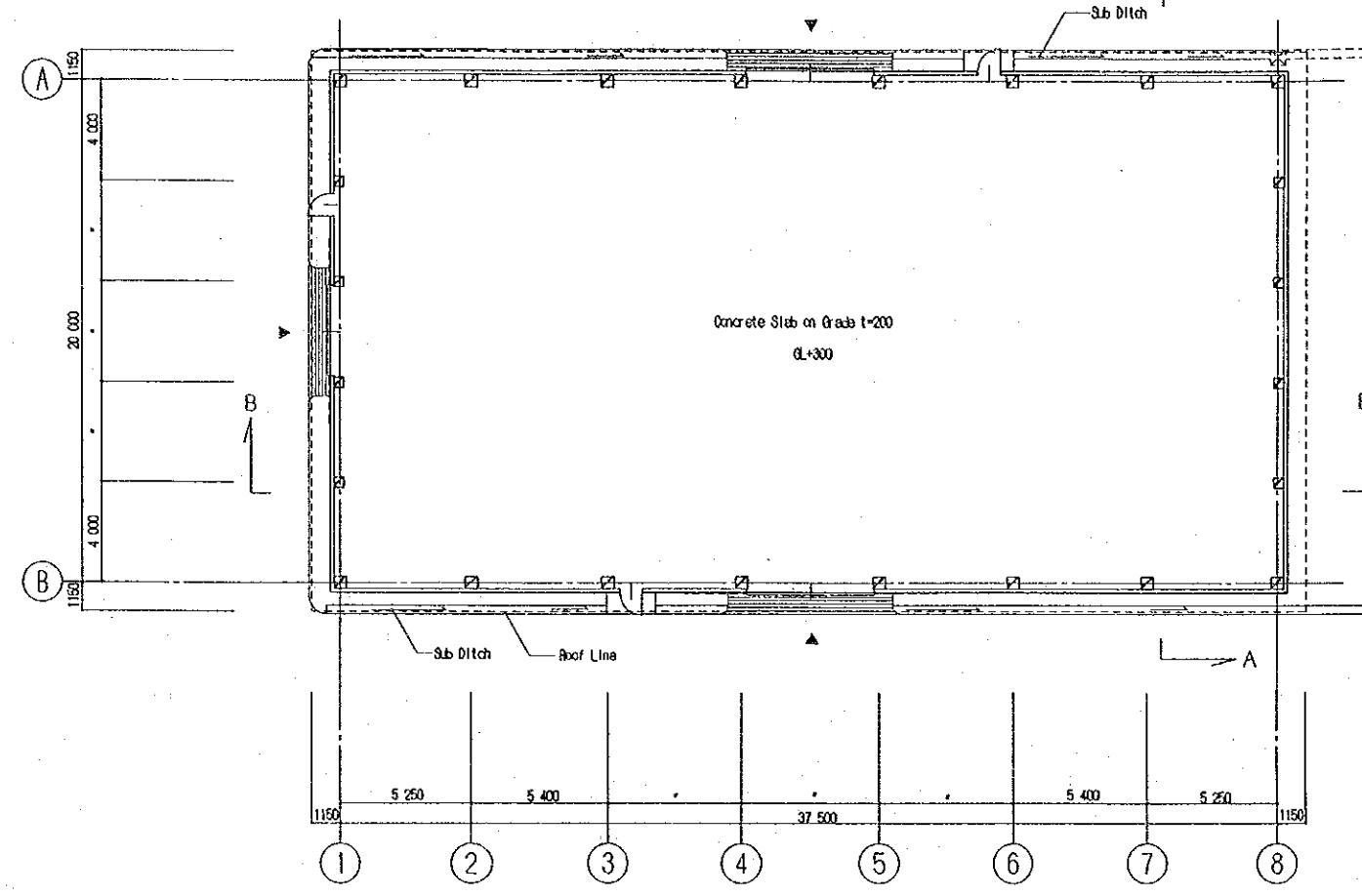
THE REPUBLIC OF THE PHILIPPINES			
THE OPTIMUM WATER UTILIZATION AND RURAL DEVELOPMENT PROJECT IN AGANAN RIVER IRRIGATION SYSTEM			
TITLE OF DRAWING 收穫後処理施設 乾燥場			
DATE		DRAWING NO.	4002
JAPAN INTERNATIONAL COOPERATION AGENCY			



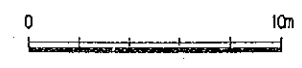
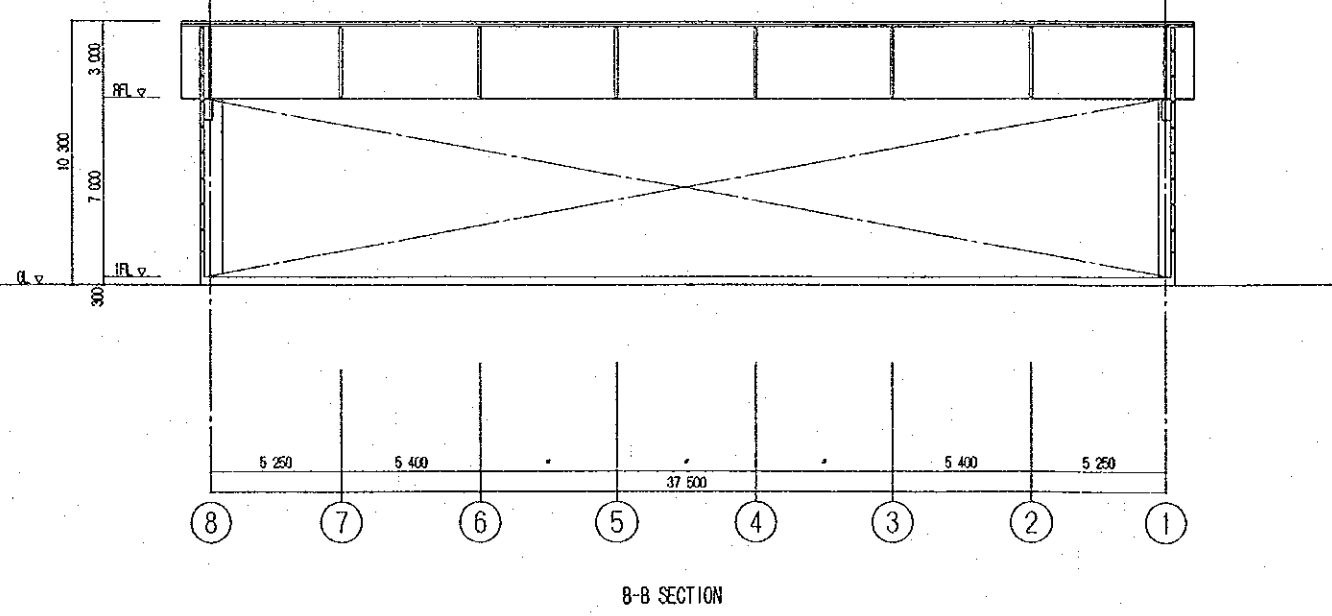
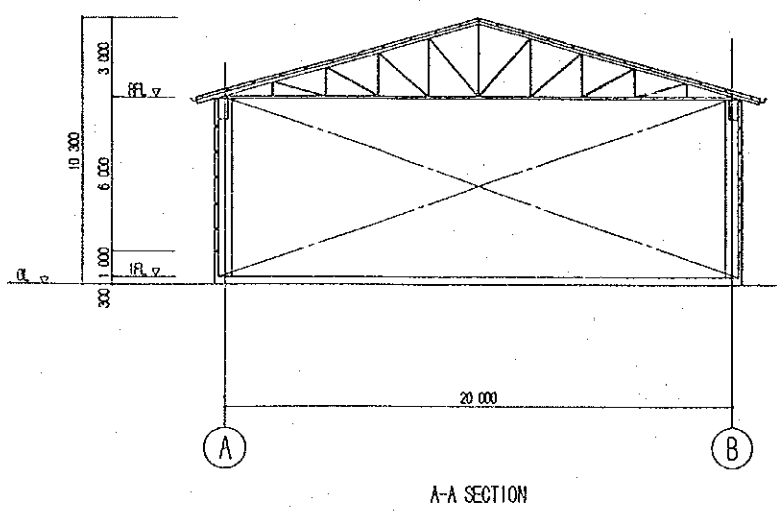
THE REPUBLIC OF THE PHILIPPINES	
THE OPTIMUM WATER UTILIZATION AND RURAL DEVELOPMENT PROJECT IN AGANAN RIVER IRRIGATION SYSTEM	
TITLE OF DRAWING 収穫後処理施設 ガラス室	
DATE	DRAWING NO. 4003
JAPAN INTERNATIONAL COOPERATION AGENCY	



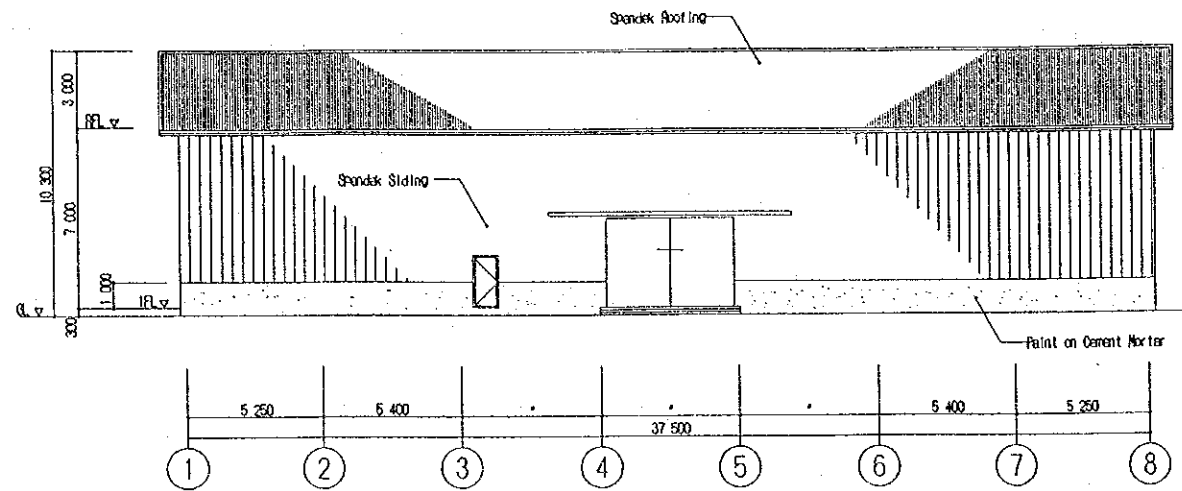
FLOOR PLAN (I)



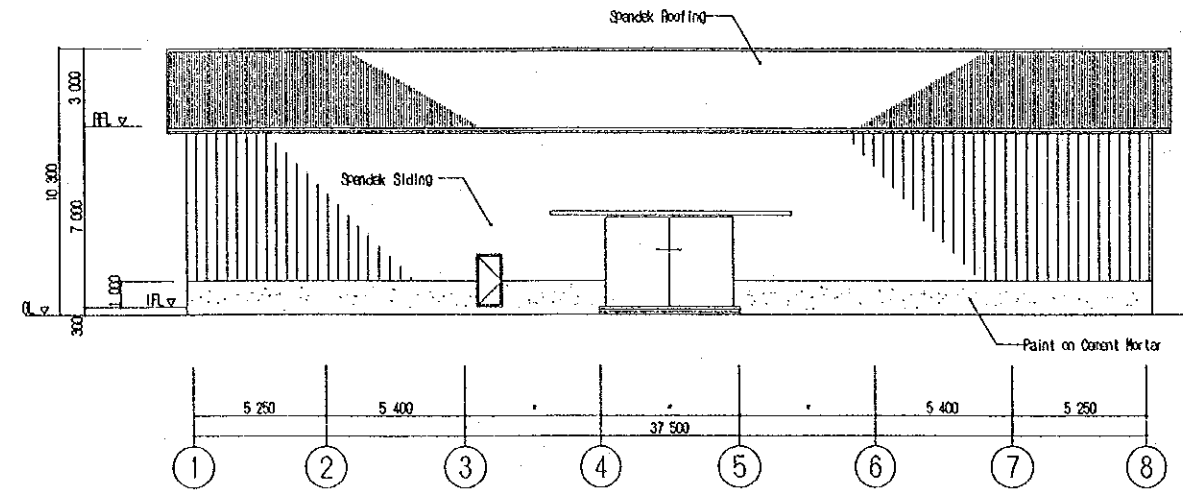
FLOOR PLAN (II)



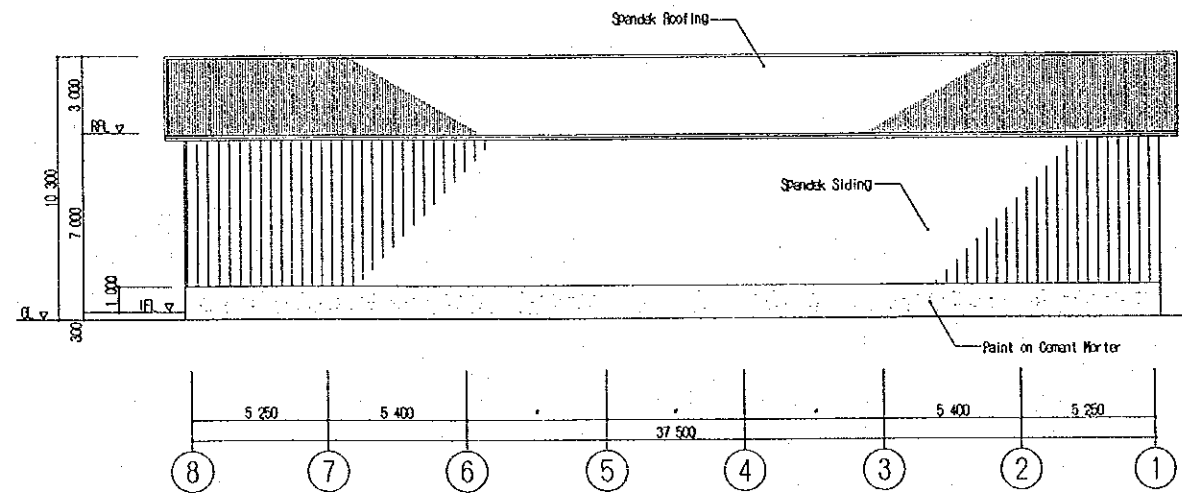
THE REPUBLIC OF THE PHILIPPINES	
THE OPTIMUM WATER UTILIZATION AND RURAL DEVELOPMENT PROJECT IN AGANAN RIVER IRRIGATION SYSTEM	
TITLE OF DRAWING 収穫後処理施設 粉倉庫 (1/2)	
DATE	DRAWING NO. 4004
JAPAN INTERNATIONAL COOPERATION AGENCY	



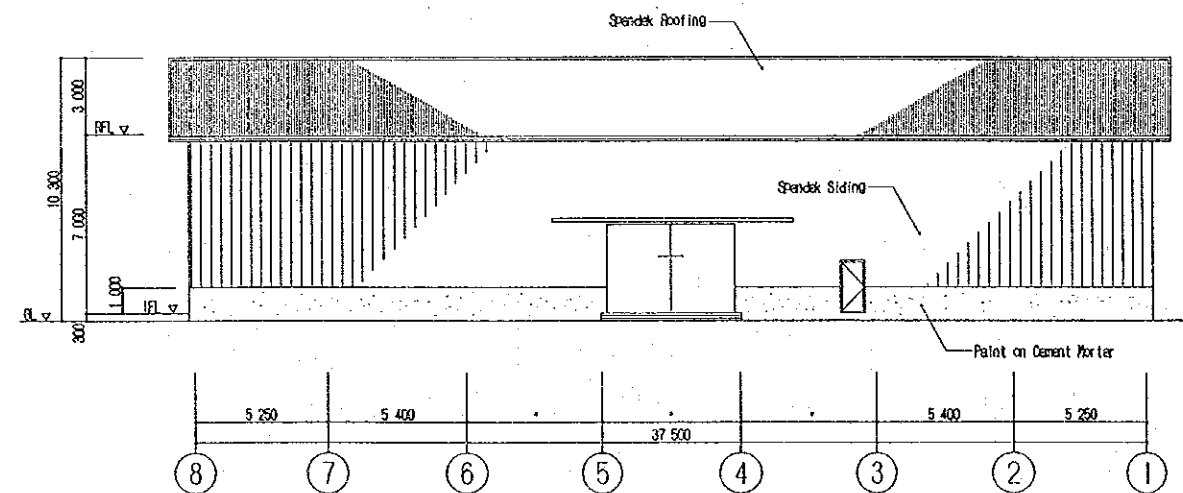
SOUTH ELEVATION (I)



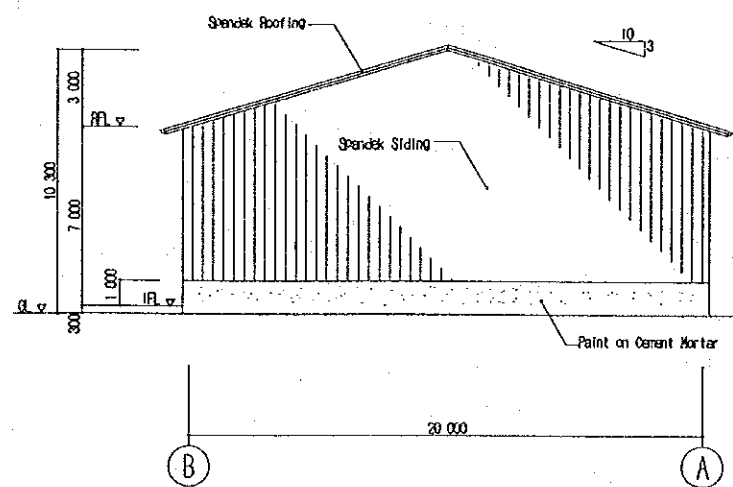
SOUTH ELEVATION (II)



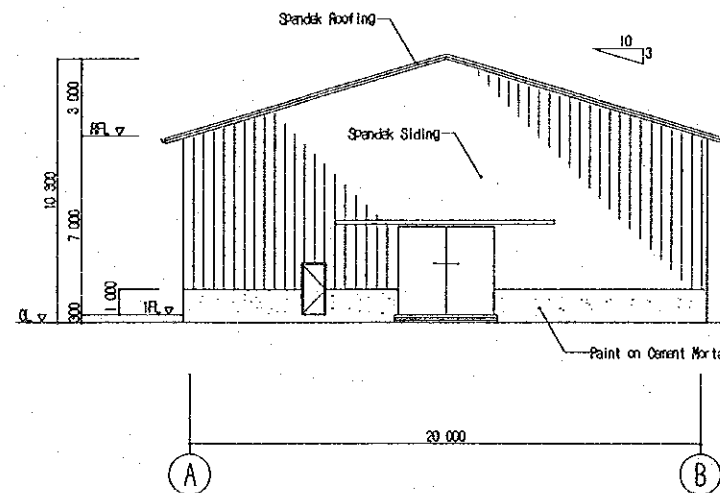
NORTH ELEVATION (I)



NORTH ELEVATION (II)



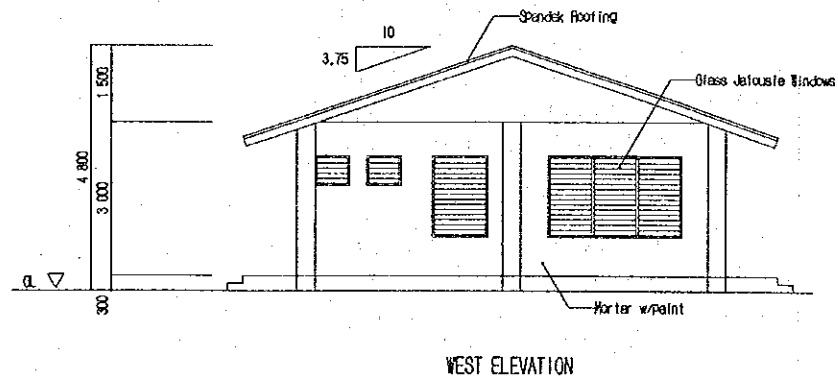
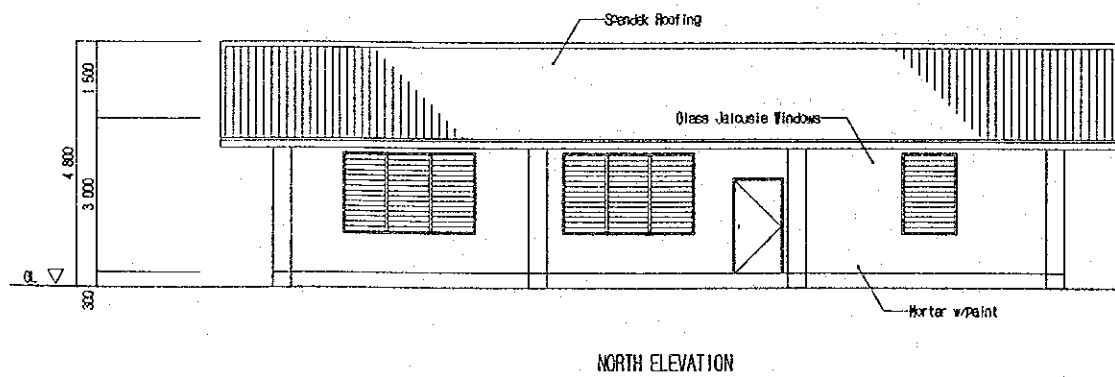
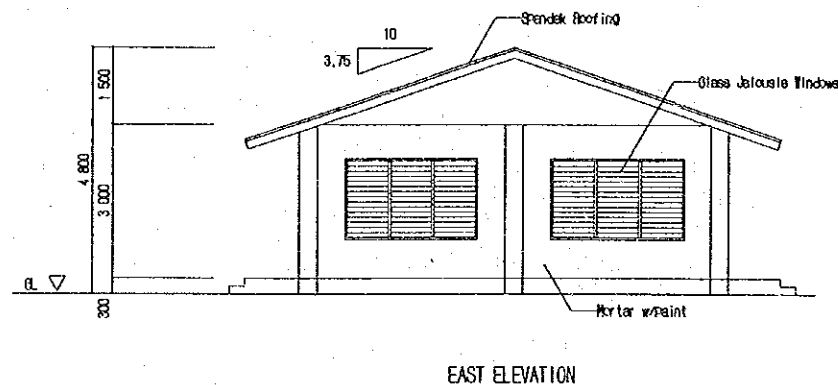
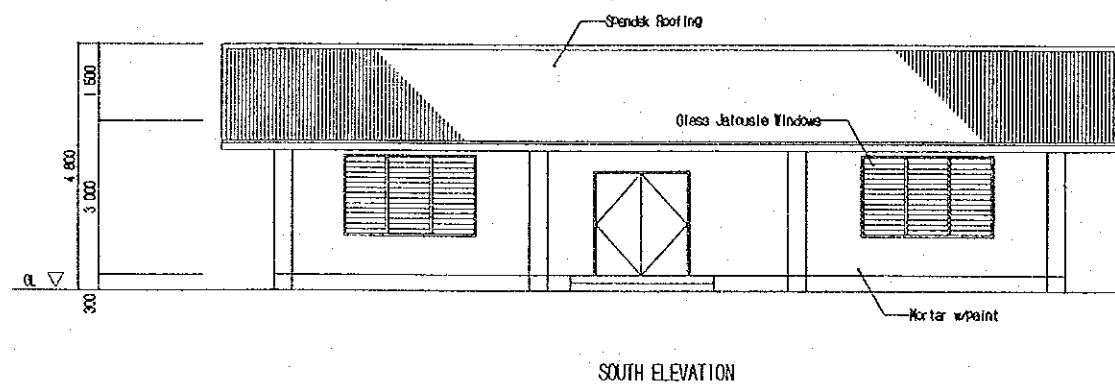
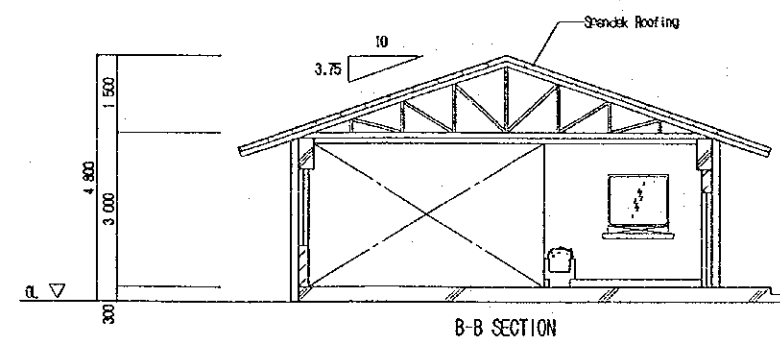
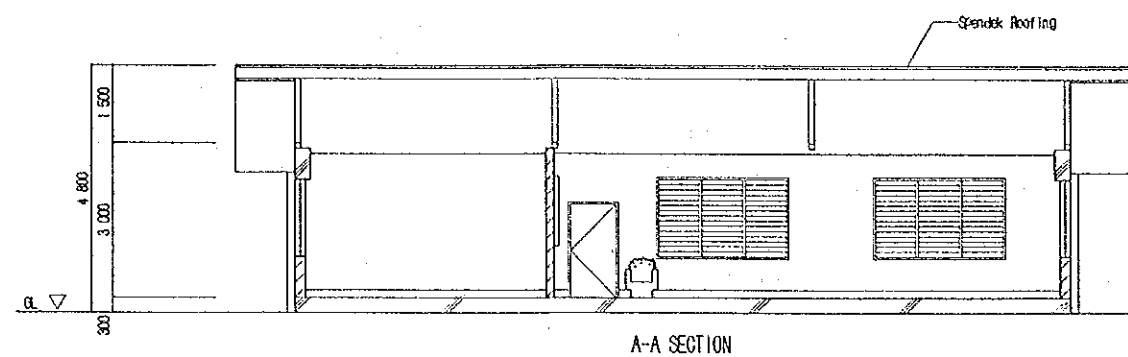
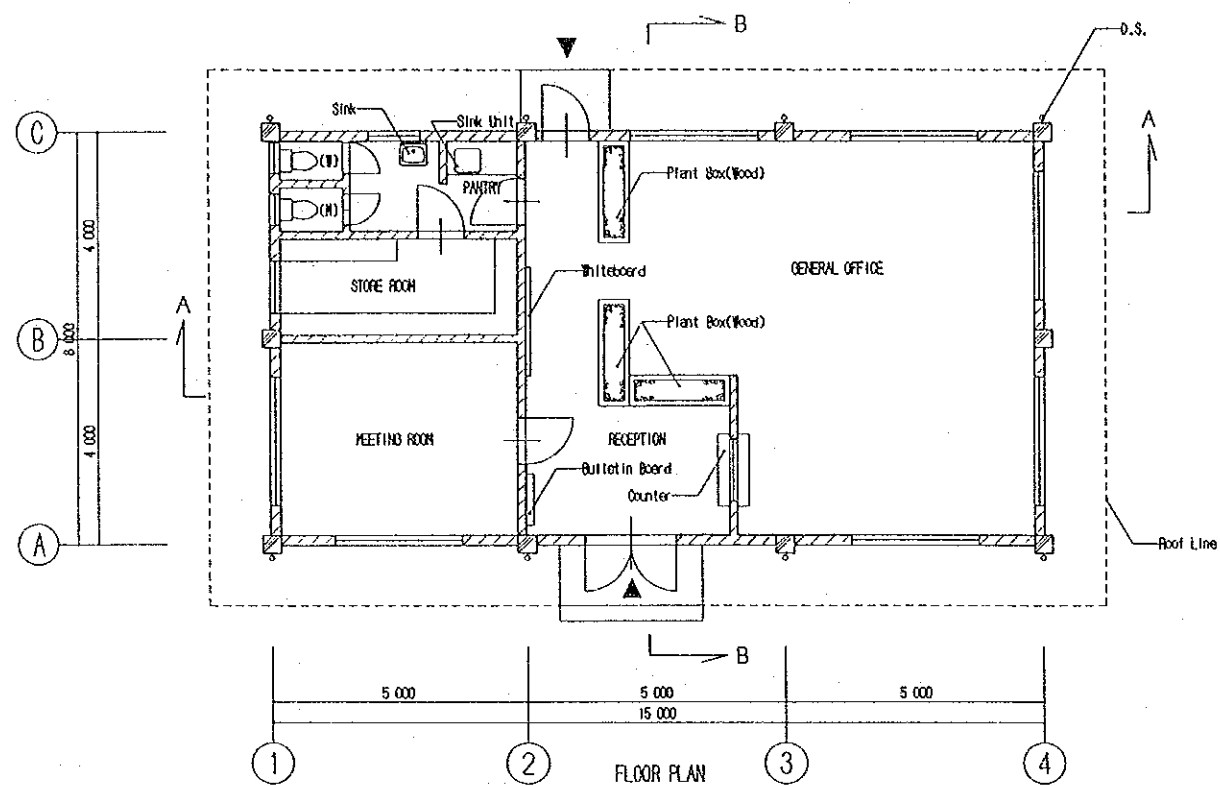
EAST ELEVATION (I, II)



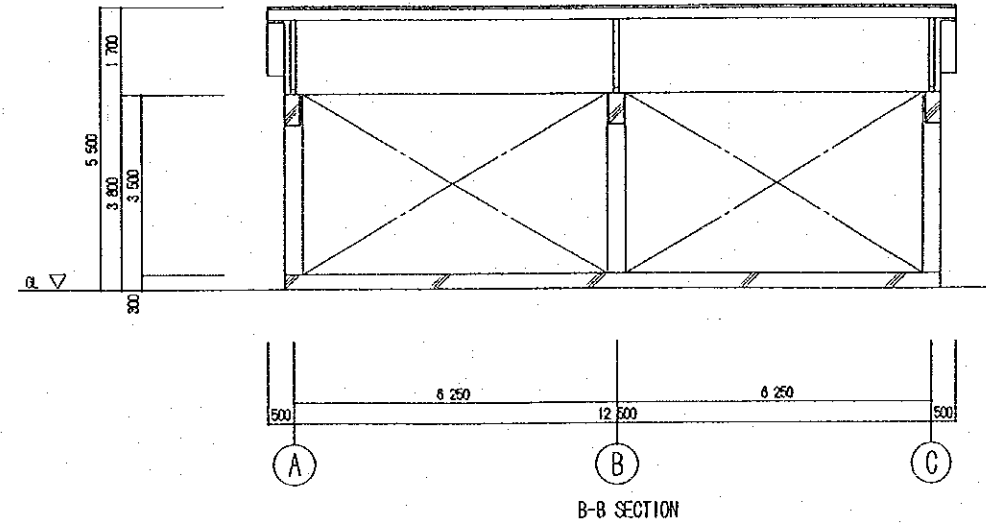
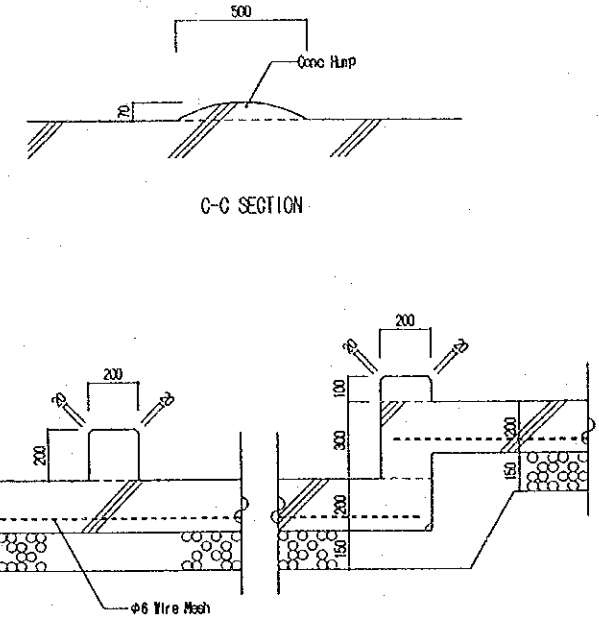
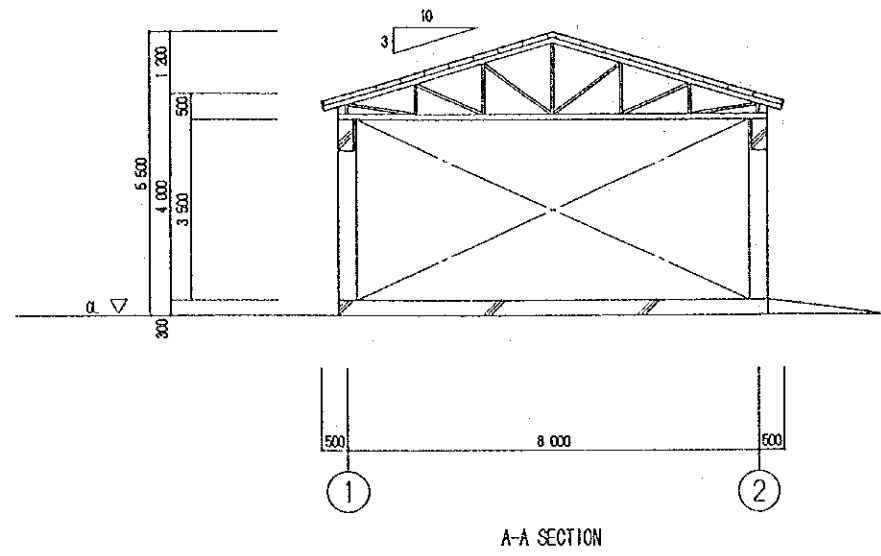
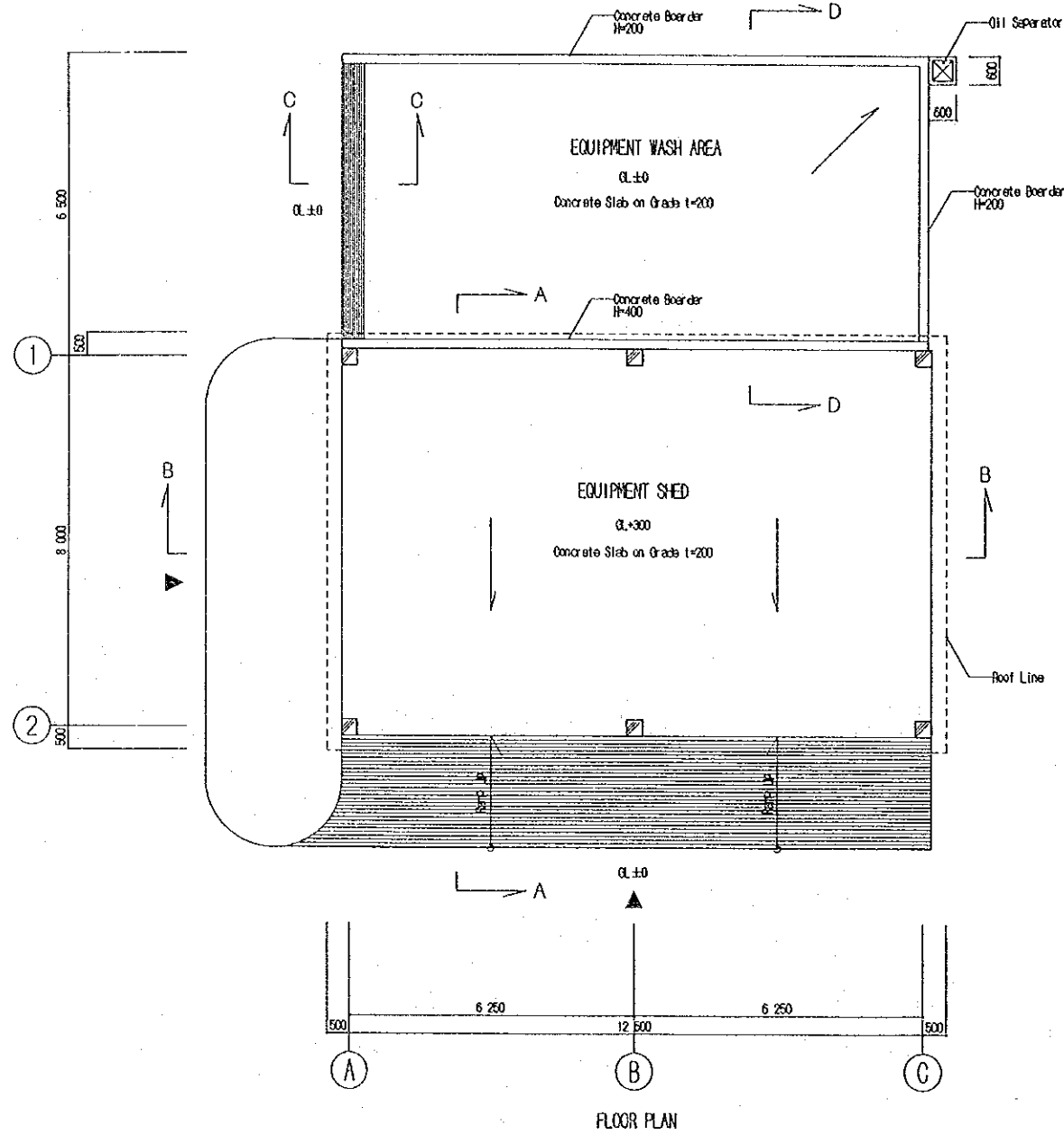
WEST ELEVATION (I, II)



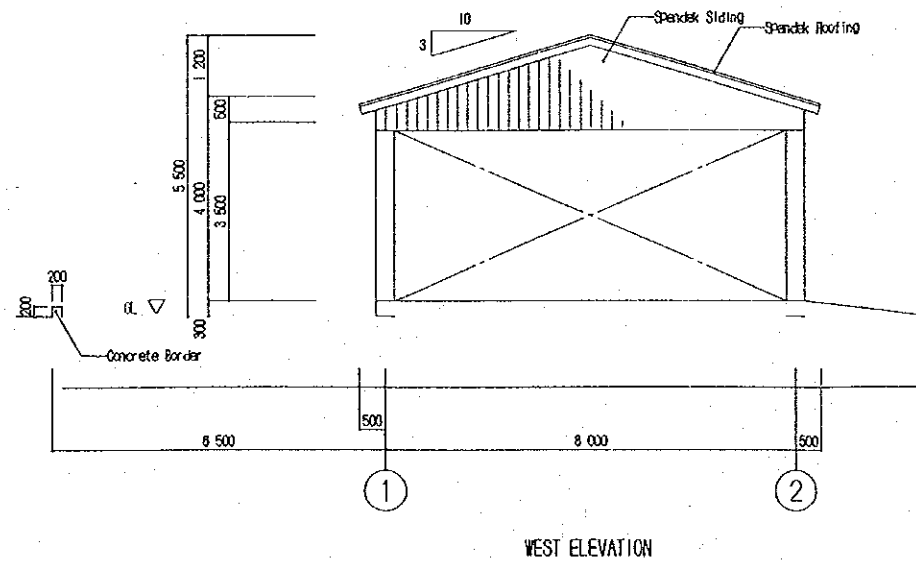
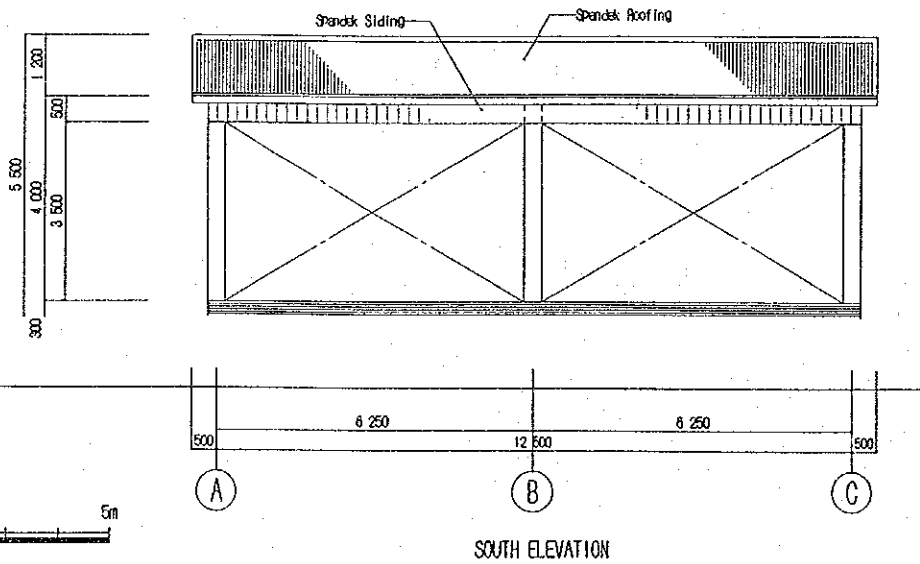
THE REPUBLIC OF THE PHILIPPINES		
THE OPTIMUM WATER UTILIZATION AND RURAL DEVELOPMENT PROJECT IN AGANAN RIVER IRRIGATION SYSTEM		
TITLE OF DRAWING 收穫後処理施設 粉倉庫 (2/2)		
DATE	DRAWING NO.	4005
JAPAN INTERNATIONAL COOPERATION AGENCY		



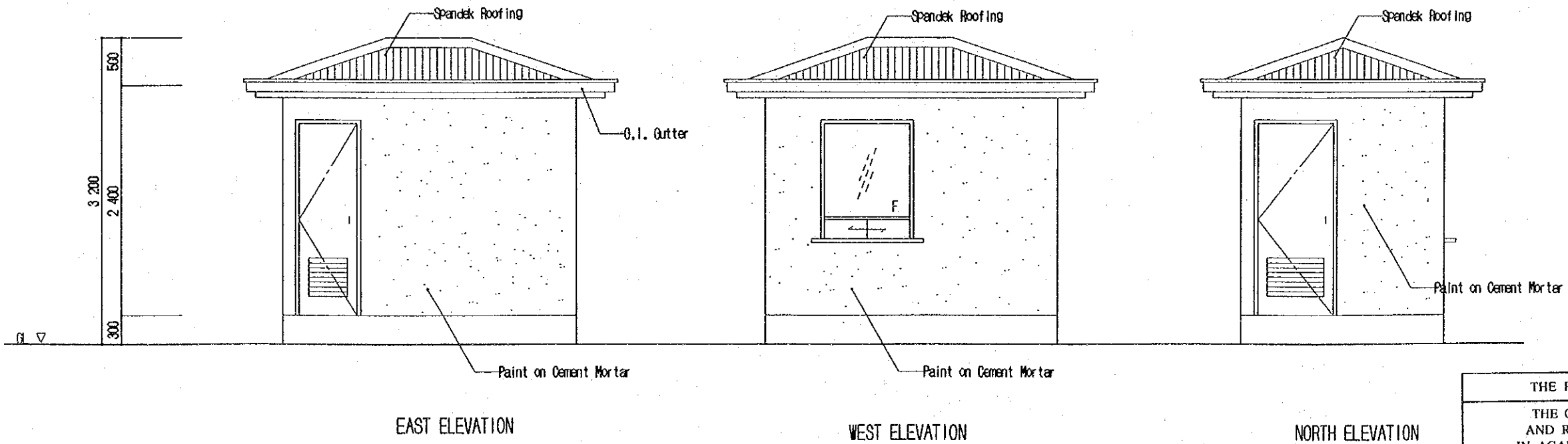
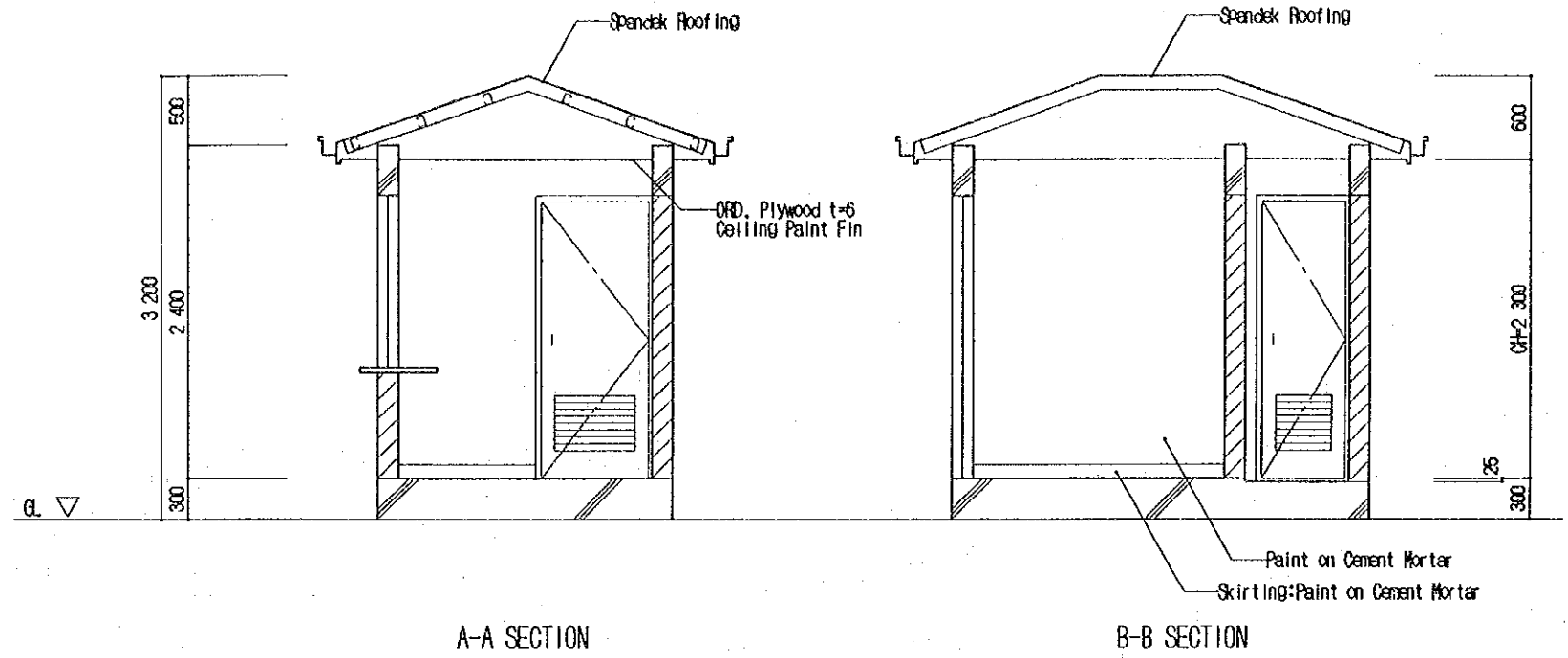
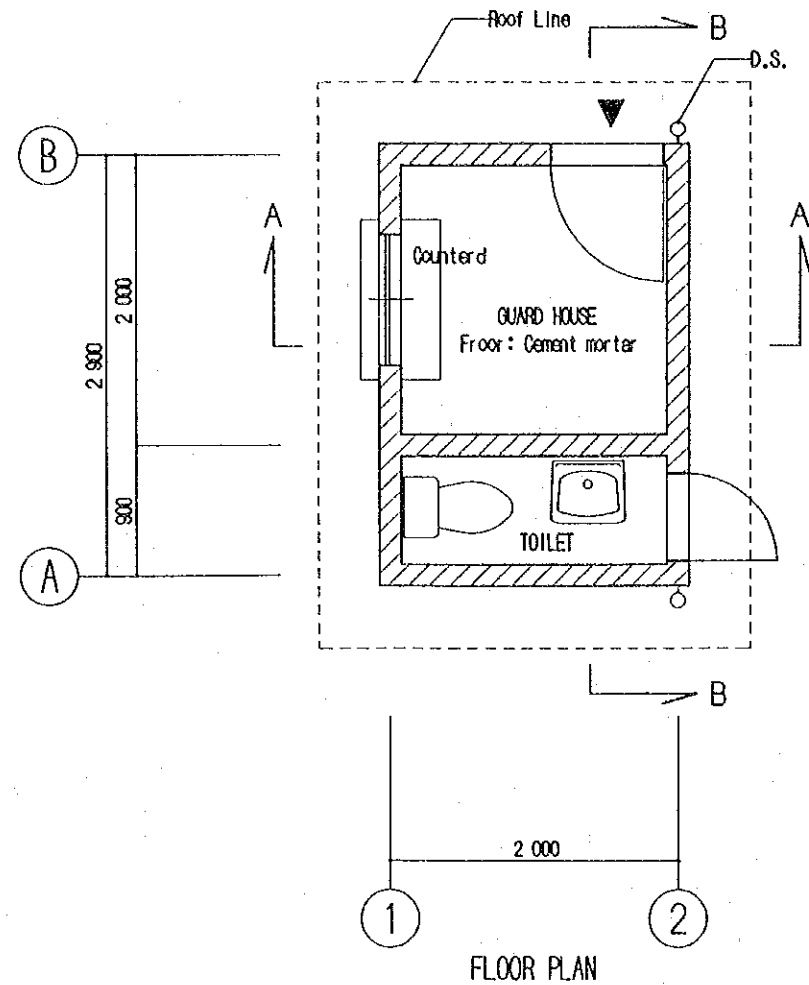
THE REPUBLIC OF THE PHILIPPINES		
THE OPTIMUM WATER UTILIZATION AND RURAL DEVELOPMENT PROJECT IN AGANAN RIVER IRRIGATION SYSTEM		
TITLE OF DRAWING 収穫後処理施設 管理棟		
DATE	DRAWING NO.	4006
JAPAN INTERNATIONAL COOPERATION AGENCY		



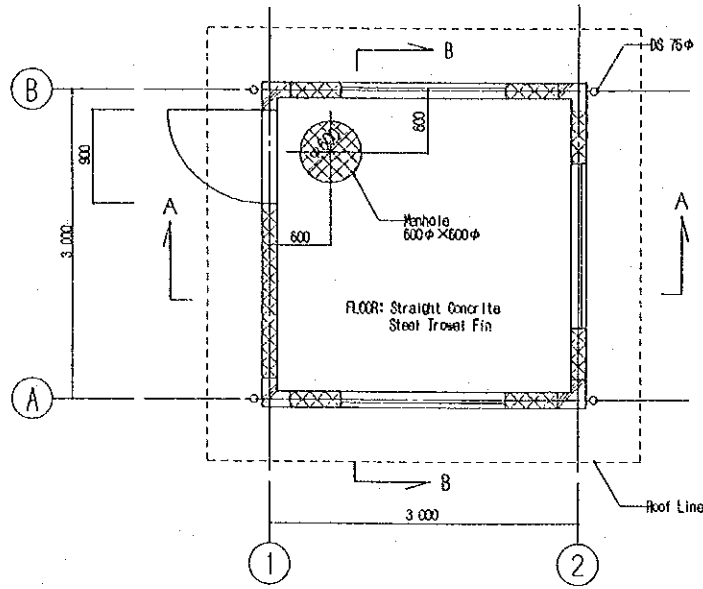
D-D SECTION



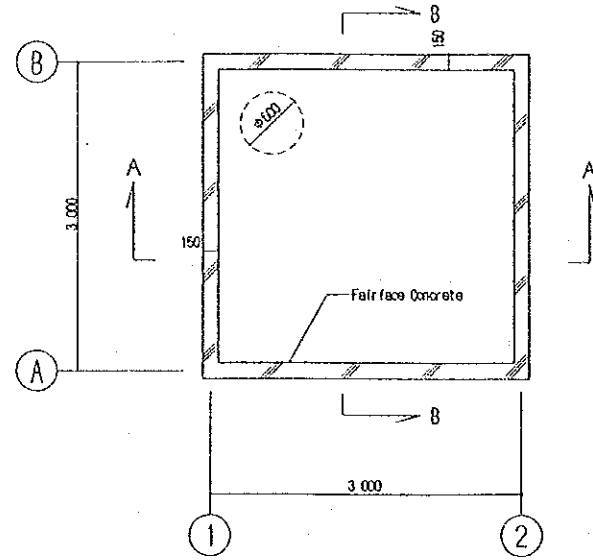
THE REPUBLIC OF THE PHILIPPINES		
THE OPTIMUM WATER UTILIZATION AND RURAL DEVELOPMENT PROJECT IN AGANAN RIVER IRRIGATION SYSTEM		
TITLE OF DRAWING 收穫後処理施設 駐車場		
DATE	DRAWING NO.	4007
JAPAN INTERNATIONAL COOPERATION AGENCY		



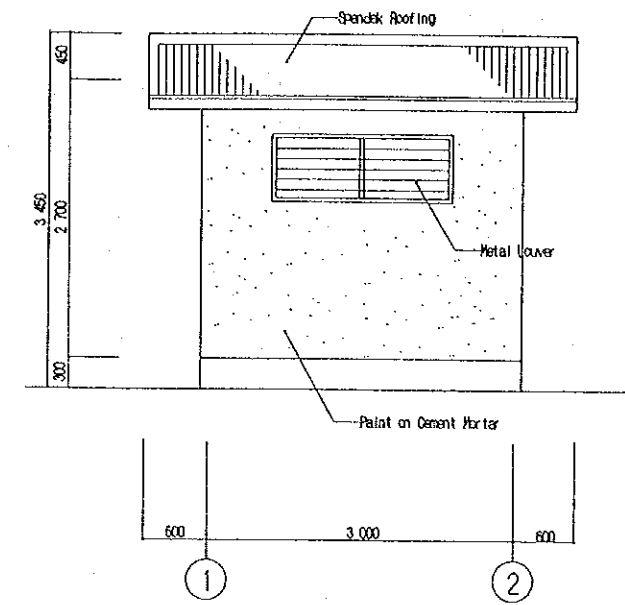
THE REPUBLIC OF THE PHILIPPINES		
THE OPTIMUM WATER UTILIZATION AND RURAL DEVELOPMENT PROJECT IN AGANAN RIVER IRRIGATION SYSTEM		
TITLE OF DRAWING 收穫後処理施設 門衛室		
DATE	DRAWING NO.	4008
JAPAN INTERNATIONAL COOPERATION AGENCY		



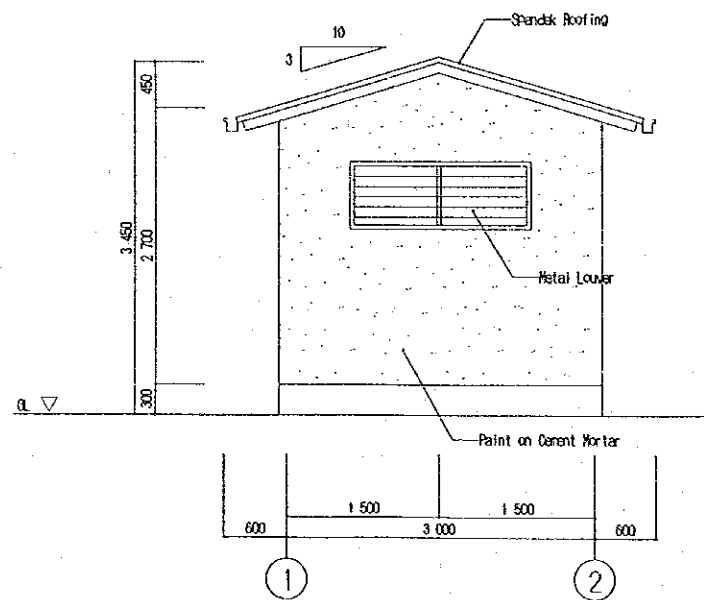
PLAN: PUMPROOM FLOOR



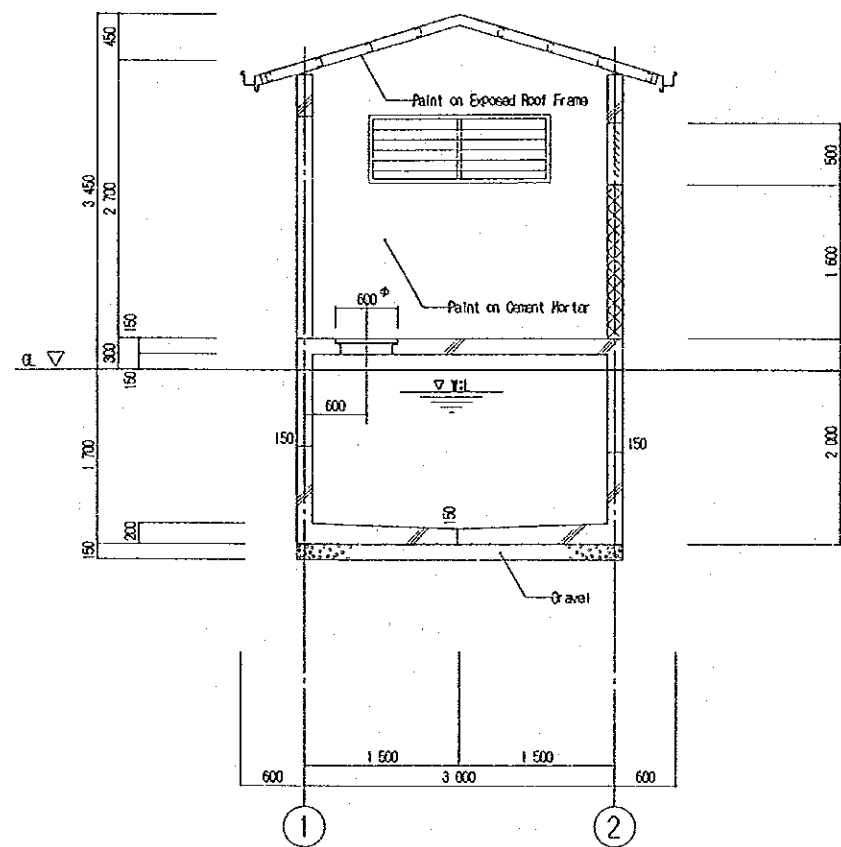
PLAN WATER RESERVOIR



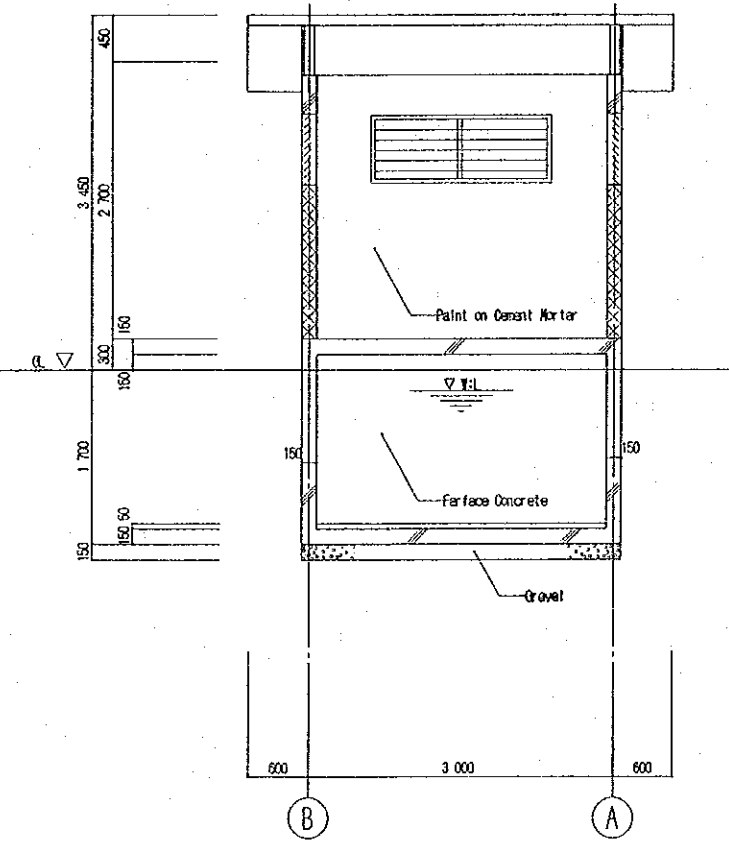
SOUTH ELEVATION



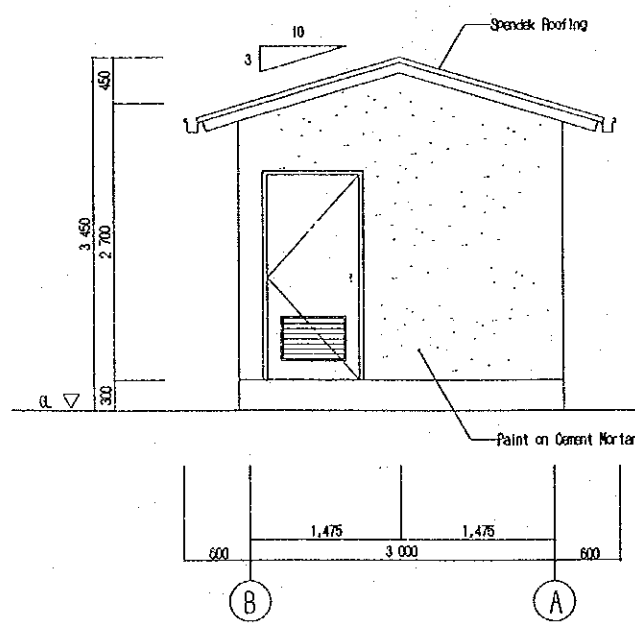
EAST ELEVATION



A-A SECTION



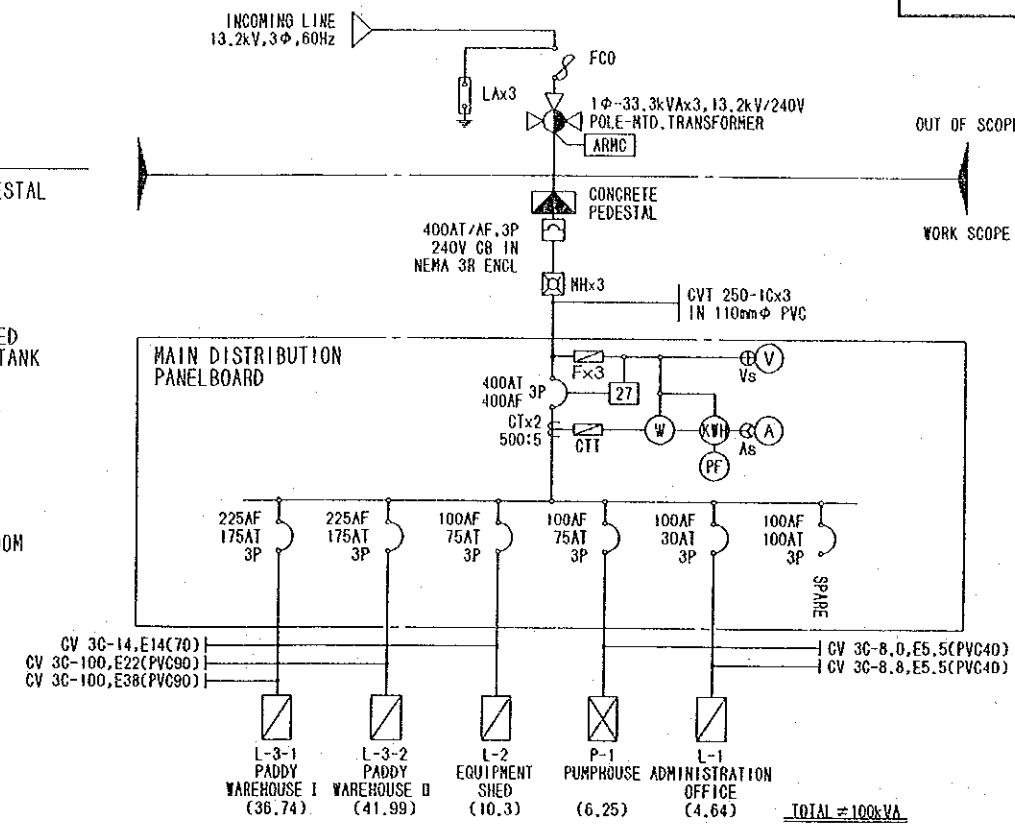
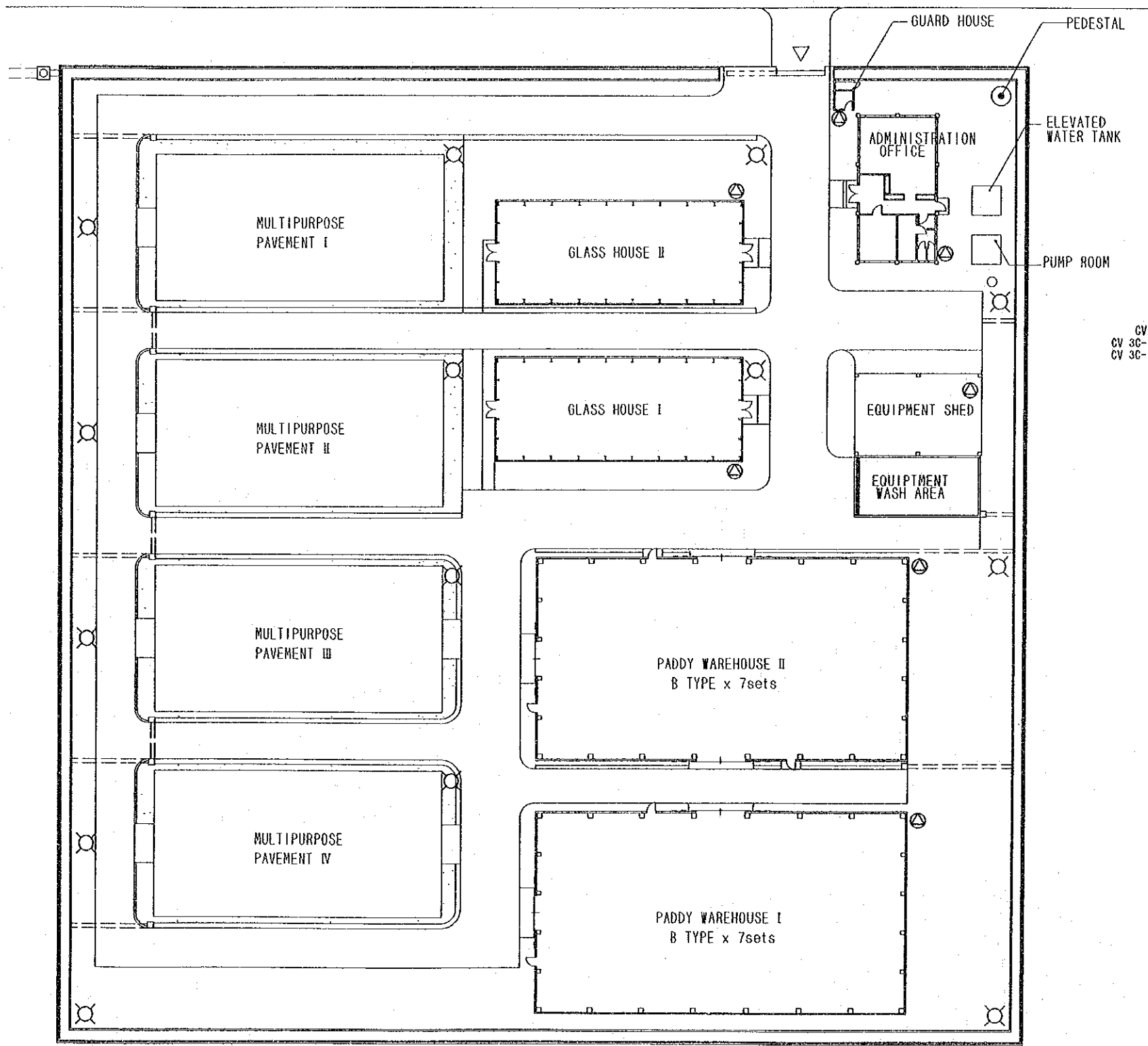
B-B SECTION



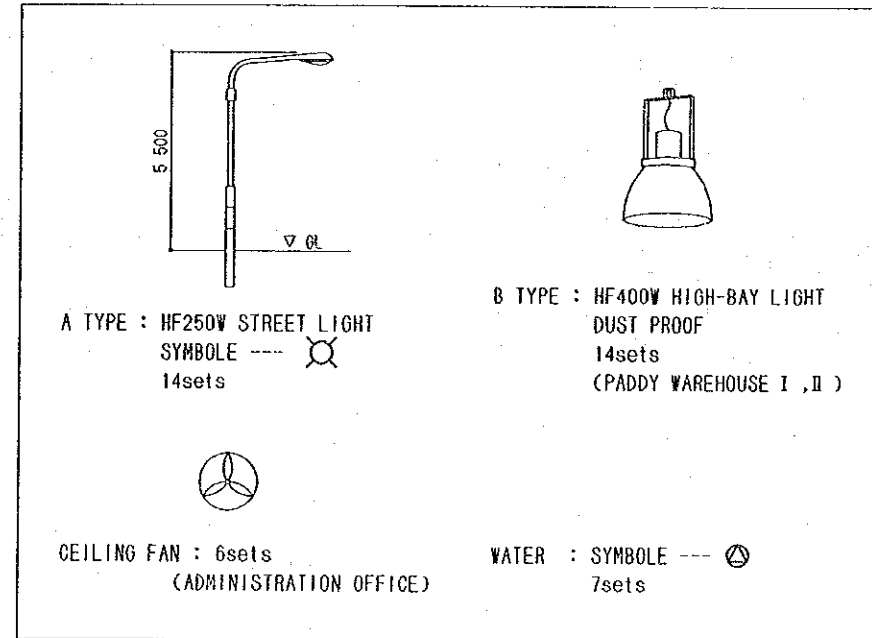
WEST ELEVATION



THE REPUBLIC OF THE PHILIPPINES		
THE OPTIMUM WATER UTILIZATION AND RURAL DEVELOPMENT PROJECT IN AGANAN RIVER IRRIGATION SYSTEM		
TITLE OF DRAWING 収穫後処理施設 ポンプ室		
DATE	DRAWING NO.	4009
JAPAN INTERNATIONAL COOPERATION AGENCY		

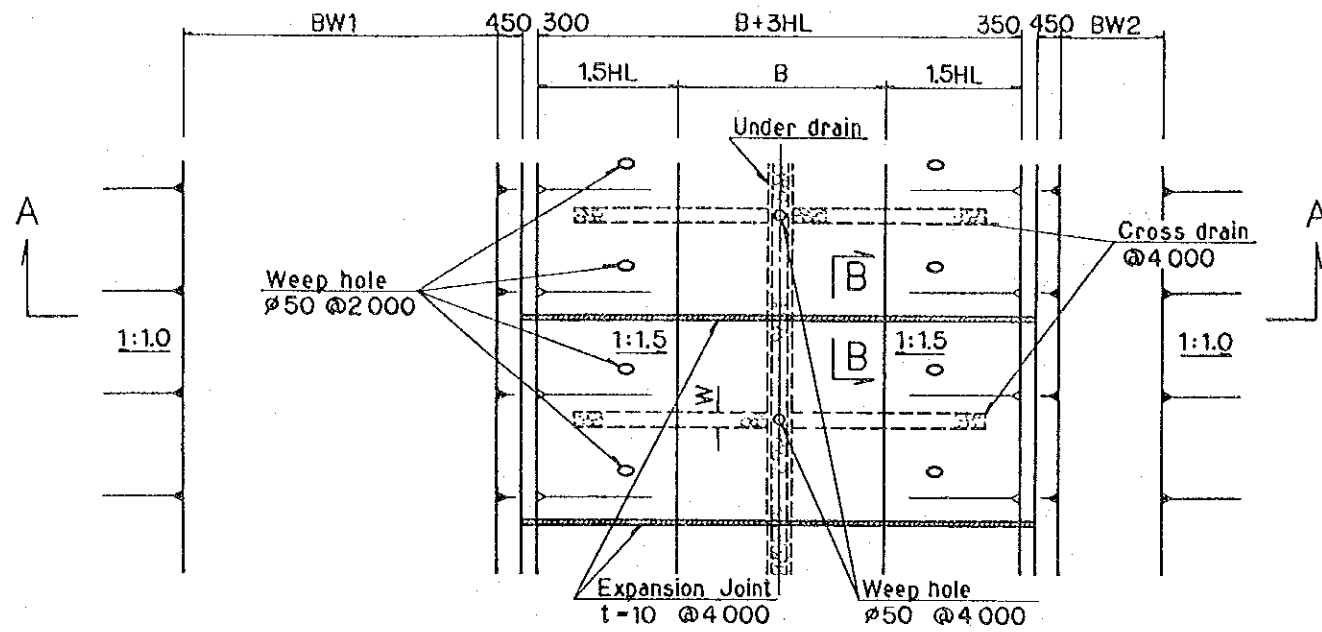


POWER SINGLE LINE DIAGRAM

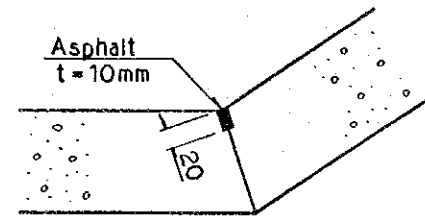
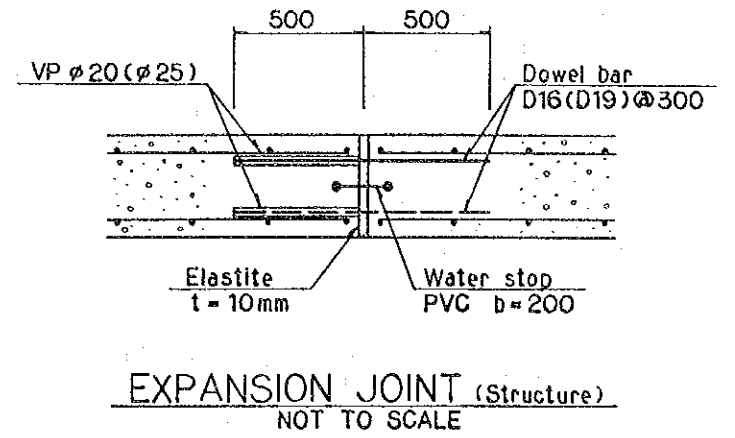
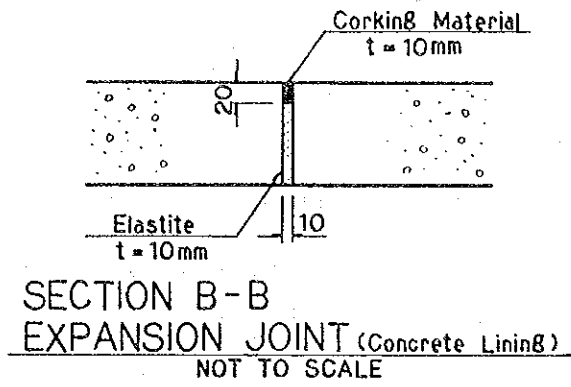


THE REPUBLIC OF THE PHILIPPINES			
THE OPTIMUM WATER UTILIZATION AND RURAL DEVELOPMENT PROJECT IN AGANAN RIVER IRRIGATION SYSTEM			
TITLE OF DRAWING 収穫後処理施設 電気・照明設備平面図			
DATE		DRAWING NO.	4010
JAPAN INTERNATIONAL COOPERATION AGENCY			

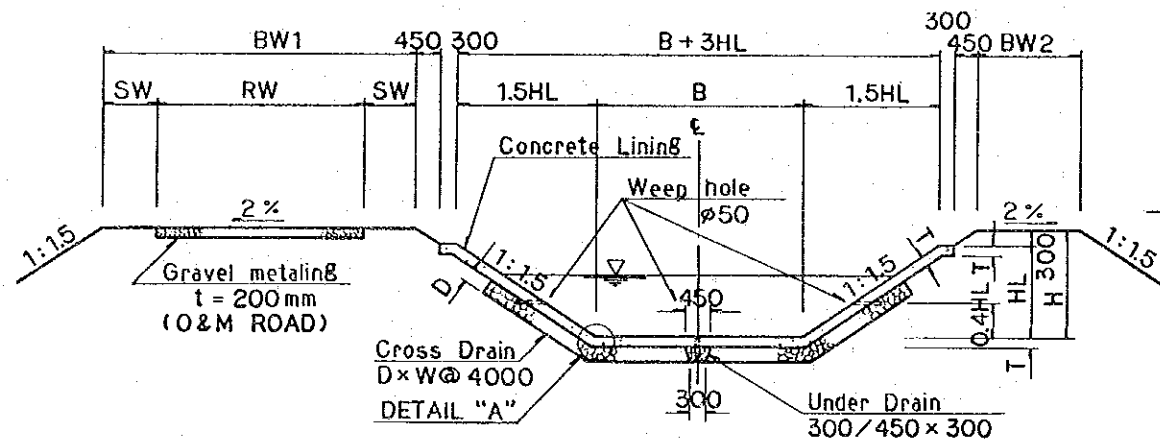
CONCRETE CANAL LINING OF MAIN CANAL



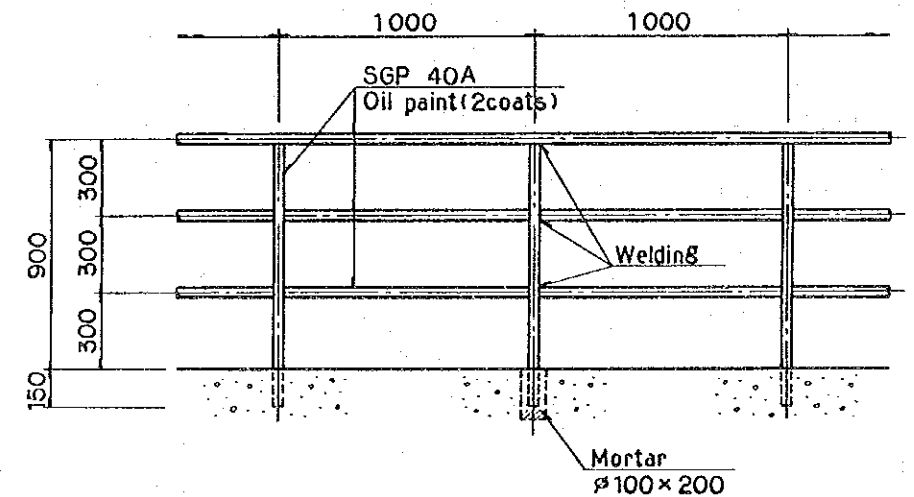
PLAN
SCALE - A



DETAIL "A"
CONSTRUCTION JOINT (Concrete lining)
NOT TO SCALE



SECTION A-A
SCALE - A



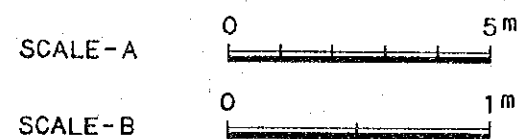
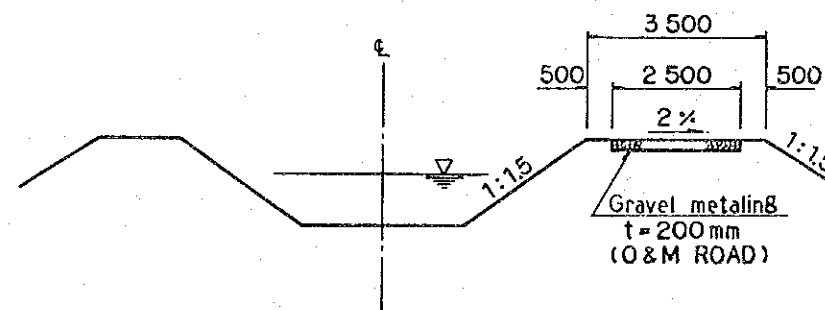
HAND RAIL
SCALE - B

DIMENSION TABLE OF MAIN CANAL

(Unit : m)

TYPE	B	HL	H	T	W	D	BW1	BW2	O&M ROAD		
									RW	SW	LOCATION
I-1	6.0	1.7	2.0	0.10	0.30	0.30	6.0	2.5	4.0	1.0	LEFT BANK
I-2	6.0	1.7	2.0	0.10	0.30	0.30	6.0	2.5	4.0	1.0	RIGHT BANK
II-1	4.0	1.9	2.2	0.10	0.30	0.30	6.0	2.0	4.0	1.0	LEFT BANK
II-2	4.0	1.8	2.1	0.10	0.30	0.30	6.0	2.0	4.0	1.0	LEFT BANK
II-3	4.0	1.7	2.0	0.10	0.30	0.30	6.0	2.0	4.0	1.0	LEFT BANK
II-4	4.0	1.2	1.5	0.10	0.30	0.30	6.0	2.0	4.0	1.0	LEFT BANK
III	3.0	1.0	1.3	0.08	0.20	0.20	4.0	1.5	3.0	0.5	LEFT BANK
IV-1	2.0	1.0	1.3	0.08	0.20	0.20	4.0	1.0	3.0	0.5	RIGHT BANK
IV-2	2.0	0.9	1.2	0.08	0.20	0.20	4.0	1.0	3.0	0.5	RIGHT BANK
IV-3	2.0	0.8	1.1	0.08	0.20	0.20	4.0	1.0	3.0	0.5	RIGHT BANK

TYPICAL CROSS SECTION OF LATERAL-A
STA. 3+270~STA. 4+990 SCALE - A



THE REPUBLIC OF THE PHILIPPINES

THE OPTIMUM WATER UTILIZATION AND RURAL DEVELOPMENT PROJECT IN AGANAN RIVER IRRIGATION SYSTEM

TITLE OF DRAWING
共通
標準断面図 (幹線用水路及び管理用道路) 及び雑工

DATE: _____ DRAWING NO. 5001

JAPAN INTERNATIONAL COOPERATION AGENCY

