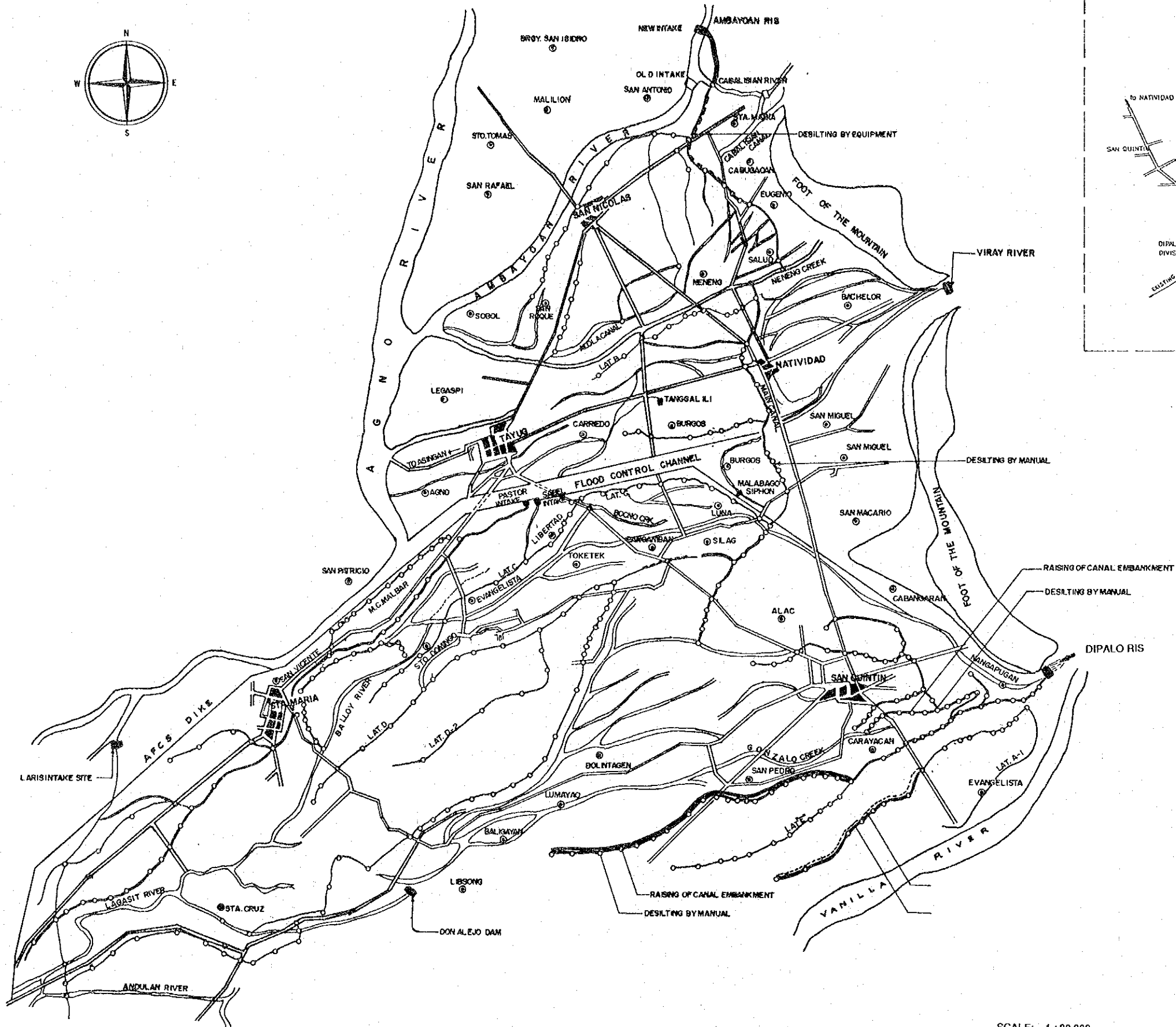
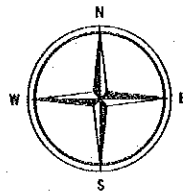


DRAWINGS

List of Drawings

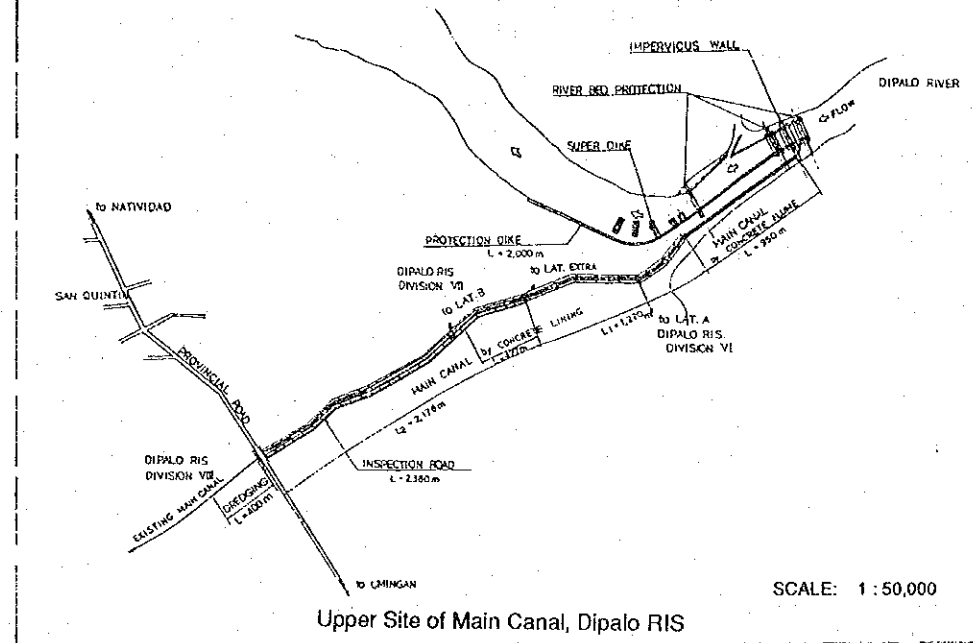
- | | |
|--------------|---|
| Drawing - 1 | DIPALO RIS
LOCATION MAP |
| Drawing - 2 | DIPALO RIS
LAYOUT PLAN |
| Drawing - 3 | DIPALO RIS
PROFILE |
| Drawing - 4 | DIPALO RIS
IMPERVIOUS WALL AND
COLLECTING CONDUIT |
| Drawing - 5 | DIPALO RIS
PRESSURE CONTROL BOX AND
TRANSMISSION CONDUIT |
| Drawing - 6 | DIPALO RIS
MAIN CANAL |
| Drawing - 7 | PRINCIPAL CIS
LOCATION MAP |
| Drawing - 8 | PRINCIPAL CIS
LAYOUT PLAN |
| Drawing - 9 | PRINCIPAL CIS
PROFILE |
| Drawing - 10 | PRINCIPAL CIS
IMPERVIOUS WALL AND
COLLECTING CONDUIT |
| Drawing - 11 | PRINCIPAL CIS
PRESSURE CONTROL BOX AND
TRANSMISSION CONDUIT |
| Drawing - 12 | TEMPORARY WORKS,
DIPALO RIS
PROTECTION DIKE |



Ambayoan-Dipalo River Irrigation System

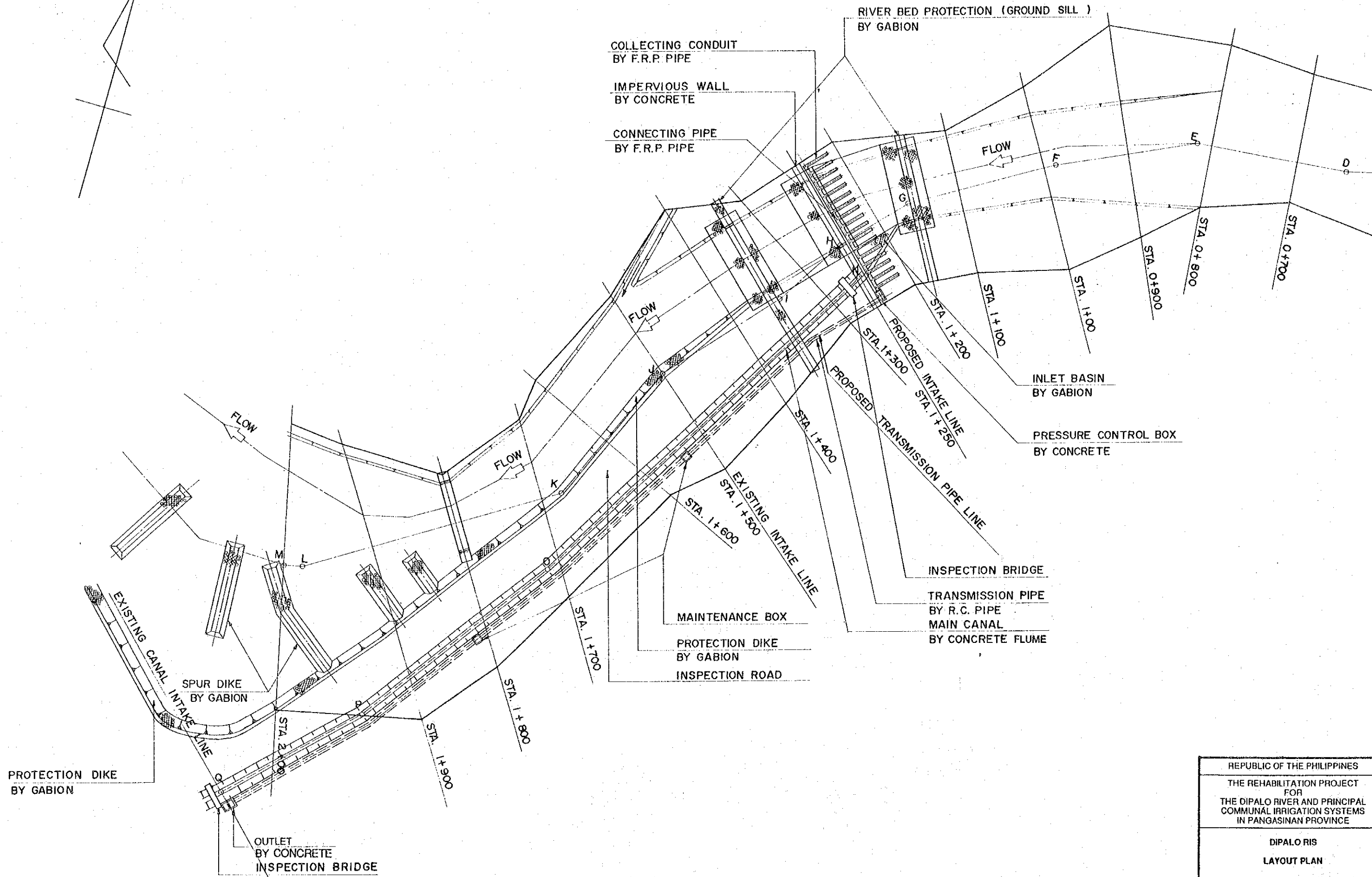
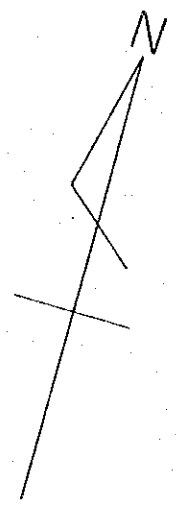
SCALE: 1 : 80,000

- LEGEND:
- INTAKE / DAM
 - CANAL STRUCTURE
 - MAIN CANAL
 - - - LATERAL
 - PROV'L / BRGY. ROAD
 - CREEKS / SPRING
 - BARANGAY

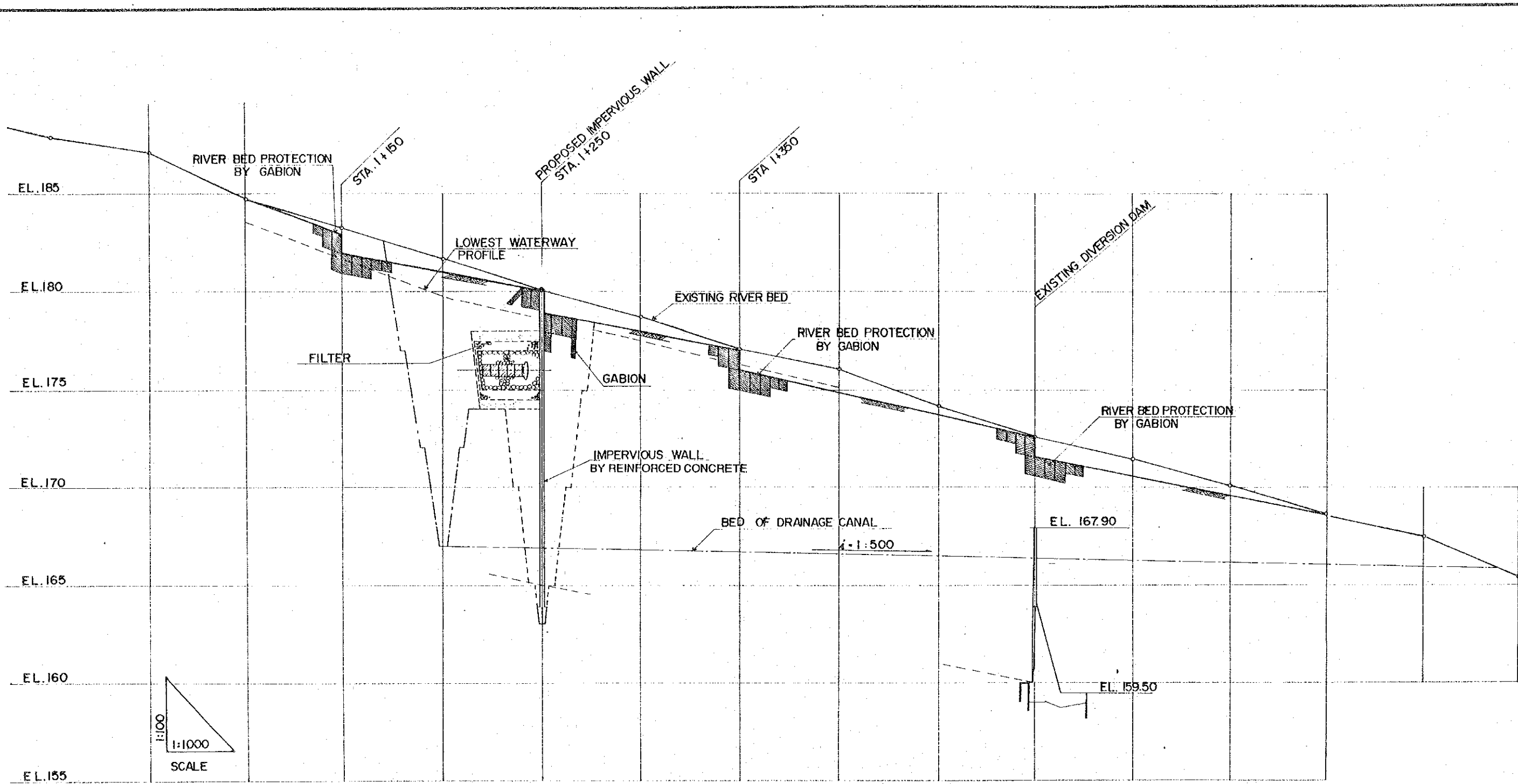


SCALE: 1 : 50,000

REPUBLIC OF THE PHILIPPINES			
THE REHABILITATION PROJECT FOR THE DIPALO RIVER AND PRINCIPAL COMMUNAL IRRIGATION SYSTEMS IN PANGASINAN PROVINCE			
DIPALO RIS			
LOCATION MAP			
DATE		D.R.W. NO.	1
JAPAN INTERNATIONAL COOPERATION AGENCY			



REPUBLIC OF THE PHILIPPINES		
THE REHABILITATION PROJECT FOR THE DIPALO RIVER AND PRINCIPAL COMMUNAL IRRIGATION SYSTEMS IN PANGASINAN PROVINCE		
DIPALORIS LAYOUT PLAN		
DATE	D.R.W. NO.	2
JAPAN INTERNATIONAL COOPERATION AGENCY		



POINT	DISTANCE	STATION	GROUND ELEVATION
NO-22	50.0	1+050	186.95
NO-23	50.0	1+110	184.65
NO-24	50.0	1+150	183.18
NO-25	50.0	1+200	181.55
NO-26	50.0	1+250	180.04
NO-27	50.0	1+300	178.67
NO-28	50.0	1+350	177.03
NO-29	50.0	1+400	175.99
NO-30	50.0	1+450	174.13
NO-31	50.0	1+500	172.52
NO-32	50.0	1+550	171.38
NO-33	50.0	1+600	170.31
NO-34	50.0	1+650	168.58

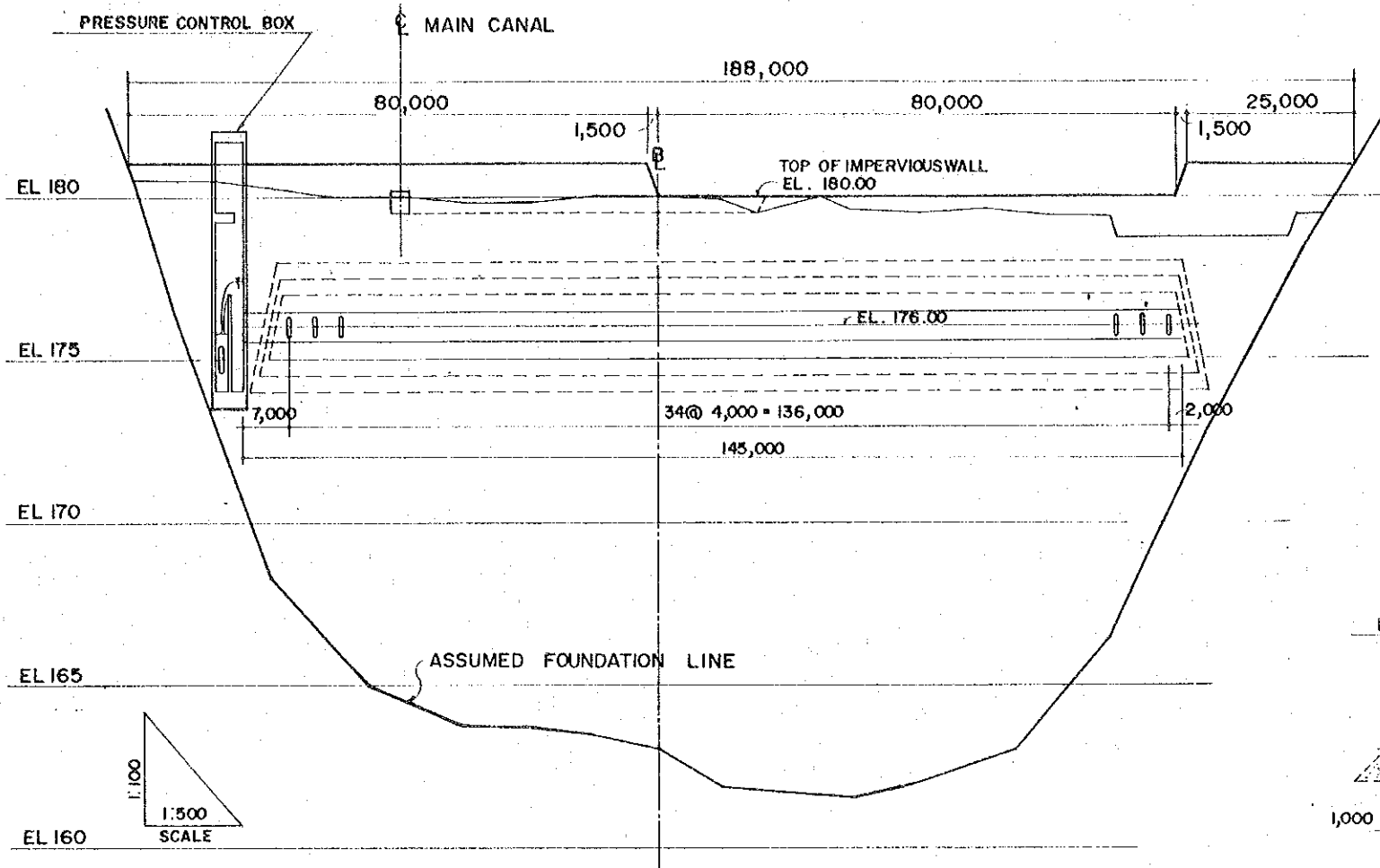
REPUBLIC OF THE PHILIPPINES

THE REHABILITATION PROJECT
FOR
THE DIPALO RIVER AND PRINCIPAL
COMMUNAL IRRIGATION SYSTEMS
IN PANGASINAN PROVINCE

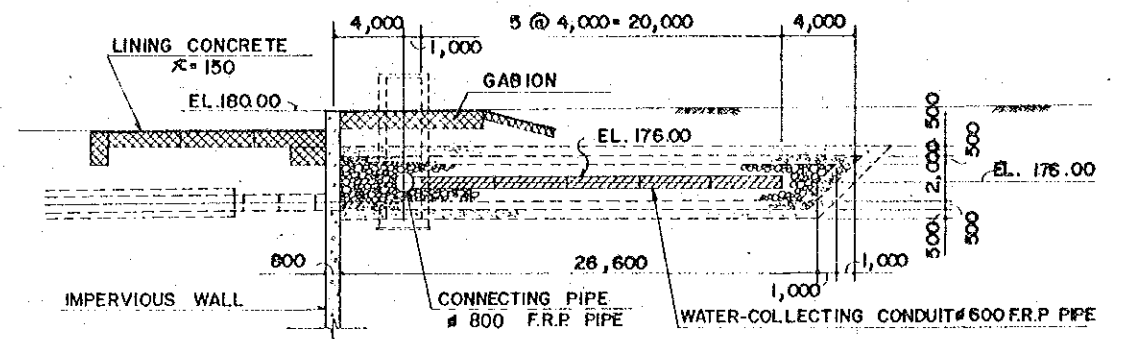
**DIPALO RIS
PROFILE**

DATE	D.R.W. NO.	3
------	------------	---

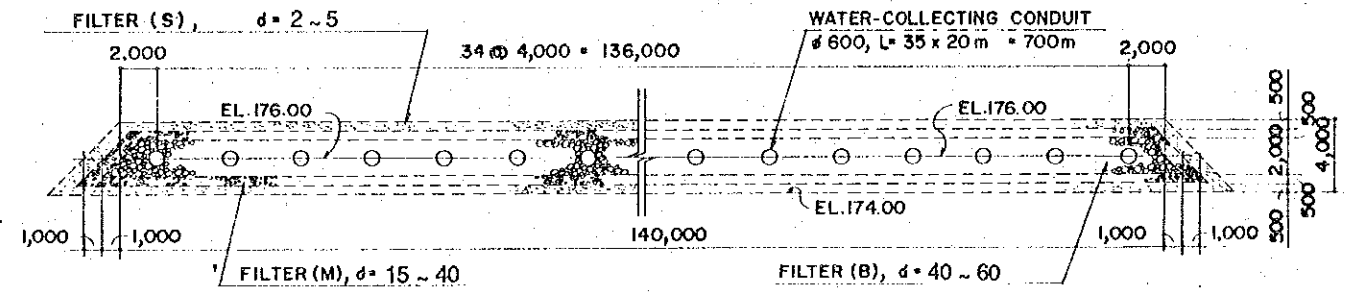
JAPAN INTERNATIONAL COOPERATION AGENCY



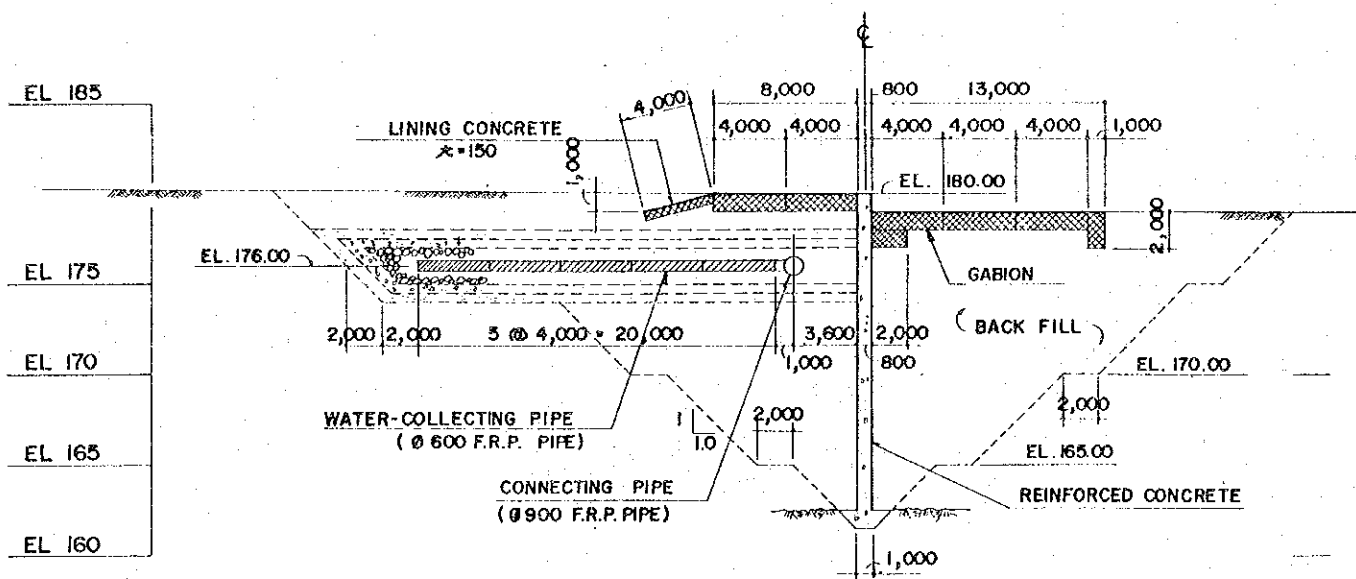
VERTICAL SECTION OF IMPERVIOUS WALL



VERTICAL SECTION OF WATER-COLLECTING CONDUIT
S = 1:200

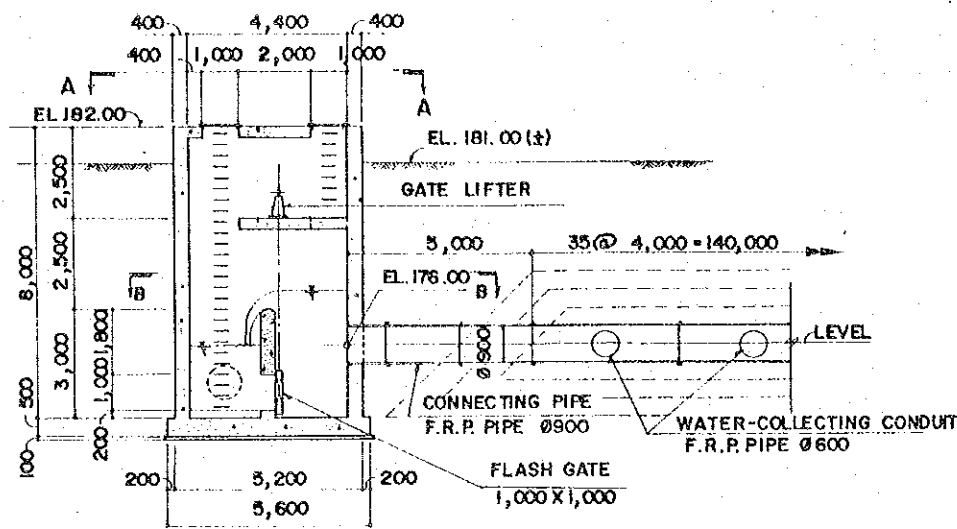


CROSS SECTION OF WATER-COLLECTING CONDUIT
S = 1:200

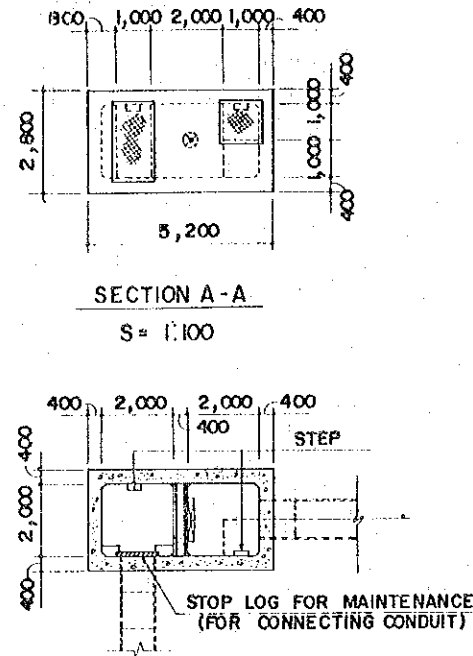


CROSS SECTION OF IMPERVIOUS WALL
S = 1:200

REPUBLIC OF THE PHILIPPINES			
THE REHABILITATION PROJECT FOR THE DIPALO RIVER AND PRINCIPAL COMMUNAL IRRIGATION SYSTEMS IN PANGASINAN PROVINCE			
DIPALO RIS			
IMPERVIOUS WALL AND COLLECTING CONDUIT			
DATE		D.R.W. NO.	4
JAPAN INTERNATIONAL COOPERATION AGENCY			

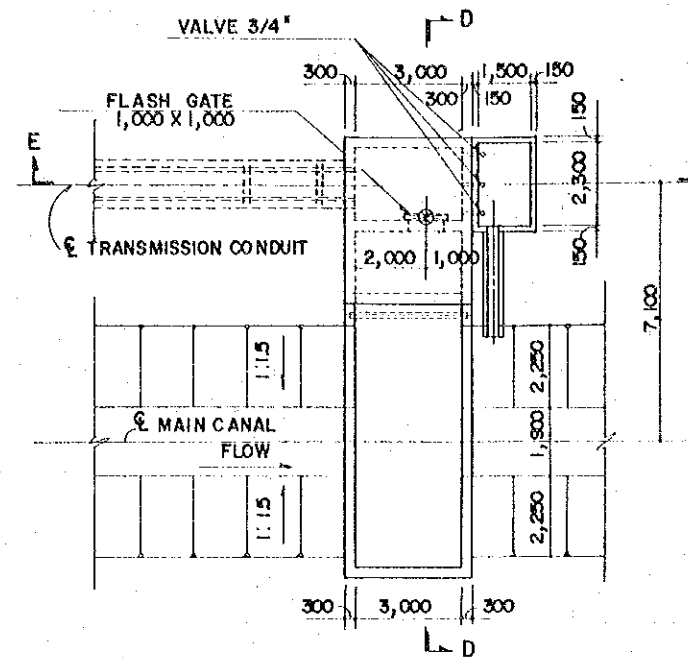


CROSS SECTION OF PRESSURE CONTROL BOX
S = 1:100

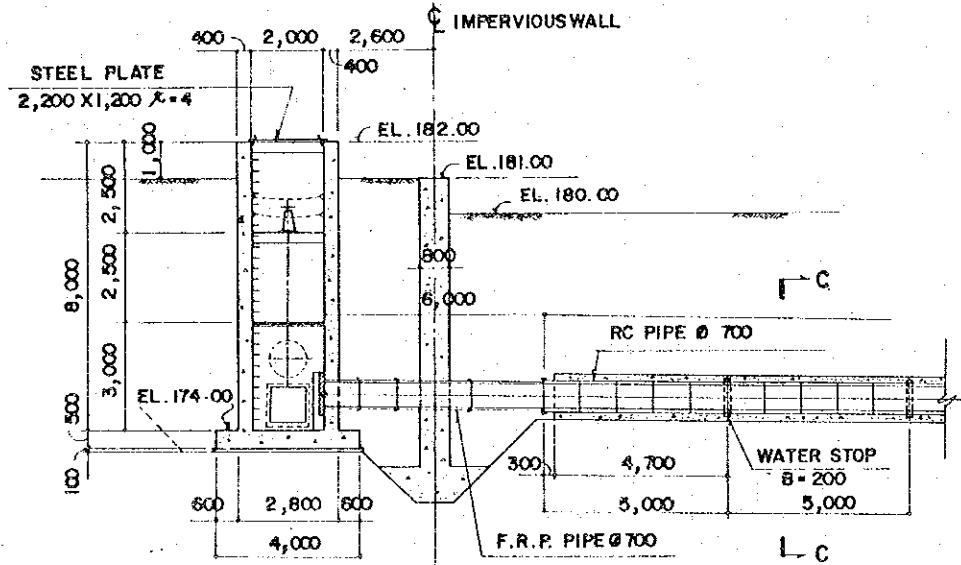


SECTION A-A
S = 1:100

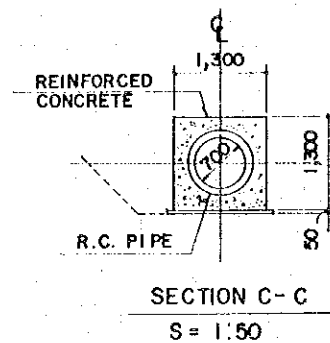
SECTION B-B
S = 1:100



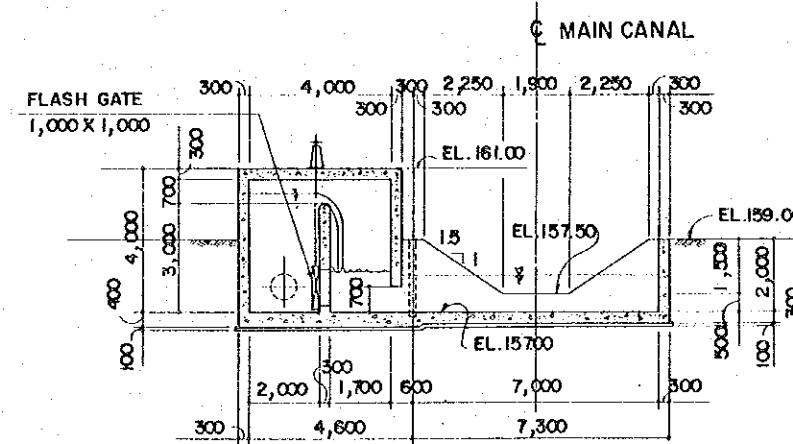
PLAN OF OUTLET
S = 1:100



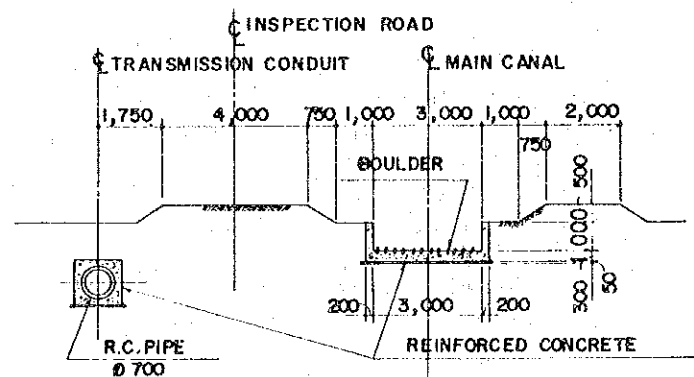
CROSS SECTION OF TRANSMISSION CONDUIT (STARTING POINT)
S = 1:100



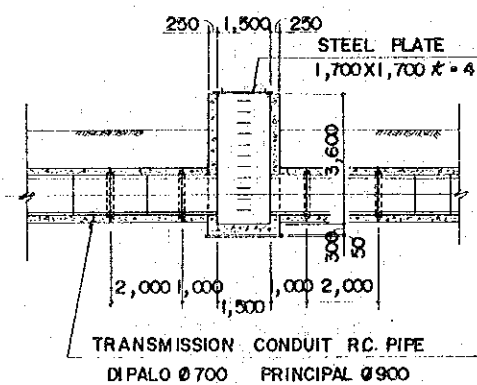
SECTION C-C
S = 1:50



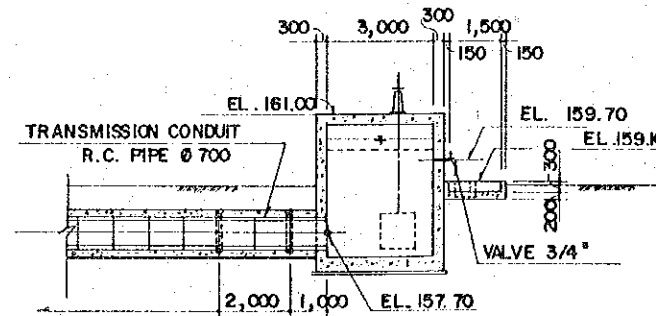
SECTION D-D
S = 1:100



TYPICAL SECTION OF CANAL
S = 1:100

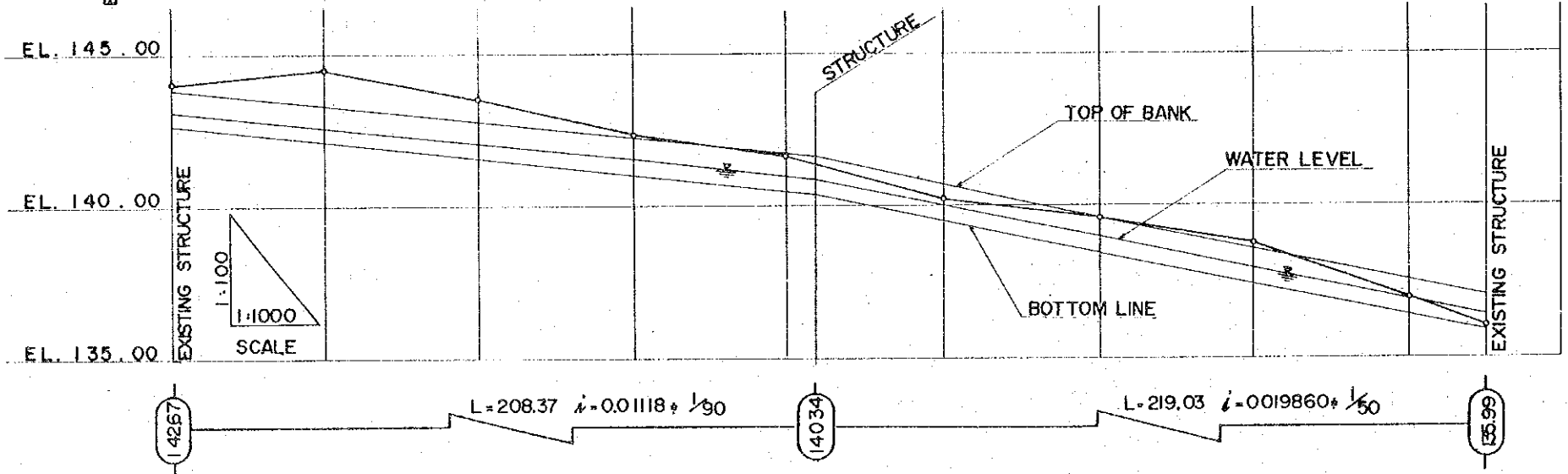
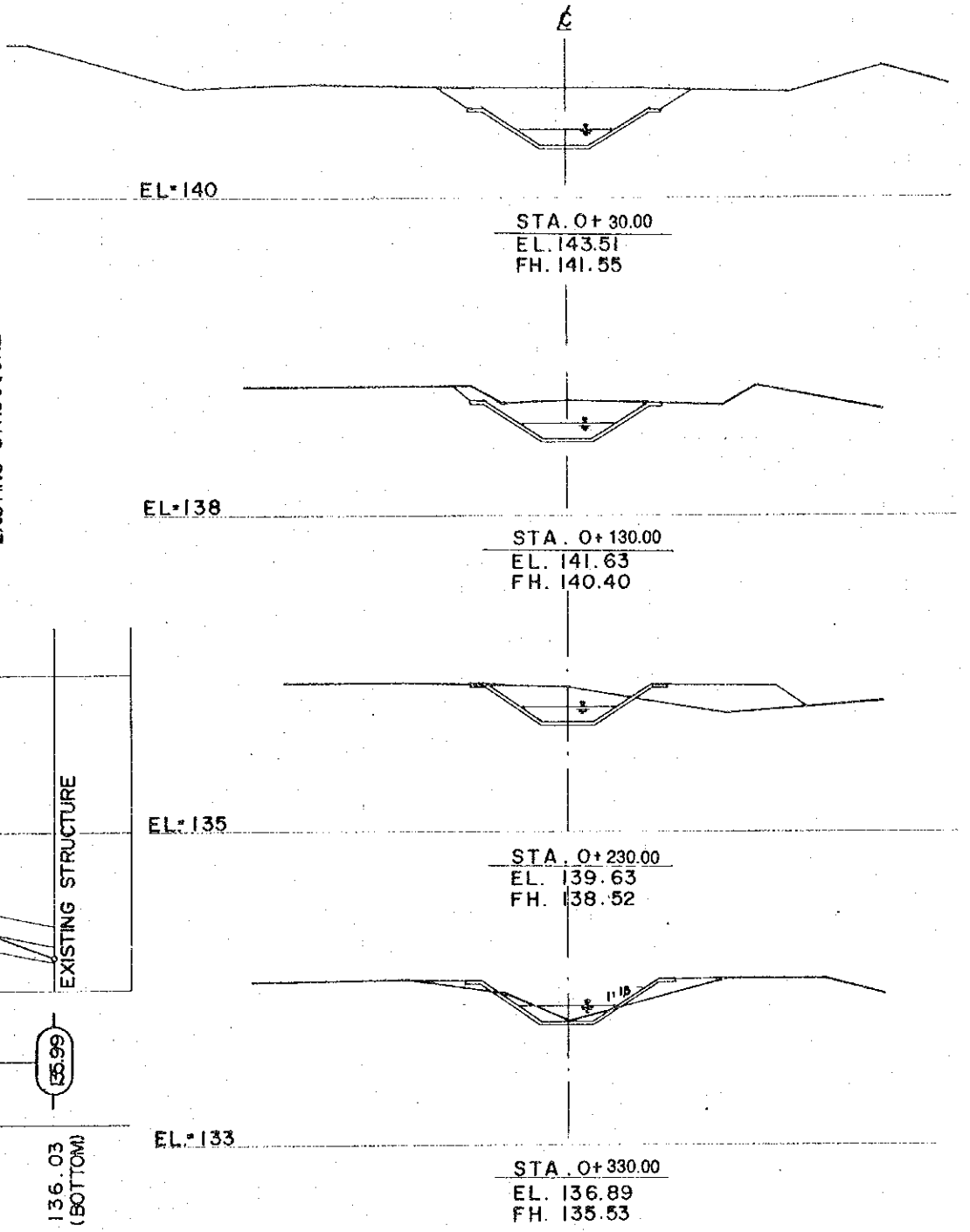
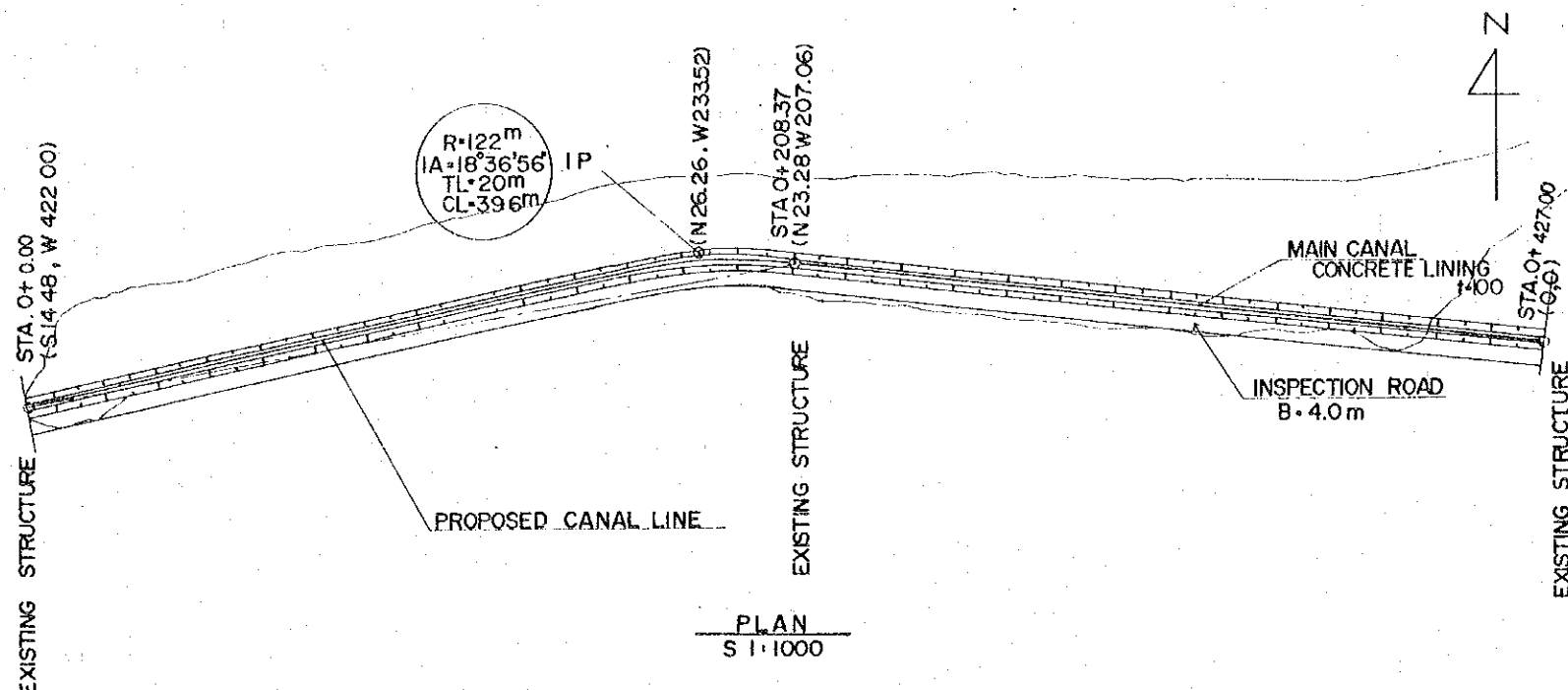


MAINTENANCE BOX
S = 1:100

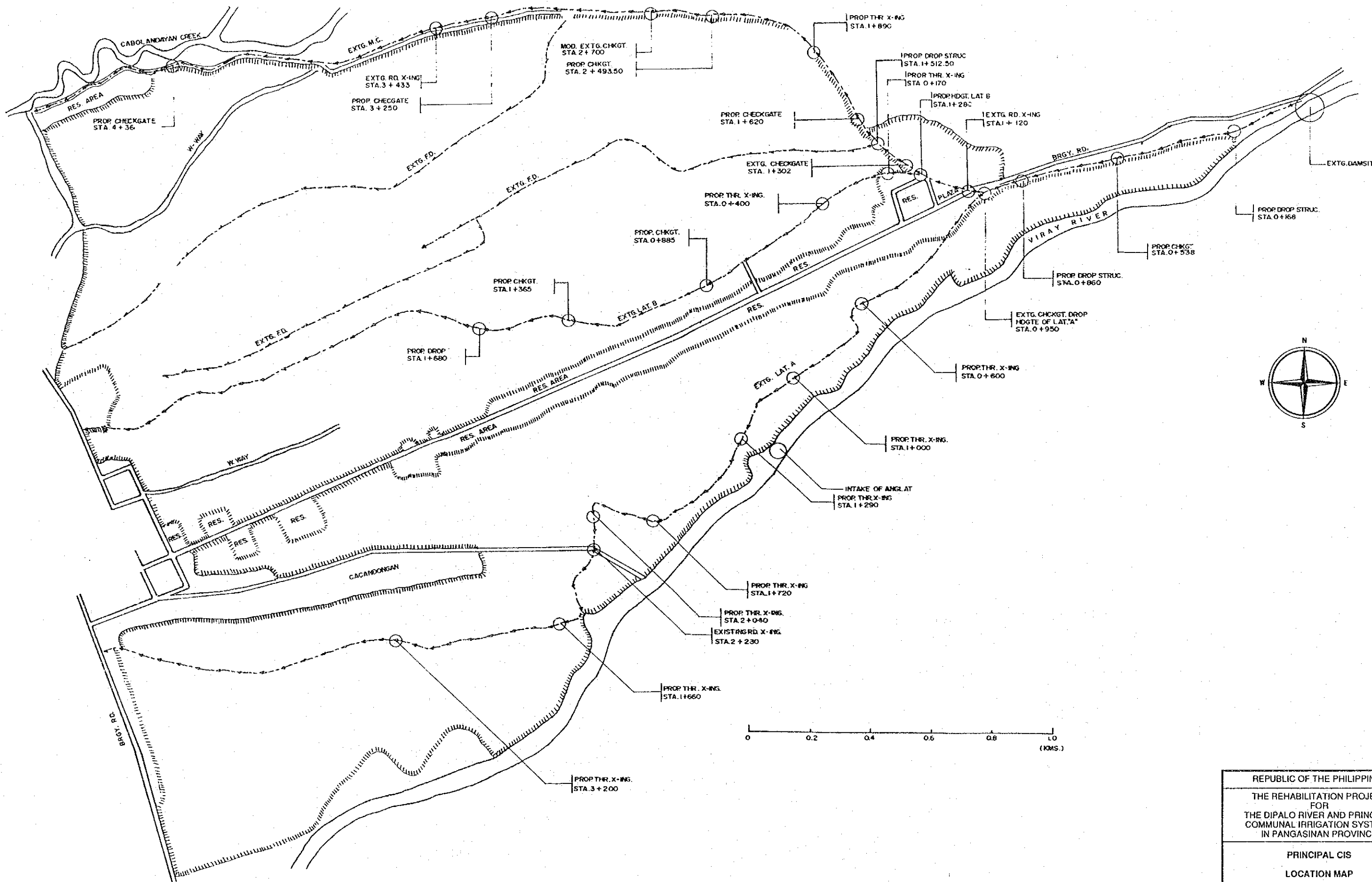


SECTION E-E
S = 1:100

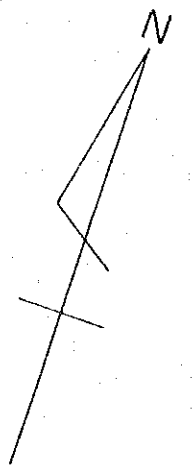
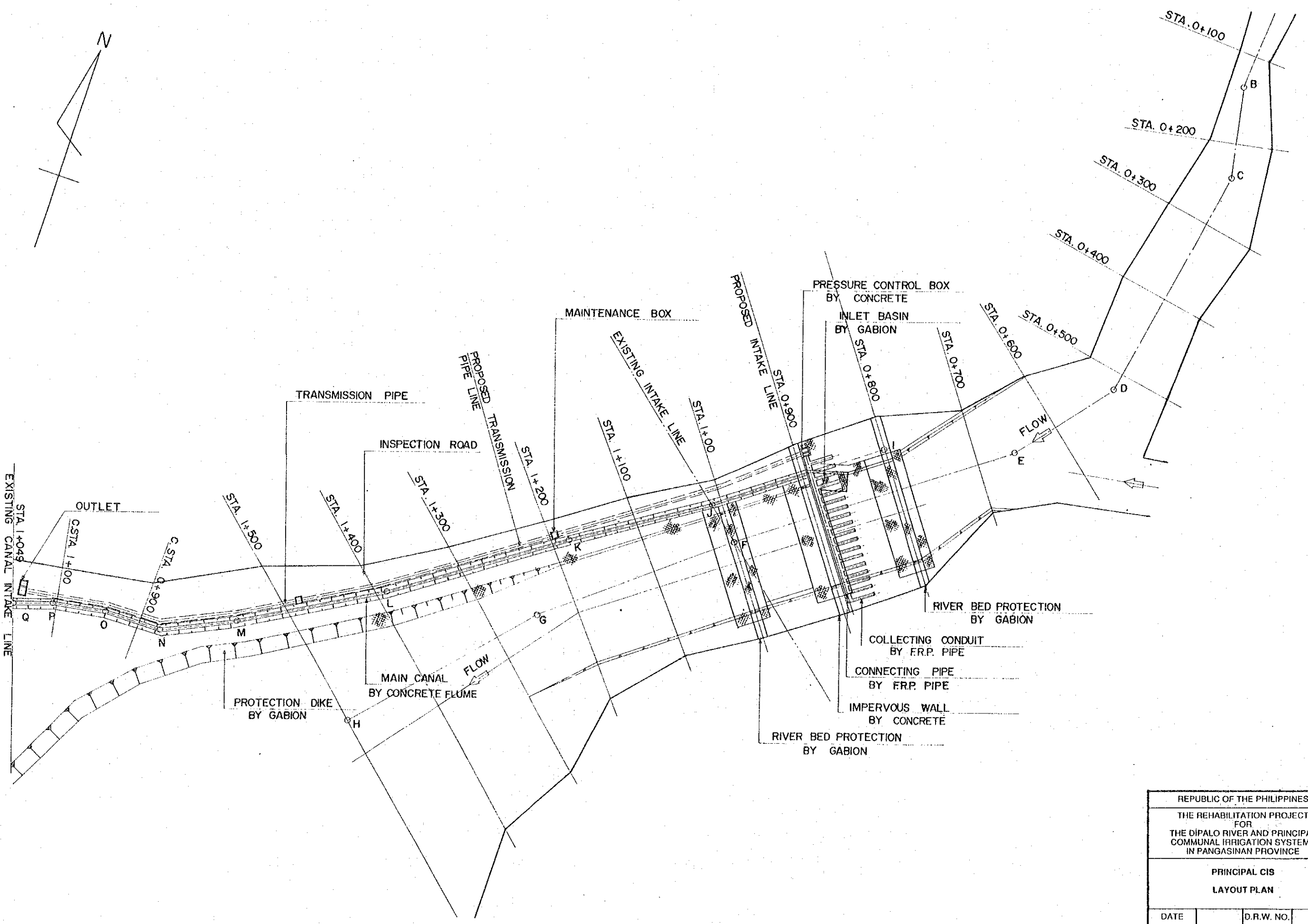
REPUBLIC OF THE PHILIPPINES		
THE REHABILITATION PROJECT FOR THE DIPALO RIVER AND PRINCIPAL COMMUNAL IRRIGATION SYSTEMS IN PANGASINAN PROVINCE		
DIPALO RIS		
PRESSURE CONTROL BOX AND TRANSMISSION CONDUIT		
DATE	D.R.W. NO.	5
JAPAN INTERNATIONAL COOPERATION AGENCY		



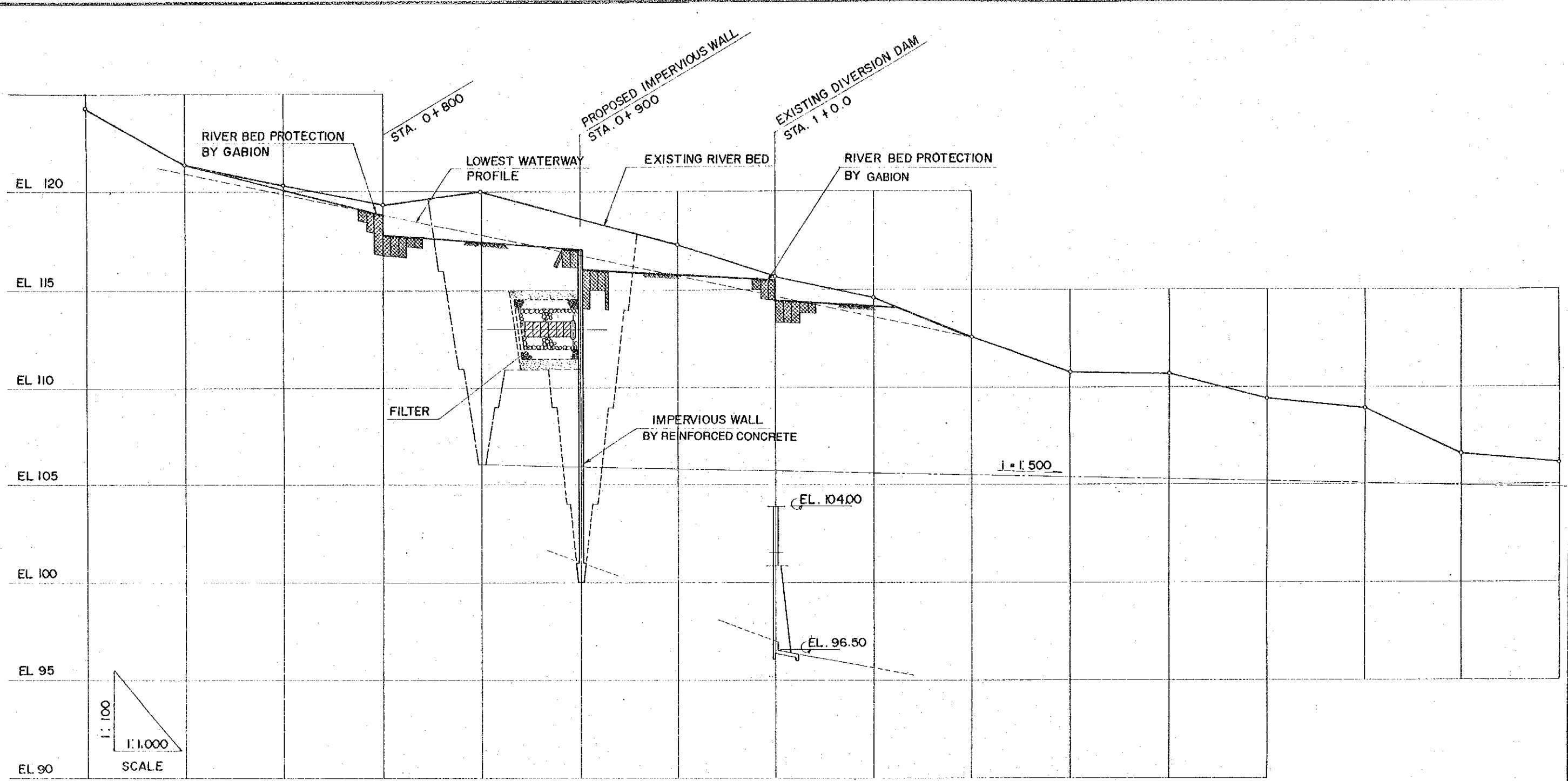
POINT	DISTANCE	STATION	GROUND ELEVATION
NO-1	0	0+00	144.02 (BOTTOM)
NO-2	50.0	0+050	144.53
NO-3	50.0	0+100	143.51
NO-4	50.0	0+150	142.33
NO-5	50.0	0+200 0+208.37	141.63 141.39
NO-6	50.0	0+250	140.20
NO-7	50.0	0+300	139.63
NO-8	50.0	0+350	138.70
NO-9	50.0	0+400	136.89
NO-10	27.4	0+427.4	136.03 (BOTTOM)



REPUBLIC OF THE PHILIPPINES		
THE REHABILITATION PROJECT FOR THE DIPALO RIVER AND PRINCIPAL COMMUNAL IRRIGATION SYSTEMS IN PANGASINAN PROVINCE		
PRINCIPAL CIS LOCATION MAP		
DATE	D.R.W. NO.	7
JAPAN INTERNATIONAL COOPERATION AGENCY		

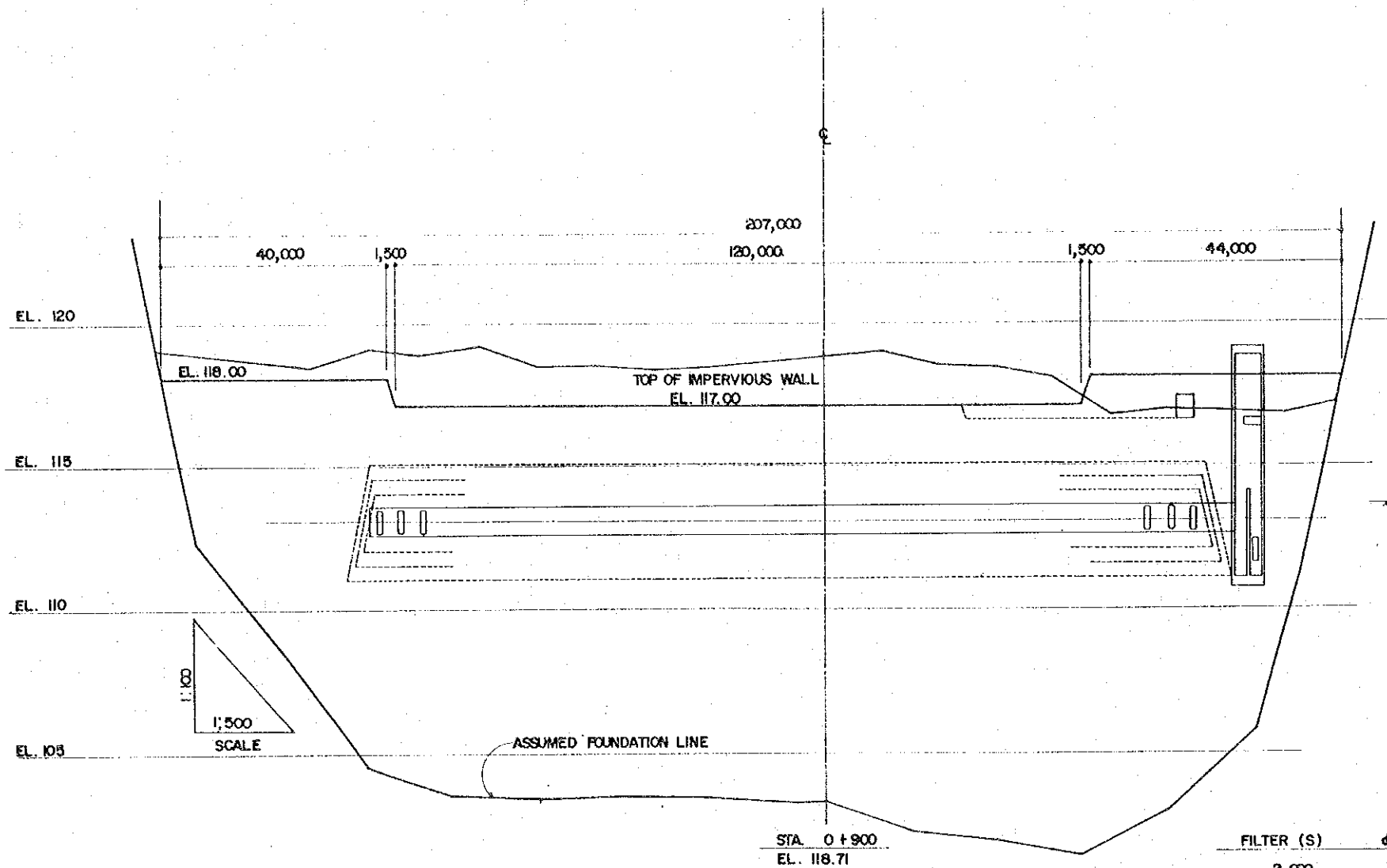


REPUBLIC OF THE PHILIPPINES			
THE REHABILITATION PROJECT FOR THE DIPALO RIVER AND PRINCIPAL COMMUNAL IRRIGATION SYSTEMS IN PANGASINAN PROVINCE			
PRINCIPAL CIS LAYOUT PLAN			
DATE		D.R.W. NO.	8
JAPAN INTERNATIONAL COOPERATION AGENCY			

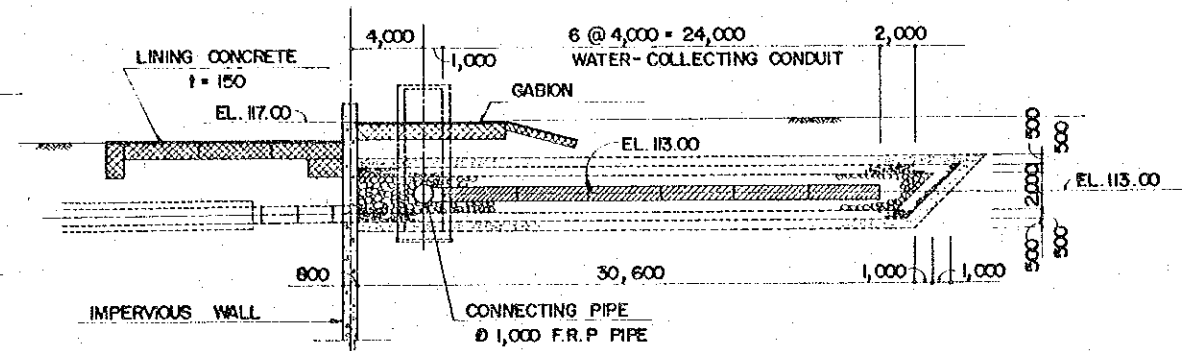


POINT	DISTANCE	STATION	GROUND ELEVATION
NO - 14	50.0	0 + 650	124.28
NO - 15	50.0	0 + 700	121.53
NO - 16	50.0	0 + 750	120.39
NO - 17	50.0	0 + 800	119.35
NO - 18	50.0	0 + 850	120.05
NO - 19	50.0	0 + 900	118.71
NO - 20	50.0	0 + 950	117.30
NO - 21	50.0	1 + 00	115.67
NO - 22	50.0	1 + 050	114.63
NO - 23	50.0	1 + 100	112.58
NO - 24	50.0	1 + 150	110.78
NO - 25	50.0	1 + 200	110.71
NO - 26	50.0	1 + 250	109.43

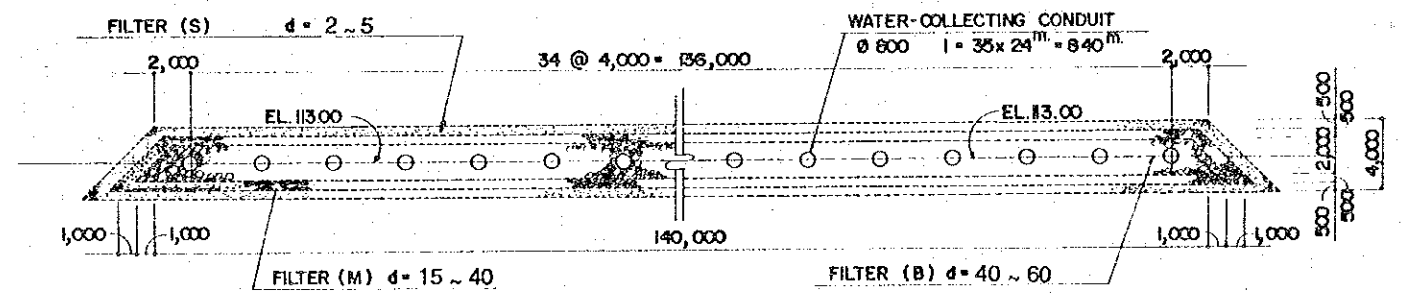
REPUBLIC OF THE PHILIPPINES		
THE REHABILITATION PROJECT FOR THE DIPALO RIVER AND PRINCIPAL COMMUNAL IRRIGATION SYSTEMS IN PANGASINAN PROVINCE		
PRINCIPAL CIS PROFILE		
DATE	D.R.W. NO.	9
JAPAN INTERNATIONAL COOPERATION AGENCY		



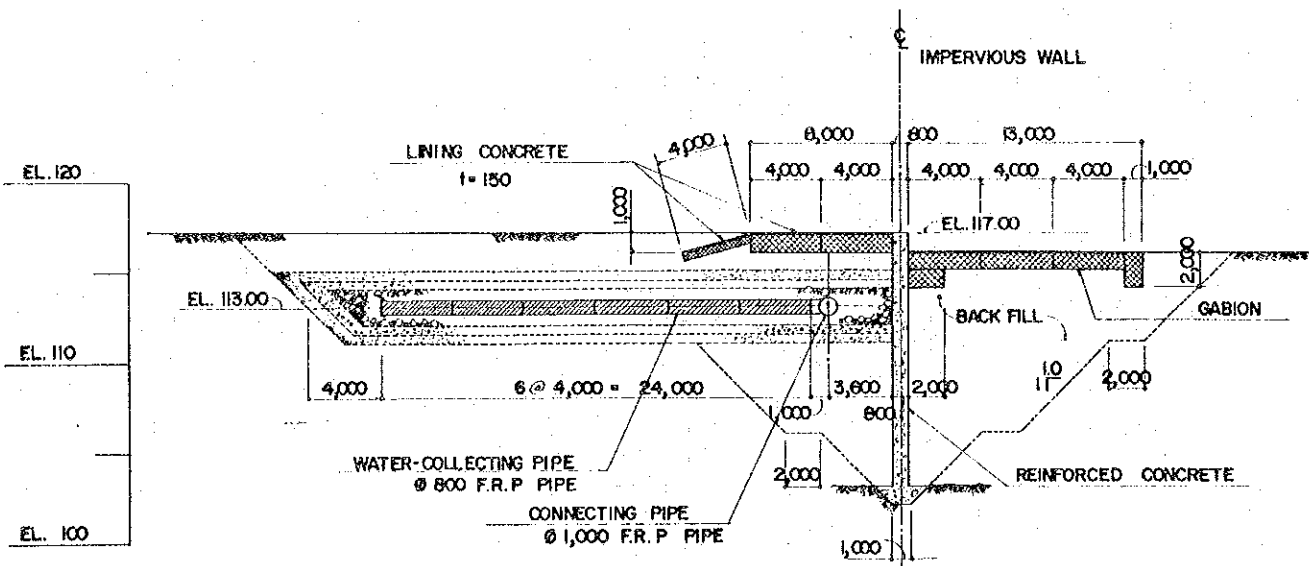
VERTICAL SECTION OF IMPERVIOUS WALL



VERTICAL SECTION OF WATER-COLLECTING CONDUIT
S = 1:200

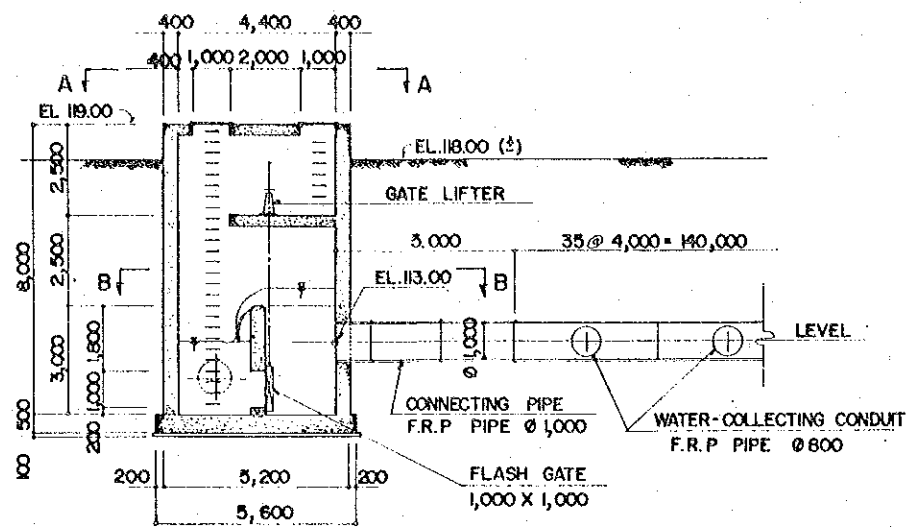


CROSS SECTION OF WATER-COLLECTING CONDUIT
S = 1:200

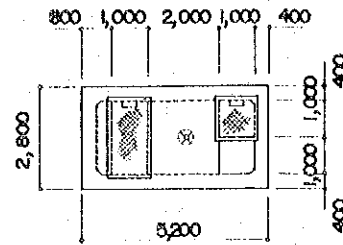


CROSS SECTION OF IMPERVIOUS WALL
S = 1:200

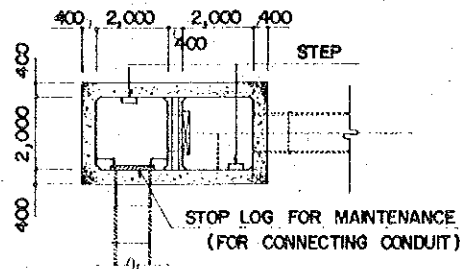
REPUBLIC OF THE PHILIPPINES		
THE REHABILITATION PROJECT FOR THE DIPALO RIVER AND PRINCIPAL COMMUNAL IRRIGATION SYSTEMS IN PANGASINAN PROVINCE		
PRINCIPAL CIS		
IMPERVIOUS WALL AND COLLECTING CONDUIT		
DATE	D.R.W. NO.	10
JAPAN INTERNATIONAL COOPERATION AGENCY		



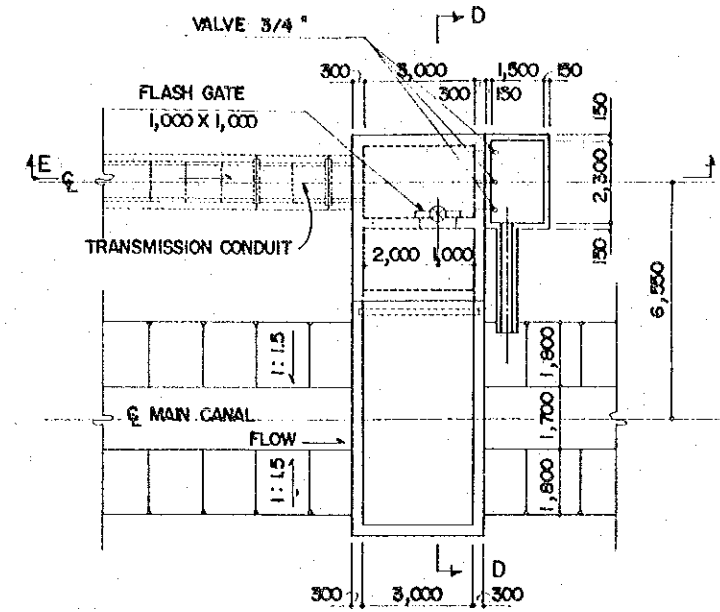
CROSS SECTION OF PRESSURE CONTROL BOX
S = 1:100



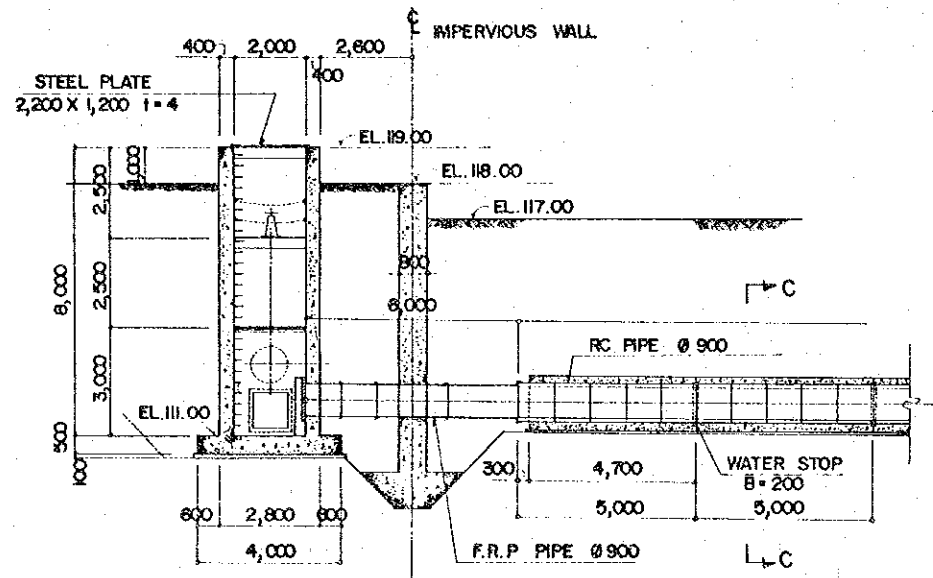
SECTION A-A
S = 1:100



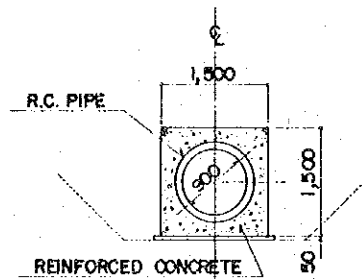
SECTION B-B
S = 1:100



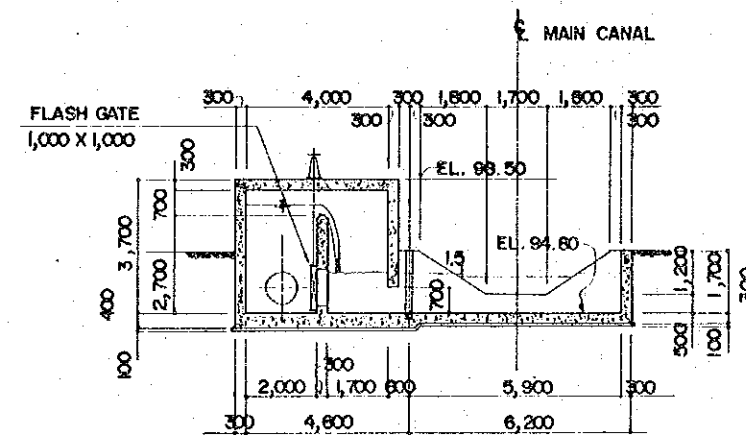
PLAN OF OUTLET
S = 1:100



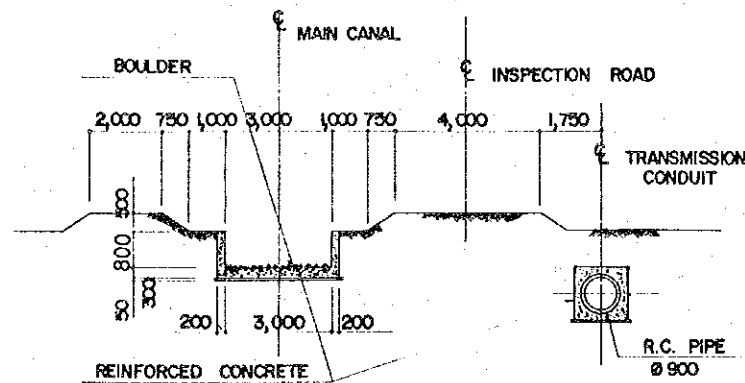
CROSS SECTION OF TRANSMISSION CONDUIT (STARTING POINT)
S = 1:100



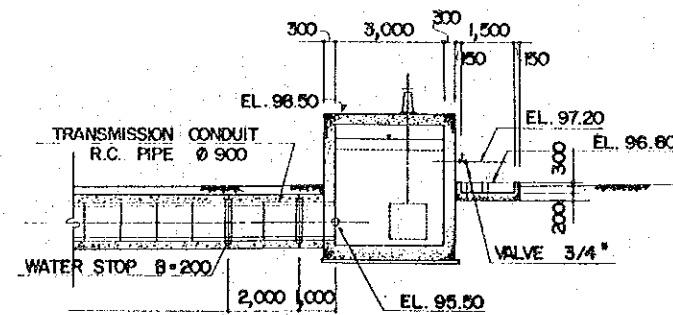
SECTION C-C
S = 1:50



SECTION D-D
S = 1:100

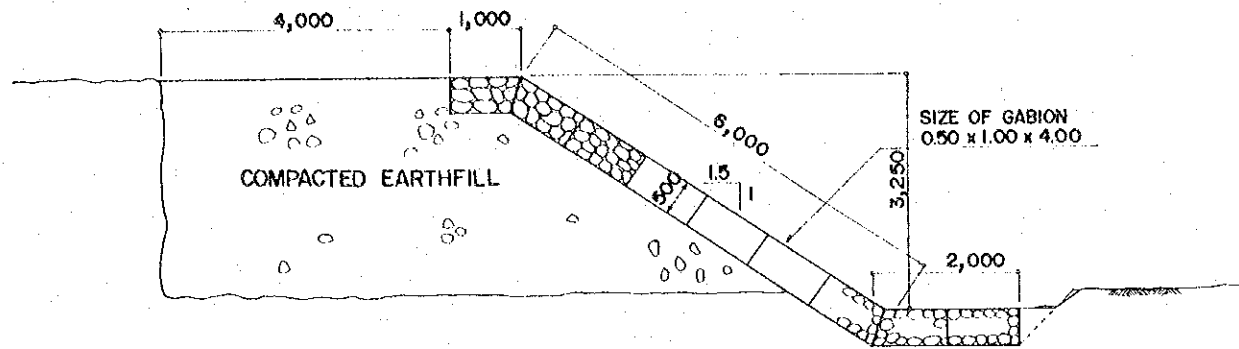


TYPICAL SECTION OF CANAL
S = 1:100

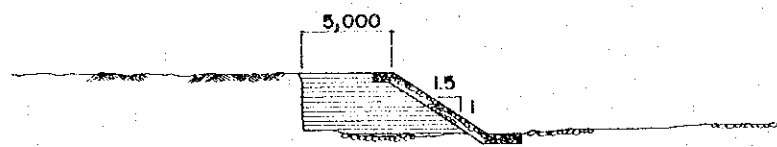


SECTION E-E
S = 1:100

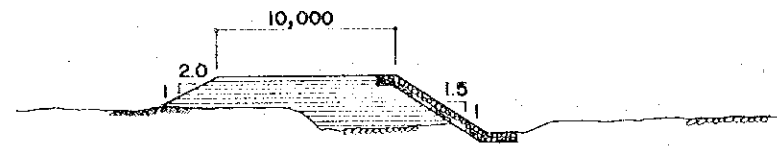
REPUBLIC OF THE PHILIPPINES		
THE REHABILITATION PROJECT FOR THE DIPALO RIVER AND PRINCIPAL COMMUNAL IRRIGATION SYSTEMS IN PANGASINAN PROVINCE		
PRINCIPAL CIS		
PRESSURE CONTROL BOX AND TRANSMISSION CONDUIT		
DATE	D.R.W. NO.	11
JAPAN INTERNATIONAL COOPERATION AGENCY		



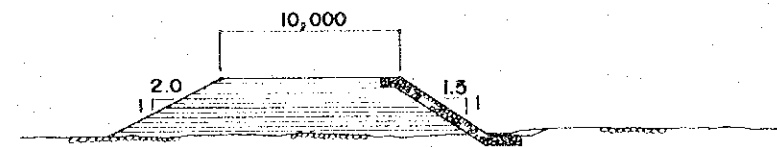
TYPICAL SECTION OF PROTECTION DIKE
S = 1 : 50



TYPE - A
S = 1 : 200

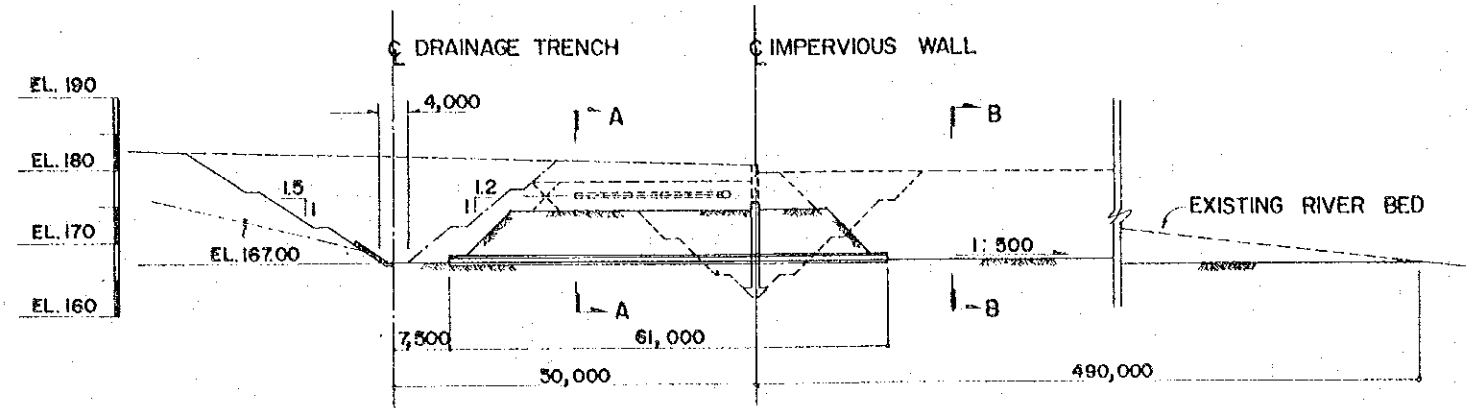


TYPE - B
S = 1 : 200

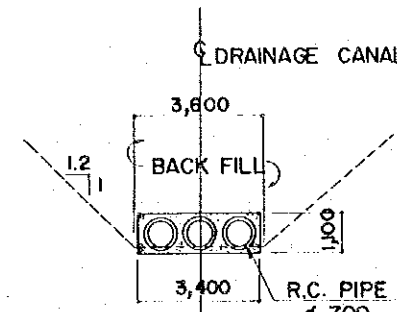


TYPE - C
S = 1 : 200

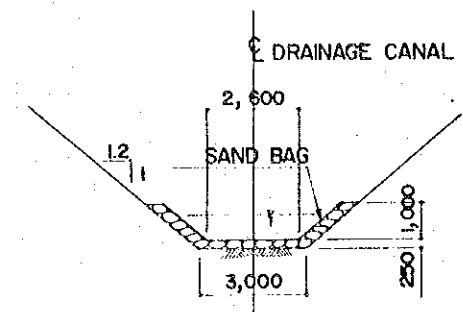
PROTECTION DIKE OF DIPALO



TEMPORARY WORKS FOR DRAINAGE
S = 1 : 500

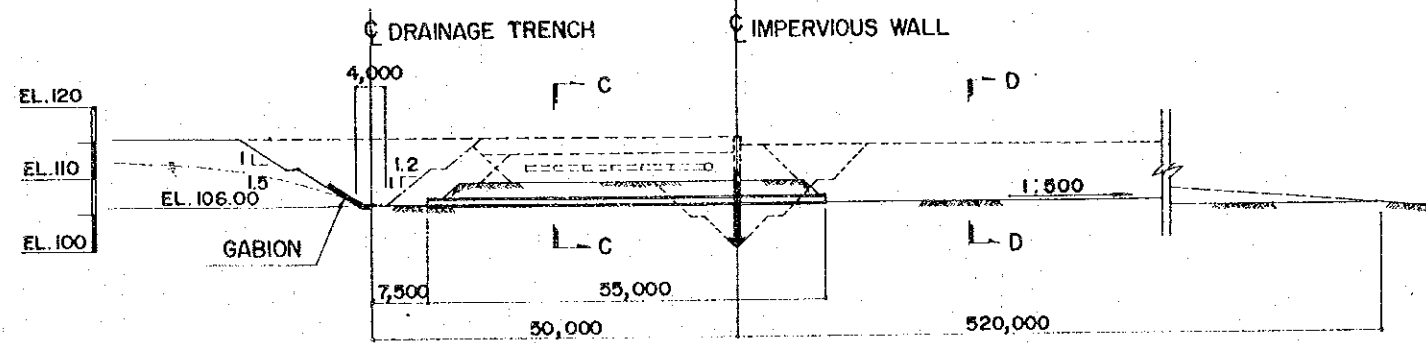


SECTION A - A
S = 1 : 100

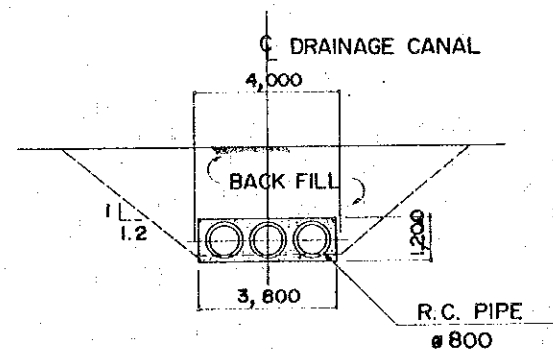


SECTION B - B
S = 1 : 100

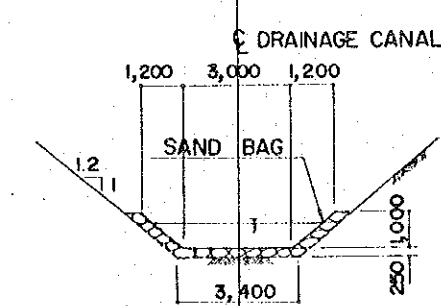
DIPALO



TEMPORARY WORKS FOR DRAINAGE
S = 1 : 500



SECTION C - C
S = 1 : 100



SECTION D - D
S = 1 : 100

PRINCIPAL

REPUBLIC OF THE PHILIPPINES			
THE REHABILITATION PROJECT FOR THE DIPALO RIVER AND PRINCIPAL COMMUNAL IRRIGATION SYSTEMS IN PANGASINAN PROVINCE			
TEMPORARY WORKS			
DIPALO RIS PROTECTION DIKE			
DATE		D.R.W. NO.	12
JAPAN INTERNATIONAL COOPERATION AGENCY			

JICA