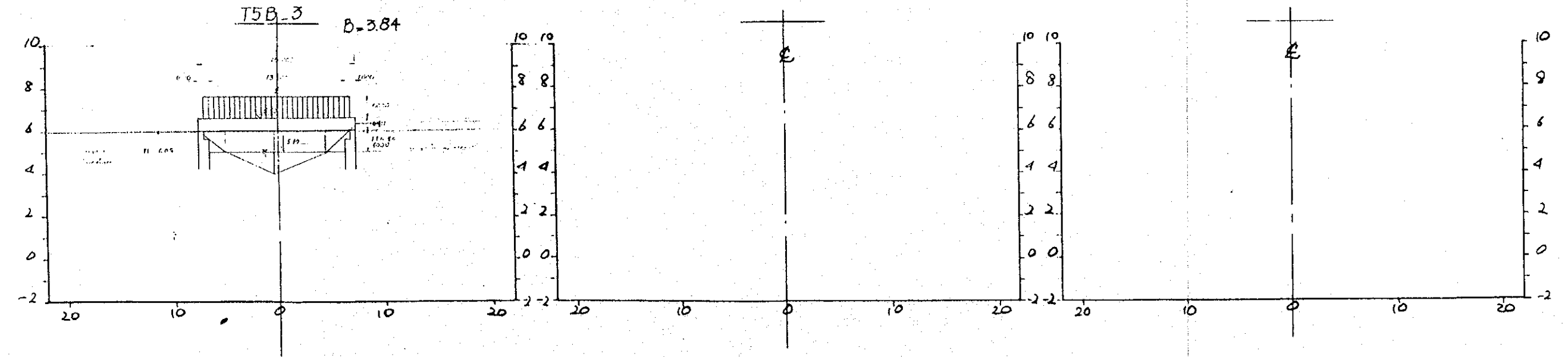
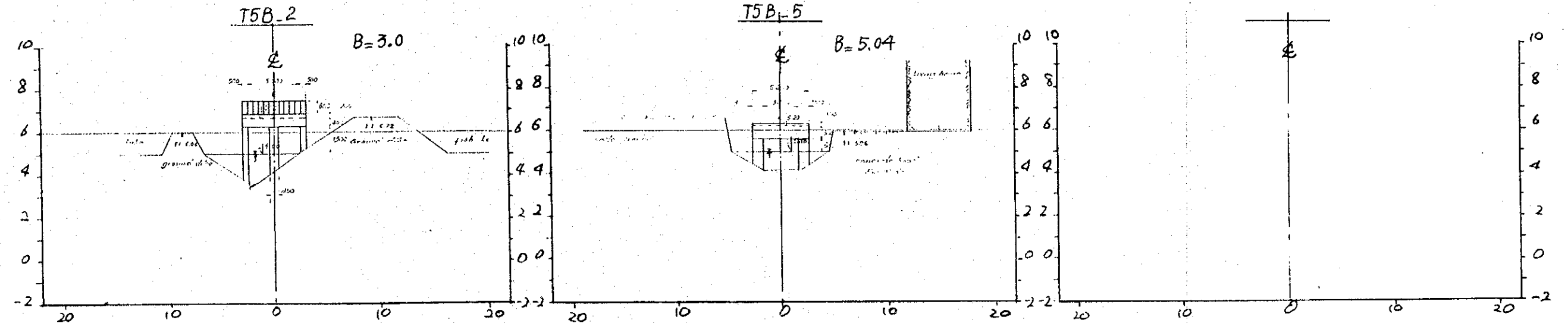
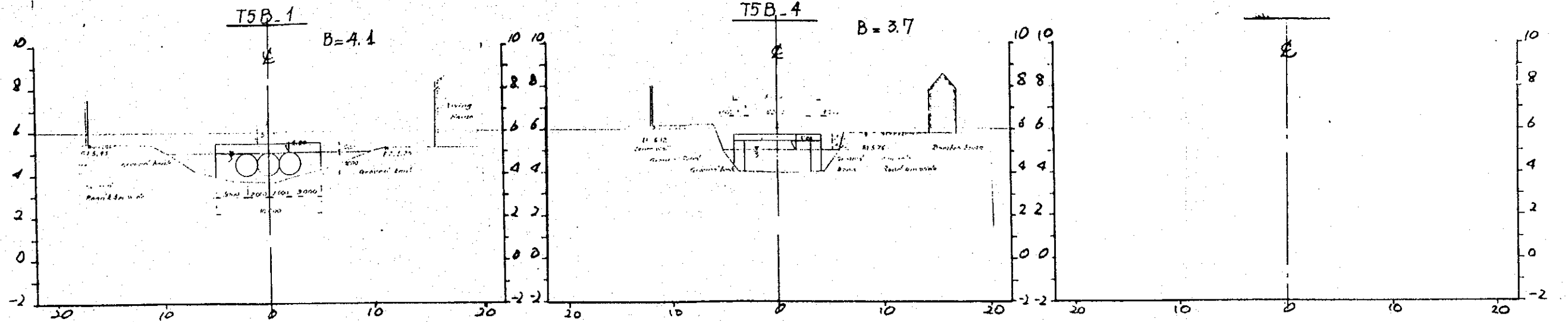
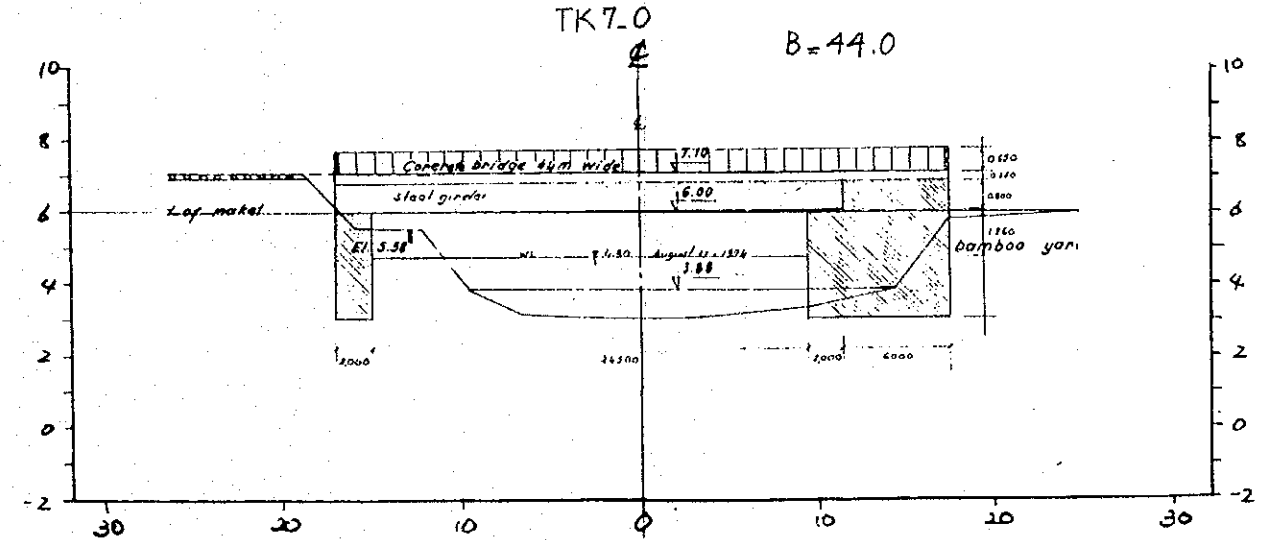
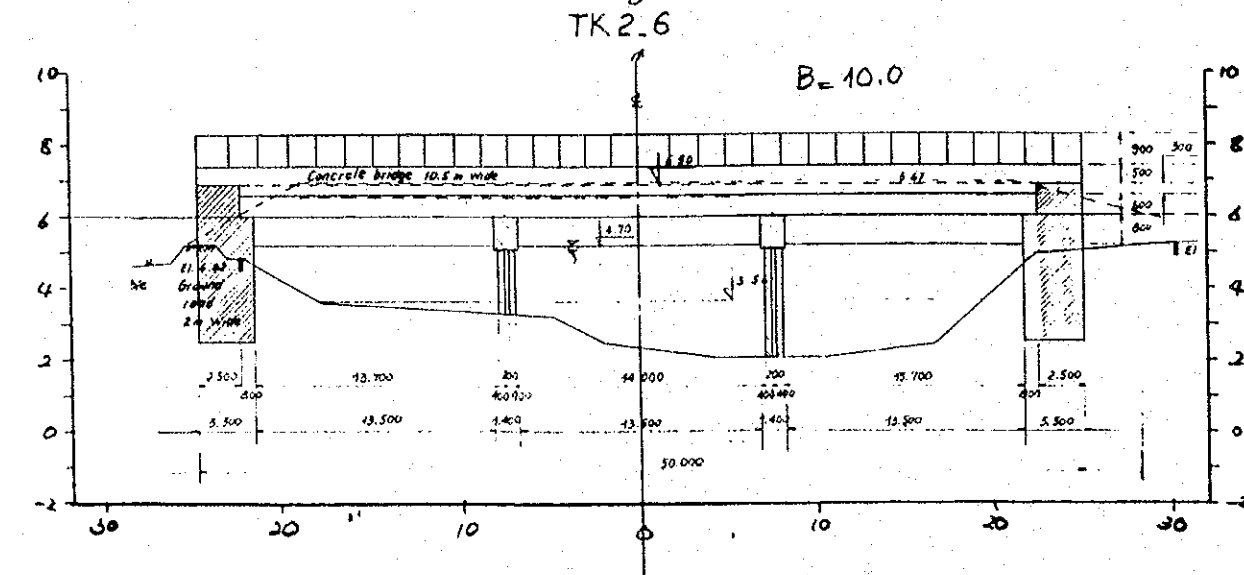
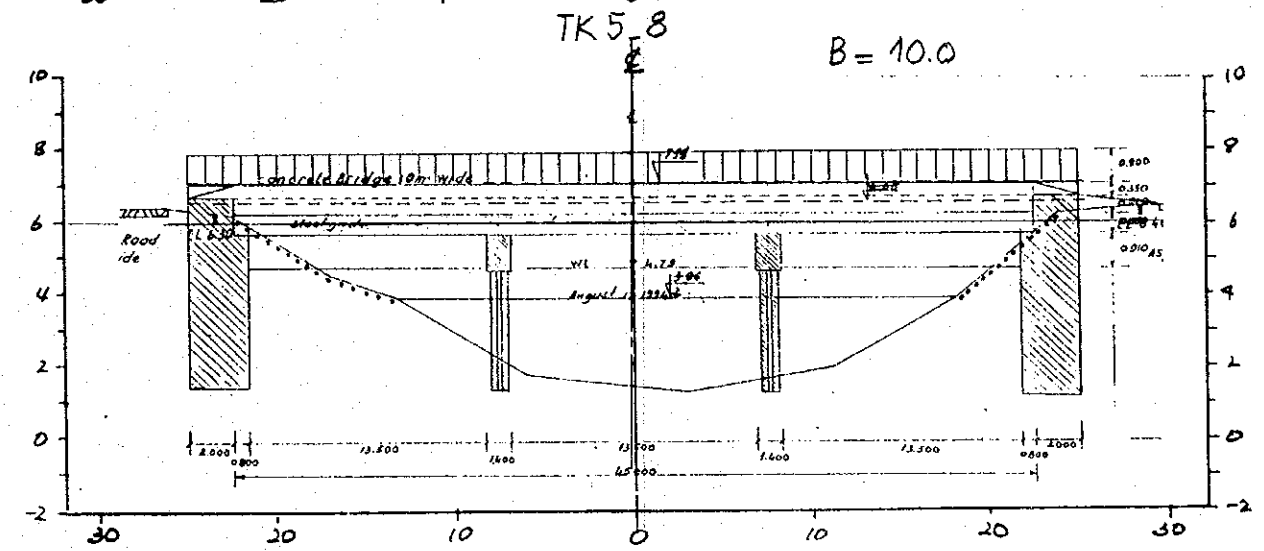
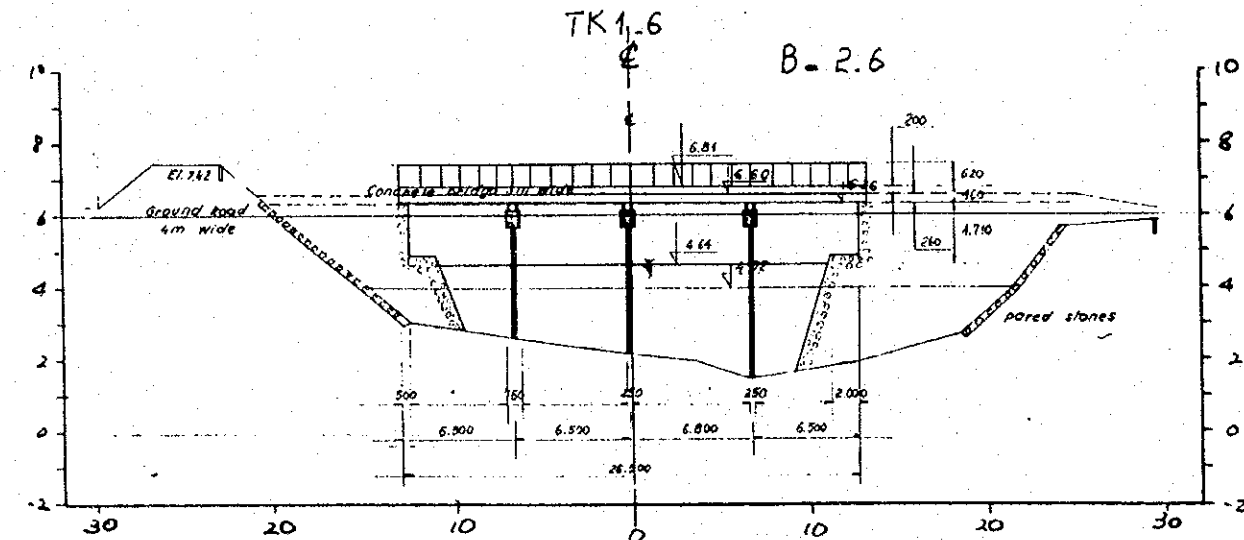
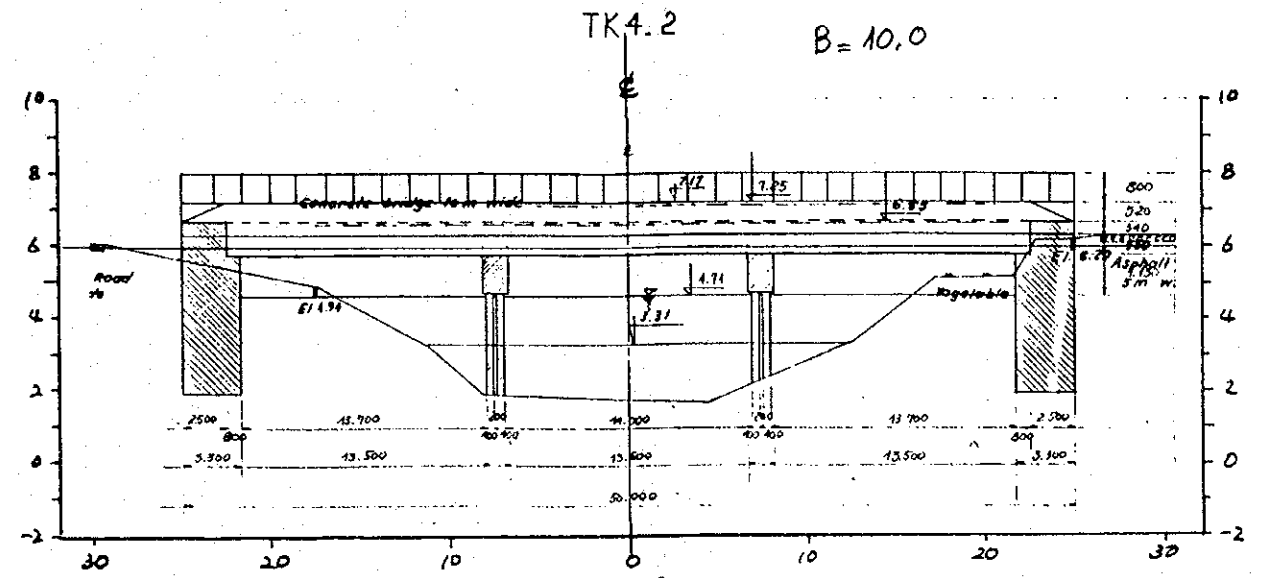
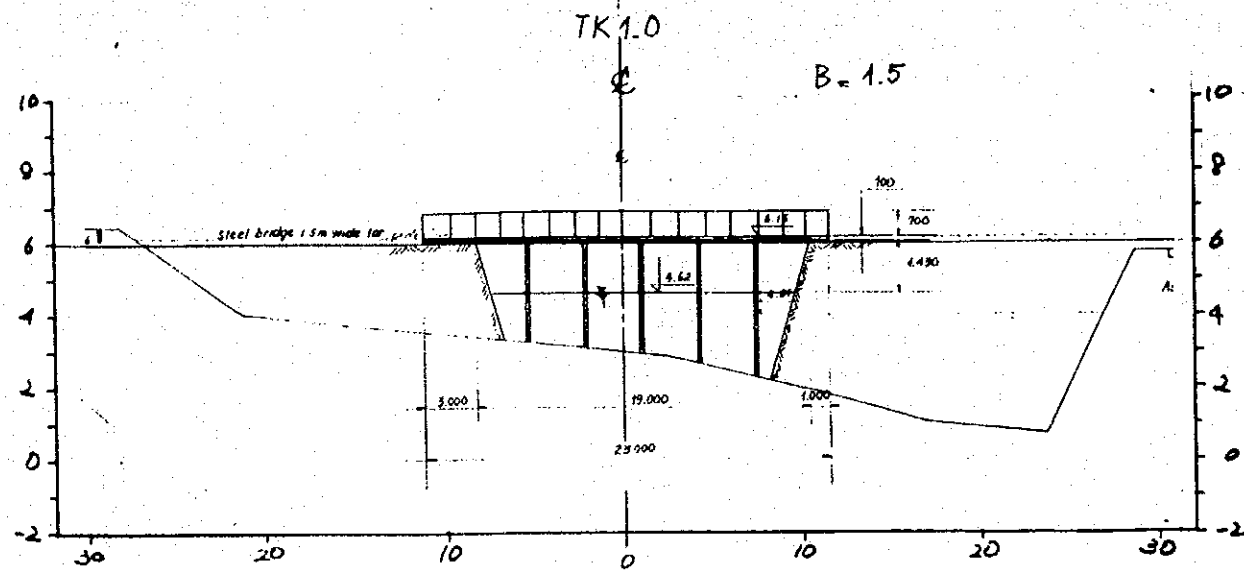


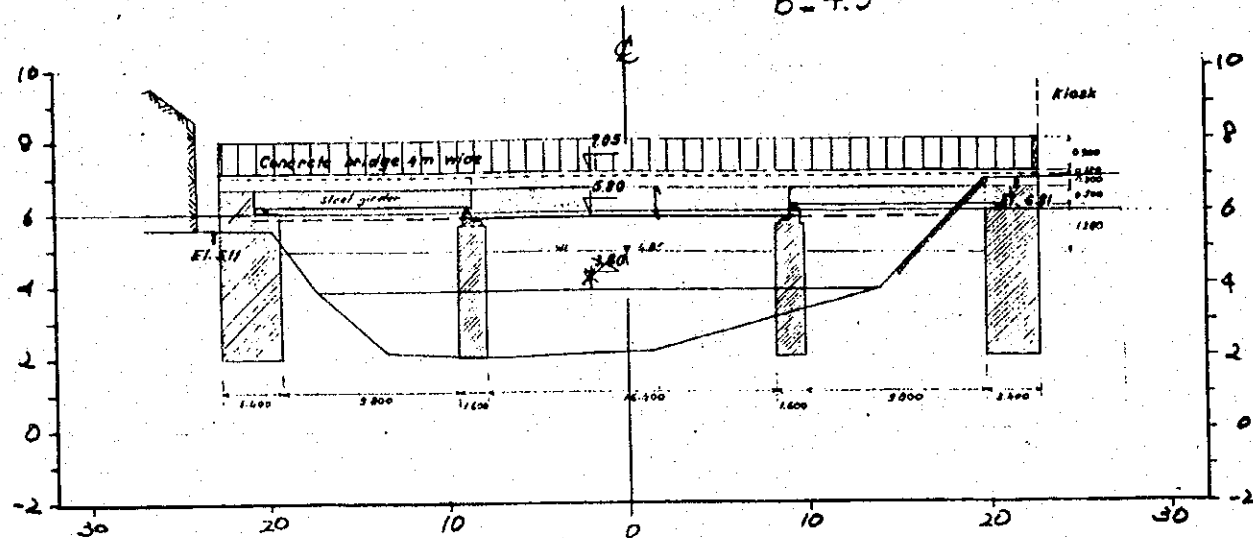
10. Cross Sections and Bridge Dimensions of Drainage Channels





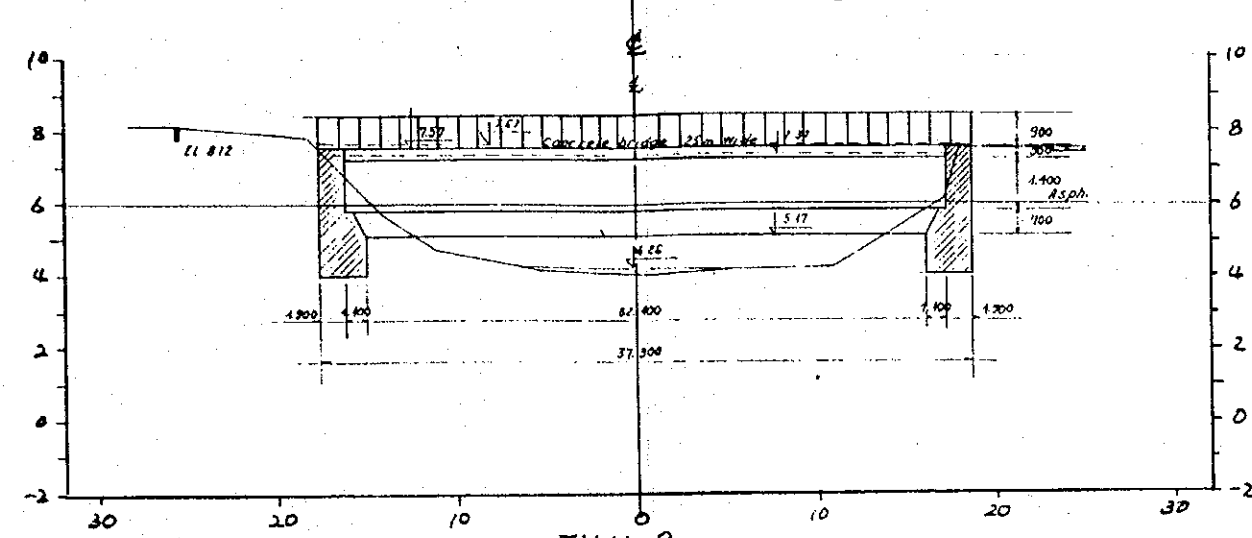
TK 7.9

B = 4.5



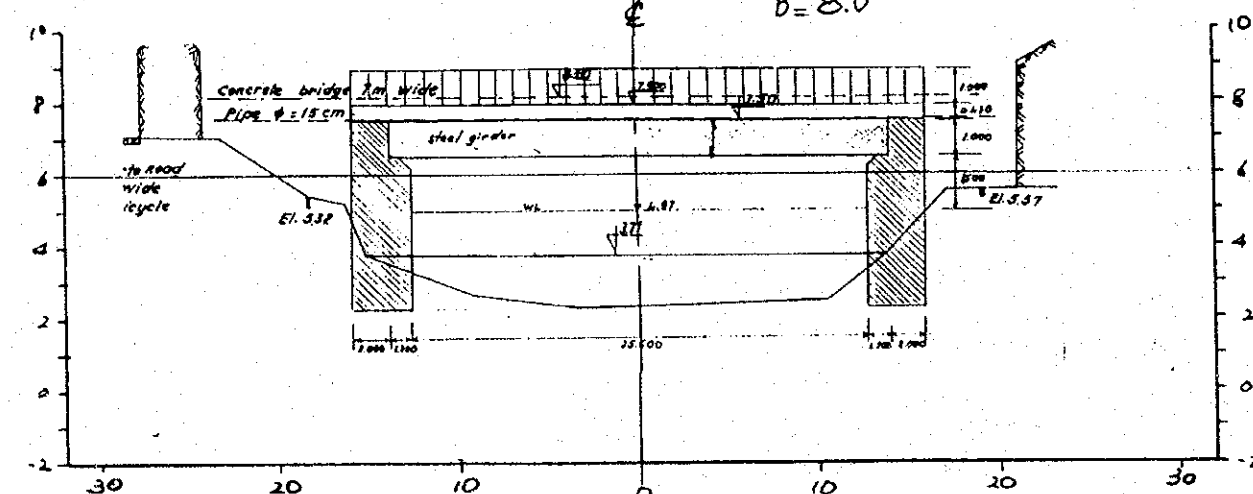
TK 11.2

B = 33.0



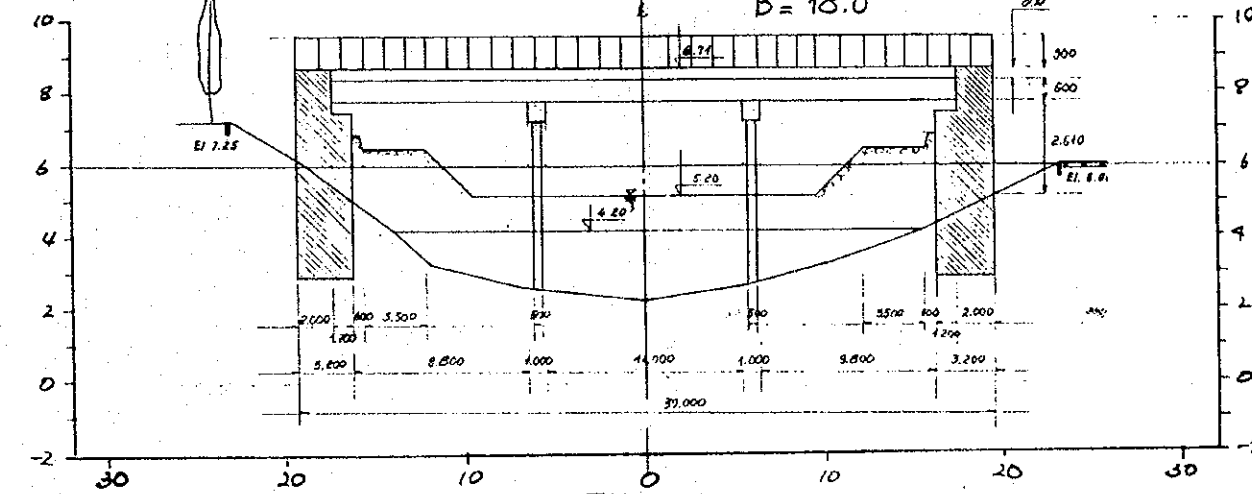
TK 9.0

B = 8.0



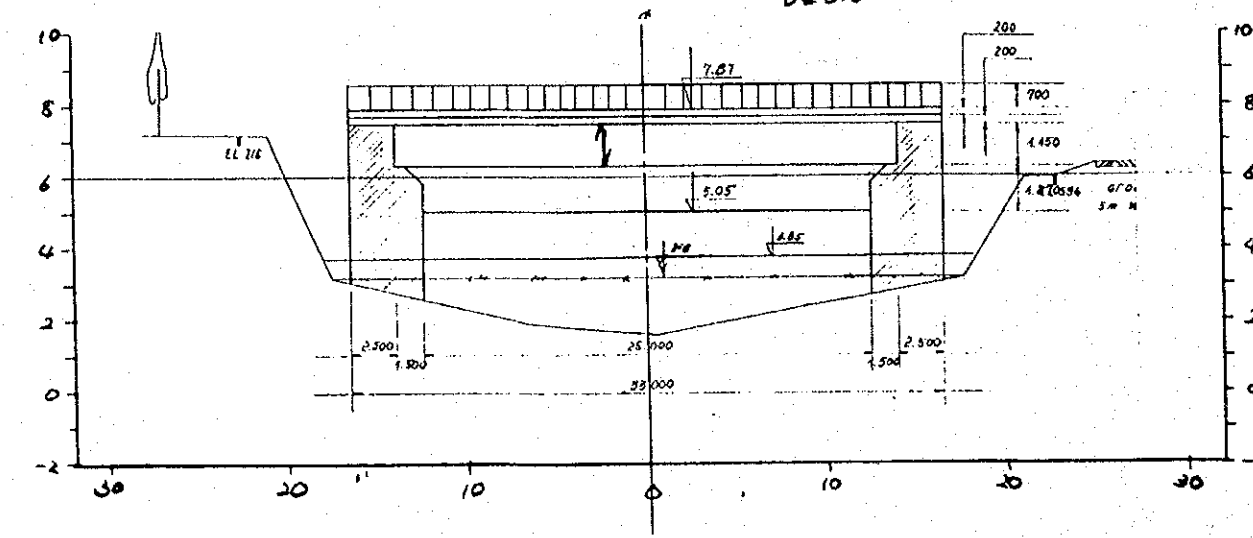
TK 11.8

B = 18.0



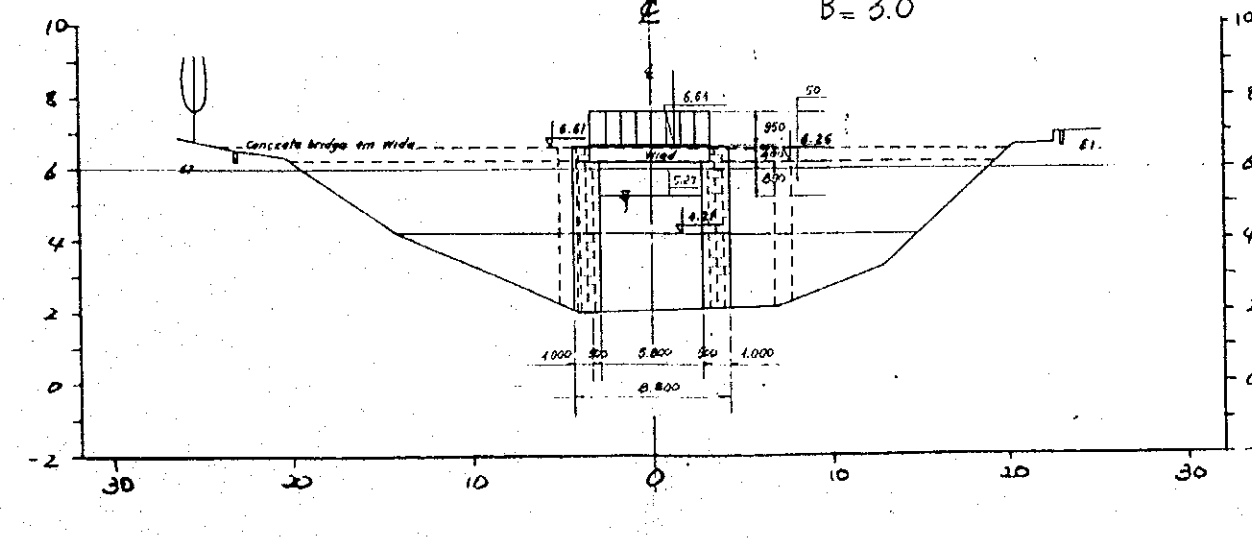
TK 10.6

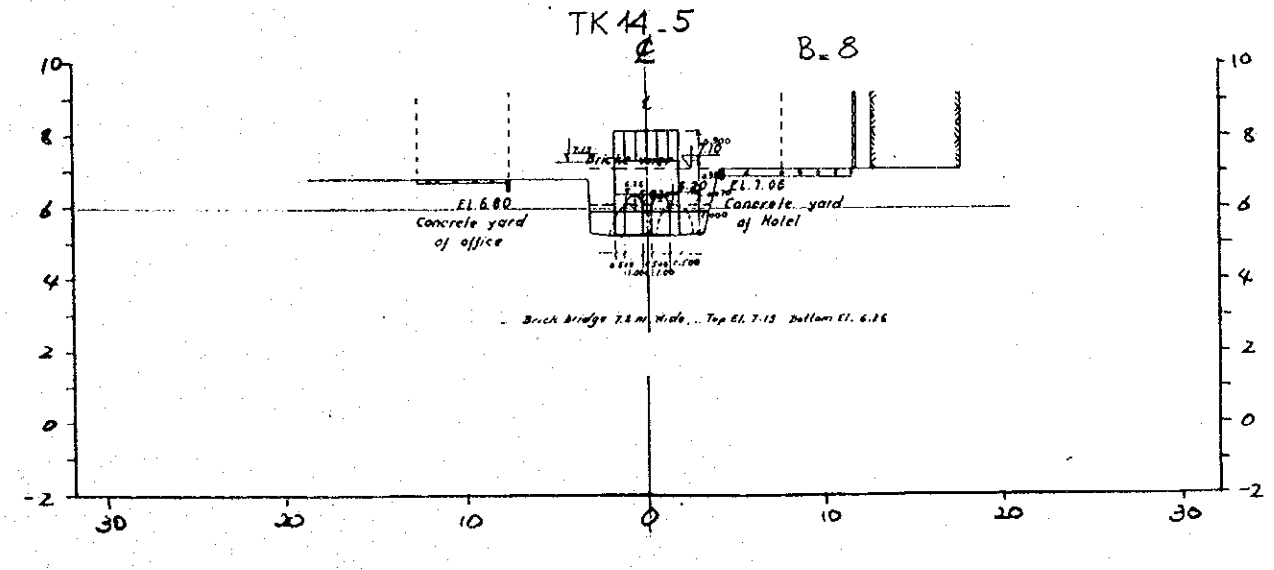
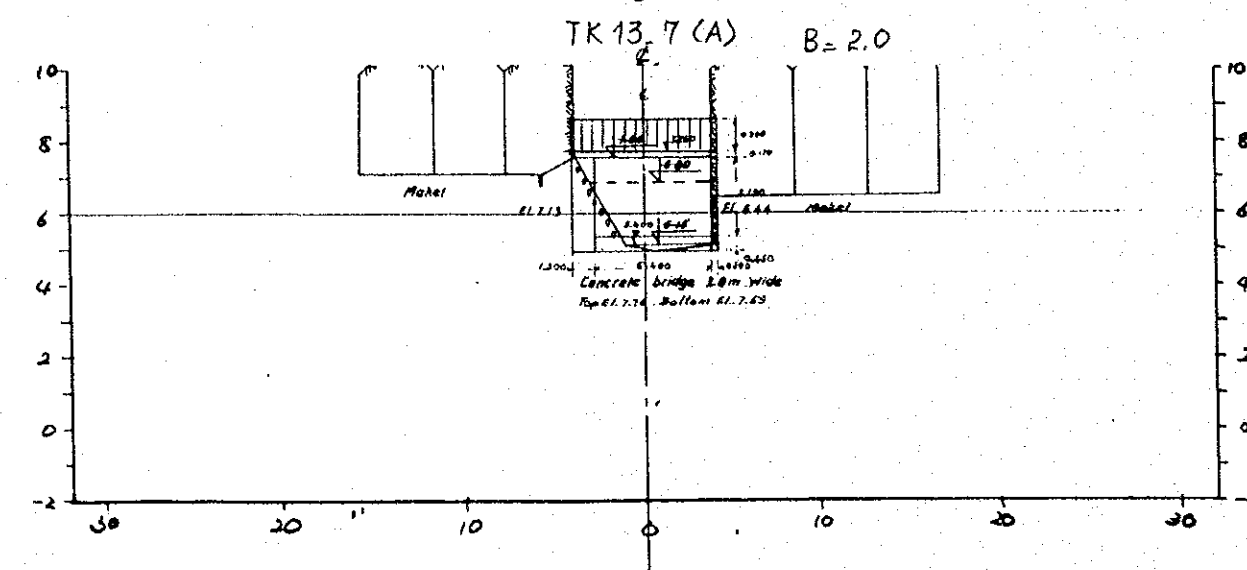
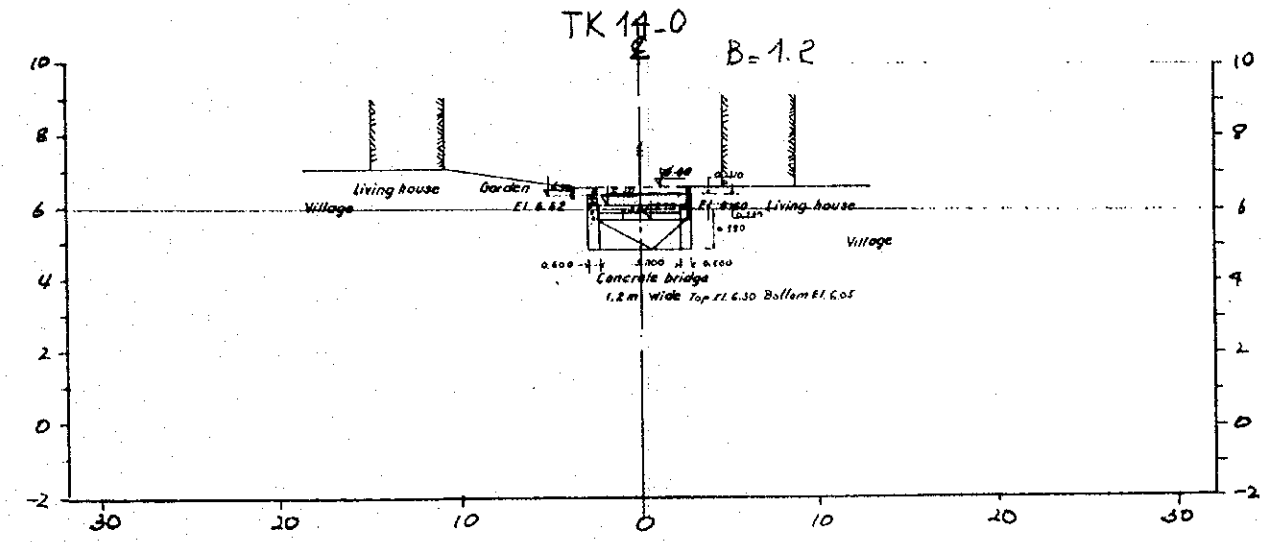
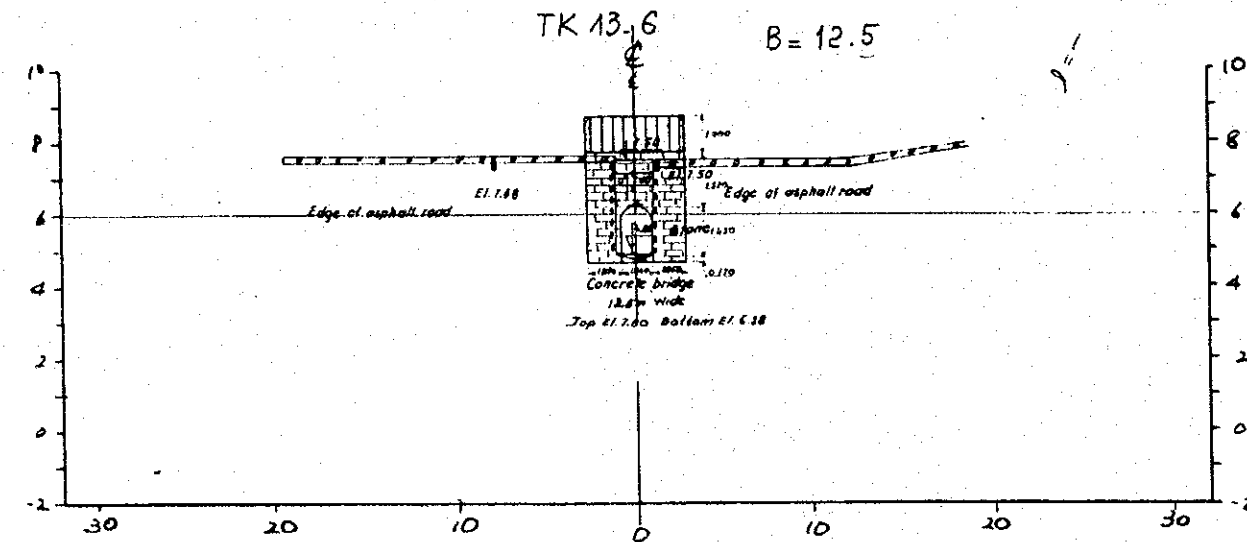
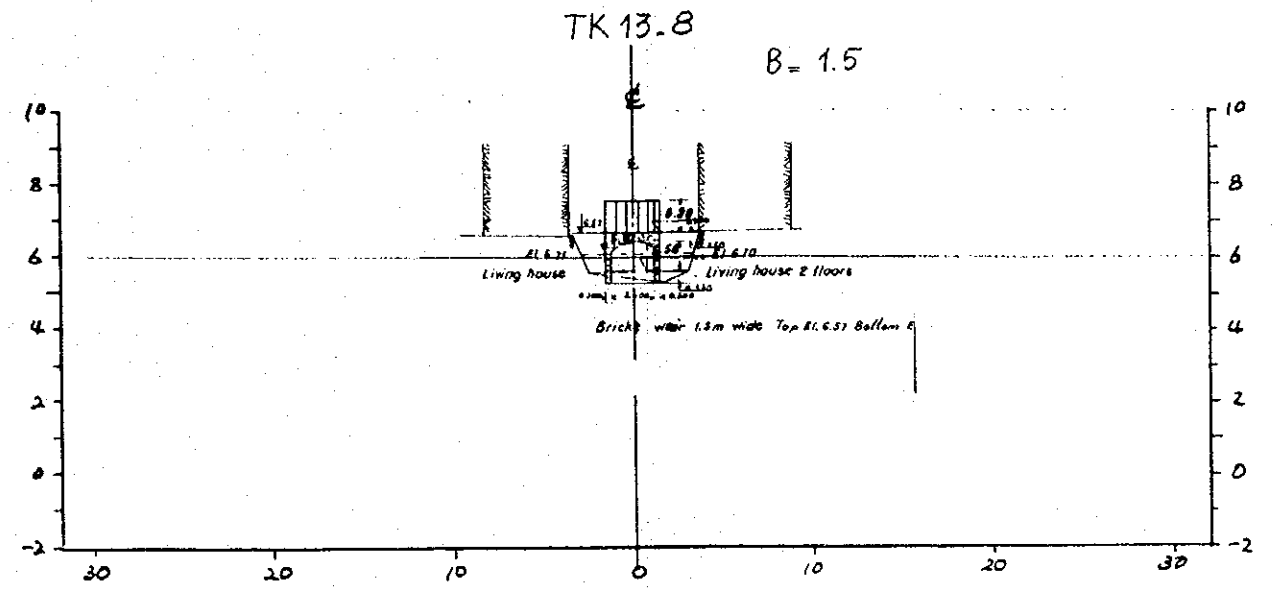
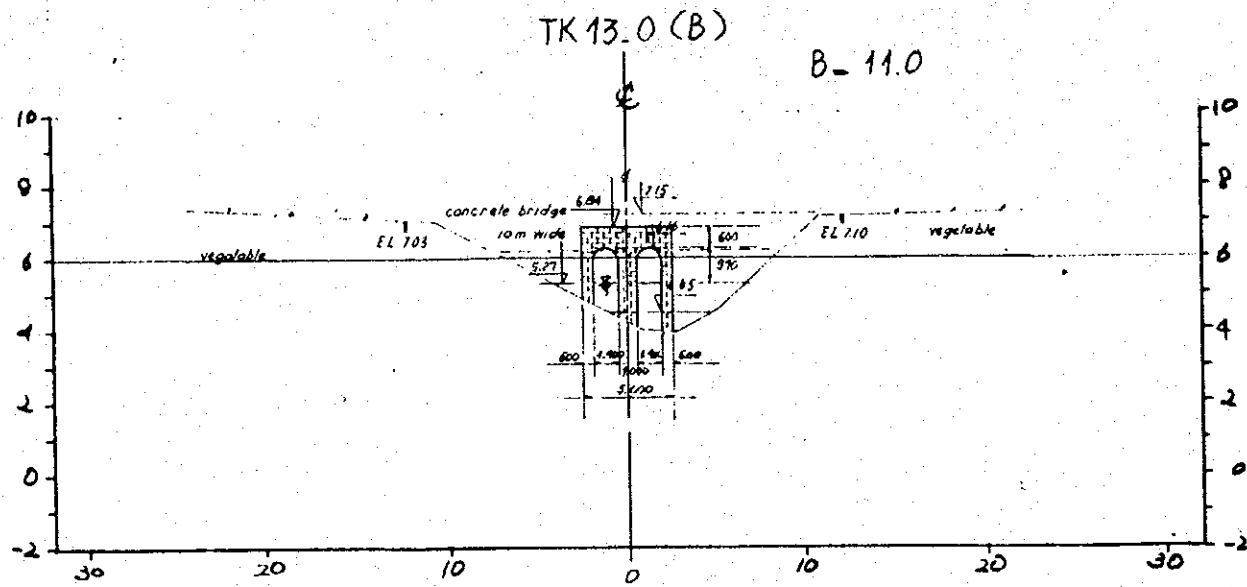
B = 6.0

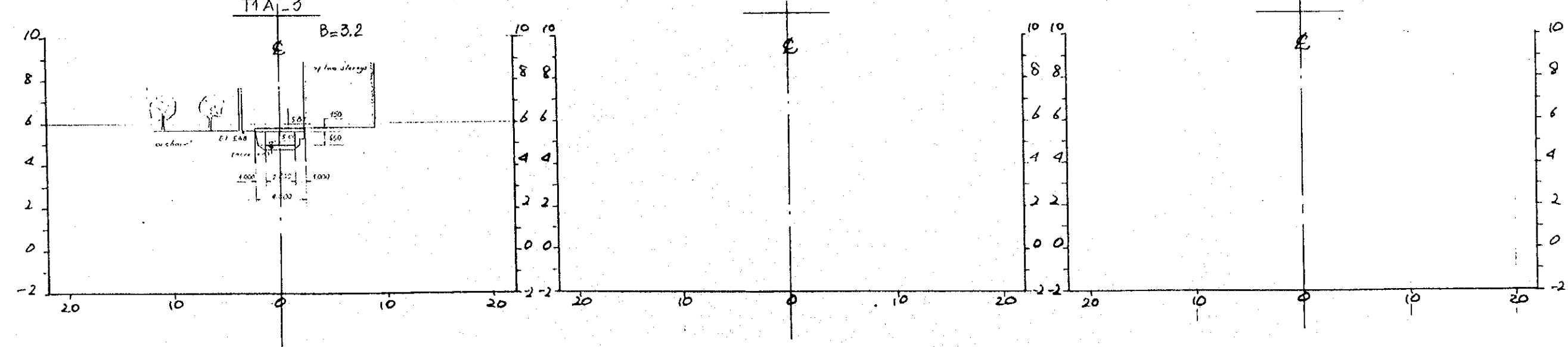
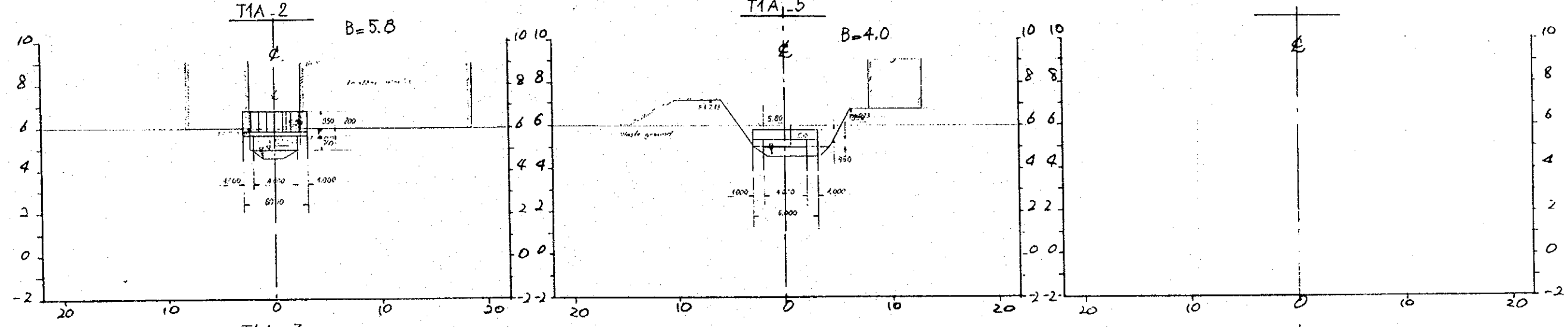
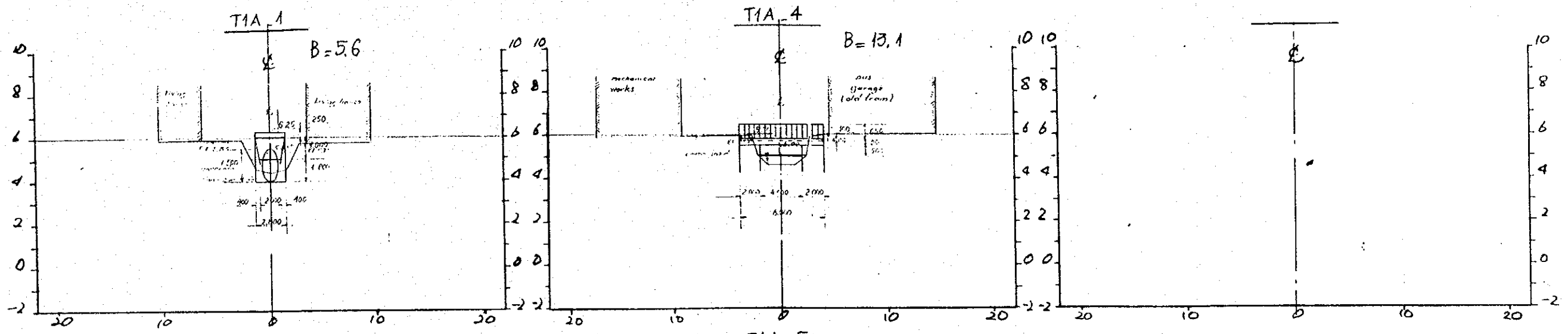


TK 12.4

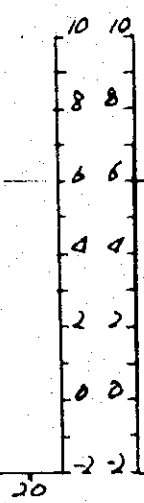
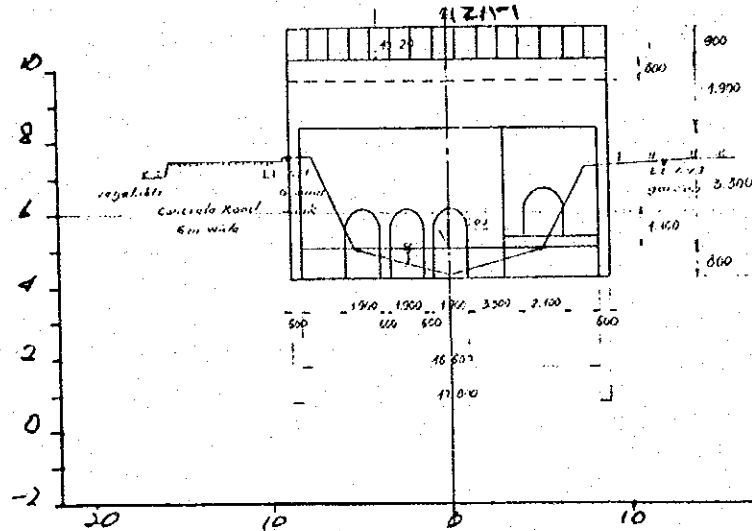
B = 3.0



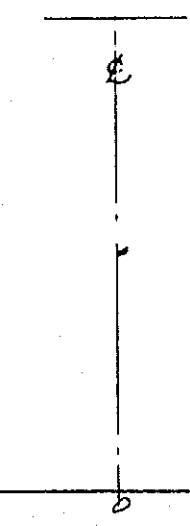
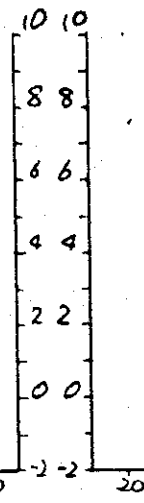
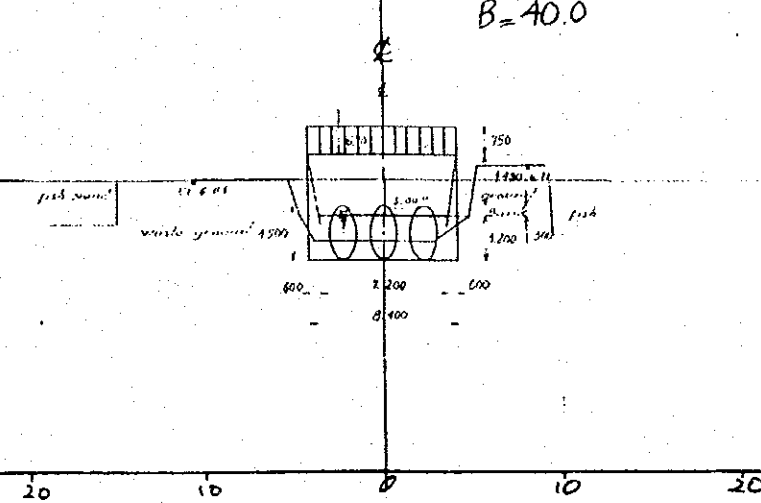




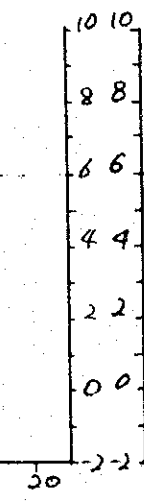
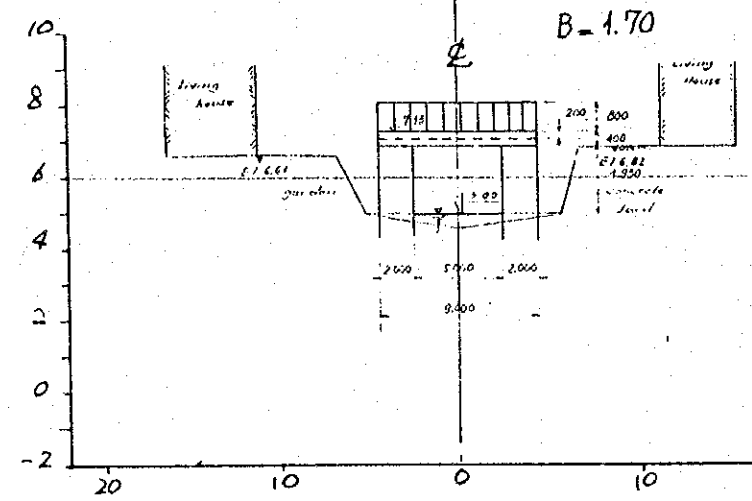
T2A-1 B=9.10



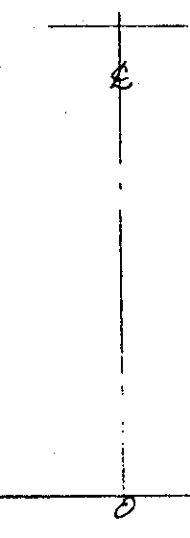
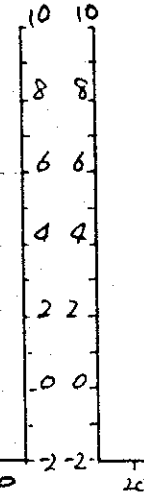
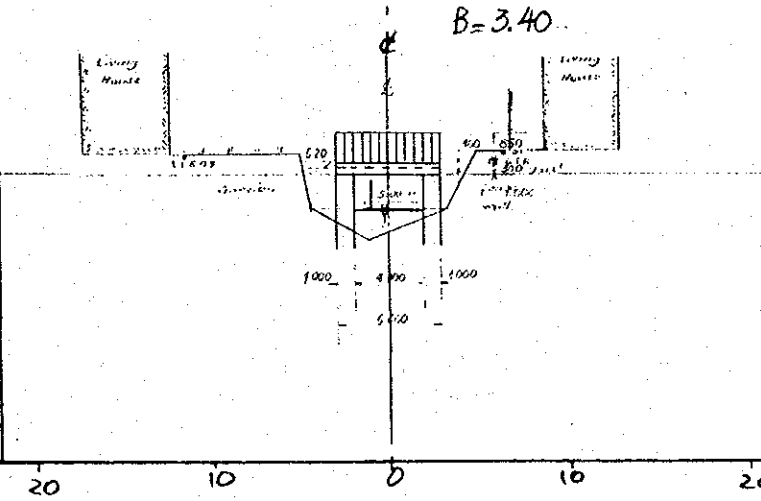
T2A-4 B=40.0



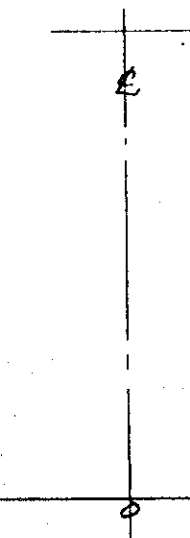
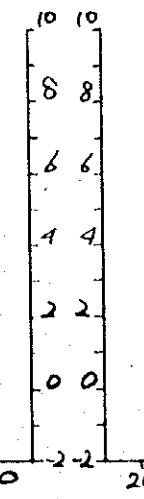
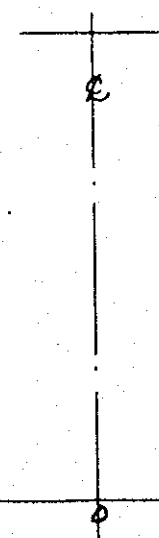
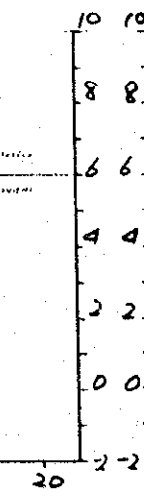
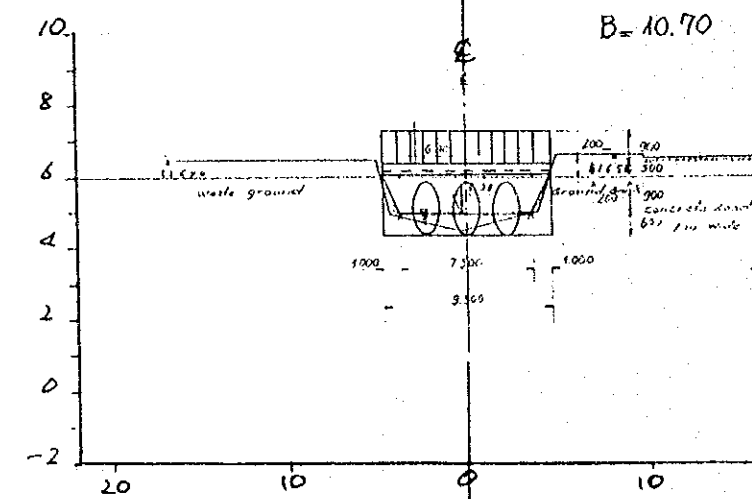
T2A-2 B=1.70

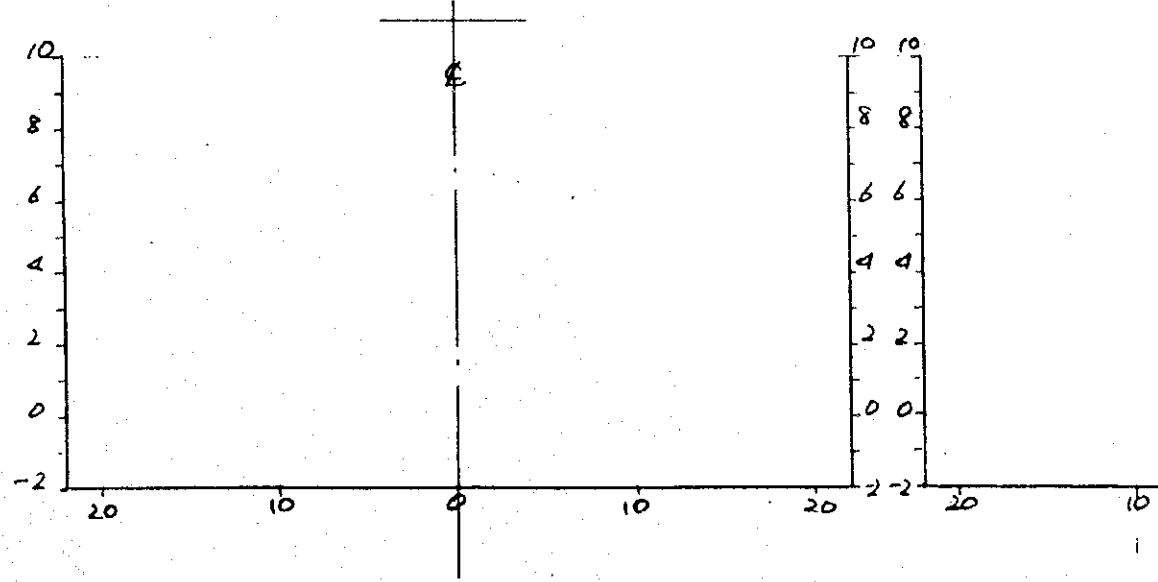
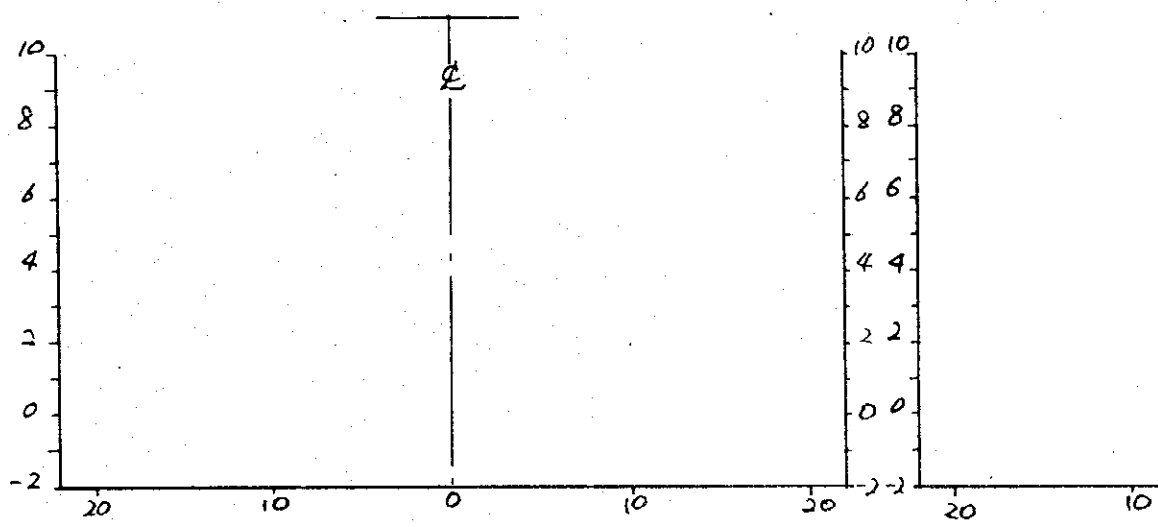
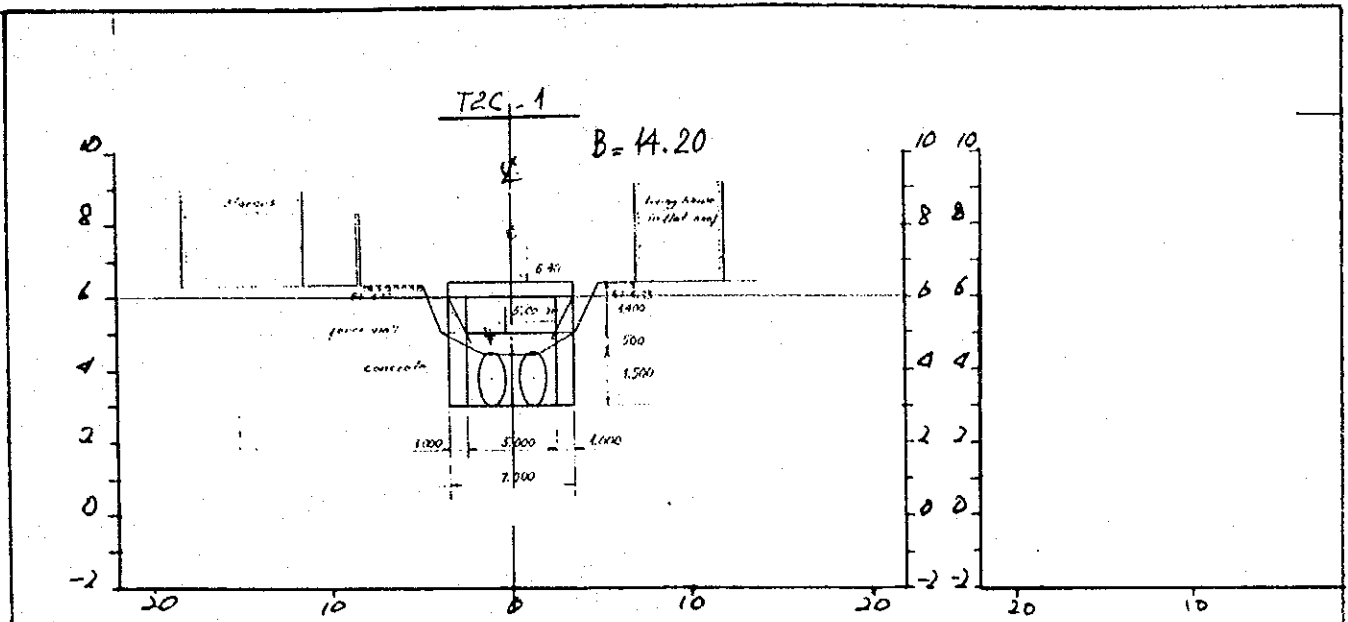


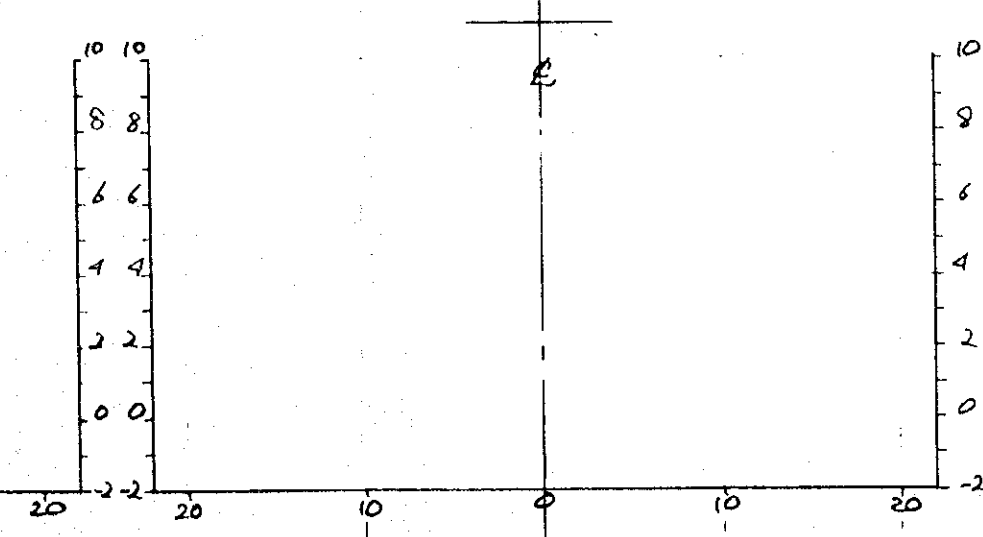
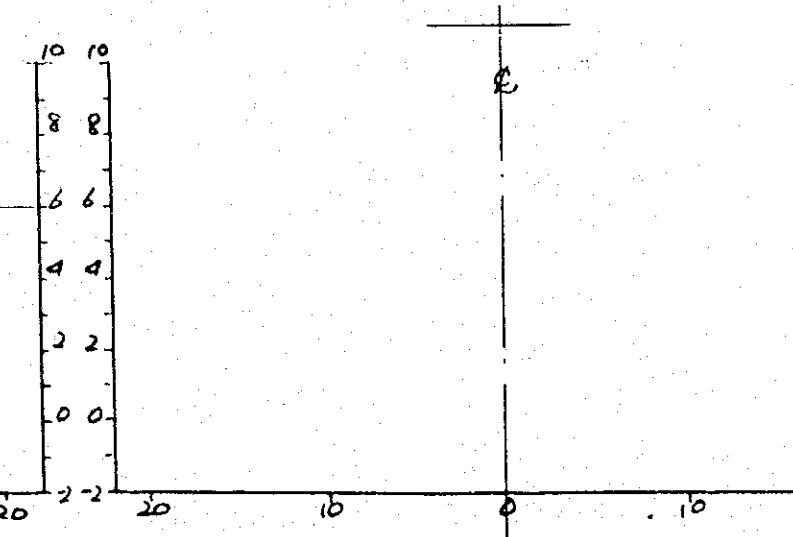
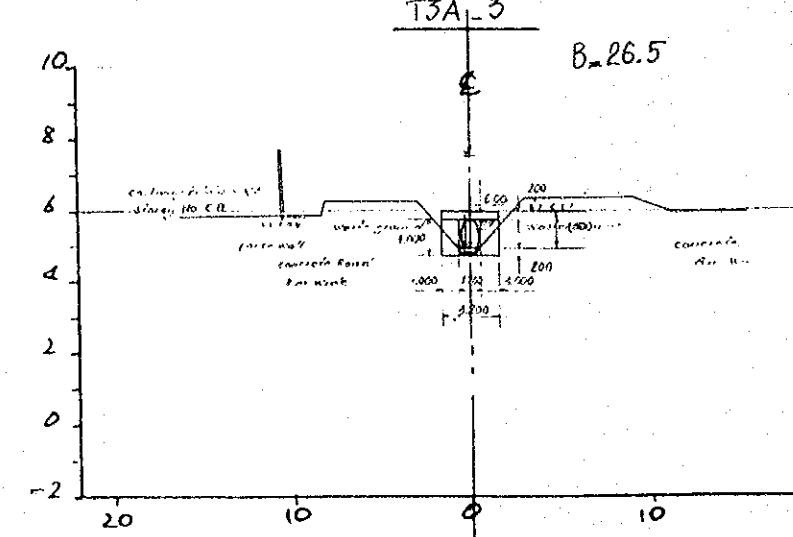
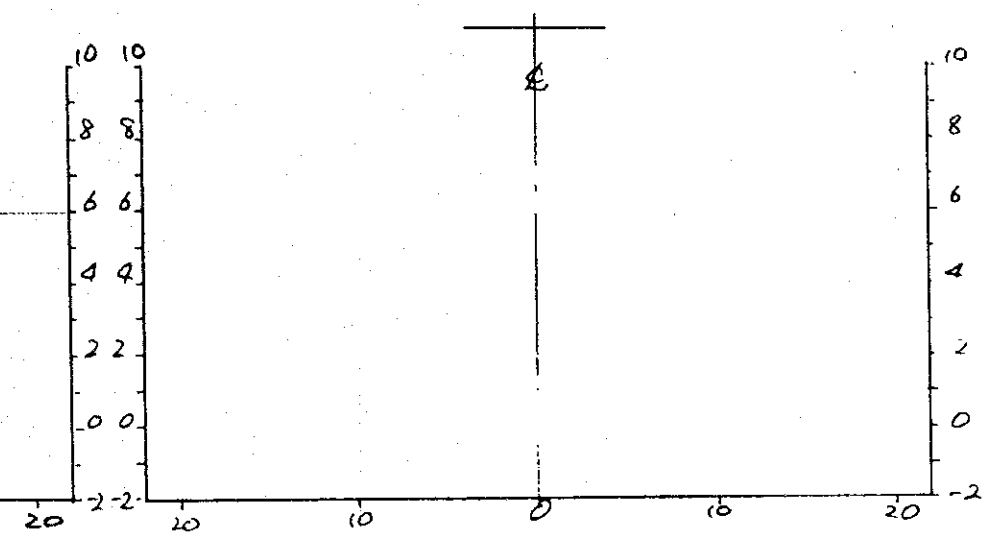
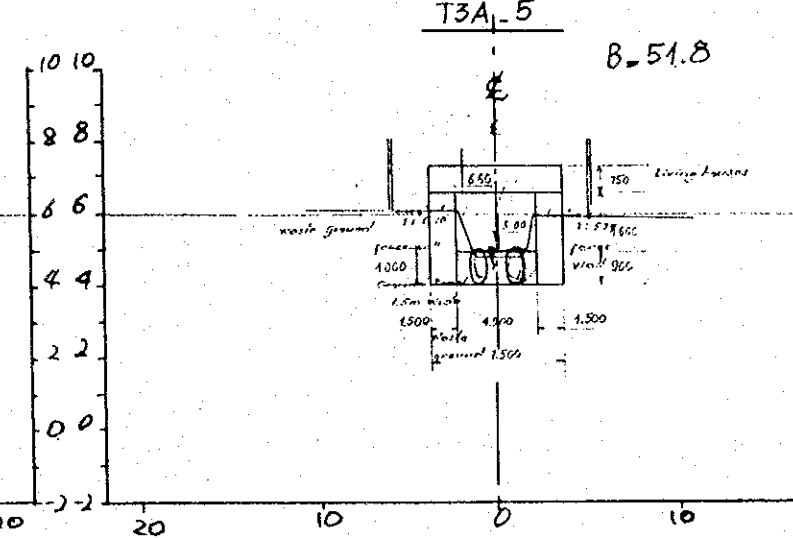
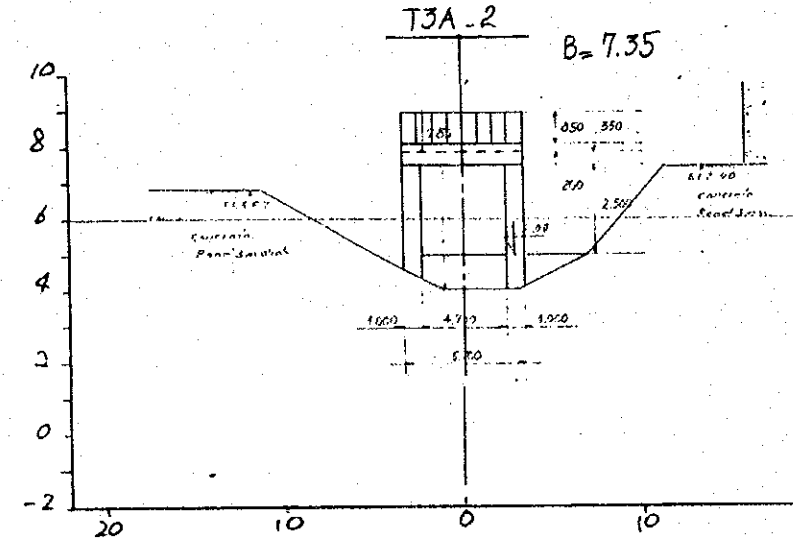
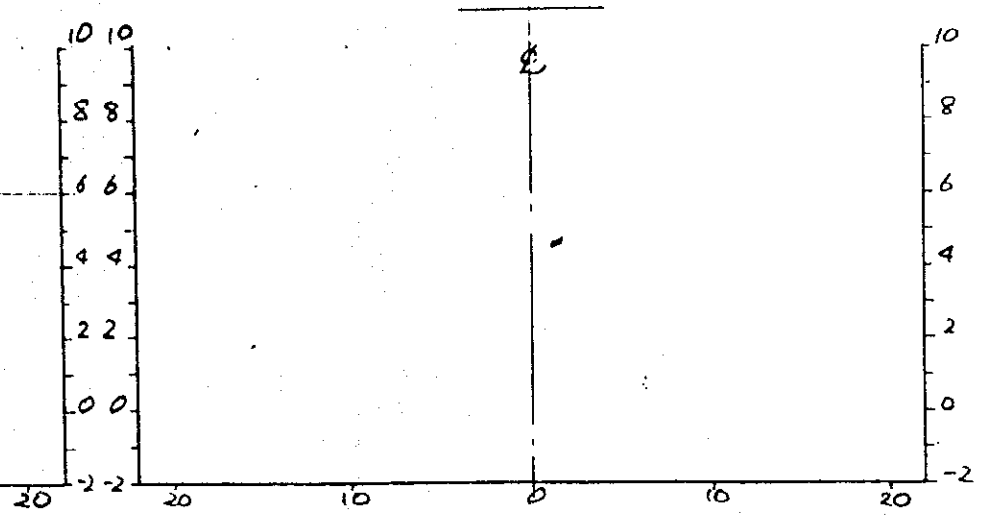
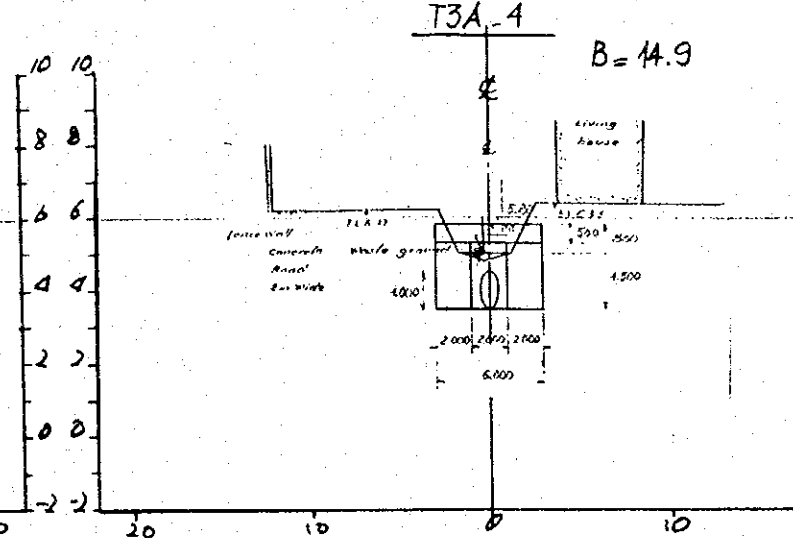
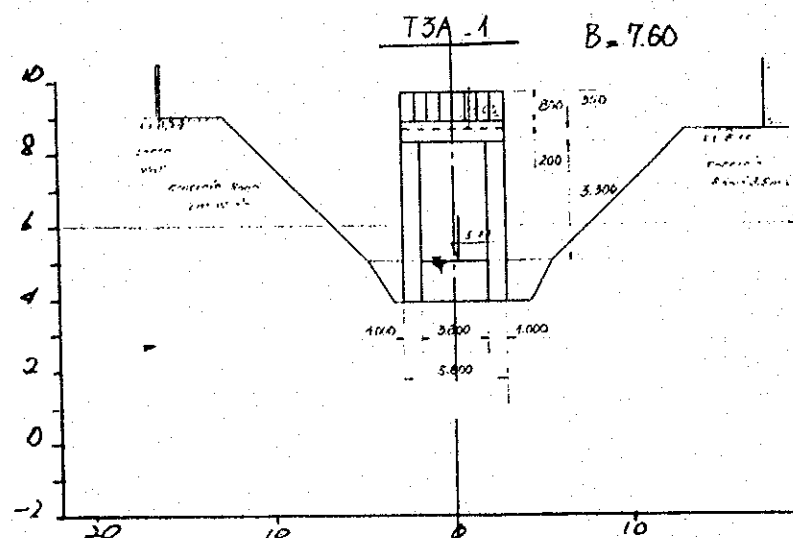
T2A-5 B=3.40



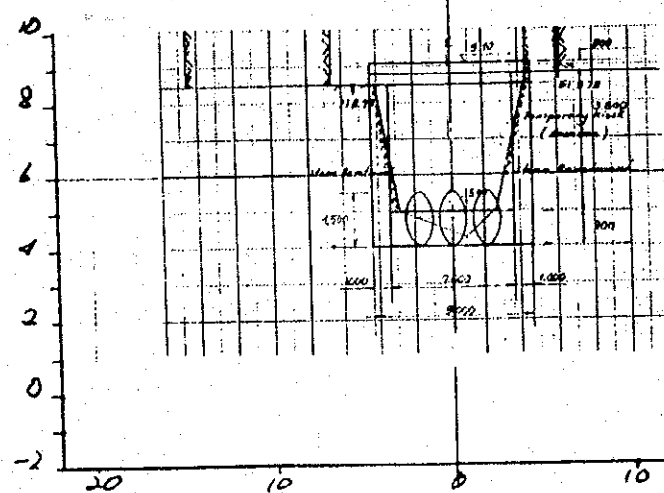
T2A-3 B=10.70



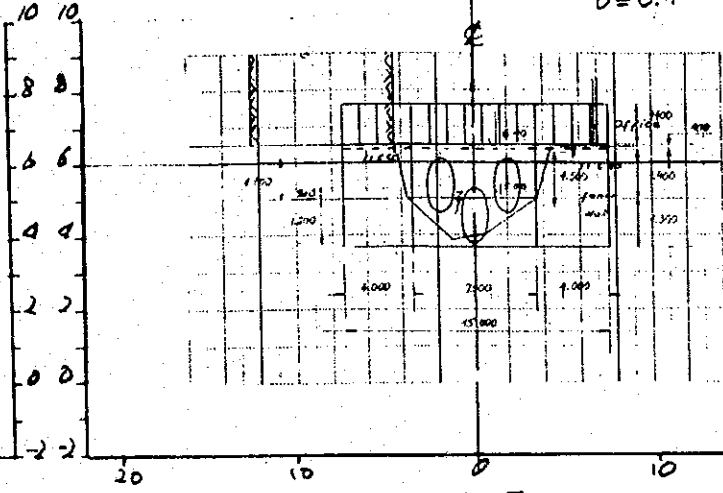




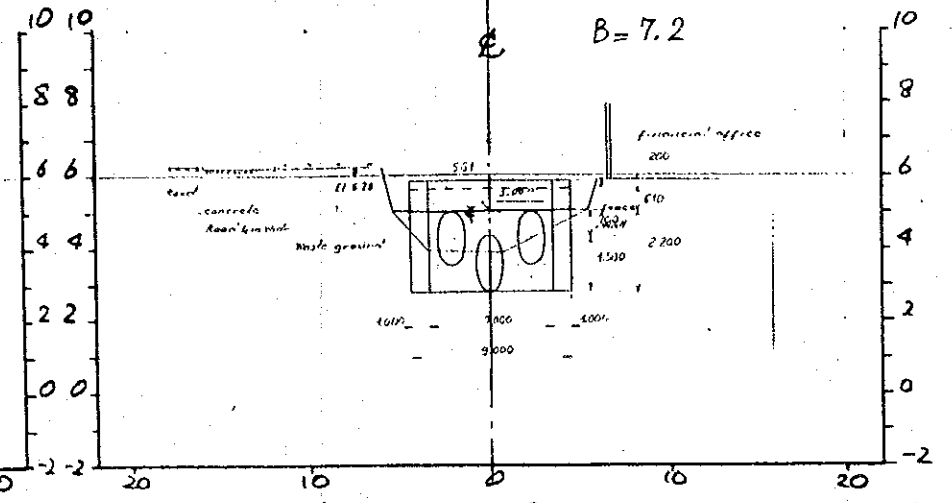
T4A-1 B=36.8



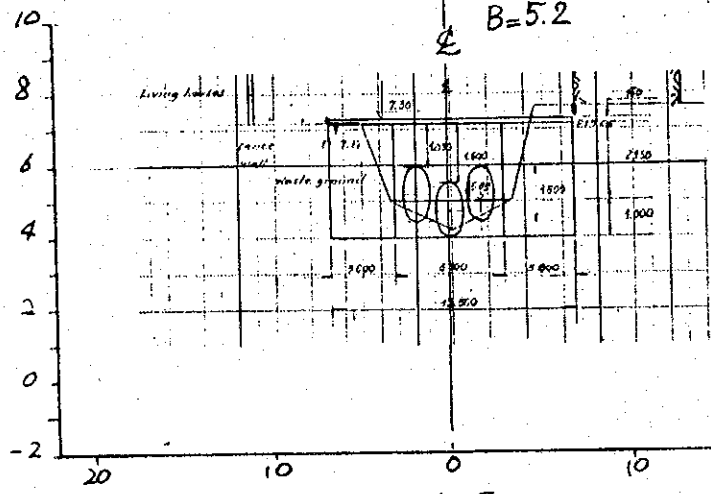
T4A-4 B=6.1



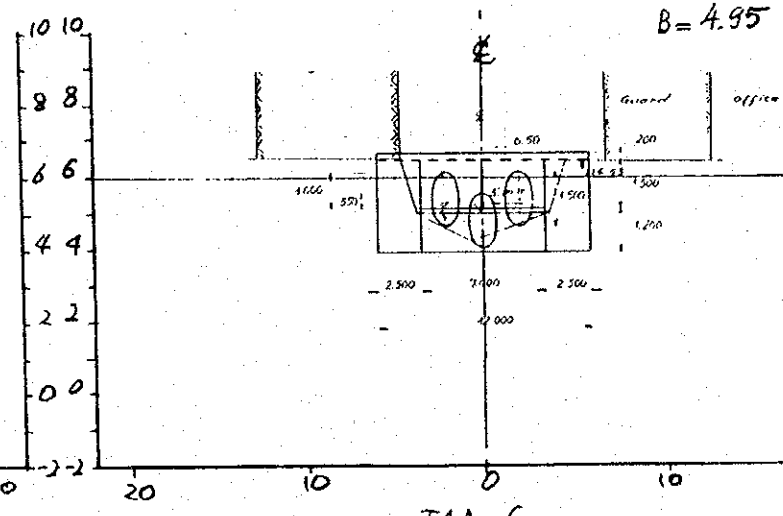
T4A-7 B=7.2



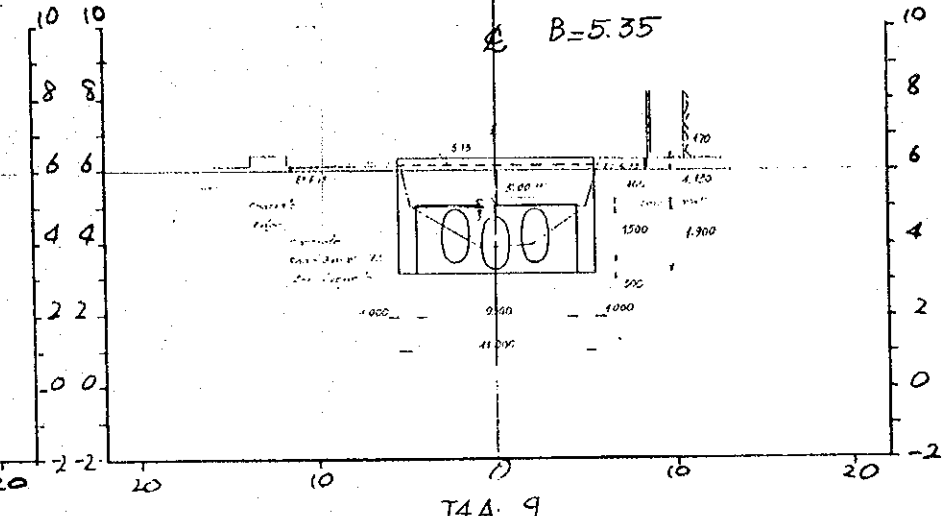
T4A-2 B=5.2



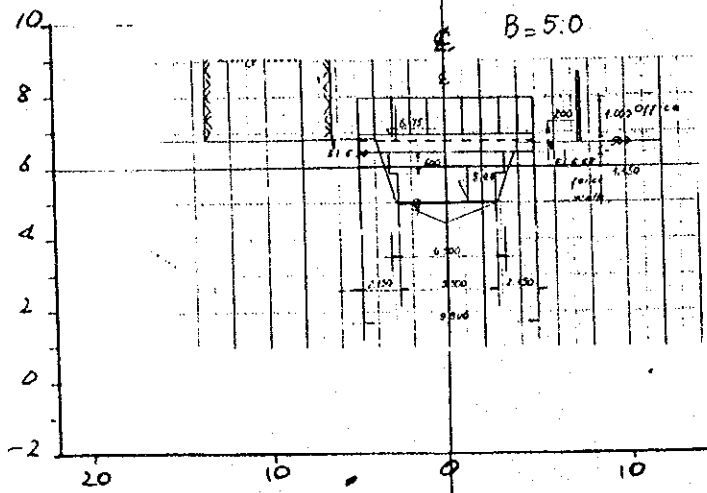
T4A-5 B=4.95



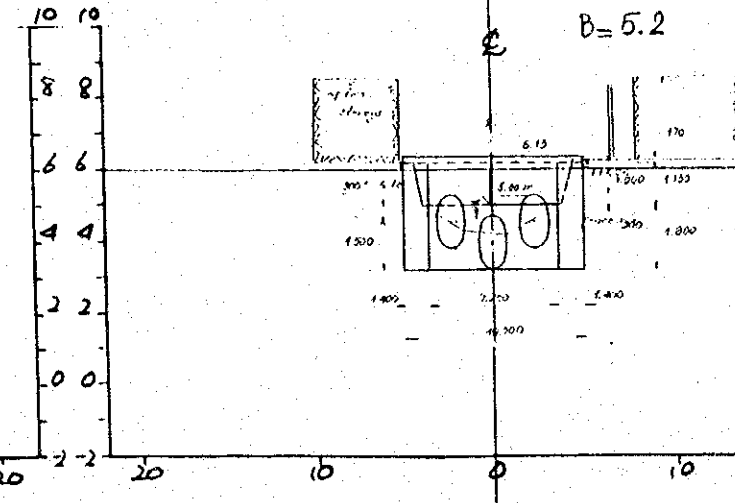
T4A-8 B=5.35



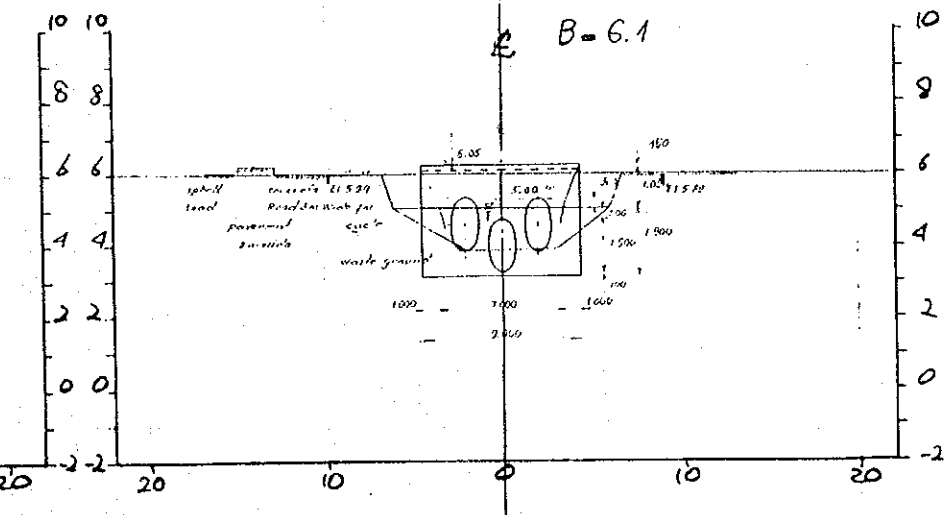
T4A-3 B=5.0

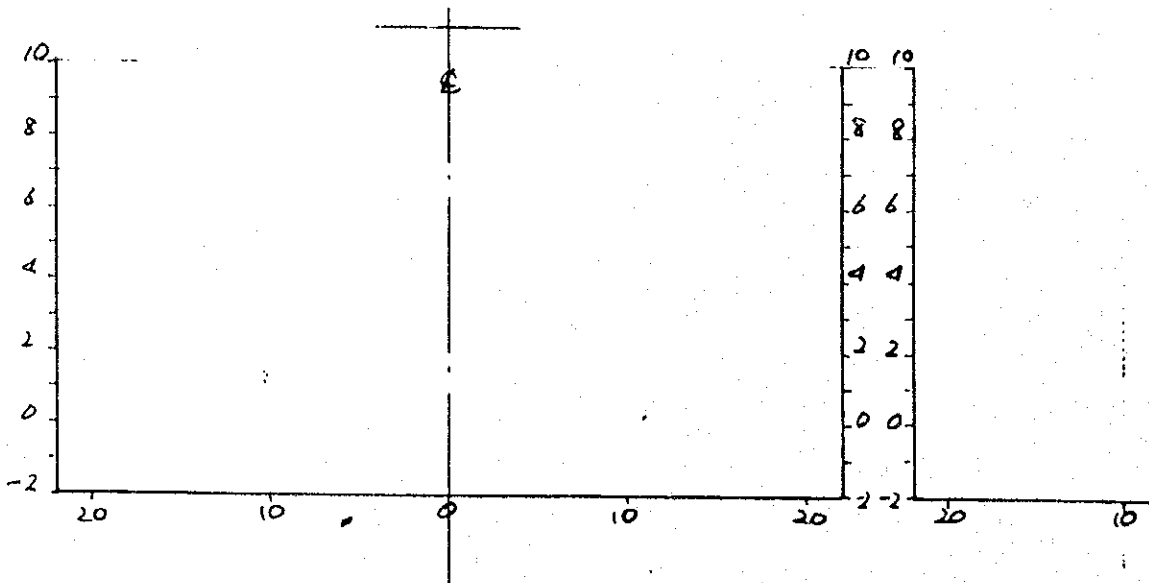
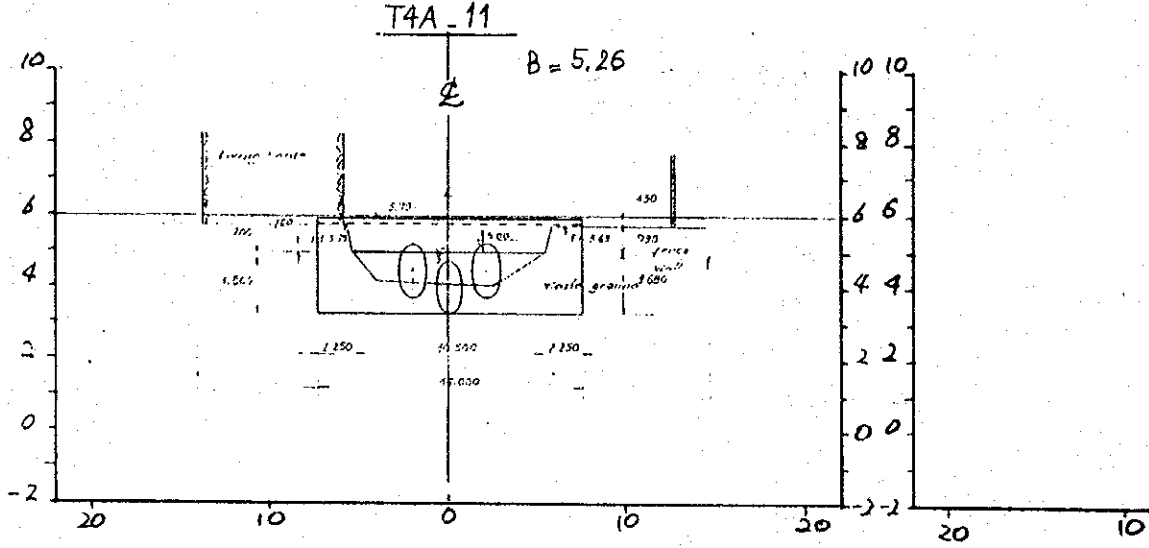
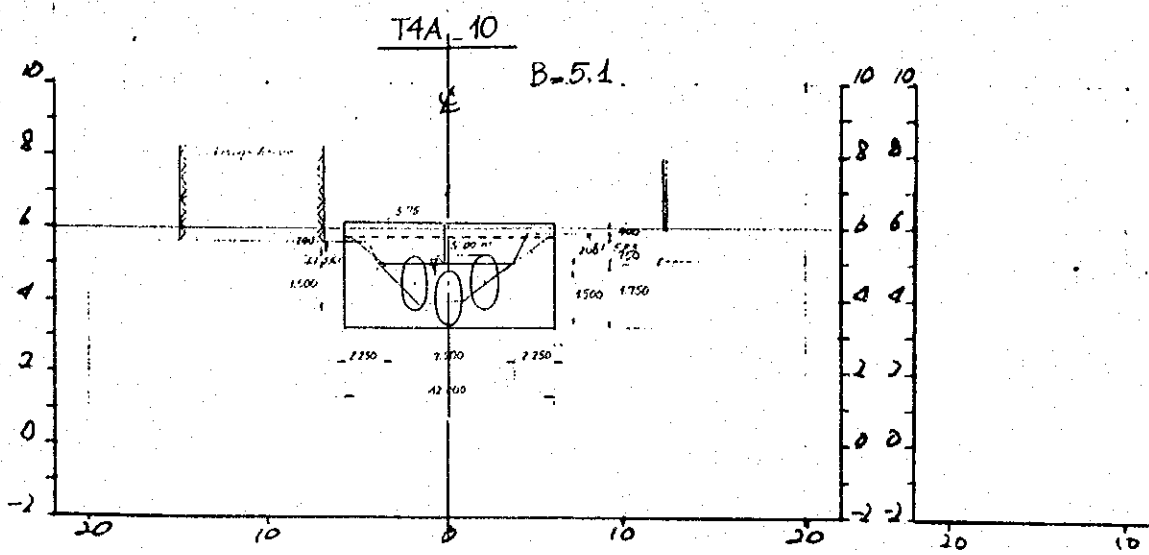


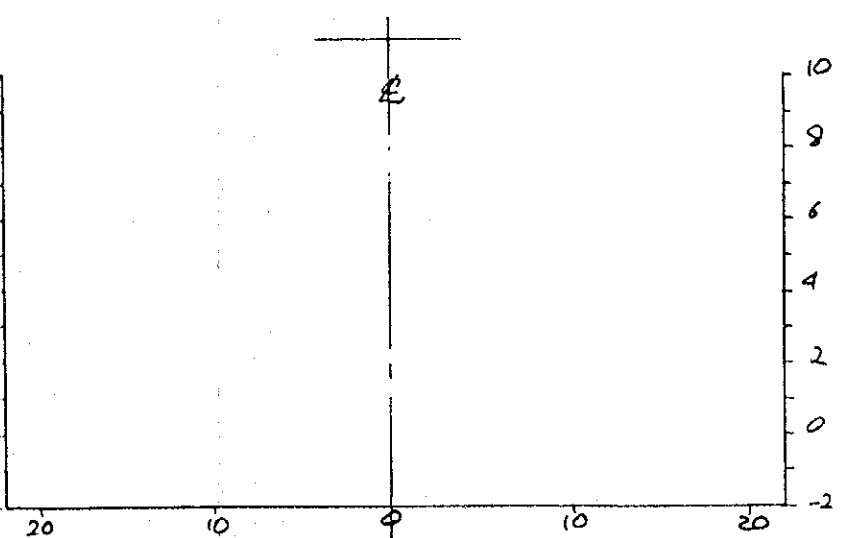
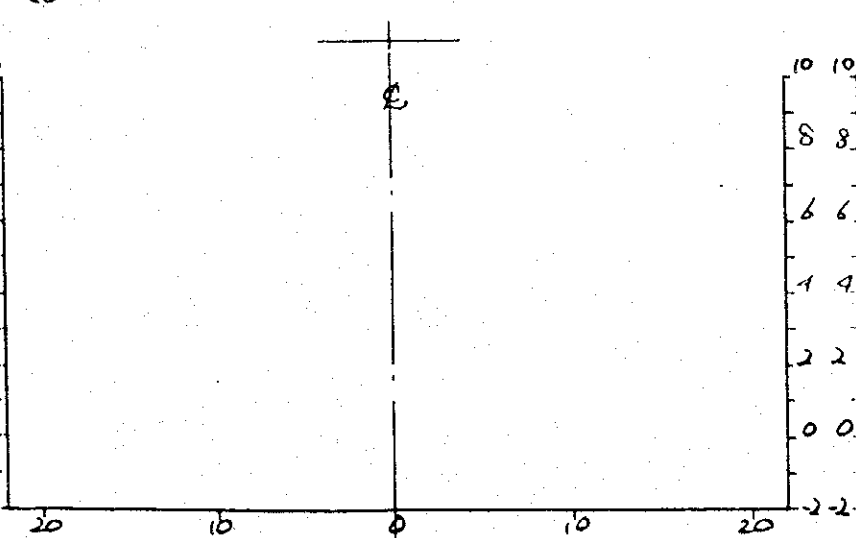
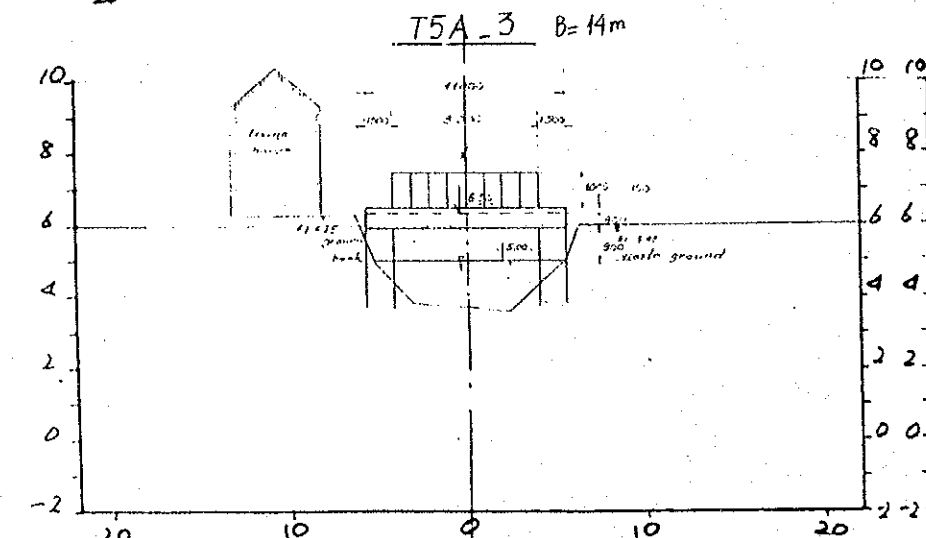
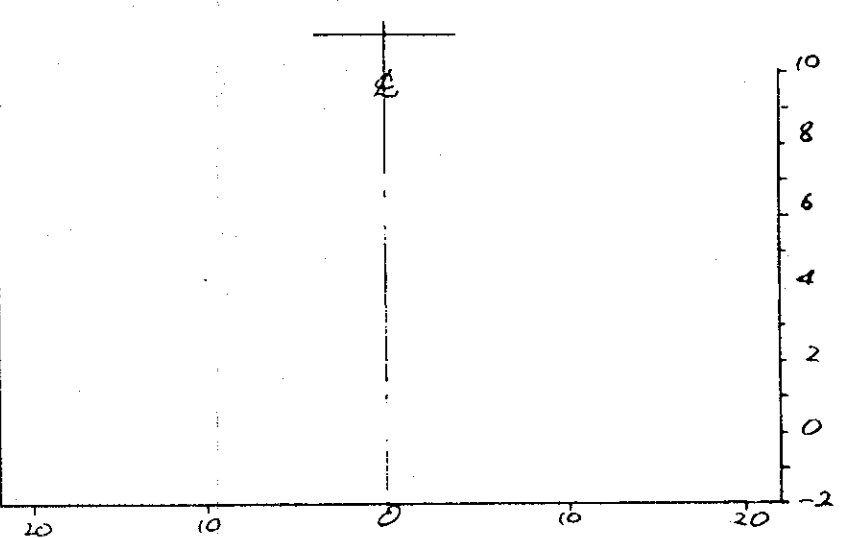
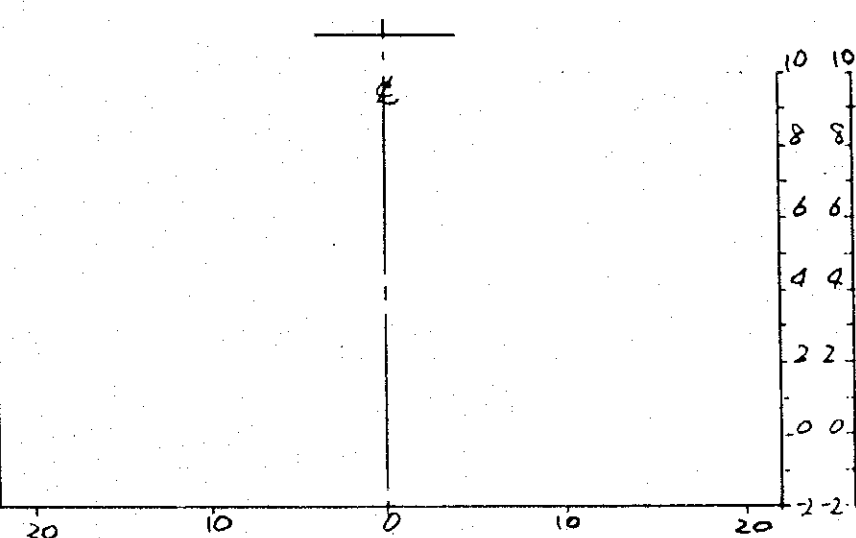
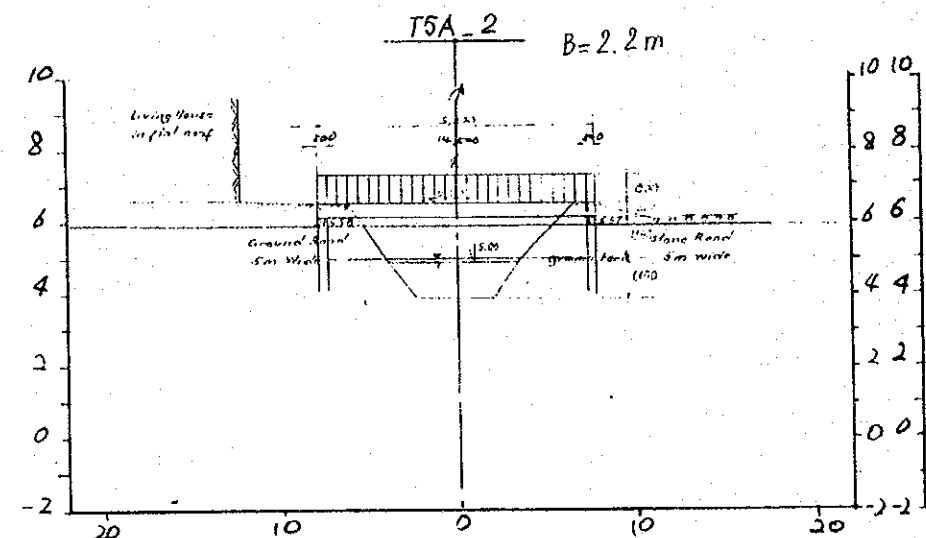
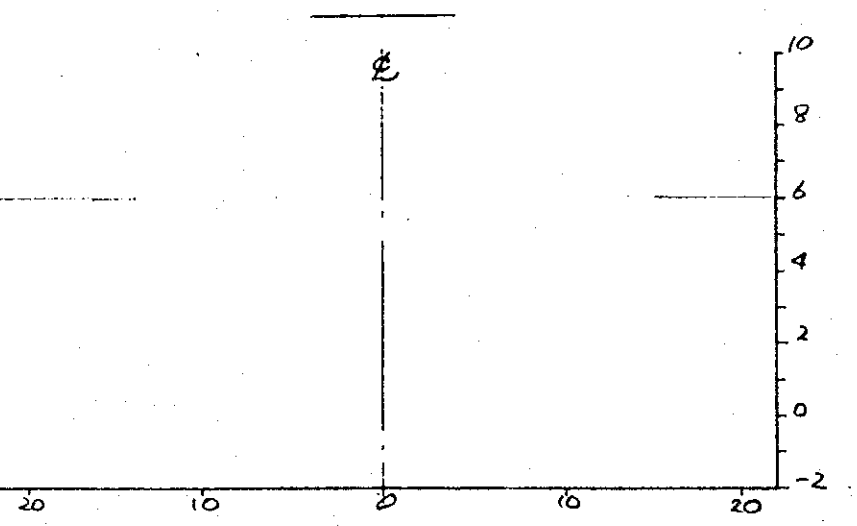
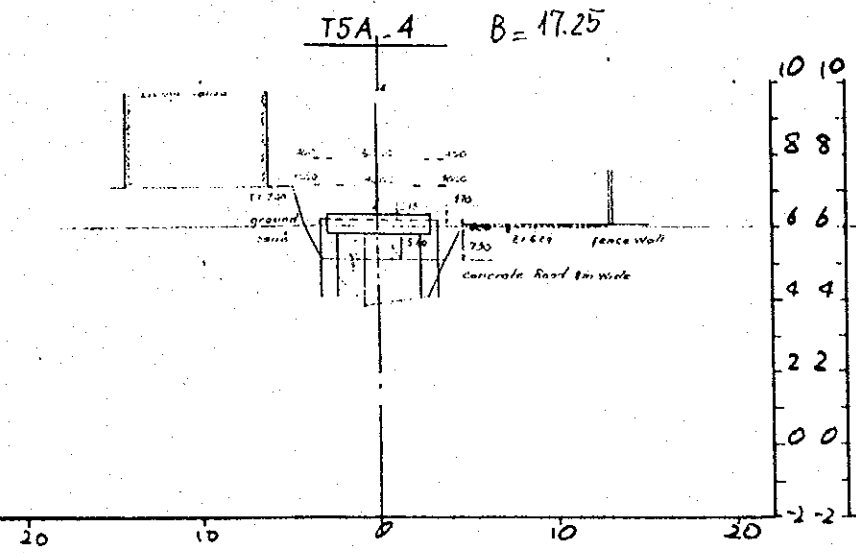
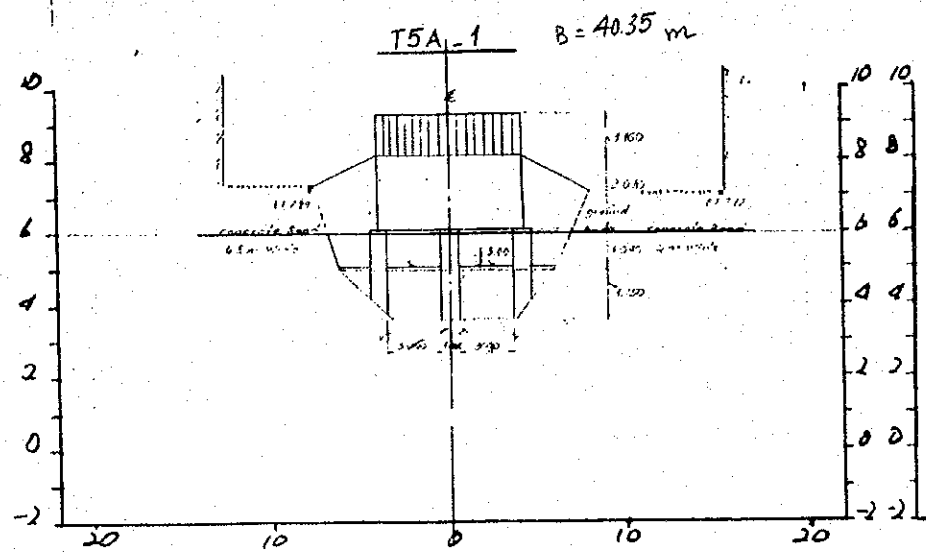
T4A-6 B=5.2

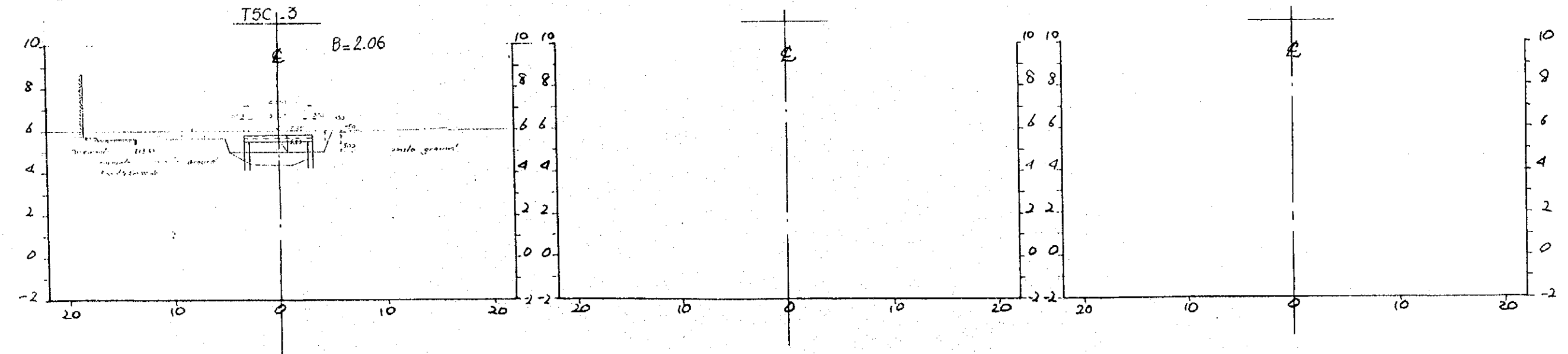
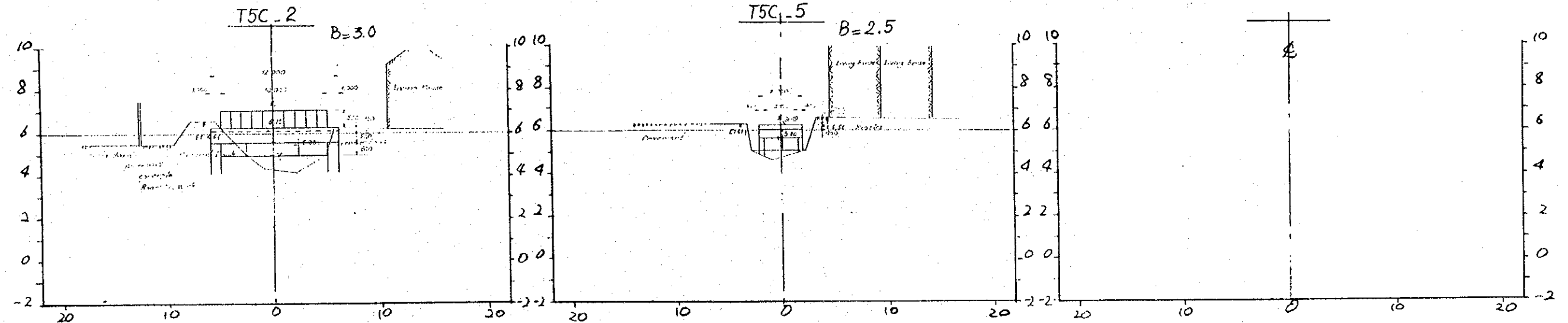
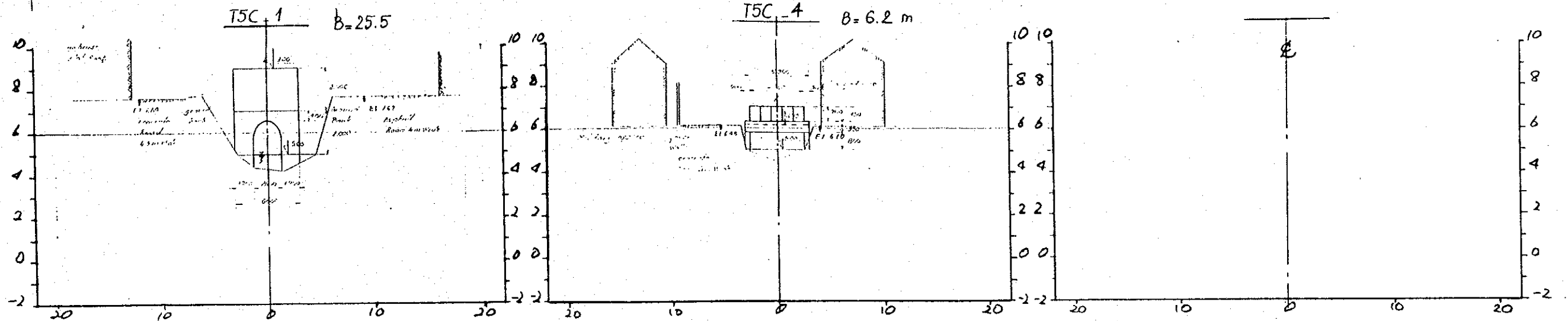


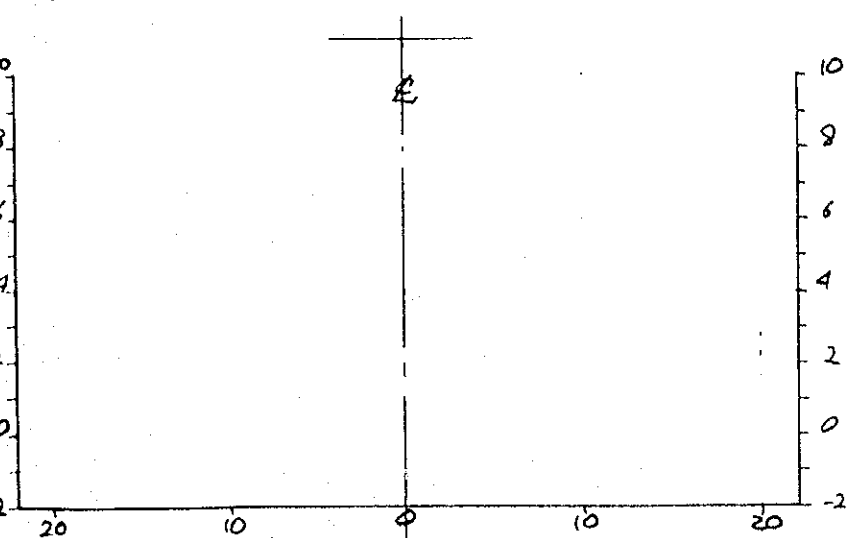
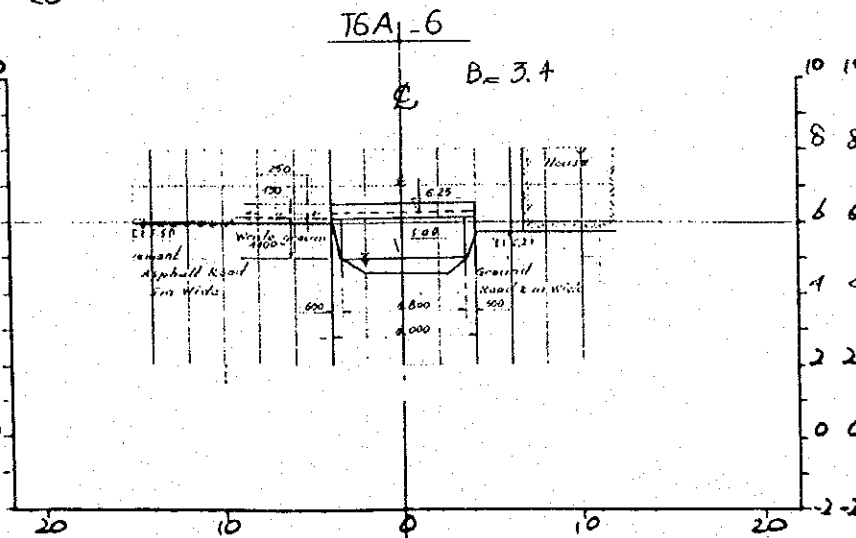
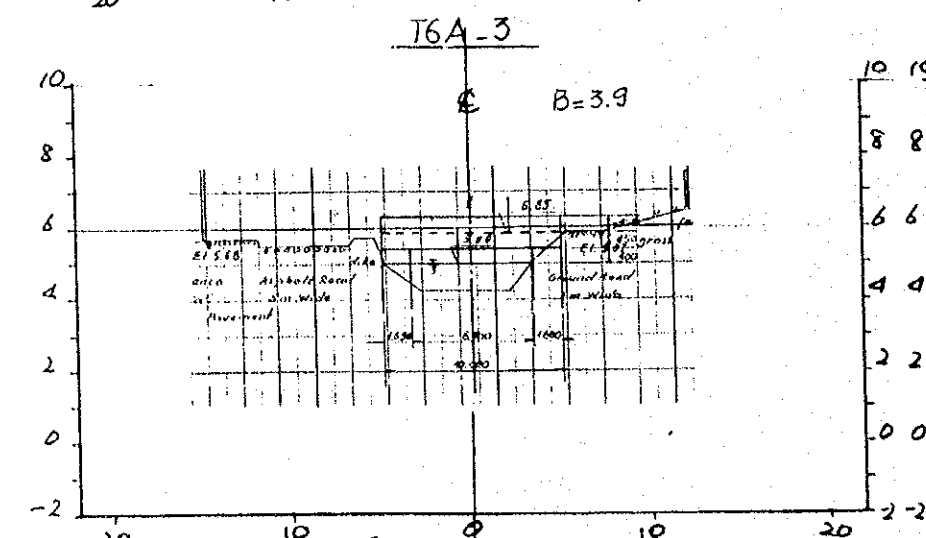
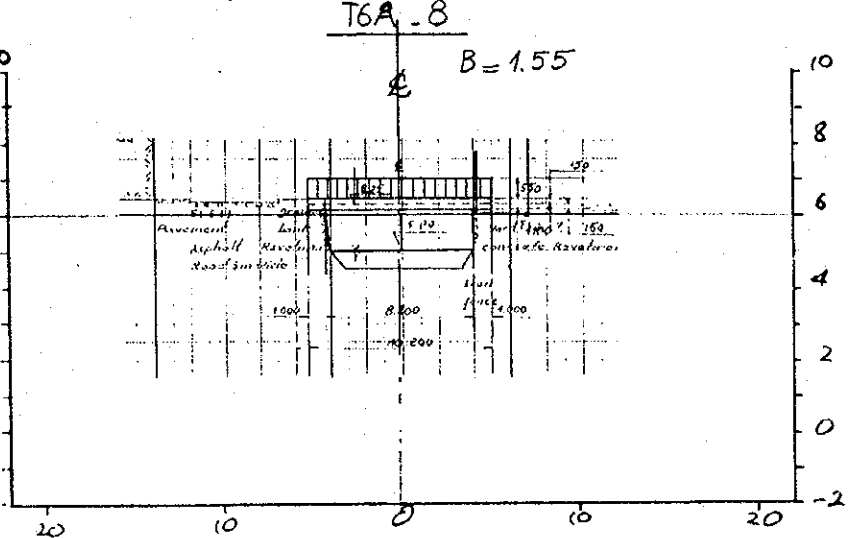
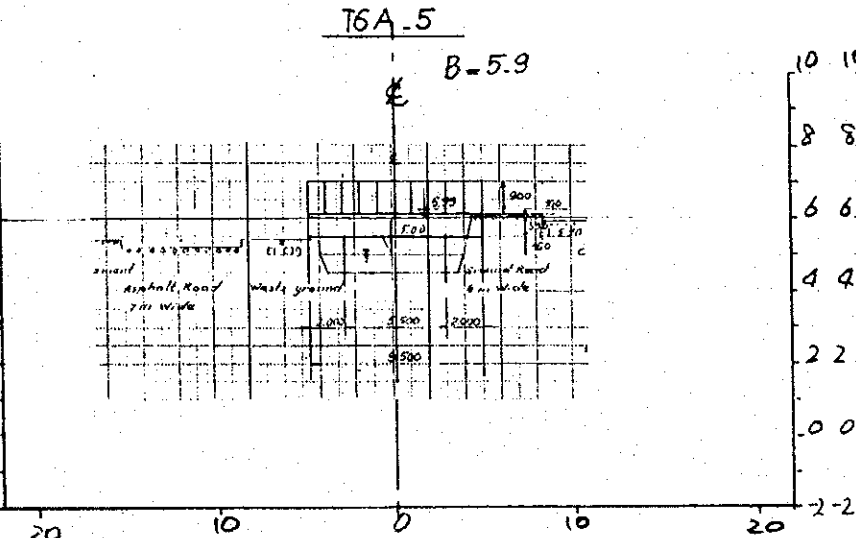
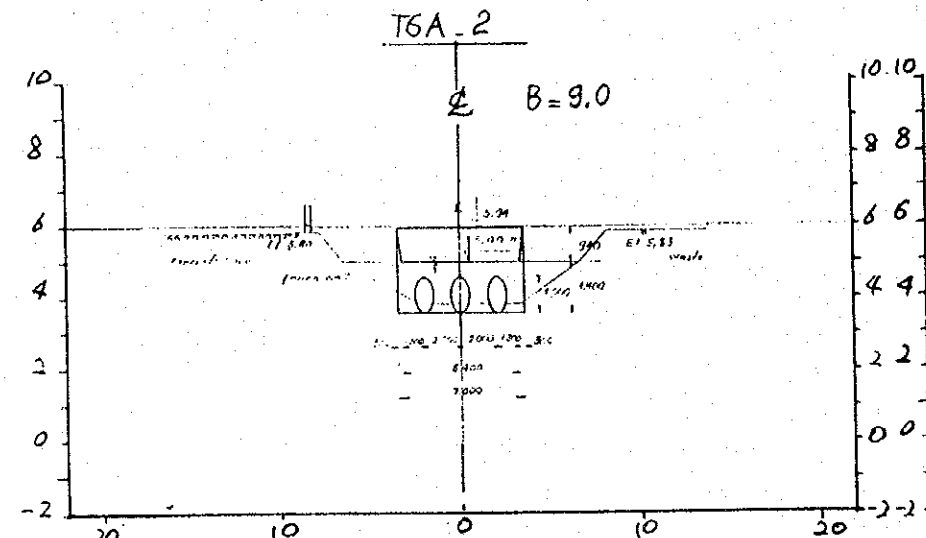
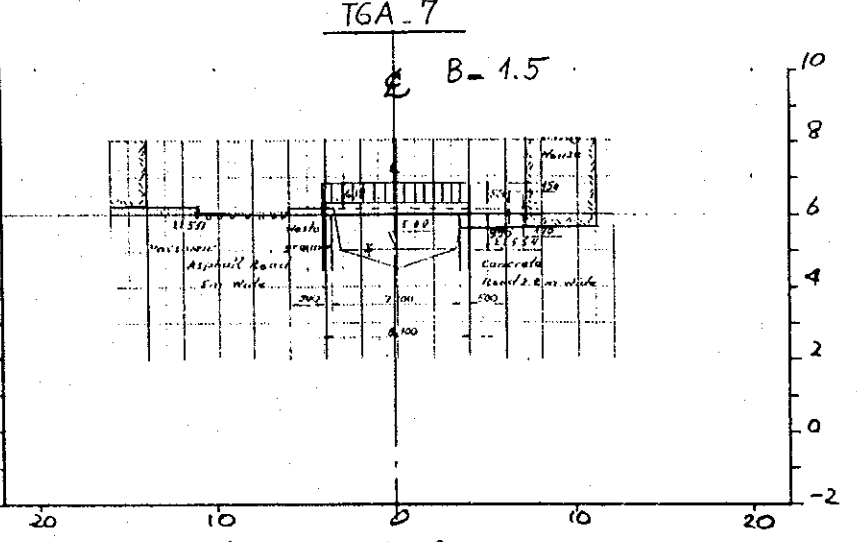
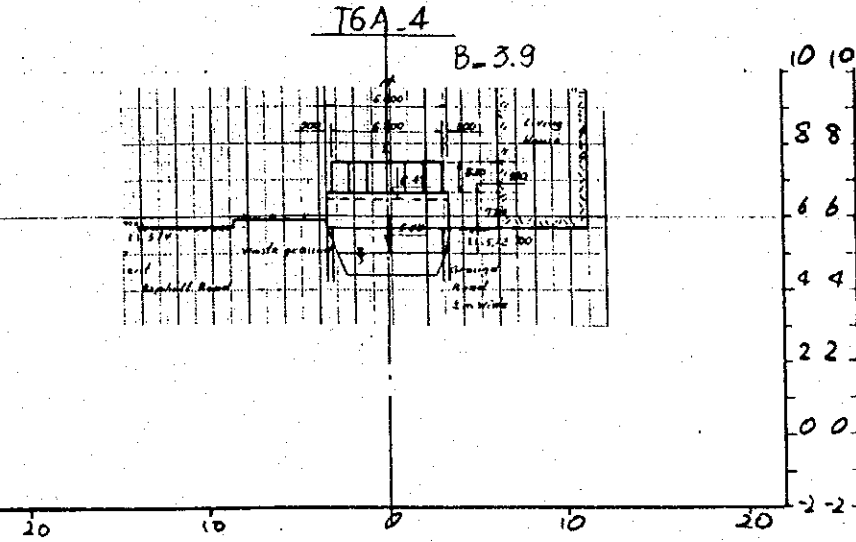
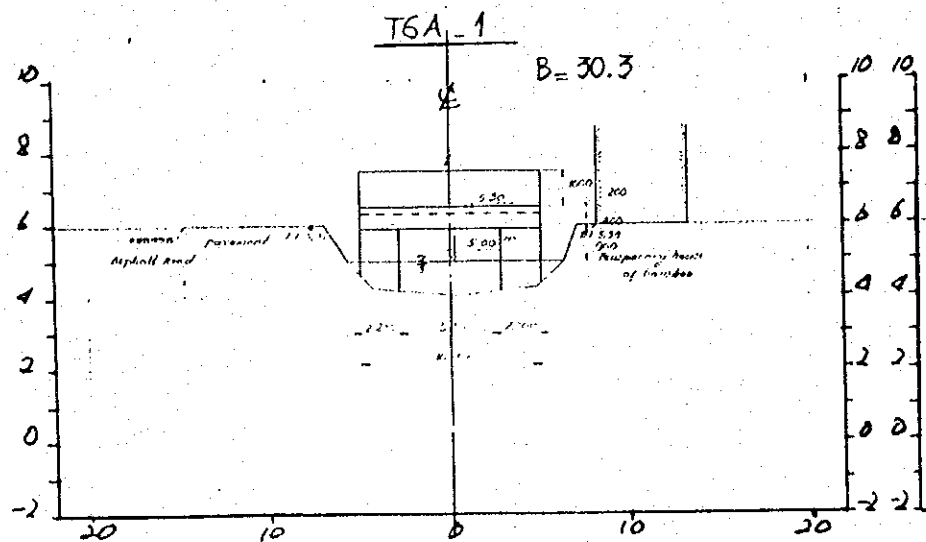
T4A-9 B=6.1





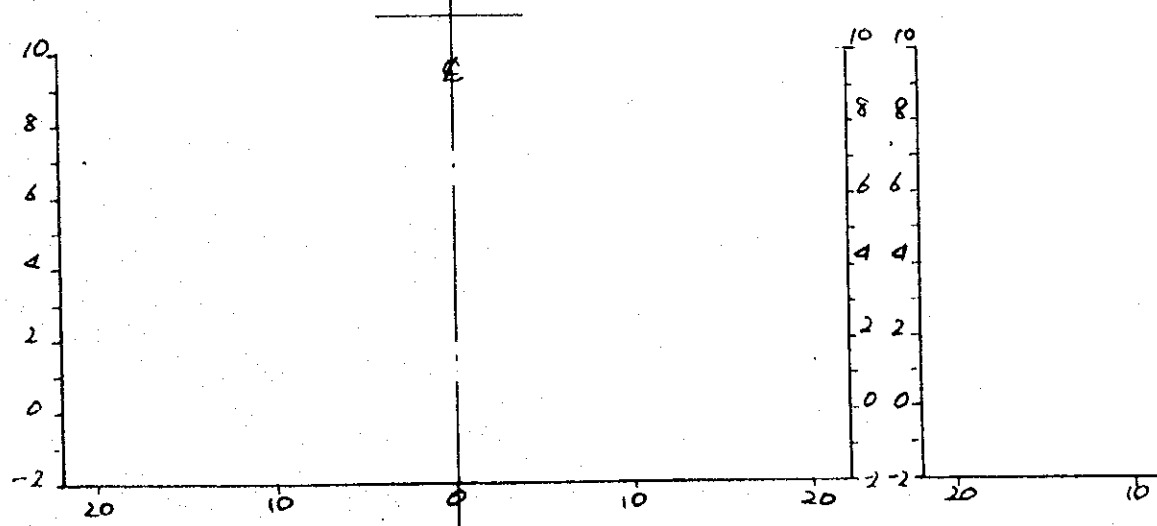
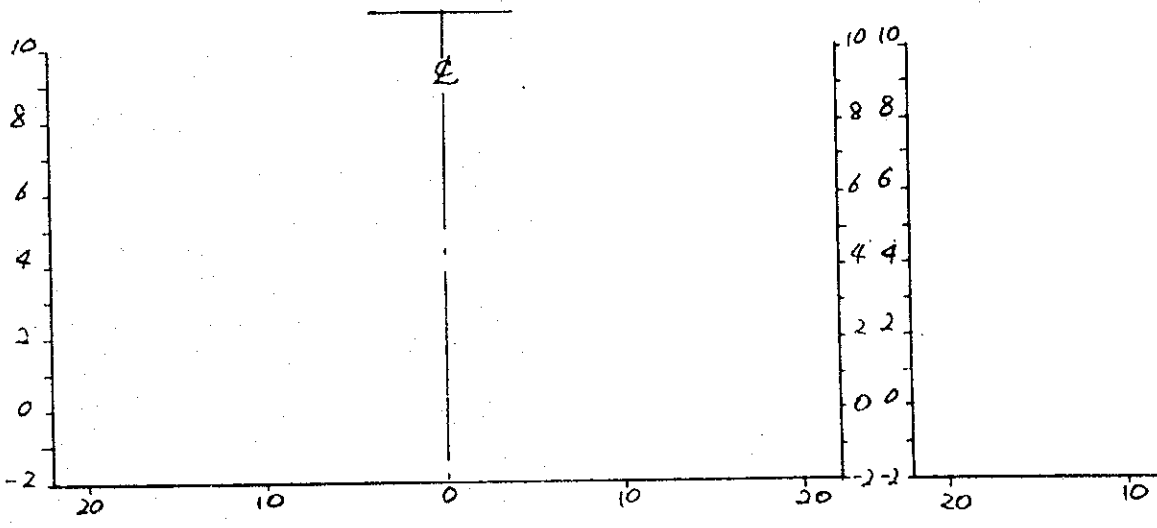
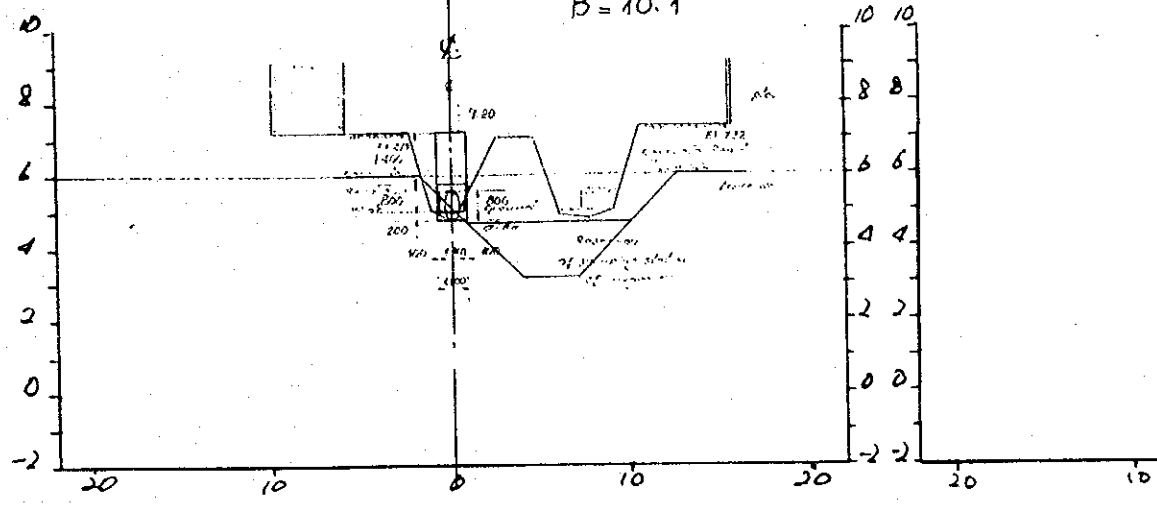






T8A-1

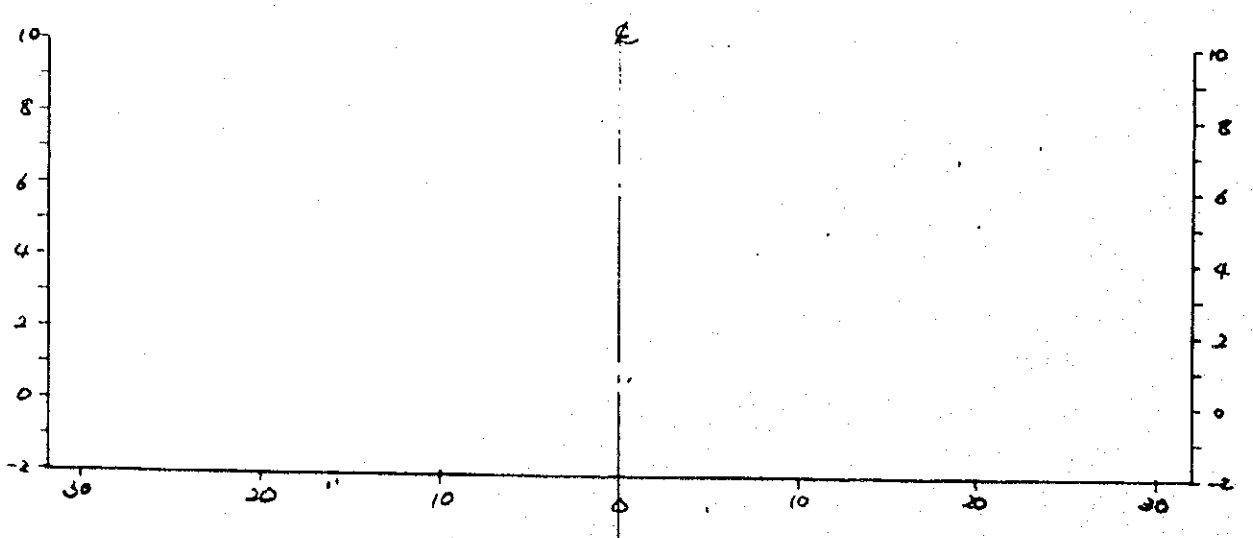
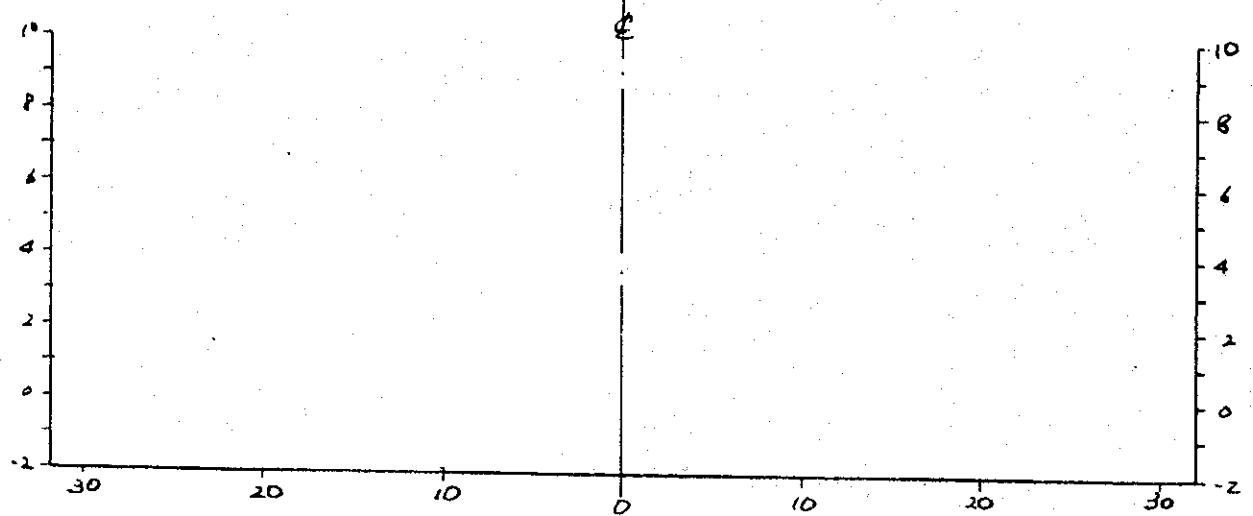
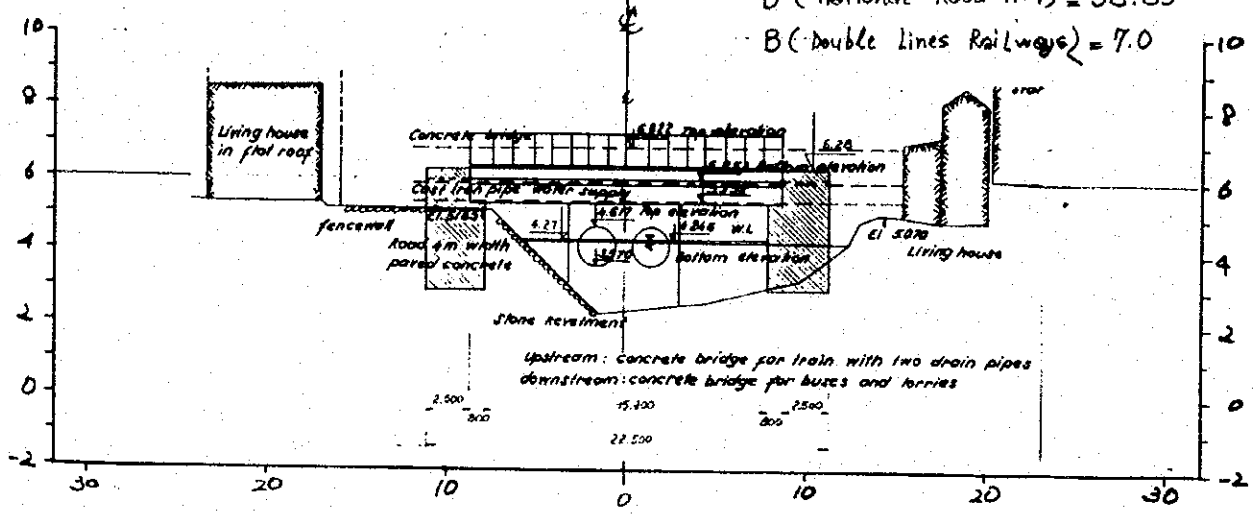
B = 10.1

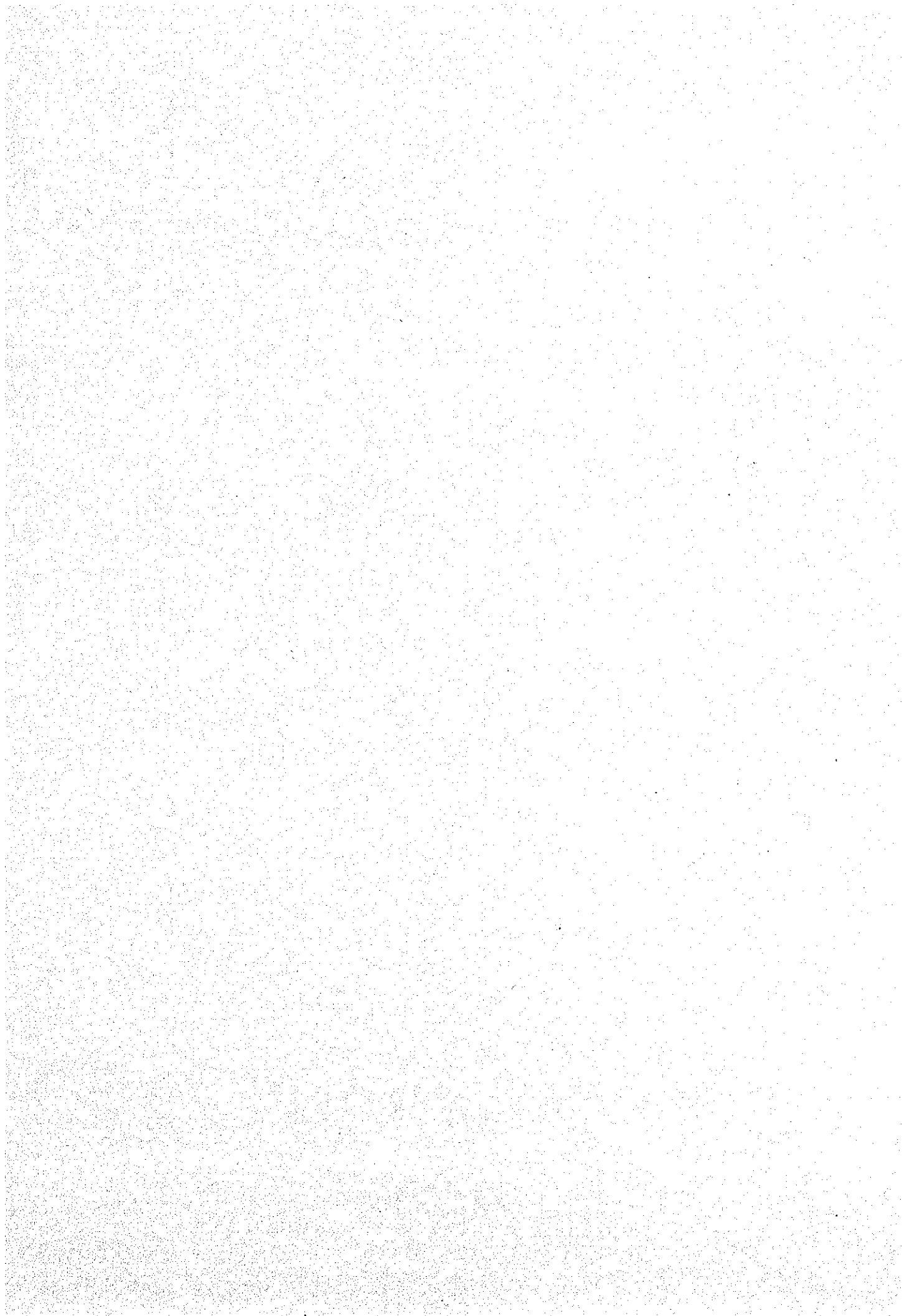


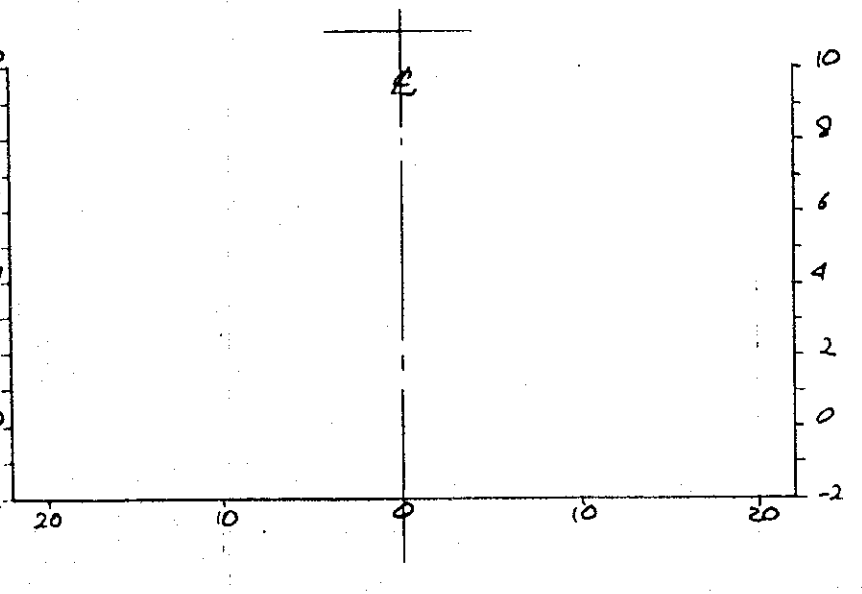
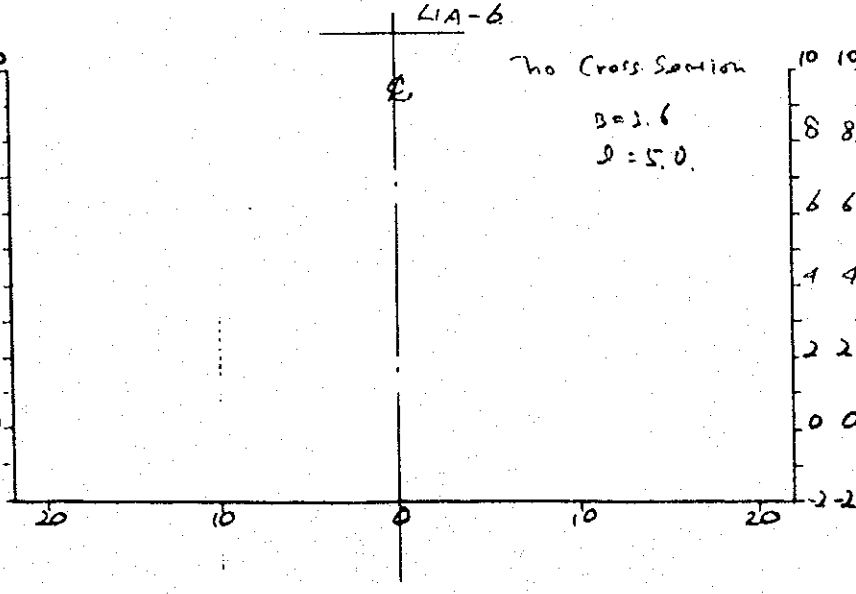
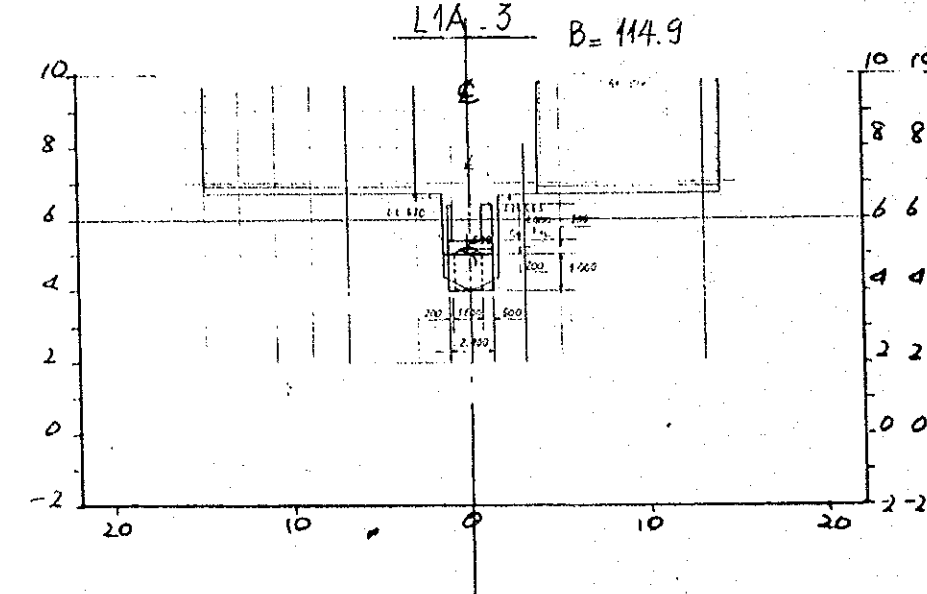
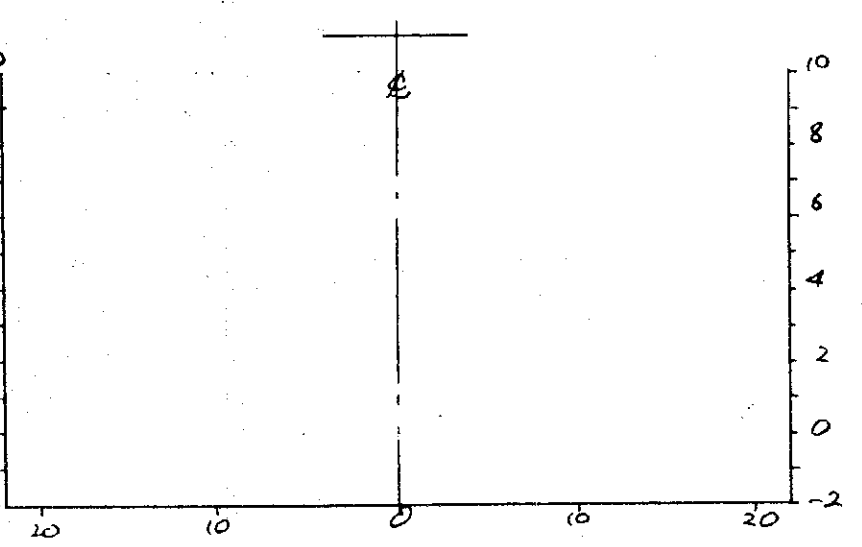
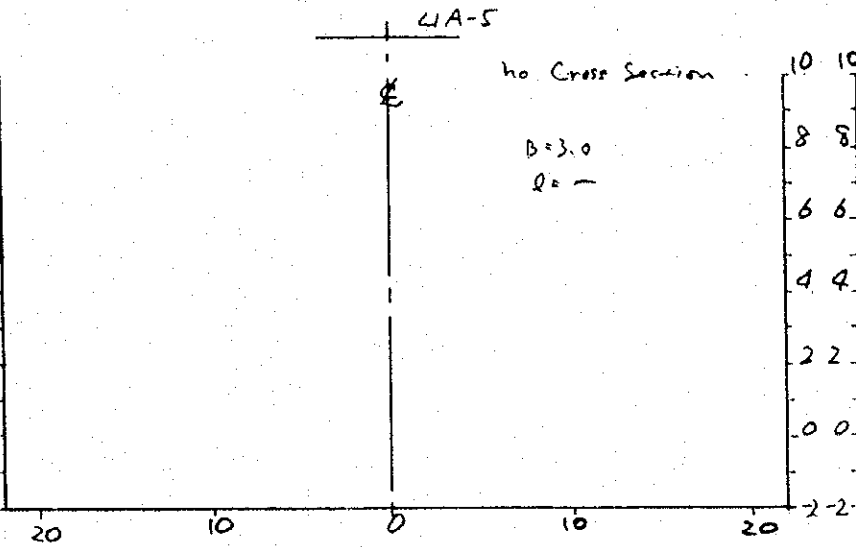
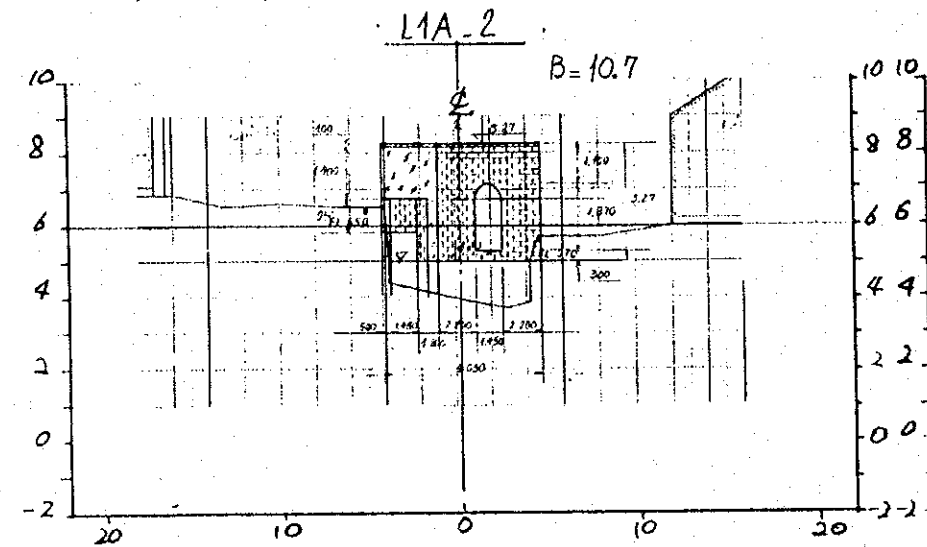
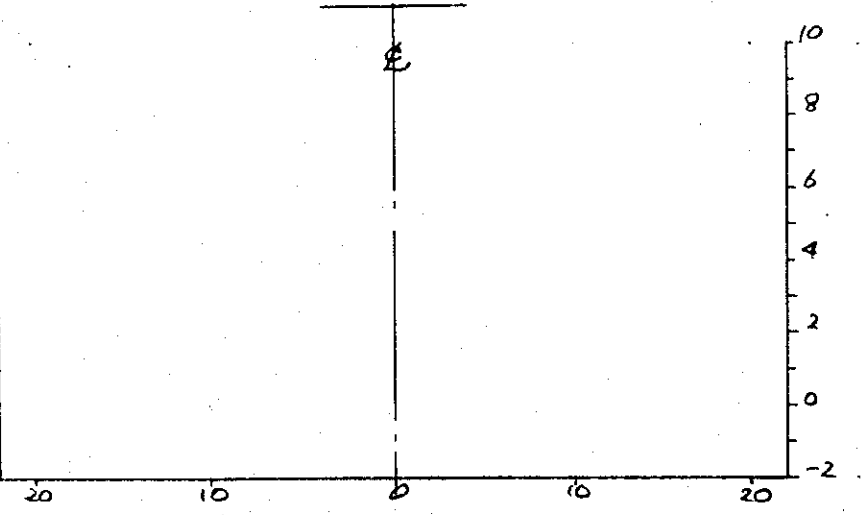
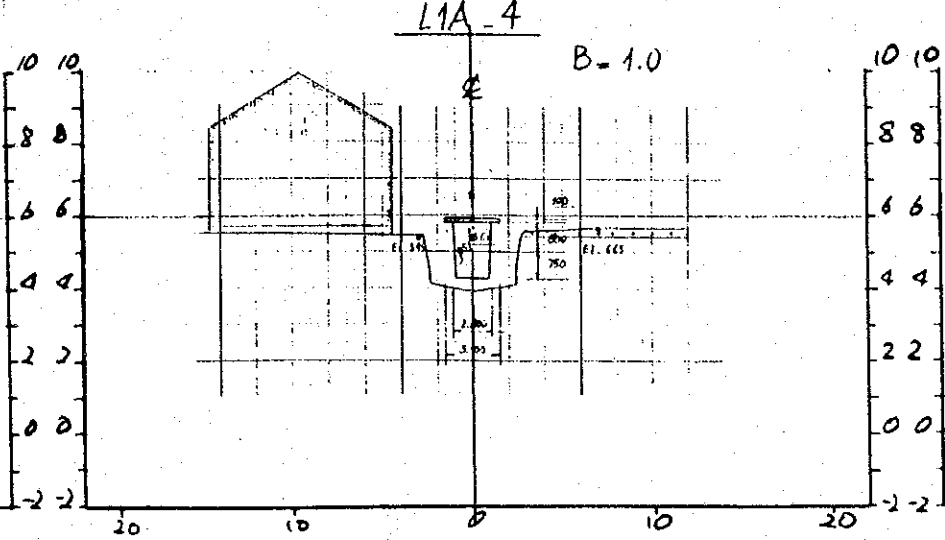
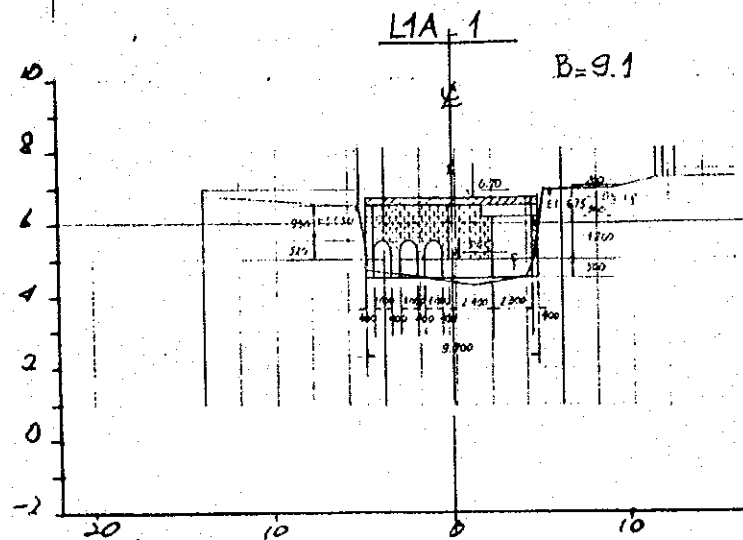
FLK.0.4

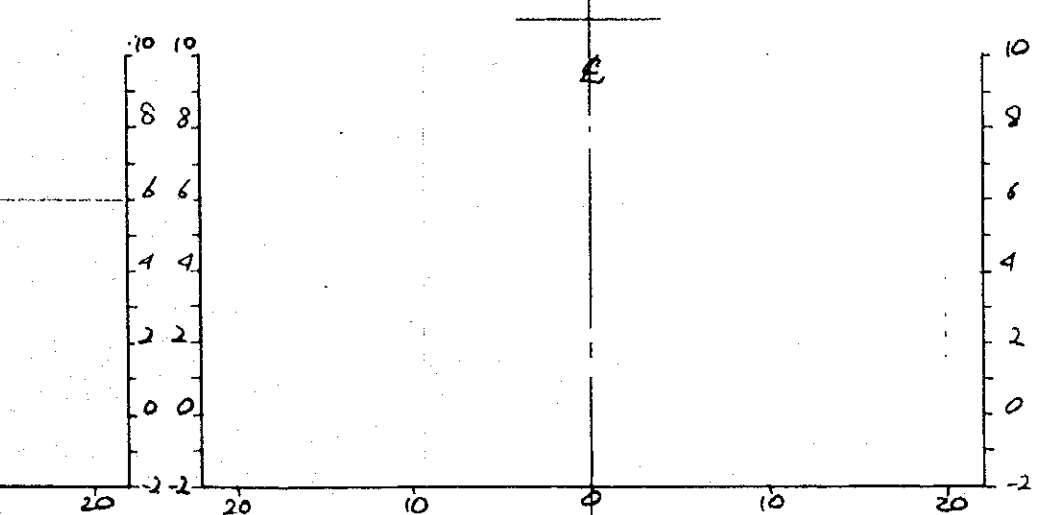
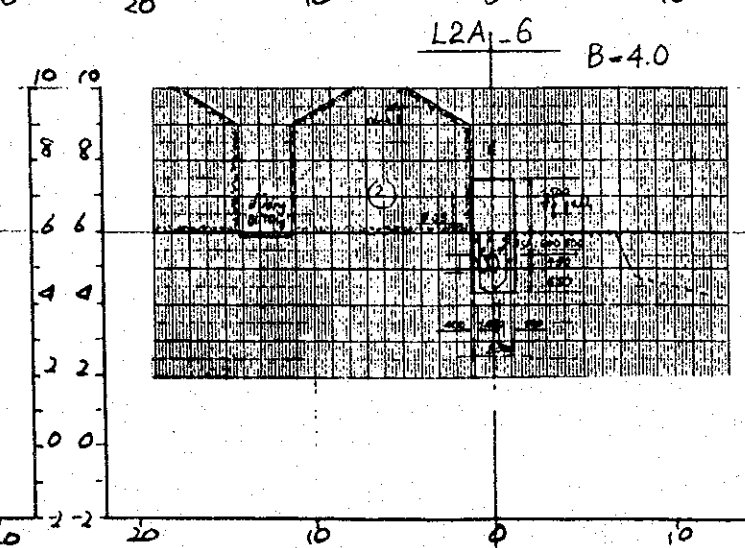
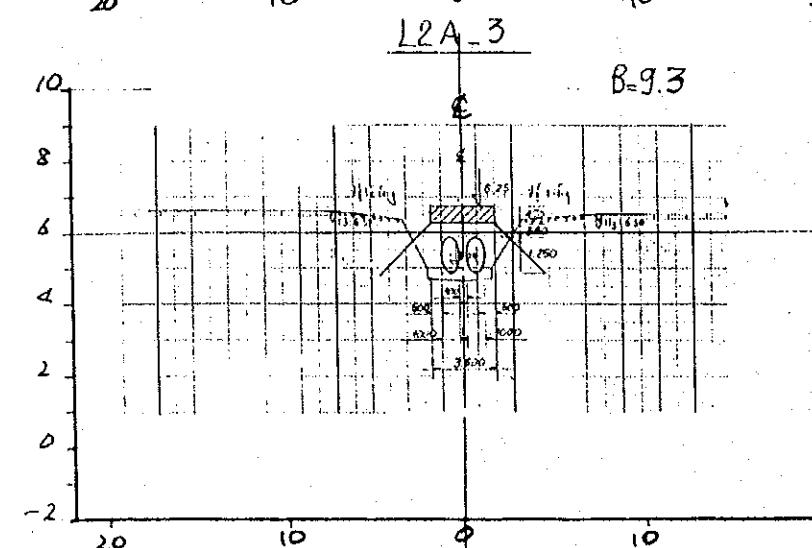
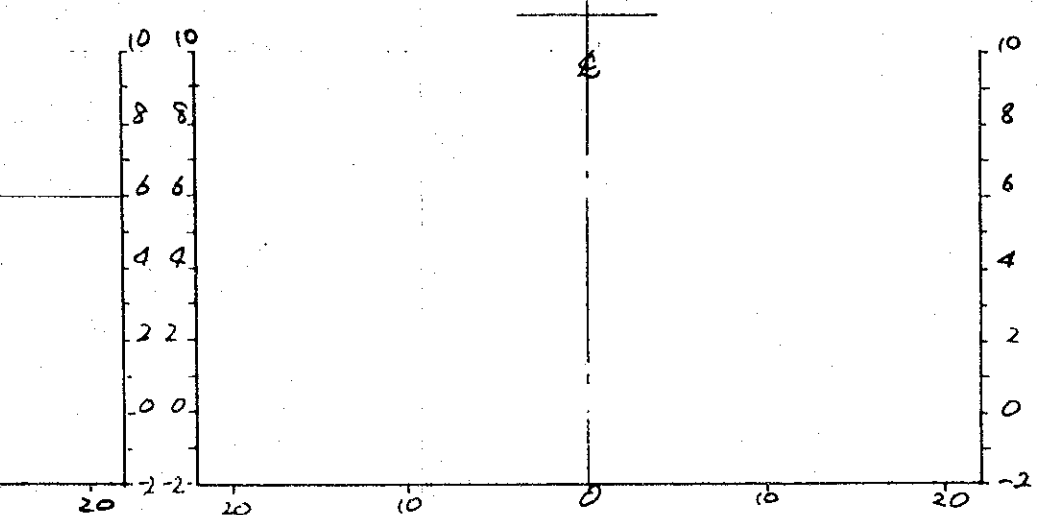
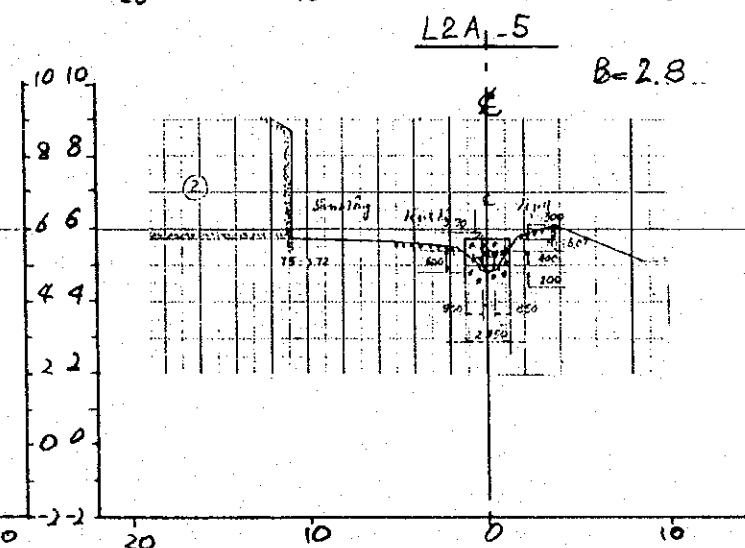
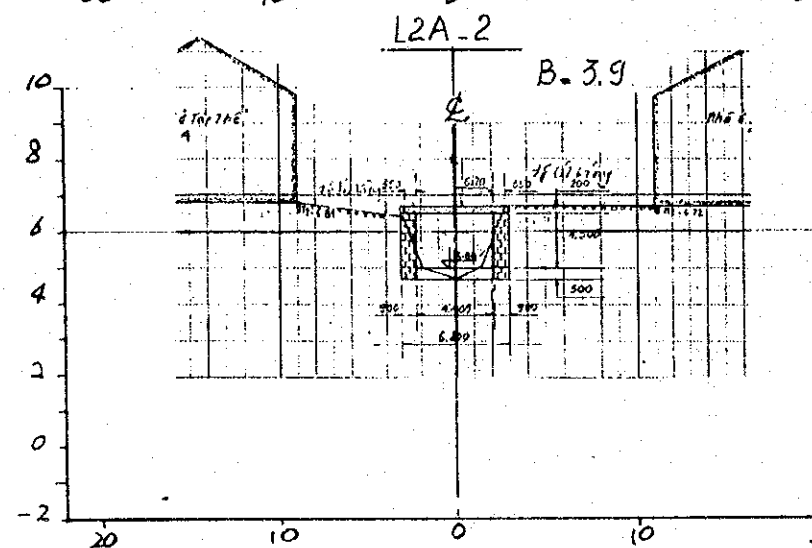
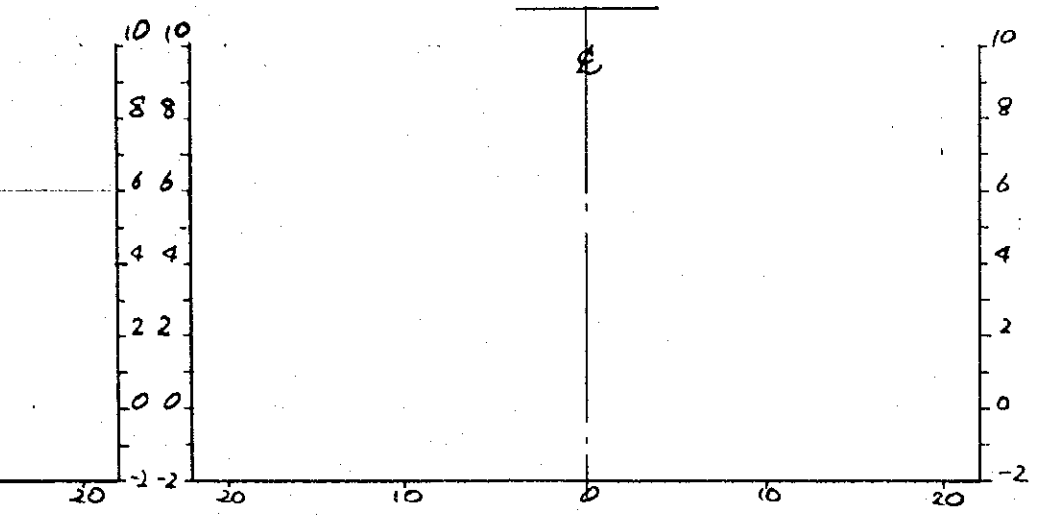
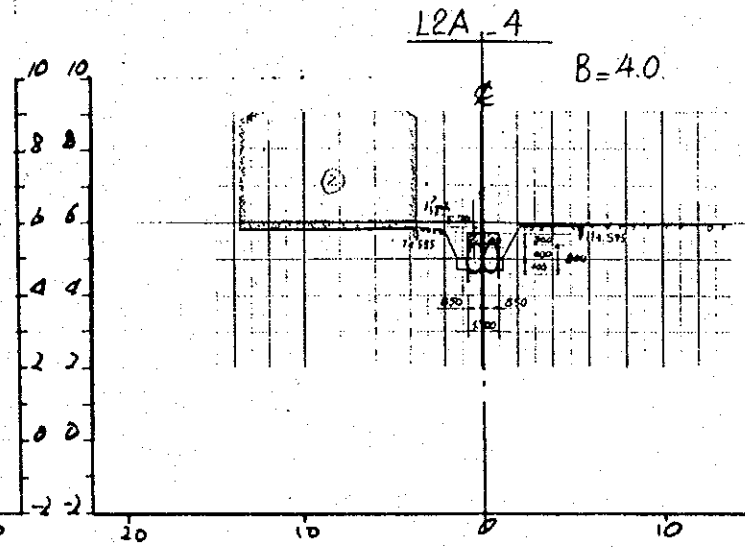
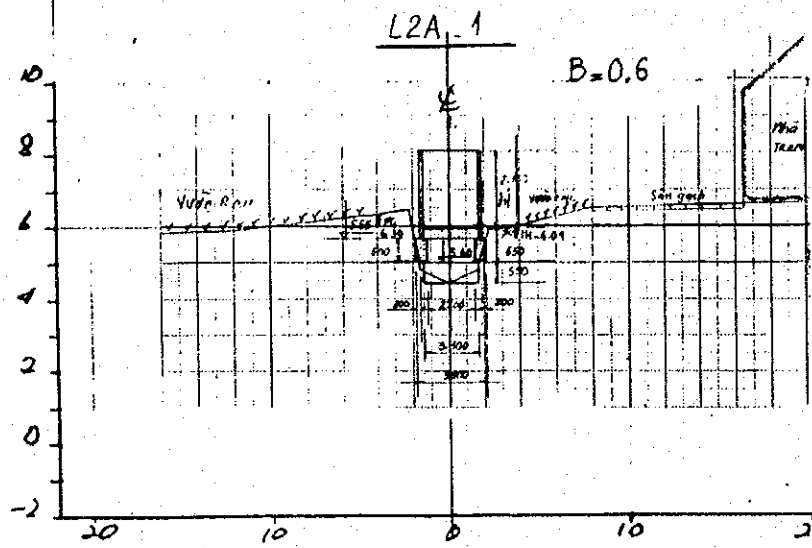
B (National Road No.1) = 38.85

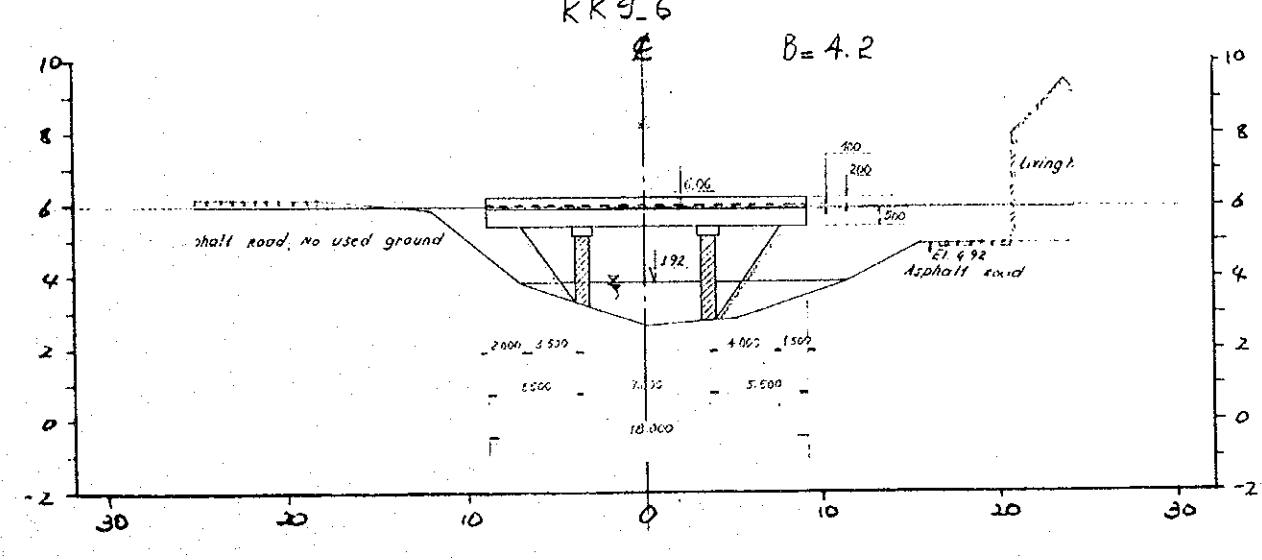
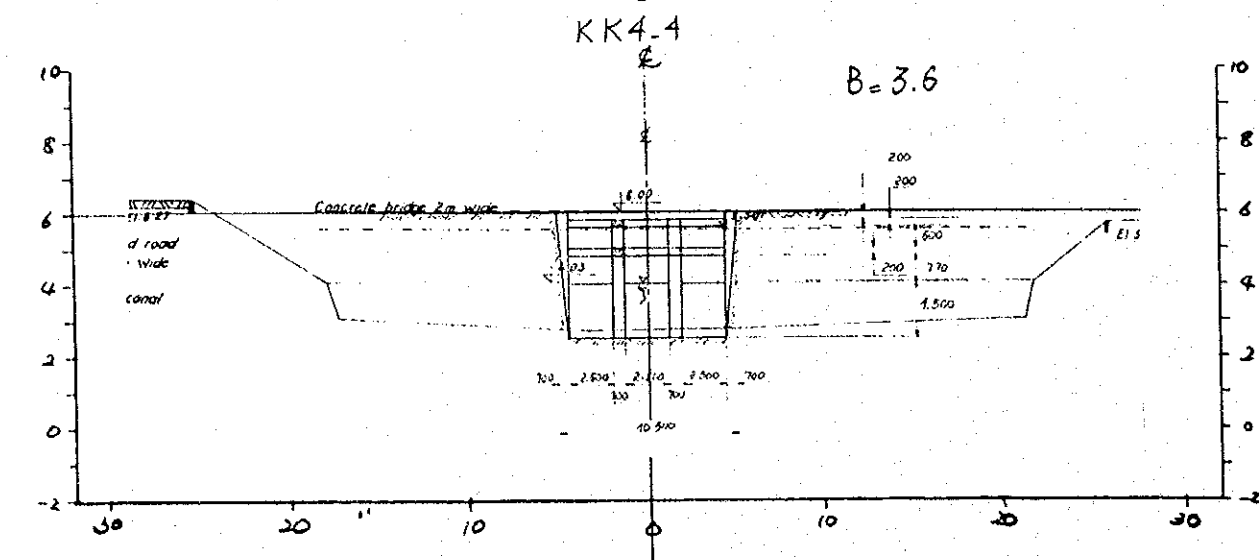
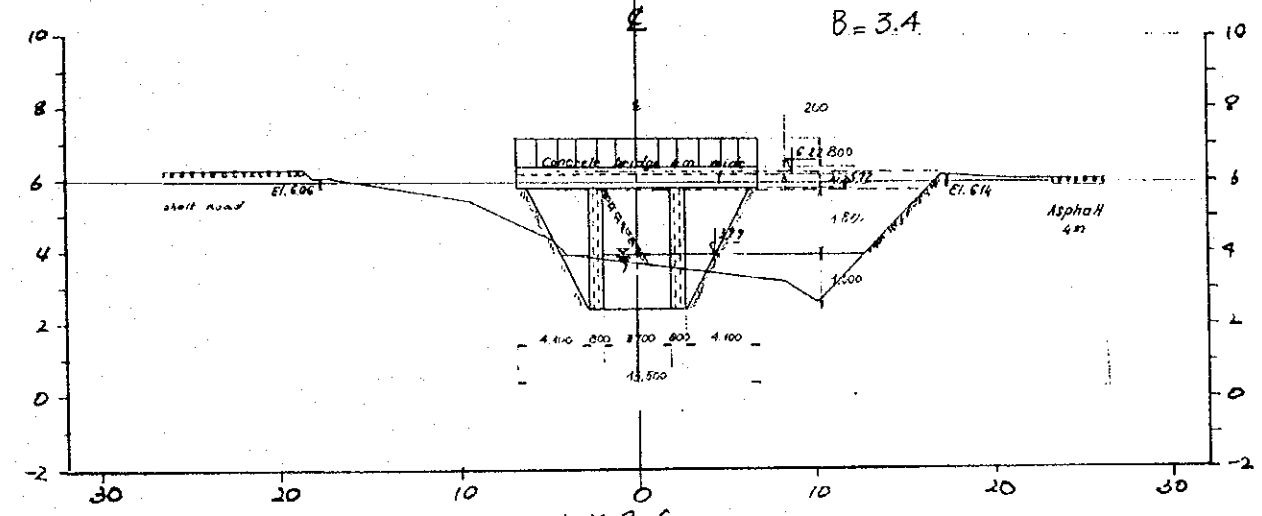
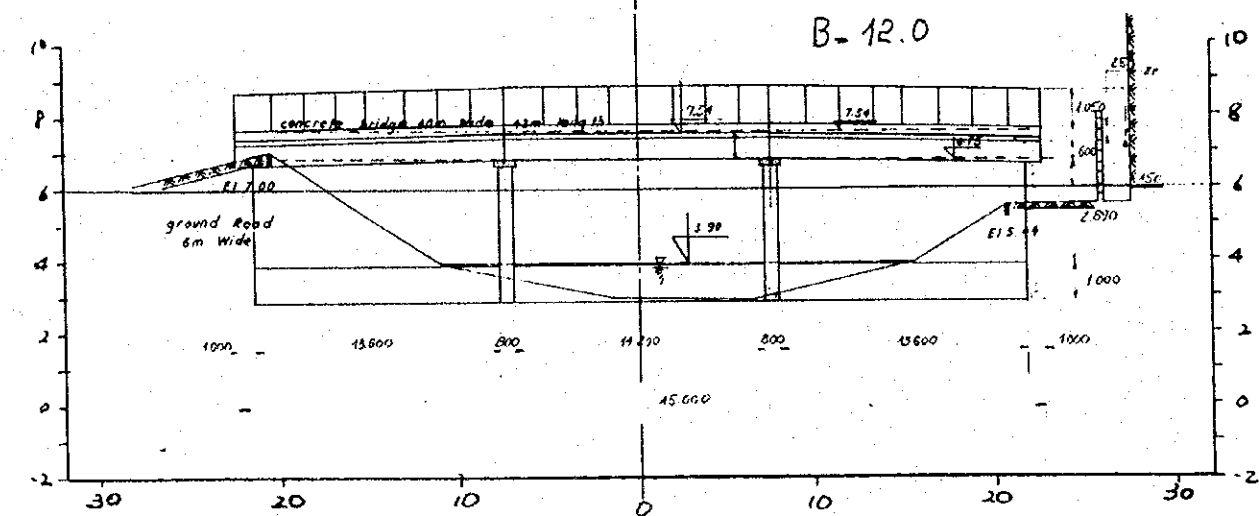
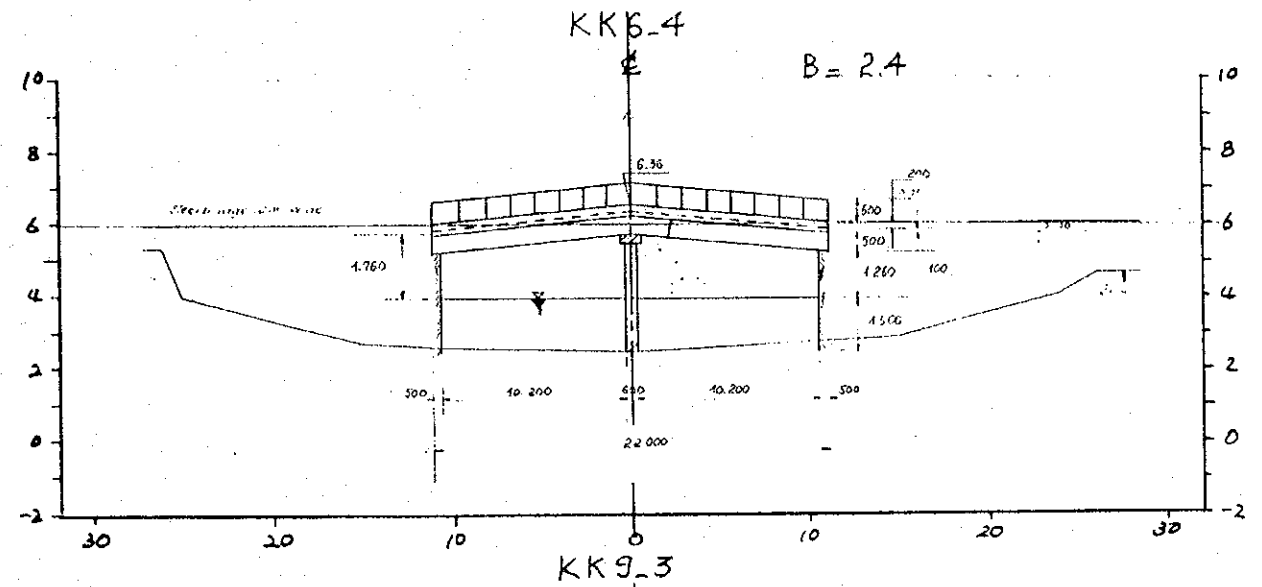
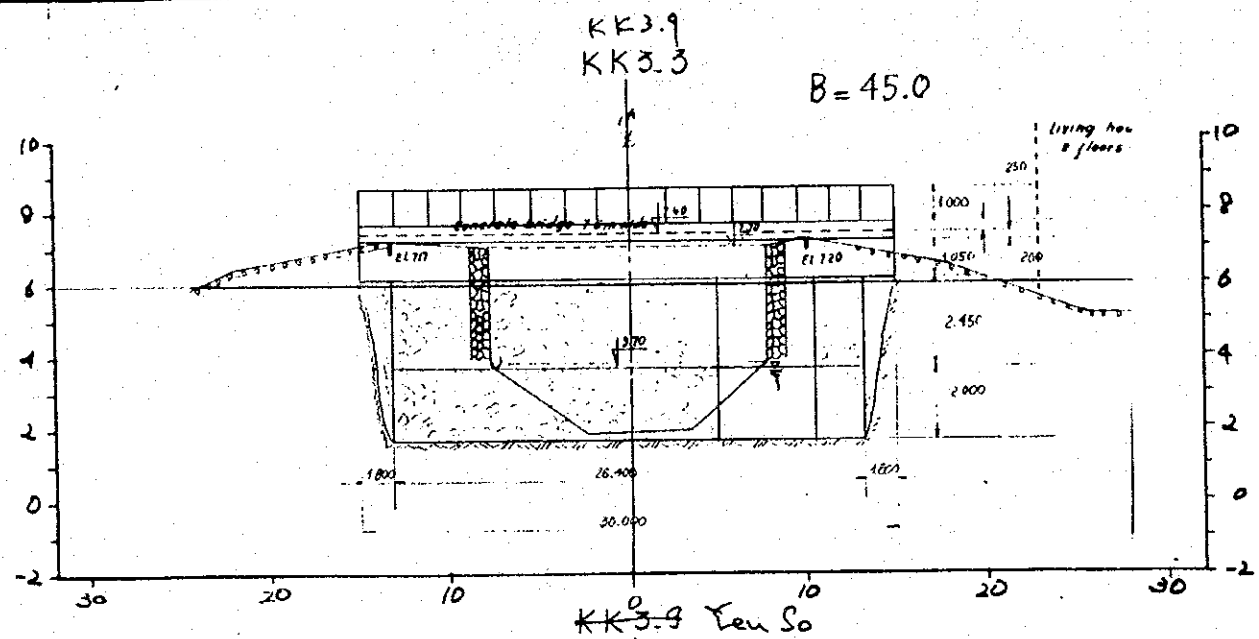
B (Double Lines Railways) = 7.0

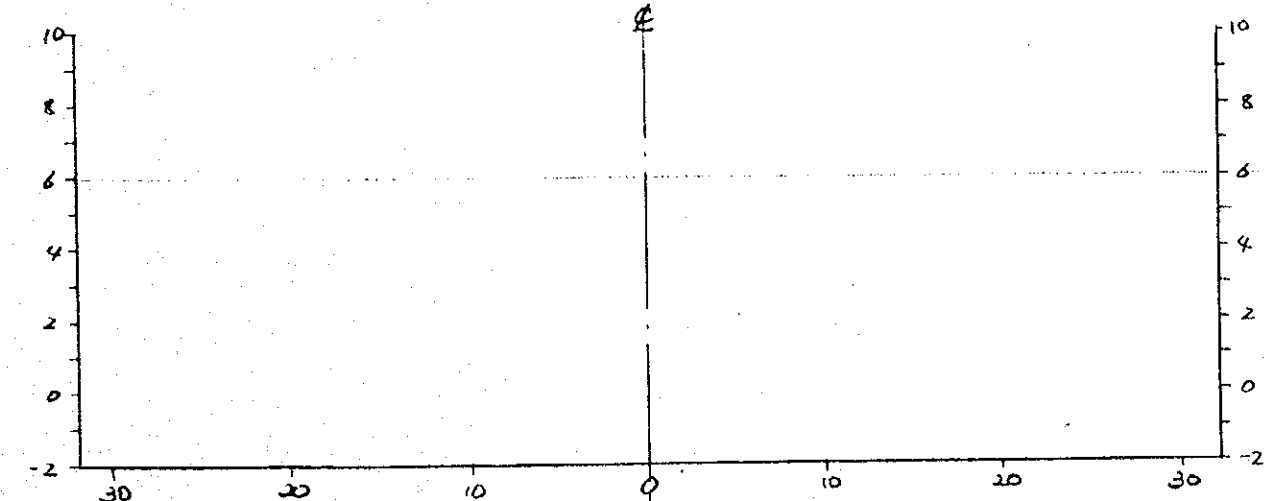
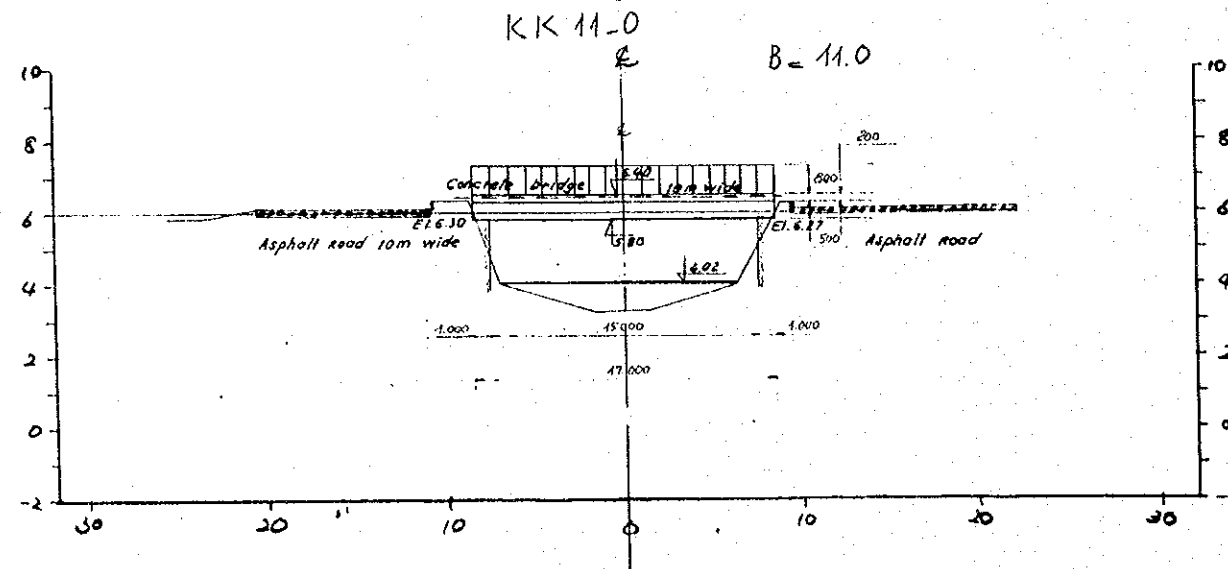
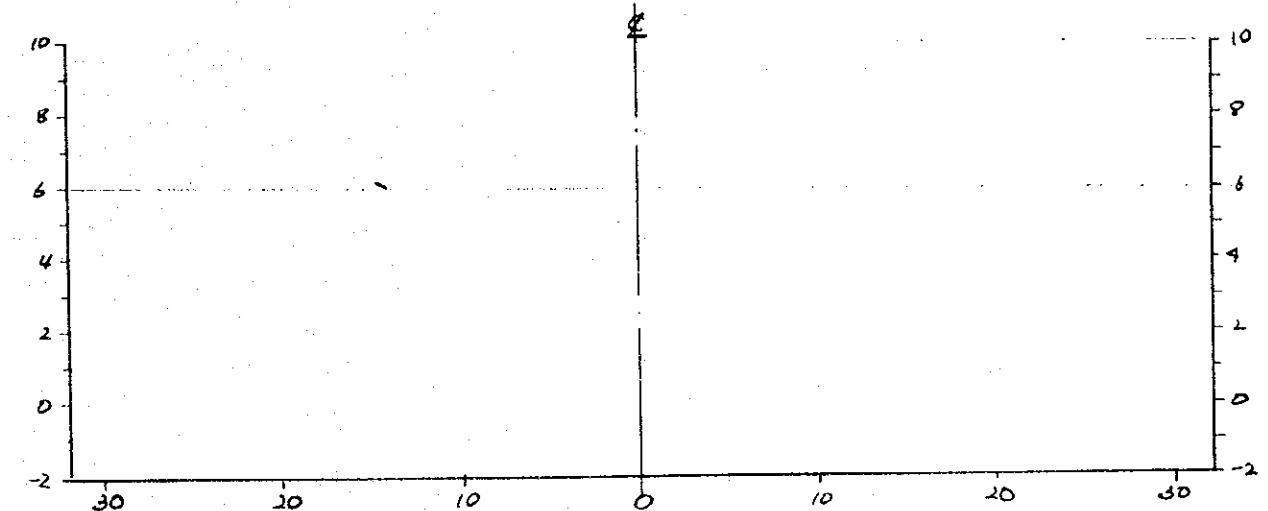
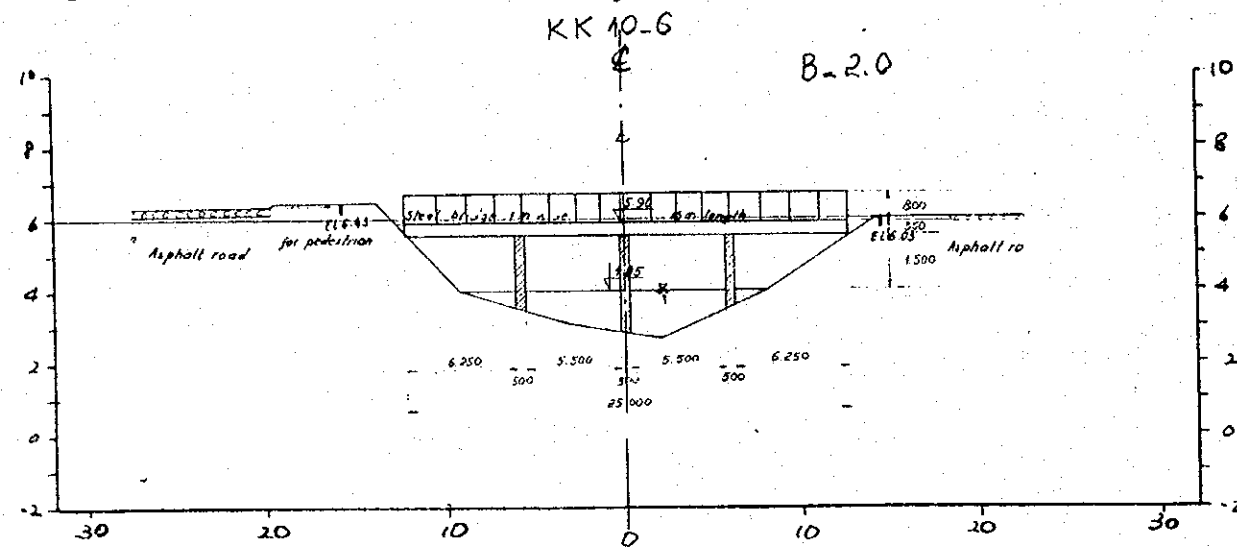
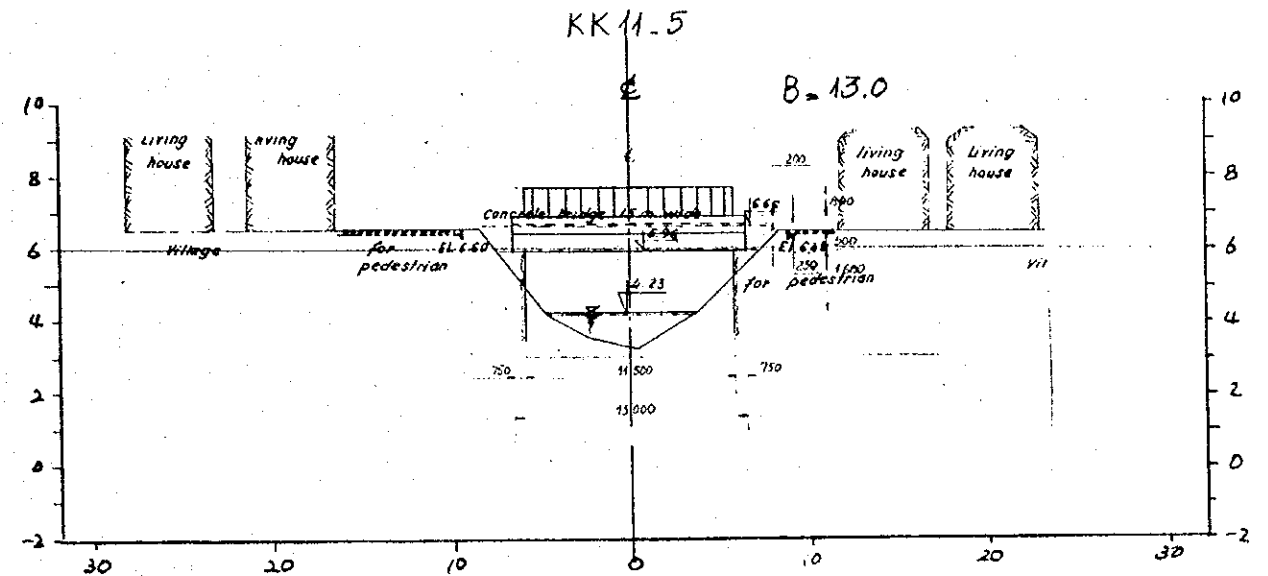
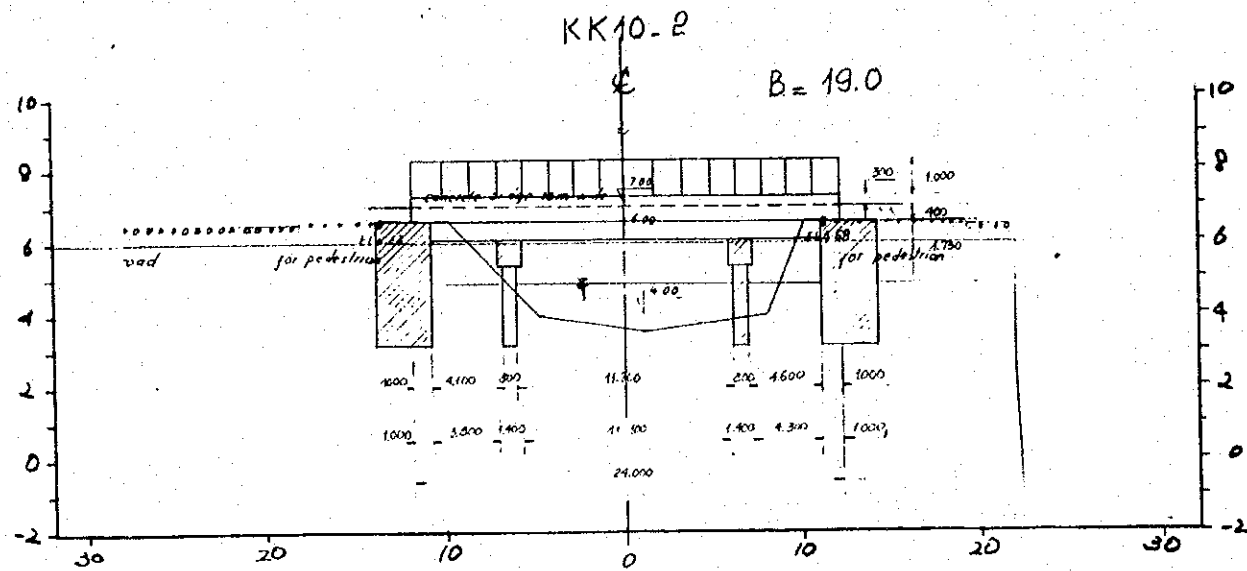


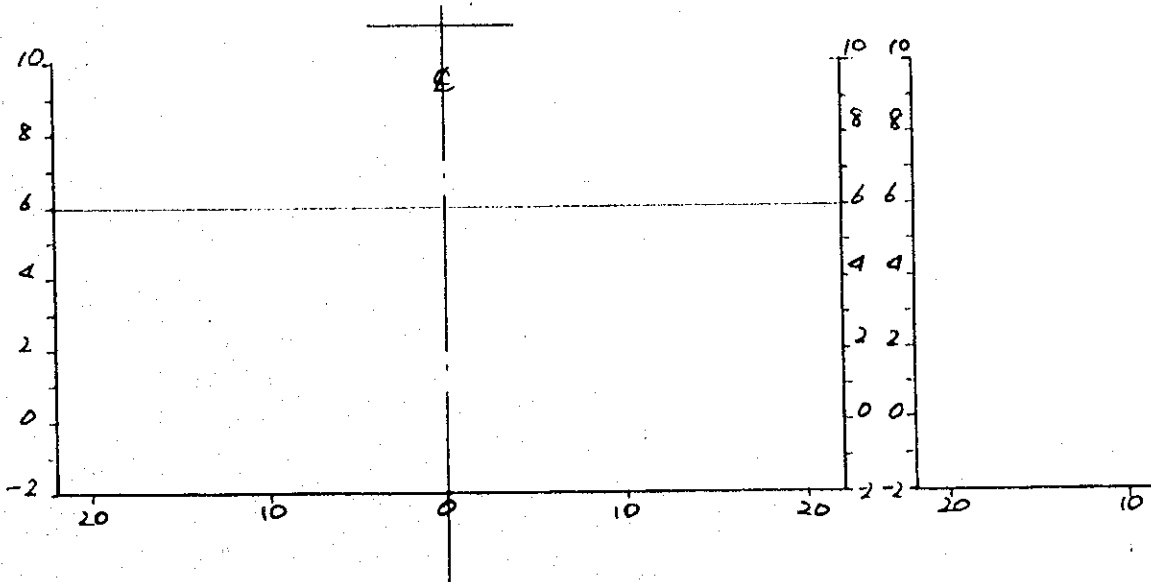
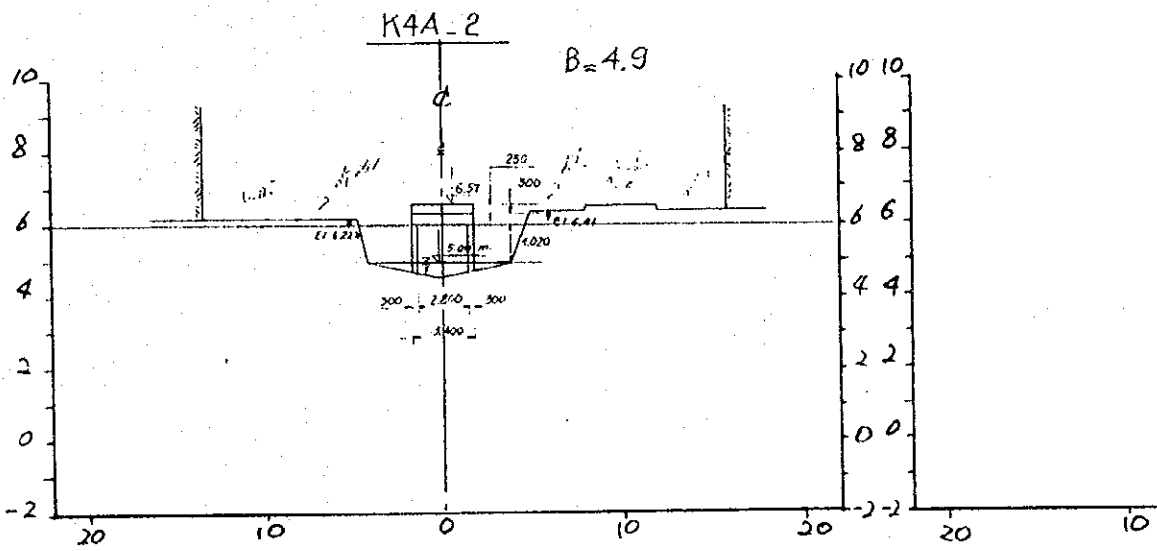
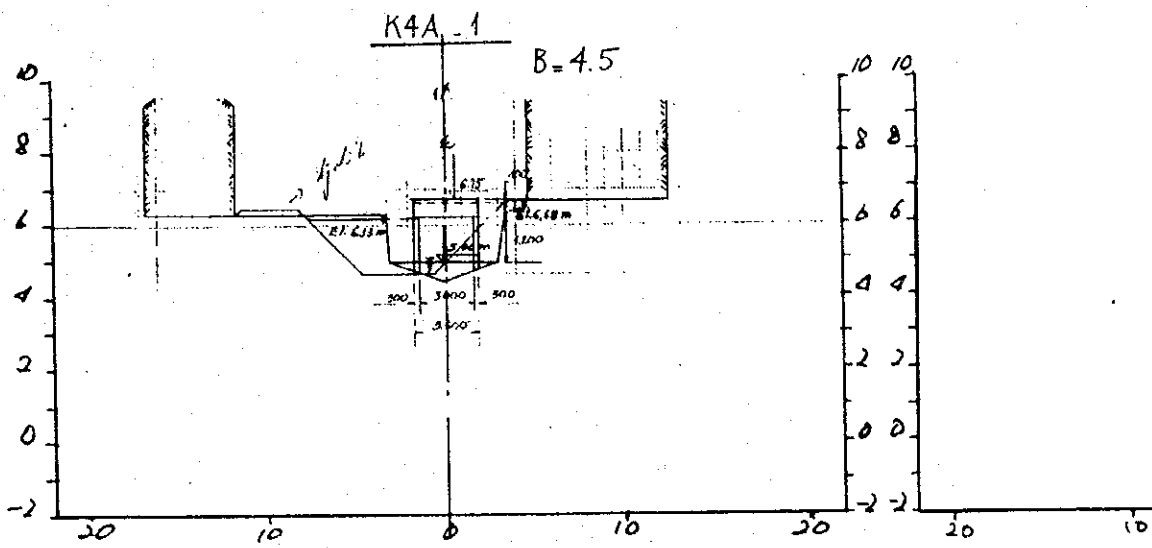


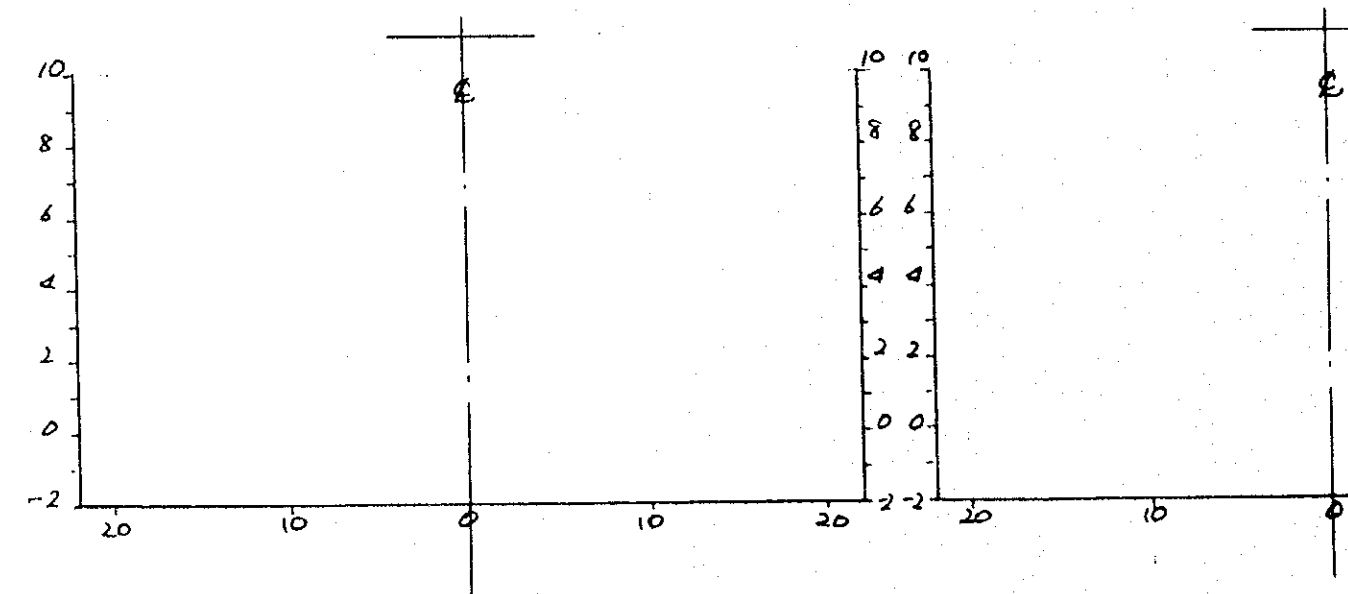
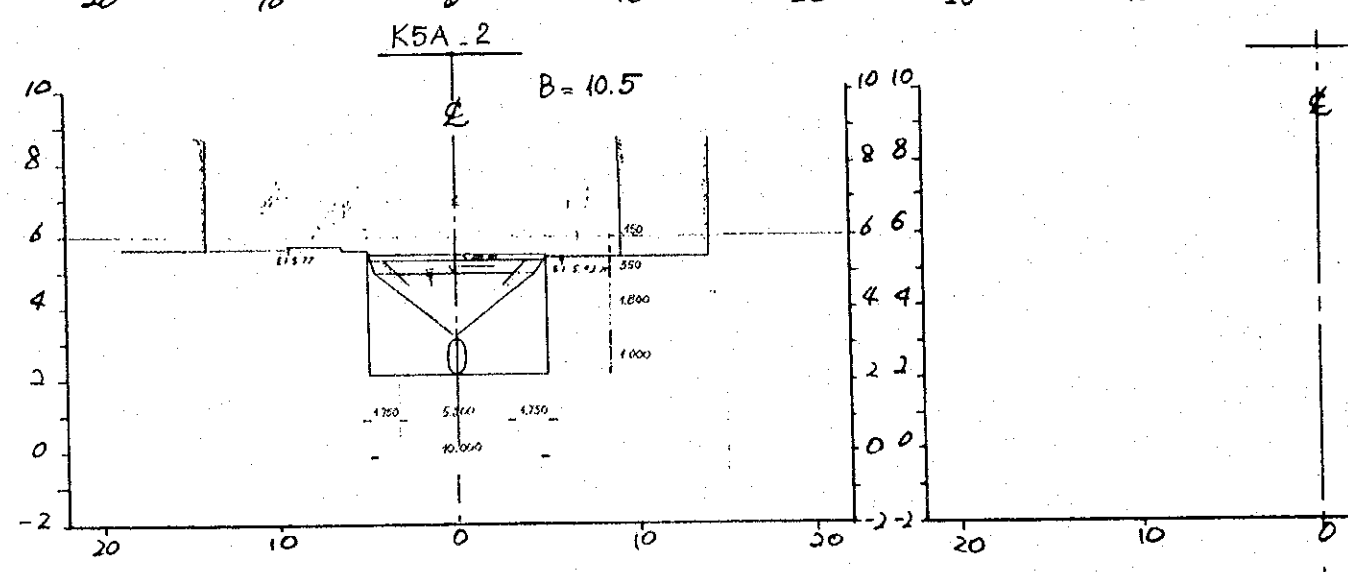
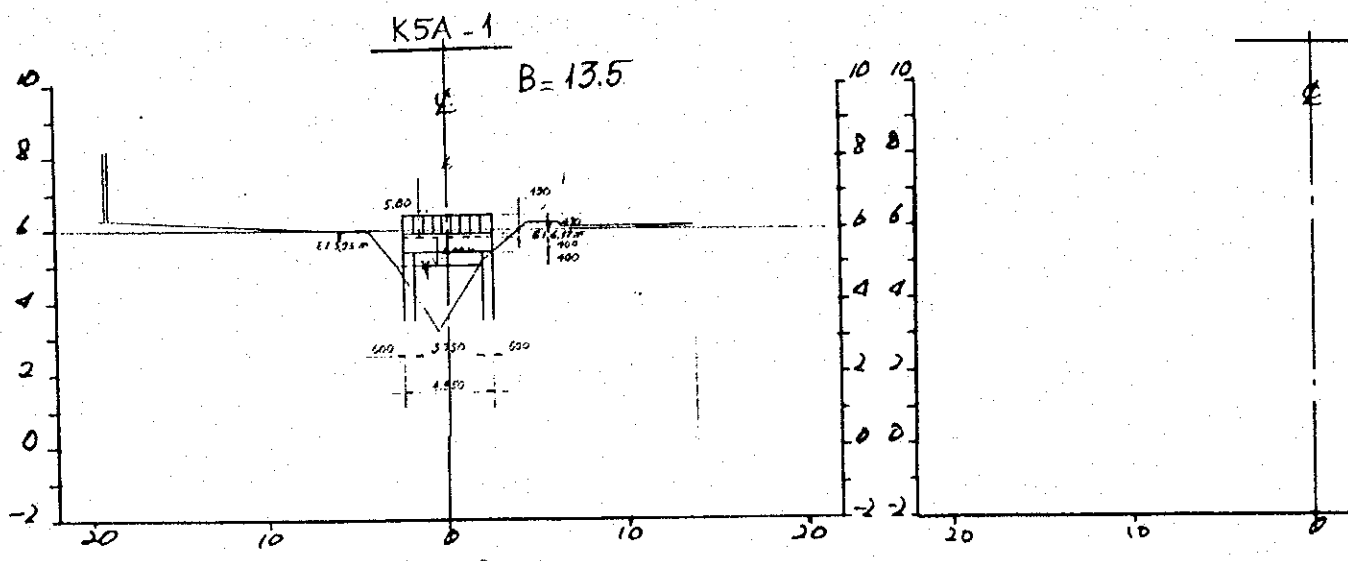


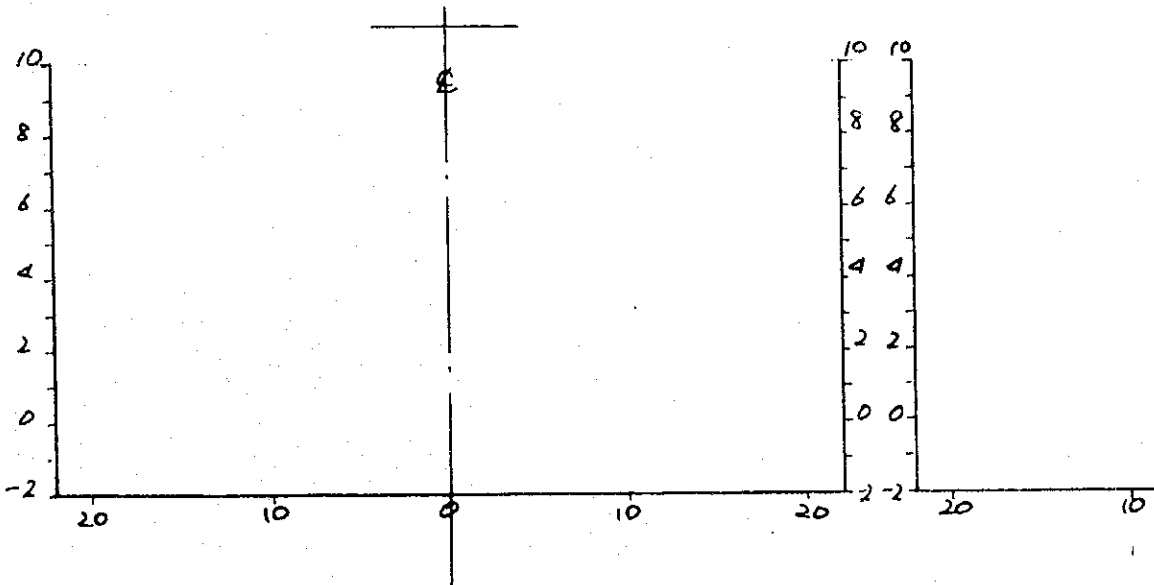
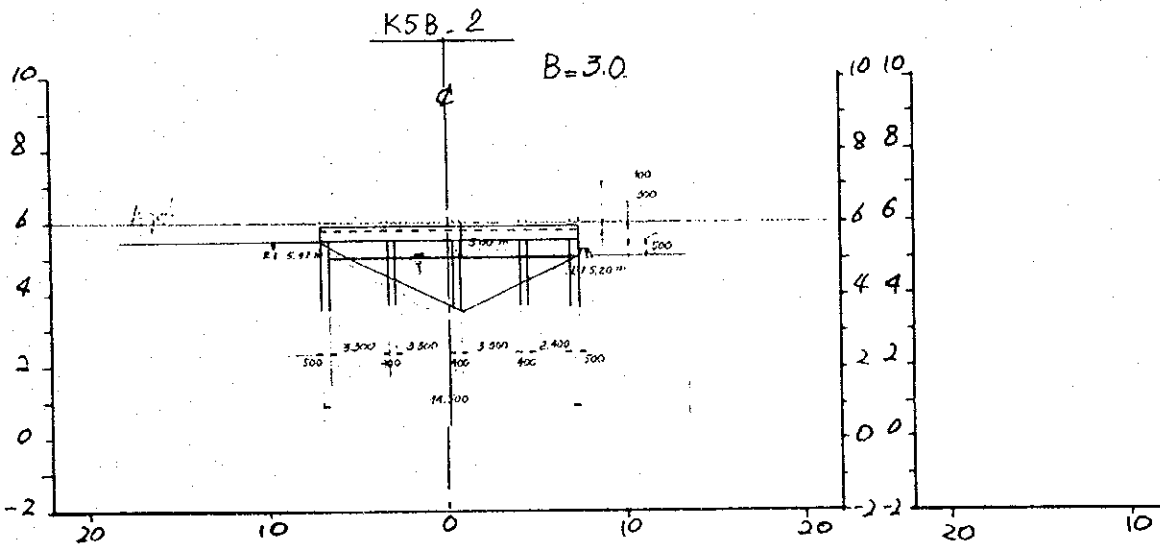
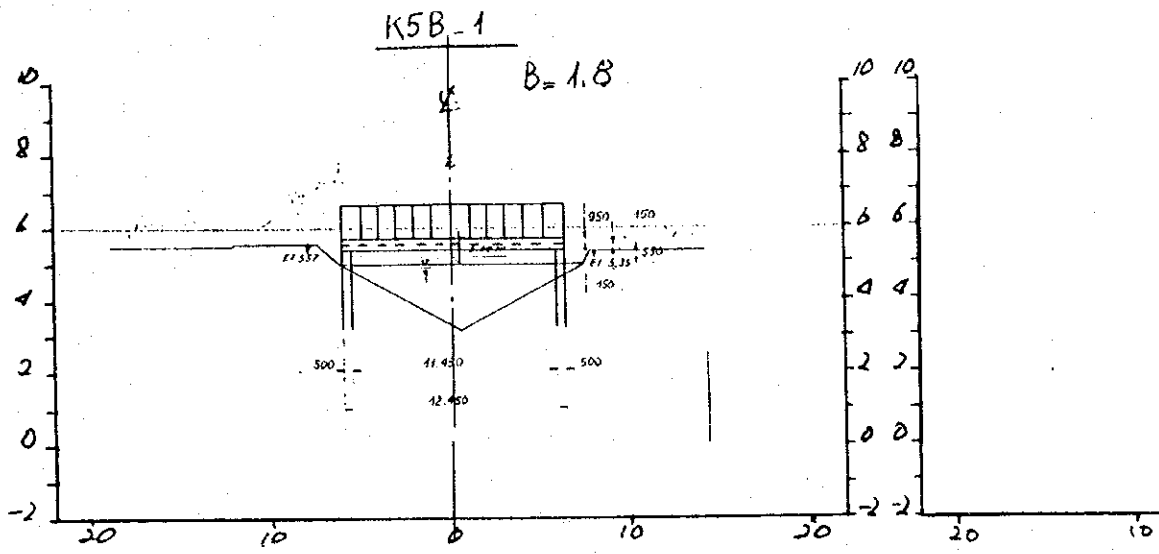


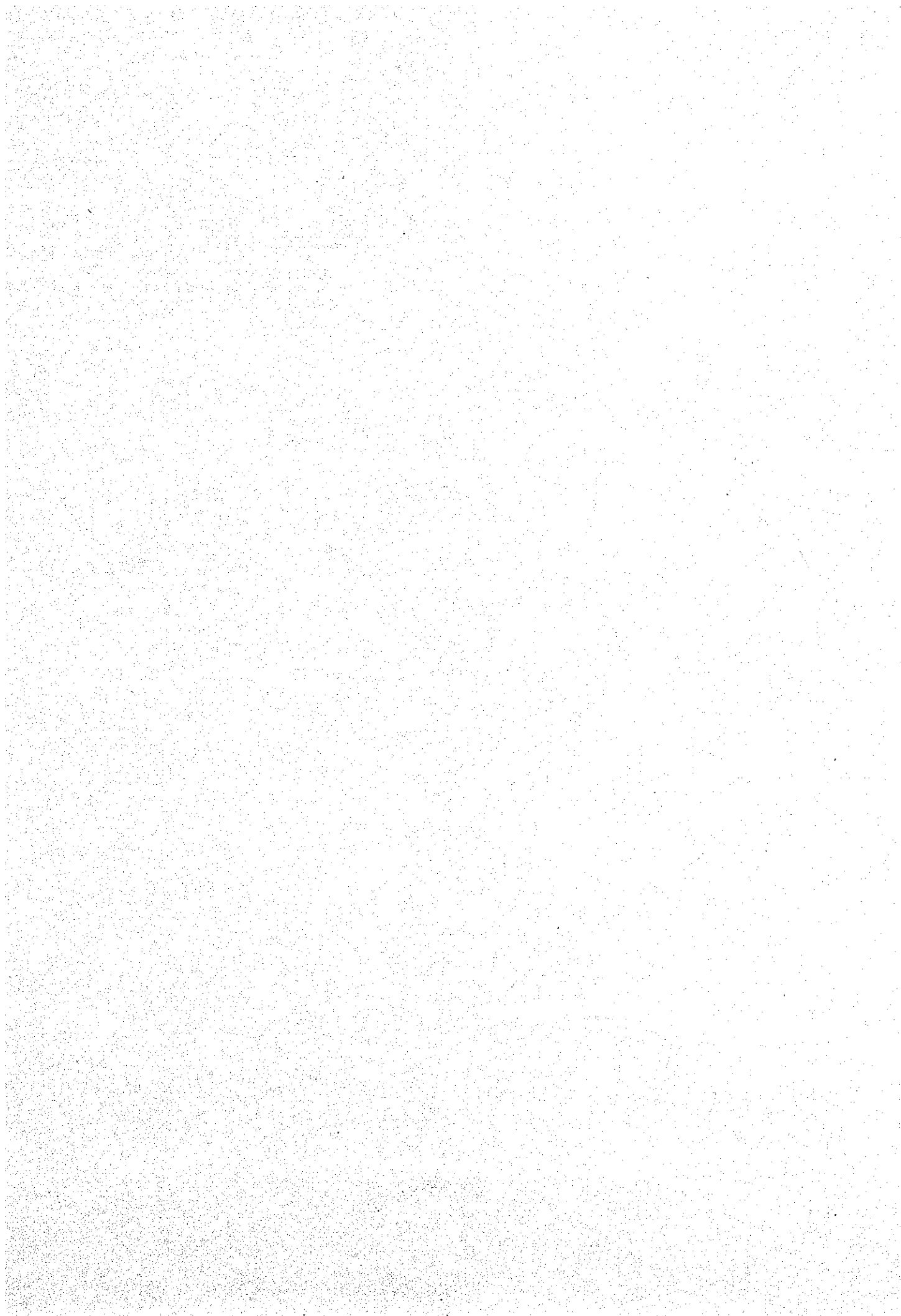






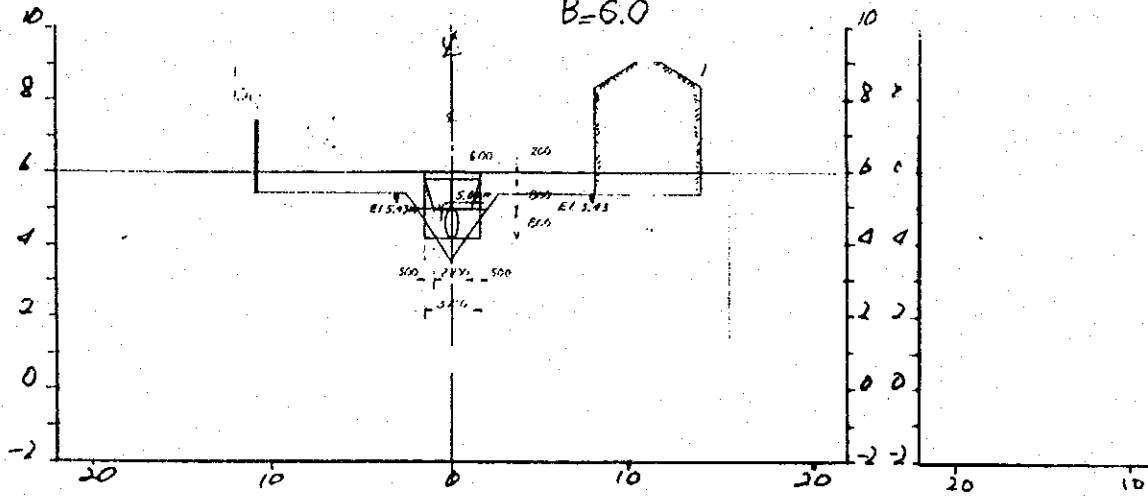






K6D-1

B=6.0



K6D-2

B=2.0

