

JAPAN INTERNATIONAL COOPERATION AGENCY (JICA)

DEPARTMENT OF TRANSPORTATION AND COMMUNICATIONS  
THE REPUBLIC OF THE PHILIPPINES

A STUDY  
ON  
THE IMPROVEMENT AND OPTIMIZATION  
OF  
TELECOMMUNICATIONS NETWORKS  
IN  
THE REPUBLIC OF THE PHILIPPINES

APPENDIX  
(SUPPORTING/DATA)

March 1994

NTT INTERNATIONAL CORPORATION  
TOKYO, JAPAN

SSS

JR

94-032



**JAPAN INTERNATIONAL COOPERATION AGENCY (JICA)**

**DEPARTMENT OF TRANSPORTATION AND COMMUNICATIONS  
THE REPUBLIC OF THE PHILIPPINES**

**A STUDY  
ON  
THE IMPROVEMENT AND OPTIMIZATION  
OF  
TELECOMMUNICATIONS NETWORKS  
IN  
THE REPUBLIC OF THE PHILIPPINES**

**JICA LIBRARY**



1120145161

27834

**APPENDIX**

**March 1994**

**NTT INTERNATIONAL CORPORATION  
TOKYO, JAPAN**

国際協力事業団

27834

## **APPENDIX 1**

### **INTRODUCTION**



## CONTENTS

<b>Appendix 1</b>	<b>INTRODUCTION</b>	-----	None
<b>Appendix 2 SOCIO-ECONOMIC CONDITIONS</b>			
2-1	ODA Terms and Conditions of Loans by Funding Source	-----	A - 2 - 1
2-2	ODA Grant/Technical Assistance by Source	-----	A - 2 - 2
2-3	ODA Loans Committed by Source	-----	A - 2 - 3
2-4	ODA Grants Committed by Sector	-----	A - 2 - 4
2-5	ODA Loans Committed by Sector	-----	A - 2 - 5
<b>Appendix 3 TELECOMMUNICATIONS SECTOR OUTLOOK</b>			
3-1	Financial Performance of the Telecommunications Sector (1/2-2/2)	-----	A - 3 - 1
3-2	Financial Performance of PLDT (1/2-2/2)	-----	A - 3 - 3
<b>Appendix 4</b>	<b>PRESENT STATUS OF TELECOMMUNICATION SERVICES</b>	-----	None
<b>Appendix 5</b>	<b>PRESENT STATUS OF TELEPHONE NETWORK</b>	----	None
<b>Appendix 6 PRESENT STATUS OF TELEPHONE FACILITIES</b>			
6-1	The List of Telephone Operating Companies and Facilities (1/7-7/7)	-----	A - 6 - 1
6-2	PLDT Backbone Network Configuration (as of 1992)	-----	A - 6 - 8
6-3	PLDT Backbone Network Configuration (after X-5C)	-----	A - 6 - 9
6-4	PLDT Backbone Network Configuration (after X-6)	-----	A - 6 - 10
6-5	PLDT Backbone Network Facilities (1/8-8/8)	-----	A - 6 - 11
6-6	RTDP Transmission Route Map (Phase A,B)	-----	A - 6 - 19
6-7	RTDP Transmission Route Map (Phase C)	-----	A - 6 - 20
6-8	RTDP Transmission Facilities (1/4-4/4)	-----	A - 6 - 21
6-9	NTP 1-1 Transmission Route Map	-----	A - 6 - 25
6-10	NTP 1-1 Transmission Facilities (1/3-3/3)	-----	A - 6 - 26
6-11	NTP 1-2 Transmission Route Map	-----	A - 6 - 29
6-12	NTP 1-2 Transmission Facilities (1/2-2/2)	-----	A - 6 - 30
6-13	NTP 1-3 Transmission Route Map	-----	A - 6 - 32
6-14	NTP 1-3 Transmission Facilities (1/2-2/2)	-----	A - 6 - 33

## **Appendix 7 PRESENT STATUS OF OPERATION AND MAINTENANCE**

7-1	Centralized Operation and Maintenance System for Telephone Switching System (NTP 1-1)-----	A - 7 - 1
7-2	Centralized Operation and Maintenance System for Radio System (NTP 1-1)-----	A - 7 - 2
7-3	Centralized Operation and Maintenance System for Multiplex Equipment (NTP 1-1)-----	A - 7 - 3
7-4	PLDT Operation and Maintenance Center Homing-1 (SPC-D)-----	A - 7 - 4
7-5	PLDT Operation and Maintenance Center Homing-3 (SPC-D)-----	A - 7 - 5
7-6	PLDT Operation and Maintenance Center Homing-2 (SPC-D)-----	A - 7 - 6

## **Appendix 8 FORECASTED DEMAND**

8-1	Population Projection by Region-----	A - 8 - 1
8-2	Gross Domestic Product by Region-----	A - 8 - 2
8-3	Demand Forecast by Municipality (1/36-36/36)-----	A - 8 - 3

## **Appendix 9 GUIDELINES OF THE PLAN**

9-1	Telephone Supply Plan (1/31-31/31)-----	A - 9 - 1
-----	---	-----------

## **Appendix 10 TRAFFIC FORECAST**

10-1	Forecasted Traffic Matrix in 1998 (1/7-7/7)-----	A - 10 - 1
10-2	Forecasted Traffic Matrix in 2004 (1/18-18/18)-----	A - 10 - 8
10-3	Forecasted Traffic Matrix in 2010 (1/20-20/20)-----	A - 10 - 26

## **Appendix 11 TELECOMMUNICATIONS NETWORK PLAN**

11-1	Channel Matrix in 1998 (1/6-6/6)-----	A - 11 - 1
11-2	Channel Matrix in 2004 (1/14-14/14)-----	A - 11 - 7
11-3	Channel Matrix in 2010 (1/16-16/16)-----	A - 11 - 21
11-4	Routing Plan (1/6-6/6)-----	A - 11 - 37

## **Appendix 12 TELECOMMUNICATIONS FACILITIES PLAN**

12-1	Expansion Plan of Local Switching (1/24-24/24)-----	A - 12 - 1
12-2	Local Traffic and Number of 2M IF Between PC and LE (1/42-42/42)----	A - 12 - 25
12-3	Replacement Plan of Switching Units (1/6-6/6)-----	A - 12 - 67
12-4	Long Distance Facilities (1/5-5/5)-----	A - 12 - 73

<b>Appendix 13 OPERATION AND MAINTENANCE PLAN</b> -----	None
---	------



**Appendix 14 PROJECT EVALUATION**----- None

**Appendix 15 IMPLEMENTATION PLAN**

15-1 Provincial Network Plan (1/76-76/76)----- A - 15 - 1

**Appendix 16 RECOMMENDATIONS**----- None

**APPENDIX 2**

**SOCIO-ECONOMIC CONDITIONS**

Appendix 2-1 ODA Terms and Conditions of Loans by Funding Source

as of 30 April 1992

Funding Source	Interest Rate	Maturity Period	Grace Period	Other Charges
MULTILATERAL				
IBRD	7.73% variable	20 years	5 years	0.75% fee
IDA	3	30-40	10	0.125
ADB	6.61 variable	15-20	3 to 5	0.75
IFAD (special)	0	50	10	1
(concess)	3.5	17	5	no
(non-ccsnl)	8	15-18	3	no
OFID (ccsl)	4	20	5	0.75
(BOP)	0	20	5	0.5
BILATERAL				
US	3	30	7	
OECF (project)	2.7	30	10	
(comodity)	2.7	20	7	
KfW	0.75	40	10	0.25
Italy	1.5	20	10	
France (mixed)	3.00/20.00	10 to 20	10	2.5/3.0/1.0
Spain (mixed)	2	25/20	5 to 10	0.25/0.75
Switzerland		10.5	3.75	
Korea	4.00-5.00	20	5	
Canada	8.3	10	-	1
UK	9.2	n.a.	n.a.	

Source : ODA Handbook, Guidelines on the Availmant of ODA (NEDA)

Appendix 2-2 ODA Grant/Technical Assistance by Source

	1986-1992 (in US\$ million)								
	1986	1987	1988	1989	1990	1991	1992	Total	Percentage
Multilateral									
UN System	8.41	8.51	29.50	18.65	14.66	7.98	1.42	89.13	4.03%
IBRD		10.00	2.24	9.45	9.42			31.11	1.41%
ADB	2.50	1.55	7.99	5.92	5.86	6.89	4.97	35.68	1.61%
IFAD								0.00	0.00%
EEC				18.72	19.20			37.92	1.71%
Sub-Total	10.91	20.06	39.73	52.74	49.14	14.87	6.39	193.84	8.76%
Bilateral								0.00	0.00%
US	23.38	129.11	88.62	55.70	195.08	160.00	154.43	806.32	36.45%
Japan	56.48	42.66	210.15	117.51	85.72	81.88	93.71	688.11	31.10%
Australia	3.99	0.79	0.15	51.28	36.25		21.98	114.44	5.17%
FRG	4.00	17.75	17.30	8.15	20.57			67.77	3.06%
New Zealand				2.68				2.68	0.12%
Canada	30.61	27.74	17.70	87.06	0.43		8.62	172.16	7.78%
Italy			21.22	0.07		9.34		30.63	1.38%
France			0.84		1.55			2.39	0.11%
United Kingdom			0.32	25.36	3.69			29.37	1.33%
Netherlands	10.00	12.50	12.50	12.50	12.20			59.70	2.70%
Denmark				11.52	3.32			14.84	0.67%
Switzerland				10.68				10.68	0.48%
Belgium		1.70	6.43					8.13	0.37%
Spain			0.56		3.50	4.00		8.06	0.36%
Singapore			0.50	1.45	0.69		0.14	2.78	0.13%
South Korea					0.35			0.35	0.02%
Sub-Total	128.46	232.25	376.29	383.96	363.35	255.22	278.88	2,018.41	91.24%
TOTAL	139.37	252.31	416.02	436.70	412.49	270.09	285.27	2,212.25	100.00%

Source: NEDA-PIS

Appendix 2-3 ODA Loans Committed by Source

	1986-1992 (in US\$ million)							Total	Percentage
	1986	1987	1988	1989	1990	1991	1992		
Multilateral									
IBRD	151.00	332.00	505.00	800.60	1008.00	648.00	654.00	4,098.60	36.83%
ADB	316.80	43.50	428.86	548.40	311.00	609.70	384.00	2,642.26	23.74%
Sub-Total	467.80	375.50	933.86	1349.00	1319.00	1257.70	1038.00	6,740.86	60.57%
Bilateral								0.00	0.00%
US	32.30		30.00		21.00			83.30	0.75%
Japan	269.30		842.19	548.70	818.79	1116.86	275.12	3,870.96	34.78%
Australia								0.00	0.00%
Kfw			27.37	50.49	21.16	11.67		110.69	0.99%
Italy					75.00			75.00	0.67%
France				7.63	35.80	26.47		69.90	0.63%
United Kingdom				43.50				43.50	0.39%
Netherlands								0.00	0.00%
Denmark								0.00	0.00%
Switzerland				16.02				16.02	0.14%
Spain			10.00		2.70	0.43		13.13	0.12%
South Korea						5.40		5.40	0.05%
Brunei				100.00				100.00	0.90%
Sub-Total	301.60	0.00	909.56	766.34	974.45	1,160.83	275.12	4,387.90	39.43%
TOTAL	769.40	375.50	1,843.42	2,115.34	2,293.45	2,418.53	1,313.12	11,128.76	100.00%

Source : NEDA-PIS

Appendix 2-4 ODA Grants Committed by Sector

	1986-1992 (in US\$ million)							Total	Percentage
	1986	1987	1988	1989	1990	1991	1992		
Agriculture and Agrarian Reform	8.44	9.07	33.04	42.19	49.24	25.52	167.50	8.69%	
Natural Resources	0.44	7.92	5.56	39.04	57.17	43.25	153.38	7.96%	
Industry, Trade & Tourism	2.89	3.24	5.72	12.13	5.03	40.12	69.13	3.59%	
Social Service	51.41	5.10	57.20	90.66	38.21	22.82	265.40	13.77%	
Transportation	5.80	1.03	37.49	2.44	6.41		53.17	2.76%	
Water Resources	0.22	4.13	3.60	21.28	38.20	20.06	87.49	4.54%	
Social Infrastructure	11.20	36.99	79.69	9.80	20.45	20.45	178.58	9.27%	
Energy power & Electrification	2.71	0.40	2.46	49.35	5.18	0.30	60.40	3.13%	
Communications		0.34	5.02	12.60	32.80	2.00	52.76	2.74%	
Science & Technology			0.08	0.43	1.32		1.83	0.09%	
Development Administration	1.34	1.02	8.65	21.98	30.09	1.39	64.47	3.35%	
Planning & Support Services							0.00	0.00%	
Integrated Area Development			0.15	3.69	51.17	50.18	105.19	5.46%	
Commodity Aid	47.52	152.81	112.00	50.76	65.95		429.04	22.26%	
Others	7.40	30.27	65.38	80.34	11.27	44.00	238.66	12.39%	
<b>TOTAL</b>	<b>139.37</b>	<b>252.32</b>	<b>416.04</b>	<b>436.69</b>	<b>412.49</b>	<b>270.09</b>	<b>1,927.00</b>	<b>100.00%</b>	

Source : NEDA-PIS

Appendix 2-5 ODA Loans Committed by Sector

	1986-1992 (in US\$ million)						Total	Total (%)
	1986	1987	1988	1989	1990	1991		
Agriculture and Agrarian Reform	18.80		15.86	80.00	121.80	367.70	604.16	6.16%
Natural Resources			240.00	32.00		258.00	530.00	5.40%
Industry, Trade & Tourism			66.10	225.00	17.36	333.32	641.78	6.54%
Social Service			60.00	70.10	200.00	155.19	485.29	4.94%
Transportation	164.00	75.50	154.93	143.43	214.23	672.25	1424.34	14.51%
Water Resources	93.00		264.15	216.40	410.70	142.46	1126.71	11.48%
Social Infrastructure			160.00	20.00			180.00	1.83%
Energy power & Electrification	361.30		247.37	385.60	527.41	264.21	1785.89	18.19%
Communications			54.01	25.56		5.40	290.58	2.96%
Science & Technology							0.00	0.00%
Development Administration			400.00				400.00	4.08%
Planning & Support Services							0.00	0.00%
Integrated Area Development				16.50	130.34		181.84	1.85%
Commodity Aid	32.30		35.00		241.00		303.30	3.09%
Others	100.00	300.00	116.00	900.75	225.00	220.00	1861.75	18.97%
TOTAL	769.40	375.50	1,843.42	2,115.34	2,293.45	2,418.53	9,815.64	100.00%

Source : NEDA-PIS

**APPENDIX 3**

**TELECOMMUNICATIONS  
SECTOR OUTLOOK**



Appendix 3-1 Financial Performance of the Telecommunications Sector

Income Statement of the Telecommunications Sector

	1982 to 1991 (in Thousand Pesos)										
	1991	1990	1989	1988	1987	1986	1985	1984	1983	1982	
<b>OPERATING REVENUES</b>											
Local service revenues	6,744,284	6,007,018	4,899,785	4,515,292	3,783,897	3,589,479	3,240,864	2,780,786	1,742,553	1,282,336	
Toll service revenues	12,855,461	9,843,723	7,065,850	5,624,543	4,769,734	4,232,342	3,056,219	2,886,591	1,628,109	990,111	
Miscellaneous revenues	4,263	-22,762	-39,442	-48,353	122,085	108,409	93,572	85,695	81,169	69,577	
Gross Operating Revenues	19,604,007	15,827,980	11,926,193	10,091,482	8,675,716	7,930,230	6,390,655	5,753,072	3,451,831	2,342,024	
<b>OPERATING EXPENSES</b>											
Cash maintenance expenses	3,572,170	3,281,965	1,917,065	1,401,624	1,199,118	904,261	726,670	603,044	395,573	292,641	
Conducting operations	2,544,333	2,117,776	1,874,915	1,518,554	1,139,451	884,041	675,899	596,534	465,215	336,706	
General expenses	2,178,497	1,764,857	1,164,322	894,139	1,327,458	1,153,906	999,328	932,971	565,964	431,335	
Operating taxes	603,314	473,978	363,811	308,748	256,675	192,925	143,064	145,872	81,731	52,229	
Non-cash expenses	1,759,236	1,501,336	1,784,631	1,649,571	1,157,544	1,029,511	864,282	701,419	455,030	296,938	
Total Operating Expenses	10,657,551	9,139,912	7,104,743	5,772,636	5,080,246	4,164,644	3,409,243	2,979,840	1,963,513	1,409,848	
<b>OPERATING INCOME (LOSS)</b>	8,946,457	6,688,068	4,821,450	4,318,846	3,595,470	3,765,585	2,981,412	2,773,233	1,488,318	932,176	
<b>OTHER INCOME (EXPENSES)</b>	-1,336,161	-950,078	-1,010,963	-964,665	74,976	56,183	38,883	111,169	66,367	27,771	
<b>INCOME FOR FIXED CHARGES</b>	7,610,296	5,737,989	3,810,487	3,354,181	3,670,446	3,821,768	3,020,295	2,884,401	1,554,685	959,947	
<b>FIXED CHARGES, NET</b>	253	-23,574	-19,842	-20,632	1,061,188	1,206,761	1,619,960	1,677,760	799,695	483,522	
<b>NET INCOME BEFORE TAX</b>	7,610,043	5,761,563	3,830,329	3,374,813	2,609,258	2,615,007	1,400,335	1,206,641	754,991	476,425	
<b>PROVISION FOR INCOME TAX</b>	2,136,296	1,450,007	1,021,684	410,335	698,754	32,002	63,087	60,146	39,385	27,853	
<b>NET INCOME</b>	5,473,748	4,311,556	2,808,645	2,964,478	1,910,504	2,583,005	1,337,247	1,146,496	715,606	448,572	
<b>DIVIDENDS PAID</b>	652,465	746,639	546,619	556,698	3,349,584	760,522	708,108	570,695	406,497	354,772	
<b>SURPLUS, BEGINNING</b>	10,508,572	7,076,564	5,042,775	2,837,420	4,253,873	2,400,913	1,811,716	1,244,240	914,572	686,629	
<b>UNACCOUNTED DIFFERENCE</b>	-326,019	-132,908	-228,237	-202,424	22,625	30,477	-39,942	-8,325	20,558	134,142	
<b>SURPLUS, ENDING</b>	16,308,765	12,001,850	8,169,802	6,156,172	9,536,585	5,774,917	3,817,129	2,953,105	2,057,232	1,624,115	

Notes : 1. Non-cash expenses include depreciation, amortization of expenses, and provision for doubtful accounts.

2. "Unaccounted difference" represents the difference between "surplus" in the balance sheet and the sum of net income and beginning surplus, net of dividends paid.

Source : DOTC



Appendix 3-1 Financial Performance of the Telecommunications Sector

Income Statement of the Telecommunications Sector

	1991	1990	1989	1988	1987	1986	1985	1984	1983	1982
1982 to 1991 (in Thousand Pesos)										
<b>OPERATING REVENUES</b>										
Local service revenues	6,744,284	6,007,018	4,899,785	4,515,292	3,783,897	3,589,479	3,240,864	2,780,786	1,742,553	1,282,336
Toll service revenues	12,855,461	9,843,723	7,065,850	5,624,543	4,769,734	4,232,342	3,056,219	2,886,591	1,628,109	990,111
Miscellaneous revenues	4,263	-22,762	-39,442	-48,353	122,085	108,409	93,572	85,695	81,169	69,577
Gross Operating Revenues	19,604,007	15,827,980	11,926,193	10,091,482	8,675,716	7,930,230	6,390,655	5,753,072	3,451,831	2,342,024
<b>OPERATING EXPENSES</b>										
Cash maintenance expenses	3,572,170	3,281,965	1,917,065	1,401,624	1,199,118	904,261	726,670	603,044	395,573	292,641
Conducting operations	2,544,333	2,117,776	1,874,915	1,518,554	1,139,451	884,041	675,899	596,534	465,215	336,706
General expenses	2,178,497	1,764,857	1,164,322	894,139	1,327,458	1,153,906	999,328	932,971	565,964	431,335
Operating taxes	603,314	473,978	363,811	308,748	256,675	192,925	143,064	145,872	81,731	52,229
Non-cash expenses	1,759,236	1,501,336	1,784,631	1,649,571	1,157,544	1,029,511	864,282	701,419	455,030	296,938
Total Operating Expenses	10,657,551	9,139,912	7,104,743	5,772,636	5,080,246	4,164,644	3,409,243	2,979,840	1,963,513	1,409,848
OPERATING INCOME (LOSS)	8,946,457	6,688,068	4,821,450	4,318,846	3,595,470	3,765,585	2,981,412	2,773,233	1,488,318	932,176
OTHER INCOME (EXPENSES)	-1,336,161	-950,078	-1,010,963	-964,665	74,976	56,183	38,883	111,169	66,367	27,771
INCOME FOR FIXED CHARGES	7,610,296	5,737,989	3,810,487	3,354,181	3,670,446	3,821,768	3,020,295	2,884,401	1,554,685	959,947
FIXED CHARGES, NET	253	-23,574	-19,842	-20,632	1,061,188	1,206,761	1,619,960	1,677,760	799,695	483,522
NET INCOME BEFORE TAX	7,610,043	5,761,563	3,830,329	3,374,813	2,609,258	2,615,007	1,400,335	1,206,641	754,991	476,425
PROVISION FOR INCOME TAX	2,136,296	1,450,007	1,021,684	410,335	698,754	32,002	63,087	60,146	39,385	27,853
NET INCOME	5,473,748	4,311,556	2,808,645	2,964,478	1,910,504	2,583,005	1,337,247	1,146,496	715,606	448,572
DIVIDENDS PAID	652,465	746,639	546,619	556,698	3,349,584	760,522	708,108	570,695	406,497	354,772
SURPLUS, BEGINNING	10,508,572	7,076,564	5,042,775	2,837,420	4,253,873	2,400,913	1,811,716	1,244,240	914,572	686,629
UNACCOUNTED DIFFERENCE	-326,019	-132,908	-228,237	-202,424	22,625	30,477	-39,942	-8,325	20,558	134,142
SURPLUS, ENDING	16,308,765	12,001,850	8,169,802	6,156,172	9,536,585	5,774,917	3,817,129	2,953,105	2,057,232	1,624,115

Notes : 1. Non-cash expenses include depreciation, amortization of expenses, and provision for doubtful accounts.

2. "Unaccounted difference" represents the difference between "surplus" in the balance sheet and the sum of net income and beginning surplus, net of dividends paid.

Source : DOTC

Appendix 3-1 Financial Performance of the Telecommunications Sector

Balance Sheet of the Telecommunications Sector

	1991	1990	1989	1988	1987	1986	1985	1984	1983	1982
PROPERTY AND EQUIPMENT - Net	37,606,073	30,847,590	22,892,698	19,783,040	18,474,078	17,090,334	15,715,941	15,608,479	12,103,936	8,427,729
INVESTMENTS	58,590	252,088	57,201	44,091	49,791	74,255	73,369	68,361	56,241	33,144
CURRENT ASSETS										
Cash and temporary investments	1,521,982	2,792,456	2,674,370	2,466,130	2,239,798	1,200,275	600,941	497,810	302,737	204,263
Accounts receivables	9,434,640	6,626,312	4,504,509	3,761,953	3,322,479	3,101,106	2,706,214	2,428,166	1,547,189	784,136
Materials and supplies	1,475,824	1,129,806	884,191	695,756	648,283	555,562	542,763	424,813	339,025	310,020
Other current assets	753,854	562,017	280,521	207,720	352,872	128,835	111,080	137,580	106,930	43,245
Total Current Assets	13,186,300	11,110,591	8,343,592	7,131,559	6,563,431	4,985,778	3,960,998	3,488,370	2,295,881	1,341,664
DEFERRED CHARGES	251,527	236,491	239,299	202,373	164,636	154,863	152,397	141,170	146,655	130,043
TOTAL ASSETS	51,102,491	42,446,760	31,532,789	27,161,063	25,251,936	22,305,230	19,902,705	19,306,379	14,602,713	9,932,580
SHAREHOLDERS' EQUITY										
Capital stock	5,435,832	5,716,819	5,468,009	5,179,886	5,139,942	2,848,185	2,795,530	2,686,154	2,566,300	2,300,716
Surplus	15,003,836	10,508,572	7,076,564	5,042,775	2,837,420	4,253,873	2,400,913	1,811,716	1,244,240	914,572
Total Shareholders' Equity	20,439,668	16,225,391	12,544,573	10,222,661	7,977,362	7,102,058	5,196,443	4,497,869	3,810,540	3,215,288
TOTAL LONG-TERM DEBT	20,252,984	18,224,254	13,413,377	11,975,875	10,333,707	10,839,192	12,308,993	12,319,750	8,370,361	5,179,217
CURRENT LIABILITIES										
Current & accrued liabilities	5,312,038	4,623,779	1,322,714	755,170	1,766,965	1,624,133	1,412,685	1,617,505	1,057,774	703,151
Notes payable	759,020	705,480	309,407	253,901	251,057	171,570	346,454	334,421	449,669	302,414
Dividends payable	240,743	70,380	194,271	199,833	343,451	106,846	61,764	76,114	56,829	45,293
Current portion of long-term debt	2,898,992	2,094,823	1,230,571	1,671,542	4,045,771	2,124,684	262,765	192,927	638,222	288,868
Other current liabilities	531,414	375,688	228,082	243,848	390,239	154,203	134,452	95,817	96,908	66,254
Total Current Liabilities	9,742,207	7,870,150	3,285,044	3,124,293	6,797,484	4,181,436	2,218,120	2,316,784	2,299,401	1,405,980
DEFERRED CREDITS	668,132	625,793	534,976	328,416	363,345	328,347	308,841	286,680	221,997	196,505
UNACCOUNTED DIFFERENCE	-500	-498,828	1,754,819	1,509,818	-219,961	-145,804	-129,691	-114,704	-99,587	-64,410
TOTAL EQUITIES	51,102,491	42,446,760	31,532,789	27,161,063	25,251,936	22,305,230	19,902,705	19,306,379	14,602,713	9,932,580

Note: "Unaccounted difference" represents the difference between the reported total assets and total equities.

Source: DOTC

Appendix 3-2 Financial Performance of PLDT

Income Statement of PLDT

	1982 to 1991 (in Thousand Pesos)										
	1991	1990	1989	1988	1987	1986	1985	1984	1983	1982	
<b>OPERATING REVENUES</b>											
Local service revenues	3,814,600	3,088,200	2,535,700	2,246,400	2,012,600	2,019,852	1,807,836	1,532,594	899,412	629,680	
Toll service revenues	12,783,400	9,778,300	6,966,900	5,539,700	4,603,700	4,074,265	2,915,678	2,767,459	1,551,065	936,687	
Miscellaneous revenues	1,500	-27,500	-43,900	-51,800	118,500	104,991	90,920	83,010	78,798	67,423	
Gross Operating Revenues	16,599,500	12,839,000	9,458,700	7,734,300	6,734,800	6,199,108	4,814,434	4,383,063	2,529,275	1,633,790	
<b>OPERATING EXPENSES</b>											
Cash maintenance expenses	3,480,600	3,095,600	1,744,300	1,234,900	1,080,000	867,494	677,450	563,991	367,105	269,196	
Conducting operations	1,843,300	1,449,700	1,143,300	834,100	574,100	401,643	259,769	221,436	176,464	130,459	
General expenses	1,645,700	1,277,200	883,500	638,200	1,035,700	854,367	682,190	674,812	387,040	277,619	
Operating taxes	546,600	403,000	312,800	260,400	213,400	144,692	137,932	141,952	77,250	47,958	
Non-cash expenses	1,502,200	1,221,600	1,541,500	1,426,300	971,400	896,192	726,375	583,703	352,628	229,241	
Total Operating Expenses	9,018,400	7,447,100	5,625,400	4,393,900	3,874,600	3,164,388	2,483,716	2,185,894	1,360,487	954,473	
OPERATING INCOME (LOSS)	7,581,100	5,391,900	3,833,300	3,340,400	2,860,200	3,034,720	2,330,718	2,197,169	1,168,788	679,317	
OTHER INCOME (EXPENSES)	-1,160,800	-1,111,300	-1,045,900	-1,032,700	0	0	0	0	4,302	7,608	
INCOME FOR FIXED CHARGES	6,420,300	4,280,600	2,787,400	2,307,700	2,860,200	3,034,720	2,330,718	2,197,169	1,173,090	686,925	
FIXED CHARGES, NET	0	0	0	0	997,000	1,138,306	1,551,747	1,627,711	774,740	469,351	
NET INCOME BEFORE TAX	6,420,300	4,280,600	2,787,400	2,307,700	1,863,200	1,896,414	778,971	569,458	398,350	217,574	
PROVISION FOR INCOME TAX	1,698,300	1,093,900	726,800	77,800	501,100	0	0	0	0	0	
NET INCOME	4,722,000	3,186,700	2,060,600	2,229,900	1,362,100	1,896,414	778,971	569,458	398,350	217,574	
DIVIDENDS PAID	218,400	215,400	161,500	164,800	2,513,232	272,384	269,497	262,959	250,254	219,930	
SURPLUS, BEGINNING	8,451,800	5,638,100	3,880,400	1,952,300	3,103,432	1,479,402	969,928	663,429	515,333	517,689	
UNACCOUNTED DIFFERENCE	-219,000	-157,600	-141,400	-137,000	0	0	0	0	0	0	
SURPLUS, ENDING	12,736,400	8,451,800	5,638,100	3,880,400	1,952,300	3,103,432	1,479,402	969,928	663,429	515,333	

Notes: 1. Non-cash expenses include depreciation, amortization of expenses, and provision for doubtful accounts.

2. "Unaccounted difference represents the difference between "surplus" in the balance sheet and the sum of net income and beginning surplus, net of dividends paid.

Source: DOTC

Appendix 3-2 Financial Performance of PLDT

Balance Sheet of PLDT

	1991	1990	1989	1988	1987	1986	1985	1984	1983	1982
PROPERTY AND EQUIPMENT - Net	34,142,200	28,022,900	20,576,100	17,654,100	16,422,100	15,384,137	14,227,691	14,231,554	10,936,765	7,486,586
INVESTMENTS	0	0	0	0	0	27,703	25,913	23,351	15,592	14,981
CURRENT ASSETS										
Cash and temporary investments	935,800	2,310,500	1,998,900	1,831,900	1,683,300	663,068	282,366	166,768	107,912	70,308
Accounts receivables	7,008,800	4,322,300	2,894,400	2,577,100	2,272,500	2,231,424	1,878,348	1,716,441	1,080,773	512,127
Materials and supplies	1,423,800	1,091,100	837,400	651,600	602,300	517,065	502,191	390,002	310,306	284,522
Other current assets	476,500	477,500	234,400	161,400	233,900	62,308	51,986	45,479	17,598	21,188
Total Current Assets	9,844,900	8,201,400	5,965,100	5,222,000	4,792,000	3,473,865	2,714,891	2,318,690	1,516,589	888,145
DEFERRED CHARGES	0	0	42,000	40,600	50,100	85,148	76,785	84,565	100,397	105,622
TOTAL ASSETS	43,987,100	36,224,300	26,583,200	22,916,700	21,264,200	18,970,853	17,045,280	16,658,160	12,569,343	8,495,334
SHAREHOLDERS' EQUITY										
Capital stock	4,724,500	5,106,400	4,472,700	4,370,400	4,308,800	2,126,849	2,083,863	2,041,444	1,986,198	1,861,793
Surplus	12,736,400	8,451,800	5,638,100	3,880,400	1,952,300	3,103,432	1,479,402	969,928	663,429	515,333
Total Shareholders' Equity	17,460,900	13,558,200	10,110,800	8,250,800	6,261,100	5,230,281	3,563,265	3,011,372	2,649,627	2,377,126
TOTAL LONG-TERM DEBT	19,096,100	16,942,700	12,394,700	10,967,400	9,337,500	10,213,225	11,761,542	11,850,973	8,033,525	4,948,205
CURRENT LIABILITIES										
Current & accrued liabilities	3,957,200	3,332,800	390,500	77,800	1,308,600	1,184,735	1,095,519	1,216,389	747,529	504,772
Notes payable	239,100	0	0	0	0	60,000	200,500	242,976	358,873	255,362
Dividends payable	74,100	69,700	51,700	52,600	48,900	41,163	37,724	34,847	35,998	37,494
Current portion of long-term debt	2,557,300	1,754,600	1,103,000	1,516,800	3,900,900	2,022,822	196,479	131,836	599,538	256,102
Other current liabilities	0	0	0	0	163,400	0	0	0	1,304	1,304
Total Current Liabilities	6,827,700	5,157,100	1,545,200	1,647,200	5,421,800	3,308,720	1,530,222	1,626,048	1,743,242	1,055,034
DEFERRED CREDITS	602,400	566,300	488,800	292,700	243,800	218,627	190,251	169,767	142,949	114,969
UNACCOUNTED DIFFERENCE	0	0	2,043,700	1,758,600	0	0	0	0	0	0
TOTAL EQUITIES	43,987,100	36,224,300	26,583,200	22,916,700	21,264,200	18,970,853	17,045,280	16,658,160	12,569,343	8,495,334

Note: "Unaccounted difference" represents the difference between the reported total assets and total equities.

Source: DOTC

**APPENDIX 4**

**PRESENT STATUS  
OF  
TELECOMMUNICATION SERVICES**

**APPENDIX 5**

**PRESENT STATUS  
OF  
TELEPHONE NETWORK**



**APPENDIX 6**

**PRESENT STATUS  
OF  
TELEPHONE FACILITIES**



Appendix 6-1 The List of Telephone Operating Companies and Facilities (1/7)

Region	Province	Municipalities	Present Status		Switching Capacity				Numbering Plan					
			Operators Name	Switching Type	(As of April 1993)				I.C.C		P.C.O		Manual	
					Existing	CABLEX	Under local	Working	A C	S N	A C	S N	A C	S N
3	BULACAN	Balagtas (A)	BALAGTAS TEL	XB	320			155	979	1-37xx			979	100&200
				TOTAL	320									
9	BASILAN	Basilan City	BASILAN TEL SYS	SXS	600				6284	x.xx.xxx			6284	0
				TOTAL	600									
3	BATTAN	Orani	BATTLEX	MANUAL	200			465	4742	1xx-3xx	90	2011097	4742	0
				TOTAL	200									
5	ALBAY	Tabaco	BICOL TPN & TGP	MANUAL	400			447						
5	SORSOGON	Bulan	BICOL TPN & TGP	SXS	100				5640	2xx.7xx			5640	0
5	ALBAY	Tabaco	BICOL TPN & TGP	SXS	500			387	5241	1xx-3xx			5241	0
				TOTAL	1,000									
4	ORIENTAL MINDORO	Calapan	CALAPAN TEL SY	EPABX	1,300									
				TOTAL	1,300									
4	QUEZON	Lopez	CALAUAG TEL SY	SXS	300			144	4282	2xx-3xx			4282	0
4	QUEZON	Calauag	CALAUAG TEL SY	XB	100				4282	6xx-8xx			4282	0
				TOTAL	400									
8	WESTERN SAMAR	Calbayog City	CALBAYOG TEL S	SXS	500			439	5741	2xx-6xx			5741	0
				TOTAL	500									
7	NEGROS ORIENTAL	Dumaguete City	CRUZTEL CO	DIGITAL (SL-1)	600			600						
11	DAYAO DEL NORTE	Tagum	CRUZTEL CO	DIGITAL (SL-1)	600				8421	28xxx.81.83.84xxx			8421	0
10	AGUSAN DEL NORTH	Butuan City	CRUZTEL CO	DIGITEL (SL-1)	300			168	8522	2xxx			8522	0
7	BOHOL	Tagbilaran City	CRUZTEL CO	DIGITEL (SL-1)	1,300			43						
				SUBTOTAL	2,800									
9	ZAMBOANGA DEL NORTE	Dipolog City	CRUZTEL CO	SXS	1,000				6541	2xxx-4xxx			6541	0
7	NEGROS ORIENTAL	Guhulungan	CRUZTEL CO	SXS	200			130						
9	ZAMBOANGA DEL SUR	Pagadian City	CRUZTEL CO	SXS	600			575	6621	3xxx-5xxxx				
10	SURIGAO DEL NORTE	Surigao City	CRUZTEL CO	SXS	600			426	8681	2xx-6xx			8681	0
10	AGUSAN DEL NORTH	Butuan City	CRUZTEL CO	XB	1,120			1,778	8521	2xxx-3xxx			8521	0
7	NEGROS ORIENTAL	Dumaguete City	CRUZTEL CO	XB	1,800			1,300	3522	2-4xxx.5xxxx			3522	0
				SUBTOTAL	5,320									
				TOTAL	7,120									
7	CEBU	Danao City	DANCAR INDUST	XB	300			300	3244	2xx-4xx			3244	0
				TOTAL	300									
3	BULACAN	Calumpit (A)	DATEL COM CORP	CXP	400			314	9742	54xxx			9742	0
3	PAMPANGA	Apalit (A)	DATEL COM CORP	SXS	1,000			568	4571	5xxx			4571	0
3	PAMPANGA	Mabalacat	DATEL COM CORP	SXS	2,000			1,692	4578	2-4.7xxx.5xxxx			4578	0
3	PAMPANGA	Magalang	DATEL COM CORP	SXS	1,000						90	2011034		
3	PAMPANGA	Pozac	DATEL COM CORP	SXS	1,000						90	2011035		
3	BULACAN	Pu I l i a n	DATEL COM CORP	SXS	400			219	9721	56xxx			9721	0
				TOTAL	5,800									
3	PAMPANGA	Angeles City (B)	DIGITEL	DIGITAL	2,000				45	8881906-7				
3	BULACAN	Meycauayan	DIGITEL	DIGITAL	2,000			1,579	9762	84xxxx	97	8401900	97	8490
				TOTAL	4,000									
8	LEYTE	Palo	E. VISAYAS TEL C	DIGITAL (NEA)	1,500			1,350						
8	LEYTE	Tacloban City	E. VISAYAS TEL C	DIGITAL (NEA)	3,000			2,760	53	321-3.5xxxx			53	0
8	LEYTE	Tacloban City	E. VISAYAS TEL C	DIGITAL (ROL)	700			130						
				SUBTOTAL	5,200									
8	LEYTE	Tanauan	E. VISAYAS TEL C	XB	200			100						
				SUBTOTAL	200									
				TOTAL	5,400									
3	PAMPANGA	Angeles City (A)	EVANGELISTA TE	SXS	7,400			7,043	455	2-3xxxx			455	0
				TOTAL	7,400									
4	QUEZON	Atimonan	GENERAL TEL SY	SXS	500			511	4241	5xxx			4241	0
4	QUEZON	Candclaria (B)	GENERAL TEL SY	SXS	1,200			1,037	4261	6xxx-7xxx			4261	0
4	QUEZON	Gumaca (A)	GENERAL TEL SY	SXS	500			461	4244	41xx-48xx			4244	0
4	QUEZON	Lucena	GENERAL TEL SY	SXS	500			964	4254	2xxx-3xxx			4254	0
4	QUEZON	Sariaya (A)	GENERAL TEL SY	SXS	500			480	4262	8xxx			4262	0
4	QUEZON	Tiaong	GENERAL TEL SY	SXS	300			291	4264	9xxx	42	1966	4264	0
				TOTAL	3,500									
4	LAGUNA	Binan	INDEPENDENT TE	XB	1,350				9251	6.8-9xxx	90	2011056	9251	6.8.9104
				TOTAL	1,350									
9	ZAMBOANGA DEL SUR	Ipi l	IPIL TEL SYS	XB	150									
				TOTAL	150									
5	CAMARINES SUR	Iriga City	IRIGA TEL CO	SXS	200			865	5431	2xxx-3xxx			5431	0
5	CAMARINES SUR	Nabua	IRIGA TEL CO	SXS	100									
				TOTAL	300									
5	CAMARINES NORTE	Labo	LABO TEL SYS	SXS	100			105	5474	3xx.6xx			5474	0
				TOTAL	100									
12	LANAO DEL NORTE	Iligan City	MARANAO TEL C	DIGITAL (SL-1)	600			450						
12	LANAO DEL NORTE	Iligan City	MARANAO TEL C	XB (C160)	2,000			1,904	632	2xxxx			632	106
				TOTAL	2,600									
11	SOUTH COTABATO	Koronadal	MARBEL TEL SYS	XB	400			400						
				TOTAL	400									

Appendix 6-1 The List of Telephone Operating Companies and Facilities (2/7)

Region	Province	Municipalities	Present Status		Switching Capacity				Numbering Plan						
			Operators Name	Switching Type	(As of April 1993)				I.C.C.				Manual		
					Existing	CABLEX	Under Insa	Working	AC	SN	AC	SN	AC	SN	
				TOTAL	400										
11	SURIGAO DEL SUR	Tandag	MARIO SERRA TY	XB	100					ISOLATED		86	1912		
				TOTAL	100										
11	DAVAO ORIENTAL	Mati	MATI TEL SYS	XB	600			560	8721	2xx-7xxx				8721	0
				TOTAL	600										
5	ALBAY	Daraga	MAYON TEL CO	SXS	500			800							
5	ALBAY	Legazpi City	MAYON TEL CO	SXS	1,600			1,500	5221	2xxx-6xxx				5221	0
5	ALBAY	Ligao (A)	MAYON TEL CO	SXS	200										
5	ALBAY	Malinao	MAYON TEL CO	SXS	800										
				TOTAL	3,100										
12	NORTH COTABATO	Kidapawan	MST. KIDAPAWAN	SXS	300			285		ISOLATED		67	1921		
				TOTAL	300										
12	NORTH COTABATO	Midsayap	MIDSAYAP COM	XB	500			400				64	1951		
				TOTAL	500										
10	MISAMIS ORIENTAL	Cagayan de Oro City	MIS. ORIENTAL TEL	DIGITAL/SMID	11,000										
10	MISAMIS ORIENTAL	Cagayan de Oro City	MIS. ORIENTAL TEL	XB	3,800				8822	2-5xxx, 72-3xxxx				88	0
				TOTAL	14,800										
5	CAMARINES NORTE	Dact	N. CAMARINES TEL	MANUAL	500			600	5471	21xx-24xx				5471	0
				TOTAL	500										
5	CAMARINES SUR	Naga City (A)	NAGA TEL CO	SXS	1,000			581	5421	3xxxx, 56xxx				5421	0
5	CAMARINES SUR	Naga City (B)	NAGA TEL CO	SXS	2,000			1,990		21xxxx					
5	CAMARINES SUR	Pili	NAGA TEL CO	SXS	200			180	5435	47xxx				5435	0
				TOTAL	3,200										
ARMM	SULU	Jolo	NATIONWIDE TEL	MANUAL	300			198		ISOLATED		68	1911		
				TOTAL	300										
1	LA UNION	Ago	NORTHERN TEL CO	XB	250				7252	1xx-3xx				7252	167&245
1	LA UNION	Bauang	NORTHERN TEL CO	XB	150				7231	1xx-3xx				7231	0
1	LA UNION	Caba	NORTHERN TEL CO	XB	50										
1	LA UNION	Naguilian	NORTHERN TEL CO	XR	50										
1	LA UNION	Rosario	NORTHERN TEL CO	XB	50				7262	1xx				7262	0
1	LA UNION	Santo Tomas	NORTHERN TEL CO	XB	50										
				TOTAL	600										
3	ZAMBALES	Masinloc	NTP(DIGITEL)	N-RLU				300							
3	ZAMBALES	Santa Cruz	NTP(DIGITEL)	N-RLU				500							
3	BULACAN	Angat	NTP(DIGITEL)	N-RLU				200							
3	BULACAN	Bocaue	NTP(DIGITEL)	N-RLU				3,300						9768	0
5	CAMARINES SUR	Buhai	NTP(DIGITEL)	N-RLU				300							
3	BULACAN	Bustos	NTP(DIGITEL)	N-RLU				250							
4	QUEZON	Candalaria (A)	NTP(TELOF)	N-RLU				900							
4	BATANGAS	Cuenca	NTP(DIGITEL)	N-RLU				400							
3	NUEVA ECUA	Cuyapo	NTP(DIGITEL)	N-RLU				200							
3	NUEVA ECUA	Guimba	NTP(DIGITEL)	N-RLU				300							
5	CAMARINES SUR	Nabua	NTP(TELOF)	N-RLU				600							
4	BATANGAS	Nasugbu (B)	NTP(TELOF)	N-RLU				450	4396	2xx				4396	0
3	BULACAN	Noroganaray	NTP(DIGITEL)	N-RLU				400				97	1901-2		
4	QUEZON	Pagbilao	NTP(DIGITEL)	N-RLU				350				42	1976		
3	BULACAN	Pandi	NTP(DIGITEL)	N-RLU				200							
5	CAMARINES SUR	Pili	NTP(TELOF)	N-RLU				400							
5	ALBAY	Polangui	NTP(DIGITEL)	N-RLU				400							
3	BULACAN	Pullilan	NTP(DIGITEL)	N-RLU				600							
4	BATANGAS	Rosario (B)	NTP(DIGITEL)	N-RLU				750							
3	NUEVA ECUA	San Jose City	NTP(DIGITEL)	N-RLU				500							
3	BULACAN	San Jose del Monte	NTP(DIGITEL)	N-RLU				200							
3	BULACAN	San Rafael	NTP(DIGITEL)	N-RLU				200							
3	NUEVA ECUA	Sta. Rosa	NTP(DIGITEL)	N-RLU				200							
4	QUEZON	Tiaong	NTP(TELOF)	N-RLU				500							
3	PAMPANGA	Angeles City (B)	NTP(DIGITEL)	NEAX-61				6,100							
3	PAMPANGA	Apalit (B)	NTP(DIGITEL)	NEAX-61				600							
4	QUEZON	Atirongan	NTP(TELOF)	NEAX-61				600							
3	BULACAN	Balagtas (B)	NTP(DIGITEL)	NEAX-61				1,500							
4	BATANGAS	Balayon (B)	NTP(TELOF)	NEAX-61				600							
3	BULACAN	Calumpit (B)	NTP(DIGITEL)	NEAX-61				800							
4	QUEZON	Gumeta (B)	NTP(TELOF)	NEAX-61				600							
3	ZAMBALES	Iba (B)	NTP(DIGITEL)	NEAX-61				600							
4	BATANGAS	Ibaan (B)	NTP(DIGITEL)	NEAX-61				600							
5	CAMARINES SUR	Iriga City	NTP(TELOF)	NEAX-61				800							
4	BATANGAS	Lemery (B)	NTP(TELOF)	NEAX-61				1,400							
5	ALBAY	Ligao (B)	NTP(TELOF)	NEAX-61				300							
4	QUEZON	Lopez	NTP(TELOF)	NEAX-61				1,200							
4	QUEZON	Lucban	NTP(TELOF)	NEAX-61				1,200							
3	BULACAN	Marilao	NTP(DIGITEL)	NEAX-61				2,600							
3	BULACAN	Meycauayan	NTP(DIGITEL)	NEAX-61				5,000							
5	CAMARINES SUR	Naga City (C)	NTP(TELOF)	NEAX-61				2,600							
4	BATANGAS	San Jose (B)	NTP(DIGITEL)	NEAX-61				1,300							
4	BATANGAS	San Juan	NTP(DIGITEL)	NEAX-61				700	4363	3xxx				4363	0
4	QUEZON	Sariaya (B)	NTP(TELOF)	NEAX-61				700							
3	BULACAN	Sta. Maria (B)	NTP(DIGITEL)	NEAX-61				1,900							
3	NUEVA ECUA	Talavera	NTP(DIGITEL)	NEAX-61				200							
3	BATTAN	Dinalupihan	NTP(DIGITEL)	NEAX-61				300							

Appendix 6-1 The List of Telephone Operating Companies and Facilities (3/7)

Region	Province Name	Municipalities Name	Present Status		Switching Capacity (As of April 1993)				Numbering Plan				
			Operators Name	Switching Type	Switching Capacity				Numbering Plan				
					Existing	CABLEX	Under Instl.	Working	I.C.C.		Manual		
AC	SN	AC	SN	AC	SN	AC	SN						
				TOTAL			44,600						
8	LEYTE	Ormoc City	ORMOC CITY TEL	SXS	1,100			1,008	5351	2xxx-3xxx		5351	0
				TOTAL	1,100								
3	PAMPANGA	Macabebe (A)	PAMPANGA TEL	MANUAL	600		260	4594	1xx-7xx			4594	0
3	PAMPANGA	Masantol	PAMPANGA TEL	MANUAL	200		230	4595	1xx-6xx			4595	0
				TOTAL	800								
3	ZAMBALES	Olongapo City	PI.TEL	DIGITEL	3,000		2,850	47	2220xxx			47	2220
CAR	BENGUET	Baguio City	PI.TEL	SPC-D	7,500		6,010	74	442xxxx			74	0
				SUBTOTAL	10,500								
4	MARINDUQUE	Boac	PI.TEL	MANUAL	200		219	4221	1xxx-2xxx			4221	0
3	ZAMBALES	Subic	PI.TEL	MANUAL	430		275	4787	1xxx-5xxx			4787	0
				SUBTOTAL	630								
11	DAVAO DEL SUR	Digos	PI.TEL	XB	1,000		828	8251	2xxx			8251	0
11	SOUTH COTABATO	General Santos City	PI.TEL	XB	3,400		2,848	8321	2xxx-5xxx			8321	0
5	MASBATE	Masbate	PI.TEL	XB	300		247	5661	1xx-3xx			5661	0
4	PALAWAN	Puerto Princesa City	PI.TEL	XB	1,000			4821	2xxx			4821	9114, 9300
				SUBTOTAL	5,700								
				TOTAL	16,830								
7	CEBU	Argao	PLDT	AKD-860	200		176	3230	1xx-2xx			32	0
6	NEGROS OCCIDENTAL	Bago City	PLDT	AKD-860	200		172	3461	1xx-2xx			34	0
3	TARLAC	Bamban	PLDT	AKD-860	50		33	4549	2xx	90	2011105	452	0
3	TARLAC	Camiling	PLDT	AKD-860	250		245	4534	1xx-3xx	45	1933	452	0
3	TARLAC	Capas	PLDT	AKD-860	150		137	4548	1xx-2xx	45	1944	452	0
11	SURGAO DEL SUR	Coletto(PLDT)	PLDT	AKD-860	50		33	8632	4xxx				
6	NEGROS OCCIDENTAL	Kabankalan	PLDT	AKD-860	250		222	3471	1xx-3xx	34	1972	34	0
1	PANGASINAN	Manaoag	PLDT	AKD-860	150		141	7563	1xx-2xx	75	1961	75	0
3	BATTAN	Mariveles	PLDT	AKD-860	50		48	47	9354xxx			2	0
3	NUEVA ECDA	Munoz	PLDT	AKD-860	250		217	4456	1xx-3xx	44	1957	452	0
3	BULACAN	San Miguel	PLDT	AKD-860	250		239	978	1xx-3xx	97	1907		
10	MISAMIS ORIENTAL	Tagoloan	PLDT	AKD-860	300		181	8867	1xx-3xx			88	0
7	NEGROS ORIENTAL	Tanjay	PLDT	AKD-860	200		183	3527	1xx-2xx	35	1927	32	0
				SUBTOTAL	2,350								
3	PAMPANGA	Bacolor	PLDT	CABLEX				45	91xxxx			45	0
4	RIZAL	Baras	PLDT	CABLEX						2	1923		
1	PANGASINAN	Bornuan Dag City	PLDT	CABLEX									
4	LAGUNA	Cabuyao	PLDT	CABLEX				92	62xxx	92	1958	92	0
1	PANGASINAN	Celasio	PLDT	CABLEX						75	1921		
4	RIZAL	Cardona	PLDT	CABLEX						90	2011024		
3	TARLAC	Gerona	PLDT	CABLEX									
4	LAGUNA	Lumban	PLDT	CABLEX				92	645xxxx			922	0
1	PANGASINAN	Mangaldan	PLDT	CABLEX						75	1931		
3	TARLAC	Morceda	PLDT	CABLEX									
4	CAVITE	Novelita	PLDT	CABLEX				96	438xxxx	96	1941	96	0
6	ILOILO	Oton	PLDT	CABLEX									
4	RIZAL	Pililla	PLDT	CABLEX									
4	LAGUNA	Pagsanjan	PLDT	CABLEX	0		0	92	645xxxx			922	0
1	PANGASINAN	San Fabian	PLDT	CABLEX						75	1934		
3	PAMPANGA	Santa Rita	PLDT	CABLEX						45	1991		
3	PAMPANGA	Santo Tomas	PLDT	CABLEX									
10	MISAMIS ORIENTAL	Villanueva	PLDT	CABLEX									
3	BULACAN	Baliuag	PLDT	CXP-5	400		384	97	767xxxx				
4	LAGUNA	Calamba (A)	PLDT	CXP-5	1,000		827	92	545xxxx	92	1954	92	0
4	LAGUNA	Santa Cruz	PLDT	CXP-5	1,600		1,326	92	645xxxx	90	2011058		
4	BATANGAS	Tanauan	PLDT	CXP-5	700		517	43	878xxxx	43	1934	2	0
2	CAGAYAN VALLEY	Tuguegarao	PLDT	CXP-5	700		699	78	446xxxx	78	1946-7	78	0
				SUBTOTAL	4,400								
4	RIZAL	Taytay-1 (GMM)	PLDT	EAX	5,800		1,983	2	665xxxx				
				SUBTOTAL	5,800								
4	LAGUNA	Nagcarlan	PLDT	EMD(Lifw)				9255	55xxx				
4	CAVITE	Binalonan	PLDT	EMD-R	4,000		3,562	96	435xxxx			96	0
4	CAVITE	Calatagan	PLDT	EMD-R	2,400		2,247	95	431xxxx	95	1931-19	95	0
3	PAMPANGA	Gusaga	PLDT	EMD-R	1,900		1,802	45	91xxxx	45	1992	45	0
10	MISAMIS OCCIDENTAL	Ozamiz City	PLDT	EMD-R	1,100		903	65	2xxxx	65	1922	65	0
6	CAPIZ	Roxas City	PLDT	EMD-R	1,500		1,483	36	21xxxx	36	1921	33	0
4	LAGUNA	San Pedro	PLDT	EMD-R	3,200		2,639	2	808.84xxxx			2	0
2	CAGAYAN VALLEY	Aparri (A)	PLDT	EMD-V	400		228	78xx	22xxx				
4	LAGUNA	Canlubang	PLDT	EMD-V	800		433	92	62xxx	92	1957	92	0
2	ISABELA	Cauayan	PLDT	EMD-V	500		337	76	52xxx	76	1922	76	0
2	ISABELA	Echague	PLDT	EMD-V	200		130	7672	72xxx				
CAR	BENGUET	La Trinidad	PLDT	EMD-V	400		378	74	22xxx	74	1922	74	0
1	ILOCOS NORTE	Lacog City(A)	PLDT	EMD-V	1,400		1,347	77	771xxxx	77	1921	77	7710
2	ISABELA	Iligan (B)	PLDT	EMD-V	300		267	7623	62xxx				
4	LAGUNA	Los Banos	PLDT	EMD-V	500		426	94	50xxx	94	1972	94	0
10	MISAMIS OCCIDENTAL	Oroquieta City	PLDT	EMD-V	300		239	6531	31xxx				
4	LAGUNA	Palo	PLDT	EMD-V	300		265	9245	45xxx				
4	CAVITE	Rosario	PLDT	EMD-V	1,000		951	96	438xxxx	96	1932	96	0
4	LAGUNA	Santa Rosa	PLDT	EMD-V	400		305	9256	71xxx	92	1955		
9	ZAMBOANGA DEL SUR	Zamboanga City	PLDT	EMD-V	1,000		112	62	2-7xxxx	62	1931		
7	CEBU	Mactan	PLDT	EMD-V	600		580	32	88xxx.40xxxx			32	0
11	SURGAO DEL SUR	Bilig	PLDT	EMD-V (MANC)	450		254	86	1922				
4	LAGUNA	Liliw	PLDT	EMD-V (Nagcarlan)	300		295	9255	55xxx				
				SUBTOTAL	22,950								
4	BATANGAS	San Jose (A)	PLDT	EMS-601	300		288	43	726xxxx			43	0
				SUBTOTAL	300								
4	LAGUNA	Canlubang (CSB)	PLDT	ESK	600		543	92	7xxx			2	0
				SUBTOTAL	600								



Appendix 6-1 The List of Telephone Operating Companies and Facilities (5/7)

Region	Province	Municipalities	Present Status		Switching Capacity (As of April 1993)				Numbering Plan					
			Operators Name	Switching Type	Switching Capacity		I.C.C.		P.C.O.		Manual			
					Existing	CABLEX	AC	SN	AC	SN	AC	SN		
2	NUOVA VIZCAYA	Bambang	RTDP(DIGITEL)	CABLEX	120			73	321xxxx			73	3210	
2	IFUGAO	Barauac	RTDP(DIGITEL)	CABLEX	90			73	386xxxx			73	3210	
1	ILOCOS SUR	Baratay	RTDP(DIGITEL)	CABLEX	120			77	722xxxx			77	7220	
2	BATANES	Basco	RTDP(DIGITEL)	CABLEX	24			78	892xxxx			78	8460	
1	PANGASINAN	Basista	RTDP(DIGITEL)	CABLEX	40			75	59238xx			75	5620	
1	PANGASINAN	Bautista	RTDP(DIGITEL)	CABLEX	70			75	59234xx			75	5620	
1	PANGASINAN	Bugallon	RTDP(DIGITEL)	CABLEX	210			75	5444xxx			75	5620	
2	ISABELA	Cabagan	RTDP(DIGITEL)	CABLEX	120			76	636xxxx			76	6220	
2	QUIRINO	Cabarrogua	RTDP(DIGITEL)	CABLEX	60			76	692xxxx			76	6220	
2	ISABELA	Cabutan	RTDP(DIGITEL)	CABLEX	60									
1	ILOCOS SUR	Cabugao	RTDP(DIGITEL)	CABLEX	175			77	728xxxx			77	7220	
2	CAGAYAN VALLEY	Camalantugan	RTDP(DIGITEL)	CABLEX	5			78	854xxxx			78	8460	
1	ILOCOS SUR	Caosyan	RTDP(DIGITEL)	CABLEX	40			77	722xxxx			77	7220	
2	CAGAYAN VALLEY	Claveria	RTDP(DIGITEL)	CABLEX	120			78	864xxxx			78	8460	
2	ISABELA	Cordon	RTDP(DIGITEL)	CABLEX	200									
1	ILOCOS NORTE	Currinao	RTDP(DIGITEL)	CABLEX	5			77	792xxxx			77	7710	
2	CAGAYAN VALLEY	Enrile	RTDP(DIGITEL)	CABLEX	120			78	824xxxx			78	8460	
1	ILOCOS NORTE	Espiritu(Barna)	RTDP(DIGITEL)	CABLEX	60			77	786xxxx			77	7710	
2	CAGAYAN VALLEY	Goroga	RTDP(DIGITEL)	CABLEX	30			78	856xxxx			78	8460	
2	CAGAYAN VALLEY	Lal-Lo	RTDP(DIGITEL)	CABLEX	25			78	854xxxx			78	8460	
1	ILOCOS SUR	Magaling	RTDP(DIGITEL)	CABLEX	120			77	72635xx			77	7220	
1	PANGASINAN	Malasiqui	RTDP(DIGITEL)	CABLEX	250			75	5365xxx	75	1937	75	5620	
2	ISABELA	Mallig	RTDP(DIGITEL)	CABLEX	60									
1	PANGASINAN	Mangatarem	RTDP(DIGITEL)	CABLEX	210			75	5468xxx	75	1916	75	5620	
1	ILOCOS NORTE	Marcos	RTDP(DIGITEL)	CABLEX	5			77	784xxxx			77	7710	
1	ILOCOS SUR	Narvacan	RTDP(DIGITEL)	CABLEX	120			77	732xxxx			77	7220	
1	ILOCOS NORTE	Piddig	RTDP(DIGITEL)	CABLEX	90			77	782xxxx			77	7710	
1	PANGASINAN	Pozorubio	RTDP(DIGITEL)	CABLEX	150			75	5667xxx			75	5620	
1	PANGASINAN	San Manuel	RTDP(DIGITEL)	CABLEX	160			75	56232xx			75	5620	
2	ISABELA	San Manuel	RTDP(DIGITEL)	CABLEX	60			76	664xxxx			76	0	
1	PANGASINAN	San Nicolas	RTDP(DIGITEL)	CABLEX	450			75	572xxxx	90	2011013	75	5620	
1	ILOCOS NORTE	San Nicolas	RTDP(DIGITEL)	CABLEX	360			77	7713xxx	77	1971	77	7710	
1	PANGASINAN	San Quintin	RTDP(DIGITEL)	CABLEX	100			75	576xxxx			75	5620	
1	ILOCOS SUR	San Vicente	RTDP(DIGITEL)	CABLEX	30			77	722xxxx			77	7220	
2	CAGAYAN VALLEY	Sanchez-Mira	RTDP(DIGITEL)	CABLEX	60			78	864xxxx			78	8460	
1	ILOCOS SUR	Santa	RTDP(DIGITEL)	CABLEX	50			77	722xxxx			77	7220	
1	ILOCOS SUR	Santa Catalina	RTDP(DIGITEL)	CABLEX	30			77	722xxxx			77	7220	
1	ILOCOS SUR	Santa Lucia	RTDP(DIGITEL)	CABLEX	5			77	742xxxx			77	7220	
1	ILOCOS SUR	Santa Maria	RTDP(DIGITEL)	CABLEX	120			77	732xxxx			77	7220	
1	PANGASINAN	Santa Maria	RTDP(DIGITEL)	CABLEX	50			75	572xxxx			75	5620	
1	ILOCOS SUR	Santo Domingo	RTDP(DIGITEL)	CABLEX	5			77	726xxxx			77	7220	
1	PANGASINAN	Santo Tomas	RTDP(DIGITEL)	CABLEX	30			75	58208xx			75	5620	
1	ILOCOS SUR	Sinait	RTDP(DIGITEL)	CABLEX	5			77	728xxxx			77	7220	
2	CAGAYAN VALLEY	Solana	RTDP(DIGITEL)	CABLEX	120			78	824xxxx			78	8460	
1	ILOCOS NORTE	Solana	RTDP(DIGITEL)	CABLEX	5			77	784xxxx			77	7710	
1	PANGASINAN	Sual	RTDP(DIGITEL)	CABLEX	60			75	5488xx			75	5620	
1	ILOCOS SUR	Tagudin	RTDP(DIGITEL)	CABLEX	200			77	748xxxx			77	7220	
2	ISABELA	Tarzuani	RTDP(DIGITEL)	CABLEX	120			76	632xxxx			76	6220	
1	PANGASINAN	Villasis	RTDP(DIGITEL)	CABLEX	300			75	5684xx			75	5620	
2	CAGAYAN VALLEY	Aparri (B)	RTDP(DIGITEL)	N-RSU	480		11							
CAR	ABRA	Bangued	RTDP(DIGITEL)	N-RSU	600			77	752xxxx			77	7220	
1	ILOCOS NORTE	Batac	RTDP(DIGITEL)	N-RSU	380			380	77	792xxxx		77	7710	
1	PANGASINAN	Baysambang (B)	RTDP(DIGITEL)	N-RSU	300			210	75	5922xxx		75	5620	
CAR	MOUNTAIN PROVINCE	Bontoc	RTDP(DIGITEL)	N-RSU	210			180	74	462xxxx		75	5620	
1	ILOCOS SUR	Candon	RTDP(DIGITEL)	N-RSU	660			655	77	742xxxx		77	7220	
1	ILOCOS NORTE	Dingras	RTDP(DIGITEL)	N-RSU	300			230	77	784xxxx		77	7710	
1	ILOCOS NORTE	Paoay	RTDP(DIGITEL)	N-RSU	300			295	77	792xxxx		77	7710	
1	PANGASINAN	Rosales	RTDP(DIGITEL)	N-RSU	480			400	75	5827xxx		75	5620	
2	ISABELA	Roxas	RTDP(DIGITEL)	N-RSU	360			300						
2	ISABELA	San Mateo	RTDP(DIGITEL)	N-RSU	720			540	76	664xxxx		76	0	
1	ILOCOS NORTE	Sarrat	RTDP(DIGITEL)	N-RSU	240			150	77	782xxxx		77	7710	
2	NUOVA VIZCAYA	Solano	RTDP(DIGITEL)	N-RSU	780			780	73	326xxxx		73	3210	
1	PANGASINAN	Urdaneta (B)	RTDP(DIGITEL)	N-RSU	1,300			1,300	75	5682xxx		75	5620	
2	NUOVA VIZCAYA	Bayombong	RTDP(DIGITEL)	NEAX-61	840			630	73	321xxxx		73	3210	
1	PANGASINAN	Binalonan	RTDP(DIGITEL)	NEAX-61	1,020			1,020	75	562xxxx		75	5620	
1	ILOCOS NORTE	Laog City (B)	RTDP(DIGITEL)	NEAX-61	1,560			1,200	77	22xxxx		77	0	
2	ISABELA	Ilagan (A)	RTDP(DIGITEL)	NEAX-61	310			10	76	622xxxx		76	6220	
2	ISABELA	Santiago	RTDP(DIGITEL)	NEAX-61	720			300	76	682xxxx		76	6220	
1	PANGASINAN	Tayug	RTDP(DIGITEL)	NEAX-61	400			355	75	572xxxx		75	5620	
2	CAGAYAN VALLEY	Tuguegarao (A)	RTDP(DIGITEL)	NEAX-61	360			120	78	846xxxx		78	8460	
1	PANGASINAN	Umingan	RTDP(DIGITEL)	NEAX-61	480			380	75	576xxxx		75	5620	
1	ILOCOS SUR	Vigan	RTDP(DIGITEL)	NEAX-61	2,170			1,055	77	722xxxx		77	7220	
1	PANGASINAN	Alaminos (B)	RTDP(DIGITEL)	SPC-D	360			360						
1	PANGASINAN	Lingsayen (B)	RTDP(DIGITEL)	SPC-D	980			710	75	5426xxx		75	5620	
1	PANGASINAN	San Carlos City	RTDP(DIGITEL)	SPC-D	1,360			900	75	5322-3xx		75	5620	
2	KALINGA-APAYAO	Tabuk	RTDP(DIGITEL)	SPC-D	240			240						
				TOTAL	17,910									
								275	7562	1xx-2xx		7562	0	
1	PANGASINAN	Lingsayen (A)	Rural Tel Co	MANUAL	500									
				TOTAL	500									
6	NEGROS OCCIDENTAL	San Carlos City	SAN CARLOS TEL	SXS	800			629	3440	2xxx		3440	0	
1	PANGASINAN	Bayambang (A)	SAN CARLOS TEL	XB	210				7592	1x-7x		7592	0	
1	PANGASINAN	San Carlos City	SAN CARLOS TEL	XB	250			220	7569	1xx-3xx		7569	0	
				TOTAL	1,260									
3	NUOVA ECUA	San Jose City	SAN JOSE TEL SY	SXS	100			193	4421	2xx-5xx		4421	0	
				TOTAL	100									
ARM	LANAO DEL SUR	Marantao	SARKIAN TEL	XB	150					ISOLATED				

Appendix 6-1 The List of Telephone Operating Companies and Facilities (6/7)

Region	Province	Municipalities	Present Status		Switching Capacity				Numbering Plan					
			Operators Name	Switching Type	(As of April 1993)				I.C.C		P.C.O		Manual	
					Existing	CABLEX	Under Install	Working	A.C	S.N	A.C	S.N	A.C	S.N
				TOTAL	150									
10	BUKIDNON	Dasmulog	SOUTHERN TEL C	DIGITAL(TEAD)	200			50						
10	BUKIDNON	Malaybalay	SOUTHERN TEL C	DIGITAL(TE4X)	450			620	8841	4xxx-5xxx			8841	0
				SUB TOATL	650									
10	BUKIDNON	Don Carlos	SOUTHERN TEL C	SXS	250			84						
10	BUKIDNON	Mando Fortich	SOUTHERN TEL C	SXS	150			50	8856	2xxx			8856	0
10	BUKIDNON	Mausan (southern T)	SOUTHERN TEL C	SXS	50									
10	BUKIDNON	Quezon	SOUTHERN TEL C	SXS	100			54						
10	BUKIDNON	Valencia	SOUTHERN TEL C	SXS	300			230						
				SUB TOATL	850									
				TOTAL	1,509									
2	CAGAYAN VALLEY	Buguey	TELOP	CABLEX		30			78	856xxxx			78	8460
5	CAMARINES SUR	Buhi	TELOP	SXS	450			164	ISOLATED					
8	EASTERN SAMAR	Guhan	TELOP	SXS	200			70	ISOLATED					
3	ZAMBALES	Iba (A)	TELOP	SXS	600			35	ISOLATED					
4	BATANGAS	Ibaan (A)	TELOP	SXS	200			286	4333	1,2xx,4xx,6xx			4333	0
4	OCCIDENTAL MINDORO	Mamburao	TELOP	SXS	300				ISOLATED		46	1915		
10	BUKIDNON	Marang	TELOP	SXS	450			367	ISOLATED					
3	BULACAN	Pandi	TELOP	SXS	450			75	ISOLATED					
6	ILOILO	Passi	TELOP	SXS	450			16	3367	6xxx			3367	0
6	ILOILO	Pototan	TELOP	SXS	200			46	3357	2xx-3xx			3357	0
6	ANTIQUE	San Jose	TELOP	SXS	300			350	ISOLATED					
1	PANGASINAN	Alaminos	TELOP	XB	100				75	552xxx			75	5620
3	BULACAN	Angat	TELOP	XB	300									
8	LEYTE	Baybay	TELOP	XB	300			290	ISOLATED		33	1966		
8	EASTERN SAMAR	Borongan	TELOP	XB	300				ISOLATED		58	1911		
6	ILOILO	Calinog	TELOP	XB	300			251	3347	2xx-6xx			3347	0
8	NORTHERN SAMAR	Catarman	TELOP	XB	300			222	ISOLATED					
8	WESTERN SAMAR	Catbogan	TELOP	XR	300			219	ISOLATED					
3	BATTAN	Dinalupihan	TELOP	XB	300			287	4747	2xx-6xx	90	2011095	4747	0
8	LEYTE	Dulag	TELOP	XB	450			130	ISOLATED					
6	AKLAN	Kalibo	TELOP	XB	800			952	ISOLATED					
8	SOUTHERN LEYTE	Maasin	TELOP	XB	300			393	ISOLATED		33	1971		
4	OCCIDENTAL MINDORO	San Jose	TELOP	XB	300			331	ISOLATED					
5	SORSOGON	Sorsogon	TELOP	XB	1,000			774	ISOLATED		56	1911		
3	NUEDA ECBA	Sta. Rosa	TELOP	XB	300			22	ISOLATED					
12	SULTAN KUDARAT	Tacurong	TELOP	XB	450			732	ISOLATED		64	1911		
7	BOHOL	Tagbilaran City	TELOP	XB	1,000			1,231	3821	2xxx-3xx	38	1991	3821	0
5	CATANDUANES	Virac	TELOP	XB	300			351	ISOLATED		52	1911-4		
				TOTAL	10,700									
7	CEBU	Toledo City	TELOP	SXS	200			169	3245	2xx-4xx			3245	0
				TOTAL	200									
6	NEGROS OCCIDENTAL	Victorias	VICTORIAS TEL S	EMD	100			82	3491	1xx-2xx	34	1993	3491	0
				TOTAL	100									
4	BATANGAS	Balayn (A)	W. BATANGAS TE	SXS	500			400	4391	1-6xx			4391	0
4	BATANGAS	Nanugba (A)	W. BATANGAS TE	SXS	500			63	4395	xx			4395	0
4	BATANGAS	Leimery (A)	W. BATANGAS TE	XB	300			200	4344	6xx-9xx			4344	0
				TOTAL	1,300									
NCR	Metro Manila	San Juan	PLDT	CABLEX										
NCR	Metro Manila	Marikina	PLDT	EAX	7,600			4,837	2	947-8xxxx				
NCR	Metro Manila	Pasig-2 (EAX)	PLDT	EAX	5,600			1,721	2	693xxxx				
NCR	Metro Manila	Muntinlupa (San Pedro)	PLDT	EMD	3,200			2,452	2	808xxxx				
NCR	Metro Manila	Paranaque	PLDT	EMD-V	1,000					2	823,820xxxx			
NCR	Metro Manila	South Taguig	PLDT	EMD-R	2,000			964	2	822xxxx				
NCR	Metro Manila	Alabang	PLDT	EWSA	6,000			5,034	2	807xxxx				
NCR	Metro Manila	Grace Park	PLDT	EWSA	15,000			14,842	2	361-2xxxx				
NCR	Metro Manila	Las Pinas	PLDT	EWSA	14,000			12,949	2	801-2xxxx,805xxxx				
NCR	Metro Manila	Makati-1	PLDT	EWSA	10,000			9,510		817xxxx				
NCR	Metro Manila	Makati-2	PLDT	EWSA	15,000			14,028		818-9xxxx				
NCR	Metro Manila	Makati-3	PLDT	EWSA	15,000			13,690		815-6xxxx				
NCR	Metro Manila	Malate	PLDT	EWSA	15,000			14,311	2	521-2xxxx				
NCR	Metro Manila	Mandaluyong	PLDT	EWSA	15,000			14,382	2	721-2xxxx				
NCR	Metro Manila	Passy-1	PLDT	EWSA	15,000			14,497	2	831-2xxxx				
NCR	Metro Manila	Passy-2	PLDT	EWSA	11,000			10,378	2	833-4xxxx				
NCR	Metro Manila	Quezon City	PLDT	EWSA	20,000			18,840	2	921-3xxxx				
NCR	Metro Manila	Sampaloc-1	PLDT	EWSA	15,000			14,912	2	741-2xxxx				
NCR	Metro Manila	Sampaloc-2	PLDT	EWSA	15,000			14,934	2	731-2xxxx				
NCR	Metro Manila	Sampaloc-3	PLDT	EWSA	15,000			14,871	2	711-2xxxx				
				Sub Total	215,400									
NCR	Metro Manila	Balara	PLDT	EWSD	10,000			4,469	2	931xxxx				
NCR	Metro Manila	Cubao	PLDT	EWSD	16,000			1,950	2	911xxxx				
NCR	Metro Manila	Dansalan	PLDT	EWSD	19,000			4,233	2	531xxxx				
NCR	Metro Manila	Las Pinas	PLDT	EWSD	7,000			4,873						
NCR	Metro Manila	Makati-4	PLDT	EWSD	10,000			9,253		810xxxx				
NCR	Metro Manila	Makati-5	PLDT	EWSD	19,000			12,657		812-4xxxx				
NCR	Metro Manila	Malabon	PLDT	EWSD	10,000			791	2	281xxxx				
NCR	Metro Manila	Marikina(South)	PLDT	EWSD	11,000			2,960	2	645xxxx				
NCR	Metro Manila	N. Paranaque	PLDT	EWSD	15,000			1,549	2	820,823xxxx				
NCR	Metro Manila	Novaliches	PLDT	EWSD	4,000			1,050	2	936xxxx				
NCR	Metro Manila	Pasig (New)	PLDT	EWSD	9,000			4,914	2	641xxxx				
NCR	Metro Manila	Quezon City	PLDT	EWSD	8,000			2,336						
NCR	Metro Manila	Valenzuela	PLDT	EWSD	13,000			4,731	2	292xxxx				



Appendix 6-1 The List of Telephone Operating Companies and Facilities (7/7)

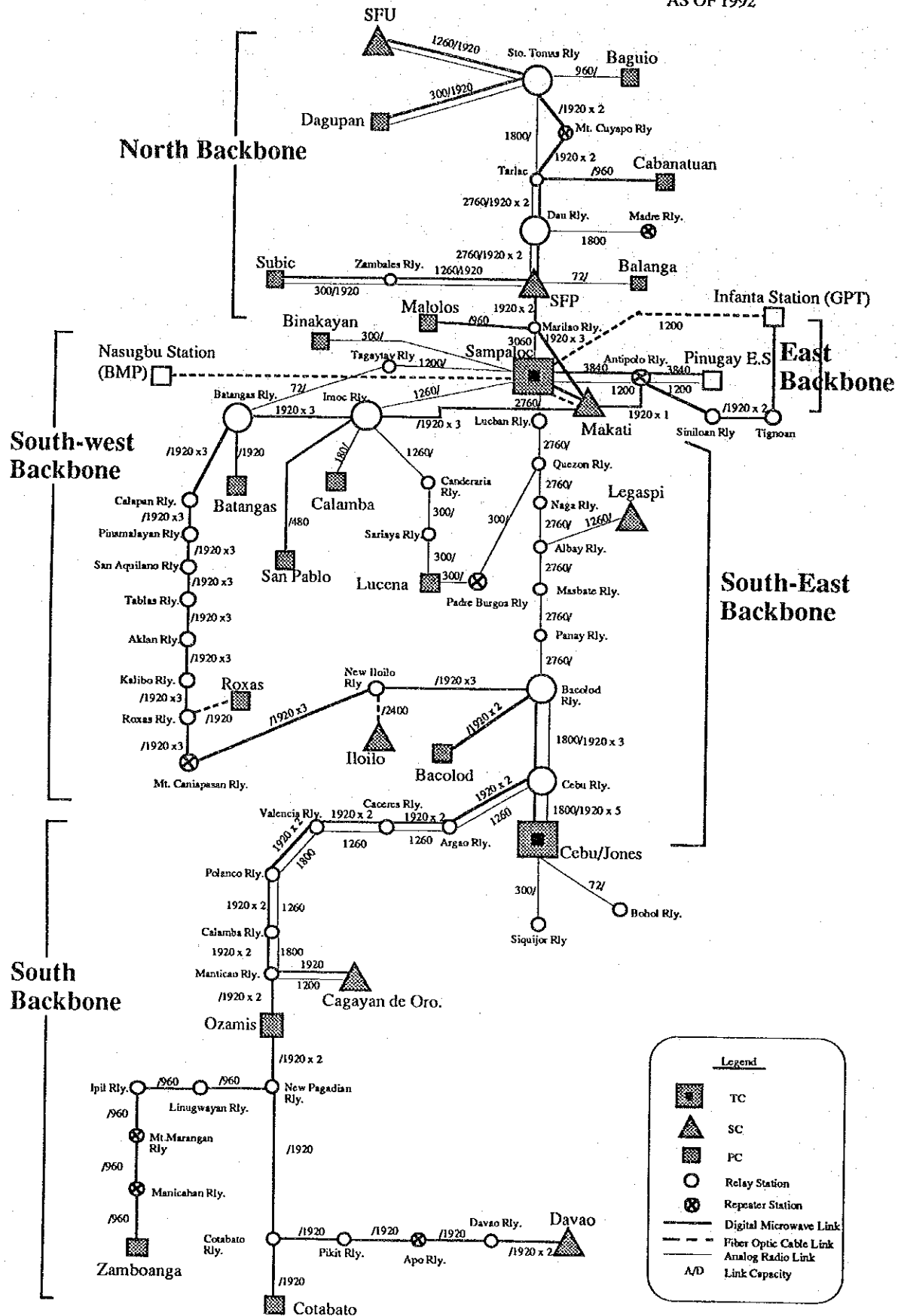
Region	Province	Municipalities	Present Status		Switching Capacity (As of April 1993)				Numbering Plan					
			Operators Name	Switching Type	Existing	CABLEX	Under Instal	Working	I.C.C		P.C.O		Manual	
	Name	Name							AC	SN	AC	SN	AC	SN
NCR	Metro Manila	Alabang	PLDT	BWSD (RSU)	800			242						
NCR	Metro Manila	Intramuros	PLDT	BWSD (RSU)	1,600			742	2	530xxxx				
NCR	Metro Manila	Malate	PLDT	BWSD (RSU)	1,600			766	2	539xxxx				
NCR	Metro Manila	Muntinlupa(San Pedro)	PLDT	BWSD (RSU)	800			263	2	846xxxx				
NCR	Metro Manila	Pasay	PLDT	BWSD (RSU)	800			333	2	804xxxx				
NCR	Metro Manila	Sta. Mesa	PLDT	BWSD (RSU)	1,600			891	2	716xxxx				
NCR	Metro Manila	Tondo	PLDT	BWSD (RSU)	1,600			50	2	286xxxx				
NCR	Metro Manila	Gumet	PLDT	NEAX-61	40,000			10,662						
NCR	Metro Manila	Pasig-3 (NEAX)	PLDT	NEAX-61	5,440			1,725	2	640xxxx				
NCR	Metro Manila	Pasig-4 (RSU)	PLDT	RSU	2,000			18	2	673xxxx				
				Sub Total	207,240									
NCR	Metro Manila	Caloocan City	PLDT	SXS	9,640			8,768	2	22xxxx				
NCR	Metro Manila	Grace Park	PLDT	SXS	13,200			12,156	2	34-35xxxx				
NCR	Metro Manila	Intramuros	PLDT	SXS	35,870			28,850	2	4046-9xxxx				
NCR	Metro Manila	Makati	PLDT	SXS	30,020			18,680	2	85-88xxxx				
NCR	Metro Manila	Malate	PLDT	SXS	26,730			23,104	2	5057-9xxxx				
NCR	Metro Manila	Mandaluyong	PLDT	SXS	25,220			22,702	2	7077-9xxxx				
NCR	Metro Manila	Novaliches	PLDT	SXS	7,615			5,793	2	90xxxx				
NCR	Metro Manila	Paranaque	PLDT	SXS	17,000			15,177	2	827-8xxxx				
NCR	Metro Manila	Quezon City	PLDT	SXS	29,150			21,810	2	95-99xxxx				
NCR	Metro Manila	Sta. Mesa	PLDT	SXS	16,200			15,075	2	60-62xxxx				
NCR	Metro Manila	Tondo	PLDT	SXS	26,000			24,499	2	20-21xxxx				
NCR	Metro Manila	Pasig-1 (XB)	PLDT	XB5	4,760			372	2	682xxxx				
				Sub Total	241,405									
				TOTAL	664,045									

LEGEND

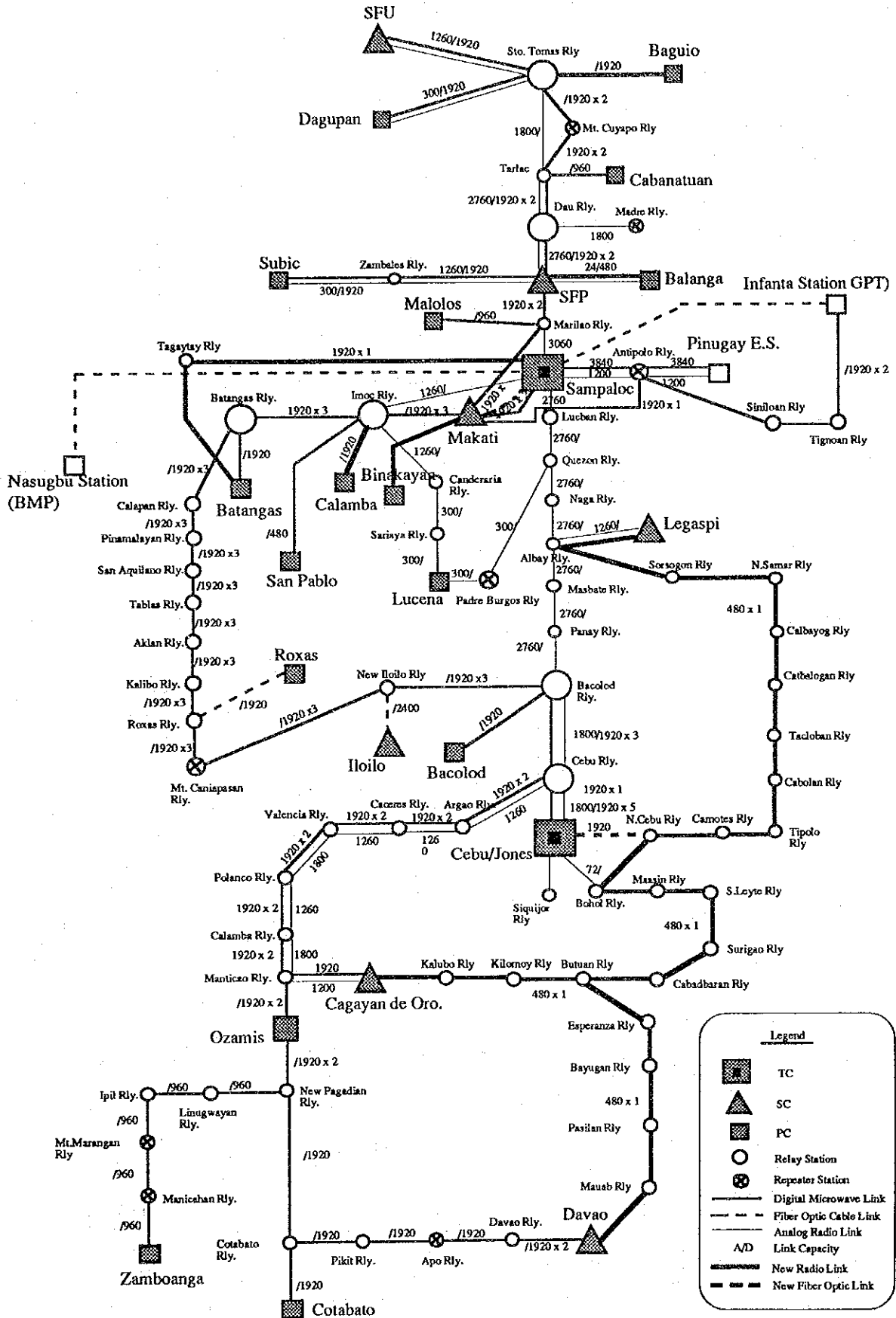
- Existing = Present of switching capacities
- CABLEX = Cable Extension
- Under Instal = Under Installation
- Working = Number of working lines
- AC = Area Code
- SC = Subscriber number

Appendix 6-2 PLDT Backbone Network Configuration

AS OF 1992

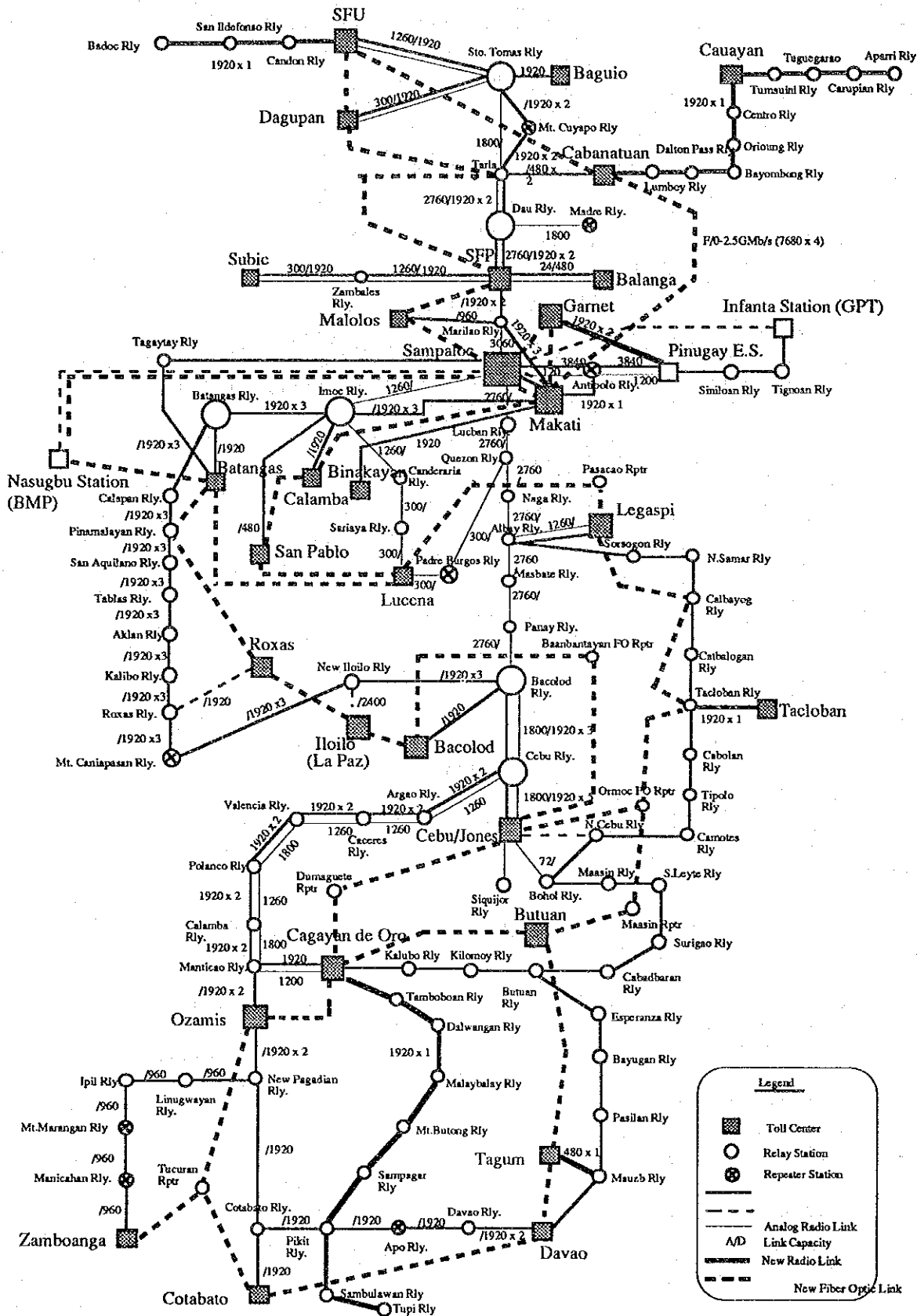


## Appendix 6-3 PLDT Backbone Network Configuration After X-5C



# Appendix 6-4 PLDT Backbone Network Configuration

After X-6



Appendix 6-5 PLDT Backbone Network Facilities (1/8)

SYSTEM (NAME)	LINK	SYSTEM (TYPE)	D/A	Dist (Km)	CAPACITY		RFS DATE	MANUFACTURER
					As of 1992	After X5-C After X-6		
North Backbone	Sampaloc-Makati	11G-140Mb/s 2+1	D	7.41	1920x2		1993	Siemens
	Makati-Malillo Rly	4G-140Mb/s 3+1	D	25.60	1920x3		1993	Siemens
	Marlao Rly-Malolos	2G- 34Mb/s 2+1	D	15.80	960		1993	Siemens
	Marlao Rly-Malolos	6G-140Mb/s 1+1	D	15.80		1920		
	Marlao Rly-SFP	6G-140Mb/s 3+1	D	39.10	1920x2		1993	Siemens
	SFP-Dau Rly	6G-140Mb/s 2+1	D	21.90	1920x2	(+1920)	1993	Siemens
	SFP-Balanga	2G- 34Mb/s 1+1	D	59.40		480	1994	Siemens
	SFP-Balanga	6G-140Mb/s 1+1	D	59.40				
	SFP-Zambales Rly	6G-140Mb/s 1+1	D	40.80	1920		1993	Siemens
	Zambales Rly-Subic	6G-140Mb/s 1+1	D	8.90	1920		1993	Siemens
	Tarlac- Cabanatuan	2G- 34Mb/s 2+1	D	39.90	480x2		1993	Siemens
	Tarlac- Mt.Cuyapo Rly	6G-140Mb/s 2+1	D	35.70	1920x2		1993	Siemens
	Mt.Cuyapo Rly-Sto.Tomas Rly	6G-140Mb/s 2+1	D	60.60	1920x2		1993	Siemens
	Sto.Tomas Rly-SFU	6G-140Mb/s 1+1	D	40.80	1920	(+1920)	1993	Siemens
	Sto.Tomas Rly-Dagupan	6G-140Mb/s 1+1	D	39.90	1920		1993	Siemens
	Sto. Tomas Rly-Baguio	6G-140Mb/s 1+1	D	9.50		1920	1994	Siemens
Dau Rly-Tarlac	6G-140Mb/s 2+1	D	33.50	1920x2		1993	Siemens	
SFU-Candon Rly								
Candon Rly-San Ildefonso Rly		DR-140Mb/s 1+1	D			1920	DR : Digital Radio	
San Ildefonso Rly-Badoc		DR-140Mb/s 1+1	D			1920		
		DR-140Mb/s 1+1	D			1920		
Cabanatuan Rly-Lumboy Rly		DR-140Mb/s 1+1	D			1920		
Lumboy Rly-Dalton Pass Rly		DR-140Mb/s 1+1	D			1920		
Dalton Pass Rly-Bayombong Rly		DR-140Mb/s 1+1	D			1920		
Bayombong Rly-Orioung Rly		DR-140Mb/s 1+1	D			1920		
Orioung Rly-Centro Rly		DR-140Mb/s 1+1	D			1920		
Centro Rly-Cauayan		DR-140Mb/s 1+1	D			1920		
Cauayan-Tumauni Rly		DR-140Mb/s 1+1	D			1920		
Tumauni Rly-Tuguegarao Rly		DR-140Mb/s 1+1	D			1920		
Tuguegarao Rly-Carupian Rly		DR-140Mb/s 1+1	D			1920		

Appendix 6-5 PLDT Backbone Network Facilities (2/8)

SYSTEM (NAME)	LINK	SYSTEM (TYPE)	D/A	Dist (Km)	CAPACITY		RFS DATE	MANUFACTURER
					As of 1992	After X5-C After X-6		
	Carupian Rly-Aparri Rly	DR-140Mb/s 1+1	D			1920		
[Sampaloc-SFU Segment]	Makati-Garnet	F/O-2.5Gb/s 1+1	D	7.40		7680x4		
	Garnet-Sampaloc	F/O-2.5Gb/s 1+1	D	10.40		7680x4		
	Sampaloc-Makati	F/O-2.5Gb/s 1+1	D	15.80		7680x4		
	Sampaloc-Malolos	F/O-2.5Gb/s 1+1	D	39.20		7680x4		
	Malolos-SFP	F/O-2.5Gb/s 1+1	D	25.40		7680x4		
	SFP-Tarlac	F/O-2.5Gb/s 1+1	D	57.10		7680x4		
	Tarlac-Dagupan	F/O-2.5Gb/s 1+1	D	64.50		7680x4		
	Dagupan-SFU	F/O-2.5Gb/s 1+1	D	73.00		7680x4		
	Makati-Cabanatuan	F/O-2.5Gb/s 1+1	D	126.10		7680x4		
	Cabanatuan-SFU	F/O-2.5Gb/s 1+1	D	187.00		7680x4		
	Sampaloc-Marilao	Analog Radio	A	18.40	3060			Siemens
	Marilao Rly-SFP	Analog Radio	A	38.78	2760			Lenkurt
	SFP-Balanga	Analog Radio	A	59.44	72	24		Siemens
	SFP-Zambales Rly	Analog Radio	A	40.20	1260			Siemens
	Zambales Rly-Subic	Analog Radio	A	8.83	300			Siemens
	SFP-Dau Rly	Analog Radio	A	22.04	2760			Lenkurt/Siemens
	Dau Rly-Tarlac	Analog Radio	A	33.13	2760			Lenkurt/Siemens
	Tarlac-Mt.Sto.Tomas Rly	Analog Radio	A	90.70	1800			Siemens
	Sto.Tomas Rly-SFU	Analog Radio	A	40.70	1260			Siemens
	Sto.Tomas Rly-Dagupan	Analog Radio	A	39.90	300			Lenkurt
	Sto.Tomas-Baguio	Analog Radio	A	9.50	960			Siemens
	Dau Rly-Sierra Madre Rly	Analog Radio	A	93.58	1800			Lenkurt
<b>East Backbone</b>	Sampaloc-Makati	DR-140Mb/s 1+1	D	7.41	1920			
	Sampaloc-Makati	F/O-140Mb/s 2+1	D	7.41	1920 x 2			
	Sampaloc-Infanta (GPT)	F/O-417Mb/s 2+1	D	111.46	5670 x 2			AT & T(10 Cores)
	Sampaloc-Antipolo Rly	4G-140Mb/s 1+1	D	2.40	1920	(+1920)		Siemens
	Makati-Antipolo Rly	4G-140Mb/s 1+1	D	23.40	1920	(+1920)		Siemens

Appendix 6-5 PLDT Backbone Network Facilities (3/8)

SYSTEM (NAME)	LINK	SYSTEM (TYPE)	D/A	Dist (Km)	CAPACITY		RFS DATE	MANUFACTURER
					As of 1992	After X5-C After X-6 (+1920) (+1920) (+1920)		
	Antipolo Rly-Pinugay E.S	4G-140Mb/s 1+1	D	10.40	1920	(+1920)		Siemens
	Antipolo Rly-Siniloan Rly	6G-140Mb/s 1+1	D		1920	(+1920)	1993	Siemens
	Siniloan Rly-Tignuan Rly	6G-140Mb/s 2+1	D		1920x2	(+1920)	1993	Siemens
	Tignuan Rly-Infanta (GPT)	6G-140Mb/s 2+1	D		1920x2		1993	Siemens
	Garnet-Pinugay E.S	4G-140Mb/s 2+1	D			1920 x 2		
	Sampaloc-Antipolo Rly	Analog Radio	A		1200			Siemens
	Antipolo Rly-Pinugay Rly	Analog Radio	A		1200			Siemens
	Sampaloc-Nasugbu Sin (BMP)	F/O-565Mb/s 1+1	D		7680			NEC (20 Cores)
	Sampaloc-Nasugbu Sin (BMP)	6G-140Mb/s 1+1	D		1920			Siemens
Southwest Backbone	Sampaloc-Tagaytay Rly	6G-140Mb/s 1+1	D			1920		
	Tagaytay Rly-Batangas	6G-140Mb/s 1+1	D			1920		
	Makati-Imoc Rly	4G-140Mb/s 3+1	D	57.50		1920x3	1993	Siemens
	Makati-Binakayan	4G-140Mb/s 1+1	D			1920	1993	Siemens
	Calamba-Imoc Rly	6G-140Mb/s 1+1	D			1920		
	Imoc Rly-San Pablo	2G- 34Mb/s 2+1	D	4.80	480x2		1993	Siemens
	Imoc Rly-Calamba	4G-140Mb/s 1+1	D	19.00		1920	1994	Siemens
	Imoc Rly-Batangas Rly Rly	6G-140Mb/s 3+1	D	32.70	1920x3		1993	Siemens
	Batangas Rly-Batangas	4G-140Mb/s 1+1	D	18.10	1920		1993	Siemens
	Batangas Rly-Calapan Rly	6G-140Mb/s 3+1	D	59.20	1920x3		1993	Siemens
	Calapan Rly-Pinamalanay Rly	6G-140Mb/s 3+1	D	62.70	1920x3		1993	Siemens
	Pinamalanay Rly-San Aquilino Rly	6G-140Mb/s 3+1	D	48.20	1920x3		1993	Siemens
	San Aquilino Rly-Tablas Rly	6G-140Mb/s 3+1	D	66.20	1920x3		1993	Siemens
	Tablas Rly-Aklan Rly	6G-140Mb/s 3+1	D	61.20	1920x3		1993	Siemens
	Aklan Rly-Kalibo Rly	6G-140Mb/s 3+1	D	43.40	1920x3		1993	Siemens
	Kalibo Rly-Roxas Rly	6G-140Mb/s 3+1	D	45.40	1920x3		1993	Siemens
	Roxas Rly-Roxas	6G- 140Mb/s 1+1	D	4.00	1920		1993	Siemens
	Roxas Rly-Roxas	F/O-140Mb/s	D	4.00	1920			
	Roxas Rly-Mt. Caniapiasan Rly	6G-140Mb/s 3+1	D	50.70	1920x3		1993	Siemens

Appendix 6-5 PLDT Backbone Network Facilities (4/8)

SYSTEM (NAME)	LINK	SYSTEM (TYPE)	D/A	Dist (Km)	CAPACITY		RFS DATE	MANUFACTURER
					As of 1992	After X5-C After X-6		
	Mt. Caniapasn Rly- New Iloilo Rly	6G-140Mb/s 3+1	D	50.30	1920x3	1920	1993	Siemens
	New Iloilo Rly-Iloilo	F/O- 34Mb/s 5+1	D	2.00	480x5		1993	Siemens
	New Iloilo Rly-Bacolod Rly	6G-140Mb/s 3+1	D	63.70	1920x3	1920	1993	Siemens
	Bacolod Rly-Bacolod	6G-140Mb/s 2+1	D	22.50	1920		1993	Siemens
	Bacolod Rly-Cebu Rly	6G-140Mb/s 3+1	D	74.40	1920x3		1993	Siemens
	Cebu Rly-Cebu/Jones	6G-140Mb/s 5+1	D	1.70	1920x5		1993	Siemens
	La Paz-New Iloilo Rly	F/O-622Mb/s	D	5.00		7680		
[Makati-Cebu-Cagde Oro Segment]	Makati-Calamba	F/O-2.5Gb/s 1+1	D	49.40		7680x4		
	Calamba-San Pablo	F/O-2.5Gb/s 1+1	D	33.10		7680x4		
	San Pablo-Lucena	F/O-2.5Gb/s 1+1	D	49.60		7680x4		
	Sampaloc-Batangas	F/O-2.5Gb/s 1+1	D	184.40		7680x4		Via Nasbugu
	Batangas-Lucena	F/O-2.5Gb/s 1+1	D	77.80		7680x4		
	Batangas-Pinamayanan Rly	F/O-2.5Gb/s 1+1	D	218.00		7680x4		
	Pinamayanan Rly-Roxas	F/O-2.5Gb/s 1+1	D	232.00		7680x4		
	Legaspi-Pasacao Rptr	F/O-2.5Gb/s 1+1	D	115.40		7680x4		
	Pasacao Rptr-Lucena	F/O-2.5Gb/s 1+1	D	212.00		7680x4		
	La paz-Bacolod	F/O-2.5Gb/s 1+1	D	131.40		7680x4		
	Roxas-La Paz	F/O-2.5Gb/s 1+1	D	115.20		7680x4		
	Bacolod-Daanbantayan Rptr	F/O-2.5Gb/s 1+1	D	155.40		7680x4		
	Daanbantayan Rptr-Cebu/Jones	F/O-2.5Gb/s 1+1	D	110.20		7680x4		
	Cebu/Jones-Ormoc Rptr	F/O-2.5Gb/s 1+1	D	147.50		7680x4		
	Ormoc-Tacloban	F/O-2.5Gb/s 1+1	D	101.40		7680x4		
	Tacloban-Caibayog	F/O-2.5Gb/s 1+1	D	184.40		7680x4		
	Caibayog-Legaspi	F/O-2.5Gb/s 1+1	D	187.90		7680x4		
	Ormoc FO Rptr-Maasin FO Rptr	F/O-2.5Gb/s 1+1	D	107.10		7680x4		
	Maasin FO Rptr-Butuan	F/O-2.5Gb/s 1+1	D	163.30		7680x4		
	Cebu/Jones-Dumaguete FO Rptr	F/O-2.5Gb/s 1+1	D	141.10		7680x4		
	Dumaguete FO Rptr-Cag.de Oro	F/O-2.5Gb/s 1+1	D	181.90		7680x4		



Appendix 6-5 PLDT Backbone Network Facilities (5/8)

SYSTEM (NAME)	LINK	SYSTEM (TYPE)	D/A	Dist (Km)	CAPACITY		RFS DATE	MANUFACTURER
					As of 1992	After X5-C After X-6		
	Cag.de Oro-Butuan	F/O-2.5Gb/s 1+1	D	190.80		7680x4		
	Sampaloc-Imoc Rly	Analog Radio	A	64.30	1260			Siemens
	Sampaloc-Binakayan	Analog Radio	A	20.48	300			Lenkurt
	Sampaloc-Tagaytay Rly	Analog Radio	A	63.30	960			Siemens
	Tagaytay Rly-Batangas Rly	Analog Radio	A	40.73	72			Siemens
	Imoc Rly-Candelaria Rly	Analog Radio	A	18.98	180			Siemens
	Imoc Rly-Catamba	Analog Radio	A	24.20	1260			CTR/Lenkurt
	Candelaria Rly-Sariaya Rly	Analog Radio	A	11.70	1260			Siemens
	Sariaya Rly-Lucena	Analog Radio	A	9.90	300			Siemens
	Lucena-Padre Burgos Rly	Analog Radio	A		300			Siemens
	Padre Burgos Rly-Quezon Rly	Analog Radio	A		300			Siemens
	Sampaloc-Lucban Rly	Analog Radio	A	80.30	2760			Lenkurt
	Lucban Rly-Quezon Rly	Analog Radio	A	87.58	2760			Lenkurt
	Quezon Rly-Naga Rly	Analog Radio	A	119.82	2760			Lenkurt
	Naga Rly-Albay Rly	Analog Radio	A	59.88	2760			Lenkurt
	Albay Rly-Legaspi	Analog Radio	A	11.20	1260			Siemens
	Albay Rly-Masbate Rly	Analog Radio	A	86.37	2760			Lenkurt
	Masbate Rly-Panay Rly	Analog Radio	A	107.48	2760			Siemens
	Panay Rly-Bacolod Rly	Analog Radio	A	99.11	2760			Lenkurt
	Bacolod Rly-Cebu Rly	Analog Radio	A	74.01	1800			Siemens
	Bacolod Rly-Iloilo Rly	Analog Radio	A	64.04	1260			Siemens
	Cebu Rly-Cebu/Jones	Analog Radio	A	14.68	1800			Siemens
	Cebu Rly-Siquijor Rly	Analog Radio	A	124.95	300			Lenkurt
[Eastern Visayas]	Legaspi-Albay Rly	7G- 140Mb/s 1+1	D	11.20		1920	1993	Alcatel
	Albay Rly-Solsogon Rly	7G- 34Mb/s 1+1	D	59.00		480	1993	Alcatel
	Solsogon Rly-N.Samar Rly	7G- 34Mb/s 1+1	D	82.00		480	1993	Alcatel
	N.Samar Rly-Calbayog Rly	7G- 34Mb/s 1+1	D	17.80		480	1993	Alcatel
	Calbayog Rly-Catbalogan Rly	7G- 34Mb/s 1+1	D	45.90		480	1994	Alcatel

Appendix 6-5 PLDT Backbone Network Facilities (6/8)

SYSTEM (NAME)	LINK	SYSTEM (TYPE)	D/A	Dist (Km)	CAPACITY		RFS DATE	MANUFACTURER
					As of 1992	After X5-C After X-6		
	Catbalogan Rly-Tacloban Rly	7G- 34Mb/s 1+1	D	59.70		480	1993	Alcatel
	Tacloban-Cabolan Rly	7G- 34Mb/s 1+1	D	44.00		480	1993	Alcatel
	Cabolan Rly-Tipolo Rly	7G- 34Mb/s 1+1	D	25.40		480	1993	Alcatel
	Tipolo Rly-Carnotes Rly	7G- 34Mb/s 1+1	D	54.50		480	1994	Alcatel
	Carnotes Rly-N.Cebu	7G- 34Mb/s 1+1	D	58.40		480	1993	Alcatel
	N.Cebu-Cebu/Jones	F/O-140Mb/s 1+1	D	5.00		1920	1993	Alcatel
	Tacloban Rly-Tacloban	DR-140Mb/s	D	3.00			1920	
<b>South Backbone</b>	Cebu Rly-Argao Rly	6G-140Mb/s 2+1	D	52.80	1920x2			Siemens
	Argao Rly-Caceres Rly	6G-140Mb/s 2+1	D	38.10	1920x2			Siemens
	Caceres Rly-Valencia Rly	6G-140Mb/s 2+1	D	41.00	1920x2			Siemens
	Valencia Rly-Polanco Rly	6G-140Mb/s 2+1	D	83.80	1920x2			Siemens
	Polanco Rly-Calamba Rly	6G-140Mb/s 2+1	D	31.50	1920x2			Siemens
	Calamba Rly-Manticao Rly	6G-140Mb/s 2+1	D	86.20	1920x2			Siemens
	Manticao Rly-Cag de Oro	6G-140Mb/s 1+1	D	29.20	1920		1920	Siemens
	Manticao Rly-Ozamis	6G-140Mb/s 2+1	D	67.80	1920x2			Siemens
	Ozamis-New Pagadian Rly	6G-140Mb/s 2+1	D	60.80	1920x2			Siemens
	New Pagadian Rly-Linugwayan Rly	2G- 34Mb/s 2+1	D	39.00	480x2			Siemens
	New Pagadian Rly-Linugwayan Rly	6G-140Mb/s 1+1	D	39.00			1920	
	Linugwayan Rly-Ipil Rly	2G- 34Mb/s 2+1	D	72.90	480x2			Siemens
	Linugwayan Rly-Ipil Rly	6G-140Mb/s 1+1	D	72.90			1920	
	Ipil Rly-Mt. Marangan Rly	2G- 34Mb/s 2+1	D	65.30	480x2			Siemens
	Ipil Rly-Mt. Marangan Rly	6G-140Mb/s 1+1	D	65.30			1920	
	Mt. Marangan Rly-Manicahan Rly	2G- 34Mb/s 2+1	D	30.80	480x2			Siemens
	Mt. Marangan Rly-Manicahan Rly	6G-140Mb/s 1+1	D	30.80			1920	
	Manicahan Rly-Zamboanga	2G- 34Mb/s 2+1	D	18.60	480x2			Siemens
	Manicahan Rly-Zamboanga	6G-140Mb/s 1+1	D	18.60			1920	
	New Pagadian Rly-Cotabato Rly	6G-140Mb/s 1+1	D	121.80	1920			Siemens

Appendix 6-5 PLDT Backbone Network Facilities (7/8)

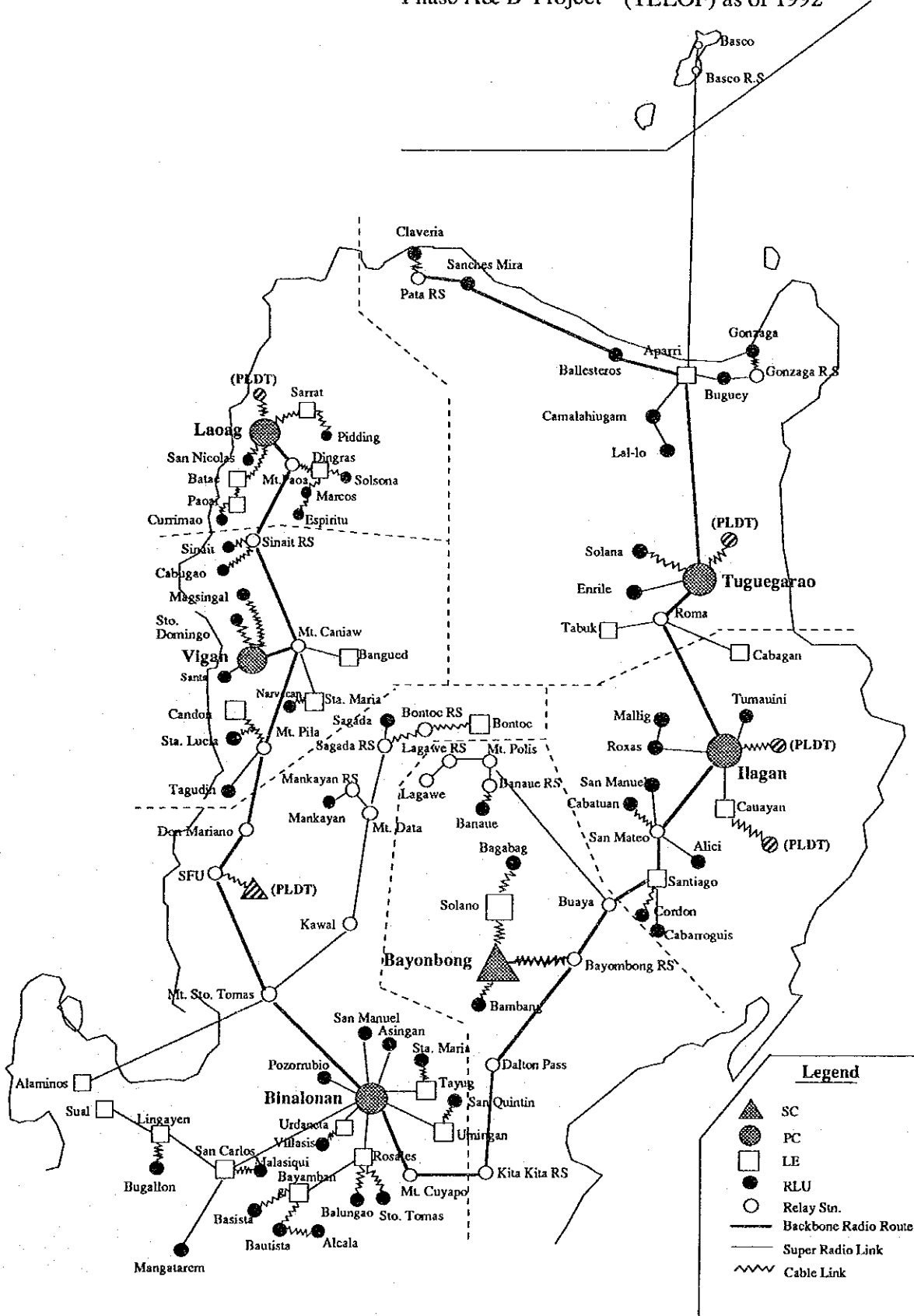
SYSTEM (NAME)	LINK	SYSTEM (TYPE)	D/A	Dist (Km)	CAPACITY		RFS DATE	MANUFACTURER
					As of 1992	After X5-C After X-6		
	Cotabato Rly-Cotabato	4G-140Mb/s 1+1	D	20.20	1920			Siemens
	Cotabato Rly-Pikit Rly	6G-140Mb/s 1+1	D	58.20	1920			Siemens
	Pikit Rly-Mt. Apo Rly	6G-140Mb/s 1+1	D	53.80	1920	(+1920)		Siemens
	Mt. Apo Rly-Davao Rly	6G-140Mb/s 2+1	D	50.30	1920	(+1920)		Siemens
	Davao Rly-Davao	6G-140Mb/s 2+1	D	67.00	1920x2	(+1920)		Siemens
[Eastern Mindanao]	Cebu/Jones-Bohol Rly	Analog Radio	A		72			
	N.Cebu-Bohol Rly	7G- 34Mb/s 1+1	D	59.40			1993	Alcatel
	Bohol Rly-Maasin Rly	7G- 34Mb/s 1+1	D	75.90			1993	Alcatel
	Maasin Rly-S.Leyte Rly	7G- 34Mb/s 1+1	D	49.40			1993	Alcatel
	S.Leyte Rly-Surigao Rly	7G- 34Mb/s 1+1	D	46.90		(+480)	1993	Alcatel
	Surigao Rly-Cabadbaran Rly	7G- 34Mb/s 1+1	D	54.80		(+480)	1993	Alcatel
	Cabadbaran Rly-Butuan	7G- 34Mb/s 1+1	D	19.40		(+480)	1993	Alcatel
	Butuan-Kilomoy Rly	7G- 34Mb/s 1+1	D	39.30			1993	Alcatel
	Kilomoy Rly-Kaiubo Rly	7G- 34Mb/s 1+1	D	43.20			1993	Alcatel
	Kalubo Rly-Cag.de Oro	7G- 34Mb/s 1+1	D	55.60			1993	Alcatel
(Butuan-Tagum)	Butuan Rly-Esperanza Rly	7G- 34Mb/s 1+1	D	33.20			1993	Alcatel
	Esperanza Rly-Bayugan Rly	7G- 34Mb/s 1+1	D	40.60		(+480)	1993	Alcatel
	Bayugan Rly-Pasian Rly	7G- 34Mb/s 1+1	D	71.70		(+480)	1993	Alcatel
	Pasian Rly-Mauab Rly	7G- 34Mb/s 1+1	D	49.90		(+480)	1993	Alcatel
	Mauab Rly-Davao	7G- 34Mb/s 1+1	D	58.50		(+480)	1993	Alcatel
	Mauab Rly-Tagum	7G- 34Mb/s 1+1	D			480		
(Cag.de Oro-Tupi)	Cag.de Oro-Tamboan Rly	DR-140Mb/s 1+1	D				1920	
	Tamboan Rly-Dalwangan Rly	DR-140Mb/s 1+1	D				1920	
	Dalwangan Rly-Malaybalay Rly	DR-140Mb/s 1+1	D				1920	
	Malaybalay Rly-Mt.Butong Rly	DR-140Mb/s 1+1	D				1920	
	Mt.Butong Rly-Sampagar Rly	DR-140Mb/s 1+1	D				1920	
	Sampagar Rly-Pikit Rly	DR-140Mb/s 1+1	D				1920	
	Pikit Rly-Sambulawan Rly	DR-34Mb/s 1+1	D			480		

Appendix 6-5 PLDT Backbone Network Facilities (8/8)

SYSTEM (NAME)	LINK	SYSTEM (TYPE)	D/A	Dist (Km)	CAPACITY		RFS DATE	MANUFACTURER
					As of 1992	After X5-C After X-6		
	Sambulawan Rly-Tupi Rly	DR-34Mb/s 1+1	D			480		
(Cag.de Oro-Cotabato)	Cag.de Oro-Ozamis	F/O-2.5Gb/s	D	140.00		7680 x 4		
	Ozamis-Tucuran Rptr	F/O-2.5Gb/s	D	95.00		7680 x 4		
	Tucuran FO Rptr-Zamboanga	F/O-622Mb/s	D	233.00		7680 x 4		
	Tucuran FO Rptr-Cotabato	F/O-2.5Gb/s	D	101.00		7680 x 4		
	Butuan-Tagum	F/O-2.5Gb/s	D	236.00		7680 x 4		
	Tagum-Davao	F/O-2.5Gb/s	D	63.00		7680 x 4		
	Davao-Cotabato	F/O-2.5Gb/s	D	228.00		7680 x 4		
(Cebu-Cag. de Oro)	Cebu Rly-Argao Rly	Analog Radio	A	52.68	1260			Siemens
	Argao Rly-Caceres Rly	Analog Radio	A	36.06	1260			Siemens
	Caceres Rly-Valencia Rly	Analog Radio	A		1260			
	Valencia Rly-Polanco Rly	Analog Radio	A	83.71	1800			Lenkurt
	Polanco Rly-Calamba Rly	Analog Radio	A	31.61	1260			Siemens
	Calamba Rly-Manticao Rly	Analog Radio	A	86.14	1800			Lenkurt
	Manticao Rly-Cag.de Oro	Analog Radio	A	89.18	1200			Lenkurt

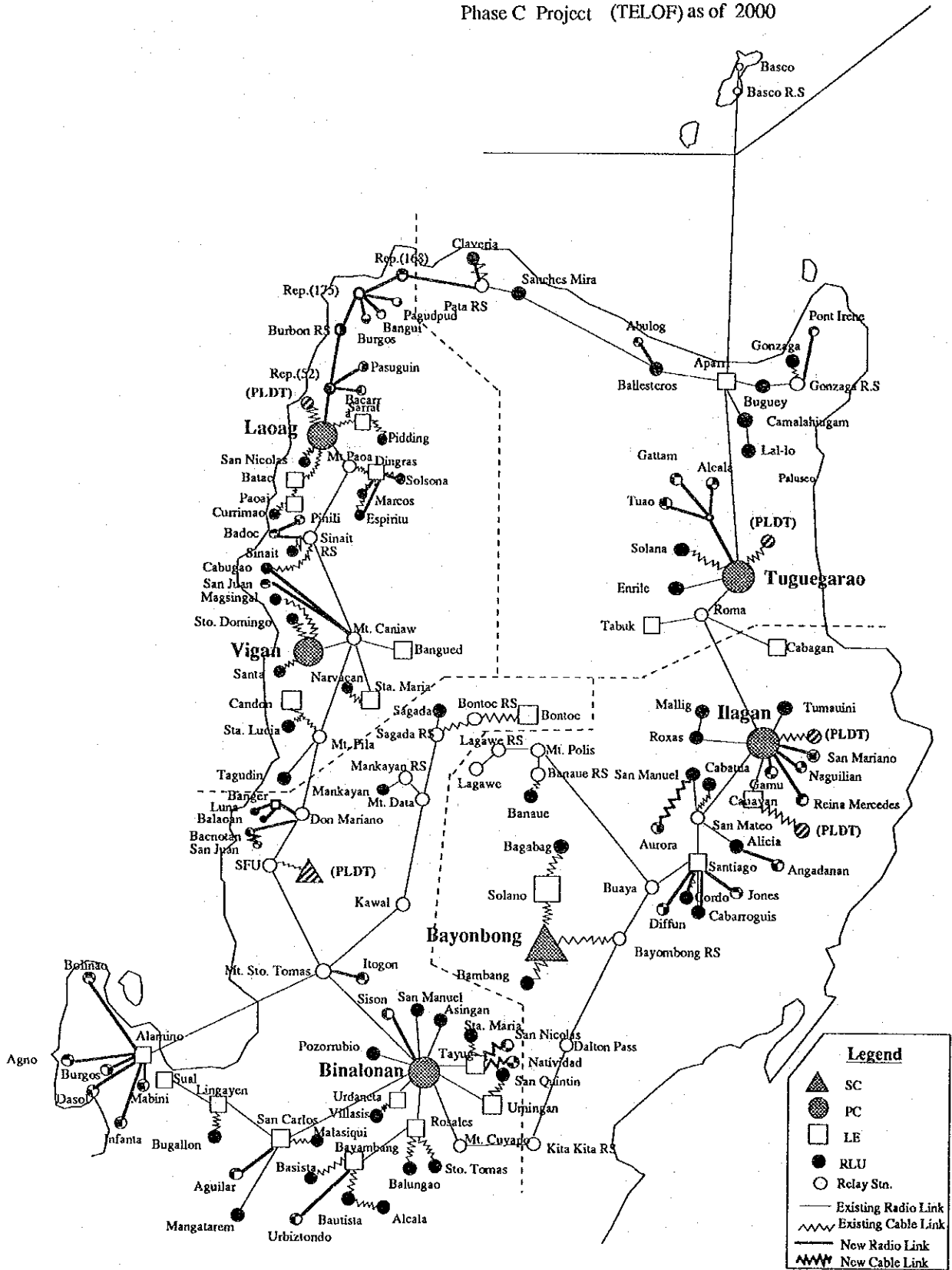
Appendix 6-6 RTDP Transmission Route Map (Region I. II)

Phase A& B Project (TELOF) as of 1992



Appendix 6-7 RTDP Transmission Route Map (Region I, II)

Phase C Project (TELOF) as of 2000



Appendix 6-8 RTDP Transmission Facilities (1/4)

Section	System	Distance (Km)	Capacity		Note
			Phase A&B	Phase C	
<b>[Backbone Route]</b>					
Laoag-Mt.Paoa	6G-68M 1+1	10.50	960		
Mt.Paoa-Sinait RS	6G-68M 1+1	28.90	960		
Sinait RS-Mt.Caniaw RS	6G-68M 1+1	32.50	960		
Mt.Caniaw RS-Vigan	6G-68M 2+1		960 x 2		
Mt.Caniaw RS-Mt.Pila RS	6G-68M 1+1	51.70	960		
Mt.Pila RS-Don Mariano RS	6G-68M 1+1	44.20	960		
Don Mariano-SFU RS	8G-68M 1+1	60.70	960		
SFU RS-Mt.Sto.Tomas RS	8G-68M 1+1	39.95	960		
Mt.Sto.Tomas RS-Binalonan	8G-68M 1+1	31.40	960		
Binalonan-Mt.Cuyapo RS	8G-68M 1+1	29.20	960		
Mt.Cuyapo-Kita Kita RS	6G-68M 1+1	69.65	960		S/D(Space Diversity)
Kita Kita RS-Dalton Pass RS	6G-68M 1+1	36.75	960		
Dalton Pass-Bayombong RS	6G-68M 1+1	44.25	960		
Bayombong RS-Bayombong	PCM	4.20	xx		
Bayombong RS-Bayombong	O/F-140M 1+1	4.20		1920	8 Cores
Bayombong RS-Buaya RS	6G-68M 1+1	32.60	960		
Buaya RS-Santiago	6G-68M 1+1	17.60	960		
Santiago-San Mateo RS	6G-68M 1+1	21.80	960		
San Mateo-Ilagan	6G-68M 1+1	41.10	960		S/D
Ilagan-Roma RS	6G-68M 1+1	47.50	960		S/D
Roma RS-Tuguegarao	6G-68M 1+1	14.30	960		
Tuguegarao-Aparri	2G-OH		60		
Aparri-Ballesteros	6G-68M 1+1	15.35	960		
Ballesteros-Sanchez Mira	6G-68M 1+1	33.80	960		S/D
Sanchez Mira- Mt.Pata RS	6G-68M 1+1	11.15	960		
Mt.Pata RS-Rep(168)	6G-140M 1+1	31.20		1920	
Rep(168)-Rep(175)	6G-140M 1+1	20.90		1920	
Rep(175)-Burbon RS	6G-140M 1+1	12.70		1920	
Burbon RS-Rep(52)	6G-140M 1+1	30.00		1920	S/D
Rep(52)-Laoag	6G-140M 1+1	3.00		1920	
<b>[Interconnection Link]</b>					
Laoag-Laoag (PLDT)	VF	2.20	xx		0.65-100
SFU RS-SFU (PLDT)	VF	1.75	xx		
Ilagan-Ilagan (PLDT)	VF	4.75	xx		0.9-20
Cauayan-Cauayan (PLDT)	VF	0.72	xx		
Tuguegarao-Tuguegarao (PLDT)	VF	1.05	xx		0.65-100
<b>(Spur Link)</b>					
<b>[Laoag PC Area]</b>					
Laoag-Sarrat	PCM 2+1	10.24	60		0.65-10
Laoag-Batac	PCM 6+1	15.00	180		0.65-40
Laoag-San Nicolas	VF	6.00	xx		
Batac-Paoay	PCM 3+1	6.10	90		0.65-10
Paoay-Currimao	VF	6.90	xx		0.65-150
Sarrat-Pidding	VF	11.10	xx		0.65-10
Mt.Paoa RS-Dingras	PCM 3+1	14.60	90		0.65-14
Dingras-Solsona	VF	8.90	xx		0.65-150
Dingras-Marcos	PCM/VF 2+1	8.20	60		0.65-100
Malcos-Espiritsu	PCM 2+1	8.40	60		0.65-10

Appendix 6-8 RTDP Transmission Facilities (2/4)

Section	System	Distance (Km)	Capacity		Note
			Phase A&B	Phase C	
Sinait RS-Badoc	7G-34M	3.90		480	
Badoc-Pinili	2G-17M	7.00		240	
Rep(52)-Bacarra	2G-34M	4.00		480	
Rep(52)-Pasquin	2G-34M	11.90		480	
Rep(175)-Bangui	2G-8M	8.50		120	
Rep(175)-Pagudput	2G-8M	11.20		120	
Rep(175)-Burgos	2G-4M	4.90		60	
Dingras-Marcos	DRMASS	22.80		xx	
Dingras-Solana	DRMASS	12.10		xx	
Dingras-Espiritu	DRMASS	27.00		xx	
<b>[Vigan PC Area]</b>					
Vigan-Sto.Domingo	VF	8.22	xx		0.65-150
Vigan-Magsingal	PCM 5+1	13.72	150		
Vigan-Santa	Cable		xx		
Mt.Caniaw-Bangued	6G-34M	13.50	480		
Mt.Caniaw-Sta.Maria	7G-34M	25.85	480		
Sta.Maria-Narvacan	VF	6.75	xx		0.65-150
Mt.Pila-Sta.Lucia	PCM 4+1	8.30	120		
Mt.Pila-Candon	PCM 4+1	2.80	120		0.65-50/20
Mt.Pila RS-Tagudin	0.8G-8M	21.80	120	0	Replacement
Mt.Pila RS-Tagudin	2G-17M	21.80		120	
Sinait RS-Cabugao	PCM/VF 4+0	12.10	120		0.65-150
Sinait-Sinait RS	PCM 4	4.55	120		
Mt.Caniaw-Cabugao	2G-17M 1+1	22.00		240	
Mt.Caniaw-San Juan	2G-17M 1+1	16.10		240	
<b>[Binalonan PC Area]</b>					
Binalonan-Pozorrubio	2G-4M 1+1	7.80	60		DRMASS
Binalonan-San Manuel	2G-4M 1+1	8.70	60		DRMASS
Binalonan-Asingan	2G-4M 1+1	9.50	60		DRMASS
Binalonan-Sison	2G-4M 1+1	15.90		60	DRMASS
Binalonan-Tayug	0.8G-2M	18.00	30	0	Replacement
Binalonan-Tayug	2G-8M 1+1	18.00		120	
Binalonan-Umingan	0.8G-4M	25.00	60	0	Replacement
Binalonan-Umingan	2G-8M 1+1	25.00		120	
Umingan-San Quintin	VF	7.60	xx		
Tayug-Sta Maria	VF		xx		
Binalonan-Urdaneta	7.2G-17M	9.00	240		
Urdanete-Villasis	VF	10.12	xx		
Binalonan-Rosales	7.5G-17M	18.50	240		
Rosales-Bayambang	1.5G-8M		120		
Rosales-Sto.Tomas	PCM	4.51	xx		
Rosales-Balungao	PCM		xx		
Bayambang-Basista	VF	8.30	xx		0.65-50
Bayambang-Bautista	VF	0.50	xx		0.65-100
Bautista-Alcala	VF	9.00	xx		0.65-100
Binalonan-San Carlos	7.5G-17M	29.50	240		
San Carlos-Malasiqui	VF	7.80	xx		
San Carlos-Lingayen	1.5G-8M	16.20	120		
Lingayen-Bugallon	VF	8.30	xx		



Appendix 6-8 RTDP Transmission Facilities (3/4)

Section	System	Distance (Km)	Capacity		Note
			Phase A&B	Phase C	
Lingayen-Sual	0.8G-4M	16.00	60	0	Replacement
Lingayen-Sual	2G-8M	16.00		120	
San Carlos-Mangatarem	7.5G-17M	16.20	240		
Mt.Sto.Tomas RS-Alaminos	1.5G-4M	5.85	120		Replacement
Mt.Sto.Tomas RS-Alaminos	1.5G-8M	5.85		120	
Mt.Sto.Tomas RS-Mt.Kawal RS	8G-17M	30.20	240		
Mt.Kawal RS-Mt.Data RS	8G-17M	45.20	240		
Mt.Data RS-Mankayan	1.5G-8M	8.10	120		Via Mankayan RS
Mt.Data RS-Sagada RS	1.5G-8M		120		
Sagada RS-Sagada	0.8G-4M	5.00	60	0	Replacement
Sagada RS-Sagada	2G-8M	5.00		120	
Sagada RS-Bontoc RS	VF		xx		
Bontoc RS-Bontoc	PCM 4+0	3.53	120		
Don Mariano-Bacnotan	7G-34M	7.70		480	
Don Mariano-Bangar	7G-34M	18.20		480	
Sto.Tomas-Itogan	7G-34M	17.30		480	
Bangar-Luna	2G-17M	6.70		240	
Bangar-Balaoan	2G-17M	8.40		240	
Bayambang-Urbiztondo	2G-17M	13.50		240	
San Carlos-Aguilar	2G-8M	12.80		120	
Alaminos-Bolinao	7G-17M	27.00		240	
Alaminos-Sto.Tomas	1.5G-8M	60.00		120	
Alaminos-Dasol	DRMASS	24.30		xx	
Alaminos-Burgos	DRMASS	26.90		xx	
Alaminos-Mabini	DRMASS	23.60		xx	
Alaminos-Infanta	DRMASS	63.50		xx	
Alaminos-Agno	DRMASS	36.50		xx	
Tayug-San Nicolas	VF	5.00		xx	0.65-200
Tayug-Natividad	VF	6.50		xx	0.65-200
Bacnotan-San Juan	VF	5.00		xx	0.65-200
<b>[Bayombong PC Area]</b>					
Bayombong-Bambang	PCM 4+1	18.68	120		
Bayombong-Solano	PCM 7+1	4.20	210		
Solano-Bagabag	PCM 4+1	15.10	120		
Buaya-Mt.Polis RS	7.5G-34M	52.60	480		
Mt.Polis RS-Banaue	0.8G-8M		120		
Banaue RS-Banaue	PCM		xx		
Mt.Polis RS-Lagawe RS	1.5G-8M	22.30	120		
Lagawe RS-Lagawe	1.5G-8M	1.20	120		
<b>[Iligan PC Area]</b>					
Iligan-Cauayan	1.8G-8M		120		
Iligan-Tumauini	0.8G-4M	17.00	60	0	Replacement
Iligan-Tumauini	2G-8M	17.00		120	
Iligan-Roxas	1.5G-8M	27.60	120		
Roxas-Mallig	0.8G-4M	21.25	60	0	Replacement
Roxas-Mallig	2G-8M	21.25		120	
San Mateo RS-Alicia	7.5G-17M	16.50	240		
San Mateo-Cabatuan	PCM 7+1	12.10	210		
San Mateo-San Manuel	0.8G-8M	16.60	120	0	Replacement

Appendix 6-8 RTDP Transmission Facilities (4/4)

Section	System	Distance (Km)	Capacity	Capacity	Note
			Phase A&B	Phase C	
San Mateo-San Manuel	2G-8M	16.60		120	
Santiago-Cordon	VF	10.30	xx		0.65-300
Santiago-Cordon	DRMASS	10.30		xx	
Santiago-Cabarroguis	0.8G-4M	15.00		0	Replacement
Santiago-Cabarroguis	DRMASS	29.80		xx	
Santiago-Jones	DRMASS	22.40		xx	
Santiago-Diffun	DRMASS	12.30		xx	
Alicia-Angadanan	7G-34M	6.10		480	
Ilagan-Gamu	DRMASS	9.70		xx	
Ilagan-Reina Mercedes	DRMASS	16.80		xx	
Ilagan-Naguilian	DRMASS	12.10		xx	
San Manuel-Aurora	VF	4.50		xx	0.65-200
<b>[Tuguegarao PC Area]</b>					
Tuguegarao-Solana	PCM 4+1	11.50	120		0.65-14
Tuguegalao-Enrile	PCM 4+1	13.70	120		0.65-14
Roma RS-Tabuk	2G-OH		24		
Roma-Cabagan	7.5G-17M	13.00	240		
Aparri-Buguey	2G-8M	20.00	120		
Aparri-Camalaniugan	0.8G-2M	8.00	30	0	Replacement
Aparri-Camalaniugan	2G-8M	8.00		120	
Camalaniugan-Lal-lo	0.8G-2M	8.40	30	0	Replacement
Camalaniugan-Lal-lo	2G-8M	8.40		120	
Baguey-Gonzaga RS	2G-8M		120		
Gonzaga RS-Gonzaga	PCM		xx		
Aparri-Basco RS	2G-OH		24		
Basco RS-Basco	0.8G-2M	12.00	30		
Pata RS-Claveria	PCM 4+0	11.72	120		0.65-10
Ballesteros-Abulug	7G-34M	6.90		480	
Tuguegarao-Rep(Paluseo)	2G-8M	27.20		120	
Rep(Paluseo)-Alcara	2G-34M	11.50		480	
Rep(Paluseo)-Tuao	2G-17M	16.80		240	
Rep(Paluseo)-Gattaram	2G-8M	32.40		120	
Gonzaga RS-Port Ilane	2G-8M	27.20		120	
Mt.Pata-Claveria	2G-8M	7.00		120	



Appendix 6-10 NTP 1-1 Transmission Facilities (1/3)

Section	System	Cores	Distance (Km)	Initial Capacity	Final Capacity	Note
<b>(Backbone Route)</b>						
Bayombong-Baymbong R.S	O/F- 34M 1+1	10	4.20	300	360	
Bayombong R.S-Kita-Kita R.S	6G - 68M 1+0		81.10	300	960	Via Dalton Pas R.S
Kita-Kita R.S-Cabanatuan R.S	6G -140M 1+1		37.90	960	1920	S/D(Space Diversity)
Cabanatuan R.S-Talavera	2G - 34M 1+1		11.50	330	480	
Cabanatuan R.S-Balagtas	6G -140M 1+1		79.70	1,080	1920	Via Alagao R.S Ca-A1 S/D
Balagtas-Calampit	O/F-140M 1+1	6	18.60	690	1080	
Calumpit-Apalit	O/F-140M 1+1	6	5.10	540	870	
Balagus-Manila R.S	5G -140M 1+1		24.90	1,680	1920	S/D
Manila R.S-Mt.Gonzales R.S	5G -140M 1+1		54.00	1,560	1920	
Mt.Gonzales R.S-Lemery	2G - 34M 1+1					
Lemery-Ibaan	O/F- 34M 1+1	6	41.50	120	150	
Mt.Gonzales R.S-Mt.Mayabobo R.S	6G -140M 1+1		50.10	1,440	1920	S/D
Mt.Mayabobo R.S-Sariaya	2G - 34M 1+1		7.70	720	900	
Mt.Mayabobo-Rizal R.S	6G -140M 1+1		43.60	1,440	1920	
Rizal R.S-Sta.Maria R.S	6G -140M 1+1		37.90	1,440	1920	S/D
Sta.Maria-Bagacay R.S	6G -140M 1+1		77.20	960	1920	Via Menasag R.S S/D
Bagacay R.S-Naga	6G -140M 1+1		76.70	1,440	1920	Via Villazar R.S S/D
Naga-San Juan R.S	6G -140M 1+1		28.50	1,440	1920	
San Juan R.S-Ligao	2G - 34M 1+1		33.80	480	600	
San Juan R.S-Mt.Sorsogon R.S	6G -140M 1+1		82.00	1,440	1920	Via Bariw R.S S-B S/D
Mt.Sorsogon-Gubat	6G -140M 1+1		24.00	300	390	
Gubat-Sorsogon	O/F- 34M 1+1	6	18.50	270	300	
<b>[Interconnection Links]</b>						
Cabanatuan R.S-Cabanatuan(PLDT)	O/F- 34M 1+1	6	0.20	90	120	
Balagtas-Malolos(PLDT)	O/F- 34M 1+1	6	10.80	150	180	
Manil R.S-Sampaloc(PLDT)	11G -140M 1+1		3.00	1,680	1920	
Ligao-Ligao(PLDT)	O/F- 34M 1+1	6	30.00	120	180	
<b>(Super Links)</b>						
<b>[Talavera PC Area]</b>						
Talavera-San Jose	2G - 34M 1+1		24.70	120	150	
Talavera-Guimba	2G - 34M 1+1		18.10	180	210	
Guimba-Guyapo	2G - 8M 1+1		17.20	90	90	
Cabanatuan R.S-Sta Rosa	O/F- 8M 1+1	6	8.80	90	90	
<b>[Iba PC Area]</b>						
Iba-Palauig R.S	2G - 34M 1+1		15.50	210	240	
Palauig R.S-Sta Cruz	2G - 8M 1+1		33.50	120	120	
Palauig R.S-Masinloc	O/F- 8M 1+1	6	10.90	90	120	
<b>[Apalit PC Area]</b>						
Apalit-DAU/Telof	2G - 34M 1+1	16	34.40	270	450	
DAU/Telof-Angeles	2G - 34M 1+1		3.50	360	600	
DAU/Telof-Mabalacat/Sta.Ines	2G - 34M 1+1		5.30	120	180	
DAU/Telof-DAU/Datelco	O/F- 34M 1+1	6	0.80	450	690	
Apalit-Macabebe	O/F- 34M 1+1	6	9.40	300	330	
Macabebe-Orani	2G - 34M 1+1		22.30	180	210	
Macabebe-Masanlola	PCM Cable	6				
Orani-Dinalupihan	O/F- 34M 1+1	6	13.00	150	180	
Orani-Abucay	O/F- 34M 1+1	6	9.70	120	150	
Orani-Samal	PCM Cable	6				

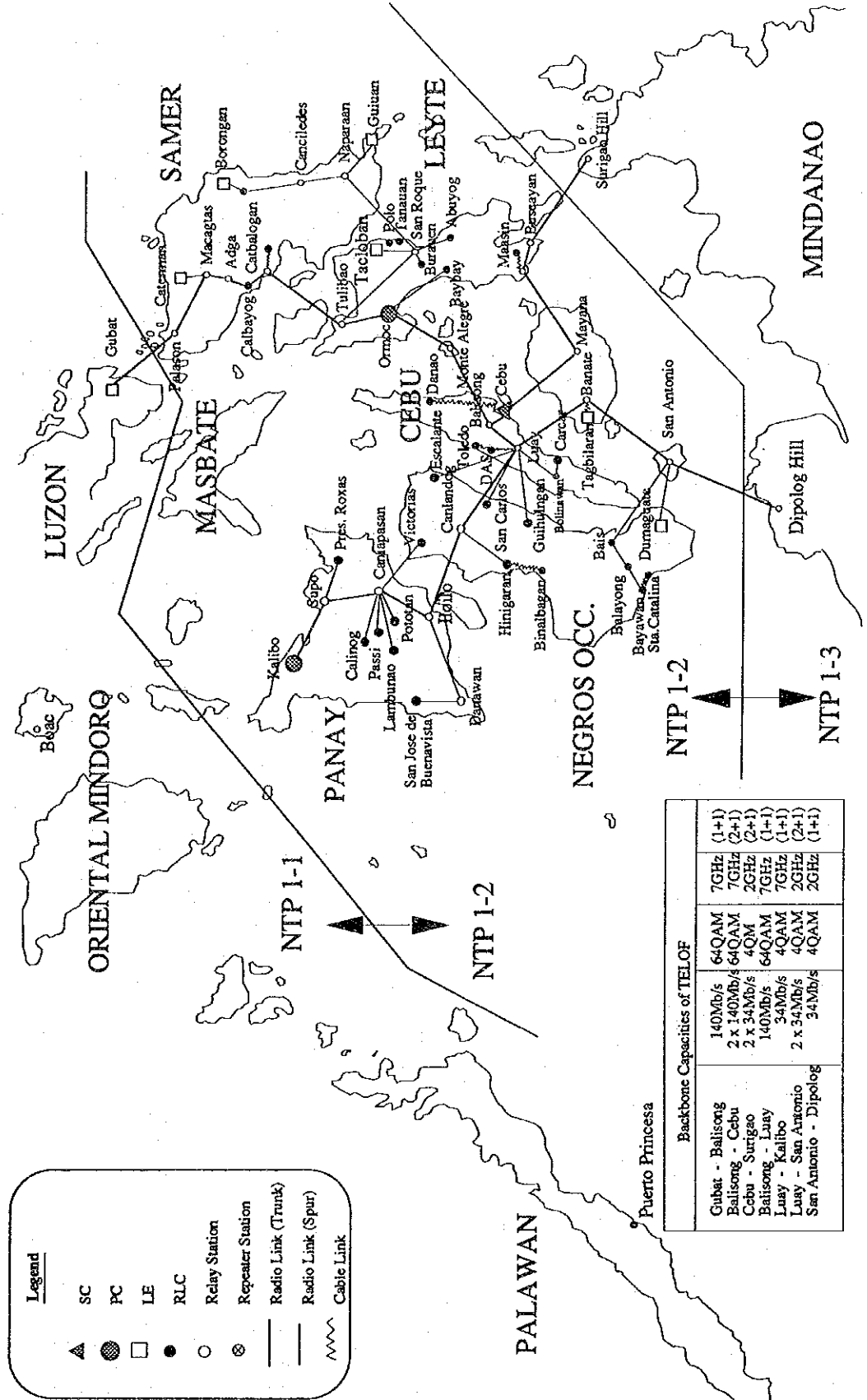
Appendix 6-10 NTP 1-1 Transmission Facilities (2/3)

Section	System	Cores	Distance (Km)	Initial Capacity	Final Capacity	Note
Orani-Hemosa	PCM Cable	6				
<b>[Balagtas PC Area]</b>						
Balagtas-Bocauae	O/F- 34M 1+1	6	4.80	180	270	
Bocauc-Sta Maria	O/F- 34M 1+1	6	6.20	180	240	
Sta Maria-Pandi	O/F- 34M 1+1	6	6.30	300	420	
Sta Maria-S.J.D Monte	O/F- 8M 1+1	6	12.80	90	90	
Pandi-Anget	O/F- 34M 1+1	6	12.10	210	300	
Anget-Norzagaray	O/F- 34M 1+1	6	4.10	120	150	
Balagtas-Marilao	O/F- 34M 1+1	6	9.30	180	270	
Balagtas-Meycauayan	O/F- 34M 1+1	6	13.20	240	390	
Calumpit-Pulilan	O/F- 34M 1+1	6	9.80	300	390	
Pulilan-Bustos	O/F- 8M 1+1	6	13.50	90	120	
Pulian-San Rafael	O/F- 8M 1+1	6	24.90	90	90	
<b>[Ibaan PC Area]</b>						
Ibaan-Cuenca	O/F- 34M 1+1	6	36.70	120	150	
Ibaan-Rosario	O/F- 34M 1+1	6	936.00	150	210	
Mt.Gonzales-Binan	2G - 34M 1+1		22.50	90	150	
Lemery-Balayan	2G - 8M 1+1					
Lemery-Mamburao R.S	2G - 34M 1+1					Via Mt.Makururu Rep. Stn.
Balayan-Nasugbu	O/F- 8M 1+1	6	24.60	120	120	
Mamburao R.S-San Jose	2G - 34M 1+1		108.90	120	180	Via Tubao,Mt.Sair Rep Stn
Mamburao R.S-Mamburao	O/F- 8M 1+1	6	2.20	90	90	
<b>[Sariaya PC Area]</b>						
Sariaya-Candelaria	O/F- 34M 1+1	6	13.80	360	480	
Canderalia-Tiaong	O/F- 34M 1+1	6	12.90	120	150	
Canderalia-San Juan	O/F- 8M 1+1	6	15.50	90	90	
Saliaya-Lucban	O/F- 34M 1+1	6	37.00	120	150	
Saliaya-Pagbilao	O/F- 8M 1+1	6	26.20	120	120	
Saliaya-Mt.Mayabobo	2G - 34M 1+1					
Rizal R.S-Atimonan	2G - 8M 1+1		7.40	90	90	
Sta. Maria R.S-Lopez	2G - 34M 1+1		1.10	180	180	
Lopez-Gumaca	O/F- 8M 1+1	6	20.60	90	90	
Mt.Mayabobo R.S-Boac	2G - 8M 1+1					
Boac-Sta Cruz	O/F- 34M 1+1	6	31.40	120	180	
<b>[Naga PC Area]</b>						
Naga-Pili	O/F- 34M 1+1	6	13.60	240	270	
Pili-Iliga	O/F- 34M 1+1	6	24.00	120	150	
Iliga-Buhi	O/F- 8M 1+1	6	15.00	90	120	
Iliga-Nabua	O/F- 34M 1+1	6	6.00	120	180	
Bagacay-J.Panganiban	2G - 8M 1+1		16.10	90	90	
<b>[Ligao PC Area]</b>						
Ligao-Daraga(MAYONTEL)	O/F- 34M 1+1	6	26.80	180	330	
Daraga(MT)-Legaspi(MT)	O/F- 34M 1+1	6	4.20	120	210	
Ligao-Polangui	O/F- 8M 1+1	6	13.20	120	120	
Ligao-San Juan R.S	2G - 34M 1+1					
Sorsogon R.S-Tabaco	2G - 8M 1+1		41.70	90	90	
Sorsogon R.S-Virac	2G - 8M 1+1		73.70	90	120	

Appendix 6-10 NTP 1-1 Transmission Facilities (3/3)

Section	System	Cores	Distance (Km)	Initial Capacity	Final Capacity	Note
<b>[Sorsogon PC Area]</b>						
Sorsogon R.S-Bulan	2G-34M 1+1		40.20	150	180	

Appendix 6-11 NTP 1-2 Transmission Route Map of Visayas (Region VI. VII. VIII)  
 NTP1-2 Project (Telof)



Appendix 6-12 NTP 1-2 Transmission Facilities (1/2)

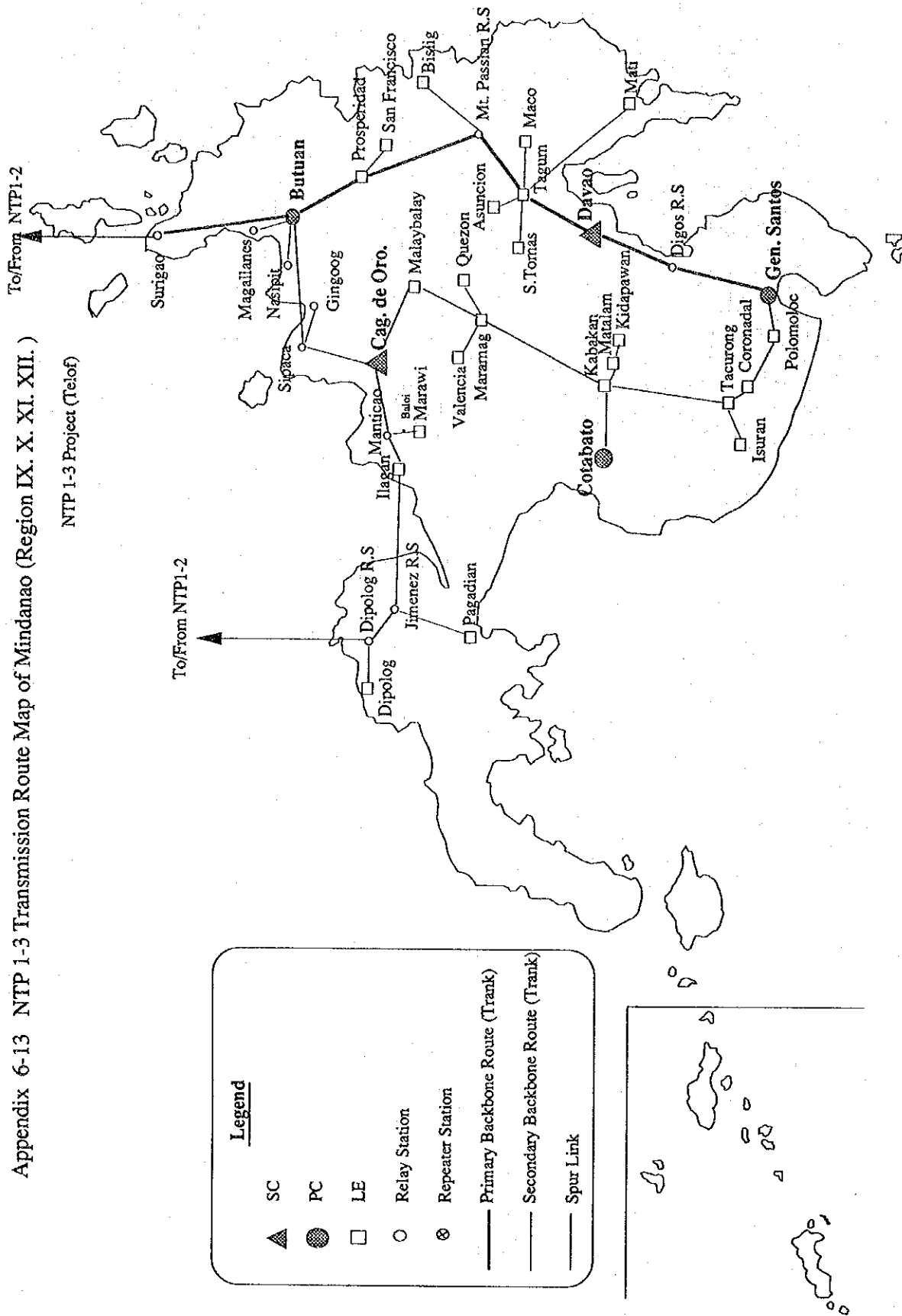
Section	System	Distance [Km]	Capacity	Note
<b>(Backbone Route)</b>				
Gubat(NTP1-1)-Palason R.S	7G-140Mb/s 1+1	61.00	1920 x 1	
Palason R.S-Nacagtas R.S	7G-140Mb/s 1+1	15.50	1920 x 1	
Nacagtas R.S-Adga R.S	7G-140Mb/s 1+1	25.91	1920 x 1	
Adga R.S-Calbayog R.S	7G-140Mb/s 1+1	19.29	1920 x 1	
Calbayog R.S-Catbalogan R.S	7G-140Mb/s 1+1	42.17	1920 x 1	
Catbalogan R.S-Tulibao R.S	7G-140Mb/s 1+1	61.00	1920 x 1	
Tulibao R.S-Ormoc	7G-140Mb/s 1+1	39.46	1920 x 1	
Ormoc-Monte Alegle R.S	7G-140Mb/s 1+1	51.57	1920 x 1	Space Diversity
Monte Alegre R.S-Balisong R.S	7G-140Mb/s 1+1	55.67	1920 x 1	Space Diversity
Balisong R.S-Cebu	7G-140Mb/s 2+1	14.72	1920 x 2	
Balisong R.S-Luay R.S	7G-140Mb/s 1+1	16.42	1920 x 1	
Luay R.S-Canlandog R.S	2G-34Mb/s 1+1	74.36	480 x 1	
Canlandog R.S-Iloilo	2G-34Mb/s 1+1	62.99	480 x 1	
Iloilo-Caniapasan R.S	2G-34Mb/s 1+1	50.54	480 x 1	
Caniapasan R.S-Supo R.S	2G-34Mb/s 1+1	43.10	480 x 1	
Supo R.S-Kalibo	2G-34Mb/s 1+1	45.68	480 x 1	
Cebu-Mayana R.S	2G-34Mb/s 2+1	76.63	480 x 2	
Mayana R.S-Maasin R.S	2G-34Mb/s 2+1	69.64	480 x 2	
Maasin R.S-Buscayan R.S	2G-34Mb/s 2+1	17.32	480 x 2	
Buscayan R.S-Surigao R.S(NTP1-3)	2G-34Mb/s 2+1	65.42	480 x 2	
Luay R.S-Banate R.S	2G-34Mb/s 2+1	78.25	480 x 2	
Banate R.S-San Antonio R.S	2G-34Mb/s 2+1	61.37	480 x 2	
San Antonio R.S-Dipolog R.S(NTP1-3)	2G-34Mb/s 1+1	67.74	480 x 1	
Cebu(TELOF)-Jones(PLDT)	F/O-34Mb/s 1+1	2.80	480 x 1	
<b>(Super Links)</b>				
<b>[Ormoc PC Area] Region VIII</b>				
Ormoc-Baybay	2G-34Mb/s 1+1	42.51	480 x 1	
Caterman-Nacagtas R.S	7G- 8Mb/s 1+1	2.64	120 x 1	Space Diversity
Catbalogan-Catbalogan R.S	Metallic Cable	4.50		
Bolongan-Canciledes R.S	2G-34Mb/s 1+1	33.49	480 x 1	
Canciledes R.S-Naparaan R.S	2G-34Mb/s 1+1	21.53	480 x 1	
Naparaan R.S-Guiuan	2G-34Mb/s 1+1	17.00	480 x 1	
Naparaan R.S-San Ropue R.S	2G-34Mb/s 1+1	67.59	480 x 1	
Tacloban-San Roque R.S	2G-34Mb/s 1+1	27.40	480 x 1	
San Roque R.S-Burauen	2G-34Mb/s 1+1	15.60	480 x 1	
San Roque R.S-Abuyog	2G-34Mb/s 1+1	28.30	480 x 1	
Maasin-Maasin R.S	PCM Cable			
<b>[Cebu PC Area] Region VII</b>				
Cebu(TELOF)-Danao	F/O-8Mb/s 1+1	32.00	120 x 1	
Luay R.S-D.A.Soriano	F/O-2Mb/s 1+1		30 x 1	
D.A.Soriano-Toledo	F/O-2Mb/s 1+1	24.70	30 x 1	
Luay R.S-Guihulngan	2G-8Mb/s 1+0	59.05	120 x 1	
Luay R.S-Bolinawan	7G-8Mb/s 1+0	30.90	120 x 1	
Bolinawan-Carcar	7G-8Mb/s 1+0	2.81	120 x 1	
Bais-San Antonio R.S	2G-8Mb/s 1+1	64.47	120 x 1	



Appendix 6-12 NTP 1-2 Transmission Facilities (2/2)

Section	System	Distance [Km]	Capacity	Note
Bais-Balayong	2G-8Mb/s 1+0	19.61	120 x 1	
Balayong-Bayawan	2G-8Mb/s 1+0	26.73	120 x 1	
Bayawan-Sta.Catalina	F/O-2Mb/s	7.50	30 x 1	
Dumaguete-San Antonio R.S	2G-8Mb/s 1+1	30.37	120 x 1	
Tagbilaran-Banate R.S	F/O-34Mb/s 1+1	3.50	480 x 1	
<b>[Kalibo PC Area] Region VI</b>				
Caniapasan R.S-Calinog	2G- 8Mb/s 1+1	24.82	120 x 1	
Caniapasan R.S-Passi	2G- 8Mb/s 1+1	13.16	120 x 1	
Caniapasan R.S-Lambunao	2G- 8Mb/s 1+0	31.98	120 x 1	
Caniapasan R.S-Pototan	2G- 8Mb/s 1+1	23.28	120 x 1	
Caniapasan R.S-Victorias	2G- 8Mb/s 1+1	40.88	120 x 1	
Supo R.S-Pres.Roxas	2G- 8Mb/s 1+0	23.36	120 x 1	
Iloilo-Danawan R.S	2G- 8Mb/s 1+1	70.00	120 x 1	
Danawan R.S-S.J. de buenavista	2G- 8Mb/s 1+1	29.56	120 x 1	
Canlandog-Hinigaran	2G- 8Mb/s 1+1	49.66	120 x 1	
Hinigaran-Binalbagan	F/O-2M	12.50	30 x 1	
New Escalante-Luay R.S	2G- 8Mb/s 1+0	64.27	120 x 1	
San Carlos-Luay R.S	2G- 8Mb/s 1+1	41.61	120 x 1	

Appendix 6-13 NTP 1-3 Transmission Route Map of Mindanao (Region IX, X, XI, XII.)



Appendix 6-14 NTP 1-3 Transmission Facilities (1/2)

Section	System	Cores	Distance (km)	Capacity	Note
<b>(Backbone Route)</b>					
<b>Primary System</b>					
Surigao R.S-Butuan	7G-140Mb/s 1+1		93.30	1920 x 1	2 Mb/s x 18
Butuan-Prosperidad	7G-140Mb/s 1+1		70.45	1920 x 1	2 Mb/s x 24
Prosperidad-Mt.Passian R.S	7G-140Mb/s 1+1		97.97	1920 x 1	2 Mb/s x 23
Mt.Passian R.S-Tugam	7G-140Mb/s 1+1		62.58	1920 x 1	2 Mb/s x 21
Tugam-Davao	7G-140Mb/s 1+1		46.68	1920 x 1	2 Mb/s x 30
Davao-Digos R.S	7G-140Mb/s 1+1		43.24	1920 x 1	2 Mb/s x 16
Digos R.S-Gen.Santos	7G-140Mb/s 1+1		77.67	1920 x 1	2 Mb/s x 16
<b>Secondary System</b>					
Cag. de Oro.-Sipaca R.S	7G- 34Mb/s 1+1		139.57	480 x 1	2 Mb/s x 11
Sipaca R.S- Butuan	7G- 34Mb/s 1+1			480 x 1	
Cag. de Oro-Manticao	7G- 34Mb/s 1+1		28.70	480 x 1	2 Mb/s x 32
Manticao-Illagan	7G- 34Mb/s 1+1		24.40	480 x 1	2 Mb/s x 31
Iligan-Jimenez R.S	7G- 34Mb/s 1+1		47.85	480 x 1	2 Mb/s x 27
Jimenez R.S-Dipolog R.S	7G- 34Mb/s 1+1		70.04	480 x 1	2 Mb/s x 18
Cag. de Oro-Malaybalay	7G- 34Mb/s 1+1		74.60	480 x 1	2 Mb/s x 17
Malaybalay-Maramag	7G- 34Mb/s 1+1		46.06	480 x 1	2 Mb/s x 16
Maramag-Kabakan	7G- 34Mb/s 1+1		77.31	480 x 1	2 Mb/s x 13
Kabakan-Tacurong	7G- 34Mb/s 1+1		48.84	480 x 1	2 Mb/s x 13
Tacurog-Coronadal	7G- 34Mb/s 1+1		28.33	480 x 1	2 Mb/s x 16
Coronadal-Polomoloc	7G- 34Mb/s 1+1		40.27	480 x 1	2 Mb/s x 16
Polomoloc-Gen.Santos	7G- 34Mb/s 1+1		16.32	480 x 1	2 Mb/s x 19
Dipolog R.S-San Antonio (NTP-2)	2G- 34Mb/s 1+1			480 x 1	2 Mb/s x 16
Surigao-Buseayan(NTP-2)	2G- 34Mb/s 2+1			480 x 2	2 Mb/s x 24
<b>(Spur Links)</b>					
<b>[Cag. de Oro PC Area] Region X</b>					
Sipaca-Gingoog	F/O- 8Mb/s 1+1	6	38.00	120 x 1	2 Mb/s x 1
Manticao R.S-Marawi	2G- 8Mb/s 1+1		33.70	120 x 1	2 Mb/s x 1
Baloi-Marawi	2G- 8Mb/s 1+1		15.20	120 x 1	2 Mb/s x 1
Maramag-Valencia	F/O- 8Mb/s 1+1	6	22.00	120 x 1	2 Mb/s x 1
Maramag-Quezon	F/O- 8Mb/s 1+1	6	15.00	120 x 1	2 Mb/s x 1
Dipolog-Dipolog R.S	F/O- 8Mb/s 1+1	6	7.00	120 x 1	2 Mb/s x 2
Jimenez R.S-Pagadian	F/O- 34Mb/s 1+1	6	4.00	120 x 1	2 Mb/s x 6
<b>[Butuan PC Area] Region X</b>					
Butuan-Nasipit	2G- 8Mb/s 1+1		20.78	120 x 1	2 Mb/s x 1
Butuan-Magallanes	2G- 8Mb/s 1+1		15.60	120 x 1	2 Mb/s x 1
Prosperidad-San Francisco	F/O- 8Mb/s 1+1	6	17.00	120 x 1	2 Mb/s x 1
Mt.Passian R.S-Bislig R.S	2G- 8Mb/s 1+1			120 x 1	
<b>[Davao PC Area] Region XI</b>					
Tugam-Maco	F/O- 8Mb/s 1+1	6	17.00	120 x 1	2 Mb/s x 1
Tugam-Asuncion	F/O- 8Mb/s 1+1	6	19.00	120 x 1	2 Mb/s x 1
Tugam-S.Tomas	F/O- 8Mb/s 1+1	6	23.70	120 x 1	2 Mb/s x 1
Tugam-Mati	F/O- 8Mb/s 1+1	6	104.00	120 x 1	2 Mb/s x 2

Appendix 6-14 NTP 1-3 Transmission Facilities (2/2)

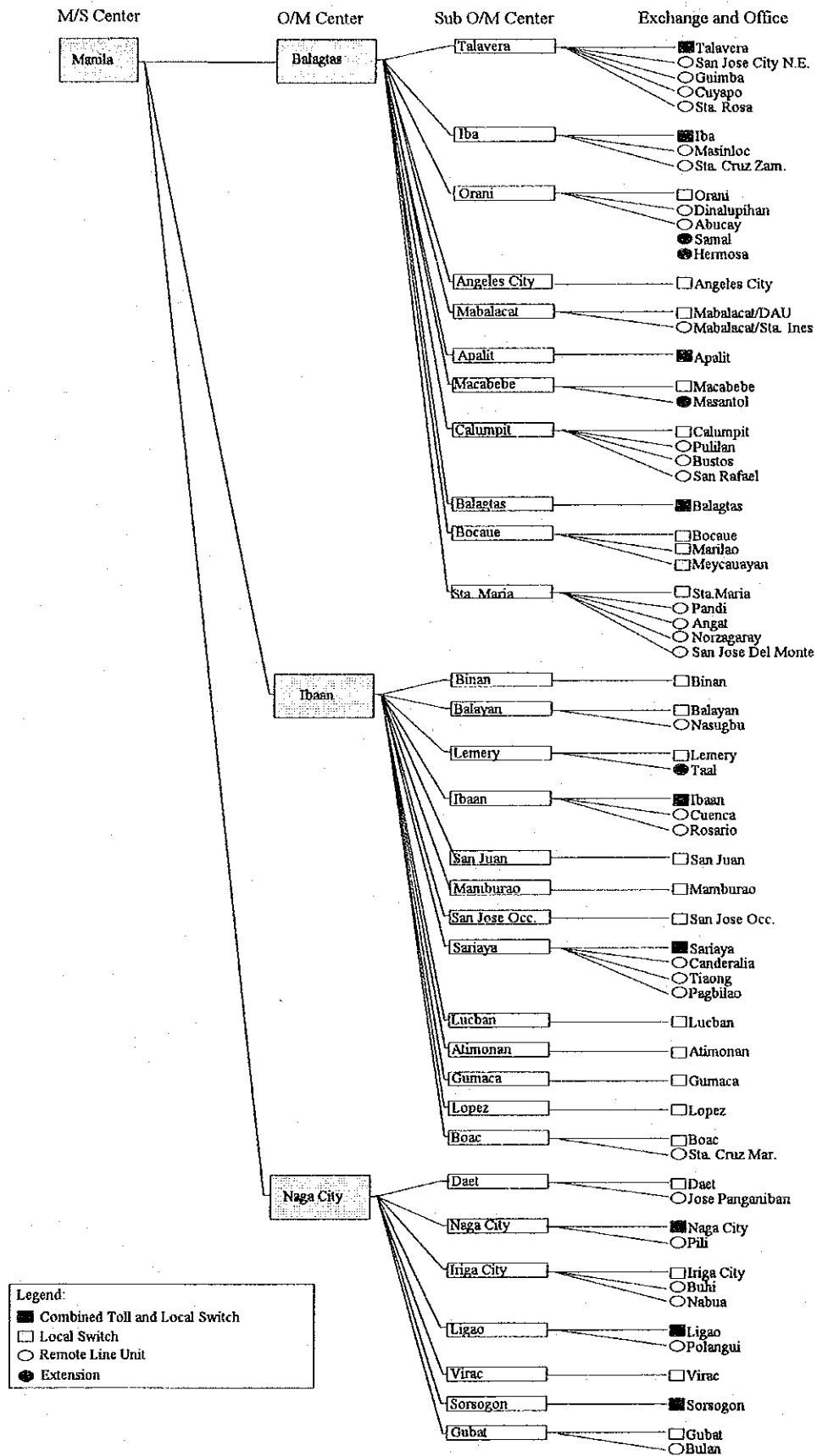
Section	System	Cores	Distance (km)	Capacity	Note
<b>[G.Santos PC Area] Region XI</b>					
Isulan-Tacurong	F/O- 8Mb/s 1+1	6	16.00	120 x 1	2 Mb/s x 1
<b>[Cotabato PC Area] Region XII</b>					
Cotabato-Kabakan	2G- 8Mb/s 1+1		70.53	480 x 1	2 Mb/s x 9
Kabakan-Matalam	F/O- 8Mb/s 1+1	6	10.00	120 x 1	2 Mb/s x 3
Matalam-Kidapawan	F/O- 8Mb/s 1+1	6	25.00	120 x 1	2 Mb/s x 2

## APPENDIX 7

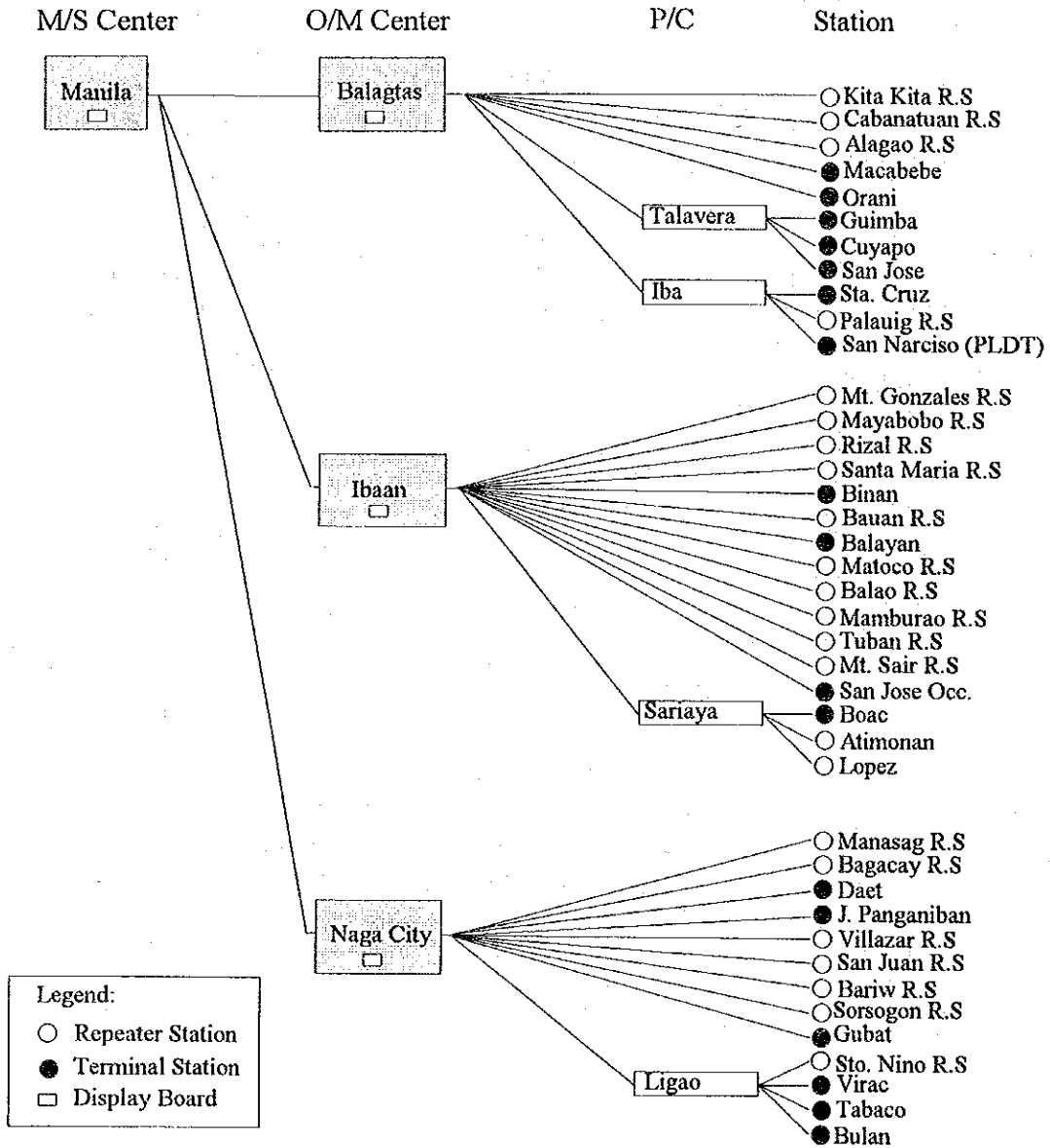
### PRESENT STATUS OF OPERATION AND MAINTENANCE



# Appendix 7-1 Centralized Operation and Maintenance System for Telephone Switching System (Under Tranche 1-1)



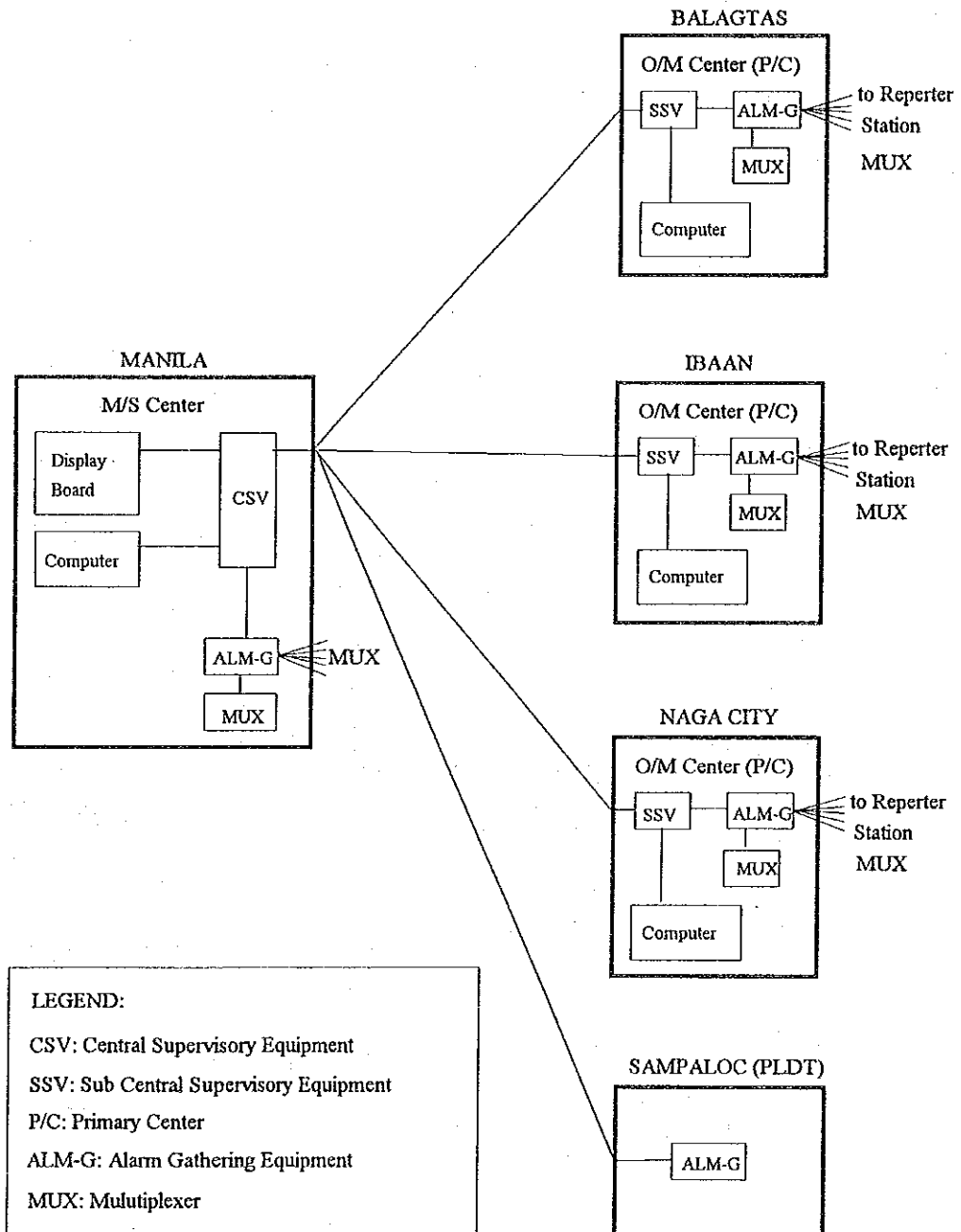
Appendix 7-2 Centralized Operation and Maintenance System for Radio System  
(Under Tranche 1-1)



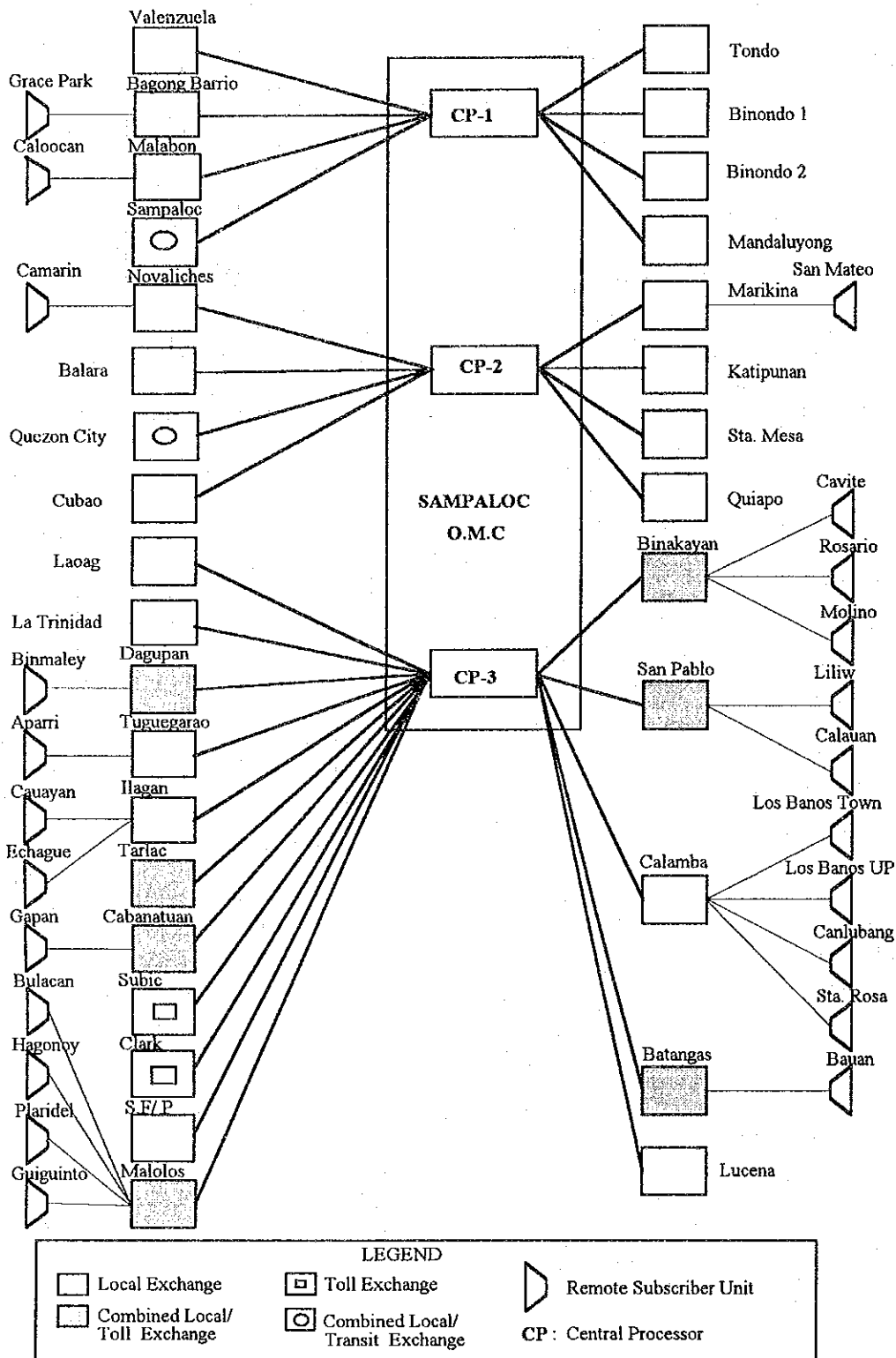


Appendix 7-3 Centralized Operation and Maintenance System for Multiplex Equipment

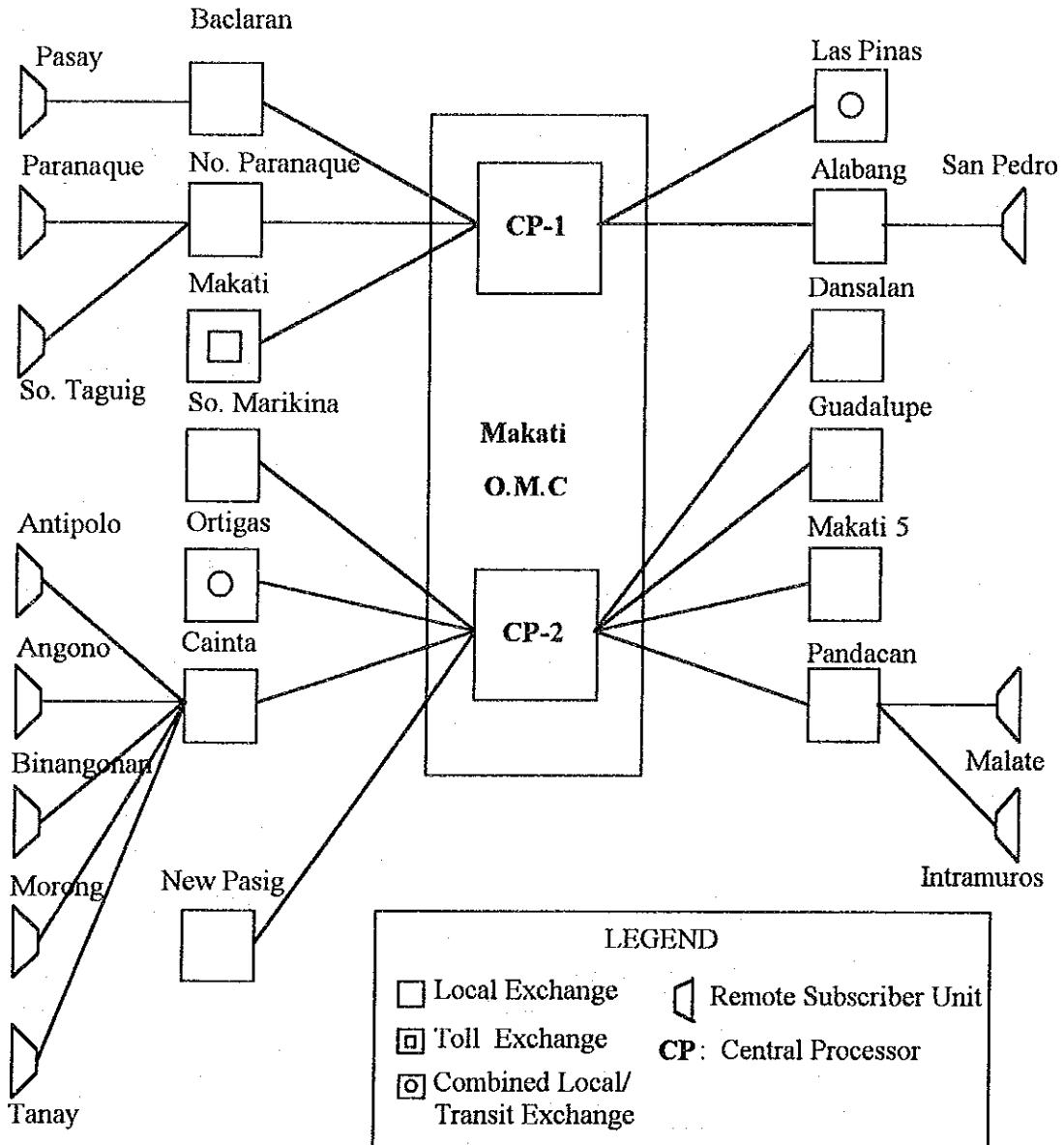
(Under Tranche 1-1)



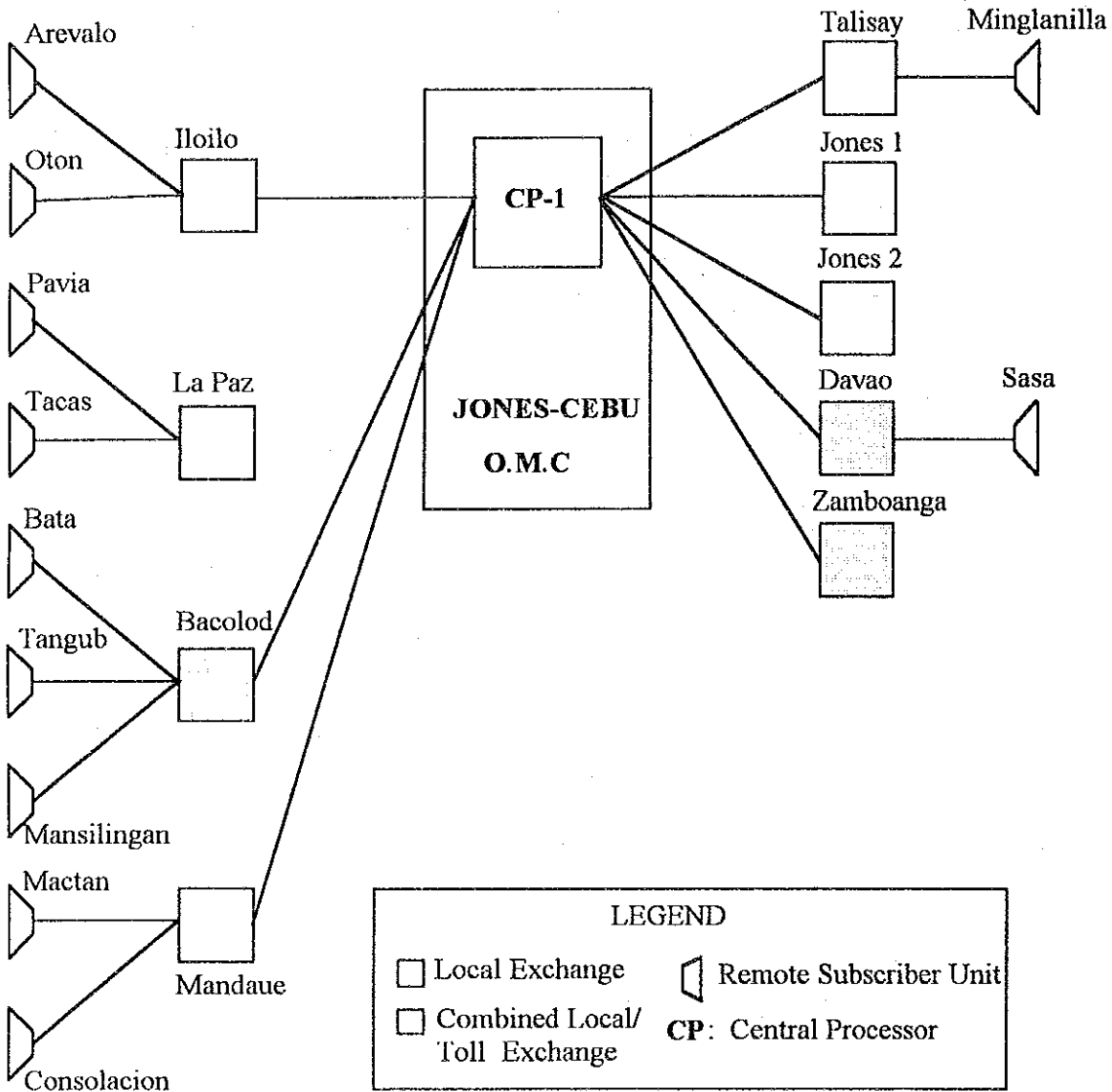
Appendix 7-4 PLDT Operation and Maintenance Center Homing-1 (SPC-D)  
 (Metro Manila North, Luzon)



Appendix 7-5 PLDT Operation and Maintenance Center Homing-3 (SPC-D)  
(Metro Manila South)



Appendix 7-6 PLDT Operation and Maintenance Center Homing-2 (SPC-D)  
(Visayas-Mindanao)



## **APPENDIX 8**

### **FORECASTED DEMAND**



Appendix 8-1 Population Projection by Region

Year	NCR	REGION 1	REGION 2	REGION 3	REGION 4	REGION 5	REGION 6	REGION 7	REGION 8	REGION 9	REGION 10	REGION 11	REGION 12	TOTAL
1994	8,997	4,782	3,048	6,654	8,496	4,666	6,226	5,163	3,777	3,438	3,848	4,729	3,037	66,560
1995	8,912	4,878	3,126	6,827	8,731	4,756	6,369	5,281	3,851	3,531	3,960	4,881	3,096	68,200
1996	9,083	4,949	3,189	6,969	8,926	4,823	6,482	5,374	3,906	3,608	4,053	5,012	3,138	69,510
1997	9,254	5,019	3,251	7,111	9,122	4,888	6,594	5,466	3,960	3,684	4,147	5,143	3,181	70,820
1998	9,425	5,089	3,314	7,253	9,318	4,953	6,706	5,558	4,013	3,761	4,242	5,276	3,222	72,130
1999	9,596	5,157	3,377	7,395	9,516	5,016	6,817	5,650	4,066	3,839	4,337	5,411	3,263	73,440
2000	9,768	5,225	3,440	7,538	9,714	5,079	6,928	5,741	4,117	3,916	4,433	5,547	3,304	74,750
2001	9,929	5,287	3,499	7,674	9,904	5,136	7,031	5,826	4,164	3,990	4,525	5,678	3,340	75,984
2002	10,090	5,348	3,559	7,810	10,095	5,191	7,135	5,911	4,210	4,065	4,618	5,811	3,376	77,218
2003	10,251	5,408	3,619	7,946	10,286	5,246	7,237	5,996	4,256	4,139	4,711	5,945	3,411	78,452
2004	10,412	5,467	3,678	8,083	10,479	5,300	7,340	6,080	4,301	4,214	4,805	6,080	3,446	79,686
2005	10,574	5,526	3,738	8,220	10,672	5,353	7,442	6,164	4,345	4,289	4,899	6,217	3,480	80,920
2006	10,763	5,598	3,808	8,379	10,895	5,420	7,564	6,264	4,400	4,376	5,008	6,372	3,523	82,369
2007	10,952	5,669	3,878	8,539	11,119	5,485	7,685	6,363	4,454	4,464	5,117	6,528	3,565	83,818
2008	11,142	5,740	3,949	8,699	11,345	5,549	7,806	6,463	4,507	4,551	5,226	6,685	3,606	85,268
2009	11,331	5,809	4,019	8,860	11,571	5,612	7,926	6,561	4,560	4,640	5,337	6,845	3,647	86,717
2010	11,521	5,878	4,089	9,021	11,798	5,675	8,046	6,660	4,612	4,728	5,448	7,005	3,687	88,166

Appendix 8-2 Gross Domestic Product by Region

(In million pesos at constant 1985 price)

Year	NCR	Region 1	Region 2	Region 3	Region 4	Region 5	Region 6	Region 7	Region 8	Region 9	Region 10	Region 11	Region 12	Total
1994	248,127	33,632	18,505	74,281	117,005	22,718	55,675	52,778	19,497	23,287	41,119	57,807	27,047	791,478
1995	264,751	36,592	19,449	80,521	127,301	24,217	59,628	57,951	20,452	24,941	44,778	63,356	28,832	852,769
1996	281,166	40,032	20,752	88,251	139,904	25,888	64,219	64,093	21,822	26,886	49,256	69,819	31,197	923,285
1997	299,442	43,835	22,454	97,605	155,573	27,804	69,421	71,080	23,306	29,118	54,280	77,289	33,692	1,004,899
1998	317,708	49,051	24,497	109,611	175,642	29,972	76,086	80,178	25,171	31,971	62,368	87,182	35,444	1,104,881
1999	339,760	55,693	27,034	124,952	201,425	32,632	84,397	91,856	27,462	35,536	72,942	99,880	37,541	1,231,112
2000	363,037	63,136	29,797	142,213	230,607	35,491	93,496	105,060	29,930	39,448	85,148	114,239	39,734	1,371,335
2001	386,696	71,163	32,694	160,901	262,389	38,449	103,086	119,427	32,488	43,578	98,703	129,861	41,941	1,521,373
2002	410,067	79,553	35,641	180,509	295,925	41,420	112,891	134,573	35,063	47,809	113,274	146,330	44,102	1,677,157
2003	433,519	88,429	38,682	201,326	331,716	44,449	123,052	150,723	37,693	52,202	129,098	163,891	46,252	1,841,033
2004	456,979	97,764	41,805	223,294	369,678	47,525	133,531	167,838	40,368	56,740	146,163	182,501	48,386	2,012,573
2005	481,821	108,132	45,195	247,769	412,175	50,828	144,955	186,983	43,246	61,695	165,570	203,318	50,628	2,202,316
2006	508,974	120,020	48,995	275,925	461,297	54,491	157,811	209,095	46,442	67,281	188,362	227,361	53,060	2,419,113
2007	537,757	133,260	53,128	307,388	516,465	58,431	171,856	233,907	49,886	73,394	214,381	254,341	55,618	2,659,812
2008	568,280	148,016	57,627	342,568	578,457	62,672	187,207	261,766	53,600	80,087	244,103	284,634	58,309	2,927,325
2009	600,647	164,462	62,523	381,911	648,132	67,236	203,988	293,051	57,603	87,415	278,064	318,652	61,140	3,224,824
2010	634,983	182,803	67,855	425,933	726,484	72,151	222,339	328,203	61,922	95,443	316,891	356,875	64,120	3,556,002



### Appendix 8-3 Demand Forecast by Municipality

RGN	Province	Municipality	1994	1998	2004	2010
NCR		Kalookan City	132,254	190,334	289,343	391,858
NCR		Las Pinas	51,589	74,245	112,865	152,854
NCR		Makati	78,679	113,232	172,133	233,121
NCR		Malabon	48,379	69,625	105,842	143,343
NCR		Mandaluyong	42,498	61,161	92,975	125,917
NCR		Manila	277,872	399,901	607,923	823,312
NCR		Marikina	53,876	77,536	117,868	159,630
NCR		Muntinlupa	48,134	69,273	105,307	142,618
NCR		Navotas	32,463	46,720	71,023	96,186
NCR		Paranaque	53,477	76,962	116,997	158,449
NCR		Pasay City	63,714	91,695	139,393	188,781
NCR		Pasig	69,047	99,370	151,060	204,582
NCR		Pateros	8,933	12,856	19,543	26,467
NCR		Queson City	289,663	416,871	633,719	858,248
NCR		San Juan	22,020	31,691	48,175	65,244
NCR		Taguig	46,241	66,549	101,166	137,009
NCR		Valenzuela	59,096	85,049	129,290	175,098
		<b>NCR Total</b>	<b>1,377,937</b>	<b>1,983,068</b>	<b>3,014,624</b>	<b>4,082,717</b>

RGIN	Province	Municipality	1994	1998	2004	2010
CAR	ABRA	Bangued	678	931	1,614	2,793
CAR	ABRA	Bolney	75	103	178	308
CAR	ABRA	Bucay	265	364	630	1,090
CAR	ABRA	Bucloc	38	53	91	158
CAR	ABRA	Dagutoman	28	39	67	115
CAR	ABRA	Danglas	60	83	144	249
CAR	ABRA	Dolores	170	234	405	701
CAR	ABRA	La Paz	223	306	531	918
CAR	ABRA	Lacub	46	63	110	190
CAR	ABRA	Lagangilang	223	306	531	919
CAR	ABRA	Lagayan	75	103	178	308
CAR	ABRA	Langiden	49	67	116	200
CAR	ABRA	Licuan-Baay(Licuan)	73	101	175	302
CAR	ABRA	Luba	110	152	263	454
CAR	ABRA	Malibcong	69	95	165	285
CAR	ABRA	Manabo	155	212	368	637
CAR	ABRA	Penarrubia	97	133	231	400
CAR	ABRA	Pidigan	175	240	416	719
CAR	ABRA	Pilar	168	230	399	690
CAR	ABRA	Sal-lapadan	98	135	233	404
CAR	ABRA	San Isidro	74	102	177	306
CAR	ABRA	San Juan	168	230	399	690
CAR	ABRA	San Quintin	85	117	203	351
CAR	ABRA	Tayum	219	301	522	902
CAR	ABRA	Tineg	61	84	145	251
CAR	ABRA	Tubo	91	125	217	375
CAR	ABRA	Villaviciosa	92	126	218	377
CAR	ABRA	<b>Total</b>	<b>3,667</b>	<b>5,034</b>	<b>8,723</b>	<b>15,092</b>
CAR	BENGUET	Atok	275	377	654	1,132
CAR	BENGUET	Baguio City	3,634	4,989	8,645	14,958
CAR	BENGUET	Bakun	215	295	511	884
CAR	BENGUET	Bokod	228	313	542	937
CAR	BENGUET	Buguias	501	688	1,192	2,062
CAR	BENGUET	I togon	1,226	1,683	2,917	5,046
CAR	BENGUET	kabayan	205	281	487	842
CAR	BENGUET	Kapangan	308	423	734	1,269
CAR	BENGUET	Kibungan(3)	253	347	602	1,042
CAR	BENGUET	La Trinidad	958	1,315	2,278	3,942
CAR	BENGUET	Mankayan	653	896	1,553	2,687
CAR	BENGUET	Sablan	168	230	399	689
CAR	BENGUET	Tuba	787	1,080	1,871	3,238
CAR	BENGUET	Tublay	228	313	542	938
CAR	BENGUET	<b>Total</b>	<b>9,637</b>	<b>13,230</b>	<b>22,926</b>	<b>39,666</b>
CAR	MOUNTAIN PROVINCE	Barlig	125	171	296	512
CAR	MOUNTAIN PROVINCE	Bauko	419	576	997	1,726
CAR	MOUNTAIN PROVINCE	Besao	168	231	400	692
CAR	MOUNTAIN PROVINCE	Bontoc	352	483	836	1,447
CAR	MOUNTAIN PROVINCE	Natonin	195	267	463	802
CAR	MOUNTAIN PROVINCE	Paracelis	259	355	615	1,064
CAR	MOUNTAIN PROVINCE	Sabangan	160	220	382	660
CAR	MOUNTAIN PROVINCE	Sadanga	145	199	345	597
CAR	MOUNTAIN PROVINCE	Sagada	205	282	489	846
CAR	MOUNTAIN PROVINCE	Tadian	285	392	678	1,174
CAR	MOUNTAIN PROVINCE	<b>Total</b>	<b>2,313</b>	<b>3,175</b>	<b>5,502</b>	<b>9,520</b>
CAR	IFUGAO	Aguinaldo	348	434	630	930
CAR	IFUGAO	Allonso Lista(Potia)	260	324	470	695
CAR	IFUGAO	Banaue	297	371	538	795
CAR	IFUGAO	Hingyon	147	183	266	393
CAR	IFUGAO	Hungduan(Hondagua)	127	159	230	340
CAR	IFUGAO	Kiangan	374	467	677	1,000
CAR	IFUGAO	Lagawe	218	272	395	583
CAR	IFUGAO	Lamut	247	309	448	661
CAR	IFUGAO	Mayoyao	420	524	760	1,123

RGN Province	Municipality	1994	1998	2004	2010
CAR IFUGAO	Tinoc	145	181	262	387
CAR IFUGAO	<b>Total</b>	<b>2,583</b>	<b>3,223</b>	<b>4,677</b>	<b>6,908</b>
CAR KALINGA-APAYAO	Balbalan	178	222	322	476
CAR KALINGA-APAYAO	Calanasan(Bayag)	188	234	340	502
CAR KALINGA-APAYAO	Conner	284	355	515	761
CAR KALINGA-APAYAO	Flora	190	237	343	507
CAR KALINGA-APAYAO	Kabugao	196	245	356	525
CAR KALINGA-APAYAO	Lubuagan	161	201	292	431
CAR KALINGA-APAYAO	Luna	185	231	335	495
CAR KALINGA-APAYAO	Pasil	133	166	240	355
CAR KALINGA-APAYAO	Pinukpuk	353	440	638	943
CAR KALINGA-APAYAO	Pudtol	134	167	242	357
CAR KALINGA-APAYAO	Rizal(Liwan)	191	238	346	511
CAR KALINGA-APAYAO	Santa Marcela	134	167	242	358
CAR KALINGA-APAYAO	Tabuk	1,003	1,252	1,816	2,683
CAR KALINGA-APAYAO	Tanudan	164	204	296	437
CAR KALINGA-APAYAO	Tinglayan	222	277	401	593
CAR KALINGA-APAYAO	<b>Total</b>	<b>3,714</b>	<b>4,634</b>	<b>6,724</b>	<b>9,933</b>
	<b>Region Total</b>	<b>21,914</b>	<b>29,296</b>	<b>48,552</b>	<b>81,119</b>

RGN	Province	Municipality	1994	1998	2004	2010
1	ILOCOS NORTE	Bacarra	535	734	1,272	2,201
1	ILOCOS NORTE	Badoe	509	698	1,210	2,094
1	ILOCOS NORTE	Banguit	256	352	610	1,056
1	ILOCOS NORTE	Batac	855	1,174	2,035	3,520
1	ILOCOS NORTE	Burgos	152	208	361	624
1	ILOCOS NORTE	Carasi	13	17	30	52
1	ILOCOS NORTE	Curriniao	188	258	447	773
1	ILOCOS NORTE	Dingras	606	832	1,441	2,493
1	ILOCOS NORTE	Dumalneg	16	23	39	68
1	ILOCOS NORTE	Espiritu(Banna)	305	418	724	1,253
1	ILOCOS NORTE	Lacag City	1,662	2,282	3,955	6,842
1	ILOCOS NORTE	Marcos	258	354	613	1,061
1	ILOCOS NORTE	Nueva Era	104	143	247	428
1	ILOCOS NORTE	Pimili	297	407	706	1,221
1	ILOCOS NORTE	Pagudpod	329	451	782	1,353
1	ILOCOS NORTE	Paoay	410	563	976	1,689
1	ILOCOS NORTE	Pasuquin	425	583	1,011	1,749
1	ILOCOS NORTE	Piddig	339	465	806	1,395
1	ILOCOS NORTE	Poblacion(Adams)	22	30	53	91
1	ILOCOS NORTE	San Nicolas	548	753	1,305	2,257
1	ILOCOS NORTE	Sarrat	422	580	1,004	1,738
1	ILOCOS NORTE	Solsana	375	515	892	1,543
1	ILOCOS NORTE	Yintar	538	738	1,279	2,213
1	ILOCOS NORTE	<b>Total</b>	<b>9,163</b>	<b>12,580</b>	<b>21,798</b>	<b>37,715</b>
1	ILOCOS SUR	Alilem	105	145	251	434
1	ILOCOS SUR	Banayoyo	116	160	277	479
1	ILOCOS SUR	Bantay	517	709	1,229	2,126
1	ILOCOS SUR	Burgos	191	262	453	784
1	ILOCOS SUR	Cabugao	556	763	1,322	2,287
1	ILOCOS SUR	Candon	863	1,185	2,053	3,551
1	ILOCOS SUR	Caoayan	310	426	738	1,277
1	ILOCOS SUR	Cervantes	248	340	589	1,019
1	ILOCOS SUR	Galimuyod	158	216	375	649
1	ILOCOS SUR	Gregorio del Pilar	68	93	161	279
1	ILOCOS SUR	Lidlidda	70	96	166	287
1	ILOCOS SUR	Magsingal	442	607	1,052	1,819
1	ILOCOS SUR	Nagbukel	76	104	180	311
1	ILOCOS SUR	Narvacan	698	958	1,660	2,872
1	ILOCOS SUR	Ourino(Angkaki)	131	180	313	541
1	ILOCOS SUR	Salcedo(Baugen)	187	256	444	768
1	ILOCOS SUR	San Emilio	112	154	267	461
1	ILOCOS SUR	San Esteban	126	172	299	517
1	ILOCOS SUR	San Hdefonso	90	123	214	370
1	ILOCOS SUR	San Juan(San Fuan)	403	554	960	1,661
1	ILOCOS SUR	San Vicente	198	272	472	816
1	ILOCOS SUR	Santa	249	343	594	1,027
1	ILOCOS SUR	Santa Catalina	226	310	538	930
1	ILOCOS SUR	Santa Cruz	571	784	1,358	2,350
1	ILOCOS SUR	Santa Lucia	407	559	968	1,675
1	ILOCOS SUR	Santa Maria	473	649	1,125	1,946
1	ILOCOS SUR	Santiago	286	393	681	1,179
1	ILOCOS SUR	Santo Domingo	411	565	978	1,693
1	ILOCOS SUR	Sigay	39	54	93	160
1	ILOCOS SUR	Sinait	432	593	1,028	1,779
1	ILOCOS SUR	Sugpon	56	77	134	232
1	ILOCOS SUR	Suyo	158	217	375	649
1	ILOCOS SUR	Tagudin	581	798	1,383	2,393
1	ILOCOS SUR	Vigan	766	1,051	1,821	3,151
1	ILOCOS SUR	<b>Total</b>	<b>10,320</b>	<b>14,167</b>	<b>24,549</b>	<b>42,475</b>
1	LA UNION	Agoo	847	1,163	2,016	3,488
1	LA UNION	Aringay	660	906	1,570	2,717
1	LA UNION	Bacnotan	587	806	1,396	2,416
1	LA UNION	Bagulin	187	257	445	769
1	LA UNION	Balaoan	596	819	1,418	2,454

RGN	Province	Municipality	1994	1998	2004	2010
1	LA UNION	Bangar	515	708	1,226	2,121
1	LA UNION	Bauang	1,024	1,405	2,435	4,213
1	LA UNION	Burgos	107	147	255	442
1	LA UNION	Caba	330	453	785	1,358
1	LA UNION	Luna	562	771	1,337	2,313
1	LA UNION	Naguilian	721	990	1,715	2,968
1	LA UNION	Pugo	217	298	516	894
1	LA UNION	Rosario	695	954	1,653	2,860
1	LA UNION	San Fernando	1,686	2,315	4,011	6,940
1	LA UNION	San Gabriel	249	341	592	1,024
1	LA UNION	San Juan	497	682	1,183	2,046
1	LA UNION	Santo Tomas	543	745	1,291	2,234
1	LA UNION	Santol	189	260	451	780
1	LA UNION	Sudipen	259	355	616	1,066
1	LA UNION	Tubao	420	576	998	1,727
1	LA UNION	<b>Total</b>	<b>10,891</b>	<b>14,952</b>	<b>25,910</b>	<b>44,828</b>
1	PANGASINAN	Agno	421	578	1,001	1,732
1	PANGASINAN	Aguilar	542	744	1,289	2,230
1	PANGASINAN	Alaminos	1,178	1,618	2,803	4,850
1	PANGASINAN	Alcala	609	836	1,449	2,507
1	PANGASINAN	Anda	533	732	1,268	2,194
1	PANGASINAN	Asingan	867	1,191	2,064	3,570
1	PANGASINAN	Balungao	426	585	1,014	1,754
1	PANGASINAN	Bani	738	1,013	1,756	3,037
1	PANGASINAN	Basista	444	609	1,056	1,827
1	PANGASINAN	Bautista	422	580	1,005	1,738
1	PANGASINAN	Bayambang	1,569	2,153	3,731	6,456
1	PANGASINAN	Binalonan	870	1,195	2,070	3,581
1	PANGASINAN	Binmaley	1,183	1,624	2,814	4,869
1	PANGASINAN	Bolinao	977	1,341	2,323	4,019
1	PANGASINAN	Bugallon	941	1,292	2,239	3,873
1	PANGASINAN	Burgos	293	403	698	1,207
1	PANGASINAN	Calasiao	1,250	1,716	2,973	5,144
1	PANGASINAN	Dagupan City	2,426	3,331	5,772	9,987
1	PANGASINAN	Dasol	390	536	929	1,607
1	PANGASINAN	Infanta	321	440	762	1,319
1	PANGASINAN	Labrador	302	415	719	1,244
1	PANGASINAN	Laoac	454	623	1,080	1,868
1	PANGASINAN	Lingayen	1,545	2,121	3,675	6,359
1	PANGASINAN	Mabini	350	480	832	1,440
1	PANGASINAN	Malasiqui	1,827	2,508	4,346	7,520
1	PANGASINAN	Munaog	900	1,235	2,141	3,704
1	PANGASINAN	Mangaldan	1,309	1,797	3,114	5,387
1	PANGASINAN	Mangatarem	947	1,300	2,253	3,898
1	PANGASINAN	Mapandan	509	698	1,210	2,093
1	PANGASINAN	Natividad	338	463	803	1,390
1	PANGASINAN	Pozzorubio	962	1,320	2,288	3,959
1	PANGASINAN	Rosales	899	1,234	2,138	3,699
1	PANGASINAN	San Carlos City	2,472	3,393	5,880	10,173
1	PANGASINAN	San Fabian	1,030	1,414	2,451	4,240
1	PANGASINAN	San Jacinto	511	701	1,214	2,101
1	PANGASINAN	San Manuel	675	927	1,606	2,779
1	PANGASINAN	San Nicolas	544	747	1,294	2,240
1	PANGASINAN	San Quintin	482	662	1,147	1,985
1	PANGASINAN	Santa Barbara	948	1,301	2,254	3,901
1	PANGASINAN	Santa Maria	472	648	1,123	1,944
1	PANGASINAN	Santo Tomas	204	279	484	838
1	PANGASINAN	Sison	653	896	1,553	2,687
1	PANGASINAN	Sual	389	534	925	1,601
1	PANGASINAN	Tayug	627	860	1,491	2,579
1	PANGASINAN	Umingan	953	1,308	2,267	3,922
1	PANGASINAN	Urbiztondo	657	902	1,563	2,704
1	PANGASINAN	Urdaneta	1,800	2,471	4,282	7,409
1	PANGASINAN	Villasis	942	1,294	2,242	3,878
1	PANGASINAN	<b>Total</b>	<b>40,098</b>	<b>55,049</b>	<b>95,390</b>	<b>165,042</b>

<u>RGN Province</u>	<u>Municipality</u>	<u>1994</u>	<u>1998</u>	<u>2004</u>	<u>2010</u>
	<b>Region Total</b>	<b>70,472</b>	<b>96,748</b>	<b>167,646</b>	<b>290,060</b>

RGN	Province	Municipality	1994	1998	2004	2010
2	BATANES	Basco	100	125	182	269
2	BATANES	Itbayat	60	75	109	162
2	BATANES	Ivana	21	26	38	56
2	BATANES	Mahatao	30	38	55	81
2	BATANES	Sabtang	30	38	55	81
2	BATANES	Uyugan	21	26	38	56
2	BATANES	<b>Total</b>	<b>264</b>	<b>329</b>	<b>477</b>	<b>705</b>
2	CAGAYAN VALLEY	Abulug(Abalug)	431	537	780	1,152
2	CAGAYAN VALLEY	Alcala	511	638	926	1,368
2	CAGAYAN VALLEY	Allacapan	384	480	696	1,028
2	CAGAYAN VALLEY	Amulung(Amalung)	616	768	1,115	1,647
2	CAGAYAN VALLEY	Aparri (A)	906	1,130	1,640	2,422
2	CAGAYAN VALLEY	Baggao	969	1,209	1,755	2,592
2	CAGAYAN VALLEY	Ballesteros	436	544	789	1,166
2	CAGAYAN VALLEY	Buguey	401	501	727	1,074
2	CAGAYAN VALLEY	Calayan	197	246	356	526
2	CAGAYAN VALLEY	Camalanguan	303	378	549	810
2	CAGAYAN VALLEY	Claveria	425	531	770	1,138
2	CAGAYAN VALLEY	Enrile	449	560	813	1,201
2	CAGAYAN VALLEY	Gattaran	729	909	1,320	1,950
2	CAGAYAN VALLEY	Gonzaga	465	581	843	1,245
2	CAGAYAN VALLEY	Iguig	326	407	591	872
2	CAGAYAN VALLEY	Lal-lo	550	686	996	1,472
2	CAGAYAN VALLEY	Lasam	480	599	869	1,284
2	CAGAYAN VALLEY	Pamplona	294	367	533	787
2	CAGAYAN VALLEY	Penablanca	535	668	969	1,432
2	CAGAYAN VALLEY	Piat	312	389	564	834
2	CAGAYAN VALLEY	Rizal	219	273	396	585
2	CAGAYAN VALLEY	Sanchez-Mira	313	391	568	838
2	CAGAYAN VALLEY	Santa Ana	309	385	559	826
2	CAGAYAN VALLEY	Santa Praxedes	44	55	80	118
2	CAGAYAN VALLEY	Santa Teresita	203	253	367	542
2	CAGAYAN VALLEY	Santo Nino(Faire)	326	407	591	873
2	CAGAYAN VALLEY	Solana	989	1,233	1,790	2,644
2	CAGAYAN VALLEY	Tuao	770	961	1,395	2,060
2	CAGAYAN VALLEY	Tuguegarao	1,662	2,074	3,009	4,445
2	CAGAYAN VALLEY	<b>Total</b>	<b>14,557</b>	<b>18,160</b>	<b>26,354</b>	<b>38,929</b>
2	ISABELA	Alicia	836	1,043	1,514	2,236
2	ISABELA	Angadanan	571	712	1,033	1,527
2	ISABELA	Aurora	437	545	791	1,168
2	ISABELA	Benito Soliven	355	443	643	949
2	ISABELA	Burgos	307	383	555	820
2	ISABELA	Cabagan	614	766	1,111	1,642
2	ISABELA	Cabatuan	463	577	838	1,237
2	ISABELA	Cauayan	1,466	1,829	2,654	3,921
2	ISABELA	Cordon	483	603	875	1,292
2	ISABELA	Delfin Albano(Magsaysay)	358	447	648	957
2	ISABELA	Dinapigue	37	46	67	99
2	ISABELA	Divilican	43	54	79	116
2	ISABELA	Echague	911	1,136	1,648	2,435
2	ISABELA	Gamu	336	419	608	898
2	ISABELA	Jones	603	752	1,091	1,612
2	ISABELA	Ilagan	1,738	2,169	3,147	4,649
2	ISABELA	Luna	216	270	392	579
2	ISABELA	Maconacon	127	159	230	340
2	ISABELA	Mallig	387	483	700	1,035
2	ISABELA	Naguilian	423	528	766	1,132
2	ISABELA	Ouezon	286	356	517	764
2	ISABELA	Quirino	299	373	542	801
2	ISABELA	Palanan	200	250	363	536
2	ISABELA	Ramon	587	732	1,062	1,569
2	ISABELA	Reina Mercedes	301	375	544	804
2	ISABELA	Roxas	706	880	1,277	1,887
2	ISABELA	San Agustin	291	363	526	778

RGN	Province	Municipality	1994	1998	2004	2010
2	ISABELA	San Guillermo	188	234	340	502
2	ISABELA	San Isidro	253	316	459	677
2	ISABELA	San Manuel	432	539	782	1,155
2	ISABELA	San Mariano	637	794	1,152	1,702
2	ISABELA	San Matco	850	1,060	1,539	2,273
2	ISABELA	San Pablo	293	365	530	782
2	ISABELA	Santiago	1,592	1,986	2,883	4,258
2	ISABELA	Sta. Maria	294	367	532	786
2	ISABELA	Sto. Tomas	317	395	574	847
2	ISABELA	Tamauni	713	890	1,291	1,907
2	ISABELA	<b>Total</b>	<b>18,948</b>	<b>23,638</b>	<b>34,304</b>	<b>50,672</b>
2	NUEVA VIZCAYA	Alfonso Castañeda	66	82	119	176
2	NUEVA VIZCAYA	Ambaguio	127	158	230	340
2	NUEVA VIZCAYA	Aritao	455	568	824	1,217
2	NUEVA VIZCAYA	Bagabag	456	570	826	1,221
2	NUEVA VIZCAYA	Bambang	590	737	1,069	1,579
2	NUEVA VIZCAYA	Bayombong	700	873	1,266	1,871
2	NUEVA VIZCAYA	Diadi	199	248	360	532
2	NUEVA VIZCAYA	Dupax del Norte	367	457	664	980
2	NUEVA VIZCAYA	Dupax del Sur	216	269	390	577
2	NUEVA VIZCAYA	Kasibu	376	469	680	1,005
2	NUEVA VIZCAYA	Kayapa	328	409	593	876
2	NUEVA VIZCAYA	Ouezon	214	267	388	573
2	NUEVA VIZCAYA	Santa Fe	175	218	316	467
2	NUEVA VIZCAYA	Solano	776	968	1,405	2,075
2	NUEVA VIZCAYA	Villaverde	238	297	432	638
2	NUEVA VIZCAYA	<b>Total</b>	<b>5,282</b>	<b>6,590</b>	<b>9,563</b>	<b>14,126</b>
2	QUIRINO	Aglipay	288	359	522	770
2	QUIRINO	Cabarroguis	382	477	692	1,022
2	QUIRINO	Diffun	548	684	993	1,466
2	QUIRINO	Maddela	443	553	802	1,185
2	QUIRINO	Nagtipunan	166	207	300	444
2	QUIRINO	Saguday	174	217	315	465
2	QUIRINO	<b>Total</b>	<b>2,002</b>	<b>2,497</b>	<b>3,624</b>	<b>5,353</b>
		<b>Region Total</b>	<b>41,052</b>	<b>51,215</b>	<b>74,322</b>	<b>109,786</b>



RGN	Province	Municipality	1994	1998	2004	2010
3	BATAAN	Abucay	851	1,187	2,100	3,699
3	BATAAN	Bagac	581	811	1,434	2,526
3	BATTAN	Balanga	1,641	2,289	4,050	7,134
3	BATTAN	Dinalupihan	1,853	2,585	4,573	8,056
3	BATAAN	Hermosa	1,103	1,539	2,723	4,796
3	BATTAN	Limay	1,040	1,450	2,565	4,519
3	BATTAN	Mariveles	1,936	2,700	4,777	8,415
3	BATAAN	Morong	547	762	1,349	2,376
3	BATTAN	Orani	1,386	1,933	3,419	6,023
3	BATTAN	Orion	1,123	1,567	2,772	4,883
3	BATTAN	Pilar	804	1,122	1,985	3,496
3	BATTAN	Samal	701	977	1,729	3,045
3	BATTAN	<b>Total</b>	<b>13,566</b>	<b>18,921</b>	<b>33,474</b>	<b>58,968</b>
3	BULACAN	Angat	1,099	1,533	2,712	4,777
3	BULACAN	Balagtas	1,359	1,896	3,354	5,908
3	BULACAN	Baliuag	2,858	3,987	7,053	12,425
3	BULACAN	Bocauc	2,142	2,988	5,286	9,312
3	BULACAN	Bulacan	1,554	2,167	3,834	6,754
3	BULACAN	Bustos	1,114	1,554	2,749	4,842
3	BULACAN	Calumpit	1,881	2,624	4,642	8,177
3	BULACAN	Dona Remedios Trinidad	274	383	677	1,193
3	BULACAN	Guiguinto	1,419	1,979	3,501	6,167
3	BULACAN	Hagonoy	2,874	4,009	7,092	12,493
3	BULACAN	Malolos	3,988	5,563	9,841	17,335
3	BULACAN	Marilao	1,796	2,505	4,431	7,805
3	BULACAN	Meycauayan	3,950	5,509	9,747	17,170
3	BULACAN	Norzagaray	1,067	1,488	2,632	4,637
3	BULACAN	Obando	1,477	2,059	3,643	6,418
3	BULACAN	Pandi	1,040	1,451	2,567	4,521
3	BULACAN	Paombong	1,021	1,424	2,520	4,439
3	BULACAN	Plaridel	1,687	2,353	4,163	7,333
3	BULACAN	Pulilan	1,536	2,142	3,789	6,675
3	BULACAN	San Ildefonso	1,899	2,648	4,685	8,254
3	BULACAN	San Jose del Monte	4,526	6,312	11,167	19,672
3	BULACAN	San Miguel	2,903	4,049	7,164	12,619
3	BULACAN	San Rafael	1,578	2,201	3,894	6,859
3	BULACAN	Sta. Maria	2,914	4,065	7,191	12,667
3	BULACAN	<b>Total</b>	<b>47,956</b>	<b>66,888</b>	<b>118,332</b>	<b>208,452</b>
3	NUEVA ECIIJA	Aliaga	1,288	1,796	3,178	5,598
3	NUEVA ECIIJA	Bongabon	1,262	1,760	3,114	5,486
3	NUEVA ECIIJA	Cabanatuan City	5,514	7,691	13,605	23,967
3	NUEVA ECIIJA	Cabiao	1,556	2,171	3,840	6,765
3	NUEVA ECIIJA	Carranglan	830	1,158	2,049	3,610
3	NUEVA ECIIJA	Cuyapo	1,373	1,915	3,389	5,969
3	NUEVA ECIIJA	Gabaldon	693	966	1,709	3,011
3	NUEVA ECIIJA	Gapan	2,246	3,132	5,541	9,762
3	NUEVA ECIIJA	Gen. Tinio	940	1,310	2,318	4,084
3	NUEVA ECIIJA	Gen.Mamerto Natividad	700	977	1,728	3,044
3	NUEVA ECIIJA	Guimba	2,337	3,260	5,767	10,160
3	NUEVA ECIIJA	Jaen	1,508	2,104	3,722	6,557
3	NUEVA ECIIJA	Laur	684	954	1,687	2,972
3	NUEVA ECIIJA	Licab	548	764	1,352	2,382
3	NUEVA ECIIJA	Llanera	742	1,035	1,831	3,225
3	NUEVA ECIIJA	Lupao	876	1,221	2,160	3,806
3	NUEVA ECIIJA	Munoz	1,604	2,238	3,959	6,974
3	NUEVA ECIIJA	Nampicuan	268	374	662	1,167
3	NUEVA ECIIJA	Palayan City	650	906	1,603	2,824
3	NUEVA ECIIJA	Pantabangan	584	815	1,442	2,540
3	NUEVA ECIIJA	Penaranda	653	911	1,612	2,839
3	NUEVA ECIIJA	Quezon	815	1,136	2,010	3,542
3	NUEVA ECIIJA	Rizal	1,242	1,732	3,064	5,397
3	NUEVA ECIIJA	San Antonio	1,651	2,303	4,073	7,176
3	NUEVA ECIIJA	San Isidro	1,094	1,526	2,700	4,757
3	NUEVA ECIIJA	San Jose City	2,639	3,681	6,512	11,472

RGN	Province	Municipality	1994	1998	2004	2010
3	NUEVA ECIIJA	San Leonardo	1,266	1,766	3,124	5,503
3	NUEVA ECIIJA	Sta. Rosa	1,288	1,797	3,179	5,600
3	NUEVA ECIIJA	Sto. Domingo	1,143	1,594	2,819	4,967
3	NUEVA ECIIJA	Talavera	2,461	3,433	6,073	10,699
3	NUEVA ECIIJA	Talugtog	447	624	1,103	1,944
3	NUEVA ECIIJA	Zaragoza	916	1,277	2,260	3,981
3	NUEVA ECIIJA	<b>Total</b>	<b>41,819</b>	<b>58,329</b>	<b>103,190</b>	<b>181,778</b>
3	PAMPANGA	Angeles City	7,541	10,518	18,607	32,778
3	PAMPANGA	Apalit	1,987	2,772	4,903	8,638
3	PAMPANGA	Arayat	2,332	3,252	5,754	10,136
3	PAMPANGA	Bacolor	2,143	2,989	5,288	9,314
3	PAMPANGA	Candaba	2,171	3,028	5,357	9,437
3	PAMPANGA	Floridablanca	2,107	2,939	5,200	9,160
3	PAMPANGA	Guagua	2,813	3,923	6,941	12,227
3	PAMPANGA	Lubao	3,177	4,431	7,838	13,808
3	PAMPANGA	Mabalacat	3,859	5,382	9,521	16,773
3	PAMPANGA	Macabebe	1,768	2,466	4,364	7,687
3	PAMPANGA	Magalang	1,400	1,953	3,454	6,085
3	PAMPANGA	Masantol	1,337	1,865	3,299	5,811
3	PAMPANGA	Mexico	2,212	3,086	5,459	9,617
3	PAMPANGA	Minalin	1,109	1,546	2,735	4,819
3	PAMPANGA	Porac	2,173	3,031	5,363	9,447
3	PAMPANGA	San Fernando	5,029	7,014	12,409	21,860
3	PAMPANGA	San Luis	1,017	1,418	2,509	4,420
3	PAMPANGA	San Simon	983	1,371	2,425	4,272
3	PAMPANGA	Santa Ana	1,037	1,446	2,558	4,506
3	PAMPANGA	Santa Rita	901	1,257	2,224	3,919
3	PAMPANGA	Santo Tomas	1,061	1,480	2,619	4,613
3	PAMPANGA	Sexmoan	674	940	1,663	2,929
3	PAMPANGA	<b>Total</b>	<b>48,831</b>	<b>68,108</b>	<b>120,491</b>	<b>212,255</b>
3	TARLAC	Anao	253	353	625	1,102
3	TARLAC	Bamban	1,135	1,584	2,802	4,936
3	TARLAC	Camiling	1,998	2,787	4,930	8,685
3	TARLAC	Capas	1,950	2,720	4,812	8,476
3	TARLAC	Concepcion	3,286	4,584	8,109	14,284
3	TARLAC	Gerona	1,895	2,643	4,676	8,238
3	TARLAC	La-paz	1,336	1,864	3,298	5,809
3	TARLAC	Mayantoc	674	941	1,664	2,932
3	TARLAC	Moncada	1,328	1,852	3,276	5,771
3	TARLAC	Paniqui	2,069	2,886	5,106	8,995
3	TARLAC	Pura	574	801	1,418	2,497
3	TARLAC	Ramos	432	603	1,066	1,879
3	TARLAC	San Clemente	283	394	698	1,229
3	TARLAC	San Jose	653	910	1,610	2,837
3	TARLAC	San Manuel	550	767	1,357	2,390
3	TARLAC	Santa Ignacia	971	1,354	2,395	4,220
3	TARLAC	Tarlac	6,650	9,275	16,409	28,905
3	TARLAC	Victoria	1,350	1,882	3,330	5,866
3	TARLAC	<b>Total</b>	<b>27,388</b>	<b>38,200</b>	<b>67,581</b>	<b>119,050</b>
3	ZAMBALES	Botolan	1,134	1,582	2,799	4,931
3	ZAMBALES	Cabangan	489	682	1,206	2,124
3	ZAMBALES	Candelaria	591	824	1,457	2,567
3	ZAMBALES	Castillejos	852	1,189	2,103	3,705
3	ZAMBALES	Iba	931	1,298	2,297	4,047
3	ZAMBALES	Masinloc	1,031	1,439	2,545	4,483
3	ZAMBALES	Olongapo City	6,159	8,591	15,198	26,773
3	ZAMBALES	Palauig	687	959	1,696	2,988
3	ZAMBALES	San Antonio	858	1,197	2,118	3,731
3	ZAMBALES	San Felipe	498	694	1,228	2,164
3	ZAMBALES	San Marcelino	1,166	1,626	2,877	5,068
3	ZAMBALES	San Narciso	729	1,017	1,800	3,170
3	ZAMBALES	Santa Cruz	1,315	1,834	3,245	5,716
3	ZAMBALES	Subic	1,495	2,085	3,689	6,499

RGN	Province	Municipality	1994	1998	2004	2010
3	ZAMBALES	<b>Total</b>	<b>17,937</b>	<b>25,018</b>	<b>44,259</b>	<b>77,967</b>
		<b>Region Total</b>	<b>197,496</b>	<b>275,464</b>	<b>487,329</b>	<b>858,470</b>

RGN	Province	Municipalities	1994	1998	2004	2010
4	AURORA	Baler	943	1,341	2,458	4,469
4	AURORA	Casiguran	702	999	1,831	3,329
4	AURORA	Dilasag	427	608	1,115	2,027
4	AURORA	Dinalungan	258	368	674	1,225
4	AURORA	Dingalan	553	786	1,441	2,620
4	AURORA	Dipaculao	723	1,029	1,887	3,430
4	AURORA	Maria Aurora	1,083	1,541	2,825	5,137
4	AURORA	San Luis	639	909	1,667	3,030
4	AURORA	<b>Total</b>	<b>5,329</b>	<b>7,580</b>	<b>13,897</b>	<b>25,268</b>
4	BATANGAS	Agoncillo	772	1,098	2,014	3,661
4	BATANGAS	Alitagtag	611	870	1,594	2,899
4	BATANGAS	Balayan	2,057	2,925	5,363	9,751
4	BATANGAS	Balete	446	634	1,163	2,114
4	BATANGAS	Batangas City	7,062	10,045	18,415	33,483
4	BATANGAS	Bauan	2,262	3,218	5,899	10,727
4	BATANGAS	Calaca	1,732	2,464	4,518	8,214
4	BATANGAS	Calatagan	1,357	1,930	3,538	6,434
4	BATANGAS	Cuenca	770	1,096	2,009	3,652
4	BATANGAS	Ibaan	1,192	1,695	3,108	5,651
4	BATANGAS	Laurel	844	1,200	2,200	4,000
4	BATANGAS	Lemery	2,059	2,929	5,369	9,763
4	BATANGAS	Lian	1,195	1,699	3,116	5,665
4	BATANGAS	Lipa City	6,113	8,695	15,940	28,984
4	BATANGAS	Lobo	1,026	1,460	2,676	4,866
4	BATANGAS	Mabini	1,163	1,655	3,034	5,516
4	BATANGAS	Malvar	926	1,317	2,415	4,390
4	BATANGAS	Mataas na Kahoy	582	828	1,517	2,759
4	BATANGAS	Nasugbu	2,883	4,101	7,518	13,670
4	BATANGAS	Padre Garcia	991	1,410	2,584	4,699
4	BATANGAS	Rosario	2,555	3,634	6,663	12,114
4	BATANGAS	San Jose	1,477	2,100	3,851	7,002
4	BATANGAS	San Juan	2,586	3,679	6,744	12,262
4	BATANGAS	San Luis	845	1,202	2,204	4,008
4	BATANGAS	San Nicolas	503	715	1,312	2,385
4	BATANGAS	San Pascual	1,322	1,880	3,447	6,268
4	BATANGAS	Santa Teresita	458	652	1,195	2,173
4	BATANGAS	Santo Tomas	2,222	3,161	5,795	10,537
4	BATANGAS	Taal	1,333	1,897	3,477	6,322
4	BATANGAS	Talisay	884	1,257	2,305	4,191
4	BATANGAS	Tanauan	3,541	5,037	9,234	16,790
4	BATANGAS	Taysan	859	1,222	2,241	4,074
4	BATANGAS	Tingloy	589	838	1,536	2,793
4	BATANGAS	Tuy	1,161	1,651	3,027	5,505
4	BATANGAS	<b>Total</b>	<b>56,380</b>	<b>80,194</b>	<b>147,021</b>	<b>267,325</b>
4	CAVITE	Alfonso	1,105	1,572	2,882	5,239
4	CAVITE	Amadeo	803	1,142	2,093	3,805
4	CAVITE	Bacoor	6,096	8,671	15,897	28,906
4	CAVITE	Carmona	1,078	1,534	2,812	5,113
4	CAVITE	Cavite City	3,499	4,976	9,123	16,589
4	CAVITE	Dasmarinas	5,213	7,415	13,595	24,719
4	CAVITE	Gen Alvarez	2,519	3,583	6,568	11,943
4	CAVITE	General Emilio Aguinaldo	418	595	1,091	1,983
4	CAVITE	General Trias	2,019	2,872	5,265	9,574
4	CAVITE	Imus	3,517	5,003	9,172	16,676
4	CAVITE	Indang	1,500	2,134	3,912	7,113
4	CAVITE	Kawit	1,823	2,593	4,754	8,645
4	CAVITE	Magallanes	479	682	1,250	2,273
4	CAVITE	Maragondon	871	1,239	2,271	4,130
4	CAVITE	Mendez-Nunez	674	959	1,757	3,195
4	CAVITE	Naic	1,971	2,804	5,140	9,346
4	CAVITE	Novleta	779	1,108	2,032	3,694
4	CAVITE	Rosario	1,733	2,466	4,520	8,219
4	CAVITE	Silang	3,581	5,093	9,337	16,978
4	CAVITE	Tagaytay City	906	1,289	2,363	4,297