

THE KINGDOM OF CAMBODIA
MINISTRY OF AGRICULTURE,
FORESTRY AND FISHERIES

JAPAN INTERNATIONAL
COOPERATION AGENCY
(JICA)

**MASTER PLAN STUDY ON
THE INTEGRATED AGRICULTURAL AND RURAL
DEVELOPMENT PROJECT
IN THE SUBURBS OF PHNOM PENH**

VOLUME-IV

DRAWINGS

February, 1995

NIPPON KOEI CO., LTD.

ARY

A	F	A
J R		
95 - 12		

JICA LIBRARY



1119842(1)

21137

THE KINGDOM OF CAMBODIA
MINISTRY OF AGRICULTURE,
FORESTRY AND FISHERIES

JAPAN INTERNATIONAL
COOPERATION AGENCY
(JICA)

**MASTER PLAN STUDY ON
THE INTEGRATED AGRICULTURAL AND RURAL
DEVELOPMENT PROJECT
IN THE SUBURBS OF PHNOM PENH**

VOLUME-IV

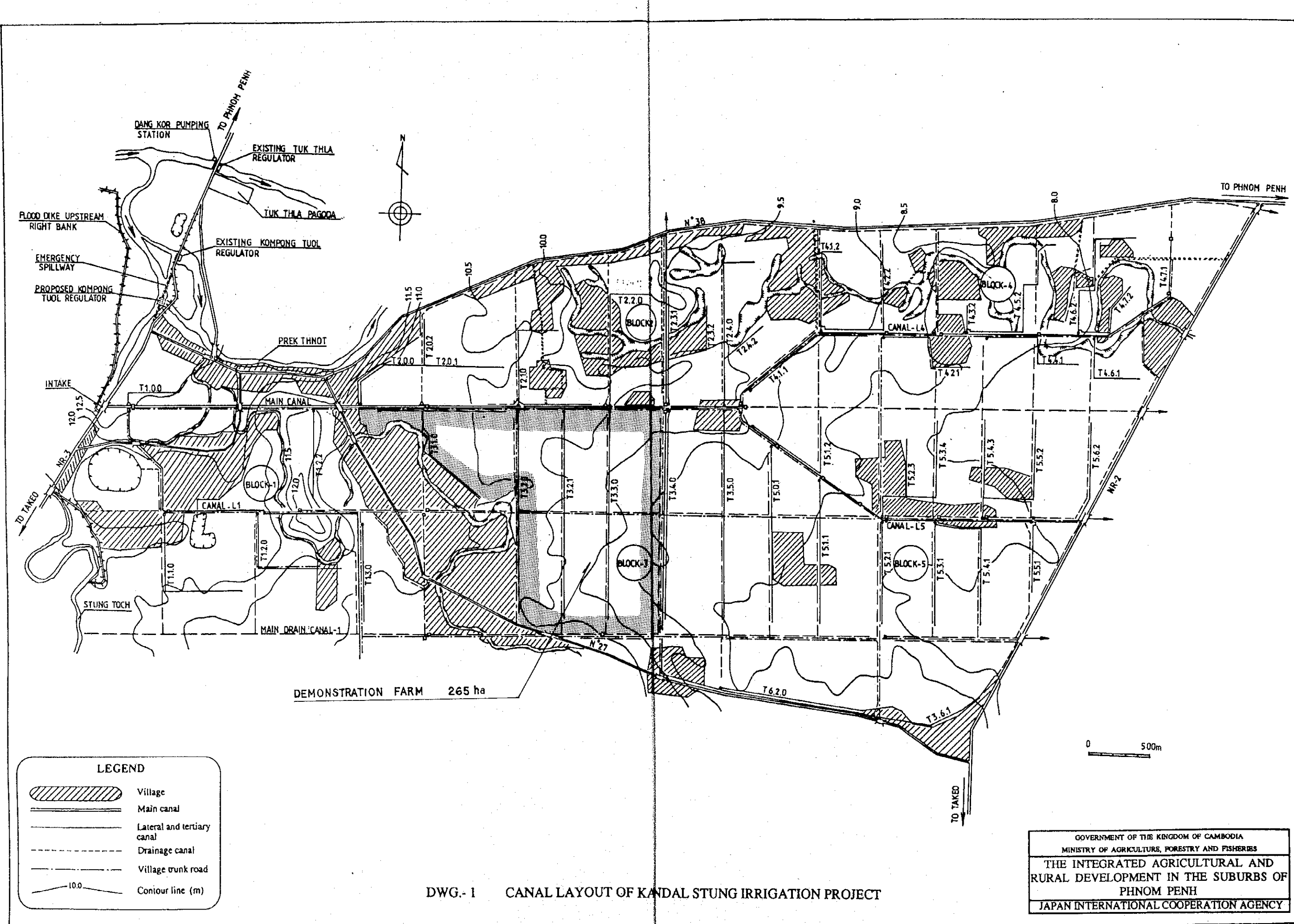
DRAWINGS

February, 1995

NIPPON KOEI CO., LTD.

LIST OF DRAWINGS

NO.	DWG. NO.	TITLE
1.		GENERAL PLAN OF THE PROJECT
1.1	DWG.-1	CANAL LAYOUT OF KANDAL STUNG IRRIGATION PROJECT
1.2	DWG.-2	CANAL LAYOUT OF TONLE BATI IRRIGATION PROJECT
2.		IMPROVEMENT OF KOMPONG TUOL IRRIGATION INTAKE
2.1	DWG.-3	GENERAL PLAN AND PROFILE
2.2	DWG.-4	TUK THLA AND KOMPONG TUOL REGULATORS
2.3	DWG.-5	EMERGENCY SPILLWAY
2.4	DWG.-6	NATIONAL ROAD-3. AND FLOOD DIKE
2.5	DWG.-7	INTAKE GATE OF KANDAL STUNG AND STUNG TOCH
3.		IRRIGATION AND DRAINAGE CANAL SYSTEM
3.1	DWG.-8	LONGITUDINAL SECTION OF KANDAL STUNG AND TONLE BATI MAIN CANALS
3.2	DWG.-9	TYPICAL SECTIONS OF IRRIGATION AND DRAINAGE CANALS
3.3	DWG.-10	TYPICAL SECTIONS OF CHECK GATE AND LATERAL TURNOUT ON MAIN IRRIGATION CANALS
3.4	DWG.-11	TYPICAL SECTION OF CULVERTS AND DIVISION-BOX ON LATERAL AND TERTIARY IRRIGATION CANALS
3.5	DWG.-12	TYPICAL SECTIONS OF BRIDGE AND SIDE SPILLWAY ON MAIN AND LATERAL CANALS
3.6	DWG.-13	TYPICAL SECTION OF TURNOUTS ON TERTIARY IRRIGATION CANALS
3.7	DWG.-14	TYPICAL SECTIONS OF DRAINAGE CULVERTS AND CLOSURE DIKE ON LATERAL AND TERTIARY DRAINAGE CANALS
3.8	DWG.-15	TYPICAL LAYOUT OF ON-FARM WORKS
3.9	DWG.-16	TYPICAL SECTION OF PUMPING STATION ON KANDAL STUNG MAIN AND LATERAL IRRIGATION CANALS
4.		TONLE BATI HEAD WORKS
4.1	DWG.-17	STUNG TOCH DIVERSION WEIR AND INTAKE GATE
4.2	DWG.-18	TONLE BATI PUMPING STATION AND INTAKE GATE
4.3	DWG.-19	RELATED WORKS SURROUNDING TONLE BATI LAKE



DANG KOR PUMPING STATION

EXISTING TUK THLA REGULATOR

TUK THLA PAGODA

EXISTING KOMPONG TUOL REGULATOR

EMERGENCY SPILLWAY

PROPOSED KOMPONG TUOL REGULATOR

PREK THNOT

INTAKE

MAIN CANAL

CANAL - L1

MAIN DRAIN CANAL-1

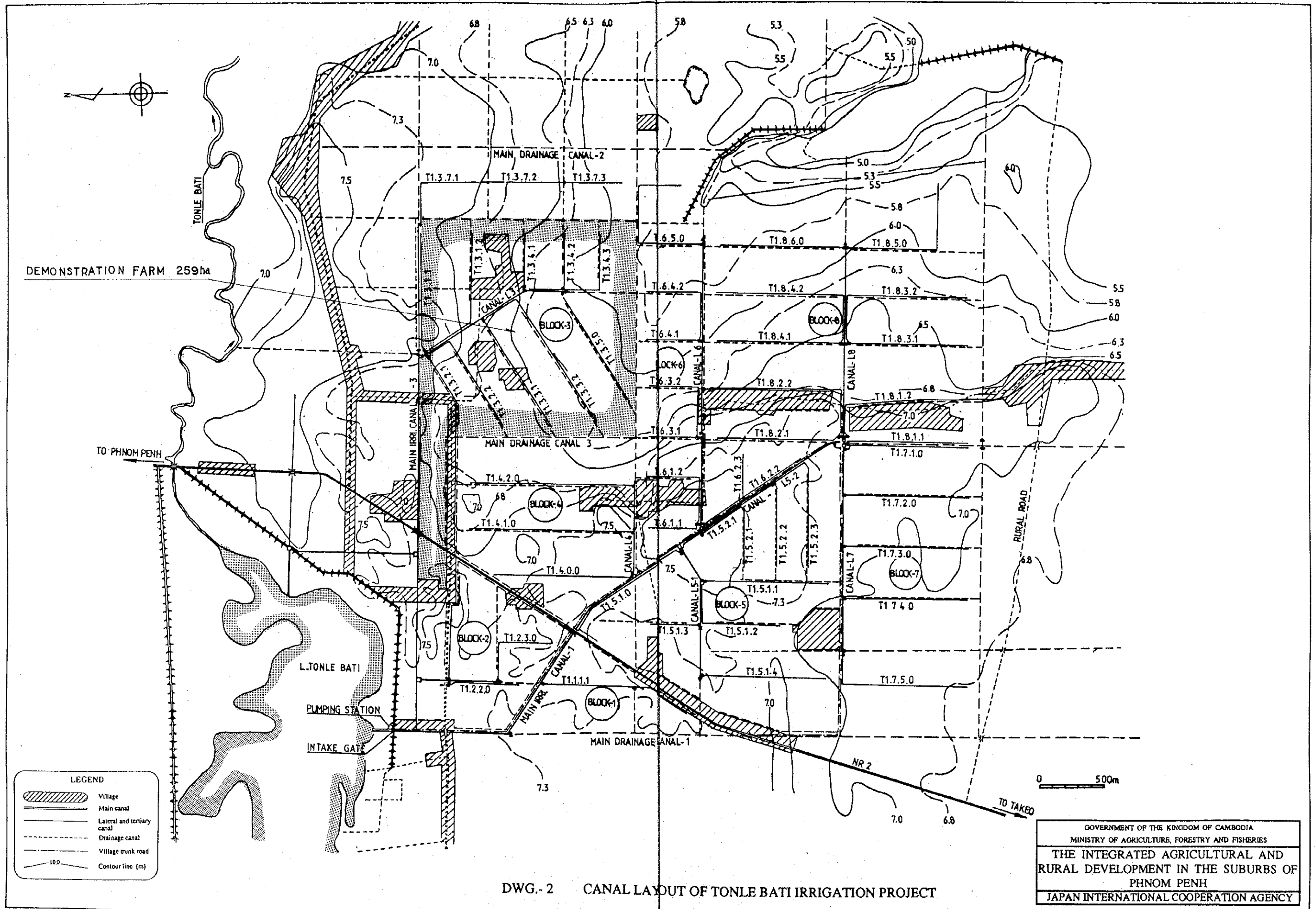
STUNG TOCH

DEMONSTRATION FARM 265 ha

0 500m

DWG.- 1 CANAL LAYOUT OF KANDAL STUNG IRRIGATION PROJECT

GOVERNMENT OF THE KINGDOM OF CAMBODIA
 MINISTRY OF AGRICULTURE, FORESTRY AND FISHERIES
 THE INTEGRATED AGRICULTURAL AND RURAL DEVELOPMENT IN THE SUBURBS OF PHNOM PENH
 JAPAN INTERNATIONAL COOPERATION AGENCY




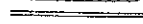


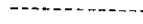

DEMONSTRATION FARM 259ha

TO PHNOM PENH

RURAL ROAD

TO TAKEO

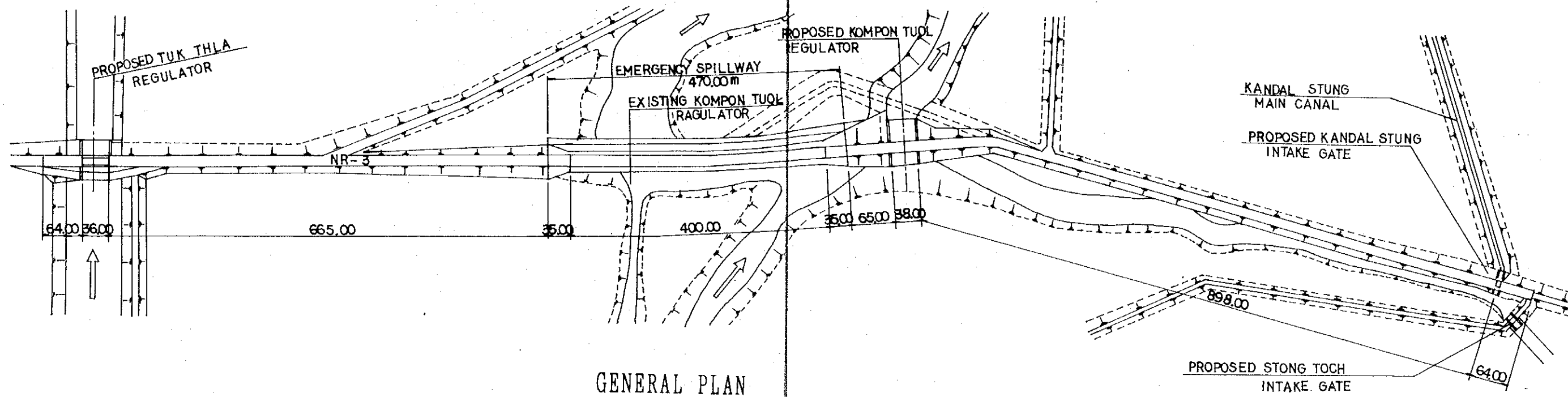
LEGEND

-  Village
-  Main canal
-  Lateral and tertiary canal
-  Drainage canal
-  Village trunk road
-  10.0 Contour line (m)

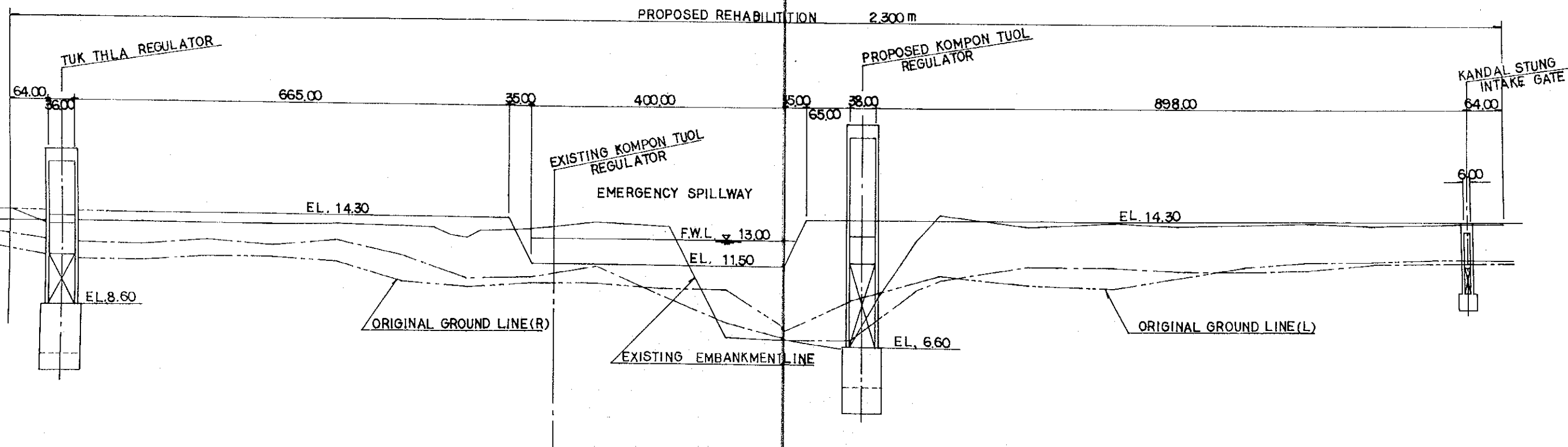
0 500m

DWG.- 2 CANAL LAYOUT OF TONLE BATI IRRIGATION PROJECT

GOVERNMENT OF THE KINGDOM OF CAMBODIA
 MINISTRY OF AGRICULTURE, FORESTRY AND FISHERIES
 THE INTEGRATED AGRICULTURAL AND
 RURAL DEVELOPMENT IN THE SUBURBS OF
 PHNOM PENH
 JAPAN INTERNATIONAL COOPERATION AGENCY



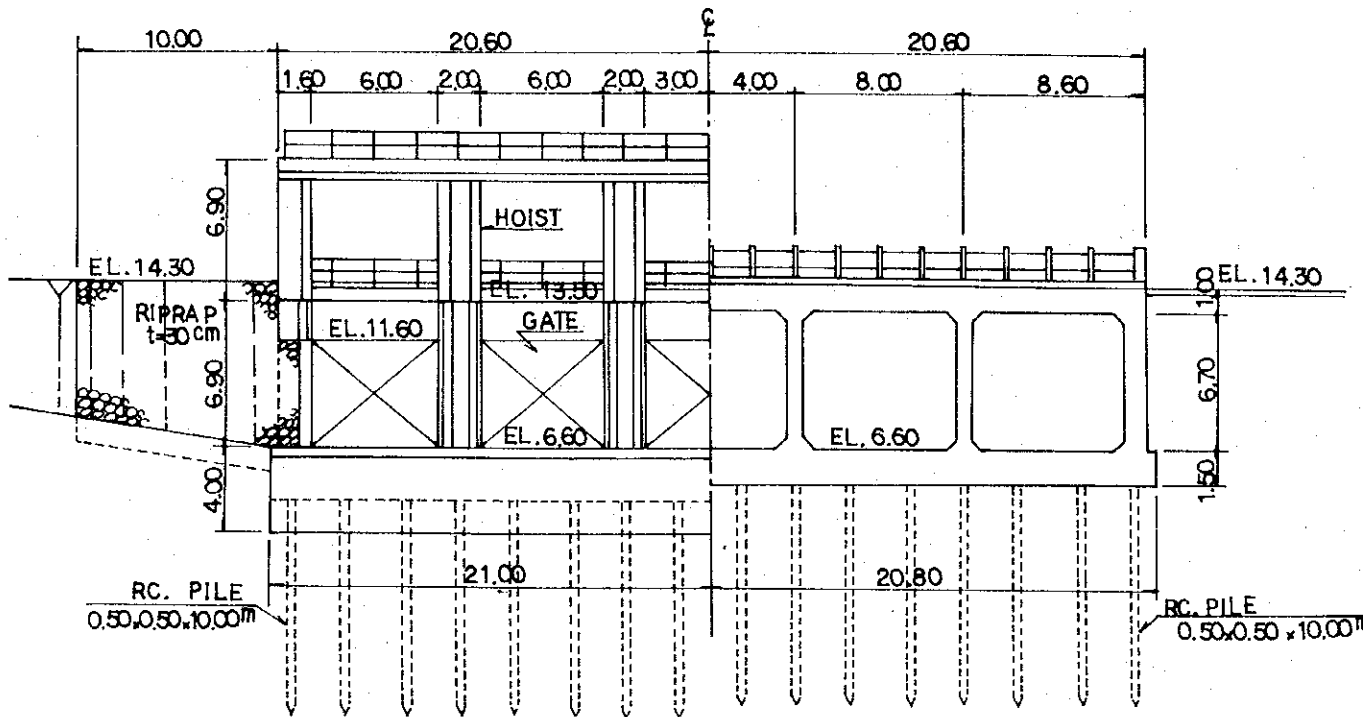
GENERAL PLAN



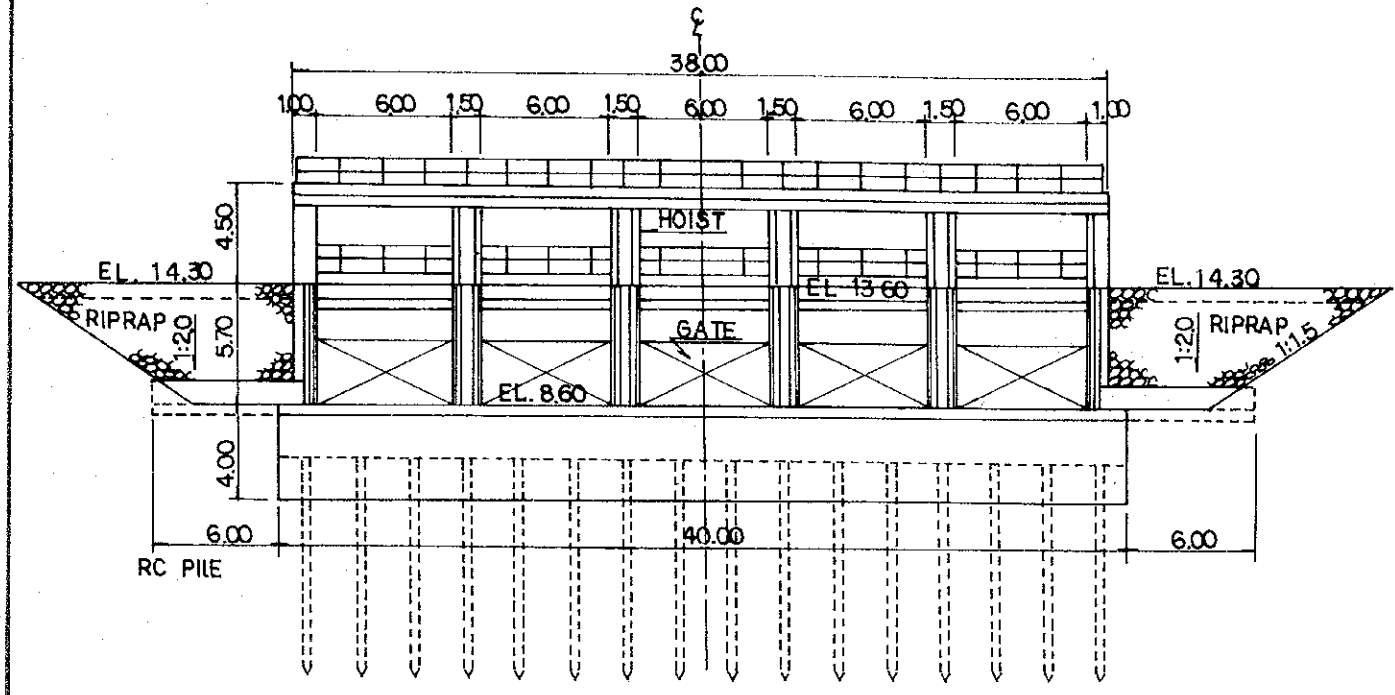
PROFILE

DWG.-3 GENERAL PLAN AND PROFILE

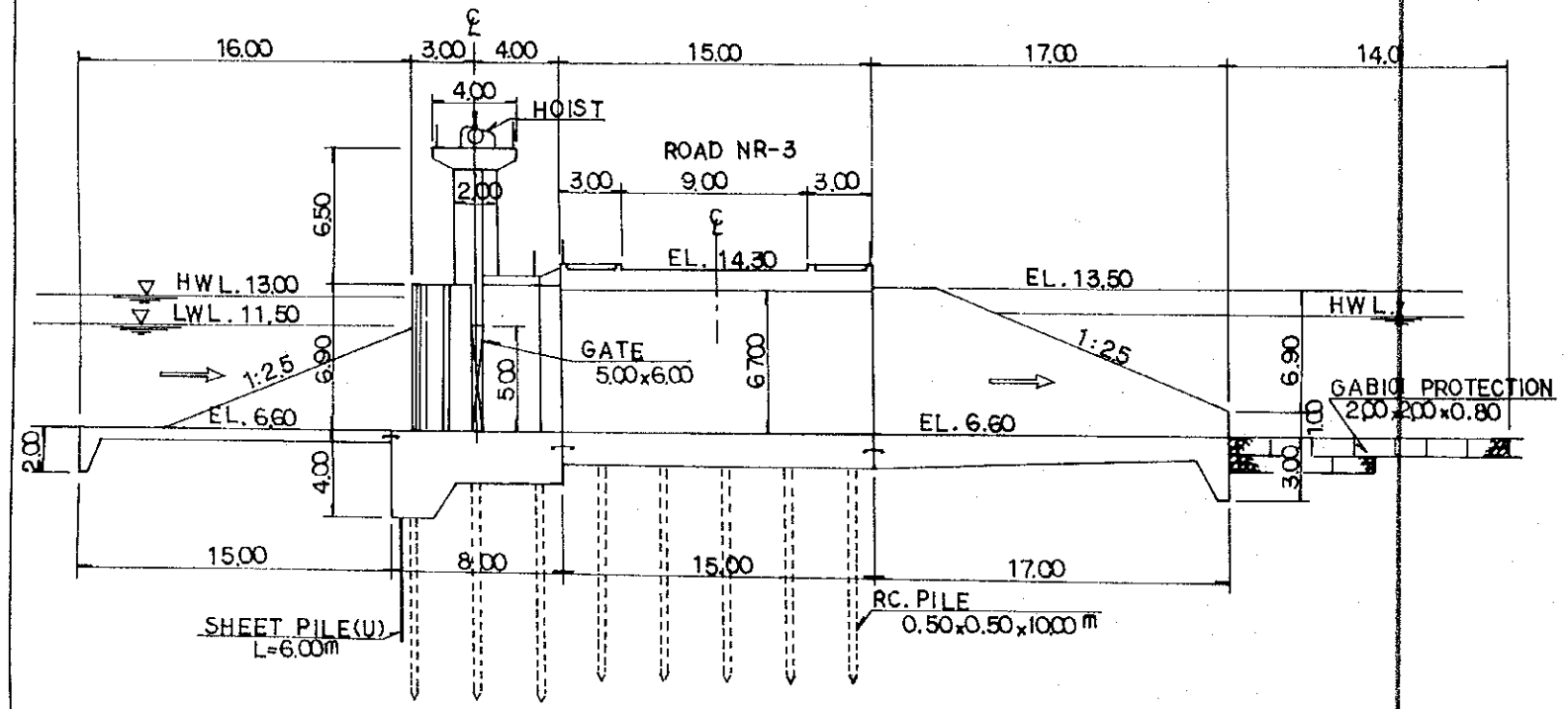
GOVERNMENT OF THE KINGDOM OF CAMBODIA
 MINISTRY OF AGRICULTURE, FORESTRY AND FISHERIES
 THE INTEGRATED AGRICULTURAL AND
 RURAL DEVELOPMENT IN THE SUBURBS OF
 PHNOM PENH
 JAPAN INTERNATIONAL COOPERATION AGENCY



ELEVATION AND SECTION

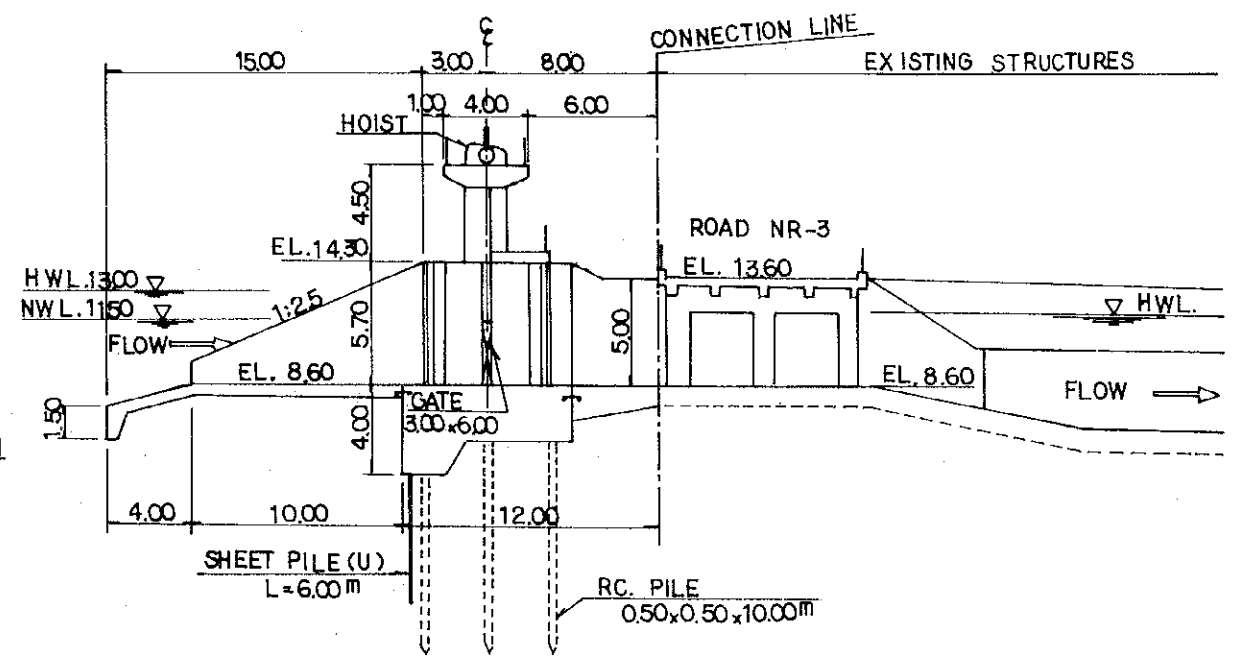


FRONT ELEVATION



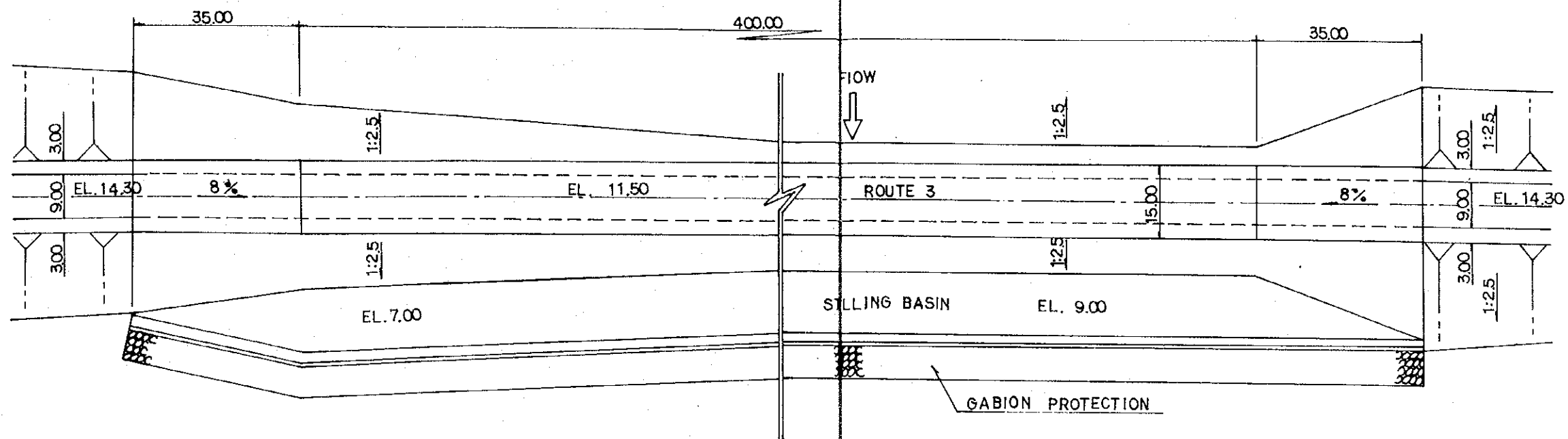
PROFILE

KOMPONG TUOL REGULATOR

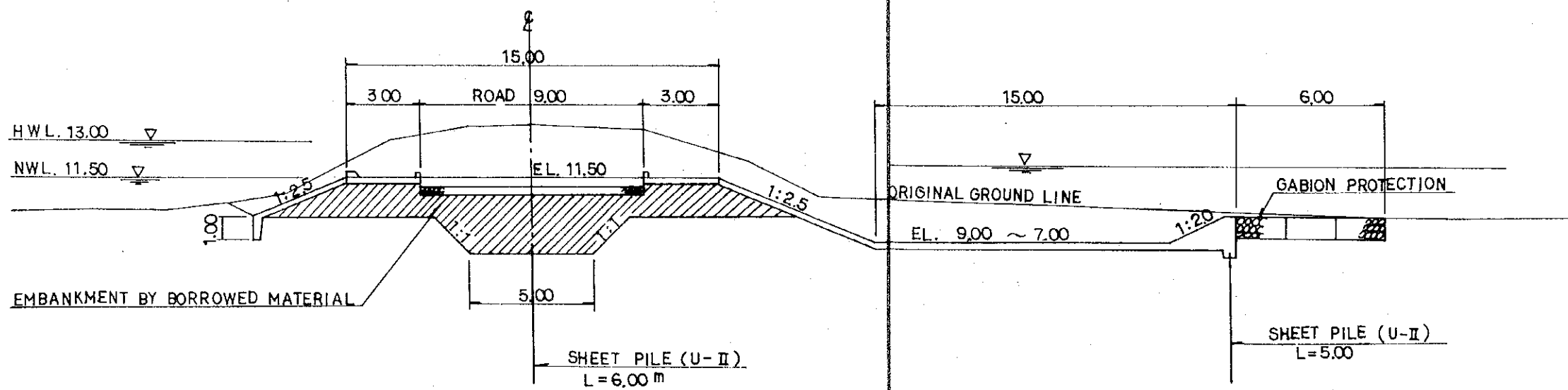


PROFILE

TUK THLA REGULATOR



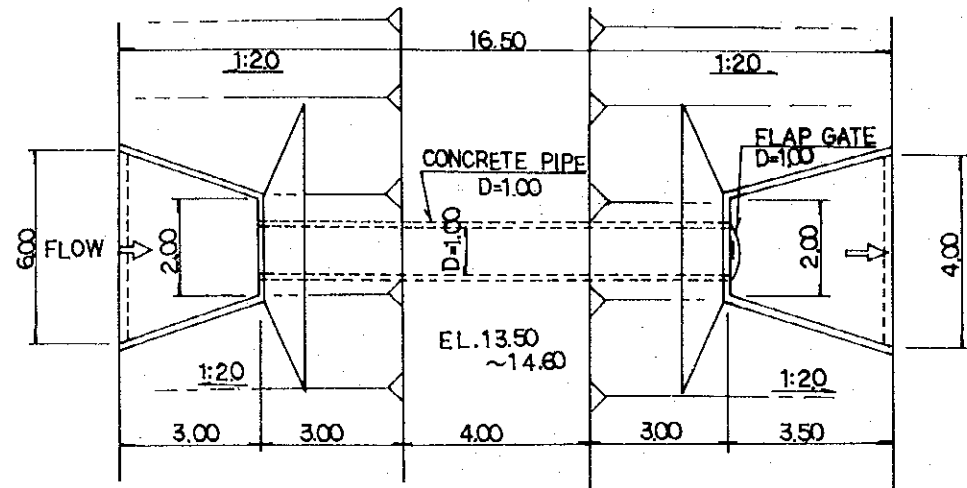
PLAN S=1/1000



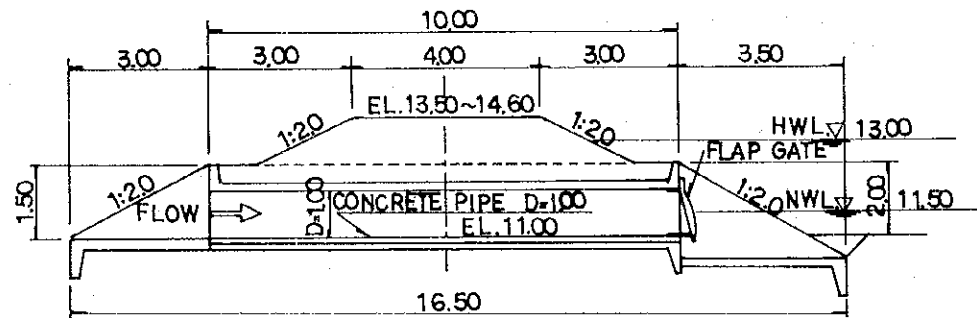
TYPICAL PROFILE S=1/20

DWG.- 5 EMERGENCY SPILLWAY

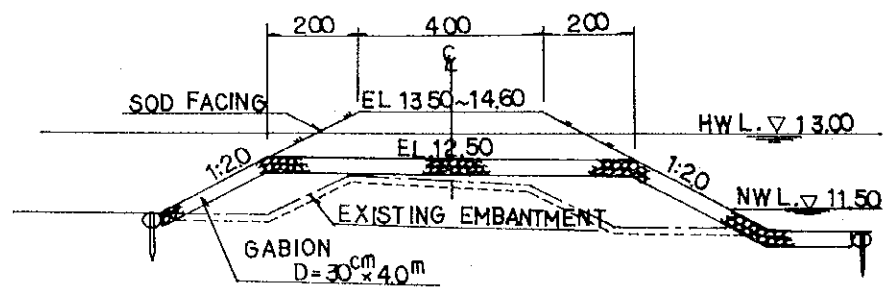
GOVERNMENT OF THE KINGDOM OF CAMBODIA
 MINISTRY OF AGRICULTURE, FORESTRY AND FISHERIES
 THE INTEGRATED AGRICULTURAL AND
 RURAL DEVELOPMENT IN THE SUBURBS OF
 PHNOM PENH
 JAPAN INTERNATIONAL COOPERATION AGENCY



PLAN OF DRAIN CULVERT

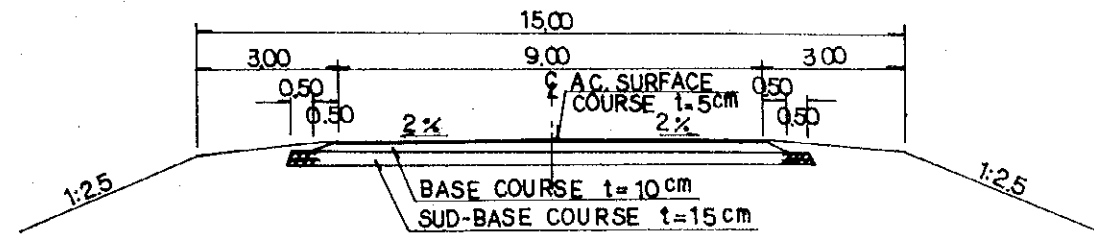


SECTION OF DRAIN CULVERT

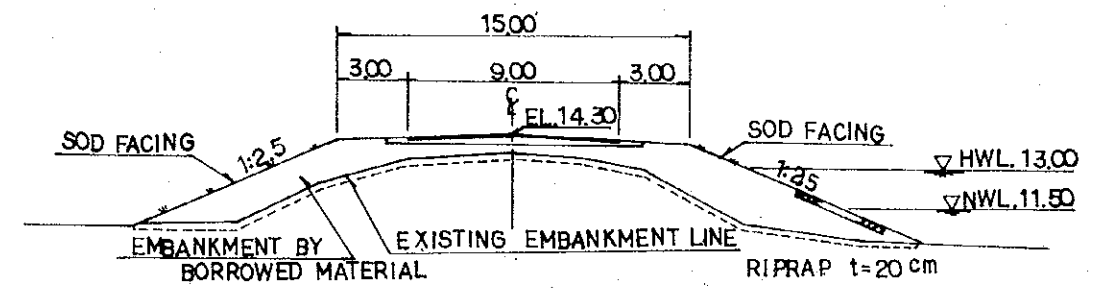


SECTION OF SPILLWAY

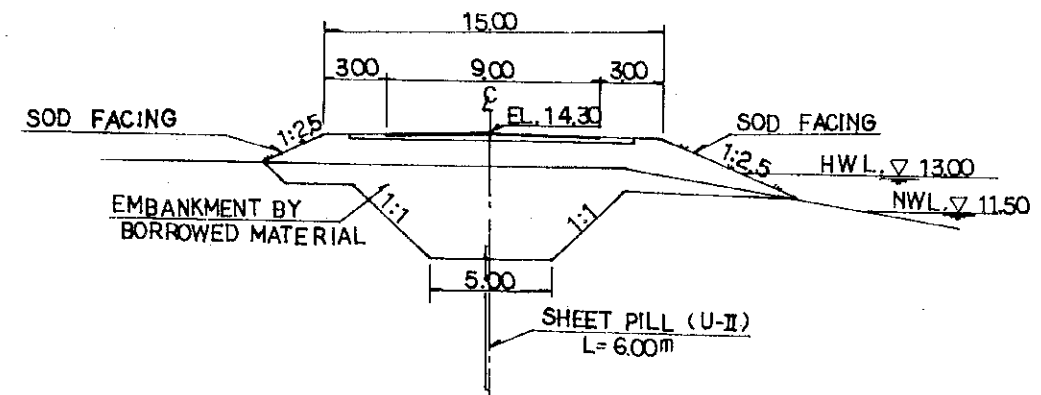
STRUCTURE IN FLOOD DIKE $S=1/150$



TYPICAL SECTION OF ASPHALT PAVEMENT

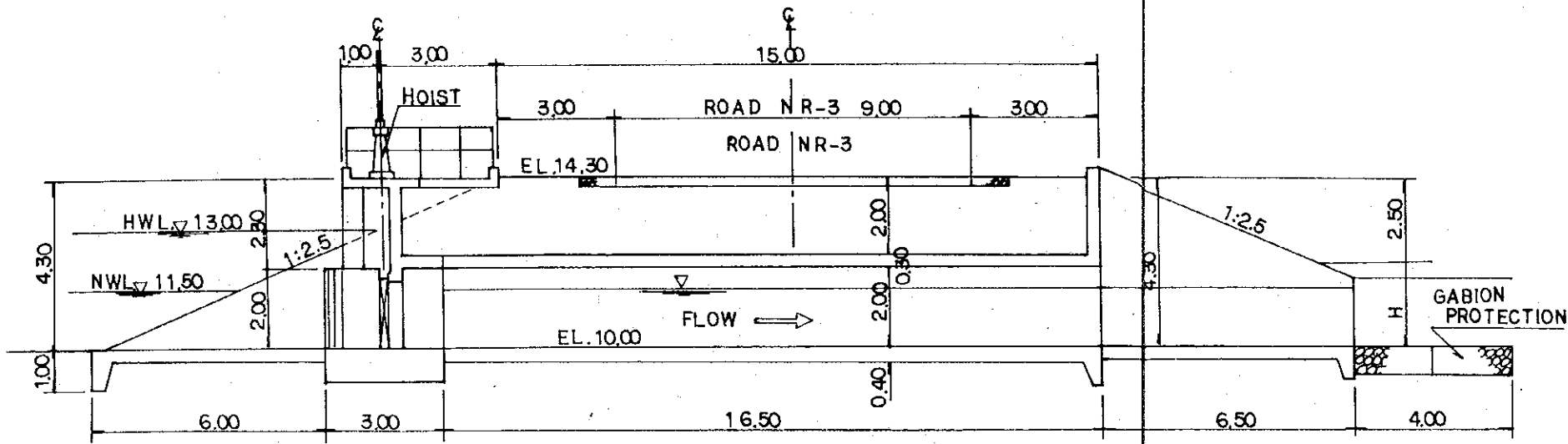


TYPICAL SECTION OF EMBANKMENT (CASE-1)

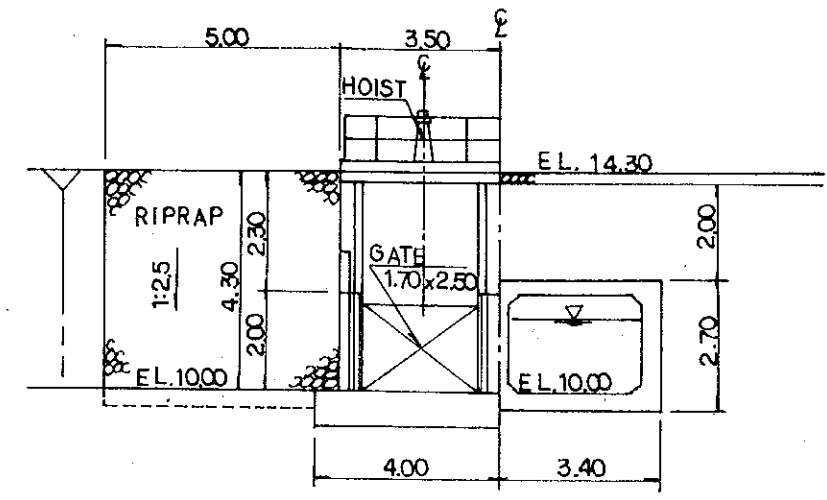


TYPICAL SECTION OF EMBANKMENT (CASE-2)

EMBANKMENT OF NATIONAL ROAD-3

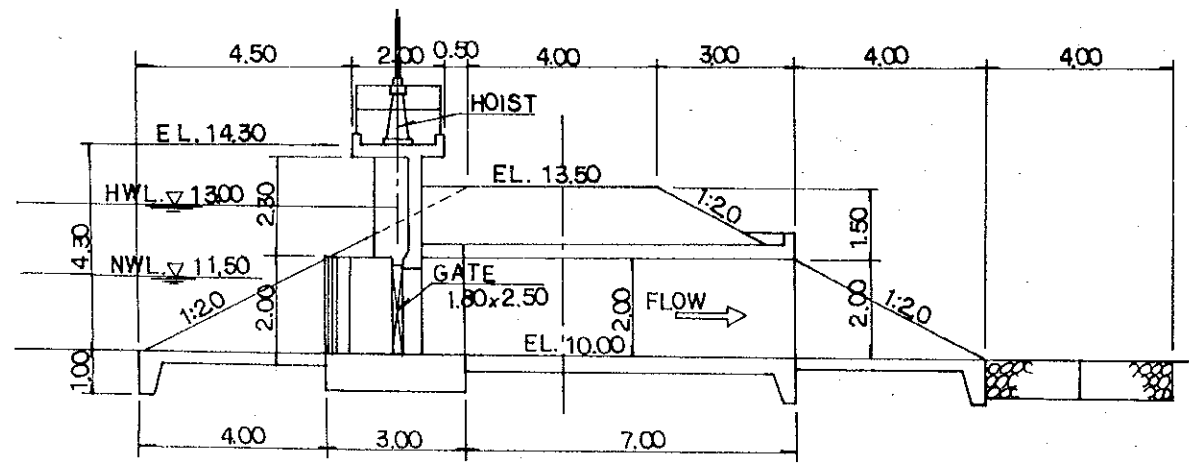


PROFILE

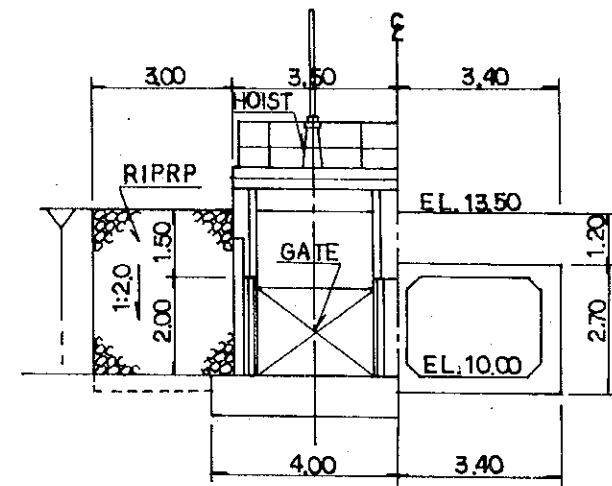


SECTIONS

KANDAL STUNG INTAKE GATE S=1/150

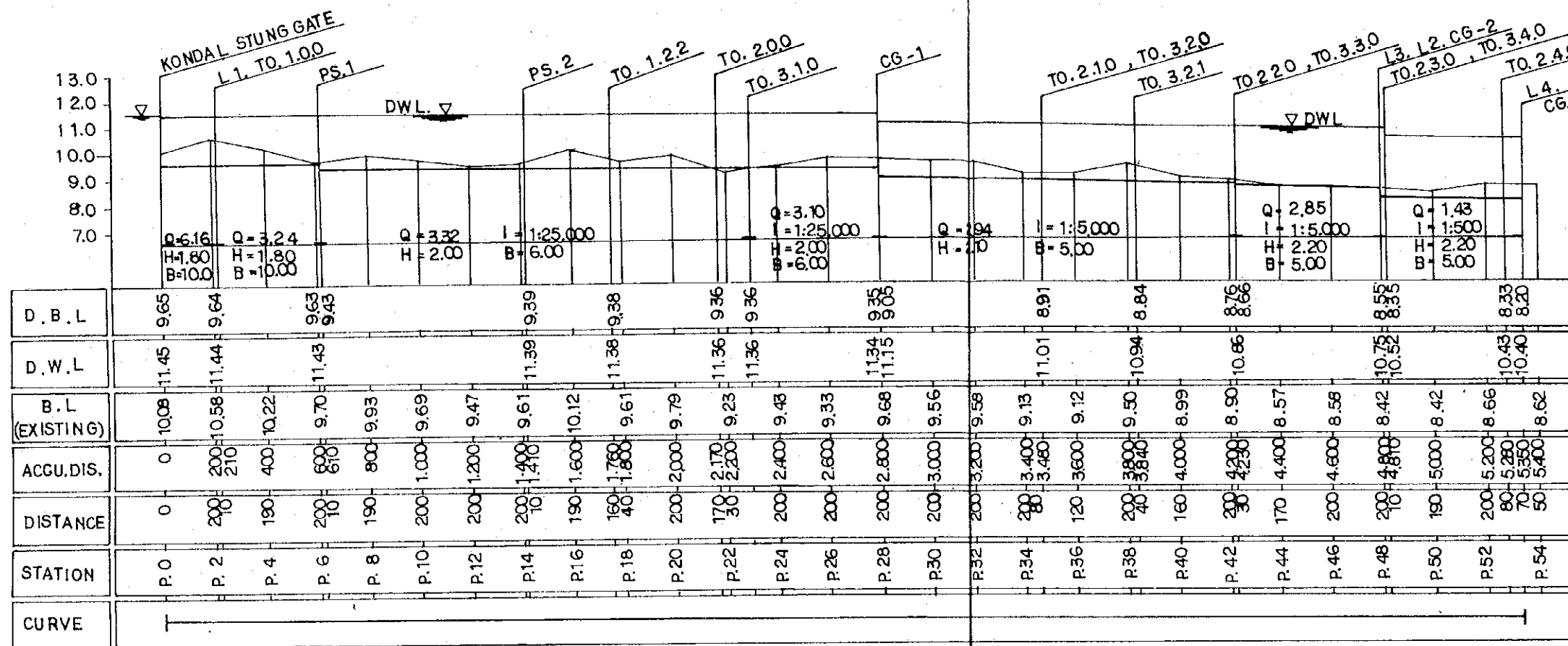


PROFILE

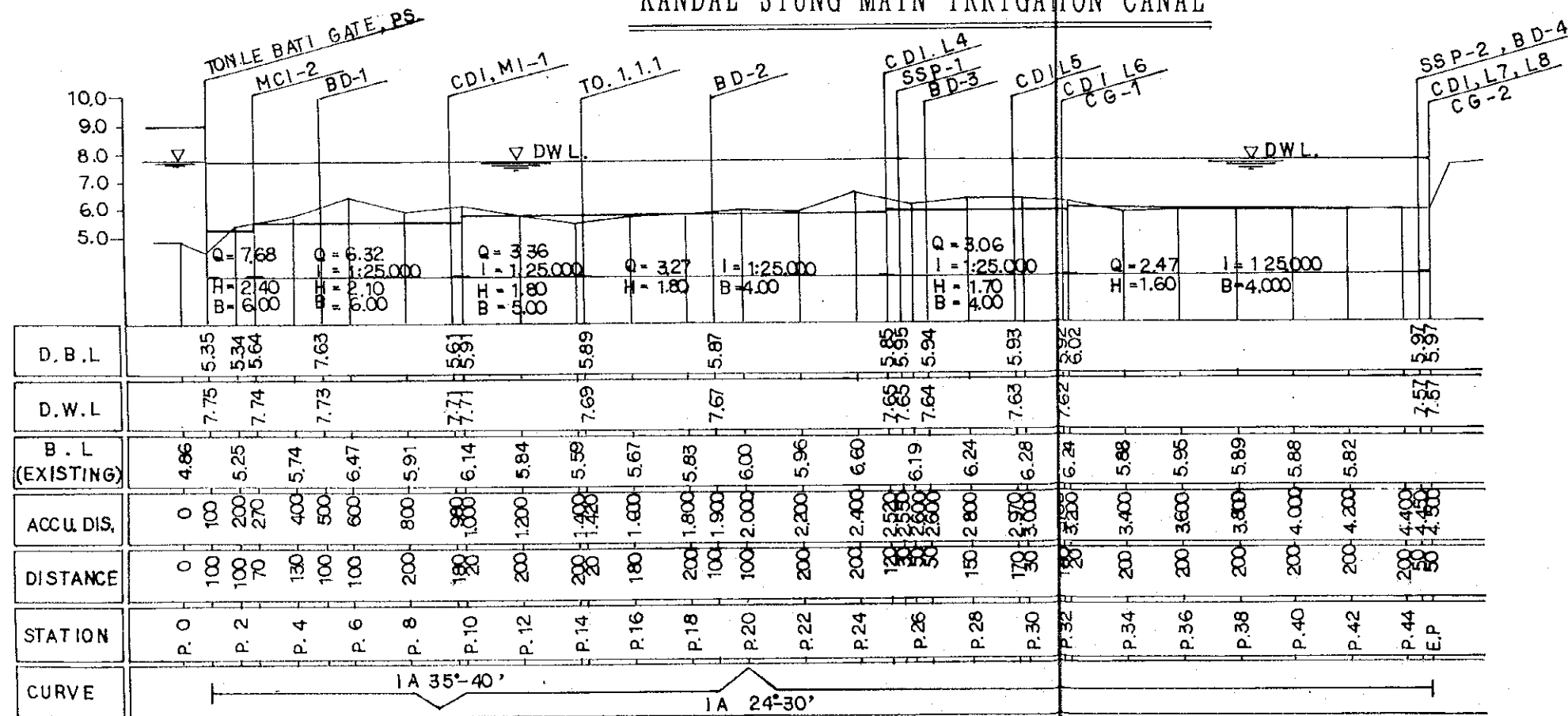


SECTIONS

STUNG TOCH INTAKE GATE S=1/150



KANDAL STUNG MAIN IRRIGATION CANAL

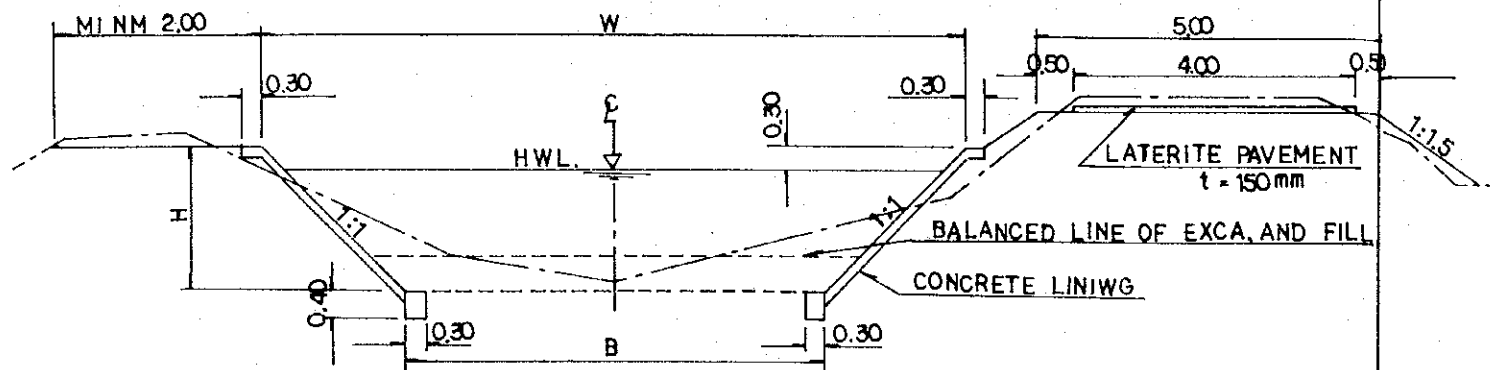


TONLE BATI MAIN IRRIGATION CANAL (M-1)

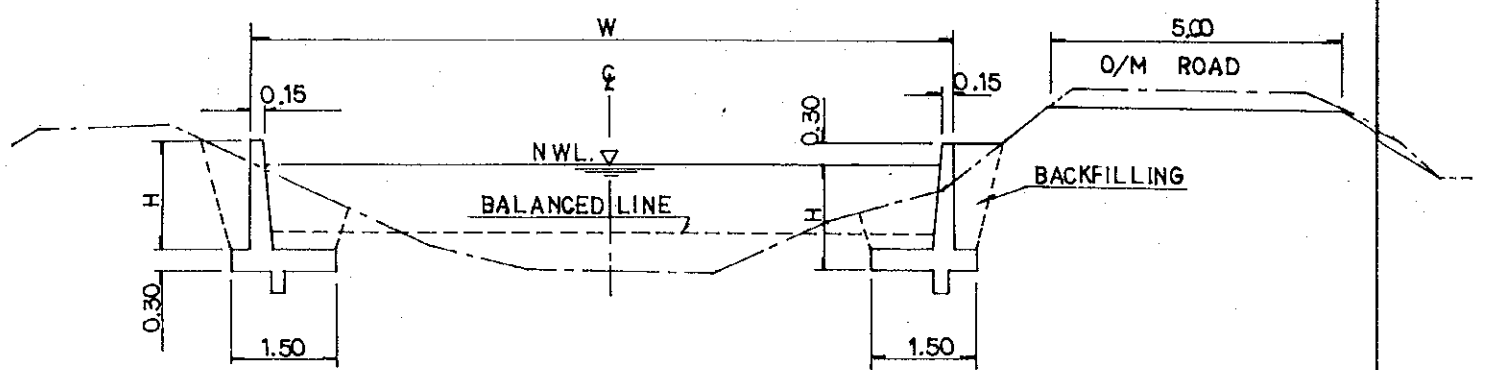
DWG.-8

LONGITUDINAL SECTION OF KANDAL STUNG AND TONLE BATI MAIN CANALS

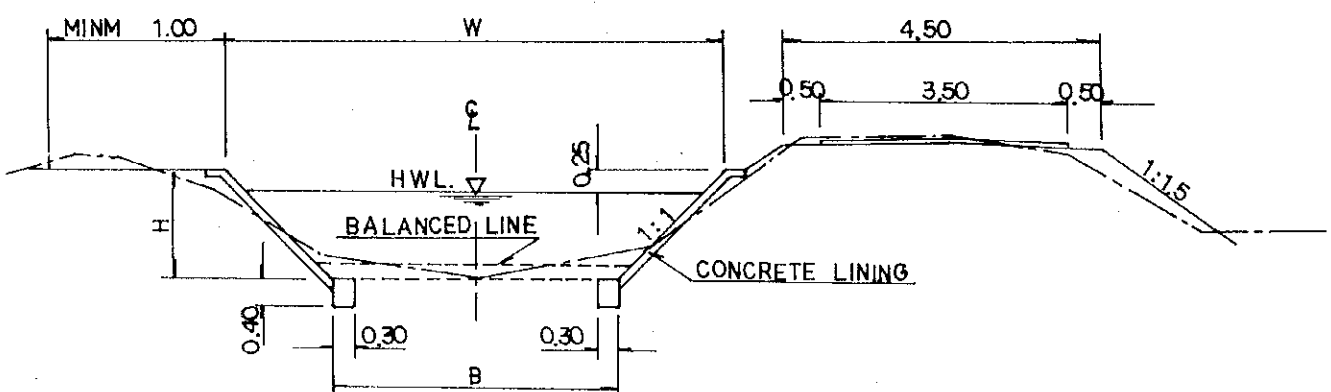
GOVERNMENT OF THE KINGDOM OF CAMBODIA
 MINISTRY OF AGRICULTURE, FORESTRY AND FISHERIES
 THE INTEGRATED AGRICULTURAL AND RURAL DEVELOPMENT IN THE SUBURBS OF PHNOM PENH
 JAPAN INTERNATIONAL COOPERATION AGENCY



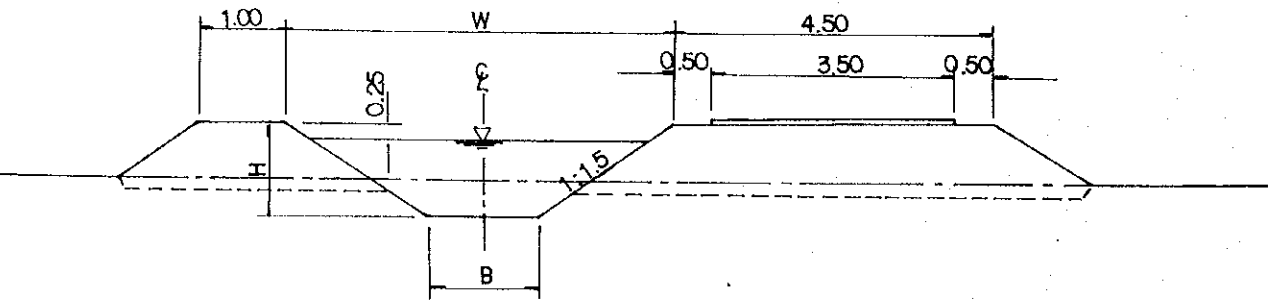
MAIN IRRIGATION CANAL-(1)



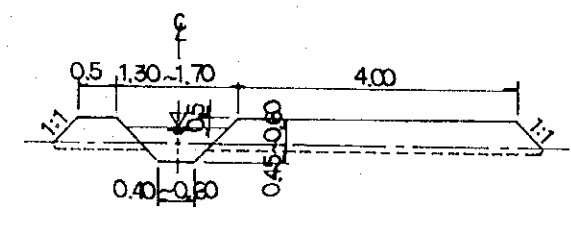
MAIN IRRIGATION CANAL-(2)



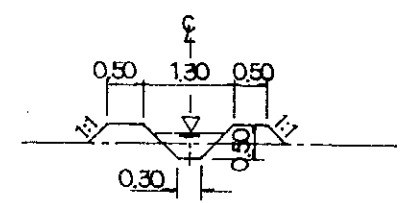
LATERAL IRRIGATION CANAL (REHABILITATION)



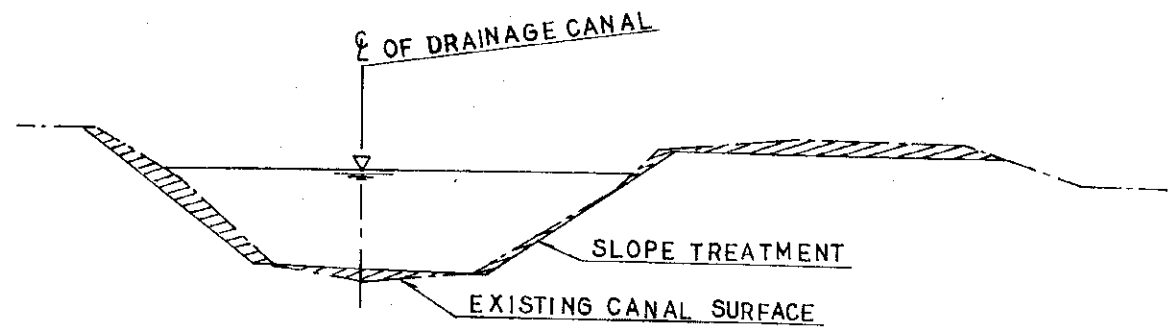
LATERAL IRRIGATION CANAL (NEWLY)



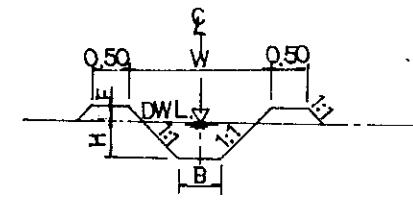
TERTIARY IRRIGATION CANAL



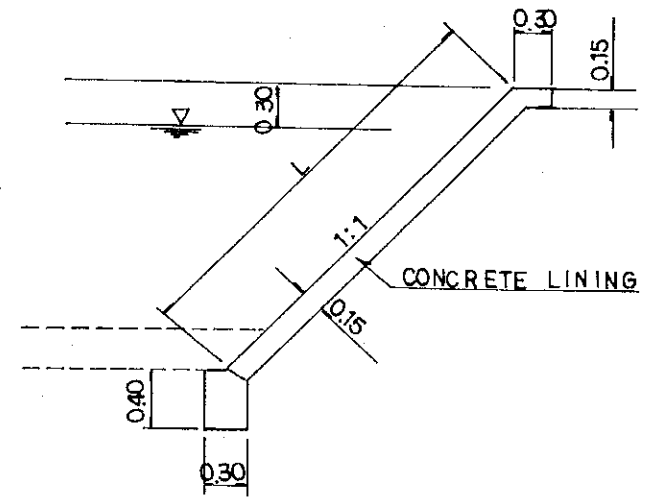
QUATERNARY IRRIGATION CANAL



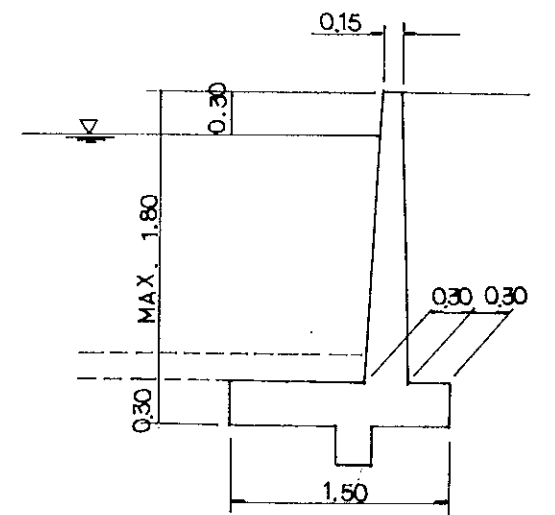
REHABILITATION OF DRAINAGE CANAL



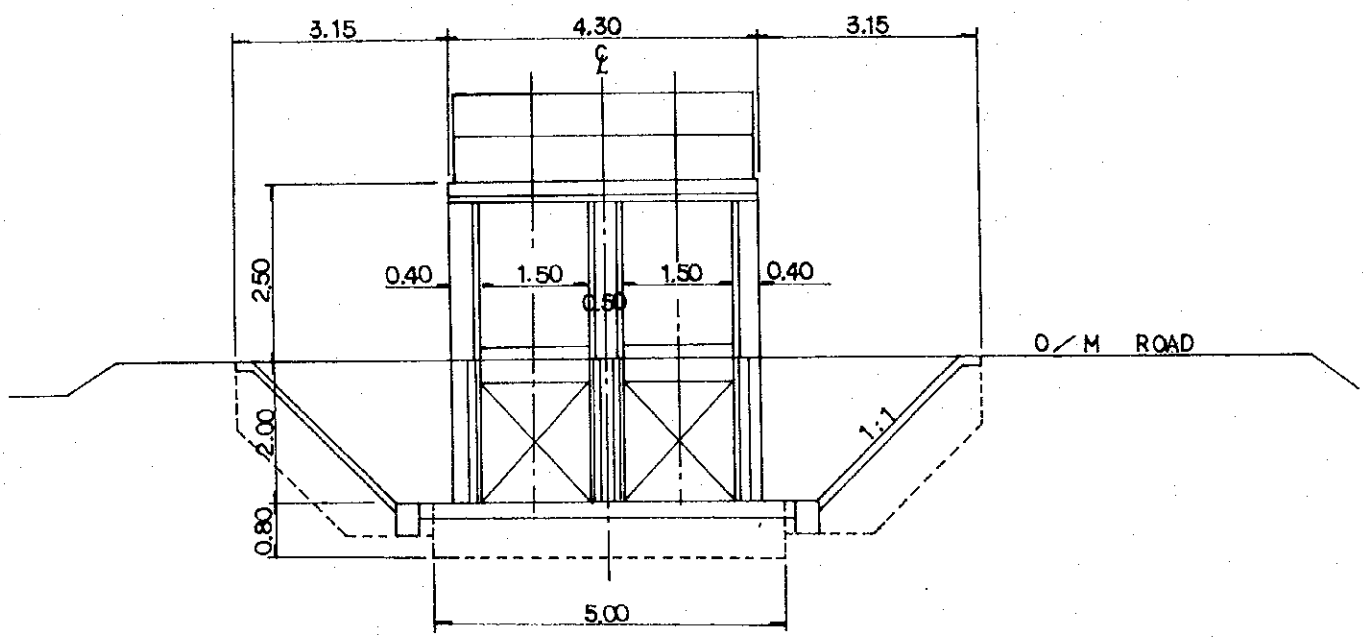
TERTIARY DRAINAGE CANAL



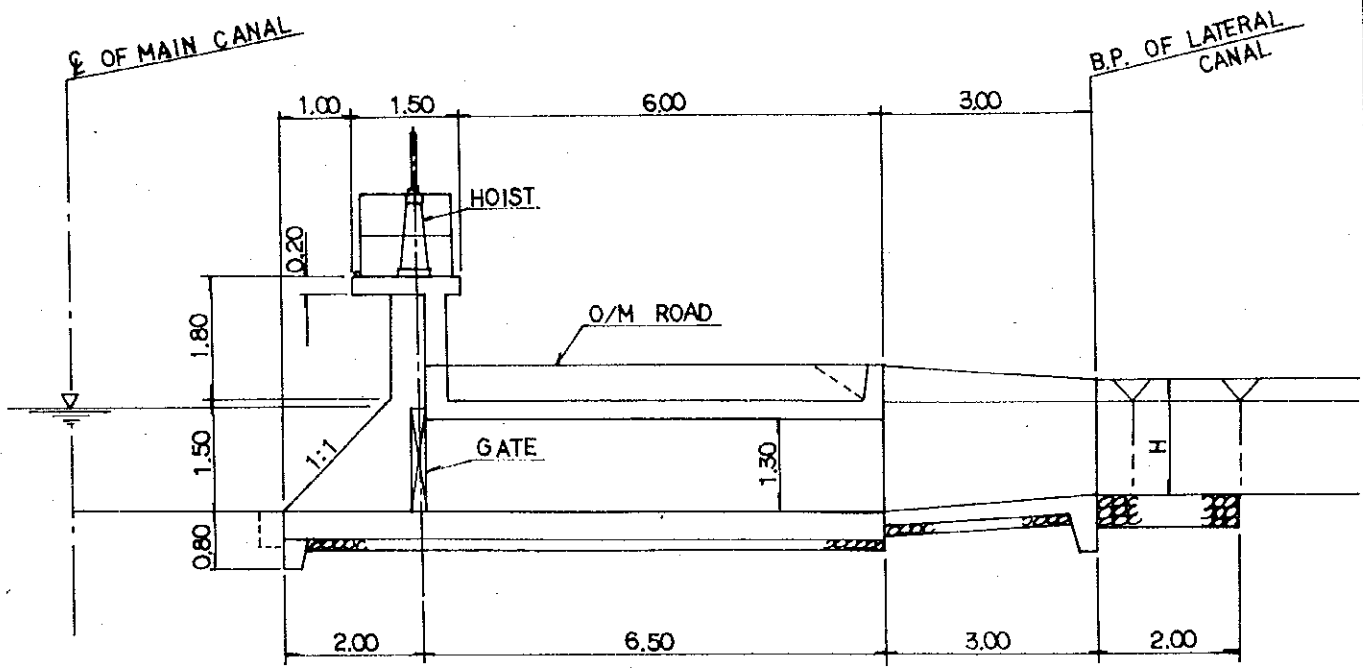
TYPICAL SECTION OF CANAL LINING



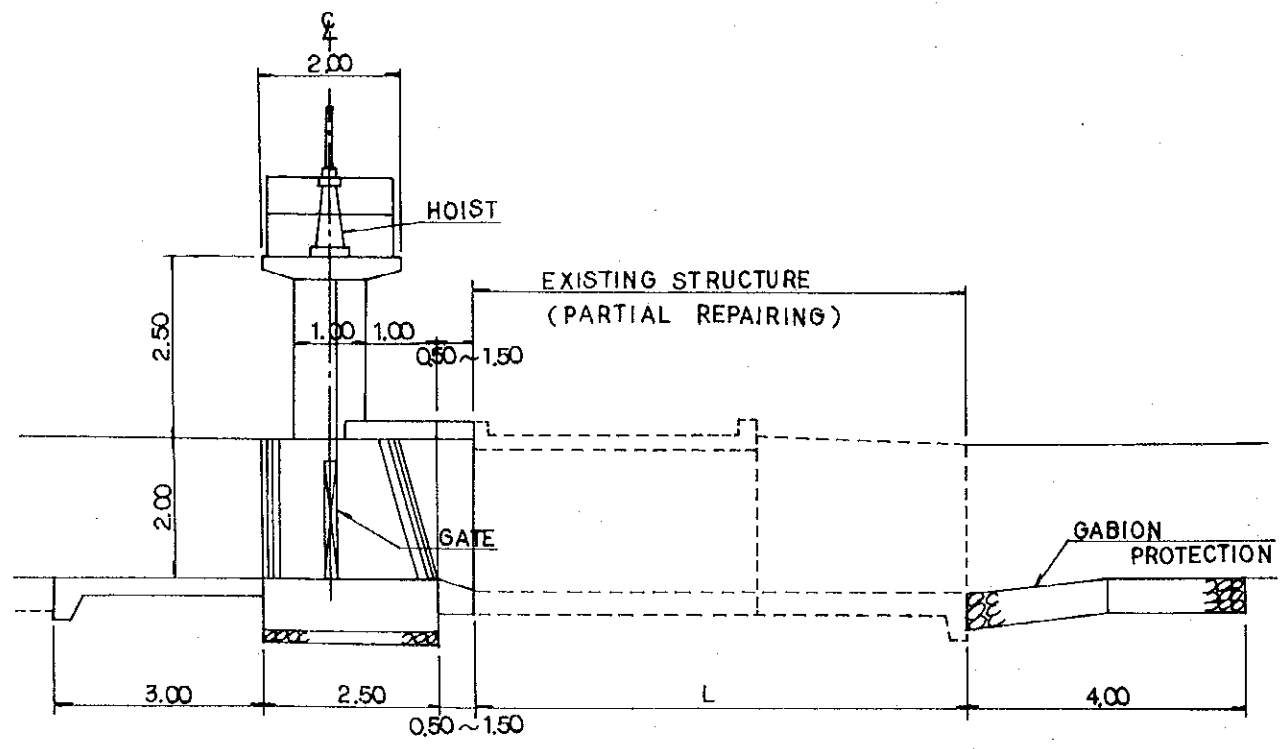
GOVERNMENT OF THE KINGDOM OF CAMBODIA
 MINISTRY OF AGRICULTURE, FORESTRY AND FISHERIES
 THE INTEGRATED AGRICULTURAL AND RURAL DEVELOPMENT IN THE SUBURBS OF PHNOM PENH
 JAPAN INTERNATIONAL COOPERATION AGENCY



FRONT ELEVATION

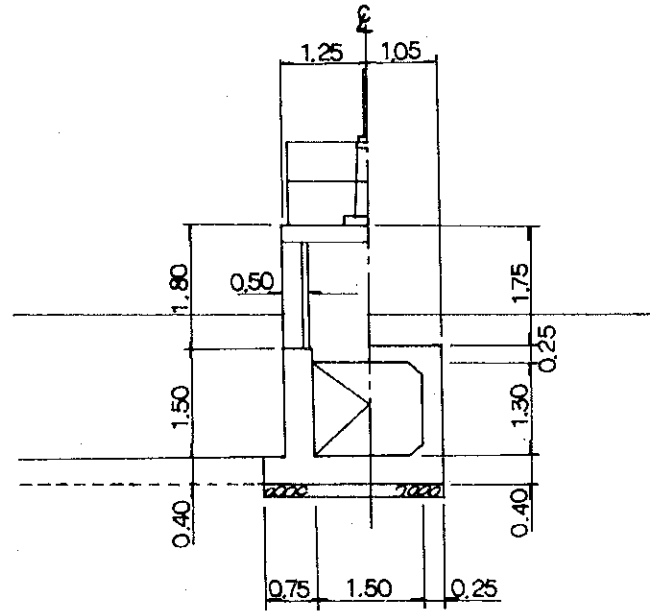


PROFILE



PROFILE

CHECK GATE S=1/100



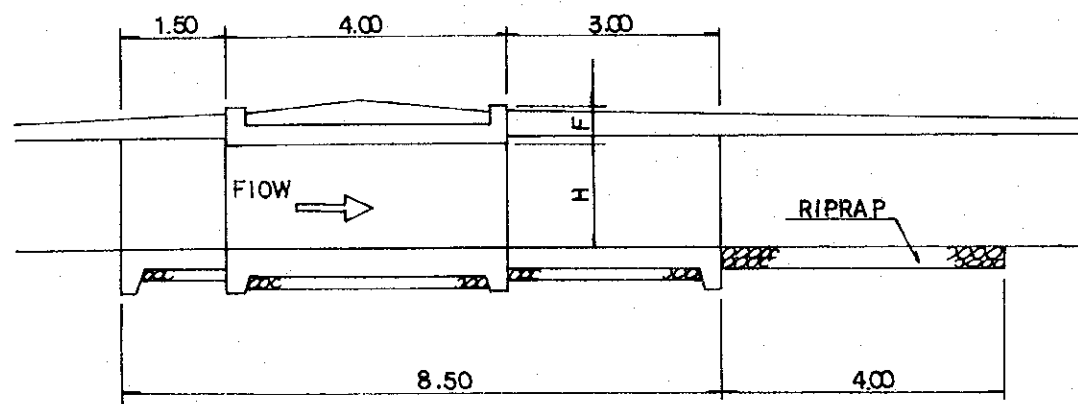
SECTIONS

LATERAL TURNOUT S=1/100

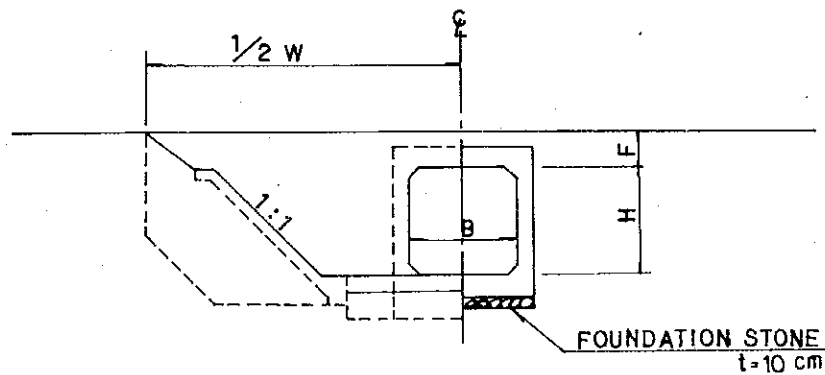
DWG.- 10

TYPICAL SECTIONS OF CHECK GATE AND LATERAL TURNOUT ON MAIN IRRIGATION CANALS

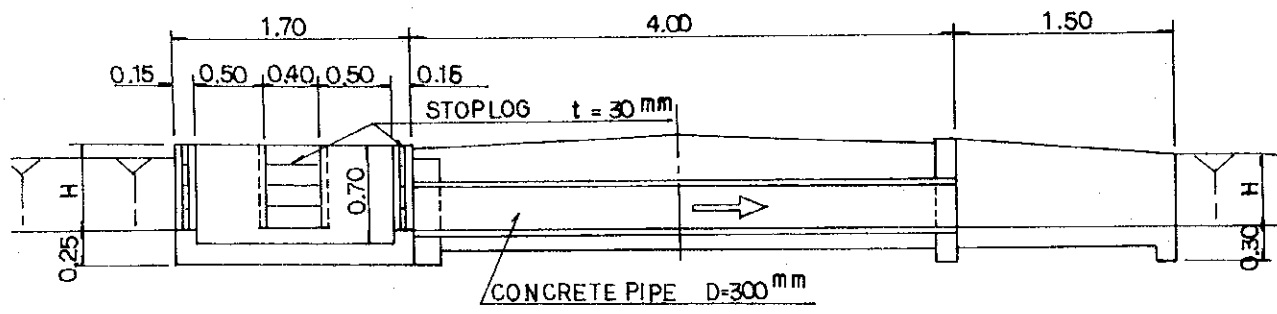
GOVERNMENT OF THE KINGDOM OF CAMBODIA
 MINISTRY OF AGRICULTURE, FORESTRY AND FISHERIES
 THE INTEGRATED AGRICULTURAL AND RURAL DEVELOPMENT IN THE SUBURBS OF PHNOM PENH
 JAPAN INTERNATIONAL COOPERATION AGENCY



PROFILE

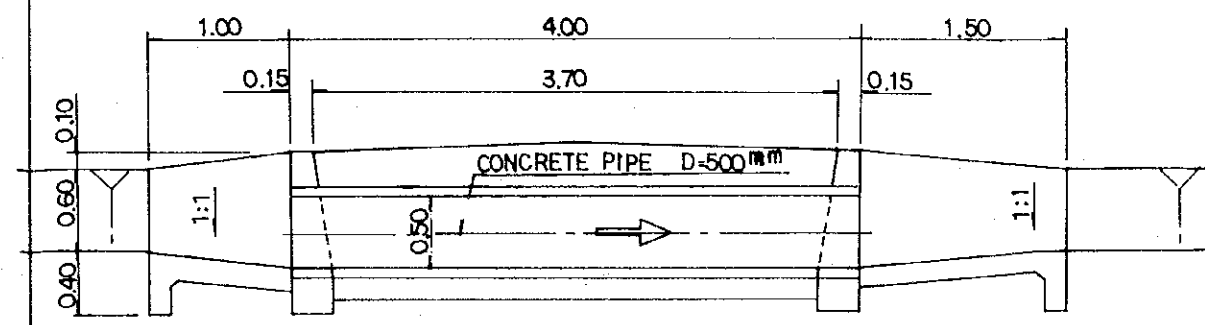


BOX CULVERT S=1/100

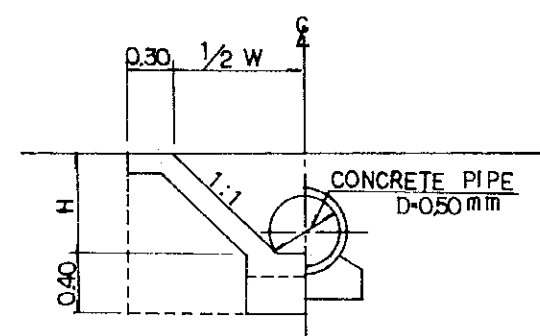


PROFILE

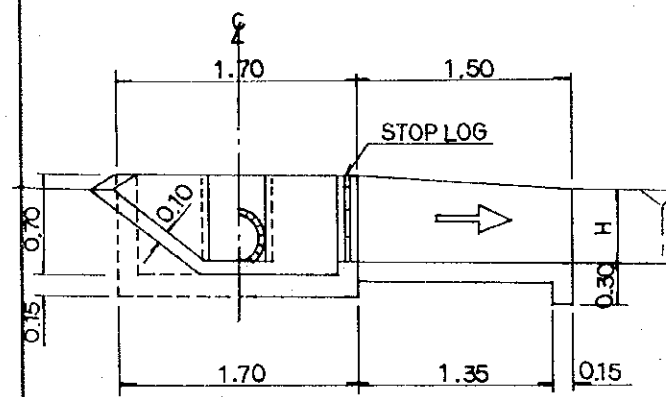
DIVISION BOX S=1/50



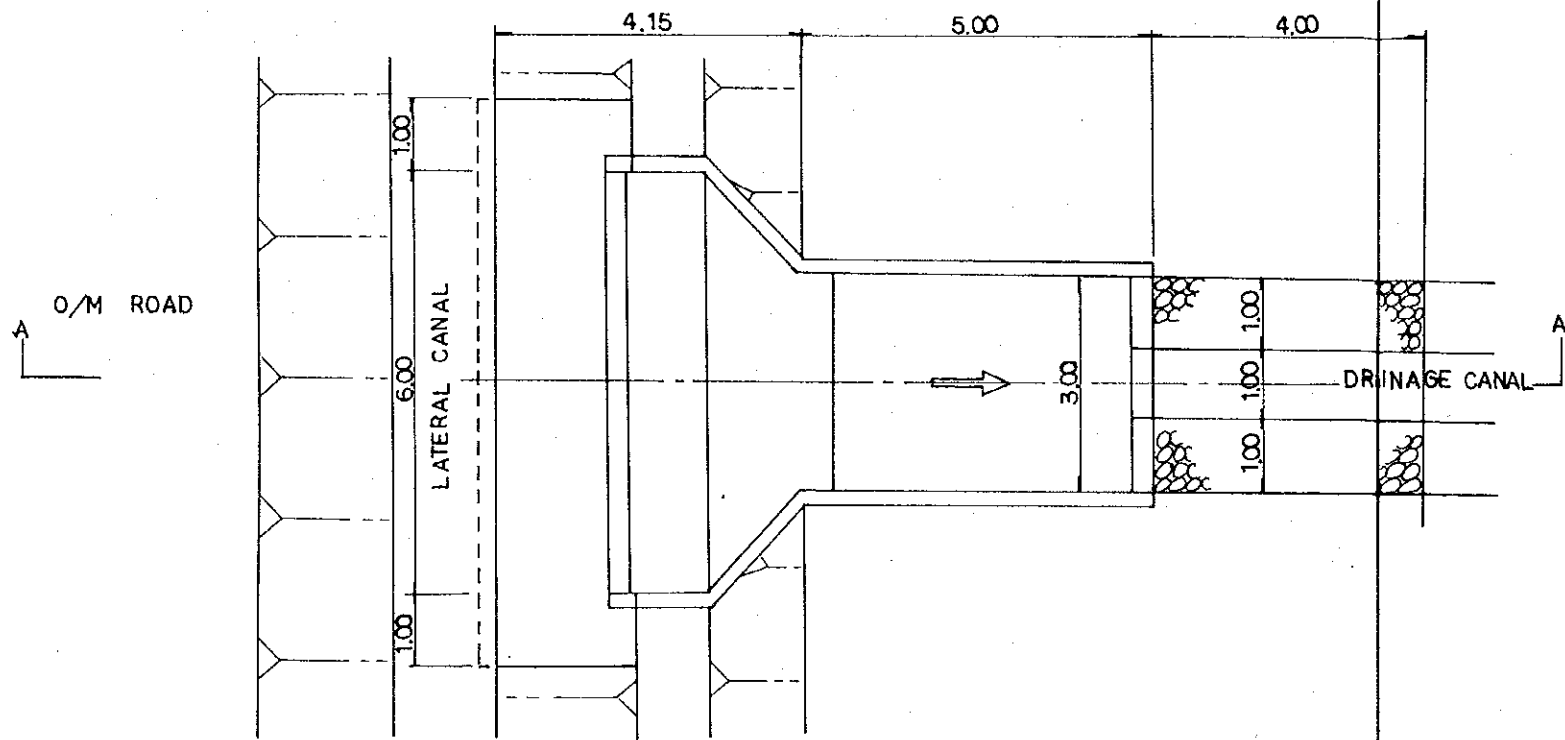
PROFILE



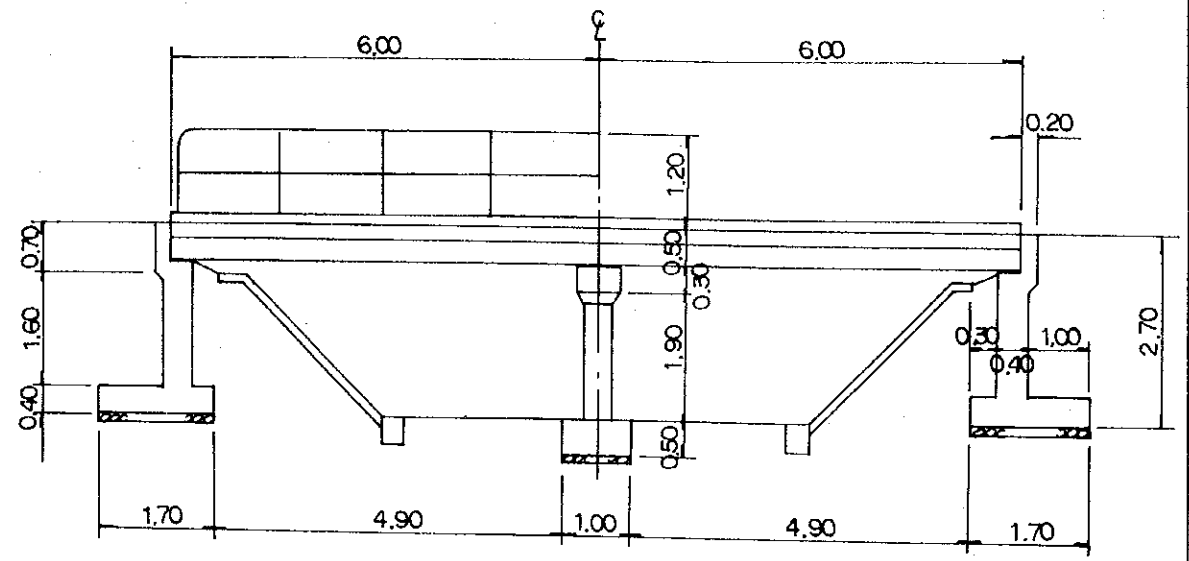
SECTIONS
PIPE CULVERT S=1/50



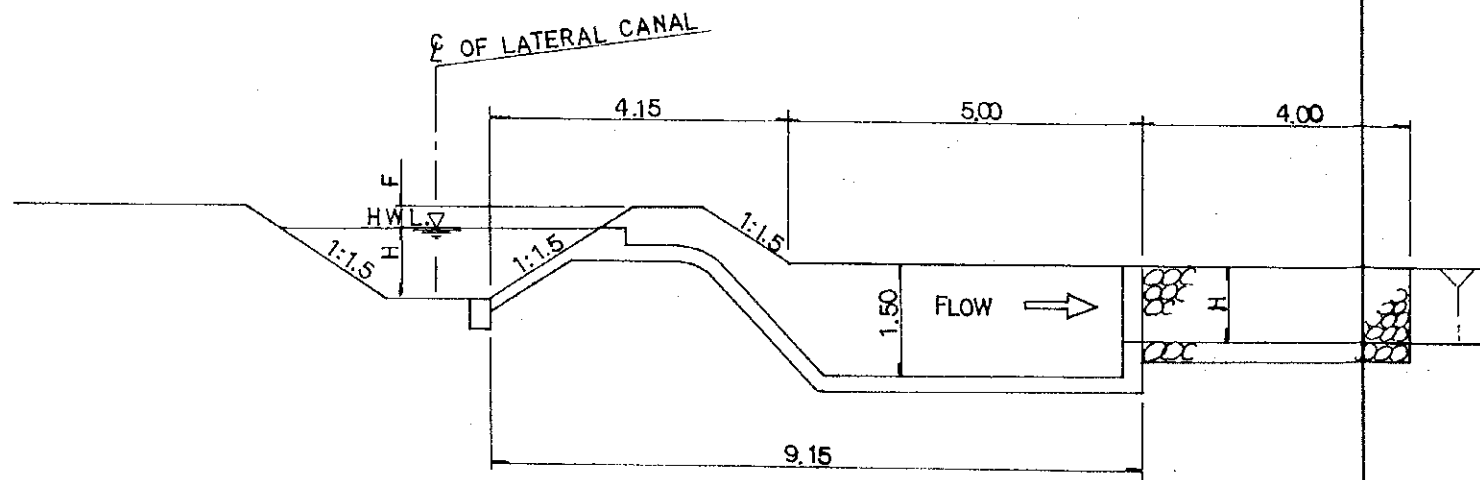
SECTIONS



PLAN

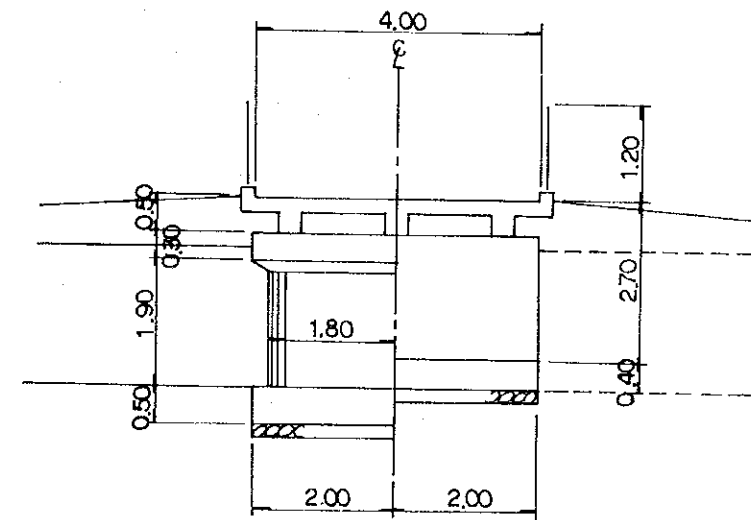


PROFILE



SECTION A-A

SIDE SPILLWAY IN LATERAL CANAL

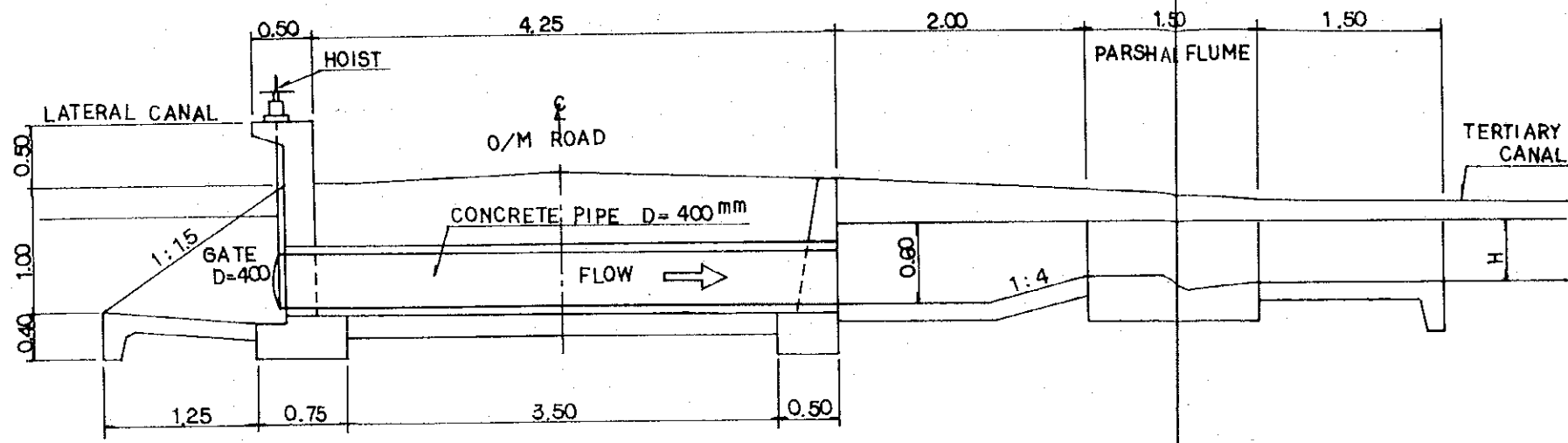


SECTIONS

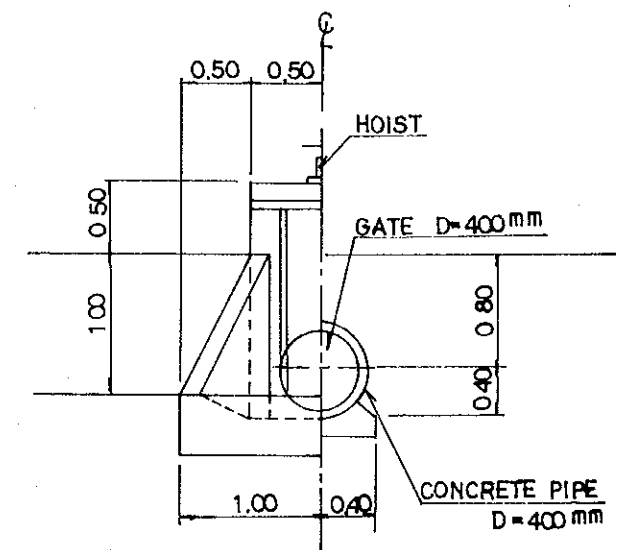
BRIDGE IN MAIN CANAL S=1/100

DWG.- 12 TYPICAL SECTIONS OF BRIDGE AND SIDE SPILLWAY ON MAIN AND LATERAL CANALS

GOVERNMENT OF THE KINGDOM OF CAMBODIA
 MINISTRY OF AGRICULTURE, FORESTRY AND FISHERIES
 THE INTEGRATED AGRICULTURAL AND RURAL DEVELOPMENT IN THE SUBURBS OF PHNOM PENH
 JAPAN INTERNATIONAL COOPERATION AGENCY

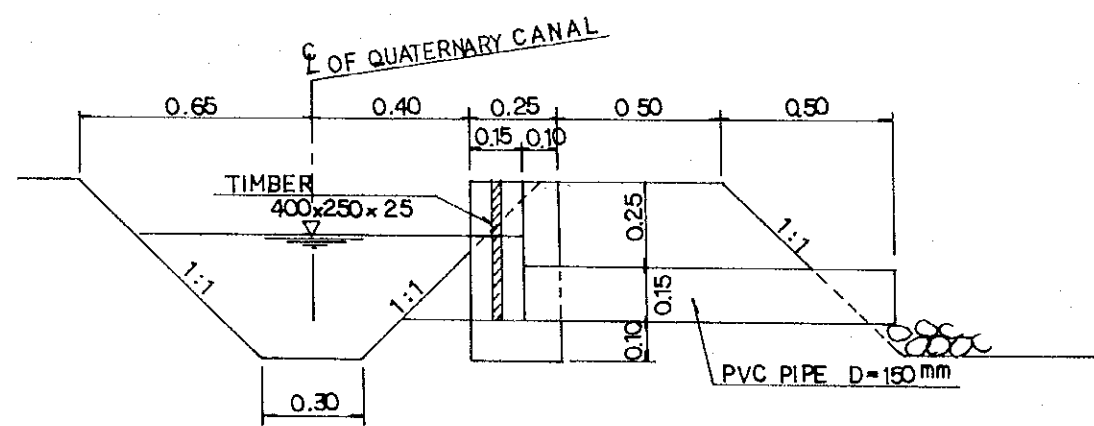


PROFILE

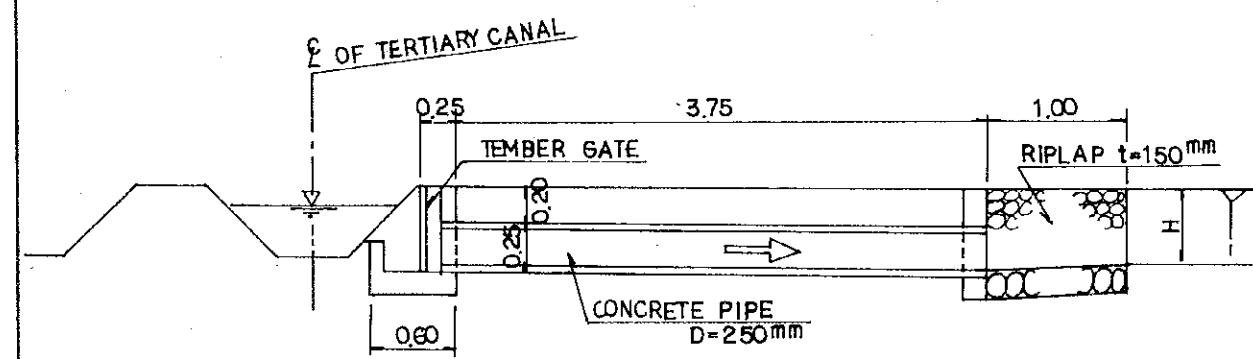


SECTIONS

TERTIARY TURNOUT S=1/50

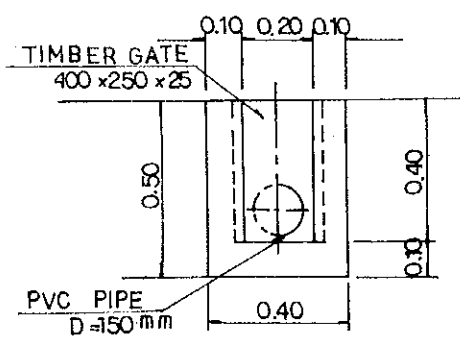


PROFILE



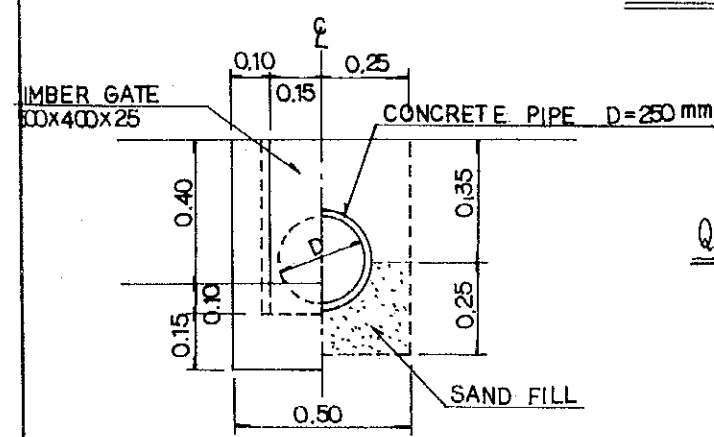
PROFILE

QUATERNARY TURNOUT S=1/50

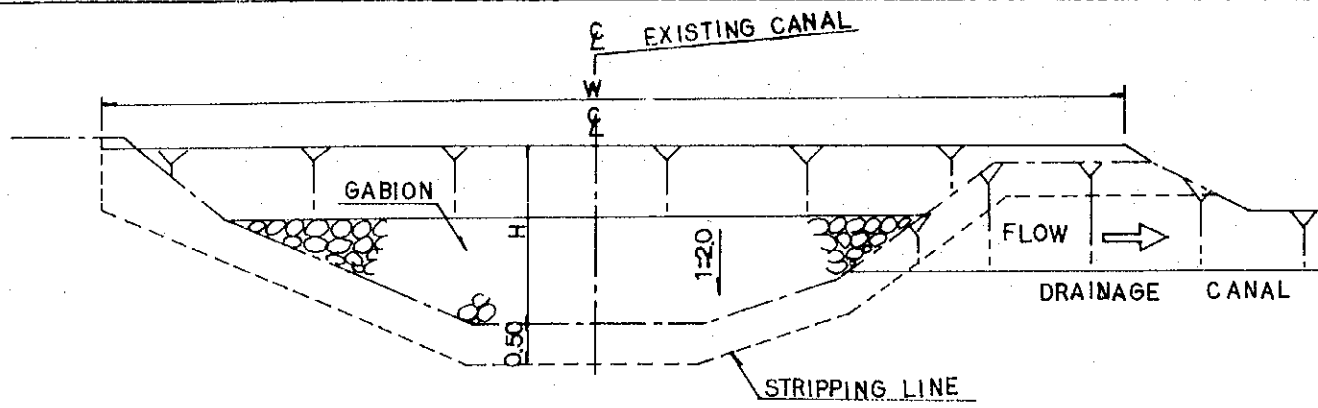


SECTION

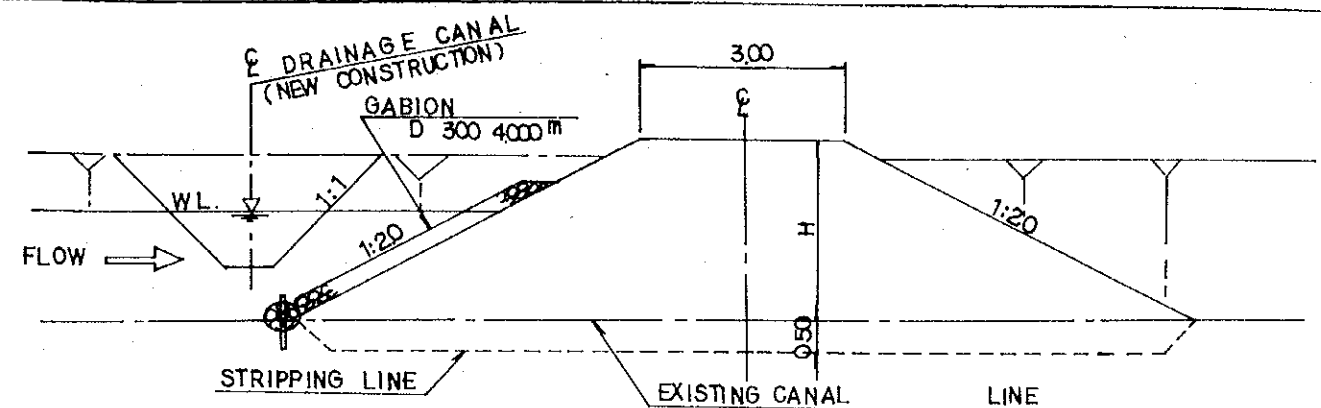
FARM INLET S=1/20



SECTIONS

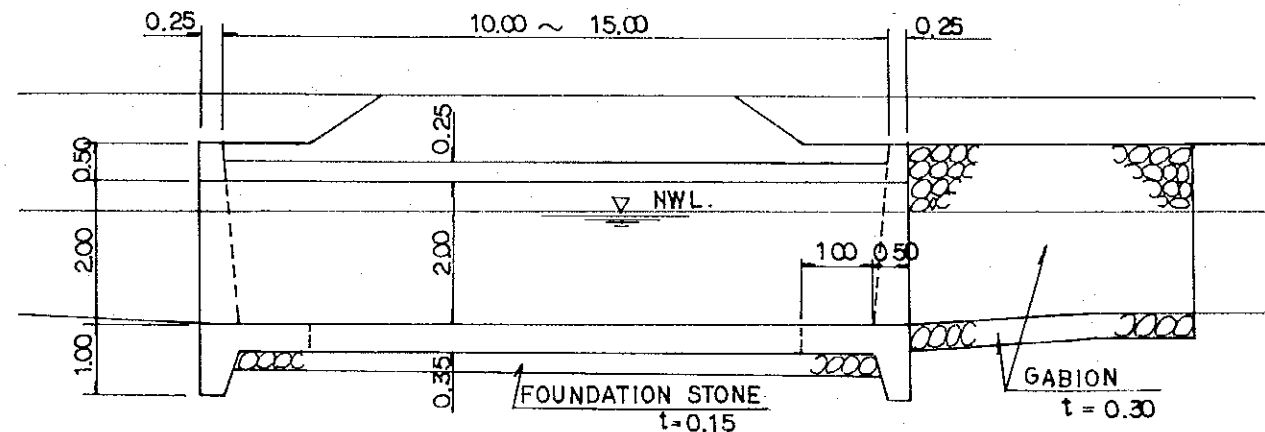


PROFILE

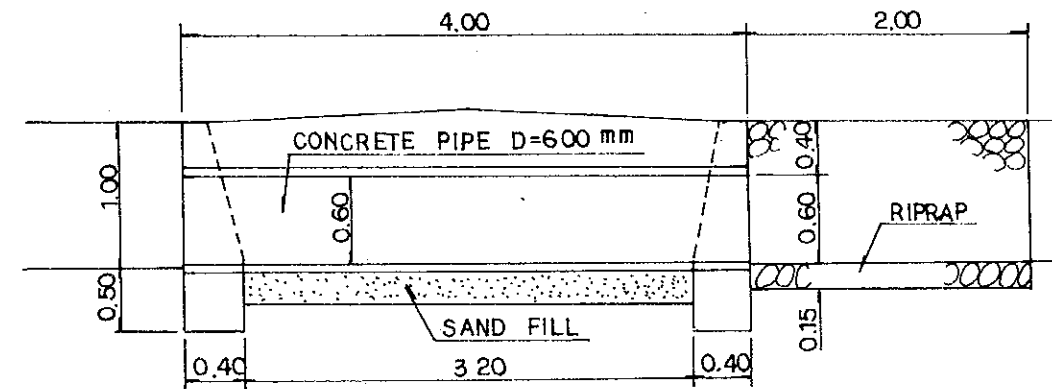


SECTION

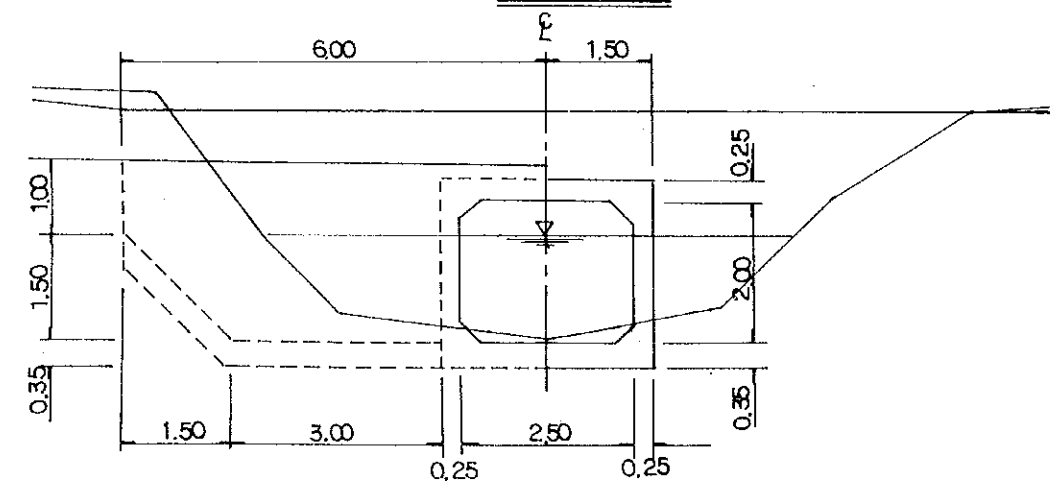
CLOSURE DIKE S=1/100



PROFILE

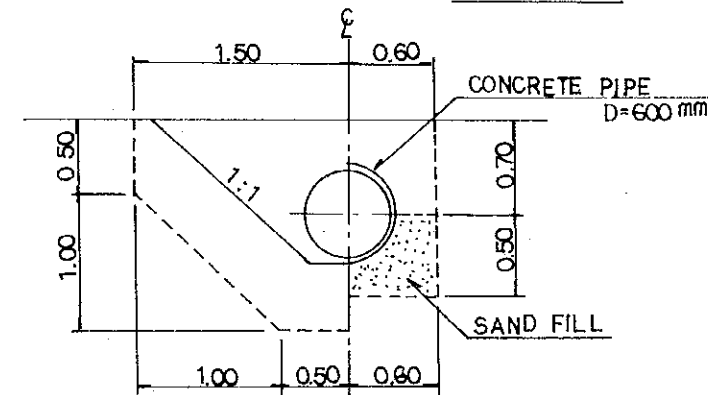


PROFILE



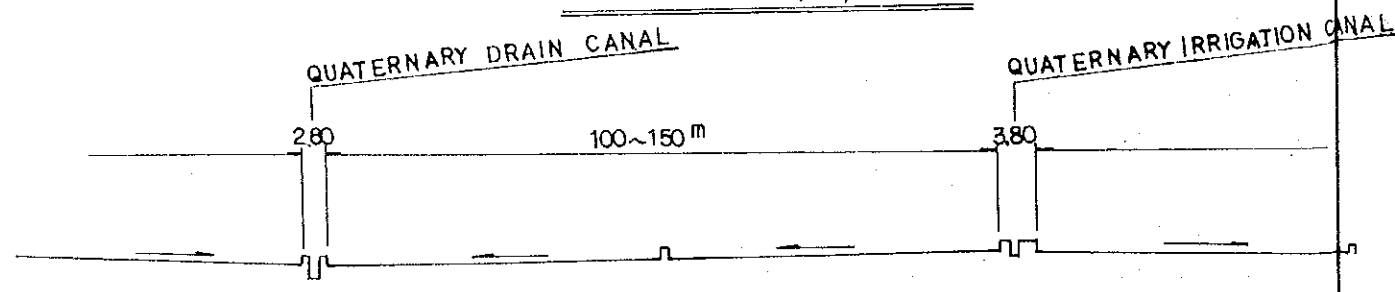
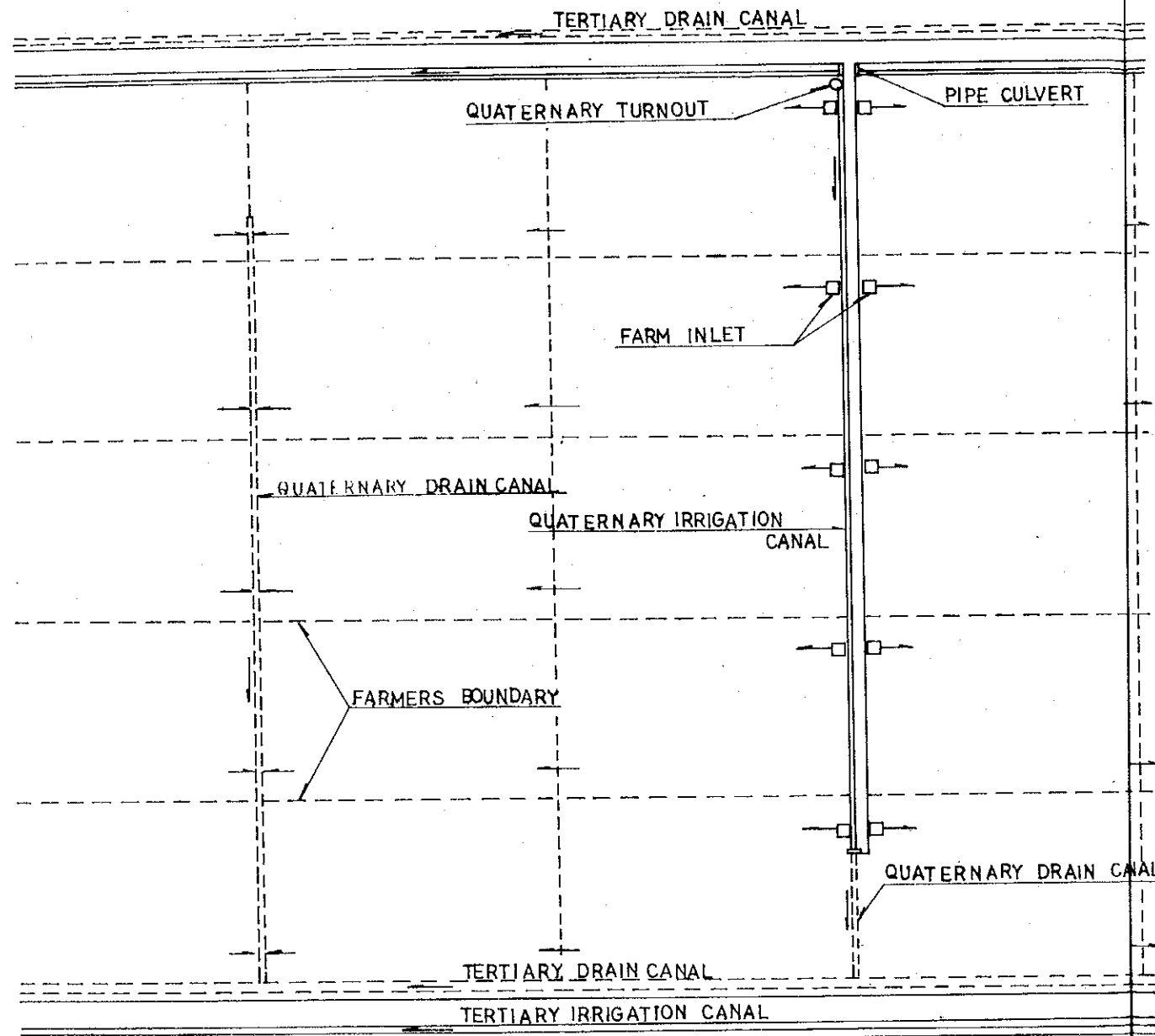
SECTIONS

BOX CULVERT S=1/100

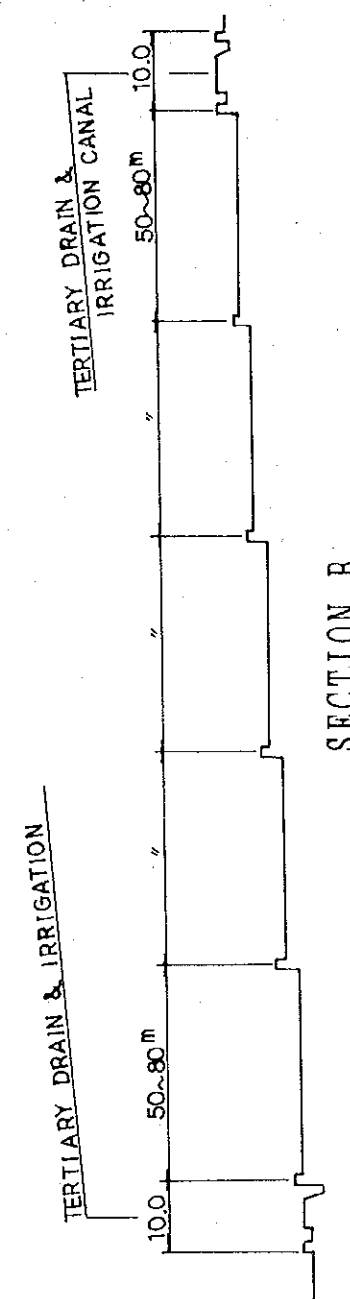


SECTIONS

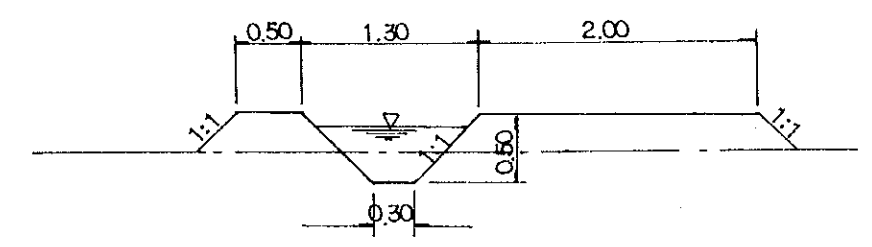
PIPE CULVERT S=1/50



SECTION A

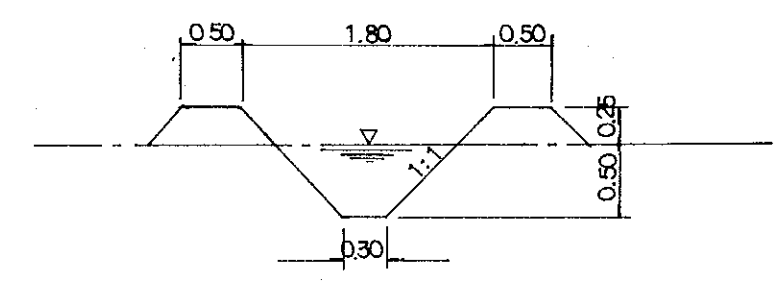


SECTION B



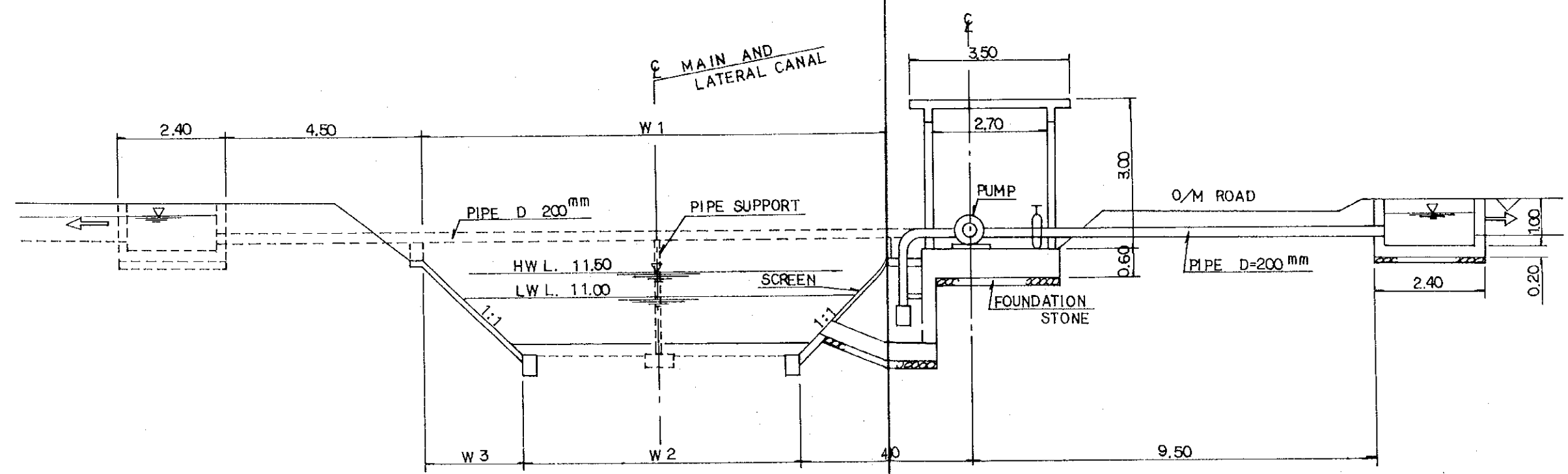
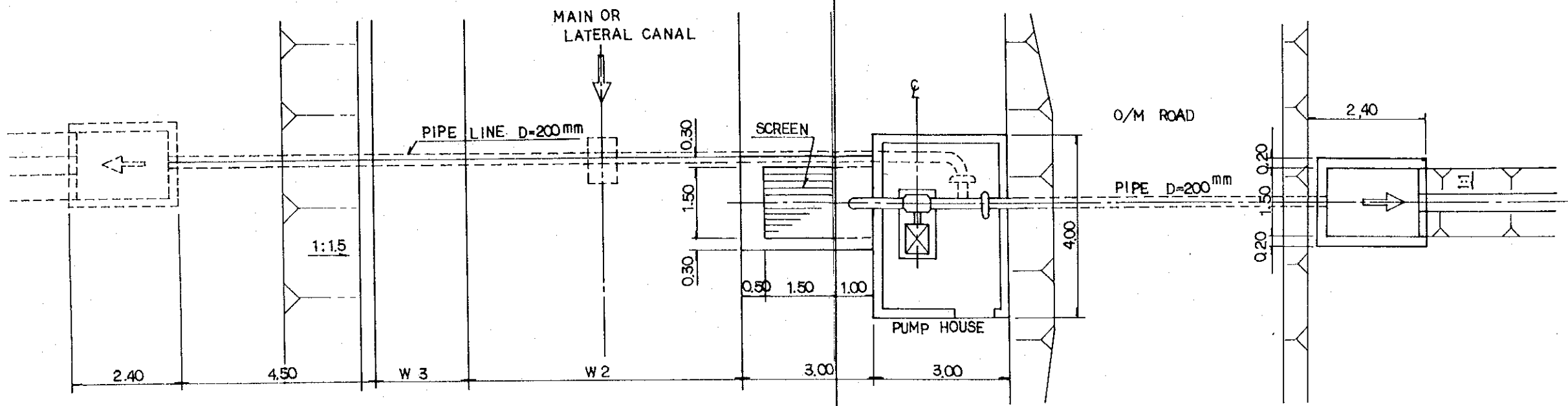
TYPICAL SECTION OF QUATERNARY IRRIGATION CANAL

S=1/50



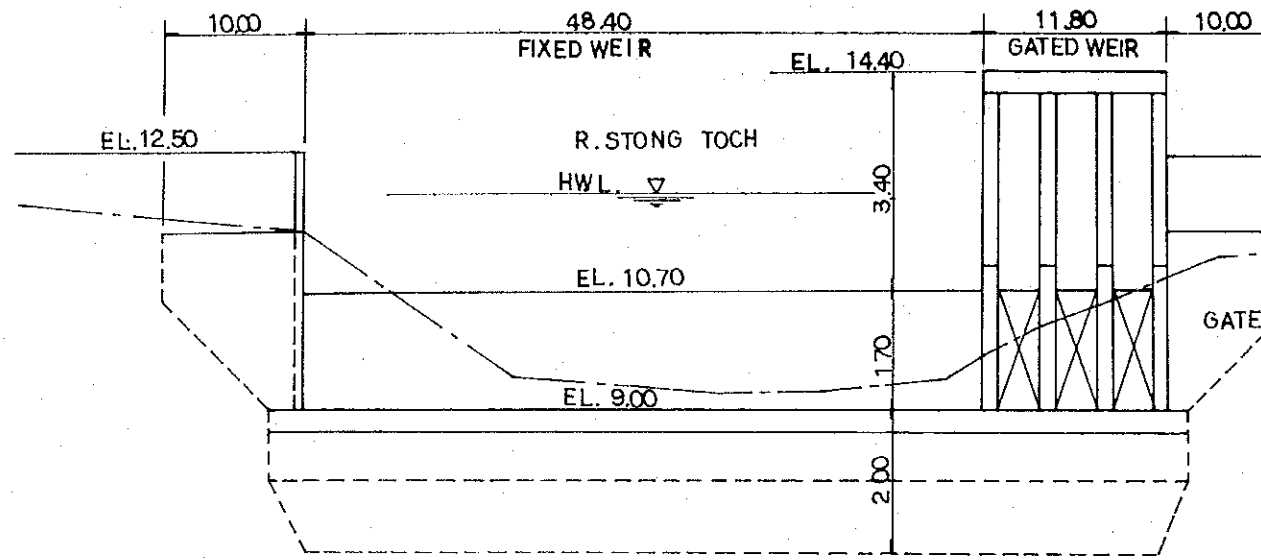
TYPICAL SECTION OF QUATERNARY DRAIN CANAL

S=1/50



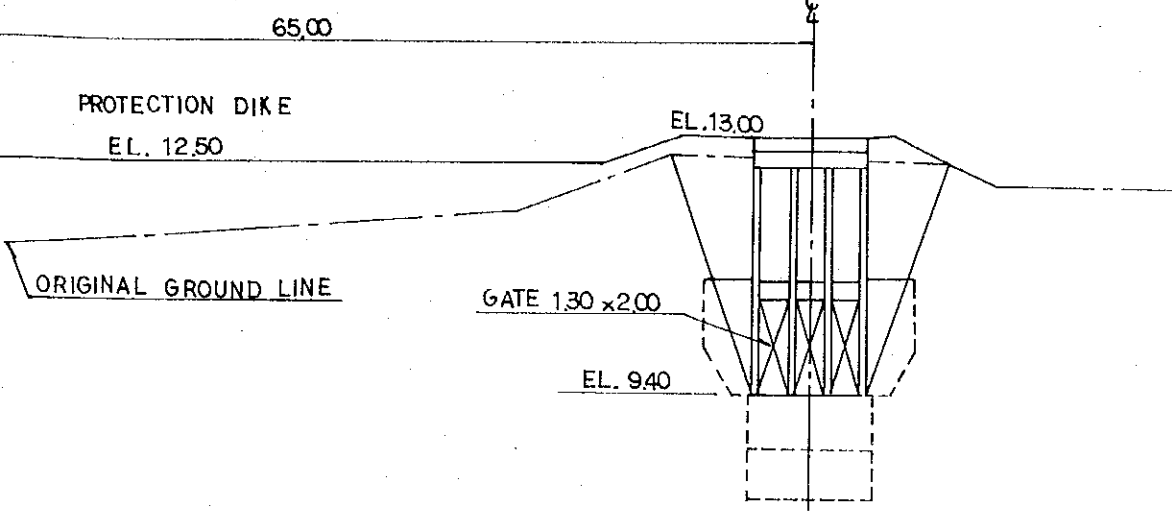
DWG.- 16 TYPICAL SECTION OF PUMPING STATION ON KANDAL STUNG
MAIN AND LATERAL IRRIGATION CANALS

GOVERNMENT OF THE KINGDOM OF CAMBODIA
MINISTRY OF AGRICULTURE, FORESTRY AND FISHERIES
THE INTEGRATED AGRICULTURAL AND
RURAL DEVELOPMENT IN THE SUBURBS OF
PHNOM PENH
JAPAN INTERNATIONAL COOPERATION AGENCY

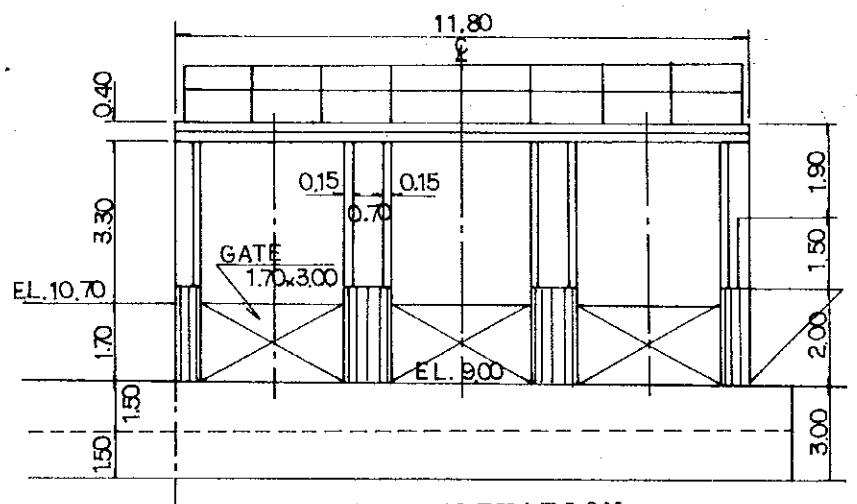


DIVERSION WEIR

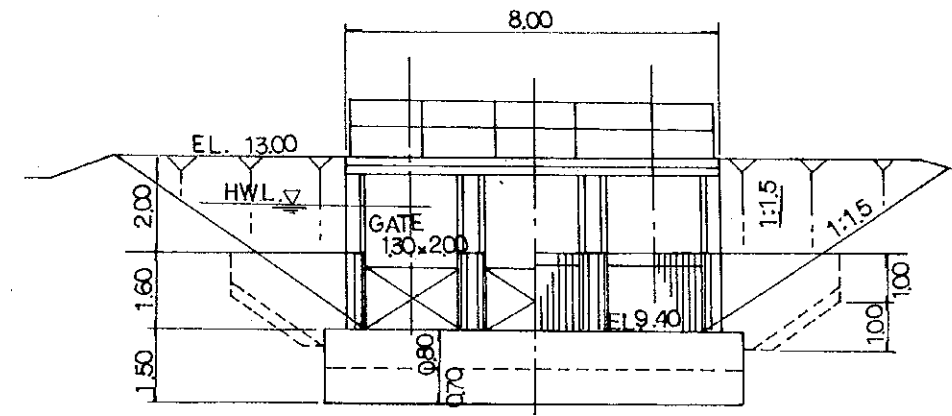
GENERAL PROFILE OF HEAD WORKS



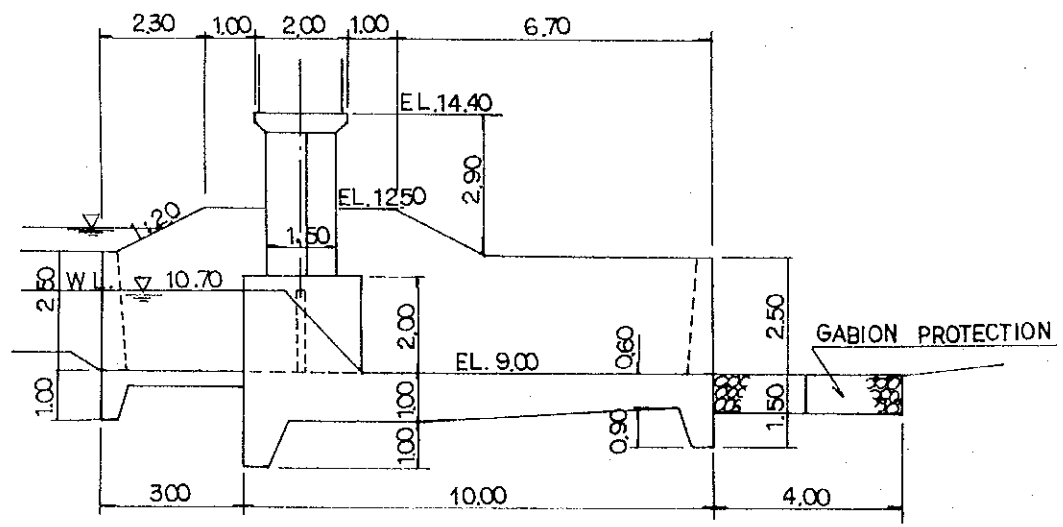
INTAKE GATE



FRONT ELEVATION

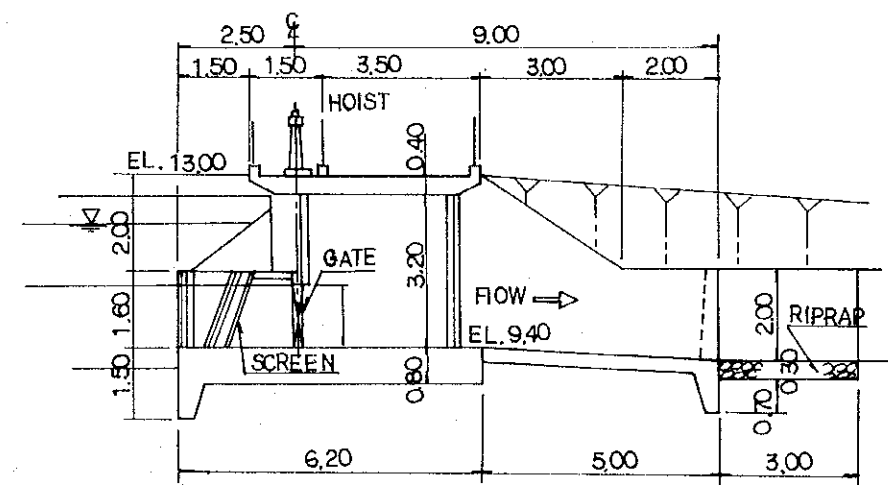


FRONT ELEVATION



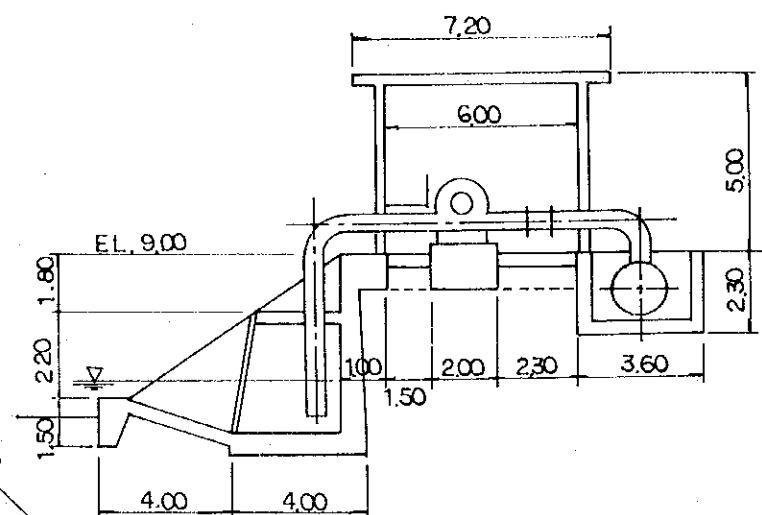
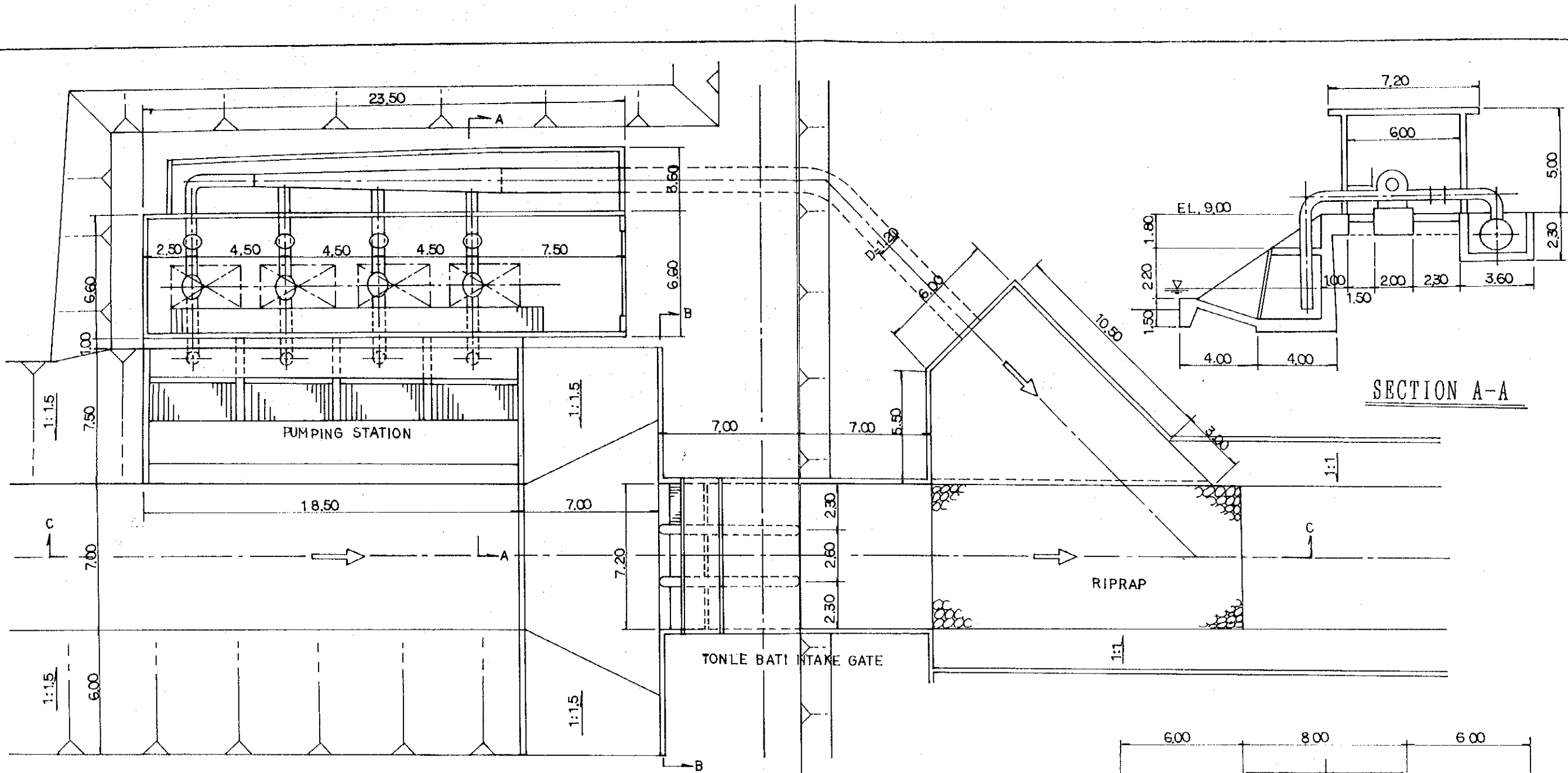
SECTION

DIVERISON WEIR S=1/150



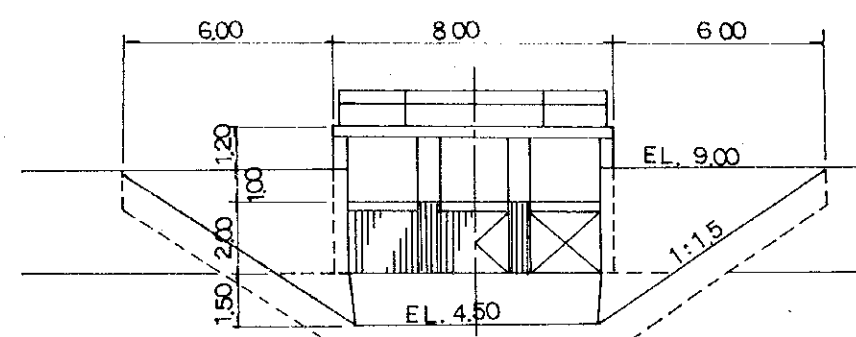
SECTION

INTAKE GATE S=1/150

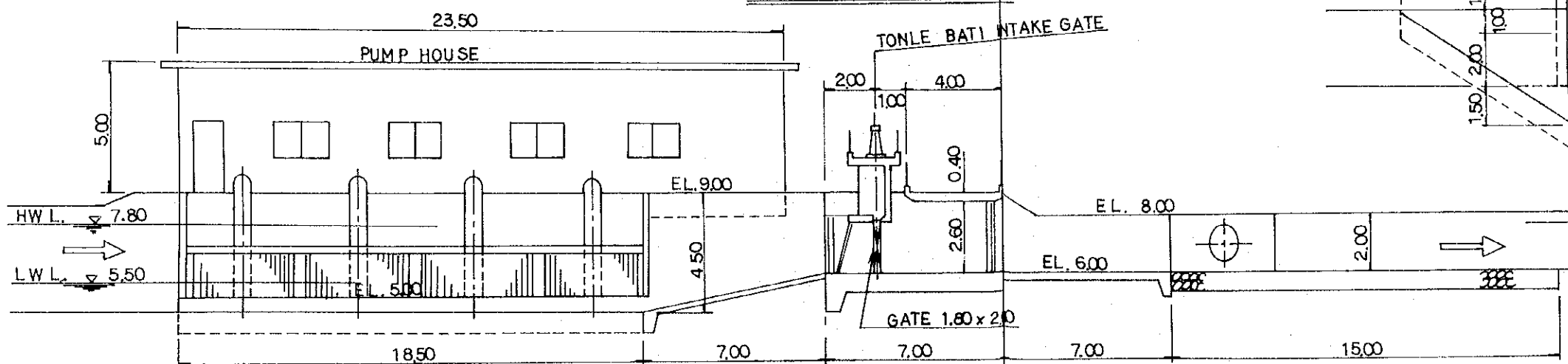


SECTION A-A

PLAN S=1/200



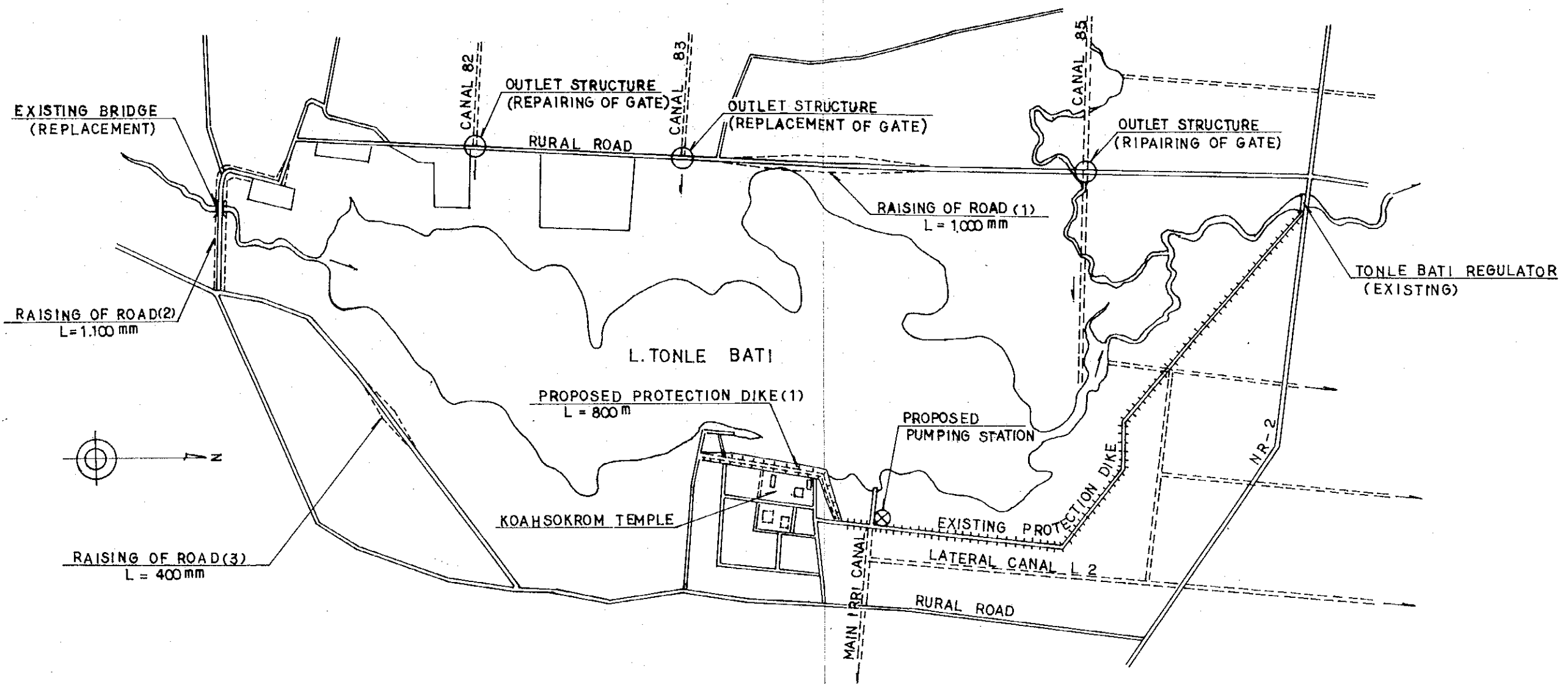
SECTION B-B



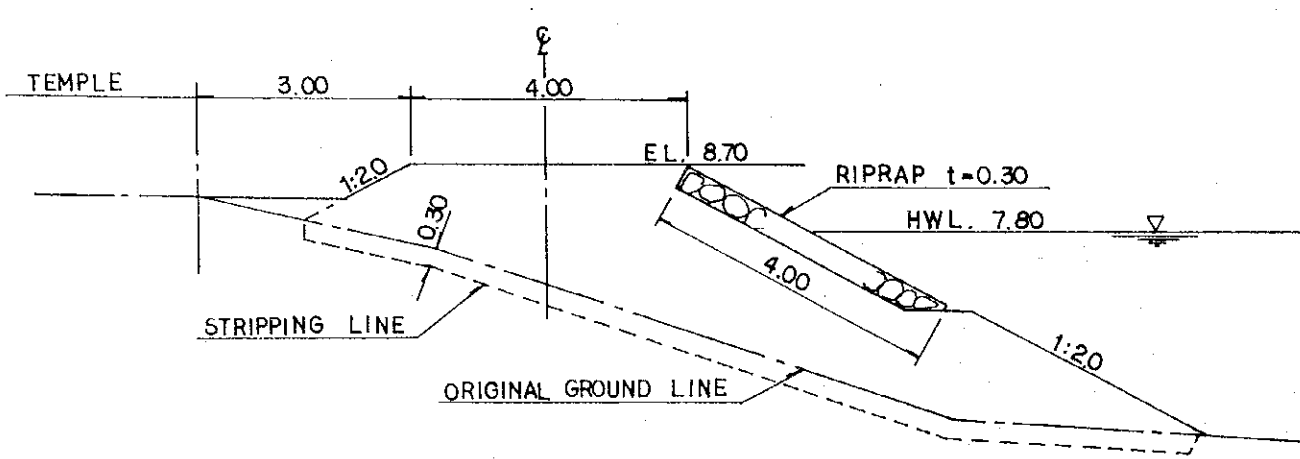
SECTION C-C

DWG.-18 TONLE BATI PUMPING STATION AND INTAKE GATE

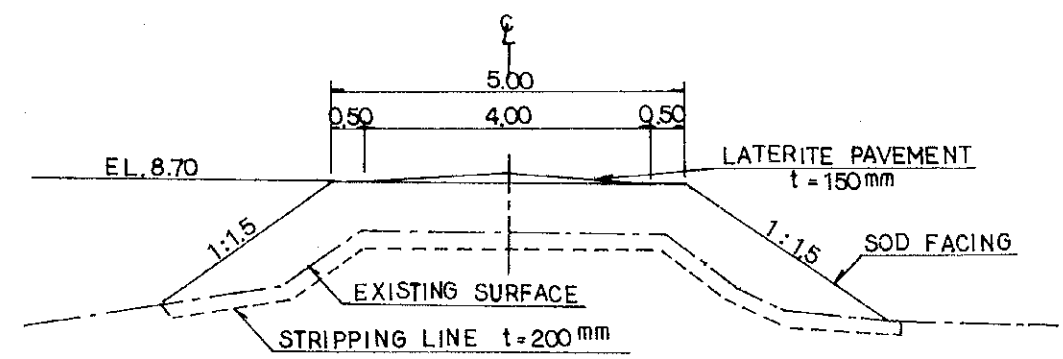
GOVERNMENT OF THE KINGDOM OF CAMBODIA
 MINISTRY OF AGRICULTURE, FORESTRY AND FISHERIES
 THE INTEGRATED AGRICULTURAL AND
 RURAL DEVELOPMENT IN THE SUBURBS OF
 PHNOM PENH
 JAPAN INTERNATIONAL COOPERATION AGENCY



PLAN OF REHABILITATION S=1/20,000



TYPICAL SECTION OF PROTECTION DIKE S=1/100



TYPICAL SECTION OF ROAD S=1/100

JICA