

第 6 章 添付図面

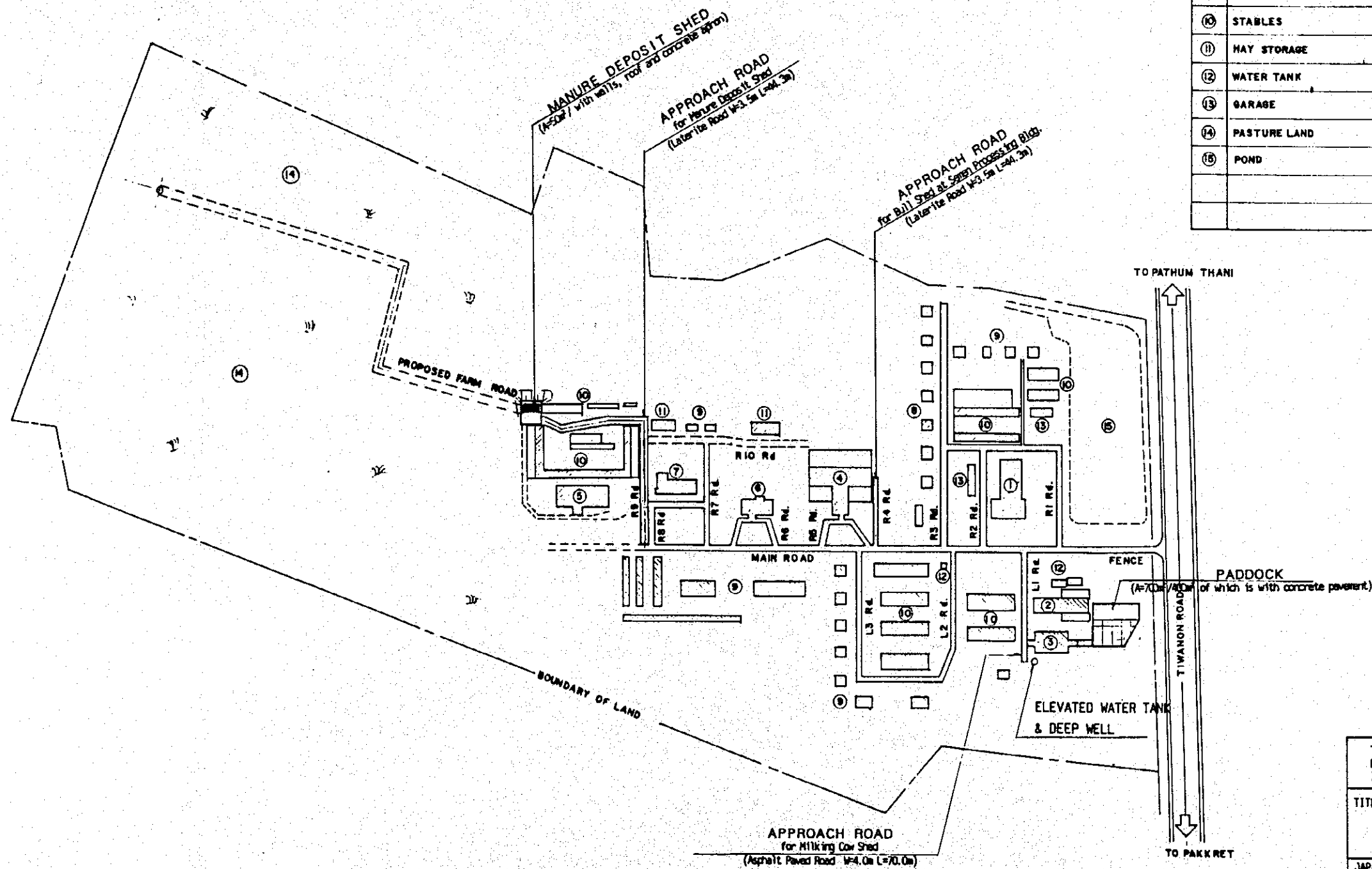
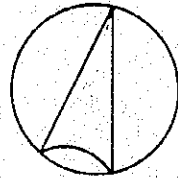
CONTENT OF DRAWINGS

NO. OF DRAWING	NAME OF DRAWING	
01	GENERAL PLAN OF PATHUM THANI AI CENTER	
02	WATER SUPPLY FACILITIES	- PATHUM THANI AI CENTER
03	GENERAL VIEW AND DETAILES OF PADDOCK	- PATHNM THANI AI CENTER
04	DETAILS OF FACILITIES FOR PADDOCK	- PATHUM THANI AI CENTER
05	DETAILS OF FACILITIES FOR PADDOCK (1/2)	- PATHUM THANI AI CENTER
06	GENERAL VIEW OF MANURE DEPOSIT SHED	- PATHUM THANI AI CENTER
07	DETAILS OF MANURE DEPOSIT SHED (1/2)	- PATHUM THANI AI CENTER
08	DETAILS OF MANURE DEPOSIT SHED (2/2)	- PATHUM THANI AI CENTER
09	DETAILS OF MANURE DEPOSIT SHED (3/3)	- PATHUM THANI AI CENTER
10	PLAN AND PROFILE OF L1 AND R4 ROAD	- PATHUM THANI AI CENTER
11	PLAN AND PROFILE OF R9 ROAD	- PATHUM THANI AI CENTER
12	TYPICAL CROSS SECTIONS OF L1 ROADS	- PATHUM THANI AI CENTER
13	TYPICAL CROSS SECTIONS OF R9 ROAD	- PATHUM THANI AI CENTER
14	DETAILS OF DRAINAGE FACILITIES	- PATHUM THANI AI CENTER
15	GENERAL PLAN OF CHAI BADAN DAILY FARMING DEMONSTRATION CENTRE	
16	PUMPING STATION AND DEEP WELL	- CHAI BADAN DAILY FARMING DEMONSTRATION CENTER
17	PLAN, SECTION AND DETAILS OF FARM POND	- CHAI BADAN DAILY FARMING DEMONSTRATION CENTER
18	PLAN AND DETAILS OF PIPE LINE AND SPRINKLER	- CHAI BADAN DAILY FARMING DEMONSTRATION CENTER
19	PLAN AND PROFILE OF MAIN ROAD	- CHAI BADAN DAILY FARMING DEMONSTRATION CENTER
20	TYPICAL CROSS SECTIONS OF MAIN AND APPROACH ROADS	- CHAI BADAN DAILY FARMING DEMON STRATION CENTER

GENERAL PLAN OF INSTITUTION OF PATHUM THANI A-I CENTRE

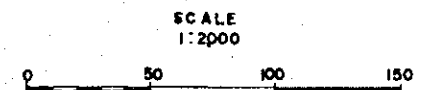
SCALE 1:2000

INSTITUTION OF PATHUM THANI A I CENTRE



NO	NAME OF INST ITUTION	REMARKS
①	MAIN (A/I RESEARCH) BLDG.	
②	E/T RESEARCH BLDG.	
③	MILKING COW SHED	
④	SEMEN PROCESSING BLDG.	
⑤	HIGH-TECH. RESEARCH BLDG.	
⑥	TRAINING BLDG.	
⑦	DORMITORY FOR TRAINEES	
⑧	OFFICER'S HOUSES	
⑨	LABOURER'S HOUSES	
⑩	STABLES	
⑪	HAY STORAGE	
⑫	WATER TANK	
⑬	GARAGE	
⑭	PASTURE LAND	
⑮	POND	

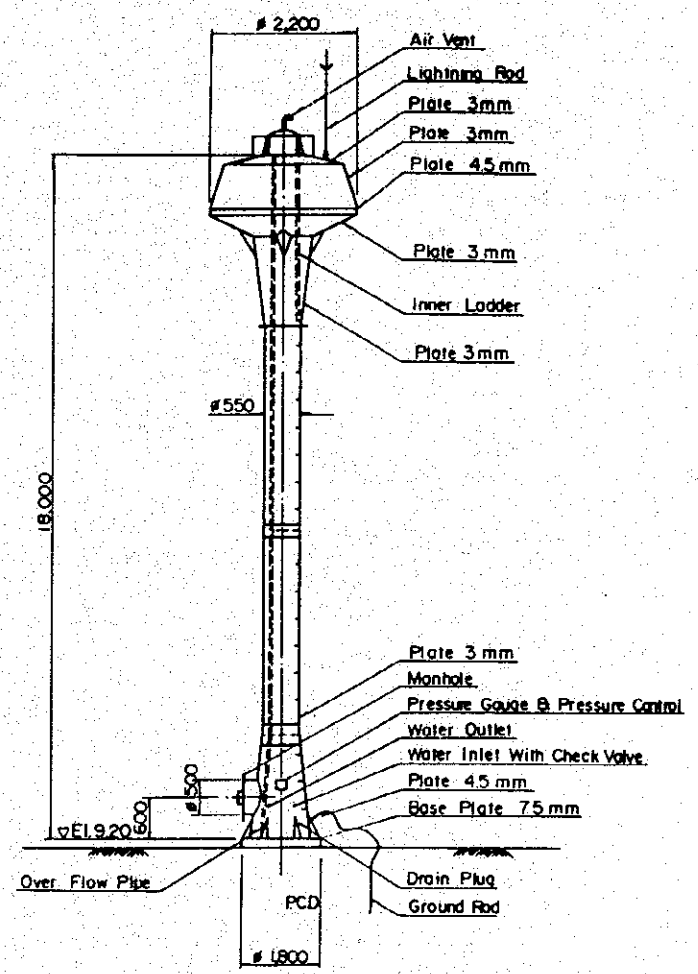
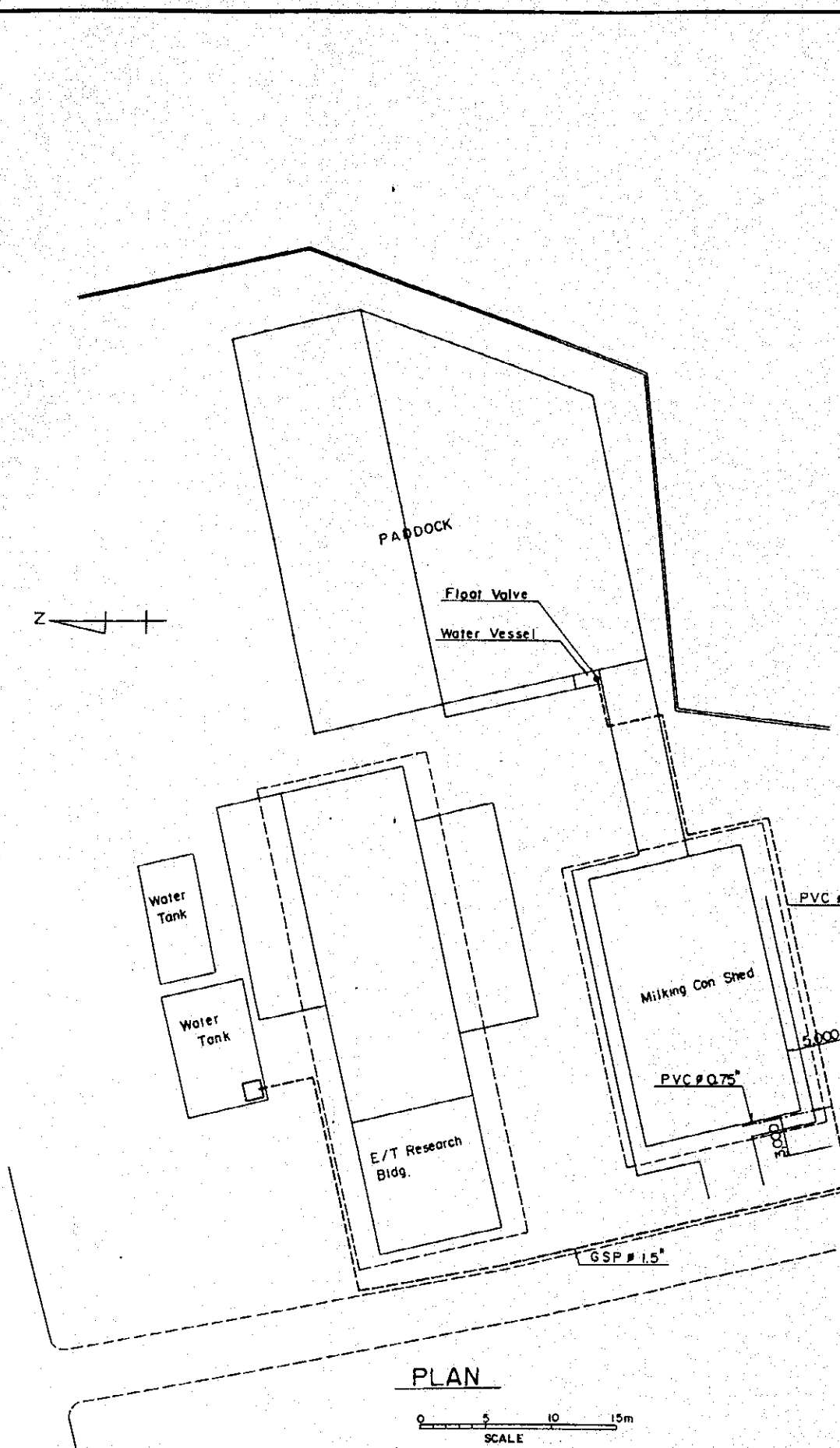
NOTE: BOUNDARY LINE IS DRAWN IN NON SCALE



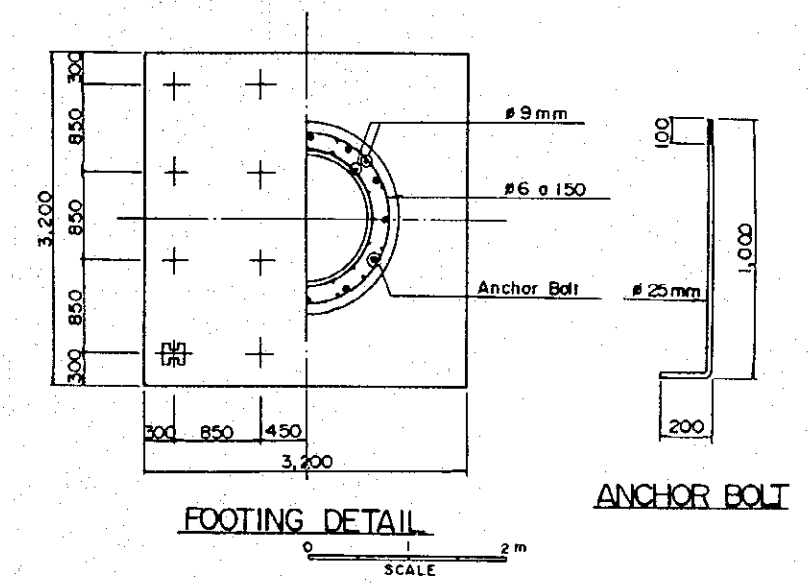
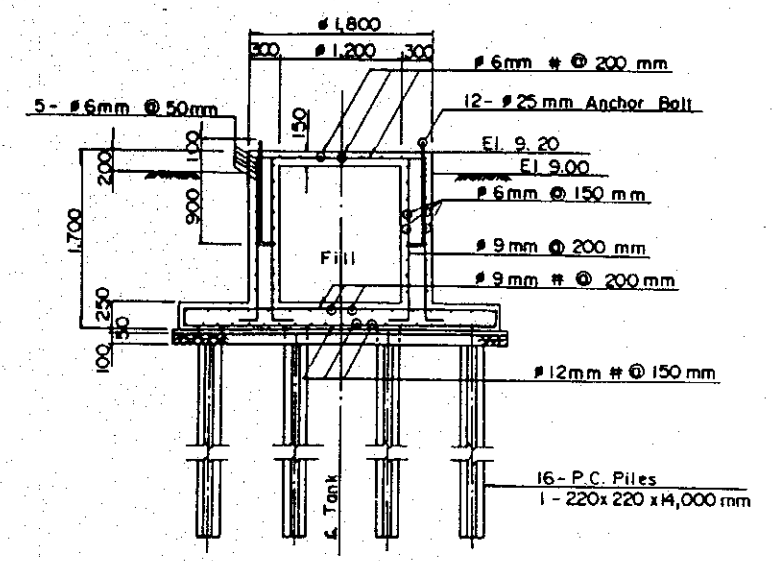
THE MODEL INFRASTRUCTURE WORKS
FOR THE DAIRY FARMING DEVELOPMENT PROJECT
IN THE CENTRAL REGION OF THE KINGDOM OF THAILAND

TITLE OF DRAWING :
GENERAL PLAN
OF
PATHUM THANI A I CENTRE

JAPAN INTERNATIONAL COOPERATION AGENCY DRAWING NO. :
TOKYO 1

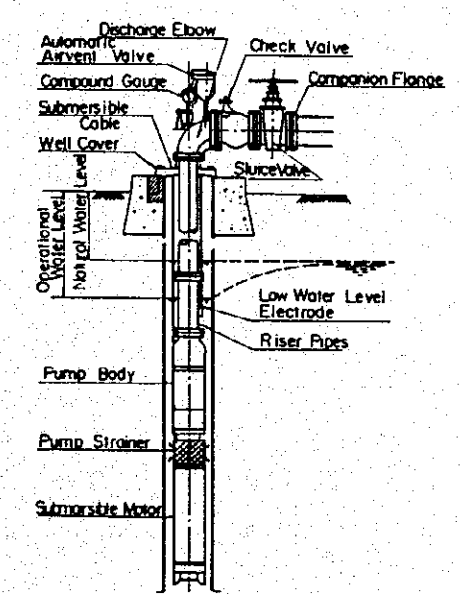


ELEVATED WATER TANK
NO SCALE

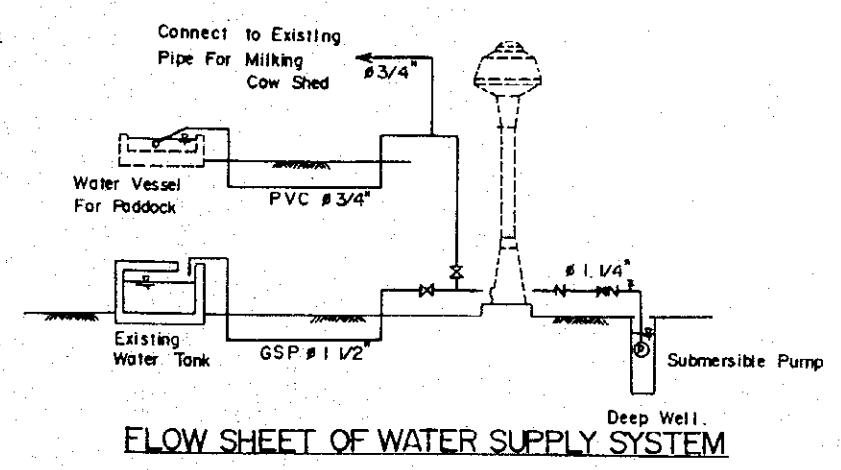


FOOTING DETAIL

ANCHOR BOLT



SUBMERSIBLE PUMP FOR DEEP WELL
NO SCALE



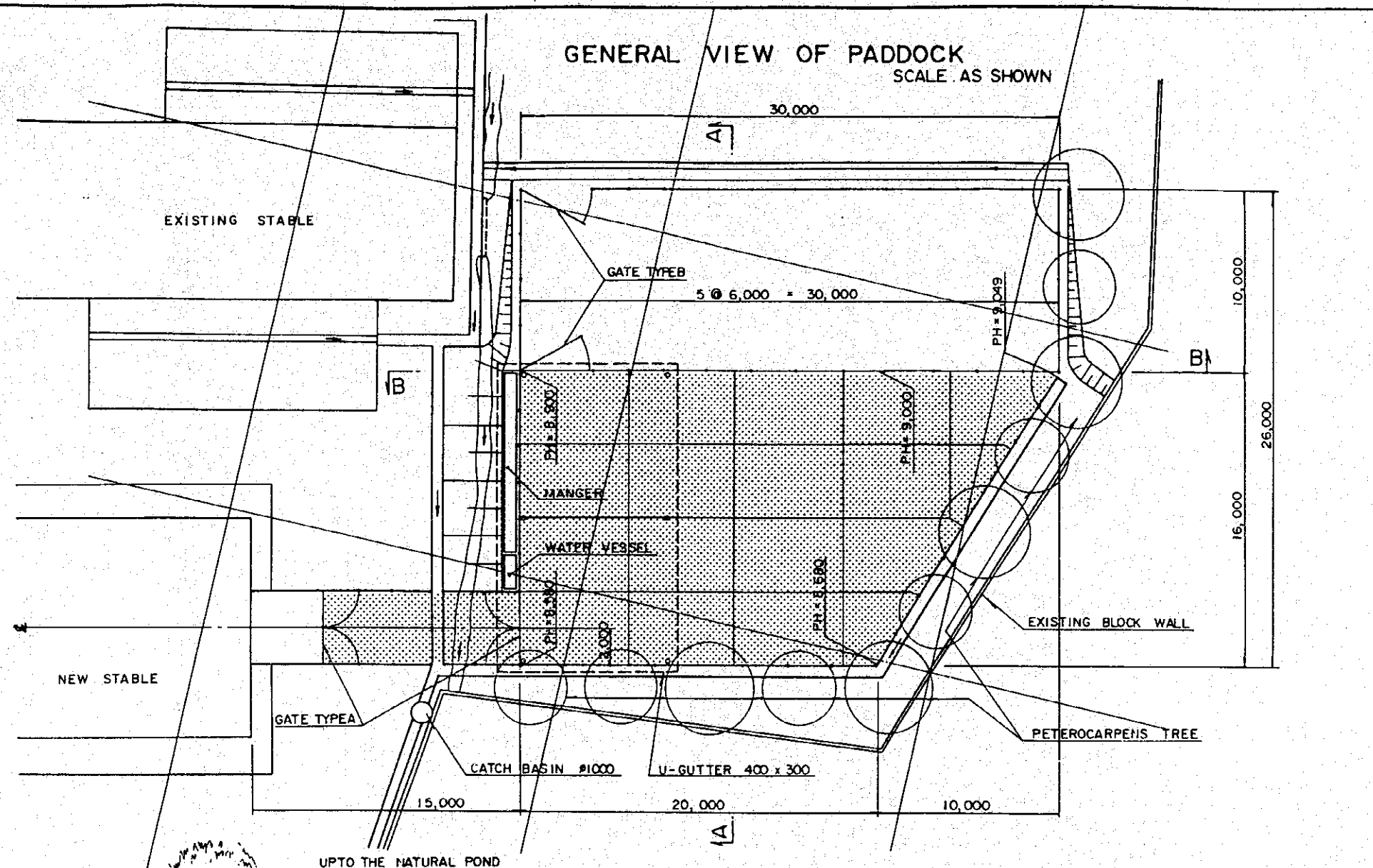
FLOW SHEET OF WATER SUPPLY SYSTEM

THE MODEL INFRASTRUCTURE WORKS
FOR THE DAIRY FARMING DEVELOPMENT PROJECT
IN THE CENTRAL REGION OF THE KINGDOM OF THAILAND

TITLE OF DRAWING :
WATER SUPPLY FACILITIES
PATHUM THANI AI CENTRE

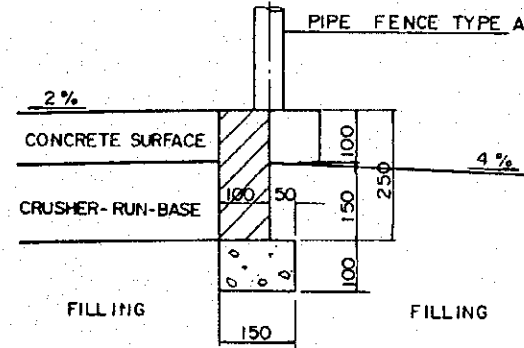
JAPAN INTERNATIONAL COOPERATION AGENCY | DRAWING NO. :
T O K Y O | 2

GENERAL VIEW OF PADDOCK SCALE AS SHOWN

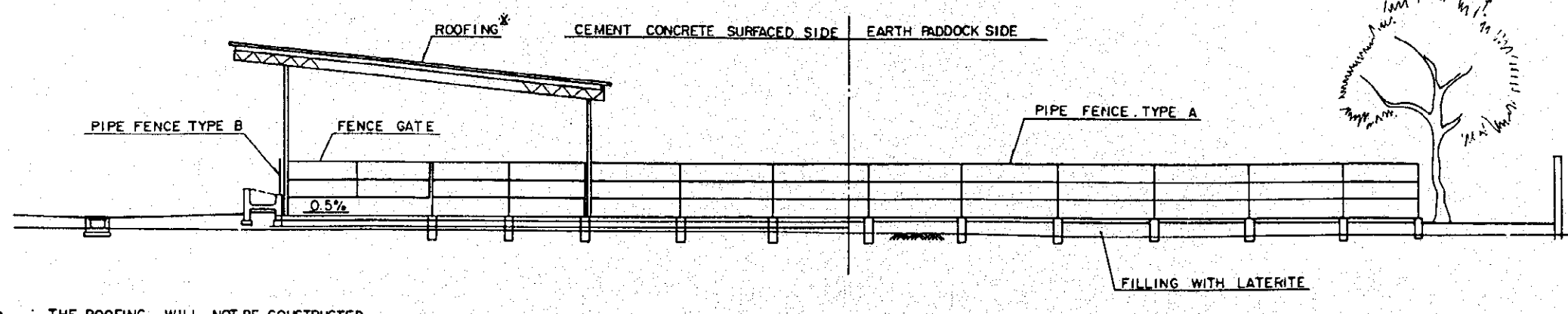
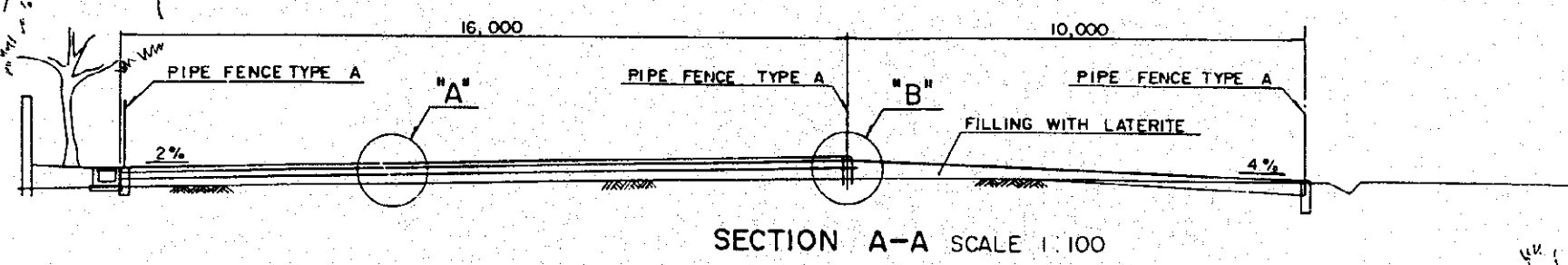


250		CEMENT CONCRETE SURFACE
150		CRUSHER-RUN PAVE-BASE (Modified CBR > 30)

DETAIL OF "A"



DETAIL OF "B"



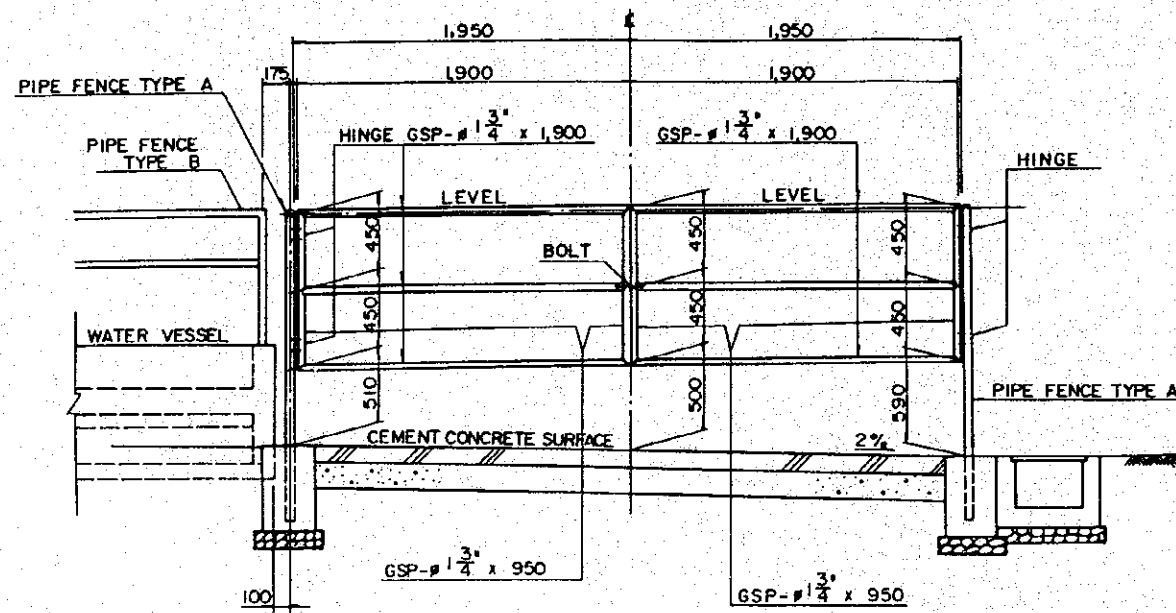
* Note : THE ROOFING WILL NOT BE COUSTRUCED IN THE MODEL INFRASTRUCTURE WORKS

THE MODEL INFRASTRUCTURE WORKS FOR THE DAIRY FARMING DEVELOPMENT PROJECT IN THE CENTRAL REGION OF THE KINGDOM OF THAILAND

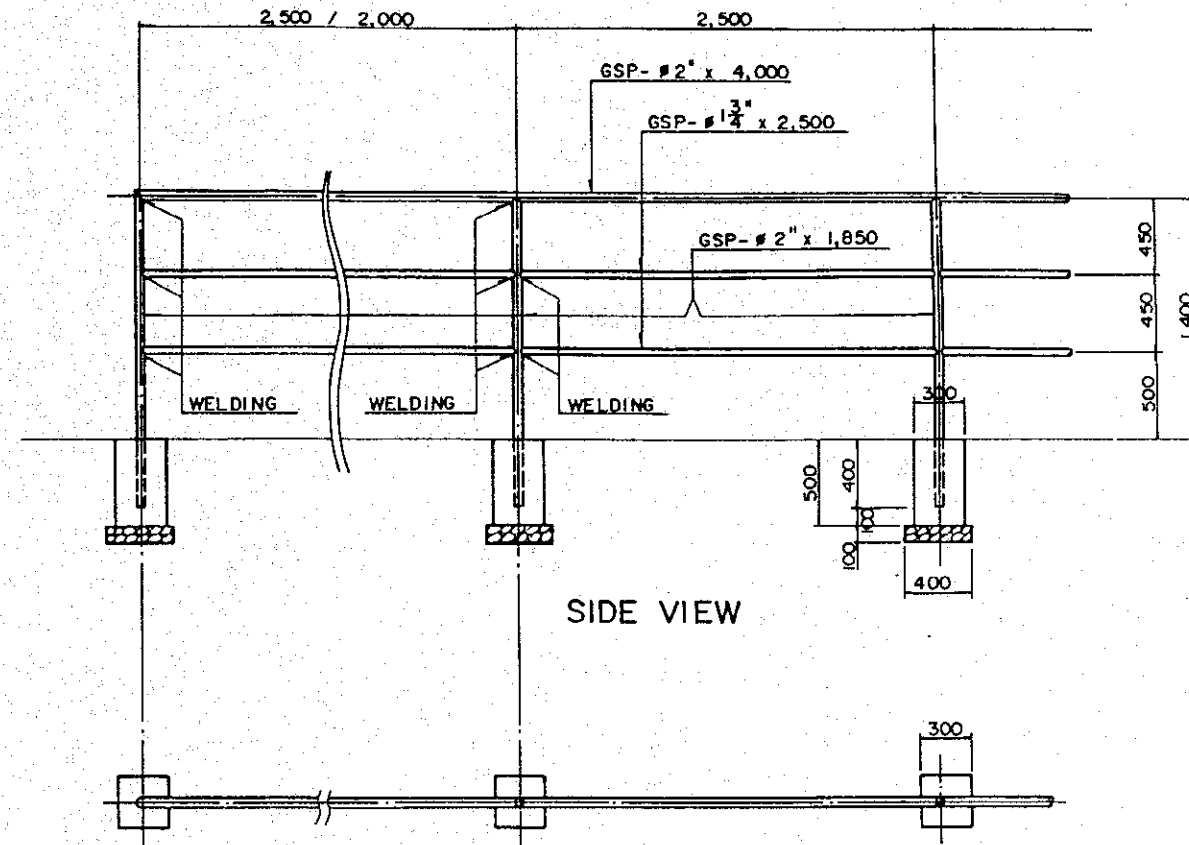
TITLE OF DRAWING : GENERAL VIEW AND DETAILS OF PADDOCK PATHUM THANI AI CENTRE

JAPAN INTERNATIONAL COOPERATION AGENCY DRAWING NO. : TOKYO 3

DETAILS OF GATES AND PIPE FENCE TYPE A SCALE 1 : 30

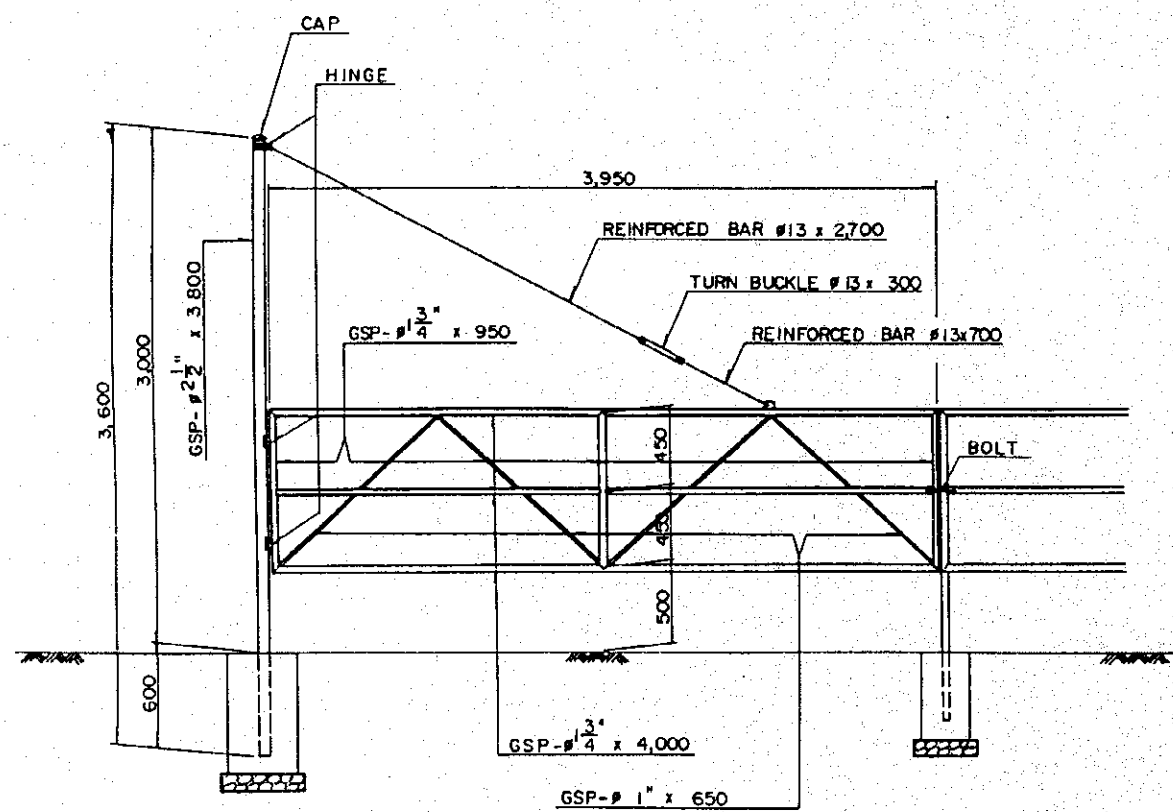


GATE TYPE A

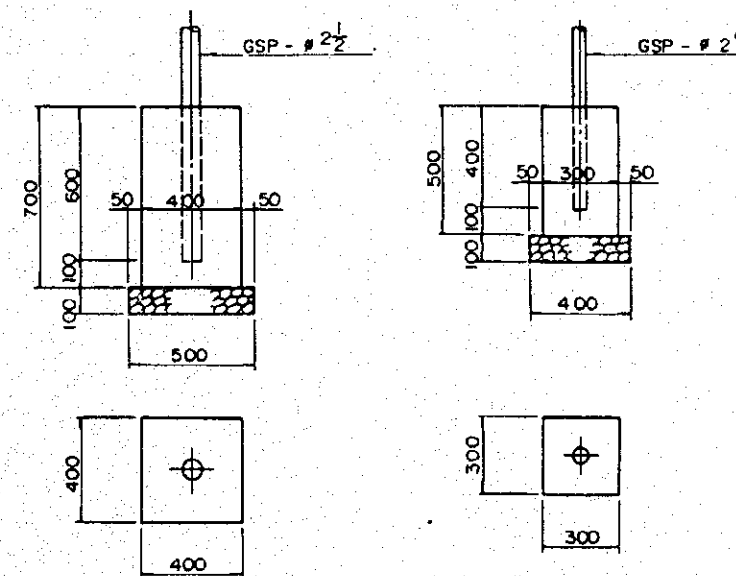


SIDE VIEW

PLAN
PIPE FENCE TYPE A



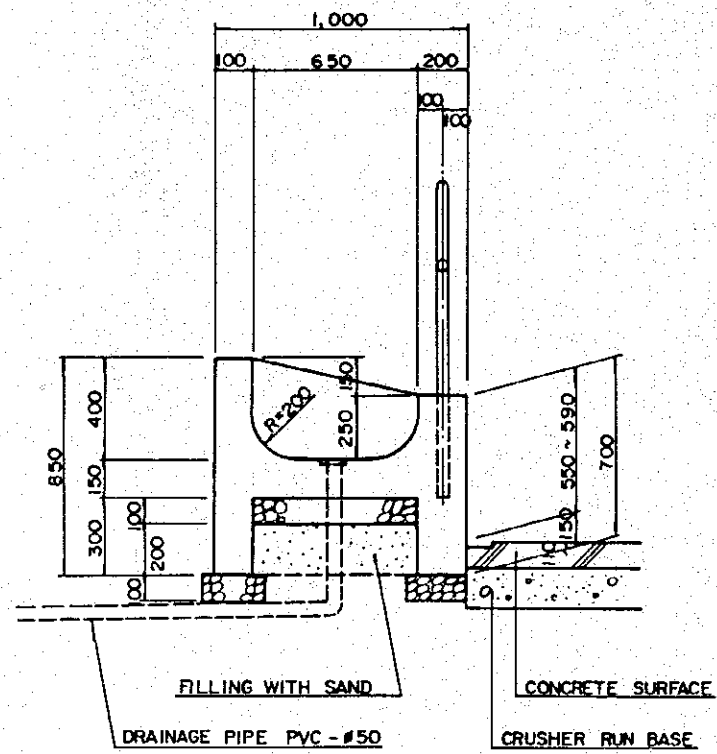
GATE TYPE B



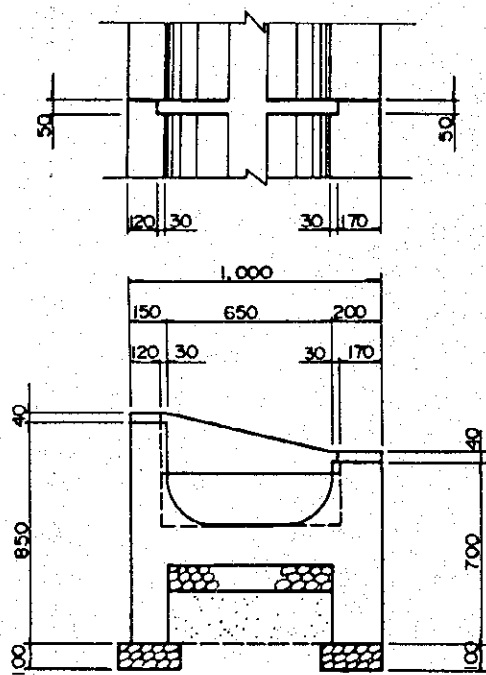
FOOTINGS OF GATE AND FENCE SCALE 1 : 20

THE MODEL INFRASTRUCTURE WORKS FOR THE DAIRY FARMING DEVELOPMENT PROJECT IN THE CENTRAL REGION OF THE KINGDOM OF THAILAND	
TITLE OF DRAWING : DETAILS OF FACILITIES FOR PADDOCK PATHUM THANI AI CENTRE	
JAPAN INTERNATIONAL COOPERATION AGENCY TOKYO	DRAWING NO. : 4

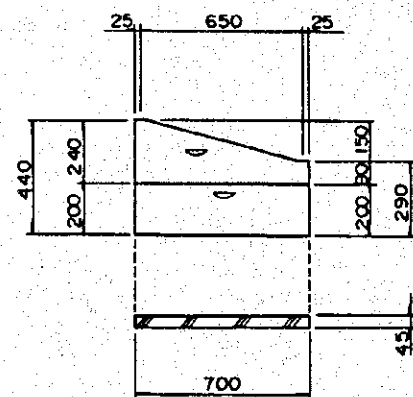
DETAILS OF MANGER AND WATER VESSEL WITH PIPE FENCE TYPE B SCALE 1:20



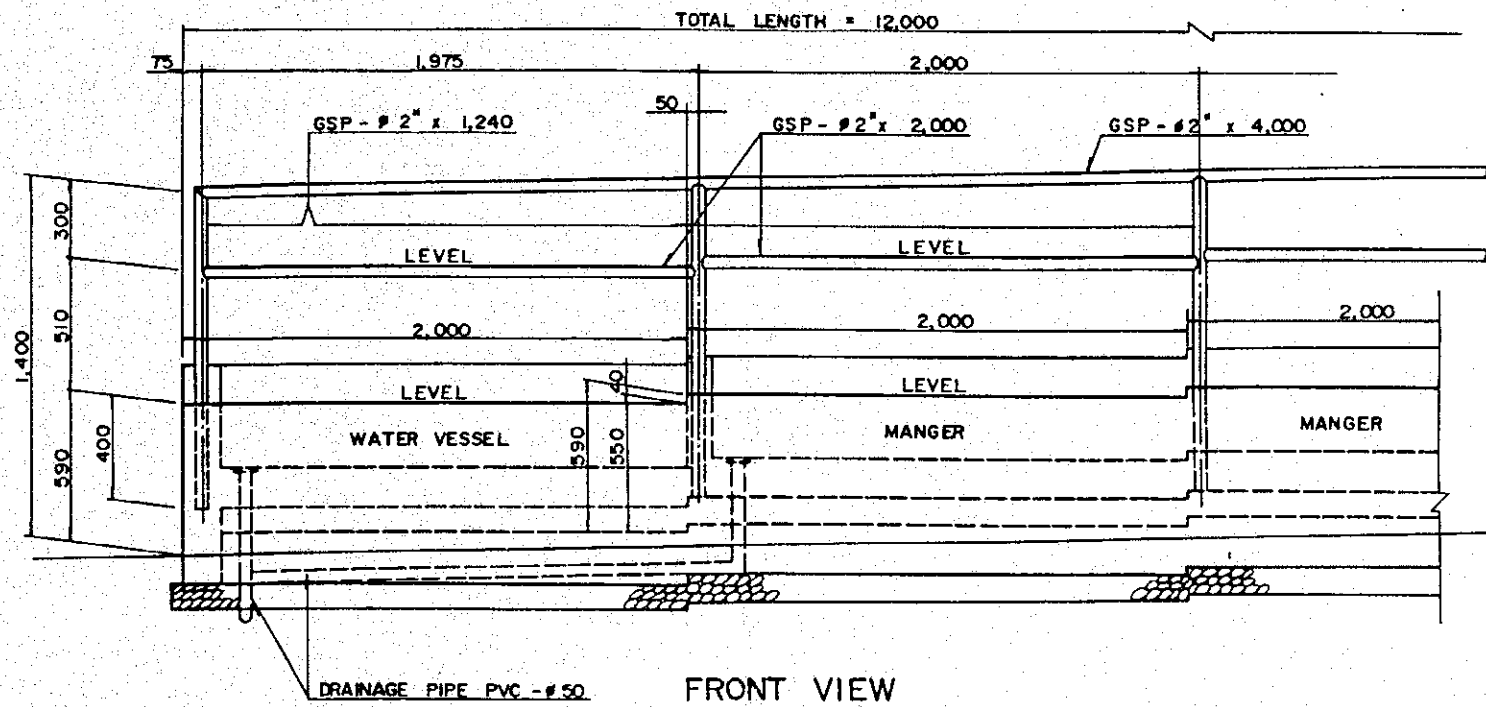
SECTION A-A



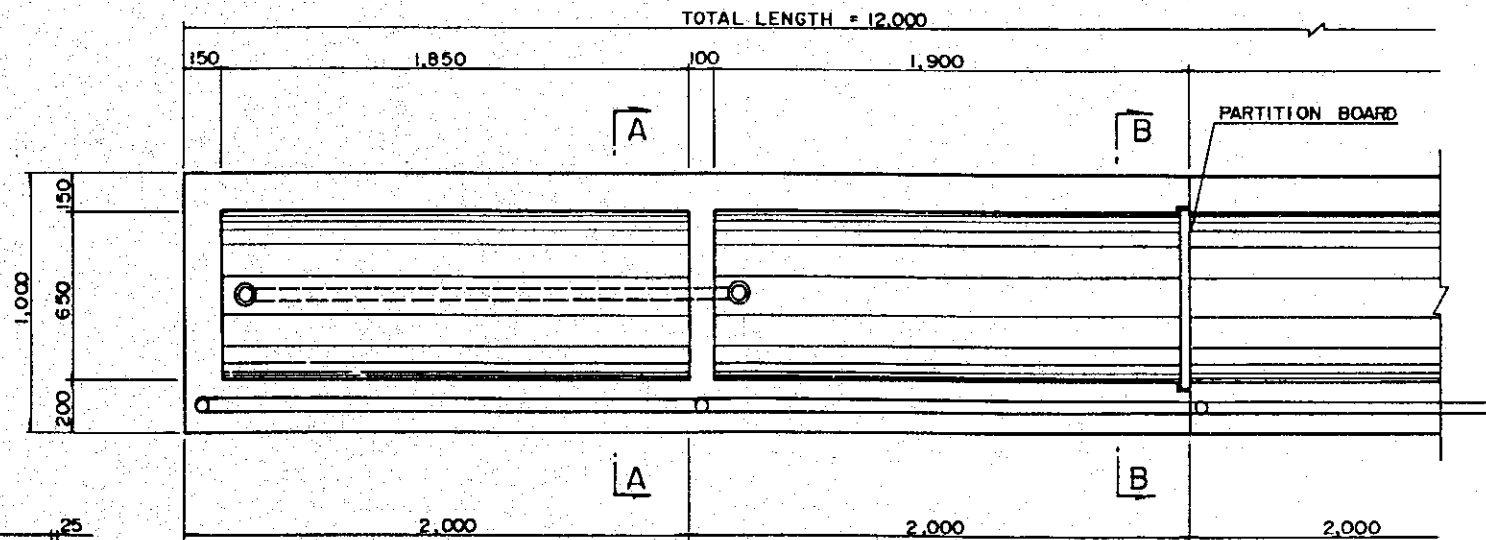
SECTION B-B



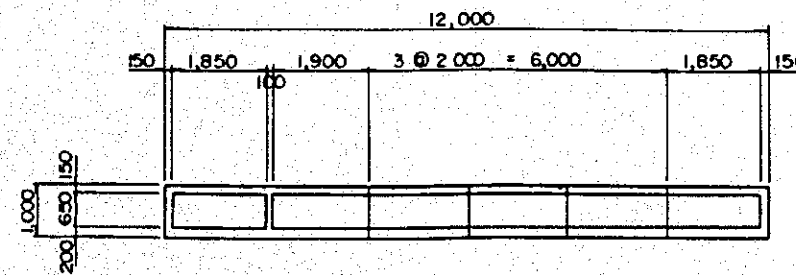
PARTITION BOARD



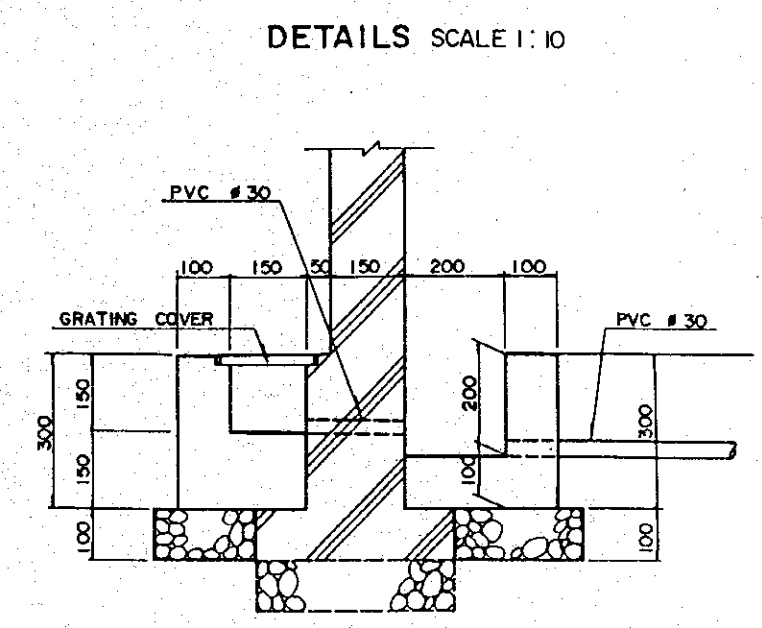
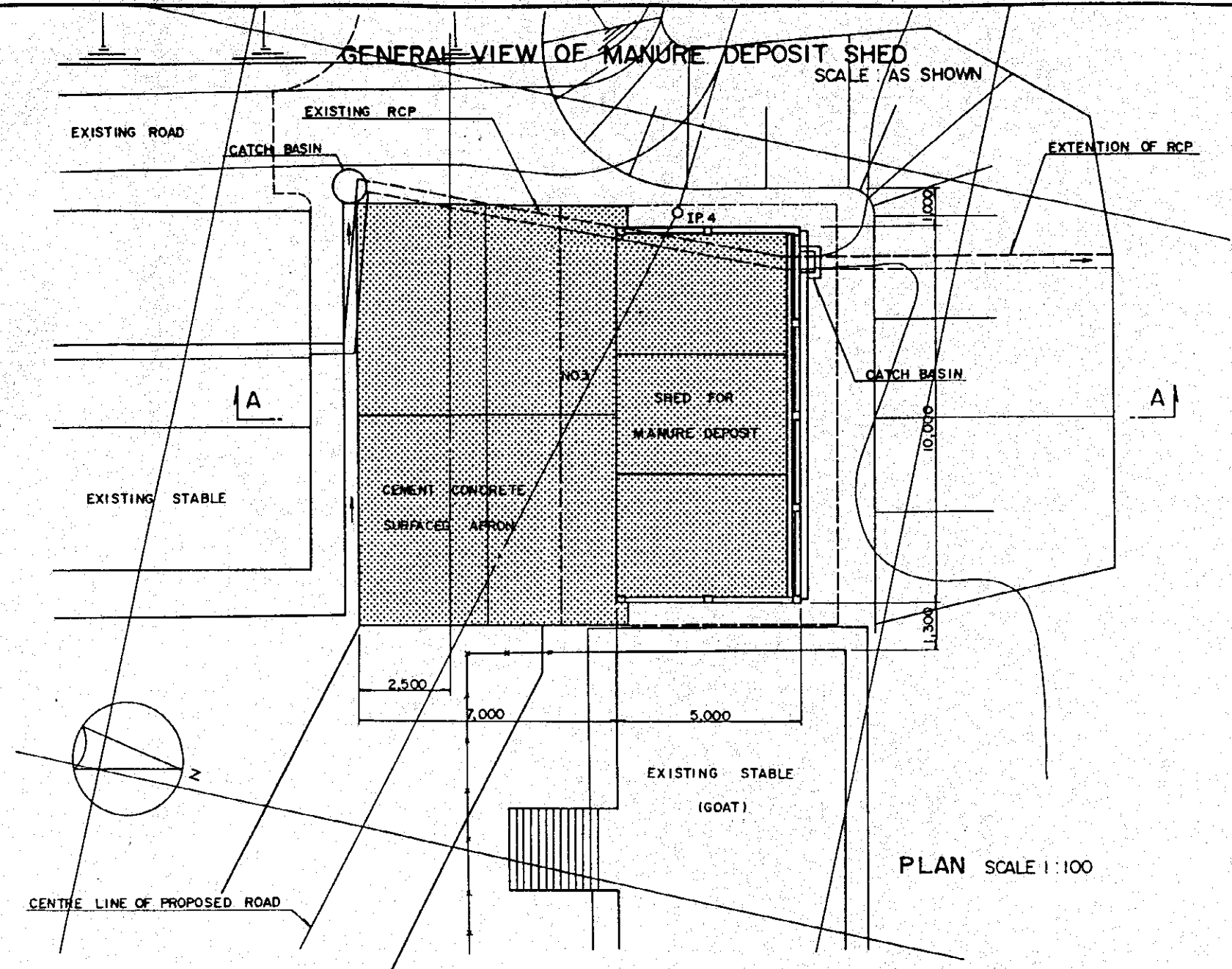
FRONT VIEW



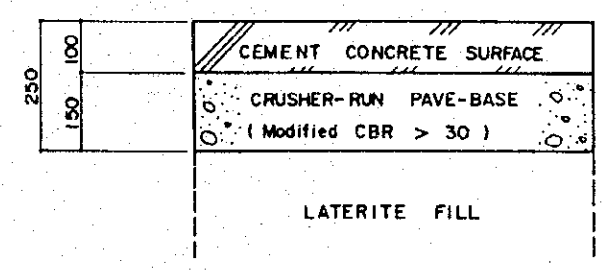
SETTING ARRANGEMENT



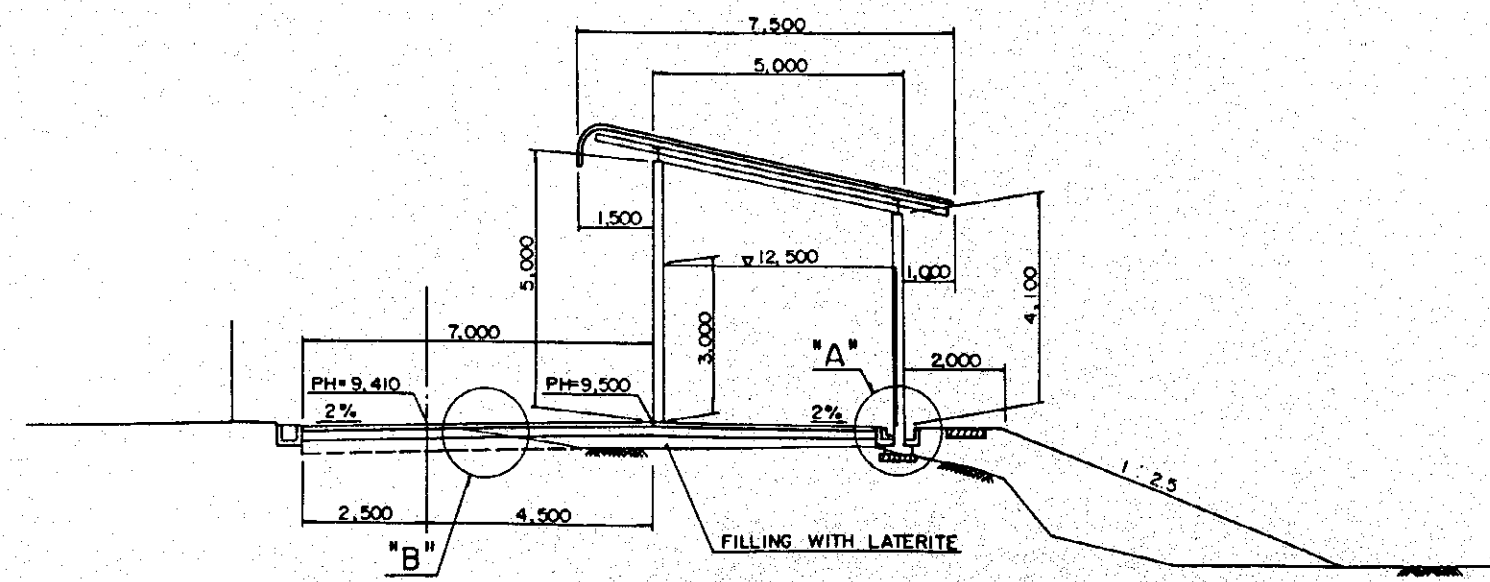
THE MODEL INFRASTRUCTURE WORKS FOR THE DAIRY FARMING DEVELOPMENT PROJECT IN THE CENTRAL REGION OF THE KINGDOM OF THAILAND	
TITLE OF DRAWING : DETAILS OF FACILITIES FOR PADDOCK PATHUM THAN I AI CENTRE	
JAPAN INTERNATIONAL COOPERATION AGENCY TOKYO	DRAWING NO. : 5



DETAIL OF "A"



DETAIL OF "B"



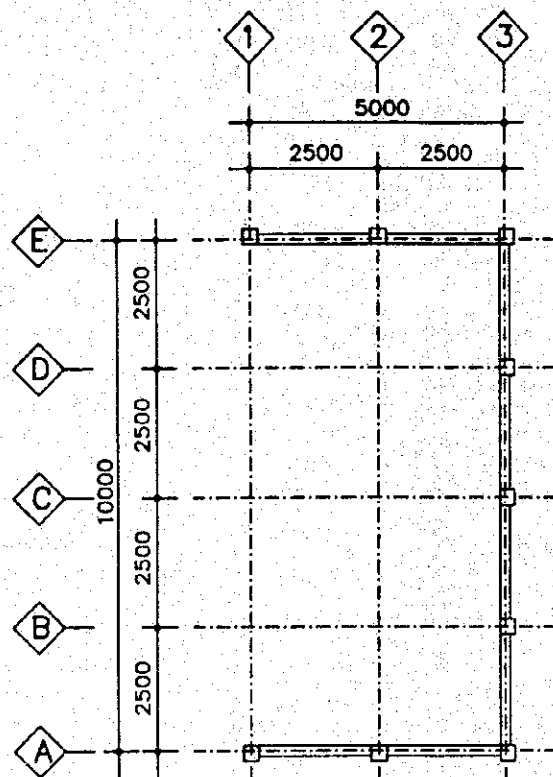
THE MODEL INFRASTRUCTURE WORKS
FOR THE DAIRY FARMING DEVELOPMENT PROJECT
IN THE CENTRAL REGION OF THE KINGDOM OF THAILAND

TITLE OF DRAWING :
GENERAL VIEW OF
MANURE DEPOSIT SHED
PATHUM THANI AI CENTRE

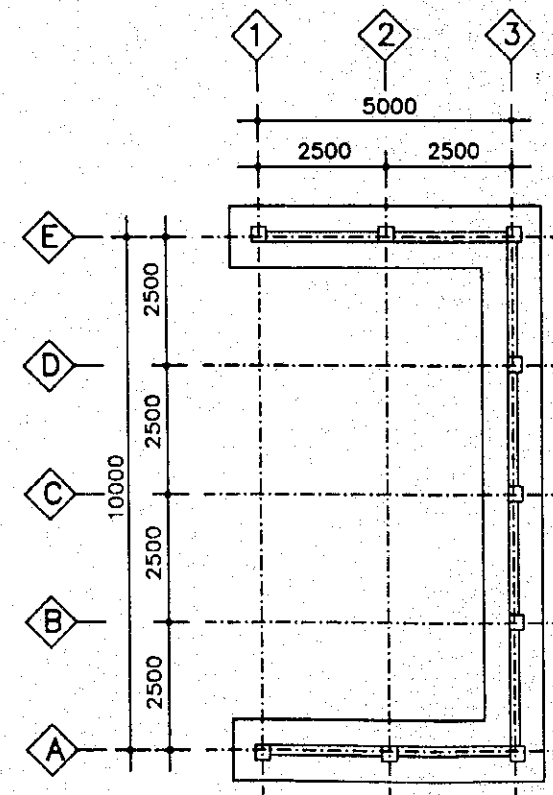
JAPAN INTERNATIONAL COOPERATION AGENCY DRAWING NO. :
TOKYO 6



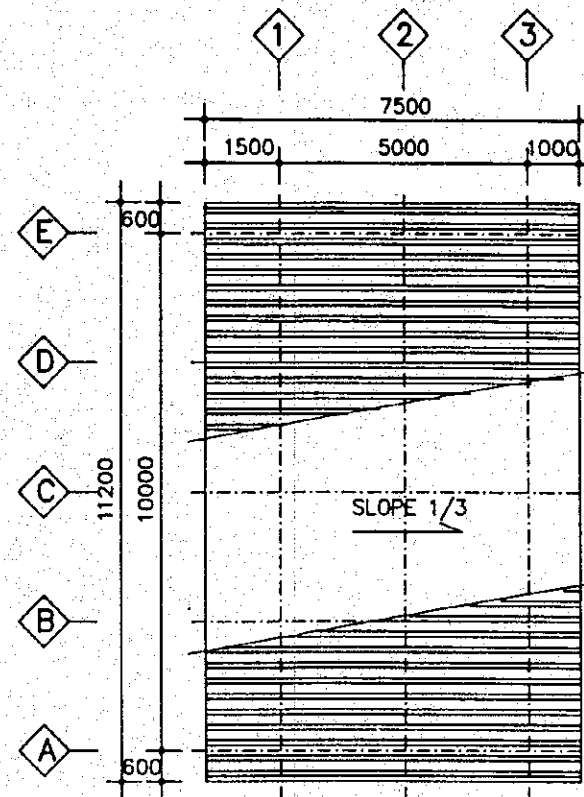
PLAN
SCALE 1:100



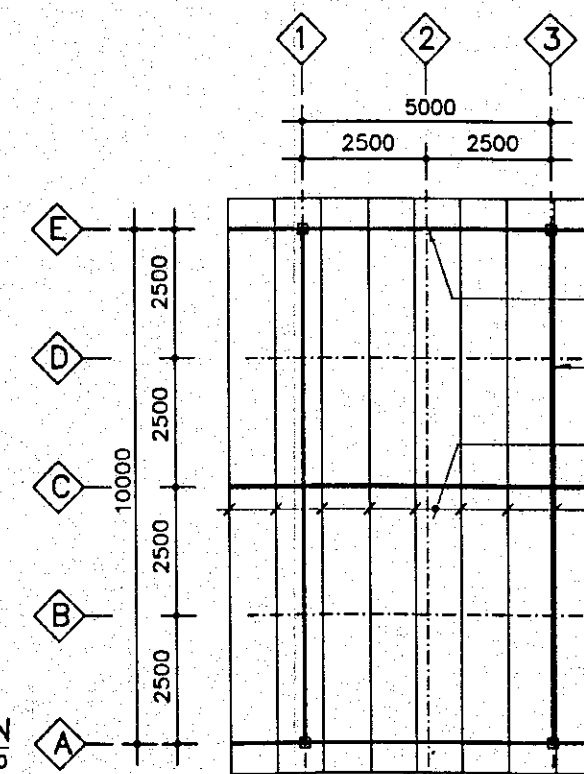
FOUNDATION PLAN
SCALE 1:100



ROOF FRAMING PLAN
SCALE 1:100

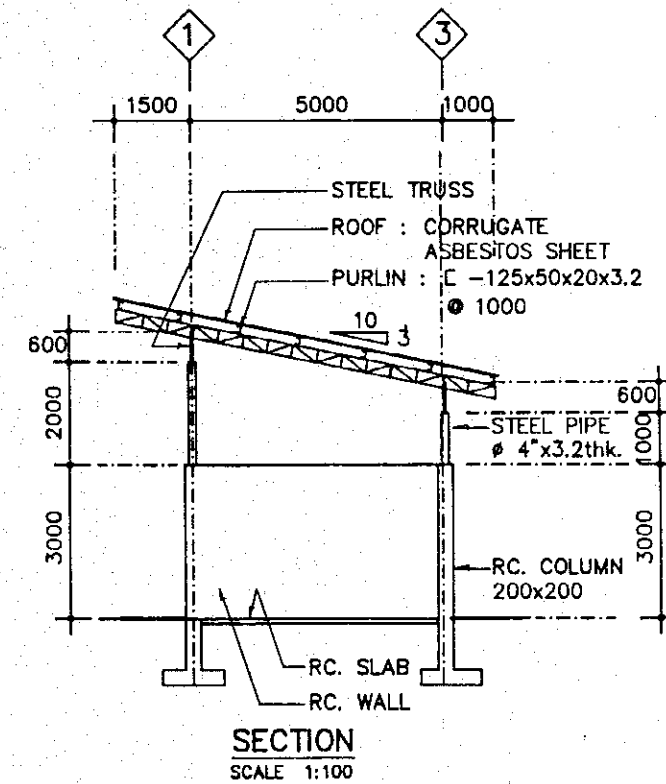
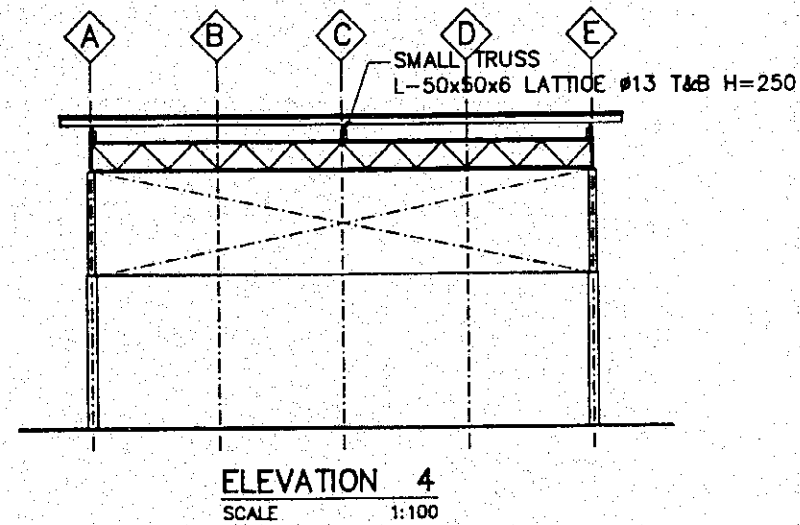
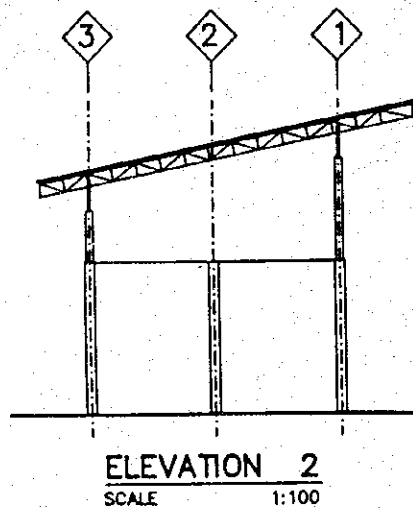
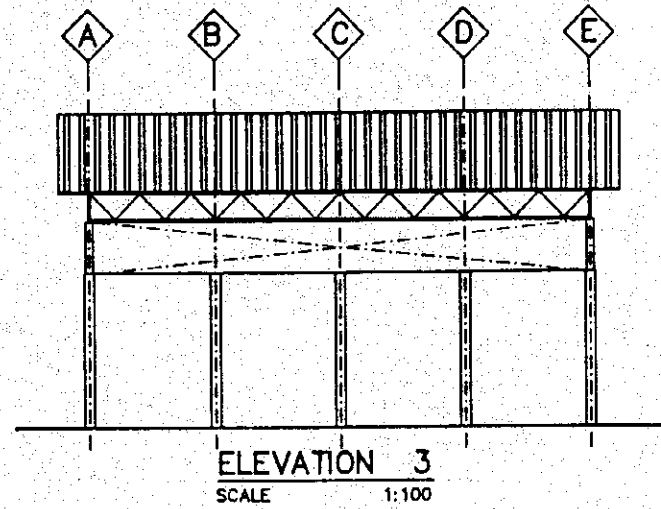
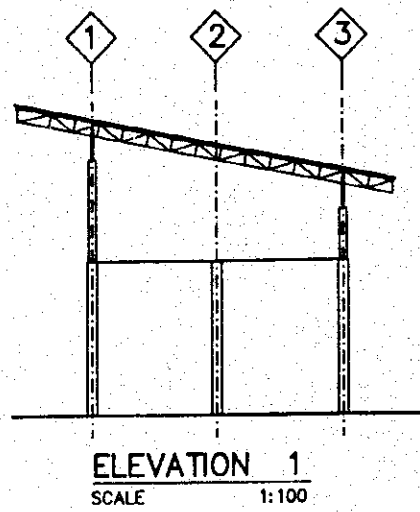


ROOF PLAN
SCALE 1:100

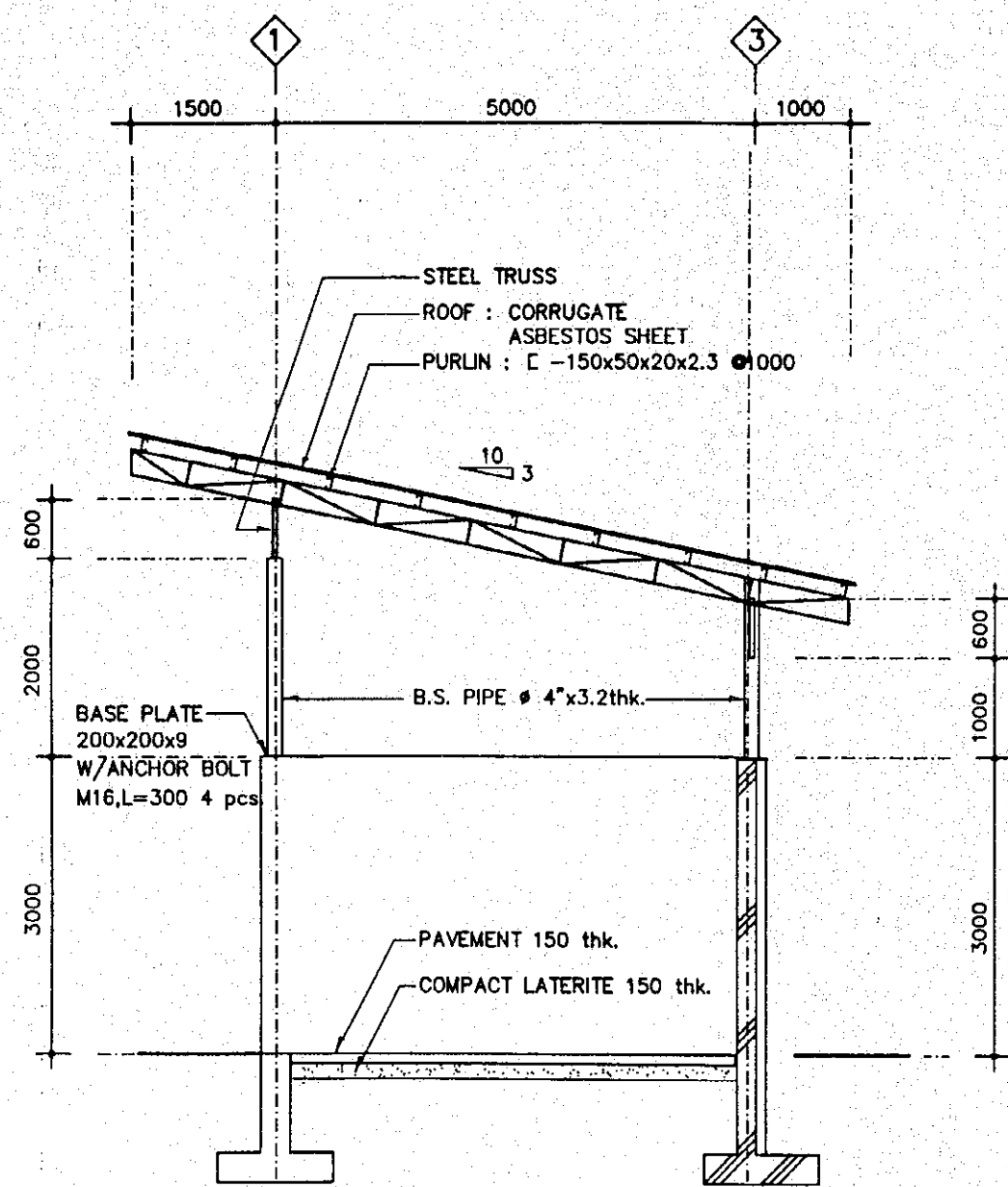


- SMALL TRUSS
L-50x50x6 LATTICE #13 T&B H=250
- STEEL TRUSS
L 65x65x5 LATTICE #16 T&B H=600
- PURLIN C-150x50x20x3.2THK. #1000
● 1000

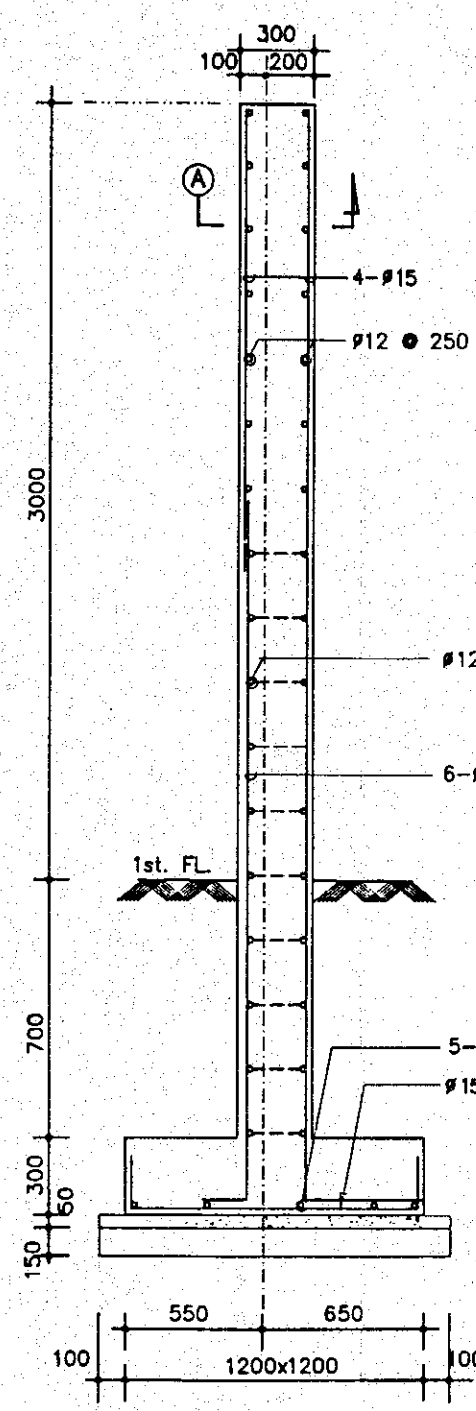
THE MODEL INFRASTRUCTURE WORKS FOR THE DAIRY FARMING DEVELOPMENT PROJECT IN THE CENTRAL REGION OF THE KINGDOM OF THAILAND	
TITLE OF DRAWING : DETAILS OF MANURE DEPOSIT SHED (1/3) PATHUM THANI AI CENTRE	
JAPAN INTERNATIONAL COOPERATION AGENCY TOKYO	DRAWING NO. : T



THE MODEL INFRASTRUCTURE WORKS FOR THE DAIRY FARMING DEVELOPMENT PROJECT IN THE CENTRAL REGION OF THE KINGDOM OF THAILAND	
TITLE OF DRAWING : DETAILS OF MANURE DEPOSIT SHED (2/3) PATHUM THANI AI CENTRE	
JAPAN INTERNATIONAL COOPERATION AGENCY TOKYO	DRAWING NO. : 8

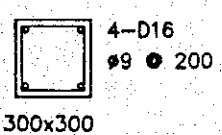


SECTION
SCALE 1:50

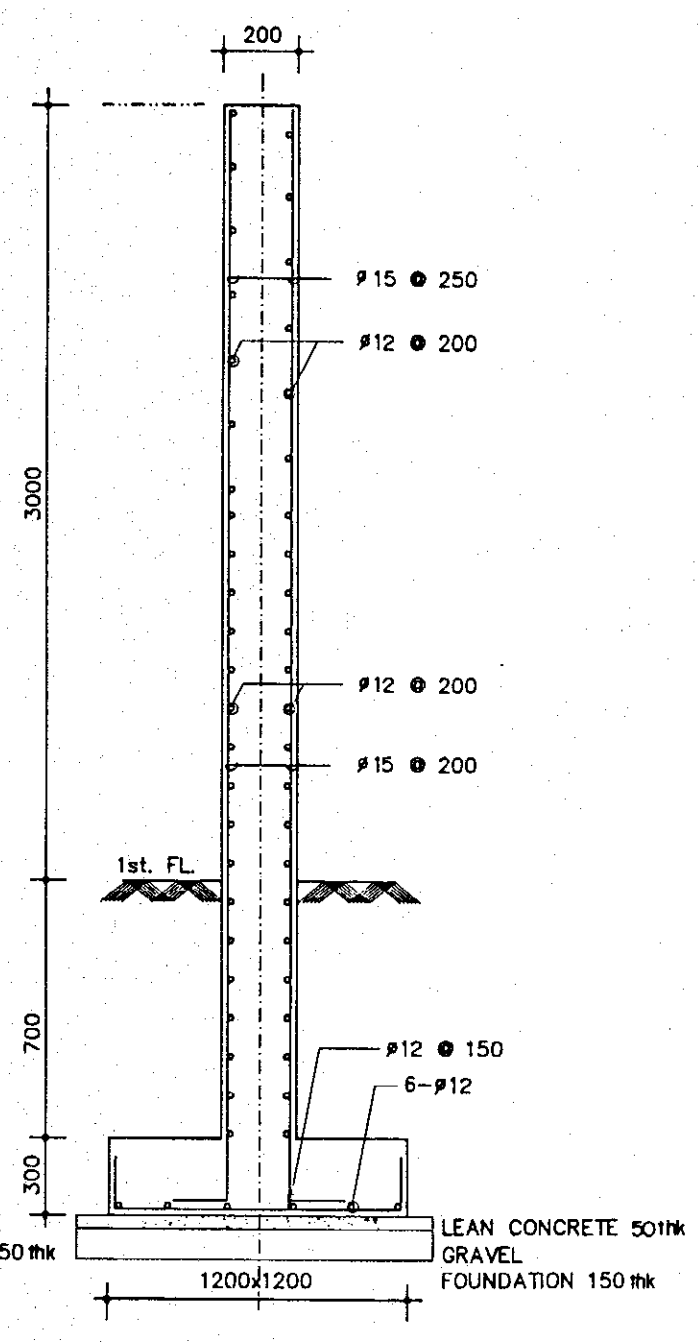


DETAIL FOOTING
SCALE 1:20

COLUMN



SECTION A
SCALE 1:20



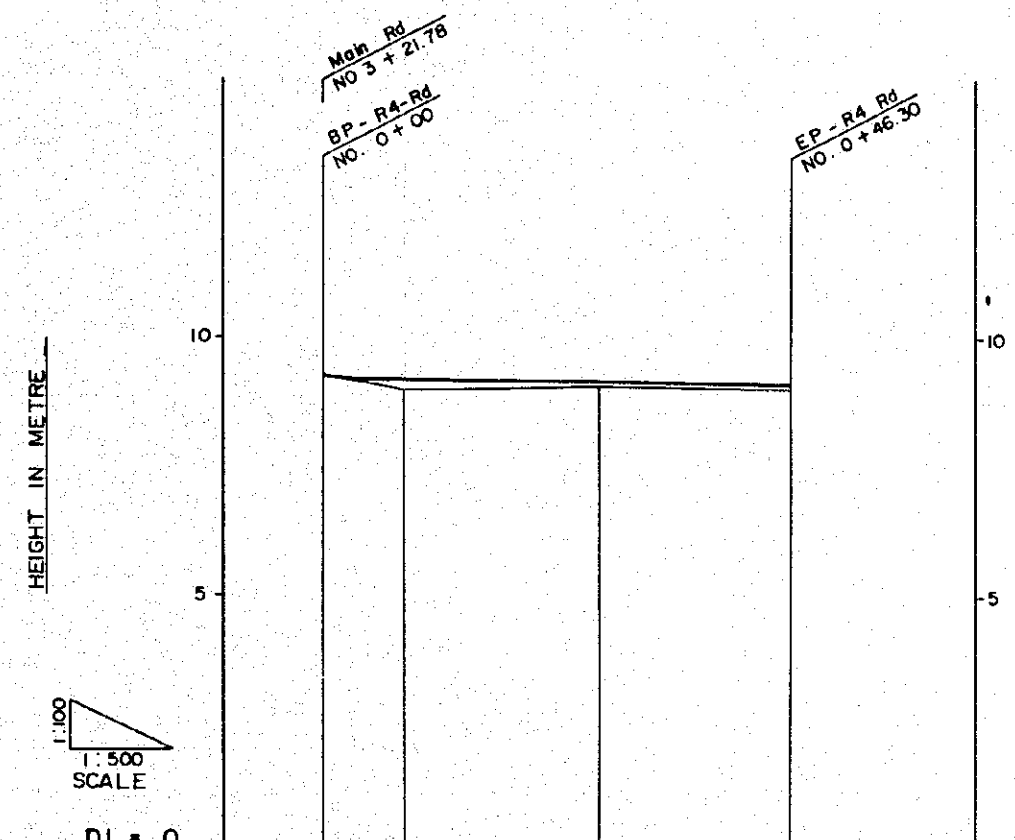
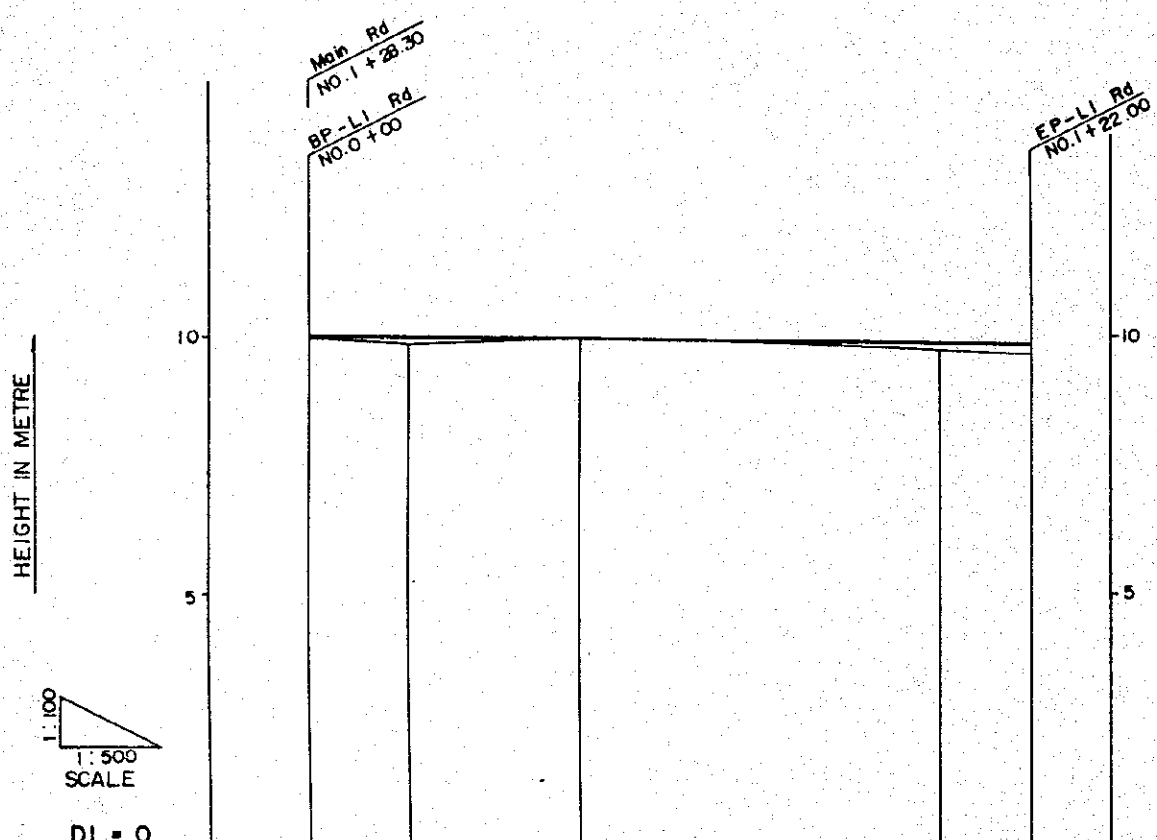
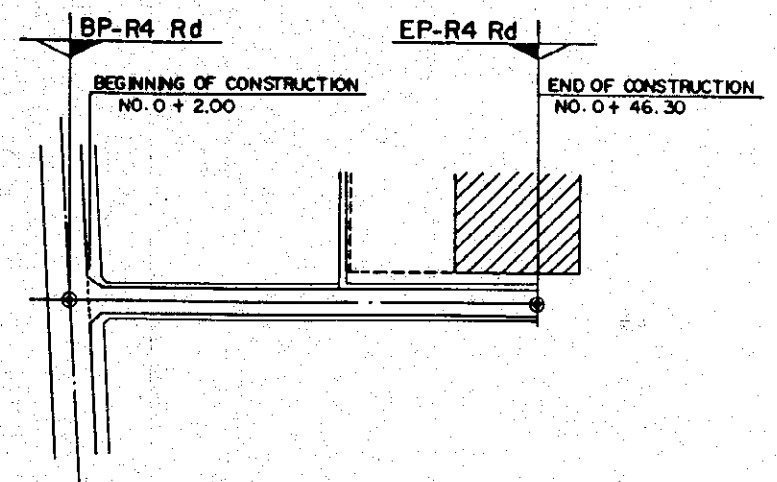
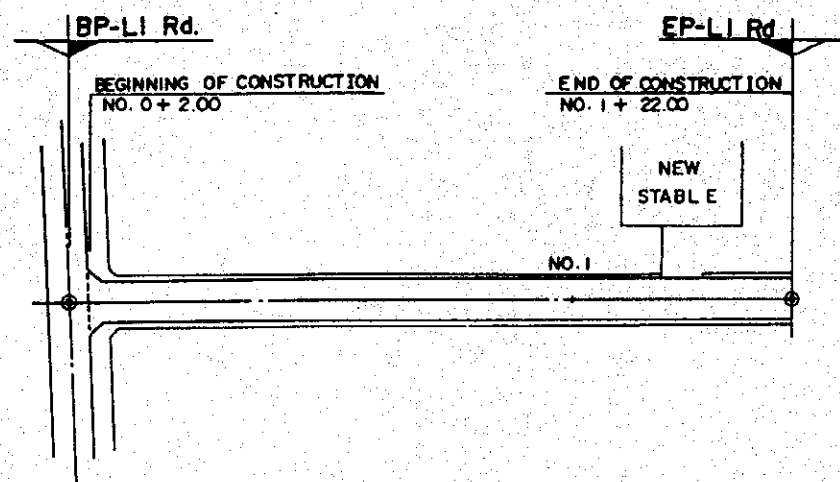
DETAIL FOOTING
SCALE 1:20

WALL

THE MODEL INFRASTRUCTURE WORKS
FOR THE DAIRY FARMING DEVELOPMENT PROJECT
IN THE CENTRAL REGION OF THE KINGDOM OF THAILAND

TITLE OF DRAWING :
DETAILS OF MANURE
DEPOSIT SHED (3/3)
PATHUM THANI AI CENTRE

JAPAN INTERNATIONAL COOPERATION AGENCY DRAWING NO. :
TOKYO 9



DL = 0

PROPOSED HEIGHT (m)	8.96 8.92	8.91	8.88	8.85	8.83	8.82
EXISTING GROUND HEIGHT (m)	8.96	8.86	8.98		8.71	
ACCUMULATED DISTANCE (m)	0.00 2.00	10.00	27.00	50.00	63.20	72.00
DISTANCE (m)	0.00 2.00	8.00	17.00	23.00	13.20	8.80
STATION	BP NO. 0 +2.0	+10.0	+27.0	NO. 1 +23.00	+13.20	+22.00

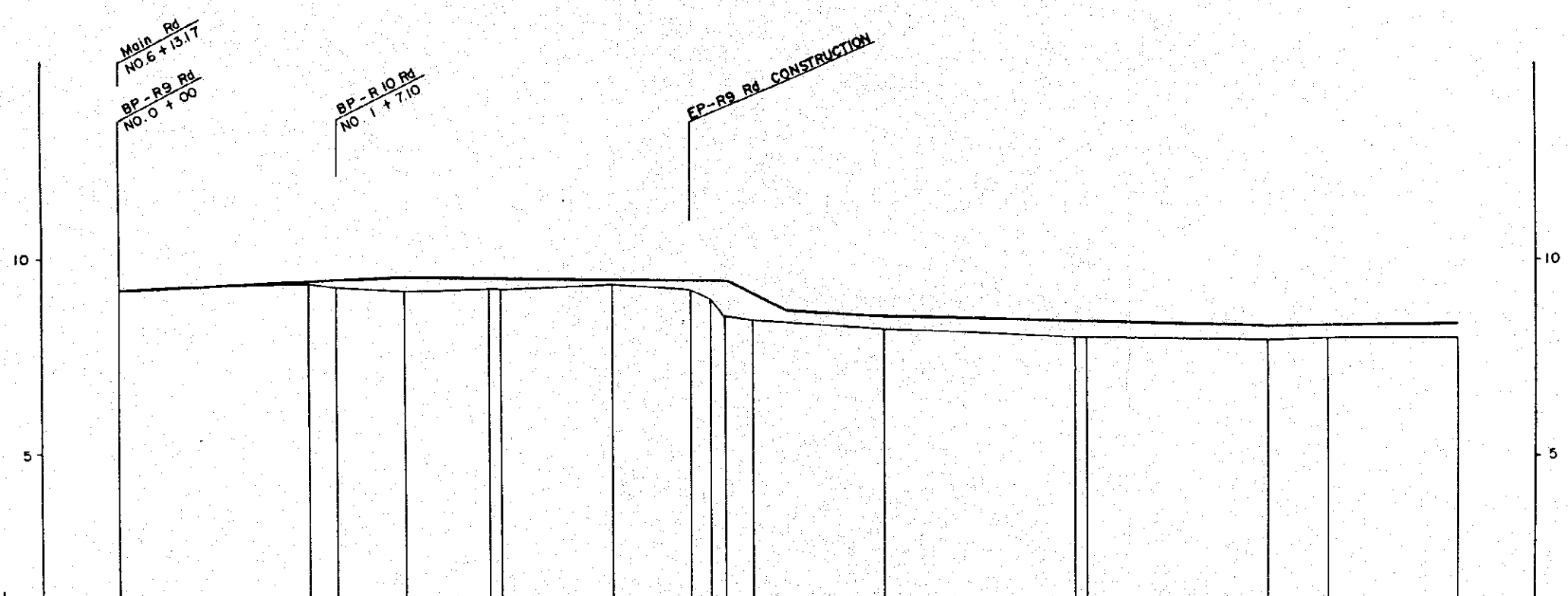
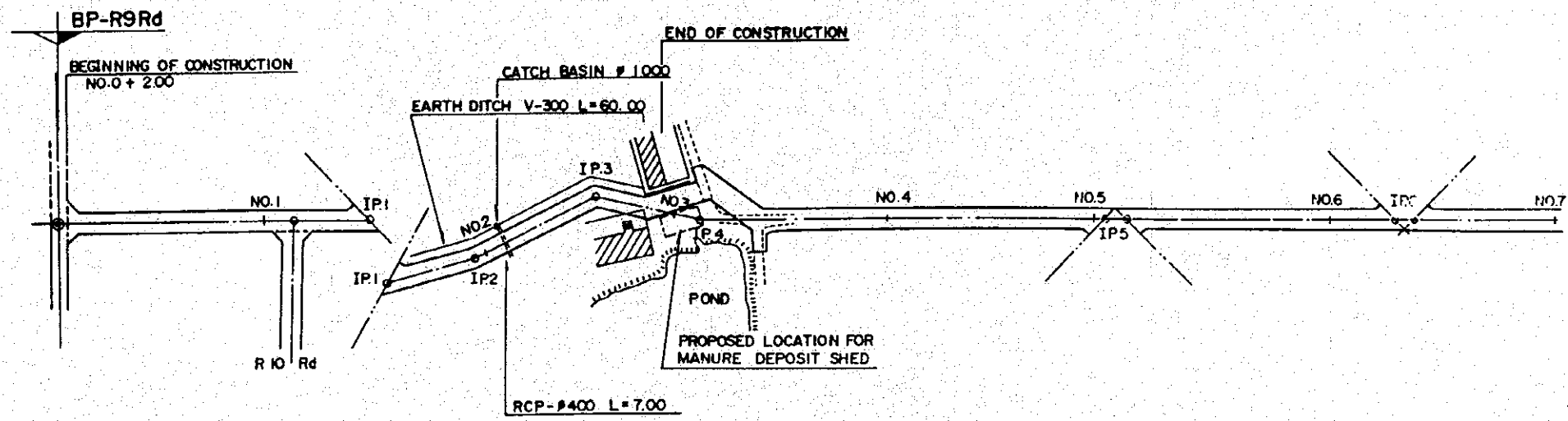
DL = 0

PROPOSED HEIGHT (m)	9.26 9.22	9.20	9.15	9.10
EXISTING GROUND HEIGHT (m)	9.26	8.98	9.04	9.00
ACCUMULATED DISTANCE (m)	0.00 2.00	8.20	27.60	46.30
DISTANCE (m)	0.00 2.00	6.20	19.40	18.70
STATION	BP NO. 0 +2.0	+8.2	+27.6	EP +46.3

THE MODEL INFRASTRUCTURE WORKS
FOR THE DAIRY FARMING DEVELOPMENT PROJECT
IN THE CENTRAL REGION OF THE KINGDOM OF THAILAND

TITLE OF DRAWING :
PLAN AND PROFILE
OF L1 AND R4 ROADS
PATHUM THANI AI CENTRE

JAPAN INTERNATIONAL COOPERATION AGENCY DRAWING NO. :
TOKYO 10



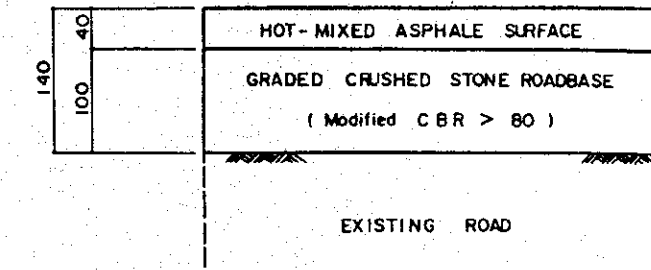
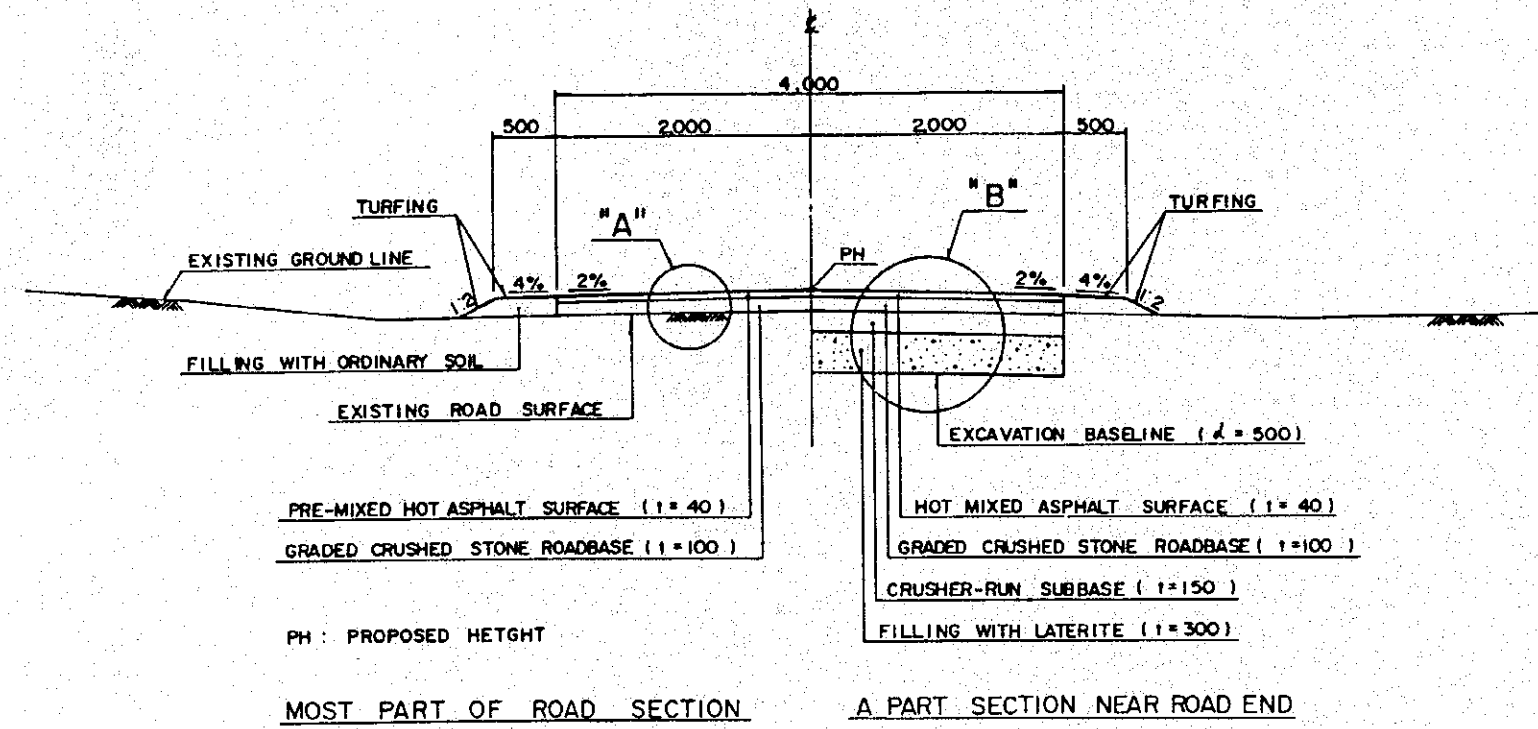
	DL = 1																		
PROPOSED HEIGHT (m)	9.08		9.36	9.40	9.50	9.47	9.47	9.44	9.41	9.41	9.40	8.65	8.50		8.38	8.37	8.25	8.28	8.35
EXISTING GROUND HEIGHT (m)	9.08		9.32	9.21	9.12	9.20	9.18	9.32	9.19	8.96	8.49	8.41	8.15		7.95	7.96	7.88	7.95	7.99
ACCUMULATED DISTANCE (m)	0.00		50.00	57.10	75.10	96.80	100.00	129.50	150.00	155.20	159.00	166.00	175.00	200.00	250.00	253.20	300.00	316.00	350.00
DISTANCE (m)	0.00		50.00	7.10	18.00	21.70	3.20	29.50	20.50	5.20	3.80	7.00	9.00	25.00	50.00	3.20	46.80	16.00	34.00
STATION	BP NO. 0		NO. 1 + 7.1		+75.1	+96.8	NO. 2 + 100.0	+29.5	NO. 3 + 150.0	+52	+9.0	+160	+2.5	NO. 4 + 200.0	NO. 5 + 250.0	+3.2	NO. 6 + 300.0	+16.0	NO. 7 + 350.0
CURVE BAND	BP				IP1 IA*50*19	IP2 IA*18*02		IP3 IA*42*06	IP4 IA*16*36					IP5 IA*9*04				IP6 IA*9*53	

THE MODEL INFRASTRUCTURE WORKS
FOR THE DAIRY FARMING DEVELOPMENT PROJECT
IN THE CENTRAL REGION OF THE KINGDOM OF THAILAND

TITLE OF DRAWING :
PLAN AND PROFILE
OF R9 ROADS
PATHUM THANI AI CENTRE

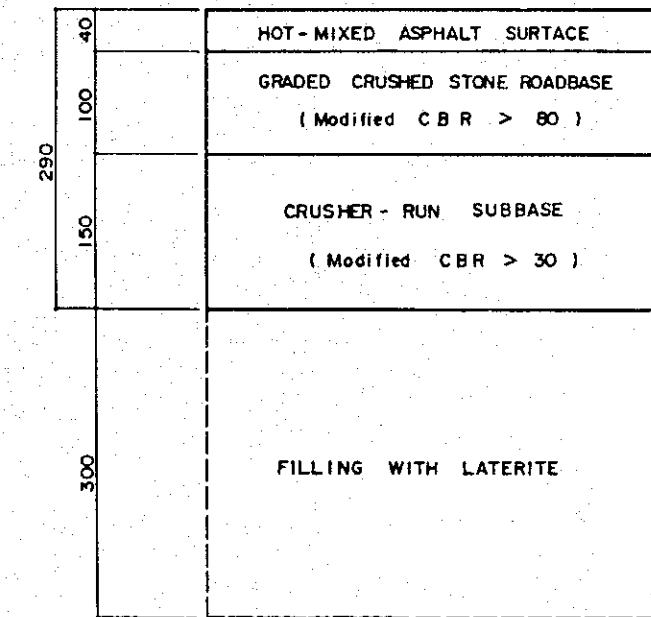
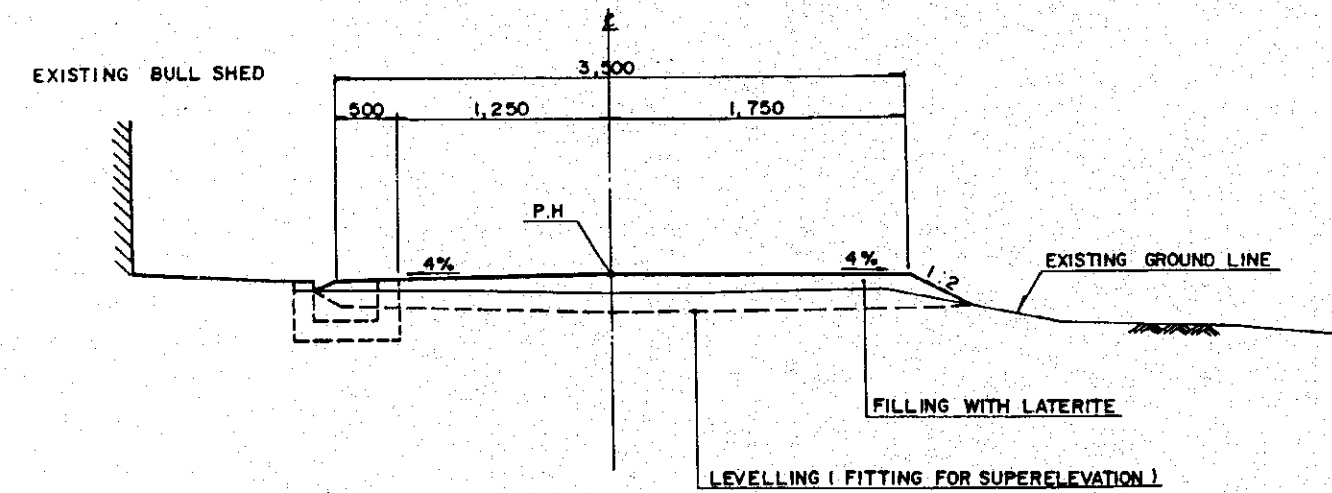
JAPAN INTERNATIONAL COOPERATION AGENCY TOKYO DRAWING NO. :
11

TYPICAL CROSS SECTION OF ROADS TO BE PAVED
(ARTIFICIAL INSEMINATION CENTRE IN PATHUM THANI)



DETAILS OF "A" SCALE 1:5

TYPICAL CROSS SECTION OF L1 ROAD SCALE 1:40



DETAILS OF "B" SCALE 1:5

TYPICAL CROSS SECTION OF R4 ROAD SCALE 1:30

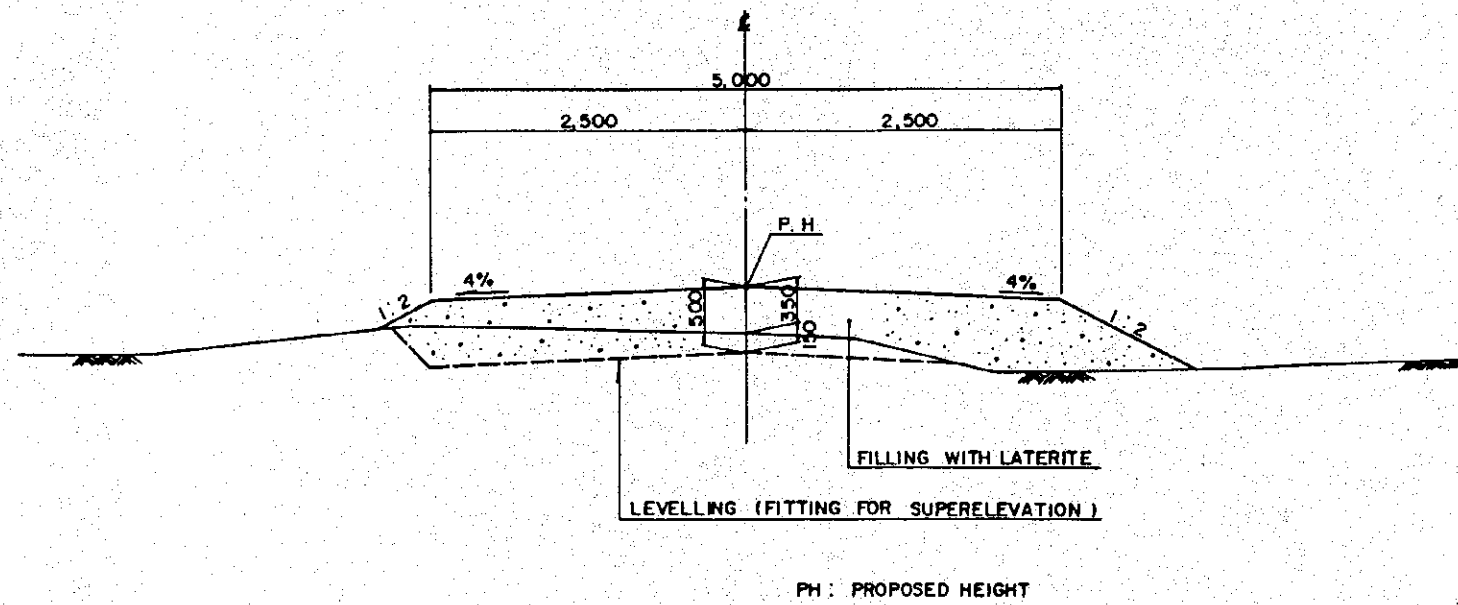
THE MODEL INFRASTRUCTURE WORKS
FOR THE DAIRY FARMING DEVELOPMENT PROJECT
IN THE CENTRAL REGION OF THE KINGDOM OF THAILAND

TITLE OF DRAWING :
TYPICAL CROSS SECTIONS
OF L1 AND R4 ROADS
PATHUM THANI AI CENTRE

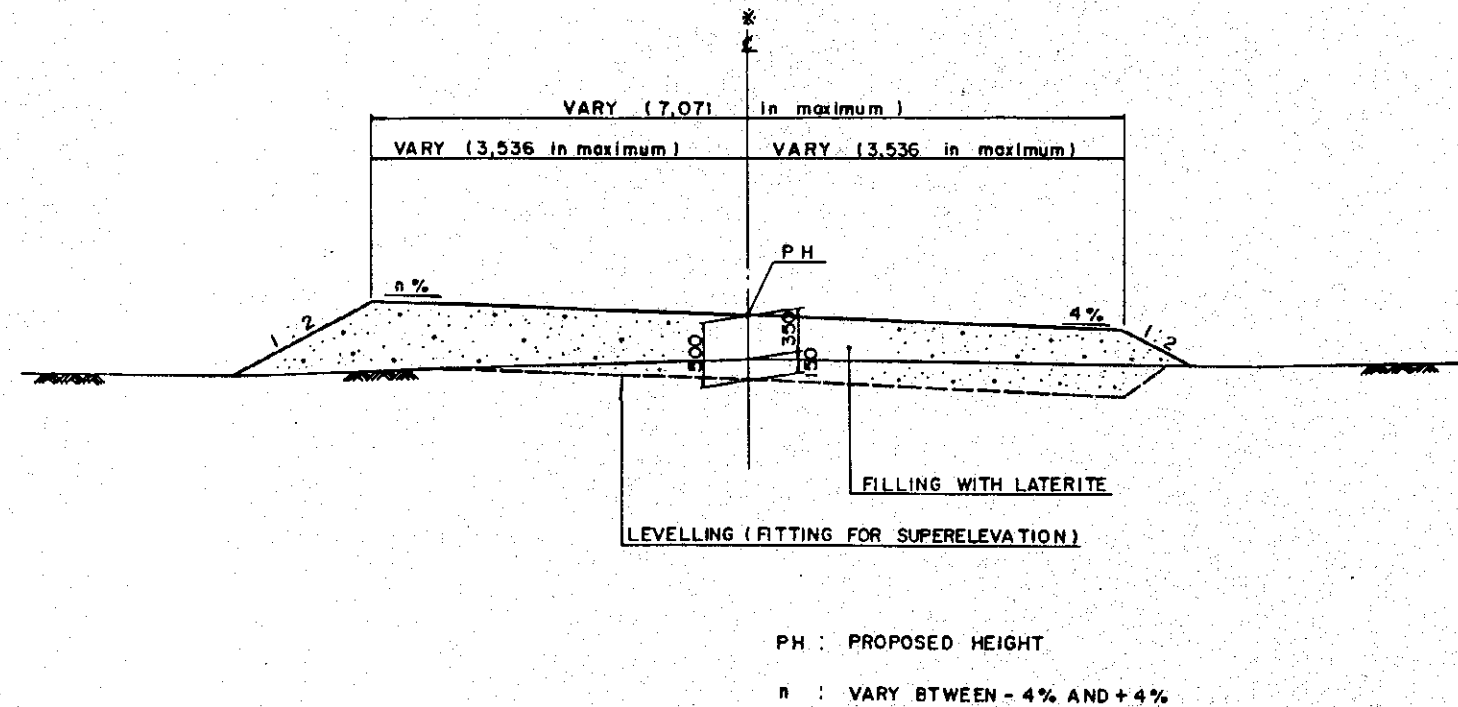
JAPAN INTERNATIONAL COOPERATION AGENCY
TOKYO

DRAWING NO. :
12

TYPICAL CROSS SECTION OF LATERITE ROADS (R9, R10 & FARM ROAD)
 (ARTIFICIAL INSEMINATION CENTRE IN PATHUM THANI)



TYPICAL CROSS SECTION OF R9 ROAD
 SCALE 1:40

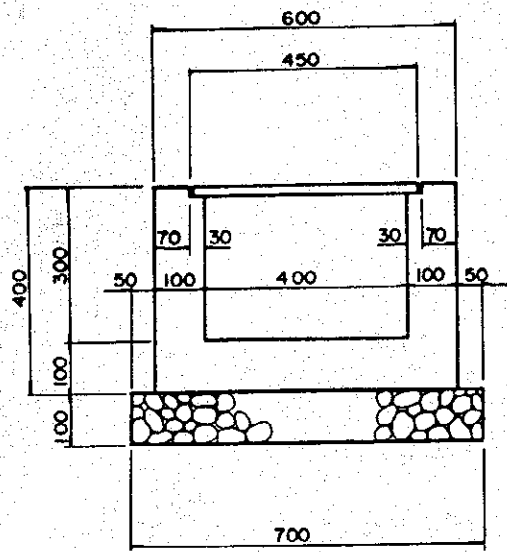


* Note : ABOVE CROSS SECTION WILL NOT BE APPLIED
 IN THE MODEL INFRASTRUCTURE WORKS.

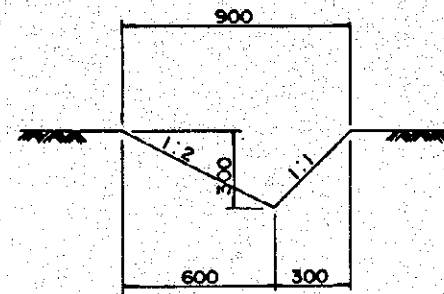
THE MODEL INFRASTRUCTURE WORKS FOR THE DAIRY FARMING DEVELOPMENT PROJECT IN THE CENTRAL REGION OF THE KINGDOM OF THAILAND	
TITLE OF DRAWING : TYPICAL CROSS SECTIONS OF R9 ROAD PATHUM THANI AI CENTRE	
JAPAN INTERNATIONAL COOPERATION AGENCY TOKYO	DRAWING NO. : 13

DETAILS OF DRAINAGE STRUCTURES

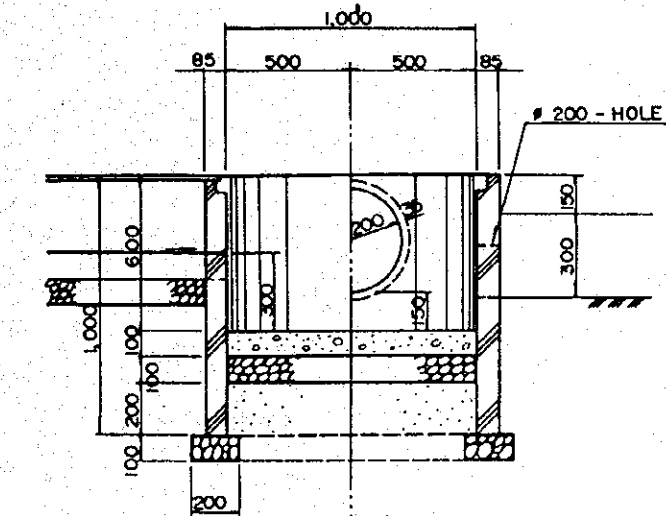
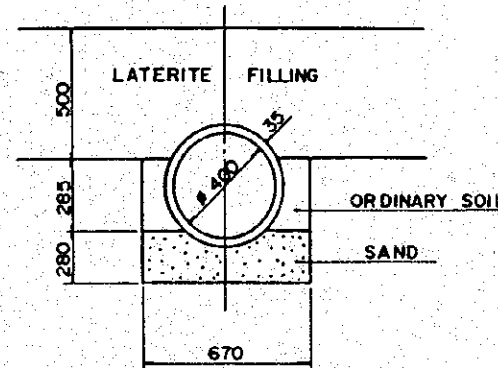
SCALE 1:10 / 1:20



U-GUTTER 400x300

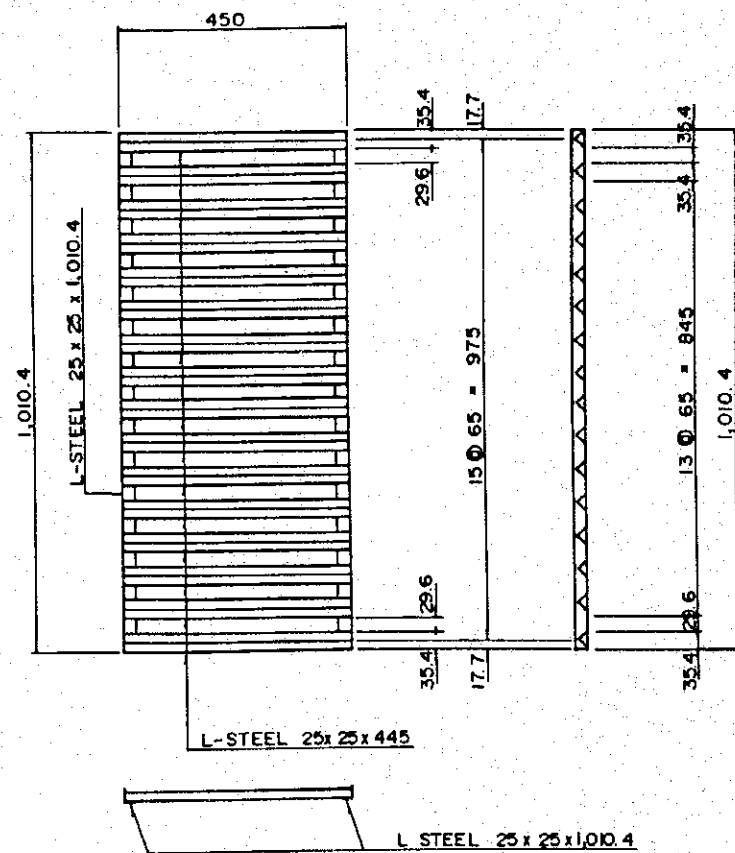


EARTH DITCH V-300

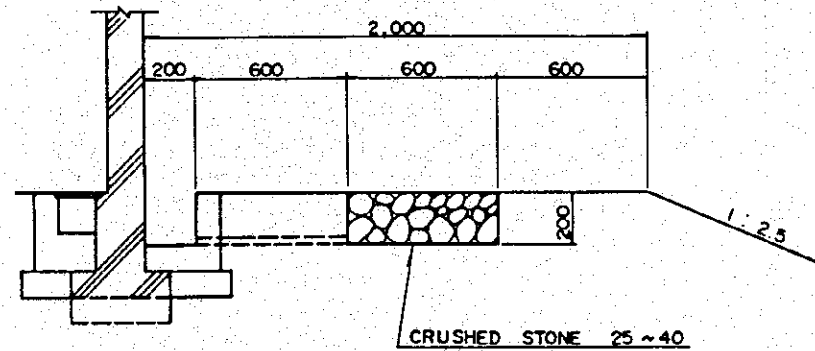


CATCH BASIN FOR Paddock

CATCH BASIN FOR RIO RD



STONE DRAIN 600x200

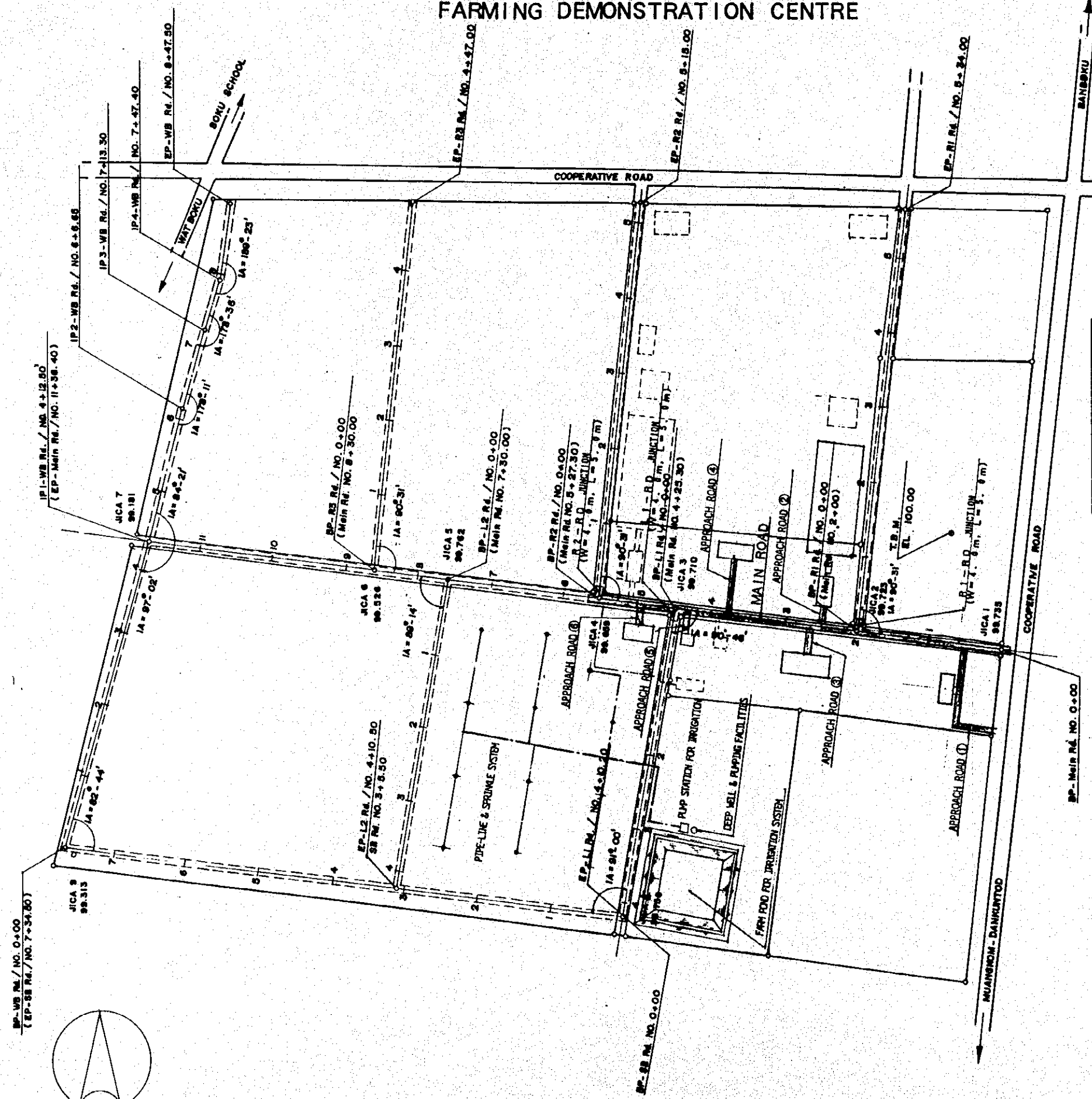


THE MODEL INFRASTRUCTURE WORKS
FOR THE DAIRY FARMING DEVELOPMENT PROJECT
IN THE CENTRAL REGION OF THE KINGDOM OF THAILAND

TITLE OF DRAWING :
DETAILS
OF DRAINAGE STRUCTURES
PATHUM THANI AI CENTRE

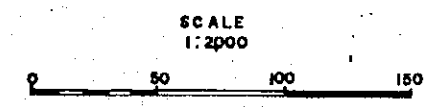
JAPAN INTERNATIONAL COOPERATION AGENCY DRAWING NO. :
TOKYO 14

GENERAL PLAN OF CHAI BADAN DAIRY FARMING DEMONSTRATION CENTRE



ROAD WORK

NO.	NAME OF BUILDING	LENGTH OF ROAD	REMARKS
	MAIN ROAD	293.9	Asphalt pavement E=5.0m
	JUNCTION OF LATERAL ROAD	15.0	Asphalt pavement E=4.0m
1	OFFICE BUILDING	90.0	Asphalt pavement E=4.0m
2	MILKING COW SHED	11.0	-
3	TRAINING BUILDING	16.0	-
4	HAY STRAGE	36.0	-
5	HOUSES FOR OFFICERS	15.0	-
6	WARE HOUSE FOR FARM	12.0	-
	SUB TOTAL	160.0	
	TOTAL	460.9	



THE MODEL INFRASTRUCTURE WORKS
FOR THE DAIRY FARMING DEVELOPMENT PROJECT
IN THE CENTRAL REGION OF THE KINGDOM OF THAILAND

TITLE OF DRAWING :
**GENERAL PLAN
CHAI BADAN DAIRY FARMING DEMONSTRATION CENTRE**

JAPAN INTERNATIONAL COOPERATION AGENCY DRAWING NO. :
TOKYO 15

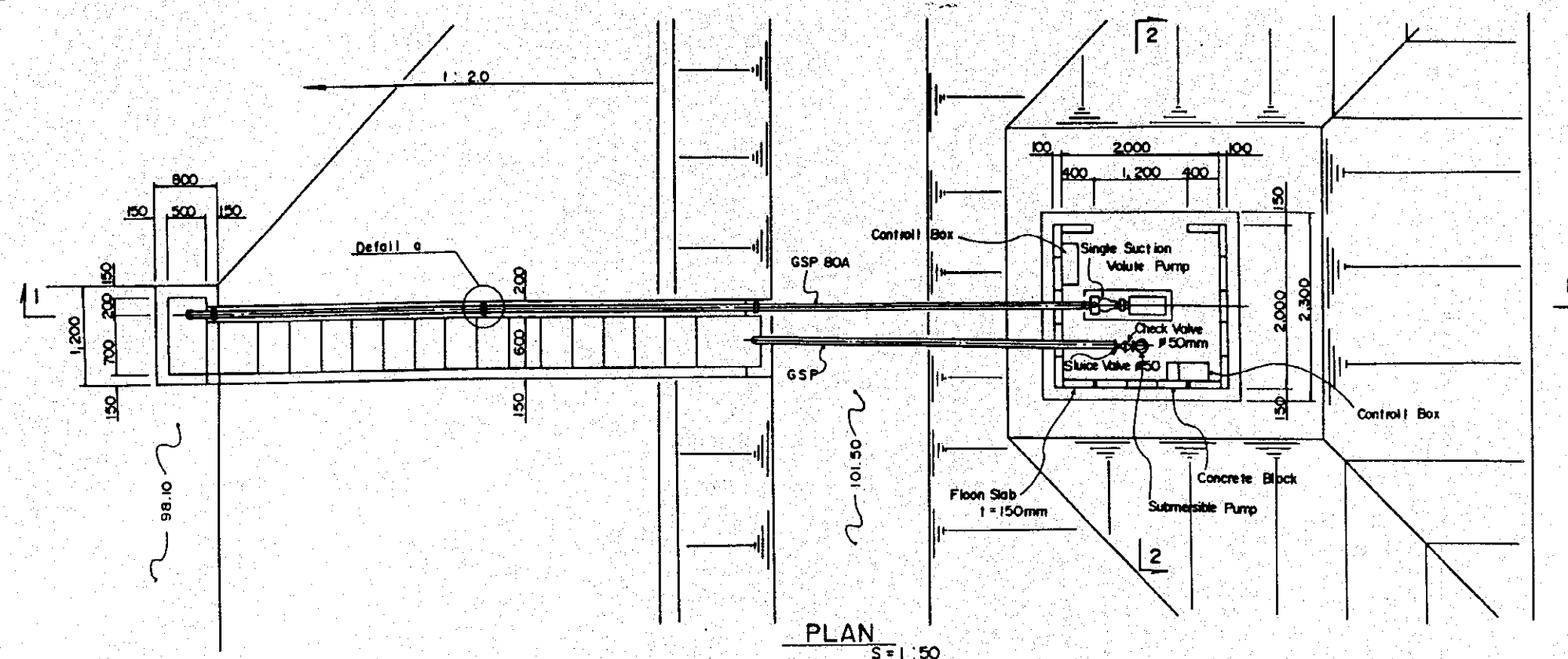
SPECIFICATION OF PUMP AND WELL

Irrigation Pump

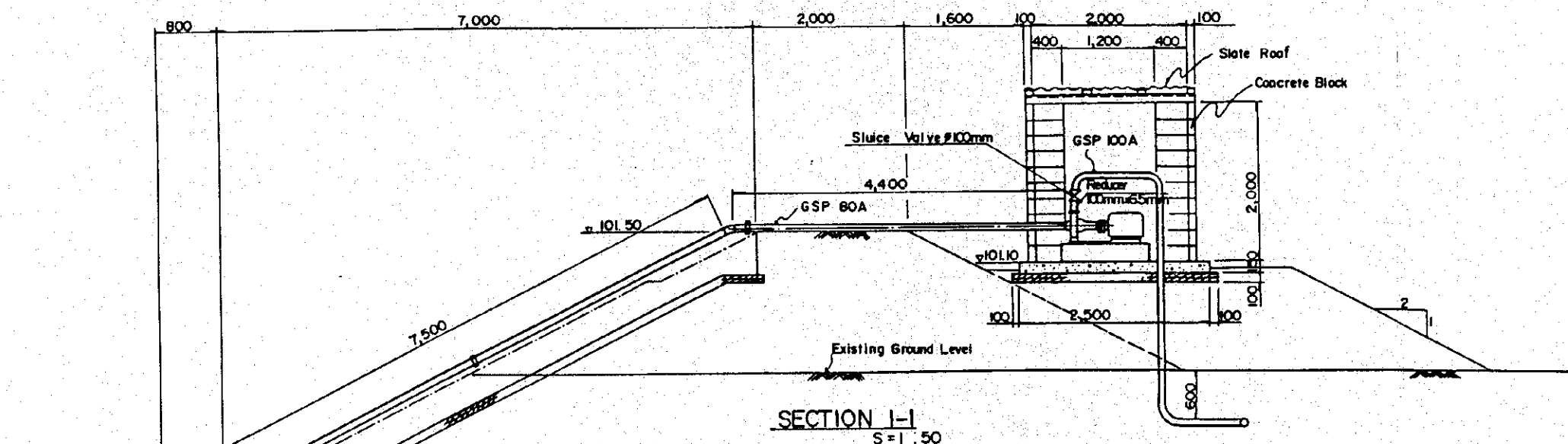
Type	Volute
Capacity	750 l/min
Diameter	80 x 65
Total Pump Head	75 m
Out Put of Motor	22 kw

Deep Well Pump

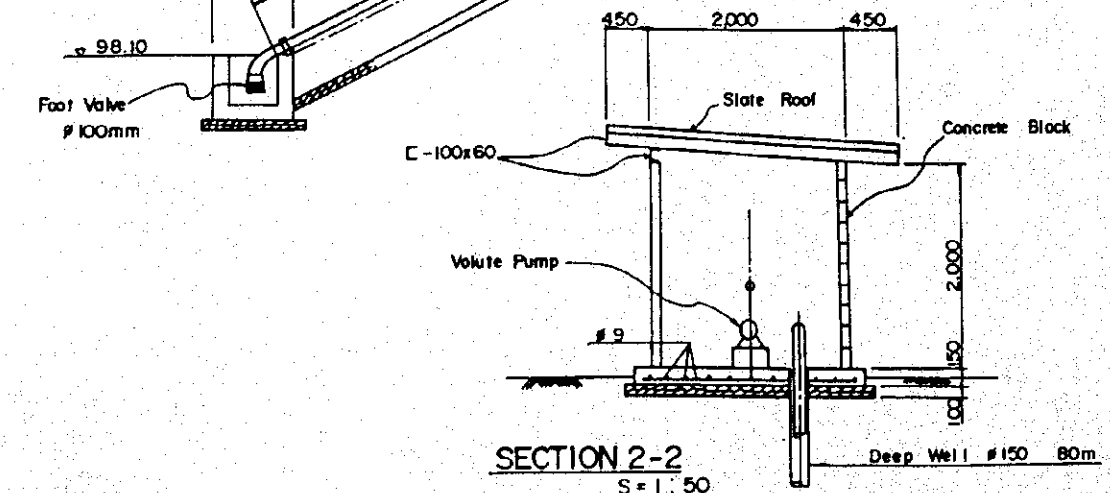
Type	Submersible motor
Capacity	250 l/min
Diameter	φ 50 mm
Output of Motor	2.2 kw
Diameter of Well	150 mm
Depth of Well	80 m
Discharge	250 l/min



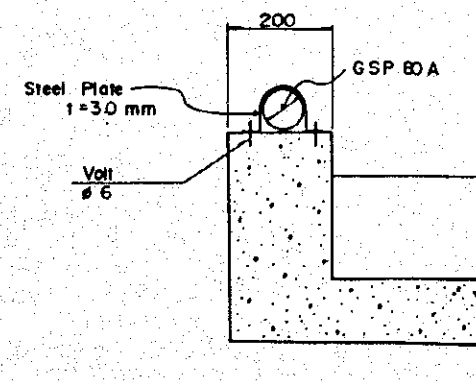
PLAN
S=1:50



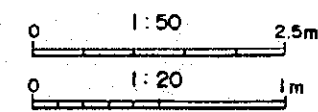
SECTION 1-1
S=1:50



SECTION 2-2
S=1:50



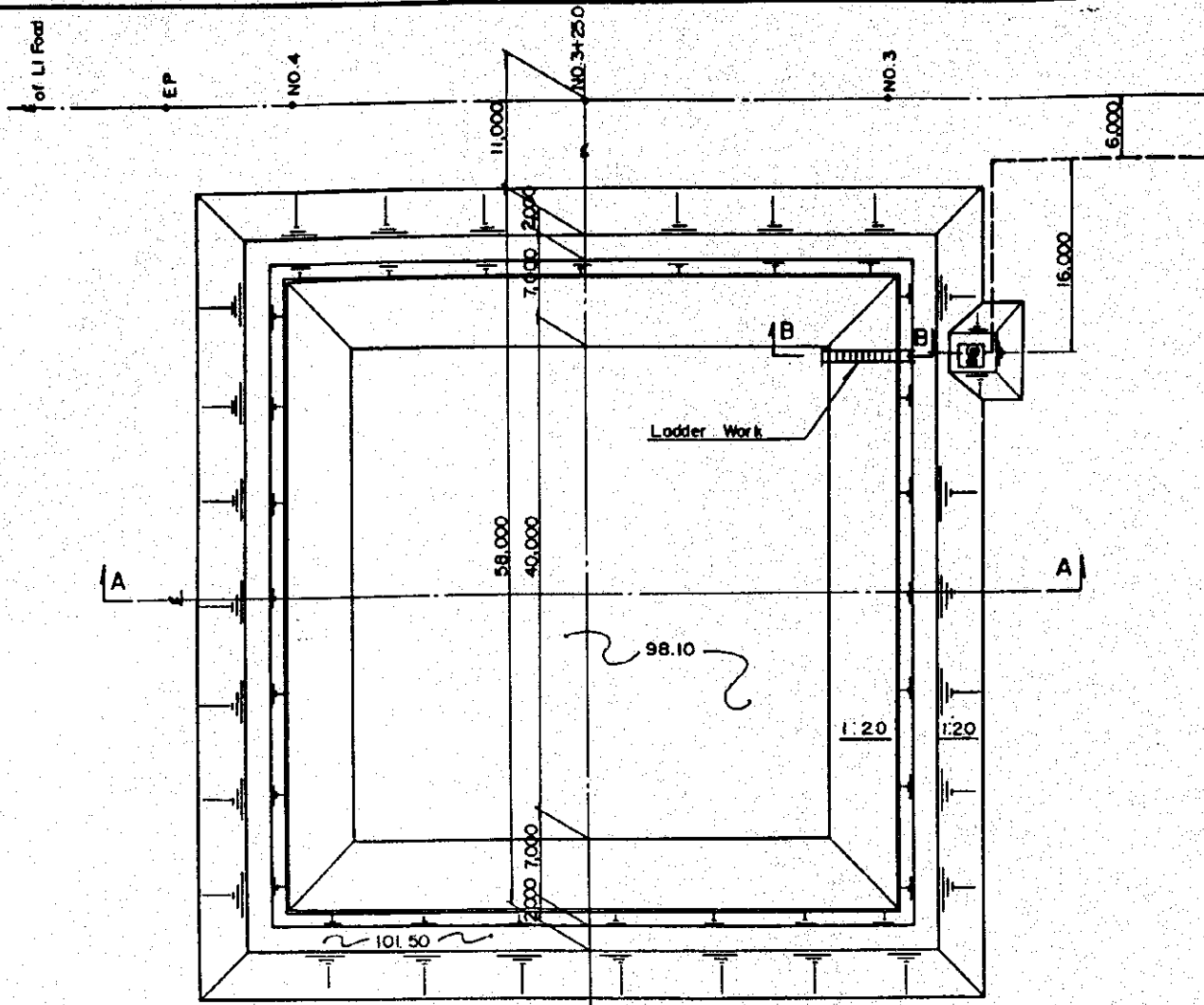
DETAIL a
S=1:20



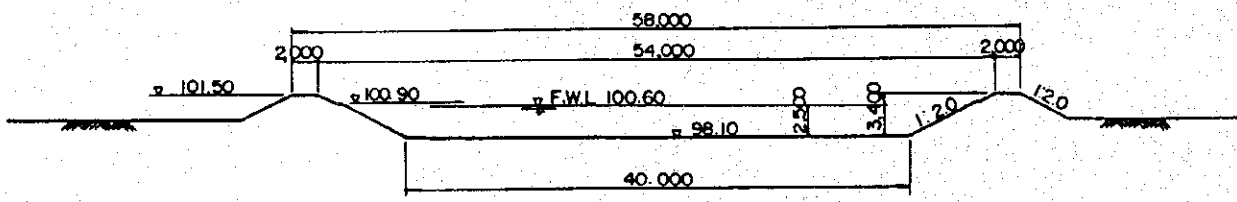
THE MODEL INFRASTRUCTURE WORKS
FOR THE DAIRY FARMING DEVELOPMENT PROJECT
IN THE CENTRAL REGION OF THE KINGDOM OF THAILAND

TITLE OF DRAWING :
PUMPING STATION
AND DEEP WELL
CHAT BADAN DAIRY FARMING DEMONSTRATION CENTRE

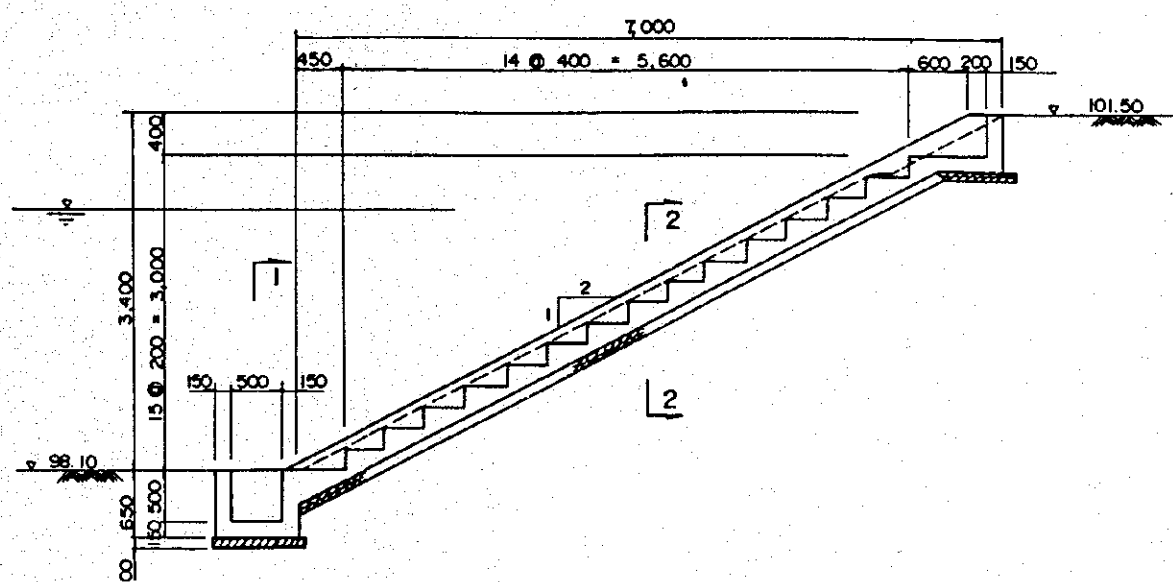
JAPAN INTERNATIONAL COOPERATION AGENCY TOKYO DRAWING NO. : 16



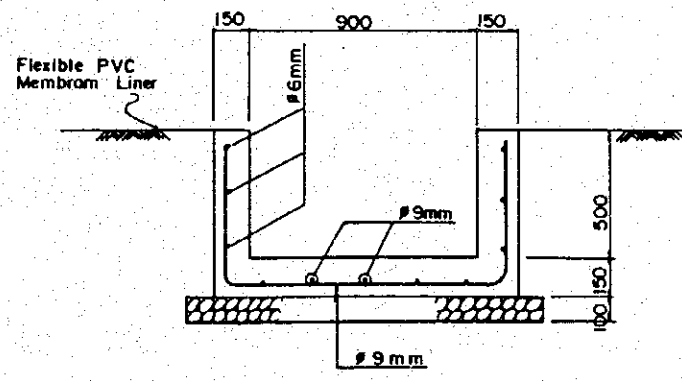
PLAN S=1:400



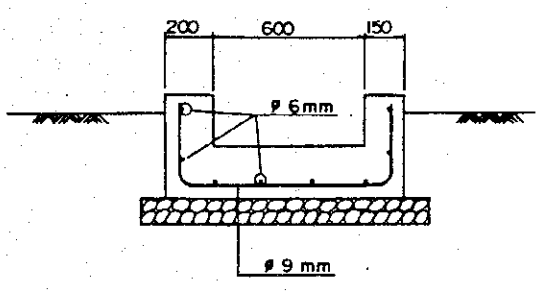
SECTION A-A S=1:400



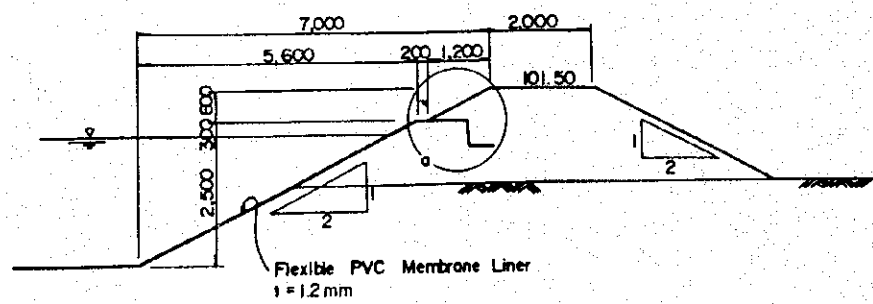
SECTION B-B S=1:50



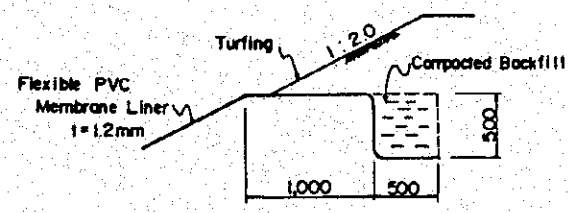
SECTION 1-1 S=1:20



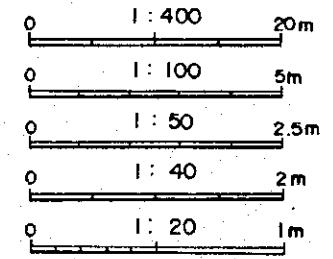
SECTION 2-2 S=1:20



CROSS SECTION OF EMBANKMENT S=1:100



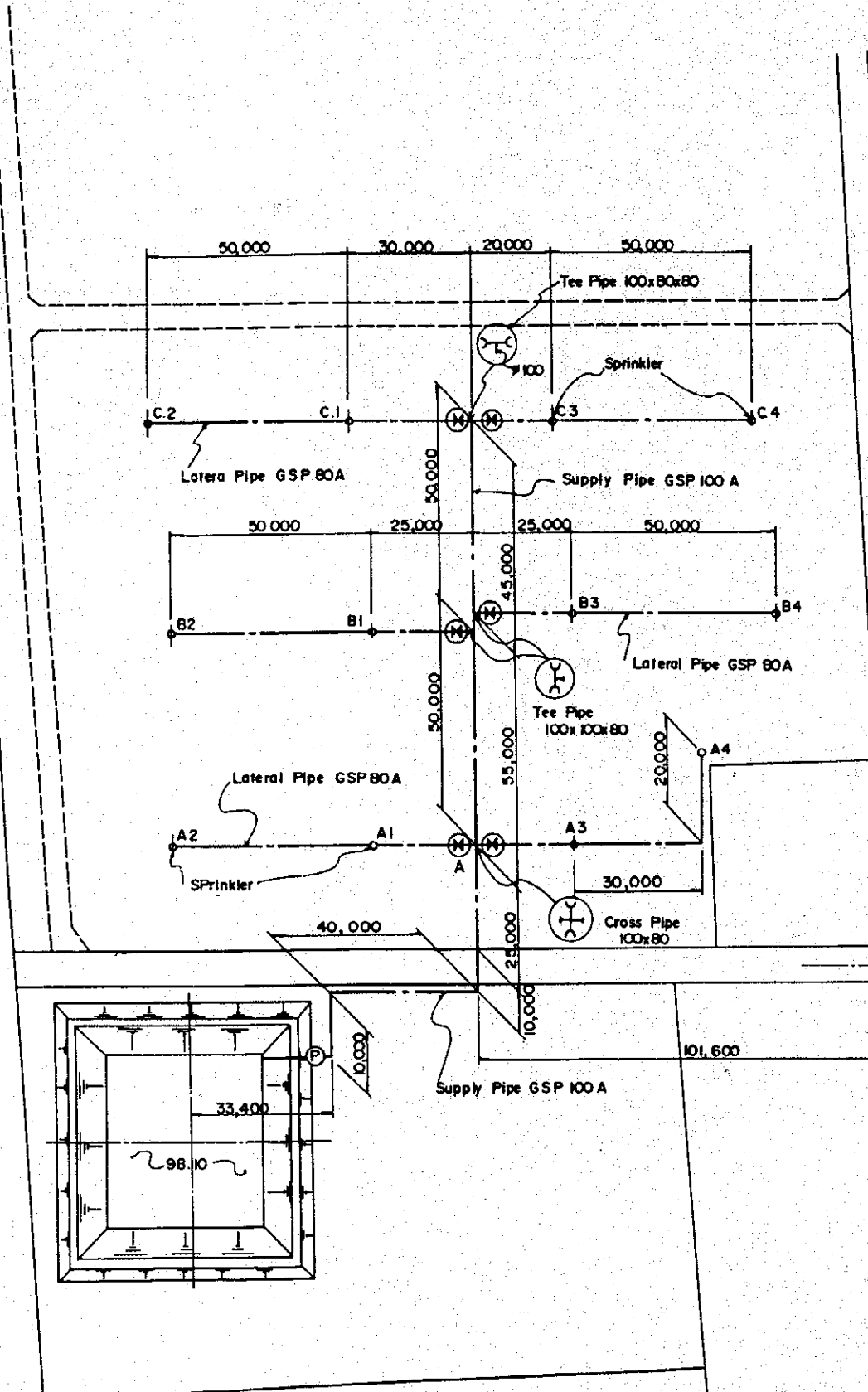
DETAIL OF "a" S=1:40



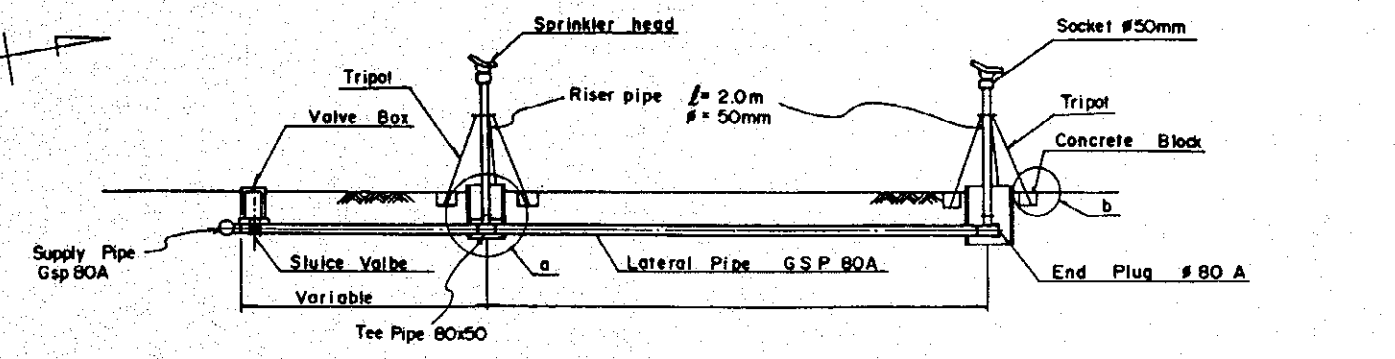
THE MODEL INFRASTRUCTURE WORKS
FOR THE DAIRY FARMING DEVELOPMENT PROJECT
IN THE CENTRAL REGION OF THE KINGDOM OF THAILAND

TITLE OF DRAWING :
PLAN SECTION AND DETAILS
OF FARM POND
CHAI BADAN DAIRY FARMING DEMONSTRATION CENTRE

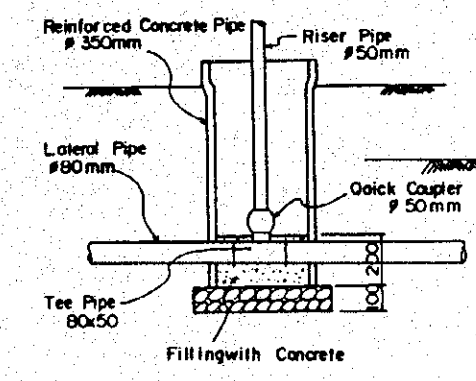
JAPAN INTERNATIONAL COOPERATION AGENCY DRAWING NO.:
TOKYO 17



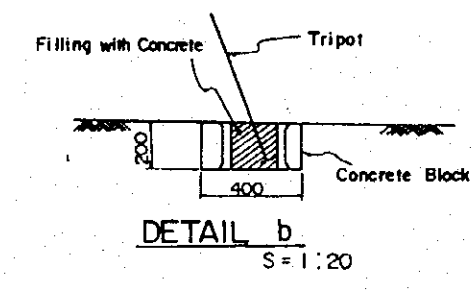
PLAN
S=1:1000



DETAIL a
S=1:20

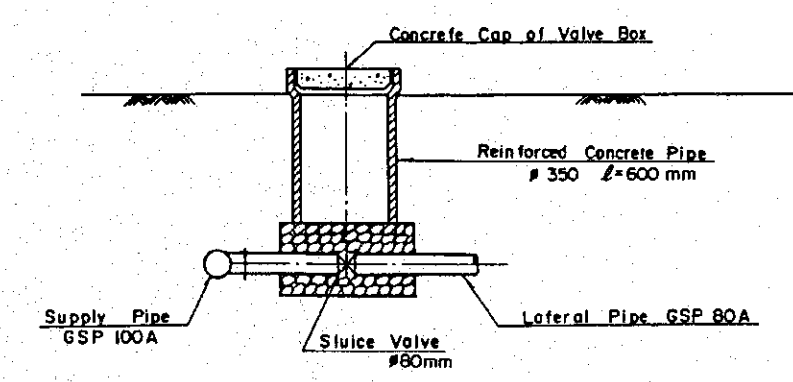


SPRIKLER SYSTEM
Non Scale

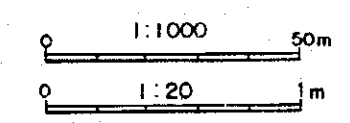


DETAIL b
S=1:20

STANDARD CROSS SECTION OF PIPE LINE
S=1:20



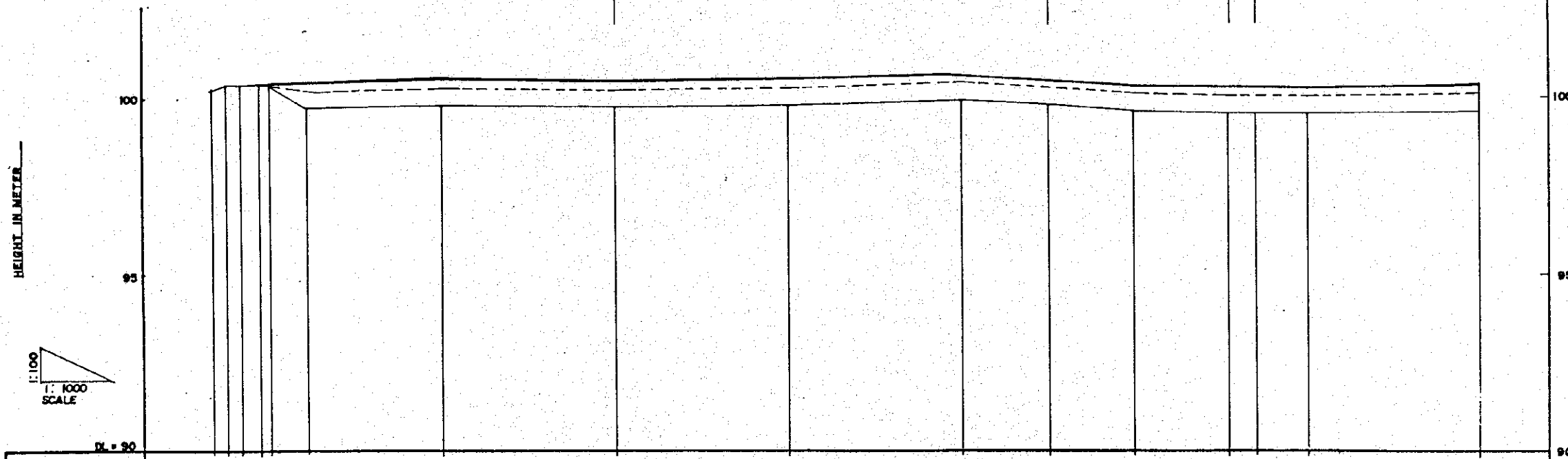
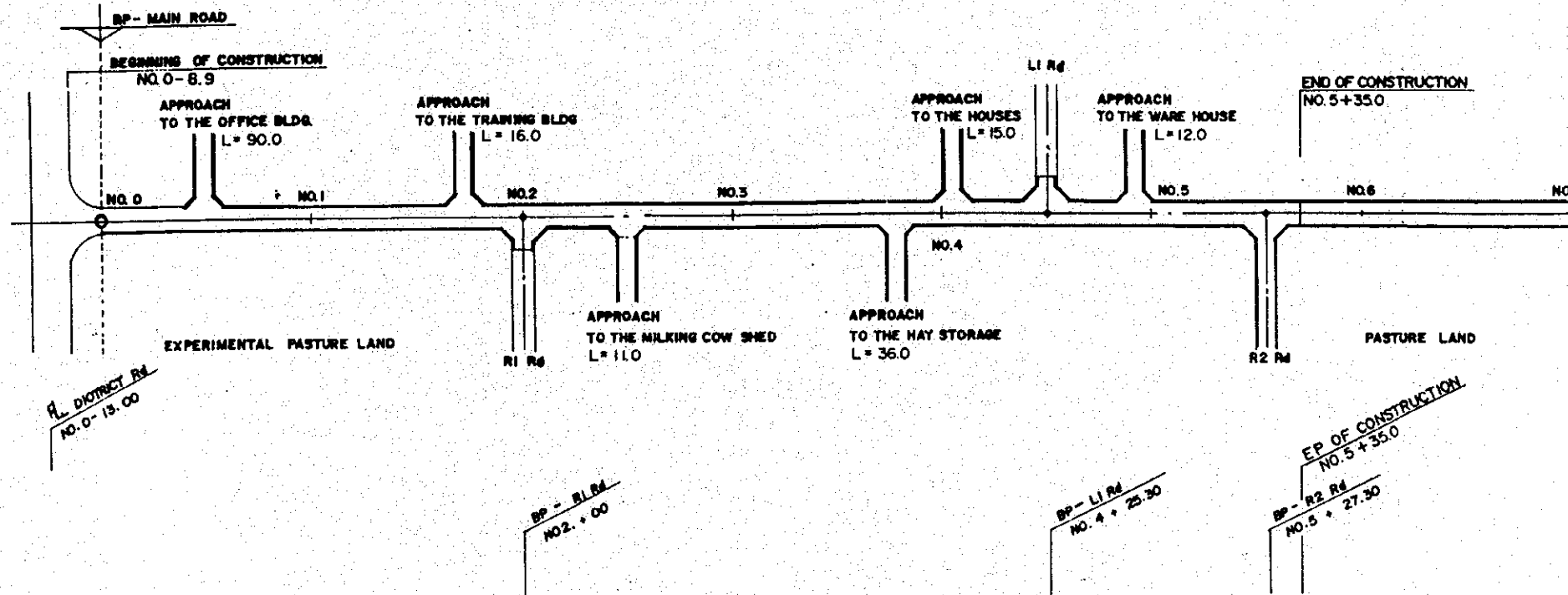
VAIVE BOX
S=1:20



THE MODEL INFRASTRUCTURE WORKS
FOR THE DAIRY FARMING DEVELOPMENT PROJECT
IN THE CENTRAL REGION OF THE KINGDOM OF THAILAND

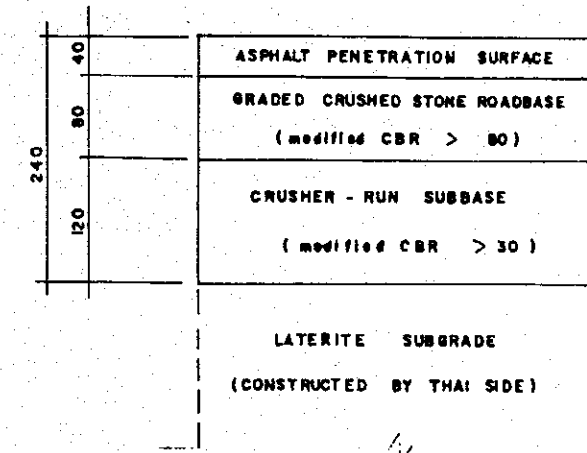
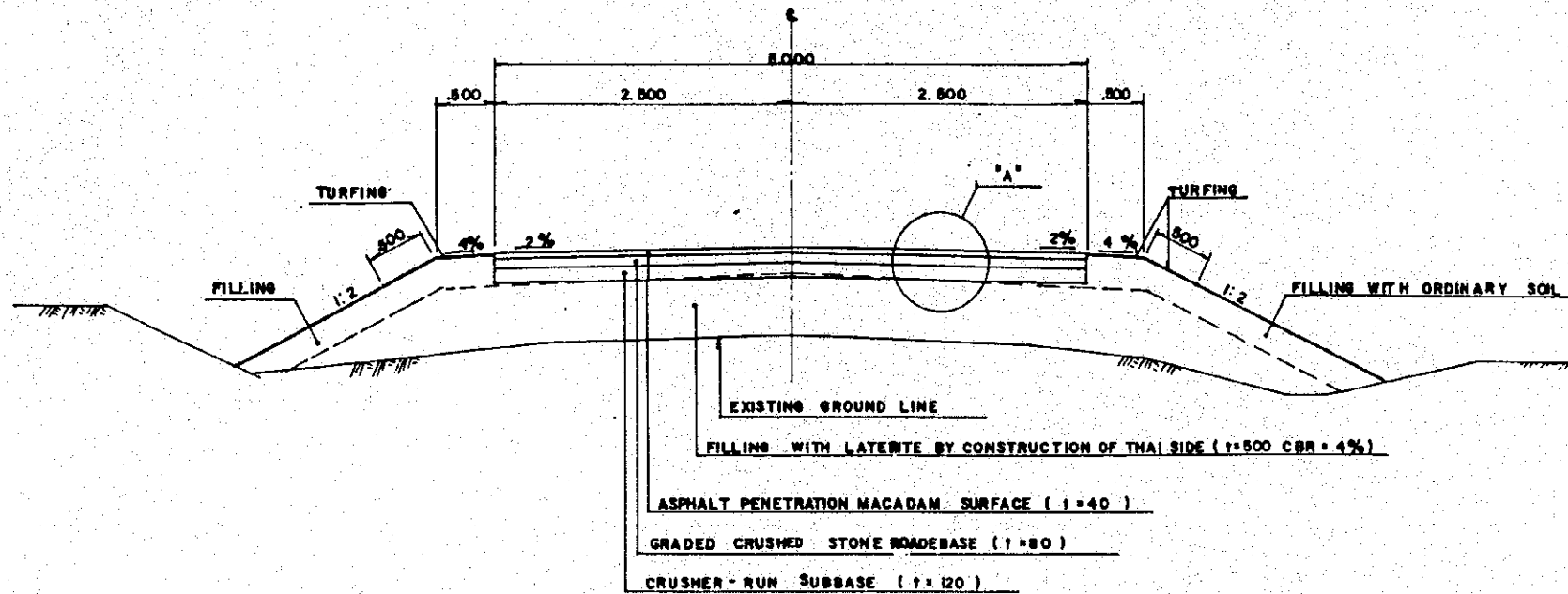
TITLE OF DRAWING :
PLAN AND DETAILS OF
IRRIGATION FACILITIES
CHAI BADAN DAIRY FARMING DEMONSTRATION CENTRE

JAPAN INTERNATIONAL COOPERATION AGENCY | DRAWING NO. :
TOKYO | 18



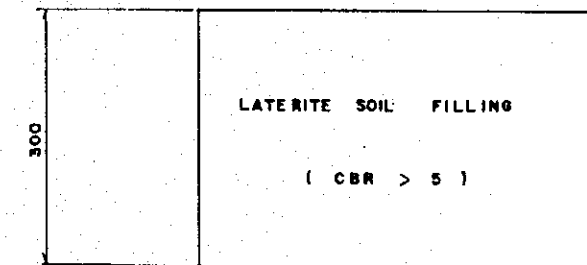
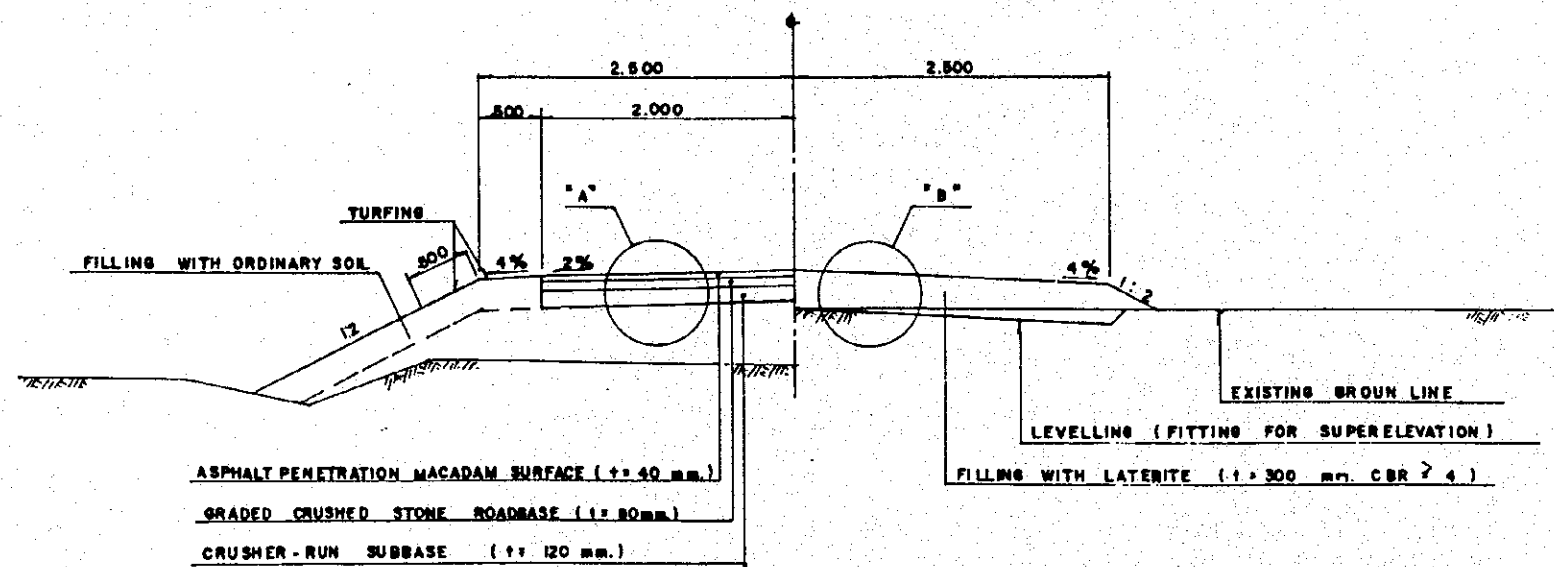
STATION	DISTANCE (m)	ACCUMULATED DISTANCE (m)	EXISTING GROUND HEIGHT (m)	PROPOSED HEIGHT (m)
-17.00	-4.00	-17.00	100.25	100.03
-15.00	-7.10	-22.10	100.39	100.22
-8.90	-5.90	-28.00	100.39	100.45
BP NO. 0	0.00	-28.00	100.44	100.52
	0.00	-28.00	100.36	100.48
+11.00	11.00	-17.00	99.71	100.51
NO. 1	39.00	22.00	99.79	100.63
NO. 2	50.00	72.00	99.72	100.48
NO. 3	86.00	158.00	99.77	100.48
NO. 4	101.00	259.00	99.89	100.35
+25.30	126.30	284.30	99.89	100.20
NO. 5	148.70	306.70	99.59	100.28
+27.30	176.00	334.00	99.54	100.33
+35.00	211.00	369.00	99.52	100.33
NO. 6	233.00	391.00	99.52	
NO. 7	283.00	441.00	99.59	

TYPICAL CROSS SECTION OF FARM ROADS (DAIRY DEMONSTRATION CENTRE IN CHAI BADAN)



DETAIL OF "A" SCALE 1:5

TYPICAL CROSS SECTION OF MAIN ROAD SCALE 1:40



DETAIL OF "B" SCALE 1:6

FOR PAVING PARTS FOR UN-PAVING PARTS

TYPICAL CROSS SECTION OF SUB FARM ROAD SCALE 1:40

THE MODEL INFRASTRUCTURE WORKS FOR THE DAIRY FARMING DEVELOPMENT PROJECT IN THE CENTRAL REGION OF THE KINGDOM OF THAILAND	
TITLE OF DRAWING : TYPICAL CROSS SECTIONS OF MAIN AND APPROACH ROADS CHAI BADAN DAIRY FARMING DEMONSTRATION CENTRE	
JAPAN INTERNATIONAL COOPERATION AGENCY TOKYO	DRAWING NO. : 20

