

持出禁止
社会関係協力部

PORT MUHAMMAD - BIN - QASIM PROJECT

DETAILED DESIGN DRAWINGS

**VOL. II FACILITIES RELATED
TO IRON ORE & COAL BERTH**

1 Berth for Small Crafts and Land Reclamation

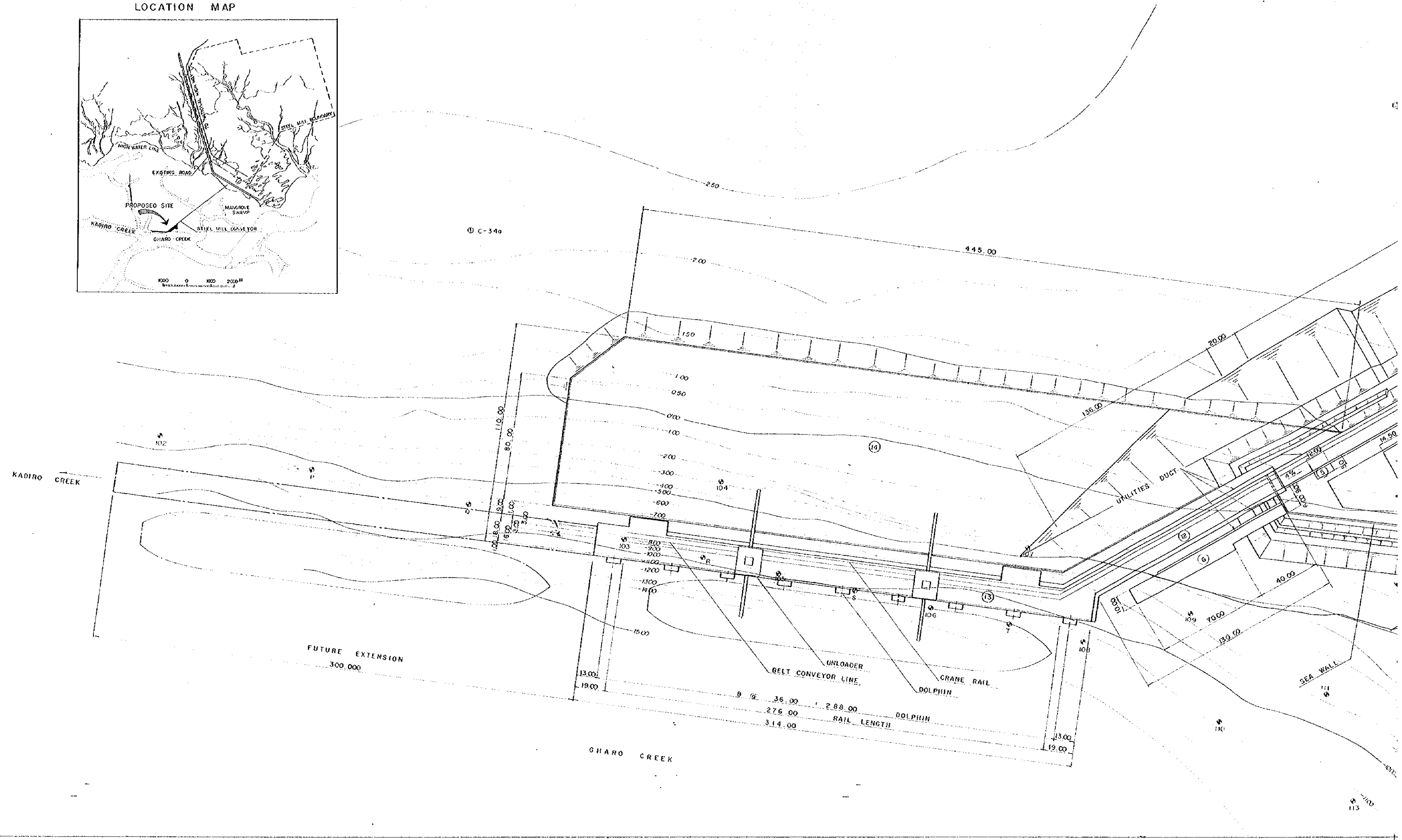
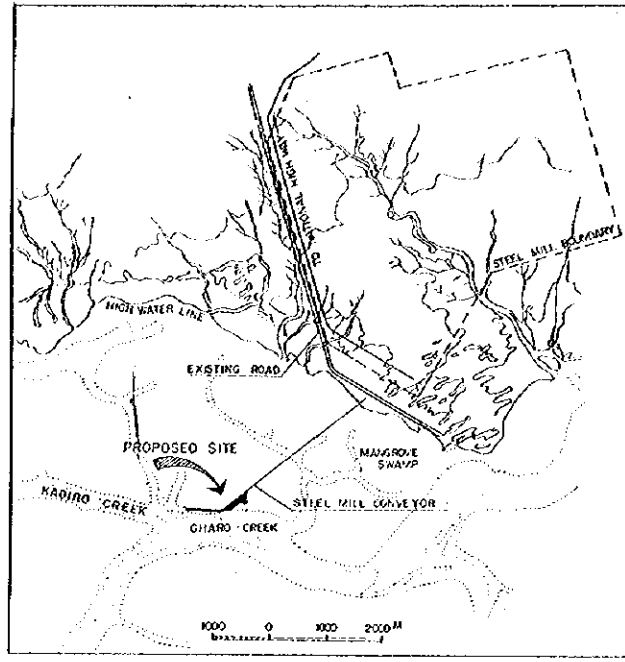
OCTOBER 1975

JAPAN INTERNATIONAL COOPERATION AGENCY

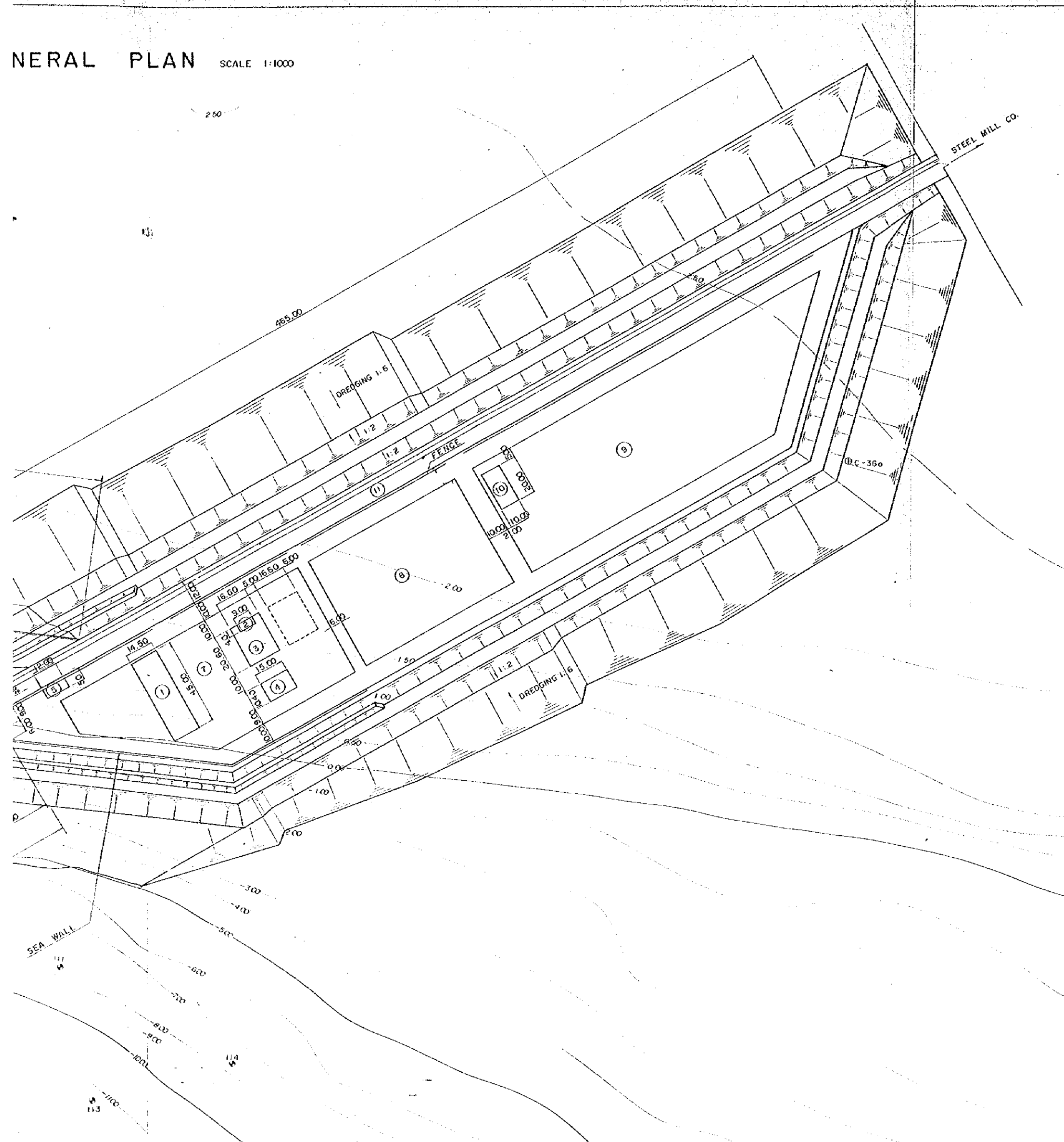
17
84

S D
J R

LOCATION MAP



GENERAL PLAN SCALE 1:1000

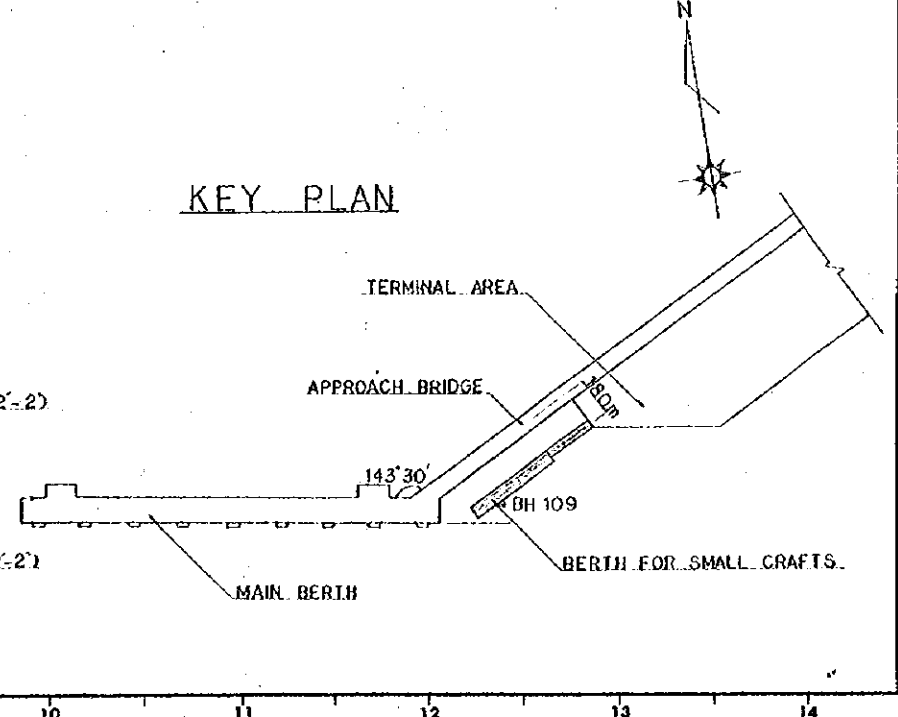
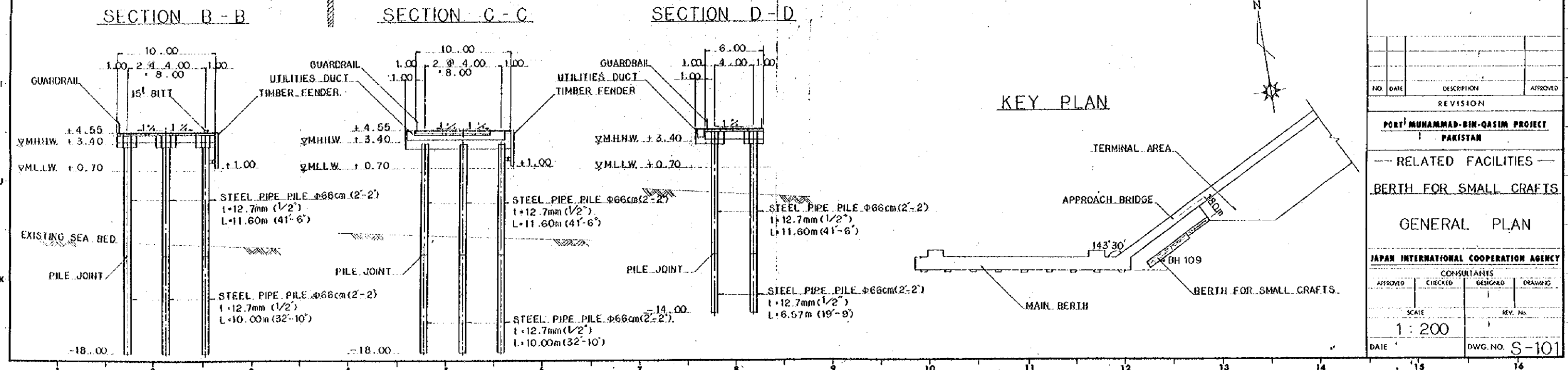
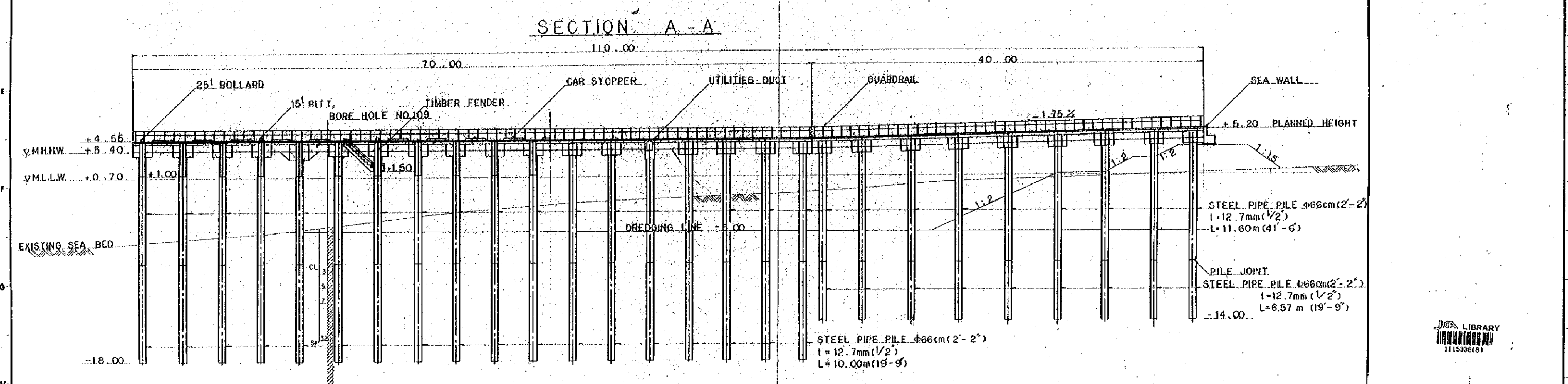
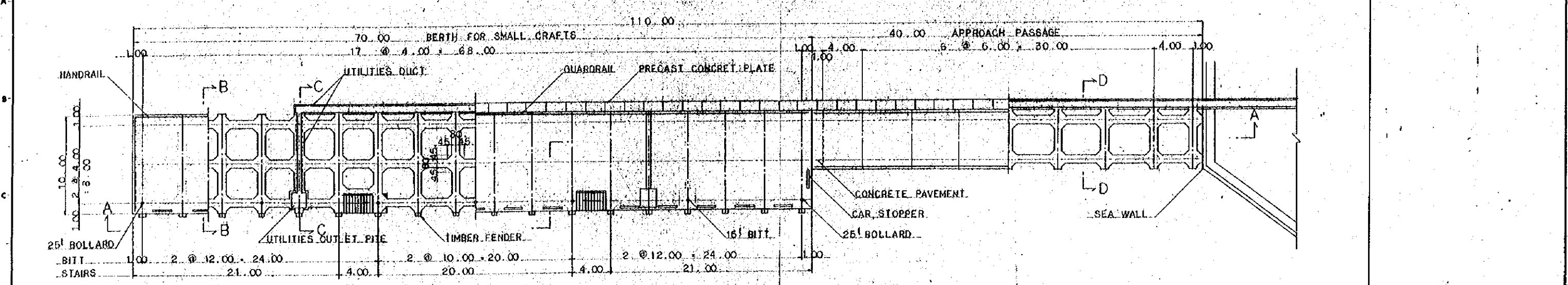


LEGEND	DWG. NO
① TERMINAL OFFICE	A - 101
② PUMP HOUSE FOR WATER SUPPLY	A - 401
③ RESERVOIR FOR POTABLE WATER	W - 101
④ SUB STATION FOR ELECTRIC SUPPLY	A - 301
⑤ GATE AND HOUSE FOR CUSTOM IMMIGRATION, HEALTH	A - 201
⑥ BERTH FOR SMALL CRAFTS	A - 101
⑦ OPEN SPACE FOR PARKING AREA	A - 401
⑧ PASM:G AREA	W - 101
⑨ OIL COMPANY	A - 301
⑩ OIL PUMP HOUSE	A - 201
⑪ CAUSEWAY	T - 101
⑫ APPROACH BRIDGE	B - 1
⑬ IRON ORE COAL BERTH	B - 1
⑭ STOCK YARD AREA	Y - 101
♣ BORING HOLES	
⊕ COORDINATION	

GENERAL NOTES

NO.	DATE	DESCRIPTION	APPROVED
REVISION			
PORT MUHAMMAD-BIN-QASIM PROJECT PAKISTAN			
GENERAL PLAN OF PROJECT			
JAPAN INTERNATIONAL COOPERATION AGENCY			
CONSULTANTS			
APPROVED	CHECKED	DESIGNED	DRAWING
SCALE 1 : 1,000		REV. NO.	
DATE	DWG. NO. G-101		

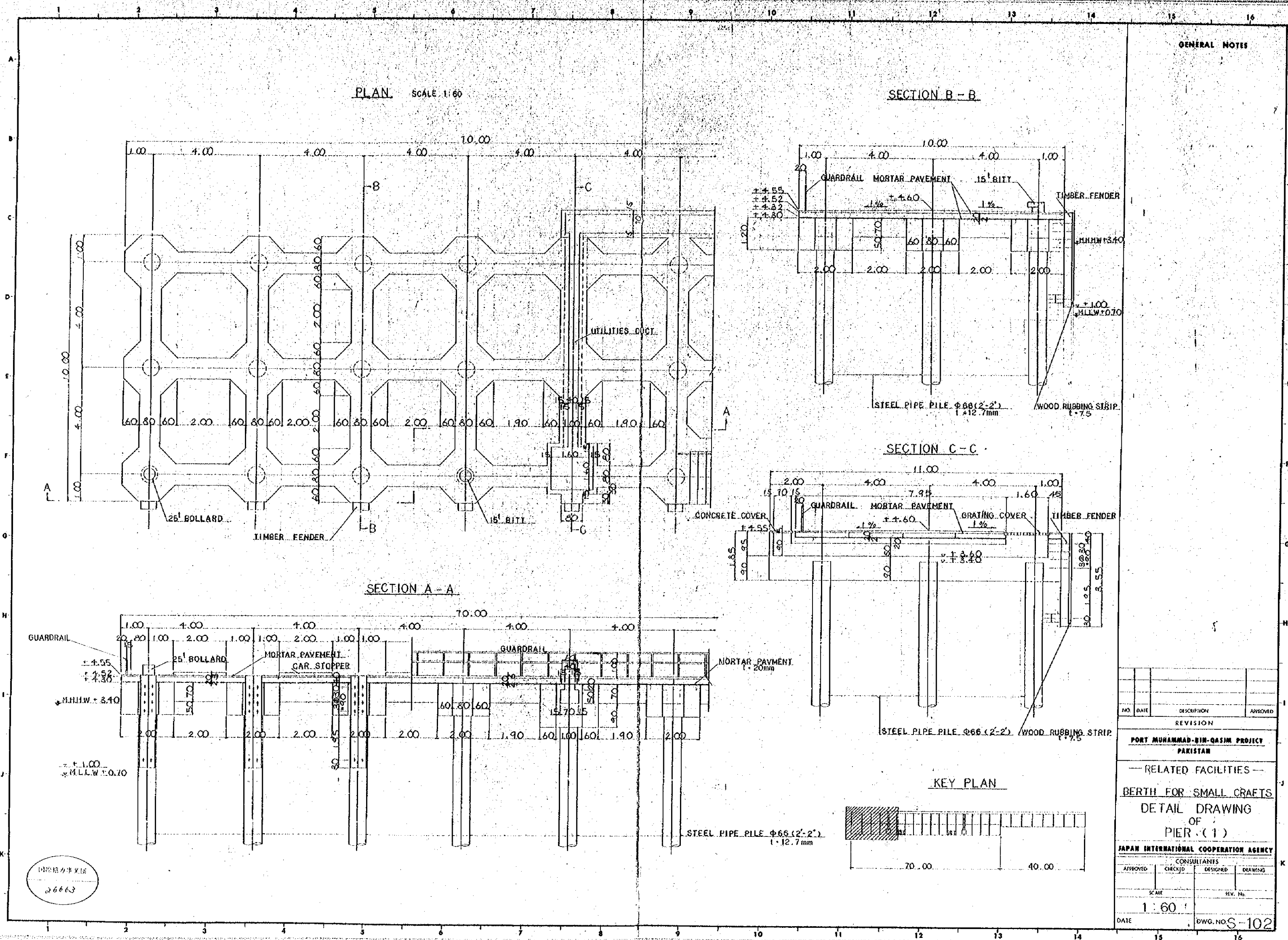
PLAN SCALE 1:200



GENERAL NOTES

NO.	DATE	DESCRIPTION	APPROVED
REVISION			
PORT MUHAMMAD-BIN-QASIM PROJECT			
PAKISTAN			
— RELATED FACILITIES —			
BERTH FOR SMALL CRAFTS			
GENERAL PLAN			
JAPAN INTERNATIONAL COOPERATION AGENCY			
CONSULTANTS			
APPROVED	CHECKED	DESIGNED	DRAWING
SCALE		REV. NO.	
1:200			
DATE		DWG. NO.	
		S-101	

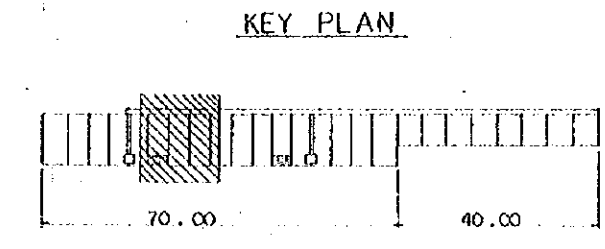
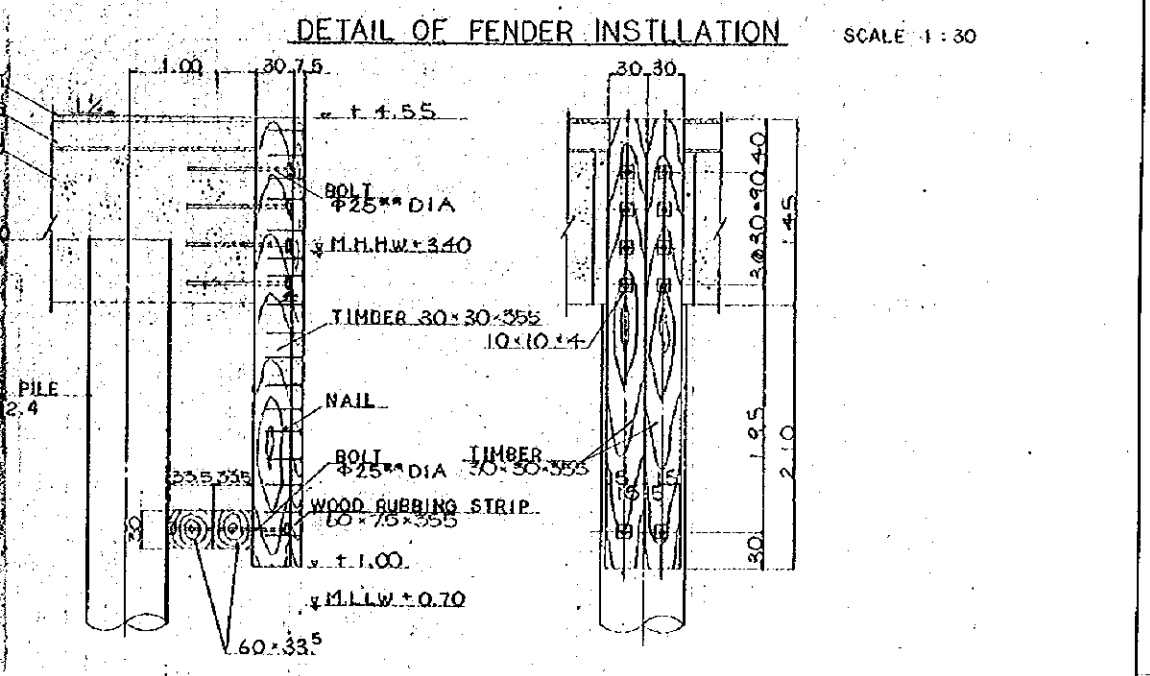
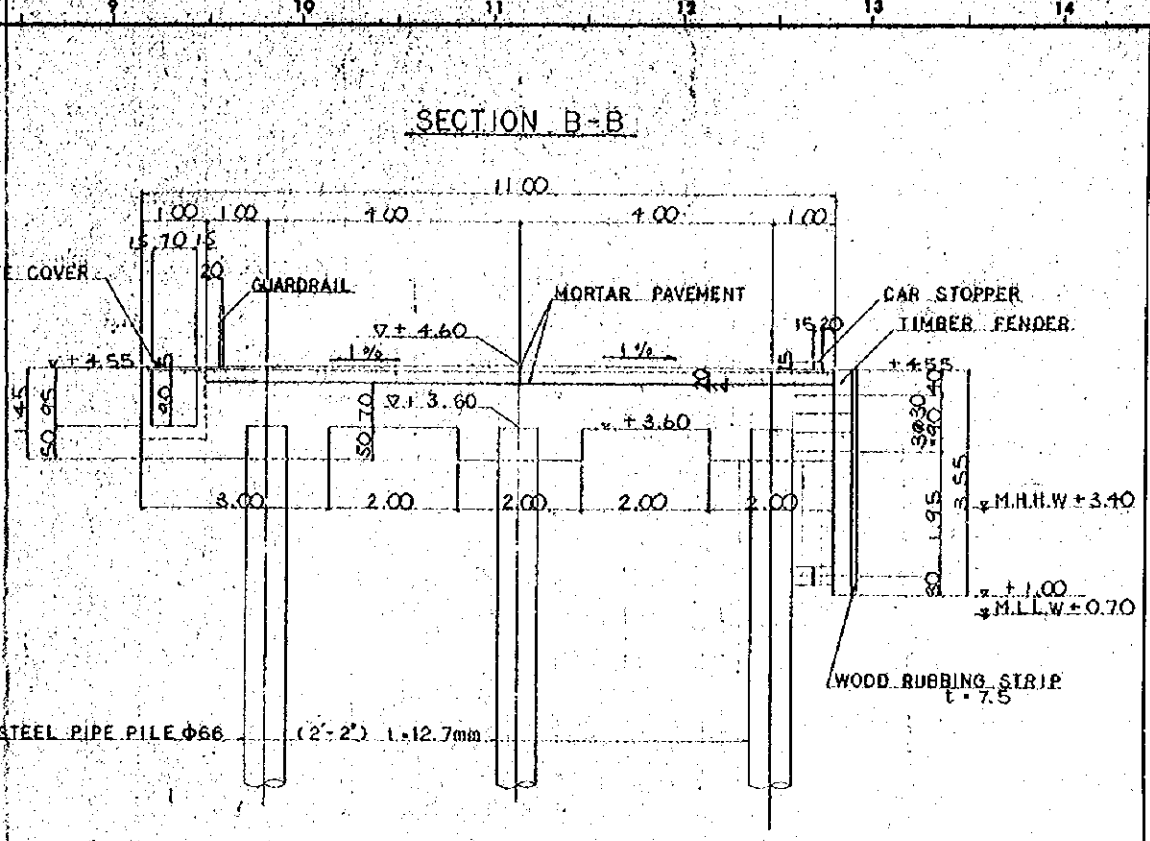
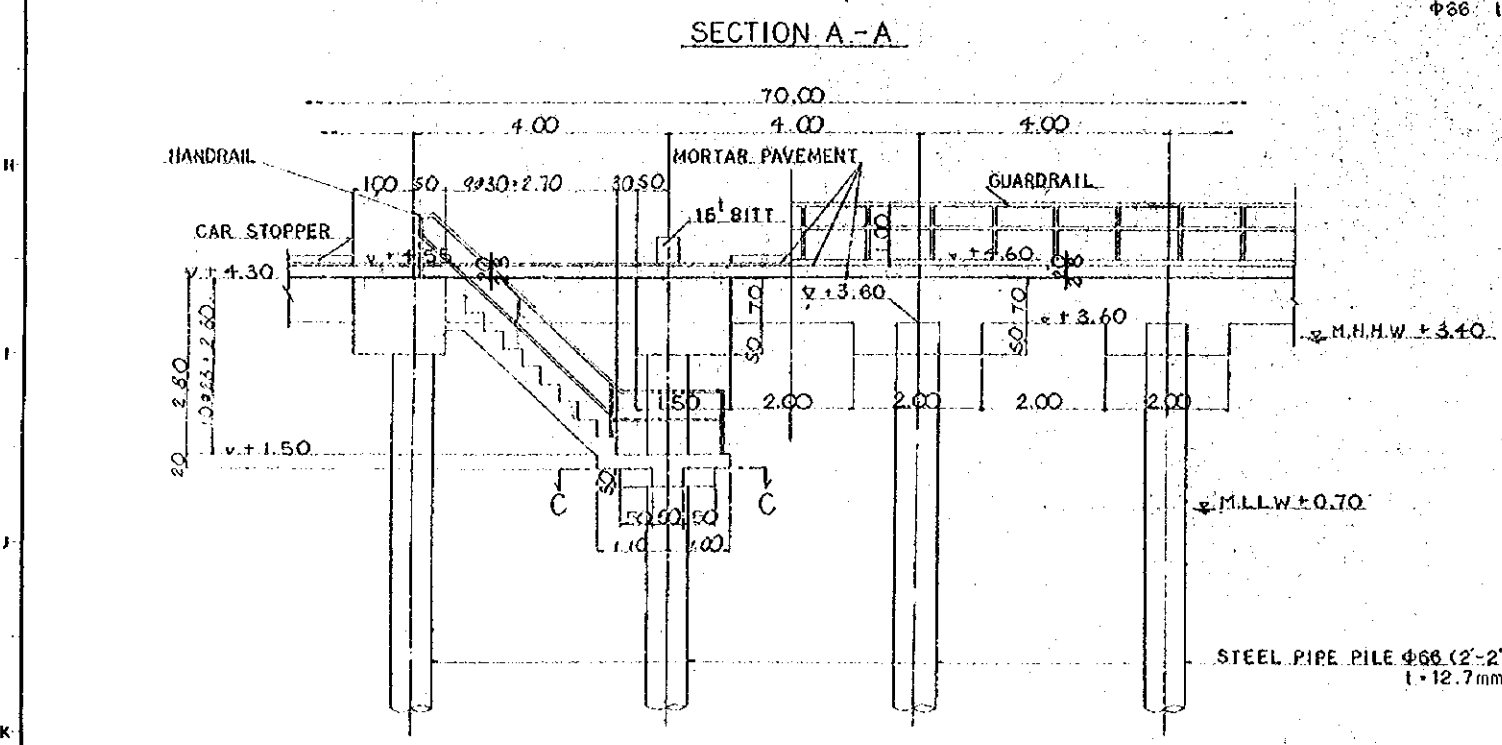
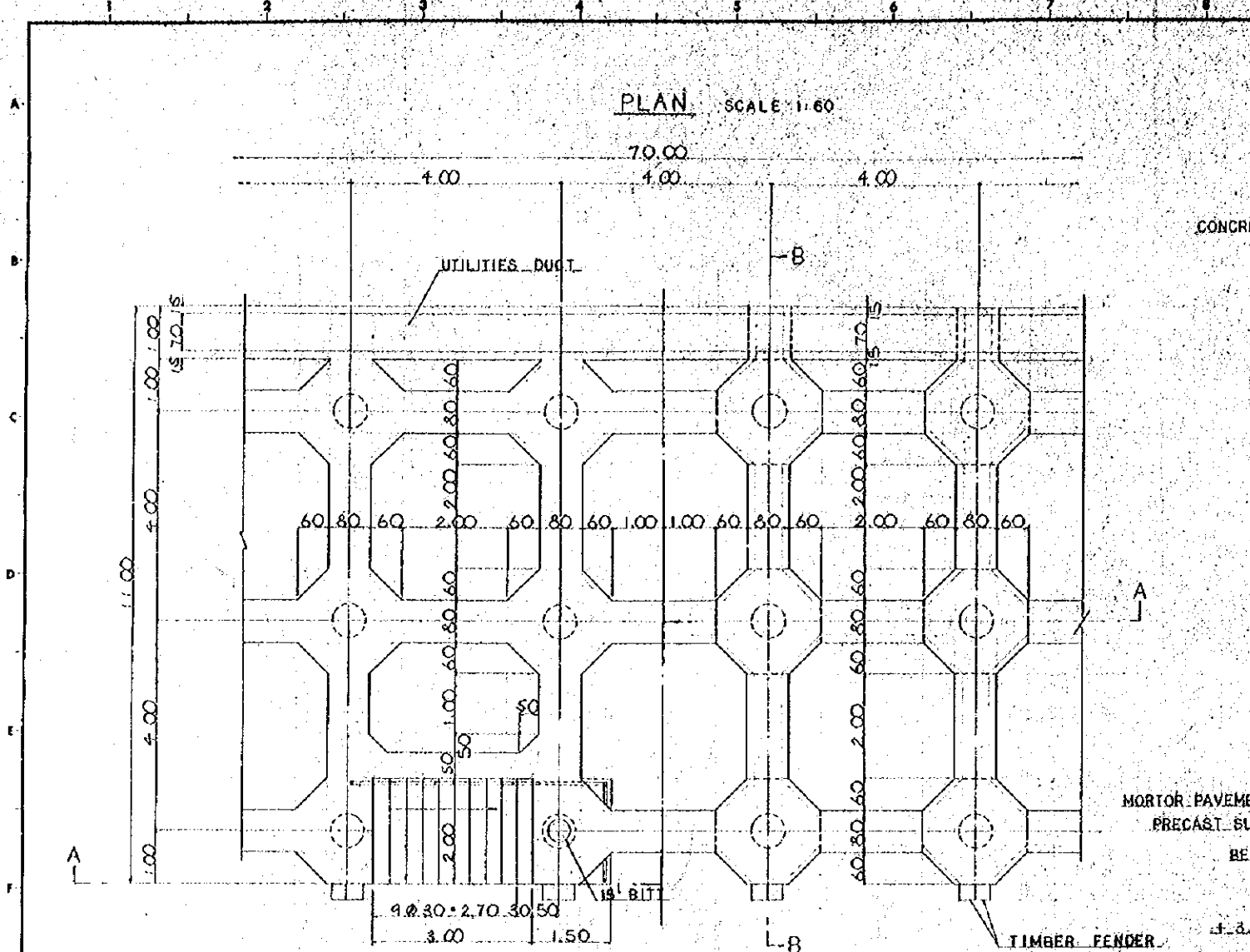
JICA LIBRARY
1115306(8)



GENERAL NOTES

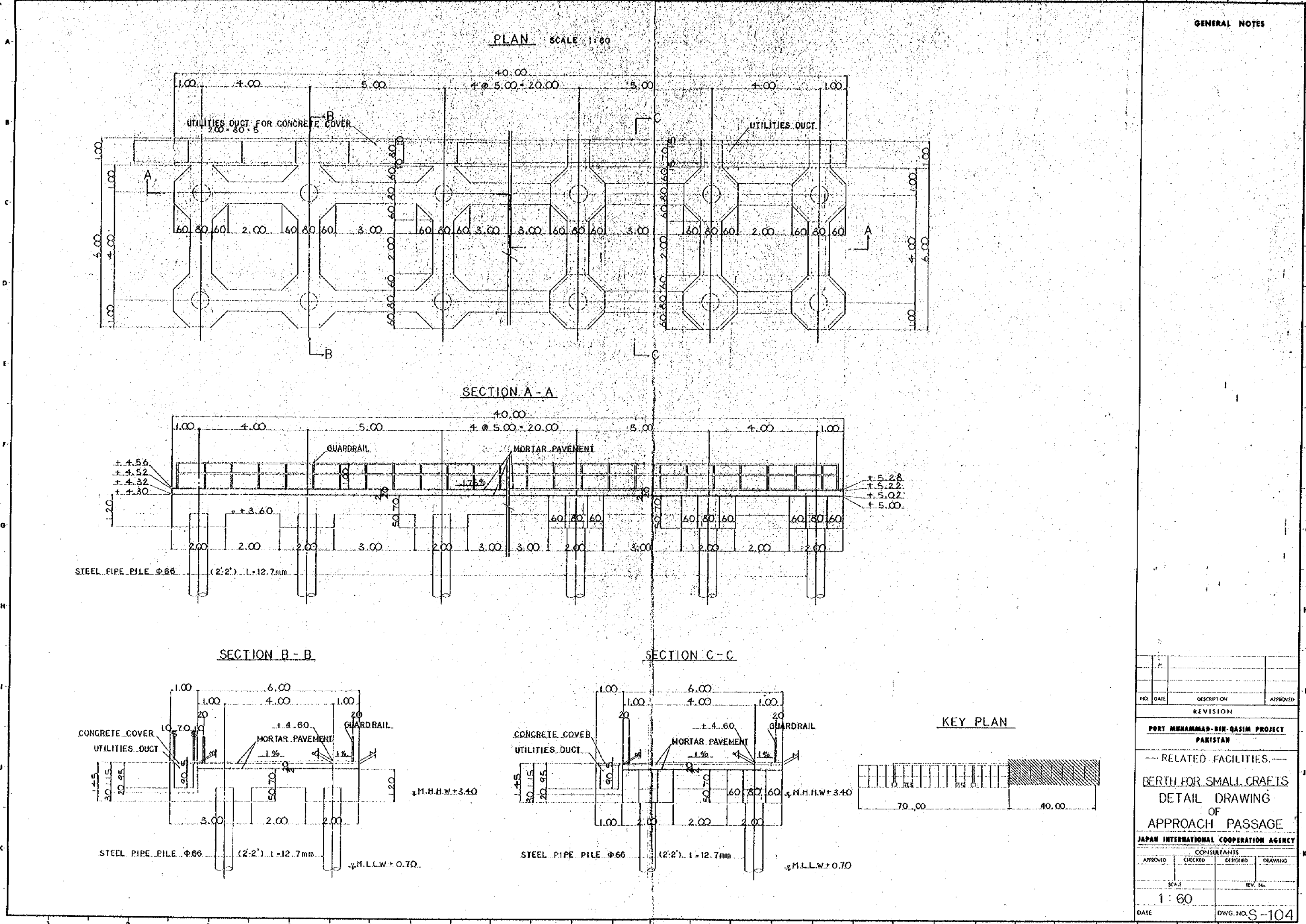
NO.	DATE	DESCRIPTION	APPROVED
REVISION			
PORT MUHAMMAD-BIN-QASIM PROJECT PAKISTAN			
— RELATED FACILITIES —			
BERTH FOR SMALL CRAFTS			
DETAIL DRAWING OF PIER (1)			
JAPAN INTERNATIONAL COOPERATION AGENCY			
CONSULTANTS			
APPROVED	CHECKED	DESIGNED	DRAWING
SCALE			SIV. No.
1 : 60			
DATE	DWG. NO. S-102		

26663



GENERAL NOTES

NO.	DATE	DESCRIPTION	APPROVED
REVISION			
PORT MUHAMMAD-BIN-QASIM PROJECT PAKISTAN			
--- RELATED FACILITIES ---			
BERTH FOR SMALL CRAFTS DETAIL DRAWING OF PIER (2)			
JAPAN INTERNATIONAL COOPERATION AGENCY			
CONSULTANTS			
APPROVED	CHECKED	DESIGNED	DRAWING
SCALE		REV. No.	
1:60, 1:30			
DATE		DWG. NO. S-103	

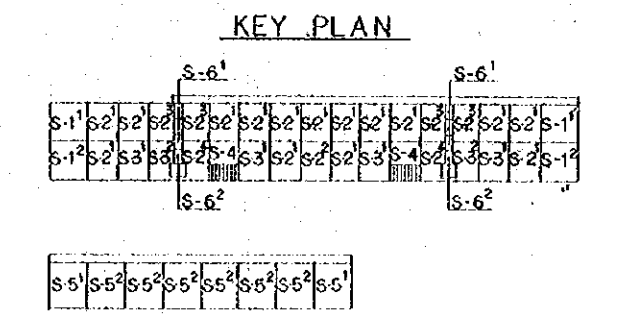
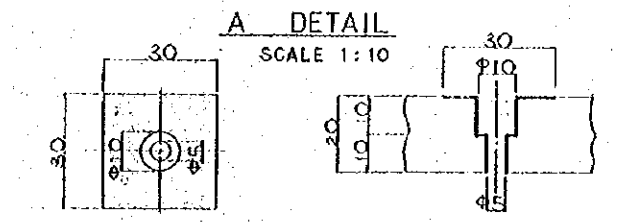
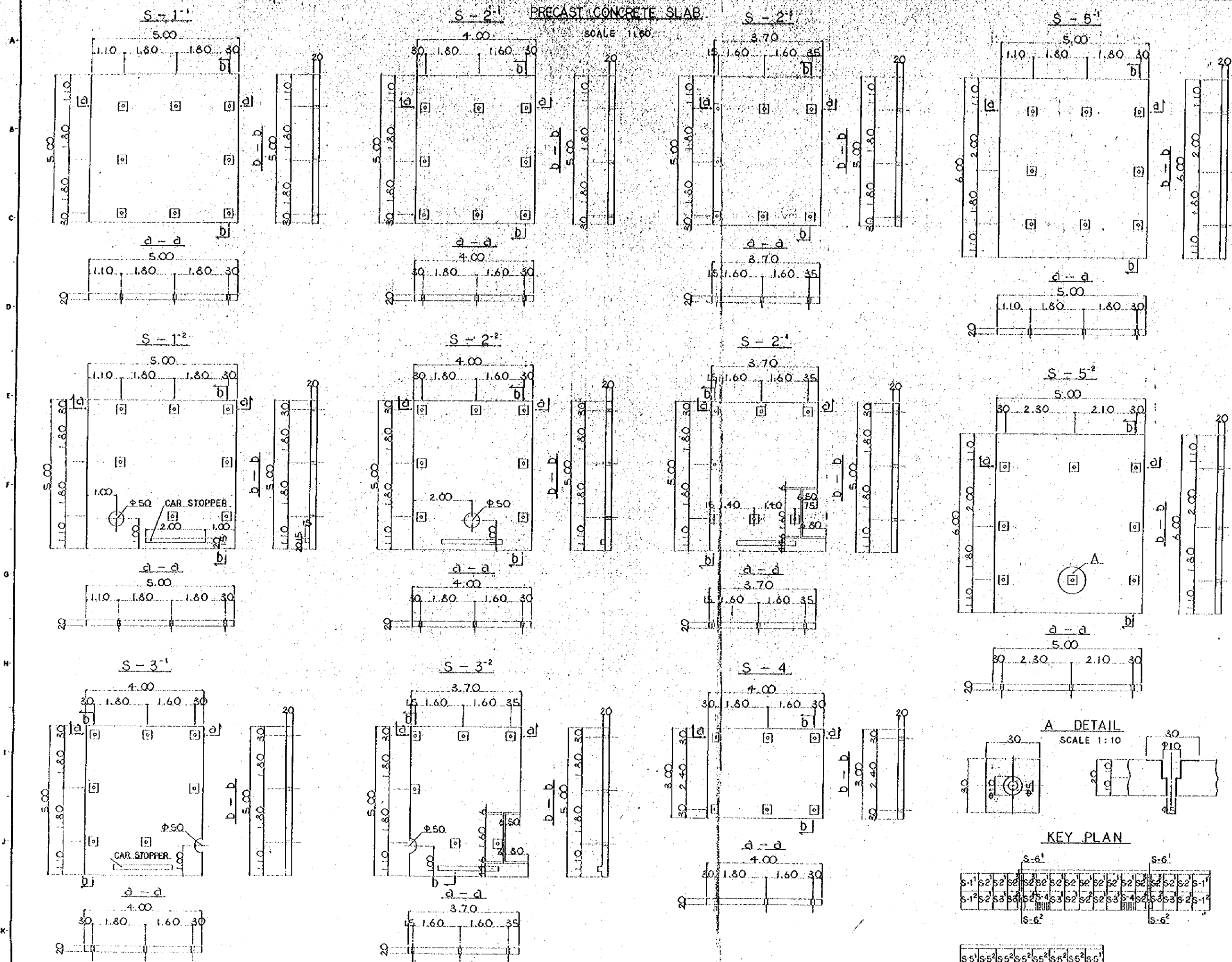


GENERAL NOTES

NO.	DATE	DESCRIPTION	APPROVED
REVISION			
PORT MUHAMMAD-BIN-QASIM PROJECT PAKISTAN			
-- RELATED FACILITIES --			
BERTH FOR SMALL CRAFTS DETAIL DRAWING OF APPROACH PASSAGE			
JAPAN INTERNATIONAL COOPERATION AGENCY CONSULTANTS			
APPROVED	CHECKED	DESIGNED	DRAWING
SCALE		REV. NO.	
1:60			
DATE	DWG. NO. S-104		

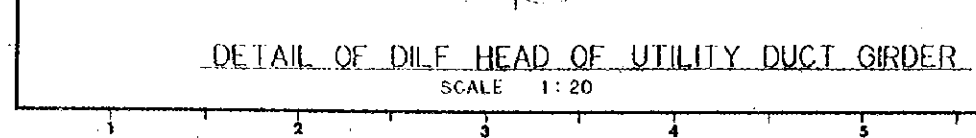
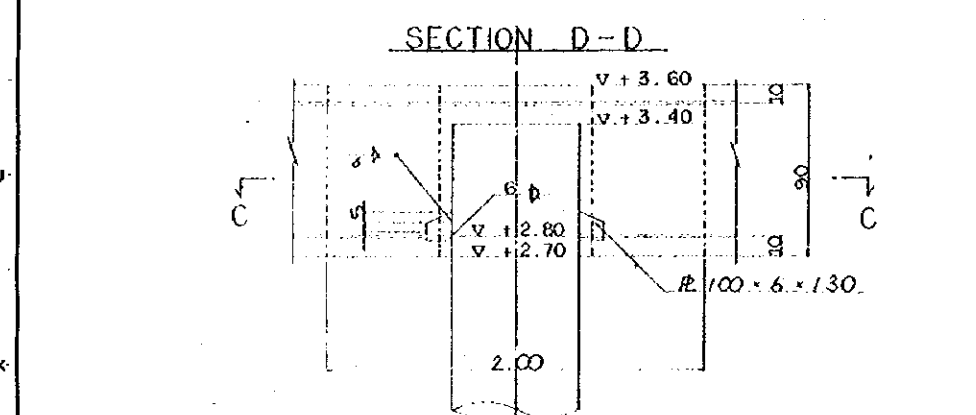
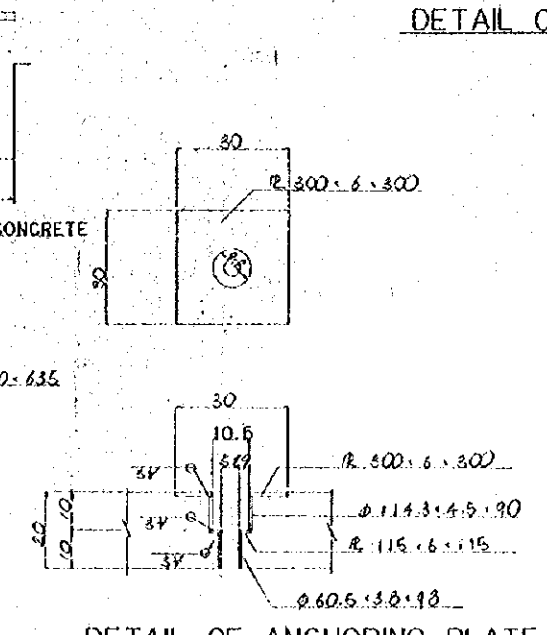
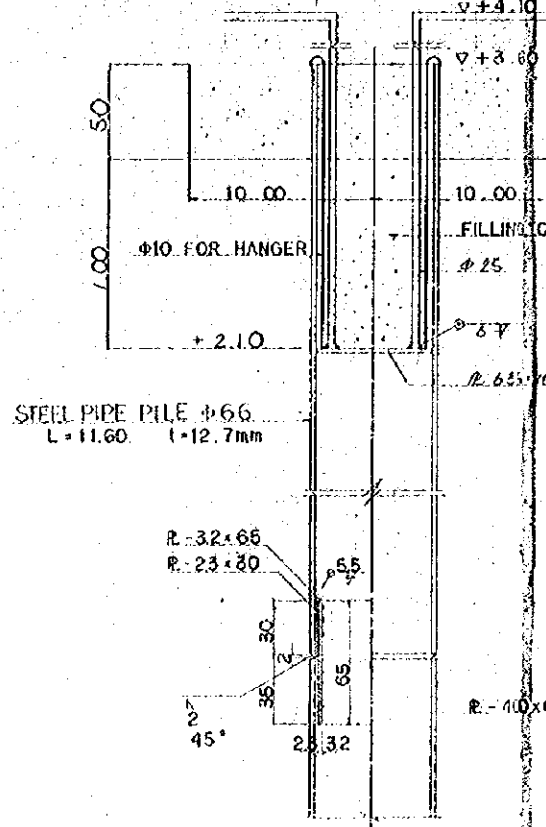
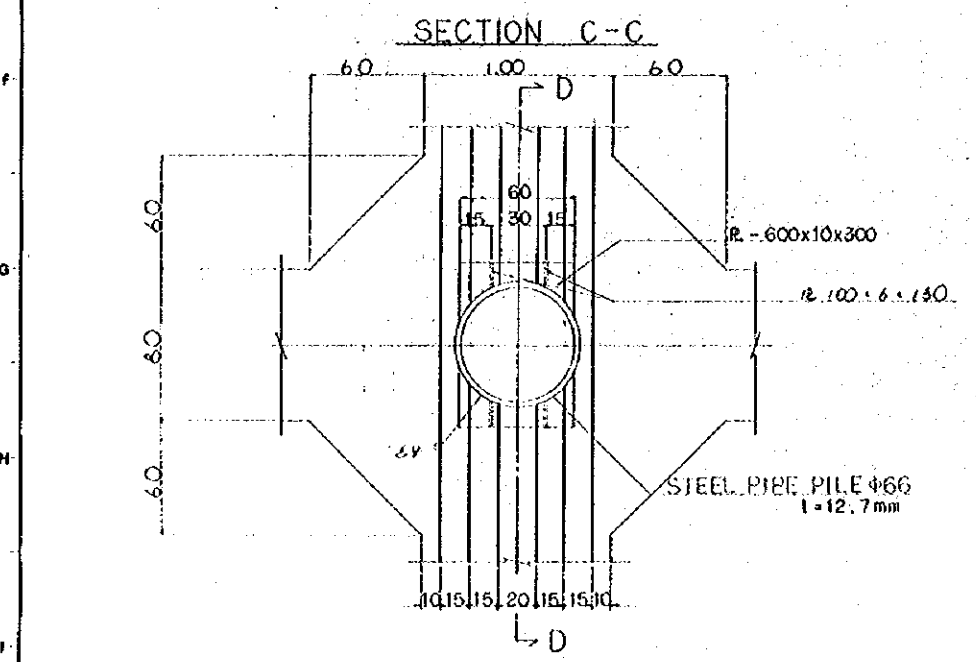
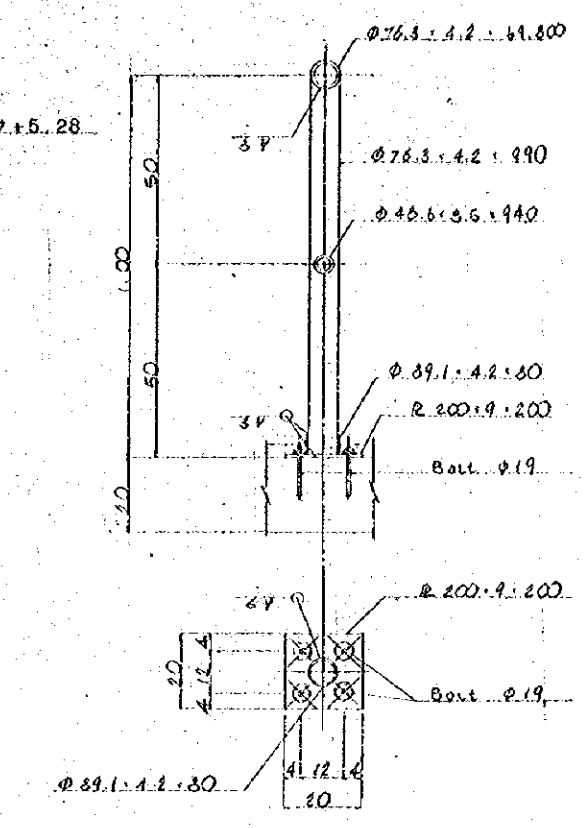
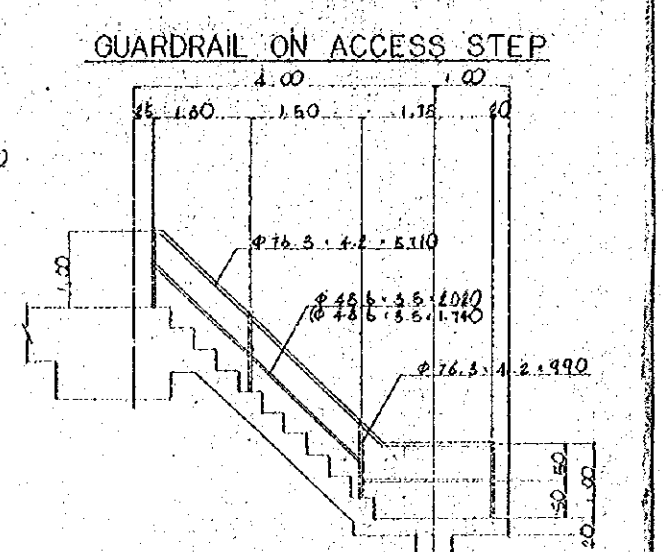
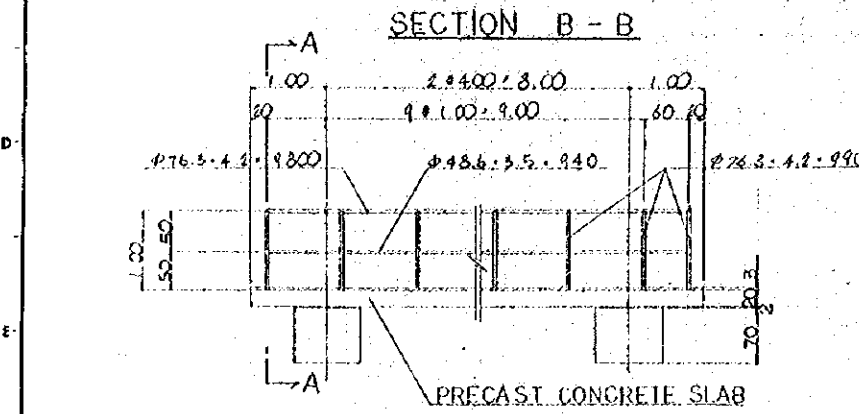
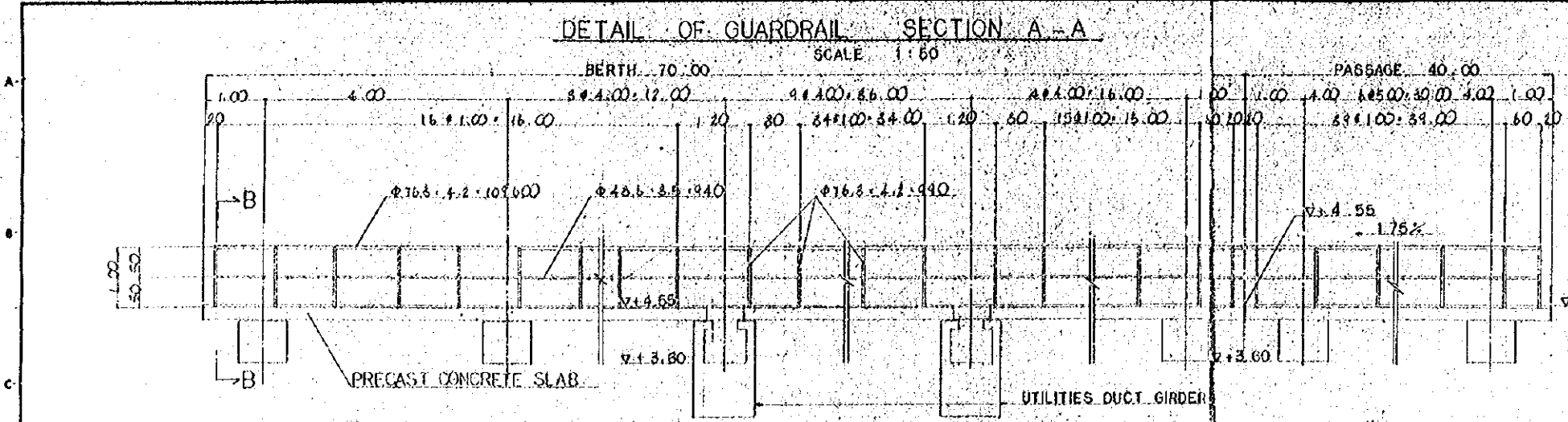
PRECAST CONCRETE SLAB

SCALE 1:60



GENERAL NOTES

NO.	DATE	DESCRIPTION	APPROVED
REVISION			
PORT MUHAMMAD-BIN-QASIM PROJECT PAKISTAN			
— RELATED FACILITIES —			
BERTH FOR SMALL CRAFTS			
DETAIL DRAWING OF PRECAST SLAB			
JAPAN INTERNATIONAL COOPERATION AGENCY			
CONSULTANTS			
APPROVED	CHECKED	DESIGNED	DRAWING
SCALE		REV. No.	
1:60			
DATE	DWG. NO. S-105		



GENERAL NOTES
 DETAIL OF PILE HEAD BAR ARRANGEMENT SHOWN ON DWG. S-110

NO.	DATE	REVISION	APPROVED

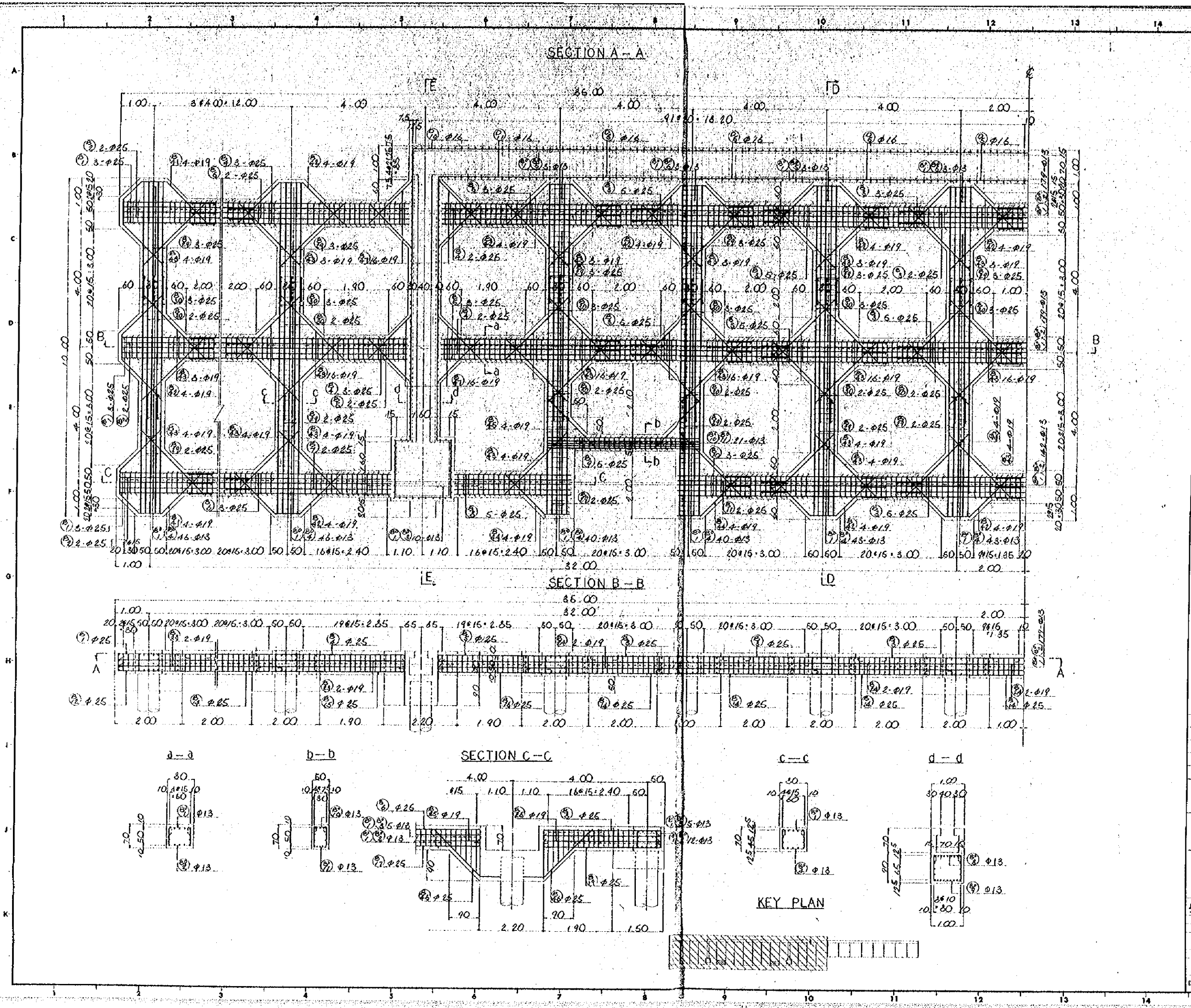
PORT MUHAMMAD-BIN-QASIM PROJECT
 PAKISTAN

RELATED FACILITIES
 BERTH FOR SMALL CRAFTS
 DETAIL DRAWING
 OF
 METAL WORKS

JAPAN INTERNATIONAL COOPERATION AGENCY

CONSULTANTS			
APPROVED	CHECKED	DESIGNED	DRAWING

AS SHOWN
 DATE: DWG. NO. S-106



GENERAL NOTES

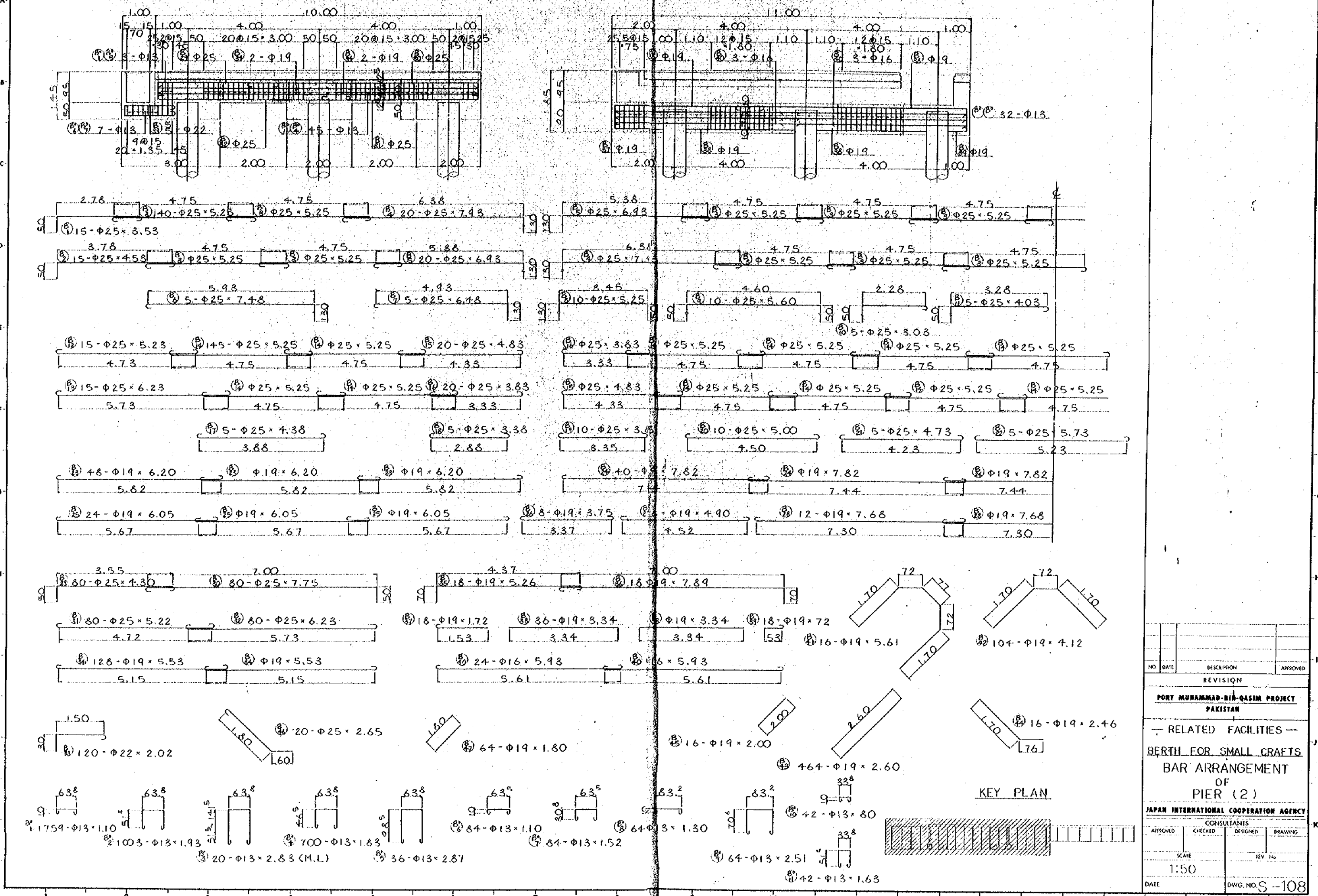
NO.	DATE	DESCRIPTION	APPROVED
REVISION			
PORT MUHAMMAD-BIN-QASIM PROJECT PAKISTAN			
— RELATED FACILITIES —			
BERTH FOR SMALL CRAFTS			
BAR ARRANGEMENT OF PIER (1)			
JAPAN INTERNATIONAL COOPERATION AGENCY			
CONSULTANTS			
APPROVED	CHECKED	DESIGNED	DRAWING
SCALE		REV. NO.	
1:50			
DATE		DWG. NO. S-107	

1 2 3 4 5 6 7 8 9 10 11 12 13 14 15 16

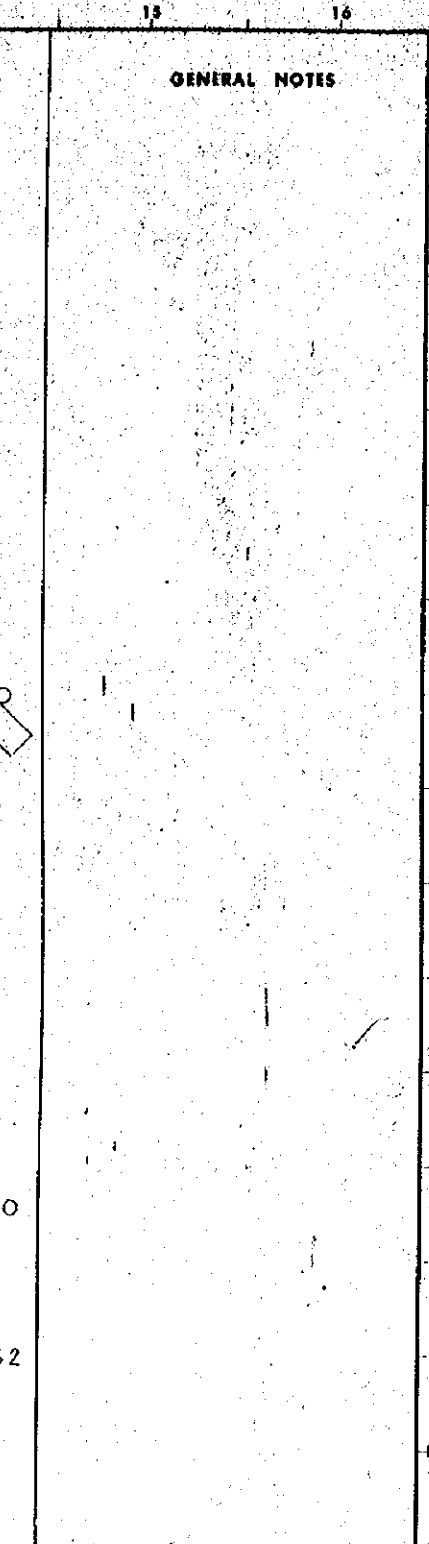
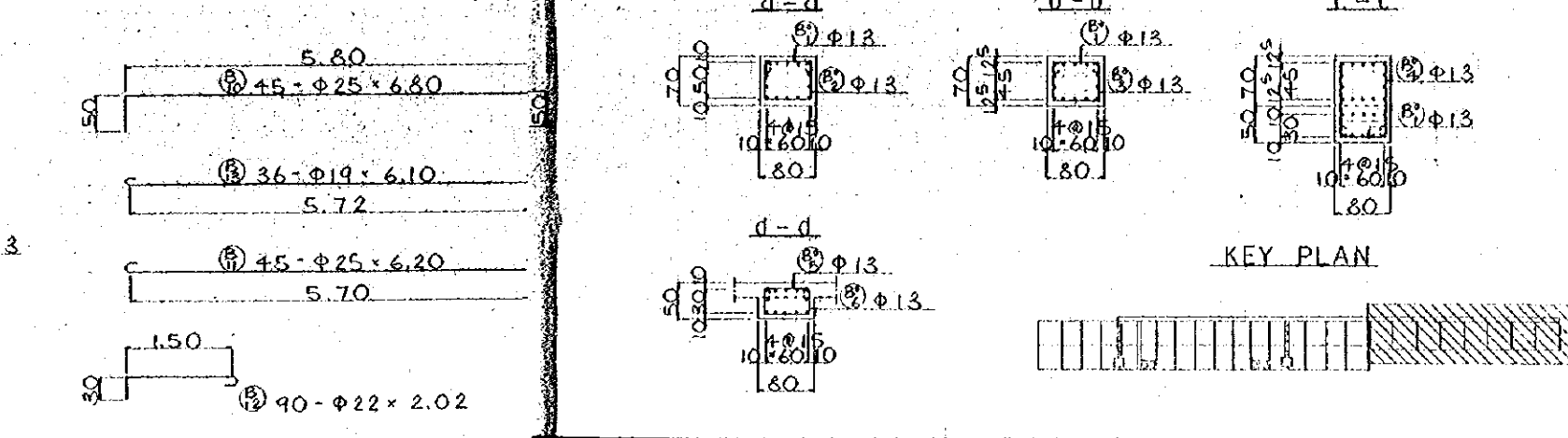
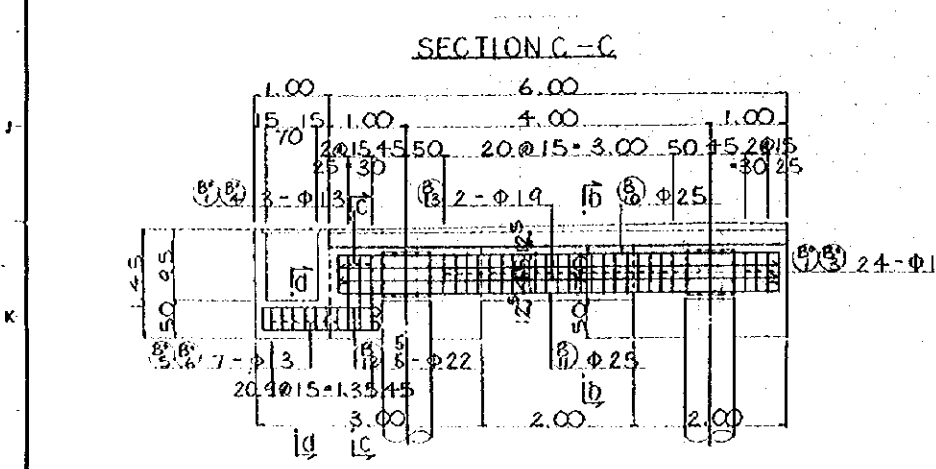
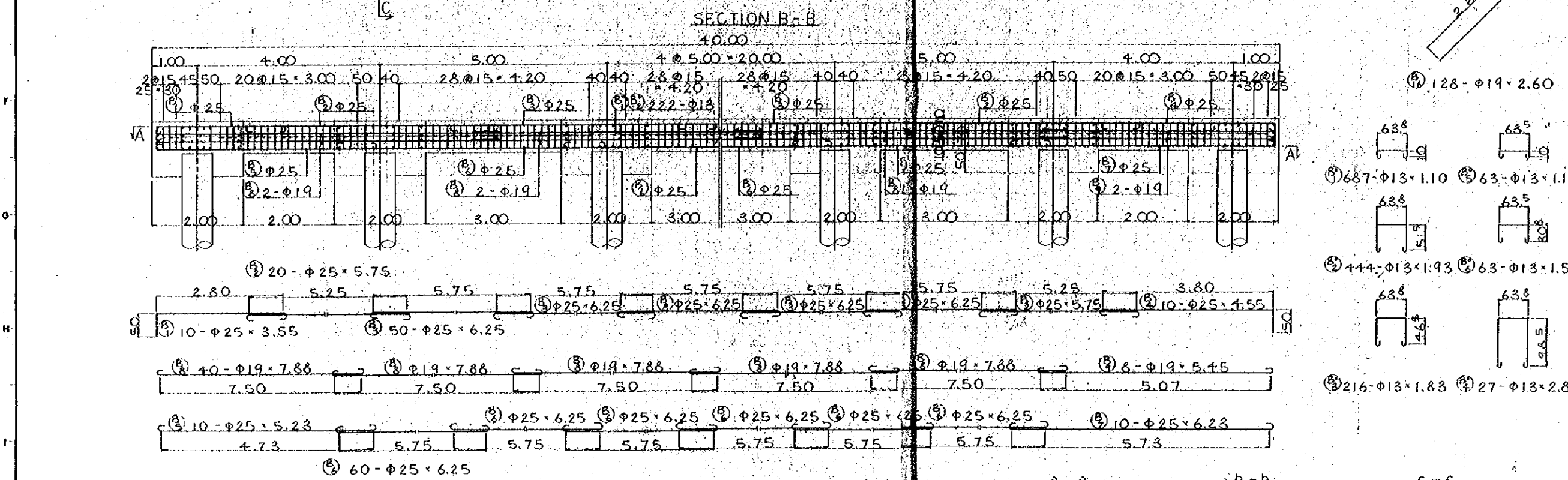
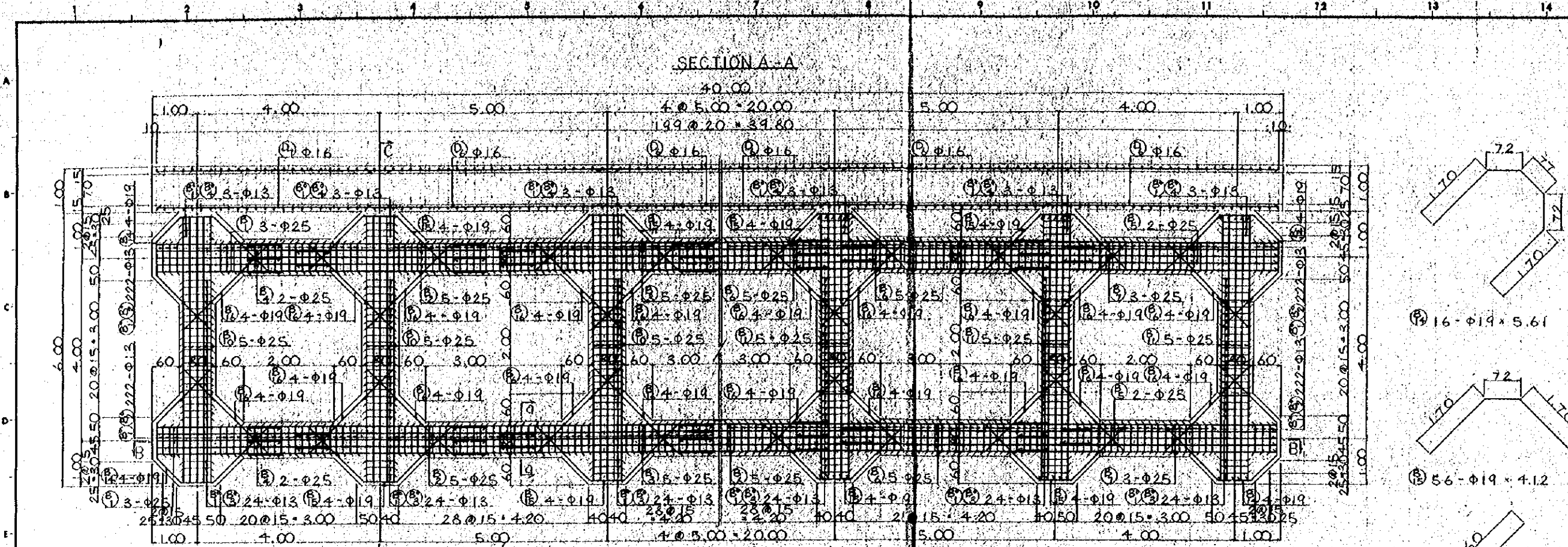
SECTION D-D

SECTION E-E

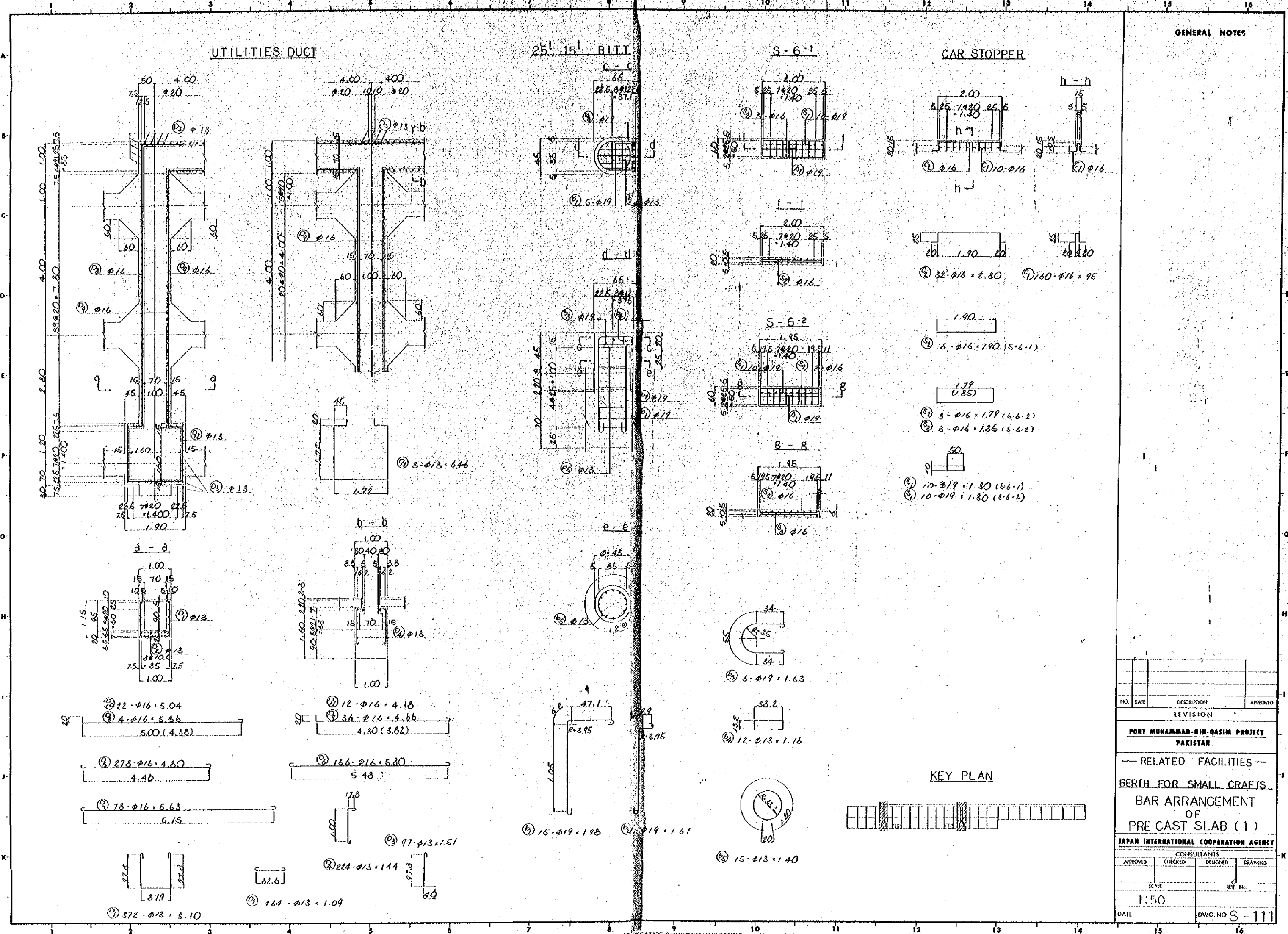
GENERAL NOTES



NO.	DATE	DESCRIPTION	APPROVED
REVISION			
PORT MURAHMAD-BIR-QASIM PROJECT PAKISTAN			
— RELATED FACILITIES — BERTH FOR SMALL CRAFTS BAR ARRANGEMENT OF PIER (2)			
JAPAN INTERNATIONAL COOPERATION AGENCY			
APPROVED		CONSULTANTS	
CHECKED	DESIGNED	DRAWING	
SCALE		REV. No.	
1:50			
DATE		DWG. NO. S-108	



NO.	DATE	DESCRIPTION	APPROVED
REVISION			
PORT MUHAMMAD-BIN-QASIM PROJECT PAKISTAN			
— RELATED FACILITIES —			
BERTH FOR SMALL CRAFTS BAR ARRANGEMENT OF PASSAGE			
JAPAN INTERNATIONAL COOPERATION AGENCY			
CONSULTANTS			
APPROVED	CHECKED	DESIGNED	DRAWING
SCALE		REV. NO.	
1:50			
DATE		DWG. NO. S-109	



GENERAL NOTES

NO.	DATE	DESCRIPTION	APPROVED
REVISION			
PORT MUHAMMAD-BIN-QASIM PROJECT PAKISTAN			
RELATED FACILITIES			
BERTH FOR SMALL CRAFTS			
BAR ARRANGEMENT OF PRE CAST SLAB (1)			
JAPAN INTERNATIONAL COOPERATION AGENCY			
CONSULTANTS			
APPROVED	CHECKED	DESIGNED	DRAWING
SCALE		REV. NO.	
1:50			
DATE	DWG. NO. S-111		

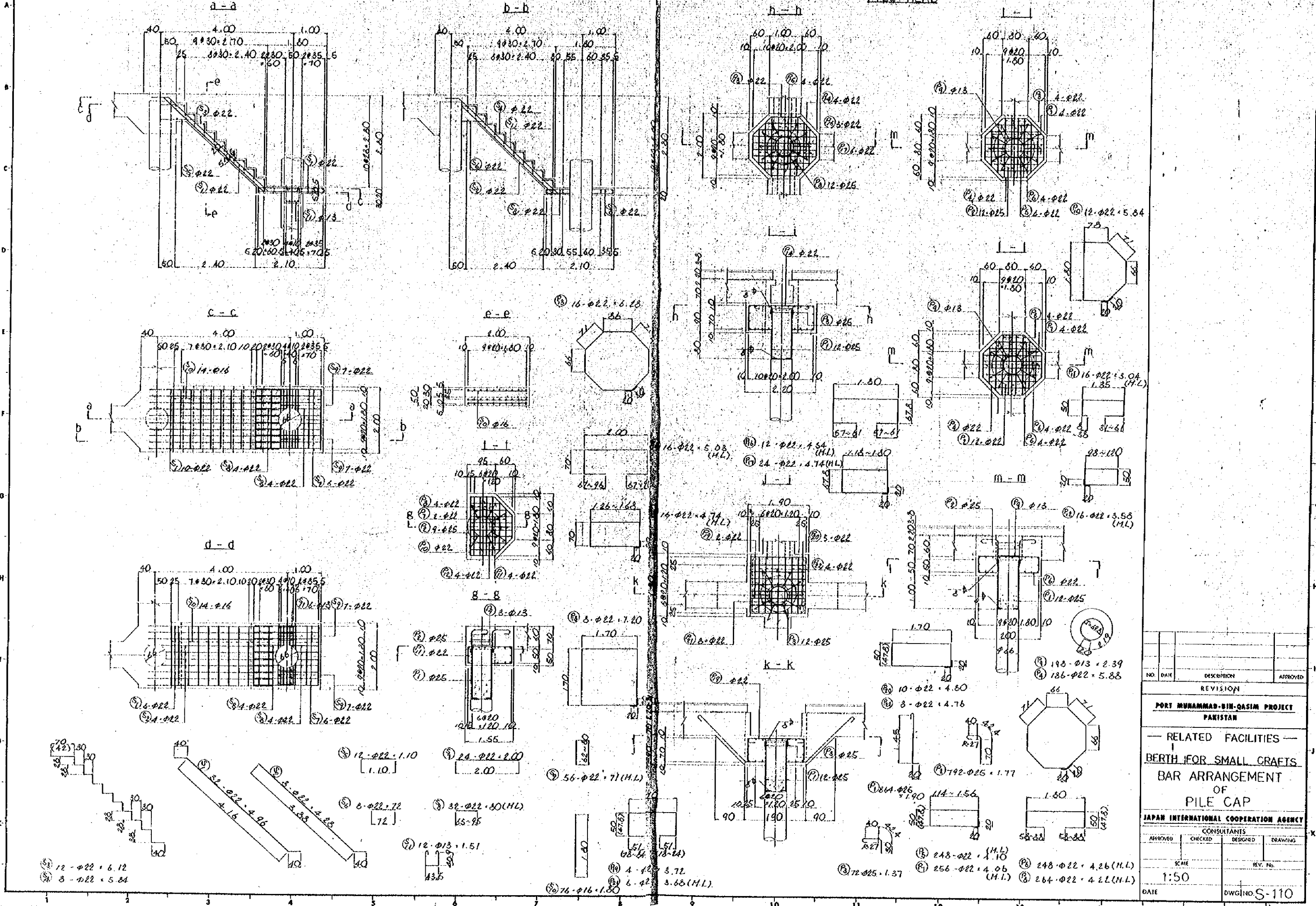
1 2 3 4 5 6 7 8 9 10 11 12 13 14 15 16

A B C D E F G H I J K

STEP

PILE HEAD

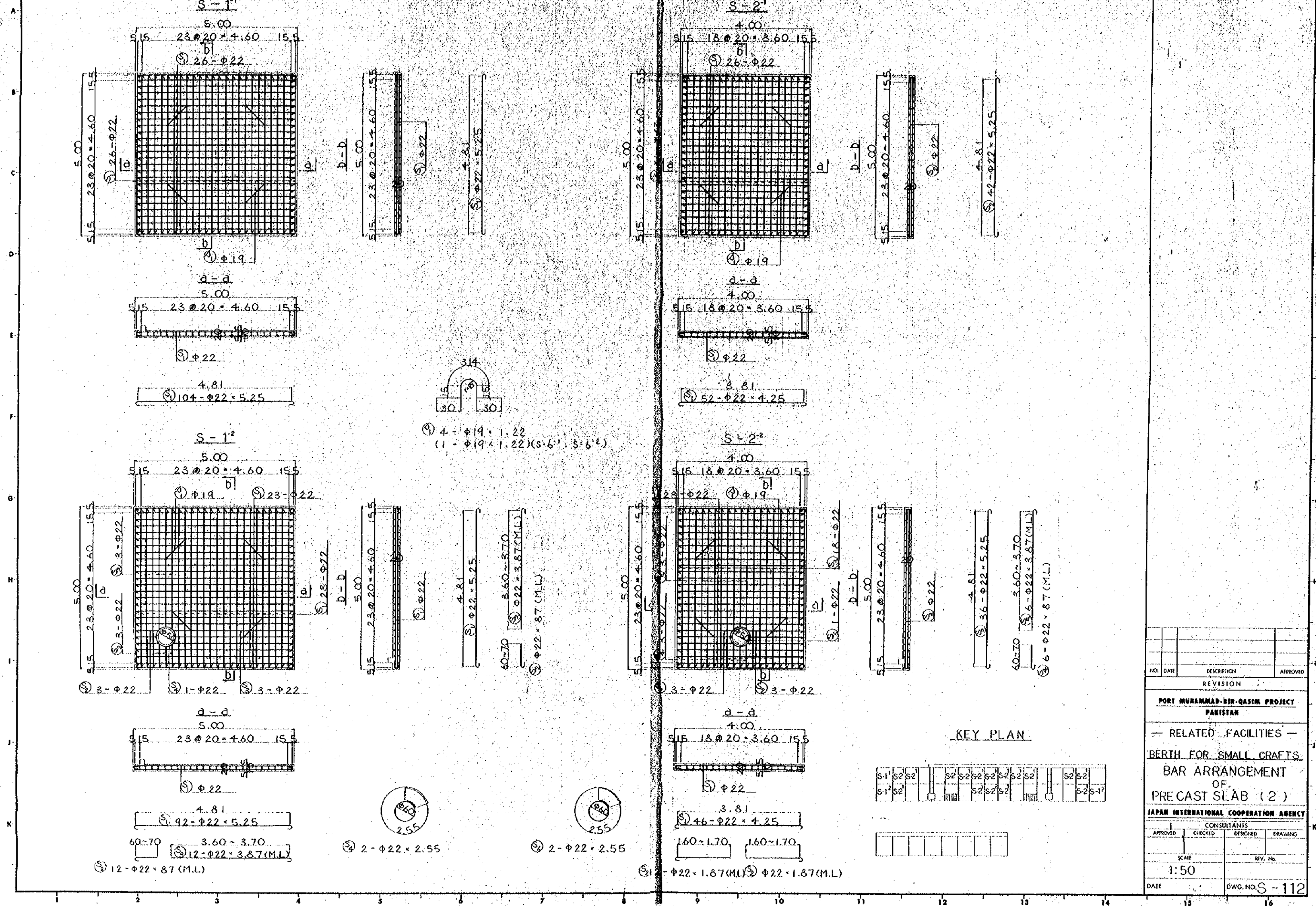
GENERAL NOTES



NO.	DATE	DESCRIPTION	APPROVED
REVISION			
PORT MUHAMMAD-BIN-QASIM PROJECT PAKISTAN			
— RELATED FACILITIES —			
BERTH FOR SMALL CRAFTS BAR ARRANGEMENT OF PILE CAP			
JAPAN INTERNATIONAL COOPERATION AGENCY			
CONSULTANTS			
APPROVED	CHECKED	DESIGNED	DRAWING
SCALE		REV. No.	
1:50			
DATE		DWG. NO. S-110	

PRECAST CONCRETE SLAB

GENERAL NOTES

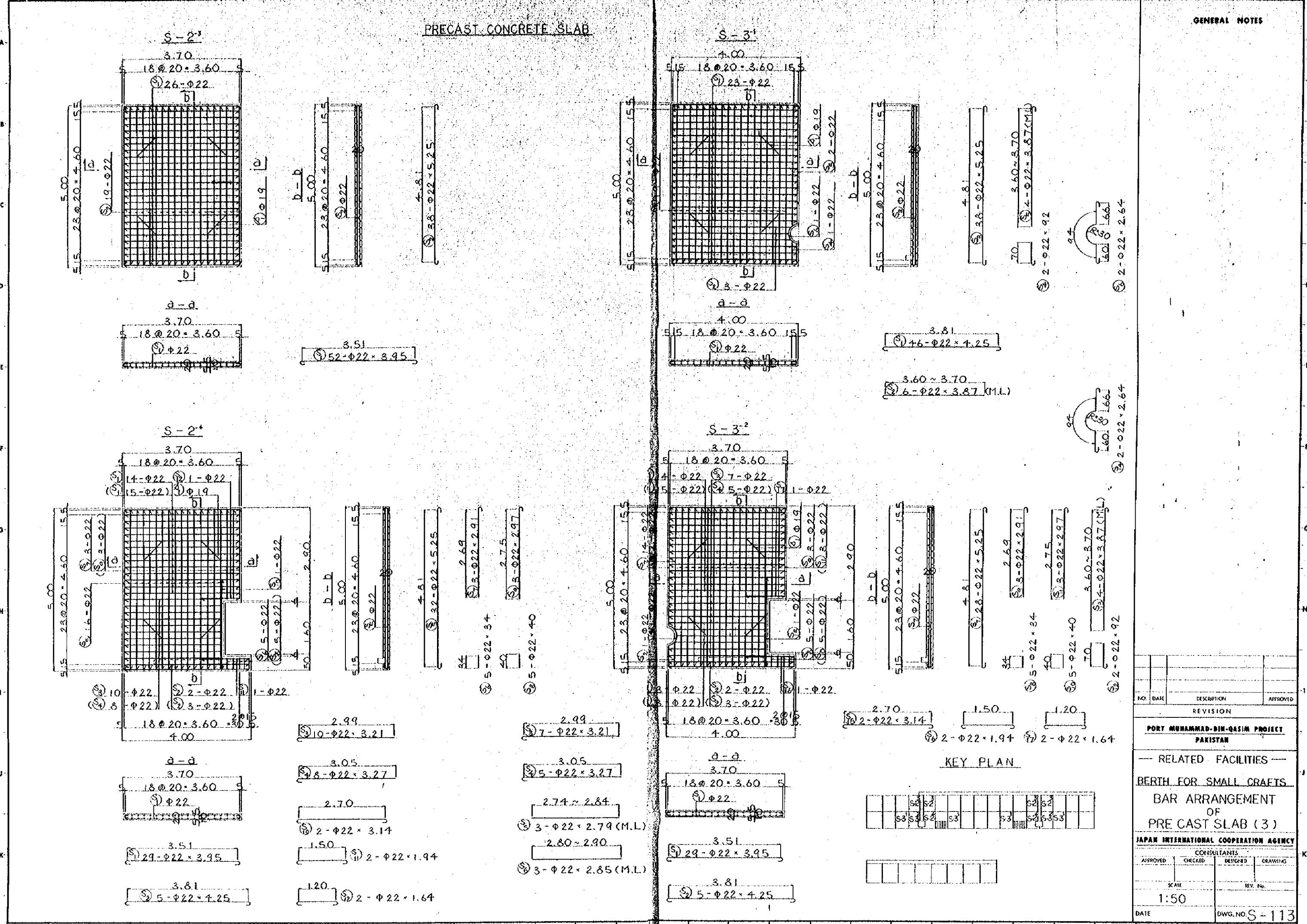


④ 4 - φ14 × 1.22
(1 - φ19 × 1.22) (S-6', S-6'ε)

KEY PLAN

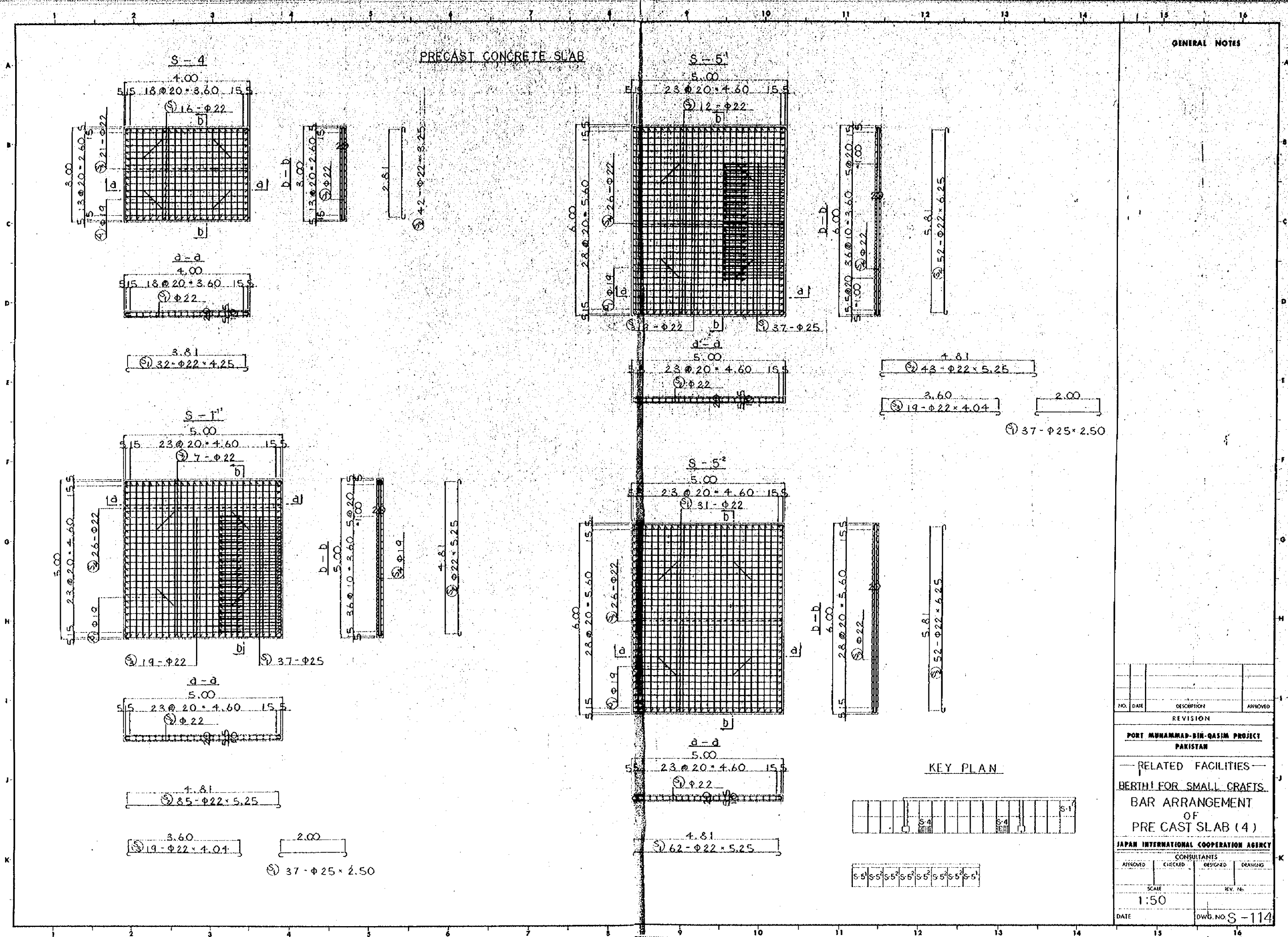
NO.	DATE	DESCRIPTION	APPROVED
REVISION			
PORT MURAHMAD-BEH-QASIM PROJECT PAKISTAN			
— RELATED FACILITIES —			
BERTH FOR SMALL CRAFTS			
BAR ARRANGEMENT OF PRECAST SLAB (2)			
JAPAN INTERNATIONAL COOPERATION AGENCY			
CONSULTANTS			
APPROVED	CHECKED	DESIGNED	DRAWING
SCALE 1:50		REV. No.	
DATE	DWG. NO. S-112		

PRECAST CONCRETE SLAB



GENERAL NOTES

NO.	DATE	DESCRIPTION	APPROVED
REVISION			
PORT MUHAMMAD-BIN-QASIM PROJECT PAKISTAN			
— RELATED FACILITIES —			
BERTH FOR SMALL CRAFTS			
BAR ARRANGEMENT OF PRE CAST SLAB (3)			
JAPAN INTERNATIONAL COOPERATION AGENCY CONSULTANTS			
APPROVED	CHECKED	DESIGNED	DRAWING
SCALE 1:50		REV. No.	
DATE		DWG. NO. S-113	



PRECAST CONCRETE SLAB

GENERAL NOTES

NO.	DATE	DESCRIPTION	APPROVED
REVISION			
PORT MUHAMMAD-BIN-QASIM PROJECT PAKISTAN			
— RELATED FACILITIES — BERTH FOR SMALL CRAFTS			
BAR ARRANGEMENT OF PRE CAST SLAB (4)			
JAPAN INTERNATIONAL COOPERATION AGENCY			
CONSULTANTS			
ASSIGNED	CHECKED	DESIGNED	DRAWN
SCALE 1:50		REV. NO.	
DATE		DWG. NO. S-114	

KEY PLAN

MARK	DIA	LENGTH	EACH	NO	WEIGHT	WEIGHT
PRECAST CONCRETE SLAB						
S-1-1						
S	1	φ22	5.25	104	2.98	15.65
Δ	1	φ19	1.22	4	2.23	2.72
						1627.6 ^{kg}
						10.9
TOTAL						1638.5 ^{kg}
S-1-1'						
S	1	φ25	2.50	37	3.85	9.63
2	φ22	5.25	85	2.98	15.65	1330.3
3	4.04	19		12.04	228.8	
Δ	1	φ19	1.22	4	2.23	2.72
						356.3 ^{kg}
						1559.1
						10.9
TOTAL						1926.3 ^{kg}
S-1-2						
S	1	φ22	5.25	92	2.98	15.65
2	8.7	12		2.59	31.1	
3	3.87	12		11.53	138.4	
4	2.55	2		7.60	15.2	
Δ	1	φ19	1.22	4	2.23	2.72
						1624.5 ^{kg}
						10.9
TOTAL						1635.4 × 2 = 3270.8 ^{kg}
S-2-1						
S	1	φ22	4.25	52	2.98	12.67
2	5.25	42		15.65	657.3	
Δ	1	φ19	1.22	4	2.23	2.72
						1316.1 ^{kg}
						10.9
TOTAL						1327.0 × 15 = 19905.0 ^{kg}
S-2-2						
S	1	φ22	4.25	46	2.98	12.67
2	1.87	12		5.57	66.8	
3	5.25	36		15.65	563.4	
4	8.7	6		2.59	15.5	
5	3.87	6		11.53	69.2	
6	2.55	2		7.60	15.2	
Δ	1	φ19	1.22	4	2.23	2.72
						1312.9 ^{kg}
						10.9
TOTAL						1323.8 ^{kg}

LIST OF MATERIALS

MARK	DIA	LENGTH	EACH	NO	WEIGHT	WEIGHT
S-2-3						
S	1	φ22	3.95	52	2.98	11.77
2	5.25	36		15.65	594.7	
Δ	1	φ19	1.22	4	2.23	2.72
						1206.7 ^{kg}
						10.9
TOTAL						1217.6 × 4 = 4870.4 ^{kg}
S-2-4						
S	1	φ22	3.95	29	2.98	11.77
2	4.25	5		12.67	63.4	
3	3.21	10		9.57	95.7	
4	3.27	8		9.74	77.7	
5	5.25	32		15.65	500.8	
6	3.4	5		1.01	5.1	
7	2.91	3		8.85	26.6	
8	4.0	5		1.19	6.0	
9	2.97	3		8.85	26.6	
10	3.14	2		9.36	18.7	
11	1.94	2		5.78	11.6	
12	1.64	2		4.87	9.7	
Δ	1	φ19	1.22	4	2.23	2.72
						1182.9 ^{kg}
						10.9
TOTAL						1193.8 × 2 = 2387.6 ^{kg}
S-3-1						
S	1	φ22	4.25	46	2.98	12.67
2	3.87	6		11.53	69.2	
3	5.25	36		15.65	594.7	
4	9.2	2		2.74	5.5	
5	3.87	4		11.53	46.1	
6	2.64	2		7.87	15.7	
Δ	1	φ19	1.22	4	2.23	2.72
						1314.0 ^{kg}
						10.9
TOTAL						1324.9 × 4 = 5299.6 ^{kg}
S-3-2						
S	1	φ22	3.95	29	2.98	11.77
2	4.25	5		12.67	63.4	
3	3.21	7		9.57	67.0	
4	3.27	5		9.74	48.7	
5	2.79	3		8.31	24.9	
6	2.85	3		8.49	25.5	
7	5.25	28		15.65	438.4	
8	3.4	5		1.01	5.1	
9	2.91	3		8.87	26.6	
10	4.0	5		1.19	6.0	
11	2.97	3		8.85	26.6	
12	3.14	2		2.74	5.5	
13	3.87	4		11.53	46.1	
14	2.64	2		7.87	15.7	
15	3.14	2		9.36	18.7	
16	1.94	2		5.78	11.6	
17	1.64	2		4.87	9.7	
Δ	1	φ19	1.22	4	2.23	2.72

MARK	DIA	LENGTH	EACH	NO	WEIGHT	WEIGHT
S-4						
						1180.1 ^{kg}
						10.9
TOTAL						1190.0 × 2 = 2382.0 ^{kg}
S-5						
S	1	φ22	4.25	52	2.98	12.67
2	3.25	42		9.69	407.0	
Δ	1	φ19	1.24	4	2.23	2.72
						812.4 ^{kg}
						10.9
TOTAL						823.3 × 2 = 1646.6 ^{kg}
S-5-1						
S	1	φ22	2.50	37	2.98	7.45
2	5.25	43		15.65	673.0	
3	4.04	19		12.04	228.8	
4	4.25	52		18.63	968.8	
Δ	1	φ19	1.22	4	2.23	2.72
						2146.3 ^{kg}
						10.9
TOTAL						2157.2 × 2 = 4314.4 ^{kg}
S-5-2						
S	1	φ22	5.25	62	2.98	15.65
2	4.25	52		18.63	968.8	
Δ	1	φ19	1.22	4	2.23	2.72
						1939.1 ^{kg}
						10.9
TOTAL						1950.0 × 4 = 7800.0 ^{kg}
S-6-1						
S	1	φ19	1.30	10	2.23	2.90
2	φ16	1.90	6	1.50	3.00	18.0
Δ	1	φ19	1.22	1	2.23	2.72
						47.0 ^{kg}
						2.7
TOTAL						49.7 × 6 = 298.2 ^{kg}
S-6-2						
S	1	φ19	1.30	10	2.23	2.90
2	φ16	1.79	3	1.50	2.83	8.5
3	1.85	3		2.92	8.8	
Δ	1	φ19	1.22	1	2.23	2.72
						46.3 ^{kg}
						2.7
TOTAL						49.0 × 2 = 98.0 ^{kg}
CAR STOPPER						
C	1	φ16	95	1.60	1.50	240.0
2	2.80	32		4.42	141.4	
TOTAL						φ16 381.4 ^{kg}

GENERAL NOTES

NO	DATE	DESCRIPTION	APPROVED
REVISION			
PORT MUHAMMAD-BIN-QASIM PROJECT			
PAKISTAN			
RELATED FACILITIES			
BERTH FOR SMALL CRAFTS			
LIST			
OF			
MATERIAL(1)			
JAPAN INTERNATIONAL COOPERATION AGENCY			
CONSULTANTS			
APPROVED	CHECKED	DESIGNED	DRAWING
SCALE		REV. NO.	
DATE		DWG. NO. S-115	

LIST OF MATERIALS

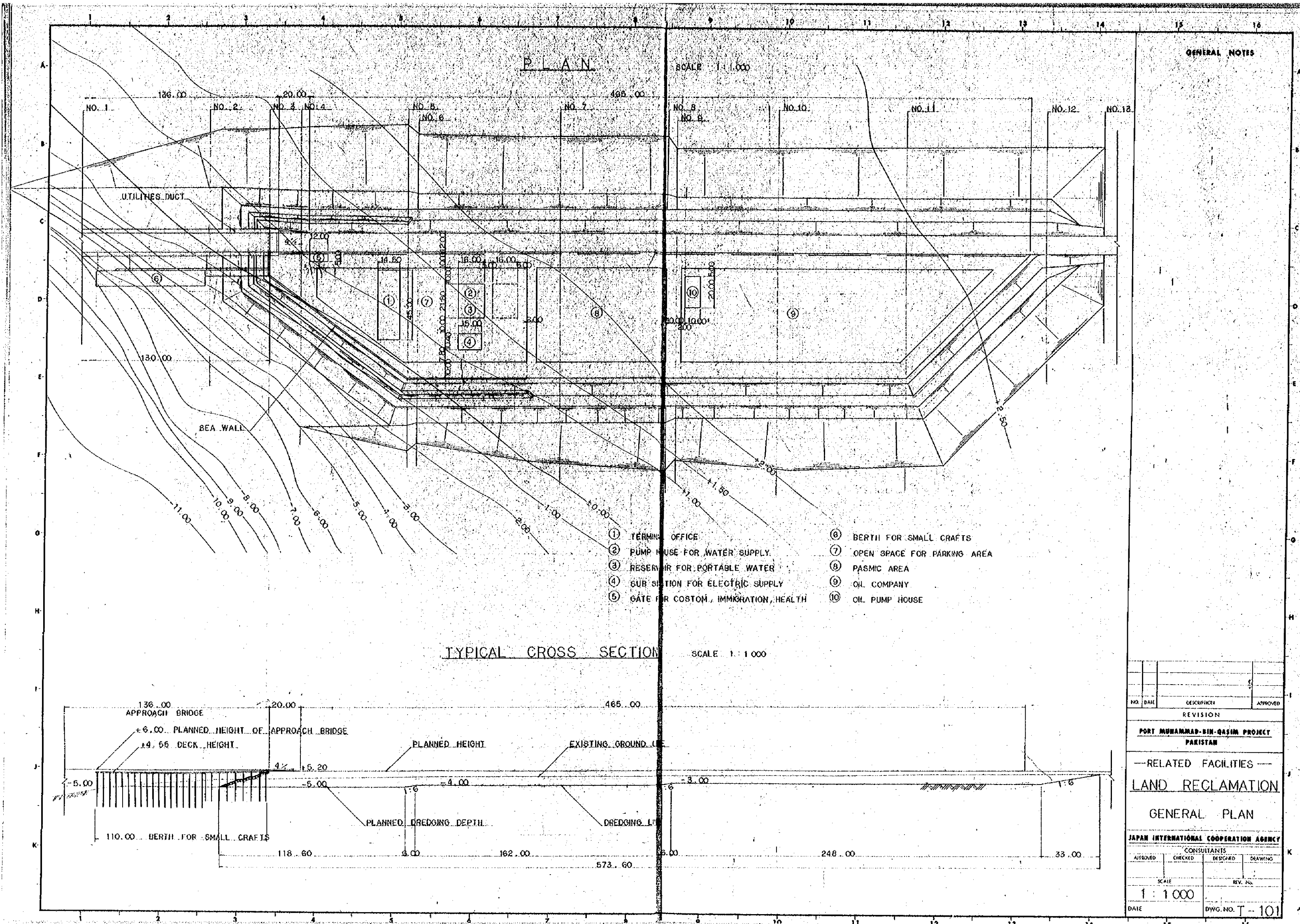
MARK	DIA (mm)	LENGTH	EACH UNIT	WEIGHT	WEIGHT	BAR WEIGHT
GIRDER						
B	1	φ25	3.55	15	3.85	13.59
	2	4.53	15			17.44
	3	5.25	140			20.21
	4	7.93	20			30.53
	5	6.93	20			26.68
	6	7.48	5			28.80
	7	6.48	5			24.95
	8	5.25	10			20.21
	9	5.60	10			21.56
	10	3.03	5			11.67
	11	4.03	5			15.52
	12	5.23	15			20.14
	13	6.23	15			23.99
	14	5.25	145			20.21
	15	4.83	20			18.60
	16	3.83	20			14.75
	17	4.38	5			16.84
	18	3.38	5			13.01
	19	3.85	10			14.82
	20	5.00	10			19.25
	21	4.73	5			18.21
	22	5.73	5			22.06
	23	φ19	6.20	48	2.23	13.83
	24	7.82	40			17.44
	25	6.05	24			13.49
	26	3.75	8			8.36
	27	4.90	8			10.93
	28	7.68	12			17.13
	29	φ25	4.30	80	3.85	16.56
	30	7.75	80			29.84
	31	5.22	80			20.10
	32	6.23	80			23.99
	33	φ22	2.02	120	2.98	6.02
	34	φ19	5.53	128	2.23	12.33
	35	5.26	18			11.73
	36	7.89	18			17.59
	37	1.72	18			3.84
	38	3.34	36			7.45
	39	72	18			1.61
	40	φ16	5.93	24	1.58	9.37
	41	φ19	5.61	16	2.23	12.51
	42	4.12	104			9.19
	43	2.60	464			5.80
	44	2.46	16			5.49
	45	2.00	16			4.46
	46	φ25	2.65	20	3.85	10.20
	47	φ19	1.80	64	2.23	4.01
	B*	1	φ13	110	1.04	1.14
		2	1.93	1003		2.01
		3	2.83	20		2.94
		4	1.83	700		1.90
		5	2.87	36		2.98
		6	1.10	84		1.14
		7	1.52	84		1.58
		8	1.30	64		1.35
		9	2.51	64		2.61
		10	80	42		0.83
		11	1.63	42		1.70
			φ25			17.655.8
			φ22			722.4
			φ19			8780.3
			φ16			224.9
			φ13			6967.4
			TOTAL			34350.8

MARK	DIA (mm)	LENGTH	EACH UNIT	WEIGHT	WEIGHT	BAR WEIGHT
APPROACHING GIRDER						
B	1	φ25	3.55	10	3.85	13.67
	2	5.75	20			22.14
	3	6.25	50			24.06
	4	4.55	10			17.52
	5	5.23	10			20.14
	6	6.25	40			24.06
	7	6.23	10			23.99
	8	φ19	7.88	40	2.23	17.57
	9	5.45	8			12.16
	10	φ25	3.80	45	3.85	26.18
	11	6.20	45			23.87
	12	φ22	2.02	90	2.98	6.02
	13	φ19	6.10	36	2.23	13.60
	14	5.61	16			12.51
	15	4.12	56			9.19
	16	2.60	128			5.80
B*	1	φ13	110	687	1.04	1.14
	2	1.93	444			2.01
	3	1.83	216			1.90
	4	2.87	27			2.98
	5	1.10	63			1.14
	6	1.52	63			1.58
			φ25			6094.9
			φ22			541.8
			φ19			2746.8
			φ13			2337.8
			TOTAL			11721.3
UTILITIES DUCT						
D	1	φ13	3.10	372	1.04	3.22
	2	1.09	464			1.13
	3	1.51	97			1.57
	4	1.44	224			1.50
	5	φ16	4.80	278	1.58	7.58
	6	5.80	156			9.16
	7	5.63	78			8.90
	8	5.36	4			8.47
	9	4.66	36			7.36
	10	5.04	22			7.96
	11	4.18	12			6.60
	12	6.46	8	1.04		6.72
			φ16			4783.6
			φ13			2264.2
			TOTAL			7047.8
BIT						
b	1	φ19	1.98	15	2.23	4.42
	2	1.61	21			3.59
	3	1.83	6			3.83
	4	φ13	1.16	12	1.04	1.21
	5	1.40	15			1.46
			φ19			163.5
			φ13			36.4
			TOTAL			199.9
STEP						
S	1	φ22	4.96	32	2.98	14.78
	2	4.28	8			12.75
	3	6.12	12			18.24
	4	5.84	8			17.40
	5	1.10	12			3.28
	6	72	8			2.15
	7	2.00	24			5.90

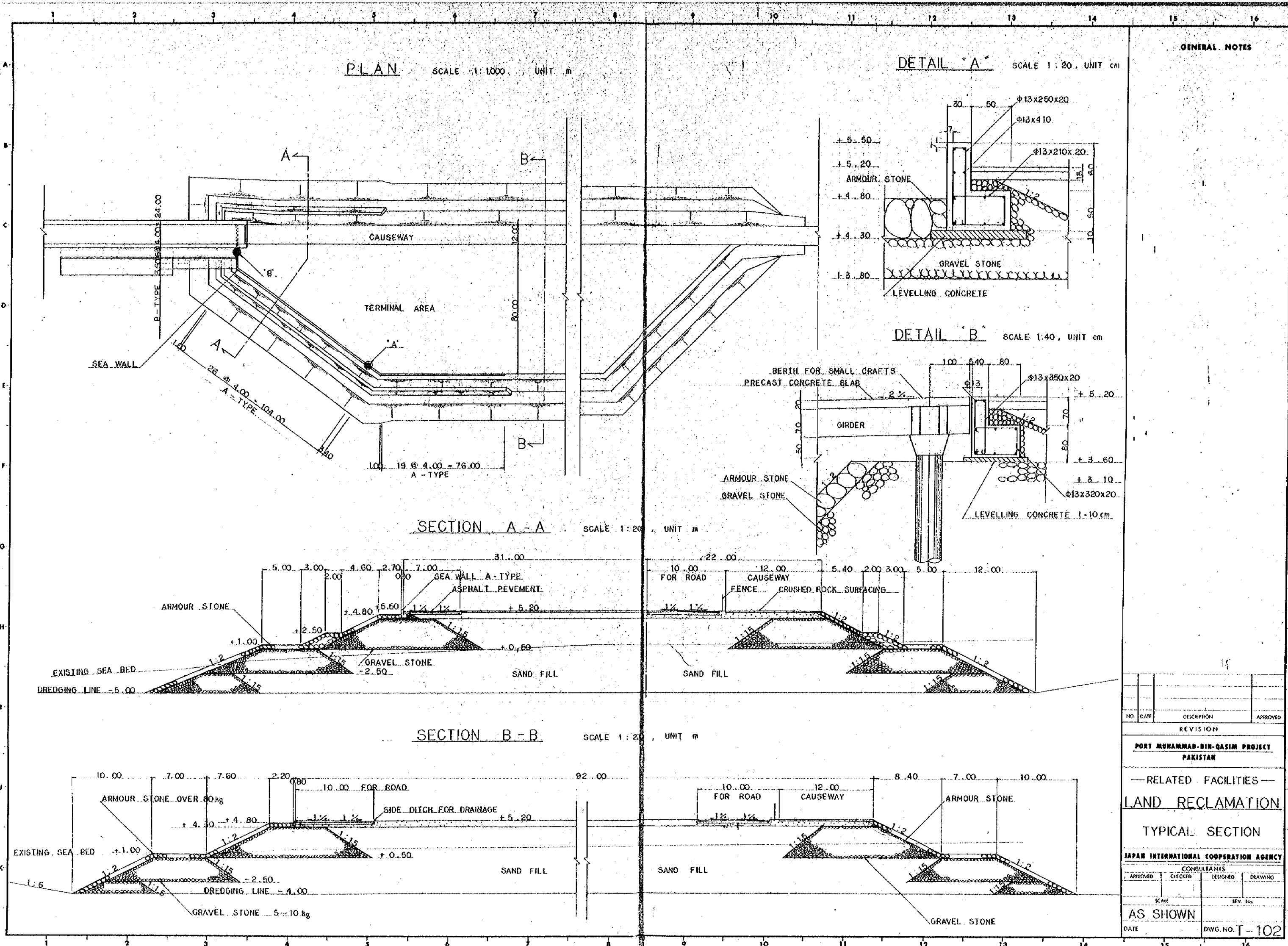
MARK	DIA (mm)	LENGTH	EACH UNIT	WEIGHT	WEIGHT	BAR WEIGHT
PIPL HEAD						
S	8	φ22	80	32	2.98	2.38
	1	71	56			2.12
	10	φ16	1.80	76	1.58	2.84
	11	φ13	1.51	12	1.04	1.57
			φ22			1527.6
			φ16			215.8
			φ13			18.8
			TOTAL			1562.2
PIPL HEAD						
P	1	φ25	1.90	864	3.85	7.32
	2	1.77	792			6.81
	3	1.57	72			5.27
	4	φ22	5.88	186	2.98	17.52
	5	4.10	248			12.22
	6	4.26	248			12.69
	7	4.06	256			12.10
	8	4.22	264			12.58
	9	φ13	2.89	198	1.04	2.49
	10	φ22	5.84	12	2.98	17.40
	11	3.04	16			3.06
	12	3.58	16			10.67
	13	6.28	16			18.71
	14	5.03	16			14.99
	15	4.74	16			14.13
	16	4.34	12			12.93
	17	4.74	24			14.13
	18	7.20	8			21.46
	19	3.72	4			11.09
	20	4.80	10			14.80
	21	3.68	6			10.97
	22	4.76	8			14.18
			φ25			12097.4
			φ22			18177.5
			φ13			493.0
			TOTAL			30767.9

GENERAL NOTES

NO.	DATE	DESCRIPTION	APPROVED
REVISION			
PORT MUHAMMAD-BIN-QASIM PROJECT			
PAKISTAN			
— RELATED FACILITIES —			
BERTH FOR SMALL CRAFT II			
LIST OF MATERIAL (2)			
JAPAN INTERNATIONAL COOPERATION AGENCY			
CONSULTANTS			
APPROVED	CHECKED	DESIGNED	DRAWING
SCALE		REV. NO.	
DATE		DWG. NO. S-116	



NO.	DATE	DESCRIPTION	APPROVED
REVISION			
PORT MUHAMMAD-BIN-QASIM PROJECT PAKISTAN			
— RELATED FACILITIES —			
LAND RECLAMATION			
GENERAL PLAN			
JAPAN INTERNATIONAL COOPERATION AGENCY			
CONSULTANTS			
APPROVED	CHECKED	DESIGNED	DRAWING
SCALE		REV. NO.	
1 : 1 000			
DATE	DWG. NO. T-101		



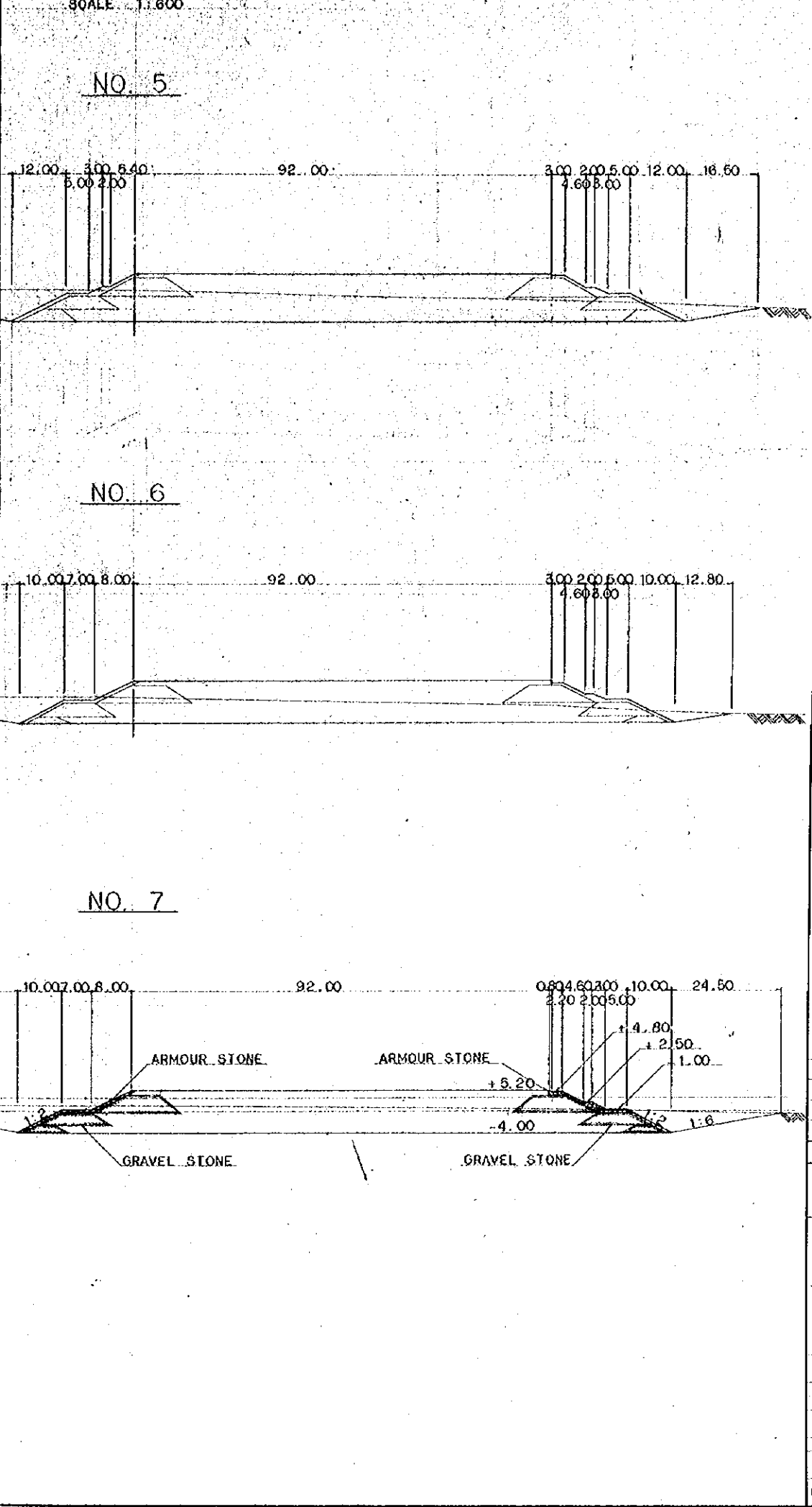
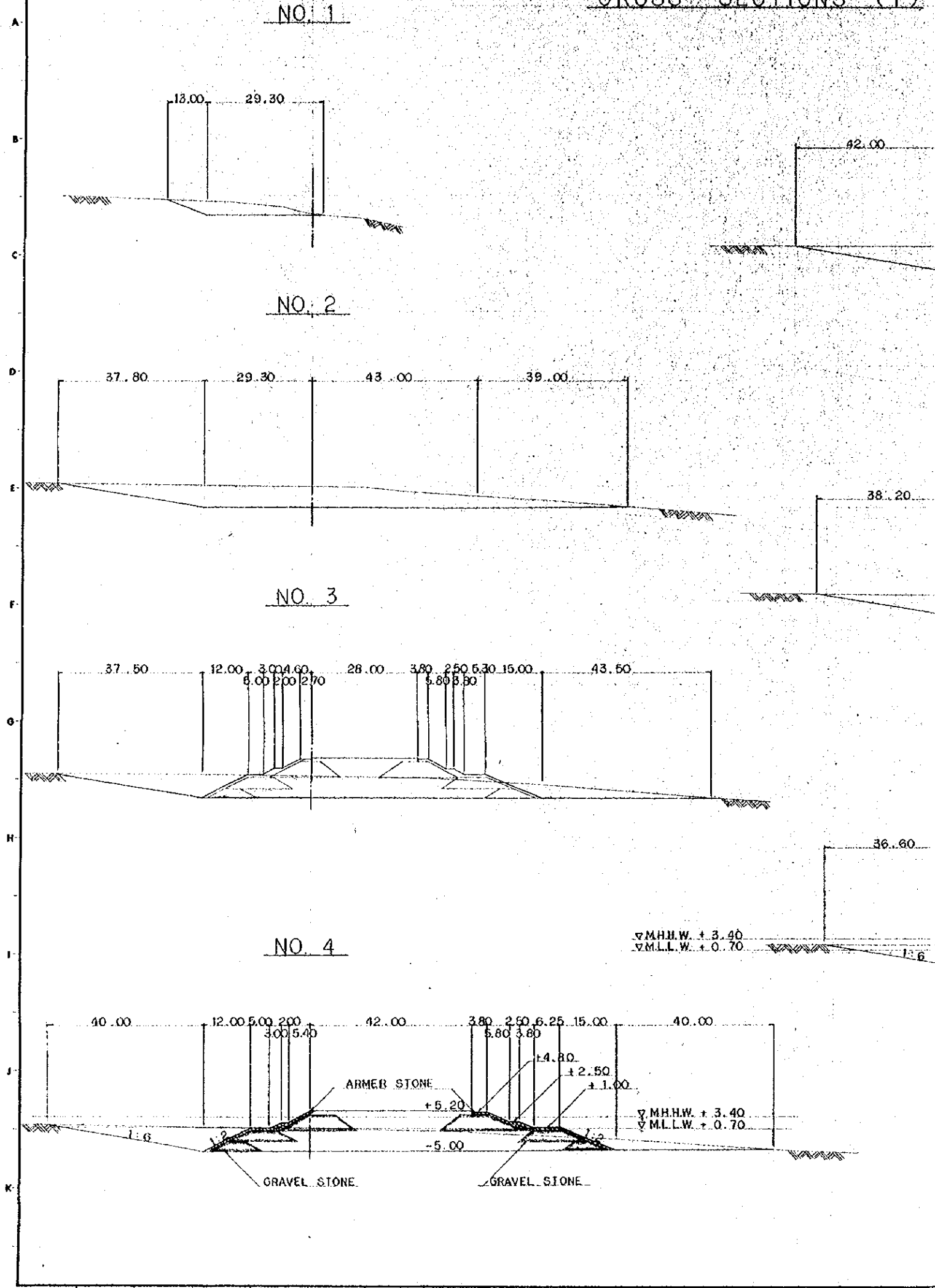
GENERAL NOTES

NO.	DATE	DESCRIPTION	APPROVED
REVISION			
PORT MUHAMMAD-BIN-QASIM PROJECT PAKISTAN			
— RELATED FACILITIES —			
LAND RECLAMATION			
TYPICAL SECTION			
JAPAN INTERNATIONAL COOPERATION AGENCY			
CONSULTANTS			
APPROVED	CHECKED	DESIGNED	DRAWING
SCALE		REV. No.	
AS SHOWN			
DATE	DWG. NO. T-102		

CROSS SECTIONS (1)

SCALE 1:600

GENERAL NOTES



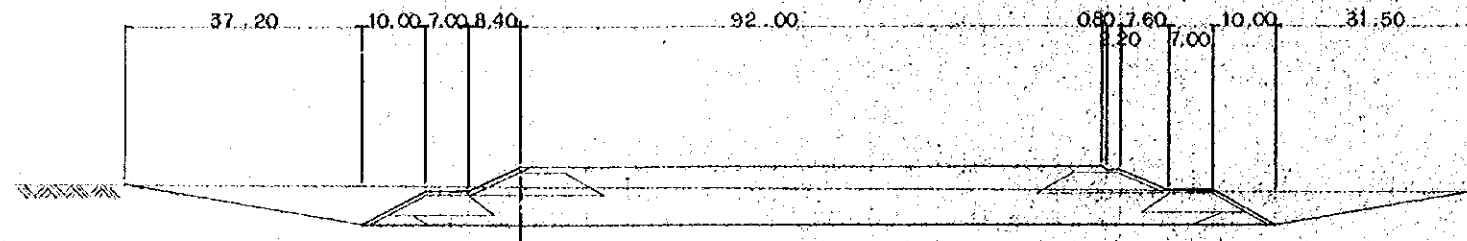
NO.	DATE	DESCRIPTION	APPROVED
REVISION			
PORT MUHAMMAD-BIN-QASIM PROJECT PAKISTAN			
—RELATED FACILITIES—			
LAND RECLAMATION			
CROSS SECTION (1)			
JAPAN INTERNATIONAL COOPERATION AGENCY			
CONSULTANTS			
APPROVED	CHECKED	DESIGNED	DRAWING
SCALE		REV. No.	
1:600			
DATE	DWG. NO. T-103		

CROSS SECTIONS (2)

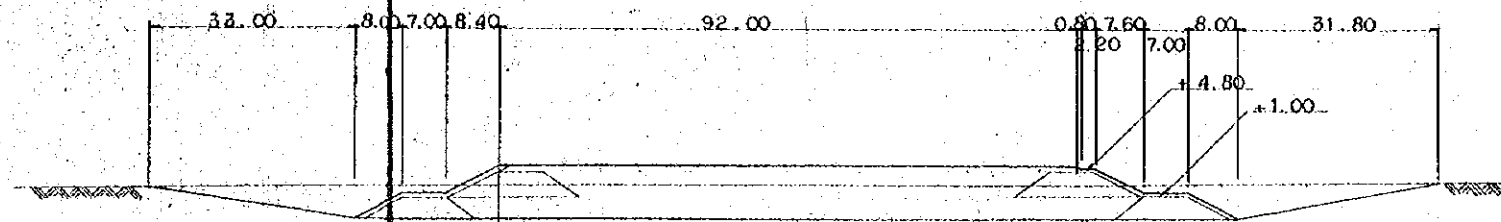
SCALE 1:600

GENERAL NOTES

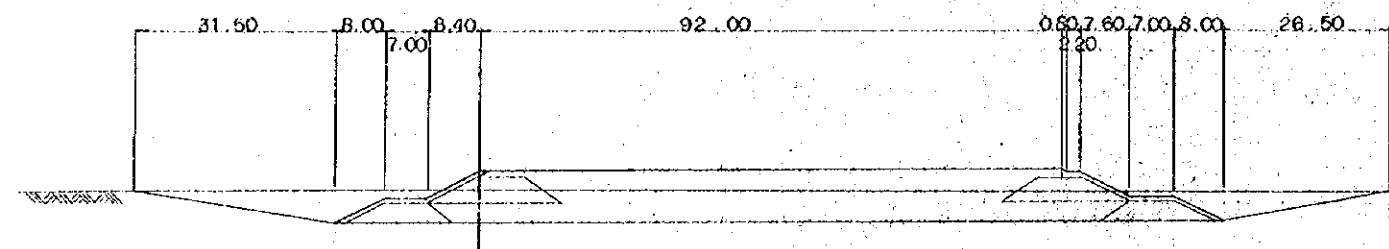
NO. 8



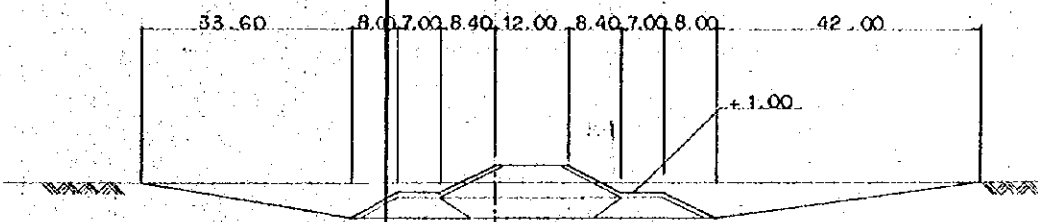
NO. 11



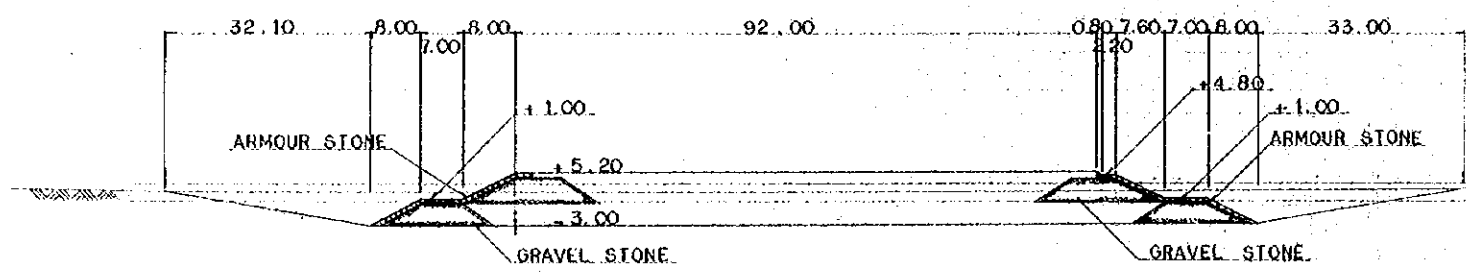
NO. 9



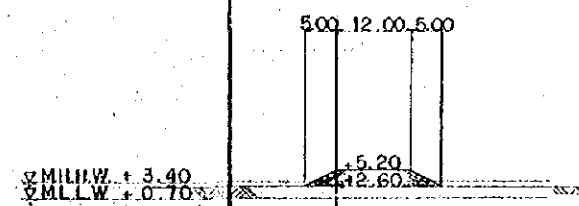
NO. 12



NO. 10



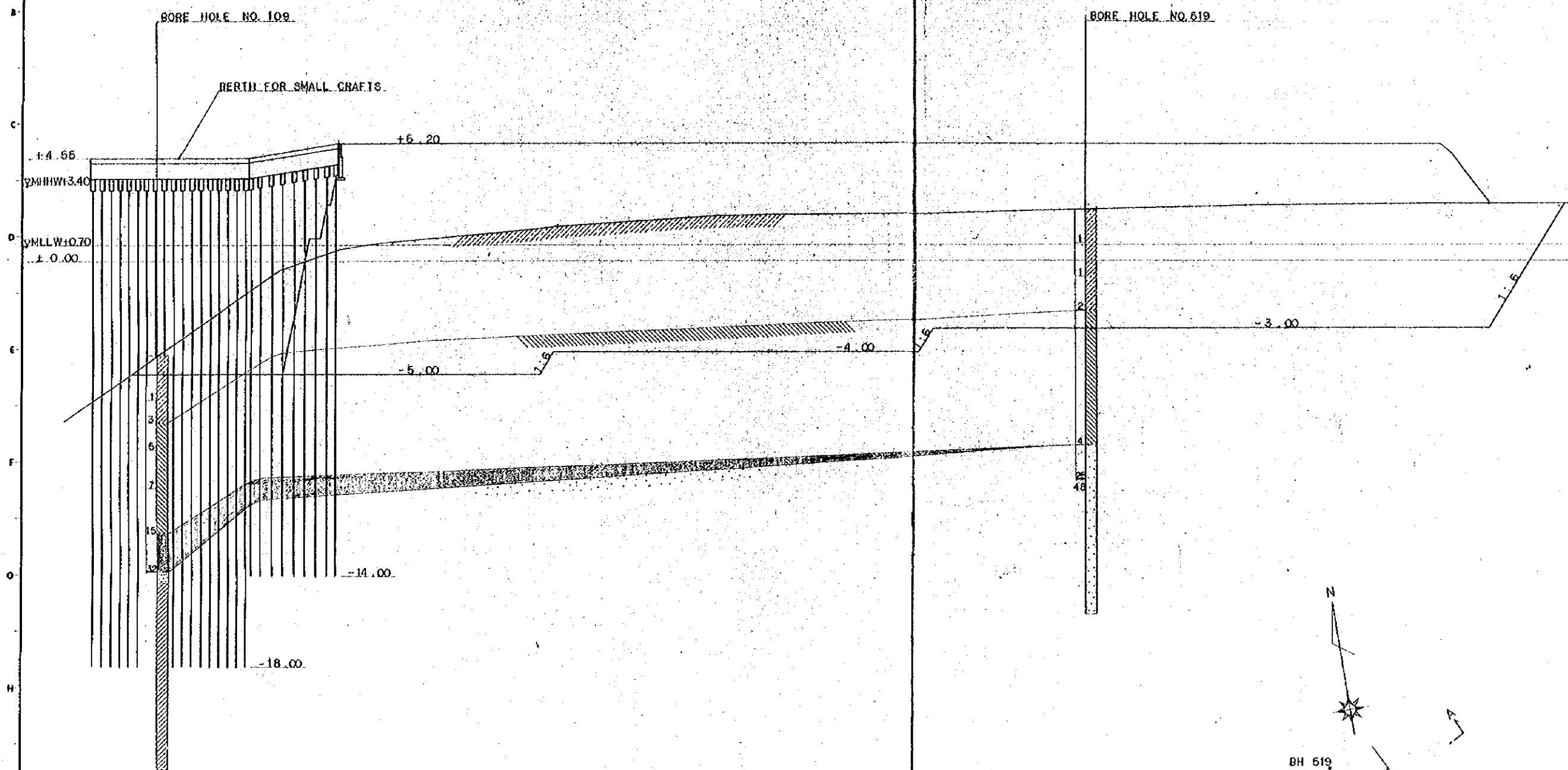
NO. 13



NO.	DATE	DESCRIPTION	APPROVED
REVISION			
PORT MUHAMMAD-BIN-QASIM PROJECT PAKISTAN			
— RELATED FACILITIES —			
LAND RECLAMATION			
CROSS SECTION (2)			
JAPAN INTERNATIONAL COOPERATION AGENCY			
CONSULTANTS			
APPROVED	CHECKED	DESIGNED	DRAWING
SCALE 1:600		REV. No.	
DATE		DWG. NO. T-104	

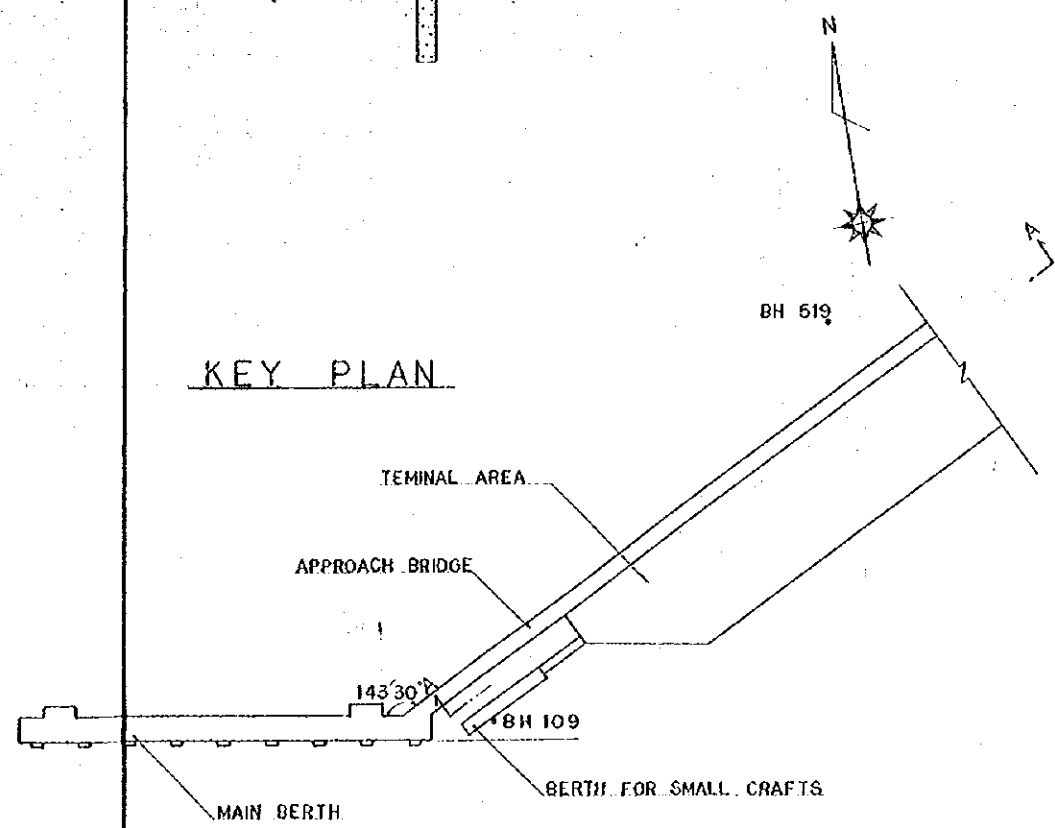
PROFILE OF ASSUMED SOIL PROPERTIES
(SECTION A-A)

H. I: 1,000
SCALE V. I: 100



LEGEND

	SILTY CLAY	STP Blows/ft	1-3
	SILTY CLAY	STP Blows/ft	4-15
	SILTY CLAY	STP Blows/ft	15-32
	GREY FINE SAND		
	HARD SILTY CLAY		



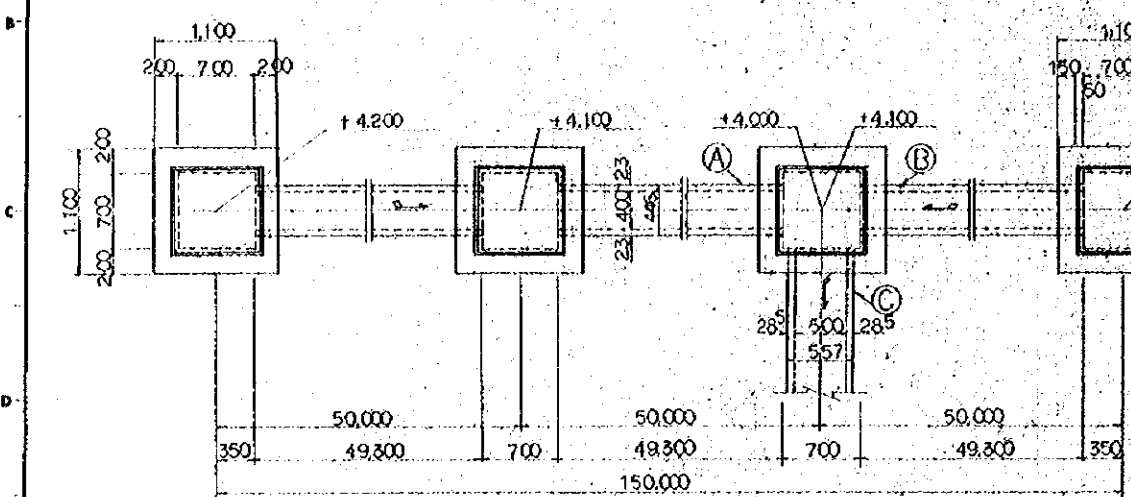
GENERAL NOTES

THE ELEVATIONS OF THE SITE OF BORING NOS. 109 AND 519 WERE CONVERTED TO THE ELEVATIONS OF SECTION A-A AS SHOWN IN THE DRAWING.
THE H-VALUES OF BORING NO. WERE OBTAINED FROM THE VALUES OF BORING NOS. 107, 111 AND 114.

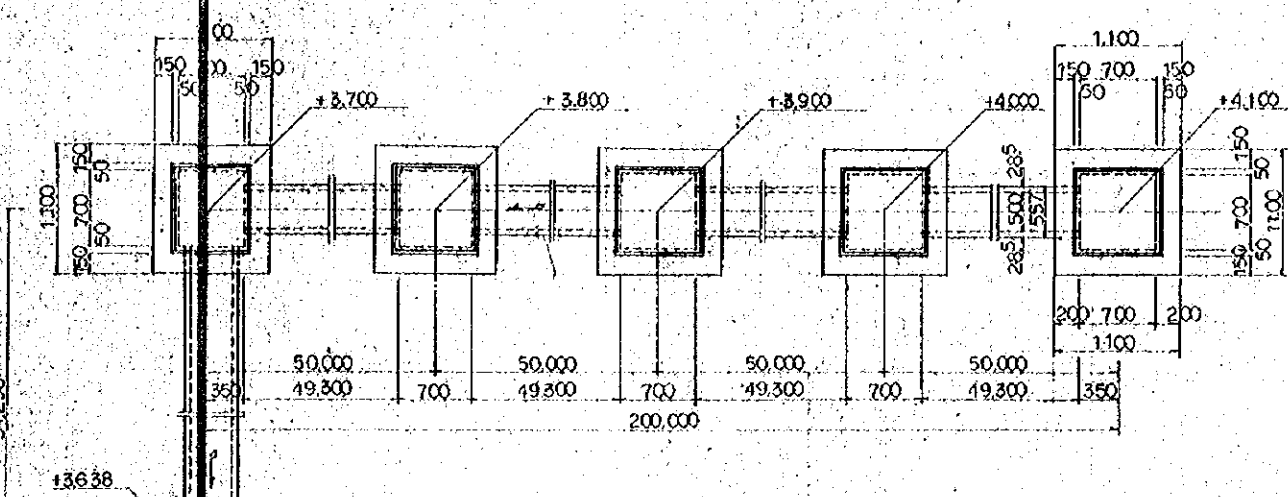
NO.	DATE	DESCRIPTION	APPROVED
REVISION			
PORT MUHAMMAD-BIN-QASIM PROJECT PAKISTAN			
— RELATED FACILITIES —			
LAND RECLAMATION			
SOIL PROFILE			
JAPAN INTERNATIONAL COOPERATION AGENCY			
CONSULTANTS			
APPROVED	CHECKED	DESIGNED	DRAWING
SCALE		REV. NO.	
1:1,000			
DATE	DWG. NO.		
	T-105		

MANHOLE & PIPE ARRANGEMENT SCALE 1:30

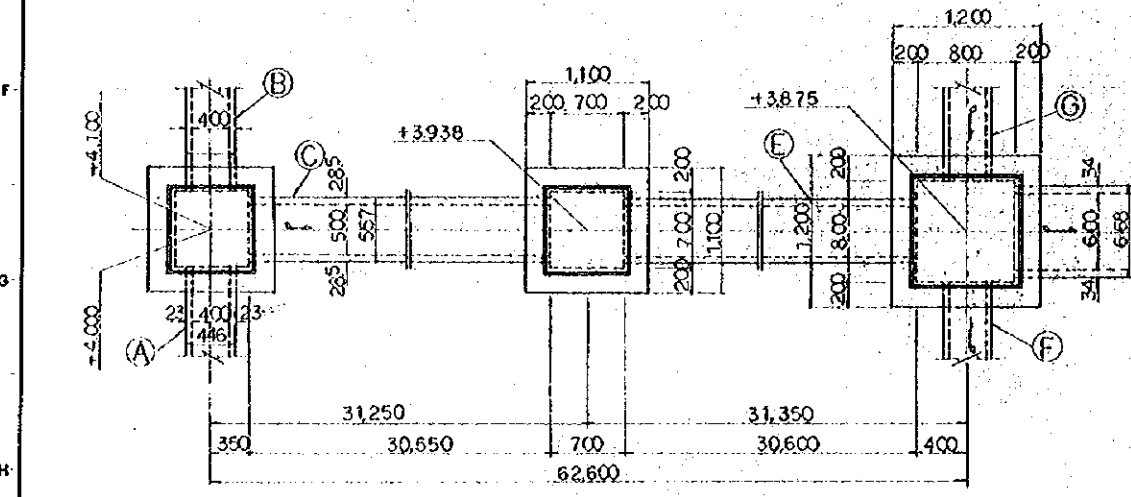
SECTION ①



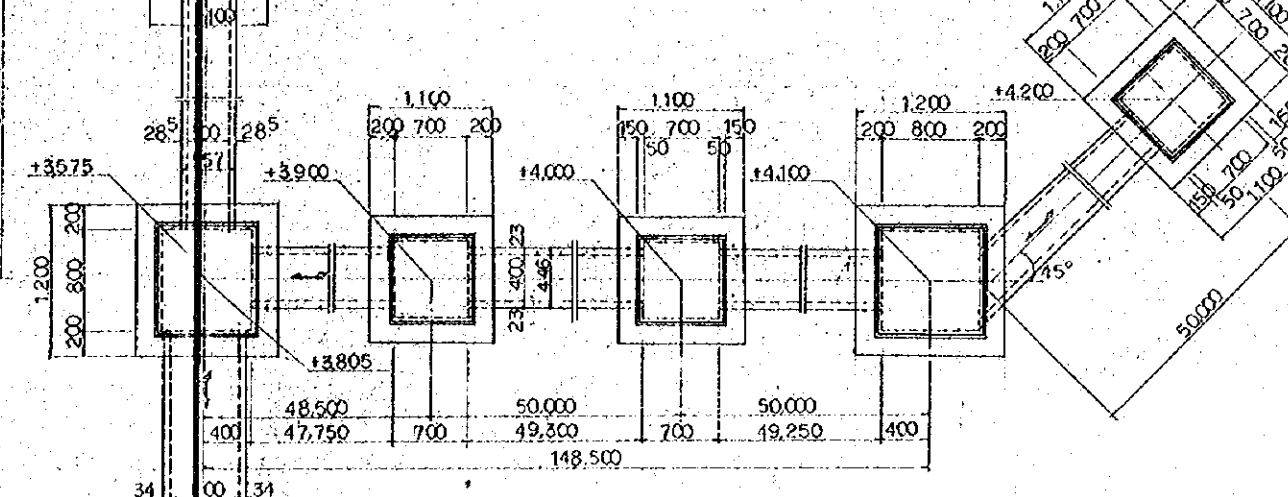
SECTION ④⑤



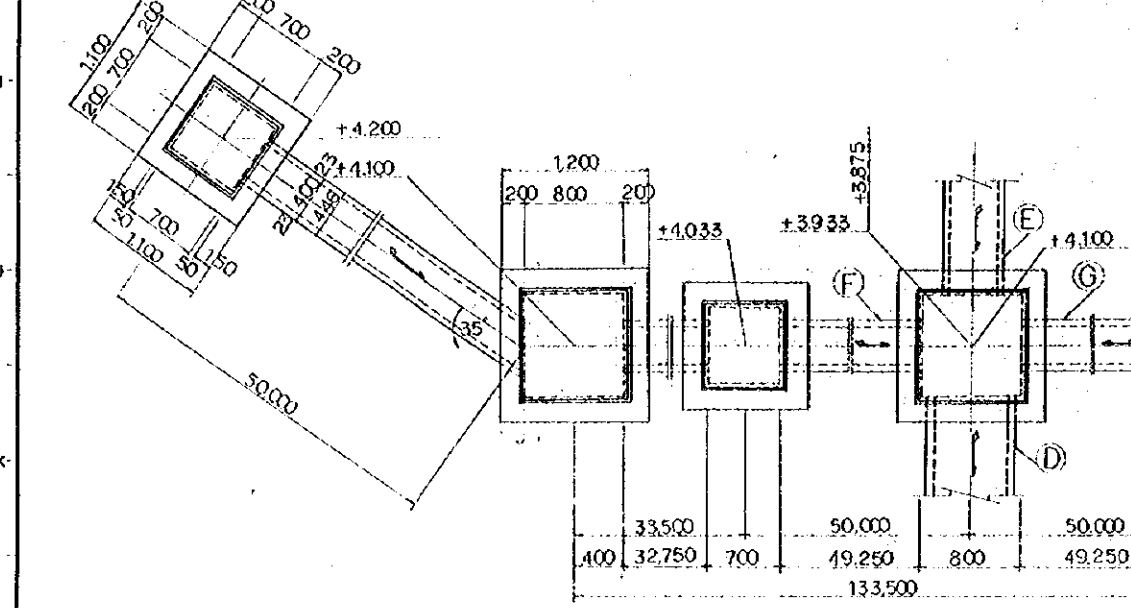
SECTION ②



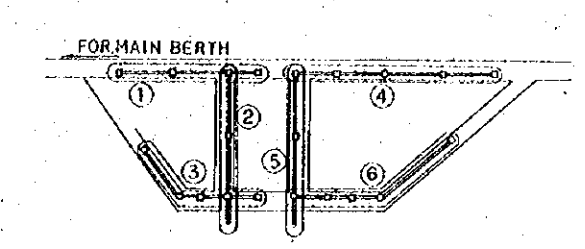
SECTION ⑥



SECTION ③

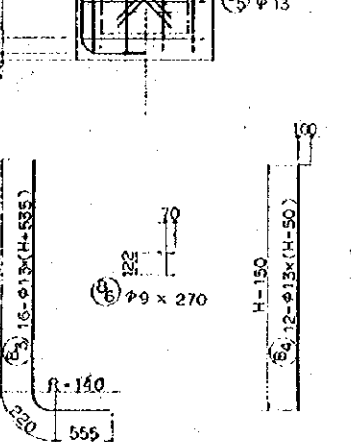
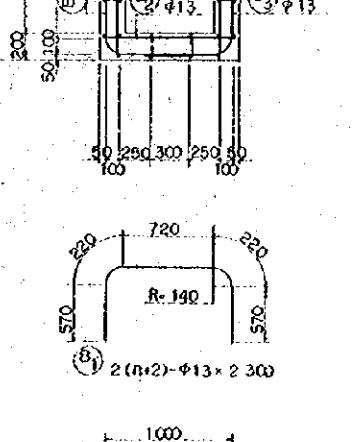
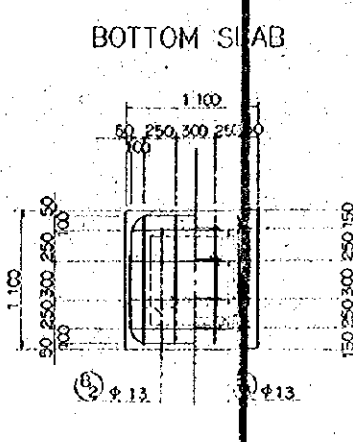
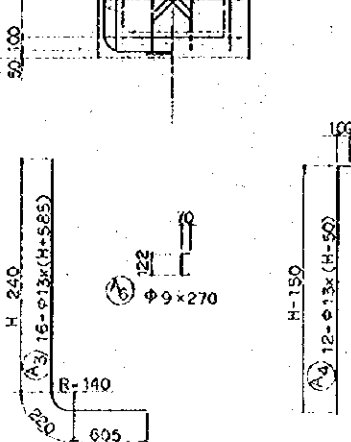
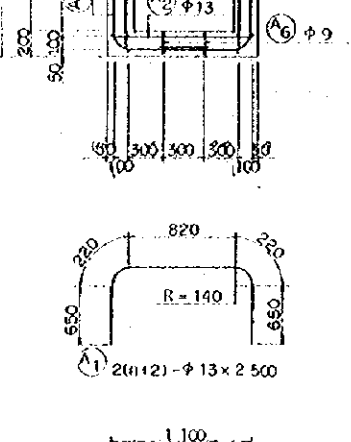
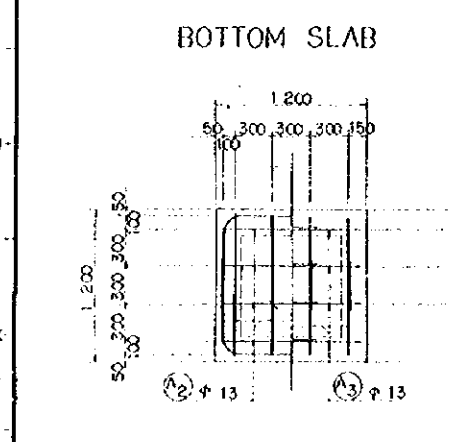
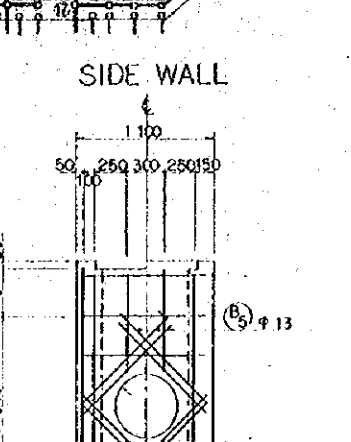
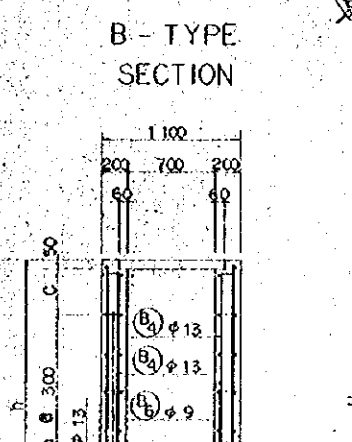
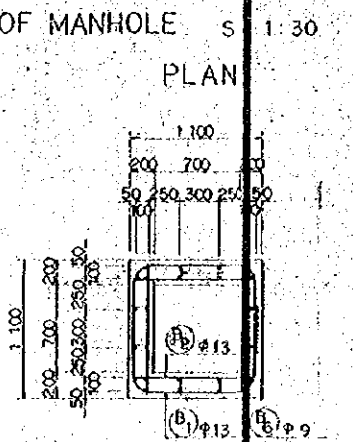
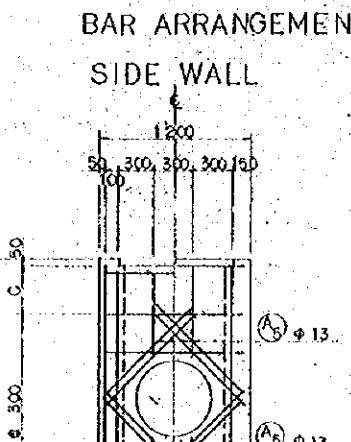
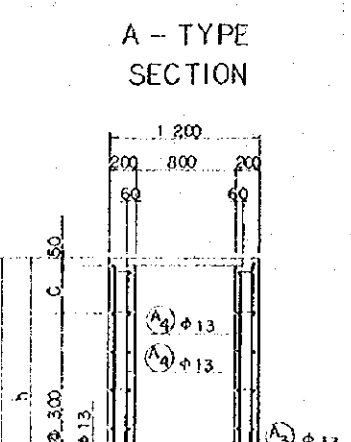
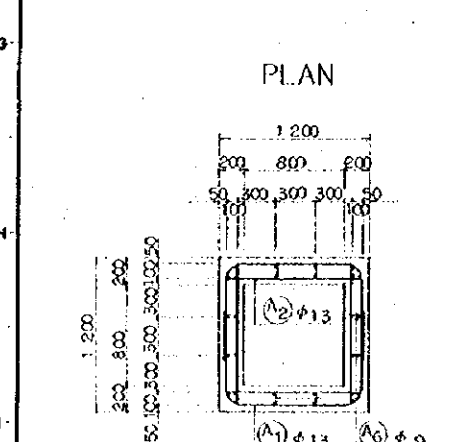
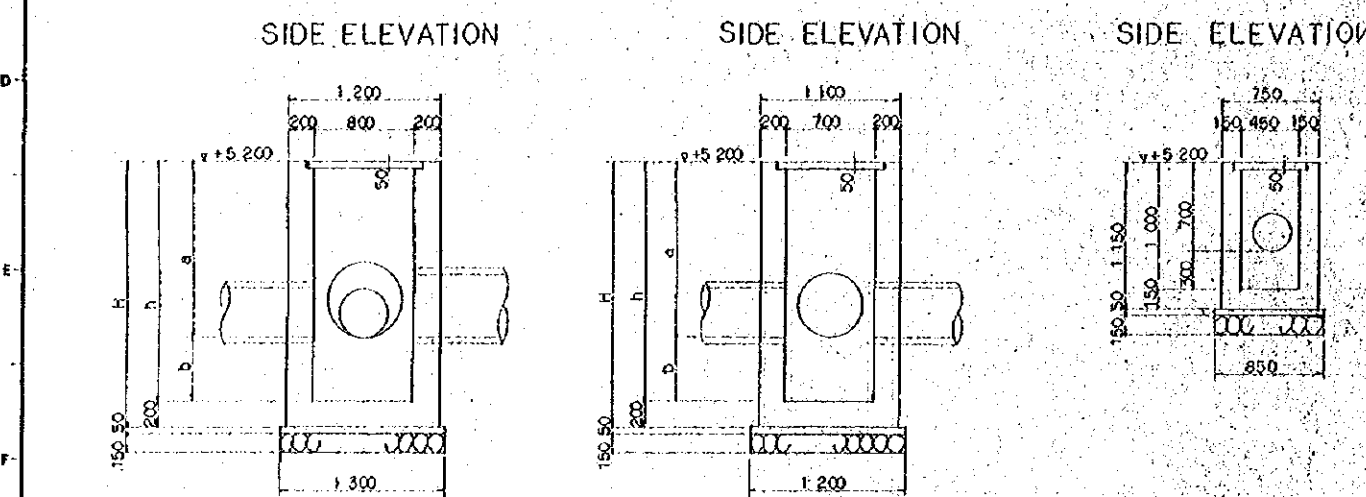
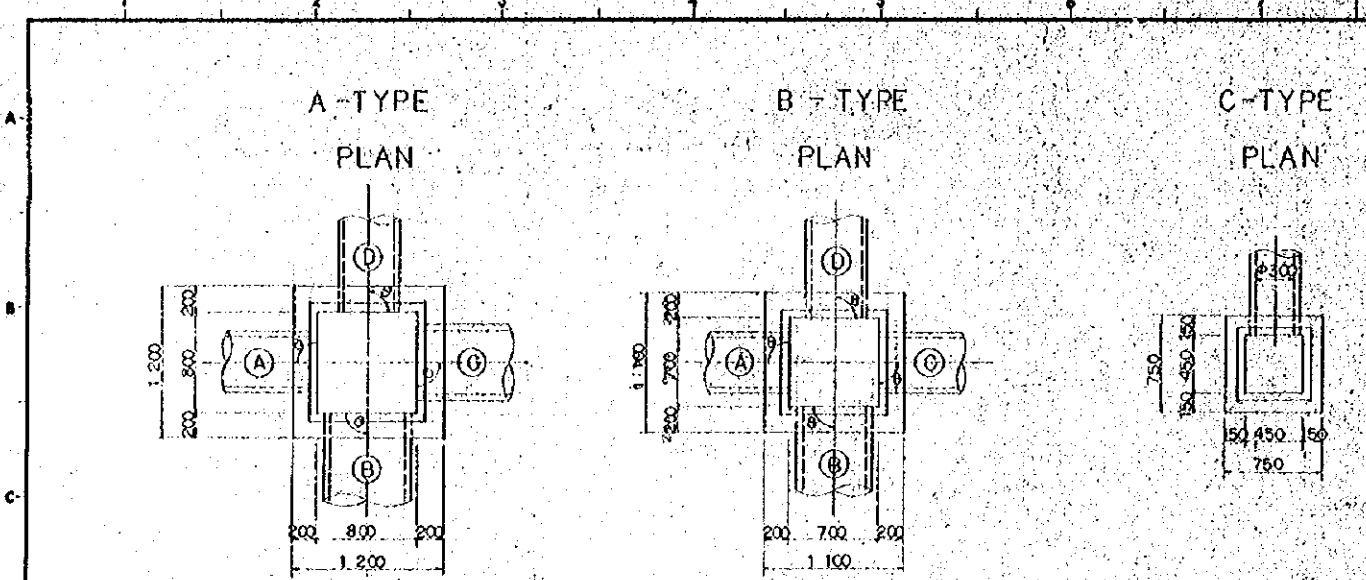


KEY MAP



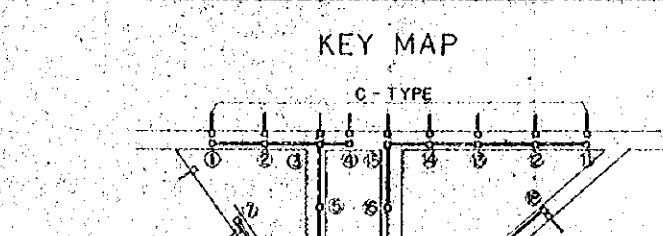
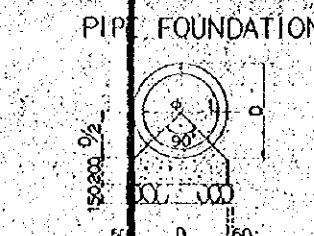
GENERAL NOTES

NO.	DATE	DESCRIPTION	APPROVED
REVISION			
PORT MUHAMMAD-BIN-QASIM PROJECT PAKISTAN			
— RELATED FACILITIES —			
LAND RECLAMATION			
DETAILS OF DRAINAGE SUMP AND MANHOLE			
JAPAN INTERNATIONAL COOPERATION AGENCY			
CONSULTANTS			
APPROVED	CHECKED	DESIGNED	DRAWING
SCALE 1:30		REV. No.	
DATE		DWG. NO. T-107	



LIST OF MANHOLE

NO	TYPE	h	a	b	PIPE ELEVATION	(A)		(B)		(C)		n	c	NOTE		
						φ	IN/OUT	φ	IN/OUT	φ	IN/OUT					
1	B	1500	1000	500	+4.200	400	IN 90°			400	OUT 90°	4	300	B-1-1		
2	B	1800	1100	500	+4.100	400	IN 90°			400	OUT 90°	5	100	B-2-1		
3	B	1700	1200	500	+4.000	400	IN 90°	500	OUT 90°	400	IN 90°	5	200	B-3-1		
4	B	1500	1000	500	+4.200	400	OUT 90°					4	300	B-1-2		
5	B	2100	1800	1262	+3.938			500	OUT 90°			500	IN 90°	5	300	B-4-1
6	A	2100	1800	1325	+3.875	400	IN 90°	600	OUT 90°	400	IN 90°	500	IN 90°	5	300	A-2
7	B	1500	1000	500	+4.200					400	OUT 90°			4	300	B-1-3
8	A	1800	1600	1100	+4.100	400	IN 35°			400	OUT 90°			5	100	A-1-1
9	B	1900	1700	1167	+4.033	400	IN 90°			400	OUT 90°			5	200	B-3-2
10	B	1700	1500	1000	+4.200	400	OUT 90°							4	300	B-1-4
11	B	1800	1600	1100	+4.100	500	OUT 90°							5	100	B-2-2
12	B	1800	1700	1200	+4.000	500	OUT 90°			500	IN 90°			5	200	B-3-3
13	B	2100	1800	1300	+3.900	500	OUT 90°			500	IN 90°			5	300	B-4-2
14	B	2100	1900	1400	+3.800	500	OUT 90°			500	IN 90°			6	100	B-5
15	B	2200	2000	1500	+3.700			500	OUT 90°	500	IN 90°			6	200	B-6
16	B	2100	2100	1562	+3.638			500	OUT 90°			500	IN 90°	6	300	B-7
17	A	2100	2100	1625	+3.575			600	OUT 90°	400	IN 90°	500	IN 90°	6	300	A-3
18	B	1500	1000	500	+4.200	400	OUT 90°							4	300	B-1-5
19	A	1800	1600	1100	+4.100	400	OUT 90°			400	IN 45°			5	100	A-1-2
20	B	1900	1700	1200	+4.000	400	OUT 90°			400	IN 90°			5	200	B-3-4
21	B	2000	1800	1300	+3.900	400	OUT 90°			400	IN 90°			5	200	B-4-3



GENERAL NOTES

NO	DATE	DESCRIPTION	APPROVED
REVISION			
PORT MUHAMMAD-BIN-QASIM PROJECT			
PAKISTAN			
— RELATED FACILITIES —			
LAND RECLAMATION			
BAR ARRANGEMENT OF DRAINAGE SUMP AND MANHOLE			
JAPAN INTERNATIONAL COOPERATION AGENCY			
CONSULTANTS			
APPROVED	CHECKED	DESIGNED	DRAWING
SCALE		REV. No.	
1 : 30			
DATE	DWG. NO. T - 108		

