

Fig.-19 Divided Sub-basins of Oued Hammam Basin

The Study on Flood Protection Program for Greater Tunis and Sousse in the Republic of Tunisia

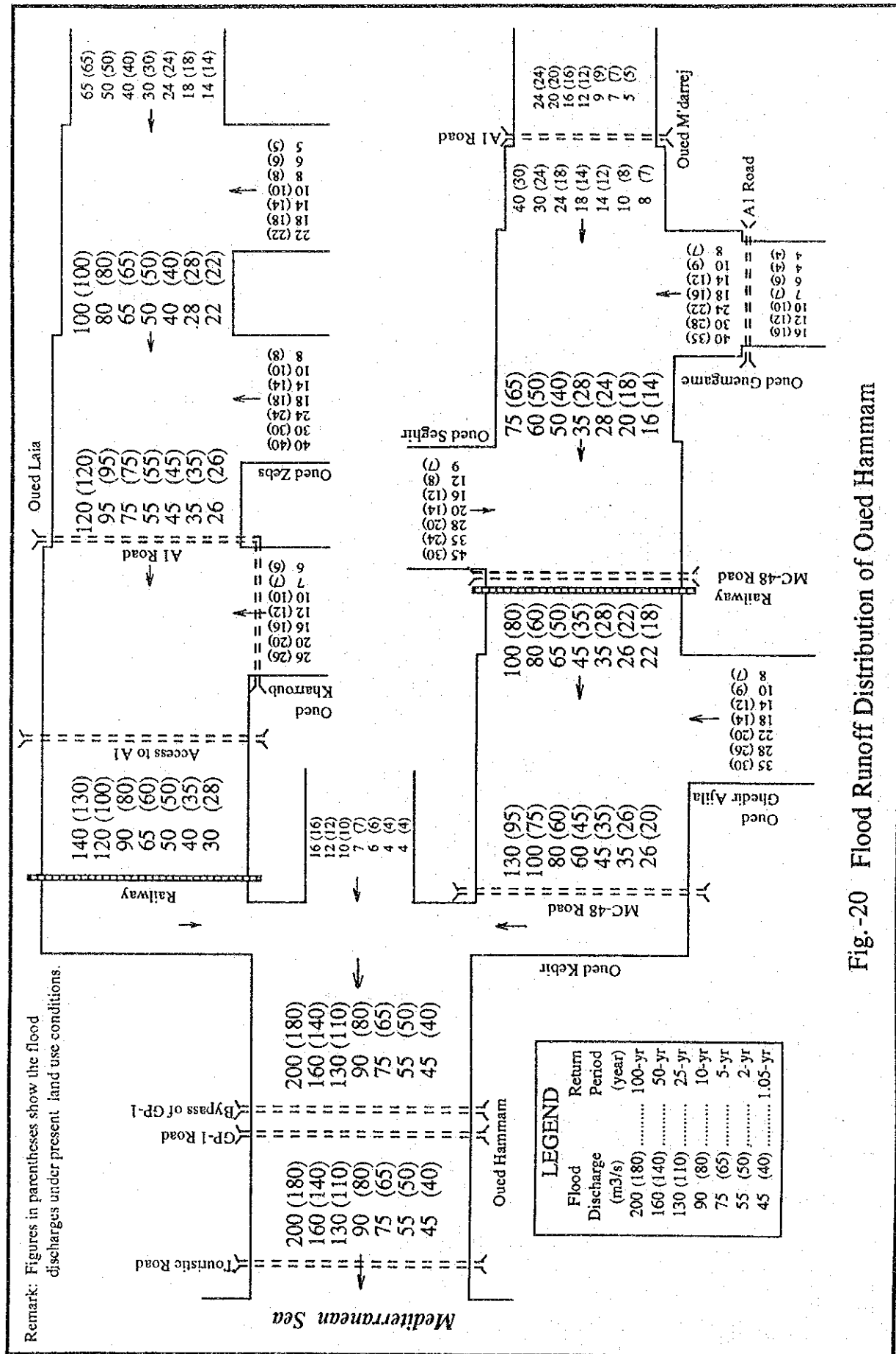


Fig.-20 Flood Runoff Distribution of Oued Hammam

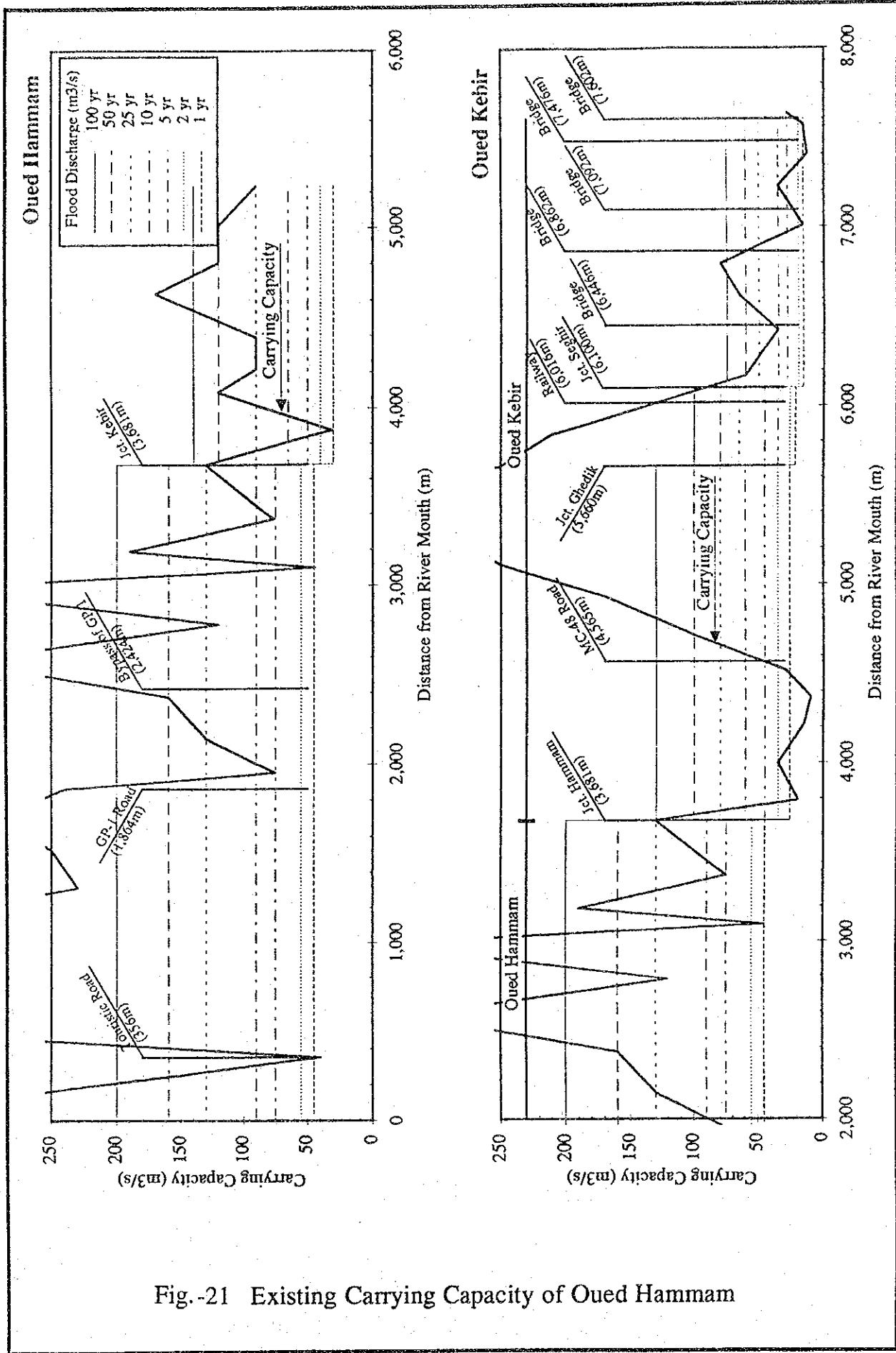


Fig.-21 Existing Carrying Capacity of Oued Hammam

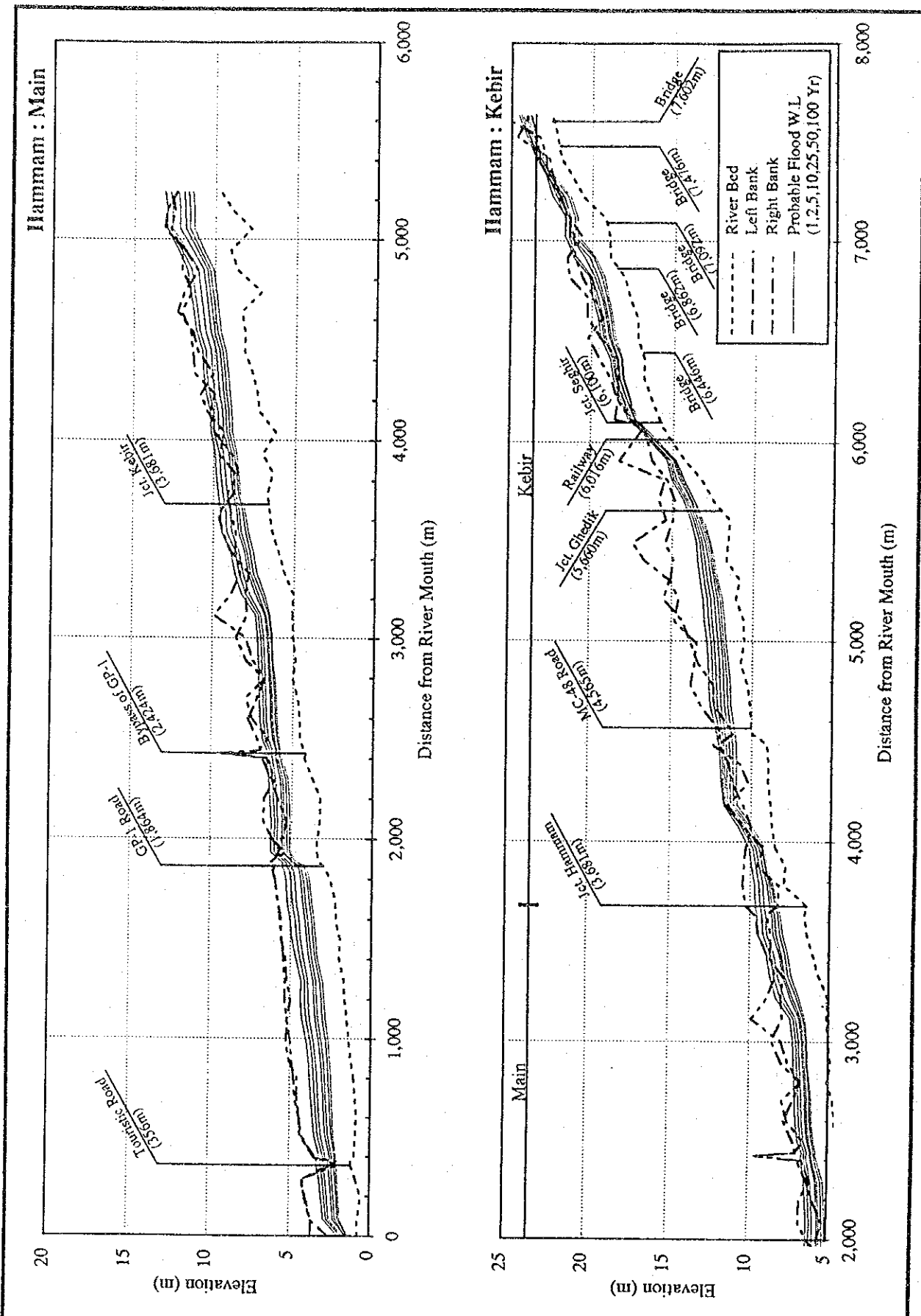


Fig.-22 Flood Water Level of Oued Hammam under Existing River Facilities

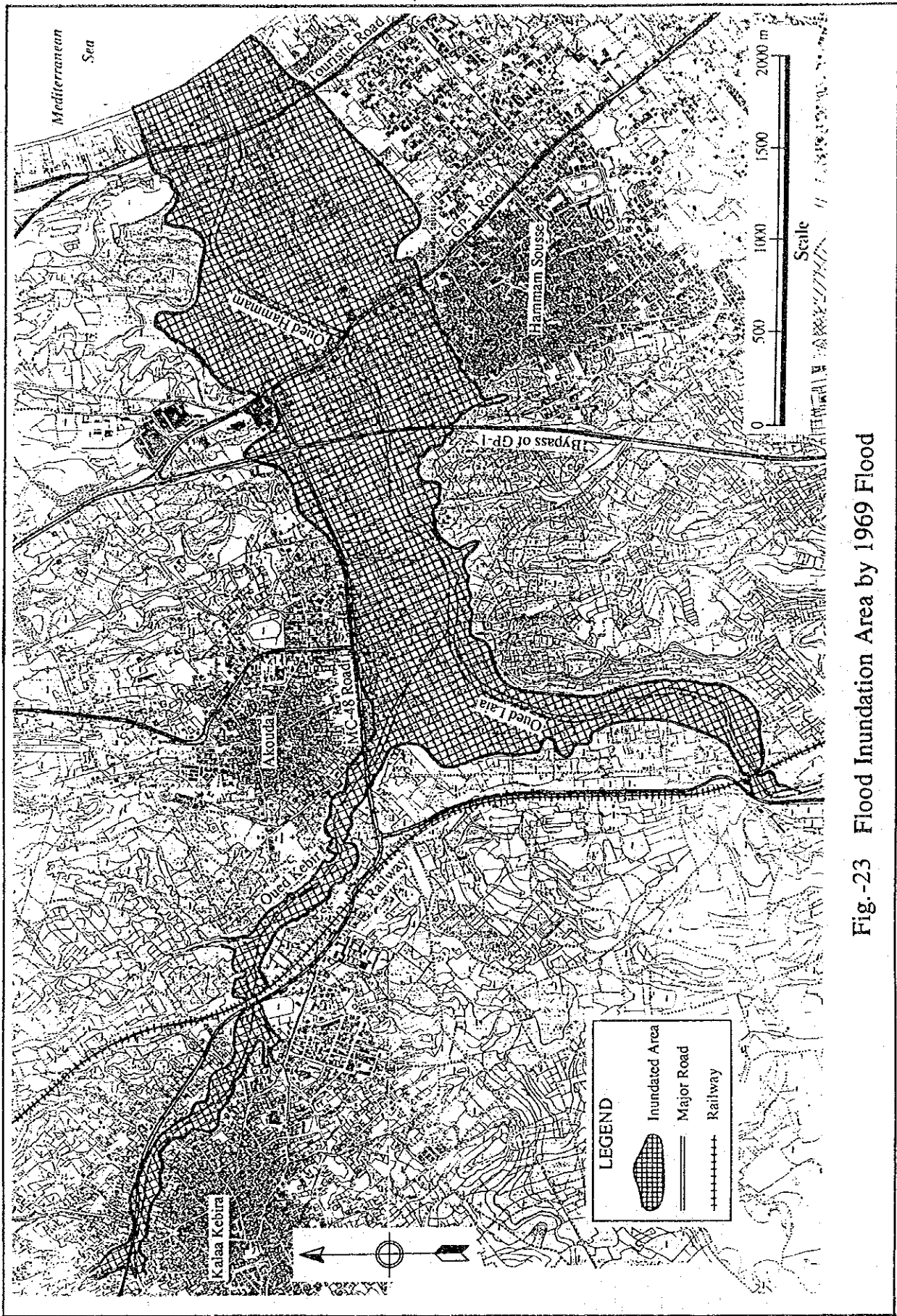


Fig.-23 Flood Inundation Area by 1969 Flood

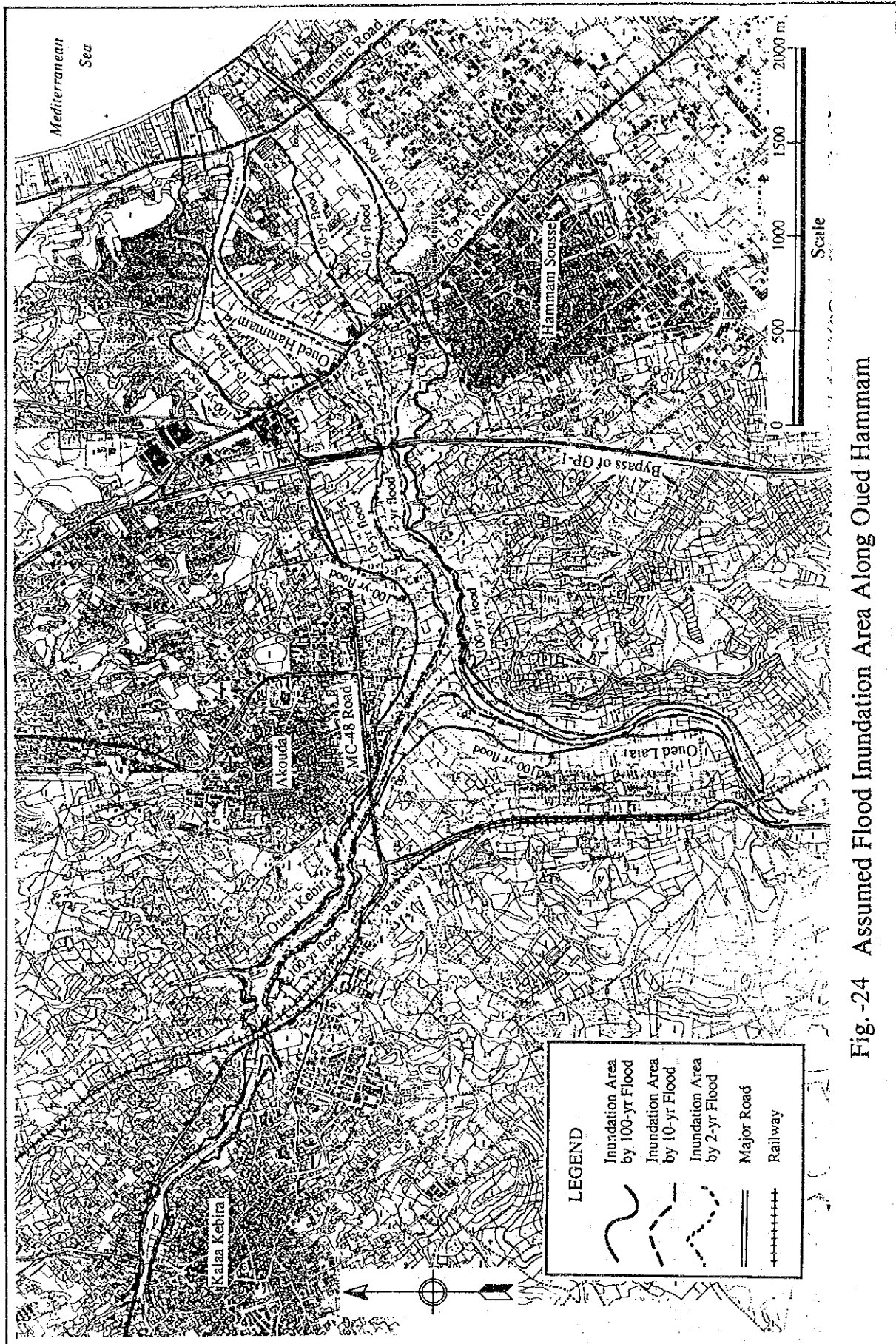


Fig. -24 Assumed Flood Inundation Area Along Oued Hammam

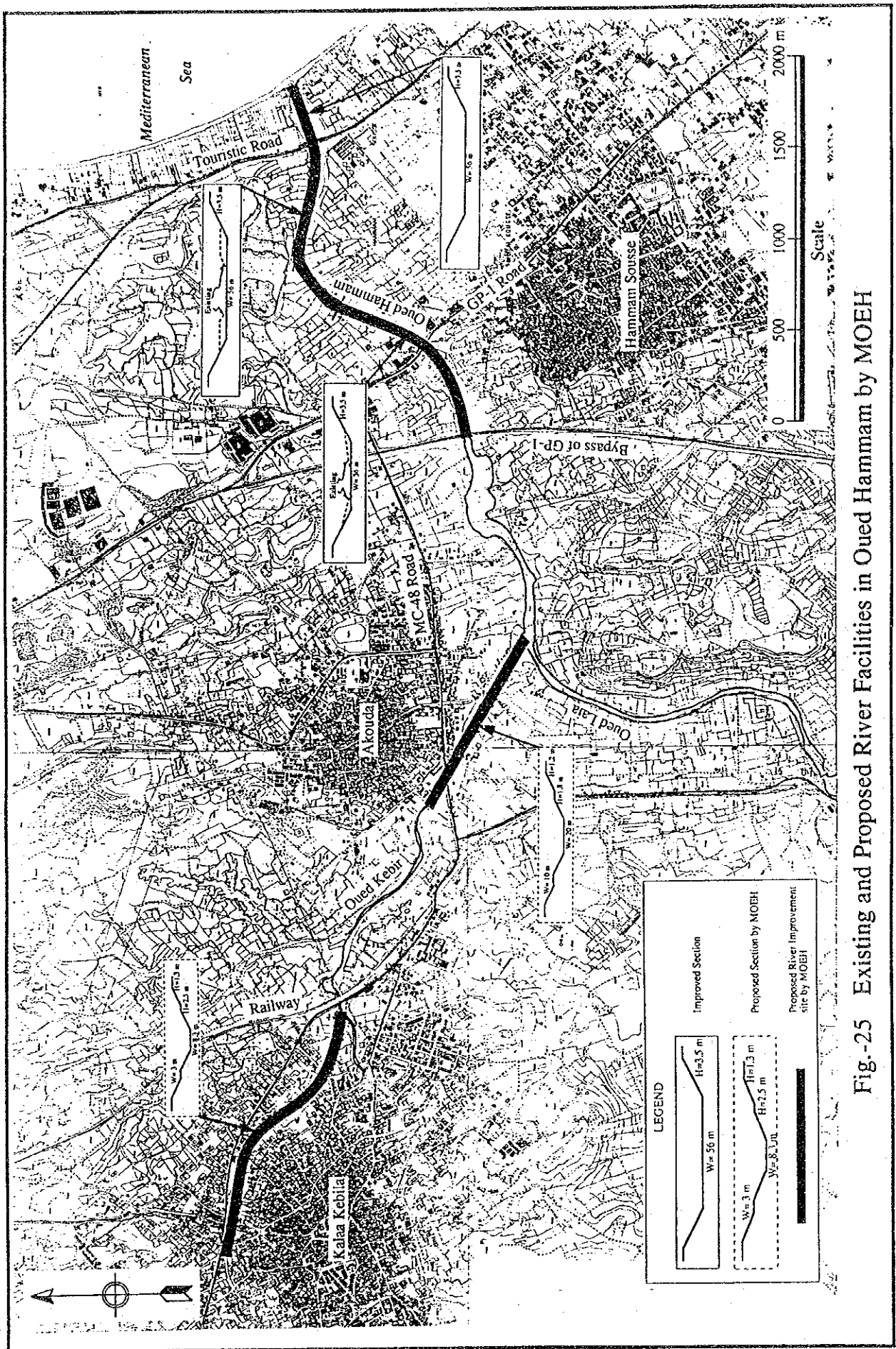


Fig.-25 Existing and Proposed River Facilities in Oued Hammam by MOEH

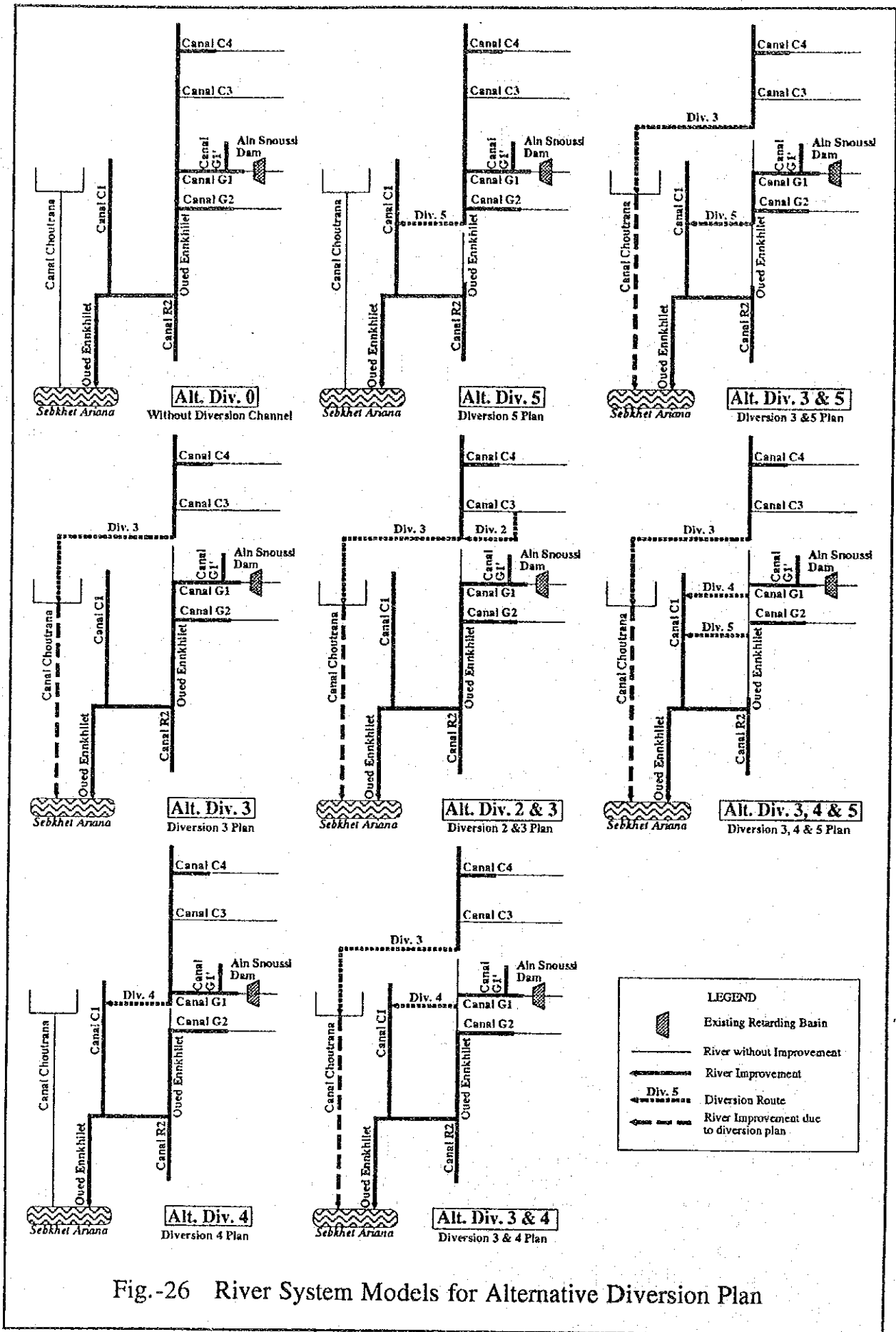


Fig.-26 River System Models for Alternative Diversion Plan



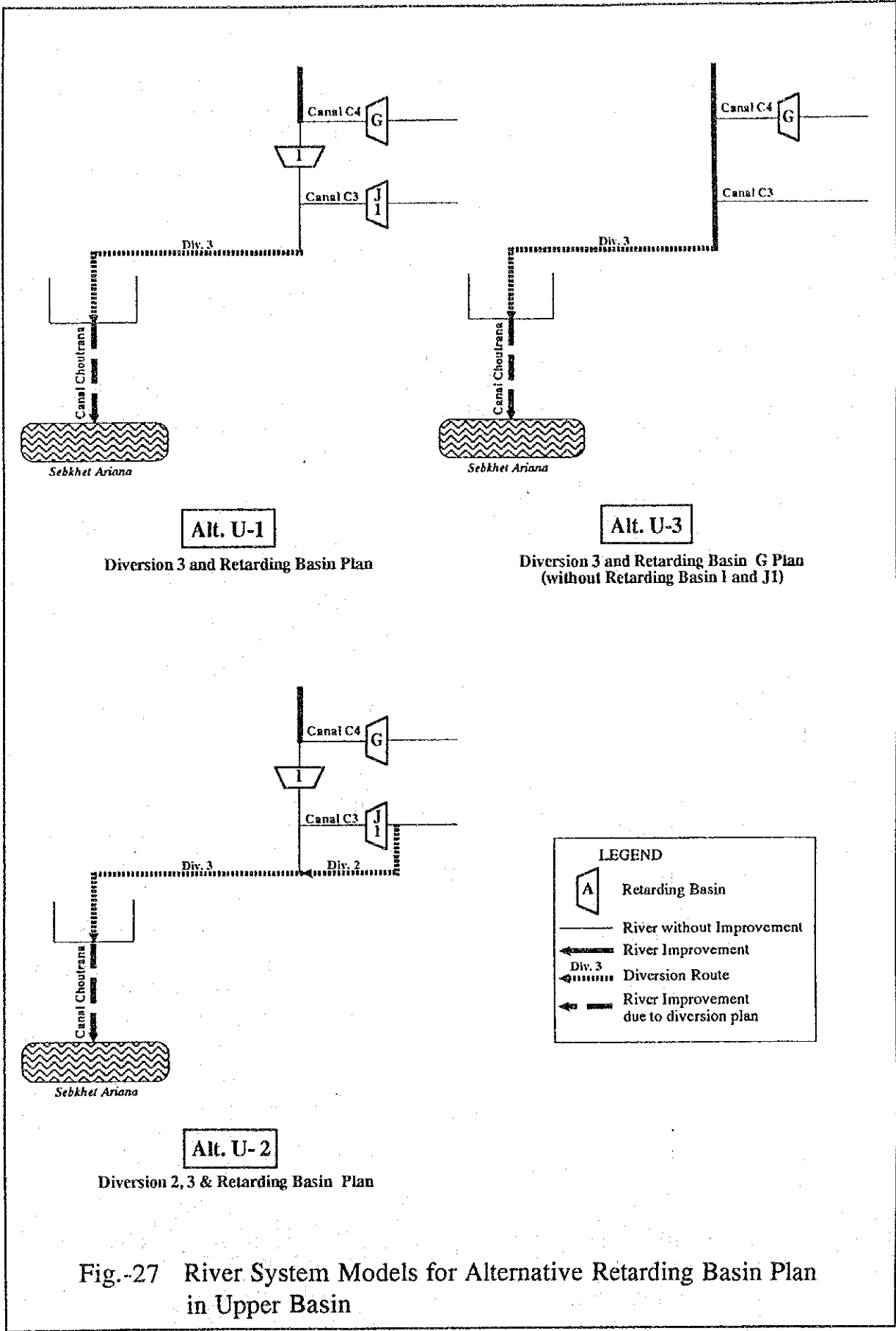


Fig.-27 River System Models for Alternative Retarding Basin Plan in Upper Basin

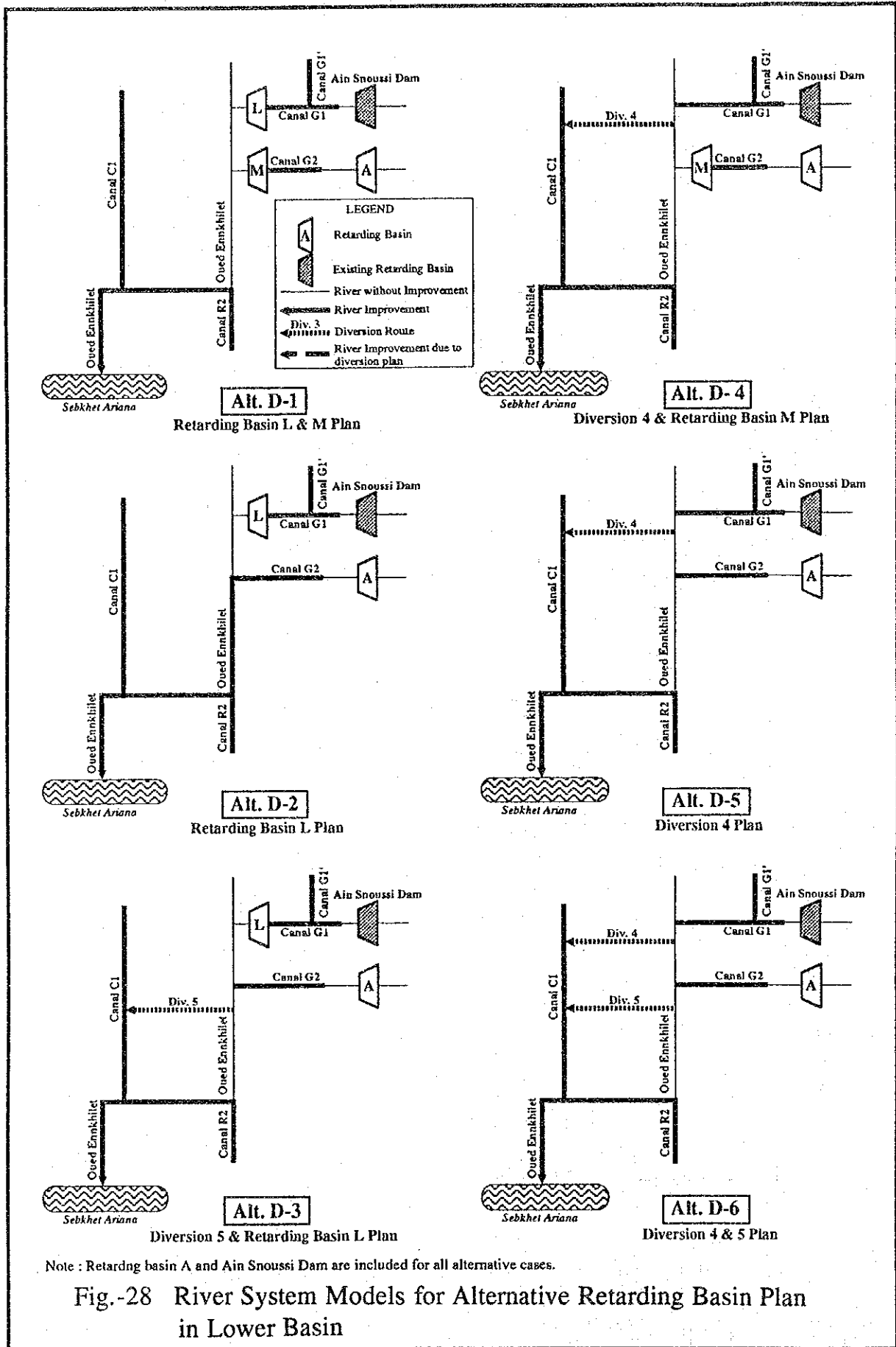


Fig.-28 River System Models for Alternative Retarding Basin Plan in Lower Basin

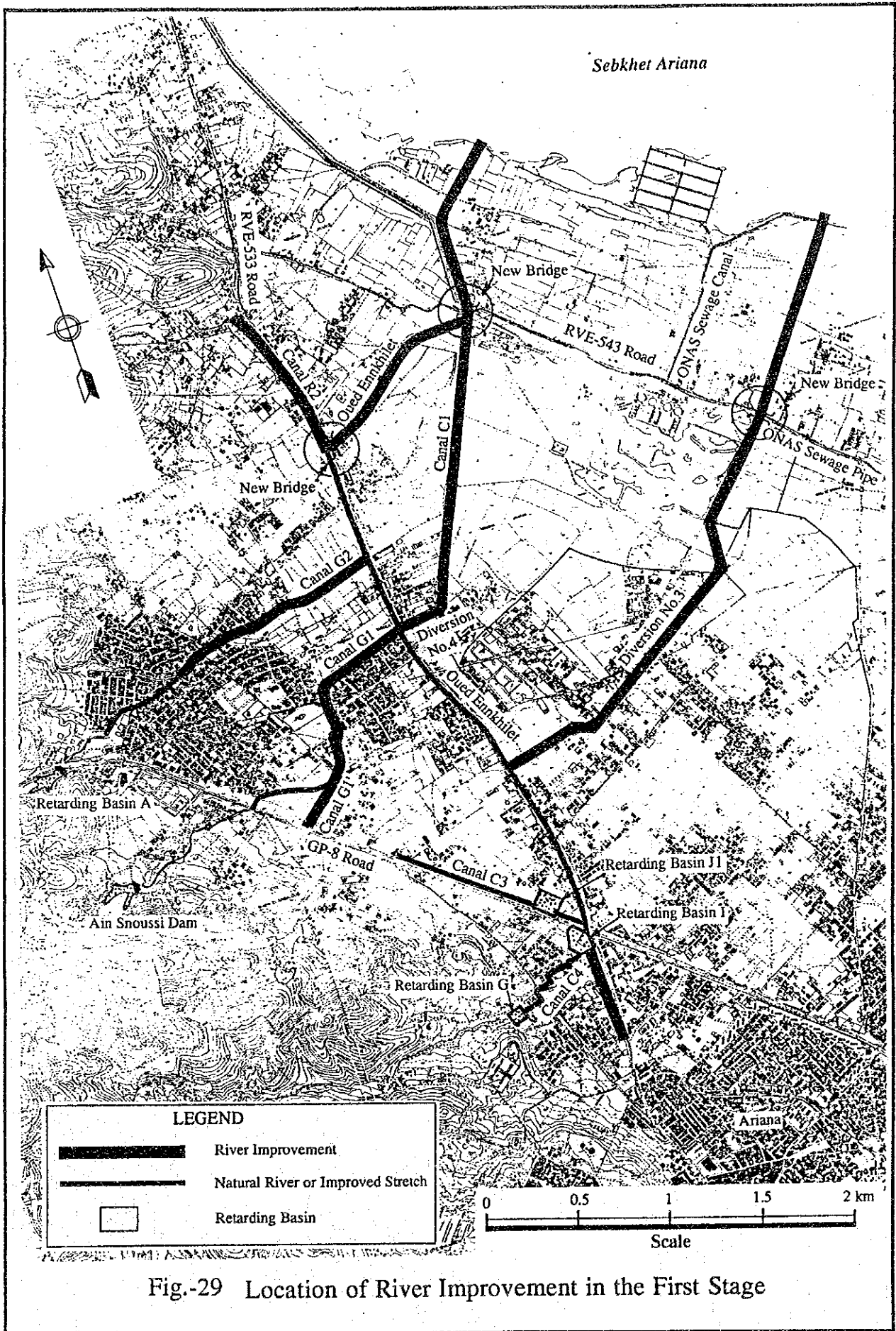


Fig.-29 Location of River Improvement in the First Stage

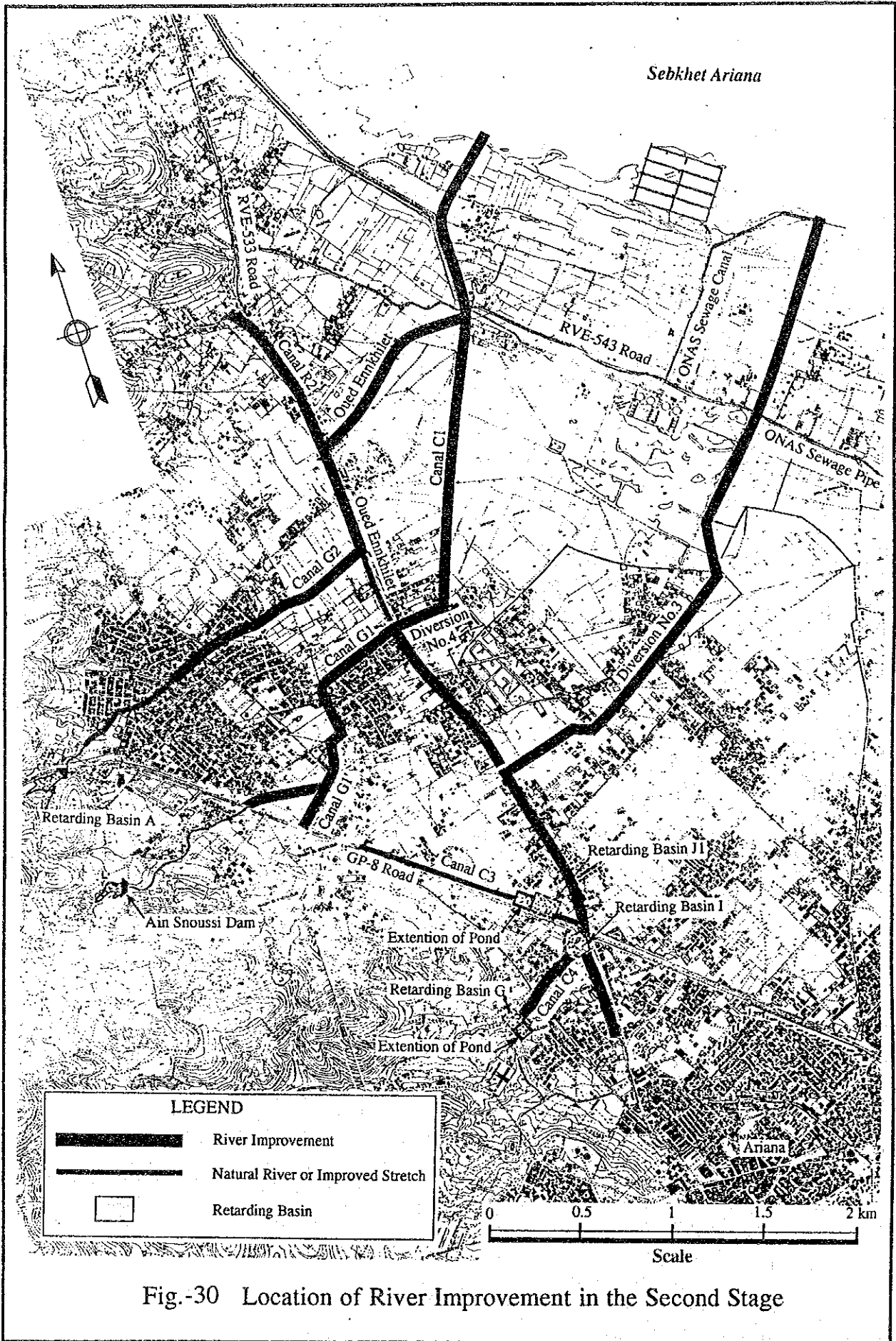


Fig.-30 Location of River Improvement in the Second Stage

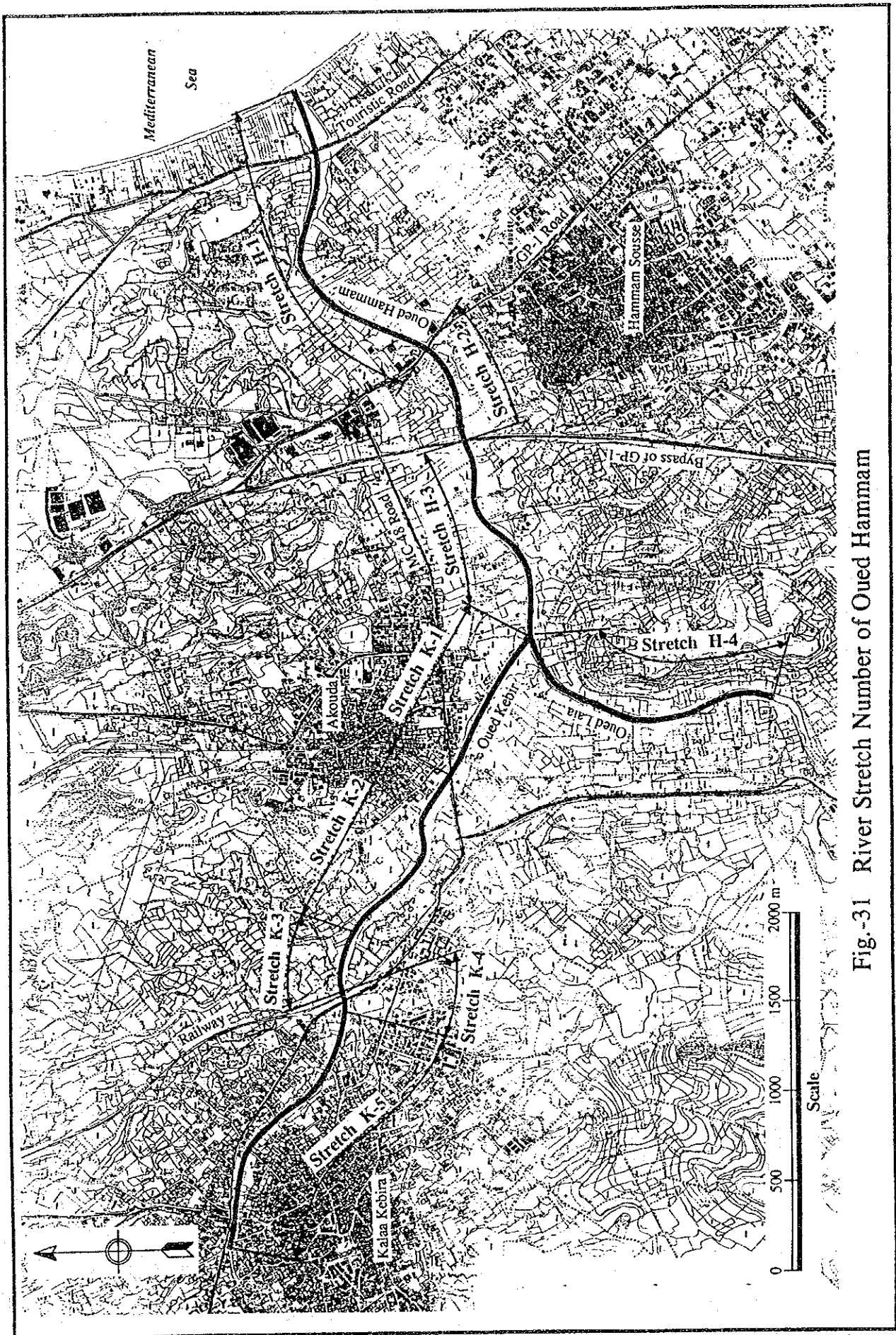


Fig.-31 River Stretch Number of Oued Hammam

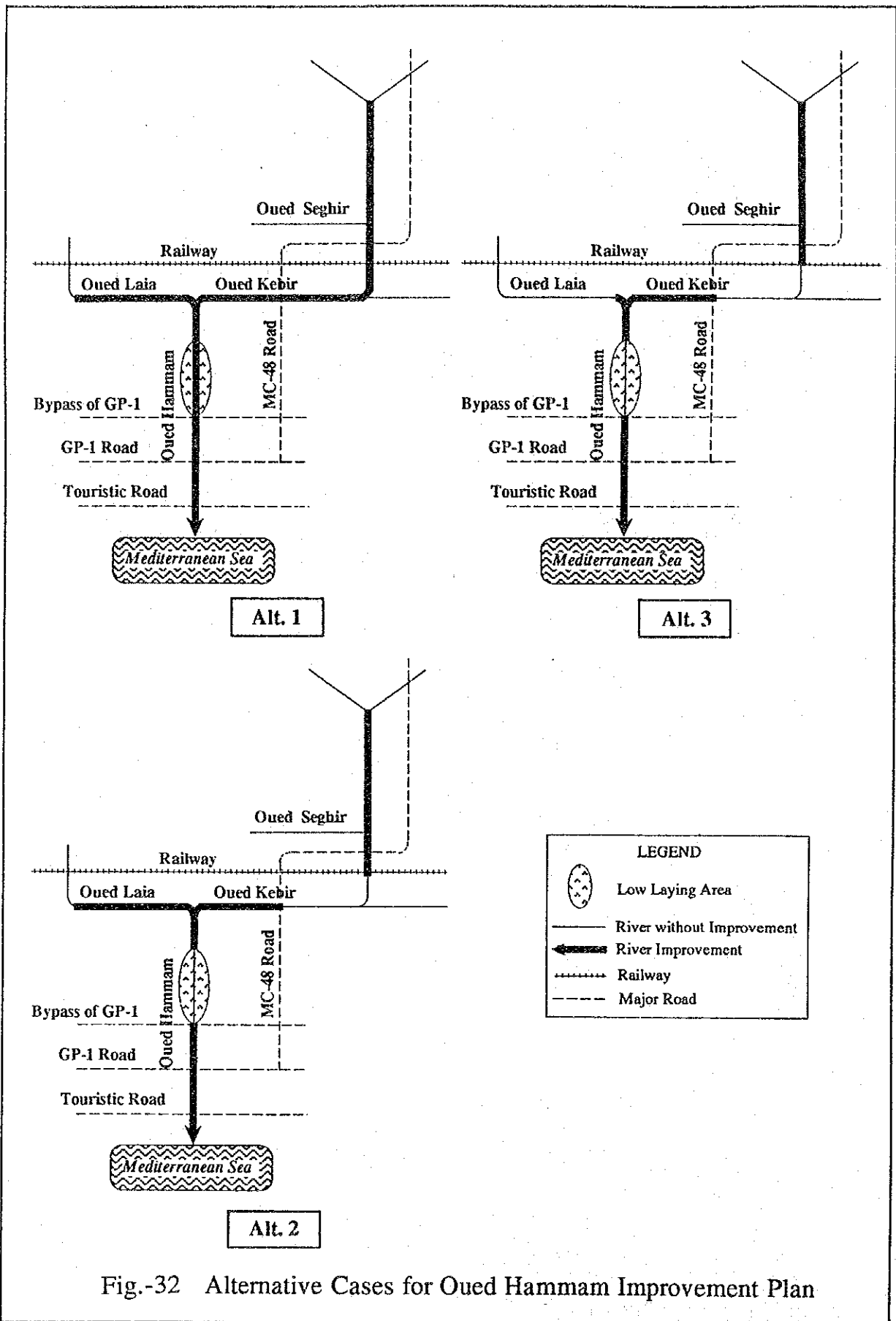


Fig.-32 Alternative Cases for Oued Hammam Improvement Plan

The Study on Flood Protection Program for Greater Tunis and Sousse in the Republic of Tunisia

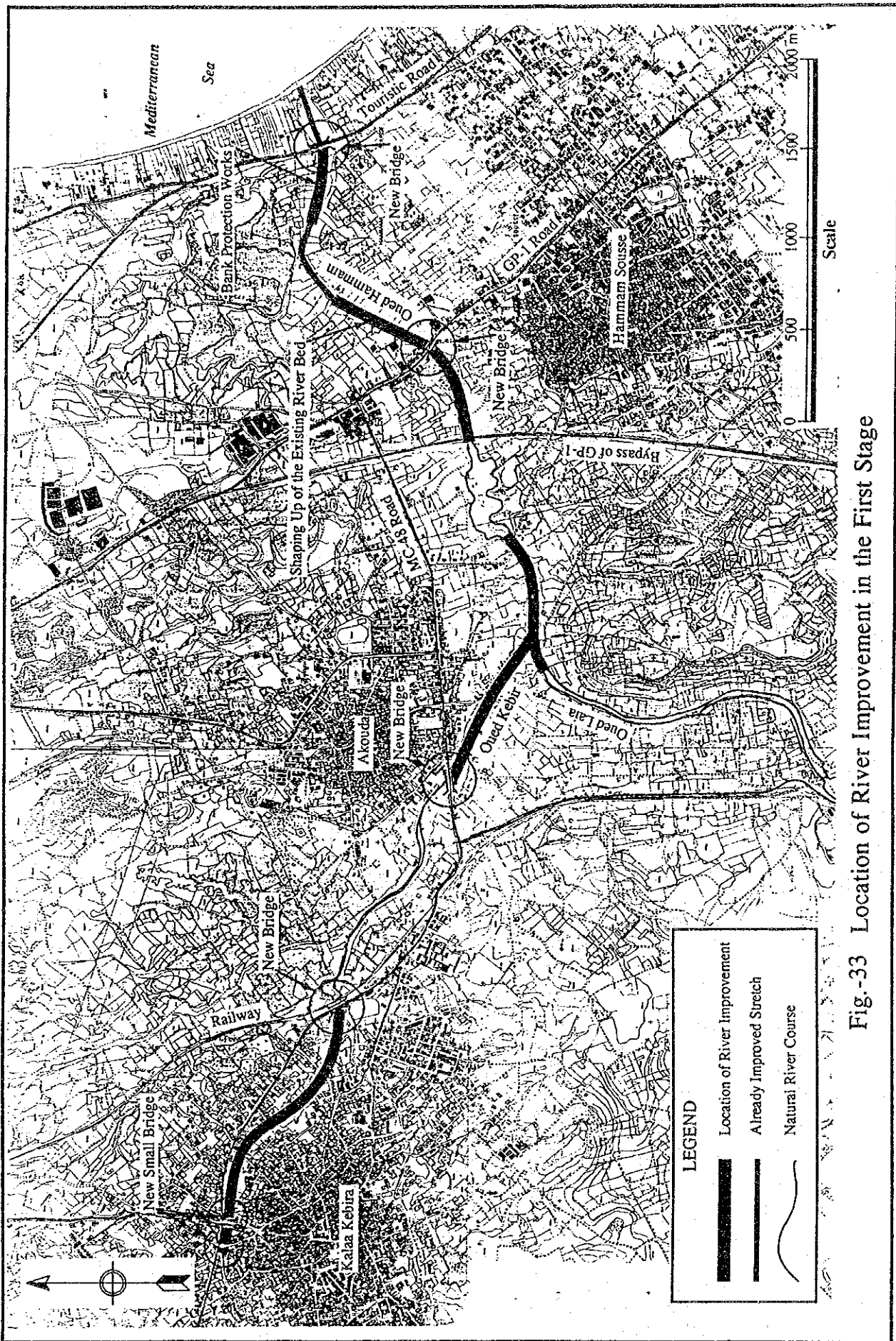


Fig.-33 Location of River Improvement in the First Stage

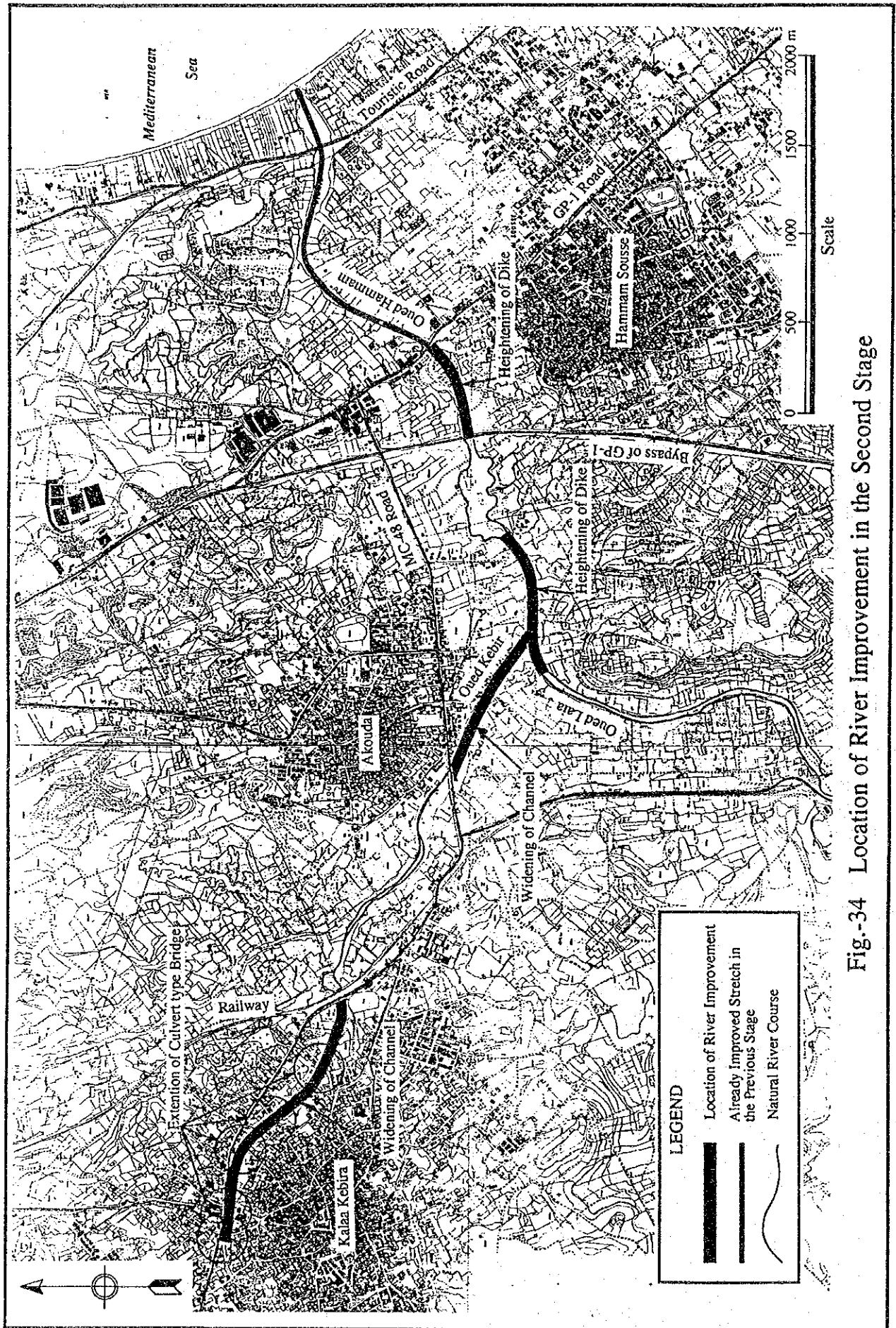


Fig.-34 Location of River Improvement in the Second Stage



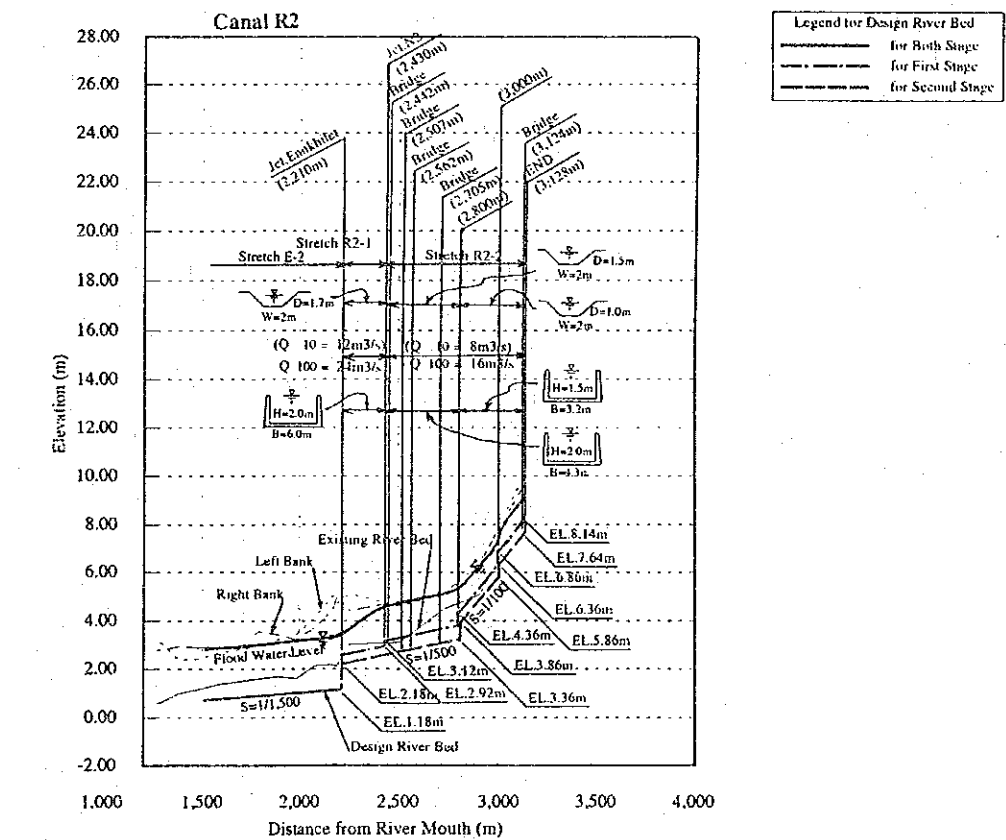
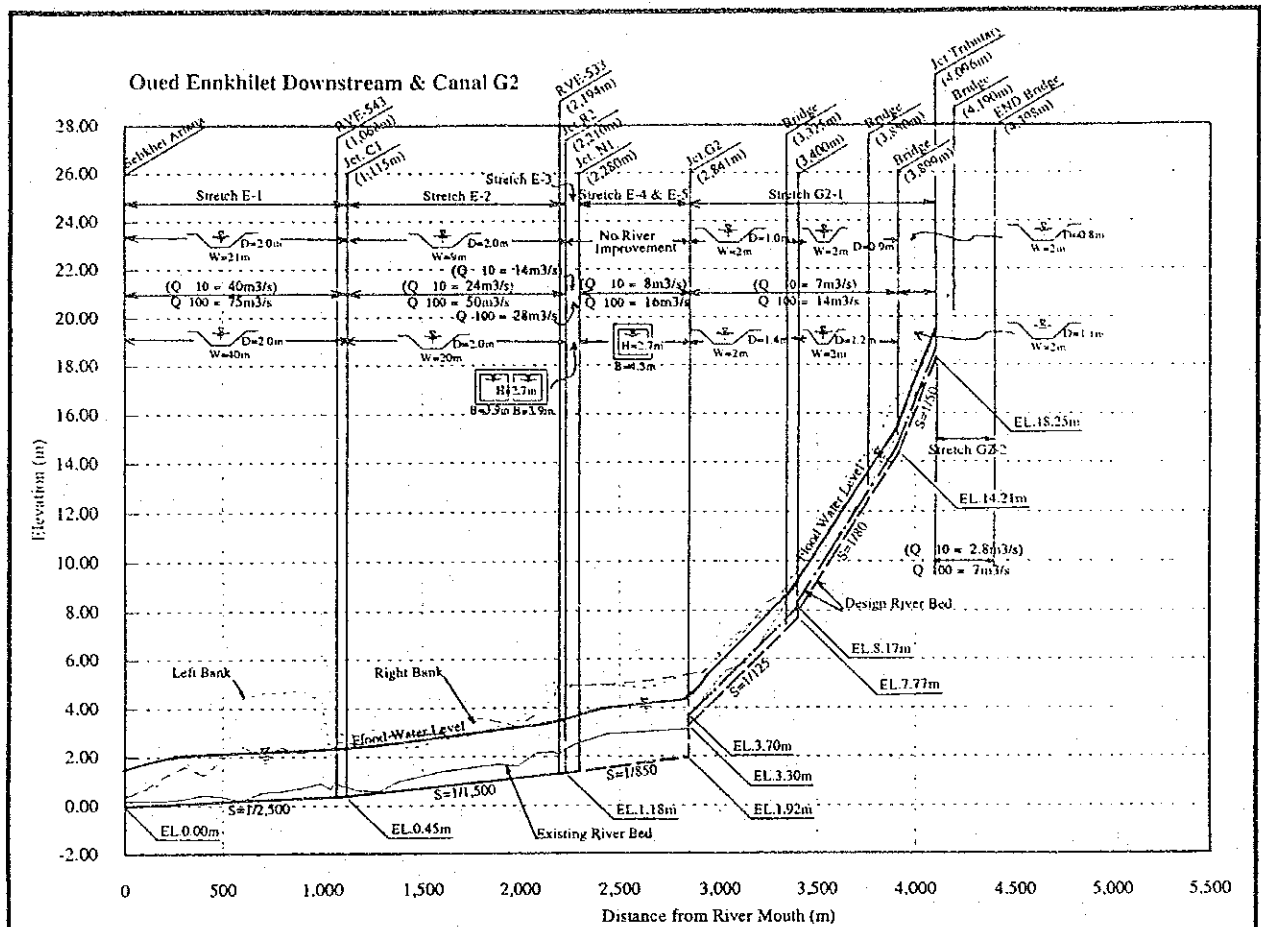


Fig. -35 Longitudinal Profile of Oued Enkhilet (1/3)

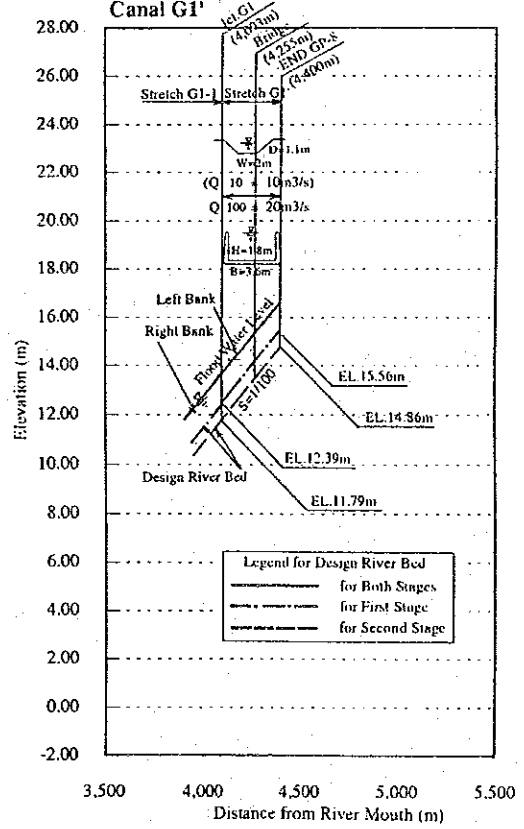
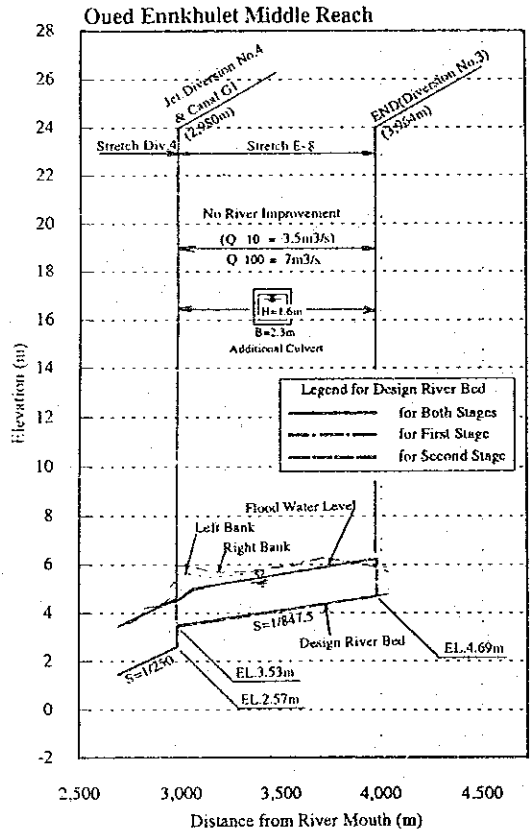
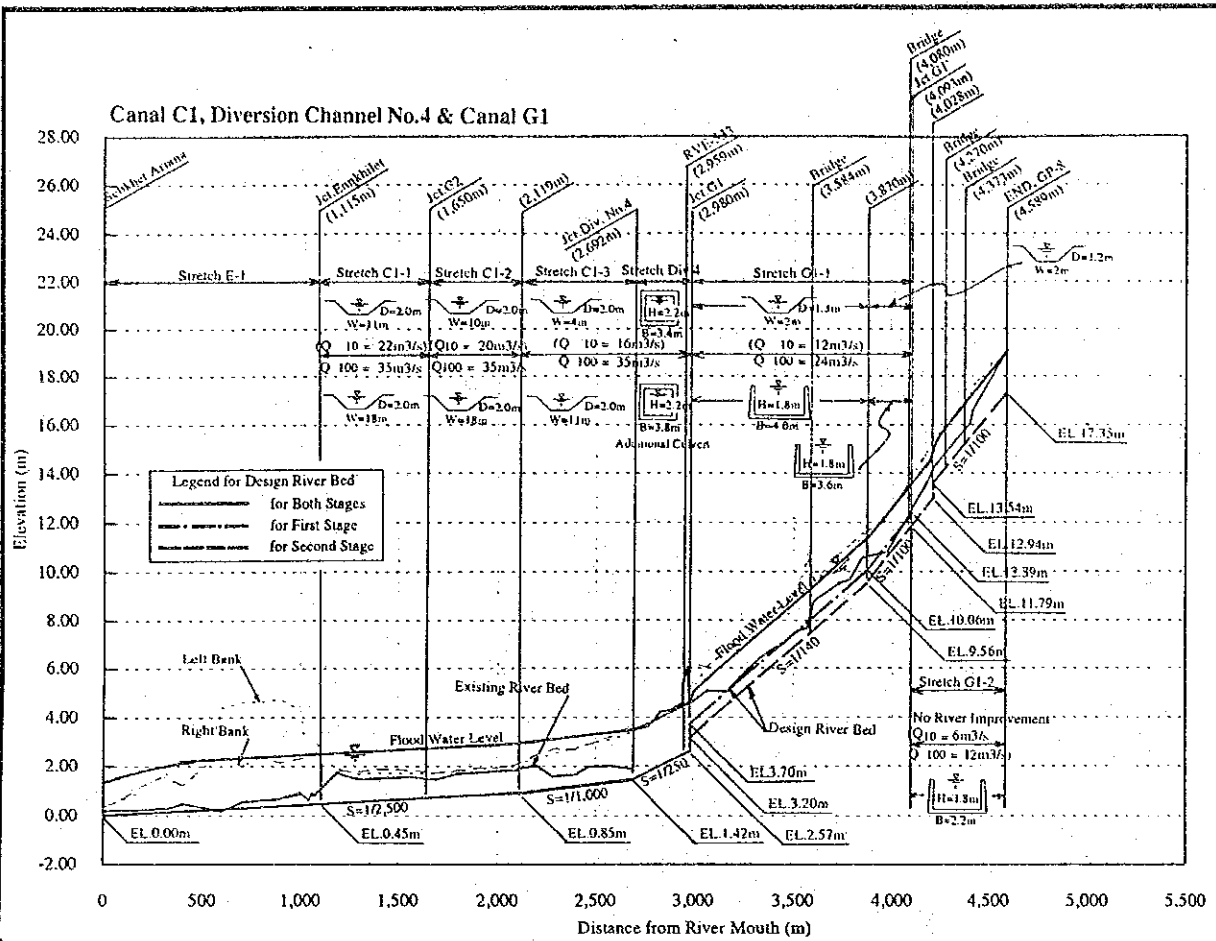
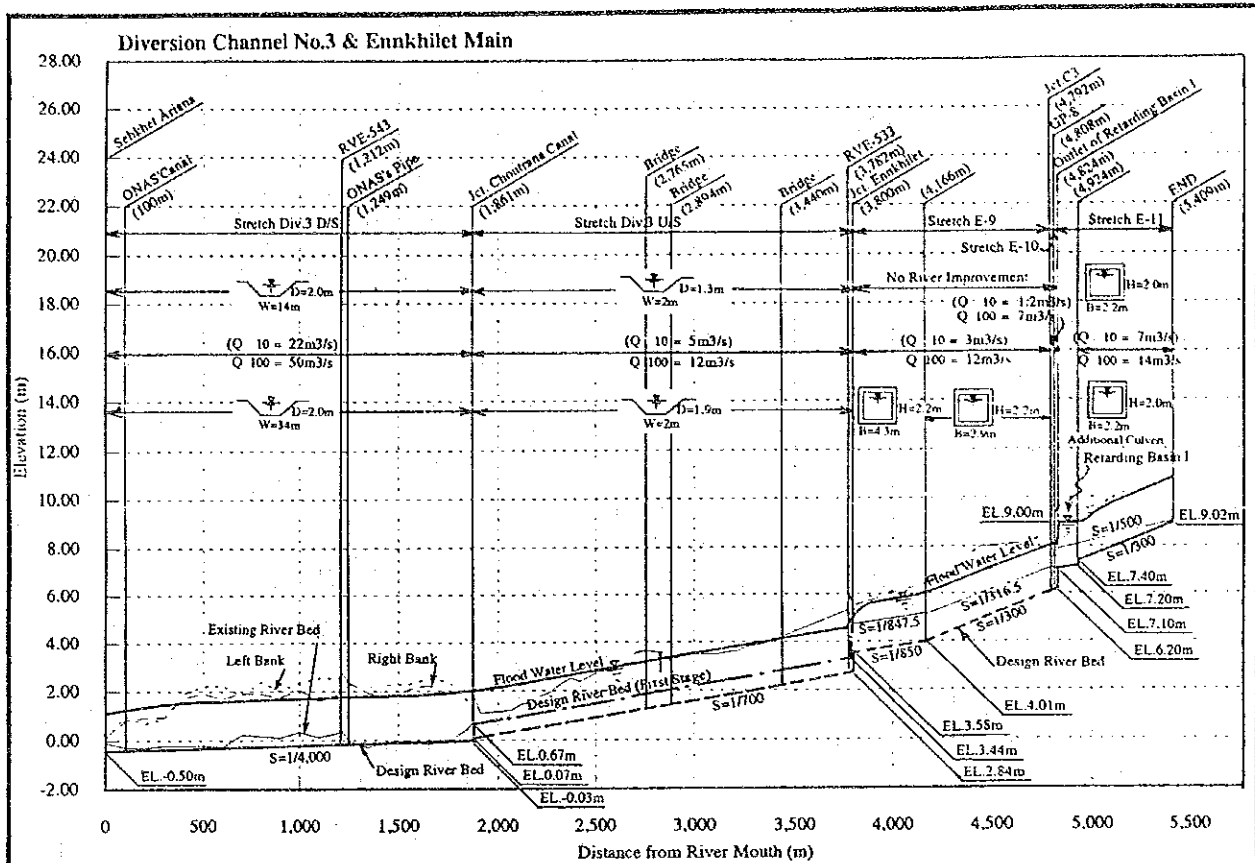


Fig.-35 Longitudinal Profile of Oued Ennkhuilet (2/3)



Legend for Design River Bed  
 ————— for Both Stages  
 - - - - - for First Stage  
 - - - - - for Second Stage

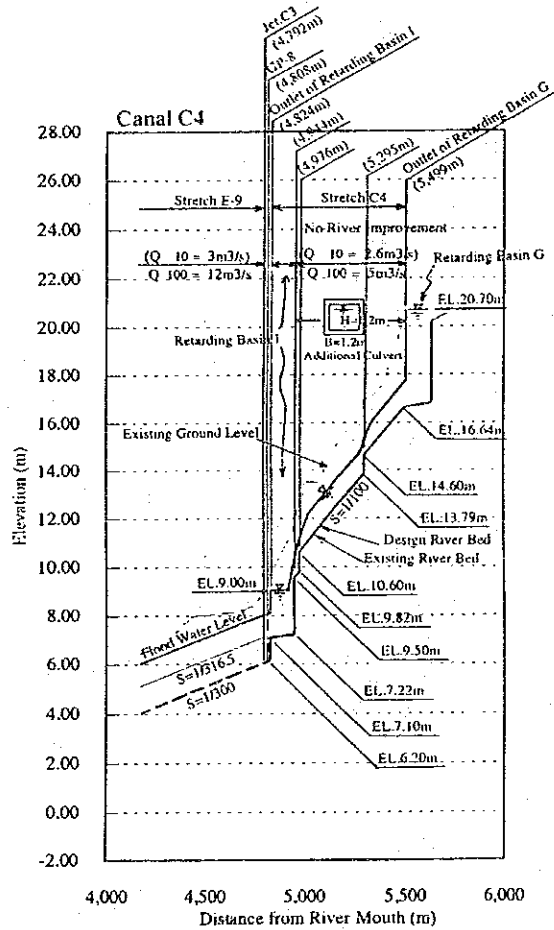
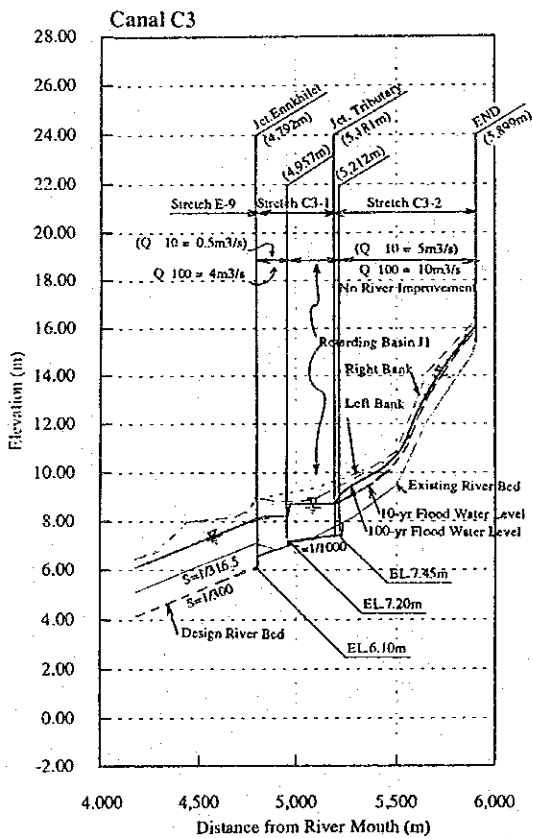
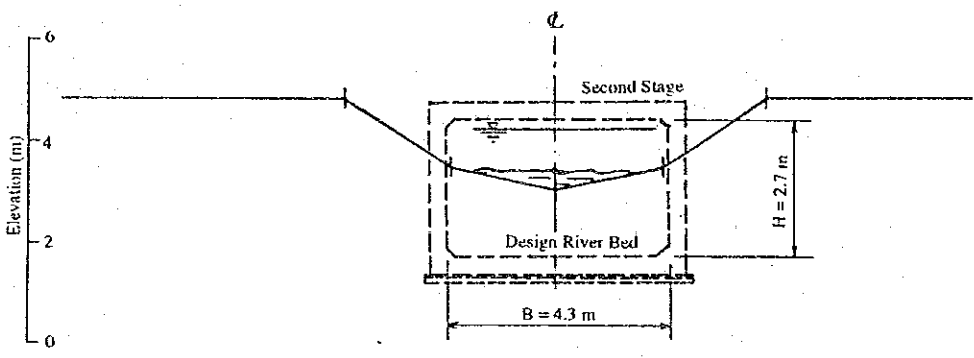
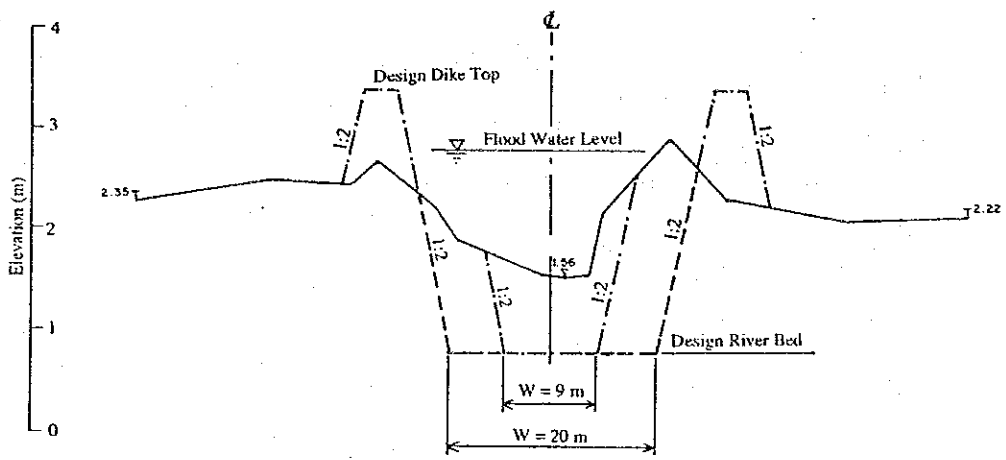
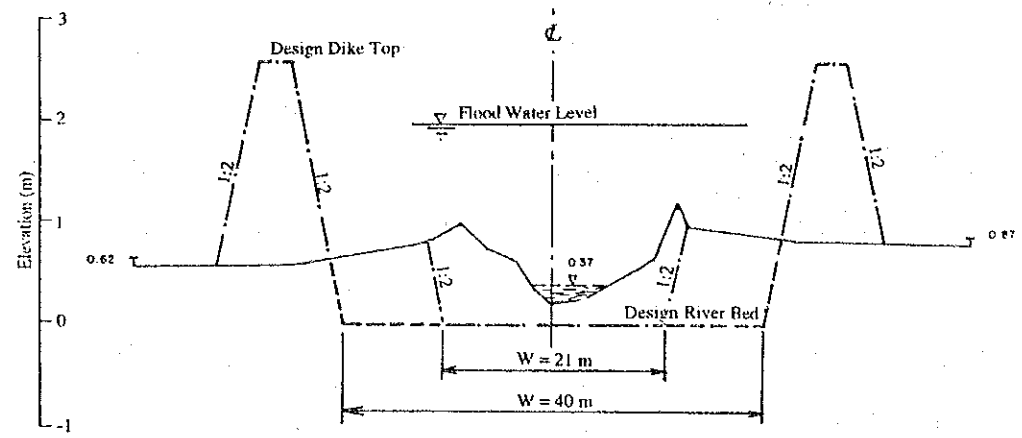


Fig.-35 Longitudinal Profile of Oued Ennkhilet (3/3)



LEGEND	
	Original Ground Line or Structure
	Structure for First Stage
	Structure for Second Stage

Fig.-36 Typical Cross Sections of Oued Enkhilet (1/4)

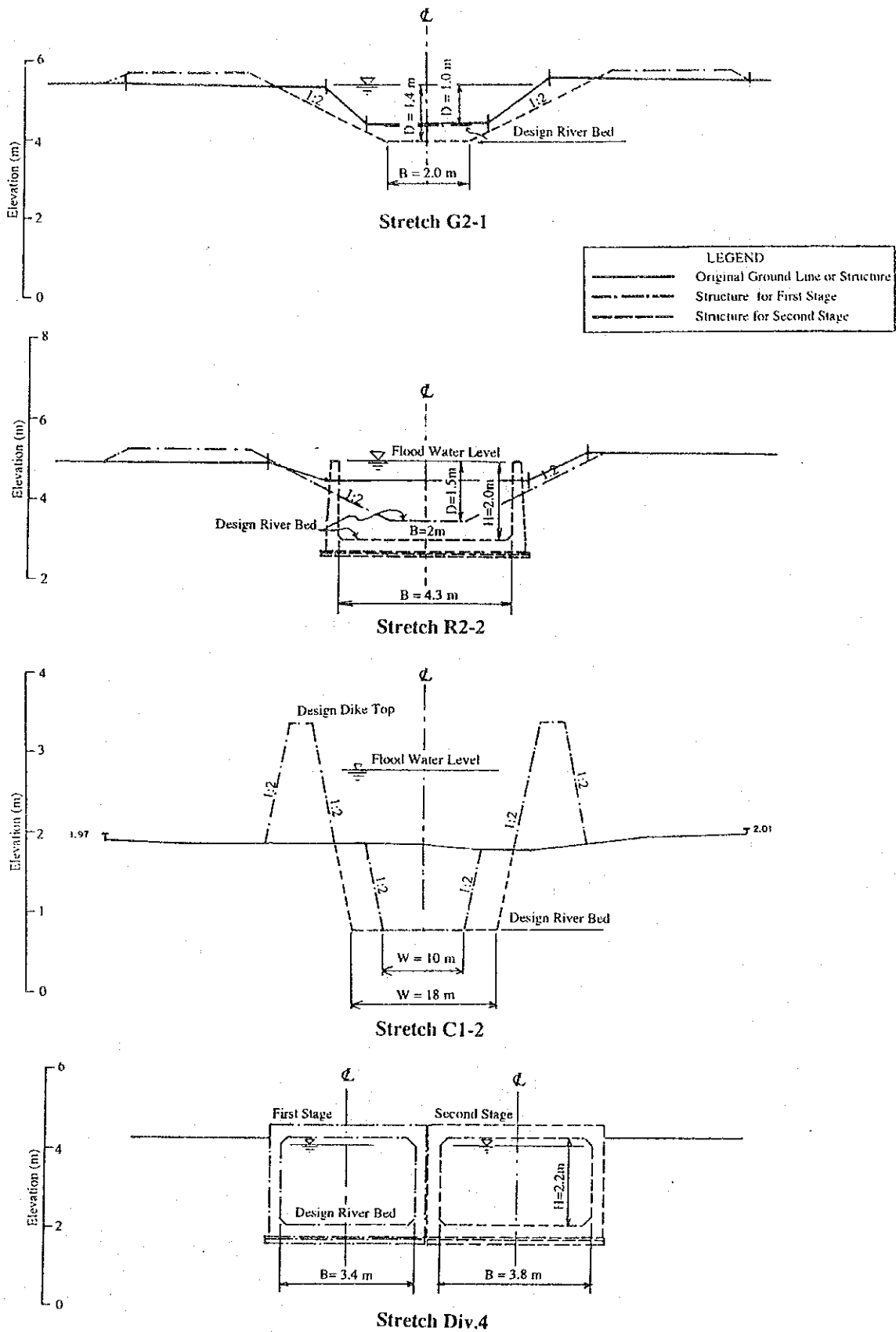
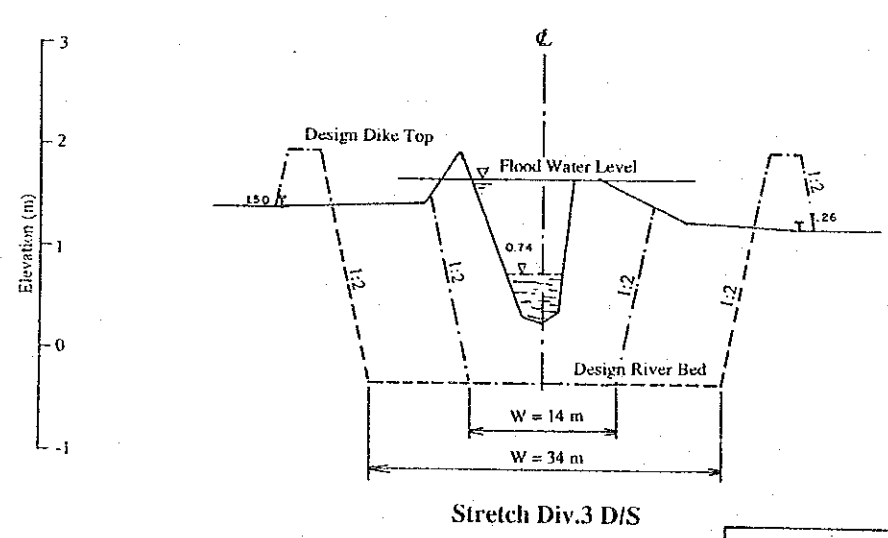
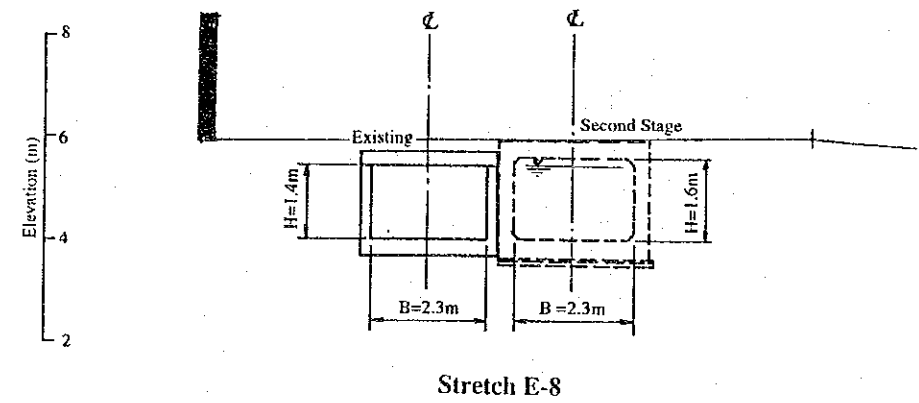
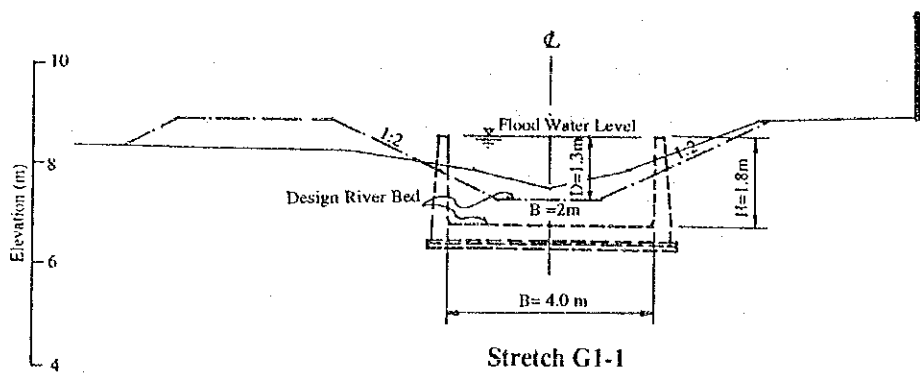
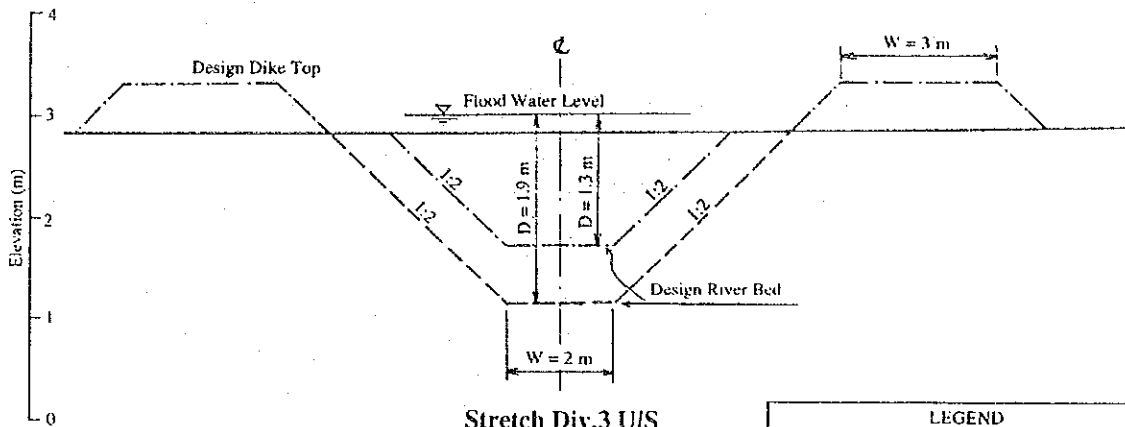


Fig.-36 Typical Cross Sections of Oued Enkhilet (2/4)



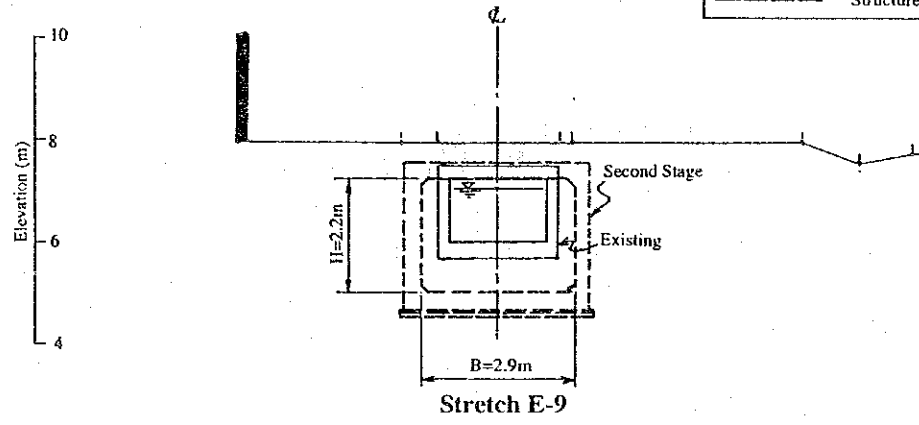
LEGEND	
	Original Ground Line or Structure
	Structure for First Stage
	Structure for Second Stage

Fig.-36 Typical Cross Sections of Oued Enkhilet (3/4)

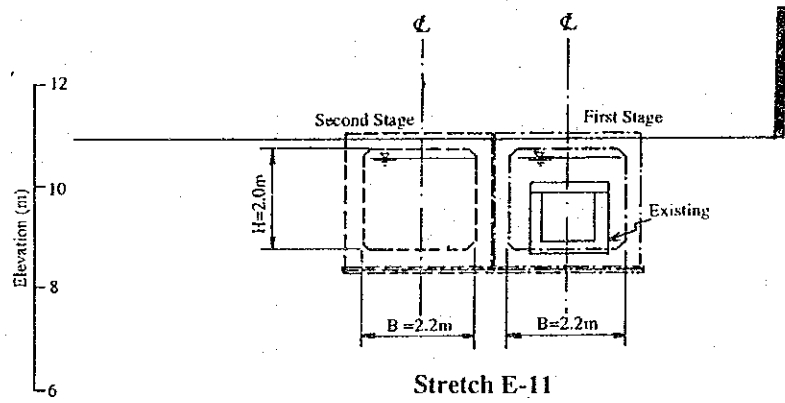


Stretch Div.3 UIS

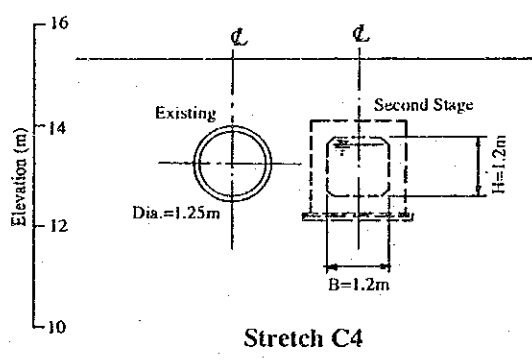
LEGEND	
—	Original Ground Line or Structure
- - -	Structure for First Stage
· · ·	Structure for Second Stage



Stretch E-9



Stretch E-11



Stretch C4

Fig.-36 Typical Cross Sections of Oued Enkhilet (4/4)

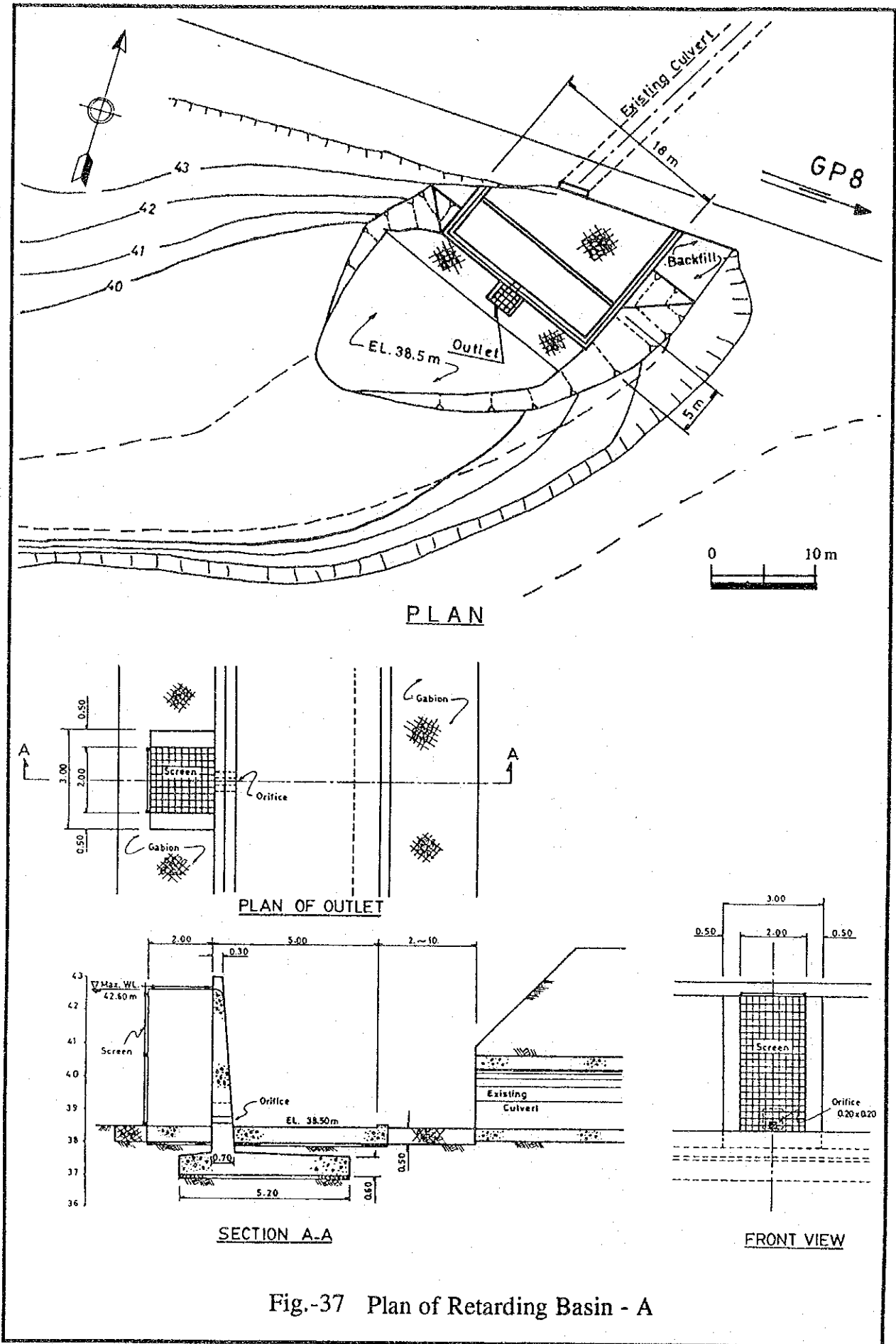
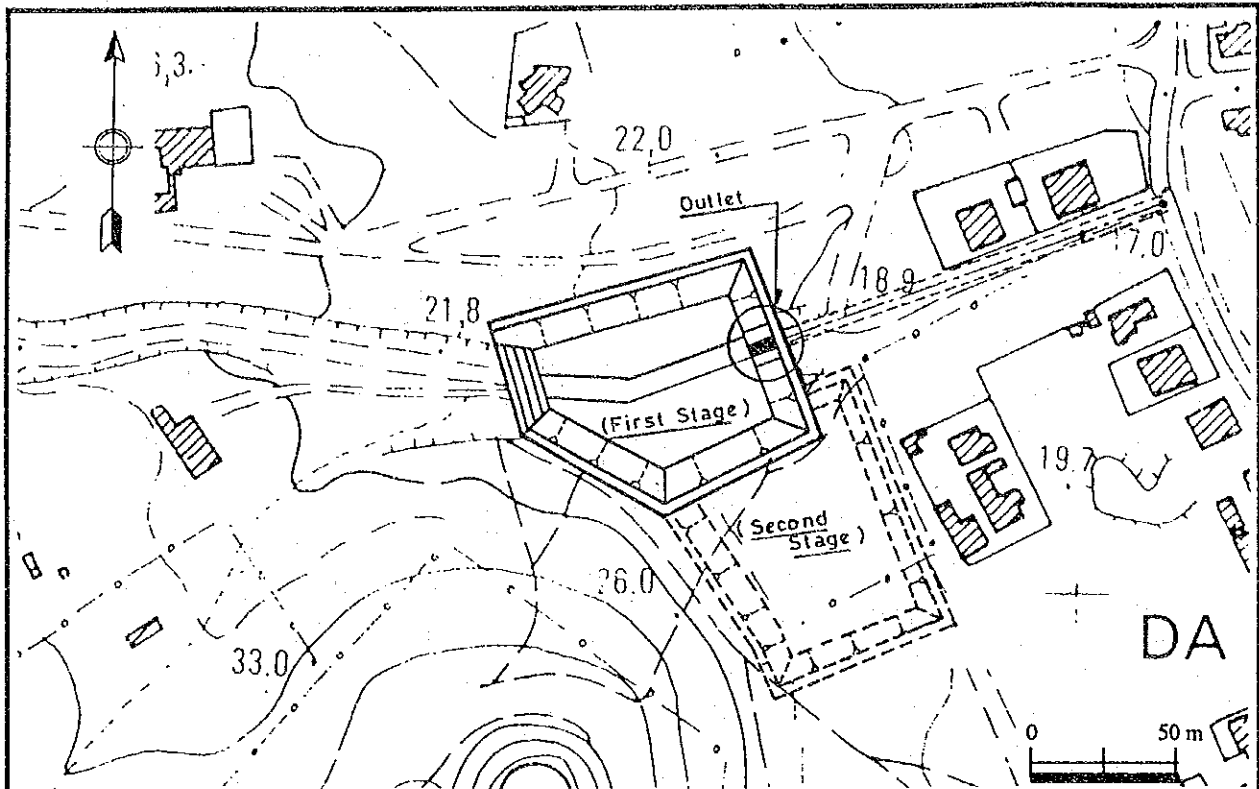
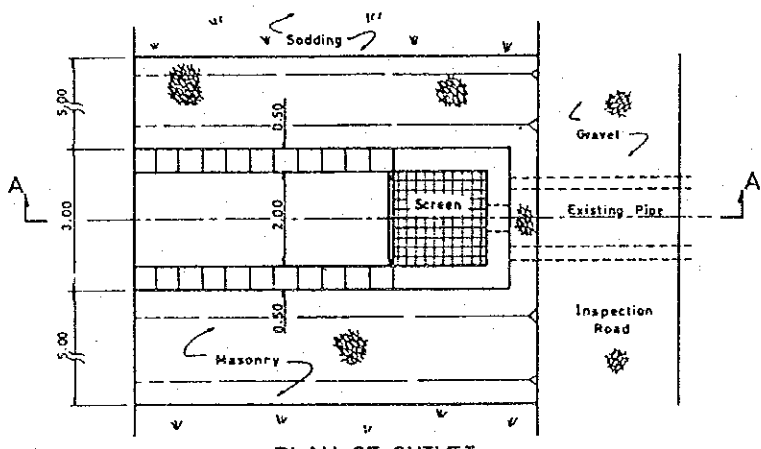


Fig.-37 Plan of Retarding Basin - A

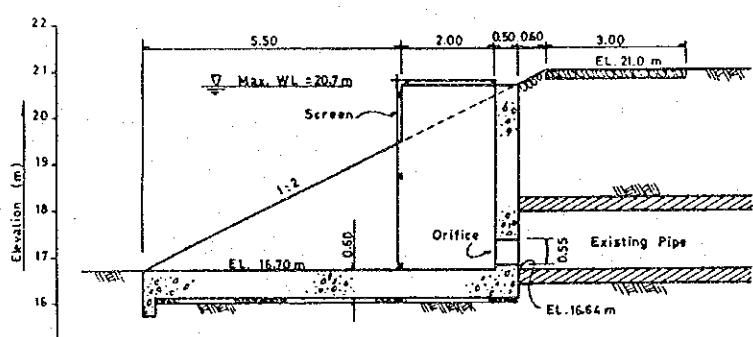




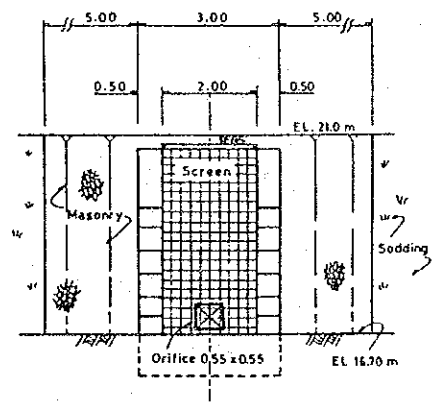
PLAN



PLAN OF OUTLET

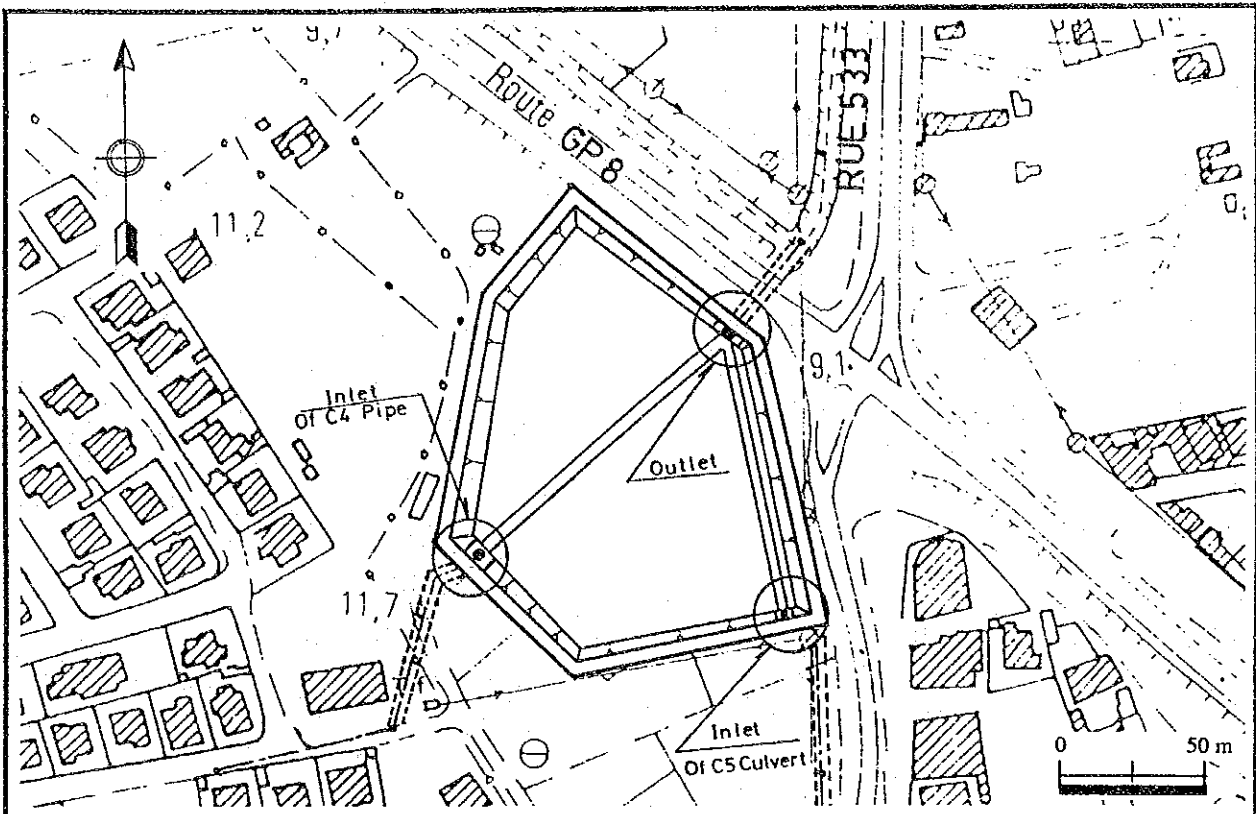


SECTION A-A

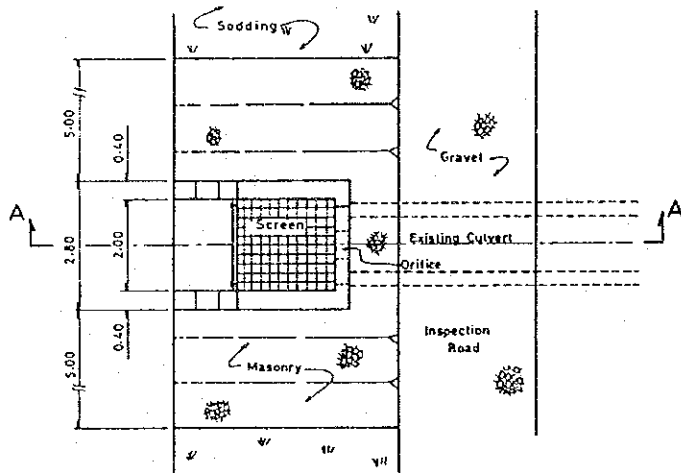


FRONT VIEW

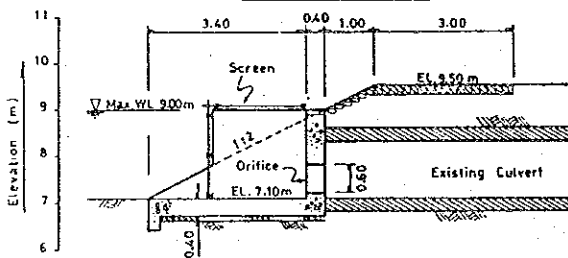
Fig.-38 Plan of Retarding Basin - G



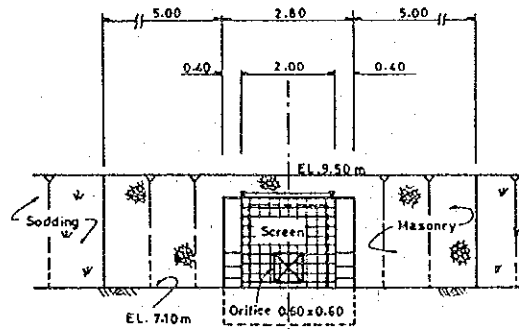
PLAN



PLAN OF OUTLET

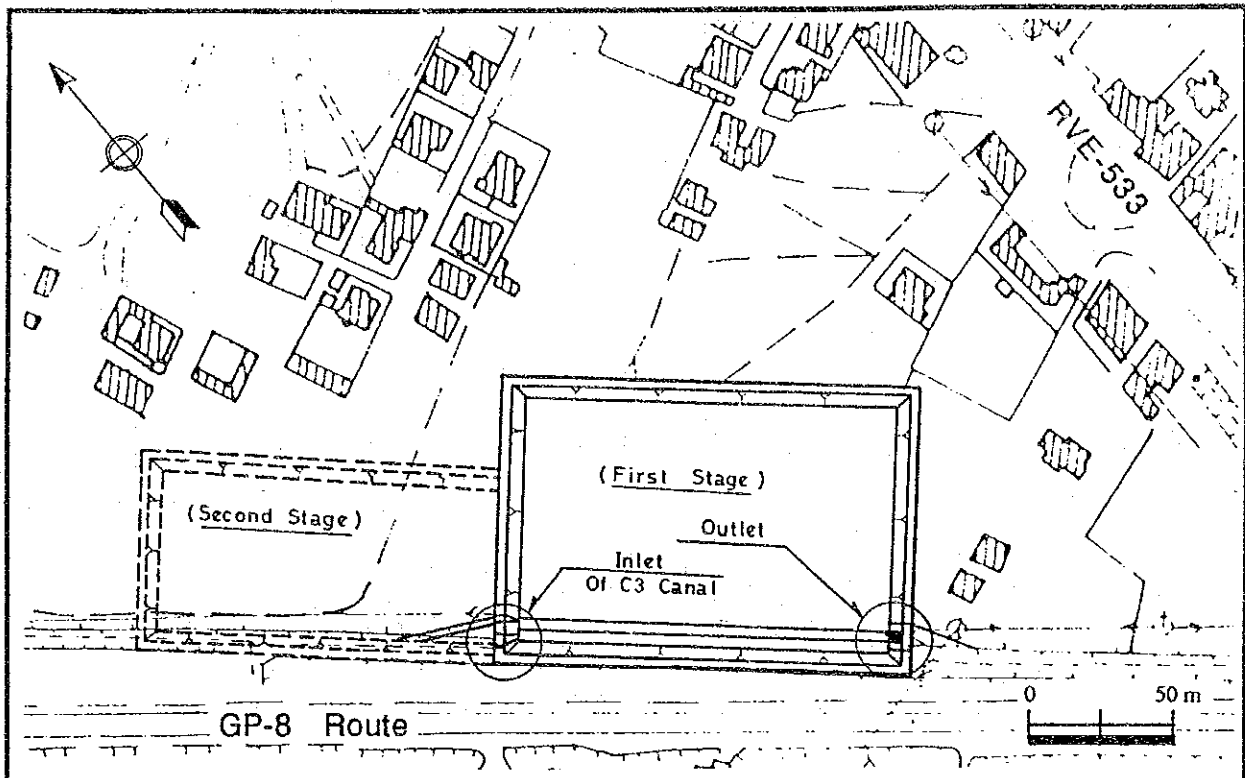


SECTION A-A

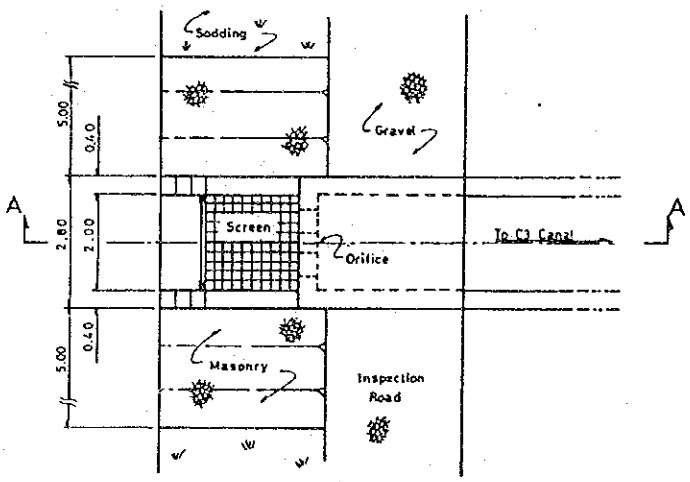


FRONT VIEW

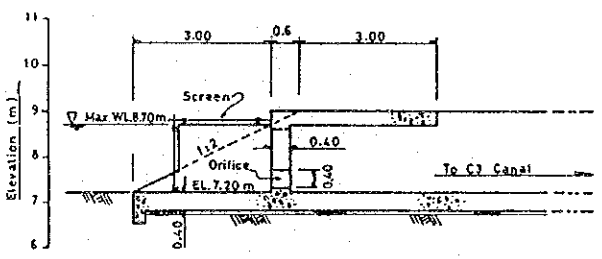
Fig.-39 Plan of Retarding Basin - I



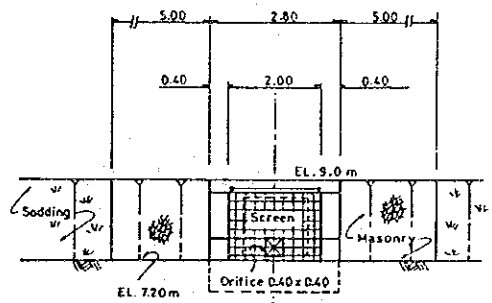
PLAN



PLAN OF OUTLET



SECTION A-A



FRONT VIEW

Fig.-40 Plan of Retarding Basin - J1

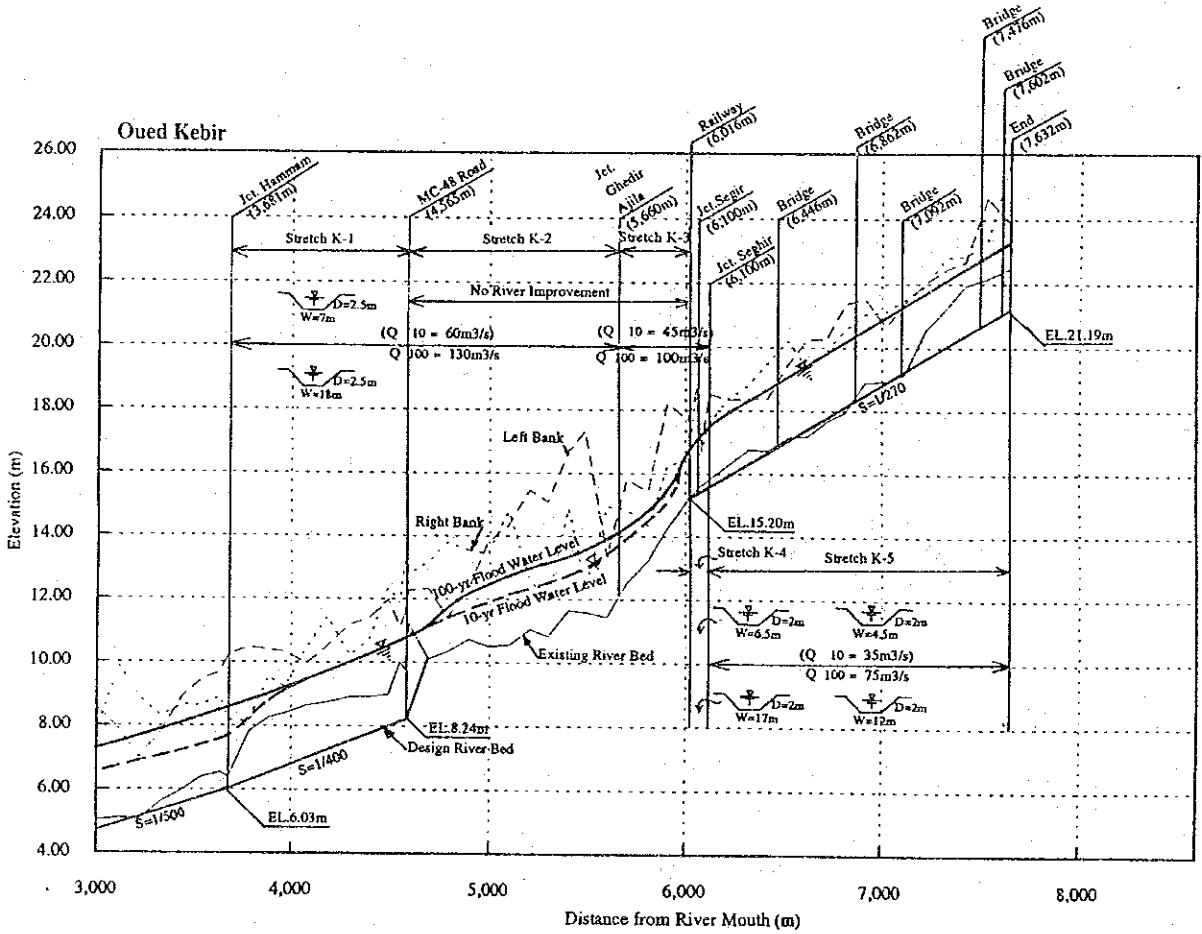
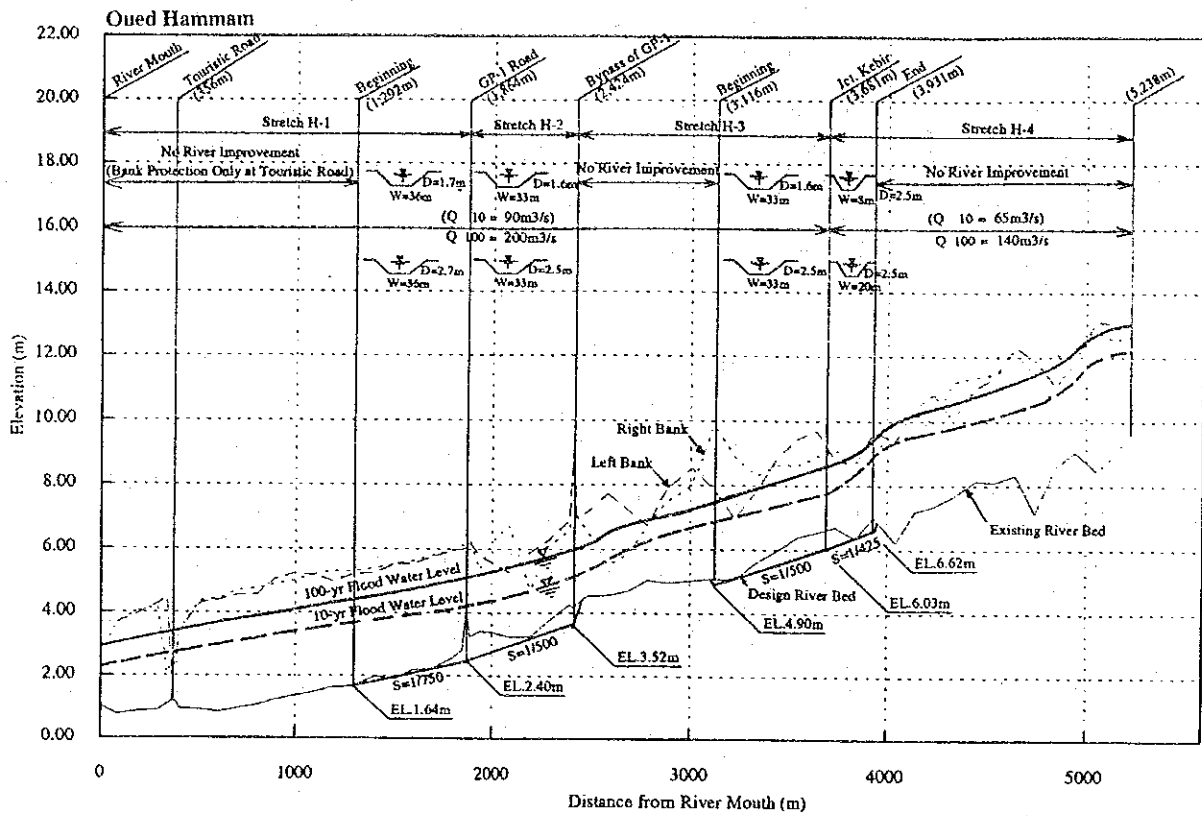
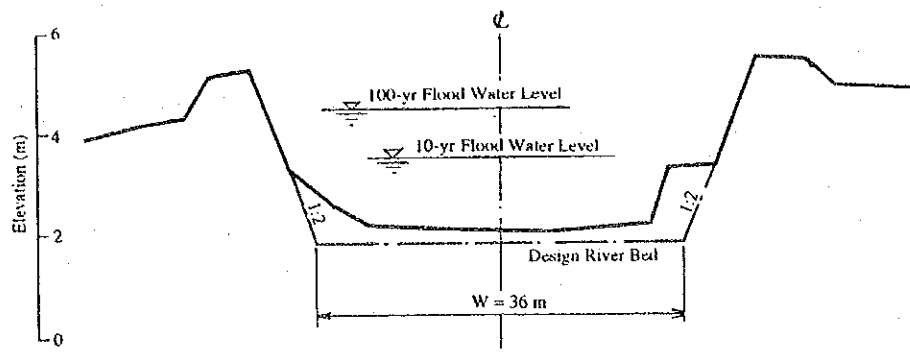
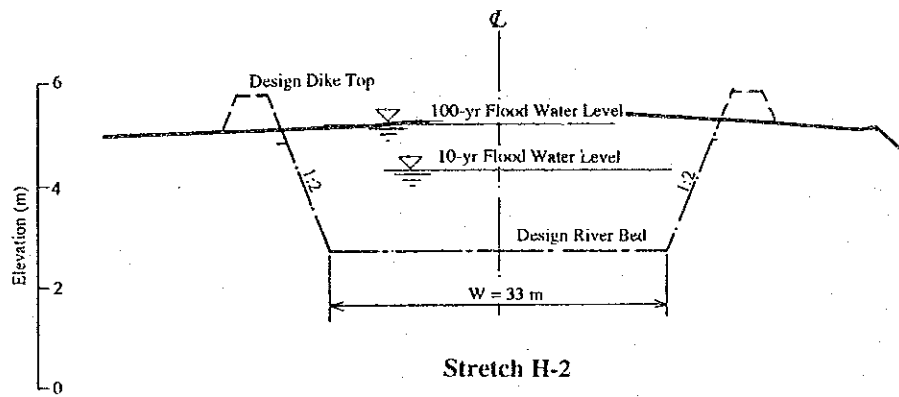


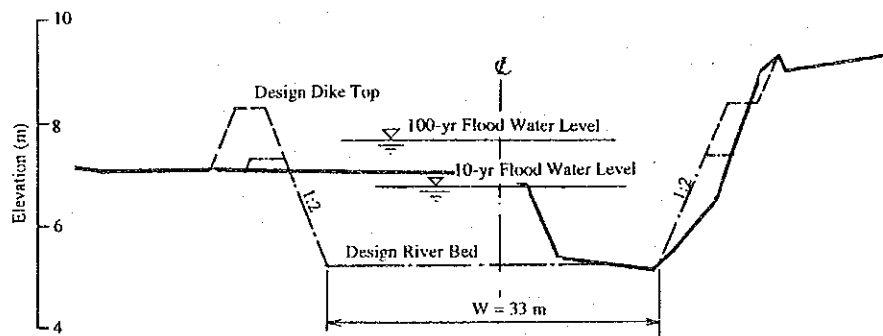
Fig.-41 Longitudinal Profile of Oued Hammam



Stretch H-1



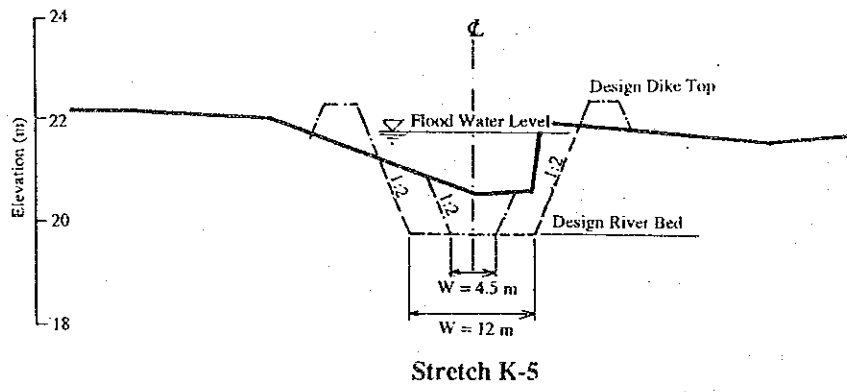
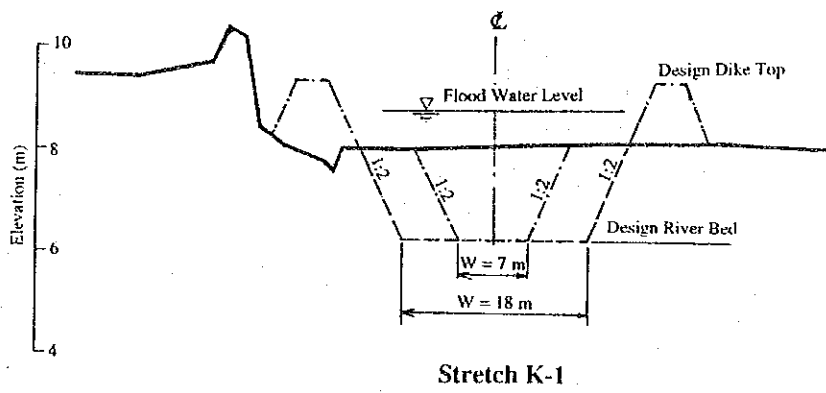
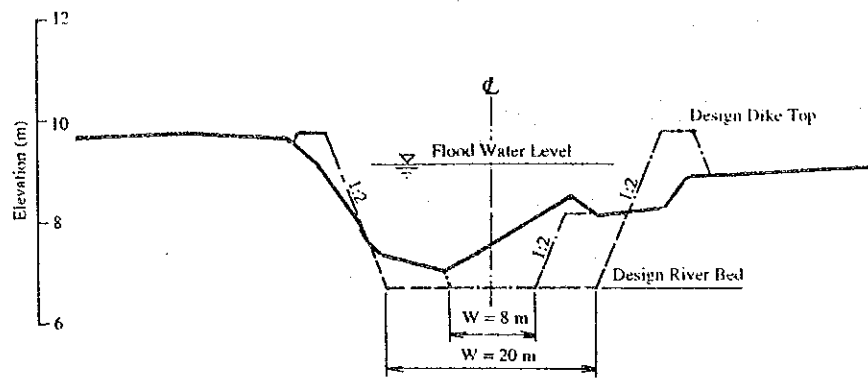
Stretch H-2



Stretch H-3

LEGEND	
	Original Ground Line
	Excavation or Embankment for First Stage
	Excavation or Embankment for Second Stage

Fig.-42 Typical Cross Sections of Oued Hammam (1/2)



LEGEND	
	Original Ground Line
	Excavation or Embankment for First Stage
	Excavation or Embankment for Second Stage

Fig.-42 Typical Cross Sections of Oued Hammam (2/2)









JICA