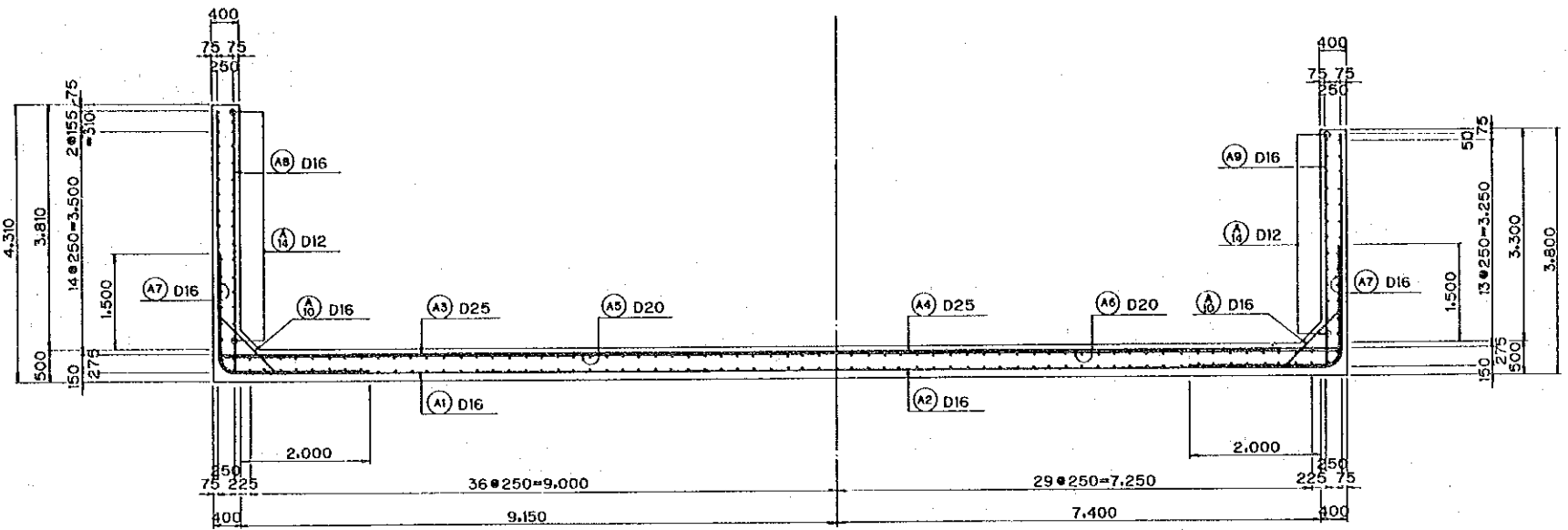


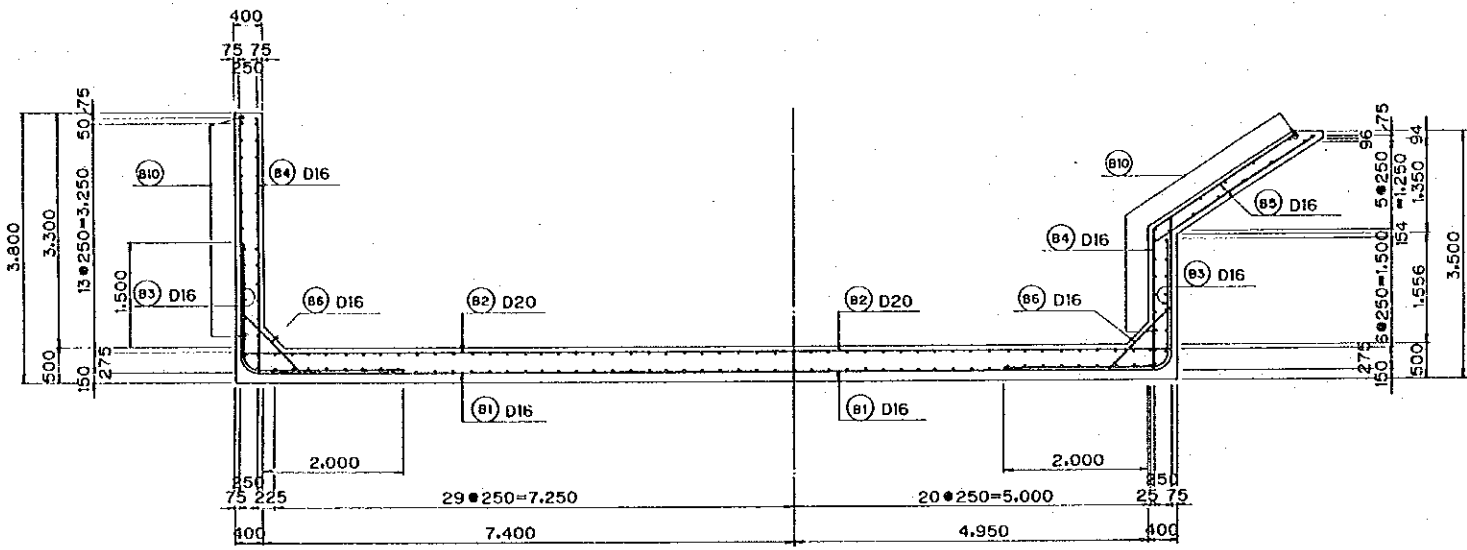
PLAN

SCALE 1:50

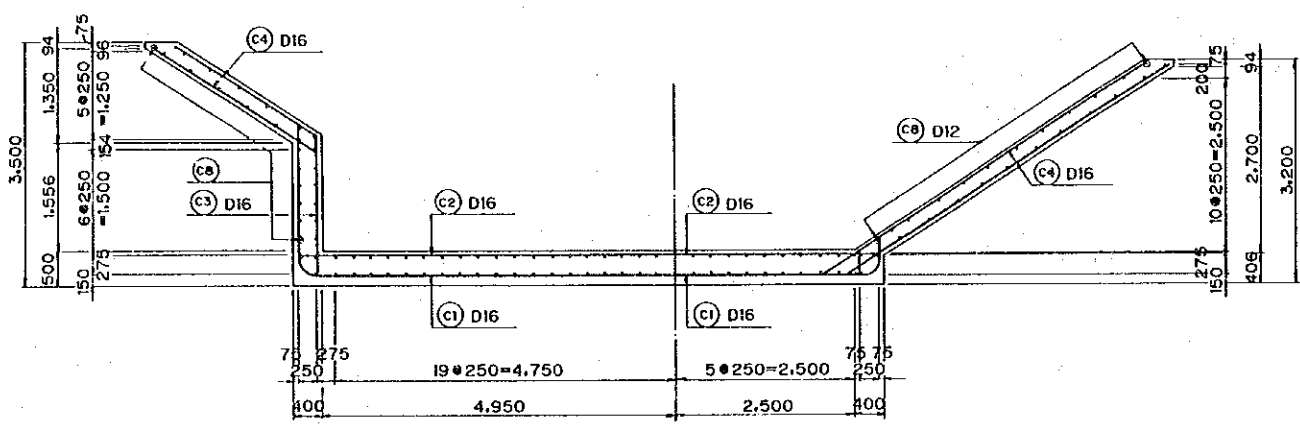
THE KINGDOM OF THAILAND ROYAL IRRIGATION DEPARTMENT	
THE BANG PAKONG DIVERSION DAM PROJECT	
PUMPING STATION	
TRANSITION REINFORCEMENT (1/2)	
JAPAN INTERNATIONAL COOPERATION AGENCY (JICA) SANYU CONSULTANTS INC.	
DESIGNED	
TRACED	
CHECKED	
APPROVED	
DRAWING NO. PST - 1029	



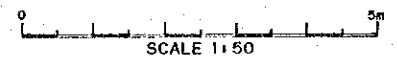
SECTION A-A



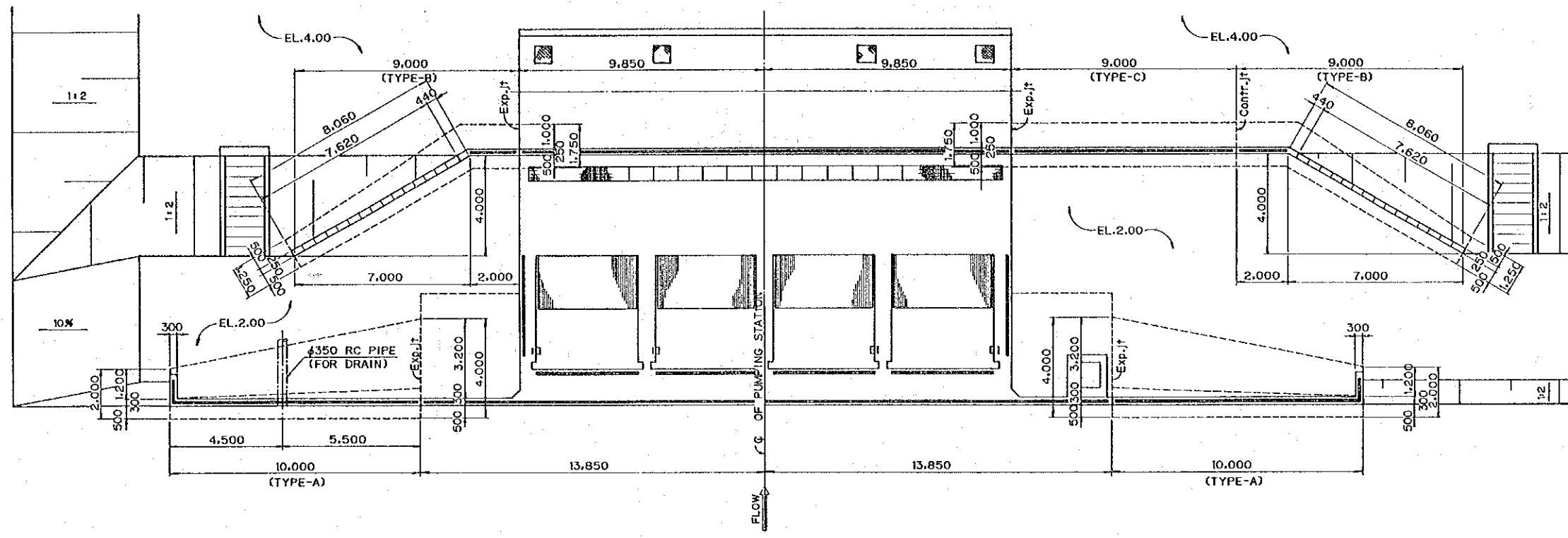
SECTION B-B



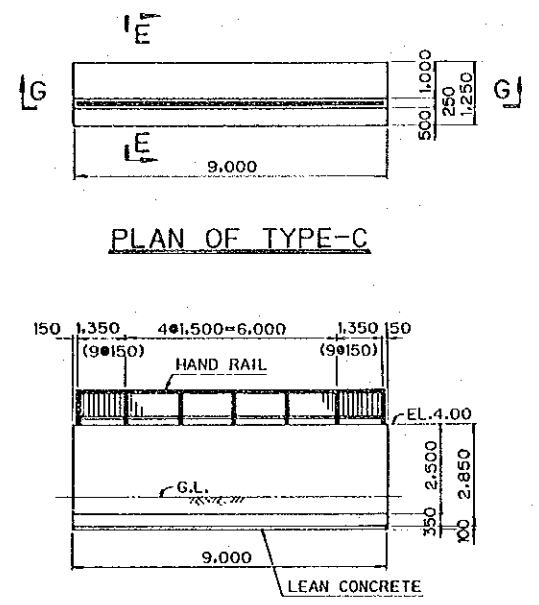
SECTION C-C



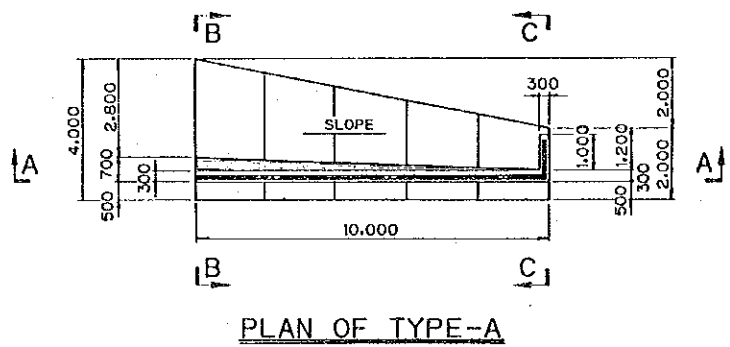
THE KINGDOM OF THAILAND ROYAL IRRIGATION DEPARTMENT	
THE BANG PAKONG DIVERSION DAM PROJECT	
PUMPING STATION	
TRANSITION REINFORCEMENT (2/2)	
JAPAN INTERNATIONAL COOPERATION AGENCY (JICA) SANYU CONSULTANTS INC.	
DESIGNED	
TRACED	
CHECKED	
APPROVED	
DRAWING NO. PST - 1030	



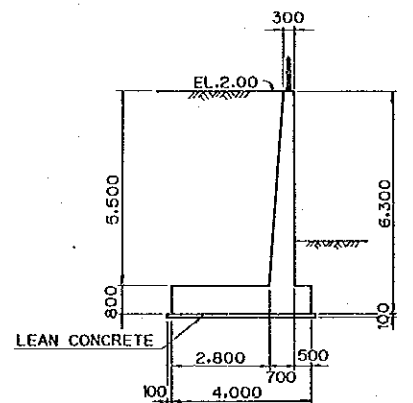
PLAN OF RETAINING WALLS



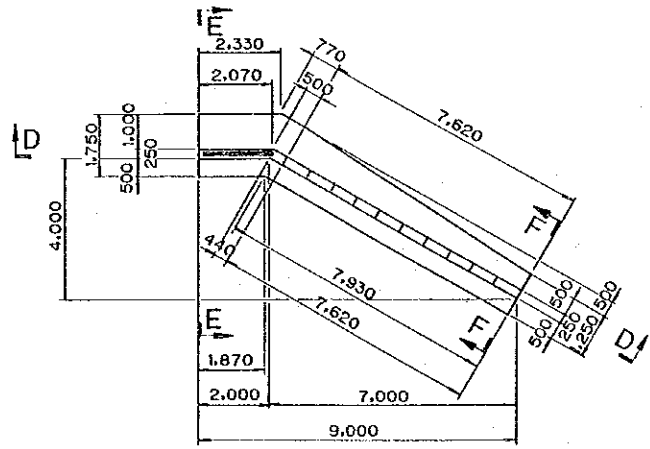
SECTION G-G



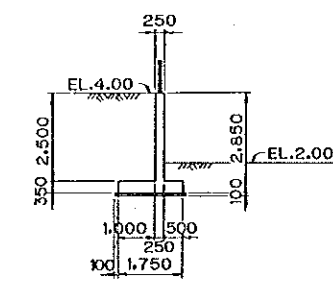
PLAN OF TYPE-A



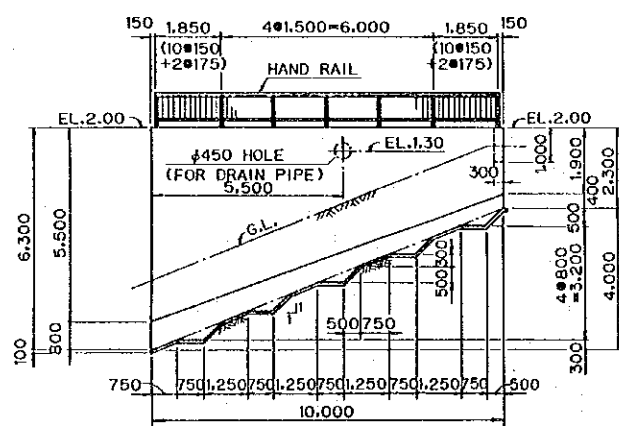
SECTION B-B



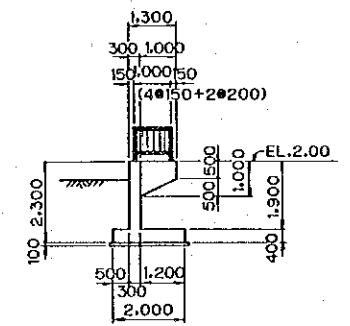
PLAN OF TYPE-B



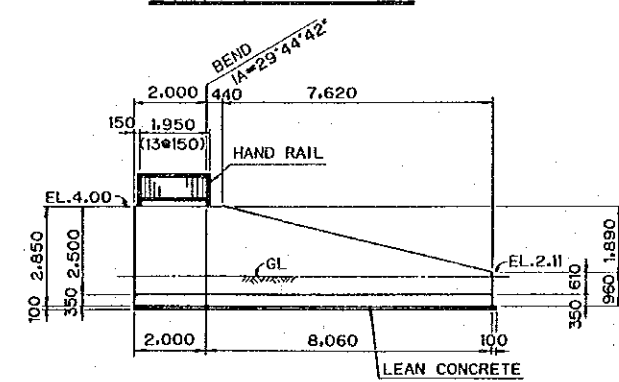
SECTION E-E



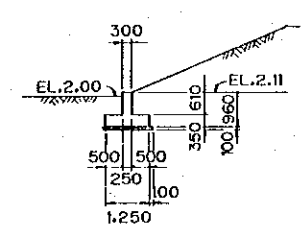
SECTION A-A



SECTION C-C

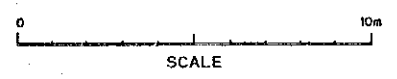


SECTION D-D



SECTION F-F

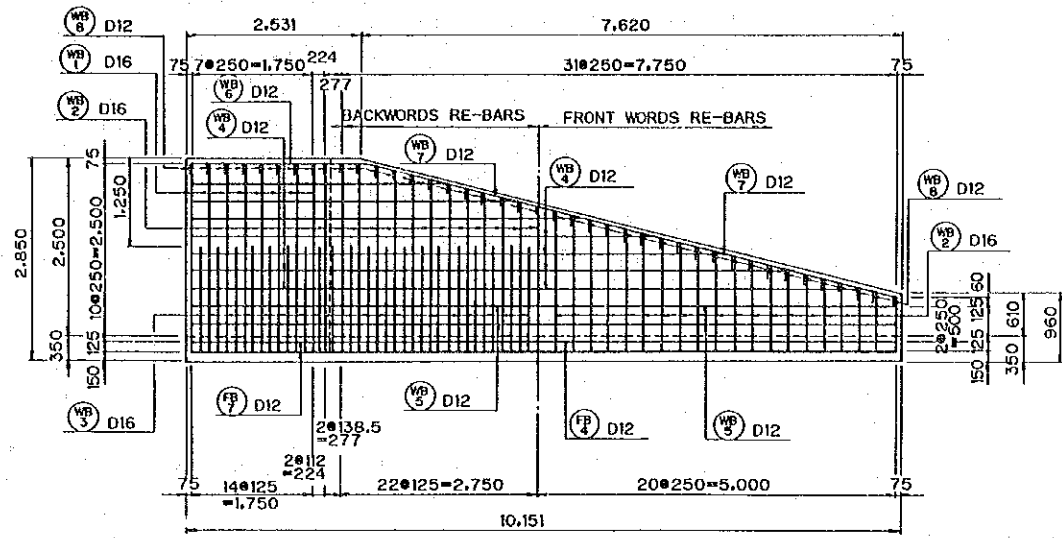
NOTES: 450 HOLE PROVIDED ONLY LEFT BANK SIDE.



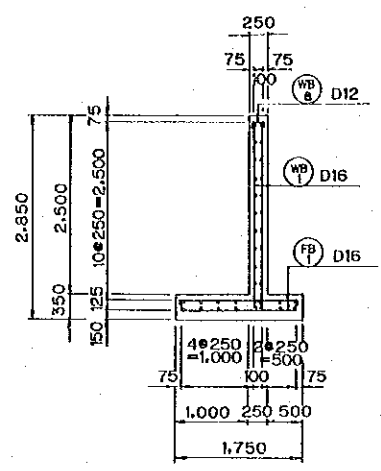
THE KINGDOM OF THAILAND ROYAL IRRIGATION DEPARTMENT	
THE BANG PAKONG DIVERSION DAM PROJECT	
PUMPING STATION	
RETAINING WALL STRUCTURE	
JAPAN INTERNATIONAL COOPERATION AGENCY (JICA) SANYU CONSULTANTS INC.	
DESIGNED	
TRACED	
CHECKED	
APPROVED	
DRAWING NO. PST - 1031	



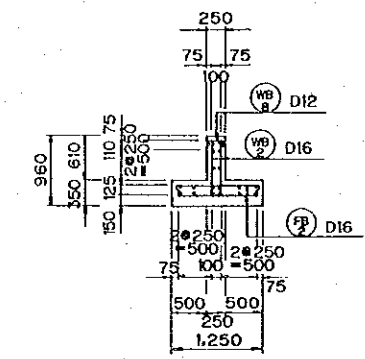
**TYPE-B**



**SECTION D-D**

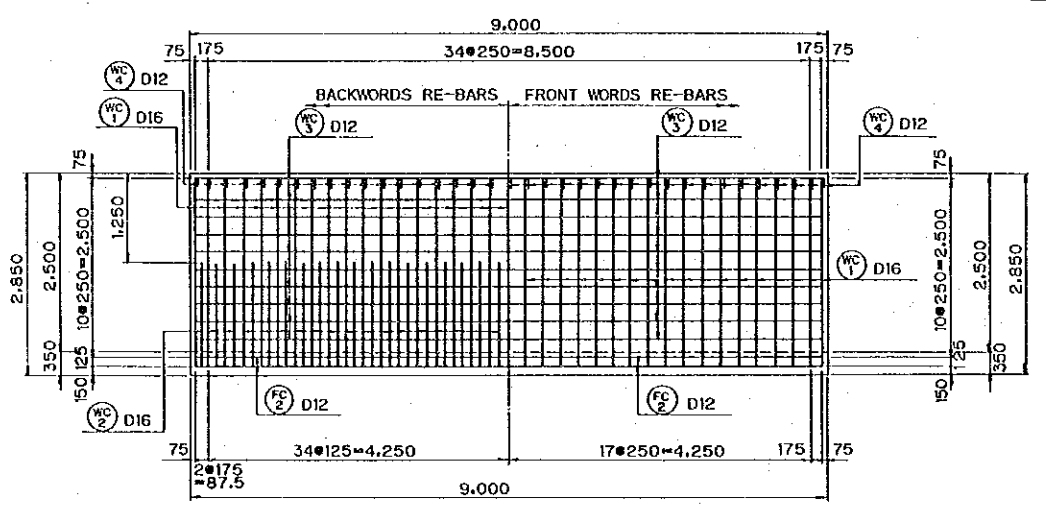


**SECTION E-E**

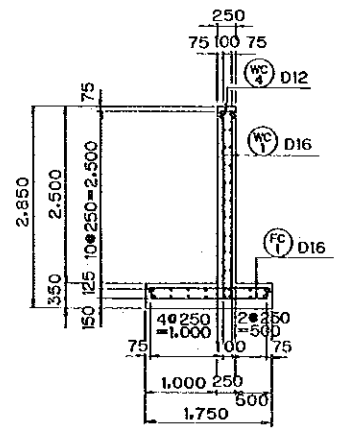


**SECTION F-F**

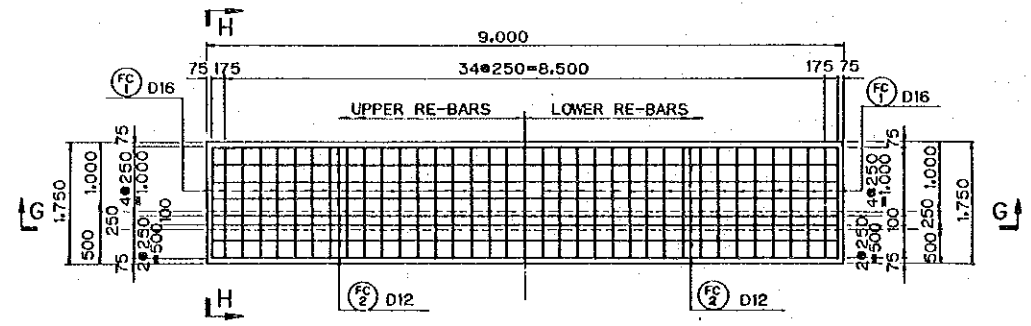
**TYPE-C**



**SECTION G-G**



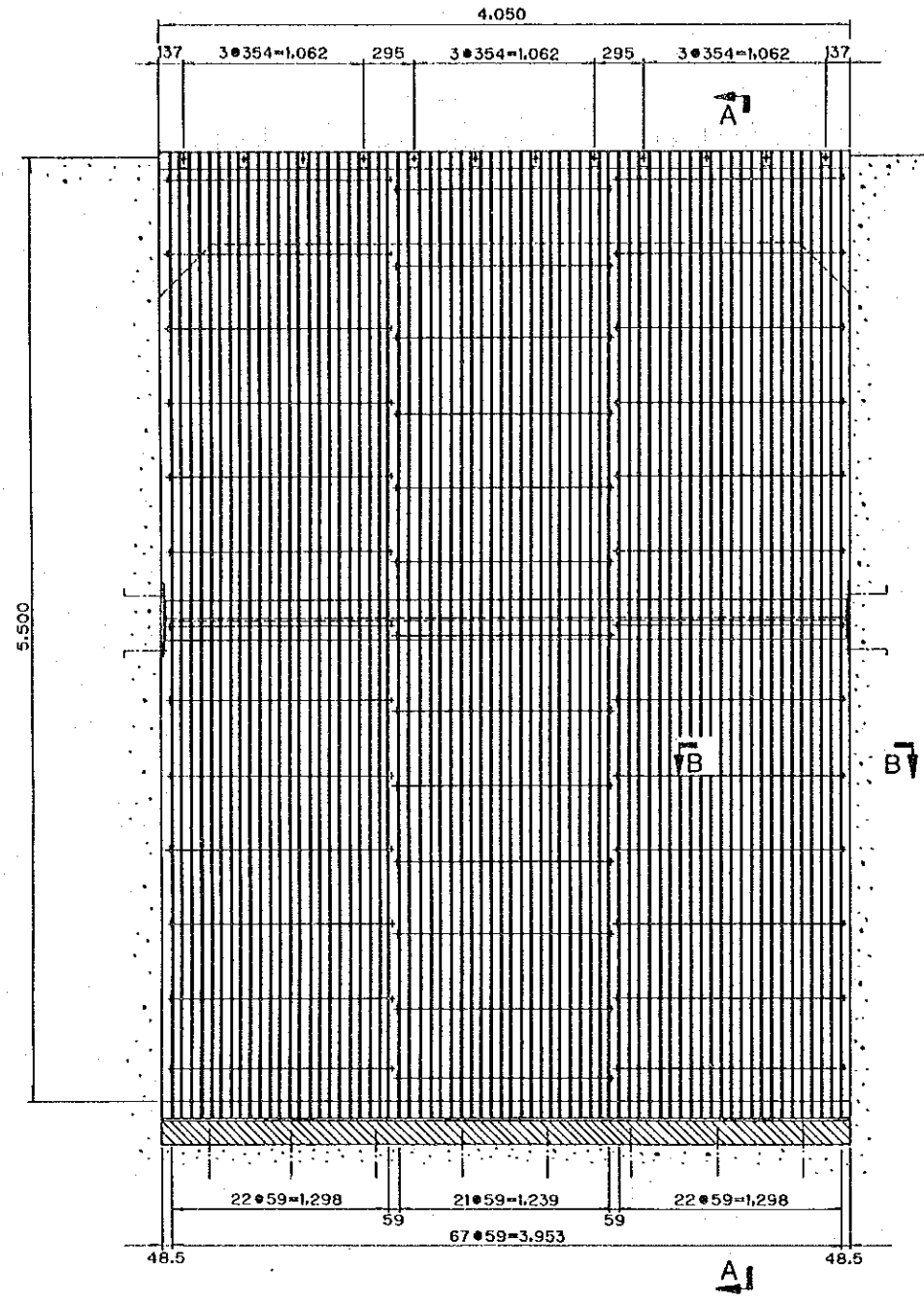
**SECTION H-H**



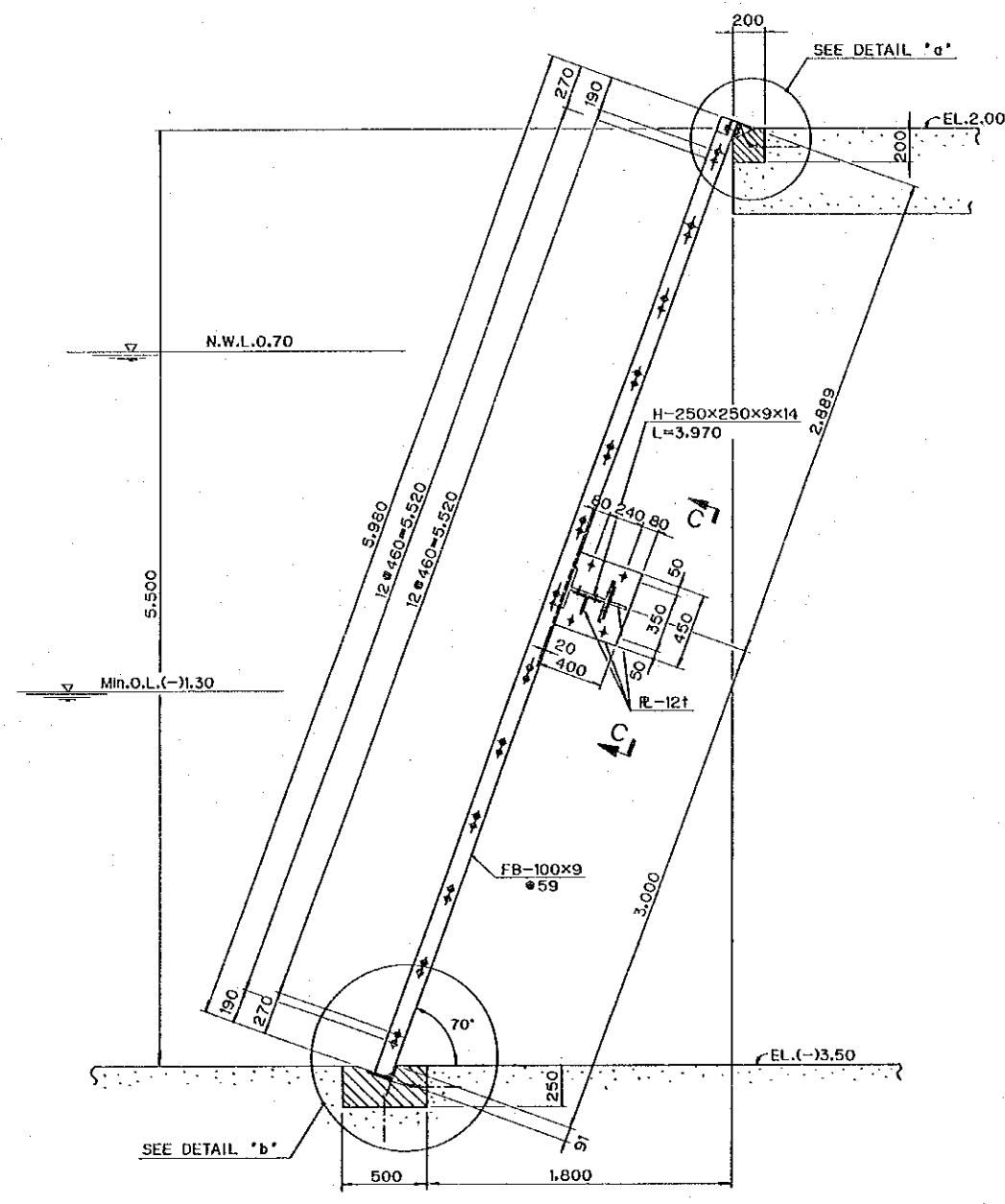
**PLAN**



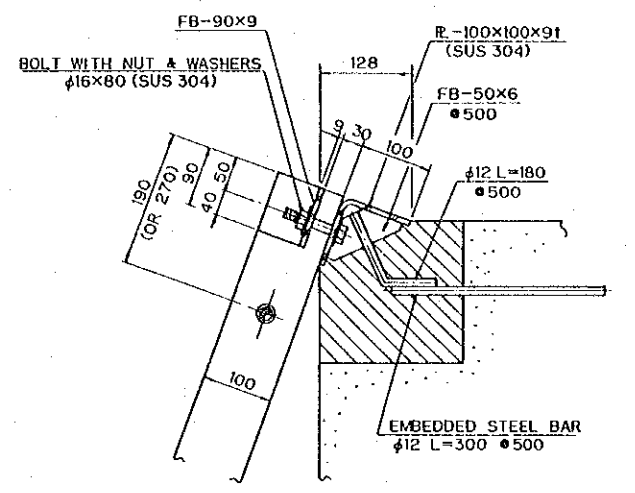
THE KINGDOM OF THAILAND ROYAL IRRIGATION DEPARTMENT	
THE BANG PAKONG DIVERSION DAM PROJECT	
PUMPING STATION RETAINING WALL REINFORCEMENT (2/2)	
JAPAN INTERNATIONAL COOPERATION AGENCY (JICA) SANYU CONSULTANTS INC.	
DESIGNED	
TRACED	
CHECKED	
APPROVED	
DRAWING NO. PST - 1033	



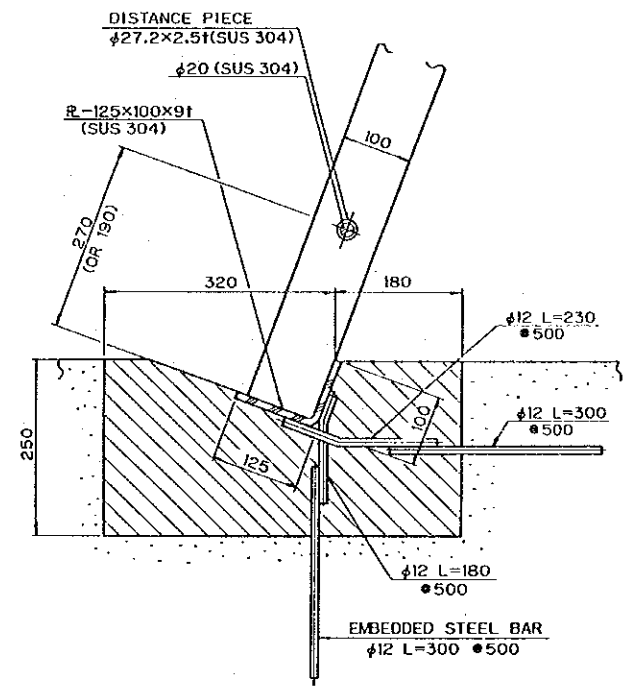
FRONT VIEW  
SCALE 'A'



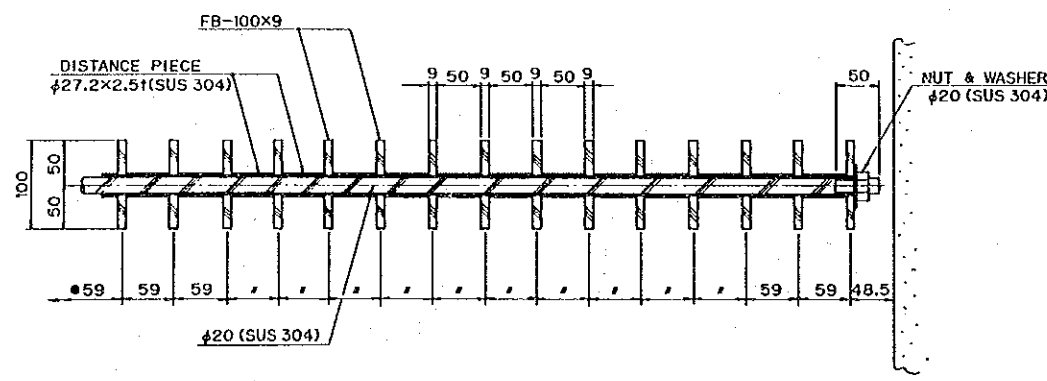
SECTION A-A  
SCALE 'A'



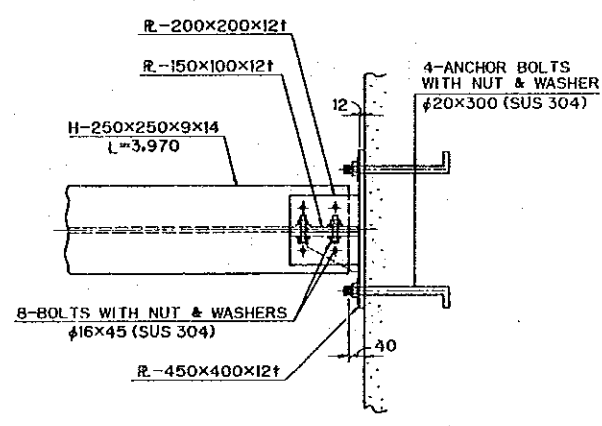
DETAIL 'd'  
SCALE 'C'



DETAIL 'b'  
SCALE 'C'

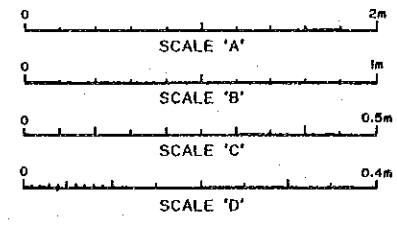


SECTION B-B  
SCALE 'D'

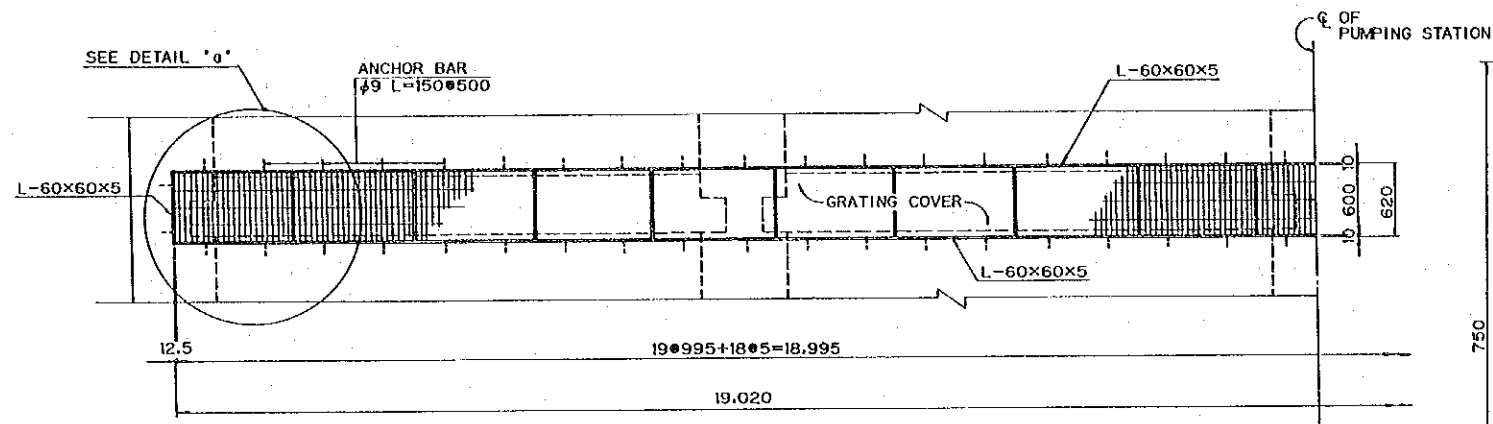


SECTION C-C  
SCALE 'B'

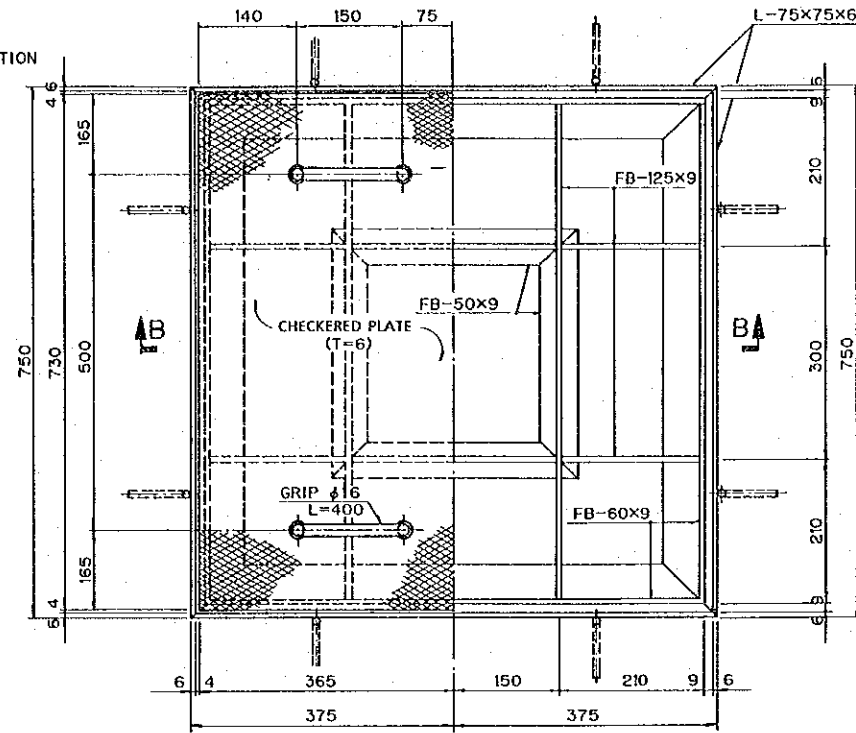
NOTES:  
1. UNLESS OTHERWISE SPECIFIED, STEEL MATERIALS SHALL BE SS400 (JIS G 3101) OR EQUIVALENT AND EXPOSED METAL MATERIALS SHALL BE GALVANIZED.



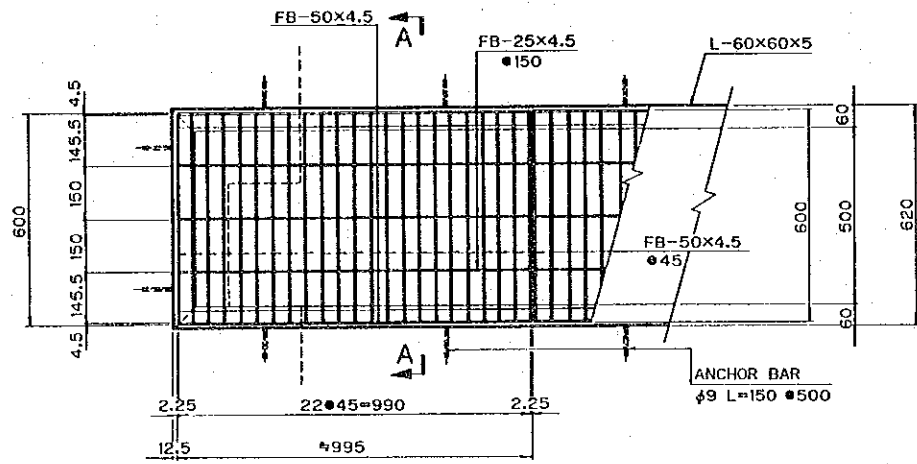
THE KINGDOM OF THAILAND ROYAL IRRIGATION DEPARTMENT	
THE BANG PAKONG DIVERSION DAM PROJECT	
PUMPING STATION	
DETAILS FOR TRASHRACK	
JAPAN INTERNATIONAL COOPERATION AGENCY (JICA) SANYU CONSULTANTS INC.	
DESIGNED	
TRACED	
CHECKED	
APPROVED	
DRAWING NO. PST - 1034	



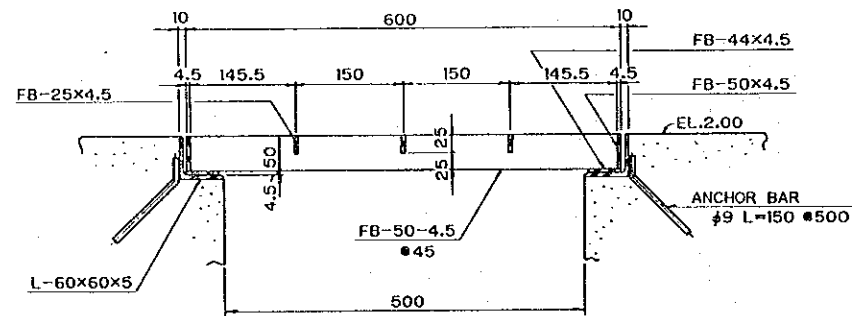
PLAN OF STEEL GRATING  
SCALE 'B'



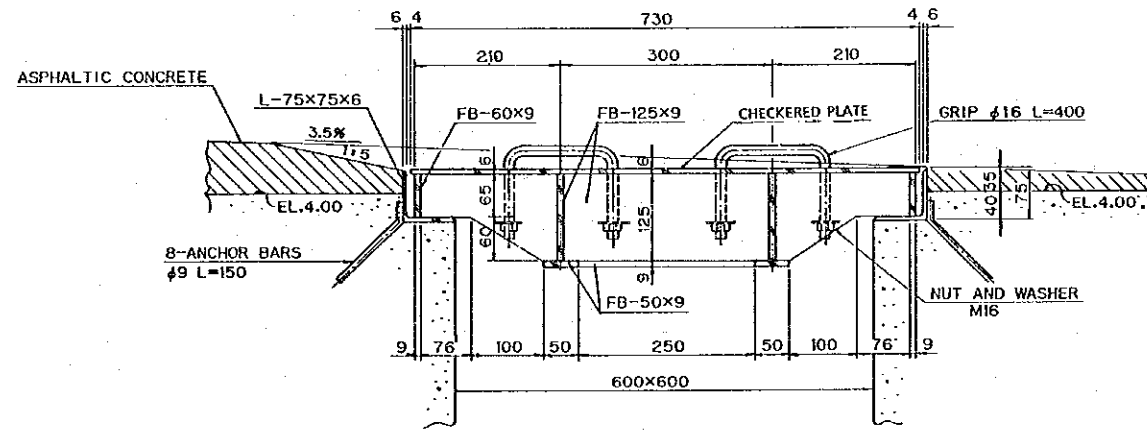
PLAN OF MANHOLE COVER (600x600)  
SCALE 'A'



DETAIL 'A'  
SCALE 'C'

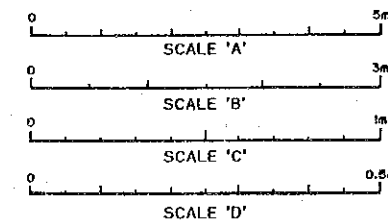


SECTION A-A  
SCALE 'D'



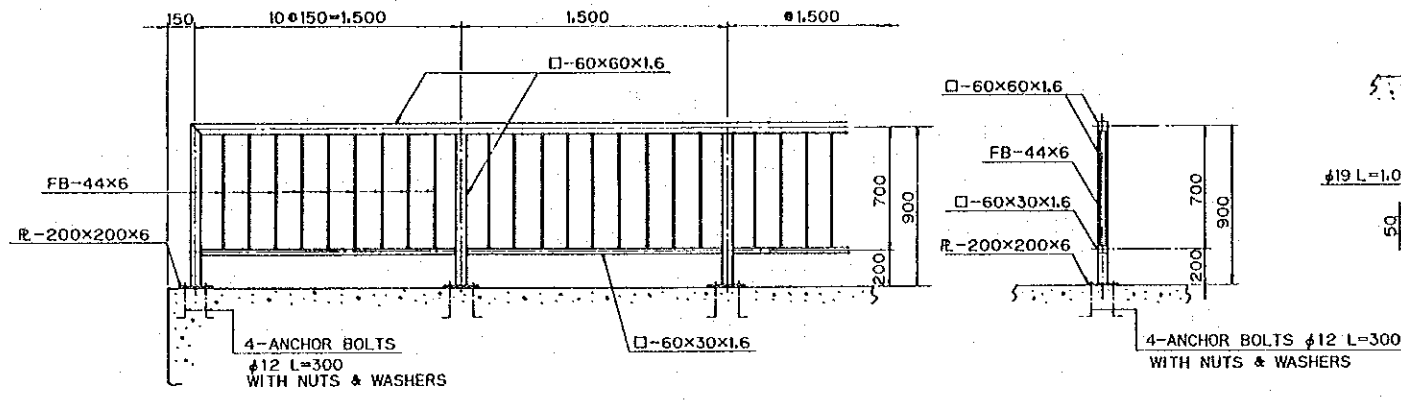
SECTION B-B  
SCALE 'A'

NOTES:  
1. UNLESS OTHERWISE SPECIFIED, STEEL MATERIALS SHALL BE SS400 (JIS G 3101) OR EQUIVALENT AND EXPOSED METAL MATERIALS SHALL BE GALVANIZED.

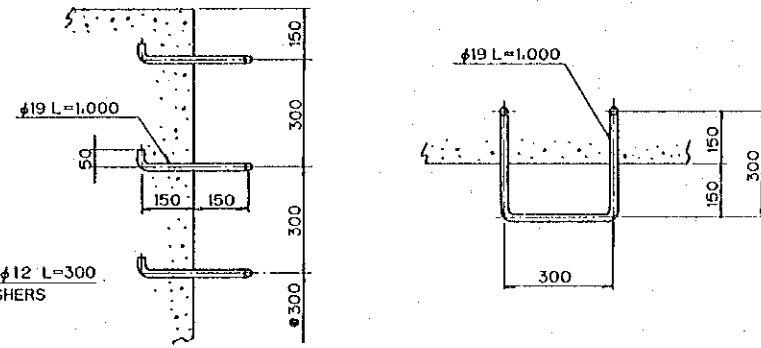


THE KINGDOM OF THAILAND ROYAL IRRIGATION DEPARTMENT	
THE BANG PAKONG DIVERSION DAM PROJECT	
PUMPING STATION DETAILS FOR GRATING & MANHOLE COVER	
JAPAN INTERNATIONAL COOPERATION AGENCY (JICA) SANYU CONSULTANTS INC.	
DESIGNED	
TRACED	
CHECKED	
APPROVED	
DRAWING NO. PST - 1035	

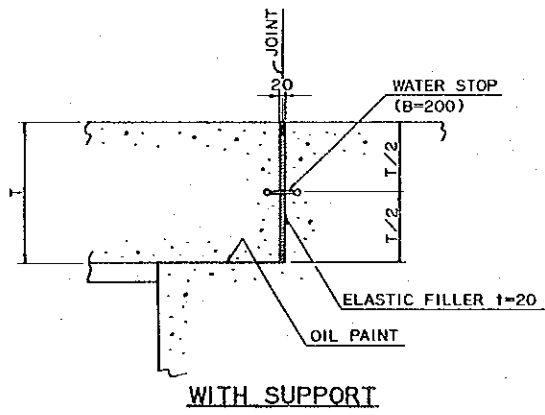




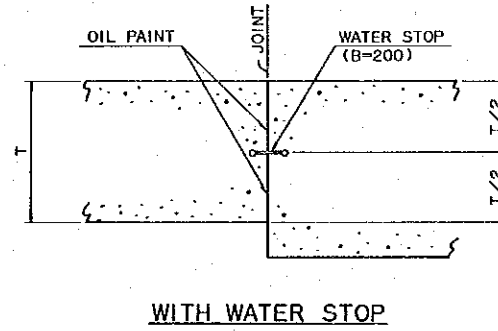
**DETAILS OF HANDRAIL**  
SCALE 'A'



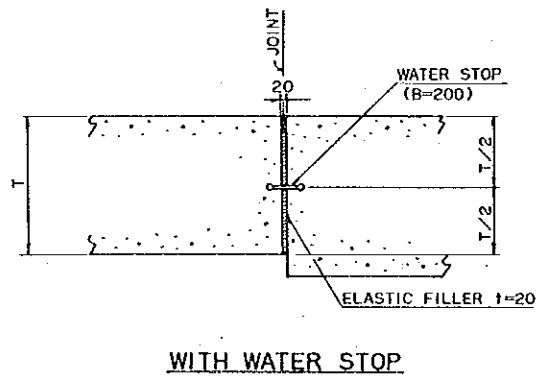
**DETAILS OF STEP**  
SCALE 'B'



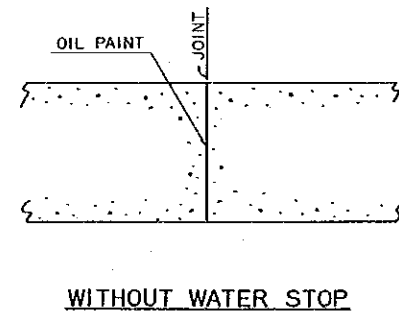
**WITH SUPPORT**



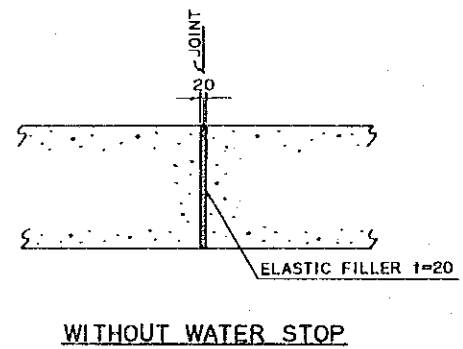
**WITH WATER STOP**



**WITH WATER STOP**



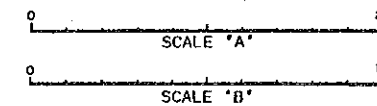
**WITHOUT WATER STOP**



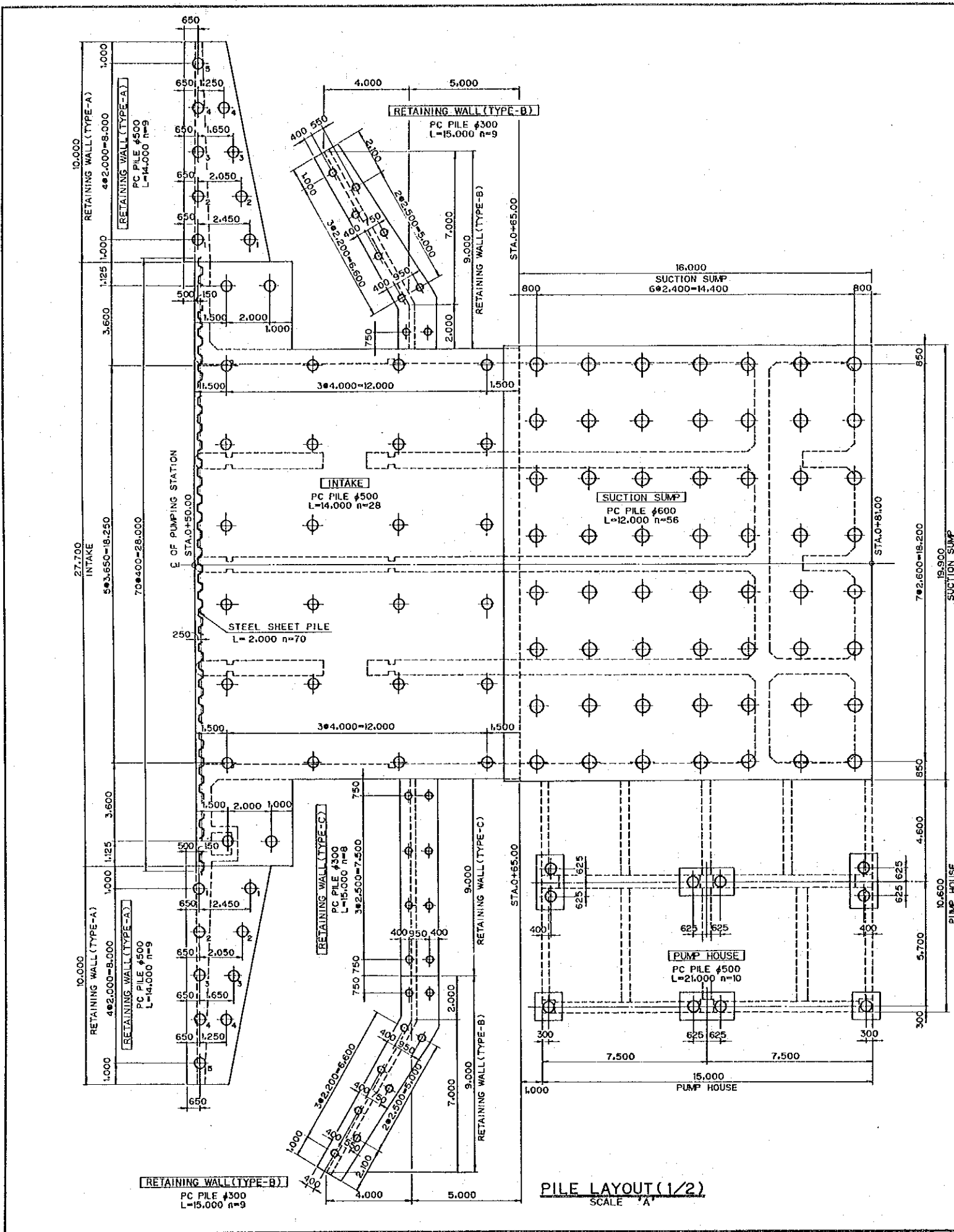
**WITHOUT WATER STOP**

**DETAILS OF CONTRACTION JOINT**  
NON SCALE

**DETAILS OF EXPANSION JOINT**  
NON SCALE

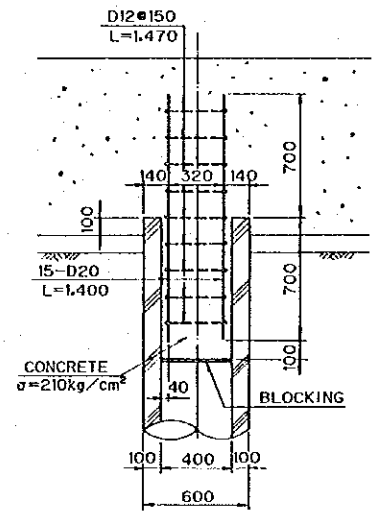


THE KINGDOM OF THAILAND ROYAL IRRIGATION DEPARTMENT	
THE BANG PAKONG DIVERSION DAM PROJECT	
PUMPING STATION DETAILS FOR HANDRAIL, STEP & JOINT	
JAPAN INTERNATIONAL COOPERATION AGENCY (JICA) SANYU CONSULTANTS INC.	
DESIGNED	
TRACED	
CHECKED	
APPROVED	
DRAWING NO. PST - 1035	

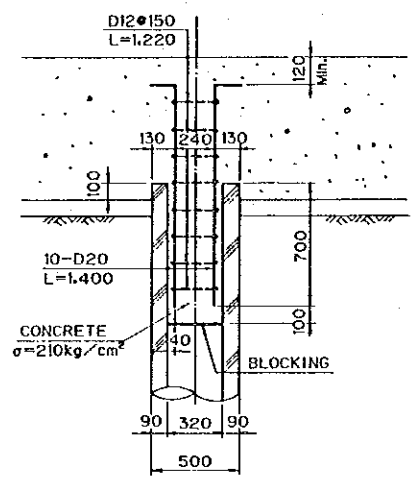


### PILE SPECIFICATIONS (1/2)

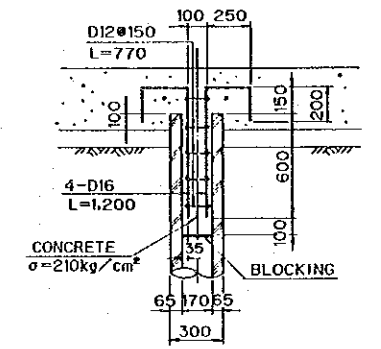
WORKS	SYMBOL	PILE					REMARKS
		TOP EL.	TYPE	DIA.	LENGTH	No. OF PILE	
INTAKE	⊕	EL.-4.20 <sup>m</sup>	PC PILE	φ500 <sup>mm</sup>	14,000 <sup>mm</sup>	28	
SUCTION SUMP	⊕	EL.-6.45	PC PILE	φ600	12,000	56	
RETAINING WALL (TYPE-A)	⊕ <sub>1</sub>	EL.-3.90	PC PILE	φ500	14,000	9×2=18	
	⊕ <sub>2</sub>	EL.-3.10					
	⊕ <sub>3</sub>	EL.-2.30					
	⊕ <sub>4</sub>	EL.-1.50					
	⊕ <sub>5</sub>	EL.-0.70					
RETAINING WALL (TYPE-B)	⊕	EL.1.25	PC PILE	φ300	15,000	9×2=18	
RETAINING WALL (TYPE-C)	⊕	EL.1.25	PC PILE	φ300	15,000	8	
PUMP HOUSE	⊕	EL.2.80	PC PILE	φ500	21,000	10	
INTAKE	⊕	EL.-4.30	SHEET PILE	W=400	2,000	70	STEEL



PC PILE φ600

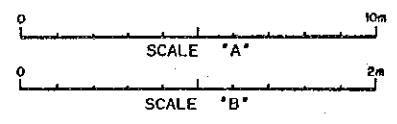


PC PILE φ500



PC PILE φ300

DETAIL OF PILE TOP  
SCALE "B"



THE KINGDOM OF THAILAND  
ROYAL IRRIGATION DEPARTMENT

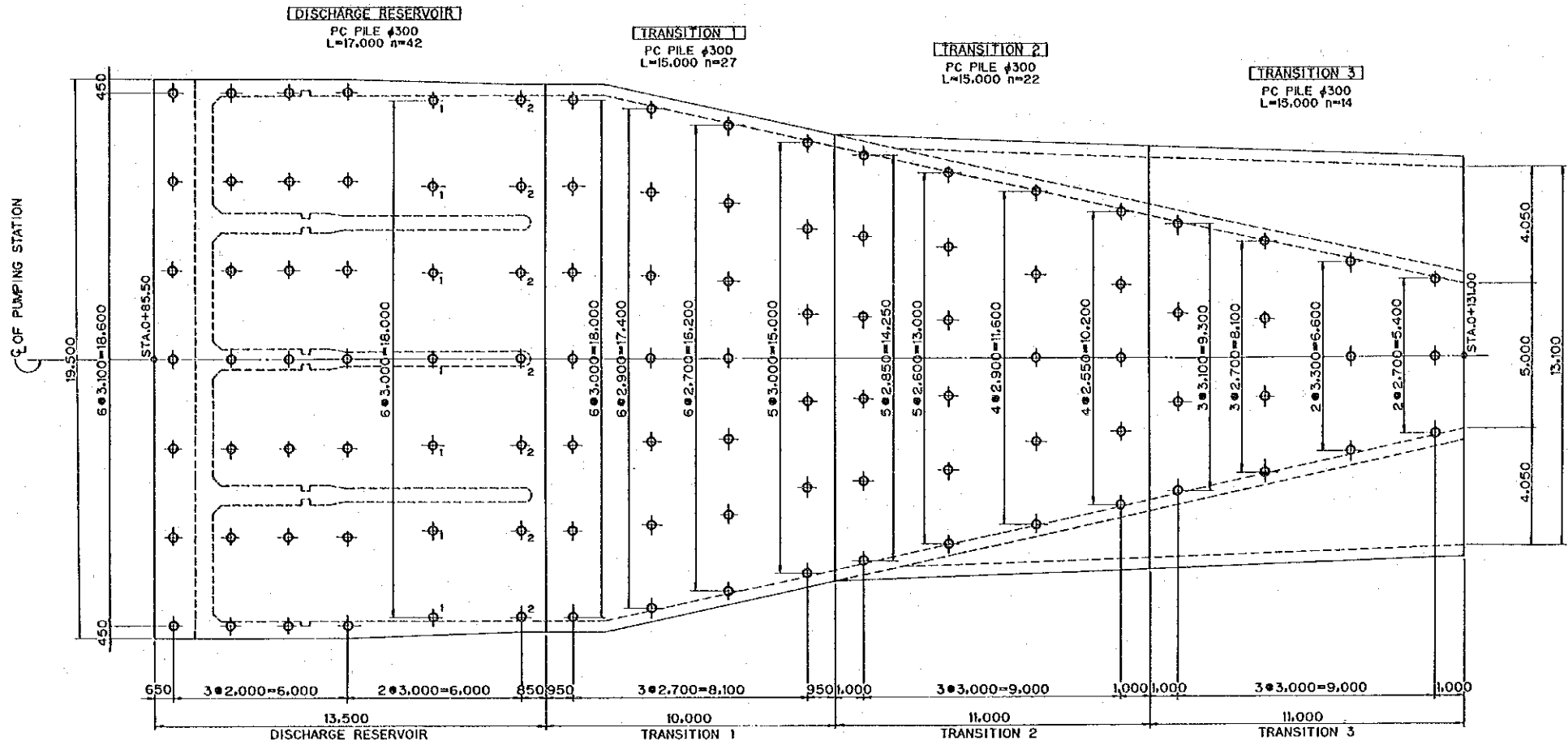
THE BANG PAKONG DIVERSION DAM PROJECT

PUMPING STATION  
PILE FOUNDATION (1/2)

JAPAN INTERNATIONAL COOPERATION AGENCY (JICA)  
SANYU CONSULTANTS INC.

DESIGNED	
TRACED	
CHECKED	
APPROVED	

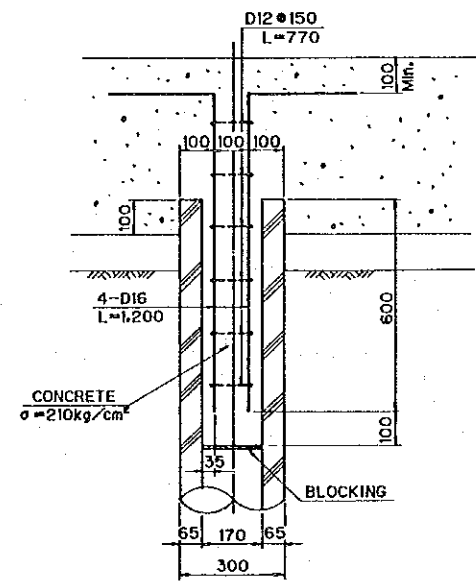
DRAWING NO. PST - 1037



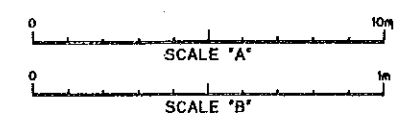
PILE LAYOUT (2/2)  
SCALE 'A'

PILE SPECIFICATIONS (2/2)

WORKS	SYMBOL	PILE					REMARKS
		TOP EL.	TYPE	DIA.	LENGTH	No. OF PILE	
DISCHARGE RESERVOIR	⊕	EL. -1.40 <sup>m</sup>	PC PILE	⊕300	17.000	42	
	⊕ <sub>1</sub>	EL. -0.205					
	⊕ <sub>2</sub>	EL. 0.99					
TRANSITION 1	⊕	EL. 0.99	PC PILE	⊕300	15.000	27	
TRANSITION 2	⊕	EL. 0.99	PC PILE	⊕300	15.000	22	
TRANSITION 3	⊕	EL. 0.99	PC PILE	⊕300	15.000	14	



DETAIL OF PILE TOP (PC ⊕300)  
SCALE 'B'



THE KINGDOM OF THAILAND  
ROYAL IRRIGATION DEPARTMENT

THE BANG PAKONG DIVERSION DAM PROJECT

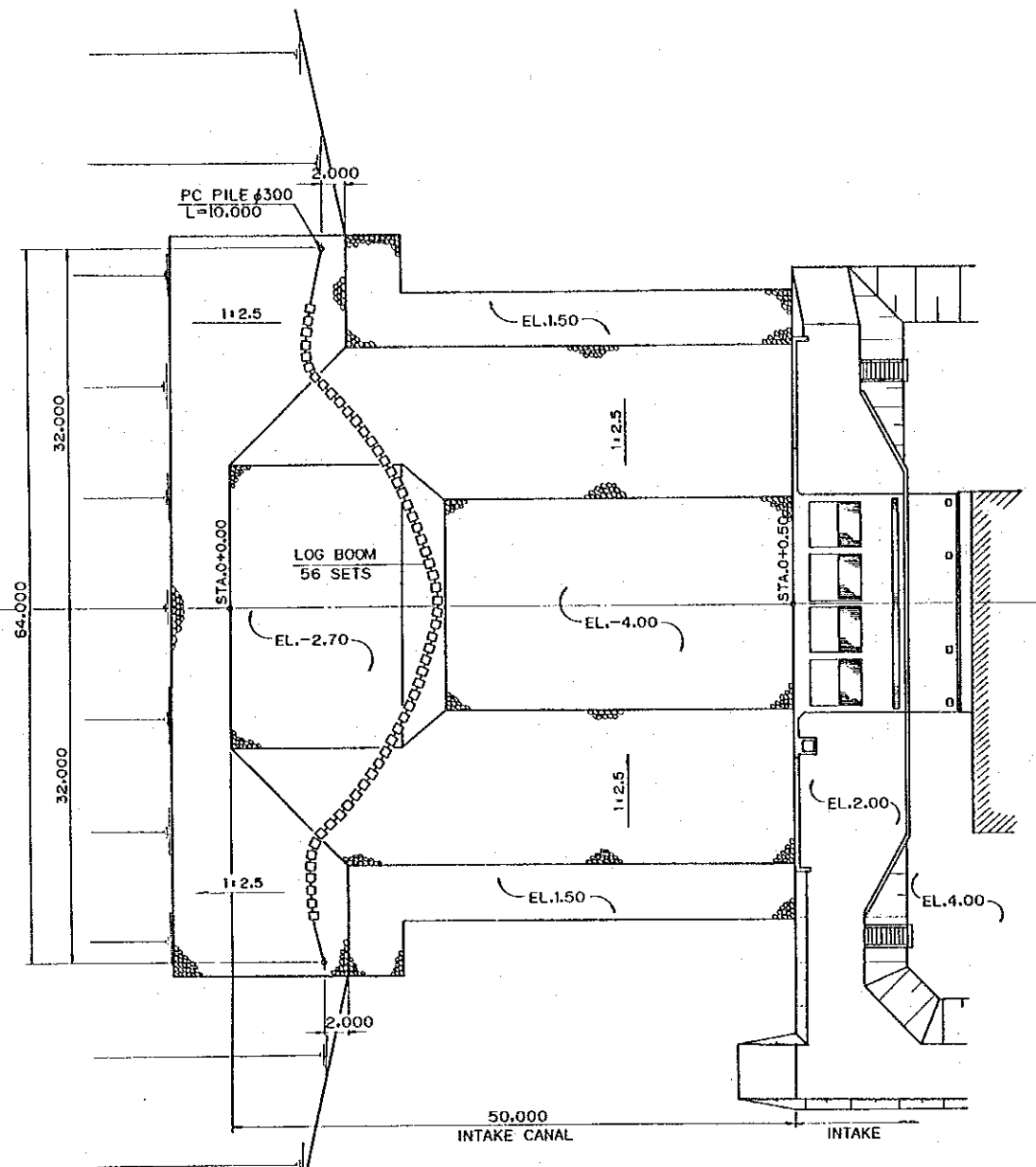
PUMPING STATION  
PILE FOUNDATION (2/2)

JAPAN INTERNATIONAL COOPERATION AGENCY (JICA)  
SANYU CONSULTANTS INC.

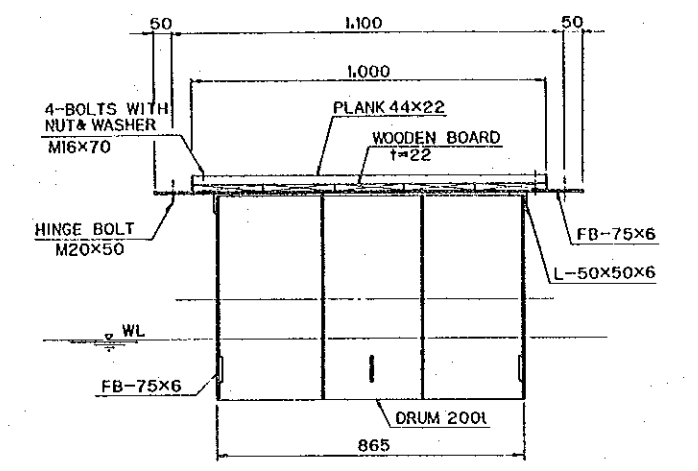
DESIGNED	
TRACED	
CHECKED	
APPROVED	

DRAWING NO. PST - 1038

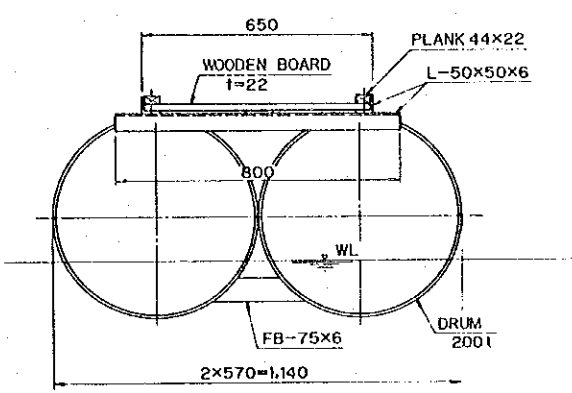
MAE NAM BANG PAKONG  
 Q.O.F. PUMPING STATION



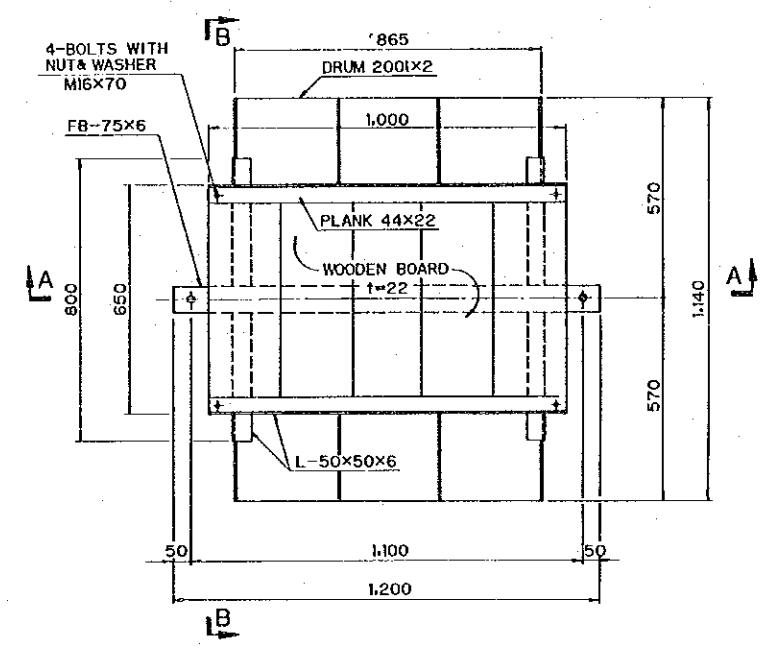
**LOCATION**  
 SCALE 'A'



**SECTION A-A**



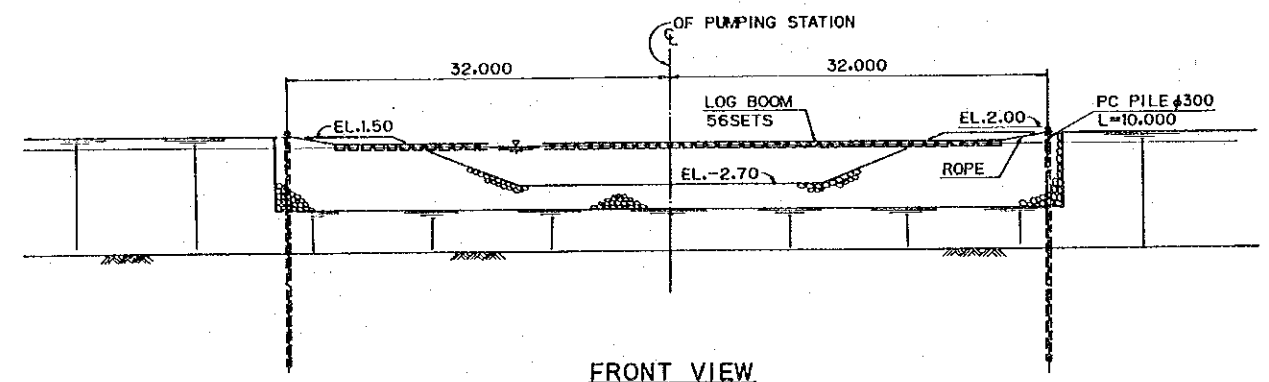
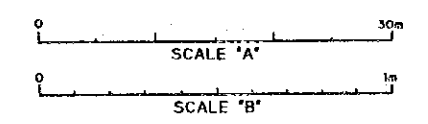
**SECTION B-B**



**PLAN**

**DETAILS OF LOG BOOM**  
 SCALE 'B'

NOTES:  
 1. ALL STEEL MATERIALS OF LOG BOOM SHALL BE PAINTED IN ACCORDANCE WITH THE SPECIFICATIONS.

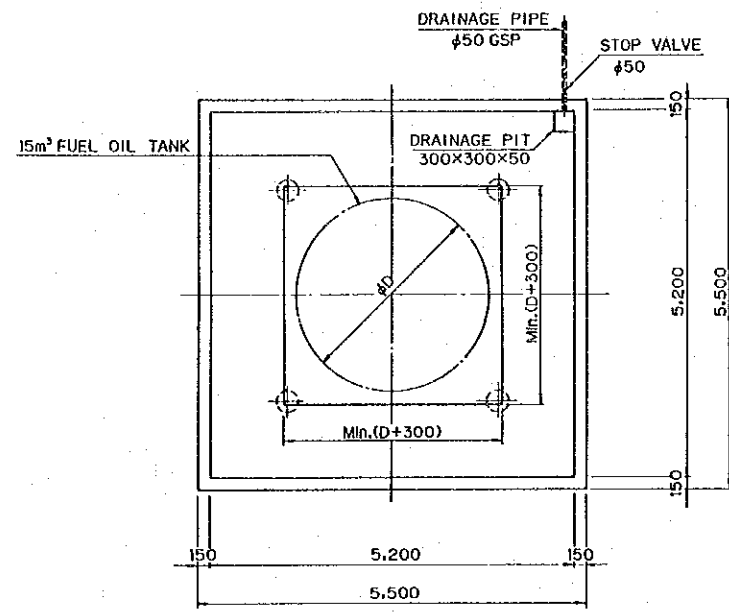


**FRONT VIEW**  
 SCALE 'A'

THE KINGDOM OF THAILAND ROYAL IRRIGATION DEPARTMENT	
THE BANG PAKONG DIVERSION DAM PROJECT	
PUMPING STATION PLAN OF LOG BOOM	
JAPAN INTERNATIONAL COOPERATION AGENCY (JICA) SANYU CONSULTANTS INC.	
DESIGNED	
TRACED	
CHECKED	
APPROVED	
DRAWING NO. PST - 1039	

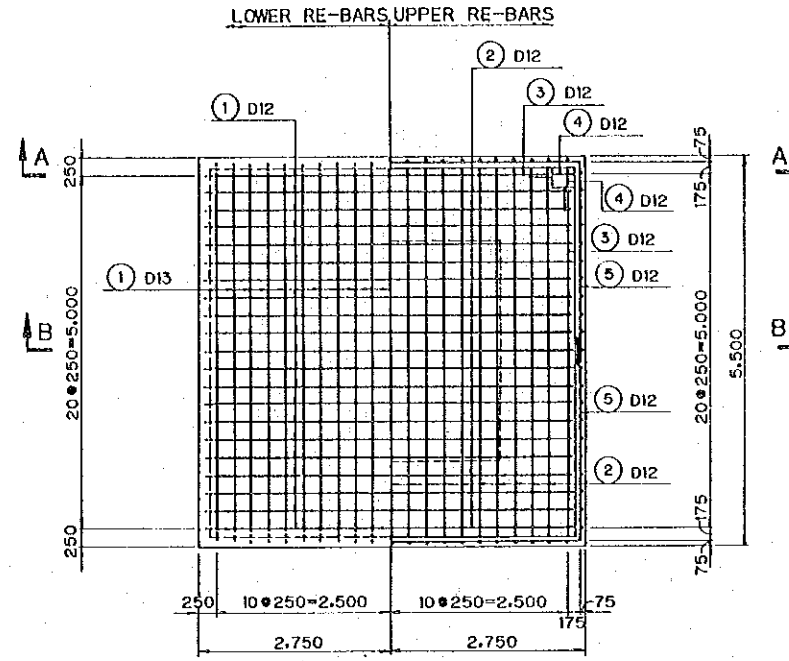


**STRUCTURE**

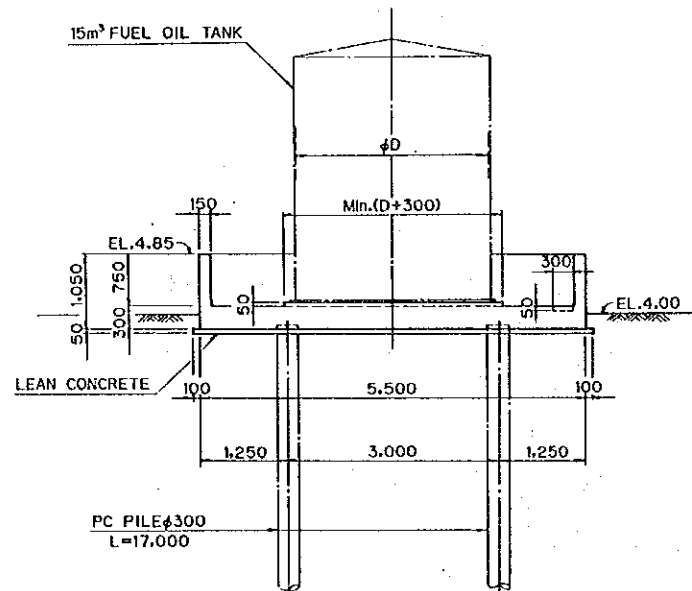


**PLAN**

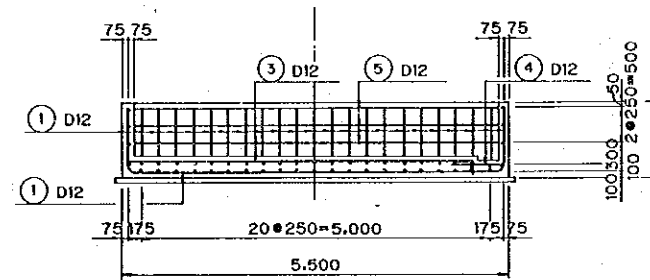
**REINFORCEMENT**



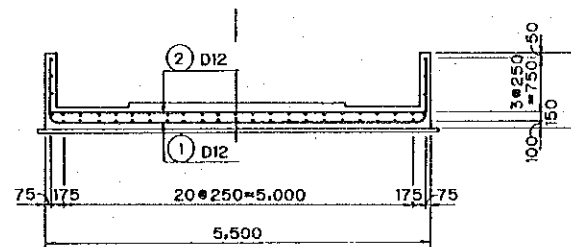
**PLAN**



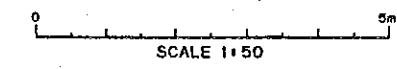
**ELEVATION**



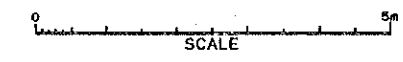
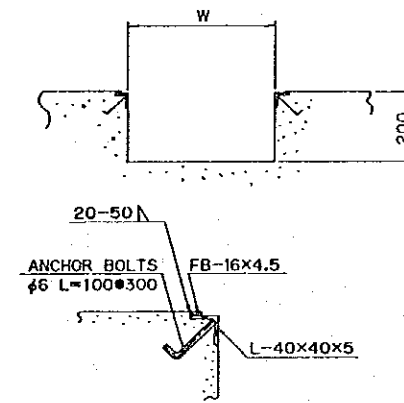
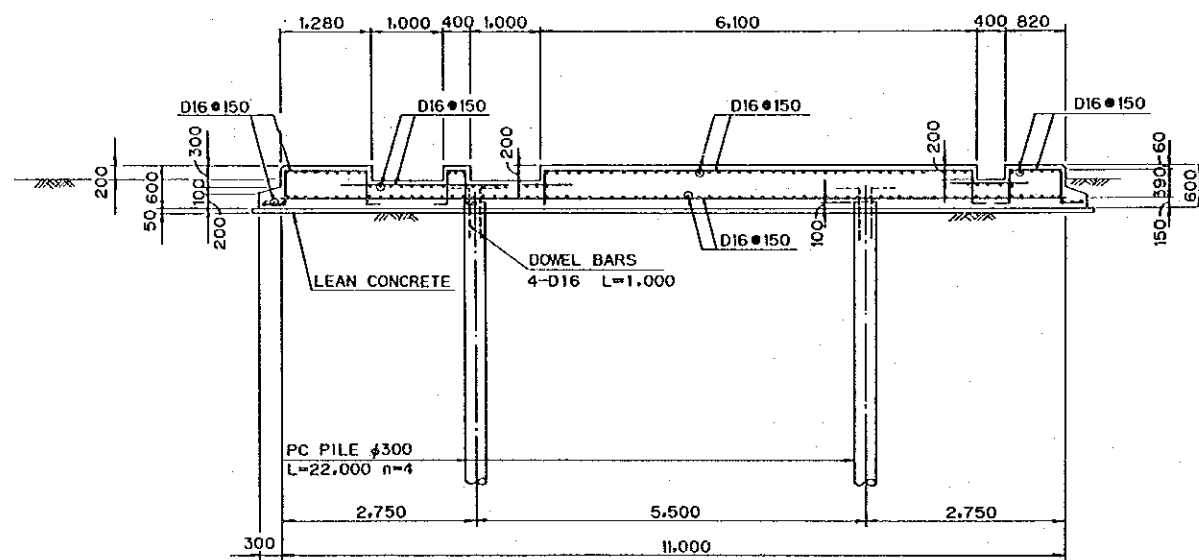
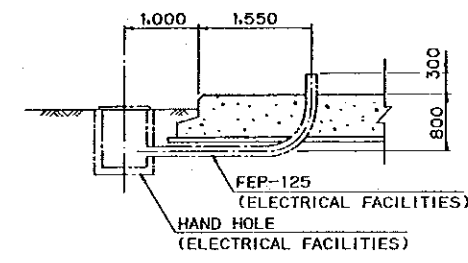
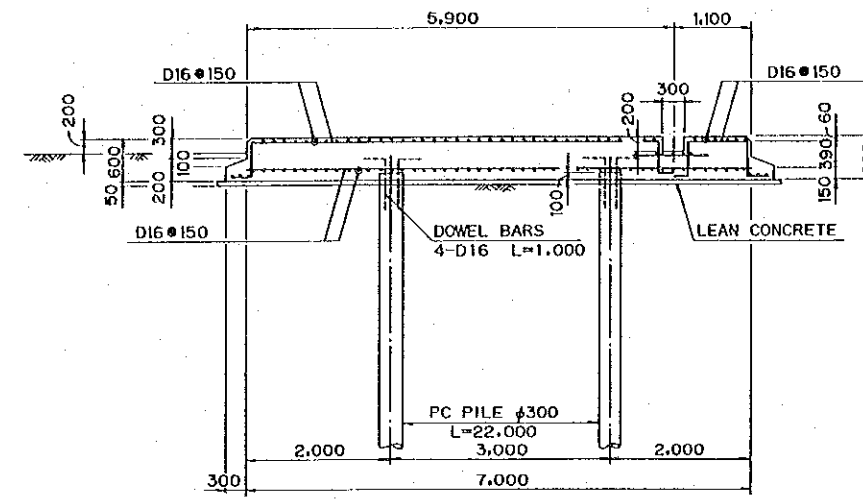
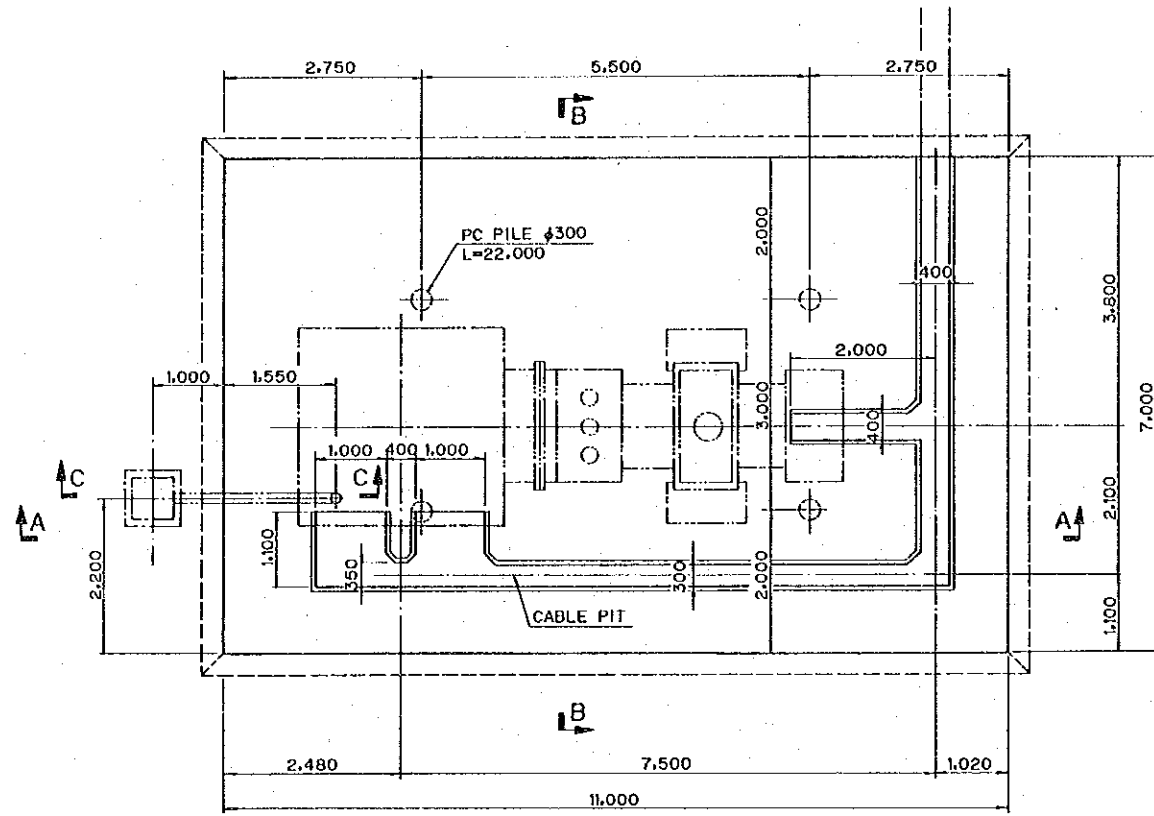
**SECTION A-A**



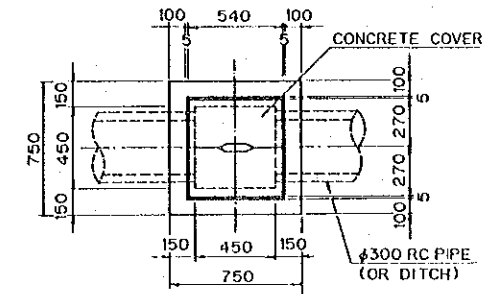
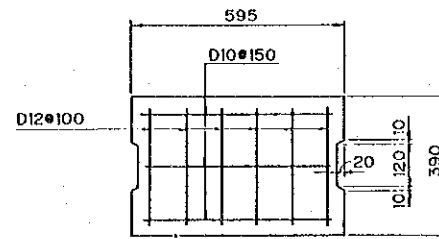
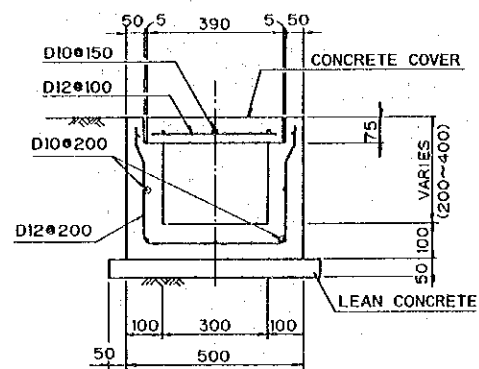
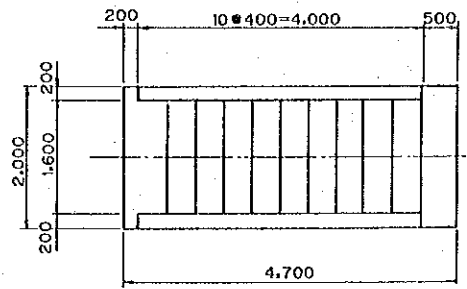
**SECTION B-B**



THE KINGDOM OF THAILAND ROYAL IRRIGATION DEPARTMENT	
THE BANG PAKONG DIVERSION DAM PROJECT	
PUMPING STATION DETAILS FOR FUEL OIL TANK FOUNDATION	
JAPAN INTERNATIONAL COOPERATION AGENCY (JICA) SANYU CONSULTANTS INC.	
DESIGNED	
TRACED	
CHECKED	
APPROVED	
DRAWING NO. PST - 1041	

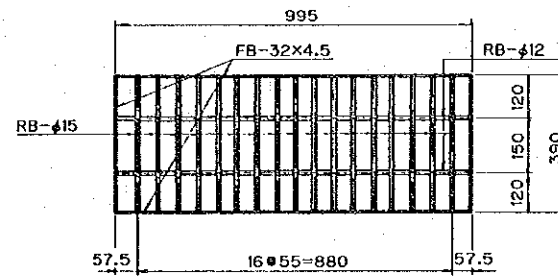
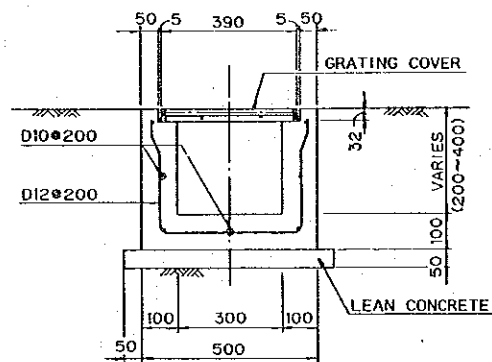
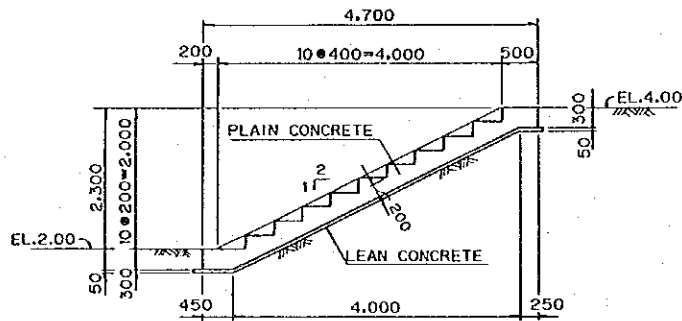
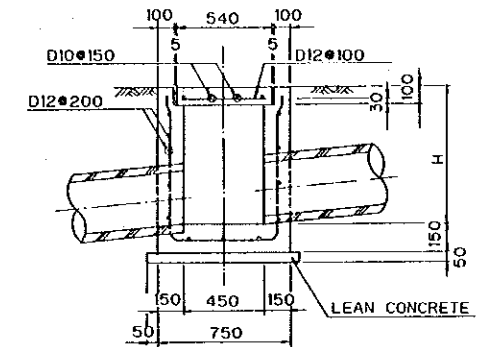


THE KINGDOM OF THAILAND ROYAL IRRIGATION DEPARTMENT	
THE BANG PAKONG DIVERSION DAM PROJECT	
PUMPING STATION DETAILS FOR SUBSTATION (No.2) FOUNDATION	
JAPAN INTERNATIONAL COOPERATION AGENCY (JICA) SANYU CONSULTANTS INC.	
DESIGNED	
TRACED	
CHECKED	
APPROVED	
DRAWING NO. PST-1042	



CONCRETE COVER TYPE

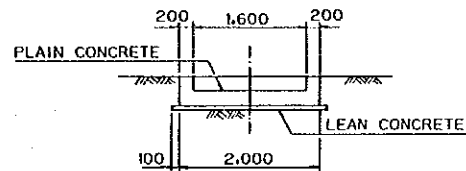
CONCRETE COVER



GRATING COVER TYPE

GRATING COVER

DETAILS OF WATER CATCH BASIN

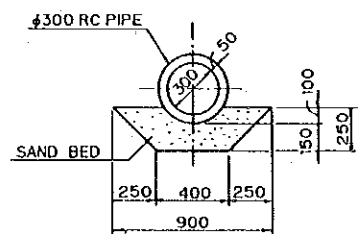


DETAILS OF DITCH  
SCALE 'C'

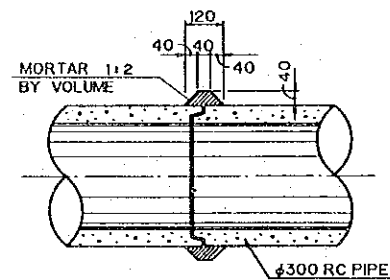
DETAILS OF COVER  
SCALE 'C'

DETAILS OF STEPS  
SCALE 'A'

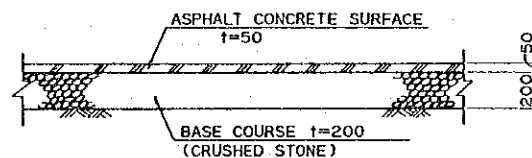
NOTES:  
1. ALL STEEL MATERIALS OF GRATING COVER SHALL BE GALVANIZED.



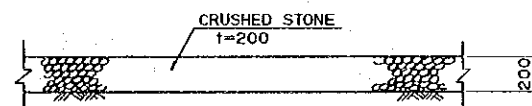
SECTION OF RC PIPE  
SCALE 'B'



DETAILS OF PIPE JOINT  
SCALE 'C'

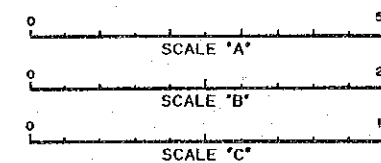


ASPHALT PAVEMENT



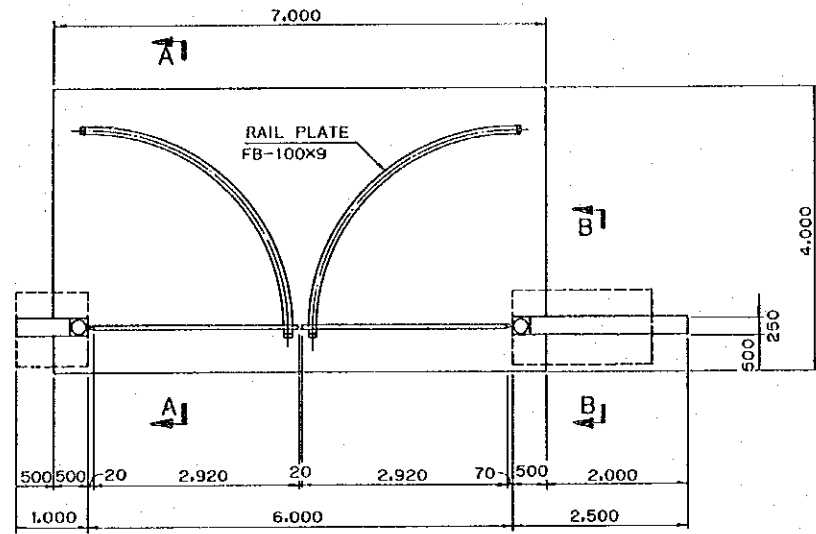
GRAVEL PAVEMENT

DETAILS OF PAVEMENT  
SCALE 'B'

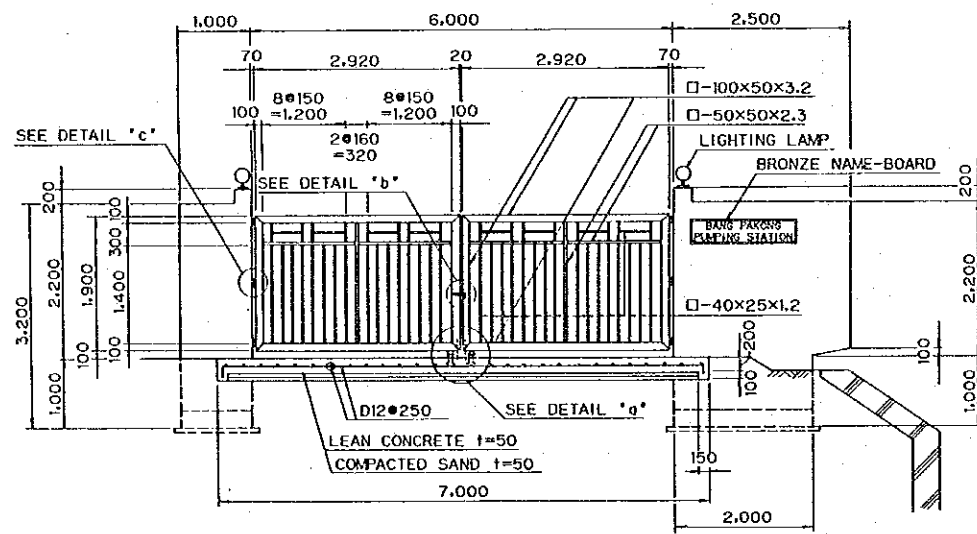


THE KINGDOM OF THAILAND ROYAL IRRIGATION DEPARTMENT	
THE BANG PAKONG DIVERSION DAM PROJECT	
PUMPING STATION DETAILS FOR STEPS, DITCH & PAVEMENT	
JAPAN INTERNATIONAL COOPERATION AGENCY (JICA) SANYU CONSULTANTS INC.	
DESIGNED	
TRACED	
CHECKED	
APPROVED	
DRAWING NO. PST - 1043	

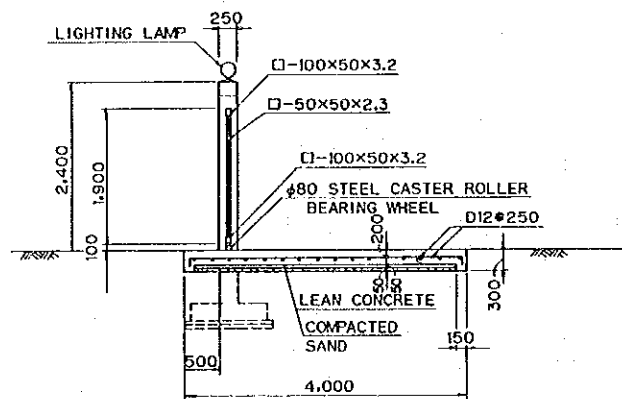




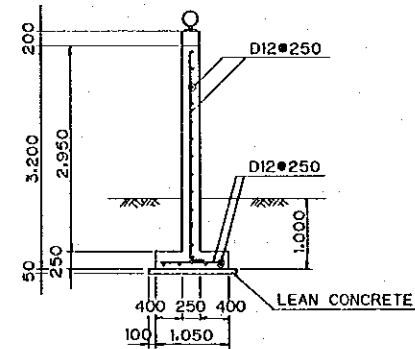
PLAN  
SCALE 'A'



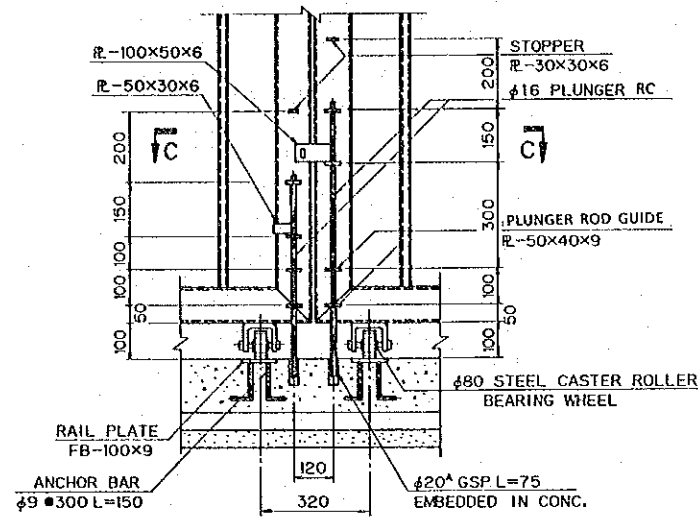
FRONT VIEW  
SCALE 'A'



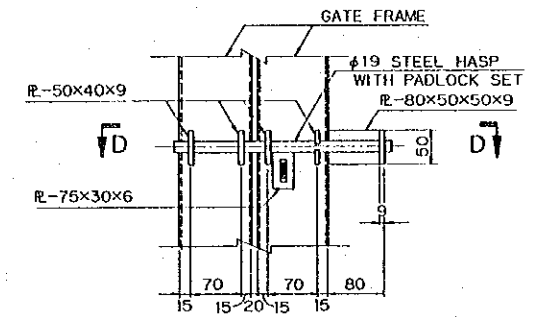
SECTION A-A  
SCALE 'A'



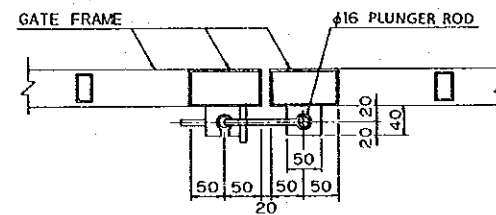
SECTION B-B  
SCALE 'A'



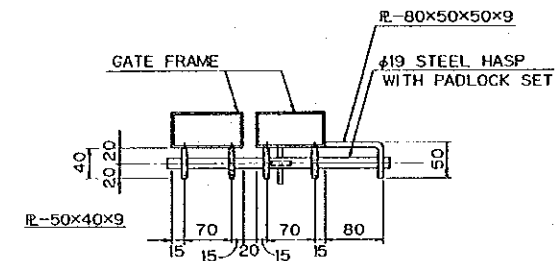
DETAIL 'a'  
SCALE 'B'



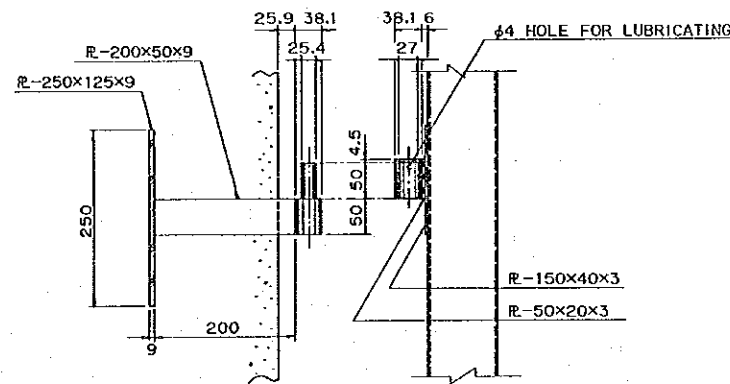
DETAIL 'b'  
SCALE 'C'



SECTION C-C  
SCALE 'C'



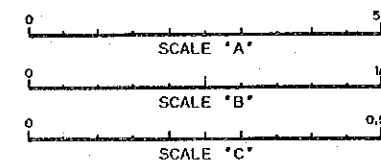
SECTION D-D  
SCALE 'C'



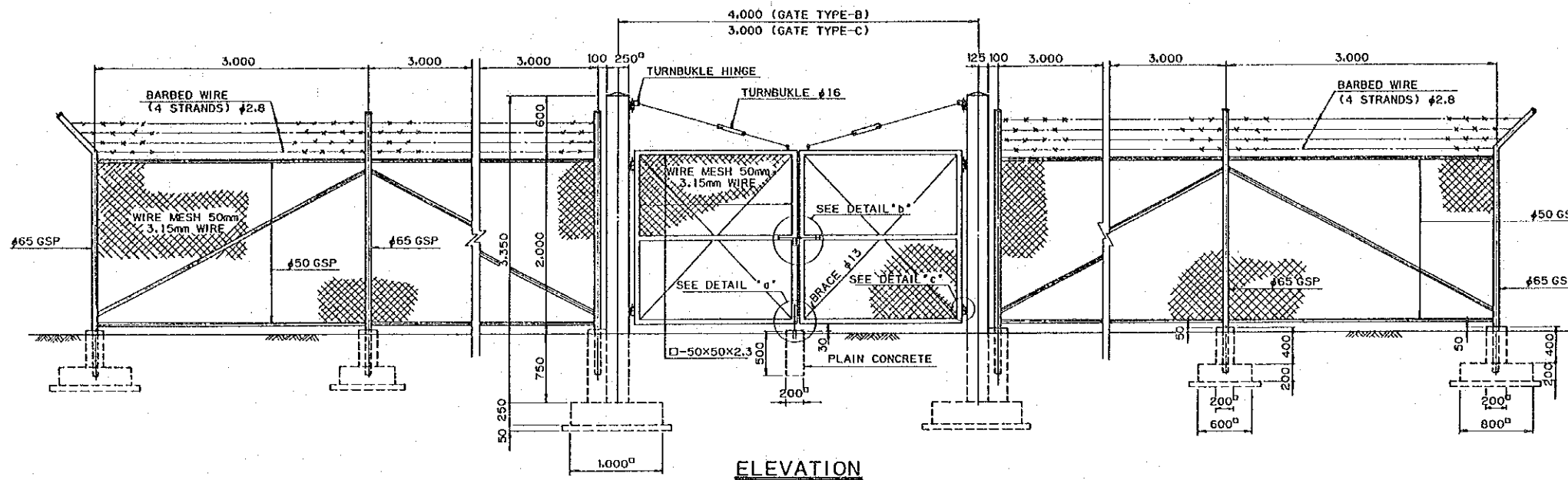
DETAIL 'c'  
SCALE 'C'

NOTES:

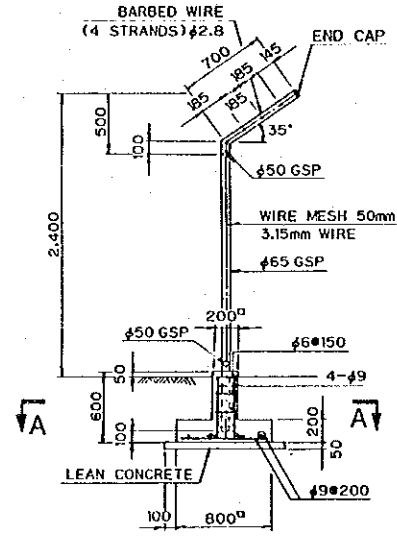
1. ALL STEEL MATERIALS OF GATE EXCEPT EMBEDDED PORTION SHALL BE PAINTED IN ACCORDANCE WITH THE SPECIFICATIONS.



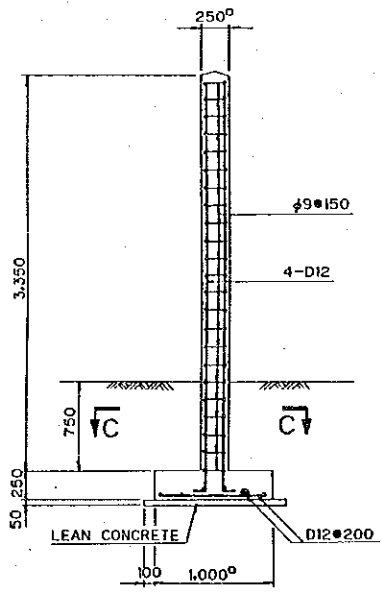
THE KINGDOM OF THAILAND ROYAL IRRIGATION DEPARTMENT	
THE BANG PAKONG DIVERSION DAM PROJECT	
PUMPING STATION	
DETAILS FOR GATE (TYPE-A)	
JAPAN INTERNATIONAL COOPERATION AGENCY (JICA) SANYU CONSULTANTS INC.	
DESIGNED	
TRACED	
CHECKED	
APPROVED	
DRAWING NO. PST - 1044	



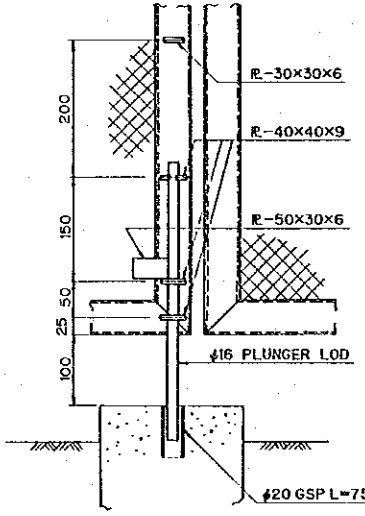
**ELEVATION**  
SCALE "A"



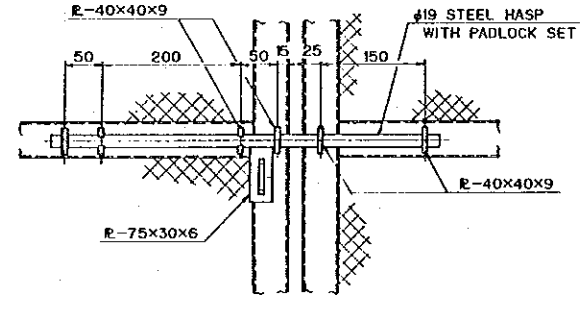
**CORNER POSTS**  
SCALE "A"



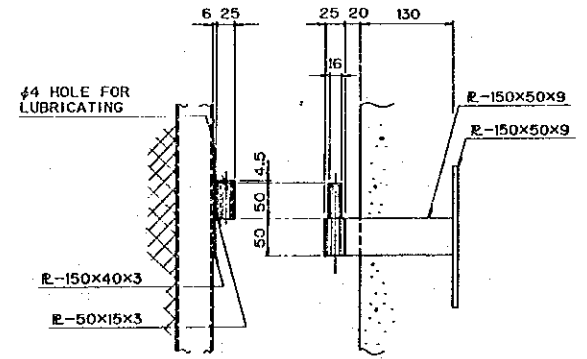
**GATE POSTS**  
SCALE "A"



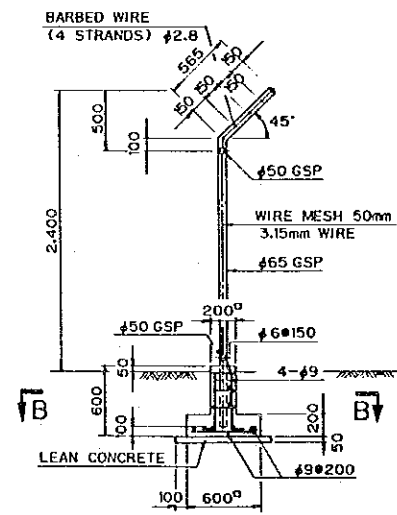
**DETAIL "a"**  
SCALE "B"



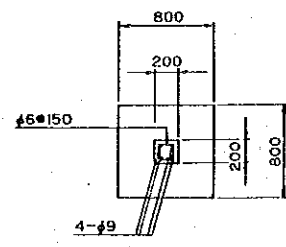
**DETAIL "b"**  
SCALE "B"



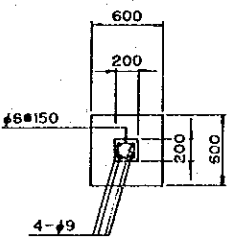
**DETAIL "c"**  
SCALE "B"



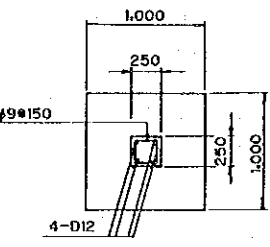
**INTERMEDIATE POSTS**  
SCALE "A"



**SECTION A-A**  
SCALE "A"



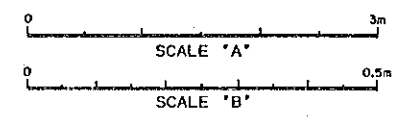
**SECTION B-B**  
SCALE "A"

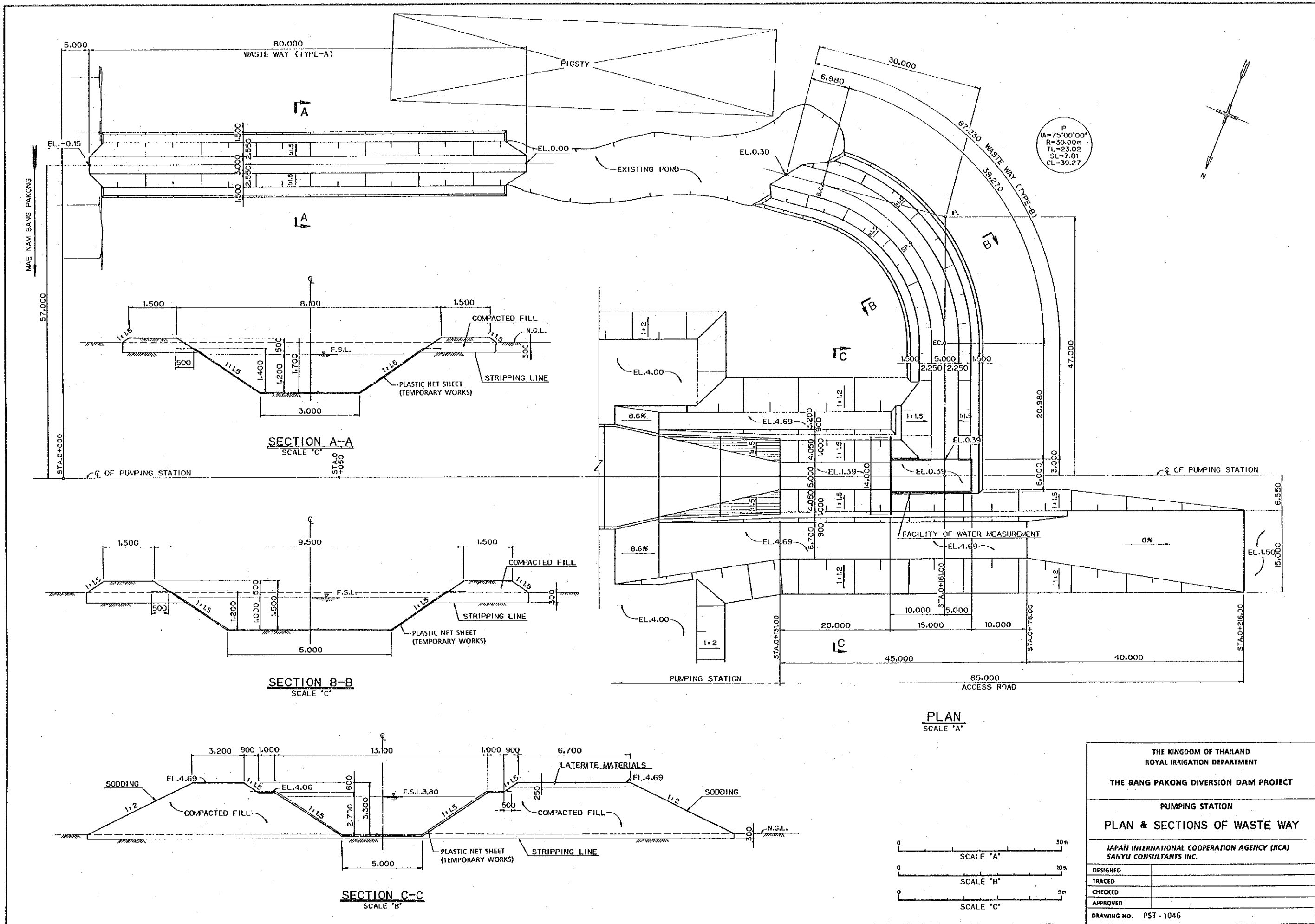


**SECTION C-C**  
SCALE "A"

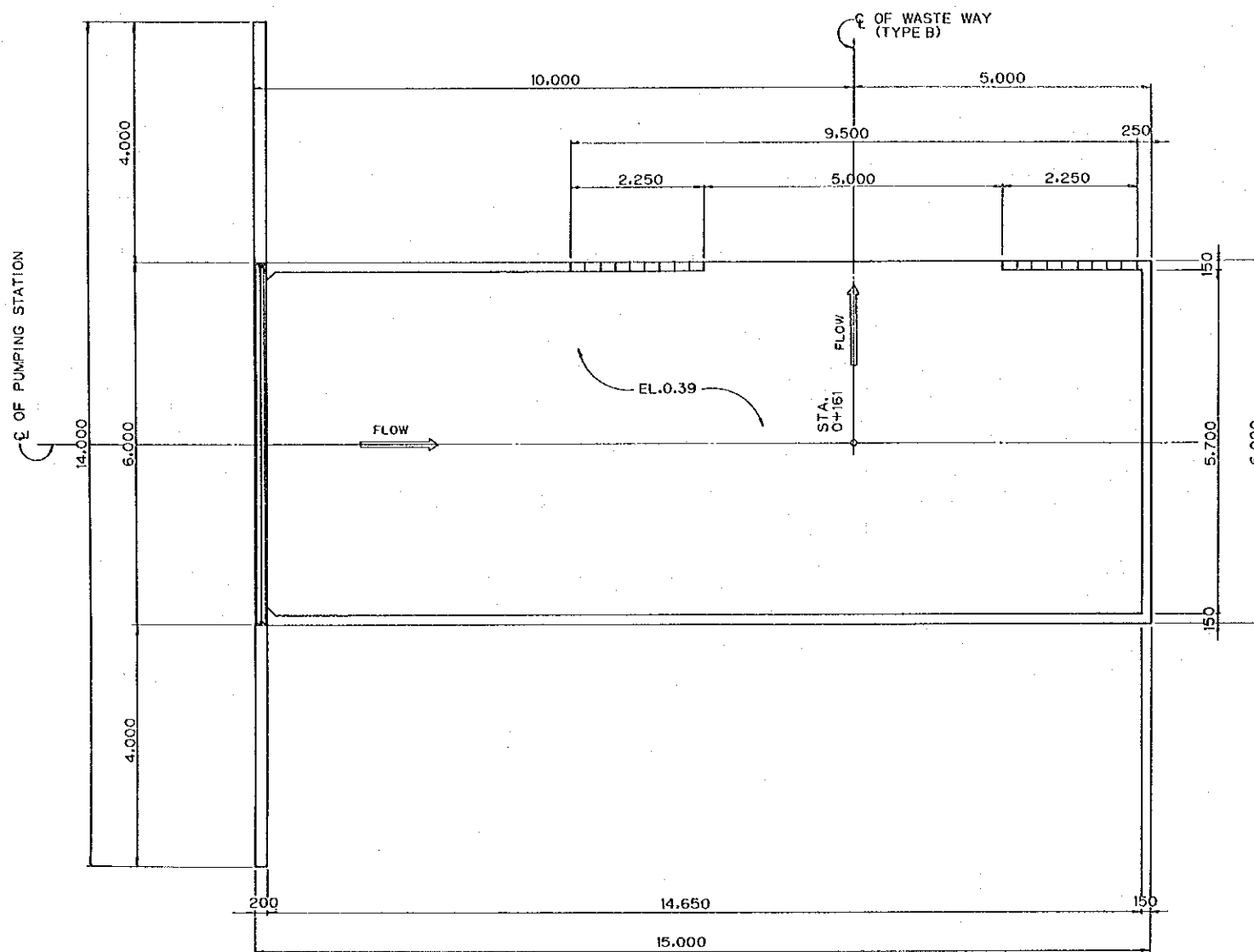
**NOTES:**  
1. ALL STEEL MATERIALS OF GATE EXCEPT EMBEDDED PORTION SHALL BE PAINTED IN ACCORDANCE WITH THE SPECIFICATIONS.

THE KINGDOM OF THAILAND ROYAL IRRIGATION DEPARTMENT	
THE BANG PAKONG DIVERSION DAM PROJECT	
PUMPING STATION DETAILS FOR GATE (TYPE-B,C) & FENCE	
JAPAN INTERNATIONAL COOPERATION AGENCY (JICA) SANYU CONSULTANTS INC.	
DESIGNED	
TRACED	
CHECKED	
APPROVED	
DRAWING NO. PST - 1045	

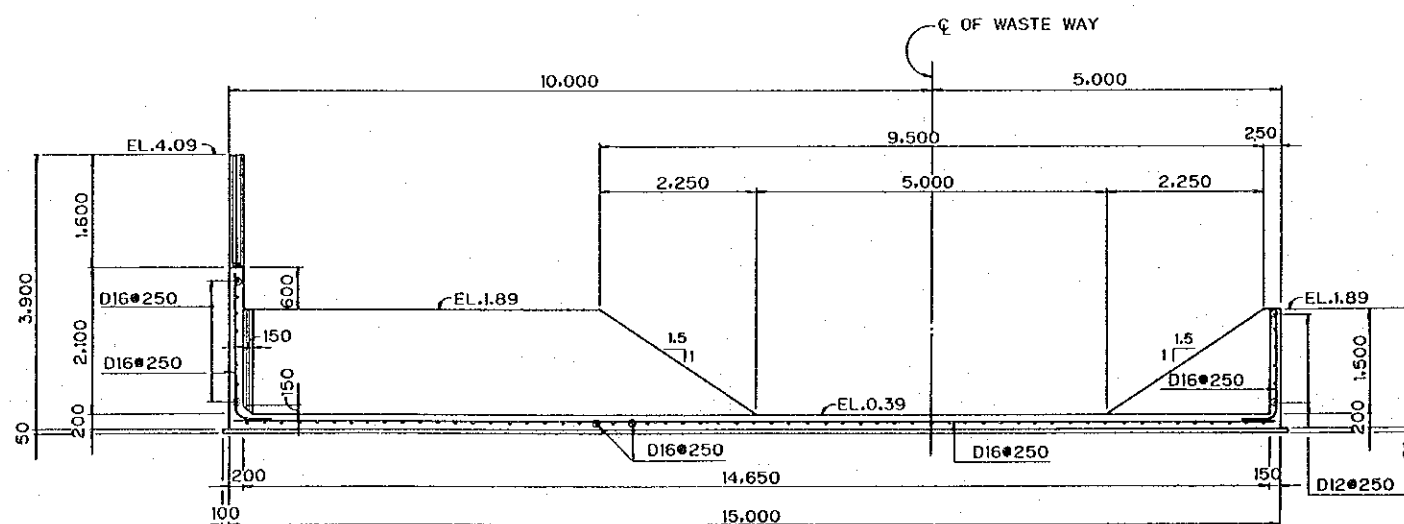




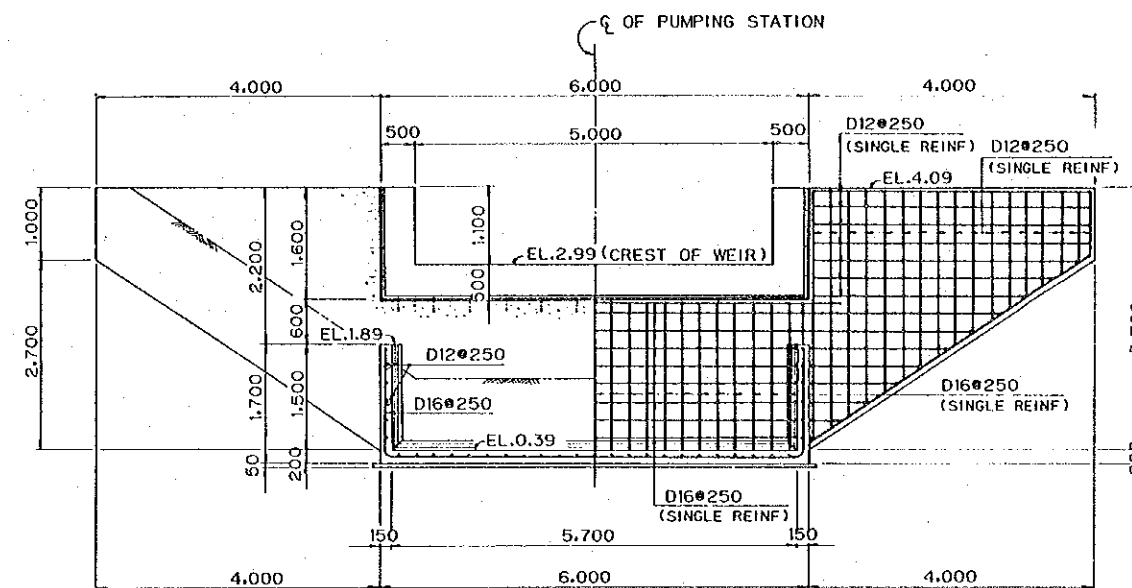
THE KINGDOM OF THAILAND ROYAL IRRIGATION DEPARTMENT	
THE BANG PAKONG DIVERSION DAM PROJECT	
PUMPING STATION	
PLAN & SECTIONS OF WASTE WAY	
JAPAN INTERNATIONAL COOPERATION AGENCY (JICA) SANYU CONSULTANTS INC.	
DESIGNED	
TRACED	
CHECKED	
APPROVED	
DRAWING NO. PST - 1046	



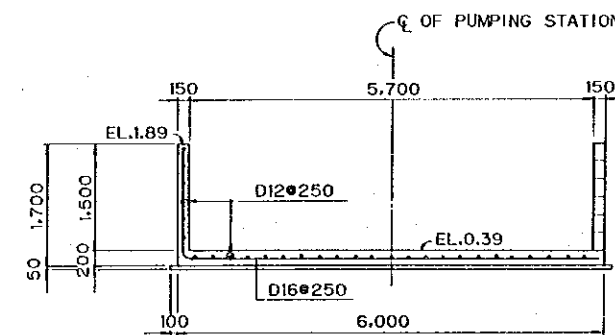
PLAN  
SCALE 'A'



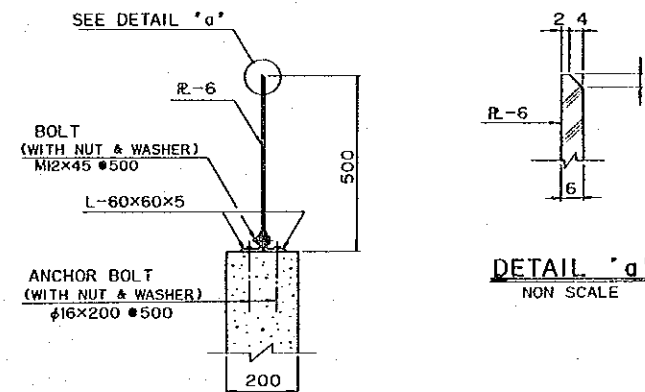
SECTION A-A  
SCALE 'A'



SECTION B-B  
SCALE 'A'

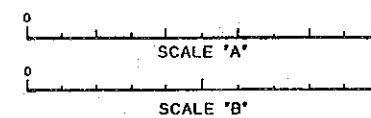


SECTION C-C  
SCALE 'A'

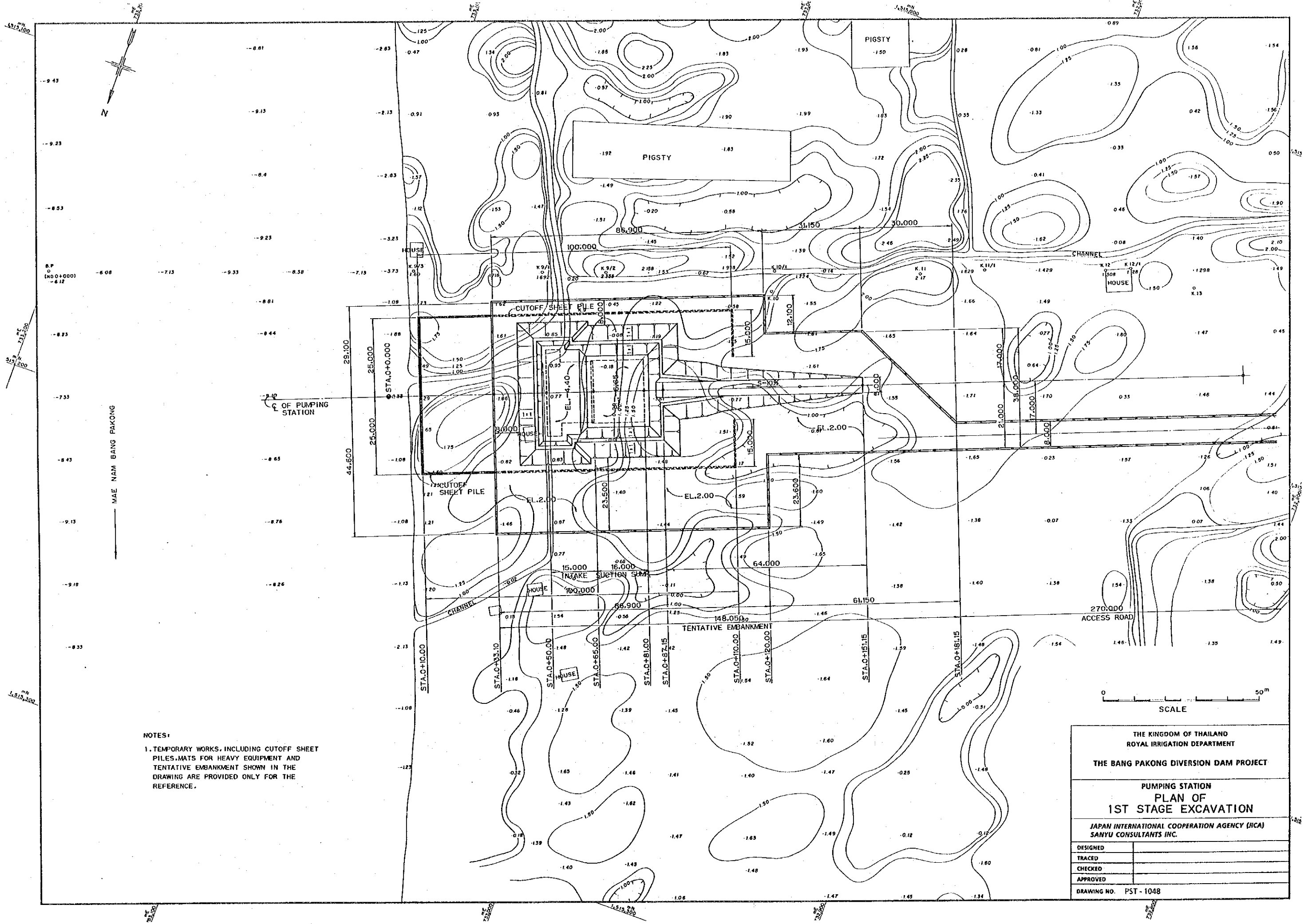


DETAIL OF WEIR  
SCALE 'B'

NOTE: AFTER THE TEST ON COMPLETION,  
THE FACILITIES SHOWN ON THIS  
DRAWING SHALL BE DEMOLISHED  
AND REMOVED BY THE CONTRACTOR.

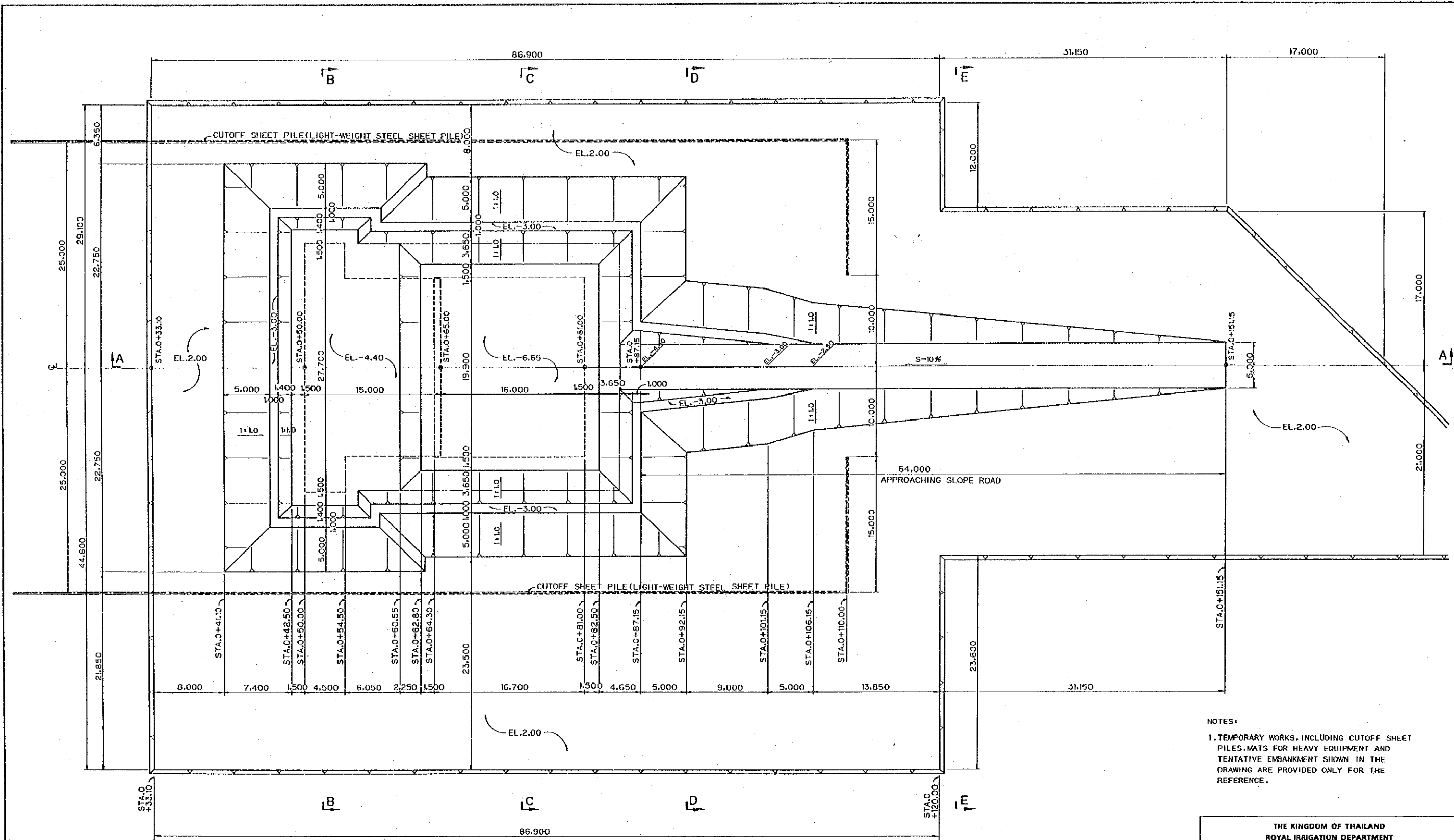


THE KINGDOM OF THAILAND ROYAL IRRIGATION DEPARTMENT	
THE BANG PAKONG DIVERSION DAM PROJECT	
PUMPING STATION DETAILS FOR WATER MEASUREMENT FACILITY	
JAPAN INTERNATIONAL COOPERATION AGENCY (JICA) SANYU CONSULTANTS INC.	
DESIGNED	
TRACED	
CHECKED	
APPROVED	
DRAWING NO. PST - 1047	



NOTES:  
 1. TEMPORARY WORKS, INCLUDING CUTOFF SHEET PILES, MATS FOR HEAVY EQUIPMENT AND TENTATIVE EMBANKMENT SHOWN IN THE DRAWING ARE PROVIDED ONLY FOR THE REFERENCE.

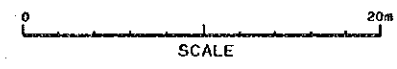
THE KINGDOM OF THAILAND ROYAL IRRIGATION DEPARTMENT	
THE BANG PAKONG DIVERSION DAM PROJECT	
PUMPING STATION PLAN OF 1ST STAGE EXCAVATION	
JAPAN INTERNATIONAL COOPERATION AGENCY (JICA) SANYU CONSULTANTS INC.	
DESIGNED	
TRACED	
CHECKED	
APPROVED	
DRAWING NO. PST - 1048	

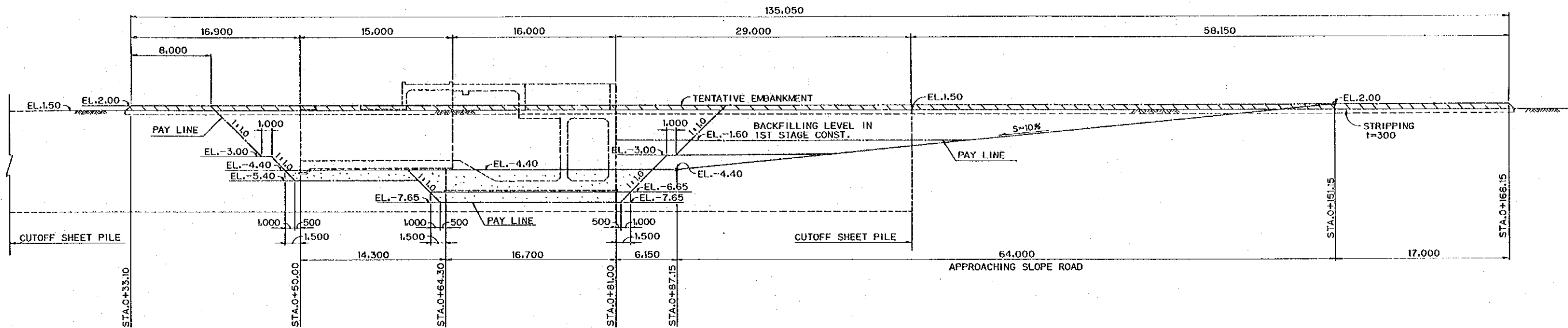


**PLAN**

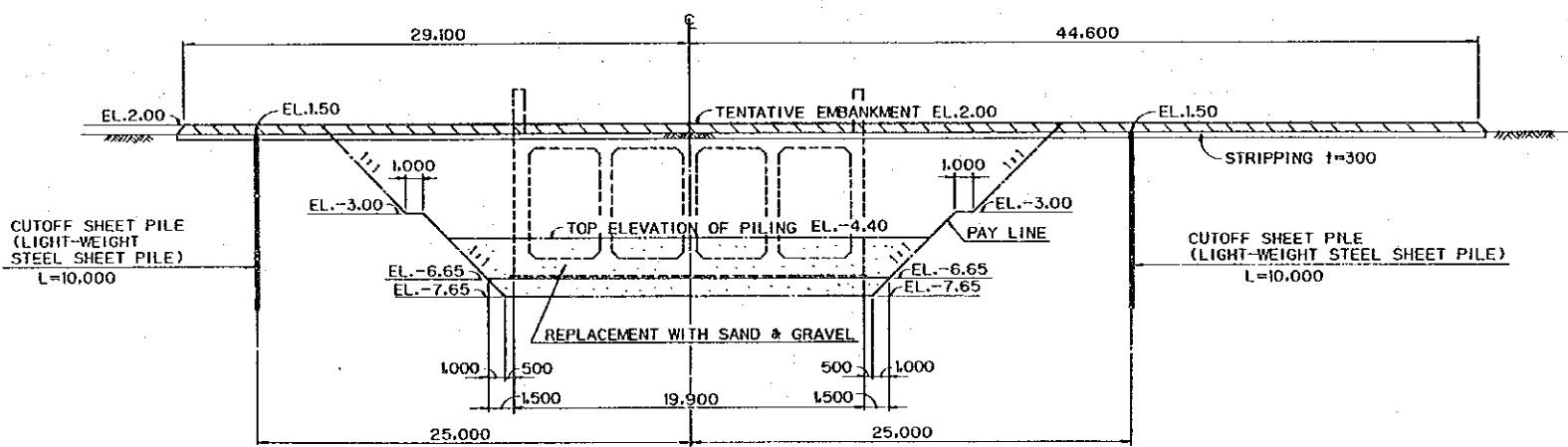
NOTES:  
 1. TEMPORARY WORKS, INCLUDING CUTOFF SHEET PILES, MATS FOR HEAVY EQUIPMENT AND TENTATIVE EMBANKMENT SHOWN IN THE DRAWING ARE PROVIDED ONLY FOR THE REFERENCE.

THE KINGDOM OF THAILAND ROYAL IRRIGATION DEPARTMENT	
THE BANG PAKONG DIVERSION DAM PROJECT	
PUMPING STATION DETAIL PLAN OF 1ST STAGE EXCAVATION (1/2)	
JAPAN INTERNATIONAL COOPERATION AGENCY (JICA) SANYU CONSULTANTS INC.	
DESIGNED	
TRACED	
CHECKED	
APPROVED	
DRAWING NO. PST - 1049	

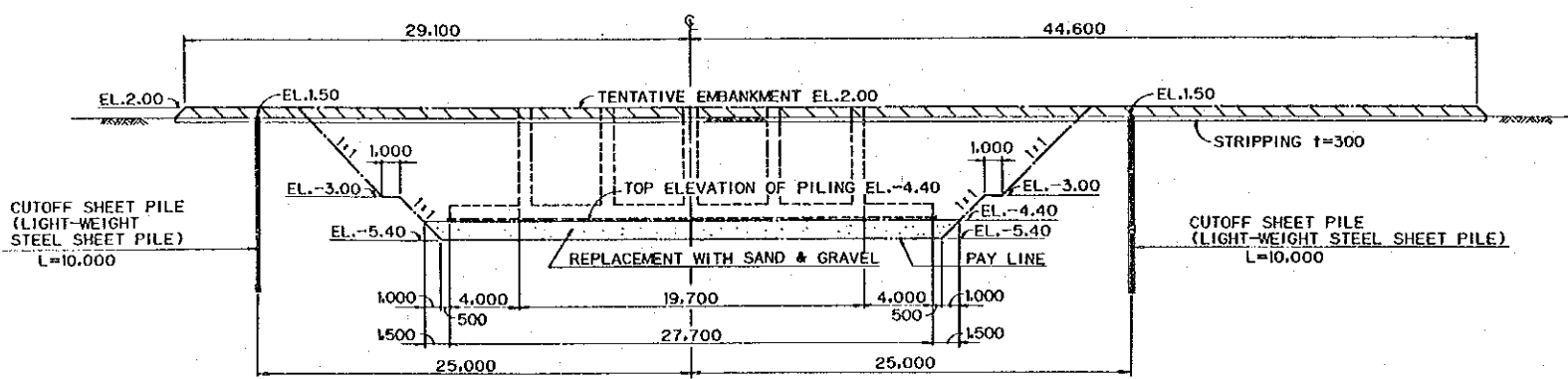




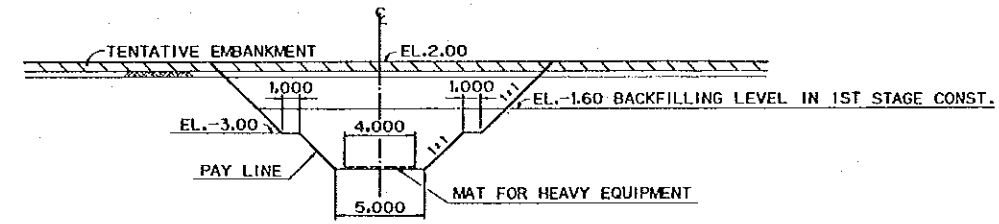
**SECTION A-A**  
SCALE 'A'



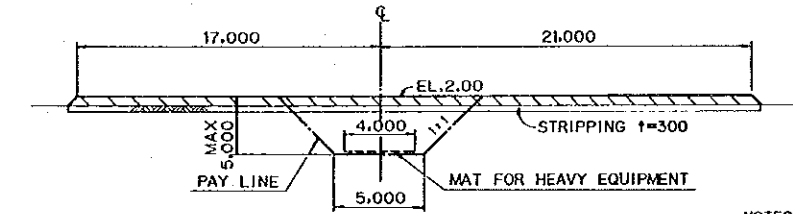
**SECTION B-B**  
SCALE 'A'



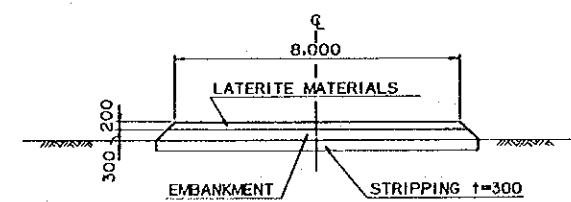
**SECTION C-C**  
SCALE 'A'



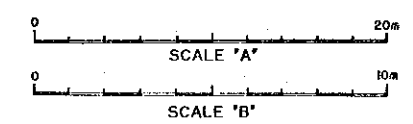
**SECTION D-D**  
SCALE 'A'



**SECTION E-E**  
SCALE 'A'



**ACCESS ROAD CROSS-SECTION**  
SCALE 'B'



**NOTES:**  
1. TEMPORARY WORKS, INCLUDING CUTOFF SHEET PILES, MATS FOR HEAVY EQUIPMENT AND TENTATIVE EMBANKMENT SHOWN IN THE DRAWING ARE PROVIDED ONLY FOR THE REFERENCE.

THE KINGDOM OF THAILAND  
ROYAL IRRIGATION DEPARTMENT

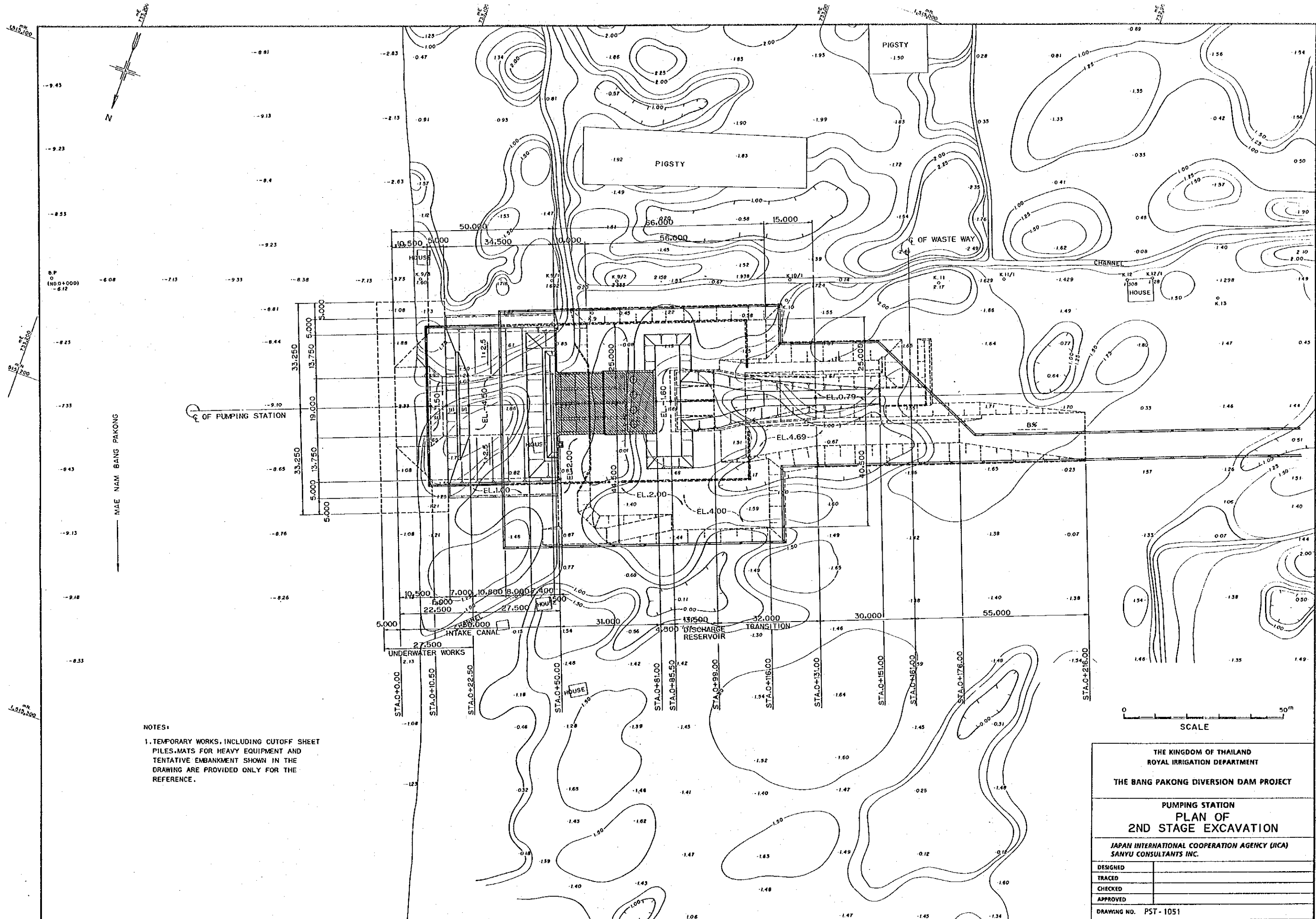
**THE BANG PAKONG DIVERSION DAM PROJECT**

PUMPING STATION  
**DETAIL PLAN OF  
1ST STAGE EXCAVATION (2/2)**

JAPAN INTERNATIONAL COOPERATION AGENCY (JICA)  
SANYU CONSULTANTS INC.

DESIGNED	
TRACED	
CHECKED	
APPROVED	

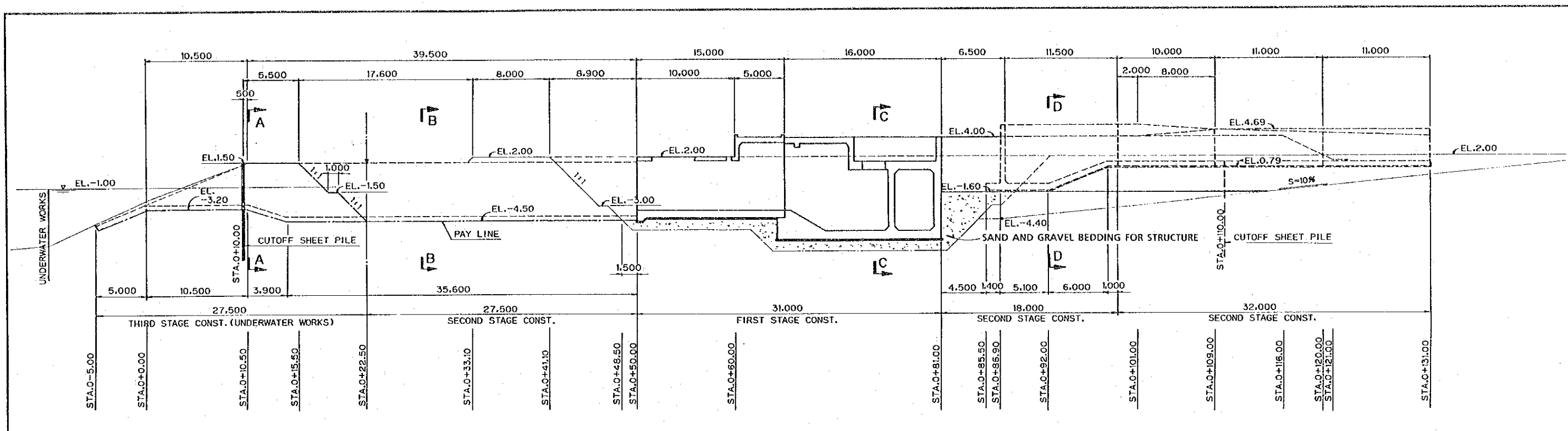
DRAWING NO. PST - 1050



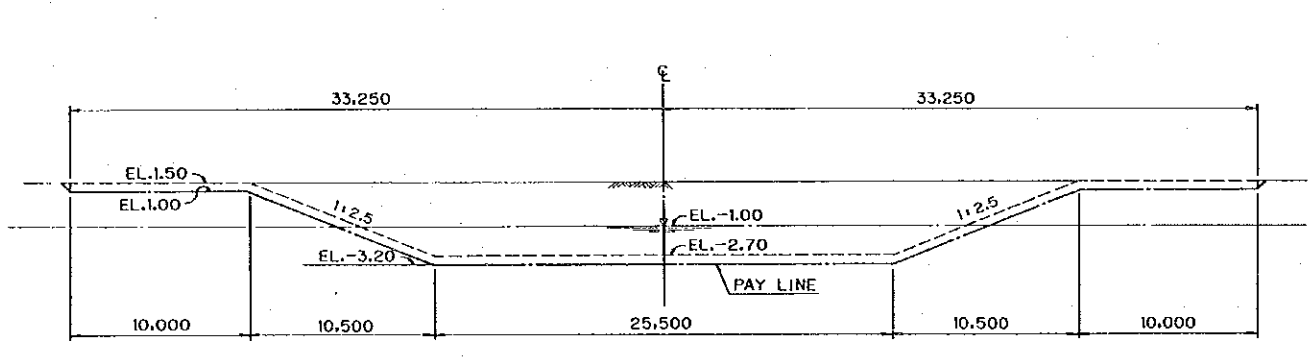
NOTES:  
 1. TEMPORARY WORKS, INCLUDING CUTOFF SHEET PILES, MATS FOR HEAVY EQUIPMENT AND TENTATIVE EMBANKMENT SHOWN IN THE DRAWING ARE PROVIDED ONLY FOR THE REFERENCE.

THE KINGDOM OF THAILAND ROYAL IRRIGATION DEPARTMENT	
THE BANG PAKONG DIVERSION DAM PROJECT	
PUMPING STATION PLAN OF 2ND STAGE EXCAVATION	
JAPAN INTERNATIONAL COOPERATION AGENCY (JICA) SANYU CONSULTANTS INC.	
DESIGNED	
TRACED	
CHECKED	
APPROVED	
DRAWING NO. PST - 1051	

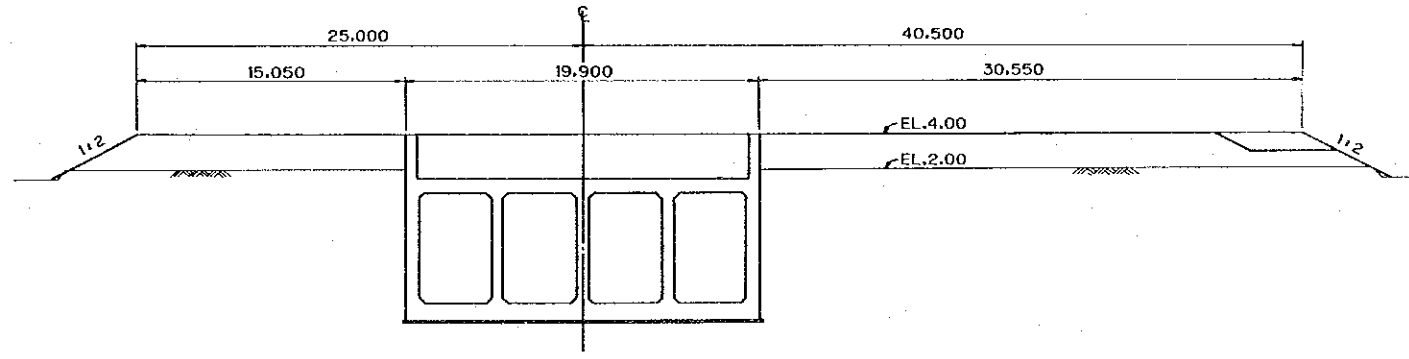




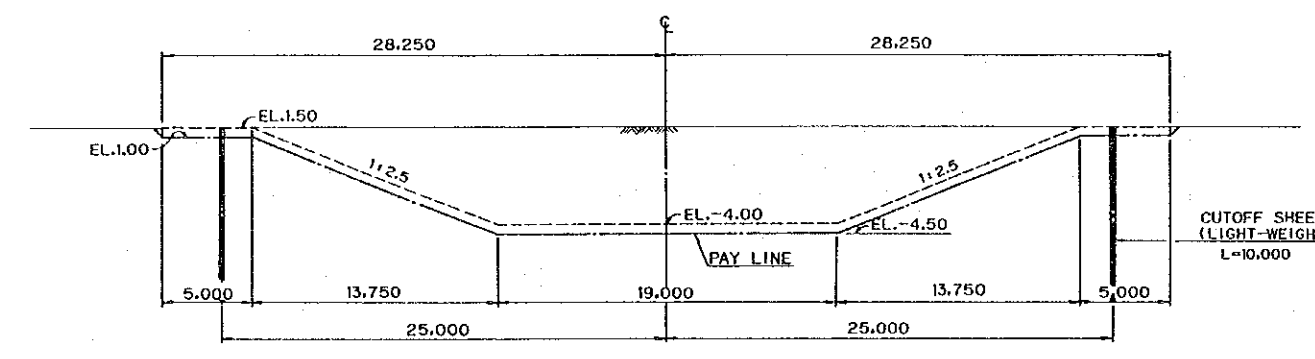
**LONGITUDINAL SECTION**



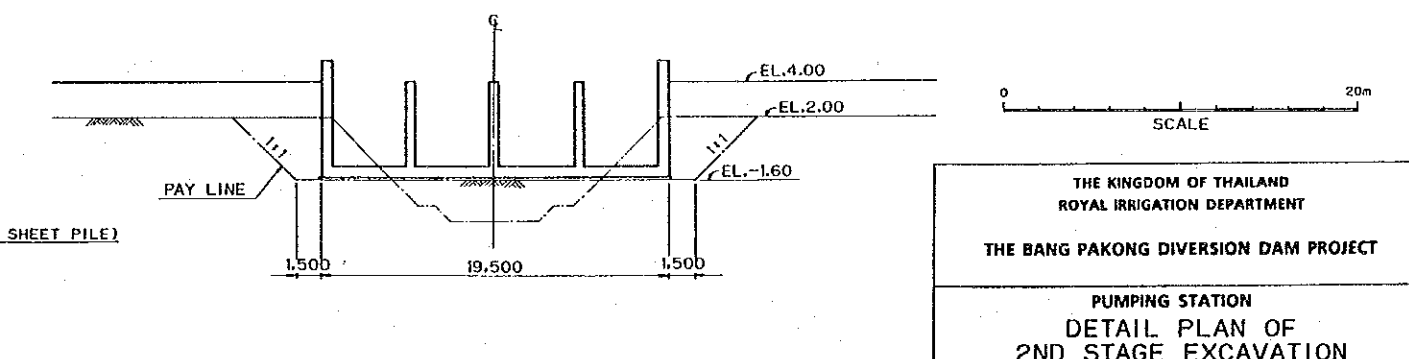
**SECTION A-A**



**SECTION C-C**



**SECTION B-B**



**SECTION D-D**

NOTES:  
 1. TEMPORARY WORKS, INCLUDING CUTOFF SHEET PILES-MATS FOR HEAVY EQUIPMENT AND TENTATIVE EMBANKMENT SHOWN IN THE DRAWING ARE PROVIDED ONLY FOR THE REFERENCE.



THE KINGDOM OF THAILAND  
 ROYAL IRRIGATION DEPARTMENT

**THE BANG PAKONG DIVERSION DAM PROJECT**

PUMPING STATION  
 DETAIL PLAN OF  
 2ND STAGE EXCAVATION

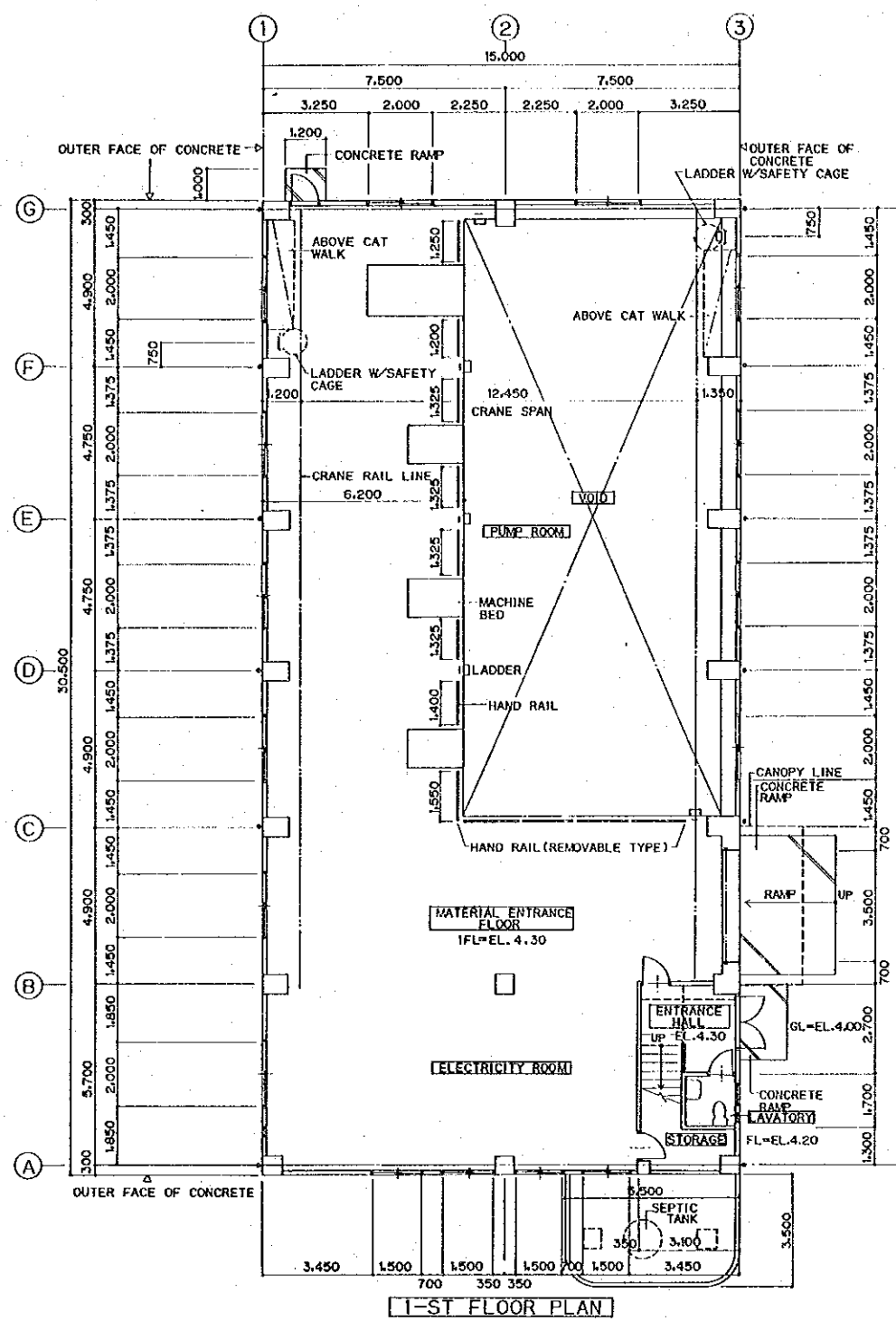
JAPAN INTERNATIONAL COOPERATION AGENCY (JICA)  
 SANYU CONSULTANTS INC.

DESIGNED	
TRACED	
CHECKED	
APPROVED	

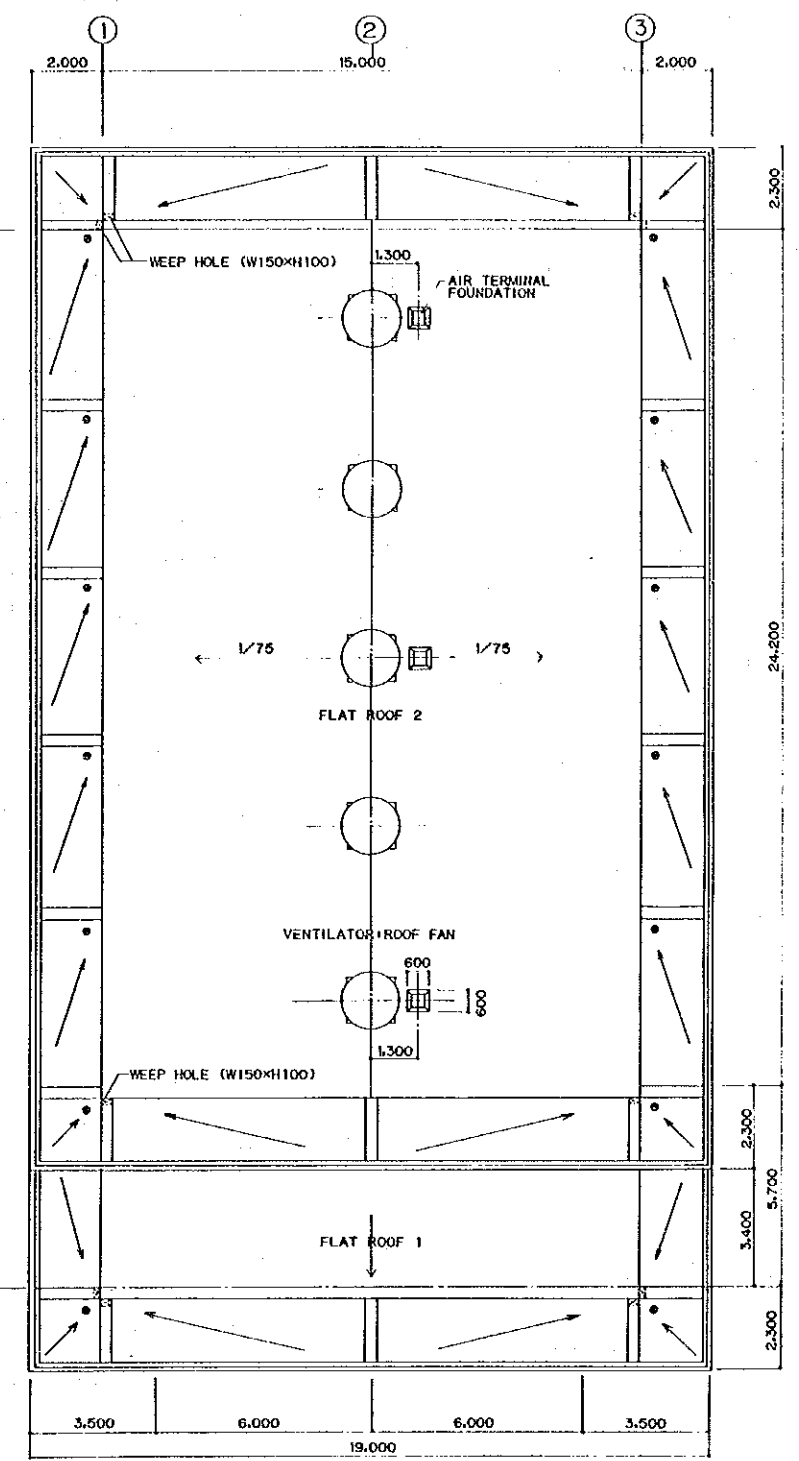
DRAWING NO. PST-1052

EXTERNAL FINISHING SCHEDULE PUMP HOUSE	
ROOF	ASPHALT WATER PROOFING(MEMBRANE TYPE) W/SILVER PAINT
WALL	MORTAR STEEL TROWEL 115 W/EMULSION PAINT FINISH
EXTERNAL SKIRTING	WASHED GRAVEL H=400
COPING	MORTAR STEEL TROWEL

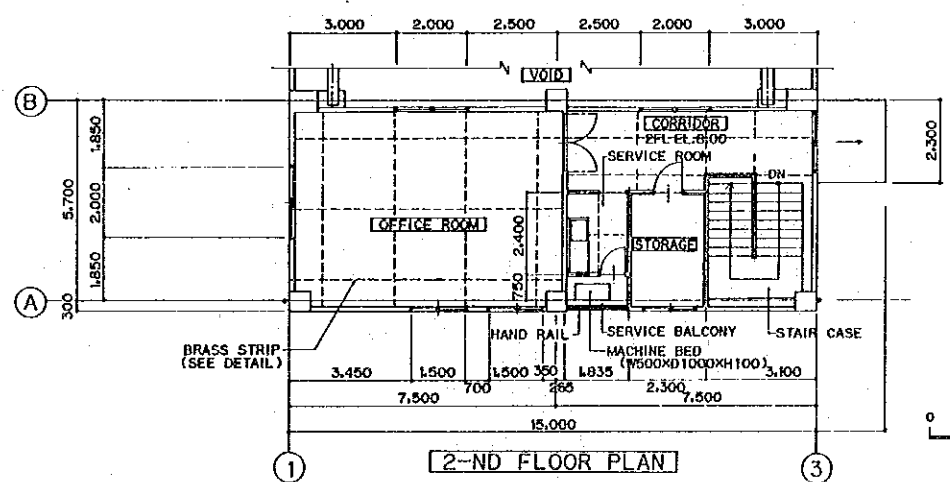
INTERNAL FINISHING SCHEDULE PUMP HOUSE				
ROOM	FLOOR	WALL	CEILING	REMARKS
ELECTRICITY ROOM MATERIAL ENTRANCE	STEEL TROWEL FINISHED ON CONCRETE TOPPING 1-300	MORTAR STEEL TROWEL 115 W/EMULSION PAINT FINISH	EXPOSED CONCRETE	HAND RAIL-STEEL PIPE W/PAIN FINISH(PARTLY REMOVABLE TYPE) CAT WALK-STEEL W/PAIN FINISH LADDER-STEEL W/PAIN FINISH
ENTRANCE HALL	INSITU TERRAZZO 115	MORTAR STEEL TROWEL 115 W/EMULSION PAINT FINISH	GYPSUM BOARD 19 W/LGS SUB FRAME	CEILING+GLASS FIBER ROLL W/AL 150 1.5LBS
LAVATORY	DITTO	DITTO	PAINT FINISH	
STAIR CASE	MORTAR STEEL TROWEL	DITTO	DITTO	NONSLIP TILE
CORRIDOR	INSITU TERRAZZO 115	DITTO	DITTO	CEILING+GLASS FIBER ROLL W/AL 150 1.5LBS
STORAGE	MORTAR STEEL TROWEL	DITTO	EXPOSED CONCRETE	
SERVICE ROOM	INSITU TERRAZZO 115	DITTO	GYPSUM BOARD 19 W/LGS SUB FRAME	CEILING+GLASS FIBER ROLL W/AL 150 1.5LBS
OFFICE ROOM	DITTO	DITTO	DITTO	DITTO
SERVICE BALCONY	MORTAR STEEL TROWEL		EXPOSED CONCRETE	HAND RAIL-STEEL PIPE W/EMULSION PAINT FINISH



1-1ST FLOOR PLAN



ROOF PLAN



2-2ND FLOOR PLAN



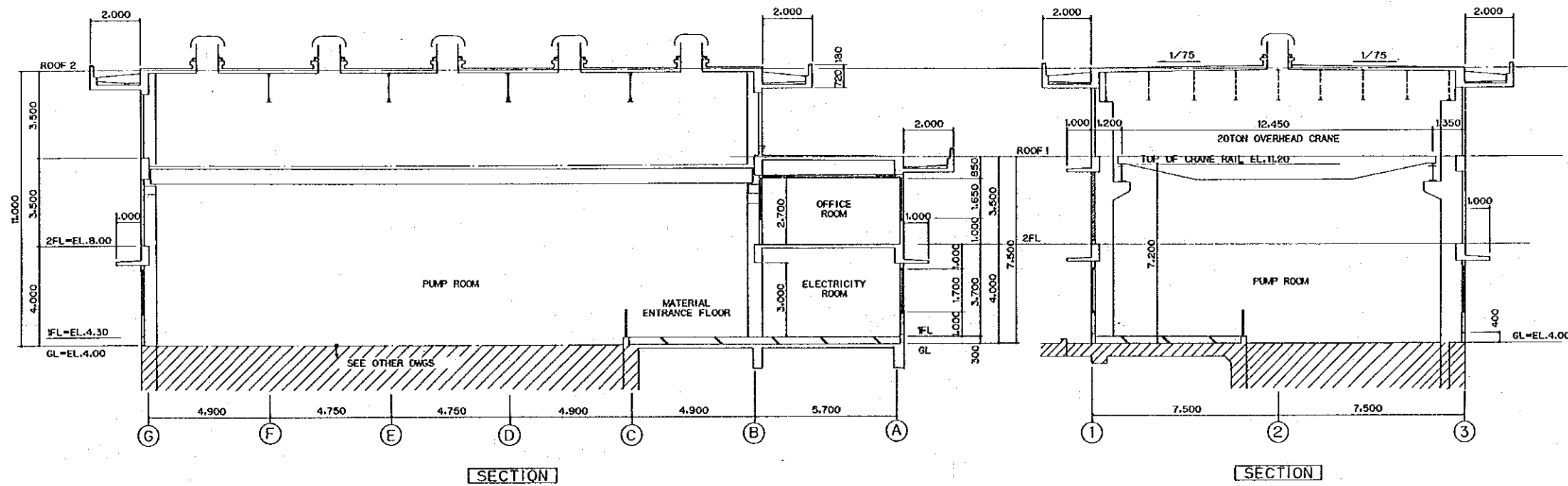
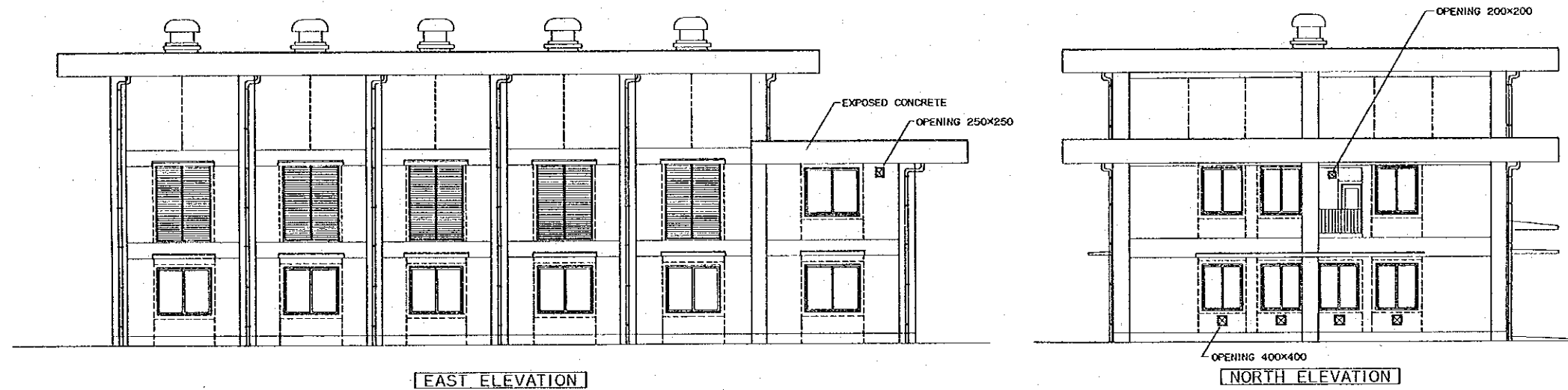
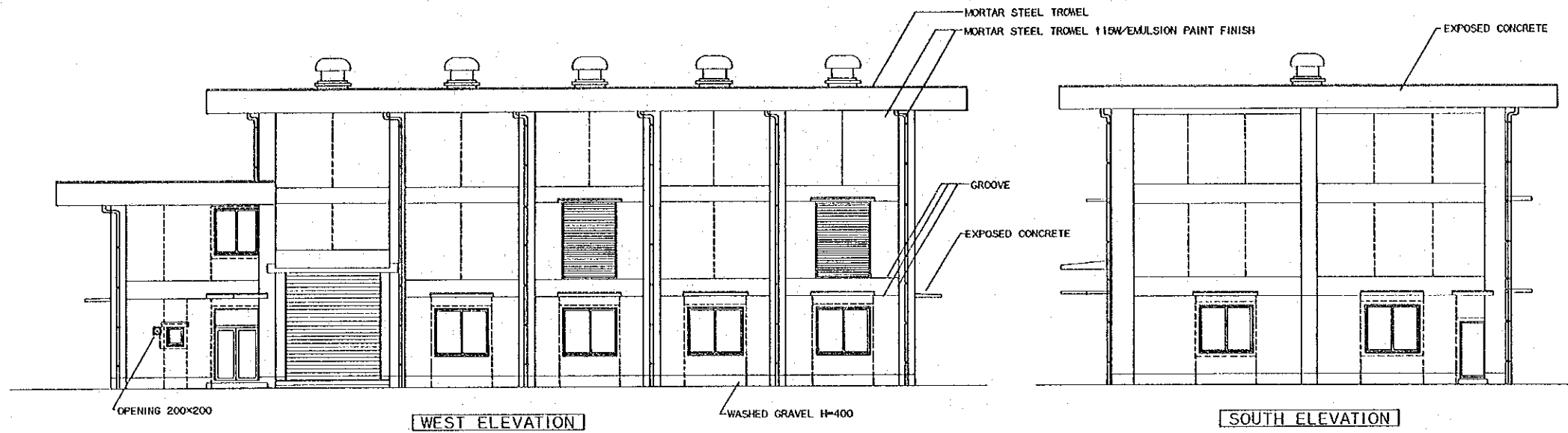
THE KINGDOM OF THAILAND  
ROYAL IRRIGATION DEPARTMENT

THE BANG PAKONG DIVERSION DAM PROJECT

PUMPING STATION  
PUMP HOUSE  
FLOOR PLAN & FINISHING SCHEDULE

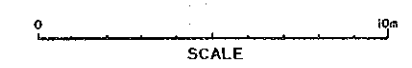
JAPAN INTERNATIONAL COOPERATION AGENCY (JICA)  
SANYU CONSULTANTS INC.

DESIGNED	
TRACED	
CHECKED	
APPROVED	
DRAWING NO.	PST-1053

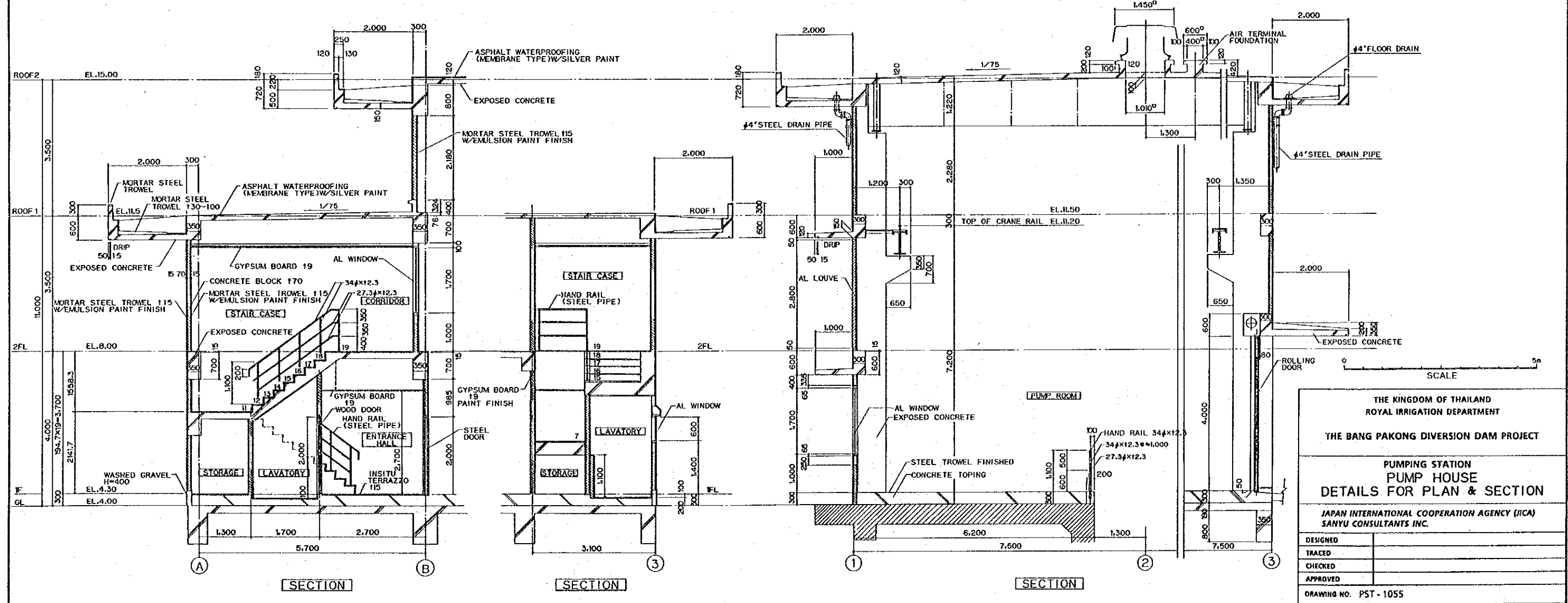
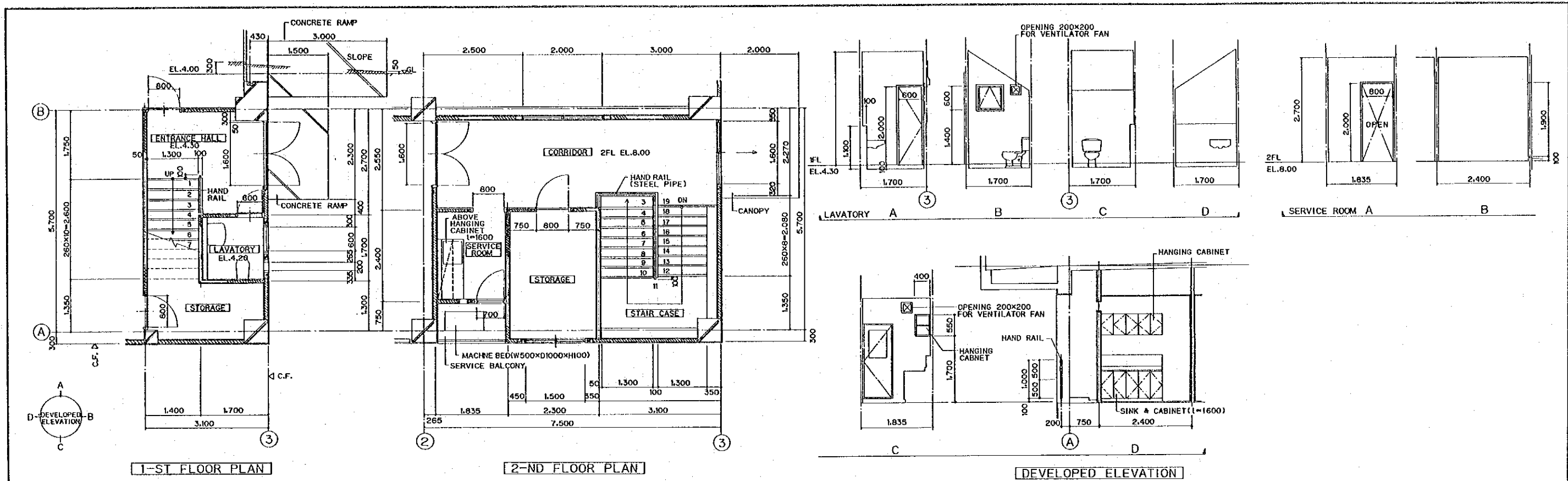


NOTES

----- LINTEL/STRUT



THE KINGDOM OF THAILAND ROYAL IRRIGATION DEPARTMENT	
THE BANG PAKONG DIVERSION DAM PROJECT	
PUMPING STATION PUMP HOUSE ELEVATION & SECTIONS	
JAPAN INTERNATIONAL COOPERATION AGENCY (JICA) SANYU CONSULTANTS INC.	
DESIGNED	
TRACED	
CHECKED	
APPROVED	
DRAWING NO. PST-1054	



THE KINGDOM OF THAILAND  
 ROYAL IRRIGATION DEPARTMENT

THE BANG PAKONG DIVERSION DAM PROJECT

PUMPING STATION  
 PUMP HOUSE  
 DETAILS FOR PLAN & SECTION

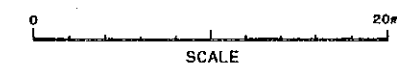
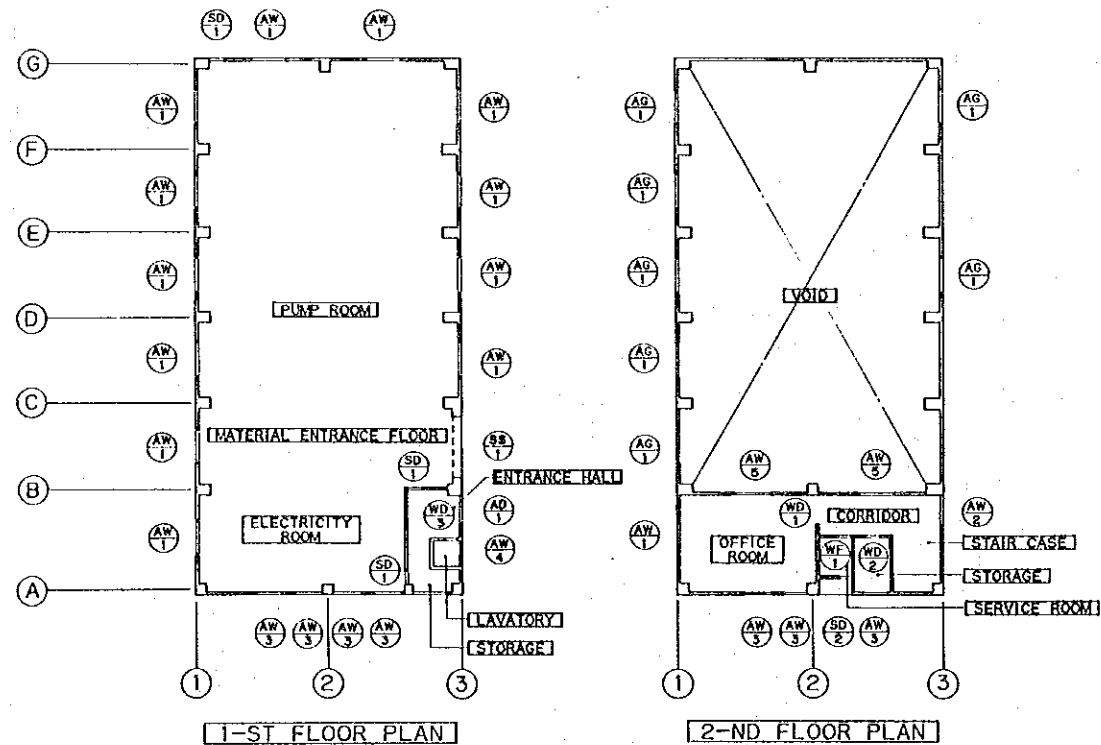
JAPAN INTERNATIONAL COOPERATION AGENCY (JICA)  
 SANYU CONSULTANTS INC.

DESIGNED	
TRACED	
CHECKED	
APPROVED	

DRAWING NO. PST - 1055

SYMBOL-TYPE	(SD 1)	(SD 2)	(SS 1)	(AD 1)		(AW 1)	(AW 2)	(AW 3)
PLACE	PUMP RM. STORAGE.	SERVICE RM.	MATERIAL ENTRANCE FLOOR	ENTRANCE HALL		PUMP RM. OFFICE RM.	STAIR CASE	ELECTRICITY RM. OFFICE RM. STORAGE
QUANTITY	3	1	1	1		1	1	7
FRAME	2"x4" STEEL FRAME	2"x4" STEEL FRAME	ROLLING DOOR SET	2"x4" AL FRAME 11.7		2"x4" AL FRAME 11.7	2"x4" AL FRAME 11.7	2"x4" AL FRAME 11.7
PANEL THICKNESS	STEEL	STEEL	STEEL SLAT	2"x2" AL FRAME 11.7		AL FRAME 11.7		
GLASS	—	CLEAR GLASS 15	—	CLEAR GLASS 16		CLEAR GLASS 15	CLEAR GLASS 15	CLEAR GLASS 15
HARDWARE	3x5" HINGE, KNOB, MORTISE LOCK	3x5" HINGE, KNOB, MORTISE LOCK	ROLLING DOOR W/ACCESSORY, MOTOR	6x4" HINGE KNOB MORTISE LOCK, FLUSH BOLT		SASH LOCK	SASH LOCK	SASH LOCK
FINISH	PAINT	PAINT	PAINT					
REMARKS	DOOR STOP	DOOR STOP		DOOR STOP				
SIZU								
SYMBOL-TYPE	(AW 4)	(AW 5)		(AG 1)	(WD 1)	(WD 2)	(WD 3)	(WF 1)
PLACE	LAVATORY	OFFICE RM. CORRIDOR		PUMP RM.	OFFICE RM.	STORAGE	LAVATORY	SERVICE RM.
QUANTITY	1	2		7	1	1	1	1
FRAME	2"x4" AL FRAME 11.7	2"x4" AL FRAME 11.7		2"x4" AL FRAME 11.7	2"x4" HARD WOOD	2"x4" HARD WOOD	2"x4" HARD WOOD	2"x4" HARD WOOD
PANEL THICKNESS					PLYWOOD WATER PROOF	PLYWOOD WATER PROOF	PLYWOOD WATER PROOF	
GLASS	SMOKED GLASS 15	CLEAR GLASS 15						
HARDWARE	LOCKING HANDLE	—		FIXED LOUVER/W/STAINLESS WIRE NET	6x4" HINGE, KNOB, MORTISE LOCK, FLUSH BOLT	3x4" HINGE, KNOB, MORTISE LOCK	3x4" HINGE, KNOB, INDICATOR LOCK	—
FINISH	—	—		—	PAINT	PAINT	PAINT	PAINT
REMARKS				DOOR STOP	DOOR STOP	DOOR STOP	DOOR STOP	
SIZU								

DOORS & WINDOWS KEY PLAN



THE KINGDOM OF THAILAND  
ROYAL IRRIGATION DEPARTMENT

**THE BANG PAKONG DIVERSION DAM PROJECT**

PUMPING STATION  
PUMP HOUSE  
LIST OF FITTINGS

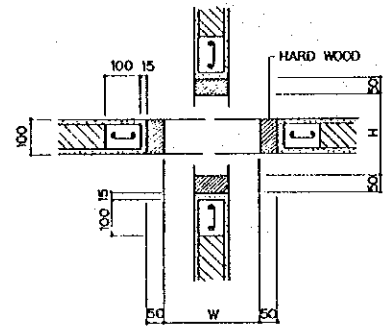
JAPAN INTERNATIONAL COOPERATION AGENCY (JICA)  
SANYU CONSULTANTS INC.

DESIGNED	
TRACED	
CHECKED	
APPROVED	

DRAWING NO. PST-1056



WOOD FRAME (FOR VENTILATOR) SCALE 'B'

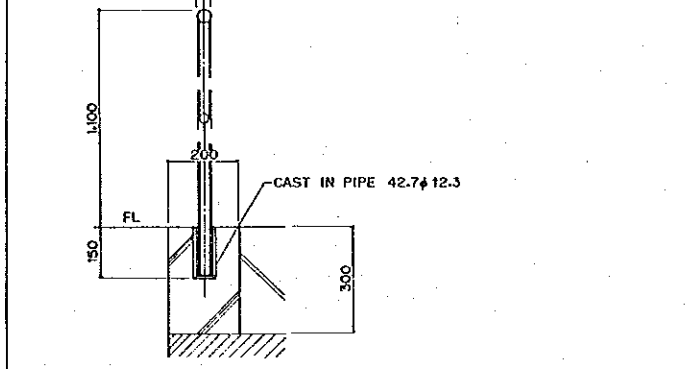
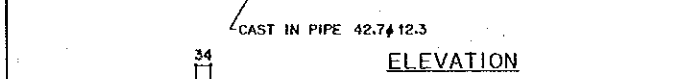
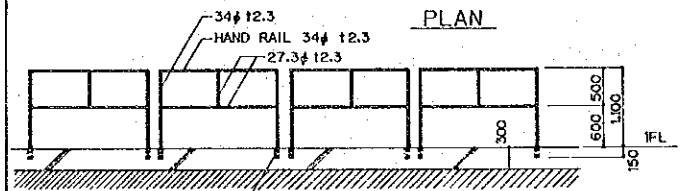
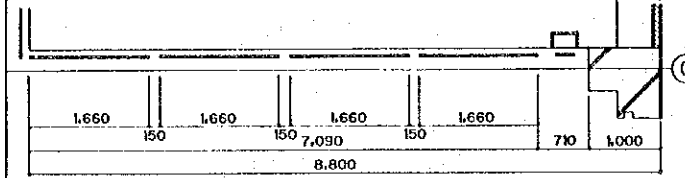


WOOD FRAME LIST

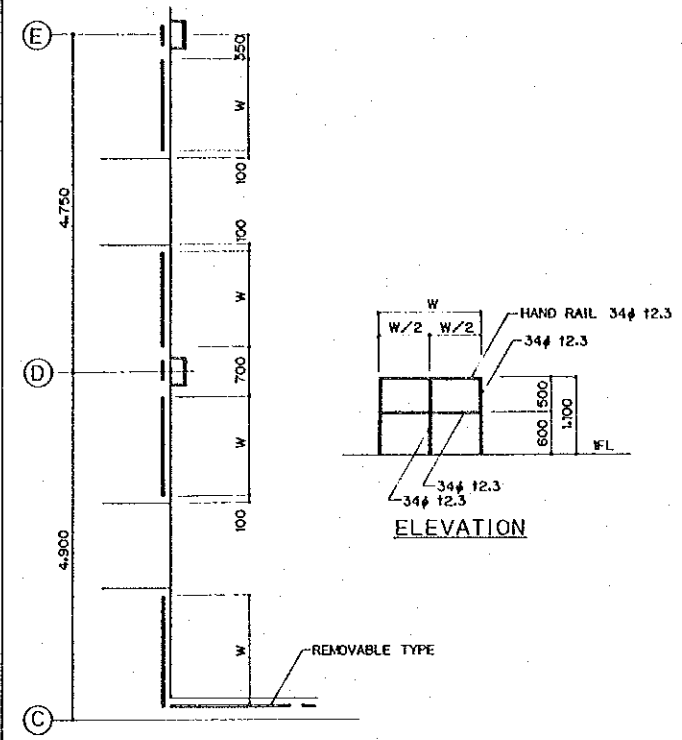
FRAME SIZE	QUANTITY	PLACE
W H 200x200	2	LAVATORY, SERVICE ROOM
250x250	1	OFFICE ROOM
400x400	4	ELECTRICITY ROOM

HAND RAIL (REMOVABLE TYPE) SCALE 'A'

NOTES:  
EMULSION PAINT FINISH ON STEEL PIPE.

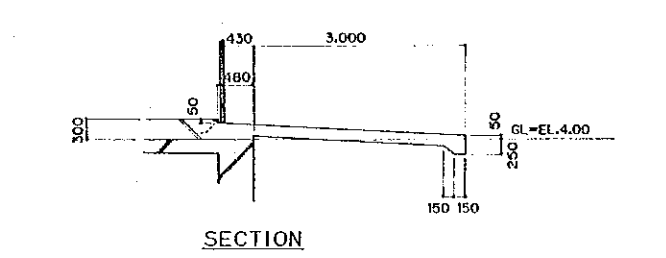
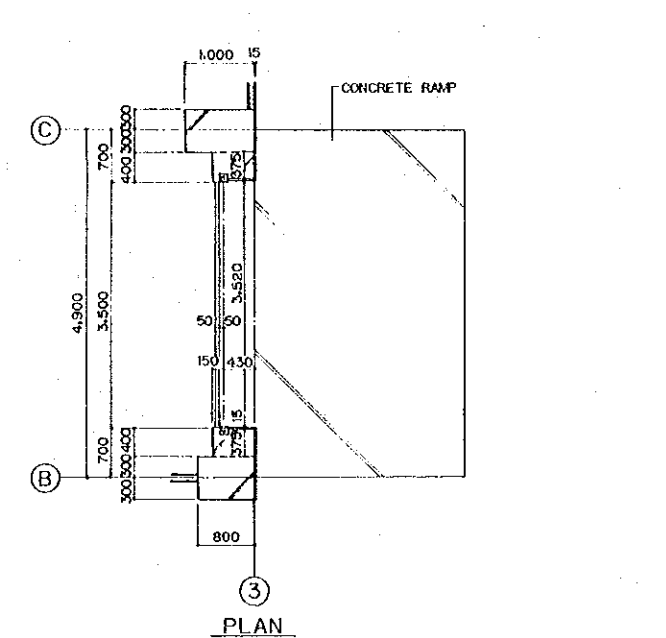


HAND RAIL (FIXED TYPE) SCALE 'A'

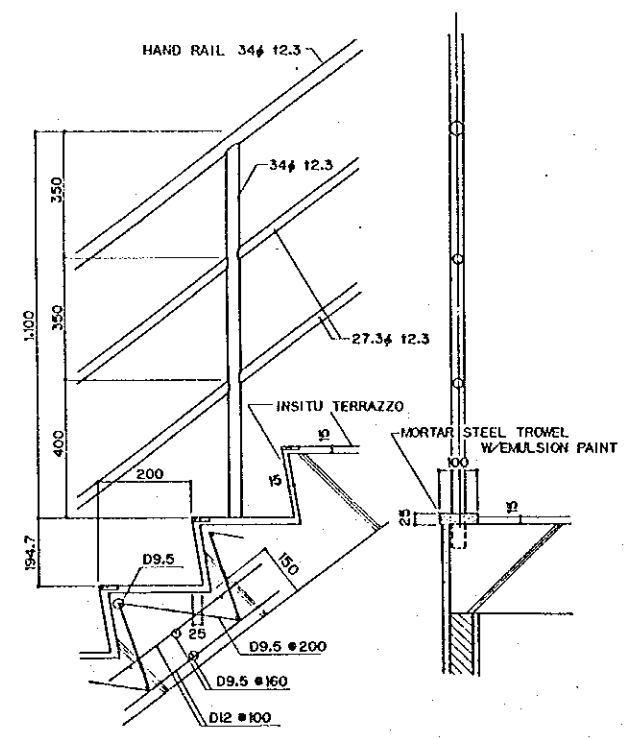


NOTES:  
DIMENSION OF "W" (GRID © TO © )  
AS SPECIFIED ON 1ST FLOOR PLAN.

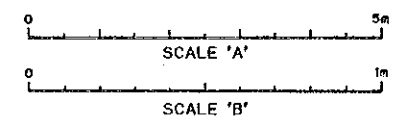
ROLLING DOOR SCALE 'B'



HAND RAIL (STAIR CASE) SCALE 'B'



SECTION



THE KINGDOM OF THAILAND  
ROYAL IRRIGATION DEPARTMENT

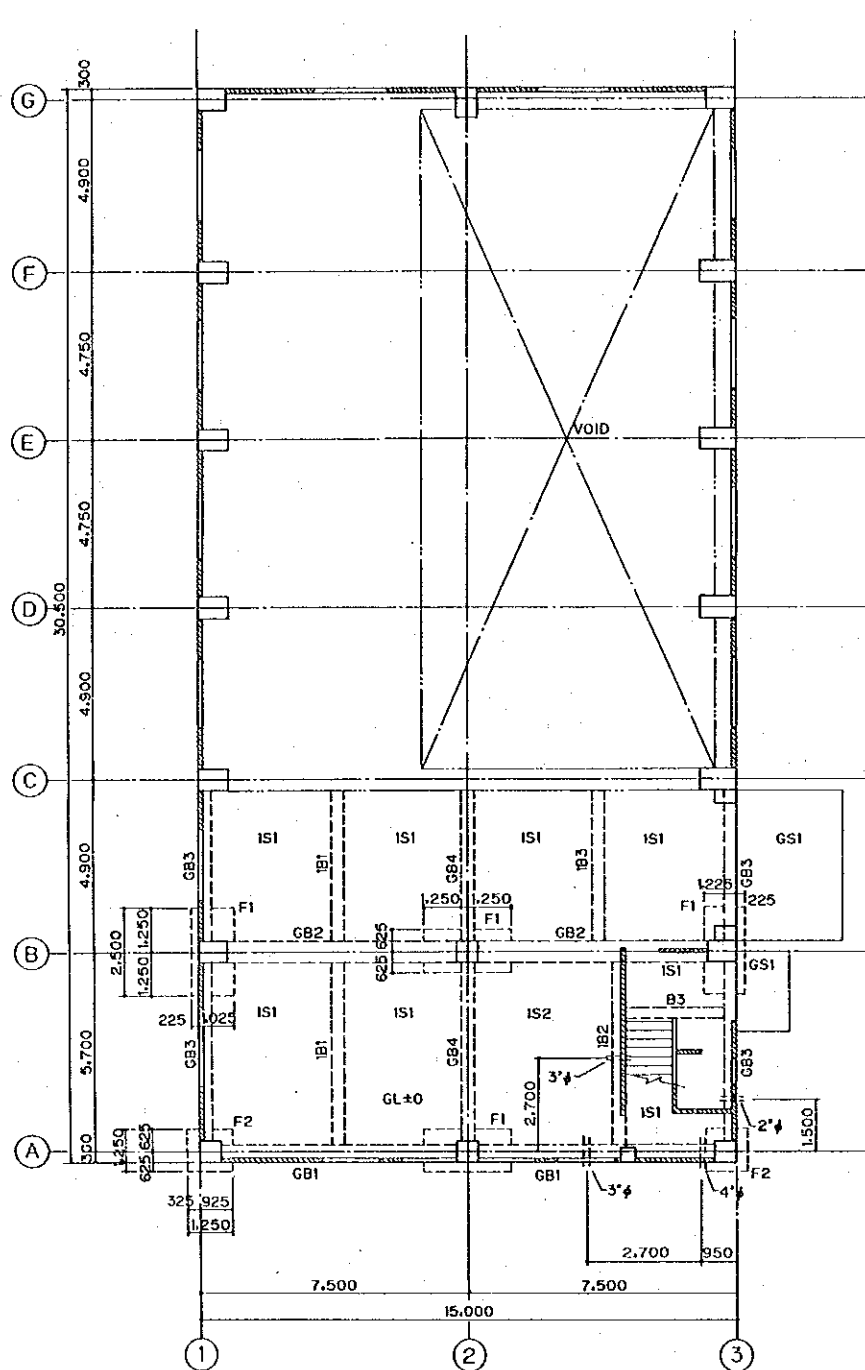
**THE BANG PAKONG DIVERSION DAM PROJECT**

**PUMPING STATION  
PUMP HOUSE  
DETAILS (2/2)**

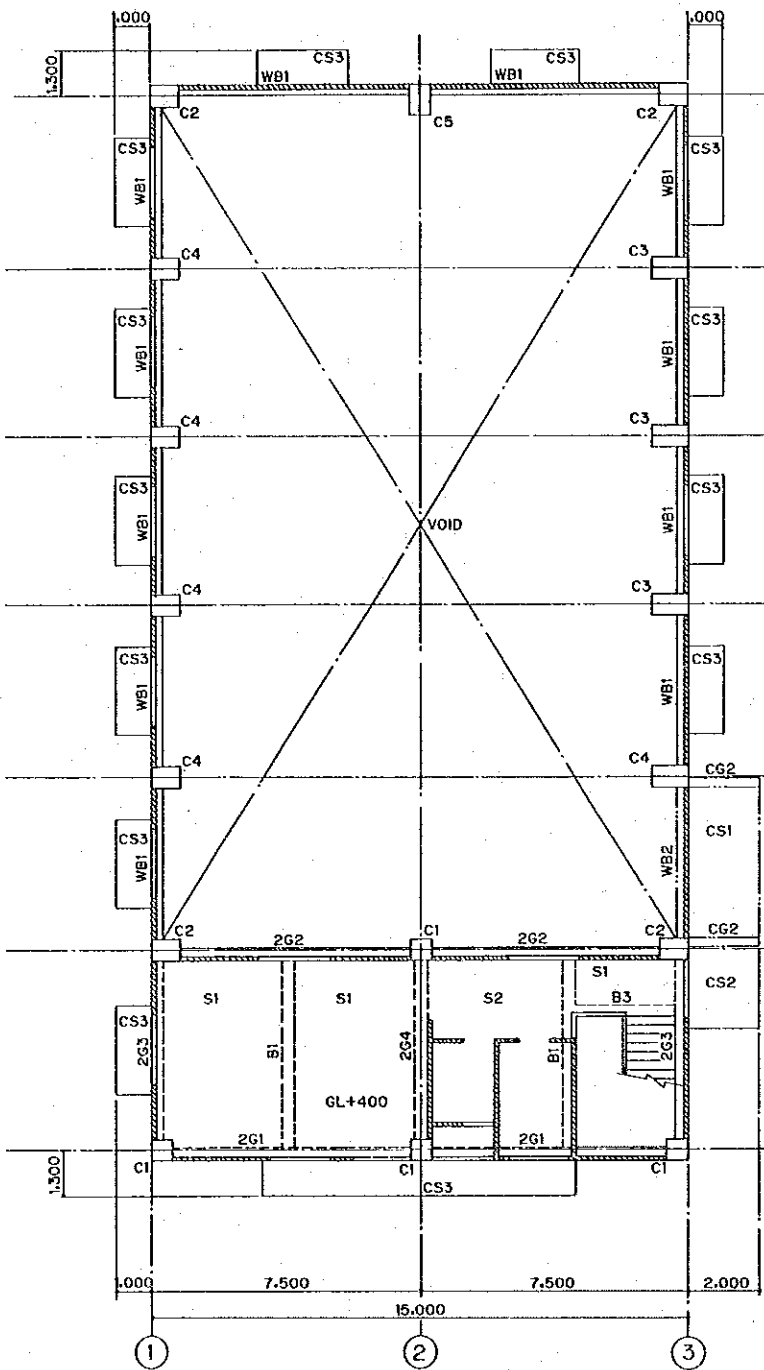
JAPAN INTERNATIONAL COOPERATION AGENCY (JICA)  
SANYU CONSULTANTS INC.

DESIGNED	
TRACED	
CHECKED	
APPROVED	

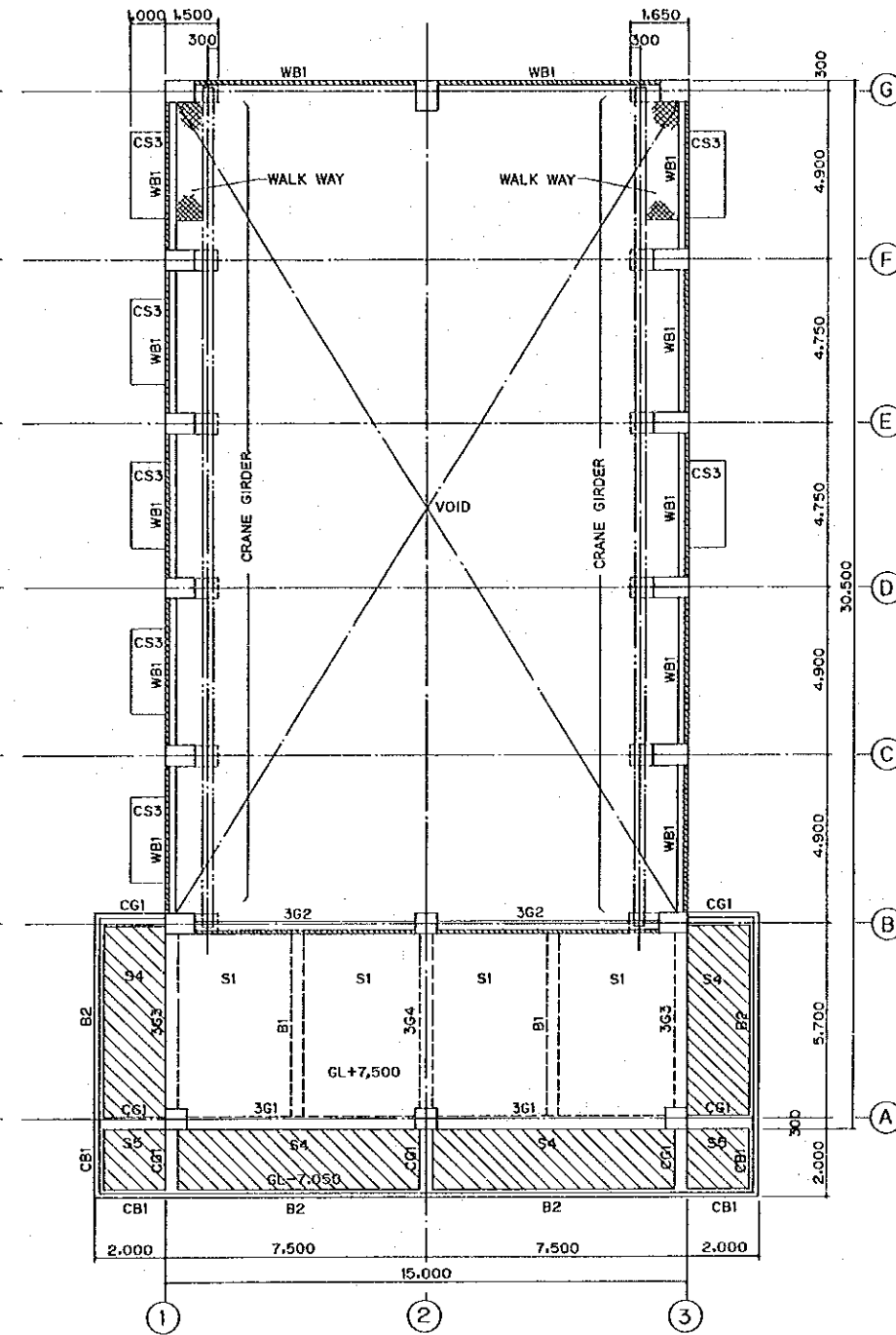
DRAWING NO. PST - 1058



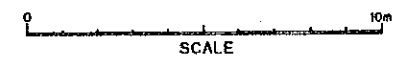
1ST FLOOR FRAMING PLAN



2ND FLOOR FRAMING PLAN

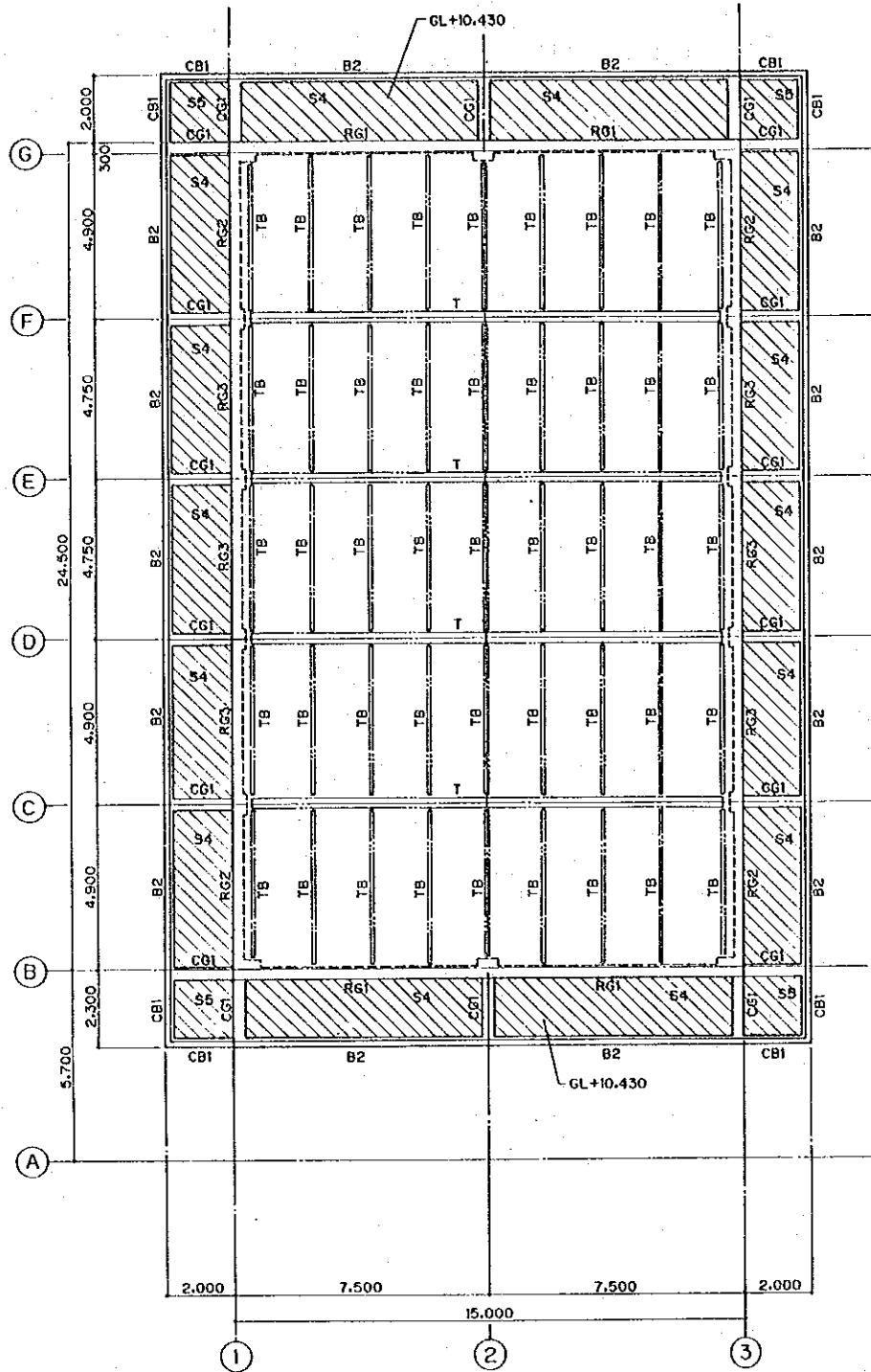


ROOF 1 FRAMING PLAN



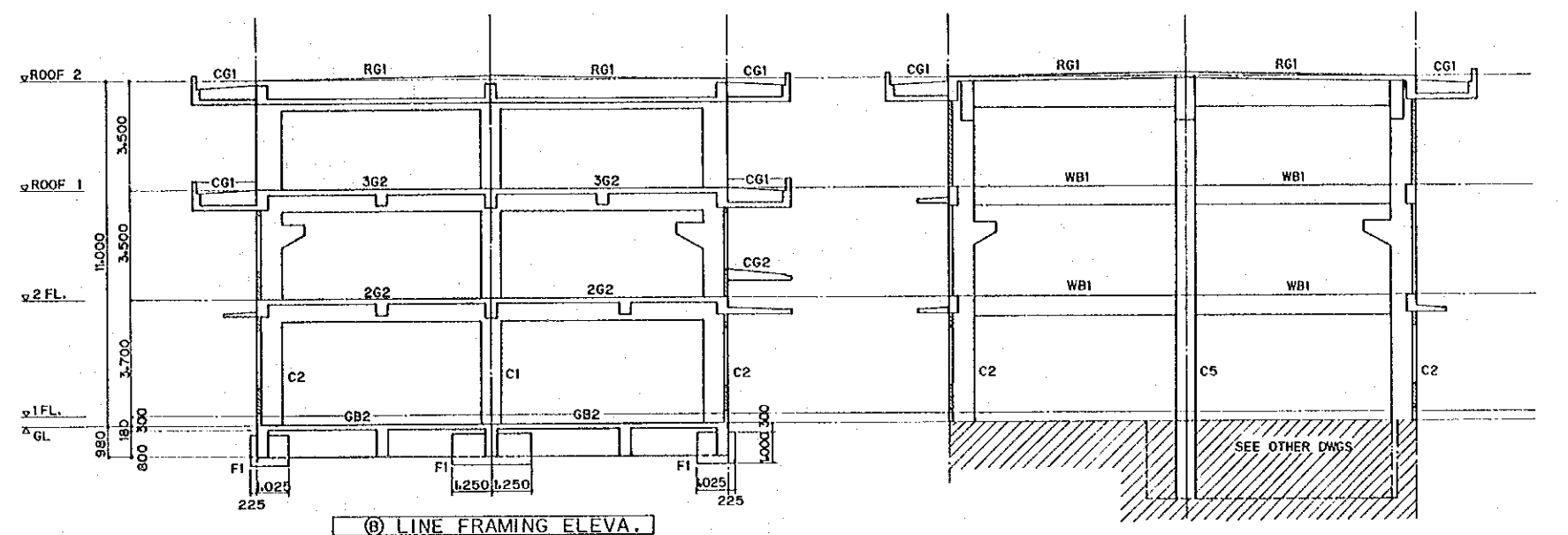
THE KINGDOM OF THAILAND ROYAL IRRIGATION DEPARTMENT	
THE BANG PAKONG DIVERSION DAM PROJECT	
PUMPING STATION PUMP HOUSE FRAMING PLAN	
JAPAN INTERNATIONAL COOPERATION AGENCY (JICA) SANYU CONSULTANTS INC.	
DESIGNED	
TRACED	
CHECKED	
APPROVED	
DRAWING NO. PST-1059	





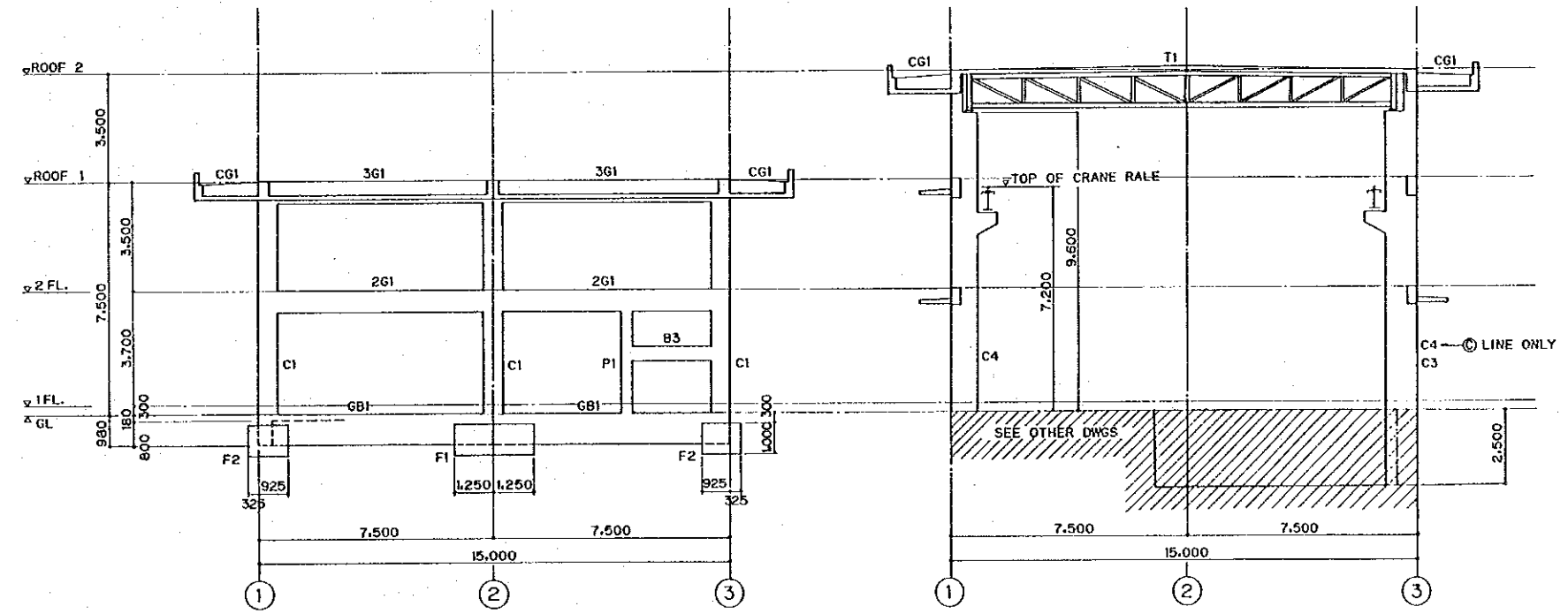
ROOF 2 FRAMING PLAN

- NOTES:
1. SYMBOL OF SLAB SHALL BE S<sub>1</sub> EXCEPT OTHERWISE SPECIFIED.
  2. D12 FOR SHEAR CONNECTOR SHALL BE WELDED ON TOP OF BEAM AT 250mm C/C. (FOR T & TB BEAM ONLY)



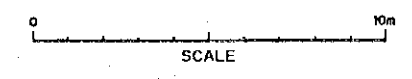
(B) LINE FRAMING ELEVATION

(G) LINE FRAMING ELEVATION

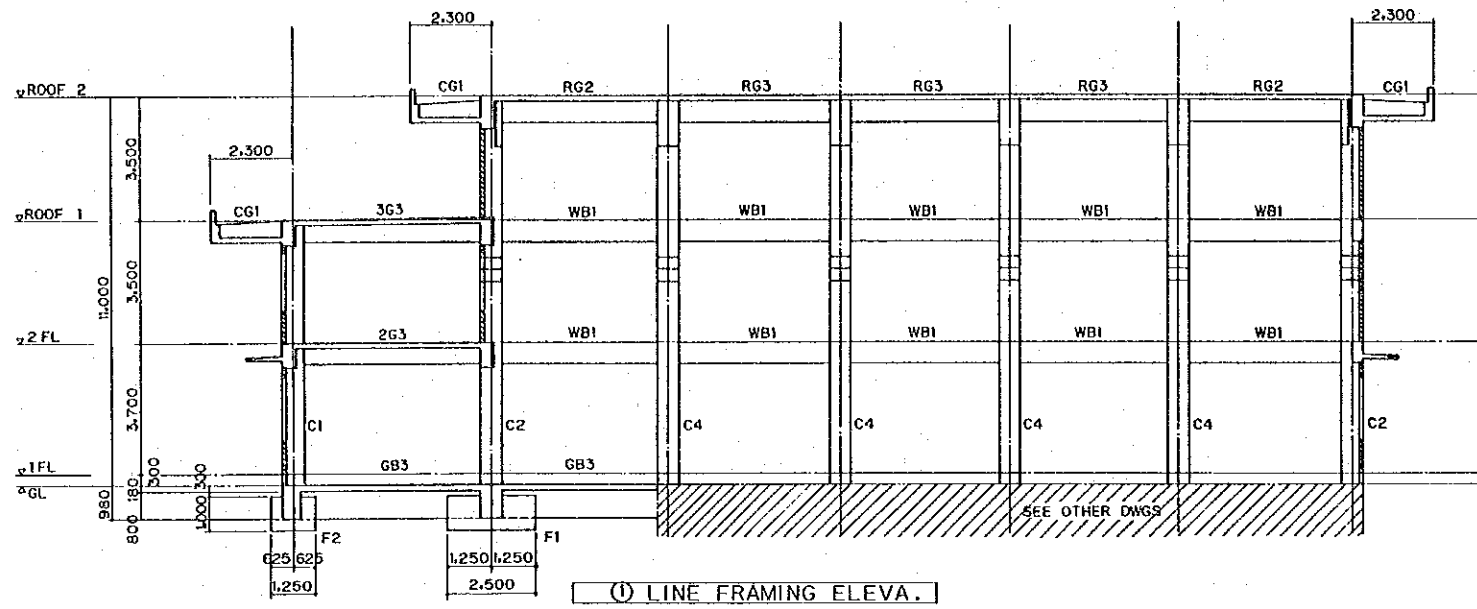


(A) LINE FRAMING ELEVATION

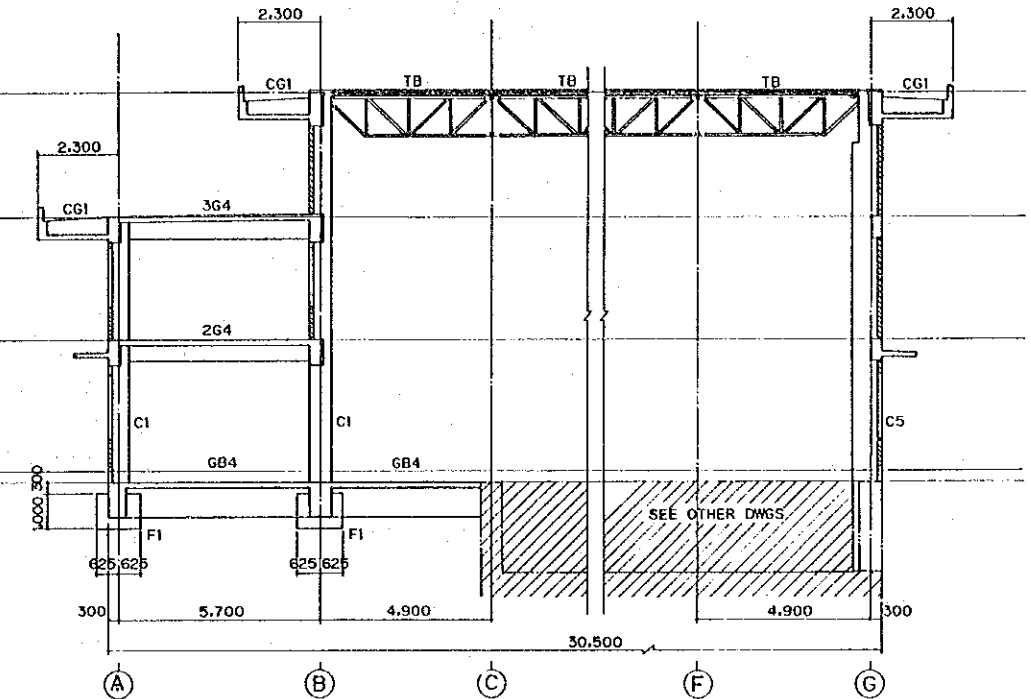
(C) LINE FRAMING ELEVATION



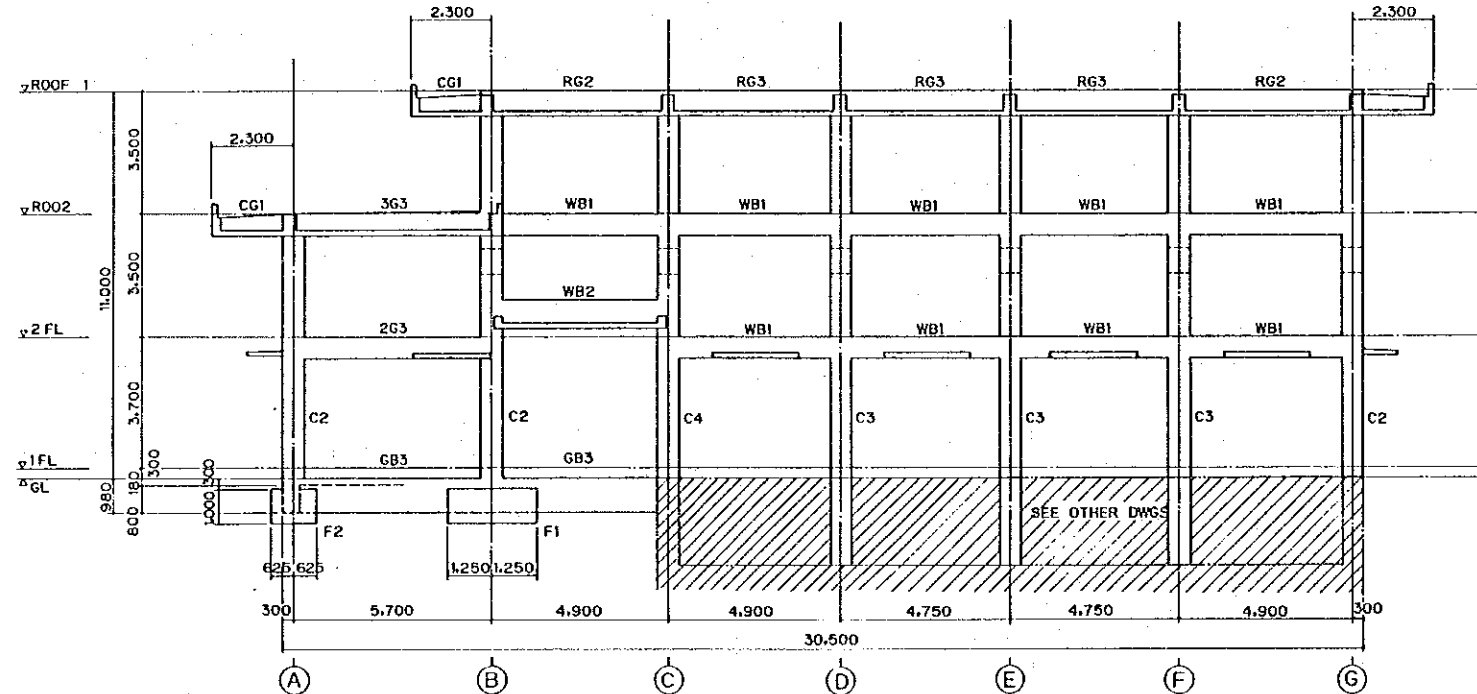
THE KINGDOM OF THAILAND ROYAL IRRIGATION DEPARTMENT	
THE BANG PAKONG DIVERSION DAM PROJECT	
PUMPING STATION PUMP HOUSE FRAMING ELEVATION (1/2)	
JAPAN INTERNATIONAL COOPERATION AGENCY (JICA) SANYU CONSULTANTS INC.	
DESIGNED	
TRACED	
CHECKED	
APPROVED	
DRAWING NO. PST - 1060	



① LINE FRAMING ELEVA.



② LINE FRAMING ELEVA.



③ LINE FRAMING ELEVA.

GENERAL NOTES:

1. ALL THE CONSTRUCTION WORKS SHALL BE IN ACCORDANCE WITH "ADDITIONAL MINISTERIAL REGULATION No.6 FOR THE CONTROL OF THE CONSTRUCTION" BY MINISTRY OF INTERIOR, 1984, THAILAND.
2. DESIGN LIVE LOADS:
  - ROOF  $100 \text{ (FOR PUMP HOUSE)}$   
 $60 \text{ (FOR HOIST HOUSE)}$
  - OFFICE ROOM } 250
  - CORRIDOR } 250
  - STAIR } 250
  - \*STAIR 200 (FOR HOIST HOUSE)
  - ELECTRICITY ROOM } 500
  - MATERIAL ENTRANCE FLOOR } 500
  - \*FOR HOIST HOUSE
3. DESIGN WIND LOADS:
  - MINIMUM UNIT OF WIND PRESSURE ( $\text{kg/m}^2$ )
  - $H \leq 10\text{m}$  56.3 (30m/sec)
  - $10\text{m} < H \leq 20\text{m}$  80
  - $20\text{m} < H \leq 40\text{m}$  120
  - H: HEIGHT OF STRUCTURE
4. REINFORCED CONCRETE:
  - 4-1. ALL REINFORCED CONCRETE MEMBERS ARE DESIGNED IN ACCORDANCE ACI 318M-89 ULTIMATE STRENGTH METHOD OF THE AMERICAN CONCRETE INSTITUTE (ACI), EXCEPT THE FACTORED LOADS AND COMBINATION LOADS AS FOLLOWS:
    - $U.L = 1.7DL + 2.0LL$
    - $U.L = 0.75(1.7DL + 2.0LL + 2.0WL)$
    - $U.L = 1.9DL + 1.3WL$
  - 4-2. COMPRESSIVE STRENGTH OF CONCRETE:  $f'c = 210 \text{ kg/cm}^2$
  - 4-3. YIELD STRENGTH OF REINFORCEMENT:  $f_y = 3000 \text{ kg/cm}^2$  (JIS SD30)

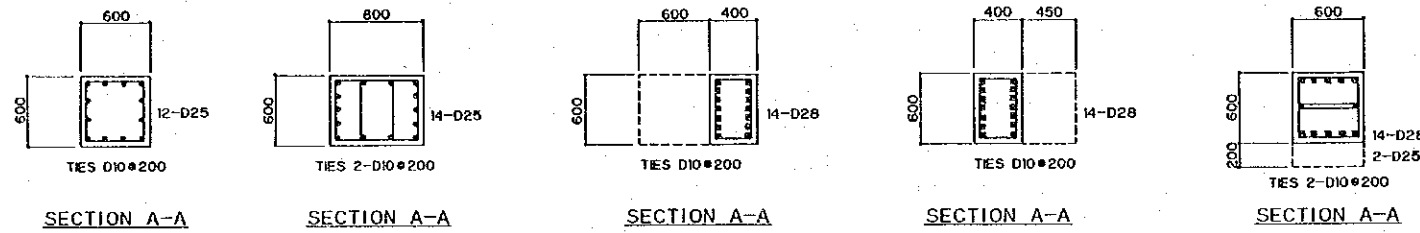
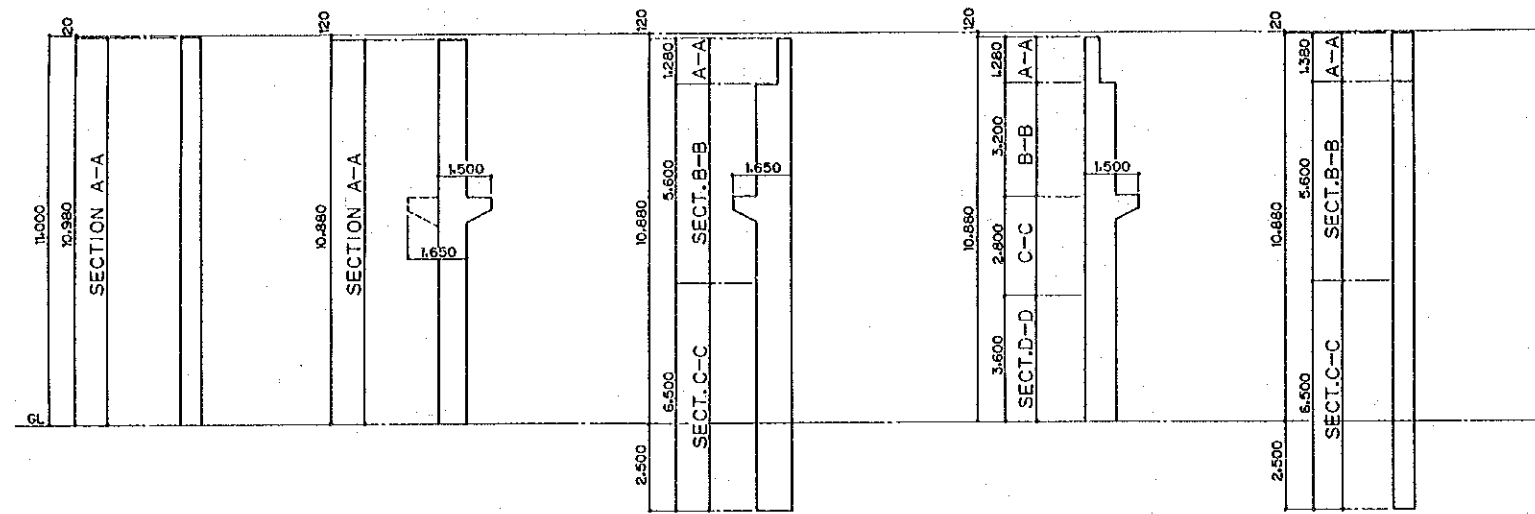
5. STEEL STRUCTURE:

- 5-1. ALL STEEL STRUCTURAL MEMBERS ARE DESIGNED IN ACCORDANCE WITH "SPECIFICATION FOR STRUCTURAL STEEL BUILDINGS-ASD" OF THE AMERICAN INSTITUTE OF STEEL CONSTRUCTION (AISC).
- 5-2. MINIMUM YIELD STRESS  $f_y = 2.400 \text{ kg/cm}^2$  (JIS SS41)
- 5-3. ALLOWABLE TENSION AND BENDING STRESS:  $f_t = F_b = 1.200 \text{ kg/cm}^2$
6. REINFORCEMENT DETAILING AND PLACEMENT SHALL BE CONFORM TO SP66 AND ACI-318 OF THE AMERICAN CONCRETE INSTITUTE (ACI).

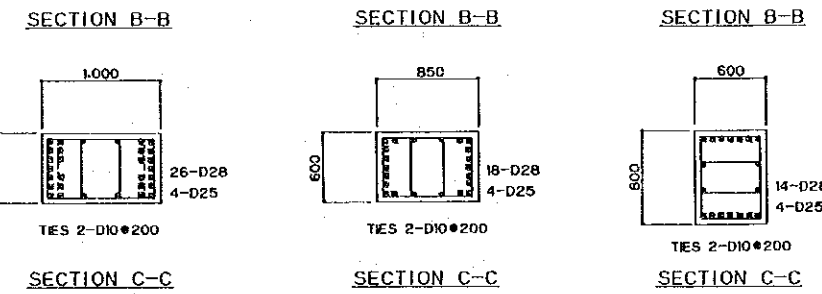
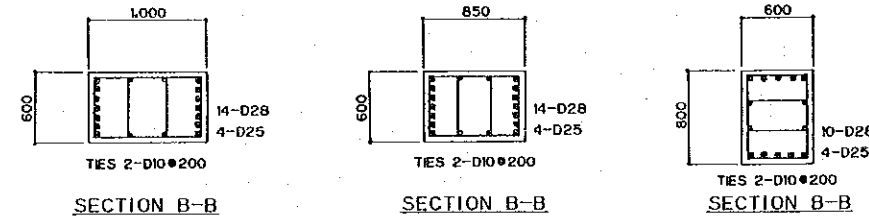


THE KINGDOM OF THAILAND ROYAL IRRIGATION DEPARTMENT	
THE BANG PAKONG DIVERSION DAM PROJECT	
PUMPING STATION PUMP HOUSE FRAMING ELEVATION (2/2)	
JAPAN INTERNATIONAL COOPERATION AGENCY (JICA) SANYU CONSULTANTS INC.	
DESIGNED	
TRACED	
CHECKED	
APPROVED	
DRAWING NO. PST - 1061	

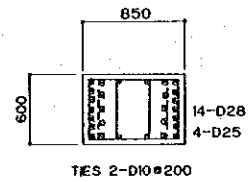
DETAIL OF COLUMN



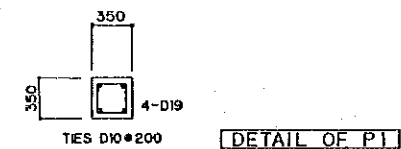
DETAIL OF C1      DETAIL OF C2



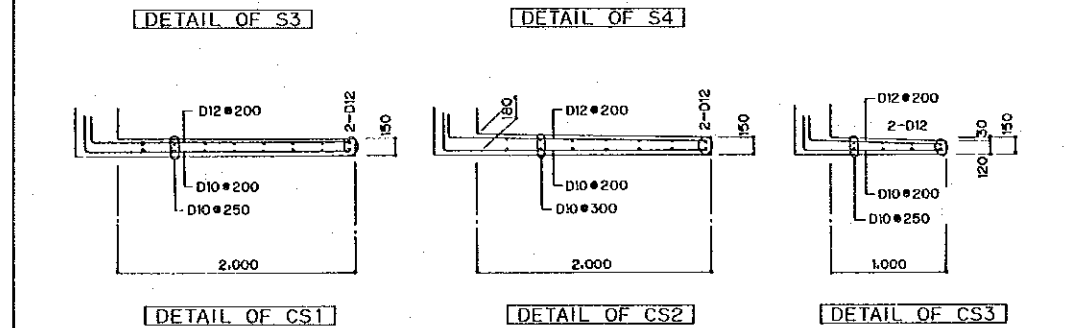
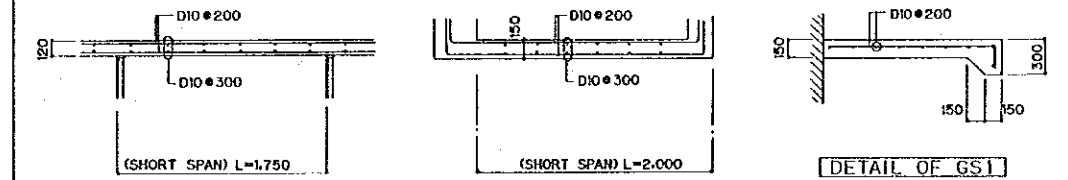
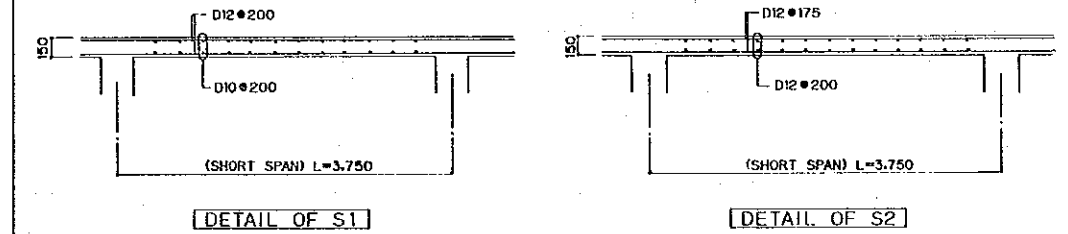
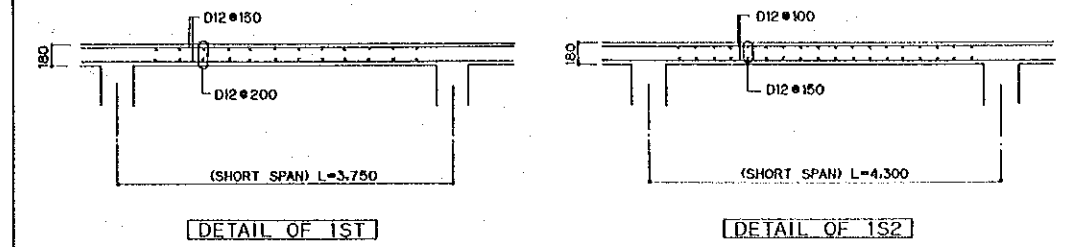
DETAIL OF C3      DETAIL OF C5



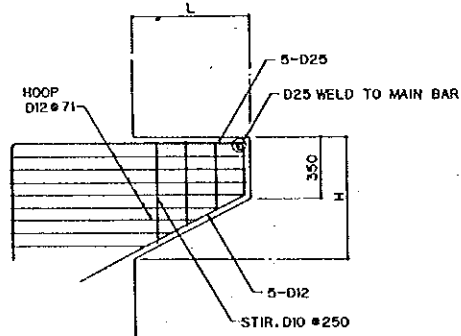
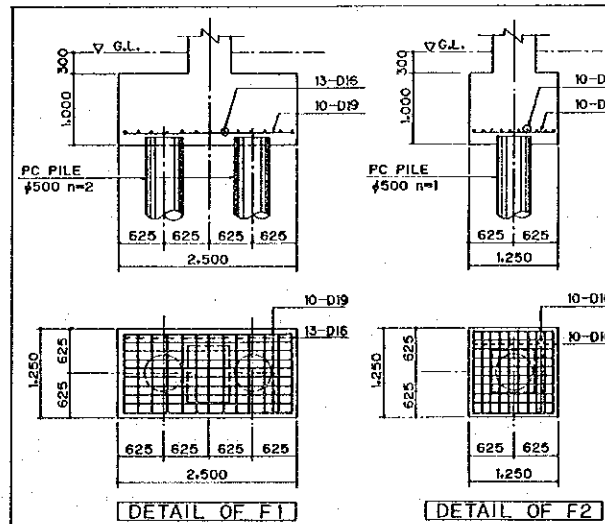
DETAIL OF C4



DETAIL OF SLAB



DETAIL OF FOOTING



	L	H
C3-C4	650	700
C2 (1LINE)	700	754
C2 (3LINE)	850	916

DETAIL OF BRACKET  
SUPPORTING CRANE GIRDER

THE KINGDOM OF THAILAND  
ROYAL IRRIGATION DEPARTMENT

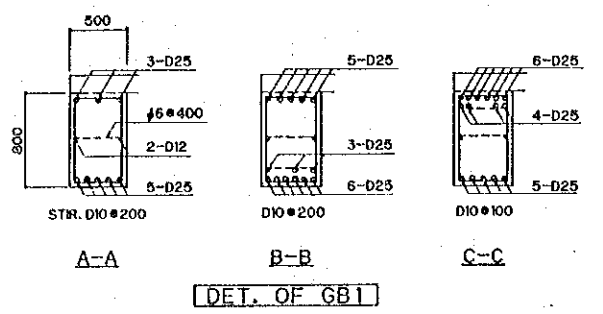
THE BANG PAKONG DIVERSION DAM PROJECT

PUMPING STATION  
PUMP HOUSE  
DETAILS OF COLUMN & SLAB

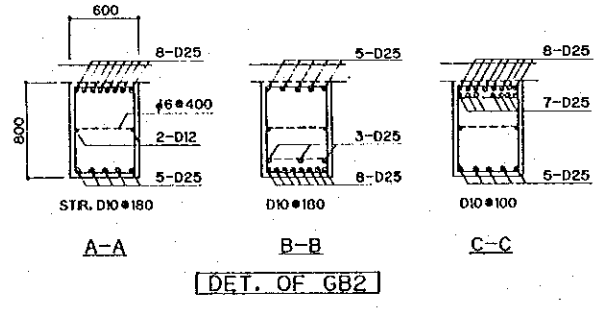
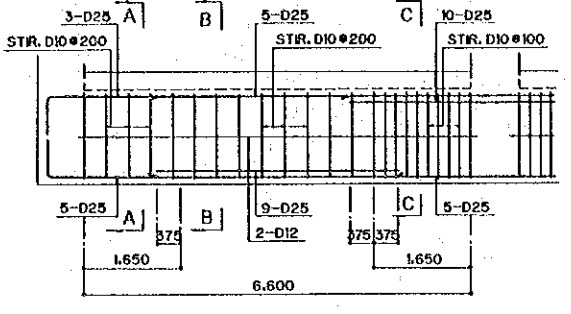
JAPAN INTERNATIONAL COOPERATION AGENCY (JICA)  
SANYU CONSULTANTS INC.

DESIGNED \_\_\_\_\_  
TRACED \_\_\_\_\_  
CHECKED \_\_\_\_\_  
APPROVED \_\_\_\_\_

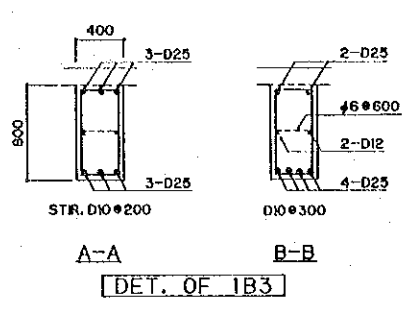
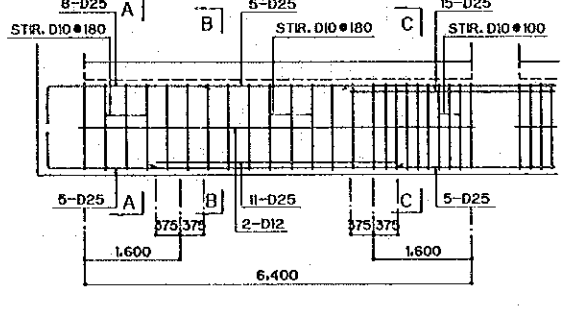
DRAWING NO. PST - 1062



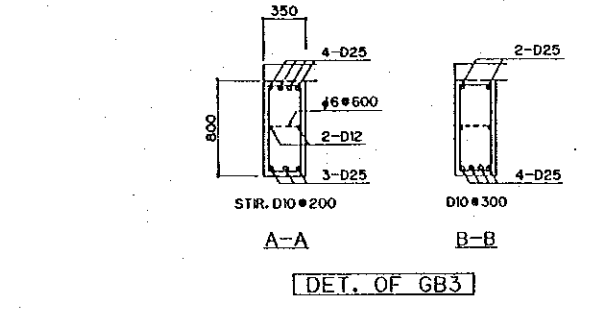
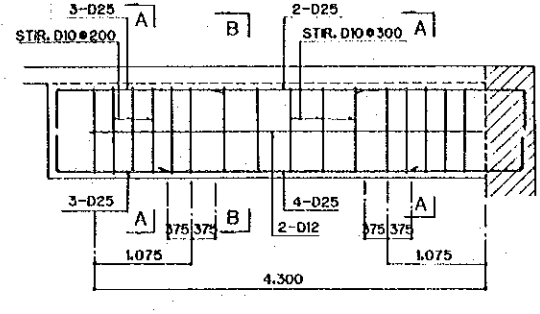
DET. OF GB1



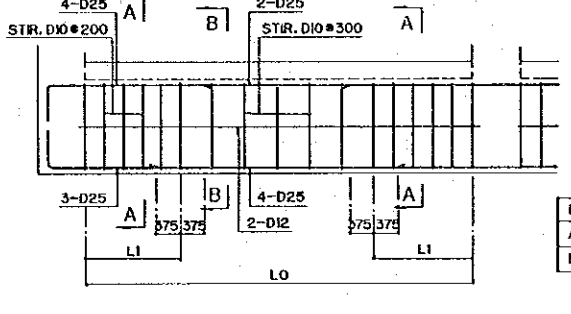
DET. OF GB2



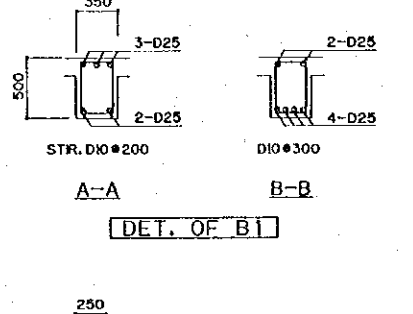
DET. OF IB3



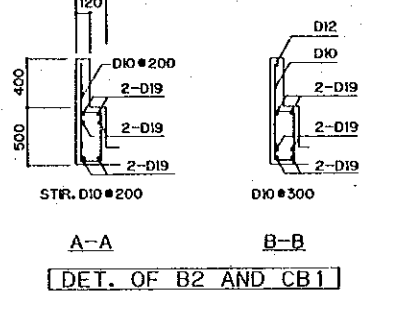
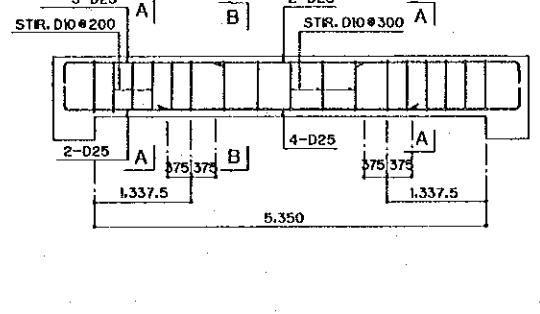
DET. OF GB3



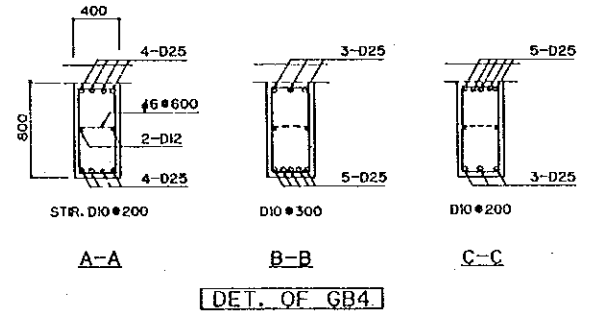
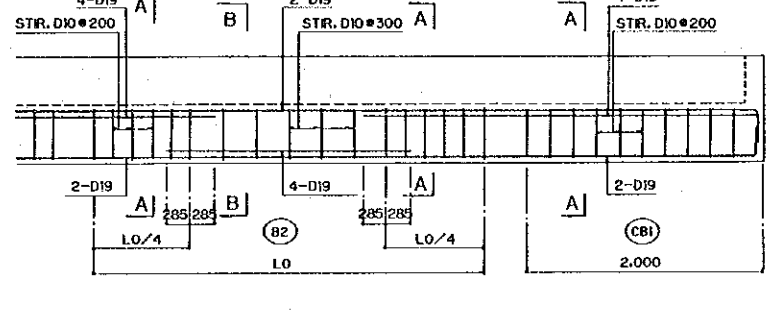
LINE	LO	LI
A-B	5.100	1.275
B-C	4.300	1.075



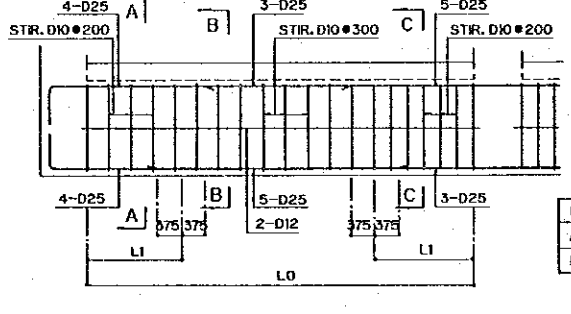
DET. OF B1



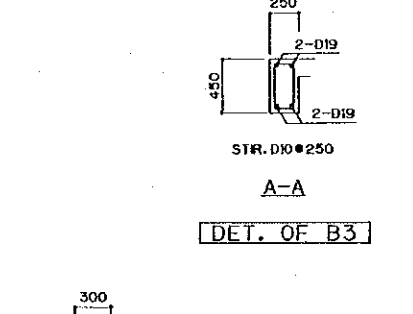
DET. OF B2 AND CB1



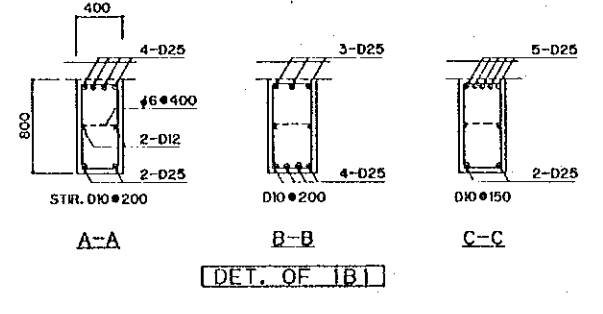
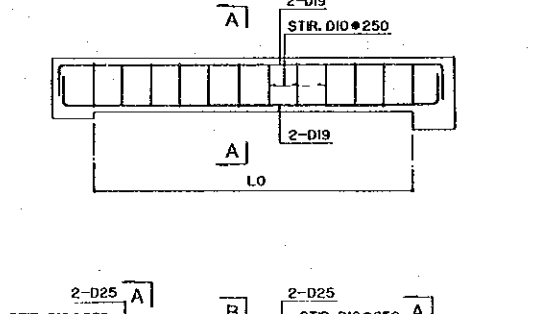
DET. OF GB4



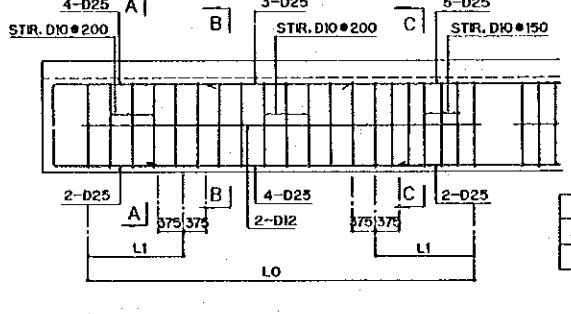
LINE	LO	LI
A-B	5.100	1.275
B-C	4.300	1.075



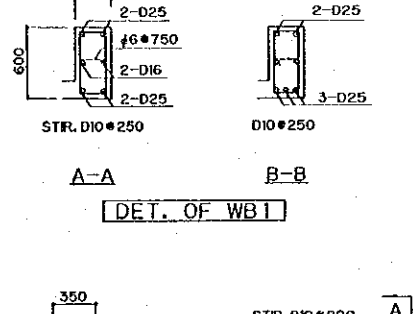
DET. OF B3



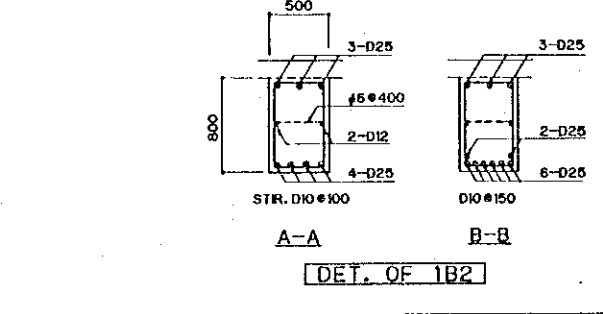
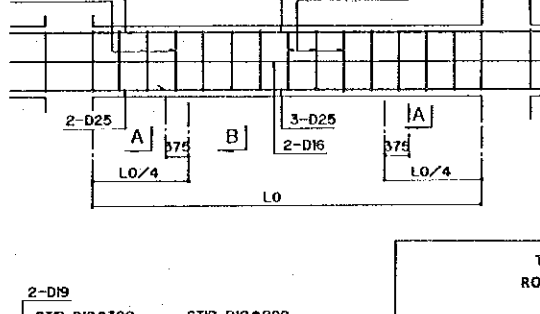
DET. OF IB1



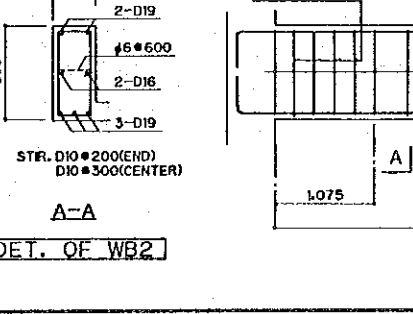
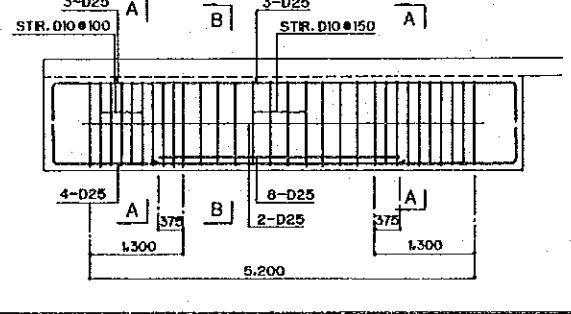
LINE	LO	LI
A-B	5.200	1.300
B-C	4.300	1.075



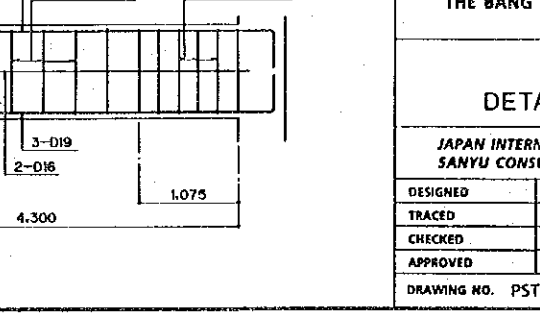
DET. OF WB1



DET. OF IB2



DET. OF WB2



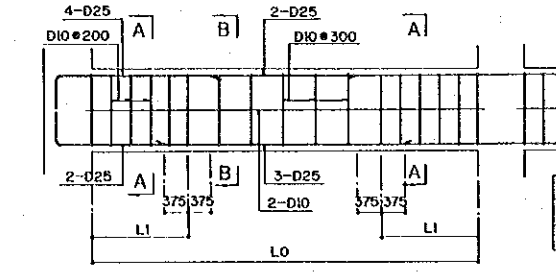
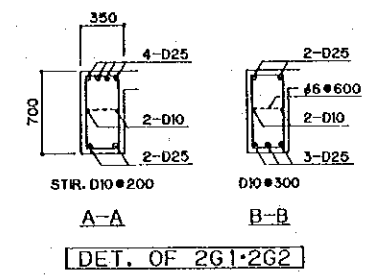
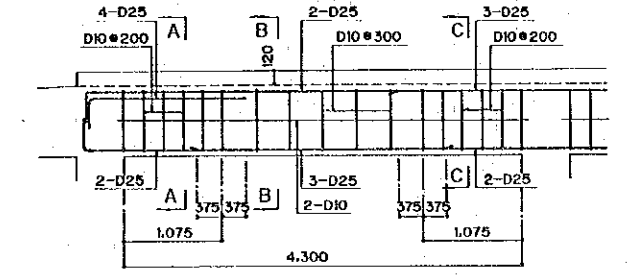
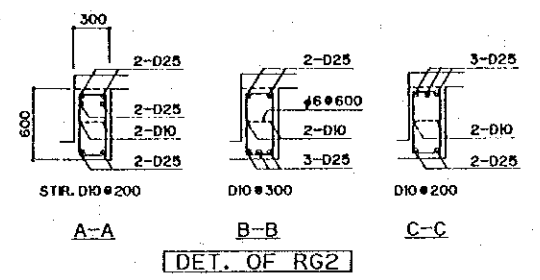
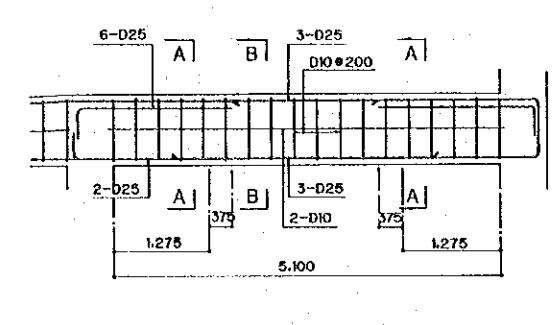
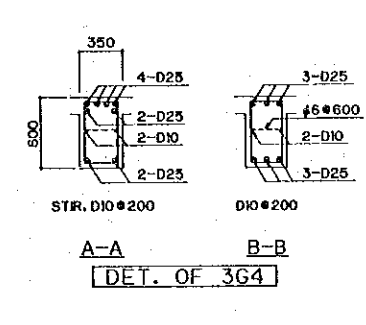
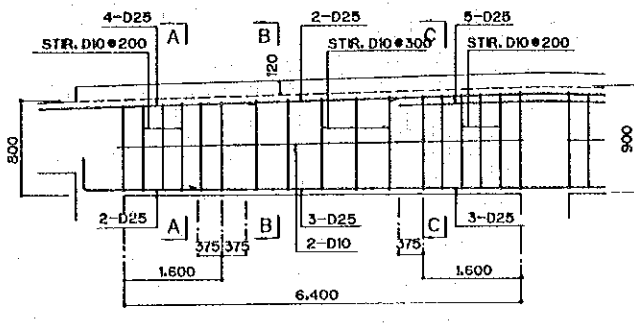
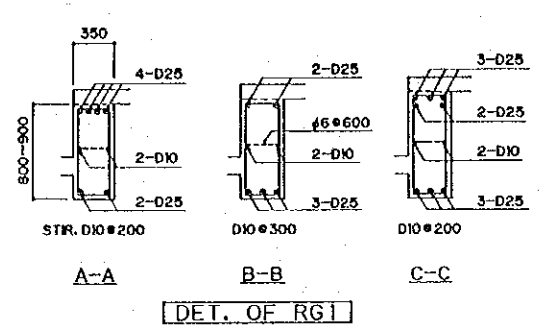
THE KINGDOM OF THAILAND  
ROYAL IRRIGATION DEPARTMENT

**THE BANG PAKONG DIVERSION DAM PROJECT**

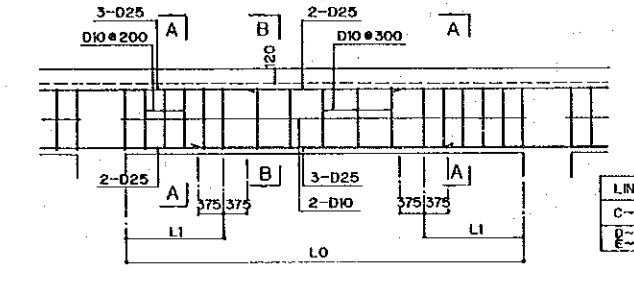
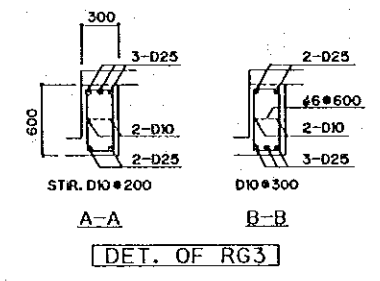
PUMPING STATION  
PUMP HOUSE  
DETAILS OF BEAM(1/2)

JAPAN INTERNATIONAL COOPERATION AGENCY (JICA)  
SANYU CONSULTANTS INC.

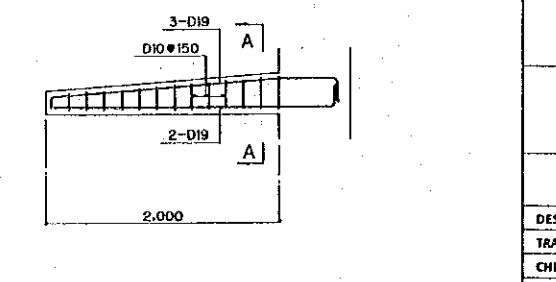
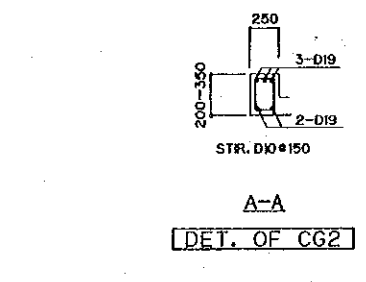
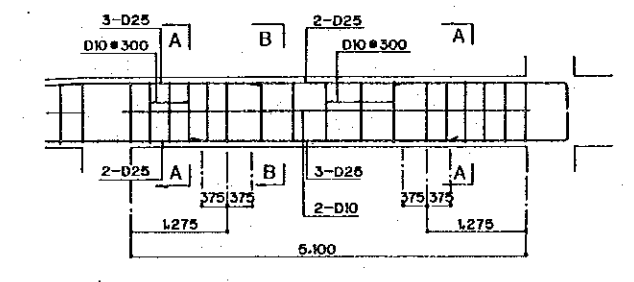
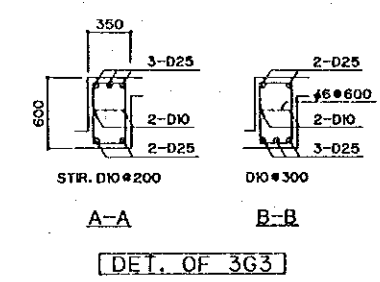
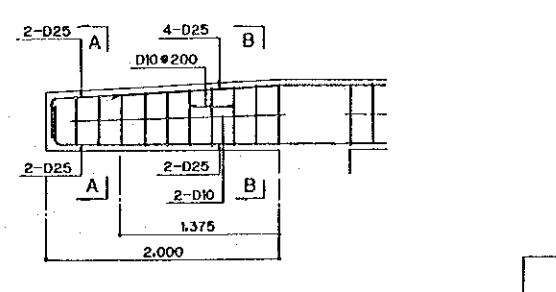
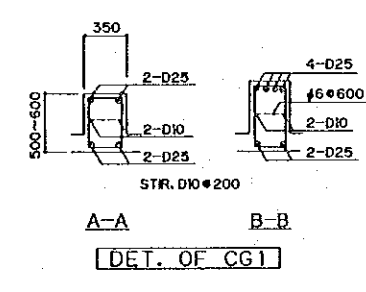
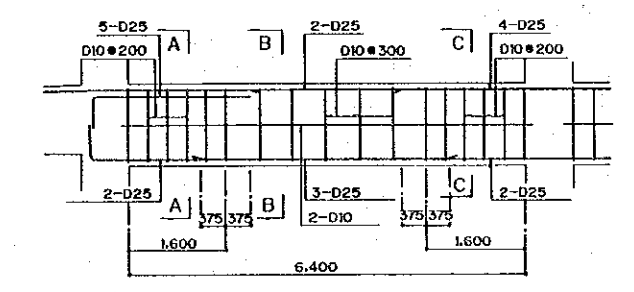
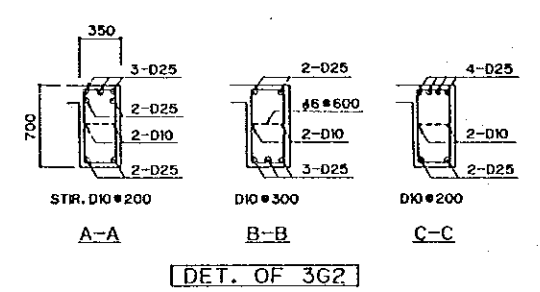
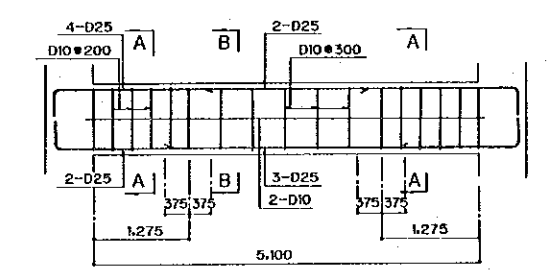
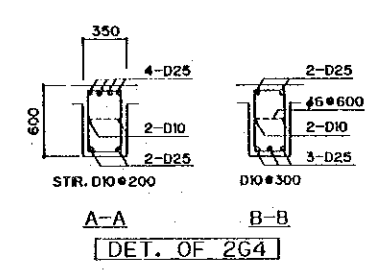
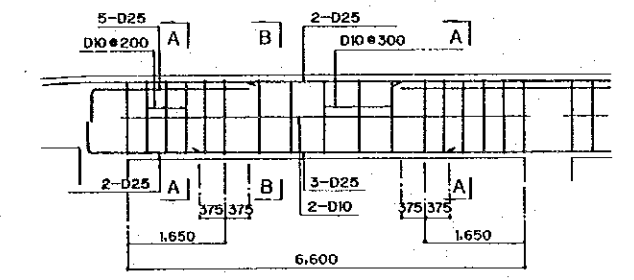
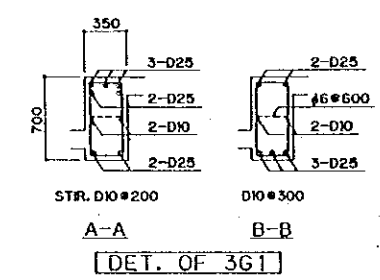
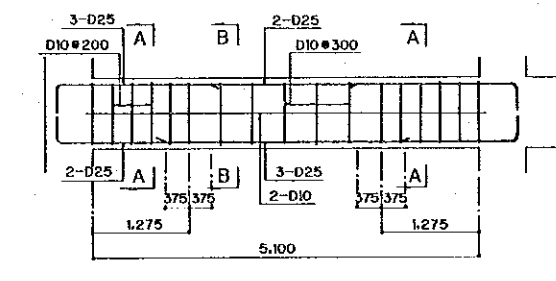
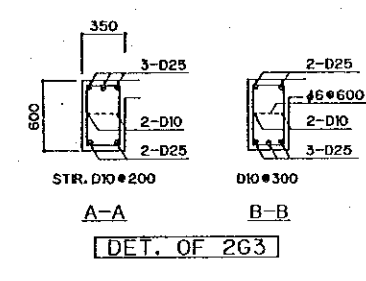
DESIGNED	
TRACED	
CHECKED	
APPROVED	
DRAWING NO. PST - 1063	



MARK	LO	L1
2G1	6,600	1,650
2G2	6,400	1,600



LINE	LO	L1
C-D	4,300	1,075
D-E	4,150	1,037.5



THE KINGDOM OF THAILAND  
ROYAL IRRIGATION DEPARTMENT

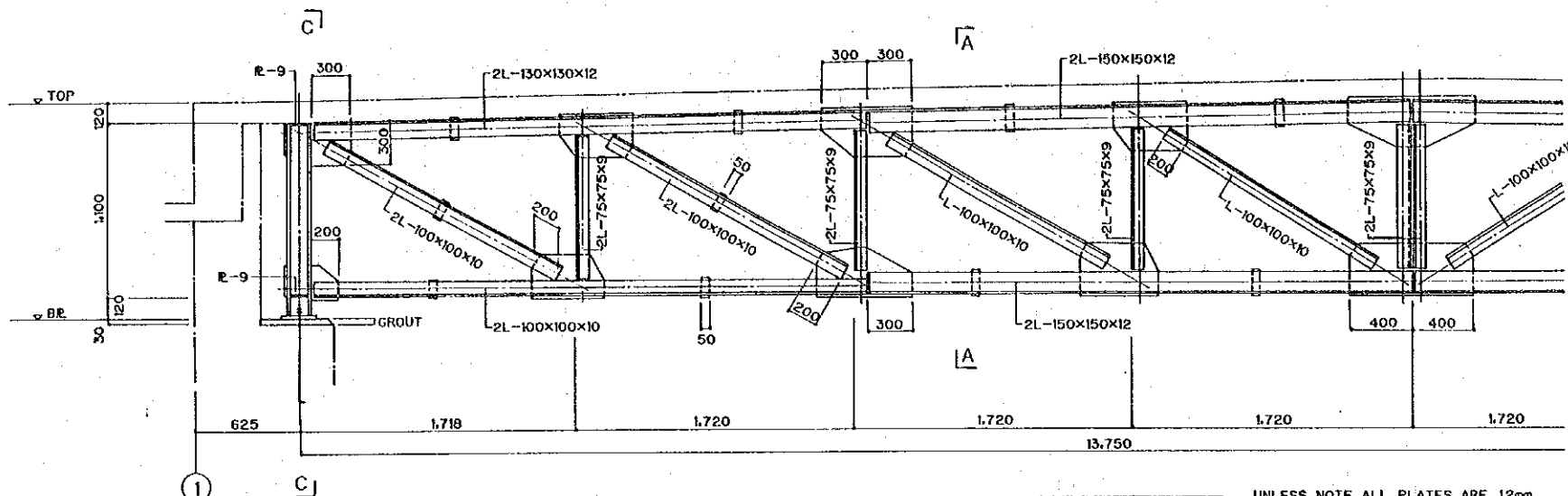
THE BANG PAKONG DIVERSION DAM PROJECT

PUMPING STATION  
PUMP HOUSE  
DETAILS OF BEAM(2/2)

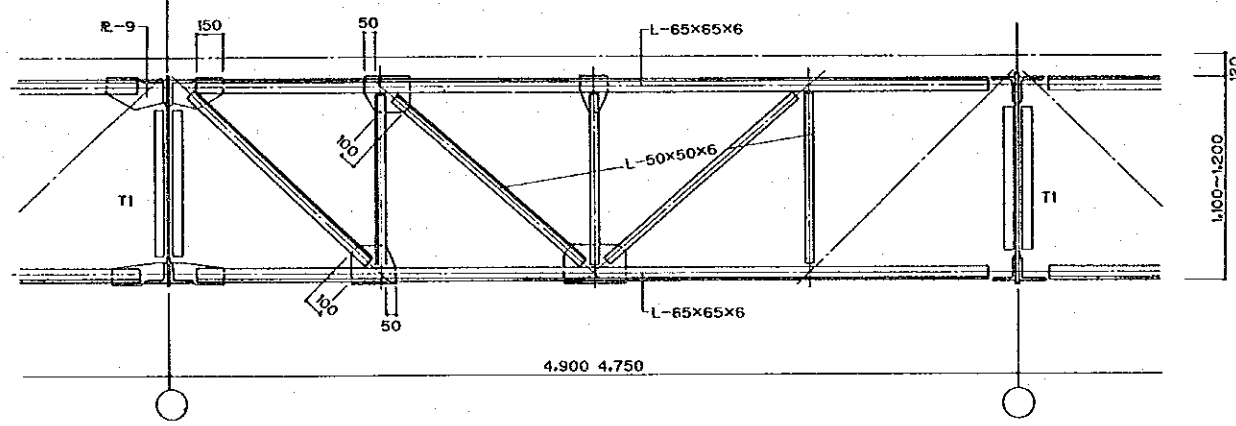
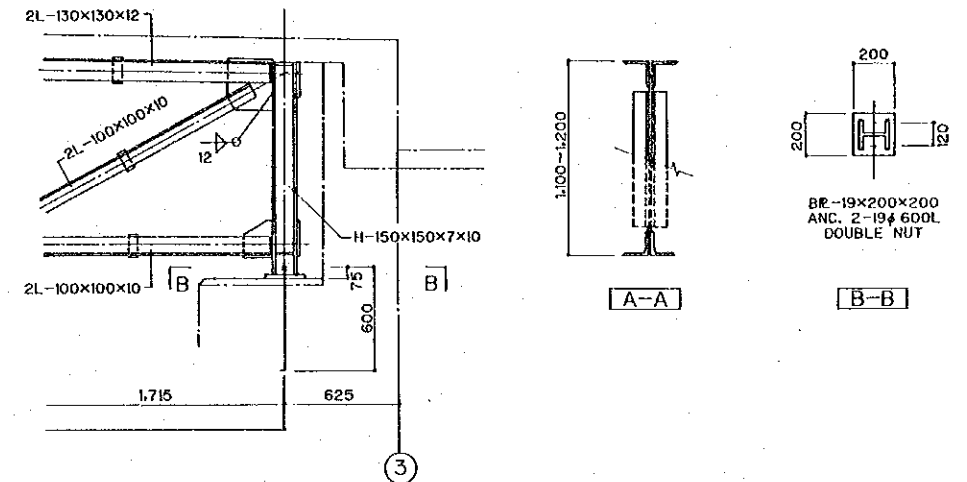
JAPAN INTERNATIONAL COOPERATION AGENCY (JICA)  
SANYU CONSULTANTS INC.

DESIGNED	
TRACED	
CHECKED	
APPROVED	

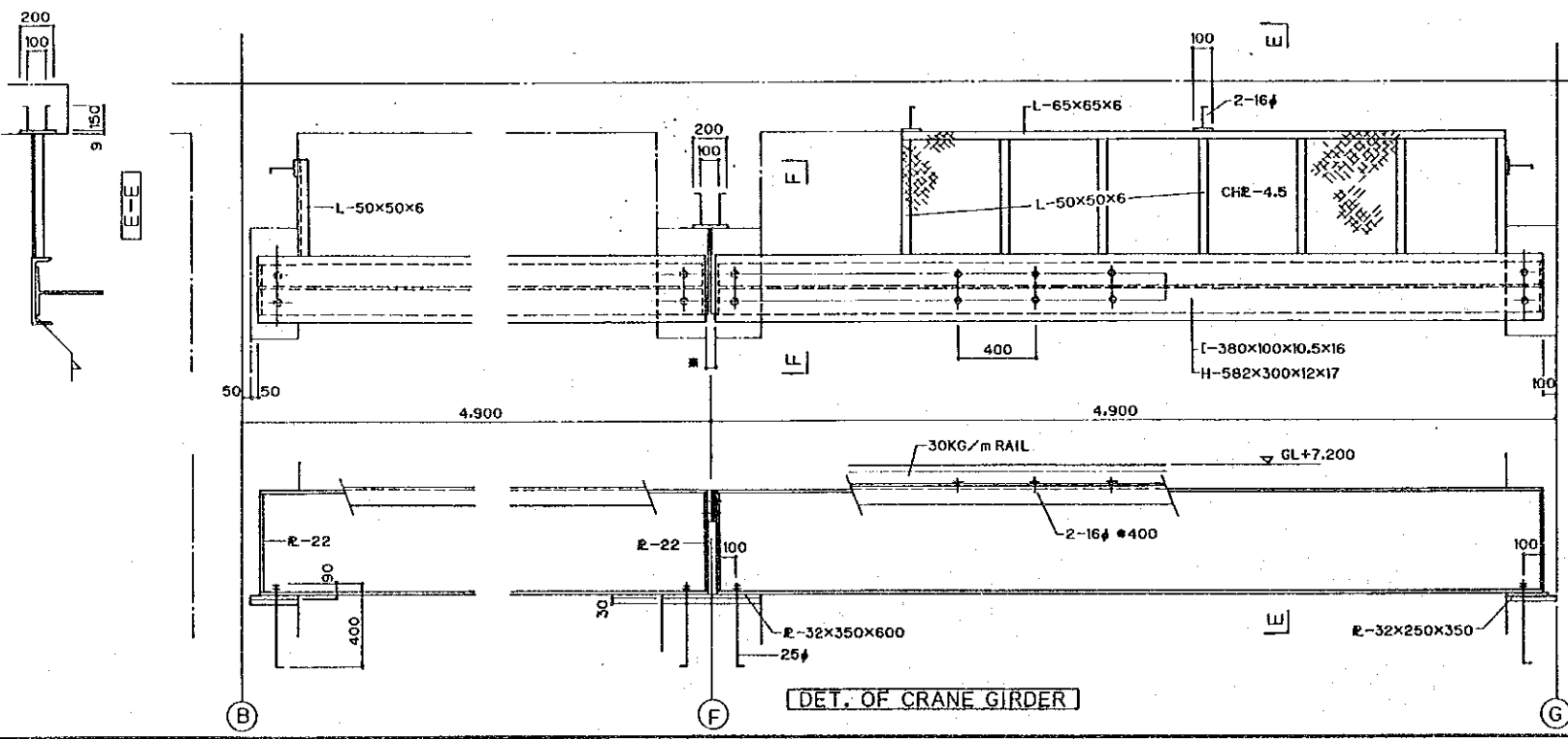
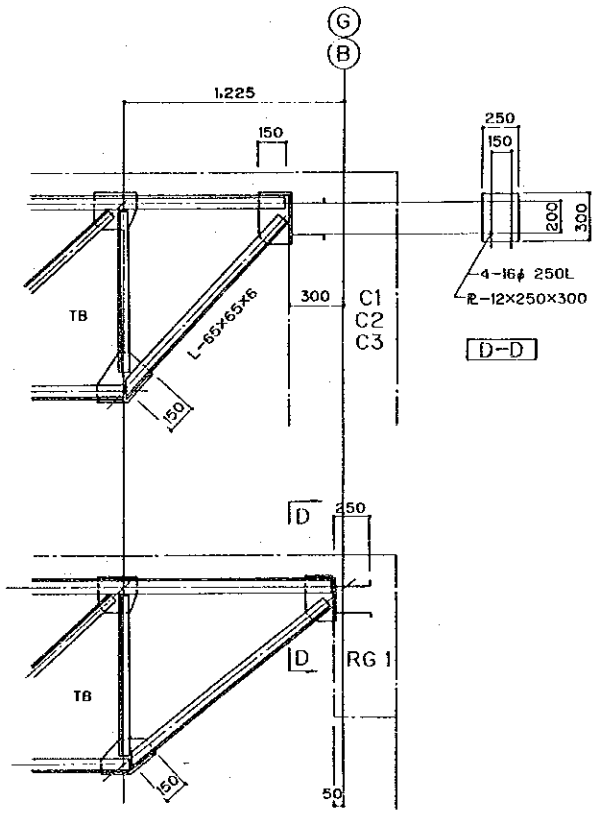
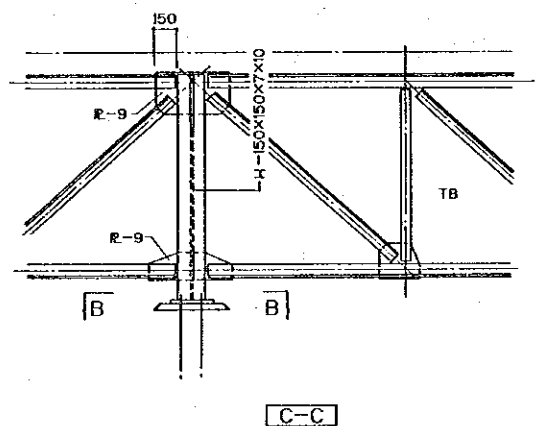
DRAWING NO. PST-1064



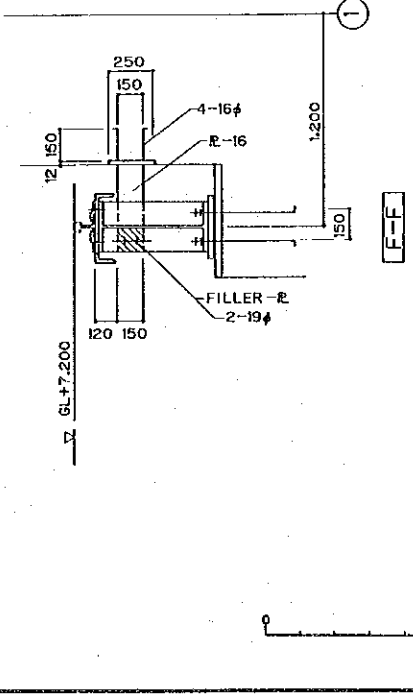
**DETAIL OF T1** UNLESS NOTE ALL PLATES ARE 12mm.  
ALL WELDING ARE FILLET WELD 9mm.



**DETAIL OF TB** UNLESS NOTE ALL PLATES ARE 9mm.  
WELDING ARE FILLET WELD 6mm.

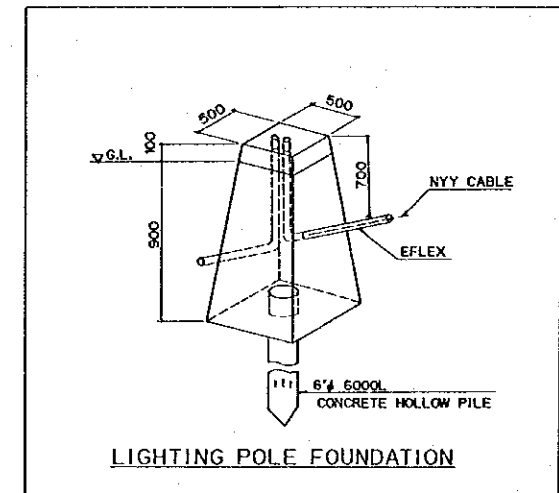
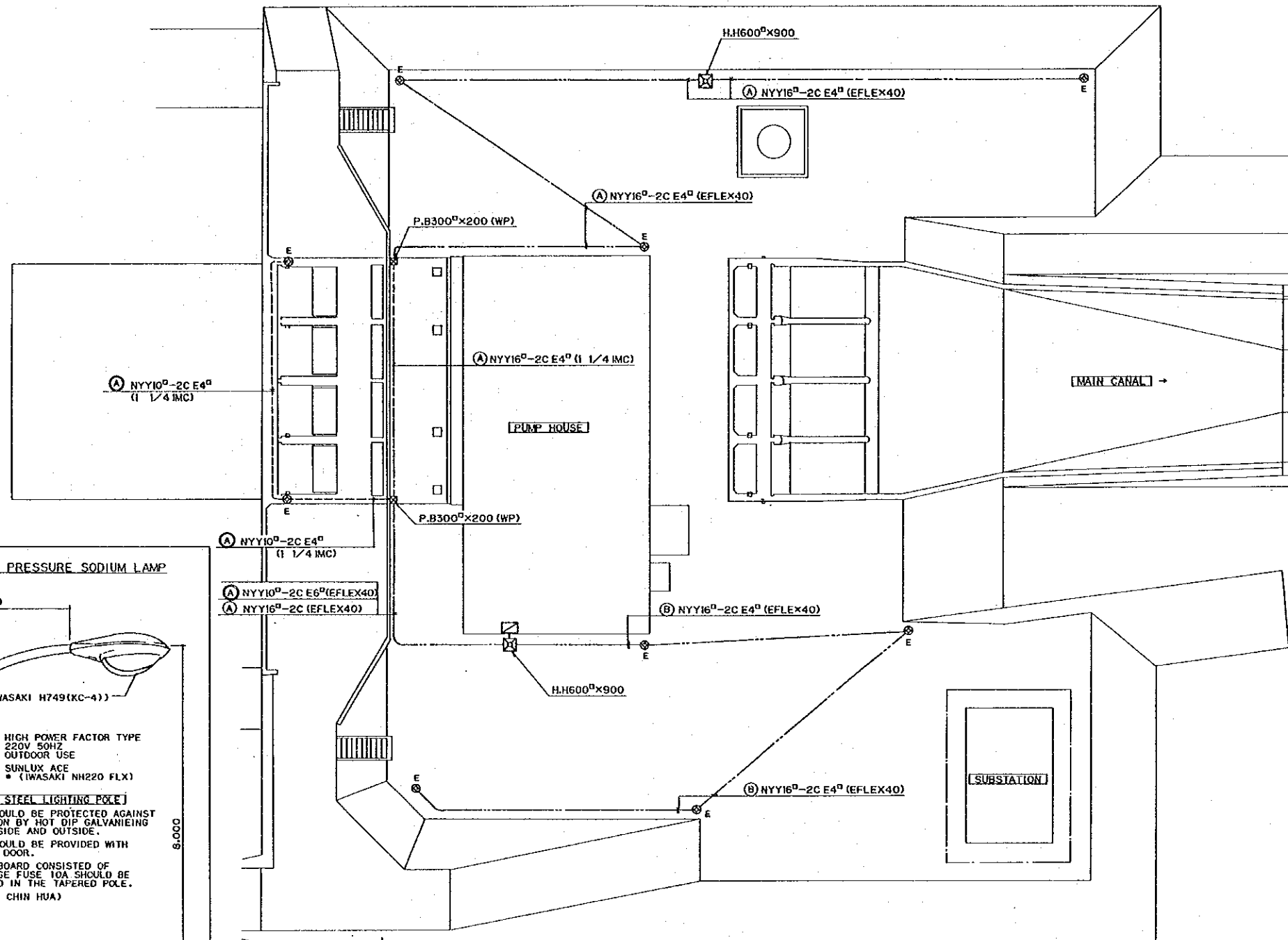


**DET. OF CRANE GIRDER**

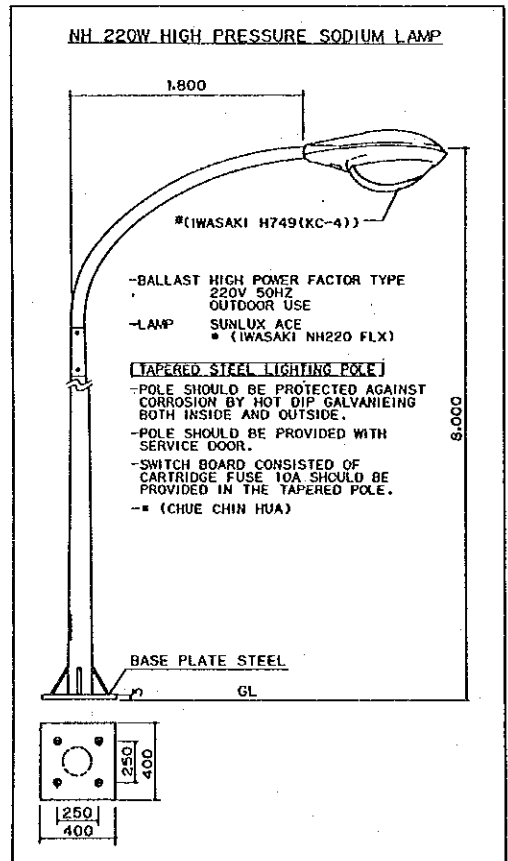


SCALE 0 20m

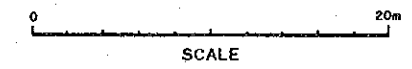
THE KINGDOM OF THAILAND ROYAL IRRIGATION DEPARTMENT	
THE BANG PAKONG DIVERSION DAM PROJECT	
PUMPING STATION PUMP HOUSE DETAILS OF TRUSS-BEAM & CRANE GIRDER	
JAPAN INTERNATIONAL COOPERATION AGENCY (JICA) SANYU CONSULTANTS INC.	
DESIGNED	
TRACED	
CHECKED	
APPROVED	
DRAWING NO. PST - 1065	



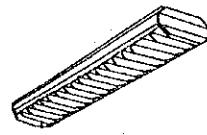
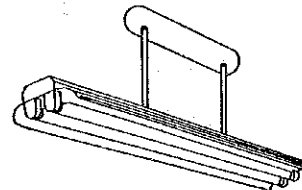
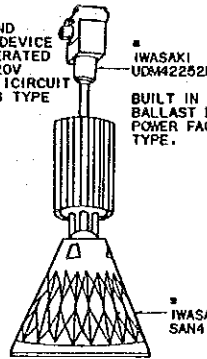
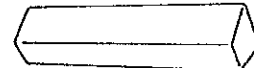
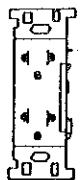
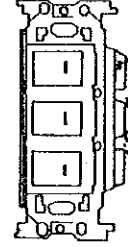
- NOTES AND ABBREVIATION**
- NY1: LOW VOLTAGE POWER CABLE 750V 70°C PVC INSULATED AND DOUBLE SHEATHED ROUND TYPE. (TIS 11-2531)
  - EFLEX: CORRUGATED HARD POLYETHYLENE PIPE FOR UNDERGROUND CABLE INSTALLATION. (FURUKAWA ELECTRIC)
  - P.B: PULL BOX
  - W.P: WATER PROOF (STAINLESS STEEL MADE WITH RUBBER PACKING)
  - H.H: HAND HALL
  - W.M: MANHOLE COVER: CAST IRON MEDIUM DUTY COVER. (LOAD 7000-KG)
  - \* MANUFACTURE AND MODEL MENTIONED IN DRAWINGS AS EQUIVALENT.



**LAYOUT**

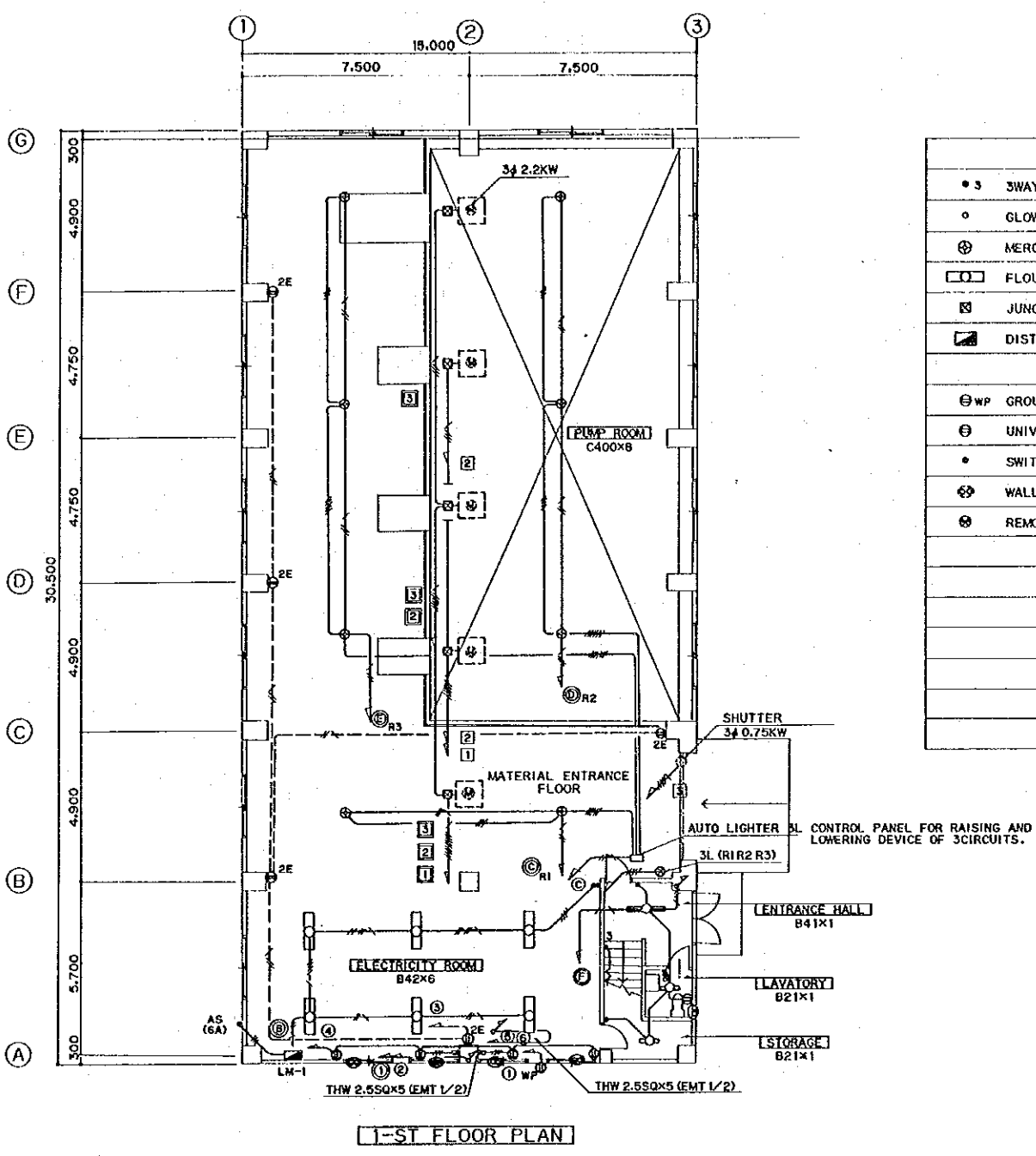


THE KINGDOM OF THAILAND ROYAL IRRIGATION DEPARTMENT	
THE BANG PAKONG DIVERSION DAM PROJECT	
PUMPING STATION PUMP HOUSE LAYOUT OF OUTDOOR LIGHTING SYSTEM	
JAPAN INTERNATIONAL COOPERATION AGENCY (JICA) SANYU CONSULTANTS INC.	
DESIGNED	
TRACED	
CHECKED	
APPROVED	
DRAWING NO. PST - 1066	

A42	FL 40Wx2	B21	FL 20Wx1
		B22	FL 20Wx2
		B41	FL 40Wx1
		B42	FL 40Wx2
			
C400	HF 400Wx1	D41	FL 40Wx1 WP
 <p>RAISING AND LOWERING DEVICE MOTOR OPERATED 1450HZ 220V 2CONTACT 1CIRCUIT LOAD: 10KG TYPE</p> <p>IWASAKI UDM2252K</p> <p>BUILT IN BALLAST HIGH POWER FACTOR TYPE.</p> <p>IWASAKI SAN411</p>			
RECEPTACLE		SWITCH	
 <p>GROUNDING DUPLEX UNIVERSAL RECEPTACLE 10A 250A</p> <p>(MATSUSHITA VN1592-7)</p>			

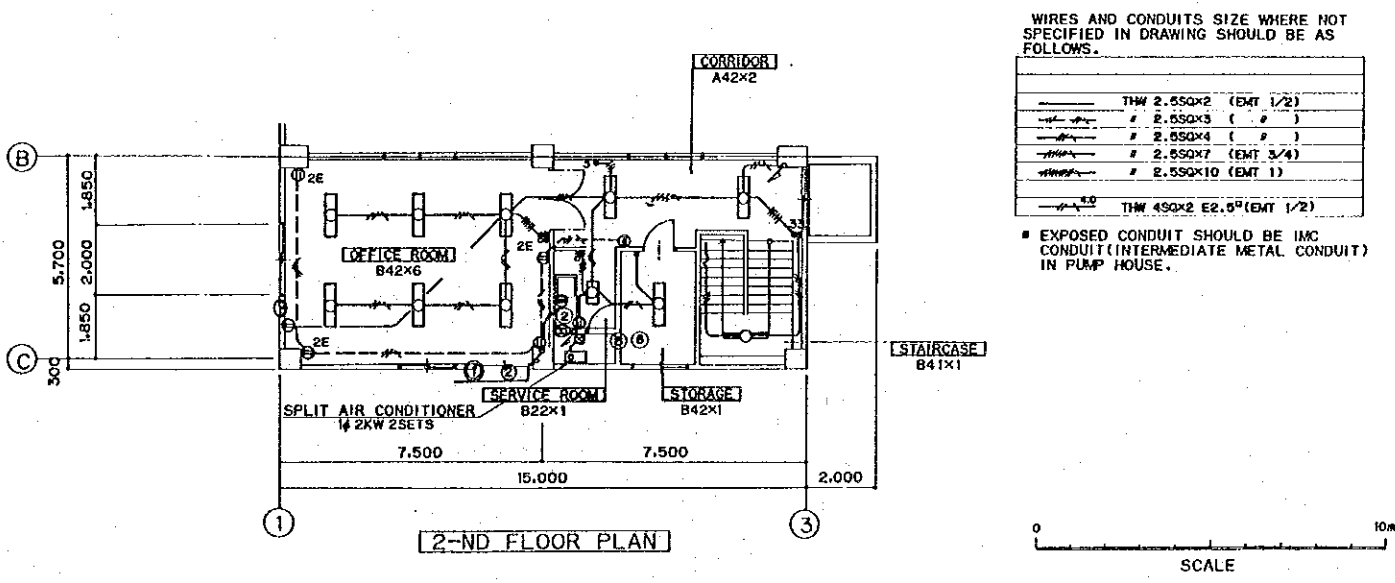
NOTES:

- MANUFACTURE AND MODEL MENTIONED IN DRAWINGS, AS EQUIVALENT.
- BALLASTS FOR FLOURESCENT LAMP, POWER FACTOR IMPROVING CAPACITOR AS FOLLOWS. 4.75μFD FOR 40W, 3.5μFD FOR 20W.
- FLOURESCENT LAMP, WHITE GLOW START.



**LEGEND**

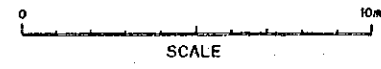
• 3	3WAY SWITCH
○	GLOW LAMP, 4A 300V
⊕	MERCURY LAMP
□	FLOURESCENT LAMP
⊠	JUNCTION BOX
▣	DISTRIBUTION PANEL BOARD
⊕ WP	GROUNDING WEATHER PROOF RECEPTACLE
⊕	UNIVERSAL RECEPTACLE 10A 250V
•	SWITCH 15A 300V
⊕	WALL MOUNTED FAN
⊕	REMOTE CONTROL SWITCH



WIRES AND CONDUITS SIZE WHERE NOT SPECIFIED IN DRAWING SHOULD BE AS FOLLOWS.

—	THW 2.5SQx2 (EMT 1/2)
—	2.5SQx3 (EMT 1/2)
—	2.5SQx4 (EMT 1/2)
—	2.5SQx7 (EMT 3/4)
—	2.5SQx10 (EMT 1)
—	THW 4SQx2 E2.5 (EMT 1/2)

EXPOSED CONDUIT SHOULD BE IMC CONDUIT (INTERMEDIATE METAL CONDUIT) IN PUMP HOUSE.



THE KINGDOM OF THAILAND  
ROYAL IRRIGATION DEPARTMENT

THE BANG PAKONG DIVERSION DAM PROJECT

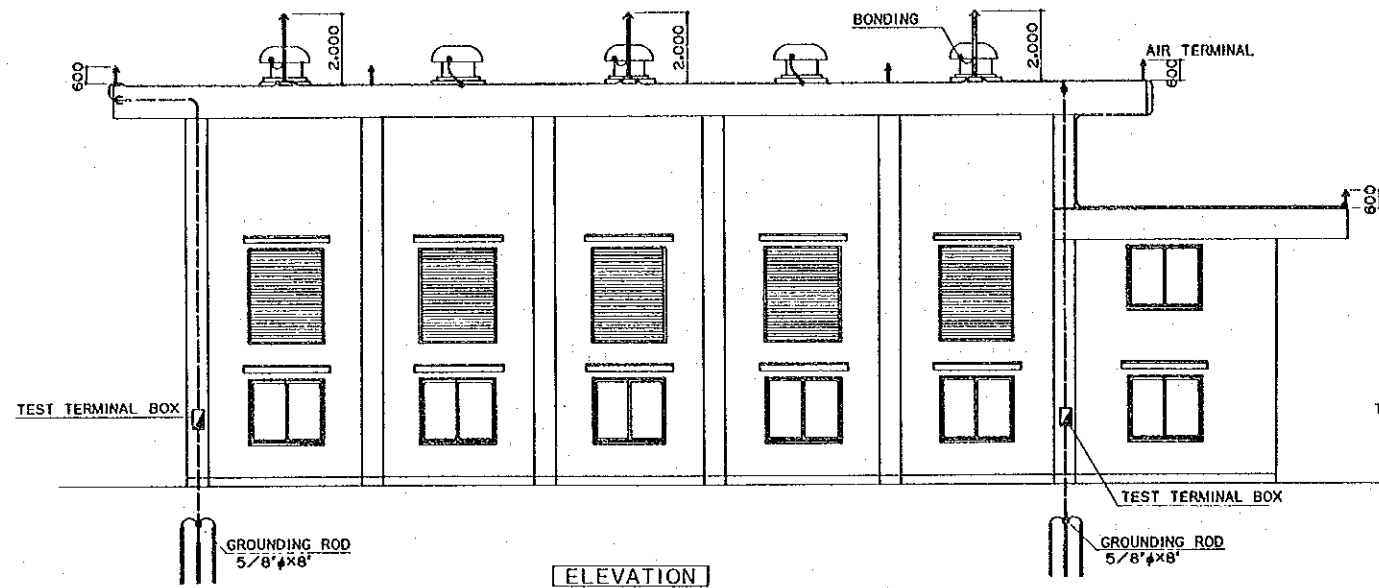
PUMPING STATION  
PUMP HOUSE  
PLAN OF LIGHTING SYSTEM & FIXTURE

JAPAN INTERNATIONAL COOPERATION AGENCY (JICA)  
SANYU CONSULTANTS INC.

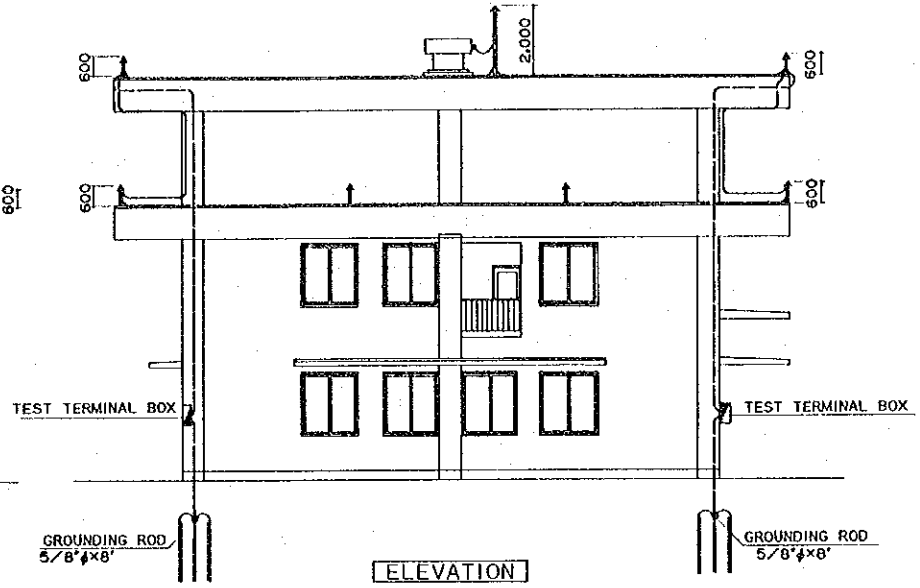
DESIGNED	
TRACED	
CHECKED	
APPROVED	

DRAWING NO. PST-1057

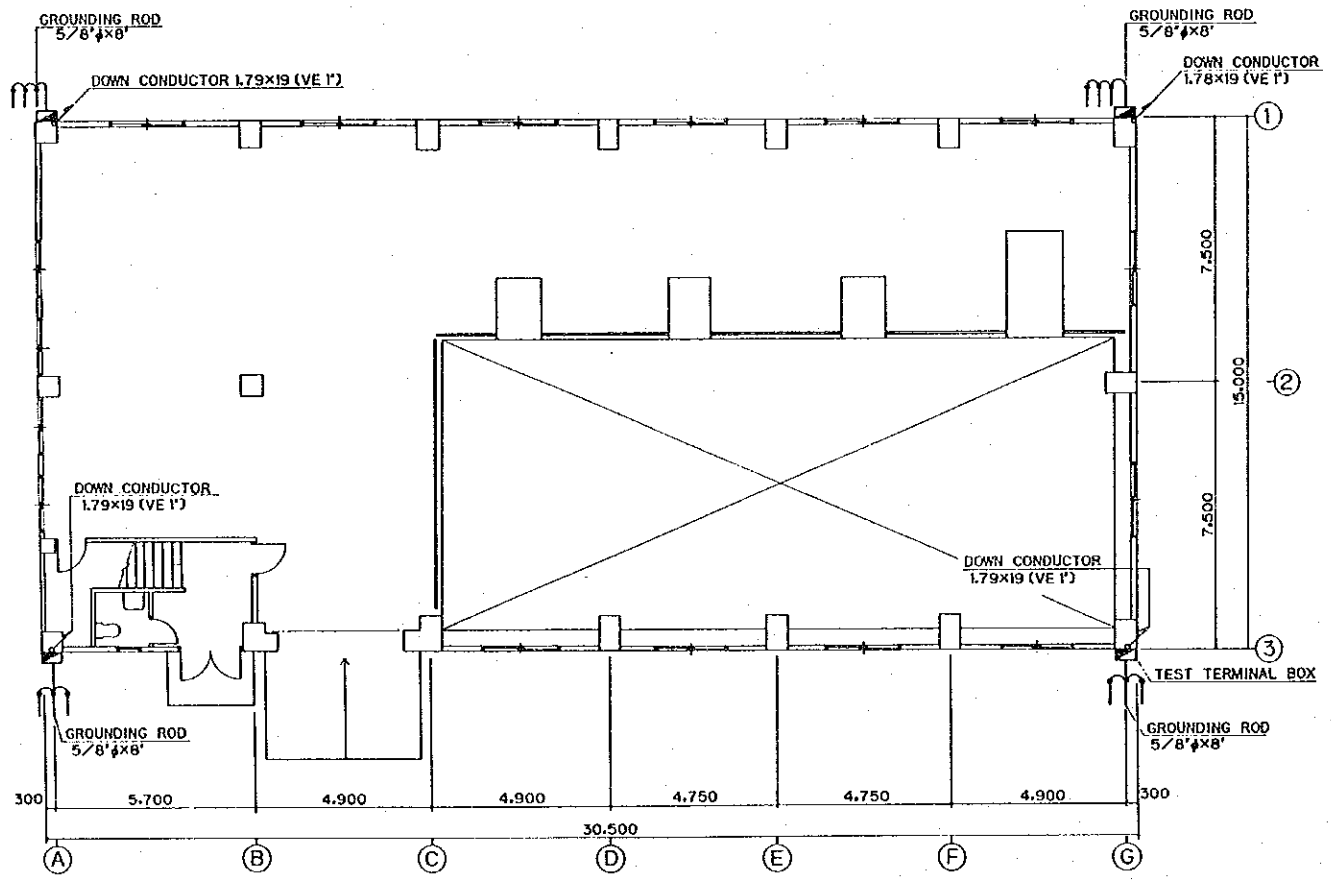




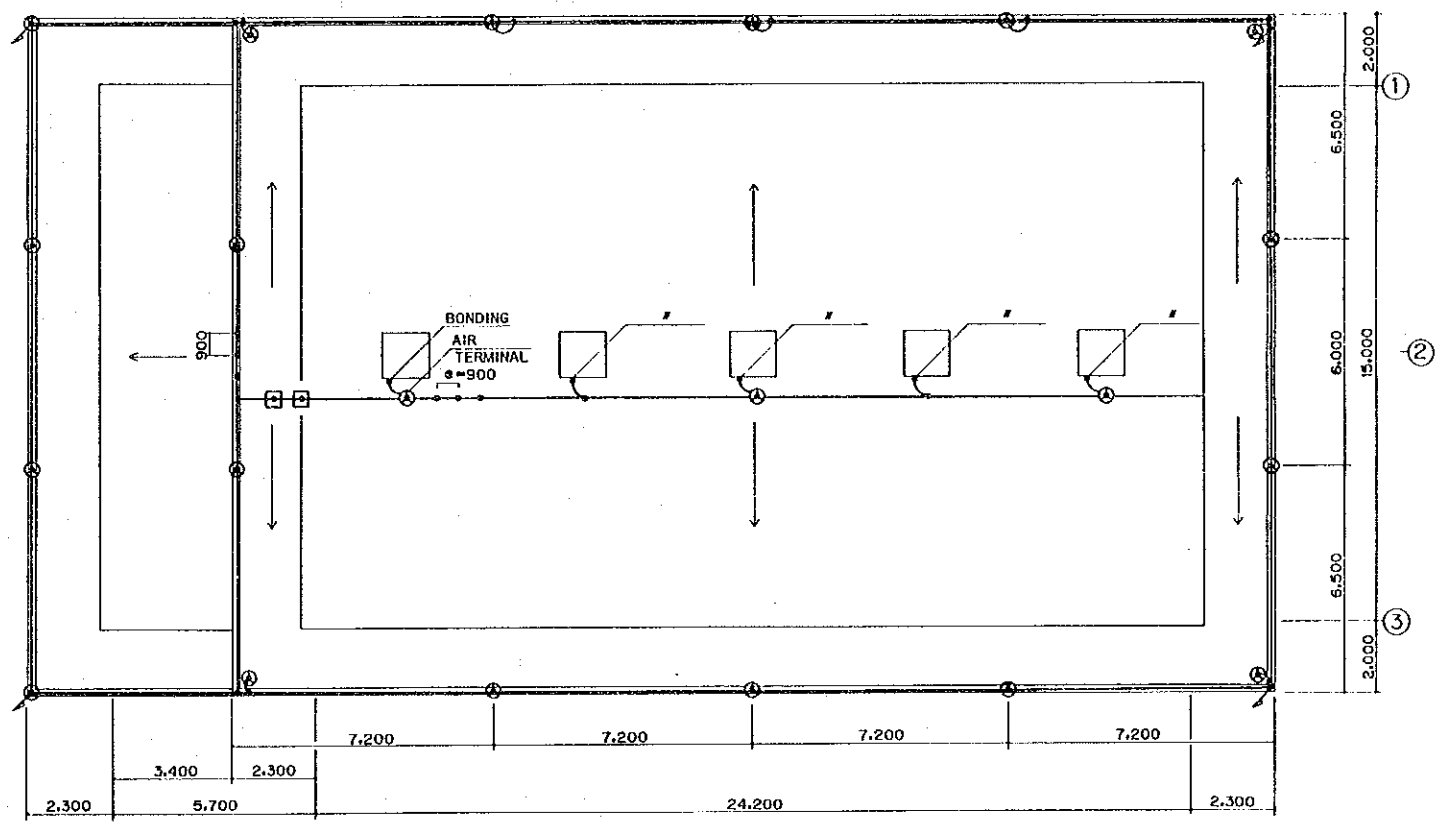
ELEVATION



ELEVATION

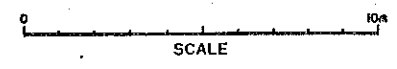


1-ST FLOOR PLAN

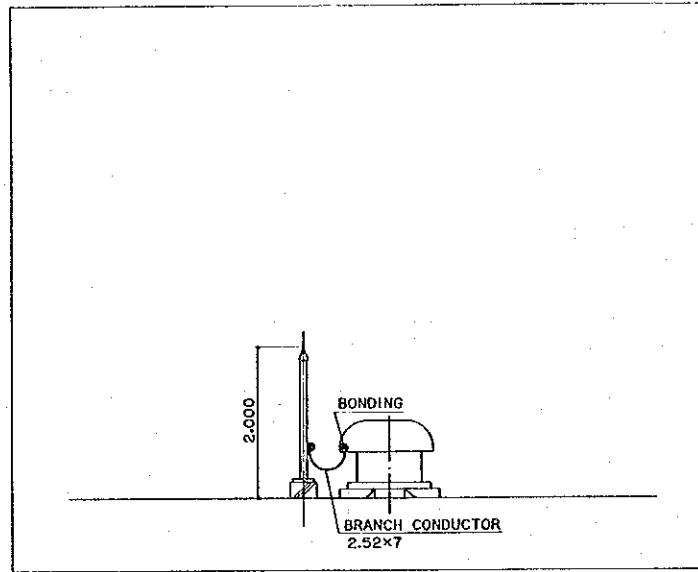


ROOF PLAN

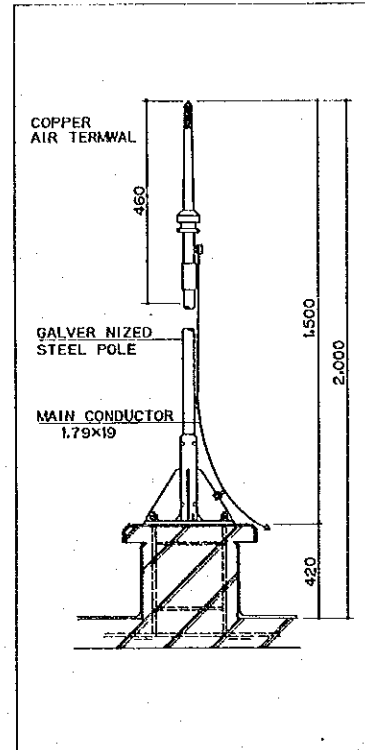
- NOTES:
1. ALL BENDS NOT LESS THAN 200mm RADIUS.
  2. (VE) PVC CONDUIT.



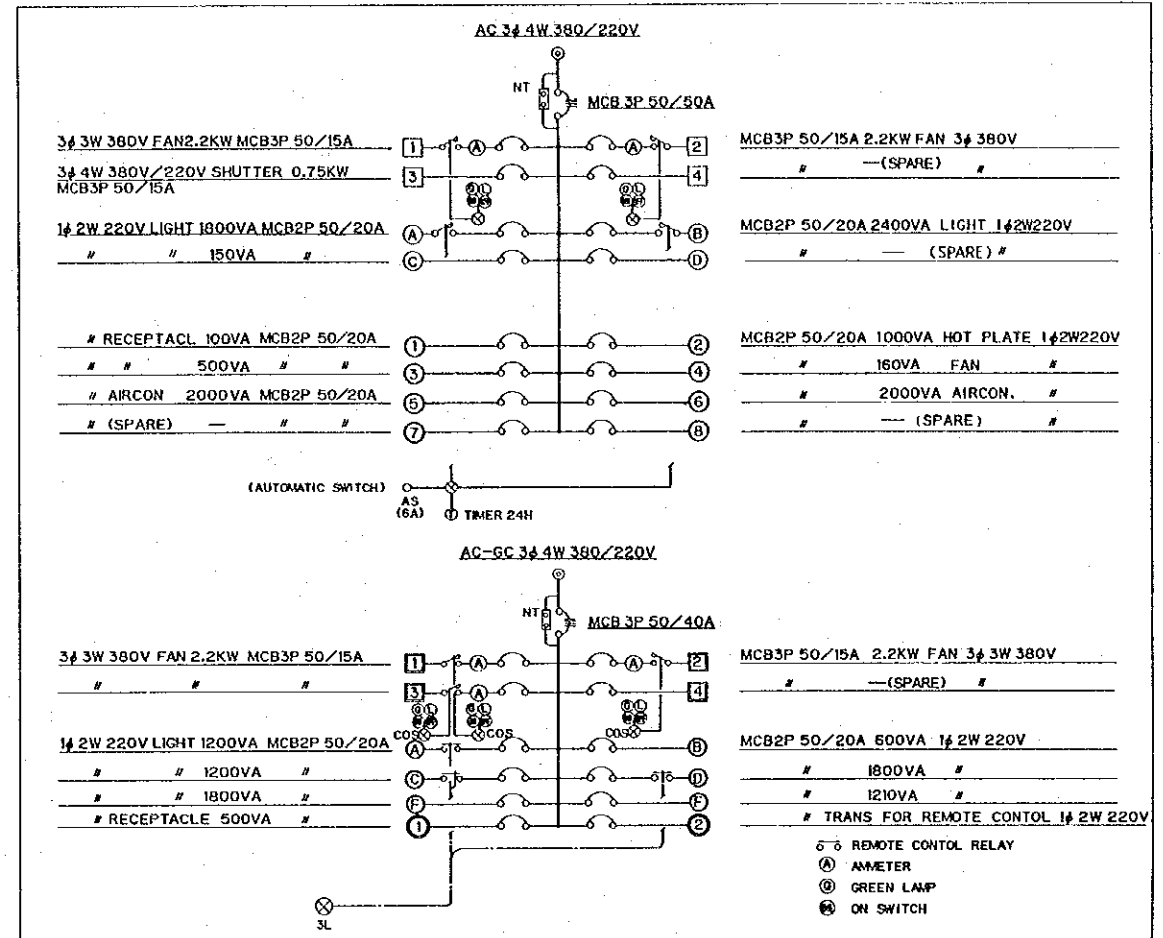
THE KINGDOM OF THAILAND ROYAL IRRIGATION DEPARTMENT	
THE BANG PAKONG DIVERSION DAM PROJECT	
PUMPING STATION PUMP HOUSE PLAN OF LIGHTNING SYSTEM	
JAPAN INTERNATIONAL COOPERATION AGENCY (JICA) SANYU CONSULTANTS INC.	
DESIGNED	
TRACED	
CHECKED	
APPROVED	
DRAWING NO. PST - 1068	



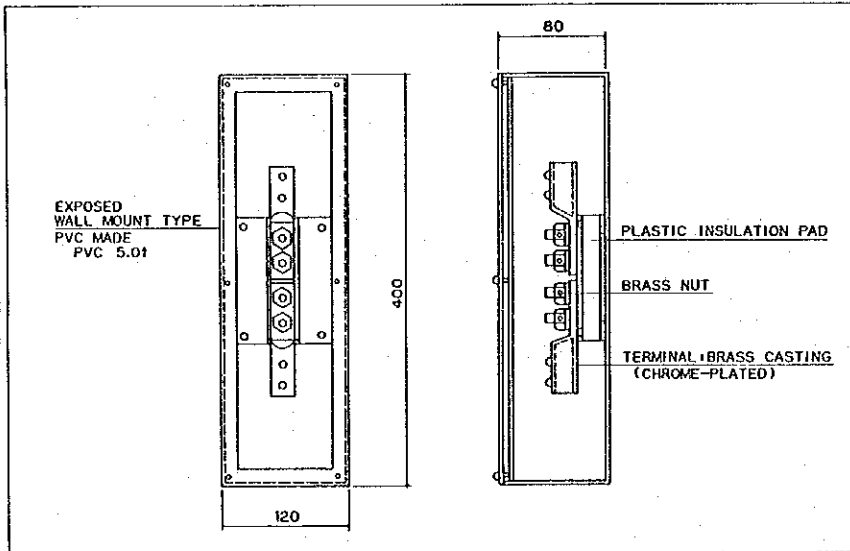
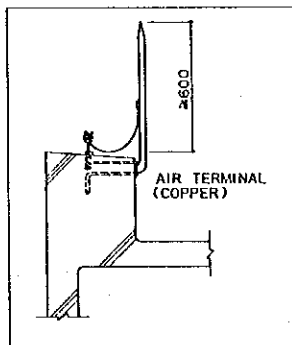
BRANCH CONDUCTOR



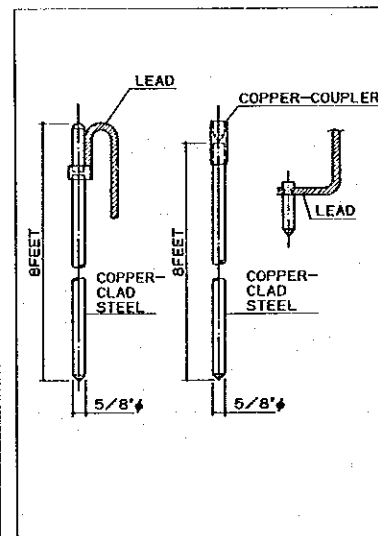
AIR TERMINAL



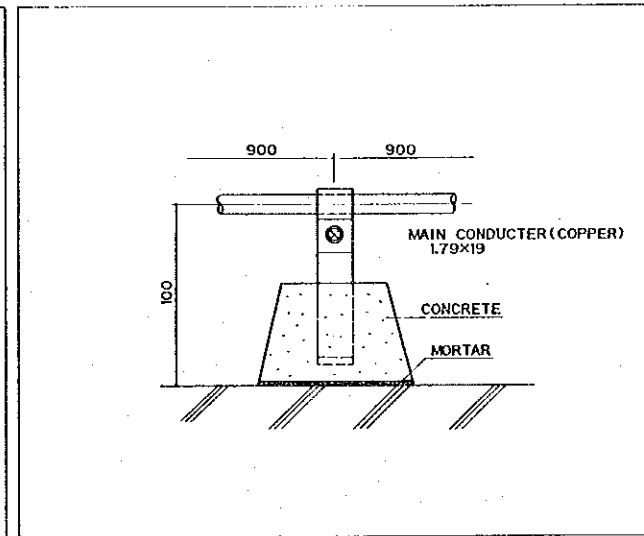
LM-1



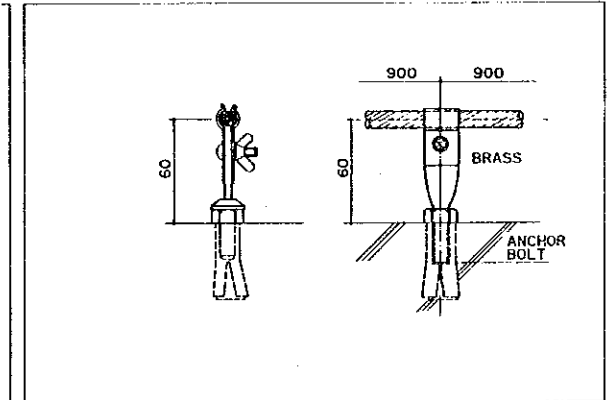
TEST TERMINAL BOX



GROUNDING ROD

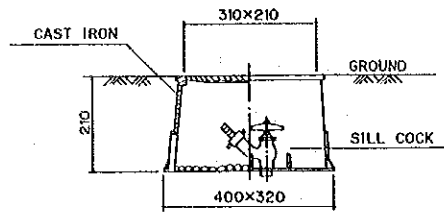


FASTENER FOR ROOF

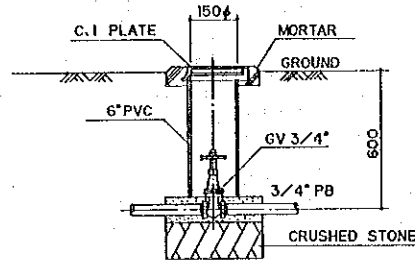


FASTENER FOR RIDGES AND PARAPETS

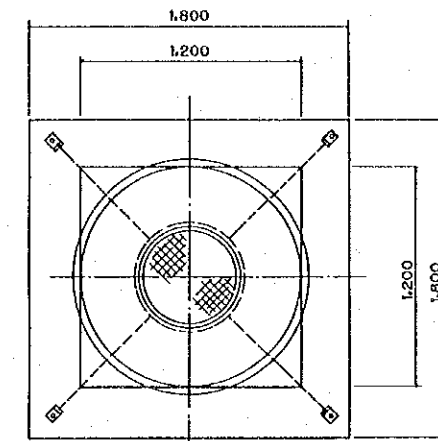
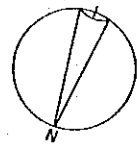
THE KINGDOM OF THAILAND ROYAL IRRIGATION DEPARTMENT	
THE BANG PAKONG DIVERSION DAM PROJECT	
PUMPING STATION PUMP HOUSE DETAILS OF LIGHTNING APPARATUS	
JAPAN INTERNATIONAL COOPERATION AGENCY (JICA) SANYU CONSULTANTS INC.	
DESIGNED	
TRACED	
CHECKED	
APPROVED	
DRAWING NO. PST - 1069	



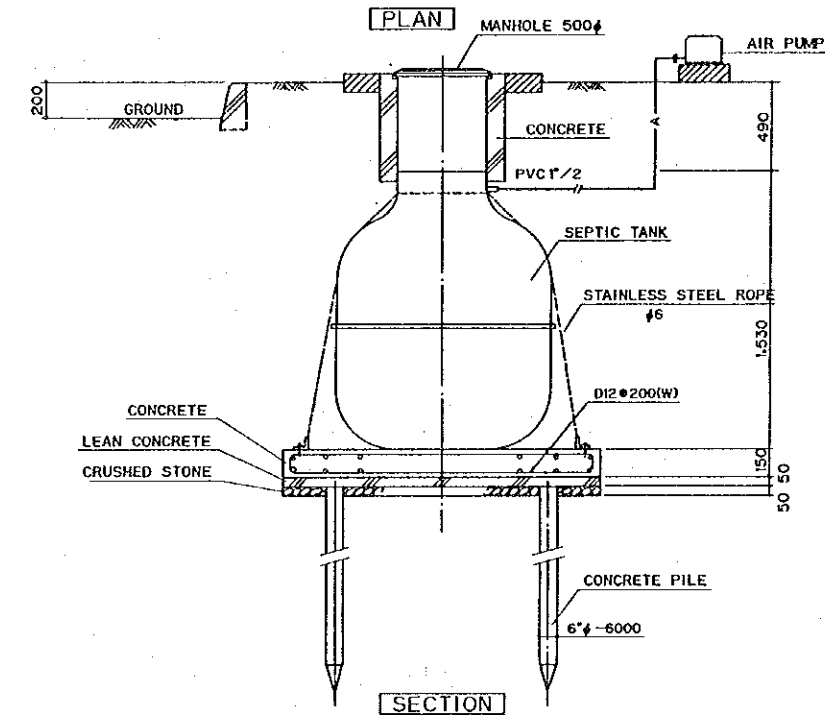
SILL COCK CAST IRON VALVE BOX



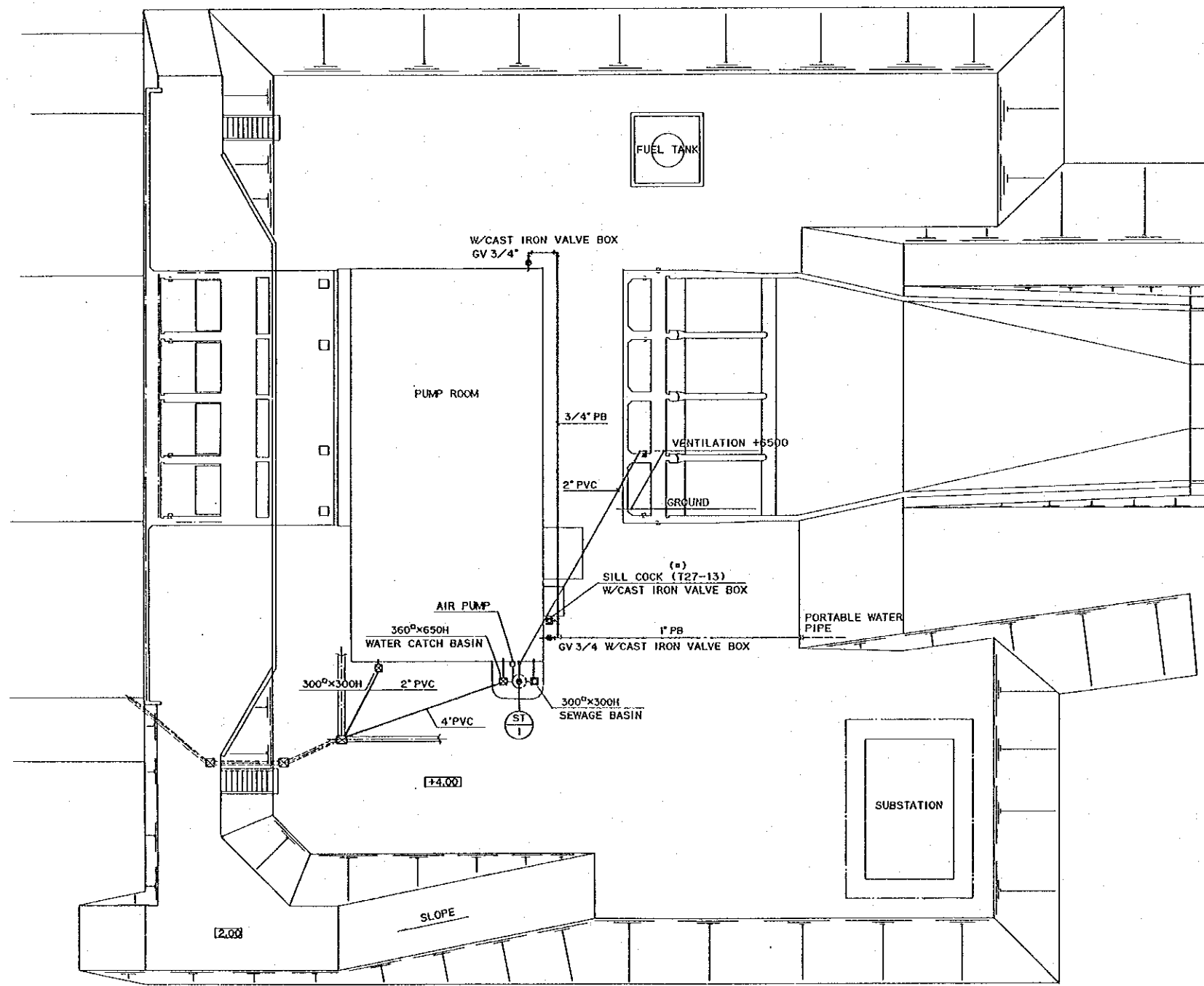
GV CAST IRON VALVE BOX



PLAN



SECTION



PILOT PLAN

SYMBOLS	TITLE	NUMBER	CAPACITY	POWER	REMARKS
ST-1	SEPTIC TANK	1	10 PERSON FRP MADE		*(SATS GK 100)
			AIR PUMP 44L/MIN	44W	*(SAD 40EX)

- NOTES:
- GV: GATE VALVE, BRONZE MADE, SCREWED JIS10KG.
  - PVC: POLY VINYL CHLORIDE PIPE, CLASS 13.5 FOR EXTERIOR WORK.
  - PB: POLY BUTYLENE PIPE, SDR11.
  - UNDERGROUND PB PIPE SHOULD BE NOT LESS THAN 600mm FROM GROUND.
  - MANHOLE COVER FOR WATER CATCH BASIN SHOULD BE FOR DEODORANT.
  - MANHOLE COVERS i.e., AROUND SEPTIC TANK SHOULD BE LIGHT DUTY.

THE KINGDOM OF THAILAND  
ROYAL IRRIGATION DEPARTMENT

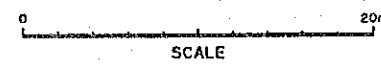
**THE BANG PAKONG DIVERSION DAM PROJECT**

PUMPING STATION  
PUMP HOUSE  
OUTDOOR PIPING & SEPTIC TANK

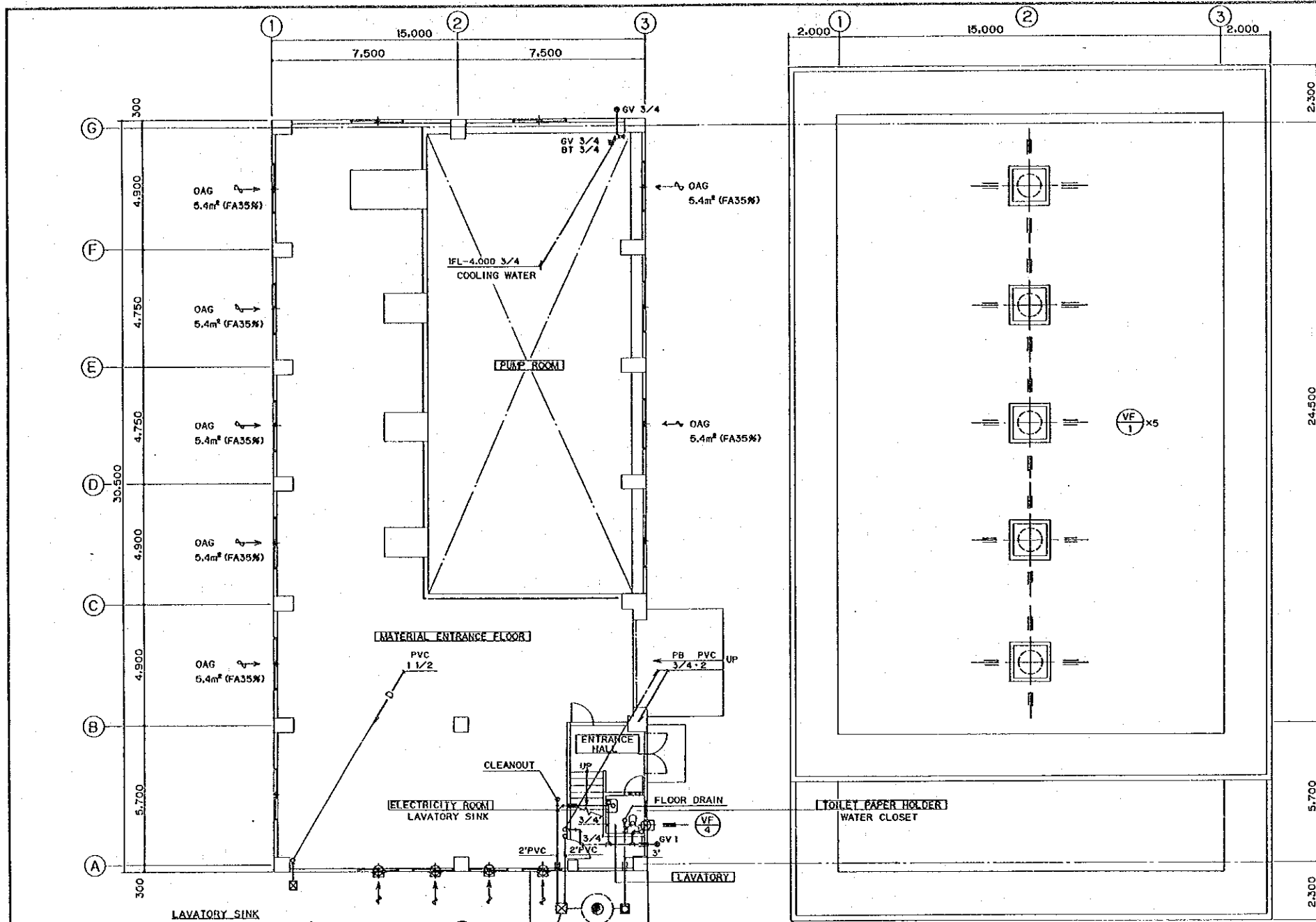
JAPAN INTERNATIONAL COOPERATION AGENCY (JICA)  
SANYU CONSULTANTS INC.

DESIGNED	
TRACED	
CHECKED	
APPROVED	

DRAWING NO. PST - 1070



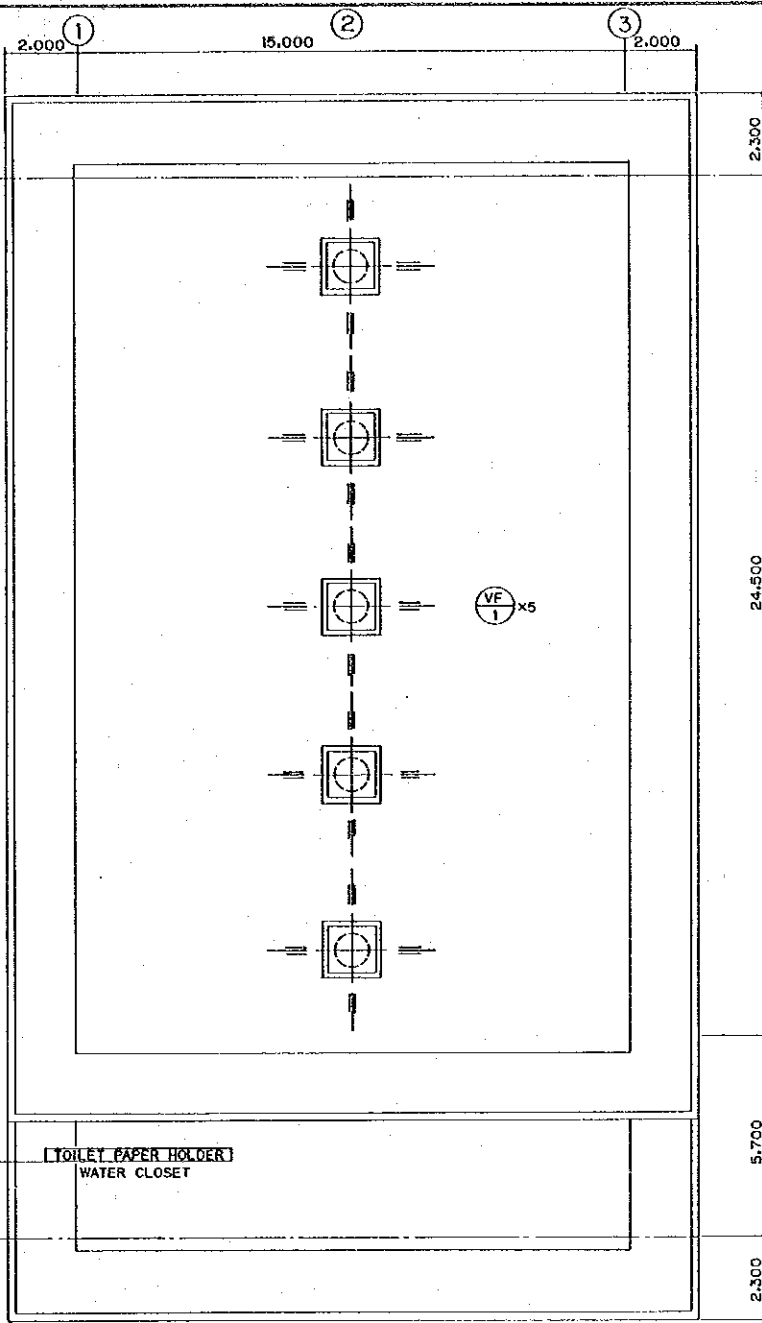
SCALE



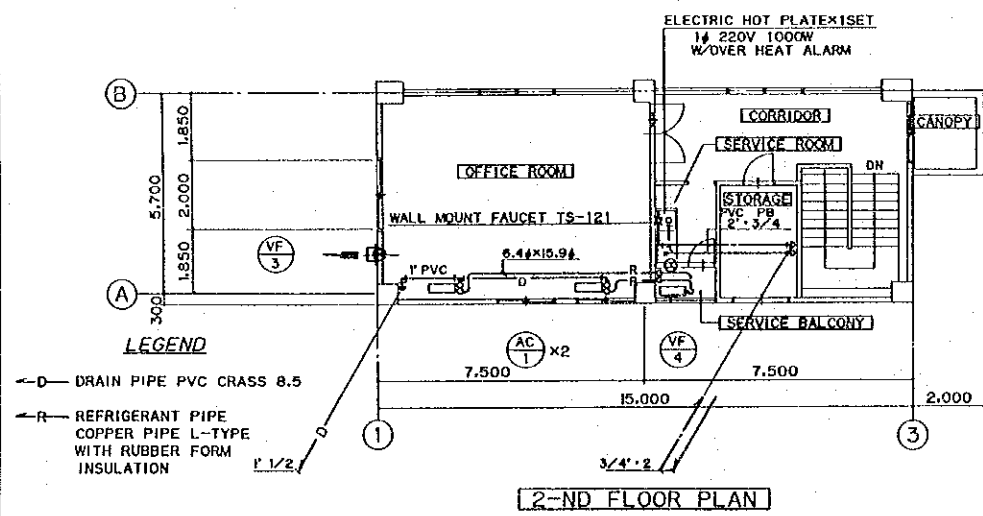
**LAVATORY SINK**  
 (COTTO VANDA L-220)  
 P-TRAP (TS-303A)  
 PLUG CHAIN WASTE (TS301A)  
 ANGLE VALVE 1/2" (TS-106)  
 FLEXIBLE PIPE 1/2"  
 MIRROR 450x600

**WATER CLOSET**  
 (COTTO NANCY C-179)  
 ANGLE VALVE 1/2" (TS-106)x2  
 HOSE BIBB 1/2" (GROHE)  
 FLEXIBLE PIPE 1/2"

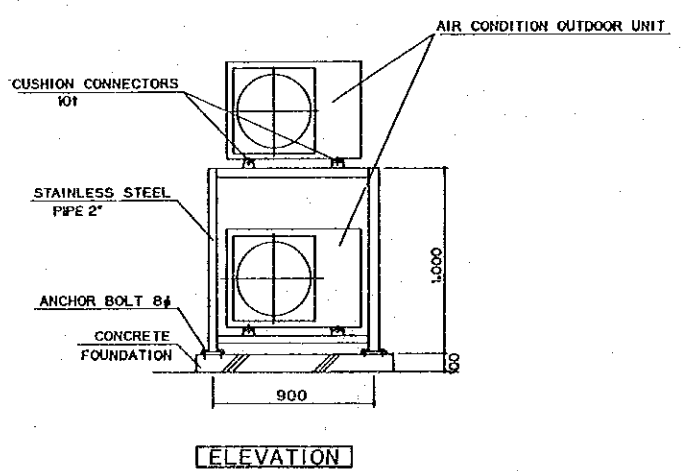
**LEGEND**  
 -D- DRAIN PIPE PVC CRASS 8.5  
 -R- REFRIGERANT PIPE  
 COPPER PIPE L-TYPE  
 WITH RUBBER FORM  
 INSULATION 1/2"



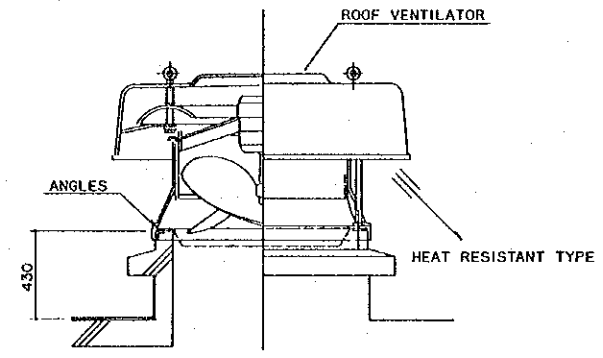
**ROOF PLAN**



**2-ND FLOOR PLAN**



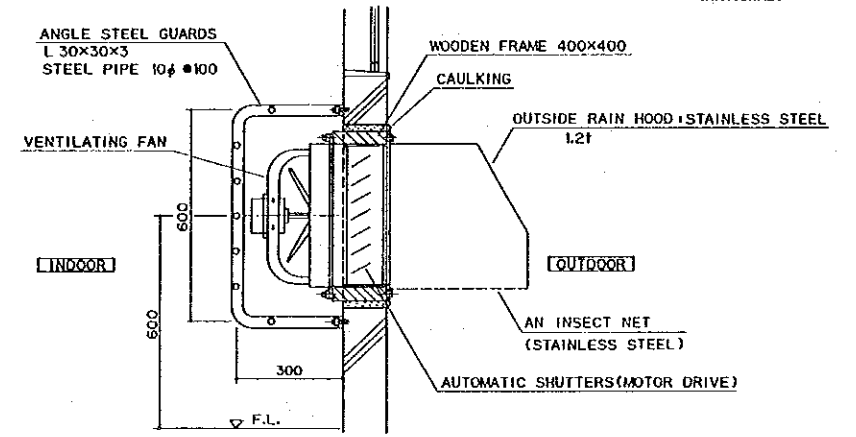
**ELEVATION**



**SECTION OF ROOF VENTILATOR**

SYMBOLS	TITLE	NUMBER	CAPACITY	POWER VOLTAGE	REMARKS
VF-1	ROOF VENTILATOR	5	900x350CMx5MMAQ	2.2KW 3φ 380V	(FY-90SHE)
VF-2	VENTILATING FAN	4	350x36CMx5MMAQ (HI-PRESSURE)	115W 1φ 220V	(FY-35G2)
VF-3	"	1	200x5CM (WALL-MOUNT)	46W 1φ 220V	(FY-20AL5)
VF-4	"	2	150x2.5CM ( " )	30W 1φ 220V	(FY-15AST)

(NATIONAL)



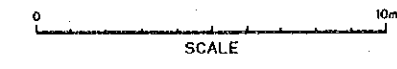
**SECTION OF HI-PRESSURE FAN**

SYMBOLS	TITLE	NUMBER	CAPACITY	POWER VOLTAGE	REMARKS
AC-1	AIR CONDITION	2	FLOOR STANDING	1960W 1φ 220V	(FY-45CVE)
	(SPLIT TYPE)		COOLING CAPACITY 17,600 BTU/H		(R-45CV1)

(DAIKIN)

**NOTES AND ABBREVIATION**

- 1. MANUFACTURER AND MODEL MENTIONED IN DRAWING AS EQUIVALENT.
- 2. PVC: POLY VINYL CHLORIDE PIPE, CLASS 8.5.
- 3. PB: POLY BUTYLENE PIPE, SDR11.
- 4. GV: GATE VALVE, BRONZE, SCREW END, JIS10KG.
- 5. BT: BALL TAP, BRONZE, SCREW END, JIS10KG.
- 6. RAIN HOODS STAINLESS MADE FOR VF-3 AND VF-4 SHOULD BE REQUIRED.
- 7. SANITARY WARE COLOUR: WHITE.



THE KINGDOM OF THAILAND  
 ROYAL IRRIGATION DEPARTMENT

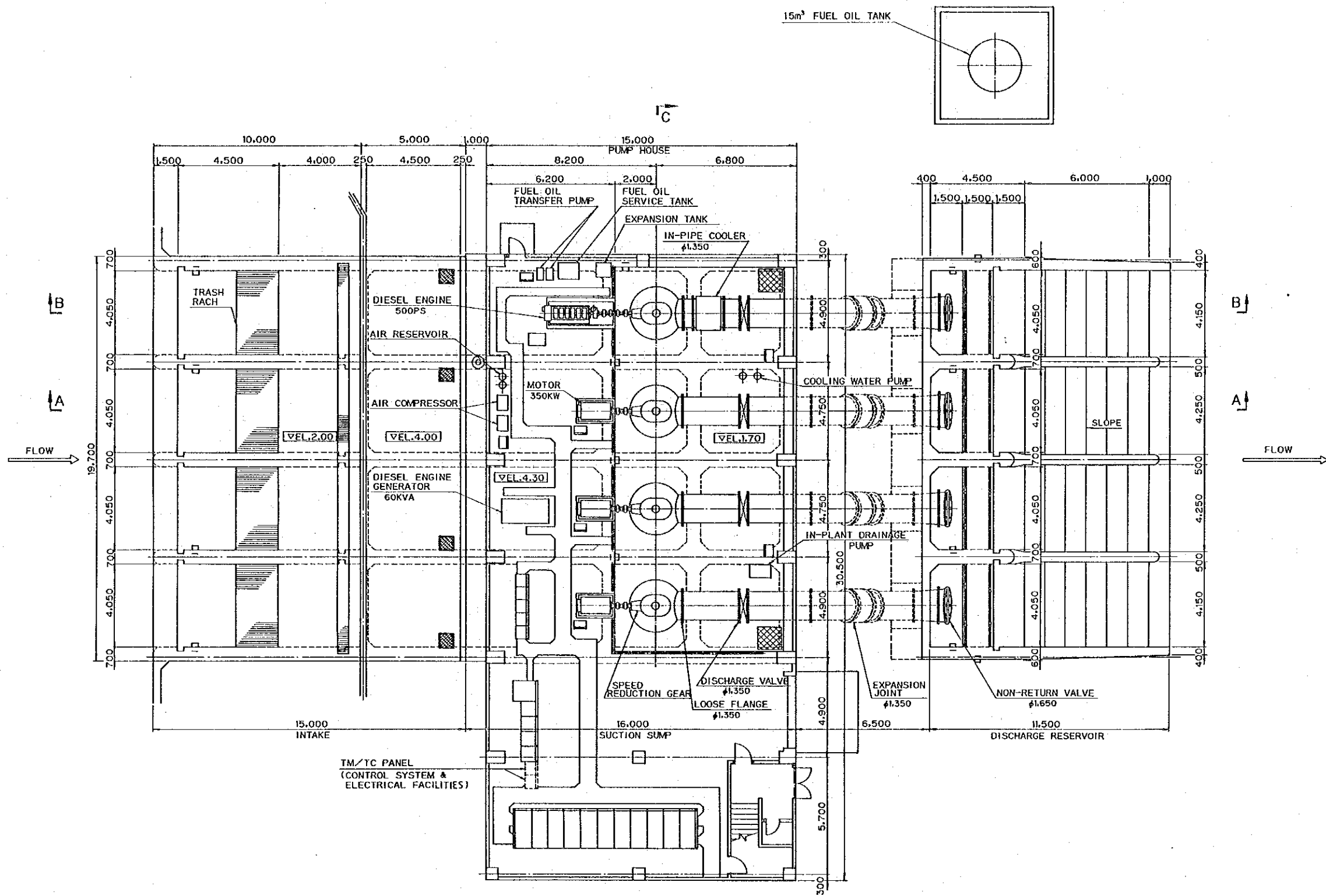
**THE BANG PAKONG DIVERSION DAM PROJECT**

**PUMPING STATION  
 PUMP HOUSE  
 INDOOR PIPING & VENTILATION**

JAPAN INTERNATIONAL COOPERATION AGENCY (JICA)  
 SANYU CONSULTANTS INC.

DESIGNED	
TRACED	
CHECKED	
APPROVED	

DRAWING NO. PST-1071



**DIMENSION OF PUMPS**

PUMP TYPE	VERTICAL SHAFT TYPE MIXED FLOW PUMP	
BORE	φ1.350mm	
DISCHARGE CAPACITY	240m <sup>3</sup> /min	
ACTUAL STATIC HEAD	5.4m	
PRIME MOVER OUTPUT	ELECTRIC MOTOR	DIESEL ENGINE
TOTAL HEAD	6.1m	6.2m
PRIME MOVER OUTPUT	350KW	500PS
No. OF PUMP	3units	1unit



THE KINGDOM OF THAILAND  
ROYAL IRRIGATION DEPARTMENT

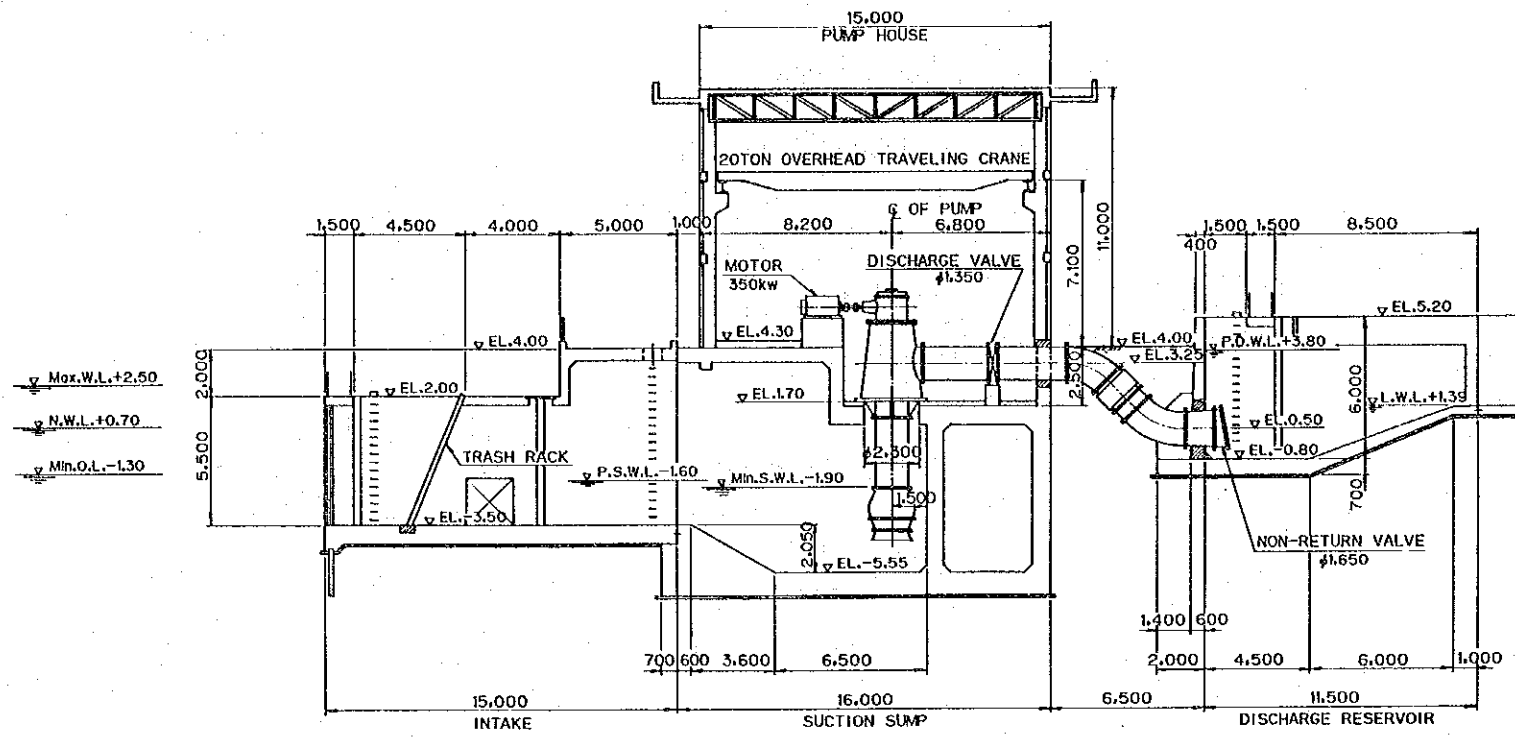
**THE BANG PAKONG DIVERSION DAM PROJECT**

**PUMPING STATION  
PUMP EQUIPMENT  
PLAN & SECTIONS(1/3)**

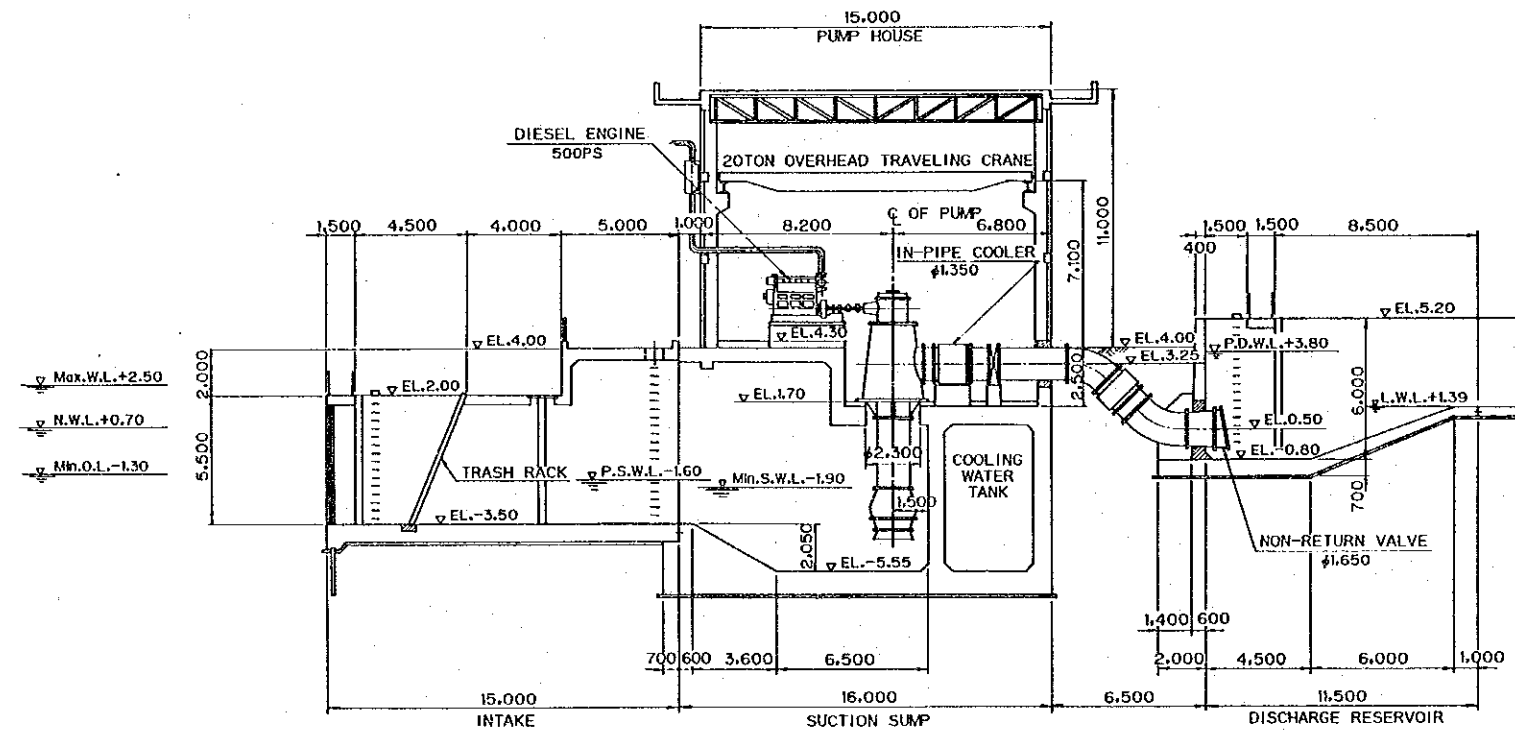
JAPAN INTERNATIONAL COOPERATION AGENCY (JICA)  
SANYU CONSULTANTS INC.

DESIGNED	
TRACED	
CHECKED	
APPROVED	

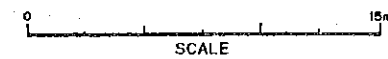
DRAWING NO. PST - 1072



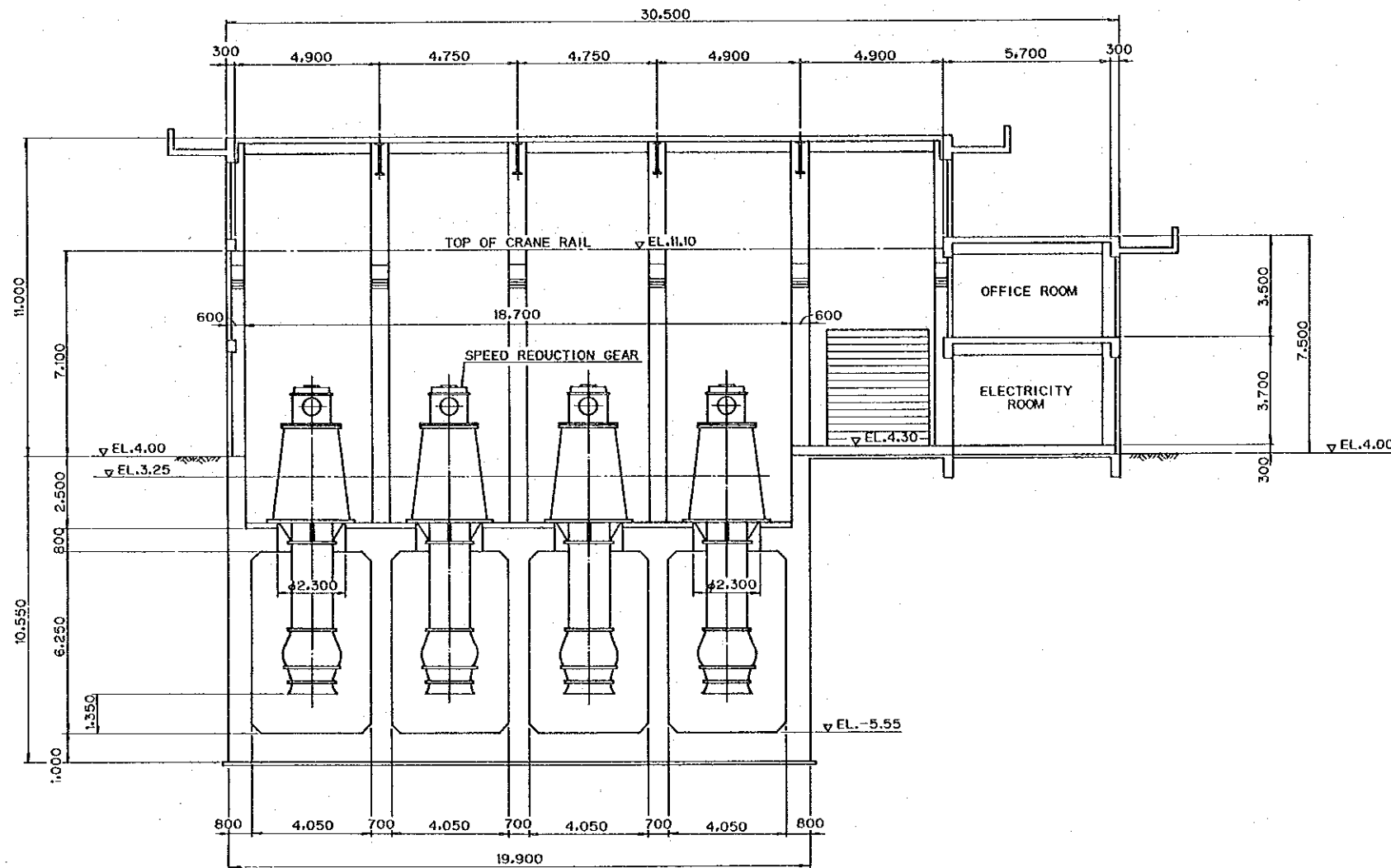
SECTION A-A



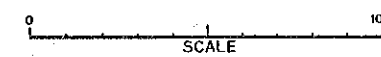
SECTION B-B



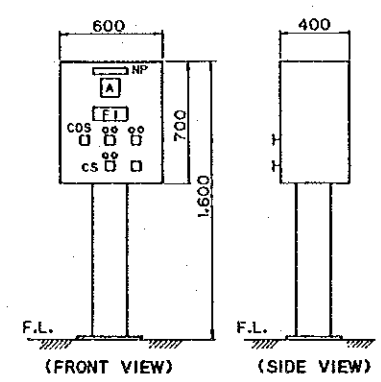
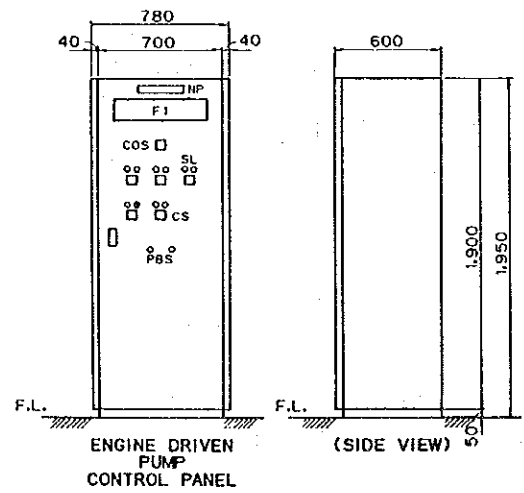
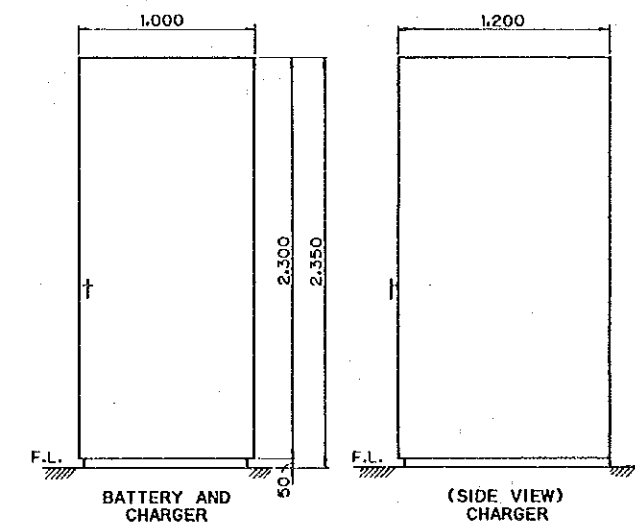
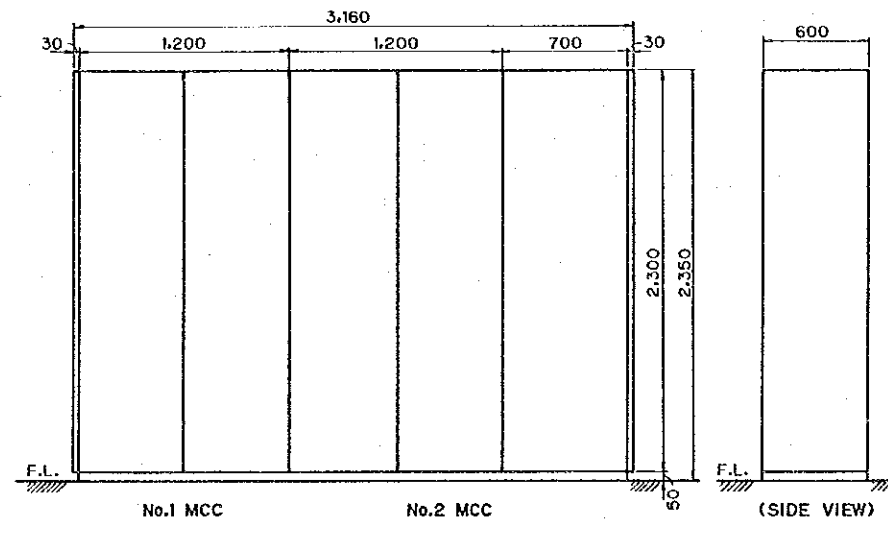
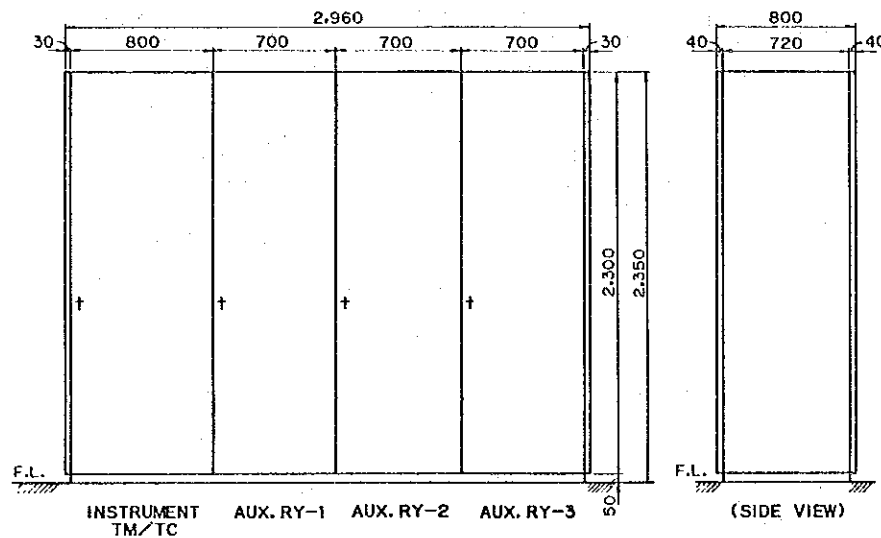
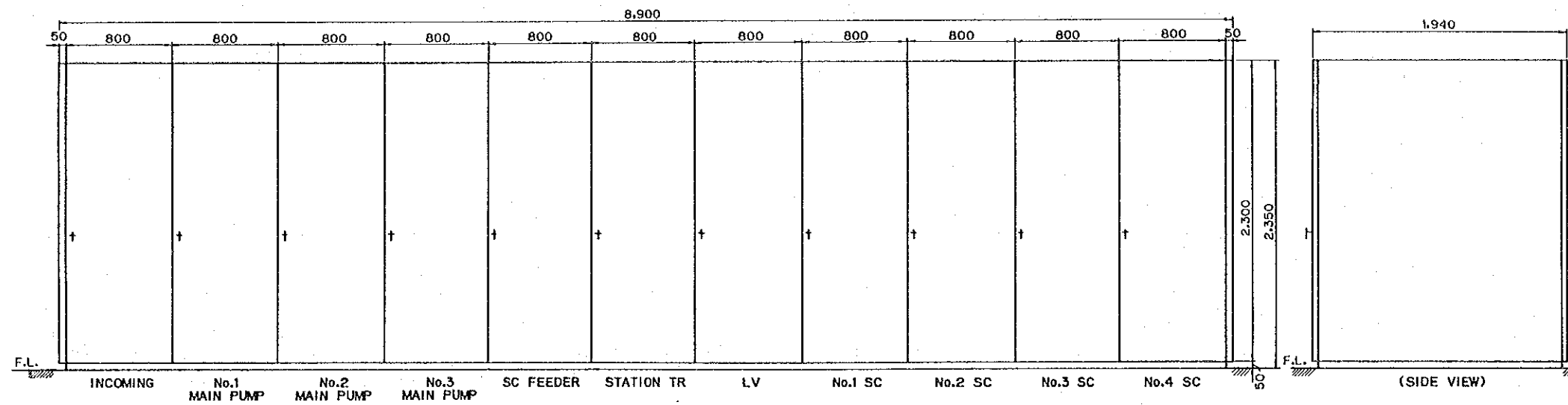
THE KINGDOM OF THAILAND ROYAL IRRIGATION DEPARTMENT	
THE BANG PAKONG DIVERSION DAM PROJECT	
PUMPING STATION PUMP EQUIPMENT PLAN & SECTIONS (2/3)	
JAPAN INTERNATIONAL COOPERATION AGENCY (JICA) SANYU CONSULTANTS INC.	
DESIGNED	
TRACED	
CHECKED	
APPROVED	
DRAWING NO. PST - 1073	



SECTION C-C

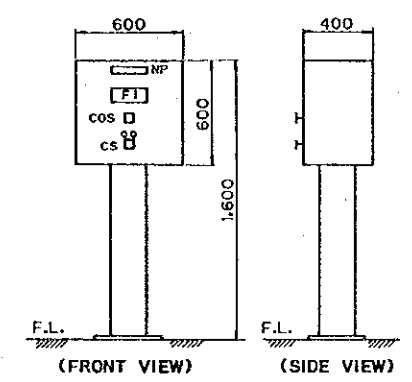


THE KINGDOM OF THAILAND ROYAL IRRIGATION DEPARTMENT	
THE BANG PAKONG DIVERSION DAM PROJECT	
PUMPING STATION PUMP EQUIPMENT PLAN & SECTIONS (3/3)	
JAPAN INTERNATIONAL COOPERATION AGENCY (JICA) SANYU CONSULTANTS INC.	
DESIGNED	
TRACED	
CHECKED	
APPROVED	
DRAWING NO. PST - 1074	



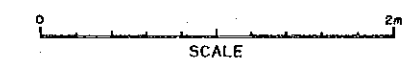
LOCAL CONTROL PANEL

- 1-No.1 MAIN PUMP
- 1-No.2 MAIN PUMP
- 1-No.3 MAIN PUMP



LOCAL CONTROL PANEL

- 1-IN-PLANT DRAINAGE PUMP
- 1-FUEL OIL PUMP
- 1-COOLING WATER PUMP
- 1-AIR COMPRESSOR



THE KINGDOM OF THAILAND  
ROYAL IRRIGATION DEPARTMENT

THE BANG PAKONG DIVERSION DAM PROJECT

PUMPING STATION  
PUMP EQUIPMENT  
DIMENSIONS OF ELECTRIC PANELS

JAPAN INTERNATIONAL COOPERATION AGENCY (JICA)  
SANYU CONSULTANTS INC.

DESIGNED	
TRACED	
CHECKED	
APPROVED	

DRAWING NO. PST-1075