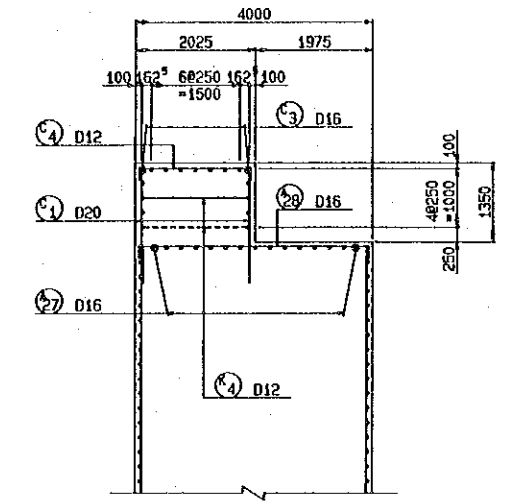
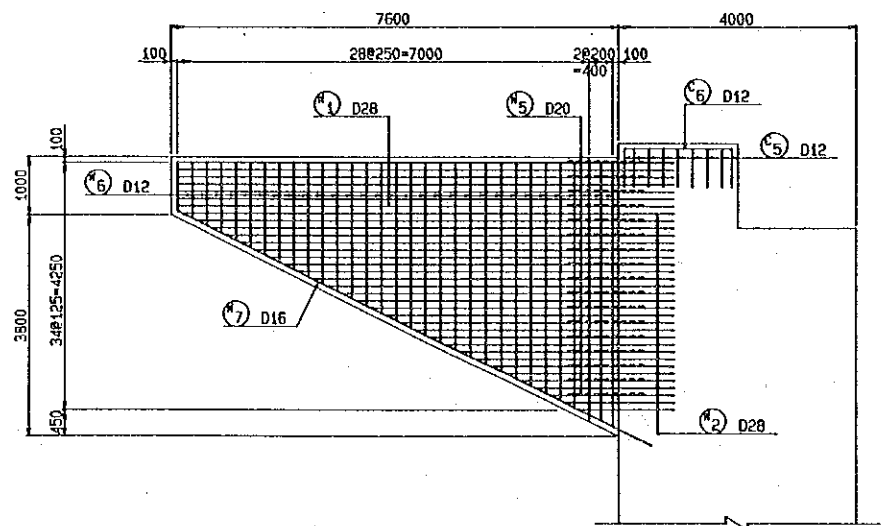


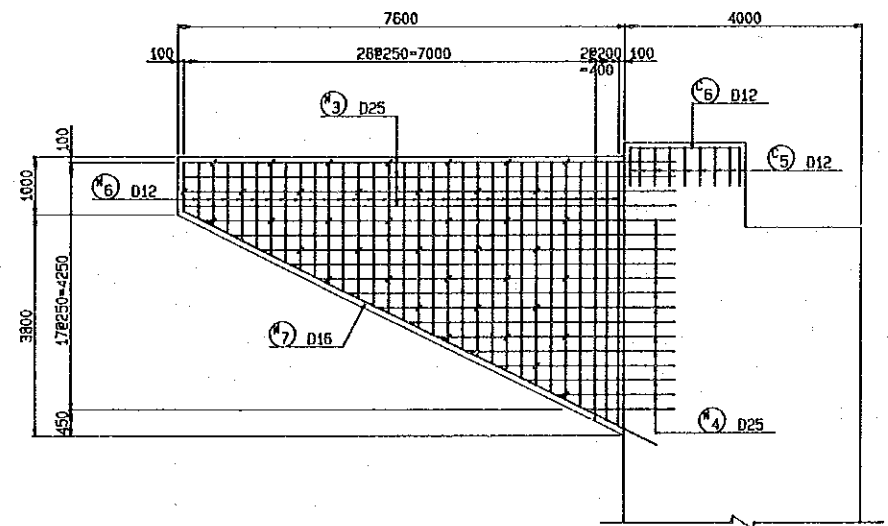
SECTION D-D



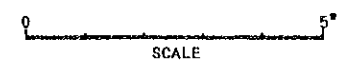
SECTION G-G



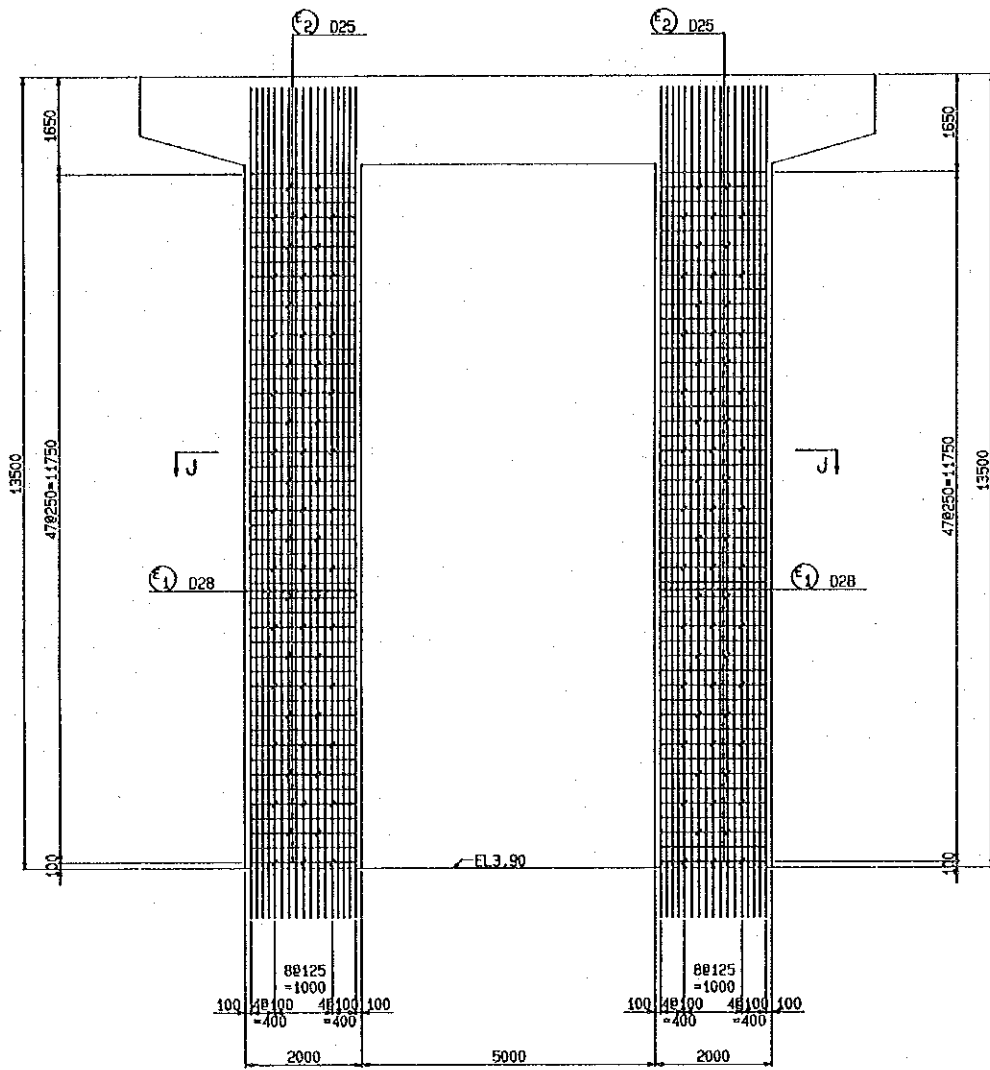
SECTION H-H



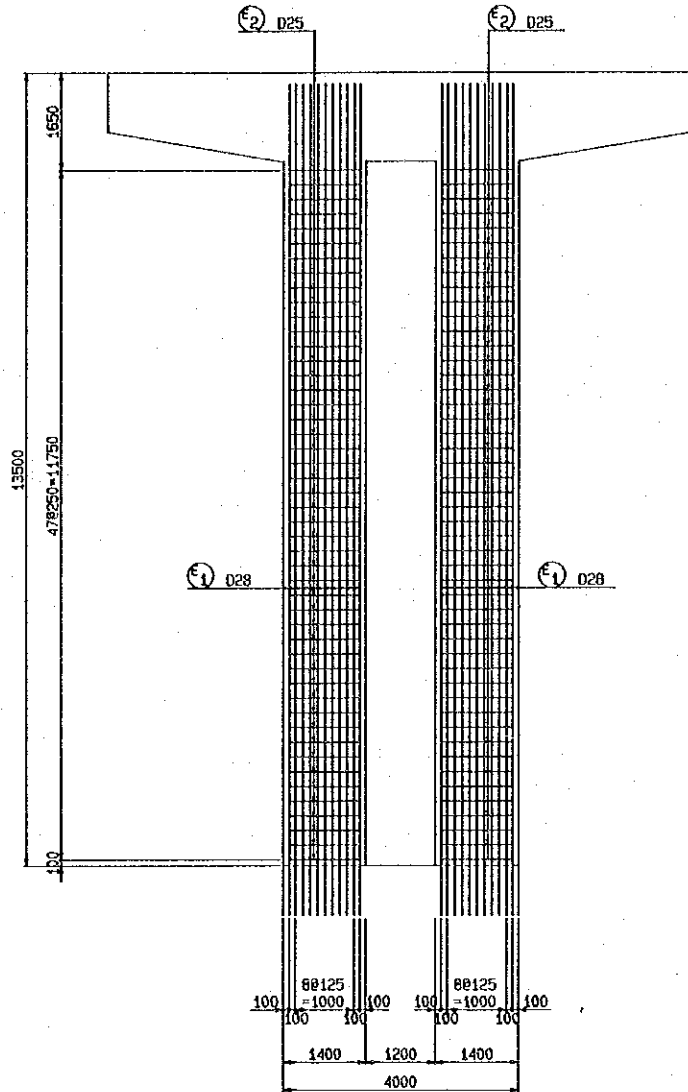
SECTION I-I



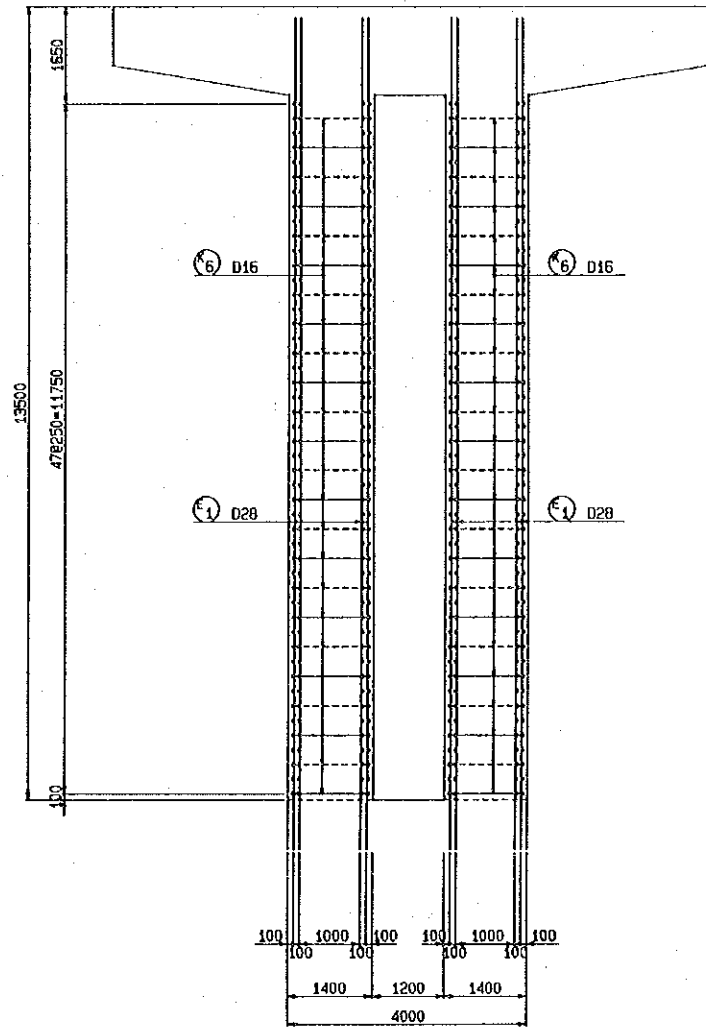
THE KINGDOM OF THAILAND ROYAL IRRIGATION DEPARTMENT	
THE BANG PAKONG DIVERSION DAM PROJECT	
BANG PAKONG DIVERSION DAM	
ABUT. PIER REINFORCEMENT (3/5)	
JAPAN INTERNATIONAL COOPERATION AGENCY (JICA) SANYU CONSULTANTS INC.	
DESIGNED	
TRACED	
CHECKED	
APPROVED	
DRAWING NO.	DDM - 1018



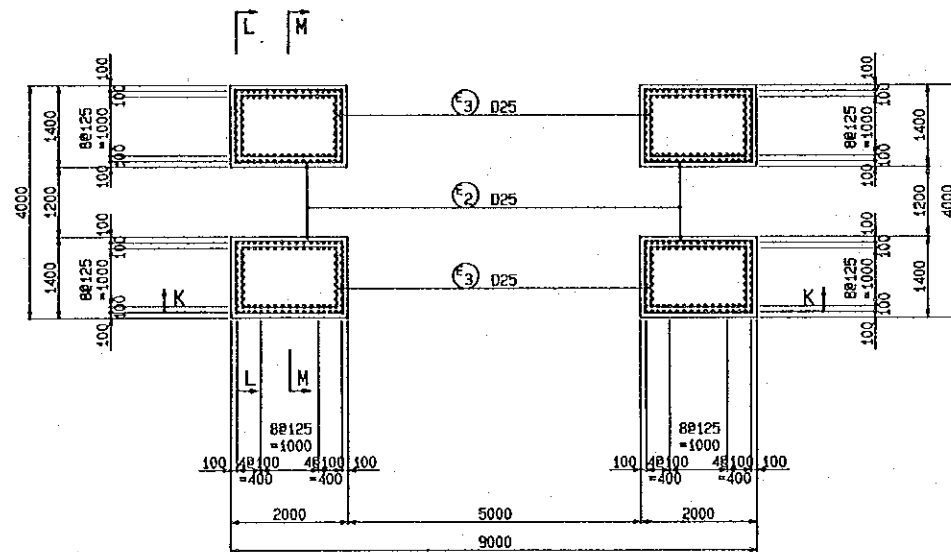
SECTION K-K
(UPPER HALF OF PIER)



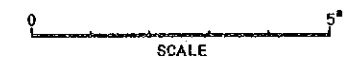
SECTION L-L



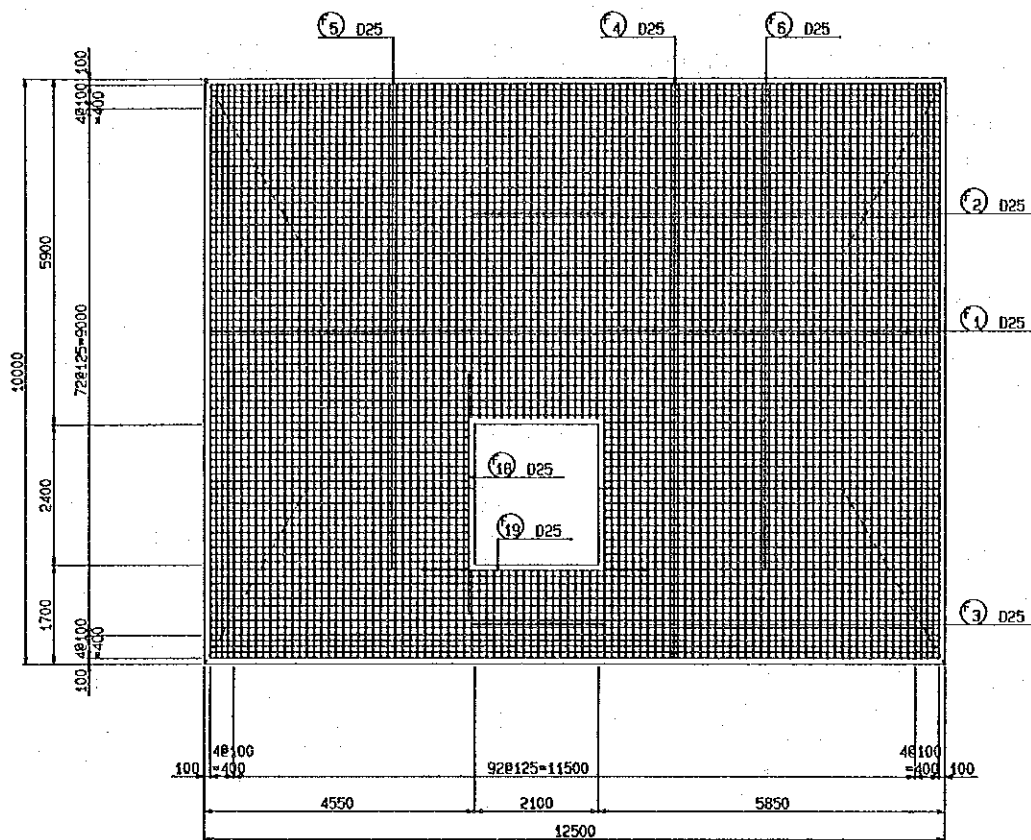
SECTION M-M



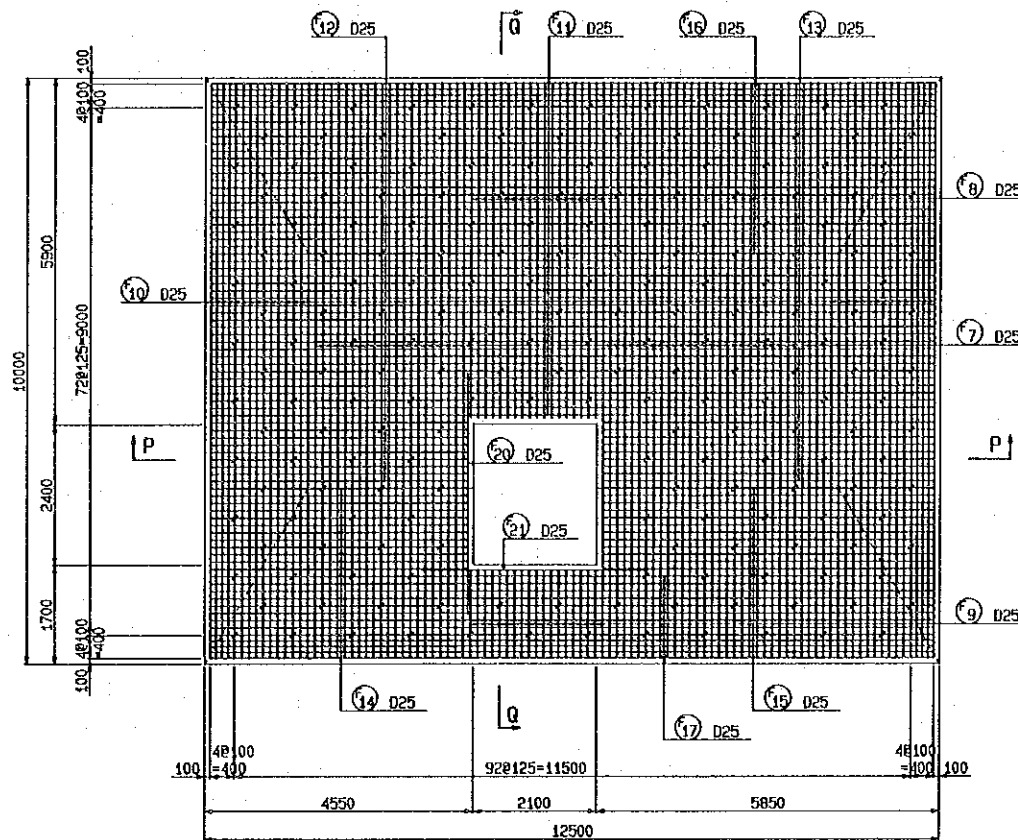
SECTION J-J



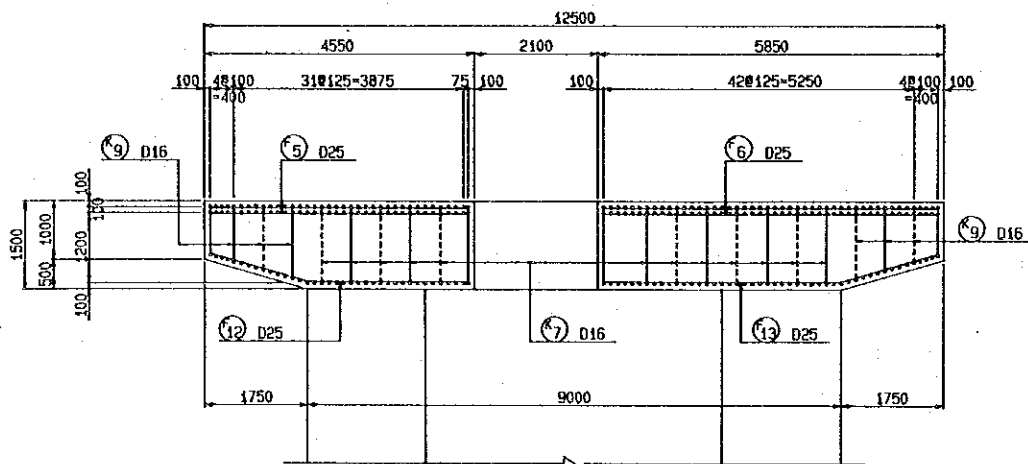
THE KINGDOM OF THAILAND ROYAL IRRIGATION DEPARTMENT	
THE BANG PAKONG DIVERSION DAM PROJECT	
BANG PAKONG DIVERSION DAM	
ABUT. PIER REINFORCEMENT (4/5)	
JAPAN INTERNATIONAL COOPERATION AGENCY (JICA) SAHYU CONSULTANTS INC.	
DESIGNED	
TRACED	
CHECKED	
APPROVED	
DRAWING NO.	DDM - 1019



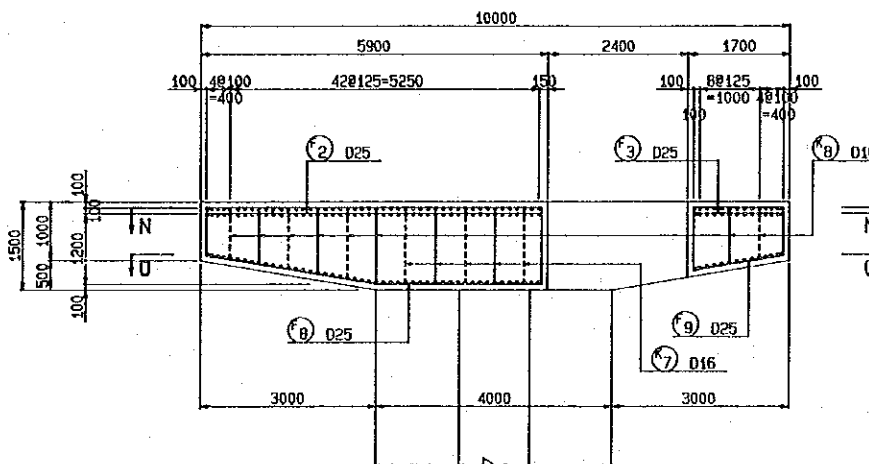
SECTION N-N
(UPPER SURFACE OF TOP SLAB)



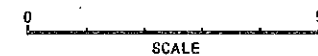
SECTION O-O
(LOWER SURFACE OF TOP SLAB)



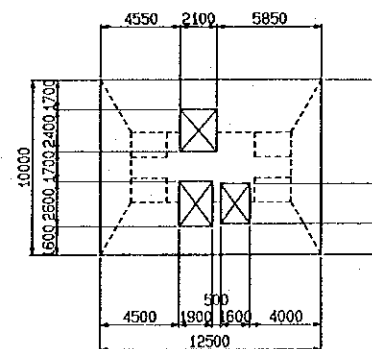
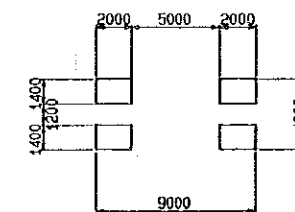
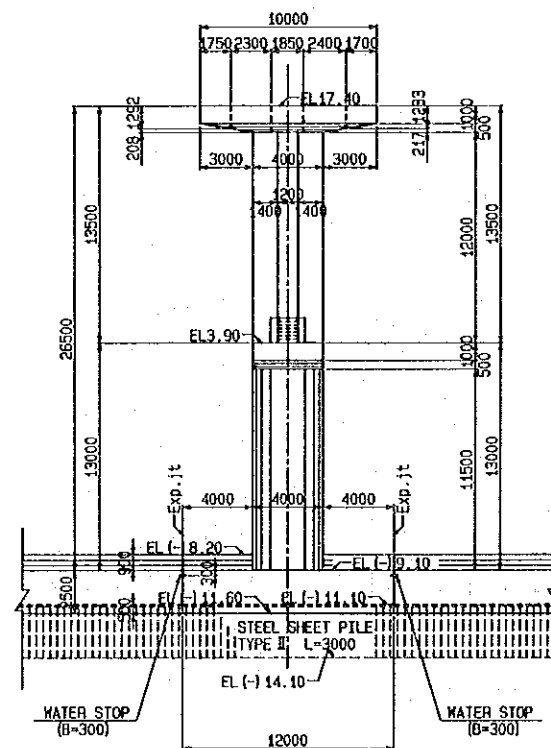
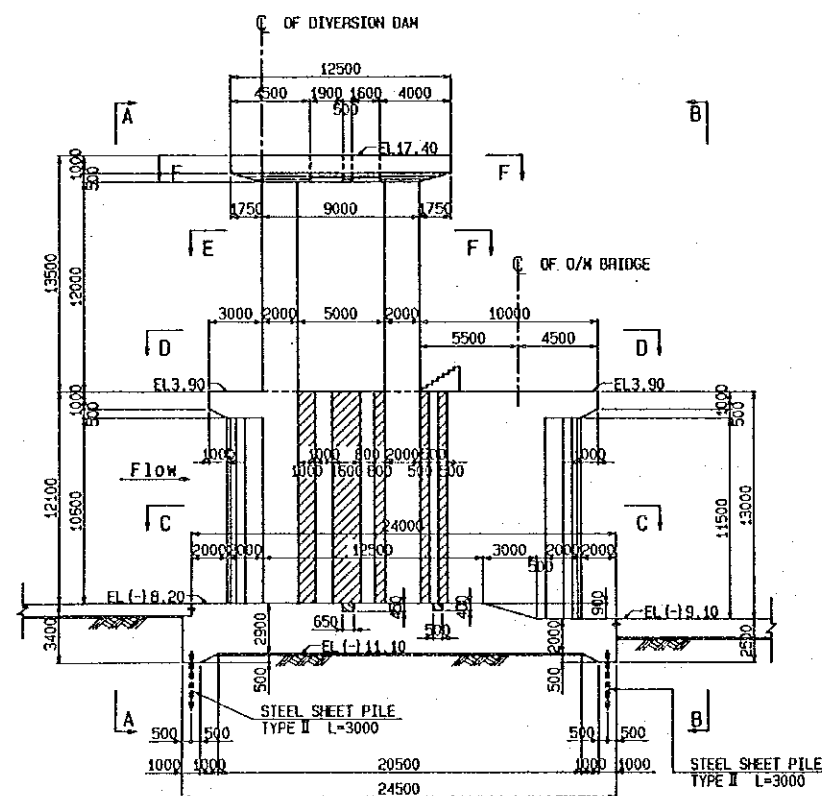
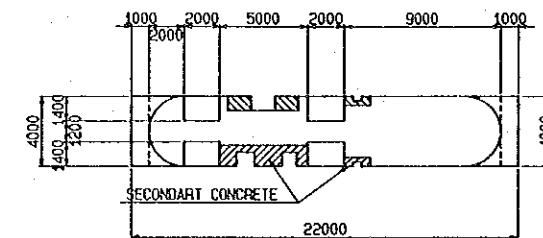
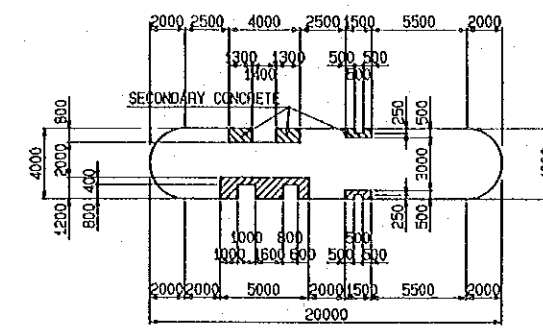
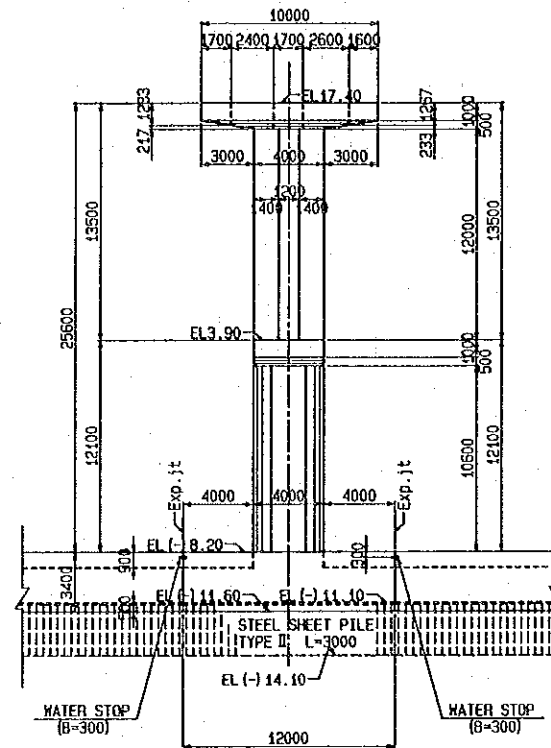
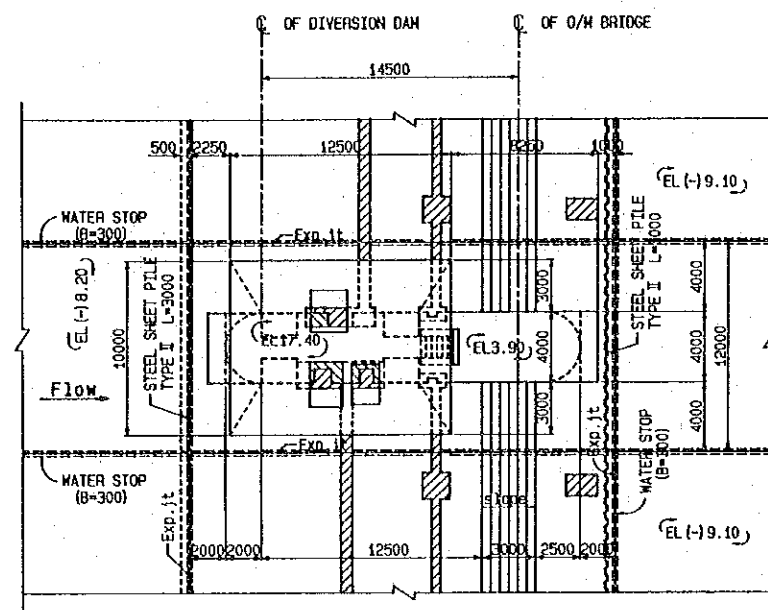
SECTION P-P



SECTION Q-Q

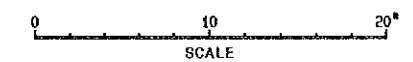


THE KINGDOM OF THAILAND ROYAL IRRIGATION DEPARTMENT	
THE BANG PAKONG DIVERSION DAM PROJECT	
BANG PAKONG DIVERSION DAM	
ABUT. PIER REINFORCEMENT (5/5)	
JAPAN INTERNATIONAL COOPERATION AGENCY (JICA) SANYU CONSULTANTS INC.	
DESIGNED	
TRACED	
CHECKED	
APPROVED	
DRAWING NO.	DDM-1020



NOTES

- FOUNDATION PILES ARE NOT SHOWN IN THIS DRAWING

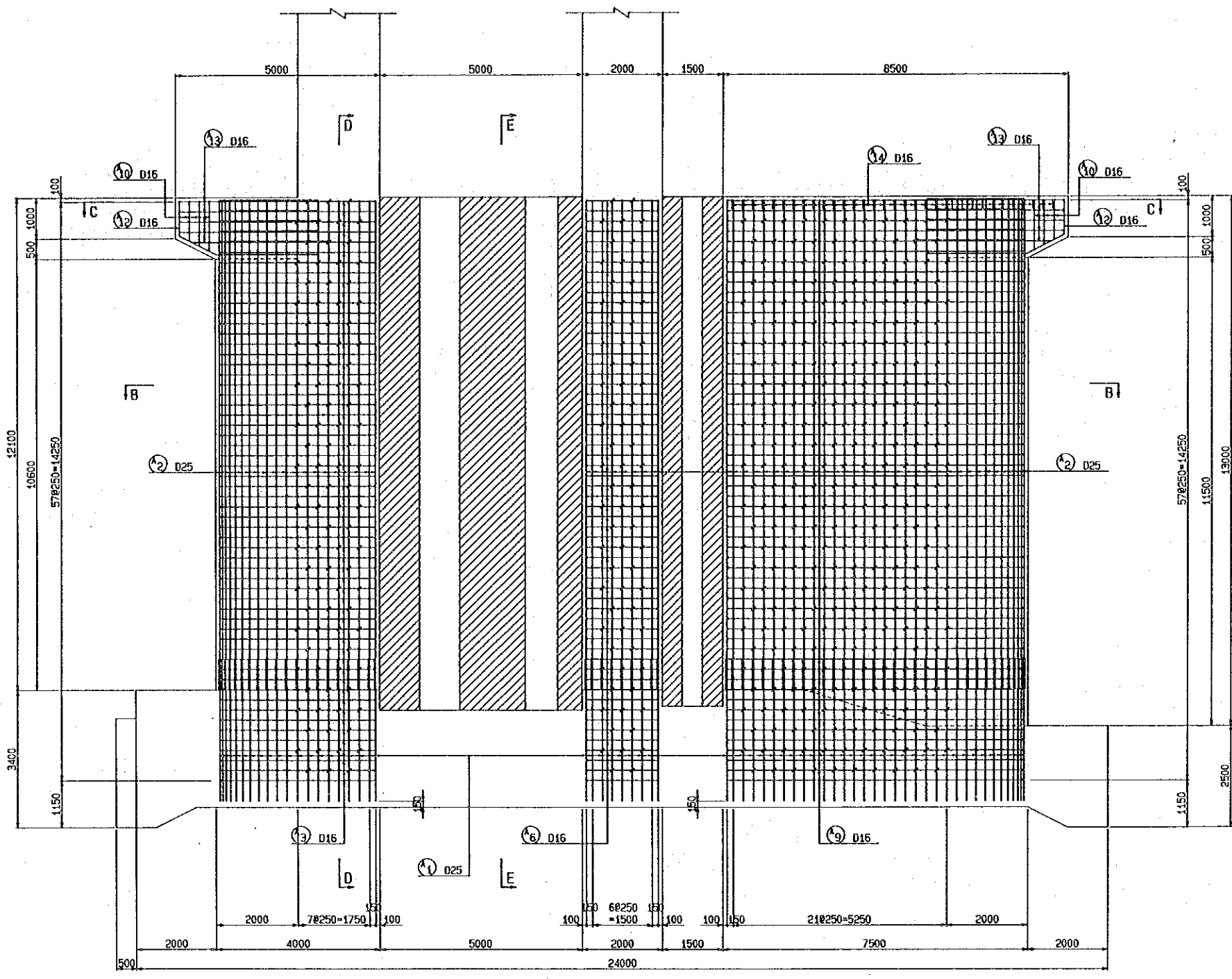


THE KINGDOM OF THAILAND
ROYAL IRRIGATION DEPARTMENT
THE BANG PAKONG DIVERSION DAM PROJECT

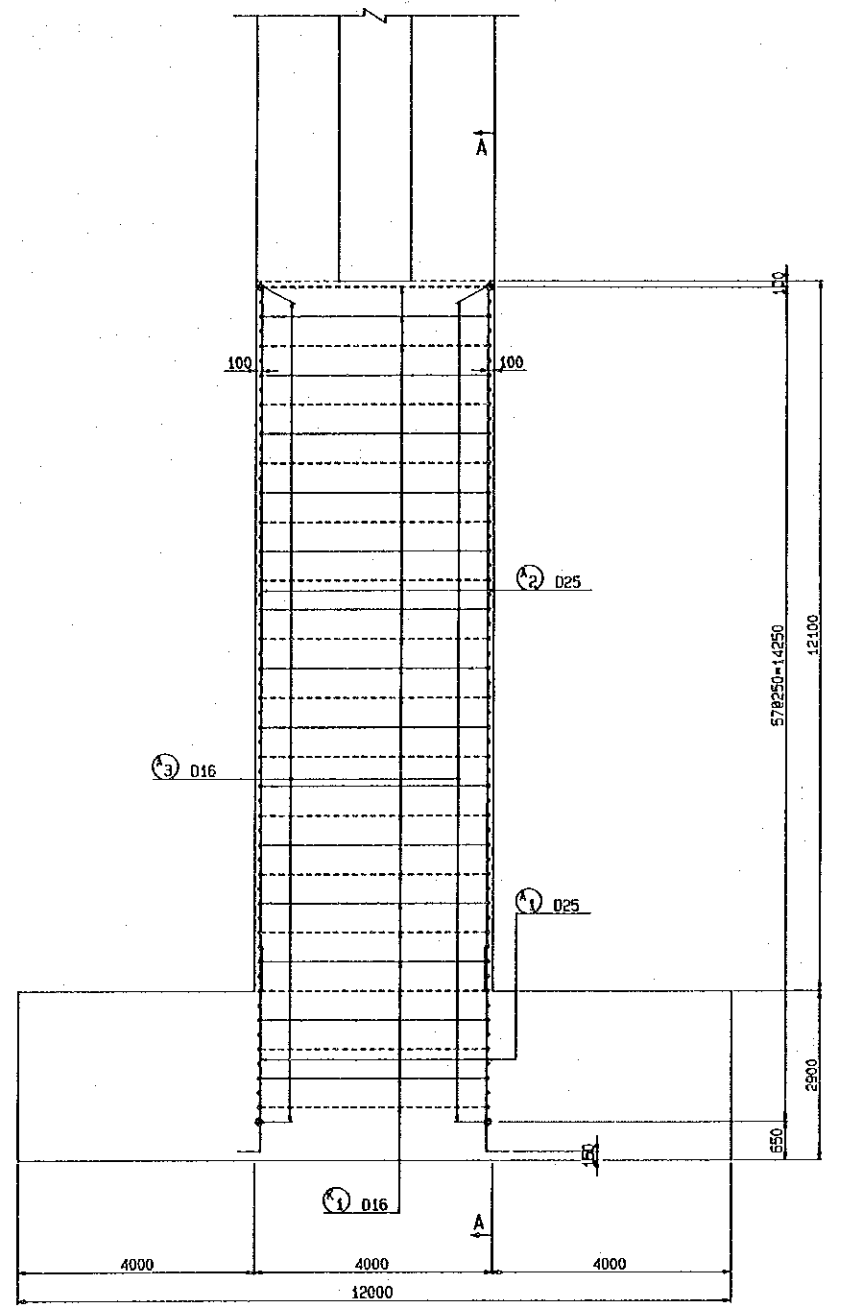
BANG PAKONG DIVERSION DAM
CENTER PIER STRUCTURE

JAPAN INTERNATIONAL COOPERATION AGENCY (JICA)
SANYU CONSULTANTS INC.

DESIGNED	
TRACED	
CHECKED	
APPROVED	
DRAWING NO.	DDM - 1021



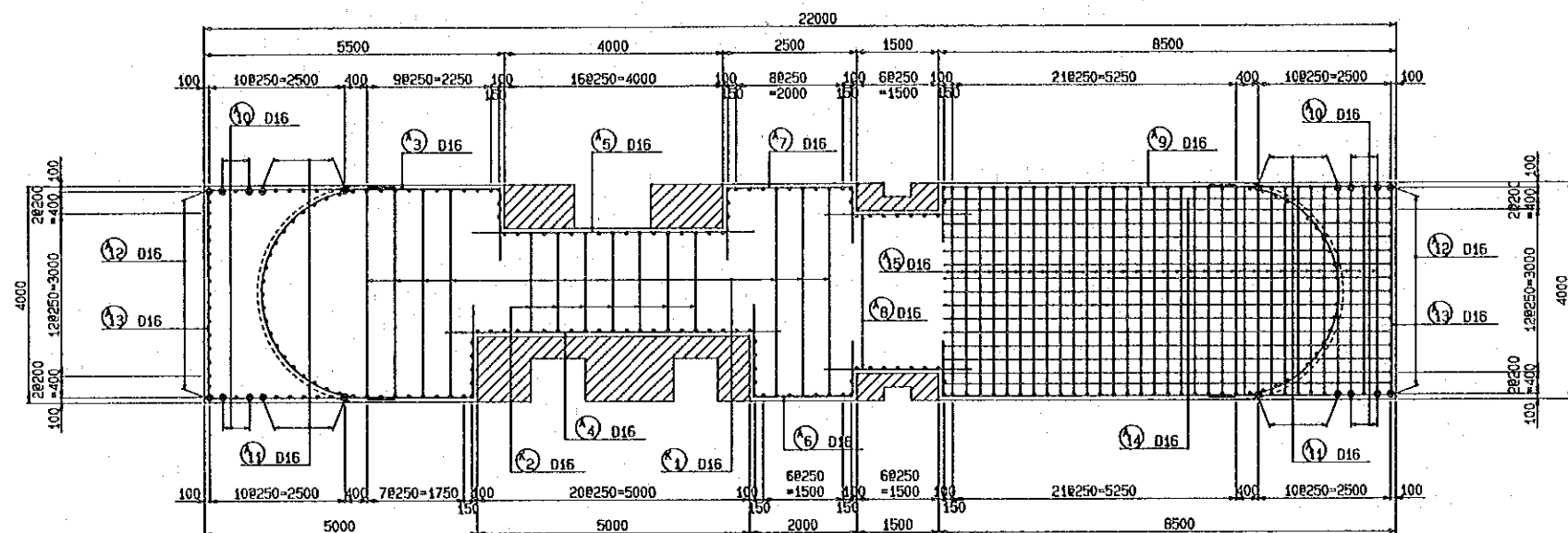
SECTION A-A
(LOWER HALF OF PIER)



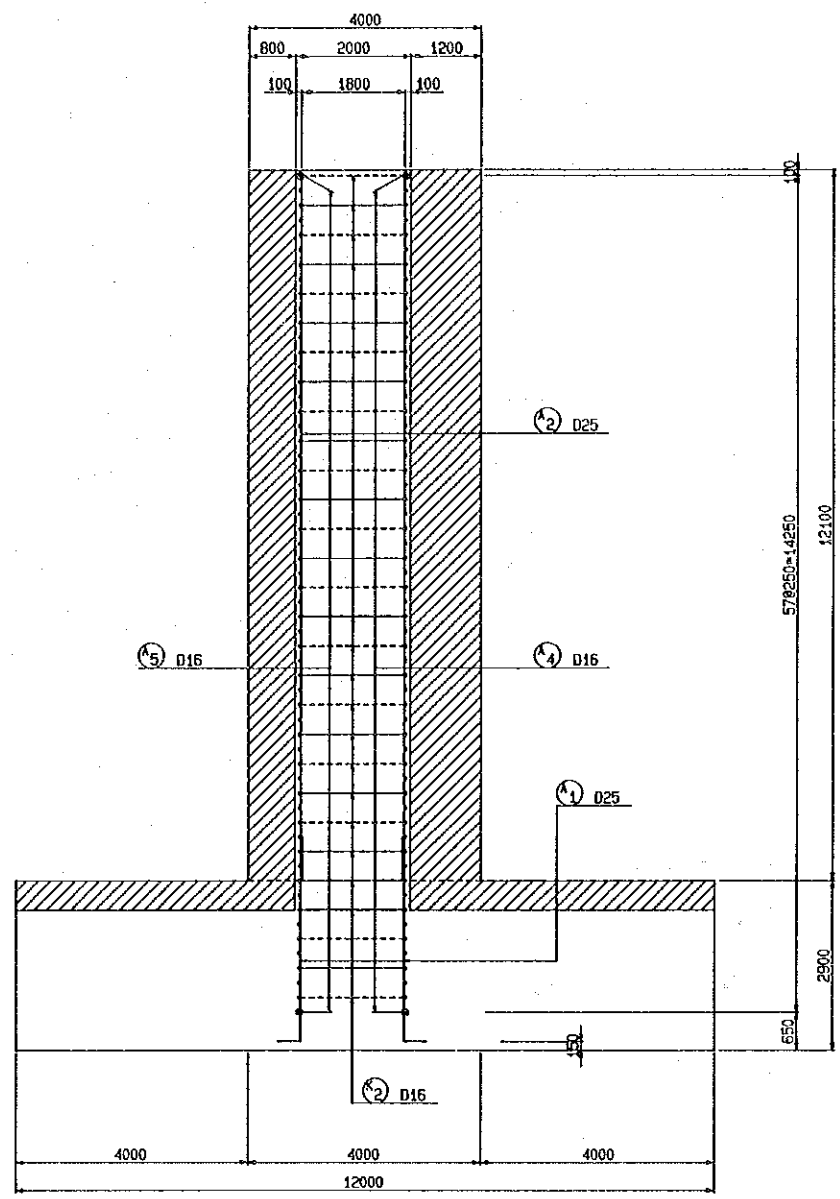
SECTION D-D



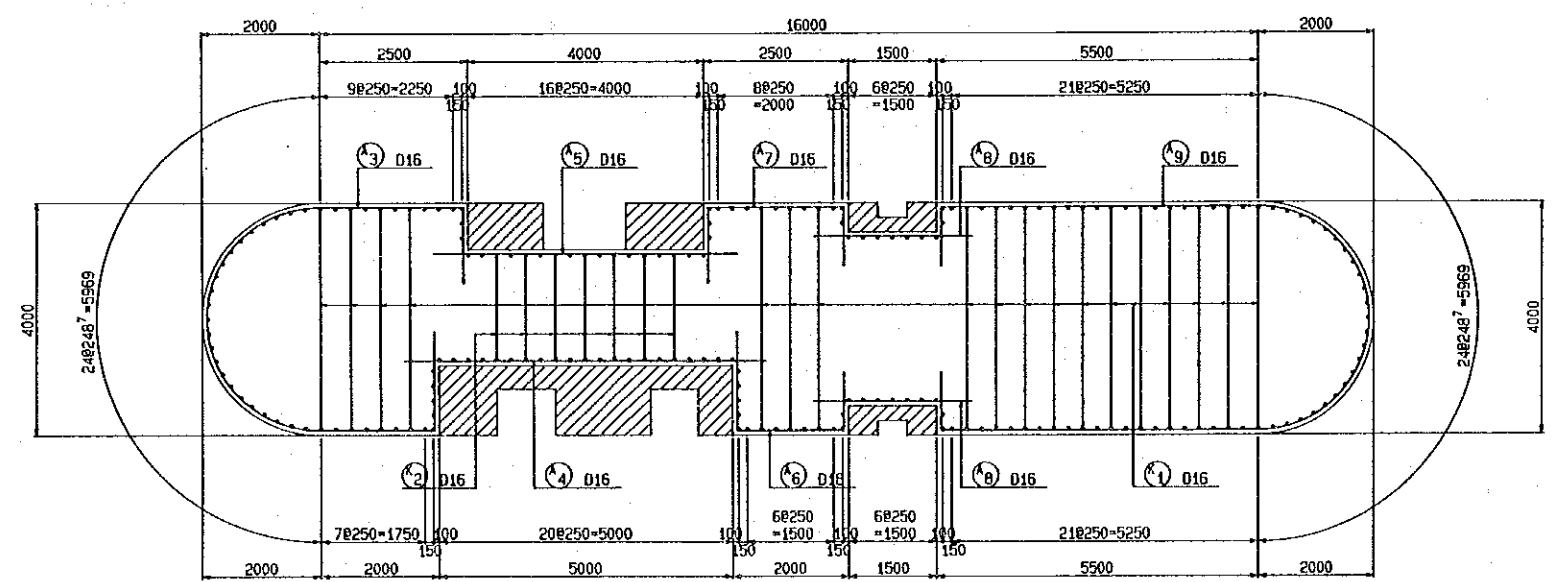
THE KINGDOM OF THAILAND ROYAL IRRIGATION DEPARTMENT	
THE BANG PAKONG DIVERSION DAM PROJECT	
BANG PAKONG DIVERSION DAM CENTER PIER REINFORCEMENT (1/4)	
JAPAN INTERNATIONAL COOPERATION AGENCY (JICA) SANYU CONSULTANTS INC.	
DESIGNED	
TRACED	
CHECKED	
APPROVED	
DRAWING NO.	DDM - 1022



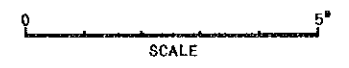
SECTION C-C



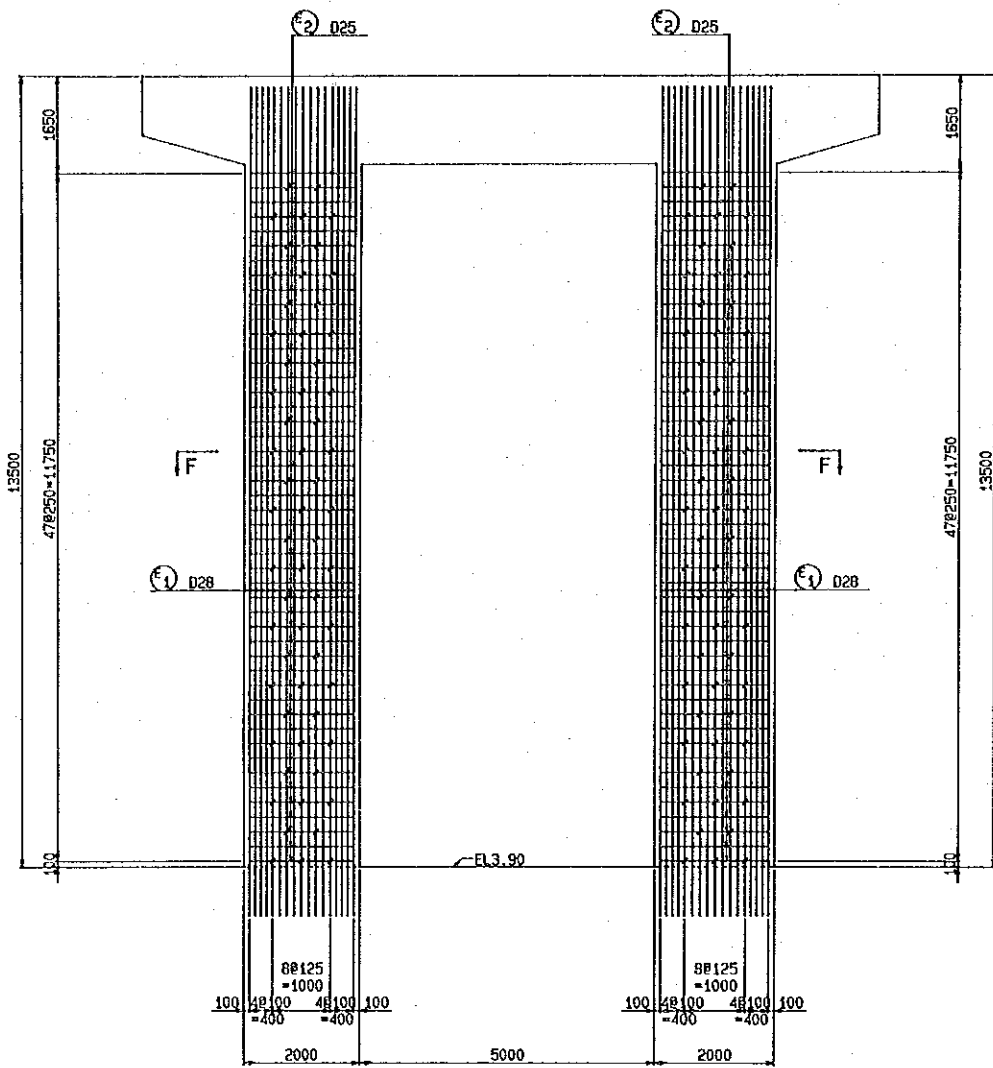
SECTION E-E



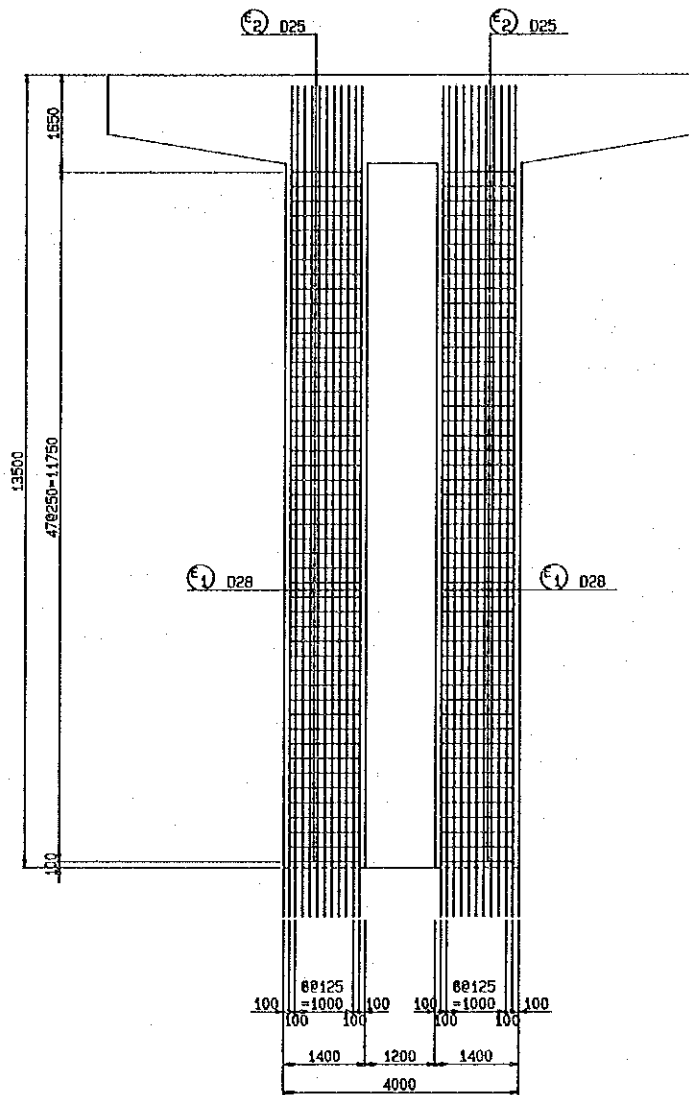
SECTION B-B



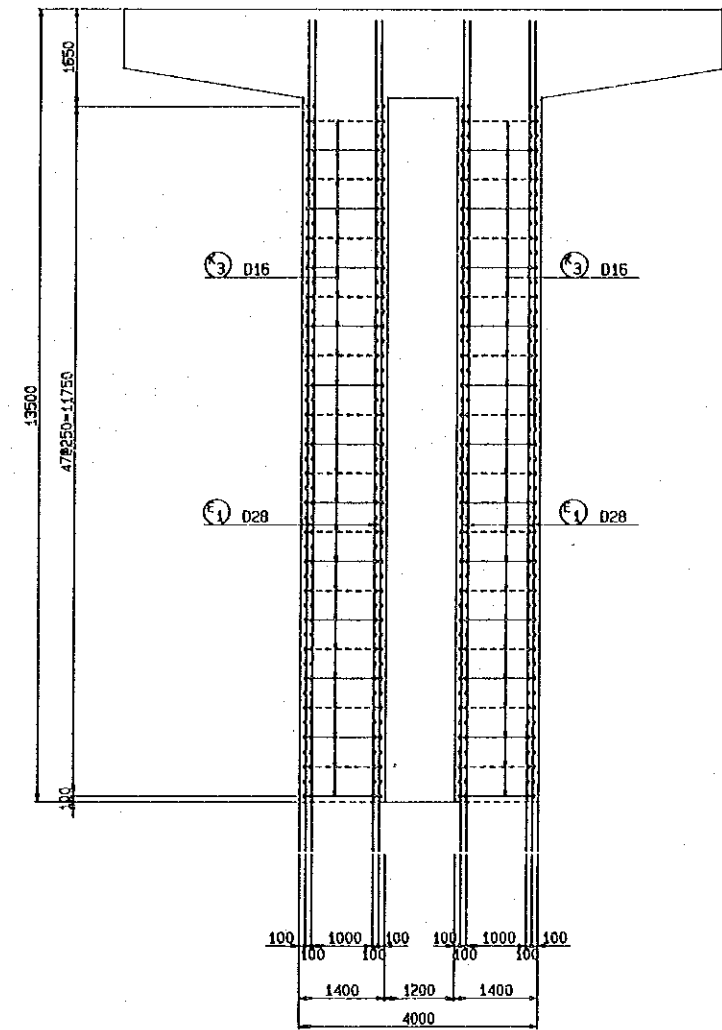
THE KINGDOM OF THAILAND ROYAL IRRIGATION DEPARTMENT	
THE BANG PAKONG DIVERSION DAM PROJECT	
BANG PAKONG DIVERSION DAM	
CENTER PIER REINFORCEMENT (2/4)	
JAPAN INTERNATIONAL COOPERATION AGENCY (JICA) SANYU CONSULTANTS INC.	
DESIGNED	
TRACED	
CHECKED	
APPROVED	
DRAWING NO. DDM - 1023	



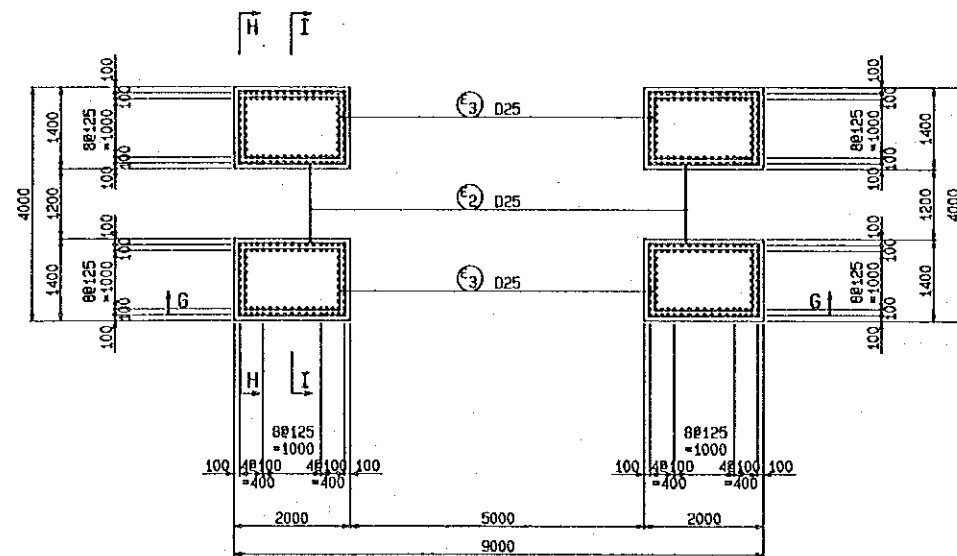
SECTION G-G
(UPPER HALF OF PIER)



SECTION H-H



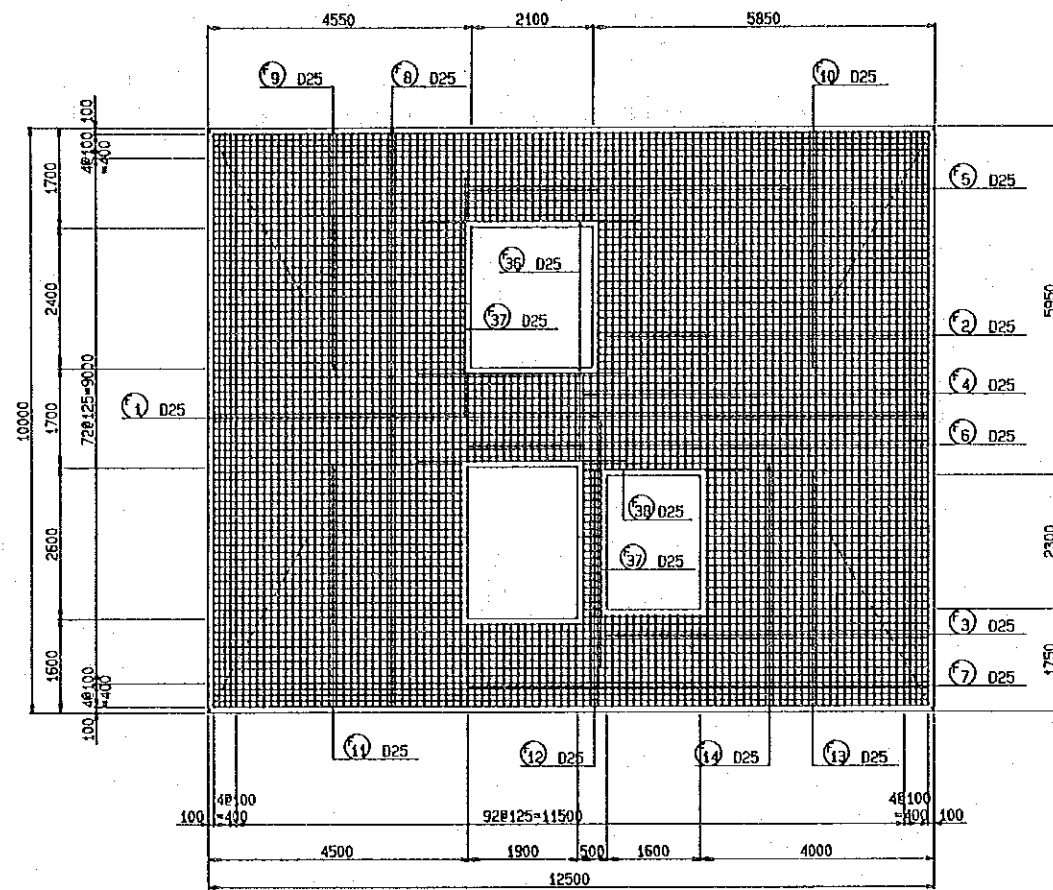
SECTION I-I



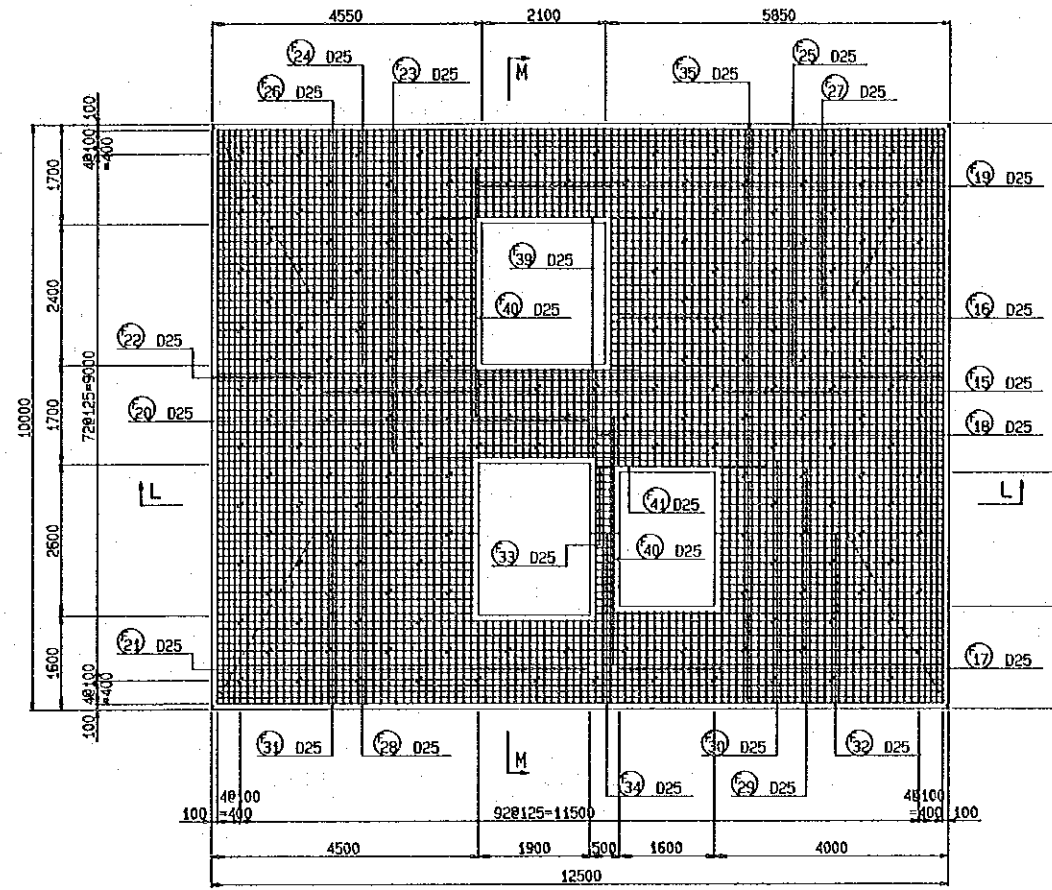
SECTION F-F



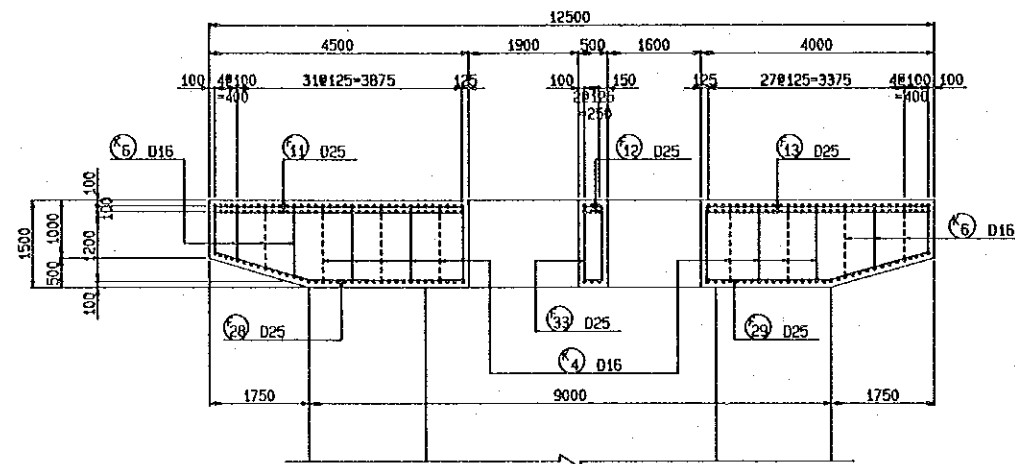
THE KINGDOM OF THAILAND ROYAL IRRIGATION DEPARTMENT	
THE BANG PAKONG DIVERSION DAM PROJECT	
BANG PAKONG DIVERSION DAM	
CENTER PIER REINFORCEMENT (3/4)	
JAPAN INTERNATIONAL COOPERATION AGENCY (JICA) SANYU CONSULTANTS INC.	
DESIGNED	
TRACED	
CHECKED	
APPROVED	
DRAWING NO.	DDM - 1024



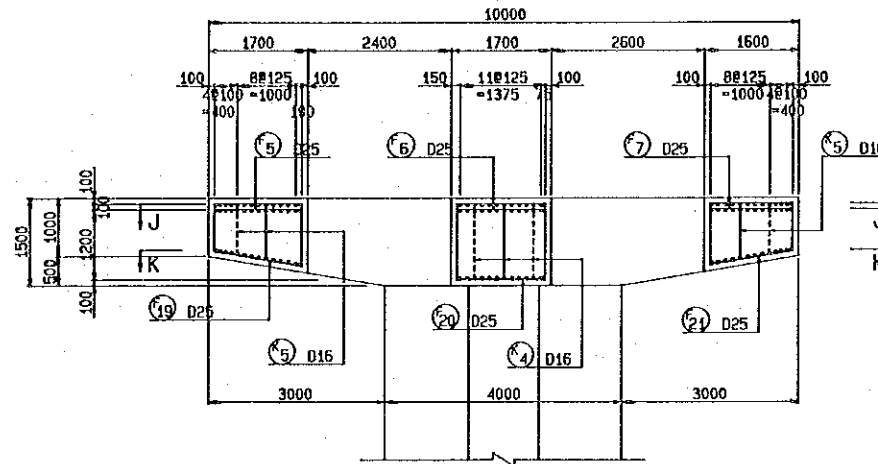
SECTION J-J
(UPPER SURFACE OF TOP SLAB)



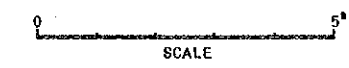
SECTION K-K
(LOWER SURFACE OF TOP SLAB)



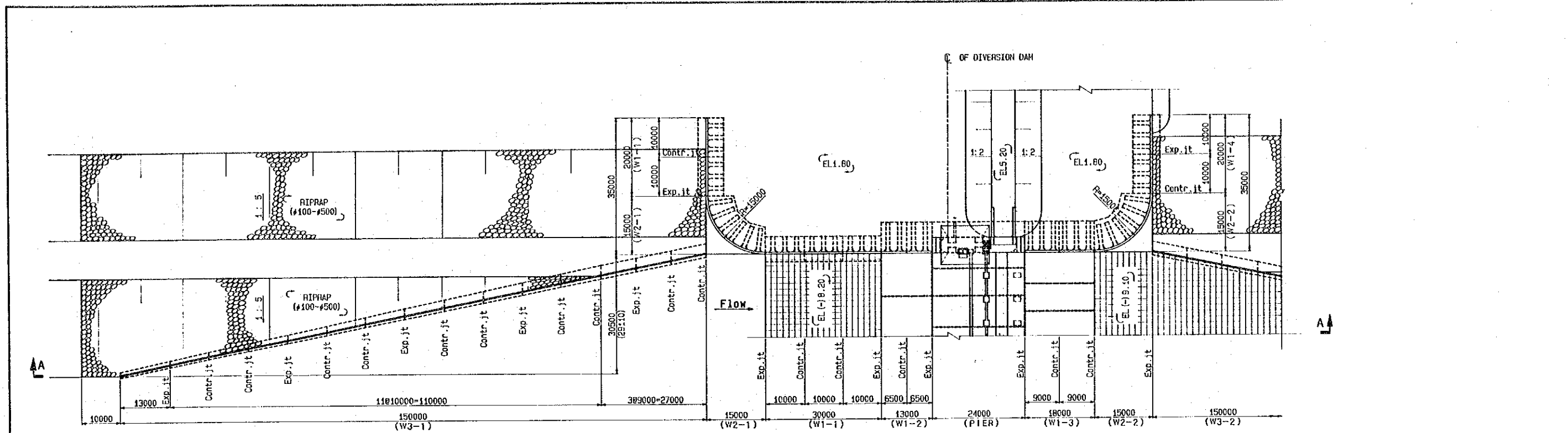
SECTION L-L



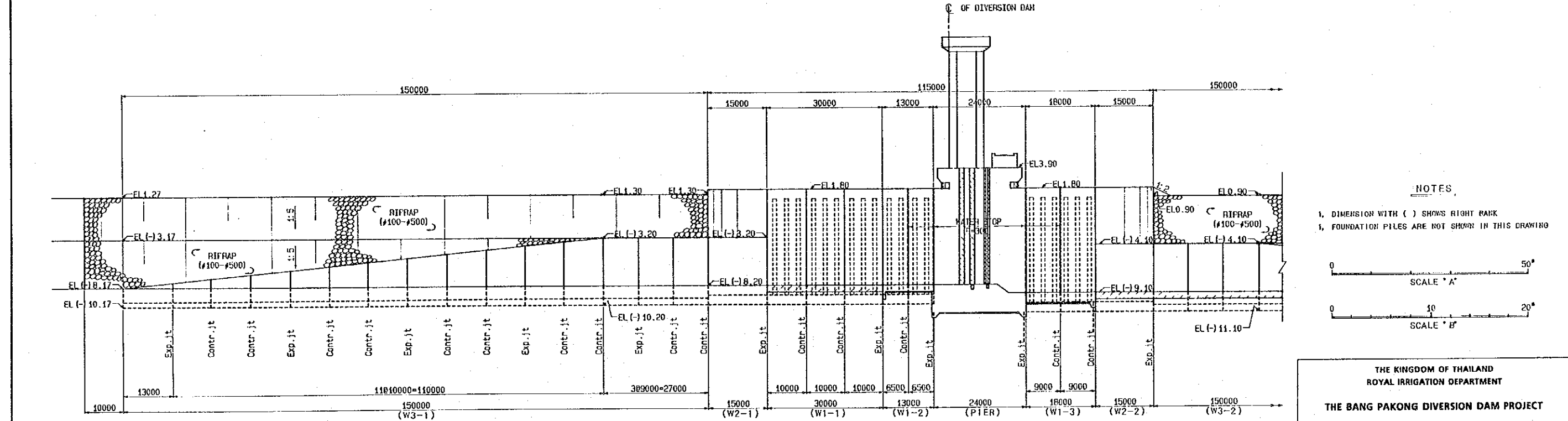
SECTION M-M



THE KINGDOM OF THAILAND ROYAL IRRIGATION DEPARTMENT	
THE BANG PAKONG DIVERSION DAM PROJECT	
BANG PAKONG DIVERSION DAM CENTER PIER REINFORCEMENT (4/4)	
JAPAN INTERNATIONAL COOPERATION AGENCY (JICA) SANYU CONSULTANTS INC.	
DESIGNED	
TRACED	
CHECKED	
APPROVED	
DRAWING NO.	DDM - 1025

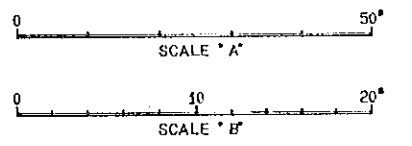


PLAN
SCALE "A"



SECTION A-A
SCALE H= "A", V= "B"

- NOTES**
- 1. DIMENSION WITH () SHOWS RIGHT BANK
 - 2. FOUNDATION PILES ARE NOT SHOWN IN THIS DRAWING

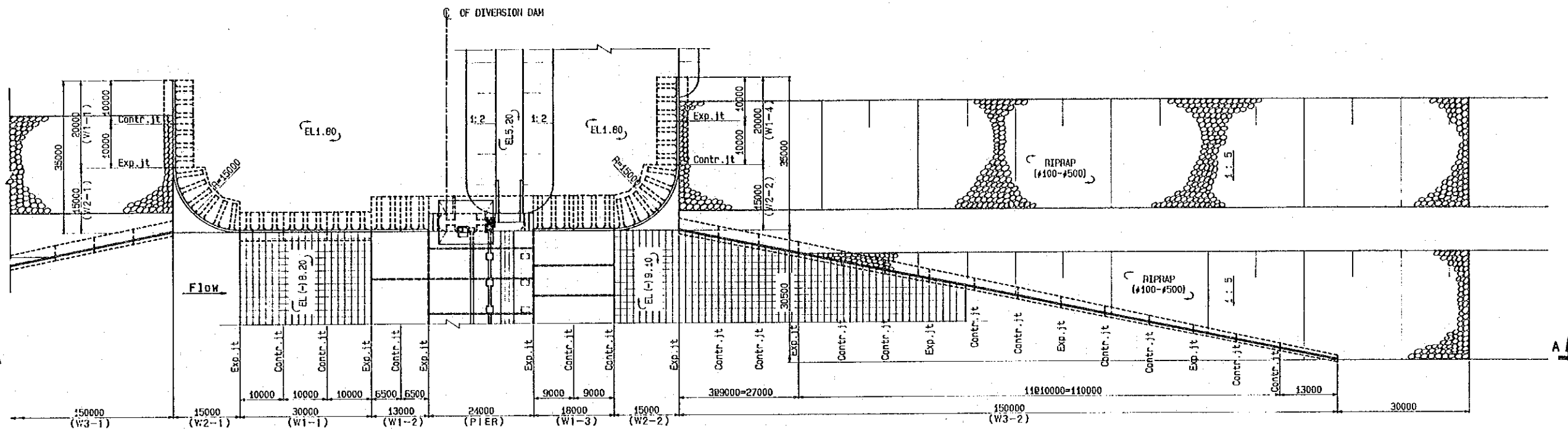


THE KINGDOM OF THAILAND
ROYAL IRRIGATION DEPARTMENT
THE BANG PAKONG DIVERSION DAM PROJECT

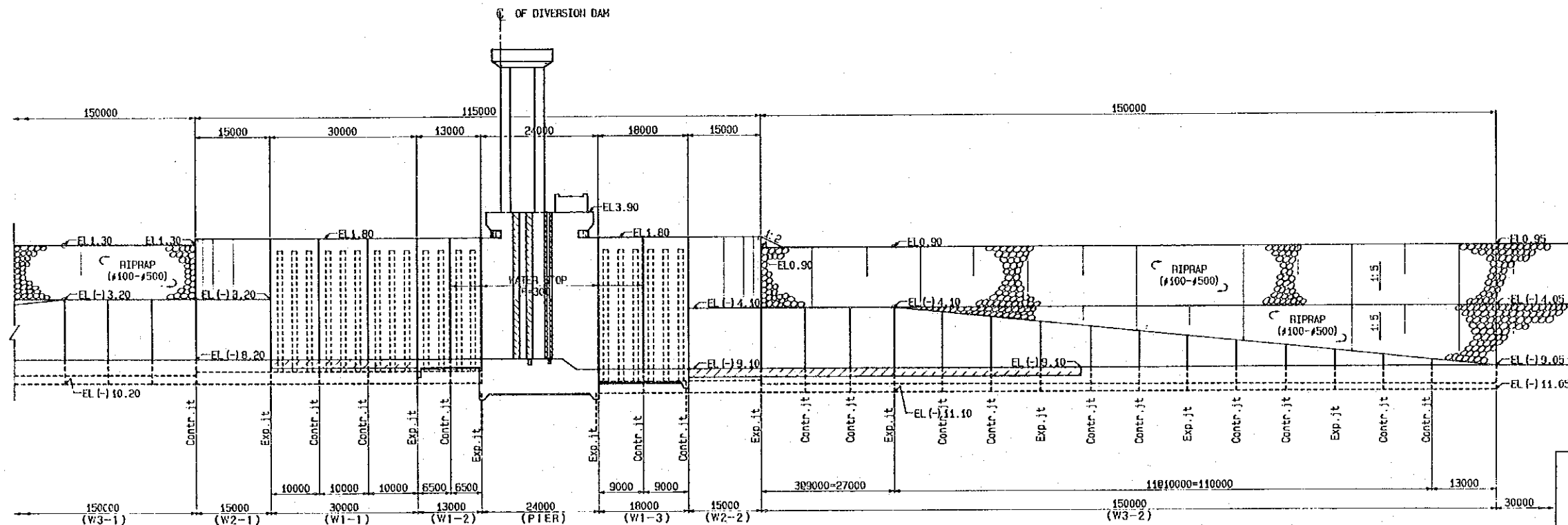
**BANG PAKONG DIVERSION DAM
RETAINING WALL
PLAN & SECTION (1/2)**

JAPAN INTERNATIONAL COOPERATION AGENCY (JICA)
SANYU CONSULTANTS INC.

DESIGNED	
TRACED	
CHECKED	
APPROVED	
DRAWING NO. DDM-1026	



PLAN
SCALE "A"



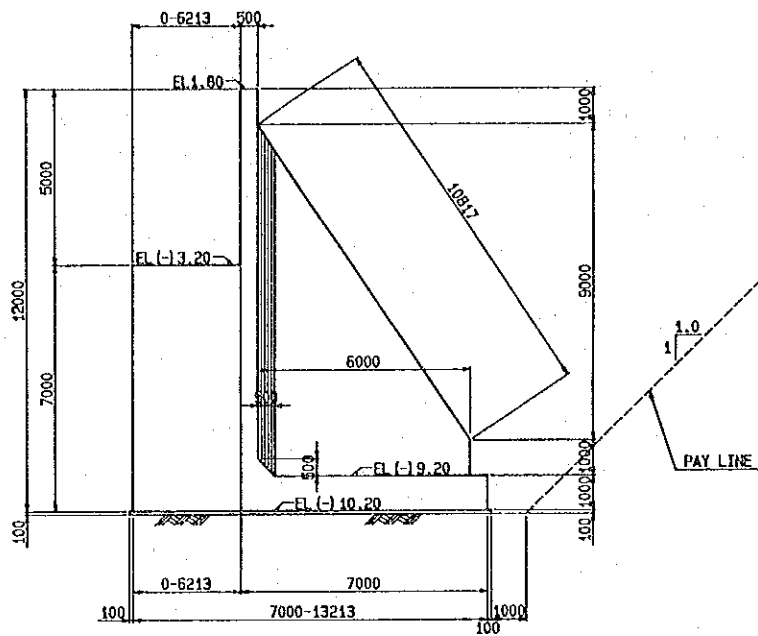
SECTION A-A
SCALE H= "A", V= "B"

NOTES
1. FOUNDATION PILES ARE NOT SHOWN IN THIS DRAWING

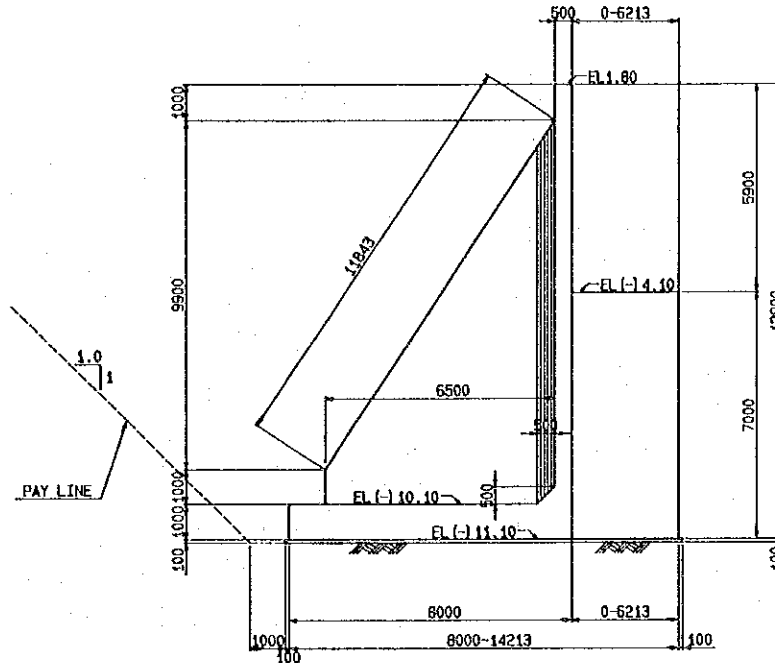
0 50
SCALE "A"

0 10 20
SCALE "B"

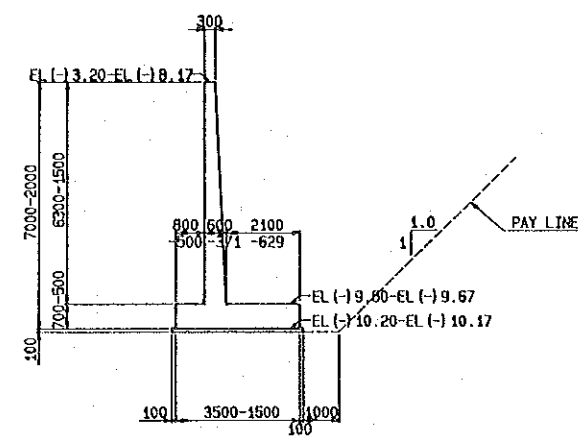
THE KINGDOM OF THAILAND ROYAL IRRIGATION DEPARTMENT	
THE BANG PAKONG DIVERSION DAM PROJECT	
BANG PAKONG DIVERSION DAM RETAINING WALL PLAN & SECTION (2/2)	
JAPAN INTERNATIONAL COOPERATION AGENCY (JICA) SANYU CONSULTANTS INC.	
DESIGNED	
TRACED	
CHECKED	
APPROVED	
DRAWING NO. DDM - 1027	



SECTION

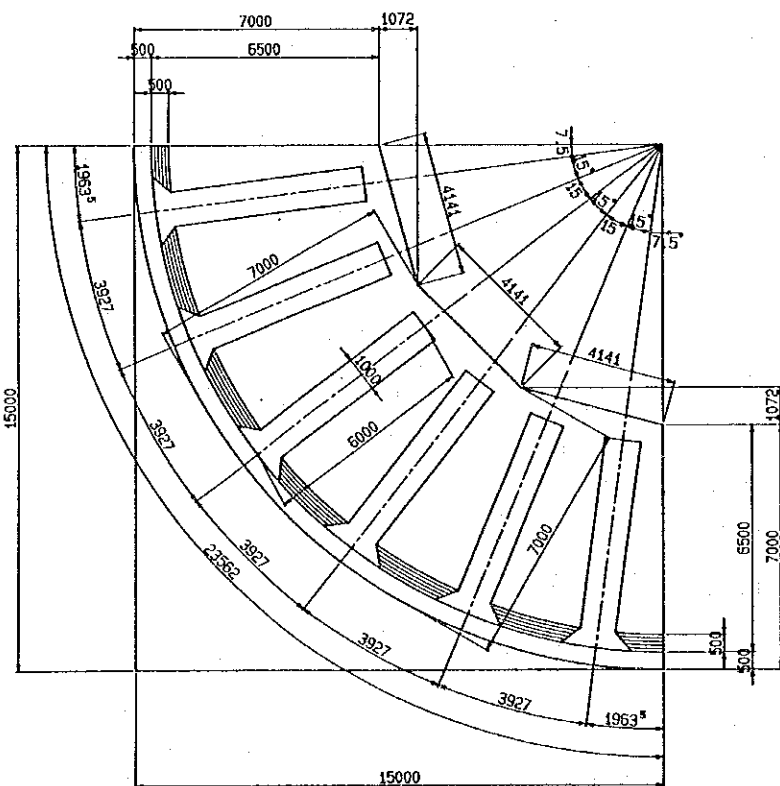


SECTION



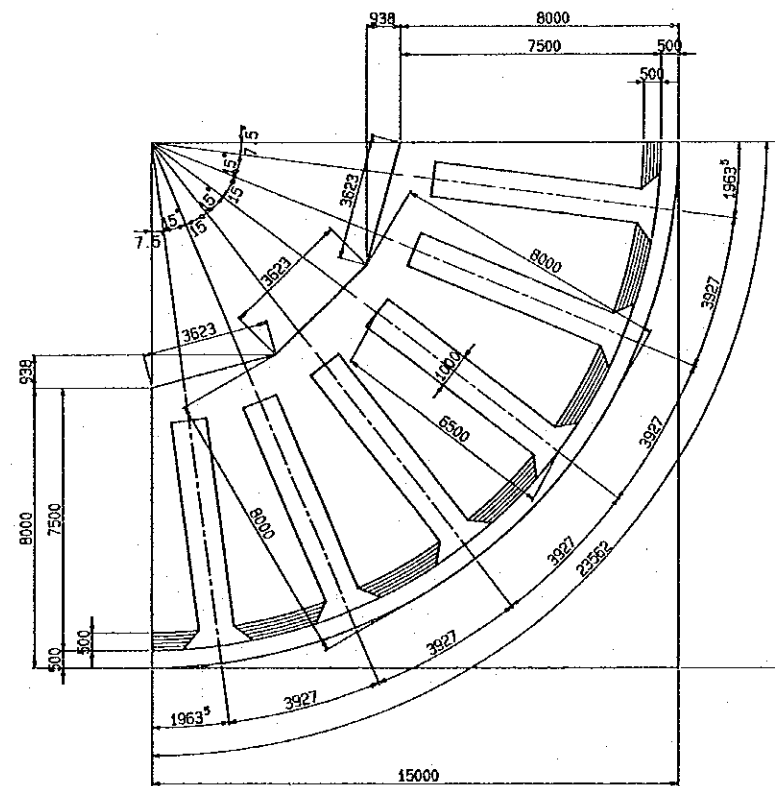
SECTION

Type W3-1



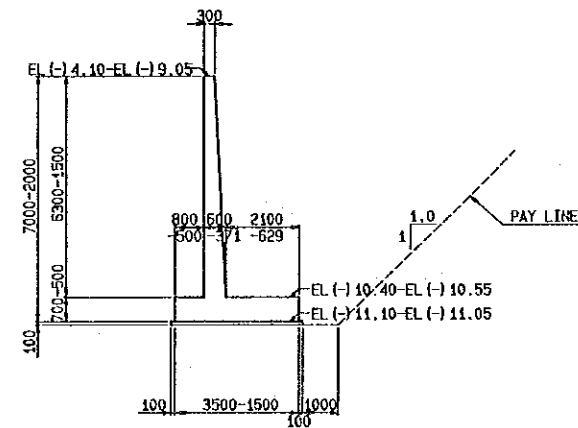
PLAN

Type W2-1



PLAN

Type W2-2

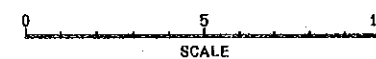


SECTION

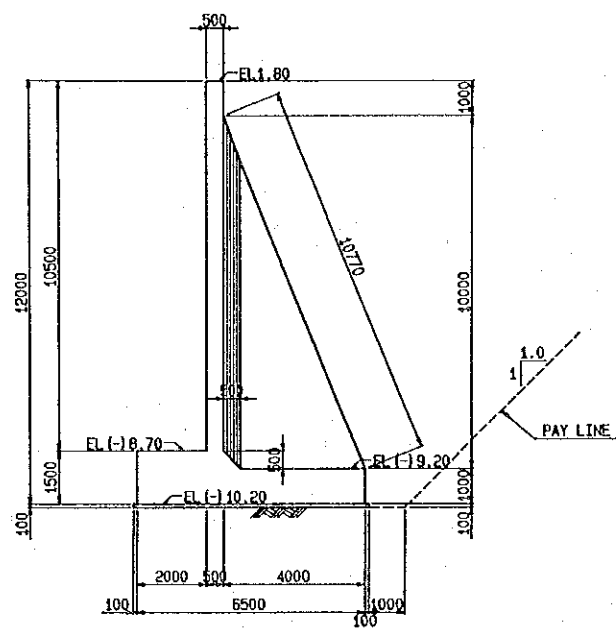
Type W3-2

NOTES

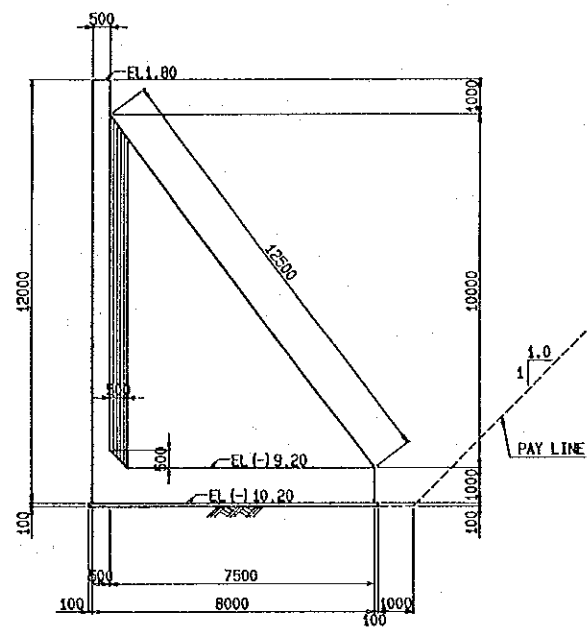
1. FOUNDATION PILES ARE NOT SHOWN IN THIS DRAWING



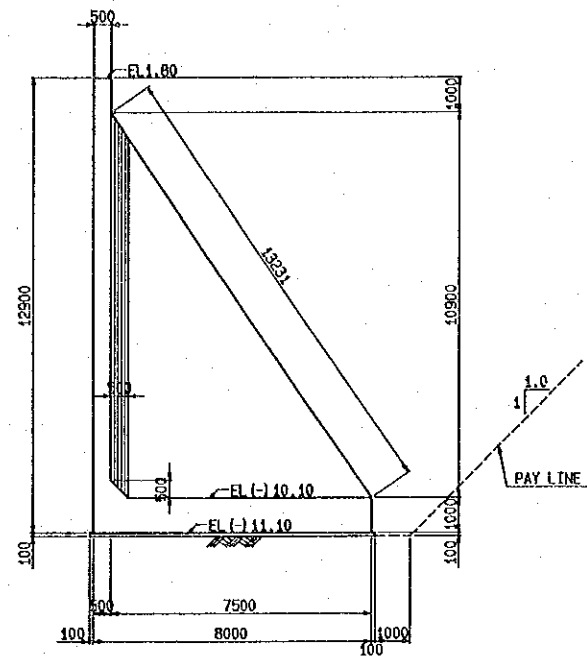
THE KINGDOM OF THAILAND ROYAL IRRIGATION DEPARTMENT	
THE BANG PAKONG DIVERSION DAM PROJECT	
BANG PAKONG DIVERSION DAM RETAINING WALL DETAILED PLANS & SECTIONS(1/2)	
JAPAN INTERNATIONAL COOPERATION AGENCY (JICA) SANYU CONSULTANTS INC.	
DESIGNED	
TRACED	
CHECKED	
APPROVED	
DRAWING NO.	DDM - 1028



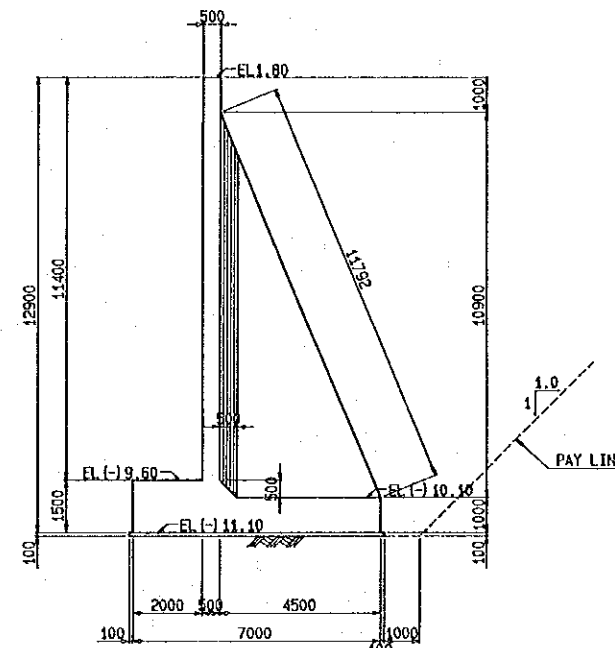
SECTION



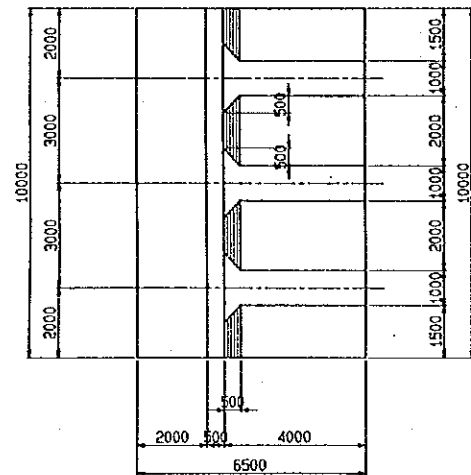
SECTION



SECTION

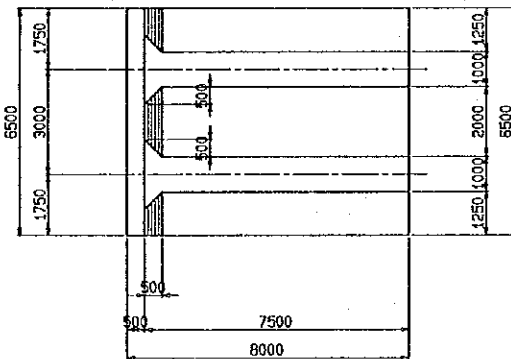


SECTION



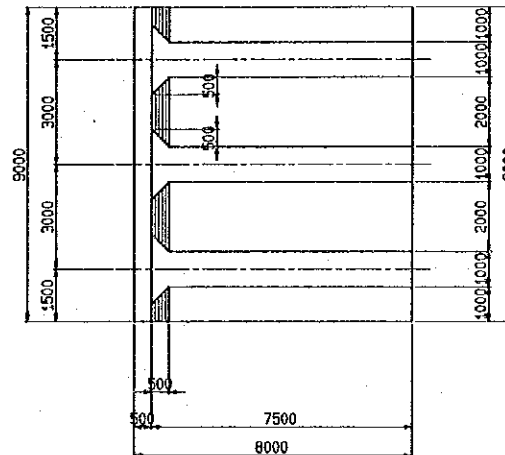
PLAN

Type W1-1



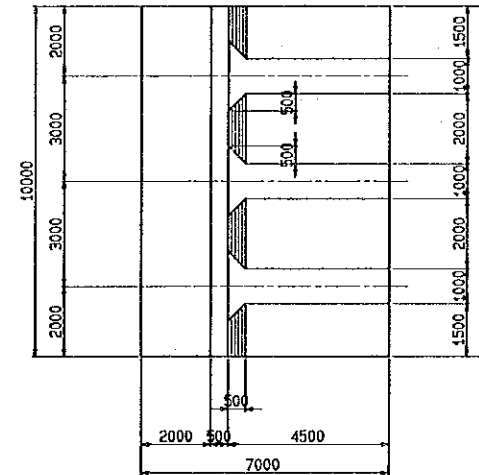
PLAN

Type W1-2



PLAN

Type W1-3

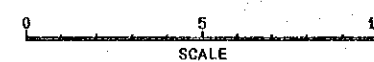


PLAN

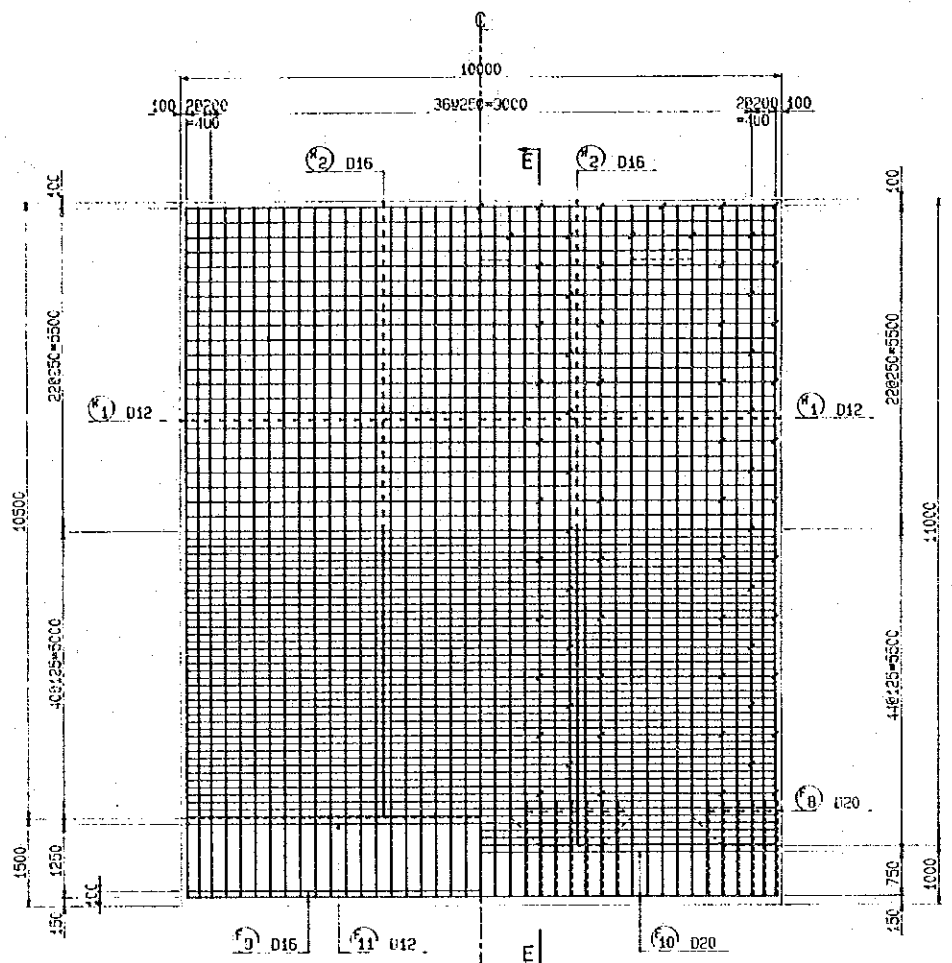
Type W1-4

NOTES

1. FOUNDATION PILES ARE NOT SHOWN IN THIS DRAWING

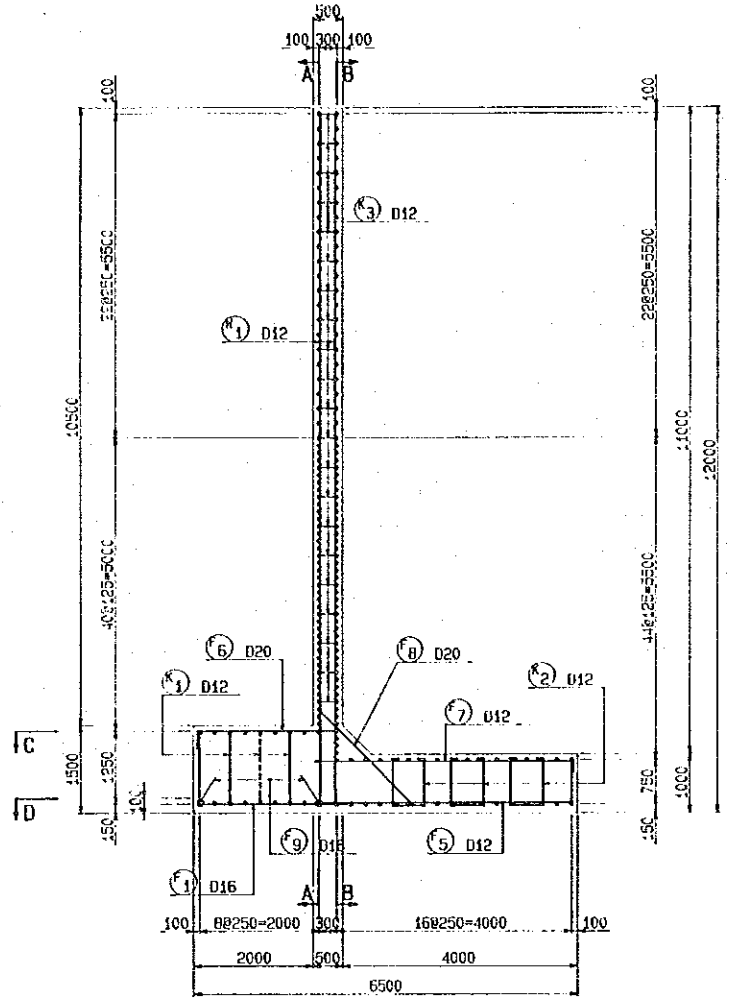


THE KINGDOM OF THAILAND ROYAL IRRIGATION DEPARTMENT	
THE BANG PAKONG DIVERSION DAM PROJECT	
BANG PAKONG DIVERSION DAM RETAINING WALL DETAILED PLANS & SECTIONS(2/2)	
JAPAN INTERNATIONAL COOPERATION AGENCY (JICA) SANYU CONSULTANTS INC.	
DESIGNED	
TRACED	
CHECKED	
APPROVED	
DRAWING NO. DDM - 1029	

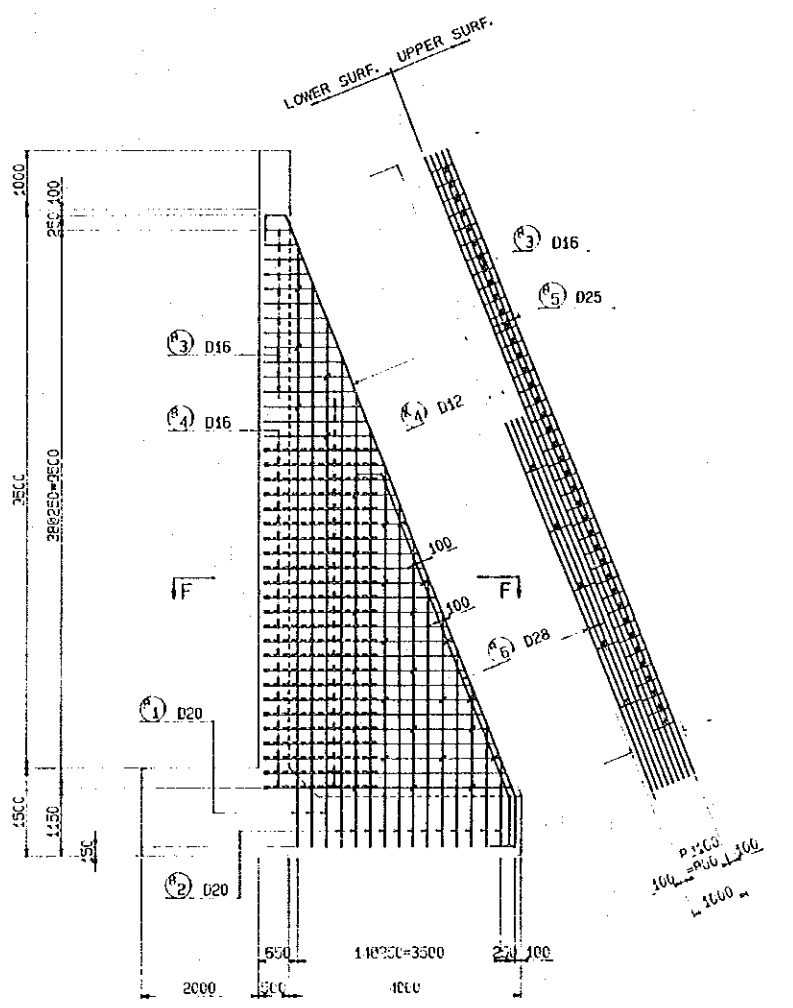


SECTION A-A
(SURFACE REINF. OF WALL)

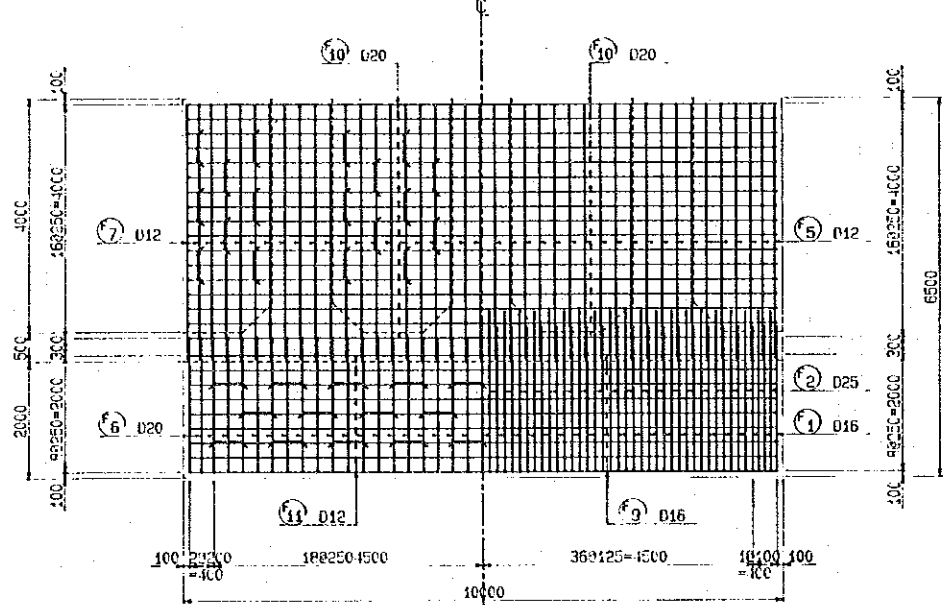
SECTION B-B
(REAR REINF. OF WALL)



SECTION E-E

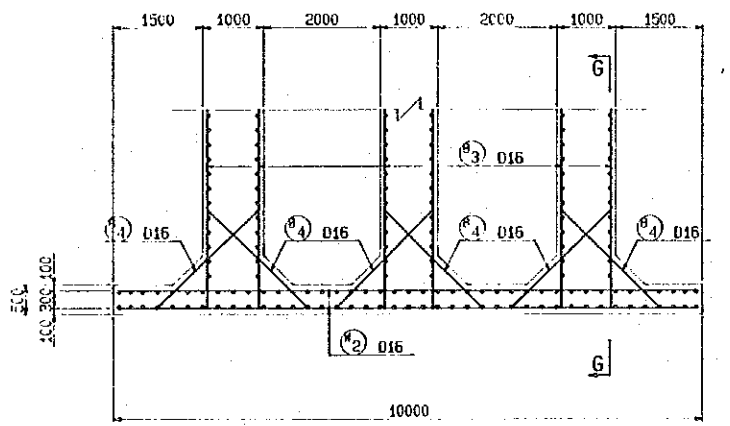


SECTION G-G

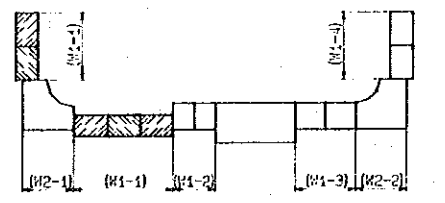


SECTION C-C
(UPPER SURFACE OF FOOTING)

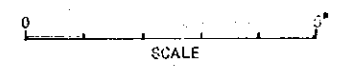
SECTION D-D
(LOWER SURFACE OF FOOTING)



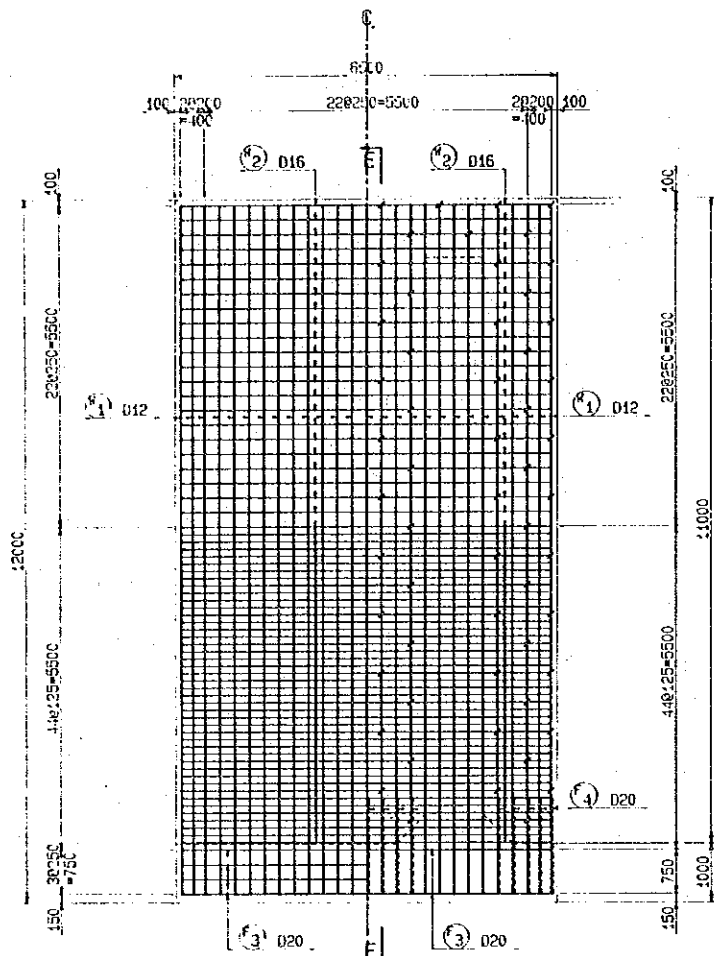
SECTION F-F



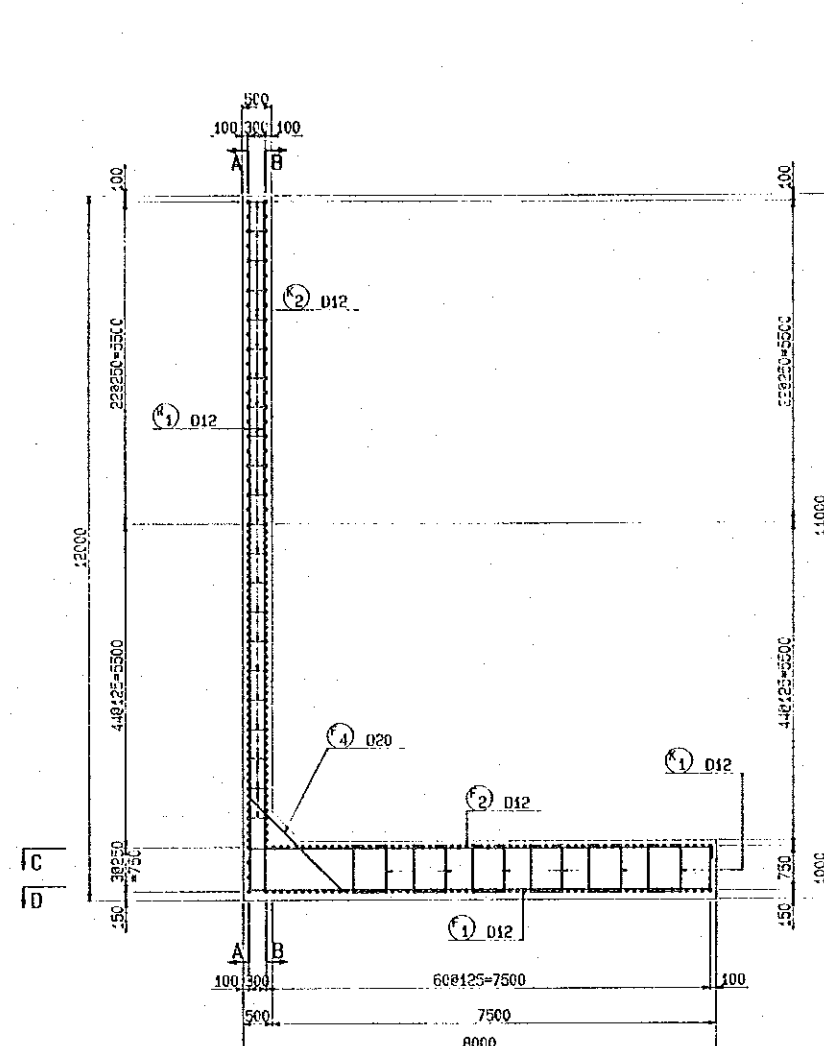
KEY PLAN



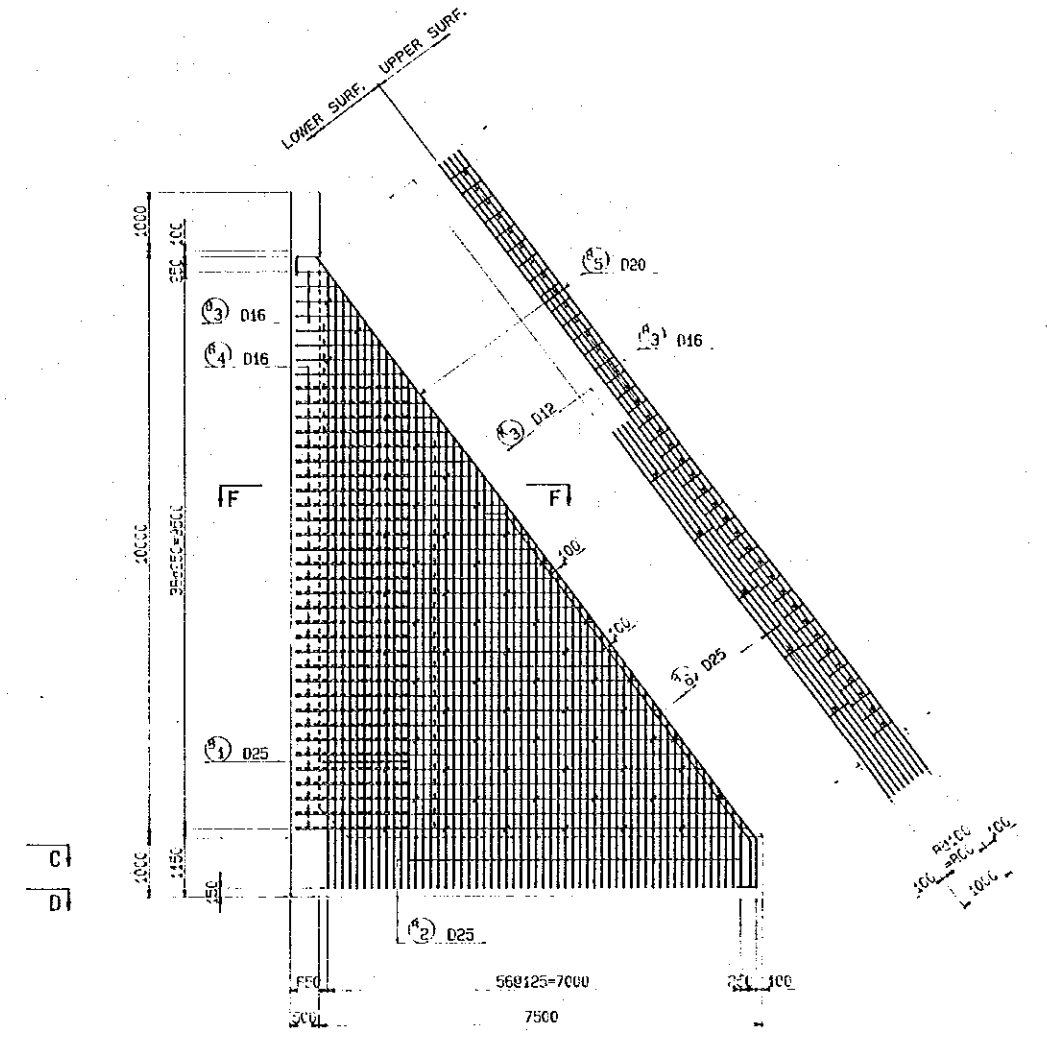
THE KINGDOM OF THAILAND ROYAL IRRIGATION DEPARTMENT	
THE BANG PAKONG DIVERSION DAM PROJECT	
BANG PAKONG DIVERSION DAM TYPE W1-1 RETAINING WALL REINFORCEMENT	
JAPAN INTERNATIONAL COOPERATION AGENCY (JICA) SANYU CONSULTANTS INC.	
DESIGNED	
TRACED	
CHECKED	
APPROVED	
DRAWING NO.	DDM-1030



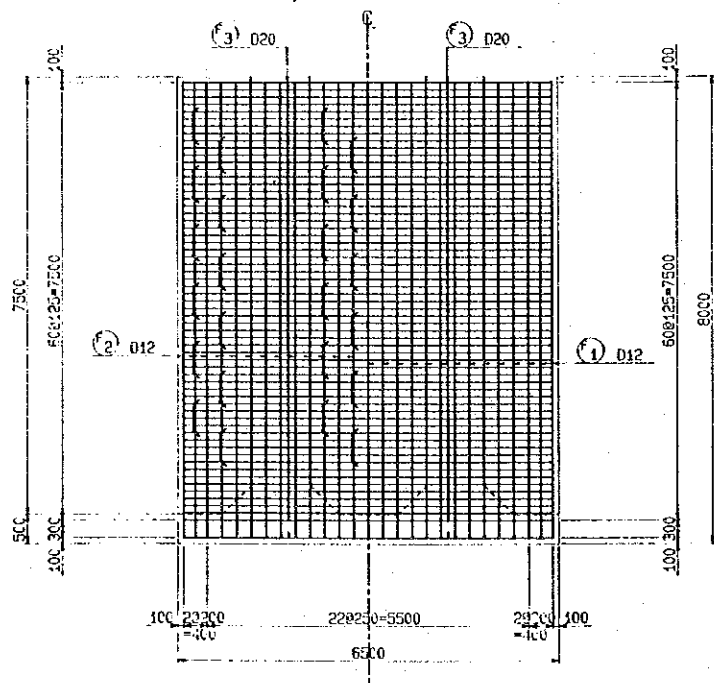
SECTION A-A
(SURFACE REINF. OF WALL)



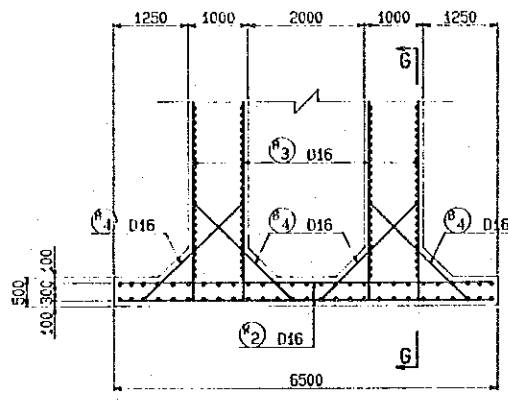
SECTION B-B
(REAR REINF. OF WALL)



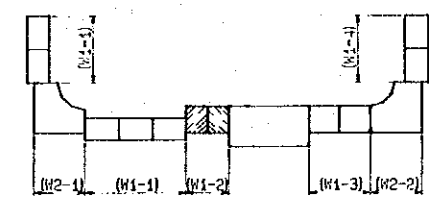
SECTION G-G



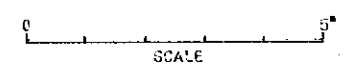
SECTION C-C
(UPPER SURFACE OF FOOTING)



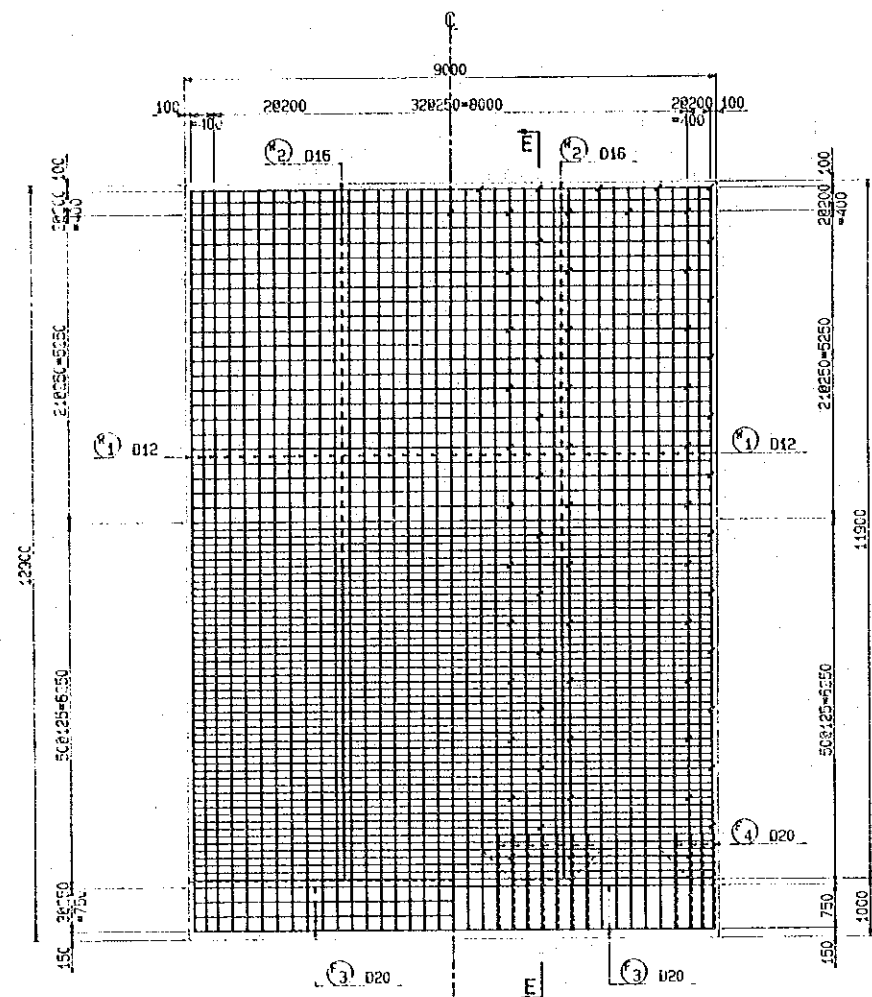
SECTION E-E



KEY PLAN

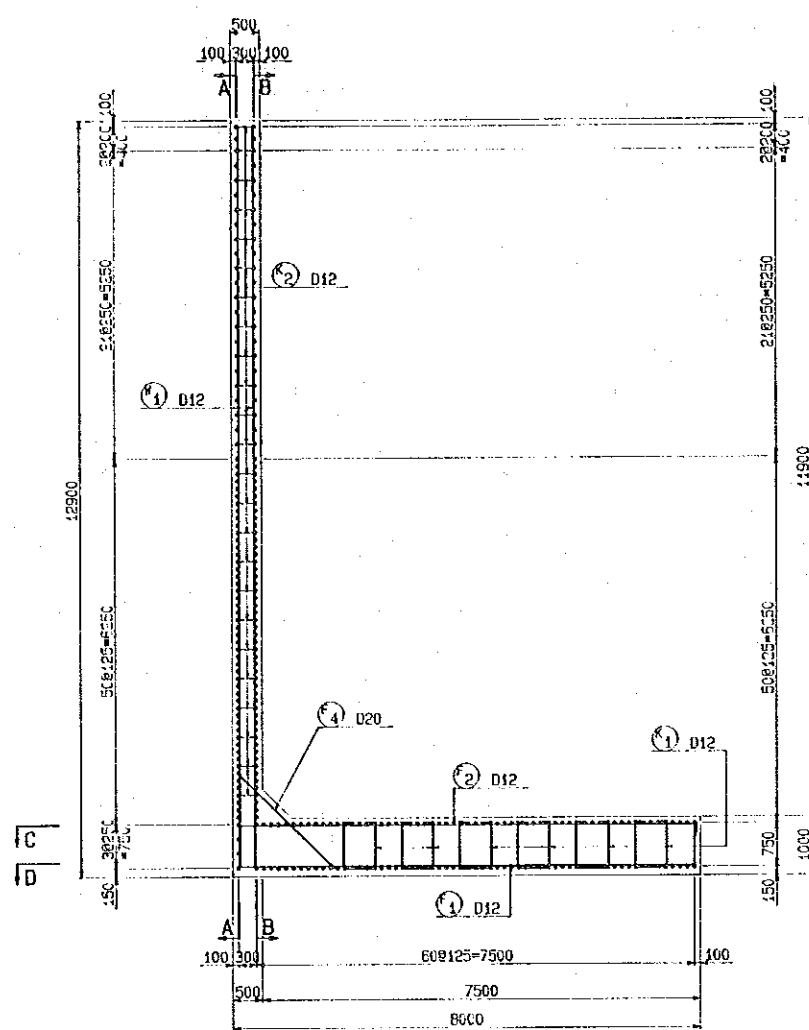


THE KINGDOM OF THAILAND ROYAL IRRIGATION DEPARTMENT	
THE BANG PAKONG DIVERSION DAM PROJECT	
BANG PAKONG DIVERSION DAM TYPE W1-2 RETAINING WALL REINFORCEMENT	
JAPAN INTERNATIONAL COOPERATION AGENCY (JICA) SANYU CONSULTANTS ITC.	
DESIGNED	
TRACED	
CHECKED	
APPROVED	
DRAWING NO.	DDM - 1031

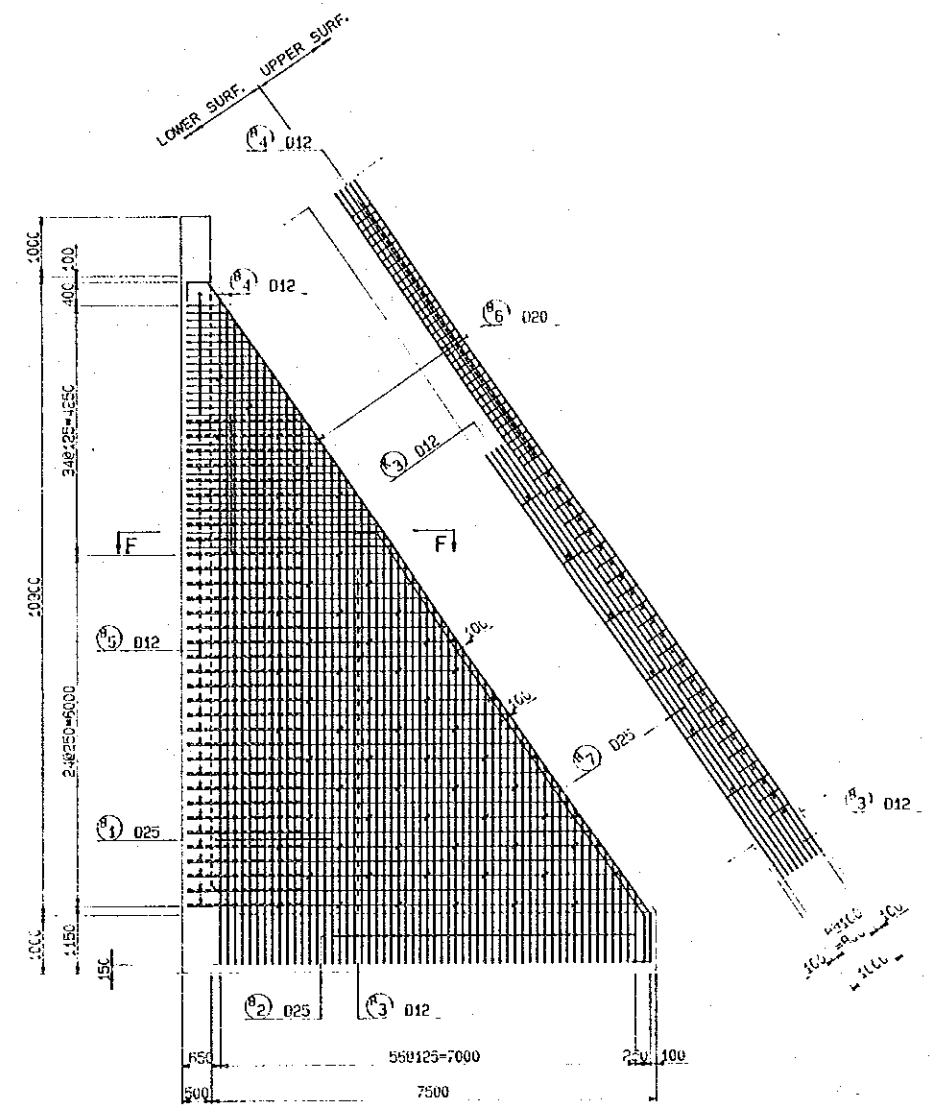


SECTION A-A
(SURFACE REINF. OF WALL)

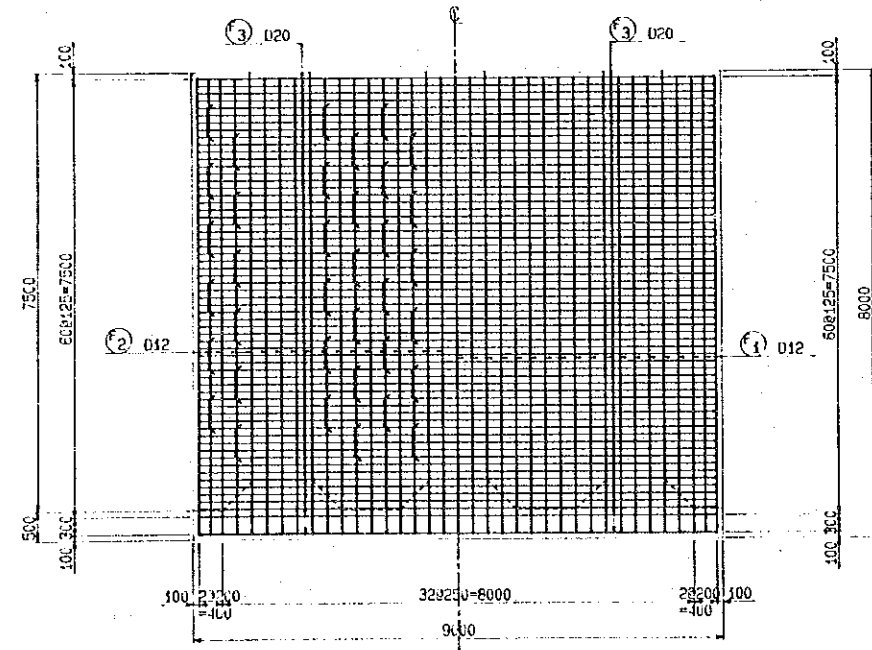
SECTION B-B
(REAR REINF. OF WALL)



SECTION E-E

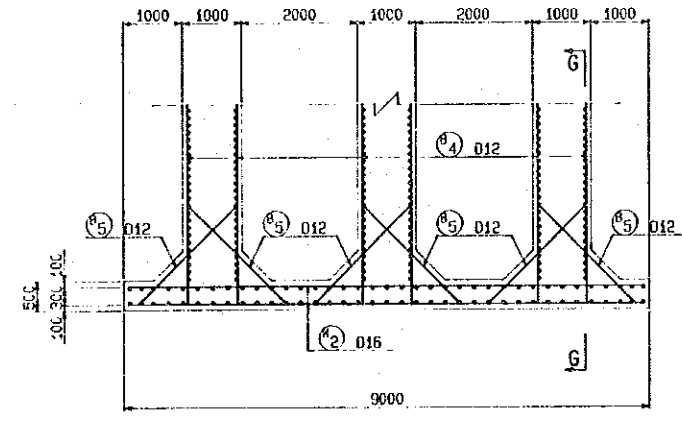


SECTION G-G

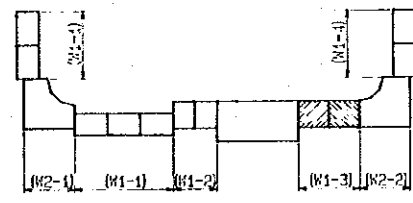


SECTION C-C
(UPPER SURFACE OF FOOTING)

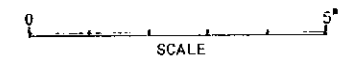
SECTION D-D
(LOWER SURFACE OF FOOTING)



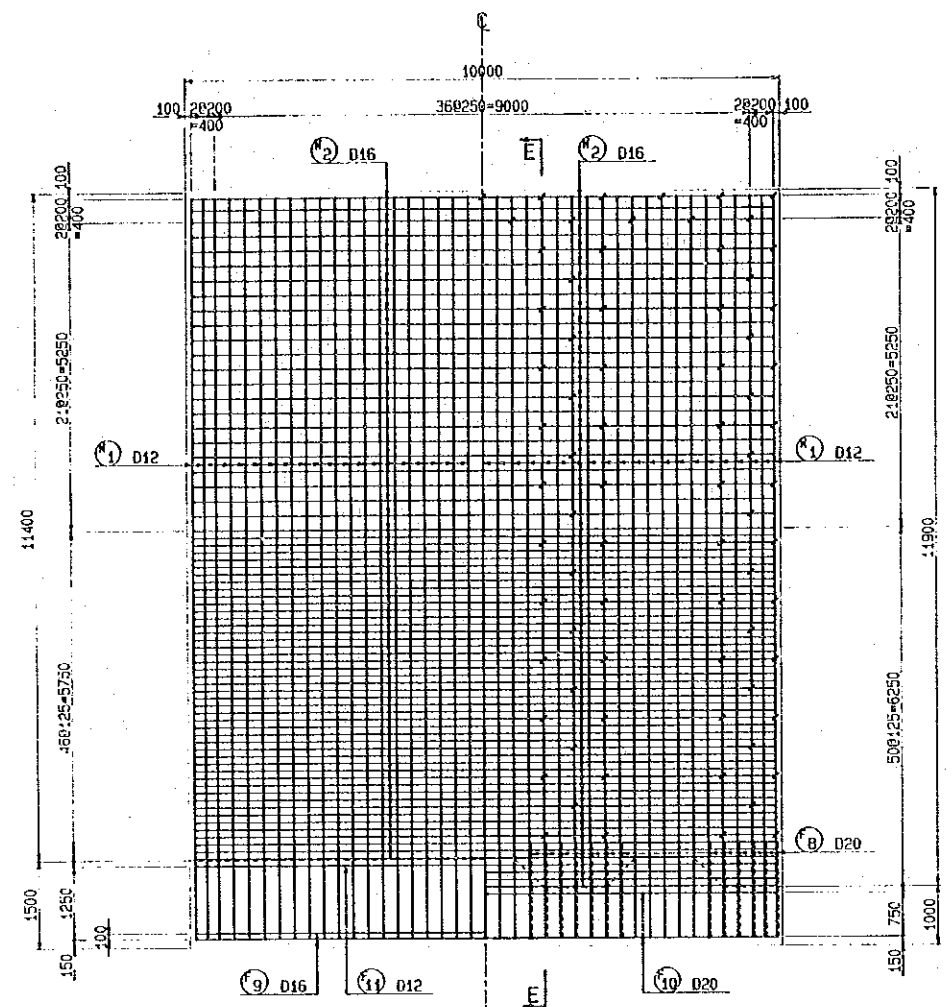
SECTION F-F



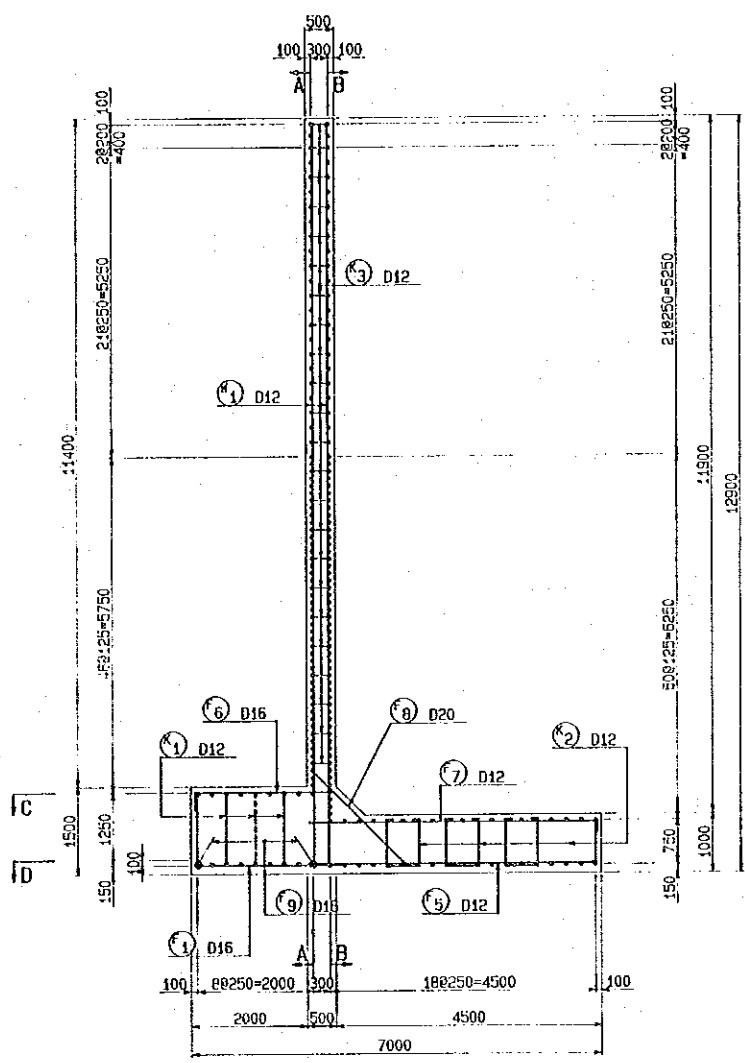
KEY PLAN



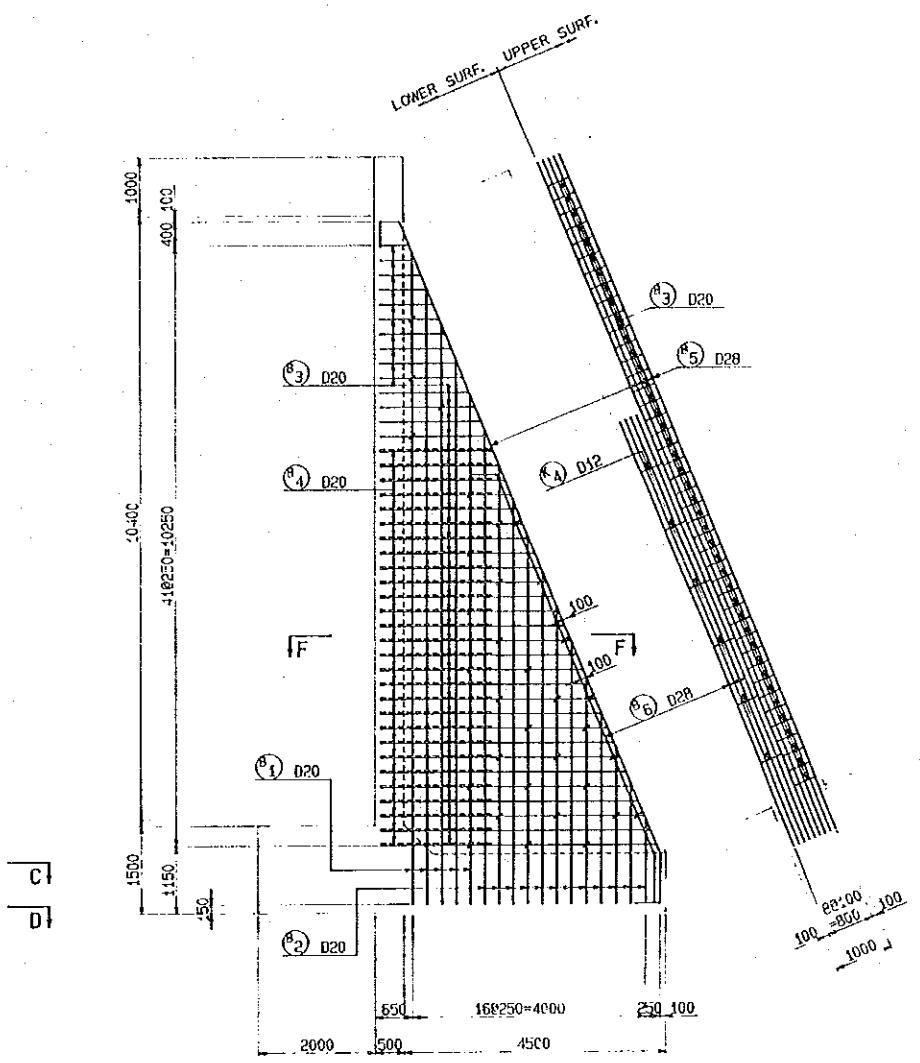
THE KINGDOM OF THAILAND ROYAL IRRIGATION DEPARTMENT	
THE BANG PAKONG DIVERSION DAM PROJECT	
BANG PAKONG DIVERSION DAM TYPE W1-3 RETAINING WALL REINFORCEMENT	
JAPAN INTERNATIONAL COOPERATION AGENCY (JICA) SANYU CONSULTANTS INC.	
DESIGNED	
TRACED	
CHECKED	
APPROVED	
DRAWING NO.	DDM - 1032



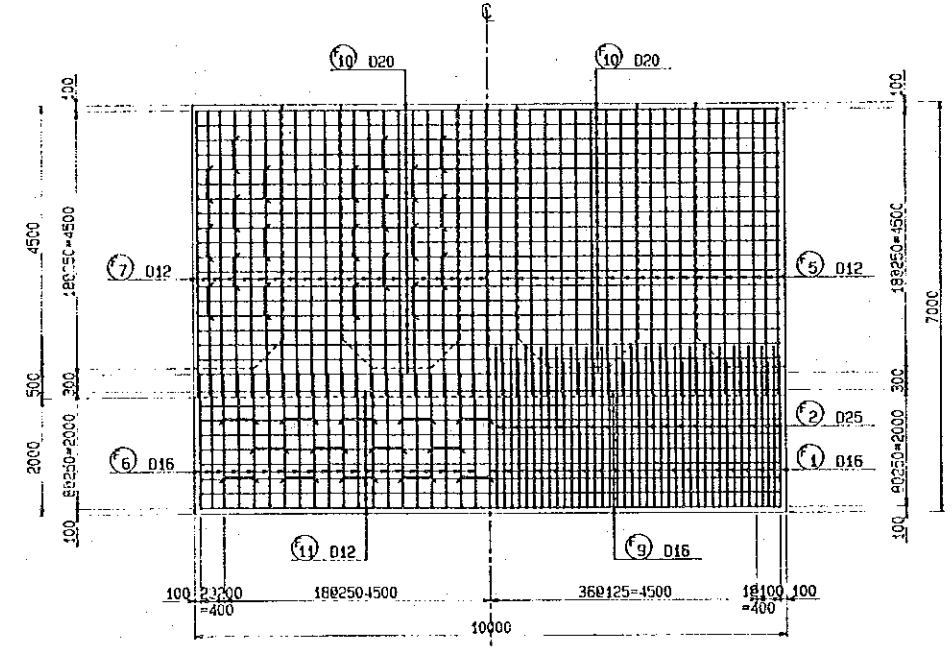
SECTION A-A (SURFACE REINF. OF WALL)
SECTION B-B (REAR REINF. OF WALL)



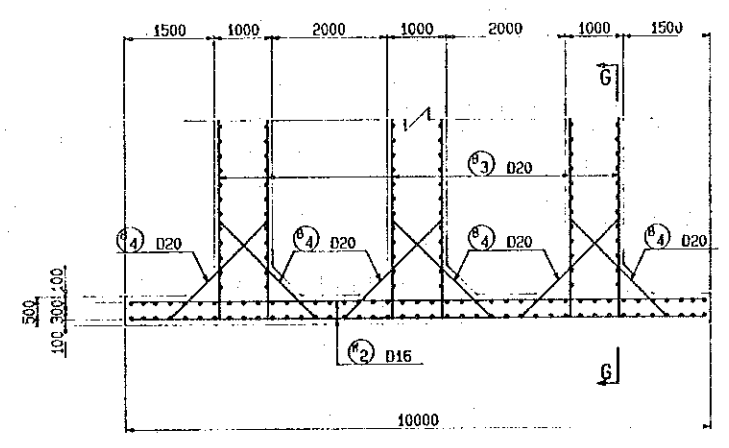
SECTION E-E



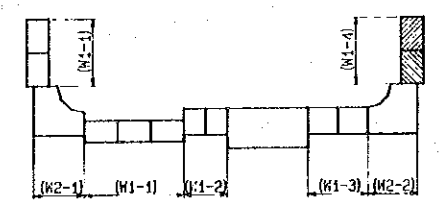
SECTION G-G



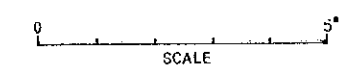
SECTION C-C (UPPER SURFACE OF FOOTING)
SECTION D-D (LOWER SURFACE OF FOOTING)



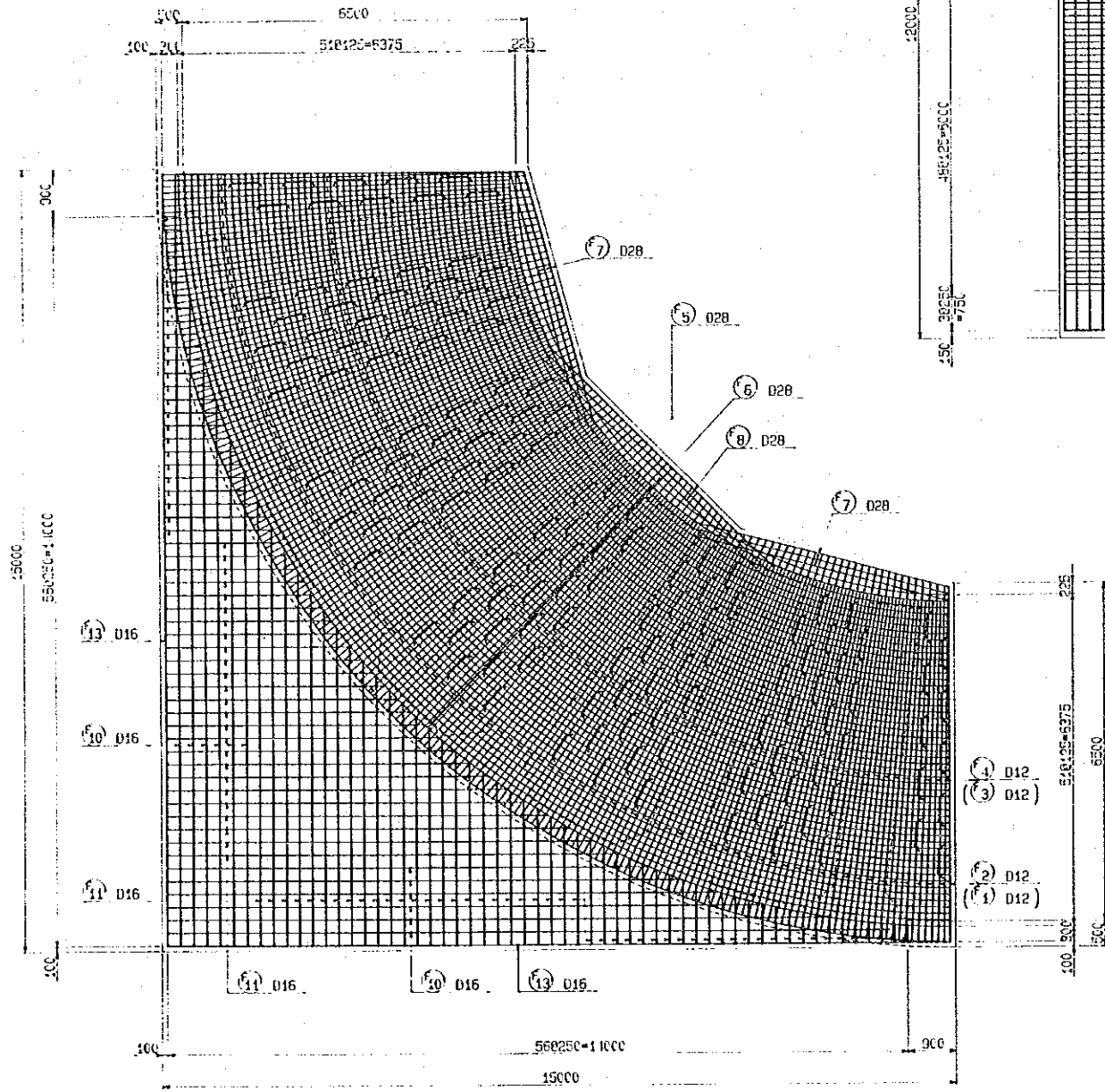
SECTION F-F



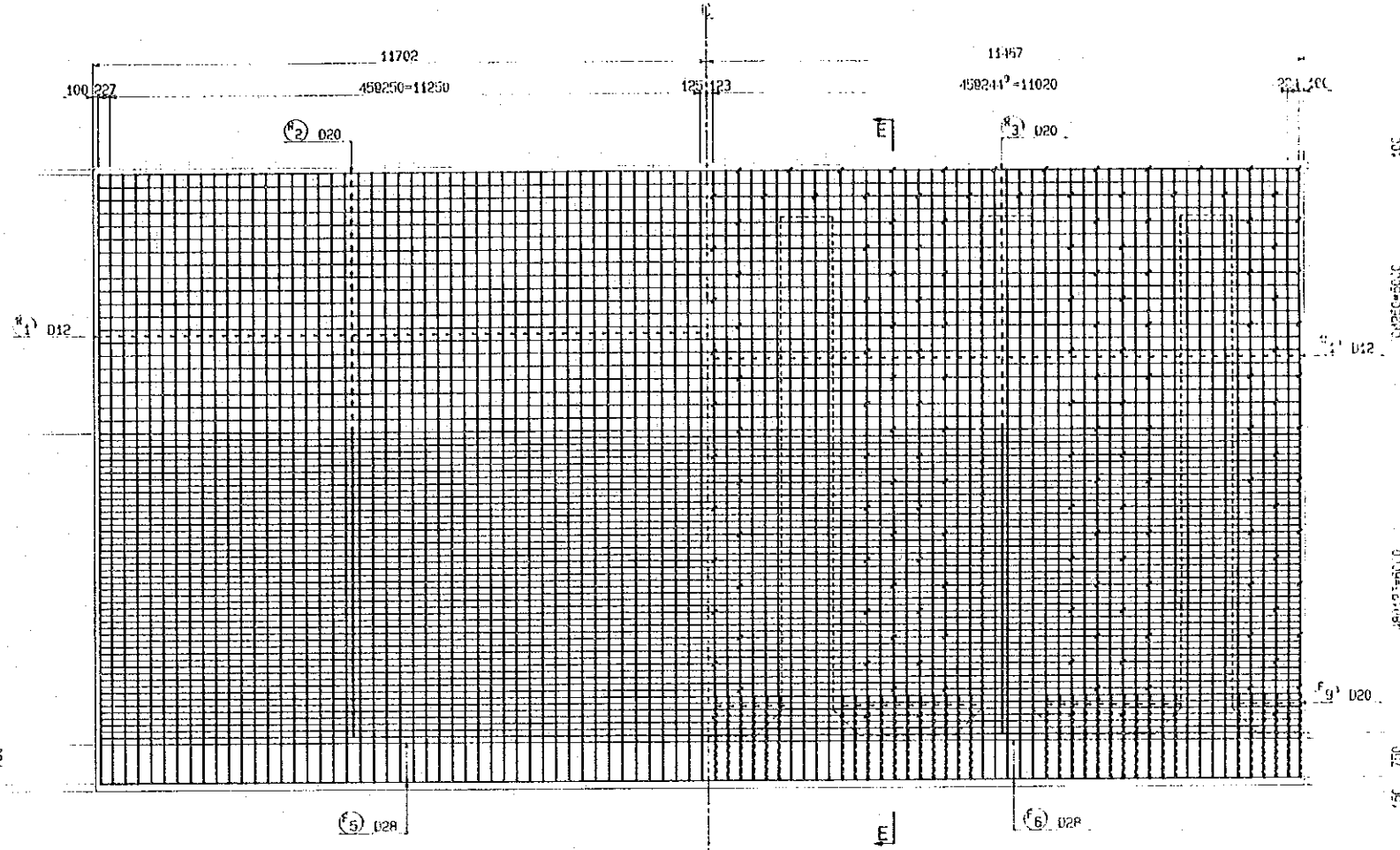
KEY PLAN



THE KINGDOM OF THAILAND ROYAL IRRIGATION DEPARTMENT	
THE BANG PAKONG DIVERSION DAM PROJECT	
BANG PAKONG DIVERSION DAM TYPE W1-4 RETAINING WALL REINFORCEMENT	
JAPAN INTERNATIONAL COOPERATION AGENCY (JICA) SANYU CONSULTANTS INC.	
DESIGNED	
TRACED	
CHECKED	
APPROVED	
DRAWING NO. DDM-1033	

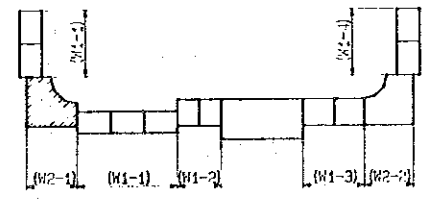


SECTION C-C (D-D)

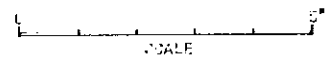


SECTION A-A
(SURFACE REINF. OF WALL)

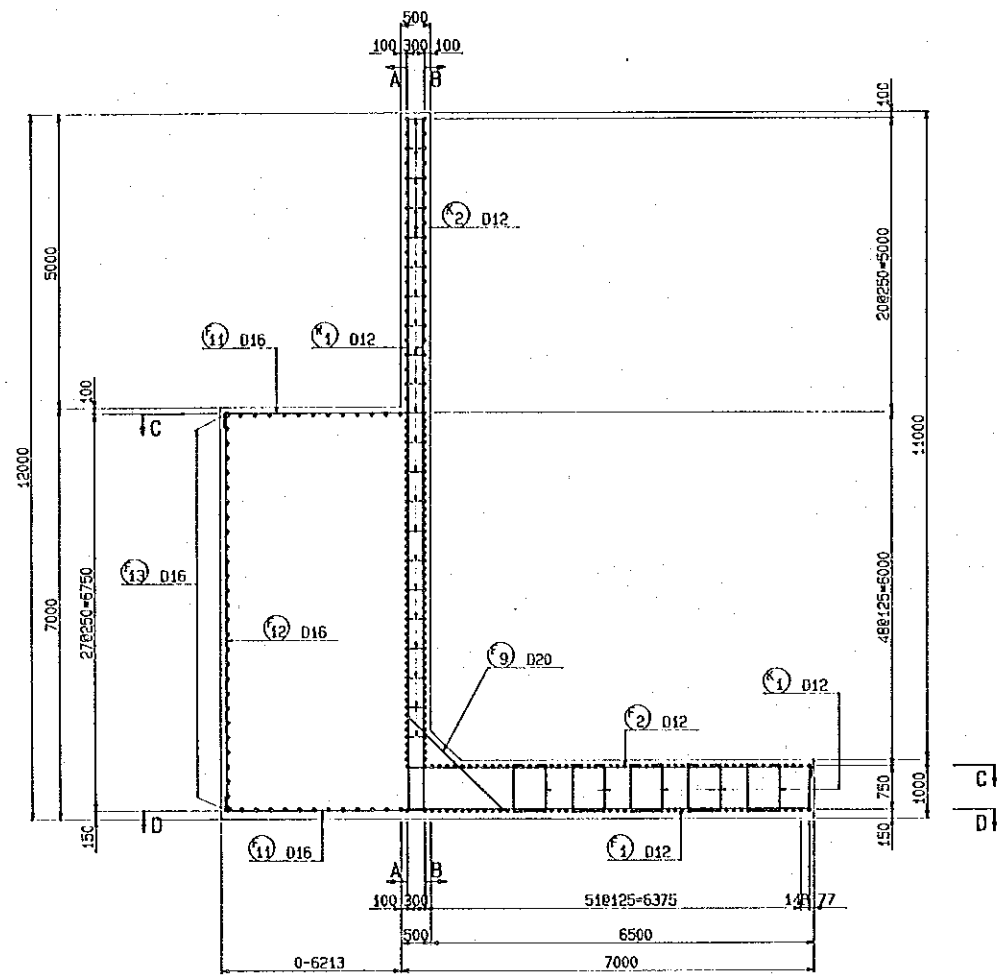
SECTION B-B
(REAR REINF. OF WALL)



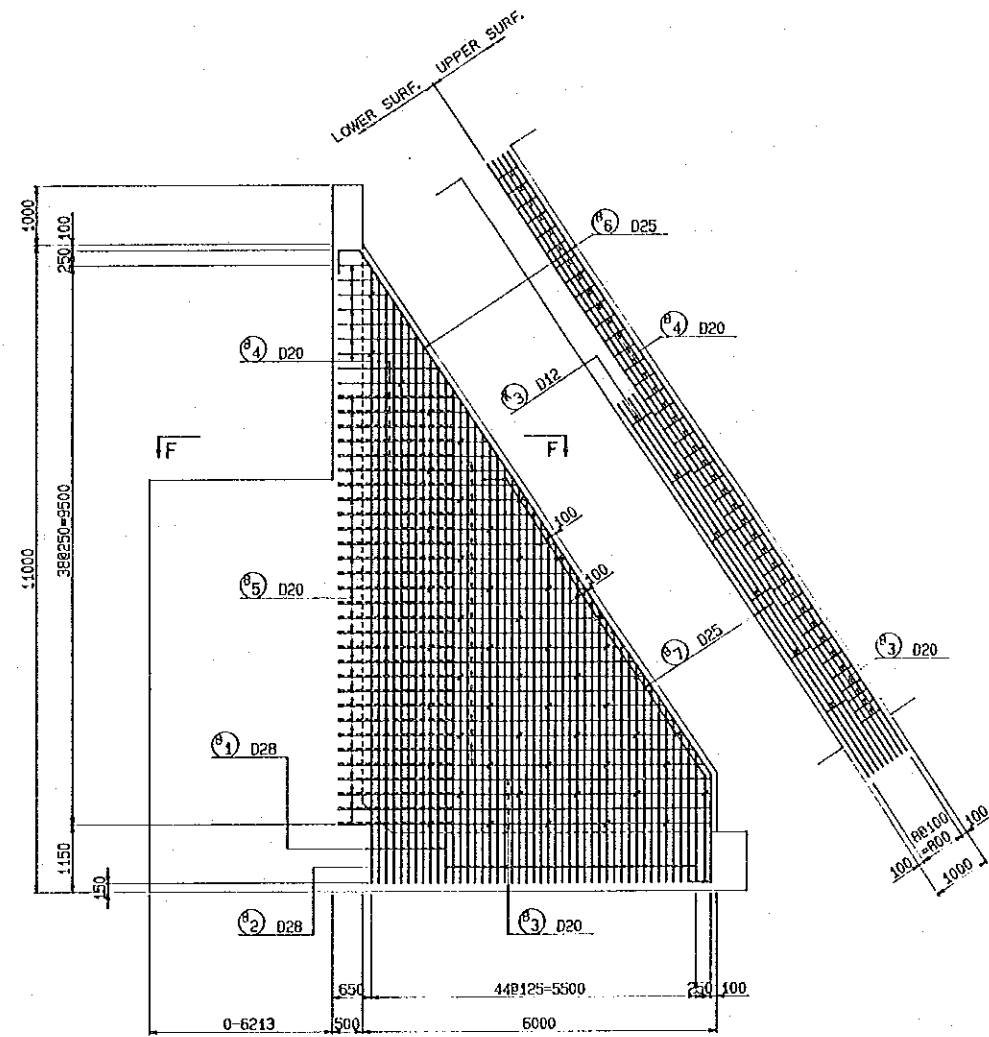
KEY PLAN



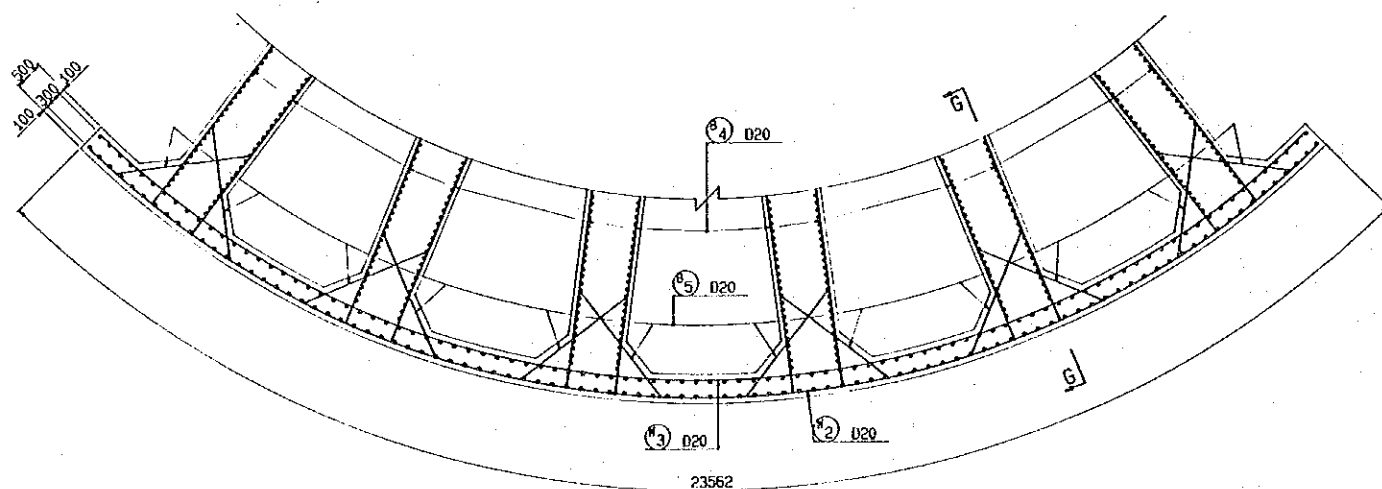
THE KINGDOM OF THAILAND ROYAL IRRIGATION DEPARTMENT	
THE BANG PAKONG DIVERSION DAM PROJECT	
BANG PAKONG DIVERSION DAM TYPE W2-1 RETAINING WALL REINFORCEMENT (1/2)	
JAPAN INTERNATIONAL COOPERATION AGENCY (JICA) SANYU CONSULTANTS INC.	
DESIGNED	
TRACED	
CHECKED	
APPROVED	
DRAWING NO. DDM - 1034	



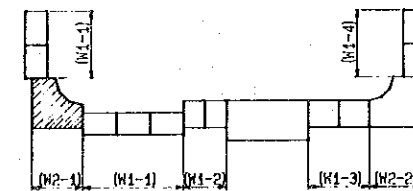
SECTION E-E



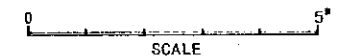
SECTION G-G



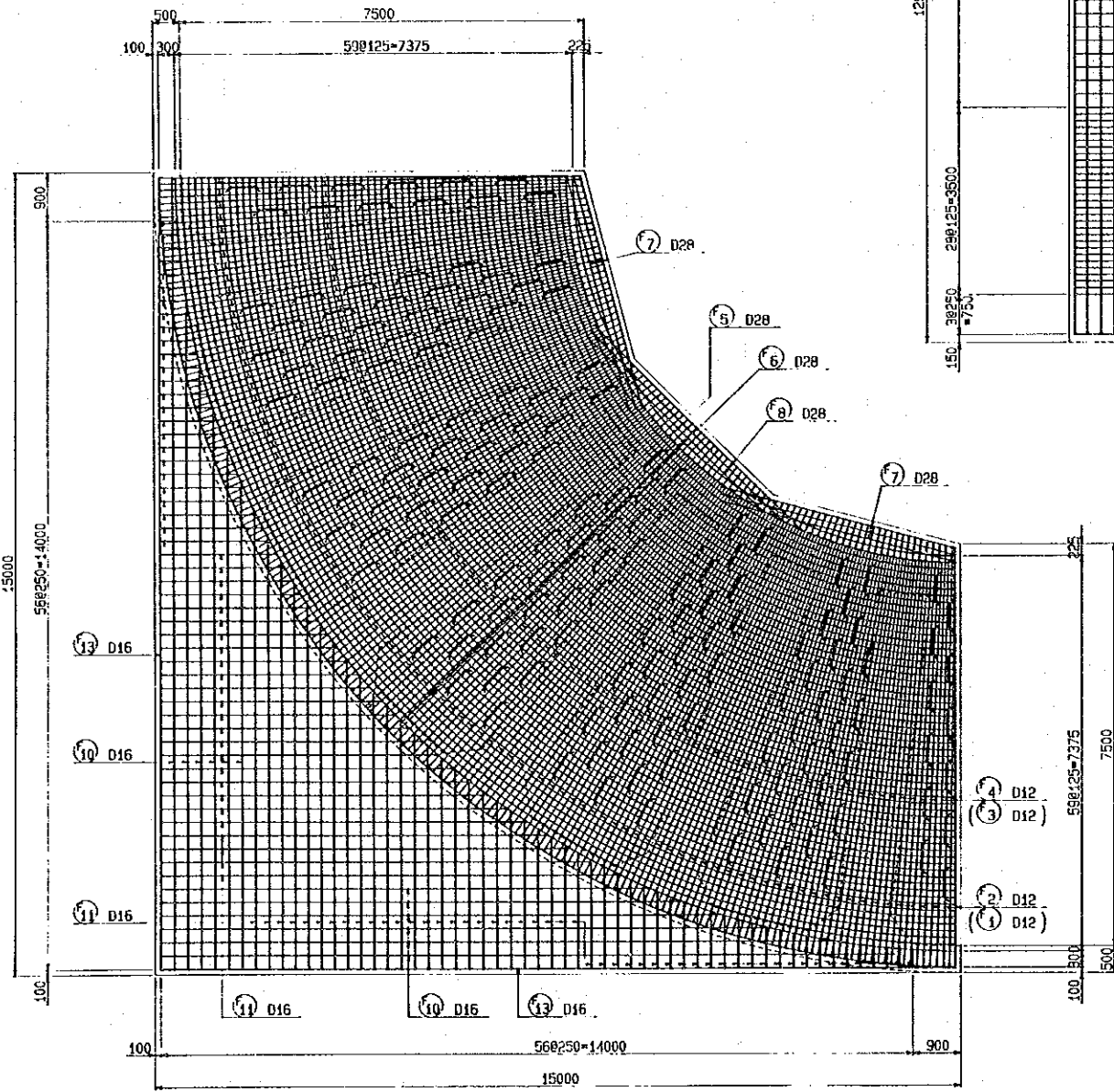
SECTION F-F



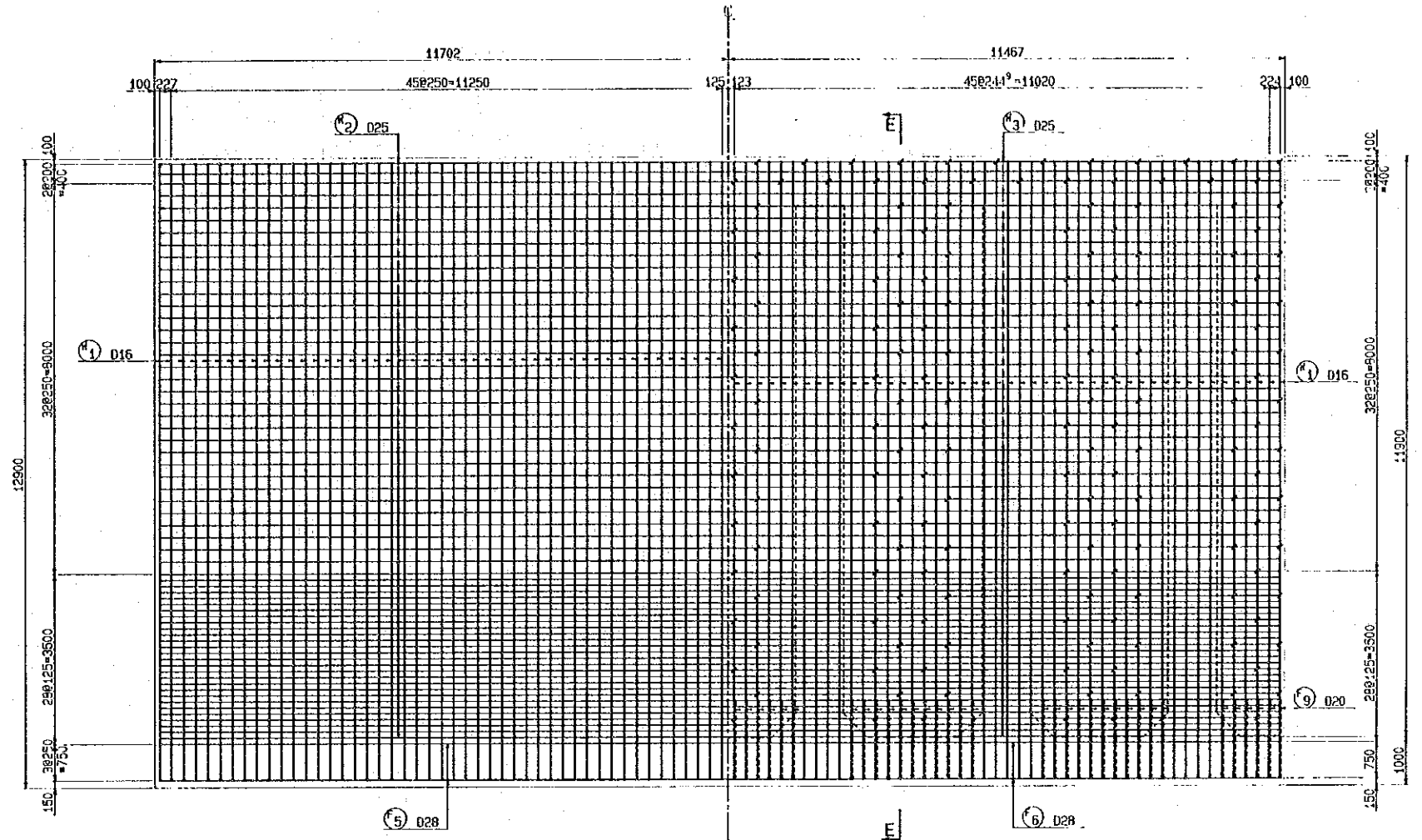
KEY PLAN



THE KINGDOM OF THAILAND ROYAL IRRIGATION DEPARTMENT	
THE BANG PAKONG DIVERSION DAM PROJECT	
BANG PAKONG DIVERSION DAM TYPE W2-1 RETAINING WALL REINFORCEMENT (2/2)	
JAPAN INTERNATIONAL COOPERATION AGENCY (JICA) SANYU CONSULTANTS INC.	
DESIGNED	
TRACED	
CHECKED	
APPROVED	
DRAWING NO. DDM - 1035	

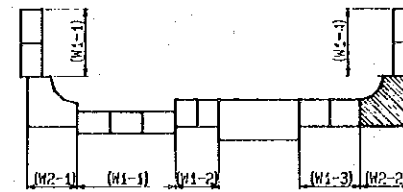


SECTION C-C (D-D)

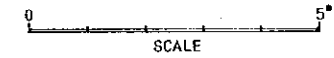


SECTION A-A
(SURFACE REINF. OF WALL)

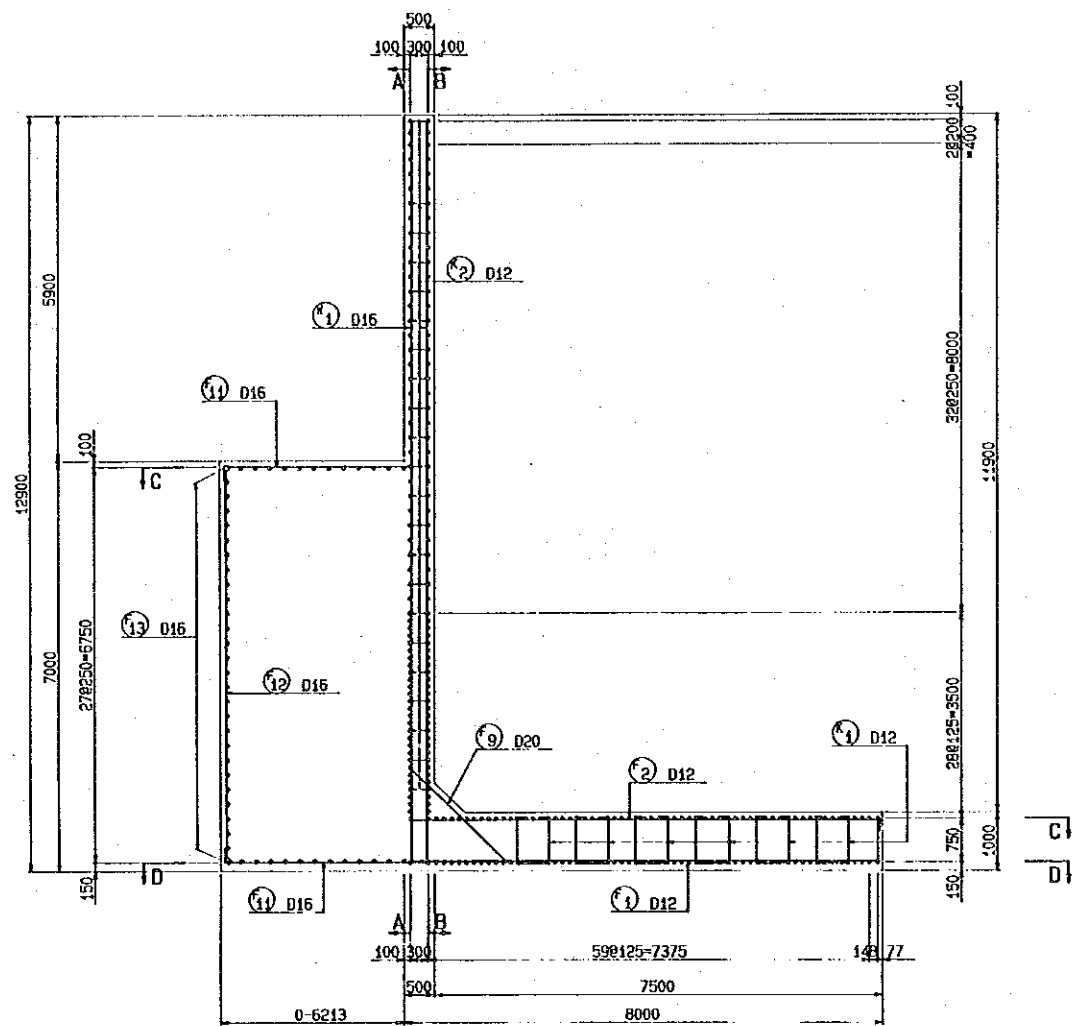
SECTION B-B
(REAR REINF. OF WALL)



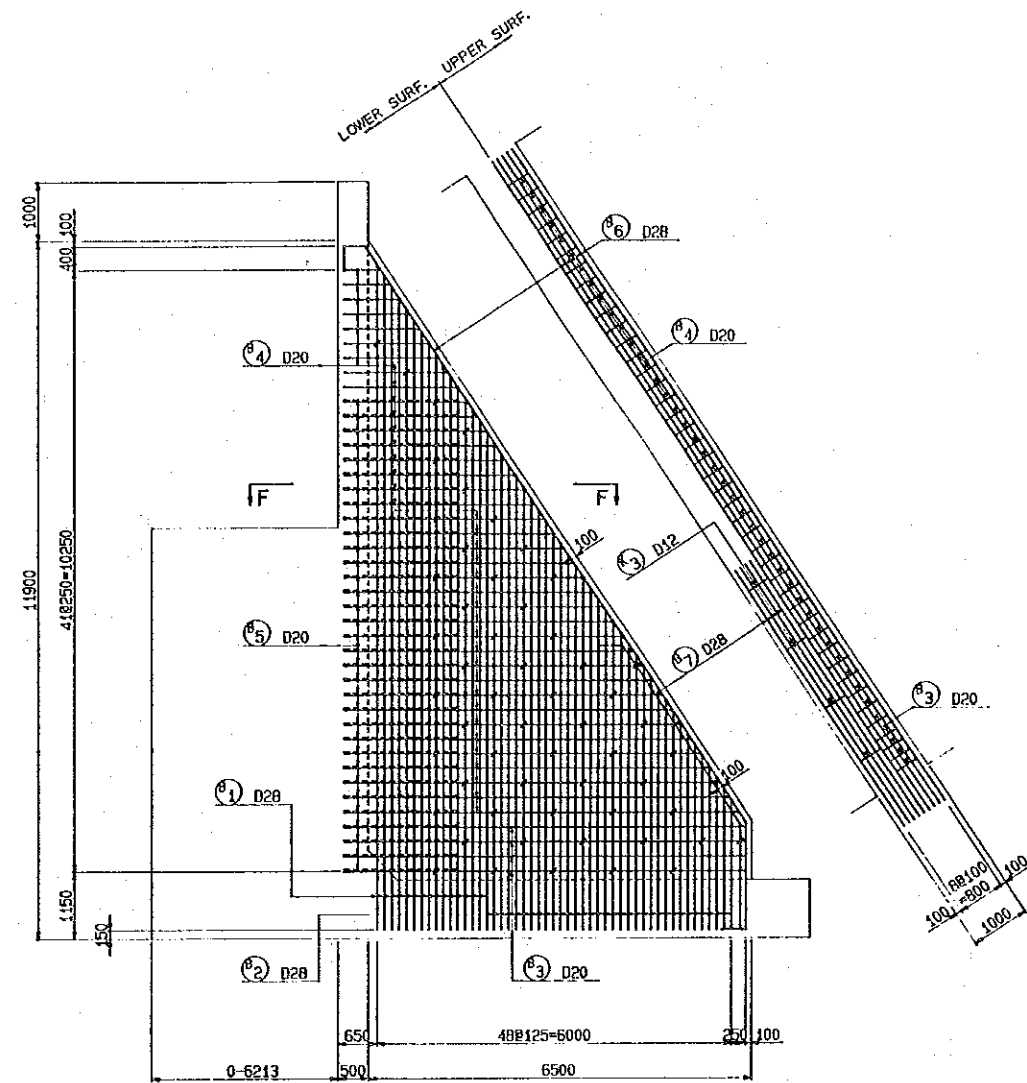
KEY PLAN



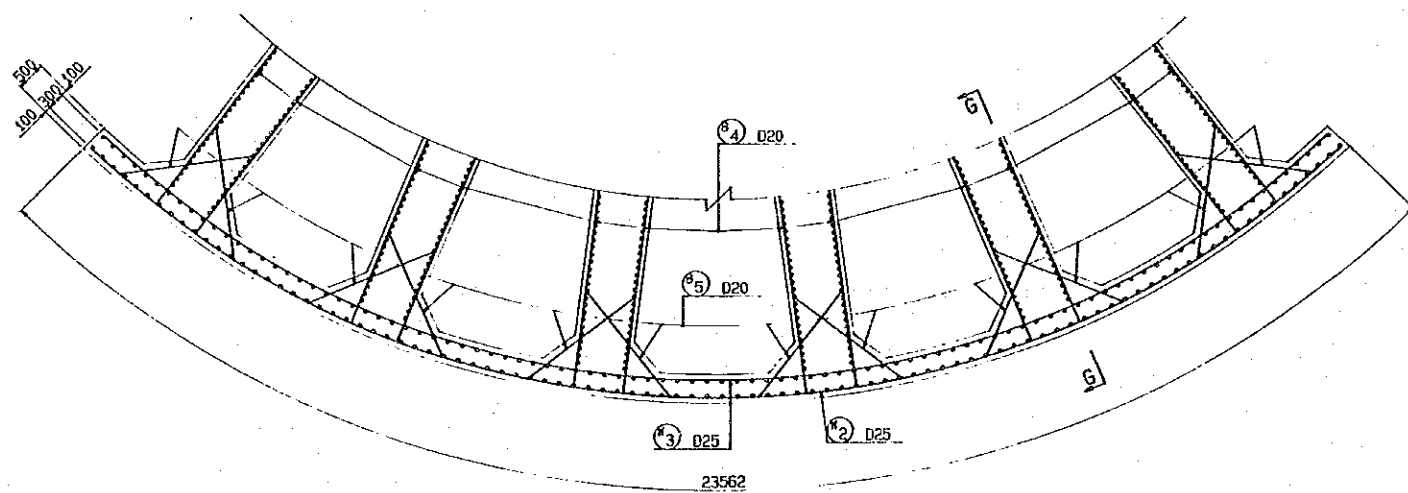
THE KINGDOM OF THAILAND ROYAL IRRIGATION DEPARTMENT	
THE BANG PAKONG DIVERSION DAM PROJECT	
BANG PAKONG DIVERSION DAM TYPE W2-2 RETAINING WALL REINFORCEMENT (1/2)	
JAPAN INTERNATIONAL COOPERATION AGENCY (JICA) SANYU CONSULTANTS INC.	
DESIGNED	
TRACED	
CHECKED	
APPROVED	
DRAWING NO. DDM - 1036	



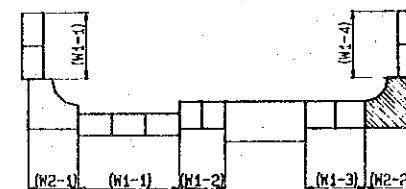
SECTION E-E



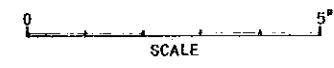
SECTION G-G



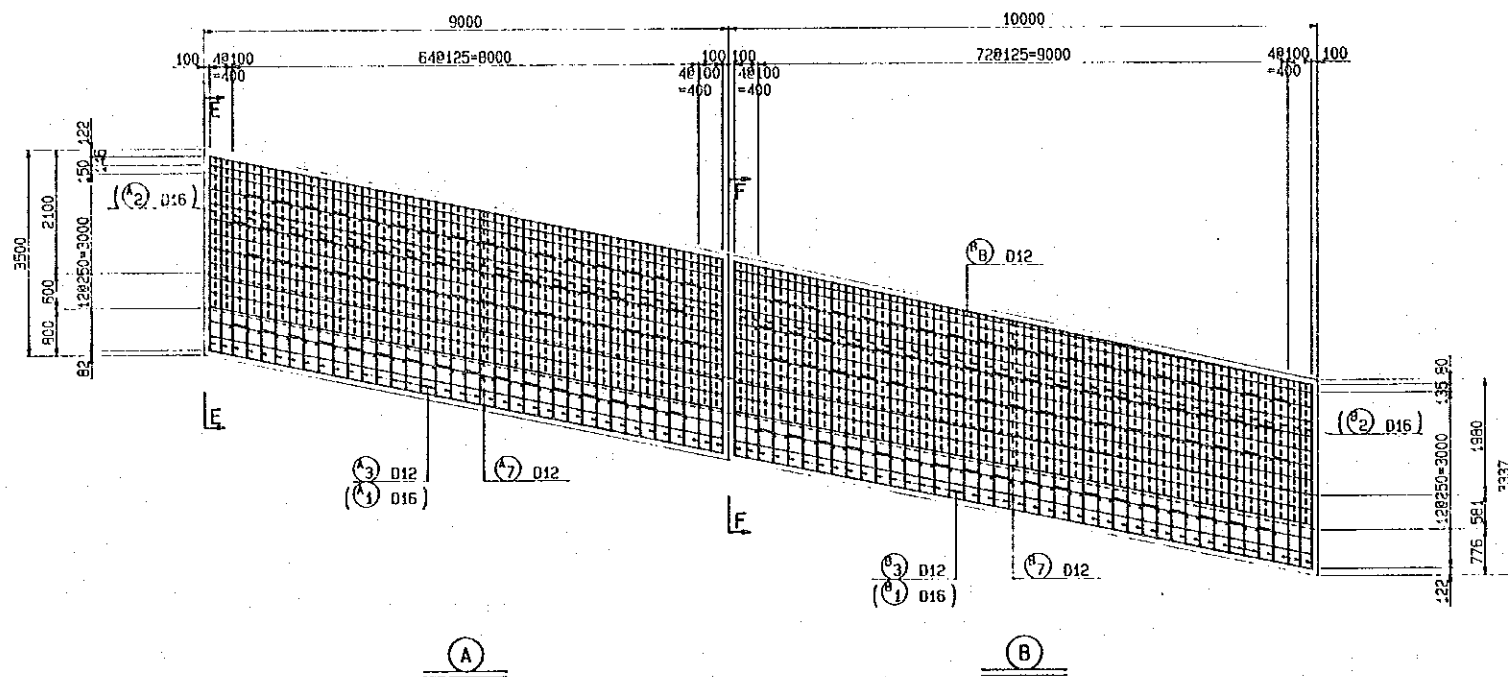
SECTION F-F



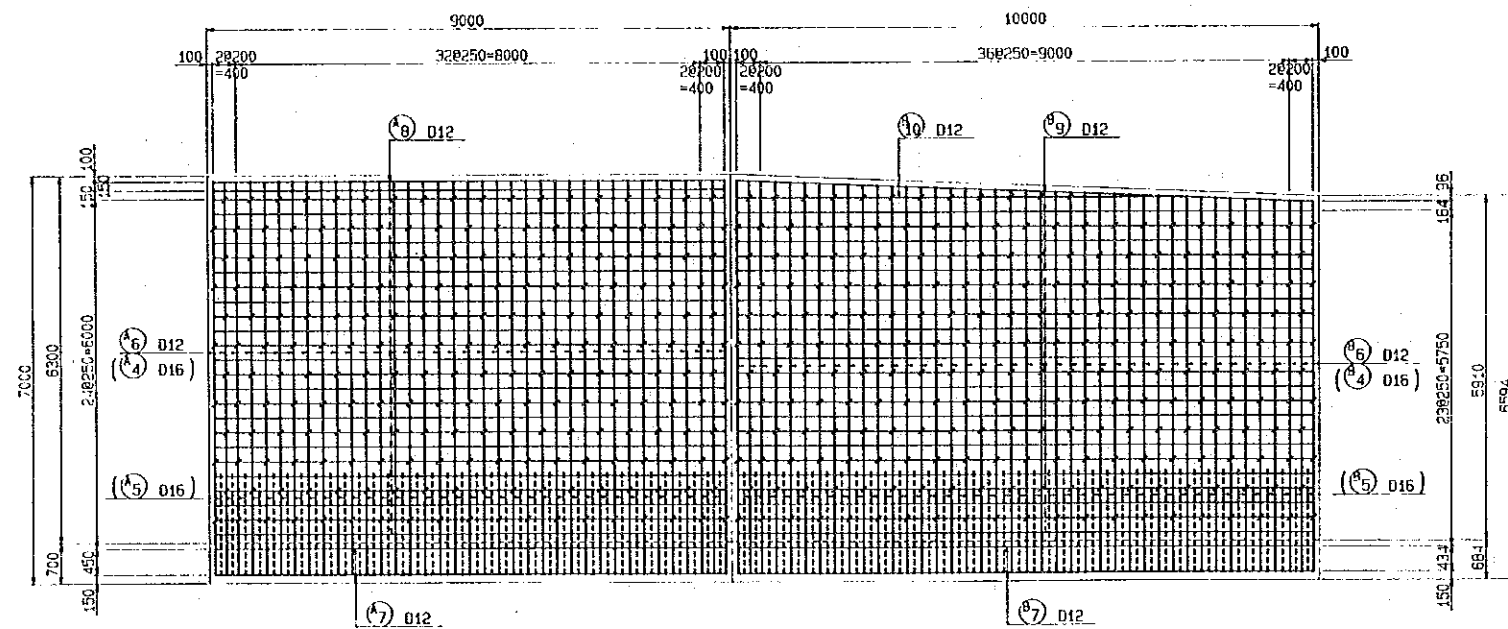
KEY PLAN



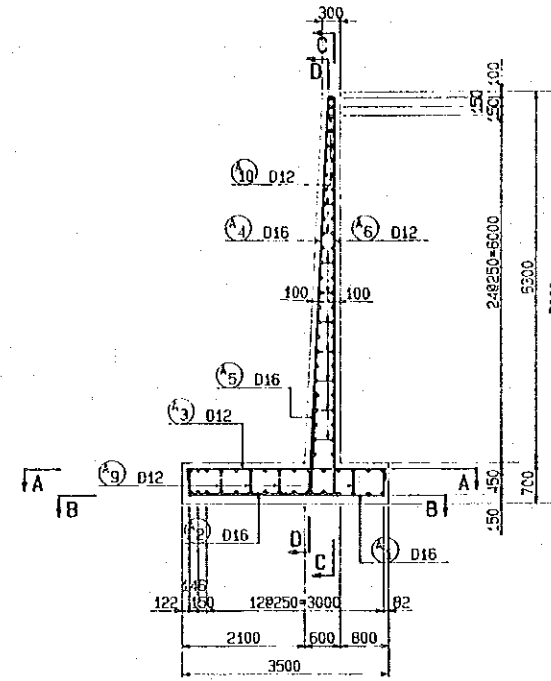
THE KINGDOM OF THAILAND ROYAL IRRIGATION DEPARTMENT	
THE BANG PAKONG DIVERSION DAM PROJECT	
BANG PAKONG DIVERSION DAM TYPE W2-2 RETAINING WALL REINFORCEMENT (2/2)	
JAPAN INTERNATIONAL COOPERATION AGENCY (JICA) SANYU CONSULTANTS INC.	
DESIGNED	
TRACED	
CHECKED	
APPROVED	
DRAWING NO.	DDM - 1037



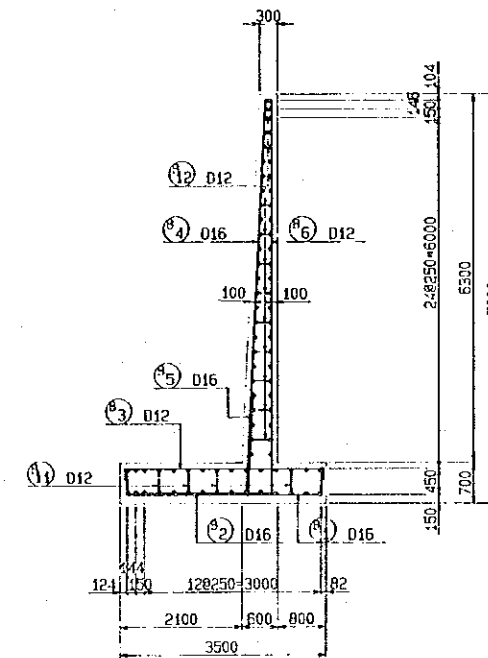
SECTION A-A (B-B)



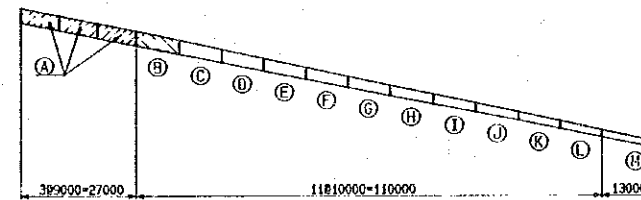
SECTION C-C (D-D)



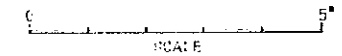
SECTION E-E



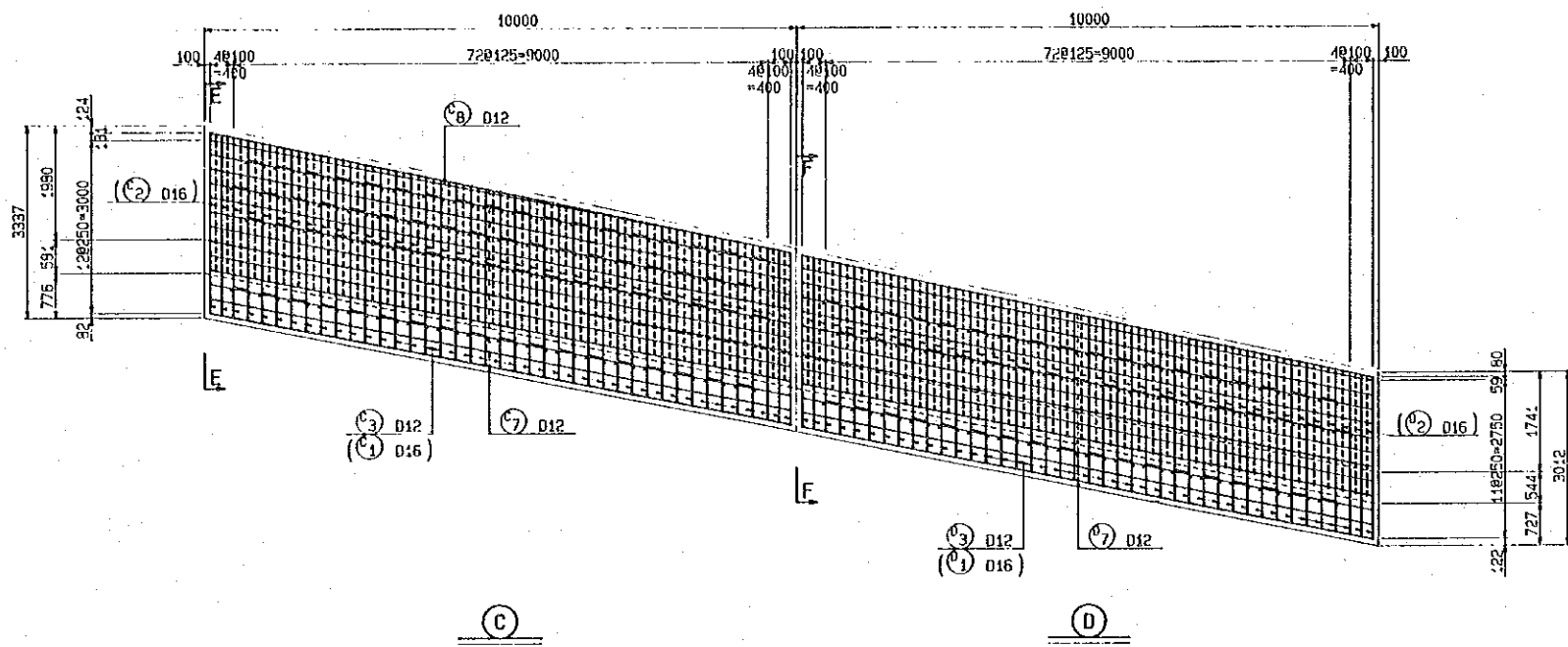
SECTION F-F



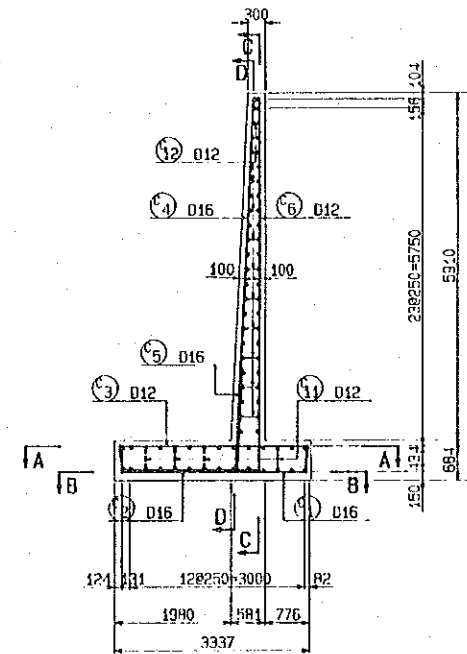
KEY PLAN



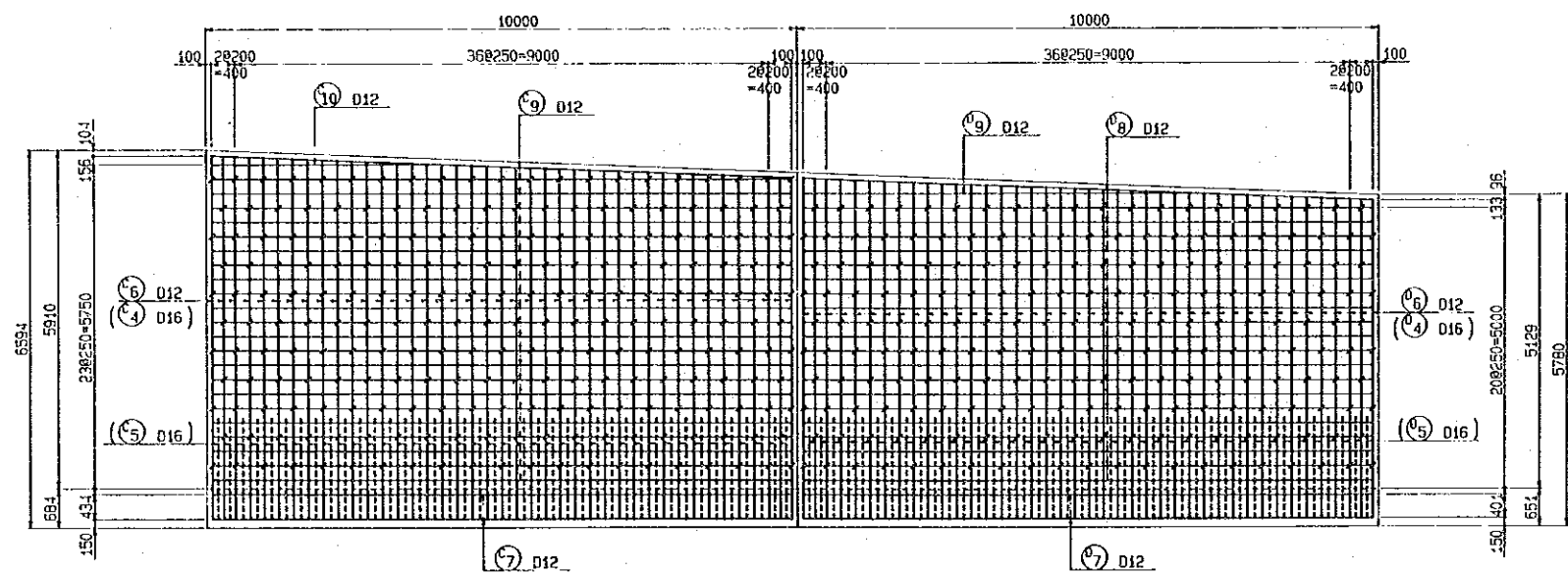
THE KINGDOM OF THAILAND ROYAL IRRIGATION DEPARTMENT	
THE BANG PAKONG DIVERSION DAM PROJECT	
BANG PAKONG DIVERSION DAM TYPE (A) & (B) RETAINING WALL REINFORCEMENT	
JAPAN INTERNATIONAL COOPERATION AGENCY (JICA) SANYU CONSULTANTS INC.	
DESIGNED	
TRACED	
CHECKED	
APPROVED	
DRAWING NO. DDM-1038	



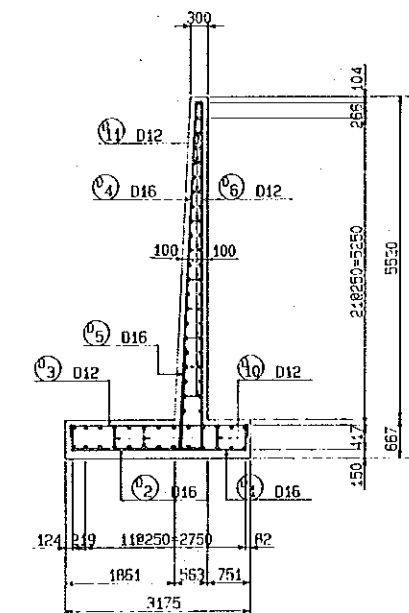
SECTION A-A (B-B)



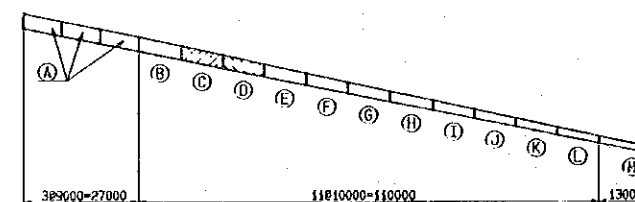
SECTION E-E



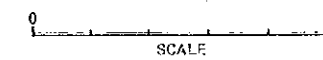
SECTION C-C (D-D)



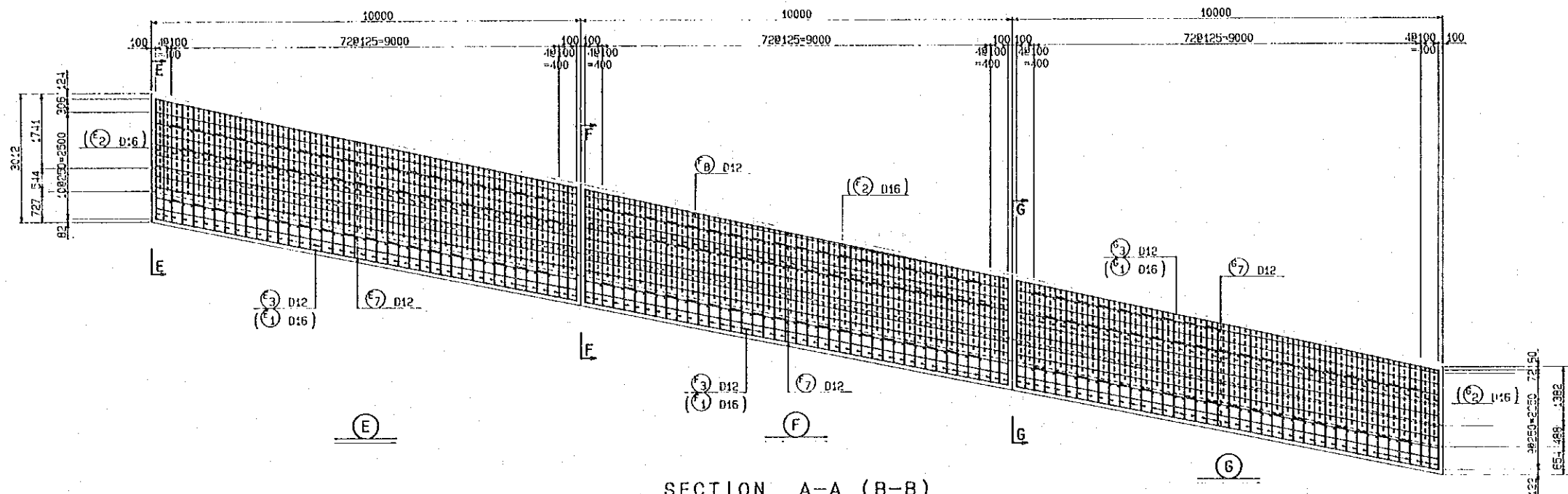
SECTION F-F



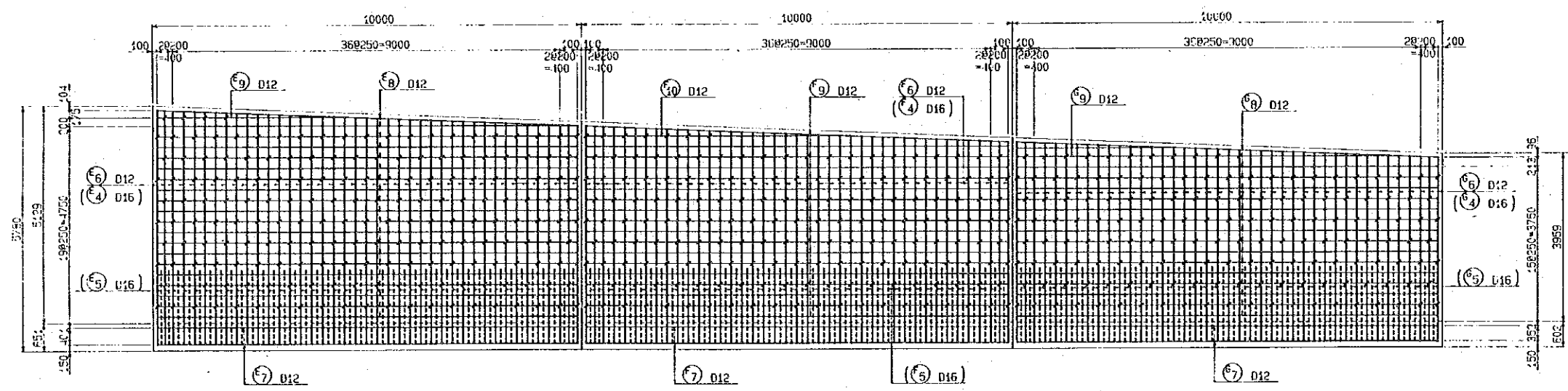
KEY PLAN



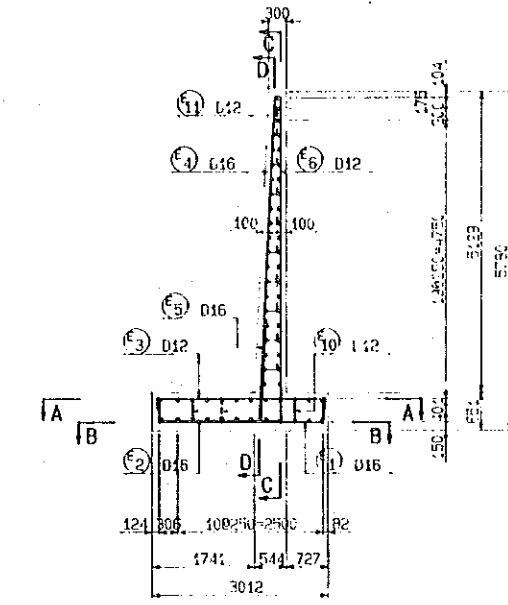
THE KINGDOM OF THAILAND ROYAL IRRIGATION DEPARTMENT	
THE BANG PAKONG DIVERSION DAM PROJECT	
BANG PAKONG DIVERSION DAM TYPE (C) & (D) RETAINING WALL REINFORCEMENT	
JAPAN INTERNATIONAL COOPERATION AGENCY (JICA) SANYU CONSULTANTS INC.	
DESIGNED	
TRACED	
CHECKED	
APPROVED	
DRAWING NO. DDM-1039	



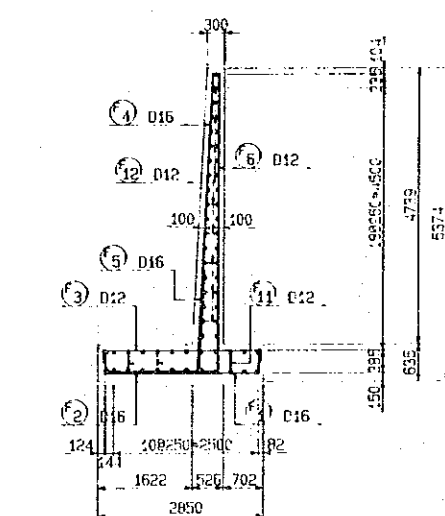
SECTION A-A (B-B)



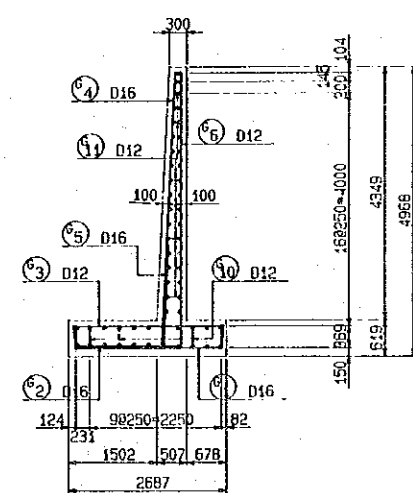
SECTION C-C (D-D)



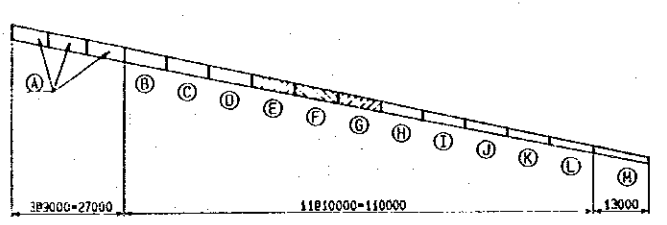
SECTION E-E



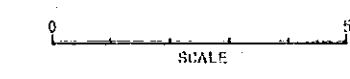
SECTION F-F



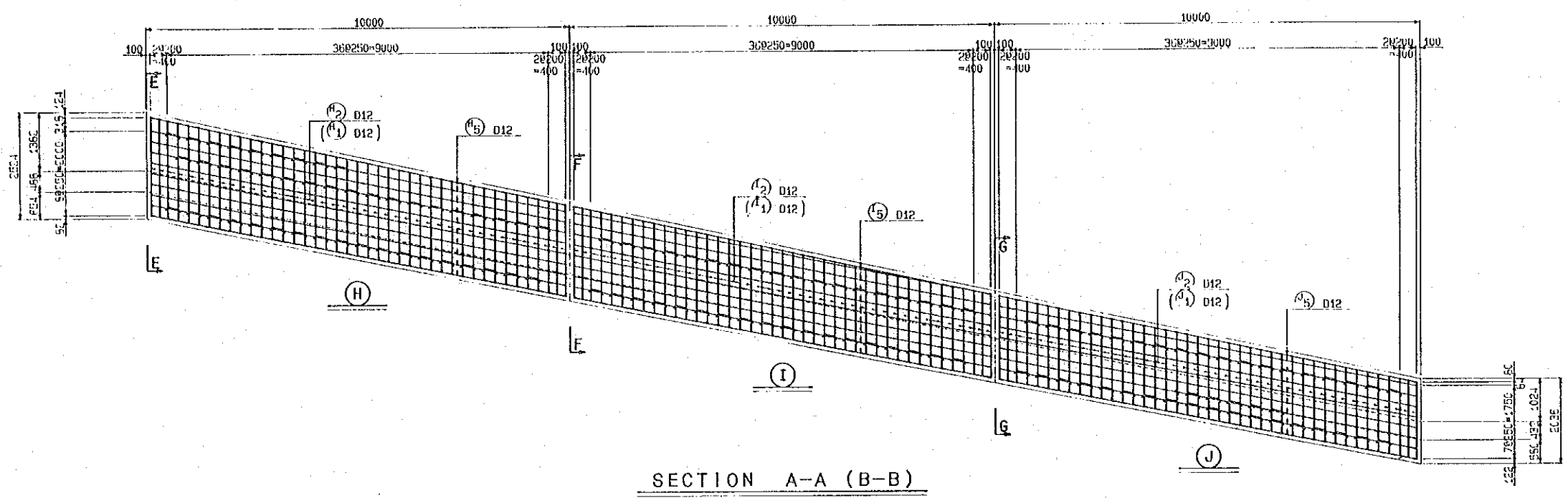
SECTION G-G



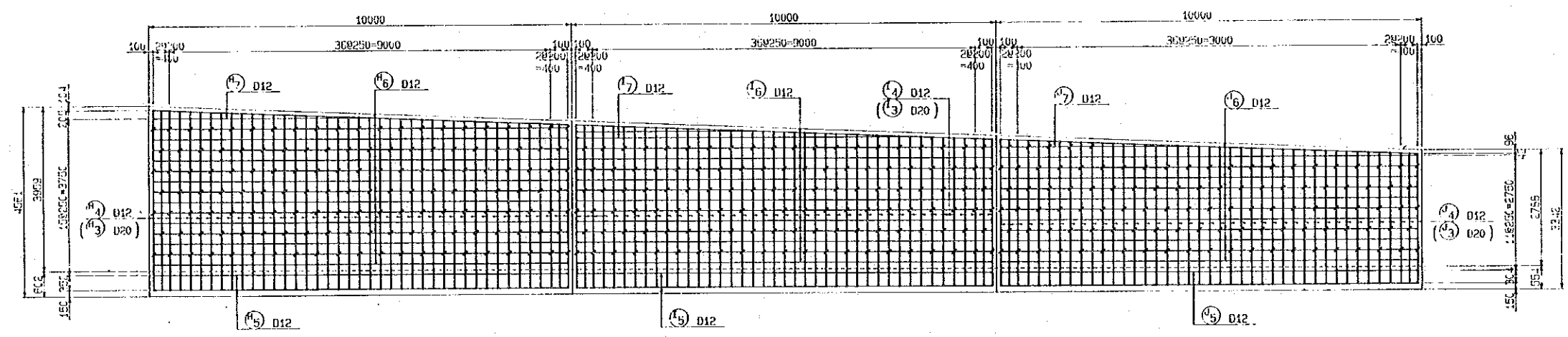
KEY PLAN



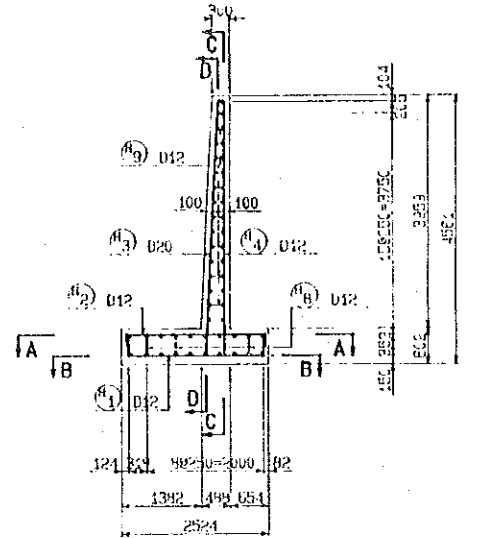
THE KINGDOM OF THAILAND	
ROYAL IRRIGATION DEPARTMENT	
THE BANG PAKONG DIVERSION DAM PROJECT	
BANG PAKONG DIVERSION DAM	
TYPE (E), (F) & (G) RETAINING WALL	
REINFORCEMENT	
JAPAN INTERNATIONAL COOPERATION AGENCY (JICA)	
SANYU CONSULTANTS INC.	
DESIGNED	
TRACED	
CHECKED	
APPROVED	
DRAWING NO.	DDM - 1040



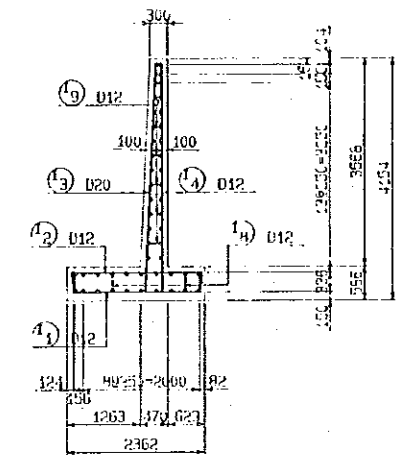
SECTION A-A (B-B)



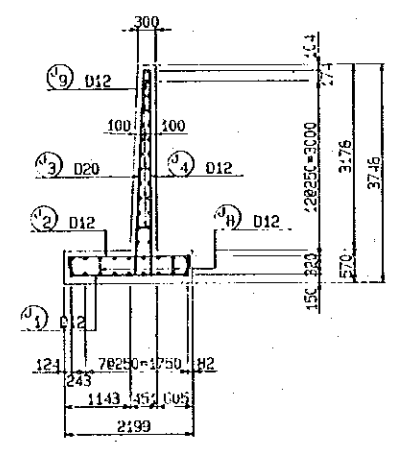
SECTION C-C (D-D)



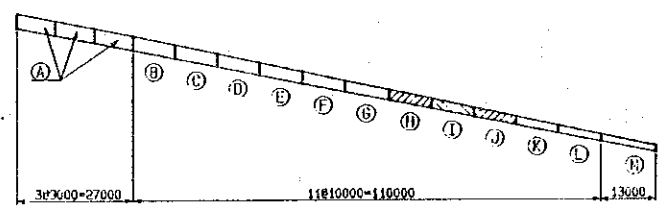
SECTION E-E



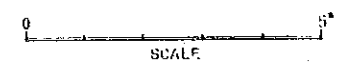
SECTION F-F



SECTION G-G



KEY PLAN



THE KINGDOM OF THAILAND
ROYAL IRRIGATION DEPARTMENT

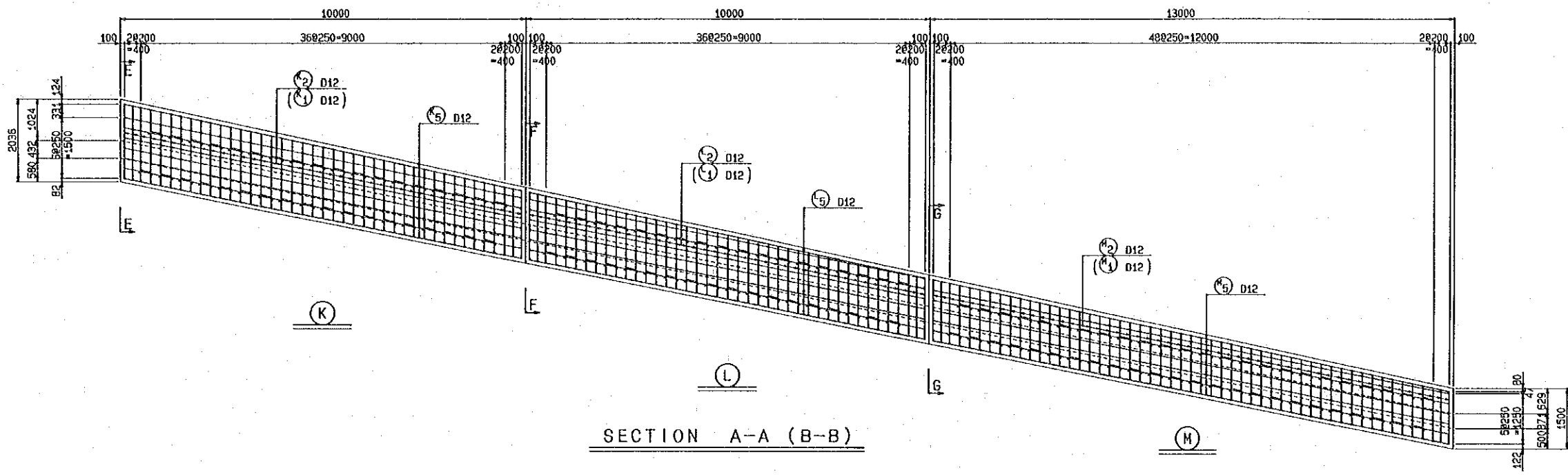
THE BANG PAKONG DIVERSION DAM PROJECT

BANG PAKONG DIVERSION DAM
TYPE (H), (I) & (J) RETAINING WALL
REINFORCEMENT

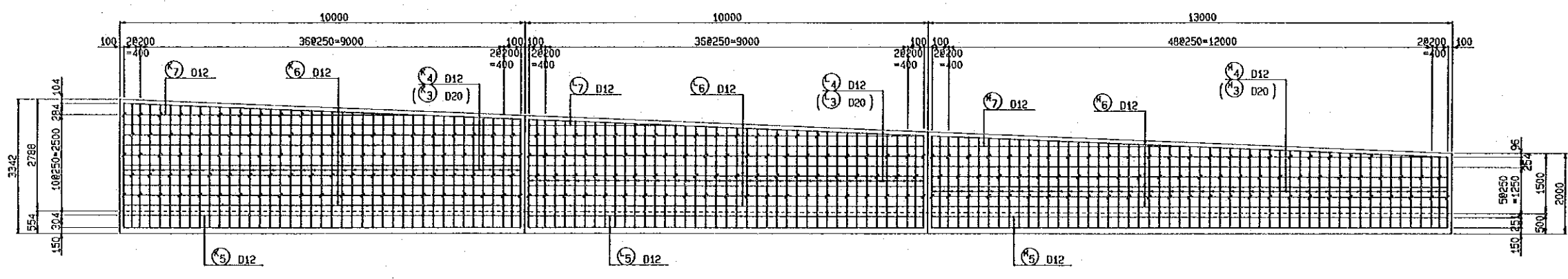
JAPAN INTERNATIONAL COOPERATION AGENCY (JICA)
SANYU CONSULTANTS INC.

DESIGNED	
TRACED	
CHECKED	
APPROVED	

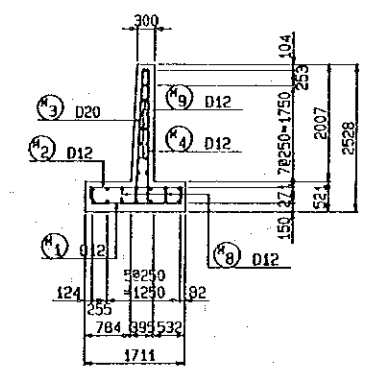
DRAWING NO. DDM-1041



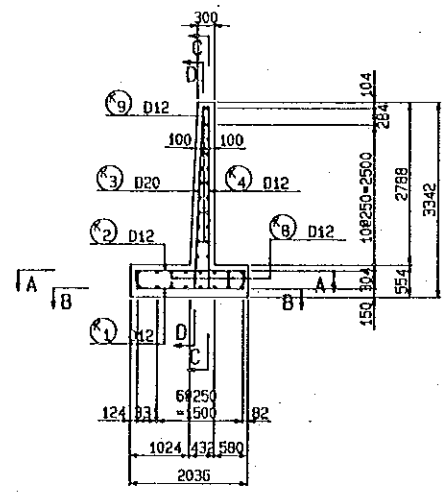
SECTION A-A (B-B)



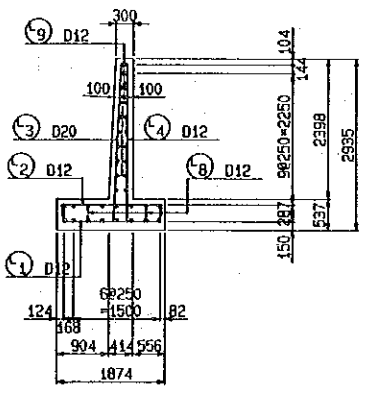
SECTION C-C (D-D)



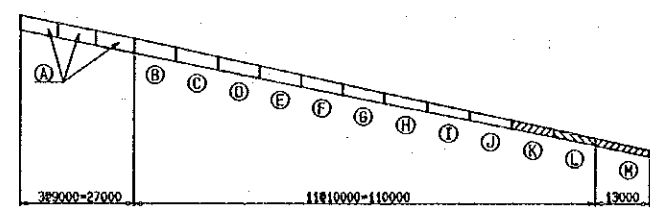
SECTION G-G



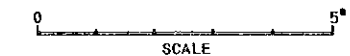
SECTION E-E



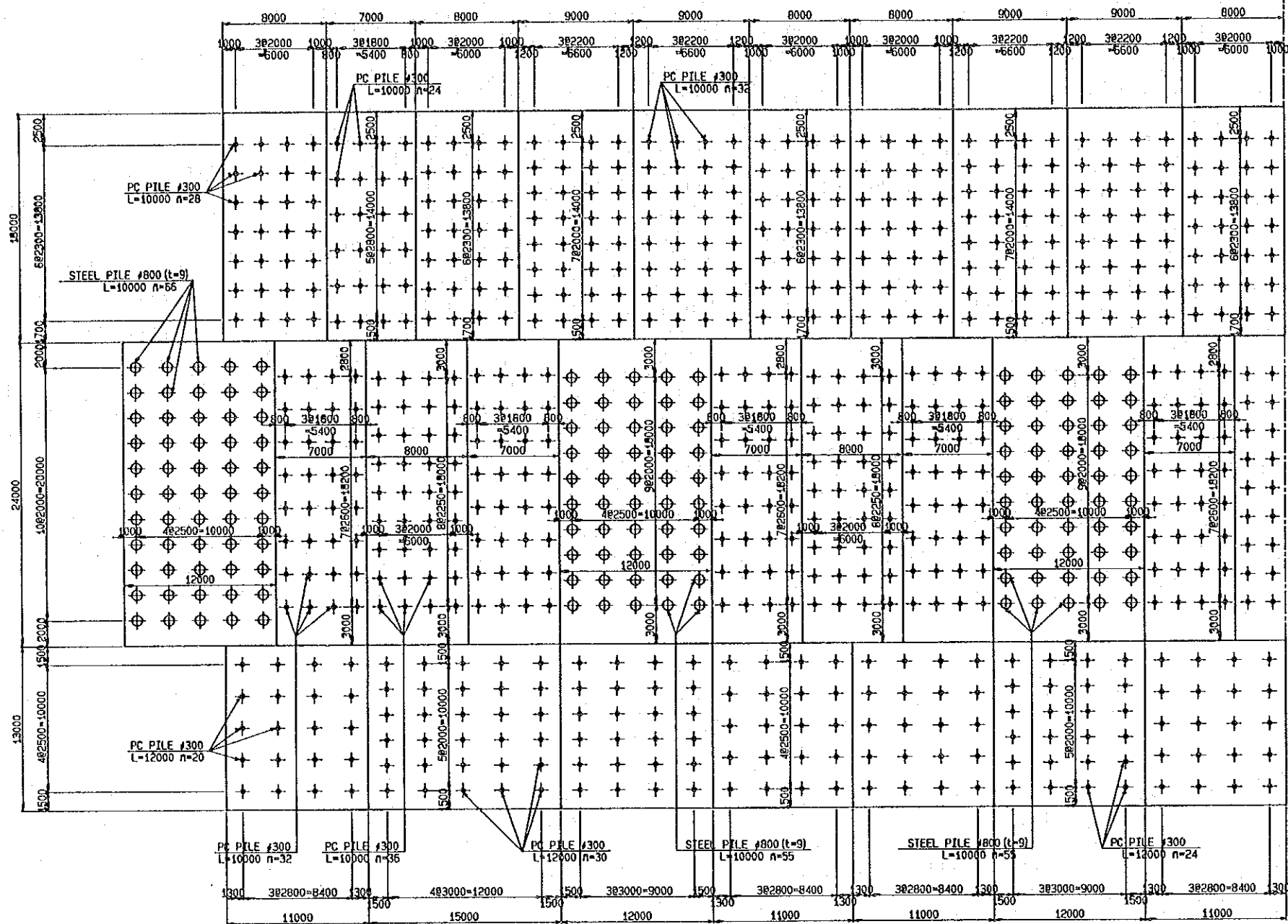
SECTION F-F



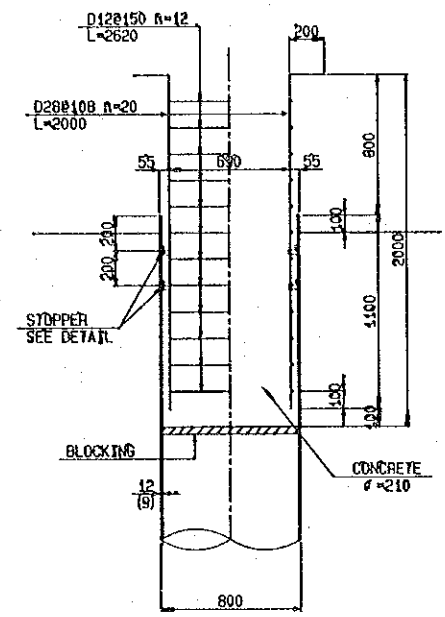
KEY PLAN



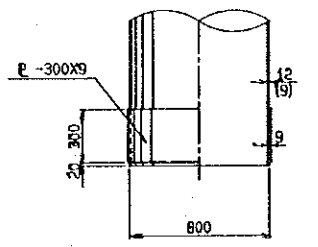
THE KINGDOM OF THAILAND ROYAL IRRIGATION DEPARTMENT	
THE BANG PAKONG DIVERSION DAM PROJECT	
BANG PAKONG DIVERSION DAM RETAINING WALL TYPE (K), (L) & (M) REINFORCEMENT	
JAPAN INTERNATIONAL COOPERATION AGENCY (JICA) SANYU CONSULTANTS INC.	
DESIGNED	
TRACED	
CHECKED	
APPROVED	
DRAWING NO. DDM - 1042	



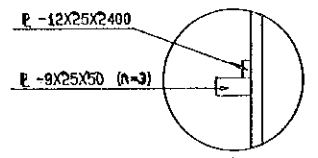
PLAN
SCALE



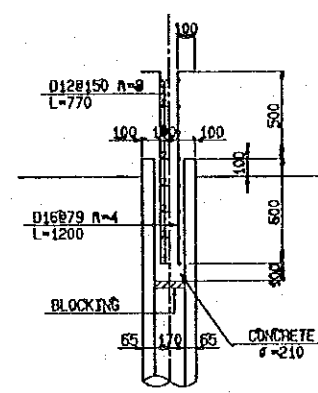
DETAIL OF STEEL PILE TOP
SCALE 'A'



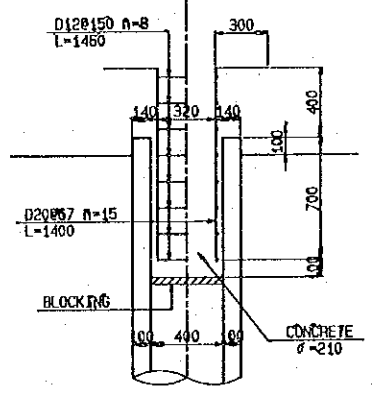
DETAIL OF STEEL PILE BOTTOM
SCALE 'A'



DETAIL OF STOPPER
NOSCALE



DETAIL OF PC (#300) PILE TOP
SCALE 'A'



DETAIL OF PC (#600) PILE TOP
SCALE 'A'

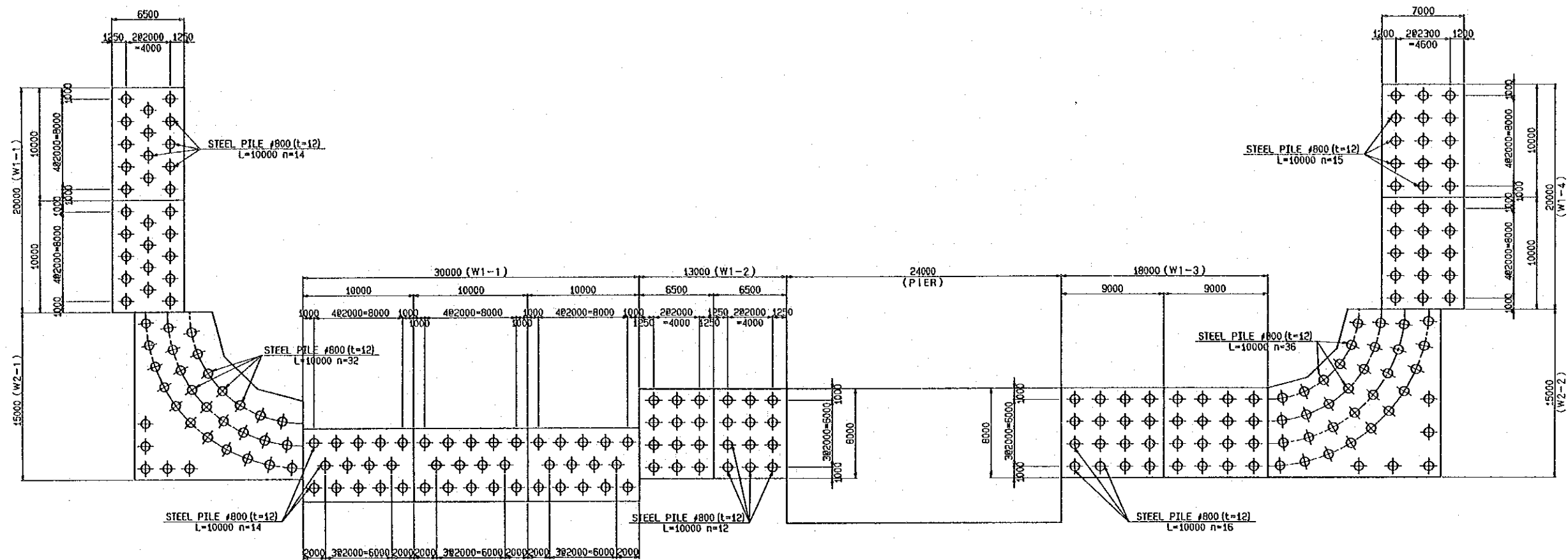
NOTES

1. WELDING METHOD OF STEEL PILE IS SUBJECT TO THE EMPLOYERS APPROVAL

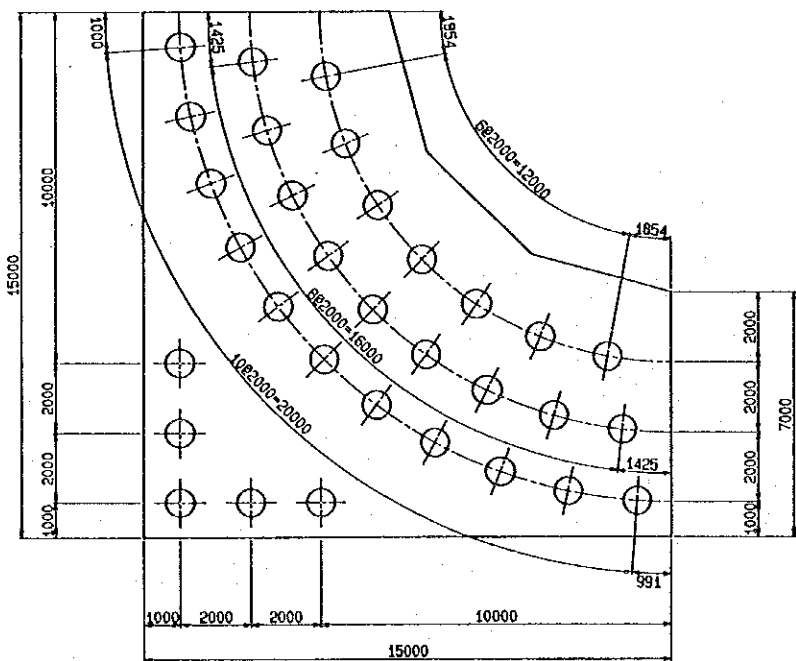
0 10 20
SCALE

0 1 2
SCALE 'A'

THE KINGDOM OF THAILAND ROYAL IRRIGATION DEPARTMENT	
THE BANG PAKONG DIVERSION DAM PROJECT	
BANG PAKONG DIVERSION DAM PILE FOUNDATION (1/3)	
JAPAN INTERNATIONAL COOPERATION AGENCY (JICA) SANYU CONSULTANTS INC.	
DESIGNED	
TRACED	
CHECKED	
APPROVED	
DRAWING NO. DDM - 1043	

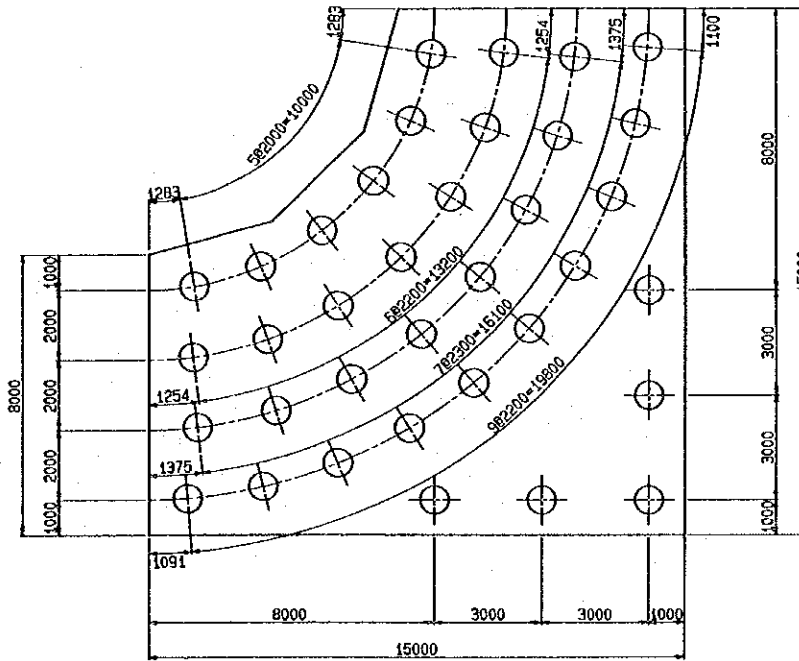


PLAN



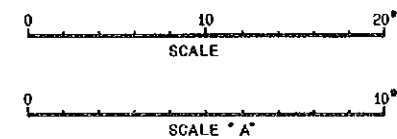
PLAN
SCALE * A*

Type W2-1

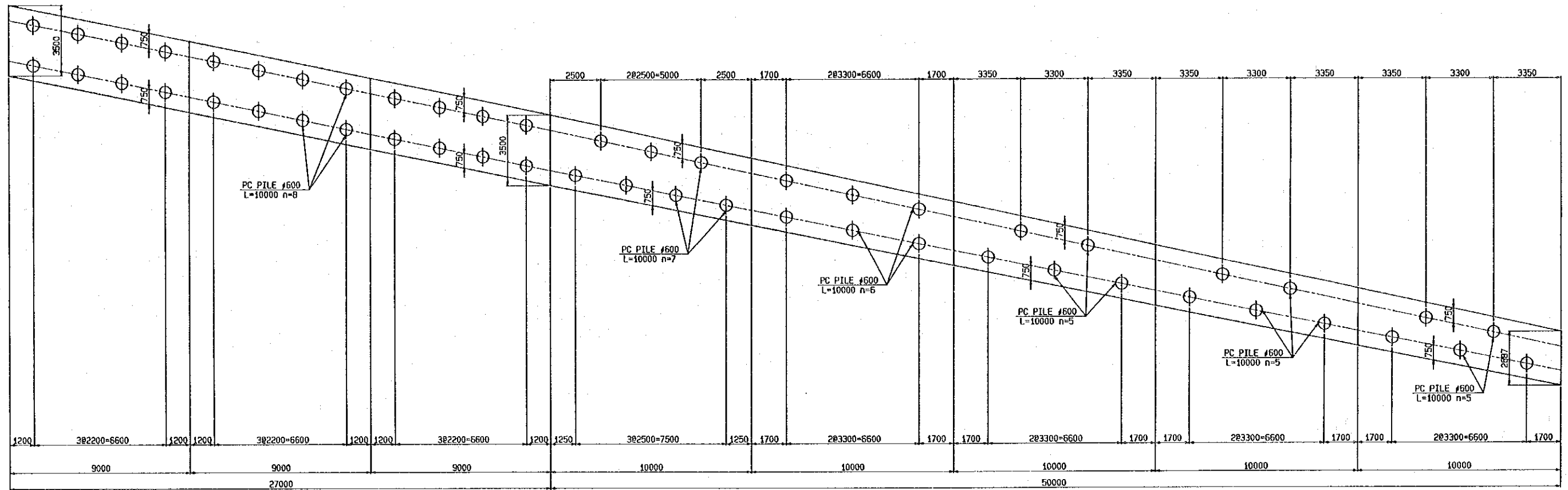


PLAN
SCALE * A*

Type W2-2

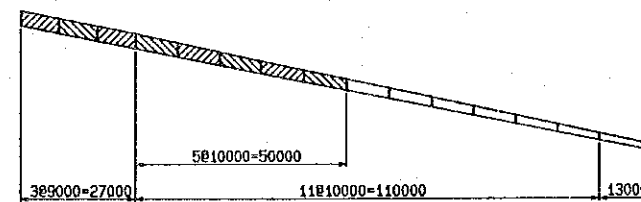
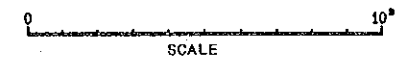


THE KINGDOM OF THAILAND ROYAL IRRIGATION DEPARTMENT	
THE BANG PAKONG DIVERSION DAM PROJECT	
BANG PAKONG DIVERSION DAM PILE FOUNDATION (2/3)	
JAPAN INTERNATIONAL COOPERATION AGENCY (JICA) SANYU CONSULTANTS INC.	
DESIGNED	
TRACED	
CHECKED	
APPROVED	
DRAWING NO. DDM - 1044	



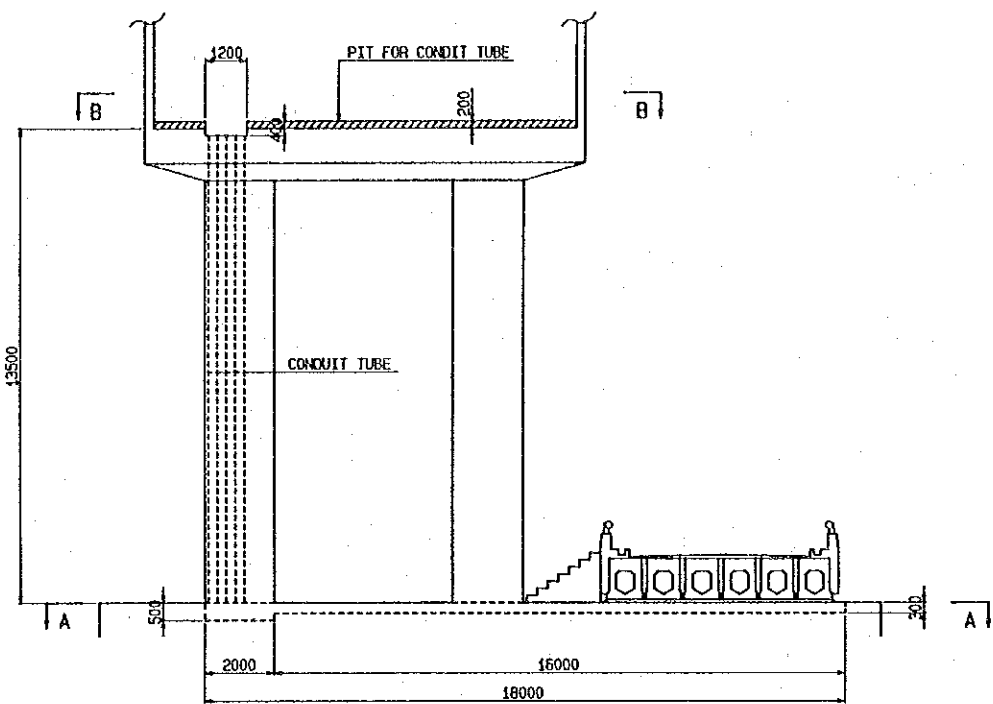
PLAN

Type W3-1, W3-2

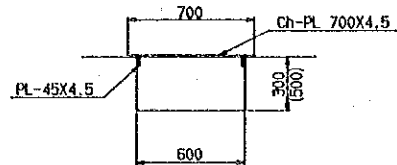


KEY PLAN

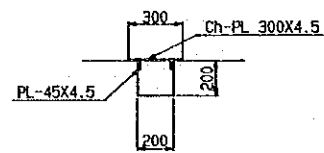
THE KINGDOM OF THAILAND ROYAL IRRIGATION DEPARTMENT	
THE BANG PAKONG DIVERSION DAM PROJECT	
BANG PAKONG DIVERSION DAM PILE FOUNDATION(3/3)	
JAPAN INTERNATIONAL COOPERATION AGENCY (JICA) SANYU CONSULTANTS INC.	
DESIGNED	
TRACED	
CHECKED	
APPROVED	
DRAWING NO. DDM - 1045	



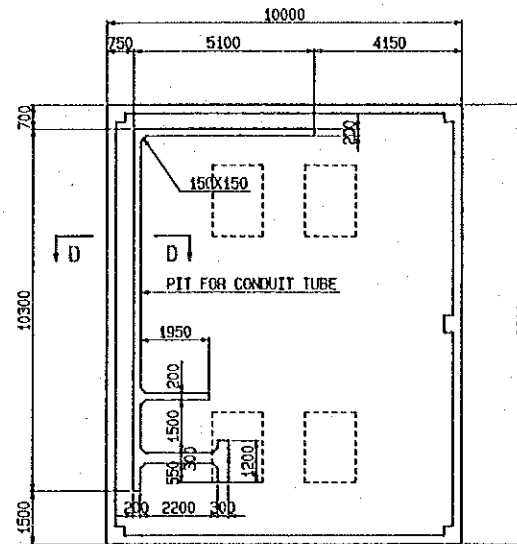
SECTION A-A
(P1, P3, P5,)



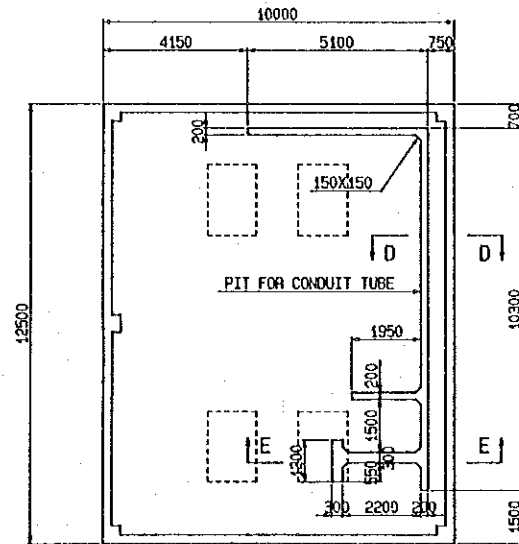
SECTION C-C
SCALE "A"



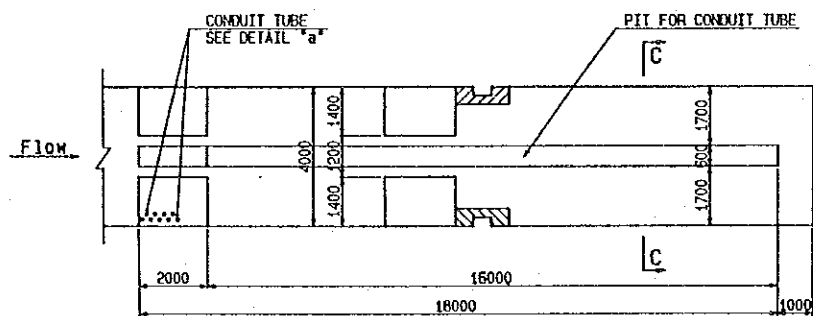
SECTION D-D
SCALE "A"



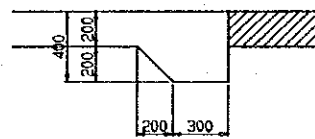
SECTION B-B
(P2, P4, P6,)



SECTION B-B
(P1, P3, P5,)



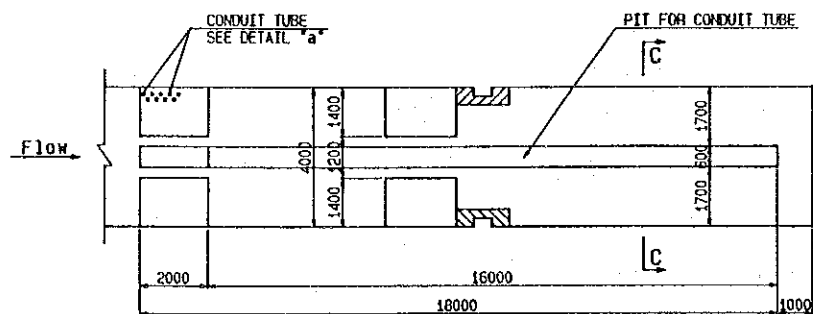
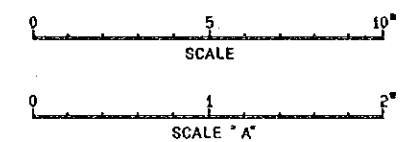
SECTION A-A
(P1, P3, P5,)



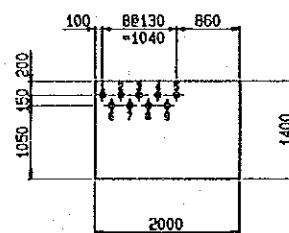
SECTION E-E
SCALE "A"

DIAMETER OF CONDUIT TUBE

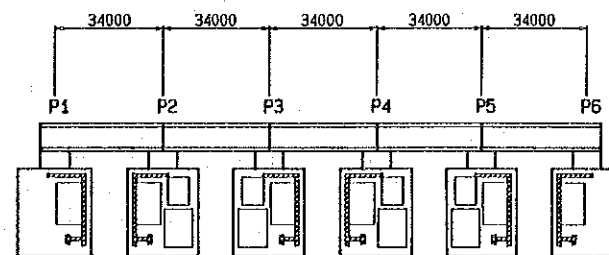
	FOR POWER CABLE					FOR CONTROL CABLE			
	1	2	3	4	5	6	7	8	9
P1	104	70	70	70	—	82	82	82	—
P2	104	70	70	70	70	82	82	82	82
P3	104	70	70	70	70	82	82	82	—
P4	104	70	70	70	70	82	82	82	82
P5	104	70	70	70	70	82	82	82	—
P6	70	70	70	—	—	82	82	—	—



SECTION A-A
(P2, P4, P6,)

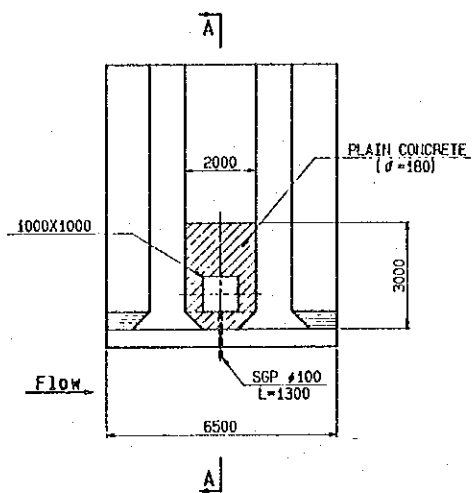


DETAIL "a"
NOSCALE

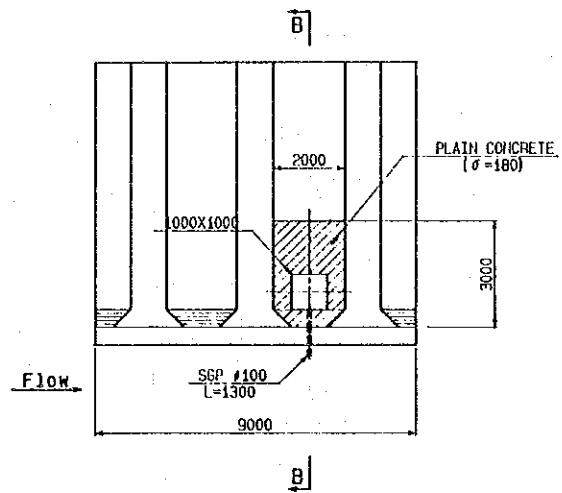


KEY PLAN
NOSCALE

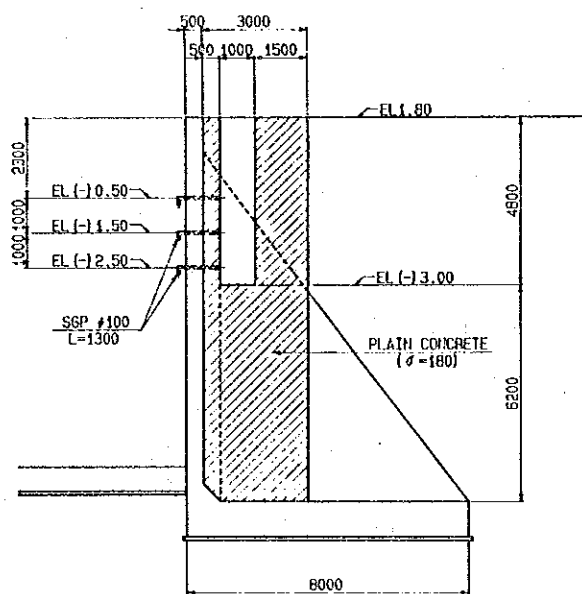
THE KINGDOM OF THAILAND ROYAL IRRIGATION DEPARTMENT	
THE BANG PAKONG DIVERSION DAM PROJECT	
BANG PAKONG DIVERSION DAM CONDUIT TUBES IN PIERS	
JAPAN INTERNATIONAL COOPERATION AGENCY (JICA) SANYU CONSULTANTS INC.	
DESIGNED	
TRACED	
CHECKED	
APPROVED	
DRAWING NO. DDM - 1046	



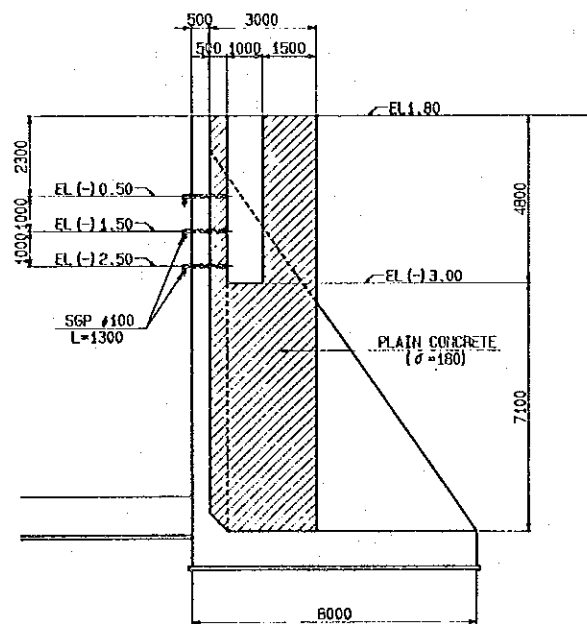
PLAN (UPSTREAM)



PLAN (DOWNSTREAM)

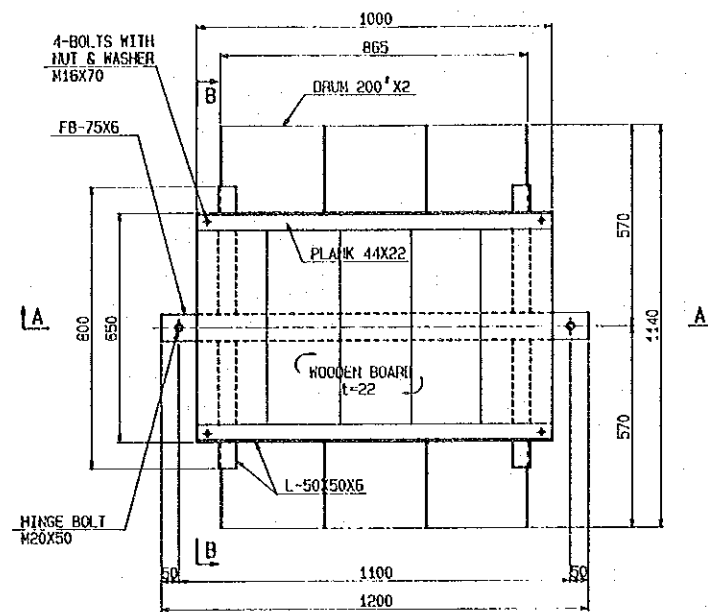


SECTION A-A

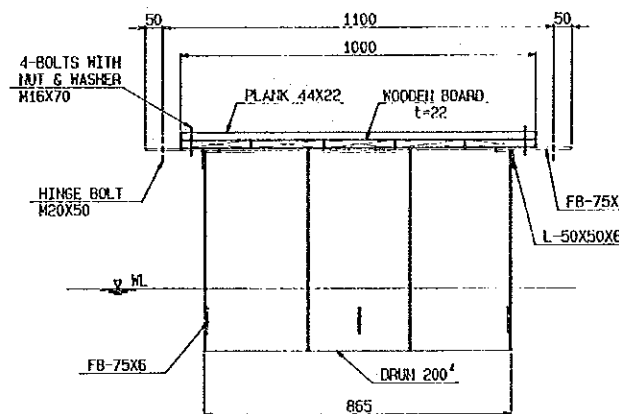


SECTION B-B

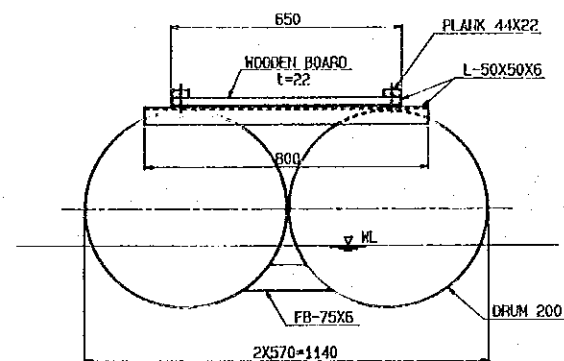
DETAIL OF PIT FOR WATER LEVEL GAUGE



PLAN
SCALE "B"

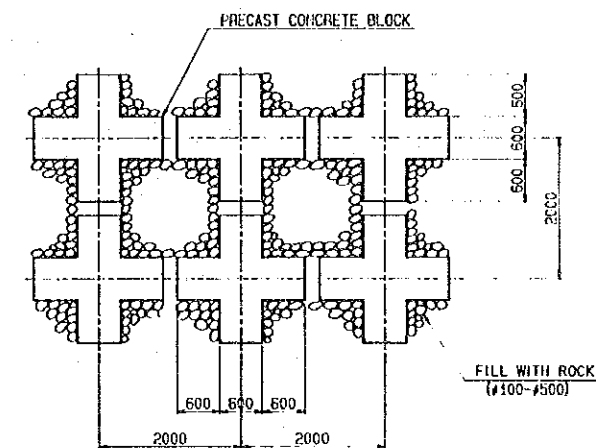


SECTION A-A
SCALE "B"

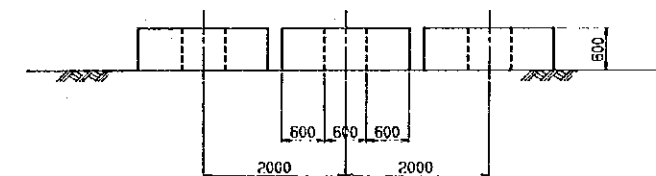


SECTION B-B
SCALE "B"

DETAIL OF LOG BOOM

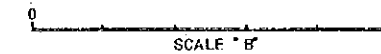
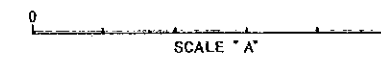
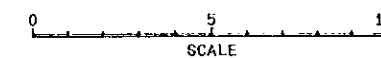


PLAN
SCALE "A"

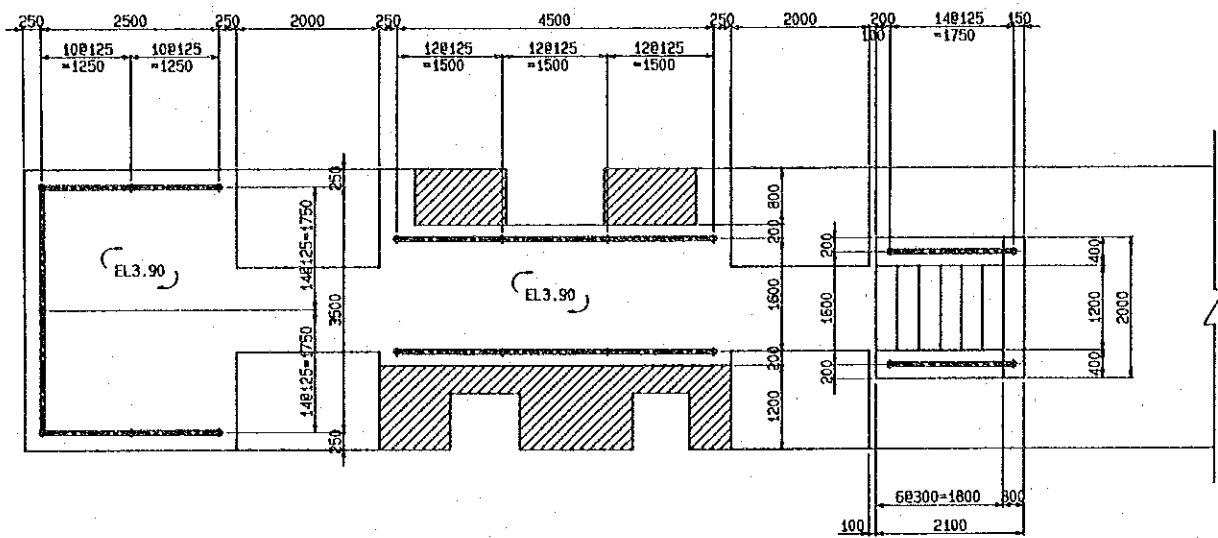


SECTION
SCALE "A"

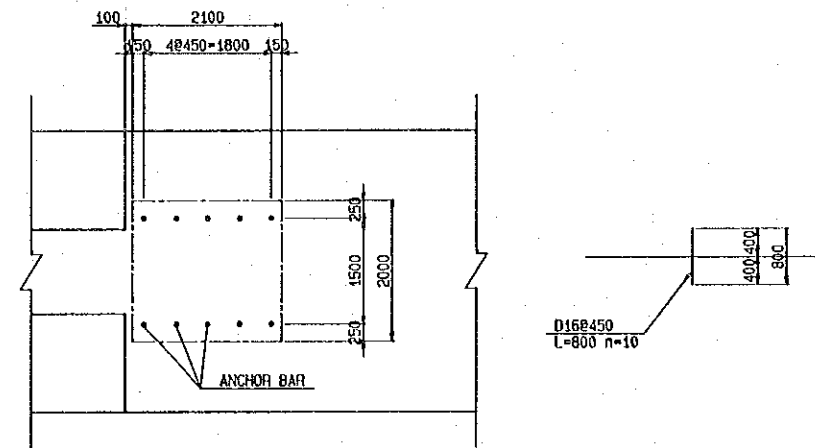
DETAIL OF RIVERBED PROTECTION



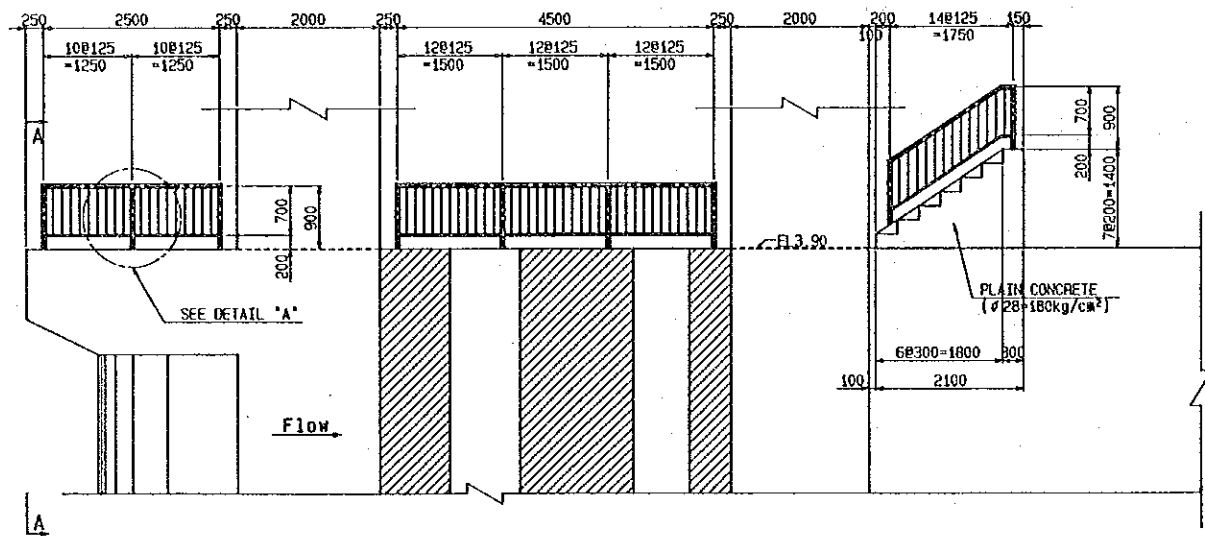
THE KINGDOM OF THAILAND ROYAL IRRIGATION DEPARTMENT	
THE BANG PAKONG DIVERSION DAM PROJECT	
BANG PAKONG DIVERSION DAM PIT FOR WATER LEVEL GAUGE, LOG BOOM AND RIVERBED PROTECTION	
JAPAN INTERNATIONAL COOPERATION AGENCY (JICA) SANYU CONSULTANTS INC.	
DESIGNED	
TRACED	
CHECKED	
APPROVED	
DRAWING NO.	DDM - 1047



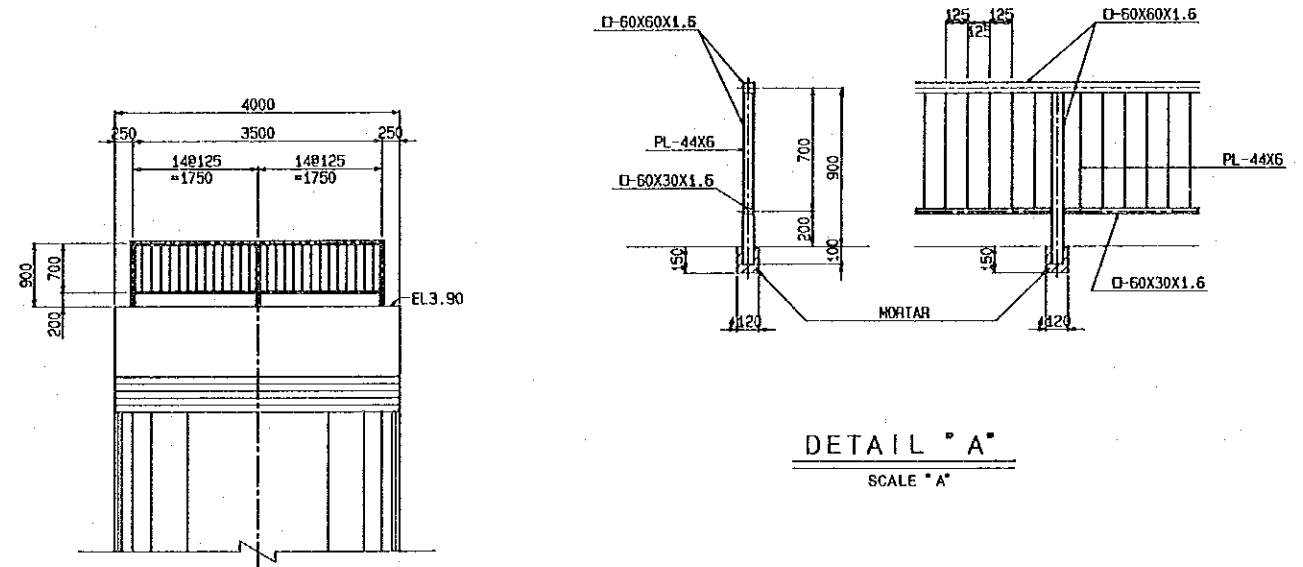
PLAN



DETAIL OF ANCHOR BAR



SECTION

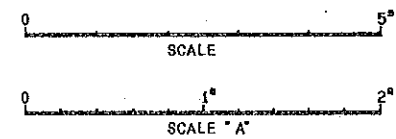


DETAIL "A"
SCALE "A"

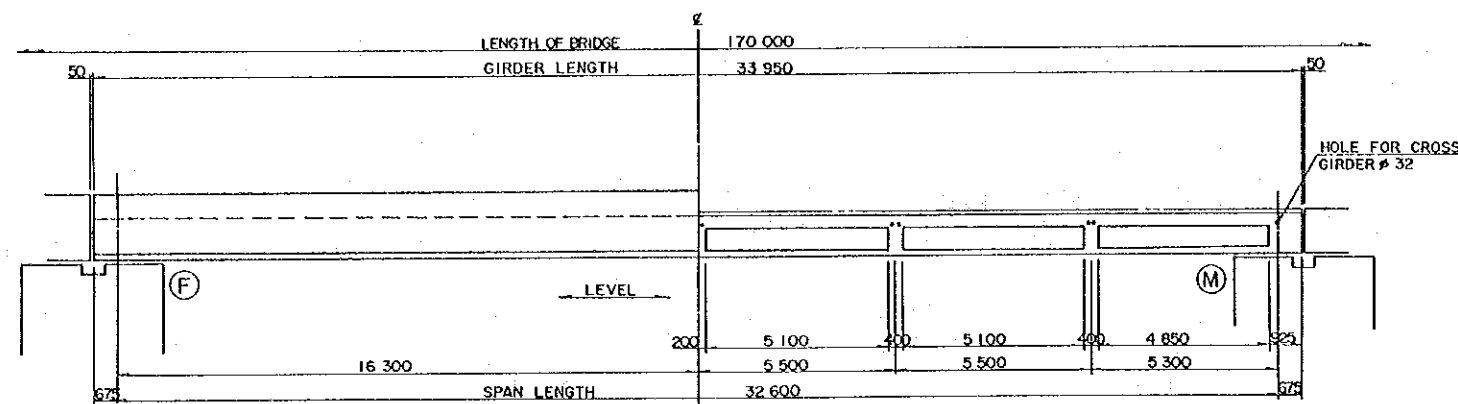
SECTION A-A

NOTES

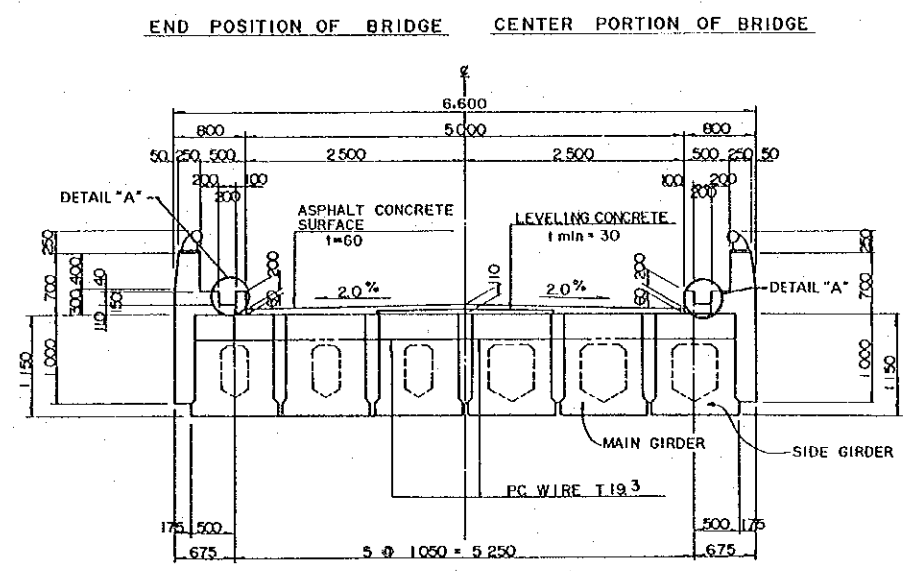
1. HANDRAIL SHALL BE PAINTING



THE KINGDOM OF THAILAND ROYAL IRRIGATION DEPARTMENT	
THE BANG PAKONG DIVERSION DAM PROJECT	
BANG PAKONG DIVERSION DAM	
HANDRAIL-DETAILS	
JAPAN INTERNATIONAL COOPERATION AGENCY (JICA) SANYU CONSULTANTS INC.	
DESIGNED	
TRACED	
CHECKED	
APPROVED	
DRAWING NO. DDM - 1048	

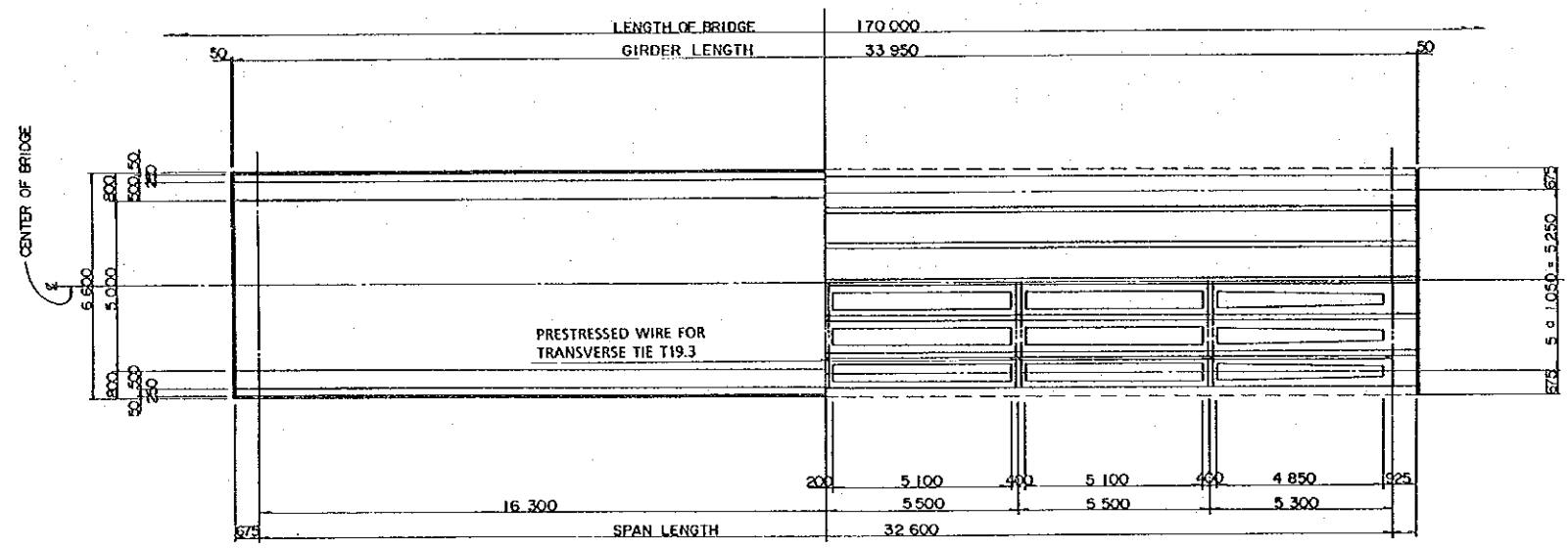


ELEVATION



TYPICAL SECTION OF BRIDGE

SCALE "A"



PLAN

DESIGN CONDITION

KIND OF BRIDGE	PRESTRESSED CONCRETE ROAD BRIDGE
TYPE	POST TENSION, SIMPLE GIRDER HOLLOW TYPE
TOTAL LENGTH OF BRIDGE	170,000 M
GIRDER LENGTH	33,950 M
SPAN LENGTH	32,600 M
TOTAL WIDTH OF BRIDGE	6.60 M
TRAFFIC WIDTH	9.00 M (VEHICLE)
LOAD	TL - 20
SCREW	RIGHT ANGLE 90°00'

ALLOWABLE STRESS AND STRENGTH

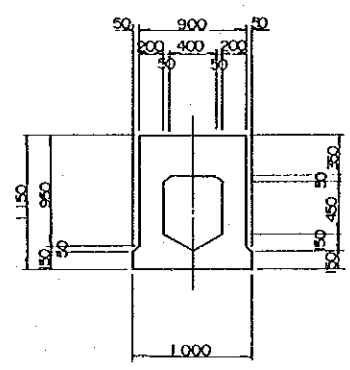
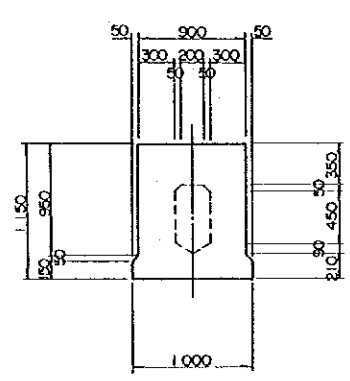
CONCRETE	DESIGN STRENGTH	GIRDER CONCRETING AT SITE
kg-f/sqcm	400	240
ALLOWABLE COMPRESIVE STRESS		
DESIGN	180	108
PRESTRESSING	180	-
ALLOWABLE TENSION STRESS		
DESIGN	-15	0
PRESTRESSING	-15	-
ALLOWABLE SHEARING STRESS		
DESIGN	5.5	-
FINAL LOADING	5.3	-
ALLOWABLE INCLINED SHEARING STRESS	-10	-
COMPRESIVE STRESS AT PRESTRESSING	340	-

PC STEEL

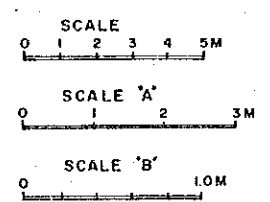
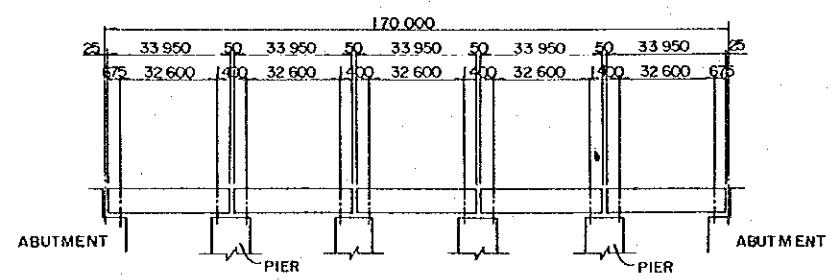
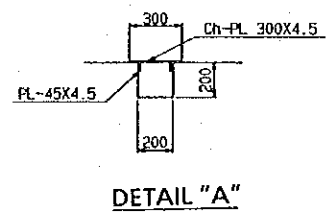
KIND	SWPRTA	SWPR 19
kg-f/sqmm	12 T 12.4	T19.3
PRESTRESSING STRESS	175	190
STRENGTH OF YIELDING	150	160
ALLOWABLE TENSION STRESS		
- DESIGN	105	114
- PRESTRESSING	122.5	133
- WORKING TIME OF PRESTRESS	135	144

REINFORCING BAR

(SD 30)	kg-f/sqcm
-ALLOWABLE TENSION STRESS	1,400



DETAIL OF MAIN GIRDER SCALE "B"



NOTE

1. LEGEND

(M) ----- MOVABLE POINT

(F) ----- FIXING POINT

THE KINGDOM OF THAILAND
ROYAL IRRIGATION DEPARTMENT

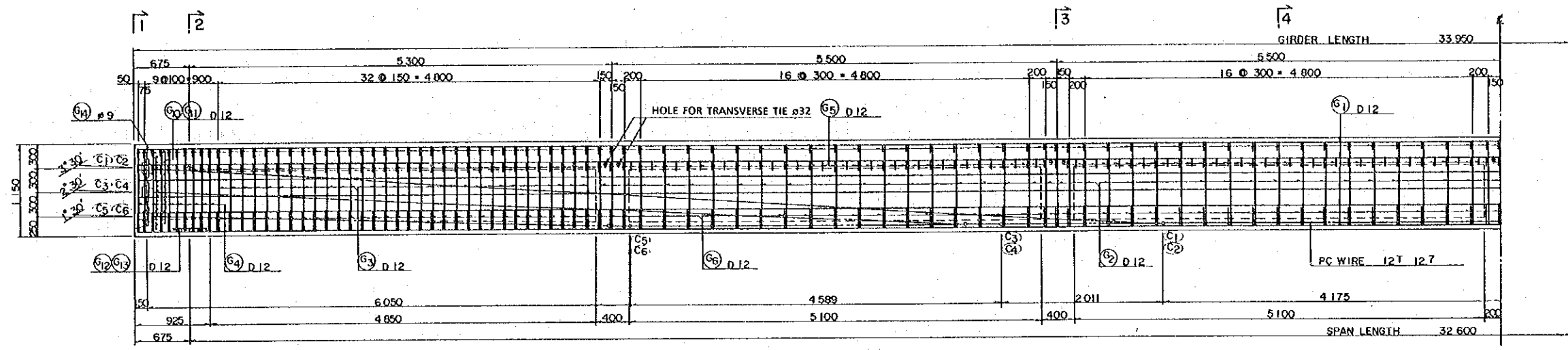
THE BANG PAKONG DIVERSION DAM PROJECT

BANG PAKONG DIVERSION DAM
O/M BRIDGE
DETAILS OF GIRDER (1/2)

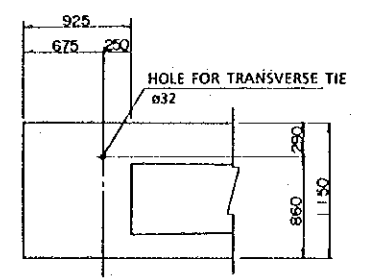
JAPAN INTERNATIONAL COOPERATION AGENCY (JICA)
SANYU CONSULTANTS INC.

DESIGNED	
TRACED	
CHECKED	
APPROVED	

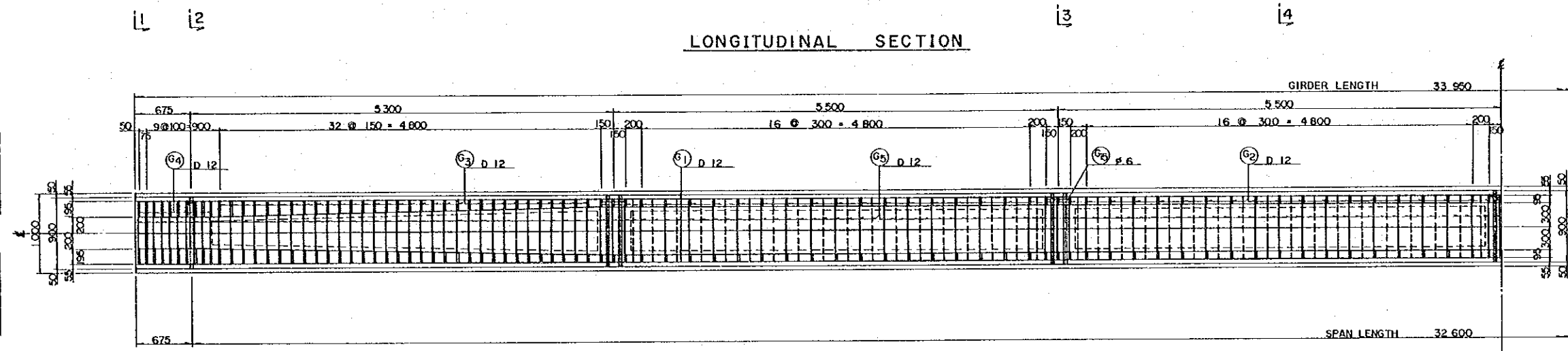
DRAWING NO. DDM - 1049



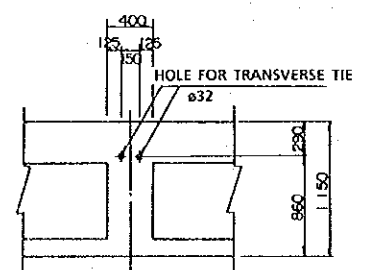
LONGITUDINAL SECTION



END PORTION

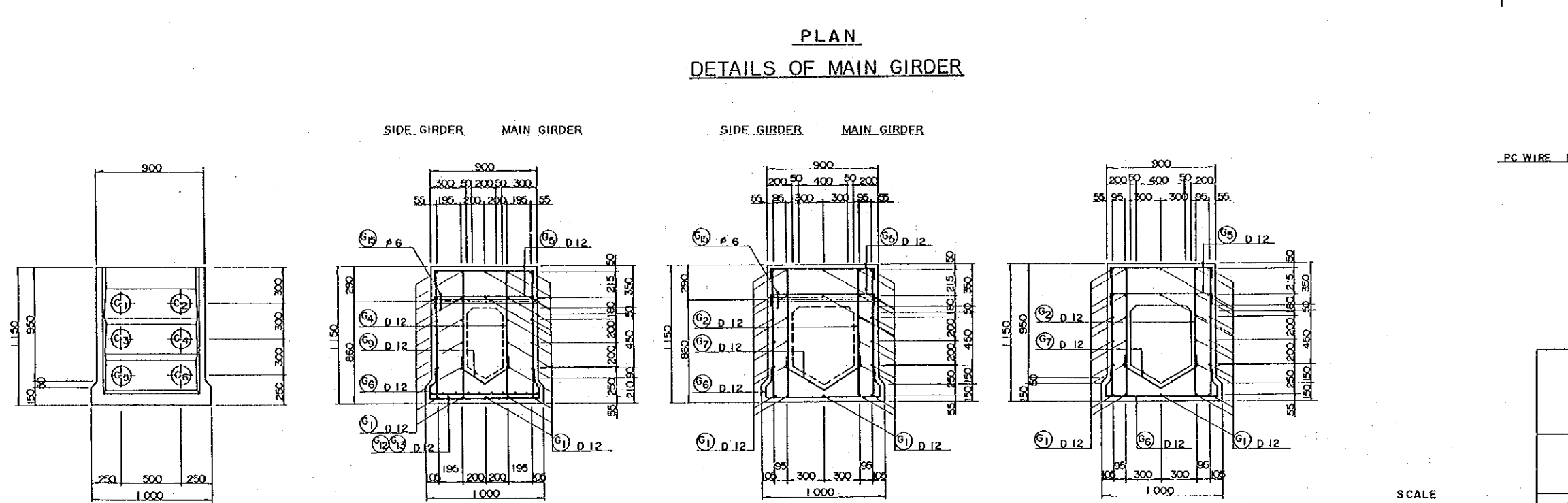


PLAN
DETAILS OF MAIN GIRDER

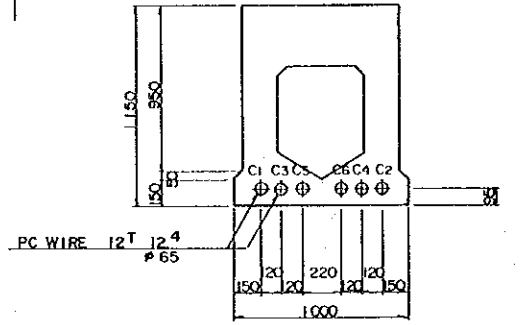


OTHER THAN END PORTION

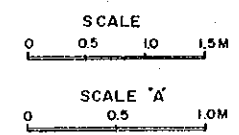
HOLE FOR TRANSVERSE TIE



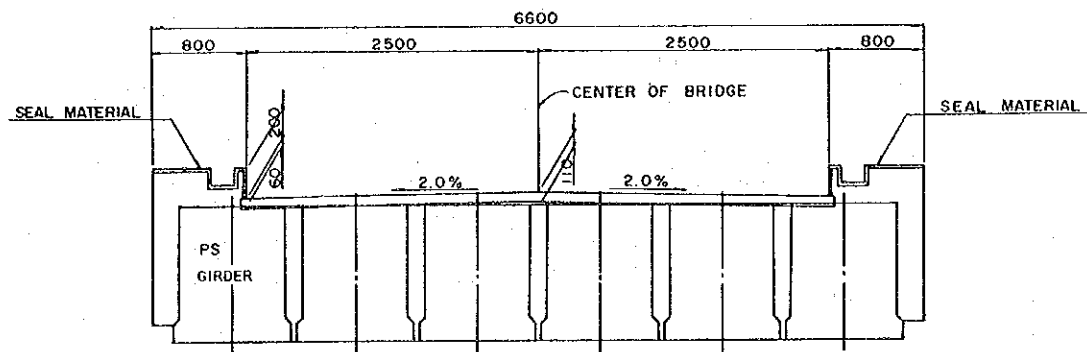
DETAILS OF GIRDER SECTION
SCALE 'A'



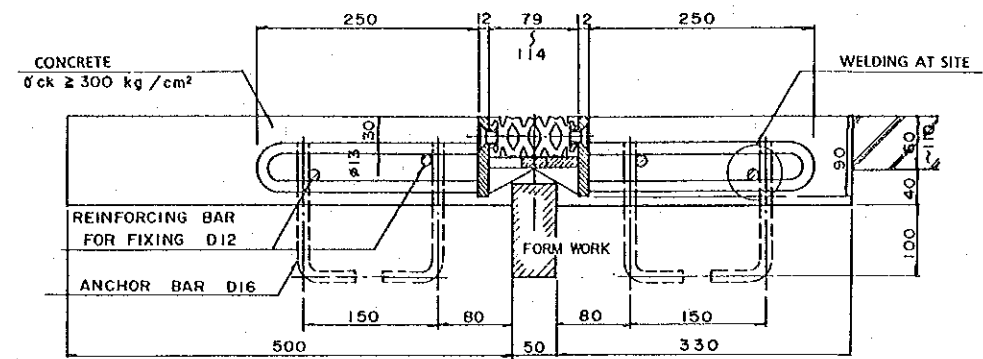
INSTALLATION OF PC WIRE &
WIRE TUBE
SCALE 'A'



THE KINGDOM OF THAILAND ROYAL IRRIGATION DEPARTMENT	
THE BANG PAKONG DIVERSION DAM PROJECT	
BANG PAKONG DIVERSION DAM O/M BRIDGE DETAILS OF GIRDER (2/2)	
JAPAN INTERNATIONAL COOPERATION AGENCY (JICA) SANYU CONSULTANTS INC.	
DESIGNED	
TRACED	
CHECKED	
APPROVED	
DRAWING NO. DDM - 1050	

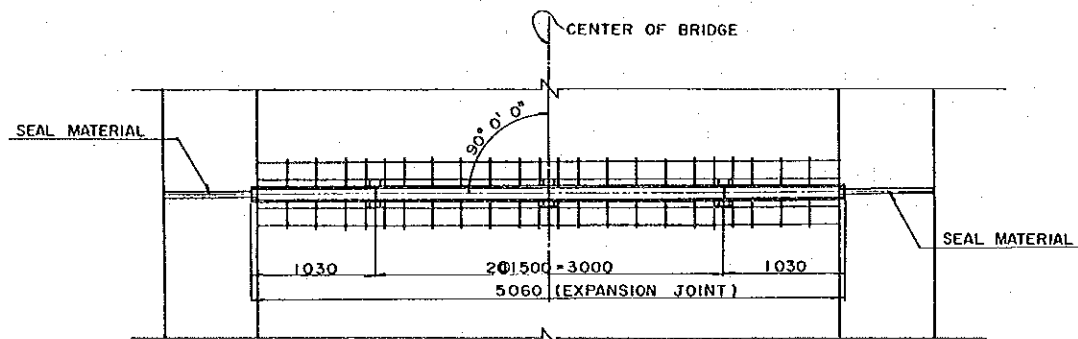


ELEVATION OF EXPANSION JOINT

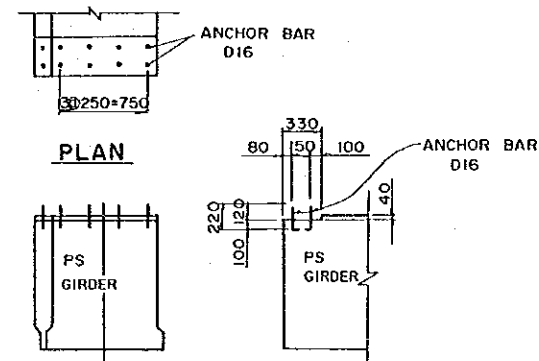


ABUTMENT SIDE BRIDGE SIDE

DETAIL OF EXPANSION
SCALE 'A'



PLAN OF EXPANSION JOINT

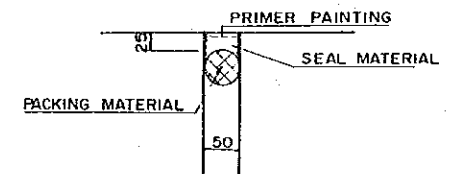


PLAN

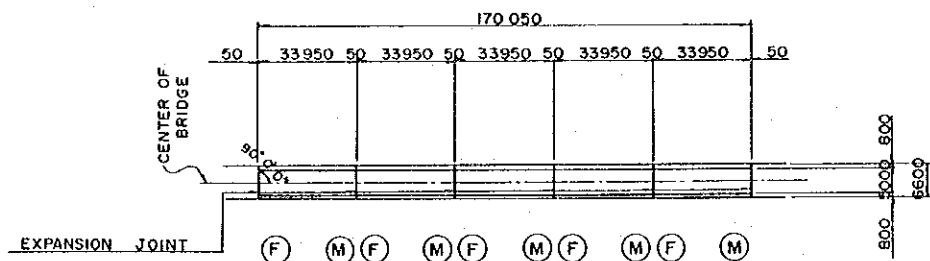
SECTION

SIDE VIEW

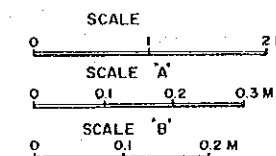
DETAIL OF ANCHOR BAR



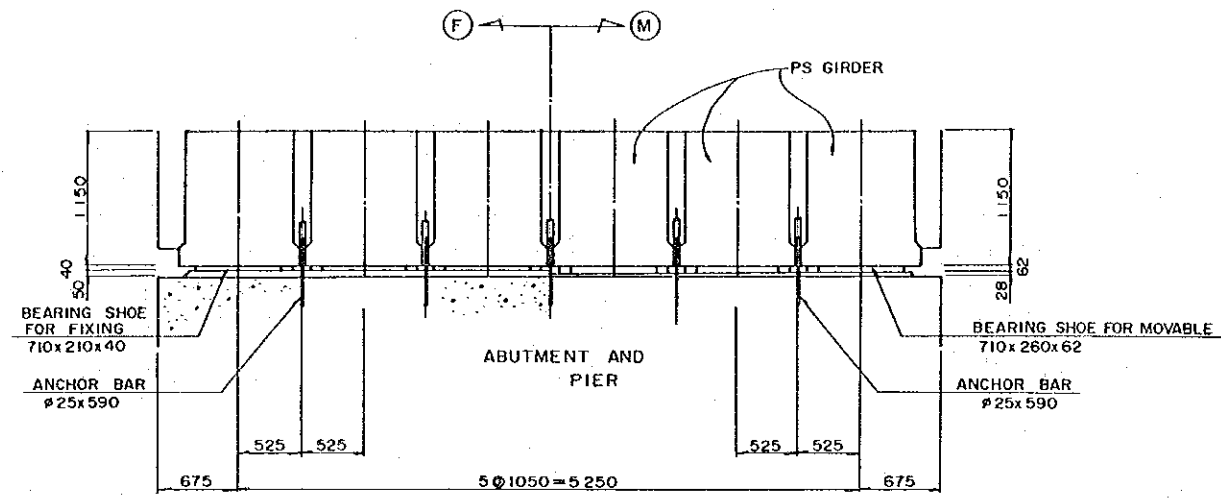
DETAIL OF SEAL MATERIAL
SCALE 'B'



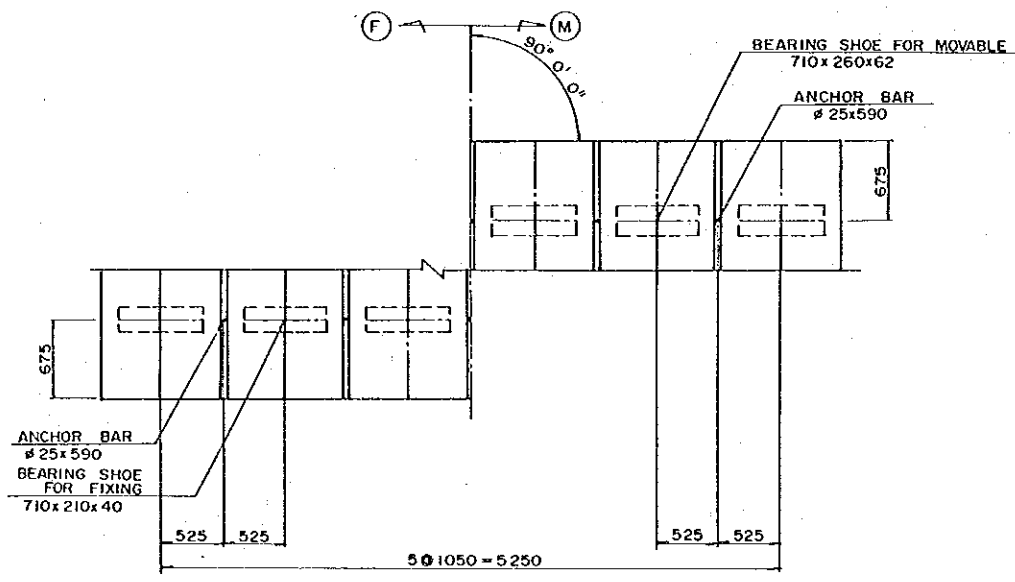
INSTALLATION SCHEDULE OF
EXPANSION JOINT
NO SCALE



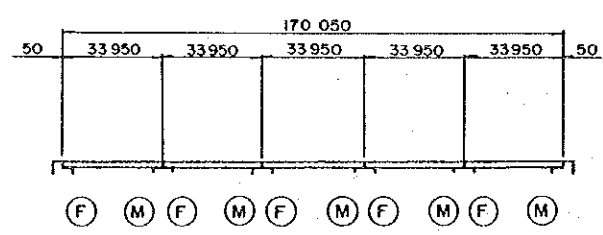
THE KINGDOM OF THAILAND ROYAL IRRIGATION DEPARTMENT	
THE BANG PAKONG DIVERSION DAM PROJECT	
BANG PAKONG DIVERSION DAM O/M BRIDGE EXPANSION JOINT	
JAPAN INTERNATIONAL COOPERATION AGENCY (JICA) SANYU CONSULTANTS INC.	
DESIGNED	
TRACED	
CHECKED	
APPROVED	
DRAWING NO. DDM - 1051	



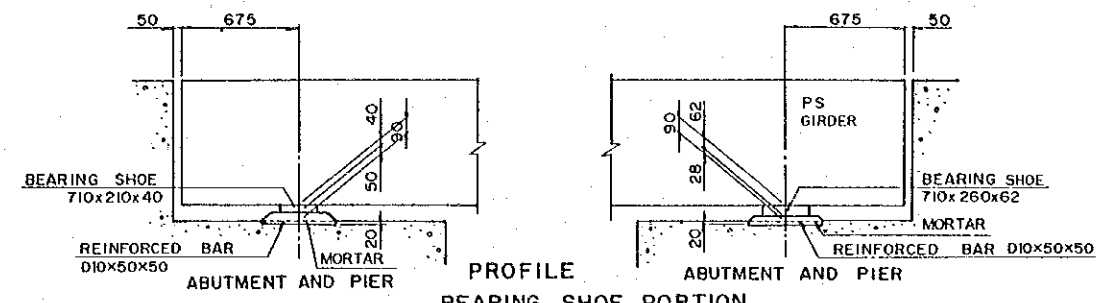
SECTION



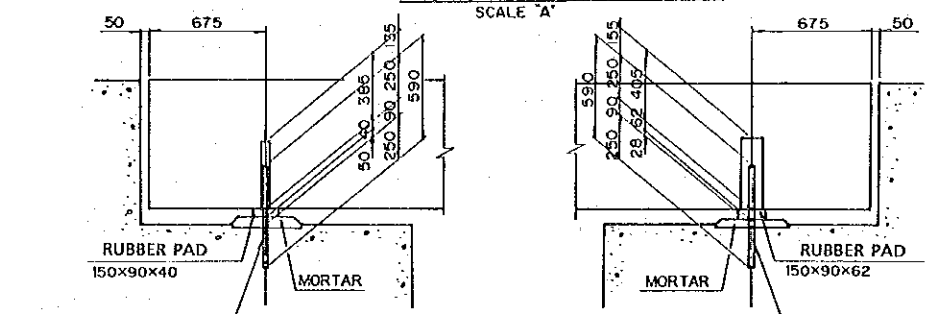
PLAN



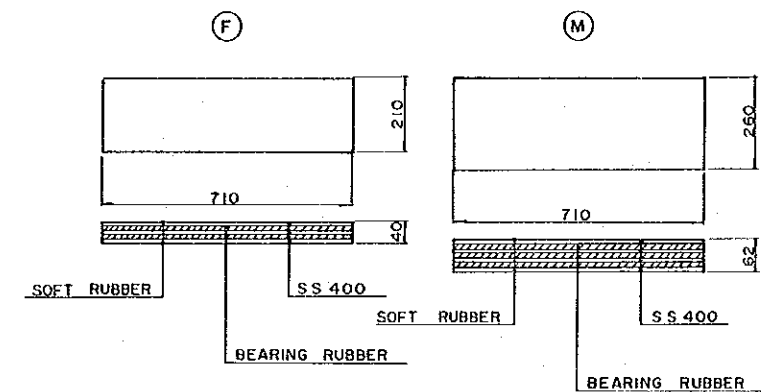
INSTALLATION OF BRIDGE SHOE
NO SCALE
F FIXING
M MOVABLE



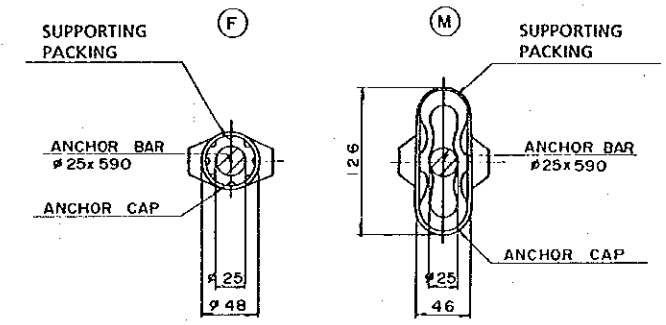
PROFILE BEARING SHOE PORTION
SCALE 'A'



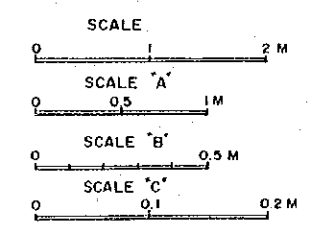
PROFILE ANCHOR PORTION
SCALE 'A'



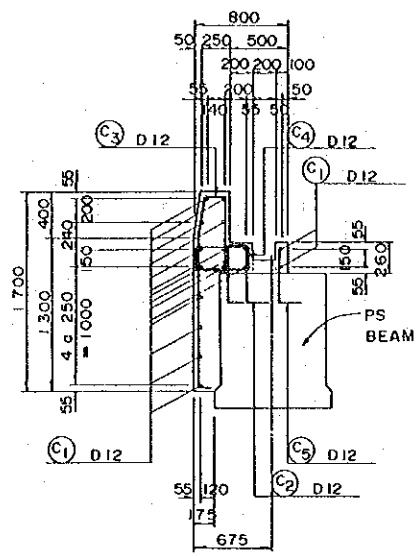
DETAILS OF BEARING SHOE
SCALE 'B'



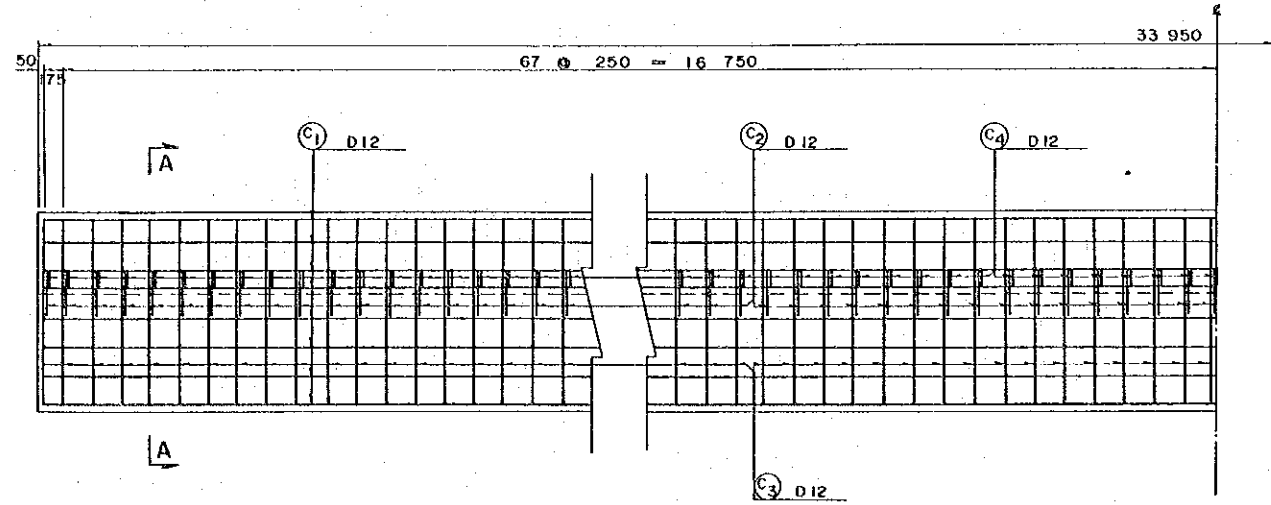
DETAILS OF ANCHOR BAR
SCALE 'C'



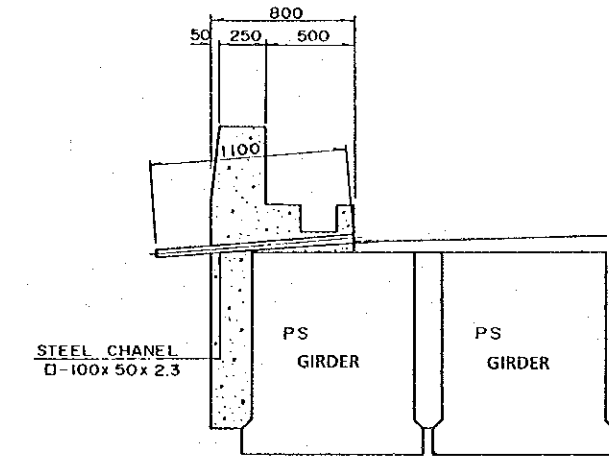
THE KINGDOM OF THAILAND ROYAL IRRIGATION DEPARTMENT	
THE BANG PAKONG DIVERSION DAM PROJECT	
BANG PAKONG DIVERSION DAM O/M BRIDGE SHOE	
JAPAN INTERNATIONAL COOPERATION AGENCY (JICA) SANYU CONSULTANTS INC.	
DESIGNED	
TRACED	
CHECKED	
APPROVED	
DRAWING NO. DDM - 1052	



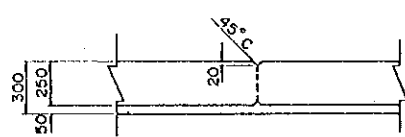
REINFORCED BAR ARRANGEMENT OF SIDE WALK



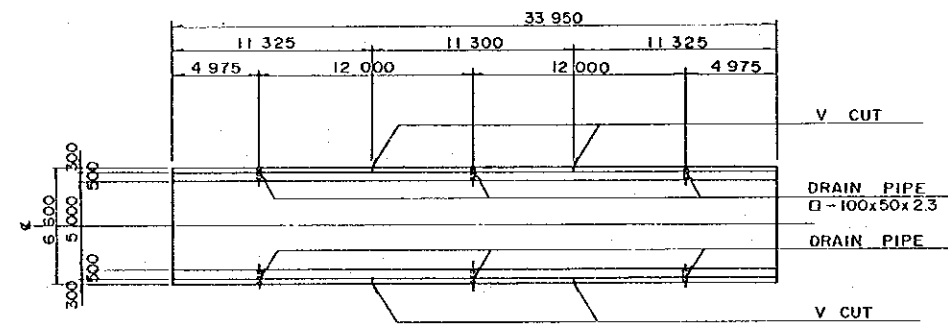
SIDE VIEW OF SIDE WALK REINFORCING BAR



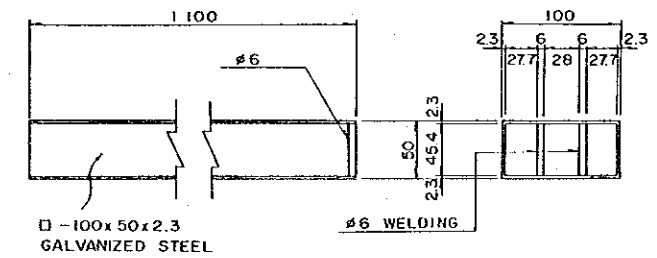
DETAIL OF DRAIN
SCALE 'B'



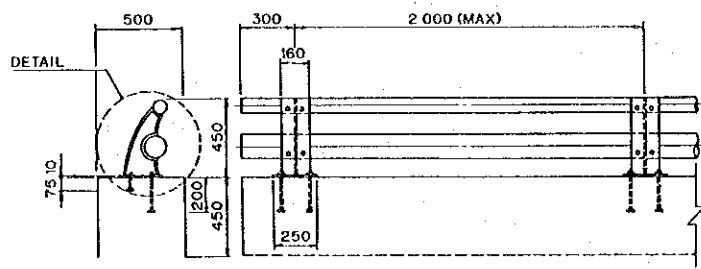
DETAIL OF CONSTRUCTION JOINT
SCALE 'B'



LOCATION OF DRAIN
SCALE 'A'

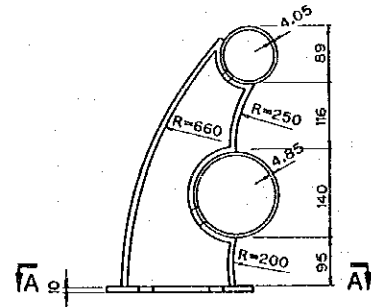


INLET OF DRAIN
SCALE 'C'

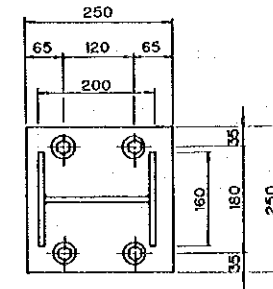


TRANSVERSE SECTION
SCALE 'B'

LONGITUDINAL SECTION
SCALE 'B'

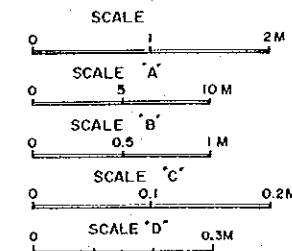


DETAIL
SCALE 'D'

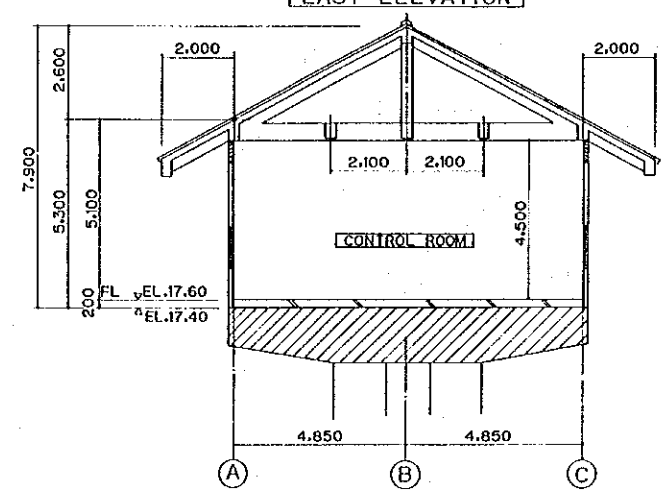
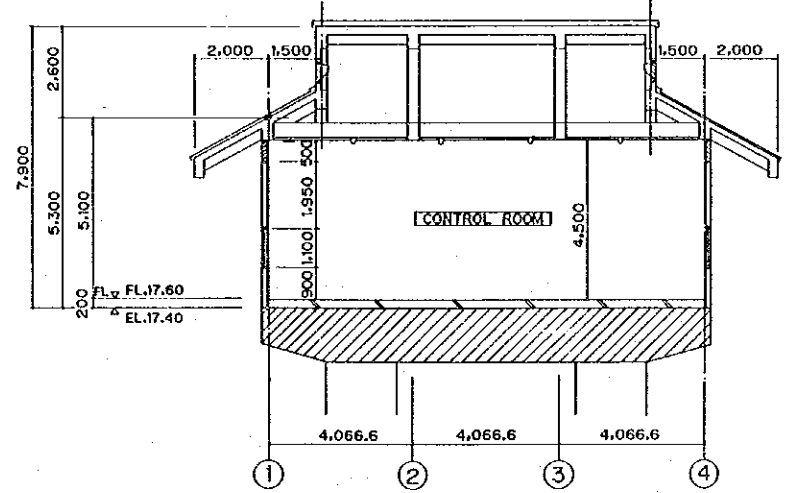
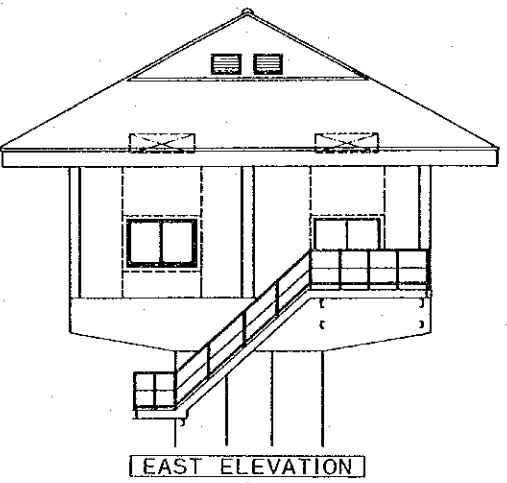
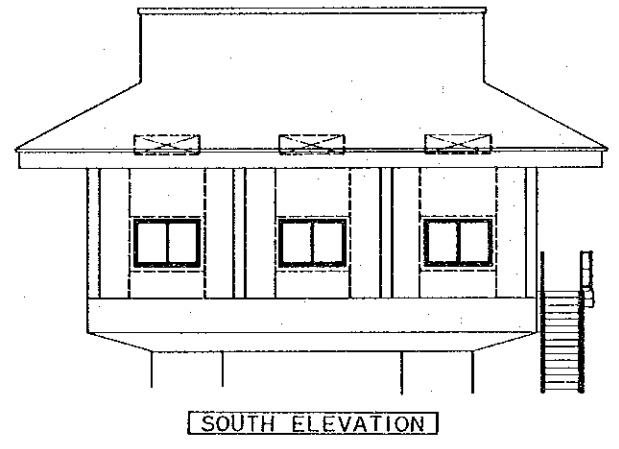
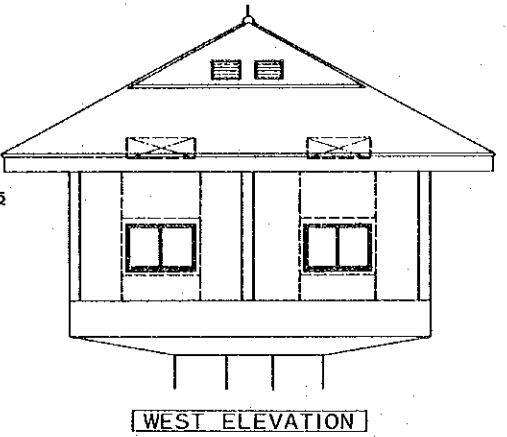
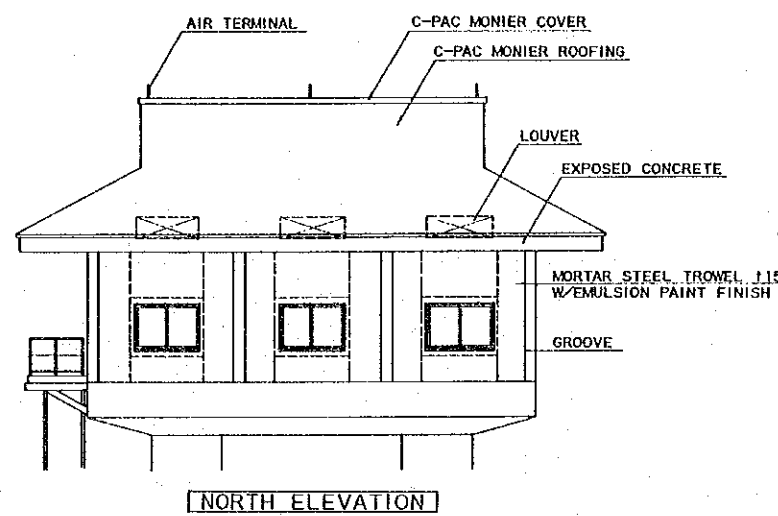
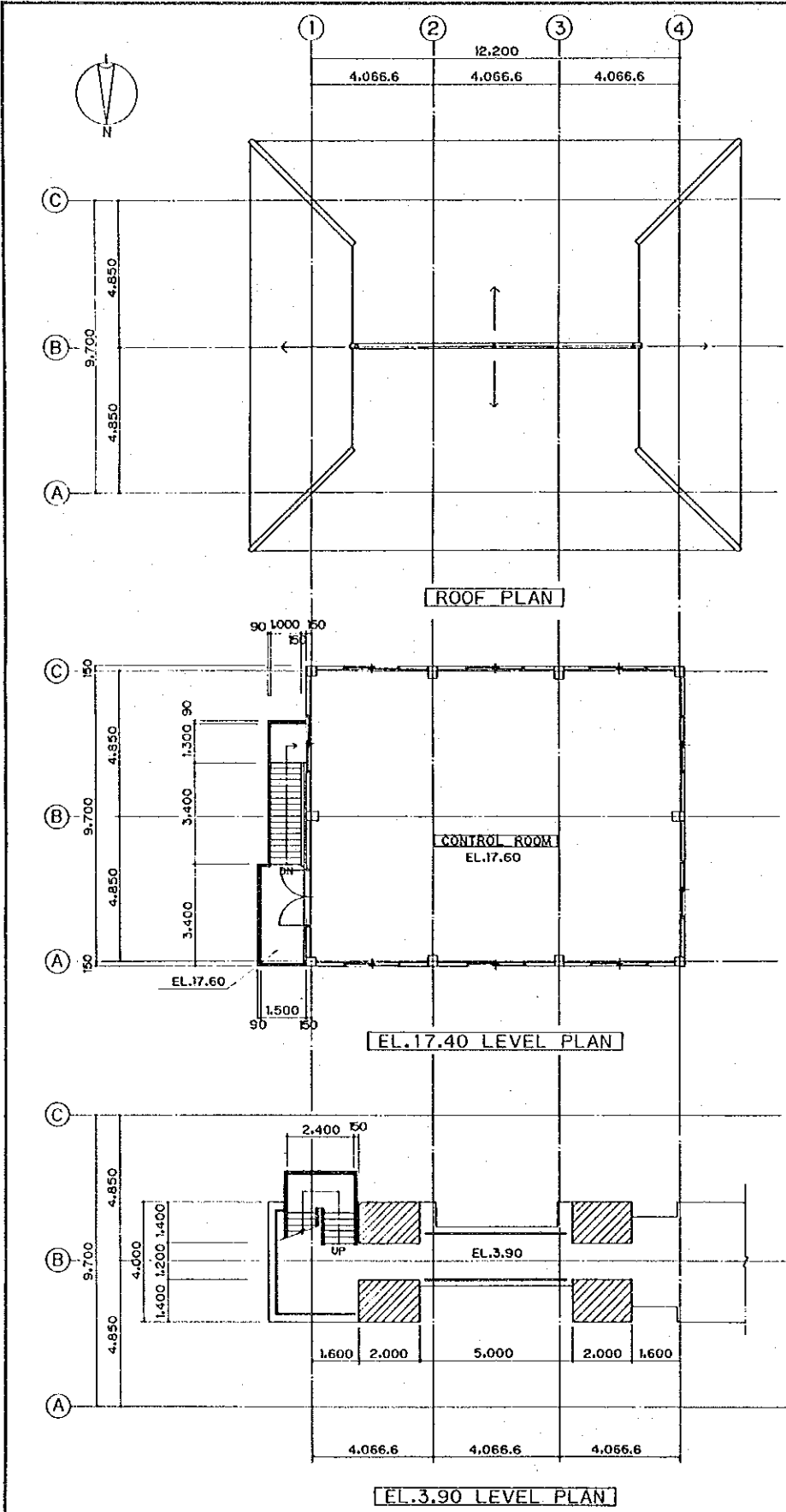


SECTION A-A
SCALE 'D'

COMBINATION RAILING



THE KINGDOM OF THAILAND ROYAL IRRIGATION DEPARTMENT	
THE BANG PAKONG DIVERSION DAM PROJECT	
BANG PAKONG DIVERSION DAM O/M BRIDGE SIDE WALK & DRAIN	
JAPAN INTERNATIONAL COOPERATION AGENCY (JICA) SANYU CONSULTANTS INC.	
DESIGNED	
TRACED	
CHECKED	
APPROVED	
DRAWING NO. DDM - 1053	



NOTES:
 - - - - - LINTEL/STRUT
 0 10m
 SCALE

EXTERNAL FINISHING SCHEDULE HOIST HOUSE	
ROOF	C-PAC MONIER ROOFING C-PAC MONIER COVER
EAVES	EXPOSED CONCRETE
WALL	MORTAR STEEL TROWEL W/EMULSION PAINT FINISH

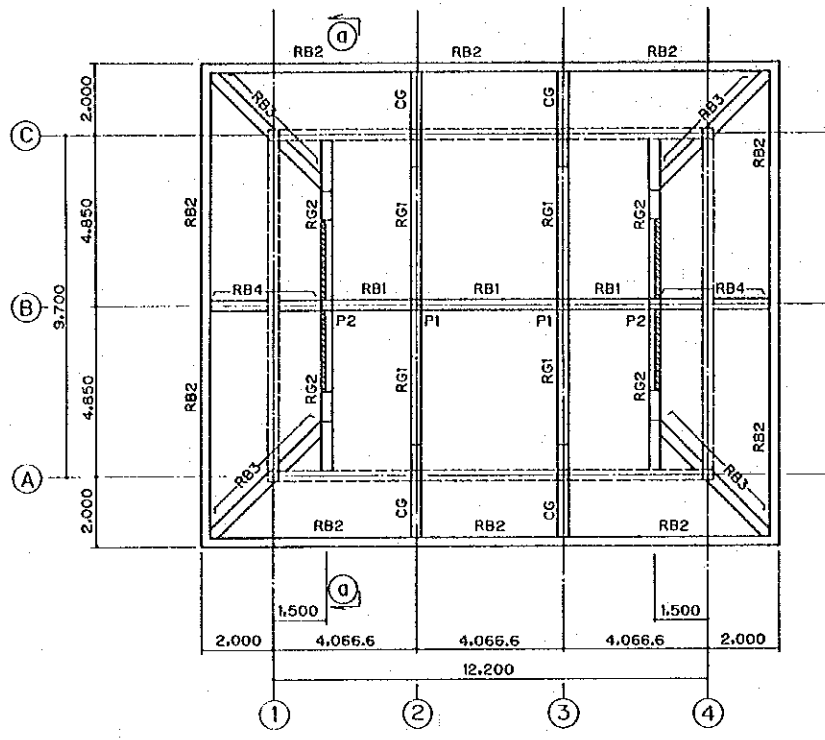
INTERNAL FINISHING SCHEDULE HOIST HOUSE					
ROOM	FLOOR	WALL	CEILING	REMARKS	
CONTROL ROOM	STEEL TROWEL FINISH ON CONCRETE TOPING 1200	MORTAR STEEL TROWEL 1:15 W/EMULSION PAINT FINISH	EXPOSED CONCRETE		

THE KINGDOM OF THAILAND
 ROYAL IRRIGATION DEPARTMENT
 THE BANG PAKONG DIVERSION DAM PROJECT
 BANG PAKONG DIVERSION DAM
 HOIST HOUSE (1/5)

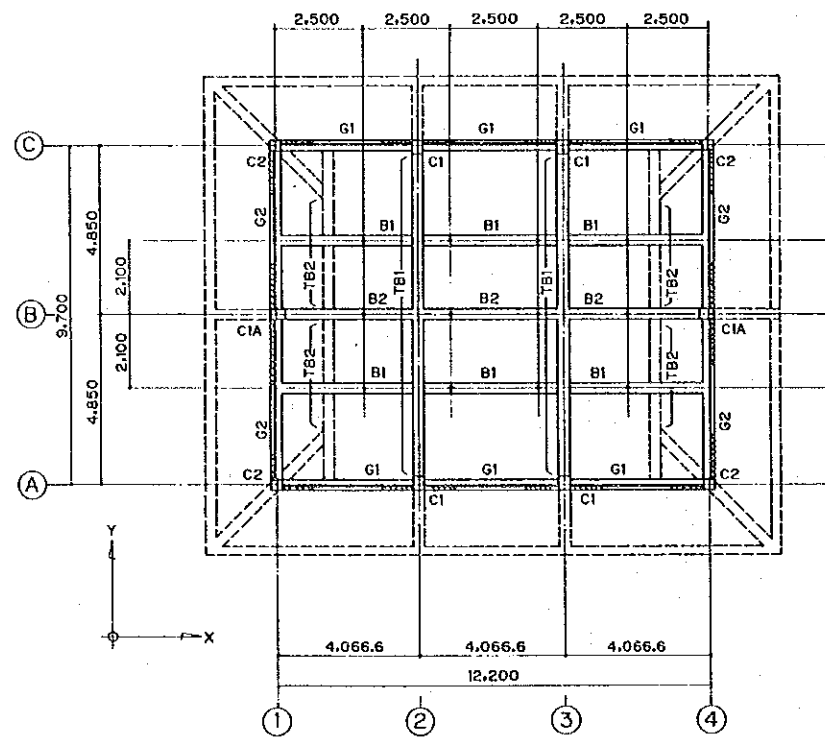
JAPAN INTERNATIONAL COOPERATION AGENCY (JICA)
 SANYU CONSULTANTS INC.

DESIGNED	
TRACED	
CHECKED	
APPROVED	

DRAWING NO. DDM-1054

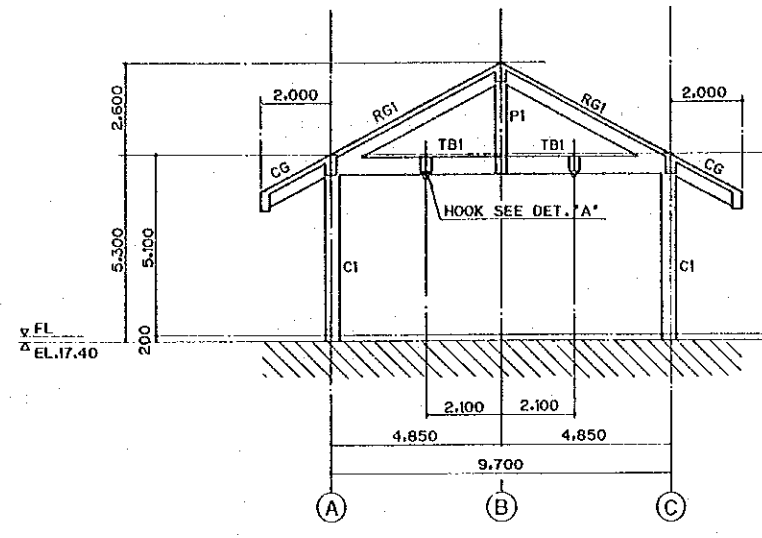


ROOF FRAMING PLAN

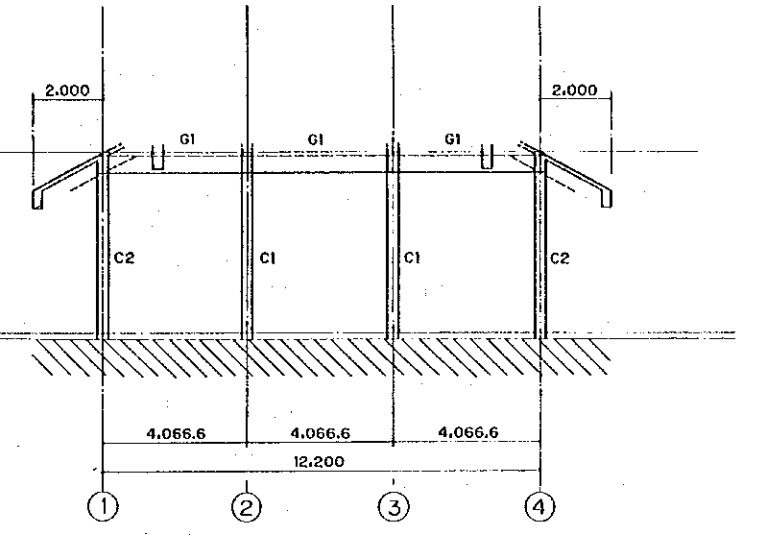


BOTTOM OF ROOF FRAMING PLAN

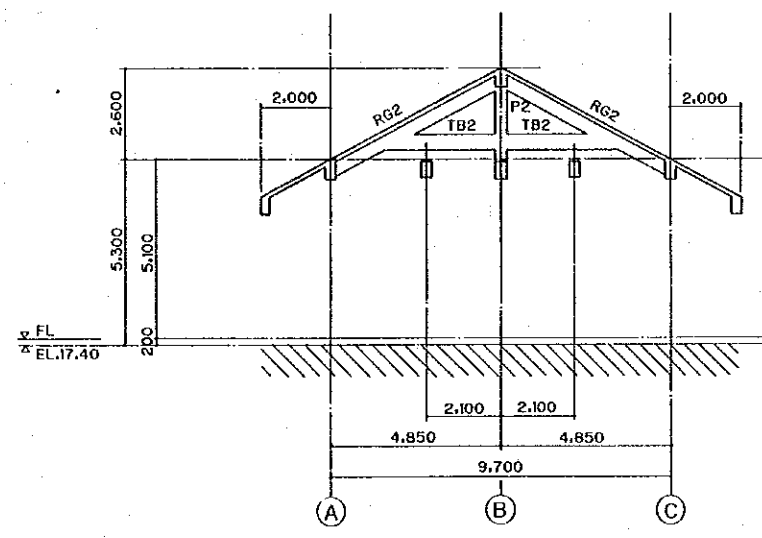
MARK OF + IS SHOWING HOOK FOR 3.0TON (SEE DETAIL 'A')



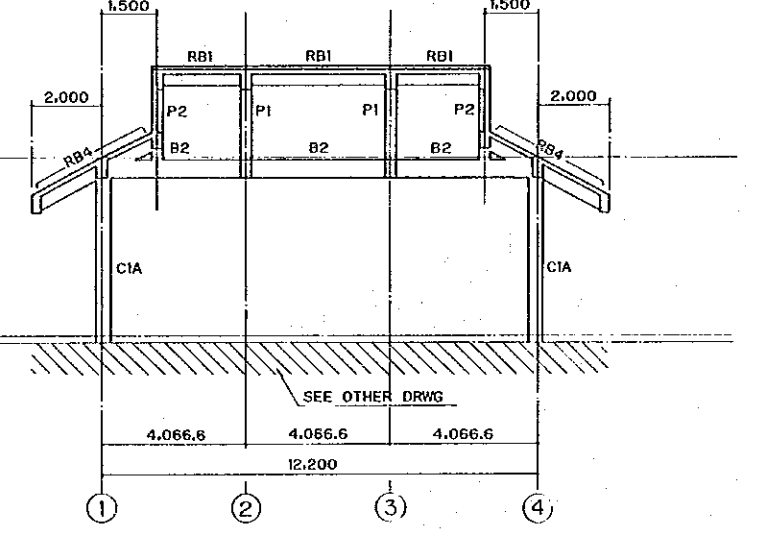
(2) - (3) LINE FRAMING ELEV.



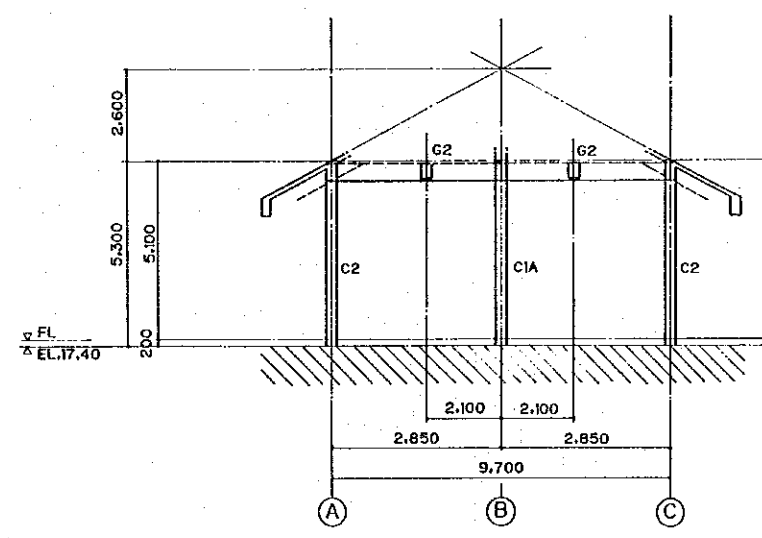
(A) - (C) LINE FRAMING ELEV.



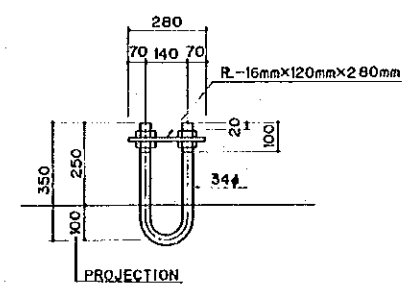
(0) - (0) SECTION



(0) LINE FRAMING ELEV.



(1) - (4) LINE FRAMING ELEV.

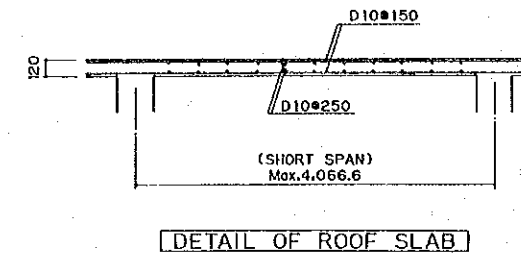
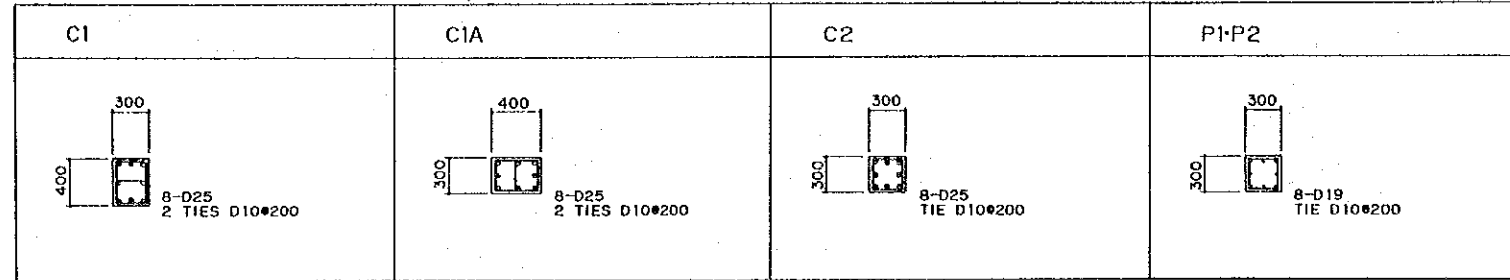
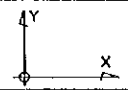


DETAIL 'A'

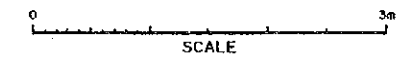
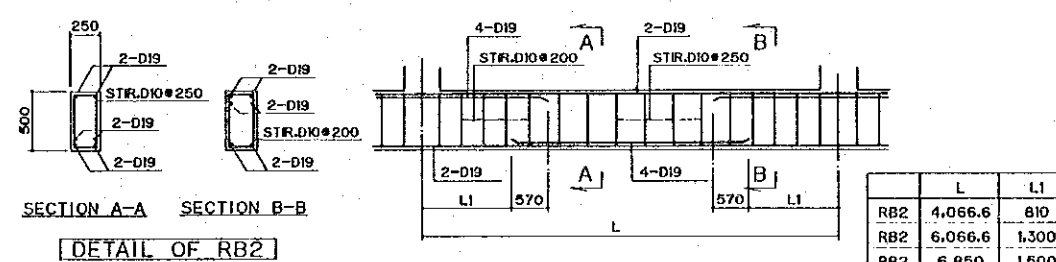
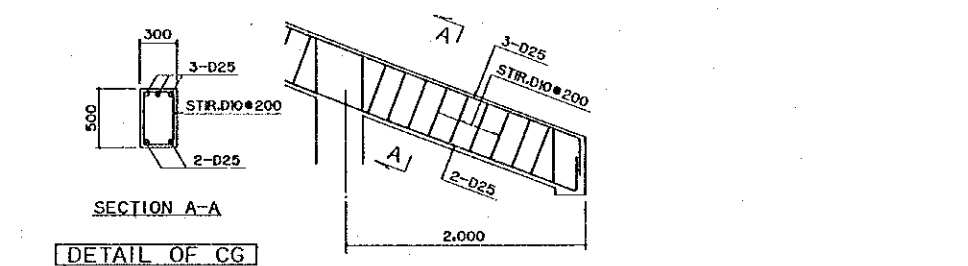
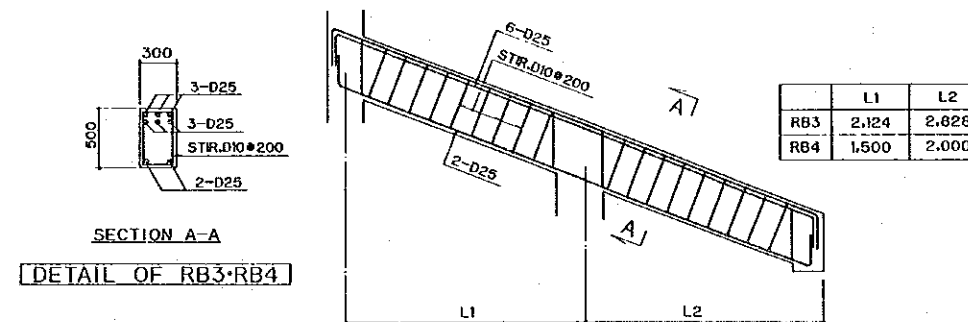
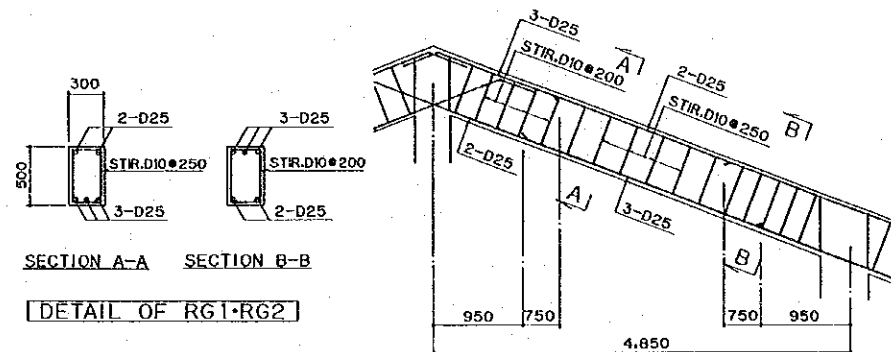
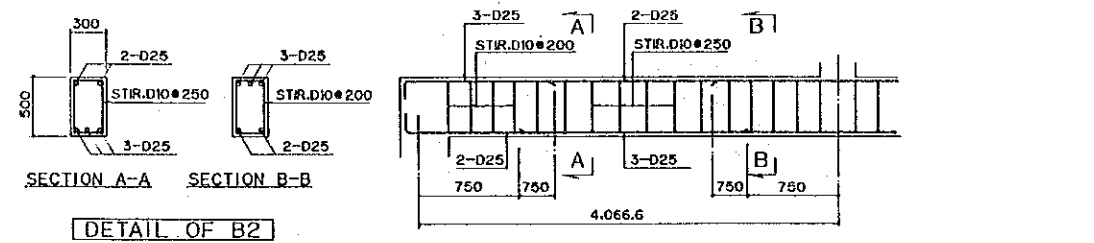
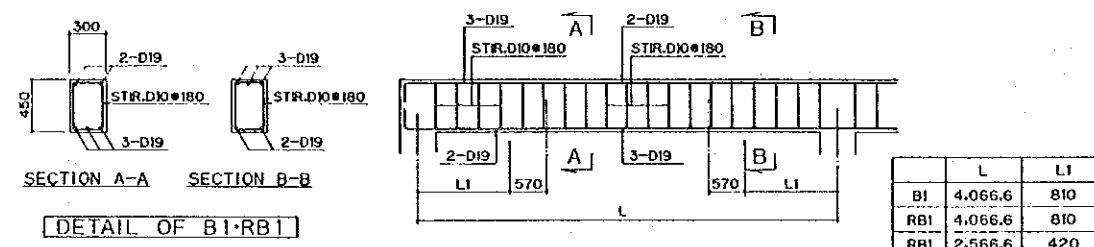
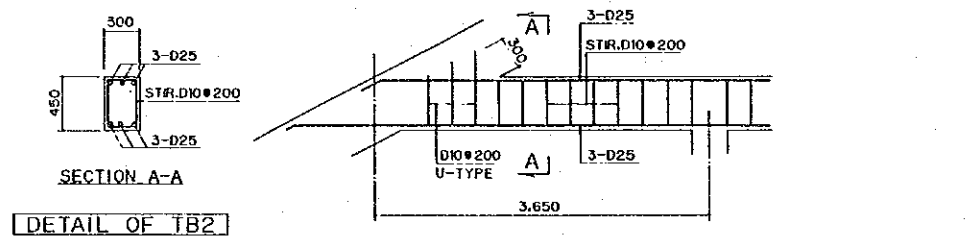
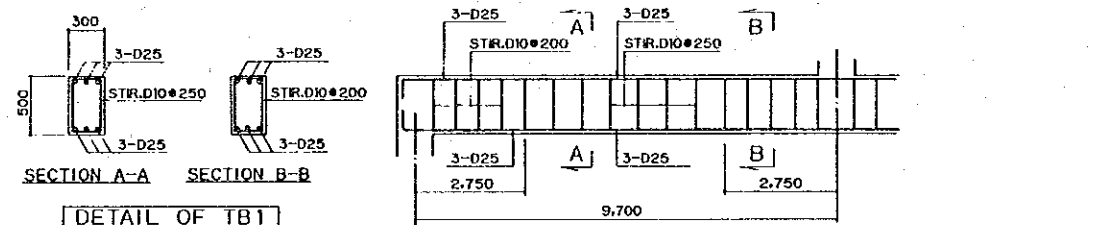
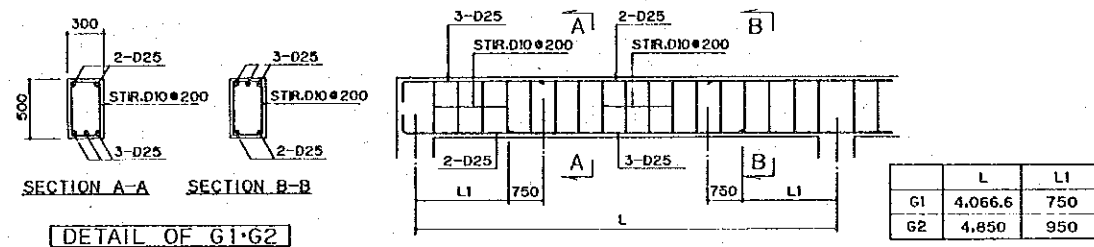


THE KINGDOM OF THAILAND ROYAL IRRIGATION DEPARTMENT	
THE BANG PAKONG DIVERSION DAM PROJECT	
BANG PAKONG DIVERSION DAM	
HOIST HOUSE (2/5)	
JAPAN INTERNATIONAL COOPERATION AGENCY (JICA) SANYU CONSULTANTS INC.	
DESIGNED	
TRACED	
CHECKED	
APPROVED	
DRAWING NO. DDM - 1055	

DETAIL OF COLUMN



DETAIL OF GIRDER AND BEAM



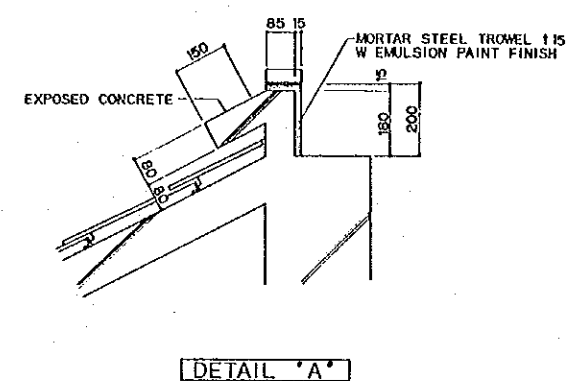
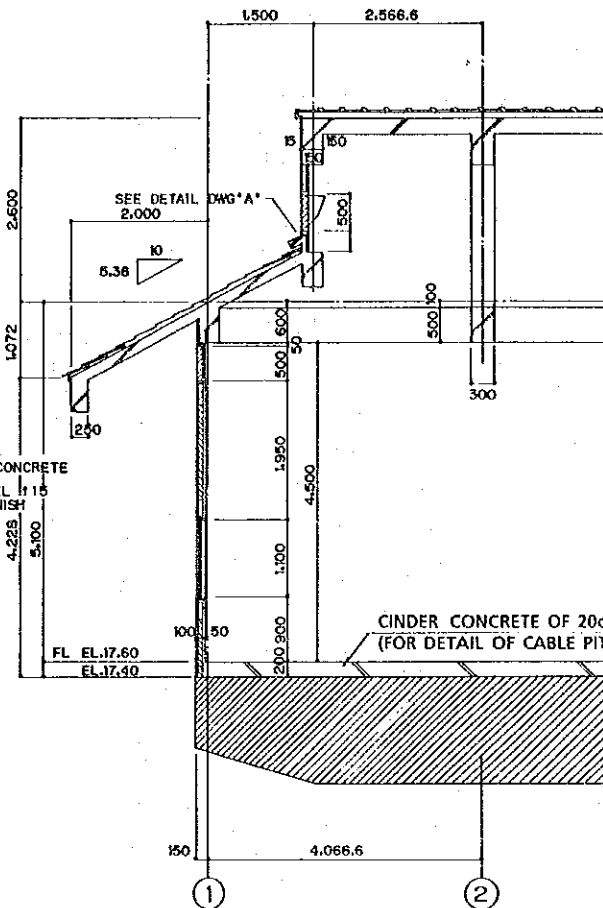
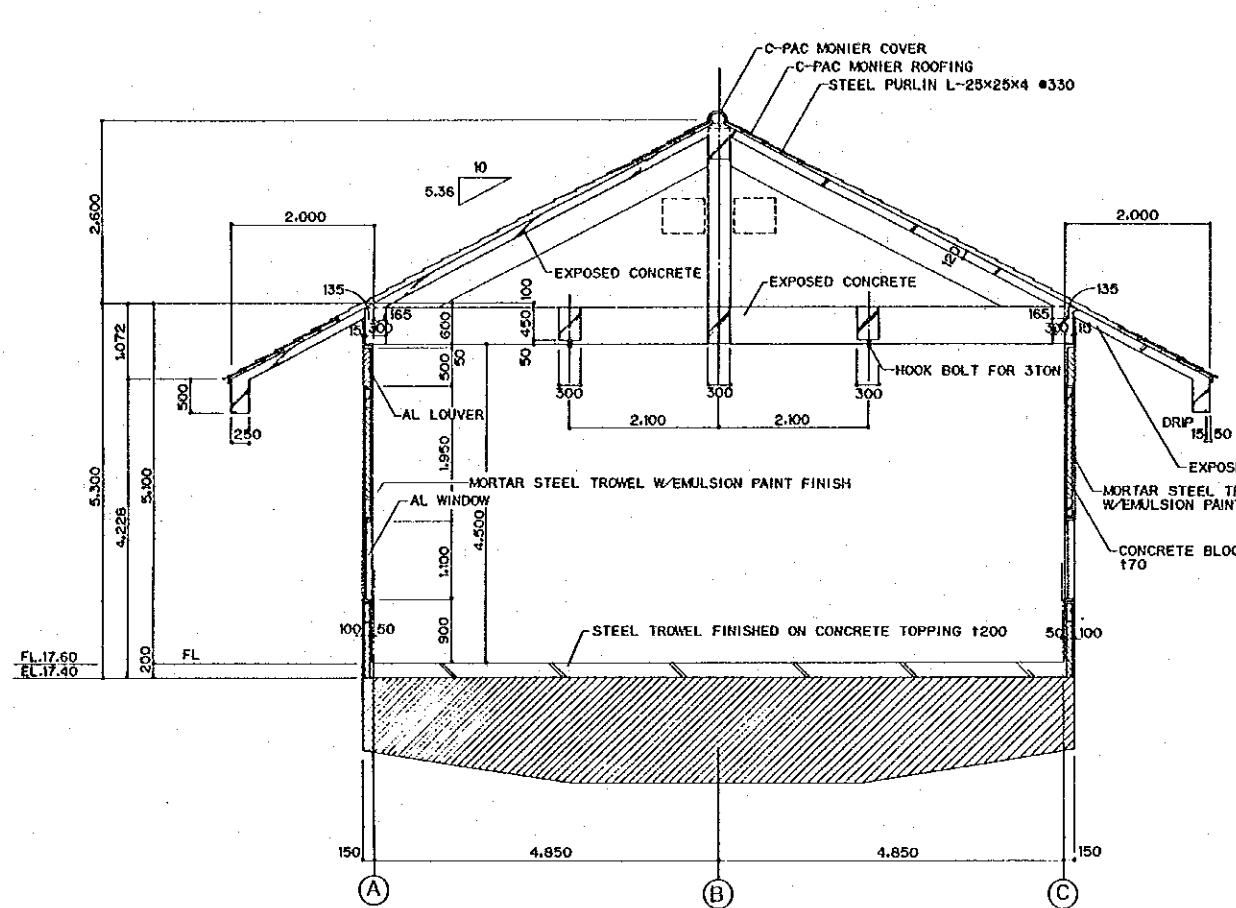
THE KINGDOM OF THAILAND
ROYAL IRRIGATION DEPARTMENT

THE BANG PAKONG DIVERSION DAM PROJECT

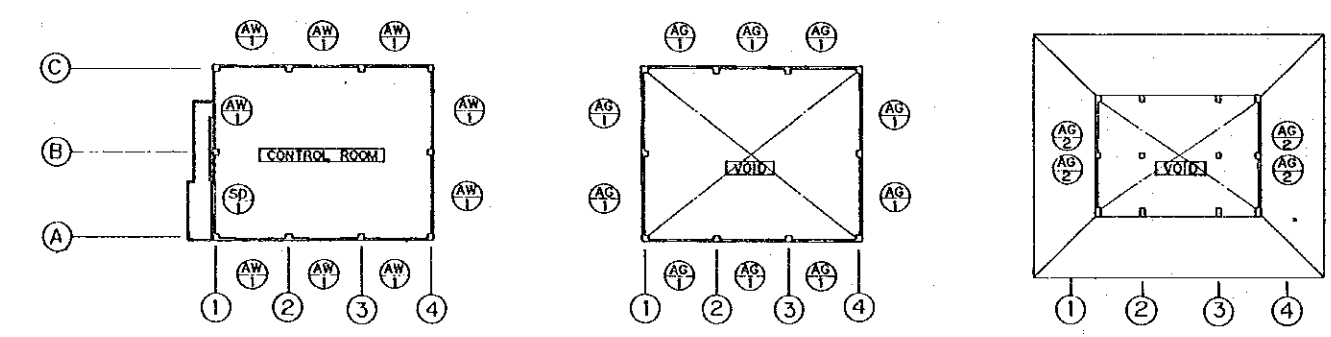
BANG PAKONG DIVERSION DAM
HOIST HOUSE (3/5)

JAPAN INTERNATIONAL COOPERATION AGENCY (JICA)
SANYU CONSULTANTS INC.

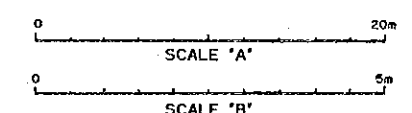
DESIGNED	
TRACED	
CHECKED	
APPROVED	
DRAWING NO.	DDM - 1056



DOORS & WINDOWS KEY PLAN SCALE 'A'



SYMBOL-TYPE	(SD 1)	(AW 1)	(AG 1)	(AG 2)
PLACE	CONTROL ROOM	CONTROL ROOM	CONTROL ROOM	CONTROL ROOM
QUANTITY	1	9	10	4
FRAME	2"x4" STEEL FRAME	2"x4" AL.FRAME 11.7	2"x4" AL.FRAME 11.7	2"x4" AL.FRAME 11.7
PANEL THICKNESS	STEEL			
GLASS		CLEAR GLASS 15		
HARDWARE	6x5" HINGE, KNOB, MORRIS LOCK, FLUSH BOLT	SASH LOCK	FIXED LOUVER W/STAINLESS WIRE NET	FIXED LOUVER W/STAINLESS WIRE NET
FINISH	PAINT			
REMARKS	DOOR STOP			FLASHING *AL.PLATE 11.7
SIZE				



THE KINGDOM OF THAILAND
ROYAL IRRIGATION DEPARTMENT

THE BANG PAKONG DIVERSION DAM PROJECT

BANG PAKONG DIVERSION DAM
HOIST HOUSE (4/5)

JAPAN INTERNATIONAL COOPERATION AGENCY (JICA)
SANYU CONSULTANTS INC.

DESIGNED _____
TRACED _____
CHECKED _____
APPROVED _____

DRAWING NO. DDM - 1057