

## **APPENDIX 9 BASIC DESIGN DRAWINGS**



Phase I:

Kampala South Substation

BD-KPS-01	Online Diagram
BD-KPS-02	Outline of 33 kV Outdoor Type Cubicle
BD-KPS-03	Outline of 11 kV Outdoor Type Cubicle
BD-KPS-04	Equipment Layout Plan
BD-KPS-05	Arrangement of Cable Trench and Foundation
BD-KPS-06	Typical Arrangement of 33 kV Line Connection

Ntinda Substation

BD-NTD-01	Online Diagram
BD-NTD-02	Outline of 33 kV Outdoor Type Cubicle
BD-NTD-03	Outline of 11 kV Outdoor Type Cubicle
BD-NTD-04	Equipment Layout Plan
BD-NTD-05	Arrangement of Cable Trench and Foundation

Kisugu Substation

BD-KSG-01	Online Diagram
BD-KSG-02	Outline of 33 kV Outdoor Type Cubicle
BD-KSG-03	Outline of 11 kV Outdoor Type Cubicle
BD-KSG-04	Equipment Layout Plan
BD-KSG-05	Arrangement of Cable Trench and Foundation
BD-KSG-06	Detail of 33 kV Line Connection (33 kV Cable Method)

Kawanda Substation

BD-KWD-01	Online Diagram
BD-KWD-02	Outline of 33 kV Outdoor Type Cubicle
BD-KWD-03	Outline of 11 kV Outdoor Type Cubicle
BD-KWD-04	Equipment Layout Plan
BD-KWD-05	Arrangement of Cable Trench and Foundation

Phase II:

Njeru Substation

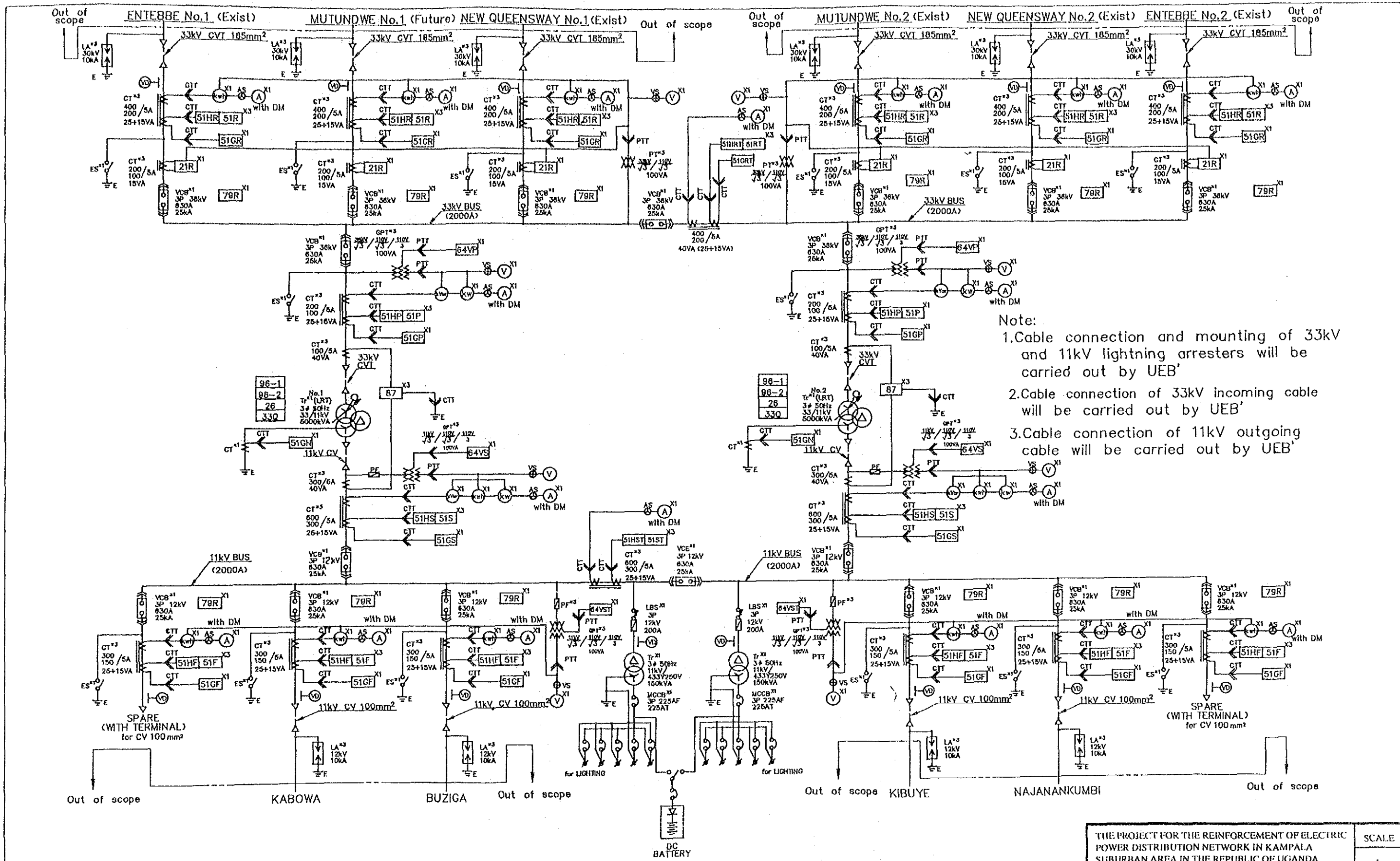
- BD-NJR-01 Oneline Diagram
- BD-NJR-02 Outline of 33 kV Outdoor Type Cubicle
- BD-NJR-03 Outline of 11 kV Outdoor Type Cubicle
- BD-NJR-04 Equipment Layout Plan
- BD-NJR-05 Arrangement of Cable Trench and Foundation
- BD-NJR-06 Detail of 33 kV Line Connection

Kisubi Substation

- BD-KSB-01 Oneline Diagram
- BD-KSB-02 Outline of 33 kV Outdoor Type Cubicle
- BD-KSB-03 Outline of 11 kV Outdoor Type Cubicle
- BD-KSB-04 Equipment Layout Plan
- BD-KSB-05 Arrangement of Cable Trench and Foundation

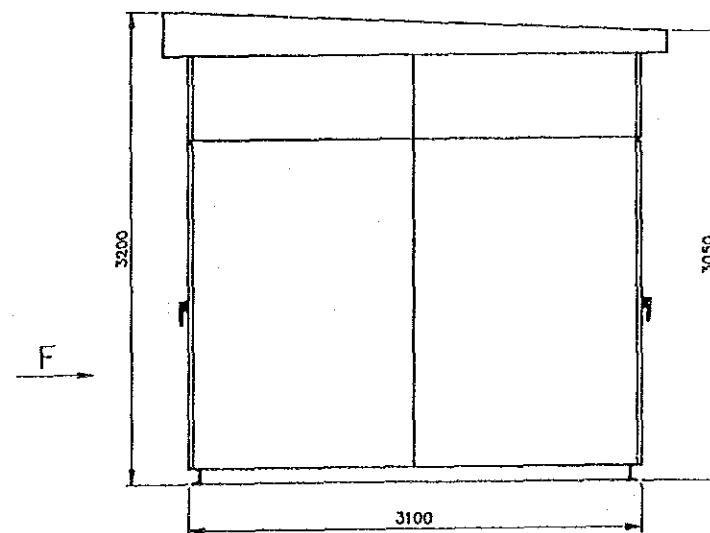
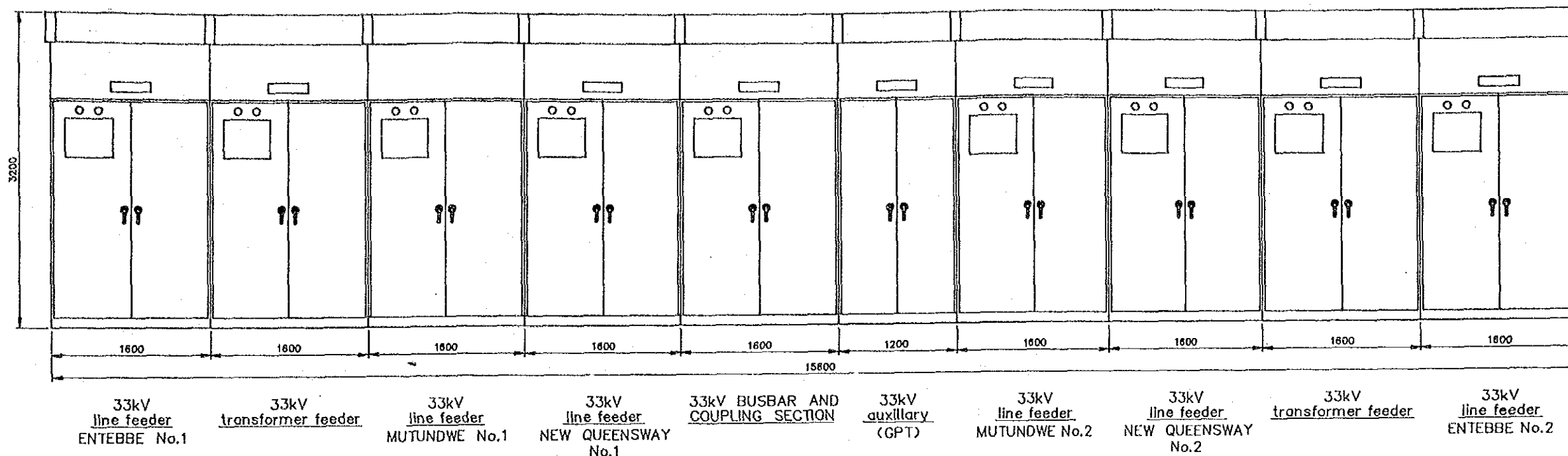
Kawala Substation

- BD-KWL-01 Oneline Diagram
- BD-KWL-02 Outline of 33 kV Outdoor Type Cubicle
- BD-KWL-03 Outline of 11 kV Outdoor Type Cubicle
- BD-KWL-04 Equipment Layout Plan
- BD-KWL-05 Arrangement of Cable Trench and Foundation



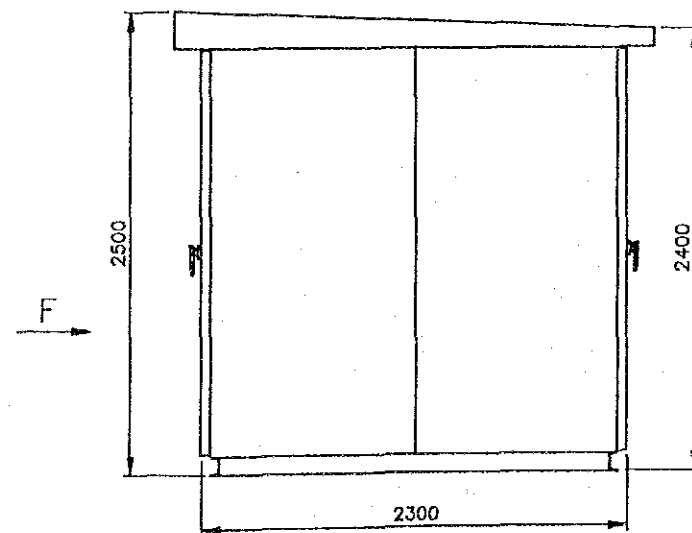
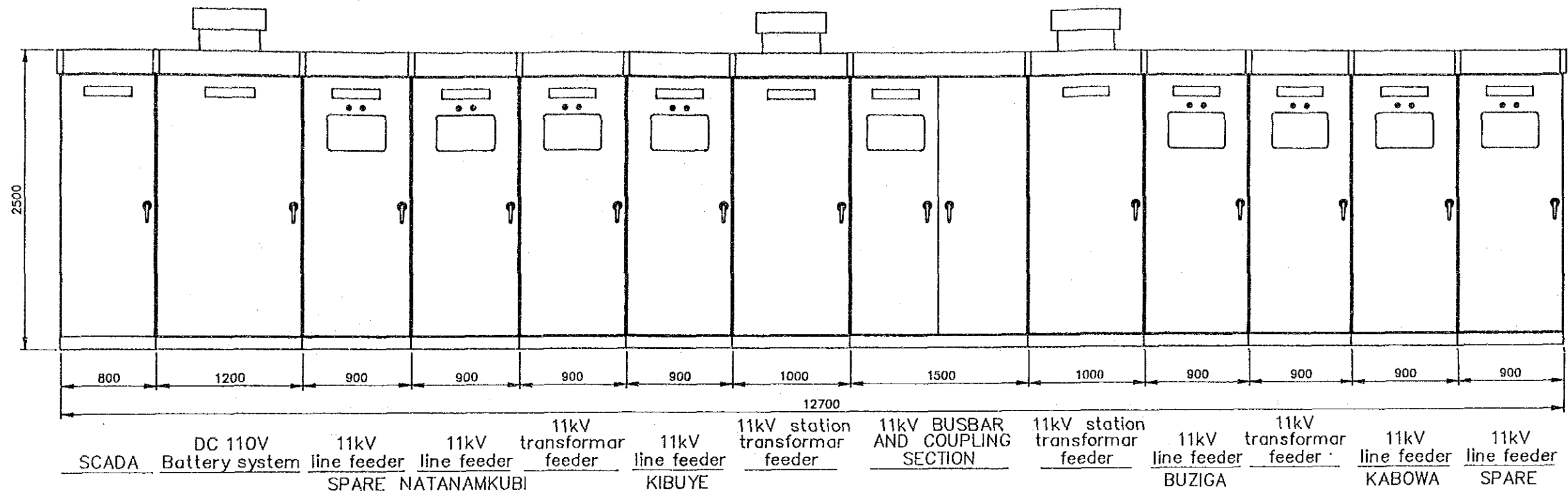
- Note:
1. Cable connection and mounting of 33kV and 11kV lightning arresters will be carried out by UEB'
  2. Cable connection of 33kV incoming cable will be carried out by UEB'
  3. Cable connection of 11kV outgoing cable will be carried out by UEB'

THE PROJECT FOR THE REINFORCEMENT OF ELECTRIC POWER DISTRIBUTION NETWORK IN KAMPALA SUBURBAN AREA IN THE REPUBLIC OF UGANDA	SCALE
カンパサウス変電所 (Kampala South Substation)	DWG NO.
単線結線図 Online Diagram	BD-KPS -01
JAPAN INTERNATIONAL COOPERATION AGENCY	

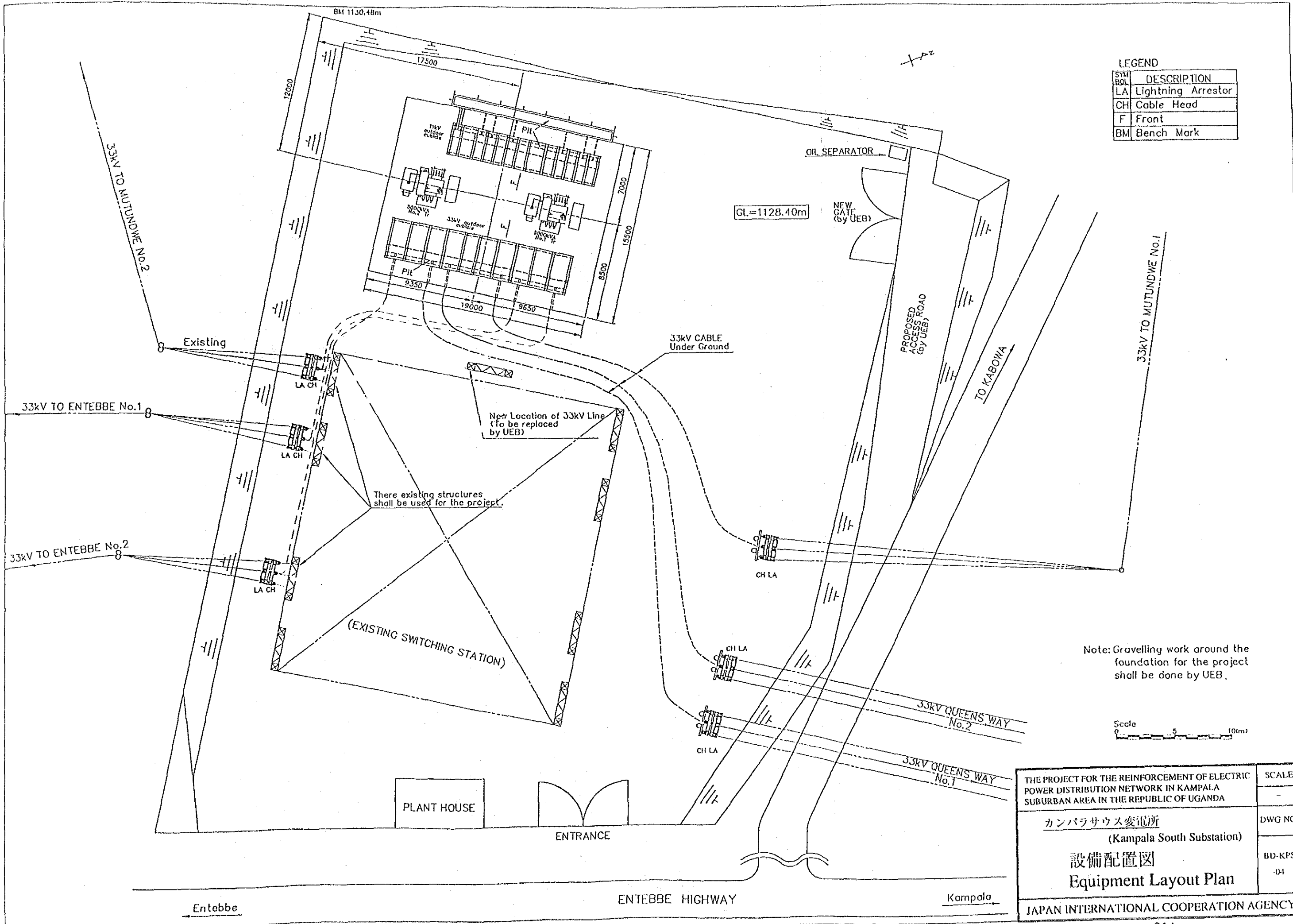


SIDE VIEW

THE PROJECT FOR THE REINFORCEMENT OF ELECTRIC POWER DISTRIBUTION NETWORK IN KAMPALA SUBURBAN AREA IN THE REPUBLIC OF UGANDA	SCALE
カンバラサウス変電所 (Kampala South Substation)	DWG NO.
33kV屋外式閉鎖型配電盤外形図 Outline of 33kV Outdoor Type Cubicle	BD-KPS -02
JAPAN INTERNATIONAL COOPERATION AGENCY	



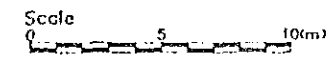
THE PROJECT FOR THE REINFORCEMENT OF ELECTRIC POWER DISTRIBUTION NETWORK IN KAMPALA SUBURBAN AREA IN THE REPUBLIC OF UGANDA	SCALE
カンパラスウス変電所 (Kampala South Substation)	DWG NO.
11kV屋外式閉鎖型配電盤外形図 Outline of 11kV Outdoor Type Cubicle	BD-KPS -03
JAPAN INTERNATIONAL COOPERATION AGENCY	



LEGEND

SYM BOL	DESCRIPTION
LA	Lightning Arrestor
CH	Cable Head
F	Front
BM	Bench Mark

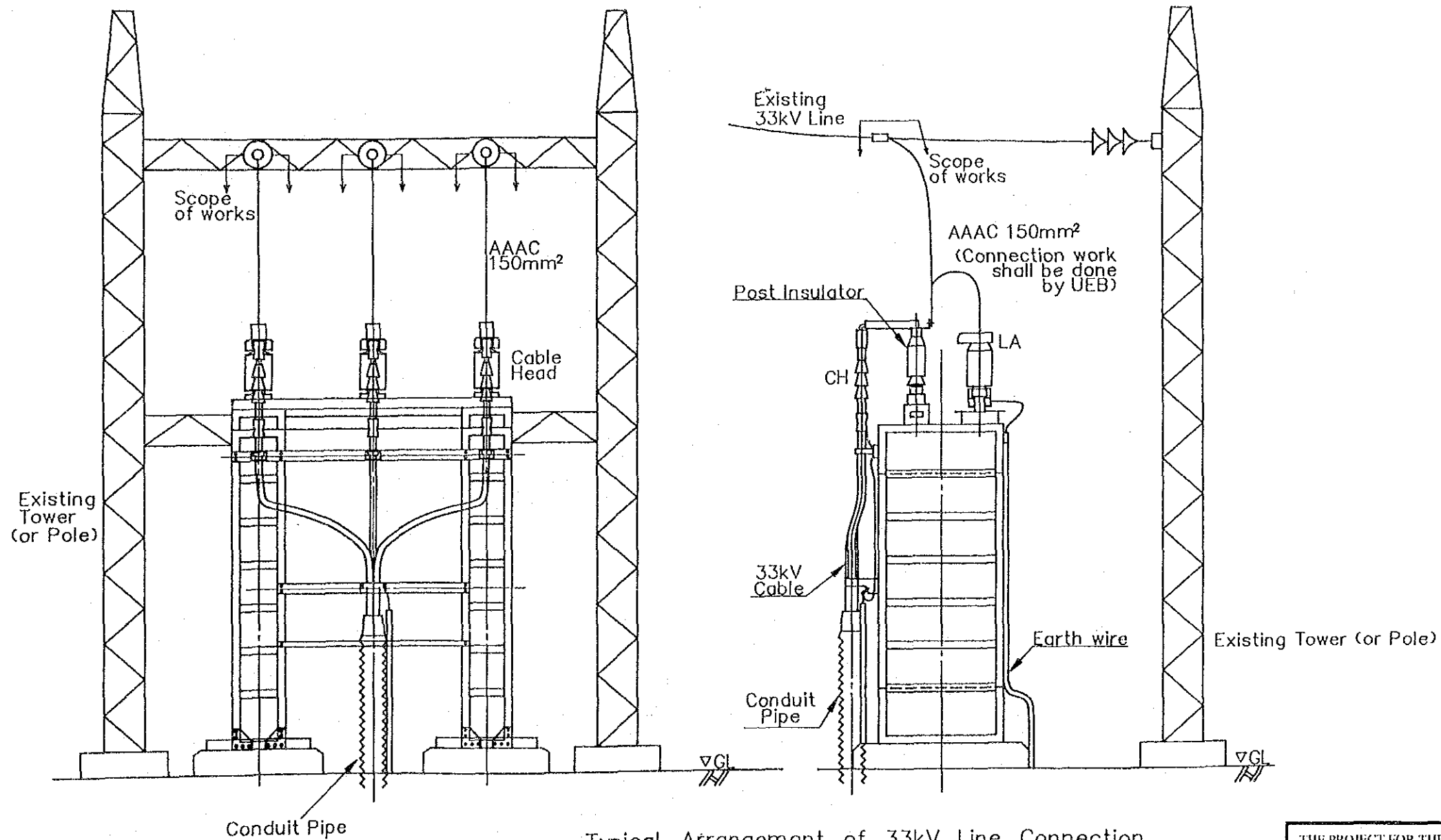
Note: Graveling work around the foundation for the project shall be done by UEB.



THE PROJECT FOR THE REINFORCEMENT OF ELECTRIC POWER DISTRIBUTION NETWORK IN KAMPALA SUBURBAN AREA IN THE REPUBLIC OF UGANDA	SCALE
カンバラサウス変電所 (Kampala South Substation)	DWG NO.
設備配置図 Equipment Layout Plan	BD-KPS -04
JAPAN INTERNATIONAL COOPERATION AGENCY	



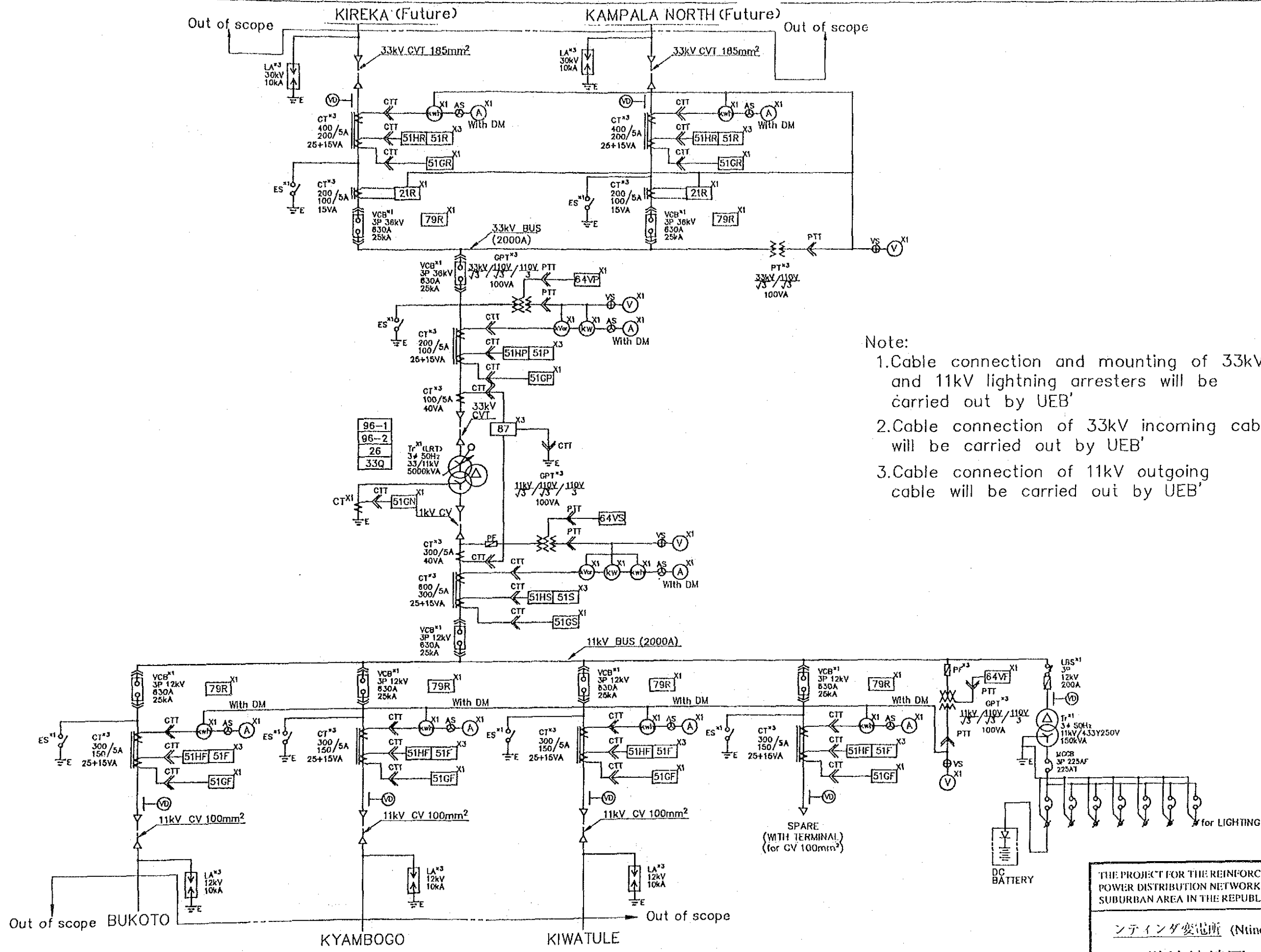




Typical Arrangement of 33kV Line Connection

Note: This Typical Arrangement shall be applied to Kampala south, Ntinda, Kawanda, Kisubi and Kawala Substations.

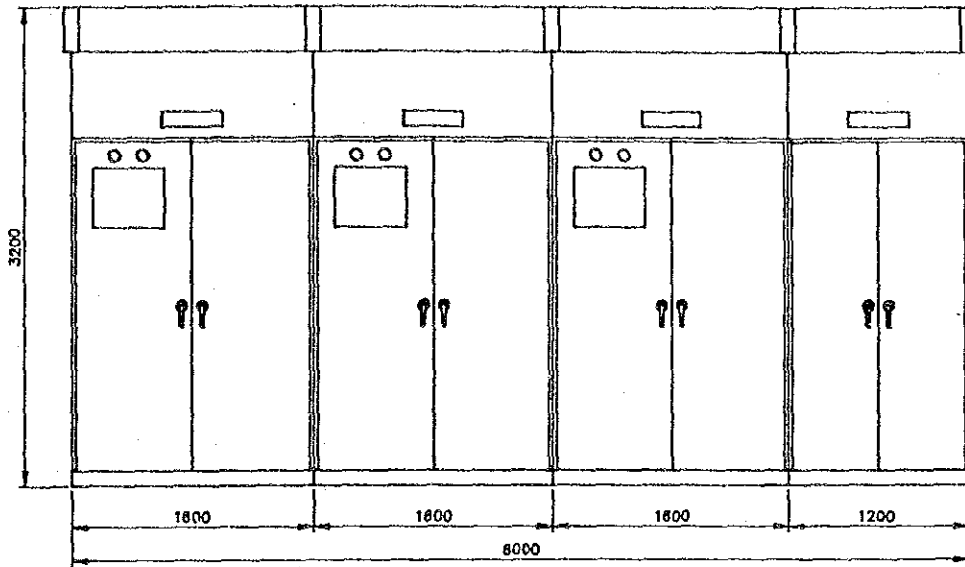
THE PROJECT FOR THE REINFORCEMENT OF ELECTRIC POWER DISTRIBUTION NETWORK IN KAMPALA SUBURBAN AREA IN THE REPUBLIC OF UGANDA	SCALE
カンバラサウス変電所 (Kampala South Substation)	DWG NO.
3.3 k V 送電線標準接続図 Typical Arrangement of 33kV Line Connection	BD-KP5 -06
JAPAN INTERNATIONAL COOPERATION AGENCY	



- Note:
1. Cable connection and mounting of 33kV and 11kV lightning arresters will be carried out by UEB'
  2. Cable connection of 33kV incoming cable will be carried out by UEB'
  3. Cable connection of 11kV outgoing cable will be carried out by UEB'

THE PROJECT FOR THE REINFORCEMENT OF ELECTRIC POWER DISTRIBUTION NETWORK IN KAMPALA SUBURBAN AREA IN THE REPUBLIC OF UGANDA	SCALE
ンティンダ変電所 (Ntinda Substation)	DWG NO.
単線結線図 Online Diagram	BD-NTD .01
JAPAN INTERNATIONAL COOPERATION AGENCY	



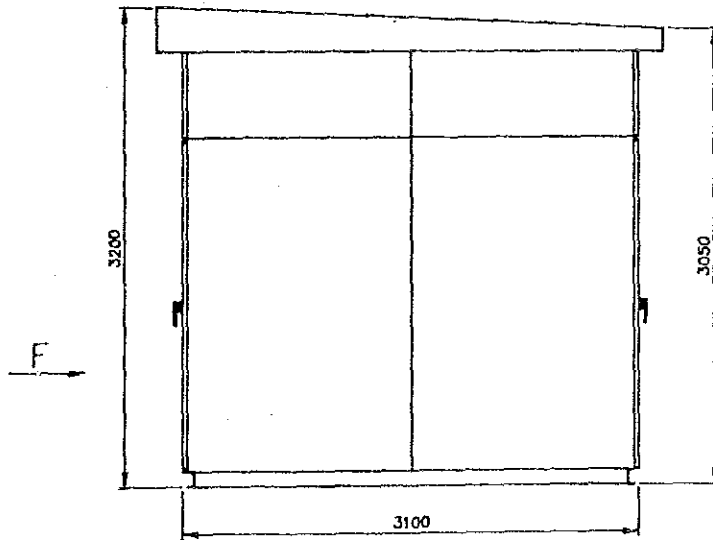


33kV  
line feeder  
KIREKA

33kV  
transformer feeder

33kV  
line feeder  
KAMPALA NORTH

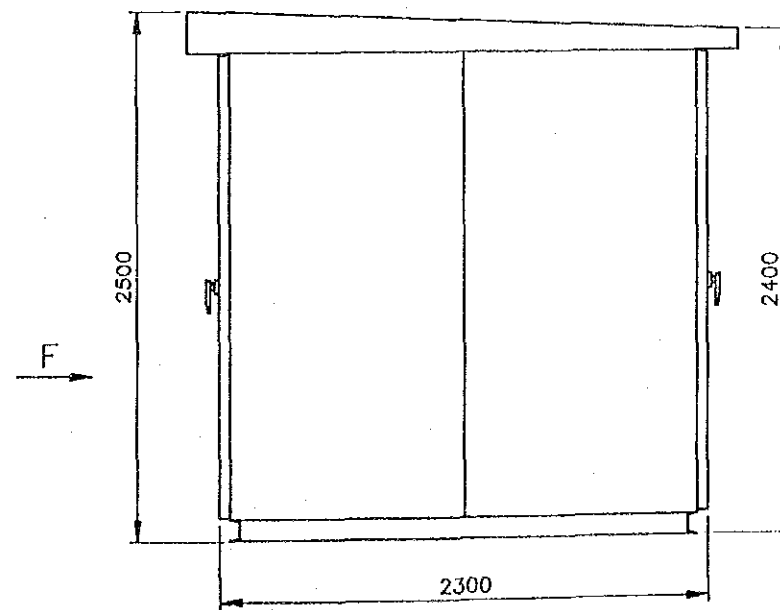
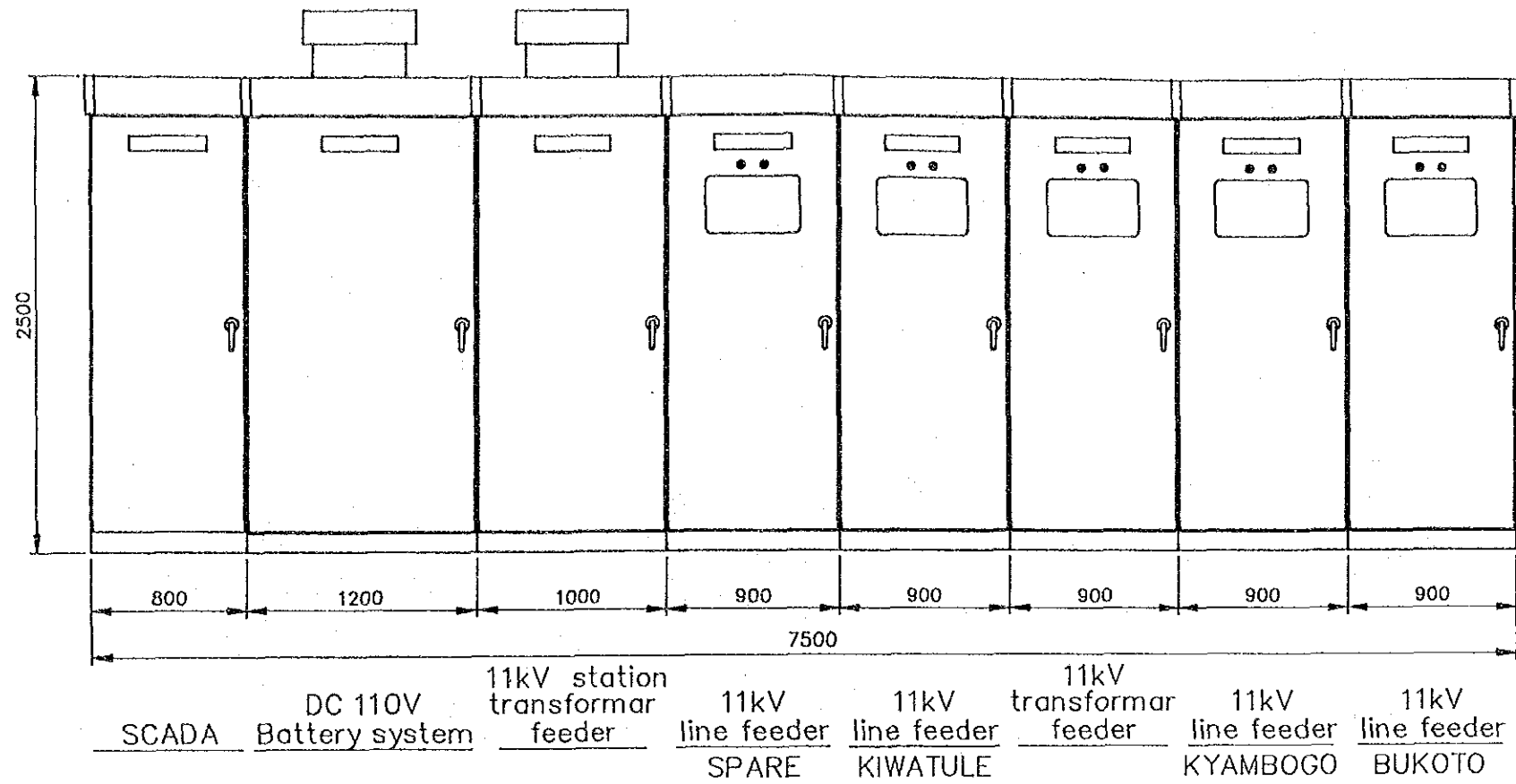
33kV  
auxiliary  
(GPT)



SIDE VIEW

THE PROJECT FOR THE REINFORCEMENT OF ELECTRIC POWER DISTRIBUTION NETWORK IN KAMPALA SUBURBAN AREA IN THE REPUBLIC OF UGANDA	SCALE
ンテナダ変電所 (Ntinda Substation)	DWG NO.
33kV屋外式閉鎖型配電盤外形図 Outline of 33kV Outdoor Type Cubicle	BD-NTD -02
JAPAN INTERNATIONAL COOPERATION AGENCY	



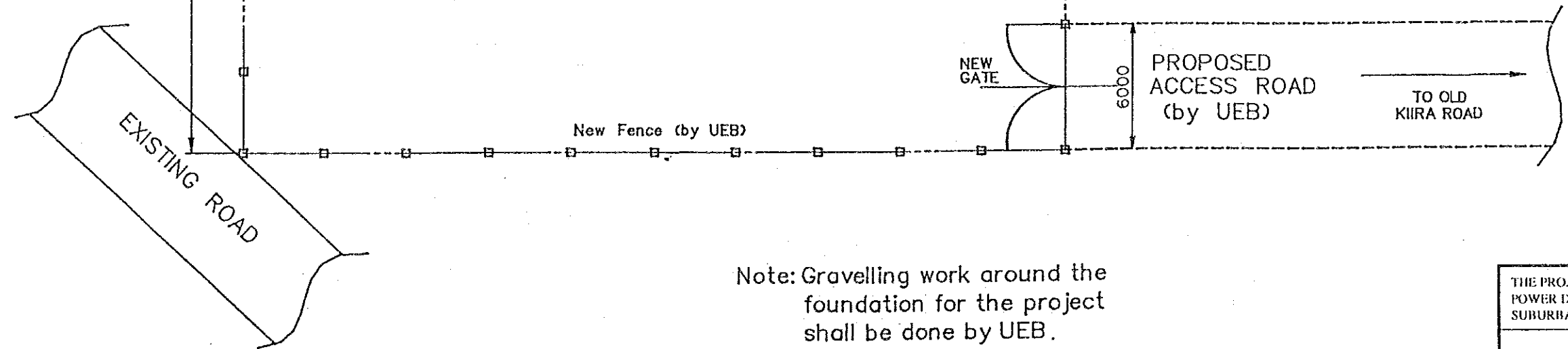
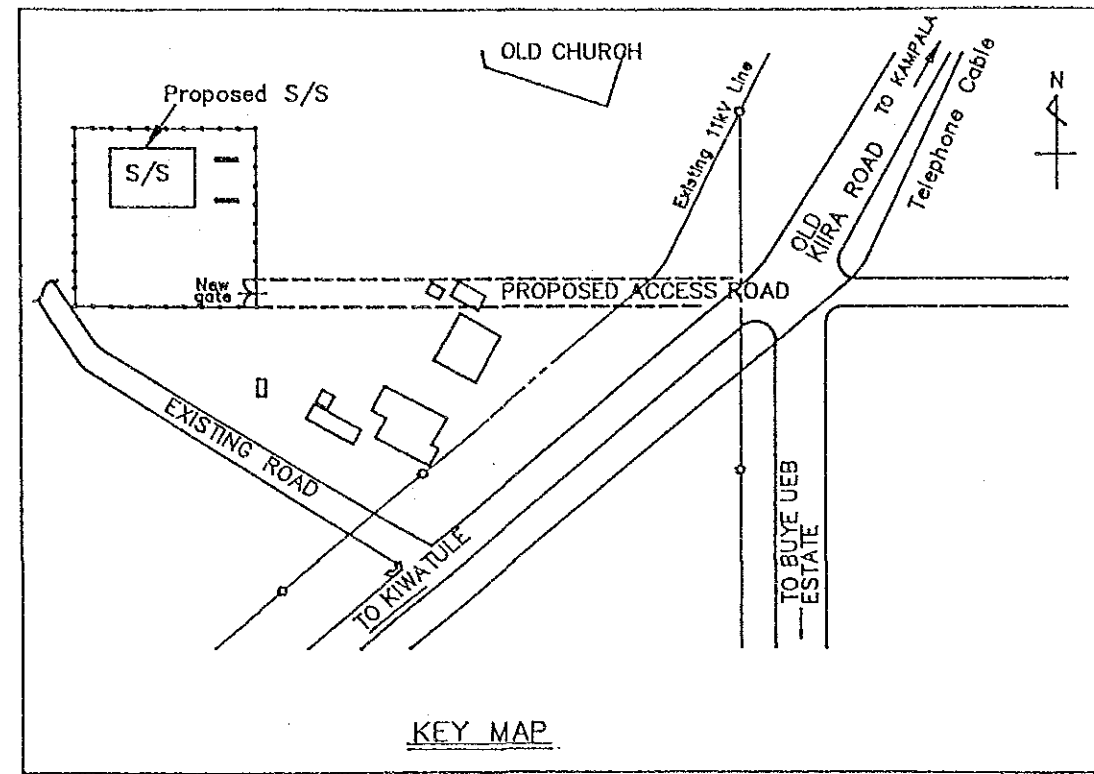
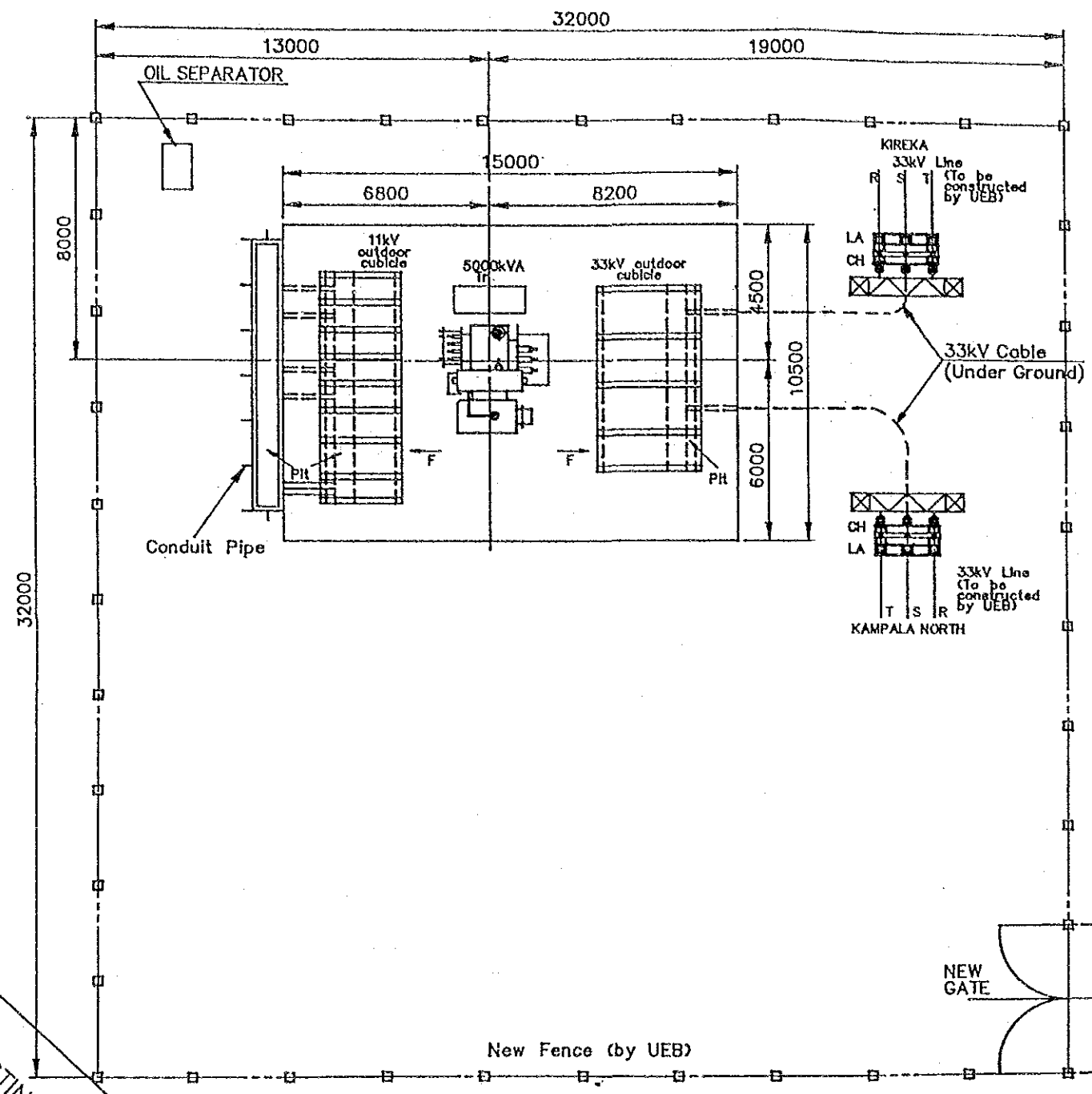


THE PROJECT FOR THE REINFORCEMENT OF ELECTRIC POWER DISTRIBUTION NETWORK IN KAMPALA SUBURBAN AREA IN THE REPUBLIC OF UGANDA	SCALE
ンティンダ変電所 (Ntinda Substation)	DWG NO.
11kV屋外式閉鎖型配電盤外形図 Outline of 11kV Outdoor Type Cubicle	BD-NTD .03
JAPAN INTERNATIONAL COOPERATION AGENCY	



LEGEND

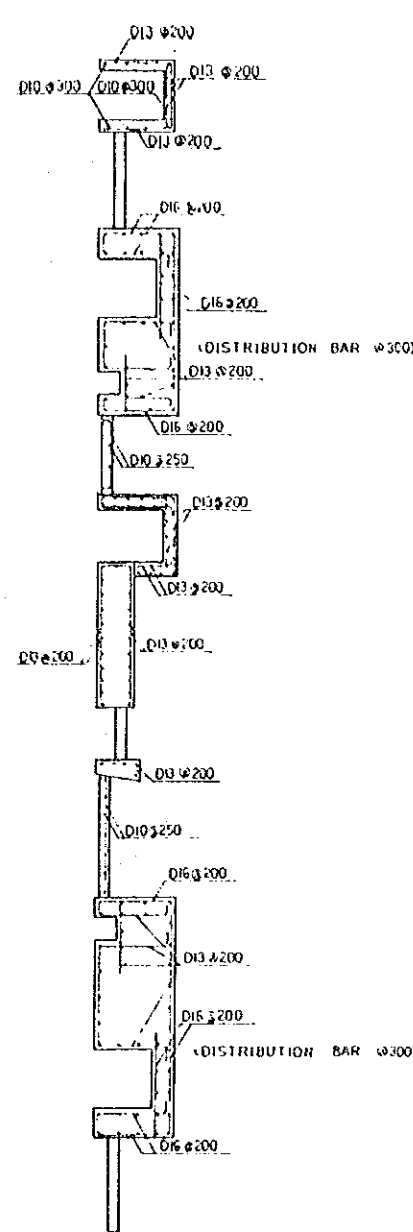
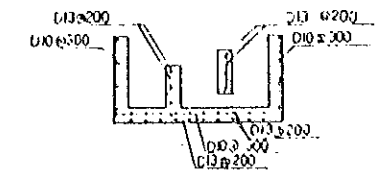
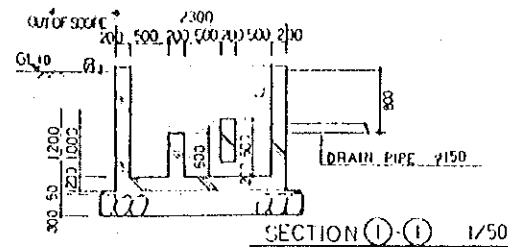
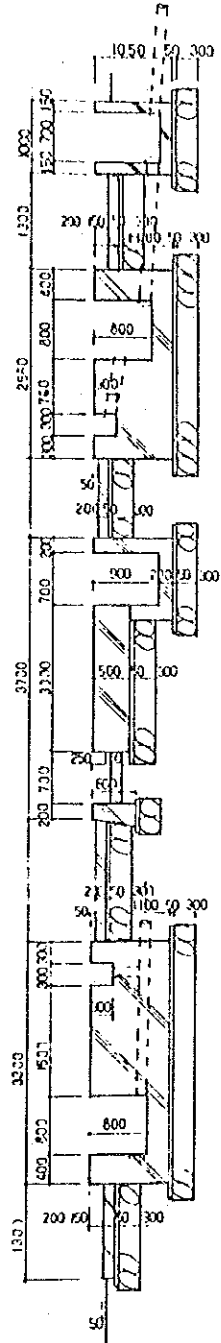
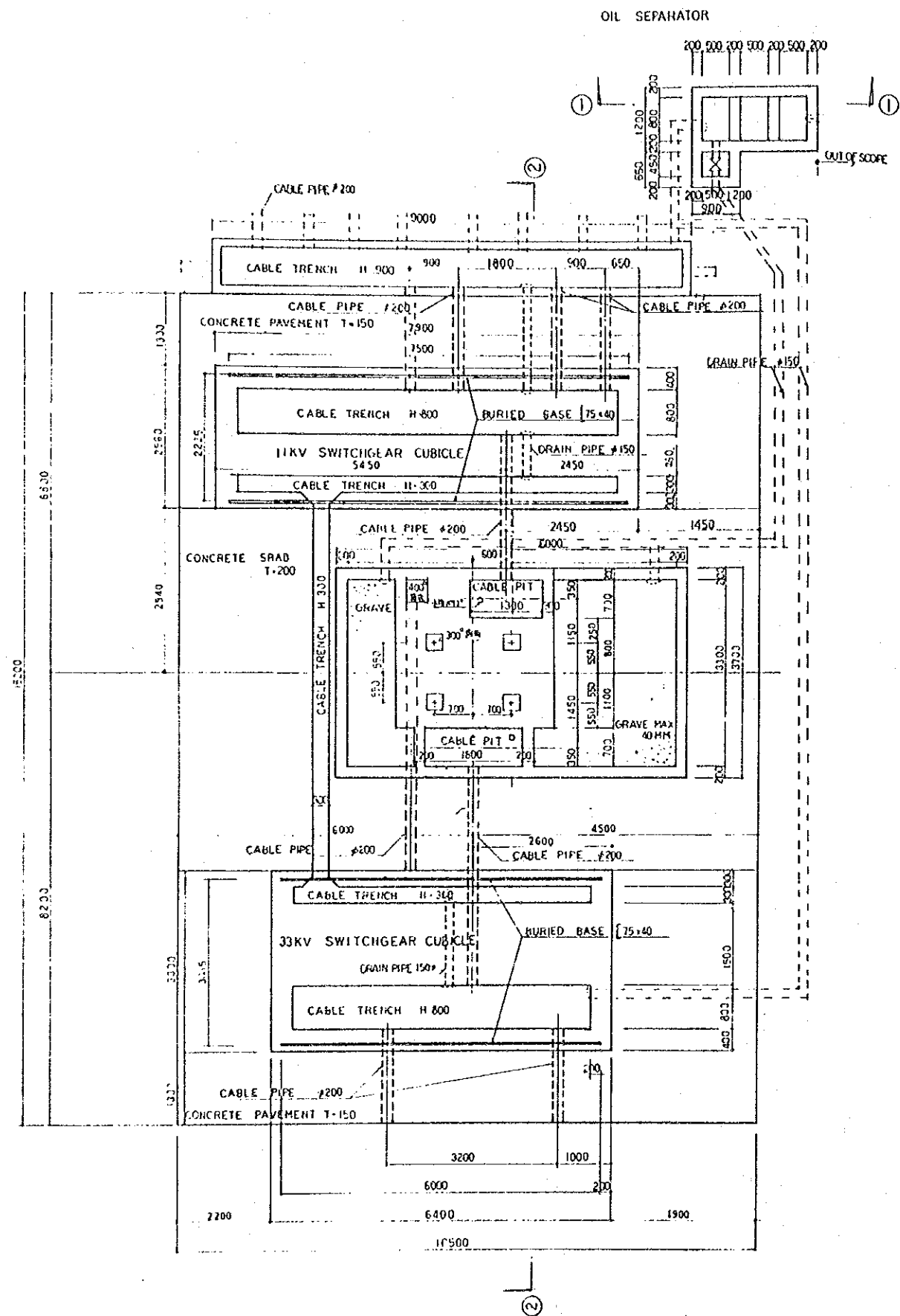
SYM BOL	DESCRIPTION
LA	Lightning Arrestor
CH	Cable Head
F	Front
BM	Bench Mark



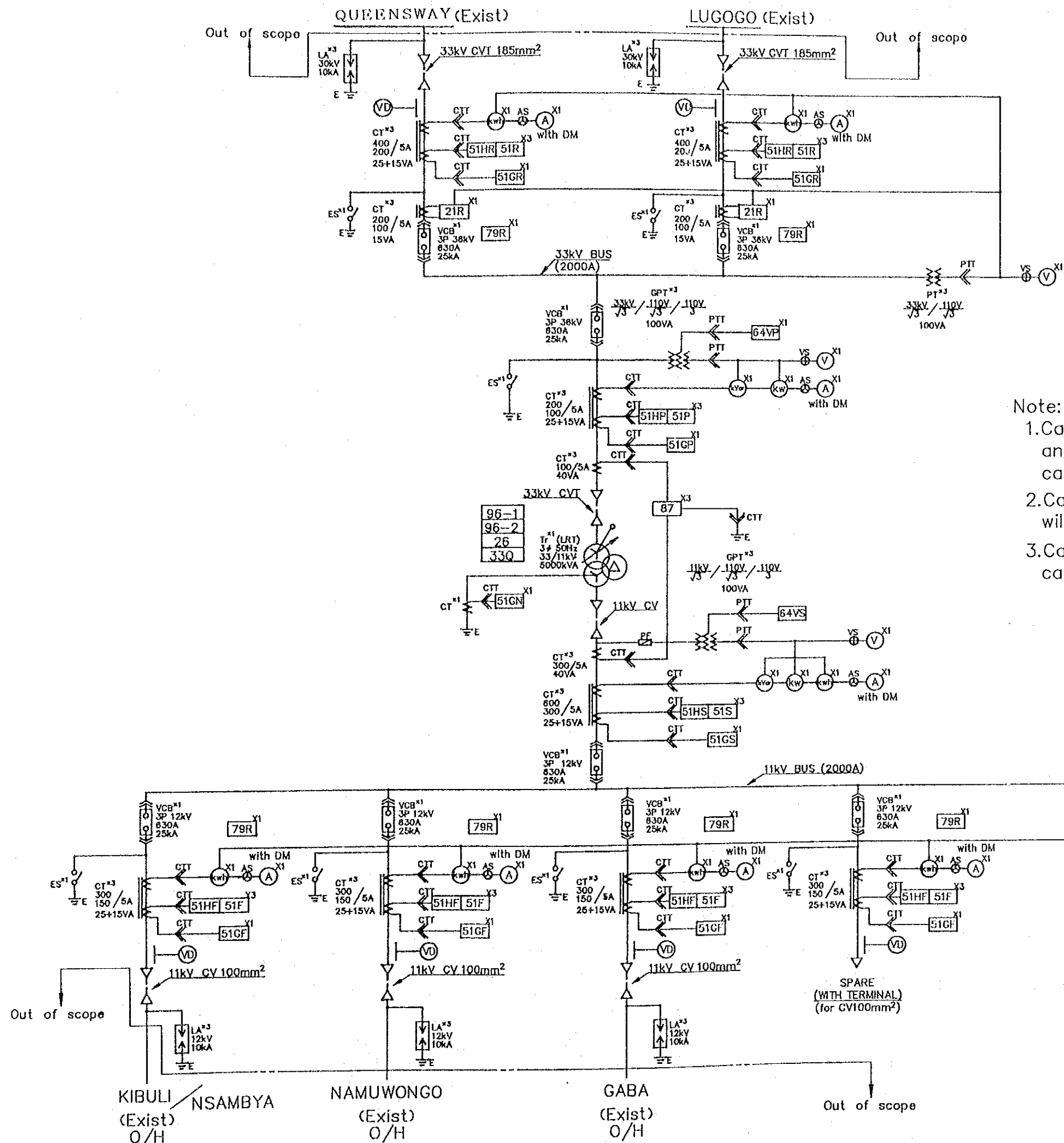
Note: Gravelling work around the foundation for the project shall be done by UEB.

THE PROJECT FOR THE REINFORCEMENT OF ELECTRIC POWER DISTRIBUTION NETWORK IN KAMPALA SUBURBAN AREA IN THE REPUBLIC OF UGANDA	SCALE 1/200
ンティンダ変電所 (Ntinda Substation)	DWG NO.
設備配置図 Equipment Layout Plan	BD-NTD -04
JAPAN INTERNATIONAL COOPERATION AGENCY	





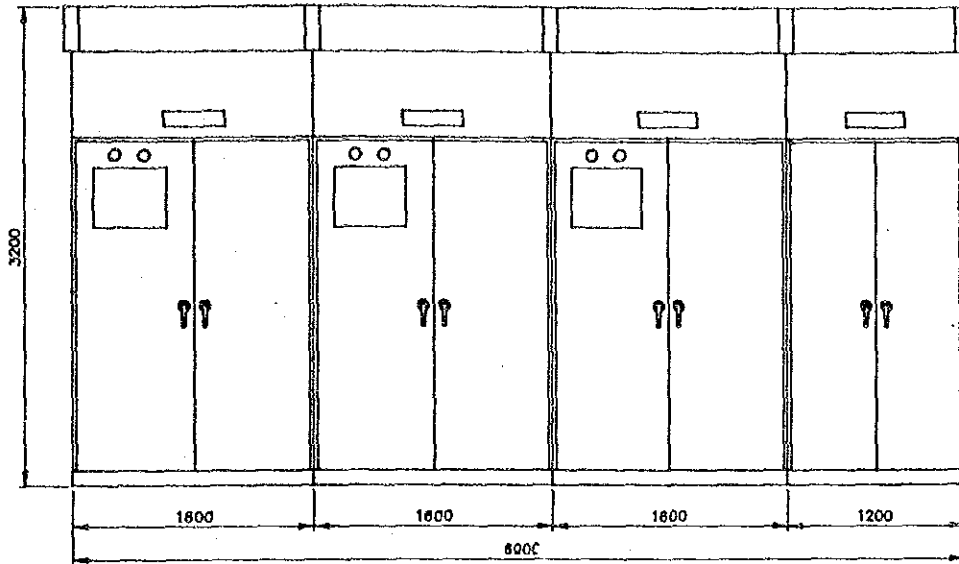
THE PROJECT FOR THE REINFORCEMENT OF ELECTRIC POWER DISTRIBUTION NETWORK IN KAMPALA SUBURBAN AREA IN THE REPUBLIC OF UGANDA	SCALE
ンティンダ変電所 (Ntinda Substation)	DWG NO.
ケーブルトレンチ及び基礎図 Arrangement of Cable Trench and Foundation	BD-NTD .05
JAPAN INTERNATIONAL COOPERATION AGENCY	



- Note:
1. Cable connection and mounting of 33kV and 11kV lightning arresters will be carried out by UEB'
  2. Cable connection of 33kV incoming cable will be carried out by UEB'
  3. Cable connection of 11kV outgoing cable will be carried out by UEB'

THE PROJECT FOR THE REINFORCEMENT OF ELECTRIC POWER DISTRIBUTION NETWORK IN KAMPALA SUBURBAN AREA IN THE REPUBLIC OF UGANDA	SCALE
キスグ変電所 (Kisugu Substation)	DWG NO.
単線結線図 Online Diagram	BD-KSG -01
JAPAN INTERNATIONAL COOPERATION AGENCY	



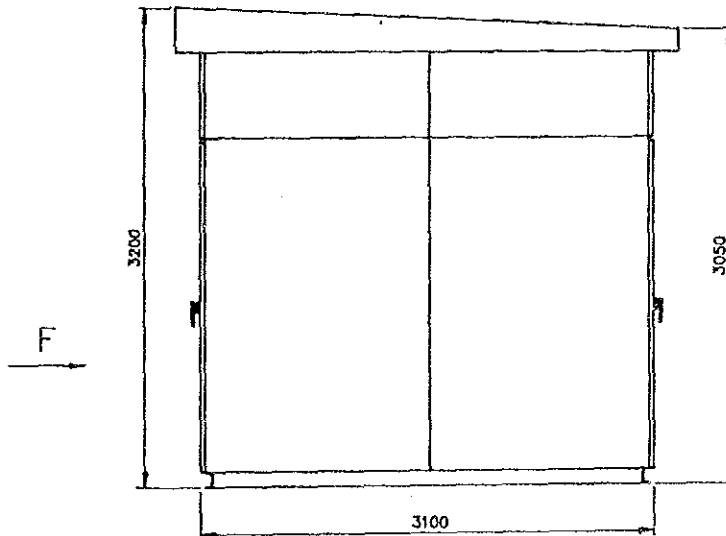


33kV  
line feeder  
QUEENSWAY

33kV  
transformer feeder

33kV  
line feeder  
LUGOGO

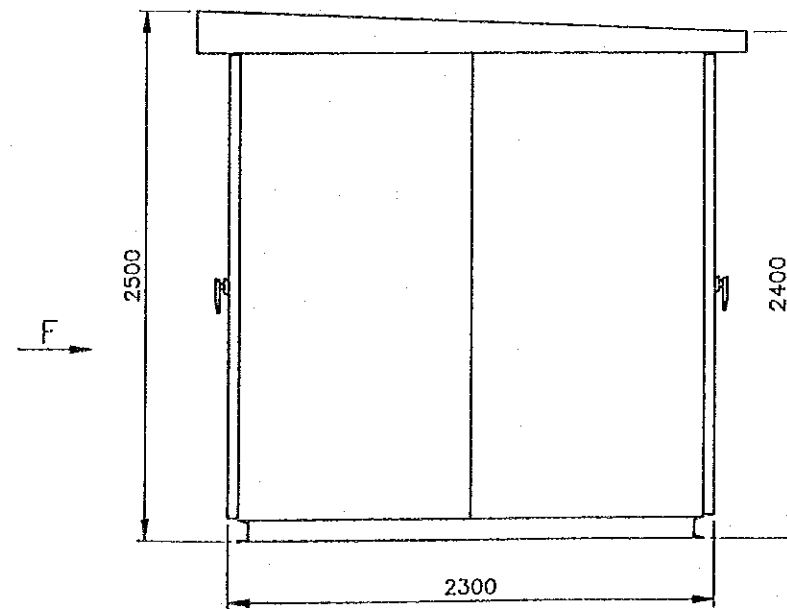
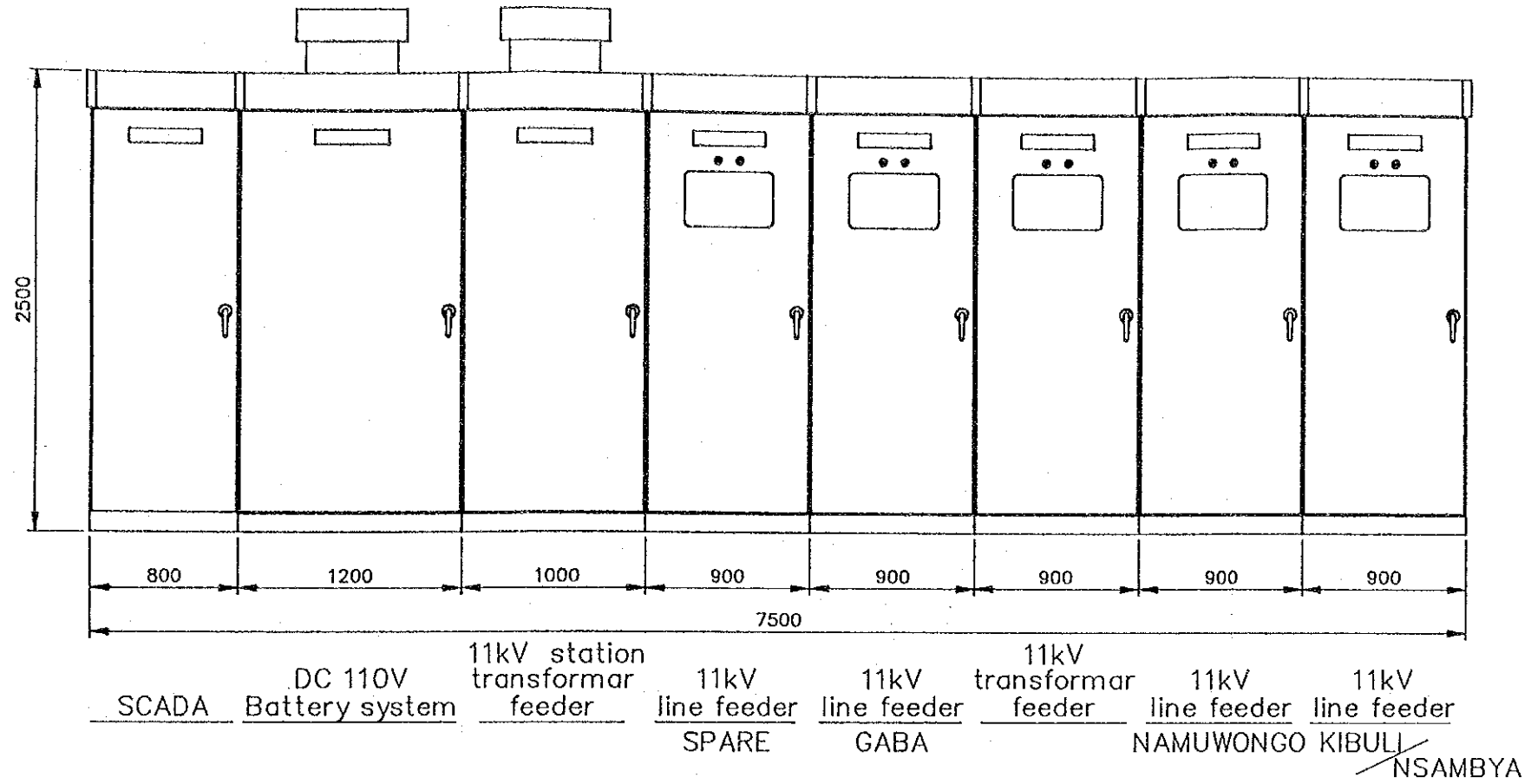
33kV  
auxiliary  
(GPT)



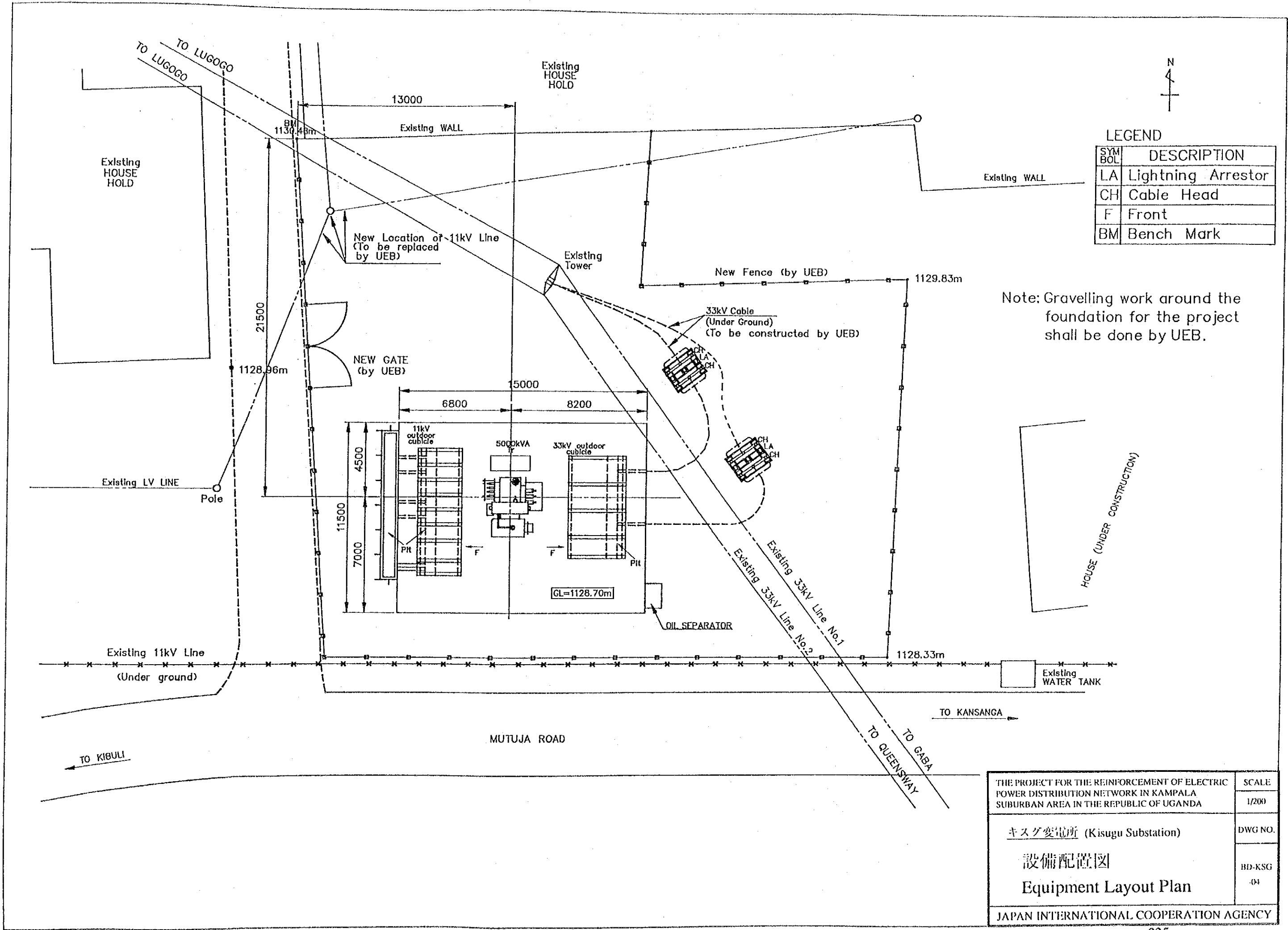
SIDE VIEW

THE PROJECT FOR THE REINFORCEMENT OF ELECTRIC POWER DISTRIBUTION NETWORK IN KAMPALA SUBURBAN AREA IN THE REPUBLIC OF UGANDA	SCALE
	-
キスグ変電所 (Kisugu Substation) 33kV屋外式閉鎖型配電盤外形図 Outline of 33kV Outdoor Type Cubicle	DWG NO.
	BD-KSG -02
JAPAN INTERNATIONAL COOPERATION AGENCY	





THE PROJECT FOR THE REINFORCEMENT OF ELECTRIC POWER DISTRIBUTION NETWORK IN KAMPALA SUBURBAN AREA IN THE REPUBLIC OF UGANDA	SCALE
キスグ変電所 (Kisugu Substation)	DWG NO.
11kV屋外式閉鎖型配電盤外形図 Outline of 11kV Outdoor Type Cubicle	BD-KSG -03
JAPAN INTERNATIONAL COOPERATION AGENCY	



LEGEND

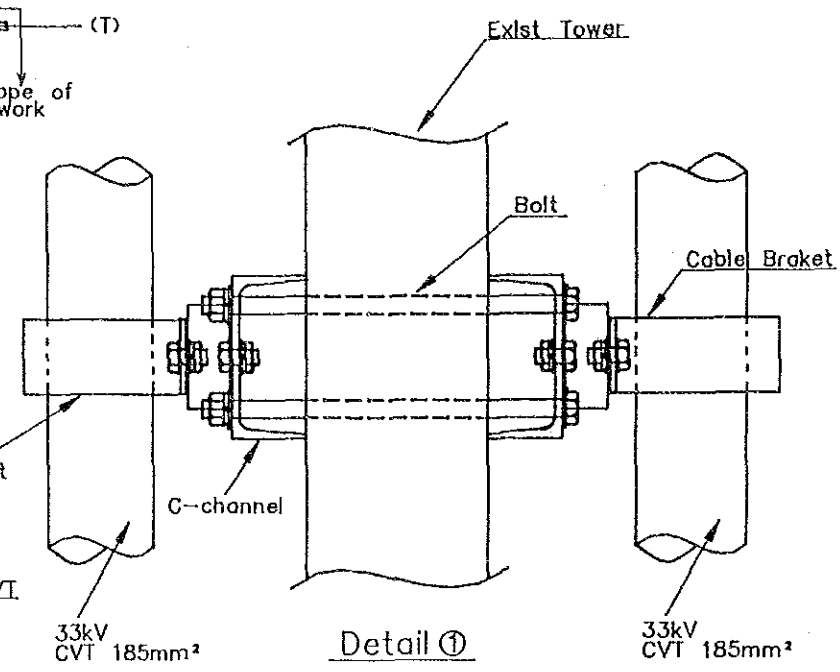
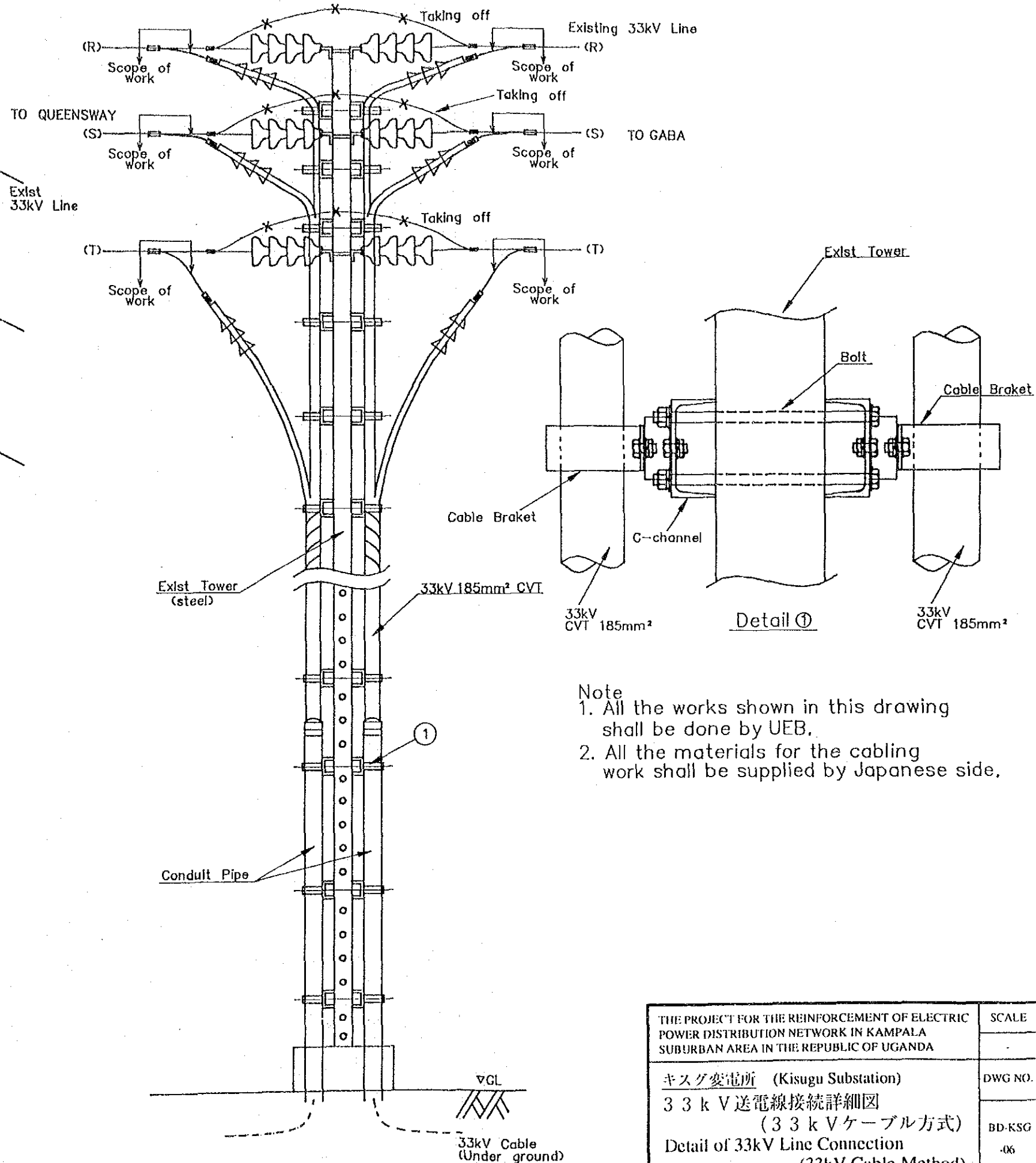
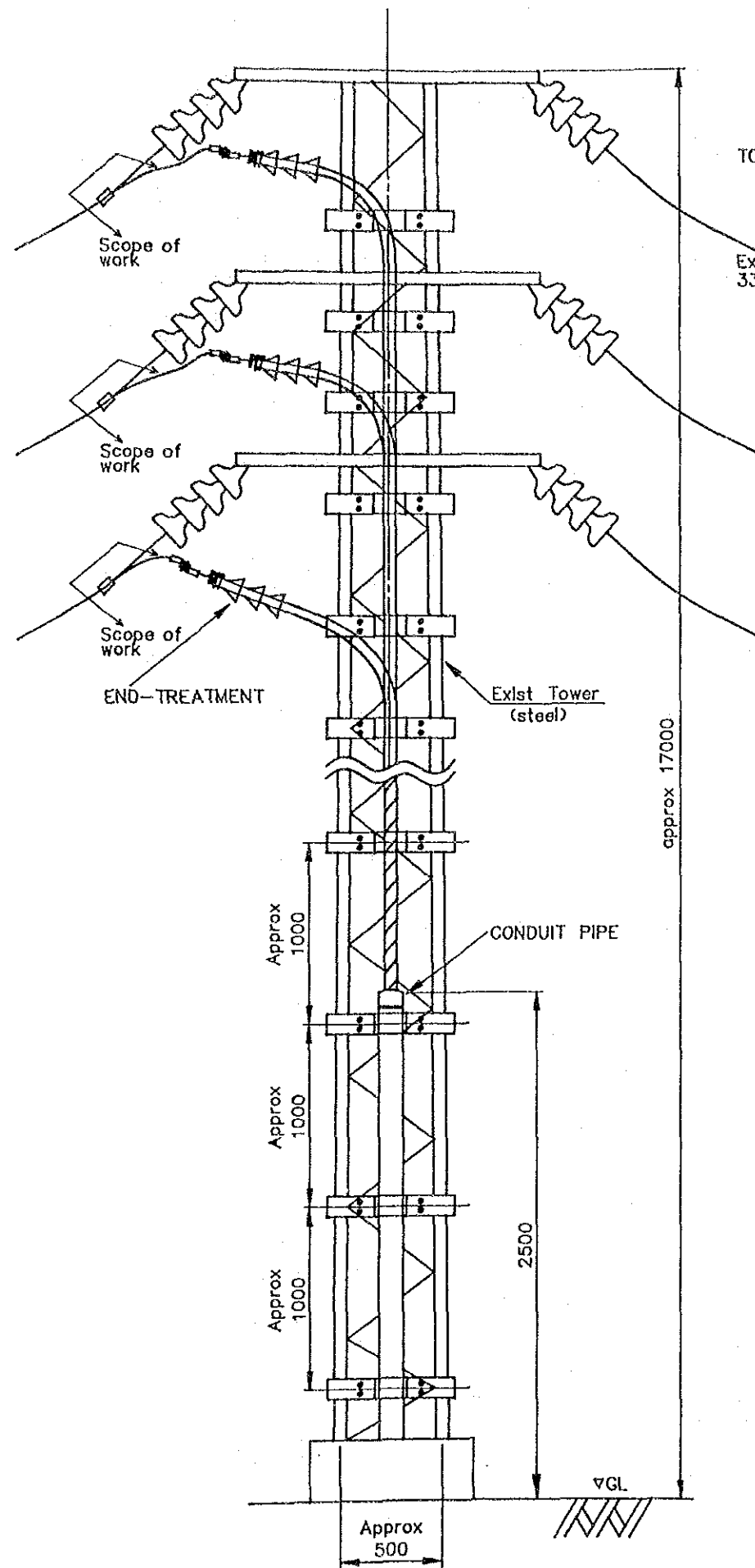
SYMBOL	DESCRIPTION
LA	Lightning Arrestor
CH	Cable Head
F	Front
BM	Bench Mark

Note: Graveling work around the foundation for the project shall be done by UEB.

THE PROJECT FOR THE REINFORCEMENT OF ELECTRIC POWER DISTRIBUTION NETWORK IN KAMPALA SUBURBAN AREA IN THE REPUBLIC OF UGANDA	SCALE 1/200
キスグ変電所 (Kisugu Substation)	DWG NO.
設備配置図 Equipment Layout Plan	BD-KSG .04
JAPAN INTERNATIONAL COOPERATION AGENCY	

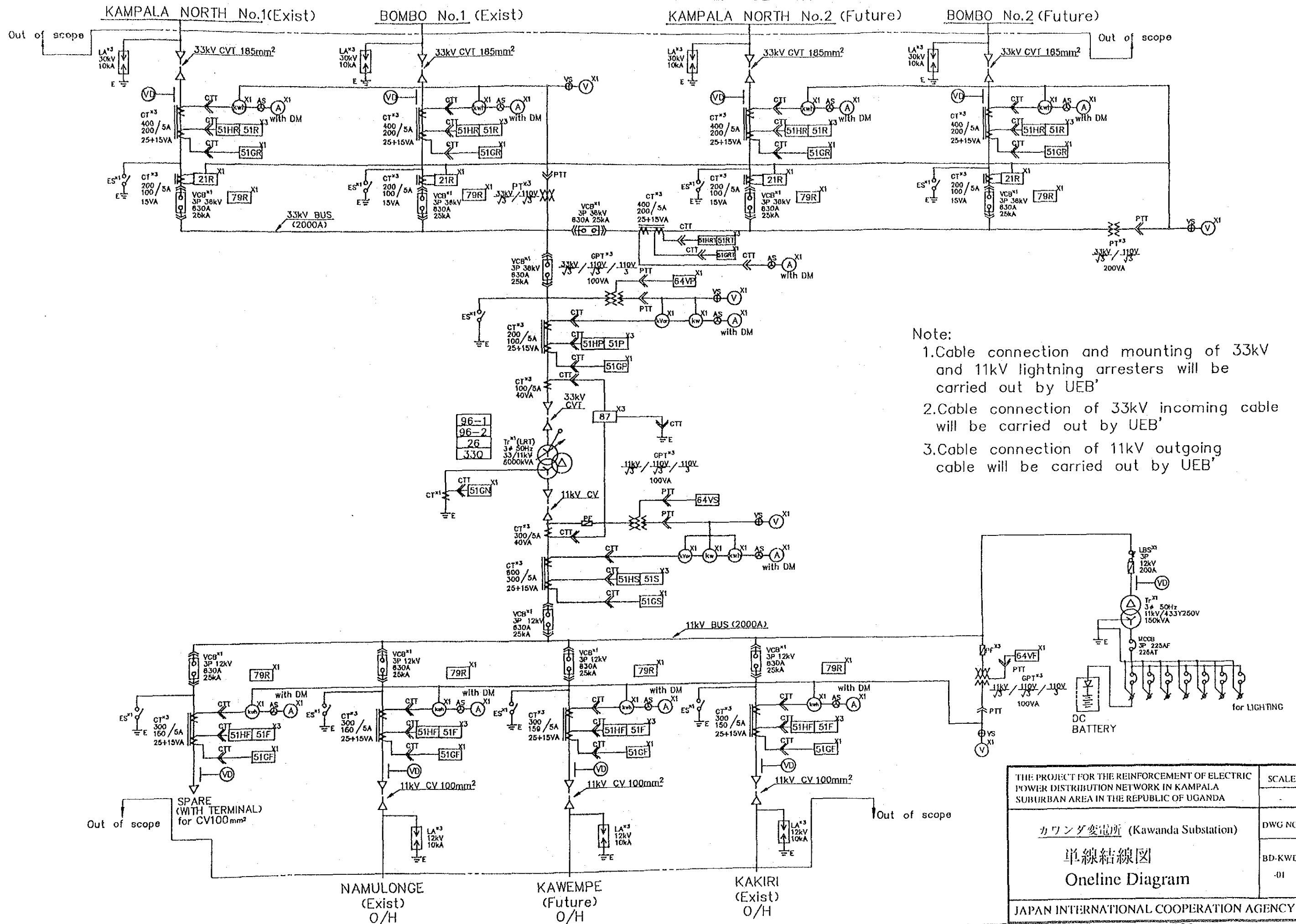






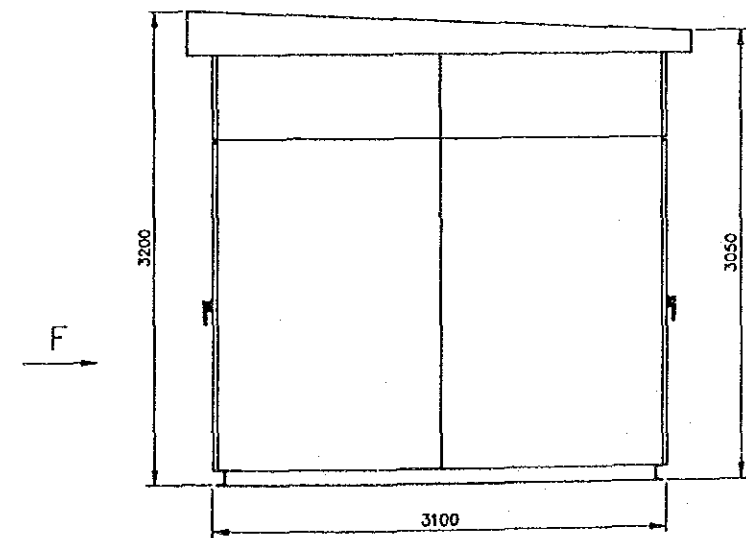
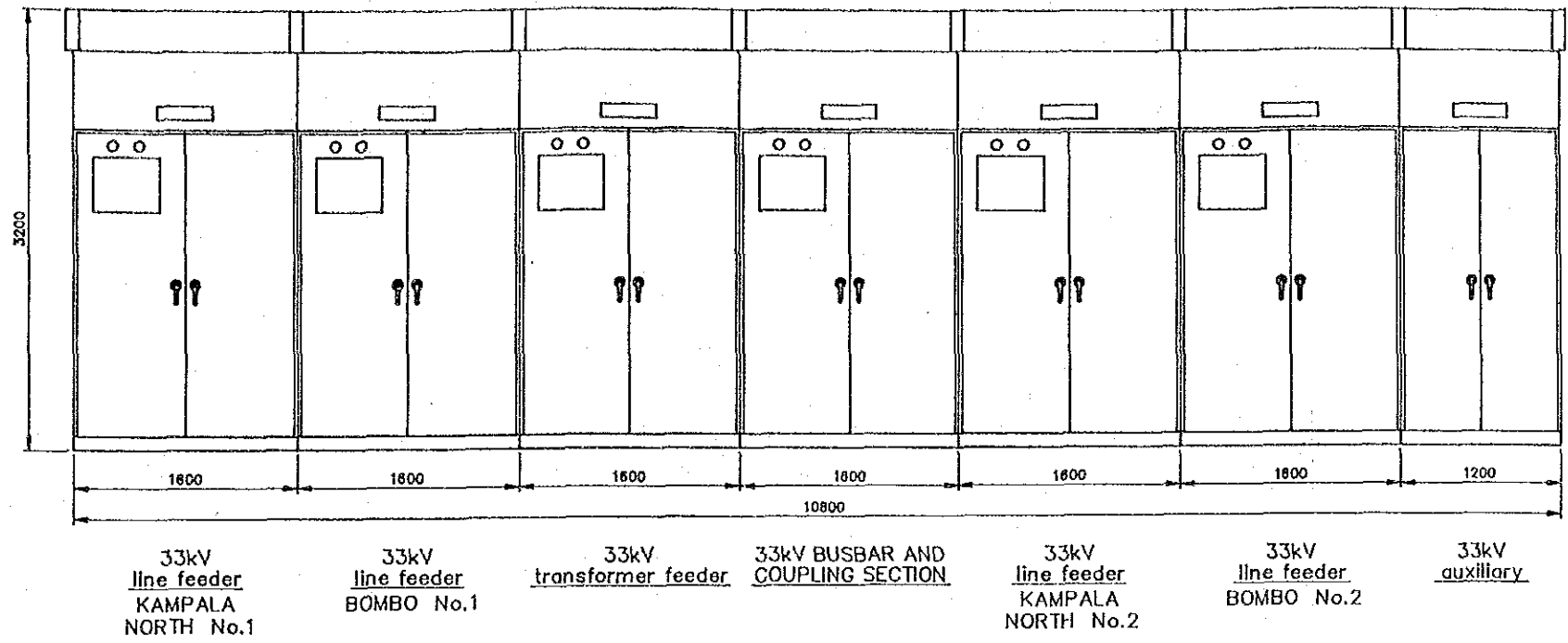
Note  
 1. All the works shown in this drawing shall be done by UEB.  
 2. All the materials for the cabling work shall be supplied by Japanese side.

THE PROJECT FOR THE REINFORCEMENT OF ELECTRIC POWER DISTRIBUTION NETWORK IN KAMPALA SUBURBAN AREA IN THE REPUBLIC OF UGANDA	SCALE
キスグ変電所 (Kisugu Substation) 33kV送電線接続詳細図 (33kVケーブル方式) Detail of 33kV Line Connection (33kV Cable Method)	DWG NO. BD-KSG -06
JAPAN INTERNATIONAL COOPERATION AGENCY	



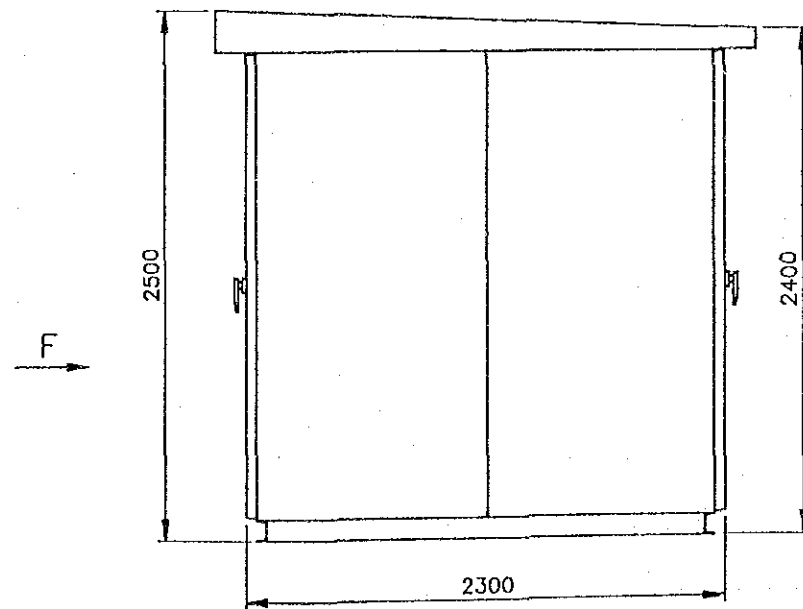
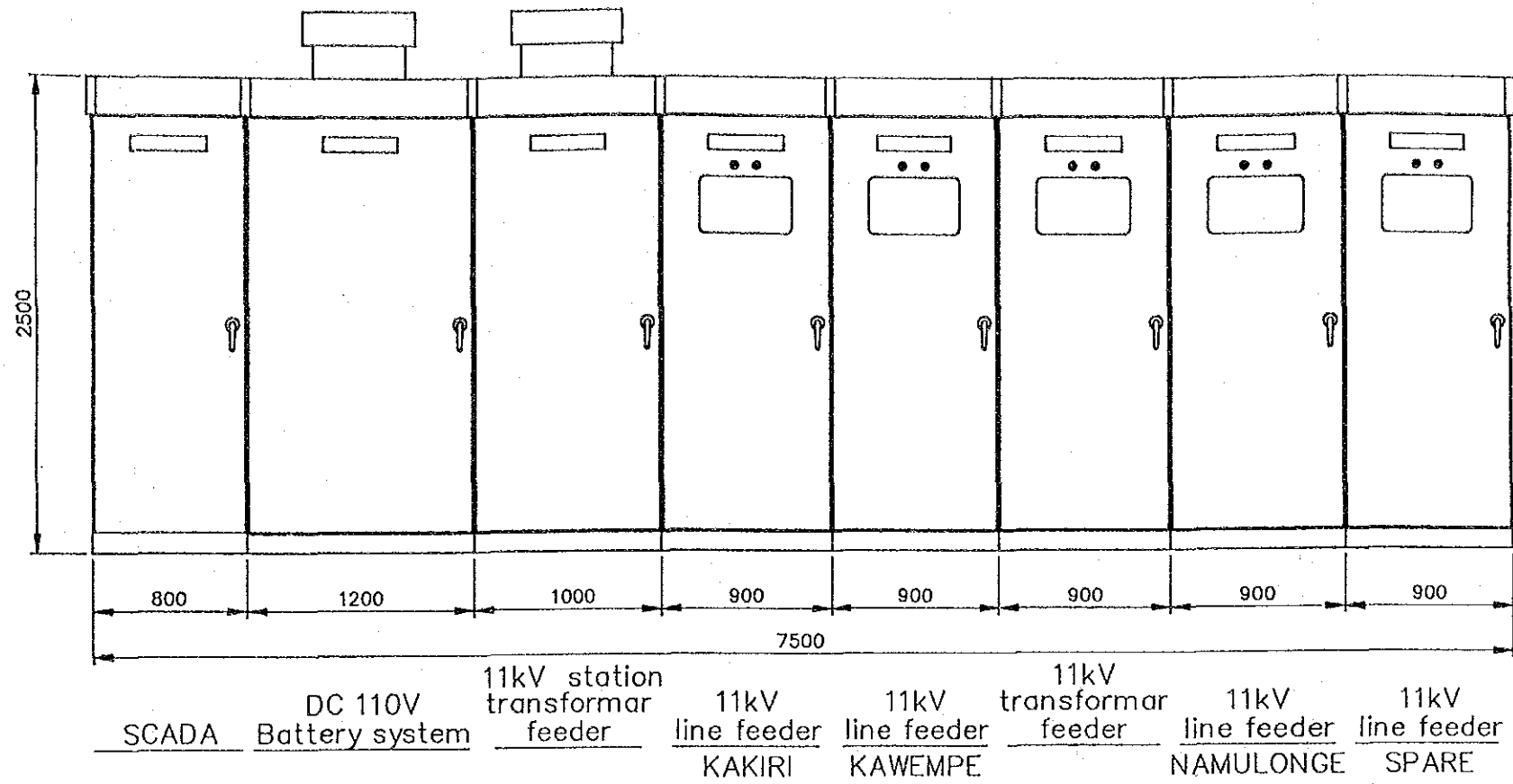
- Note:
1. Cable connection and mounting of 33kV and 11kV lightning arresters will be carried out by UEB'
  2. Cable connection of 33kV incoming cable will be carried out by UEB'
  3. Cable connection of 11kV outgoing cable will be carried out by UEB'

THE PROJECT FOR THE REINFORCEMENT OF ELECTRIC POWER DISTRIBUTION NETWORK IN KAMPALA SUBURBAN AREA IN THE REPUBLIC OF UGANDA	SCALE
カワンダ変電所 (Kawanda Substation)	DWG NO.
単線結線図 Online Diagram	BD-KWD -01
JAPAN INTERNATIONAL COOPERATION AGENCY	



SIDE VIEW

THE PROJECT FOR THE REINFORCEMENT OF ELECTRIC POWER DISTRIBUTION NETWORK IN KAMPALA SUBURBAN AREA IN THE REPUBLIC OF UGANDA	SCALE
カワ ندا変電所 (Kawanda Substation)	DWG NO.
33kV屋外式閉鎖型配電盤外形図 Outline of 33kV Outdoor Type Cubicle	BD-KWD -02
JAPAN INTERNATIONAL COOPERATION AGENCY	



THE PROJECT FOR THE REINFORCEMENT OF ELECTRIC POWER DISTRIBUTION NETWORK IN KAMPALA SUBURBAN AREA IN THE REPUBLIC OF UGANDA	SCALE
カワンダ変電所 (Kawanda Substation)	DWG NO.
11kV屋外式閉鎖型配電盤外形図 Outline of 11kV Outdoor Type Cubicle	BD-KWD -03
JAPAN INTERNATIONAL COOPERATION AGENCY	

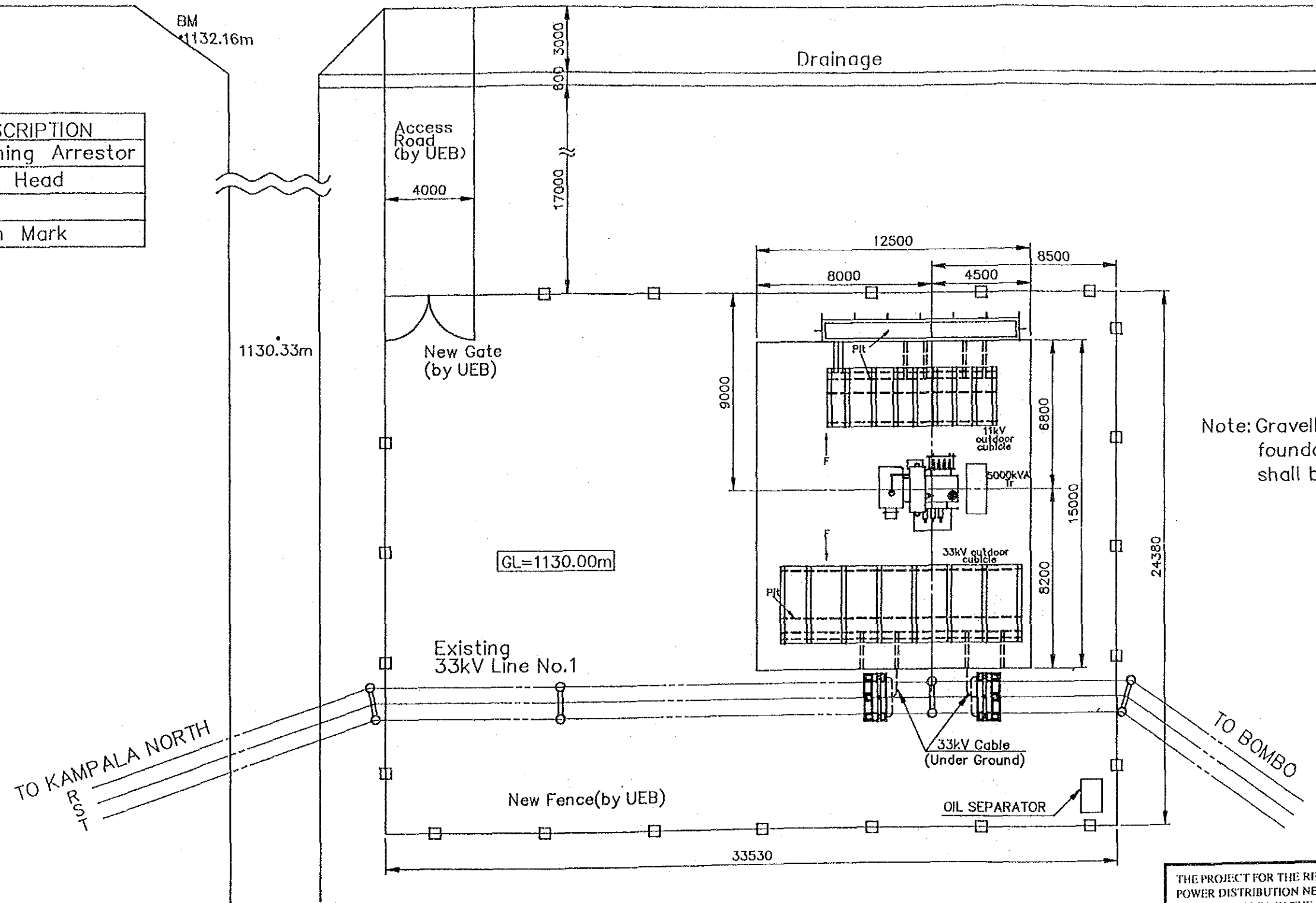
TO KAMPALA

BOMBO ROAD

TO BOMBO

LEGEND

SYM BOL	DESCRIPTION
LA	Lightning Arrestor
CH	Cable Head
F	Front
BM	Bench Mark

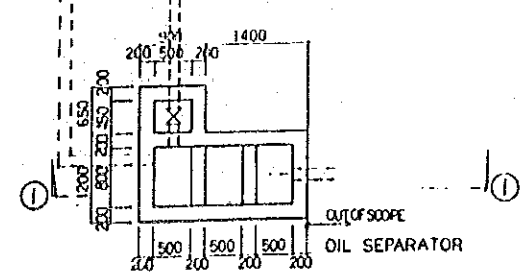
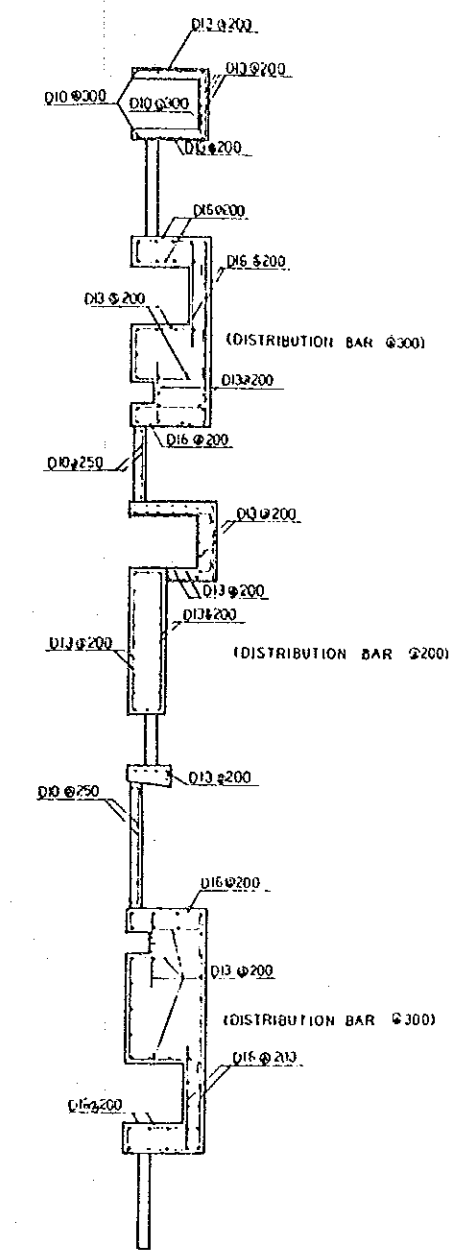
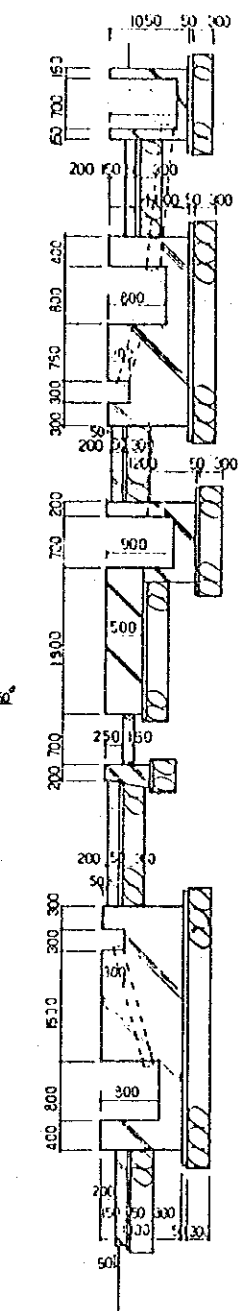
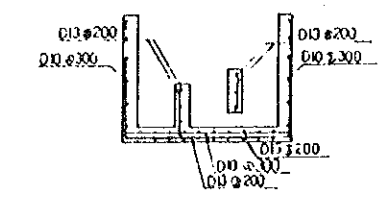
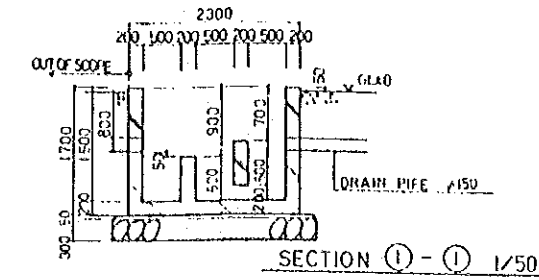
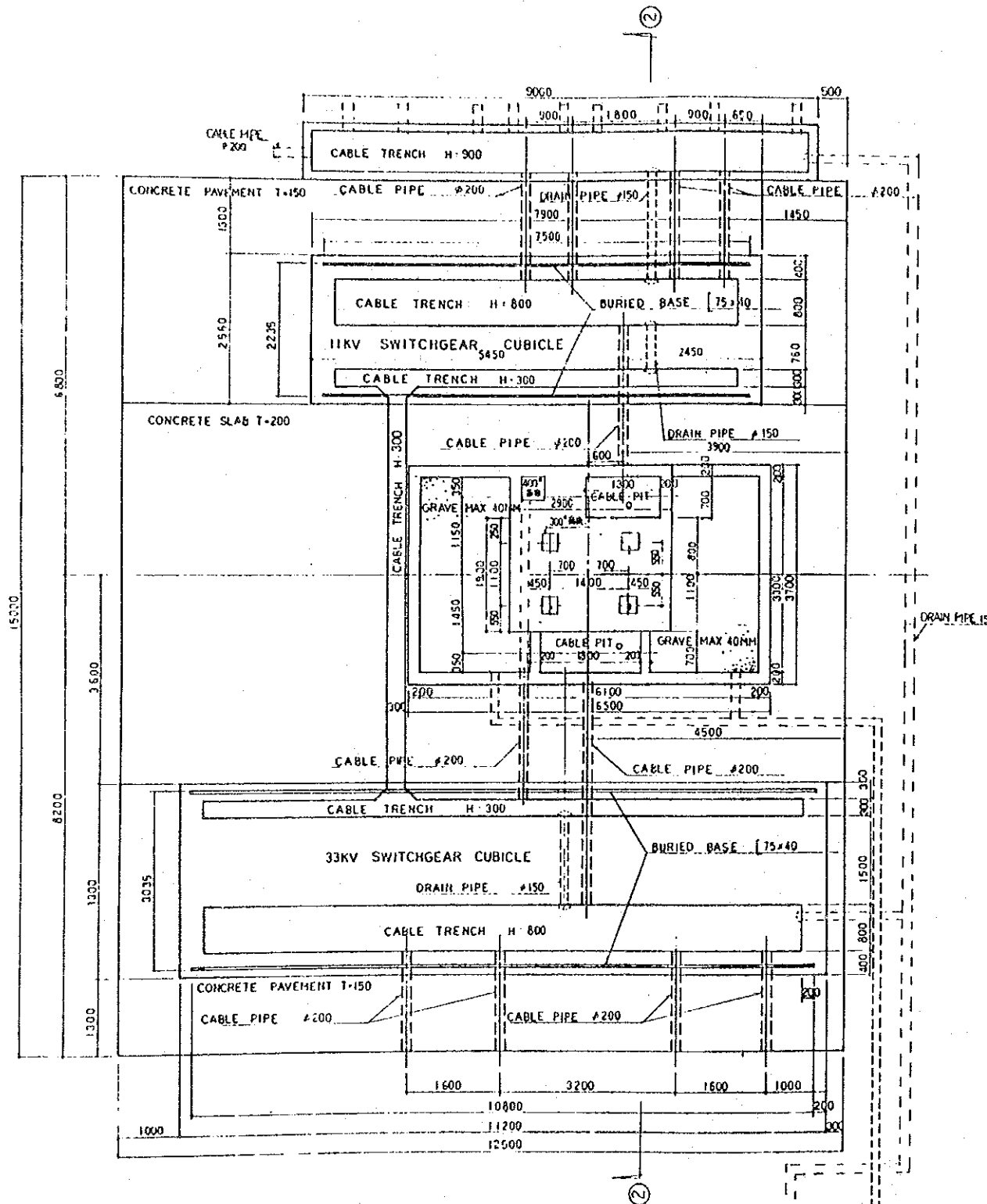


Note: Gravelling work around the foundation for the project shall be done by UEB.

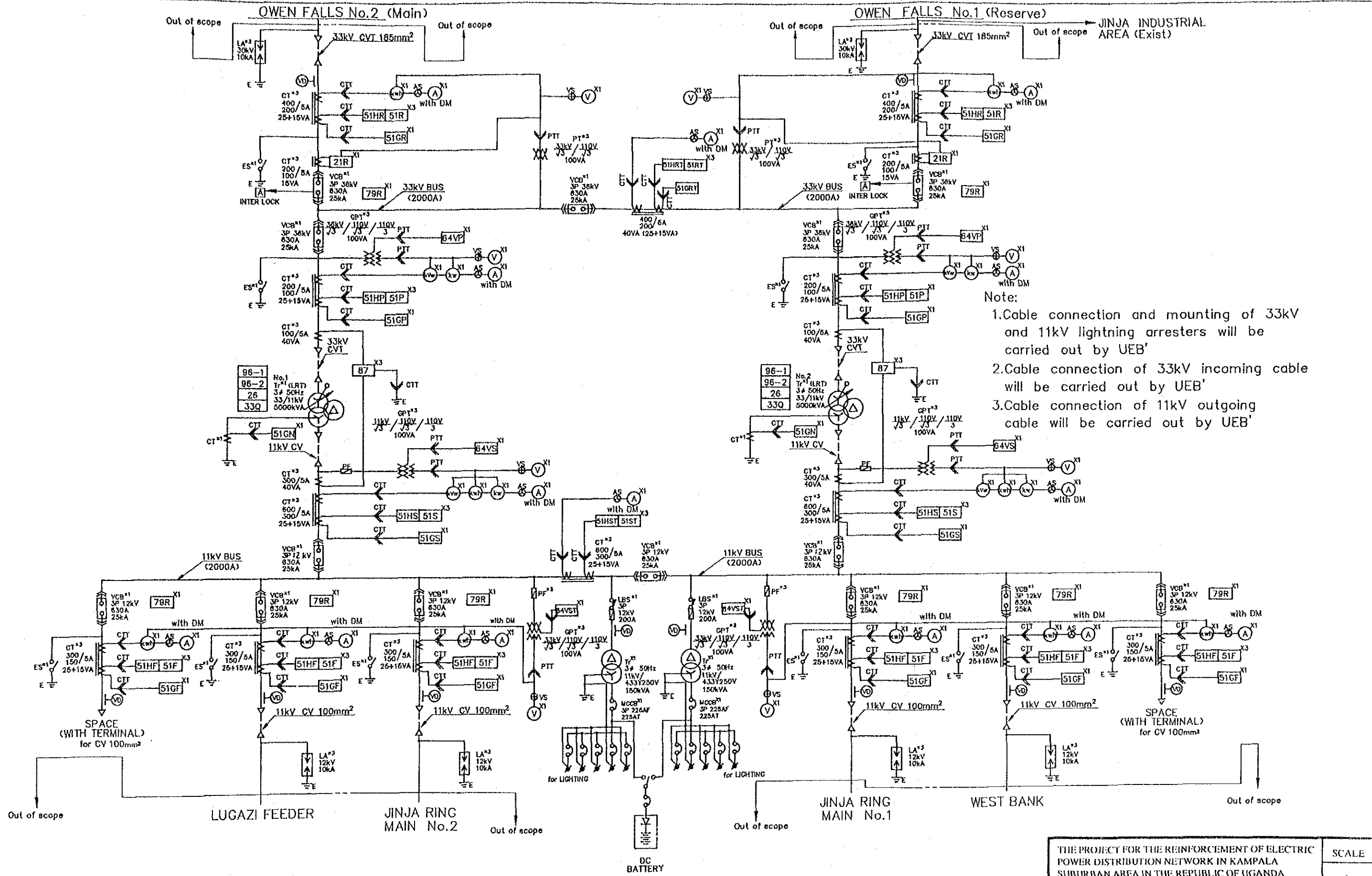
TO KAMPALA NORTH  
R.O.S.T

TO BOMBO

THE PROJECT FOR THE REINFORCEMENT OF ELECTRIC POWER DISTRIBUTION NETWORK IN KAMPALA SUBURBAN AREA IN THE REPUBLIC OF UGANDA	SCALE 1/200
カワンダ変電所 (Kawanda Substation) 設備配置図 Equipment Layout Plan	DWG NO. BD-KWD .04
JAPAN INTERNATIONAL COOPERATION AGENCY	

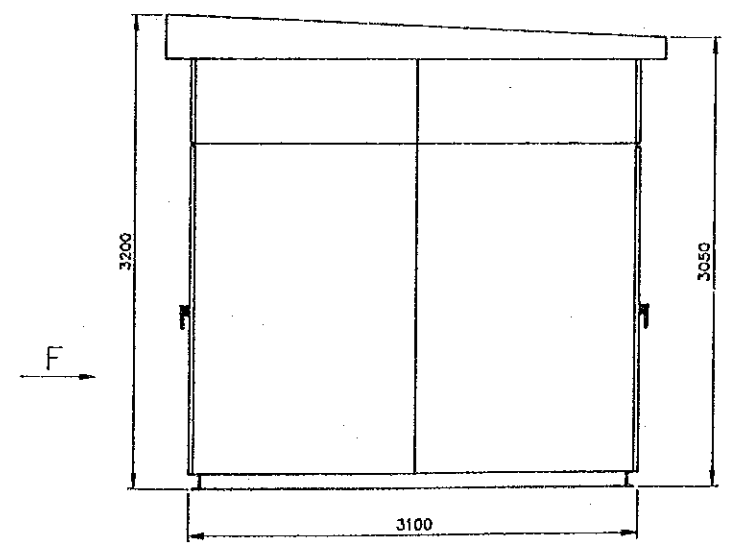
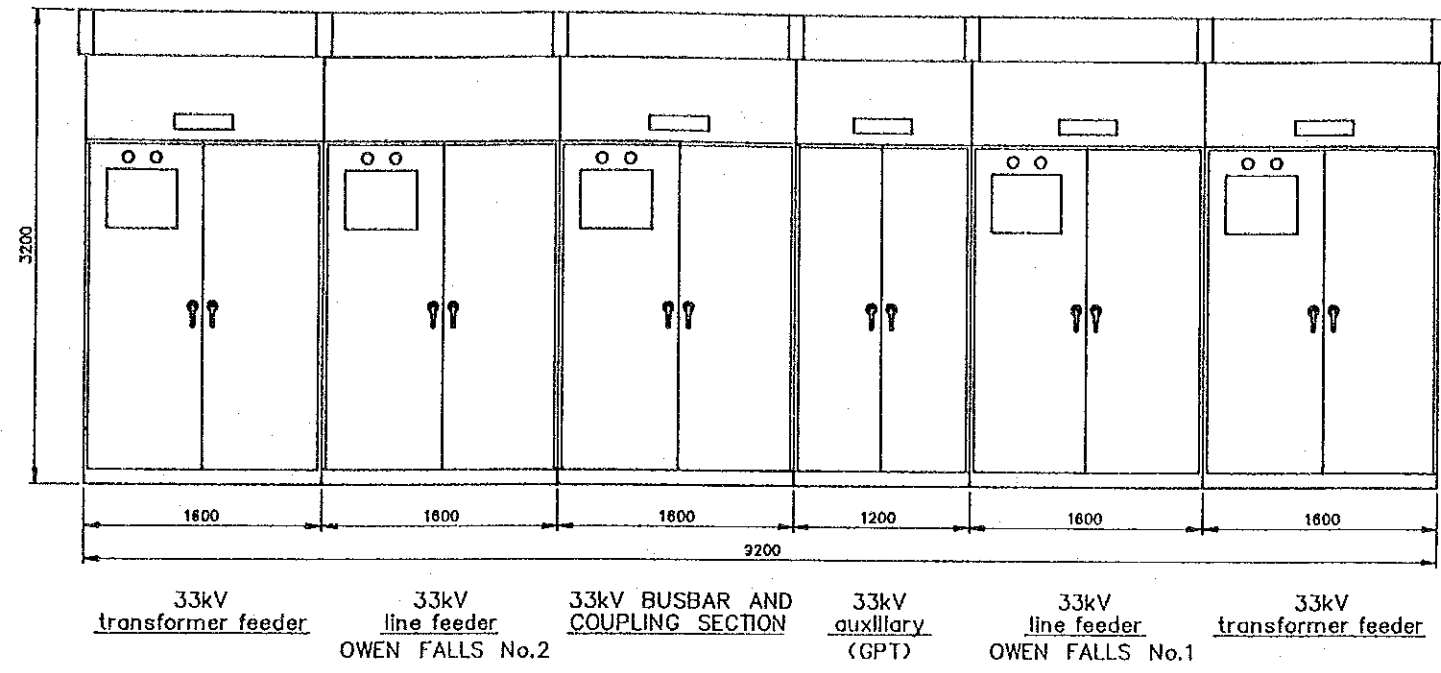


THE PROJECT FOR THE REINFORCEMENT OF ELECTRIC POWER DISTRIBUTION NETWORK IN KAMPALA SUBURBAN AREA IN THE REPUBLIC OF UGANDA	SCALE
カワンダ変電所 (Kawanda Substation)	DWG NO.
ケーブルトレンチ及び基礎図 Arrangement of Cable Trench and Foundation	BD-KWD -05
JAPAN INTERNATIONAL COOPERATION AGENCY	



- Note:
1. Cable connection and mounting of 33kV and 11kV lightning arresters will be carried out by UEB'
  2. Cable connection of 33kV incoming cable will be carried out by UEB'
  3. Cable connection of 11kV outgoing cable will be carried out by UEB'

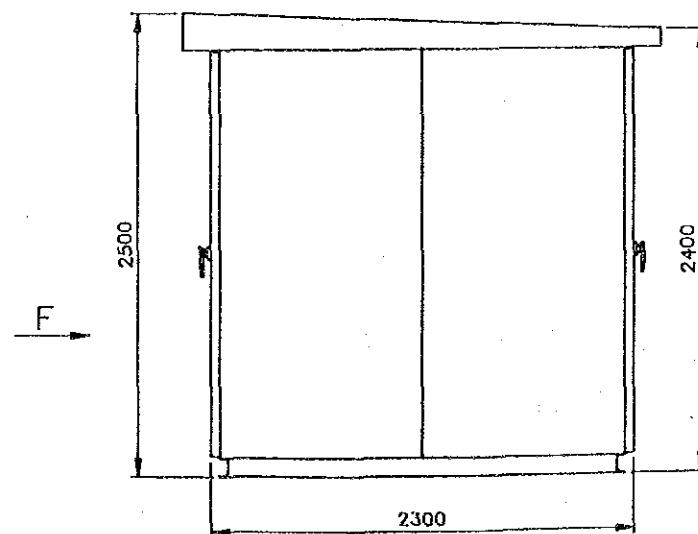
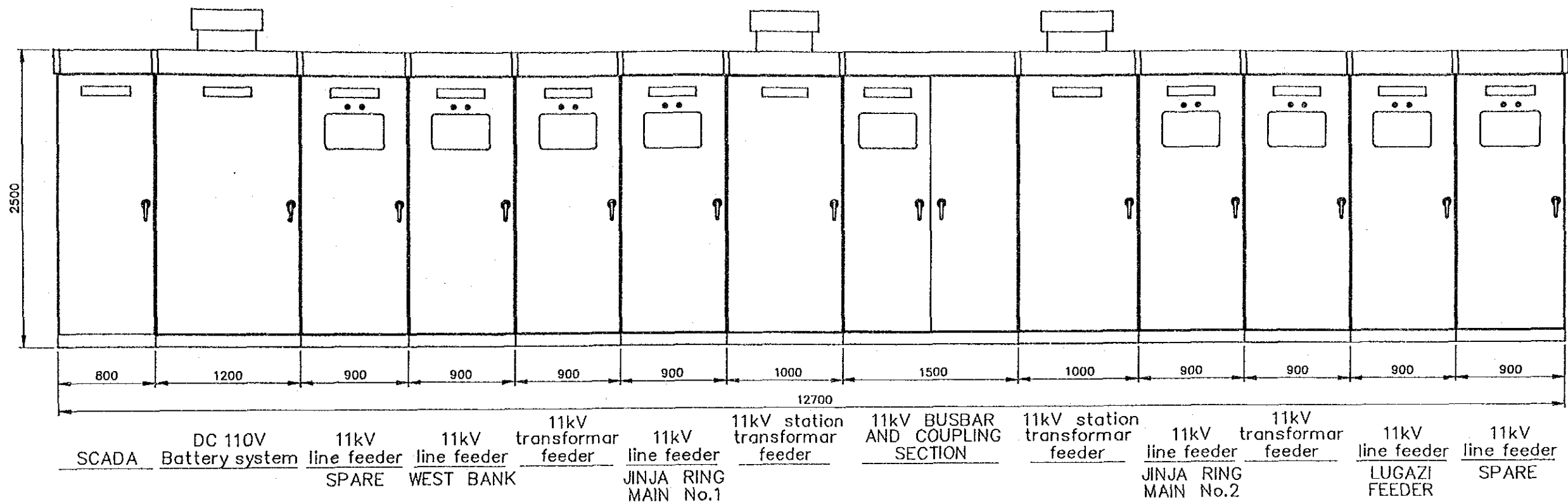
THE PROJECT FOR THE REINFORCEMENT OF ELECTRIC POWER DISTRIBUTION NETWORK IN KAMPALA SUBURBAN AREA IN THE REPUBLIC OF UGANDA	SCALE
ンジェル変電所 (Njeru Substation)	DWG NO.
単線結線図 Online Diagram	BD-NJR -01
JAPAN INTERNATIONAL COOPERATION AGENCY	



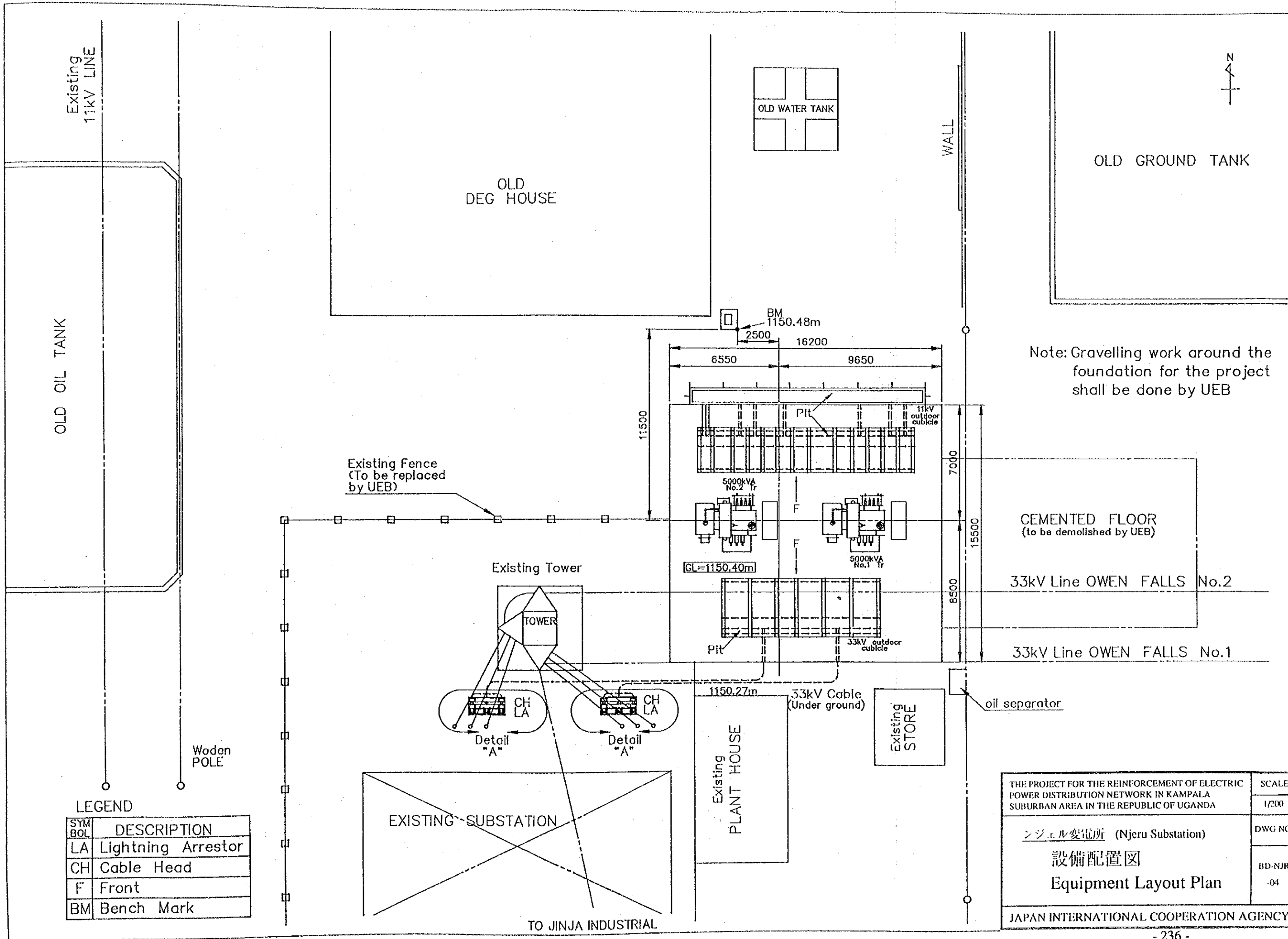
SIDE VIEW

THE PROJECT FOR THE REINFORCEMENT OF ELECTRIC POWER DISTRIBUTION NETWORK IN KAMPALA SUBURBAN AREA IN THE REPUBLIC OF UGANDA	SCALE
ンジェル変電所 (Njeru Substation)	DWG NO.
33kV屋外式閉鎖型配電盤外形図 Outline of 33kV Outdoor Type Cubicle	BD-NJR -02
JAPAN INTERNATIONAL COOPERATION AGENCY	





THE PROJECT FOR THE REINFORCEMENT OF ELECTRIC POWER DISTRIBUTION NETWORK IN KAMPALA SUBURBAN AREA IN THE REPUBLIC OF UGANDA	SCALE
ンジェル変電所 (Njeru Substation)	DWG NO.
11kV屋外式閉鎖型配電盤外形図 Outline of 11kV Outdoor Type Cubicle	BD-NJR -03
JAPAN INTERNATIONAL COOPERATION AGENCY	



Note: Gravelling work around the foundation for the project shall be done by UEB

Existing Fence (To be replaced by UEB)

CEMENTED FLOOR (to be demolished by UEB)

33kV Line OWEN FALLS No.2

33kV Line OWEN FALLS No.1

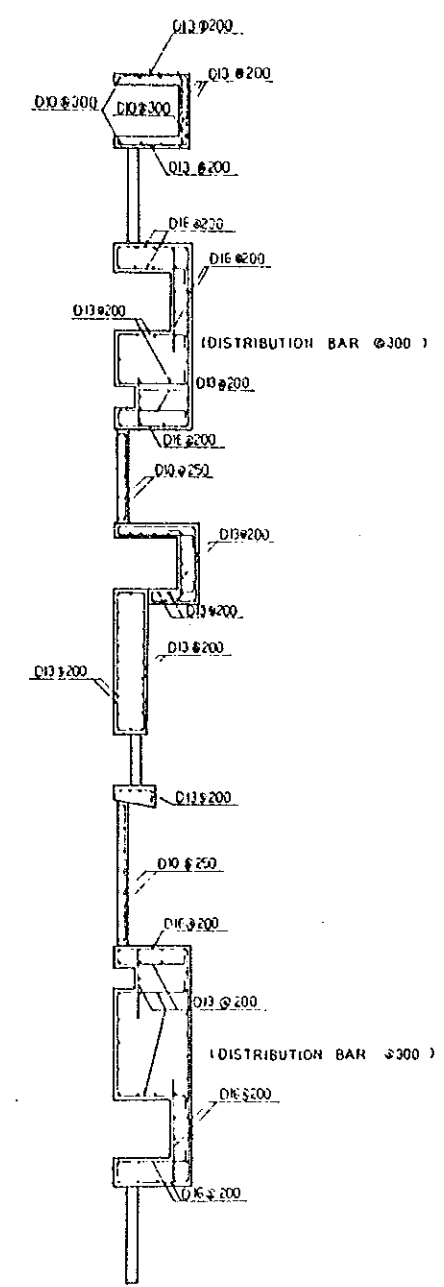
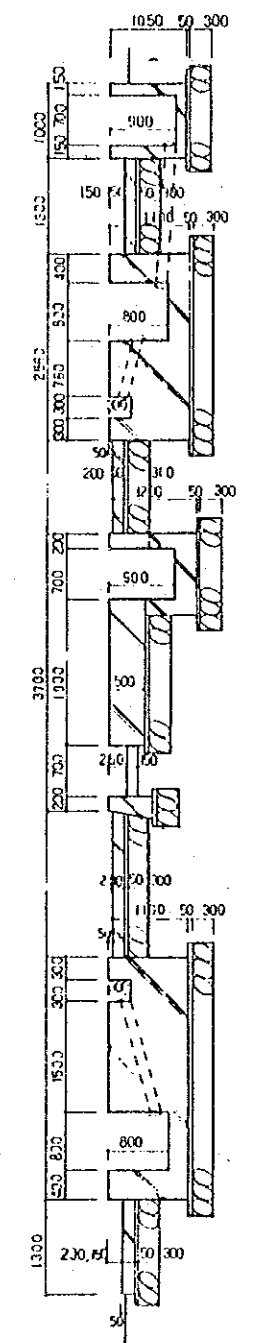
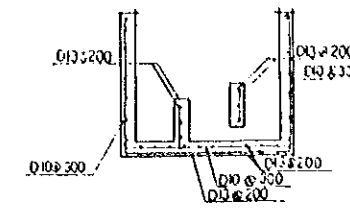
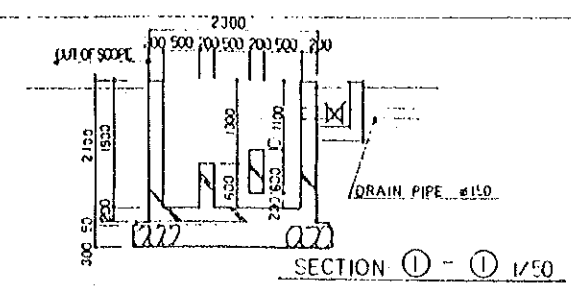
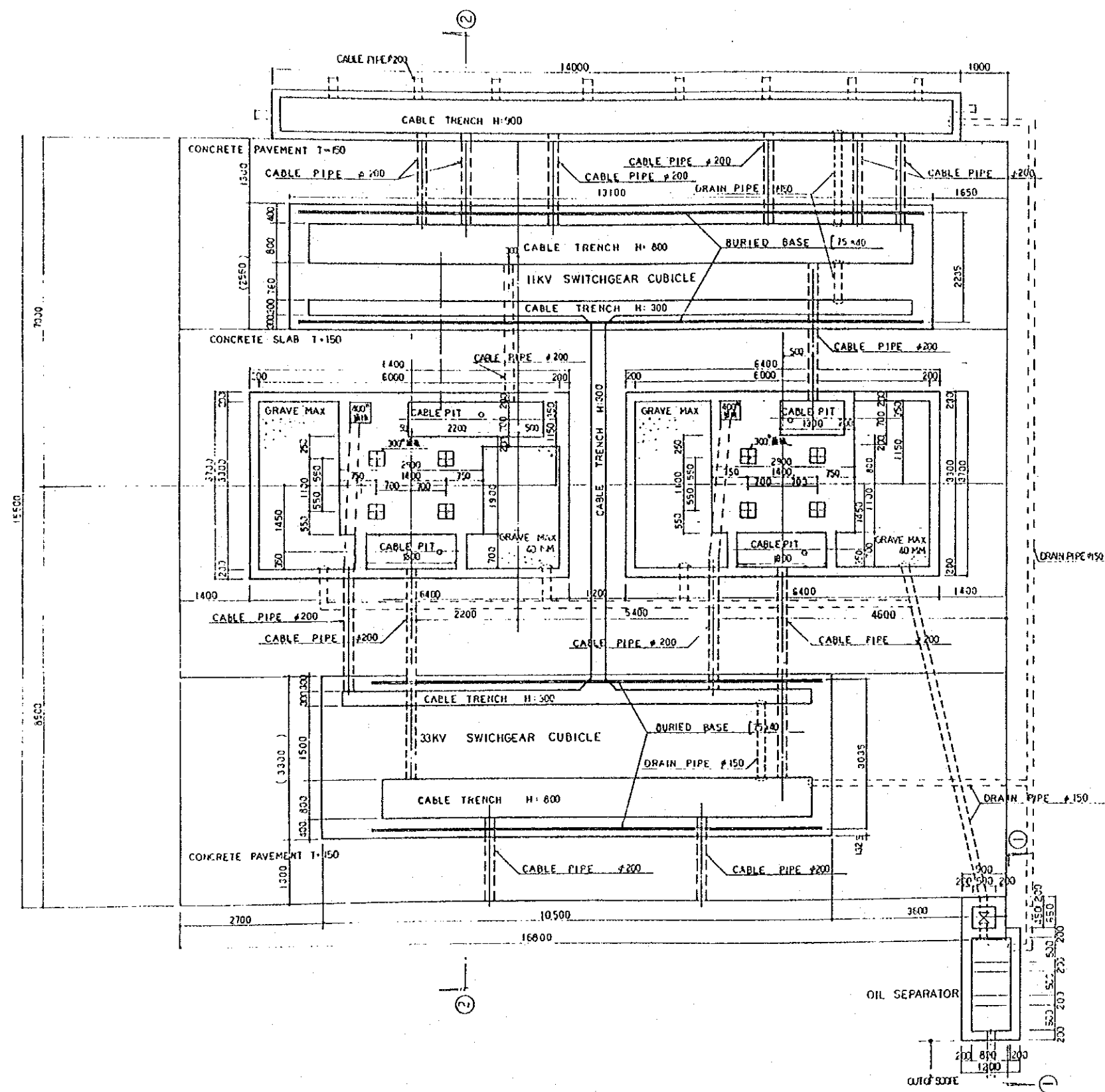
oil separator

LEGEND

SYM BOL	DESCRIPTION
LA	Lightning Arrestor
CH	Cable Head
F	Front
BM	Bench Mark

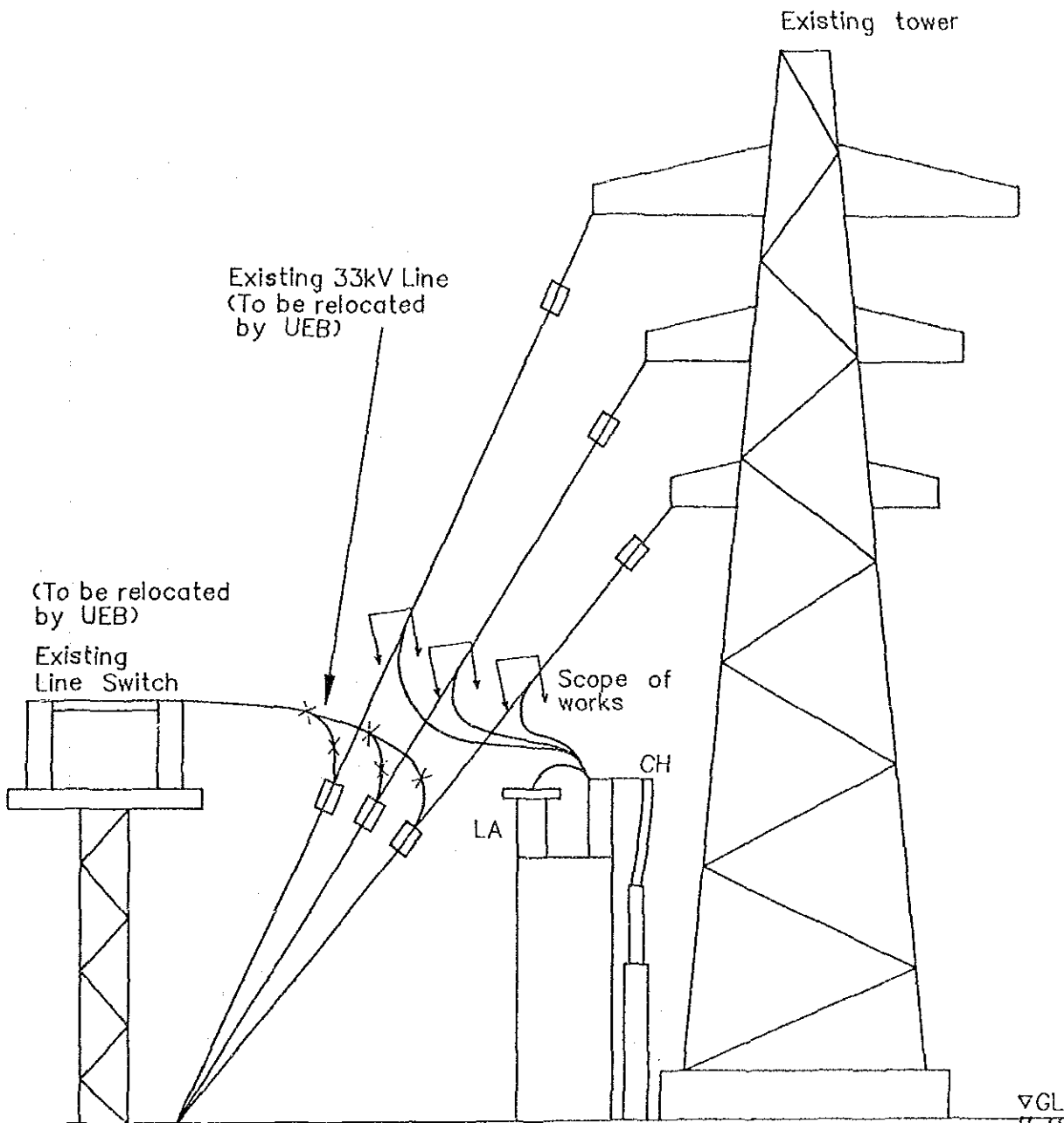
THE PROJECT FOR THE REINFORCEMENT OF ELECTRIC POWER DISTRIBUTION NETWORK IN KAMPALA SUBURBAN AREA IN THE REPUBLIC OF UGANDA	SCALE 1/200
ンジェル変電所 (Njeru Substation)	DWG NO.
設備配置図 Equipment Layout Plan	BD-NJR -04
JAPAN INTERNATIONAL COOPERATION AGENCY	

TO JINJA INDUSTRIAL



THE PROJECT FOR THE REINFORCEMENT OF ELECTRIC POWER DISTRIBUTION NETWORK IN KAMPALA SUBURBAN AREA IN THE REPUBLIC OF UGANDA	SCALE
ンジェル変電所 (Njeru Substation)	DWG NO.
ケーブルトレンチ及び基礎図 Arrangement of Cable Trench and Foundation	BD-NJR -05
JAPAN INTERNATIONAL COOPERATION AGENCY	

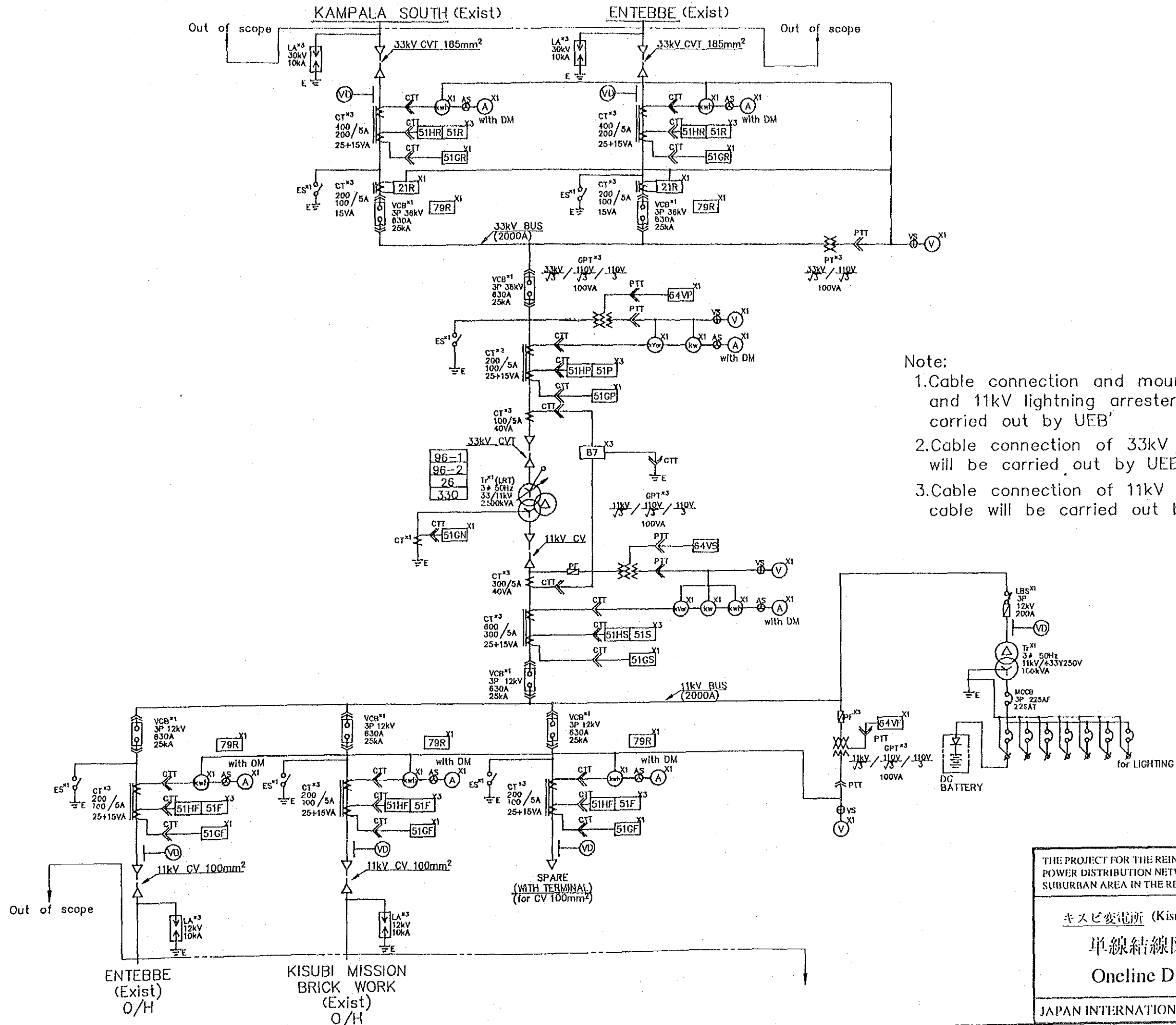




Detail "A"

THE PROJECT FOR THE REINFORCEMENT OF ELECTRIC POWER DISTRIBUTION NETWORK IN KAMPALA SUBURBAN AREA IN THE REPUBLIC OF UGANDA	SCALE
ンジェル変電所 (Njeru Substation)	DWG NO.
33kV送電線接続詳細図 Detail of 33kV Line Connection	BD-NJR -06
JAPAN INTERNATIONAL COOPERATION AGENCY	





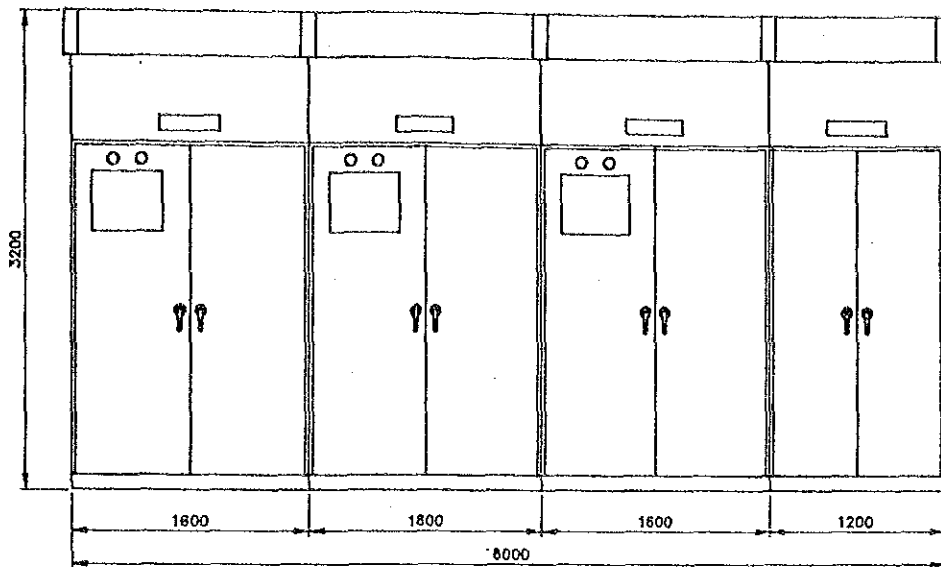
Note:

1. Cable connection and mounting of 33kV and 11kV lightning arresters will be carried out by UEB'
2. Cable connection of 33kV incoming cable will be carried out by UEB'
3. Cable connection of 11kV outgoing cable will be carried out by UEB'

THE PROJECT FOR THE REINFORCEMENT OF ELECTRIC POWER DISTRIBUTION NETWORK IN KAMPALA SUBURBAN AREA IN THE REPUBLIC OF UGANDA	SCALE
キスビ変電所 (Kisubi Substation)	DWG NO.
単線結線図 Online Diagram	BD-KSB -01
JAPAN INTERNATIONAL COOPERATION AGENCY	





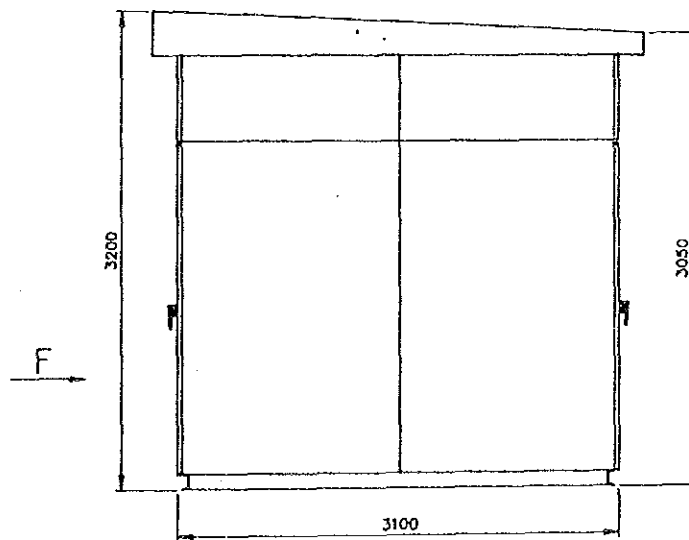


33kV  
line feeder  
KLA SORTH

33kV  
transformer feeder

33kV  
line feeder  
ENTEBBE

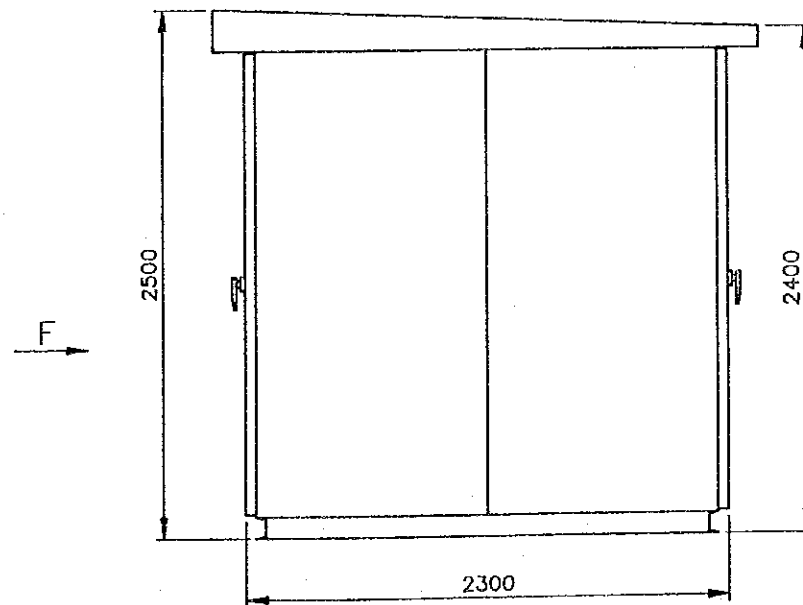
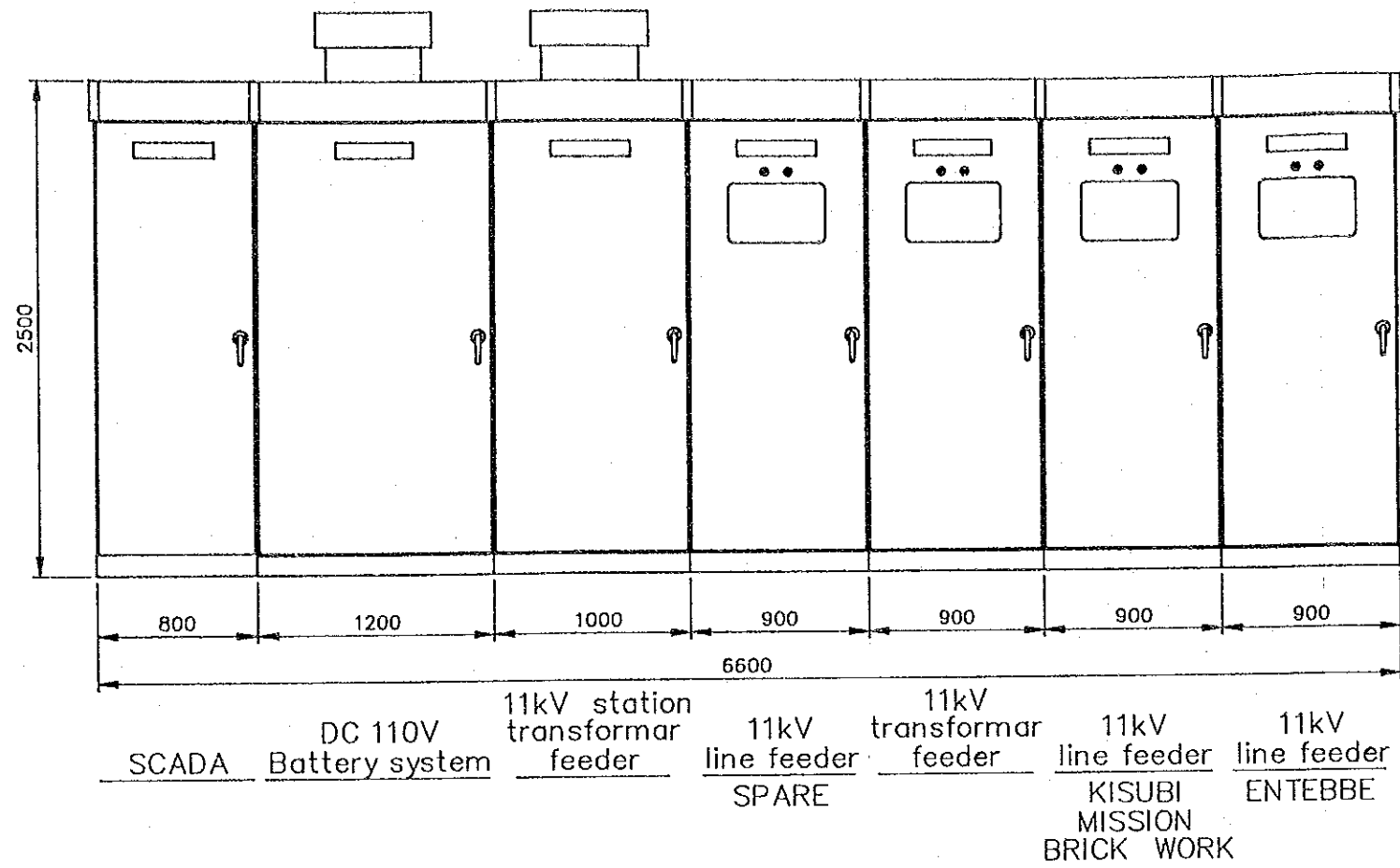
33kV  
auxiliary  
(GPT)



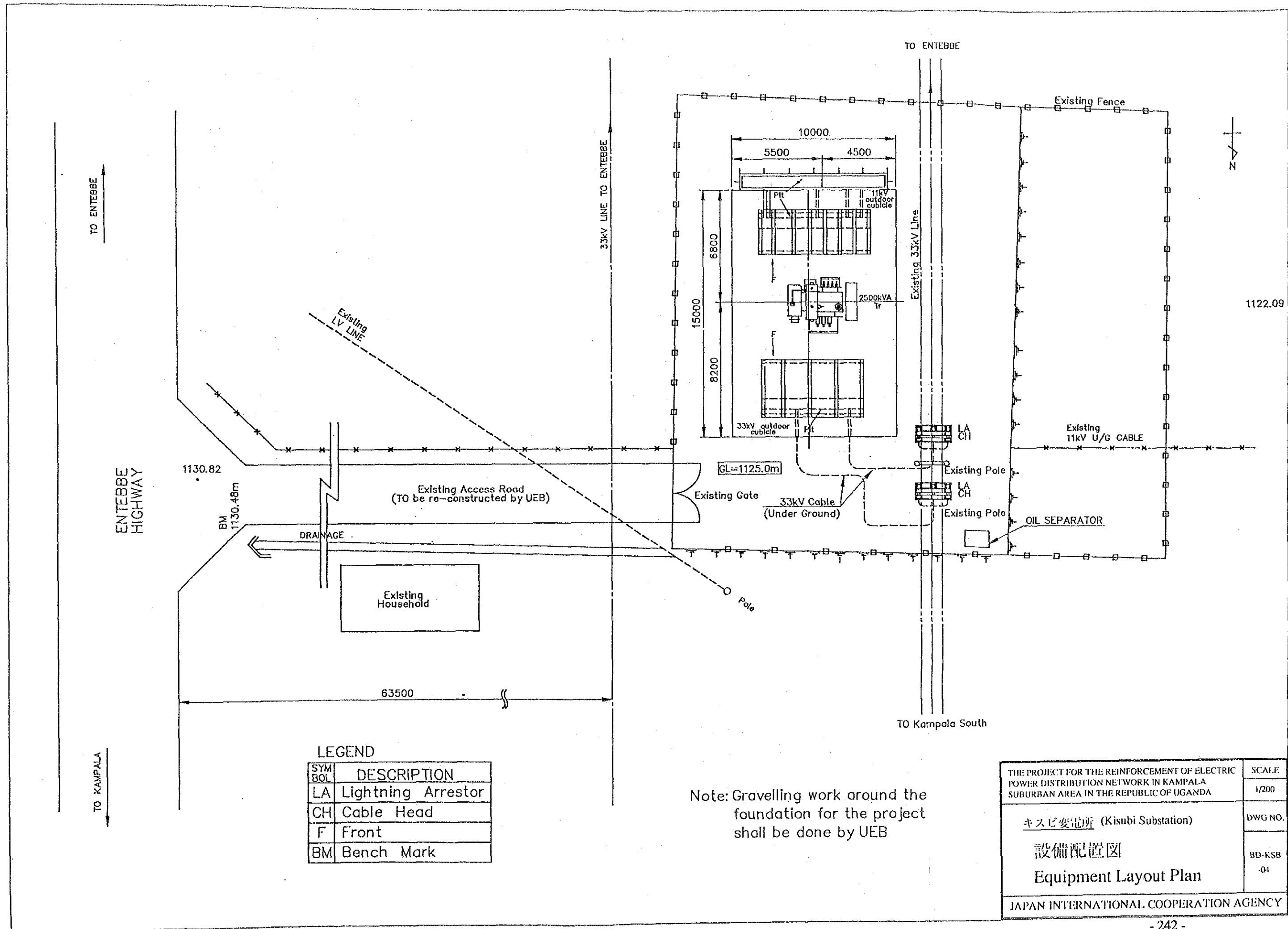
SIDE VIEW

THE PROJECT FOR THE REINFORCEMENT OF ELECTRIC POWER DISTRIBUTION NETWORK IN KAMPALA SUBURBAN AREA IN THE REPUBLIC OF UGANDA	SCALE
キスビ変電所 (Kisubi Substation)	DWG. NO.
33kV屋外式閉鎖型配電盤外形図 Outline of 33kV Outdoor Type Cubicle	BD-KSB -02
JAPAN INTERNATIONAL COOPERATION AGENCY	





THE PROJECT FOR THE REINFORCEMENT OF ELECTRIC POWER DISTRIBUTION NETWORK IN KAMPALA SUBURBAN AREA IN THE REPUBLIC OF UGANDA	SCALE
キスビ変電所 (Kisubi Substation)	DWG NO.
11kV屋外式閉鎖型配電盤外形図 Outline of 11kV Outdoor Type Cubicle	BD-KSB -03
JAPAN INTERNATIONAL COOPERATION AGENCY	



TO ENTEBBE

TO KAMPALA

ENTEBBE HIGHWAY

33kV LINE TO ENTEBBE

TO ENTEBBE

TO Kampala South

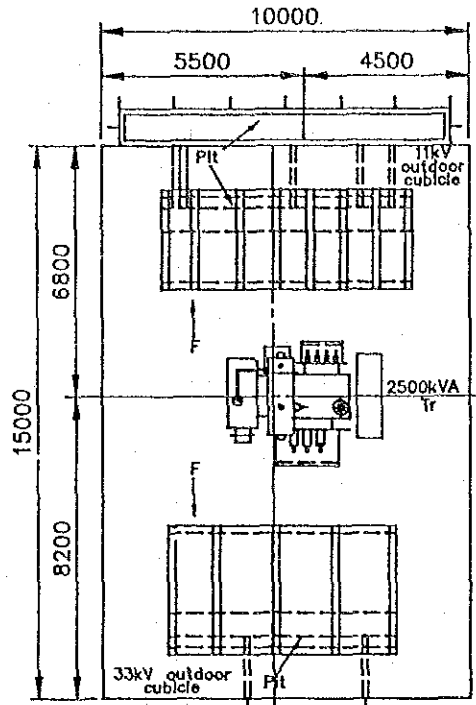
1130.82  
BM 1130.48m

Existing Access Road  
(TO be re-constructed by UEB)

DRAINAGE

Existing Household

63500



GL=1125.0m

Existing Gate

33kV Cable  
(Under Ground)

Existing 33kV Line

LA  
CH

Existing Pole

LA  
CH

Existing Pole

OIL SEPARATOR

Existing 11kV U/G CABLE

Existing Fence

1122.09

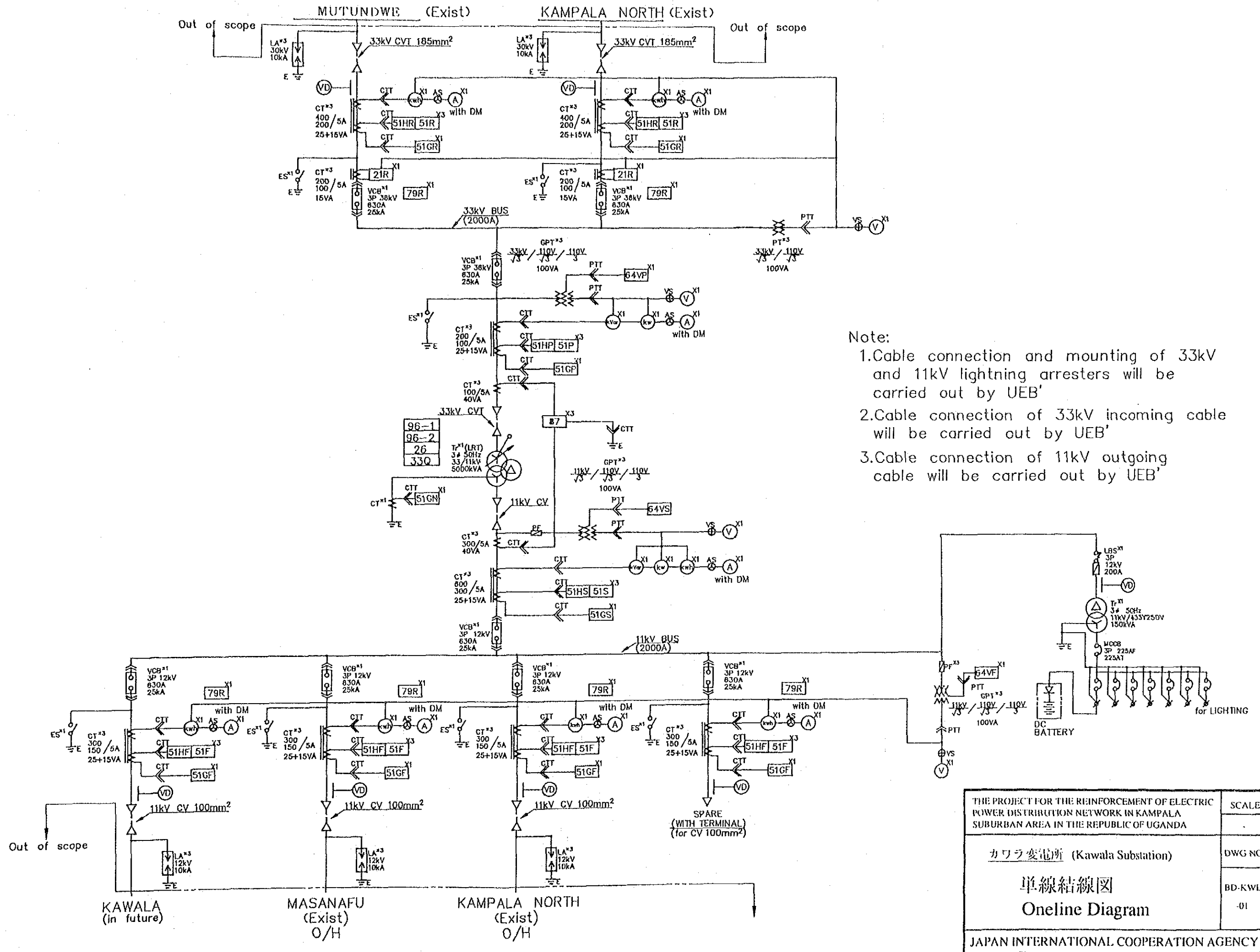
LEGEND

SYM BOL	DESCRIPTION
LA	Lightning Arrestor
CH	Cable Head
F	Front
BM	Bench Mark

Note: Gravelling work around the foundation for the project shall be done by UEB

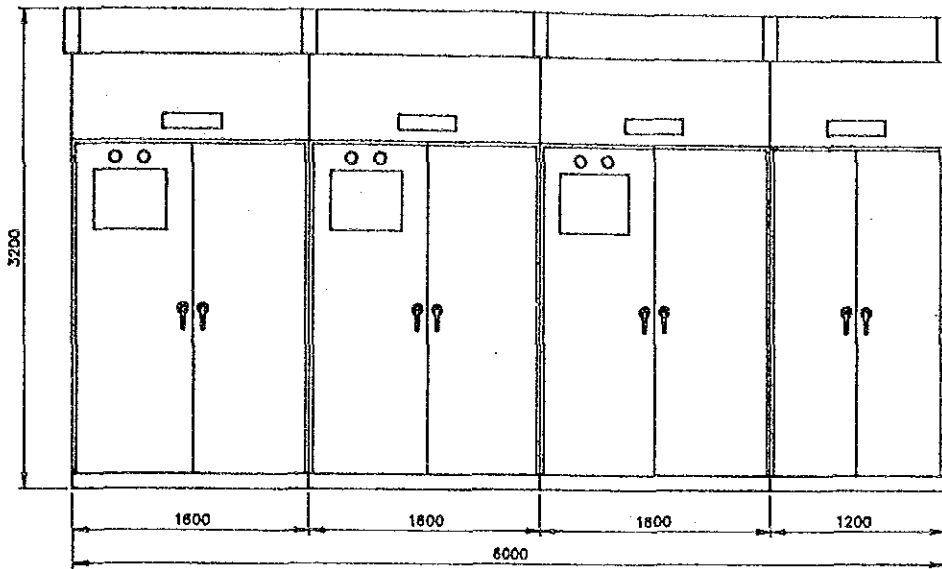
THE PROJECT FOR THE REINFORCEMENT OF ELECTRIC POWER DISTRIBUTION NETWORK IN KAMPALA SUBURBAN AREA IN THE REPUBLIC OF UGANDA	SCALE 1/200
キスビ変電所 (Kisubi Substation)	DWG NO.
設備配置図 Equipment Layout Plan	BD-KSB -04
JAPAN INTERNATIONAL COOPERATION AGENCY	



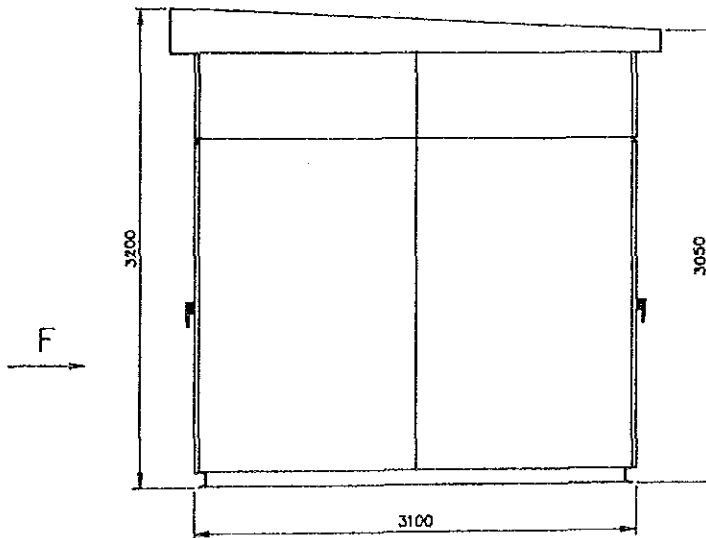


- Note:
1. Cable connection and mounting of 33kV and 11kV lightning arresters will be carried out by UEB'
  2. Cable connection of 33kV incoming cable will be carried out by UEB'
  3. Cable connection of 11kV outgoing cable will be carried out by UEB'





33kV line feeder MUTUNDWE ;      33kV transformer feeder      33kV line feeder KAMPALA NORTH      33kV auxiliary (GPT)

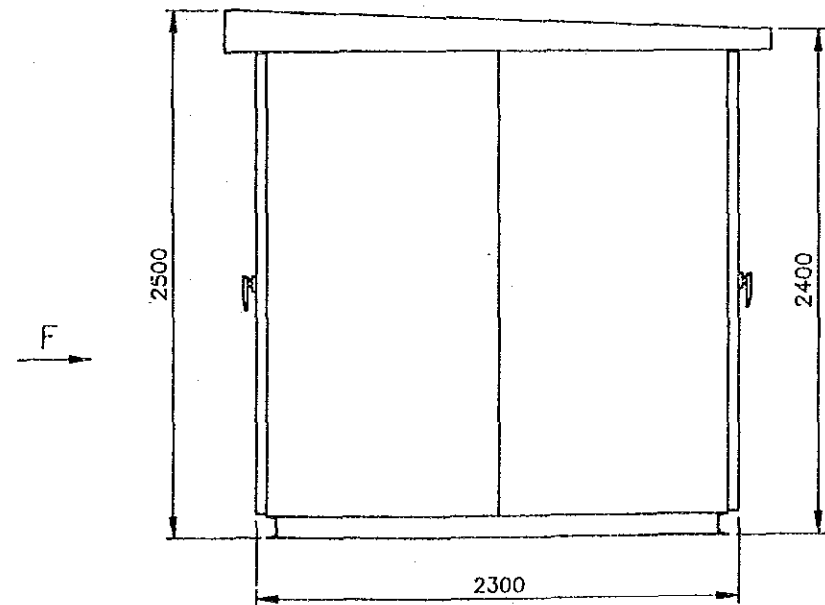
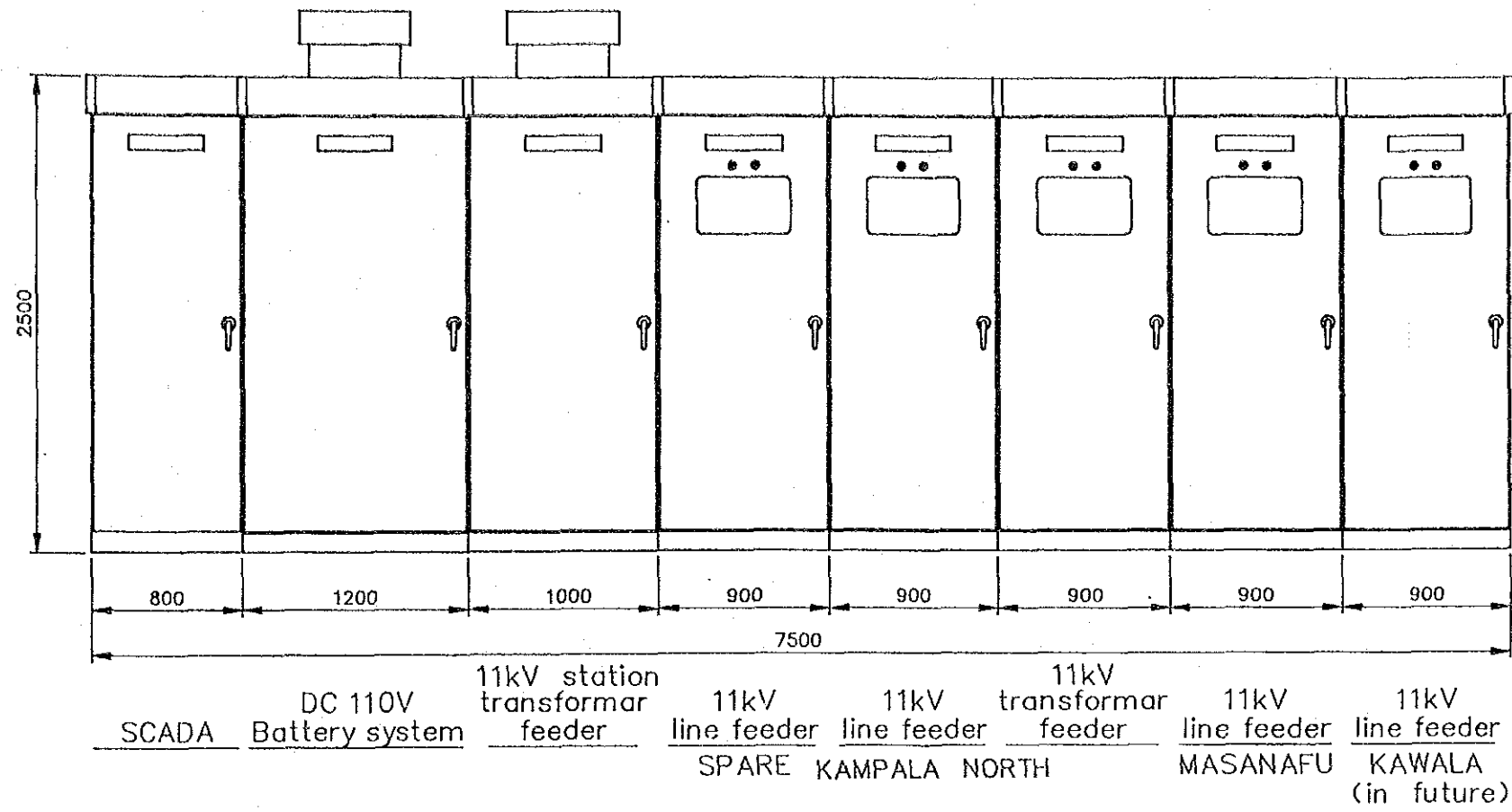


SIDE VIEW

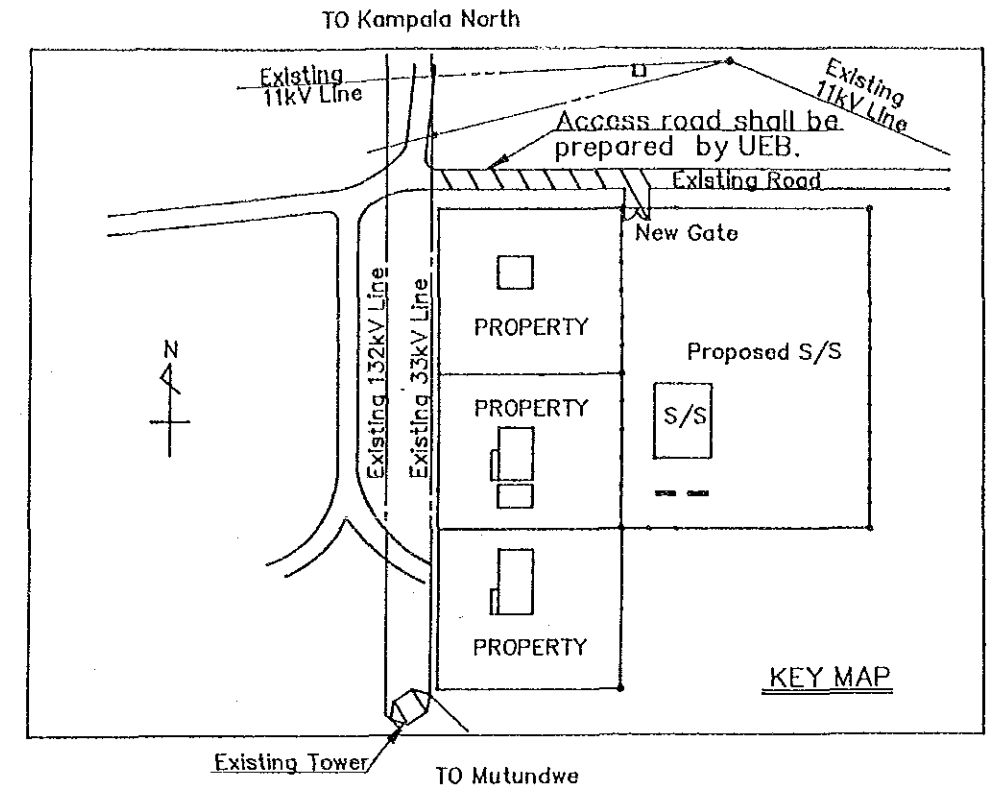
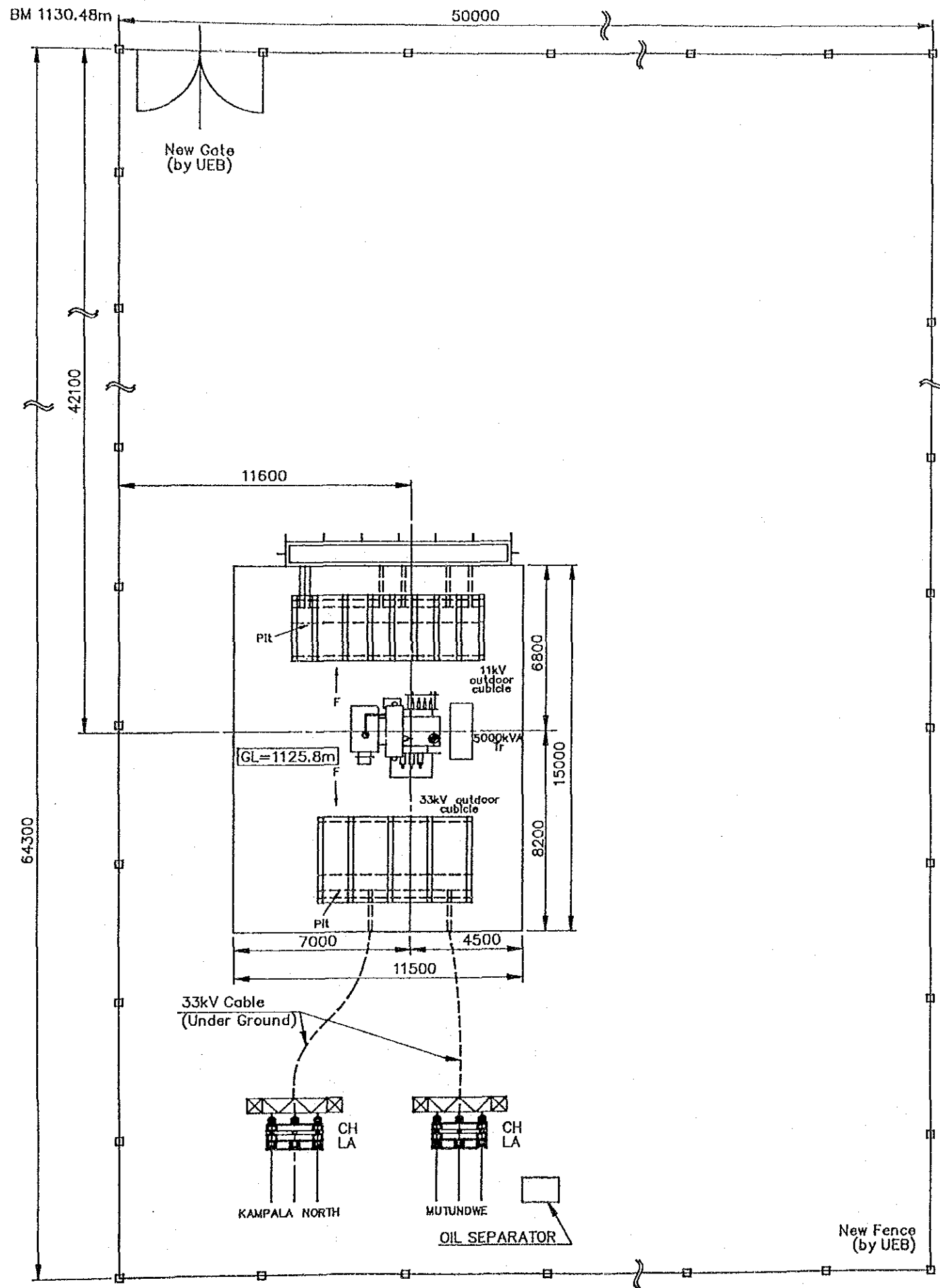
THE PROJECT FOR THE REINFORCEMENT OF ELECTRIC POWER DISTRIBUTION NETWORK IN KAMPALA SUBURBAN AREA IN THE REPUBLIC OF UGANDA	SCALE
	-
カワラ変電所 (Kawala Substation)	DWG NO.
33kV屋外式閉鎖型配電盤外形図 Outline of 33kV Outdoor Type Cubicle	BD-KWL -02
JAPAN INTERNATIONAL COOPERATION AGENCY	







THE PROJECT FOR THE REINFORCEMENT OF ELECTRIC POWER DISTRIBUTION NETWORK IN KAMPALA SUBURBAN AREA IN THE REPUBLIC OF UGANDA	SCALE
カワラ変電所 (Kawala Substation)	DWG NO.
11kV屋外式閉鎖型配電盤外形図 Outline of 11kV Outdoor Type Cubicle	BD-KWL -03
JAPAN INTERNATIONAL COOPERATION AGENCY	

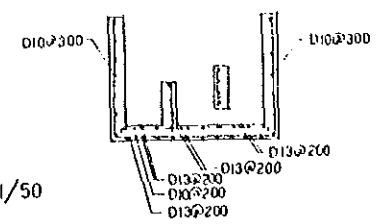
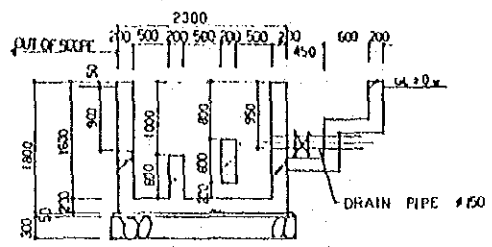


LEGEND

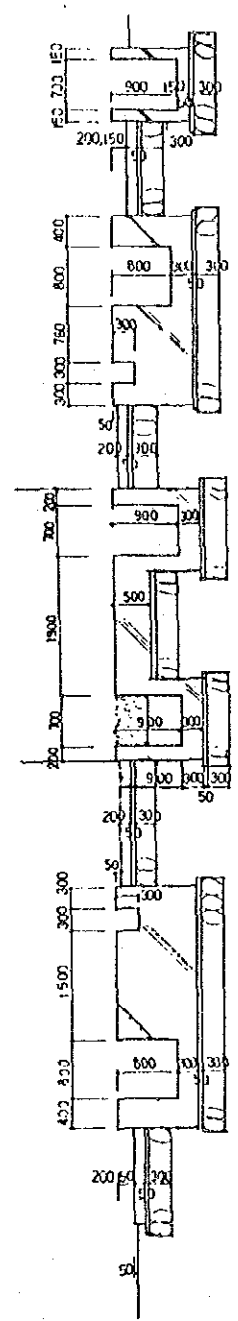
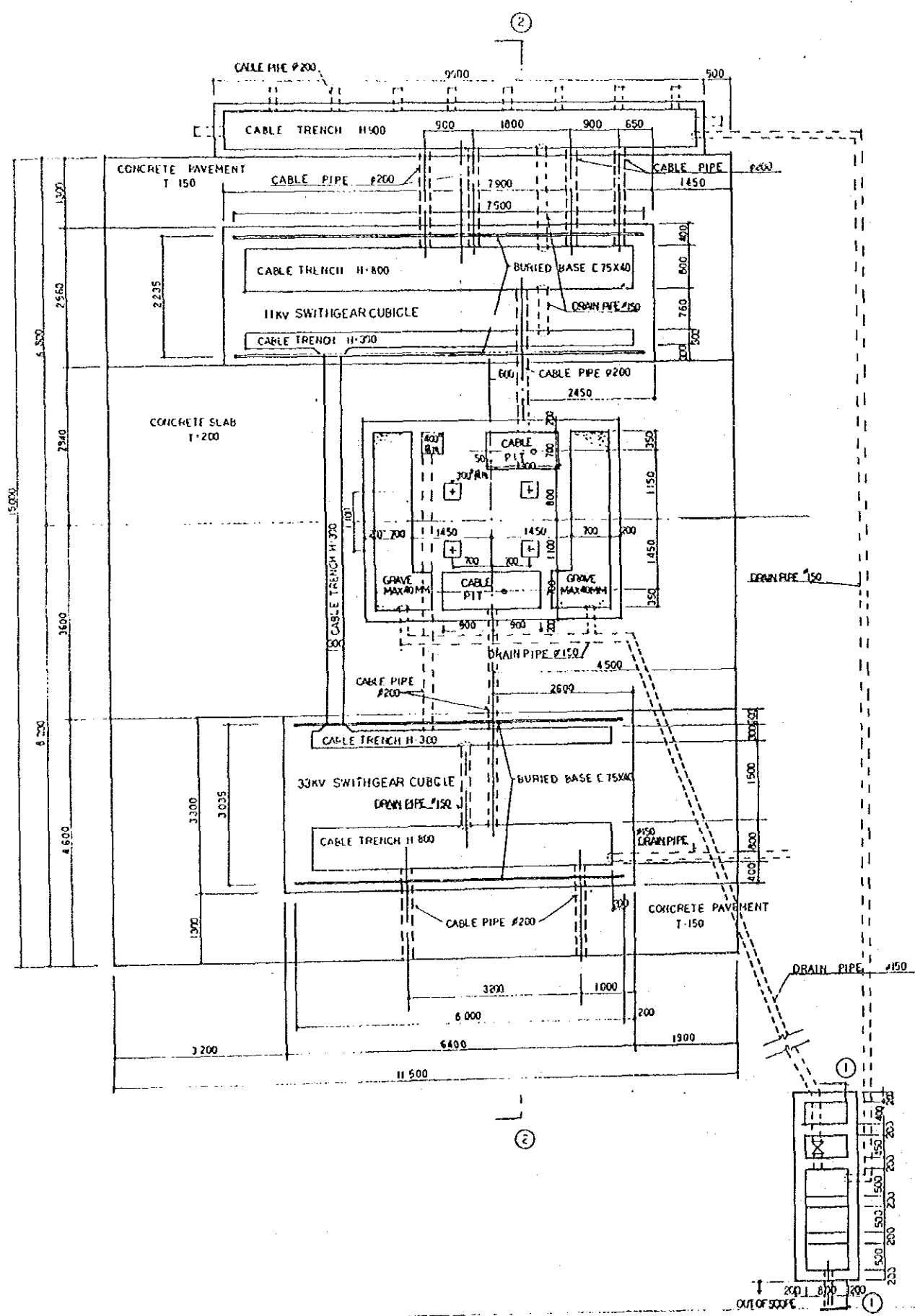
SYM	DESCRIPTION
BOL	Lightning Arrestor
CH	Cable Head
F	Front
BM	Bench Mark

Note: Graveling work around the foundation for the project shall be done by UEB.

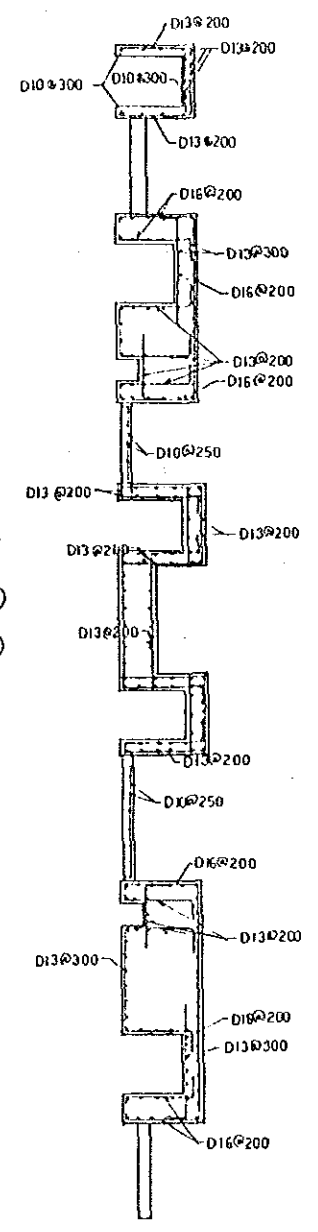
THE PROJECT FOR THE REINFORCEMENT OF ELECTRIC POWER DISTRIBUTION NETWORK IN KAMPALA SUBURBAN AREA IN THE REPUBLIC OF UGANDA	SCALE 1/200
カワラ変電所 (Kawala Substation) 設備配置図 Equipment Layout Plan	DWG NO. BD-KWL -04
JAPAN INTERNATIONAL COOPERATION AGENCY	



SECTION ①-① 1/50



SECTION ②-② 1/50



THE PROJECT FOR THE REINFORCEMENT OF ELECTRIC POWER DISTRIBUTION NETWORK IN KAMPALA SUBURBAN AREA IN THE REPUBLIC OF UGANDA	SCALE
カワラ変電所 (Kawala Substation)	DWG NO.
ケーブルトレンチ及び基礎図 Arrangement of Cable Trench and Foundation	BD-KWL -05
JAPAN INTERNATIONAL COOPERATION AGENCY	





JICA