

資料-9 基本設計図

第1期工事：

カンパサウス変電所

- BD-KPS-01 単線結線図
- BD-KPS-02 33kV屋外式閉鎖型配電盤外形図
- BD-KPS-03 11kV屋外式閉鎖型配電盤外形図
- BD-KPS-04 設備配置図
- BD-KPS-05 ケーブルトレンチ及び基礎図
- BD-KPS-06 33kV送電線標準接続図

ンディング変電所

- BD-NTD-01 単線結線図
- BD-NTD-02 33kV屋外式閉鎖型配電盤外形図
- BD-NTD-03 11kV屋外式閉鎖型配電盤外形図
- BD-NTD-04 設備配置図
- BD-NTD-05 ケーブルトレンチ及び基礎図

キスグ変電所

- BD-KSG-01 単線結線図
- BD-KSG-02 33kV屋外式閉鎖型配電盤外形図
- BD-KSG-03 11kV屋外式閉鎖型配電盤外形図
- BD-KSG-04 設備配置図
- BD-KSG-05 ケーブルトレンチ及び基礎図
- BD-KSG-06 33kV送電線接続詳細図（33kVケーブル方式）

カワング変電所

- BD-KWD-01 単線結線図
- BD-KWD-02 33kV屋外式閉鎖型配電盤外形図
- BD-KWD-03 11kV屋外式閉鎖型配電盤外形図
- BD-KWD-04 設備配置図
- BD-KWD-05 ケーブルトレンチ及び基礎図

第2期工事：

ンジェル変電所

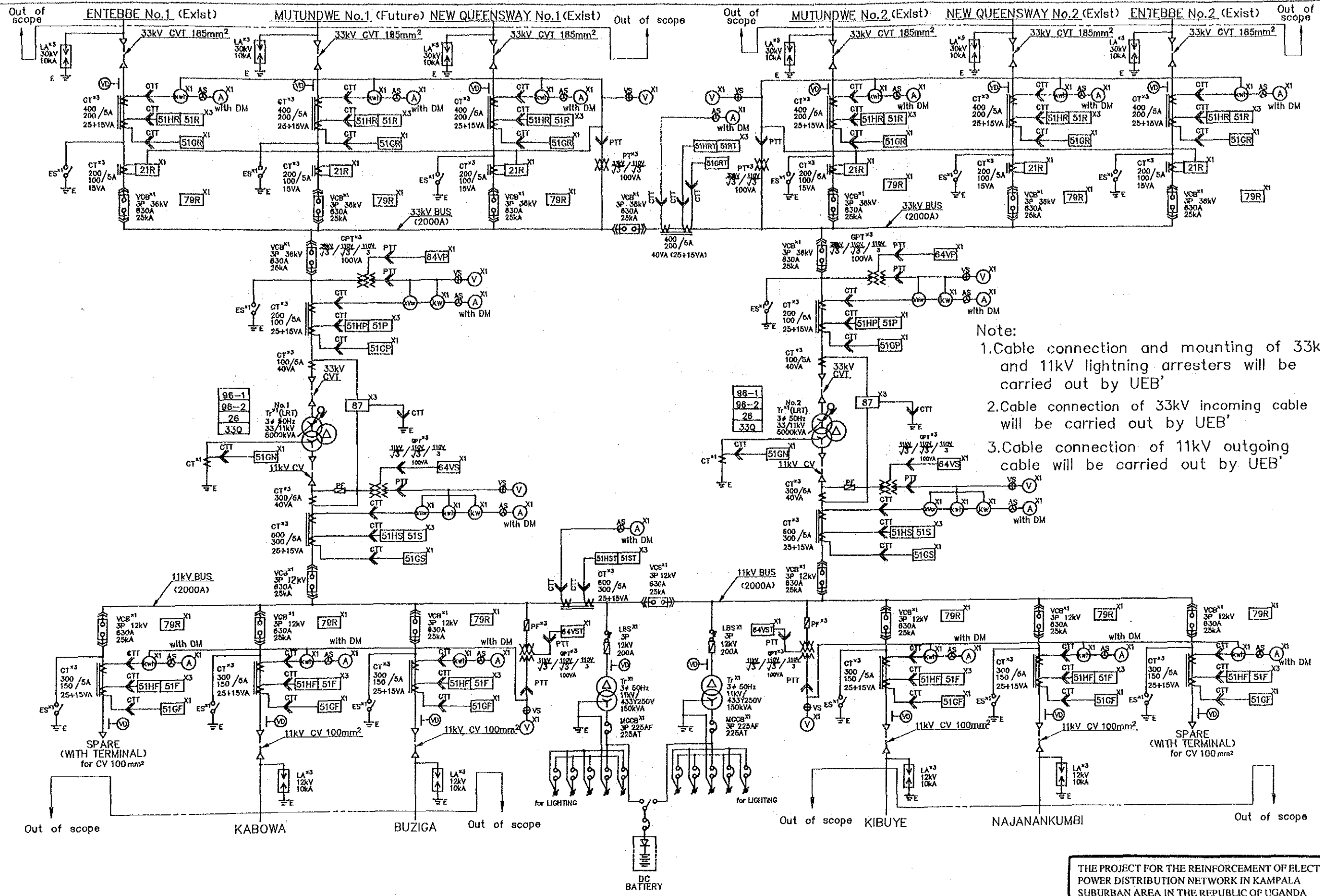
- BD-NJR-01 単線結線図
- BD-NJR-02 33kV屋外式閉鎖型配電盤外形図
- BD-NJR-03 11kV屋外式閉鎖型配電盤外形図
- BD-NJR-04 設備配置図
- BD-NJR-05 ケーブルトレンチ及び基礎図
- BD-NJR-06 33kV送電線接続詳細図

キスビ変電所

- BD-KSB-01 単線結線図
- BD-KSB-02 33kV屋外式閉鎖型配電盤外形図
- BD-KSB-03 11kV屋外式閉鎖型配電盤外形図
- BD-KSB-04 設備配置図
- BD-KSB-05 ケーブルトレンチ及び基礎図

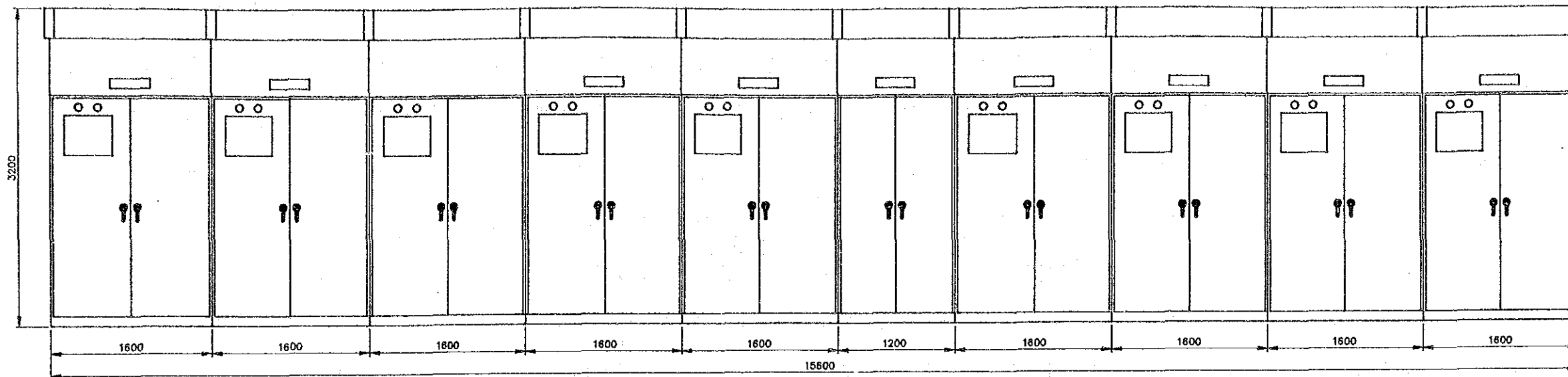
カワラ変電所

- BD-KWL-01 単線結線図
- BD-KWL-02 33kV屋外式閉鎖型配電盤外形図
- BD-KWL-03 11kV屋外式閉鎖型配電盤外形図
- BD-KWL-04 設備配置図
- BD-KWL-05 ケーブルトレンチ及び基礎図

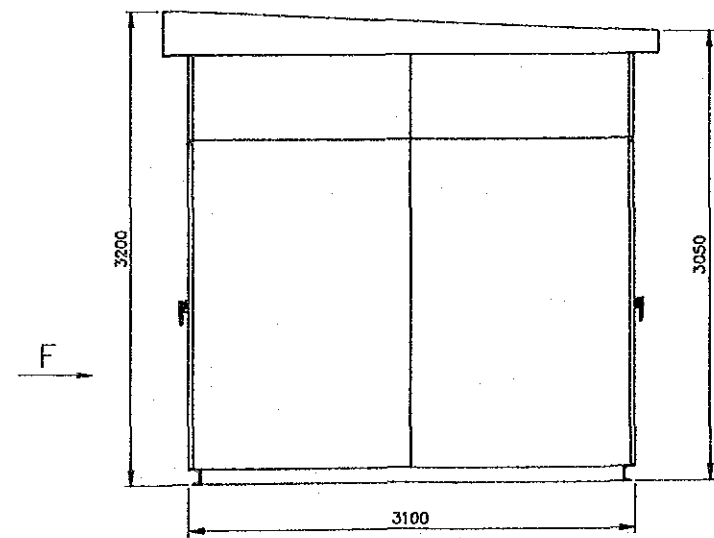


- Note:
1. Cable connection and mounting of 33kV and 11kV lightning arresters will be carried out by UEB'
 2. Cable connection of 33kV incoming cable will be carried out by UEB'
 3. Cable connection of 11kV outgoing cable will be carried out by UEB'

THE PROJECT FOR THE REINFORCEMENT OF ELECTRIC POWER DISTRIBUTION NETWORK IN KAMPALA SUBURBAN AREA IN THE REPUBLIC OF UGANDA	SCALE
カンバラサウス変電所 (Kampala South Substation)	DWG NO.
単線結線図 Online Diagram	BD-KPS -01
JAPAN INTERNATIONAL COOPERATION AGENCY	

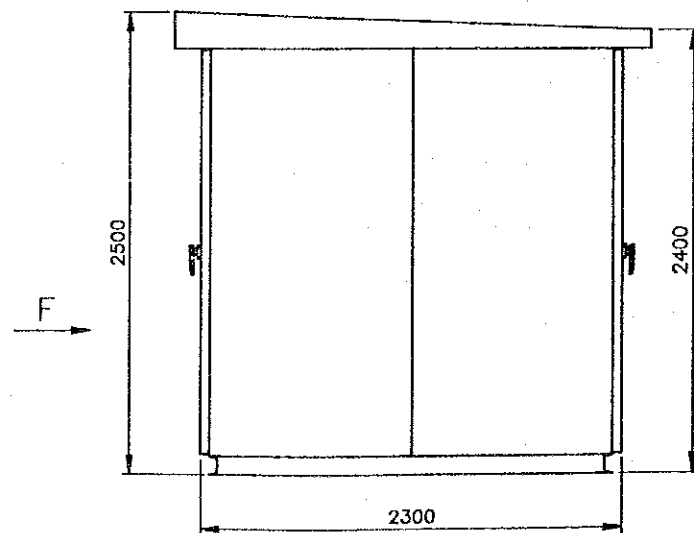
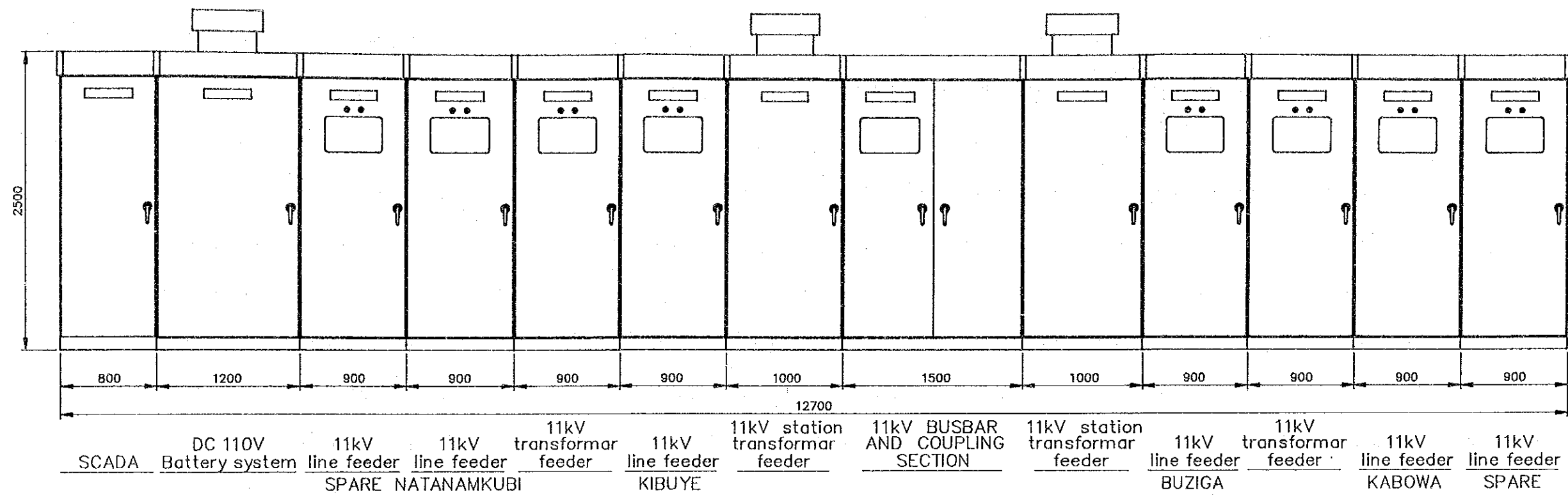


33kV line feeder ENTEBBE No.1
 33kV transformer feeder
 33kV line feeder MUTUNDWE No.1
 33kV line feeder NEW QUEENSWAY No.1
 33kV BUSBAR AND COUPLING SECTION
 33kV auxiliary (GPT)
 33kV line feeder MUTUNDWE No.2
 33kV line feeder NEW QUEENSWAY No.2
 33kV transformer feeder
 33kV line feeder ENTEBBE No.2



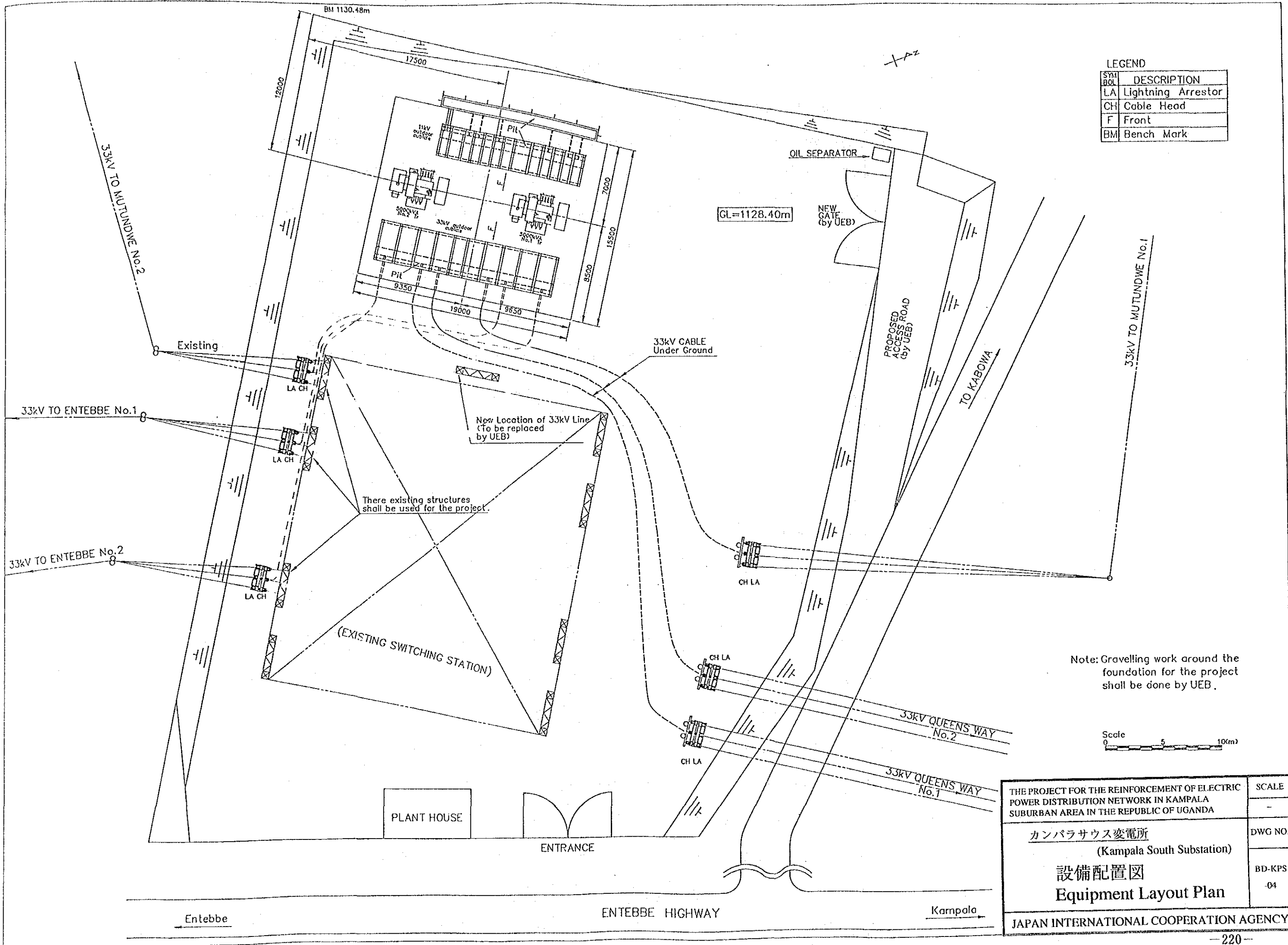
SIDE VIEW

THE PROJECT FOR THE REINFORCEMENT OF ELECTRIC POWER DISTRIBUTION NETWORK IN KAMPALA SUBURBAN AREA IN THE REPUBLIC OF UGANDA	SCALE
	-
カンパサウス変電所 (Kampala South Substation) 33kV屋外式閉鎖型配電盤外形図 Outline of 33kV Outdoor Type Cubicle	DWG NO.
	BD-KPS -02
JAPAN INTERNATIONAL COOPERATION AGENCY	



THE PROJECT FOR THE REINFORCEMENT OF ELECTRIC POWER DISTRIBUTION NETWORK IN KAMPALA SUBURBAN AREA IN THE REPUBLIC OF UGANDA	SCALE
カンパサウス変電所 (Kampala South Substation)	DWG NO.
11kV屋外式閉鎖型配電盤外形図 Outline of 11kV Outdoor Type Cubicle	BD-KPS -03
JAPAN INTERNATIONAL COOPERATION AGENCY	

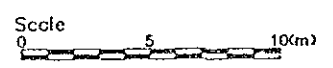
SYM BOL	DESCRIPTION
LA	Lightning Arrestor
CH	Cable Head
F	Front
BM	Bench Mark



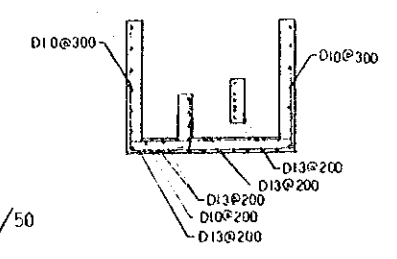
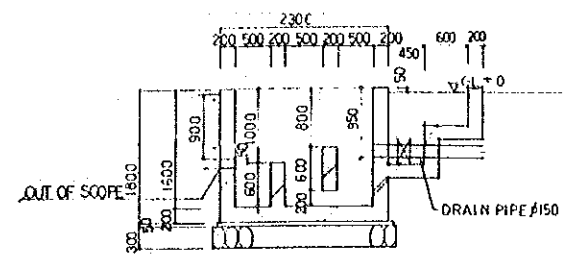
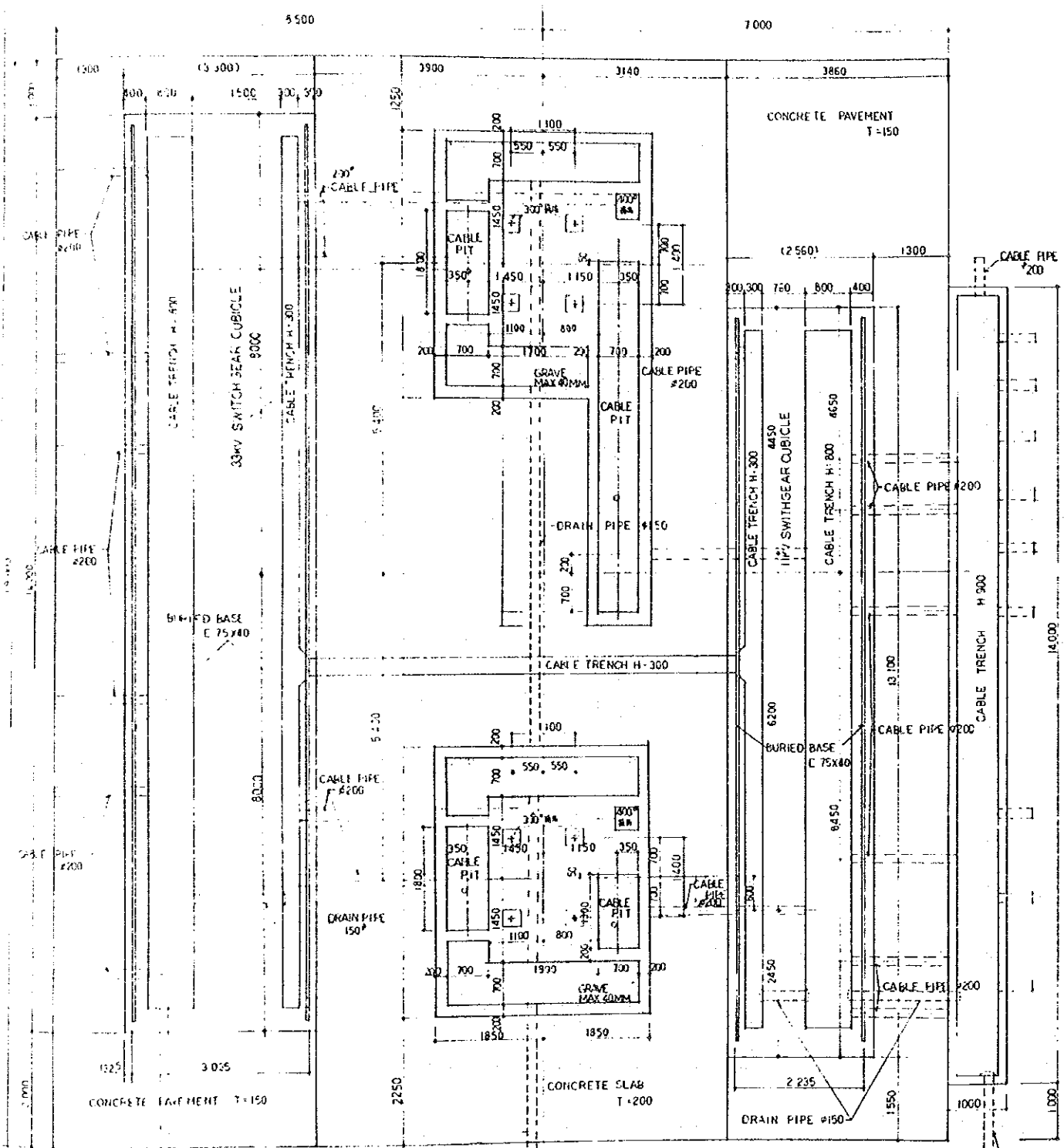
There existing structures shall be used for the project.

New Location of 33kV Line (To be replaced by UEB)

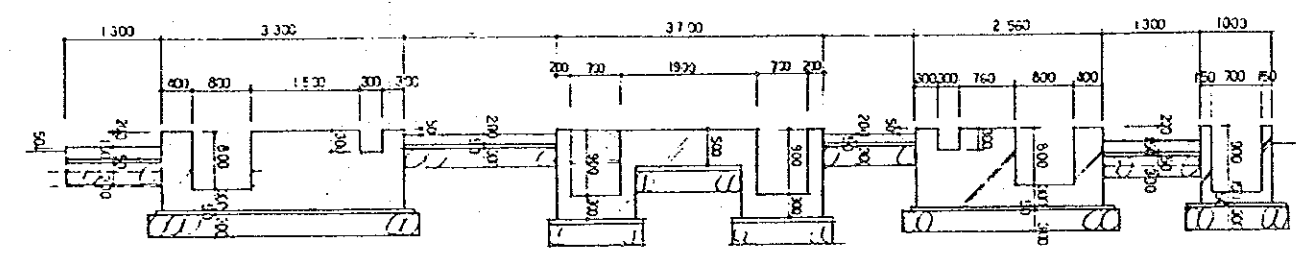
Note: Graveling work around the foundation for the project shall be done by UEB.



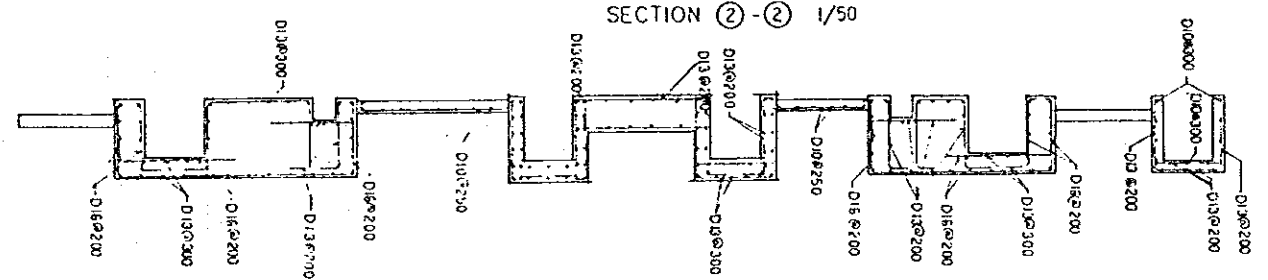
THE PROJECT FOR THE REINFORCEMENT OF ELECTRIC POWER DISTRIBUTION NETWORK IN KAMPALA SUBURBAN AREA IN THE REPUBLIC OF UGANDA	SCALE
カンパラサウス変電所 (Kampala South Substation)	-
設備配置図 Equipment Layout Plan	DWG NO.
JAPAN INTERNATIONAL COOPERATION AGENCY	BD-KPS -04



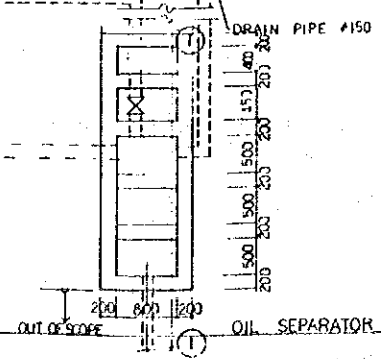
SECTION ①-① 1/50



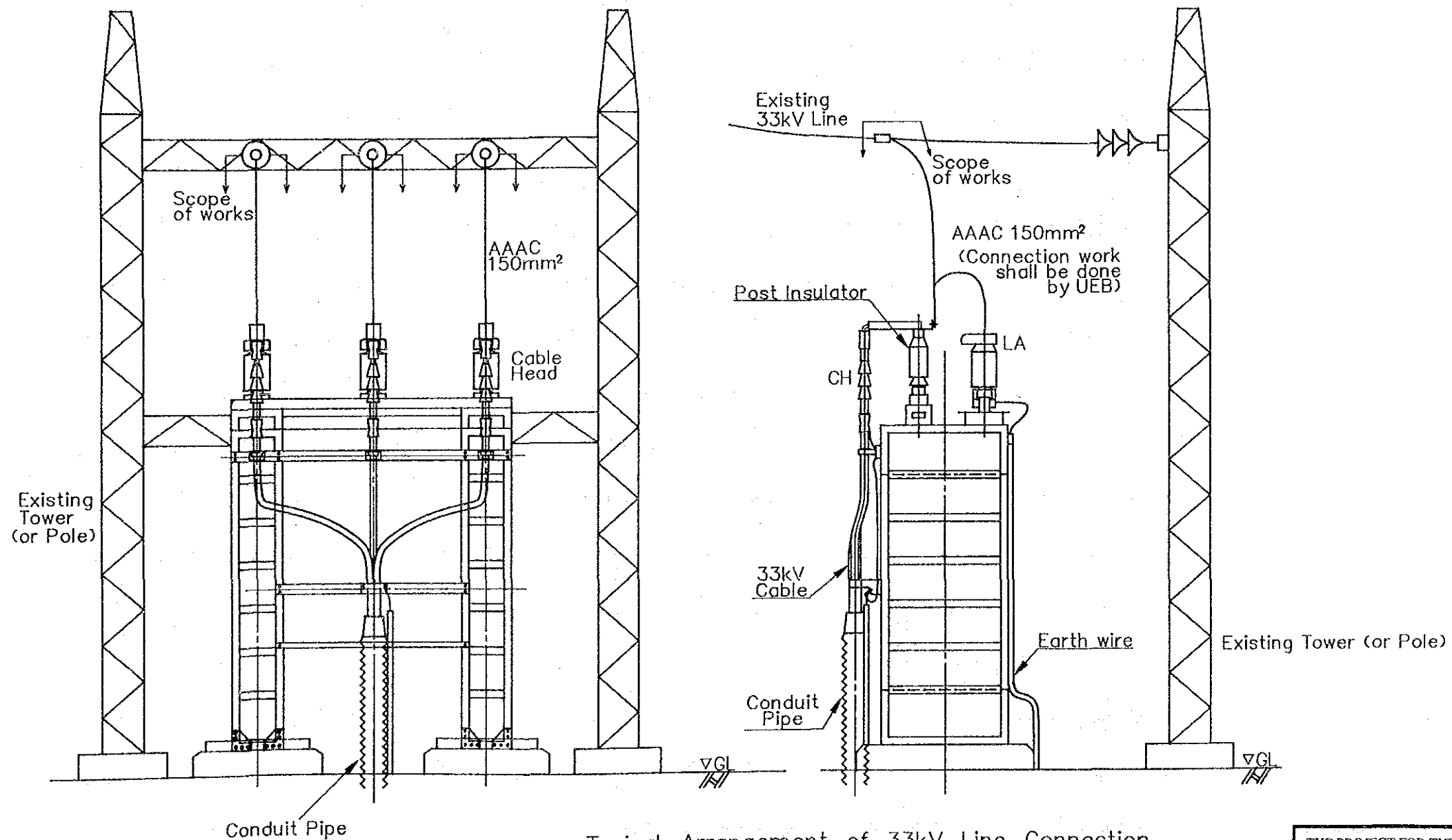
SECTION ②-② 1/50



②



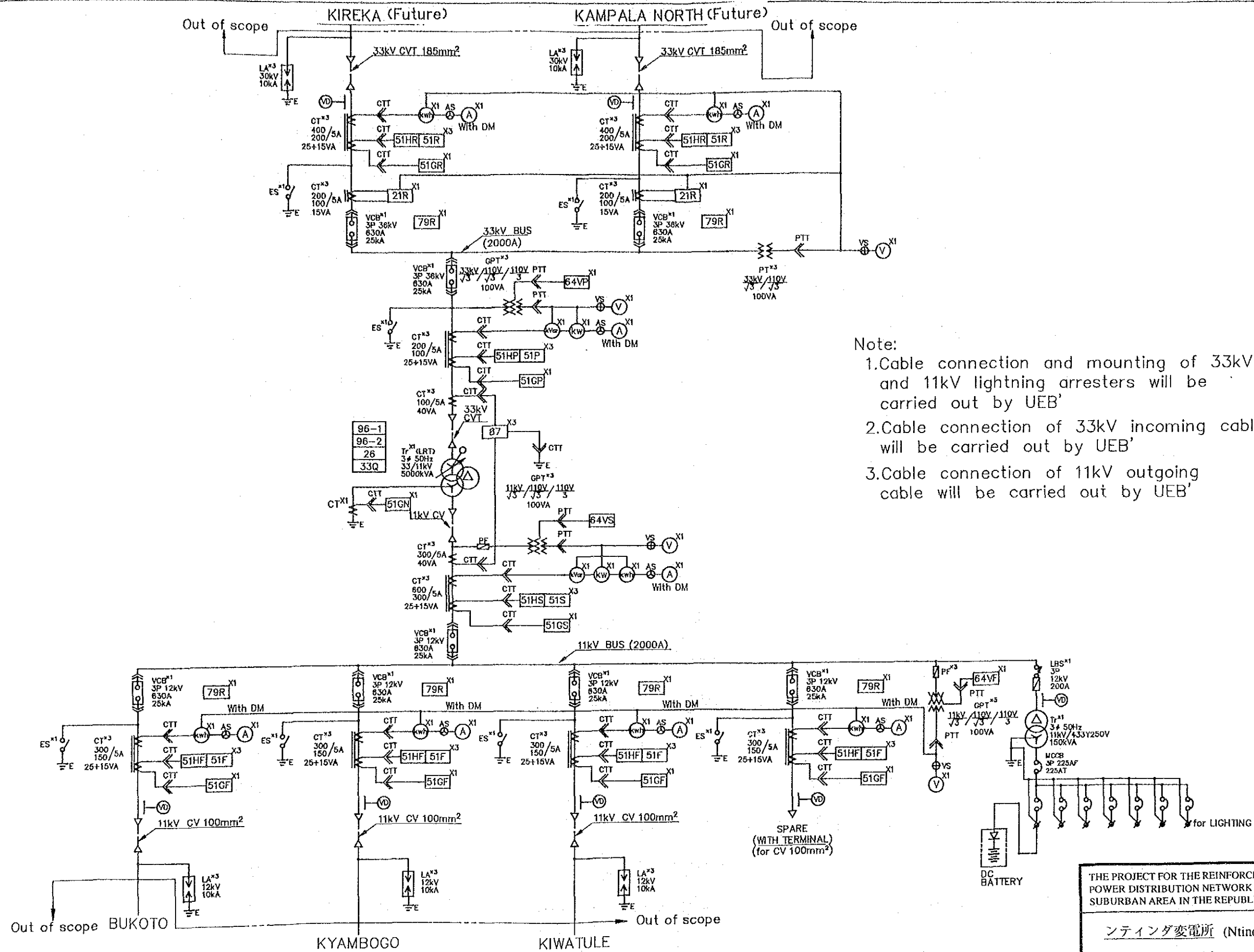
THE PROJECT FOR THE REINFORCEMENT OF ELECTRIC POWER DISTRIBUTION NETWORK IN KAMPALA SUBURBAN AREA IN THE REPUBLIC OF UGANDA	SCALE
カンパラサウス変電所 (Kampala South Substation)	DWG NO.
ケーブルトレンチ及び基礎図 Arrangement of Cable Trench and Foundation	BD-KPS -05
JAPAN INTERNATIONAL COOPERATION AGENCY	



Typical Arrangement of 33kV Line Connection

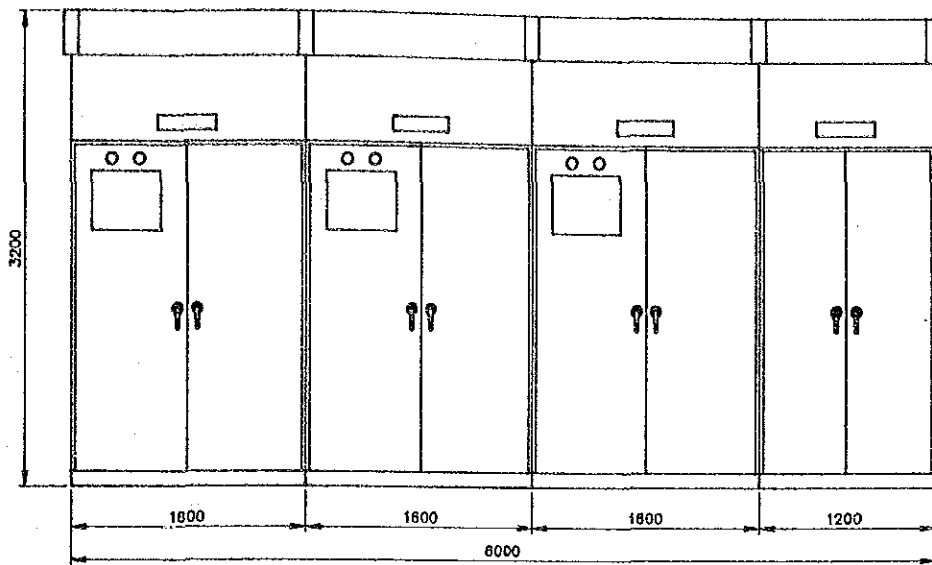
Note: This Typical Arrangement shall be applied to Kampala south, Ntinda, Kawanda, Kisubi and Kawala Substations.

THE PROJECT FOR THE REINFORCEMENT OF ELECTRIC POWER DISTRIBUTION NETWORK IN KAMPALA SUBURBAN AREA IN THE REPUBLIC OF UGANDA	SCALE
カンパラサウス変電所 (Kampala South Substation)	DWG NO.
33kV送電線標準接続図 Typical Arrangement of 33kV Line Connection	BD-KPS -06
JAPAN INTERNATIONAL COOPERATION AGENCY	

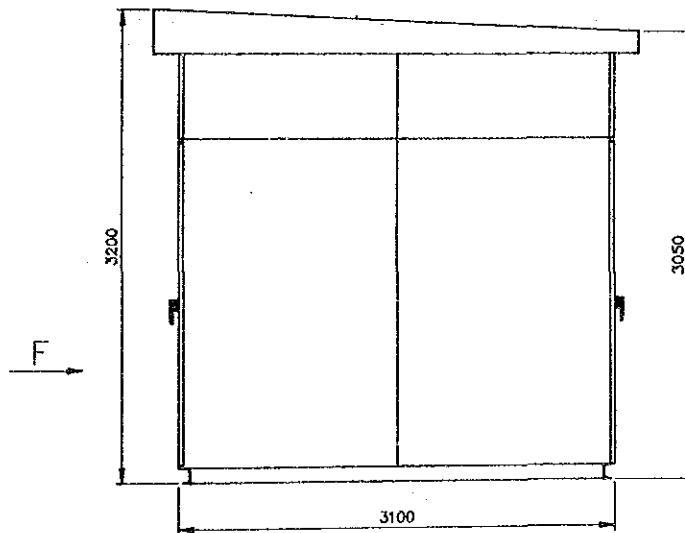


- Note:
1. Cable connection and mounting of 33kV and 11kV lightning arresters will be carried out by UEB'
 2. Cable connection of 33kV incoming cable will be carried out by UEB'
 3. Cable connection of 11kV outgoing cable will be carried out by UEB'

THE PROJECT FOR THE REINFORCEMENT OF ELECTRIC POWER DISTRIBUTION NETWORK IN KAMPALA SUBURBAN AREA IN THE REPUBLIC OF UGANDA	SCALE
ンテナ変電所 (Ntinda Substation)	DWG NO.
単線結線図 Online Diagram	BD-NTD -01
JAPAN INTERNATIONAL COOPERATION AGENCY	

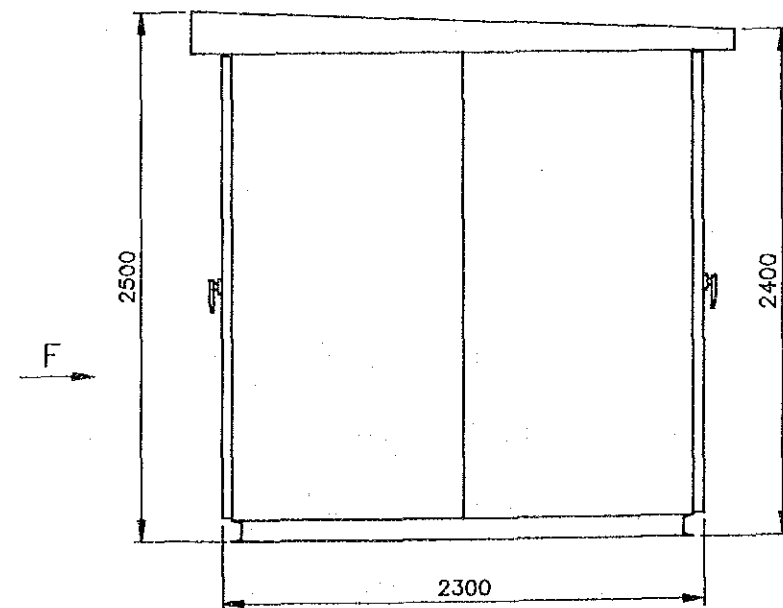
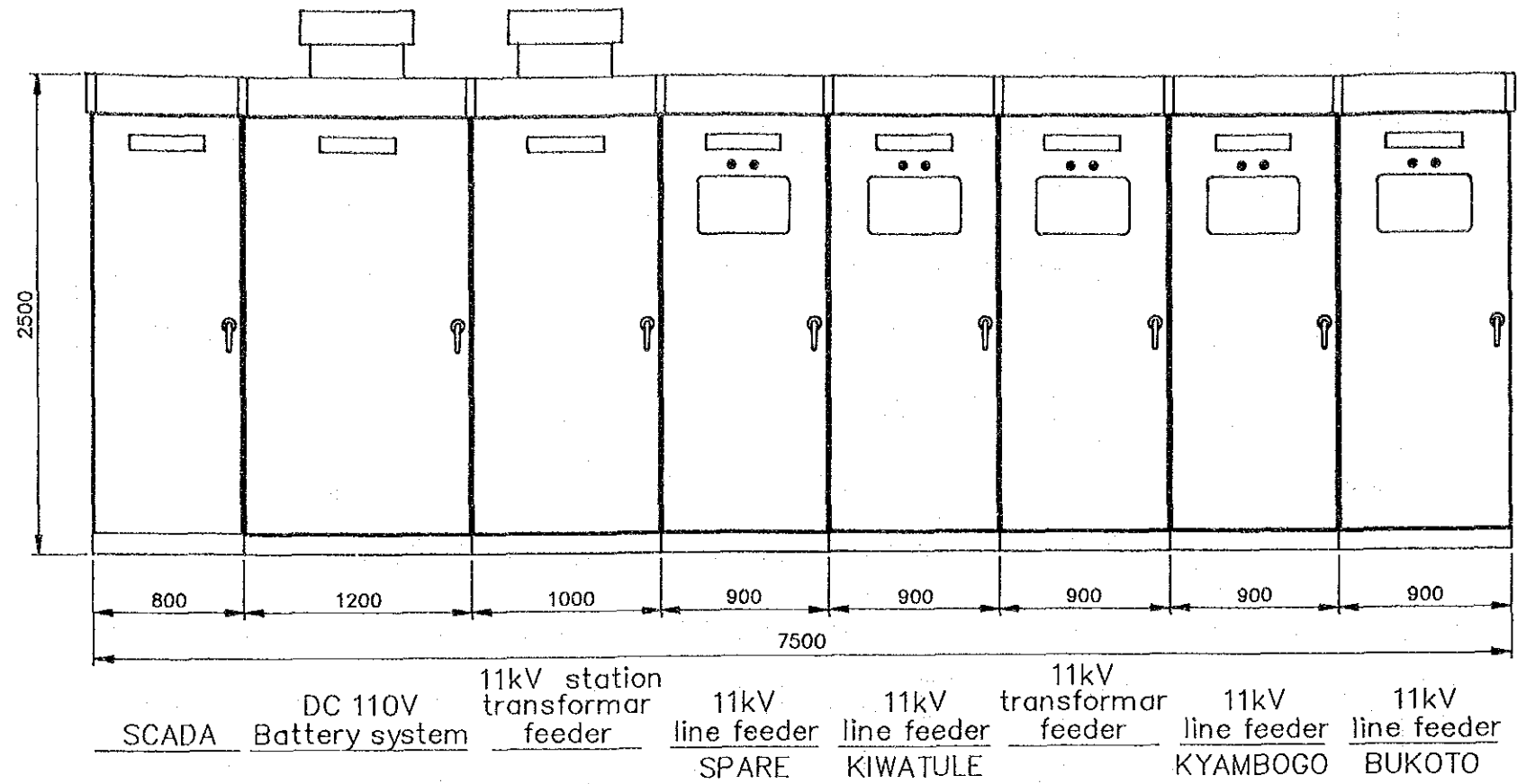


33kV line feeder KIREKA 33kV transformer feeder 33kV line feeder KAMPALA NORTH 33kV auxiliary (GPT)



SIDE VIEW

THE PROJECT FOR THE REINFORCEMENT OF ELECTRIC POWER DISTRIBUTION NETWORK IN KAMPALA SUBURBAN AREA IN THE REPUBLIC OF UGANDA	SCALE
	-
ンテナ変電所 (Ntinda Substation)	DWG NO.
33kV屋外式閉鎖型配電盤外形図 Outline of 33kV Outdoor Type Cubicle	BD-NTD -02
JAPAN INTERNATIONAL COOPERATION AGENCY	

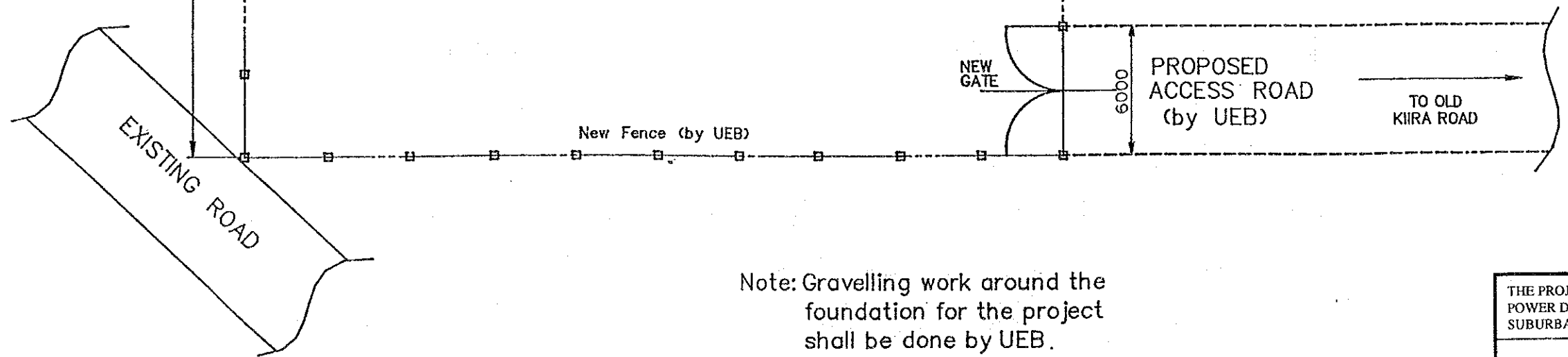
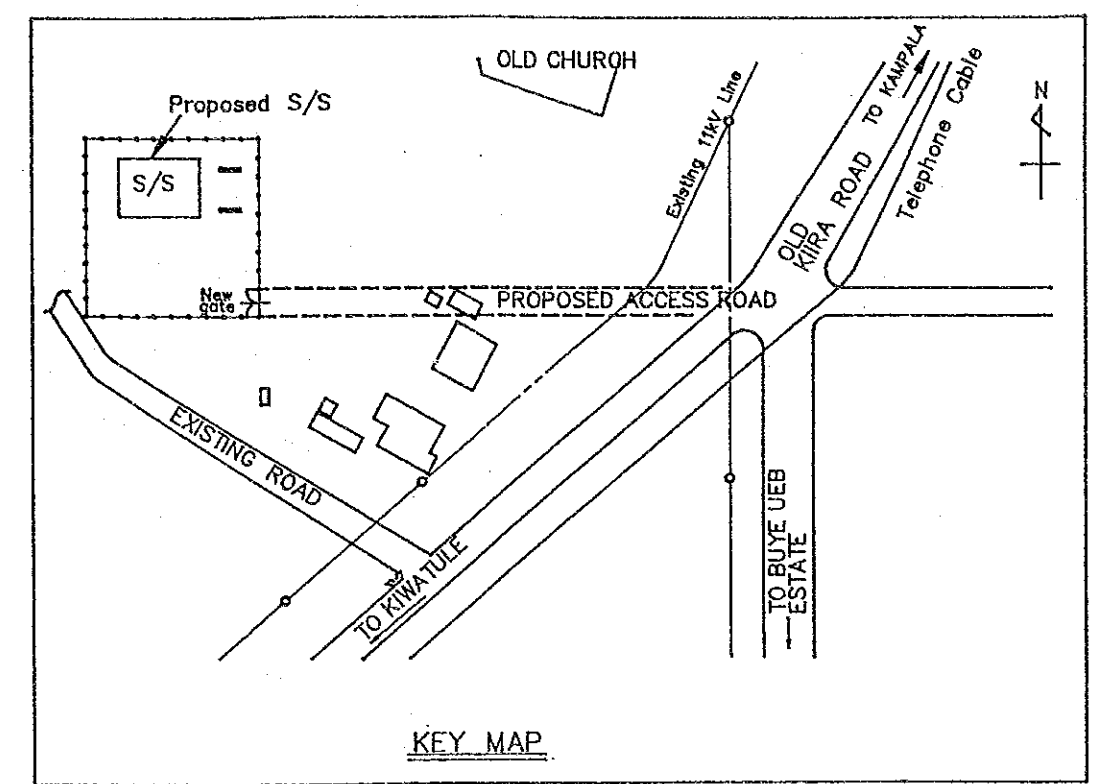
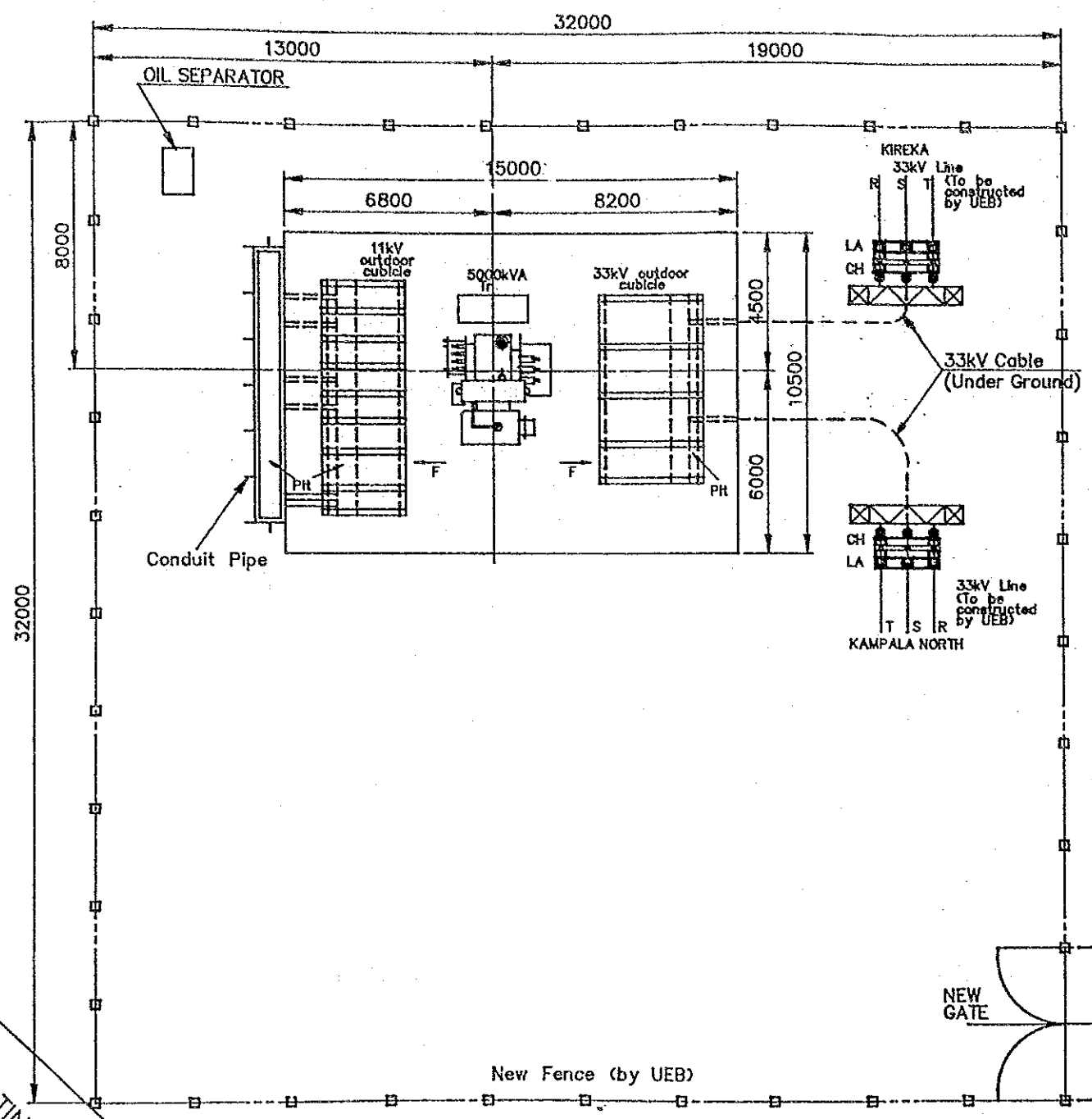


THE PROJECT FOR THE REINFORCEMENT OF ELECTRIC POWER DISTRIBUTION NETWORK IN KAMPALA SUBURBAN AREA IN THE REPUBLIC OF UGANDA	SCALE
ンティンダ変電所 (Ntinda Substation)	DWG NO.
11kV屋外式閉鎖型配電盤外形図 Outline of 11kV Outdoor Type Cubicle	BD-NTD -03
JAPAN INTERNATIONAL COOPERATION AGENCY	



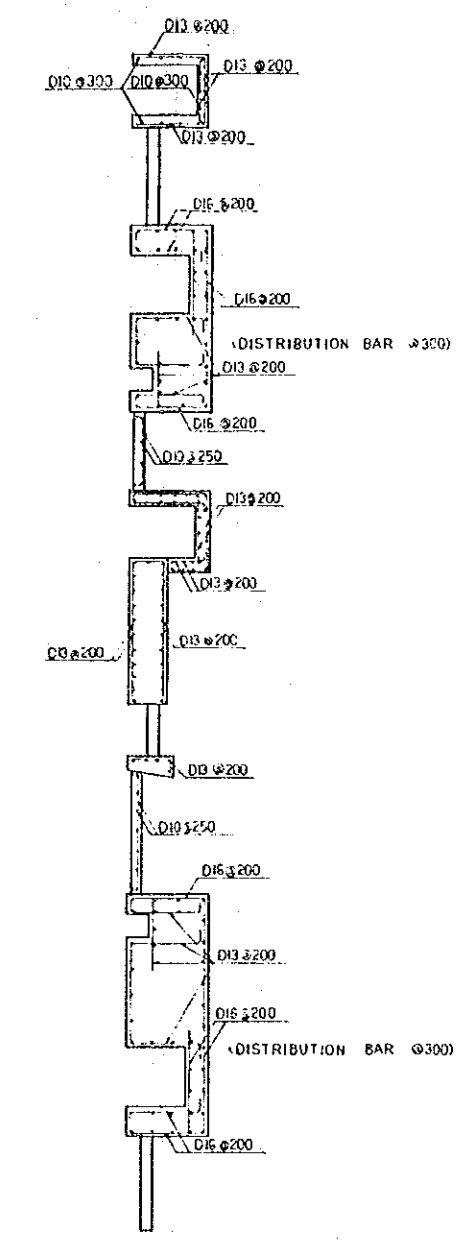
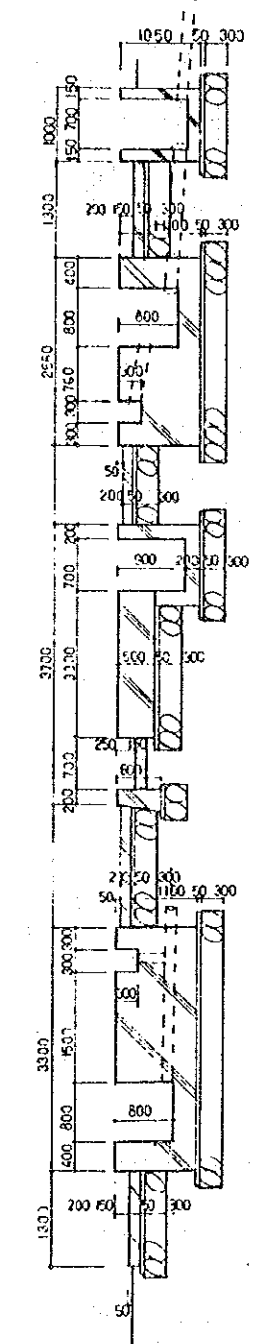
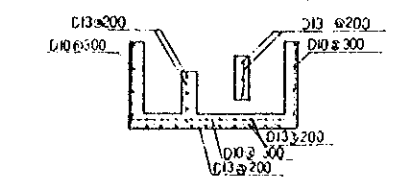
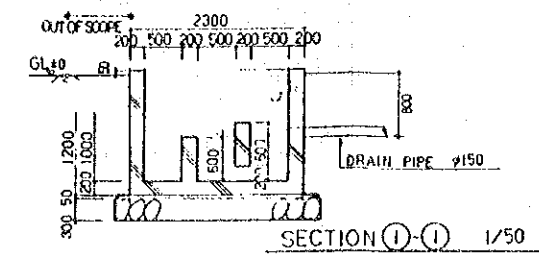
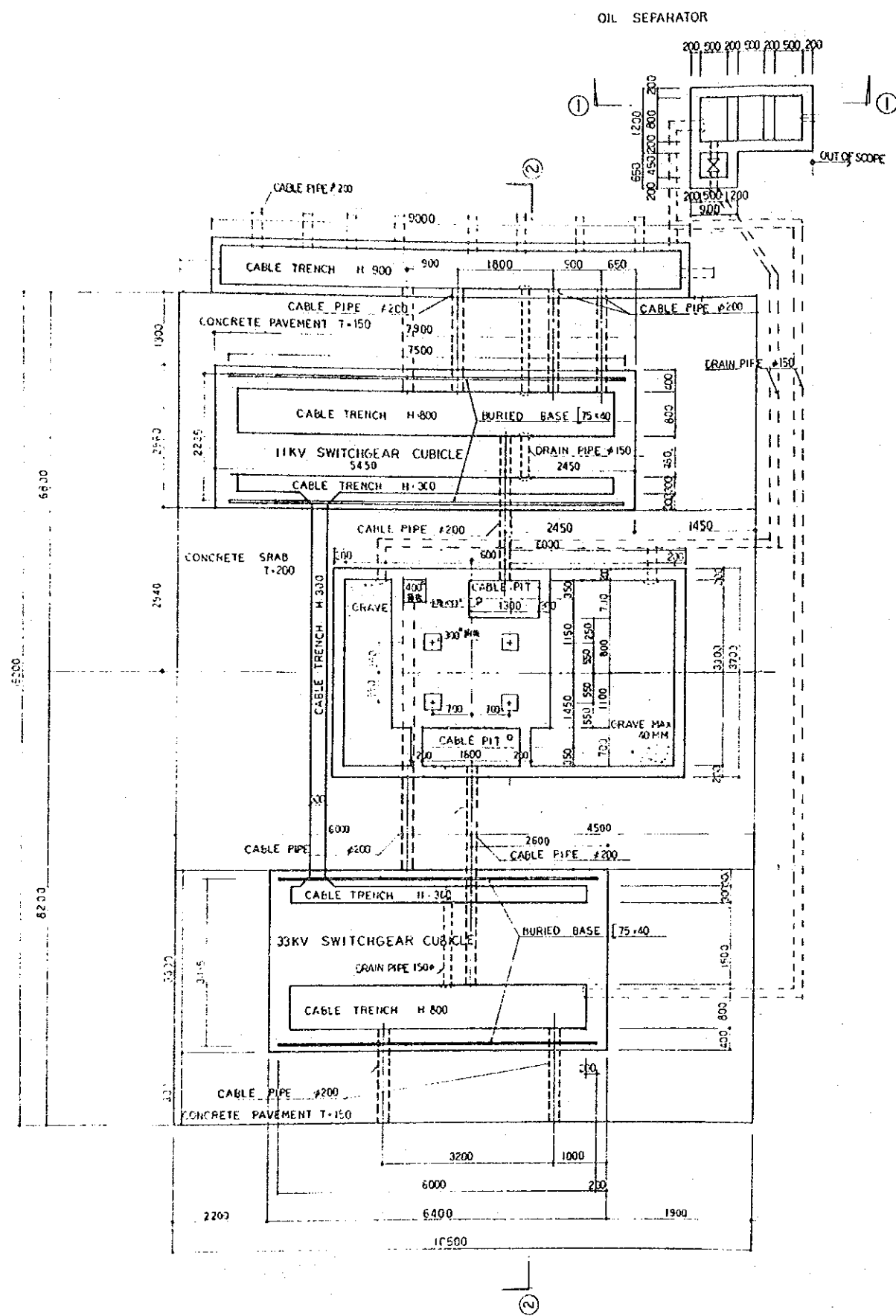
LEGEND

SYM BOL	DESCRIPTION
LA	Lightning Arrestor
CH	Cable Head
F	Front
BM	Bench Mark

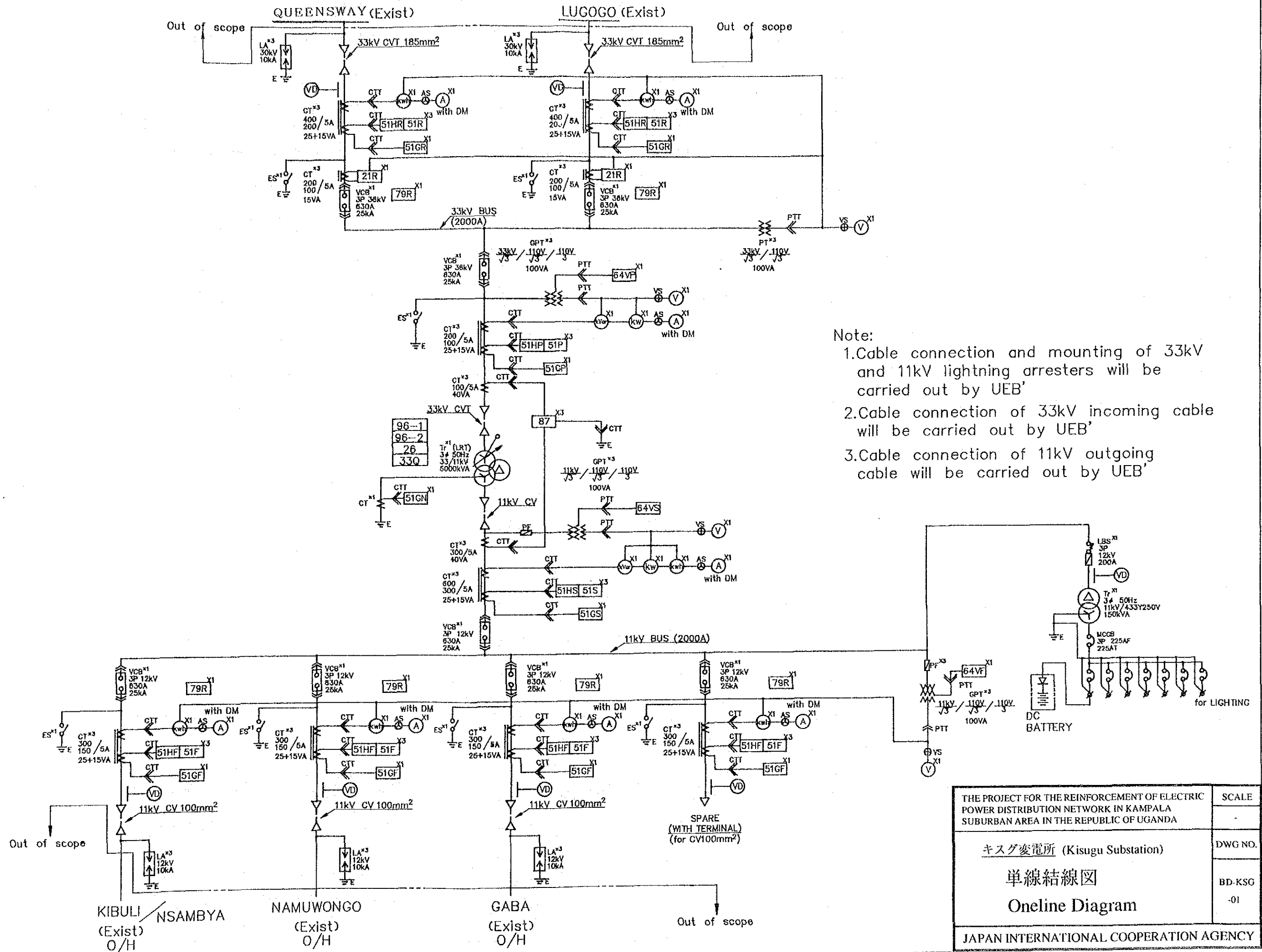


Note: Gravelling work around the foundation for the project shall be done by UEB.

THE PROJECT FOR THE REINFORCEMENT OF ELECTRIC POWER DISTRIBUTION NETWORK IN KAMPALA SUBURBAN AREA IN THE REPUBLIC OF UGANDA	SCALE 1/200
ンティンダ変電所 (Ntinda Substation)	DWG NO.
設備配置図 Equipment Layout Plan	BD-NTD -04
JAPAN INTERNATIONAL COOPERATION AGENCY	

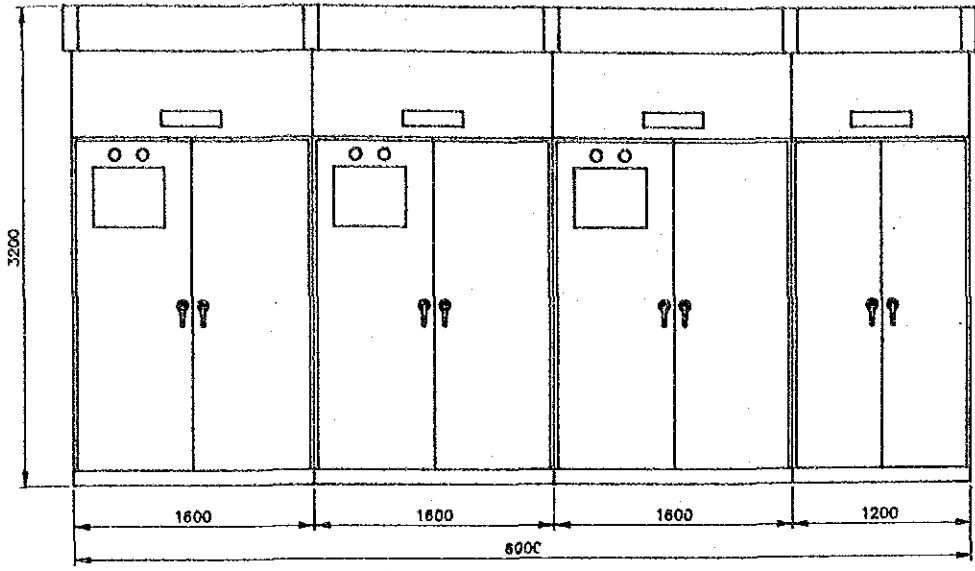


THE PROJECT FOR THE REINFORCEMENT OF ELECTRIC POWER DISTRIBUTION NETWORK IN KAMPALA SUBURBAN AREA IN THE REPUBLIC OF UGANDA	SCALE
ンテナダ変電所 (Ninda Substation)	DWG NO.
ケーブルトレンチ及び基礎図 Arrangement of Cable Trench and Foundation	BD-NTD -05
JAPAN INTERNATIONAL COOPERATION AGENCY	

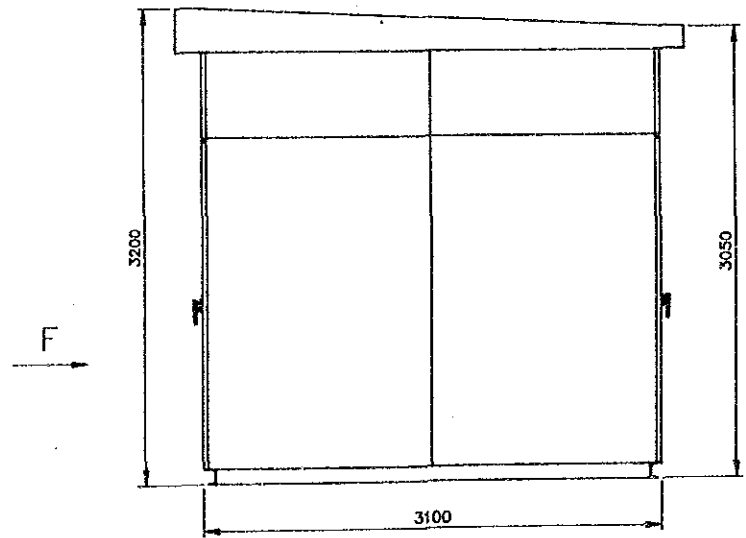


- Note:
1. Cable connection and mounting of 33kV and 11kV lightning arresters will be carried out by UEB'
 2. Cable connection of 33kV incoming cable will be carried out by UEB'
 3. Cable connection of 11kV outgoing cable will be carried out by UEB'

THE PROJECT FOR THE REINFORCEMENT OF ELECTRIC POWER DISTRIBUTION NETWORK IN KAMPALA SUBURBAN AREA IN THE REPUBLIC OF UGANDA	SCALE
キスグ変電所 (Kisugu Substation)	DWG NO.
単線結線図 Online Diagram	BD-KSG -01
JAPAN INTERNATIONAL COOPERATION AGENCY	

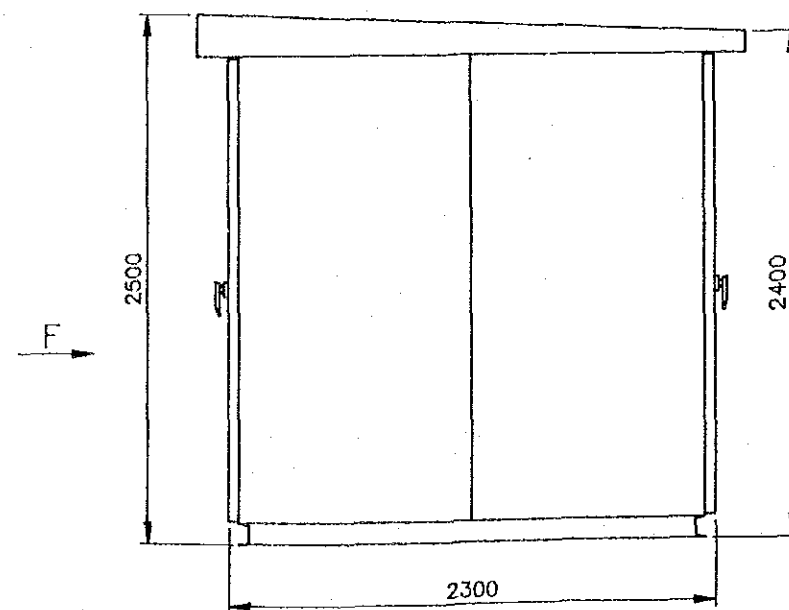
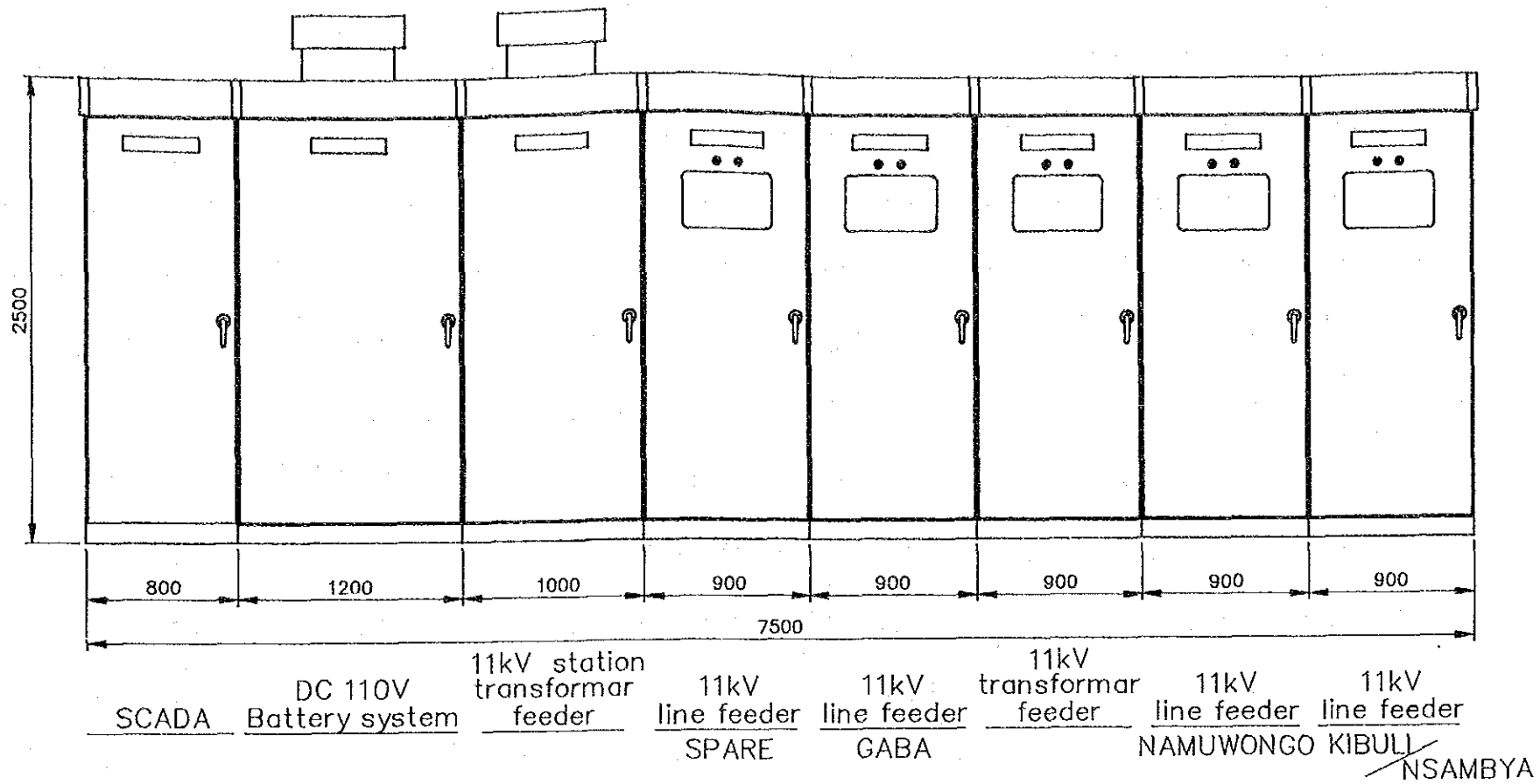


33kV line feeder QUEENSWAY
 33kV transformer feeder
 33kV line feeder LUGOGO
 33kV auxiliary (GPT)

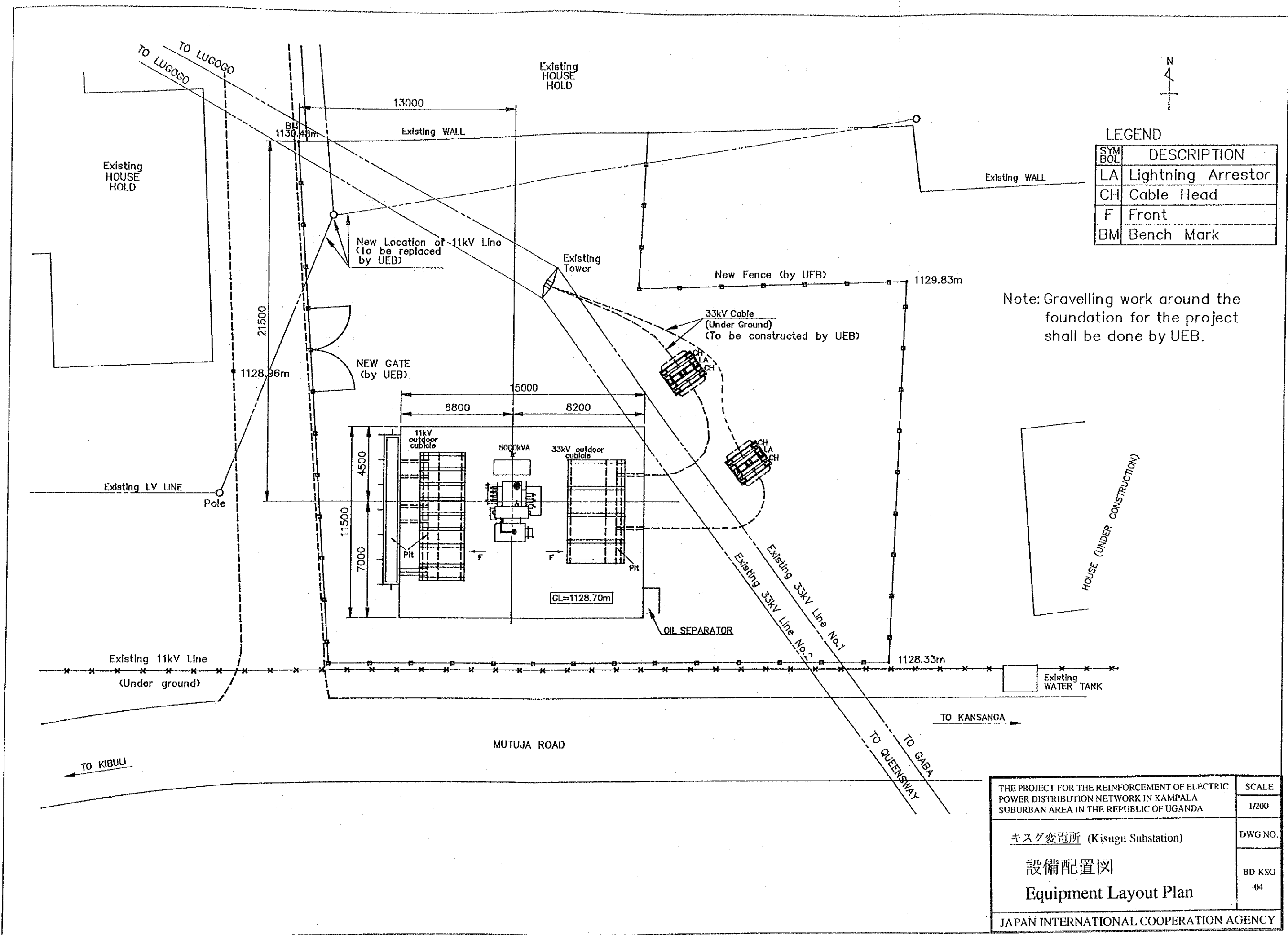


SIDE VIEW

THE PROJECT FOR THE REINFORCEMENT OF ELECTRIC POWER DISTRIBUTION NETWORK IN KAMPALA SUBURBAN AREA IN THE REPUBLIC OF UGANDA	SCALE
	.
キスグ変電所 (Kisugu Substation) 33kV屋外式閉鎖型配電盤外形図 Outline of 33kV Outdoor Type Cubicle	DWG NO.
	BD-KSG -02
JAPAN INTERNATIONAL COOPERATION AGENCY	



THE PROJECT FOR THE REINFORCEMENT OF ELECTRIC POWER DISTRIBUTION NETWORK IN KAMPALA SUBURBAN AREA IN THE REPUBLIC OF UGANDA	SCALE
キスグ変電所 (Kisugu Substation)	DWG NO.
11kV屋外式閉鎖型配電盤外形図 Outline of 11kV Outdoor Type Cubicle	BD-KSG -03
JAPAN INTERNATIONAL COOPERATION AGENCY	

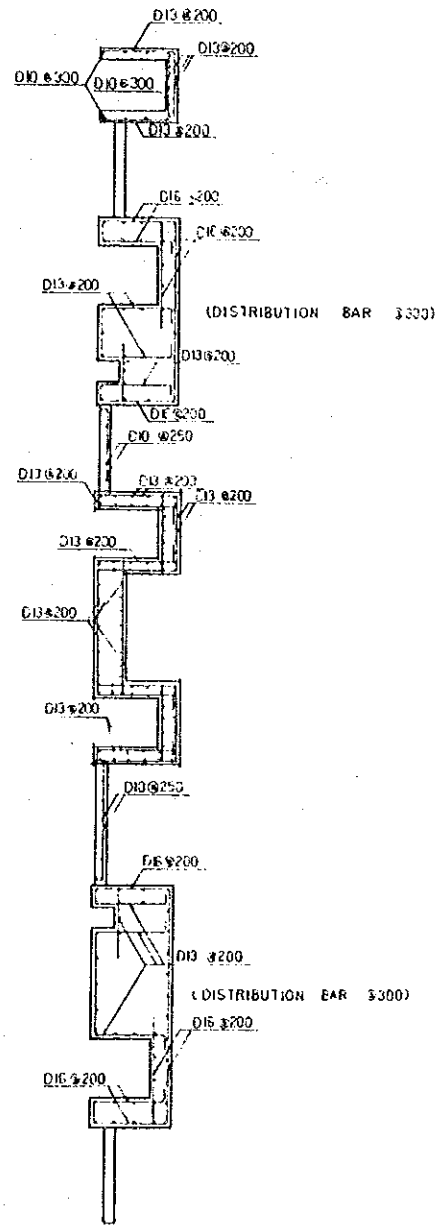
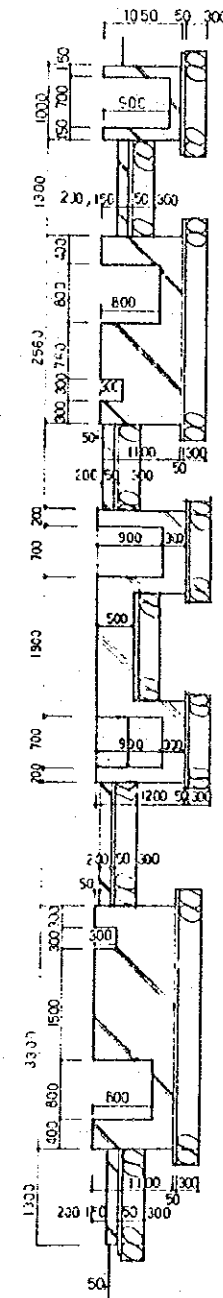
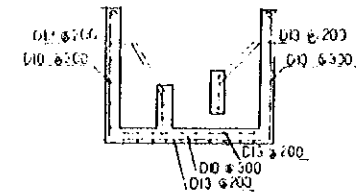
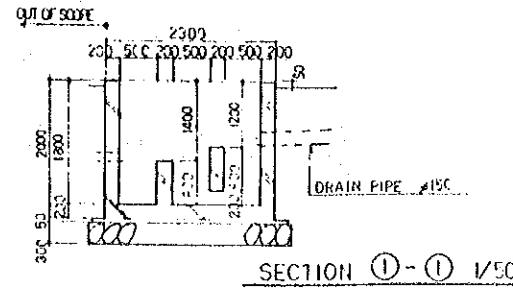
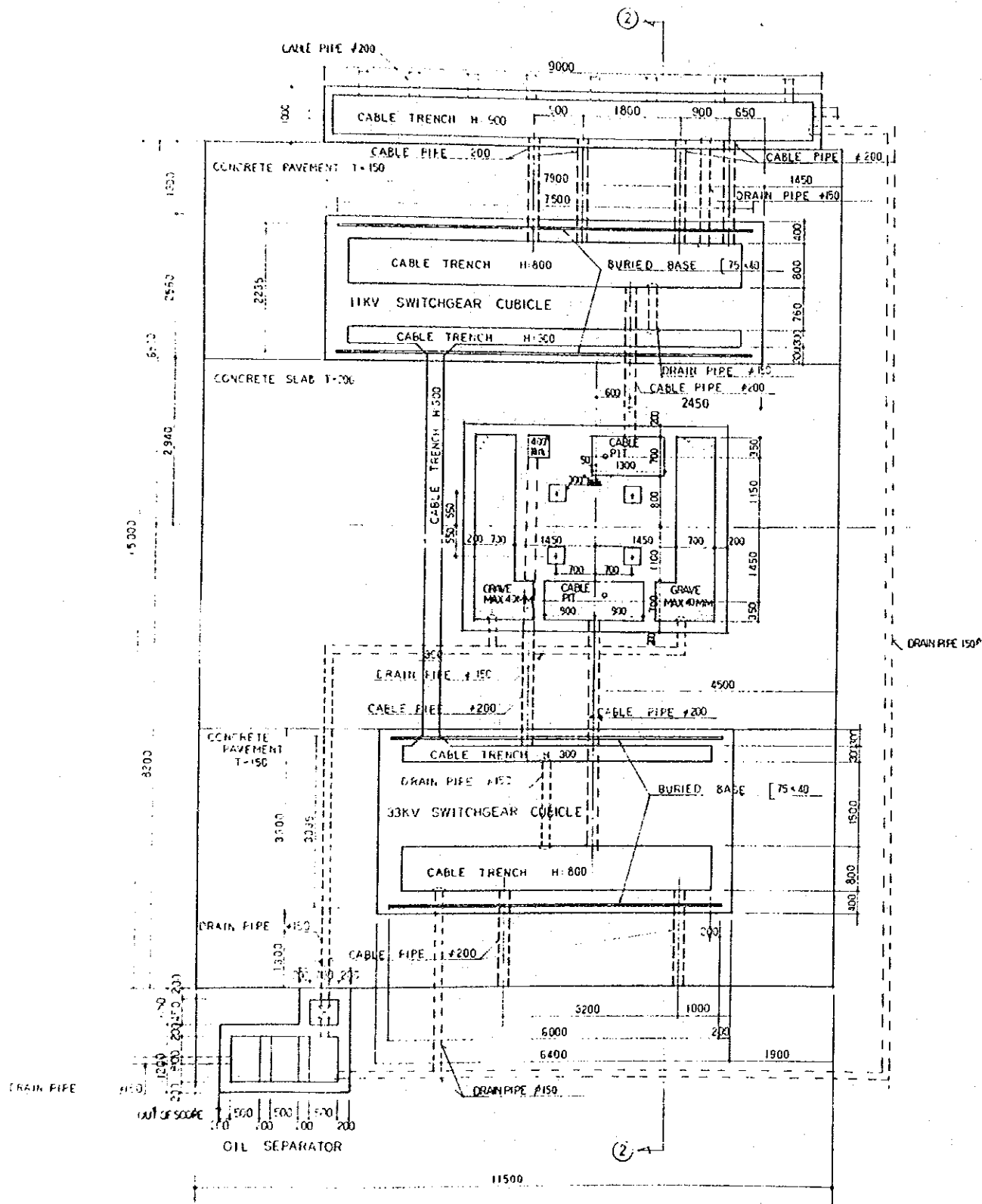


LEGEND

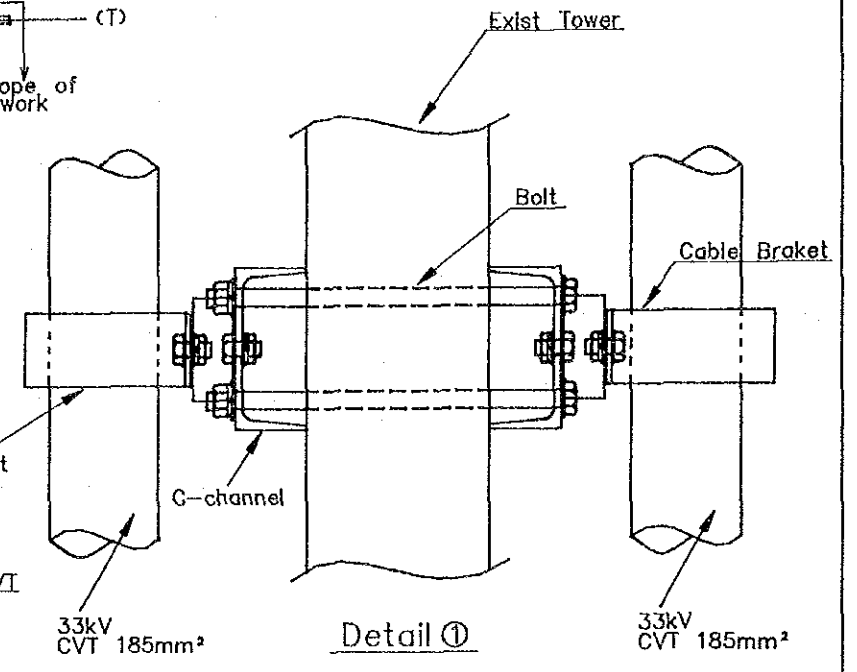
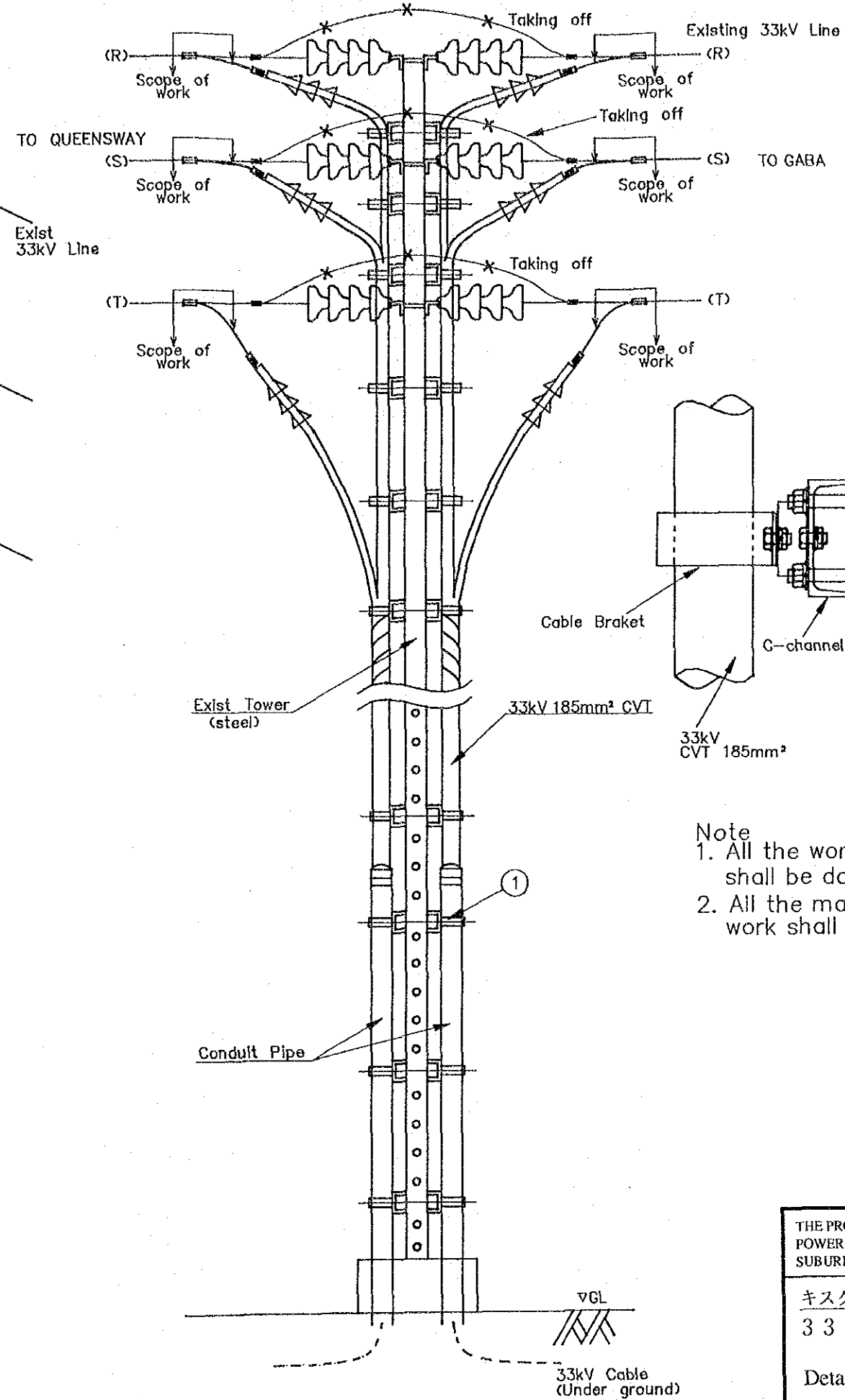
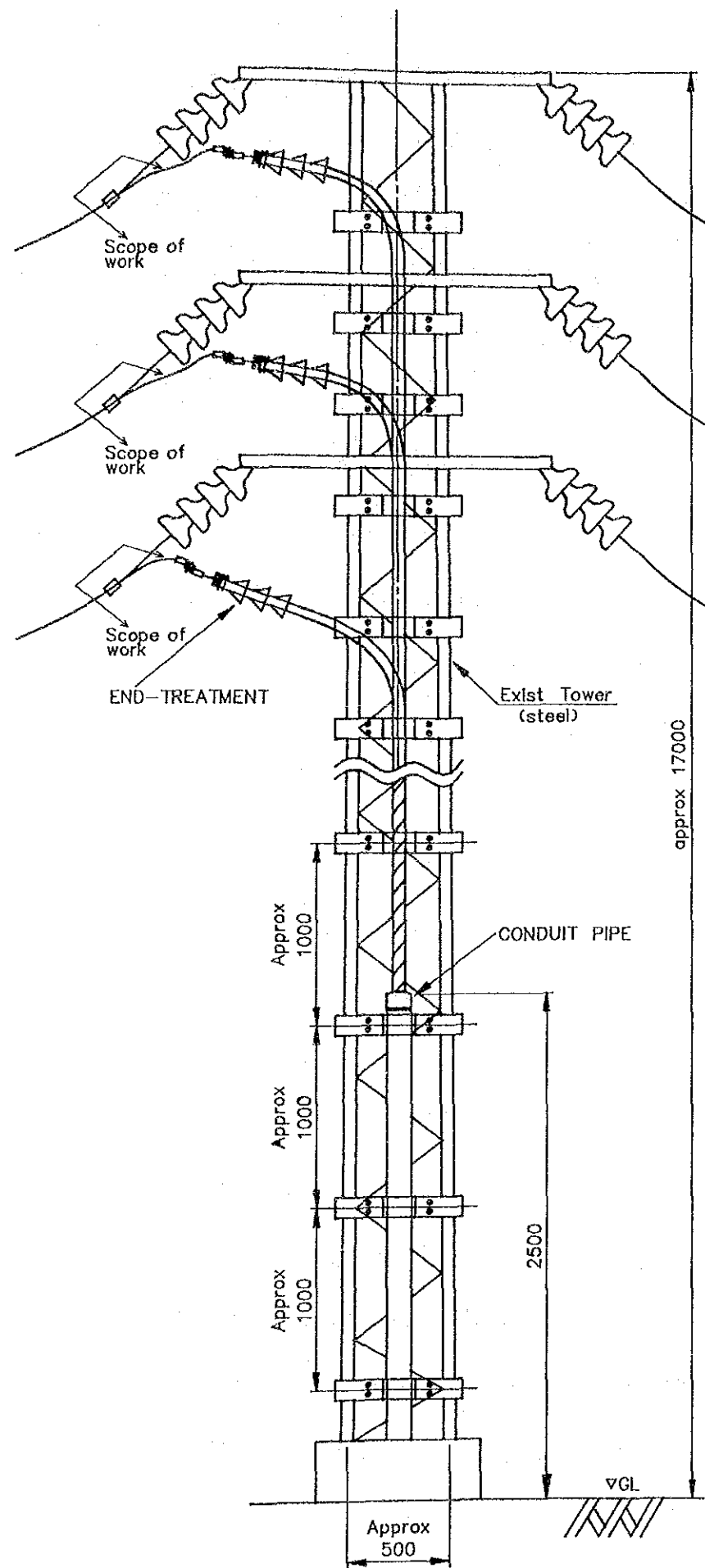
SYM BOL	DESCRIPTION
LA	Lightning Arrestor
CH	Cable Head
F	Front
BM	Bench Mark

Note: Gravelling work around the foundation for the project shall be done by UEB.

THE PROJECT FOR THE REINFORCEMENT OF ELECTRIC POWER DISTRIBUTION NETWORK IN KAMPALA SUBURBAN AREA IN THE REPUBLIC OF UGANDA	SCALE 1/200
キスグ変電所 (Kisugu Substation)	DWG NO.
設備配置図 Equipment Layout Plan	BD-KSG -04
JAPAN INTERNATIONAL COOPERATION AGENCY	

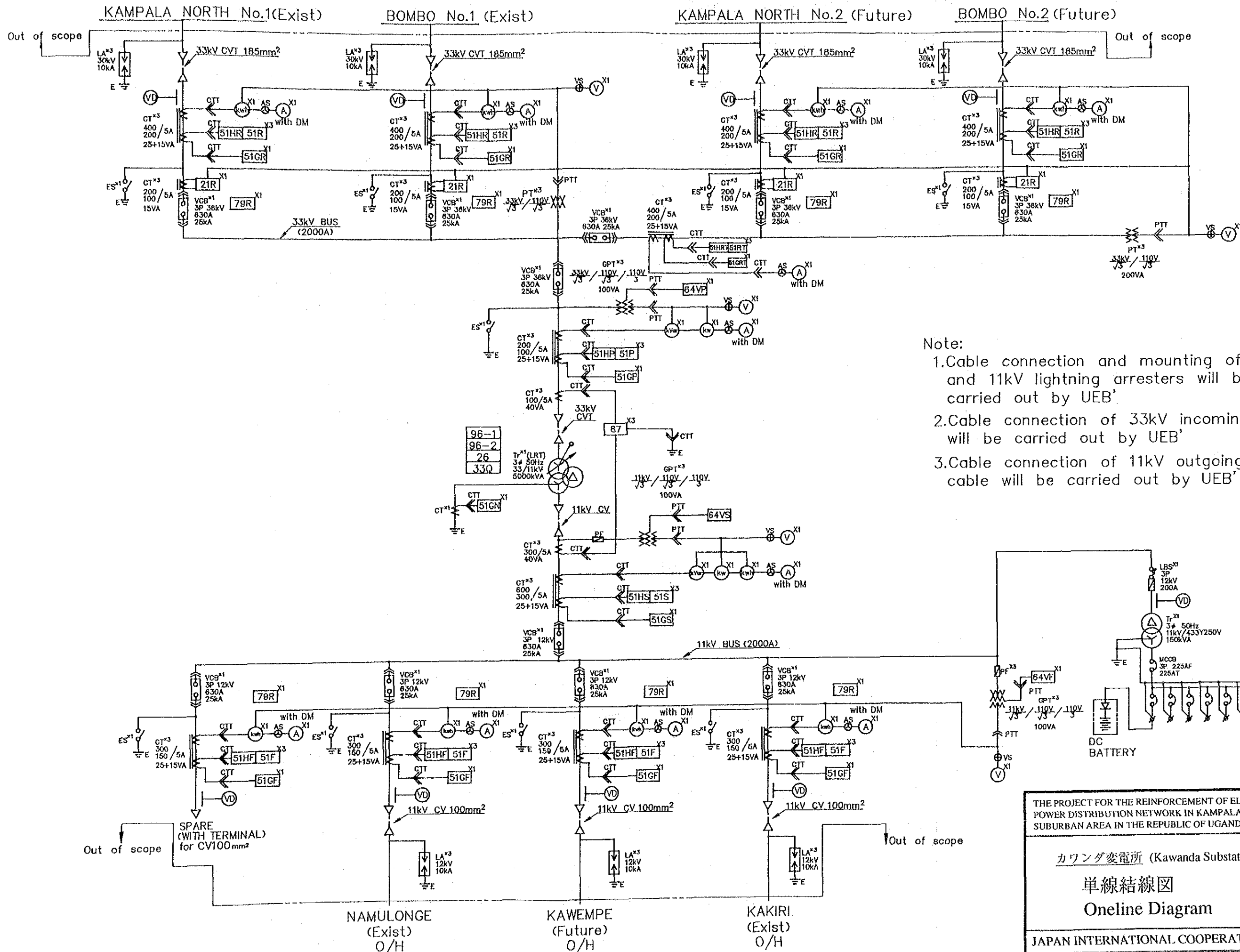


THE PROJECT FOR THE REINFORCEMENT OF ELECTRIC POWER DISTRIBUTION NETWORK IN KAMPALA SUBURBAN AREA IN THE REPUBLIC OF UGANDA	SCALE
キスグ変電所 (Kisugu Substation) ケーブルトレンチ及び基礎図 Arrangement of Cable Trench and Foundation	DWG NO. BD-KSG -05
JAPAN INTERNATIONAL COOPERATION AGENCY	

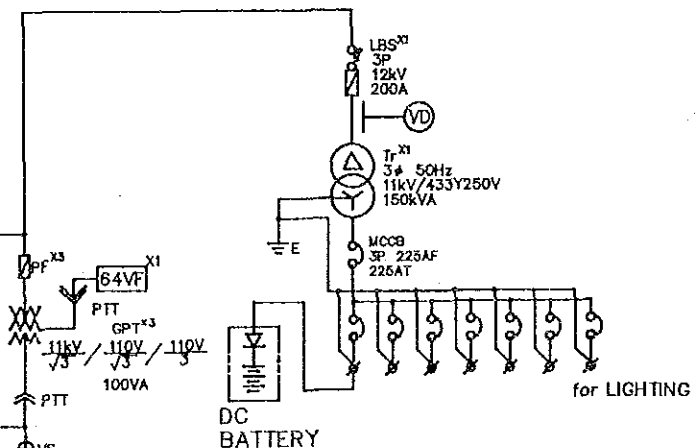


- Note
1. All the works shown in this drawing shall be done by UEB.
 2. All the materials for the cabling work shall be supplied by Japanese side.

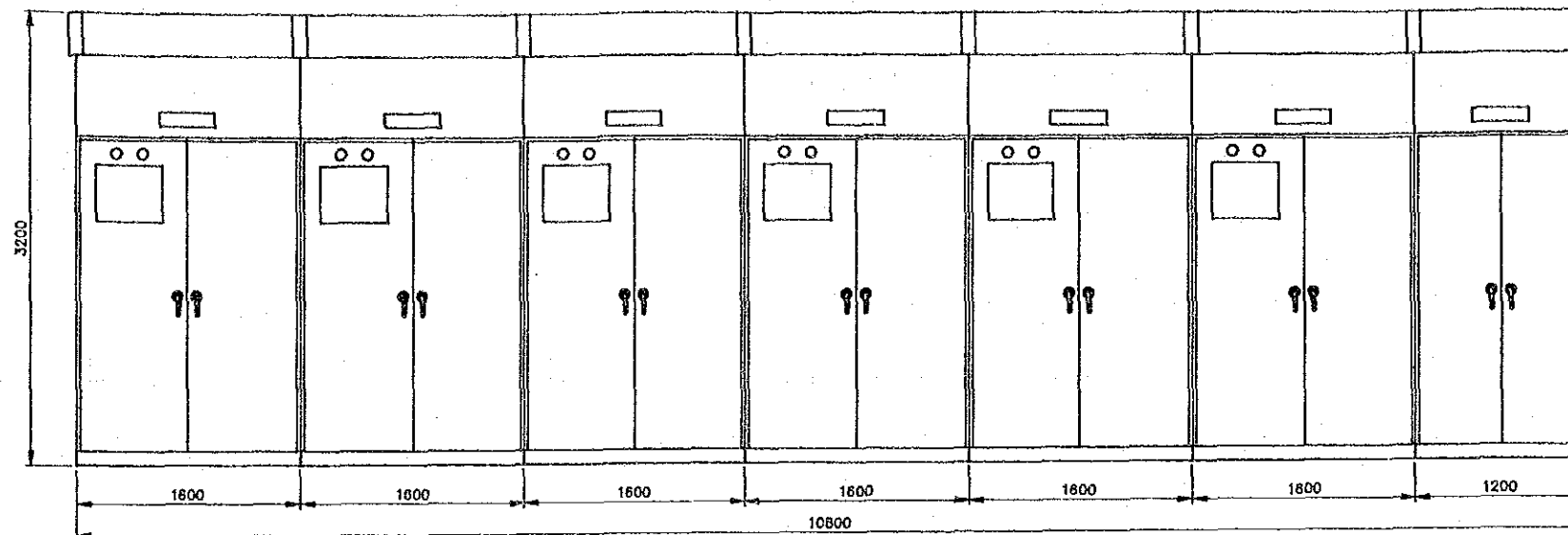
THE PROJECT FOR THE REINFORCEMENT OF ELECTRIC POWER DISTRIBUTION NETWORK IN KAMPALA SUBURBAN AREA IN THE REPUBLIC OF UGANDA	SCALE
キスグ変電所 (Kisugu Substation) 33kV送電線接続詳細図 (33kVケーブル方式) Detail of 33kV Line Connection (33kV Cable Method)	DWG NO. BD-KSG -06
JAPAN INTERNATIONAL COOPERATION AGENCY	



- Note:
1. Cable connection and mounting of 33kV and 11kV lightning arresters will be carried out by UEB'
 2. Cable connection of 33kV incoming cable will be carried out by UEB'
 3. Cable connection of 11kV outgoing cable will be carried out by UEB'



THE PROJECT FOR THE REINFORCEMENT OF ELECTRIC POWER DISTRIBUTION NETWORK IN KAMPALA SUBURBAN AREA IN THE REPUBLIC OF UGANDA	SCALE
カワンダ変電所 (Kawanda Substation)	DWG NO.
単線結線図 Online Diagram	BD-KWD -01
JAPAN INTERNATIONAL COOPERATION AGENCY	



33kV
line feeder
KAMPALA
NORTH No.1

33kV
line feeder
BOMBO No.1

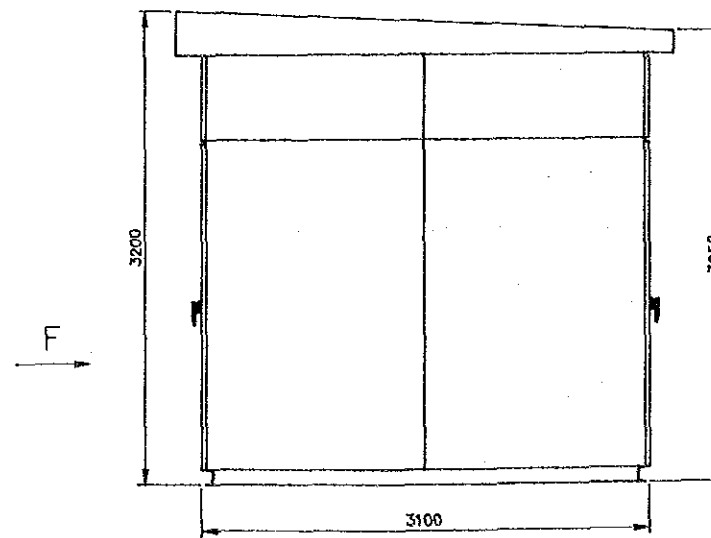
33kV
transformer feeder

33kV BUSBAR AND
COUPLING SECTION

33kV
line feeder
KAMPALA
NORTH No.2

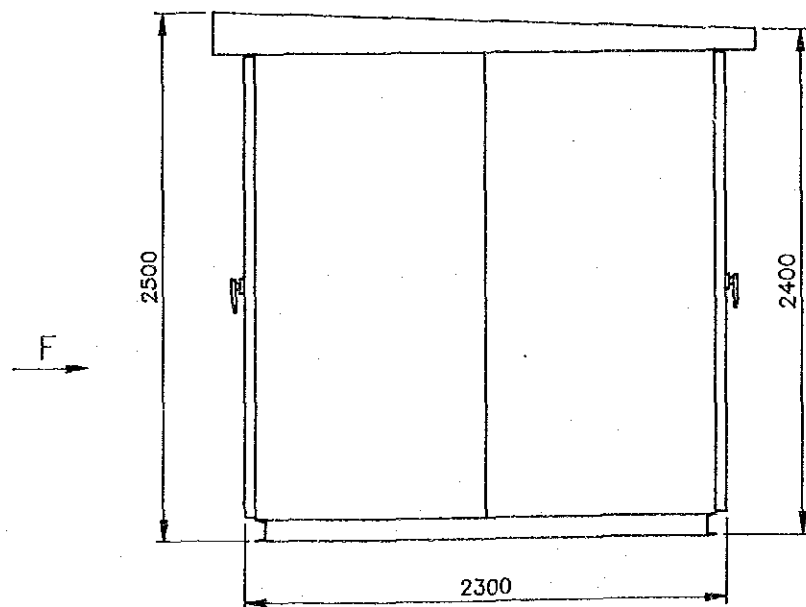
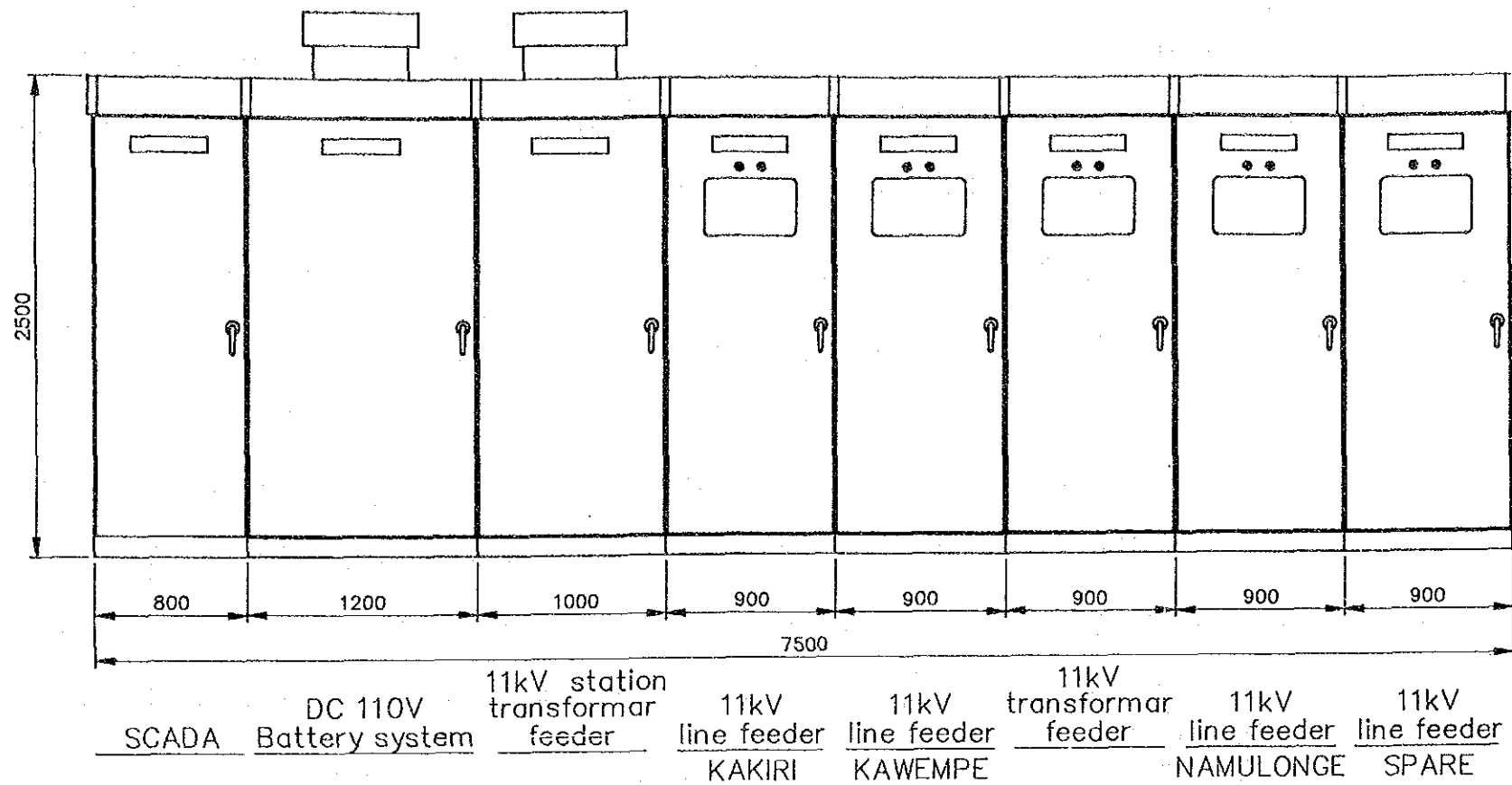
33kV
line feeder
BOMBO No.2

33kV
auxiliary



SIDE VIEW

THE PROJECT FOR THE REINFORCEMENT OF ELECTRIC POWER DISTRIBUTION NETWORK IN KAMPALA SUBURBAN AREA IN THE REPUBLIC OF UGANDA	SCALE
カワンダ変電所 (Kawanda Substation)	DWG NO.
33kV屋外式閉鎖型配電盤外形図 Outline of 33kV Outdoor Type Cubicle	BD-KWD -02
JAPAN INTERNATIONAL COOPERATION AGENCY	



THE PROJECT FOR THE REINFORCEMENT OF ELECTRIC POWER DISTRIBUTION NETWORK IN KAMPALA SUBURBAN AREA IN THE REPUBLIC OF UGANDA	SCALE
カワ ندا変電所 (Kawanda Substation)	DWG NO.
11kV屋外式閉鎖型配電盤外形図 Outline of 11kV Outdoor Type Cubicle	BD-KWD -03
JAPAN INTERNATIONAL COOPERATION AGENCY	

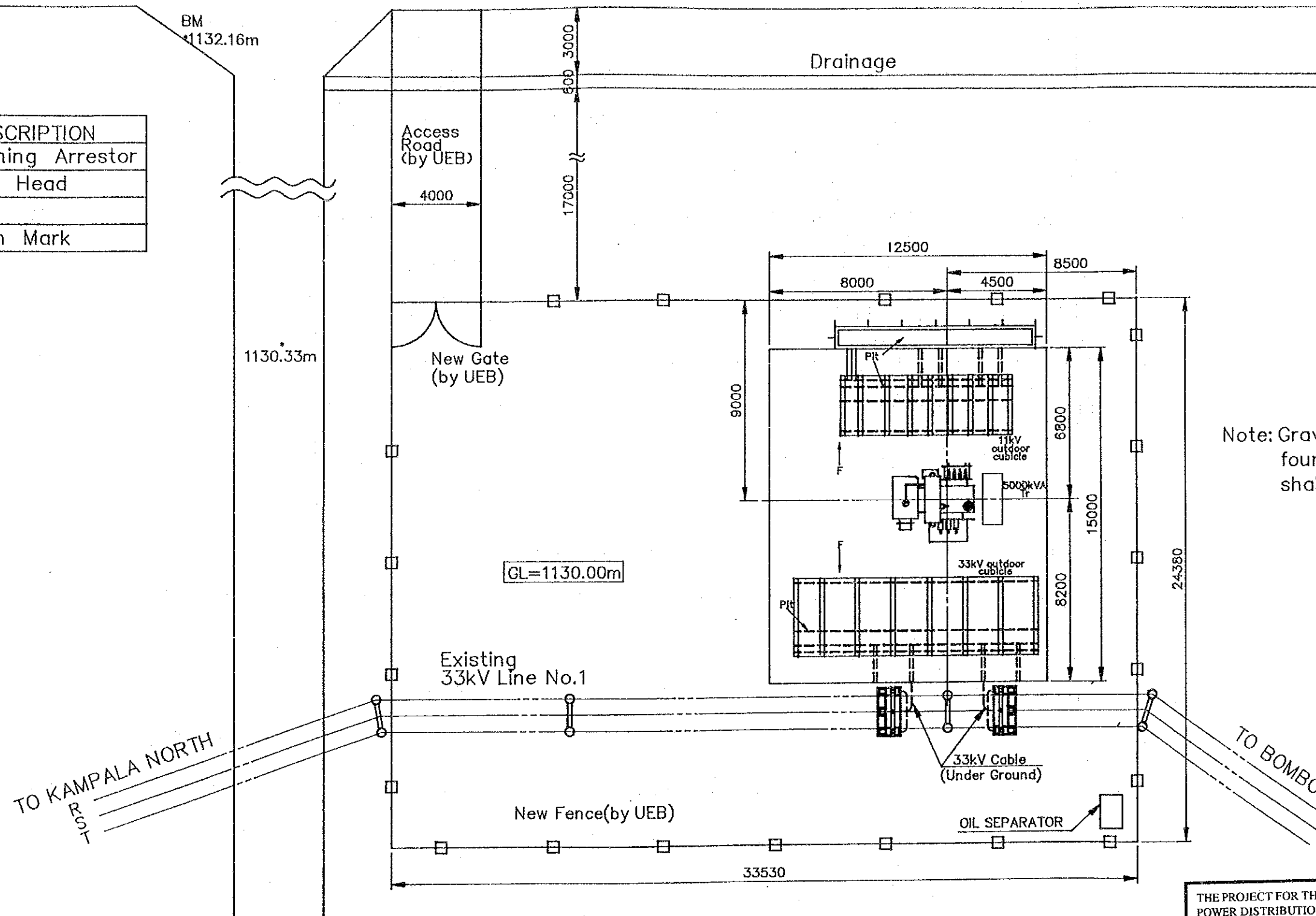
TO KAMPALA

BOMBO ROAD

TO BOMBO

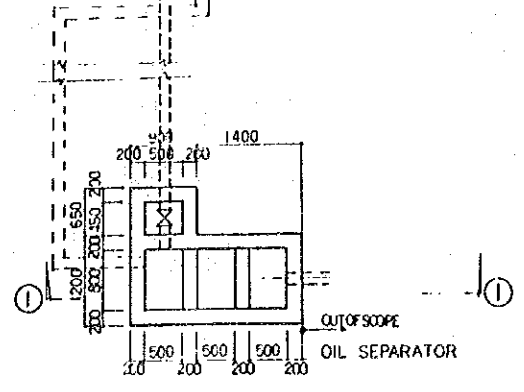
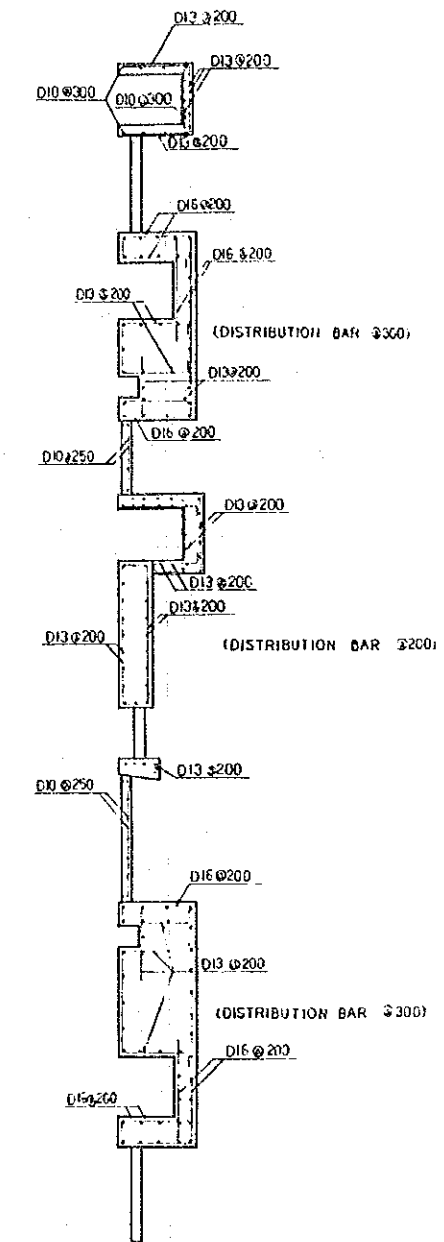
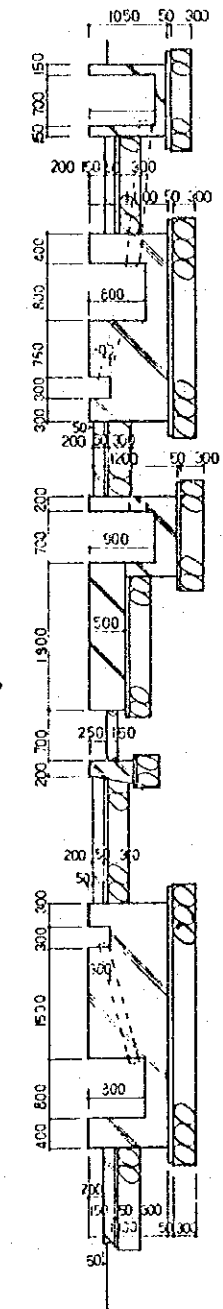
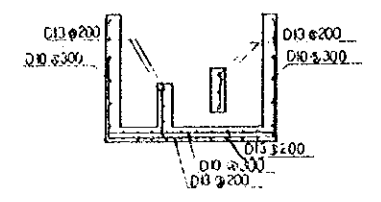
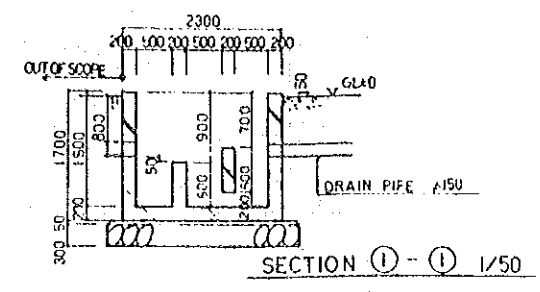
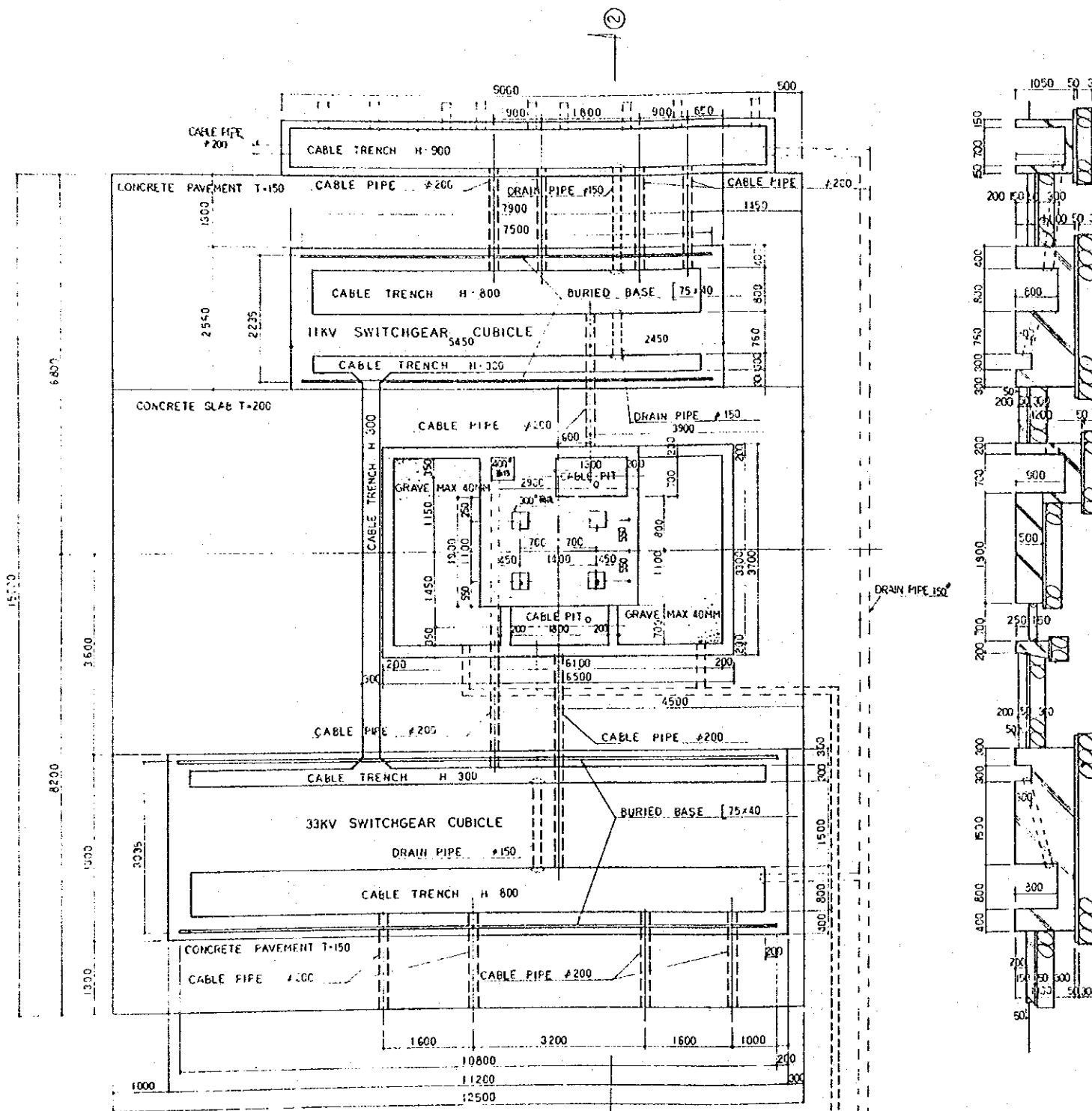
LEGEND

SYM BOL	DESCRIPTION
LA	Lightning Arrestor
CH	Cable Head
F	Front
BM	Bench Mark

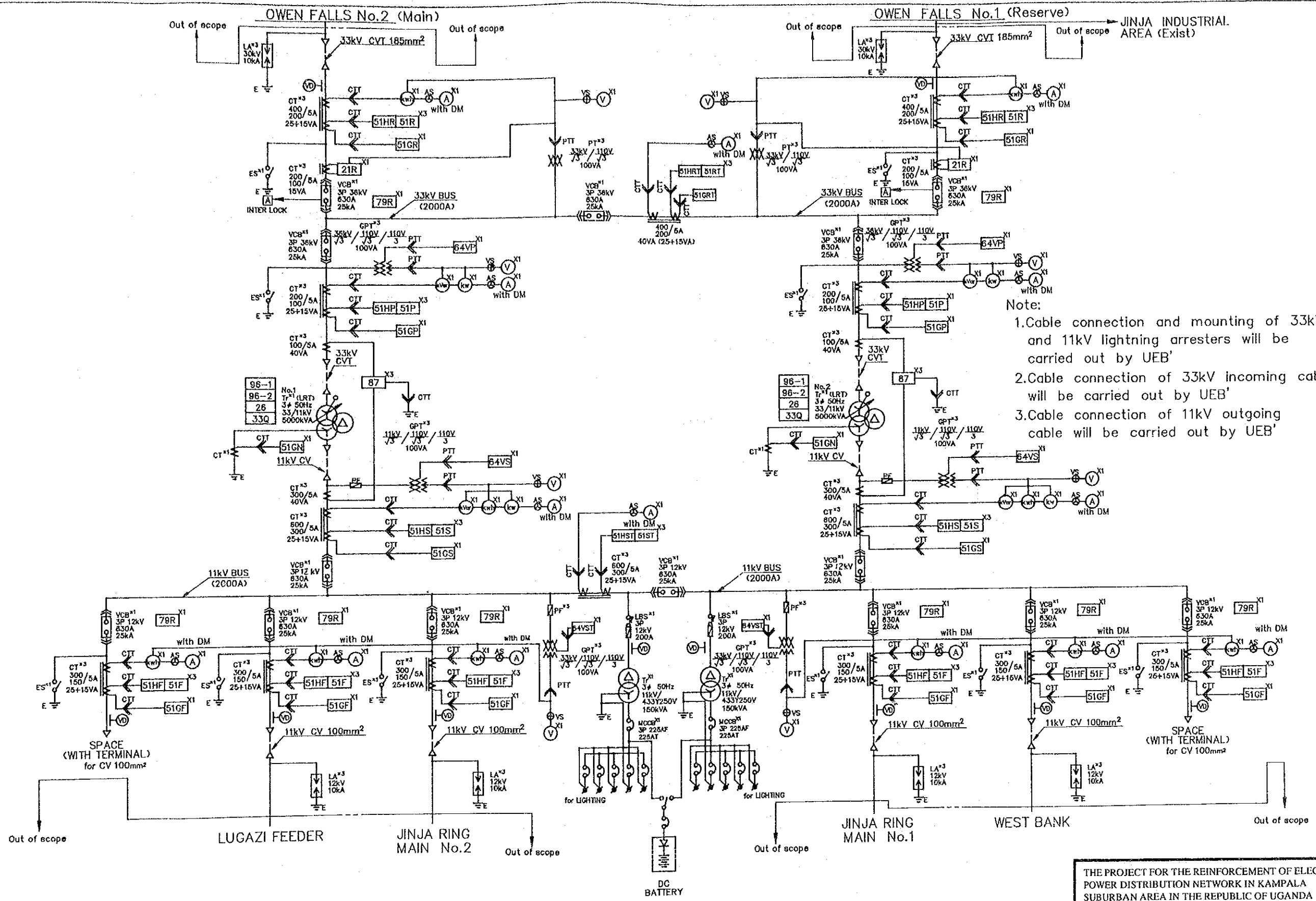


Note: Gravelling work around the foundation for the project shall be done by UEB.

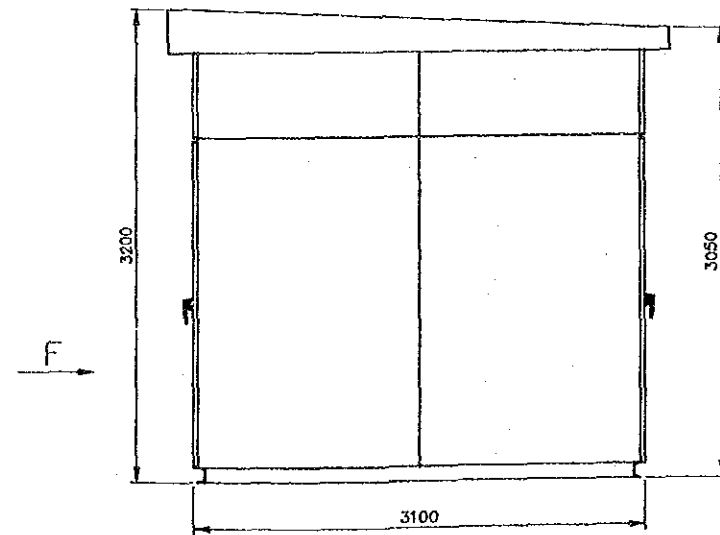
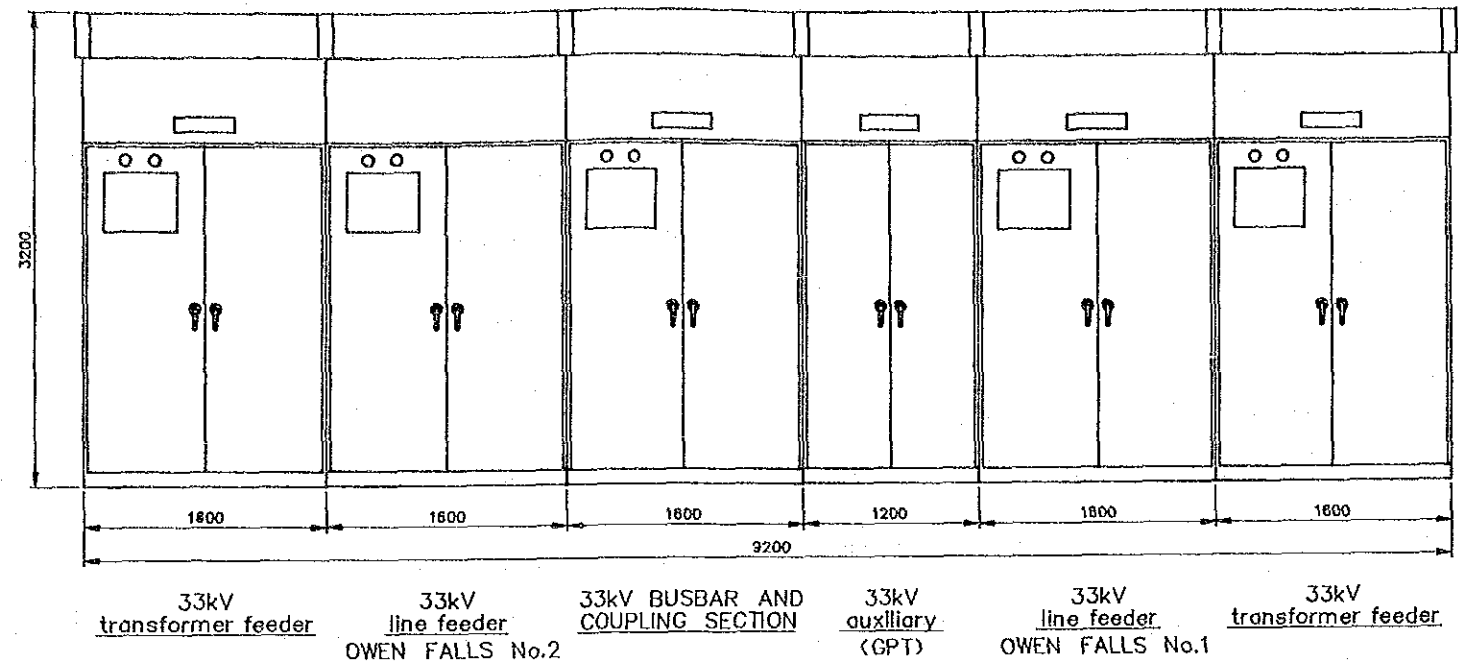
THE PROJECT FOR THE REINFORCEMENT OF ELECTRIC POWER DISTRIBUTION NETWORK IN KAMPALA SUBURBAN AREA IN THE REPUBLIC OF UGANDA	SCALE 1/200
カワ ندا変電所 (Kawanda Substation)	DWG NO.
設備配置図 Equipment Layout Plan	BD-KWD .04
JAPAN INTERNATIONAL COOPERATION AGENCY	



THE PROJECT FOR THE REINFORCEMENT OF ELECTRIC POWER DISTRIBUTION NETWORK IN KAMPALA SUBURBAN AREA IN THE REPUBLIC OF UGANDA	SCALE
カワ ندا変電所 (Kawanda Substation)	DWG NO.
ケーブルトレンチ及び基礎図 Arrangement of Cable Trench and Foundation	BD-KWD -05
JAPAN INTERNATIONAL COOPERATION AGENCY	

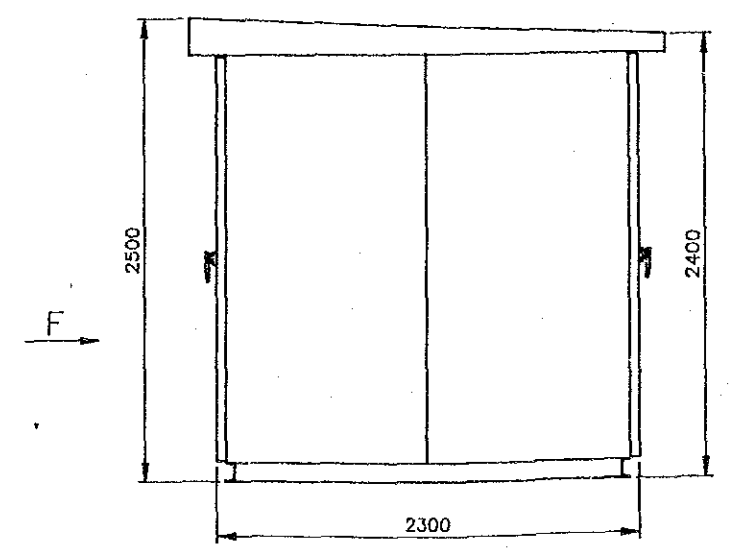
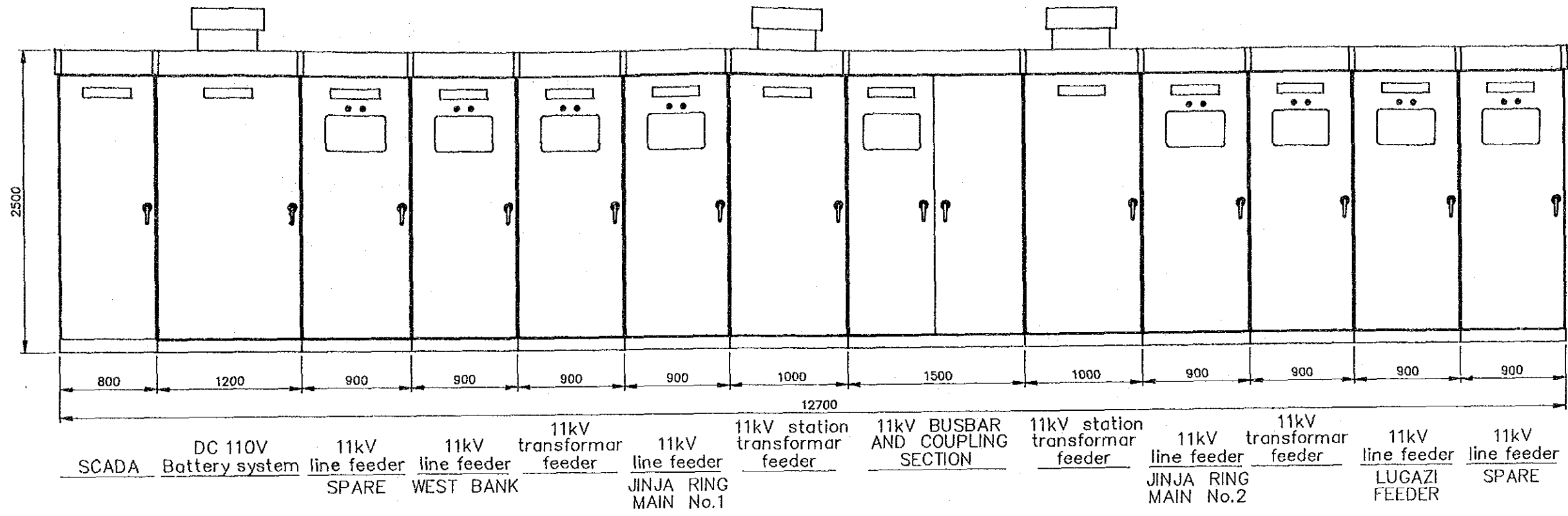


THE PROJECT FOR THE REINFORCEMENT OF ELECTRIC POWER DISTRIBUTION NETWORK IN KAMPALA SUBURBAN AREA IN THE REPUBLIC OF UGANDA	SCALE
ンジェル変電所 (Njeru Substation)	DWG NO.
単線結線図 Online Diagram	BD-NJR .01
JAPAN INTERNATIONAL COOPERATION AGENCY	

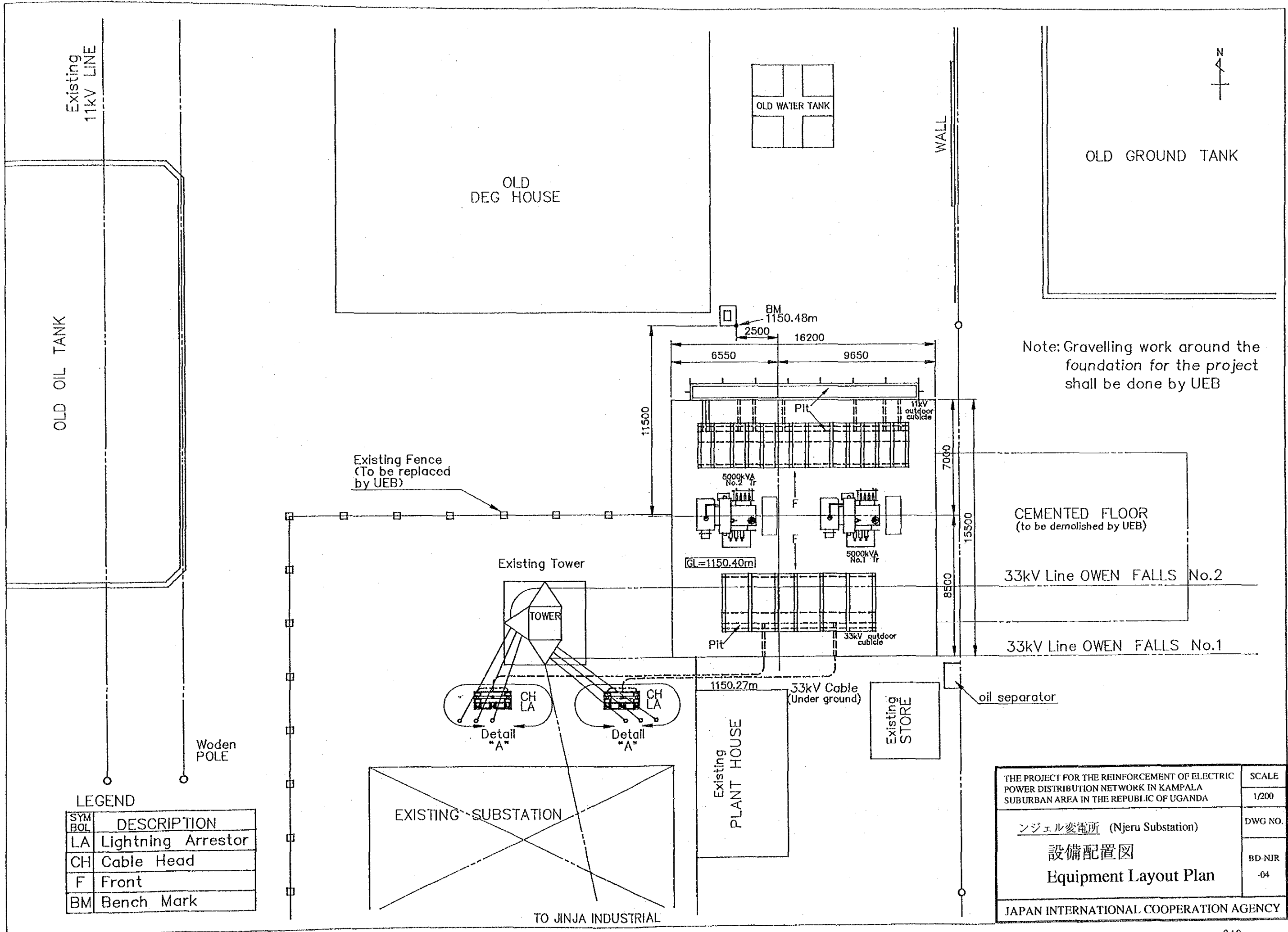


SIDE VIEW

THE PROJECT FOR THE REINFORCEMENT OF ELECTRIC POWER DISTRIBUTION NETWORK IN KAMPALA SUBURBAN AREA IN THE REPUBLIC OF UGANDA	SCALE
ンジェル変電所 (Njeru Substation)	DWG NO.
33kV屋外式閉鎖型配電盤外形図 Outline of 33kV Outdoor Type Cubicle	BD-NJR -02
JAPAN INTERNATIONAL COOPERATION AGENCY	



THE PROJECT FOR THE REINFORCEMENT OF ELECTRIC POWER DISTRIBUTION NETWORK IN KAMPALA SUBURBAN AREA IN THE REPUBLIC OF UGANDA	SCALE
ンジェル変電所 (Njeru Substation)	DWG NO.
11kV屋外式閉鎖型配電盤外形図 Outline of 11kV Outdoor Type Cubicle	BD-NJR -03
JAPAN INTERNATIONAL COOPERATION AGENCY	



Note: Gravelling work around the foundation for the project shall be done by UEB

CEMENTED FLOOR
(to be demolished by UEB)

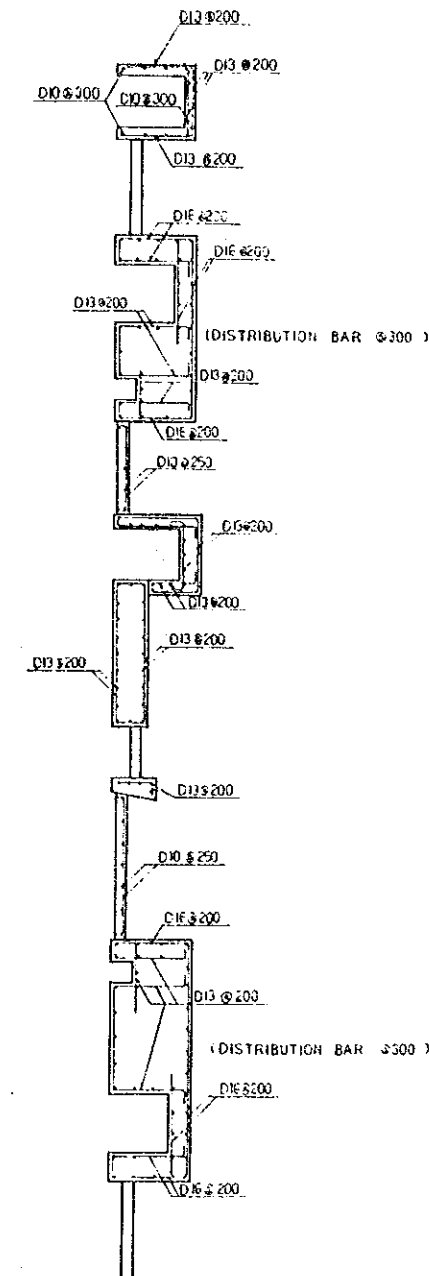
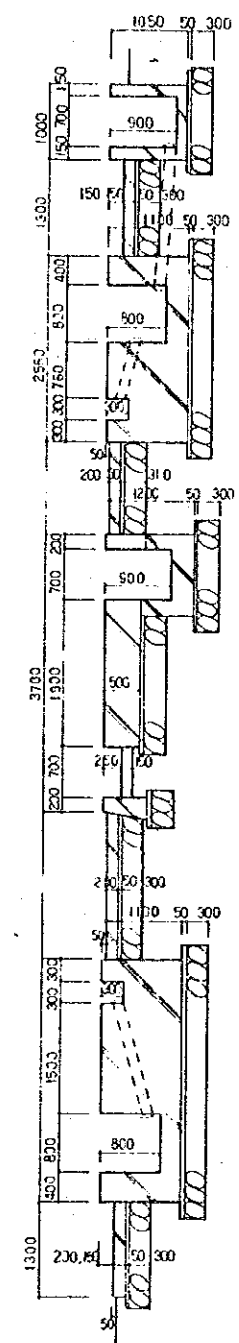
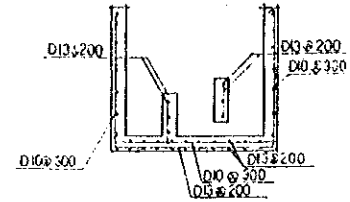
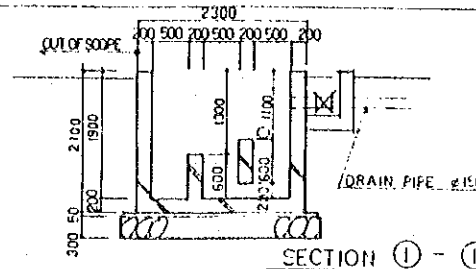
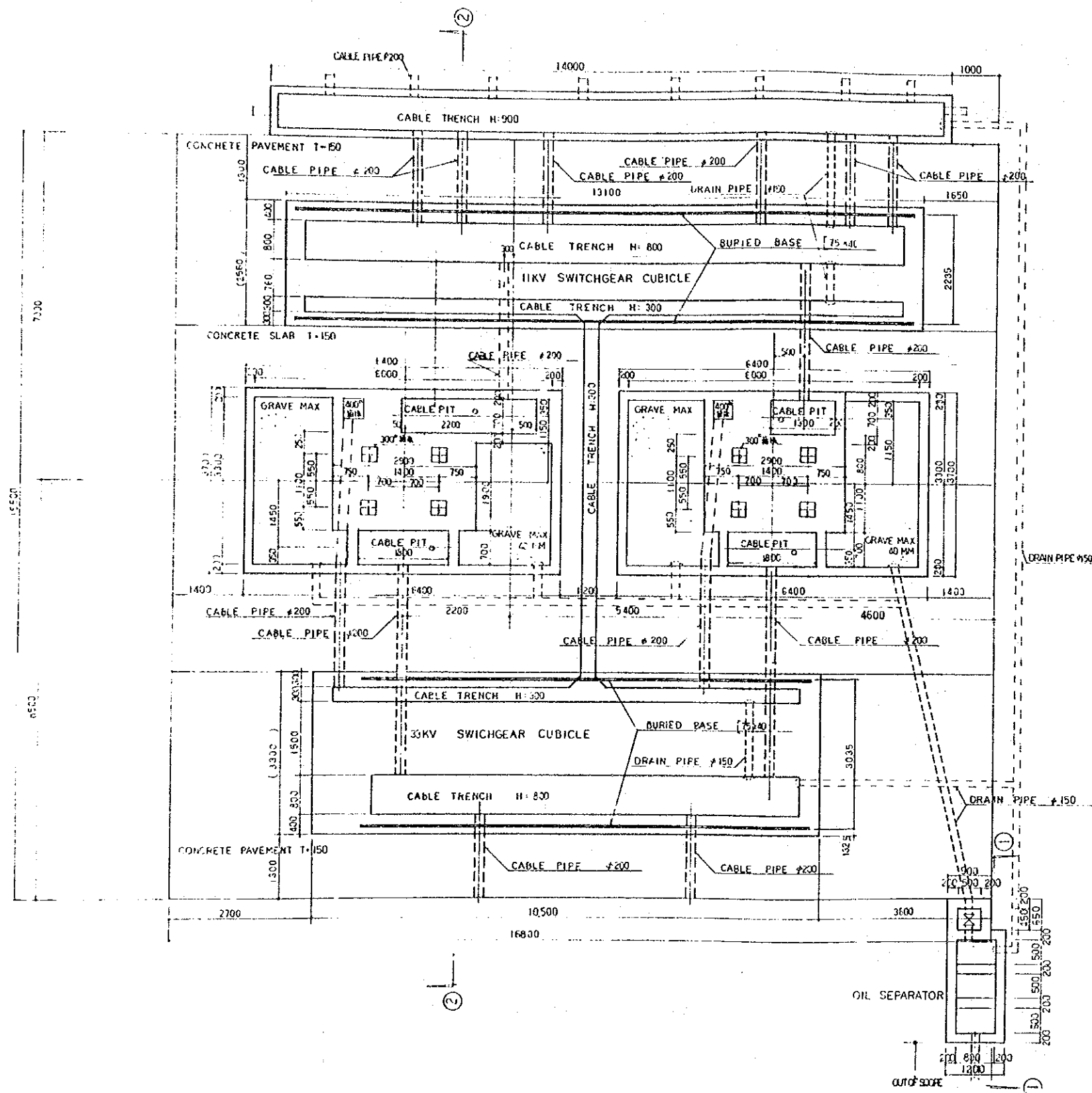
33kV Line OWEN FALLS No.2

33kV Line OWEN FALLS No.1

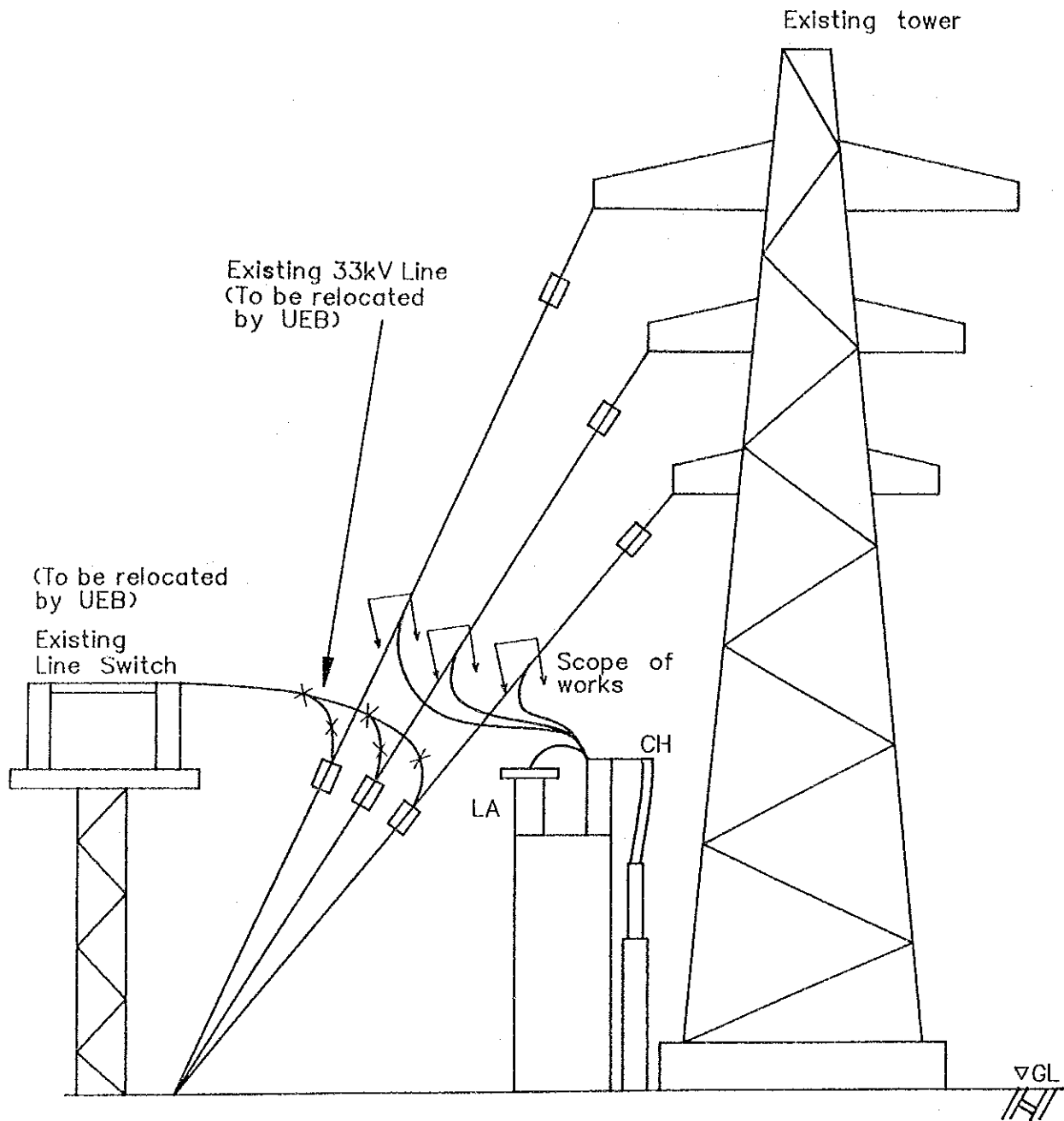
THE PROJECT FOR THE REINFORCEMENT OF ELECTRIC POWER DISTRIBUTION NETWORK IN KAMPALA SUBURBAN AREA IN THE REPUBLIC OF UGANDA		SCALE
		1/200
ンジェル変電所 (Njeru Substation)		DWG NO.
設備配置図		BD-NJR
Equipment Layout Plan		-04
JAPAN INTERNATIONAL COOPERATION AGENCY		

LEGEND

SYM BOL	DESCRIPTION
LA	Lightning Arrestor
CH	Cable Head
F	Front
BM	Bench Mark

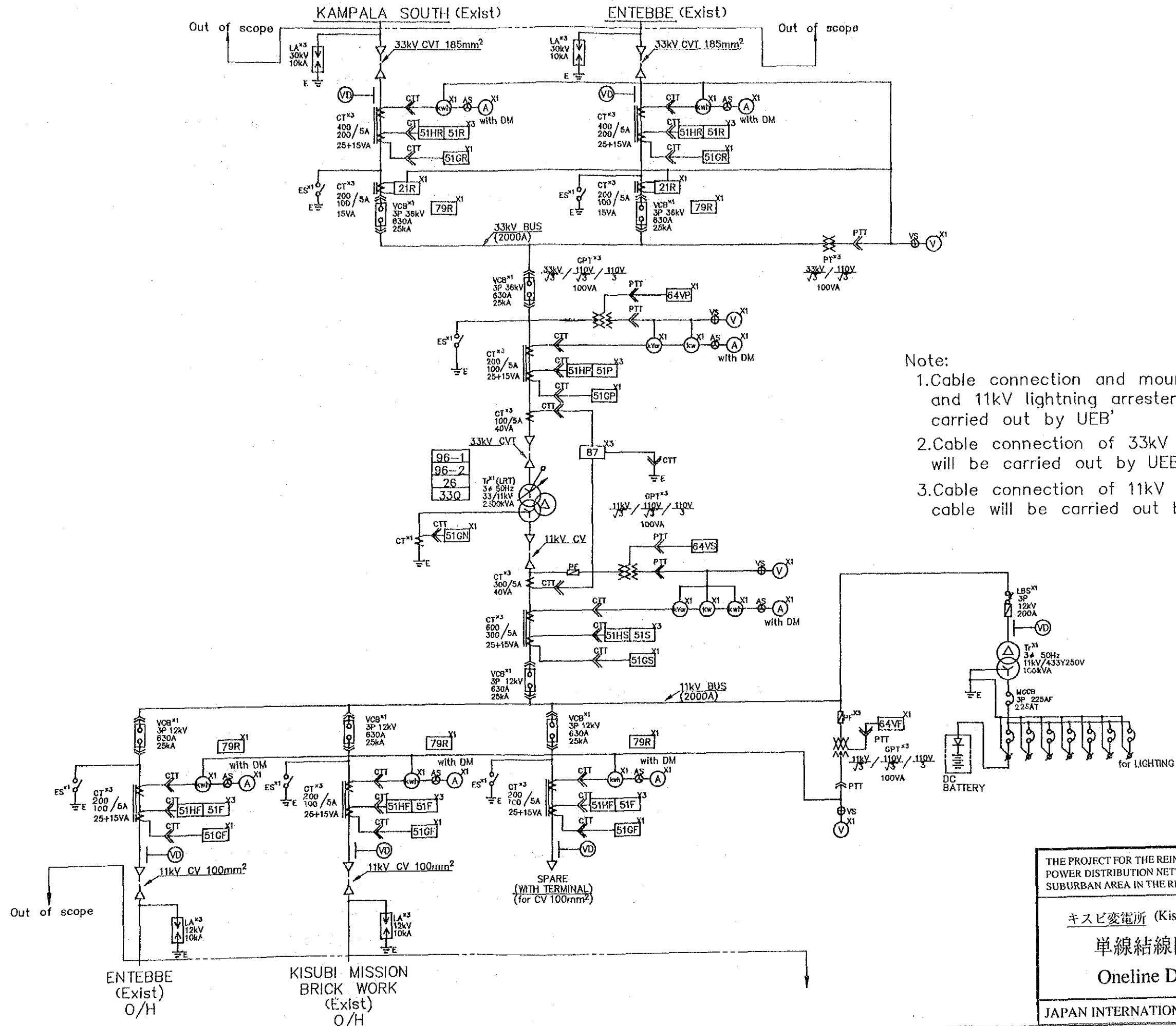


THE PROJECT FOR THE REINFORCEMENT OF ELECTRIC POWER DISTRIBUTION NETWORK IN KAMPALA SUBURBAN AREA IN THE REPUBLIC OF UGANDA	SCALE
ンジェル変電所 (Njeru Substation) ケーブルトレンチ及び基礎図 Arrangement of Cable Trench and Foundation	DWG NO.
	BD-NJR-05
JAPAN INTERNATIONAL COOPERATION AGENCY	



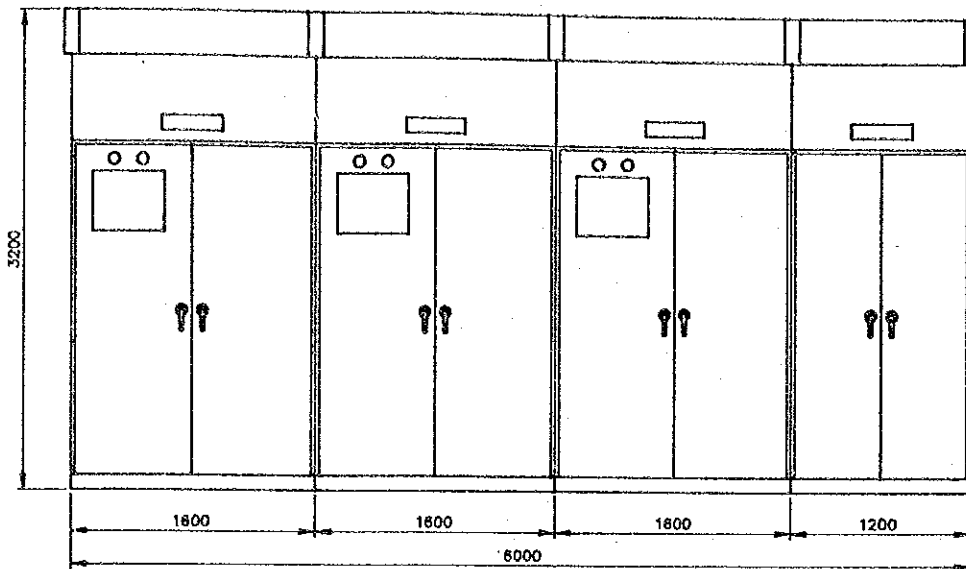
Detail "A"

THE PROJECT FOR THE REINFORCEMENT OF ELECTRIC POWER DISTRIBUTION NETWORK IN KAMPALA SUBURBAN AREA IN THE REPUBLIC OF UGANDA	SCALE
ンジェル変電所 (Njeru Substation)	DWG NO.
33kV送電線接続詳細図 Detail of 33kV Line Connection	BD-NJR -06
JAPAN INTERNATIONAL COOPERATION AGENCY	



- Note:
1. Cable connection and mounting of 33kV and 11kV lightning arresters will be carried out by UEB'
 2. Cable connection of 33kV incoming cable will be carried out by UEB'
 3. Cable connection of 11kV outgoing cable will be carried out by UEB'

THE PROJECT FOR THE REINFORCEMENT OF ELECTRIC POWER DISTRIBUTION NETWORK IN KAMPALA SUBURBAN AREA IN THE REPUBLIC OF UGANDA	SCALE
キスビ変電所 (Kisubi Substation)	DWG NO.
単線結線図 Online Diagram	BD-KSB -01
JAPAN INTERNATIONAL COOPERATION AGENCY	

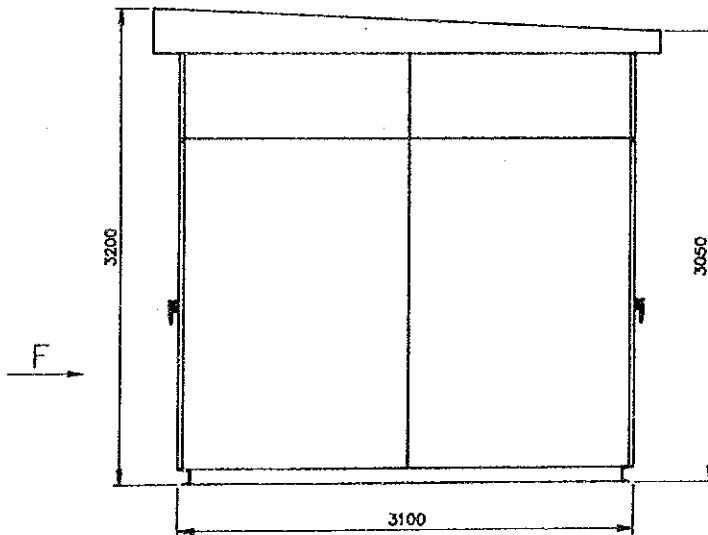


33kV
line feeder
KLA SORTH

33kV
transformer feeder

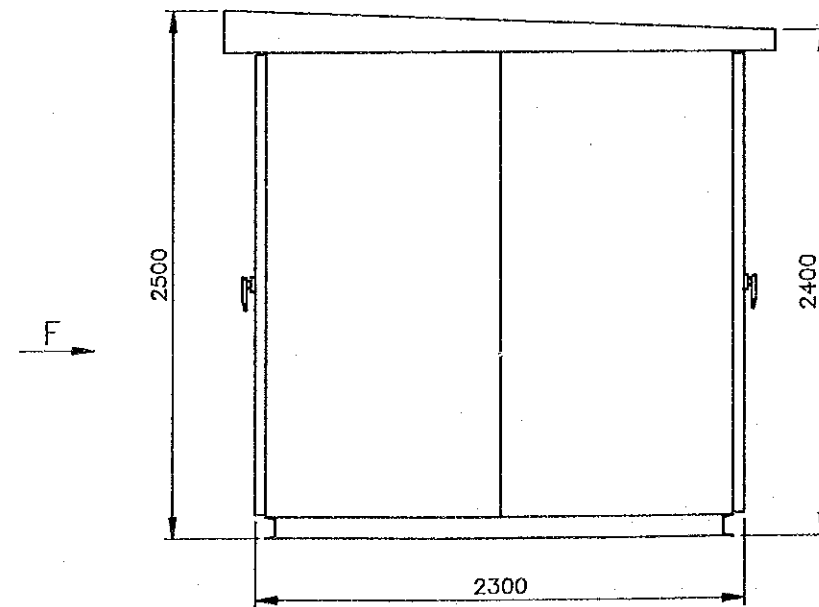
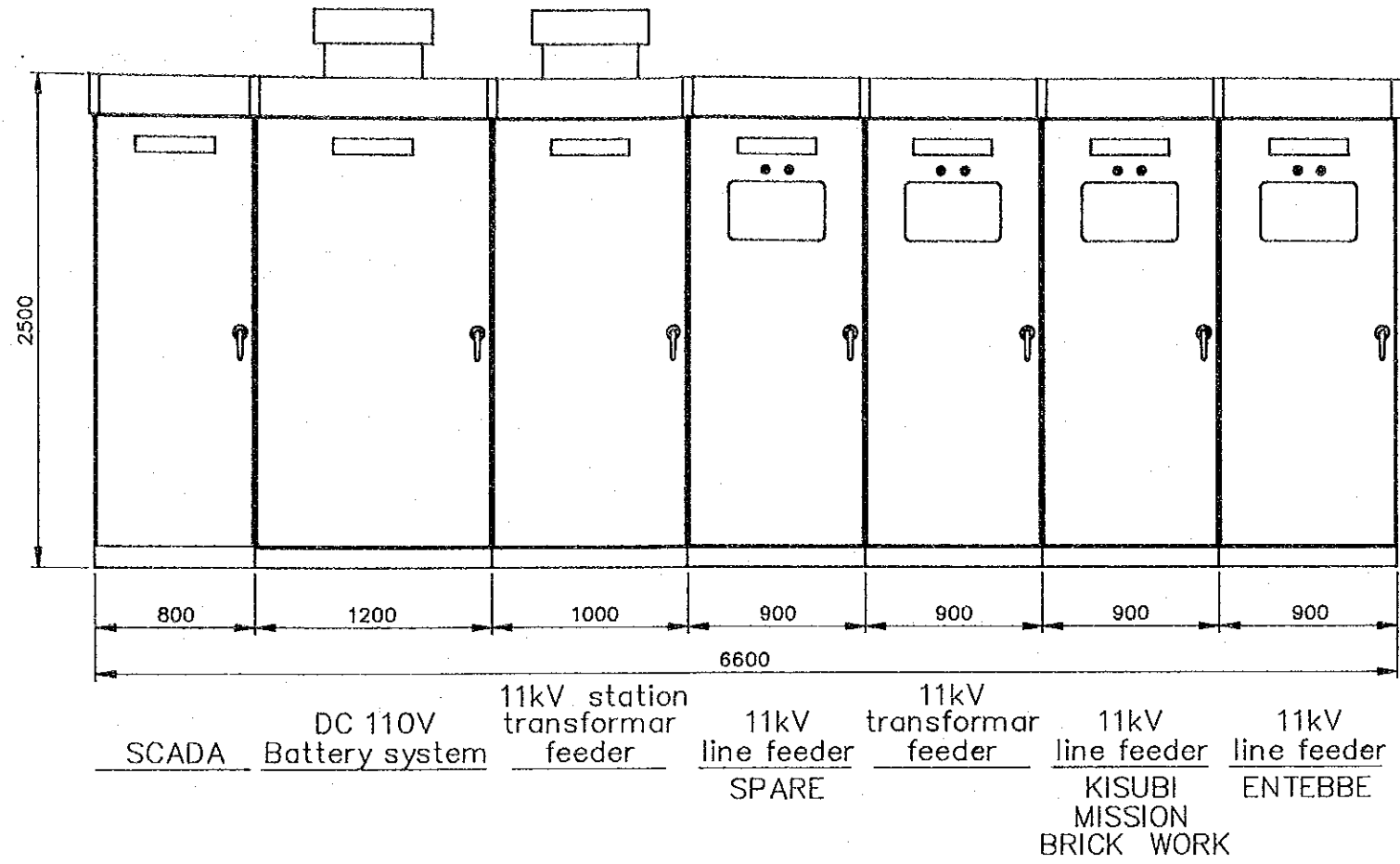
33kV
line feeder
ENTEbbe

33kV
auxiliary
(GPT)

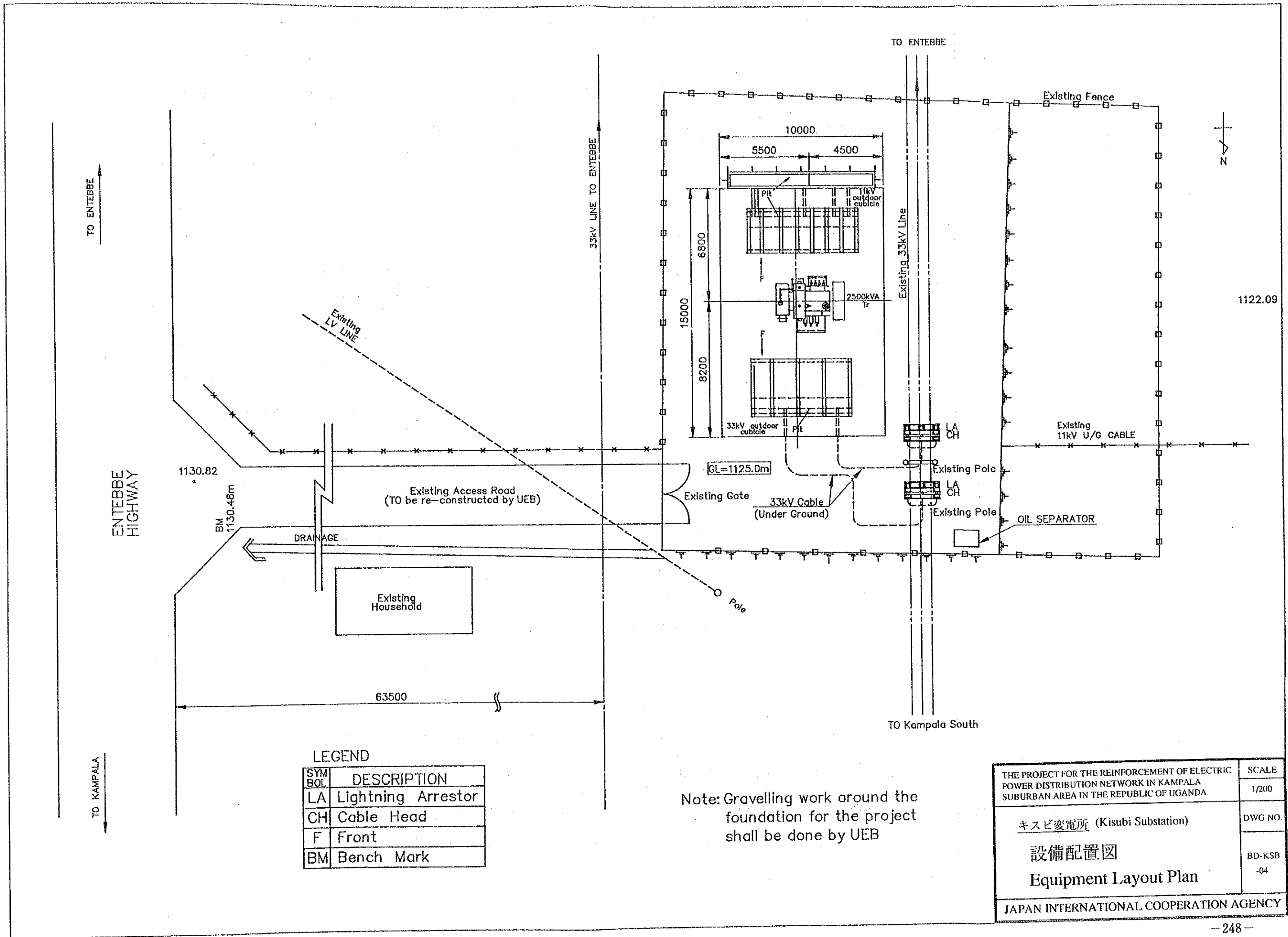


SIDE VIEW

THE PROJECT FOR THE REINFORCEMENT OF ELECTRIC POWER DISTRIBUTION NETWORK IN KAMPALA SUBURBAN AREA IN THE REPUBLIC OF UGANDA	SCALE
	-
キスビ変電所 (Kisubi Substation) 33kV屋外式閉鎖型配電盤外形図 Outline of 33kV Outdoor Type Cubicle	DWG NO.
	BD-KSB -02
JAPAN INTERNATIONAL COOPERATION AGENCY	



THE PROJECT FOR THE REINFORCEMENT OF ELECTRIC POWER DISTRIBUTION NETWORK IN KAMPALA SUBURBAN AREA IN THE REPUBLIC OF UGANDA	SCALE
キスビ変電所 (Kisubi Substation)	DWG NO.
11kV屋外式閉鎖型配電盤外形図 Outline of 11kV Outdoor Type Cubicle	BD-KSB .03
JAPAN INTERNATIONAL COOPERATION AGENCY	

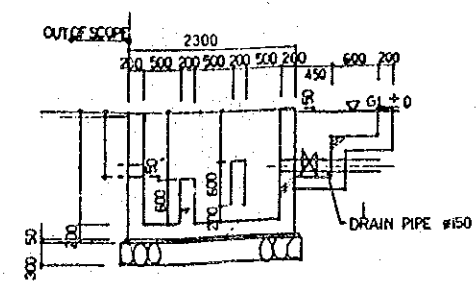
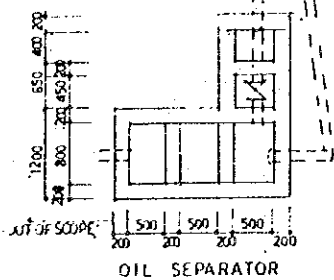
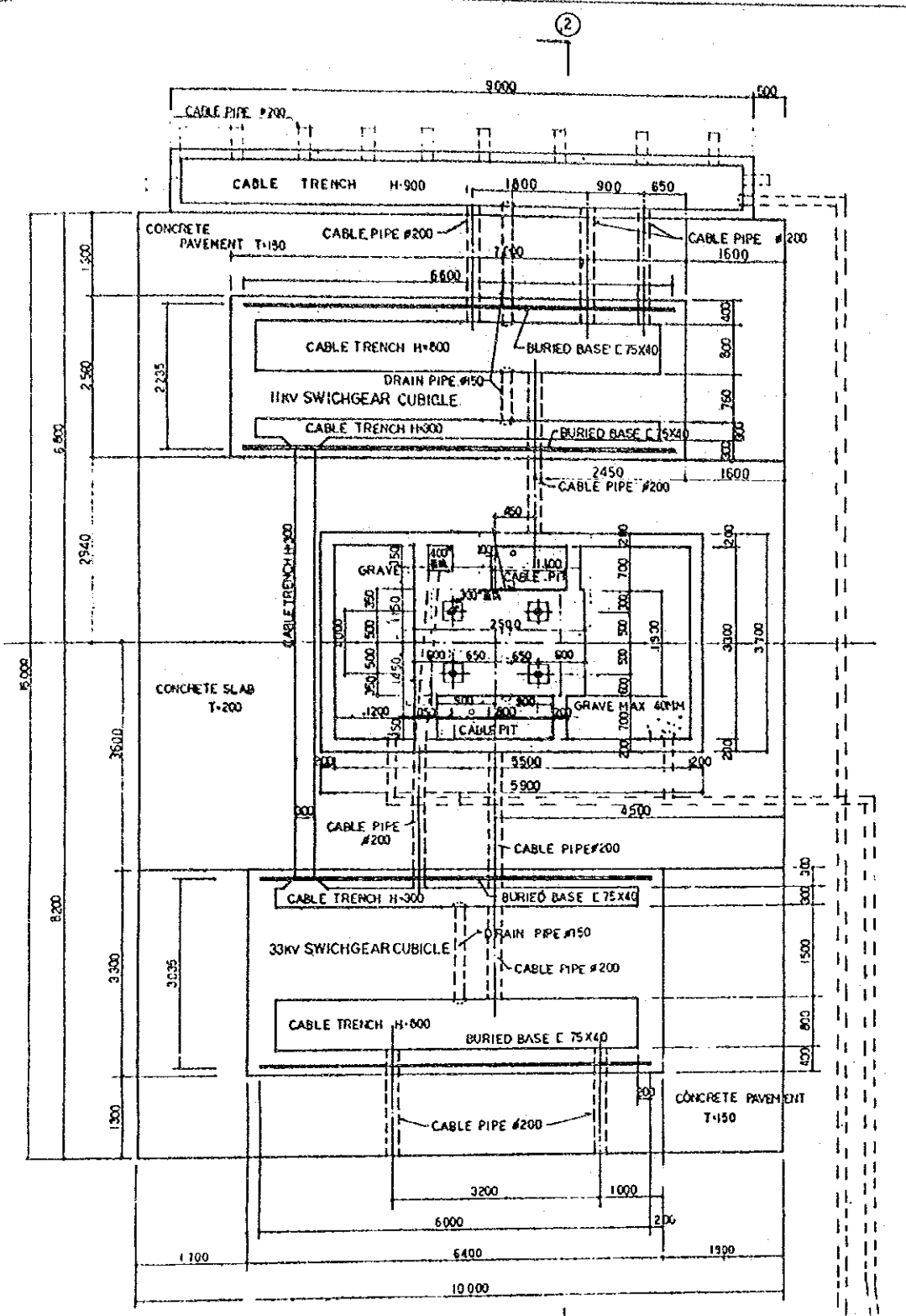


LEGEND

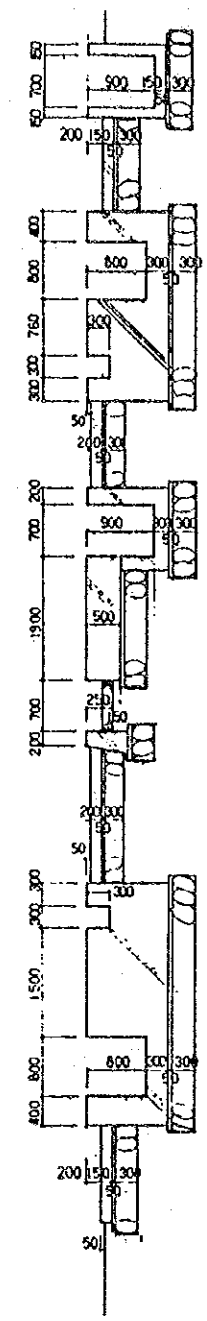
SYM BOL	DESCRIPTION
LA	Lightning Arrestor
CH	Cable Head
F	Front
BM	Bench Mark

Note: Graveling work around the foundation for the project shall be done by UEB

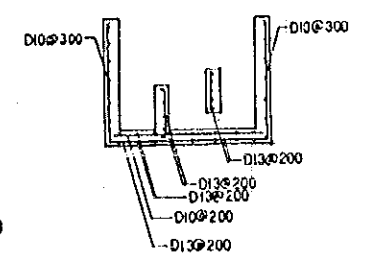
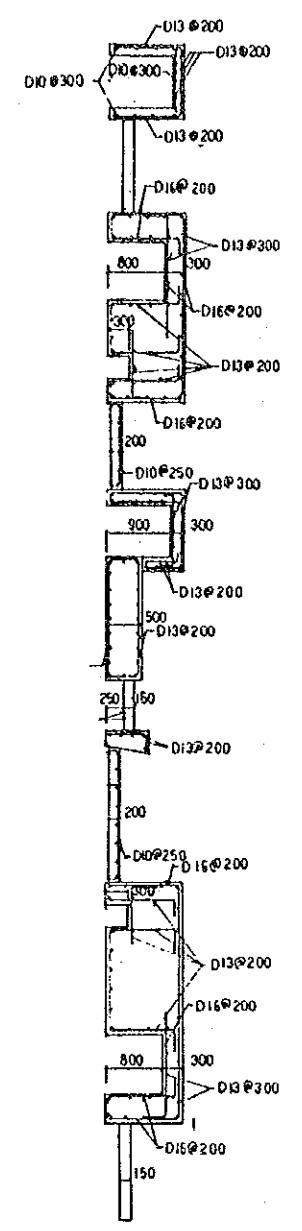
THE PROJECT FOR THE REINFORCEMENT OF ELECTRIC POWER DISTRIBUTION NETWORK IN KAMPALA SUBURBAN AREA IN THE REPUBLIC OF UGANDA	SCALE 1/200
キスビ変電所 (Kisubi Substation)	DWG NO.
設備配置図 Equipment Layout Plan	BD-KSB -04
JAPAN INTERNATIONAL COOPERATION AGENCY	



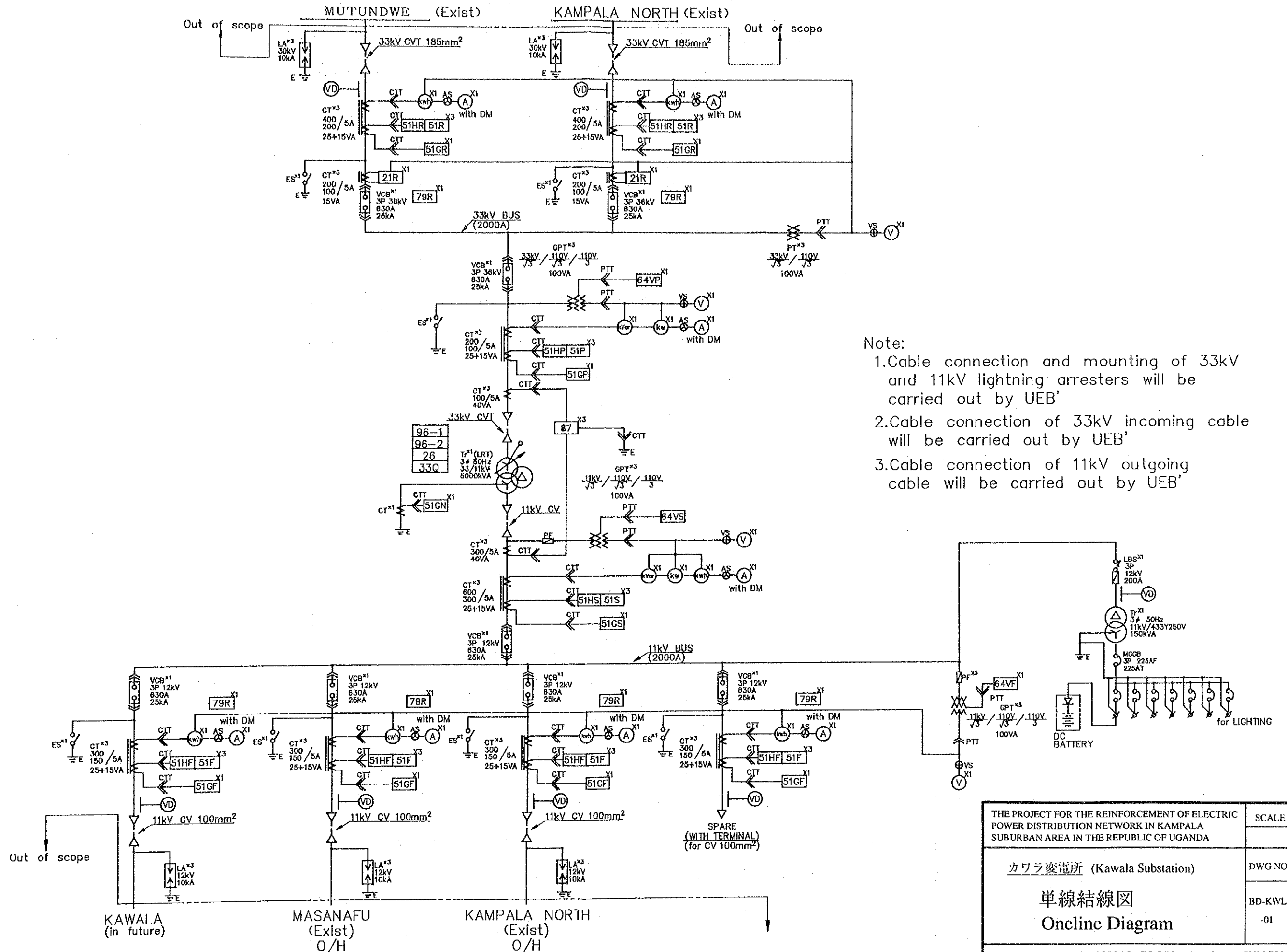
SECTION ①-① 1/50



SECTION ②-② 1/50

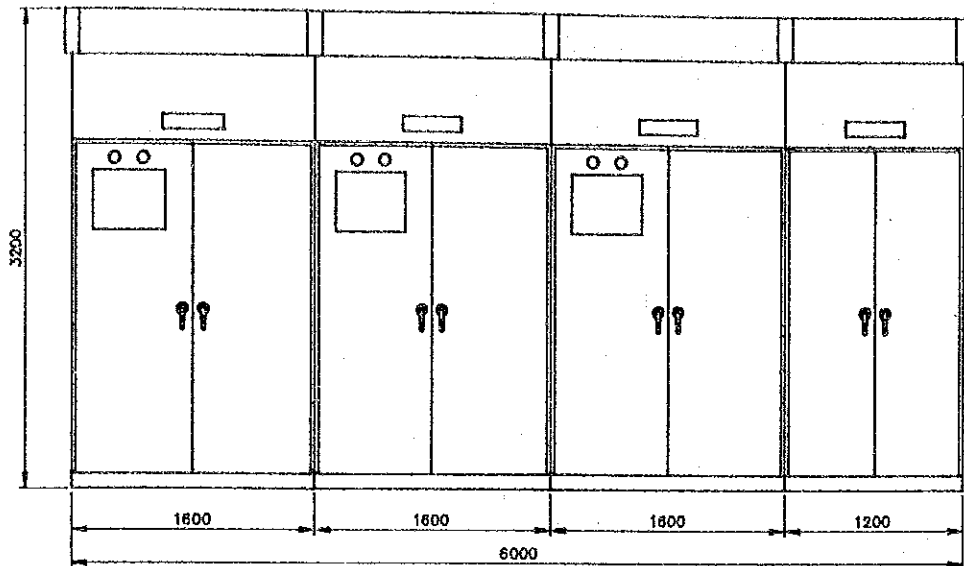


THE PROJECT FOR THE REINFORCEMENT OF ELECTRIC POWER DISTRIBUTION NETWORK IN KAMPALA SUBURBAN AREA IN THE REPUBLIC OF UGANDA	SCALE
キスビ変電所 (Kisubi Substation)	DWG NO.
ケーブルトレンチ及び基礎図 Arrangement of Cable Trench and Foundation	BD-KSB -05
JAPAN INTERNATIONAL COOPERATION AGENCY	

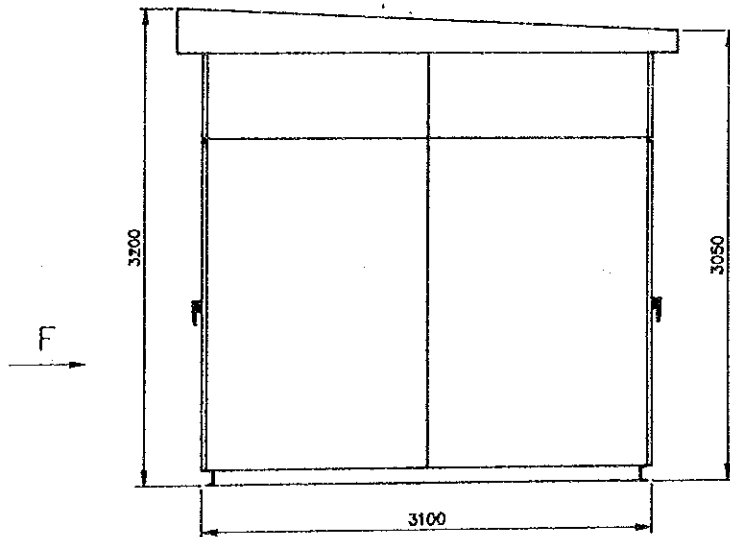


- Note:
1. Cable connection and mounting of 33kV and 11kV lightning arresters will be carried out by UEB'
 2. Cable connection of 33kV incoming cable will be carried out by UEB'
 3. Cable connection of 11kV outgoing cable will be carried out by UEB'

THE PROJECT FOR THE REINFORCEMENT OF ELECTRIC POWER DISTRIBUTION NETWORK IN KAMPALA SUBURBAN AREA IN THE REPUBLIC OF UGANDA	SCALE
カワラ変電所 (Kawala Substation)	DWG NO.
単線結線図 Online Diagram	BD-KWL -01
JAPAN INTERNATIONAL COOPERATION AGENCY	

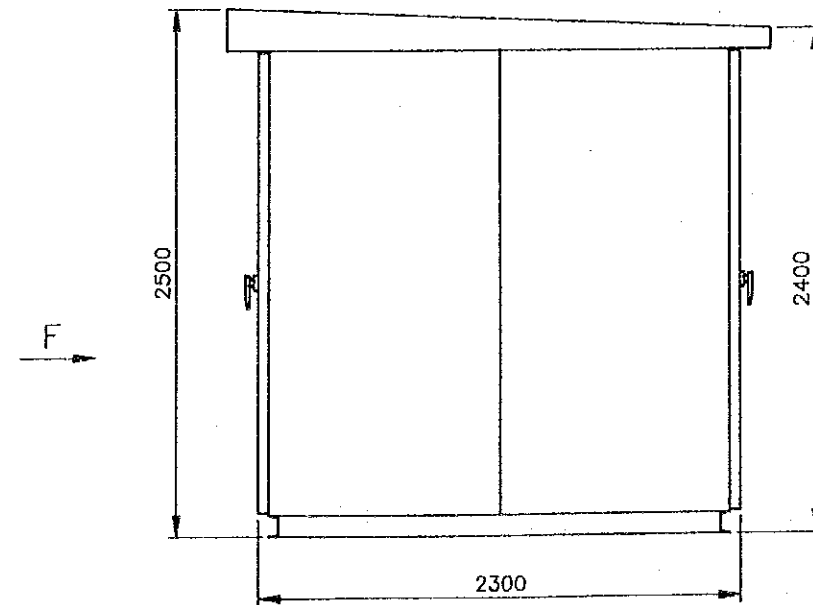
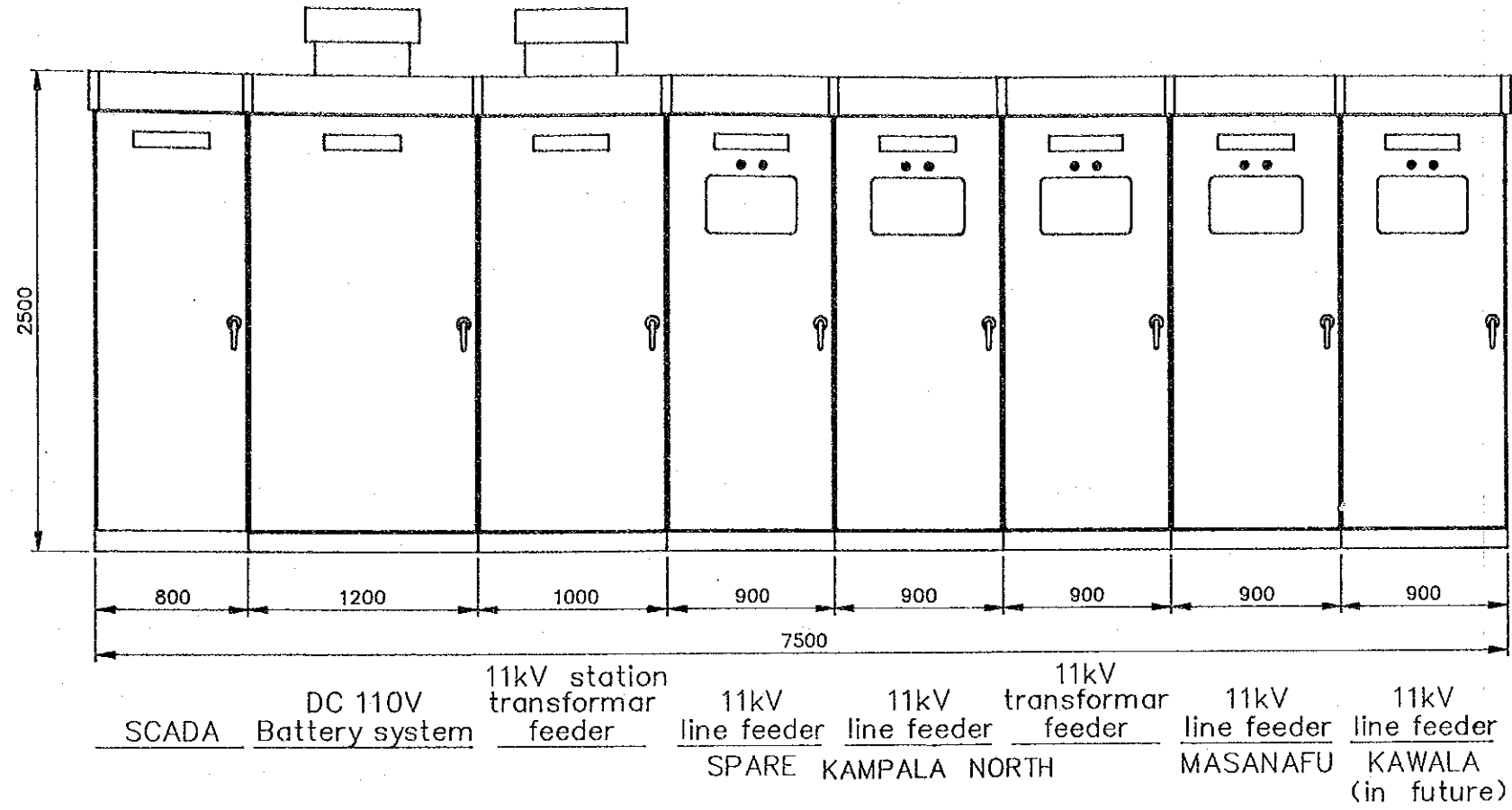


33kV line feeder MUTUNDWE 33kV transformer feeder 33kV line feeder KAMPALA NORTH 33kV auxiliary (GPT)

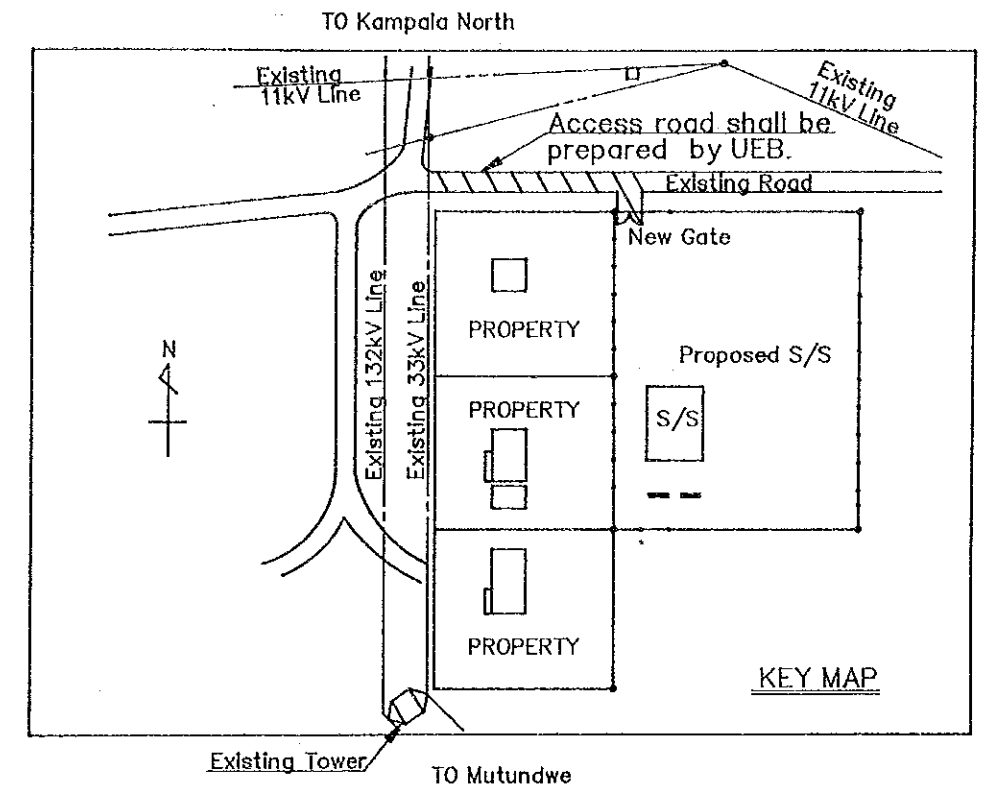
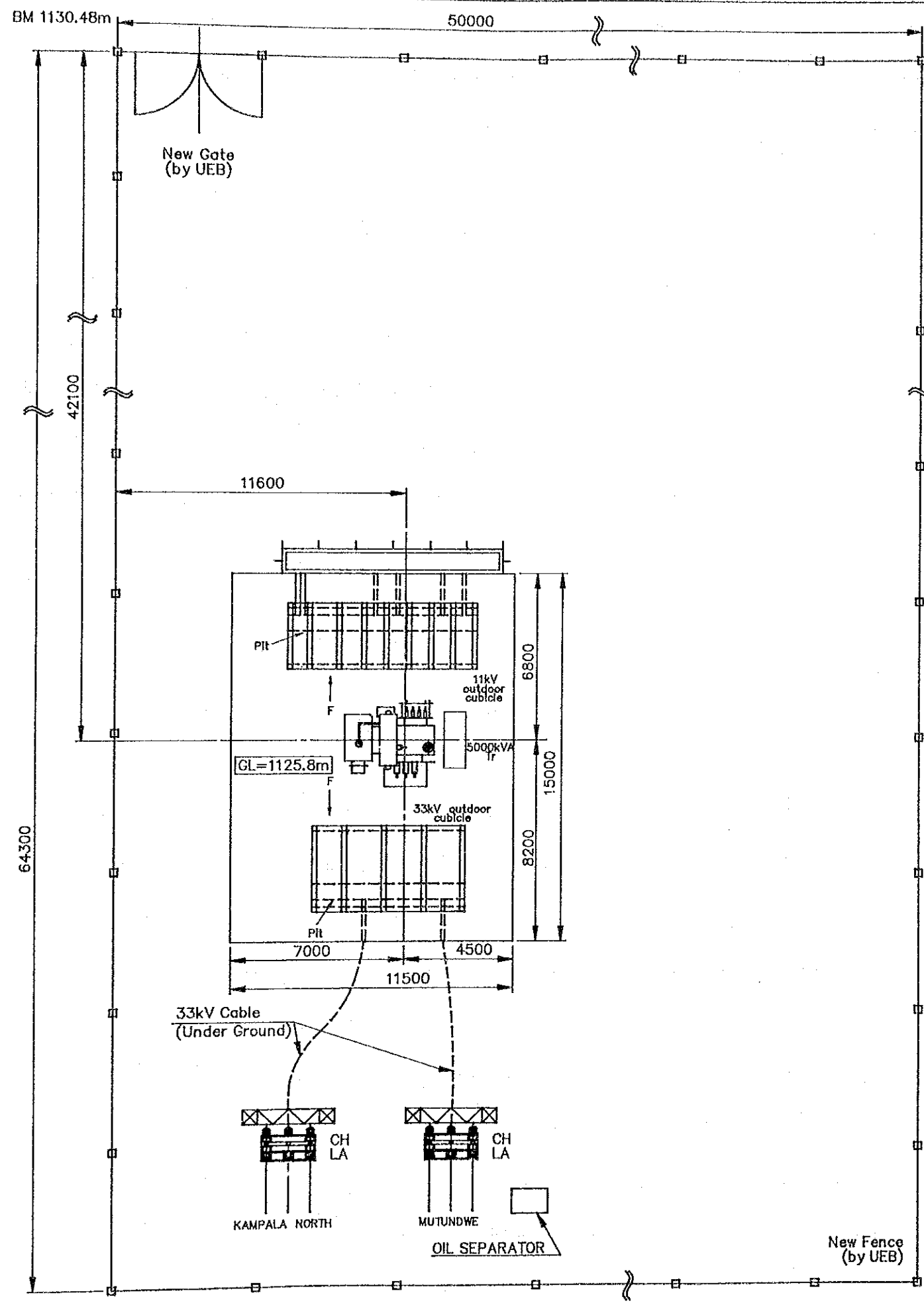


SIDE VIEW

THE PROJECT FOR THE REINFORCEMENT OF ELECTRIC POWER DISTRIBUTION NETWORK IN KAMPALA SUBURBAN AREA IN THE REPUBLIC OF UGANDA	SCALE
	-
カワラ変電所 (Kawala Substation) 33kV屋外式閉鎖型配電盤外形図 Outline of 33kV Outdoor Type Cubicle	DWG NO.
	BD-KWL -02
JAPAN INTERNATIONAL COOPERATION AGENCY	



THE PROJECT FOR THE REINFORCEMENT OF ELECTRIC POWER DISTRIBUTION NETWORK IN KAMPALA SUBURBAN AREA IN THE REPUBLIC OF UGANDA	SCALE
カワラ変電所 (Kawala Substation)	DWG NO.
11kV屋外式閉鎖型配電盤外形図 Outline of 11kV Outdoor Type Cubicle	BD-KWL -03
JAPAN INTERNATIONAL COOPERATION AGENCY	

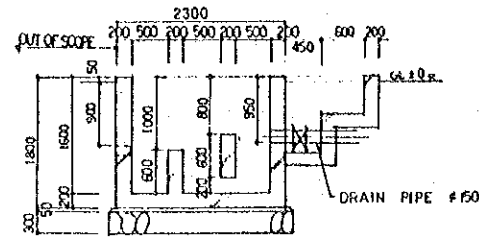
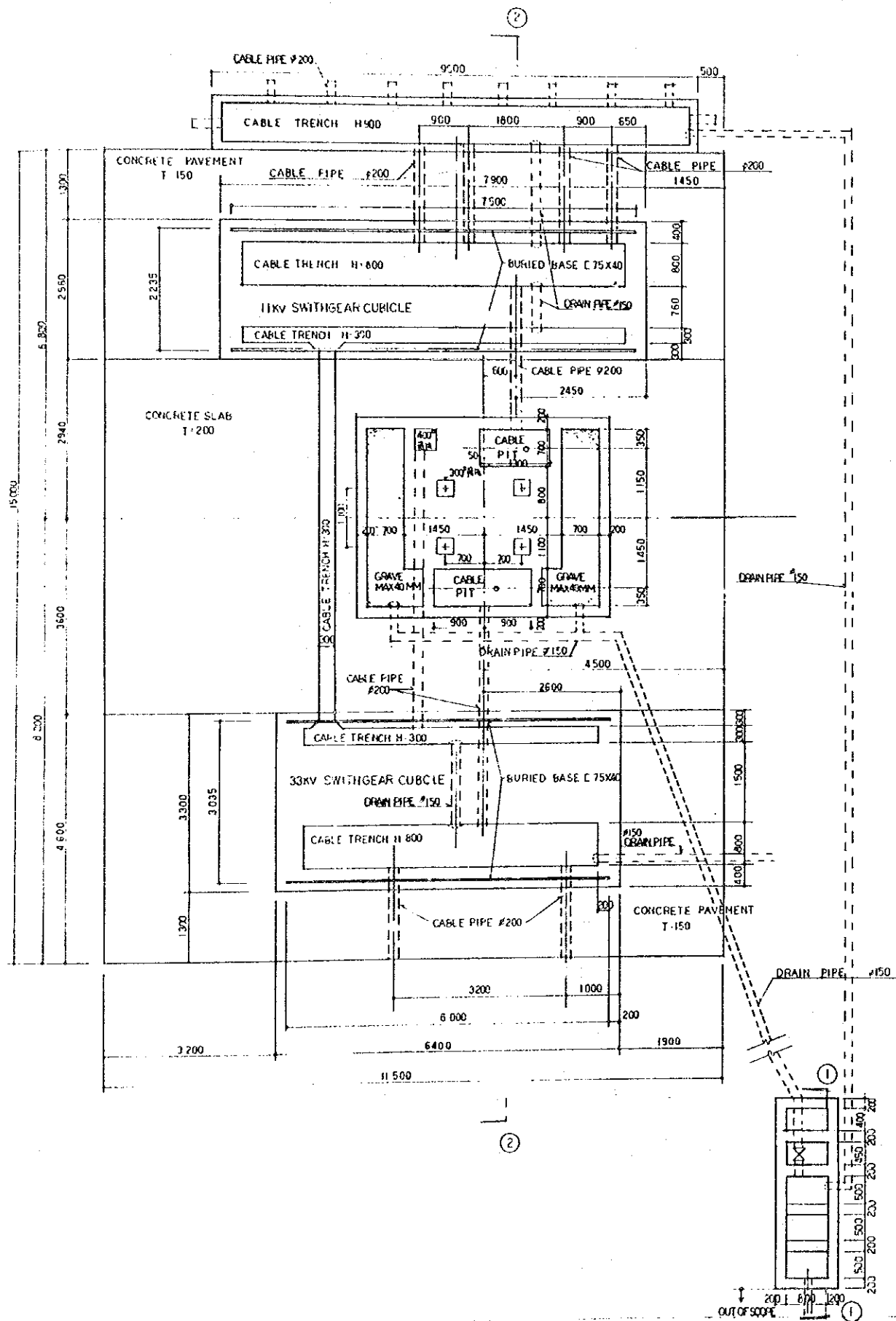


LEGEND

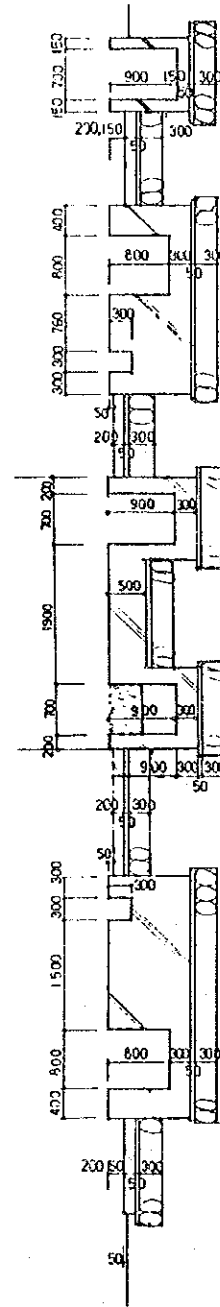
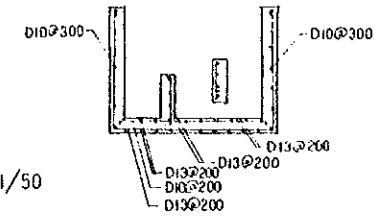
SYM BOL	DESCRIPTION
LA	Lightning Arrestor
CH	Cable Head
F	Front
BM	Bench Mark

Note: Graveling work around the foundation for the project shall be done by UEB.

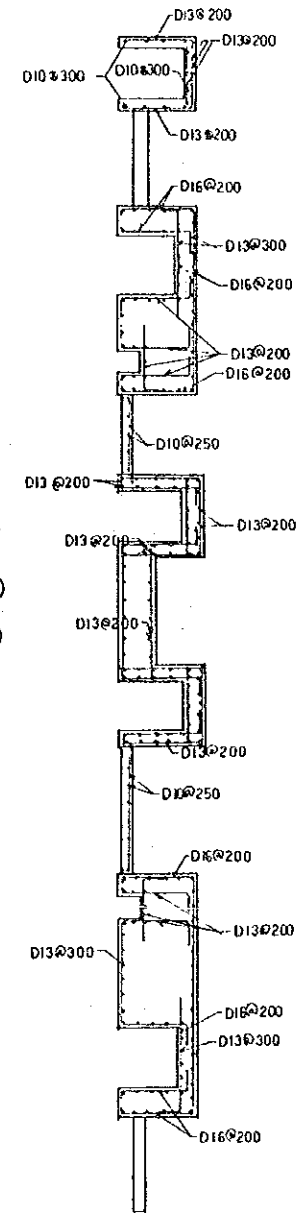
THE PROJECT FOR THE REINFORCEMENT OF ELECTRIC POWER DISTRIBUTION NETWORK IN KAMPALA SUBURBAN AREA IN THE REPUBLIC OF UGANDA	SCALE 1/200
カワラ変電所 (Kawala Substation) 設備配置図 Equipment Layout Plan	DWG NO. BD-KWL -04
JAPAN INTERNATIONAL COOPERATION AGENCY	



SECTION ①-① 1/50



SECTION ②-② 1/50



THE PROJECT FOR THE REINFORCEMENT OF ELECTRIC POWER DISTRIBUTION NETWORK IN KAMPALA SUBURBAN AREA IN THE REPUBLIC OF UGANDA	SCALE
カワラ変電所 (Kawala Substation)	DWG NO.
ケーブルトレンチ及び基礎図 Arrangement of Cable Trench and Foundation	BD-KWL -05
JAPAN INTERNATIONAL COOPERATION AGENCY	

JICA