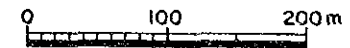
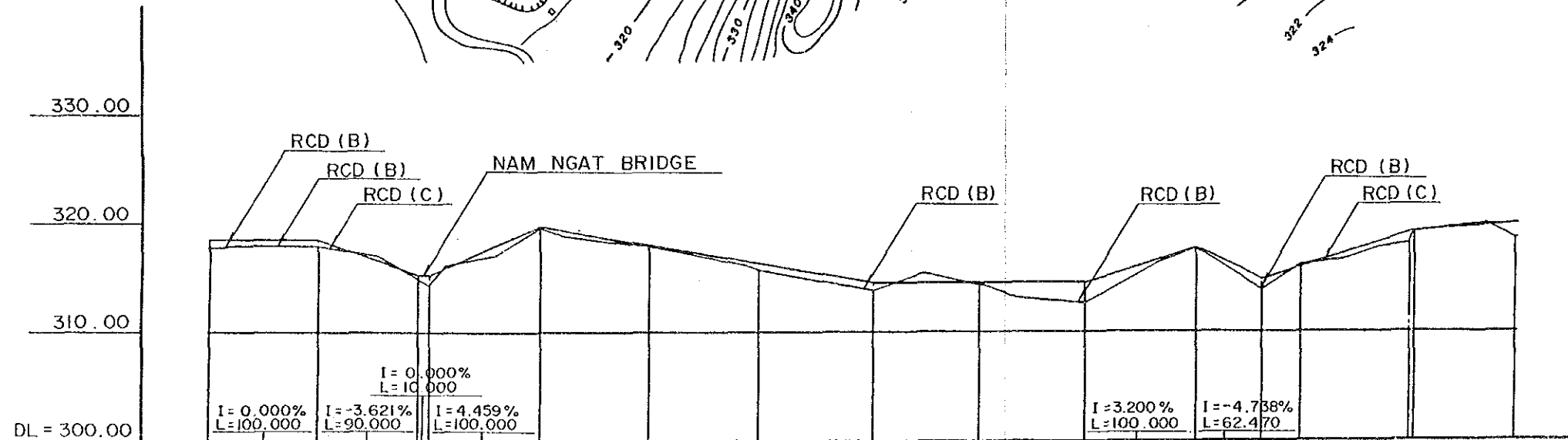


SCALE



LEGEND

- BP : BEGINNING POINT
- IP : INTERSECTION POINT
- EP : END POINT
- RCD(A) : ROAD CROSS DRAIN (TYPE)
- R : RADIUS OF CURVE



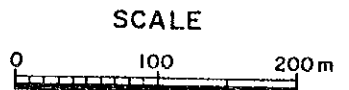
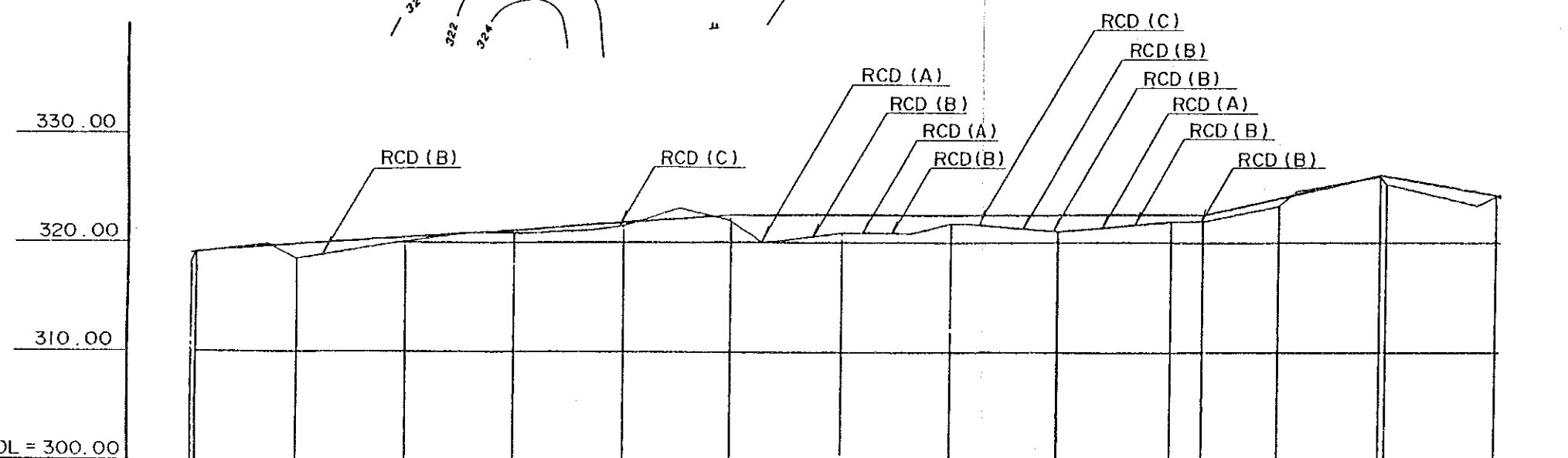
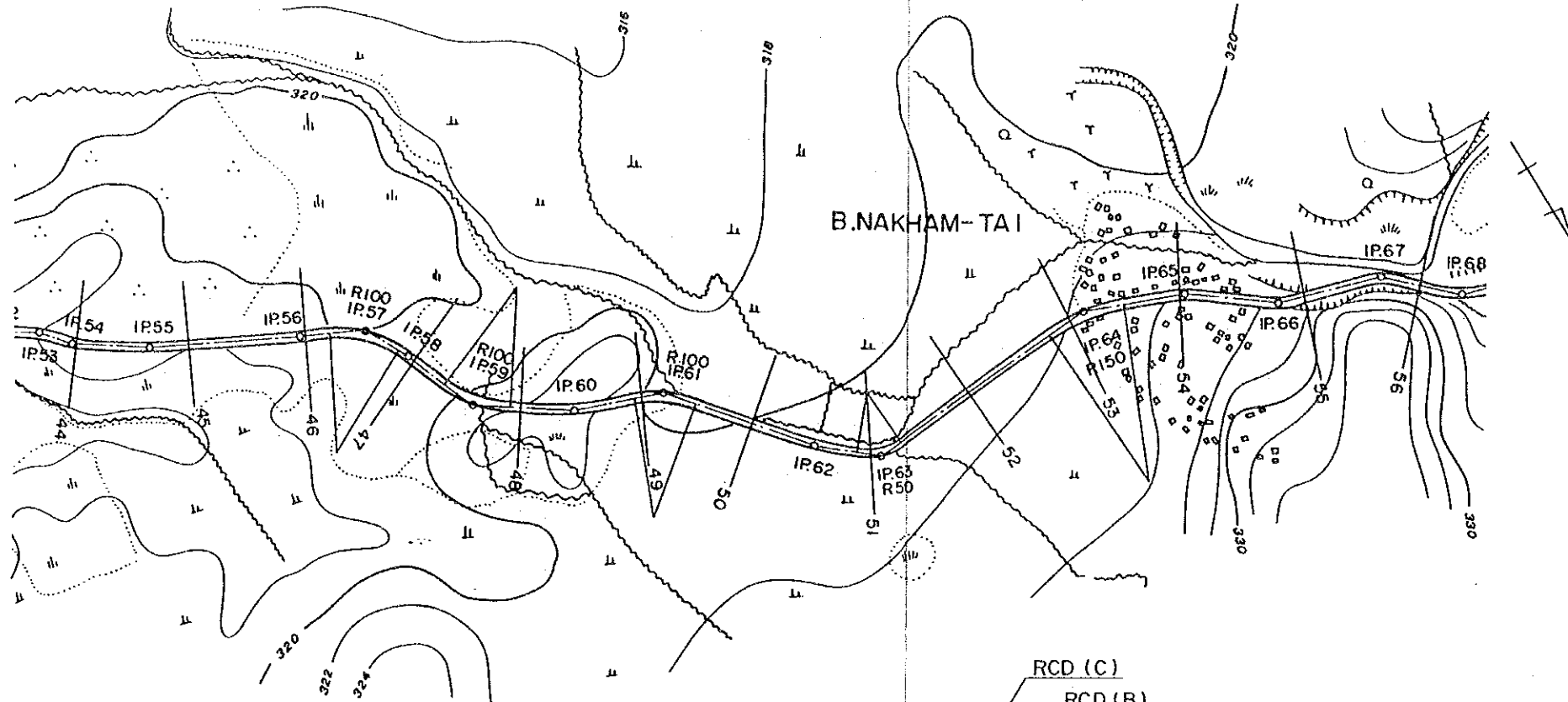
CURVE SLOPE	318.500	318.500	315.241	319.700	I = 0.000% L = 200.000		314.500	314.500	317.700	314.740	319.150			
ROAD SURFACE	318.500	318.500	315.241	319.700	317.967	316.233	314.500	314.500	317.700	314.740	315.904	319.007	319.150	319.796
GROUND LEVEL	317.88	317.88	314.85	319.50	317.83	315.61	313.76	314.22	312.57	317.61	313.74	315.07	318.00	318.42
ACCUMULAT DISTANCE	3300.000	3400.000	3490.000	3600.000	3700.000	3800.000	3900.000	4000.000	4100.000	4200.000	4262.470	4300.000	4400.000	4500.000
STATION	33+0	34+0	34+90	36+0	37+0	38+0	39+0	40+0	41+0	42+0	42+62.470	43+0	44+0	45+0

THE LAO PEOPLE'S DEMOCRATIC REPUBLIC  
 MINISTRY OF AGRICULTURE AND FORESTRY  
 AGRICULTURAL DEVELOPMENT TO CONTROL  
 SLASH AND BURN CULTIVATION IN OUDOMXAY

TITLE OF DRAWING  
 TYPICAL CROSS SECTION, PLAN AND PROFILE OF DISTRICT  
 ROAD (Hun town - B. Somphon)(4/7)

NIPPON KOEI CO., LTD.  
 CONSTRUCTION PROJECT CONSULTANTS, INC.

DRAWING NO.  
 606



**LEGEND**

- BP : BEGINNING POINT
- IP : INTERSECTION POINT
- EP : END POINT
- RCD(A) : ROAD CROSS DRAIN (TYPE)
- R : RADIUS OF CURVE

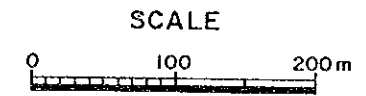
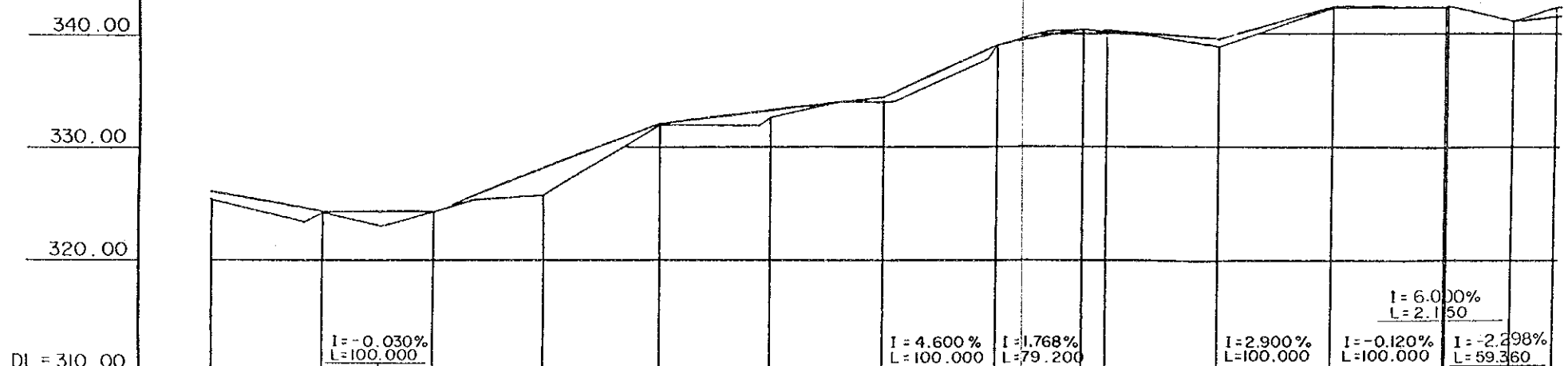
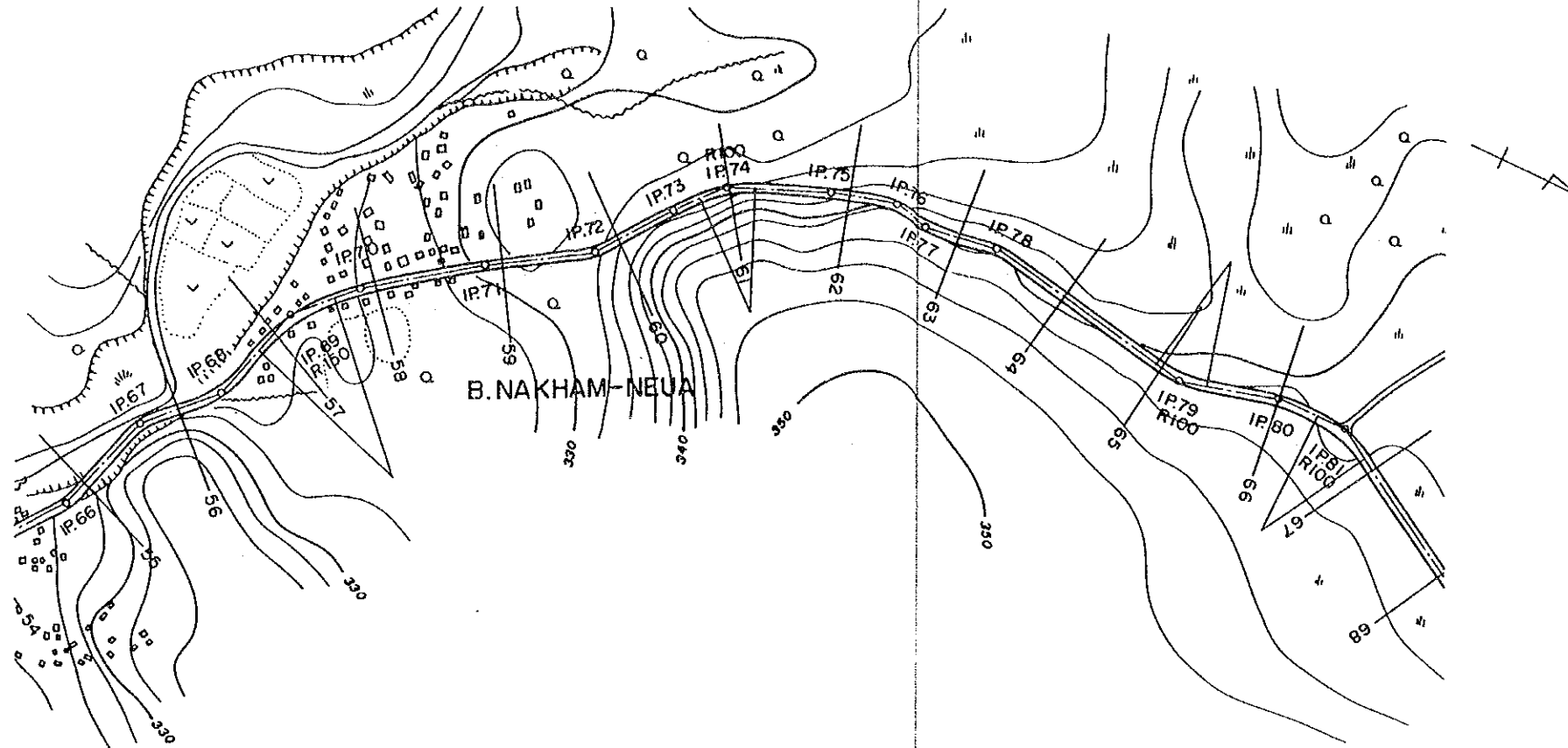
CURVE SLOPE	0.19%		0.676%				0.000%		0.000%		0.219%		0.745%		
ROAD SURFACE	319.007	319.150	319.795	320.471	321.148	321.824	322.500	322.500	322.500	322.500	322.500	322.500	324.063	326.150	326.300
GROUND LEVEL	318.00	319.05	318.42	320.05	320.84	321.48	321.90	320.86	321.71	320.98	321.84	321.90	323.34	326.01	323.31
ACCUMULAT DISTANCE	440.000	440.620	500.000	4500.000	4700.000	4800.000	4900.000	5000.000	5100.000	5200.000	5300.000	5328.550	5400.000	5494.040	5600.000
STATION	44+0	44+4.620	45+0	45+0	47+0	48+0	49+0	50+0	51+0	52+0	53+0	53+28.550	54+0	54+94.040	55+0

THE LAO PEOPLE'S DEMOCRATIC REPUBLIC  
 MINISTRY OF AGRICULTURE AND FORESTRY  
 AGRICULTURAL DEVELOPMENT TO CONTROL  
 SLASH AND BURN CULTIVATION IN OUDOMXAY

TITLE OF DRAWING  
 TYPICAL CROSS SECTION, PLAN AND PROFILE OF DISTRICT  
 ROAD (Hun town - B. Somphon)(5/7)

NIPPON KOEI CO., LTD.  
 CONSTRUCTION PROJECT CONSULTANTS, INC.

DRAWING NO.  
 607



**LEGEND**

- BP : BEGINNING POINT
- IP : INTERSECTION POINT
- EP : END POINT
- RCD(A) : ROAD CROSS DRAIN (TYPE)
- R : RADIUS OF CURVE

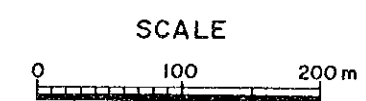
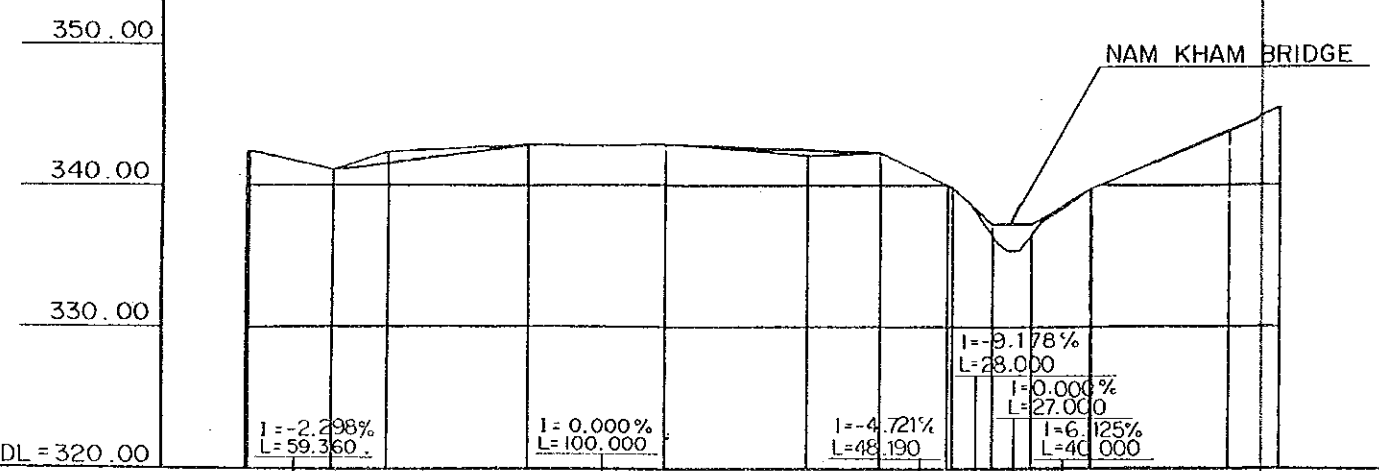
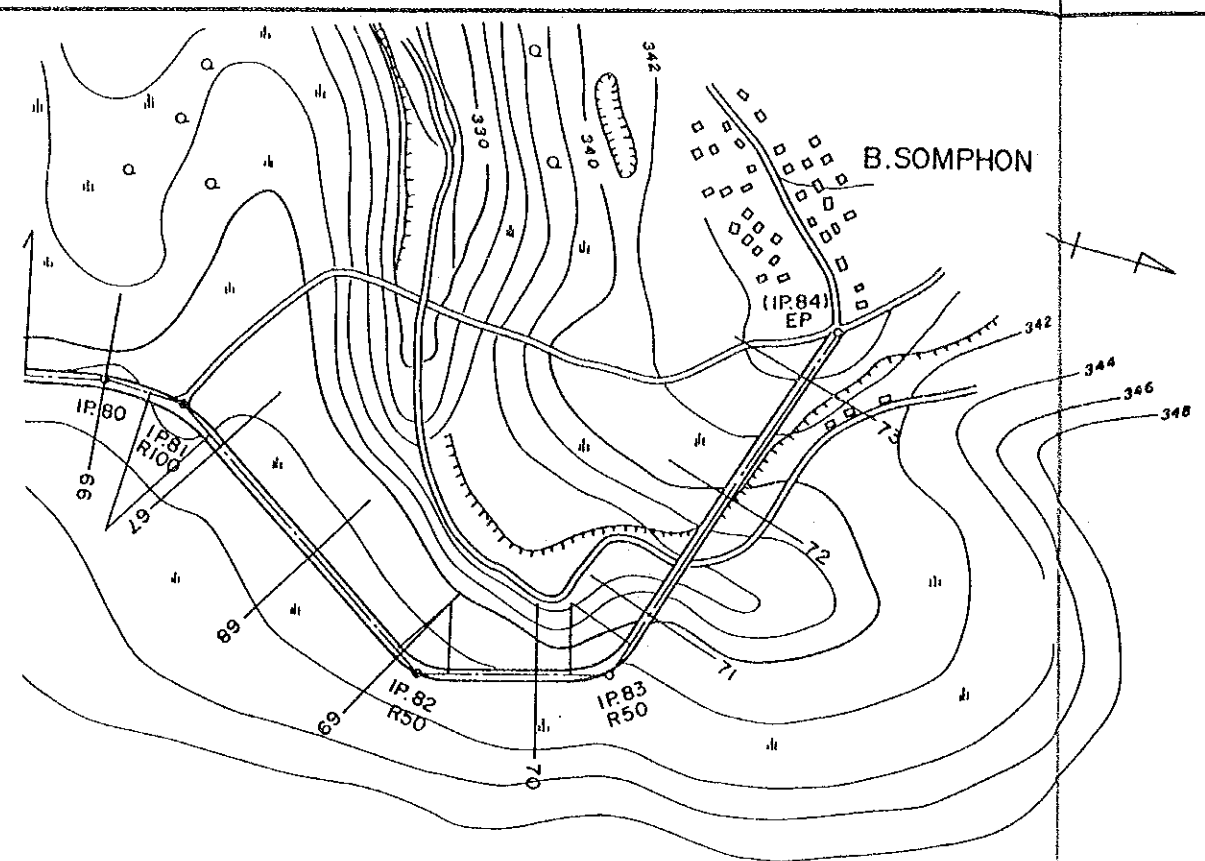
STATION	ACCUMULAT DISTANCE	GROUND LEVEL	ROAD SURFACE	CURVE SLOPE
54+94.040	5494.040	326.01	326.150	I = -1.245% L = 105.960
55+0	5600.000	325.31	326.046	
56+0	5600.000	324.18	324.300	
57+0	5700.000	324.27	324.270	
58+0	5800.000	325.74	328.185	I = 3.915% L = 200.000
59+0	5900.000	331.94	332.100	
60+0	6000.000	332.58	333.250	
61+0	6100.000	333.87	334.400	I = 1.150% L = 200.000
62+0	6200.000	338.97	339.000	
62+78.200	6278.200	340.34	340.400	
63+0	6300.000	340.04	340.246	I = -0.745% L = 120.800
64+0	6400.000	338.76	339.500	
65+0	6500.000	342.25	342.400	
66+0	6600.000	342.28	342.280	
66+2.150	6602.150	342.41	342.409	
66+61.510	6661.510	341.05	341.046	
67+0	6700.000	342.32	341.540	

THE LAO PEOPLE'S DEMOCRATIC REPUBLIC  
 MINISTRY OF AGRICULTURE AND FORESTRY  
 AGRICULTURAL DEVELOPMENT TO CONTROL  
 SLASH AND BURN CULTIVATION IN OUDOMXAY

TITLE OF DRAWING  
 TYPICAL CROSS SECTION, PLAN AND PROFILE OF DISTRICT  
 ROAD (Hun town - B. Somphon)(6/7)

NIPPON KOEI CO., LTD.  
 CONSTRUCTION PROJECT CONSULTANTS, INC.

DRAWING NO.  
 608



**LEGEND**

BP : BEGINNING POINT  
 IP : INTERSECTION POINT  
 EP : END POINT  
 RCD(A) : ROAD CROSS DRAIN (TYPE)  
 R : RADIUS OF CURVE

STATION	ACCUMULAT DISTANCE	GROUND LEVEL	ROAD SURFACE	CURVE SLOPE
65+0	5600.000	342.28	342.280	
66+2.150	5602.150	342.41	342.408	
66+6.1	5661.510	341.05	341.045	I = -2.298% L = 59.360
67+0	5700.000	342.32	341.540	
68+0	5800.000	342.83	342.825	I = 0.000% L = 100.000
69+0	5900.000	342.83	342.825	
70+0	7000.000	342.00	342.426	I = -4.721% L = 48.190
70+51.810	7051.810	342.22	342.220	
71+0	7100.000	338.92	338.945	I = -9.178% L = 28.000
71+3.710	7103.710	338.77	338.770	
71+31.710	7131.710	338.38	337.200	I = 0.000% L = 27.000
71+58.710	7158.710	338.37	337.200	
71+98.710	7198.710	338.65	338.650	I = 6.125% L = 40.000
72+0	7200.000	338.70	338.703	
73+0	7300.000	343.86	343.812	I = 4.109% L = 141.900
73+40.610	7340.610	345.48	345.480	

THE LAO PEOPLE'S DEMOCRATIC REPUBLIC  
 MINISTRY OF AGRICULTURE AND FORESTRY

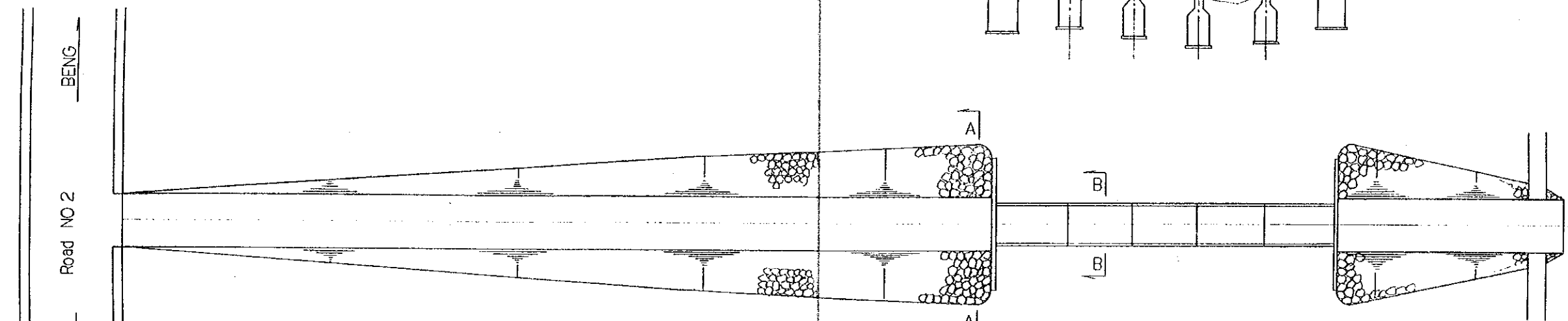
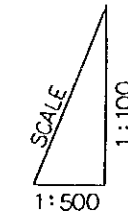
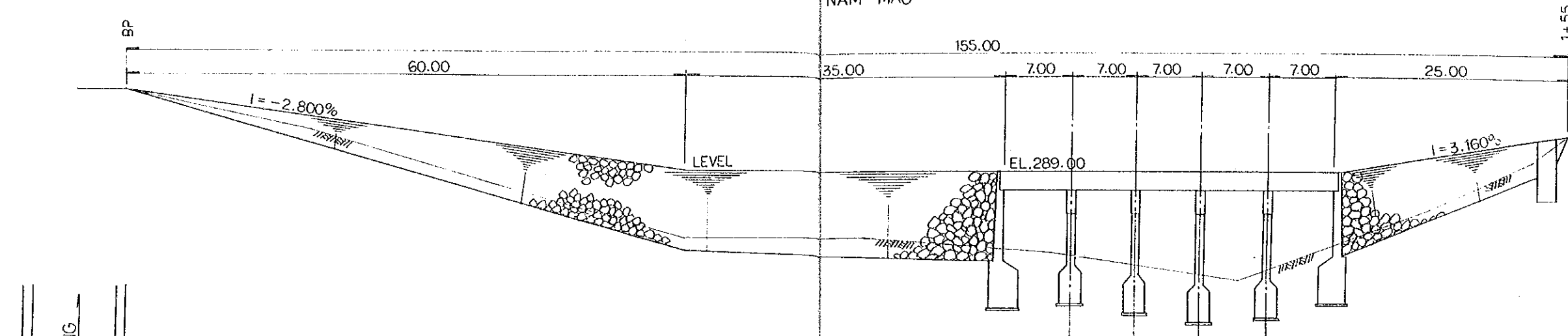
AGRICULTURAL DEVELOPMENT TO CONTROL  
 SLASH AND BURN CULTIVATION IN OUDOMXAY

TITLE OF DRAWING  
 TYPICAL CROSS SECTION, PLAN AND PROFILE OF DISTRICT  
 ROAD (Hun town - B. Somphon)(7/7)

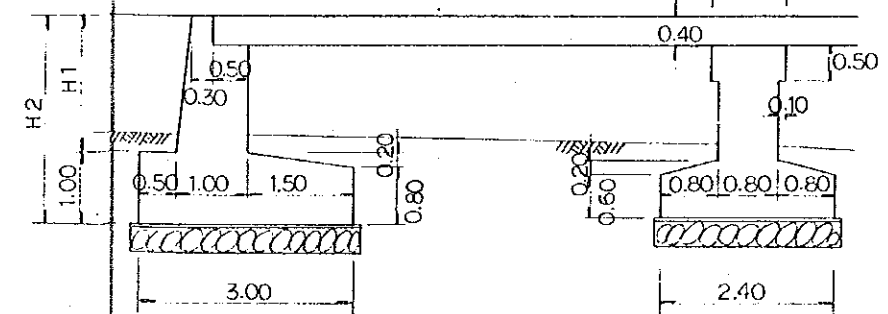
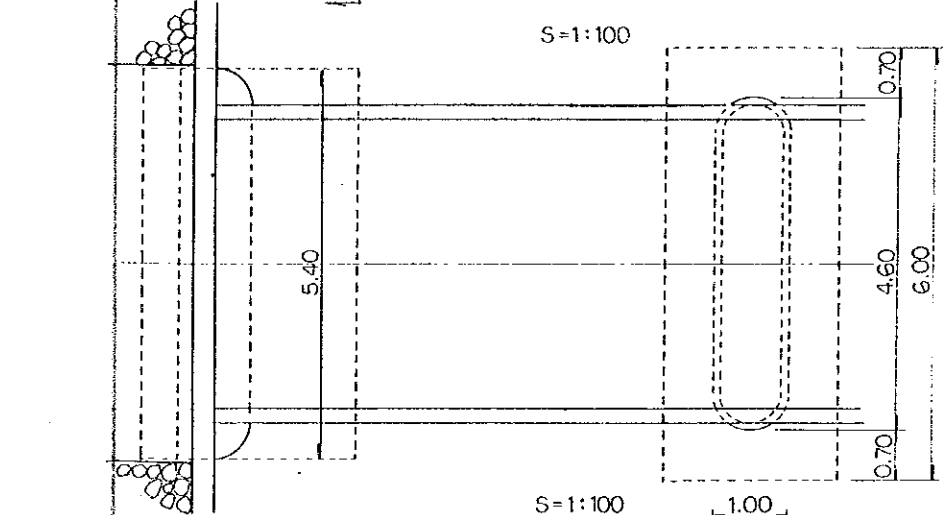
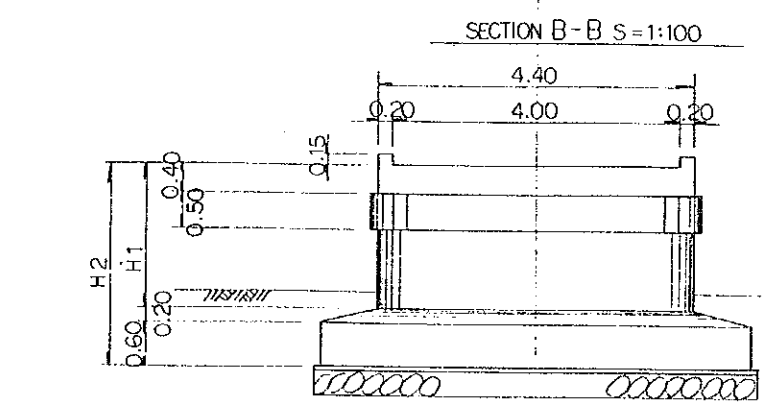
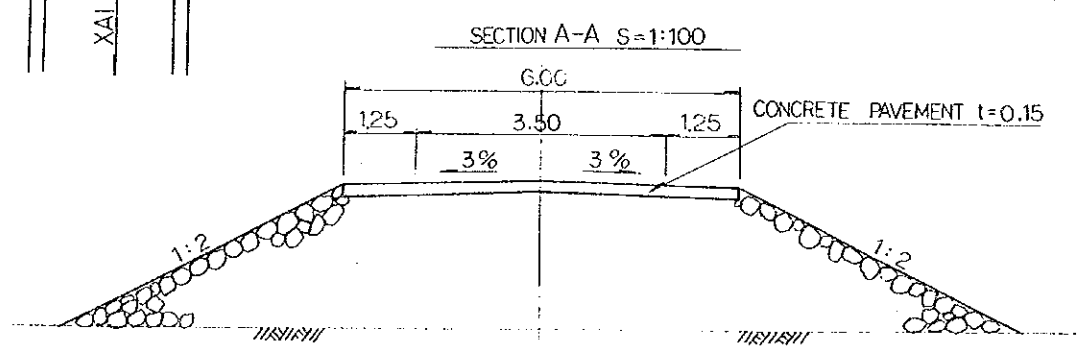
NIPPON KOEI CO., LTD.  
 CONSTRUCTION PROJECT CONSULTANTS, INC.

DRAWING NO.  
 609

NAM MAO

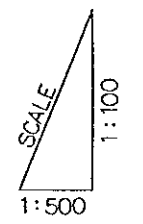
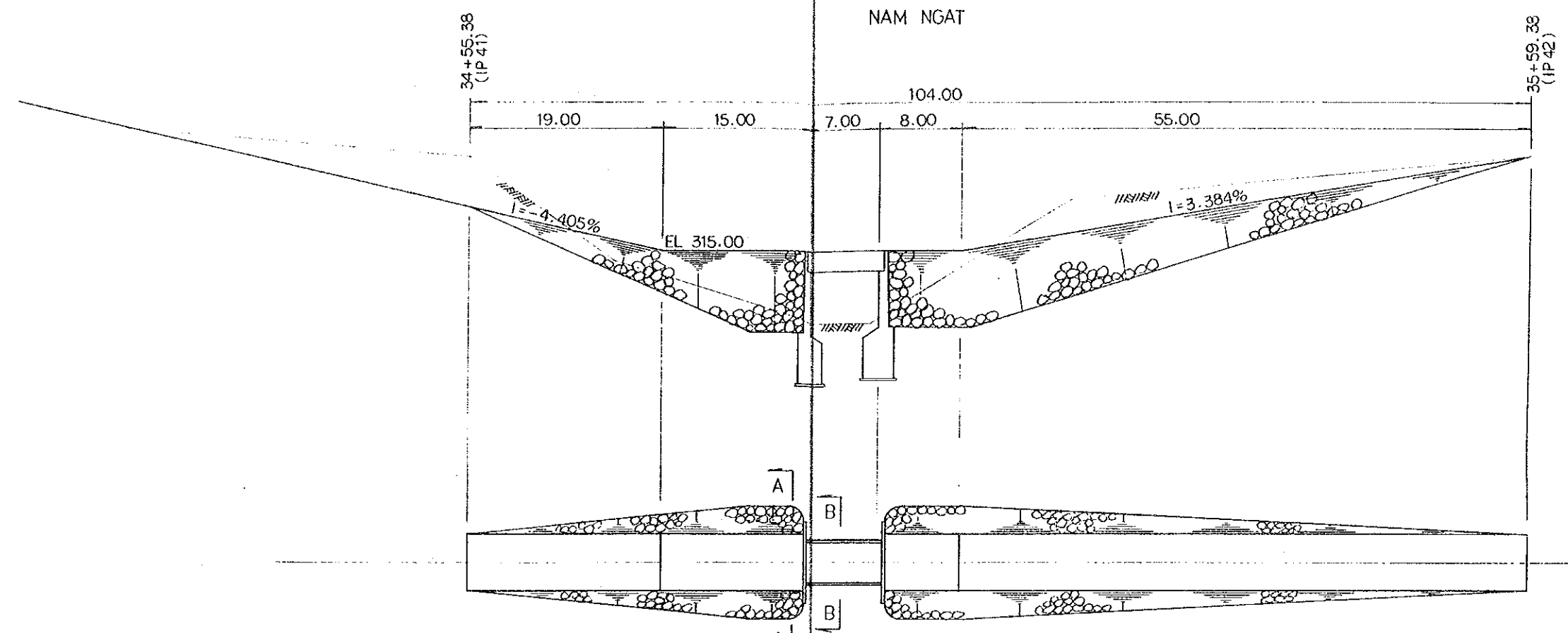


S = 1:500



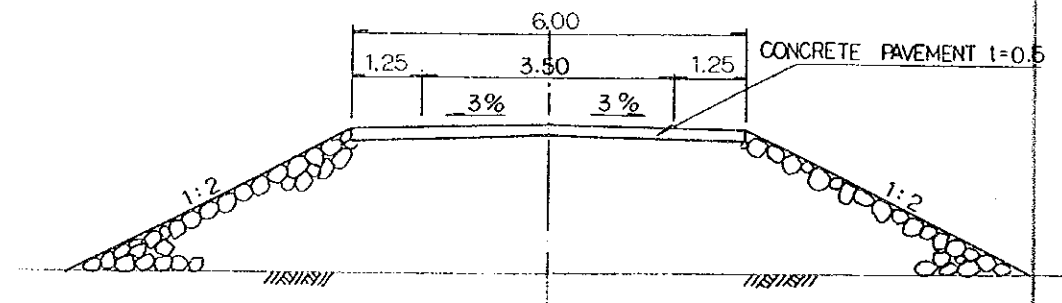
THE LAO PEOPLE'S DEMOCRATIC REPUBLIC MINISTRY OF AGRICULTURE AND FORESTRY	
AGRICULTURAL DEVELOPMENT TO CONTROL SLASH AND BURN CULTIVATION IN OUDOMXAY	
TITLE OF DRAWING	
<b>CAUSEWAY ( Nam Mao )</b>	
NIPPON KOEI CO., LTD. CONSTRUCTION PROJECT CONSULTANTS, INC.	DRAWING NO. 610

NAM NGAT

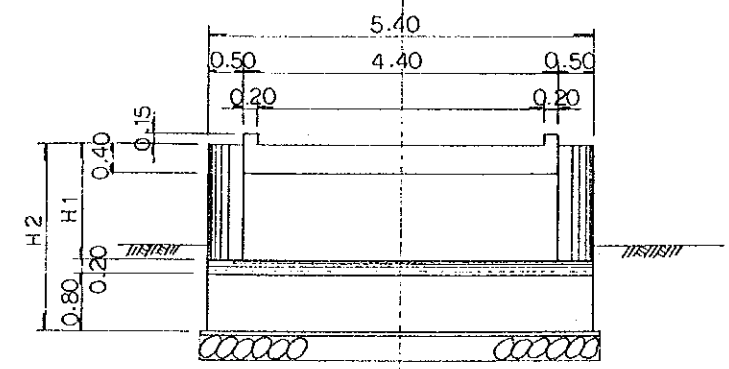


S=1:500

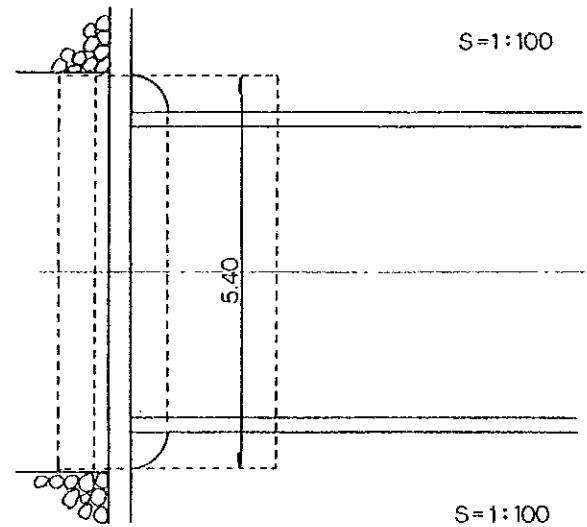
SECTION A-A S=1:100



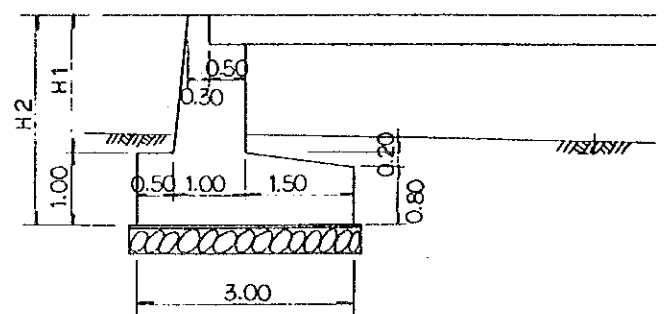
SECTION B-B S=1:100



S=1:100

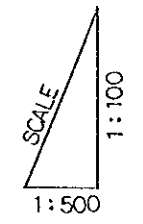
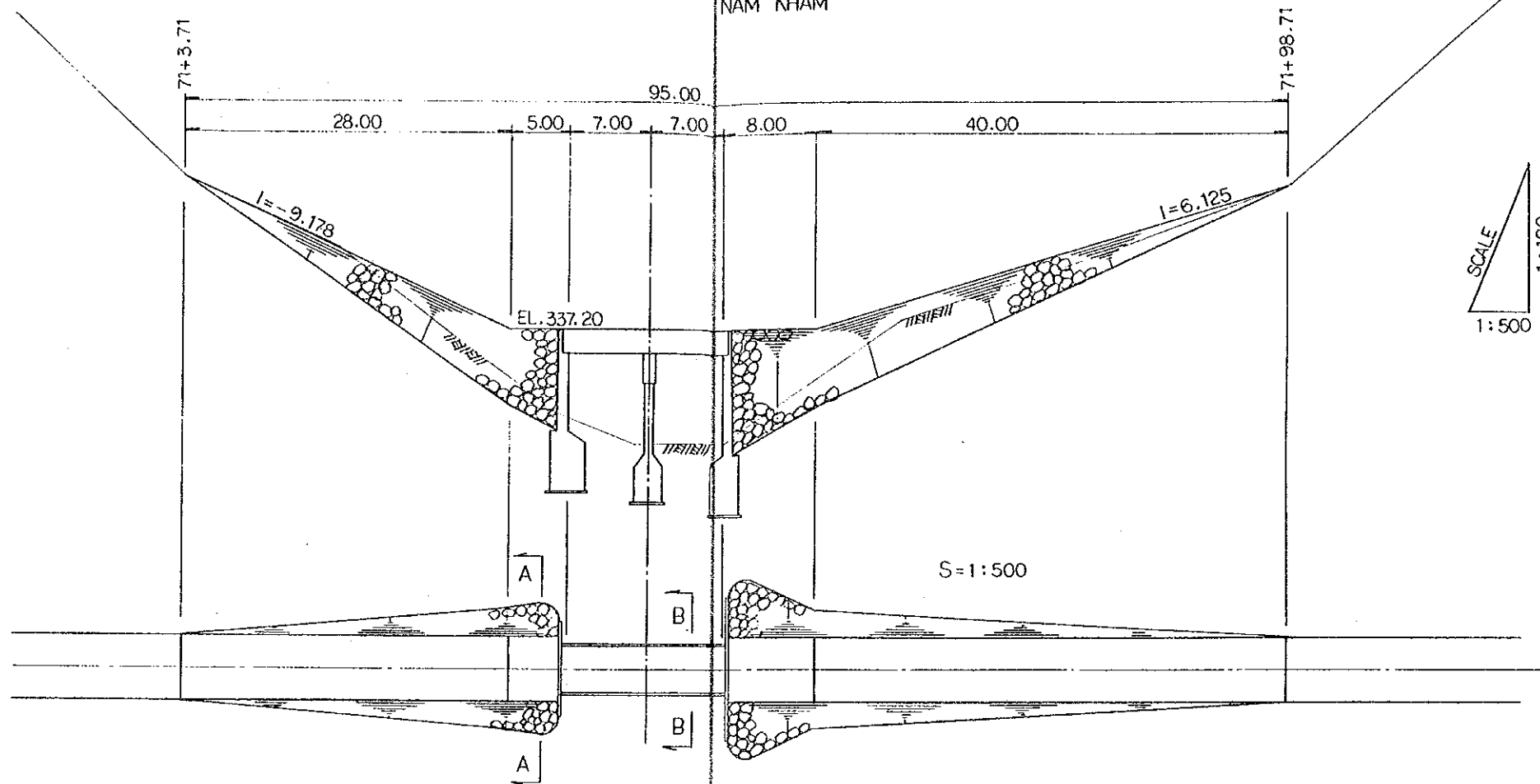


S=1:100

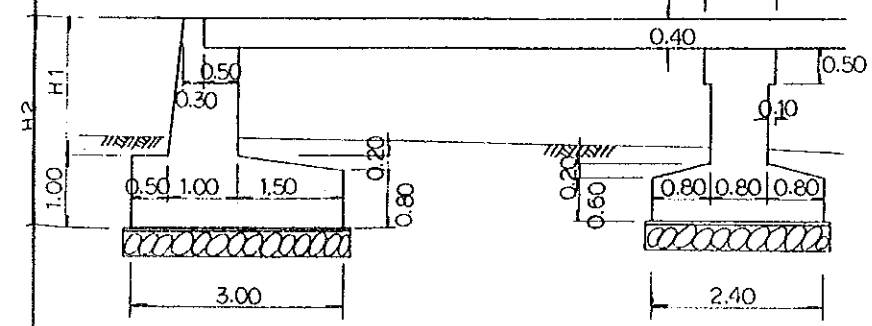
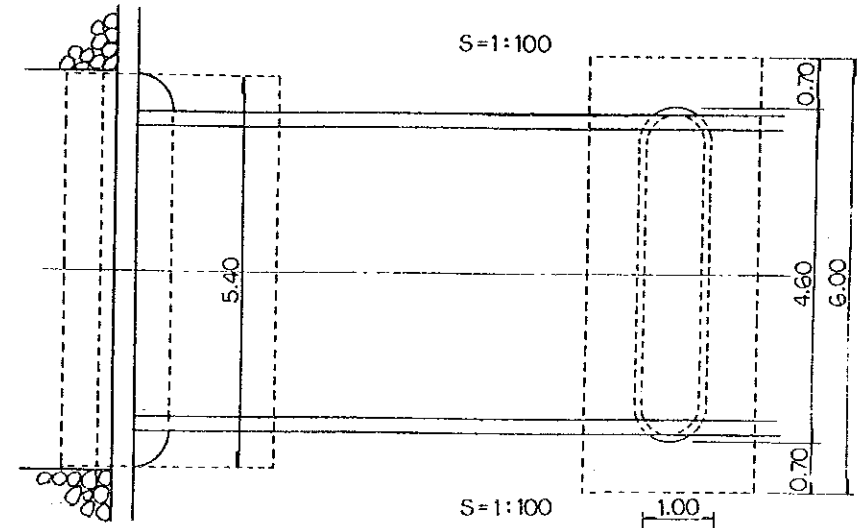
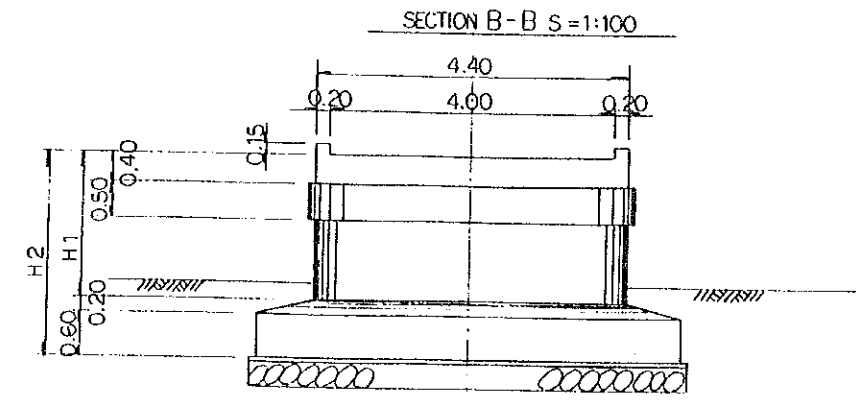
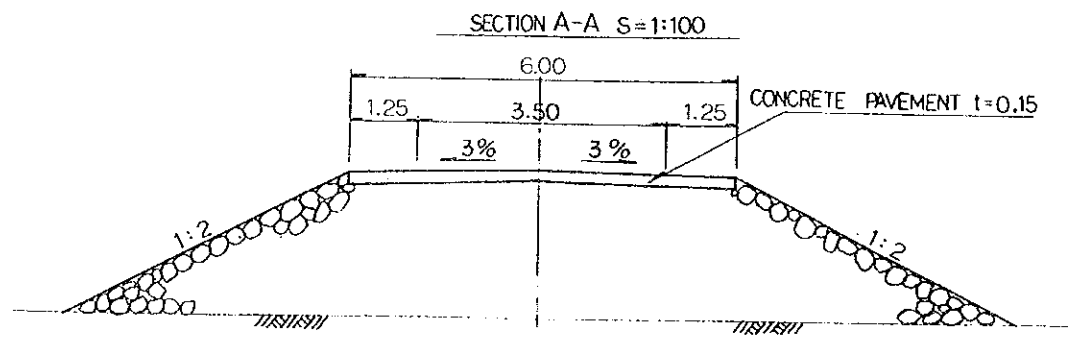


THE LAO PEOPLE'S DEMOCRATIC REPUBLIC MINISTRY OF AGRICULTURE AND FORESTRY	
AGRICULTURAL DEVELOPMENT TO CONTROL SLASH AND BURN CULTIVATION IN OUDOMXAY	
TITLE OF DRAWING	
<b>CAUSEWAY ( Nam Ngat )</b>	
NIPPON KOEI CO., LTD. CONSTRUCTION PROJECT CONSULTANTS, INC.	DRAWING NO. <b>611</b>

NAM KHAM

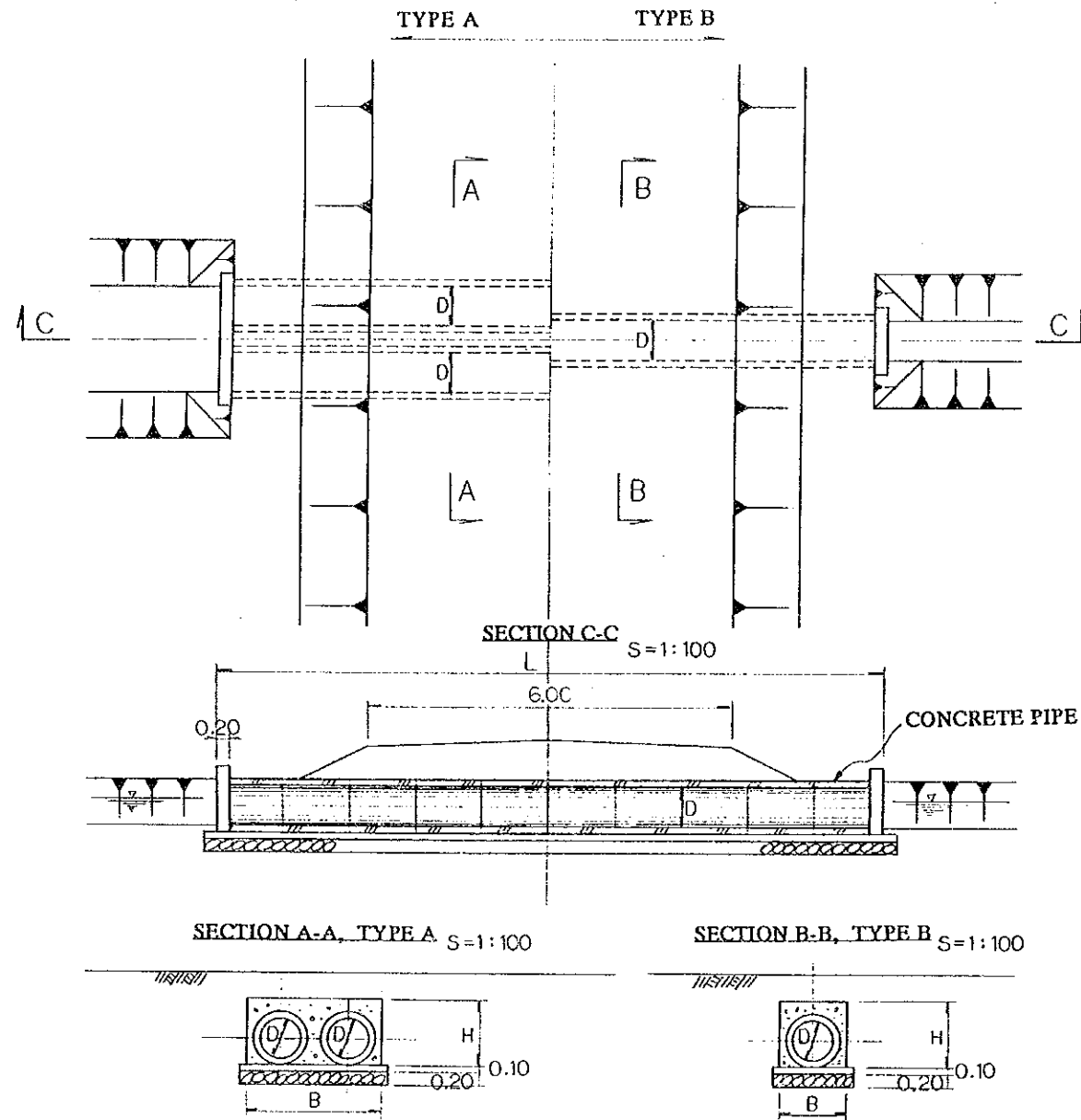


S=1:500

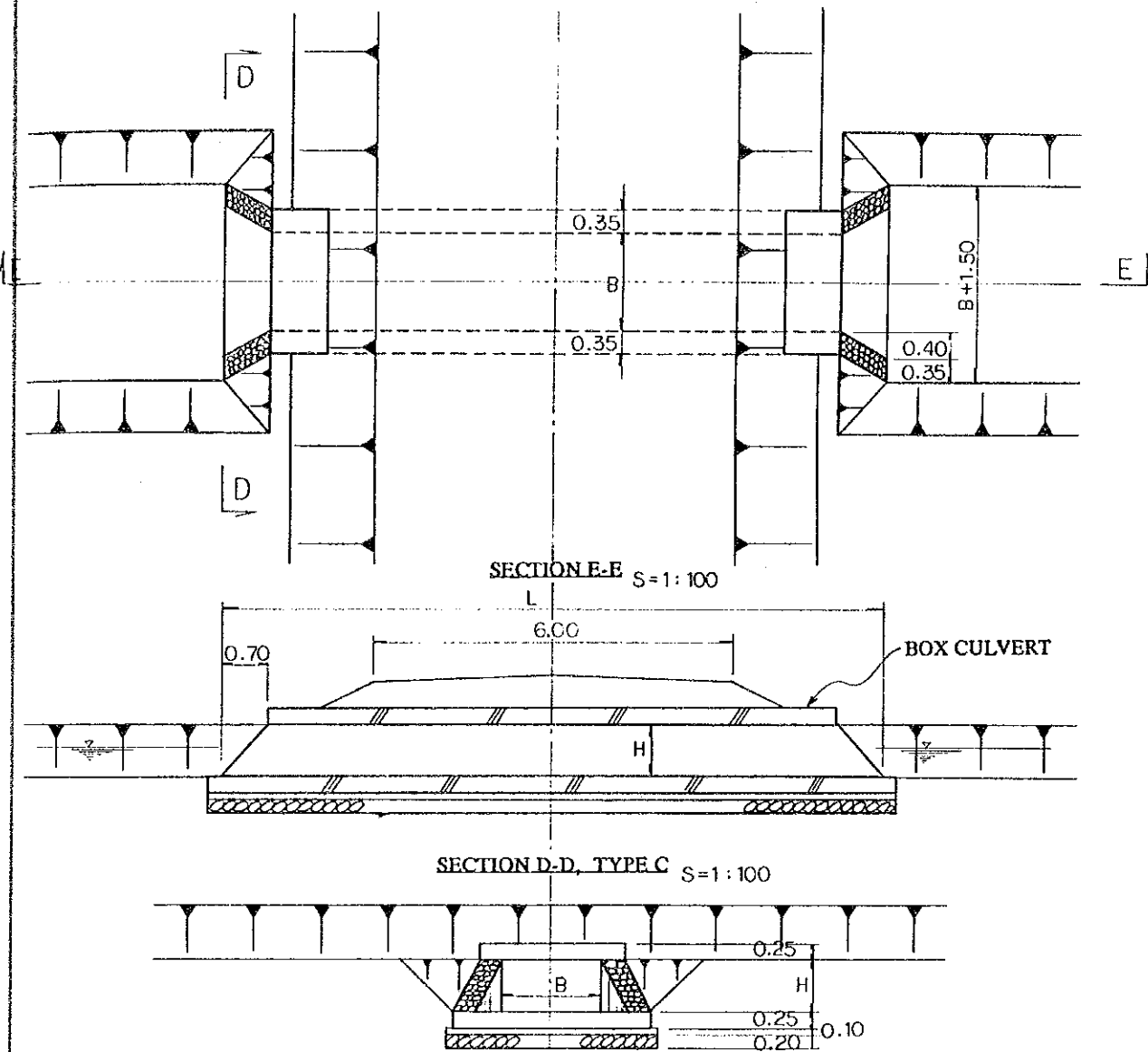


THE LAO PEOPLE'S DEMOCRATIC REPUBLIC MINISTRY OF AGRICULTURE AND FORESTRY	
AGRICULTURAL DEVELOPMENT TO CONTROL SLASH AND BURN CULTIVATION IN OUDOMXAY	
TITLE OF DRAWING <b>CAUSEWAY ( Nam Kham )</b>	
NIPPON KOEI CO., LTD. CONSTRUCTION PROJECT CONSULTANTS, INC.	DRAWING NO. <b>612</b>

CROSS DRAIN TYPE A,B.(PIPE) S=1:100



CROSS DRAIN TYPE C.(CULVERT) S=1:100



DIMENSION

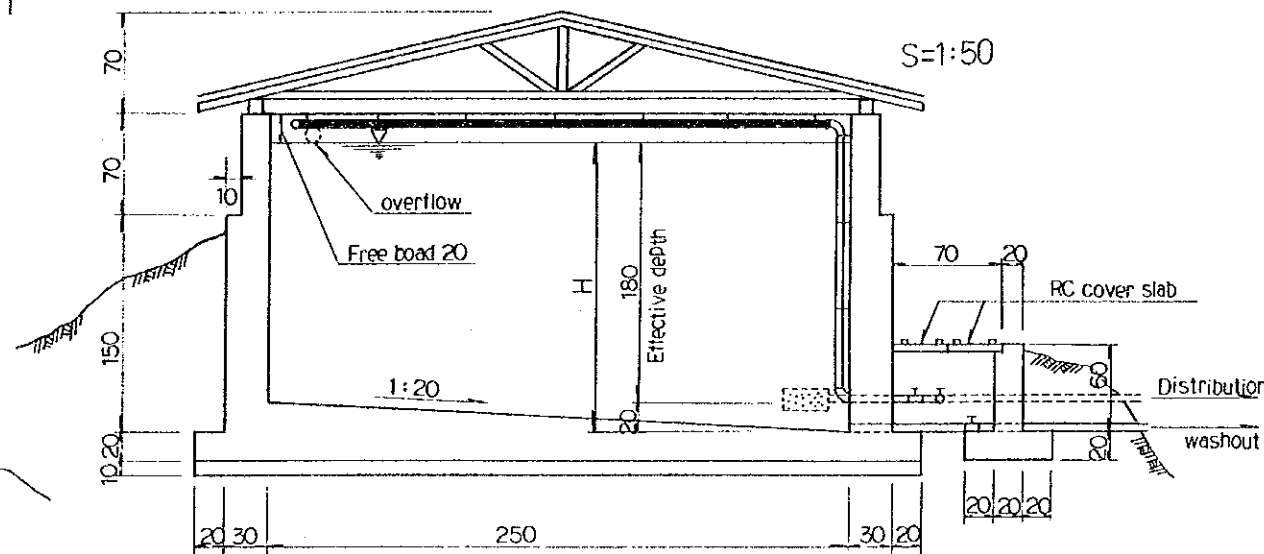
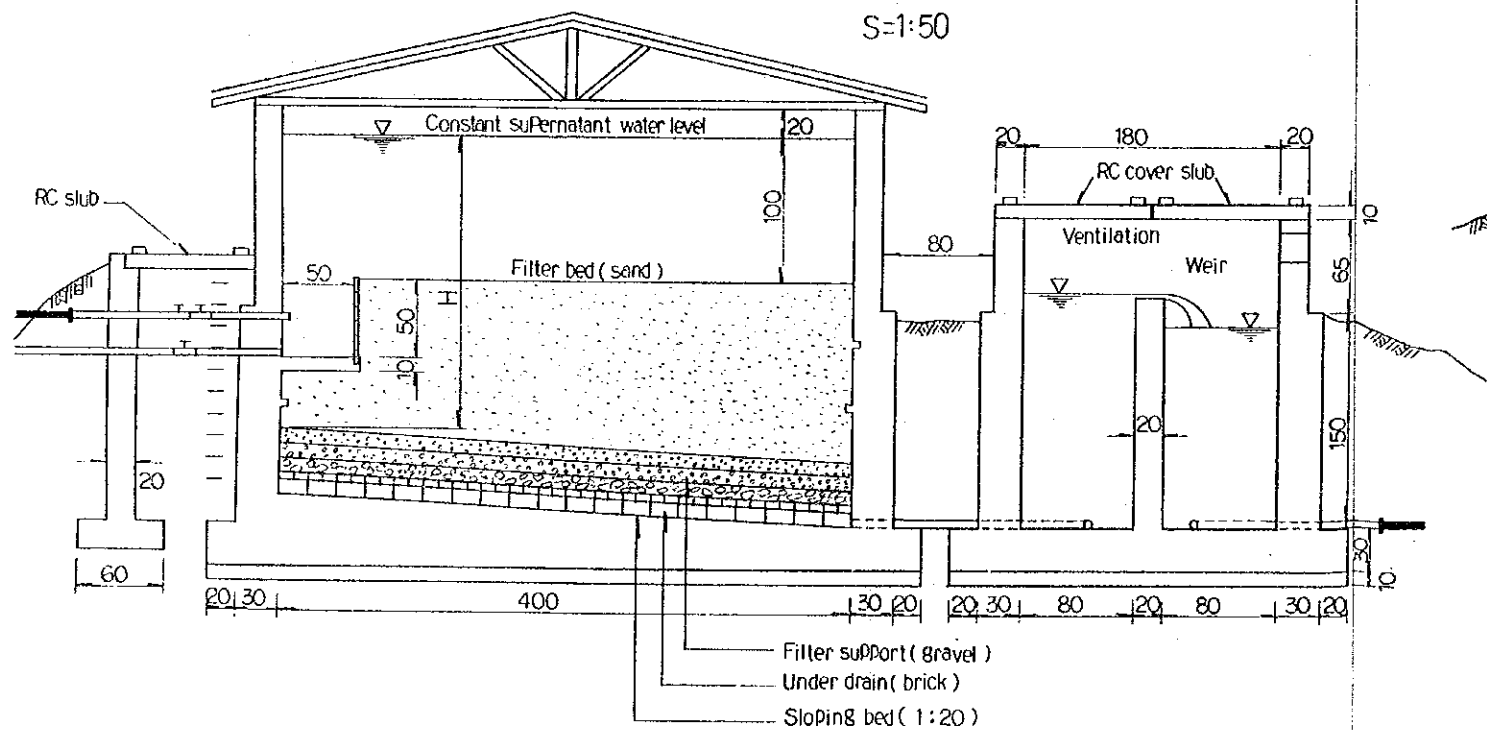
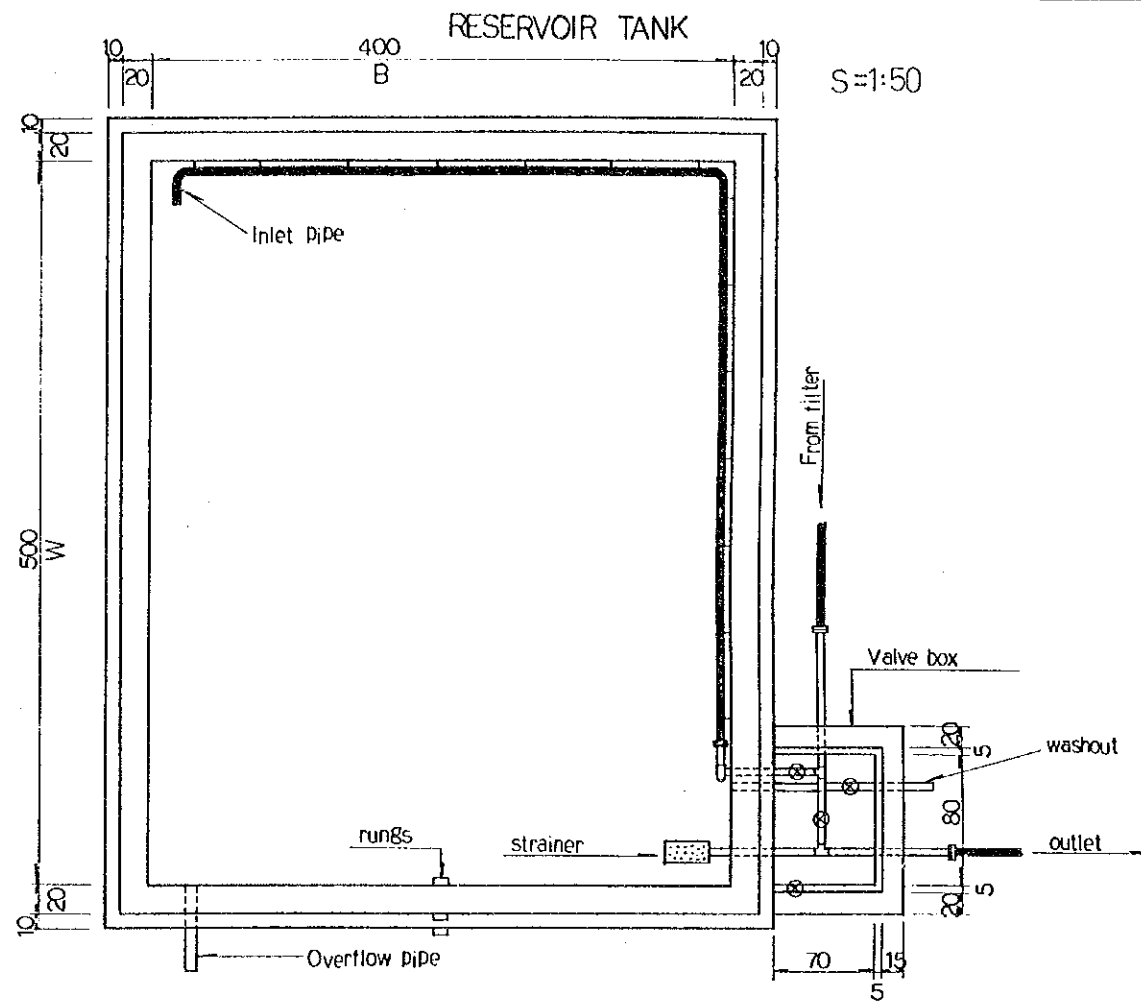
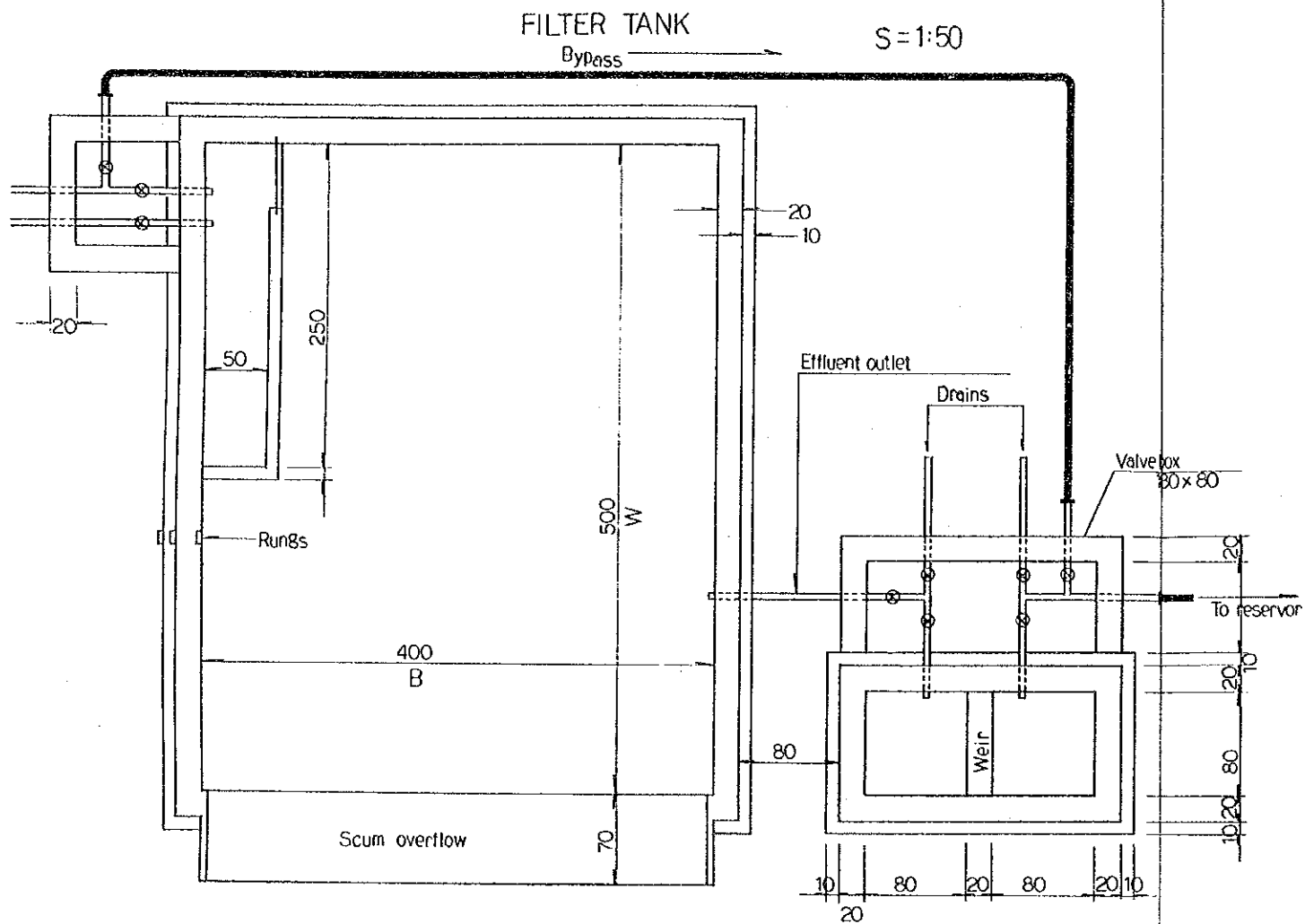
LOCATION	TYPE	D	L	B	H	LOCATION	TYPE	D	L	B	H	LOCATION	TYPE	D	L	B	H
Xai 1+51.00	C	-	10,000	2,000	1,000	Hun 12+16.00	A	600x2	10,000	2,000	1,000	Hun 45+28.00	B	600	10,000	1,000	1,000
Xai 2+64.60	C	-	10,000	1,200	1,000	Hun 16+5.00	B	600	10,000	1,000	1,000	Hun 47+96.00	C	-	10,000	800	600
Xai 4+15.20	C	-	10,000	2,500	1,000	Hun 20+93.00	B	600	10,000	1,000	1,000	Hun 49+31.00	A	600x2	10,000	2,000	1,000
Xai 6+46.90	B	600	10,000	1,000	1,000	Hun 28+98.00	B	600	10,000	1,000	1,000	Hun 49+76.00	B	600	10,000	1,000	1,000
Xai 7+89.30	B	600	10,000	1,000	1,000	Hun 29+97.00	B	600	10,000	1,000	1,000	Hun 50+18.00	A	600x2	10,000	2,000	1,000
Xai 8+22.20	B	400	10,000	800	800	Hun 30+62.00	B	600	10,000	1,000	1,000	Hun 50+44.00	B	600	10,000	1,000	1,000
Xai 15+80.60	A	600x2	10,000	2,000	1,000	Hun 32+34.00	B	600	10,000	1,000	1,000	Hun 51+29.00	C	-	10,000	1,500	800
Hun 2+50.00	B	400	10,000	800	800	Hun 33+15.00	B	600	10,000	1,000	1,000	Hun 51+70.00	B	600	10,000	1,000	1,000
Hun 5+36.60	B	600	10,000	1,000	1,000	Hun 33+62.00	B	600	10,000	1,000	1,000	Hun 51+97.00	B	600	10,000	1,000	1,000
Hun 6+6.00	B	600	10,000	1,000	1,000	Hun 34+10.00	C	-	10,000	1,800	1,700	Hun 52+40.00	A	600x2	10,000	2,000	1,000
Hun 7+73.00	C	-	10,000	2,000	1,800	Hun 38+92.00	B	400	10,000	800	800	Hun 52+71.00	B	600	10,000	1,000	1,000
Hun 9+20.00	B	400	10,000	800	800	Hun 40+94.00	B	400	10,000	800	800	Hun 53+29.00	B	400	10,000	800	800
Hun 10+12.00	B	600	10,000	1,000	1,000	Hun 42+62.50	B	400	10,000	800	800						
Hun 11+46.00	B	600	10,000	1,000	1,000	Hun 43+21.00	C	-	10,000	800	600						

UNIT: mm

THE LAO PEOPLE'S DEMOCRATIC REPUBLIC  
 MINISTRY OF AGRICULTURE AND FORESTRY  
 AGRICULTURAL DEVELOPMENT TO CONTROL  
 SLASH AND BURN CULTIVATION IN OUDOMXAY  
 TITLE OF DRAWING  
**CROSS DRAIN**  
 NIPPON KOBI CO., LTD.  
 CONSTRUCTION PROJECT CONSULTANTS, INC.  
 DRAWING NO.  
**613**





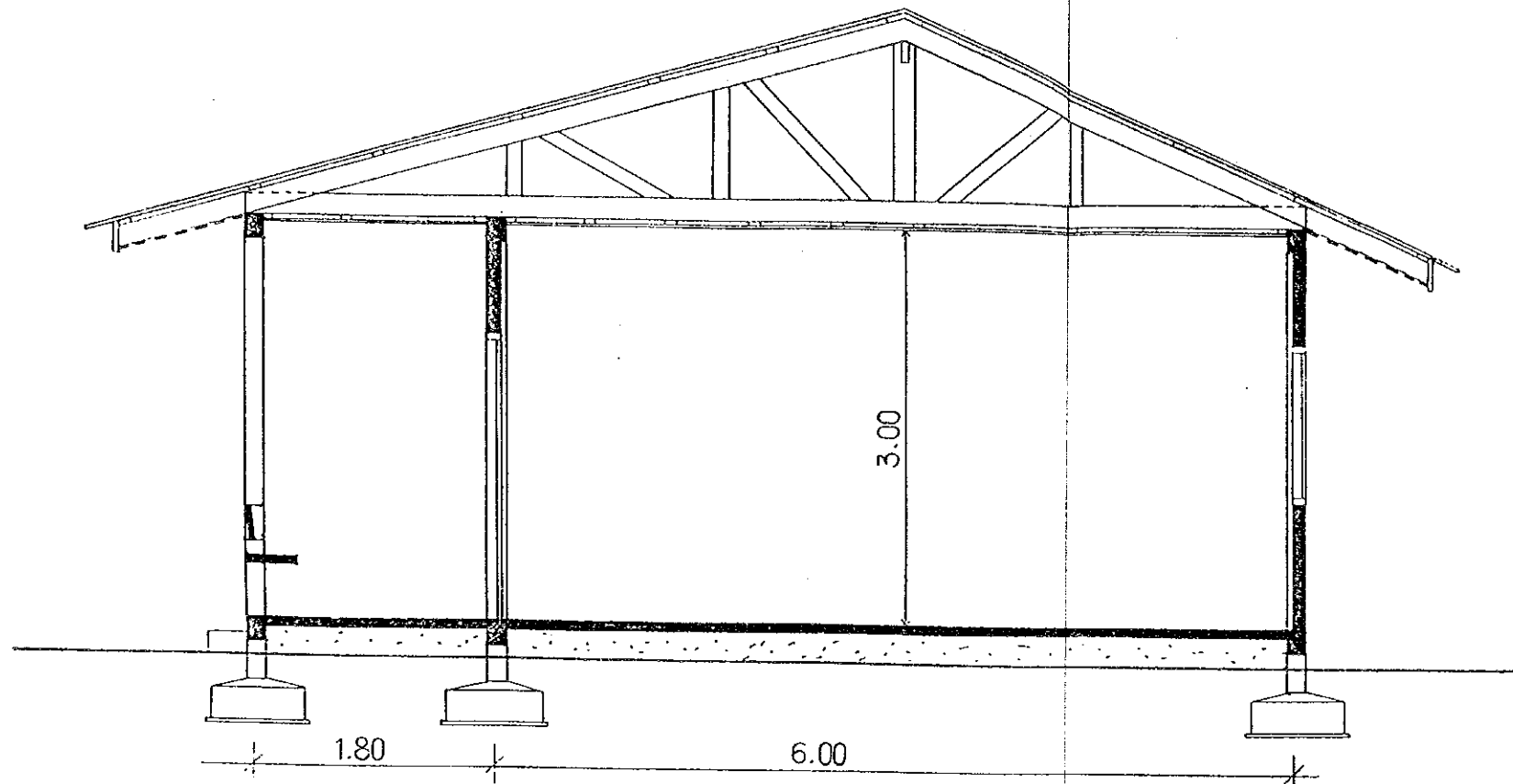


DIMENSION UNIT: m, V= m<sup>3</sup>

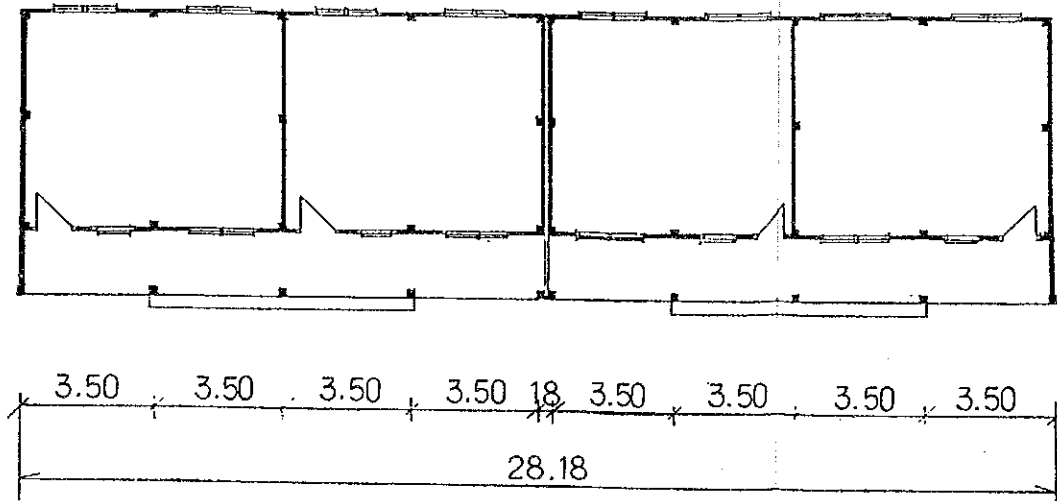
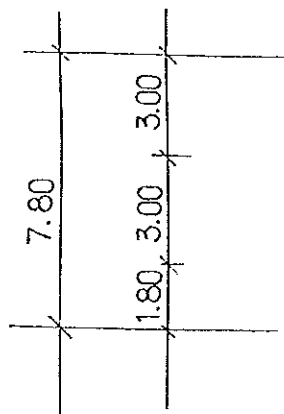
	FILTER TANK				Reservoir NO.1				Reservoir NO.2				Reservoir NO.3			
	B	W	H	V	B	W	H	V	B	W	H	V	B	W	H	V
Xai	5	4	2	37	5	4	2	37	3	4	2	22	-	-	-	-
Beng	5	6	2	53	5	6	2	53	3	5	2	26	-	-	-	-
Hun	5	7	2	67	5	7	2	67	4	6	2	47	3	5	2	28

THE LAO PEOPLE'S DEMOCRATIC REPUBLIC  
 MINISTRY OF AGRICULTURE AND FORESTRY  
 AGRICULTURAL DEVELOPMENT TO CONTROL  
 SLASH AND BURN CULTIVATION IN OUDOMXAY  
 TITLE OF DRAWING  
**FILTER TANK AND RESERVOIR  
 TANK**  
 NIPPON KOEI CO., LTD.  
 CONSTRUCTION PROJECT CONSULTANTS, INC.  
 DRAWING NO.  
**702**

PRIMARY SCHOOL  
S=1:50



S=1:200



DIMENSION

District	Village/ Thaohom 1)	Nos.of Room	Remark
Xai	1 B.Nalao	3	
	2 B.Nasao	2	
	3 B.Houaykhoun	2	
	4 Thaohom Khet 1	4	B.Bancheng
	5 Thaohom Khet 4	4	B.Nale
Beng	1 B.Phokeo	2	
	2 B.Thakat	2	
	3 Thaohom Khet 1	10	B.Benglouang
Hun	1 B.Somphon	2	
	2 B.Nakham-nua + B.Nakham-tai	2	
	3 B.Na + B.Mai	2	
	4 Thaohom Khet 2	4	B.Somxai

TOTAL: 12 Places with 39 rooms

THE LAO PEOPLE'S DEMOCRATIC REPUBLIC MINISTRY OF AGRICULTURE AND FORESTRY	
AGRICULTURAL DEVELOPMENT TO CONTROL SLASH AND BURN CULTIVATION IN OUDOMXAY	
TITLE OF DRAWING  <b>PRIMARY SCHOOL</b>	
HIPPON KOEI CO., LTD. CONSTRUCTION PROJECT CONSULTANTS, INC.	DRAWING NO. <b>801</b>



JICA