

No. 2

JAPAN INTERNATIONAL COOPERATION AGENCY (JICA)
MINISTRY OF AGRICULTURE AND FORESTRY
LAO PEOPLE'S DEMOCRATIC REPUBLIC

**AGRICULTURAL DEVELOPMENT PROJECT
TO
CONTROL SLASH AND BURN CULTIVATION
IN
OUDOMXAY PROVINCE**

VOLUME IV

DRAWINGS FOR MODEL AREAS SCHEME

AUGUST 1993

**NIPPON KOEI CO., LTD.
and
CONSTRUCTION PROJECT CONSULTANTS, INC.**

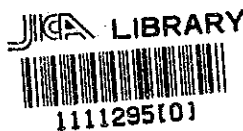
A F A
J R
93 - 44

JAPAN INTERNATIONAL COOPERATION AGENCY (JICA)
MINISTRY OF AGRICULTURE AND FORESTRY
LAO PEOPLE'S DEMOCRATIC REPUBLIC

**AGRICULTURAL DEVELOPMENT PROJECT
TO
CONTROL SLASH AND BURN CULTIVATION
IN
OUDOMXAY PROVINCE**

VOLUME IV

DRAWINGS FOR MODEL AREAS SCHEME



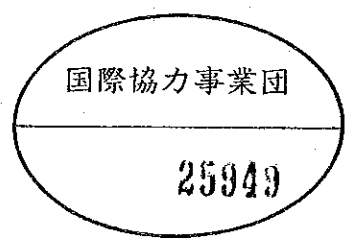
AUGUST 1993

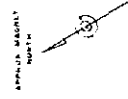
**NIPPON KOEI CO., LTD.
and
CONSTRUCTION PROJECT CONSULTANTS, INC.**

LIST OF DRAWINGS

PLATE NO.	DRAWING NO.	TITLE
IRRIGATION AND DRAINAGE		
1	101	GENERAL LAYOUT OF XAI AREA
2	102	GENERAL LAYOUT OF BENG AREA
3	103	GENERAL LAYOUT OF HUN AREA
4	104	IRRIGATION FLOW DIAGRAMS
5	105	DRAINAGE FLOW DIAGRAMS
6	201	PLAN AND PROFILE OF NAM MAO WEIR IN XAI AREA
7	202	PLAN AND PROFILE OF NAM HAO WEIR IN BENG AREA
8	203	PLAN AND PROFILE OF NAM NGAT NO.1 WEIR IN HUN AREA
9	204	PLAN AND PROFILE OF NAM KHAM NO.1 WEIR IN HUN AREA
10	301	PROFILE OF MAIN IRRIGATION CANAL IN XAI AREA (1/2)
11	302	PROFILE OF MAIN IRRIGATION CANAL IN XAI AREA (2/2)
12	303	PROFILE OF MAIN IRRIGATION CANAL IN BENG AREA (1/2)
13	304	PROFILE OF MAIN IRRIGATION CANAL IN BENG AREA (2/2)
14	305	PROFILE OF MAIN IRRIGATION CANALS IN HUN AREA (1/2)
15	306	PROFILE OF MAIN IRRIGATION CANALS IN HUN AREA (2/2)
16	307	PROFILE OF DRAINAGE CANALS IN XAI AREA (1/2)
17	308	PROFILE OF DRAINAGE CANALS IN XAI AREA (2/2)
18	309	PROFILE OF DRAINAGE CANALS IN BENG AREA (1/2)
19	310	PROFILE OF DRAINAGE CANALS IN BENG AREA (2/2)
20	311	PROFILE OF DRAINAGE CANALS IN HUN AREA (1/3)
21	312	PROFILE OF DRAINAGE CANALS IN HUN AREA (2/3)
22	313	PROFILE OF DRAINAGE CANALS IN HUN AREA (3/3)
23	314	TYPICAL CROSS SECTIONS OF CANALS AND O&M ROAD
24	401	BIFURCATION
25	402	TURNOUT
26	403	CHECK
27	404	CHECK CUM DROP
28	405	CULVERT
29	406	AQUEDUCT
30	407	DROP
31	408	SPILLWAY CUM WASTEWAY
32	409	CROSS DRAIN
33	410	TAIL STRUCTURE

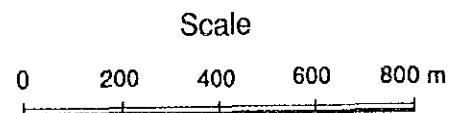
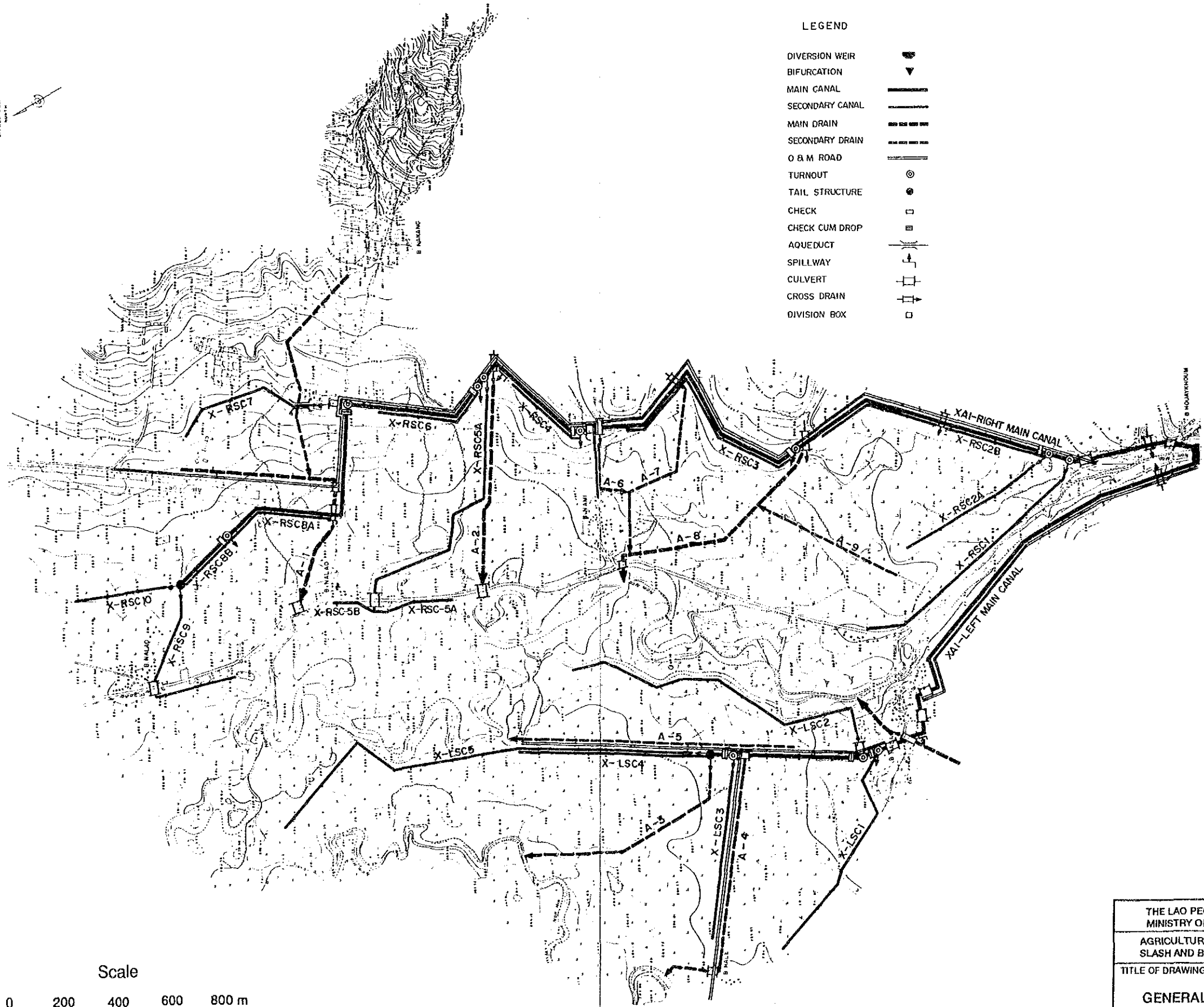
PLATE NO.	DRAWING NO.	TITLE
SOCIAL INFRASTRUCTURES		
34	501	GENERAL LAYOUT OF SOCIAL INFRASTRUCTURES DEVELOPMENT
35	601	TYPICAL CROSS SECTION, PLAN AND PROFILE OF DISTRICT ROAD (B. Nasao - B. Nale) (1/2)
36	602	TYPICAL CROSS SECTION, PLAN AND PROFILE OF DISTRICT ROAD (B. Nasao - B. Nale) (2/2)
37	603	TYPICAL CROSS SECTION, PLAN AND PROFILE OF DISTRICT ROAD (Hun town - B. Somphon) (1/7)
38	604	TYPICAL CROSS SECTION, PLAN AND PROFILE OF DISTRICT ROAD (Hun town - B. Somphon) (2/7)
39	605	TYPICAL CROSS SECTION, PLAN AND PROFILE OF DISTRICT ROAD (Hun town - B. Somphon) (3/7)
40	606	TYPICAL CROSS SECTION, PLAN AND PROFILE OF DISTRICT ROAD (Hun town - B. Somphon) (4/7)
41	607	TYPICAL CROSS SECTION, PLAN AND PROFILE OF DISTRICT ROAD (Hun town - B. Somphon) (5/7)
42	608	TYPICAL CROSS SECTION, PLAN AND PROFILE OF DISTRICT ROAD (Hun town - B. Somphon) (6/7)
43	609	TYPICAL CROSS SECTION, PLAN AND PROFILE OF DISTRICT ROAD (Hun town - B. Somphon) (7/7)
44	610	CAUSEWAY (Nam Mao)
45	611	CAUSEWAY (Nam Ngat)
46	612	CAUSEWAY (Nam Kham)
47	613	CROSS DRAIN
48	701	INTAKE FACILITIES AND STAND TAP
49	702	FILTER TANK AND RESERVOIR TANK
50	801	PRIMARY SCHOOL
AGRICULTURAL STATION		
51	901	GENERAL LAYOUT OF AGRICULTURAL STATION
















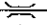
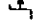
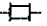
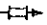

LEGEND

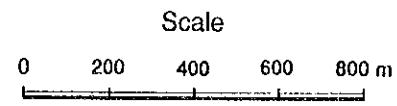
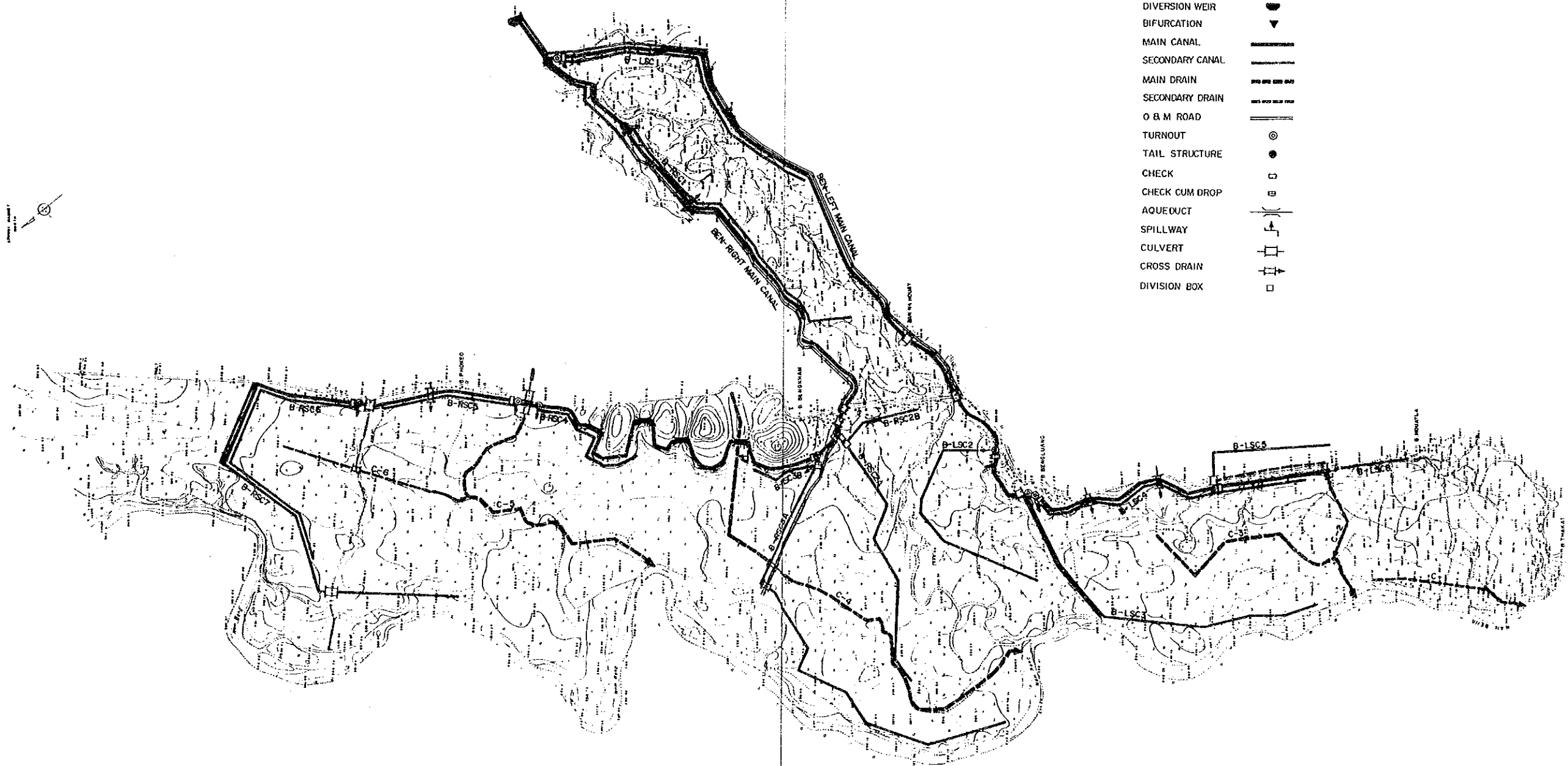
- DIVERSION WEIR
- BIFURCATION
- MAIN CANAL
- SECONDARY CANAL
- MAIN DRAIN
- SECONDARY DRAIN
- O & M ROAD
- TURNOUT
- TAIL STRUCTURE
- CHECK
- CHECK CUM DROP
- AQUEDUCT
- SPILLWAY
- CULVERT
- CROSS DRAIN
- DIVISION BOX



THE LAO PEOPLE'S DEMOCRATIC REPUBLIC MINISTRY OF AGRICULTURE AND FORESTRY	
AGRICULTURAL DEVELOPMENT TO CONTROL SLASH AND BURN CULTIVATION IN OUDOMXAY	
TITLE OF DRAWING	
GENERAL LAYOUT OF XAI AREA	
NIPPON KOEI CO., LTD. CONSTRUCTION PROJECT CONSULTANTS, INC.	DRAWING NO. 101










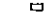




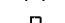

LEGEND

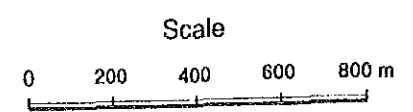
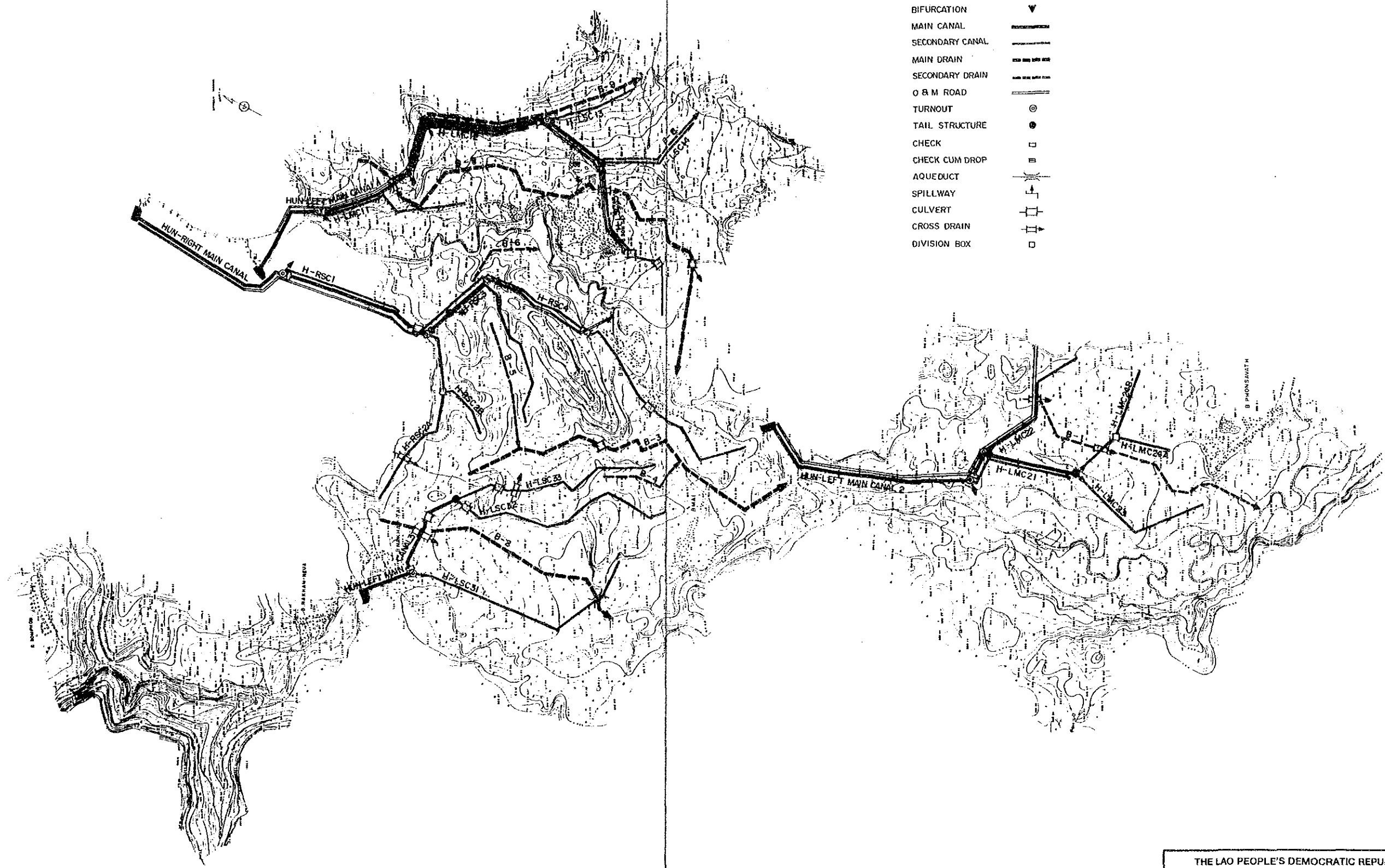
- DIVERSION WEIR 
- BIFURCATION 
- MAIN CANAL 
- SECONDARY CANAL 
- MAIN DRAIN 
- SECONDARY DRAIN 
- O & M ROAD 
- TURNOUT 
- TAIL STRUCTURE 
- CHECK 
- CHECK CUM DROP 
- AQUEUCT 
- SPILLWAY 
- CULVERT 
- CROSS DRAIN 
- DIVISION BOX 



THE LAO PEOPLE'S DEMOCRATIC REPUBLIC MINISTRY OF AGRICULTURE AND FORESTRY	
AGRICULTURAL DEVELOPMENT TO CONTROL SLASH AND BURN CULTIVATION IN OUDOMXAY	
TITLE OF DRAWING	
GENERAL LAYOUT OF BENG AREA	
NIPPON KOEI CO., LTD. CONSTRUCTION PROJECT CONSULTANTS, INC.	DRAWING NO. 102

LEGEND

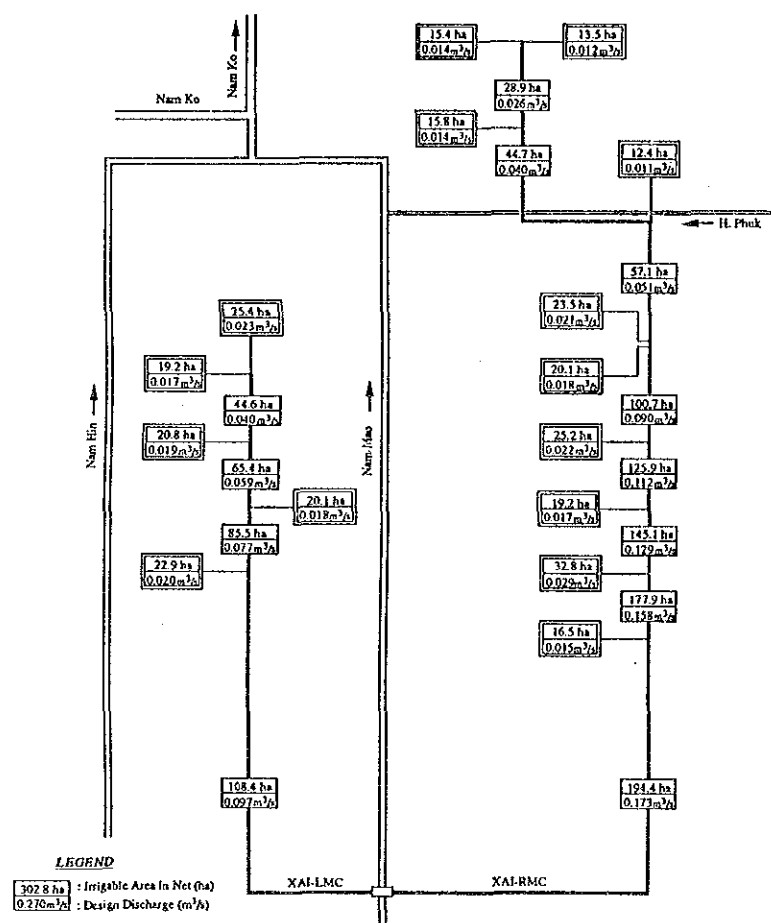
- DIVERSION WEIR 
- BIFURCATION 
- MAIN CANAL 
- SECONDARY CANAL 
- MAIN DRAIN 
- SECONDARY DRAIN 
- O & M ROAD 
- TURNOUT 
- TAIL STRUCTURE 
- CHECK 
- CHECK CUM DROP 
- AQUEDUCT 
- SPILLWAY 
- CULVERT 
- CROSS DRAIN 
- DIVISION BOX 



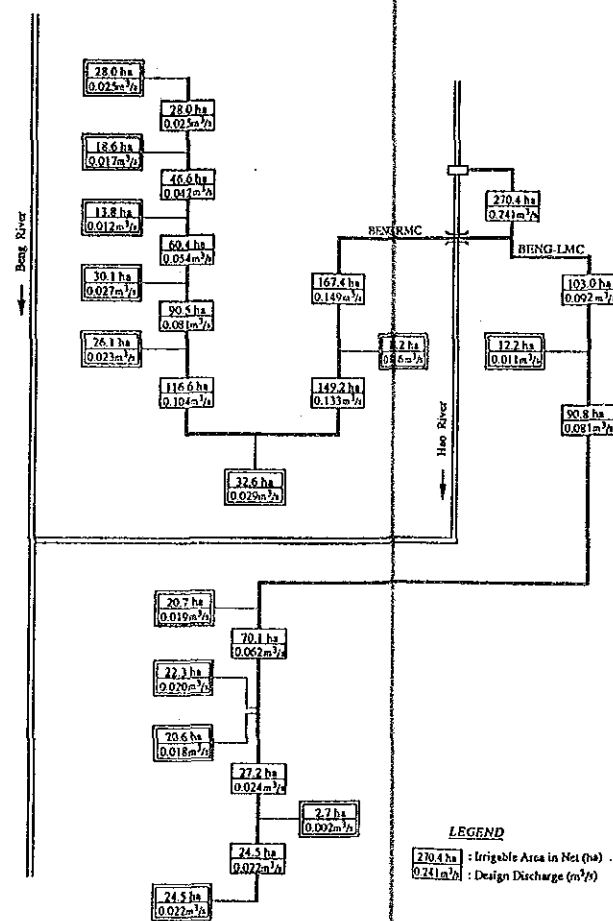
THE LAO PEOPLE'S DEMOCRATIC REPUBLIC MINISTRY OF AGRICULTURE AND FORESTRY	
AGRICULTURAL DEVELOPMENT TO CONTROL SLASH AND BURN CULTIVATION IN OUDOMXAY	
TITLE OF DRAWING GENERAL LAYOUT OF HUN AREA	
HIPON KOEI CO., LTD. CONSTRUCTION PROJECT CONSULTANTS, INC.	DRAWING NO. 103

IRRIGATION FLOW DIAGRAMS

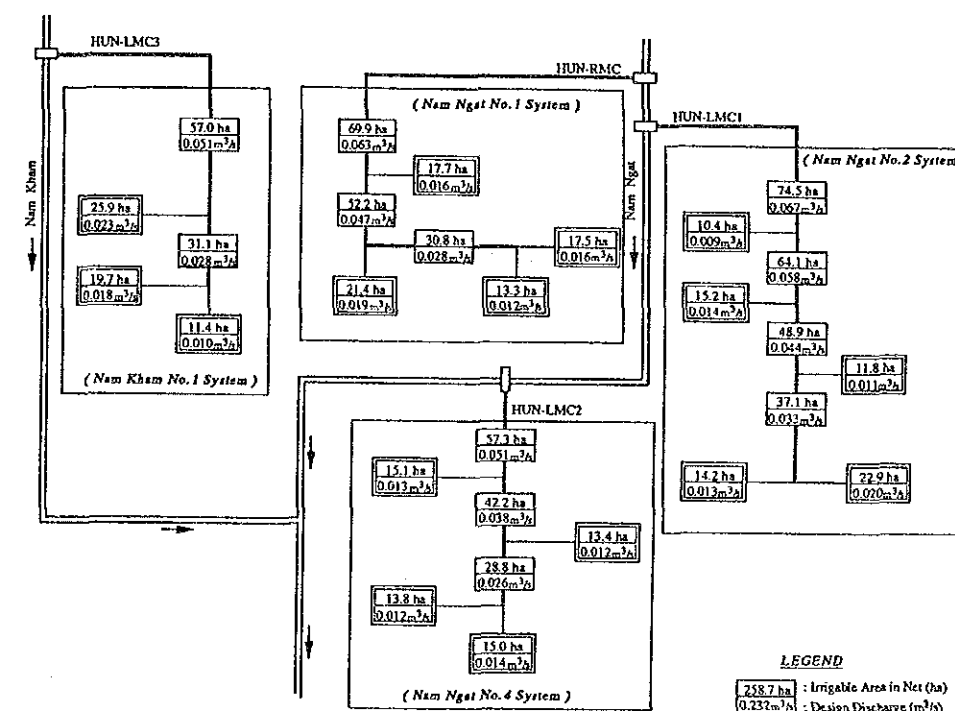
XAI MODEL AREA



BENG MODEL AREA



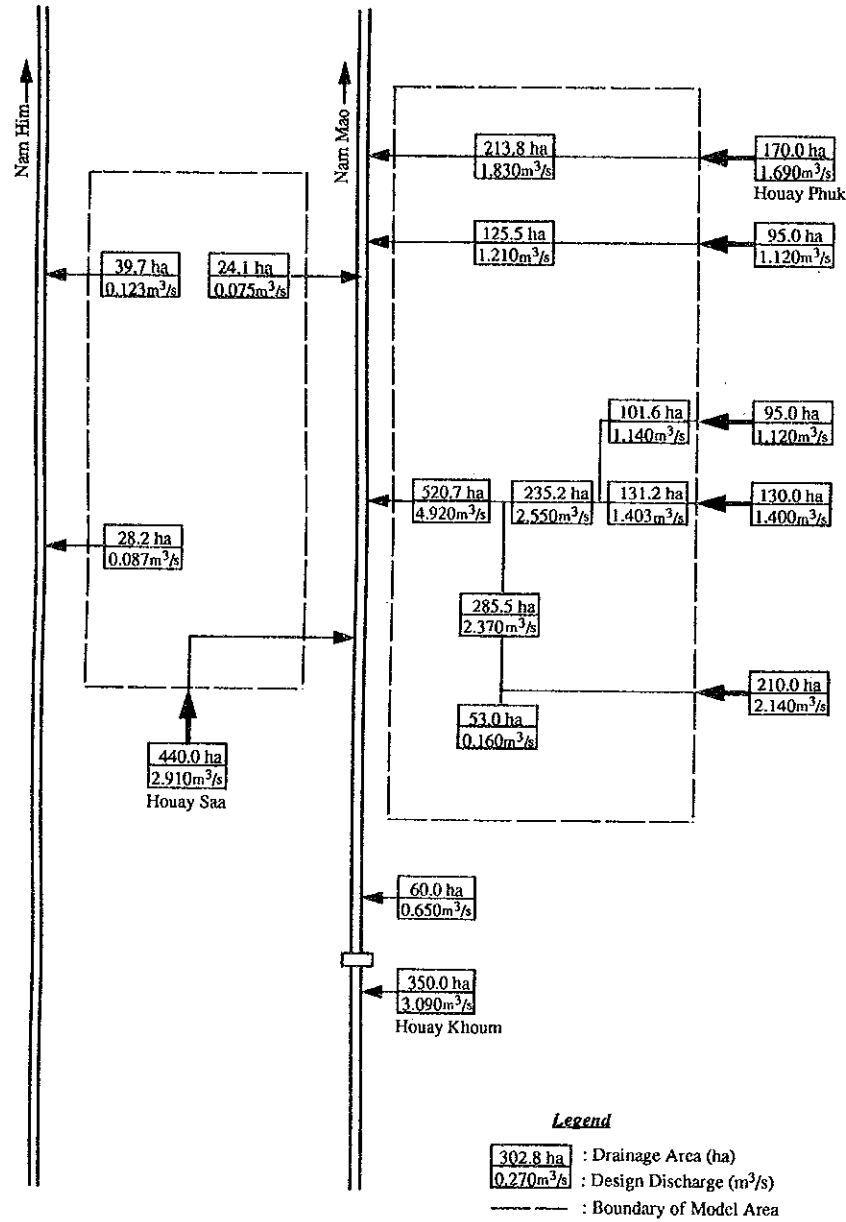
HUN MODEL AREA



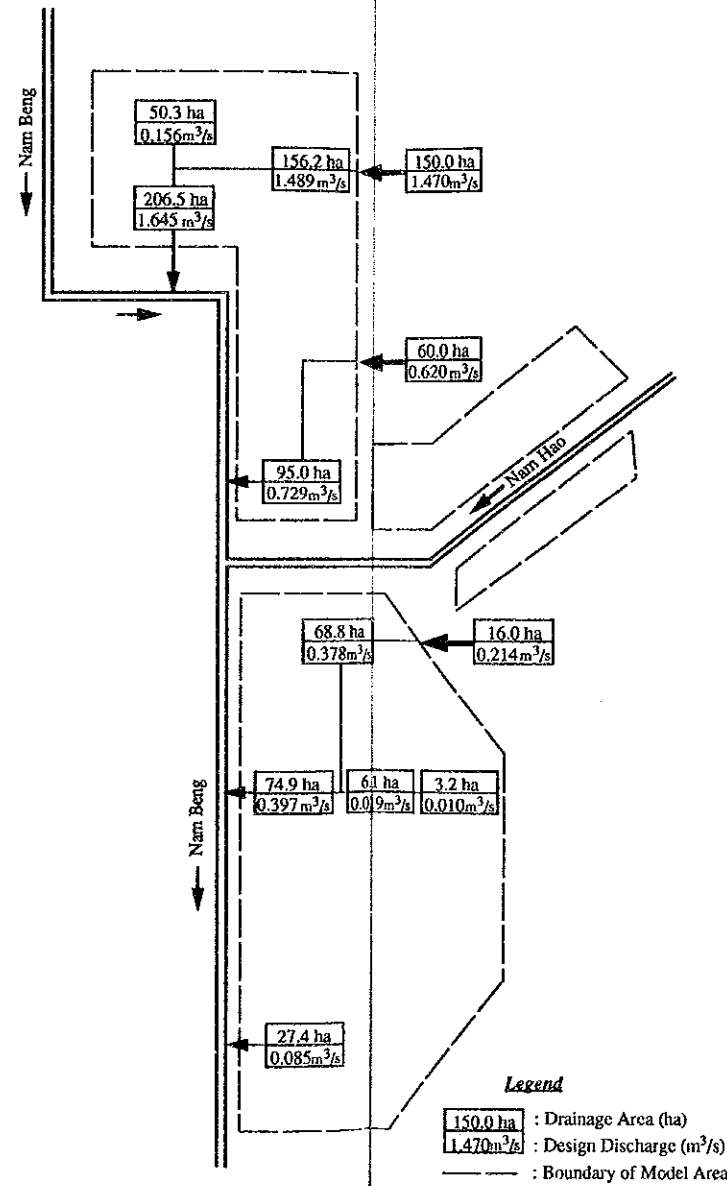
THE LAO PEOPLE'S DEMOCRATIC REPUBLIC
 MINISTRY OF AGRICULTURE AND FORESTRY
 AGRICULTURAL DEVELOPMENT TO CONTROL
 SLASH AND BURN CULTIVATION IN OUDOMXAY
 TITLE OF DRAWING
IRRIGATION FLOW DIAGRAMS
 NIPPON KOEI CO., LTD.
 CONSTRUCTION PROJECT CONSULTANTS, INC.
 DRAWING NO.
104

DRAINAGE FLOW DIAGRAMS

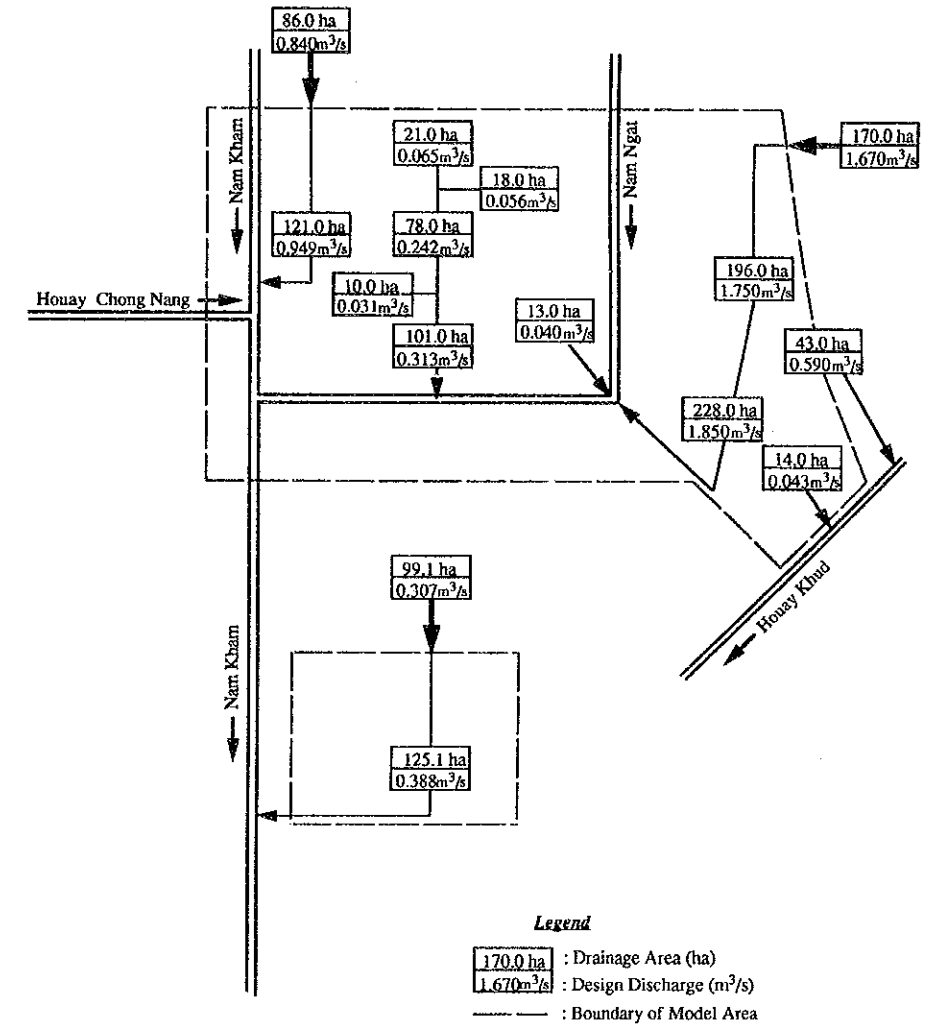
XAI MODEL AREA

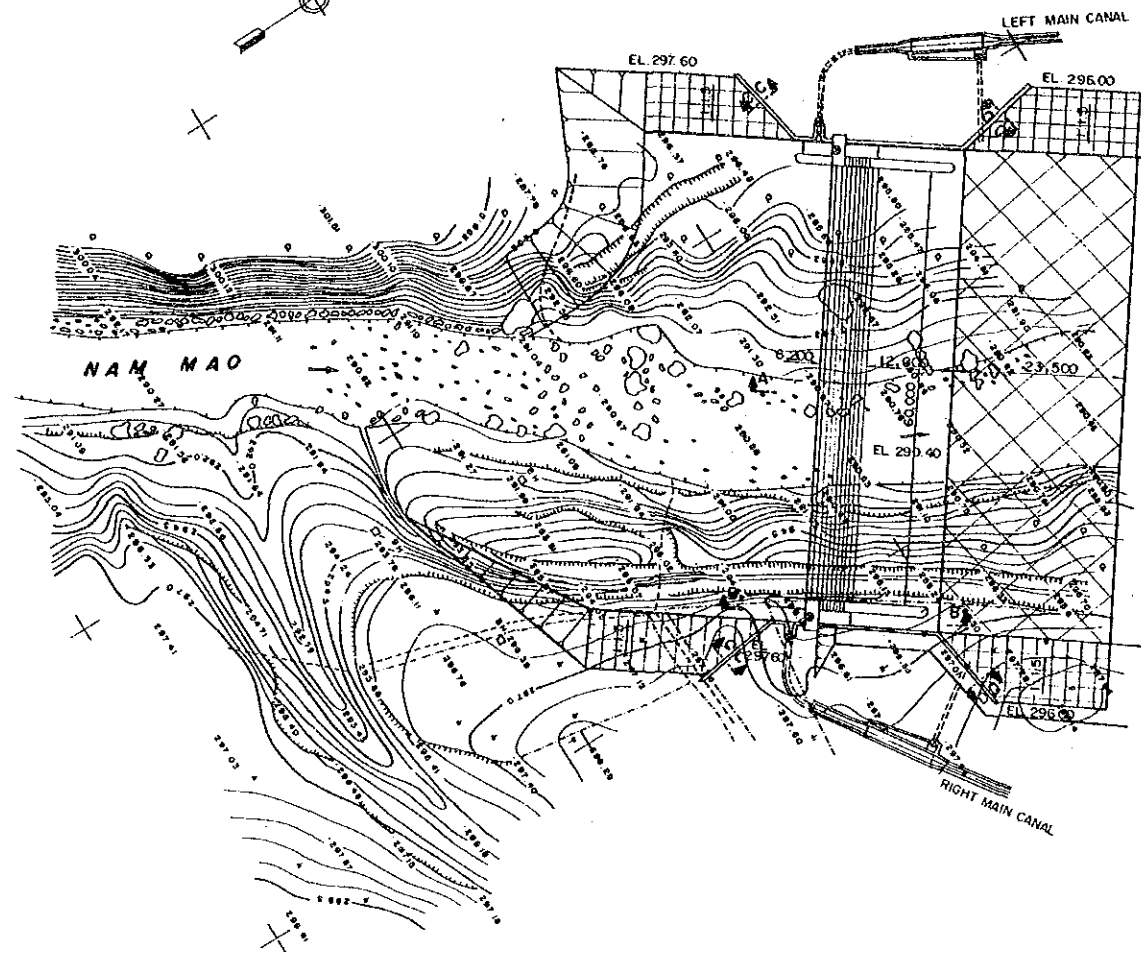


BENG MODEL AREA

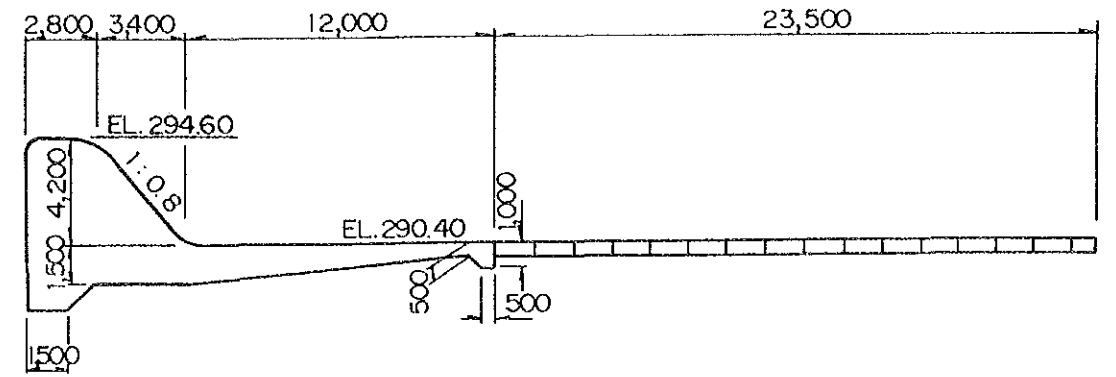


HUN MODEL AREA

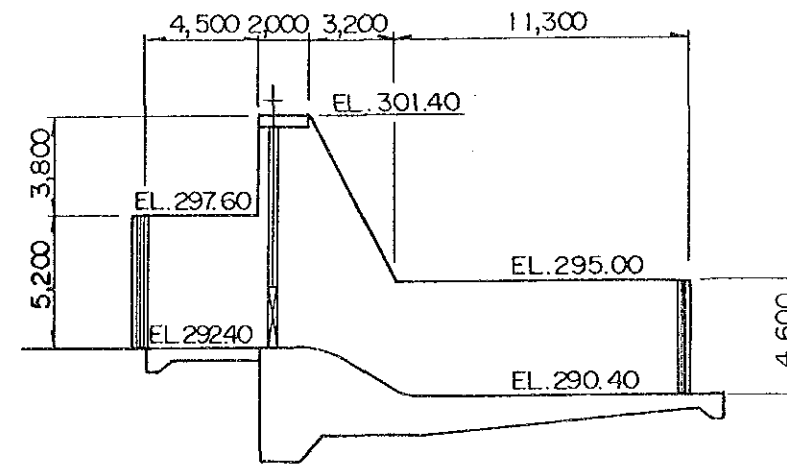




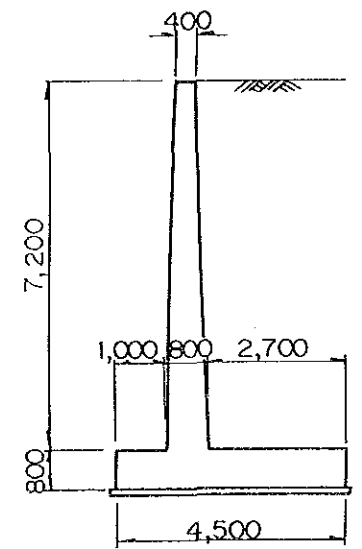
PLAN



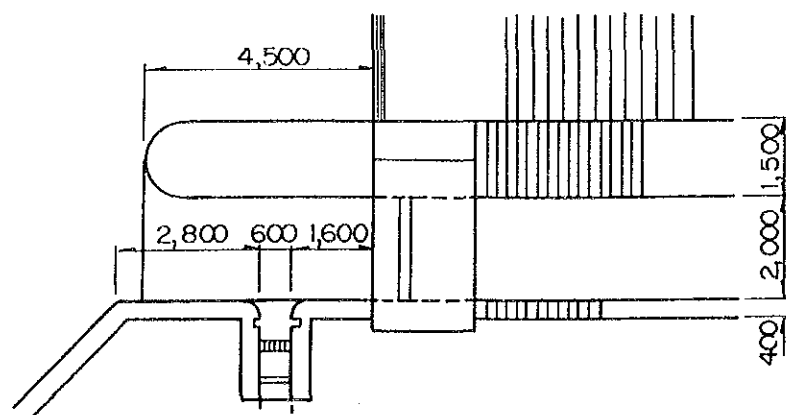
SECTION A-A



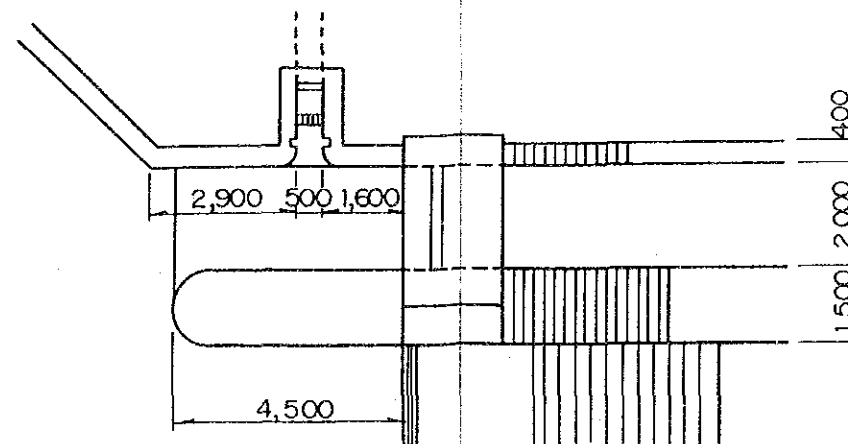
SECTION B-B



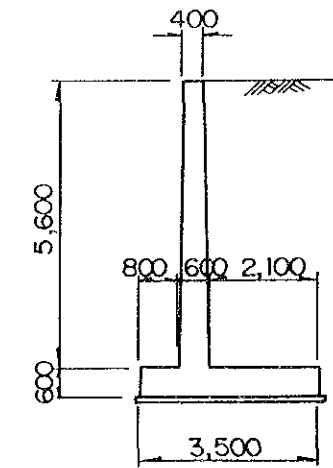
SECTION C-C



PLAN OF INTAKE & SCOURING SLUICE
(RIGHT SIDE)

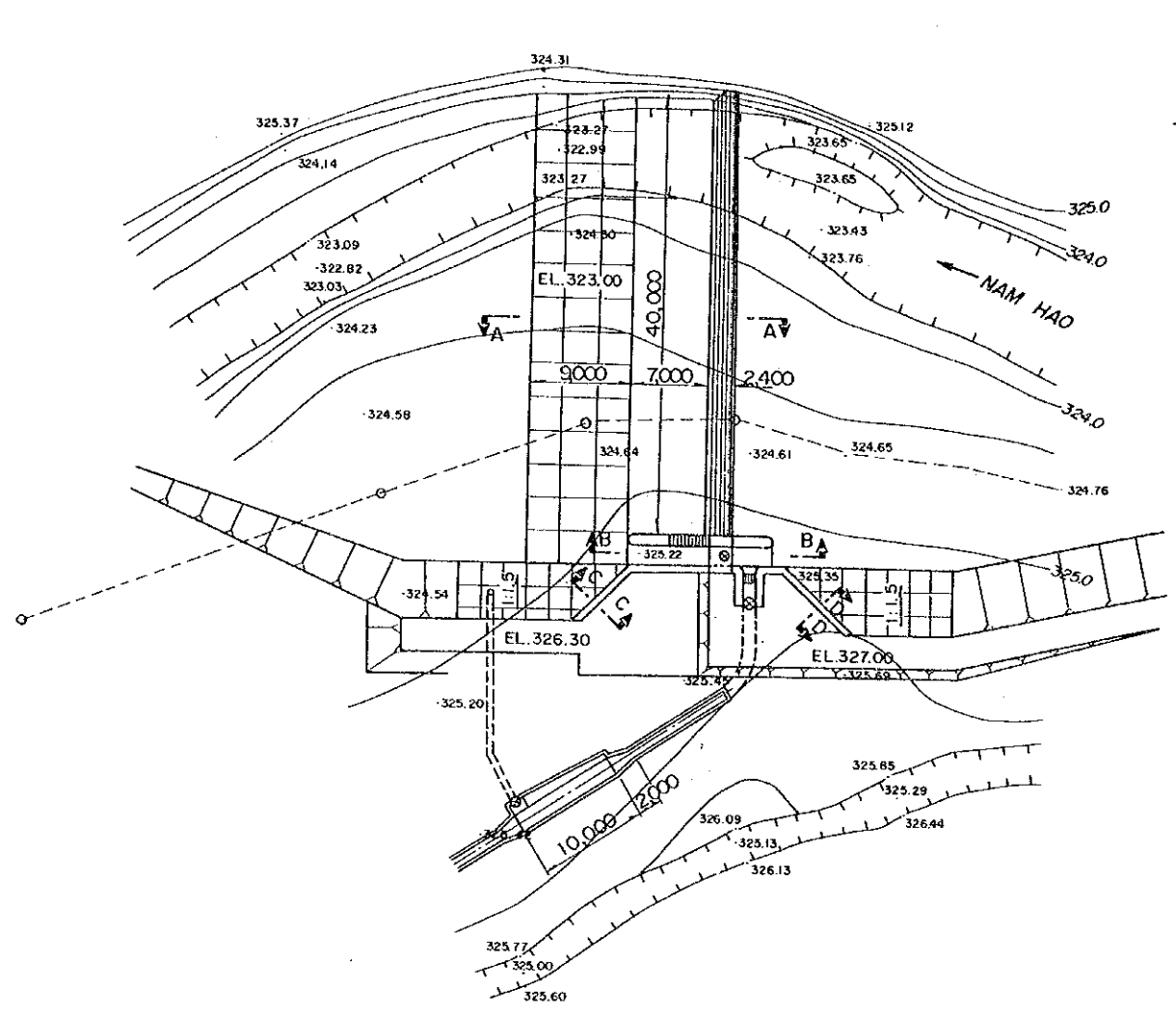


PLAN OF INTAKE & SCOURING SLUICE
(LEFT SIDE)

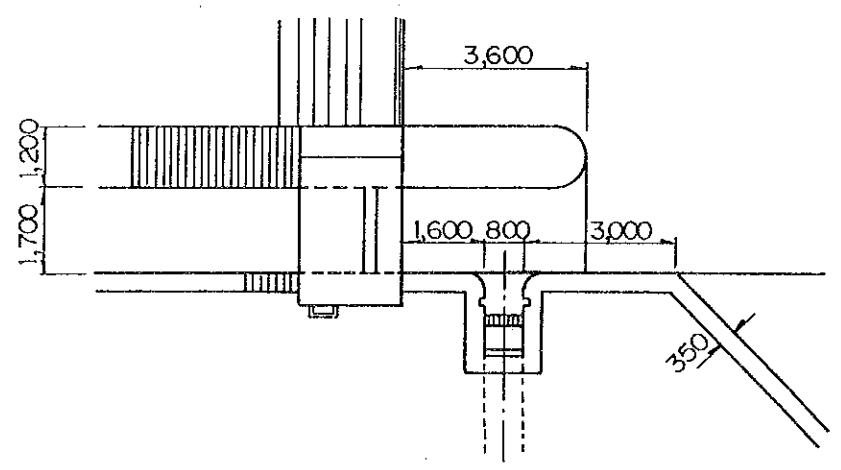


SECTION D-D

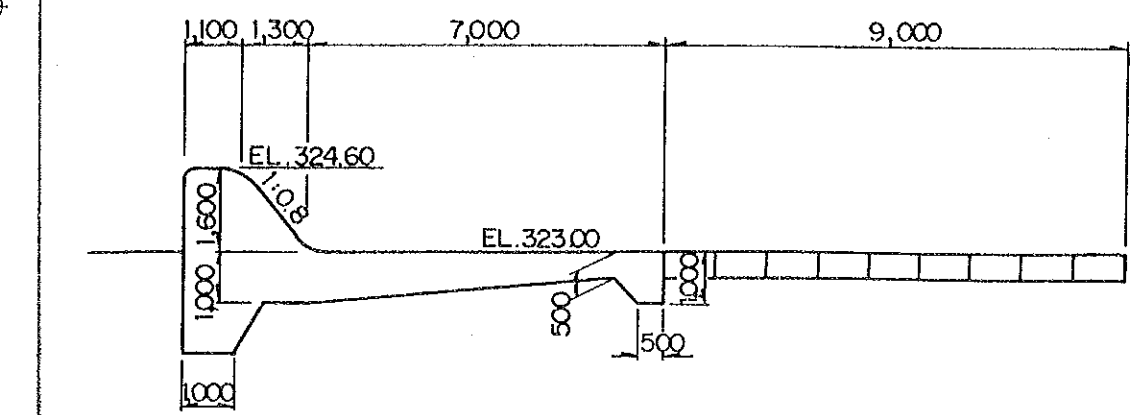
THE LAO PEOPLE'S DEMOCRATIC REPUBLIC MINISTRY OF AGRICULTURE AND FORESTRY	
AGRICULTURAL DEVELOPMENT TO CONTROL SLASH AND BURN CULTIVATION IN OUDOMXAY	
TITLE OF DRAWING	
PLAN AND PROFILE OF NAM MAO WEIR IN XAI AREA	
HIPPON KOEI CO., LTD. CONSTRUCTION PROJECT CONSULTANTS, INC.	DRAWING NO. 201



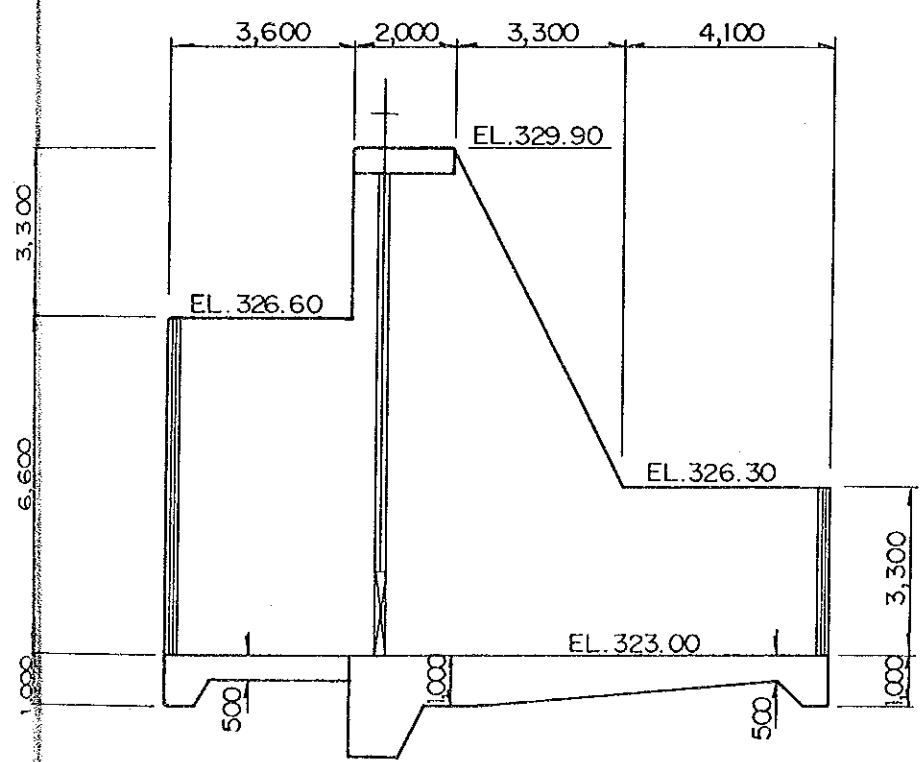
PLAN



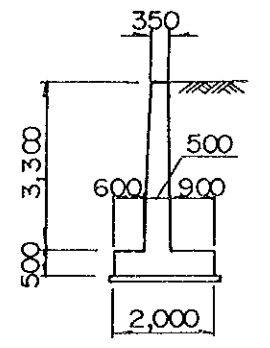
PLAN OF INTAKE & SCOURING SLUICE



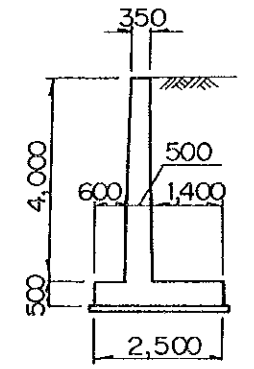
SECTION A - A



SECTION B - B

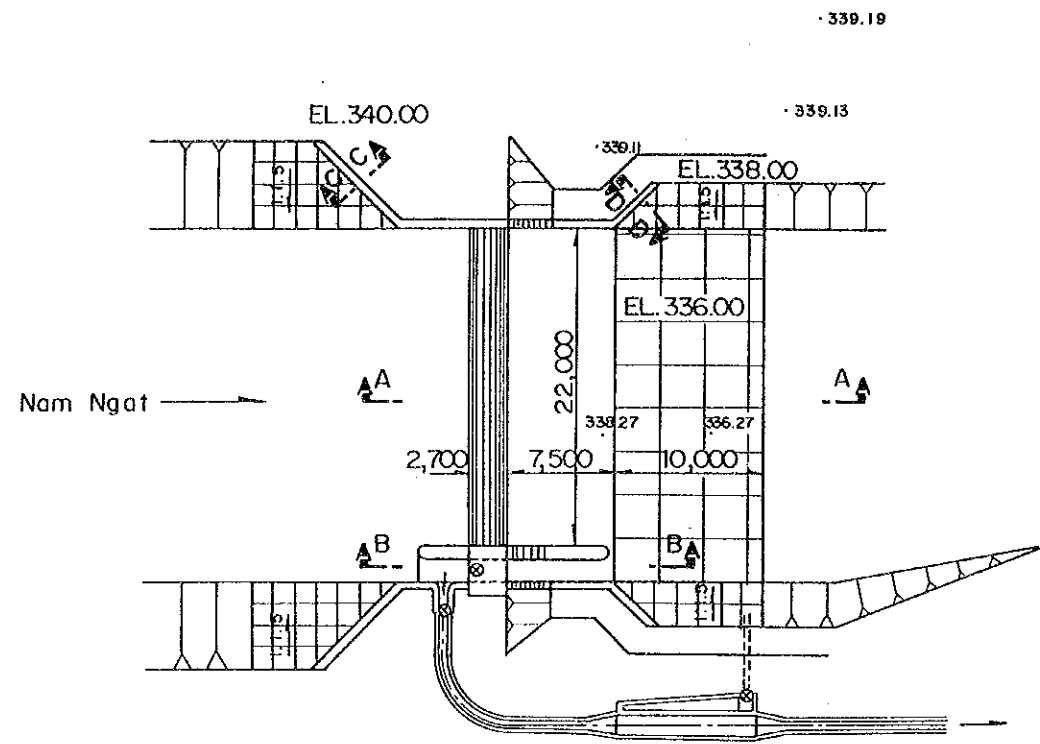


SECTION C - C

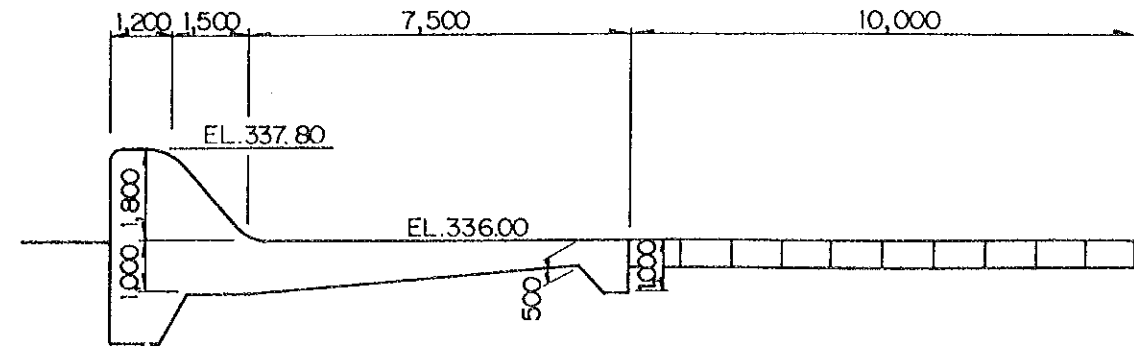


SECTION D - D

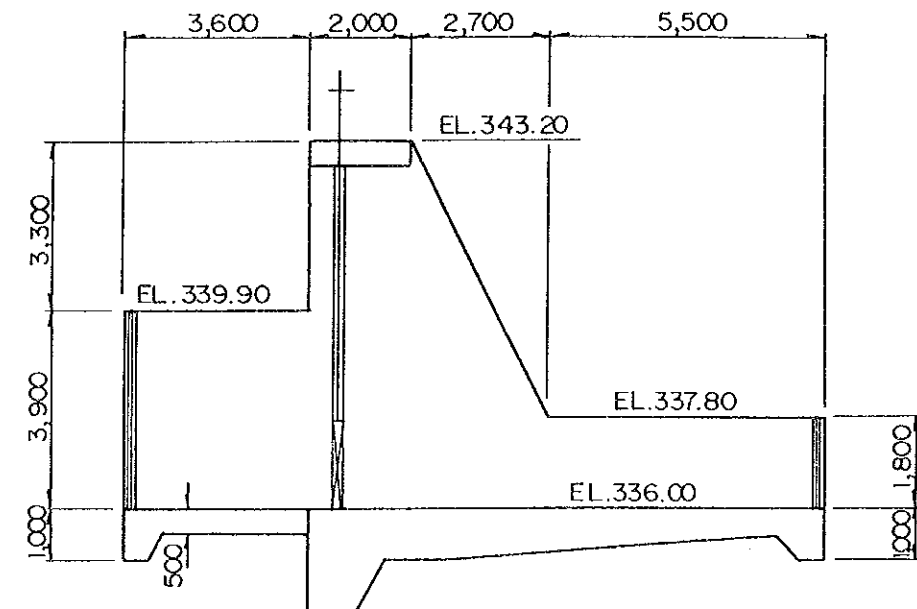
THE LAO PEOPLE'S DEMOCRATIC REPUBLIC MINISTRY OF AGRICULTURE AND FORESTRY	
AGRICULTURAL DEVELOPMENT TO CONTROL SLASH AND BURN CULTIVATION IN OUDOMXAY	
TITLE OF DRAWING	
PLAN AND PROFILE OF NAM HAO WEIR IN BENG AREA	
NIPPON KOEI CO., LTD. CONSTRUCTION PROJECT CONSULTANTS, INC.	DRAWING NO. 202



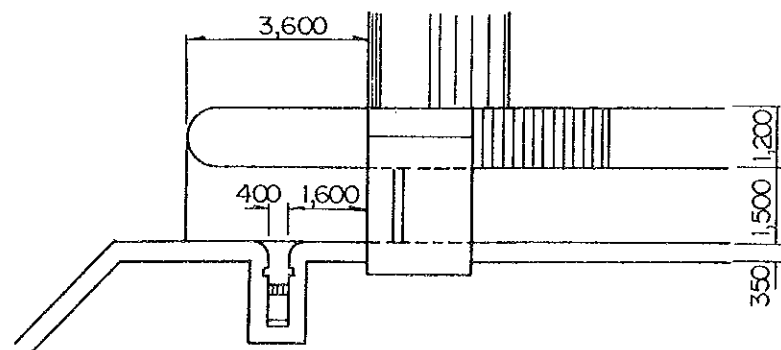
PLAN



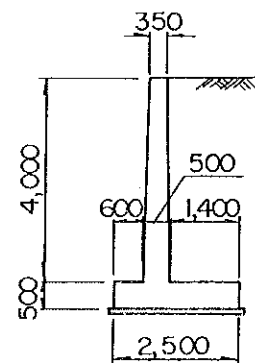
SECTION A - A



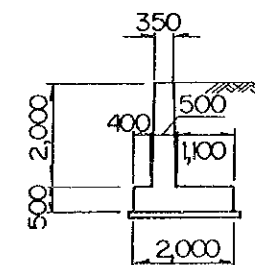
SECTION B - B



PLAN OF INTAKE & SCOURING SLUICE

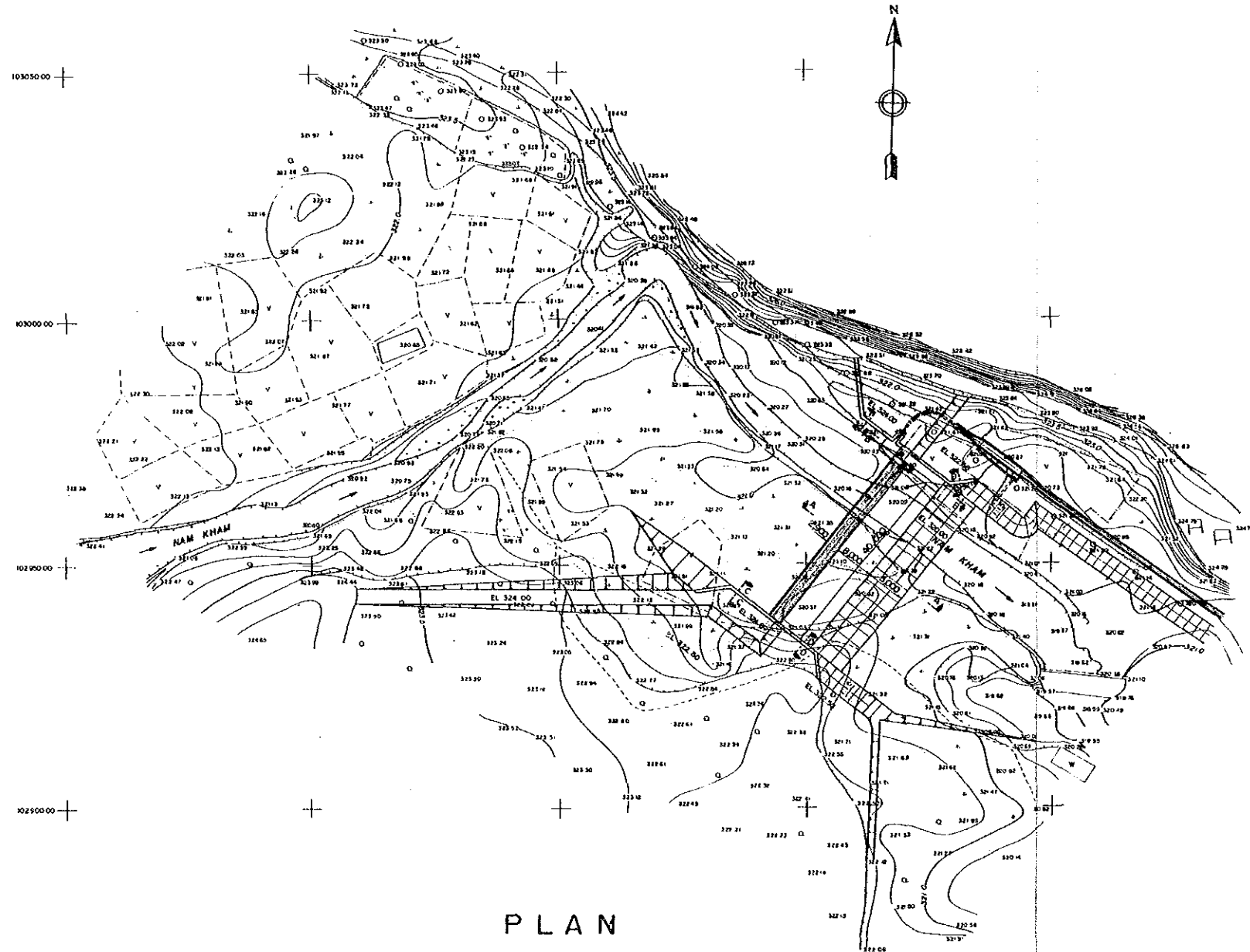


SECTION C - C

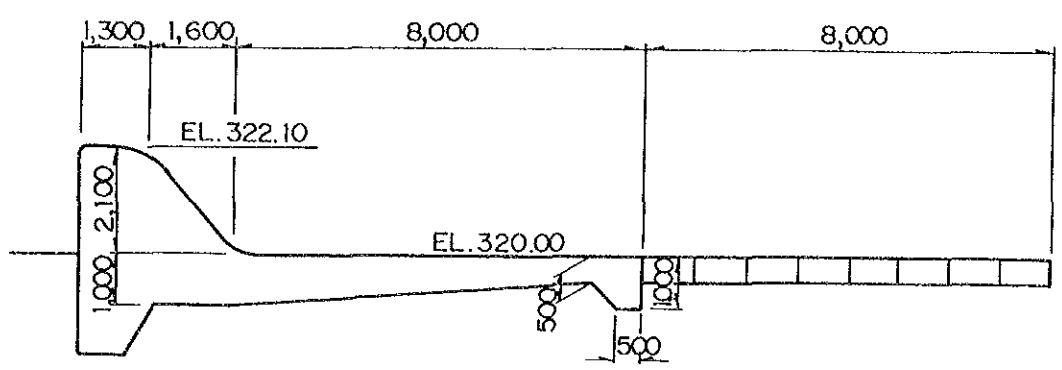


SECTION D - D

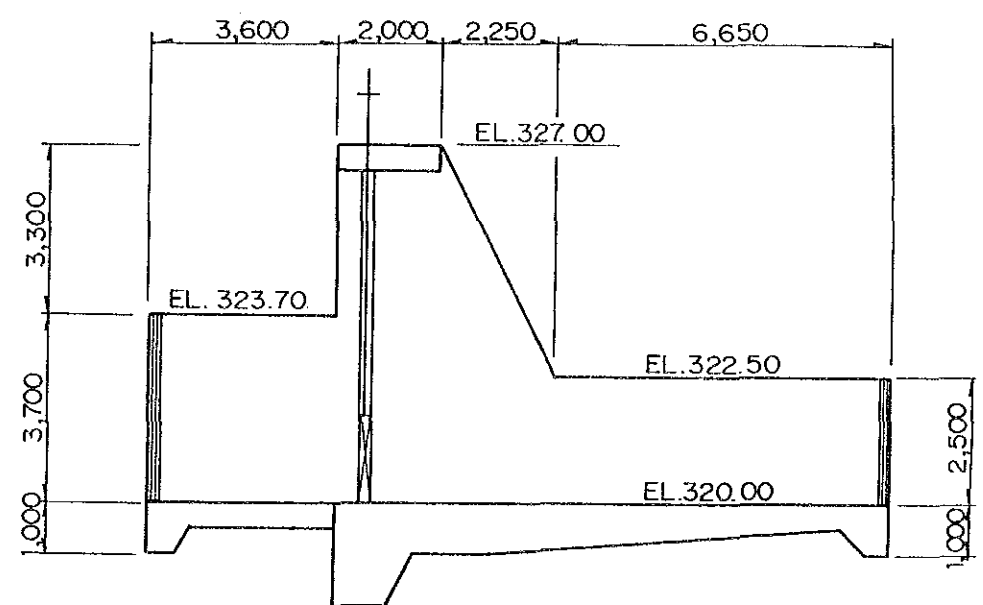
THE LAO PEOPLE'S DEMOCRATIC REPUBLIC MINISTRY OF AGRICULTURE AND FORESTRY	
AGRICULTURAL DEVELOPMENT TO CONTROL SLASH AND BURN CULTIVATION IN OUDOMXAY	
TITLE OF DRAWING	
PLAN AND PROFILE OF NAM NGAT NO.1 WEIR IN HUN AREA	
NIPPON KOEI CO., LTD. CONSTRUCTION PROJECT CONSULTANTS, INC.	DRAWING NO. 203



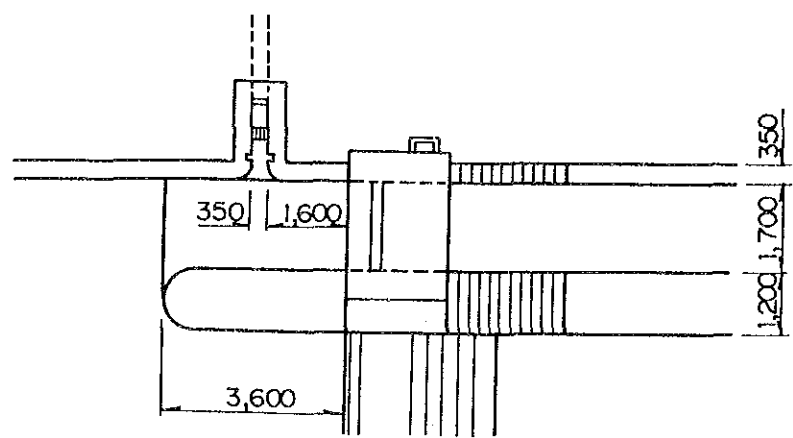
PLAN



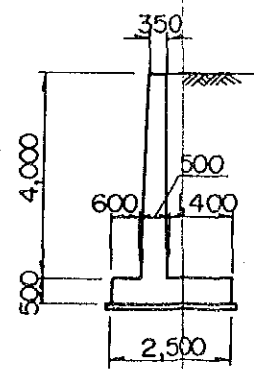
SECTION A - A



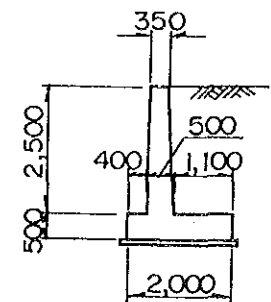
SECTION B - B



PLAN OF INTAKE & SCOURING SLUICE



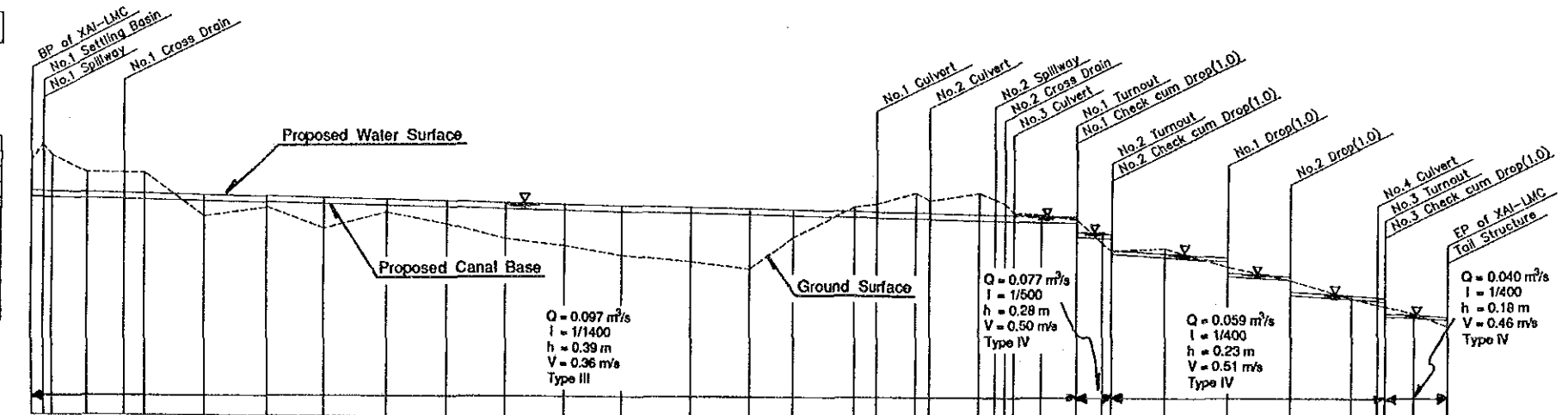
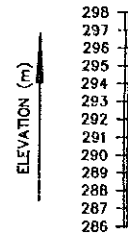
SECTION C - C



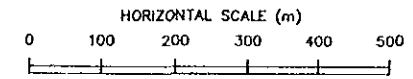
SECTION D - D

THE LAO PEOPLE'S DEMOCRATIC REPUBLIC MINISTRY OF AGRICULTURE AND FORESTRY	
AGRICULTURAL DEVELOPMENT TO CONTROL SLASH AND BURN CULTIVATION IN OUDOMXAY	
TITLE OF DRAWING	
PLAN AND PROFILE OF NAM KHAM NO.1 WEIR IN HUN AREA	
NIPPON KOEI CO., LTD. CONSTRUCTION PROJECT CONSULTANTS, INC.	DRAWING NO. 204

XAI-LMC

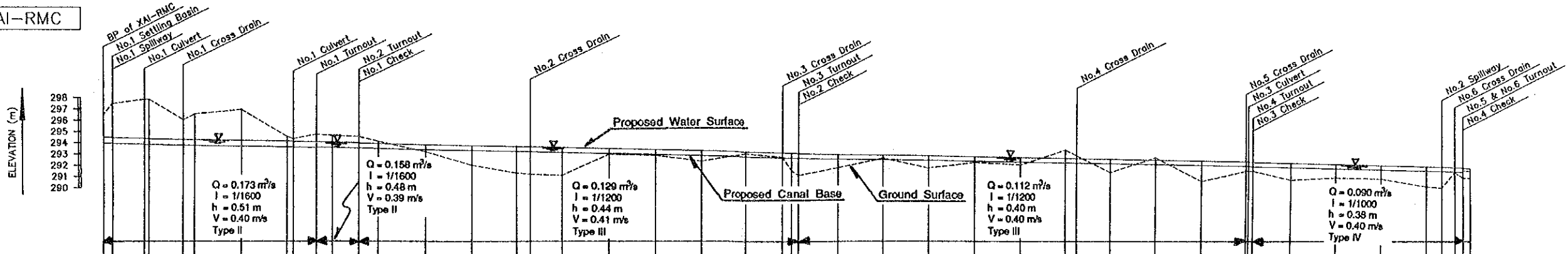


STATION NO.	DISTANCE	REDUCED DISTANCE	GROUND SURFACE ELEVATION	CANAL BASE ELEVATION	WATER SURFACE ELEVATION
BP	0.00	0.00	296.50	294.11	294.50
+20	14.00	34.00	297.50	294.00	294.45
No.1+52	57.00	91.00	295.70	294.02	294.41
No.2+90	81.00	152.00	295.70	293.98	294.37
No.3+62	102.00	185.00	295.70	293.96	294.35
No.4+76	102.00	280.00	292.89	293.69	294.26
No.5+76	102.00	382.00	293.50	293.62	294.21
No.6+73	95.00	475.00	292.15	293.75	294.14
No.7+87	94.00	575.00	293.23	294.68	294.07
No.8+83	96.00	673.00	292.50	293.61	294.00
No.9+57	94.00	757.00	291.60	293.54	293.93
No.10+69	112.00	863.00	291.21	293.47	293.86
No.11+64	95.00	957.00	290.60	293.40	293.79
No.12+34	70.00	1069.00	290.20	293.32	293.71
No.13+34	100.00	1184.00	289.75	293.25	293.64
+72	36.00	1234.00	291.80	293.20	293.59
No.14+34	62.00	1334.00	293.50	293.13	293.52
+56	22.00	1372.00	294.00	293.10	293.46
No.15+34	78.00	1434.00	294.70	293.03	293.42
+76	16.00	1456.00	294.20	292.98	293.37
+96	14.00	1534.00	294.70	292.92	293.31
No.16+34	44.00	1550.00	294.20	292.86	293.25
+92	58.00	1560.00	293.40	292.81	293.19
No.17+34	42.00	1634.00	293.30	292.75	293.13
+48	15.00	1692.00	291.50	292.70	293.07
No.18+34	85.00	1734.00	291.00	292.64	293.01
No.19+34	100.00	1749.00	291.20	292.58	292.95
No.20+34	100.00	1834.00	291.20	292.52	292.89
No.21+34	100.00	1934.00	290.00	292.46	292.83
+76	42.00	2034.00	289.10	292.40	292.77
+88	12.00	2134.00	289.10	292.34	292.71
No.22+34	46.00	2176.00	287.50	292.28	292.65
EP	54.00	2188.00	287.40	292.22	292.59
		2234.00	286.90	292.16	292.53
		2288.00	286.10	292.10	292.47
			286.10	292.04	292.41



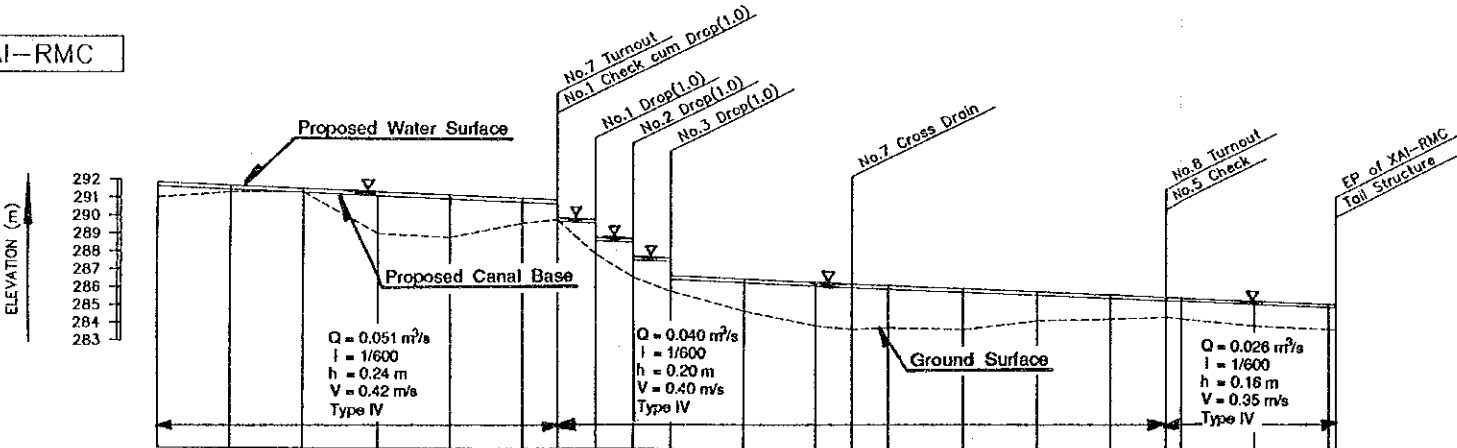
THE LAO PEOPLE'S DEMOCRATIC REPUBLIC
 MINISTRY OF AGRICULTURE AND FORESTRY
 AGRICULTURAL DEVELOPMENT TO CONTROL
 SLASH AND BURN CULTIVATION IN OUDOMXAY
 TITLE OF DRAWING
**PROFILE OF MAIN IRRIGATION
 CANAL IN XAI AREA (1/2)**
 NIPPON KOEI CO., LTD.
 CONSTRUCTION PROJECT CONSULTANTS, INC.
 DRAWING NO.
301

XAI-RMC

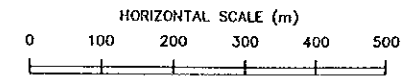


STATION NO.	DISTANCE	REDUCED DISTANCE	GROUND SURFACE ELEVATION	CANAL BASE ELEVATION	WATER SURFACE ELEVATION
BP +20	0.00	0.00	295.50	293.98	294.50
+90	20.00	20.00	297.50	295.98	294.49
No.1	70.00	90.00	297.90	295.91	294.42
+75	75.00	100.00	297.90	295.89	294.39
No.2	175.00	175.00	296.10	293.62	294.33
No.3	200.00	200.00	296.60	293.80	294.31
No.4	300.00	300.00	297.00	293.74	294.25
No.4	400.00	400.00	294.60	293.69	294.19
+14	414.00	414.00	294.40	293.67	294.18
+65	465.00	465.00	294.80	293.61	294.12
No.5	500.00	500.00	294.70	293.62	294.10
+86	558.00	558.00	294.60	293.59	294.06
No.6	600.00	600.00	294.20	293.56	294.00
No.7	700.00	700.00	293.30	293.46	293.92
No.8	800.00	800.00	292.10	293.40	293.84
No.9	900.00	900.00	291.40	293.32	293.76
+30	930.00	930.00	291.30	293.30	293.74
No.10	1000.00	1000.00	291.20	293.24	293.68
No.11	1100.00	1100.00	293.10	293.16	293.60
No.12	1200.00	1200.00	293.00	293.08	293.52
No.13	1300.00	1300.00	292.50	293.00	293.44
No.14	1400.00	1400.00	293.20	292.92	293.36
+80	1480.00	1480.00	292.90	292.85	293.29
No.15	1500.00	1500.00	291.70	292.82	293.26
+15	1515.00	1515.00	291.30	292.83	293.25
No.16	1600.00	1600.00	292.00	292.76	293.16
No.17	1700.00	1700.00	292.80	292.68	293.08
No.18	1800.00	1800.00	291.90	292.60	293.00
No.19	1900.00	1900.00	292.40	292.52	292.92
No.20	2000.00	2000.00	292.20	292.44	292.84
No.21	2100.00	2100.00	293.50	292.36	292.76
+25	2125.00	2125.00	293.00	292.34	292.74
No.22	2200.00	2200.00	291.50	292.28	292.68
No.23	2300.00	2300.00	292.80	292.20	292.60
No.24	2400.00	2400.00	290.70	292.12	292.52
+90	2498.00	2498.00	291.60	292.04	292.44
No.25	2500.00	2500.00	291.50	292.04	292.44
+5	2505.00	2505.00	291.60	292.01	292.41
+15	2515.00	2515.00	291.60	292.00	292.40
No.26	2600.00	2600.00	290.80	291.91	292.29
No.27	2700.00	2700.00	291.00	291.81	292.19
No.28	2800.00	2800.00	290.90	291.71	292.09
No.29	2900.00	2900.00	290.20	291.61	291.99
+35	2935.00	2935.00	290.10	291.58	291.96
+45	2965.00	2965.00	291.50	291.53	291.93
+64	2984.00	2984.00	291.00	291.50	291.88
No.30	3000.00	3000.00	291.00	291.52	291.85

XAI-RMC



STATION NO.	DISTANCE	REDUCED DISTANCE	GROUND SURFACE ELEVATION	CANAL BASE ELEVATION	WATER SURFACE ELEVATION
No.30	100.00	3000.00	291.00	291.62	291.85
No.31	100.00	3100.00	291.30	291.45	291.68
No.32	100.00	3200.00	291.30	291.28	291.51
No.33	100.00	3300.00	289.00	291.10	291.34
No.34	100.00	3400.00	288.80	290.94	291.17
No.35	100.00	3500.00	289.60	290.77	291.00
+46	3548.00	3548.00	289.80	290.69	290.92
No.36	3600.00	3600.00	287.90	289.82	289.82
+50	3650.00	3650.00	288.63	289.63	289.63
No.37	3700.00	3700.00	288.55	289.45	289.45
No.38	3800.00	3800.00	287.40	288.67	288.67
No.39	3900.00	3900.00	284.70	286.30	286.50
No.40	4000.00	4000.00	283.80	286.13	286.33
+50	3950.00	3950.00	283.70	286.05	286.25
No.41	4100.00	4100.00	283.80	285.97	286.17
No.42	4200.00	4200.00	283.70	285.80	286.00
No.43	4300.00	4300.00	284.20	285.63	285.83
No.44	4376.00	4376.00	284.40	285.44	285.66
+76	4400.00	4400.00	284.30	285.33	285.53
No.45	4500.00	4500.00	283.90	285.13	285.29
No.46	4600.00	4600.00	283.70	284.96	285.12
EP	4610.00	4610.00	284.30	284.94	285.10



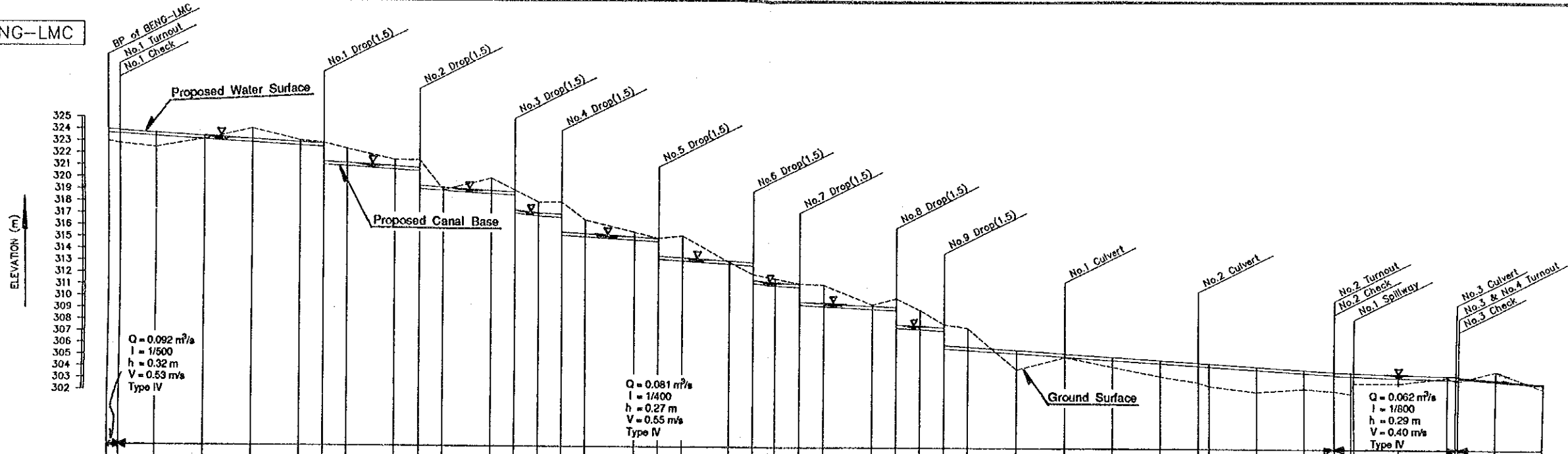
THE LAO PEOPLE'S DEMOCRATIC REPUBLIC
 MINISTRY OF AGRICULTURE AND FORESTRY
 AGRICULTURAL DEVELOPMENT TO CONTROL
 SLASH AND BURN CULTIVATION IN OUDOMXAY

TITLE OF DRAWING
**PROFILE OF MAIN IRRIGATION
 CANAL IN XAI AREA (2/2)**

NIPPON KOEI CO., LTD.
 CONSTRUCTION PROJECT CONSULTANTS, INC.

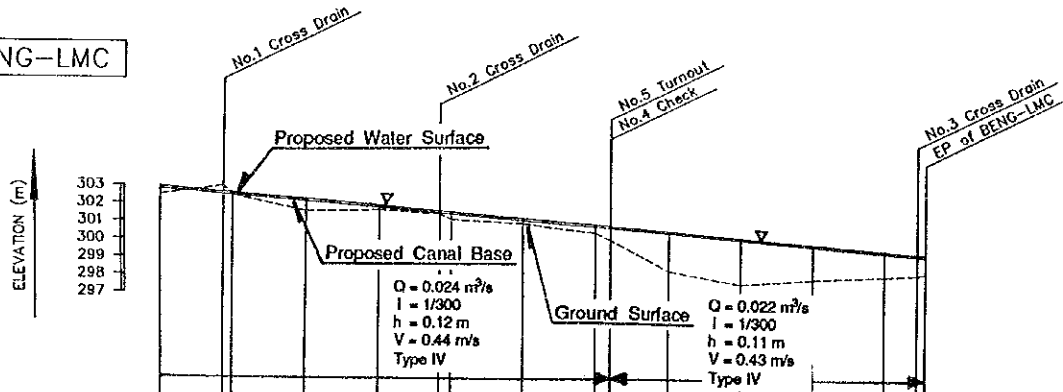
DRAWING NO.
302

BENG-LMC

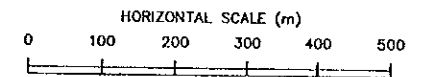


WATER SURFACE ELEVATION	CANAL BASE ELEVATION	GROUND SURFACE ELEVATION	REDUCED DISTANCE	DISTANCE	STATION NO.
324.27	323.96	323.00	0.00	0.00	BP
323.97	323.66	322.80	24.00	24.00	+24
323.69	323.38	322.50	76.00	76.00	No.1
323.70	323.43	322.50	100.00	100.00	No.2
323.45	323.18	323.20	200.00	100.00	No.3
323.20	322.93	324.10	300.00	100.00	No.4
322.95	322.68	323.10	400.00	100.00	No.5
322.65	322.38	322.90	450.00	50.00	+50
322.33	322.06	322.50	500.00	50.00	No.6
321.21	320.94	322.40	600.00	100.00	+50
320.96	320.69	321.50	650.00	50.00	No.7
319.22	318.95	319.00	700.00	50.00	No.8
318.97	318.70	320.00	800.00	100.00	+50
318.85	318.58	319.00	850.00	50.00	No.9
317.10	316.85	318.00	900.00	50.00	+50
316.88	316.65	318.00	950.00	50.00	No.10
315.36	315.13	316.50	1000.00	50.00	+50
315.11	314.88	315.50	1100.00	100.00	+50
314.98	314.75	315.00	1150.00	50.00	No.11
313.37	313.14	313.10	1200.00	50.00	+50
313.12	312.89	313.00	1300.00	100.00	+50
313.00	312.75	312.00	1350.00	50.00	No.12
311.38	311.15	311.70	1400.00	50.00	+50
311.11	310.88	311.30	1450.00	50.00	No.13
309.64	309.41	311.20	1500.00	50.00	+50
309.39	309.16	309.50	1600.00	100.00	+50
309.27	309.04	310.00	1650.00	50.00	No.14
307.85	307.62	309.00	1700.00	50.00	+50
307.58	307.35	307.80	1750.00	50.00	No.15
306.85	306.62	307.50	1800.00	50.00	+50
305.86	305.63	304.00	1900.00	100.00	+50
305.51	305.28	305.10	2000.00	100.00	No.16
305.13	304.90	304.30	2100.00	100.00	+50
304.88	304.65	303.50	2200.00	100.00	No.17
304.61	304.38	303.00	2278.00	78.00	+78
304.42	304.19	302.70	2300.00	22.00	No.18
304.36	304.13	302.20	2400.00	100.00	No.19
304.11	303.88	302.50	2500.00	100.00	No.20
303.85	303.62	302.30	2564.00	64.00	+64
303.85	303.62	303.00	2600.00	36.00	No.21
303.75	303.52	303.00	2656.00	6.00	+6
303.75	303.52	303.00	2700.00	94.00	No.22
303.50	303.27	303.50	2800.00	100.00	No.23
303.20	302.97	303.20	2818.00	18.00	+18
303.20	302.97	303.20	2823.00	5.00	No.24
303.16	302.93	304.00	2900.00	77.00	No.25
302.85	302.62	302.50	3000.00	100.00	No.26

BENG-LMC

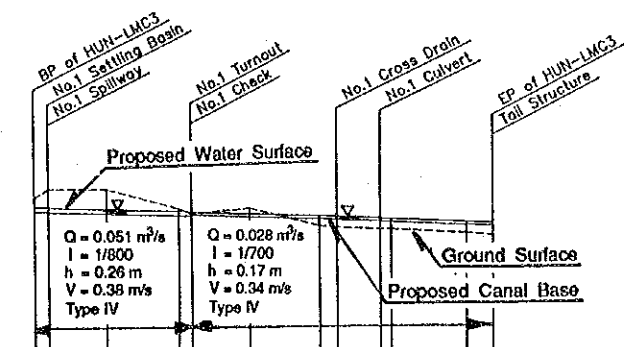
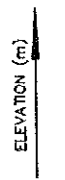


WATER SURFACE ELEVATION	CANAL BASE ELEVATION	GROUND SURFACE ELEVATION	REDUCED DISTANCE	DISTANCE	STATION NO.
302.95	302.65	302.50	3000.00	100.00	No.30
302.66	302.36	303.00	3097.00	87.00	+87
302.62	302.32	302.50	3100.00	13.00	No.31
302.29	301.99	301.80	3200.00	100.00	No.32
301.96	301.66	301.70	3300.00	100.00	No.33
301.65	301.35	301.50	3384.00	84.00	+84
301.65	301.35	301.25	3400.00	16.00	No.34
301.30	301.00	301.00	3500.00	100.00	No.35
300.87	300.57	300.50	3600.00	100.00	No.36
300.50	300.20	300.10	3620.00	20.00	+20
300.60	300.30	298.40	3700.00	80.00	No.37
300.27	299.97	297.70	3800.00	100.00	No.38
299.94	299.64	298.00	3900.00	100.00	No.39
299.61	299.31	298.20	4000.00	100.00	No.40
299.46	299.16	298.30	4044.00	44.00	+44
299.42	299.12	298.20	4055.00	11.00	EP



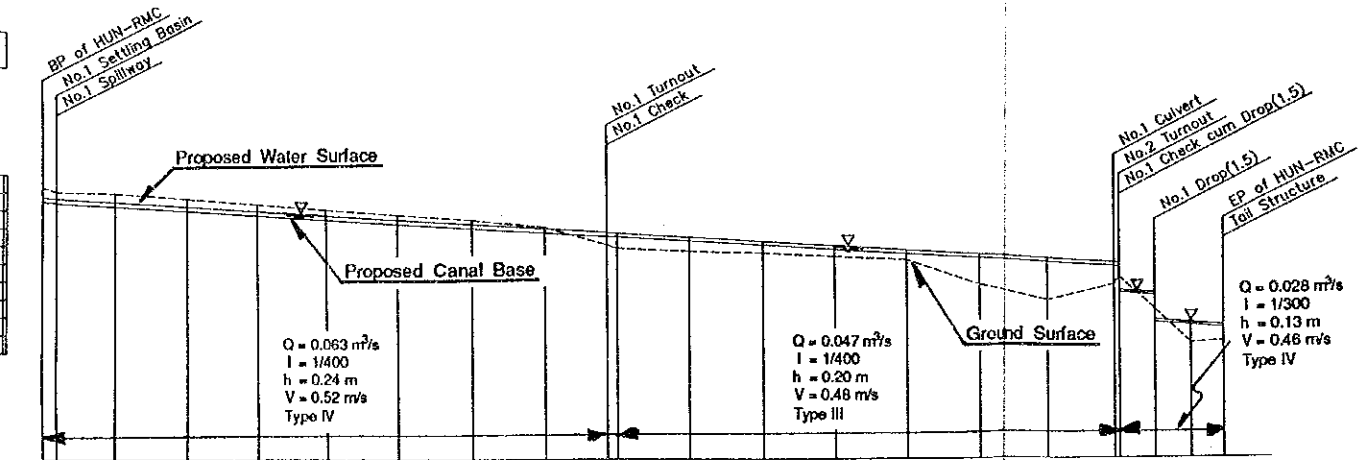
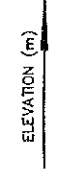
THE LAO PEOPLE'S DEMOCRATIC REPUBLIC
 MINISTRY OF AGRICULTURE AND FORESTRY
 AGRICULTURAL DEVELOPMENT TO CONTROL
 SLASH AND BURN CULTIVATION IN OUDOMXAY
 TITLE OF DRAWING
**PROFILE OF MAIN IRRIGATION
 CANAL IN BENG AREA (1/2)**
 NIPPON KOEI CO., LTD.
 CONSTRUCTION PROJECT CONSULTANTS, INC.
 DRAWING NO.
303

HUN-LMC3

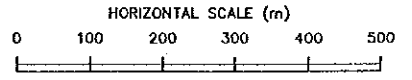


WATER SURFACE ELEVATION	322.00	321.87	321.75	321.58	321.44	321.40	321.31	321.28	321.12	321.07
CANAL BASE ELEVATION	321.74	321.61	321.49	321.41	321.27	321.23	321.14	321.09	320.95	320.90
GROUND SURFACE ELEVATION	322.50	323.00	321.90	321.90	320.90	320.80	320.70	320.70	320.50	320.40
REDUCED DISTANCE	0.00	20.00	100.00	200.00	218.00	300.00	400.00	425.00	485.00	600.00
DISTANCE	0.00	20.00	80.00	100.00	18.00	82.00	100.00	25.00	60.00	36.00
STATION NO.	BP +20	No.1	No.2	No.3	No.4	+25	+25	No.5	No.6	EP

HUN-RMC



WATER SURFACE ELEVATION	337.70	337.62	337.42	337.17	336.92	336.67	336.42	336.17	335.92	335.71	335.55	335.45	335.40	335.15	334.90	334.65	334.40	334.15	333.92	333.72	333.52	333.37	333.20	333.05	332.88	332.70	332.50	332.30	332.10	331.90	331.70	331.50	331.38		
CANAL BASE ELEVATION	337.46	337.38	337.18	336.93	336.68	336.43	336.18	335.93	335.68	335.47	335.29	335.15	335.00	334.85	334.70	334.55	334.20	333.95	333.72	333.52	333.32	333.17	333.00	332.85	332.70	332.50	332.30	332.10	331.90	331.70	331.50	331.38			
GROUND SURFACE ELEVATION	338.27	338.00	337.90	337.60	337.30	337.00	336.70	336.40	336.00	335.80	335.60	335.40	335.20	335.00	334.80	334.60	334.20	333.90	333.60	333.30	333.00	332.70	332.40	332.10	331.80	331.50	331.20	330.90	330.60	330.30	330.00	329.70	329.40	329.10	328.80
REDUCED DISTANCE	0.00	20.00	100.00	200.00	300.00	400.00	500.00	600.00	700.00	786.00	800.00	900.00	1000.00	1000.00	1100.00	1200.00	1300.00	1400.00	1463.00	1500.00	1550.00	1600.00	1645.00	1645.00	1645.00	1645.00	1645.00	1645.00	1645.00	1645.00	1645.00	1645.00	1645.00	1645.00	
DISTANCE	0.00	20.00	80.00	100.00	100.00	100.00	100.00	100.00	100.00	86.00	14.00	100.00	100.00	100.00	100.00	100.00	100.00	100.00	63.00	7.00	50.00	50.00	45.00	45.00	45.00	45.00	45.00	45.00	45.00	45.00	45.00	45.00	45.00	45.00	
STATION NO.	BP +20	No.1	No.2	No.3	No.4	No.5	No.6	No.7	+25	No.8	No.8	No.9	No.10	No.10	No.11	No.12	No.13	No.14	+25	No.15	+50	No.16	EP												



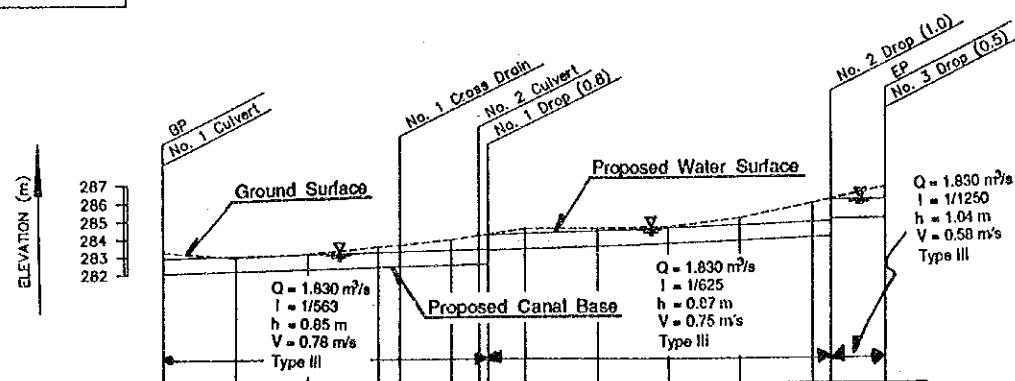
THE LAO PEOPLE'S DEMOCRATIC REPUBLIC
 MINISTRY OF AGRICULTURE AND FORESTRY
 AGRICULTURAL DEVELOPMENT TO CONTROL
 SLASH AND BURN CULTIVATION IN OUDOMXAY

TITLE OF DRAWING
**PROFILE OF MAIN IRRIGATION
 CANALS IN HUN AREA (2/2)**

NIPPON KOEI CO., LTD.
 CONSTRUCTION PROJECT CONSULTANTS, INC.

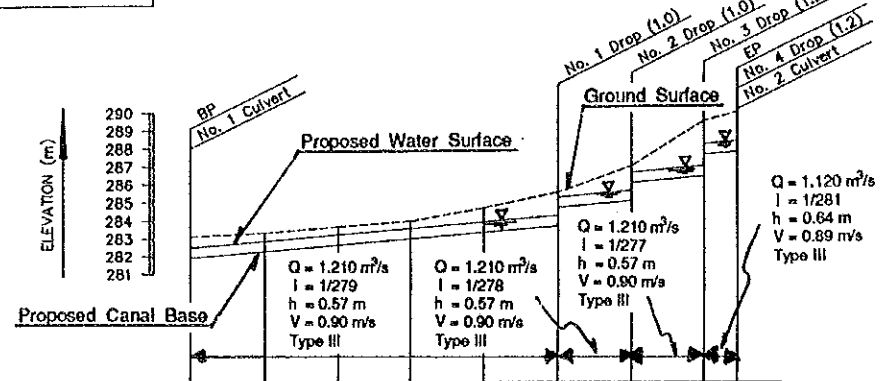
DRAWING NO.
306

A-1



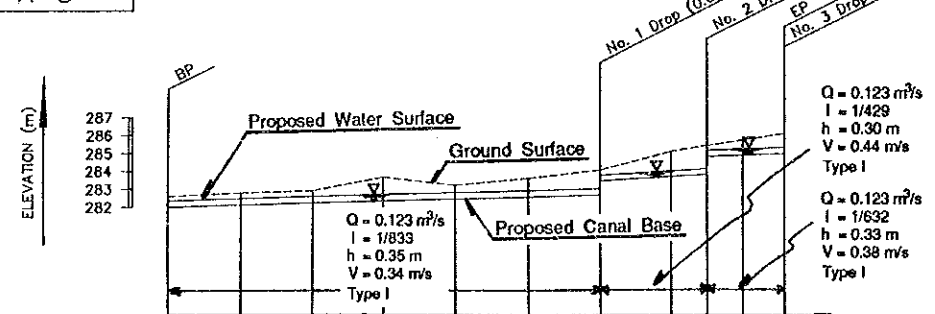
WATER SURFACE ELEVATION	282.92	283.03	283.14	283.25	283.29	283.36	283.41	283.42	283.45	284.32	284.48	284.64	284.80	284.96	285.17	285.43	285.73
CANAL BASE ELEVATION	282.07	282.16	282.29	282.40	282.44	282.51	282.56	282.57	282.57	283.45	283.61	283.77	283.93	284.09	284.33	284.59	284.96
GROUND SURFACE ELEVATION	283.27	282.95	283.16	283.57	283.67	283.96	284.20	284.28	284.32	284.80	284.63	284.71	285.19	286.00	286.22	286.58	286.89
REDUCED DISTANCE	0.00	100.00	200.00	300.00	330.00	400.00	437.50	450.00	500.00	600.00	700.00	800.00	900.00	925.00	1000.00		
DISTANCE	0.00	100.00	100.00	100.00	30.00	70.00	37.50	12.50	50.00	100.00	100.00	100.00	100.00	25.00	75.00		
STATION NO.	BP	No.1	No.2	No.3	+30	No.4	+37.5	+50	No.5	No.6	No.7	No.8	No.9	+25	EP		

A-2



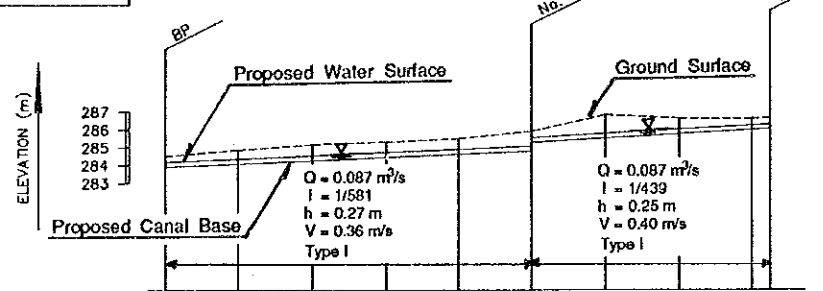
WATER SURFACE ELEVATION	282.50	282.86	283.22	283.57	283.93	284.29	284.65	285.01	285.37	285.73	286.09	286.45	286.81	287.17	287.53	287.89	288.25
CANAL BASE ELEVATION	281.93	282.29	282.65	283.00	283.36	283.72	284.08	284.44	284.80	285.16	285.52	285.88	286.24	286.60	286.96	287.32	287.68
GROUND SURFACE ELEVATION	283.12	283.34	283.67	283.98	284.70	285.55	286.42	287.00	287.50	288.00	288.50	289.00	289.50	290.00	290.00	290.00	290.00
REDUCED DISTANCE	0.00	100.00	200.00	300.00	400.00	500.00	600.00	700.00	745.00								
DISTANCE	0.00	100.00	100.00	100.00	100.00	100.00	100.00	100.00	45.00								
STATION NO.	BP	No.1	No.2	No.3	No.4	No.5	No.6	No.7	EP								

A-3

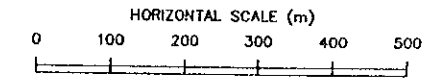


WATER SURFACE ELEVATION	282.35	282.47	282.59	282.71	282.83	282.95	283.07	283.19	283.31	283.43	283.55	283.67	283.79	283.91	284.03	284.15	284.27
CANAL BASE ELEVATION	282.00	282.12	282.24	282.34	282.43	282.50	282.57	282.64	282.71	282.78	282.85	282.92	282.99	283.06	283.13	283.20	283.27
GROUND SURFACE ELEVATION	282.60	282.79	282.91	283.68	283.25	283.95	284.12	284.15	284.17	284.18	284.19	284.20	284.21	284.22	284.23	284.24	284.25
REDUCED DISTANCE	0.00	100.00	200.00	300.00	400.00	500.00	600.00	700.00	750.00	800.00	857.50						
DISTANCE	0.00	100.00	100.00	100.00	100.00	100.00	100.00	100.00	50.00	50.00	57.50						
STATION NO.	BP	No.1	No.2	No.3	No.4	No.5	No.6	No.7	+50	No.8	EP						

A-4

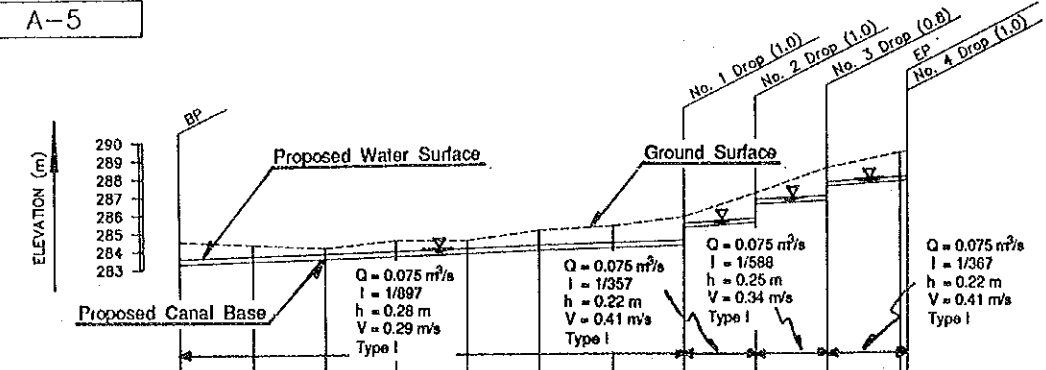


WATER SURFACE ELEVATION	284.17	284.34	284.51	284.69	284.86	285.03	285.20	285.37	285.54	285.71	285.88	286.05	286.22	286.39	286.56	286.73	286.90
CANAL BASE ELEVATION	283.90	284.07	284.24	284.42	284.59	284.76	284.93	285.10	285.27	285.44	285.61	285.78	285.95	286.12	286.29	286.46	286.63
GROUND SURFACE ELEVATION	284.50	284.65	285.15	284.42	285.47	285.96	286.76	286.49	286.57	286.72	286.87	287.02	287.17	287.32	287.47	287.62	287.77
REDUCED DISTANCE	0.00	100.00	200.00	300.00	400.00	500.00	600.00	700.00	800.00	825.00							
DISTANCE	0.00	100.00	100.00	100.00	100.00	100.00	100.00	100.00	25.00								
STATION NO.	BP	No.1	No.2	No.3	No.4	No.5	No.6	No.7	No.8	EP							



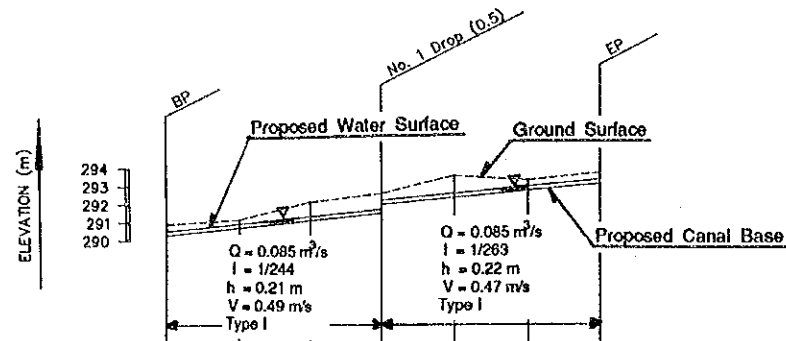
THE LAO PEOPLE'S DEMOCRATIC REPUBLIC
 MINISTRY OF AGRICULTURE AND FORESTRY
 AGRICULTURAL DEVELOPMENT TO CONTROL
 SLASH AND BURN CULTIVATION IN OUDOMXAY
 TITLE OF DRAWING
**PROFILE OF DRAINAGE CANALS
 IN XAI AREA (1/2)**
 NIPPON KOEI CO., LTD.
 CONSTRUCTION PROJECT CONSULTANTS, INC.
 DRAWING NO.
307

A-5



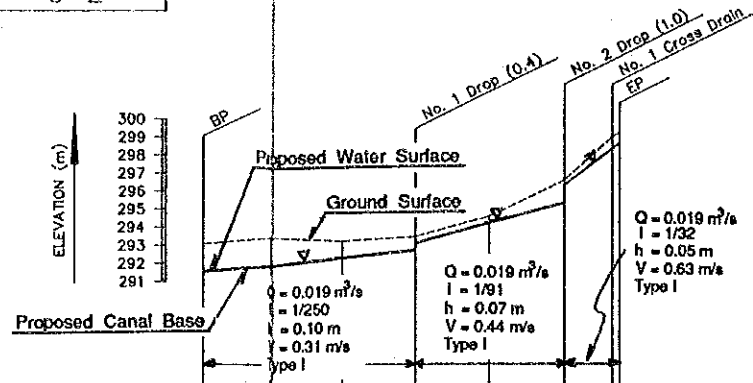
WATER SURFACE ELEVATION	283.59	283.75	283.90	284.05	284.21	284.37	284.52	284.68	284.84	285.00	285.16	285.32	285.48	285.64	285.80	285.96	286.12	286.28	286.44	286.60	286.76	286.92	287.08	287.24	287.40	287.56	287.72	287.88	288.04	288.20	288.36	288.52	288.68	288.84	289.00	289.16	289.32	289.48	289.64	289.80	289.96	290.12	290.28	290.44	290.60	290.76	290.92	291.08	291.24	291.40	291.56	291.72	291.88	292.04	292.20	292.36	292.52	292.68	292.84	293.00	293.16	293.32	293.48	293.64	293.80	293.96	294.12	294.28	294.44	294.60	294.76	294.92	295.08	295.24	295.40	295.56	295.72	295.88	296.04	296.20	296.36	296.52	296.68	296.84	297.00	297.16	297.32	297.48	297.64	297.80	297.96	298.12	298.28	298.44	298.60	298.76	298.92	299.08	299.24	299.40	299.56	299.72	299.88	300.04	300.20	300.36	300.52	300.68	300.84	301.00	301.16	301.32	301.48	301.64	301.80	301.96	302.12	302.28	302.44	302.60	302.76	302.92	303.08	303.24	303.40	303.56	303.72	303.88	304.04	304.20	304.36	304.52	304.68	304.84	305.00	305.16	305.32	305.48	305.64	305.80	305.96	306.12	306.28	306.44	306.60	306.76	306.92	307.08	307.24	307.40	307.56	307.72	307.88	308.04	308.20	308.36	308.52	308.68	308.84	309.00	309.16	309.32	309.48	309.64	309.80	309.96	310.12	310.28	310.44	310.60	310.76	310.92	311.08	311.24	311.40	311.56	311.72	311.88	312.04	312.20	312.36	312.52	312.68	312.84	313.00	313.16	313.32	313.48	313.64	313.80	313.96	314.12	314.28	314.44	314.60	314.76	314.92	315.08	315.24	315.40	315.56	315.72	315.88	316.04	316.20	316.36	316.52	316.68	316.84	317.00	317.16	317.32	317.48	317.64	317.80	317.96	318.12	318.28	318.44	318.60	318.76	318.92	319.08	319.24	319.40	319.56	319.72	319.88	320.04	320.20	320.36	320.52	320.68	320.84	321.00	321.16	321.32	321.48	321.64	321.80	321.96	322.12	322.28	322.44	322.60	322.76	322.92	323.08	323.24	323.40	323.56	323.72	323.88	324.04	324.20	324.36	324.52	324.68	324.84	325.00	325.16	325.32	325.48	325.64	325.80	325.96	326.12	326.28	326.44	326.60	326.76	326.92	327.08	327.24	327.40	327.56	327.72	327.88	328.04	328.20	328.36	328.52	328.68	328.84	329.00	329.16	329.32	329.48	329.64	329.80	329.96	330.12	330.28	330.44	330.60	330.76	330.92	331.08	331.24	331.40	331.56	331.72	331.88	332.04	332.20	332.36	332.52	332.68	332.84	333.00	333.16	333.32	333.48	333.64	333.80	333.96	334.12	334.28	334.44	334.60	334.76	334.92	335.08	335.24	335.40	335.56	335.72	335.88	336.04	336.20	336.36	336.52	336.68	336.84	337.00	337.16	337.32	337.48	337.64	337.80	337.96	338.12	338.28	338.44	338.60	338.76	338.92	339.08	339.24	339.40	339.56	339.72	339.88	340.04	340.20	340.36	340.52	340.68	340.84	341.00	341.16	341.32	341.48	341.64	341.80	341.96	342.12	342.28	342.44	342.60	342.76	342.92	343.08	343.24	343.40	343.56	343.72	343.88	344.04	344.20	344.36	344.52	344.68	344.84	345.00	345.16	345.32	345.48	345.64	345.80	345.96	346.12	346.28	346.44	346.60	346.76	346.92	347.08	347.24	347.40	347.56	347.72	347.88	348.04	348.20	348.36	348.52	348.68	348.84	349.00	349.16	349.32	349.48	349.64	349.80	349.96	350.12	350.28	350.44	350.60	350.76	350.92	351.08	351.24	351.40	351.56	351.72	351.88	352.04	352.20	352.36	352.52	352.68	352.84	353.00	353.16	353.32	353.48	353.64	353.80	353.96	354.12	354.28	354.44	354.60	354.76	354.92	355.08	355.24	355.40	355.56	355.72	355.88	356.04	356.20	356.36	356.52	356.68	356.84	357.00	357.16	357.32	357.48	357.64	357.80	357.96	358.12	358.28	358.44	358.60	358.76	358.92	359.08	359.24	359.40	359.56	359.72	359.88	360.04	360.20	360.36	360.52	360.68	360.84	361.00	361.16	361.32	361.48	361.64	361.80	361.96	362.12	362.28	362.44	362.60	362.76	362.92	363.08	363.24	363.40	363.56	363.72	363.88	364.04	364.20	364.36	364.52	364.68	364.84	365.00	365.16	365.32	365.48	365.64	365.80	365.96	366.12	366.28	366.44	366.60	366.76	366.92	367.08	367.24	367.40	367.56	367.72	367.88	368.04	368.20	368.36	368.52	368.68	368.84	369.00	369.16	369.32	369.48	369.64	369.80	369.96	370.12	370.28	370.44	370.60	370.76	370.92	371.08	371.24	371.40	371.56	371.72	371.88	372.04	372.20	372.36	372.52	372.68	372.84	373.00	373.16	373.32	373.48	373.64	373.80	373.96	374.12	374.28	374.44	374.60	374.76	374.92	375.08	375.24	375.40	375.56	375.72	375.88	376.04	376.20	376.36	376.52	376.68	376.84	377.00	377.16	377.32	377.48	377.64	377.80	377.96	378.12	378.28	378.44	378.60	378.76	378.92	379.08	379.24	379.40	379.56	379.72	379.88	380.04	380.20	380.36	380.52	380.68	380.84	381.00	381.16	381.32	381.48	381.64	381.80	381.96	382.12	382.28	382.44	382.60	382.76	382.92	383.08	383.24	383.40	383.56	383.72	383.88	384.04	384.20	384.36	384.52	384.68	384.84	385.00	385.16	385.32	385.48	385.64	385.80	385.96	386.12	386.28	386.44	386.60	386.76	386.92	387.08	387.24	387.40	387.56	387.72	387.88	388.04	388.20	388.36	388.52	388.68	388.84	389.00	389.16	389.32	389.48	389.64	389.80	389.96	390.12	390.28	390.44	390.60	390.76	390.92	391.08	391.24	391.40	391.56	391.72	391.88	392.04	392.20	392.36	392.52	392.68	392.84	393.00	393.16	393.32	393.48	393.64	393.80	393.96	394.12	394.28	394.44	394.60	394.76	394.92	395.08	395.24	395.40	395.56	395.72	395.88	396.04	396.20	396.36	396.52	396.68	396.84	397.00	397.16	397.32	397.48	397.64	397.80	397.96	398.12	398.28	398.44	398.60	398.76	398.92	399.08	399.24	399.40	399.56	399.72	399.88	400.04	400.20	400.36	400.52	400.68	400.84	401.00	401.16	401.32	401.48	401.64	401.80	401.96	402.12	402.28	402.44	402.60	402.76	402.92	403.08	403.24	403.40	403.56	403.72	403.88	404.04	404.20	404.36	404.52	404.68	404.84	405.00	405.16	405.32	405.48	405.64	405.80	405.96	406.12	406.28	406.44	406.60	406.76	406.92	407.08	407.24	407.40	407.56	407.72	407.88	408.04	408.20	408.36	408.52	408.68	408.84	409.00	409.16	409.32	409.48	409.64	409.80	409.96	410.12	410.28	410.44	410.60	410.76	410.92	411.08	411.24	411.40	411.56	411.72	411.88	412.04	412.20	412.36	412.52	412.68	412.84	413.00	413.16	413.32	413.48	413.64	413.80	413.96	414.12	414.28	414.44	414.60	414.76	414.92	415.08	415.24	415.40	415.56	415.72	415.88	416.04	416.20	416.36	416.52	416.68	416.84	417.00	417.16	417.32	417.48	417.64	417.80	417.96	418.12	418.28	418.44	418.60	418.76	418.92	419.08	419.24	419.40	419.56	419.72	419.88	420.04	420.20	420.36	420.52	420.68	420.84	421.00	421.16	421.32	421.48	421.64	421.80	421.96	422.12	422.28	422.44	422.60	422.76	422.92	423.08	423.24	423.40	423.56	423.72	423.88	424.04	424.20	424.36	424.52	424.68	424.84	425.00	425.16	425.32	425.48	425.64	425.80	425.96	426.12	426.28	426.44	426.60	426.76	426.92	427.08	427.24	427.40	427.56	427.72	427.88	428.04	428.20	428.36	428.52	428.68	428.84	429.00	429.16	429.32	429.48	429.64	429.80	429.96	430.12	430.28	430.44	430.60	430.76	430.92	431.08	431.24	431.40	431.56	431.72	431.88	432.04	432.20	432.36	432.52	432.68	432.84	433.00	433.16	433.32	433.48	433.64	433.80	433.96	434.12	434.28	434.44	434.60	434.76	434.92	435.08	435.24	435.40	435.56	435.72	435.88	436.04	436.20	436.36	436.52	436.68	436.84	437.00	437.16	437.32	437.48	437.64	437.80	437.96	438.12	438.28	438.44	438.60	438.76	438.92	439.08	439.24	439.40	439.56	439.72	439.88	440.04	440.20	440.36	440.52	440.68	440.84	441.00	441.16	441.32	441.48	441.64	441.80	441.96	442.12	442.28	442.44	442.60	442.76	442.92	443.08	443.24	443.40	443.56	443.72	443.88	444.04	444.20	444.36	444.52	444.68	444.84	445.00	445.16	445.32	445.48	445.64	445.80	445.96	446.12	446.28	446.44	446.60	446.76	446.92	447.08	447.24	447.40	447.56	447.72	447.88	448.04	448.20	448.36	448.52	448.68	448.84	449.00	449.16	449.32	449.48	449.64	449.80	449.96	450.12	450.28	450.44	450.60	450.76	450.92	451.08	451.24	451.40	451.56	451.72	451.88	452.04	452.20	452.36	452.52	452.68	452.84	453.00	453.16	453.32	453.48	453.64	453.80	453.96	454.12	454.28	454.44	454.60	454.76	454.92	455.08	455.24	455.40	455.56	455.72	455.88	456.04	456.20	456.36	456.52	456.68	456.84	457.00	457.16	457.32	457.48	457.64	457.80	457.96	458.12	458.28	458.44	458.60	458.76	458.92	459.08	459.24	459.40	459.56	459.72	459.88	460.04	460.20
-------------------------	--------	--------	--------	--------	--------	--------	--------	--------	--------	--------	--------	--------	--------	--------	--------	--------	--------	--------	--------	--------	--------	--------	--------	--------	--------	--------	--------	--------	--------	--------	--------	--------	--------	--------	--------	--------	--------	--------	--------	--------	--------	--------	--------	--------	--------	--------	--------	--------	--------	--------	--------	--------	--------	--------	--------	--------	--------	--------	--------	--------	--------	--------	--------	--------	--------	--------	--------	--------	--------	--------	--------	--------	--------	--------	--------	--------	--------	--------	--------	--------	--------	--------	--------	--------	--------	--------	--------	--------	--------	--------	--------	--------	--------	--------	--------	--------	--------	--------	--------	--------	--------	--------	--------	--------	--------	--------	--------	--------	--------	--------	--------	--------	--------	--------	--------	--------	--------	--------	--------	--------	--------	--------	--------	--------	--------	--------	--------	--------	--------	--------	--------	--------	--------	--------	--------	--------	--------	--------	--------	--------	--------	--------	--------	--------	--------	--------	--------	--------	--------	--------	--------	--------	--------	--------	--------	--------	--------	--------	--------	--------	--------	--------	--------	--------	--------	--------	--------	--------	--------	--------	--------	--------	--------	--------	--------	--------	--------	--------	--------	--------	--------	--------	--------	--------	--------	--------	--------	--------	--------	--------	--------	--------	--------	--------	--------	--------	--------	--------	--------	--------	--------	--------	--------	--------	--------	--------	--------	--------	--------	--------	--------	--------	--------	--------	--------	--------	--------	--------	--------	--------	--------	--------	--------	--------	--------	--------	--------	--------	--------	--------	--------	--------	--------	--------	--------	--------	--------	--------	--------	--------	--------	--------	--------	--------	--------	--------	--------	--------	--------	--------	--------	--------	--------	--------	--------	--------	--------	--------	--------	--------	--------	--------	--------	--------	--------	--------	--------	--------	--------	--------	--------	--------	--------	--------	--------	--------	--------	--------	--------	--------	--------	--------	--------	--------	--------	--------	--------	--------	--------	--------	--------	--------	--------	--------	--------	--------	--------	--------	--------	--------	--------	--------	--------	--------	--------	--------	--------	--------	--------	--------	--------	--------	--------	--------	--------	--------	--------	--------	--------	--------	--------	--------	--------	--------	--------	--------	--------	--------	--------	--------	--------	--------	--------	--------	--------	--------	--------	--------	--------	--------	--------	--------	--------	--------	--------	--------	--------	--------	--------	--------	--------	--------	--------	--------	--------	--------	--------	--------	--------	--------	--------	--------	--------	--------	--------	--------	--------	--------	--------	--------	--------	--------	--------	--------	--------	--------	--------	--------	--------	--------	--------	--------	--------	--------	--------	--------	--------	--------	--------	--------	--------	--------	--------	--------	--------	--------	--------	--------	--------	--------	--------	--------	--------	--------	--------	--------	--------	--------	--------	--------	--------	--------	--------	--------	--------	--------	--------	--------	--------	--------	--------	--------	--------	--------	--------	--------	--------	--------	--------	--------	--------	--------	--------	--------	--------	--------	--------	--------	--------	--------	--------	--------	--------	--------	--------	--------	--------	--------	--------	--------	--------	--------	--------	--------	--------	--------	--------	--------	--------	--------	--------	--------	--------	--------	--------	--------	--------	--------	--------	--------	--------	--------	--------	--------	--------	--------	--------	--------	--------	--------	--------	--------	--------	--------	--------	--------	--------	--------	--------	--------	--------	--------	--------	--------	--------	--------	--------	--------	--------	--------	--------	--------	--------	--------	--------	--------	--------	--------	--------	--------	--------	--------	--------	--------	--------	--------	--------	--------	--------	--------	--------	--------	--------	--------	--------	--------	--------	--------	--------	--------	--------	--------	--------	--------	--------	--------	--------	--------	--------	--------	--------	--------	--------	--------	--------	--------	--------	--------	--------	--------	--------	--------	--------	--------	--------	--------	--------	--------	--------	--------	--------	--------	--------	--------	--------	--------	--------	--------	--------	--------	--------	--------	--------	--------	--------	--------	--------	--------	--------	--------	--------	--------	--------	--------	--------	--------	--------	--------	--------	--------	--------	--------	--------	--------	--------	--------	--------	--------	--------	--------	--------	--------	--------	--------	--------	--------	--------	--------	--------	--------	--------	--------	--------	--------	--------	--------	--------	--------	--------	--------	--------	--------	--------	--------	--------	--------	--------	--------	--------	--------	--------	--------	--------	--------	--------	--------	--------	--------	--------	--------	--------	--------	--------	--------	--------	--------	--------	--------	--------	--------	--------	--------	--------	--------	--------	--------	--------	--------	--------	--------	--------	--------	--------	--------	--------	--------	--------	--------	--------	--------	--------	--------	--------	--------	--------	--------	--------	--------	--------	--------	--------	--------	--------	--------	--------	--------	--------	--------	--------	--------	--------	--------	--------	--------	--------	--------	--------	--------	--------	--------	--------	--------	--------	--------	--------	--------	--------	--------	--------	--------	--------	--------	--------	--------	--------	--------	--------	--------	--------	--------	--------	--------	--------	--------	--------	--------	--------	--------	--------	--------	--------	--------	--------	--------	--------	--------	--------	--------	--------	--------	--------	--------	--------	--------	--------	--------	--------	--------	--------	--------	--------	--------	--------	--------	--------	--------	--------	--------	--------	--------	--------	--------	--------	--------	--------	--------	--------	--------	--------	--------	--------	--------	--------	--------	--------	--------	--------	--------	--------	--------	--------	--------	--------	--------	--------	--------	--------	--------	--------	--------	--------	--------	--------	--------	--------	--------	--------	--------	--------	--------	--------	--------	--------	--------	--------	--------	--------	--------	--------	--------	--------	--------	--------	--------	--------	--------	--------	--------	--------	--------	--------	--------	--------	--------	--------	--------	--------	--------	--------	--------	--------	--------	--------	--------	--------	--------	--------	--------	--------	--------	--------	--------	--------	--------	--------	--------	--------	--------	--------	--------	--------	--------	--------	--------	--------	--------	--------	--------	--------	--------	--------	--------	--------	--------	--------	--------	--------	--------	--------	--------	--------	--------	--------	--------	--------	--------	--------	--------	--------	--------	--------	--------	--------	--------	--------	--------	--------	--------	--------	--------	--------	--------	--------	--------	--------	--------	--------	--------	--------	--------	--------	--------	--------	--------	--------	--------	--------	--------	--------	--------	--------	--------	--------	--------	--------	--------	--------	--------	--------	--------	--------	--------	--------	--------	--------	--------	--------	--------	--------	--------	--------	--------	--------	--------	--------	--------	--------	--------	--------	--------	--------	--------	--------	--------	--------	--------	--------	--------	--------	--------	--------	--------	--------	--------	--------	--------	--------	--------	--------	--------	--------	--------	--------	--------	--------	--------	--------	--------	--------	--------	--------	--------	--------	--------	--------	--------	--------	--------	--------	--------	--------	--------	--------	--------	--------	--------	--------	--------	--------	--------	--------	--------	--------	--------	--------	--------	--------	--------	--------	--------	--------	--------	--------	--------	--------	--------	--------	--------	--------	--------	--------	--------	--------	--------	--------	--------	--------	--------	--------	--------	--------	--------	--------	--------	--------	--------	--------	--------	--------	--------	--------	--------	--------	--------	--------	--------	--------	--------	--------	--------	--------	--------	--------	--------	--------	--------	--------	--------	--------	--------	--------	--------	--------	--------	--------	--------	--------	--------	--------	--------	--------	--------	--------	--------	--------	--------	--------	--------	--------	--------	--------	--------	--------	--------	--------	--------	--------	--------	--------	--------	--------	--------	--------	--------	--------	--------	--------	--------	--------	--------	--------	--------	--------	--------	--------	--------	--------	--------	--------	--------	--------	--------	--------	--------	--------

C-1



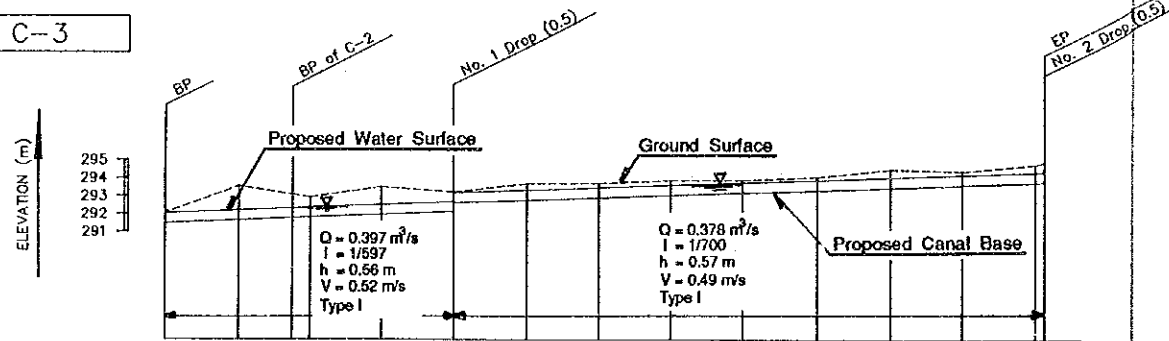
WATER SURFACE ELEVATION	290.52	290.93	291.34	291.75	292.16	292.57	292.98	293.39	293.80	294.21
CANAL BASE ELEVATION	290.31	290.72	291.13	291.54	291.95	292.36	292.77	293.18	293.59	294.00
GROUND SURFACE ELEVATION	290.91	291.17	292.16	292.54	293.52	292.42	293.80	293.18	293.78	293.40
REDUCED DISTANCE	0.00	100.00	200.00	300.00	400.00	500.00	600.00			
DISTANCE	0.00	100.00	200.00	300.00	400.00	500.00	600.00			
STATION NO.	BP	No.1	No.2	No.3	No.4	No.5	No.6	No.7	No.8	EP

C-2

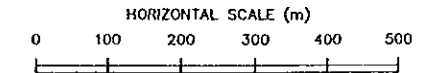


WATER SURFACE ELEVATION	291.60	292.00	292.40	292.80	293.20	293.60	294.00	294.40	294.80	295.20
CANAL BASE ELEVATION	291.50	291.90	292.30	292.70	293.10	293.50	293.90	294.30	294.70	295.10
GROUND SURFACE ELEVATION	293.08	293.29	293.50	293.70	293.90	294.10	294.30	294.50	294.70	294.90
REDUCED DISTANCE	0.00	100.00	200.00	300.00	400.00	500.00	600.00	700.00	800.00	900.00
DISTANCE	0.00	100.00	200.00	300.00	400.00	500.00	600.00	700.00	800.00	900.00
STATION NO.	BP	No.1	No.2	No.3	No.4	No.5	No.6	No.7	No.8	EP

C-3

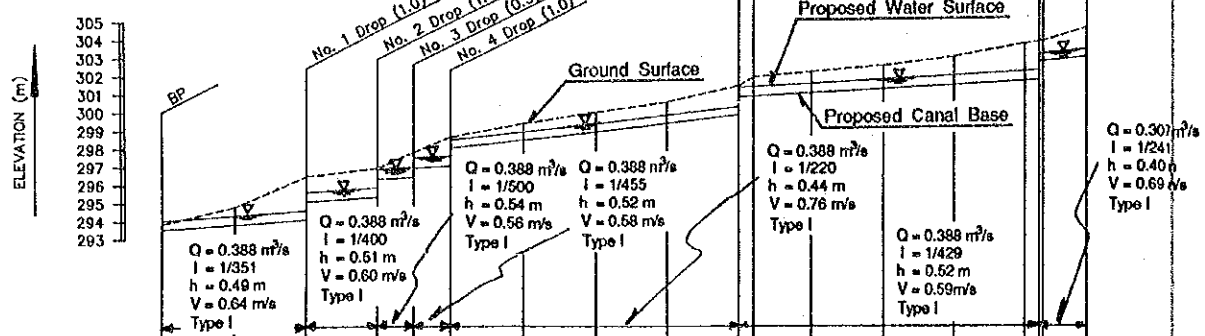


WATER SURFACE ELEVATION	292.03	292.20	292.37	292.54	292.71	292.88	293.05	293.22	293.39	293.56	293.73	293.90	294.07	294.24	294.41	294.58	294.75	294.92	295.09
CANAL BASE ELEVATION	291.47	291.64	291.81	291.98	292.15	292.32	292.49	292.66	292.83	293.00	293.17	293.34	293.51	293.68	293.85	294.02	294.19	294.36	294.53
GROUND SURFACE ELEVATION	292.07	293.54	293.08	292.53	293.52	293.24	293.72	293.75	293.92	293.97	294.11	294.52	294.07	294.41	294.77	294.77	294.90	294.90	294.90
REDUCED DISTANCE	0.00	100.00	175.00	200.00	300.00	400.00	500.00	600.00	700.00	800.00	900.00	1000.00	1100.00	1200.00	1212.50				
DISTANCE	0.00	100.00	175.00	200.00	300.00	400.00	500.00	600.00	700.00	800.00	900.00	1000.00	1100.00	1200.00	1212.50				
STATION NO.	BP	No.1	+75	No.2	No.3	No.4	No.5	No.6	No.7	No.8	No.9	No.10	No.11	No.12	EP				



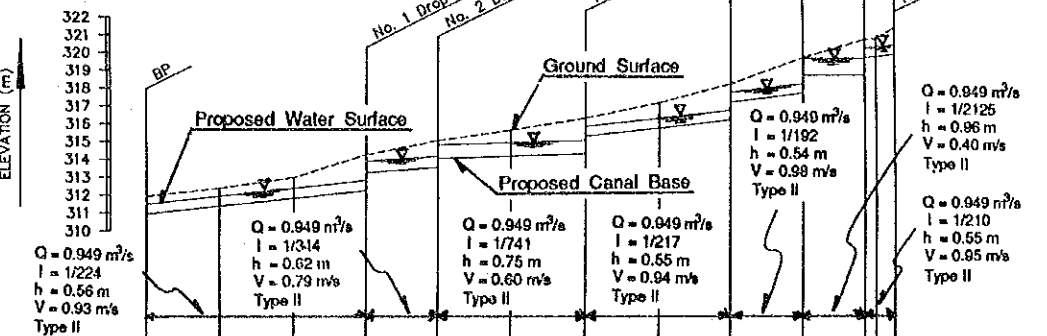
THE LAO PEOPLE'S DEMOCRATIC REPUBLIC
 MINISTRY OF AGRICULTURE AND FORESTRY
 AGRICULTURAL DEVELOPMENT TO CONTROL
 SLASH AND BURN CULTIVATION IN OUDOMXAY
 TITLE OF DRAWING
**PROFILE OF DRAINAGE CANALS
 IN BENG AREA (1/2)**
 NIPPON KOEI CO., LTD.
 CONSTRUCTION PROJECT CONSULTANTS, INC. DRAWING NO. 309

B-1



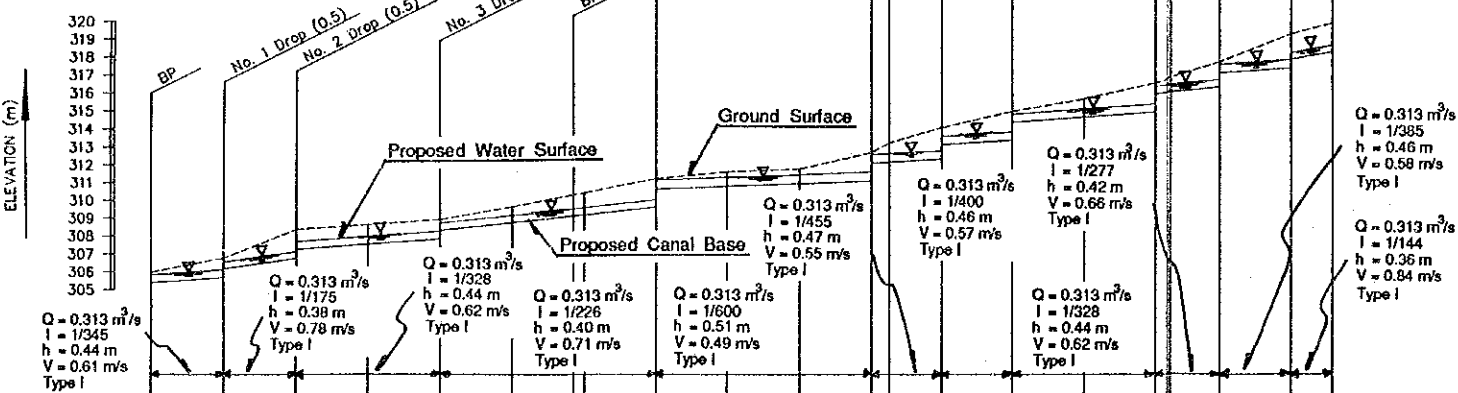
WATER SURFACE ELEVATION	294.04	294.33	294.81	295.88	297.01	297.49	298.52	298.98	299.45	299.89	300.24	302.35	302.40	302.88	303.30	303.35
CANAL BASE ELEVATION	293.55	293.84	294.12	295.12	296.37	296.97	297.49	298.54	298.99	299.45	299.89	300.24	302.35	302.40	302.88	303.30
GROUND SURFACE ELEVATION	293.86	294.82	296.50	296.97	297.83	298.66	299.45	300.07	300.62	301.14	302.29	303.86	303.98	304.00	304.75	304.75
REDUCED DISTANCE	0.00	100.00	200.00	300.00	350.00	400.00	500.00	600.00	700.00	800.00	820.00	1000.00	1100.00	1200.00	1225.00	1285.00
DISTANCE	0.00	-100.00	-100.00	-100.00	50.00	50.00	100.00	100.00	100.00	100.00	20.00	20.00	5.00	5.00	85.00	
STATION NO.	BP	No.1	No.2	No.3	+50	No.4	No.5	No.6	No.7	No.8	+20	No.9	No.10	No.11	+25	EP

B-2

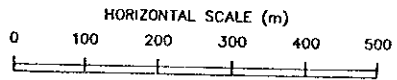


WATER SURFACE ELEVATION	311.49	311.94	312.38	312.83	314.16	314.95	315.08	315.88	316.34	316.80	317.79	318.21	318.77	319.77	320.26	320.44	321.00
CANAL BASE ELEVATION	310.92	311.38	311.82	312.27	313.56	314.20	314.33	315.33	315.79	316.25	317.25	317.77	318.81	319.81	319.86	320.44	321.00
GROUND SURFACE ELEVATION	311.93	312.38	312.98	314.27	315.06	315.65	316.33	317.20	317.20	318.25	319.77	320.81	320.88	321.50	321.50	321.50	321.50
REDUCED DISTANCE	0.00	100.00	200.00	300.00	400.00	500.00	600.00	700.00	800.00	900.00	985.00	1000.00	1025.00				
DISTANCE	0.00	100.00	100.00	100.00	100.00	100.00	100.00	100.00	100.00	100.00	85.00	15.00	25.00				
STATION NO.	BP	No.1	No.2	No.3	No.4	No.5	No.6	No.7	No.8	No.9	+85	No.10	+25	EP			

B-3

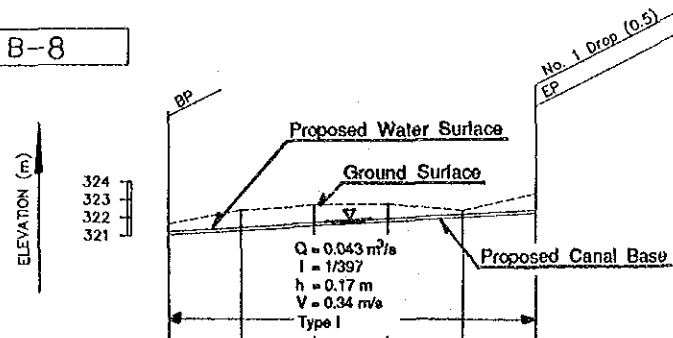


WATER SURFACE ELEVATION	305.94	306.13	307.16	308.01	308.31	308.77	309.21	310.19	311.21	311.38	311.54	311.71	312.70	312.73	312.89	313.83	314.86	315.86	316.86	317.76	318.76	318.76	
CANAL BASE ELEVATION	305.40	305.63	306.76	307.57	307.87	308.37	308.81	309.70	310.70	310.87	311.03	311.20	312.20	312.26	312.42	313.47	314.47	315.47	316.47	317.47	318.40	318.40	318.40
GROUND SURFACE ELEVATION	306.00	306.79	308.36	308.65	308.97	309.70	309.70	310.30	311.30	311.69	311.87	312.80	313.32	313.32	314.17	315.07	315.79	316.68	317.84	319.41	320.00	320.00	320.00
REDUCED DISTANCE	0.00	100.00	200.00	300.00	400.00	500.00	600.00	700.00	800.00	900.00	1000.00	1025.00	1100.00	1200.00	1300.00	1400.00	1500.00	1600.00	1700.00	1857.50			
DISTANCE	0.00	-100.00	-100.00	-100.00	100.00	100.00	100.00	100.00	100.00	100.00	100.00	25.00	75.00	100.00	100.00	100.00	100.00	100.00	80.00	100.00	57.50		
STATION NO.	BP	No.1	No.2	No.3	No.4	No.5	+85	No.6	No.7	No.8	No.9	No.10	+25	No.11	No.12	No.13	No.14	No.15	No.16	EP			



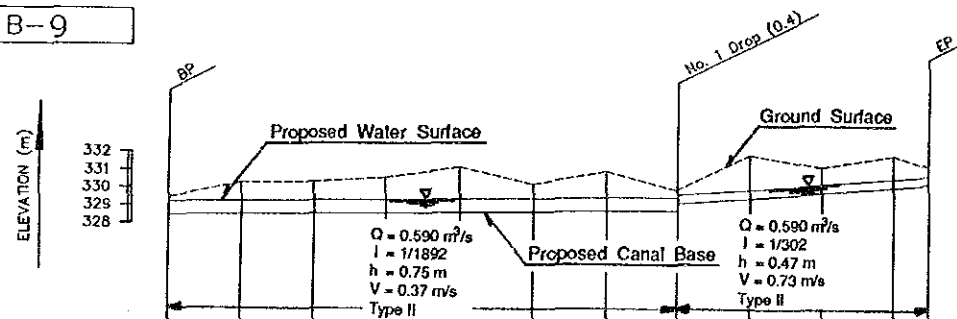
THE LAO PEOPLE'S DEMOCRATIC REPUBLIC
 MINISTRY OF AGRICULTURE AND FORESTRY
 AGRICULTURAL DEVELOPMENT TO CONTROL
 SLASH AND BURN CULTIVATION IN OUDOMXAY
 TITLE OF DRAWING
**PROFILE OF DRAINAGE CANALS
 IN HUN AREA (1/3)**
 NIPPON KOEI CO., LTD.
 CONSTRUCTION PROJECT CONSULTANTS, INC.
 DRAWING NO.
311

B-8



WATER SURFACE ELEVATION	321.17	321.42	321.67	321.93	322.18	322.43	322.53
CANAL BASE ELEVATION	321.00	321.25	321.50	321.76	322.01	322.26	322.36
GROUND SURFACE ELEVATION	321.60	322.38	322.65	322.76	322.40	323.36	322.96
REDUCED DISTANCE	0.00	100.00	200.00	300.00	400.00	500.00	
DISTANCE	0.00	-100.00	100.00	100.00	100.00	100.00	100.00
STATION NO.	BP	No.1	No.2	No.3	No.4	EP	

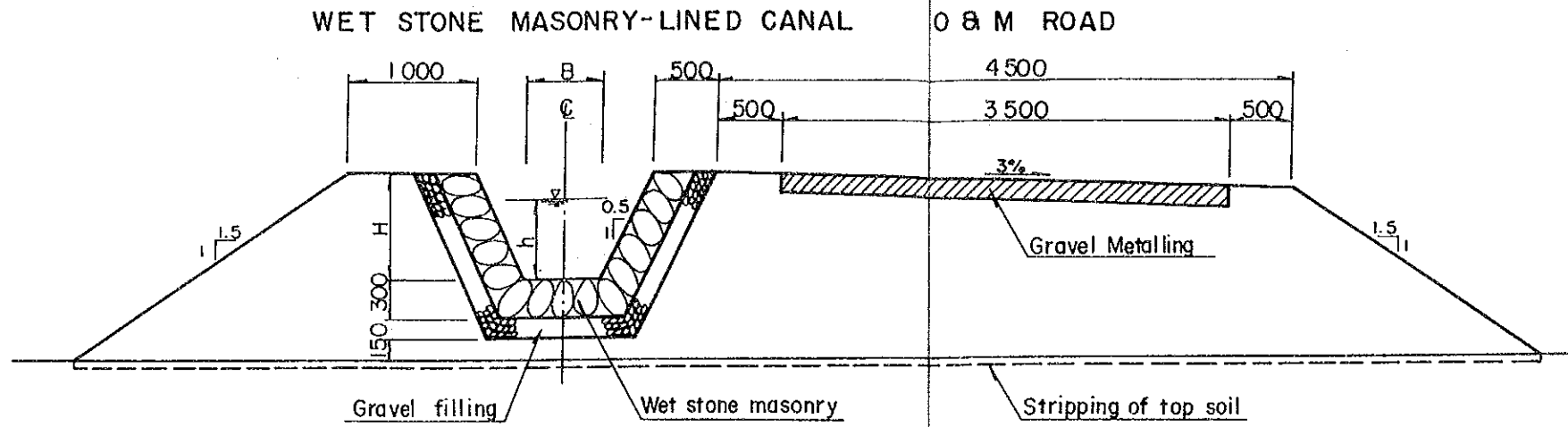
B-9



WATER SURFACE ELEVATION	329.22	329.27	329.33	329.38	329.43	329.48	329.54	329.59	329.64	329.71	329.77	329.84	329.91	329.97	330.04	330.11	330.17	330.24	330.31	330.37	330.44	330.51	330.58	330.65	330.72	330.79	330.86	330.93	331.00	331.07	331.14	331.21	331.28	331.35	331.42	331.49	331.56	331.63	331.70	331.77	331.84	331.91	331.98	332.05	332.12	332.19	332.26	332.33	332.40	332.47	332.54	332.61	332.68	332.75	332.82	332.89	332.96	333.03	333.10	333.17	333.24	333.31	333.38	333.45	333.52	333.59	333.66	333.73	333.80	333.87	333.94	334.01	334.08	334.15	334.22	334.29	334.36	334.43	334.50	334.57	334.64	334.71	334.78	334.85	334.92	334.99	335.06	335.13	335.20	335.27	335.34	335.41	335.48	335.55	335.62	335.69	335.76	335.83	335.90	335.97	336.04	336.11	336.18	336.25	336.32	336.39	336.46	336.53	336.60	336.67	336.74	336.81	336.88	336.95	337.02	337.09	337.16	337.23	337.30	337.37	337.44	337.51	337.58	337.65	337.72	337.79	337.86	337.93	338.00	338.07	338.14	338.21	338.28	338.35	338.42	338.49	338.56	338.63	338.70	338.77	338.84	338.91	338.98	339.05	339.12	339.19	339.26	339.33	339.40	339.47	339.54	339.61	339.68	339.75	339.82	339.89	339.96	340.03	340.10	340.17	340.24	340.31	340.38	340.45	340.52	340.59	340.66	340.73	340.80	340.87	340.94	341.01	341.08	341.15	341.22	341.29	341.36	341.43	341.50	341.57	341.64	341.71	341.78	341.85	341.92	341.99	342.06	342.13	342.20	342.27	342.34	342.41	342.48	342.55	342.62	342.69	342.76	342.83	342.90	342.97	343.04	343.11	343.18	343.25	343.32	343.39	343.46	343.53	343.60	343.67	343.74	343.81	343.88	343.95	344.02	344.09	344.16	344.23	344.30	344.37	344.44	344.51	344.58	344.65	344.72	344.79	344.86	344.93	345.00	345.07	345.14	345.21	345.28	345.35	345.42	345.49	345.56	345.63	345.70	345.77	345.84	345.91	345.98	346.05	346.12	346.19	346.26	346.33	346.40	346.47	346.54	346.61	346.68	346.75	346.82	346.89	346.96	347.03	347.10	347.17	347.24	347.31	347.38	347.45	347.52	347.59	347.66	347.73	347.80	347.87	347.94	348.01	348.08	348.15	348.22	348.29	348.36	348.43	348.50	348.57	348.64	348.71	348.78	348.85	348.92	348.99	349.06	349.13	349.20	349.27	349.34	349.41	349.48	349.55	349.62	349.69	349.76	349.83	349.90	349.97	350.04	350.11	350.18	350.25	350.32	350.39	350.46	350.53	350.60	350.67	350.74	350.81	350.88	350.95	351.02	351.09	351.16	351.23	351.30	351.37	351.44	351.51	351.58	351.65	351.72	351.79	351.86	351.93	352.00	352.07	352.14	352.21	352.28	352.35	352.42	352.49	352.56	352.63	352.70	352.77	352.84	352.91	352.98	353.05	353.12	353.19	353.26	353.33	353.40	353.47	353.54	353.61	353.68	353.75	353.82	353.89	353.96	354.03	354.10	354.17	354.24	354.31	354.38	354.45	354.52	354.59	354.66	354.73	354.80	354.87	354.94	355.01	355.08	355.15	355.22	355.29	355.36	355.43	355.50	355.57	355.64	355.71	355.78	355.85	355.92	355.99	356.06	356.13	356.20	356.27	356.34	356.41	356.48	356.55	356.62	356.69	356.76	356.83	356.90	356.97	357.04	357.11	357.18	357.25	357.32	357.39	357.46	357.53	357.60	357.67	357.74	357.81	357.88	357.95	358.02	358.09	358.16	358.23	358.30	358.37	358.44	358.51	358.58	358.65	358.72	358.79	358.86	358.93	359.00	359.07	359.14	359.21	359.28	359.35	359.42	359.49	359.56	359.63	359.70	359.77	359.84	359.91	359.98	360.05	360.12	360.19	360.26	360.33	360.40	360.47	360.54	360.61	360.68	360.75	360.82	360.89	360.96	361.03	361.10	361.17	361.24	361.31	361.38	361.45	361.52	361.59	361.66	361.73	361.80	361.87	361.94	362.01	362.08	362.15	362.22	362.29	362.36	362.43	362.50	362.57	362.64	362.71	362.78	362.85	362.92	362.99	363.06	363.13	363.20	363.27	363.34	363.41	363.48	363.55	363.62	363.69	363.76	363.83	363.90	363.97	364.04	364.11	364.18	364.25	364.32	364.39	364.46	364.53	364.60	364.67	364.74	364.81	364.88	364.95	365.02	365.09	365.16	365.23	365.30	365.37	365.44	365.51	365.58	365.65	365.72	365.79	365.86	365.93	366.00	366.07	366.14	366.21	366.28	366.35	366.42	366.49	366.56	366.63	366.70	366.77	366.84	366.91	366.98	367.05	367.12	367.19	367.26	367.33	367.40	367.47	367.54	367.61	367.68	367.75	367.82	367.89	367.96	368.03	368.10	368.17	368.24	368.31	368.38	368.45	368.52	368.59	368.66	368.73	368.80	368.87	368.94	369.01	369.08	369.15	369.22	369.29	369.36	369.43	369.50	369.57	369.64	369.71	369.78	369.85	369.92	369.99	370.06	370.13	370.20	370.27	370.34	370.41	370.48	370.55	370.62	370.69	370.76	370.83	370.90	370.97	371.04	371.11	371.18	371.25	371.32	371.39	371.46	371.53	371.60	371.67	371.74	371.81	371.88	371.95	372.02	372.09	372.16	372.23	372.30	372.37	372.44	372.51	372.58	372.65	372.72	372.79	372.86	372.93	373.00	373.07	373.14	373.21	373.28	373.35	373.42	373.49	373.56	373.63	373.70	373.77	373.84	373.91	373.98	374.05	374.12	374.19	374.26	374.33	374.40	374.47	374.54	374.61	374.68	374.75	374.82	374.89	374.96	375.03	375.10	375.17	375.24	375.31	375.38	375.45	375.52	375.59	375.66	375.73	375.80	375.87	375.94	376.01	376.08	376.15	376.22	376.29	376.36	376.43	376.50	376.57	376.64	376.71	376.78	376.85	376.92	376.99	377.06	377.13	377.20	377.27	377.34	377.41	377.48	377.55	377.62	377.69	377.76	377.83	377.90	377.97	378.04	378.11	378.18	378.25	378.32	378.39	378.46	378.53	378.60	378.67	378.74	378.81	378.88	378.95	379.02	379.09	379.16	379.23	379.30	379.37	379.44	379.51	379.58	379.65	379.72	379.79	379.86	379.93	380.00	380.07	380.14	380.21	380.28	380.35	380.42	380.49	380.56	380.63	380.70	380.77	380.84	380.91	380.98	381.05	381.12	381.19	381.26	381.33	381.40	381.47	381.54	381.61	381.68	381.75	381.82	381.89	381.96	382.03	382.10	382.17	382.24	382.31	382.38	382.45	382.52	382.59	382.66	382.73	382.80	382.87	382.94	383.01	383.08	383.15	383.22	383.29	383.36	383.43	383.50	383.57	383.64	383.71	383.78	383.85	383.92	383.99	384.06	384.13	384.20	384.27	384.34	384.41	384.48	384.55	384.62	384.69	384.76	384.83	384.90	384.97	385.04	385.11	385.18	385.25	385.32	385.39	385.46	385.53	385.60	385.67	385.74	385.81	385.88	385.95	386.02	386.09	386.16	386.23	386.30	386.37	386.44	386.51	386.58	386.65	386.72	386.79	386.86	386.93	387.00	387.07	387.14	387.21	387.28	387.35	387.42	387.49	387.56	387.63	387.70	387.77	387.84	387.91	387.98	388.05	388.12	388.19	388.26	388.33	388.40	388.47	388.54	388.61	388.68	388.75	388.82	388.89	388.96	389.03	389.10	389.17	389.24	389.31	389.38	389.45	389.52	389.59	389.66	389.73	389.80	389.87	389.94	390.01	390.08	390.15	390.22	390.29	390.36	390.43	390.50	390.57	390.64	390.71	390.78	390.85	390.92	390.99	391.06	391.13	391.20	391.27	391.34	391.41	391.48	391.55	391.62	391.69	391.76	391.83	391.90	391.97	392.04	392.11	392.18	392.25	392.32	392.39	392.46	392.53	392.60	392.67	392.74	392.81	392.88	392.95	393.02	393.09	393.16	393.23	393.30	393.37	393.44	393.51	393.58	393.65	393.72	393.79	393.86	393.93	394.00	394.07	394.14	394.21	394.28	394.35	394.42	394.49	394.56	394.63	394.70	394.77	394.84	394.91	394.98	395.05	395.12	395.
-------------------------	--------	--------	--------	--------	--------	--------	--------	--------	--------	--------	--------	--------	--------	--------	--------	--------	--------	--------	--------	--------	--------	--------	--------	--------	--------	--------	--------	--------	--------	--------	--------	--------	--------	--------	--------	--------	--------	--------	--------	--------	--------	--------	--------	--------	--------	--------	--------	--------	--------	--------	--------	--------	--------	--------	--------	--------	--------	--------	--------	--------	--------	--------	--------	--------	--------	--------	--------	--------	--------	--------	--------	--------	--------	--------	--------	--------	--------	--------	--------	--------	--------	--------	--------	--------	--------	--------	--------	--------	--------	--------	--------	--------	--------	--------	--------	--------	--------	--------	--------	--------	--------	--------	--------	--------	--------	--------	--------	--------	--------	--------	--------	--------	--------	--------	--------	--------	--------	--------	--------	--------	--------	--------	--------	--------	--------	--------	--------	--------	--------	--------	--------	--------	--------	--------	--------	--------	--------	--------	--------	--------	--------	--------	--------	--------	--------	--------	--------	--------	--------	--------	--------	--------	--------	--------	--------	--------	--------	--------	--------	--------	--------	--------	--------	--------	--------	--------	--------	--------	--------	--------	--------	--------	--------	--------	--------	--------	--------	--------	--------	--------	--------	--------	--------	--------	--------	--------	--------	--------	--------	--------	--------	--------	--------	--------	--------	--------	--------	--------	--------	--------	--------	--------	--------	--------	--------	--------	--------	--------	--------	--------	--------	--------	--------	--------	--------	--------	--------	--------	--------	--------	--------	--------	--------	--------	--------	--------	--------	--------	--------	--------	--------	--------	--------	--------	--------	--------	--------	--------	--------	--------	--------	--------	--------	--------	--------	--------	--------	--------	--------	--------	--------	--------	--------	--------	--------	--------	--------	--------	--------	--------	--------	--------	--------	--------	--------	--------	--------	--------	--------	--------	--------	--------	--------	--------	--------	--------	--------	--------	--------	--------	--------	--------	--------	--------	--------	--------	--------	--------	--------	--------	--------	--------	--------	--------	--------	--------	--------	--------	--------	--------	--------	--------	--------	--------	--------	--------	--------	--------	--------	--------	--------	--------	--------	--------	--------	--------	--------	--------	--------	--------	--------	--------	--------	--------	--------	--------	--------	--------	--------	--------	--------	--------	--------	--------	--------	--------	--------	--------	--------	--------	--------	--------	--------	--------	--------	--------	--------	--------	--------	--------	--------	--------	--------	--------	--------	--------	--------	--------	--------	--------	--------	--------	--------	--------	--------	--------	--------	--------	--------	--------	--------	--------	--------	--------	--------	--------	--------	--------	--------	--------	--------	--------	--------	--------	--------	--------	--------	--------	--------	--------	--------	--------	--------	--------	--------	--------	--------	--------	--------	--------	--------	--------	--------	--------	--------	--------	--------	--------	--------	--------	--------	--------	--------	--------	--------	--------	--------	--------	--------	--------	--------	--------	--------	--------	--------	--------	--------	--------	--------	--------	--------	--------	--------	--------	--------	--------	--------	--------	--------	--------	--------	--------	--------	--------	--------	--------	--------	--------	--------	--------	--------	--------	--------	--------	--------	--------	--------	--------	--------	--------	--------	--------	--------	--------	--------	--------	--------	--------	--------	--------	--------	--------	--------	--------	--------	--------	--------	--------	--------	--------	--------	--------	--------	--------	--------	--------	--------	--------	--------	--------	--------	--------	--------	--------	--------	--------	--------	--------	--------	--------	--------	--------	--------	--------	--------	--------	--------	--------	--------	--------	--------	--------	--------	--------	--------	--------	--------	--------	--------	--------	--------	--------	--------	--------	--------	--------	--------	--------	--------	--------	--------	--------	--------	--------	--------	--------	--------	--------	--------	--------	--------	--------	--------	--------	--------	--------	--------	--------	--------	--------	--------	--------	--------	--------	--------	--------	--------	--------	--------	--------	--------	--------	--------	--------	--------	--------	--------	--------	--------	--------	--------	--------	--------	--------	--------	--------	--------	--------	--------	--------	--------	--------	--------	--------	--------	--------	--------	--------	--------	--------	--------	--------	--------	--------	--------	--------	--------	--------	--------	--------	--------	--------	--------	--------	--------	--------	--------	--------	--------	--------	--------	--------	--------	--------	--------	--------	--------	--------	--------	--------	--------	--------	--------	--------	--------	--------	--------	--------	--------	--------	--------	--------	--------	--------	--------	--------	--------	--------	--------	--------	--------	--------	--------	--------	--------	--------	--------	--------	--------	--------	--------	--------	--------	--------	--------	--------	--------	--------	--------	--------	--------	--------	--------	--------	--------	--------	--------	--------	--------	--------	--------	--------	--------	--------	--------	--------	--------	--------	--------	--------	--------	--------	--------	--------	--------	--------	--------	--------	--------	--------	--------	--------	--------	--------	--------	--------	--------	--------	--------	--------	--------	--------	--------	--------	--------	--------	--------	--------	--------	--------	--------	--------	--------	--------	--------	--------	--------	--------	--------	--------	--------	--------	--------	--------	--------	--------	--------	--------	--------	--------	--------	--------	--------	--------	--------	--------	--------	--------	--------	--------	--------	--------	--------	--------	--------	--------	--------	--------	--------	--------	--------	--------	--------	--------	--------	--------	--------	--------	--------	--------	--------	--------	--------	--------	--------	--------	--------	--------	--------	--------	--------	--------	--------	--------	--------	--------	--------	--------	--------	--------	--------	--------	--------	--------	--------	--------	--------	--------	--------	--------	--------	--------	--------	--------	--------	--------	--------	--------	--------	--------	--------	--------	--------	--------	--------	--------	--------	--------	--------	--------	--------	--------	--------	--------	--------	--------	--------	--------	--------	--------	--------	--------	--------	--------	--------	--------	--------	--------	--------	--------	--------	--------	--------	--------	--------	--------	--------	--------	--------	--------	--------	--------	--------	--------	--------	--------	--------	--------	--------	--------	--------	--------	--------	--------	--------	--------	--------	--------	--------	--------	--------	--------	--------	--------	--------	--------	--------	--------	--------	--------	--------	--------	--------	--------	--------	--------	--------	--------	--------	--------	--------	--------	--------	--------	--------	--------	--------	--------	--------	--------	--------	--------	--------	--------	--------	--------	--------	--------	--------	--------	--------	--------	--------	--------	--------	--------	--------	--------	--------	--------	--------	--------	--------	--------	--------	--------	--------	--------	--------	--------	--------	--------	--------	--------	--------	--------	--------	--------	--------	--------	--------	--------	--------	--------	--------	--------	--------	--------	--------	--------	--------	--------	--------	--------	--------	------

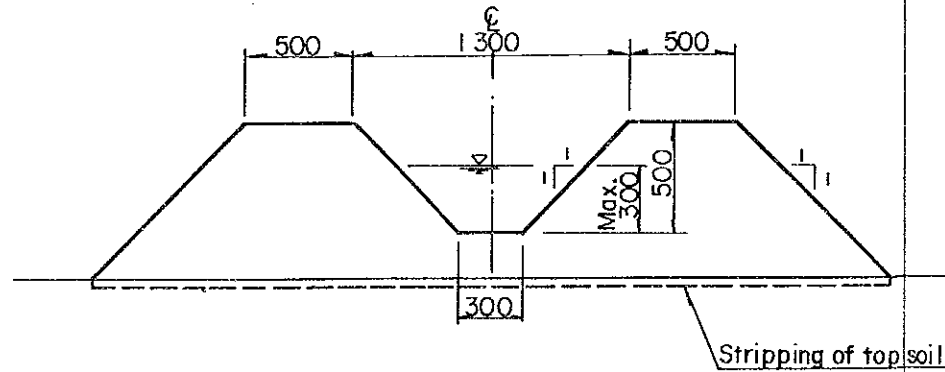
IRRIGATION CANAL

MAIN IRRIGATION CANAL



SECONDARY IRRIGATION CANAL

UNLINED CANAL

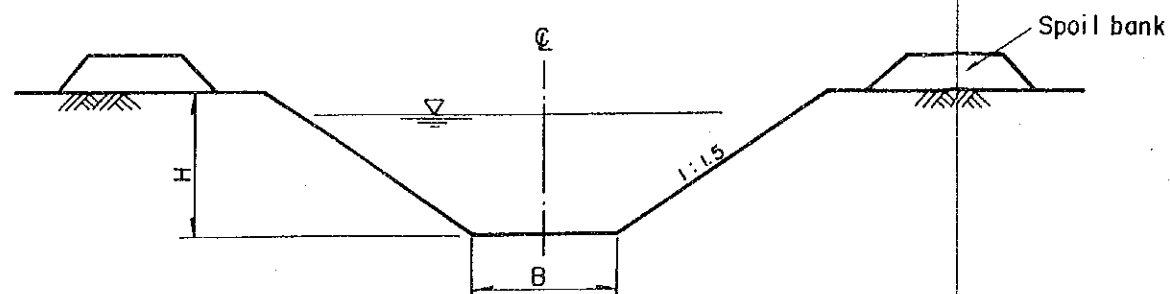


DIMENSION OF IRRIGATION CANAL

(Unit : mm)

Canal Type	B	H	h (max)
I	700	900	700
II	600	800	600
III	500	700	500
IV	400	600	400
V	300	500	300

DRAINAGE CANAL



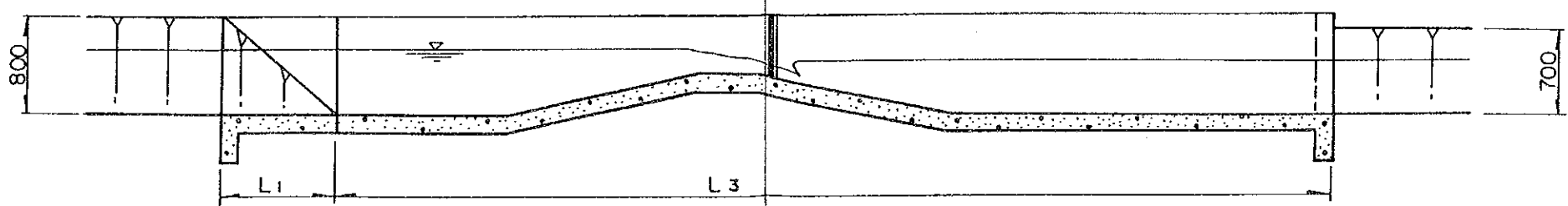
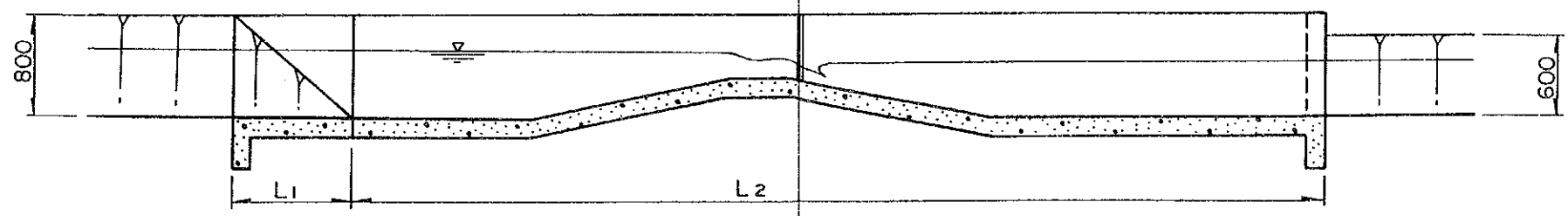
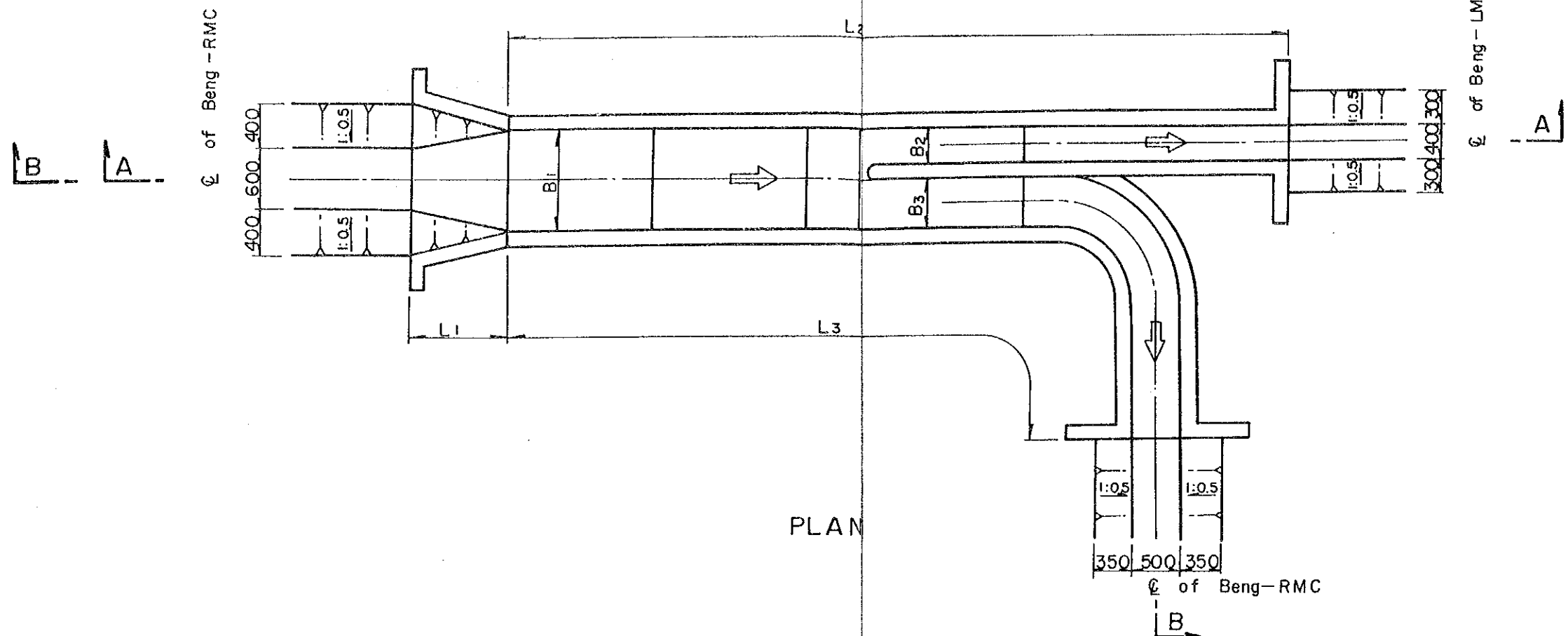
DIMENSION OF DRAINAGE CANAL

(Unit : mm)

Canal Type	B	H
I	500	600
II	1,000	1,000
III	1,500	1,200
IV	2,000	1,500

THE LAO PEOPLE'S DEMOCRATIC REPUBLIC MINISTRY OF AGRICULTURE AND FORESTRY	
AGRICULTURAL DEVELOPMENT TO CONTROL SLASH AND BURN CULTIVATION IN OUDOMXAY	
TITLE OF DRAWING TYPICAL CROSS SECTIONS OF CANALS AND O&M ROAD	
NIPPON KOEI CO., LTD. CONSTRUCTION PROJECT CONSULTANTS, INC.	DRAWING NO. 314

BIFURCATION



SECTION A - A

SECTION B - B

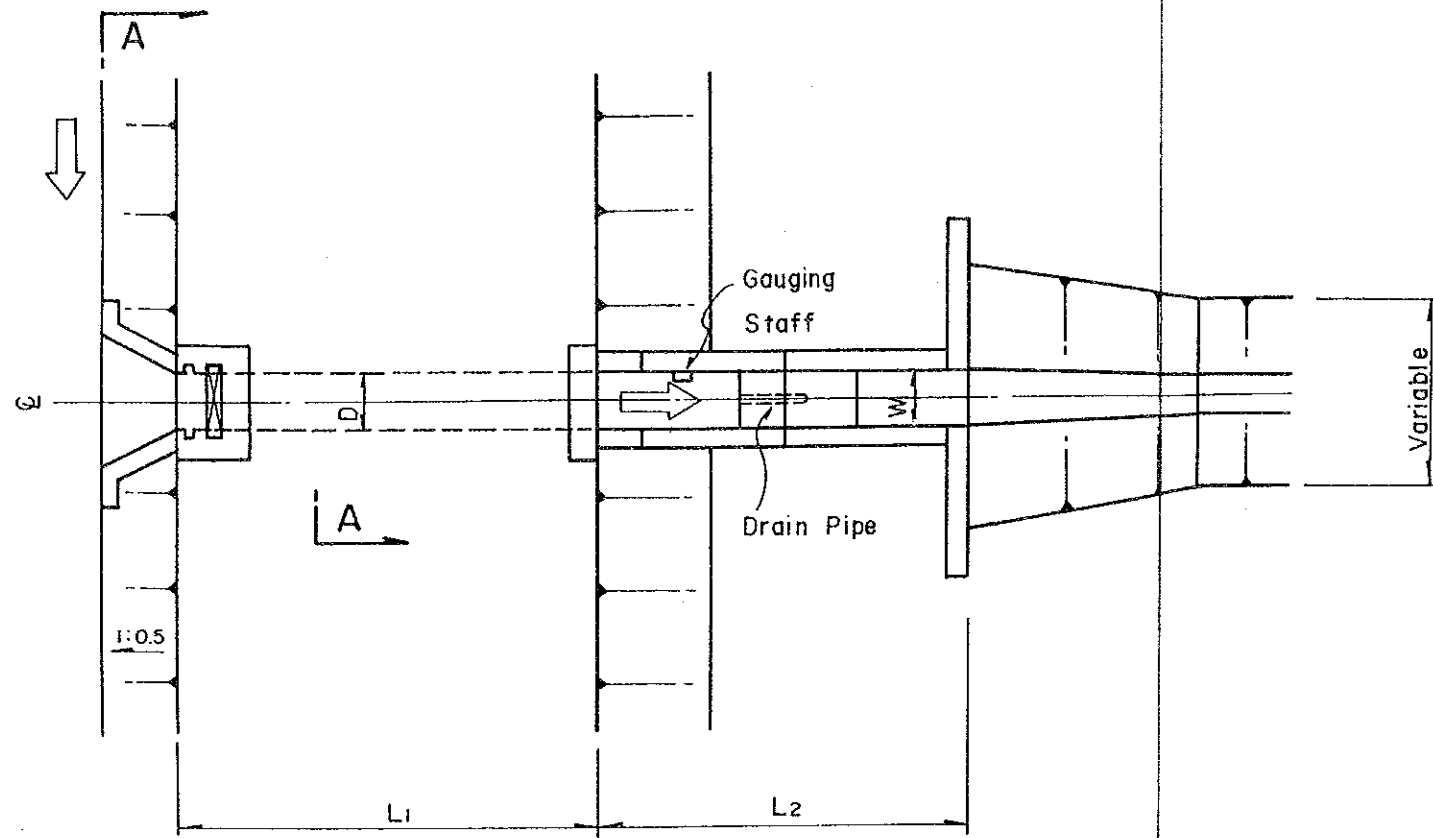
DIMENSION OF BIFURCATION

(Unit : mm)

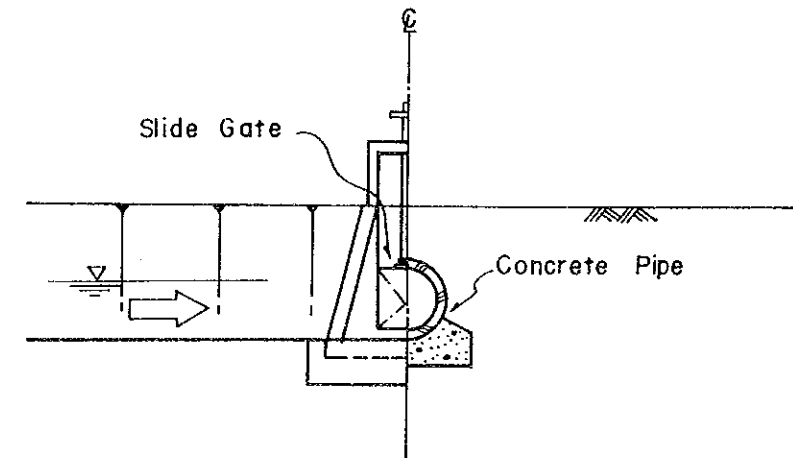
Canal	Q (m ³ sec)	B1	B2	B3	L1	L2	L3
Beng - RMC	0.241	1,200	382	618	1,000	8,000	8,500

THE LAO PEOPLE'S DEMOCRATIC REPUBLIC MINISTRY OF AGRICULTURE AND FORESTRY	
AGRICULTURAL DEVELOPMENT TO CONTROL SLASH AND BURN CULTIVATION IN OUDOMXAY	
TITLE OF DRAWING BIFURCATION	
NIPPON KOEI CO., LTD. CONSTRUCTION PROJECT CONSULTANTS, INC.	DRAWING NO. 401

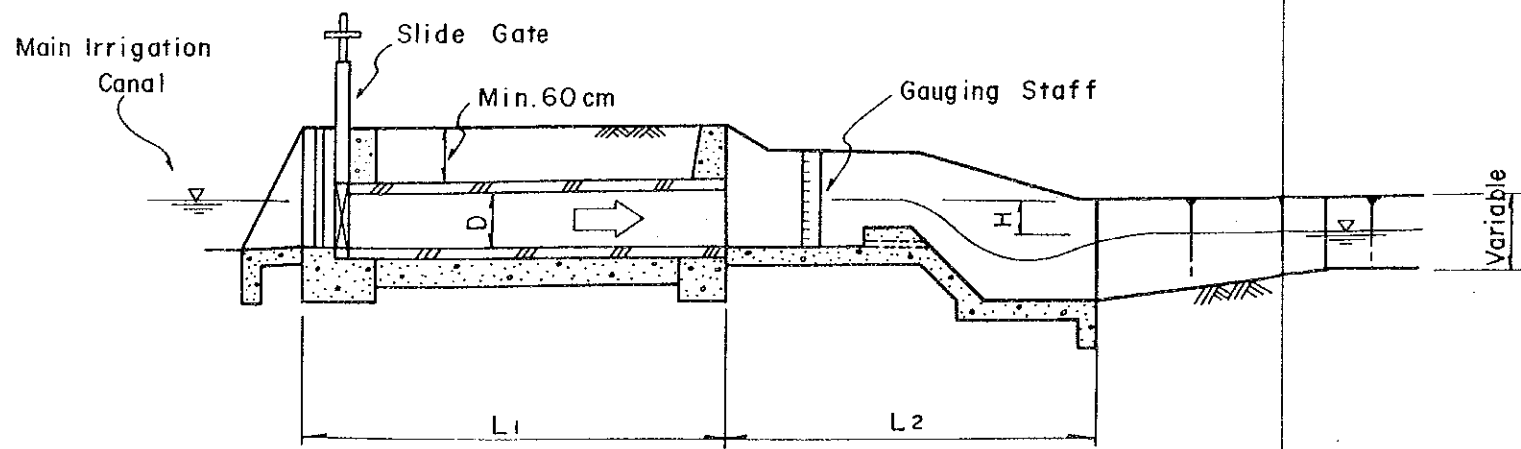
TURNOUT



PLAN



SECTION A-A



PROFILE

DIMENSION OF TURNOUT

(Unit : mm)

Q (m ³ /sec)	D	L1	L2	W	H
0 ~ 0.03	ø 300	4,500	4,000	300	300

THE LAO PEOPLE'S DEMOCRATIC REPUBLIC
 MINISTRY OF AGRICULTURE AND FORESTRY
 AGRICULTURAL DEVELOPMENT TO CONTROL
 SLASH AND BURN CULTIVATION IN OUDOMXAY

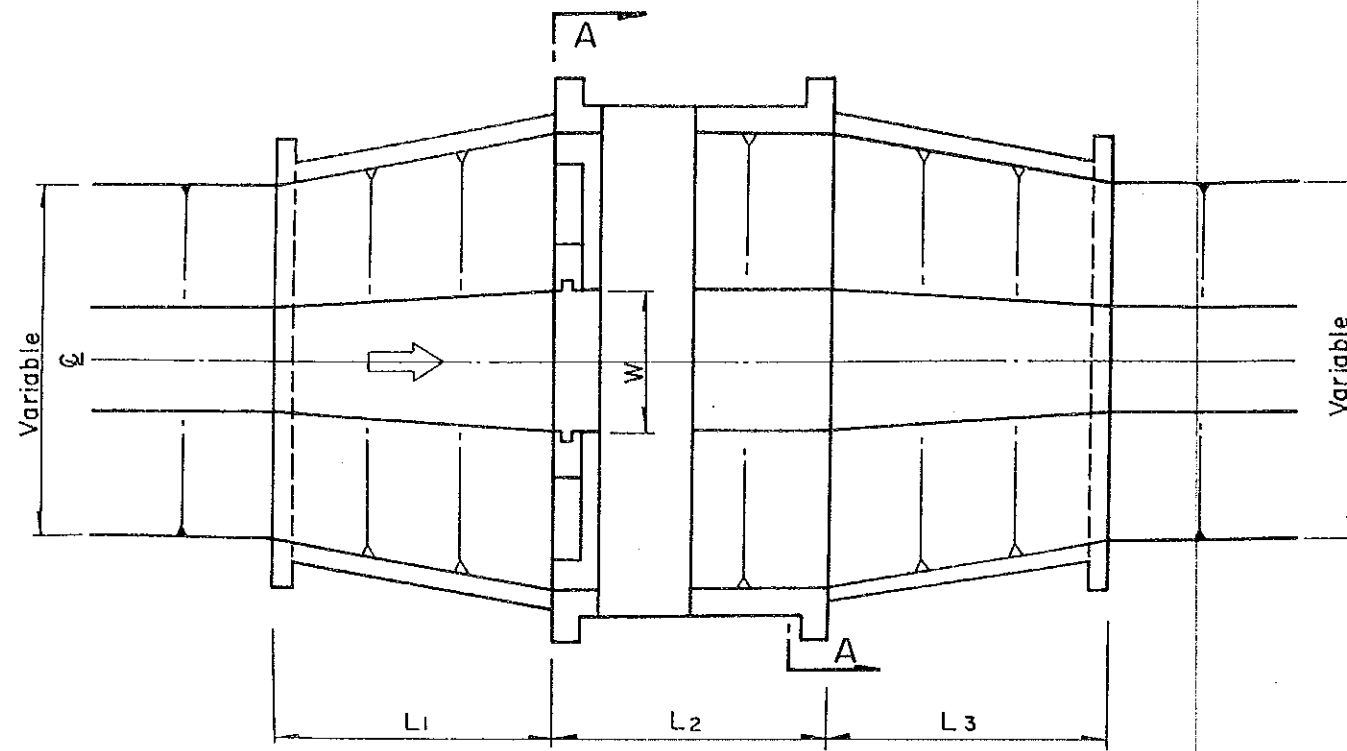
TITLE OF DRAWING

TURNOUT

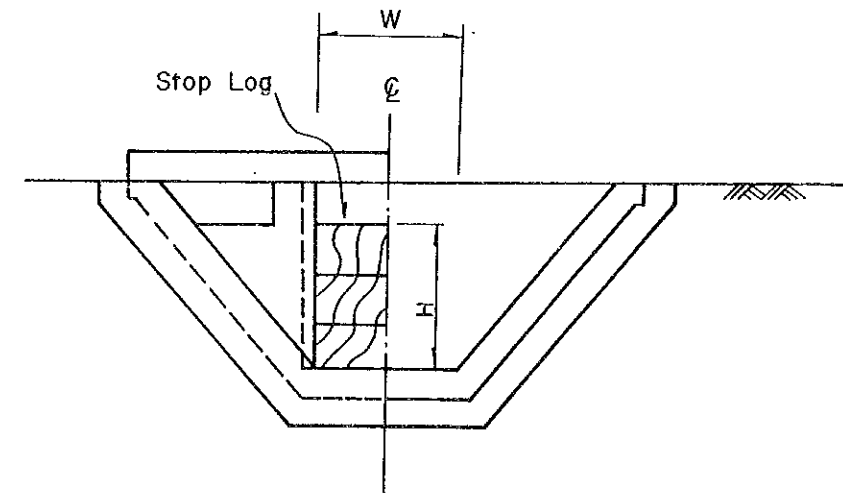
NIPPON KOEI CO., LTD.
 CONSTRUCTION PROJECT CONSULTANTS, INC.

DRAWING NO.
402

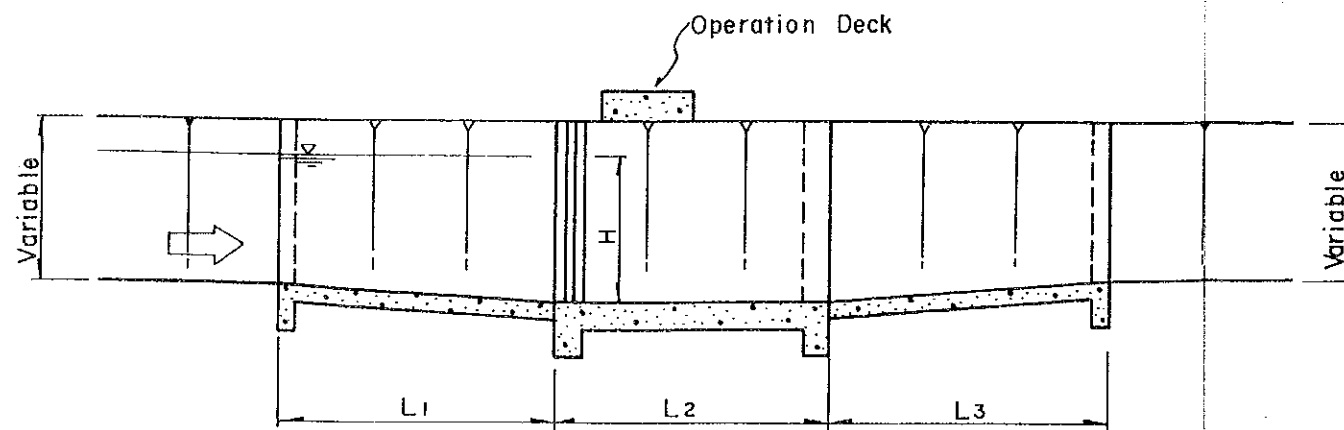
CHECK



PLAN



SECTION A-A



PROFILE

DIMENSION OF CHECK

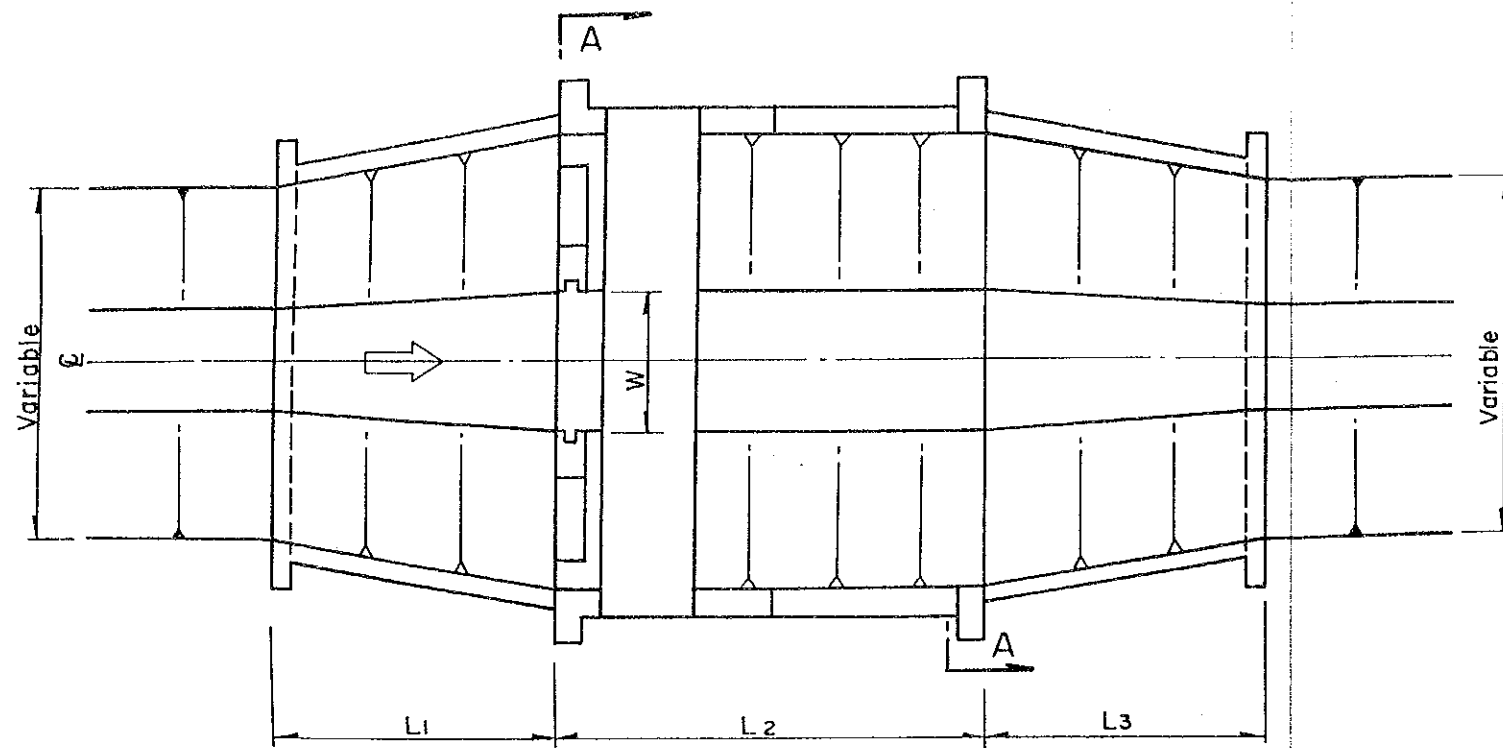
(Unit : mm)

Canal	Q (m ³ /sec)	L1	L2	L3	W	H
M/C	0 ~ 0.30	2,000	2,000	2,000	1,000	1,000

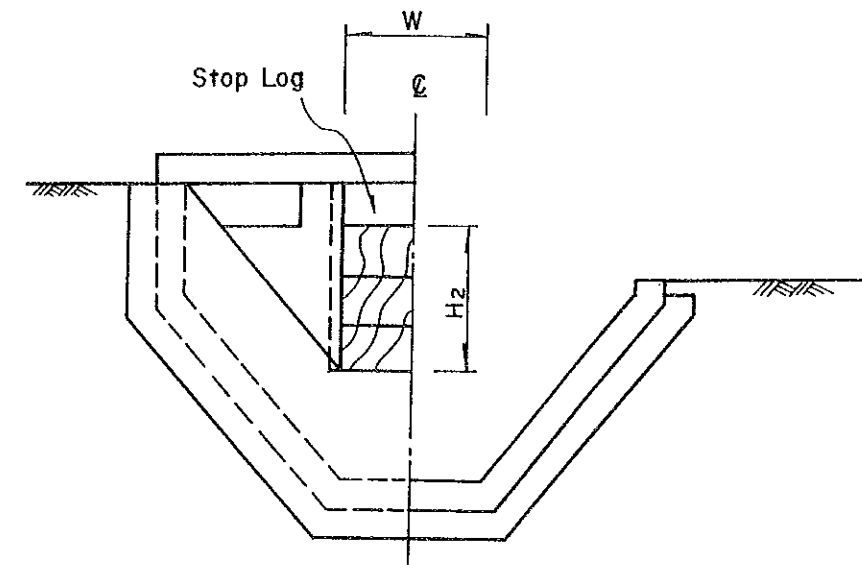
Note ; M/C : Main Irrigation Canal

THE LAO PEOPLE'S DEMOCRATIC REPUBLIC MINISTRY OF AGRICULTURE AND FORESTRY	
AGRICULTURAL DEVELOPMENT TO CONTROL SLASH AND BURN CULTIVATION IN OUDOMXAY	
TITLE OF DRAWING	
CHECK	
NIPPON KOEI CO., LTD. CONSTRUCTION PROJECT CONSULTANTS, INC.	DRAWING NO. 403

CHECK CUM DROP



PLAN



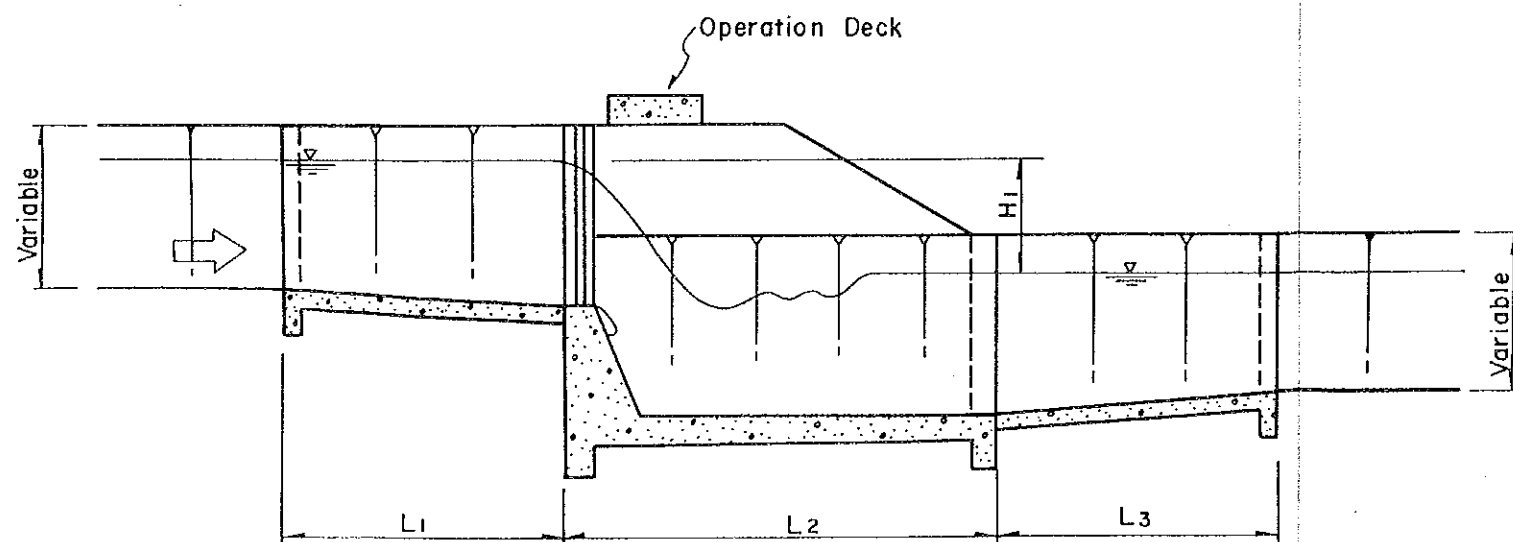
SECTION A-A

DIMENSION OF CHECK CUM DROP

(Unit : mm)

Canal	Q (m3/sec)	H1	L1	L2	L3	W	H2
M / C	0 ~ 0.30	1,500	2,000	3,500	2,000	1,000	1,000
M / C	0 ~ 0.30	1,000	2,000	3,000	2,000	1,000	1,000
M / C	0 ~ 0.30	500	2,000	2,500	2,000	1,000	1,000

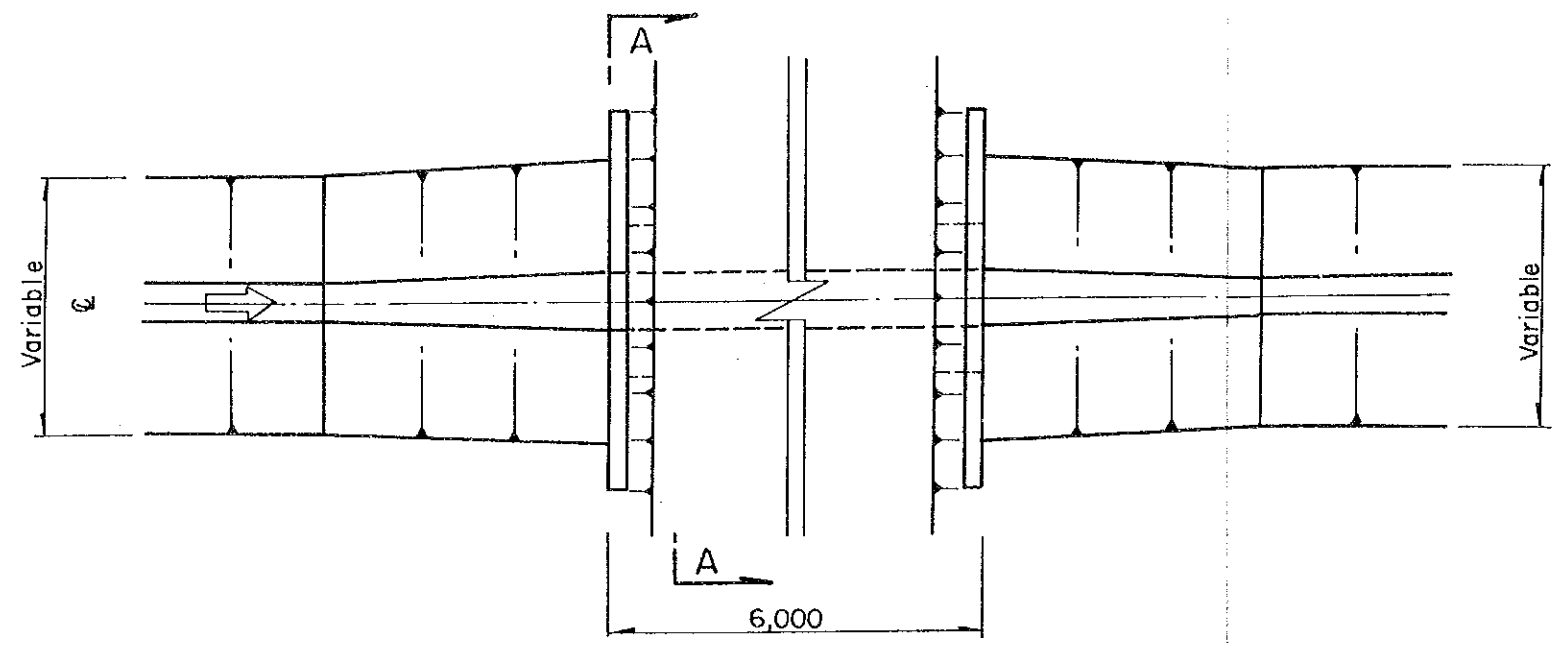
Note ; M / C : Main Irrigation Canal



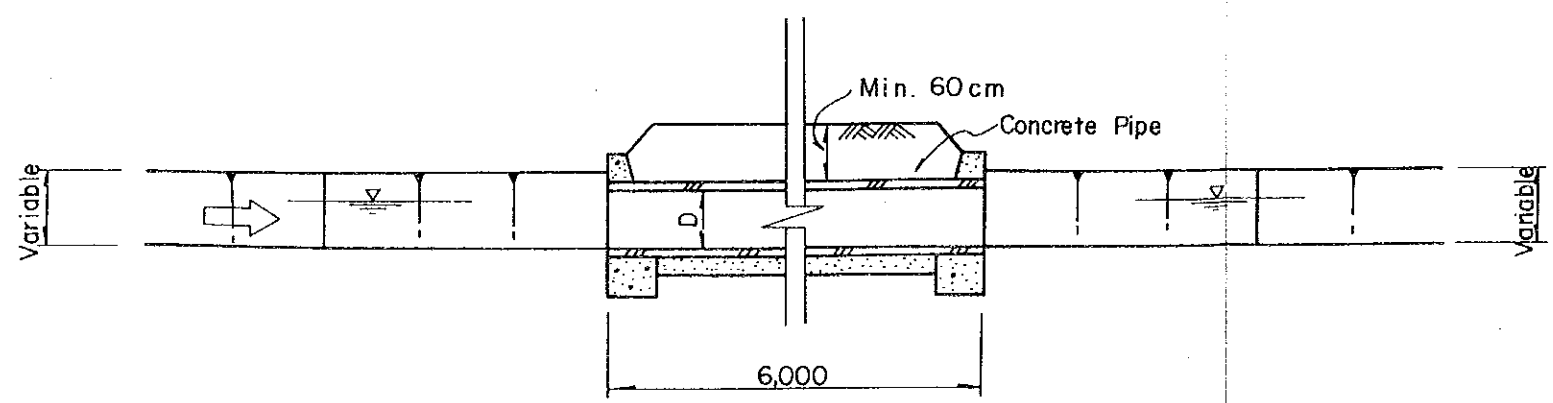
PROFILE

THE LAO PEOPLE'S DEMOCRATIC REPUBLIC MINISTRY OF AGRICULTURE AND FORESTRY	
AGRICULTURAL DEVELOPMENT TO CONTROL SLASH AND BURN CULTIVATION IN OUDOMXAY	
TITLE OF DRAWING	
CHECK CUM DROP	
NIPPON KOEI CO., LTD. CONSTRUCTION PROJECT CONSULTANTS, INC.	DRAWING NO. 404

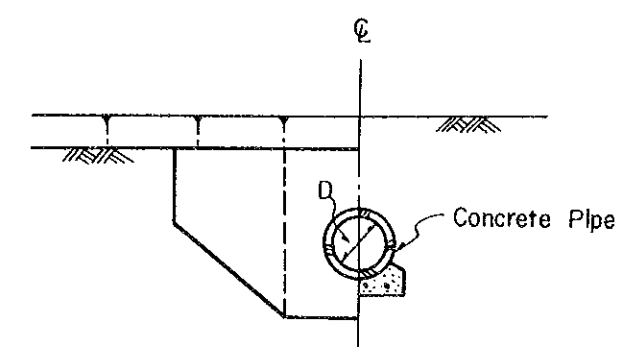
CULVERT



PLAN



PROFILE



SECTION A-A

DIMENSION OF CULVERT FOR IRRIGATION CANAL

(Unit : mm)

Canal	D
M / C	ø 600
S / C	ø 300

Note ; M / C : Main Irrigation Canal
S / C : Secondary Irrigation Canal

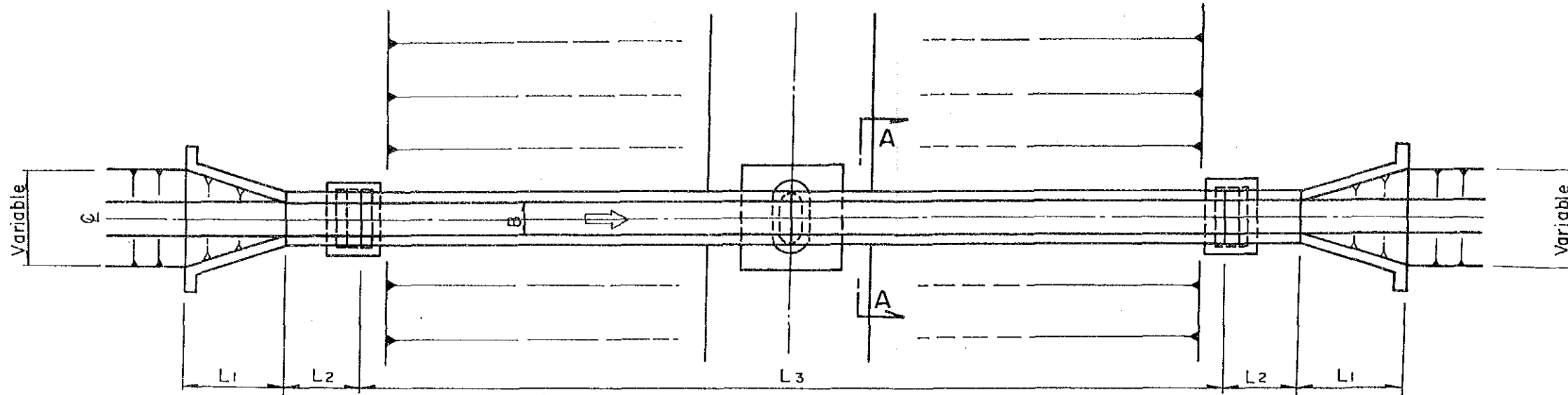
DIMENSION OF CULVERT FOR DRAINAGE CANAL

(Unit : mm)

Q (m3/sec)	D
1.5 ~ 2.5	ø 1,000 x 2 nos.
0 ~ 1.5	ø 1,000 x 1 no.

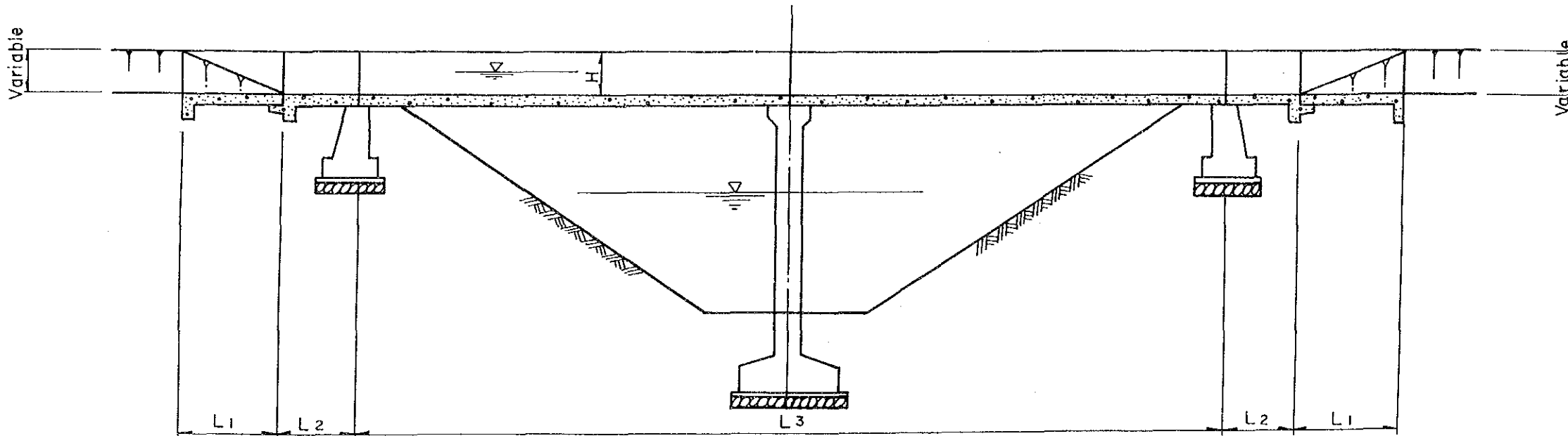
THE LAO PEOPLE'S DEMOCRATIC REPUBLIC MINISTRY OF AGRICULTURE AND FORESTRY	
AGRICULTURAL DEVELOPMENT TO CONTROL SLASH AND BURN CULTIVATION IN OUDOMXAY	
TITLE OF DRAWING	
CULVERT	
NIPPON KOEI CO., LTD. CONSTRUCTION PROJECT CONSULTANTS, INC.	DRAWING NO. 405

AQUEDUCT



PLAN

ℓ



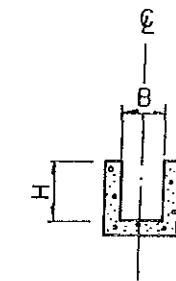
PROFILE

DIMENSION OF AQUEDUCT

(Unit : mm)

Canal	Q (m3/sec)	L1	L2	L3	B	H	No. of Piers
M/C	0 ~ 0.30	2,000	1,000	16,000 ~ 24,000	600	800	2 nos.
M/C	0 ~ 0.30	2,000	1,000	8,000 ~ 16,000	600	800	1 no.
S/C	0 ~ 0.03	1,000	1,000	0 ~ 8,000	300	400	-

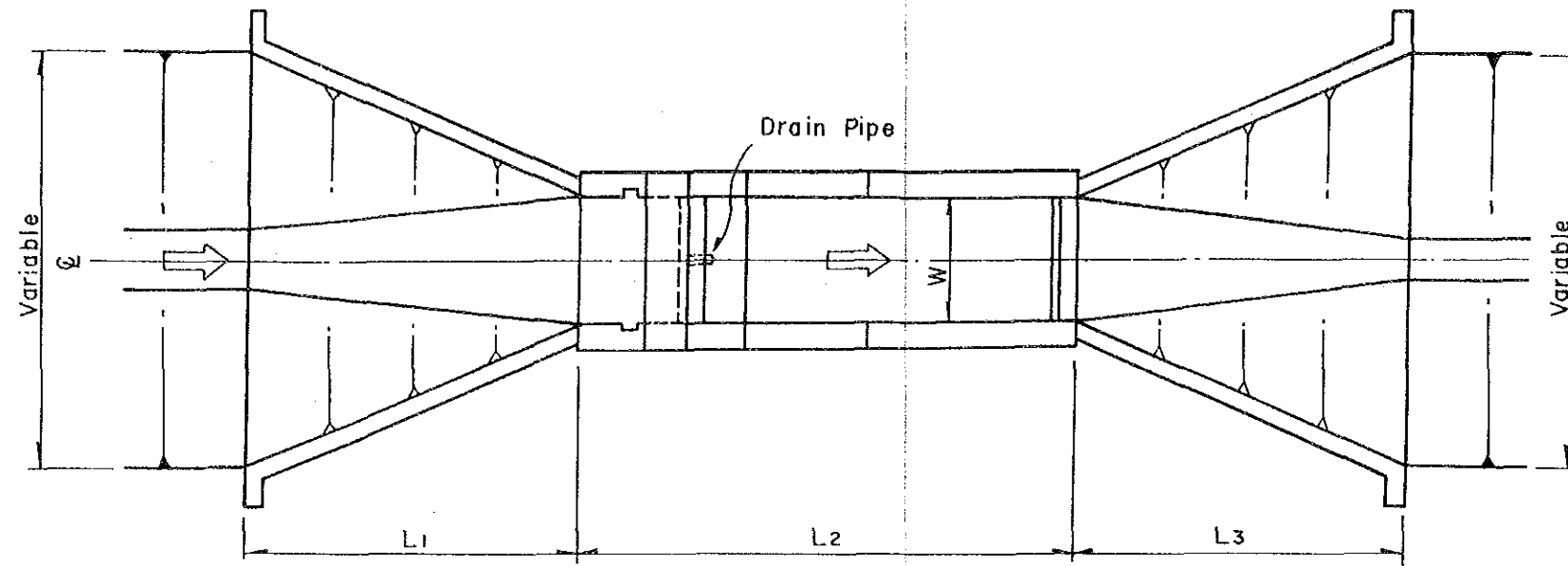
Note ; M/C : Main Irrigation Canal
S/C : Secondary Irrigation Canal



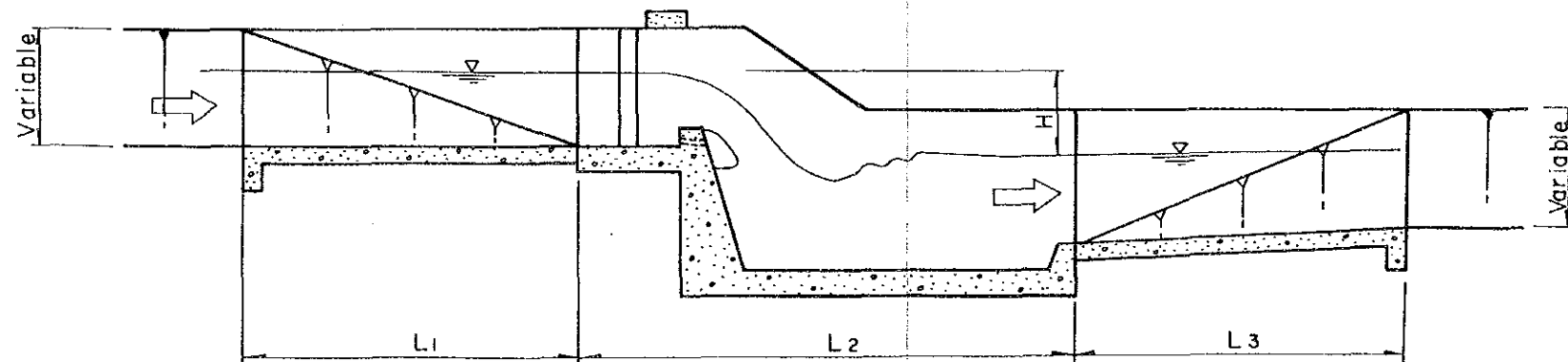
SECTION A-A

THE LAO PEOPLE'S DEMOCRATIC REPUBLIC MINISTRY OF AGRICULTURE AND FORESTRY	
AGRICULTURAL DEVELOPMENT TO CONTROL SLASH AND BURN CULTIVATION IN OUDOMXAY	
TITLE OF DRAWING	
AQUEDUCT	
NIPPON KOEI CO., LTD. CONSTRUCTION PROJECT CONSULTANTS, INC.	DRAWING NO. 406

DROP



PLAN



PROFILE

DIMENSION OF DROP FOR IRRIGATION CANAL

(Unit : mm)

Q (m ³ /sec)	H	L1	L2	L3	W
0 ~ 0.30	1,500	2,000	3,500	2,000	1,000
0 ~ 0.30	1,000	2,000	3,000	2,000	1,000
0 ~ 0.30	500	2,000	2,500	2,000	1,000

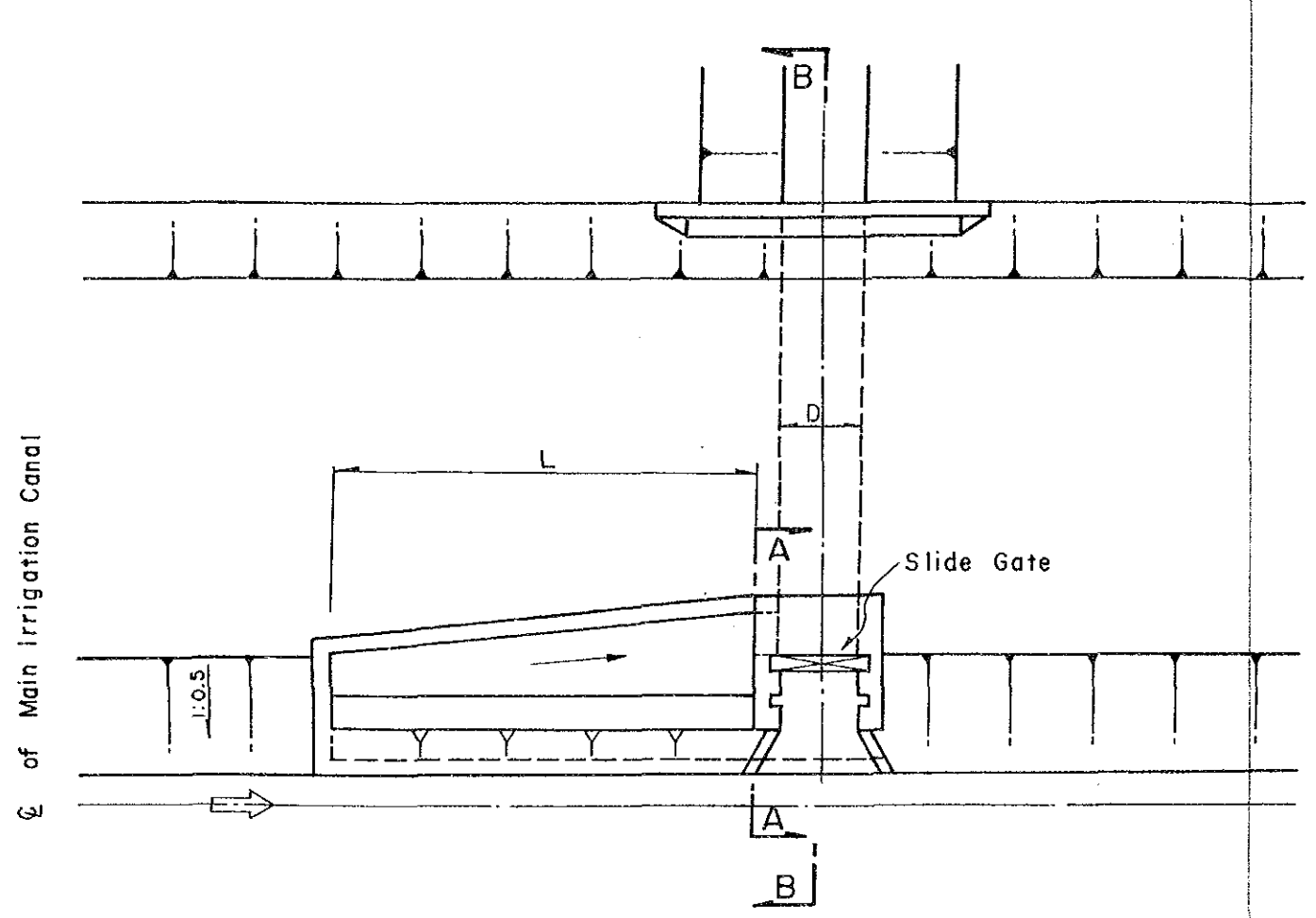
DIMENSION OF DROP FOR DRAINAGE CANAL

(Unit : mm)

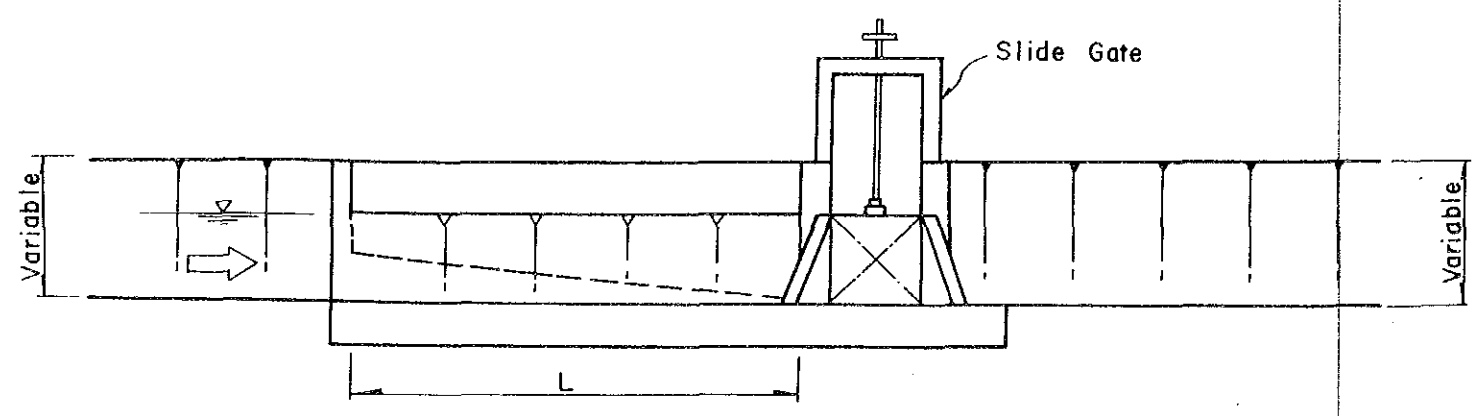
Q (m ³ /sec)	H	L1	L2	L3	W
1.5 ~ 2.5	1,500	3,000	5,000	3,000	2,500
1.5 ~ 2.5	1,000	3,000	4,500	3,000	2,500
1.5 ~ 2.5	500	3,000	4,000	3,000	2,500
0 ~ 1.5	1,500	3,000	4,000	3,000	1,500
0 ~ 1.5	1,000	3,000	3,500	3,000	1,500
0 ~ 1.5	500	3,000	3,000	3,000	1,500

THE LAO PEOPLE'S DEMOCRATIC REPUBLIC MINISTRY OF AGRICULTURE AND FORESTRY	
AGRICULTURAL DEVELOPMENT TO CONTROL SLASH AND BURN CULTIVATION IN OUDOMXAY	
TITLE OF DRAWING	
DROP	
NIPPON KOEI CO., LTD. CONSTRUCTION PROJECT CONSULTANTS, INC.	DRAWING NO. 407

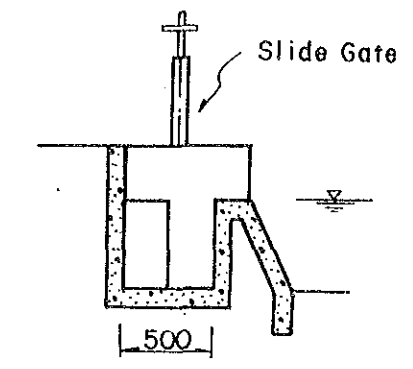
SPILLWAY CUM WASTEWAY



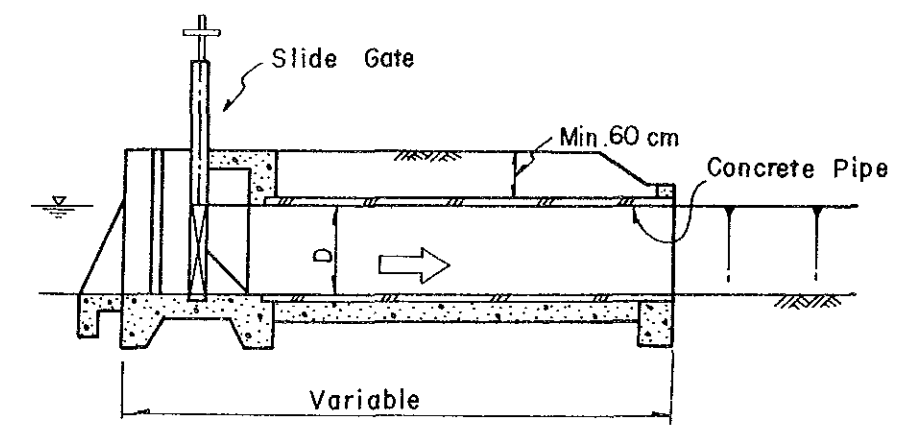
PLAN



PROFILE



SECTION A-A



SECTION B-B

DIMENSION OF SPILLWAY CUM WASTEWAY

(Unit : mm)

Q (m3/sec)	D	L
0 ~ 0.30	ø 600	4,000

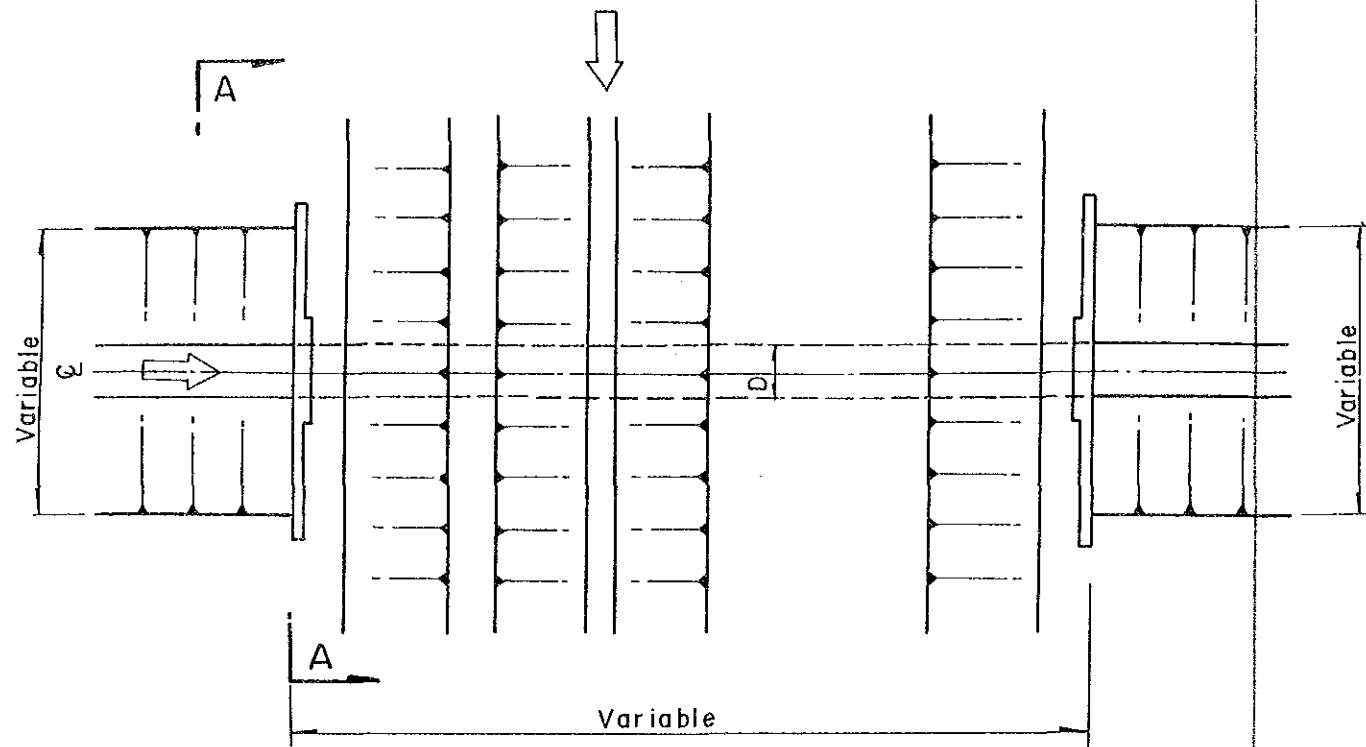
THE LAO PEOPLE'S DEMOCRATIC REPUBLIC
 MINISTRY OF AGRICULTURE AND FORESTRY
 AGRICULTURAL DEVELOPMENT TO CONTROL
 SLASH AND BURN CULTIVATION IN OUDOMXAY

TITLE OF DRAWING
SPILLWAY CUM WASTEWAY

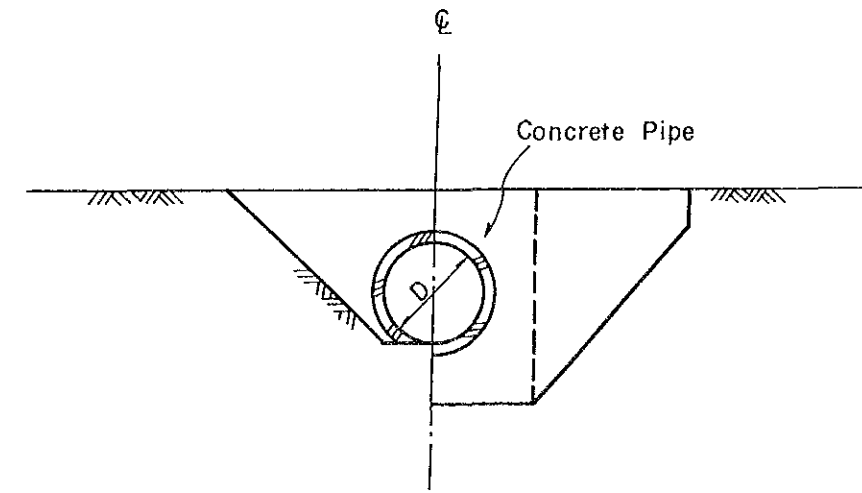
NIPPON KOEI CO., LTD.
 CONSTRUCTION PROJECT CONSULTANTS, INC.

DRAWING NO.
408

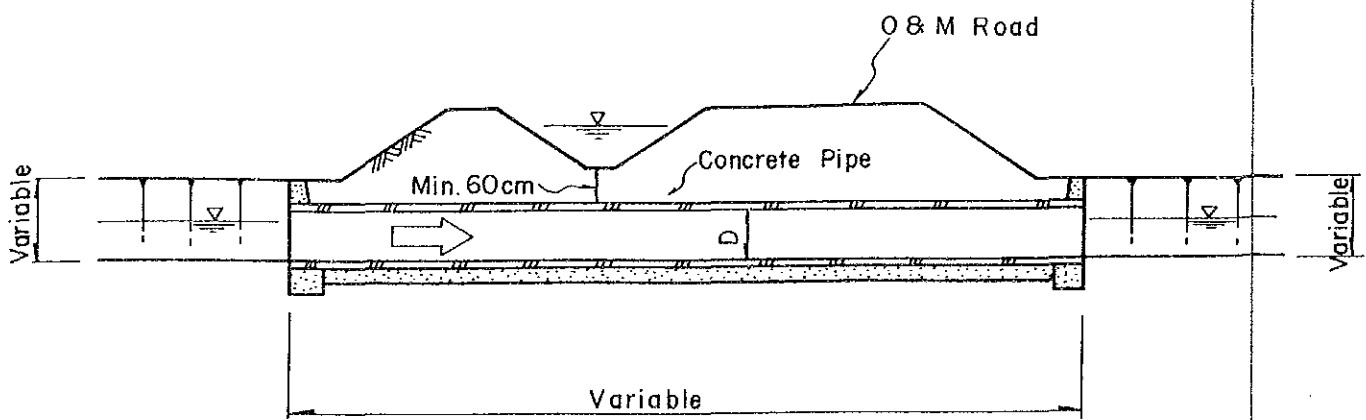
CROSS DRAIN



PLAN



SECTION A-A



PROFILE

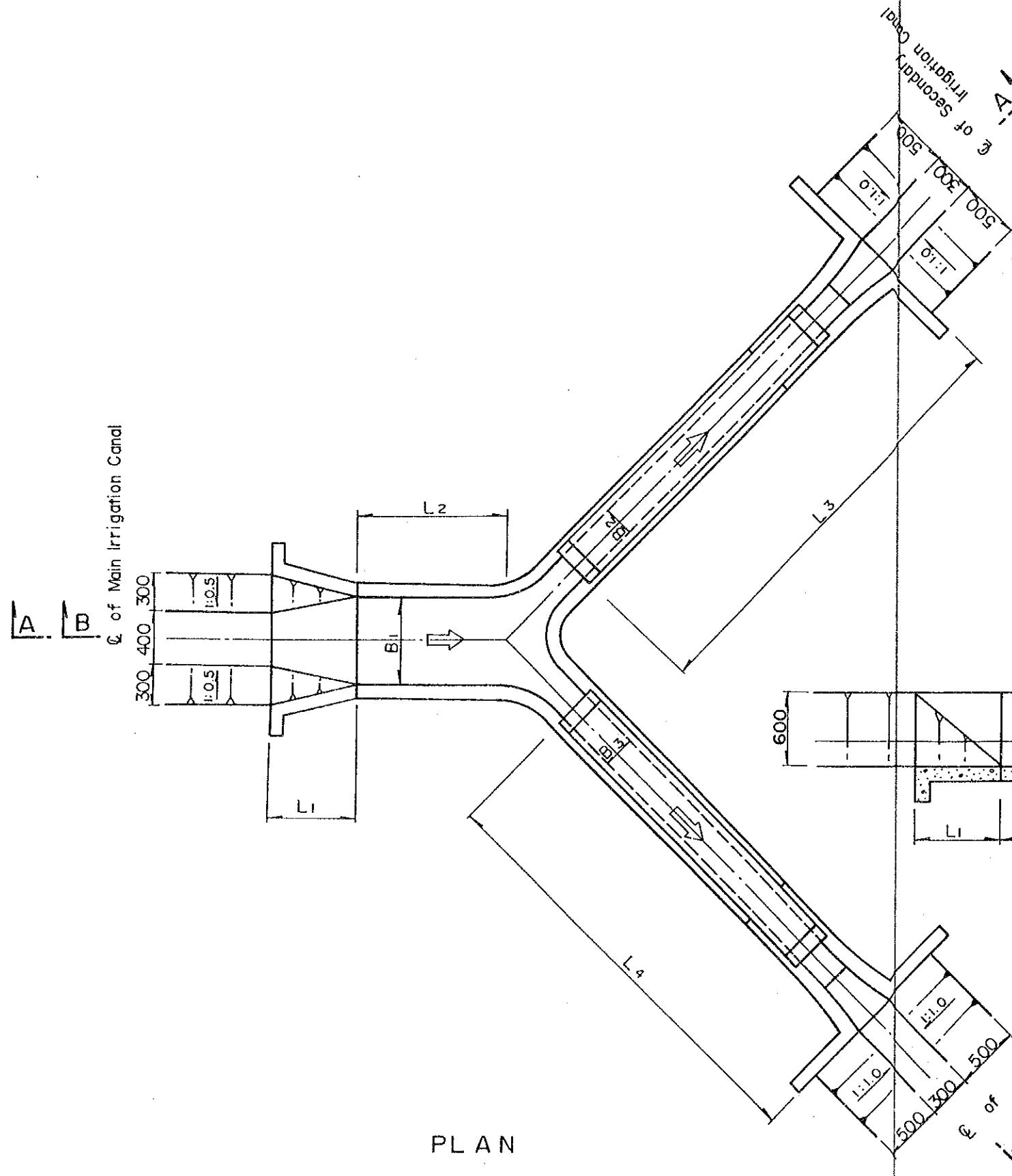
DIMENSION OF CROSS DRAIN

(Unit : mm)

Type	Q (m3/sec)	D
A	1.00 ~ 2.50	ø 1,000 x 2 nos.
B	0 ~ 1.00	ø 1,000 x 1 no.

THE LAO PEOPLE'S DEMOCRATIC REPUBLIC MINISTRY OF AGRICULTURE AND FORESTRY	
AGRICULTURAL DEVELOPMENT TO CONTROL SLASH AND BURN CULTIVATION IN OUDOMXAY	
TITLE OF DRAWING CROSS DRAIN	
NIPPON KOEI CO., LTD. CONSTRUCTION PROJECT CONSULTANTS, INC.	DRAWING NO. 409

TAIL STRUCTURE

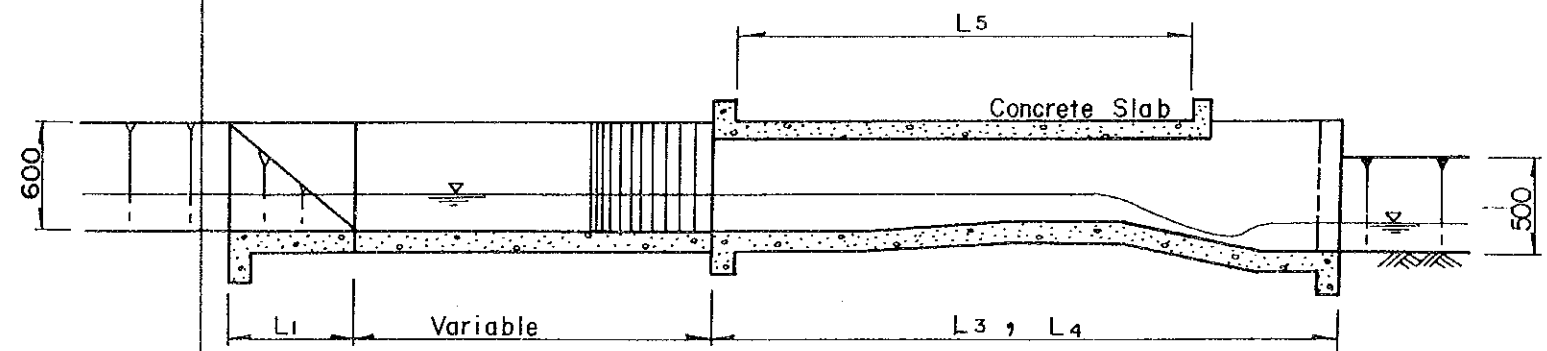


PLAN

DIMENSION OF TAIL STRUCTURE

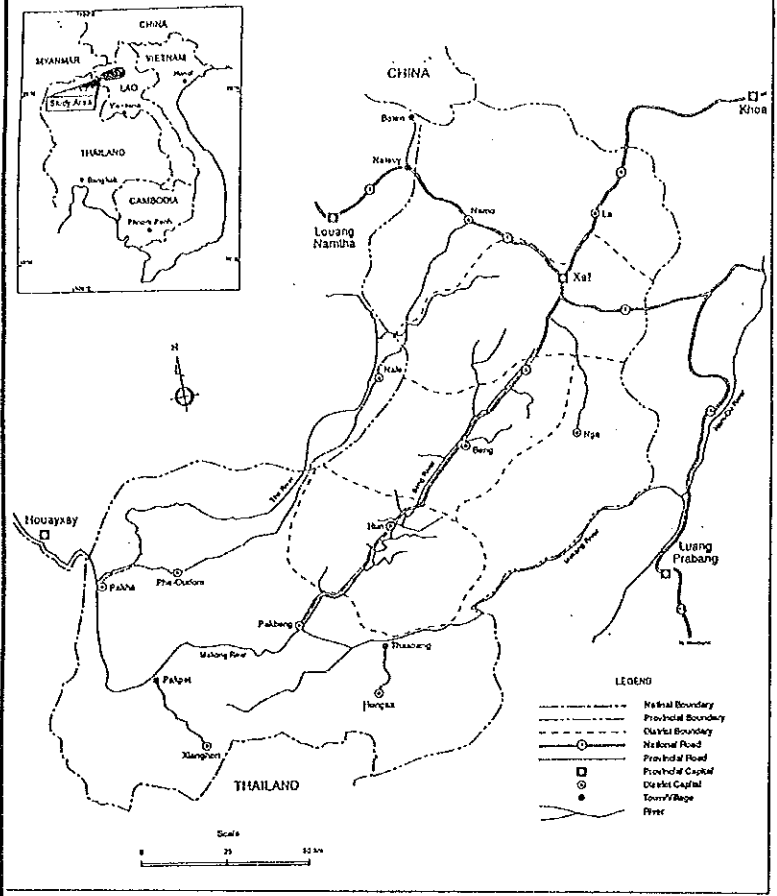
(Unit : mm)

Canal	Q (m3/sec)	B1	B2	B3	L1	L2	L3	L4	L5
Xai - LMC	0.040	800	255	345	1,000	2,000	6,500	6,500	4,500
Xai - RMC	0.026	800	277	323	1,000	2,000	6,500	6,500	4,500
Hun - LMC - 1	0.033	800	364	236	1,000	2,000	6,500	6,500	4,500
Hun - LMC - 2	0.026	800	323	277	1,000	2,000	6,500	6,500	4,500
Hun - LMC - 3	0.028	800	214	386	1,000	2,000	6,500	6,500	4,500
Hun - RMC	0.028	800	343	257	1,000	2,000	6,500	6,500	4,500

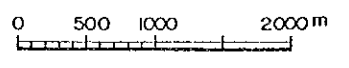
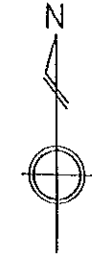
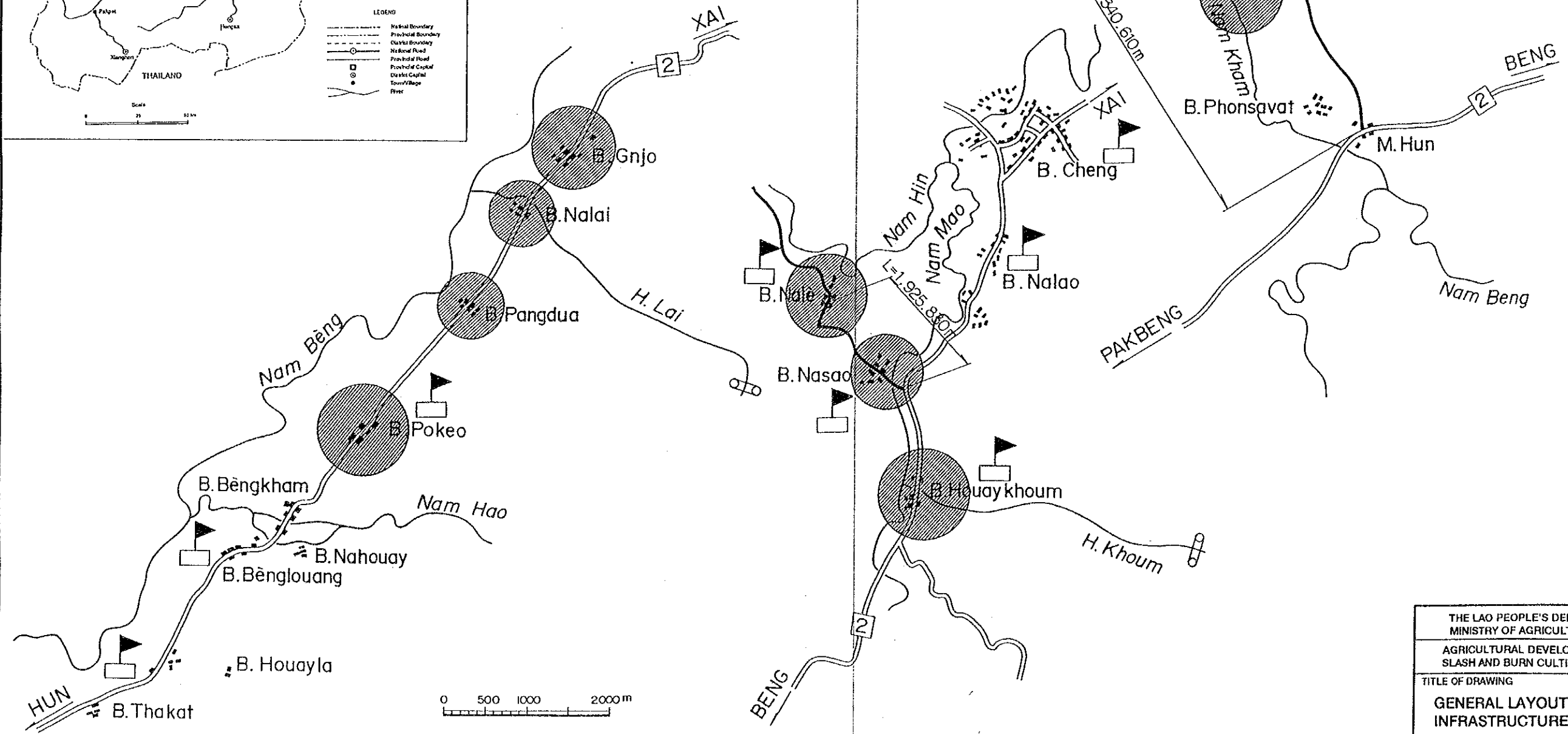


SECTION A-A, B-B

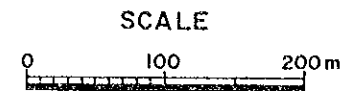
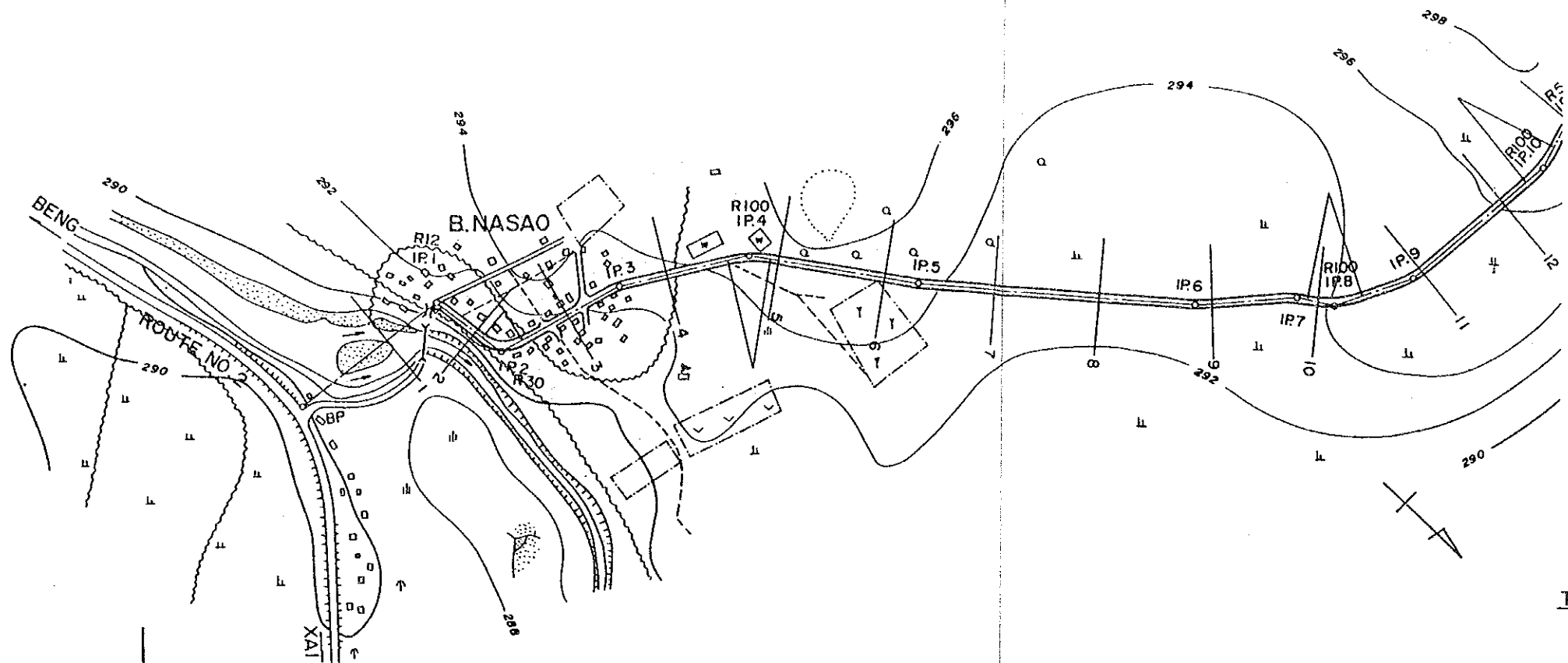
THE LAO PEOPLE'S DEMOCRATIC REPUBLIC MINISTRY OF AGRICULTURE AND FORESTRY	
AGRICULTURAL DEVELOPMENT TO CONTROL SLASH AND BURN CULTIVATION IN OUDOMXAY	
TITLE OF DRAWING	
TAIL STRUCTURE	
NIPPON KOEI CO., LTD. CONSTRUCTION PROJECT CONSULTANTS, INC.	DRAWING NO. 410



- LEGEND**
- ▬ District Road Rehabilitation
 - Water Resources
 - Beneficial Villages of Water Supply
 - ▣ Primary School



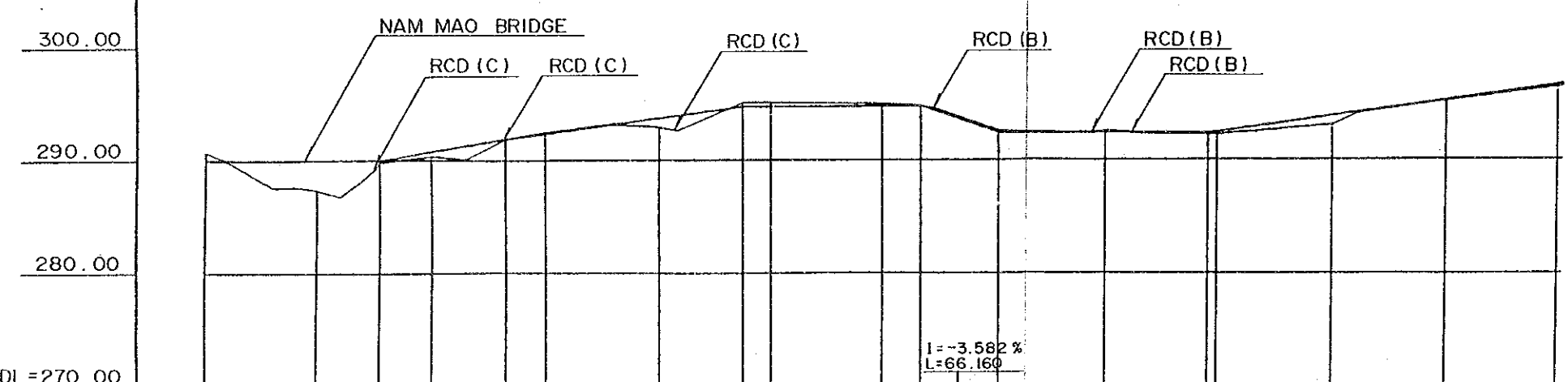
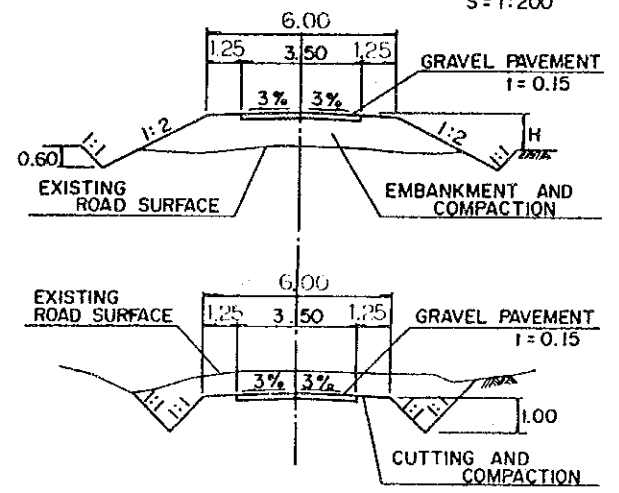
THE LAO PEOPLE'S DEMOCRATIC REPUBLIC MINISTRY OF AGRICULTURE AND FORESTRY	
AGRICULTURAL DEVELOPMENT TO CONTROL SLASH AND BURN CULTIVATION IN OUDOMXAY	
TITLE OF DRAWING GENERAL LAYOUT OF SOCIAL INFRASTRUCTURES DEVELOPMENT	
NIPPON KOEI CO., LTD. CONSTRUCTION PROJECT CONSULTANTS, INC.	DRAWING NO. 501



LEGEND

- BP : BEGINNING POINT
- IP : INTERSECTION POINT
- EP : END POINT
- RCD(A) : ROAD CROSS DRAIN (TYPE)
- R : RADIUS OF CURVE

TYPICAL CROSS SECTION OF ROAD IMPROVEMENT
S = 1:200



CURVE SLOPE	L=0.000% L=155.000		L=1.298% L=109.580		L=3.38% L=209.950		L=0.000% L=159.270		L=0.000% L=192.170		L=1.375% L=363.020							
ROAD SURFACE	289.950	289.950	289.950	290.759	291.920	292.394	293.732	294.730	294.730	294.730	292.360	292.360	292.360	292.468	293.842	295.217	296.591	
GROUND LEVEL	290.68	287.28	288.79	290.31	291.92	292.54	292.87	293.08	293.06	294.94	294.73	292.55	292.55	292.21	293.01	295.15	296.38	
ACCUMULAT DISTANCE	0+000	100+000	155+000	200+000	264+580	300+000	400+000	474+570	500+000	600+000	633+840	700+000	800+000	892+170	900+000	1000+000	1100+000	1200+000
STATION	BP	1+0	1+55	2+0	2+64 580	3+0	4+0	4+74 570	5+0	6+0	6+33 840	7+0	8+0	8+92 170	9+0	10+0	11+0	12+0

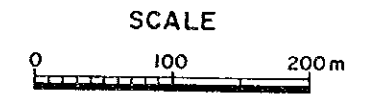
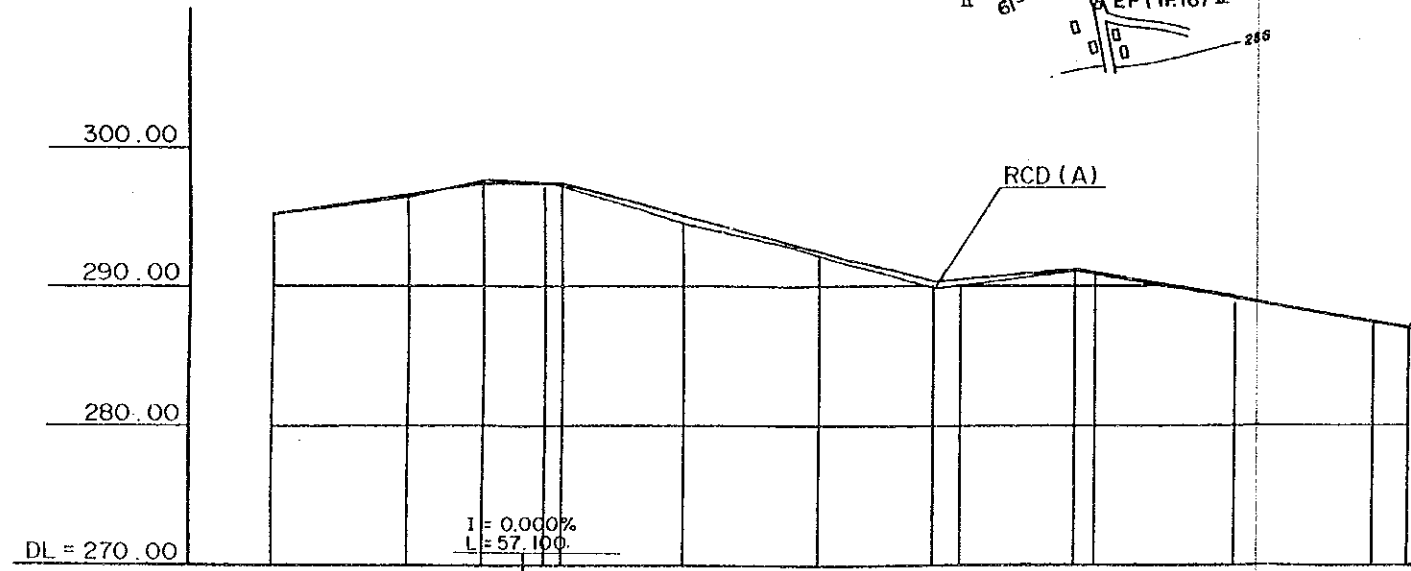
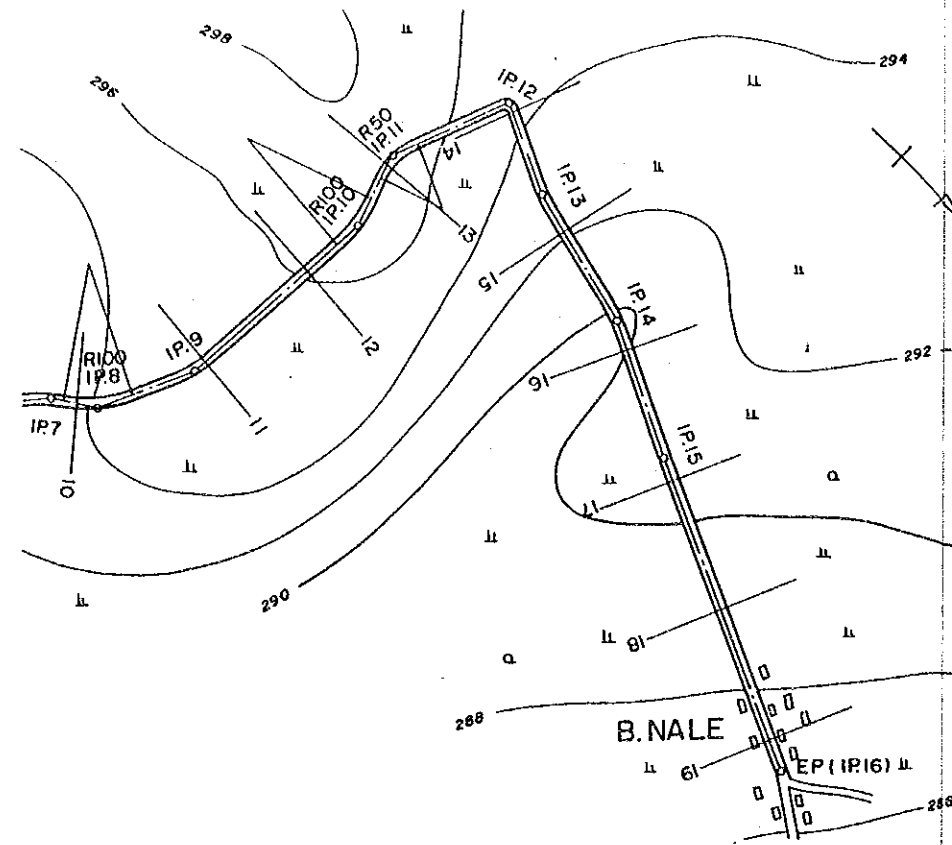
THE LAO PEOPLE'S DEMOCRATIC REPUBLIC
MINISTRY OF AGRICULTURE AND FORESTRY

AGRICULTURAL DEVELOPMENT TO CONTROL
SLASH AND BURN CULTIVATION IN OUDOMXAY

TITLE OF DRAWING
TYPICAL CROSS SECTION, PLAN AND PROFILE OF DISTRICT
ROAD (B.Nasao - B. Nalo)(1/2)

NIPPON KOEI CO., LTD.
CONSTRUCTION PROJECT CONSULTANTS, INC.

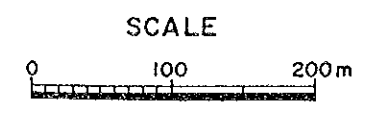
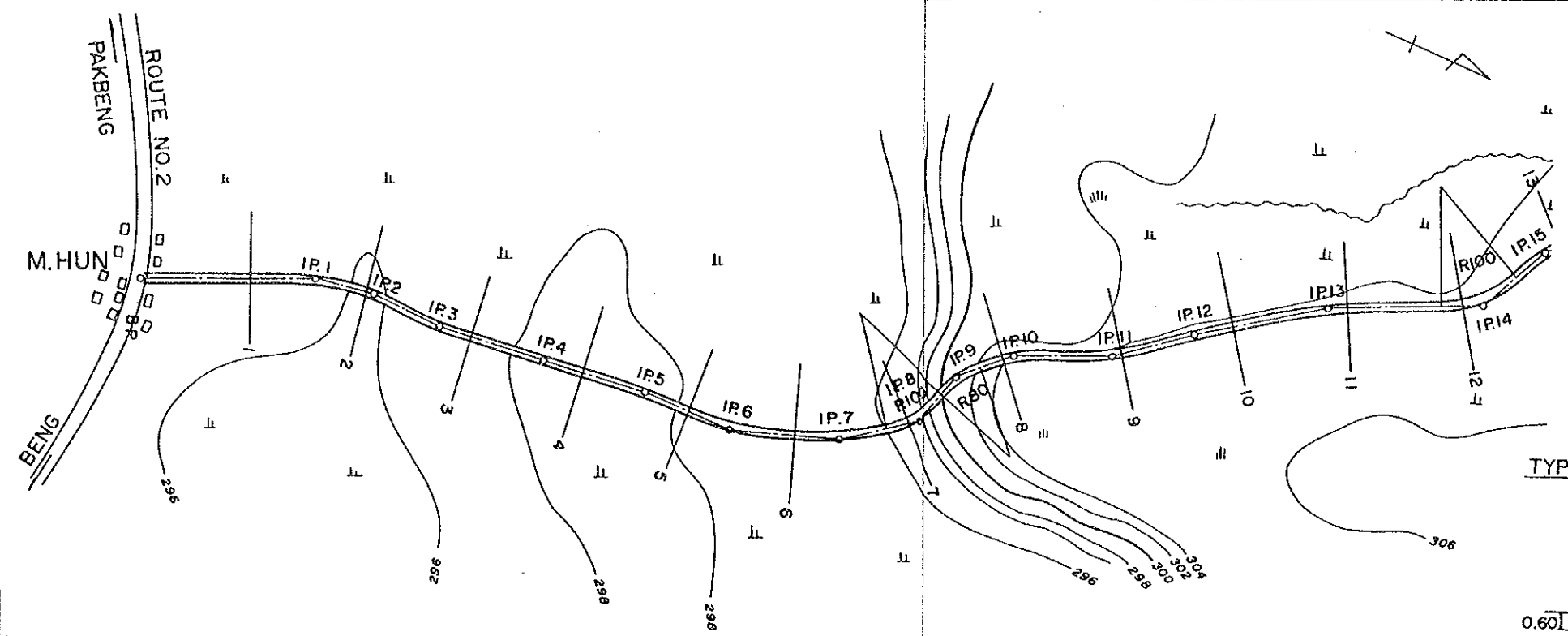
DRAWING NO.
601



LEGEND
 BP : BEGINNING POINT
 IP : INTERSECTION POINT
 EP : END POINT
 RCD(A) : ROAD CROSS DRAIN (TYPE)
 R : RADIUS OF CURVE

CURVE SLOPE										
ROAD SURFACE	285.217	286.591	297.350	297.350	296.055	292.439	290.330	290.483	291.210	288.202
GROUND LEVEL	286.15	286.38	287.61	287.35	284.53	282.13	288.83	290.05	291.05	288.05
ACCUMULAT DISTANCE	1100.000	1200.000	1256.190	1300.000	1400.000	1500.000	1580.600	1600.000	1665.250	1800.000
STATION	11+0	12+0	12+55.190	13+0	14+0	15+0	15+80.600	16+0	16+65.250	18+0

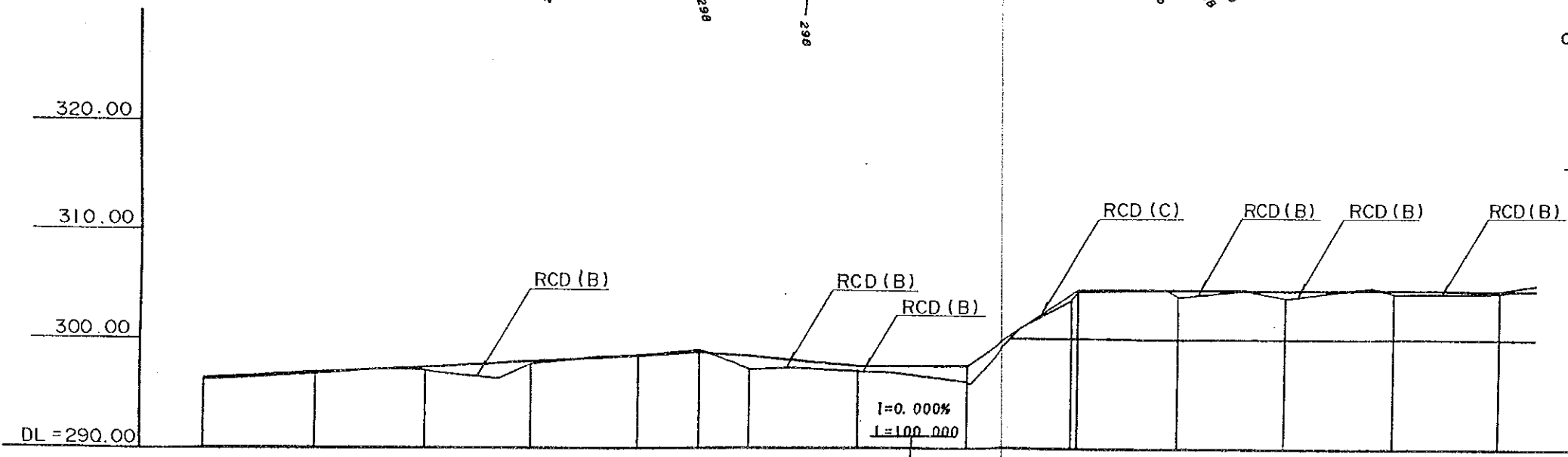
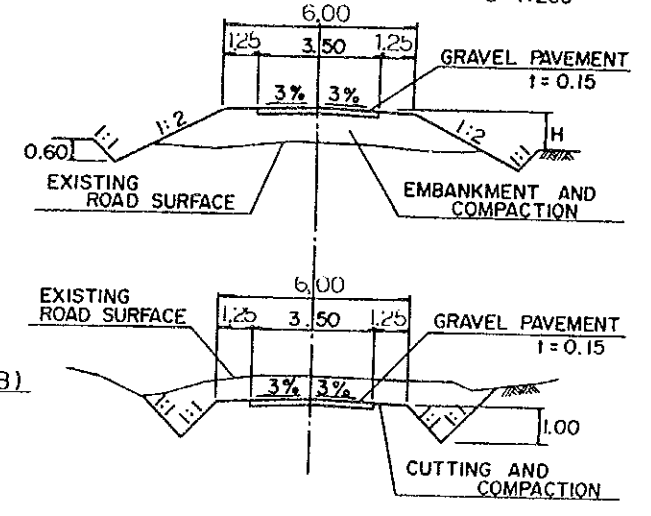
THE LAO PEOPLE'S DEMOCRATIC REPUBLIC
 MINISTRY OF AGRICULTURE AND FORESTRY
 AGRICULTURAL DEVELOPMENT TO CONTROL
 SLASH AND BURN CULTIVATION IN OUDOMXAY
 TITLE OF DRAWING
 TYPICAL CROSS SECTION, PLAN AND PROFILE OF DISTRICT
 ROAD (B.Nasao - B. Nale)(2/2)
 NIPPON KOEI CO., LTD.
 CONSTRUCTION PROJECT CONSULTANTS, INC.
 DRAWING NO.
 602



LEGEND

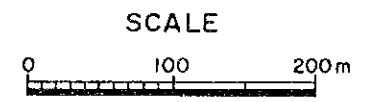
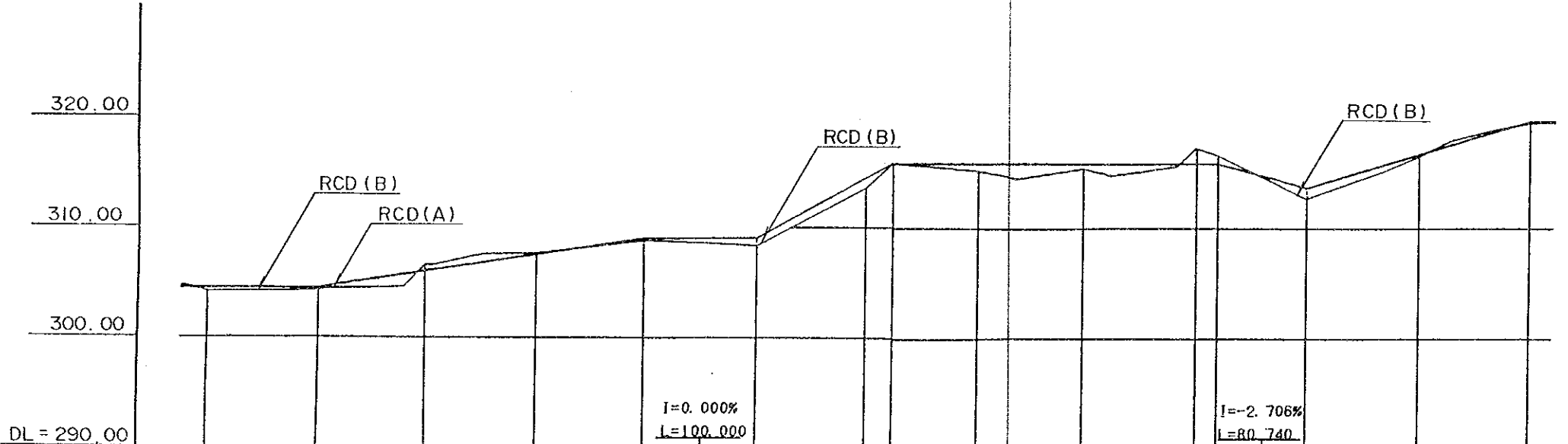
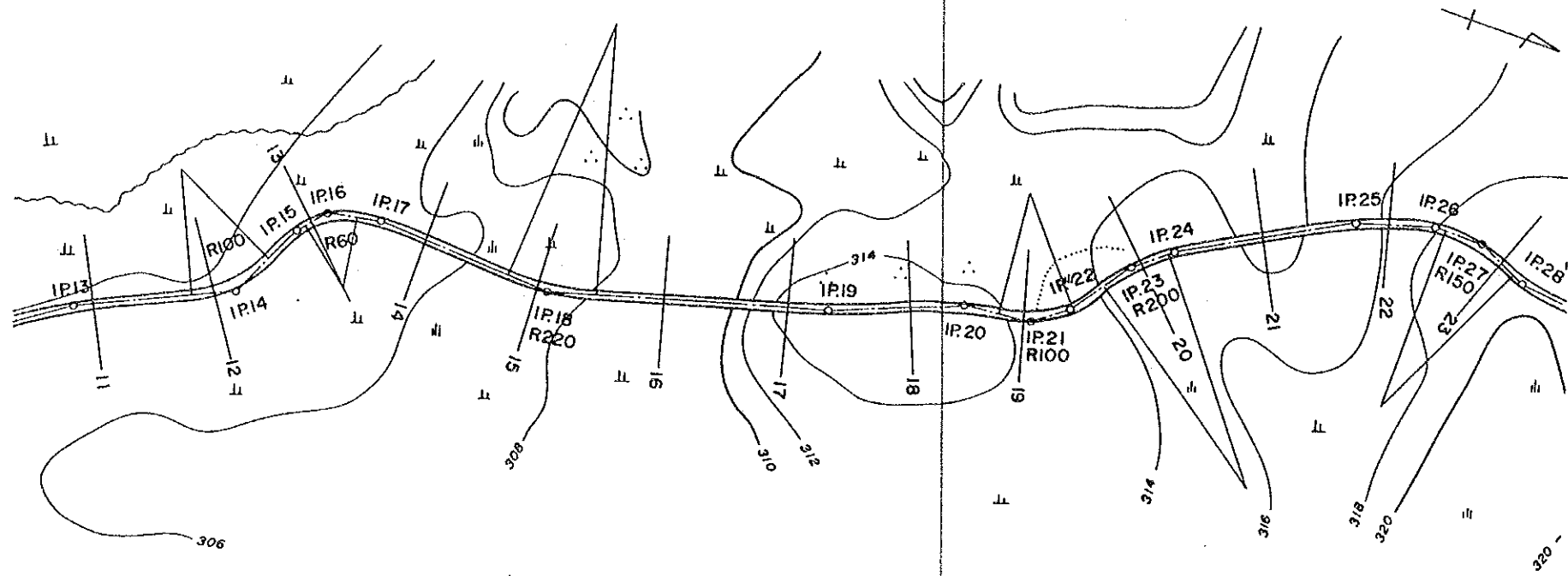
- BP: BEGINNING POINT
- IP: INTERSECTION POINT
- EP: END POINT
- RCD(A): ROAD CROSS DRAIN (TYPE)
- R: RADIUS OF CURVE

TYPICAL CROSS SECTION OF ROAD IMPROVEMENT
S = 1:200



CURVE SLOPE	ROAD SURFACE	GROUND LEVEL	ACCUMULAT DISTANCE	STATION
$I = 0.475\%$ $L = 200.000$	296.400	296.24	0.000	BP
	296.875	296.69	100.000	1+0
	297.350	297.04	200.000	2+0
	297.881	297.60	300.000	3+0
	298.411	298.45	400.000	4+0
	298.700	298.94	454.420	4+54.420
	298.309	297.12	500.000	5+0
	297.450	296.95	600.000	6+0
	297.450	295.97	700.000	7+0
	304.065	303.48	800.000	8+0
	304.480	304.29	806.270	8+6.270
	304.480	303.82	900.000	9+0
	304.480	303.76	1000.000	10+0
	304.480	304.12	1100.000	11+0
	304.480	304.28	1200.000	12+0

THE LAO PEOPLE'S DEMOCRATIC REPUBLIC
MINISTRY OF AGRICULTURE AND FORESTRY
AGRICULTURAL DEVELOPMENT TO CONTROL
SLASH AND BURN CULTIVATION IN OUDOMXAY
TITLE OF DRAWING
TYPICAL CROSS SECTION, PLAN AND PROFILE OF DISTRICT
ROAD (Hun town - B. Somphon)(1/7)
NIPPON KOEI CO., LTD.
CONSTRUCTION PROJECT CONSULTANTS, INC.
DRAWING NO.
603

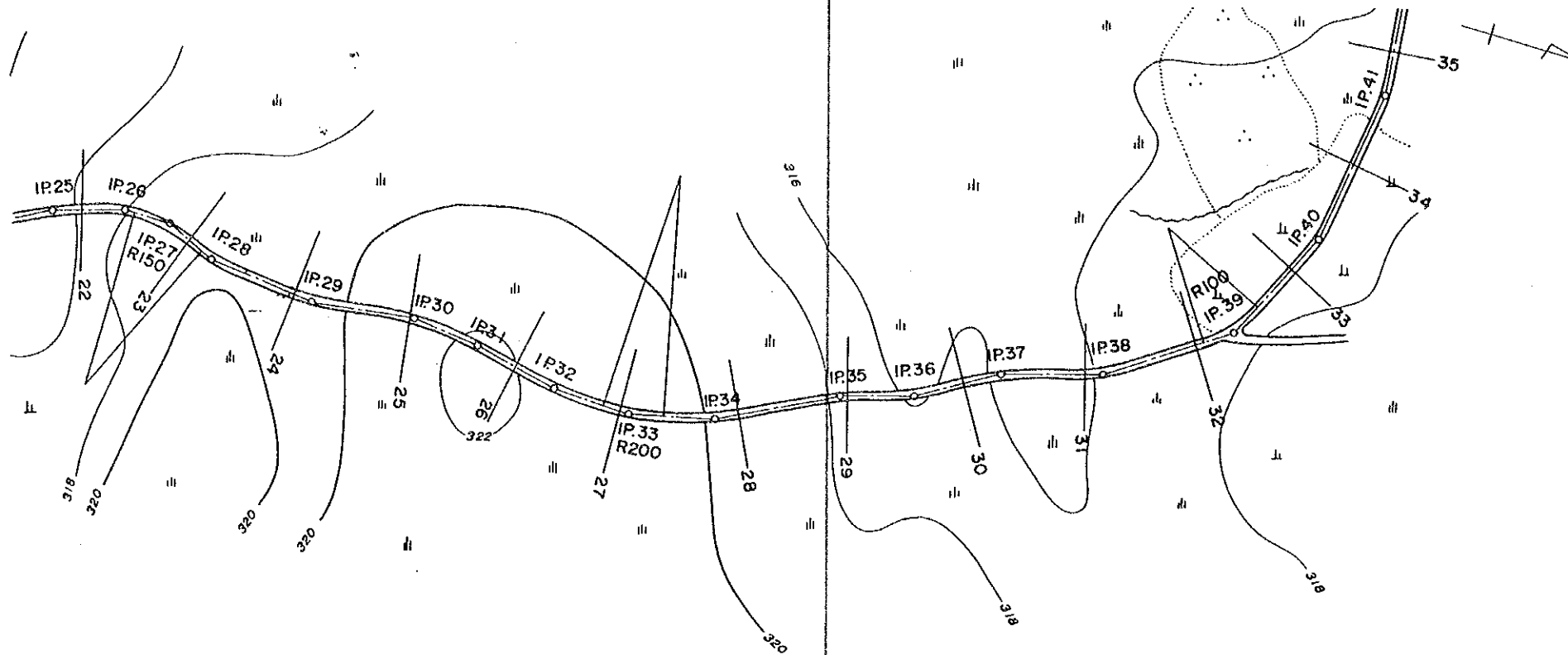


LEGEND

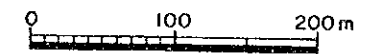
- BP : BEGINNING POINT
- IP : INTERSECTION POINT
- EP : END POINT
- RCD(A) : ROAD CROSS DRAIN (TYPE)
- R : RADIUS OF CURVE

STATION	ACCUMULAT DISTANCE	GROUND LEVEL	ROAD SURFACE	CURVE SLOPE
11+0	1100.000	304.12	304.480	I=1.507% L=300.000
12+0	1200.000	304.28	304.480	
13+0	1300.000	306.55	305.987	I=0.000% L=100.000
14+0	1400.000	307.59	307.493	
15+0	1500.000	308.79	309.000	I=5.480% L=124.730
16+0	1600.000	308.30	309.000	
17+0	1700.000	313.55	314.480	I=0.000% L=294.530
17+24.730	1724.730	315.84	315.835	
18+0	1800.000	315.16	315.835	I=3.025% L=200.000
19+0	1900.000	315.42	315.835	
20+0	2000.000	317.23	315.835	I=0.000% L=80.740
20+19.260	2019.260	316.98	315.835	
21+0	2100.000	312.65	313.650	I=0.000% L=80.740
22+0	2200.000	316.45	316.675	
23+0	2300.000	319.50	319.700	

THE LAO PEOPLE'S DEMOCRATIC REPUBLIC
 MINISTRY OF AGRICULTURE AND FORESTRY
 AGRICULTURAL DEVELOPMENT TO CONTROL
 SLASH AND BURN CULTIVATION IN OUDOMXAY
 TITLE OF DRAWING
 TYPICAL CROSS SECTION, PLAN AND PROFILE OF DISTRICT
 ROAD (Hun town - B. Somphon)(2/7)
 NIPPON KOEI CO., LTD.
 CONSTRUCTION PROJECT CONSULTANTS, INC.
 DRAWING NO.
 604

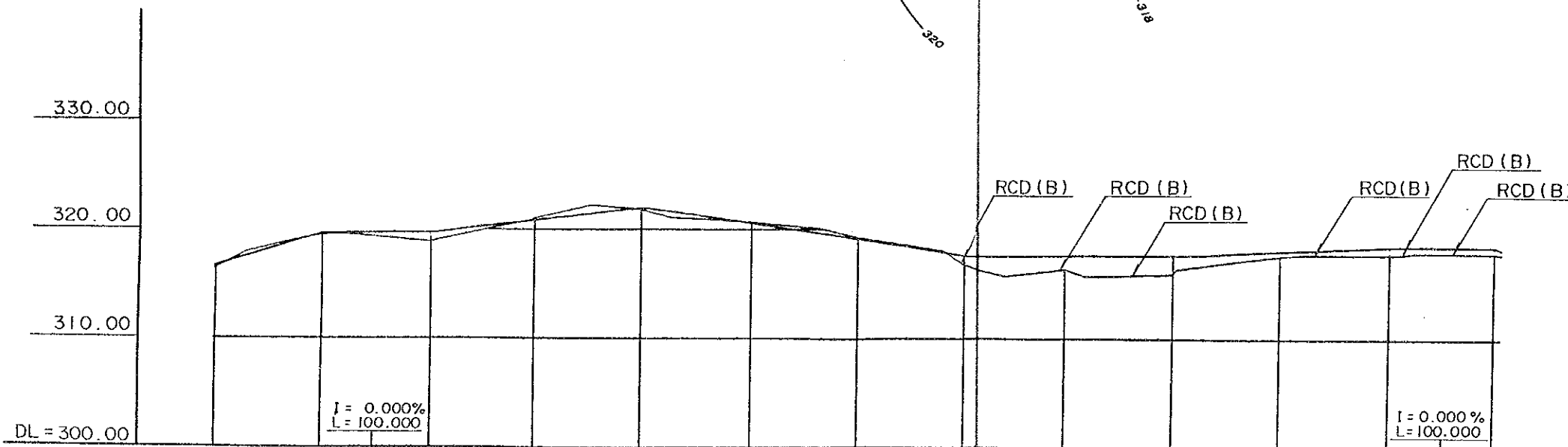


SCALE



LEGEND

- BP : BEGINNING POINT
- IP : INTERSECTION POINT
- EP : END POINT
- RCD(A) : ROAD CROSS DRAIN (TYPE)
- R : RADIUS OF CURVE



CURVE SLOPE	i = 3.025% L = 200.000		i = 1.150% L = 200.000		i = 1.467% L = 300.000		i = 0.000% L = 200.000		i = 0.450% L = 200.000				
ROAD SURFACE	316.675	319.700	319.700	320.850	322.000	320.533	319.067	317.600	317.600	317.600	318.050	318.500	318.500
GROUND LEVEL	316.45	319.50	318.82	321.03	321.77	320.62	319.16	316.78	316.33	315.92	317.59	317.68	317.88
ACCUMULAT DISTANCE	2200.000	2300.000	2400.000	2500.000	2600.000	2700.000	2800.000	2900.000	3000.000	3100.000	3200.000	3300.000	3400.000
STATION	22+0	23+0	24+0	25+0	26+0	27+0	28+0	29+0	30+0	31+0	32+0	33+0	34+0

THE LAO PEOPLE'S DEMOCRATIC REPUBLIC
 MINISTRY OF AGRICULTURE AND FORESTRY

AGRICULTURAL DEVELOPMENT TO CONTROL
 SLASH AND BURN CULTIVATION IN OUDOMXAY

TITLE OF DRAWING
 TYPICAL CROSS SECTION, PLAN AND PROFILE OF DISTRICT
 ROAD (Hun town - B. Somphon)(3/7)

NIPPON KOEI CO., LTD.
 CONSTRUCTION PROJECT CONSULTANTS, INC.

DRAWING NO.
 605