

117
71
SSF

3/19
1981

10/2/88

JICA LIBRARY



1104644181

24988

Islamic Republic of Pakistan

**COMPREHENSIVE STUDY
ON
TRANSPORTATION SYSTEM IN LAHORE**

FINAL REPORT

DRAWINGS

October 1991

Japan International Cooperation Agency



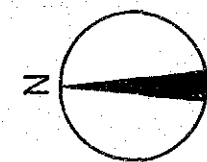
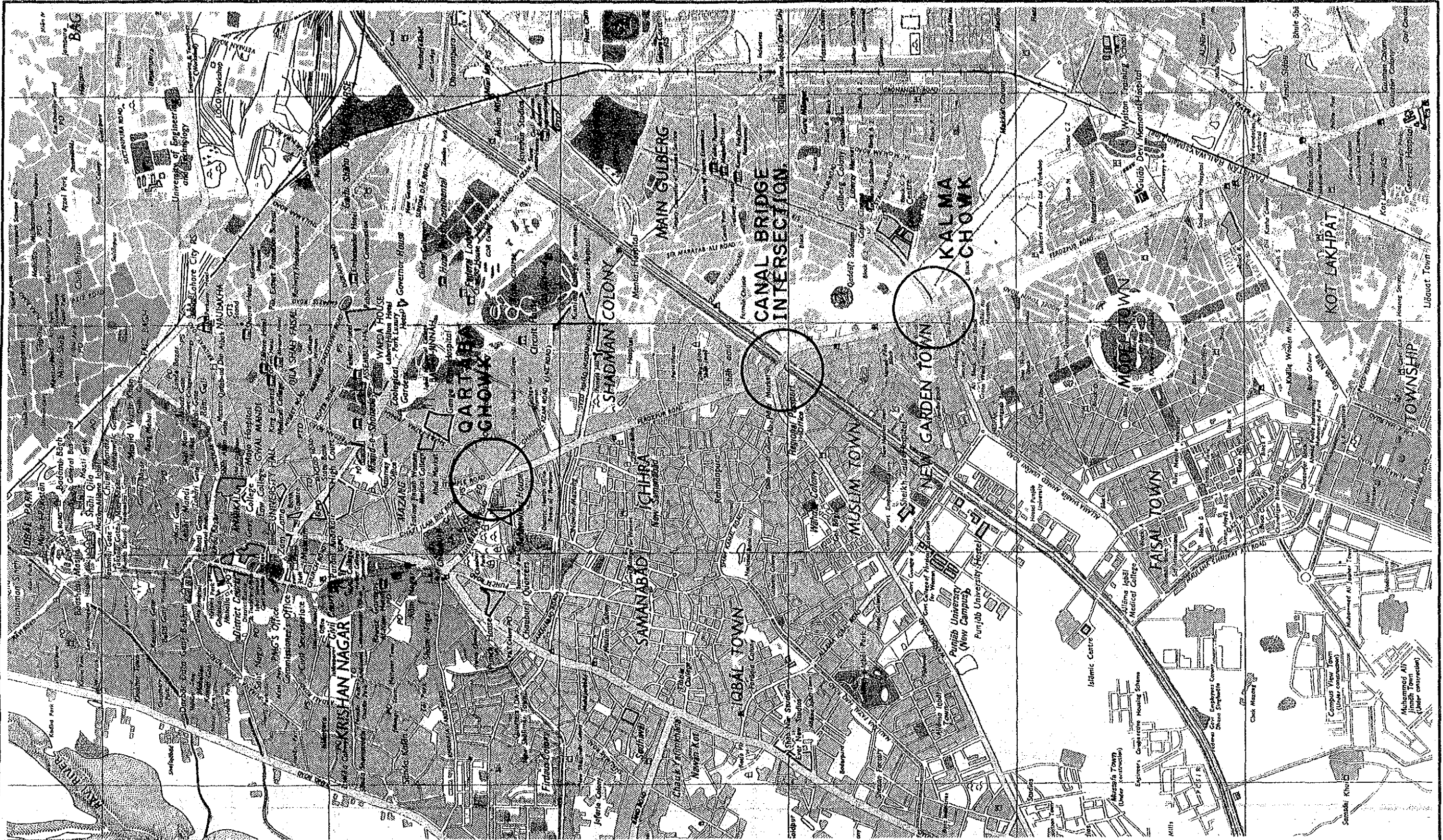
DRAWINGS

INTERSECTION IMPROVEMENT

1.	Location of Intersection Improvement	1:40,000
2.	Qartaba Chowk, Plan and Profile	1:2,500
3.	Qartaba Chowk, Sections	1:200
4.	Qartaba Chowk, Traffic-flow at Grade	1:1,000
5.	Canal Bridge Intersection, Plan and Profile	1:2,500
6.	Canal Bridge Intersection, Sections	1:200
7.	Canal Bridge Intersection, Traffic-flow at Grade	1:1,000
8.	Kalma Chowk, Plan and Profile	1:2,500
9.	Kalma Chowk, Sections	1:200
10.	Kalma Chowk, Traffic-flow at Grade	1:1,000

LRT INTRODUCTION

11.	Alignment of LRT	1:40,000
12.	Route Plan of LRT (1)	1:2,500
13.	Route Plan of LRT (2)	1:2,500
14.	Route Plan of LRT (3)	1:2,500
15.	Route Plan of LRT (4)	1:2,500
16.	Route Plan of LRT (5)	1:2,500
17.	Route Plan of LRT (6)	1:2,500
18.	Route Plan of LRT (7)	1:2,500
19.	Track Layout	
20.	General Plan of Standard Structure	
21.	General Plan of Standard Station	
22.	Power Supply System	1:100, 1:200
23.	Car Depot Layout	1:1,500



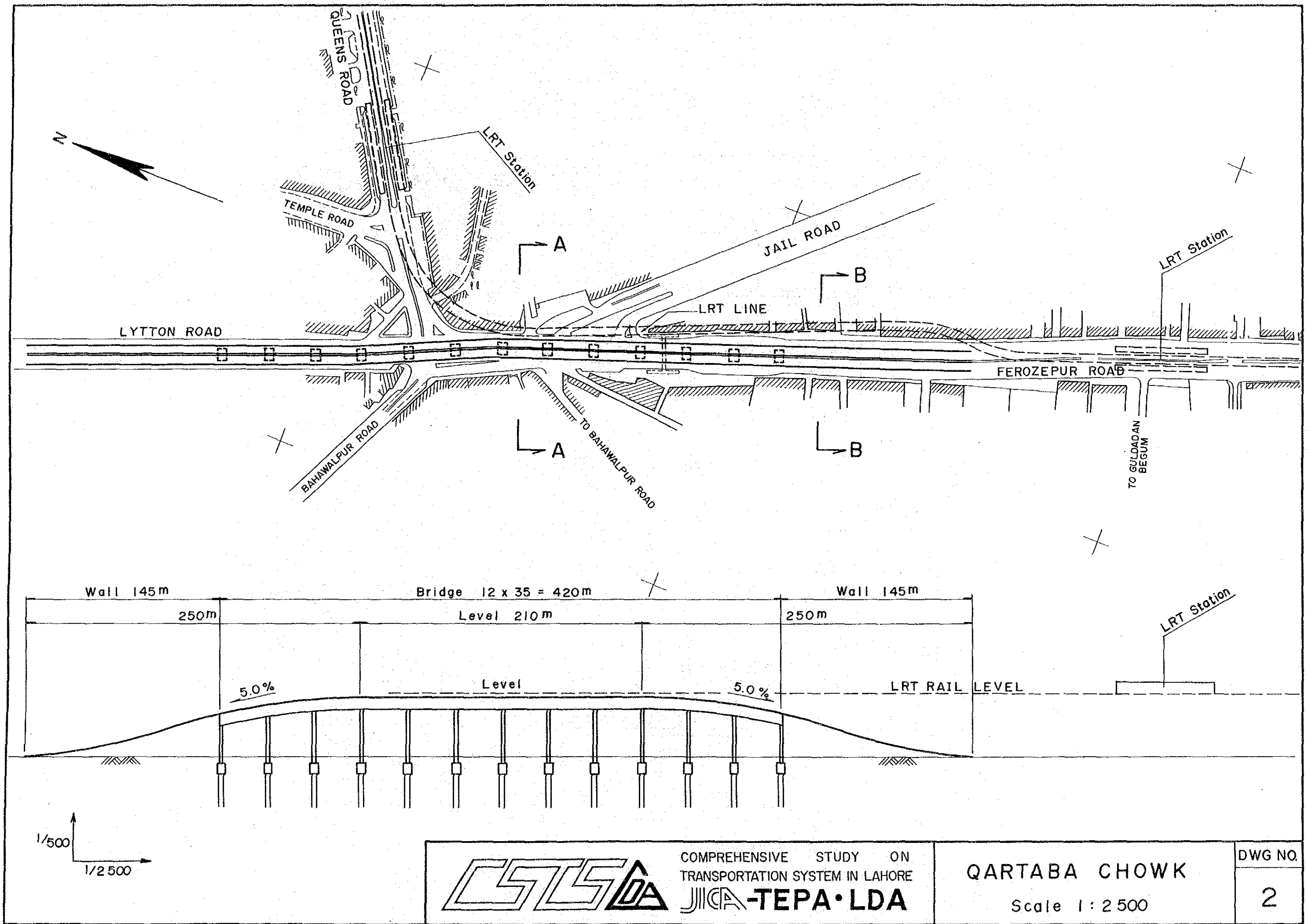
COMPREHENSIVE STUDY ON
TRANSPORTATION SYSTEM IN LAHORE
JICA-TEPA-LDA

**LOCATION OF INTERSECTION
IMPROVEMENT**

Scale 1 : 40 000

DWG NO.

1



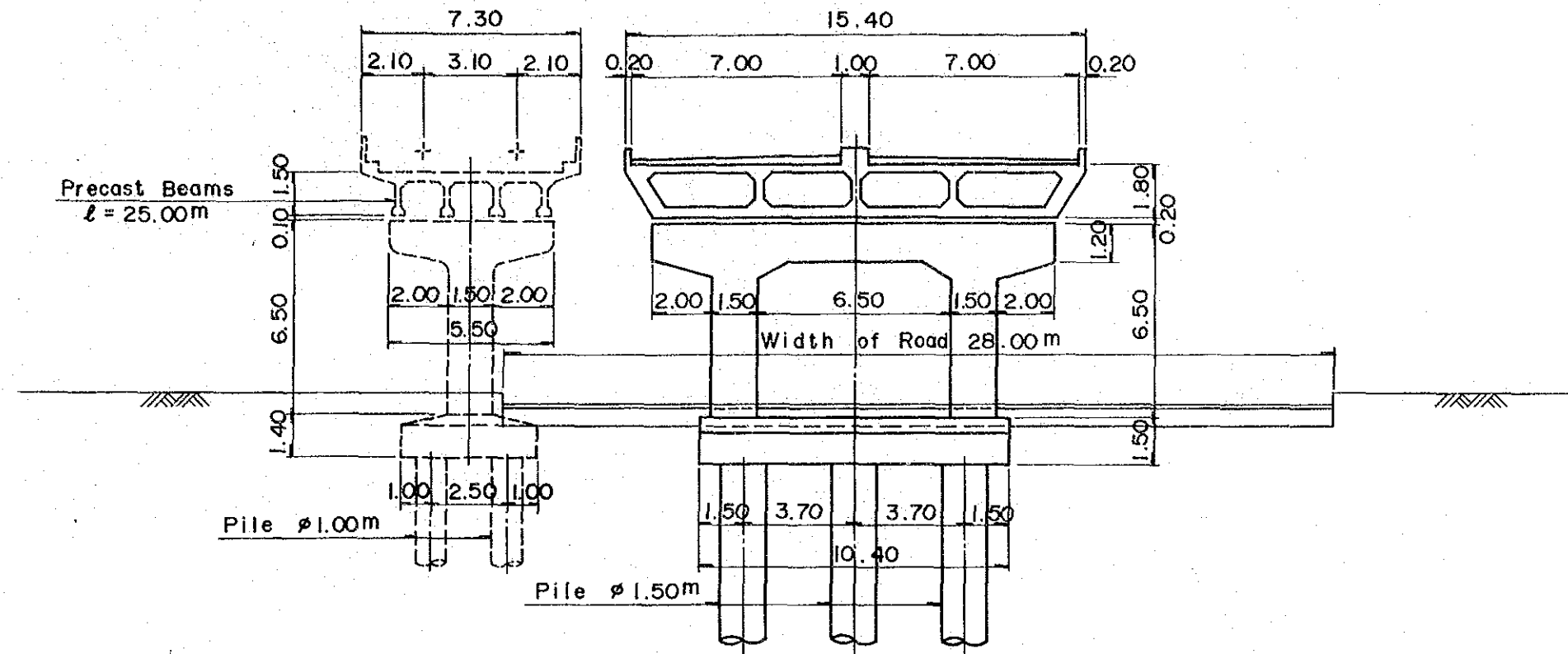
COMPREHENSIVE STUDY ON
TRANSPORTATION SYSTEM IN LAHORE
JICA-TEPA-LDA

QARTABA CHOWK

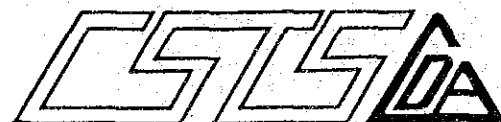
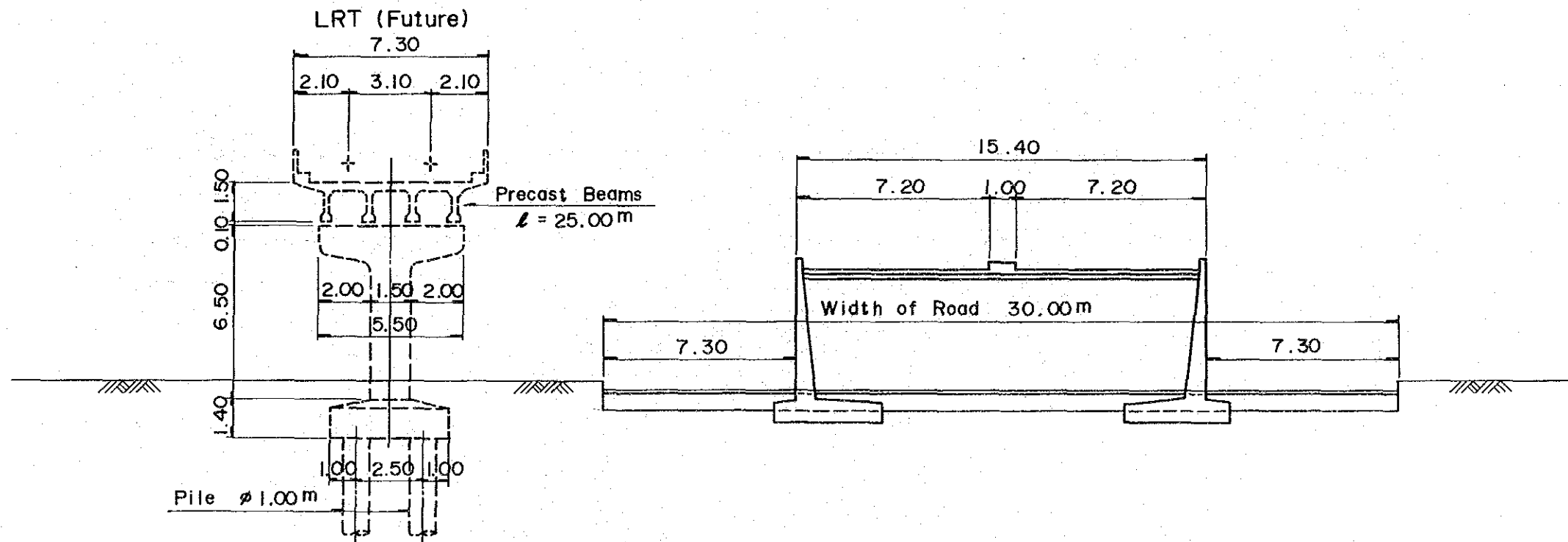
Scale 1:2500

DWG NO.
2

SECTION A - A



SECTION B - B



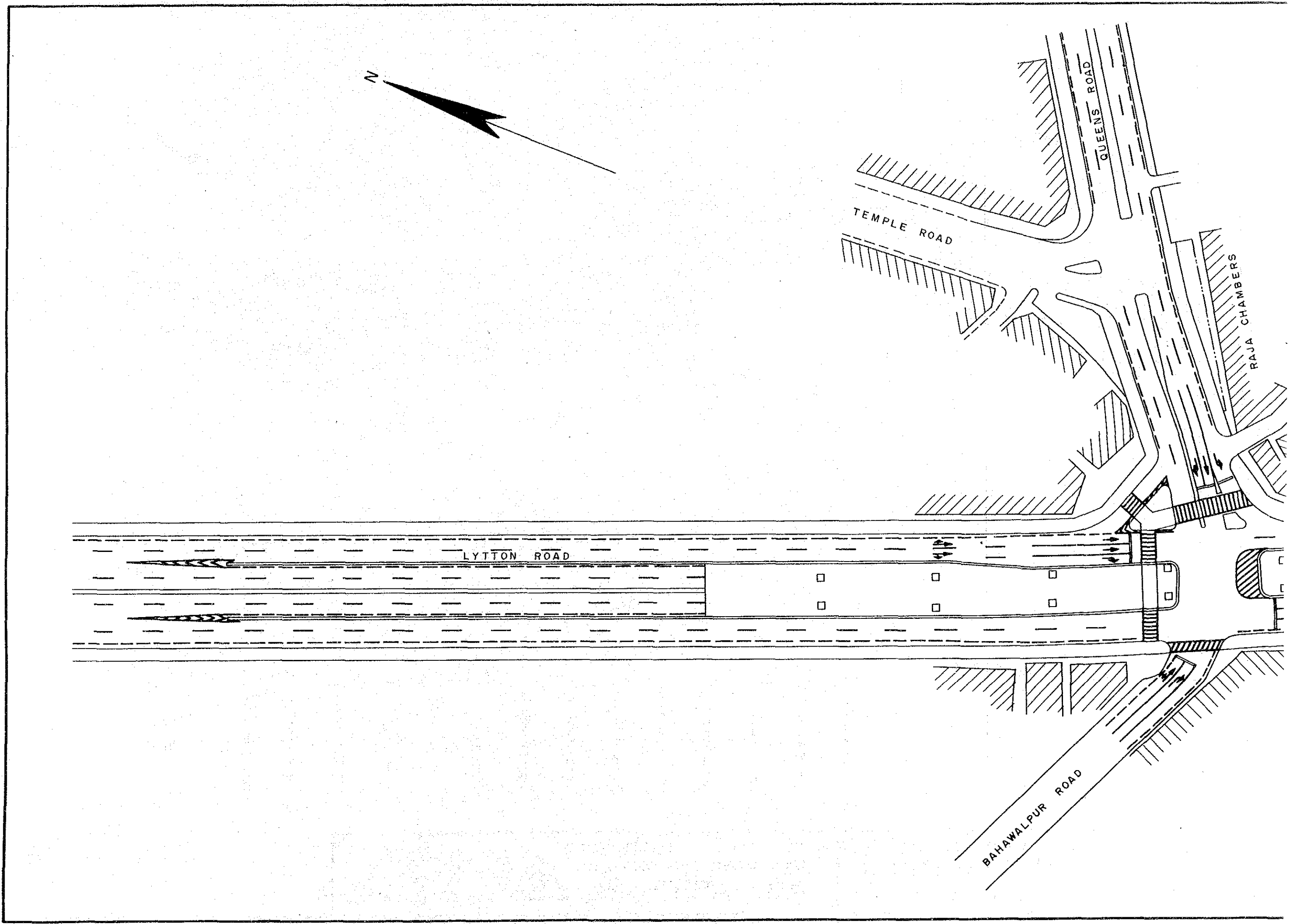
COMPREHENSIVE STUDY ON
TRANSPORTATION SYSTEM IN LAHORE
JICA-TEPA-LDA

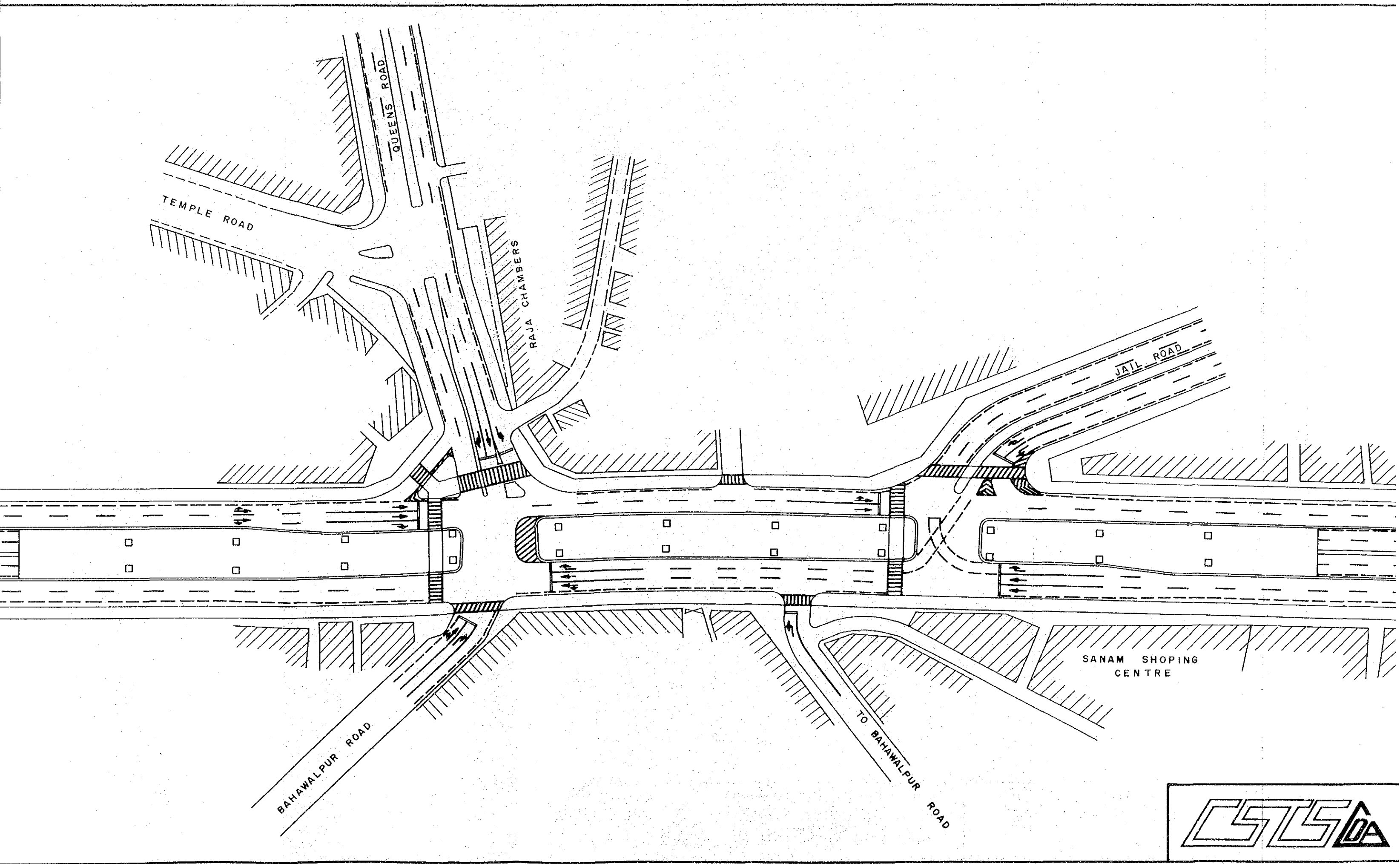
QARTABA CHOWK

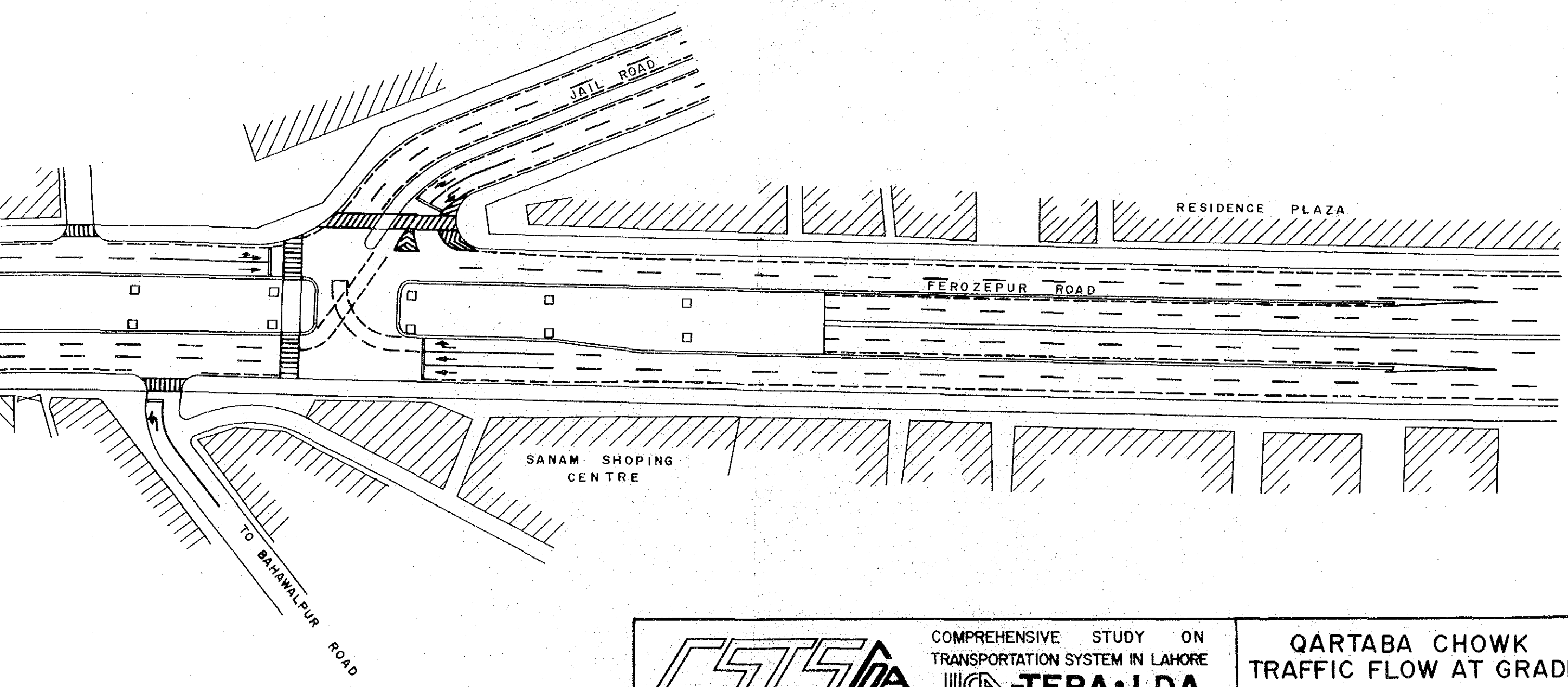
Scale 1: 200


DWG NO.

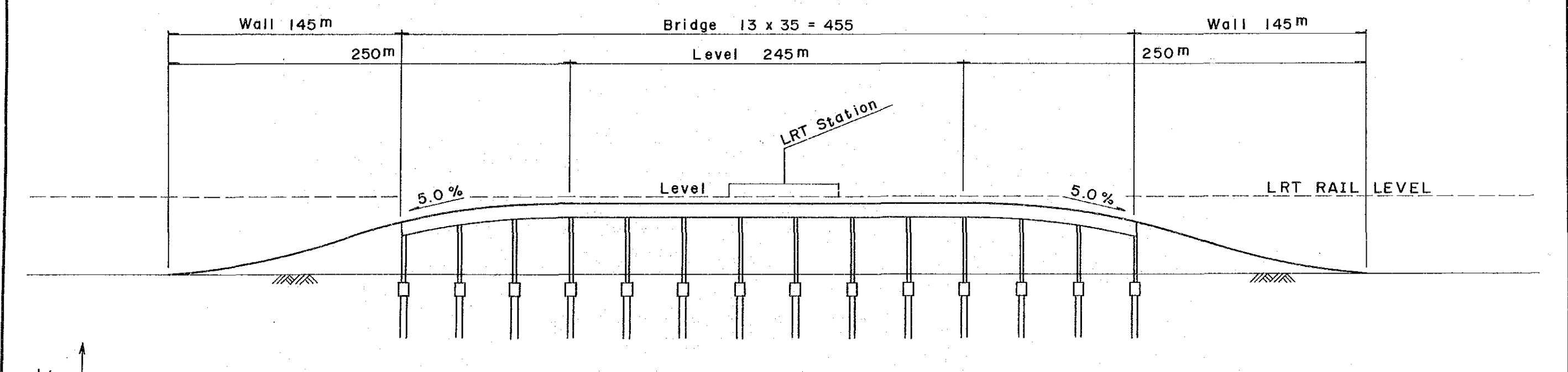
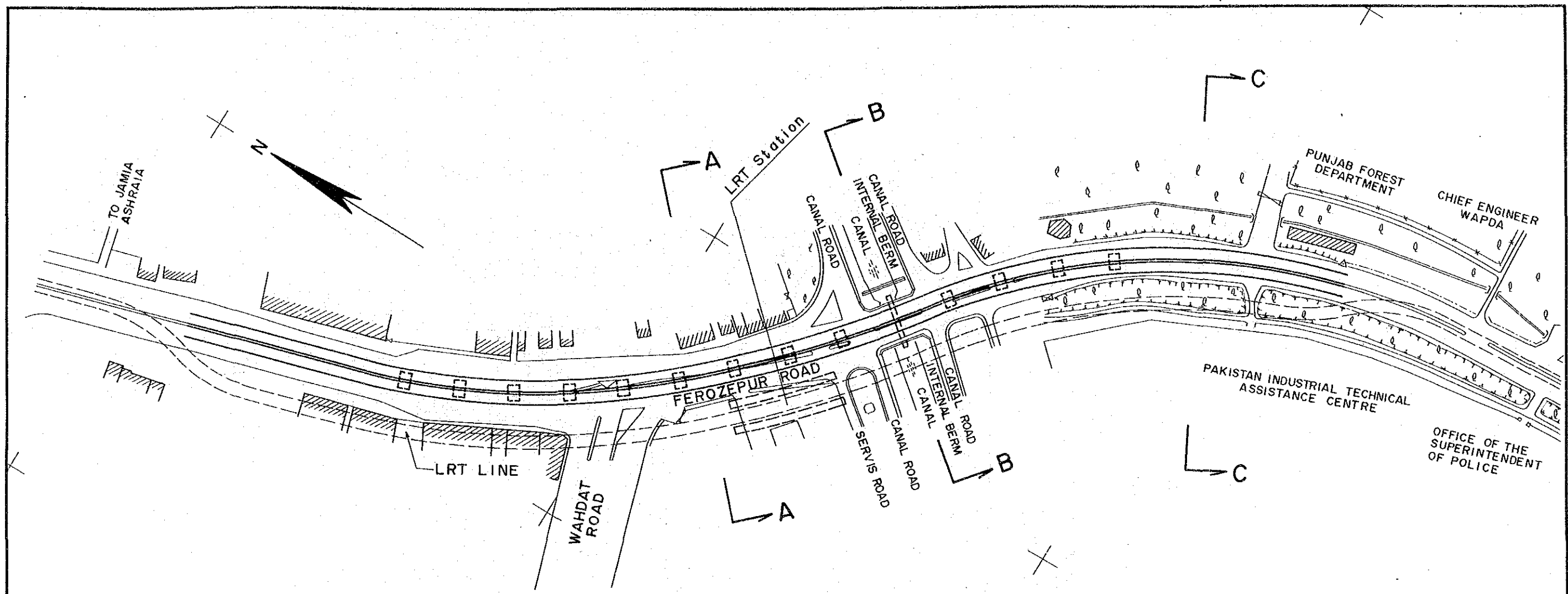
3





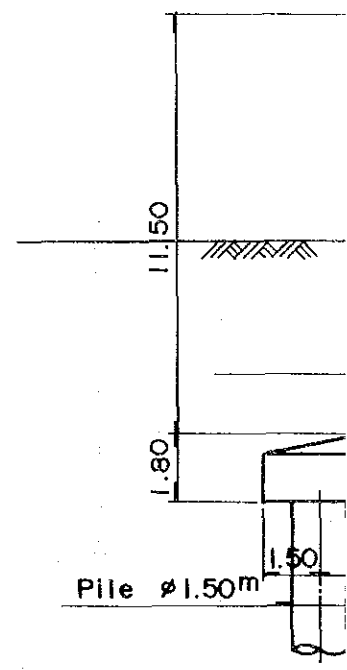
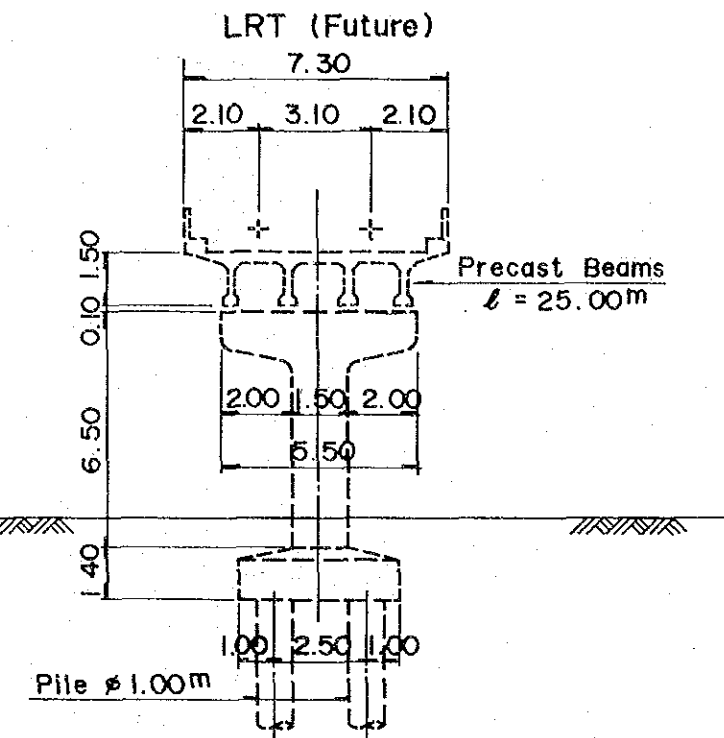
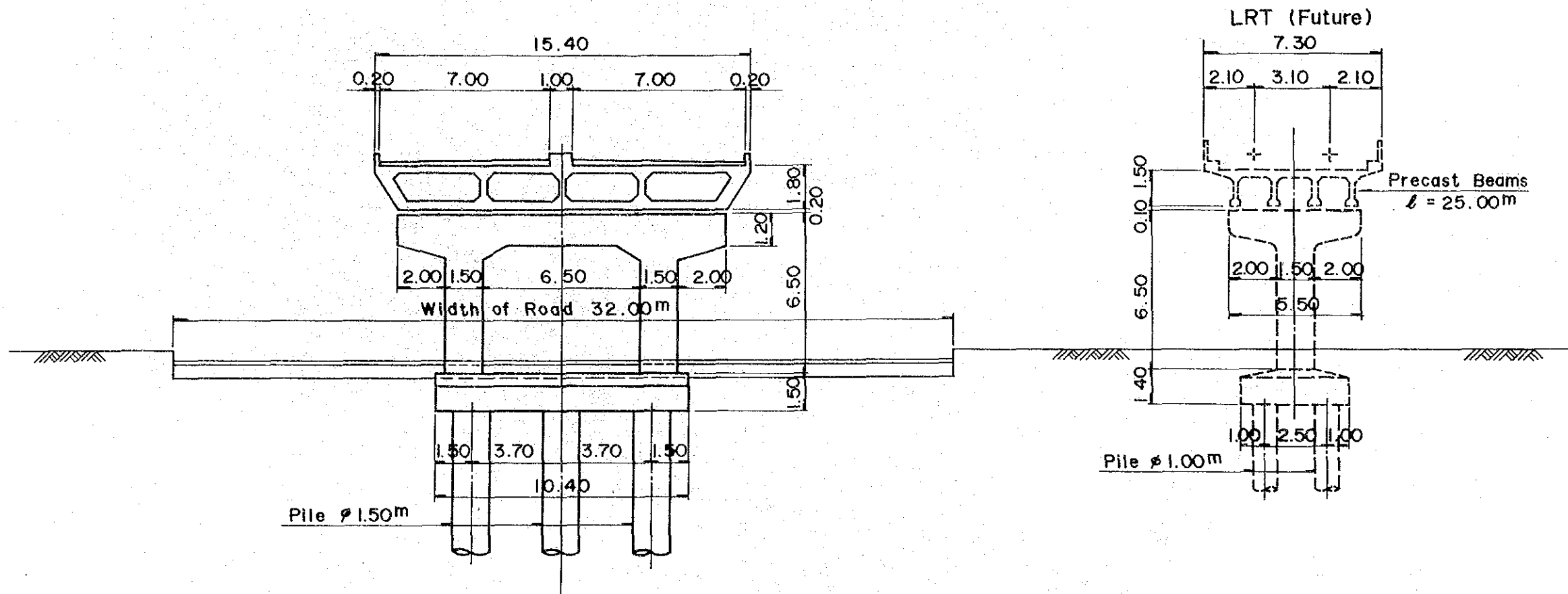


	COMPREHENSIVE STUDY ON TRANSPORTATION SYSTEM IN LAHORE JICA-TEPA-LDA	QARTABA CHOWK TRAFFIC FLOW AT GRADE	DWG NO. 4
		Scale 1 : 1000	

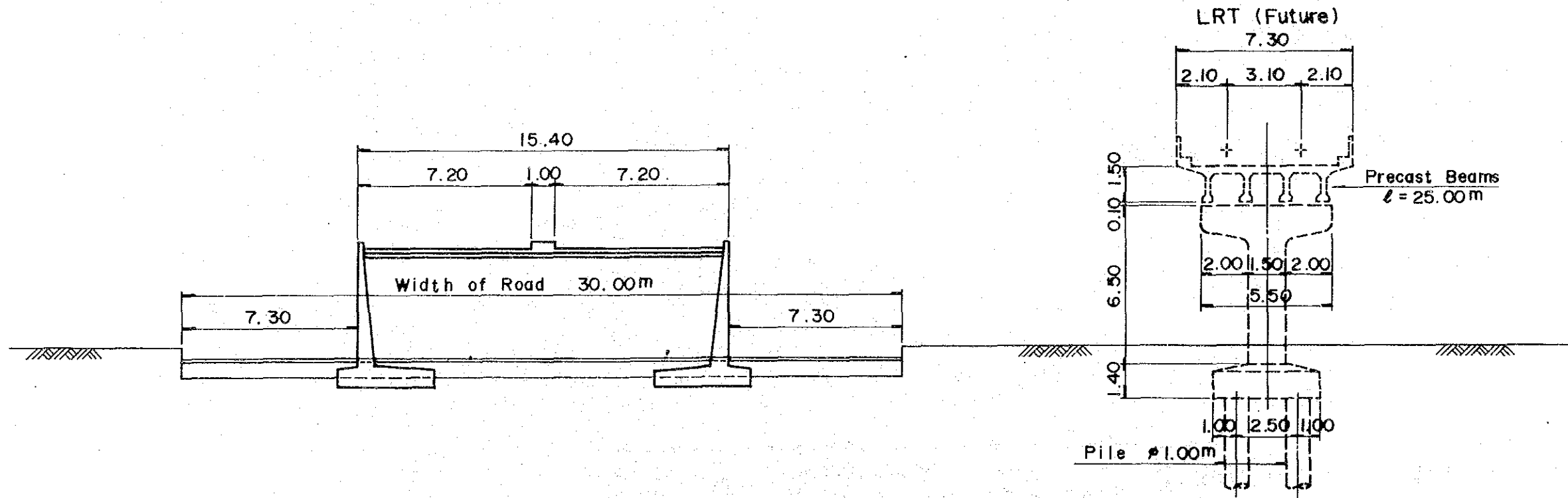


	COMPREHENSIVE STUDY ON TRANSPORTATION SYSTEM IN LAHORE JICA-TEPA-LDA	CANAL BRIDGE INTERSECTION		DWG NO.
		Scale 1: 2 500		5

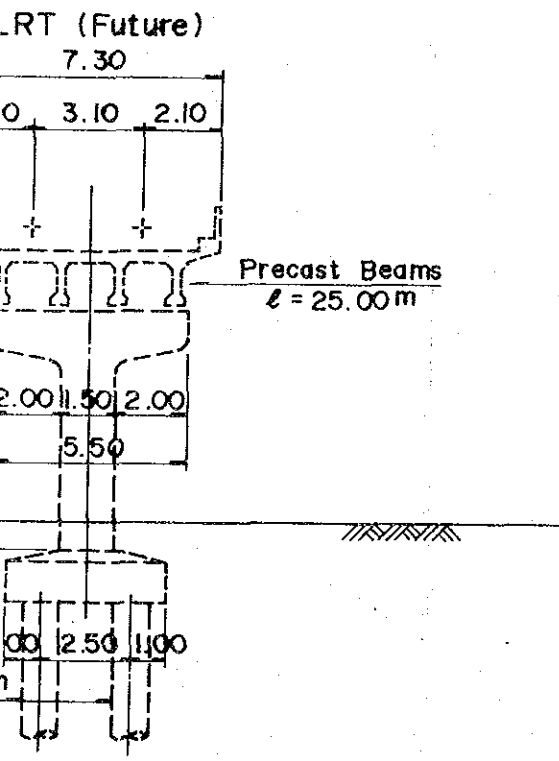
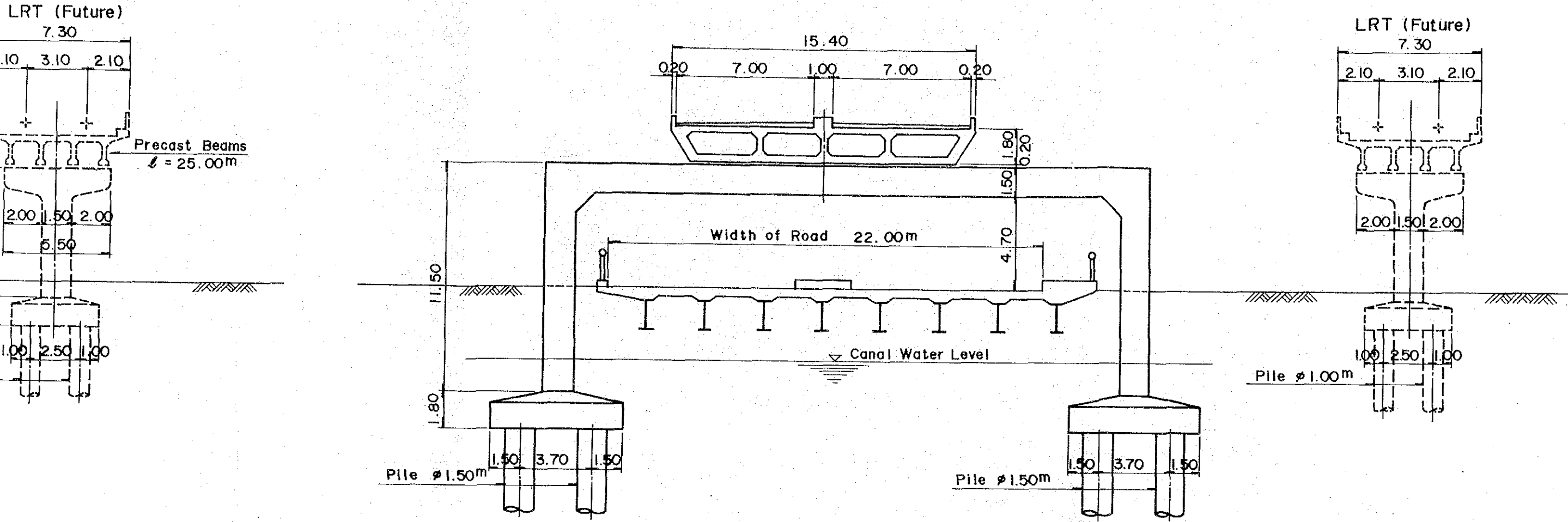
SECTION A - A



SECTION C - C



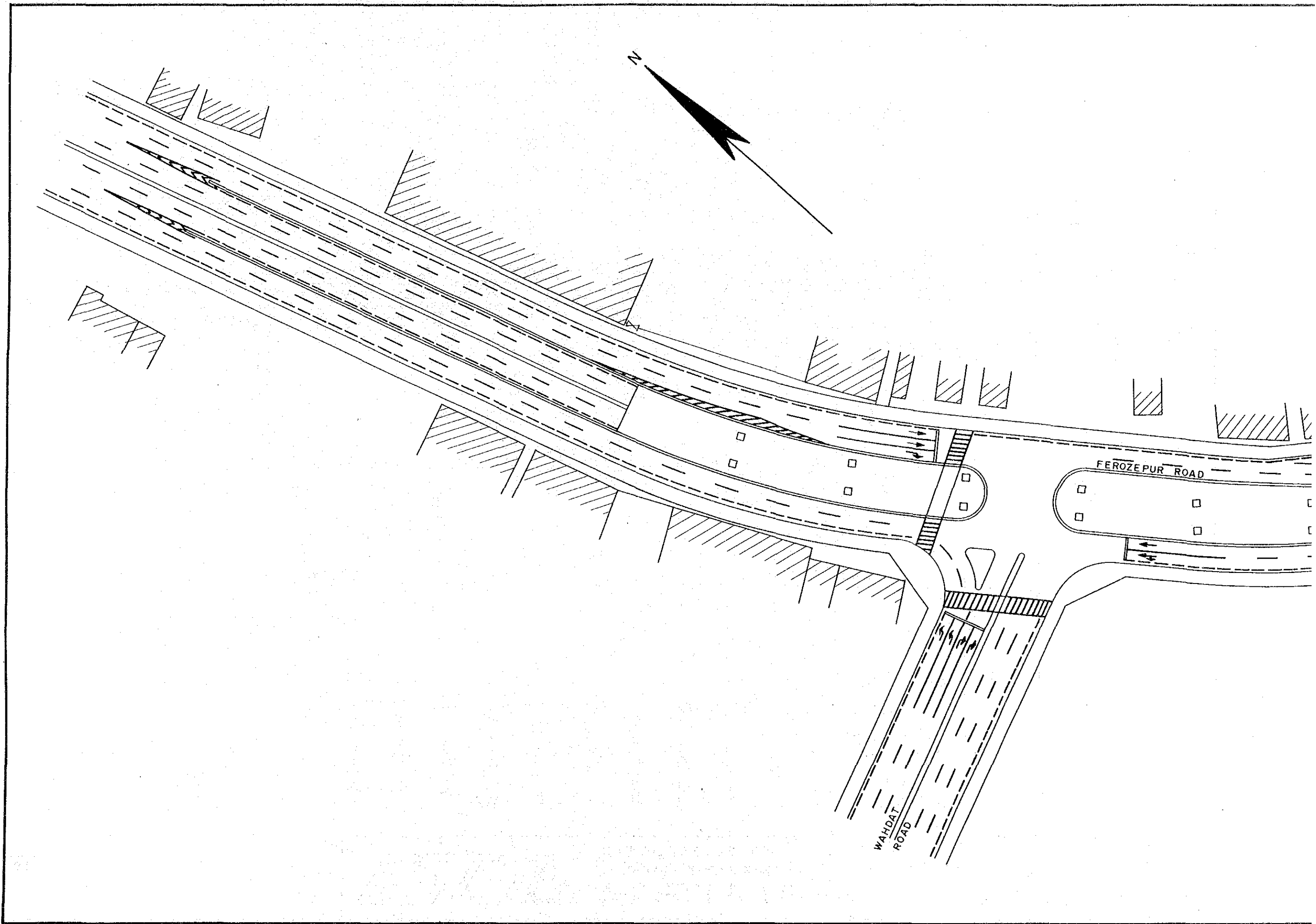
SECTION B - B

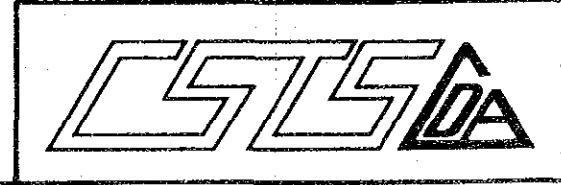
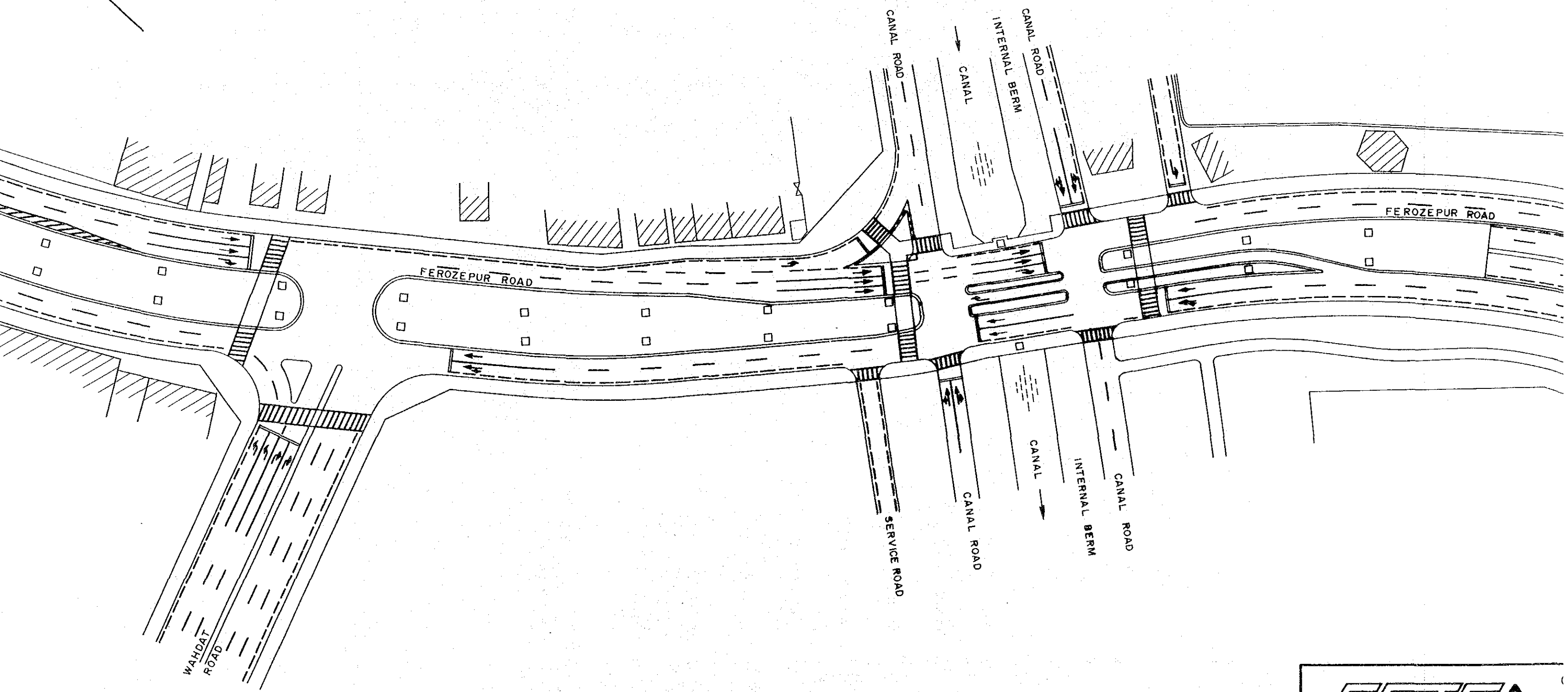
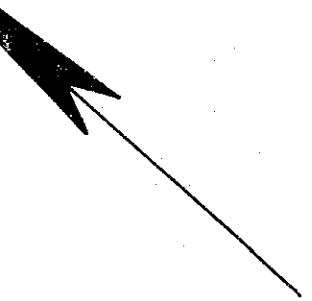


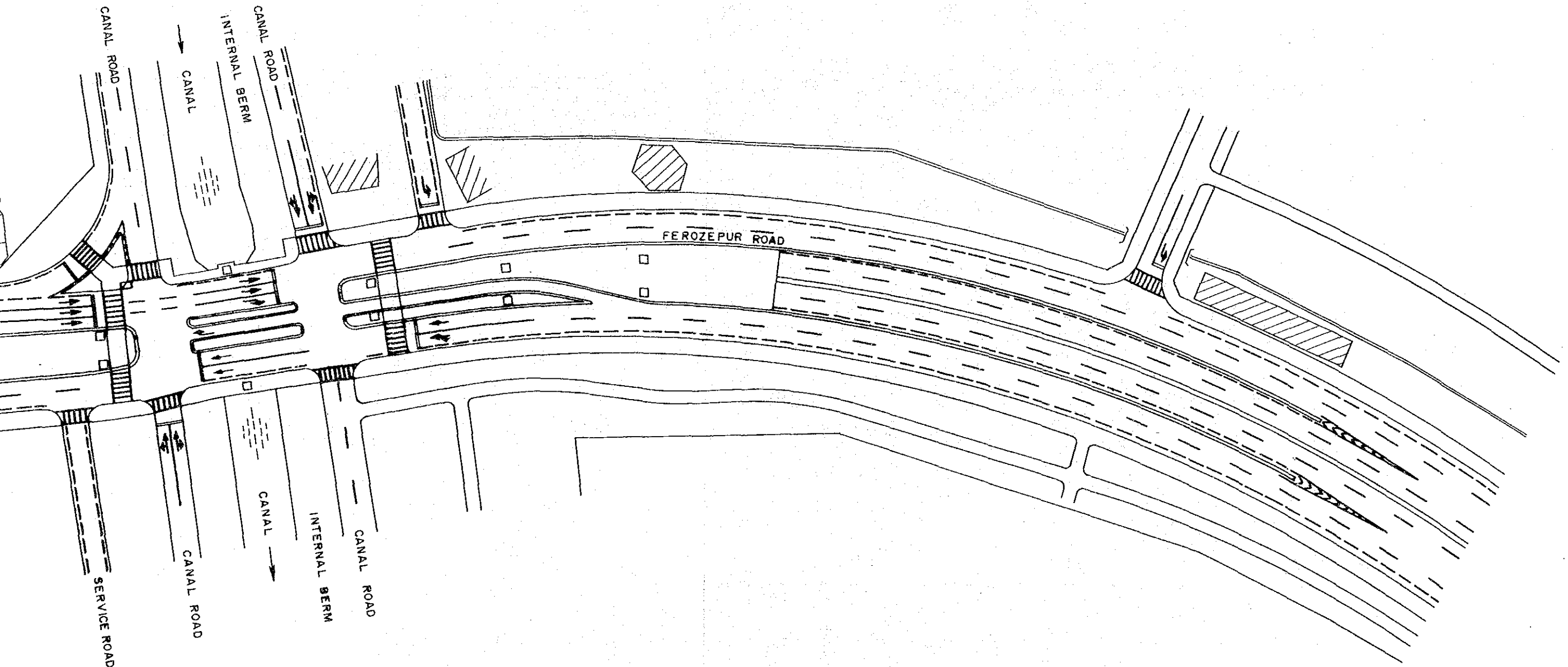
COMPREHENSIVE STUDY ON
TRANSPORTATION SYSTEM IN LAHORE
JICA-TEPA-LDA

CANAL BRIDGE
INTERSECTION
Scale 1: 200

DWG NO.
6



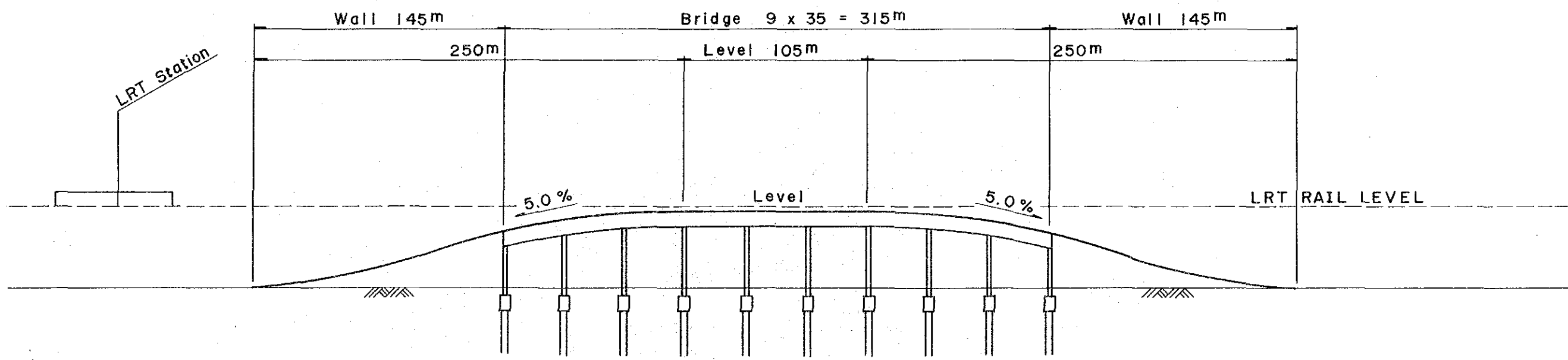
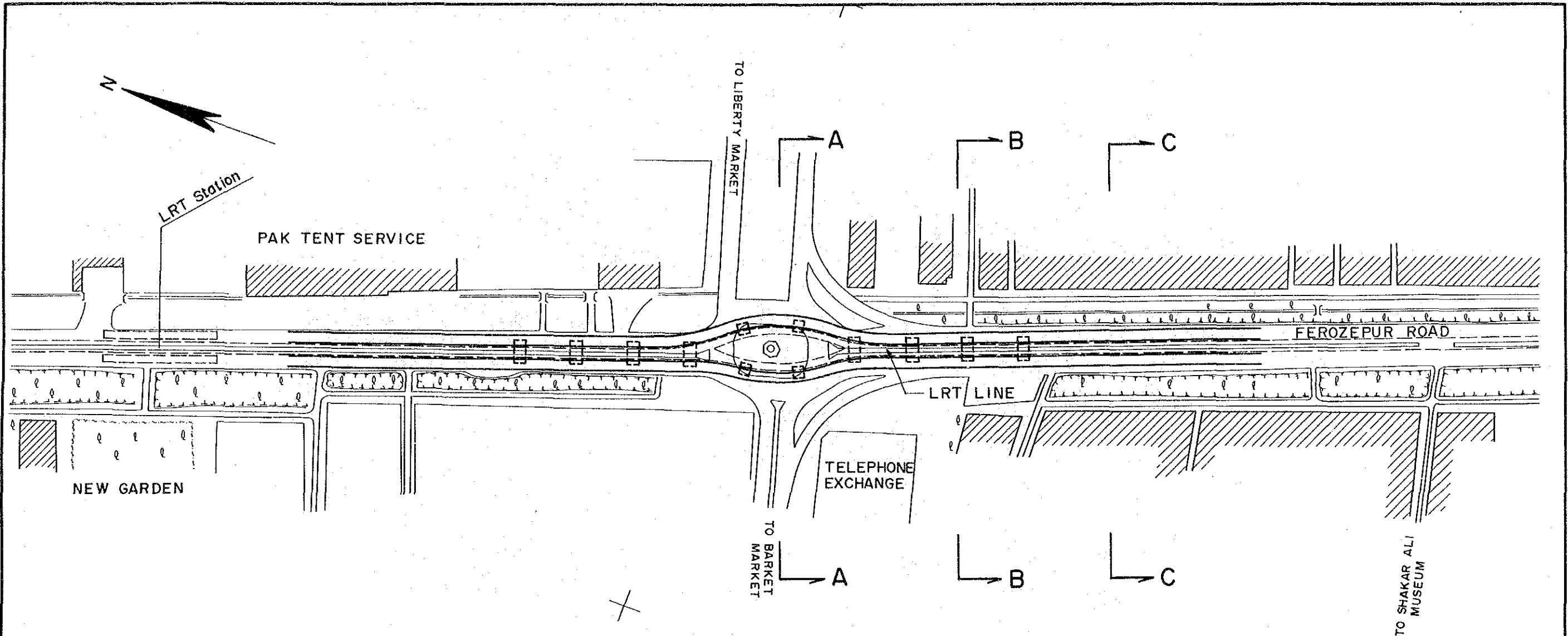




COMPREHENSIVE STUDY ON
TRANSPORTATION SYSTEM IN LAHORE
JICA-TEPA-LDA

CANAL BRIDGE INTERSECTION
TRAFFIC FLOW AT GRADE
Scale 1 : 1 000

DWG NO.
7



1/500

1/2 500



COMPREHENSIVE STUDY ON
TRANSPORTATION SYSTEM IN LAHORE

JICA-TEPA-LDA

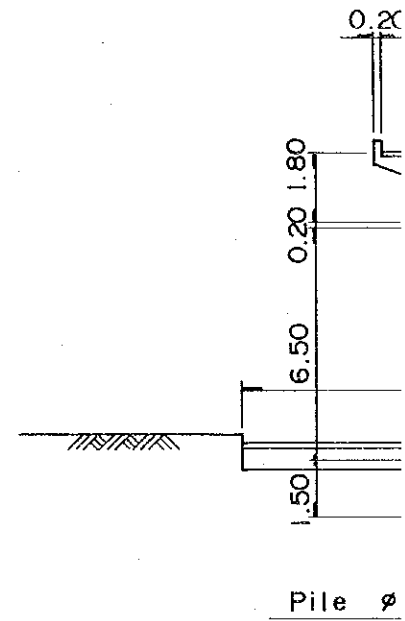
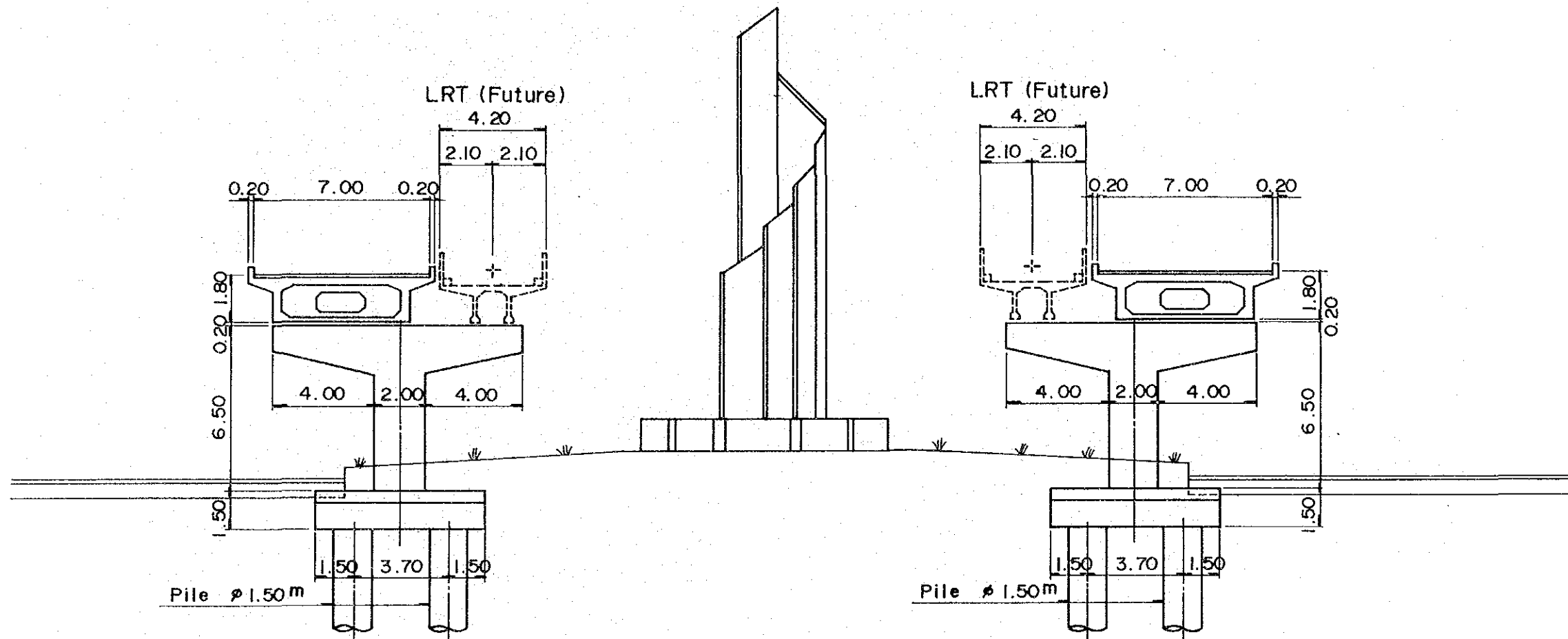
KALMA CHOWK

Scale 1: 2 500

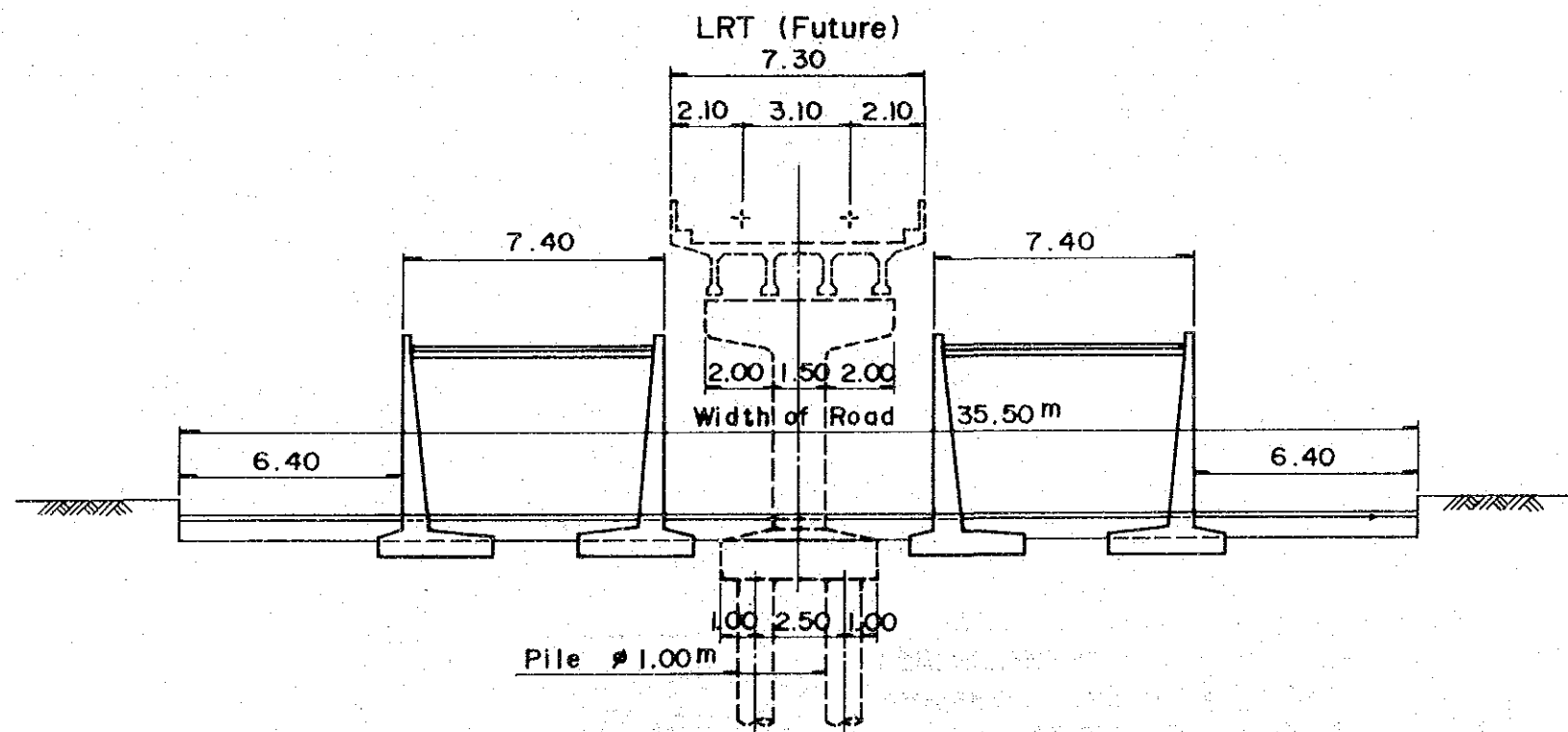
DWG NO.

8

SECTION A - A

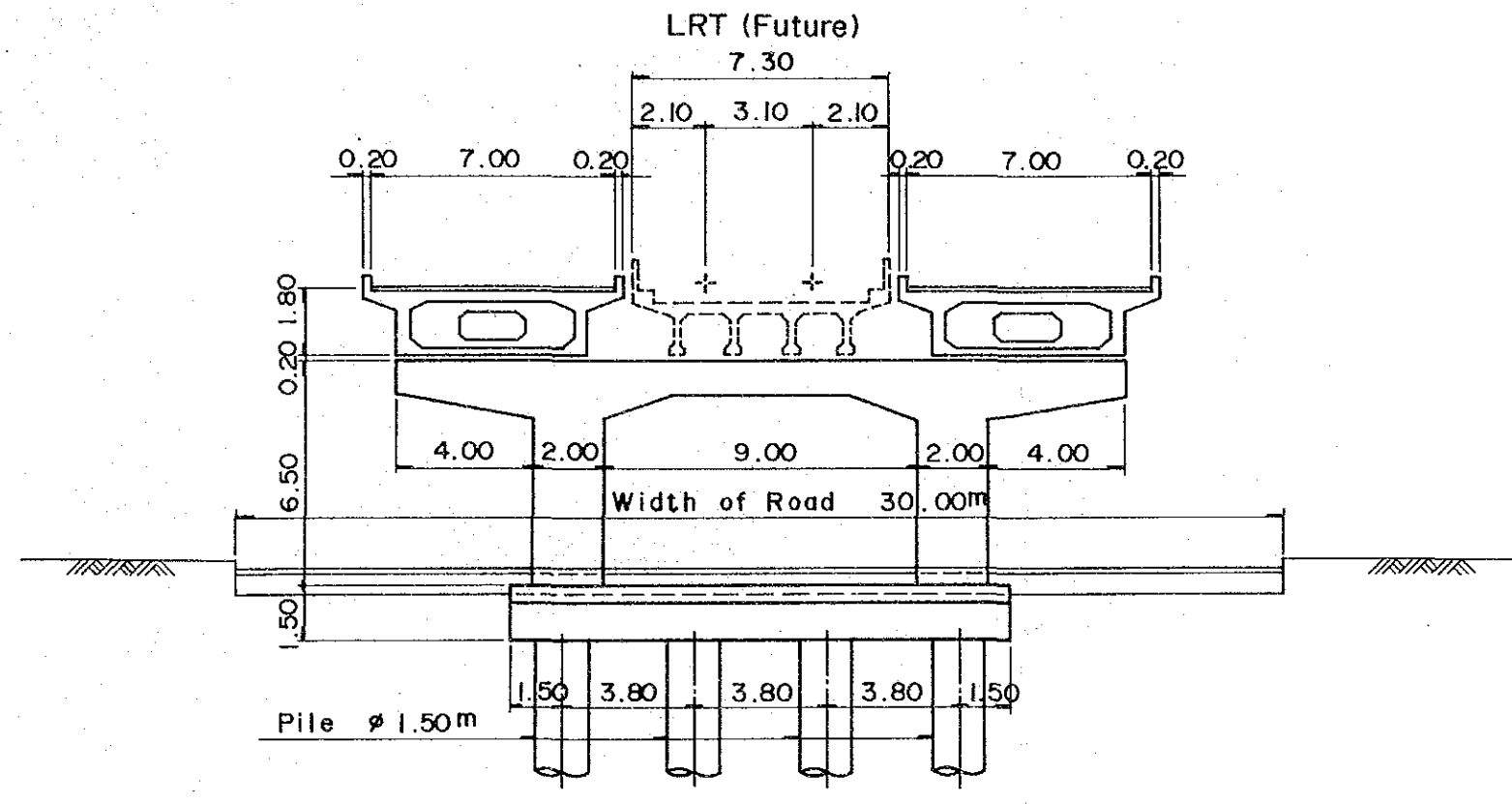
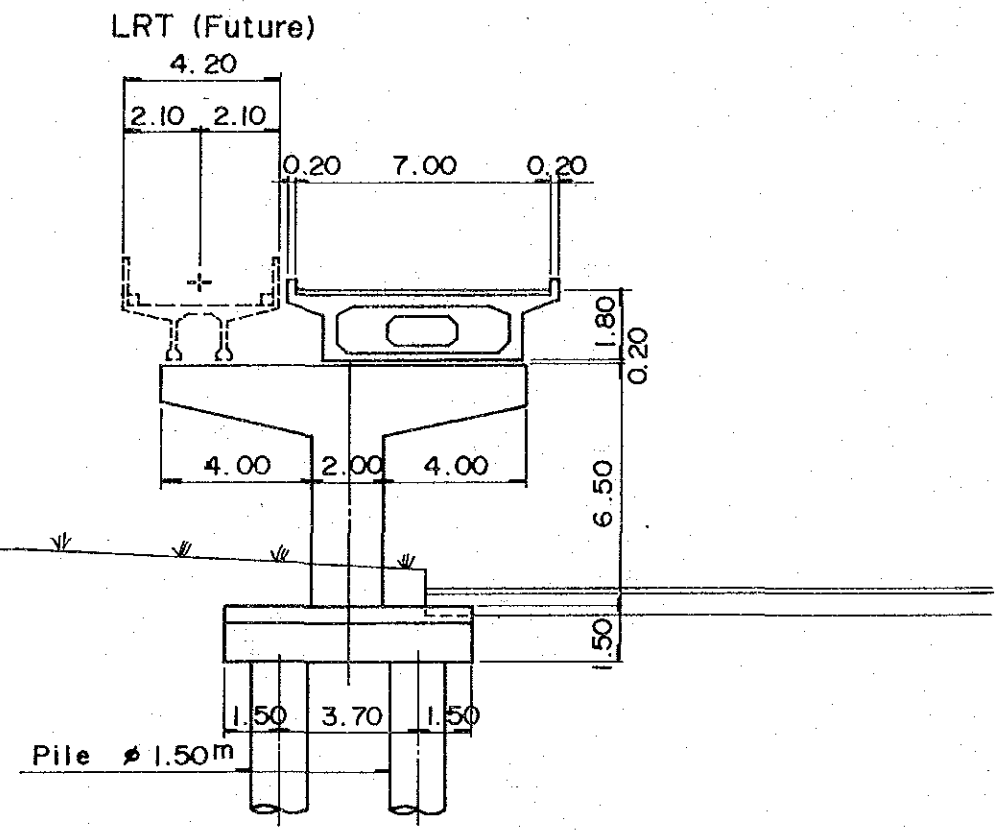


SECTION C - C

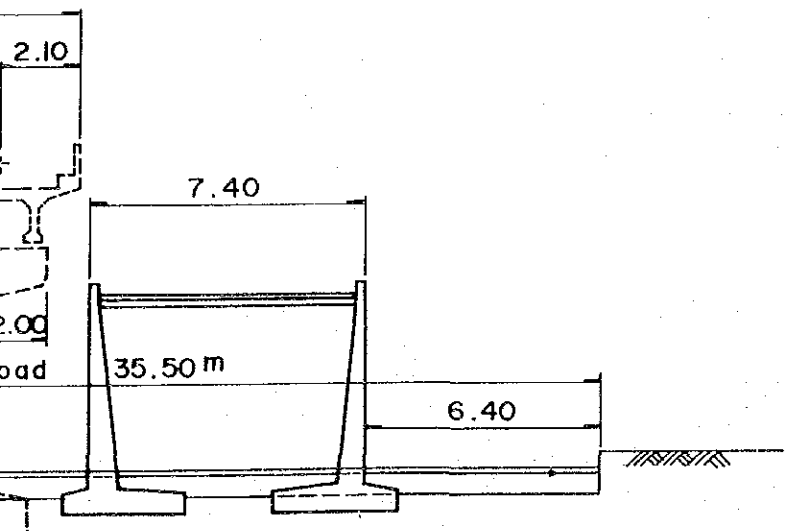


A - A

SECTION B - B



C - C



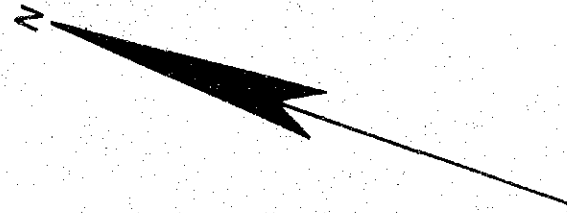
COMPREHENSIVE STUDY ON
TRANSPORTATION SYSTEM IN LAHORE
JICA-TEPA-LDA

KALMA CHOWK

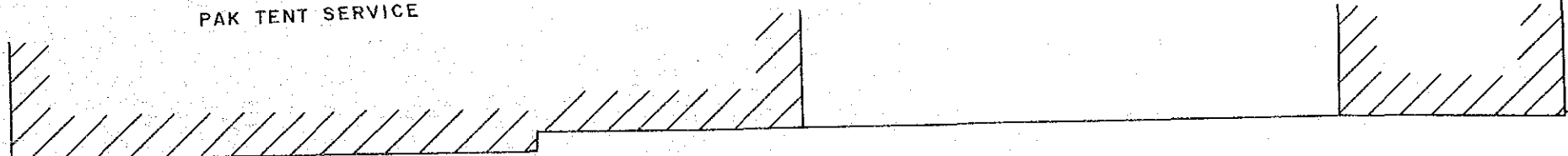
Scale 1:200

DWG NO.

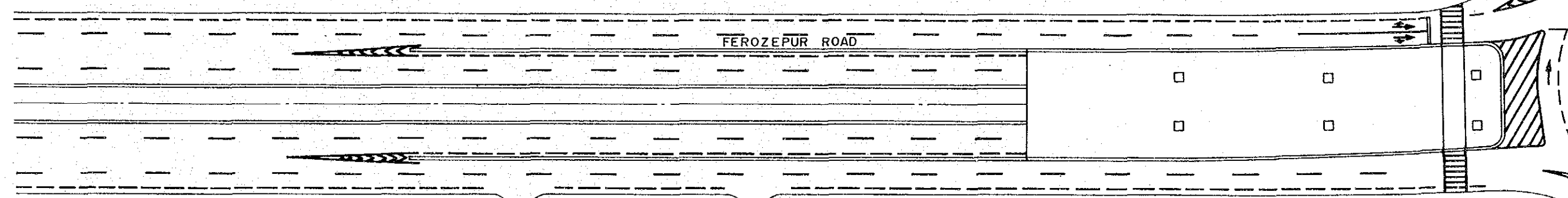
9



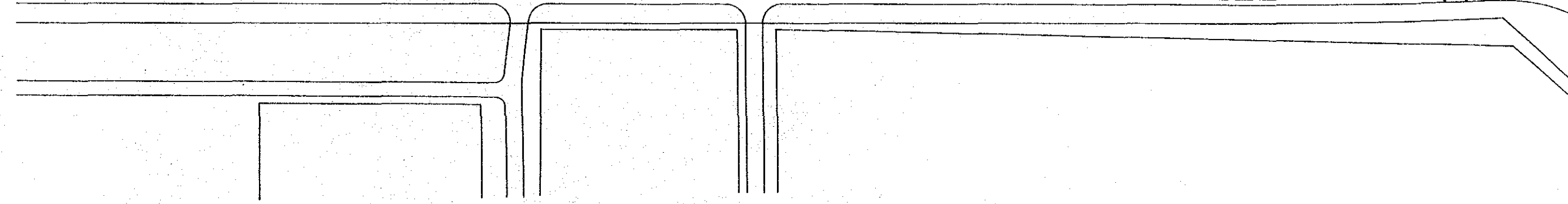
PAK TENT SERVICE

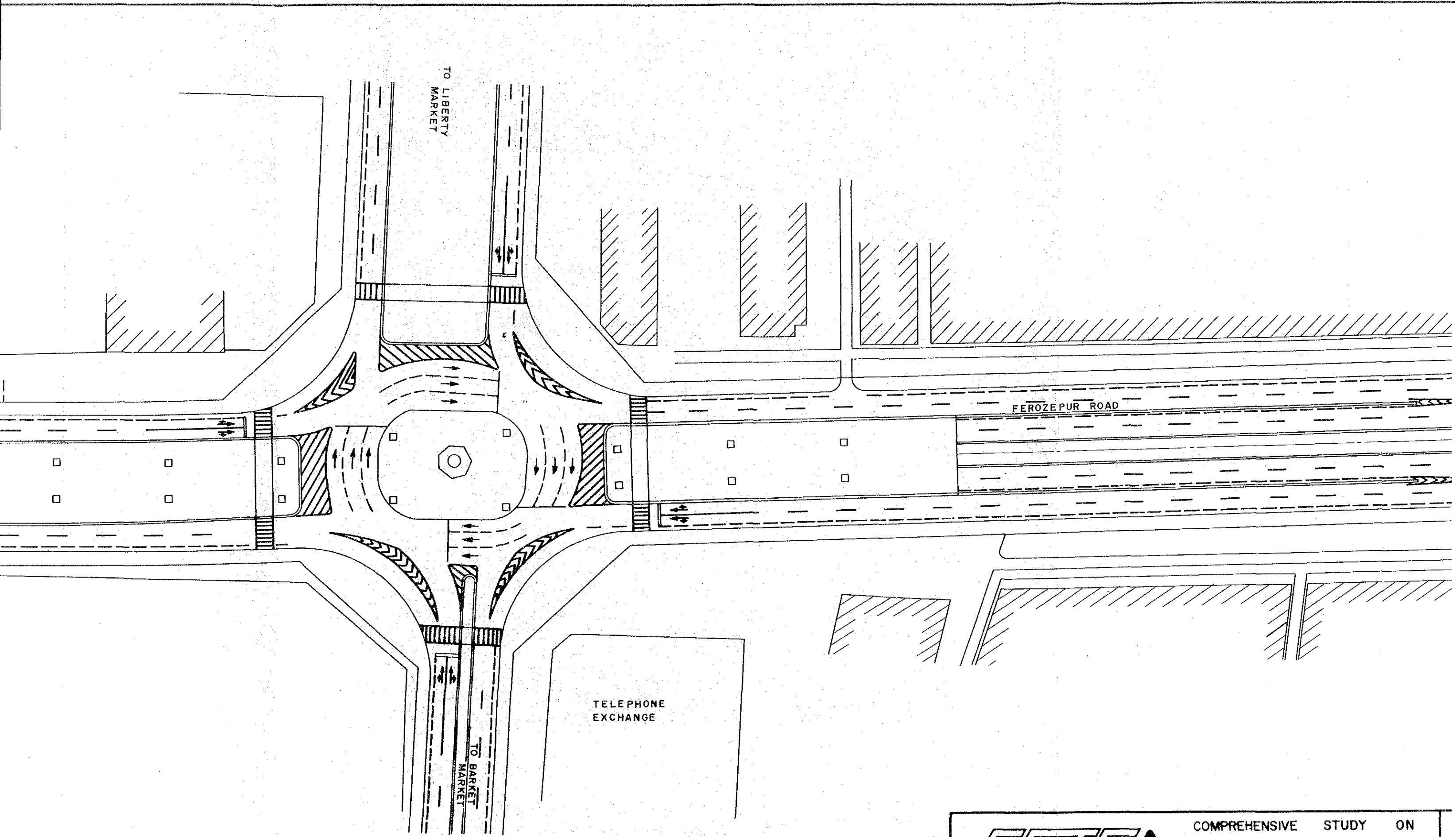


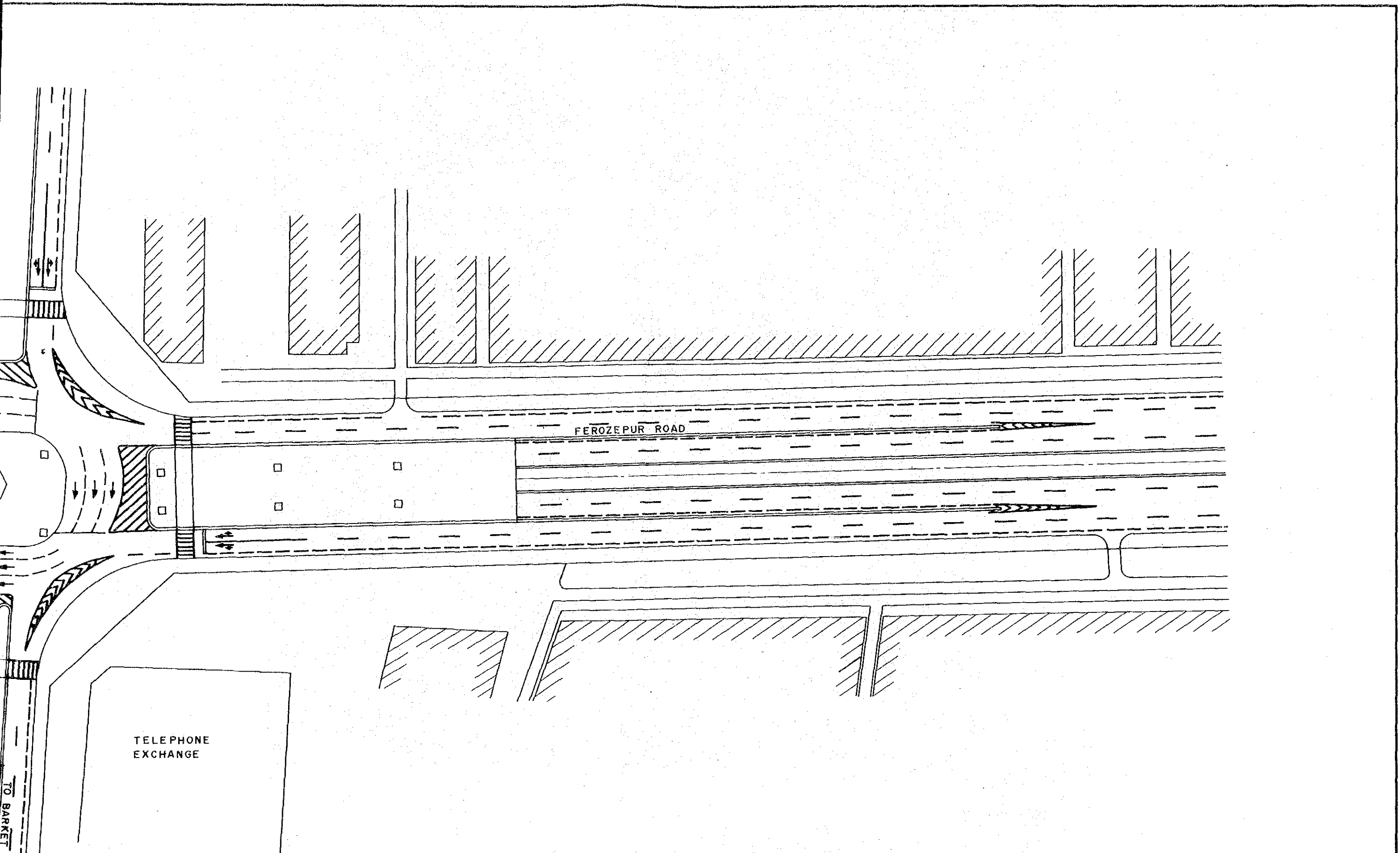
FEROZEPUR ROAD



NEW GARDEN



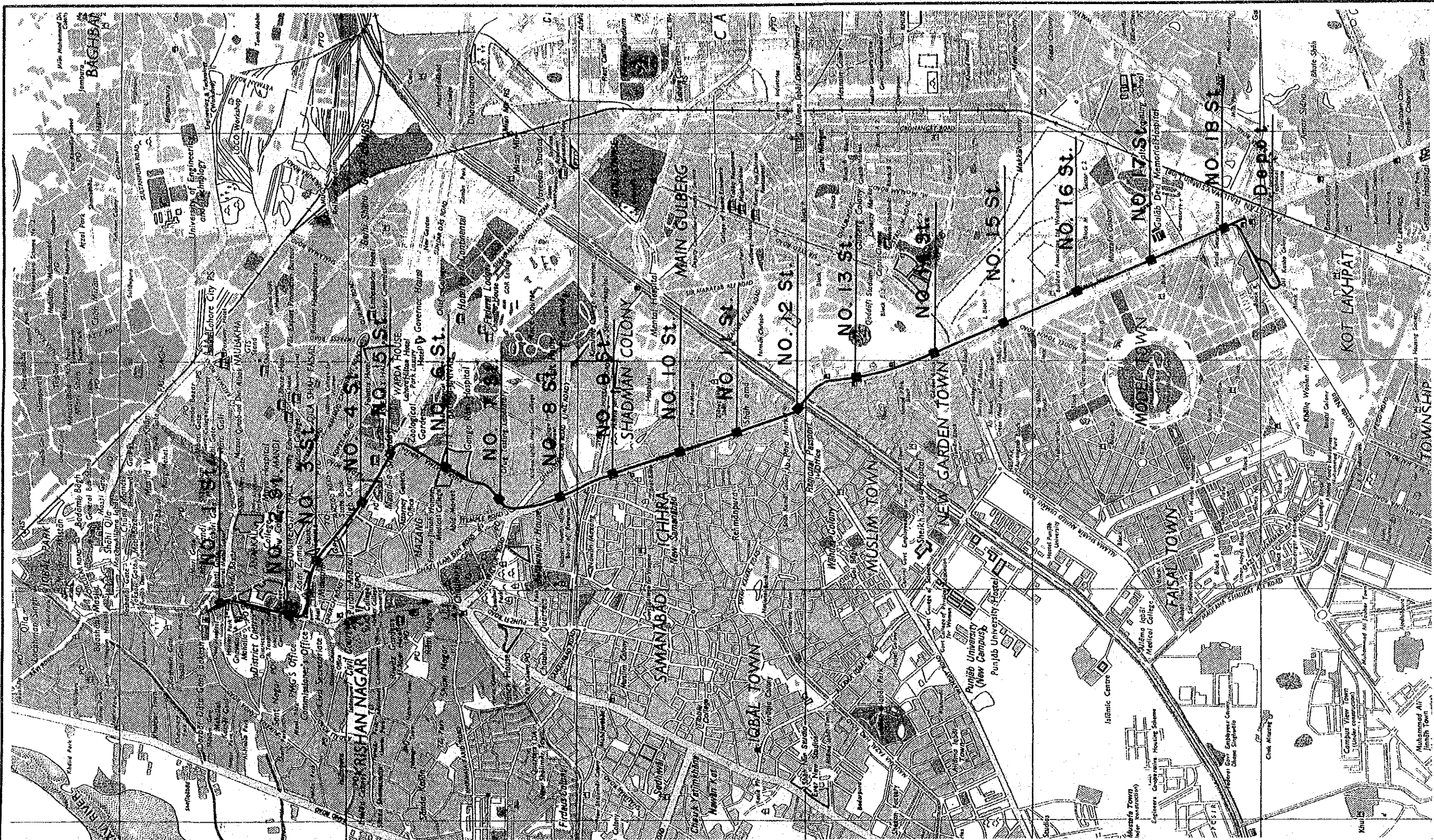




COMPREHENSIVE STUDY ON
 TRANSPORTATION SYSTEM IN LAHORE
 JICA-TEPA-LDA

KALMA CHOWK
 TRAFFIC FLOW AT GRADE
 Scale 1:1000

DWG NO.
10



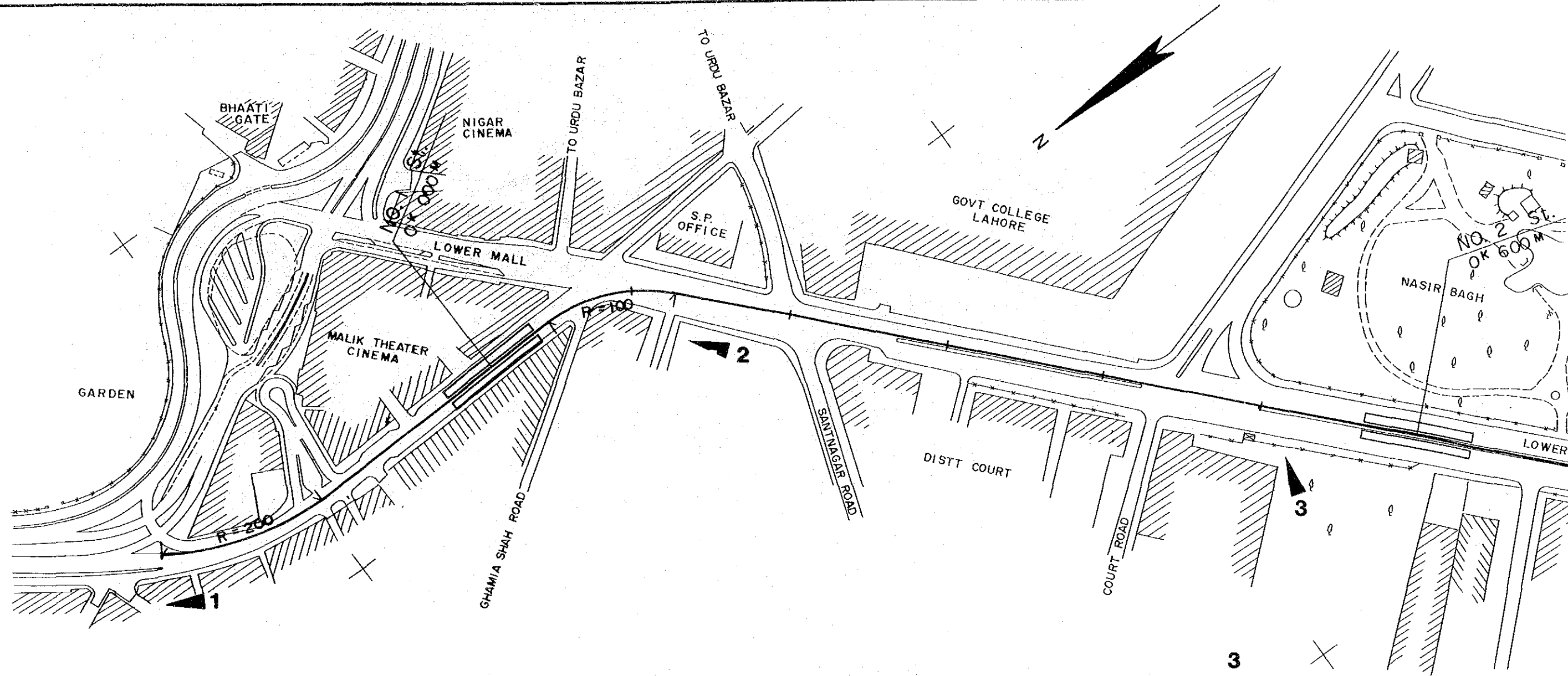
COMPREHENSIVE STUDY ON
TRANSPORTATION SYSTEM IN LAHORE
JICA-TEPA-LDA

ALIGNMENT OF LRT

Scale 1 : 40 000

DWG NO.

11

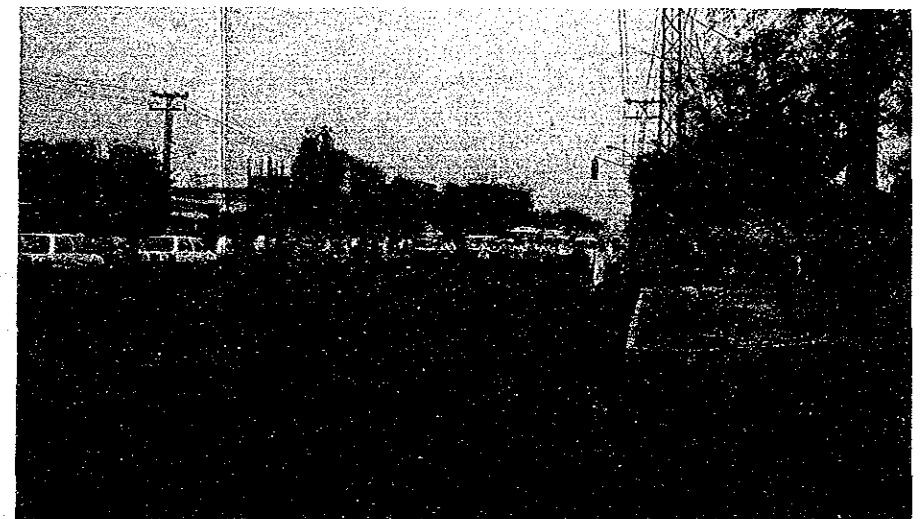
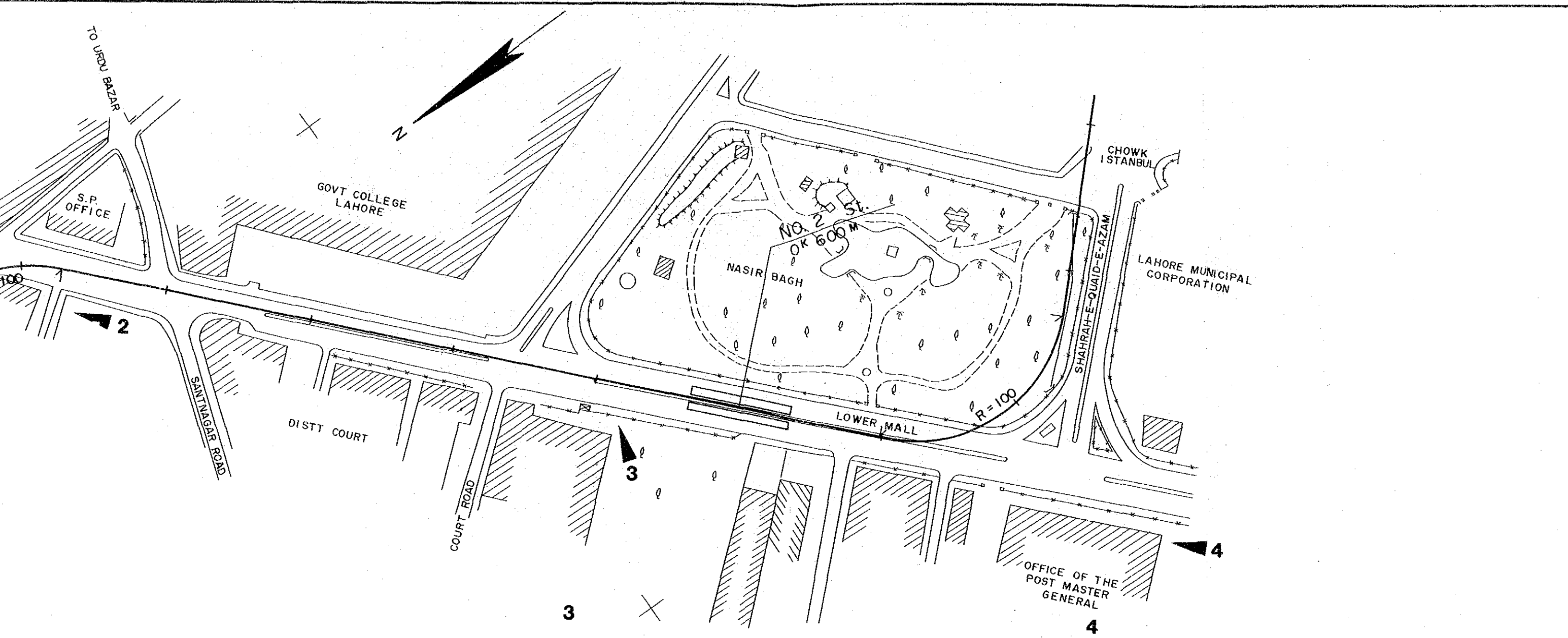



1

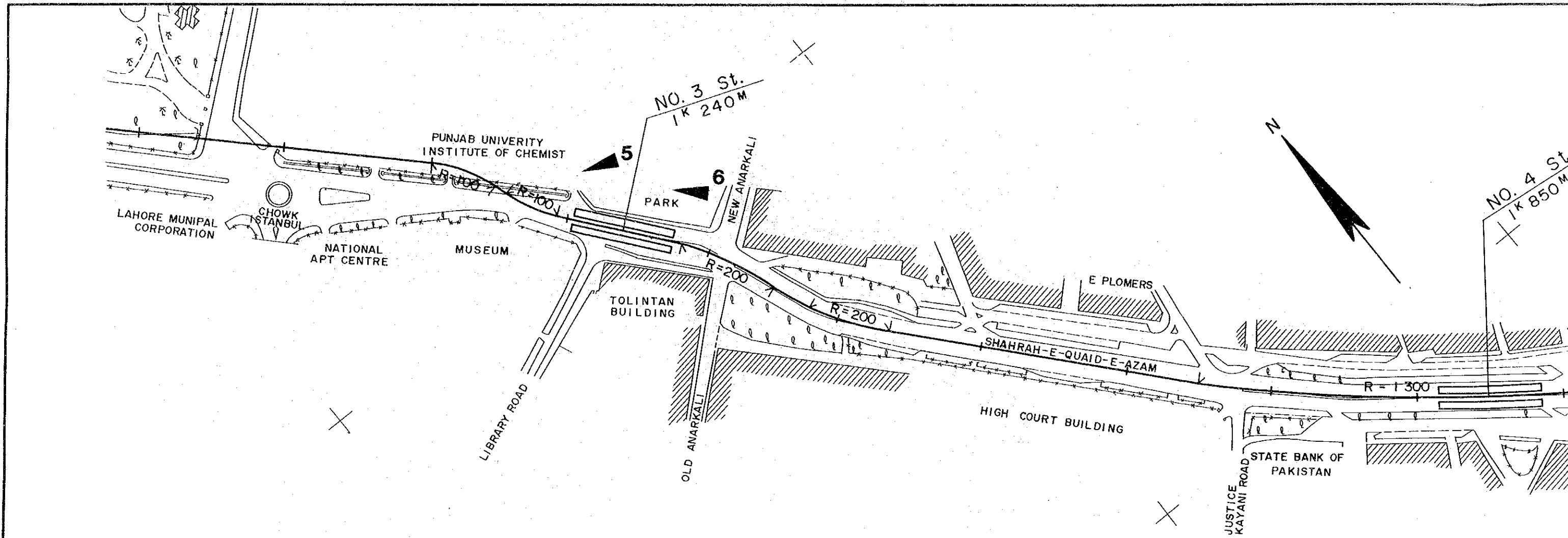


2

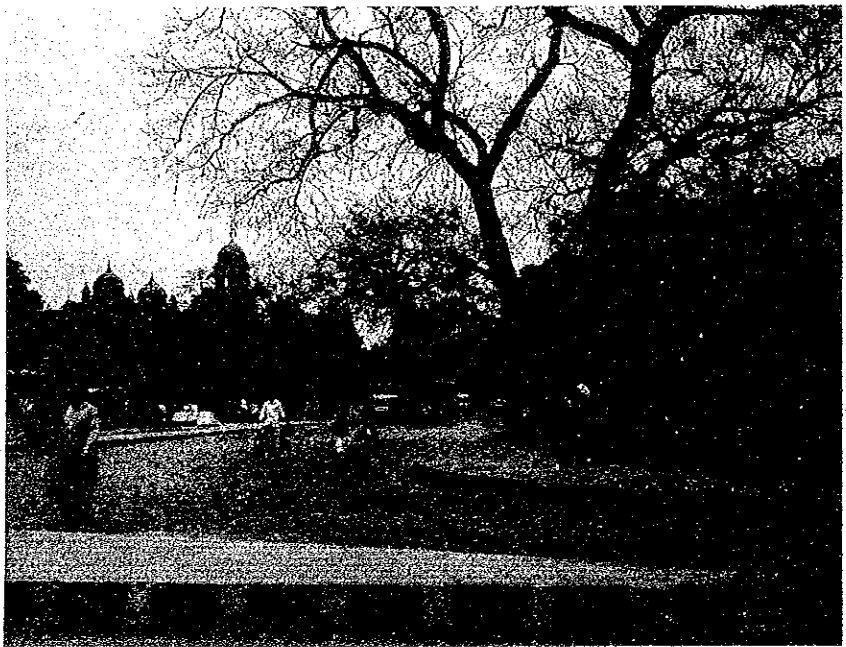




	COMPREHENSIVE STUDY ON TRANSPORTATION SYSTEM IN LAHORE JICA-TEPA-LDA	ROUTE PLAN OF LRT (1)	DWG NO.
		Scale 1 : 2 500	12

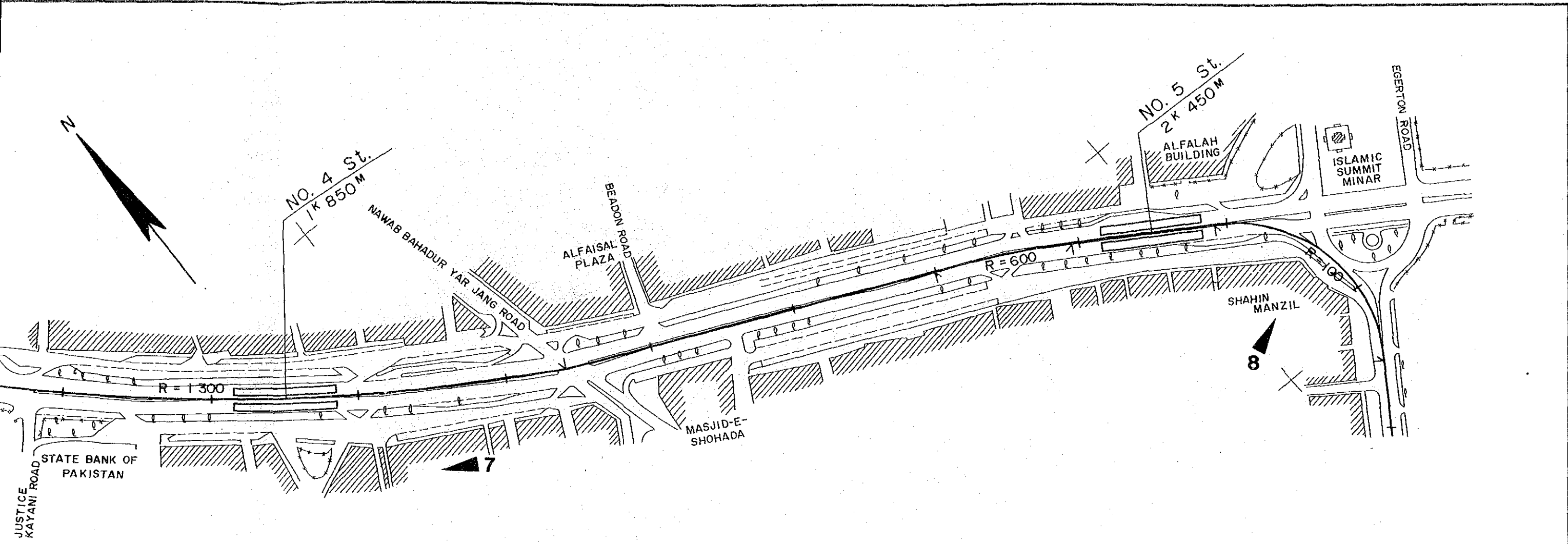


5



6

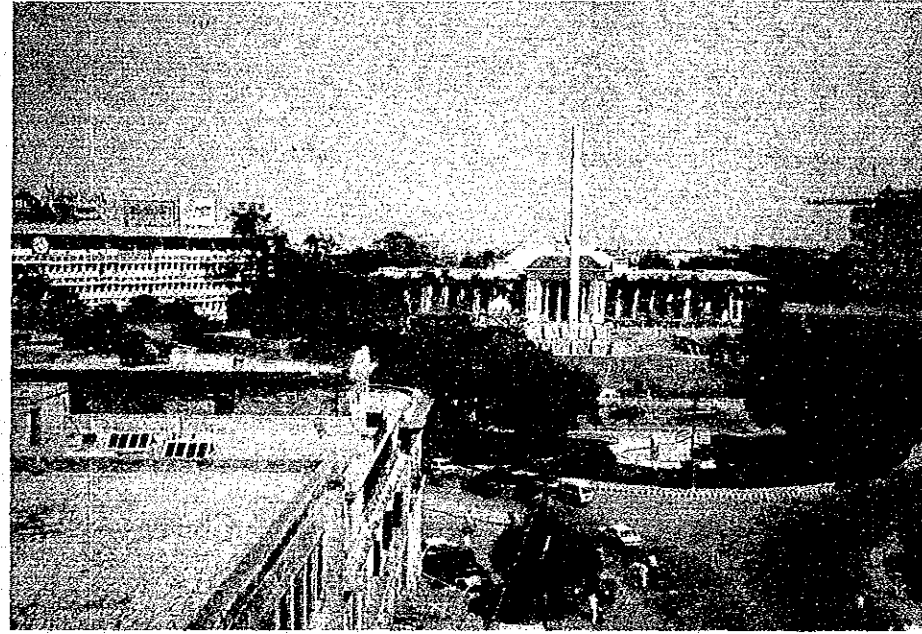




7



8



COMPREHENSIVE STUDY ON
 TRANSPORTATION SYSTEM IN LAHORE
 JICA-TEPA-LDA

ROUTE PLAN OF LRT (2)

Scale 1:2500

DWG NO.

13