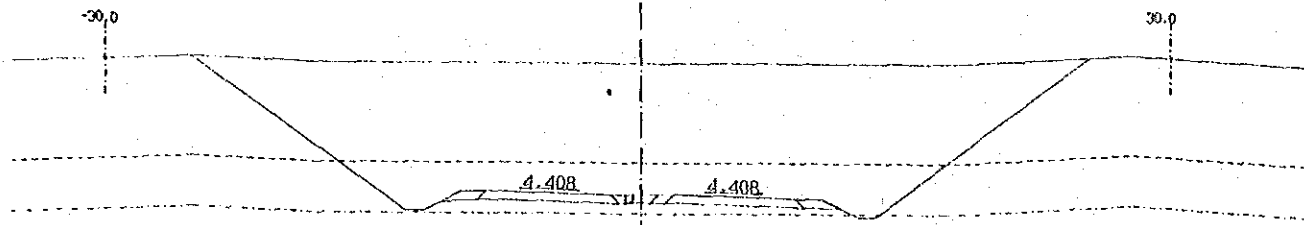
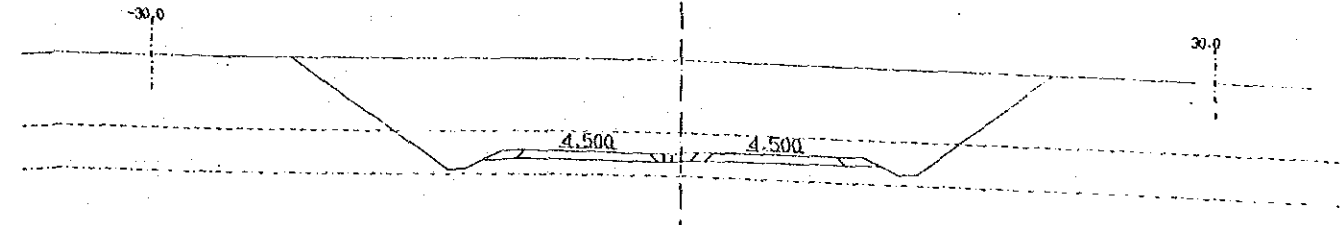


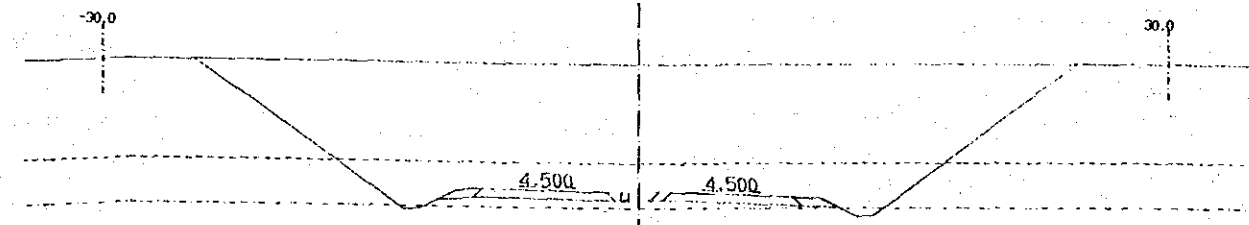
CH. 14+740  
 PI=1821.305  
 GI=1828.54



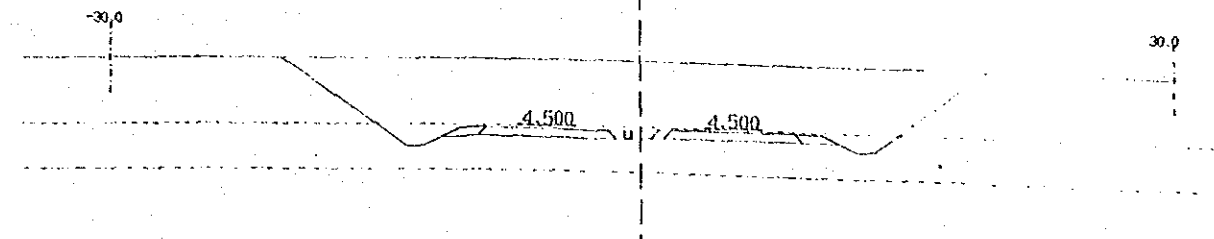
CH. 14+800  
 PI=1821.581  
 GI=1826.70



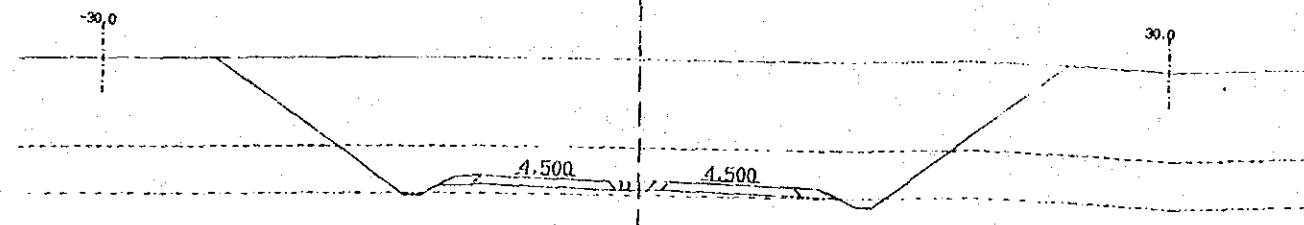
CH. 14+745.083  
 PI=1821.328  
 GI=1828.42



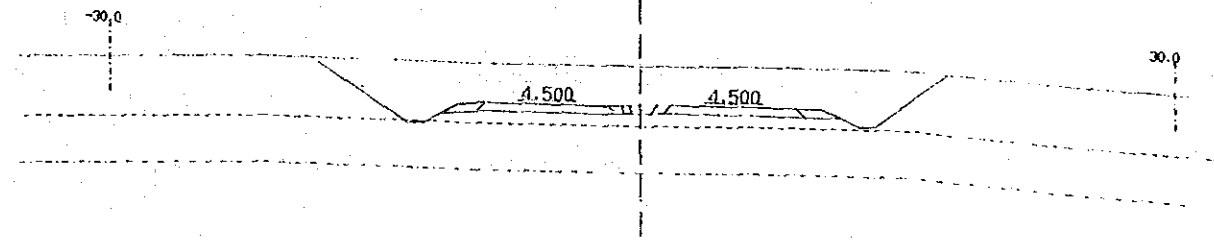
CH. 14+820  
 PI=1821.673  
 GI=1825.55



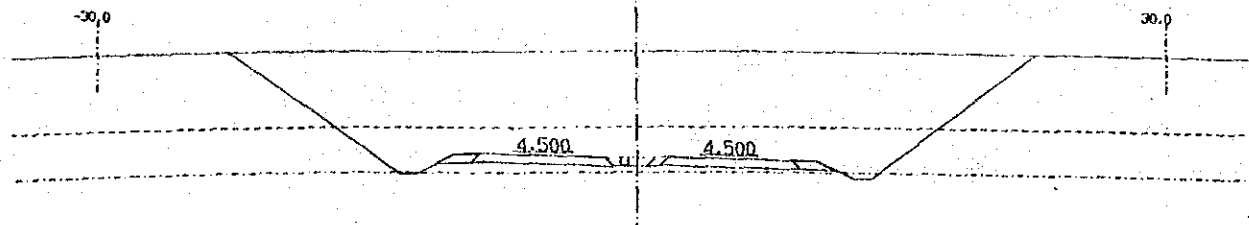
CH. 14+760  
 PI=1821.397  
 GI=1828.24



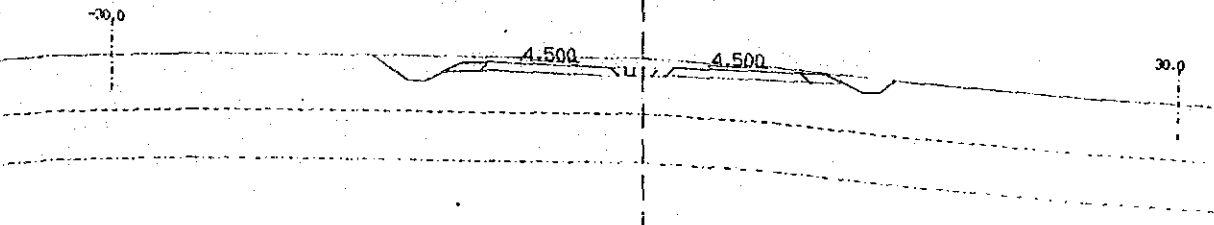
CH. 14+840  
 PI=1821.765  
 GI=1823.99



CH. 14+780  
 PI=1821.489  
 GI=1827.39



CH. 14+860  
 PI=1821.857  
 GI=1822.38



AERIAL PHOTO BY \_\_\_\_\_  
 SURVEYED BY \_\_\_\_\_  
 MAPPING BY \_\_\_\_\_  
 LOCATION BY \_\_\_\_\_  
 CHECKED BY \_\_\_\_\_

MOPW ROADS DEPT DRG NO.

REVISIONS	
DESCRIPTION	DATE

JAPAN INTERNATIONAL  
 COOPERATION AGENCY

CHIEF ENGINEER (ROADS)  
 CHIEF SUPT. ENG. (DESIGN)

SEN SUPT. ENG. (DESIGN)  
 SUPT. ENGINEER (DESIGN)  
 PROJECT ENGINEER

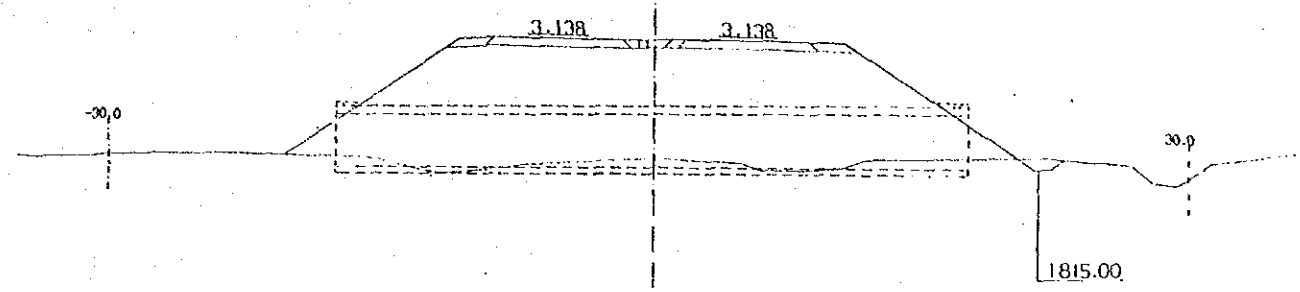
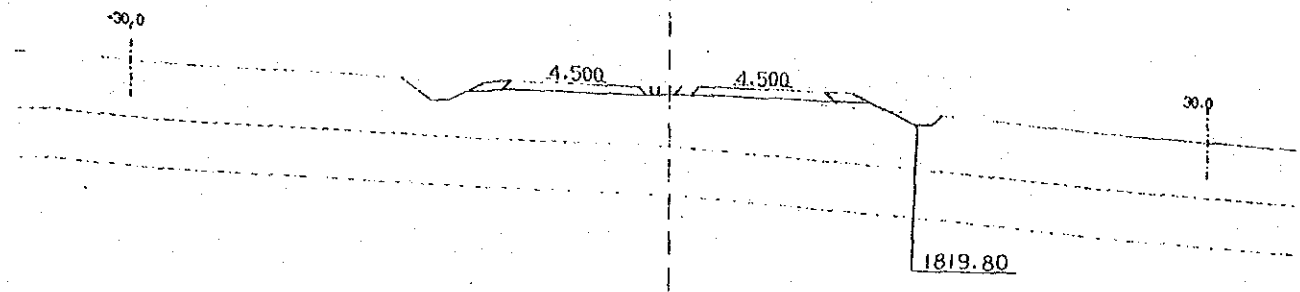
SCALES  
 1:200

NAIROBI BYPASS  
 CROSS SECTION

SHEET 100 OF 196

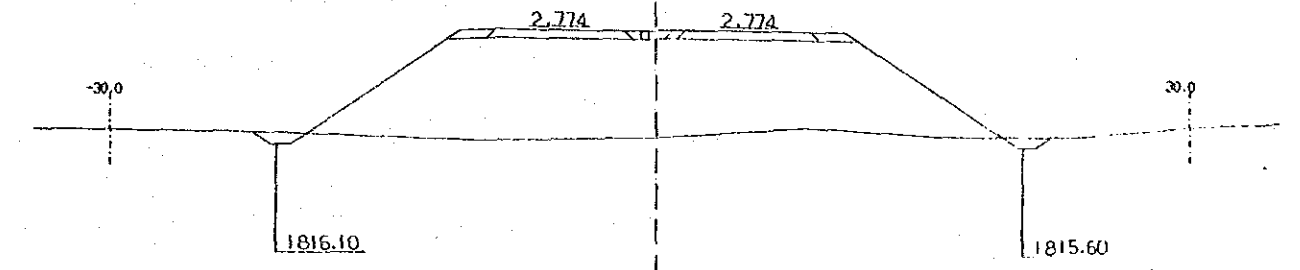
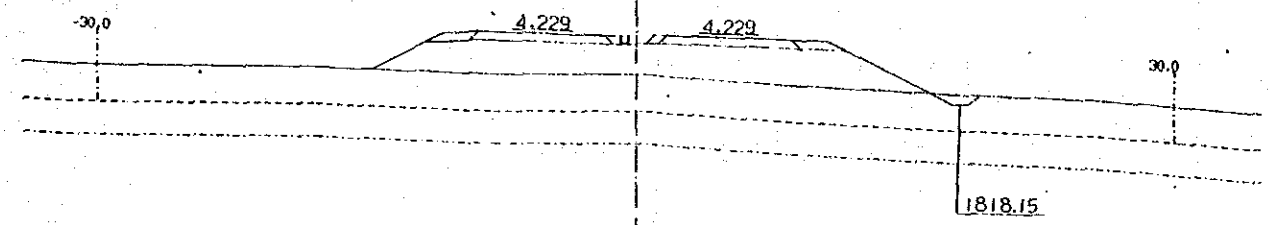
CH. 14+865.086  
 PI=1821.880  
 GI=1821.67

CH. 14+940  
 PI=1822.225  
 GI=1815.66



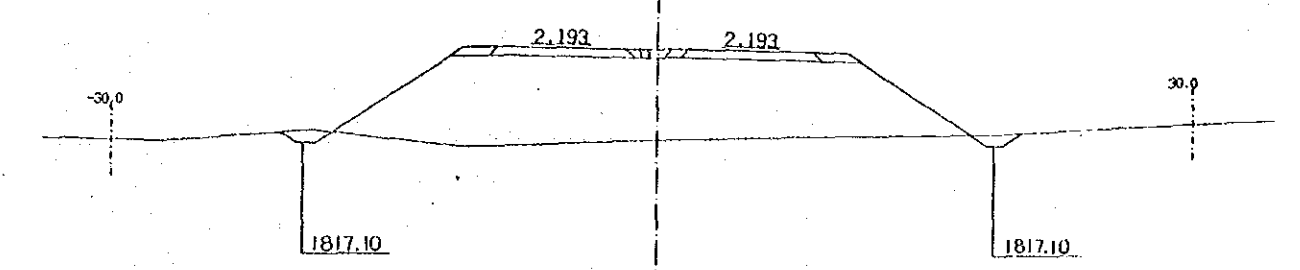
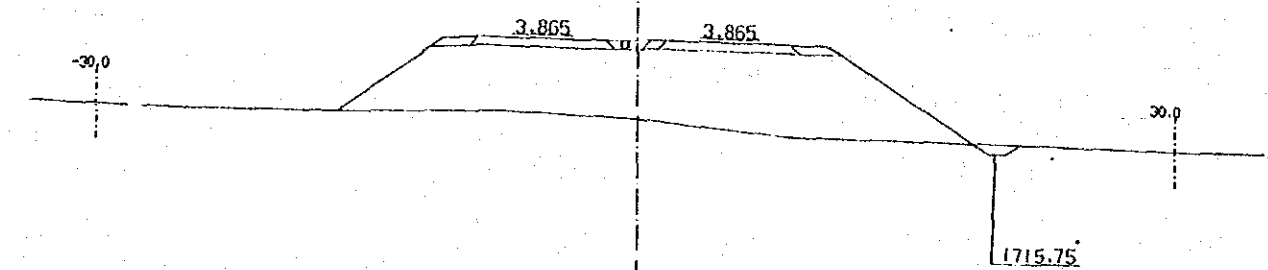
CH. 14+880  
 PI=1821.949  
 GI=1819.82

CH. 14+960  
 PI=1822.317  
 GI=1816.43



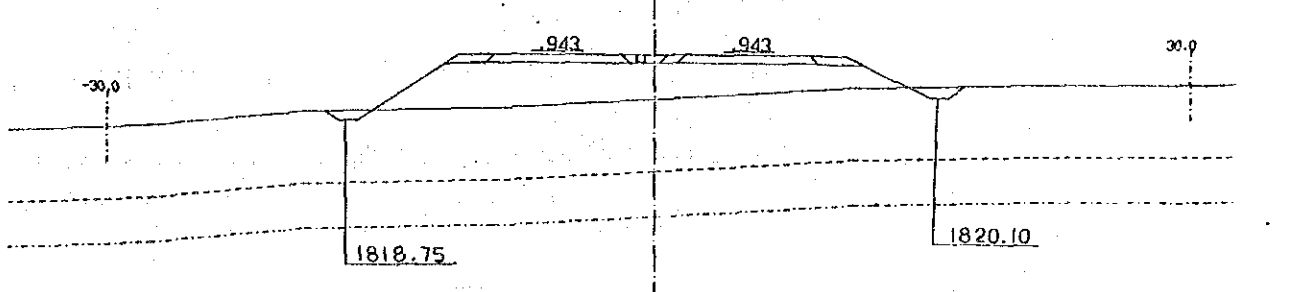
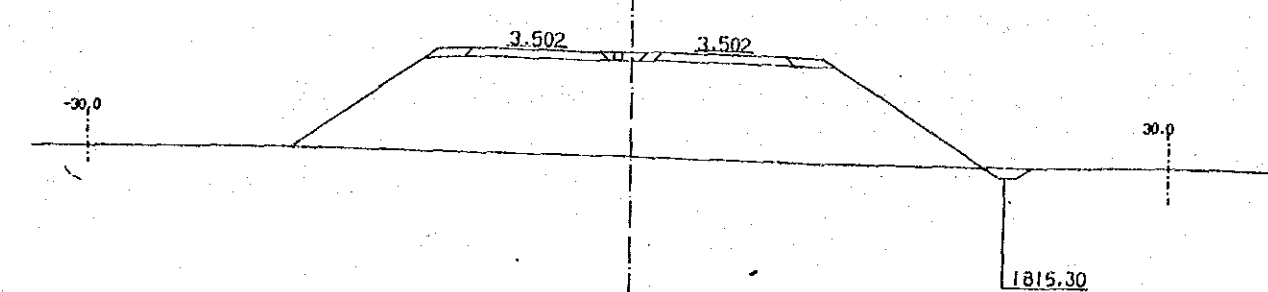
CH. 14+900  
 PI=1822.041  
 GI=1817.72

CH. 14+980  
 PI=1822.409  
 GI=1817.38



CH. 14+920  
 PI=1822.133  
 GI=1816.34

CH. 15+0  
 PI=1822.501  
 GI=1820.01

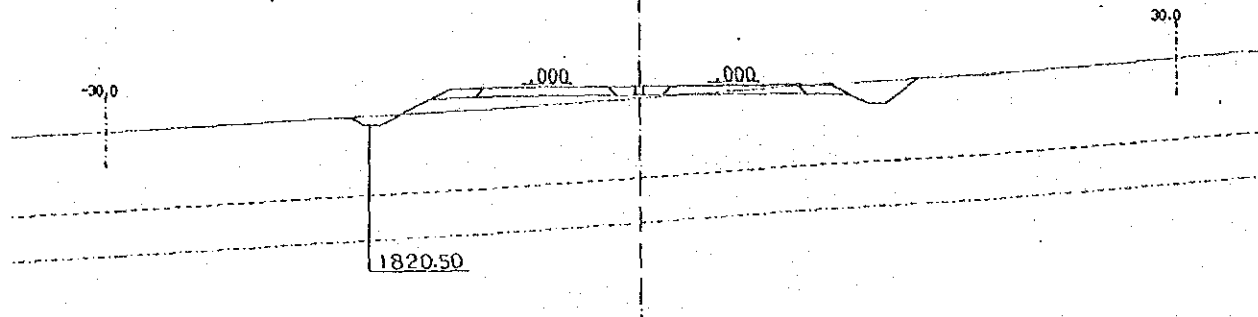


SURVEYED BY  
 MAPPING BY  
 AERIAL PHOTO BY  
 TRACED BY  
 LOCATION BY  
 CHECKED BY

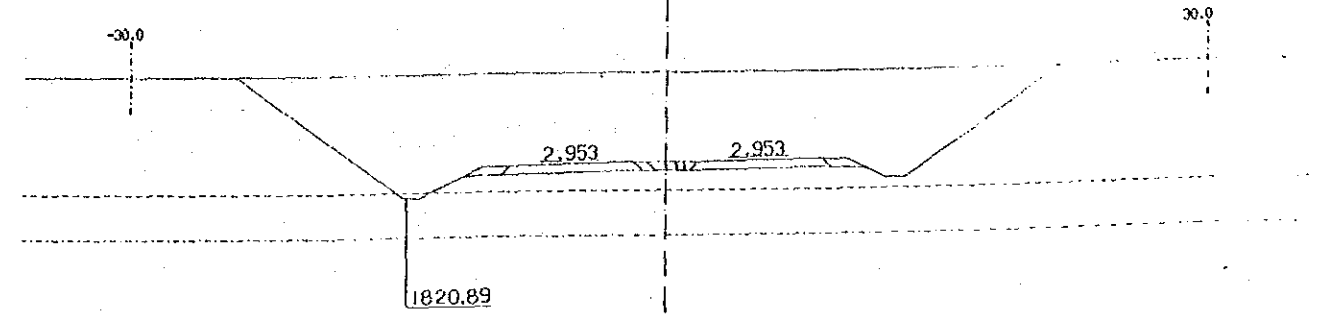
M.O.P.W. ROADS DEPT. DRG. NO.

REVISIONS		JAPAN INTERNATIONAL COOPERATION AGENCY	CHIEF ENGINEER (ROADS)	SEN. SUPT. ENG. (DESIGN)	SCALES	NAIROBI BYPASS CROSS SECTION	SHEET 10 OF 196
DESCRIPTION	DATE						

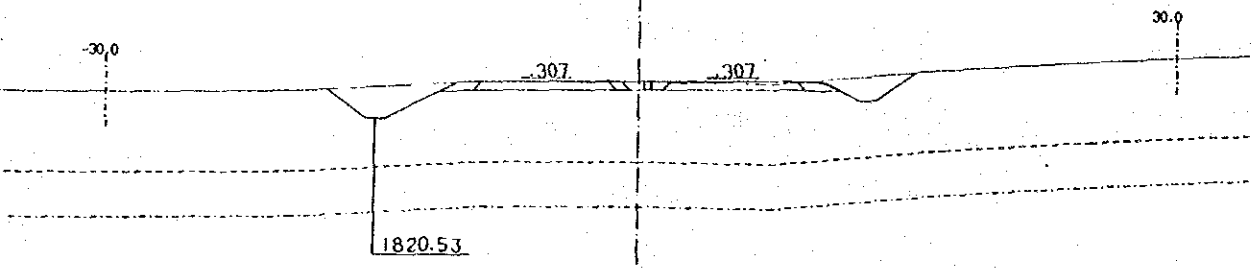
CH. 15+15.086  
 PI=1822.570  
 GI=1821.92



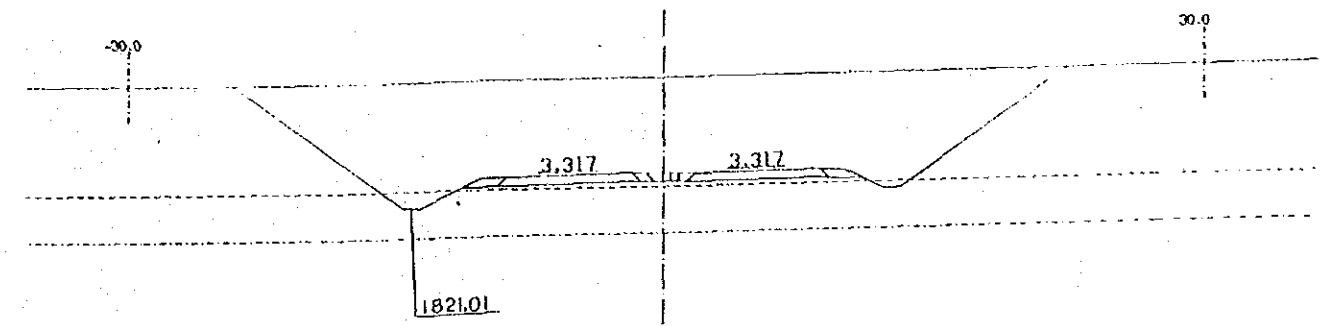
CH. 15+80  
 PI=1822.869  
 GI=1827.79



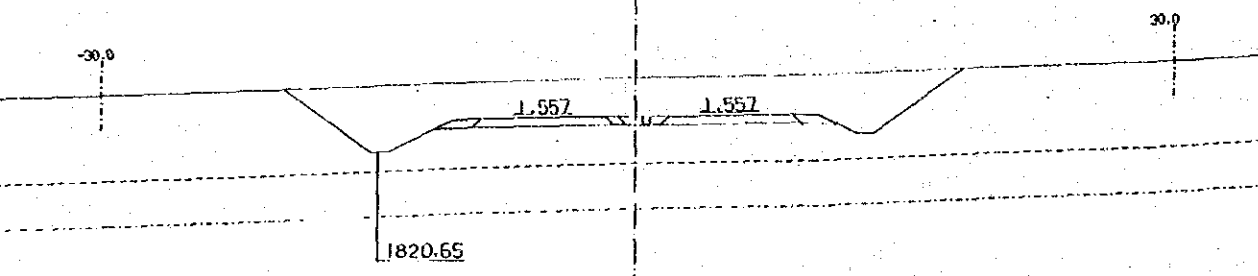
CH. 15+20  
 PI=1822.593  
 GI=1822.59



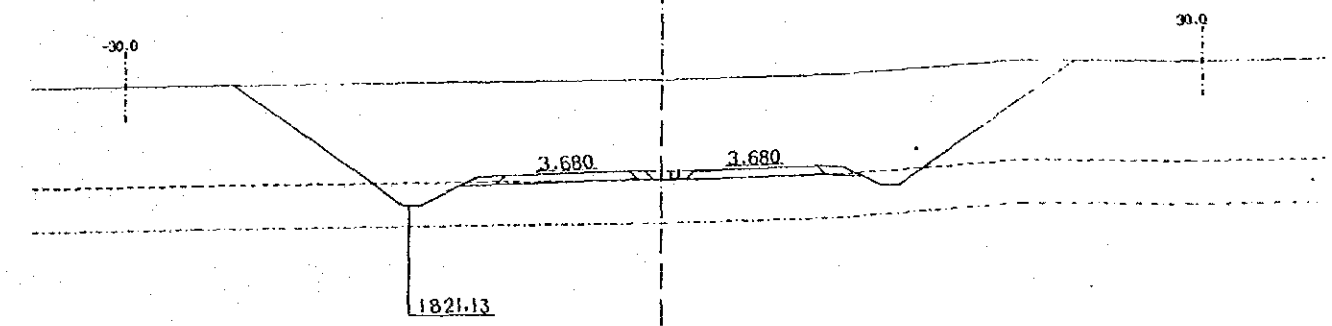
CH. 15+100  
 PI=1822.961  
 GI=1828.21



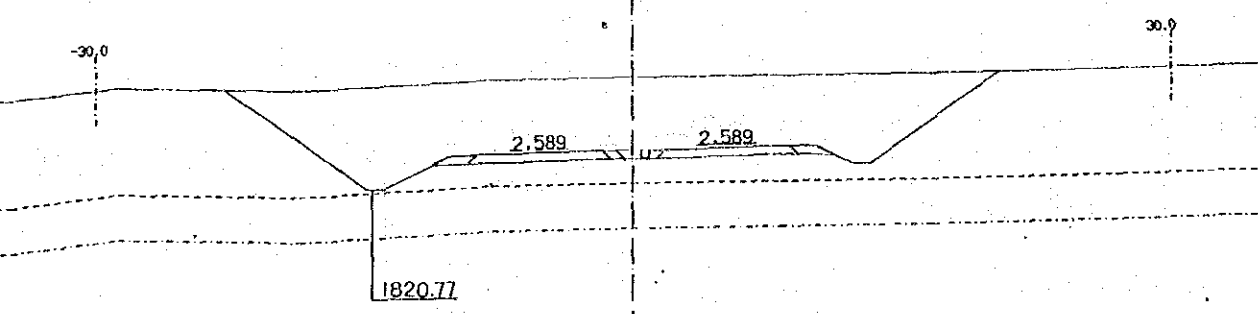
CH. 15+40  
 PI=1822.685  
 GI=1824.89



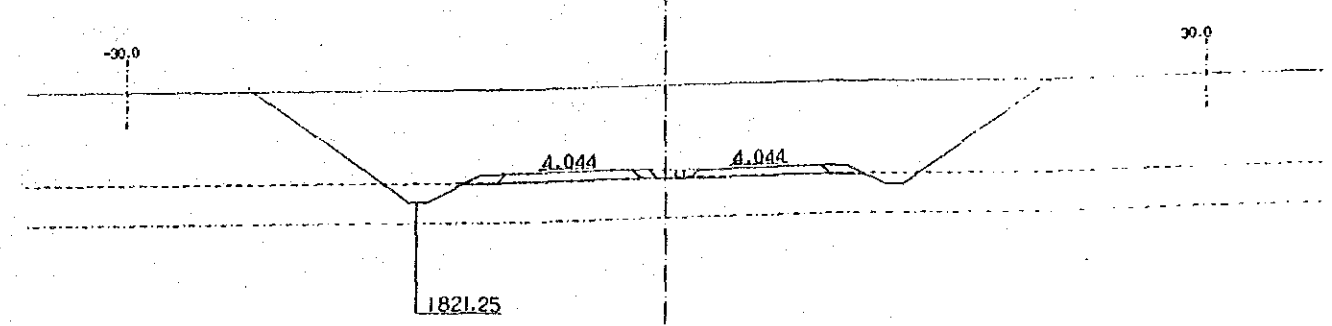
CH. 15+120  
 PI=1823.053  
 GI=1828.16



CH. 15+60  
 PI=1822.777  
 GI=1826.95



CH. 15+140  
 PI=1823.145  
 GI=1827.90



AERIAL PHOTO BY \_\_\_\_\_ SURVEYED BY \_\_\_\_\_  
 MAPPING BY \_\_\_\_\_ TRACED BY \_\_\_\_\_  
 LOCATION BY \_\_\_\_\_ CHECKED BY \_\_\_\_\_

MOPW ROADS DEPT DRG NO.

REVISIONS	
DESCRIPTION	DATE

JAPAN INTERNATIONAL  
 COOPERATION AGENCY

CHIEF ENGINEER (ROADS)  
 CHIEF SUPT. ENG. (DESIGN)

SEN. SUPT. ENG. (DESIGN)  
 SUPT. ENGINEER (DESIGN)  
 PROJECT ENGINEER

SCALES  
 1 : 200

NAIROBI BYPASS  
 CROSS SECTION

SHEET 102 OF 196

CH. 15+160  
 PI=1823.237  
 GI=1827.14

CH. 15+220  
 PI=1823.513  
 GI=1825.98

CH. 15+165.086  
 PI=1823.260  
 GI=1826.99

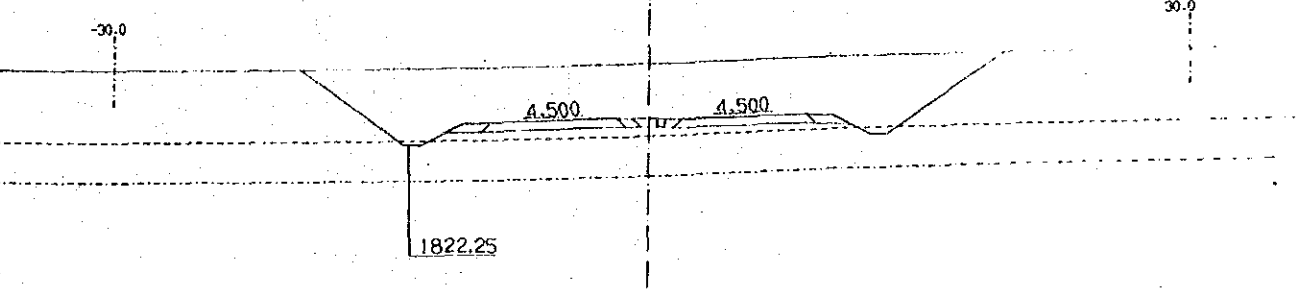
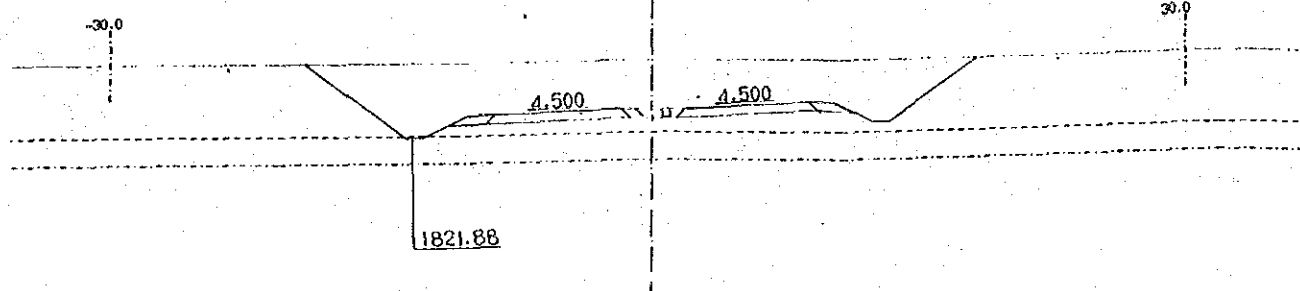
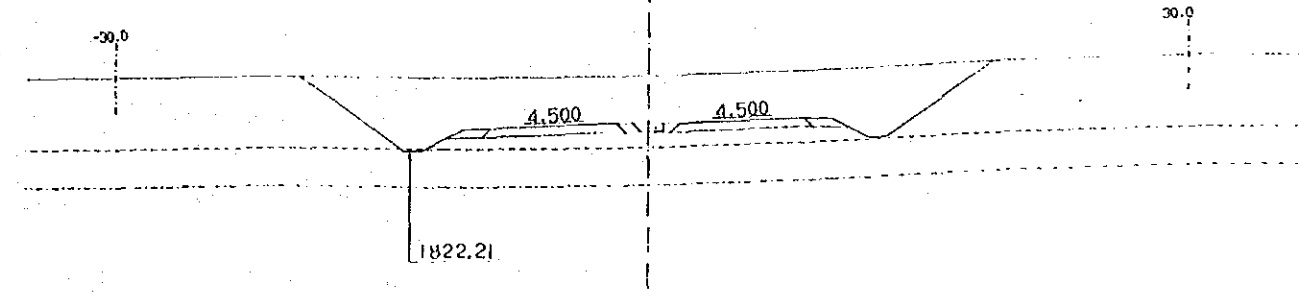
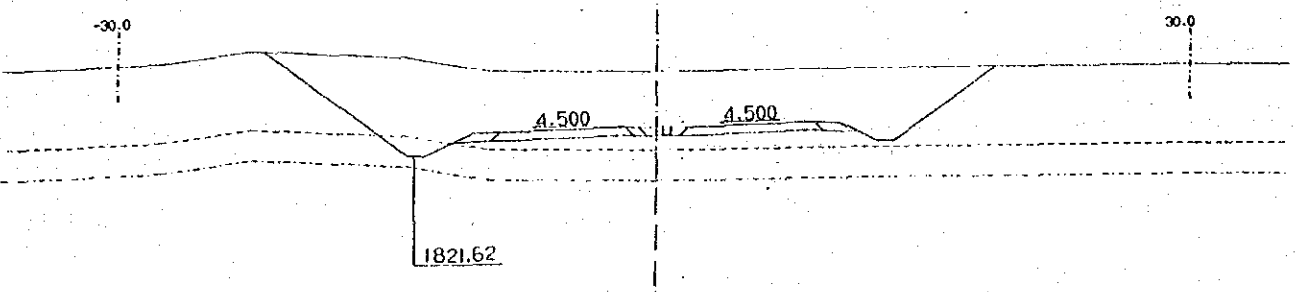
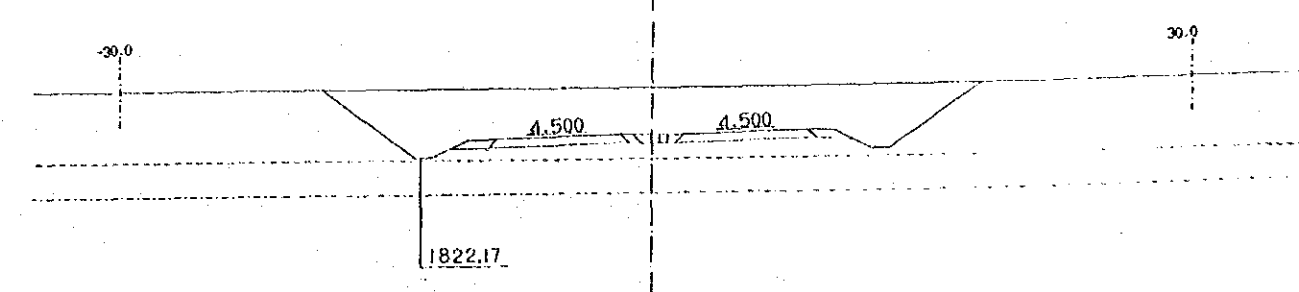
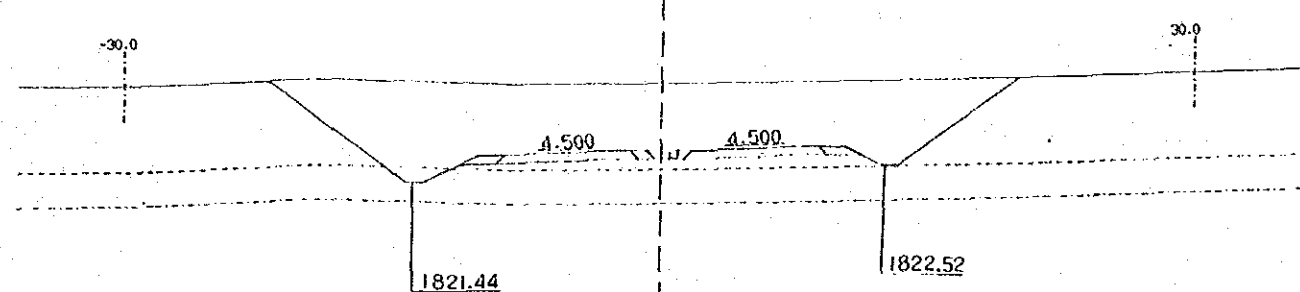
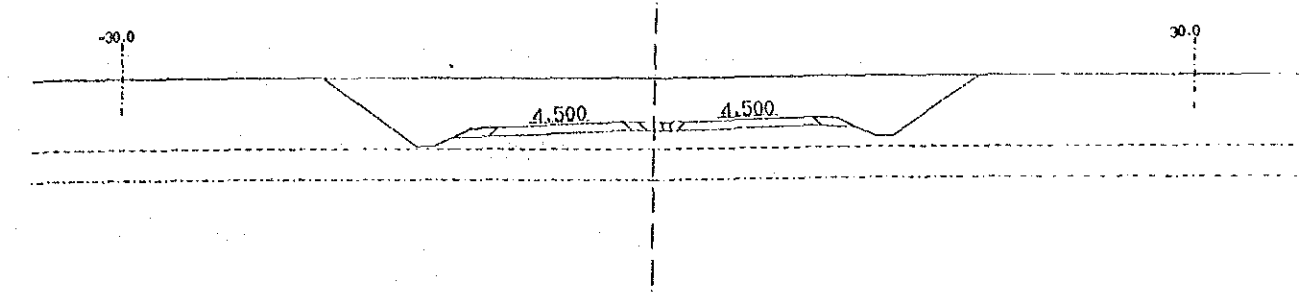
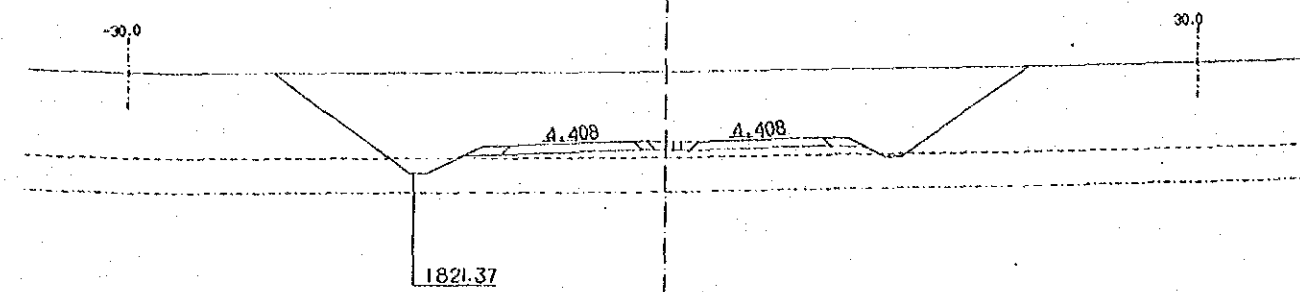
CH. 15+240  
 PI=1823.605  
 GI=1826.23

CH. 15+180  
 PI=1823.329  
 GI=1826.43

CH. 15+260  
 PI=1823.697  
 GI=1826.35

CH. 15+200  
 PI=1823.421  
 GI=1826.18

CH. 15+280  
 PI=1823.789  
 GI=1826.83



AERIAL PHOTO BY \_\_\_\_\_ SURVEYED BY \_\_\_\_\_  
 MAPPING BY \_\_\_\_\_ TRACED BY \_\_\_\_\_  
 LOCATION BY \_\_\_\_\_ CHECKED BY \_\_\_\_\_

MOPW ROADS DEPT DRG NO.

REVISIONS	
DESCRIPTION	DATE

JAPAN INTERNATIONAL  
 COOPERATION AGENCY

CHIEF ENGINEER (ROADS)  
 CHIEF SUPT. ENG. (DESIGN)

SEN SUPT. ENG. (DESIGN)  
 SUPT. ENGINEER (DESIGN)  
 PROJECT ENGINEER

SCALES  
 1 : 200

NAIROBI BYPASS  
 CROSS SECTION

SHEET103OF196

CH. 15+300  
 P+1823.881  
 G+1827.26

CH. 15+372.375  
 P+1824.214  
 G+1829.00

CH. 15+320  
 P+1823.973  
 G+1828.19

CH. 15+380  
 P+1824.249  
 G+1829.09

CH. 15+340  
 P+1824.065  
 G+1828.70

CH. 15+400  
 P+1824.341  
 G+1828.94

CH. 15+360  
 P+1824.157  
 G+1828.88

CH. 15+420  
 P+1824.433  
 G+1828.80

SURVEYED BY  
 TRACED BY  
 CHECKED BY  
 AERIAL PHOTO BY  
 MAPPING BY  
 LOCATION BY

M.O.P.W. ROADS DEPT. DRG. NO.

REVISIONS	
DESCRIPTION	DATE

JAPAN INTERNATIONAL  
 COOPERATION AGENCY

CHIEF ENGINEER (ROADS)  
 CHIEF SUPT. ENG. (DESIGN)

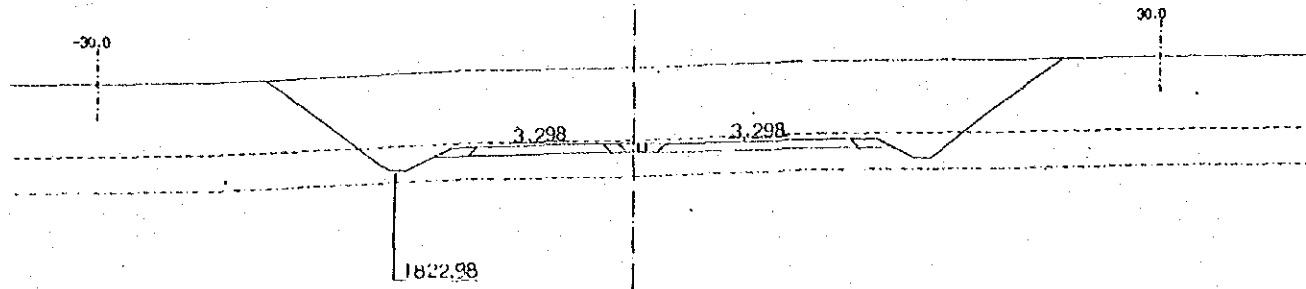
SEN. SUPT. ENG. (DESIGN)  
 SUPT. ENGINEER (DESIGN)  
 PROJECT ENGINEER

SCALES  
 1 : 200

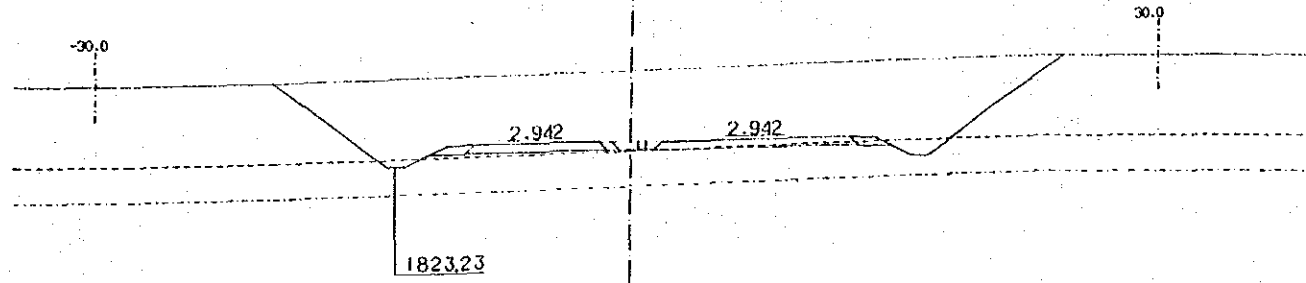
NAIROBI BYPASS  
 CROSS SECTION

SHEET 1040F196

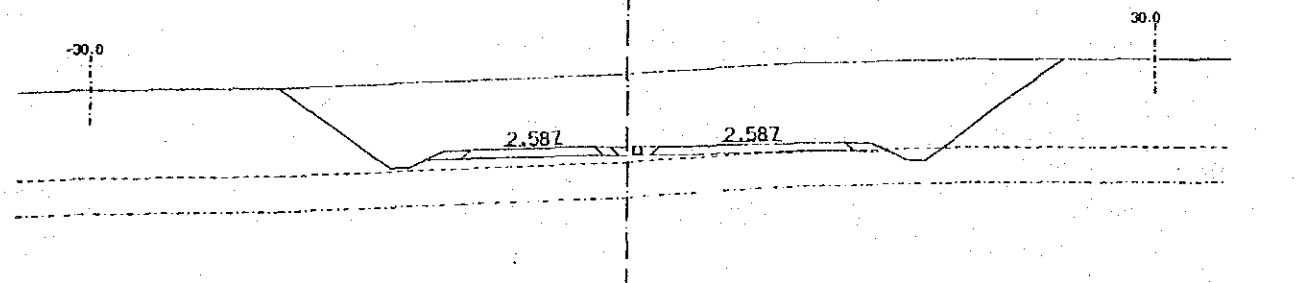
CH. 15+440  
 PI=1824.525  
 GI=1828.71



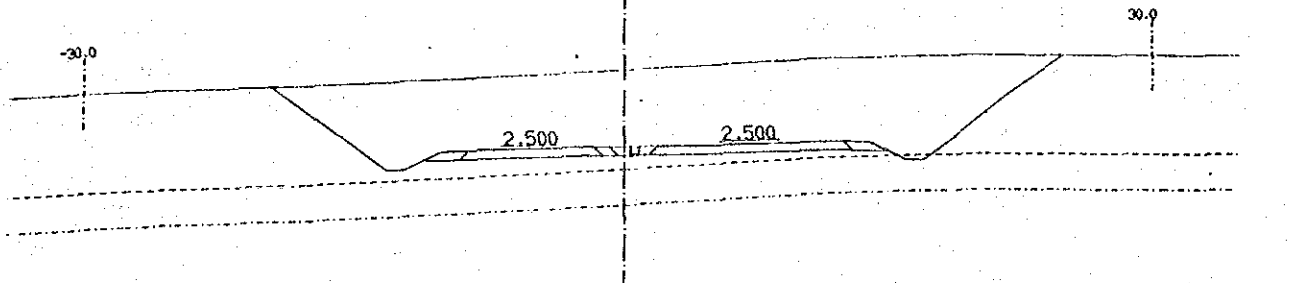
CH. 15+460  
 PI=1824.617  
 GI=1828.59



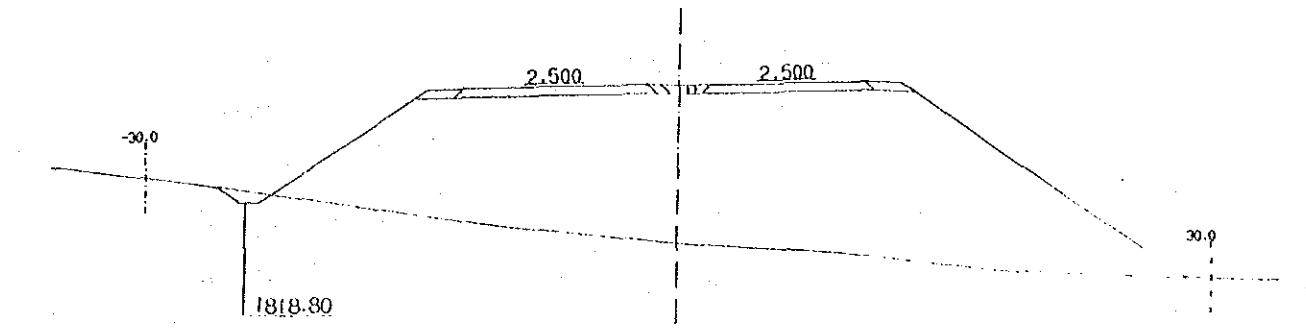
CH. 15+480  
 PI=1824.709  
 GI=1828.84



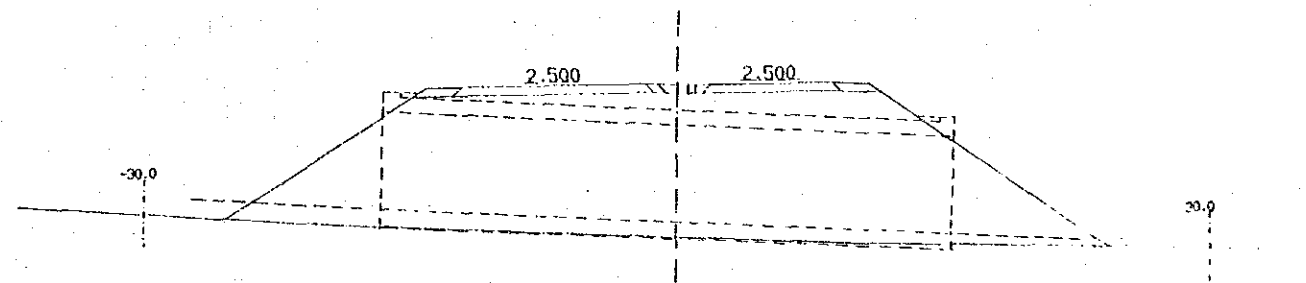
CH. 15+484.875  
 PI=1824.731  
 GI=1828.99



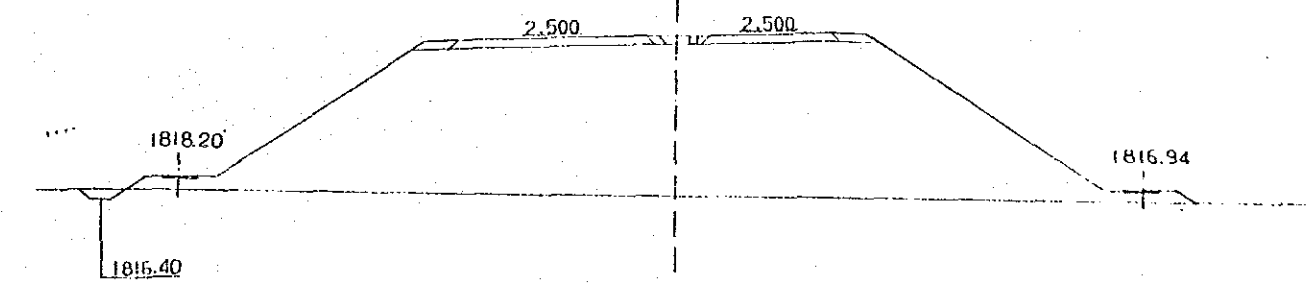
CH. 15+500  
 PI=1825.651  
 GI=1816.87



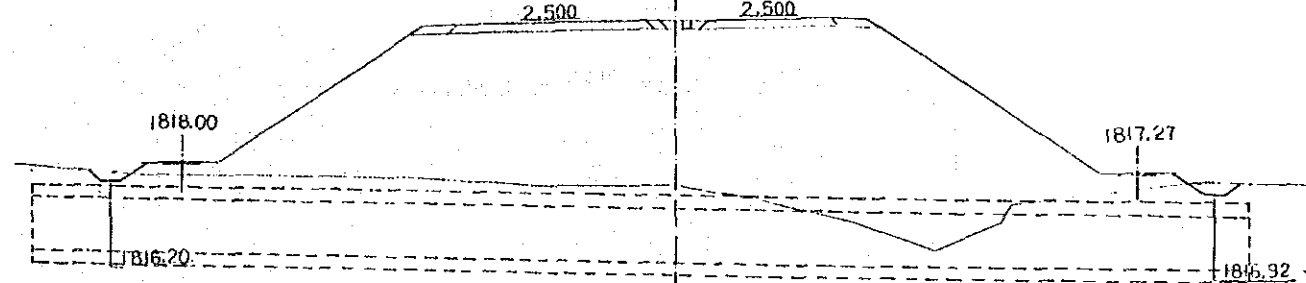
CH. 15+520  
 PI=1825.743  
 GI=1817.10



CH. 15+540  
 PI=1825.835  
 GI=1816.71



CH. 15+560  
 PI=1825.927  
 GI=1816.72



AERIAL PHOTO BY	SURVEYED BY
MAPPING BY	TRACED BY
LOCATION BY	CHECKED BY

MOPW ROADS DEPT DRG NO.

REVISIONS	DESCRIPTION	DATE

JAPAN INTERNATIONAL  
 COOPERATION AGENCY

CHIEF ENGINEER (ROADS)  
 CHIEF SUPT. ENG. (DESIGN)

SEN. SUPT. ENG. (DESIGN)  
 SUPT. ENGINEER (DESIGN)  
 PROJECT ENGINEER

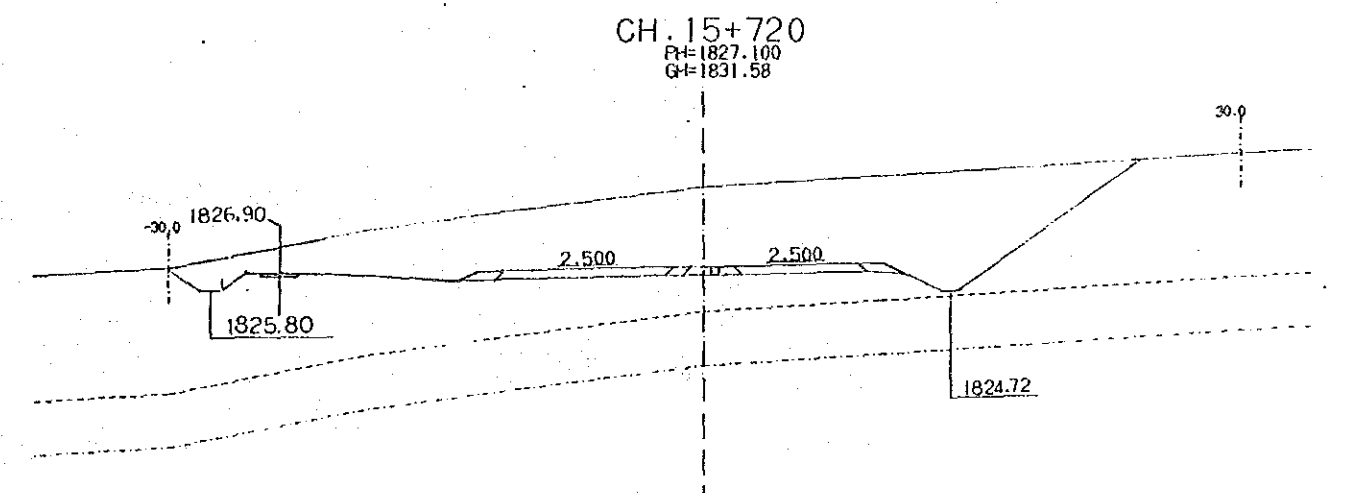
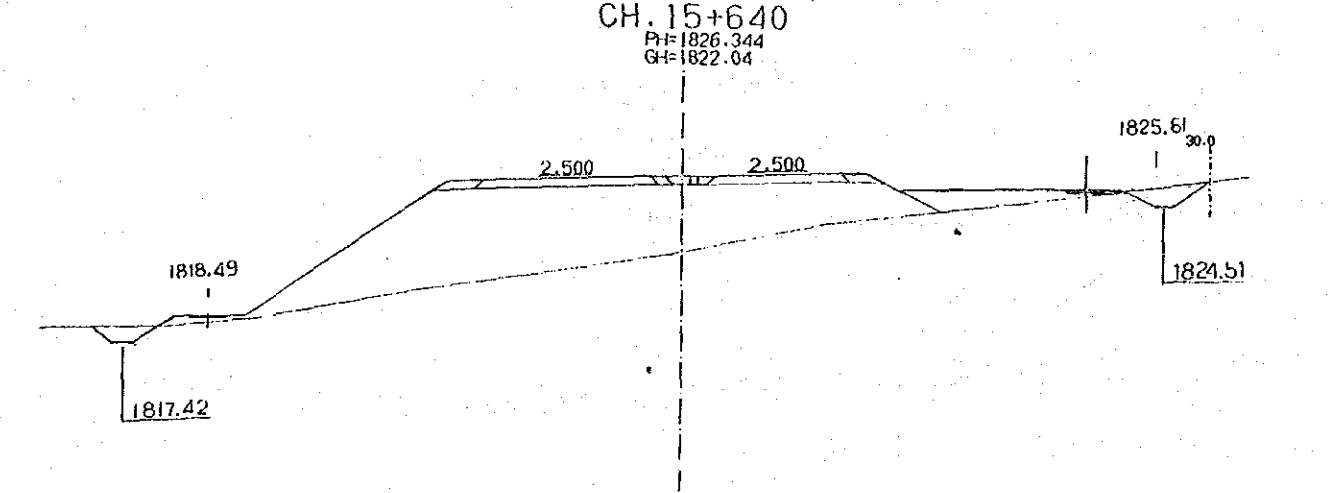
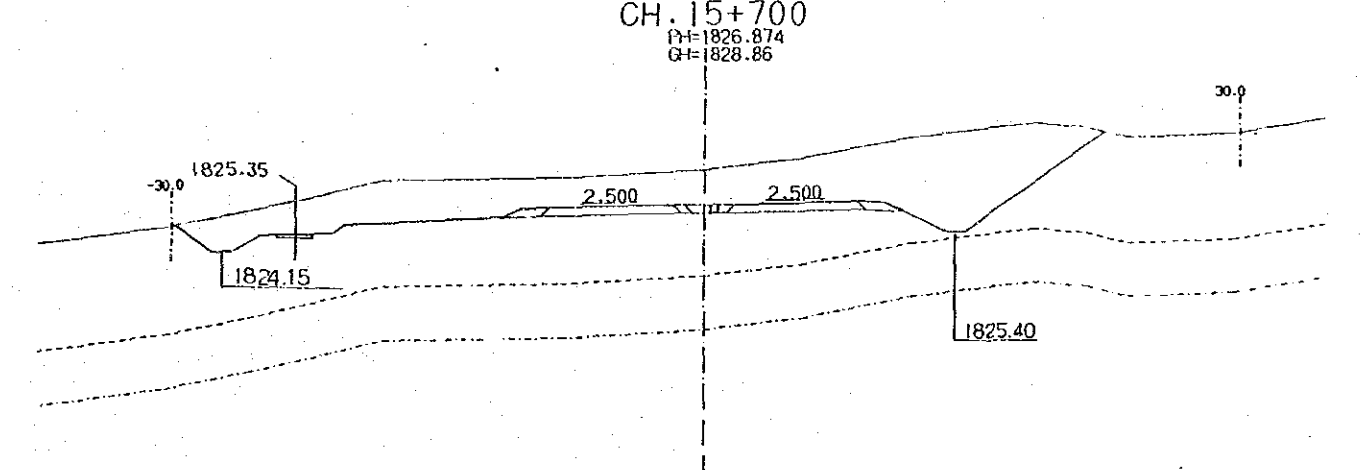
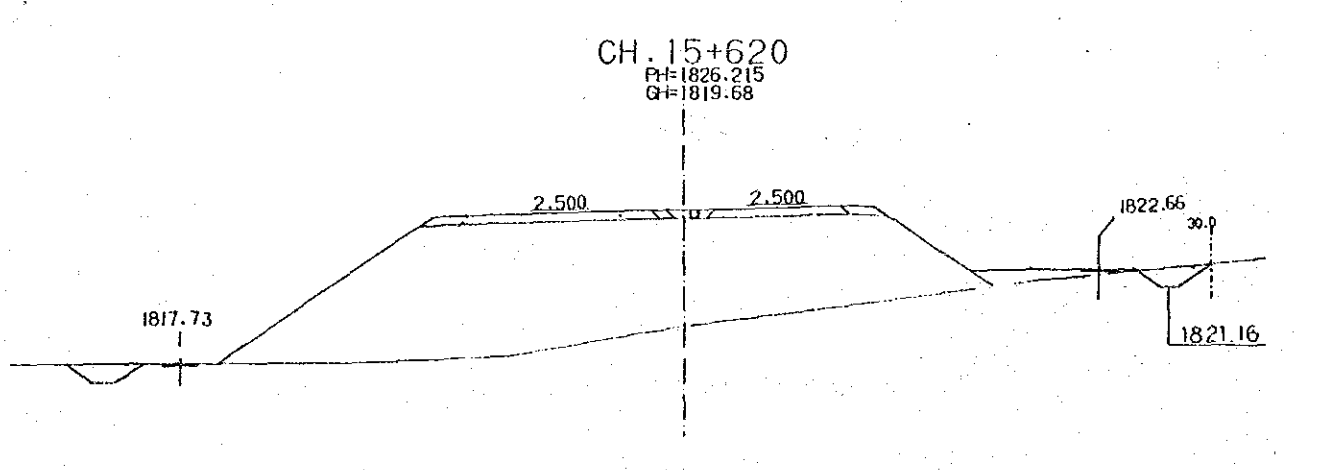
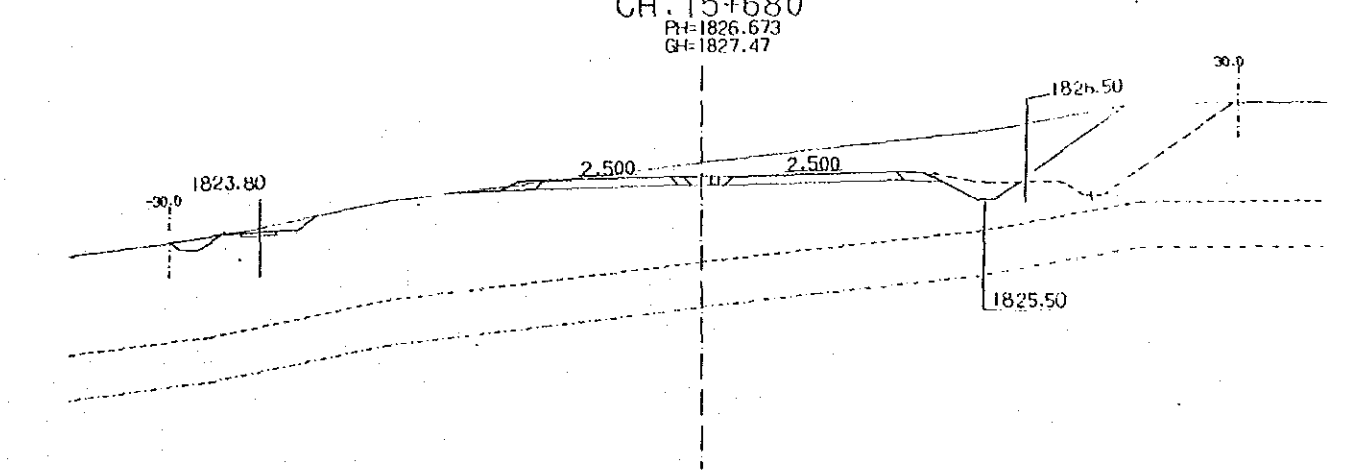
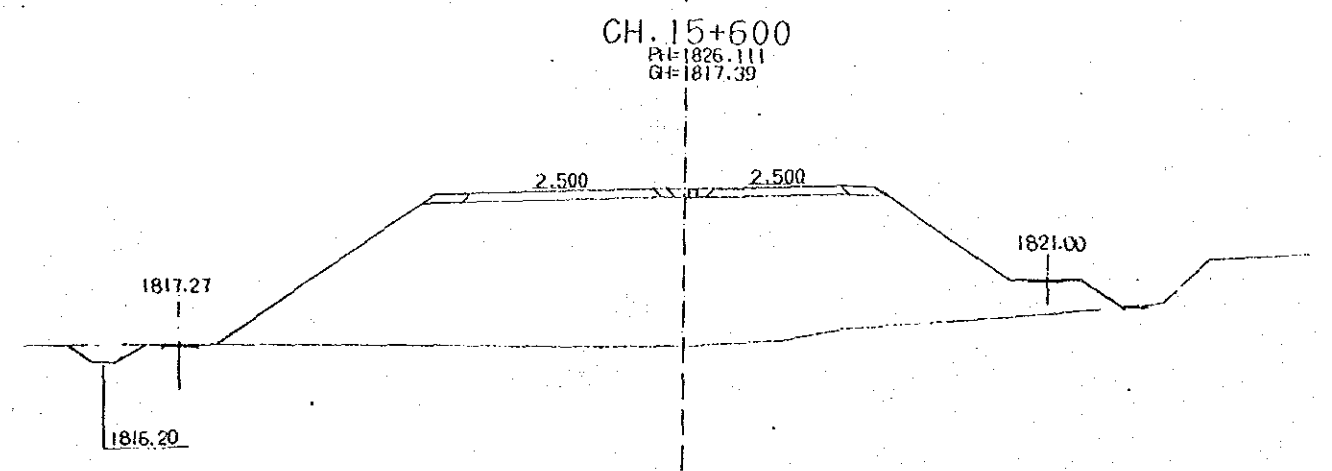
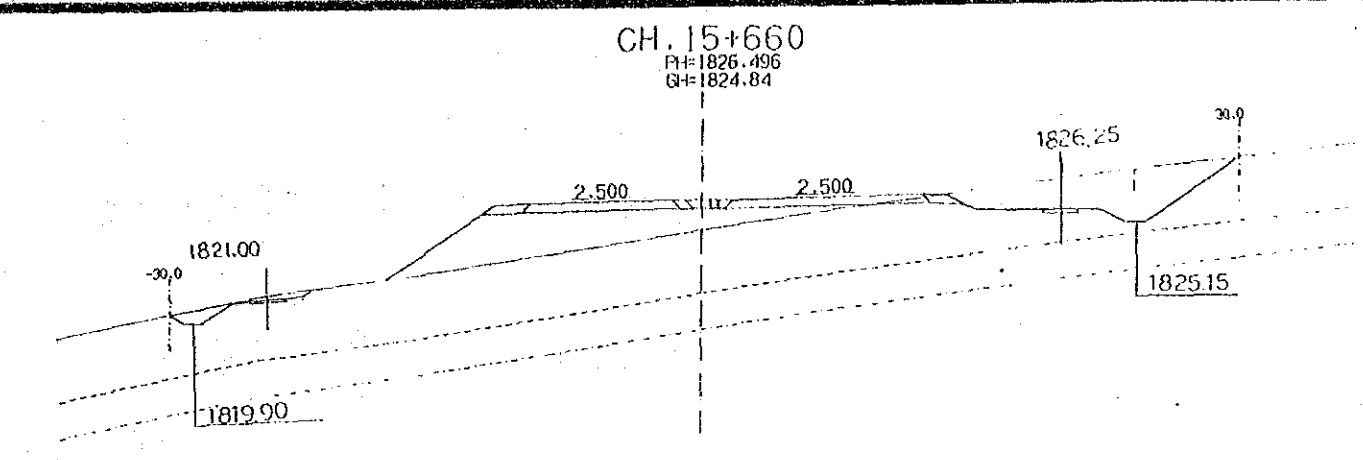
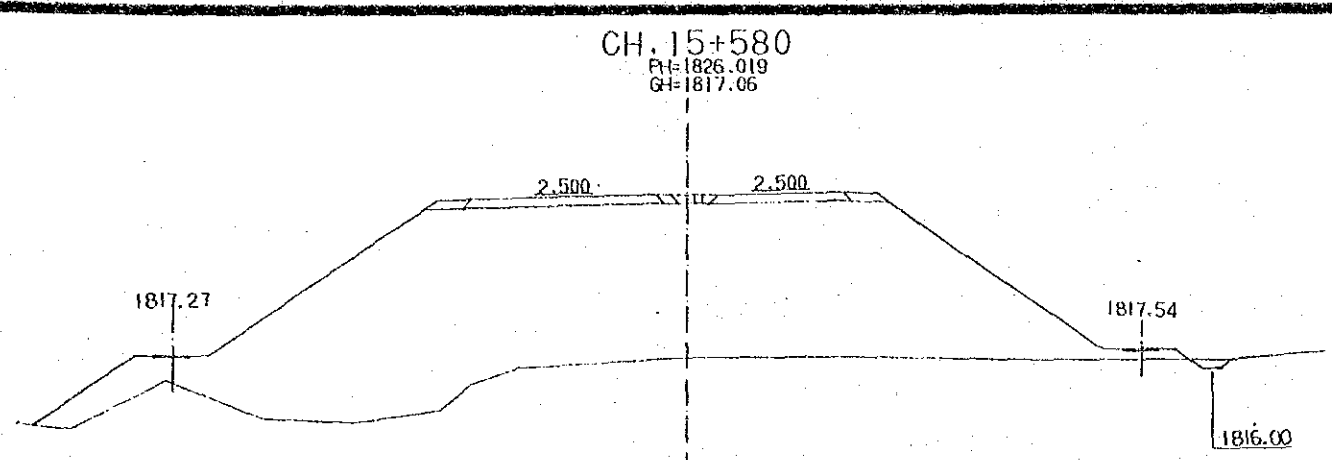
SCALES  
 1 : 200

NAIROBI BYPASS  
 CROSS SECTION

SHEET 105 OF 196

SURVEYED BY  
 TRACED BY  
 CHECKED BY  
 AERIAL PHOTO BY  
 MAPPING BY  
 LOCATION BY

M.O.P.W. ROADS DEPT DRG NO



REVISIONS	
DESCRIPTION	DATE

JAPAN INTERNATIONAL  
COOPERATION AGENCY

CHIEF ENGINEER (ROADS)  
CHIEF SUPT. ENG. (DESIGN)

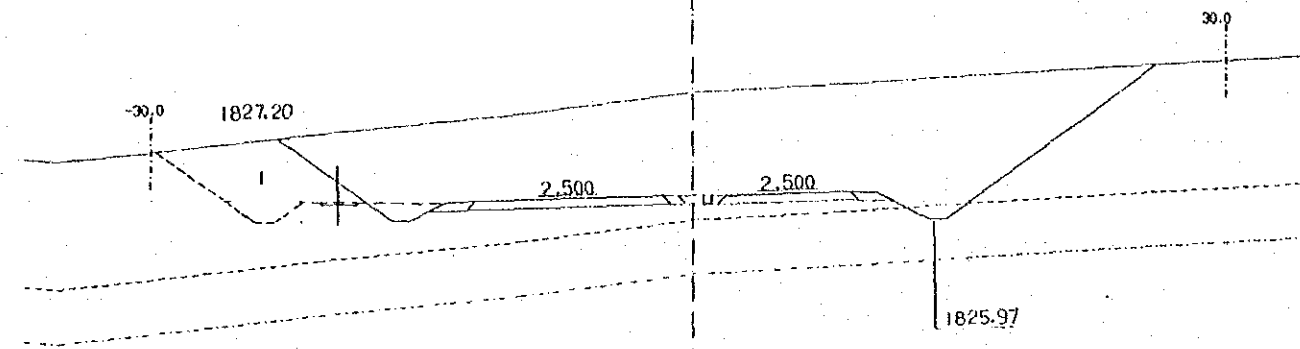
SEN SUPT. ENG. (DESIGN)  
SUPT. ENGINEER (DESIGN)  
PROJECT ENGINEER

SCALES  
1 : 200

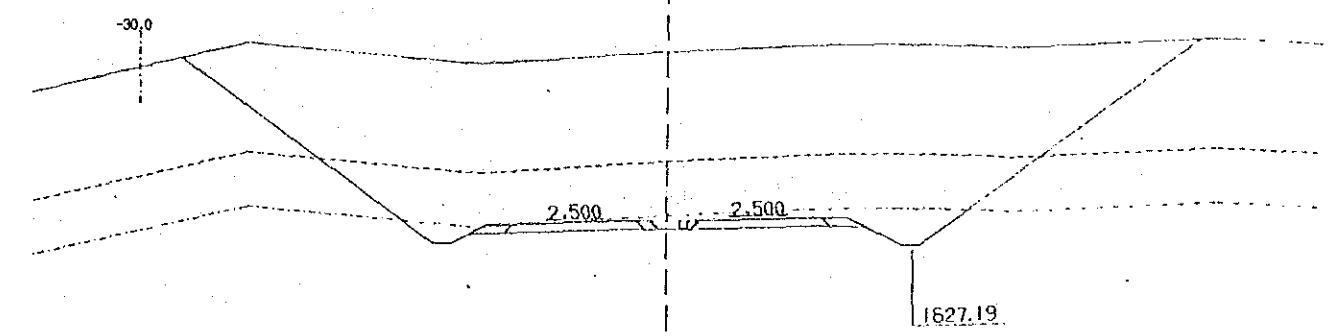
NAIROBI BYPASS  
CROSS SECTION

SHEET 106 OF 196

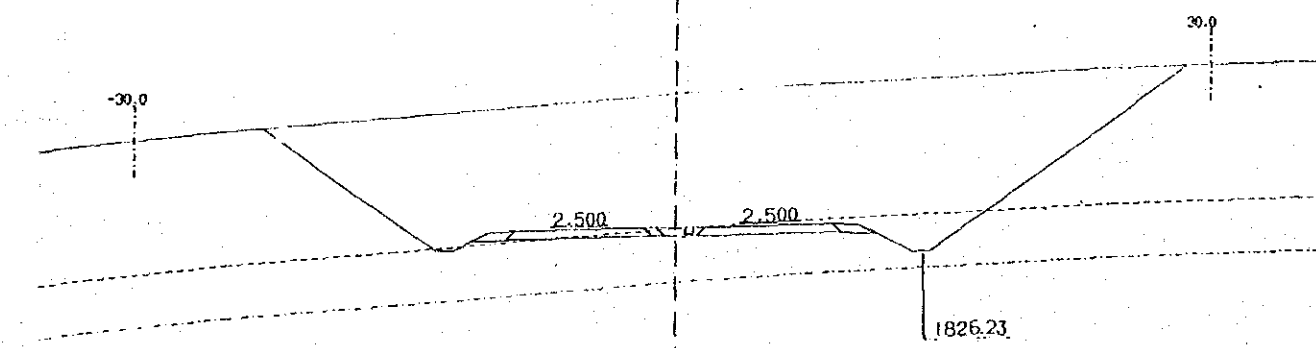
CH. 15+740  
 PI=1827.350  
 GI=1833.01



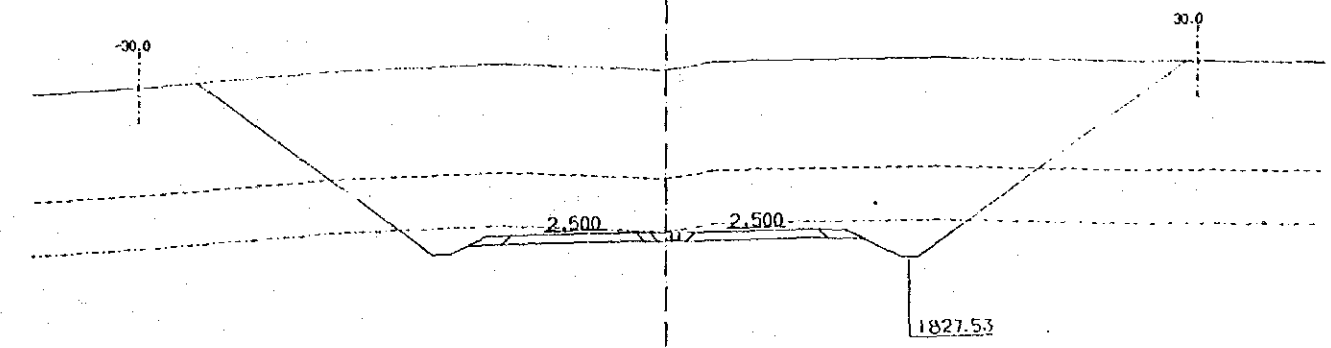
CH. 15+820  
 PI=1828.579  
 GI=1837.88



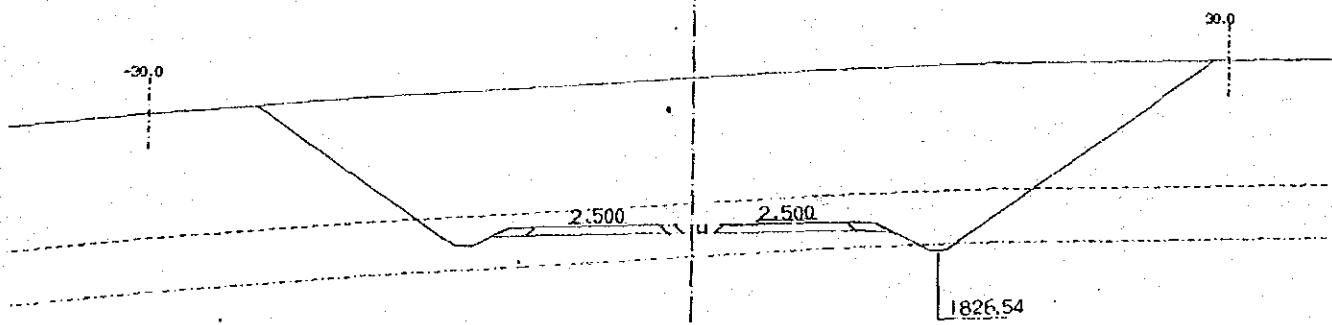
CH. 15+760  
 PI=1827.624  
 GI=1835.07



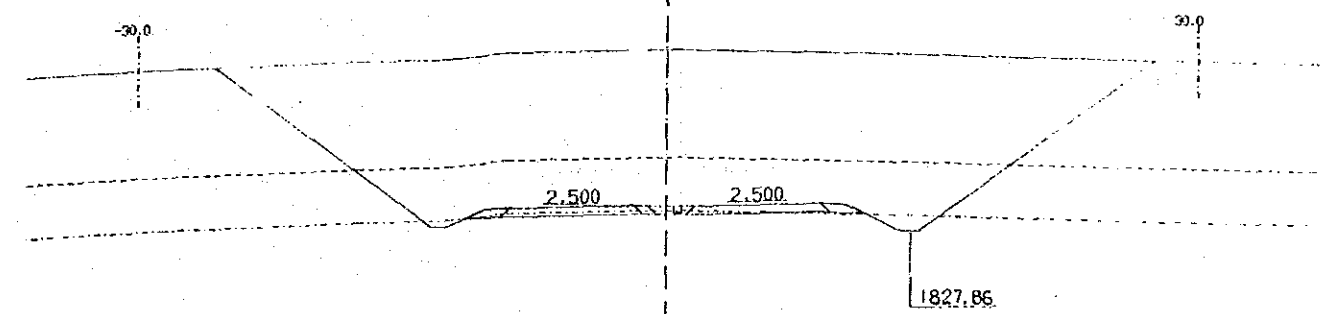
CH. 15+840  
 PI=1828.914  
 GI=1837.93



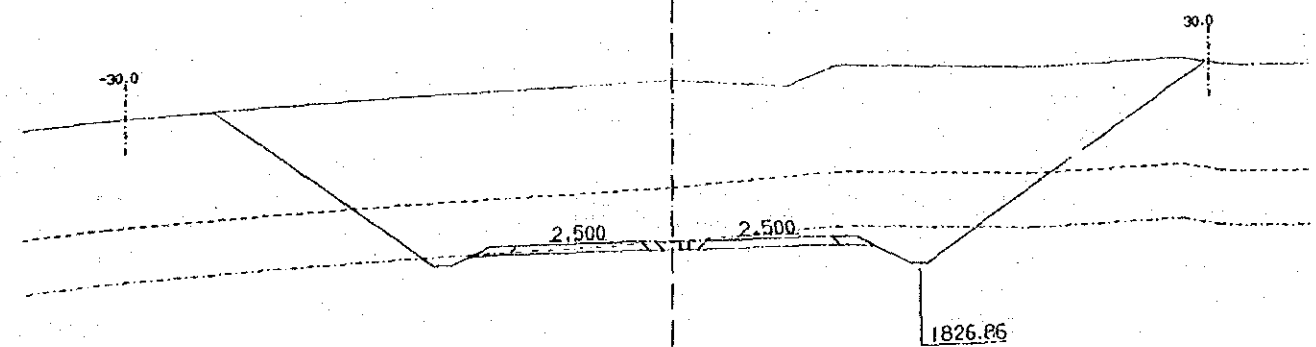
CH. 15+780  
 PI=1827.922  
 GI=1836.13



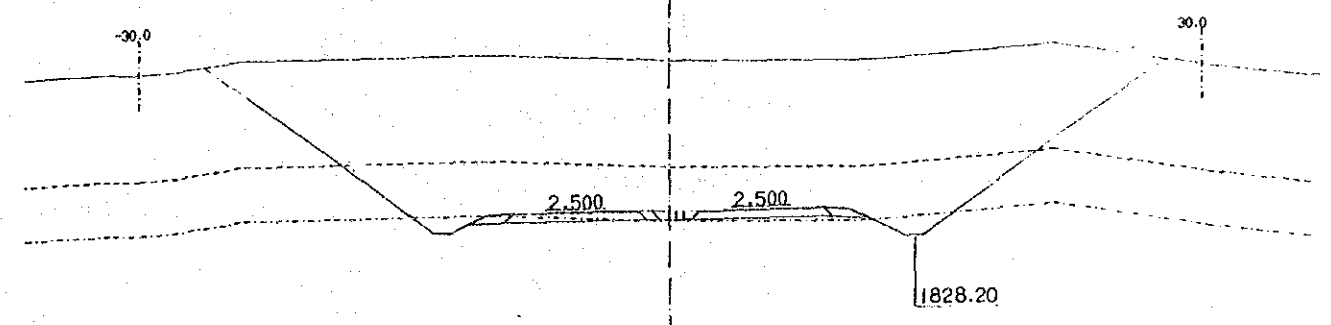
CH. 15+860  
 PI=1829.249  
 GI=1838.00



CH. 15+800  
 PI=1828.245  
 GI=1837.20



CH. 15+880  
 PI=1829.583  
 GI=1838.02



SURVEYED BY  
 TRACED BY  
 CHECKED BY  
 AERIAL PHOTO BY  
 MAPPING BY  
 LOCATION BY

M.O.P.W. ROADS DEPT. DRG. NO.

REVISIONS	
DESCRIPTION	DATE

JAPAN INTERNATIONAL  
 COOPERATION AGENCY

CHIEF ENGINEER (ROADS)  
 CHIEF SUPT. ENG. (DESIGN)

SEN. SUPT. ENG. (DESIGN)  
 SUPT. ENGINEER (DESIGN)  
 PROJECT ENGINEER

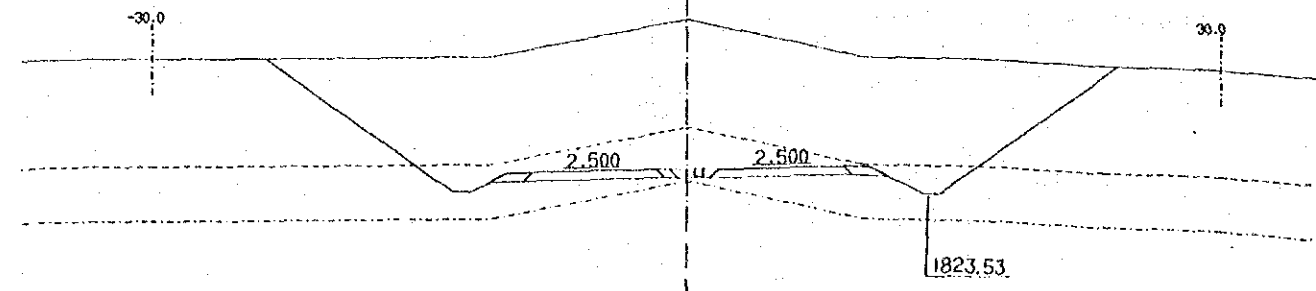
SCALES  
 1 : 200

NAIROBI BYPASS  
 CROSS SECTION

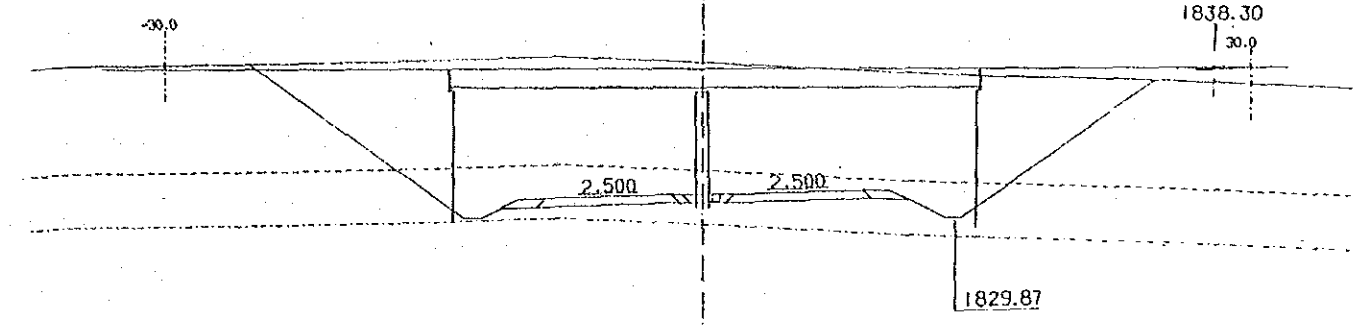
SHEET 107 OF 196



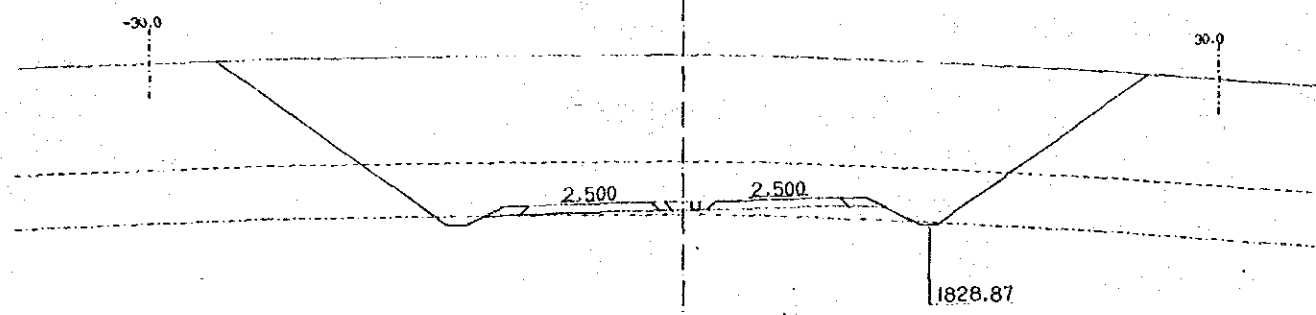
CH. 15+900  
 PI=1829.918  
 GI=1838.26



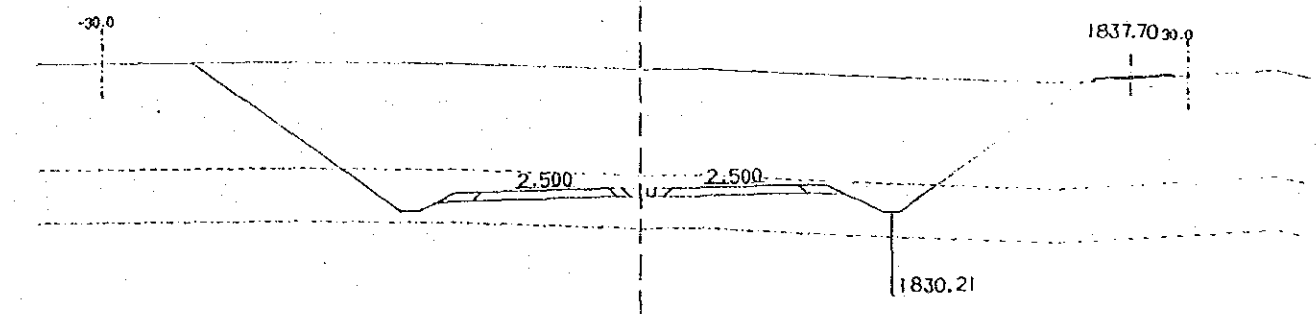
CH. 15+980  
 PI=1831.257  
 GI=1838.59



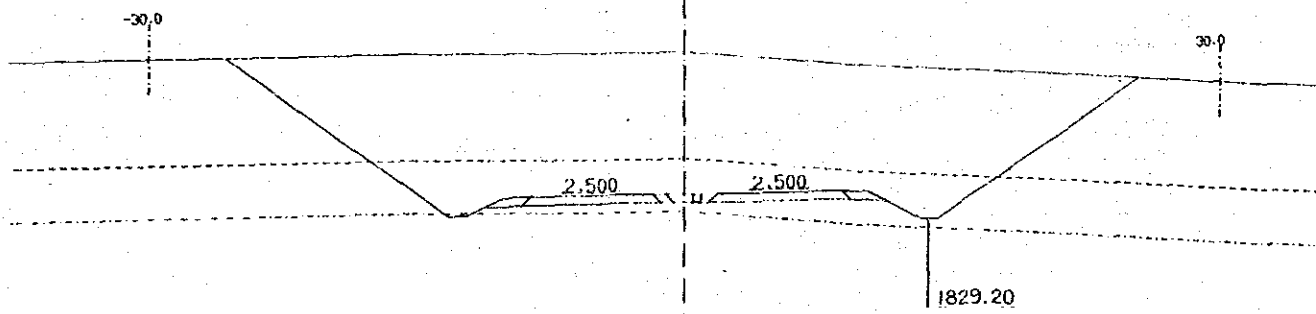
CH. 15+920  
 PI=1830.253  
 GI=1838.54



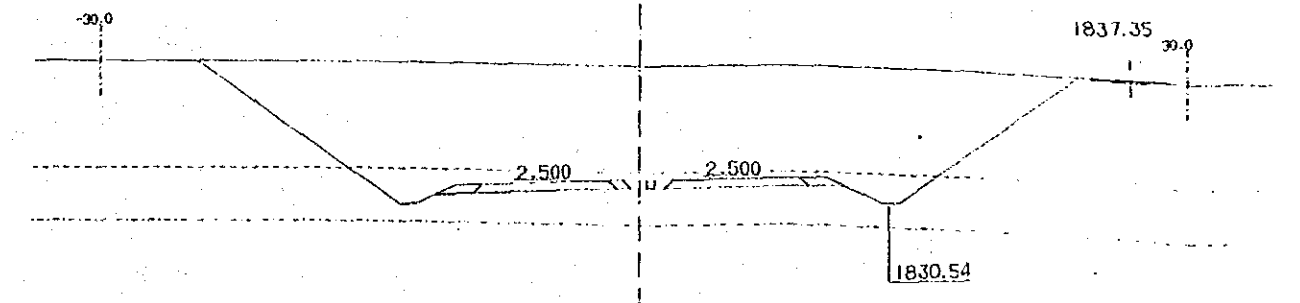
CH. 16+0  
 PI=1831.592  
 GI=1838.31



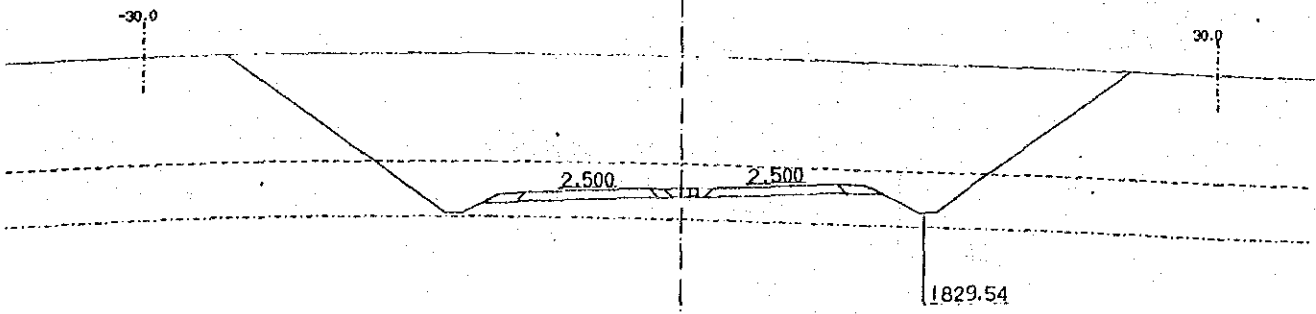
CH. 15+940  
 PI=1830.587  
 GI=1838.63



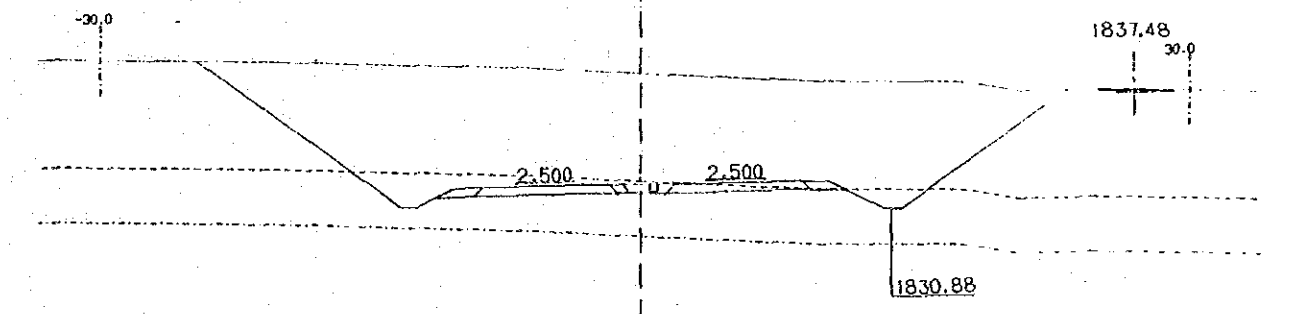
CH. 16+20  
 PI=1831.926  
 GI=1838.36



CH. 15+960  
 PI=1830.922  
 GI=1838.25



CH. 16+40  
 PI=1832.261  
 GI=1838.42



AERIAL PHOTO BY	SURVEYED BY
	TRACED BY
	CHECKED BY
MAPPING BY	BY
	BY
	BY
LOCATION BY	BY
	BY
	BY

M.O.P.W. ROADS DEPT. DRG. NO.

REVISIONS	
DESCRIPTION	DATE

JAPAN INTERNATIONAL COOPERATION AGENCY  
 CHIEF ENGINEER (ROADS)  
 CHIEF SUPT. ENG. (DESIGN)

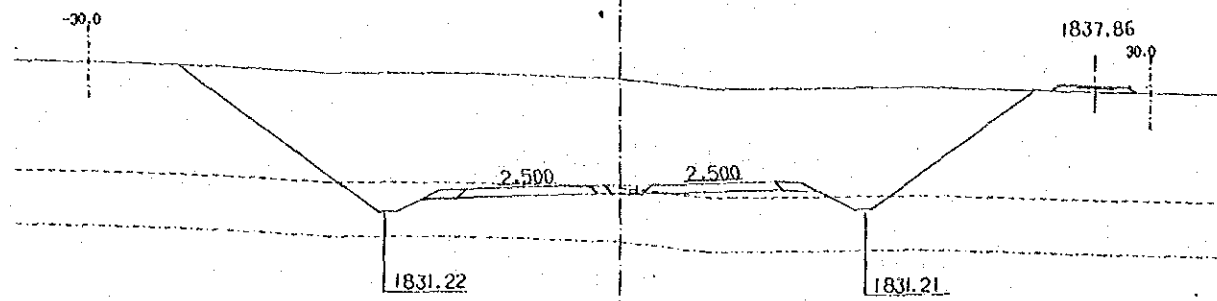
SEN. SUPT. ENG. (DESIGN)  
 SUPT. ENGINEER (DESIGN)  
 PROJECT ENGINEER

SCALES  
 1 : 200

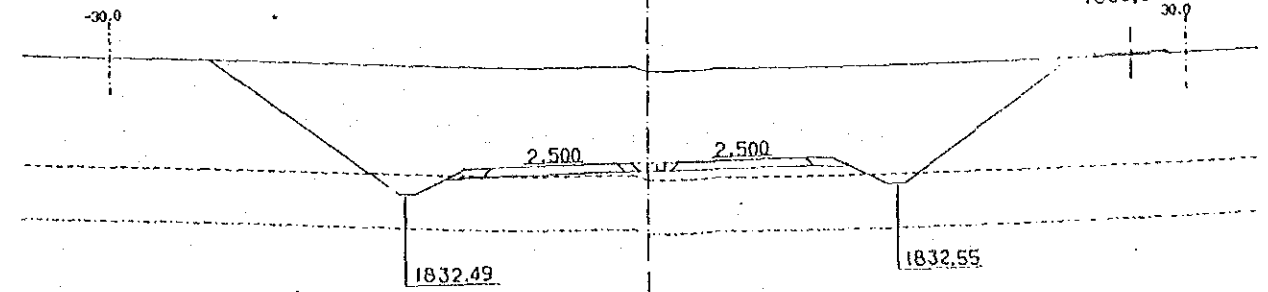
NAIROBI BYPASS  
 CROSS SECTION

SHEET 106 OF 196

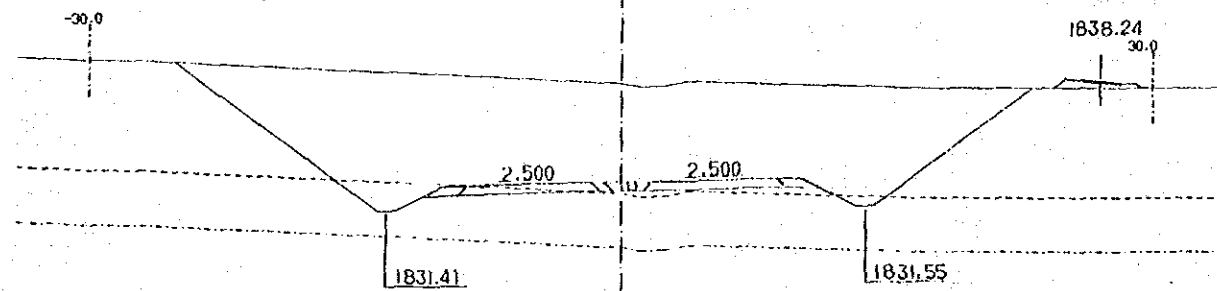
CH. 16+60  
 PI=1832.596  
 GI=1838.45



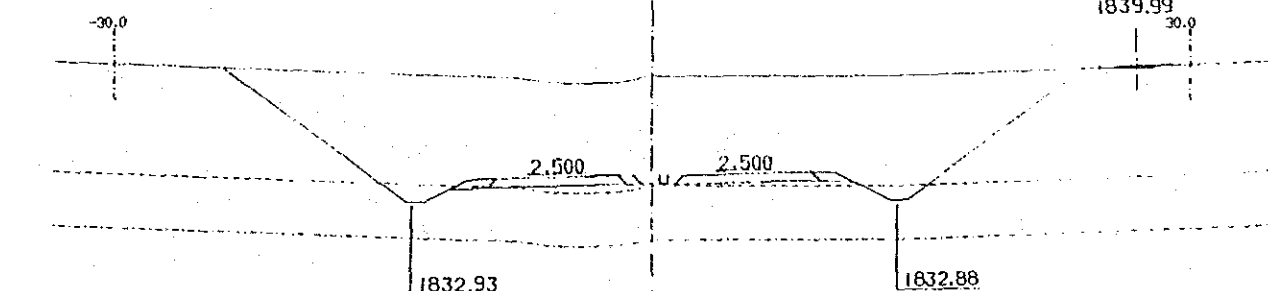
CH. 16+140  
 PI=1833.934  
 GI=1838.94



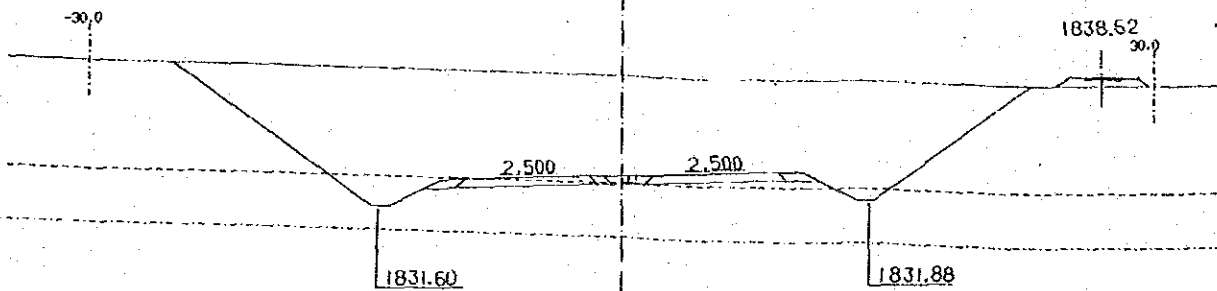
CH. 16+80  
 PI=1832.930  
 GI=1838.28



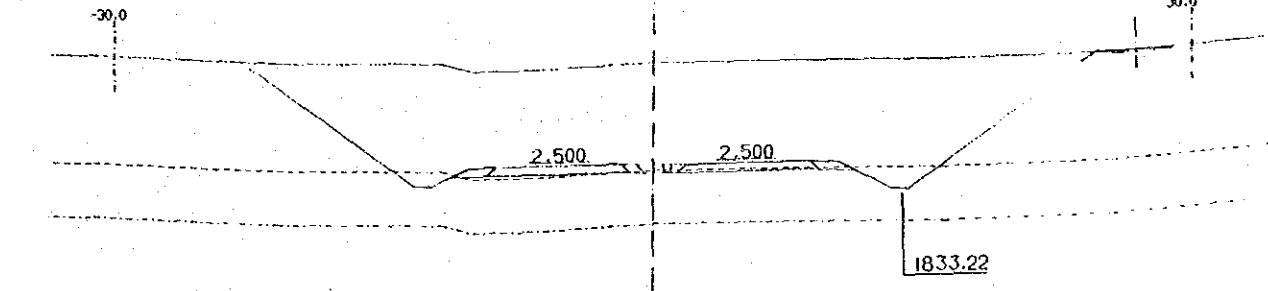
CH. 16+160  
 PI=1834.269  
 GI=1839.70



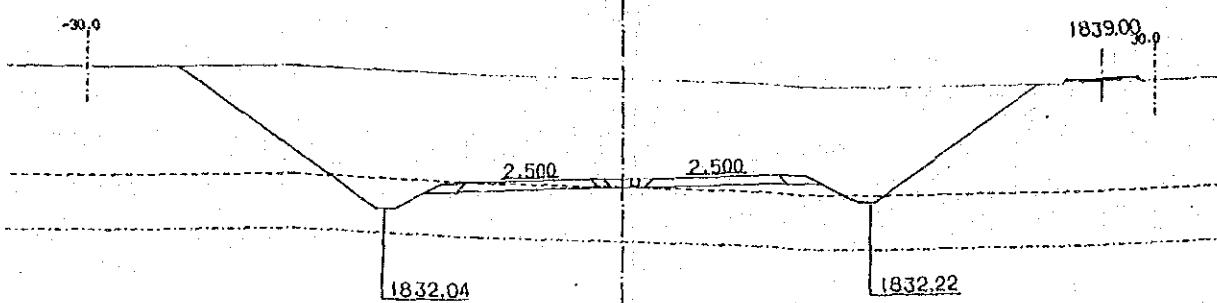
CH. 16+100  
 PI=1833.265  
 GI=1838.85



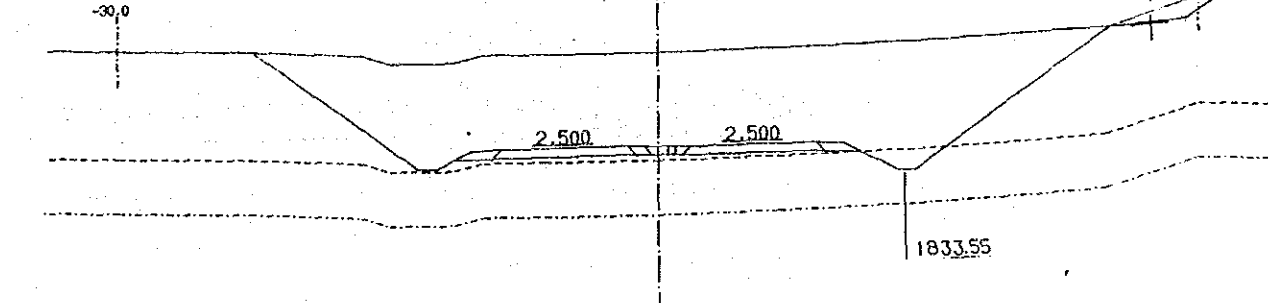
CH. 16+180  
 PI=1834.604  
 GI=1840.27



CH. 16+120  
 PI=1833.600  
 GI=1839.14



CH. 16+200  
 PI=1834.939  
 GI=1840.15



SURVEYED BY  
 MAPPING BY  
 LOCATION BY  
 TRACED BY  
 CHECKED BY

M.C.P.W. ROADS DEPT. DRG. NO.

REVISIONS	
DESCRIPTION	DATE

JAPAN INTERNATIONAL  
 COOPERATION AGENCY

CHIEF ENGINEER (ROADS)  
 CHIEF SUPT. ENG. (DESIGN)

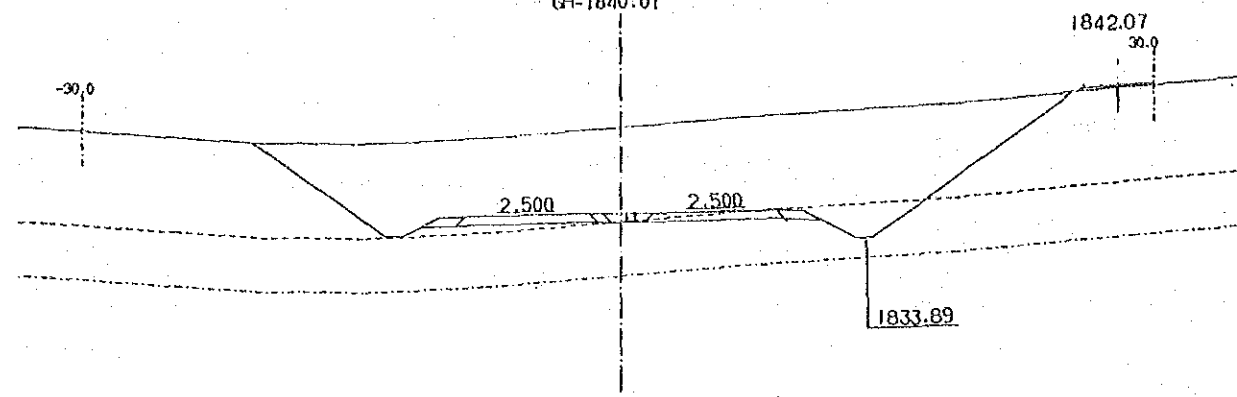
SEN. SUPT. ENG. (DESIGN)  
 SUPT. ENGINEER (DESIGN)  
 PROJECT ENGINEER

SCALES  
 1" = 200'

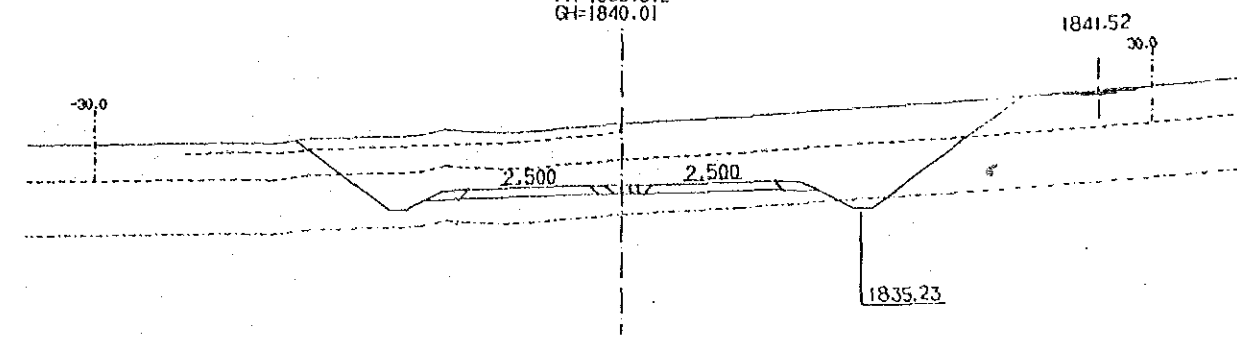
NAIROBI BYPASS  
 CROSS SECTION

SHEET 109 OF 196

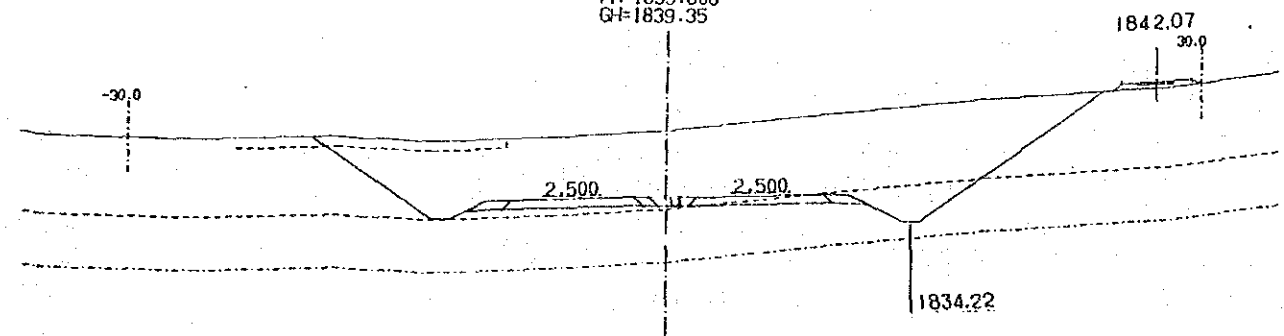
CH. 16+220  
 PI=1835.273  
 GI=1840.01



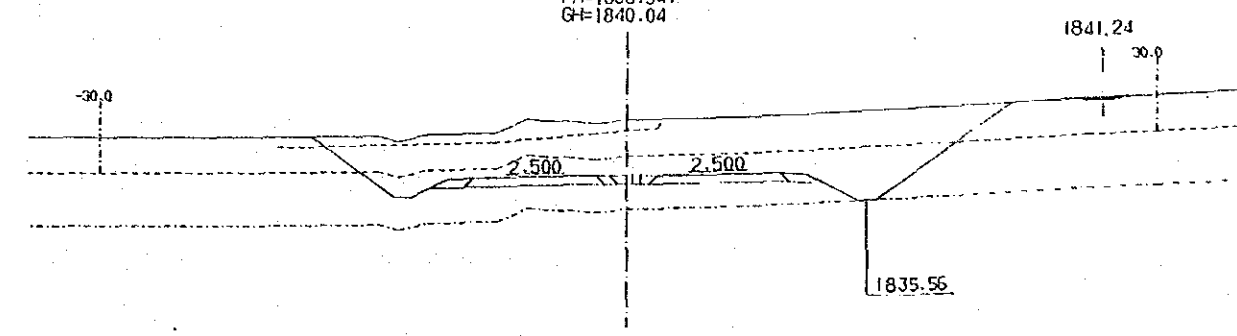
CH. 16+300  
 PI=1836.612  
 GI=1840.01



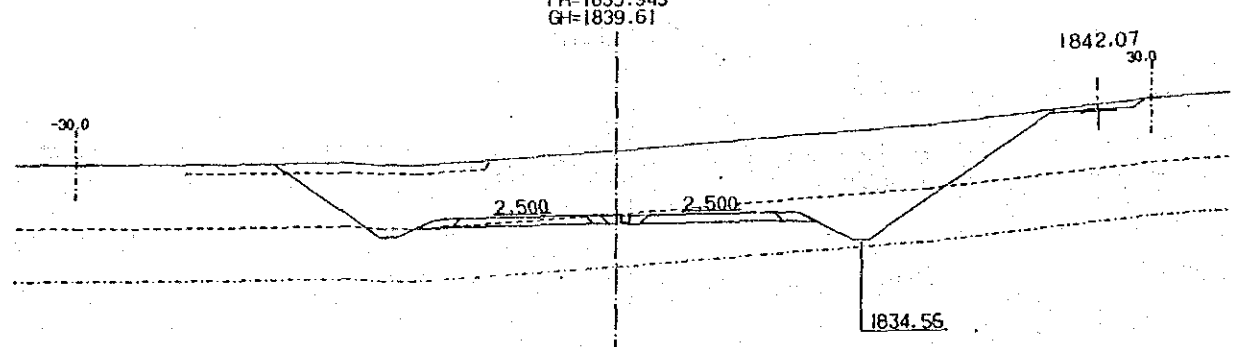
CH. 16+240  
 PI=1835.608  
 GI=1839.35



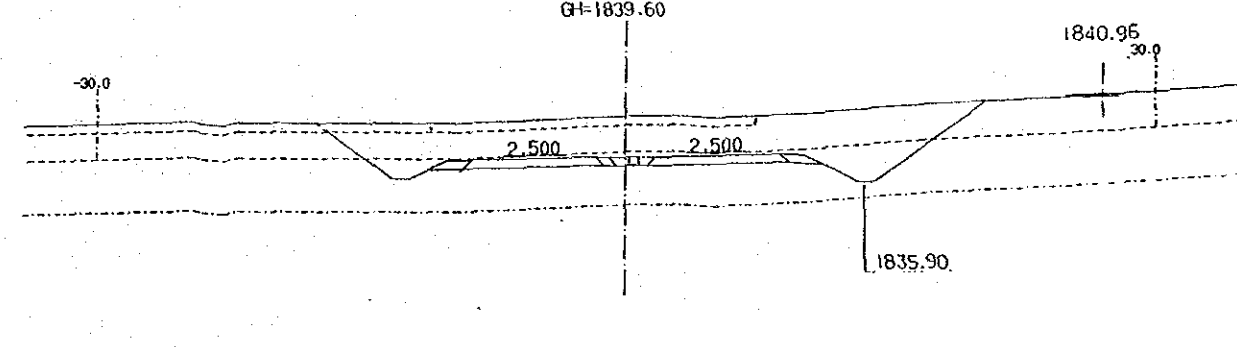
CH. 16+320  
 PI=1836.947  
 GI=1840.04



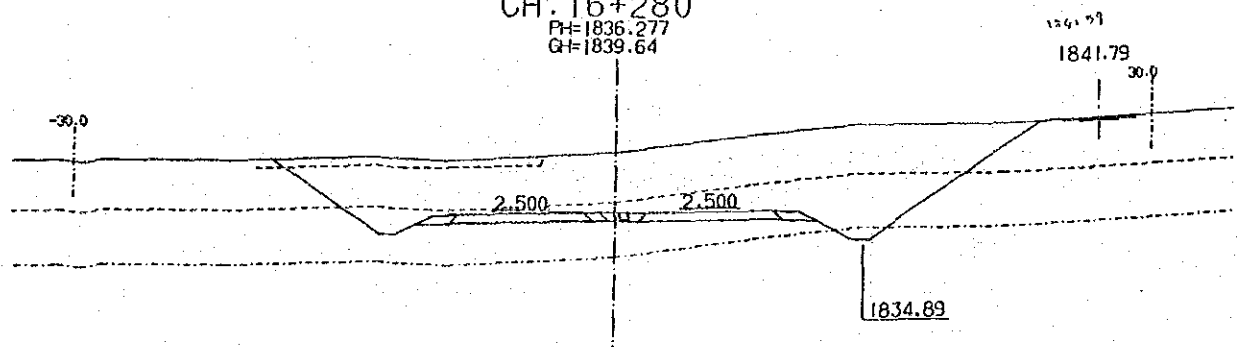
CH. 16+260  
 PI=1835.943  
 GI=1839.61



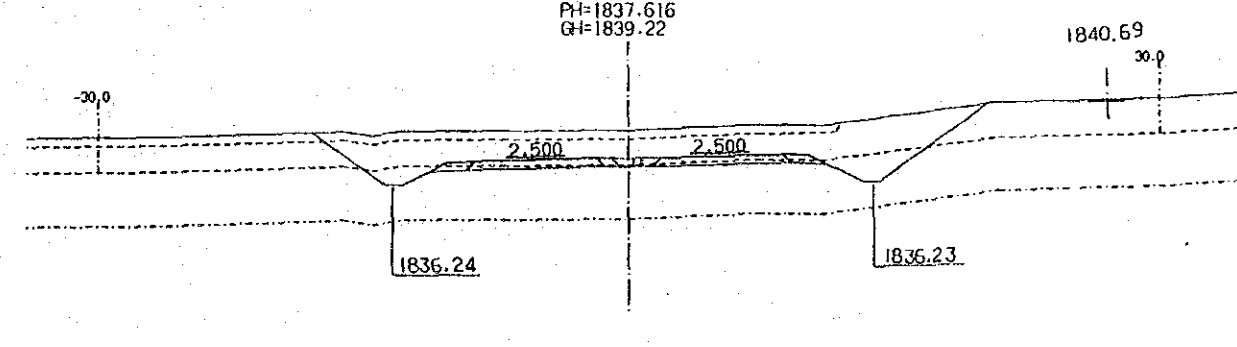
CH. 16+340  
 PI=1837.281  
 GI=1839.60



CH. 16+280  
 PI=1836.277  
 GI=1839.64



CH. 16+360  
 PI=1837.616  
 GI=1839.22



SURVEYED BY  
 MAPPING BY  
 LOCATION BY  
 TRACED BY  
 CHECKED BY

MOPW ROADS DEPT. DRG. NO.

REVISIONS	
DESCRIPTION	DATE

JAPAN INTERNATIONAL  
 COOPERATION AGENCY

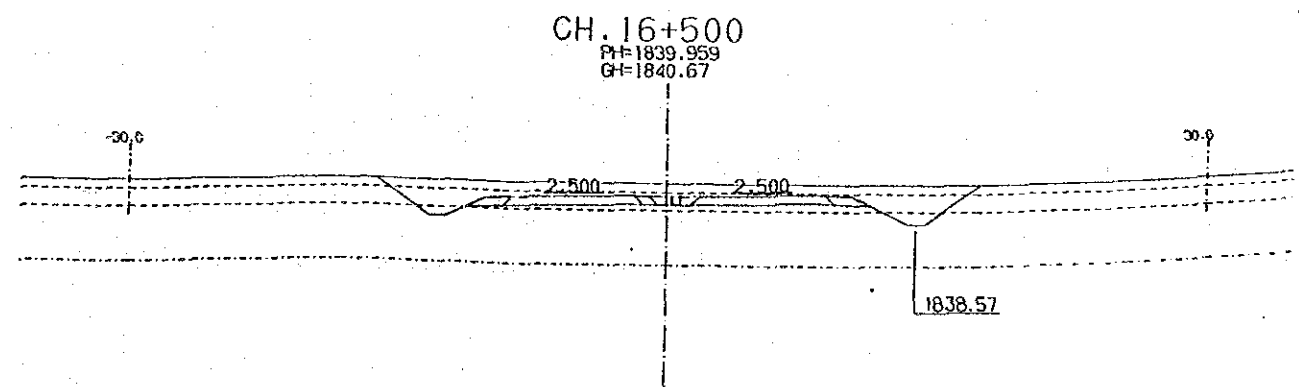
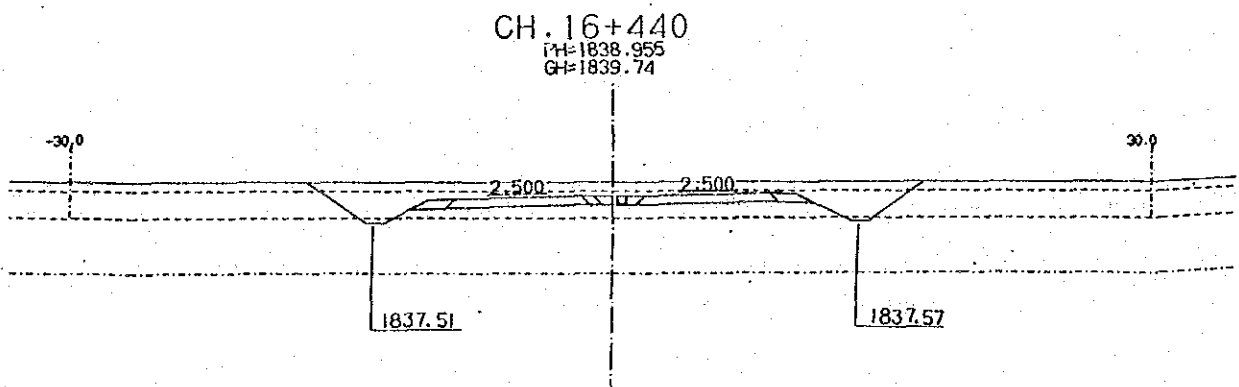
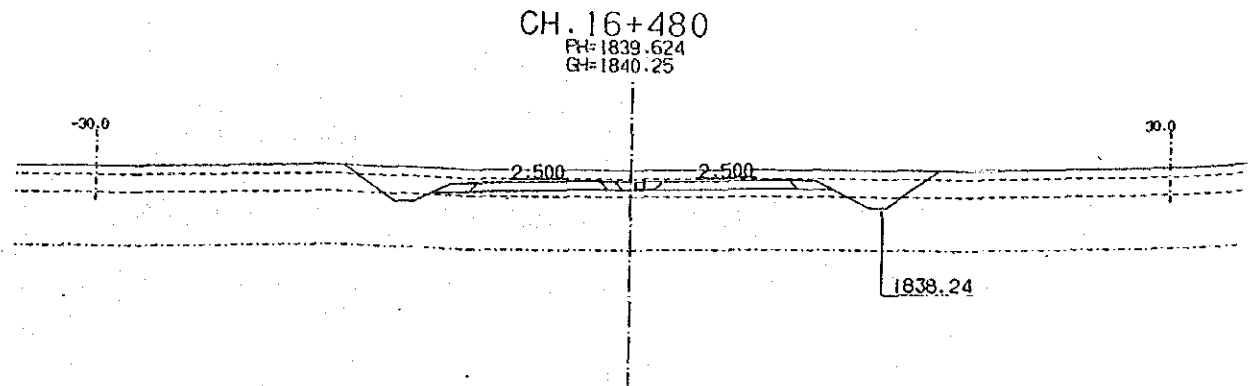
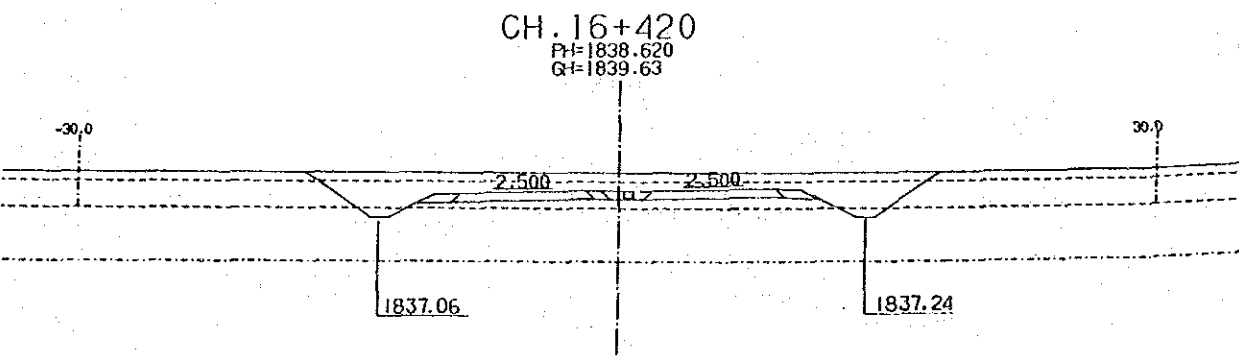
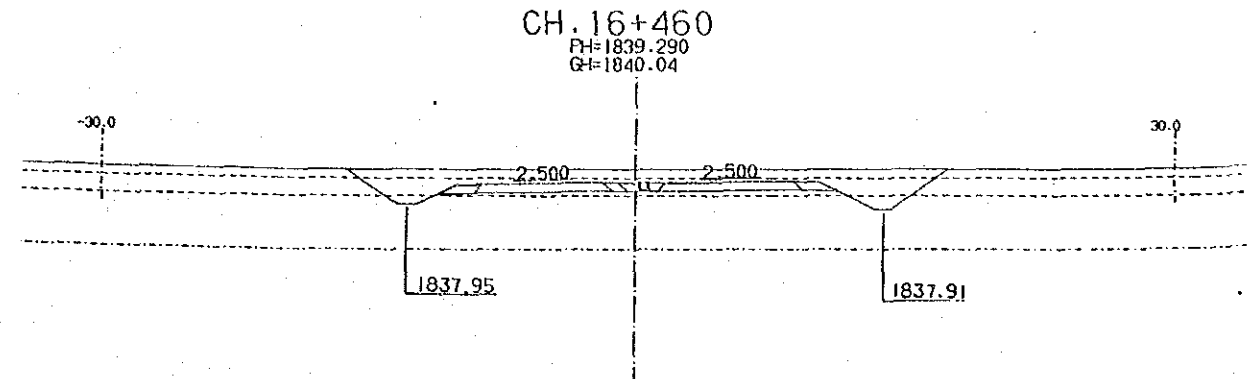
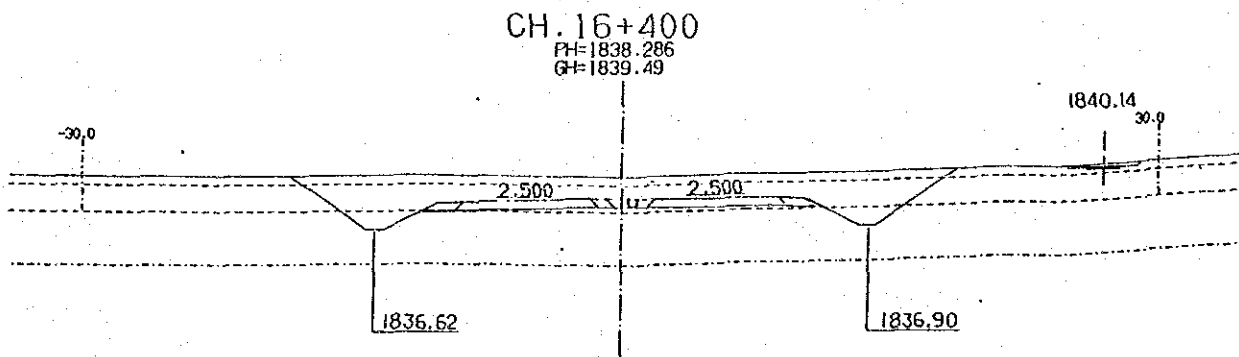
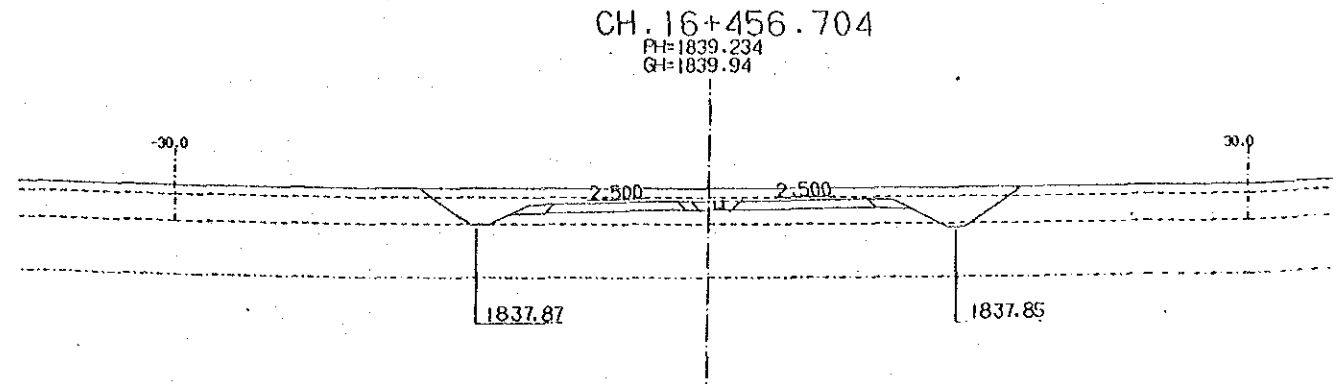
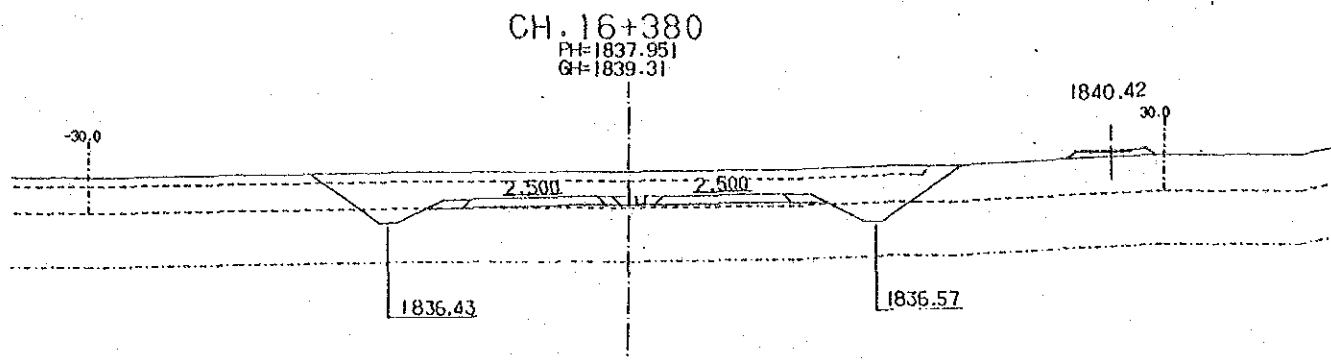
CHIEF ENGINEER (ROADS)  
 CHIEF SUPT. ENG. (DESIGN)

SEN. SUPT. ENG. (DESIGN)  
 SUPT. ENGINEER (DESIGN)  
 PROJECT ENGINEER

SCALES  
 1 : 200

NAIROBI BYPASS  
 CROSS SECTION

SHEET 10 OF 196



AERIAL PHOTO BY \_\_\_\_\_  
 MAPPING BY \_\_\_\_\_  
 SURVEYED BY \_\_\_\_\_  
 TRACED BY \_\_\_\_\_  
 LOCATION BY \_\_\_\_\_  
 CHECKED BY \_\_\_\_\_

M.O.P.W. ROADS DEPT. DRG. NO. \_\_\_\_\_

REVISIONS	
DESCRIPTION	DATE

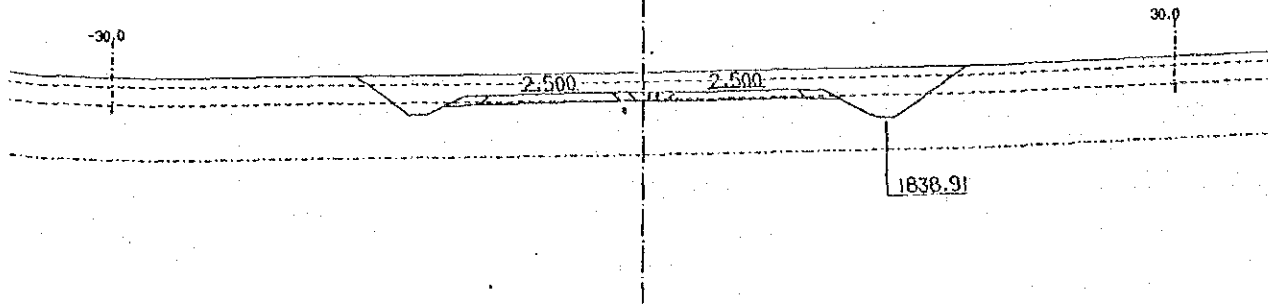
JAPAN INTERNATIONAL COOPERATION AGENCY  
 CHIEF ENGINEER (ROADS)  
 CHIEF SUPT. ENG. (DESIGN)

SEN. SUPT. ENG. (DESIGN)  
 SUPT. ENGINEER (DESIGN)  
 PROJECT ENGINEER

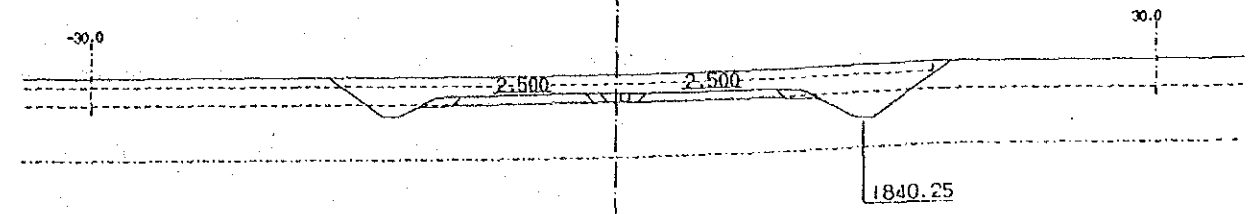
SCALES  
 1 : 200

NAIROBI BYPASS  
 CROSS SECTION

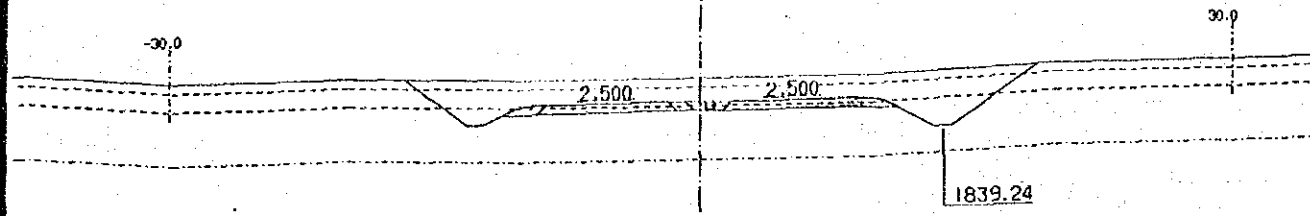
CH. 16+520  
 PI=1840.294  
 GI=1841.38



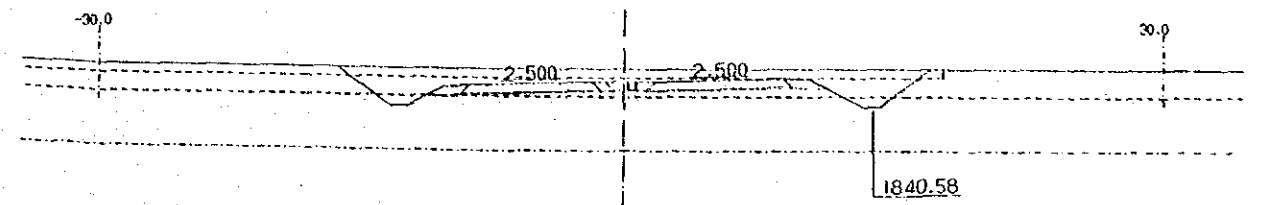
CH. 16+600  
 PI=1841.633  
 GI=1842.64



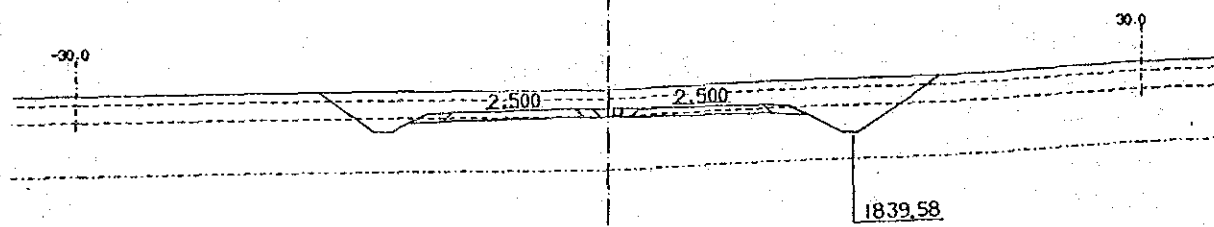
CH. 16+540  
 PI=1840.628  
 GI=1841.91



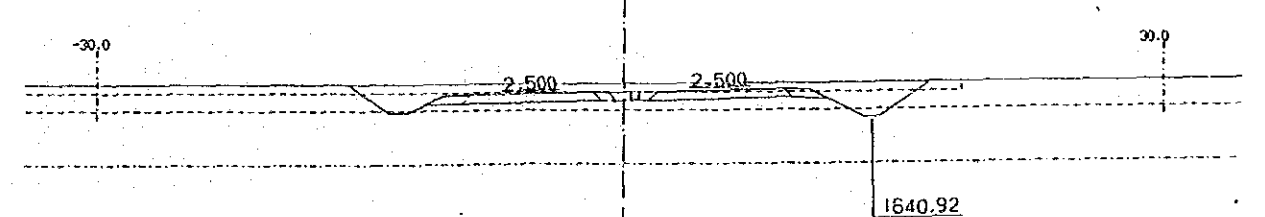
CH. 16+620  
 PI=1841.967  
 GI=1842.67



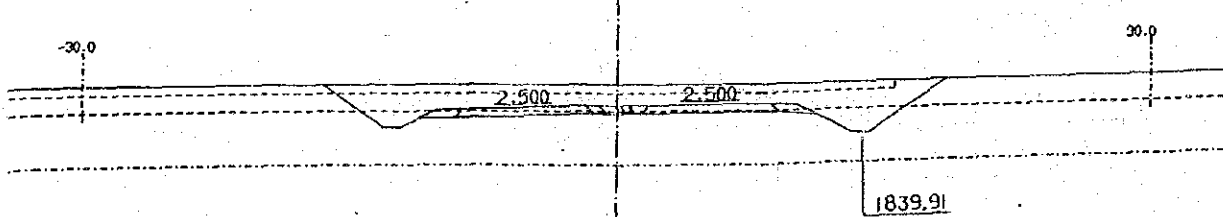
CH. 16+560  
 PI=1840.963  
 GI=1842.00



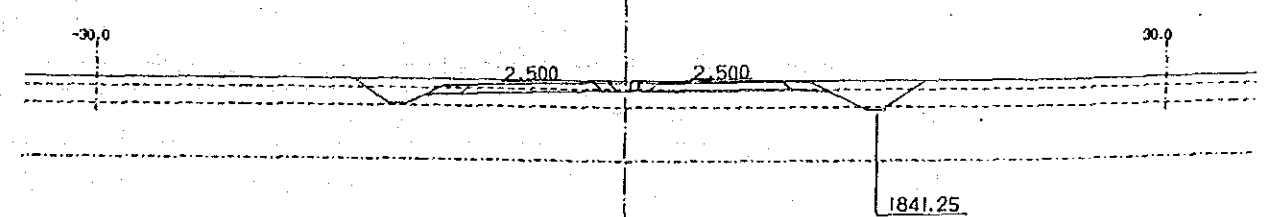
CH. 16+640  
 PI=1842.302  
 GI=1842.78



CH. 16+580  
 PI=1841.258  
 GI=1842.46



CH. 16+660  
 PI=1842.637  
 GI=1842.74



SURVEYED BY  
 MAPPING BY  
 LOCATION BY  
 TRACED BY  
 CHECKED BY

M.O.P.W. ROADS DEPT. DRG. NO.

REVISIONS	
DESCRIPTION	DATE

JAPAN INTERNATIONAL  
 COOPERATION AGENCY

CHIEF ENGINEER (ROADS)  
 CHIEF SUPT. ENG. (DESIGN)

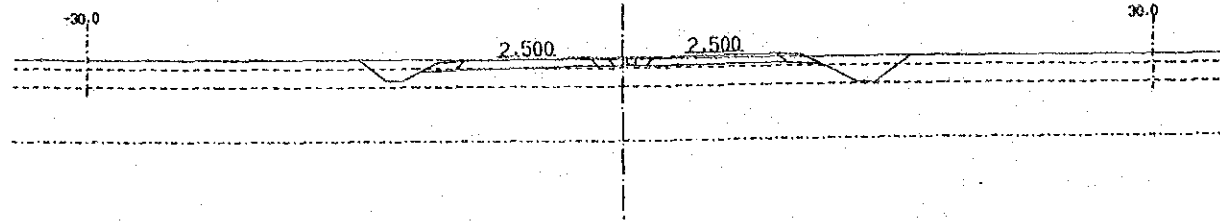
SEN. SUPT. ENG. (DESIGN)  
 SUPT. ENGINEER (DESIGN)  
 PROJECT ENGINEER

SCALES  
 1 : 200

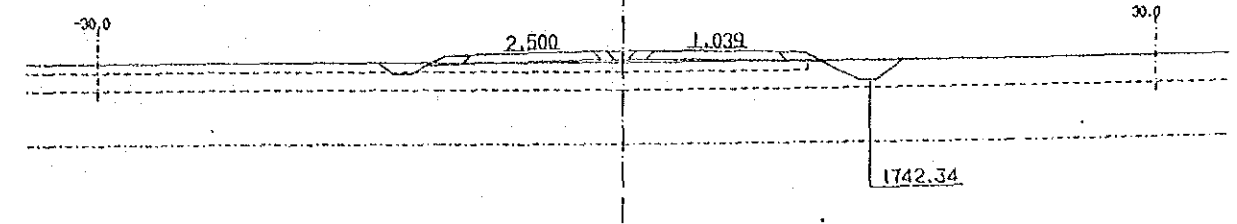
NAIROBI BYPASS  
 CROSS SECTION

SHEET 112 OF 196

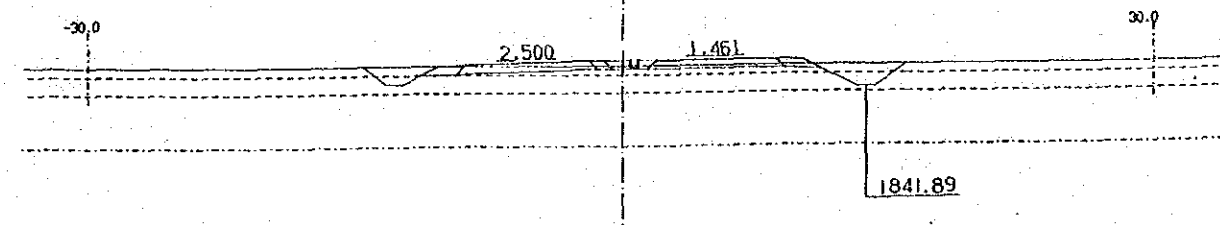
CH. 16+680  
 PI=1842.971  
 GI=1842.85



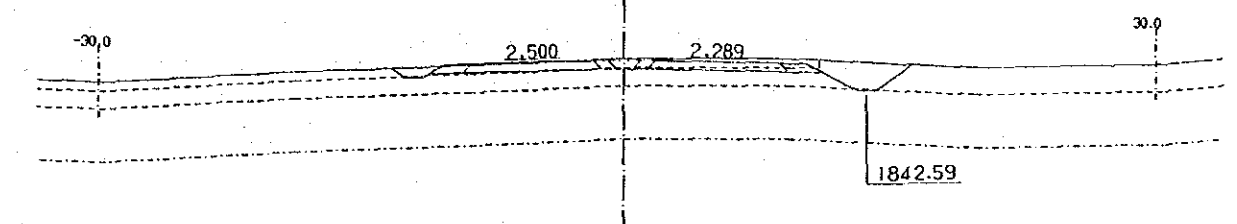
CH. 16+740  
 PI=1843.975  
 GI=1843.34



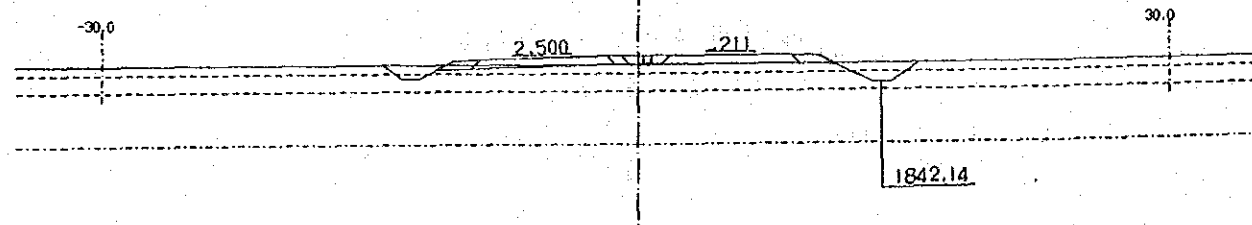
CH. 16+700  
 PI=1843.306  
 GI=1842.99



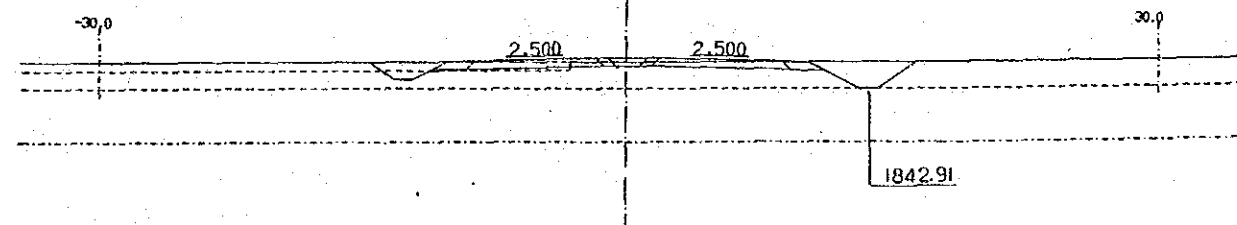
CH. 16+760  
 PI=1844.310  
 GI=1844.44



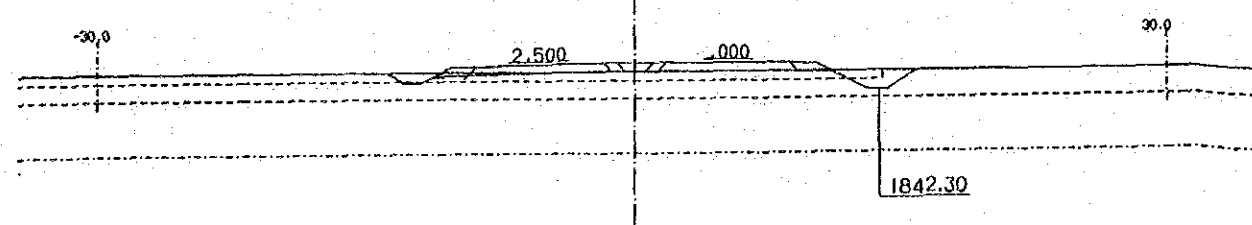
CH. 16+720  
 PI=1843.641  
 GI=1843.13



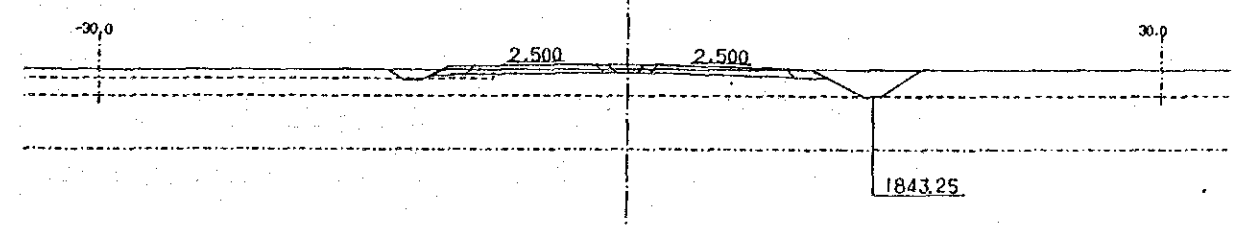
CH. 16+780  
 PI=1844.645  
 GI=1844.40



CH. 16+723.371  
 PI=1843.697  
 GI=1843.17



CH. 16+800  
 PI=1844.980  
 GI=1844.72

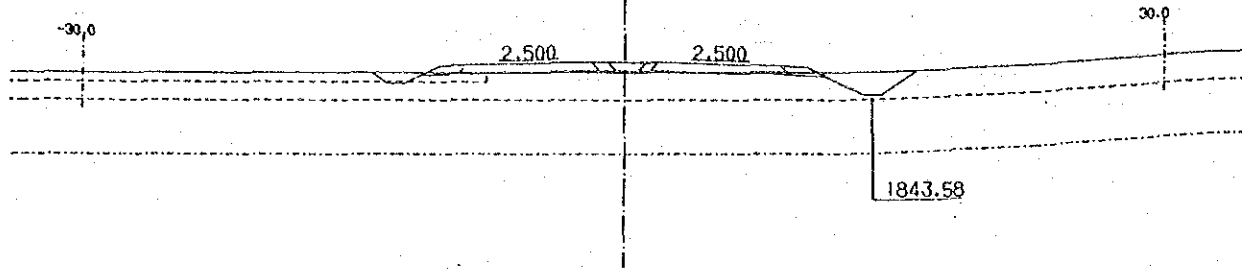


SURVEYED BY  
 MAPPING BY  
 AERIAL PHOTO BY  
 TRACED BY  
 LOCATION BY  
 CHECKED BY

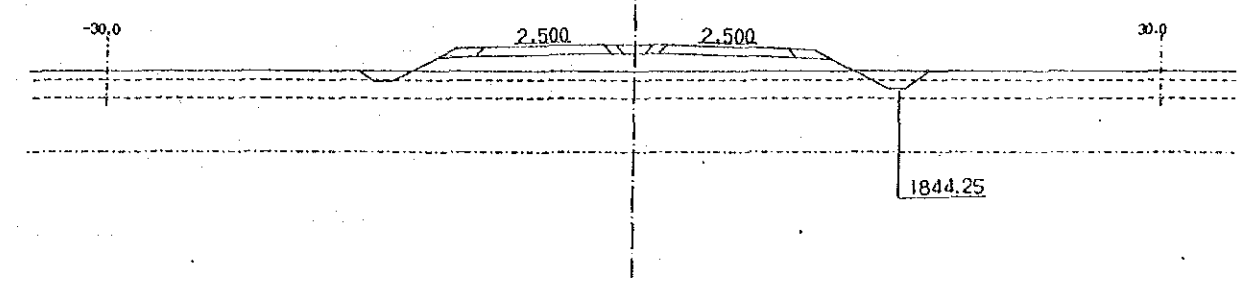
M.O.P.W. ROADS DEPT DRG NO.

REVISIONS		JAPAN INTERNATIONAL COOPERATION AGENCY	CHIEF ENGINEER (ROADS)	SEN. SUPT. ENG. (DESIGN)	SCALES	NAIROBI BYPASS CROSS SECTION	SHEET 113 OF 196
DESCRIPTION	DATE						

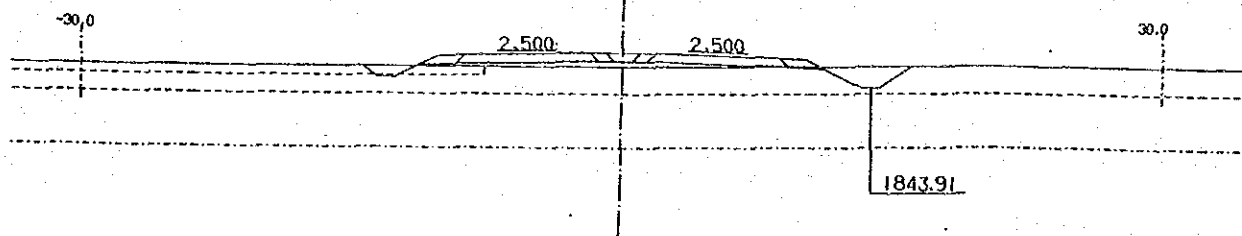
CH. 16+820  
 PI=1845.314  
 GI=1844.74



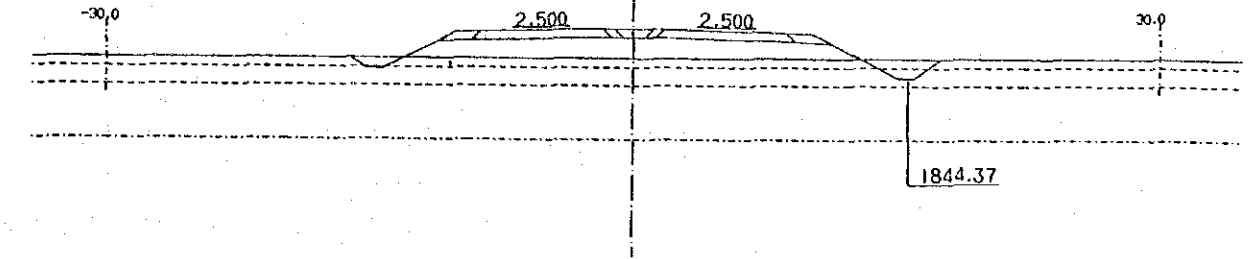
CH. 16+900  
 PI=1846.653  
 GI=1845.21



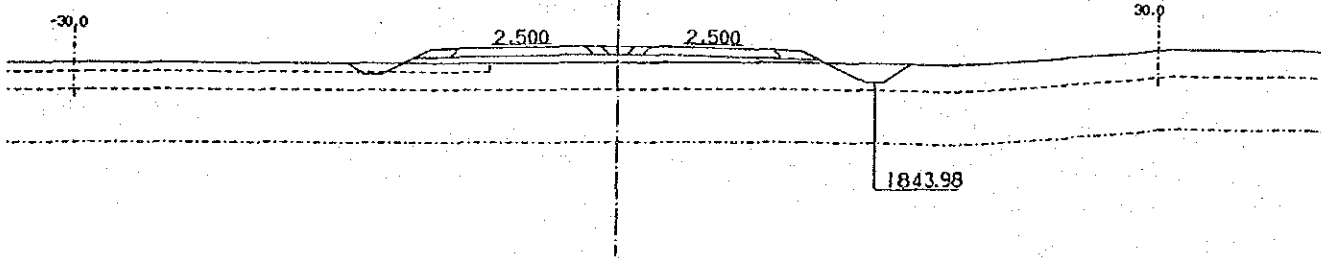
CH. 16+840  
 PI=1845.649  
 GI=1844.87



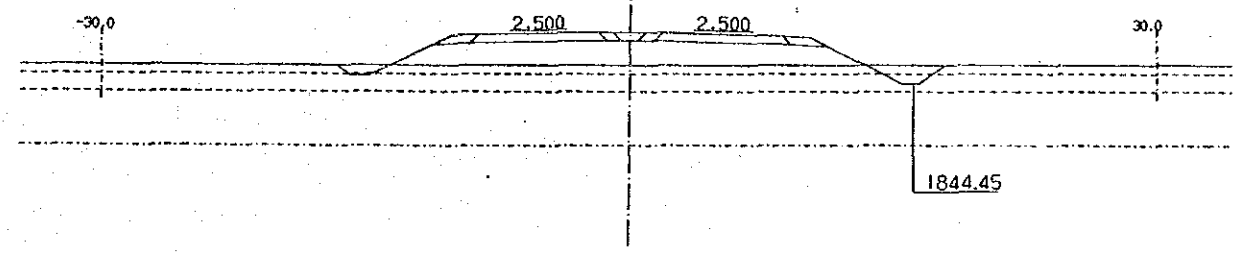
CH. 16+920  
 PI=1846.988  
 GI=1845.35



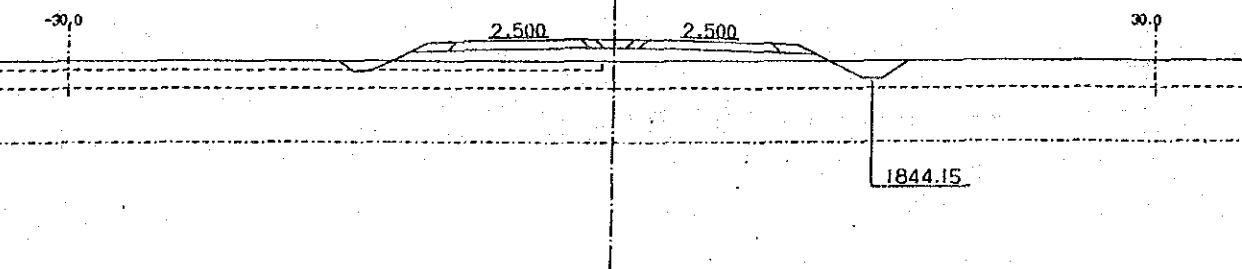
CH. 16+860  
 PI=1845.984  
 GI=1845.07



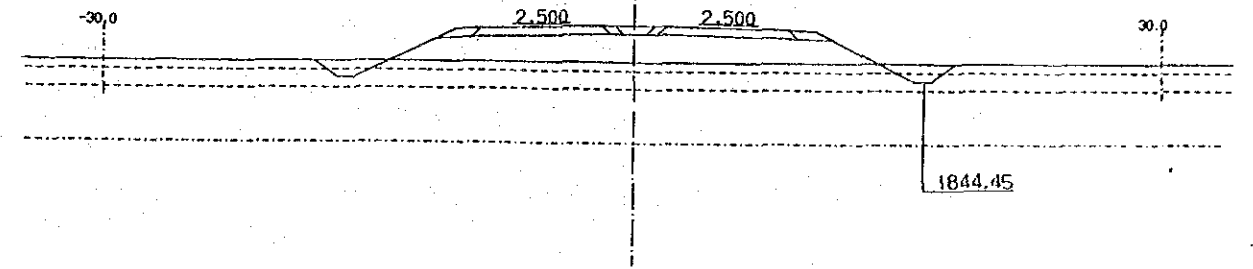
CH. 16+940  
 PI=1847.322  
 GI=1845.46



CH. 16+880  
 PI=1846.318  
 GI=1845.10



CH. 16+960  
 PI=1847.657  
 GI=1845.58



AERIAL PHOTO BY \_\_\_\_\_ SURVEYED BY \_\_\_\_\_  
 MAPPING BY \_\_\_\_\_ TRACED BY \_\_\_\_\_  
 LOCATION BY \_\_\_\_\_ CHECKED BY \_\_\_\_\_

M.O.P.W. ROADS DEPT. DRG. NO.

REVISIONS	
DESCRIPTION	DATE

JAPAN INTERNATIONAL  
 COOPERATION AGENCY

CHIEF ENGINEER (ROADS)  
 CHIEF SUPT. ENG. (DESIGN)

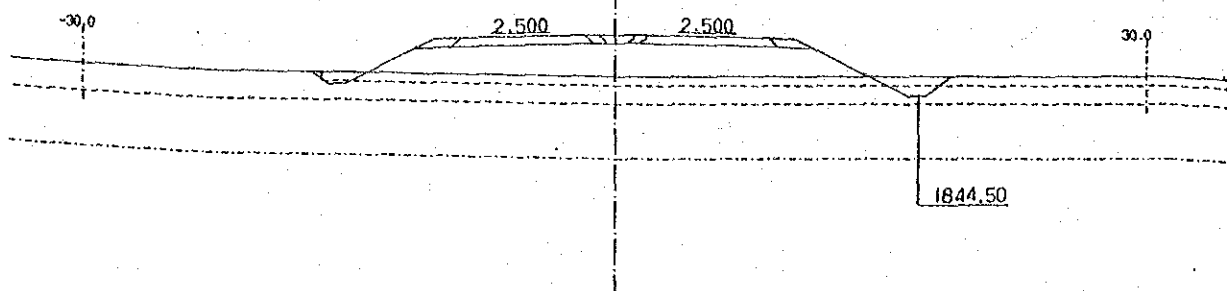
SEN. SUPT. ENG. (DESIGN)  
 SUPT. ENGINEER (DESIGN)  
 PROJECT ENGINEER

SCALES  
 1 : 200

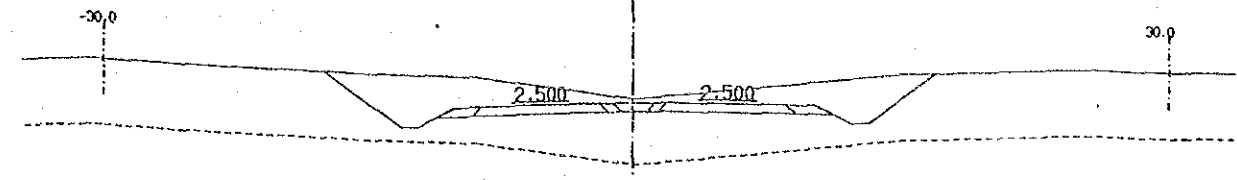
NAIROBI BYPASS  
 CROSS SECTION

SHEET 114 OF 196

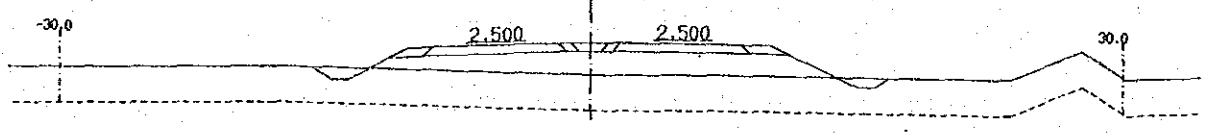
CH. 16+980  
 PI=1847.992  
 G=1845.69



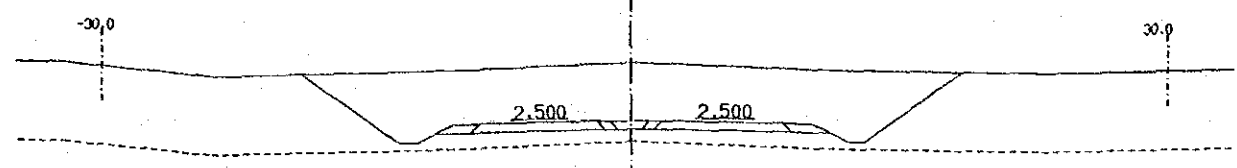
CH. 17+40  
 PI=1849.030  
 G=1849.24



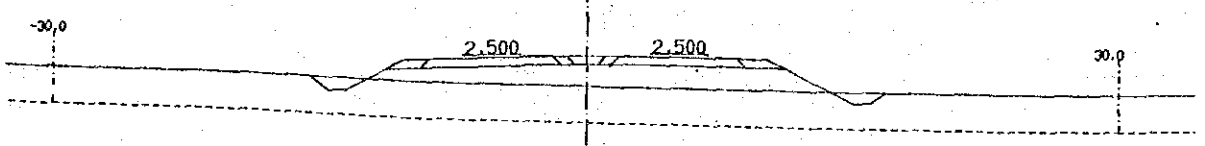
CH. 17+0  
 PI=1848.327  
 G=1846.54



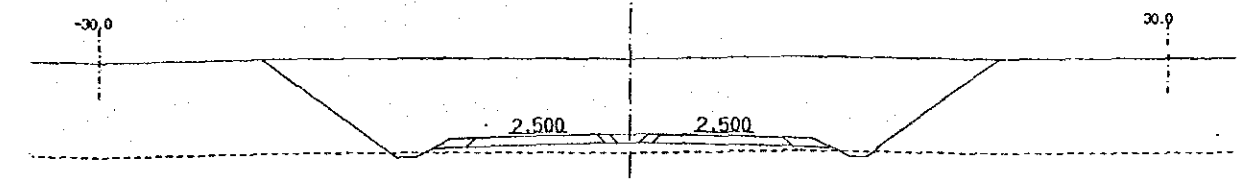
CH. 17+60  
 PI=1849.408  
 G=1852.68



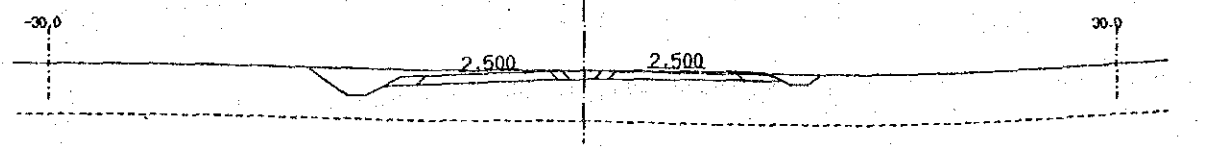
CH. 17+1.586  
 PI=1848.353  
 G=1846.69



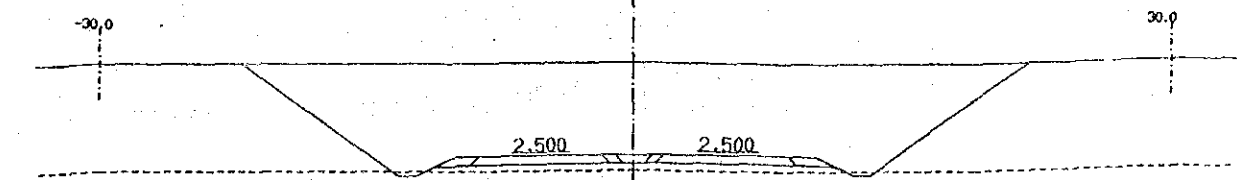
CH. 17+80  
 PI=1849.802  
 G=1853.98



CH. 17+20  
 PI=1848.670  
 G=1848.70



CH. 17+100  
 PI=1850.214  
 G=1855.37



AERIAL PHOTO BY \_\_\_\_\_ SURVEYED BY \_\_\_\_\_  
 MAPPING BY \_\_\_\_\_ TRACED BY \_\_\_\_\_  
 LOCATION BY \_\_\_\_\_ CHECKED BY \_\_\_\_\_

M.O.P.W. ROADS DEPT. DRG. NO.

REVISIONS	
DESCRIPTION	DATE

JAPAN INTERNATIONAL  
 COOPERATION AGENCY

CHIEF ENGINEER (ROADS)  
 CHIEF SUPT. ENG. (DESIGN)

SEN. SUPT. ENG. (DESIGN)  
 SUPT. ENGINEER (DESIGN)  
 PROJECT ENGINEER

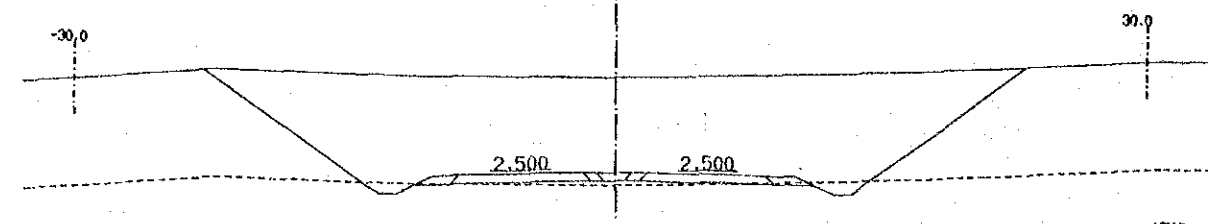
SCALES  
 1 : 200

NAIROBI BYPASS  
 CROSS SECTION

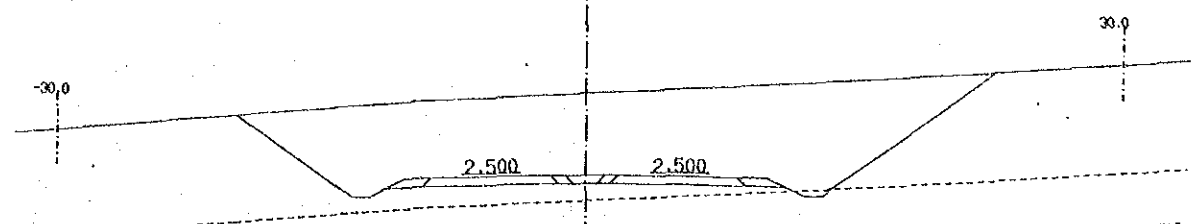
SHEET 15 OF 196



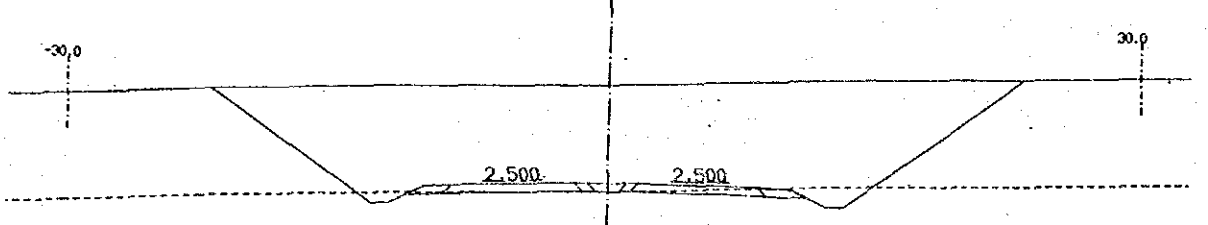
CH. 17+120  
 PI=1850.643  
 GI=1855.92



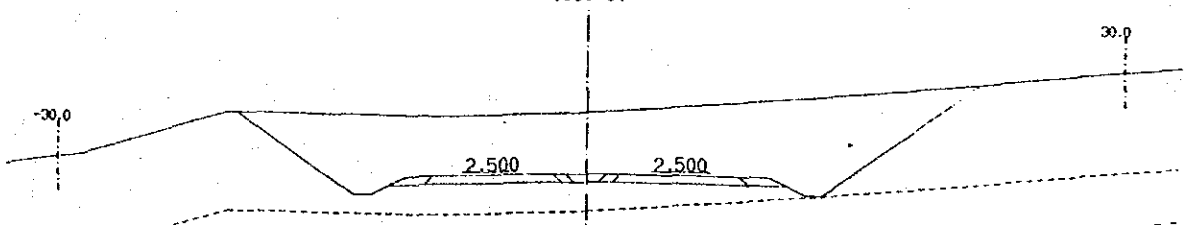
CH. 17+200  
 PI=1852.536  
 GI=1857.11



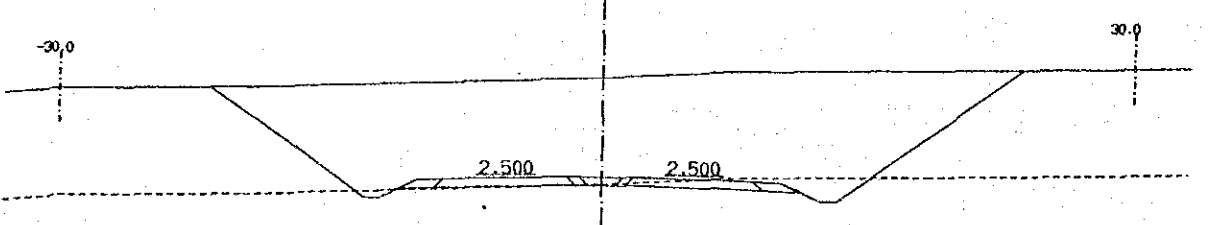
CH. 17+140  
 PI=1851.089  
 GI=1856.60



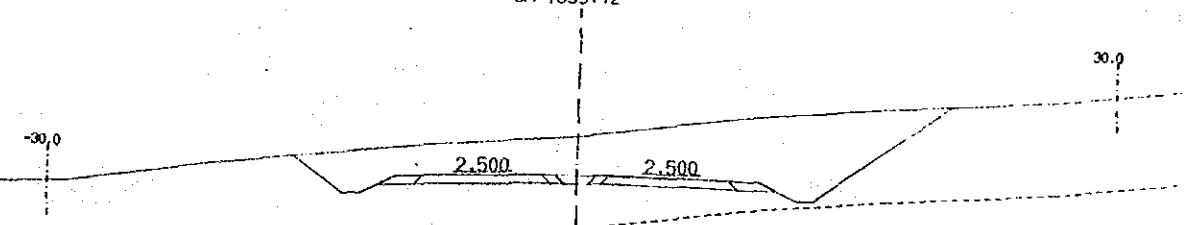
CH. 17+220  
 PI=1853.036  
 GI=1856.51



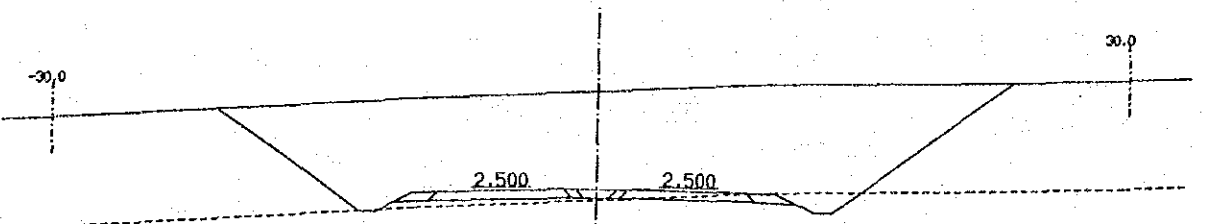
CH. 17+160  
 PI=1851.552  
 GI=1857.15



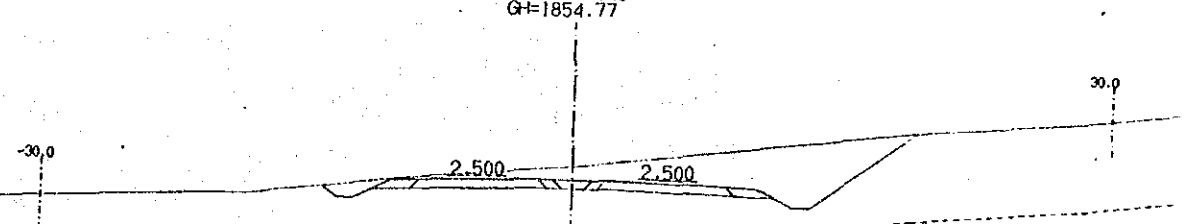
CH. 17+240  
 PI=1853.542  
 GI=1855.72



CH. 17+180  
 PI=1852.033  
 GI=1857.45



CH. 17+260  
 PI=1854.048  
 GI=1854.77



SURVEYED BY  
 MAPPING BY  
 LOCATION BY  
 TRACED BY  
 CHECKED BY

MOPW ROADS DEPT. DRG. NO.

REVISIONS	
DESCRIPTION	DATE

JAPAN INTERNATIONAL  
 COOPERATION AGENCY

CHIEF ENGINEER (ROADS)  
 CHIEF SUPT. ENG. (DESIGN)

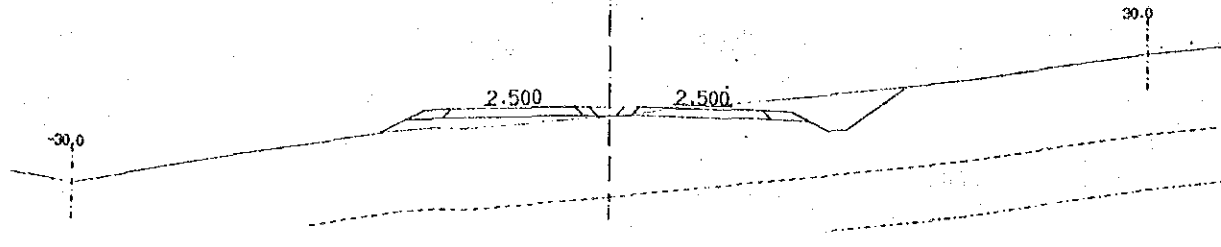
SEN. SUPT. ENG. (DESIGN)  
 SUPT. ENGINEER (DESIGN)  
 PROJECT ENGINEER

SCALES  
 1:200

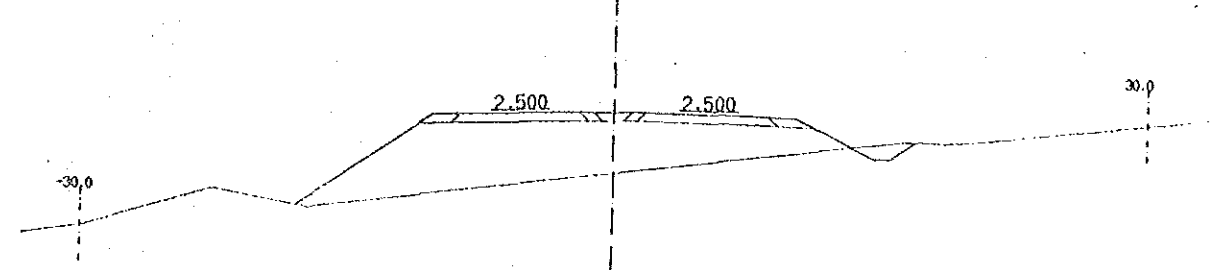
NAIROBI BYPASS  
 CROSS SECTION

SHEET 116 OF 196

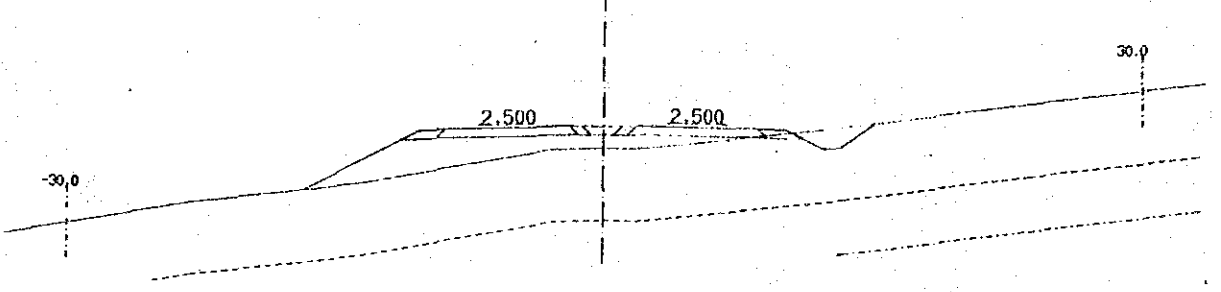
CH. 17+280  
 PI=1854.554  
 GI=1854.06



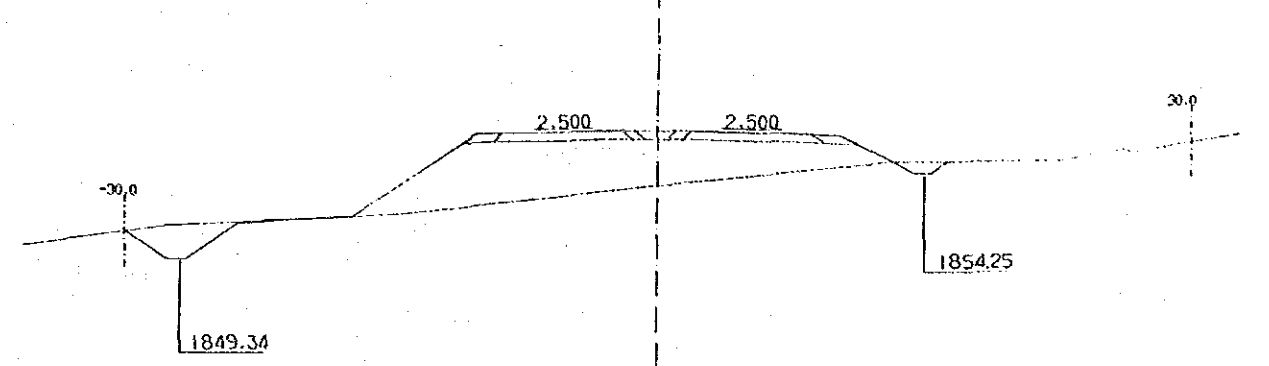
CH. 17+341.462  
 PI=1856.109  
 GI=1852.79



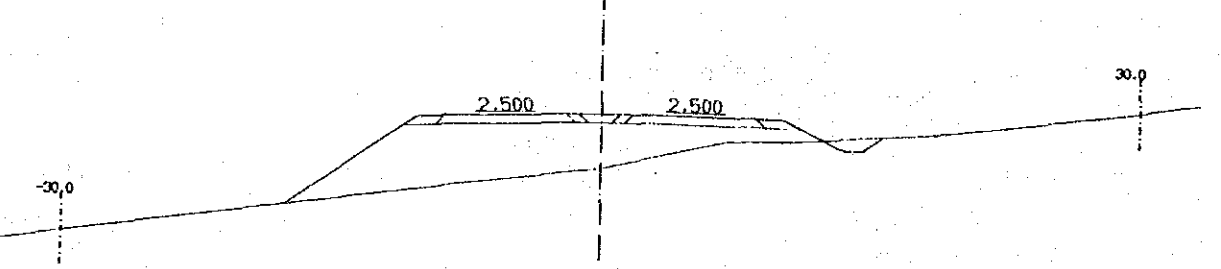
CH. 17+300  
 PI=1855.060  
 GI=1853.87



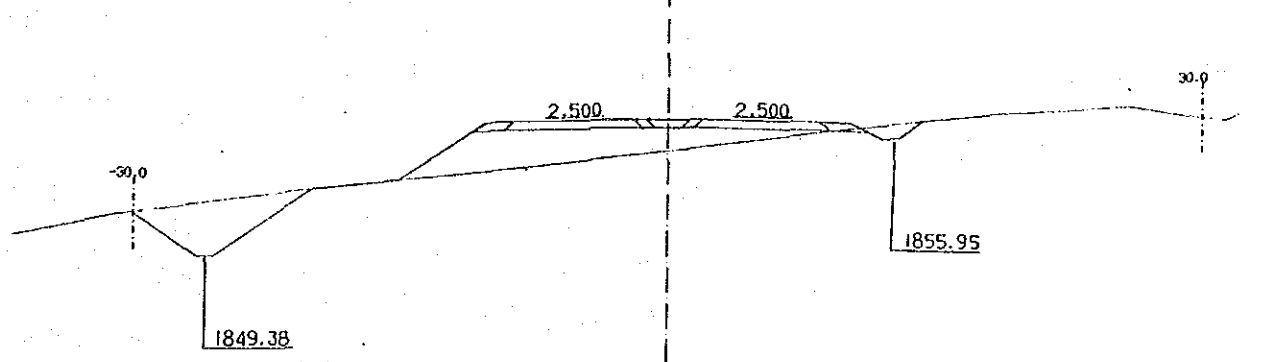
CH. 17+360  
 PI=1856.578  
 GI=1853.57



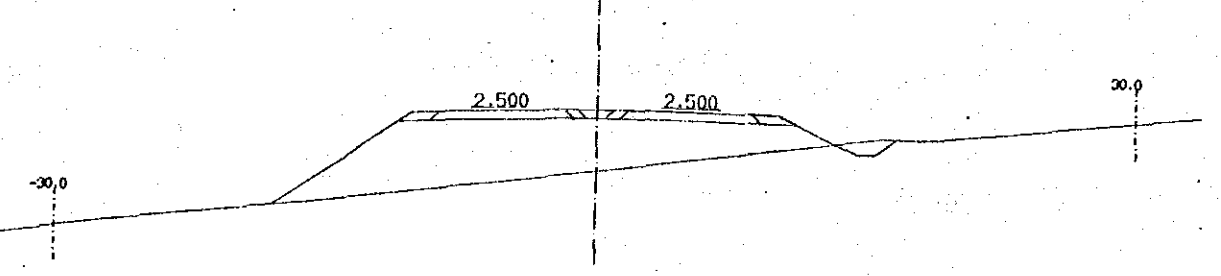
CH. 17+320  
 PI=1855.566  
 GI=1852.58



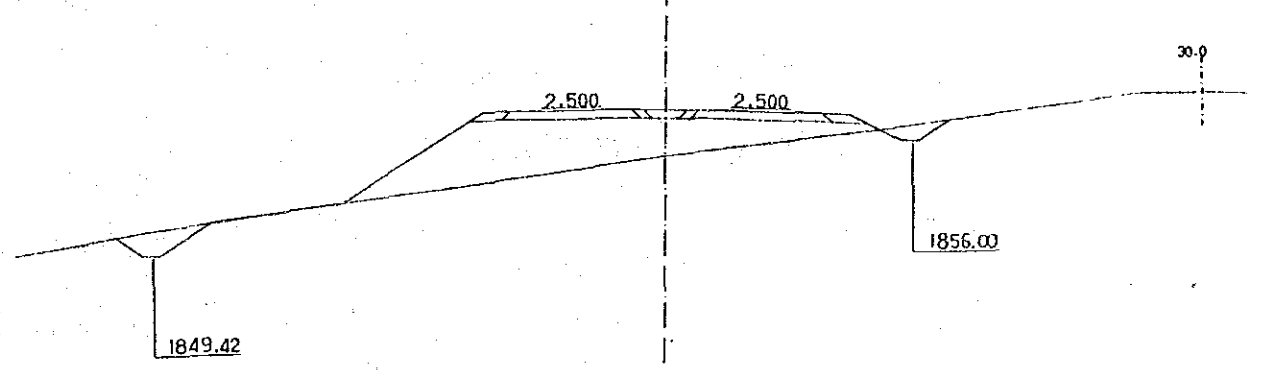
CH. 17+380  
 PI=1857.084  
 GI=1855.32



CH. 17+340  
 PI=1856.072  
 GI=1852.69



CH. 17+400  
 PI=1857.590  
 GI=1854.99

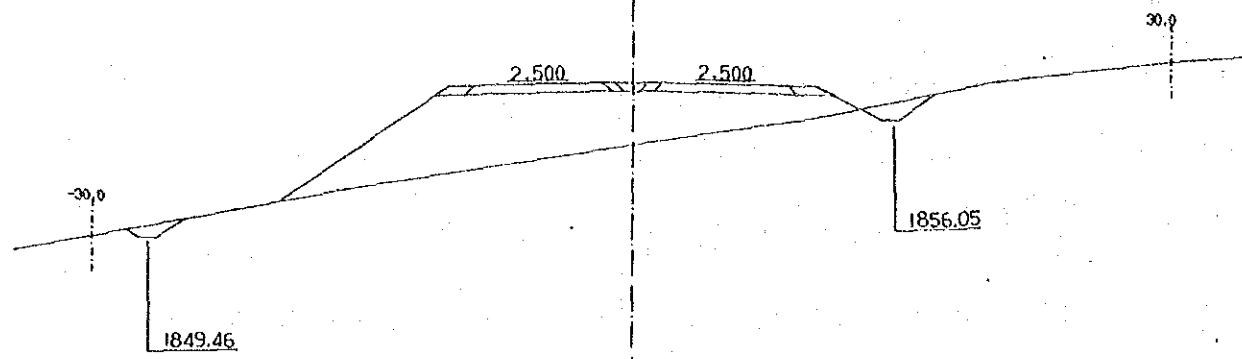


AERIAL PHOTO BY	SURVEYED BY
MAPPING BY	TRACED BY
LOCATION BY	CHECKED BY

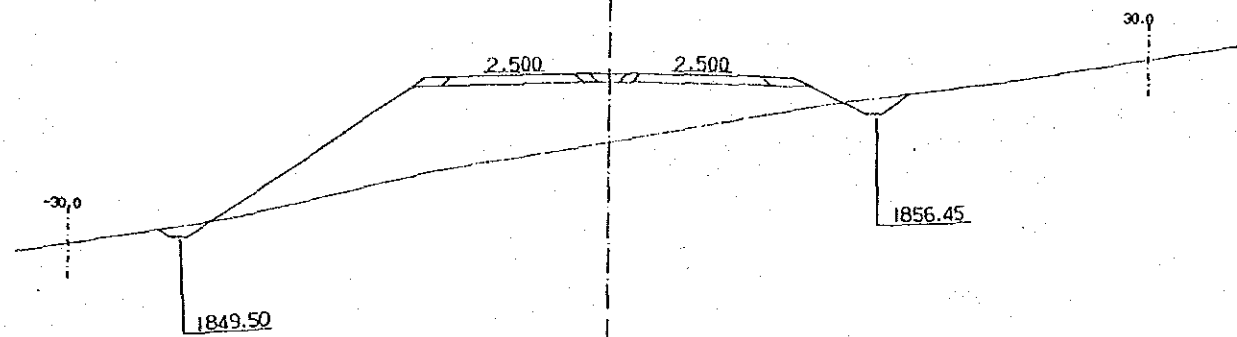
MOPW ROADS DEPT DRG NO.

REVISIONS		JAPAN INTERNATIONAL COOPERATION AGENCY	CHIEF ENGINEER (ROADS)	SEN. SUPT. ENG. (DESIGN)	SCALES	NAIROBI BYPASS CROSS SECTION	SHEET 17 OF 196
DESCRIPTION	DATE						
		CHIEF SUPT. ENG. (DESIGN)	SUPT. ENGINEER (DESIGN)	PROJECT ENGINEER	1:200		

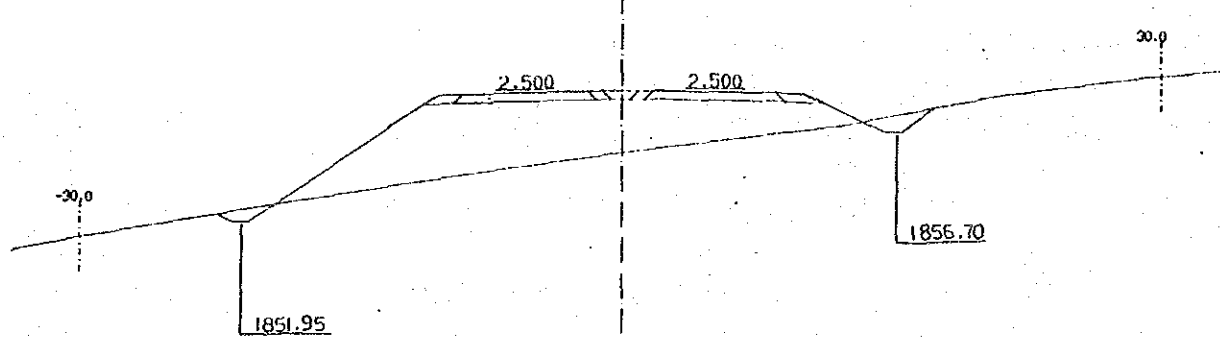
CH. 17+420  
 PI=1858.096  
 GI=1854.72



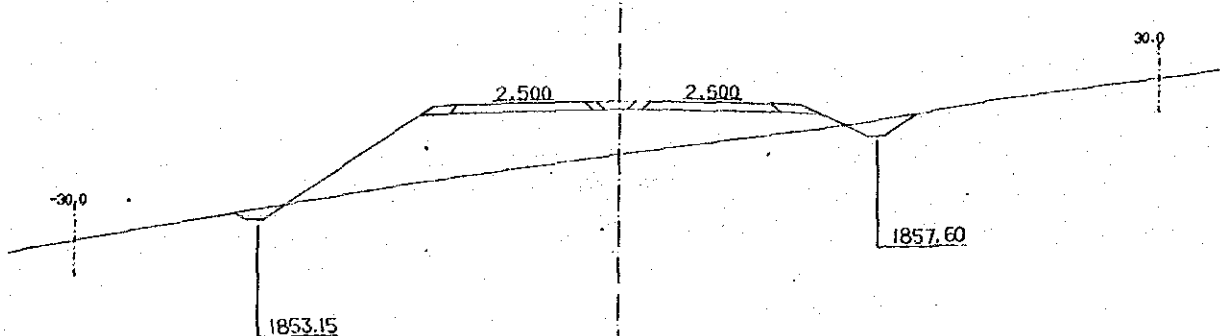
CH. 17+440  
 PI=1858.602  
 GI=1854.83



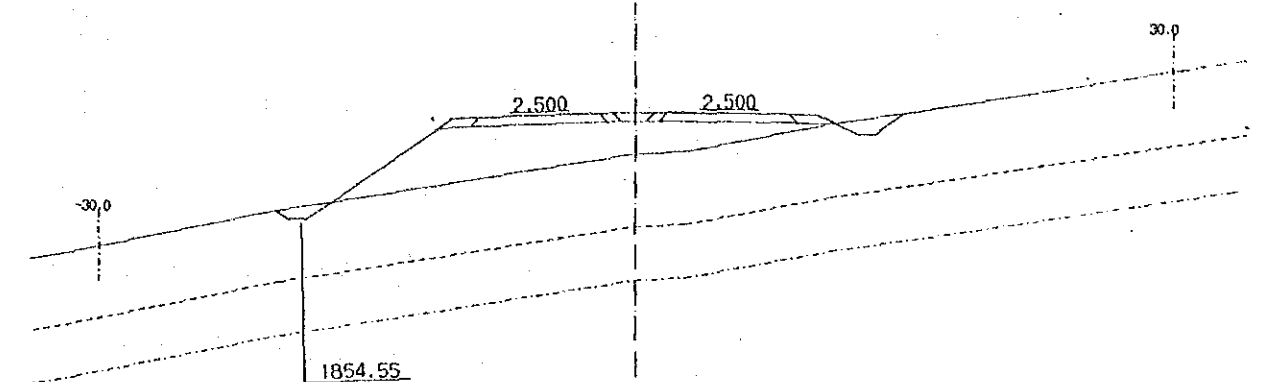
CH. 17+460  
 PI=1859.108  
 GI=1855.66



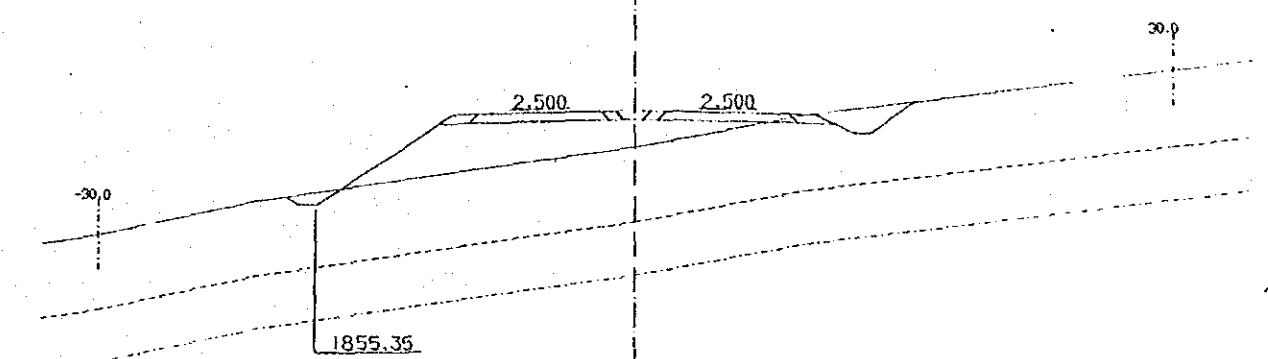
CH. 17+480  
 PI=1859.614  
 GI=1856.62



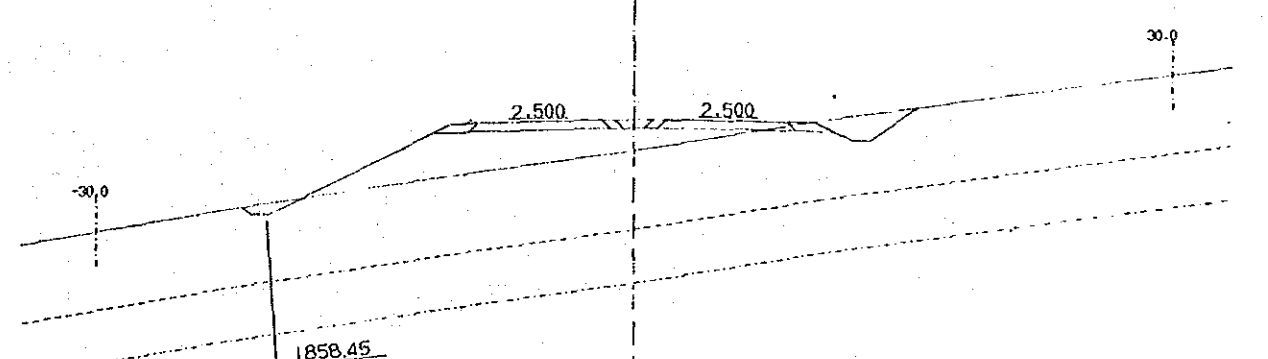
CH. 17+500  
 PI=1860.120  
 GI=1857.88



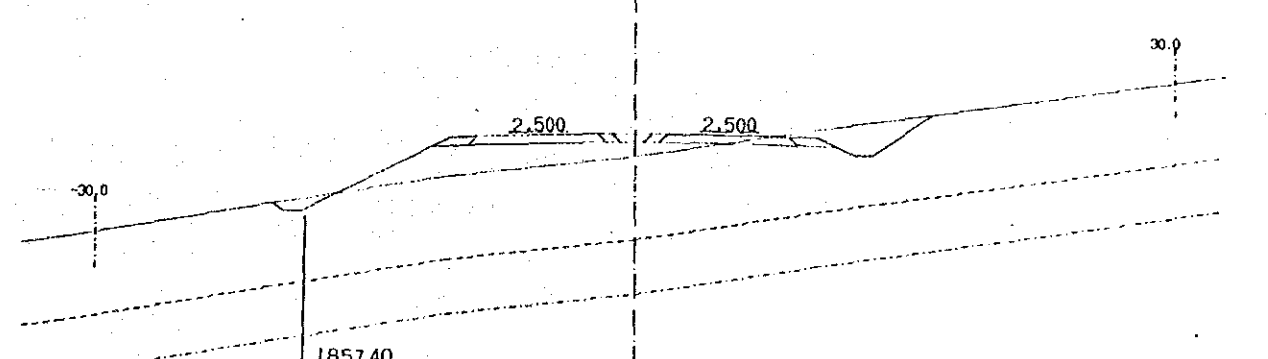
CH. 17+520  
 PI=1860.626  
 GI=1858.64



CH. 17+540  
 PI=1861.132  
 GI=1859.41



CH. 17+560  
 PI=1861.638  
 GI=1860.35



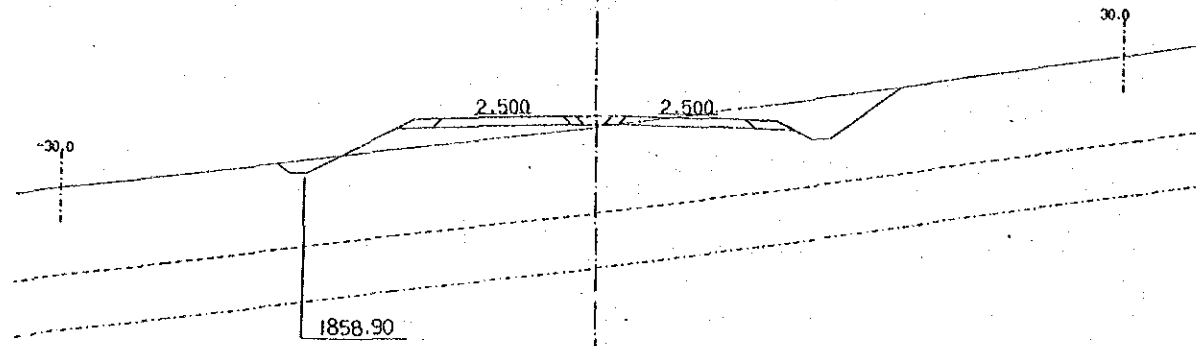
AERIAL PHOTO BY	SURVEYED BY
MAPPING BY	TRACED BY
LOCATION BY	CHECKED BY

M.O.P.W. ROADS DEPT DRG NO.

<table border="1"> <thead> <tr> <th>REVISIONS</th> <th>DESCRIPTION</th> <th>DATE</th> </tr> </thead> <tbody> <tr> <td> </td> <td> </td> <td> </td> </tr> <tr> <td> </td> <td> </td> <td> </td> </tr> </tbody> </table>		REVISIONS	DESCRIPTION	DATE							JAPAN INTERNATIONAL COOPERATION AGENCY	CHIEF ENGINEER (ROADS) CHIEF SUPT. ENG. (DESIGN)	SEN. SUPT. ENG. (DESIGN) SUPT. ENGINEER (DESIGN) PROJECT ENGINEER	SCALES 1 : 200	NAIROBI BYPASS CROSS SECTION	SHEET 118 OF 196
REVISIONS	DESCRIPTION	DATE														

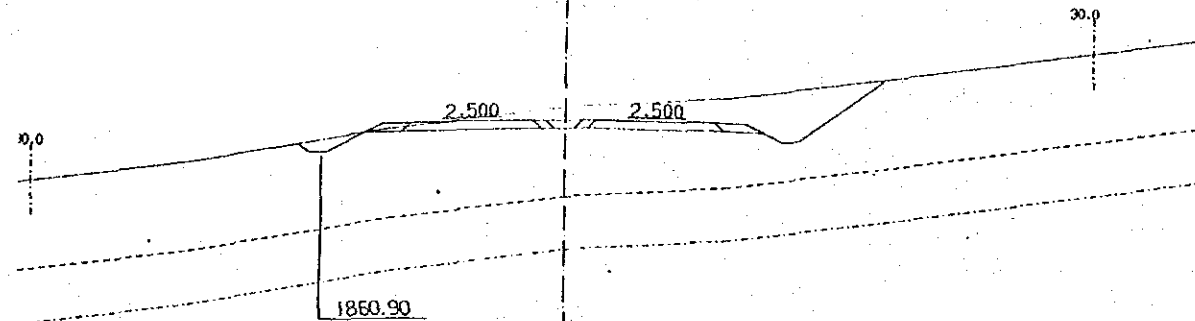
CH. 17+580

PI=1862.144  
GI=1861.53



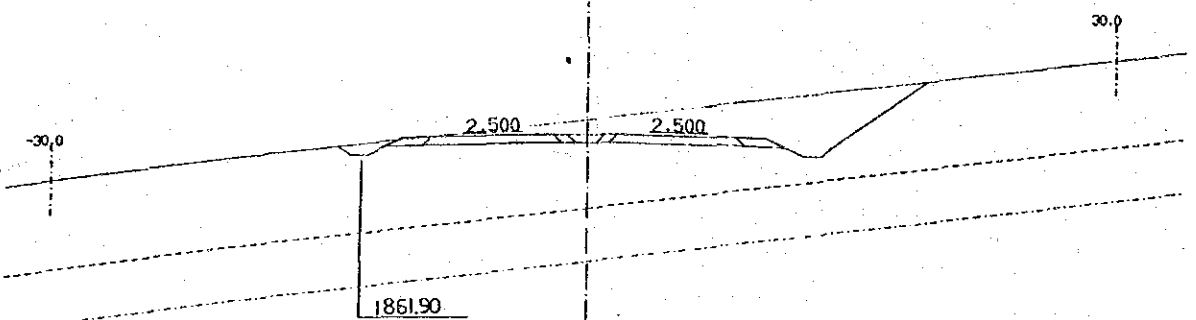
CH. 17+600

PI=1862.650  
GI=1863.39



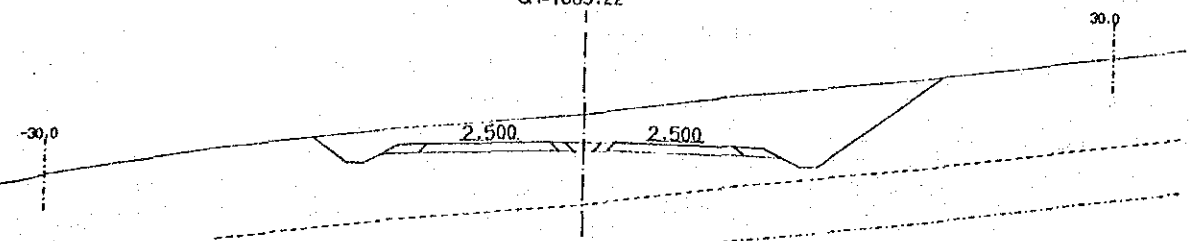
CH. 17+620

PI=1863.156  
GI=1864.00



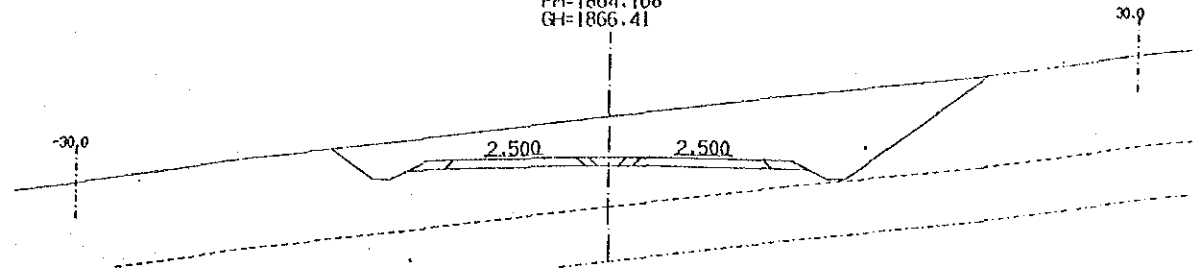
CH. 17+640

PI=1863.662  
GI=1865.22



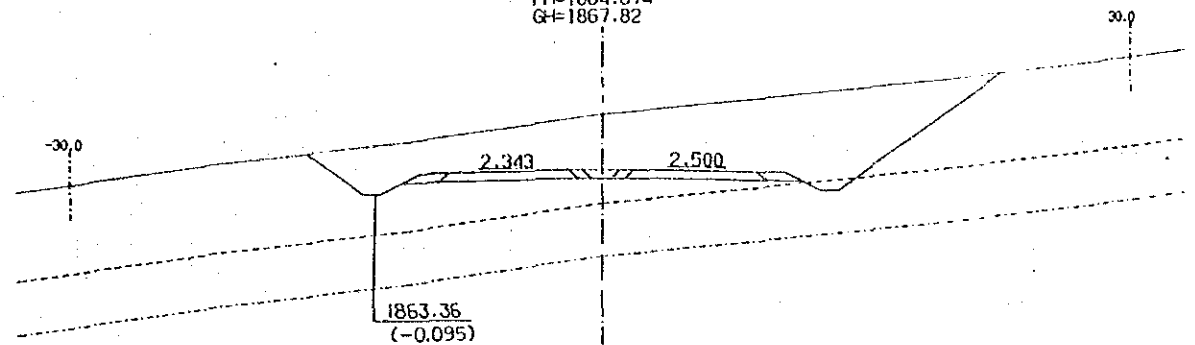
CH. 17+660

PI=1864.168  
GI=1866.41



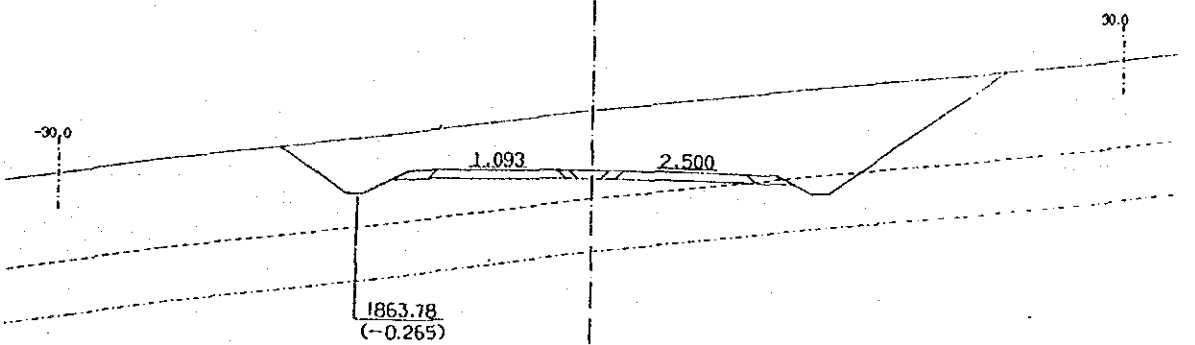
CH. 17+680

PI=1864.674  
GI=1867.82



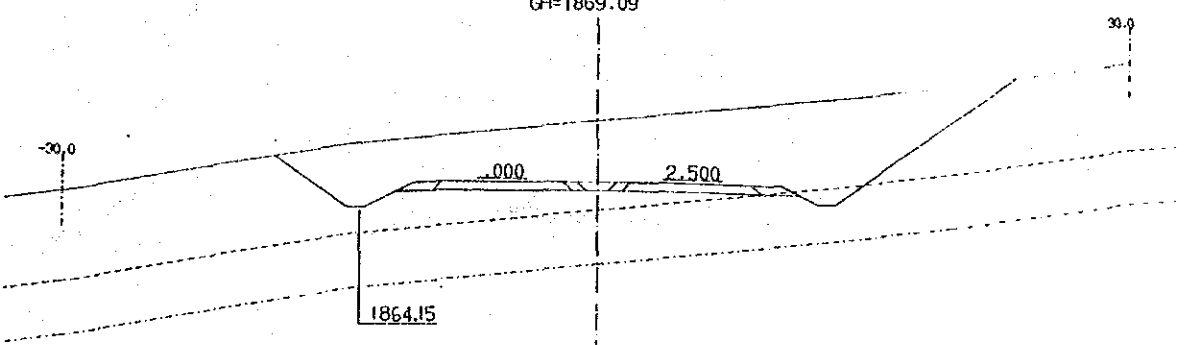
CH. 17+700

PI=1865.180  
GI=1868.60



CH. 17+717.493

PI=1865.623  
GI=1869.09



AERIAL PHOTO BY	SURVEYED BY
MAPPING BY	TRACED BY
LOCATION BY	CHECKED BY

M.C.P.W. ROADS DEPT. DRG. NO.

REVISIONS	
DESCRIPTION	DATE

JAPAN INTERNATIONAL COOPERATION AGENCY

CHIEF ENGINEER (ROADS)  
CHIEF SUPT. ENG. (DESIGN)

SEN. SUPT. ENG. (DESIGN)  
SUPT. ENGINEER (DESIGN)  
PROJECT ENGINEER

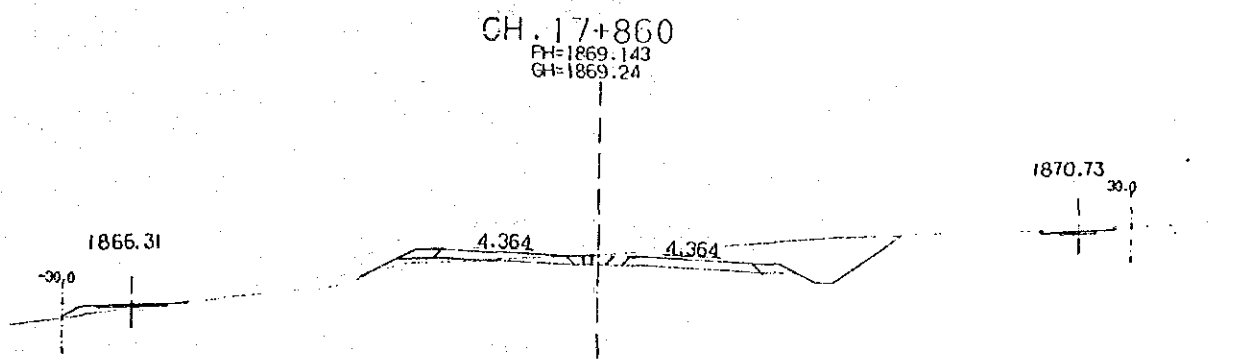
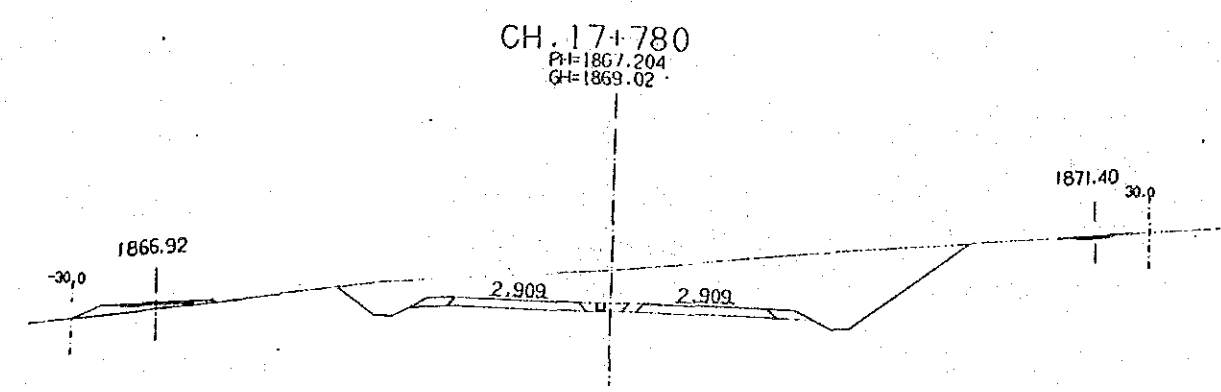
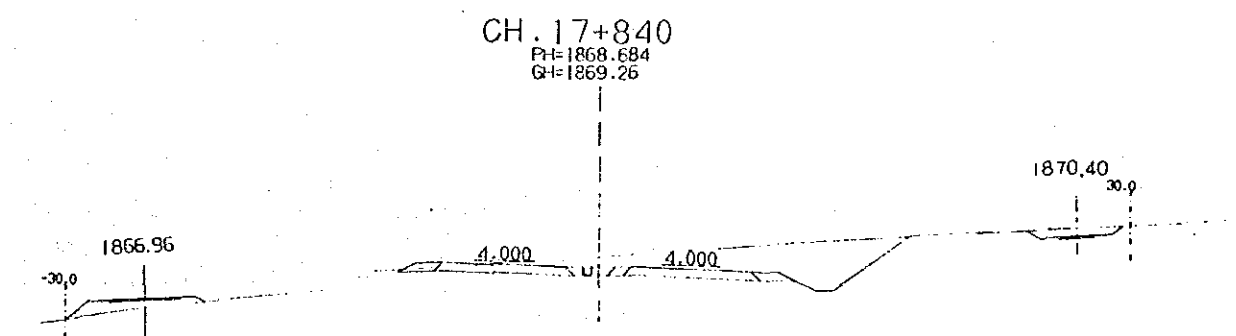
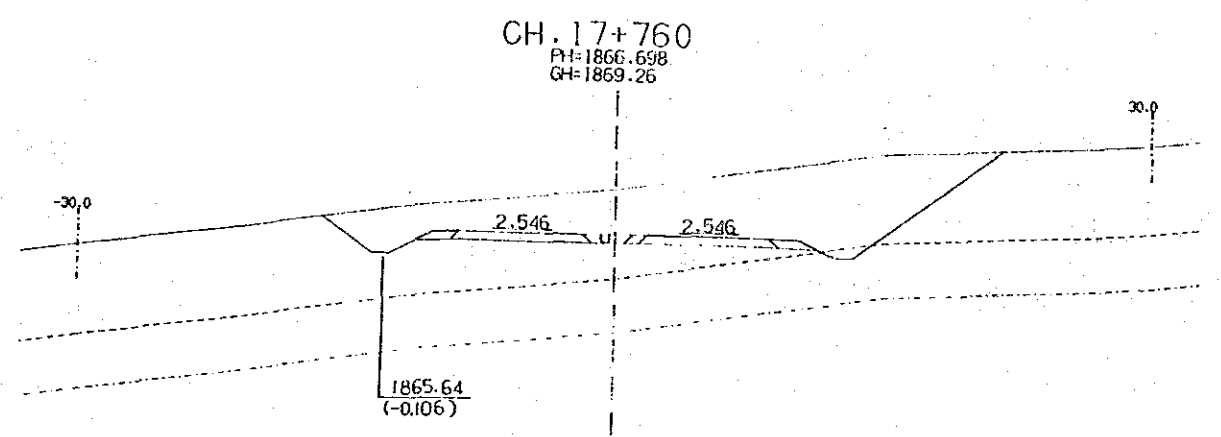
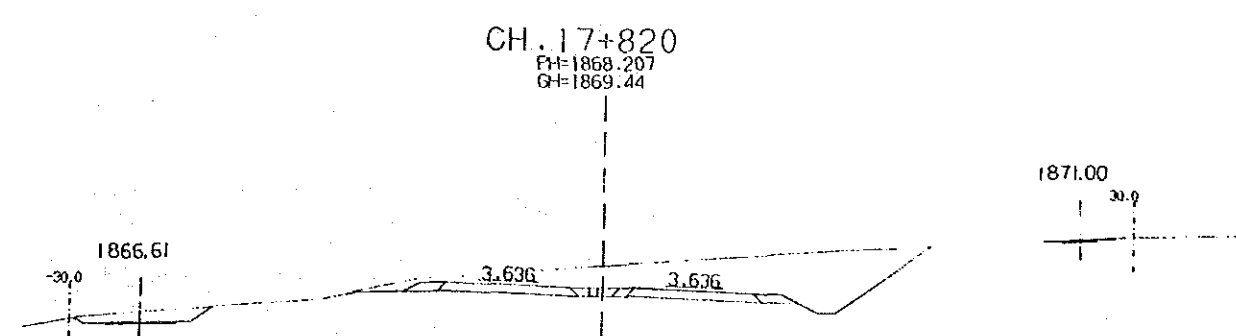
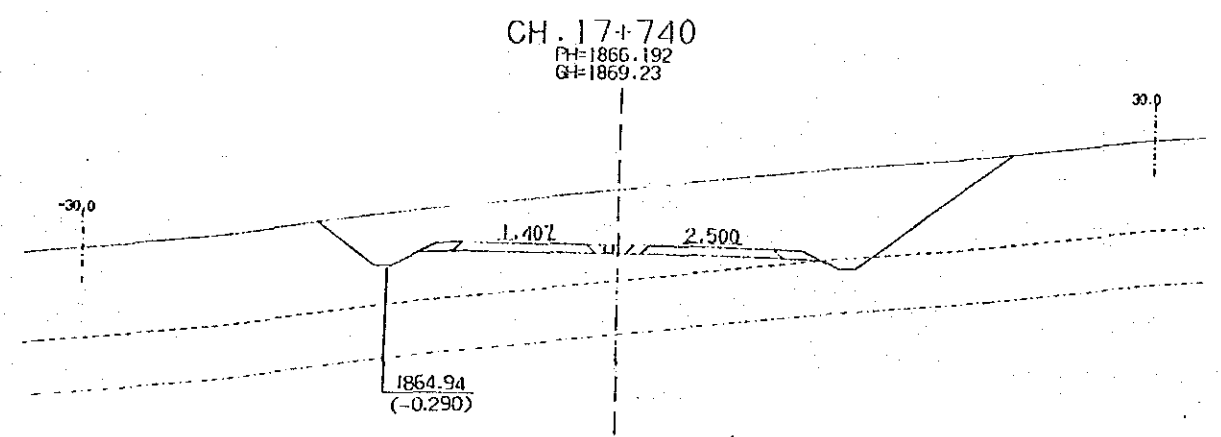
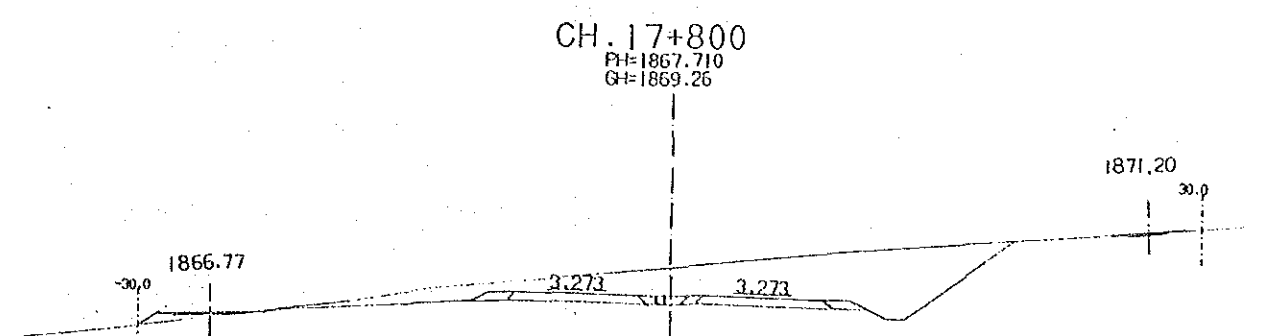
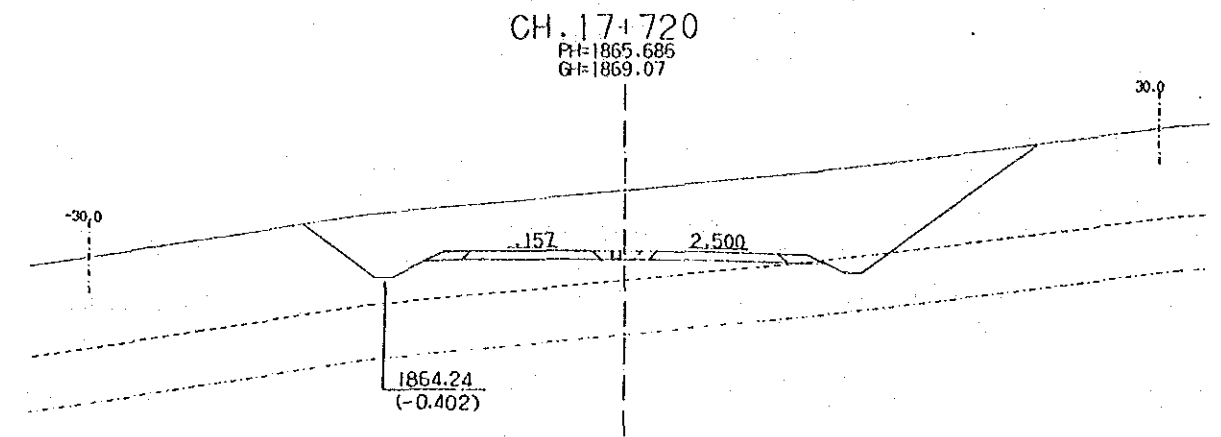
SCALES  
1 : 200

NAIROBI BYPASS  
CROSS SECTION

SHEET 119 OF 196

AERIAL PHOTO BY \_\_\_\_\_ SURVEYED BY \_\_\_\_\_  
 MAPPING BY \_\_\_\_\_ TRACED BY \_\_\_\_\_  
 LOCATION BY \_\_\_\_\_ CHECKED BY \_\_\_\_\_

MOPW ROADS DEPT DRG NO.



REVISIONS	
DESCRIPTION	DATE

JAPAN INTERNATIONAL  
 COOPERATION AGENCY

CHIEF ENGINEER (ROADS)  
 CHIEF SUPT. ENG. (DESIGN)

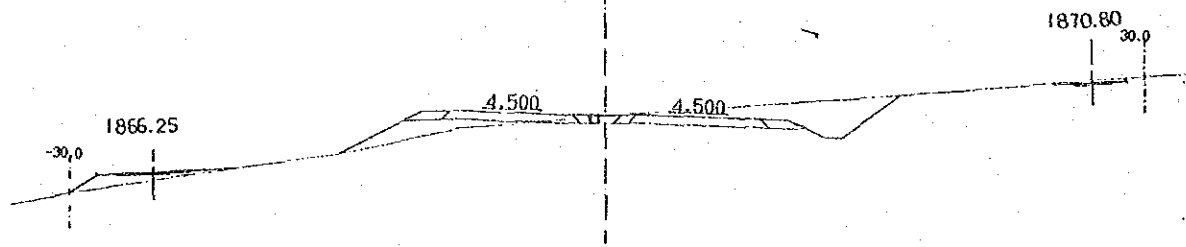
SEN. SUPT. ENG. (DESIGN)  
 SUPT. ENGINEER (DESIGN)  
 PROJECT ENGINEER

SCALES  
 1 : 200

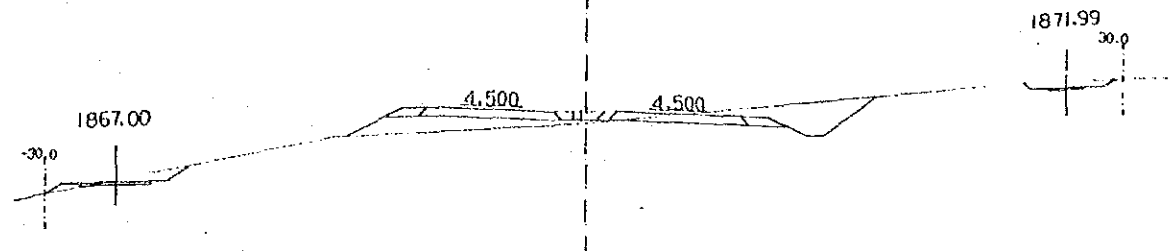
NAIROBI BYPASS  
 CROSS SECTION

SHEET 200F 196

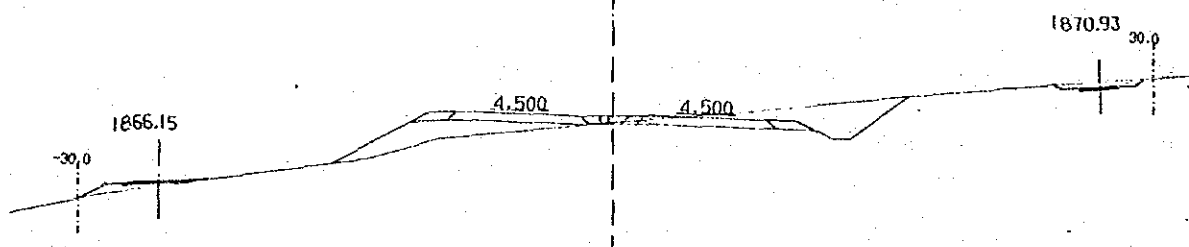
CH. 17+867.493  
 PI=1869.310  
 GI=1869.27



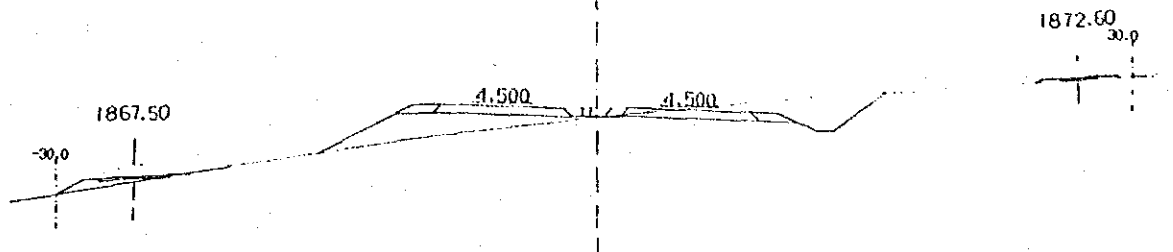
CH. 17+940  
 PI=1870.790  
 GI=1870.15



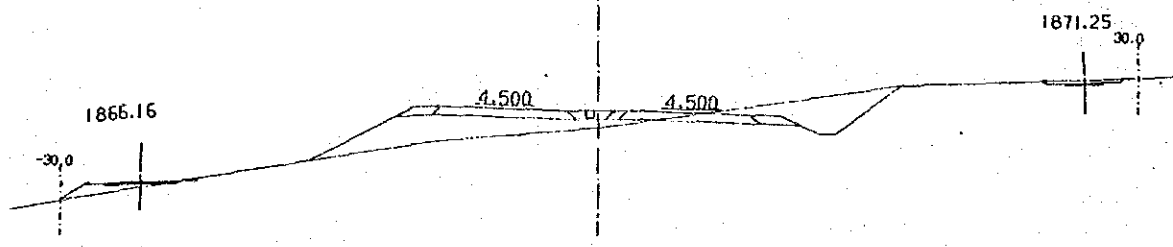
CH. 17+880  
 PI=1869.583  
 GI=1869.22



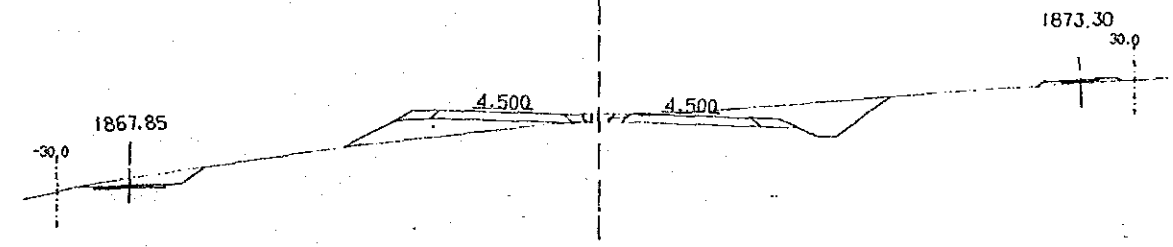
CH. 17+960  
 PI=1871.154  
 GI=1870.64



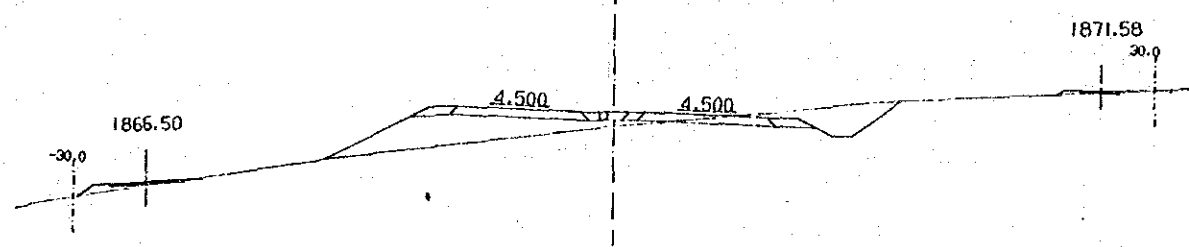
CH. 17+900  
 PI=1870.004  
 GI=1869.06



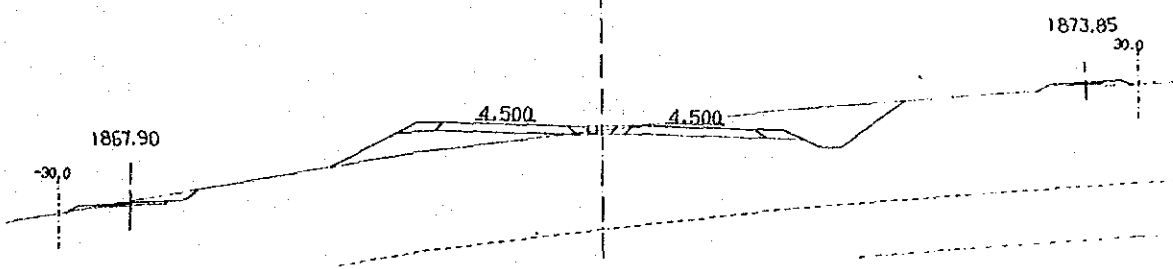
CH. 17+980  
 PI=1871.500  
 GI=1871.23



CH. 17+920  
 PI=1870.406  
 GI=1869.62



CH. 18+0  
 PI=1871.827  
 GI=1871.59



AERIAL PHOTO BY	SURVEYED BY
MAPPING BY	TRACED BY
LOCATION BY	CHECKED BY

M.O.P.W. ROADS DEPT. DRG. NO.

REVISIONS	
DESCRIPTION	DATE

JAPAN INTERNATIONAL COOPERATION AGENCY

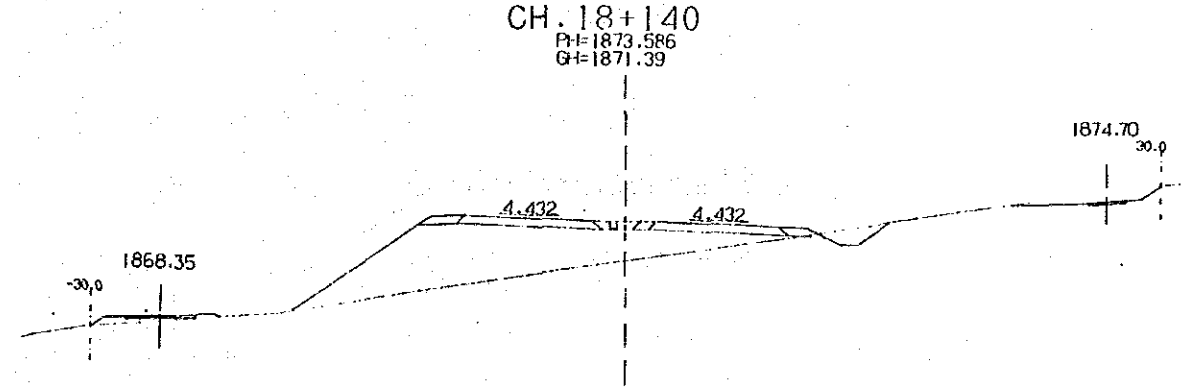
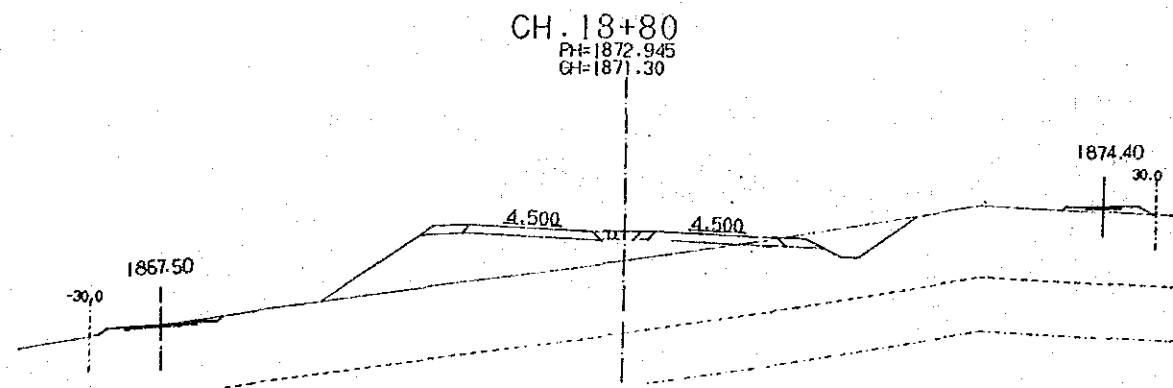
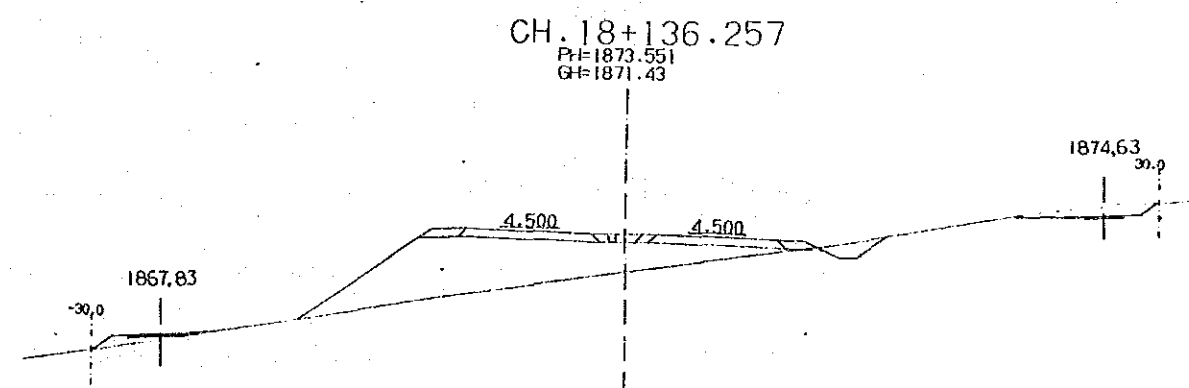
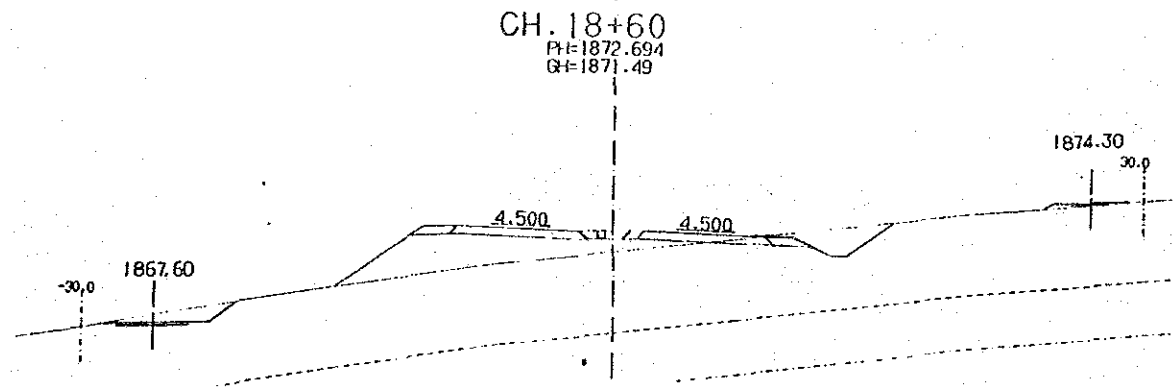
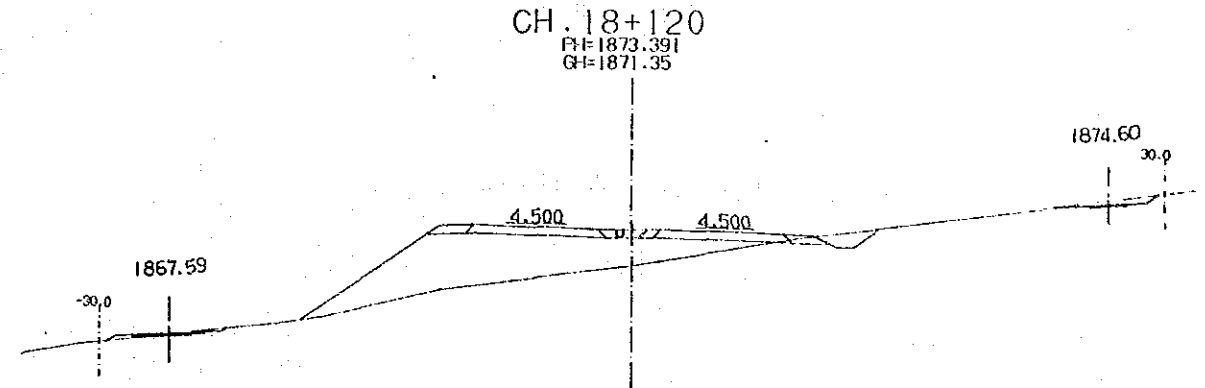
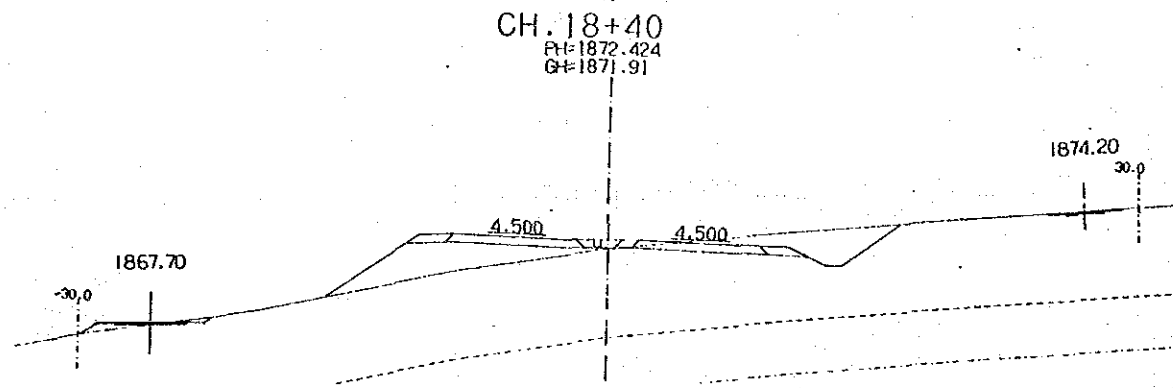
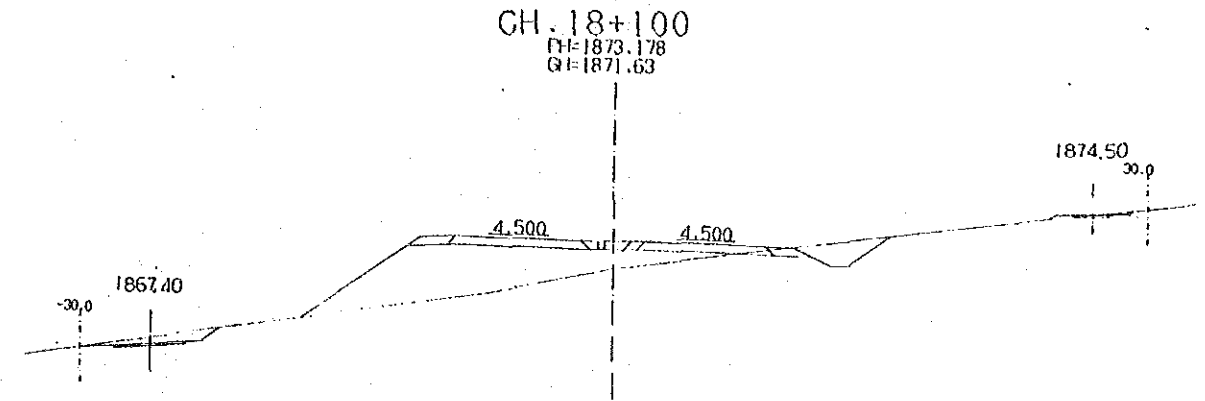
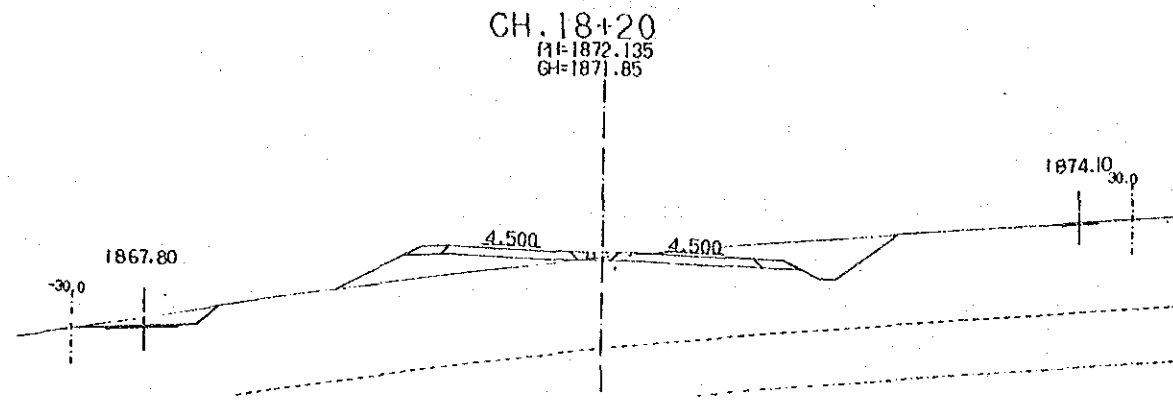
CHIEF ENGINEER (ROADS)  
 CHIEF SUPT. ENG. (DESIGN)

SEN. SUPT. ENG. (DESIGN)  
 SUPT. ENGINEER (DESIGN)  
 PROJECT ENGINEER

SCALES  
 1:200

NAIROBI BYPASS  
 CROSS SECTION

SHEET 121 OF 196



SURVEYED BY  
 TRACED BY  
 CHECKED BY  
 AERIAL PHOTO BY  
 MAPPING BY  
 LOCATION BY

M.O.P.W. ROADS DEPT DRG NO.

REVISIONS	
DESCRIPTION	DATE

JAPAN INTERNATIONAL  
 COOPERATION AGENCY

CHIEF ENGINEER (ROADS)  
 CHIEF SUPT. ENG. (DESIGN)

SEN. SUPT. ENG. (DESIGN)  
 SUPT. ENGINEER (DESIGN)  
 PROJECT ENGINEER

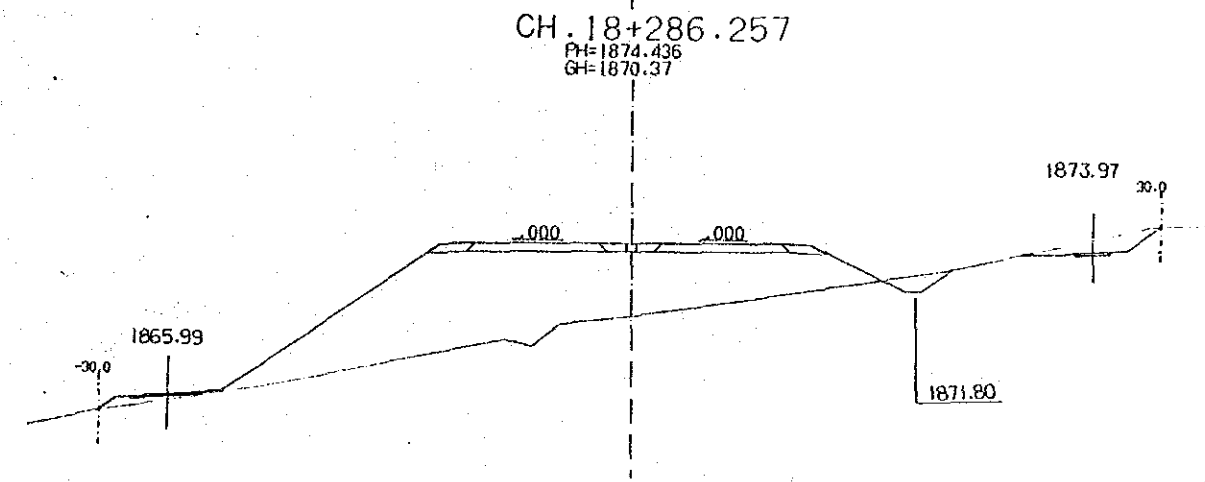
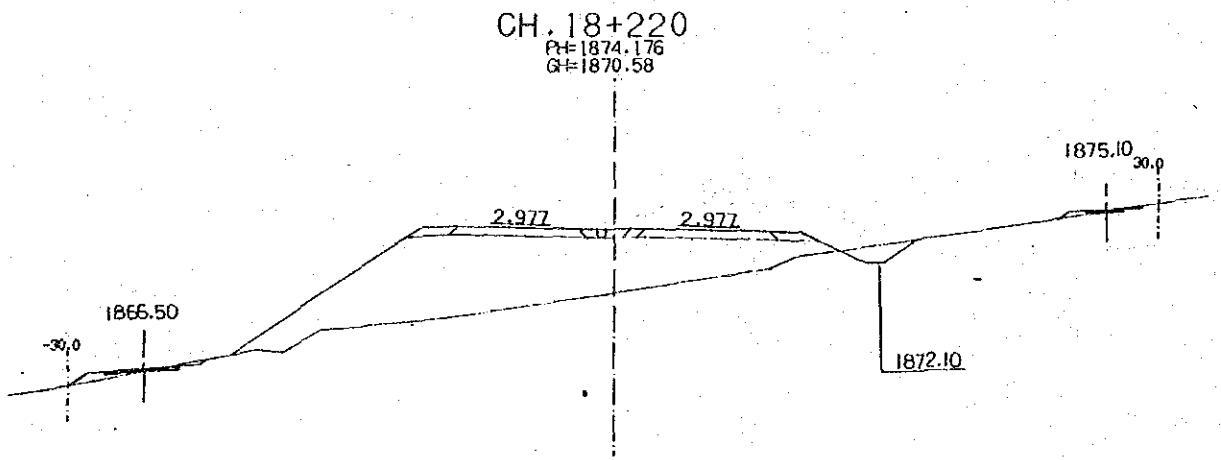
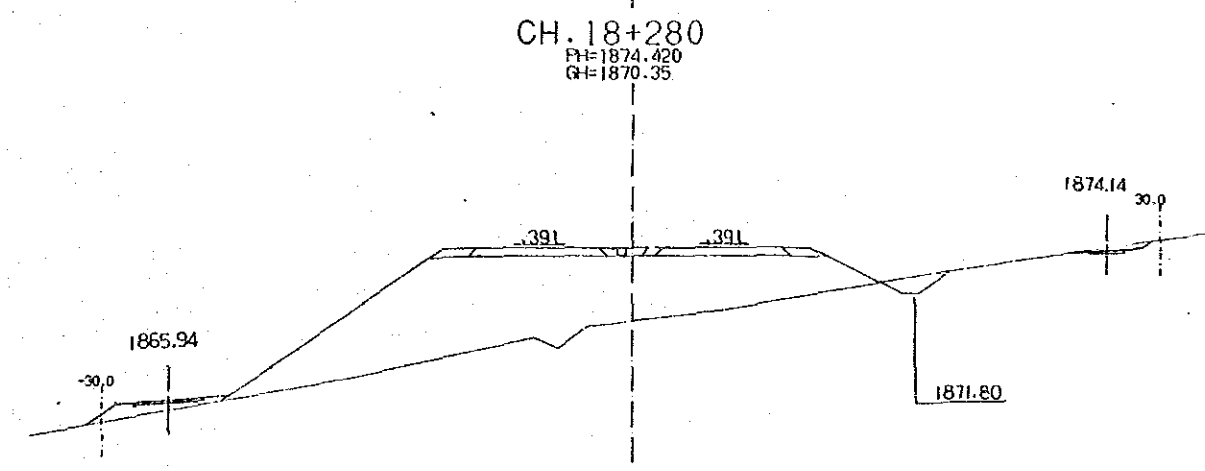
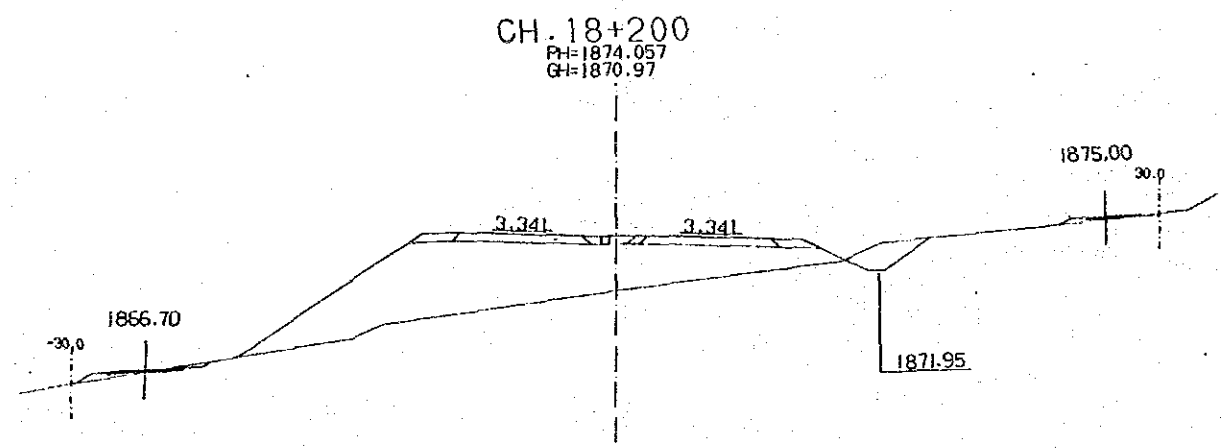
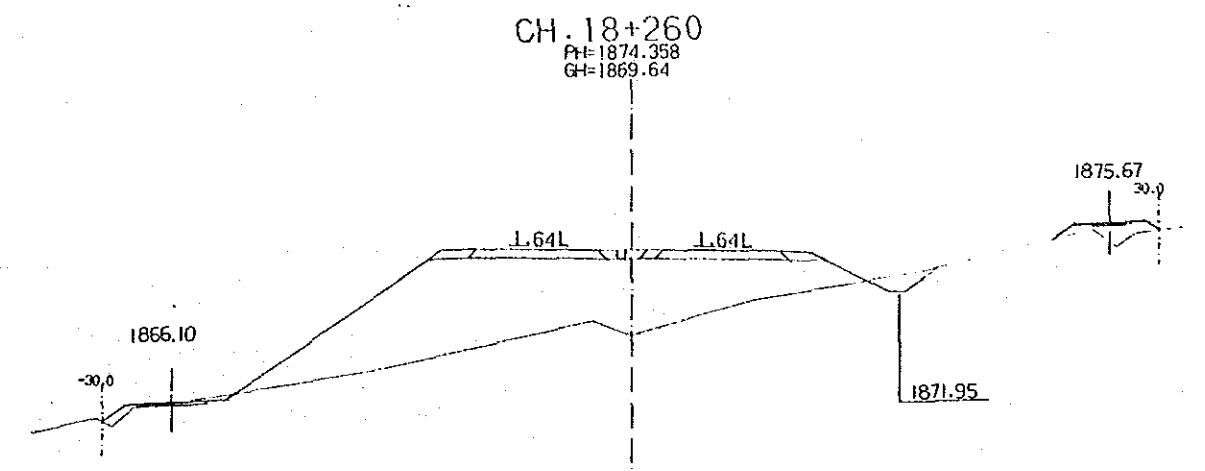
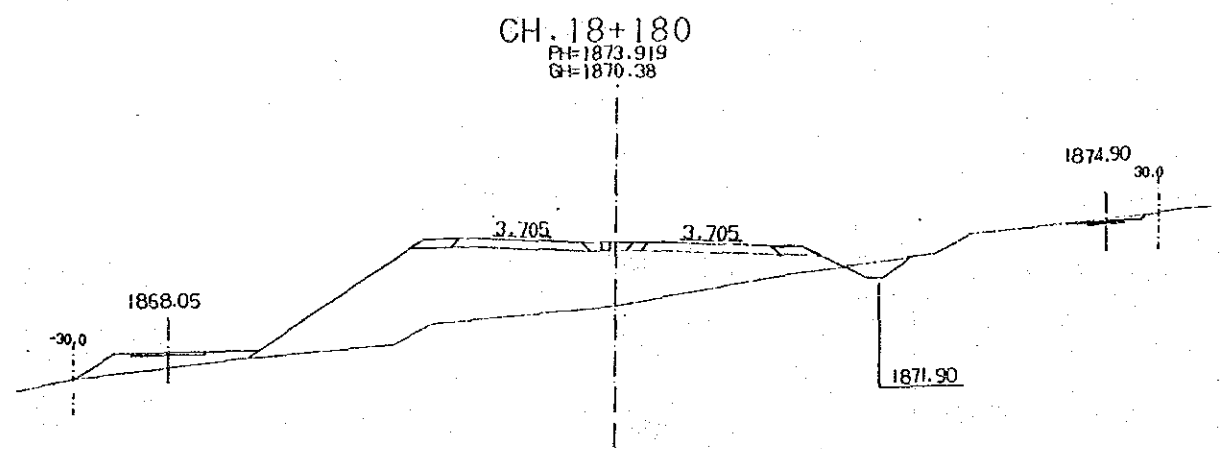
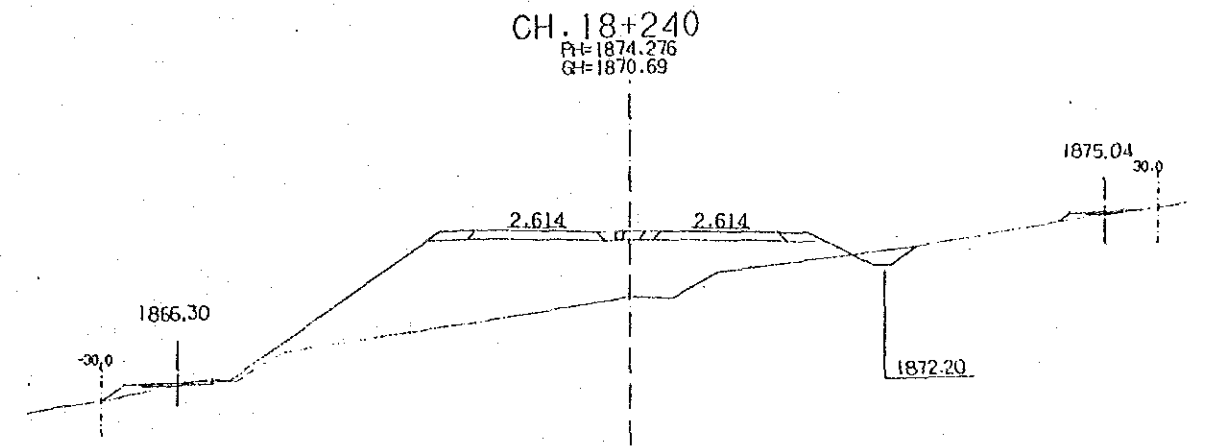
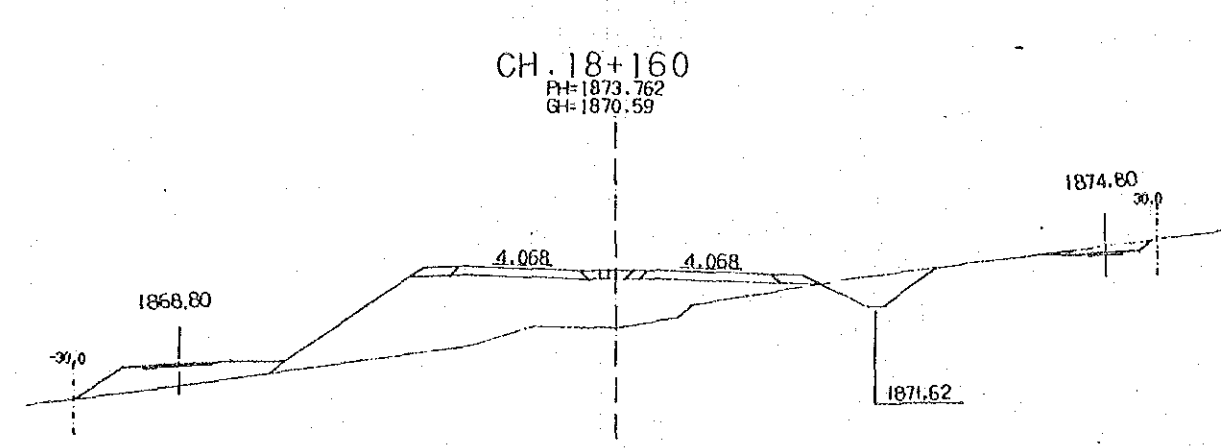
SCALES  
 1:200

NAIROBI BYPASS  
 CROSS SECTION

SHEET 22 OF 196

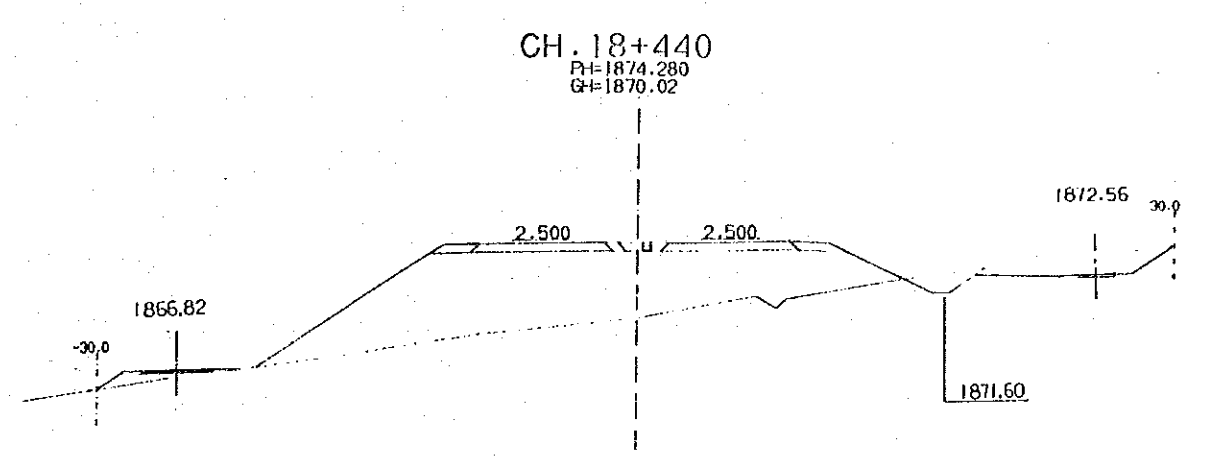
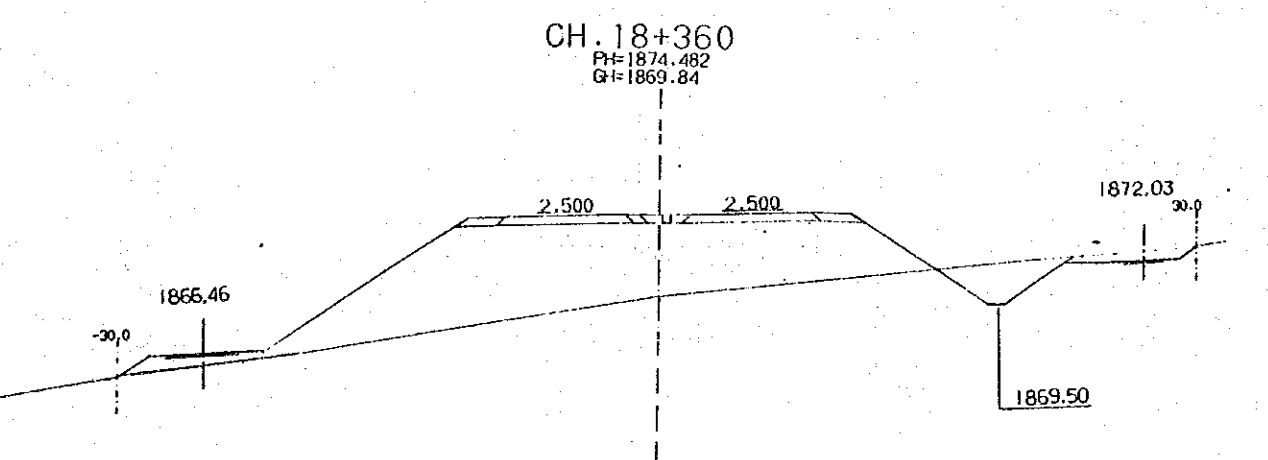
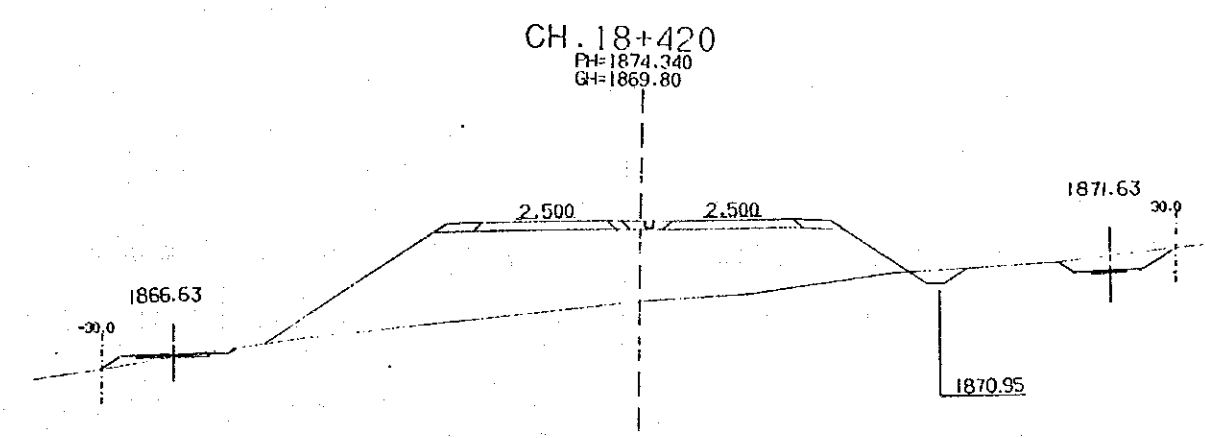
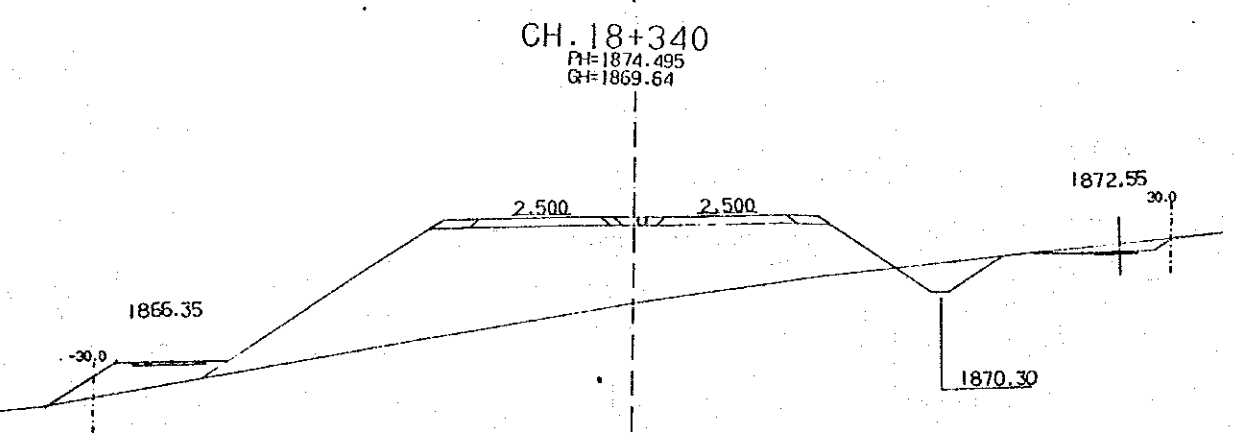
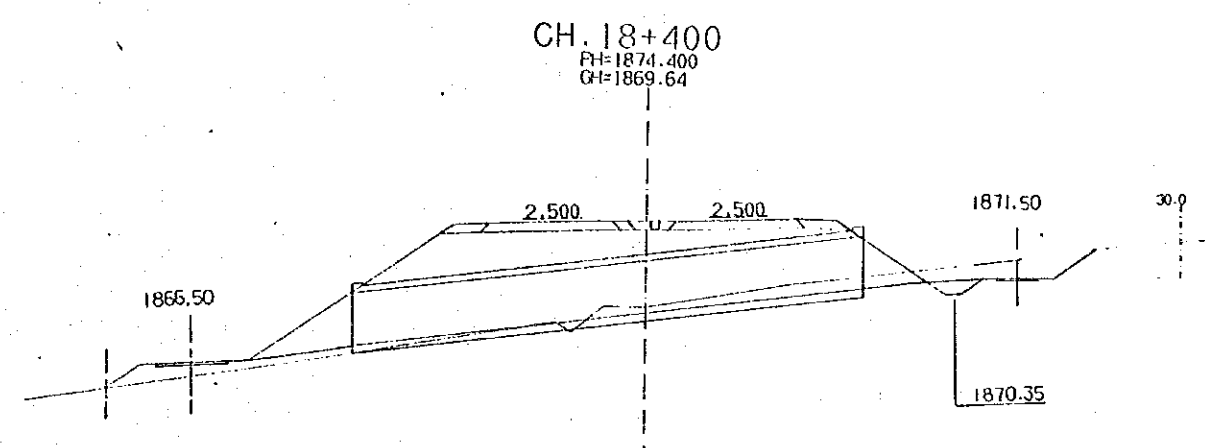
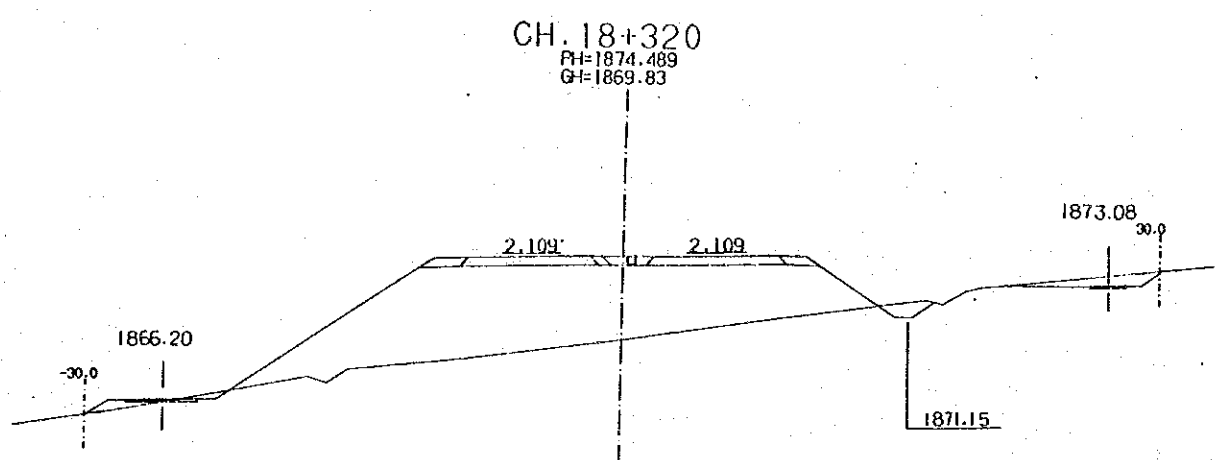
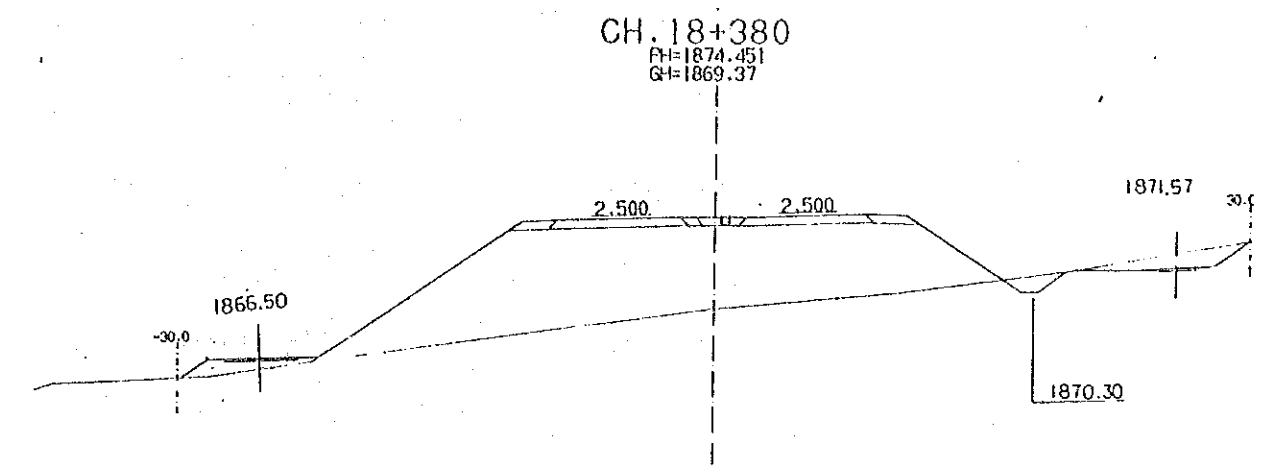
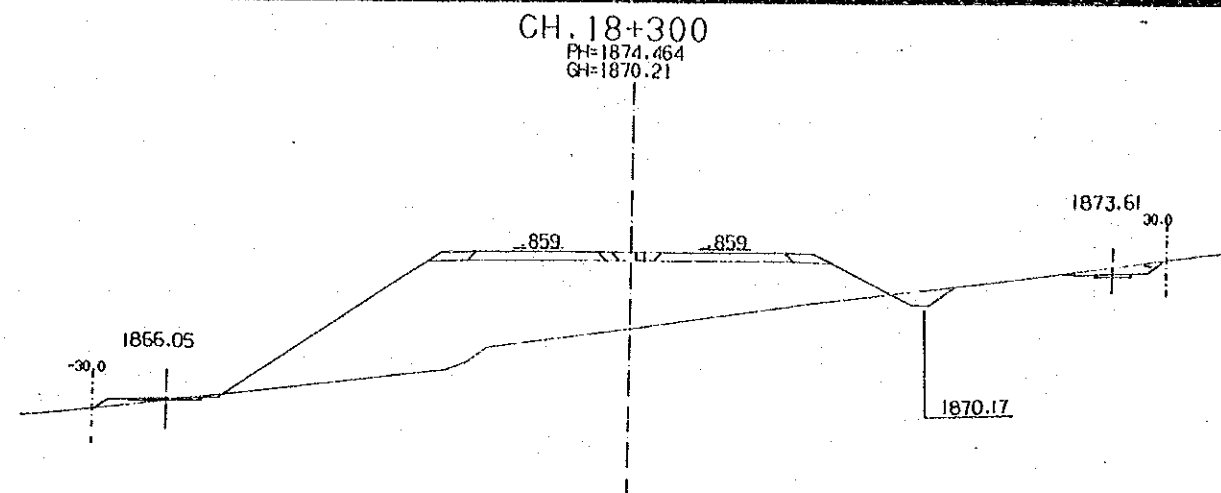
AERIAL PHOTO BY \_\_\_\_\_ SURVEYED BY \_\_\_\_\_  
 MAPPING BY \_\_\_\_\_ TRACED BY \_\_\_\_\_  
 LOCATION BY \_\_\_\_\_ CHECKED BY \_\_\_\_\_

M.O.P.W. ROADS DEPT. DRG. NO. \_\_\_\_\_



REVISIONS		JAPAN INTERNATIONAL COOPERATION AGENCY	CHIEF ENGINEER (ROADS)	SEN. SUPT. ENG. (DESIGN)	SCALES	NAIROBI BYPASS CROSS SECTION	SHEET 123 OF 196
DESCRIPTION	DATE						
			CHIEF SUPT. ENG. (DESIGN)	SUPT. ENGINEER (DESIGN)	1:200		
				PROJECT ENGINEER			





AERIAL PHOTO BY	SURVEYED BY
MAPPING BY	TRACED BY
LOCATION BY	CHECKED BY

M.C.P.W. ROADS DEPT DRG. NO.

REVISIONS	
DESCRIPTION	DATE

JAPAN INTERNATIONAL COOPERATION AGENCY

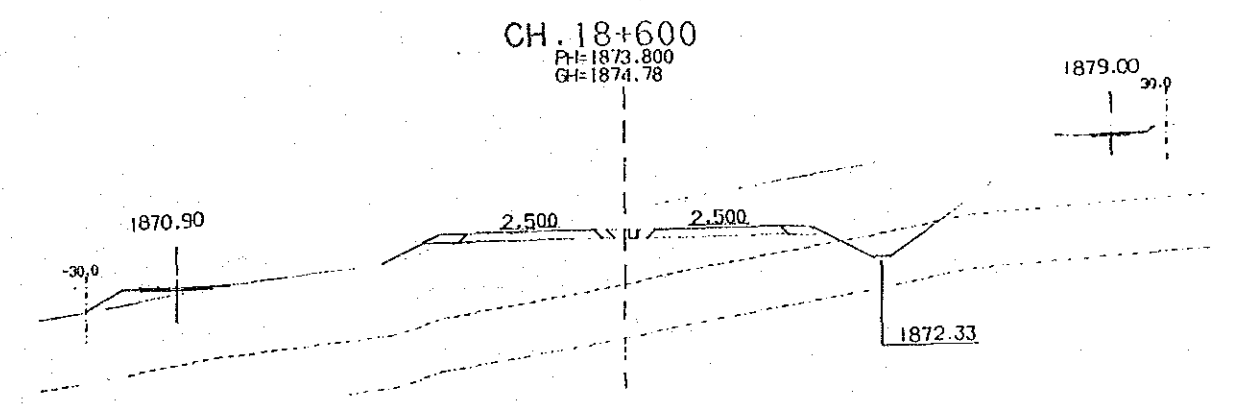
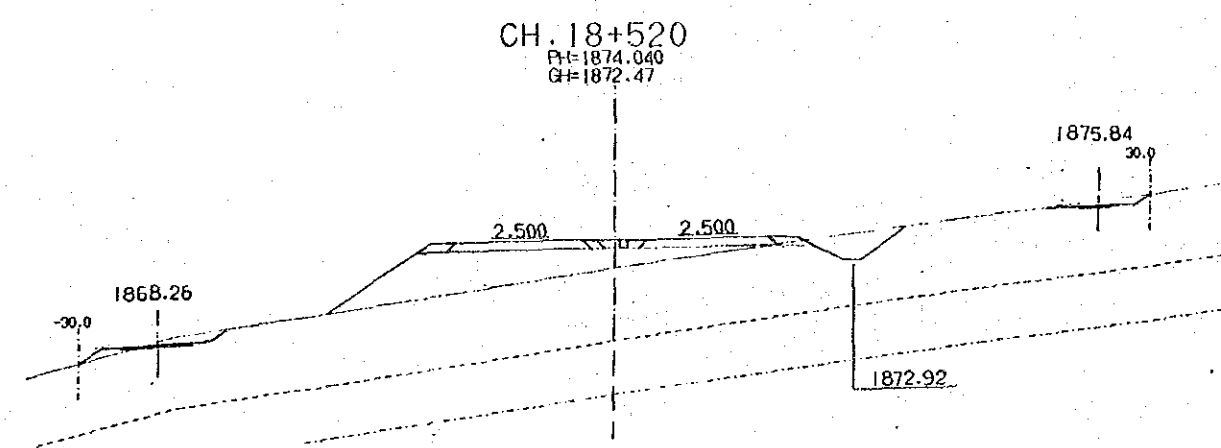
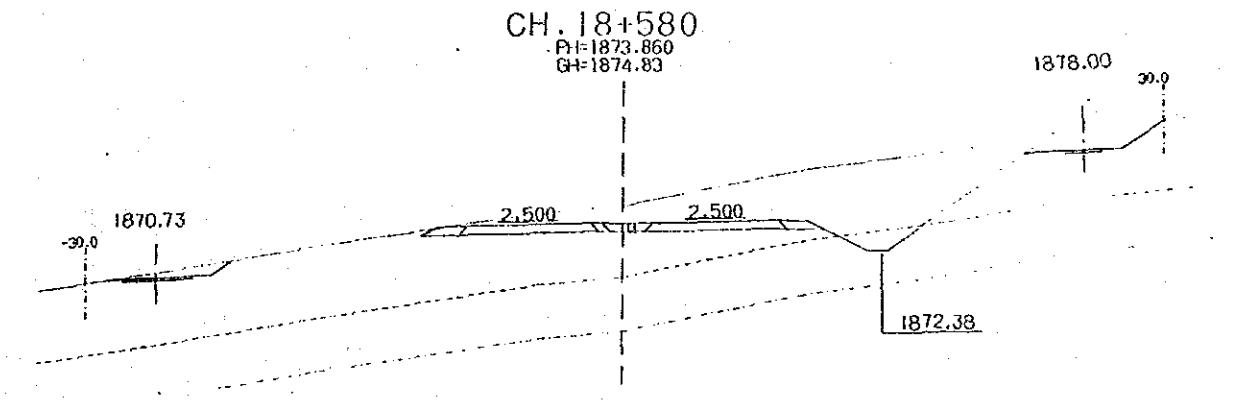
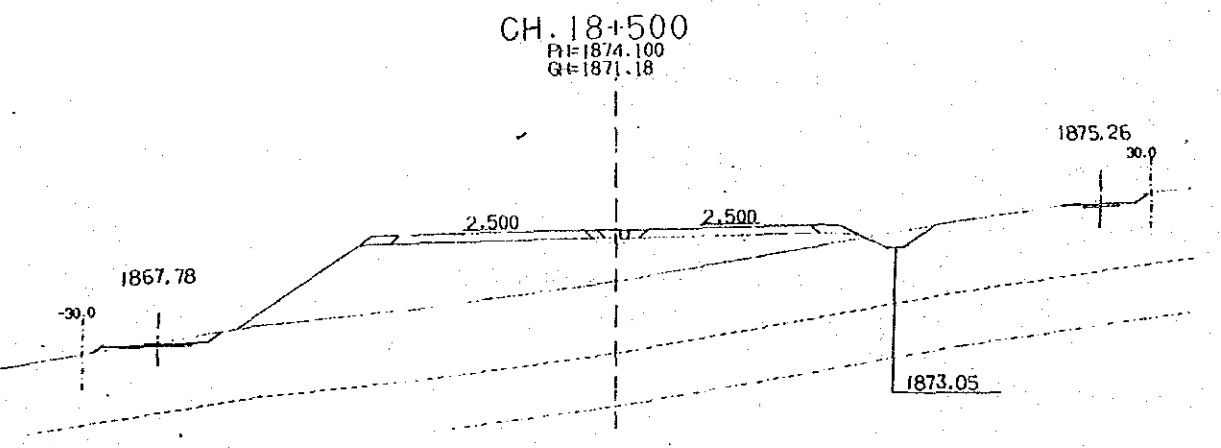
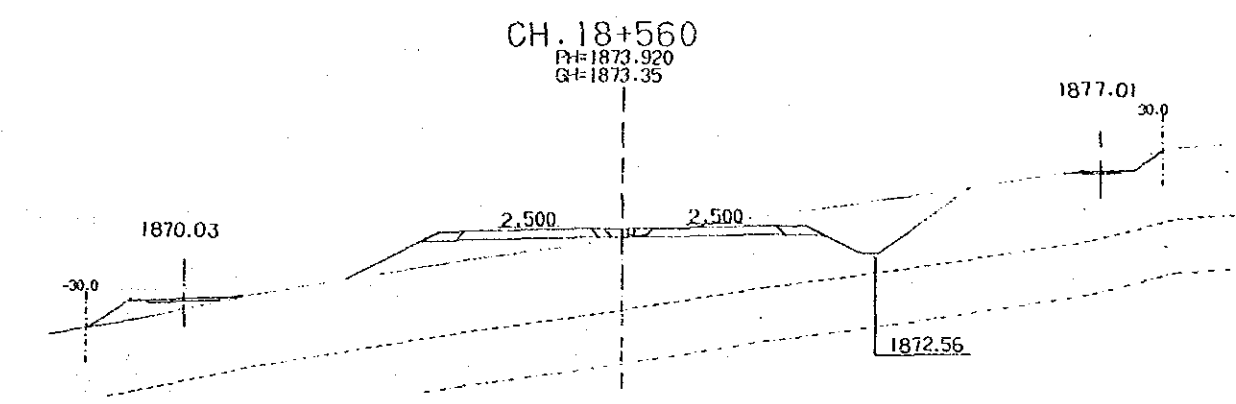
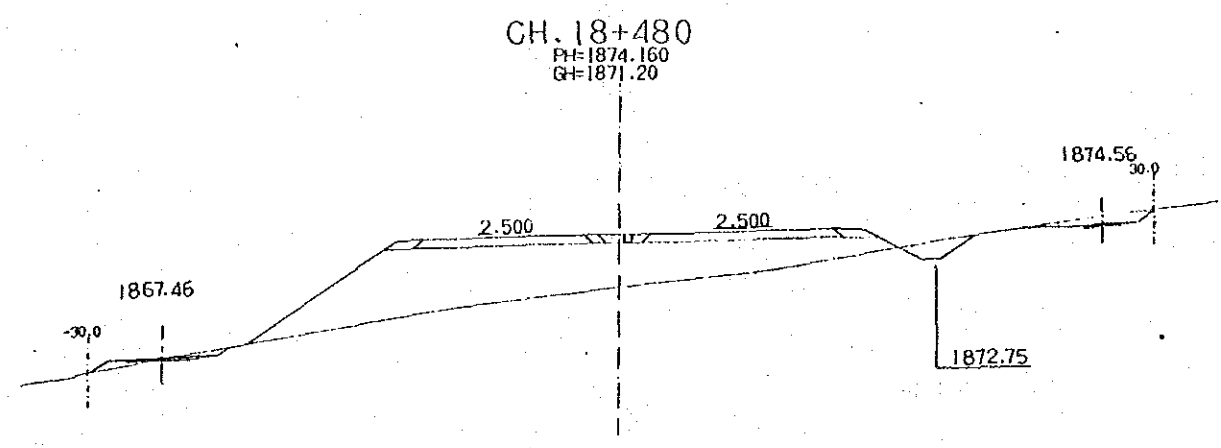
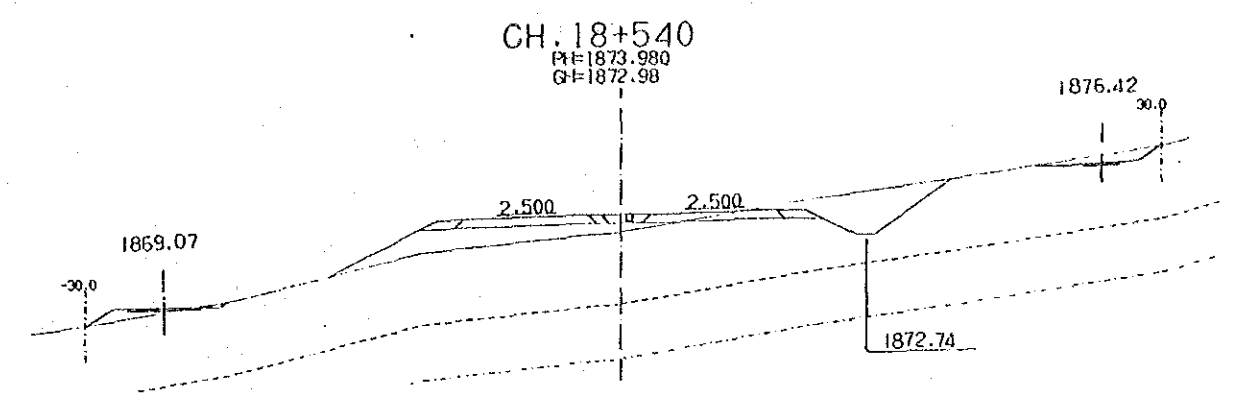
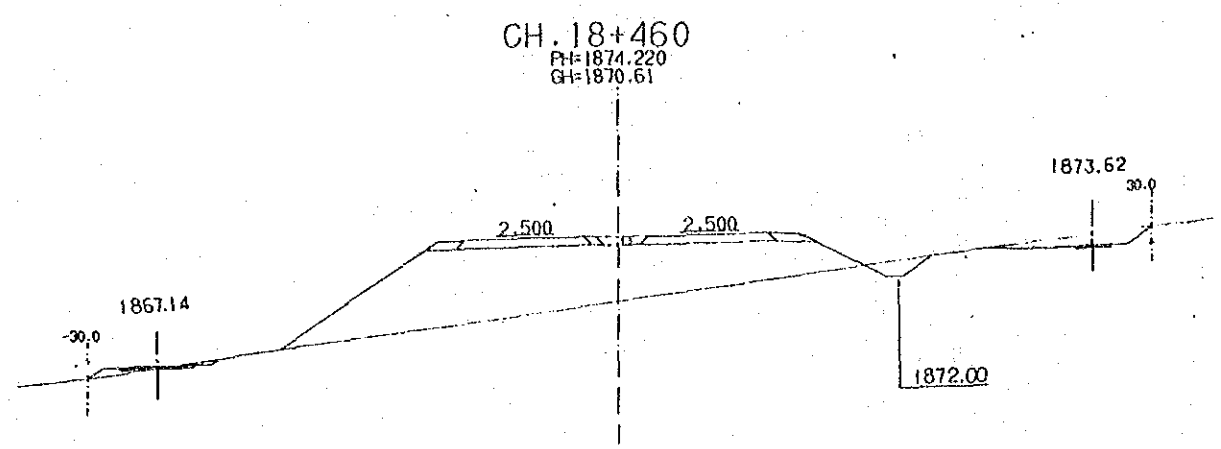
CHIEF ENGINEER (ROADS)  
 CHIEF SUPT. ENG. (DESIGN)

SEN. SUPT. ENG. (DESIGN)  
 SUPT. ENGINEER (DESIGN)  
 PROJECT ENGINEER

SCALES  
 1 : 200

NAIROBI BYPASS  
 CROSS SECTION

SHEET 1240F196



SURVEYED BY	BY
TRACED BY	BY
CHECKED BY	BY
AERIAL PHOTO BY	BY
MAPPING BY	BY
LOCATION BY	BY

M.O.P.W. ROADS DEPT DRG NO.

REVISIONS	
DESCRIPTION	DATE

JAPAN INTERNATIONAL COOPERATION AGENCY	CHIEF ENGINEER (ROADS)
	CHIEF SUPT. ENG. (DESIGN)

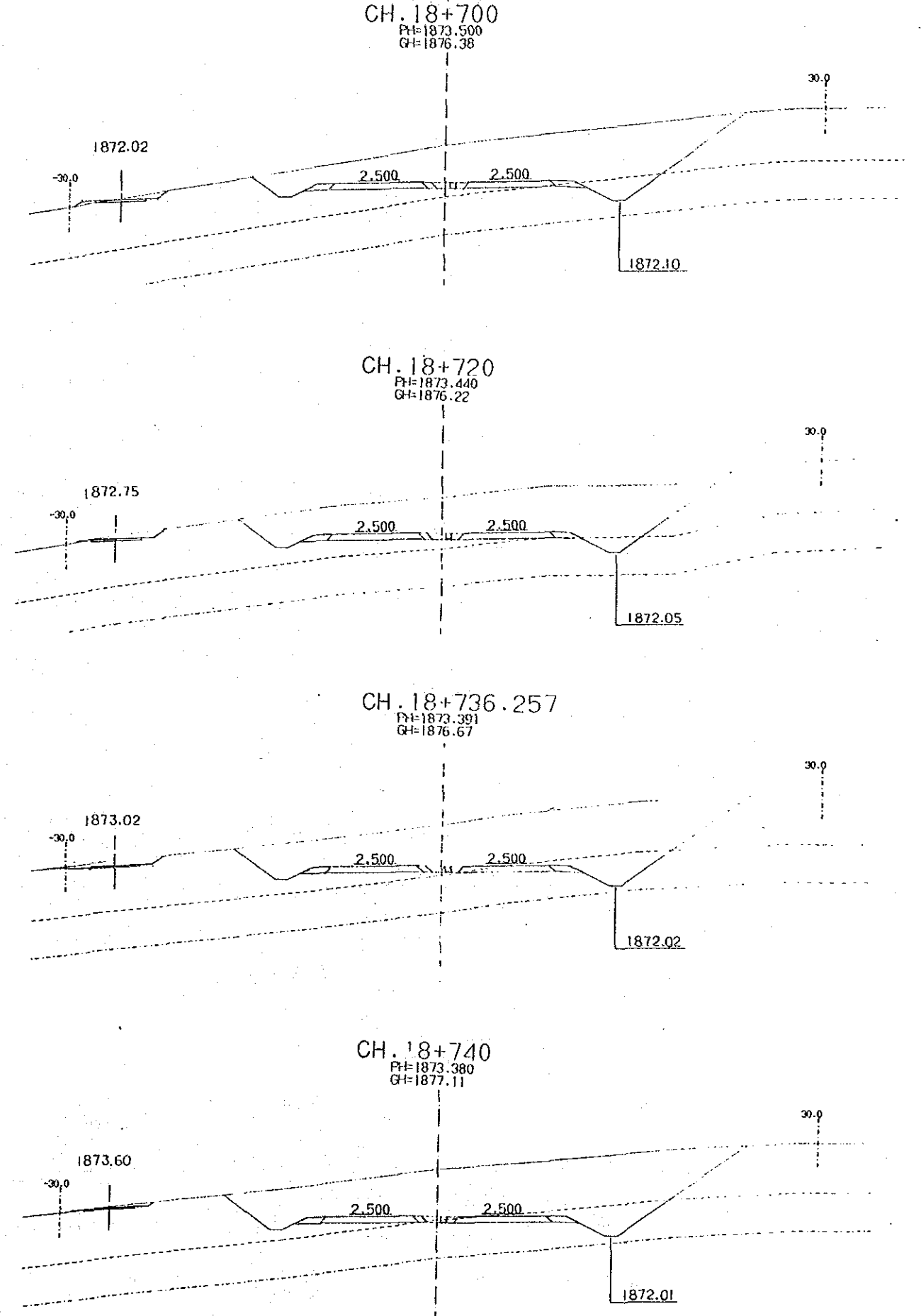
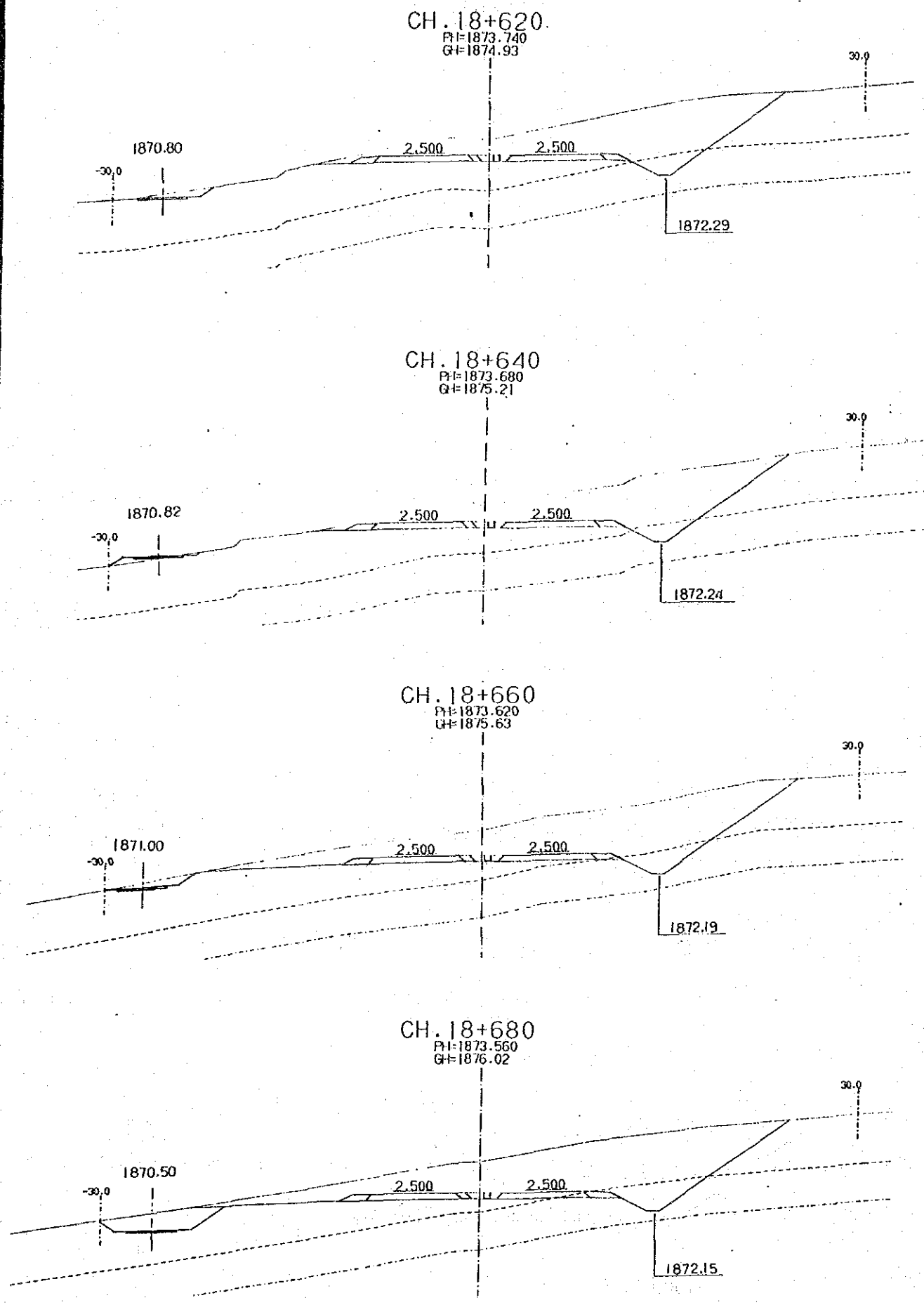
SEN. SUPT. ENG. (DESIGN)	
SUPT. ENGINEER (DESIGN)	
PROJECT ENGINEER	

SCALES	
1 : 200	

NAIROBI BYPASS  
CROSS SECTION

AERIAL PHOTO BY \_\_\_\_\_ SURVEYED BY \_\_\_\_\_  
 MAPPING BY \_\_\_\_\_ TRACED BY \_\_\_\_\_  
 LOCATION BY \_\_\_\_\_ CHECKED BY \_\_\_\_\_

M.O.P.W. ROADS DEPT. DRG. NO. \_\_\_\_\_



REVISIONS	
DESCRIPTION	DATE

JAPAN INTERNATIONAL  
COOPERATION AGENCY

CHIEF ENGINEER (ROADS)  
CHIEF SUPT. ENG. (DESIGN)

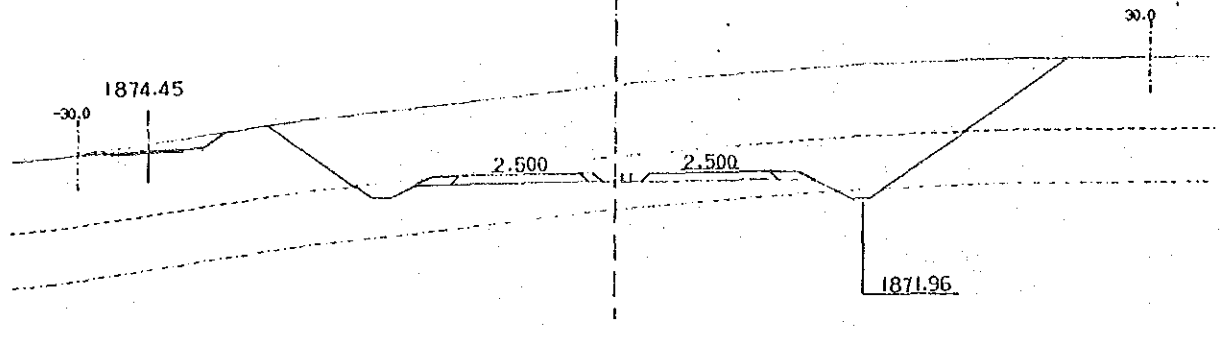
SEN. SUPT. ENG. (DESIGN)  
SUPT. ENGINEER (DESIGN)  
PROJECT ENGINEER

SCALES  
1 : 200

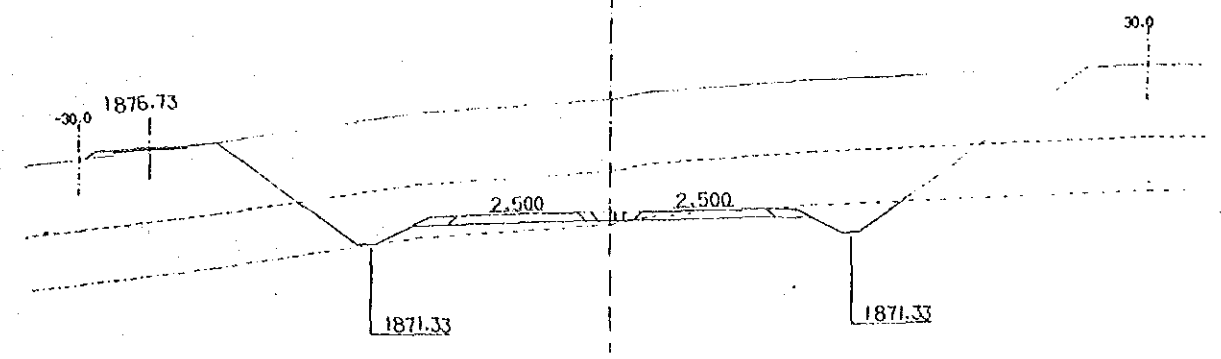
NAIROBI BYPASS  
CROSS SECTION

SHEET 126 OF 196

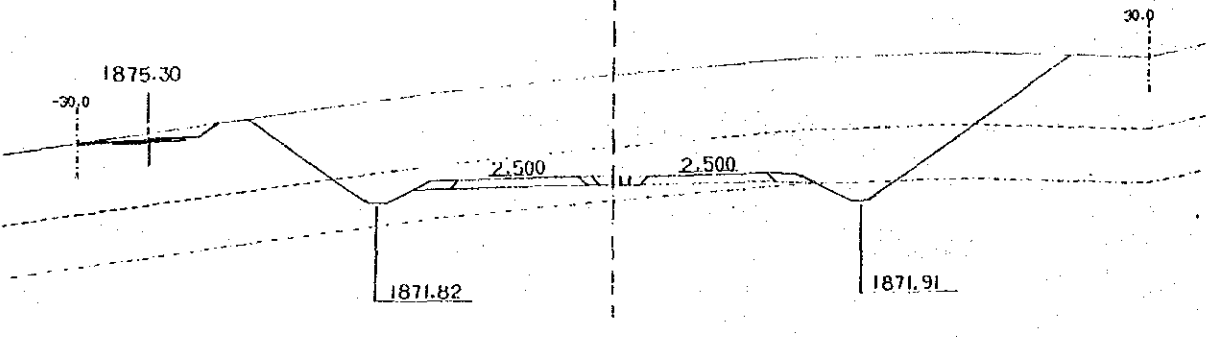
CH. 18+760  
 Pt=1873.320  
 G=1878.28



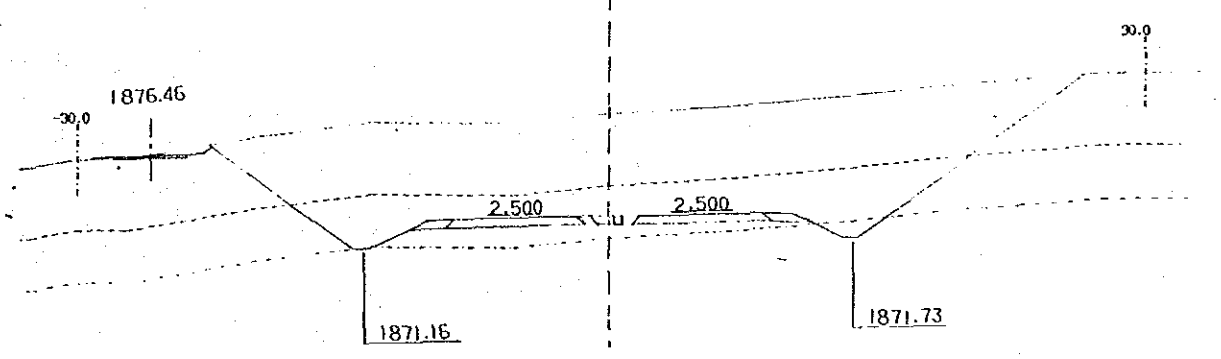
CH. 18+840  
 Pt=1873.080  
 G=1879.39



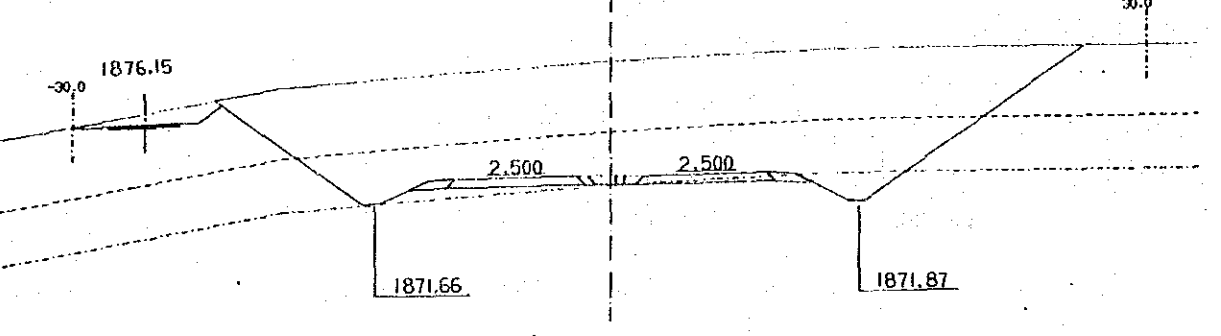
CH. 18+780  
 Pt=1873.260  
 G=1878.89



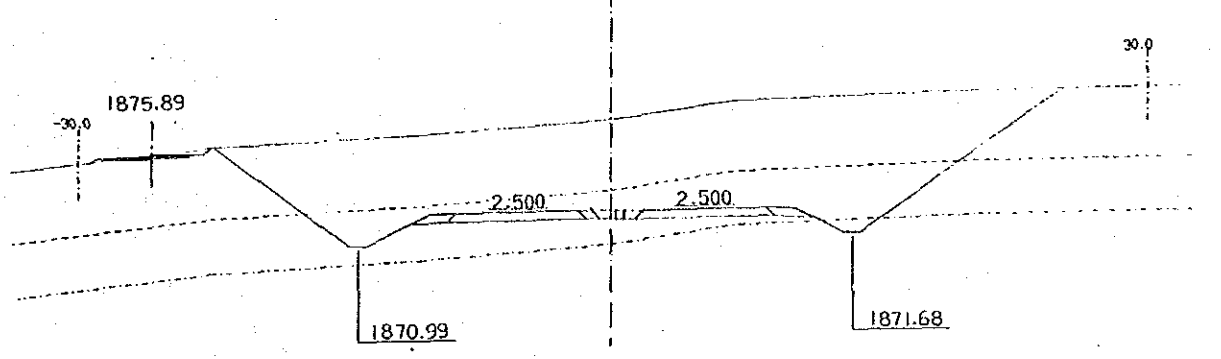
CH. 18+860  
 Pt=1873.020  
 G=1878.75



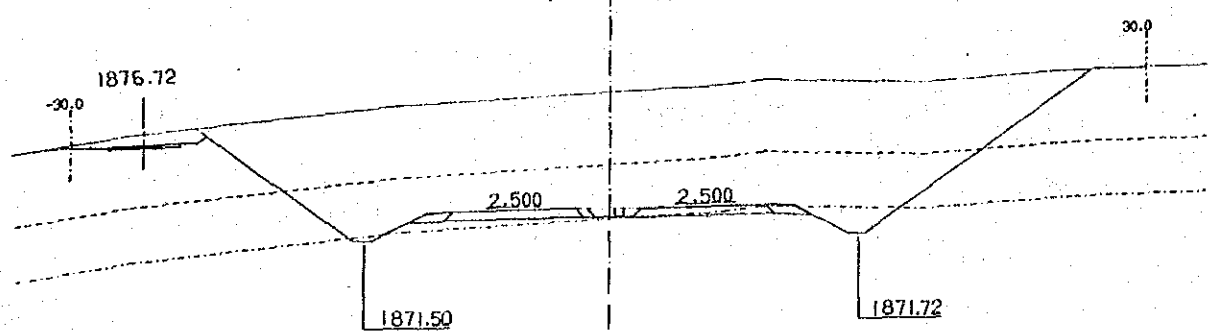
CH. 18+800  
 Pt=1873.200  
 G=1879.67



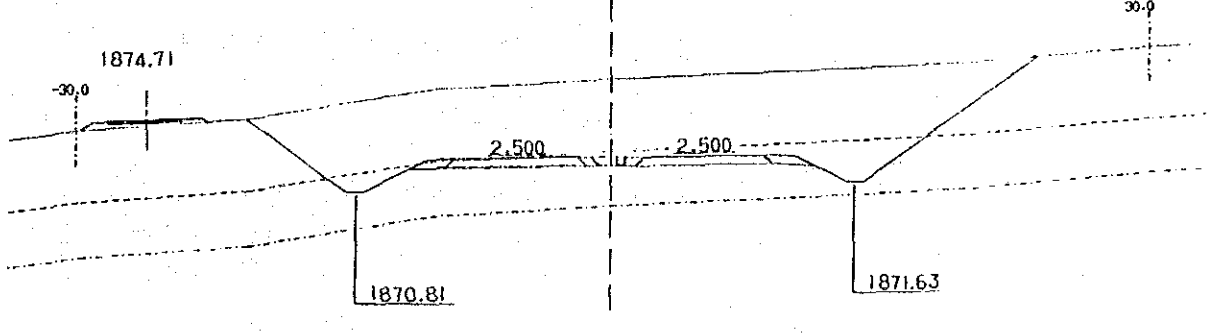
CH. 18+880  
 Pt=1872.960  
 G=1878.08



CH. 18+820  
 Pt=1873.140  
 G=1879.58



CH. 18+900  
 Pt=1872.900  
 G=1877.22



SURVEYED BY  
 TRACED BY  
 CHECKED BY  
 AERIAL PHOTO BY  
 MAPPING BY  
 LOCATION BY

M.O.P.W. ROADS DEPT. DRG. NO.

REVISIONS	
DESCRIPTION	DATE

JAPAN INTERNATIONAL  
 COOPERATION AGENCY

CHIEF ENGINEER (ROADS)  
 CHIEF SUPT. ENG. (DESIGN)

SEN. SUPT. ENG. (DESIGN)  
 SUPT. ENGINEER (DESIGN)  
 PROJECT ENGINEER

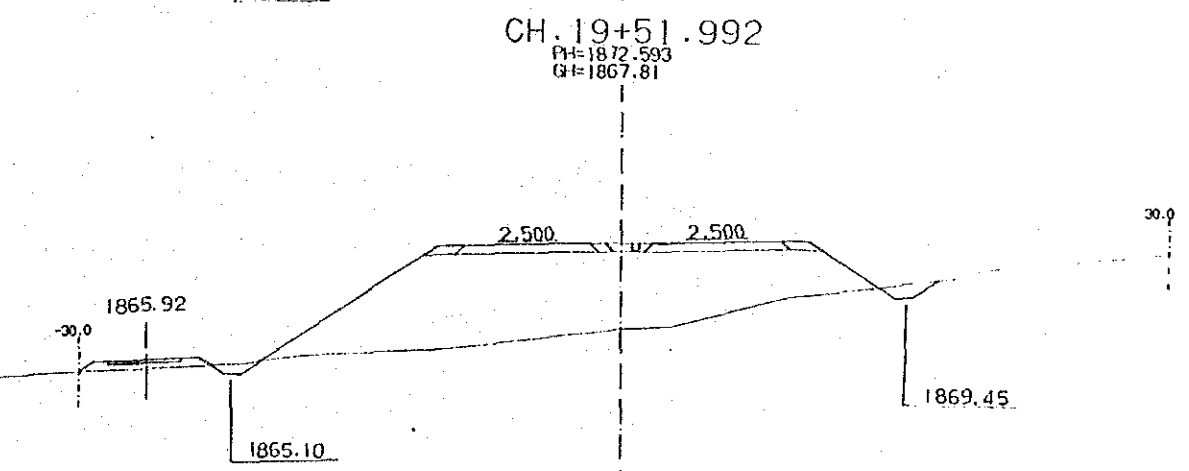
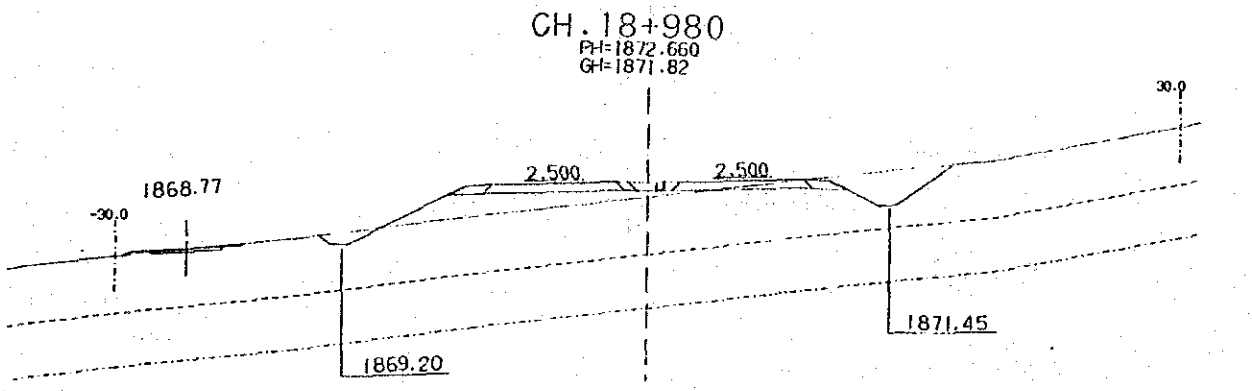
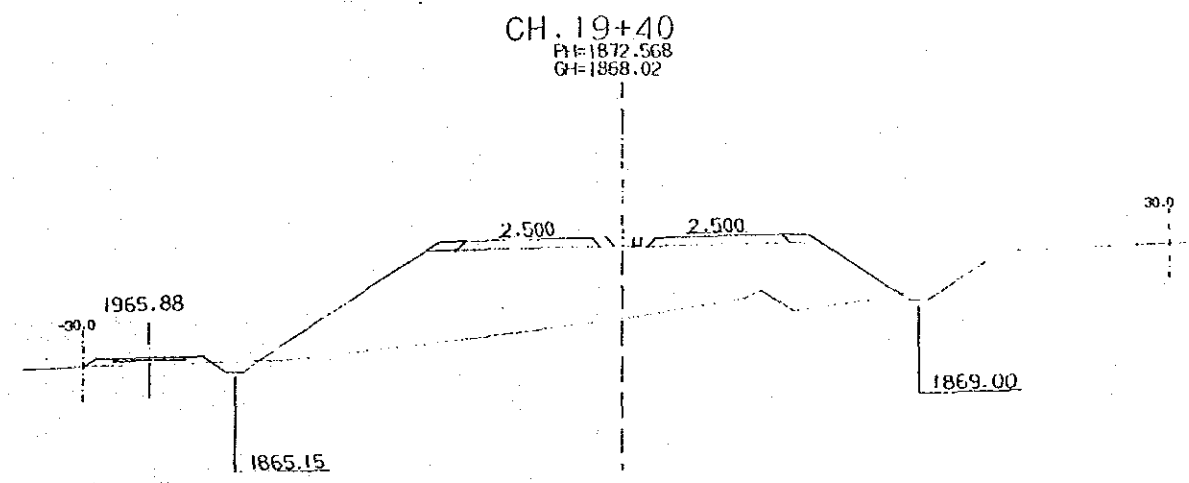
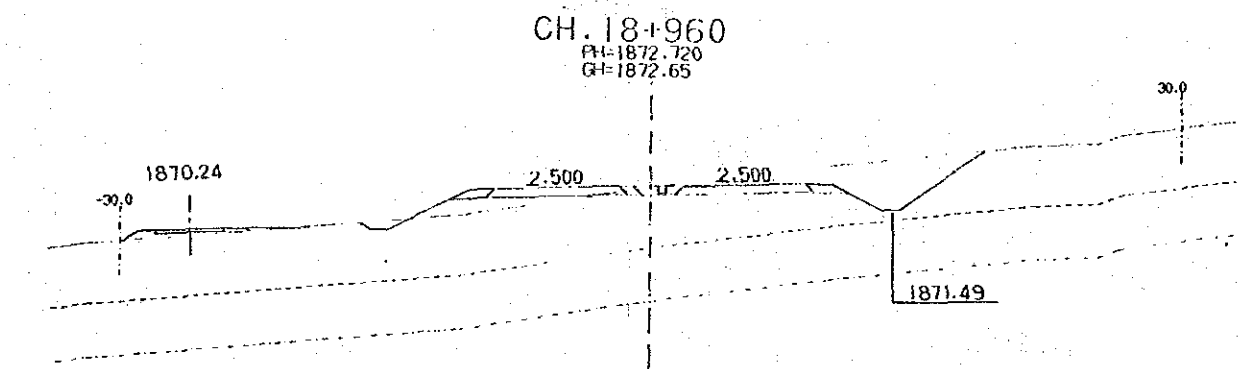
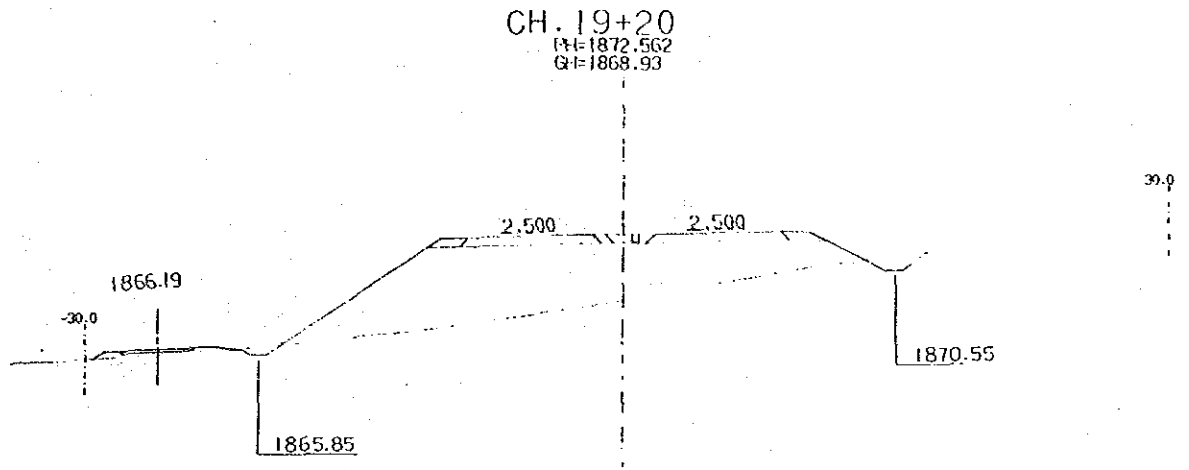
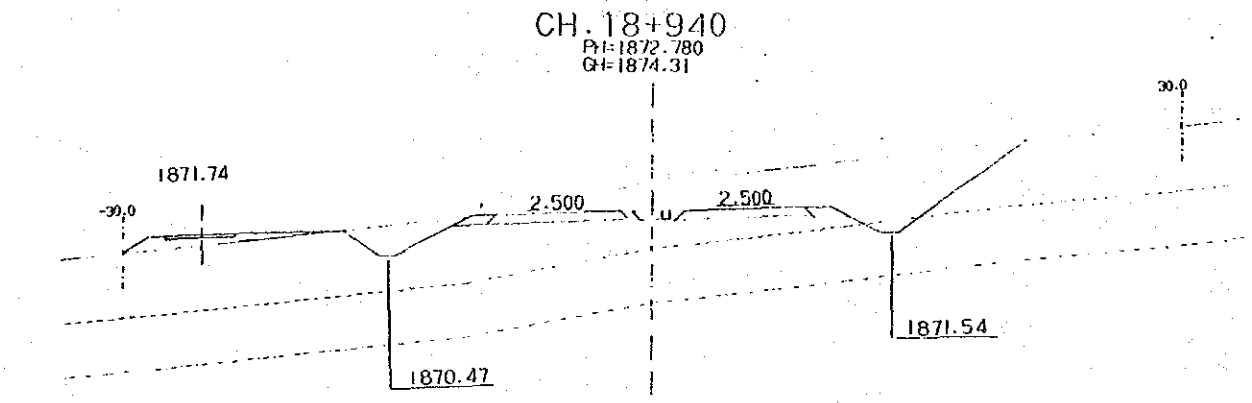
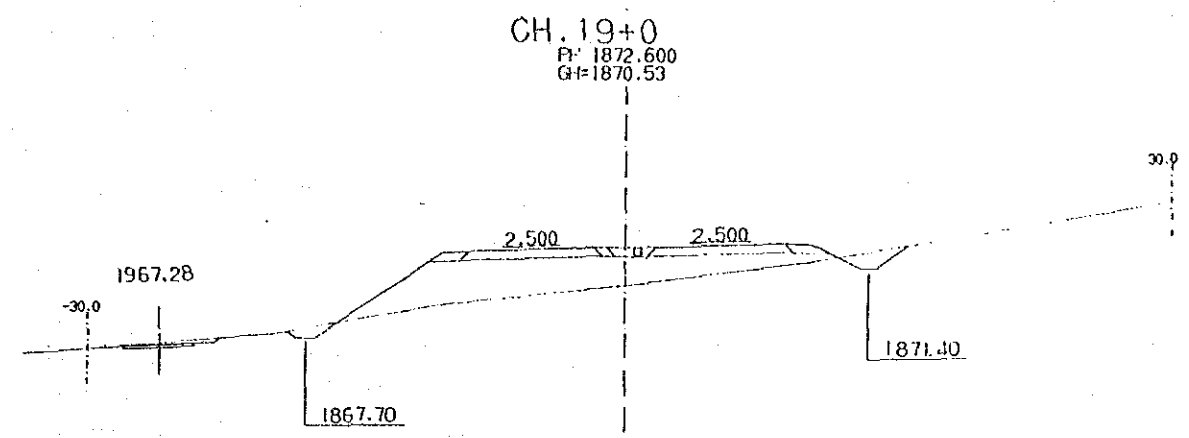
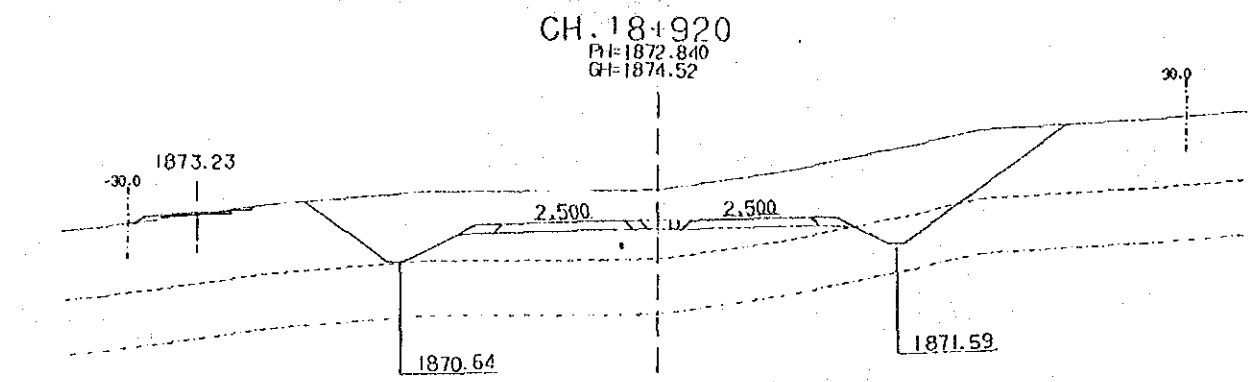
SCALES  
 1 : 200

NAIROBI BYPASS  
 CROSS SECTION

SHEET 127 OF 196

AERIAL PHOTO BY \_\_\_\_\_  
 MAPPING BY \_\_\_\_\_  
 SURVEYED BY \_\_\_\_\_  
 TRACED BY \_\_\_\_\_  
 LOCATION BY \_\_\_\_\_  
 CHECKED BY \_\_\_\_\_

MAP W. ROADS DEPT. DRG. NO. \_\_\_\_\_



REVISIONS	
DESCRIPTION	DATE

JAPAN INTERNATIONAL  
 COOPERATION AGENCY

CHIEF ENGINEER (ROADS)  
 CHIEF SUPT. ENG. (DESIGN)

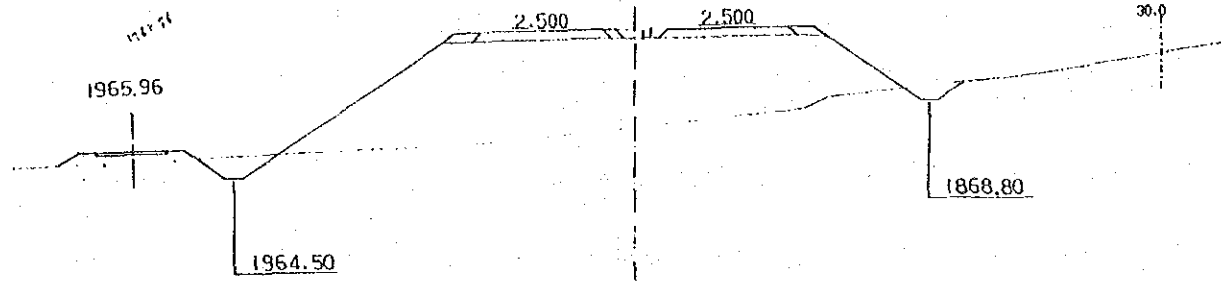
SEN. SUPT. ENG. (DESIGN)  
 SUPT. ENGINEER (DESIGN)  
 PROJECT ENGINEER

SCALES  
 1 : 200

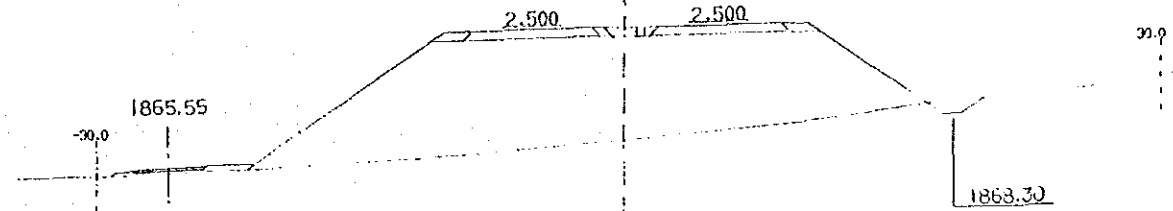
NAIROBI BYPASS  
 CROSS SECTION

SHEET1280F196

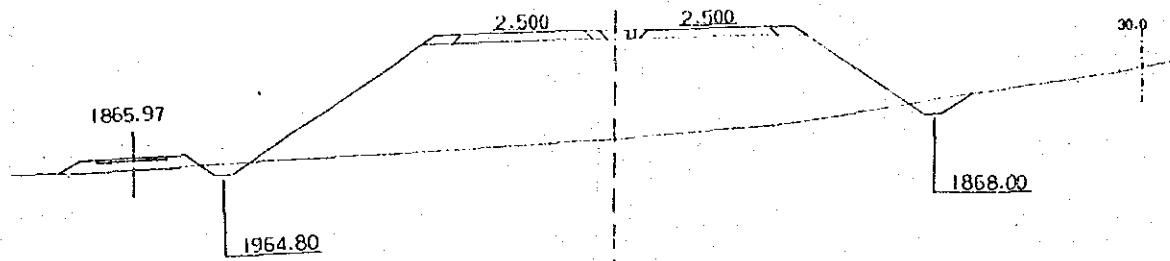
CH. 19+60  
 PI=1872.618  
 GI=1867.21



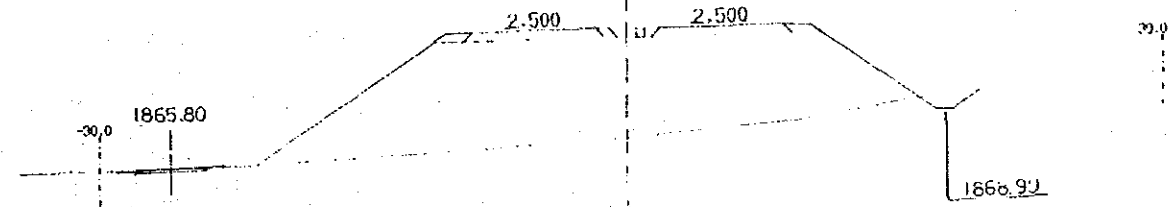
CH. 19+140  
 PI=1873.258  
 GI=1867.01



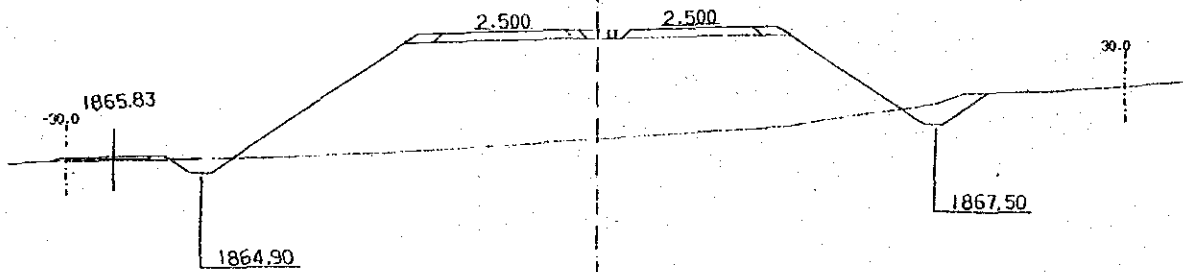
CH. 19+80  
 PI=1872.712  
 GI=1866.66



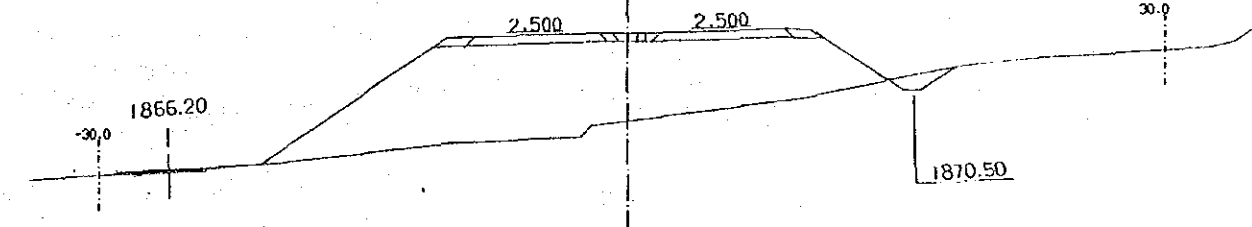
CH. 19+160  
 PI=1873.528  
 GI=1867.41



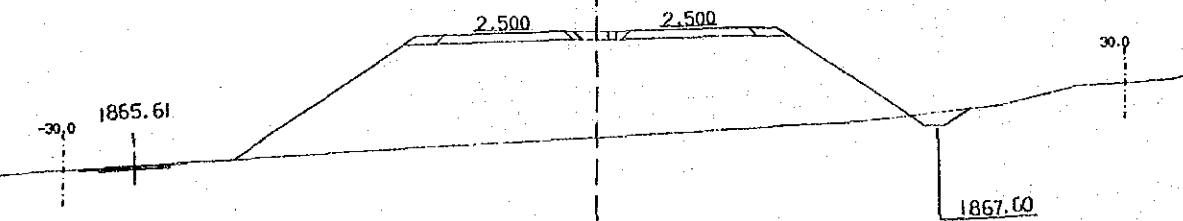
CH. 19+100  
 PI=1872.850  
 GI=1866.74



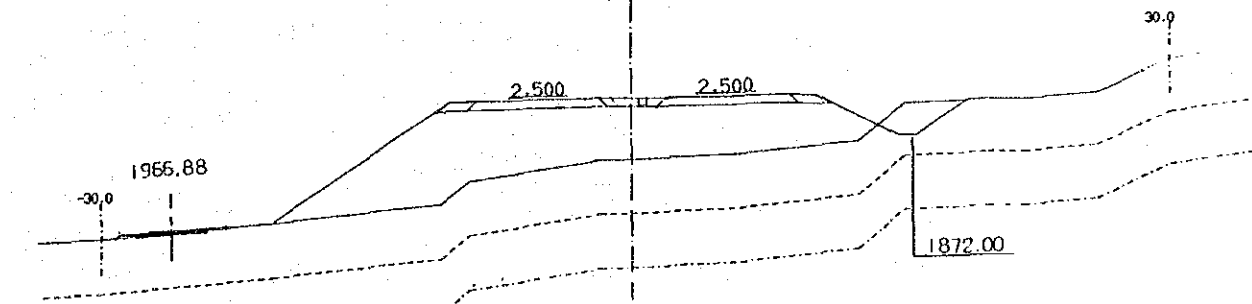
CH. 19+180  
 PI=1873.842  
 GI=1868.90



CH. 19+120  
 PI=1873.032  
 GI=1867.05



CH. 19+200  
 PI=1874.200  
 GI=1870.71



AERIAL PHOTO BY	SURVEYED BY
MAPPING BY	TRACED BY
LOCATION BY	CHECKED BY

M.P.W. ROADS DEPT. DRG. NO.

REVISIONS	DESCRIPTION	DATE

JAPAN INTERNATIONAL COOPERATION AGENCY

CHIEF ENGINEER (ROADS)  
 CHIEF SUPT. ENG. (DESIGN)

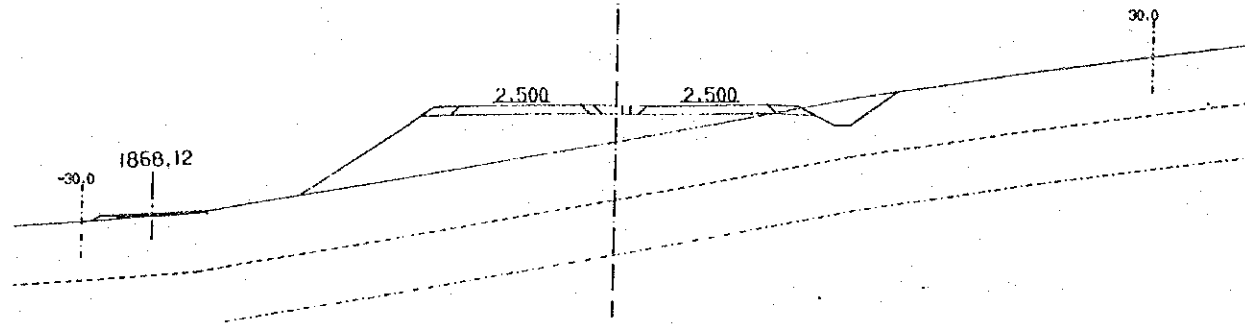
SEN SUPT. ENG. (DESIGN)  
 SUPT. ENGINEER (DESIGN)  
 PROJECT ENGINEER

SCALES  
 1 : 200

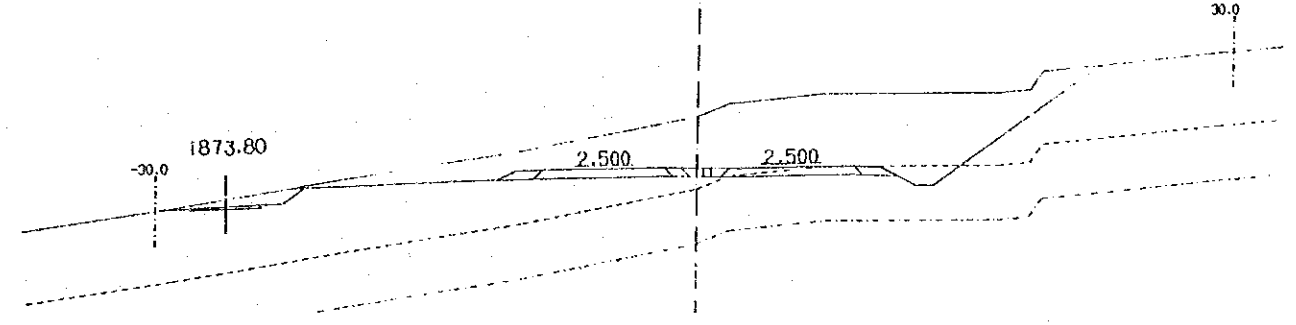
NAIROBI BYPASS  
 CROSS SECTION

SHEET 129 OF 196

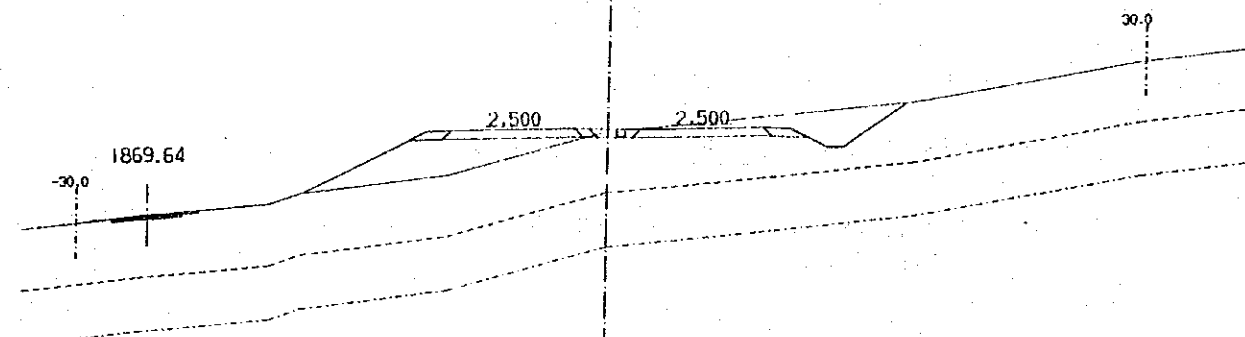
CH. 19+220  
 Pt=1874.580  
 G=1872.57



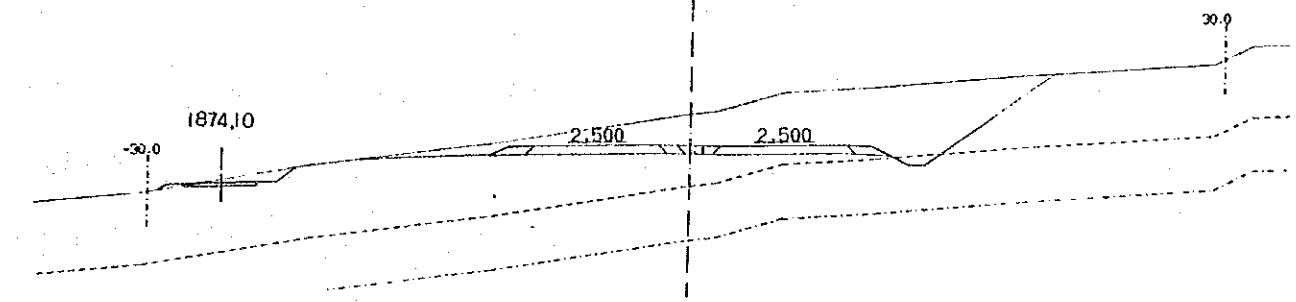
CH. 19+300  
 Pt=1876.100  
 G=1878.93



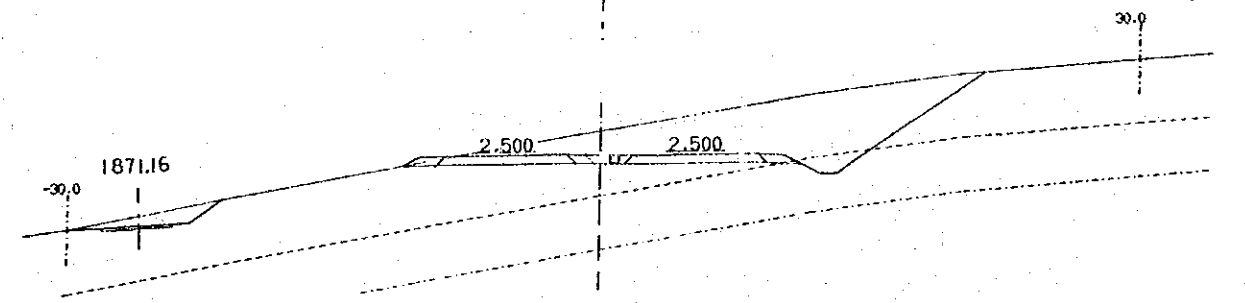
CH. 19+240  
 Pt=1874.960  
 G=1874.81



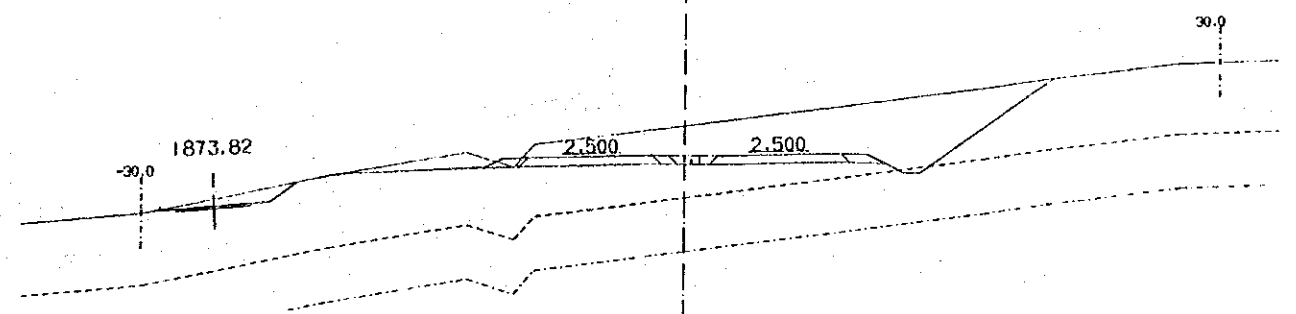
CH. 19+320  
 Pt=1876.480  
 G=1878.24



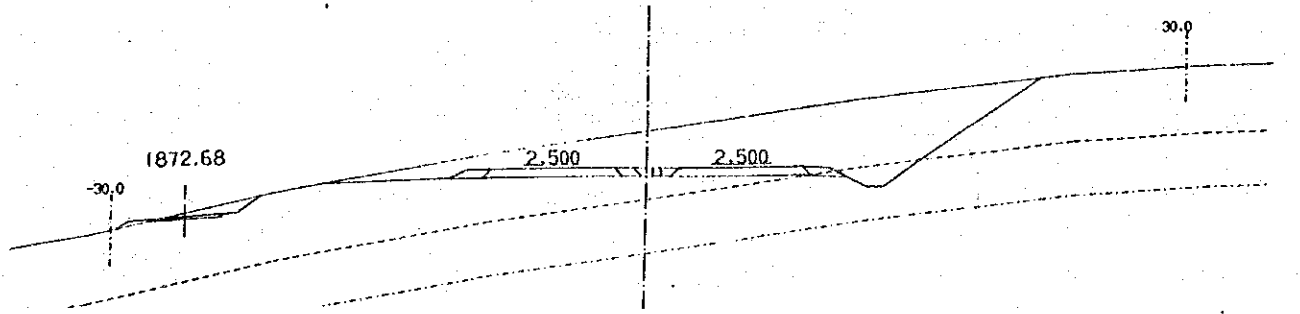
CH. 19+260  
 Pt=1875.340  
 G=1876.70



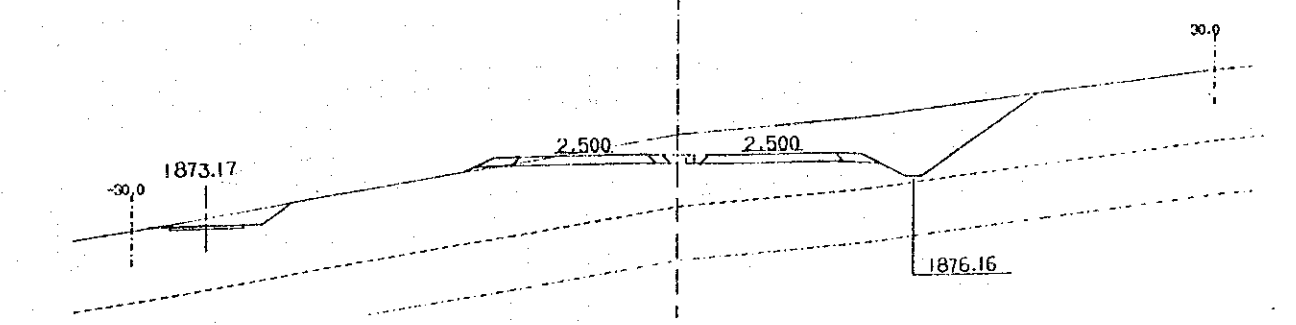
CH. 19+340  
 Pt=1876.860  
 G=1878.55



CH. 19+280  
 Pt=1875.720  
 G=1877.75



CH. 19+360  
 Pt=1877.240  
 G=1878.37



AERIAL PHOTO BY	SURVEYED BY
	TRACED BY
MAPPING BY	CHECKED BY
	LOCATION BY

M.O.P.W. ROADS DEPT DRG NO.

REVISIONS	
DESCRIPTION	DATE

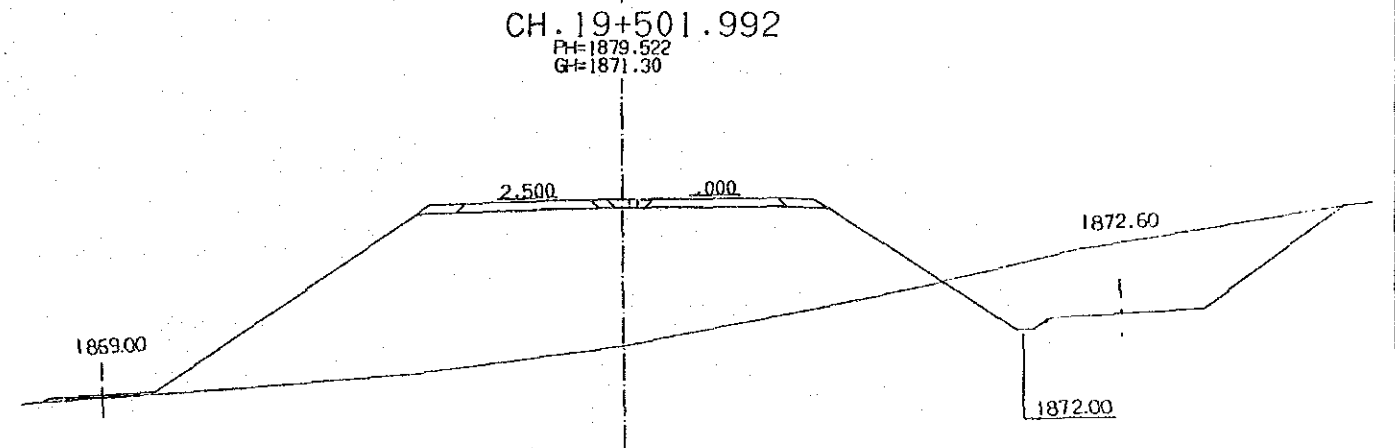
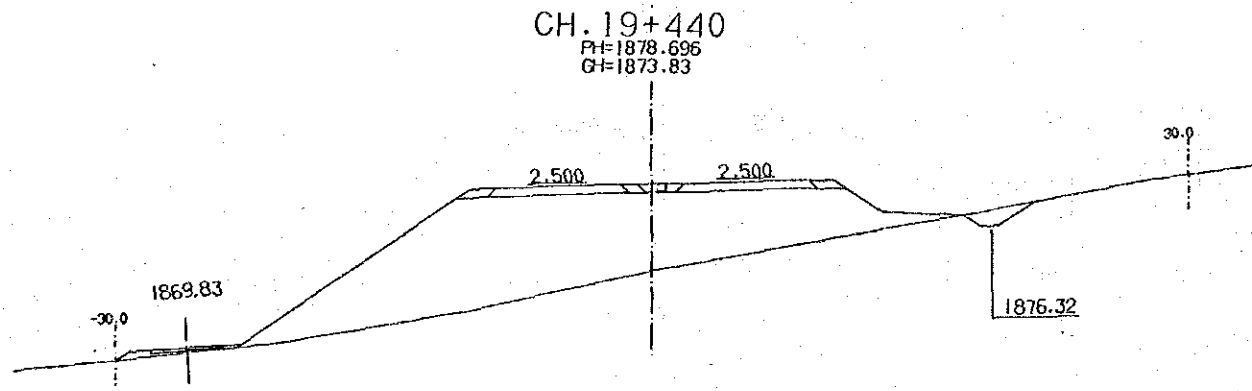
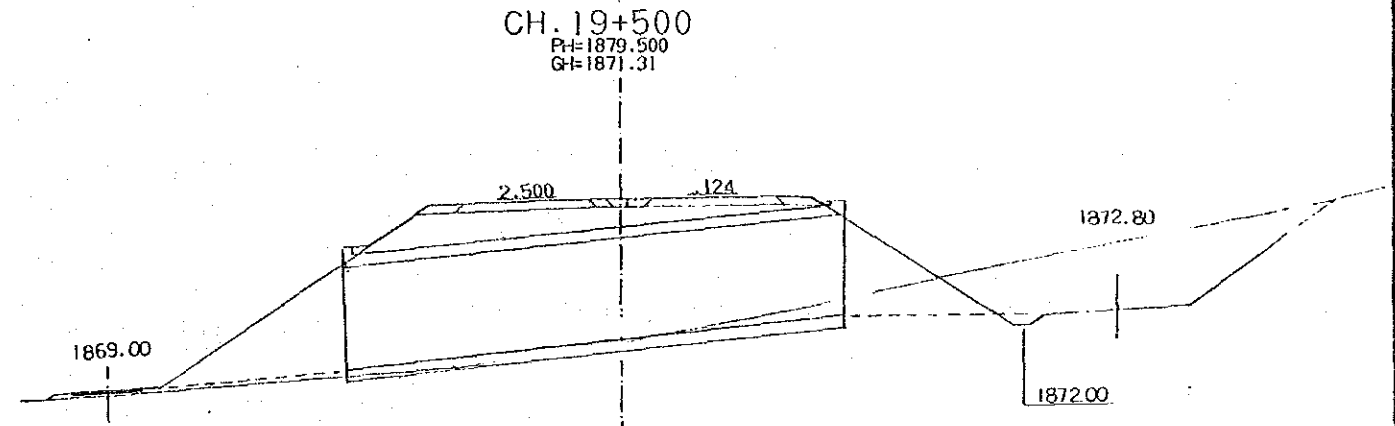
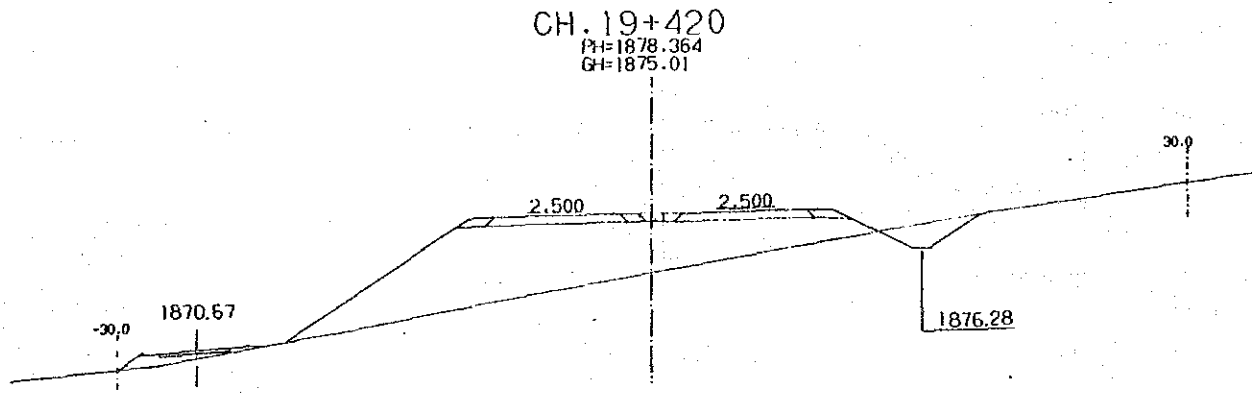
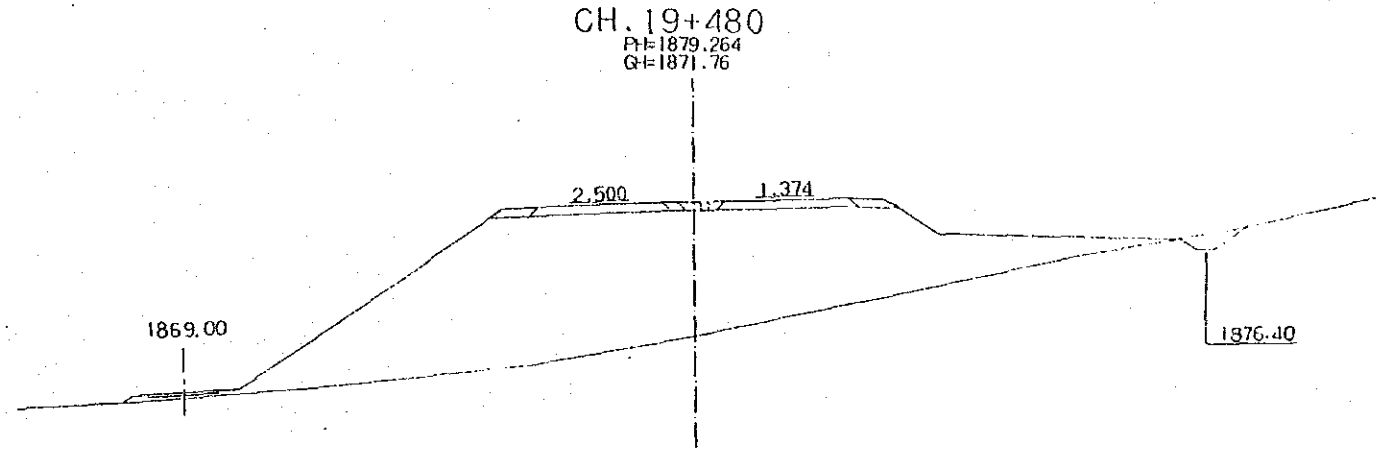
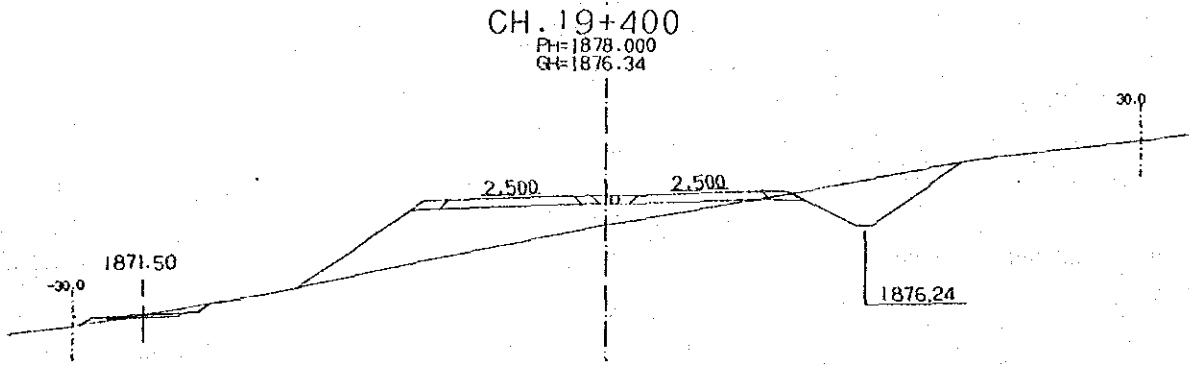
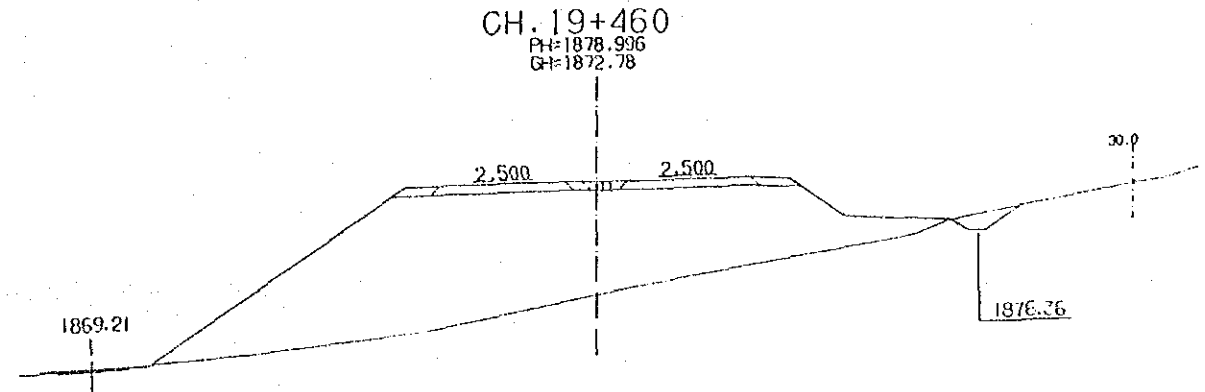
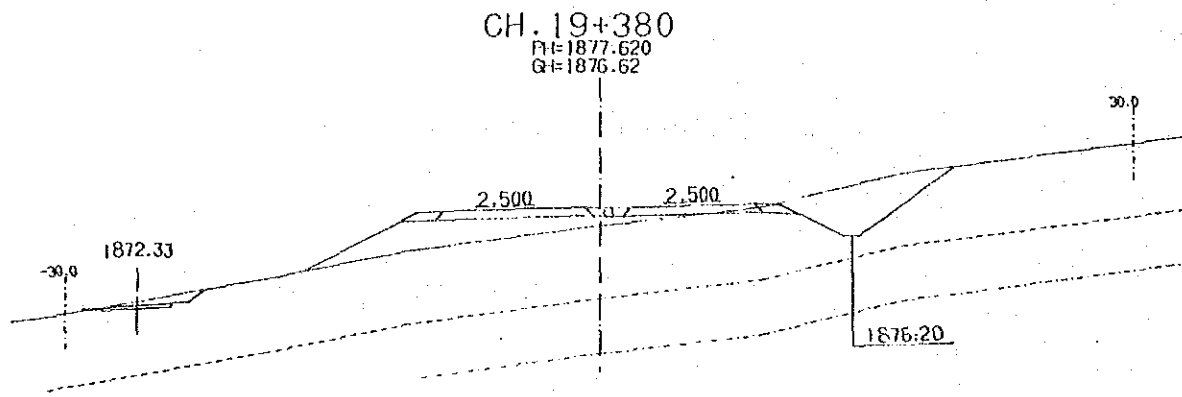
JAPAN INTERNATIONAL  
 COOPERATION AGENCY

CHIEF ENGINEER (ROADS)  
 CHIEF SUPT. ENG. (DESIGN)

SEN SUPT. ENG. (DESIGN)  
 SUPT. ENGINEER (DESIGN)  
 PROJECT ENGINEER

SCALES  
 1 : 200

NAIROBI BYPASS  
 CROSS SECTION



AERIAL PHOTO BY \_\_\_\_\_ SURVEYED BY \_\_\_\_\_  
 MAPPING BY \_\_\_\_\_ TRACED BY \_\_\_\_\_  
 LOCATION BY \_\_\_\_\_ CHECKED BY \_\_\_\_\_

M.O.P.W. ROADS DEPT DRG. NO.

REVISIONS	DESCRIPTION	DATE

JAPAN INTERNATIONAL COOPERATION AGENCY  
 CHIEF ENGINEER (ROADS)  
 CHIEF SUPT. ENG. (DESIGN)

SEN. SUPT. ENG. (DESIGN)  
 SUPT. ENGINEER (DESIGN)  
 PROJECT ENGINEER

SCALES  
 1 : 200

NAIROBI BYPASS  
 CROSS SECTION

SHEET 1310F196



CH. 19+520  
 PI=1879.704  
 GI=1871.31

CH. 19+600  
 PI=1880.200  
 GI=1873.26

CH. 19+540  
 PI=1879.876  
 GI=1871.72

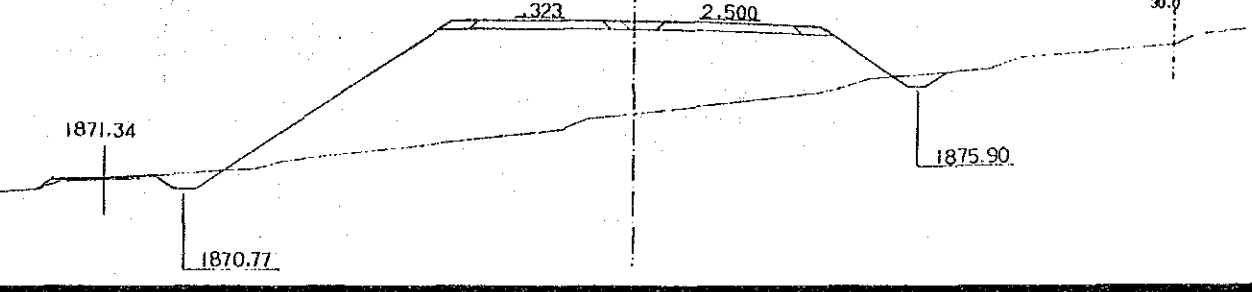
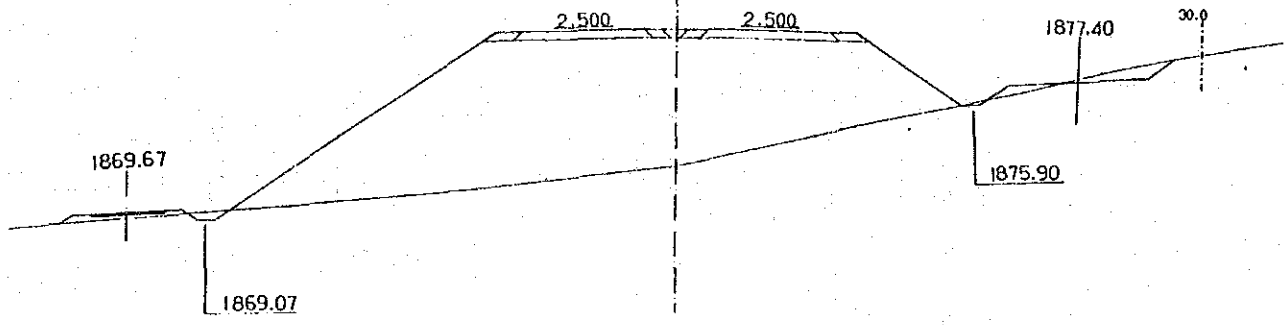
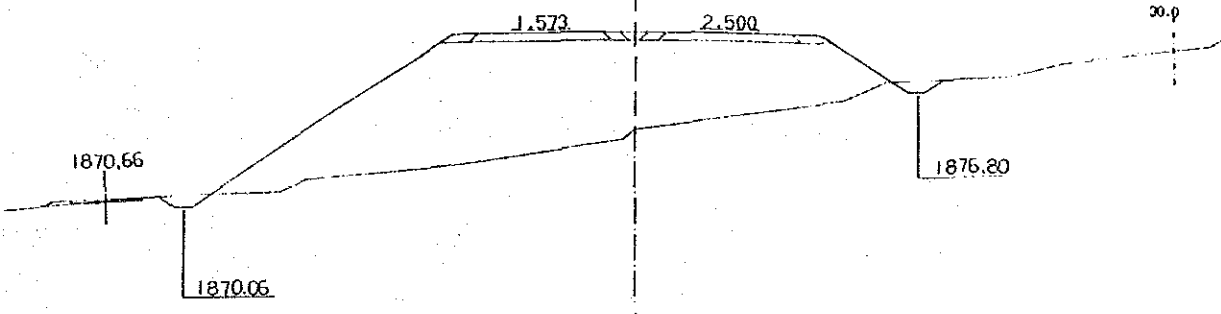
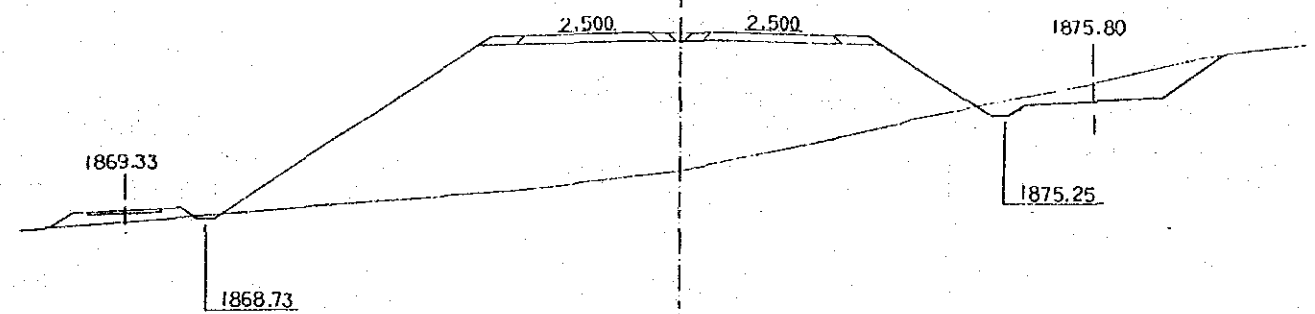
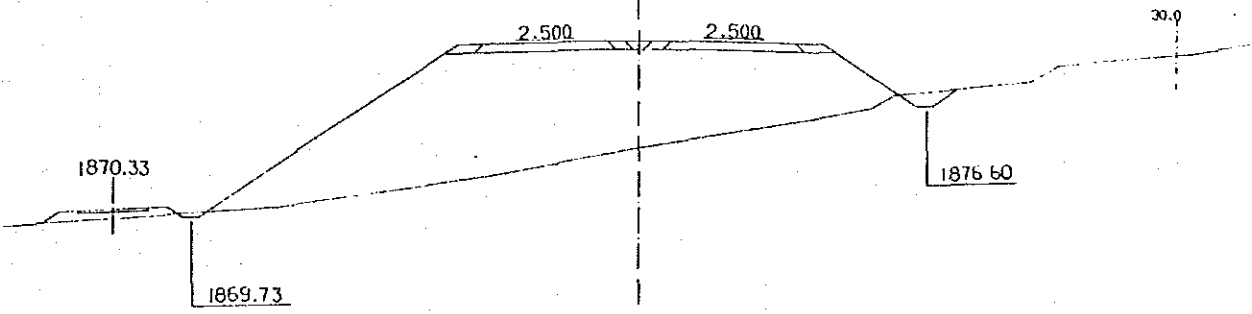
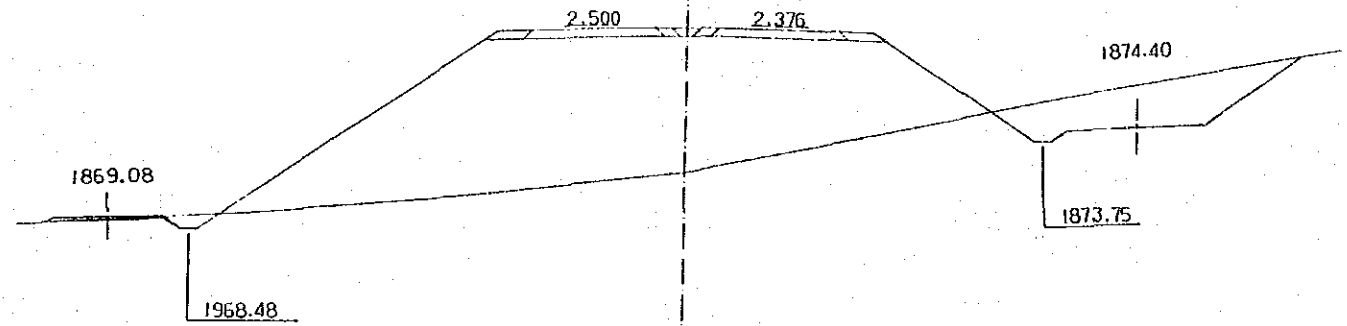
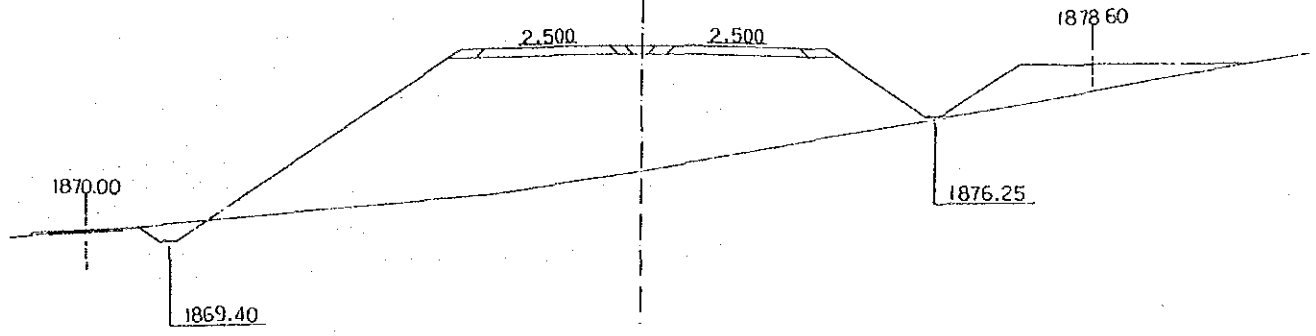
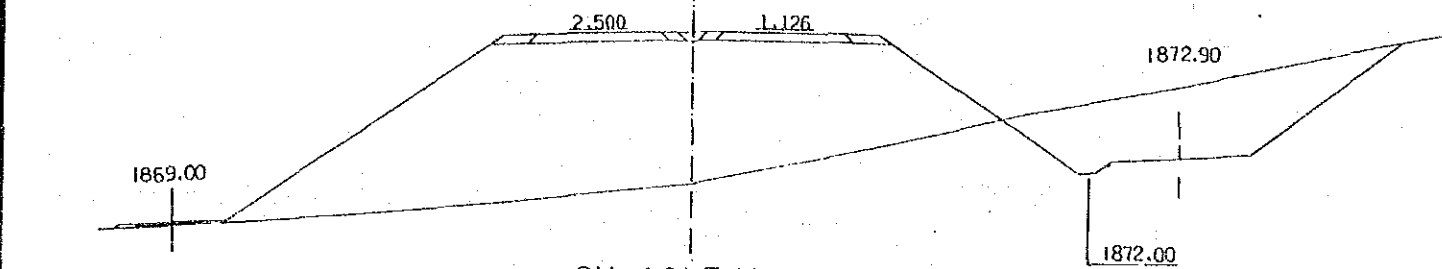
CH. 19+620  
 PI=1880.260  
 GI=1874.21

CH. 19+560  
 PI=1880.016  
 GI=1872.07

CH. 19+640  
 PI=1880.320  
 GI=1874.71

CH. 19+580  
 PI=1880.124  
 GI=1872.48

CH. 19+660  
 PI=1880.380  
 GI=1875.20



SURVEYED BY  
 TRACED BY  
 CHECKED BY  
 AERIAL PHOTO BY  
 MAPPING BY  
 LOCATION BY

MOPW ROADS DEPT DRG NO.

REVISIONS	
DESCRIPTION	DATE

JAPAN INTERNATIONAL  
 COOPERATION AGENCY

CHIEF ENGINEER (ROADS)  
 CHIEF SUPT. ENG. (DESIGN)

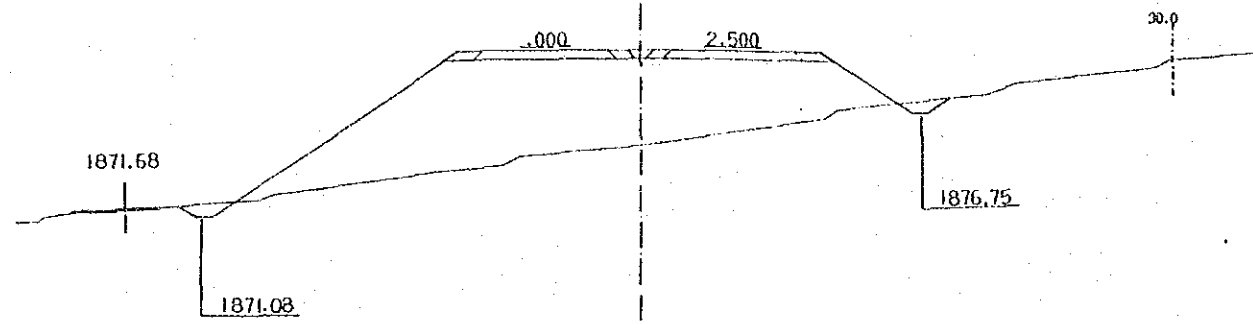
SEN. SUPT. ENG. (DESIGN)  
 SUPT. ENGINEER (DESIGN)  
 PROJECT ENGINEER

SCALES  
 1 : 200

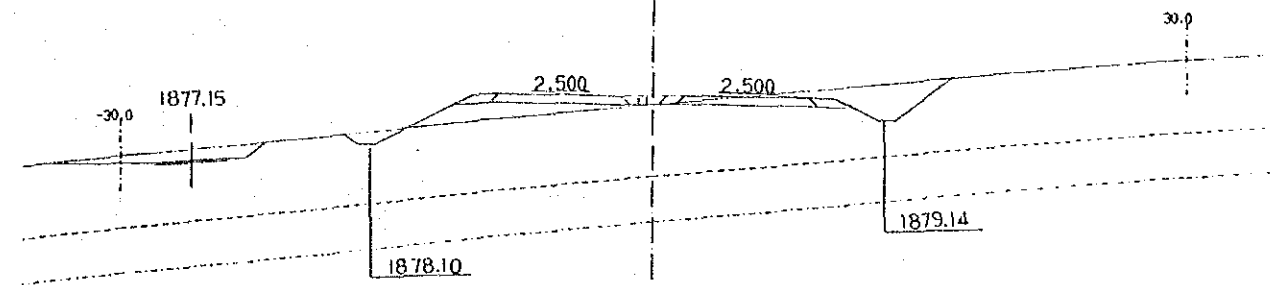
NAIROBI BYPASS  
 CROSS SECTION

SHEET 1320F196

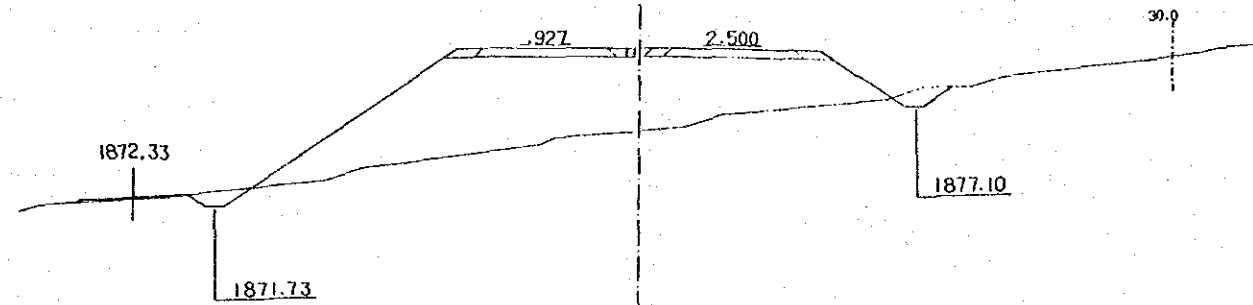
CH. 19+665.167  
 FH=1880.395  
 G=1875.15



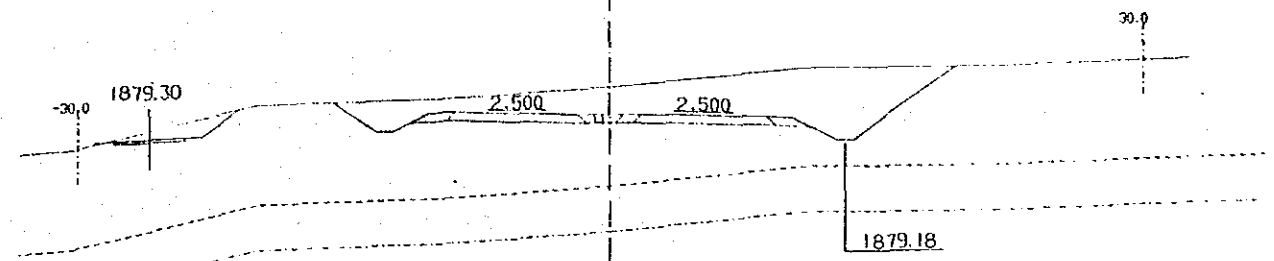
CH. 19+740  
 FH=1880.620  
 G=1880.15



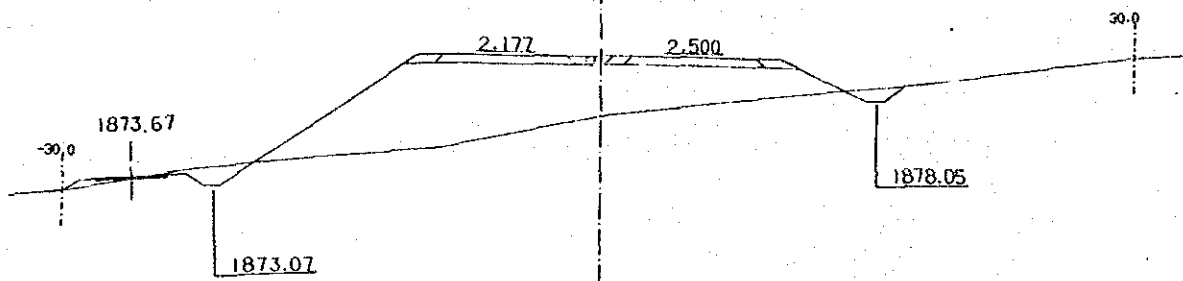
CH. 19+680  
 FH=1880.440  
 G=1875.84



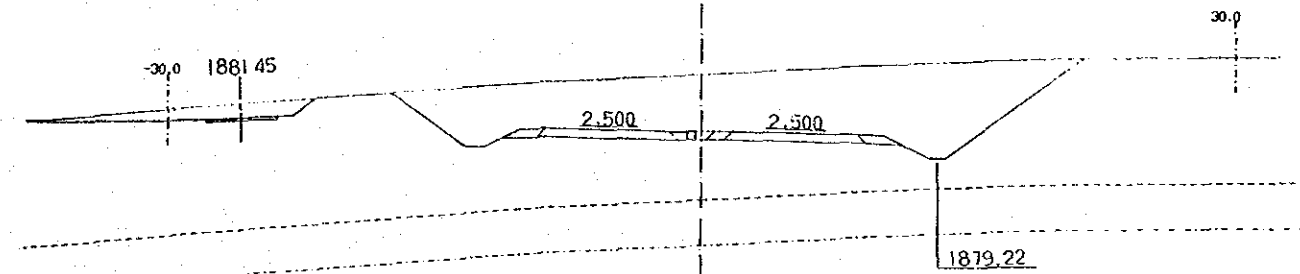
CH. 19+760  
 FH=1880.680  
 G=1882.22



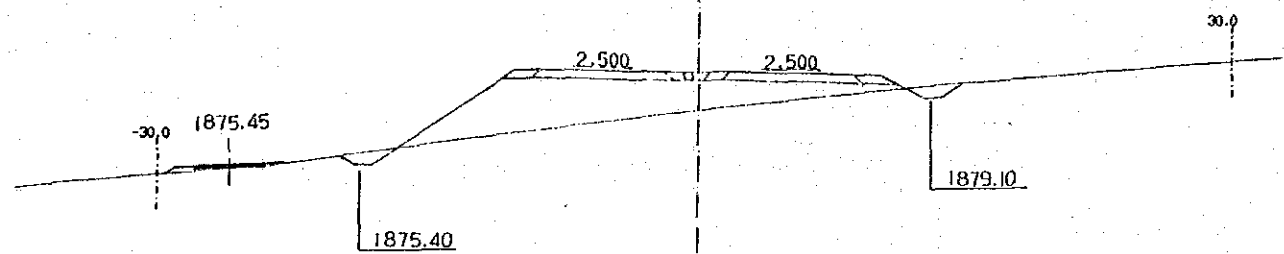
CH. 19+700  
 FH=1880.500  
 G=1877.16



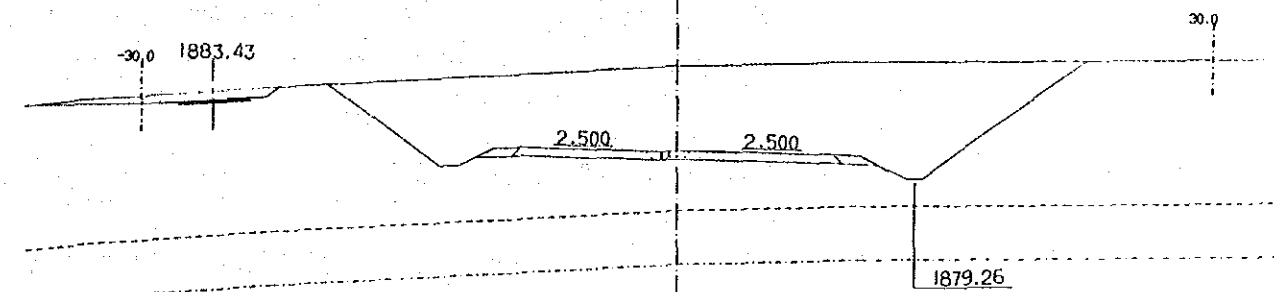
CH. 19+780  
 FH=1880.740  
 G=1883.91



CH. 19+720  
 FH=1880.560  
 G=1878.44



CH. 19+800  
 FH=1880.800  
 G=1885.54



SURVEYED BY  
 TRACED BY  
 CHECKED BY  
 AERIAL PHOTO BY  
 MAPPING BY  
 LOCATION BY

MOPW ROADS DEPT DRG NO.

REVISIONS	
DESCRIPTION	DATE

JAPAN INTERNATIONAL  
 COOPERATION AGENCY

CHIEF ENGINEER (ROADS)  
 CHIEF SUPT ENG (DESIGN)

SEN SUPT. ENG. (DESIGN)  
 SUPT. ENGINEER (DESIGN)  
 PROJECT ENGINEER

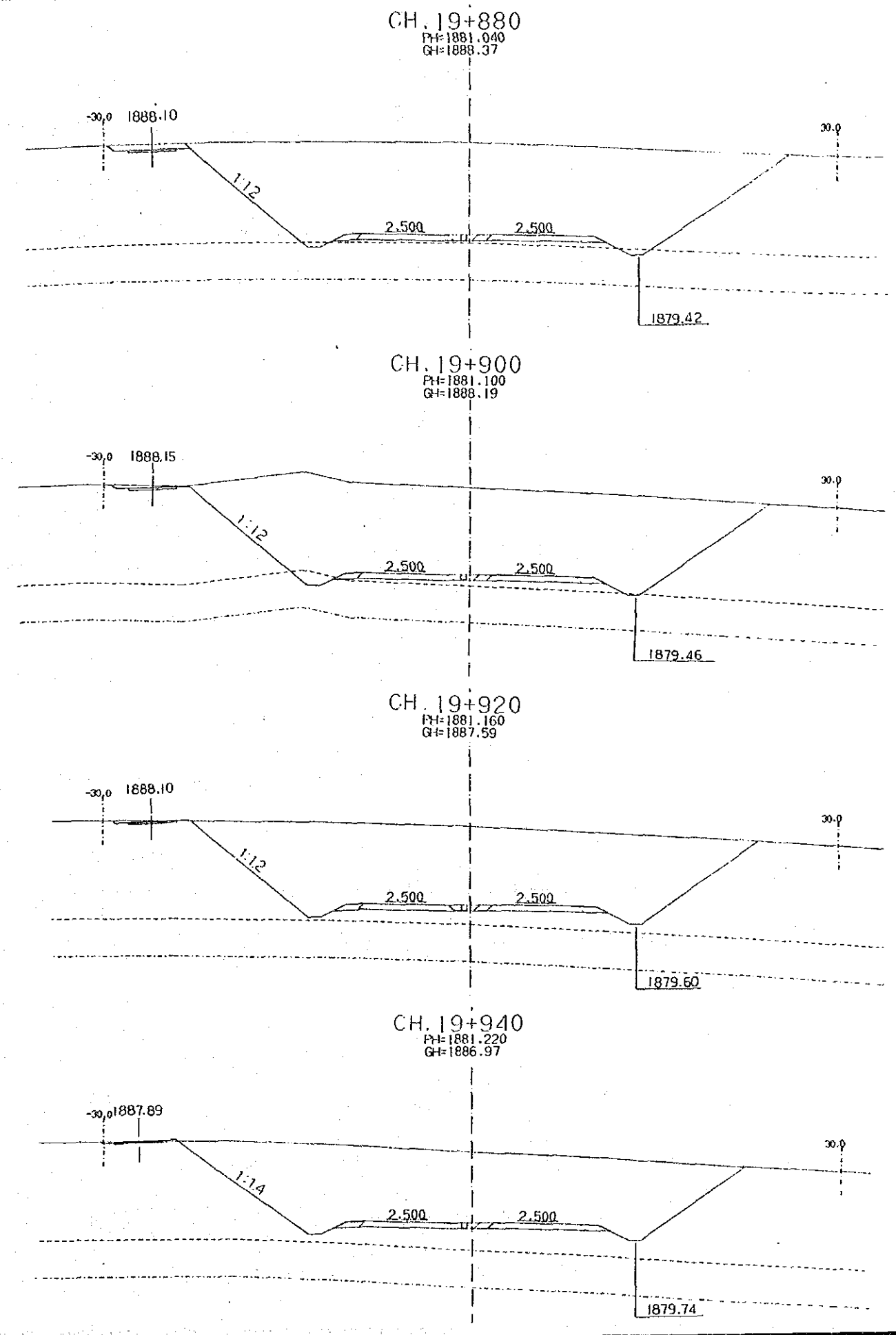
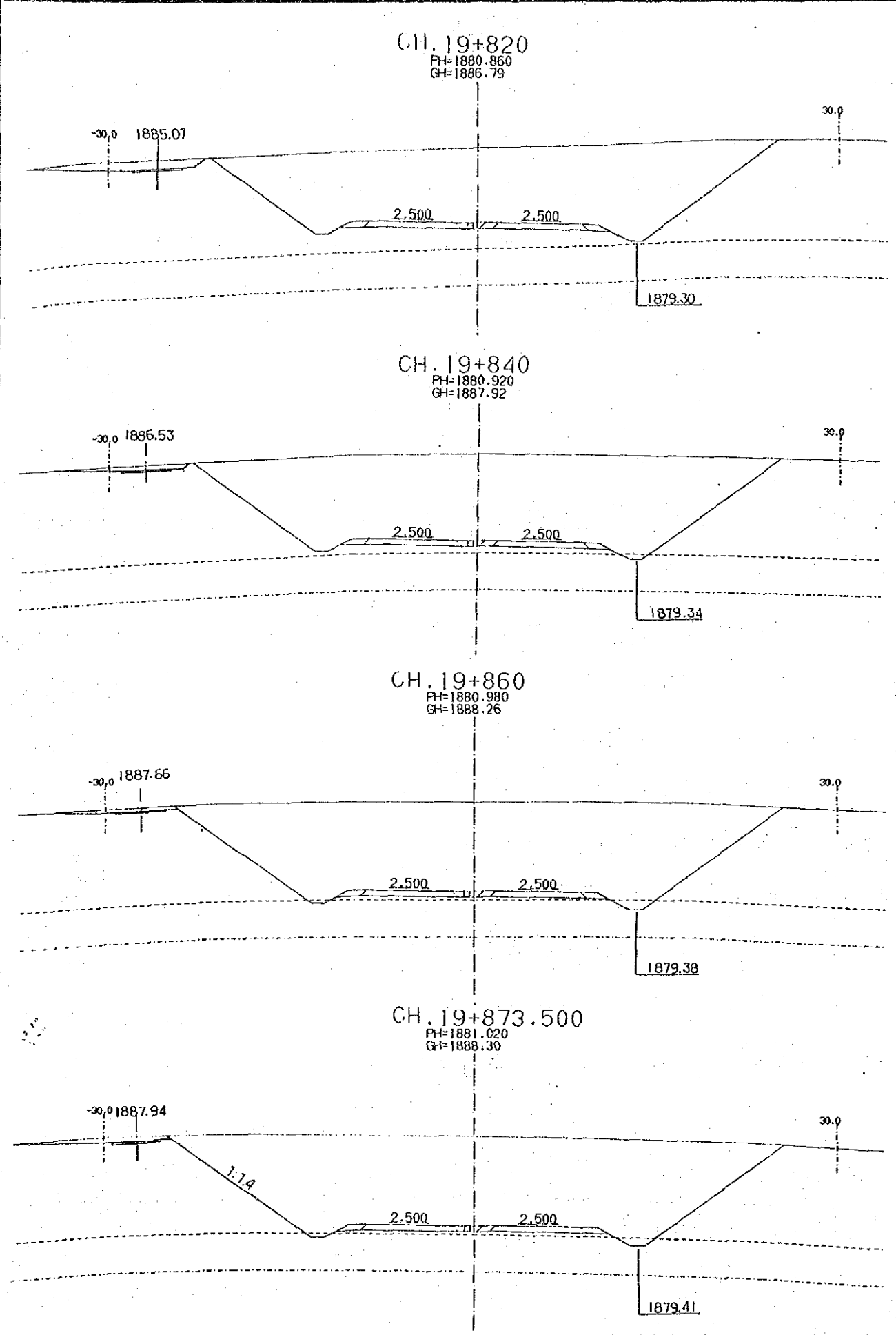
SCALES  
 1 : 200

NAIROBI BYPASS  
 CROSS SECTION

SHEET 133 OF 196

AERIAL PHOTO BY \_\_\_\_\_  
 MAPPING BY \_\_\_\_\_  
 LOCATION BY \_\_\_\_\_  
 SURVEYED BY \_\_\_\_\_  
 TRACED BY \_\_\_\_\_  
 CHECKED BY \_\_\_\_\_

M.O.R.W. ROADS DEPT. DRG. NO.



REVISIONS	
DESCRIPTION	DATE

JAPAN INTERNATIONAL COOPERATION AGENCY  
 CHIEF ENGINEER (ROADS)  
 CHIEF SUPT. ENG. (DESIGN)

SEN SUPT. ENG. (DESIGN)  
 SUPT. ENGINEER (DESIGN)  
 PROJECT ENGINEER

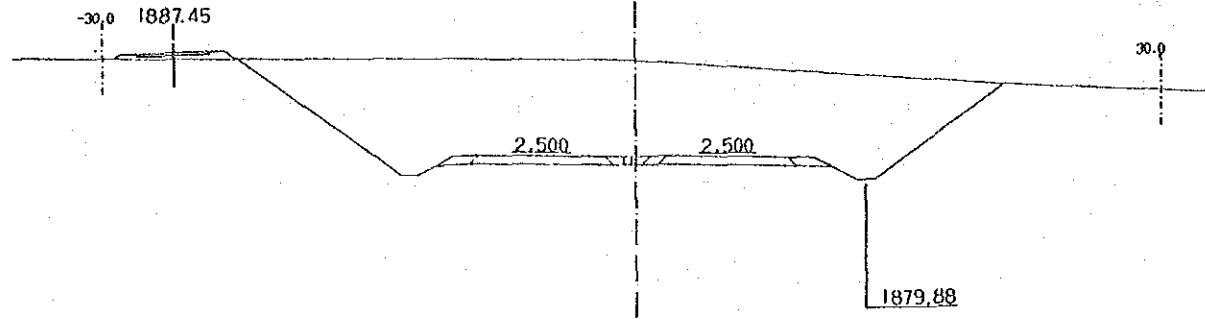
SCALES  
 1 : 200

NAIROBI BYPASS  
 CROSS SECTION

SHEET 134 OF 196

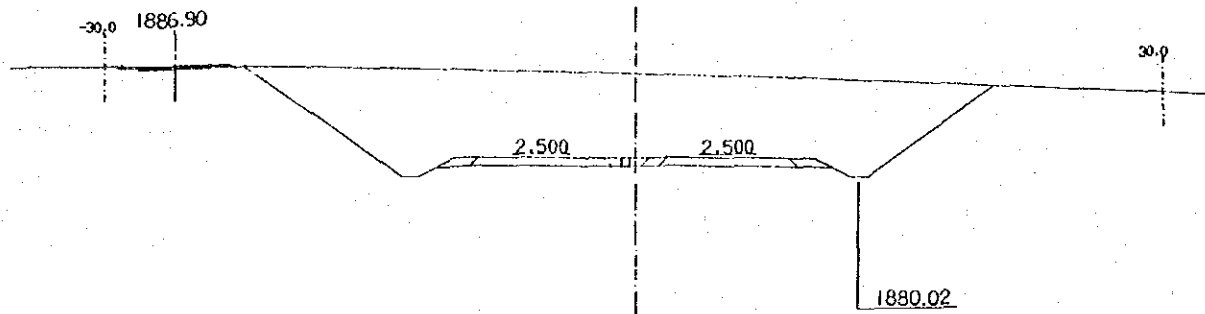
CH. 19+960

PI=1881.280  
G=1886.60



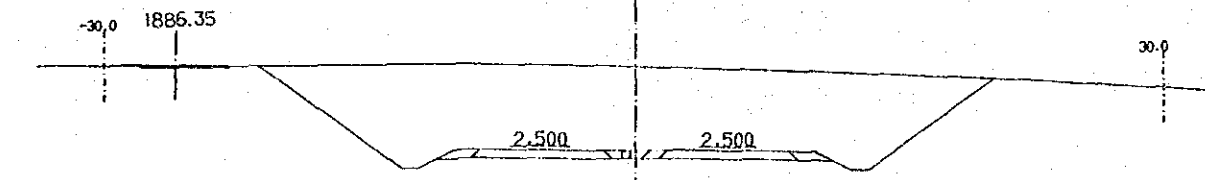
CH. 19+980

PI=1881.340  
G=1886.08



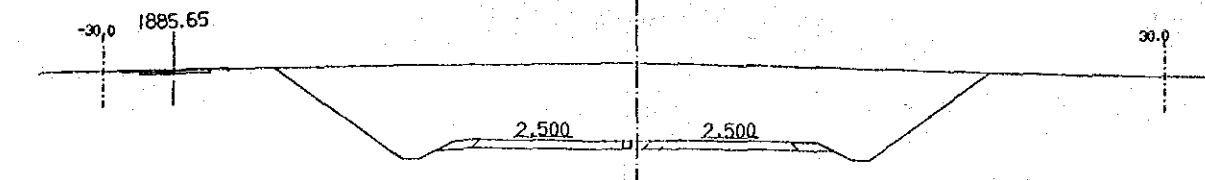
CH. 20+0

PI=1881.400  
G=1886.03



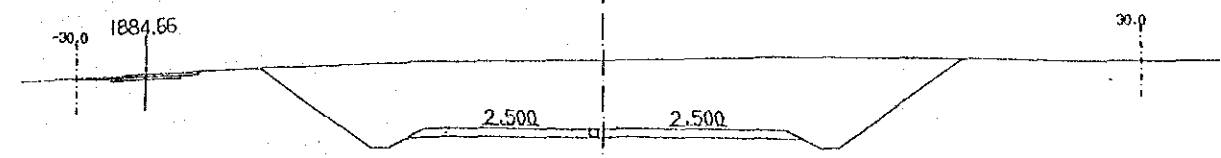
CH. 20+20

PI=1881.460  
G=1885.78



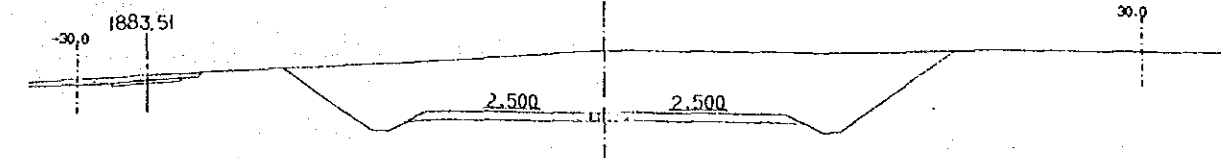
CH. 20+40

PI=1881.520  
G=1885.28



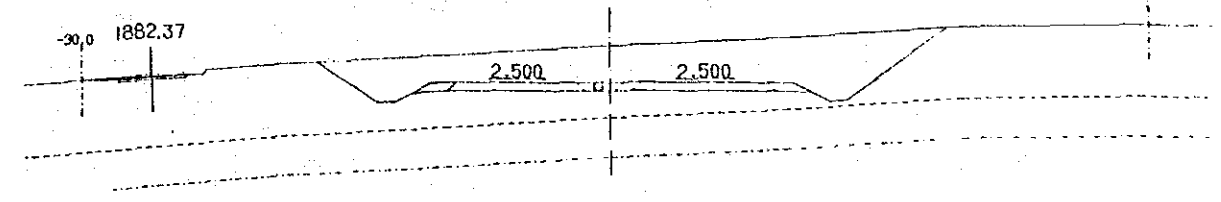
CH. 20+60

PI=1881.580  
G=1885.08



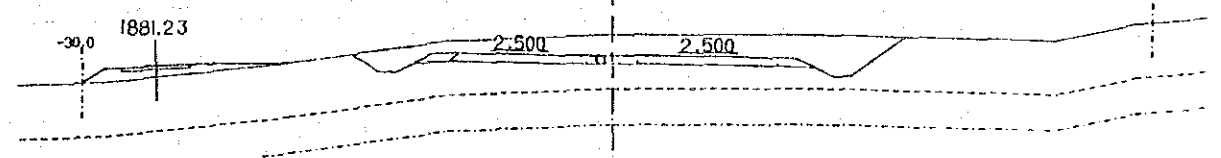
CH. 20+80

PI=1881.640  
G=1883.69



CH. 20+100

PI=1881.700  
G=1882.86



AERIAL PHOTO BY	SURVEYED BY
MAPPING BY	TRACED BY
LOCATION BY	CHECKED BY

MOPW ROADS DEPT DRG NO.

REVISIONS	
DESCRIPTION	DATE

JAPAN INTERNATIONAL COOPERATION AGENCY

CHIEF ENGINEER (ROADS)  
CHIEF SUPT. ENG. (DESIGN)

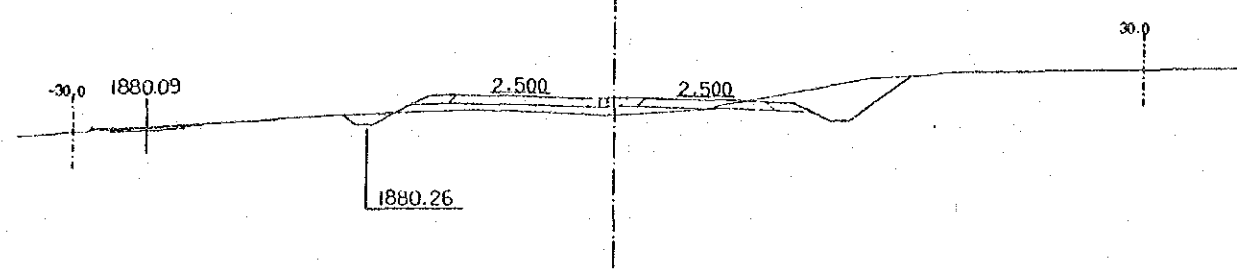
SEN. SUPT. ENG. (DESIGN)  
SUPT. ENGINEER (DESIGN)  
PROJECT ENGINEER

SCALES  
1 : 200

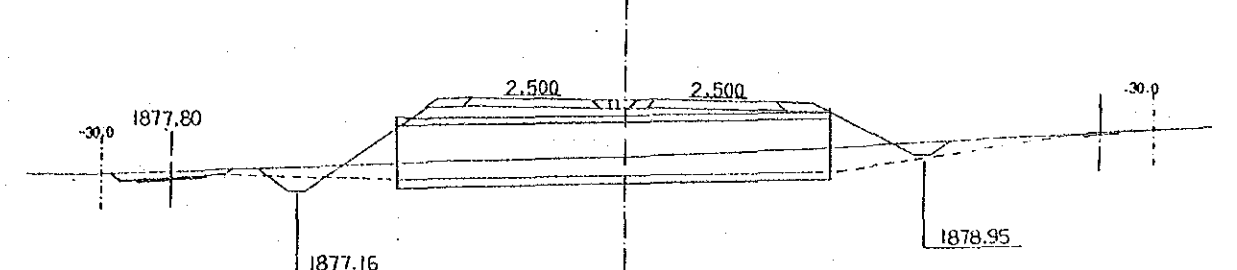
NAIROBI BYPASS  
CROSS SECTION

SHEET 135 OF 196

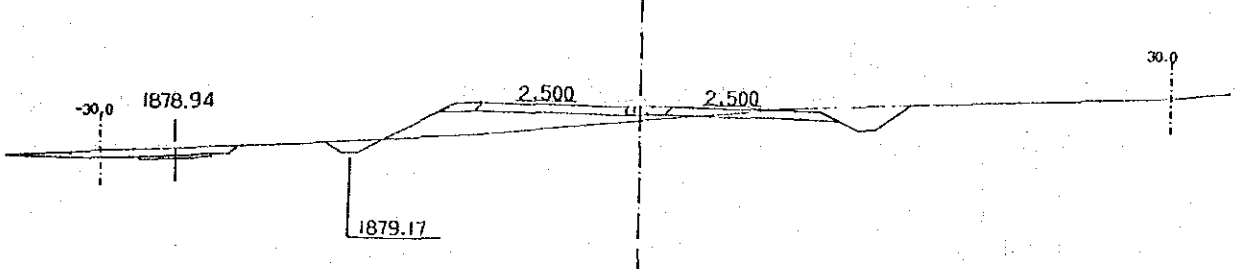
CH. 20+120  
 PI=1881.760  
 GI=1880.80



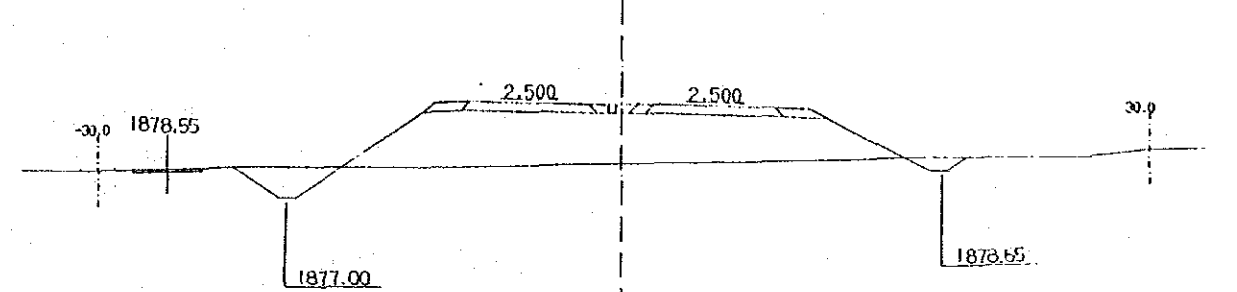
CH. 20+200  
 PI=1882.013  
 GI=1878.90



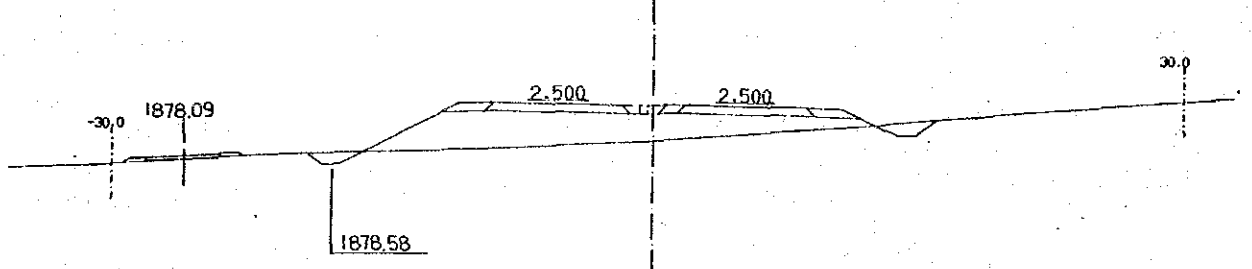
CH. 20+140  
 PI=1881.820  
 GI=1881.05



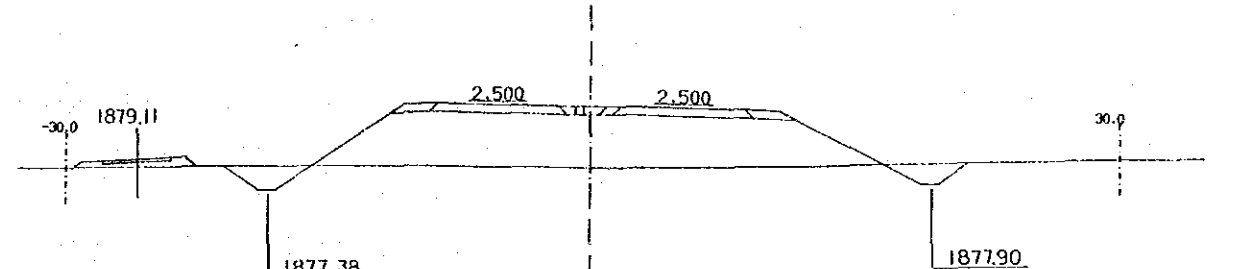
CH. 20+220  
 PI=1882.085  
 GI=1878.84



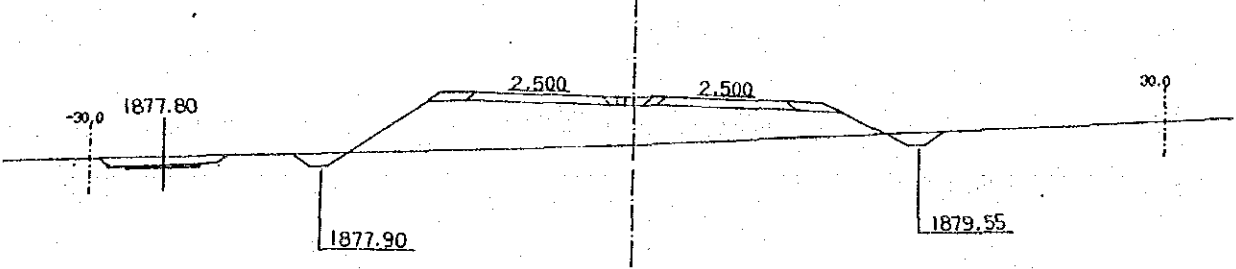
CH. 20+160  
 PI=1881.881  
 GI=1879.88



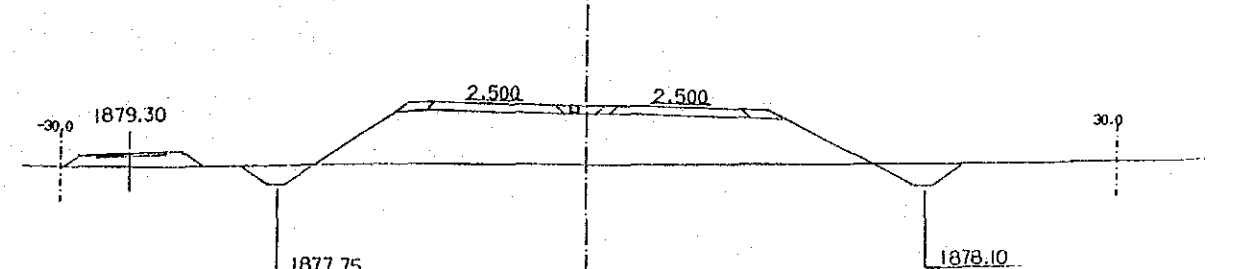
CH. 20+240  
 PI=1882.161  
 GI=1878.73



CH. 20+180  
 PI=1881.945  
 GI=1879.24



CH. 20+260  
 PI=1882.241  
 GI=1878.91



SURVEYED BY  
 TRACED BY  
 CHECKED BY  
 AERIAL PHOTO BY  
 MAPPING BY  
 LOCATION BY

M.O.P.W. ROADS DEPT. DRG. NO.

REVISIONS	
DESCRIPTION	DATE

JAPAN INTERNATIONAL  
 COOPERATION AGENCY

CHIEF ENGINEER (ROADS)  
 CHIEF SUPT. ENG. (DESIGN)

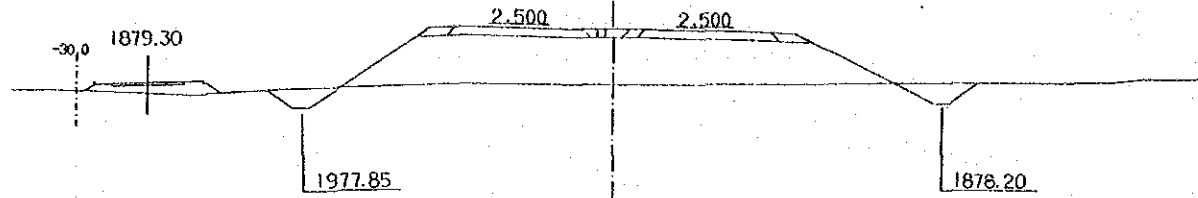
SEN. SUPT. ENG. (DESIGN)  
 SUPT. ENGINEER (DESIGN)  
 PROJECT ENGINEER

SCALES  
 1:200

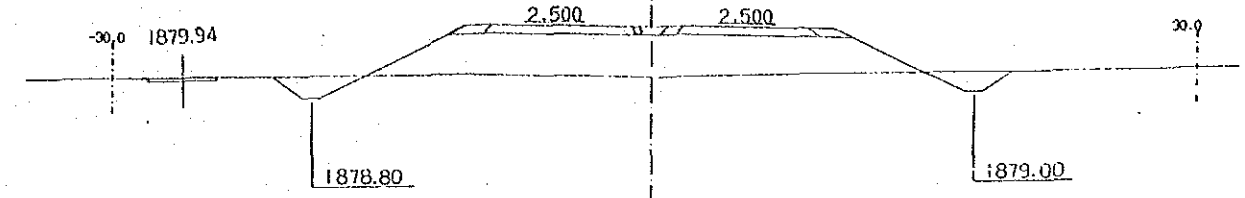
NAIROBI BYPASS  
 CROSS SECTION

SHEET 136 OF 196

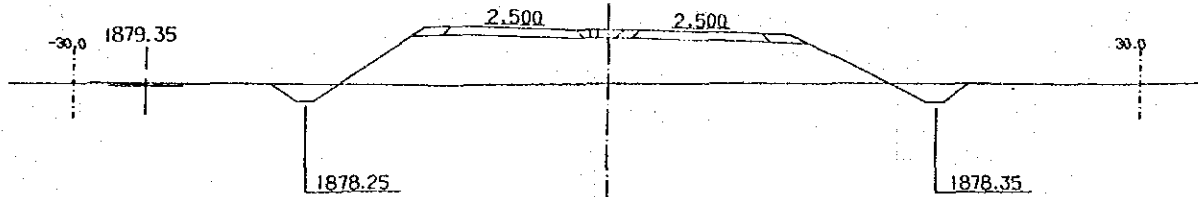
CH. 20+280  
 PI=1882.325  
 GI=1879.22



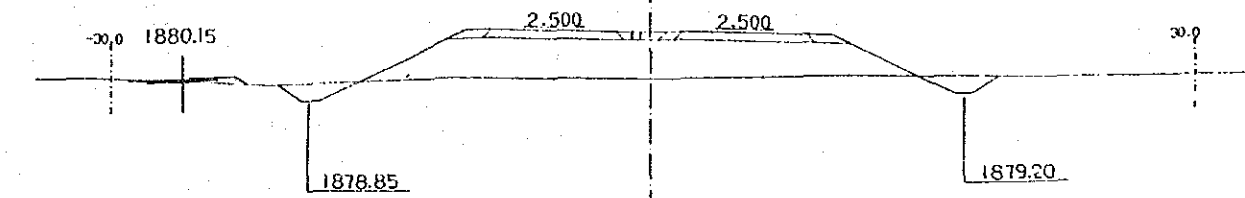
CH. 20+360  
 PI=1882.700  
 GI=1879.88



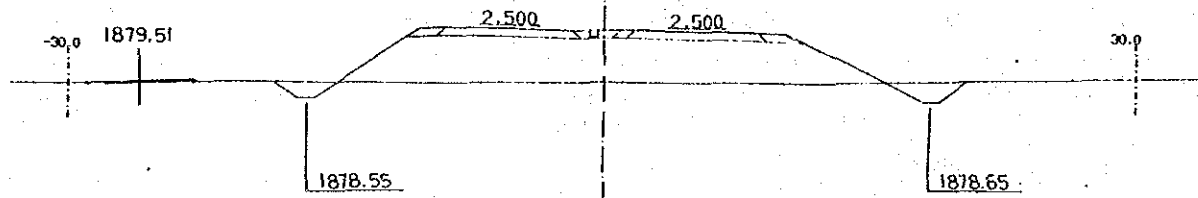
CH. 20+300  
 PI=1882.413  
 GI=1879.37



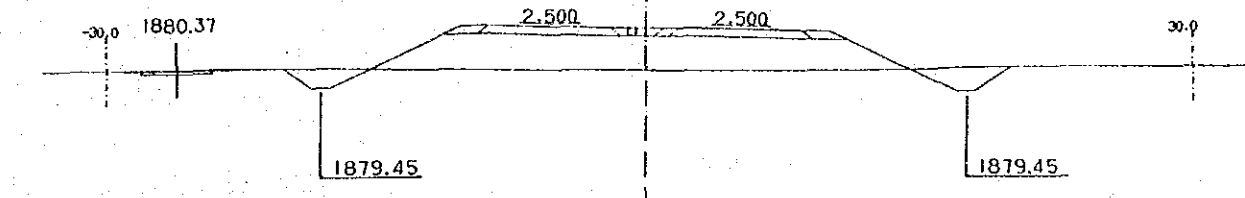
CH. 20+380  
 PI=1882.800  
 GI=1880.15



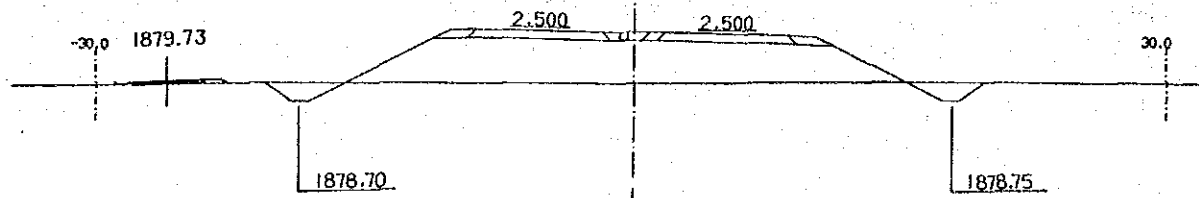
CH. 20+320  
 PI=1882.505  
 GI=1879.54



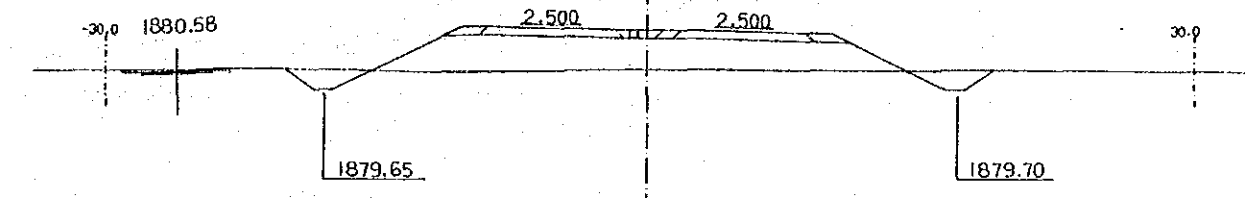
CH. 20+400  
 PI=1882.900  
 GI=1880.48



CH. 20+340  
 PI=1882.601  
 GI=1879.76



CH. 20+420  
 PI=1883.023  
 GI=1880.83



AERIAL PHOTO BY \_\_\_\_\_  
 MAPPING BY \_\_\_\_\_  
 SURVEYED BY \_\_\_\_\_  
 TRACED BY \_\_\_\_\_  
 LOCATION BY \_\_\_\_\_  
 CHECKED BY \_\_\_\_\_

M.C.P.W. ROADS DEPT DRG. NO.

REVISIONS	
DESCRIPTION	DATE

JAPAN INTERNATIONAL  
 COOPERATION AGENCY

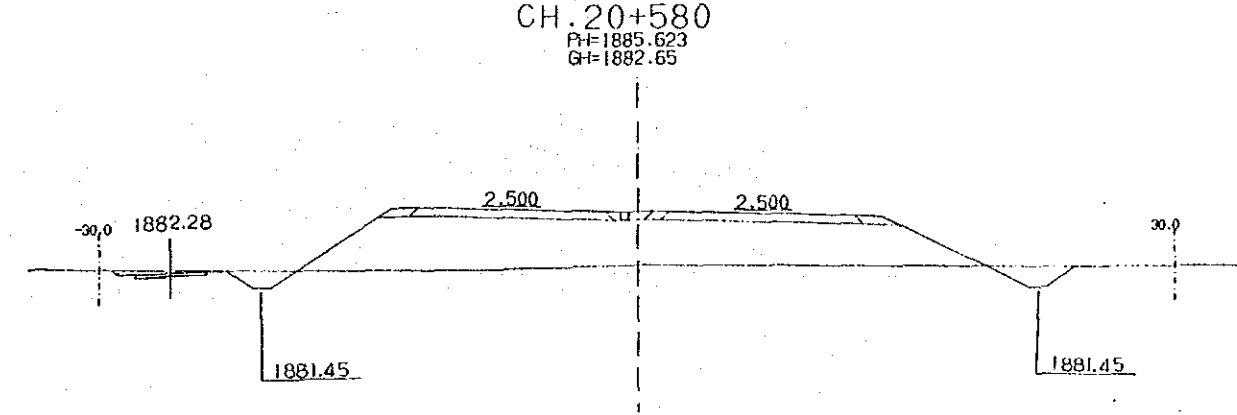
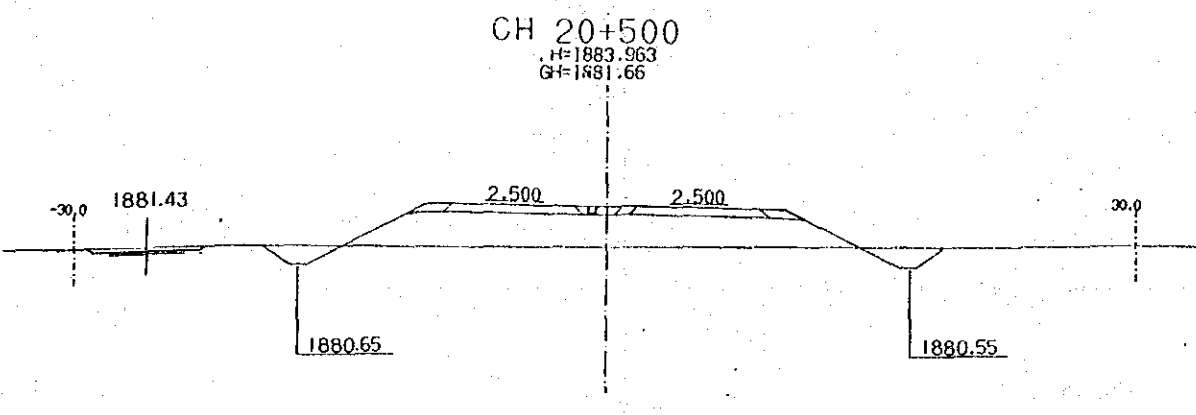
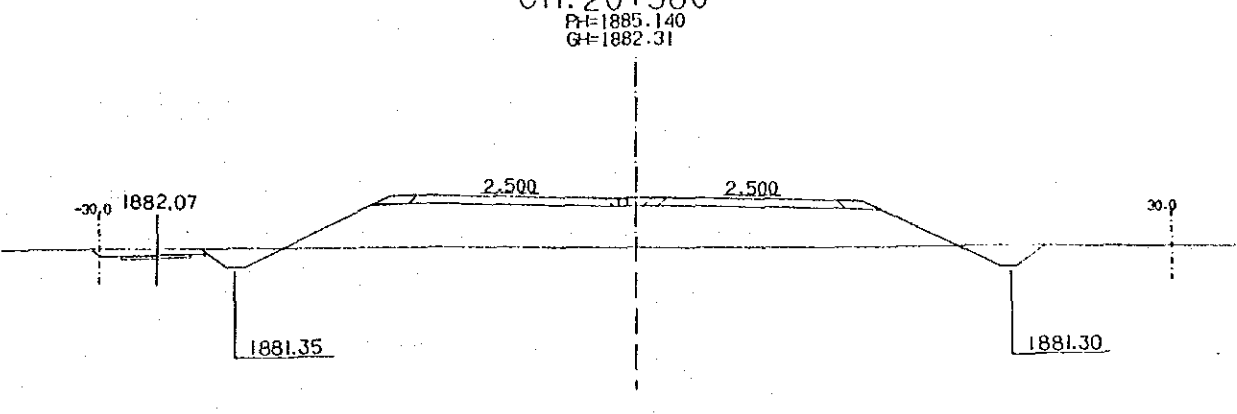
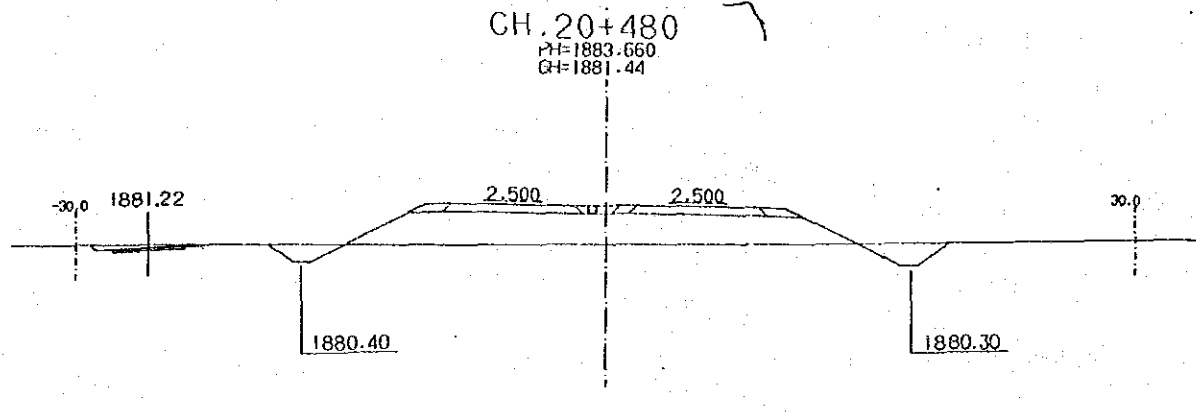
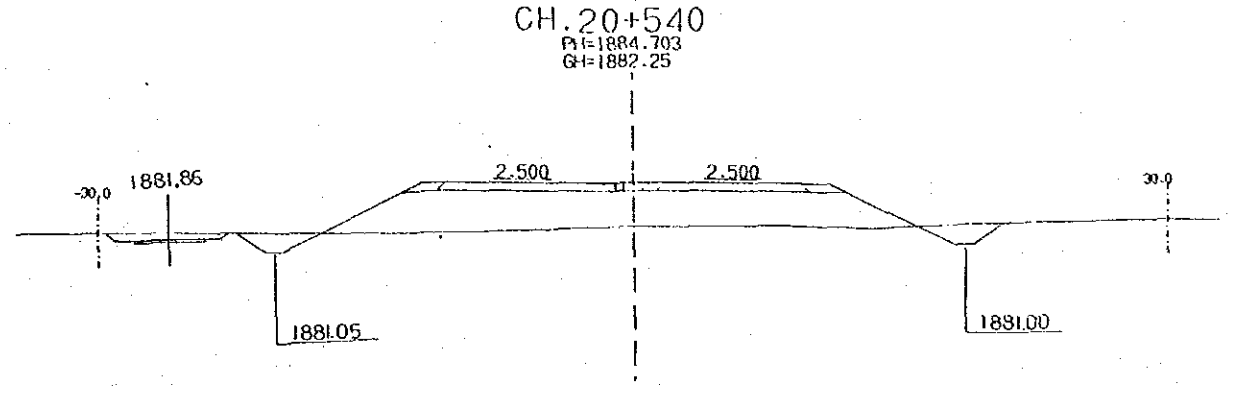
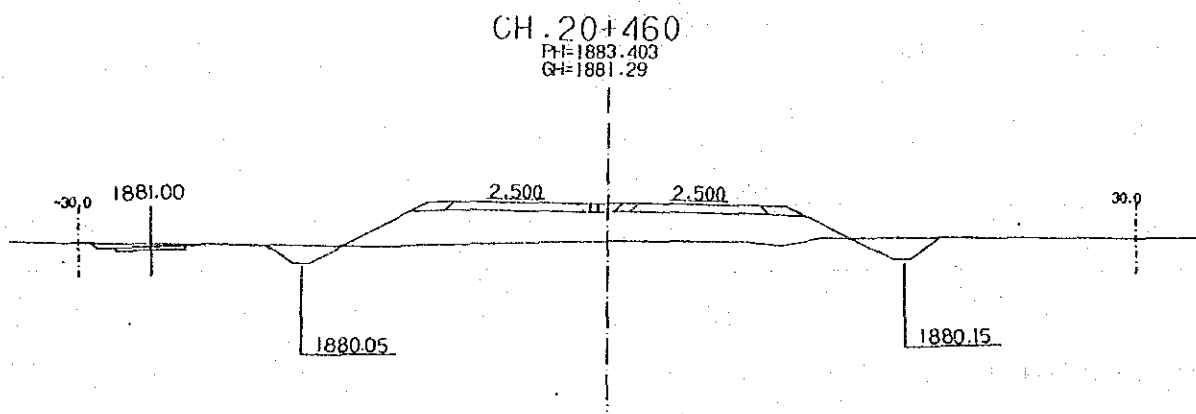
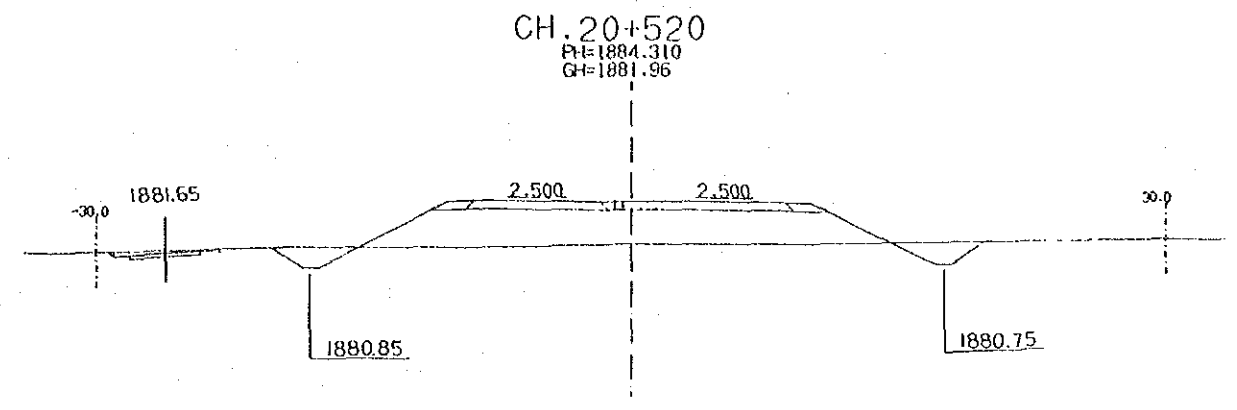
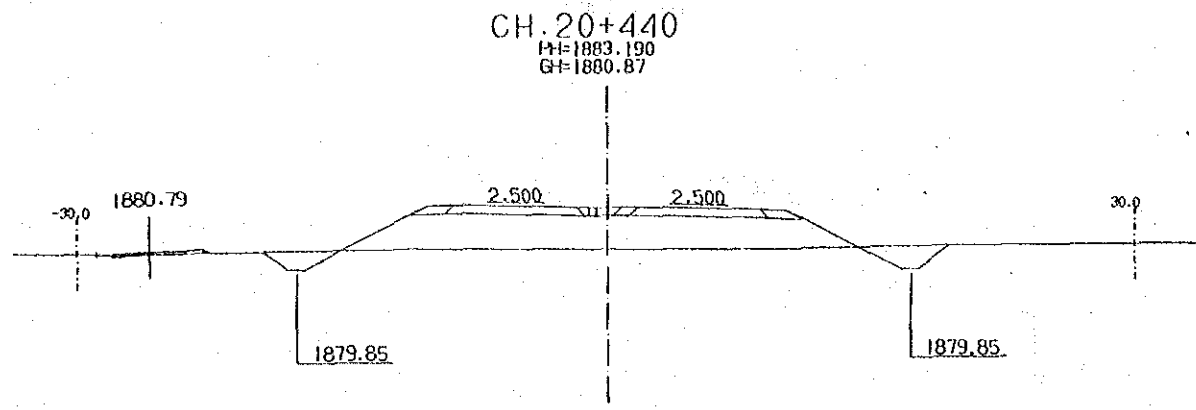
CHIEF ENGINEER (ROADS)  
 CHIEF SUPT. ENG. (DESIGN)

SEN. SUPT. ENG. (DESIGN)  
 SUPT. ENGINEER (DESIGN)  
 PROJECT ENGINEER

SCALES  
 1 : 200

NAIROBI BYPASS  
 CROSS SECTION

SHEET 137 OF 196



AERIAL PHOTO BY	SURVEYED BY
MAPPING BY	TRACED BY
LOCATION BY	CHECKED BY

MO.P.W. ROADS DEPT. DRG. NO.

REVISIONS	
DESCRIPTION	DATE

JAPAN INTERNATIONAL  
 COOPERATION AGENCY

CHIEF ENGINEER (ROADS)  
 CHIEF SUPT. ENG. (DESIGN)

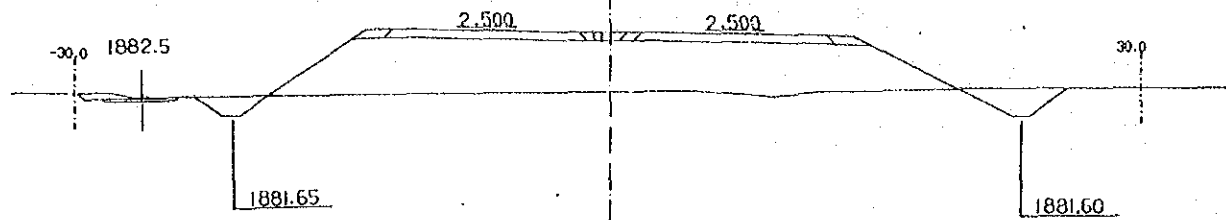
SEN. SUPT. ENG. (DESIGN)  
 SUPT. ENGINEER (DESIGN)  
 PROJECT ENGINEER

SCALES  
 1 : 200

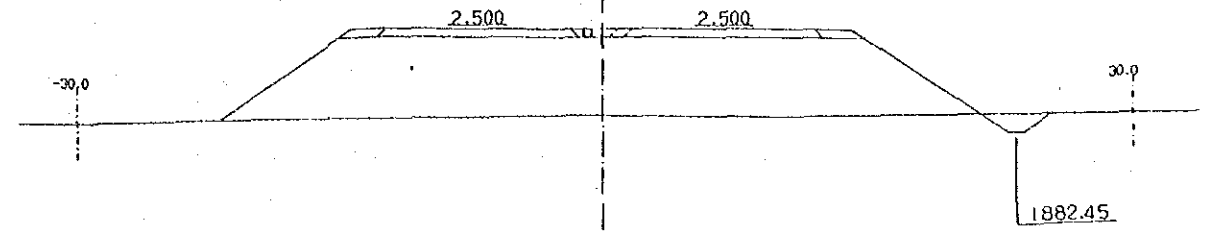
NAIROBI BYPASS  
 CROSS SECTION

SHEET 138 OF 196

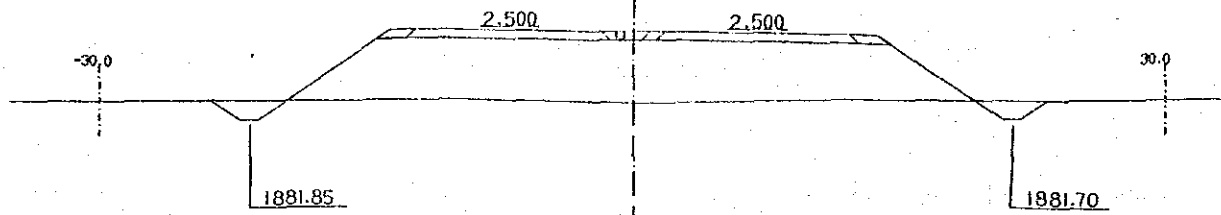
CH. 20+600  
 P+1886.150  
 G+1882.82



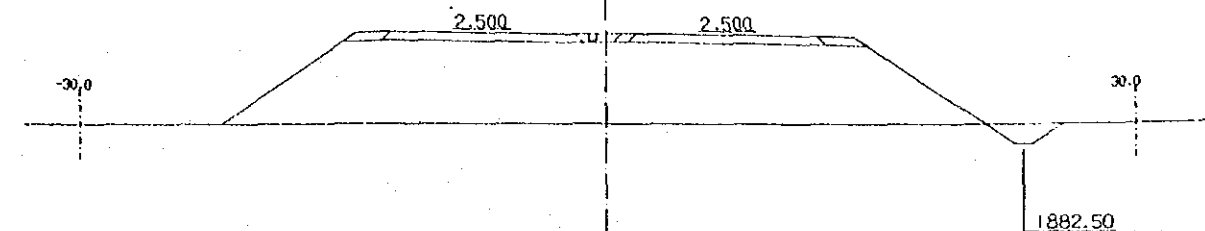
CH. 20+676.232  
 P+1888.573  
 G+1883.75



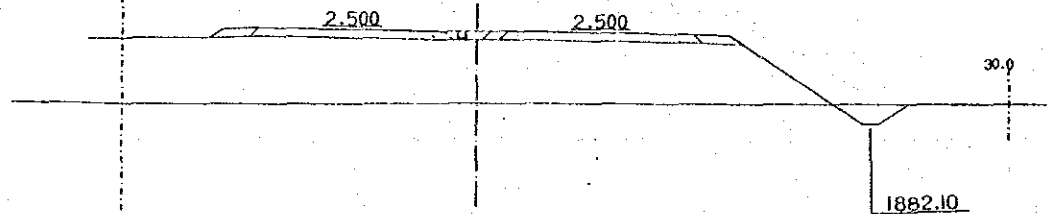
CH. 20+620  
 P+1886.723  
 G+1882.74



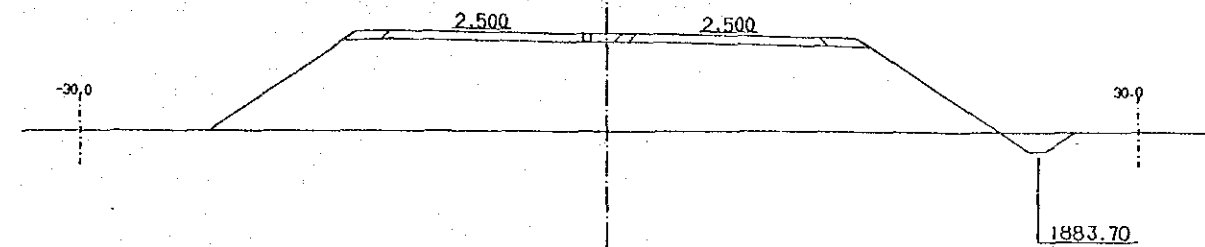
CH. 20+680  
 P+1888.710  
 G+1883.71



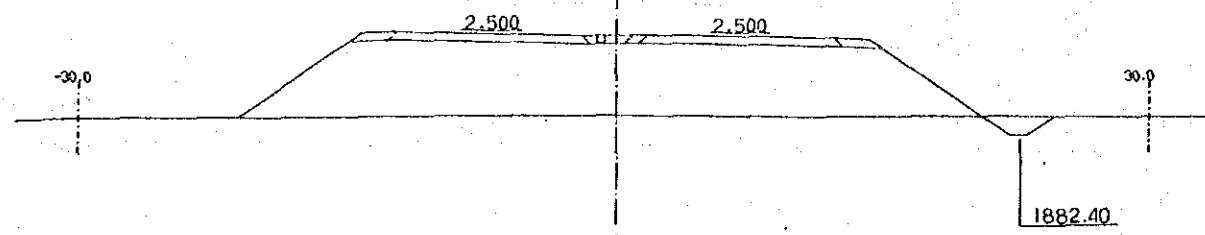
CH. 20+640  
 P+1887.340  
 G+1883.29



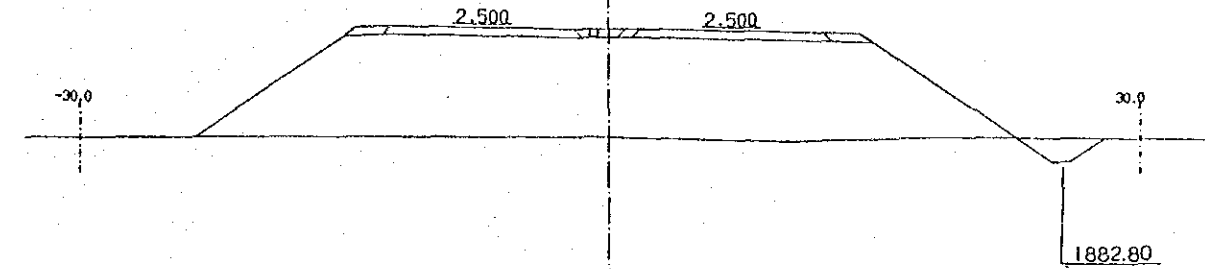
CH. 20+700  
 P+1889.463  
 G+1883.96



CH. 20+660  
 P+1888.003  
 G+1883.58



CH. 20+720  
 P+1890.260  
 G+1884.27



AERIAL PHOTO BY \_\_\_\_\_ SURVEYED BY \_\_\_\_\_  
 MAPPING BY \_\_\_\_\_ TRACED BY \_\_\_\_\_  
 LOCATION BY \_\_\_\_\_ CHECKED BY \_\_\_\_\_

MCPW ROADS DEPT DRG NO.

REVISIONS	
DESCRIPTION	DATE

JAPAN INTERNATIONAL COOPERATION AGENCY  
 CHIEF ENGINEER (ROADS)  
 CHIEF SUPT. ENG (DESIGN)

SEN. SUPT. ENG. (DESIGN)  
 SUPT. ENGINEER (DESIGN)  
 PROJECT ENGINEER

SCALES  
 1 : 200

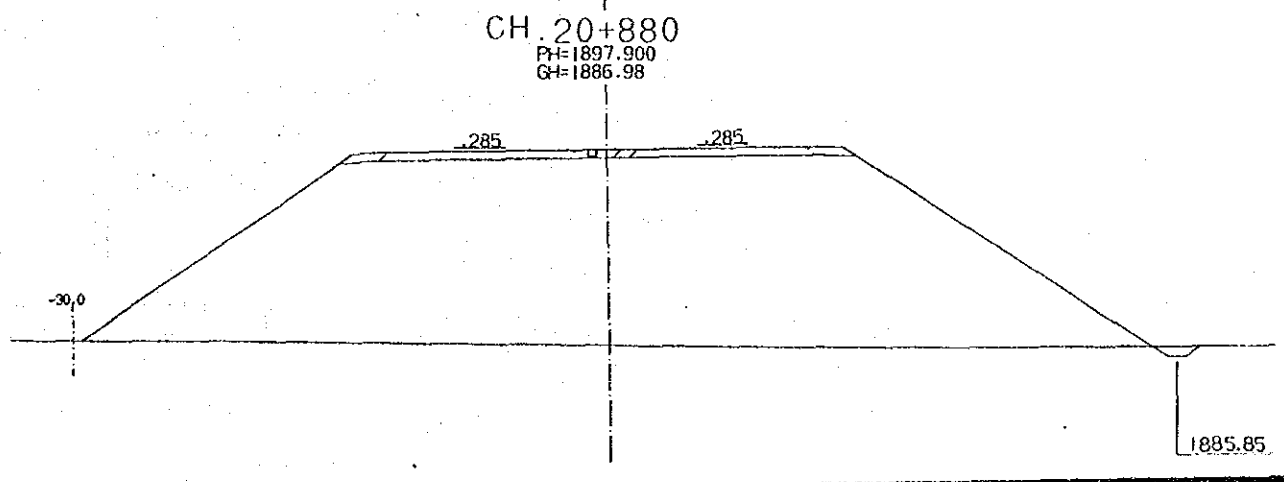
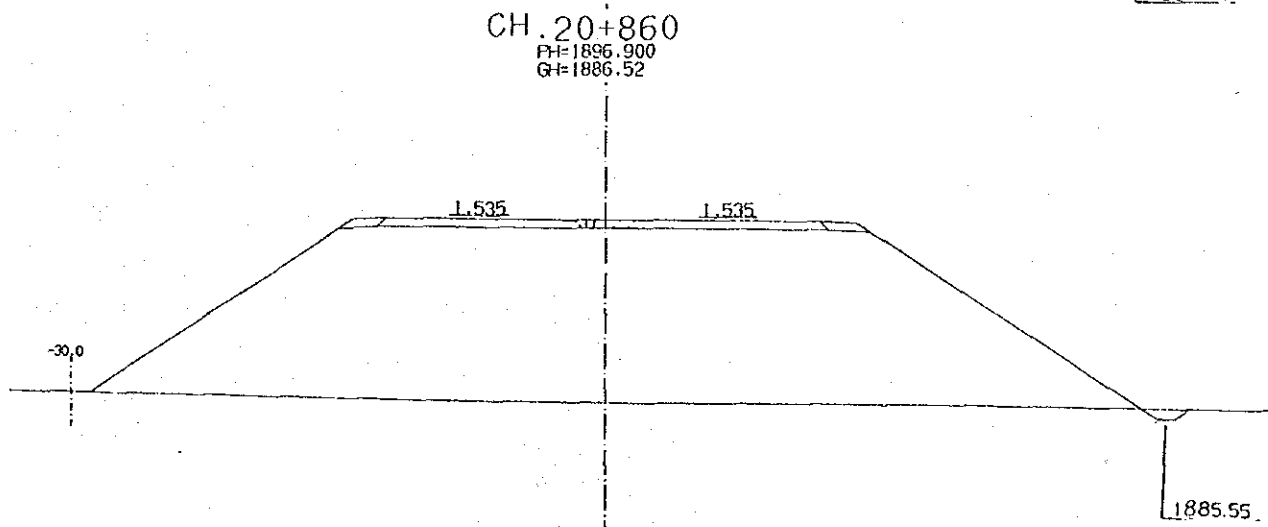
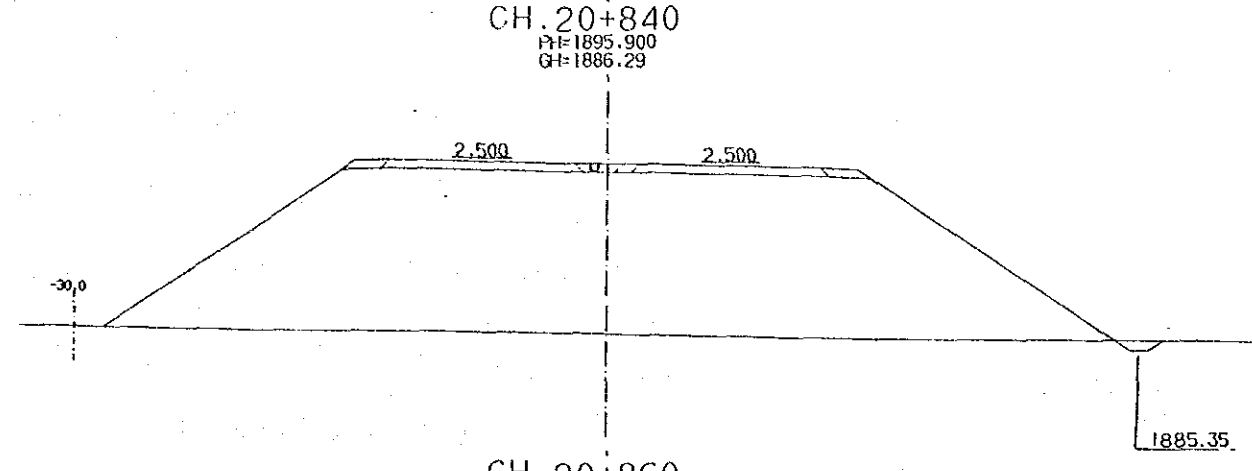
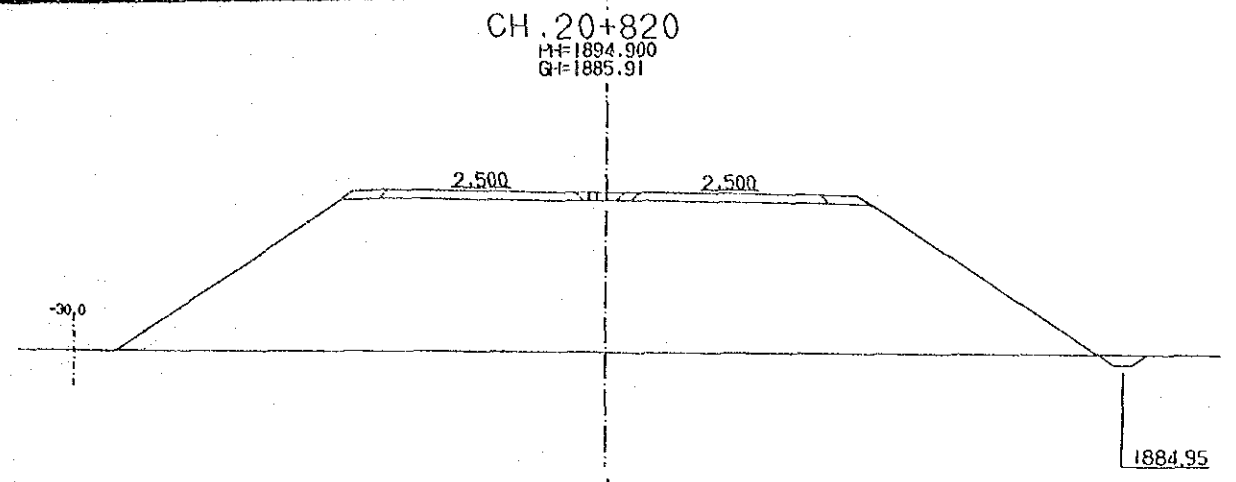
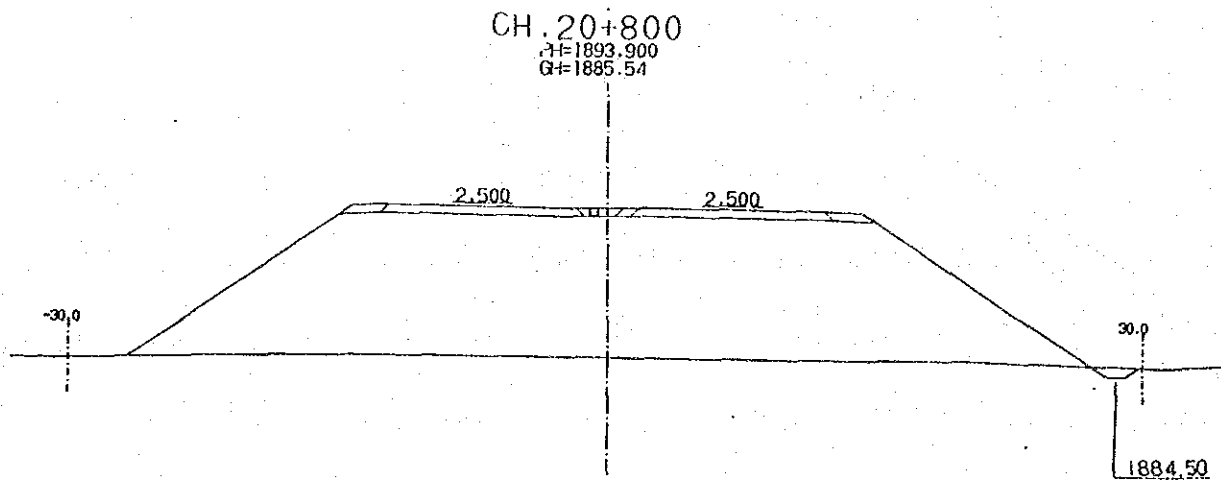
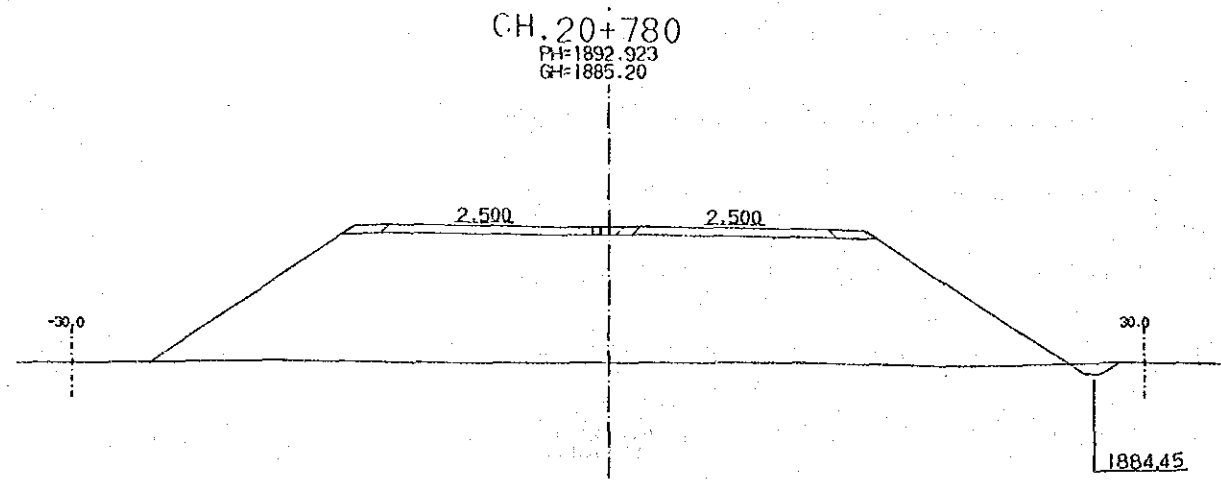
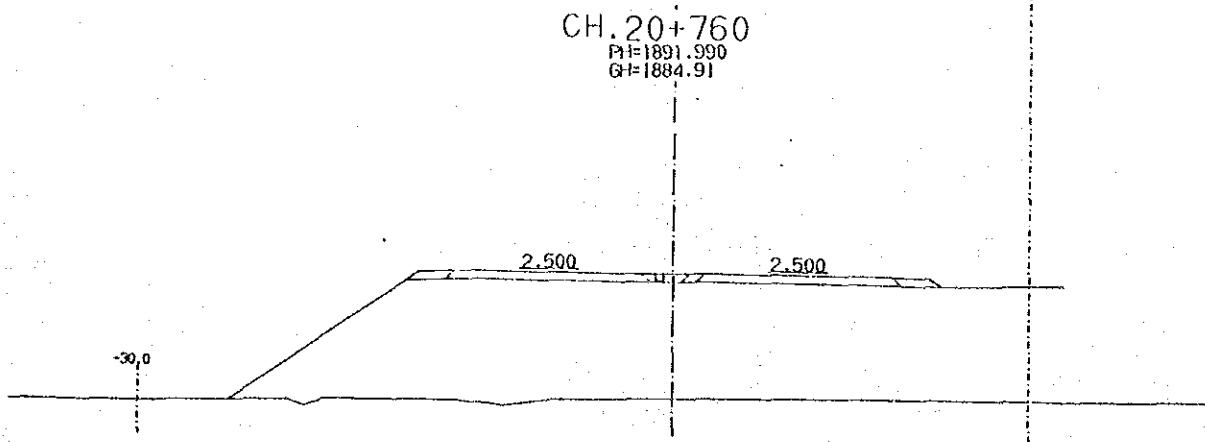
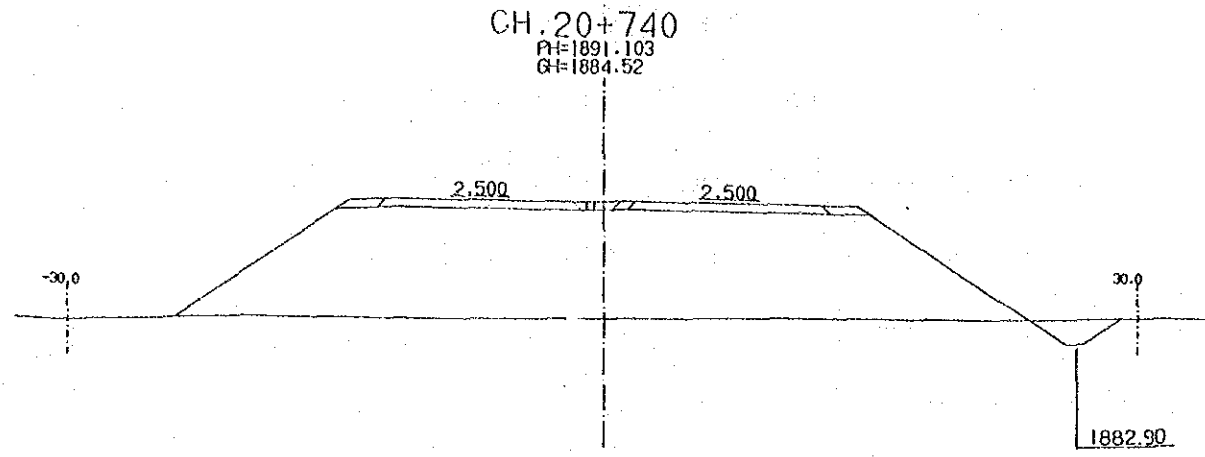
NAIROBI BYPASS  
 CROSS SECTION

SHEET 139 OF 196



SURVEYED BY  
 TRACED BY  
 CHECKED BY  
 AERIAL PHOTO BY  
 MAPPING BY  
 LOCATION BY

MOPW ROADS DEPT DRG NO.



REVISIONS	
DESCRIPTION	DATE

JAPAN INTERNATIONAL  
 COOPERATION AGENCY

CHIEF ENGINEER (ROADS)  
 CHIEF SUPT. ENG. (DESIGN)

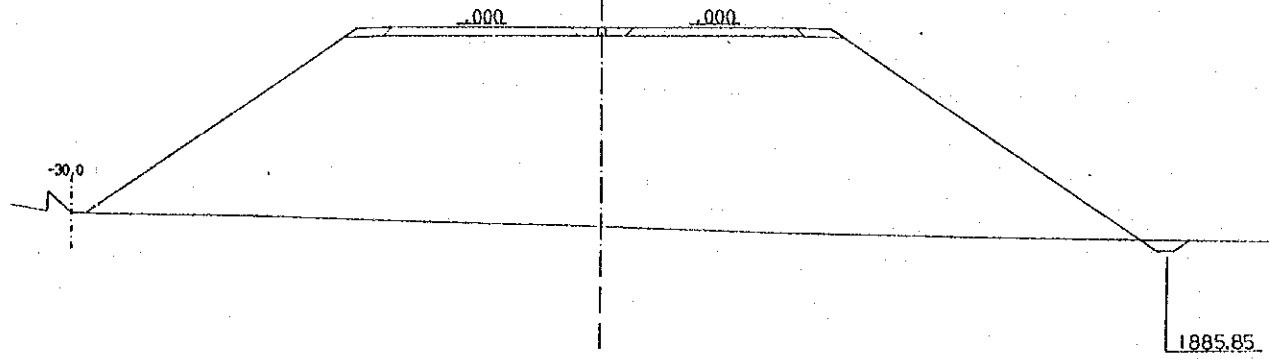
SEN. SUPT. ENG. (DESIGN)  
 SUPT. ENGINEER (DESIGN)  
 PROJECT ENGINEER

SCALES  
 1:200

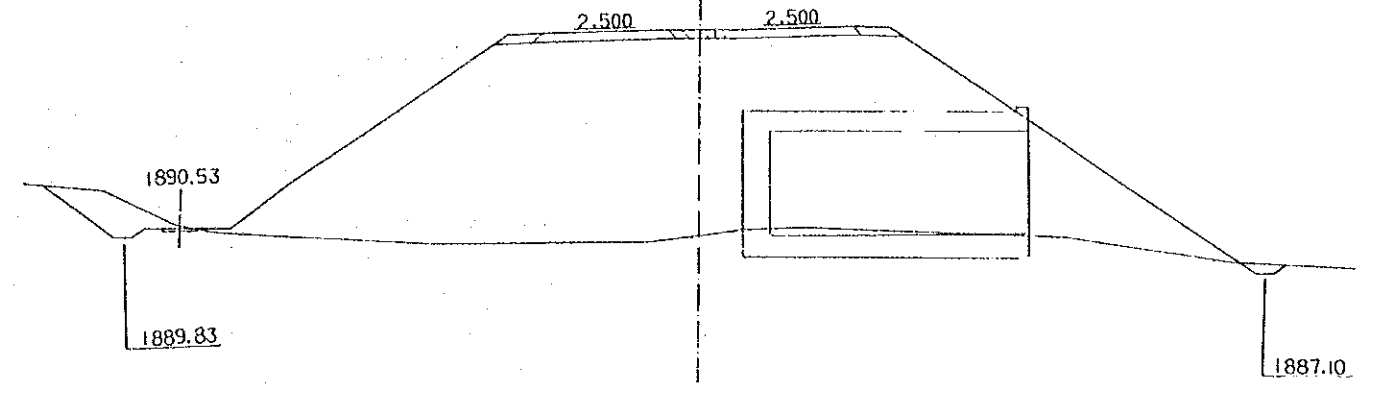
NAIROBI BYPASS  
 CROSS SECTION

SHEET 1400F196

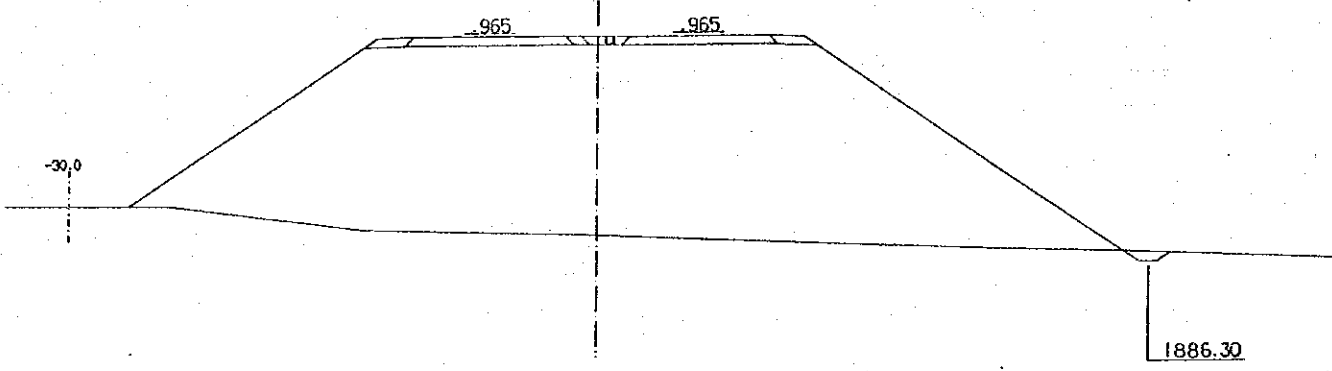
CH. 20+884.565  
 PI=1898.128  
 GI=1887.17



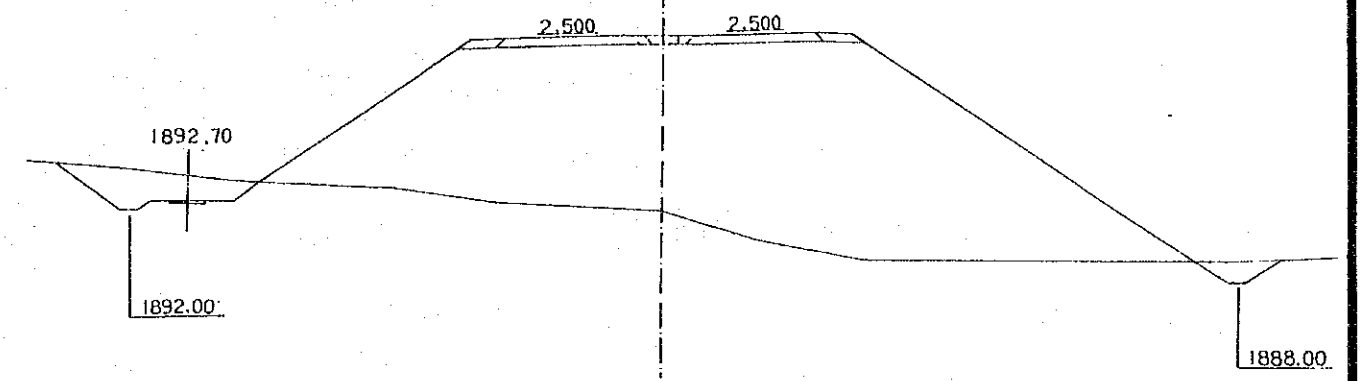
CH. 20+940  
 PI=1900.900  
 GI=1889.54



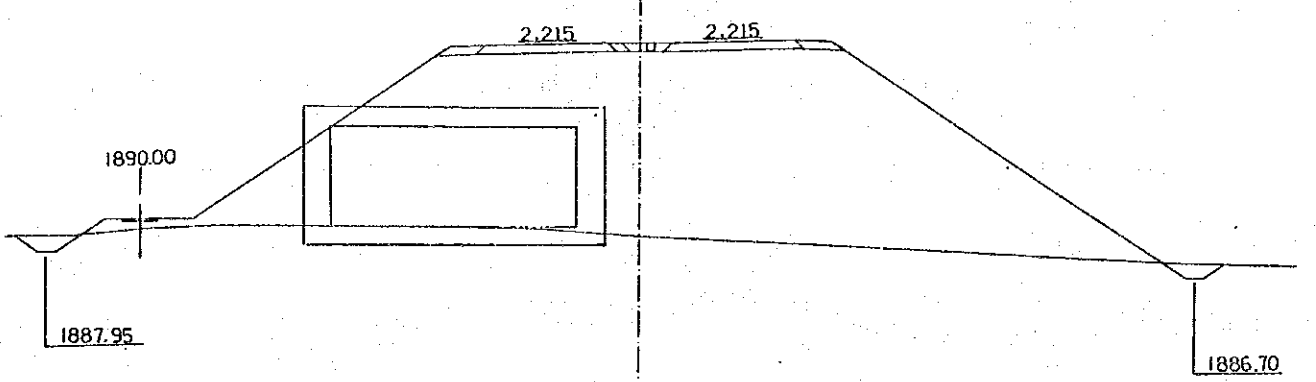
CH. 20+900  
 PI=1898.900  
 GI=1887.79



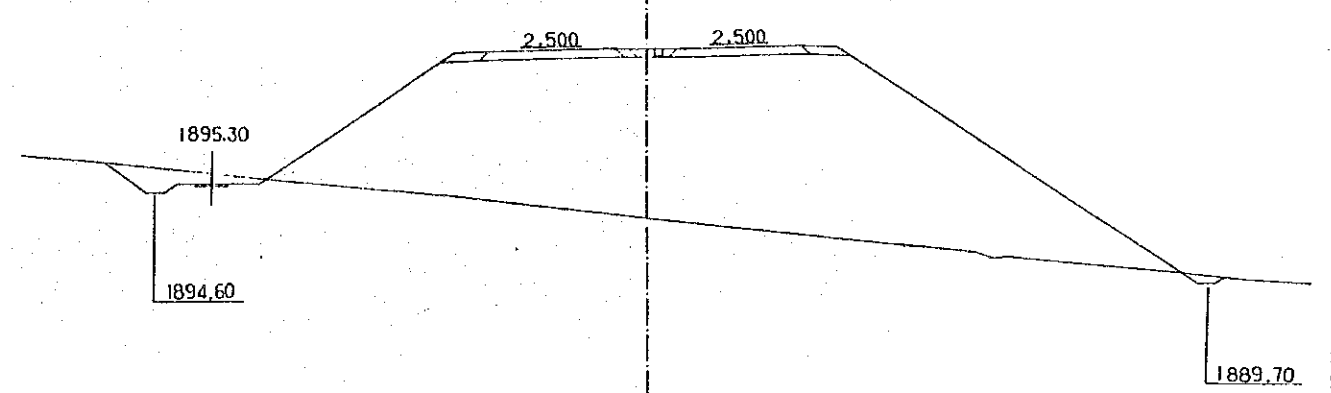
CH. 20+960  
 PI=1901.900  
 GI=1892.11



CH. 20+920  
 PI=1899.900  
 GI=1889.04



CH. 20+980  
 PI=1902.900  
 GI=1893.39



AERIAL PHOTO BY \_\_\_\_\_ SURVEYED BY \_\_\_\_\_  
 MAPPING BY \_\_\_\_\_ TRACED BY \_\_\_\_\_  
 LOCATION BY \_\_\_\_\_ CHECKED BY \_\_\_\_\_

M.O.P.W. ROADS DEPT. DRG. NO.

REVISIONS	
DESCRIPTION	DATE

JAPAN INTERNATIONAL  
 COOPERATION AGENCY

CHIEF ENGINEER (ROADS)  
 CHIEF SUPT. ENG. (DESIGN)

SEN. SUPT. ENG. (DESIGN)  
 SUPT. ENGINEER (DESIGN)  
 PROJECT ENGINEER

SCALES  
 1 : 200

NAIROBI BYPASS  
 CROSS SECTION

SHEET 141 OF 196