

AERIAL PHOTO BY	SURVEYED BY
MAPPING BY	TRACED BY
LOCATION BY	CHECKED BY

M.O.P.W. ROADS DEPT DRG NO.

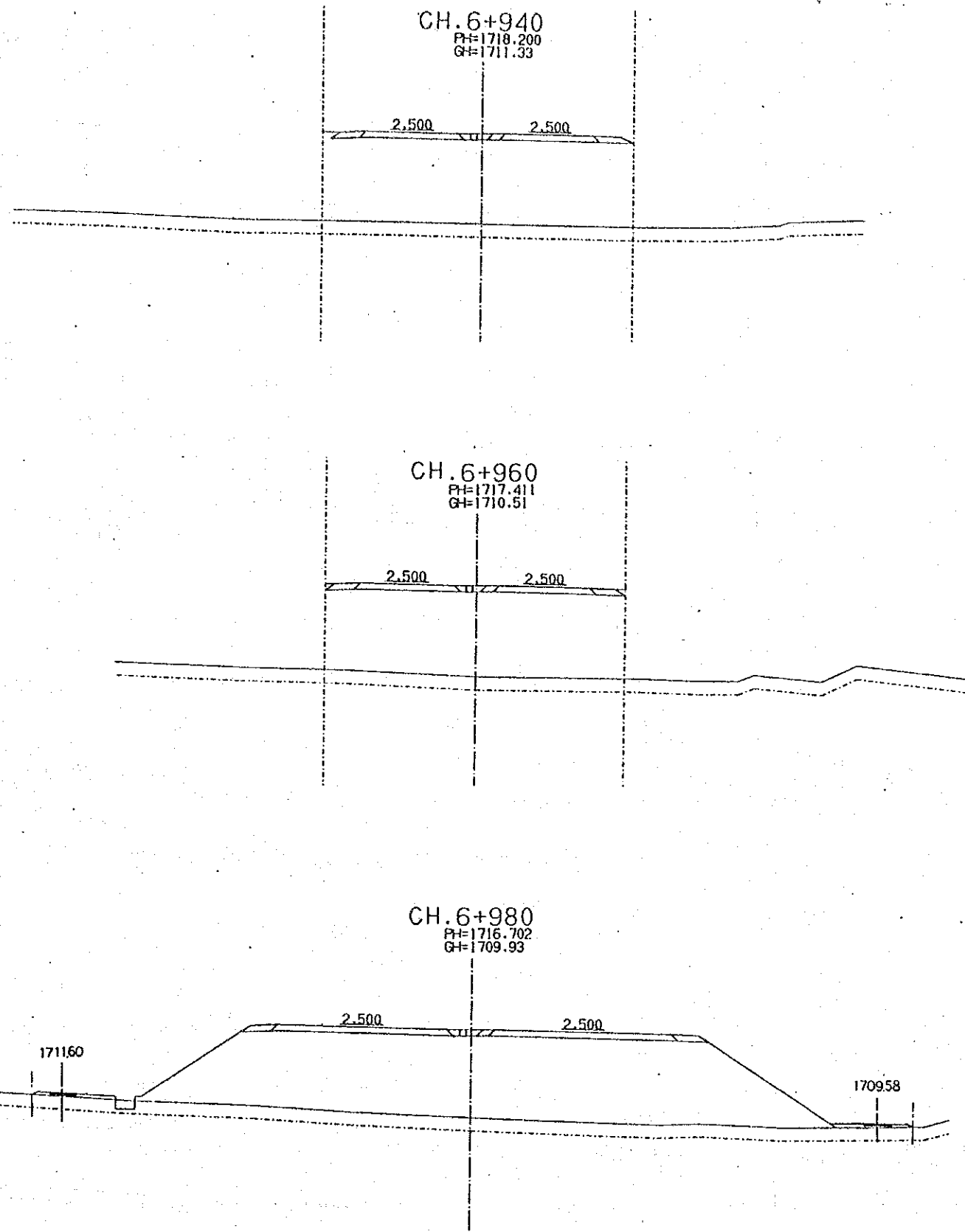
REVISIONS	
DESCRIPTION	DATE

JAPAN INTERNATIONAL COOPERATION AGENCY
 CHIEF ENGINEER (ROADS)
 CHIEF SUPT. ENG. (DESIGN)

SEN. SUPT. ENG. (DESIGN)
 SUPT. ENGINEER (DESIGN)
 PROJECT ENGINEER

SCALES
 1 : 200

NAIROBI BYPASS
 CROSS SECTION



AERIAL PHOTO BY	SURVEYED BY
MAPPING BY	TRACED BY
LOCATION BY	CHECKED BY

M.O.P.W. ROADS DEPT. DRG. NO.

REVISIONS	
DESCRIPTION	DATE

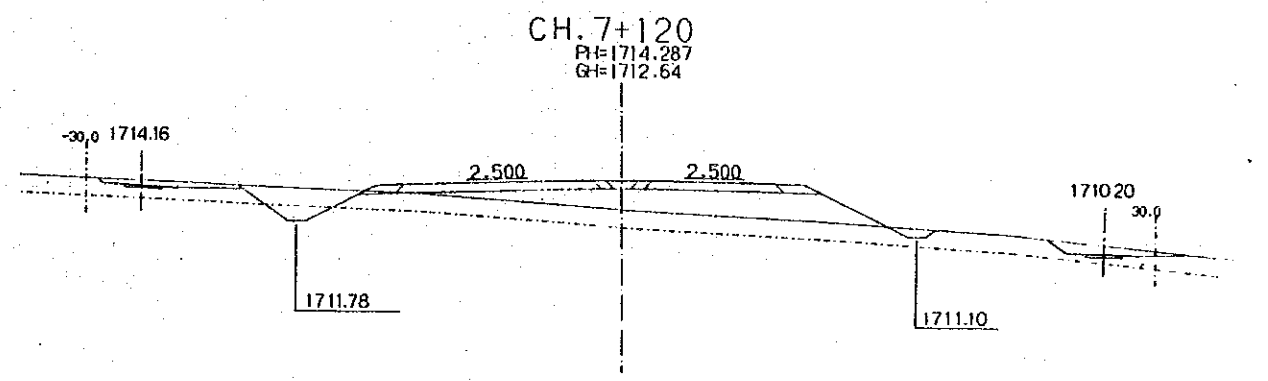
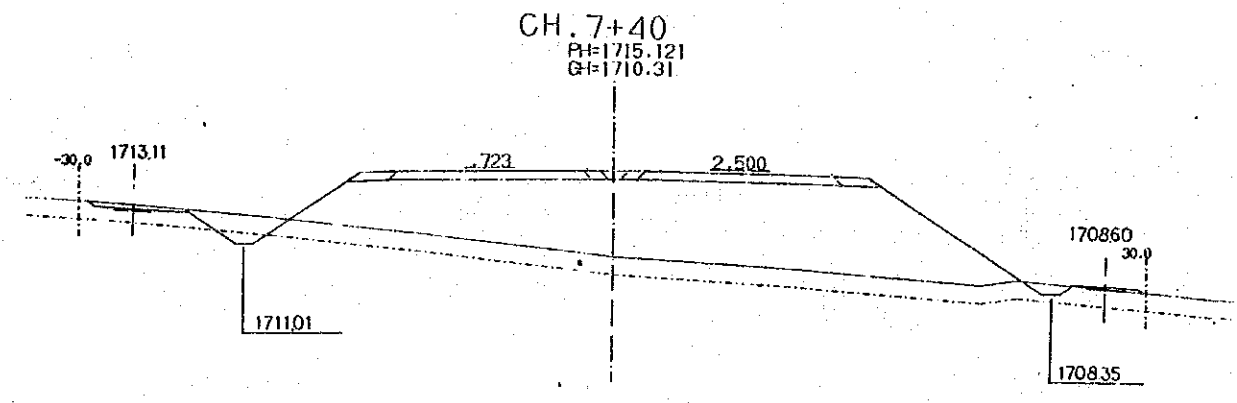
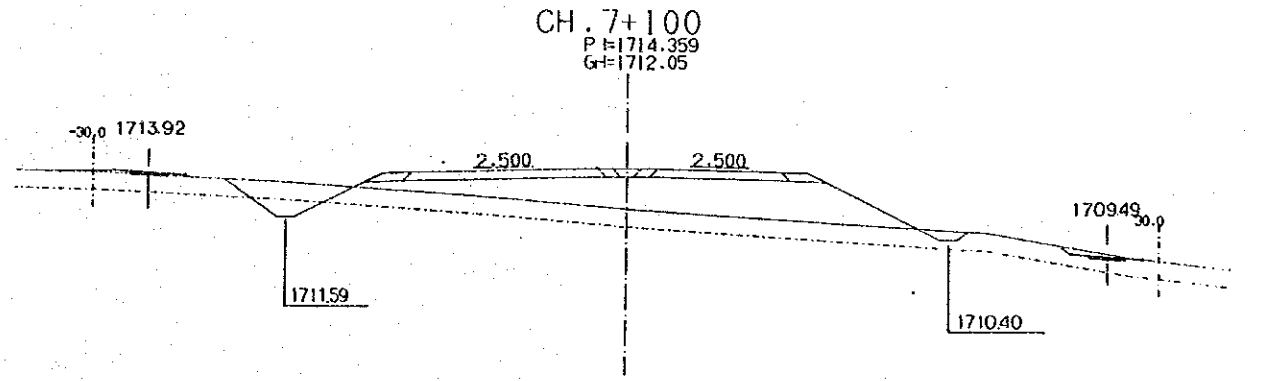
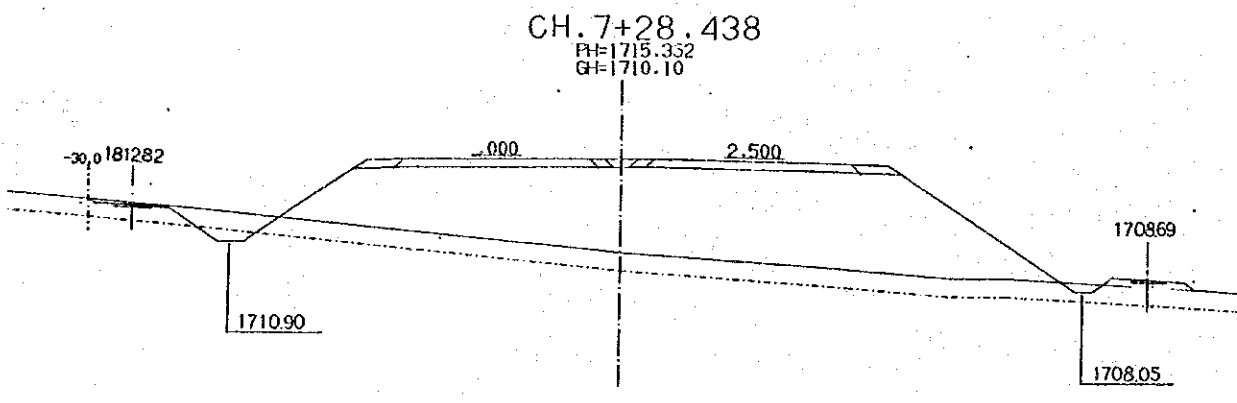
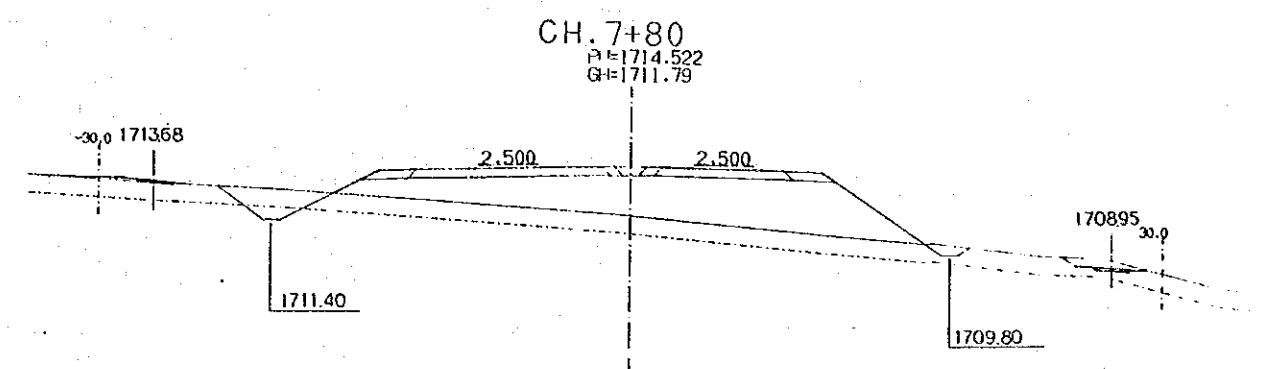
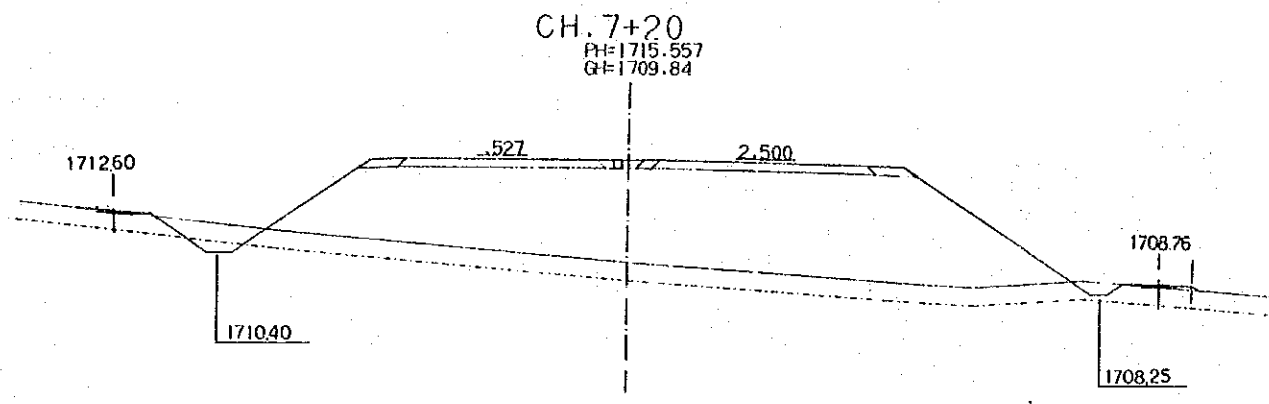
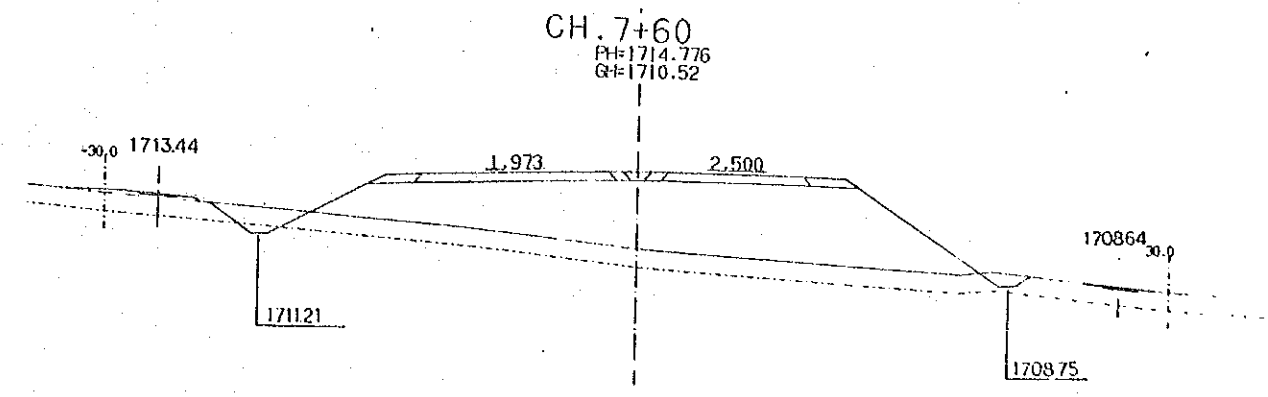
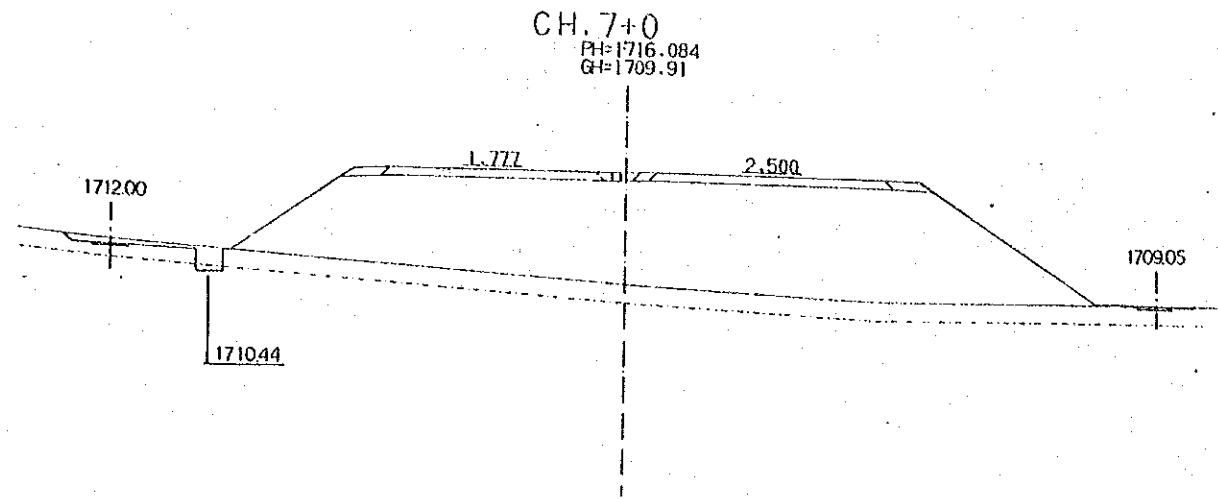
JAPAN INTERNATIONAL COOPERATION AGENCY

CHIEF ENGINEER (ROADS)
CHIEF SUPT. ENG. (DESIGN)

SEN. SUPT. ENG. (DESIGN)
SUPT. ENGINEER (DESIGN)
PROJECT ENGINEER

SCALES
1 : 200

NAIROBI BYPASS
CROSS SECTION



SURVEYED BY
 MAPPING BY
 TRACED BY
 LOCATION BY
 CHECKED BY

M.O.P.W. ROADS DEPT. DRG. NO.

REVISIONS	
DESCRIPTION	DATE

JAPAN INTERNATIONAL
 COOPERATION AGENCY

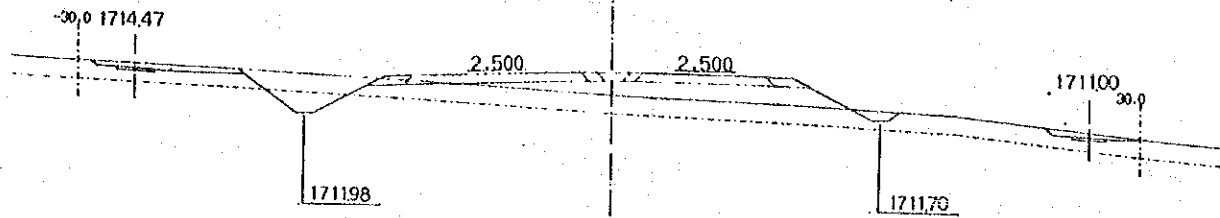
CHIEF ENGINEER (ROADS)
 CHIEF SUPT. ENG. (DESIGN)

SEN. SUPT. ENG. (DESIGN)
 SUPT. ENGINEER (DESIGN)
 PROJECT ENGINEER

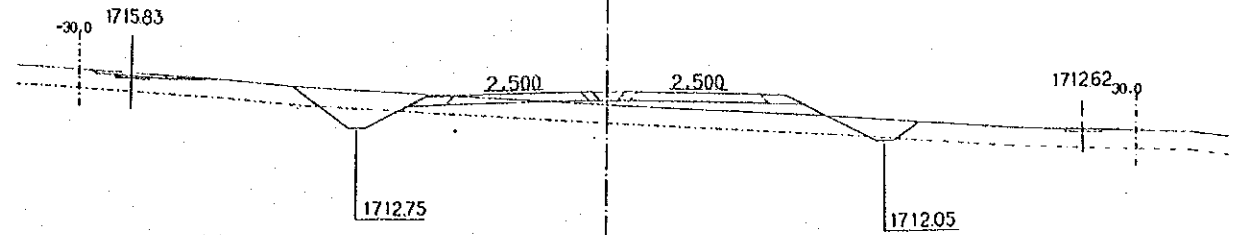
SCALES
 1 : 200

NAIROBI BYPASS
 CROSS SECTION

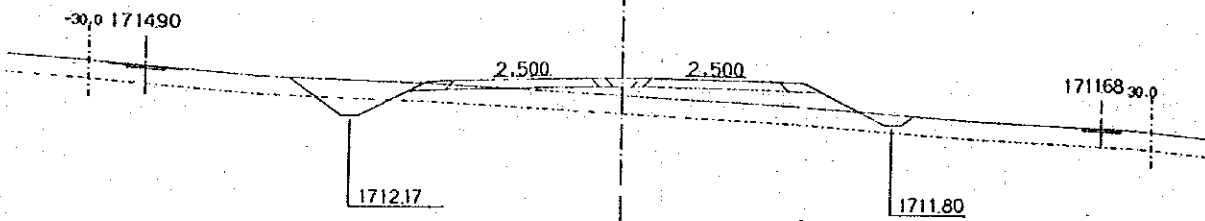
CH. 7+140
 P=1714.306
 G=1713.07



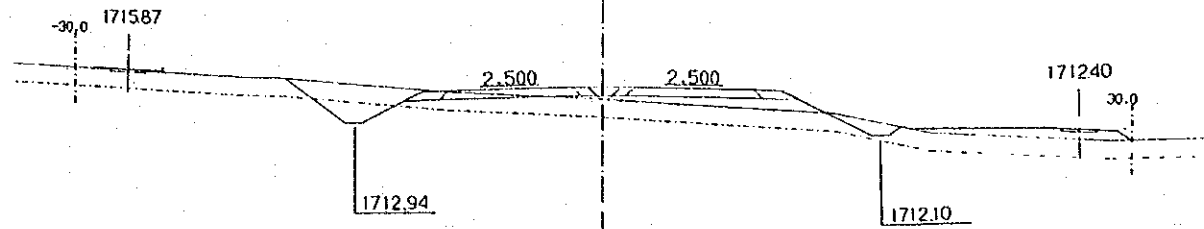
CH. 7+220
 P=1714.735
 G=1714.02



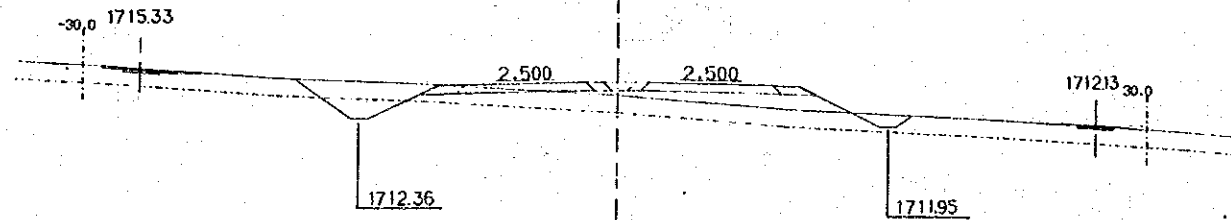
CH. 7+160
 P=1714.405
 G=1713.44



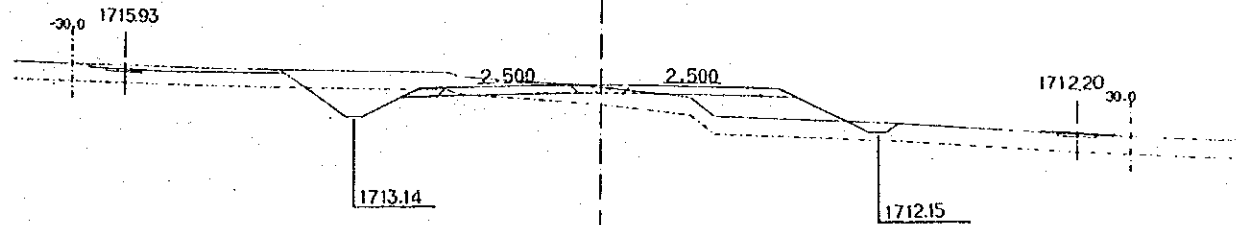
CH. 7+240
 P=1714.845
 G=1714.18



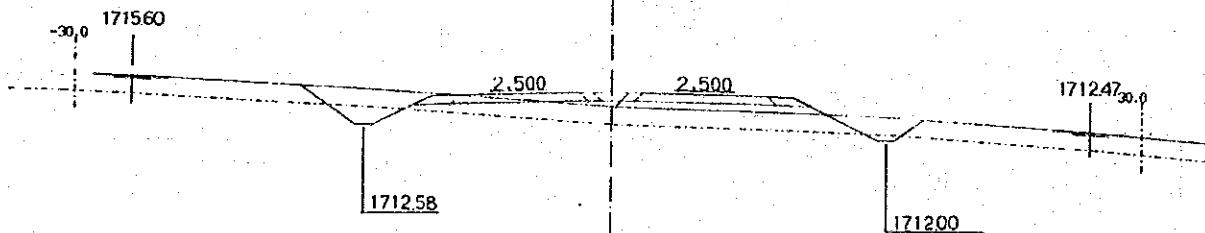
CH. 7+180
 P=1714.515
 G=1713.77



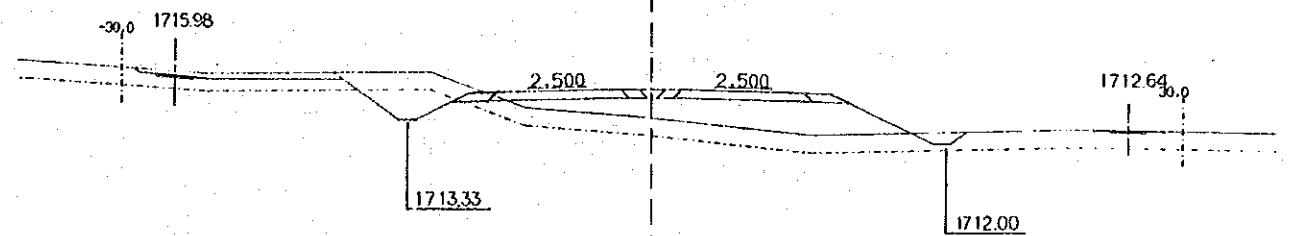
CH. 7+260
 P=1714.955
 G=1714.82



CH. 7+200
 P=1714.625
 G=1713.83



CH. 7+280
 P=1715.065
 G=1713.47



SURVEYED BY
 MAPPING BY
 AERIAL PHOTO BY
 TRACED BY
 LOCATION BY
 CHECKED BY

M.O.P.W. ROADS DEPT DRG NO.

REVISIONS	
DESCRIPTION	DATE

JAPAN INTERNATIONAL
 COOPERATION AGENCY

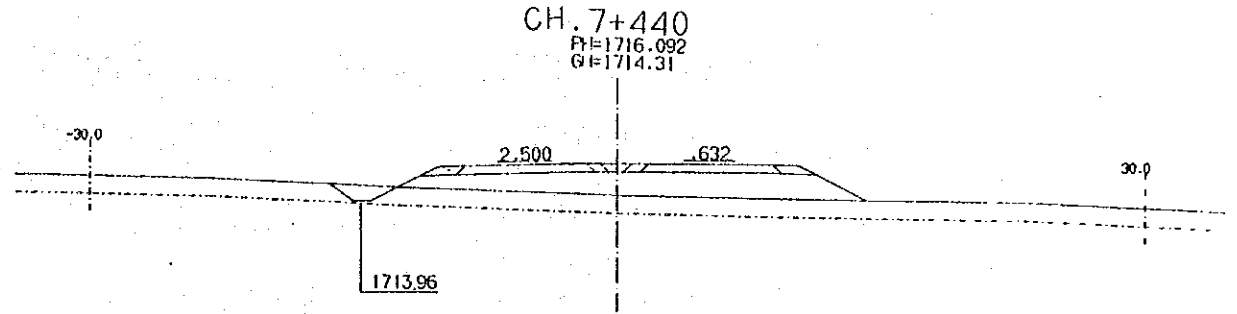
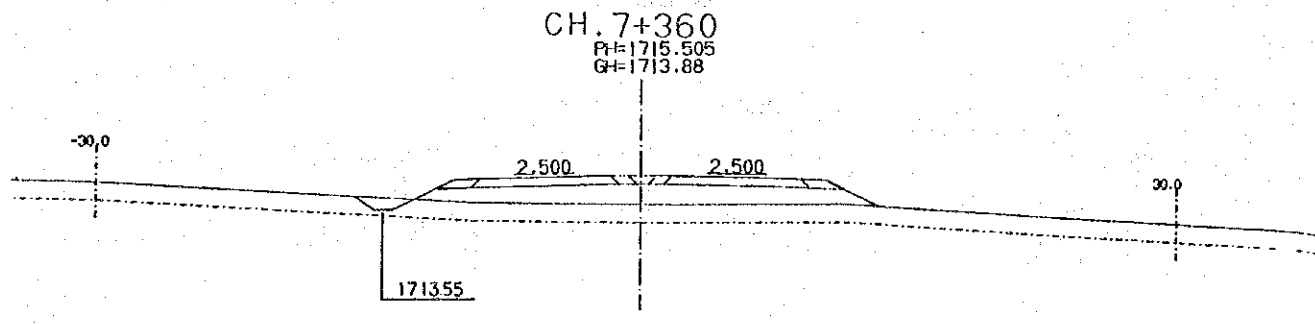
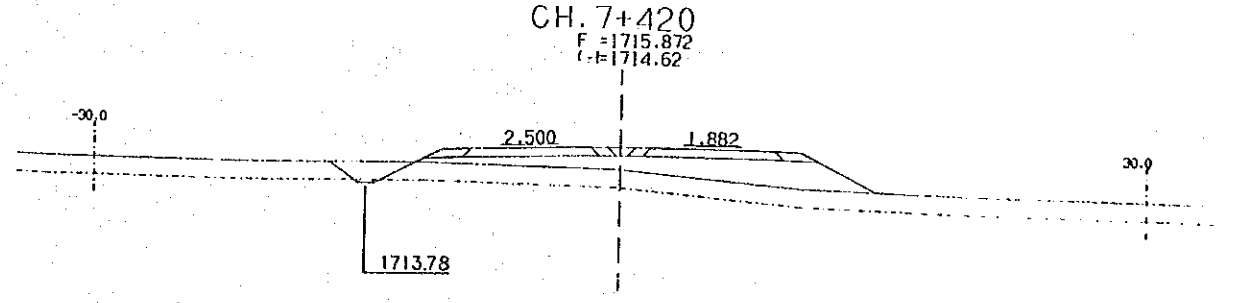
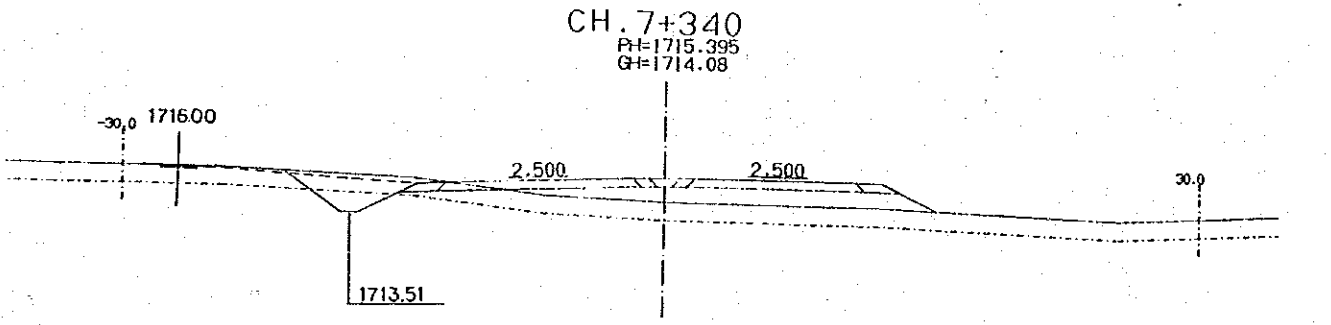
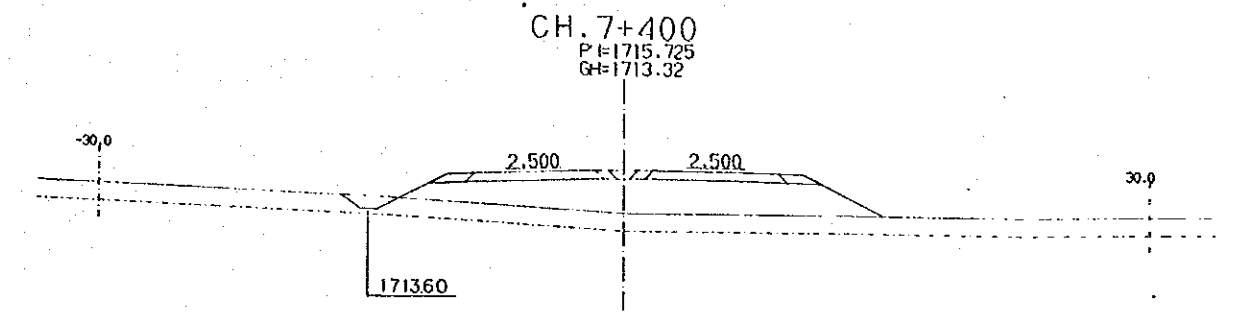
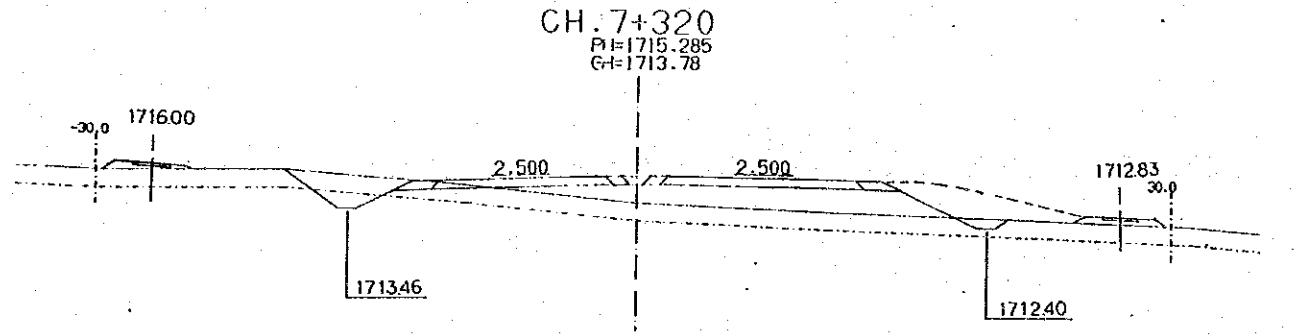
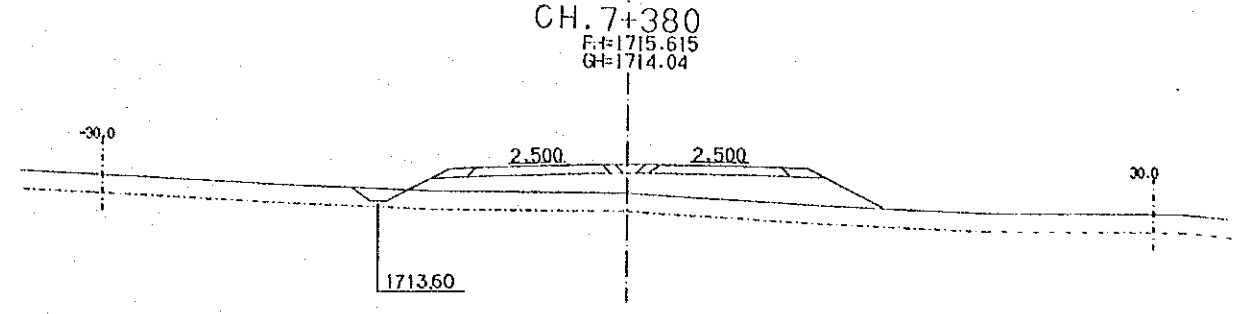
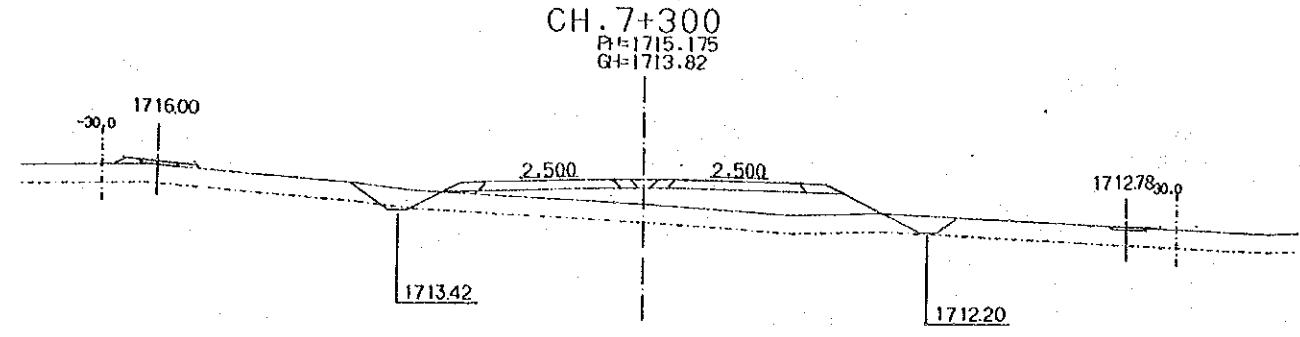
CHIEF ENGINEER (ROADS)
 CHIEF Supt. Eng. (DESIGN)

SEN. Supt. Eng. (DESIGN)
 Supt. Engineer (DESIGN)
 PROJECT ENGINEER

SCALE:
 1 : 200

NAIROBI BYPASS
 CROSS SECTION

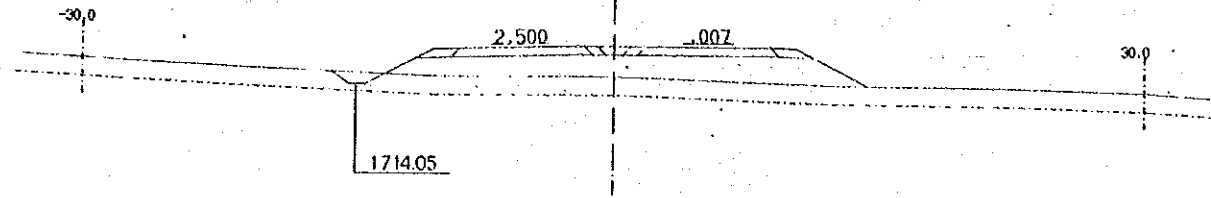
SHEET 49 OF 196



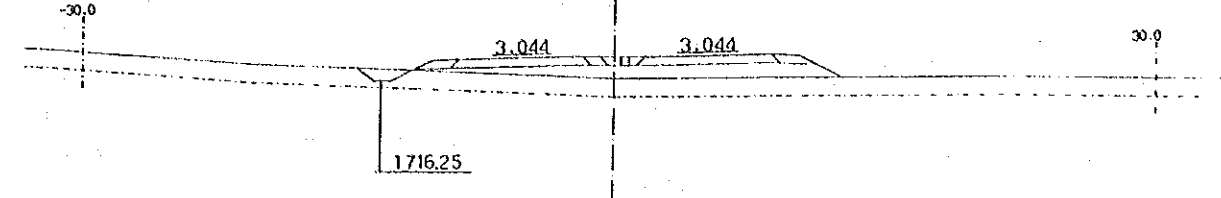
SURVEYED BY
 MAPPING BY
 LOCATION BY
 TRACED BY
 CHECKED BY
 AERIAL PHOTO BY
 MOPW ROADS DEPT DRG NO.

REVISIONS		JAPAN INTERNATIONAL COOPERATION AGENCY	CHIEF ENGINEER (ROADS)	SEN. SUPT. ENG. (DESIGN)	SCALES	NAIROBI BYPASS CROSS SECTION	SHEET 500F196
DESCRIPTION	DATE						
			CHIEF SUPT. ENG. (DESIGN)	SUPT. ENGINEER (DESIGN)	1:200		
				PROJECT ENGINEER			

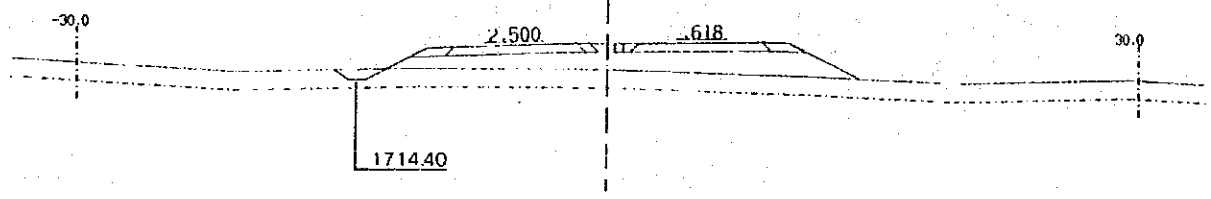
CH. 7+450
 PI=1716.230
 G=1714.57



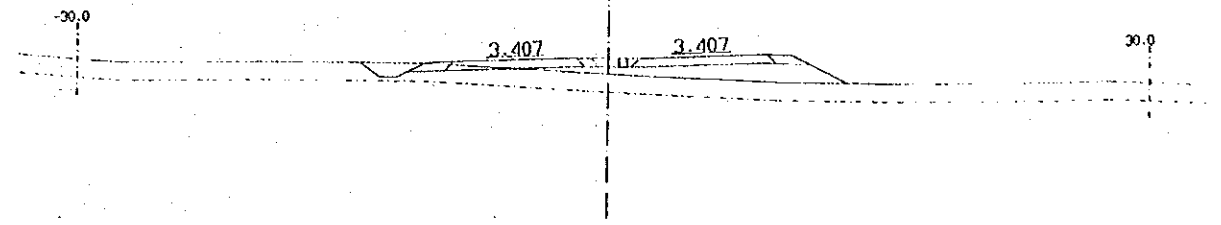
CH. 7+520
 PI=1717.708
 G=1716.50



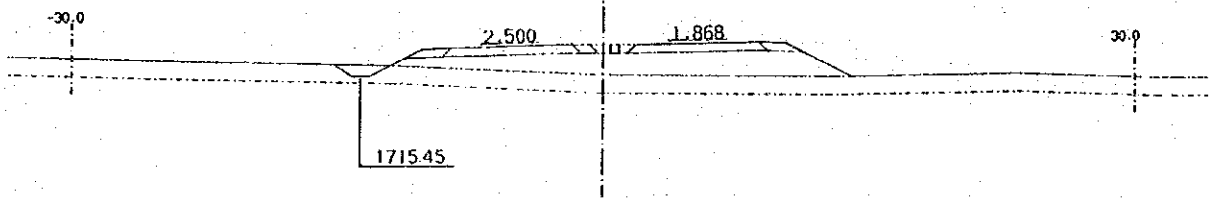
CH. 7+460
 PI=1716.385
 G=1714.93



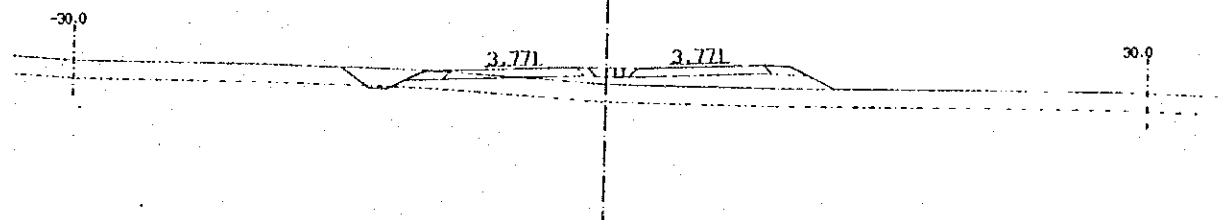
CH. 7+540
 PI=1718.296
 G=1717.41



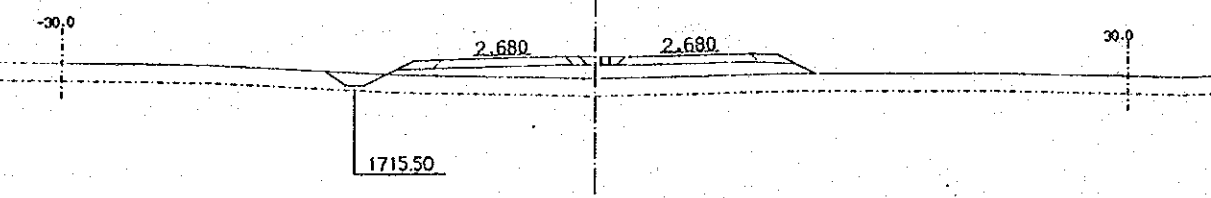
CH. 7+480
 PI=1716.753
 G=1715.05



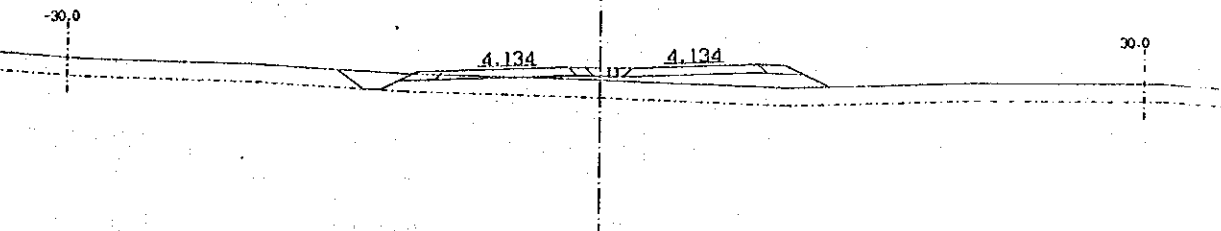
CH. 7+560
 PI=1718.957
 G=1718.03



CH. 7+500
 PI=1717.194
 G=1715.94



CH. 7+580
 PI=1719.692
 G=1718.98



AERIAL PHOTO BY	SURVEYED BY
MAPPING BY	TRACED BY
LOCATION BY	CHECKED BY

MOPW ROADS DEPT DRG NO.

REVISIONS	
DESCRIPTION	DATE

JAPAN INTERNATIONAL
 COOPERATION AGENCY

CHIEF ENGINEER (ROADS)
 CHIEF SUPT. ENG. (DESIGN)

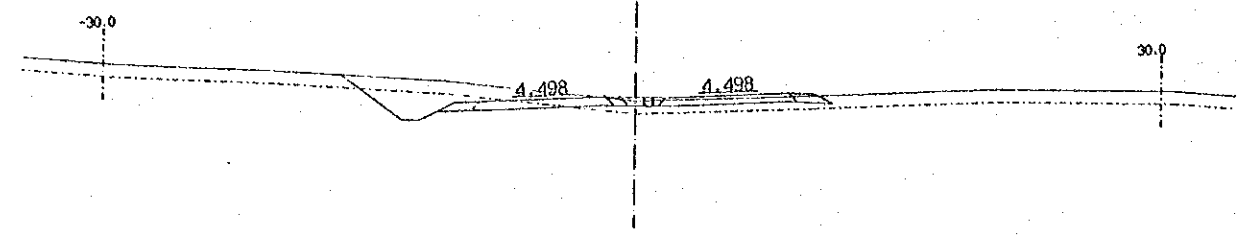
SEN SUPT. ENG. (DESIGN)
 SUPT. ENGINEER (DESIGN)
 PROJECT ENGINEER

SCALES
 1 : 200

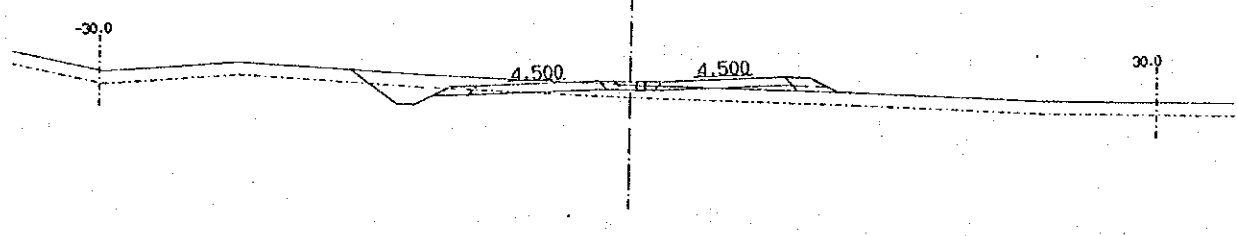
NAIROBI BYPASS
 CROSS SECTION

SHEET-51 OF 196

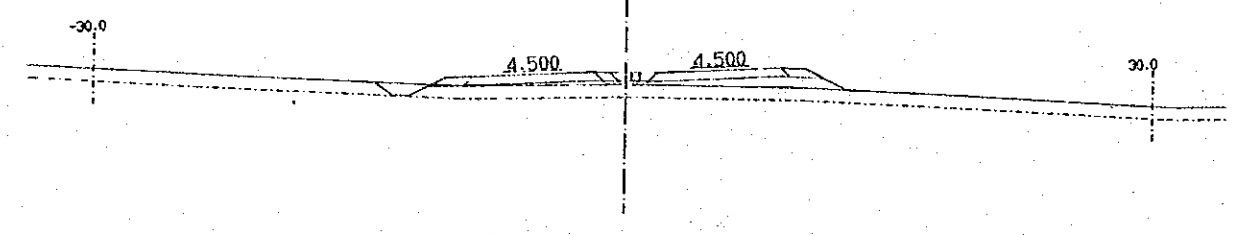
CH. 7+600
 P.I.=1720.500
 G.I.=1720.29



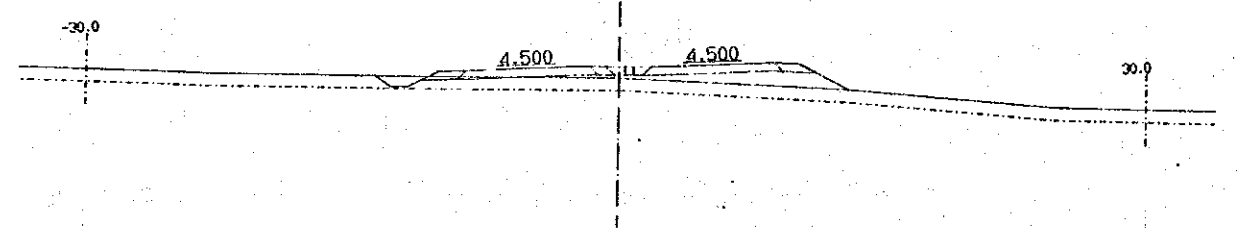
CH. 7+600.107
 P.I.=1720.505
 G.I.=1720.29



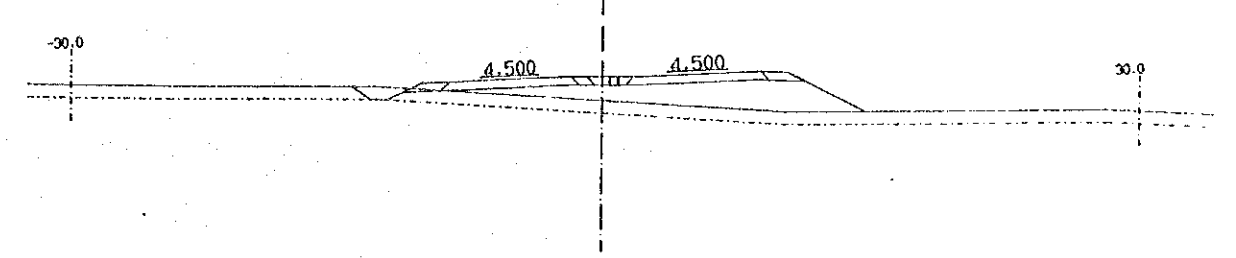
CH. 7+620
 P.I.=1721.345
 G.I.=1720.68



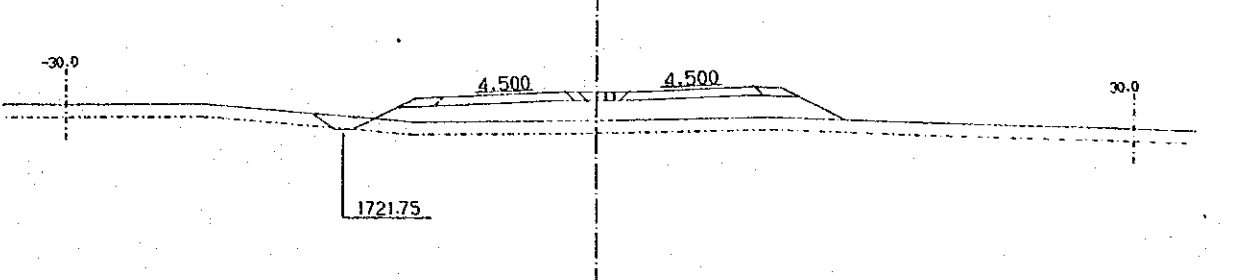
CH. 7+640
 P.I.=1722.190
 G.I.=1721.54



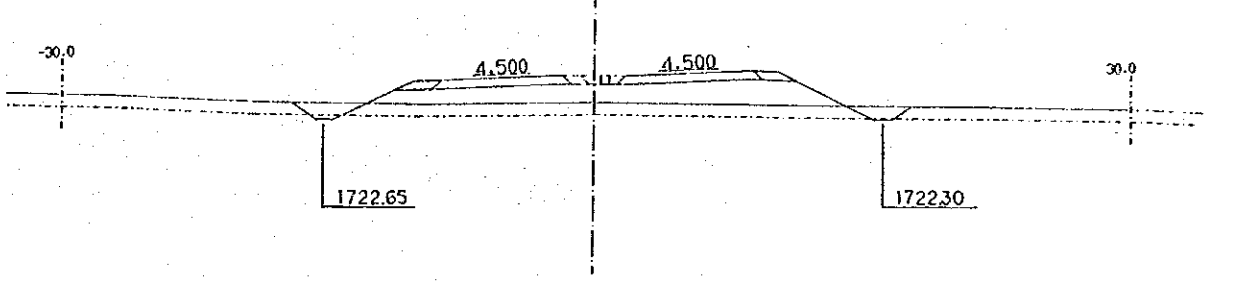
CH. 7+660
 P.I.=1723.035
 G.I.=1721.69



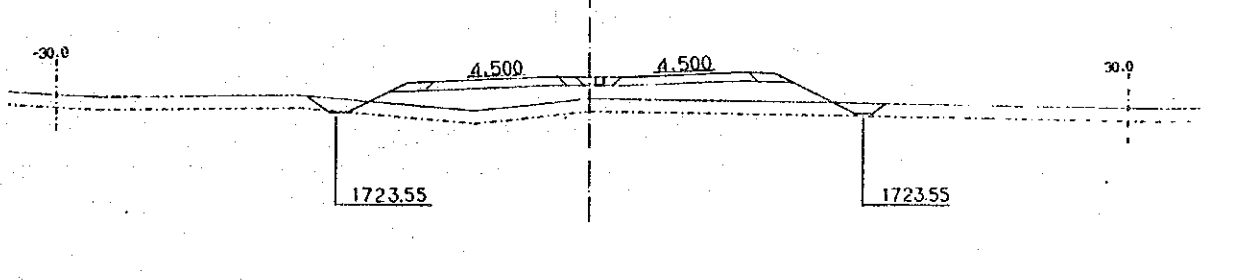
CH. 7+680
 P.I.=1723.880
 G.I.=1722.27



CH. 7+700
 P.I.=1724.725
 G.I.=1723.22



CH. 7+720
 P.I.=1725.531
 G.I.=1724.32



SURVEYED BY	BY
TRACED BY	BY
CHECKED BY	BY
AERIAL PHOTO BY	BY
MAPPING BY	BY
LOCATION BY	BY

M.O.P.W. ROADS DEPT. DRG. NO.

REVISIONS	
DESCRIPTION	DATE

JAPAN INTERNATIONAL COOPERATION AGENCY	CHIEF ENGINEER (ROADS)
	CHIEF SUPT. ENG. (DESIGN)

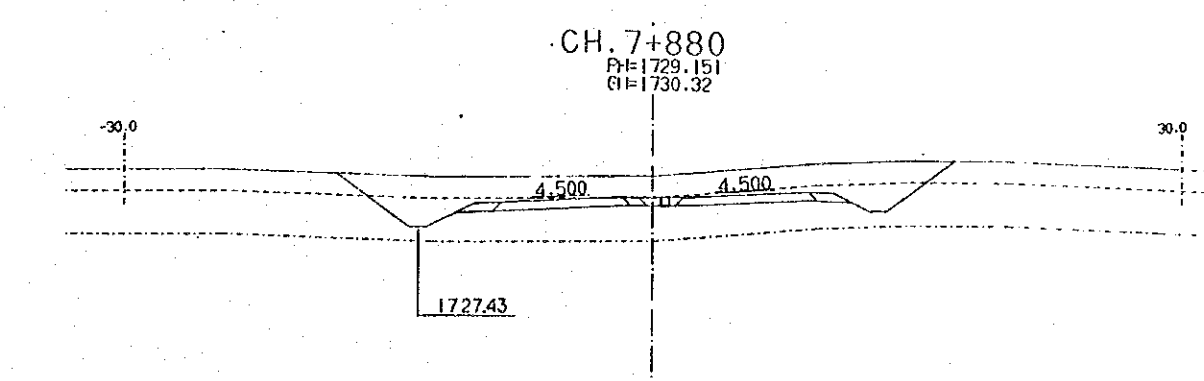
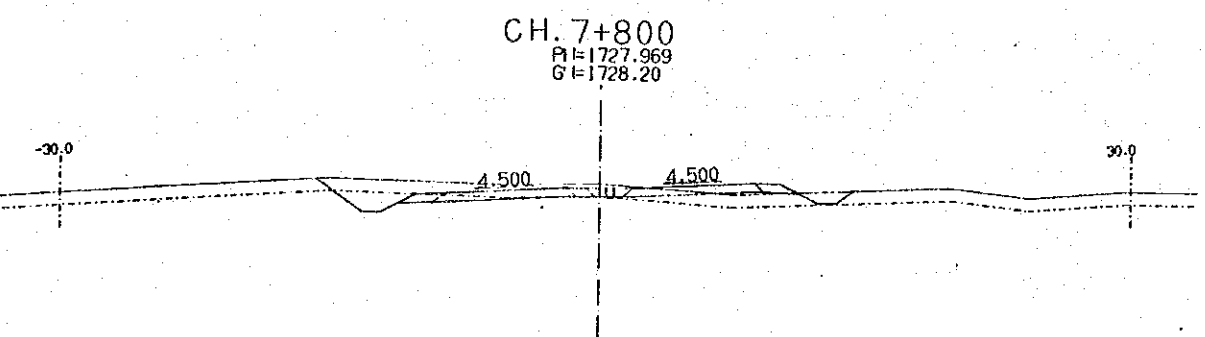
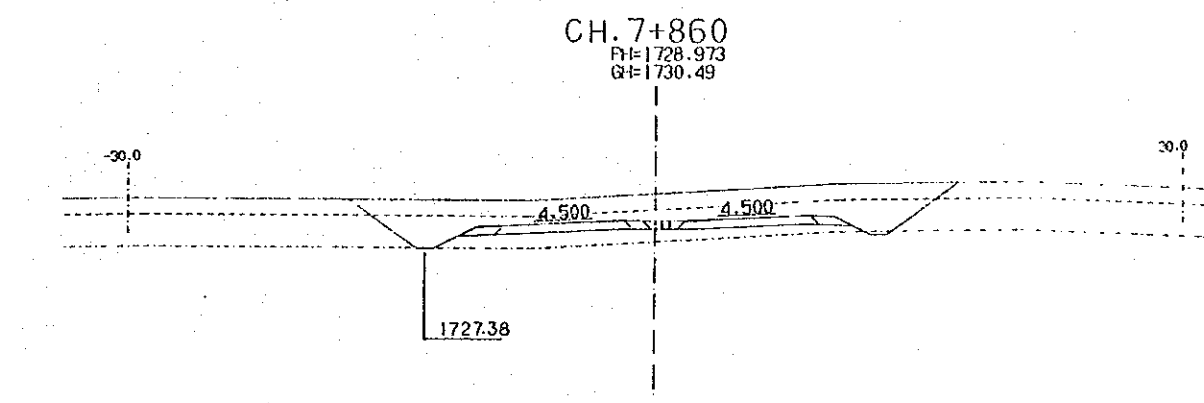
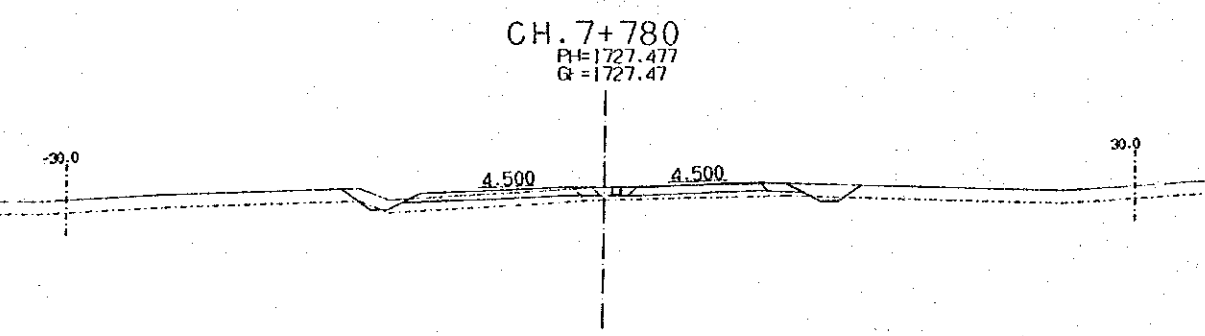
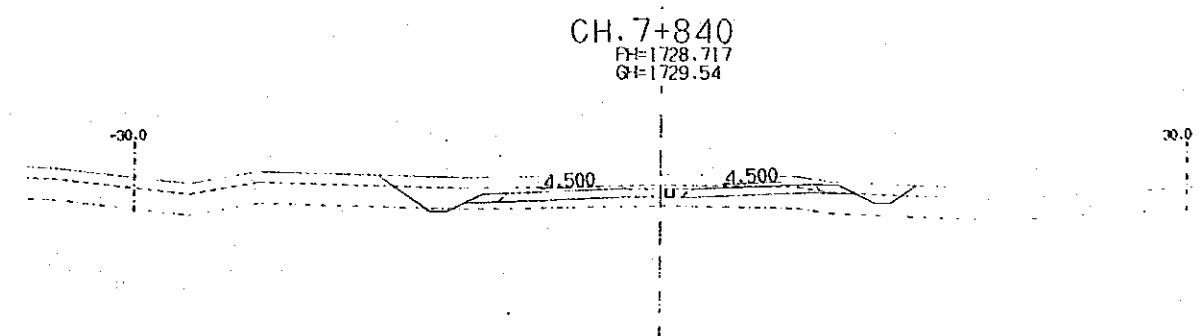
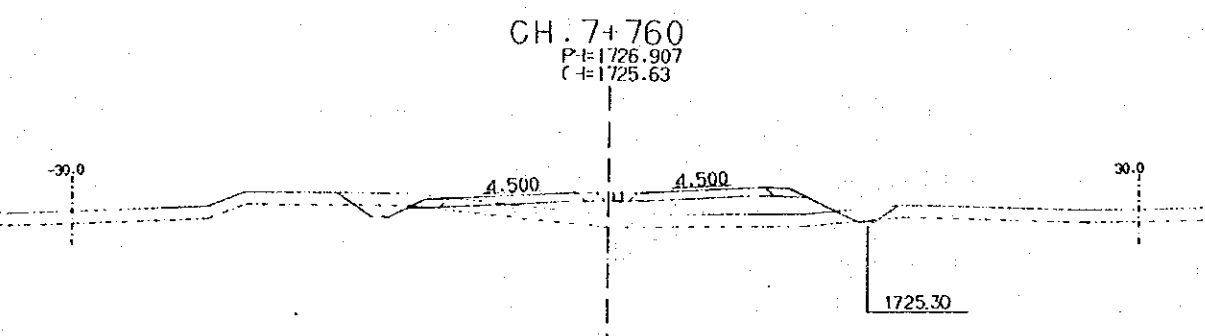
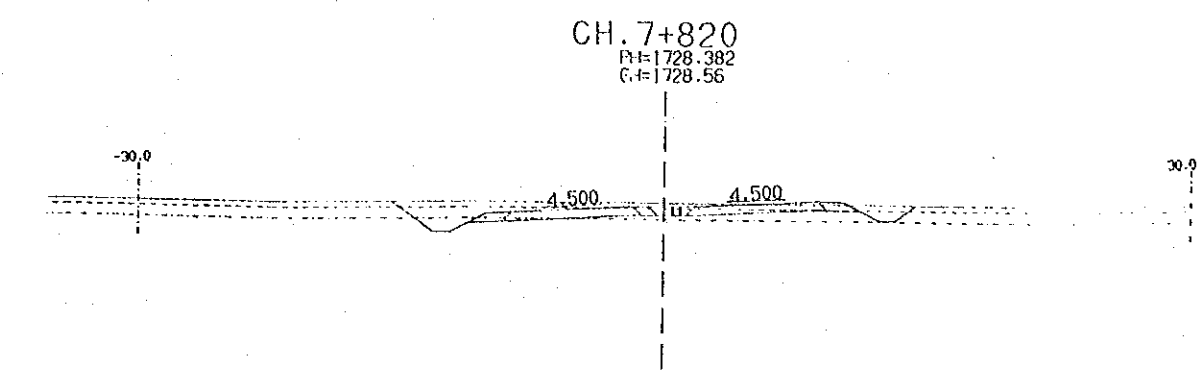
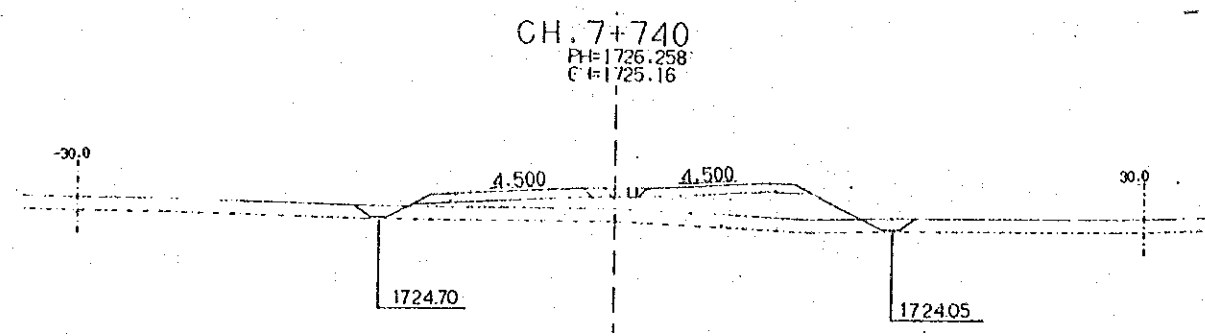
SEN. SUPT. ENG. (DESIGN)	
SUPT. ENGINEER (DESIGN)	
PROJECT ENGINEER	

SCALES	
1 : 200	

NAIROBI BYPASS
 CROSS SECTION

AERIAL PHOTO BY _____ SURVEYED BY _____
 MAPPING BY _____ TRACED BY _____
 LOCATION BY _____ CHECKED BY _____

M.O.P.W. ROADS DEPT DRG NO.



REVISIONS	
DESCRIPTION	DATE

JAPAN INTERNATIONAL
COOPERATION AGENCY

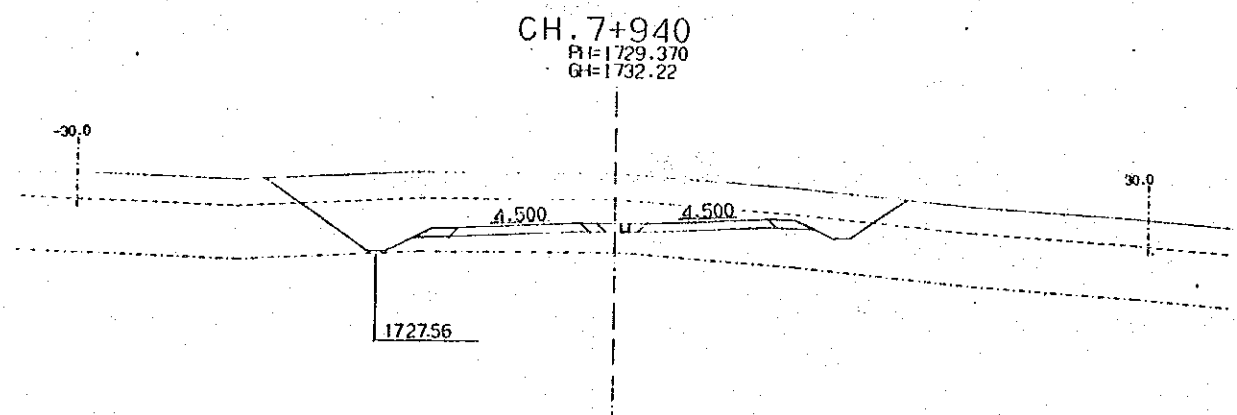
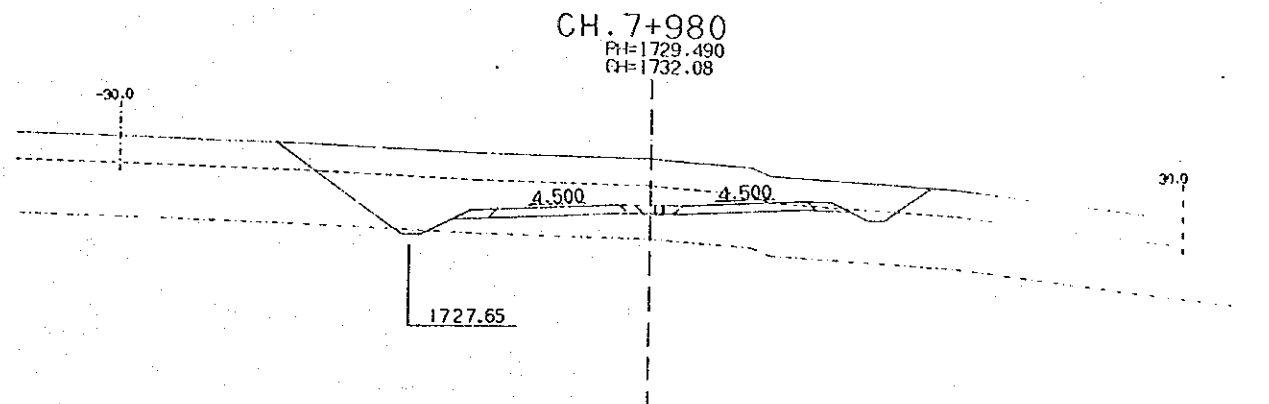
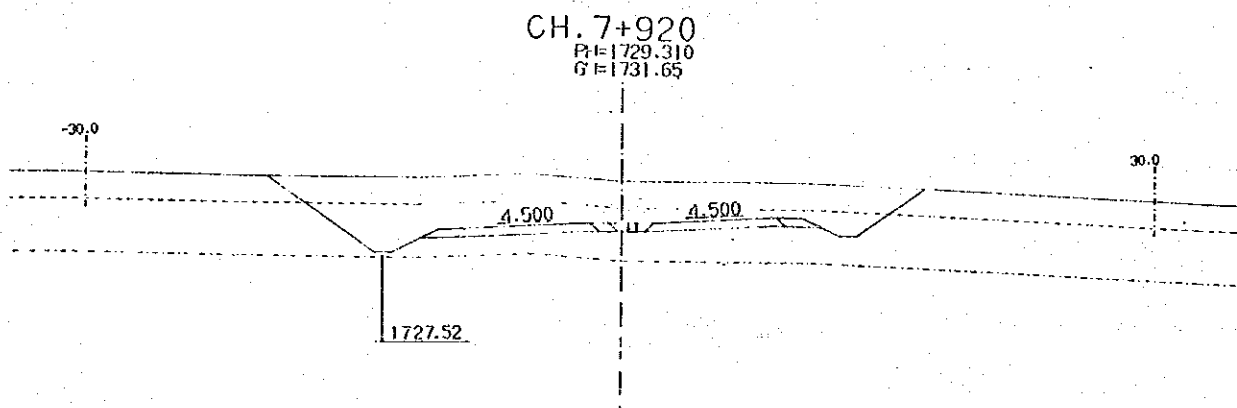
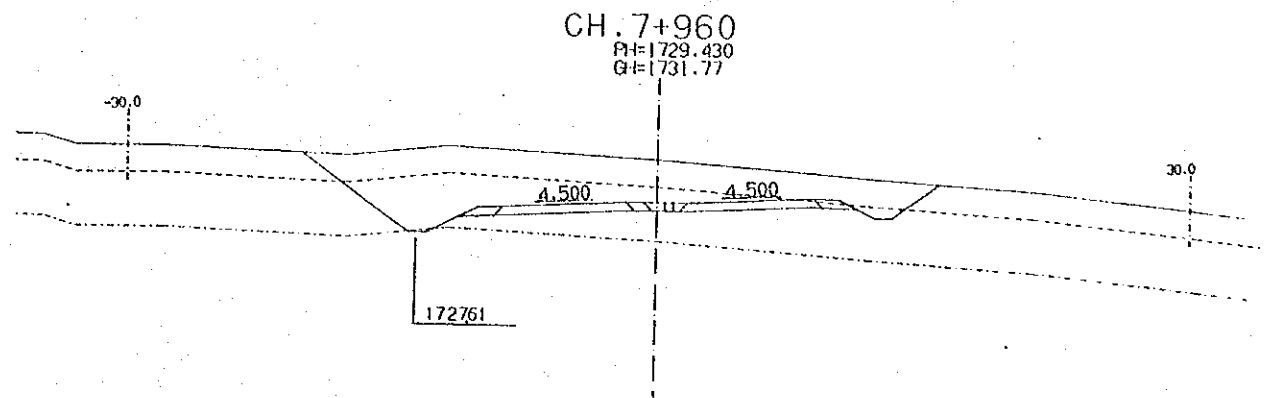
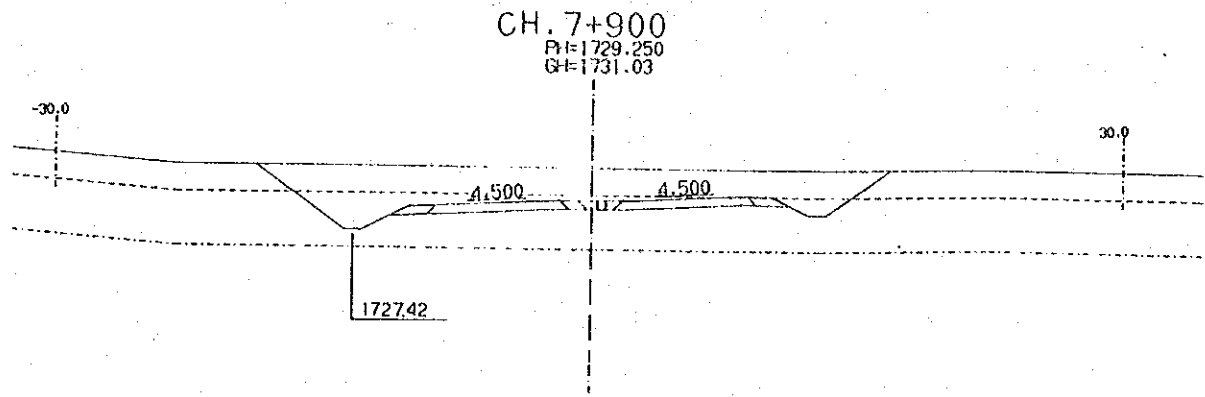
CHIEF ENGINEER (ROADS)
CHIEF SUPT. ENG. (DESIGN)

SEN. SUPT. ENG. (DESIGN)
SUPT. ENGINEER (DESIGN)
PROJECT ENGINEER

SCALES
1 : 200

NAIROBI BYPASS
CROSS SECTION

SHEET 53 OF 196



AERIAL PHOTO BY	SURVEYED BY
MAPPING BY	TRACED BY
LOCATION BY	CHECKED BY

M.O.P.W. ROADS DEPT DRG. NO.

REVISIONS	
DESCRIPTION	DATE

JAPAN INTERNATIONAL
 COOPERATION AGENCY

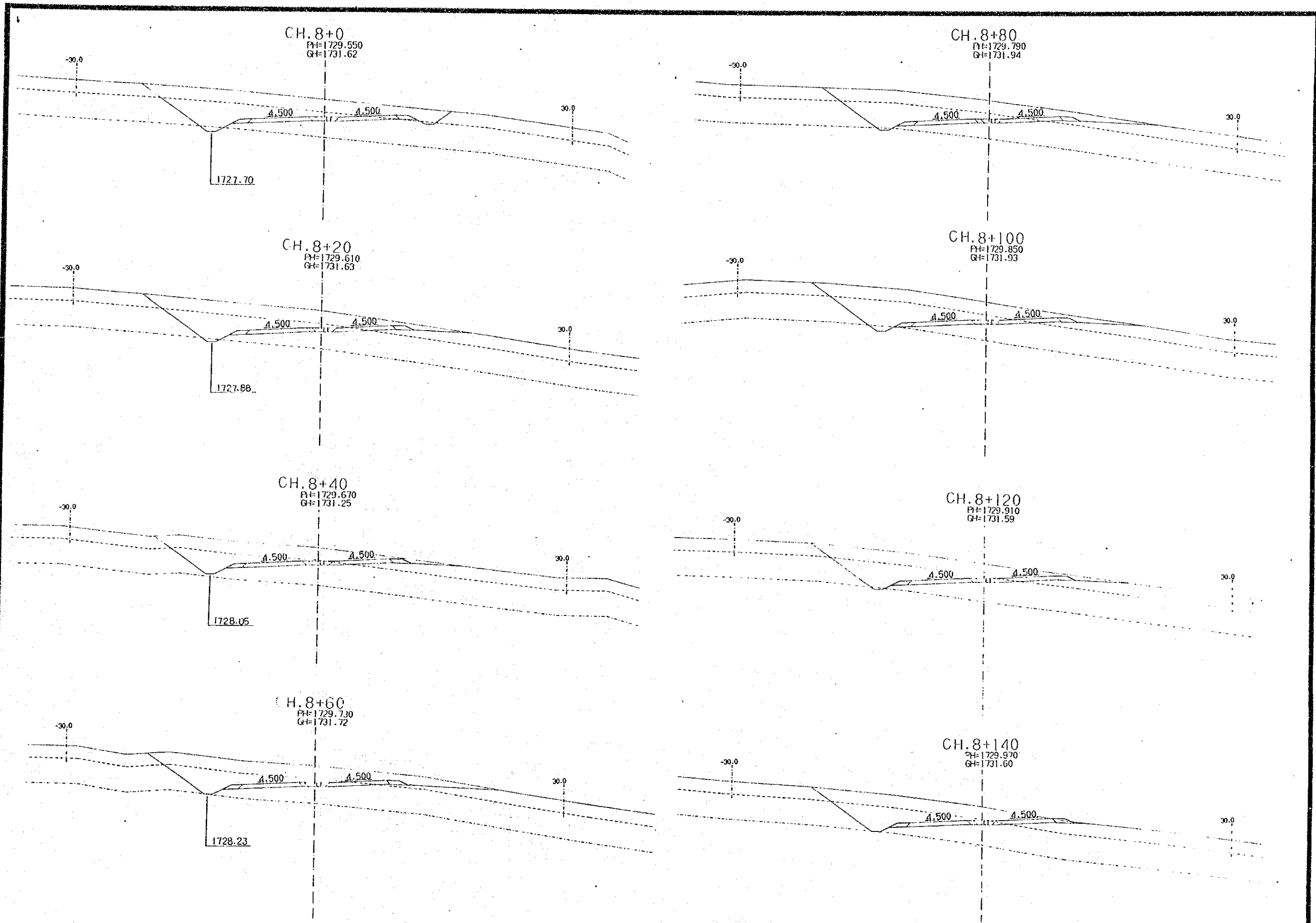
CHIEF ENGINEER (ROADS)
 CHIEF SUPT. ENG. (DESIGN)

SEN SUPT. ENG. (DESIGN)
 SUPT. ENGINEER (DESIGN)
 PROJECT ENGINEER

SCALES
 1 : 200

NAIROBI BYPASS
 CROSS SECTION

SHEETS 53-1 OF 196



SURVEYED BY	BY
TRACED BY	BY
CHECKED BY	BY
AERIAL PHOTO BY	BY
MAPPING BY	BY
LOCATION BY	BY

M.O.P.W. ROADS DEPT. DRG. NO.

REVISIONS	
DESCRIPTION	DATE

JAPAN INTERNATIONAL
COOPERATION AGENCY

CHIEF ENGINEER (ROADS)
CHIEF SUPT. ENG. (DESIGN)

SEN. SUPT. ENG. (DESIGN)
SUPT. ENGINEER (DESIGN)
PROJECT ENGINEER

SCALES
1 200

NAIROBI BYPASS
CROSS SECTION

CH. 8+153.505
 PI=1730.011
 GI=1731.33

CH. 8+220
 PI=1730.220
 GI=1727.88

CH. 8+160
 PI=1730.030
 GI=1731.03

CH. 8+240
 PI=1730.310
 GI=1728.30

CH. 8+180
 PI=1730.090
 GI=1730.70

CH. 8+260
 PI=1730.421
 GI=1727.37

CH. 8+200
 PI=1730.150
 GI=1728.60

CH. 8+280
 PI=1730.552
 GI=1727.29

AERIAL PHOTO BY
 MAPPING BY
 LOCATION BY

NO. P.W. ROADS DEPT. DRG. NO.

REVISIONS	
DESCRIPTION	DATE

JAPAN INTERNATIONAL
 COOPERATION AGENCY

CHIEF ENGINEER (ROADS)
 CHIEF SUPT. ENG. (DESIGN)

SEN. SUPT. ENG. (DESIGN)
 SUPT. ENGINEER (DESIGN)
 PROJECT ENGINEER

SCALES
 1 : 200

NAIROBI BYPASS
 CROSS SECTION

SHEET 55 OF 196

CH. 8+300
 PI=1730.703
 GI=1727.12

CH. 8+358.544
 PI=1731.260
 GI=1729.94

CH. 8+303.505
 PI=1730.731
 GI=1727.27

CH. 8+360
 PI=1731.276
 GI=1729.89

CH. 8+320
 PI=1730.874
 GI=1726.75

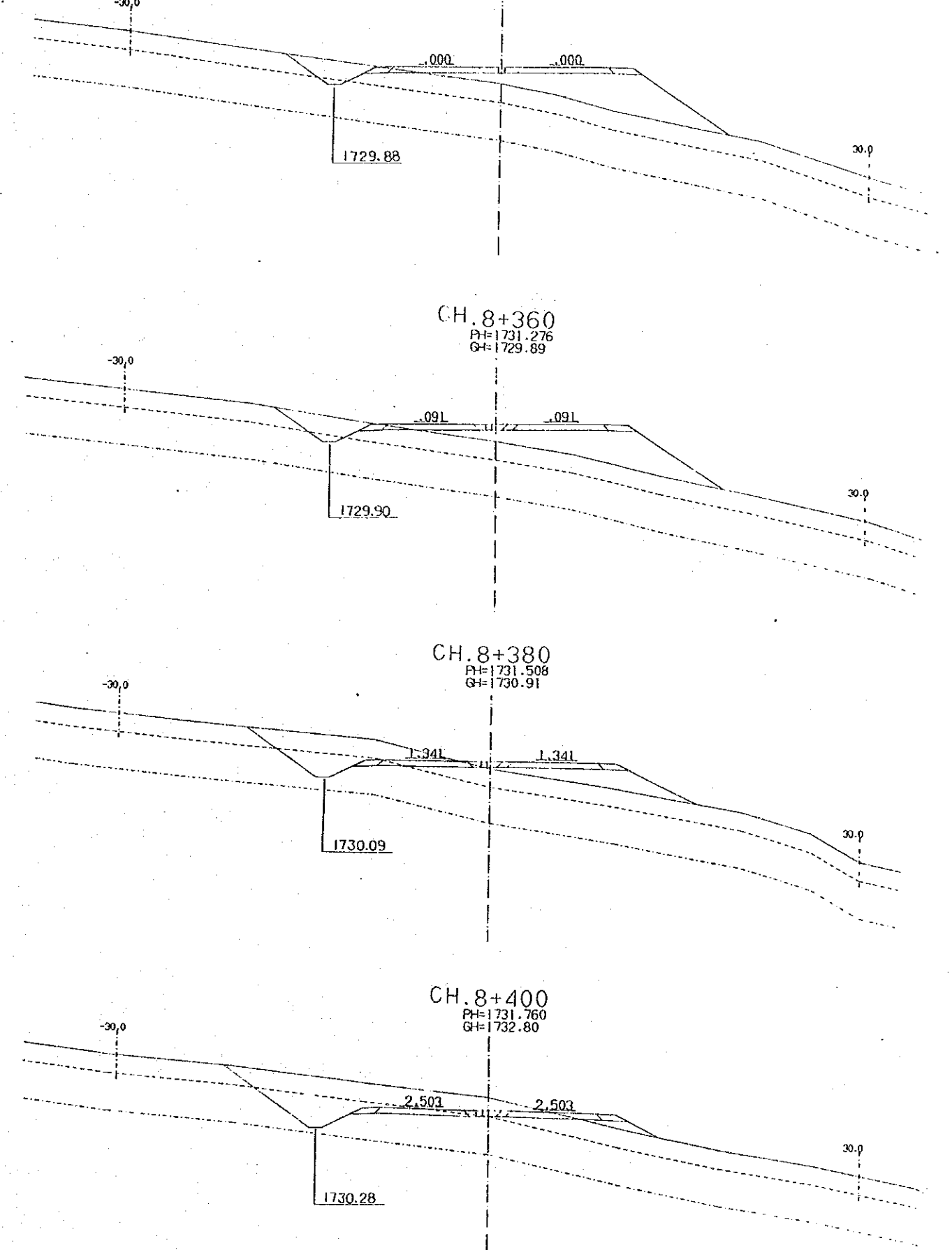
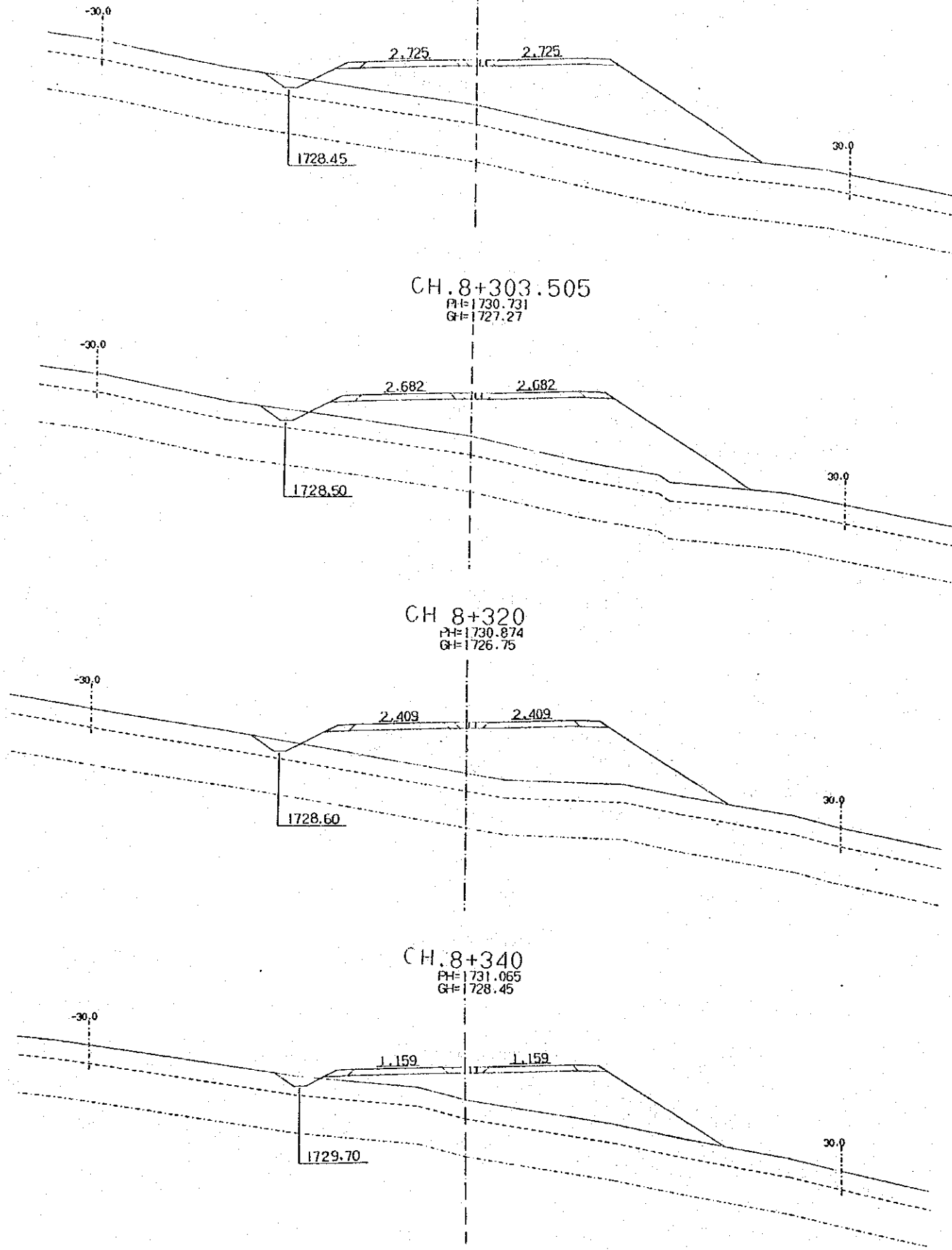
CH. 8+380
 PI=1731.508
 GI=1730.91

CH. 8+340
 PI=1731.065
 GI=1728.45

CH. 8+400
 PI=1731.760
 GI=1732.80

SURVEYED BY
 TRACED BY
 CHECKED BY
 AERIAL PHOTO BY
 MAPPING BY
 LOCATION BY

M.O.P.W. ROADS DEPT. DRG. NO.



REVISIONS	
DESCRIPTION	DATE

JAPAN INTERNATIONAL
 COOPERATION AGENCY

CHIEF ENGINEER (ROADS)
 CHIEF SUPT. ENG. (DESIGN)

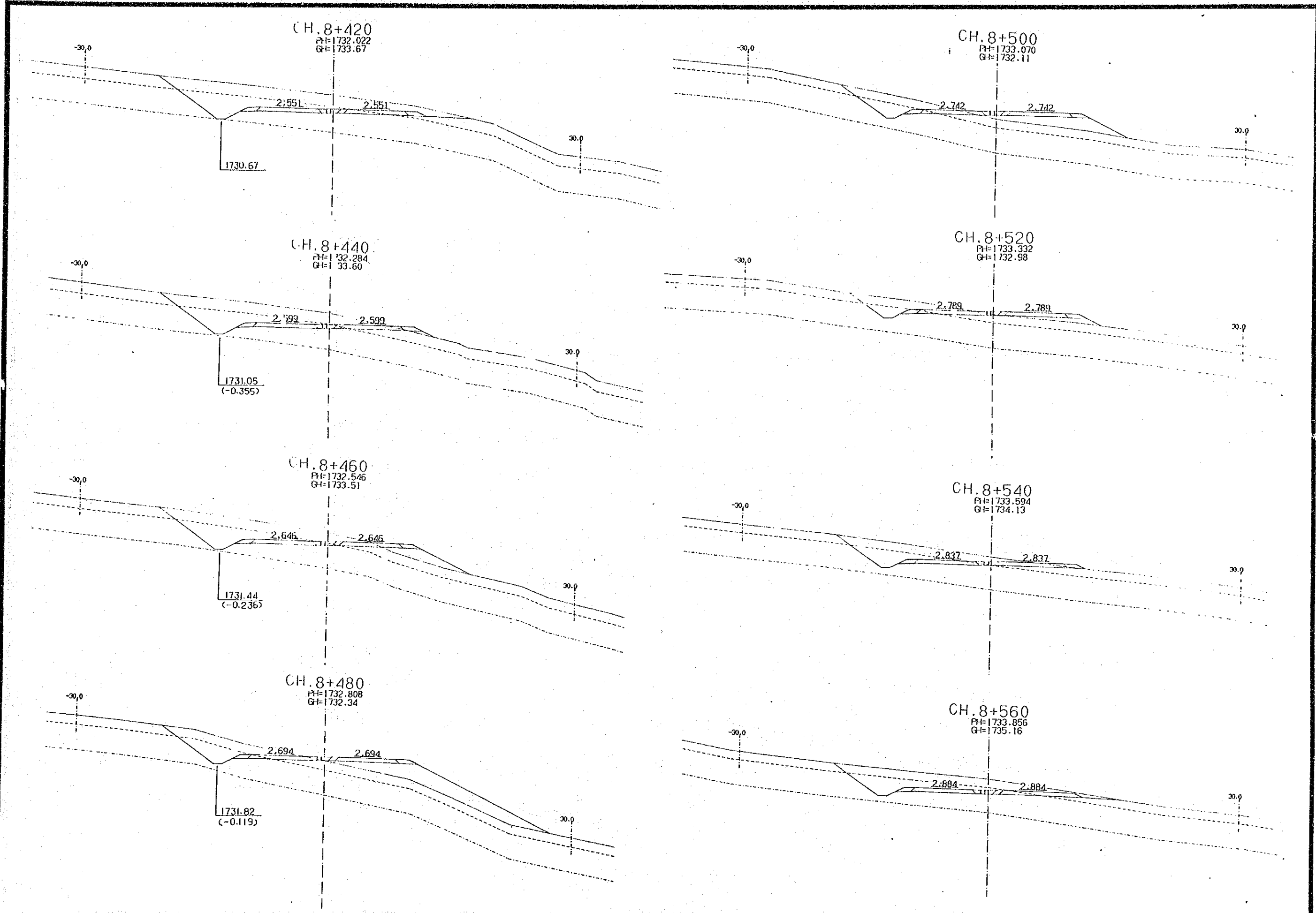
SEN. SUPT. ENG. (DESIGN)
 SUPT. ENGINEER (DESIGN)
 PROJECT ENGINEER

SCALES
 1 : 200

NAIROBI BYPASS
 CROSS SECTION

AERIAL PHOTO BY _____ SURVEYED BY _____
 MAPPING BY _____ TRACED BY _____
 LOCATION BY _____ CHECKED BY _____

M.O.P.W. ROADS DEPT DRG NO.



REVISIONS	
DESCRIPTION	DATE

JAPAN INTERNATIONAL COOPERATION AGENCY
 CHIEF ENGINEER (ROADS)
 CHIEF SUPT. ENG. (DESIGN)

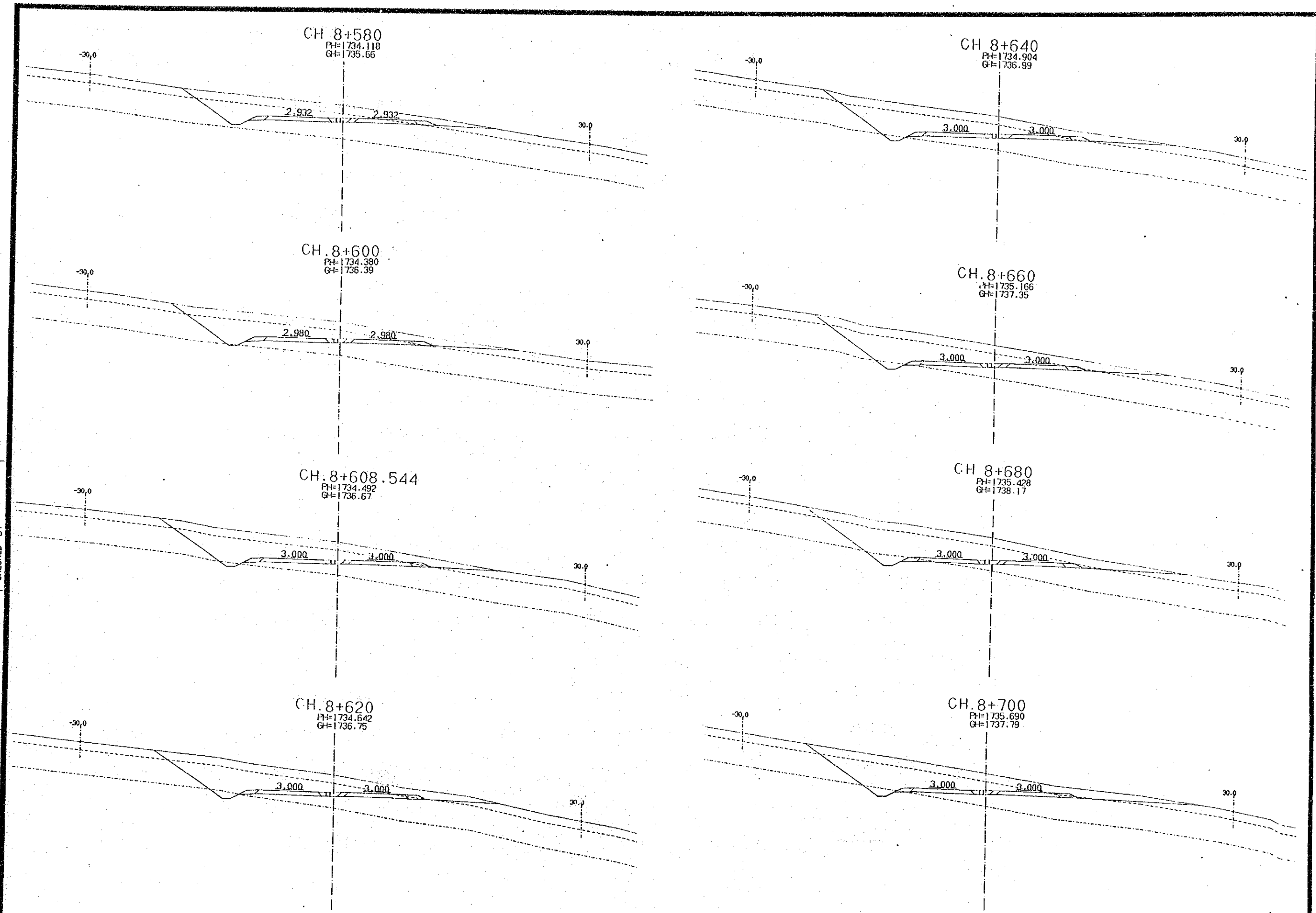
SEN. SUPT. ENG. (DESIGN)
 SUPT. ENGINEER (DESIGN)
 PROJECT ENGINEER

SCALES
 1 : 200

NAIROBI BYPASS
 CROSS SECTION

SURVEYED BY
 TRACED BY
 CHECKED BY
 AERIAL PHOTO BY
 MAPPING BY
 LOCATION BY

M.O.P.W. ROADS DEPT. DRG. NO.



REVISIONS	
DESCRIPTION	DATE

JAPAN INTERNATIONAL
COOPERATION AGENCY

CHIEF ENGINEER (ROADS)
CHIEF SUPT. ENG. (DESIGN)

SEN. SUPT. ENG. (DESIGN)
SUPT. ENGINEER (DESIGN)
PROJECT ENGINEER

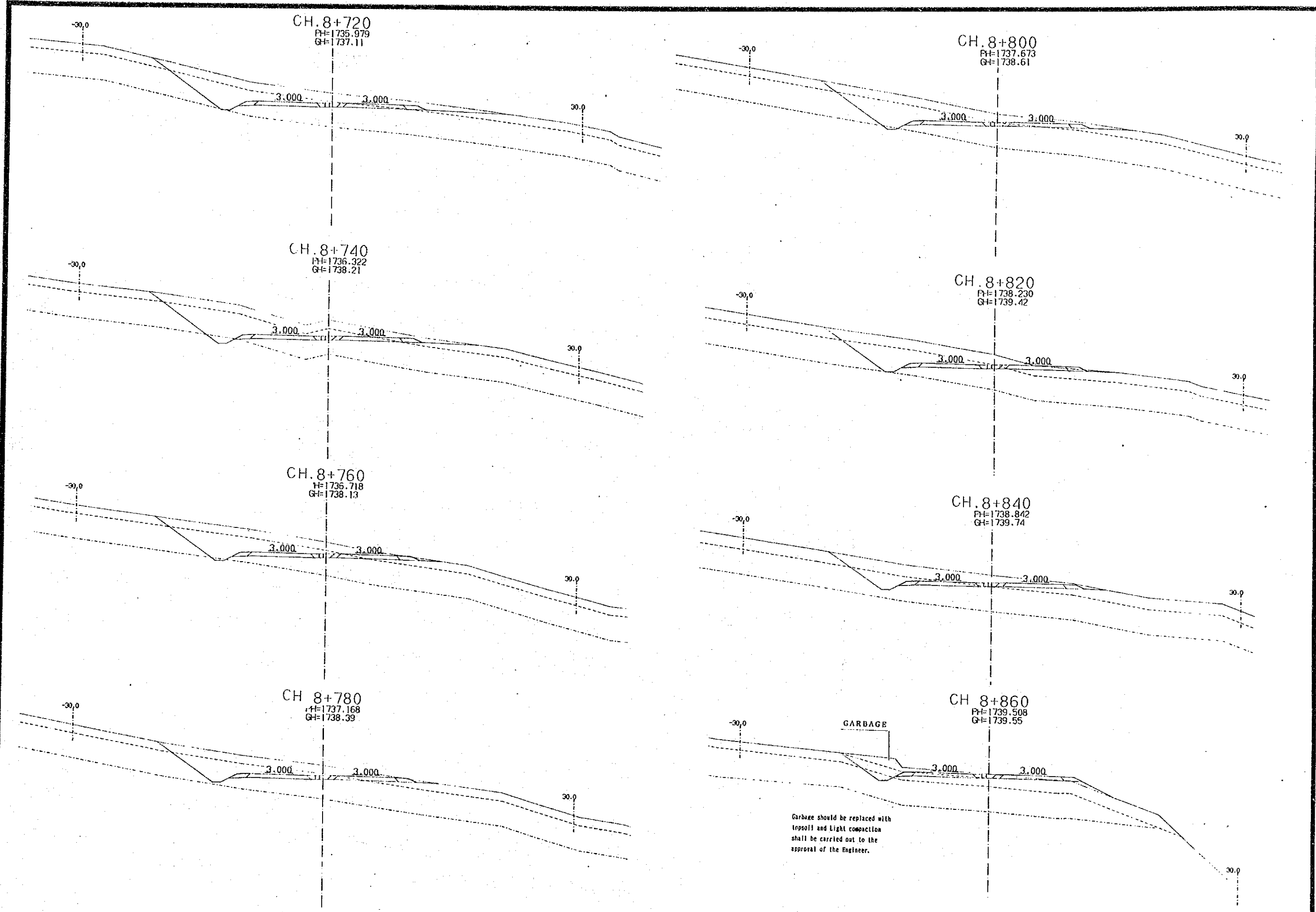
SCALES
1 : 200

NAIROBI BYPASS
CROSS SECTION

SHEET 58 OF 196

SURVEYED BY	BY
TRACED BY	BY
CHECKED BY	BY
AERIAL PHOTO BY	BY
MAPPING BY	BY
LOCATION BY	BY

M.O.P.W. ROADS DEPT. DRG. NO.



REVISIONS	
DESCRIPTION	DATE

JAPAN INTERNATIONAL
COOPERATION AGENCY

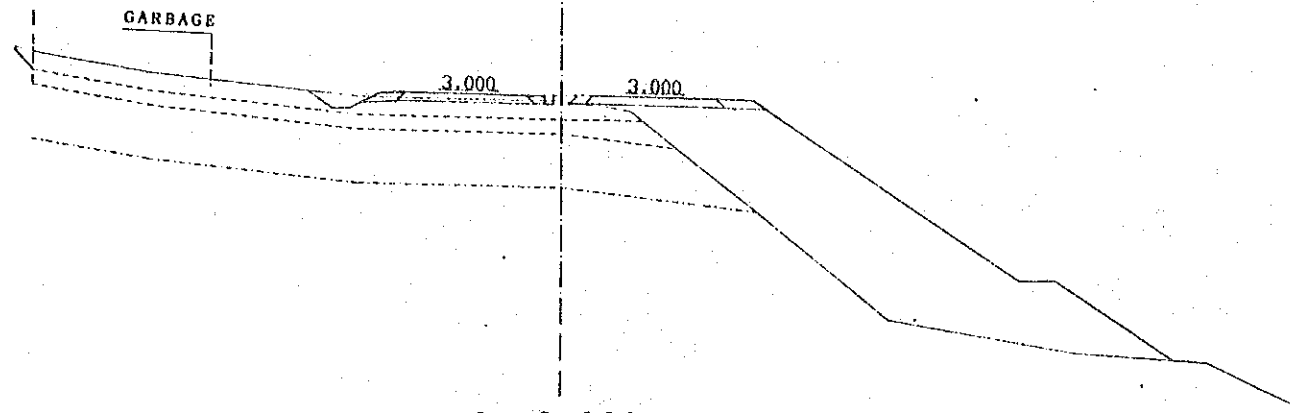
CHIEF ENGINEER (ROADS)
CHIEF SUPT. ENG. (DESIGN)

SEN SUPT. ENG. (DESIGN)
SUPT. ENGINEER (DESIGN)
PROJECT ENGINEER

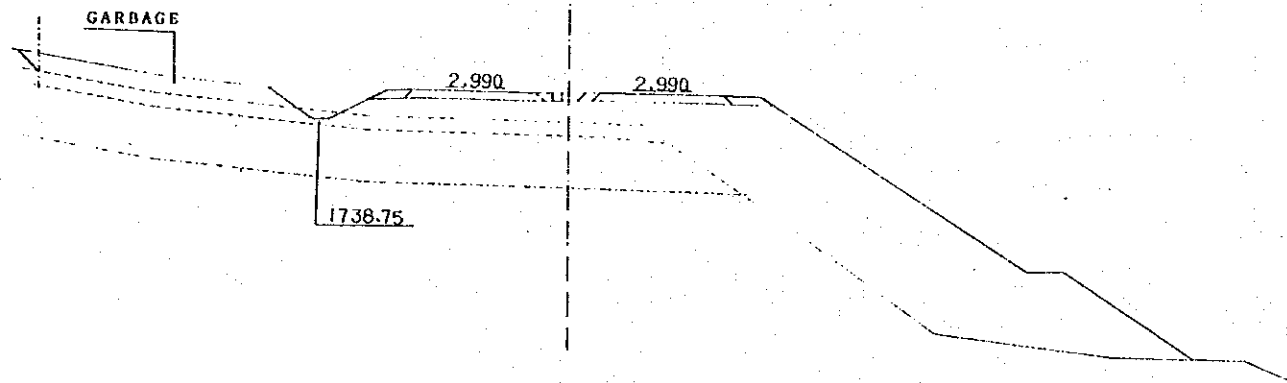
SCALES
1 : 200'

NAIROBI BYPASS
CROSS SECTION

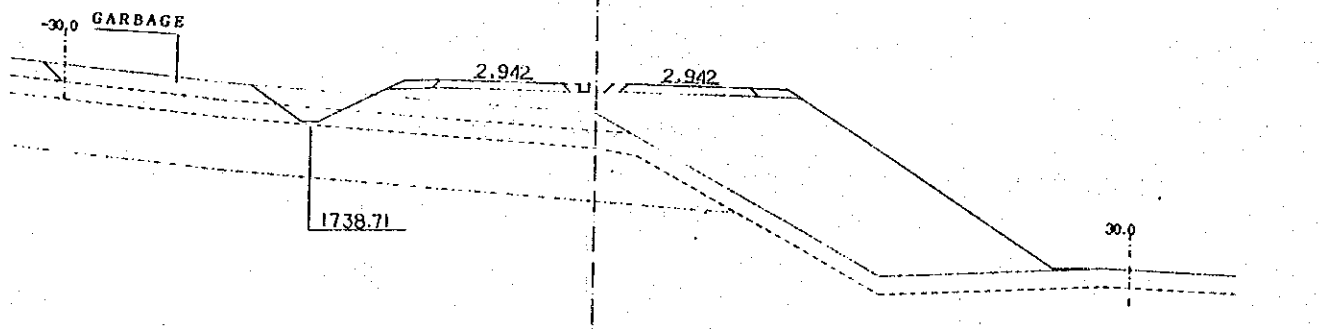
CH. 8+875.638
 PI=1740.065
 GI=1739.74



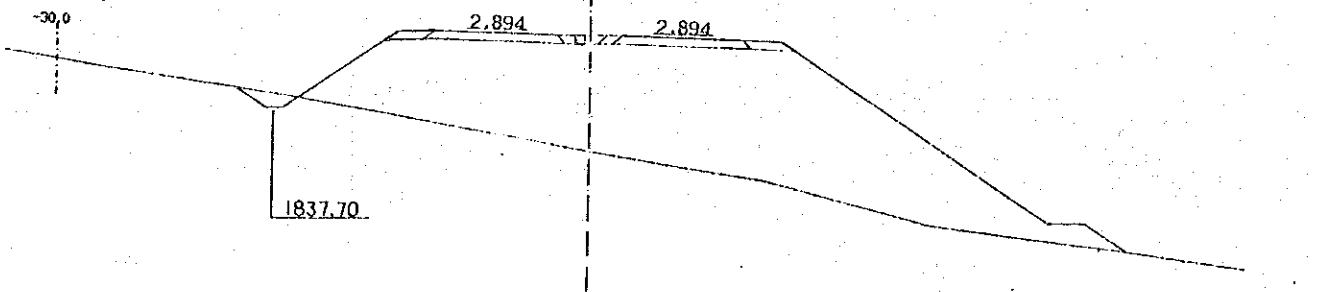
CH. 8+880
 PI=1740.227
 GI=1739.56



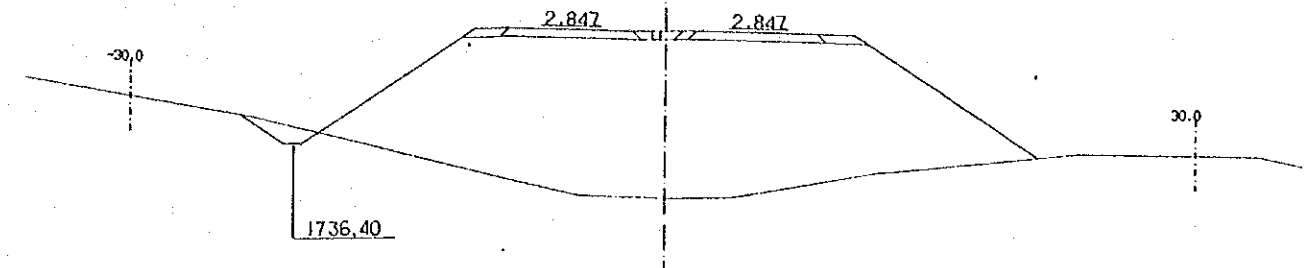
CH 8+900
 PI=1741.000
 GI=1739.31



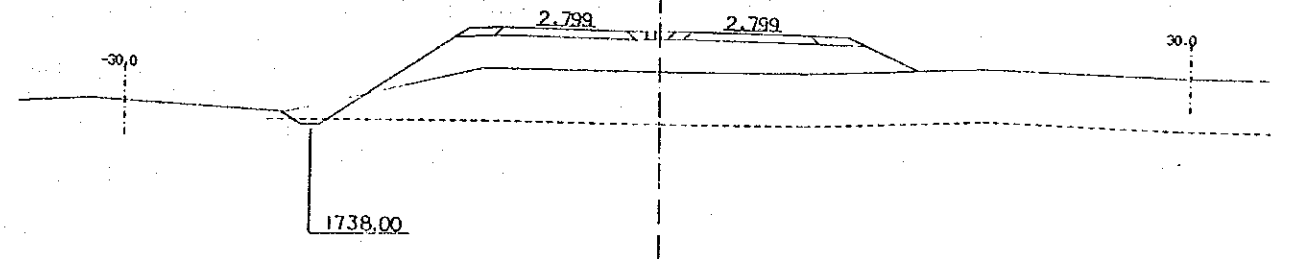
CH 8+920
 PI=1741.800
 GI=1735.29



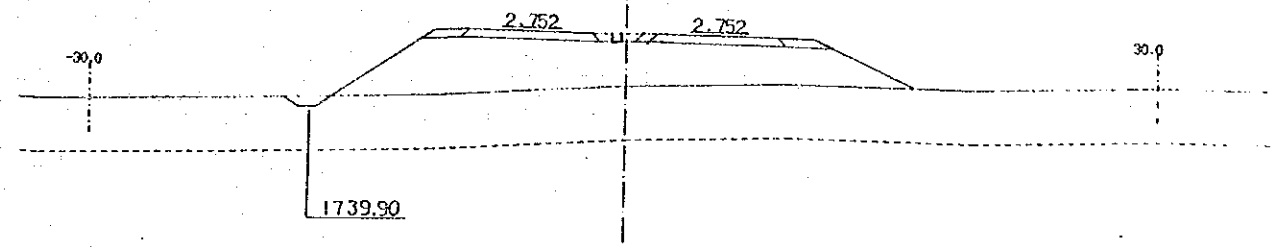
CH. 8+940
 PI=1742.600
 GI=1733.33



CH. 8+960
 PI=1743.400
 GI=1741.05



CH. 8+980
 PI=1744.200
 GI=1741.21



AERIAL PHOTO BY _____
 MAPPING BY _____
 LOCATION BY _____
 SURVEYED BY _____
 TRACED BY _____
 CHECKED BY _____

M.O.P.W. ROADS DEPT DRG NO.

REVISIONS	
DESCRIPTION	DATE

JAPAN INTERNATIONAL
 COOPERATION AGENCY

CHIEF ENGINEER (ROADS)
 CHIEF SUPT. ENG. (DESIGN)

SEN. SUPT. ENG. (DESIGN)
 SUPT. ENGINEER (DESIGN)
 PROJECT ENGINEER

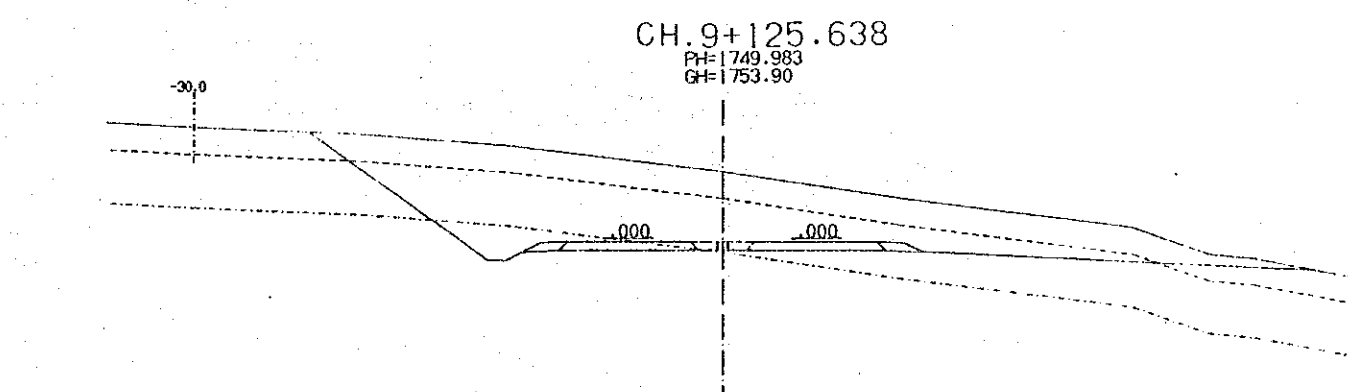
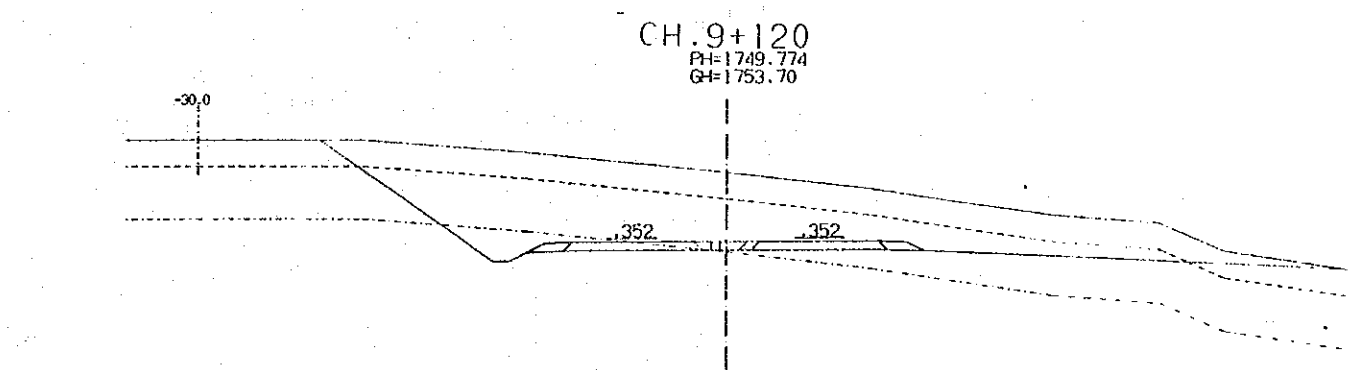
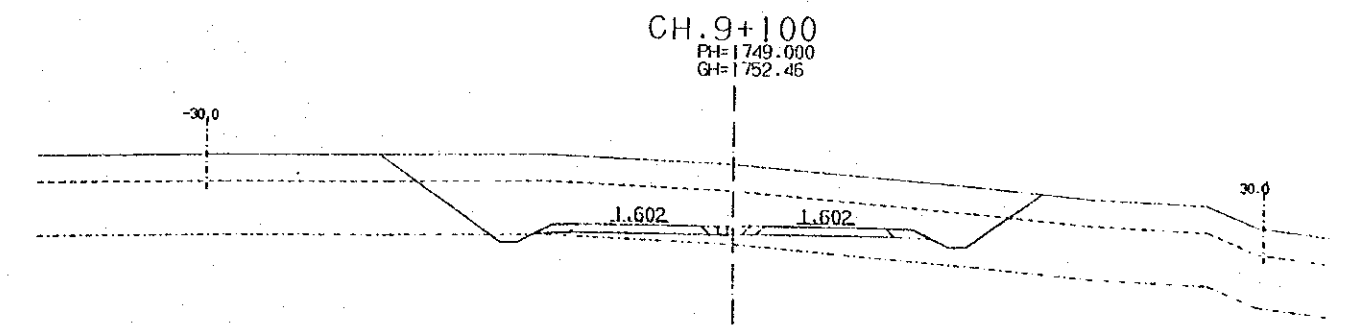
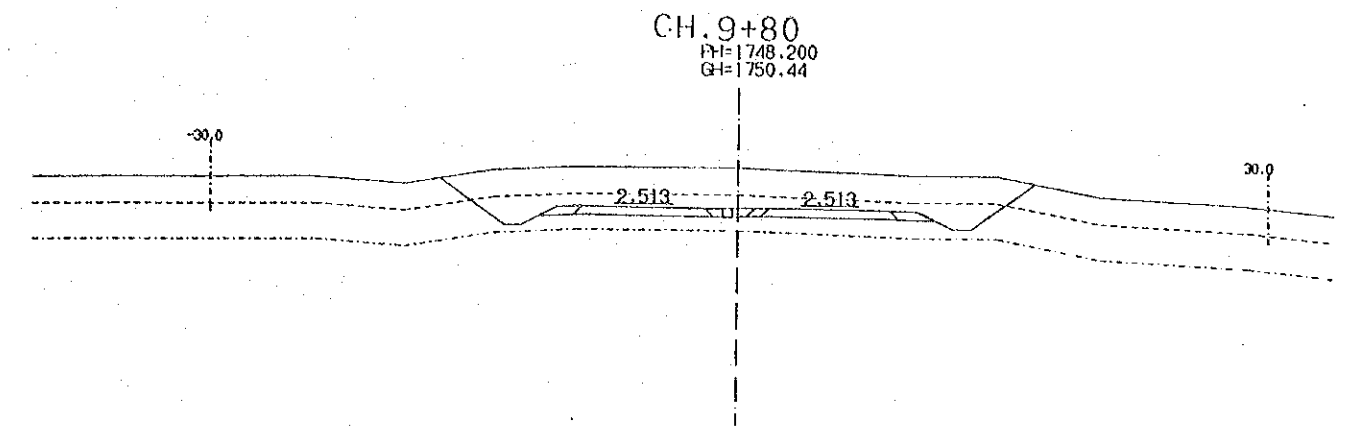
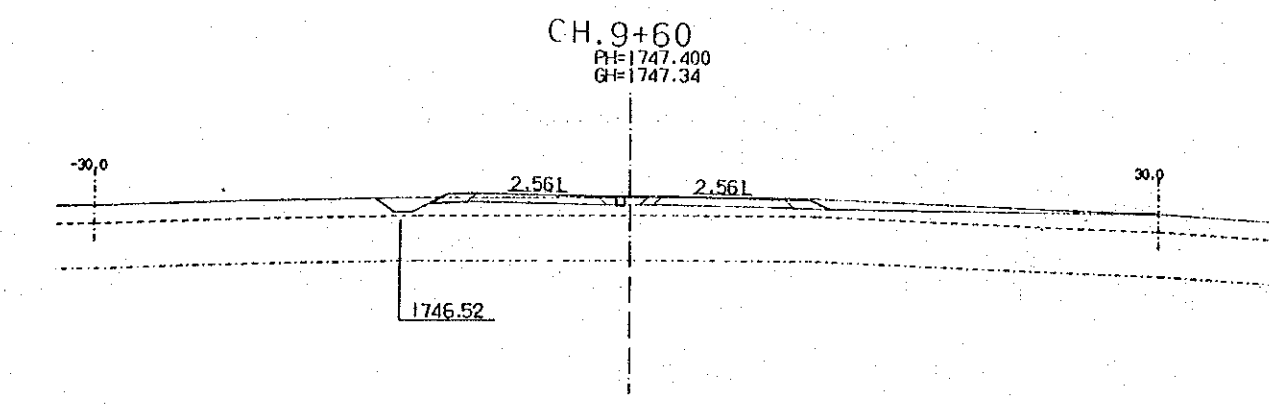
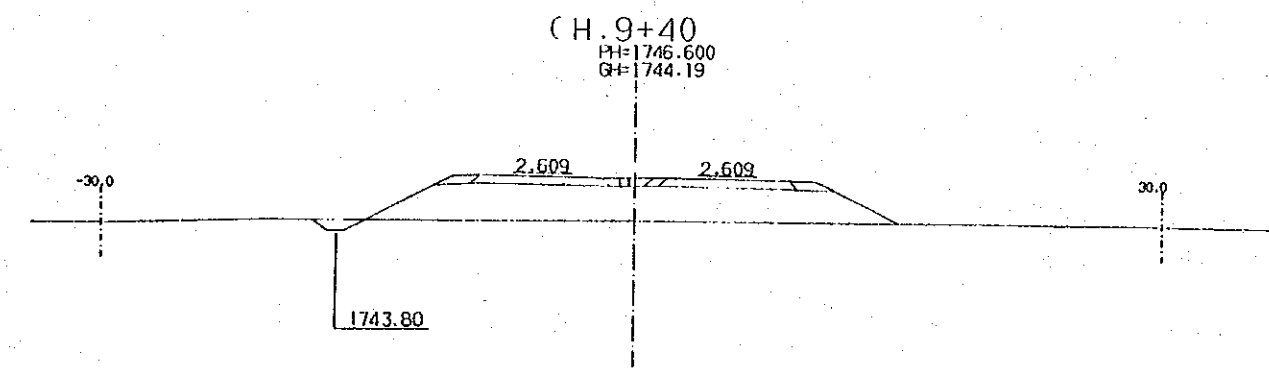
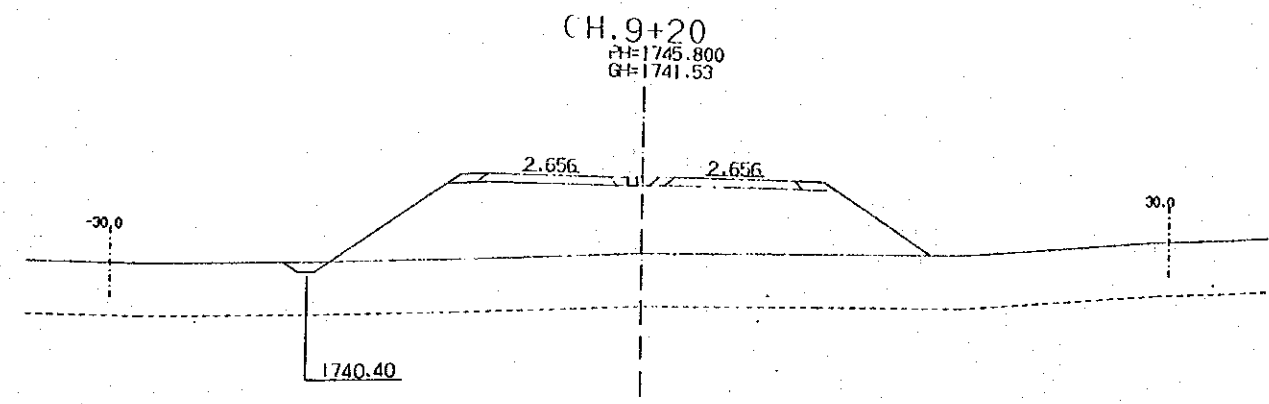
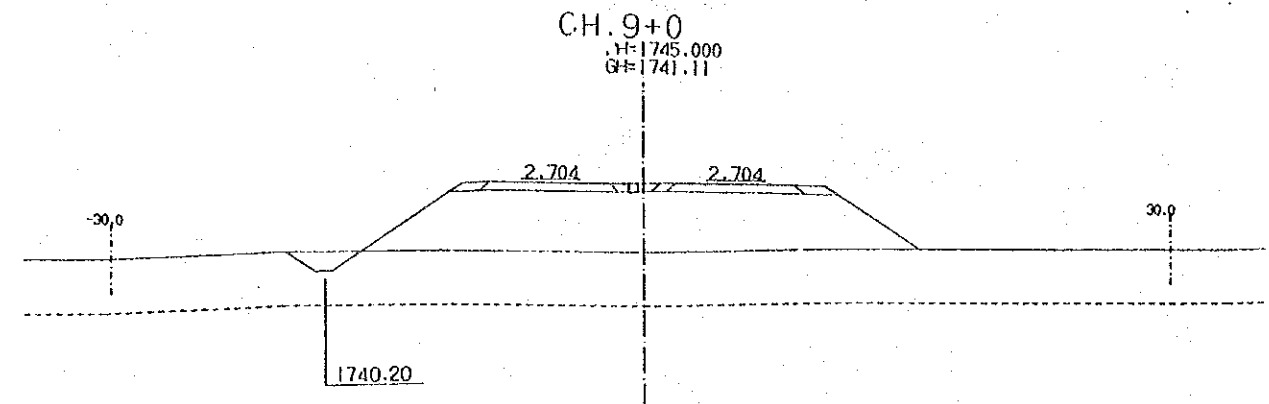
SCALES
 1 : 200

NAIROBI BYPASS
 CROSS SECTION

SHEET 60 OF 196

SURVEYED BY
 TRACED BY
 CHECKED BY
 AERIAL PHOTO BY
 MAPPING BY
 LOCATION BY

M.O.P.W. ROADS DEPT. DRG. NO.



REVISIONS	
DESCRIPTION	DATE

JAPAN INTERNATIONAL COOPERATION AGENCY
 CHIEF ENGINEER (ROADS)
 CHIEF SUPT. ENG. (DESIGN)

SEN. SUPT. ENG. (DESIGN)
 SUPT. ENGINEER (DESIGN)
 PROJECT ENGINEER

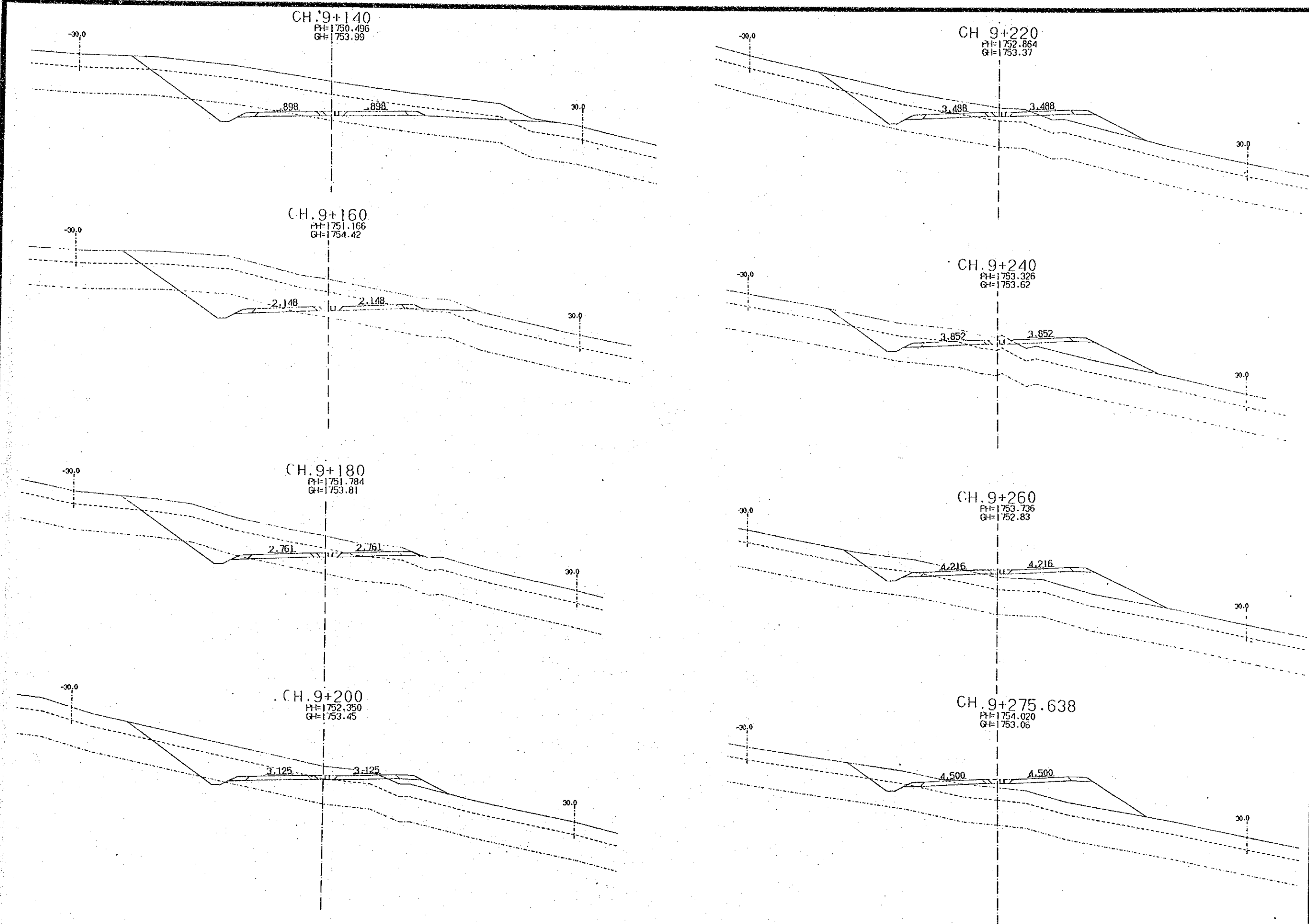
SCALES
 1 : 200

NAIROBI BYPASS
 CROSS SECTION

SHEET 61 OF 196

SURVEYED BY
 TRACED BY
 CHECKED BY
 AERIAL PHOTO BY
 MAPPING BY
 LOCATION BY

M.O.P.W. ROADS DEPT DRG NO.



REVISIONS	
DESCRIPTION	DATE

JAPAN INTERNATIONAL
 COOPERATION AGENCY

CHIEF ENGINEER (ROADS)
 CHIEF SUPT. ENG. (DESIGN)

SEN. SUPT. ENG. (DESIGN)
 SUPT. ENGINEER (DESIGN)
 PROJECT ENGINEER

SCALES
 1 : 200

NAIROBI BYPASS
 CROSS SECTION

CH. 9+440
 PI=1758.124
 GI=1753.81

CH. 9+520
 PI=1761.800
 GI=1757.73

CH. 9+460
 PI=1758.944
 GI=1754.56

CH. 9+540
 PI=1762.800
 GI=1759.00

CH. 9+480
 PI=1759.836
 GI=1755.75

CH. 9+560
 PI=1763.800
 GI=1759.97

CH. 9+500
 PI=1760.800
 GI=1756.67

CH. 9+580
 PI=1764.800
 GI=1760.97

AERIAL PHOTO BY
 MAPPING BY
 LOCATION BY
 SURVEYED BY
 TRACED BY
 CHECKED BY

M.O.P.W. ROADS DEPT DRG NO.

REVISIONS

DESCRIPTION	DATE

JAPAN INTERNATIONAL
 COOPERATION AGENCY

CHIEF ENGINEER (ROADS)
 CHIEF SUPT. ENG. (DESIGN)

SEN SUPT. ENG. (DESIGN)
 SUPT. ENGINEER (DESIGN)
 PROJECT ENGINEER

SCALES
 1 : 200

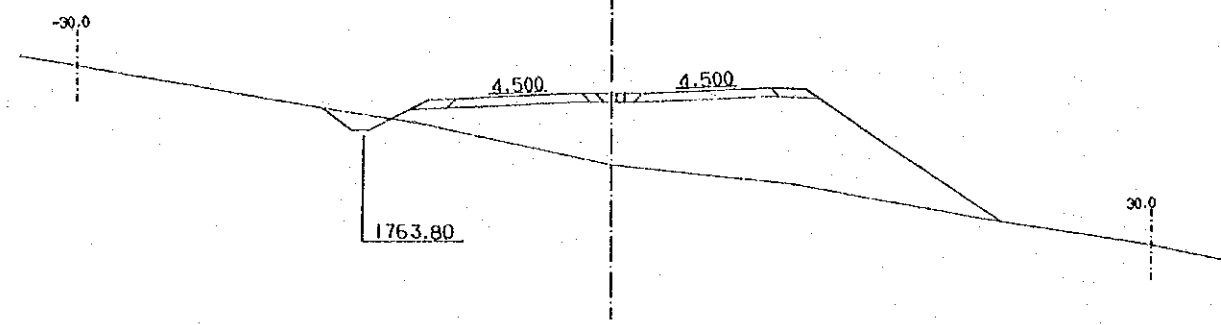
NAIROBI BYPASS
 CROSS SECTION

SHEET 64 OF 196

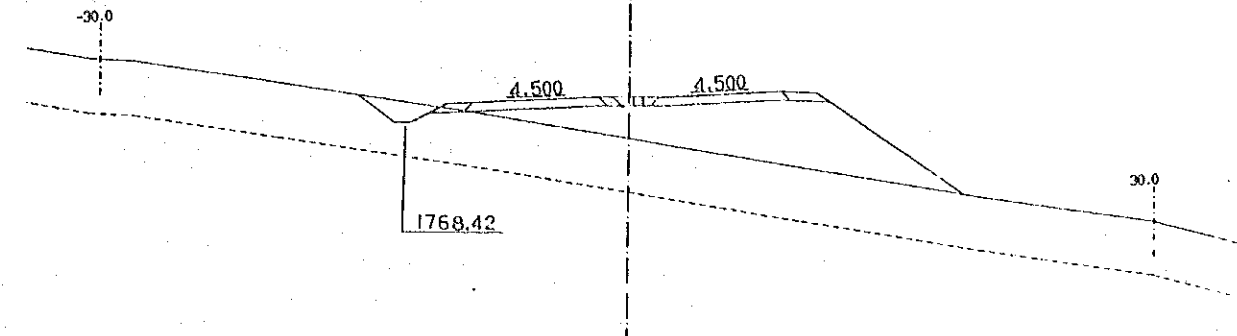
AERIAL PHOTO BY _____ SURVEYED BY _____
 MAPPING BY _____ TRACED BY _____
 LOCATION BY _____ CHECKED BY _____

M.O.P.W. ROADS DEPT DRG NO.

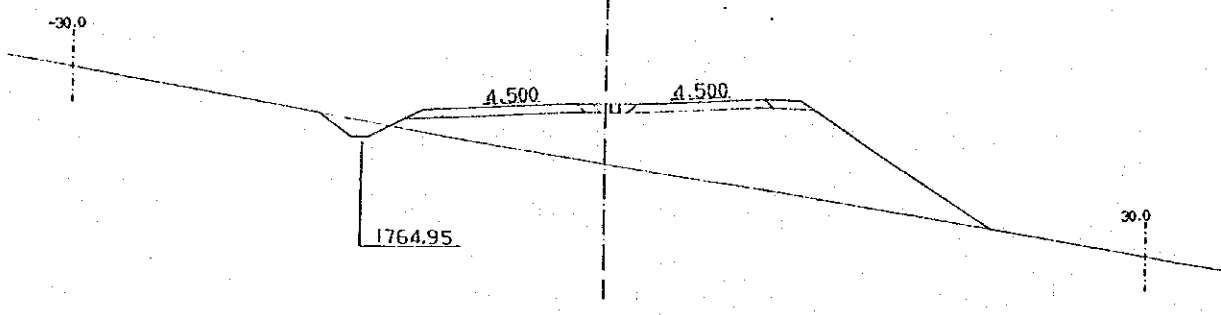
CH. 9+600
 PI=1765.800
 G=1761.86



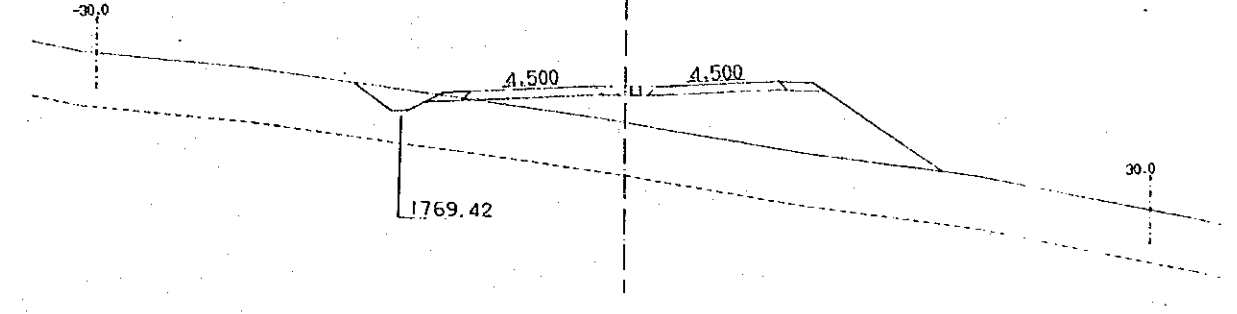
CH 9+680
 PI=1769.800
 G=1767.54



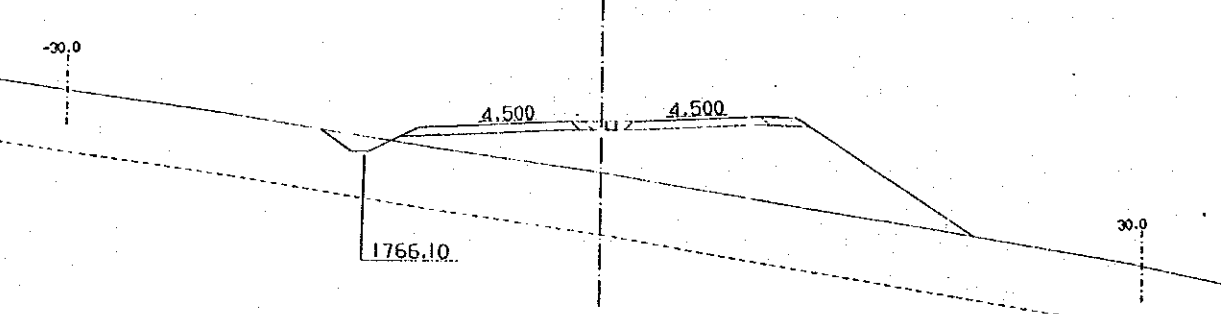
CH. 9+620
 PI=1766.800
 G=1763.47



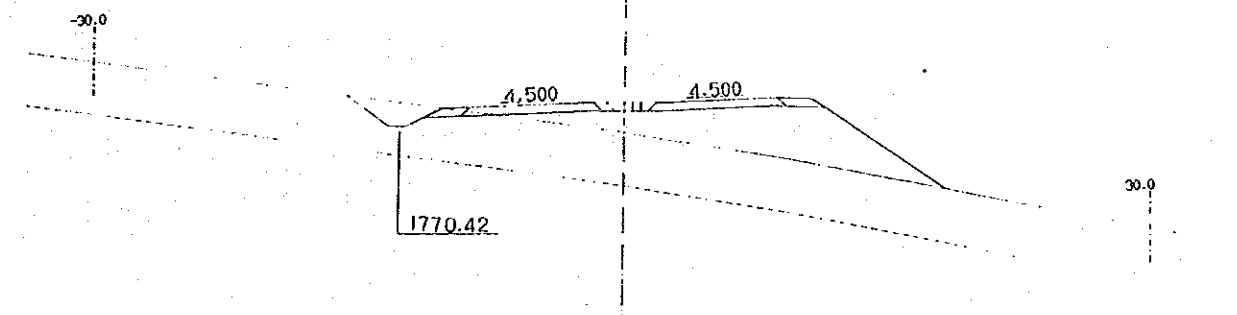
CH. 9+700
 PI=1770.800
 G=1768.81



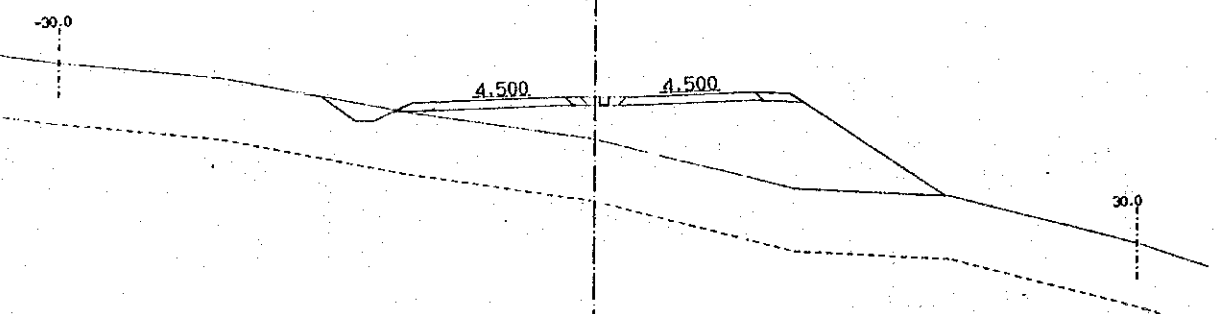
CH. 9+640
 PI=1767.800
 G=1764.90



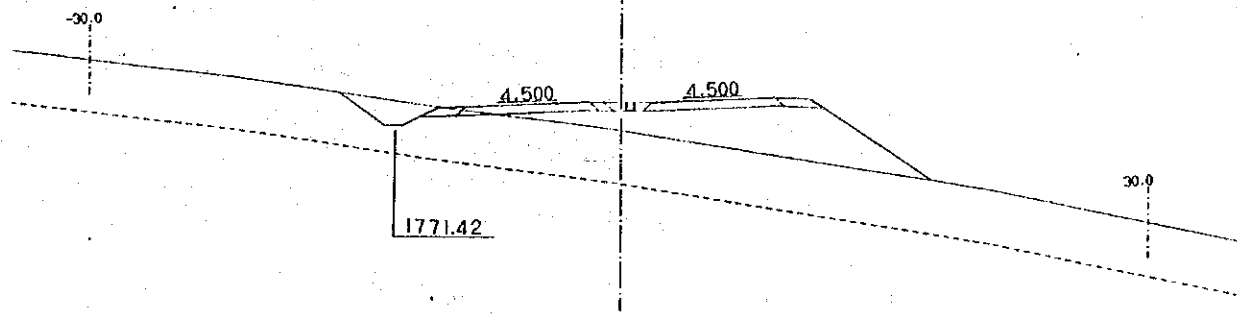
CH 9+720
 PI=1771.800
 G=1770.10



CH. 9+660
 PI=1768.800
 G=1766.39

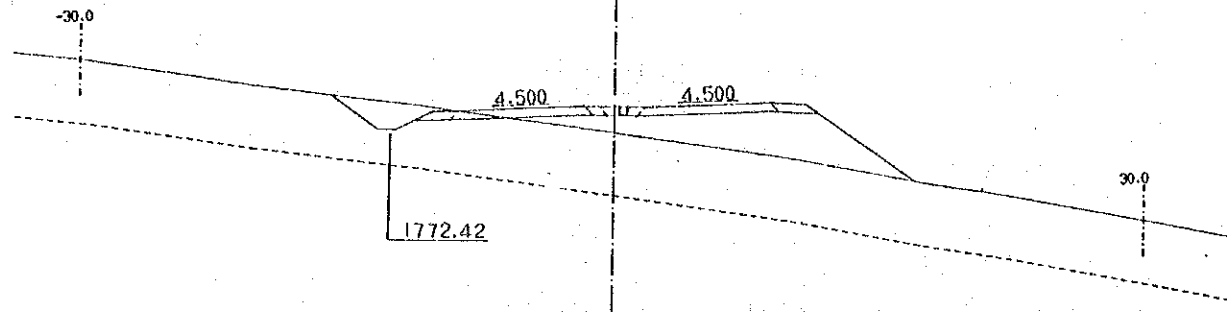


CH 9+740
 PI=1772.800
 G=1771.20

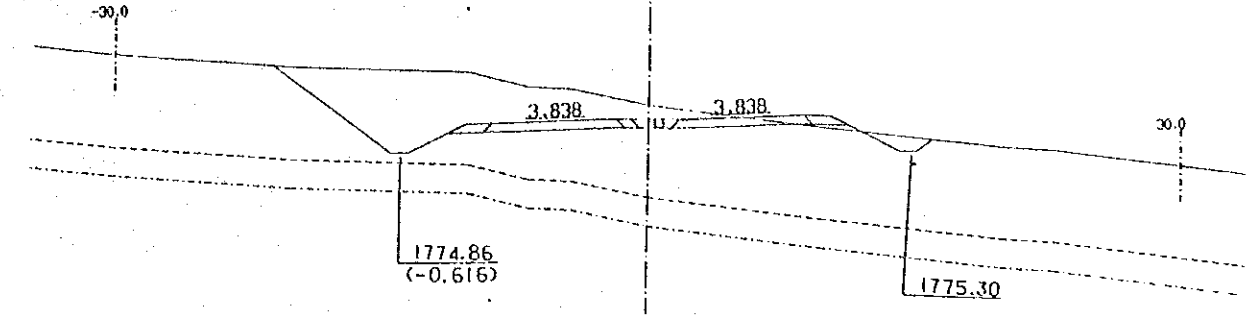


REVISIONS		JAPAN INTERNATIONAL COOPERATION AGENCY	CHIEF ENGINEER (ROADS)	SEN. SUPT. ENG. (DESIGN)	SCALES	NAIROBI BYPASS CROSS SECTION	SHEET 65 OF 196
DESCRIPTION	DATE						
			CHIEF SUPT. ENG. (DESIGN)	SUPT. ENGINEER (DESIGN)	1 : 200		
				PROJECT ENGINEER			

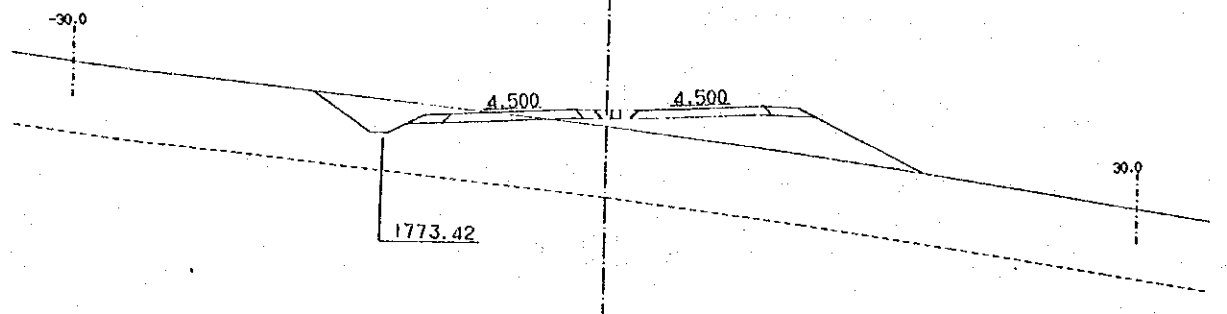
CH. 9+760
 PI=1773.800
 G=1772.36



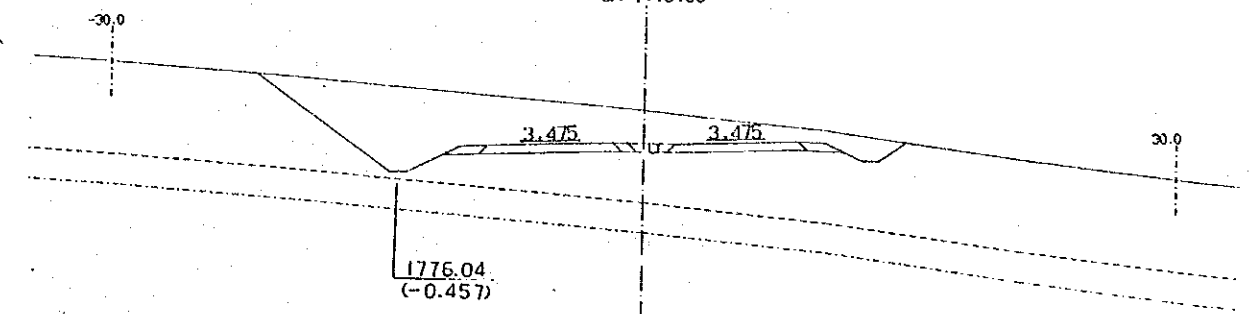
CH. 9+820
 PI=1776.800
 G=1777.55



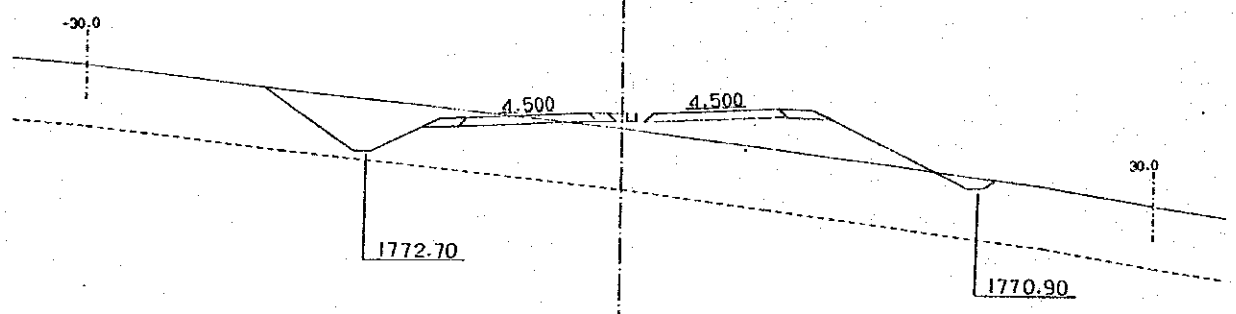
CH. 9+780
 PI=1774.800
 G=1773.89



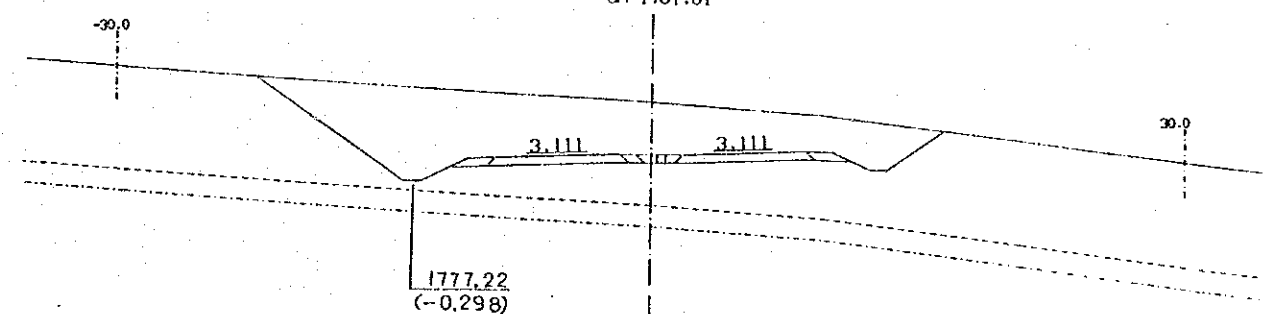
CH. 9+840
 PI=1777.800
 G=1779.65



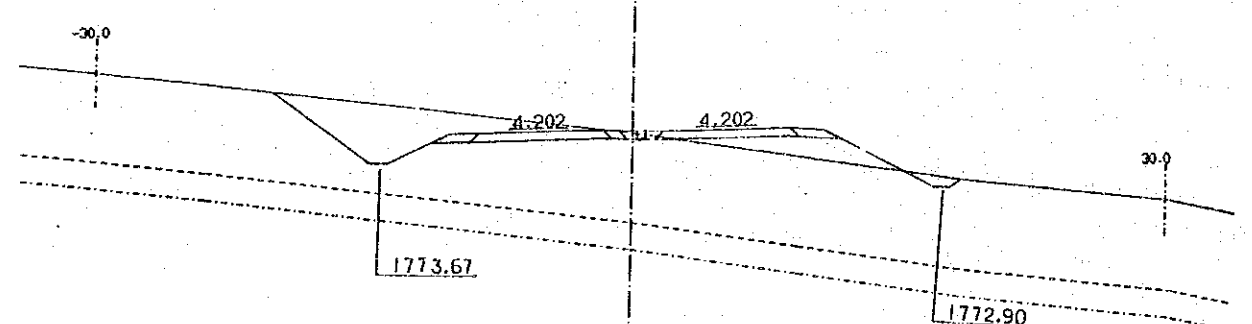
CH. 9+783.604
 PI=1774.980
 G=1774.11



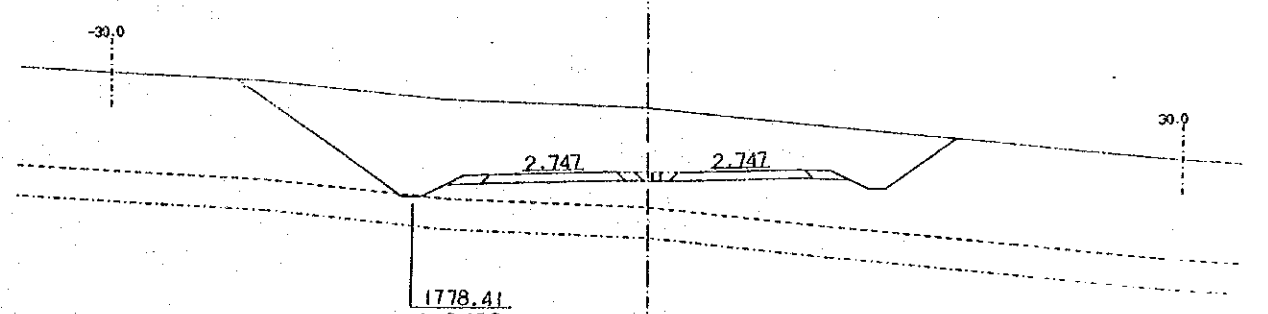
CH. 9+860
 PI=1778.800
 G=1781.81



CH. 9+800
 PI=1775.800
 G=1775.66



CH. 9+880
 PI=1779.800
 G=1783.43



SURVEYED BY
 MAPPING BY
 LOCATION BY
 TRACED BY
 CHECKED BY

MOPW ROADS DEPT. DRG. NO.

REVISIONS	
DESCRIPTION	DATE

JAPAN INTERNATIONAL
 COOPERATION AGENCY

CHIEF ENGINEER (ROADS)
 CHIEF SUPT. ENG. (DESIGN)

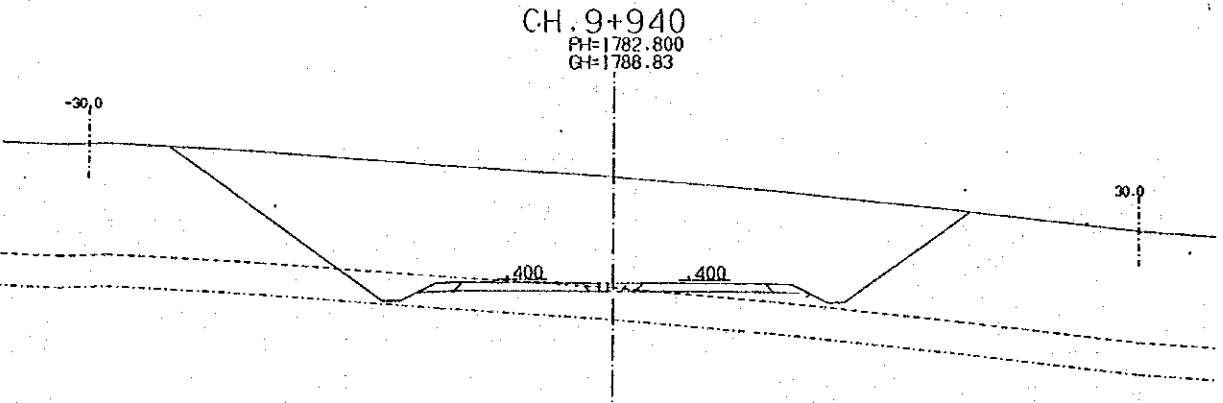
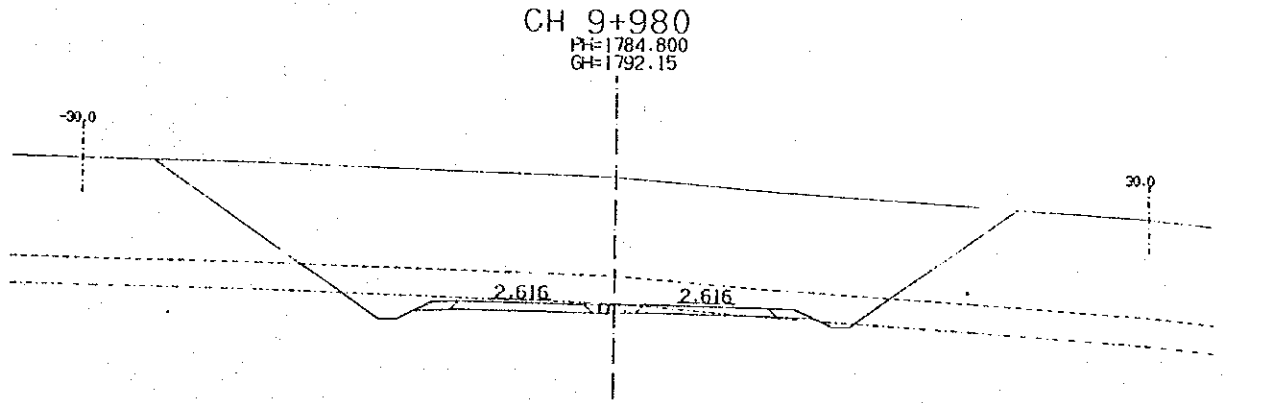
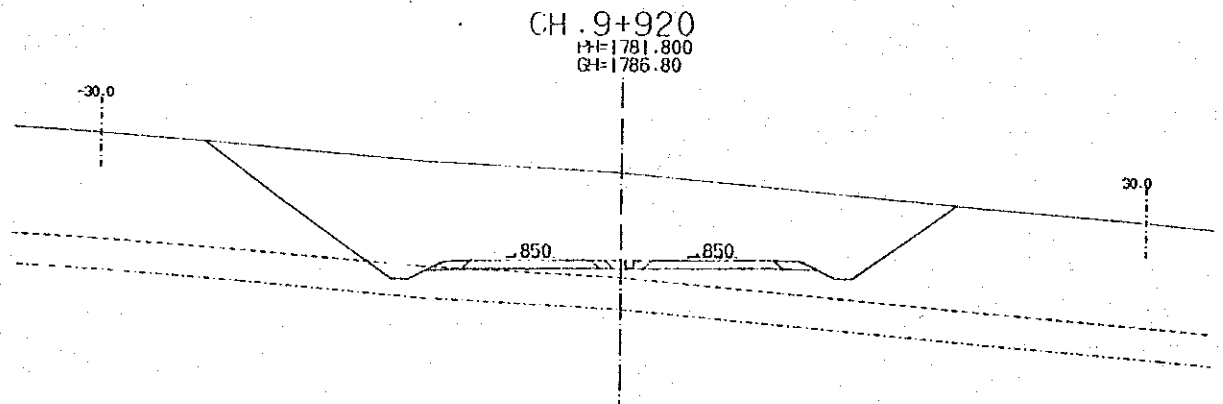
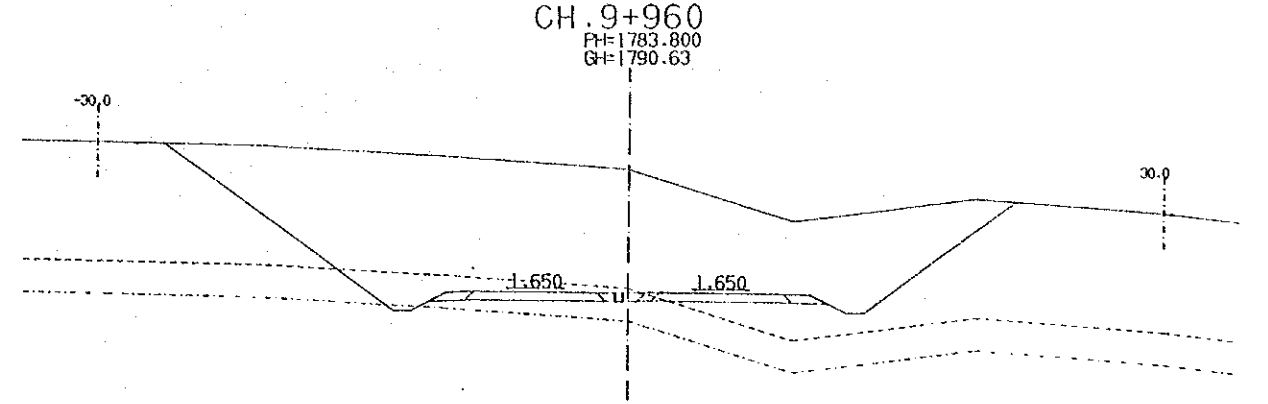
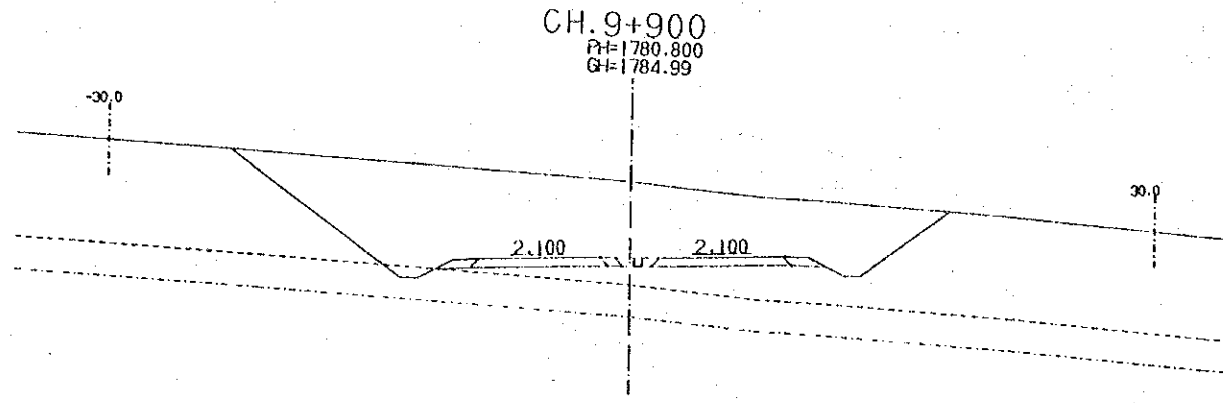
SEN. SUPT. ENG. (DESIGN)
 SUPT. ENGINEER (DESIGN)
 PROJECT ENGINEER

SCALES
 1 : 200

NAIROBI BYPASS
 CROSS SECTION

AERIAL PHOTO BY _____ SURVEYED BY _____
 MAPPING BY _____ TRACED BY _____
 LOCATION BY _____ CHECKED BY _____

M.O.P.W. ROADS DEPT. DRG. NO. _____



REVISIONS	
DESCRIPTION	DATE

JAPAN INTERNATIONAL COOPERATION AGENCY

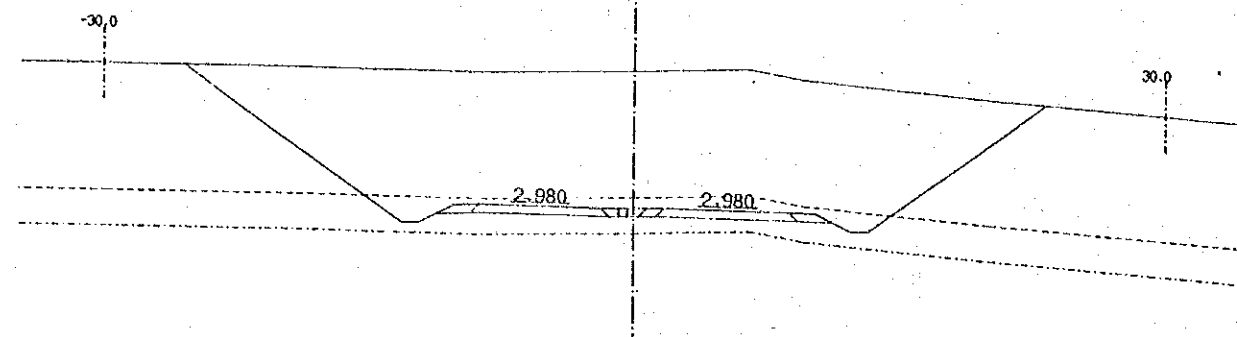
CHIEF ENGINEER (ROADS)
CHIEF SUPT. ENG. (DESIGN)

SEN. SUPT. ENG. (DESIGN)
SUPT. ENGINEER (DESIGN)
PROJECT ENGINEER

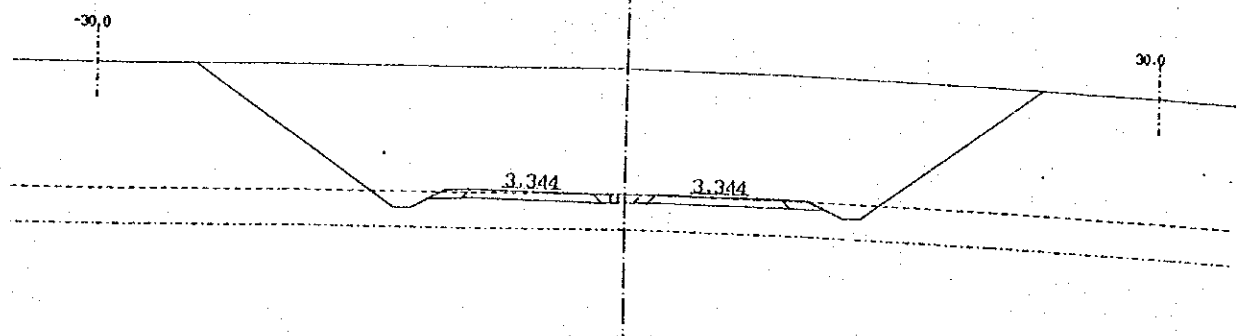
SCALES
1 : 200

NAIROBI BYPASS
CROSS SECTION

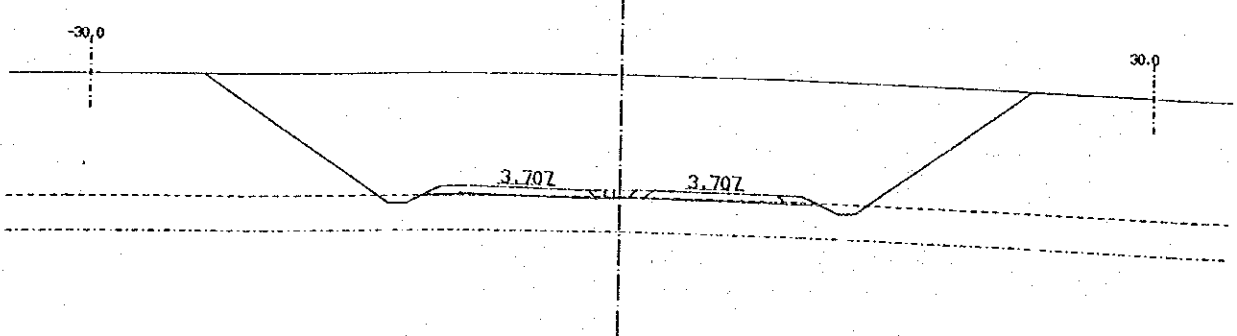
CH. 10+0
 P+1785.800
 G+1793.39



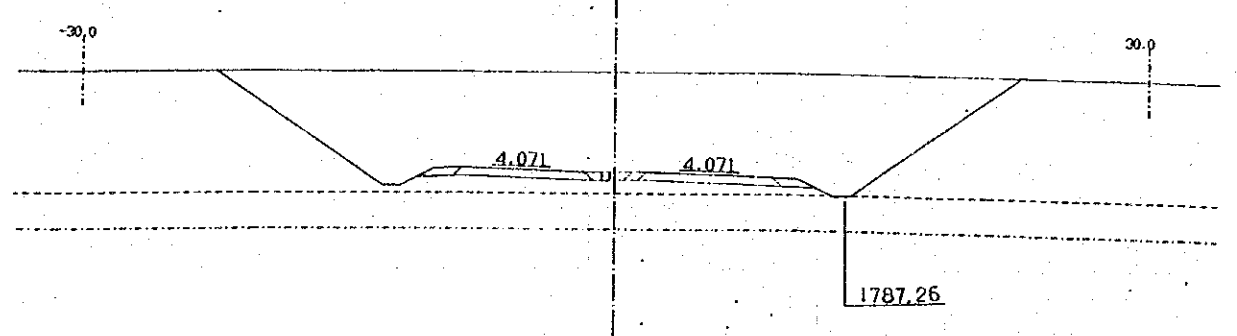
CH. 10+20
 P+1786.778
 G+1793.78



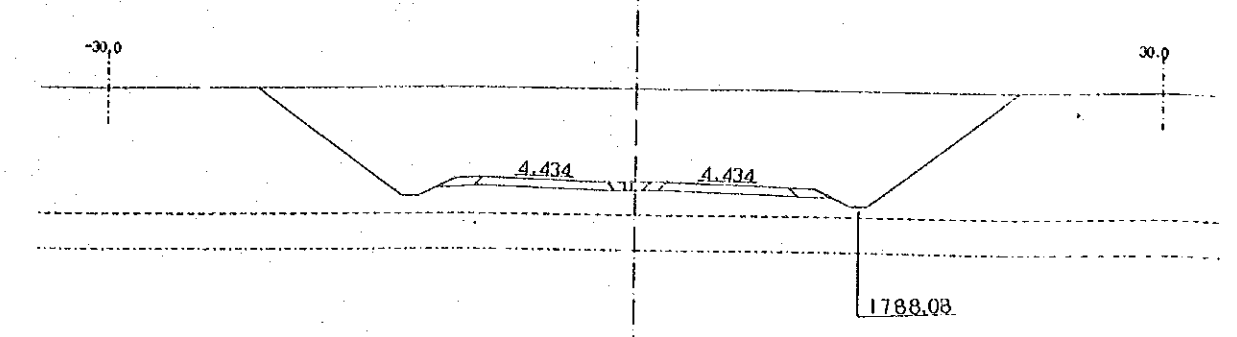
CH. 10+40
 P+1787.713
 G+1794.33



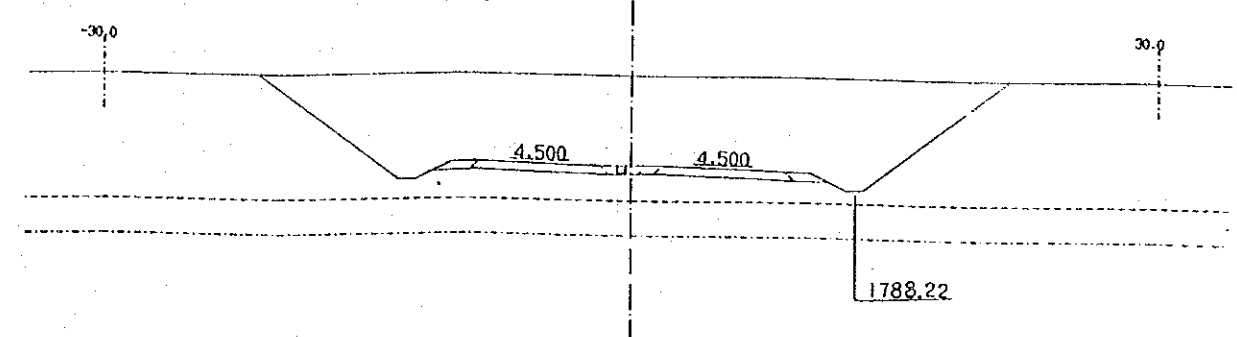
CH. 10+60
 P+1788.604
 G+1794.37



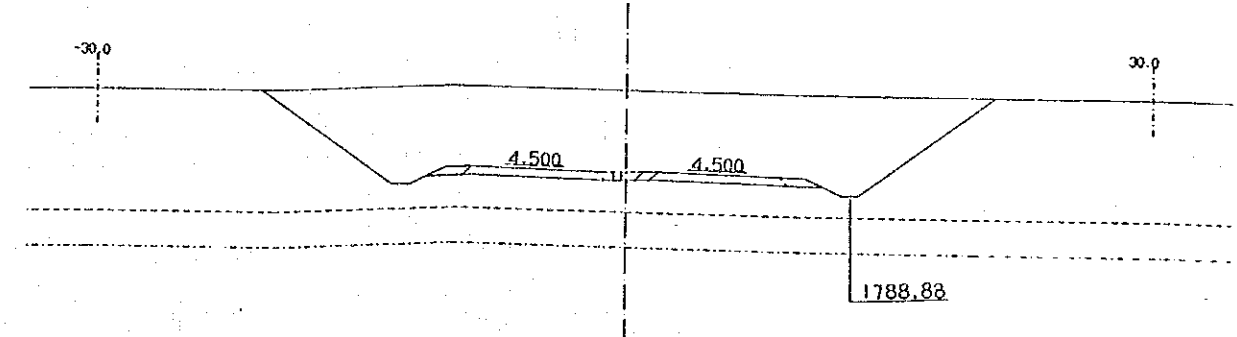
CH. 10+80
 P+1789.452
 G+1794.58



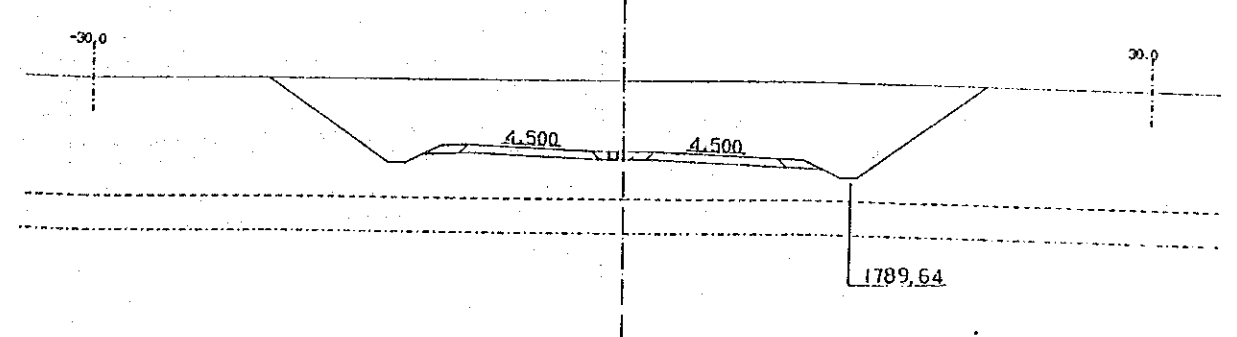
CH. 10+83.604
 P+1789.600
 G+1794.60



CH. 10+100
 P+1790.257
 G+1794.93



CH. 10+120
 P+1791.018
 G+1795.11



AERIAL PHOTO BY _____ SURVEYED BY _____
 MAPPING BY _____ TRACED BY _____
 LOCATION BY _____ CHECKED BY _____

M.O.P.W. ROADS DEPT. DRG. NO.

REVISIONS	
DESCRIPTION	DATE

JAPAN INTERNATIONAL
 COOPERATION AGENCY

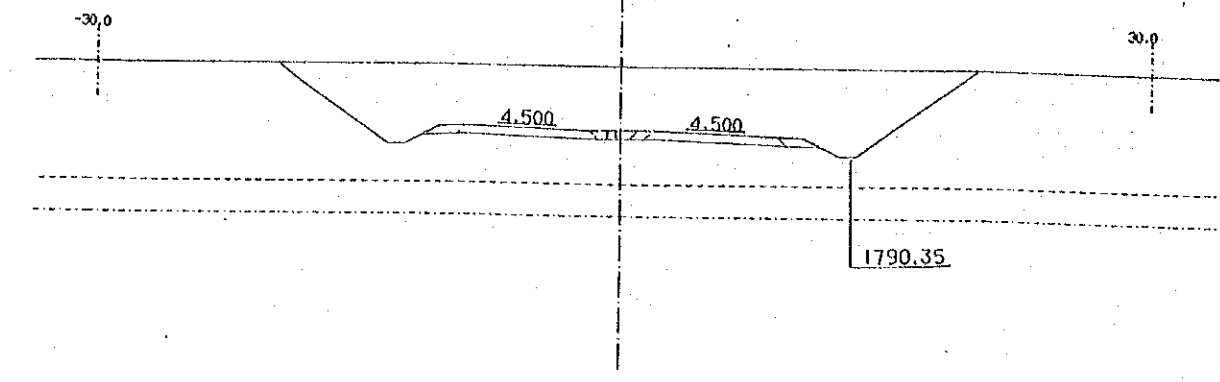
CHIEF ENGINEER (ROADS)
 CHIEF SUPT. ENG. (DESIGN)

SEN. SUPT. ENG. (DESIGN)
 SUPT. ENGINEER (DESIGN)
 PROJECT ENGINEER

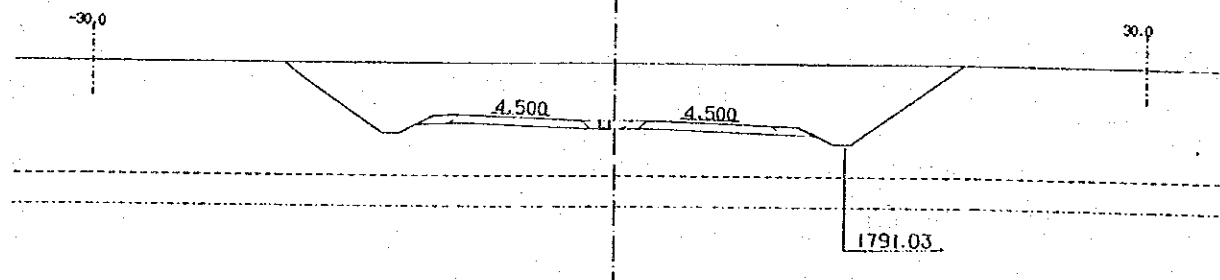
SCALES
 1 : 200

NAIROBI BYPASS
 CROSS SECTION

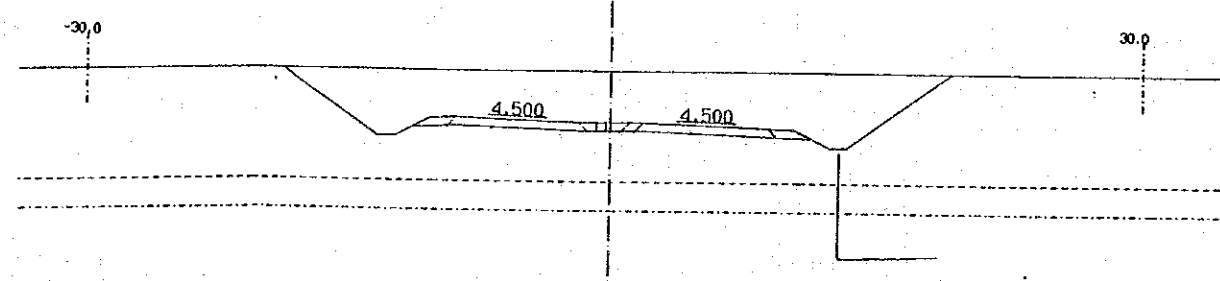
CH. 10+140
 PI=1791.735
 GI=1795.32



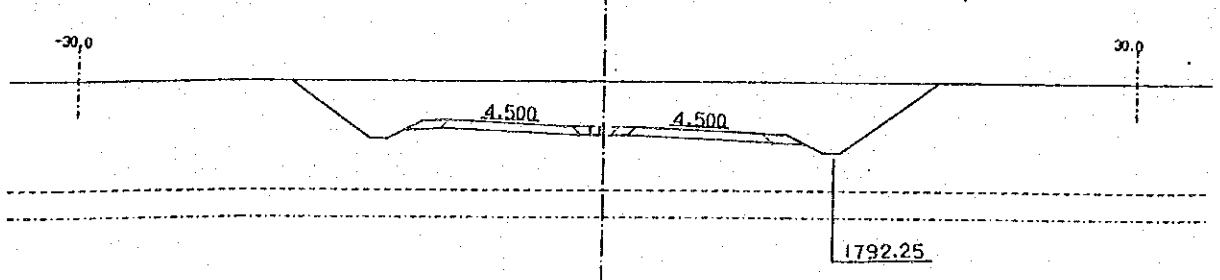
CH. 10+160
 PI=1792.409
 GI=1795.64



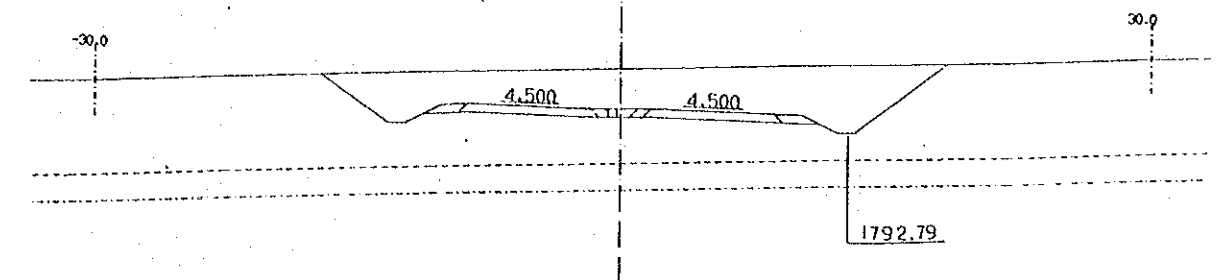
CH. 10+180
 PI=1793.040
 GI=1795.93



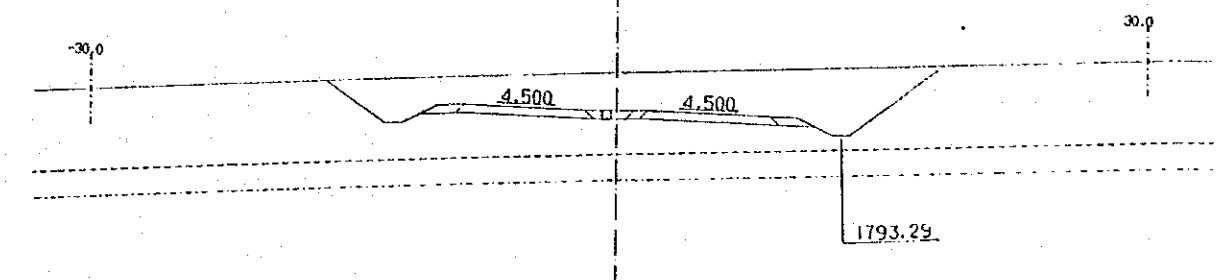
CH. 10+200
 PI=1793.627
 GI=1796.12



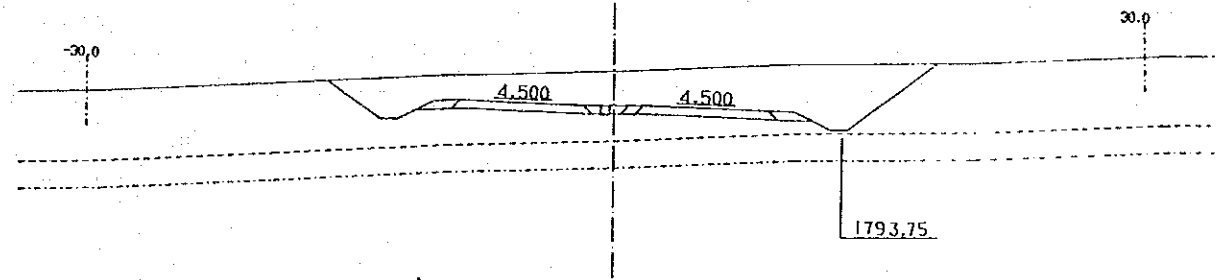
CH. 10+220
 PI=1794.170
 GI=1796.40



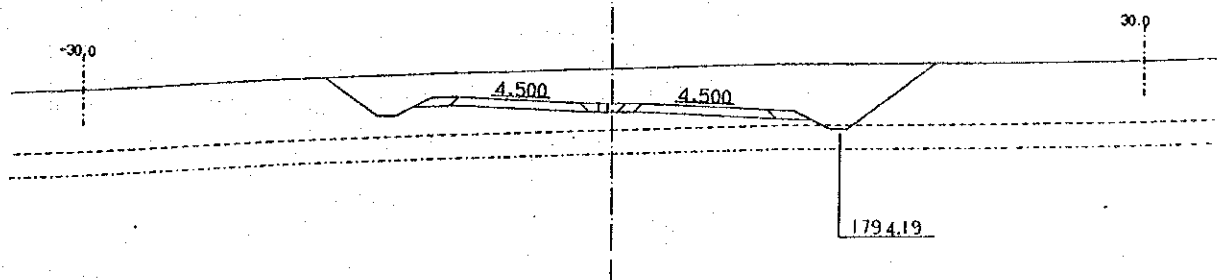
CH. 10+240
 PI=1794.670
 GI=1796.78



CH. 10+260
 PI=1795.127
 GI=1797.05



CH. 10+280
 PI=1795.540
 GI=1797.48



SURVEYED BY
 MAPPING BY
 AERIAL PHOTO BY
 TRACED BY
 LOCATION BY
 CHECKED BY

M.O.P.W. ROADS DEPT DRG NO

REVISIONS	
DESCRIPTION	DATE

JAPAN INTERNATIONAL
 COOPERATION AGENCY

CHIEF ENGINEER (ROADS)
 CHIEF SUPT. ENG (DESIGN)

SEN. SUPT. ENG. (DESIGN)
 SUPT. ENGINEER (DESIGN)
 PROJECT ENGINEER

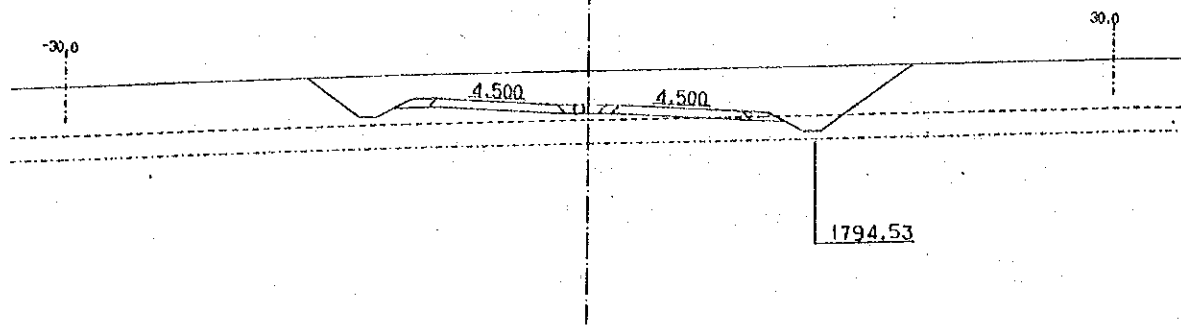
SCALES
 1 : 200

NAIROBI BYPASS
 CROSS SECTION

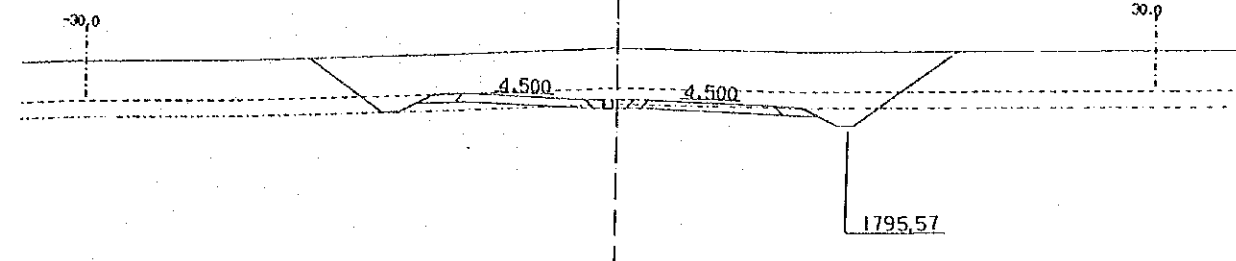
SHEET G90F196

AERIAL PHOTO BY _____ SURVEYED BY _____
 MAPPING BY _____ TRACED BY _____
 LOCATION BY _____ CHECKED BY _____
 M.O.P.W. ROADS DEPT. DRG. NO. _____

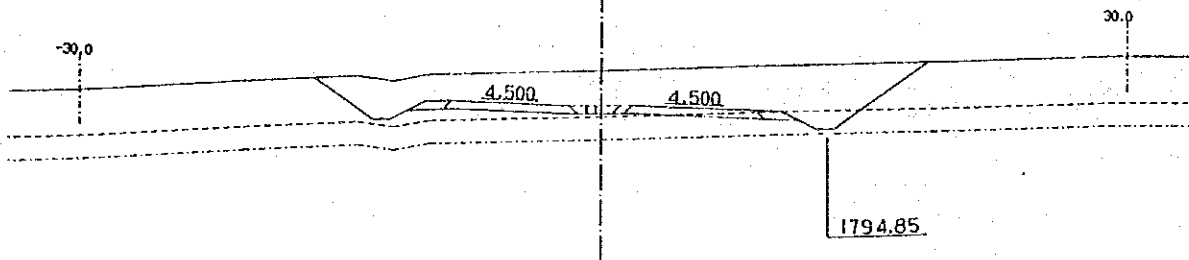
CH 10+300
 H=1795.910
 G=1797.79



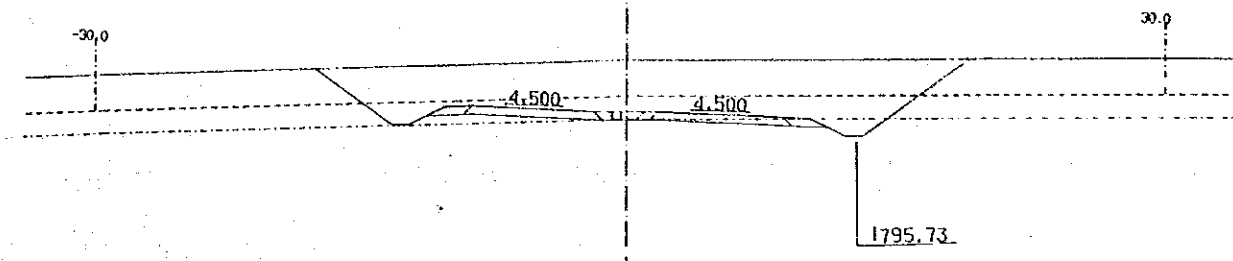
CH 10+380
 H=1795.954
 G=1799.81



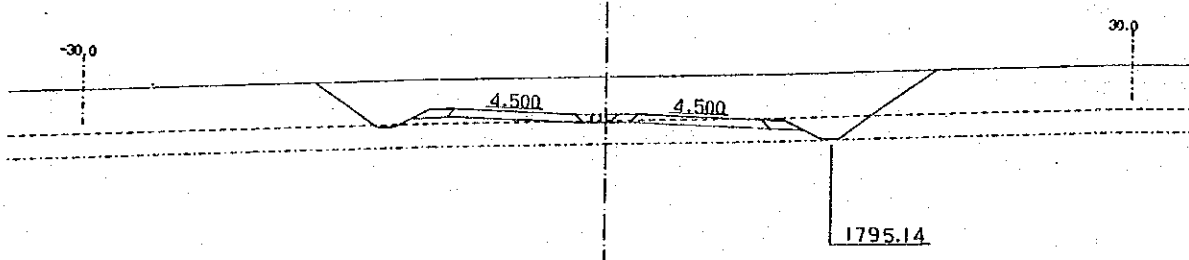
CH 10+320
 H=1796.236
 G=1798.19



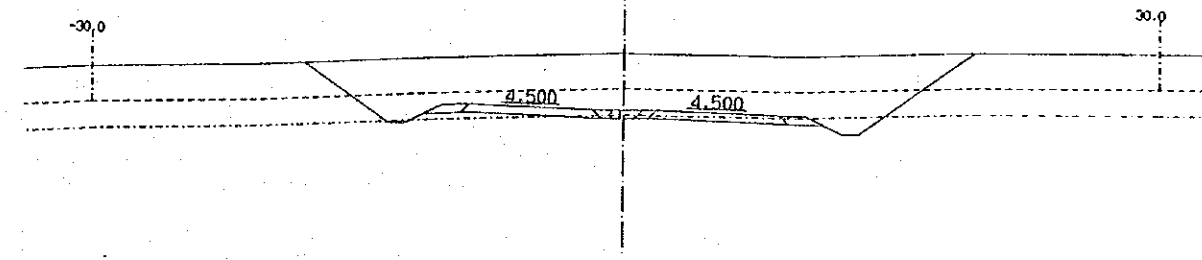
CH 10+400
 H=1797.107
 G=1799.98



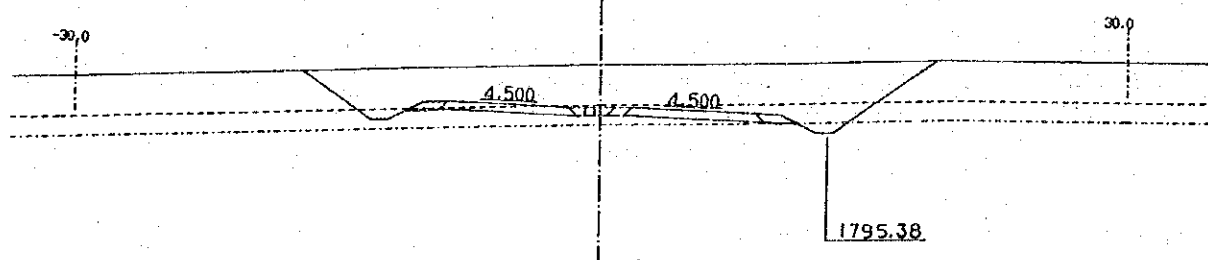
CH 10+340
 H=1796.519
 G=1798.65



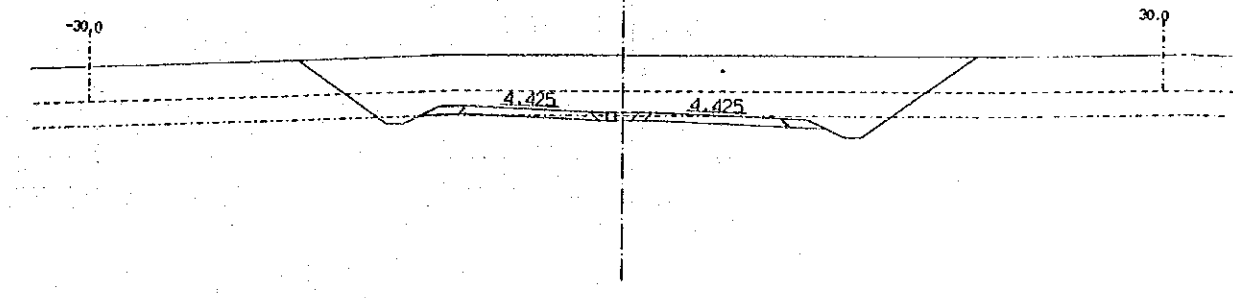
CH 10+415.887
 H=1797.197
 G=1800.42



CH 10+360
 H=1796.758
 G=1799.19



CH 10+420
 H=1797.216
 G=1800.43



REVISIONS	
DESCRIPTION	DATE

JAPAN INTERNATIONAL
 COOPERATION AGENCY

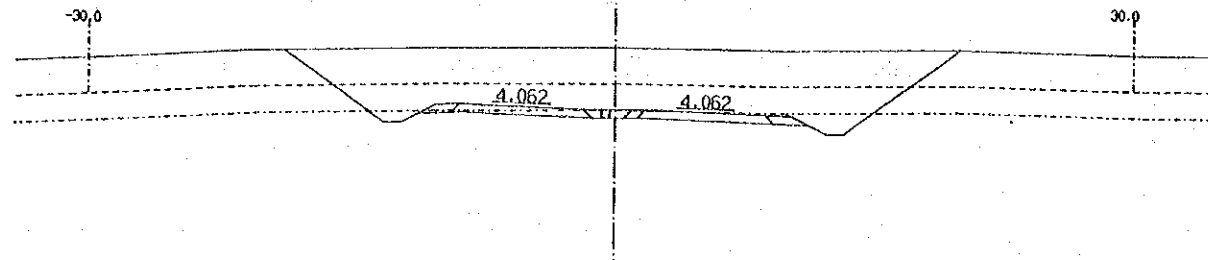
CHIEF ENGINEER (ROADS)
 CHIEF SUPT. ENG. (DESIGN)

SEN. SUPT. ENG. (DESIGN)
 SUPT. ENGINEER (DESIGN)
 PROJECT ENGINEER

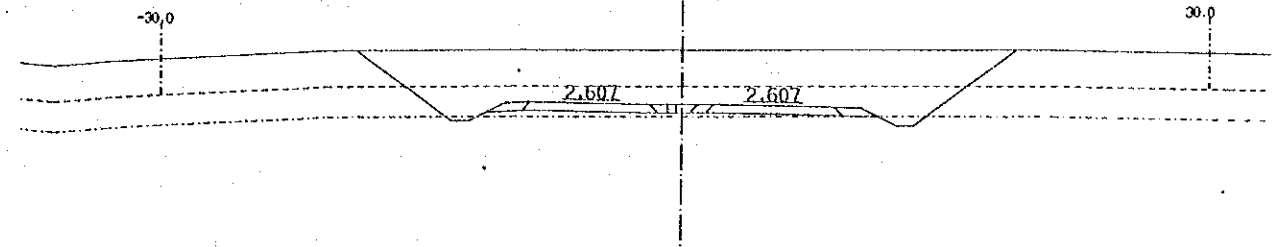
SCALES
 1 : 200

NAIROBI BYPASS
 CROSS SECTION

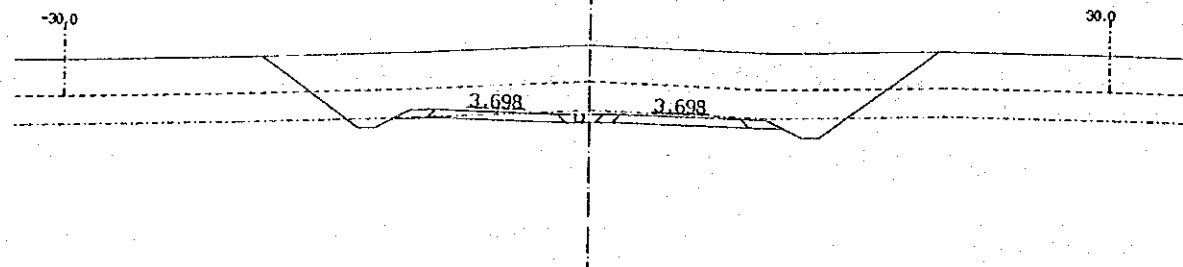
CH. 10+440
 PI=1797.281
 GI=1800.74



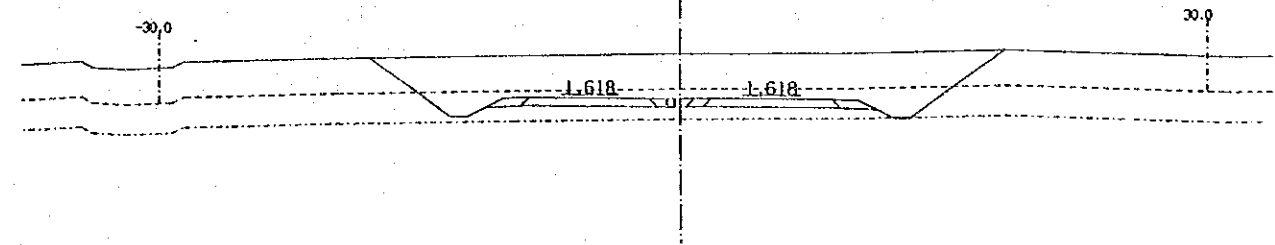
CH. 10+520
 PI=1797.108
 GI=1800.11



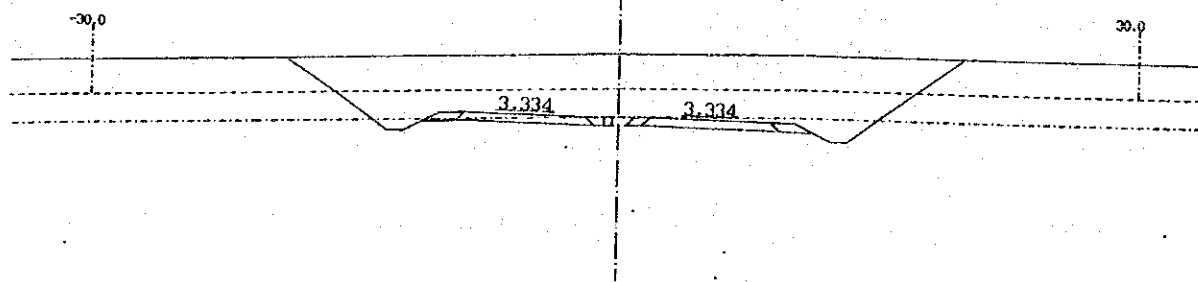
CH. 10+460
 PI=1797.303
 GI=1801.14



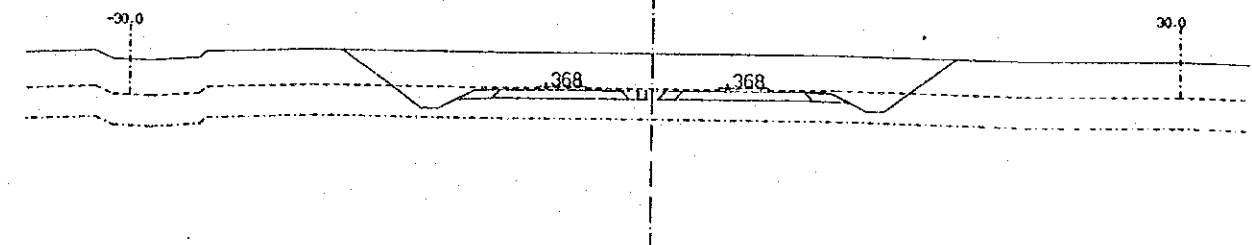
CH. 10+540
 PI=1796.956
 GI=1799.50



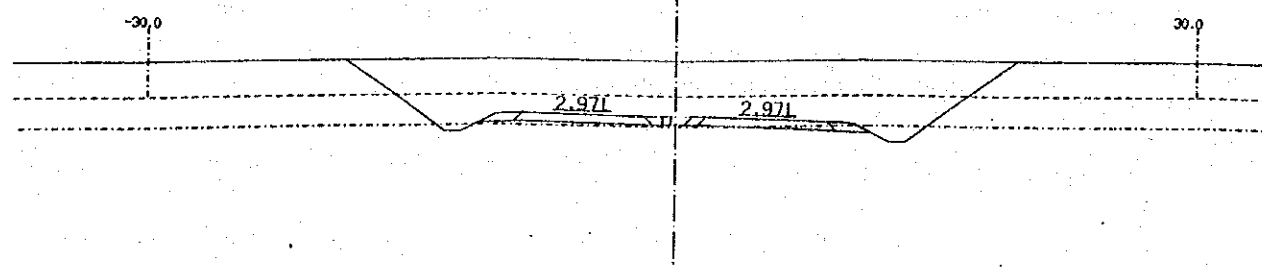
CH. 10+480
 PI=1797.282
 GI=1800.91



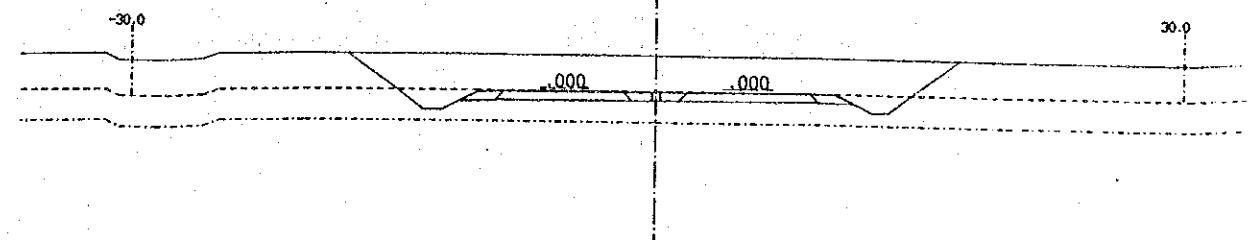
CH. 10+560
 PI=1796.761
 GI=1798.88



CH. 10+500
 PI=1797.217
 GI=1800.33



CH. 10+565.887
 PI=1796.895
 GI=1798.73



SURVEYED BY
 MAPPING BY
 LOCATION BY
 TRACED BY
 CHECKED BY

M.O.P.W. ROADS DEPT. DRG. NO.

REVISIONS	
DESCRIPTION	DATE

JAPAN INTERNATIONAL
 COOPERATION AGENCY

CHIEF ENGINEER (ROADS)
 CHIEF SUPT. ENG. (DESIGN)

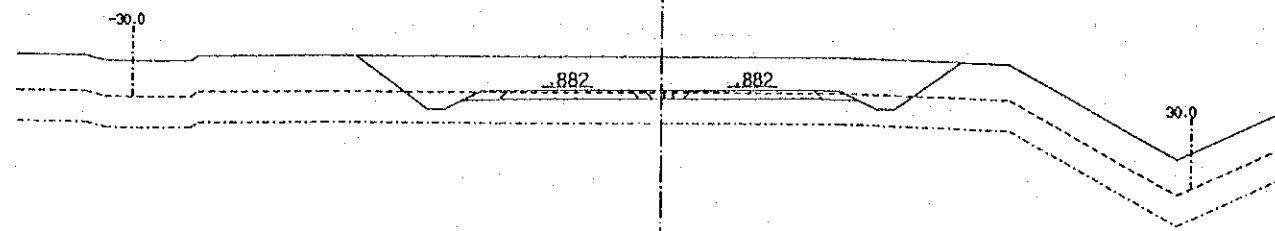
SEN. SUPT. ENG. (DESIGN)
 SUPT. ENGINEER (DESIGN)
 PROJECT ENGINEER

SCALES
 1 : 200

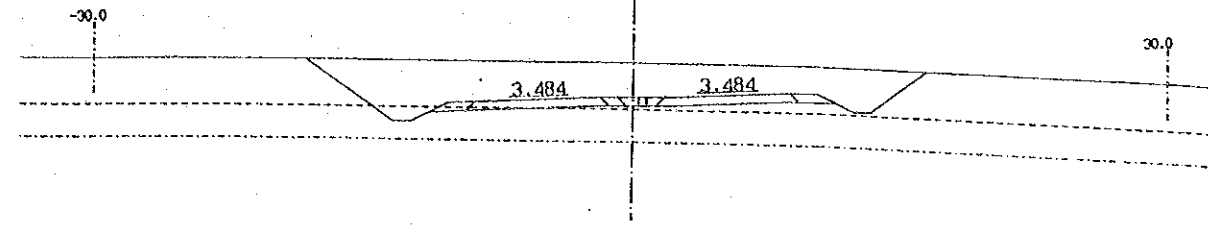
NAIROBI BYPASS
 CROSS SECTION

SHEET 71 OF 196

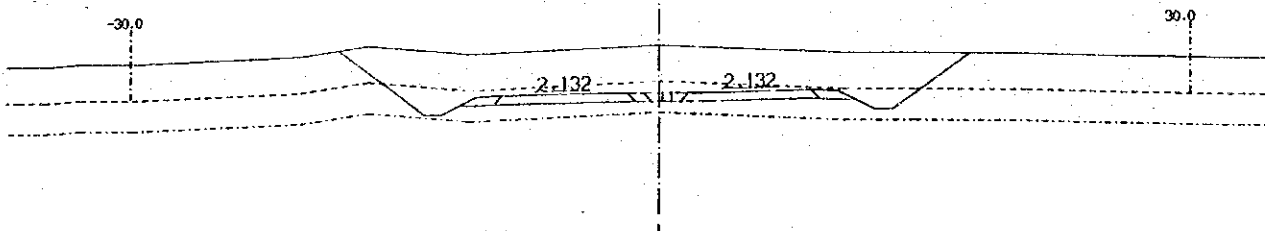
CH 10+580
 H=1796.522
 G=1798.40



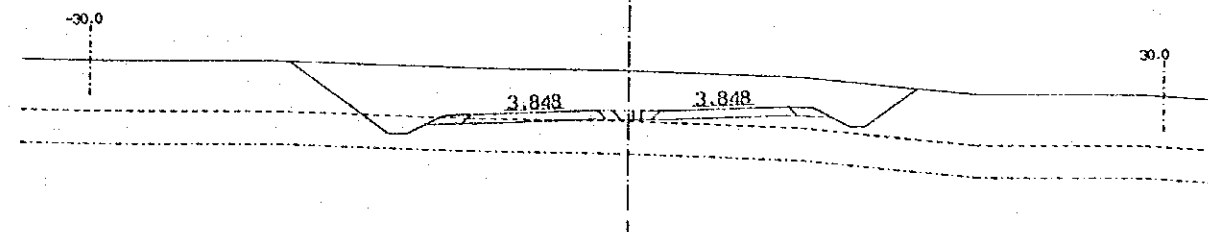
CH 10+660
 H=1795.328
 G=1797.26



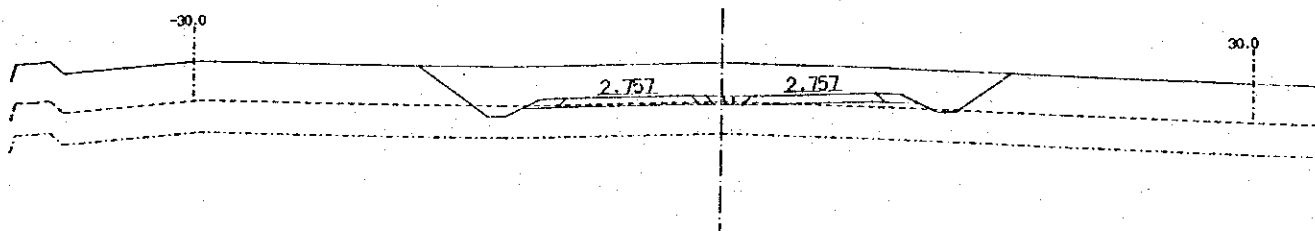
CH 10+600
 H=1796.240
 G=1798.88



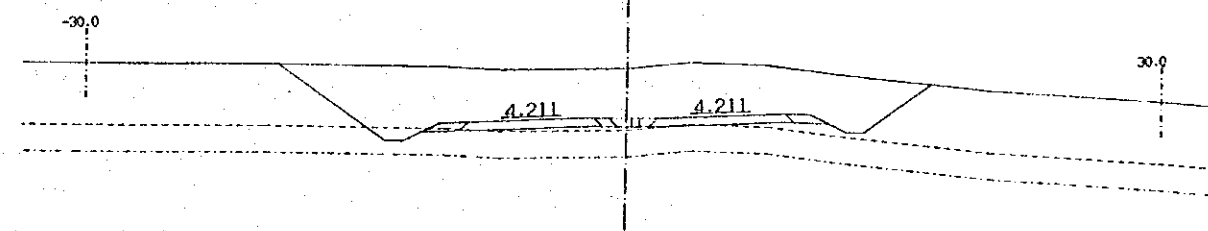
CH 10+680
 H=1795.024
 G=1797.24



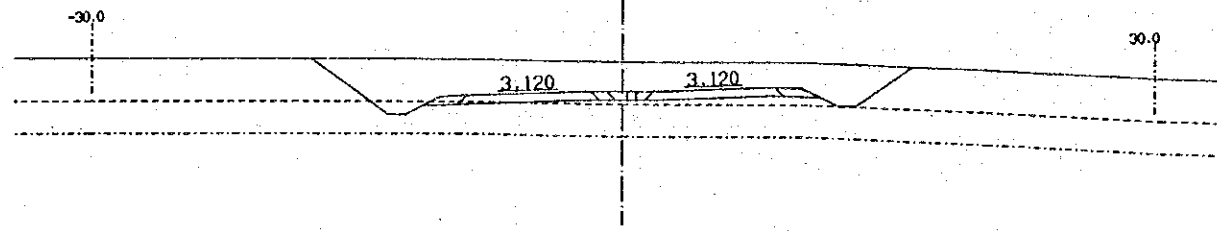
CH 10+620
 H=1795.936
 G=1797.82



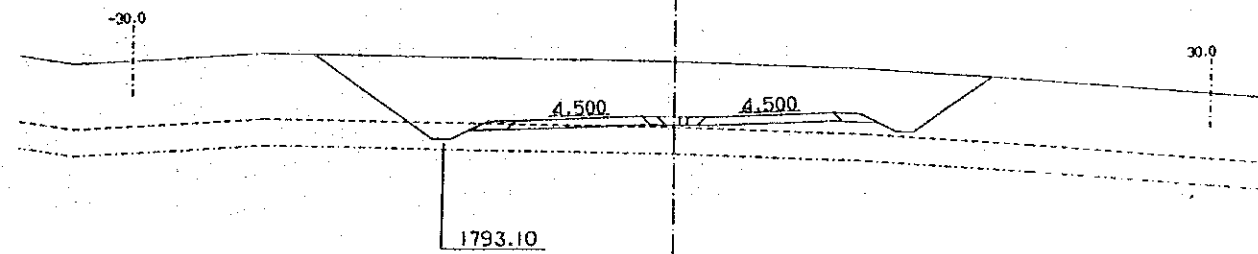
CH 10+700
 H=1794.720
 G=1797.53



CH 10+640
 H=1795.632
 G=1797.29



CH 10+715.887
 H=1794.479
 G=1797.59



AERIAL PHOTO BY _____ SURVEYED BY _____
 MAPPING BY _____ TRACED BY _____
 LOCATION BY _____ CHECKED BY _____

M.O.P.W. ROADS DEPT DRG NO.

REVISIONS	
DESCRIPTION	DATE

JAPAN INTERNATIONAL COOPERATION AGENCY
 CHIEF ENGINEER (ROADS)
 CHIEF SUPT. ENG. (DESIGN)

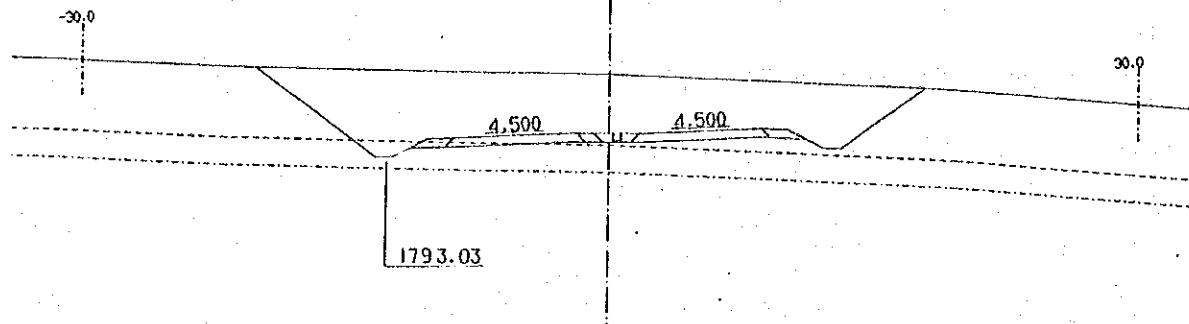
SEN. SUPT. ENG. (DESIGN)
 SUPT. ENGINEER (DESIGN)
 PROJECT ENGINEER

SCALES
 1 : 200

NAIROBI BYPASS
 CROSS SECTION

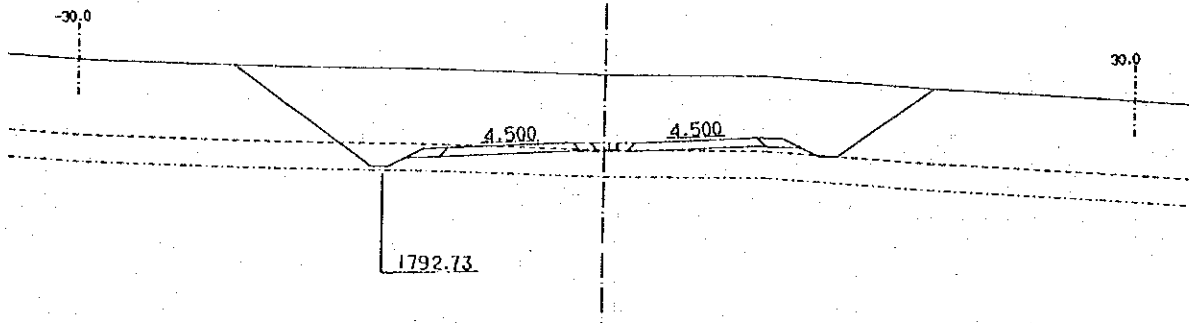
CH. 10+720

PI=1794.416
G=1797.66



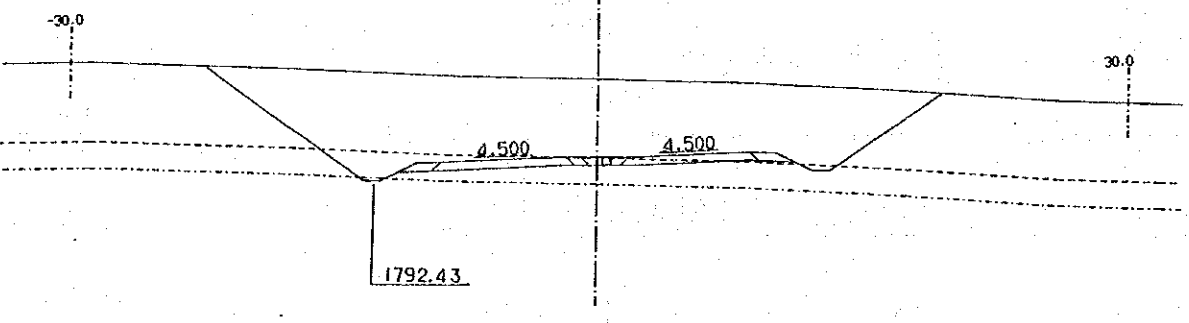
CH. 10+740

PI=1794.112
G=1797.89



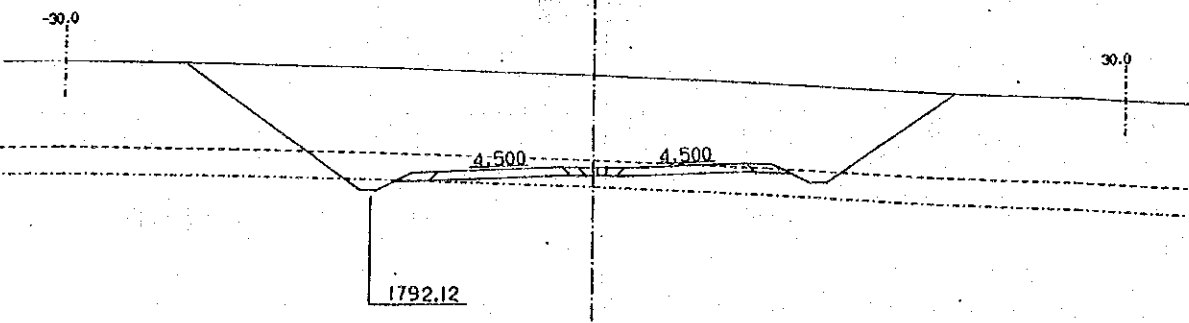
CH. 10+760

PI=1793.808
G=1798.25



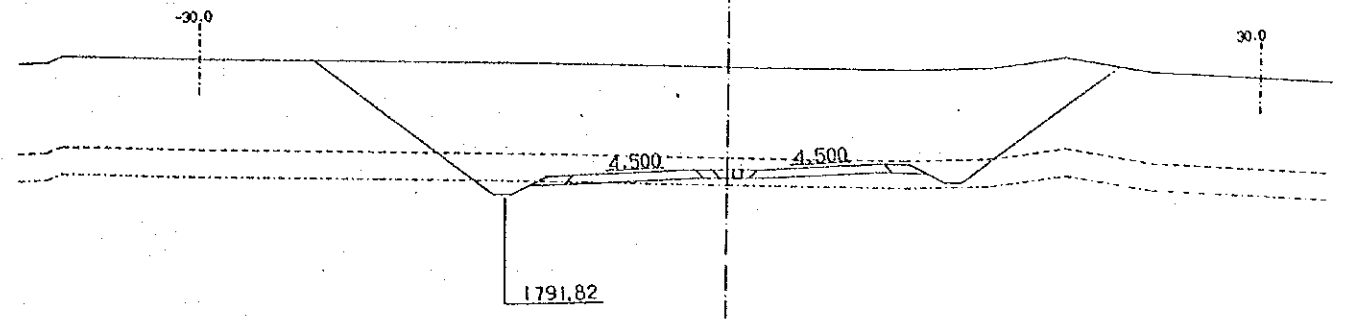
CH. 10+780

PI=1793.504
G=1798.70



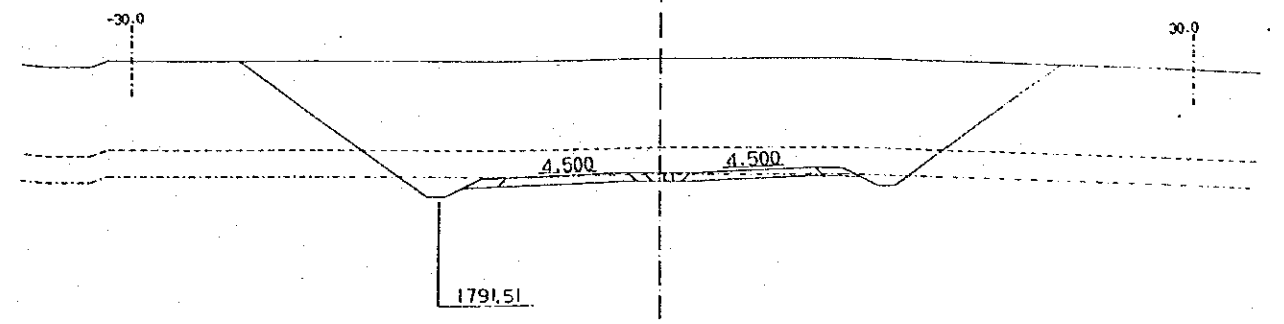
CH. 10+800

PI=1793.200
G=1798.83



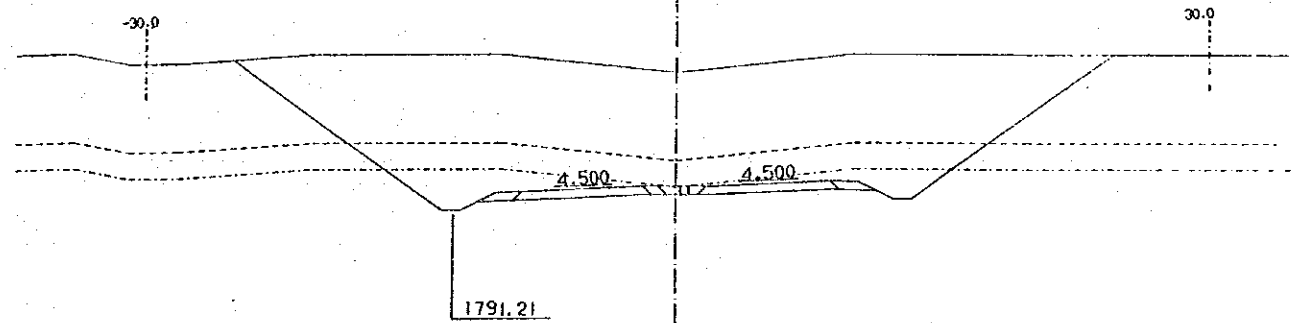
CH. 10+820

PI=1792.896
G=1799.32



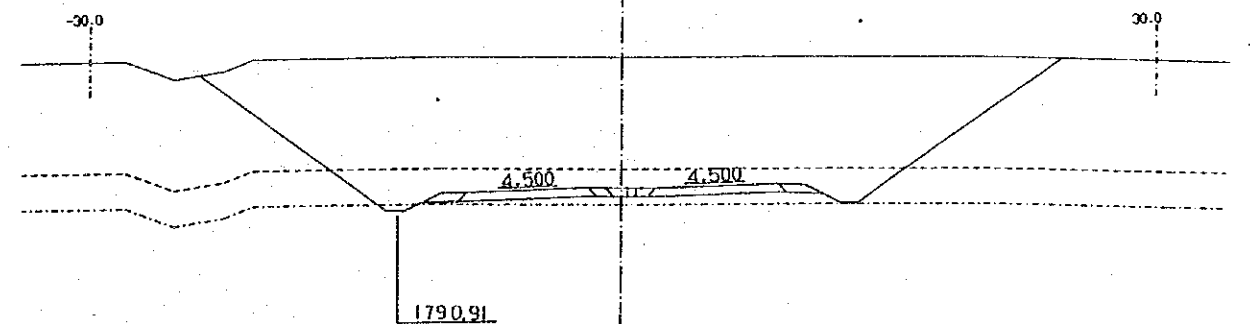
CH. 10+840

PI=1792.592
G=1799.05



CH. 10+860

PI=1792.288
G=1799.66



AERIAL PHOTO BY	SURVEYED BY
MAPPING BY	TRACED BY
LOCATION BY	CHECKED BY

M.O.P.W. ROADS DEPT. DRG. NO.

REVISIONS	
DESCRIPTION	DATE

JAPAN INTERNATIONAL COOPERATION AGENCY

CHIEF ENGINEER (ROADS)
CHIEF SUPT. ENG. (DESIGN)

SEN. SUPT. ENG. (DESIGN)
SUPT. ENGINEER (DESIGN)
PROJECT ENGINEER

SCALES
1 : 200

NAIROBI BYPASS
CROSS SECTION

SHEET 73 OF 196

CH 10+880
 H=1791.984
 G=1798.00

CH 10+960
 H=1790.768
 G=1793.00

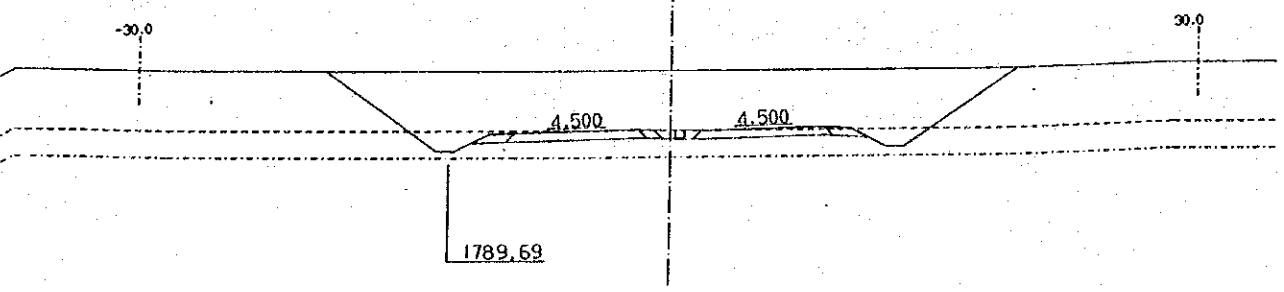
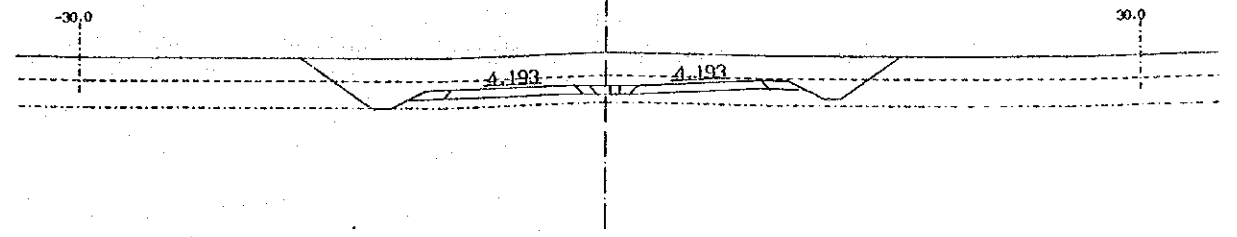
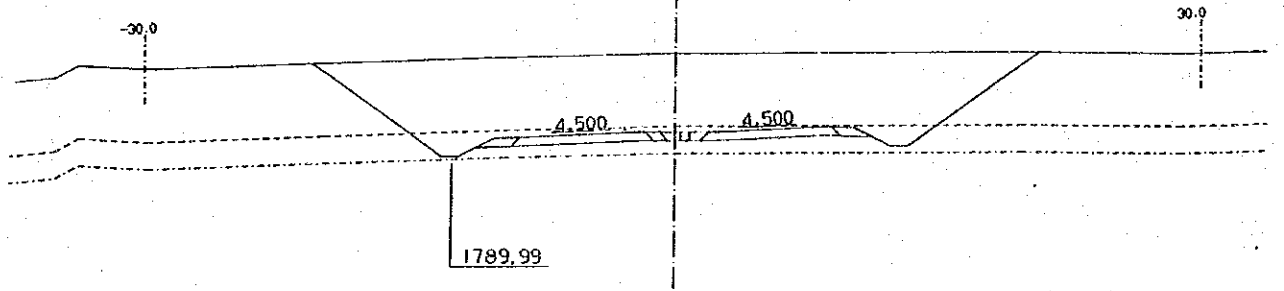
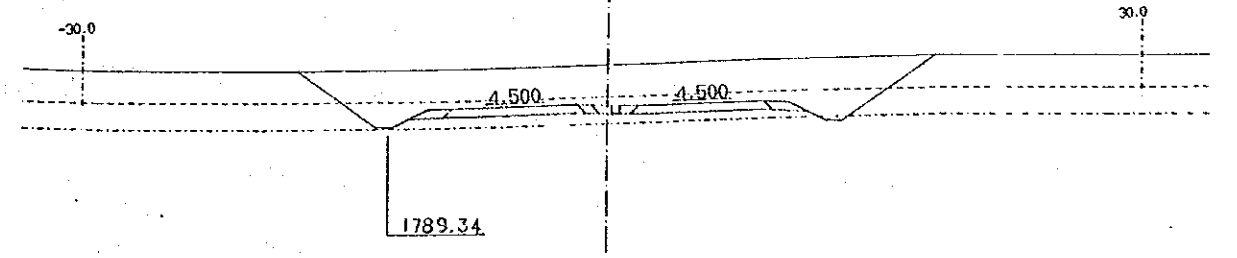
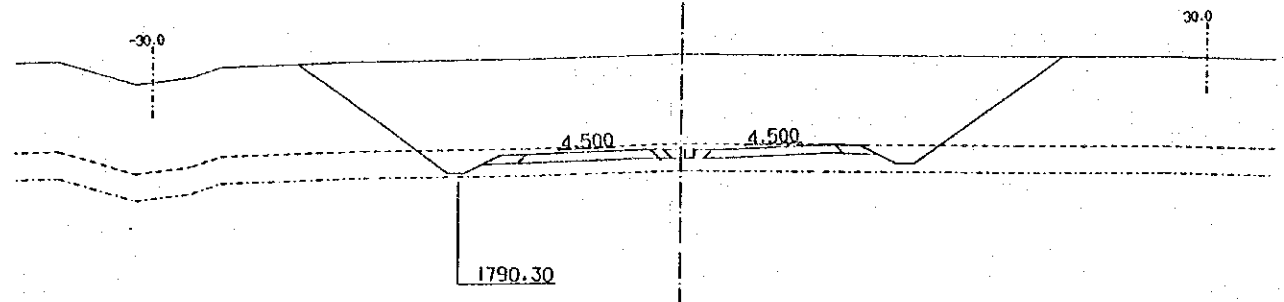
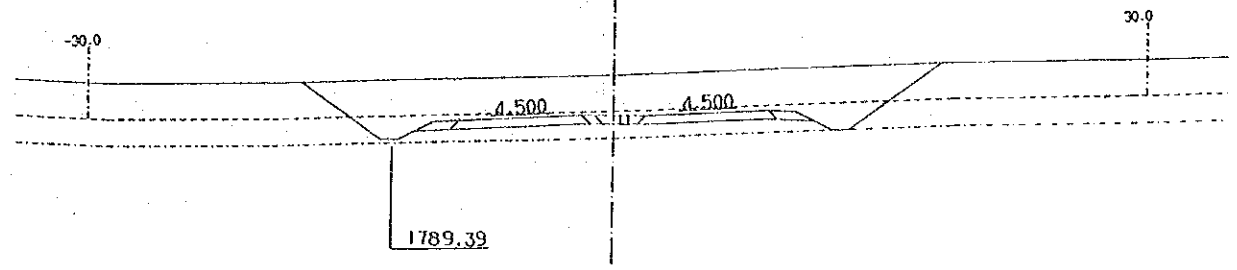
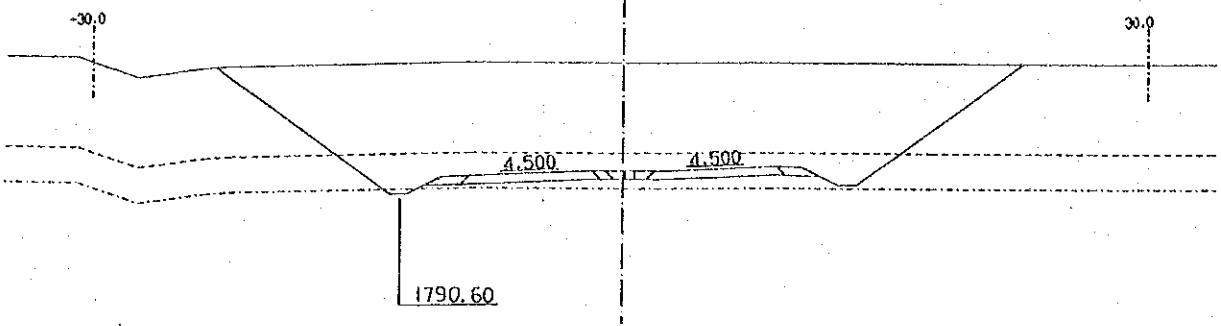
CH 10+900
 H=1791.680
 G=1797.01

CH 10+963.121
 H=1790.721
 G=1792.98

CH 10+920
 H=1791.376
 G=1795.80

CH 10+980
 H=1790.464
 G=1792.35

CH 10+940
 H=1791.072
 G=1794.47



SURVEYED BY
 TRACED BY
 CHECKED BY
 AERIAL PHOTO BY
 MAPPING BY
 LOCATION BY

M.O.P.W. ROADS DEPT. DRG. NO.

REVISIONS	
DESCRIPTION	DATE

JAPAN INTERNATIONAL
 COOPERATION AGENCY

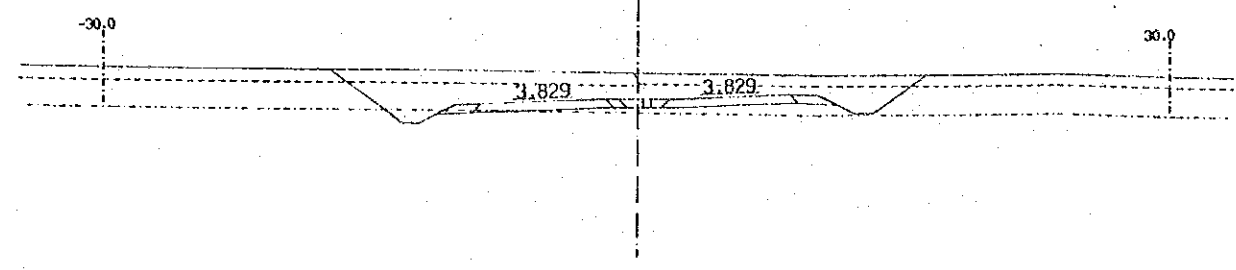
CHIEF ENGINEER (ROADS)
 CHIEF SUPT. ENG. (DESIGN)

SEN. SUPT. ENG. (DESIGN)
 SUPT. ENGINEER (DESIGN)
 PROJECT ENGINEER

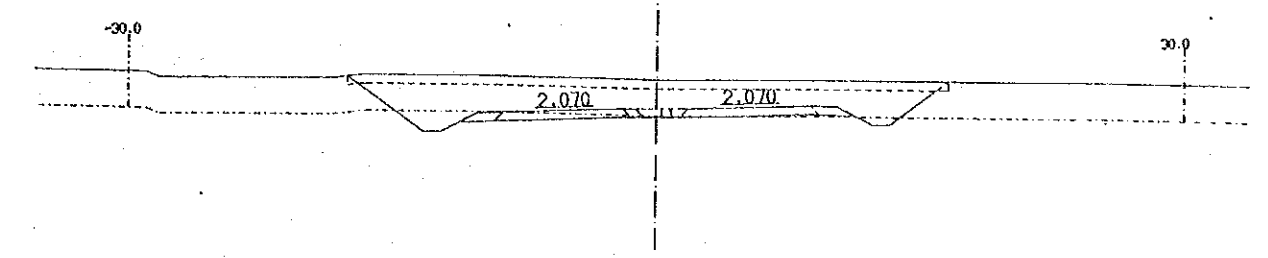
SCALES
 1 : 200

NAIROBI BYPASS
 CROSS SECTION

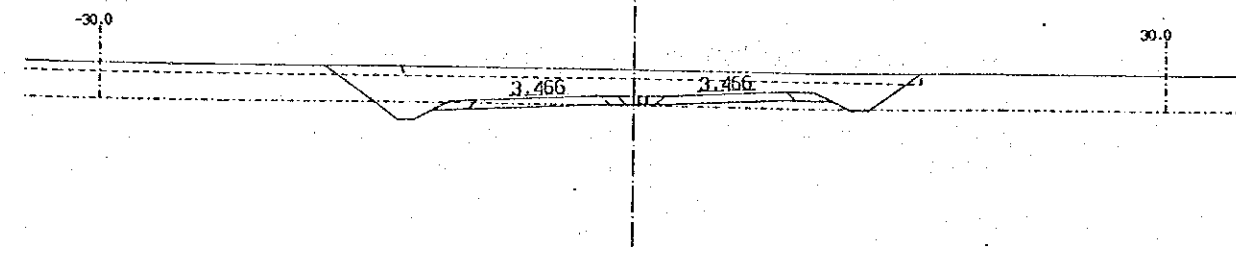
CH. 11+0
 PI=1790.160
 G=1791.59



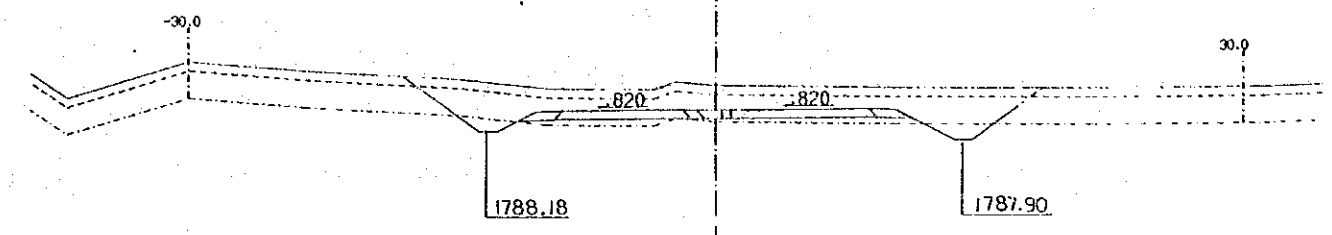
CH. 11+80
 PI=1789.428
 G=1791.02



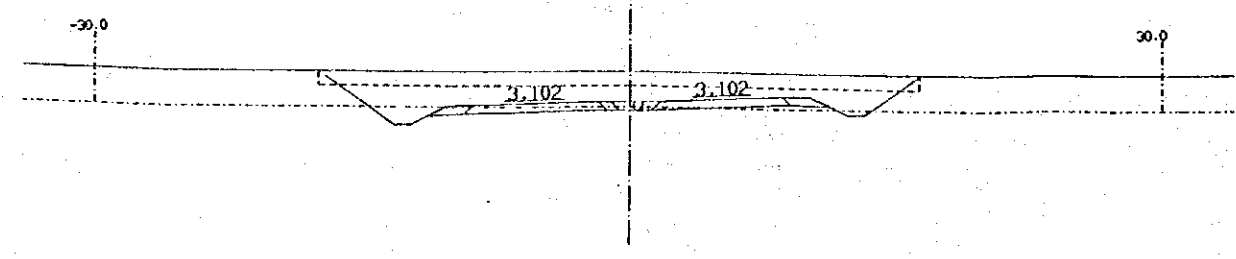
CH. 11+20
 PI=1789.886
 G=1791.35



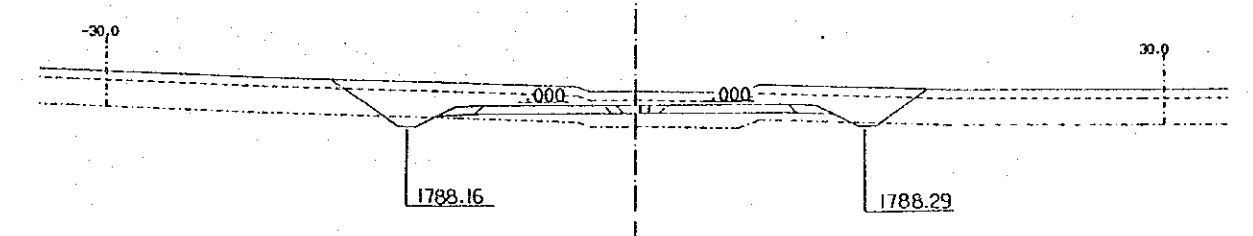
CH. 11+100
 PI=1789.397
 G=1790.74



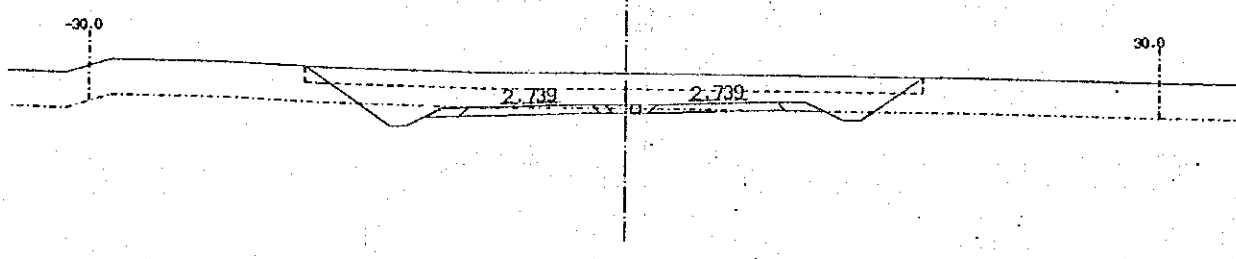
CH. 11+40
 PI=1789.673
 G=1791.39



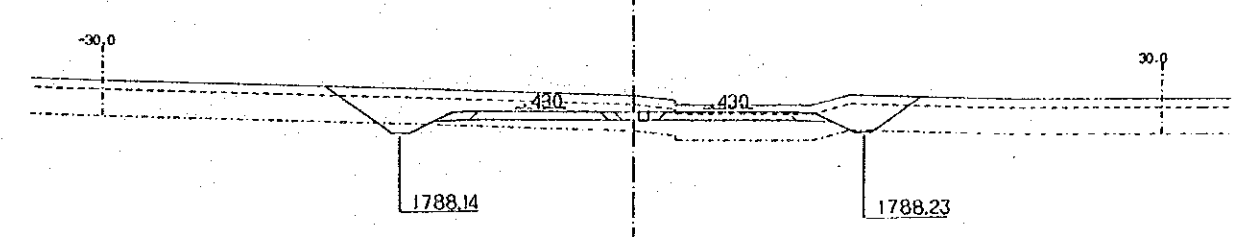
CH. 11+113.121
 PI=1789.409
 G=1790.20



CH. 11+60
 PI=1789.520
 G=1791.31



CH. 11+120
 PI=1789.426
 G=1790.34



SURVEYED BY
 TRACED BY
 CHECKED BY
 AERIAL PHOTO BY
 MAPPING BY
 LOCATION BY

M.O.P.W. ROADS DEPT. DRG. NO.

REVISIONS	
DESCRIPTION	DATE

JAPAN INTERNATIONAL
 COOPERATION AGENCY

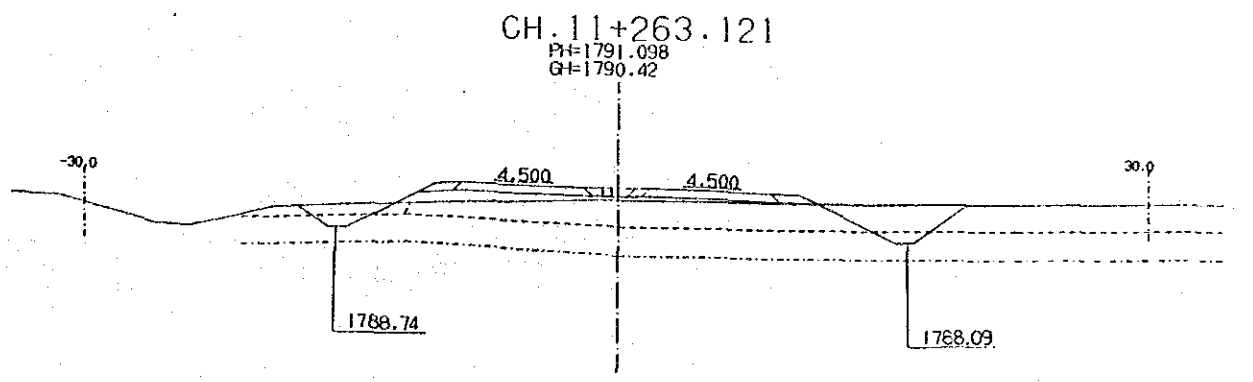
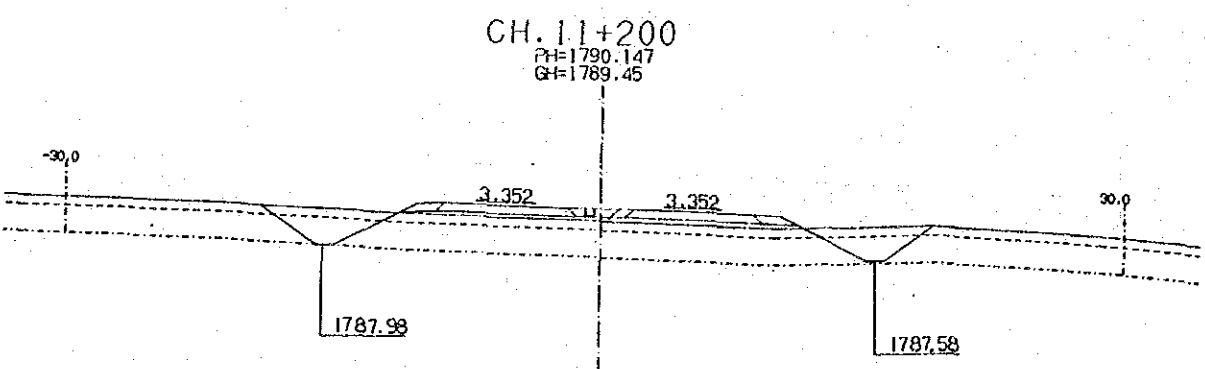
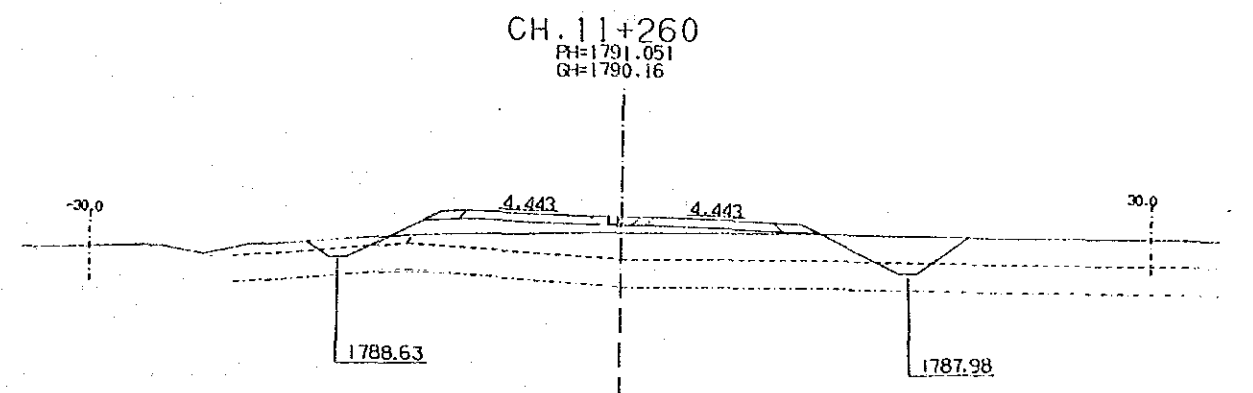
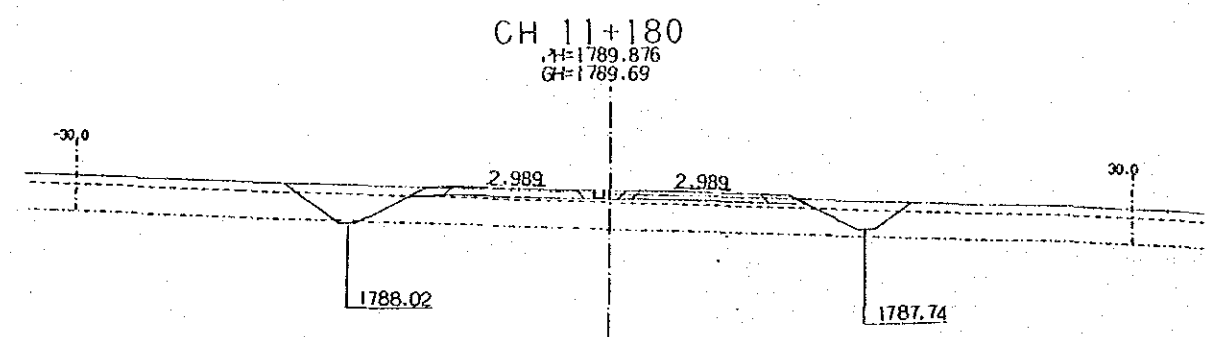
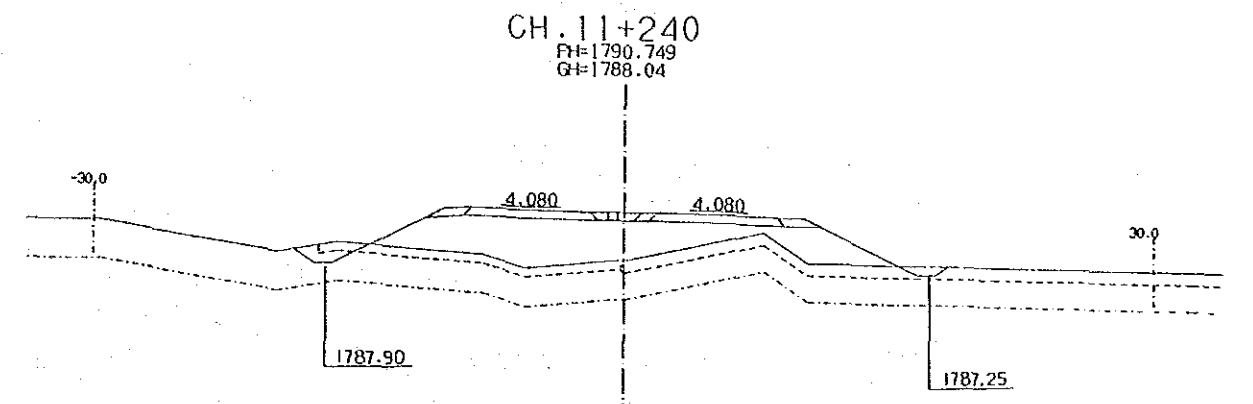
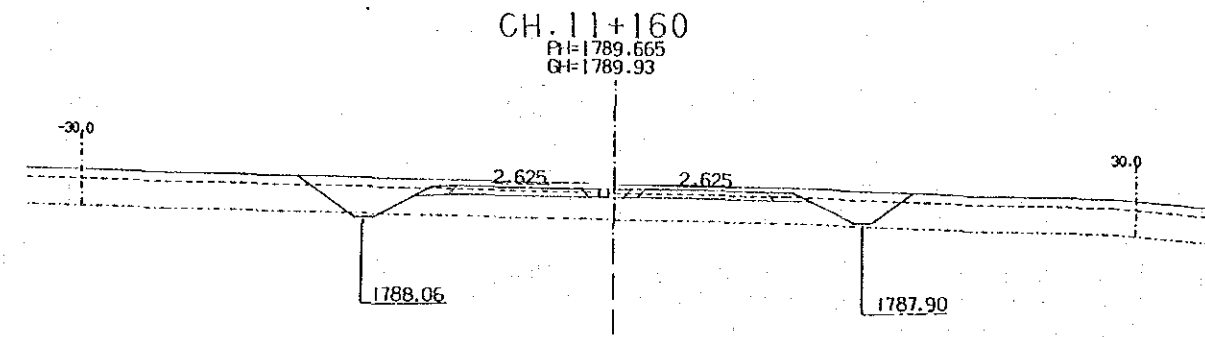
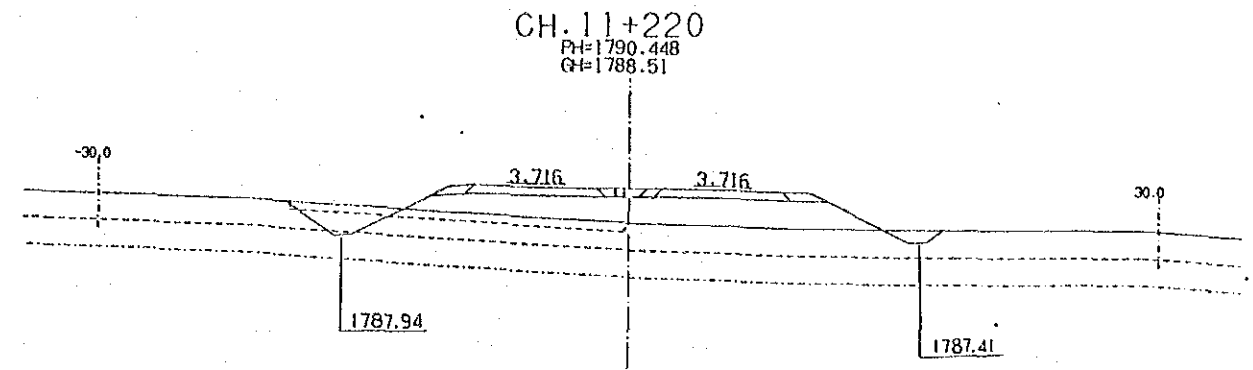
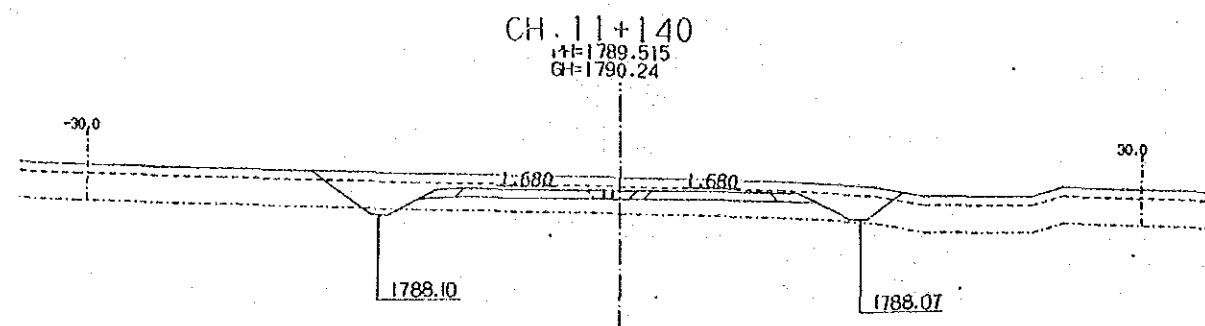
CHIEF ENGINEER (ROADS)
 CHIEF SUPT. ENG. (DESIGN)

SEN. SUPT. ENG. (DESIGN)
 SUPT. ENGINEER (DESIGN)
 PROJECT ENGINEER

SCALES
 1 : 200

NAIROBI BYPASS
 CROSS SECTION

SHEET 75 OF 196



AERIAL PHOTO BY	SURVEYED BY
MAPPING BY	TRACED BY
LOCATION BY	CHECKED BY

M.O.P.W. ROADS DEPT. DRG. NO.

REVISIONS	
DESCRIPTION	DATE

JAPAN INTERNATIONAL
 COOPERATION AGENCY

CHIEF ENGINEER (ROADS)
 CHIEF SUPT. ENG. (DESIGN)

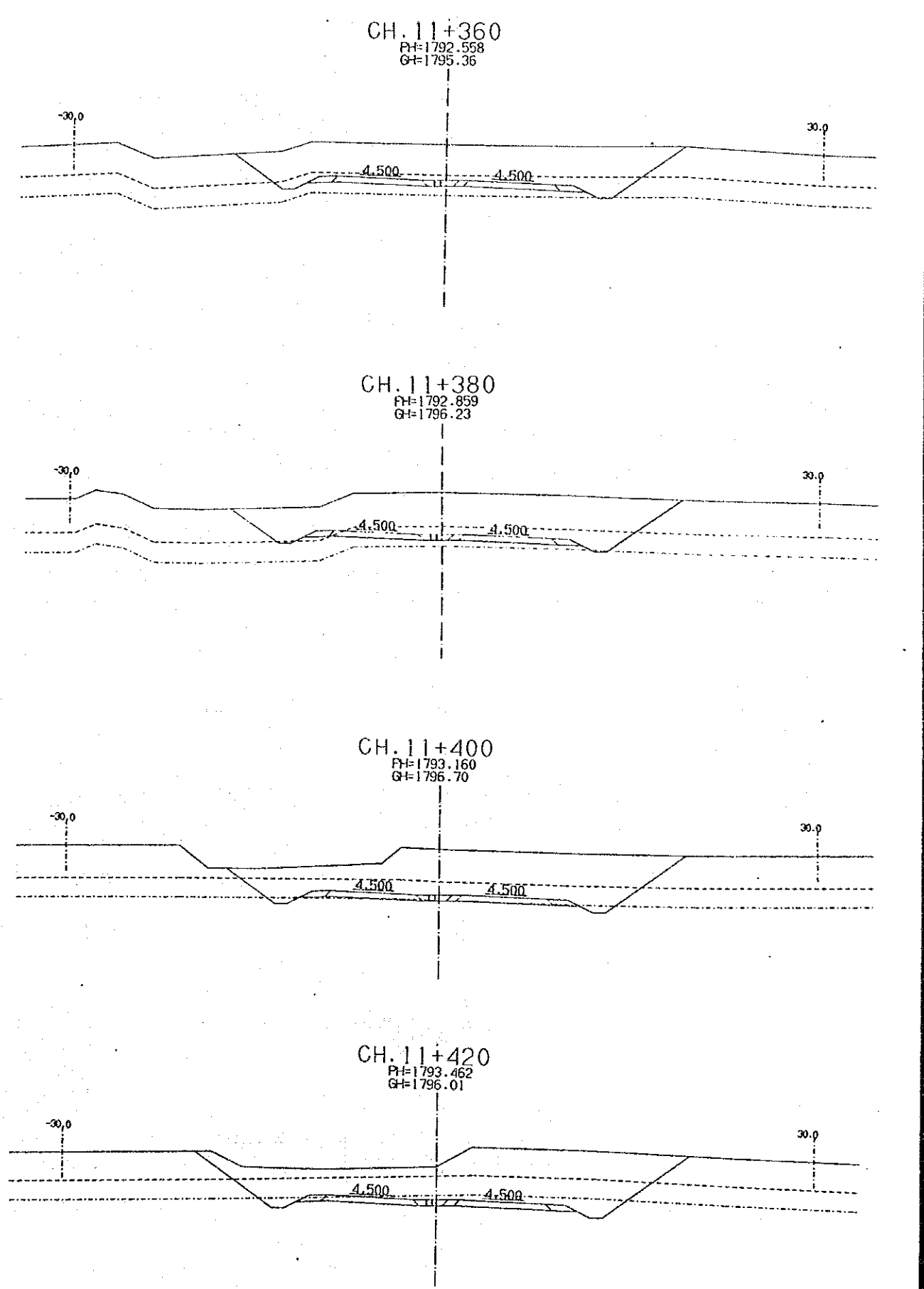
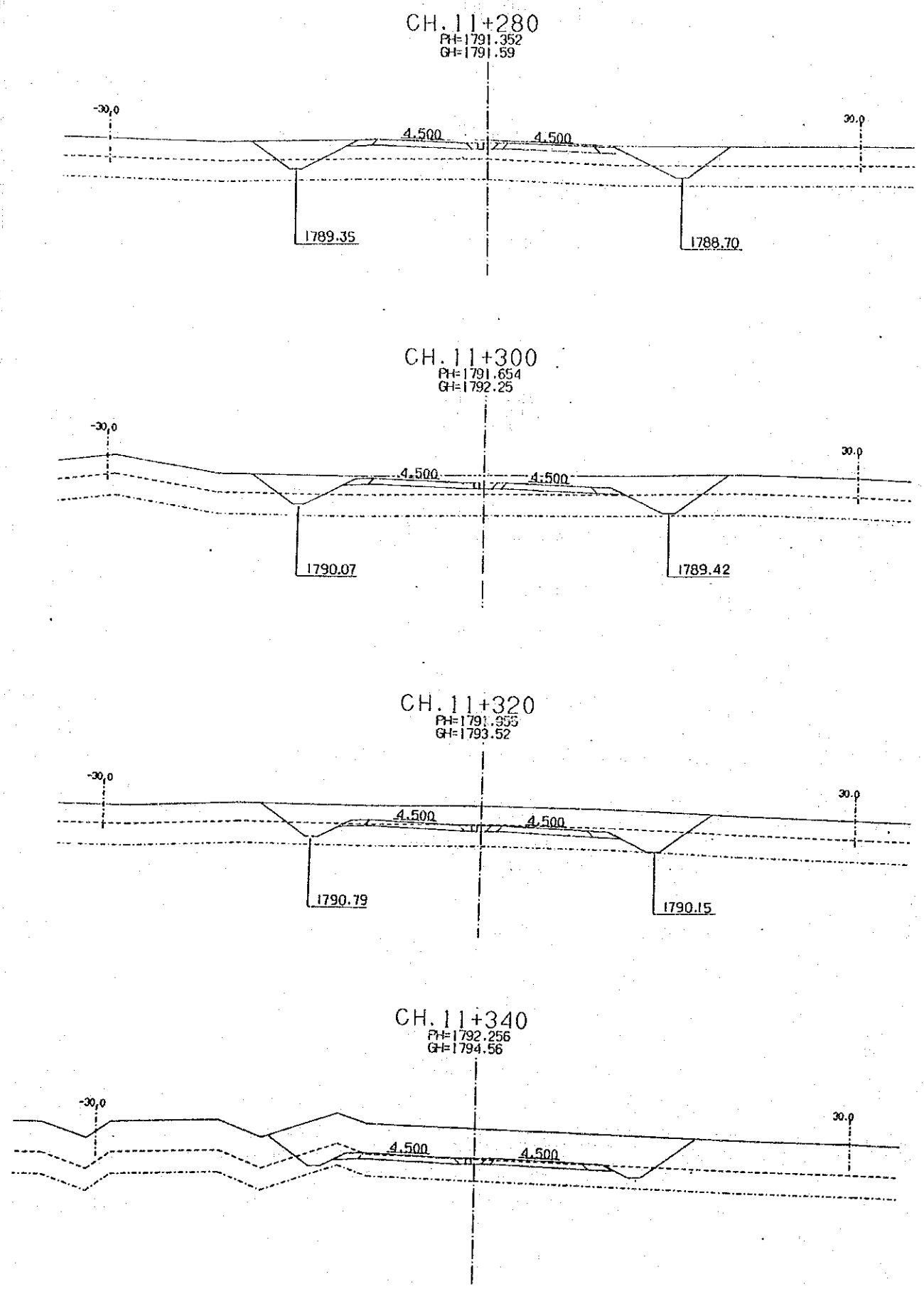
SEN. SUPT. ENG. (DESIGN)
 SUPT. ENGINEER (DESIGN)
 PROJECT ENGINEER

SCALES
 1 : 200

NAIROBI BYPASS
 CROSS SECTION.

AERIAL PHOTO BY _____
 MAPPING BY _____
 LOCATION BY _____
 SURVEYED BY _____
 TRACED BY _____
 CHECKED BY _____

M.O.P.W. ROADS DEPT. DRG. NO.



REVISIONS	
DESCRIPTION	DATE

JAPAN INTERNATIONAL
COOPERATION AGENCY

CHIEF ENGINEER (ROADS)
 CHIEF SUPT. ENG. (DESIGN)

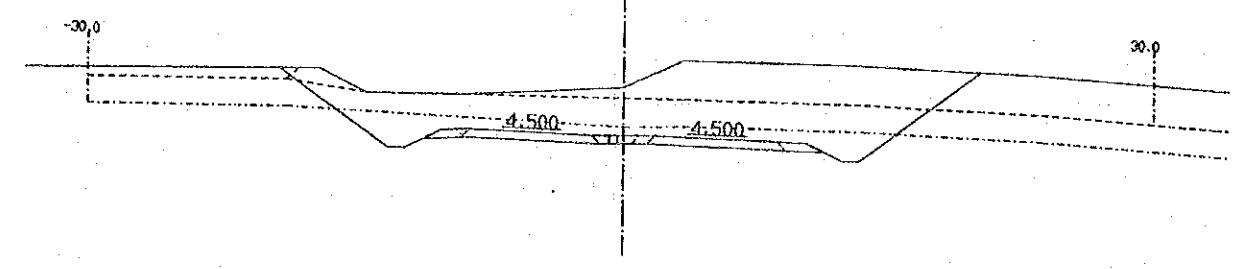
SEN. SUPT. ENG. (DESIGN)
 SUPT. ENGINEER (DESIGN)
 PROJECT ENGINEER

SCALES
 1 : 200

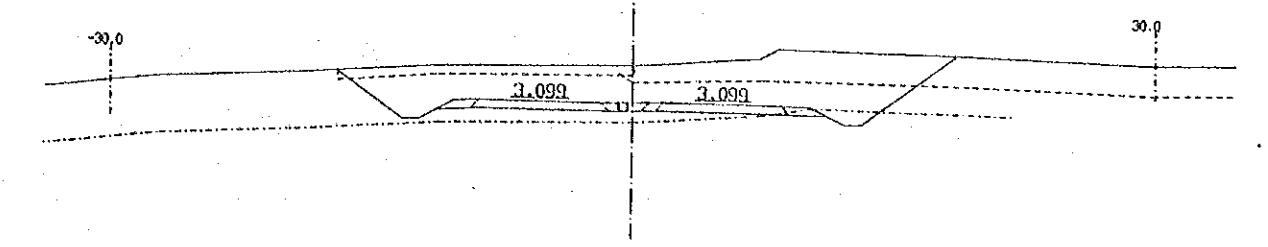
NAIROBI BYPASS
 CROSS SECTION

SHEET 77 OF 196

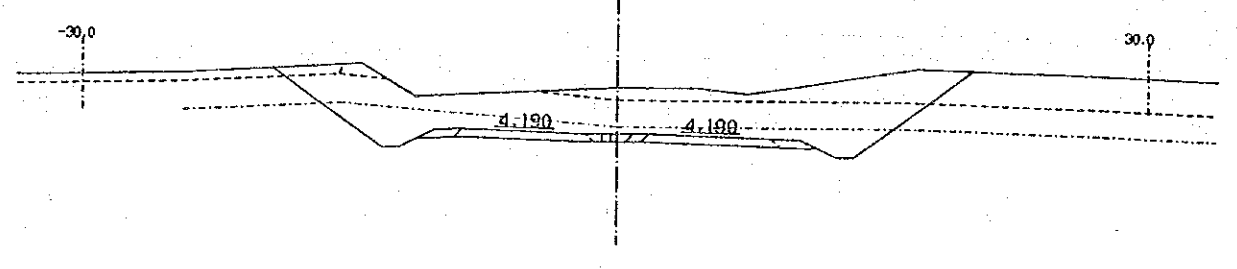
CH. 11+422.939
 PI=1793.506
 GI=1796.17



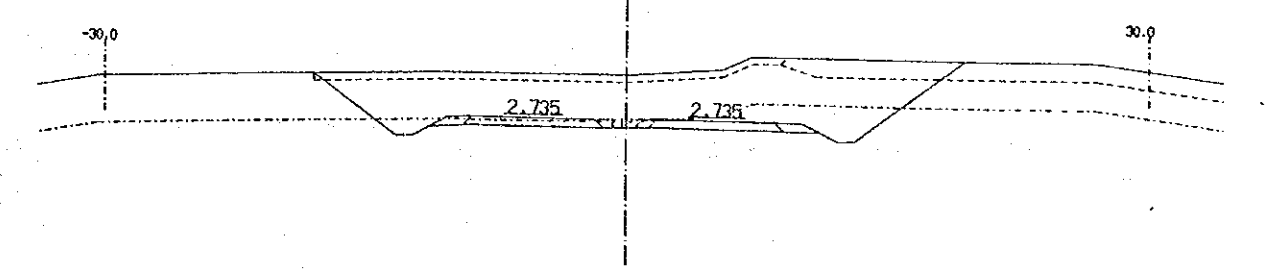
CH. 11+500
 PI=1794.667
 GI=1796.76



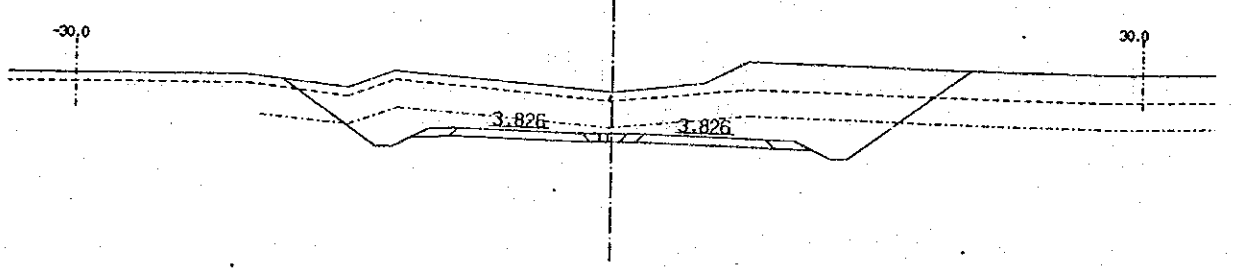
CH. 11+440
 PI=1793.763
 GI=1796.36



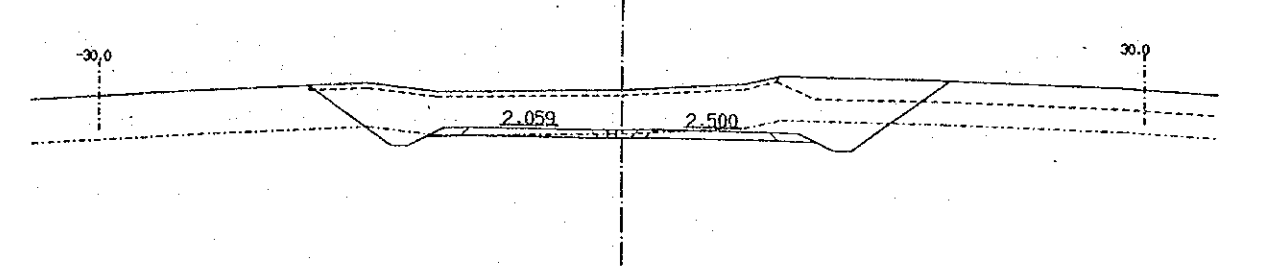
CH. 11+520
 PI=1794.968
 GI=1797.42



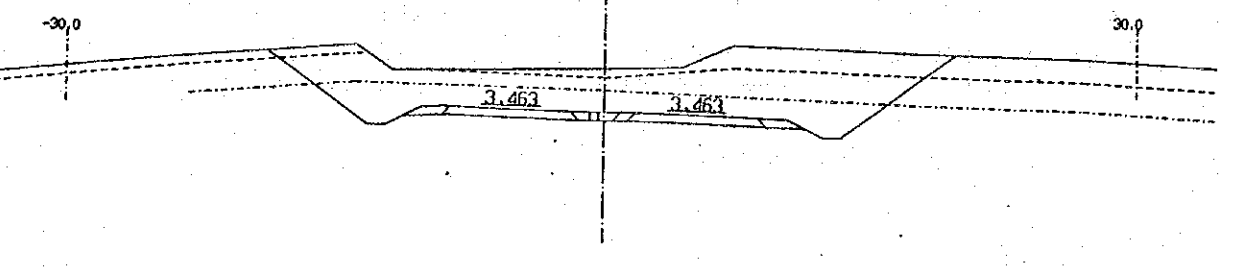
CH. 11+460
 PI=1794.064
 GI=1796.40



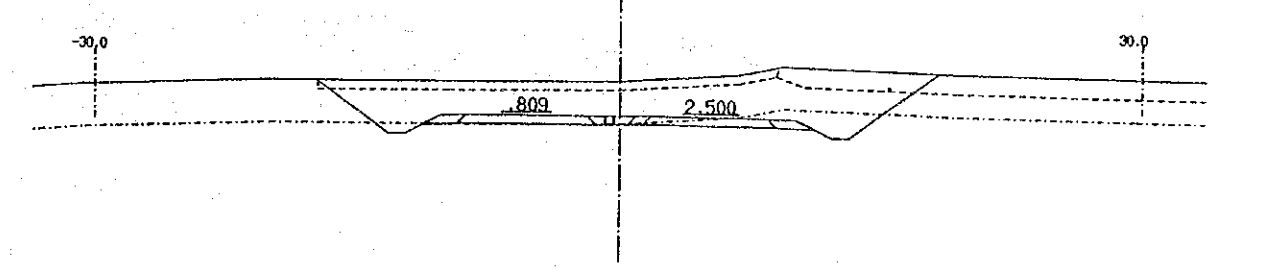
CH. 11+540
 PI=1795.270
 GI=1797.54



CH. 11+480
 PI=1794.366
 GI=1796.77



CH. 11+560
 PI=1795.571
 GI=1797.54



AERIAL PHOTO BY _____ SURVEYED BY _____
 MAPPING BY _____ TRACED BY _____
 LOCATION BY _____ CHECKED BY _____
 M.O.P.W. ROADS DEPT. DRG. NO. _____

REVISIONS	
DESCRIPTION	DATE

JAPAN INTERNATIONAL
 COOPERATION AGENCY

CHIEF ENGINEER (ROADS)
 CHIEF SUPT. ENG. (DESIGN)

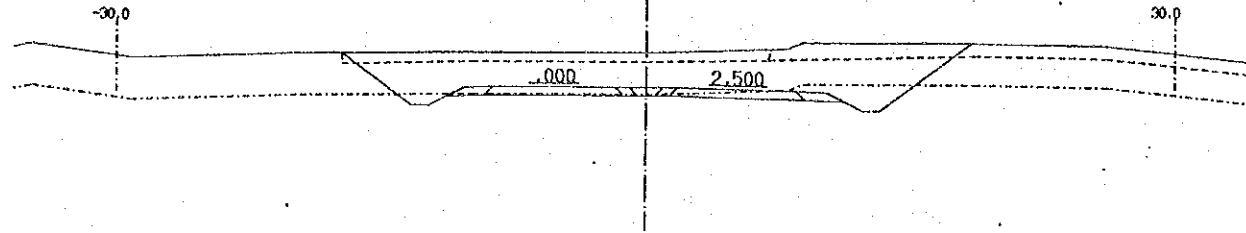
SEN. SUPT. ENG. (DESIGN)
 SUPT. ENGINEER (DESIGN)
 PROJECT ENGINEER

SCALES
 1 : 200

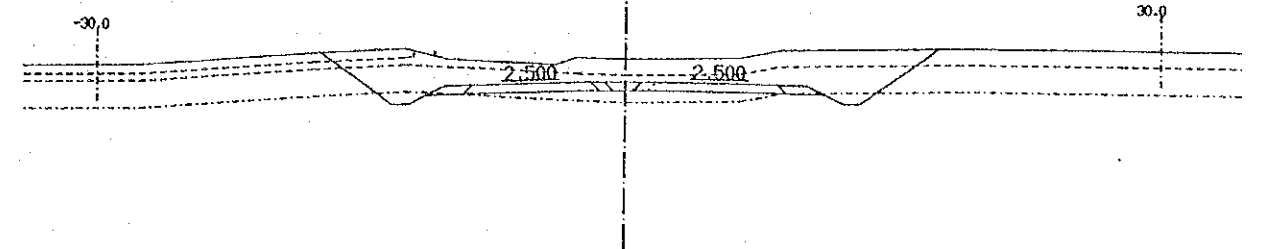
NAIROBI BYPASS
 CROSS SECTION

SHEET 78 OF 196

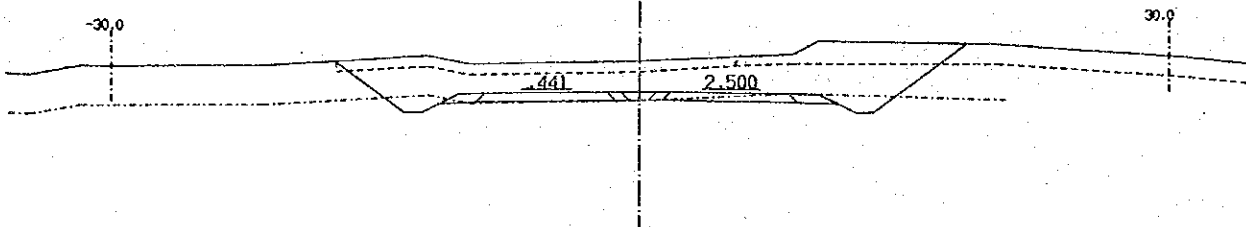
CH. 11+572.939
 PI=1795.766
 GI=1797.68



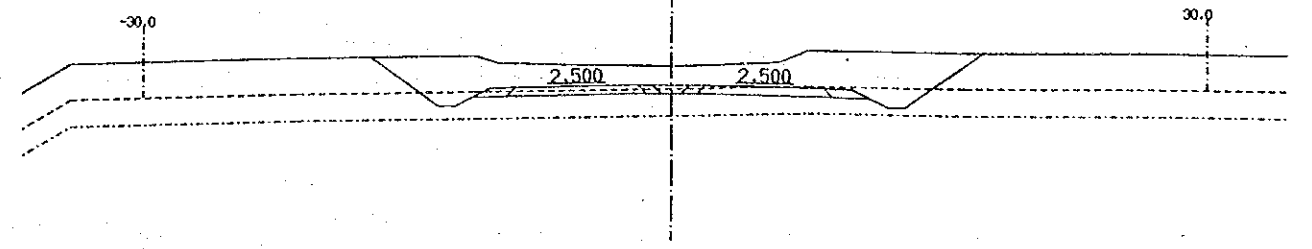
CH. 11+640
 PI=1796.776
 GI=1798.04



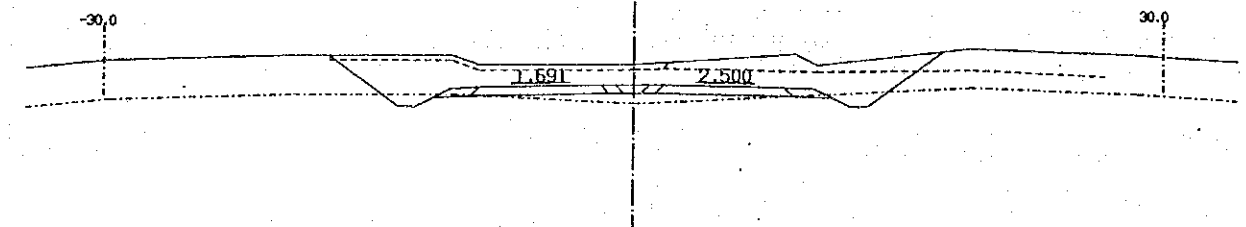
CH. 11+580
 PI=1795.872
 GI=1797.60



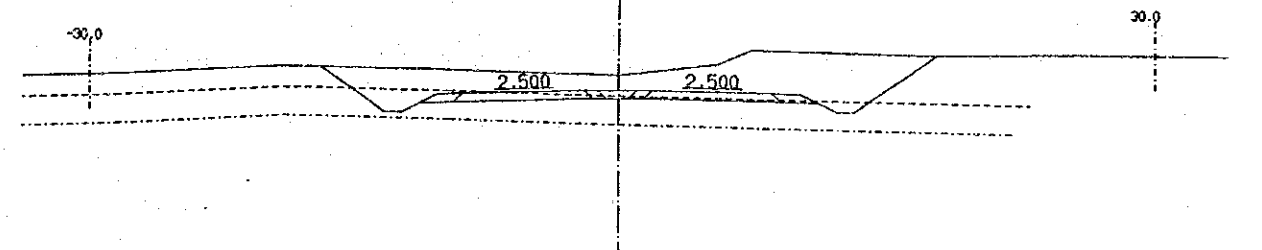
CH. 11+660
 PI=1797.078
 GI=1798.12



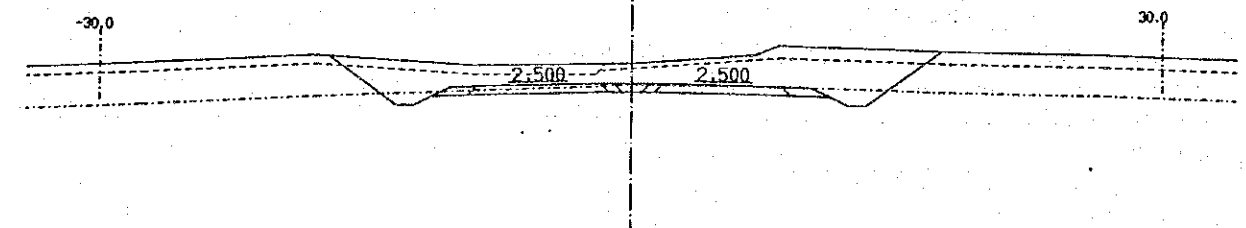
CH. 11+600
 PI=1796.174
 GI=1797.33



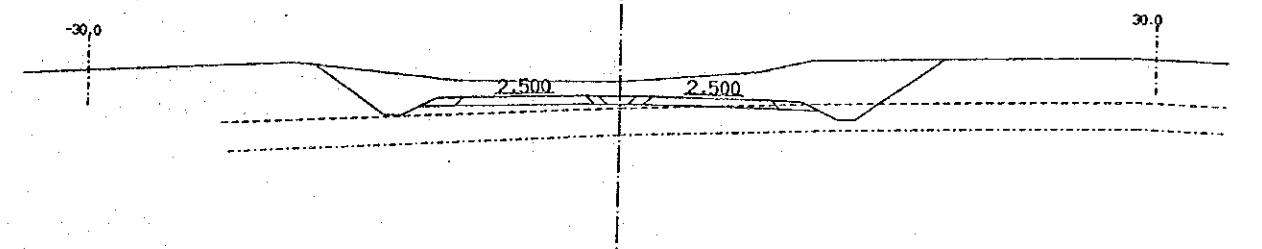
CH. 11+680
 PI=1797.379
 GI=1798.25



CH. 11+620
 PI=1796.475
 GI=1797.61



CH. 11+700
 PI=1797.681
 GI=1798.50



SURVEYED BY
 MAPPING BY
 LOCATION BY
 TRACED BY
 CHECKED BY

M.O.P.W. ROADS DEPT. DRG. NO.

REVISIONS	
DESCRIPTION	DATE

JAPAN INTERNATIONAL
 COOPERATION AGENCY

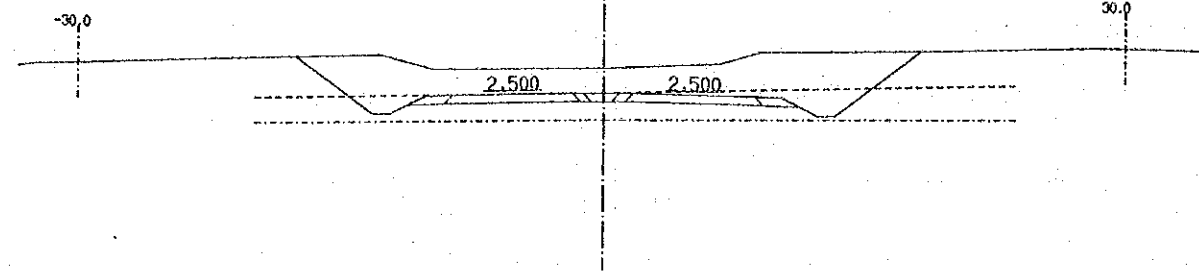
CHIEF ENGINEER (ROADS)
 CHIEF SUPT. ENG. (DESIGN)

SEN. SUPT. ENG. (DESIGN)
 SUPT. ENGINEER (DESIGN)
 PROJECT ENGINEER

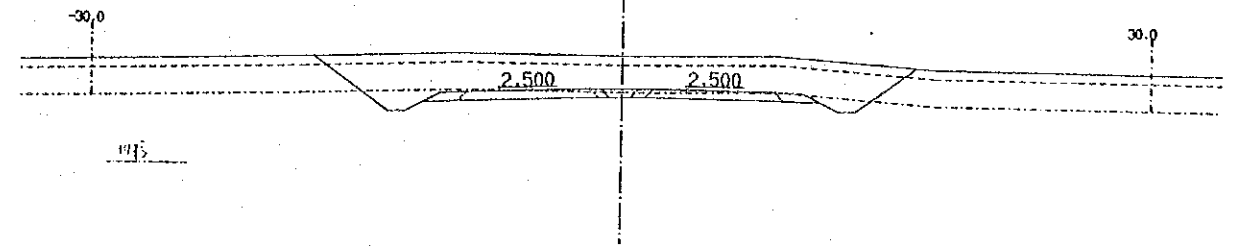
SCALES
 1 : 200

NAIROBI BYPASS
 CROSS SECTION

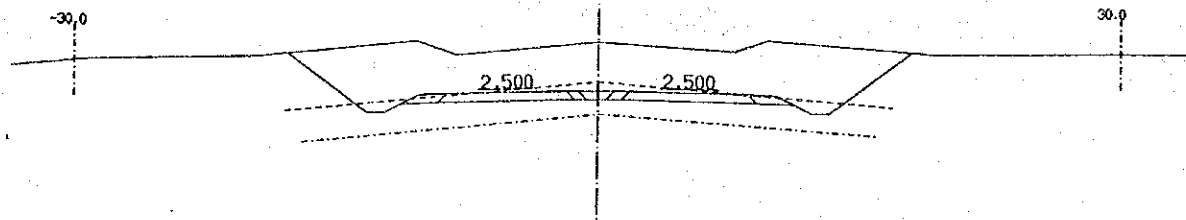
CH. 11+720
 PI=1797.982
 GI=1799.36



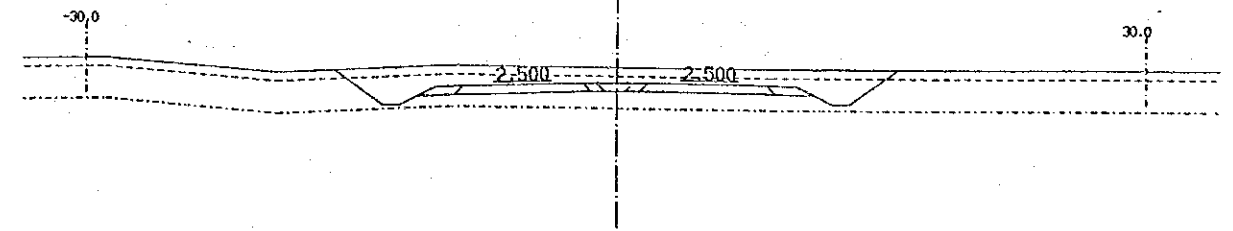
CH. 11+800
 PI=1799.187
 GI=1800.98



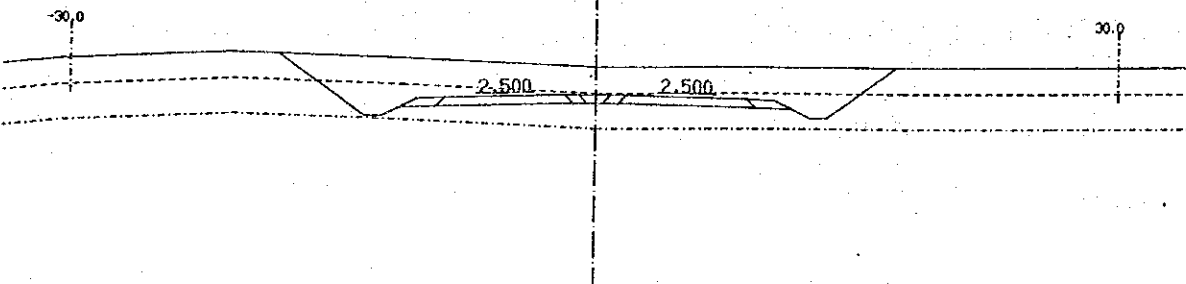
CH. 11+740
 PI=1798.283
 GI=1801.01



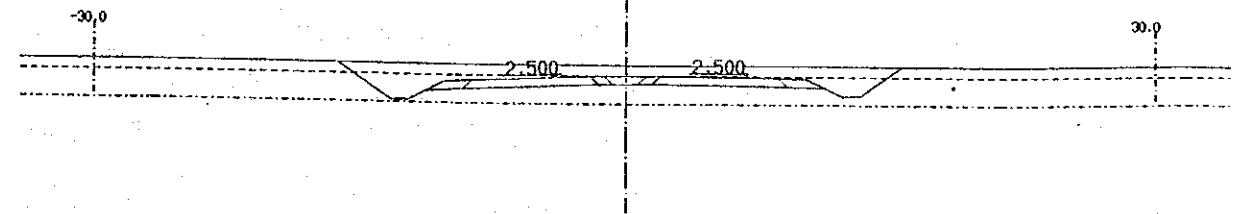
CH. 11+820
 PI=1799.489
 GI=1800.36



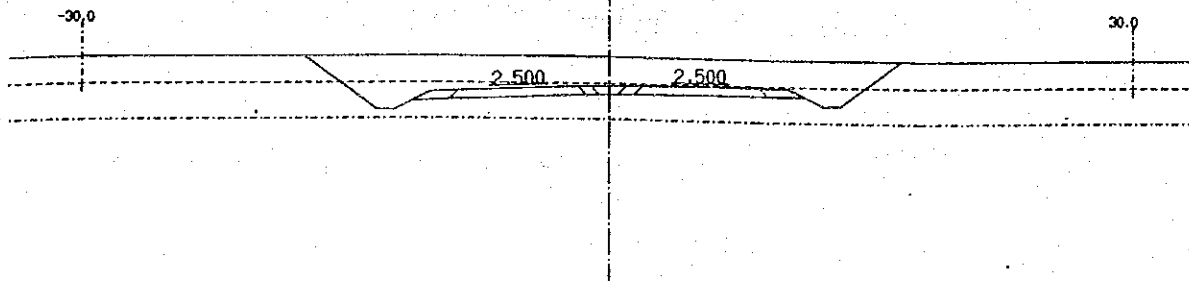
CH. 11+760
 PI=1798.585
 GI=1800.17



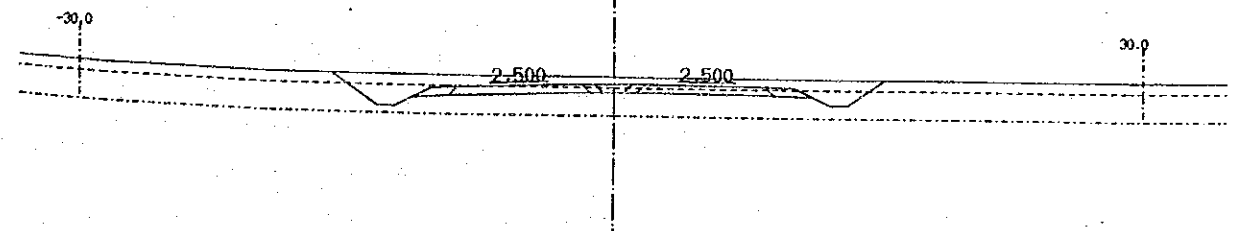
CH. 11+840
 PI=1799.790
 GI=1800.38



CH. 11+780
 PI=1798.886
 GI=1800.53



CH. 11+860
 PI=1800.091
 GI=1800.49



AERIAL PHOTO BY _____
 MAPPING BY _____
 SURVEYED BY _____
 TRACED BY _____
 LOCATION BY _____
 CHECKED BY _____

M.O.P.W. ROADS DEPT DRG. NO.

REVISIONS	
DESCRIPTION	DATE

JAPAN INTERNATIONAL
 COOPERATION AGENCY

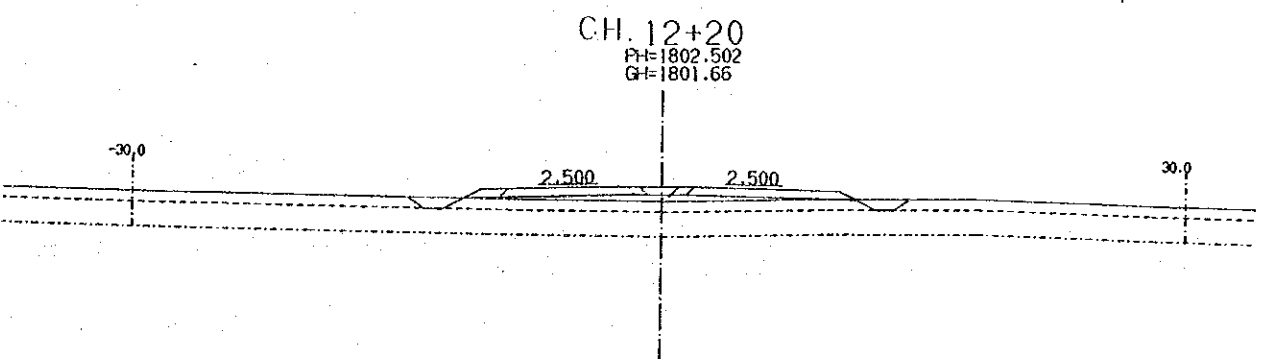
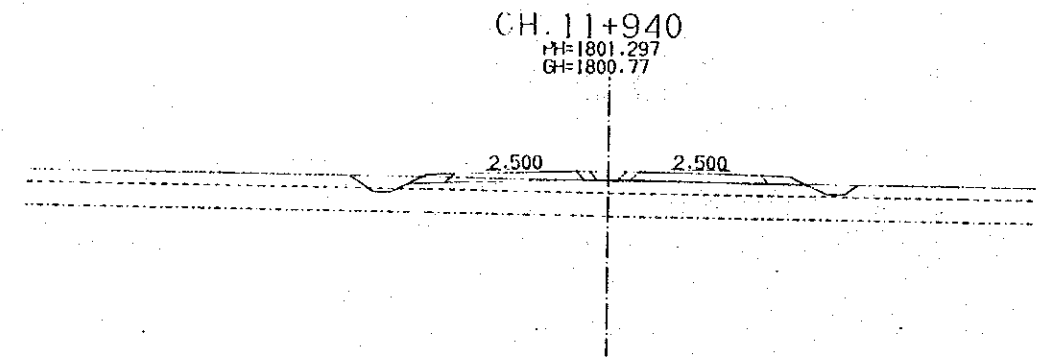
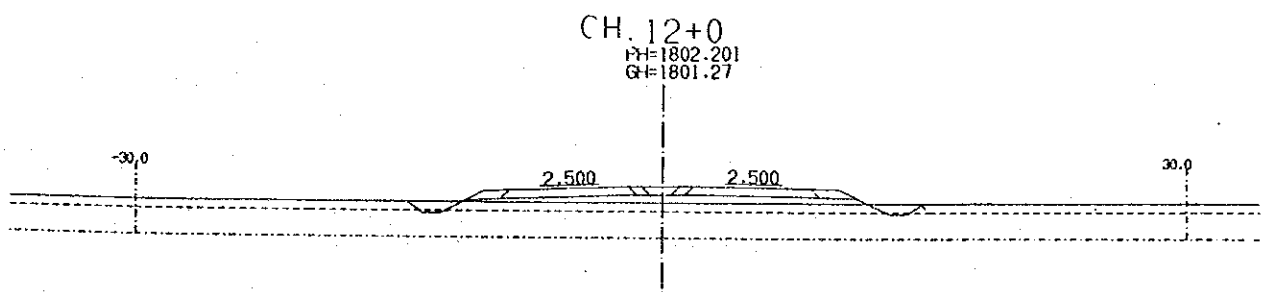
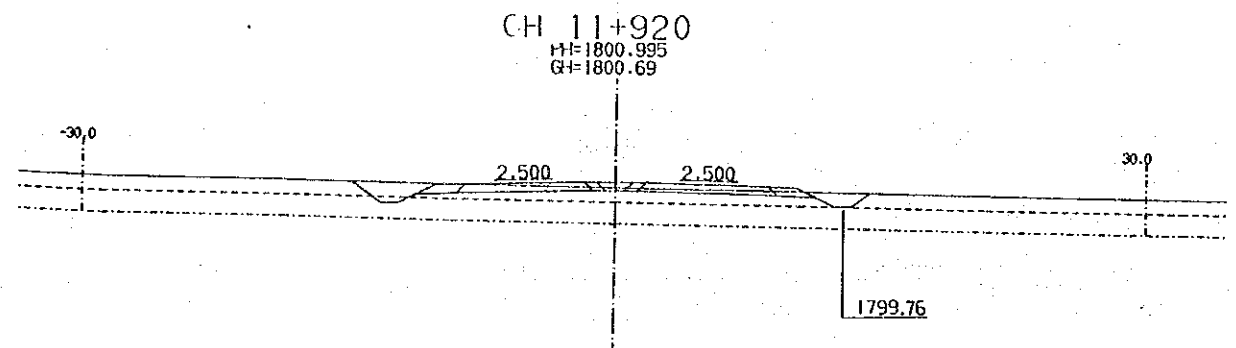
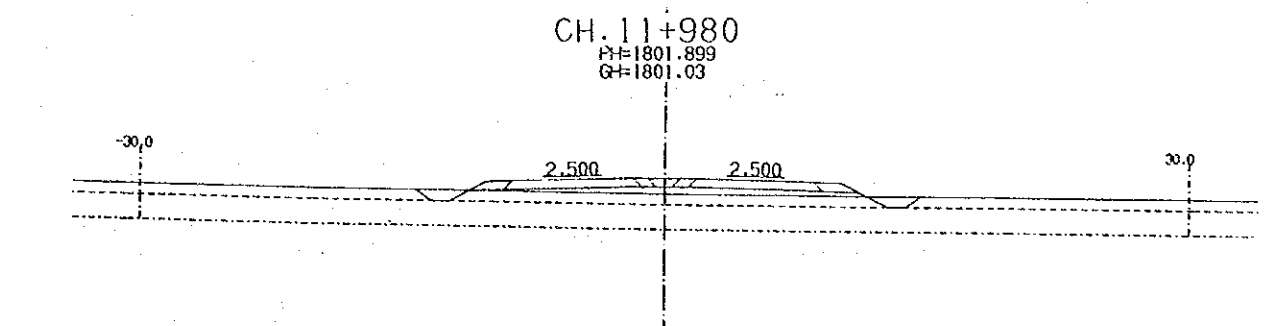
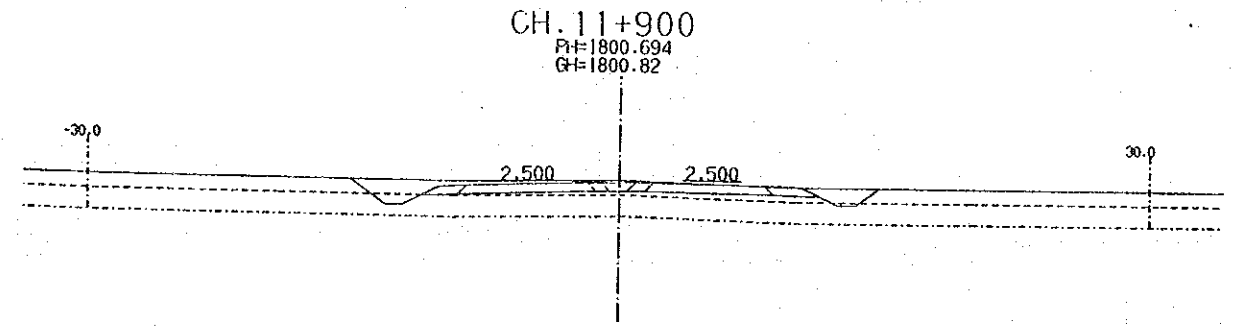
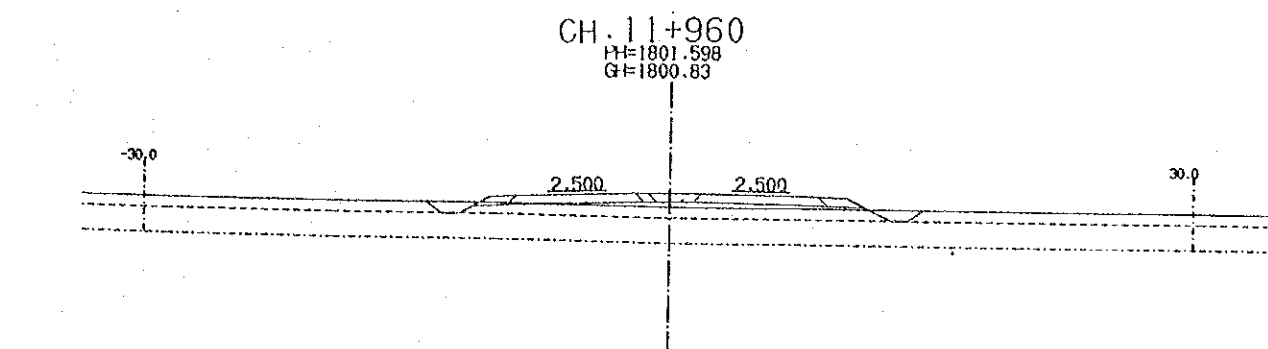
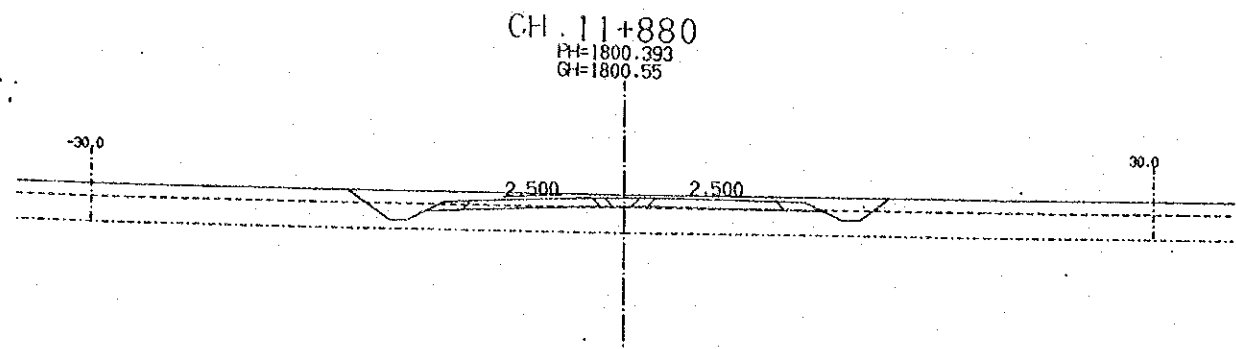
CHIEF ENGINEER (ROADS)
 CHIEF SUPT. ENG. (DESIGN)

SEN. SUPT. ENG. (DESIGN)
 SUPT. ENGINEER (DESIGN)
 PROJECT ENGINEER

SCALES
 1 : 200

NAIROBI BYPASS
 CROSS SECTION

SHEET 800F196



SURVEYED BY
 TRACED BY
 CHECKED BY
 AERIAL PHOTO BY
 MAPPING BY
 LOCATION BY

MOPW ROADS DEPT DRG NO.

REVISIONS	
DESCRIPTION	DATE

JAPAN INTERNATIONAL
 COOPERATION AGENCY

CHIEF ENGINEER (ROADS)
 CHIEF SUPT. ENG (DESIGN)

SEN SUPT. ENG (DESIGN)
 SUPT. ENGINEER (DESIGN)
 PROJECT ENGINEER

SCALES
 1 : 200

NAIROBI BYPASS
 CROSS SECTION

SHEET 81 OF 196

CH. 12+40
 PI=1802.803
 GI=1802.08

CH. 12+120
 PI=1804.009
 GI=1804.69

CH. 12+60
 PI=1803.105
 GI=1802.63

CH. 12+140
 PI=1804.310
 GI=1805.51

CH. 12+80
 PI=1803.406
 GI=1803.71

CH. 12+160
 PI=1804.612
 GI=1805.84

CH. 12+100
 PI=1803.708
 GI=1804.31

CH. 12+180
 PI=1804.913
 GI=1806.50

AERIAL PHOTO BY	SURVEYED BY
	TRACED BY
	CHECKED BY
MAPPING BY	LOCATION BY

M.P.W. ROADS DEPT. DRG. NO.

REVISIONS	
DESCRIPTION	DATE

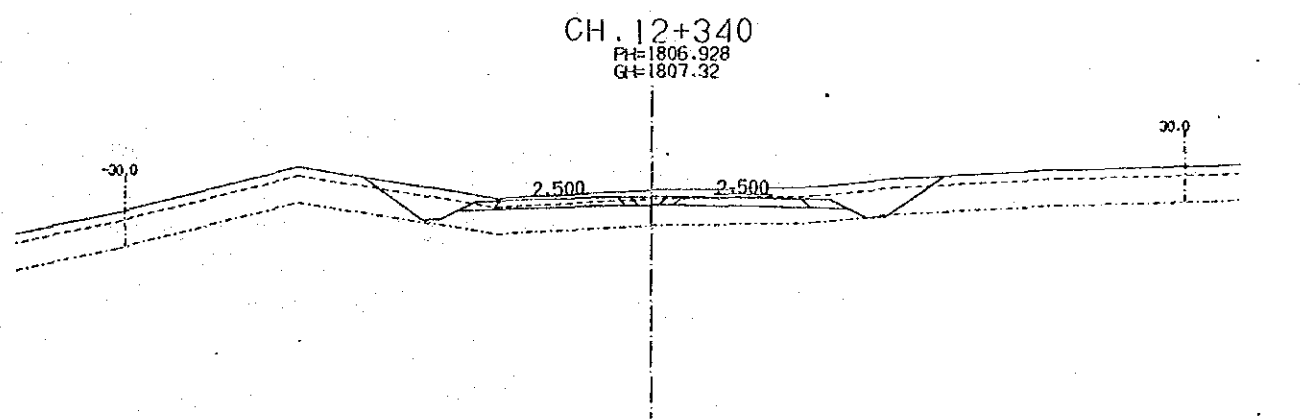
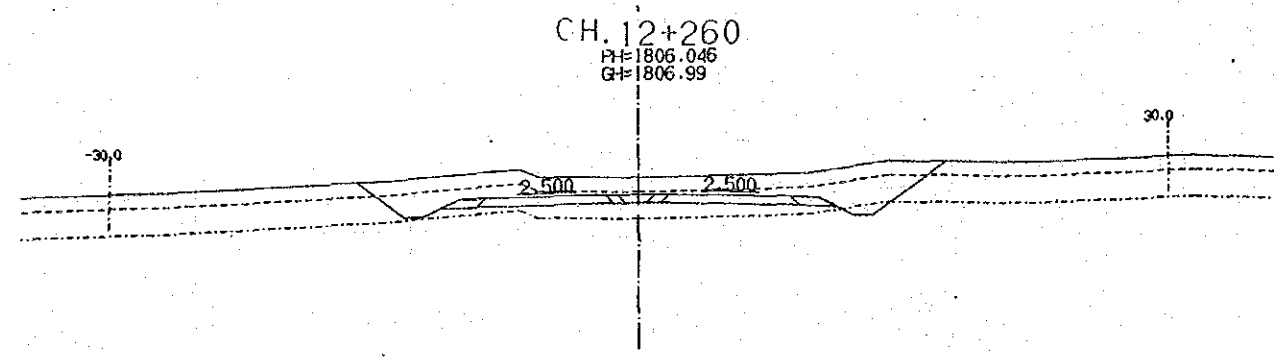
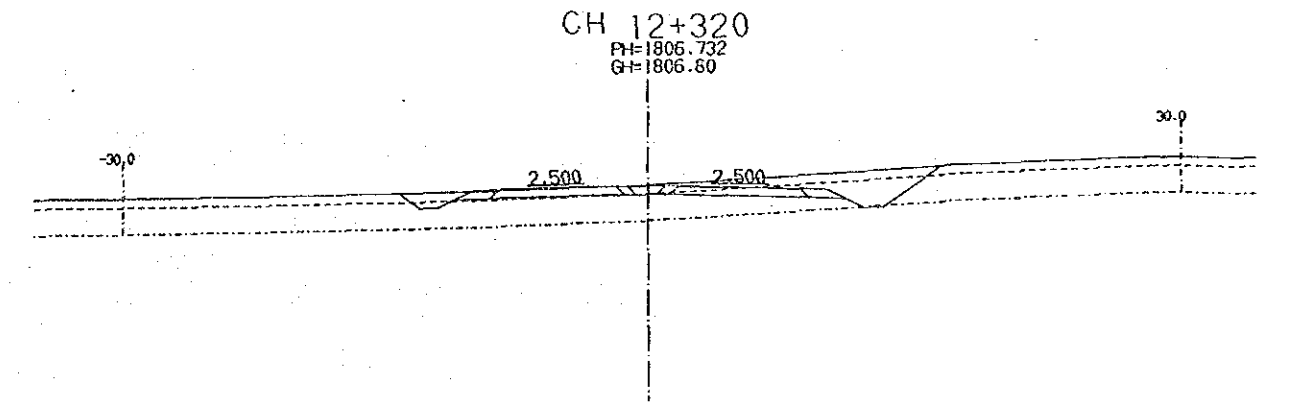
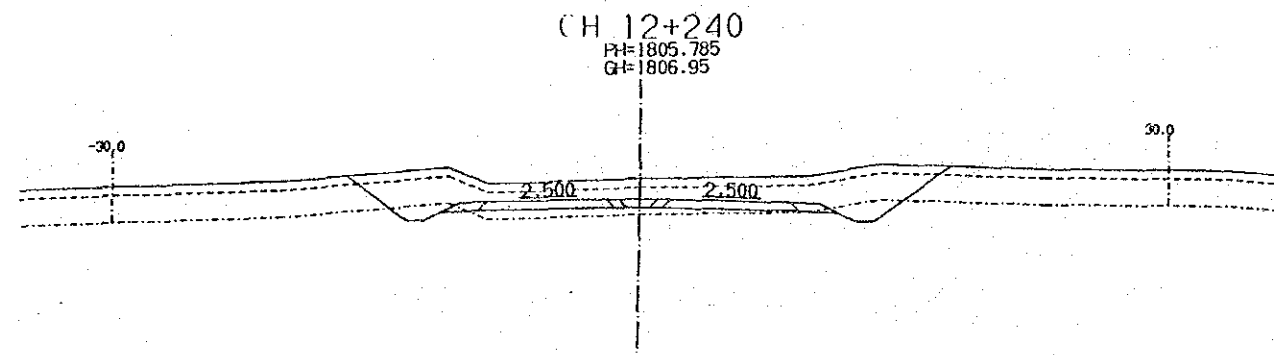
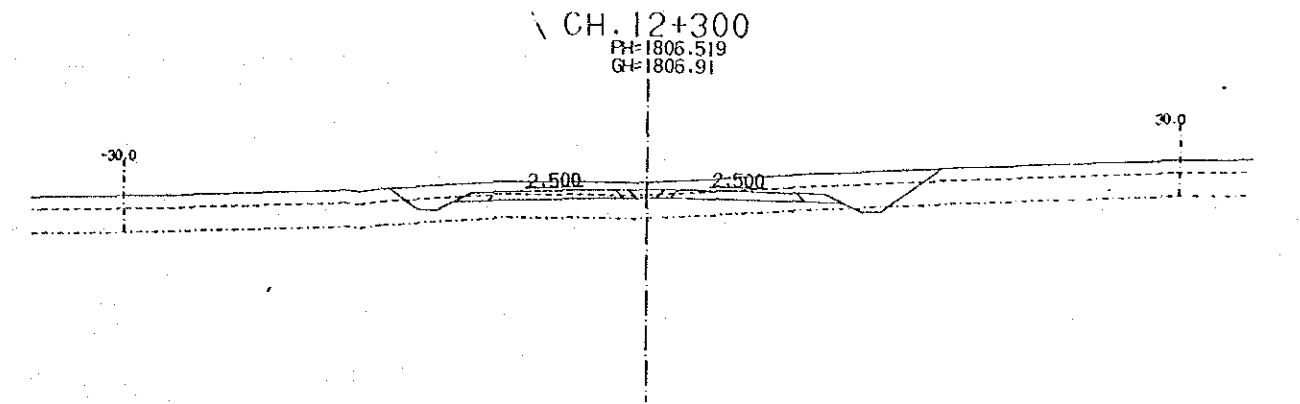
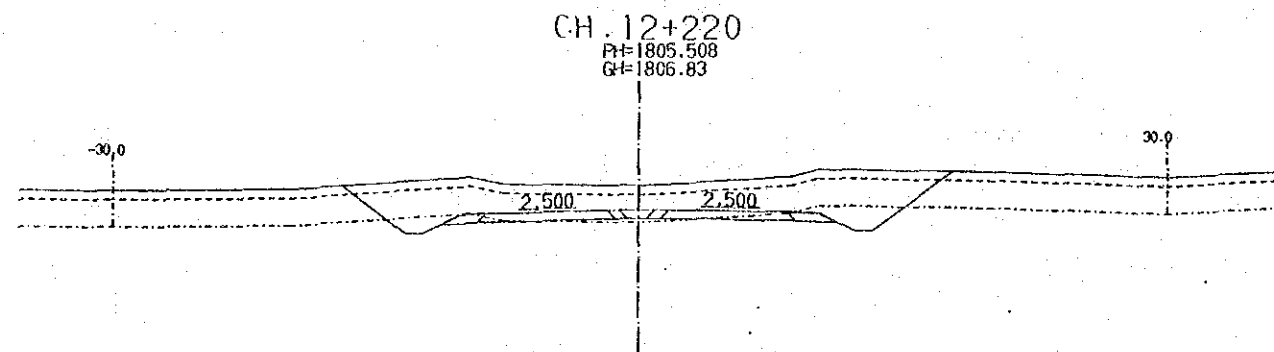
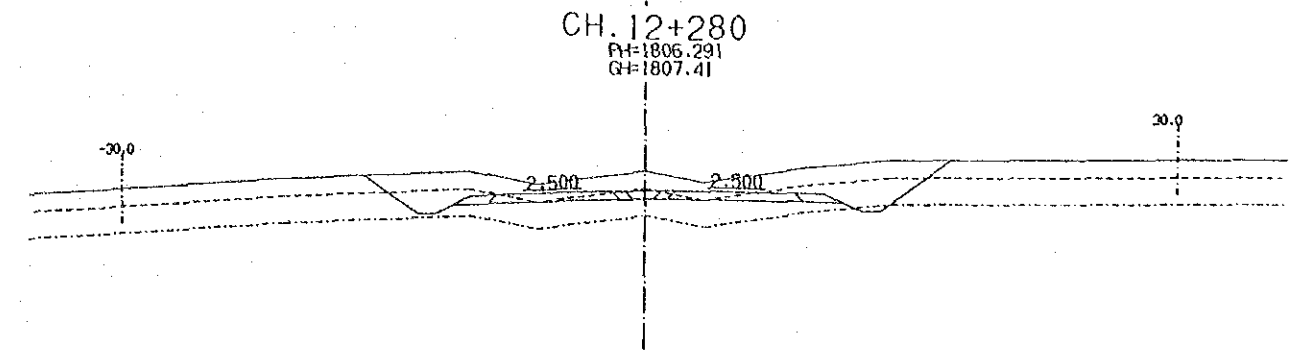
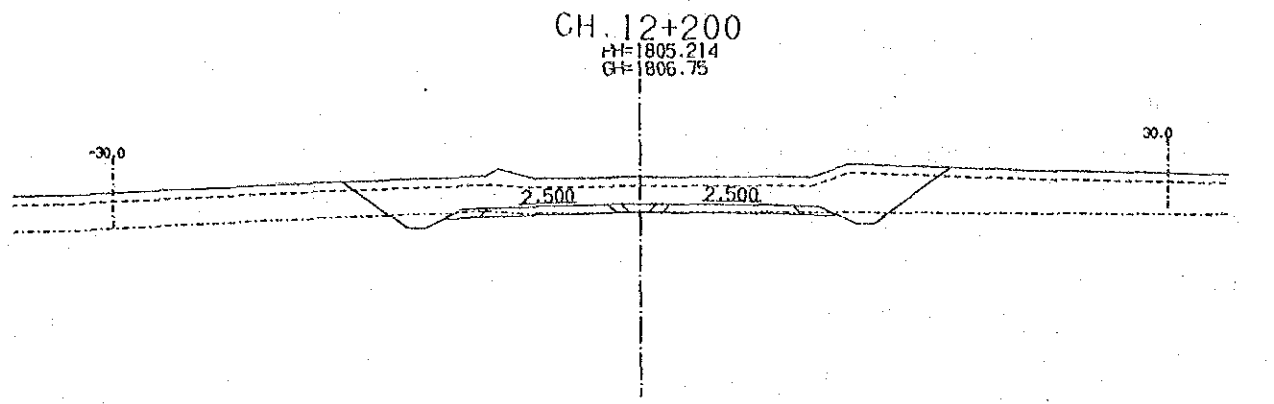
JAPAN INTERNATIONAL COOPERATION AGENCY	CHIEF ENGINEER (ROA. 3)
	CHIEF SUPT. ENR. (DESIGN)

SEN. SUPT. ENG. (DESIGN)	
SUPT. ENGINEER (DESIGN)	
PROJECT ENGINEER	

SCALES
 1 : 200

NAIROBI BYPASS
 CROSS SECTION

SHEET 82 OF 196



SURVEYED BY
 TRACED BY
 CHECKED BY
 AERIAL PHOTO BY
 MAPPING BY
 LOCATION BY

M.O.R.W. ROADS DEPT. DRG. NO.

REVISIONS	
DESCRIPTION	DATE

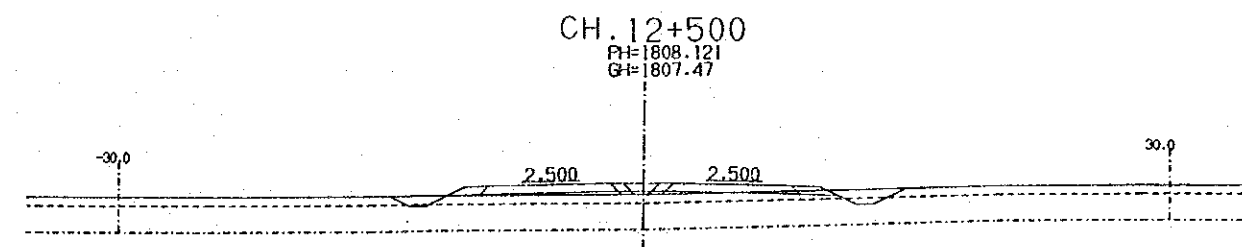
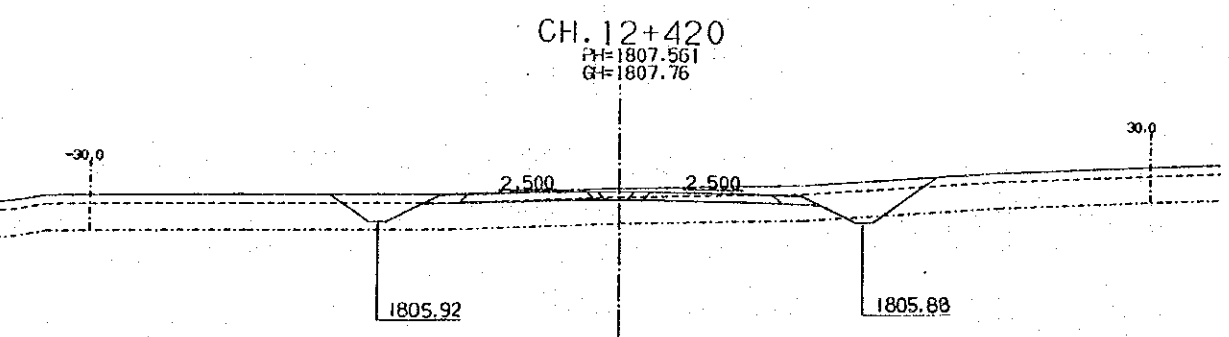
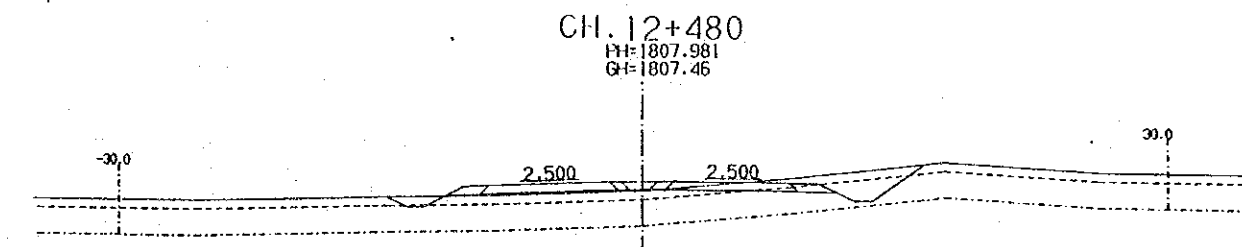
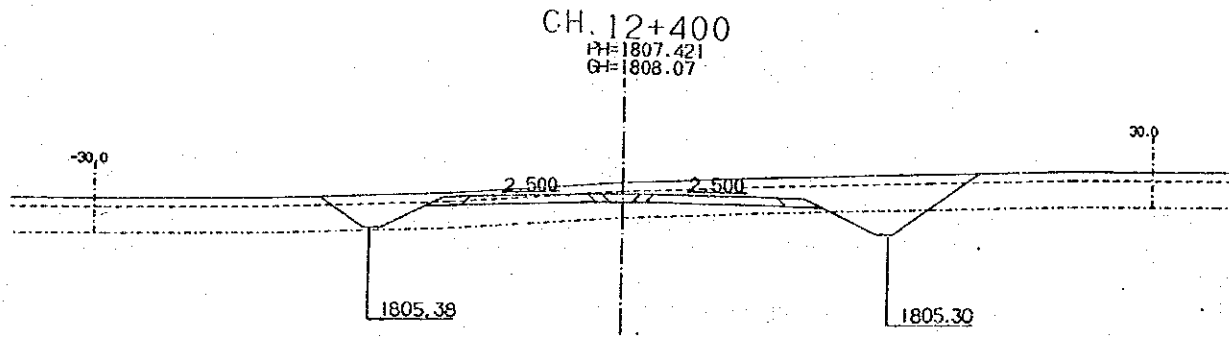
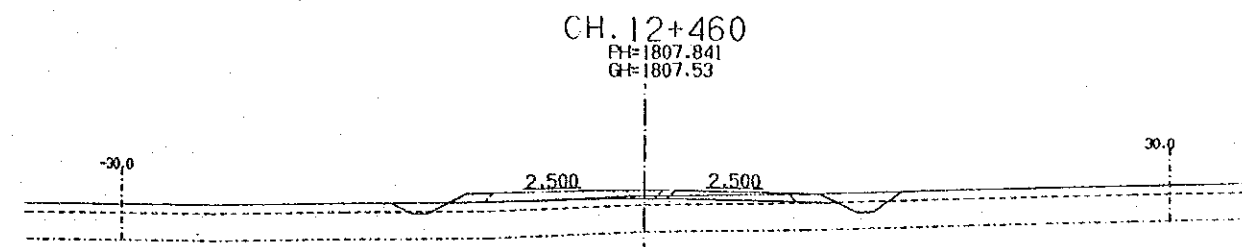
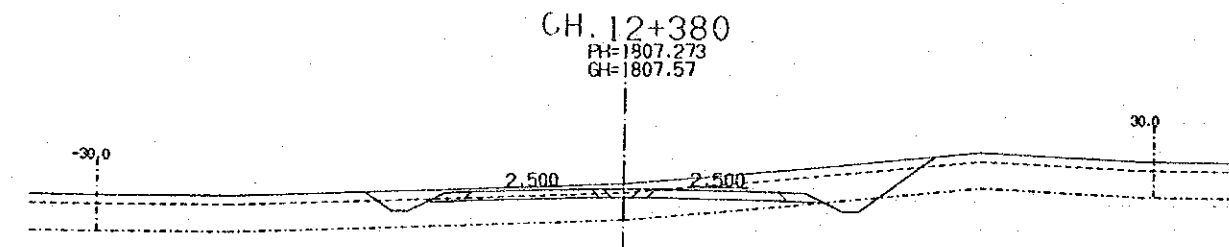
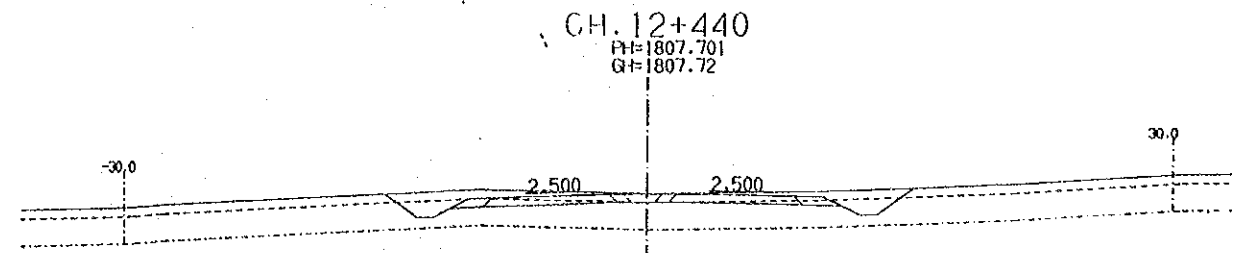
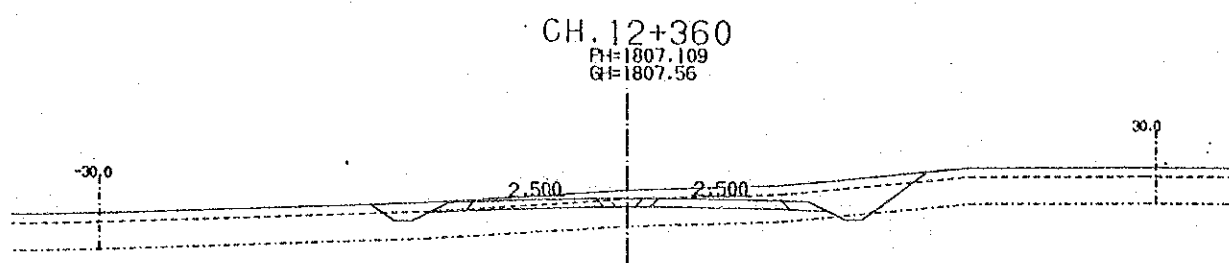
JAPAN INTERNATIONAL COOPERATION AGENCY
 CHIEF ENGINEER (ROADS)
 CHIEF SUPT. ENG. (DESIGN)

SEN. SUPT. ENG. (DESIGN)
 SUPT. ENGINEER (DESIGN)
 PROJECT ENGINEER

SCALES
 1 : 200

NAIROBI BYPASS
 CROSS SECTION

SHEET 83 OF 196



SURVEYED BY
 MAPPING BY
 AERIAL PHOTO BY
 TRACED BY
 LOCATION BY
 CHECKED BY

MOPW ROADS DEPT DRG NO.

REVISIONS	
DESCRIPTION	DATE

JAPAN INTERNATIONAL
 COOPERATION AGENCY

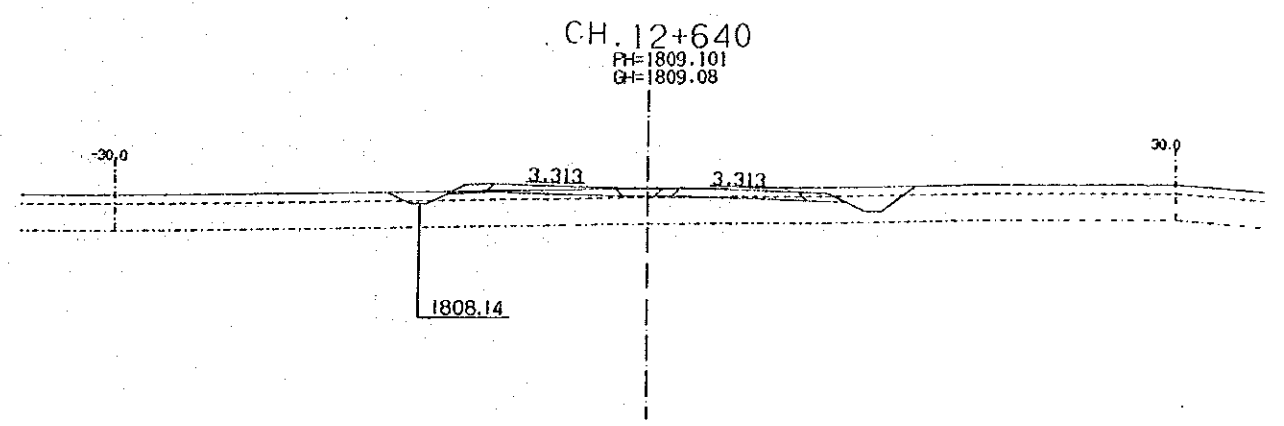
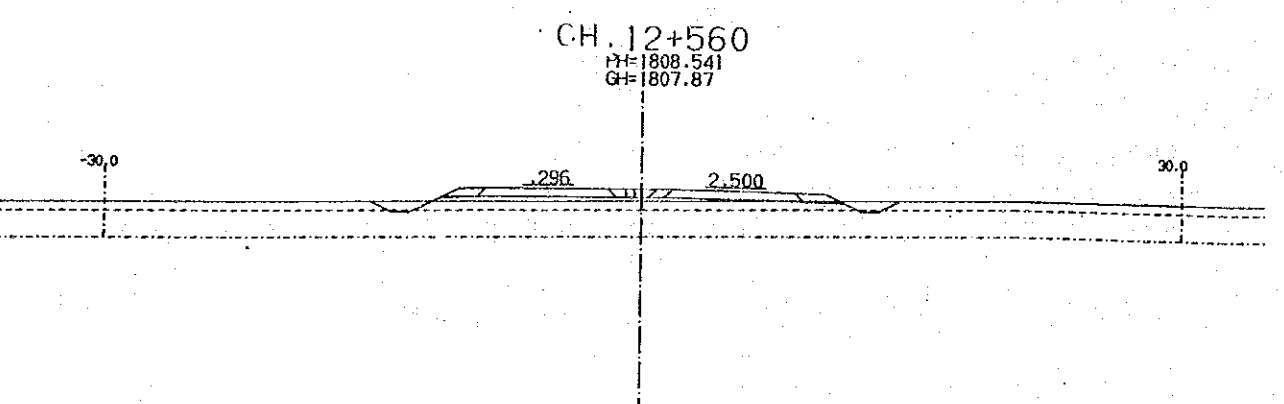
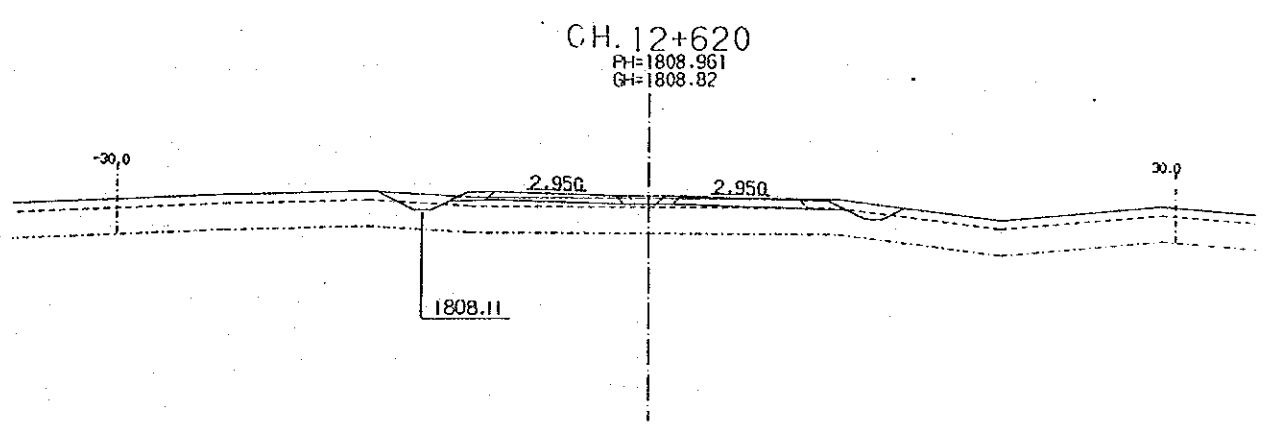
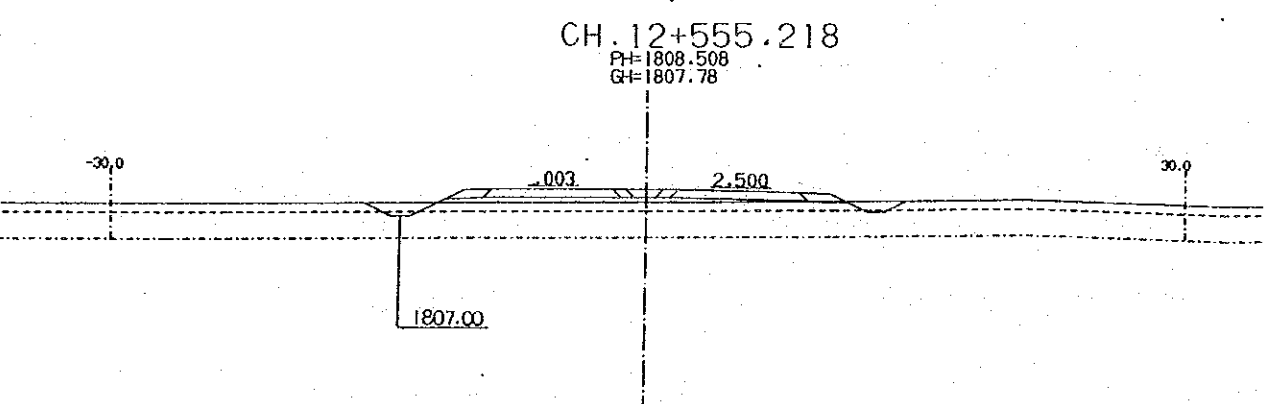
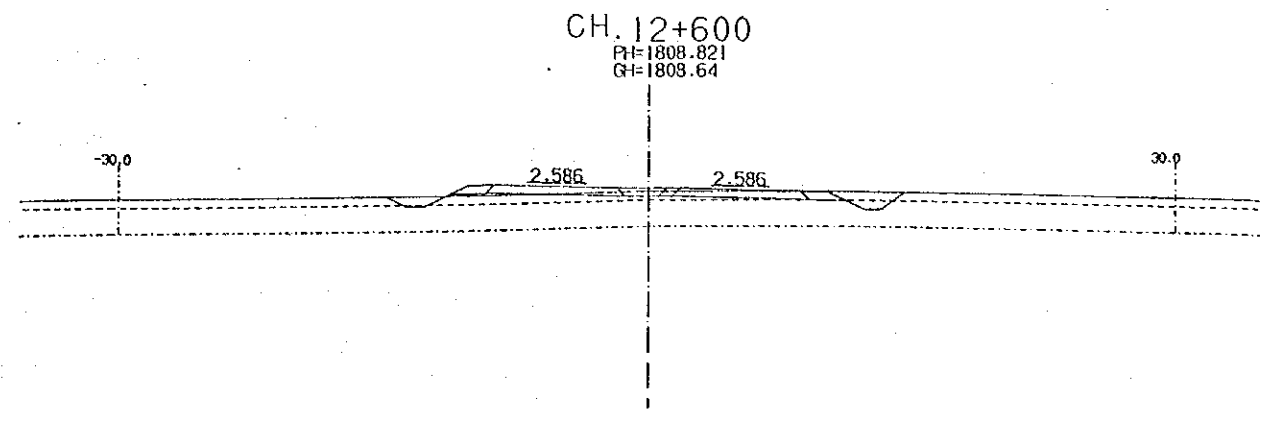
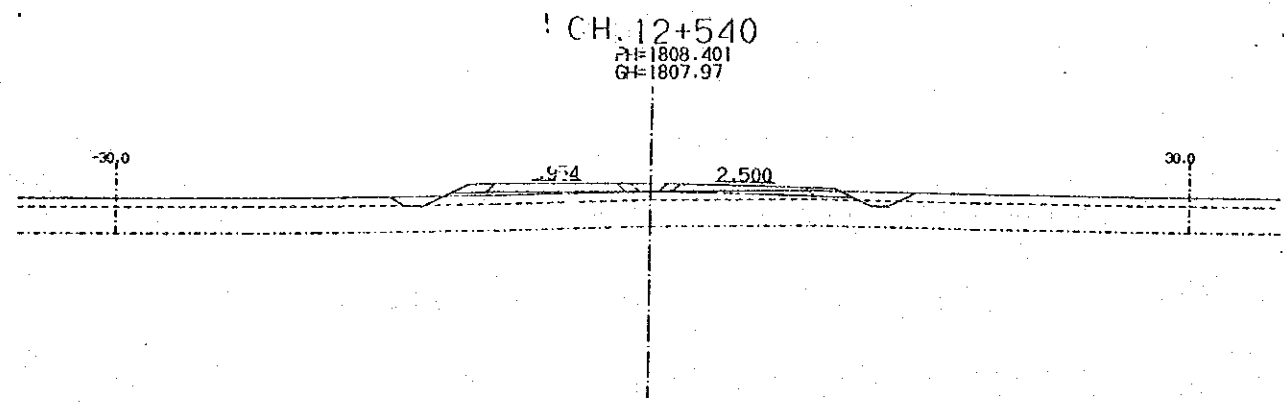
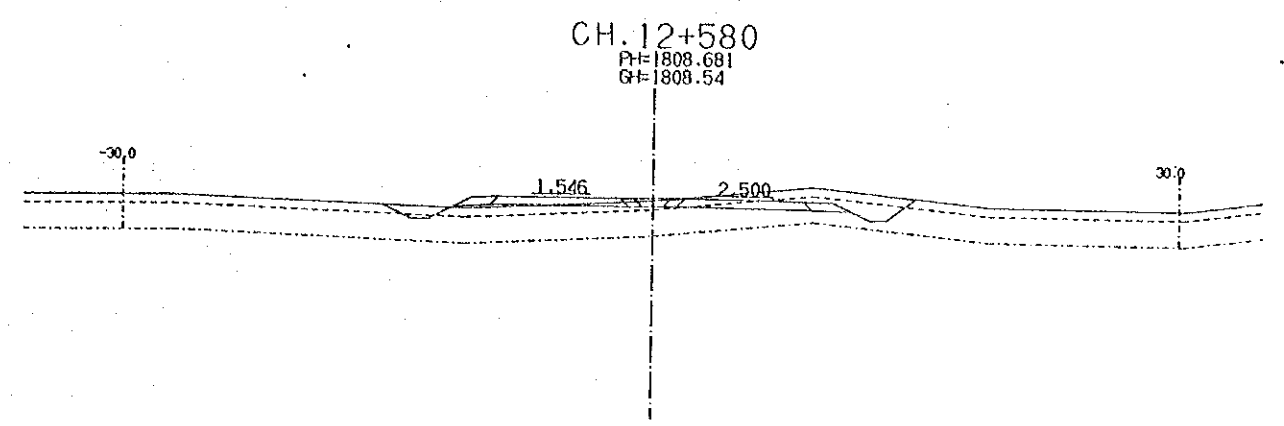
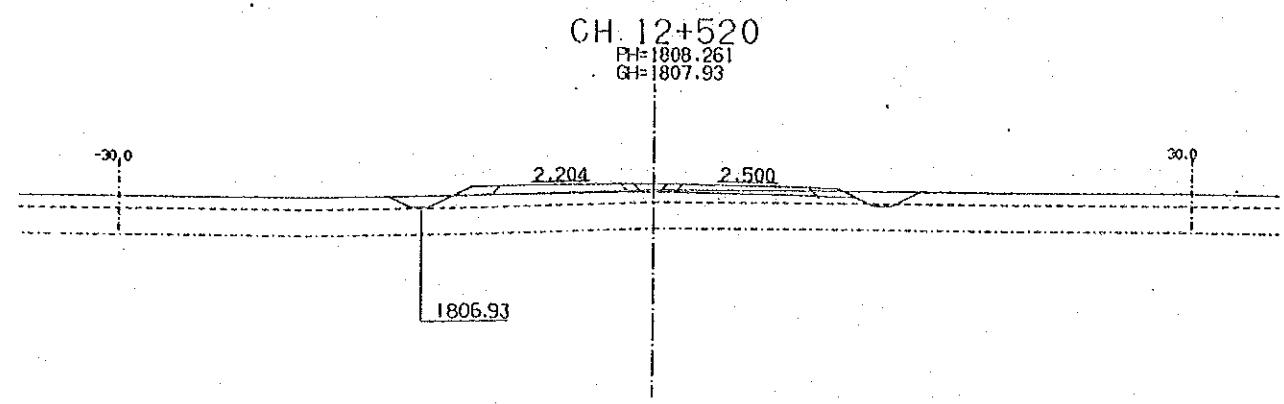
CHIEF ENGINEER (ROADS)
 CHIEF SUPT. ENG (DESIGN)

SEN. SUPT. ENG. (DESIGN)
 SUPT. ENGINEER (DESIGN)
 PROJECT ENGINEER

SCALES
 1 : 200

NAIROBI BYPASS
 CROSS SECTION

SHEET 84 OF 196



AERIAL PHOTO BY _____ SURVEYED BY _____
 MAPPING BY _____ TRACED BY _____
 LOCATION BY _____ CHECKED BY _____

M.O.W. ROADS DEPT DRG NO.

REVISIONS	
DESCRIPTION	DATE

JAPAN INTERNATIONAL
 COOPERATION AGENCY

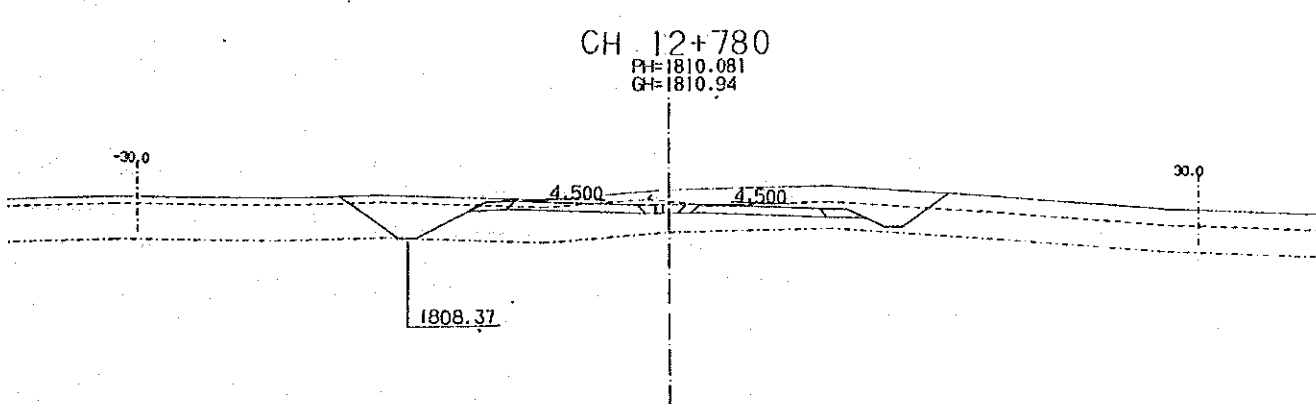
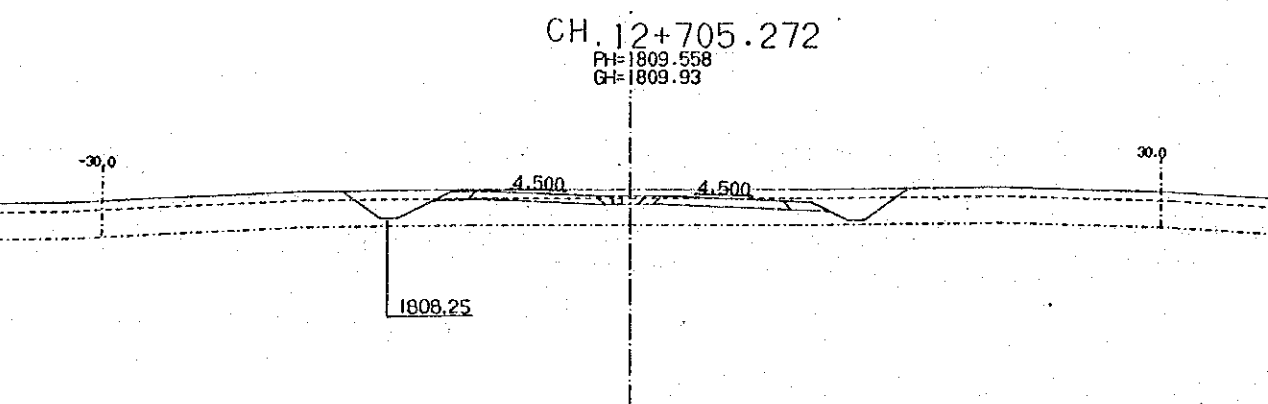
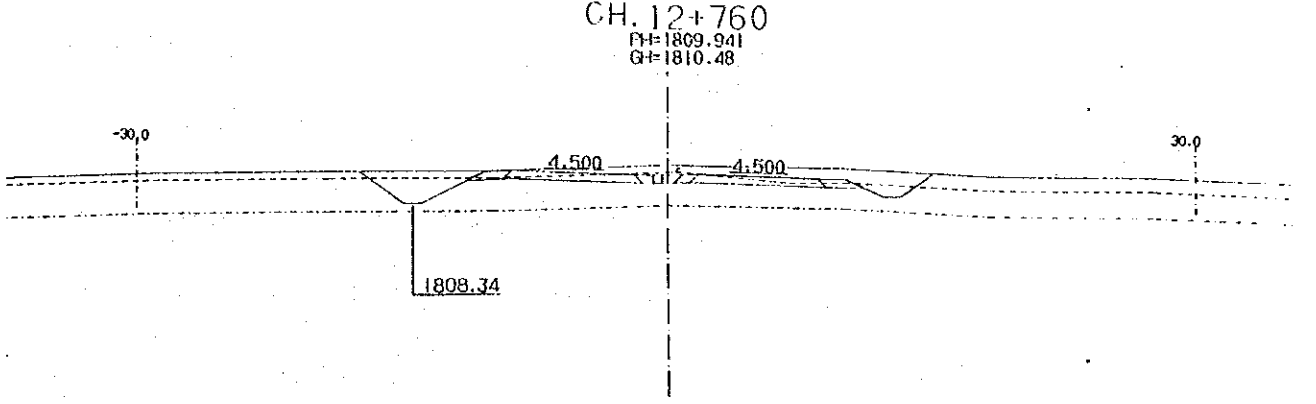
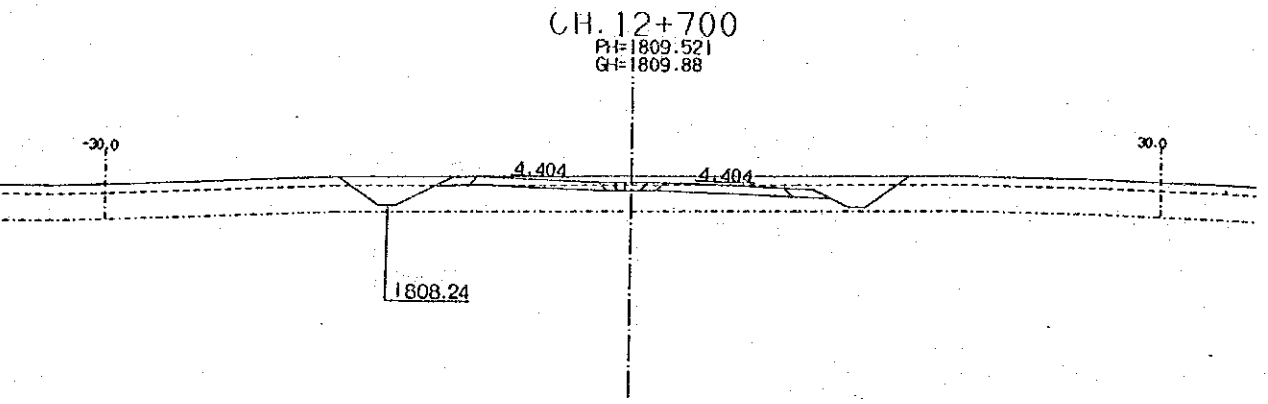
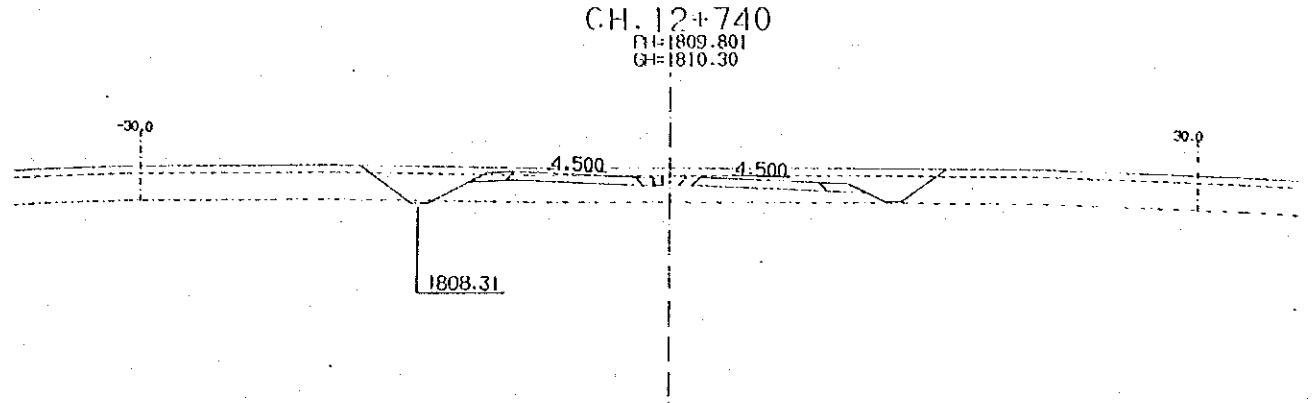
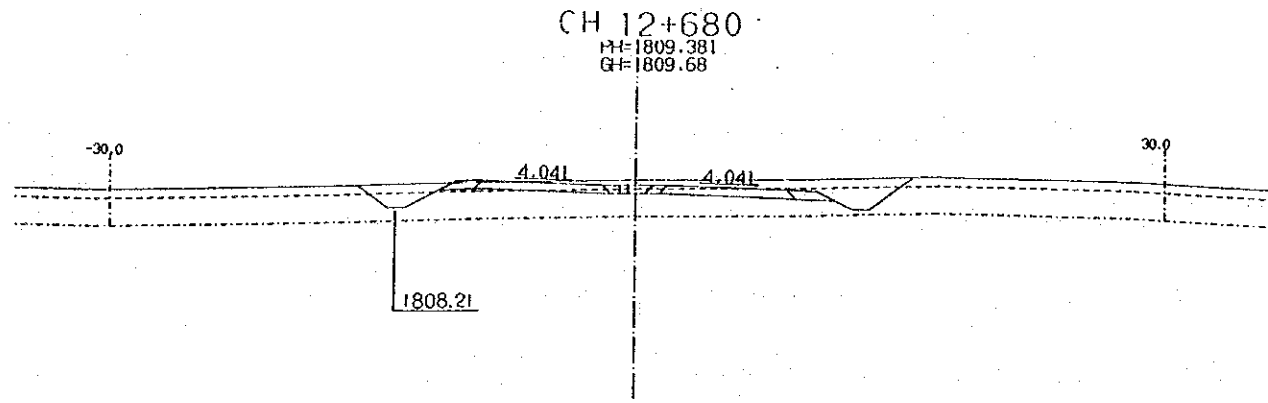
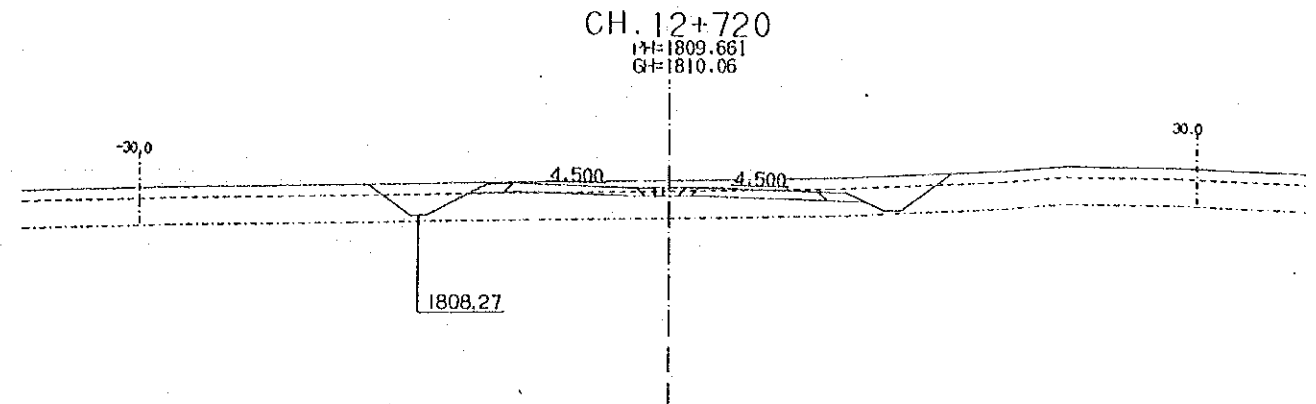
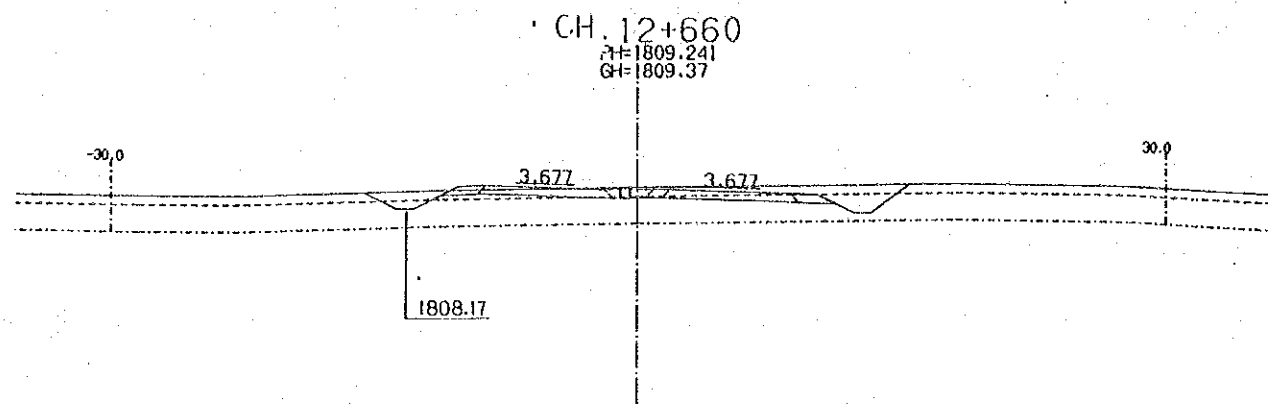
CHIEF ENGINEER (ROADS)
 CHIEF SUPT. ENG. (DESIGN)

SEN. SUPT. ENG. (DESIGN)
 SUPT. ENGINEER (DESIGN)
 PROJECT ENGINEER

SCALES
 1 : 200

NAIROBI BYPASS
 CROSS SECTION

SHEET 85 OF 196



SURVEYED BY
 TRACED BY
 CHECKED BY
 AERIAL PHOTO BY
 MAPPING BY
 LOCATION BY

M.O.P.W. ROADS DEPT. DRG. NO.

REVISIONS	
DESCRIPTION	DATE

JAPAN INTERNATIONAL
 COOPERATION AGENCY

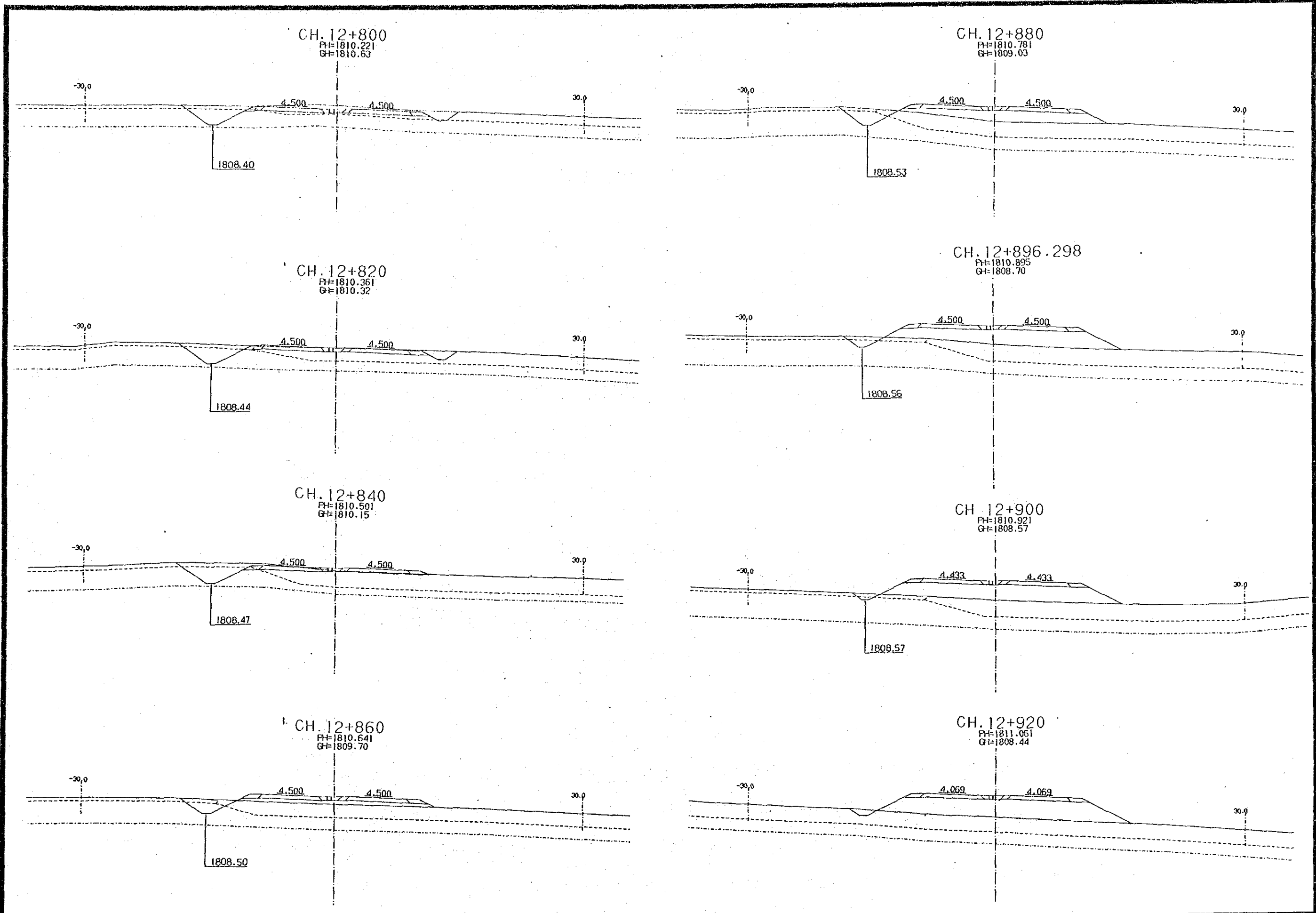
CHIEF ENGINEER (ROADS)
 CHIEF SUPT. ENG. (DESIGN)

SEN. SUPT. ENG. (DESIGN)
 SUPT. ENGINEER (DESIGN)
 PROJECT ENGINEER

SCALES
 1 : 200

NAIROBI BYPASS
 CROSS SECTION

SHEET 86 OF 196



SURVEYED BY
 TRACED BY
 CHECKED BY
 AERIAL PHOTO BY
 MAPPING BY
 LOCATION BY

M.O.P.W. ROADS DEPT. DRG. NO.

REVISIONS	
DESCRIPTION	DATE

JAPAN INTERNATIONAL
COOPERATION AGENCY

CHIEF ENGINEER (ROADS)
CHIEF SUPT. ENG. (DESIGN)

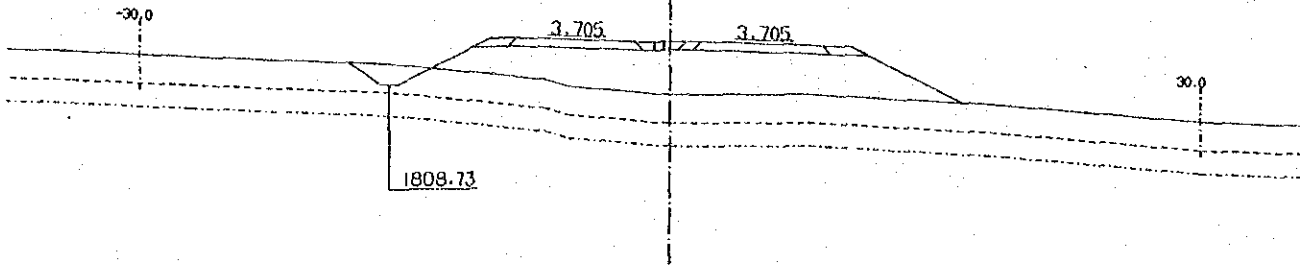
SEN. SUPT. ENG. (DESIGN)
SUPT. ENGINEER (DESIGN)
PROJECT ENGINEER

SCALES
1 : 200

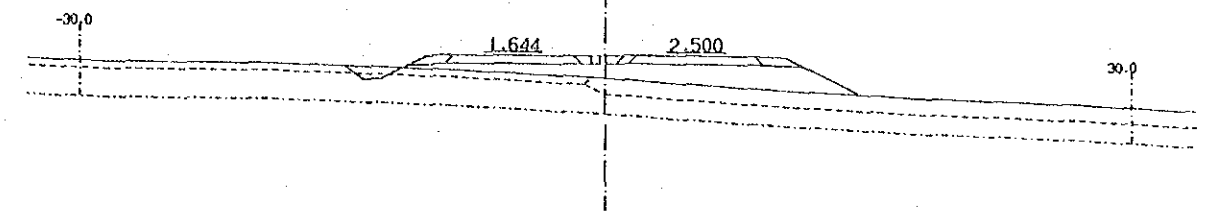
NAIROBI BYPASS
CROSS SECTION

SHEET 07 OF 196

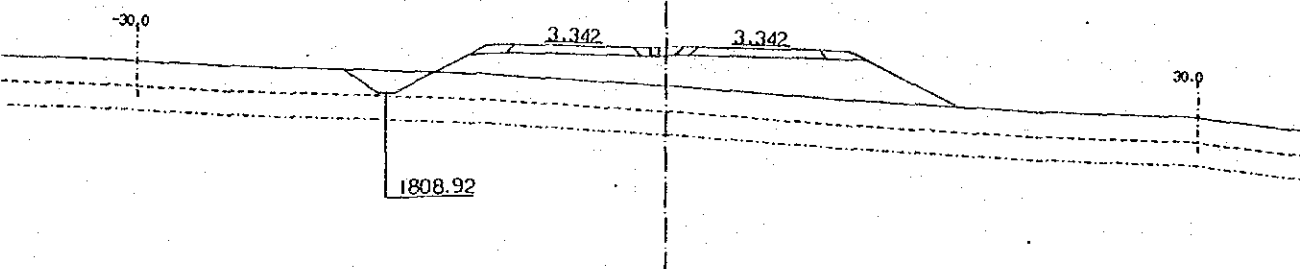
CH. 12+940
 PI=1811.201
 GI=1808.24



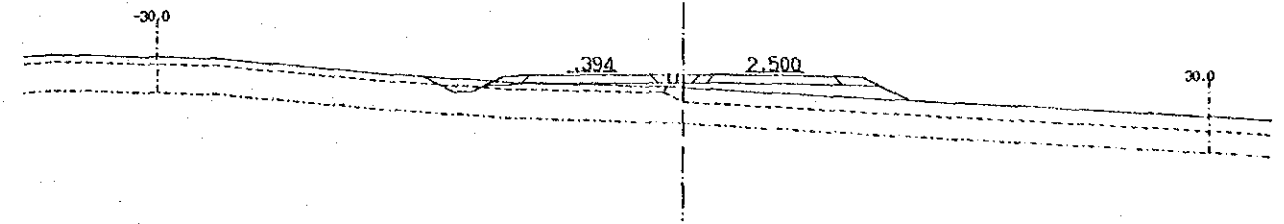
CH. 13+20
 PI=1811.761
 GI=1810.49



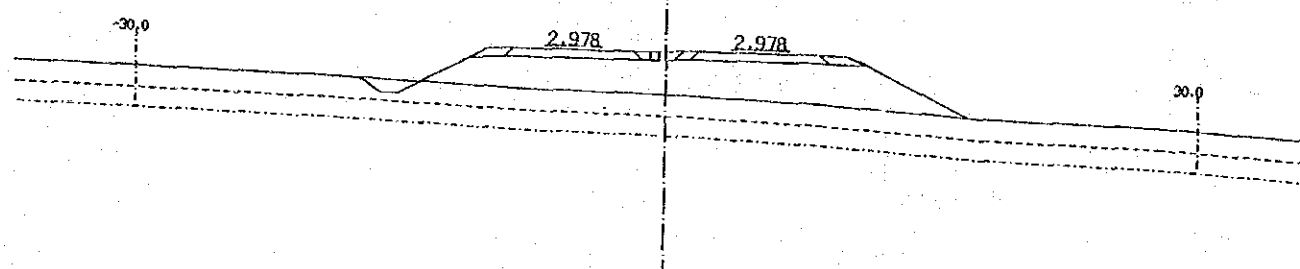
CH. 12+960
 PI=1811.341
 GI=1809.20



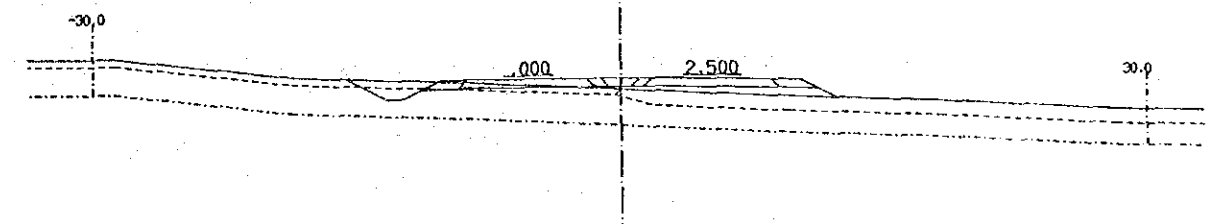
CH. 13+40
 PI=1811.901
 GI=1811.17



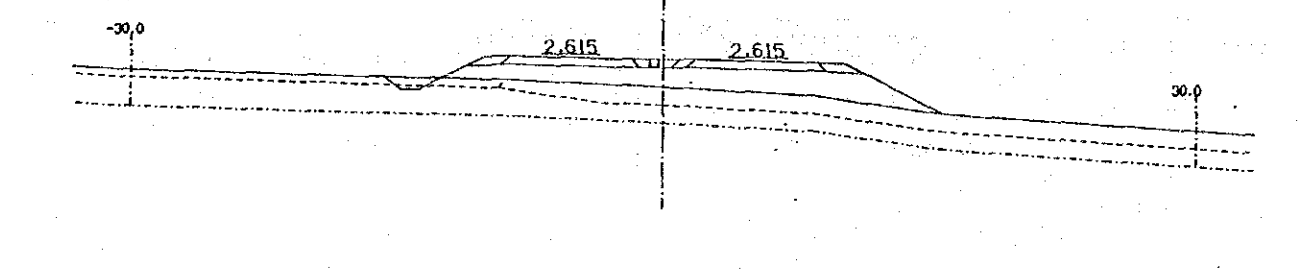
CH. 12+980
 PI=1811.481
 GI=1809.07



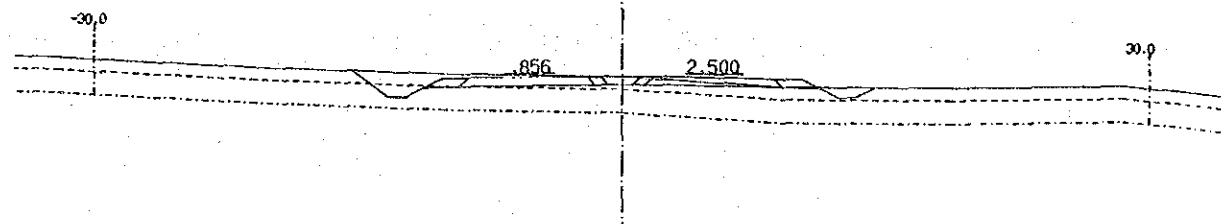
CH. 13+46.298
 PI=1811.945
 GI=1811.33



CH. 13+0
 PI=1811.621
 GI=1810.08



CH. 13+60
 PI=1812.041
 GI=1812.01



SURVEYED BY
 TRACED BY
 CHECKED BY
 AERIAL PHOTO BY
 MAPPING BY
 LOCATION BY

M.O.P.W. ROADS DEPT. DRG. NO.

REVISIONS	
DESCRIPTION	DATE

JAPAN INTERNATIONAL
 COOPERATION AGENCY

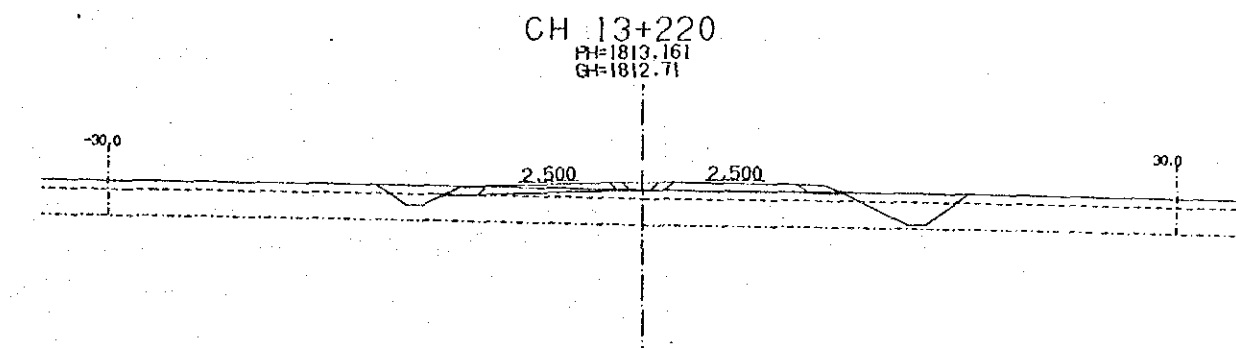
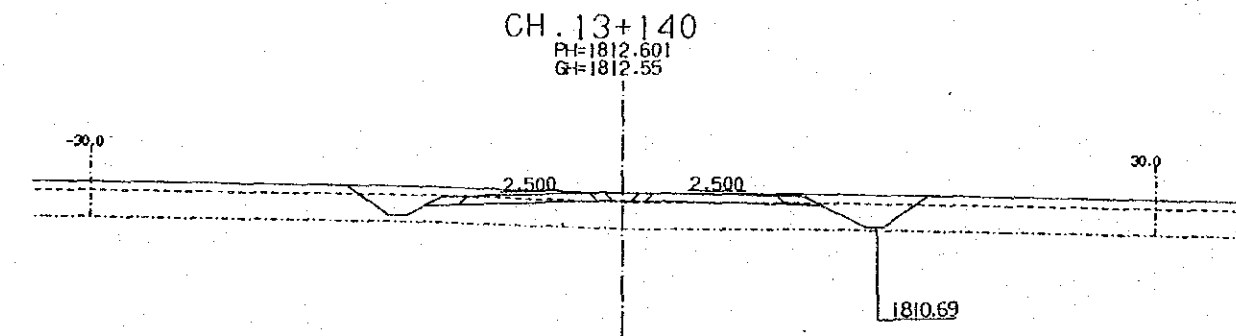
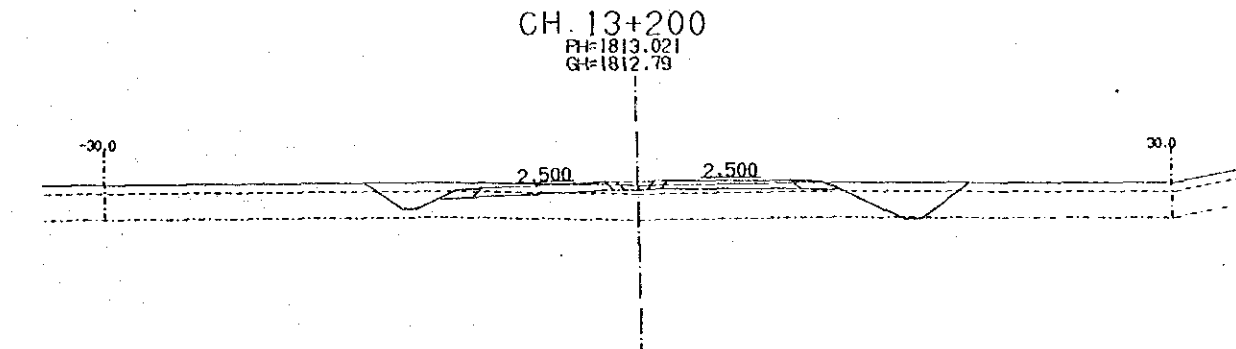
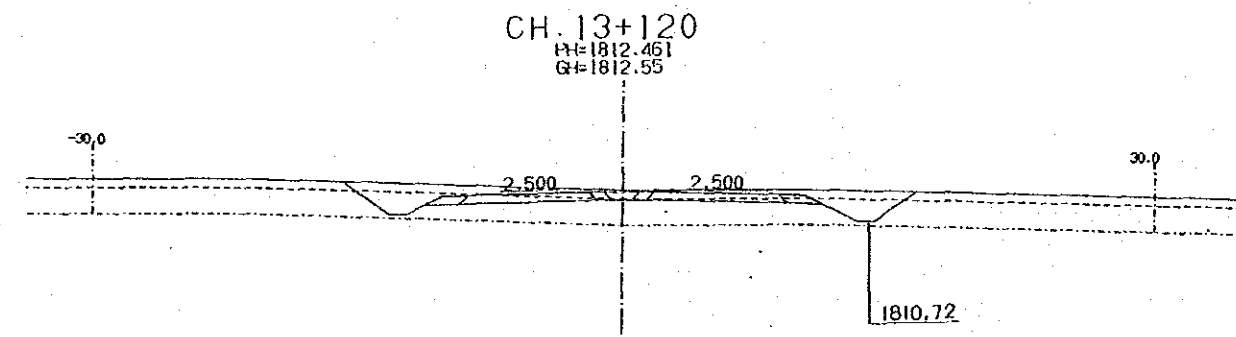
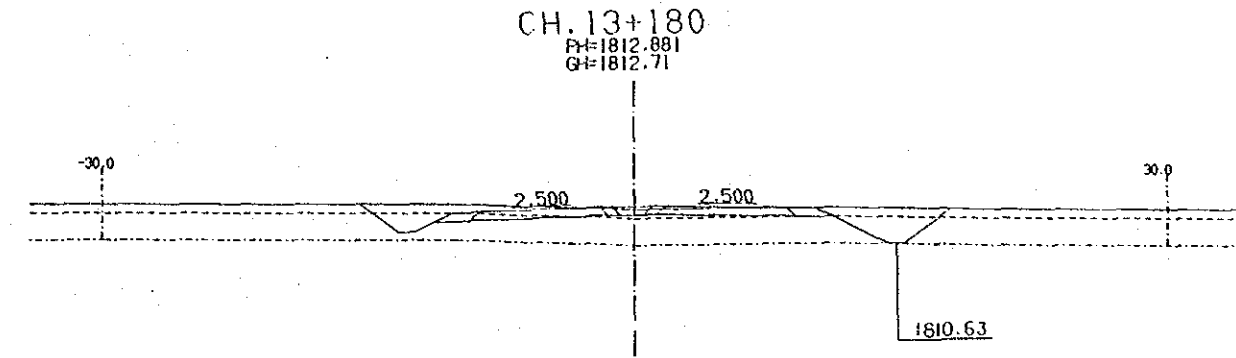
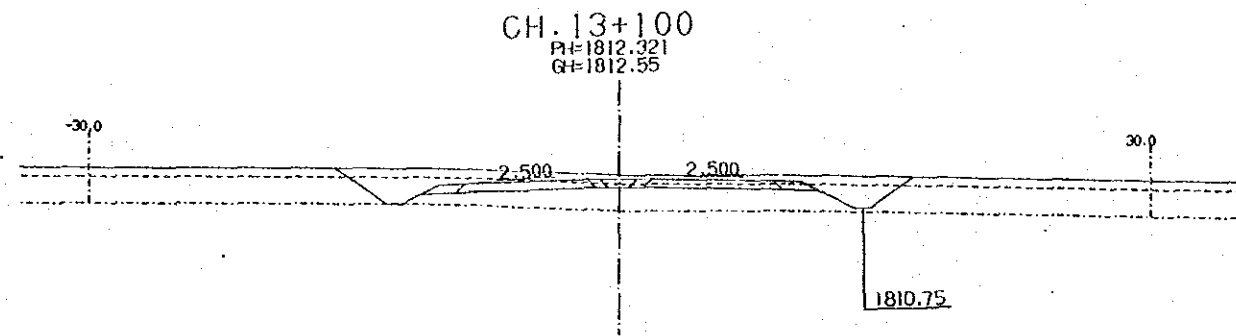
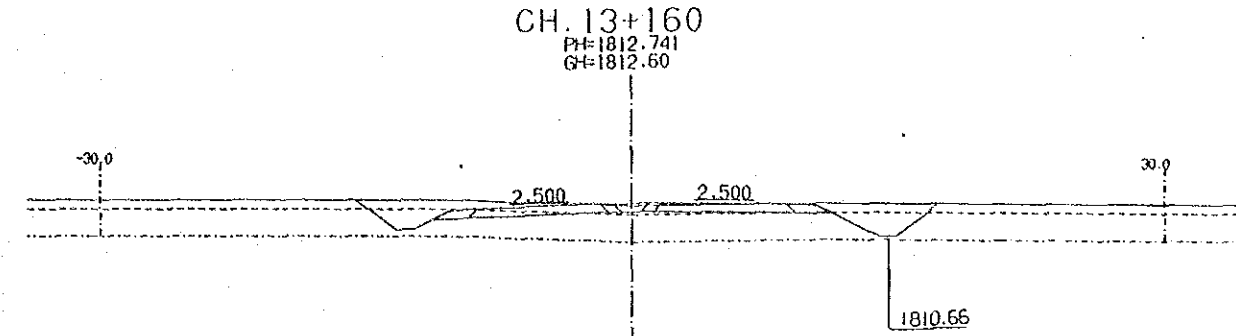
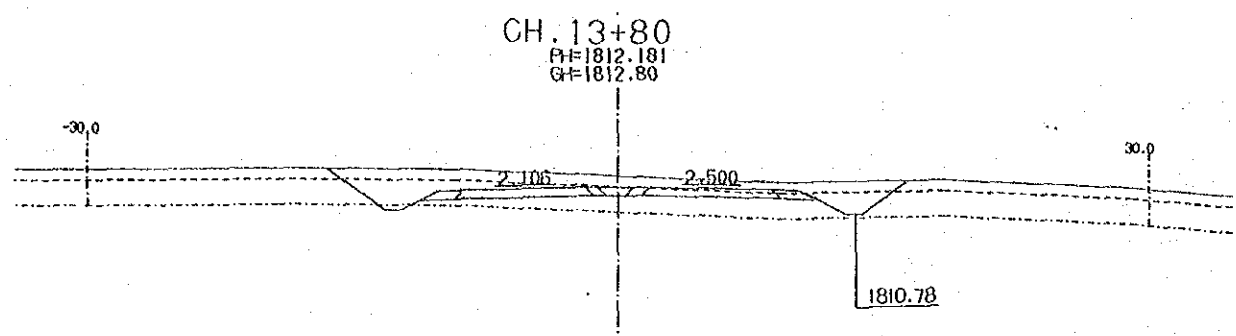
CHIEF ENGINEER (ROADS)
 CHIEF Supt. Eng. (DESIGN)

SEN. Supt. Eng. (DESIGN)
 Supt. Engineer (DESIGN)
 PROJECT ENGINEER

SCALES
 1 : 200

NAIROBI BYPASS
 CROSS SECTION

SHEET 88 OF 196



SURVEYED BY	BY
TRACED BY	BY
CHECKED BY	BY
AERIAL PHOTO BY	BY
MAPPING BY	BY
LOCATION BY	BY

M.O.P.W. ROADS DEPT. DRG. NO.

REVISIONS	
DESCRIPTION	DATE

JAPAN INTERNATIONAL COOPERATION AGENCY
 CHIEF ENGINEER (ROADS)
 CHIEF SUPT. ENG. (DESIGN)

SEN. SUPT. ENG. (DESIGN)
 SUPT. ENGINEER (DESIGN)
 PROJECT ENGINEER

SCALES
 1 : 200

NAIROBI BYPASS
 CROSS SECTION

SHEET 89 OF 196

CH. 13+240
 PI=1813.301
 GI=1812.84

CH. 13+320
 PI=1813.861
 GI=1812.68

CH. 13+260
 PI=1813.441
 GI=1812.64

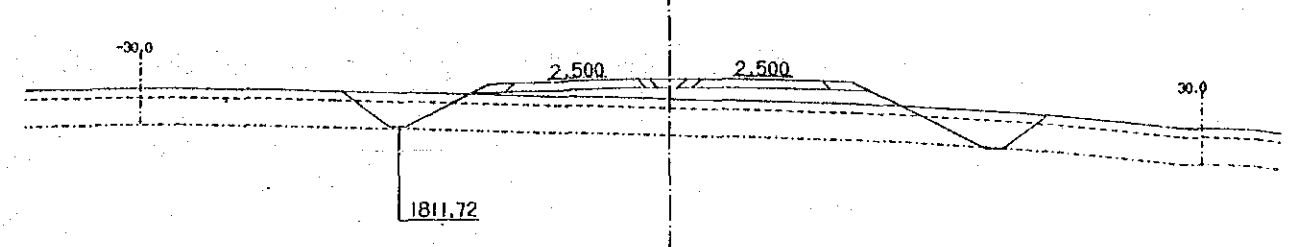
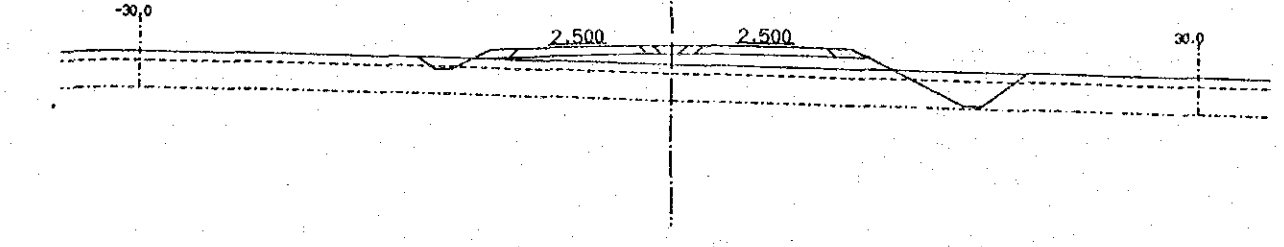
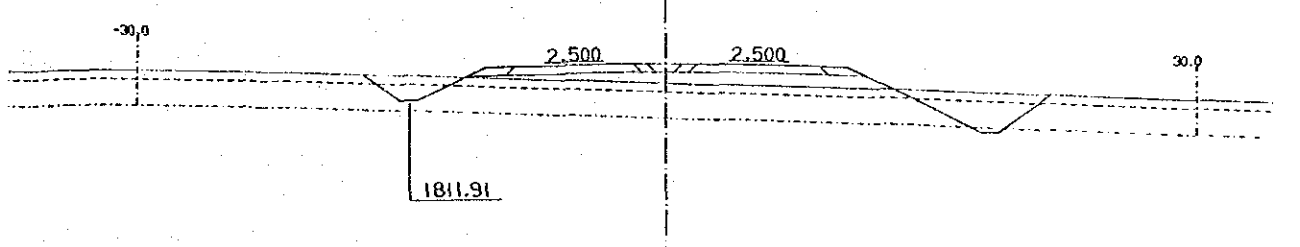
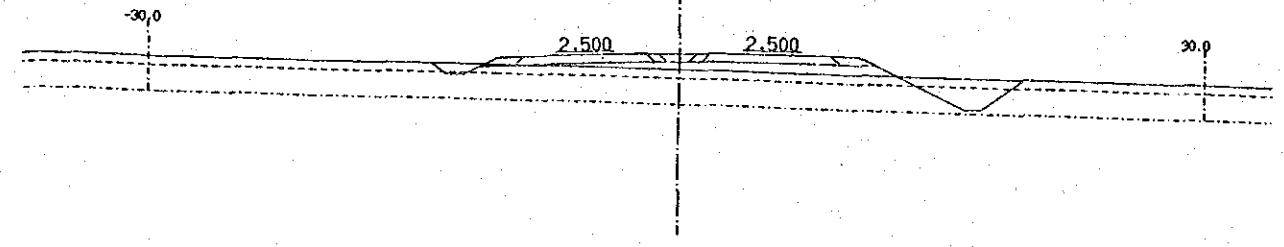
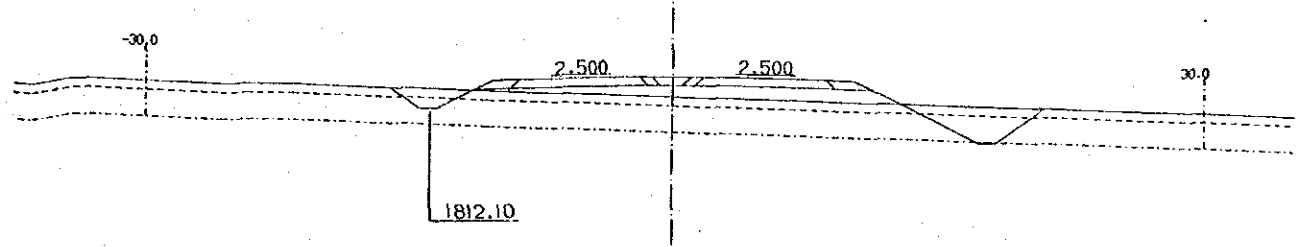
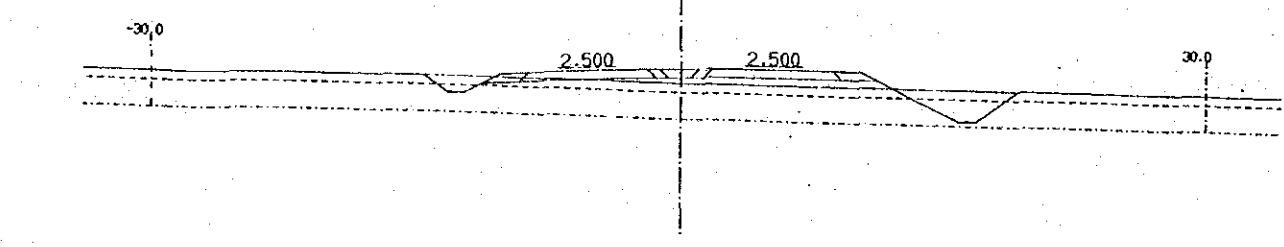
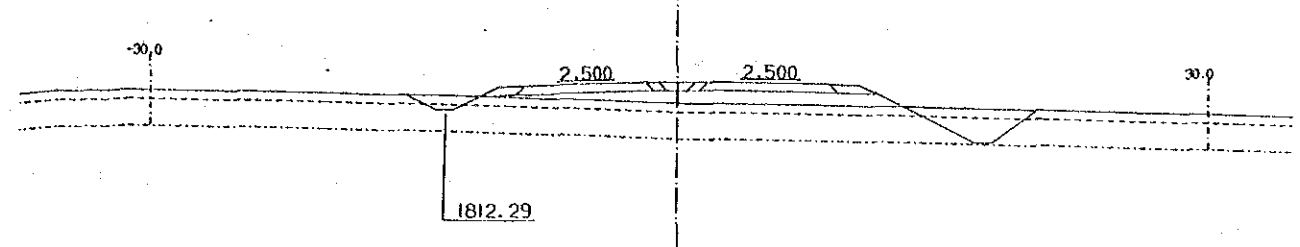
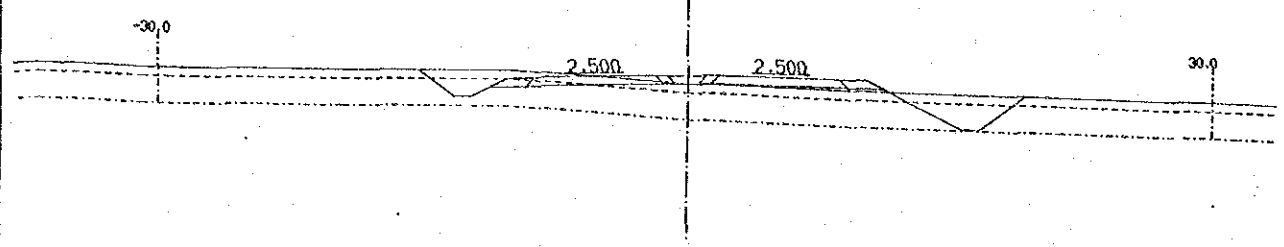
CH. 13+340
 PI=1814.001
 GI=1812.88

CH. 13+280
 PI=1813.581
 GI=1812.67

CH. 13+360
 PI=1814.141
 GI=1813.02

CH. 13+300
 PI=1813.721
 GI=1812.65

CH. 13+380
 PI=1814.281
 GI=1813.17



AERIAL PHOTO BY	SURVEYED BY
MAPPING BY	TRACED BY
LOCATION BY	CHECKED BY

M.O.W. ROADS DEPT DRG NO.

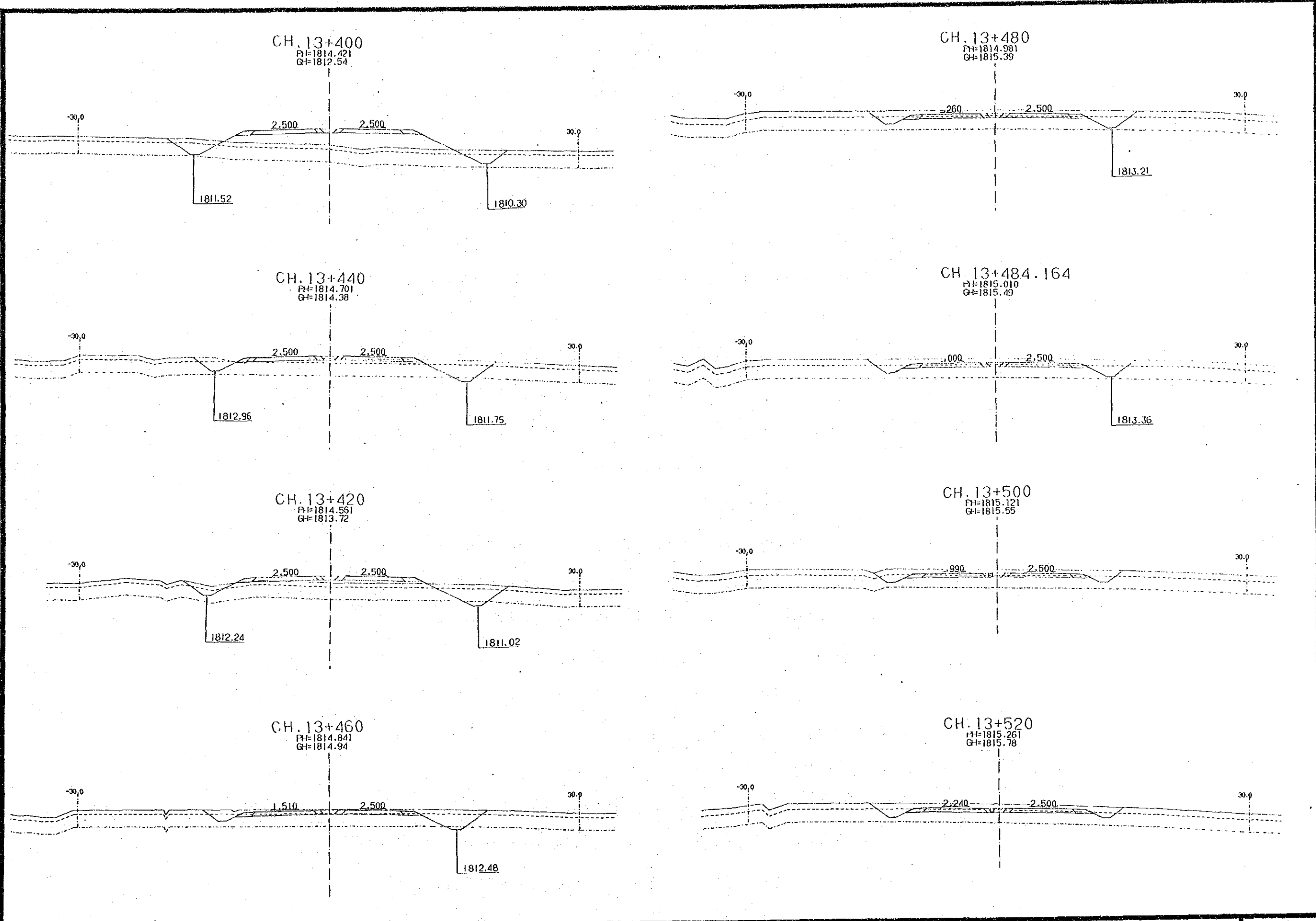
REVISIONS	
DESCRIPTION	DATE

JAPAN INTERNATIONAL COOPERATION AGENCY
 CHIEF ENGINEER (ROADS)
 CHIEF SUPT. ENG. (DESIGN)

SEN. SUPT. ENG. (DESIGN)
 SUPT. ENGINEER (DESIGN)
 PROJECT ENGINEER

SCALES
 1 : 200

NAIROBI BYPASS
 CROSS SECTION



SURVEYED BY	
TRACED BY	
CHECKED BY	
AERIAL PHOTO BY	
MAPPING BY	
LOCATION BY	

M.O.P.W. ROADS DEPT DRG NO.

REVISIONS	
DESCRIPTION	DATE

JAPAN INTERNATIONAL
COOPERATION AGENCY

CHIEF ENGINEER (ROADS)
CHIEF SUPT. ENG. (DESIGN)

SEN. SUPT. ENG. (DESIGN)
SUPT. ENGINEER (DESIGN)
PROJECT ENGINEER

SCALES
1 : 200

NAIROBI BYPASS
CROSS SECTION

SHEET 91 OF 196

CH. 13+560
 H=1815.541
 G=1816.06

CH. 13+540
 H=1815.401
 G=1816.06

CH. 13+580
 H=1815.681
 G=1816.54

CH. 13+620
 H=1815.959
 G=1816.66

CH. 13+600
 H=1815.821
 G=1816.53

CH. 13+640
 H=1816.091
 G=1816.87

CH. 13+606.664
 H=1815.867
 G=1816.48

CH. 13+660
 H=1816.219
 G=1817.28

SURVEYED BY
 MAPPING BY
 LOCATION BY
 TRACED BY
 CHECKED BY

MOPW ROADS DEPT. DRG NO.

REVISIONS	
DESCRIPTION	DATE

JAPAN INTERNATIONAL
 COOPERATION AGENCY

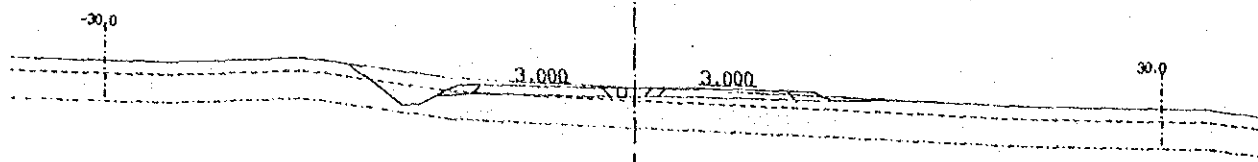
CHIEF ENGINEER (ROADS)
 CHIEF SUPT. ENG. (DESIGN)

SEN. SUPT. ENG. (DESIGN)
 SUPT. ENGINEER (DESIGN)
 PROJECT ENGINEER

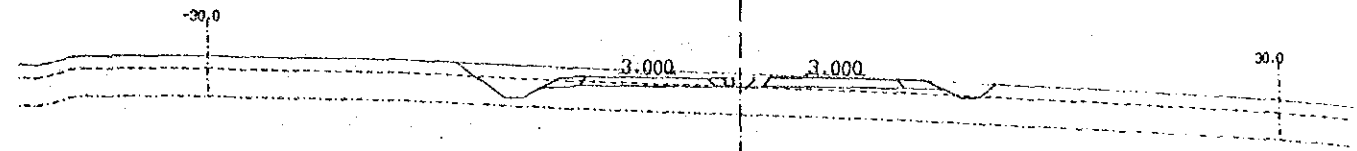
SCALES
 1 : 200

NAIROBI BYPASS
 CROSS SECTION

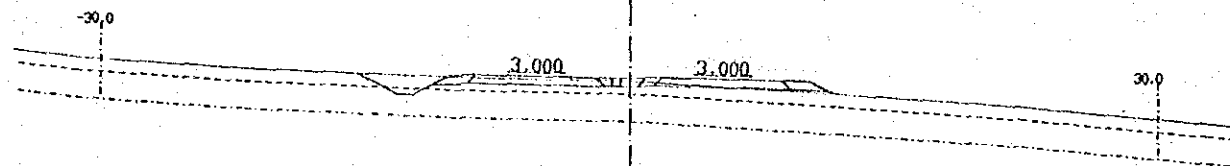
CH. 13+700
 H=1816.461
 G=1816.46



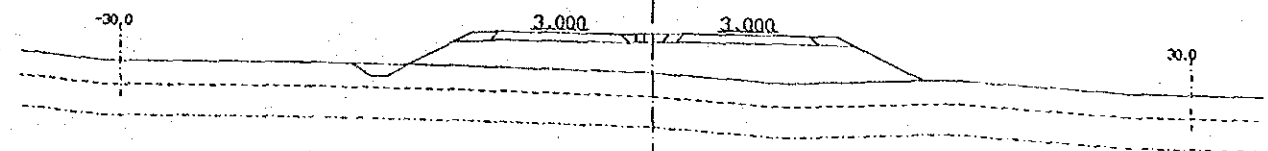
CH. 13+680
 H=1816.343
 G=1816.56



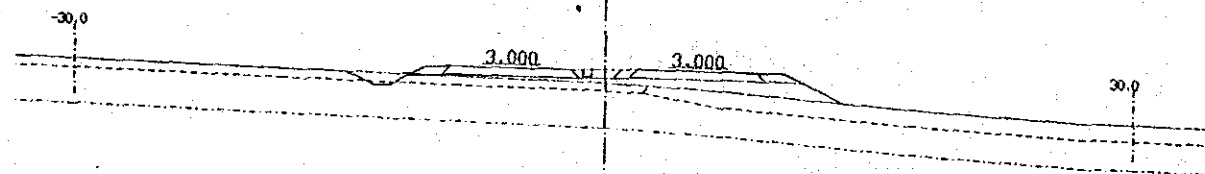
CH. 13+720
 H=1816.575
 G=1816.38



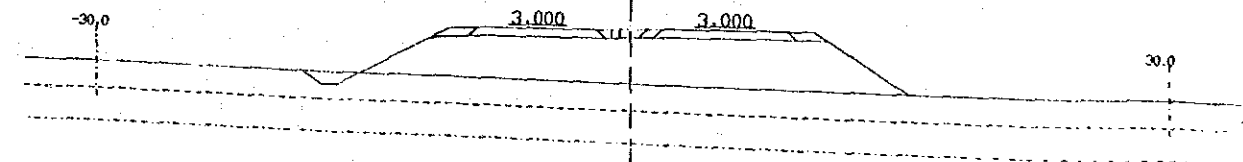
CH. 13+780
 H=1816.887
 G=1814.75



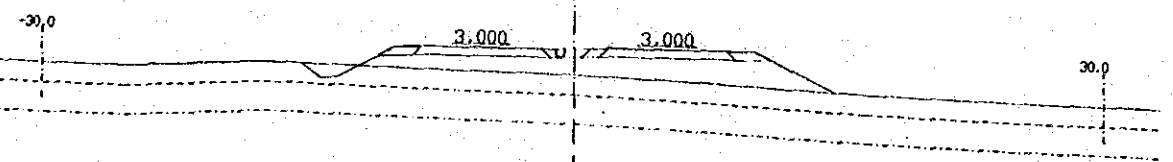
CH. 13+740
 H=1816.683
 G=1815.93



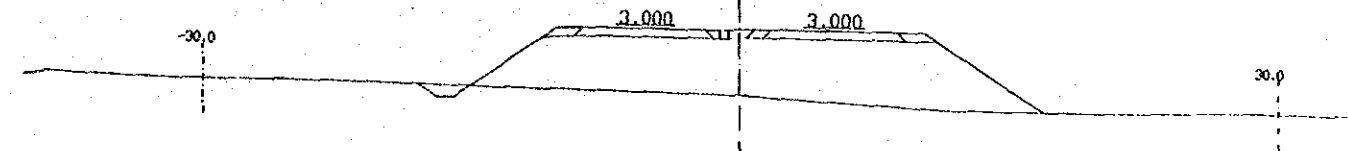
CH. 13+800
 H=1816.981
 G=1813.95



CH. 13+760
 H=1816.787
 G=1815.32



CH. 13+820
 H=1817.073
 G=1813.47



SURVEYED BY
 TRACED BY
 CHECKED BY
 AERIAL PHOTO BY
 MAPPING BY
 LOCATION BY

MOPW ROADS DEPT DRG NO.

REVISIONS	
DESCRIPTION	DATE

JAPAN INTERNATIONAL
 COOPERATION AGENCY

CHIEF ENGINEER (ROADS)
 CHIEF SUPT. ENG. (DESIGN)

SEN. SUPT. ENG. (DESIGN)
 SUPT. ENGINEER (DESIGN)
 PROJECT ENGINEER

SCALES
 1 : 200

NAIROBI BYPASS
 CROSS SECTION

SHEET 93 OF 196

CH. 13+840
 H=1817.165
 G=1811.53

CH. 13+920
 H=1817.533
 G=1811.21

CH. 13+860
 H=1817.257
 G=1812.04

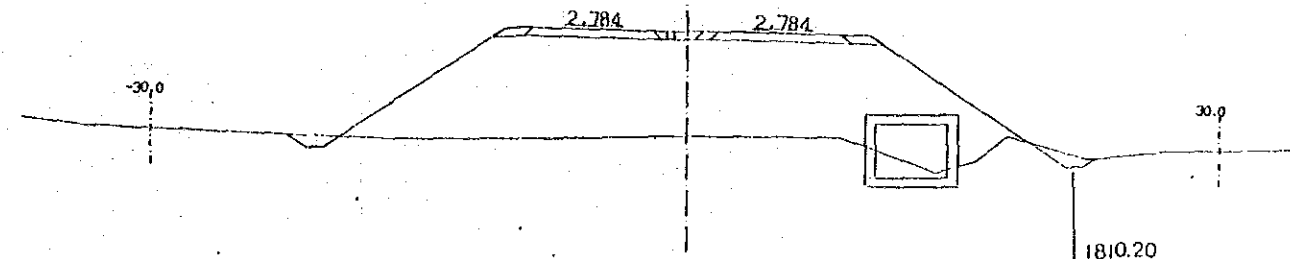
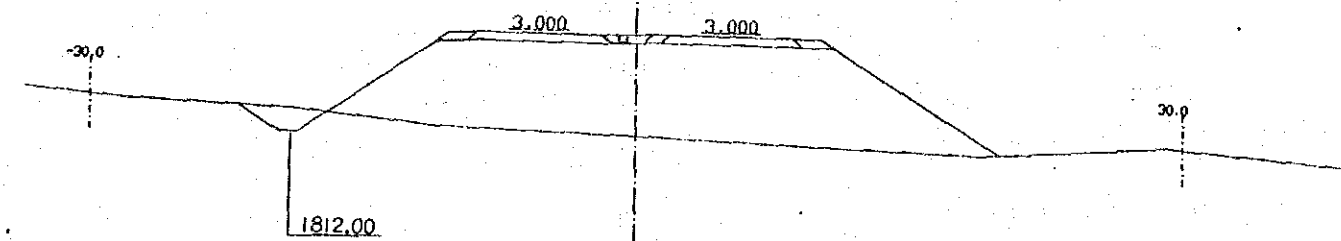
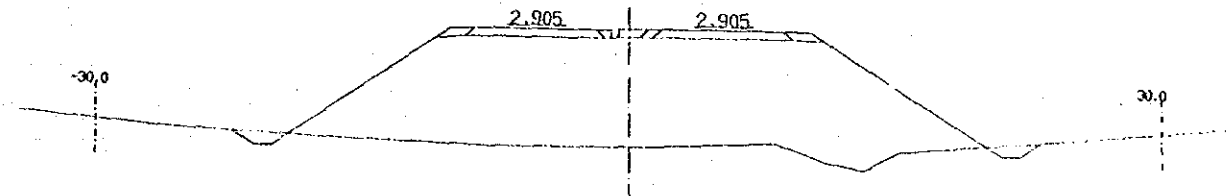
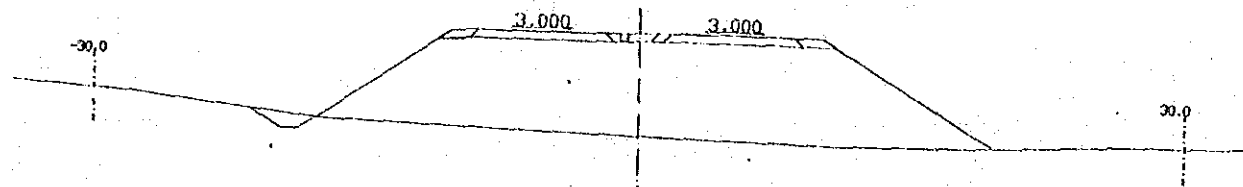
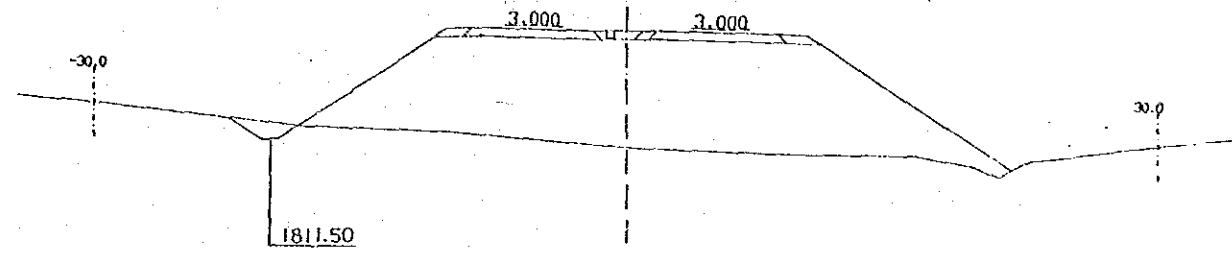
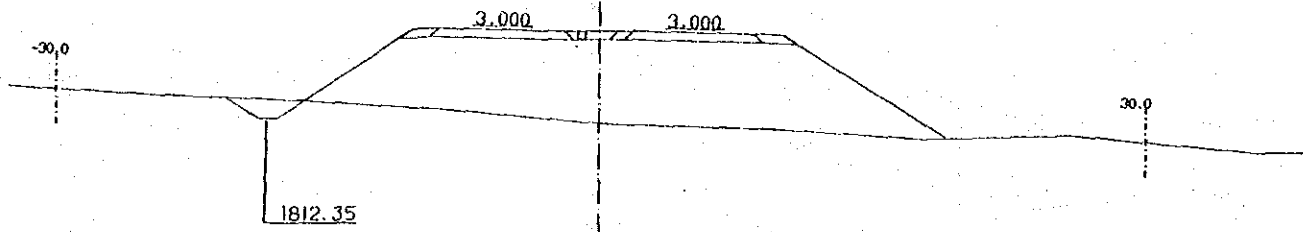
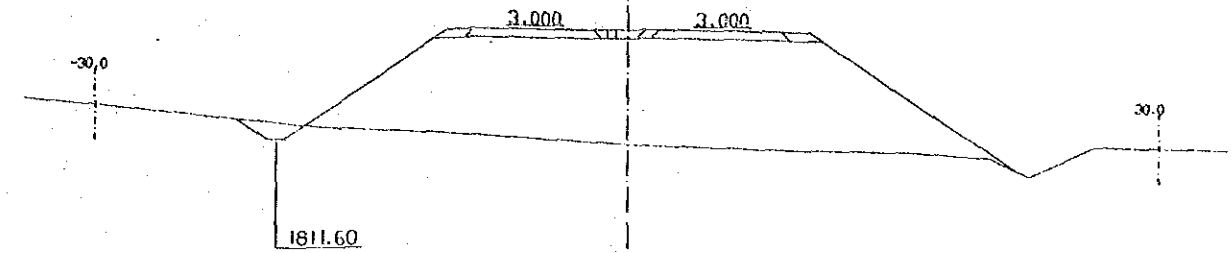
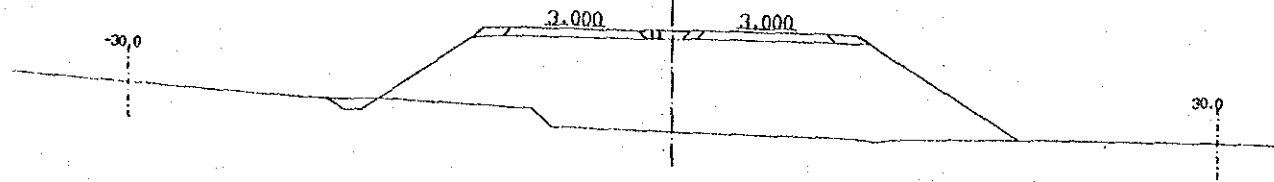
CH. 13+924.397
 H=1817.553
 G=1810.99

CH. 13+900
 H=1817.441
 G=1811.62

CH. 13+940
 H=1817.625
 G=1810.95

CH. 13+880
 H=1817.349
 G=1811.71

CH. 13+960
 H=1817.717
 G=1811.86



AERIAL PHOTO BY _____ SURVEYED BY _____
 MAPPING BY _____ TRACED BY _____
 LOCATION BY _____ CHECKED BY _____

M.O.P.W. ROADS DEPT. DRG. NO. _____

REVISIONS	
DESCRIPTION	DATE

JAPAN INTERNATIONAL COOPERATION AGENCY
 CHIEF ENGINEER (ROADS)
 CHIEF SUPT. ENG. (DESIGN)

SEN. SUPT. ENG. (DESIGN)
 SUPT. ENGINEER (DESIGN)
 PROJECT ENGINEER

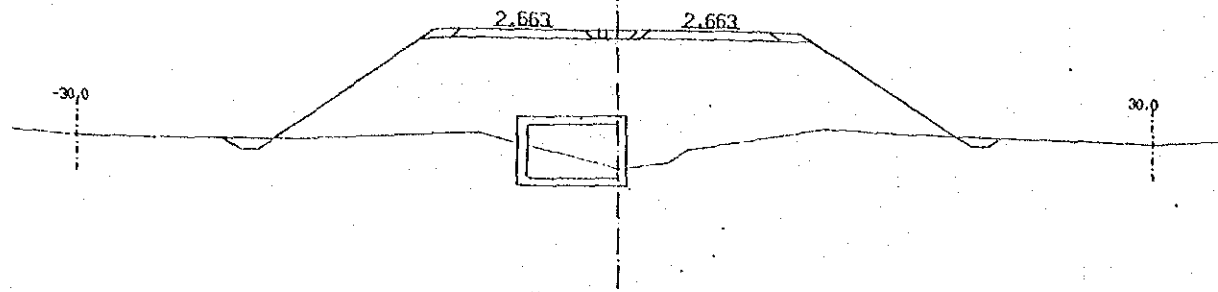
SCALES
 1 : 200

NAIROBI BYPASS
 CROSS SECTION

SHEET 94 OF 196

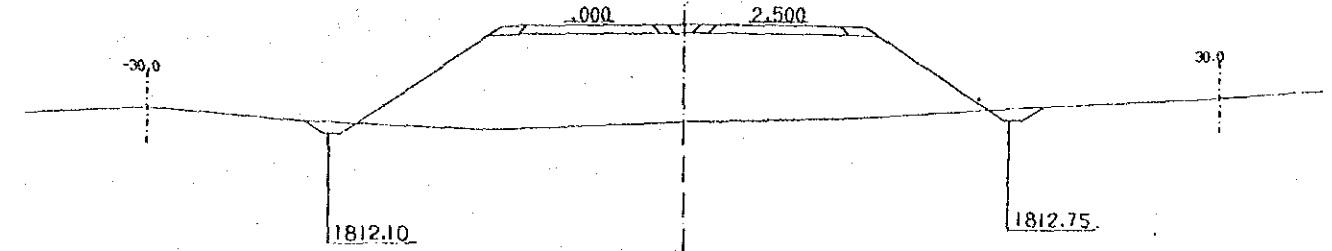
CH. 13+980

PI=1817.809
GI=1810.17



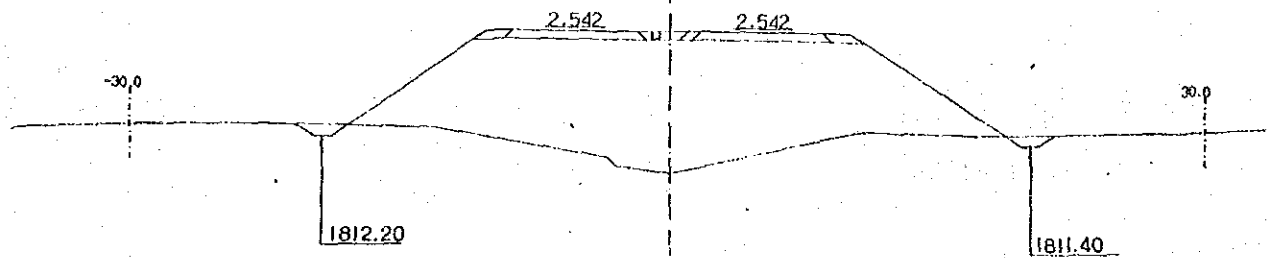
CH. 14+46.897

PI=1818.117
GI=1812.78



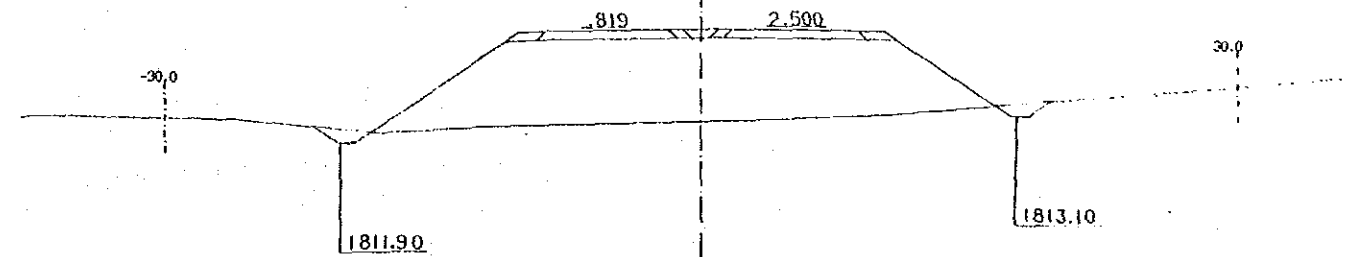
CH. 14+0

PI=1817.901
GI=1810.03



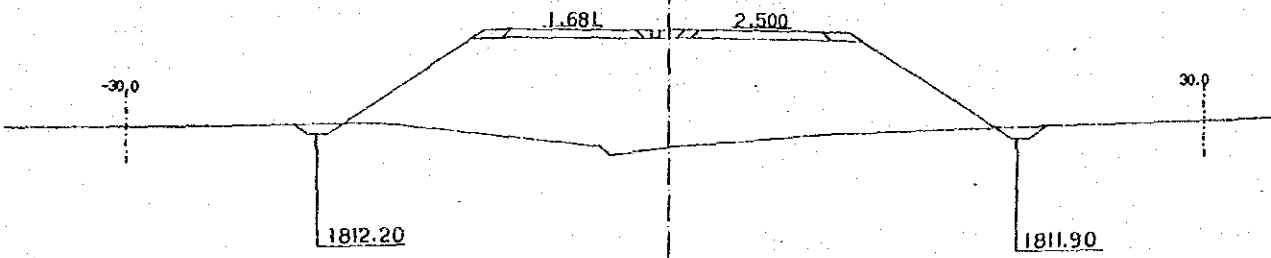
CH. 14+60

PI=1818.177
GI=1813.09



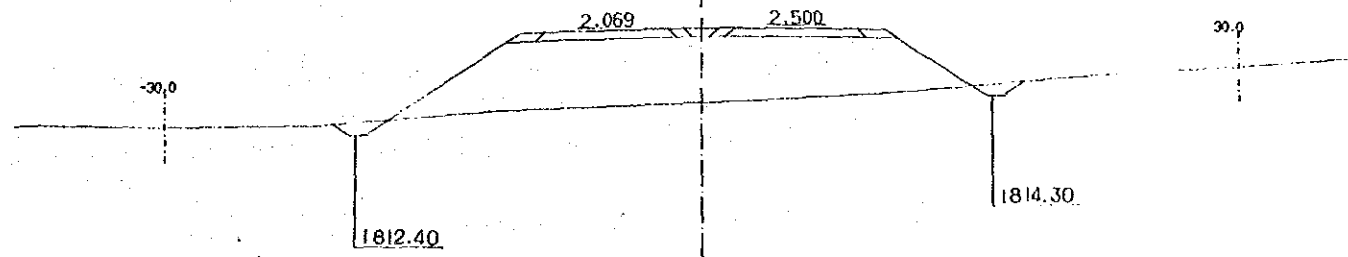
CH. 14+20

PI=1817.993
GI=1811.45



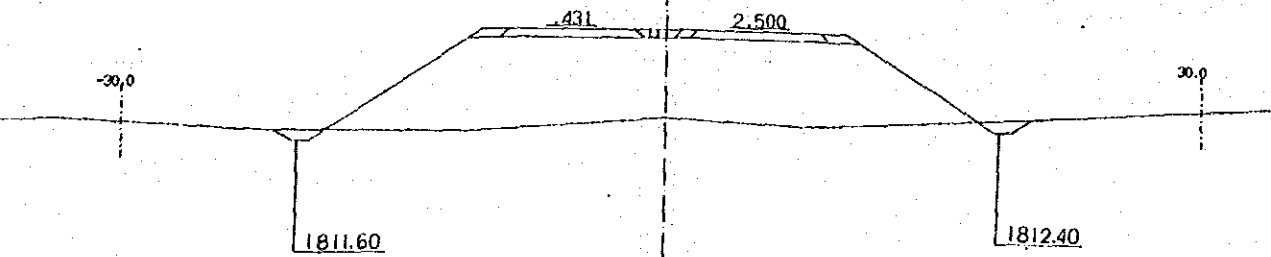
CH. 14+80

PI=1818.269
GI=1814.06



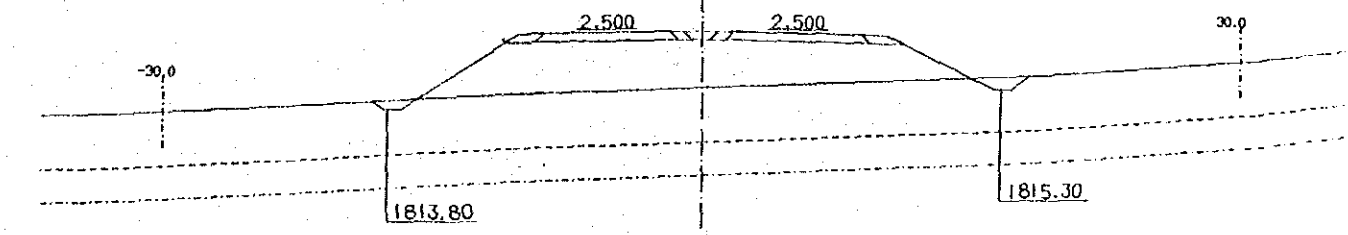
CH. 14+40

PI=1818.085
GI=1813.16



CH. 14+100

PI=1818.361
GI=1815.20



AERIAL PHOTO BY	SURVEYED BY
MAPPING BY	TRACED BY
LOCATION BY	CHECKED BY

M.O.P.W. ROADS DEPT. DRG NO.

REVISIONS	
DESCRIPTION	DATE

JAPAN INTERNATIONAL COOPERATION AGENCY

CHIEF ENGINEER (ROADS)
CHIEF SUPT. ENG. (DESIGN)

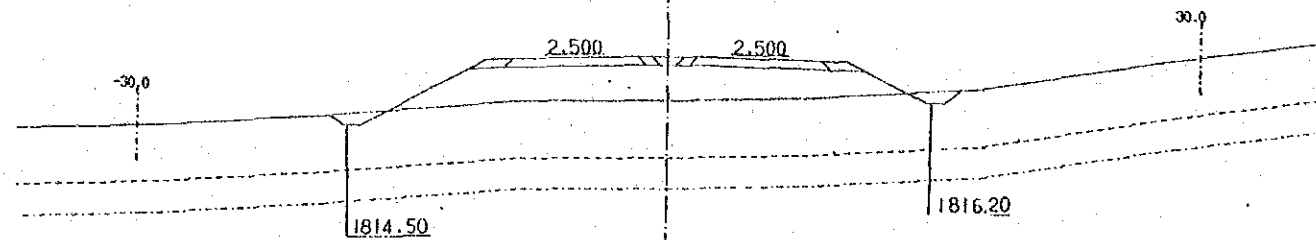
SEN SUPT. ENG. (DESIGN)
SUPT. ENGINEER (DESIGN)
PROJECT ENGINEER

SCALES
1 : 200

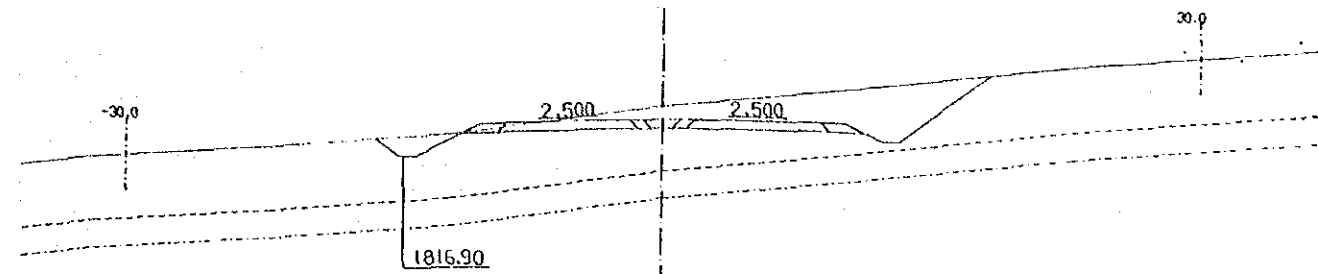
NAIROBI BYPASS
CROSS SECTION

SHEET 95 OF 196

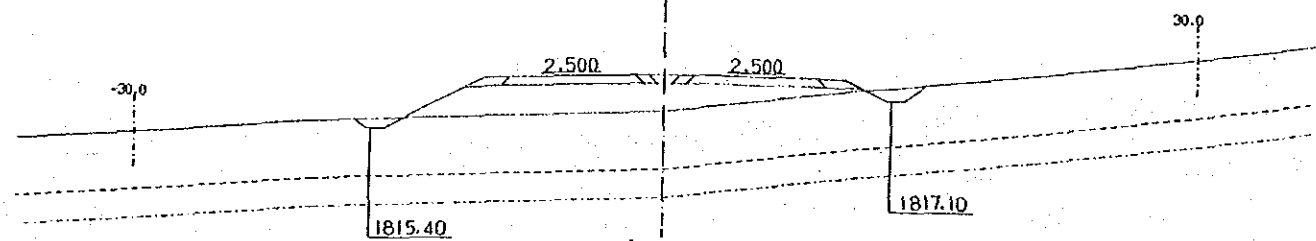
CH. 14+120
 PI=1818.453
 GI=1816.08



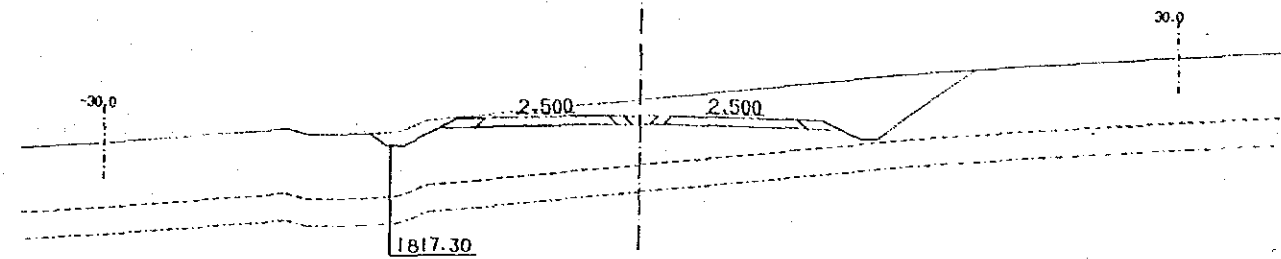
CH. 14+200
 PI=1818.821
 GI=1819.54



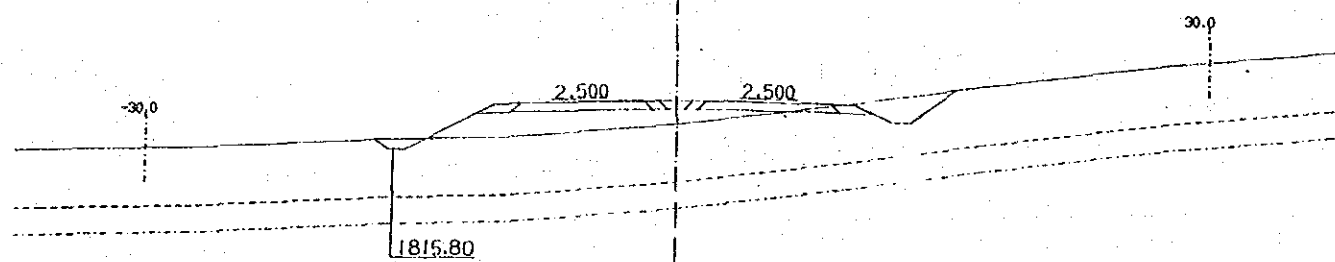
CH. 14+140
 PI=1818.545
 GI=1816.53



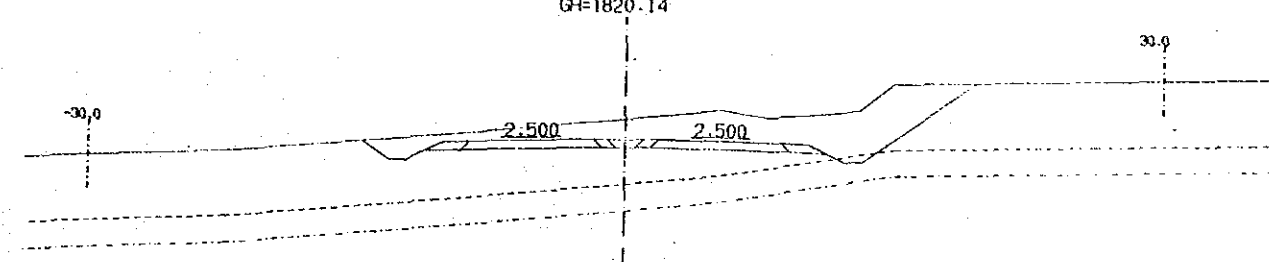
CH. 14+220
 PI=1818.913
 GI=1819.81



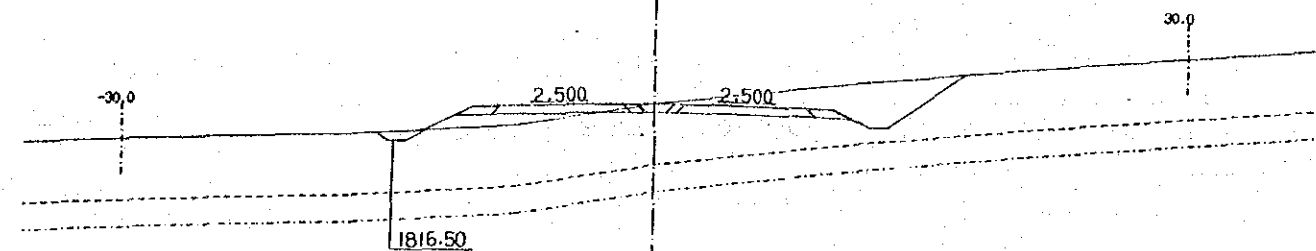
CH. 14+160
 PI=1818.637
 GI=1817.32



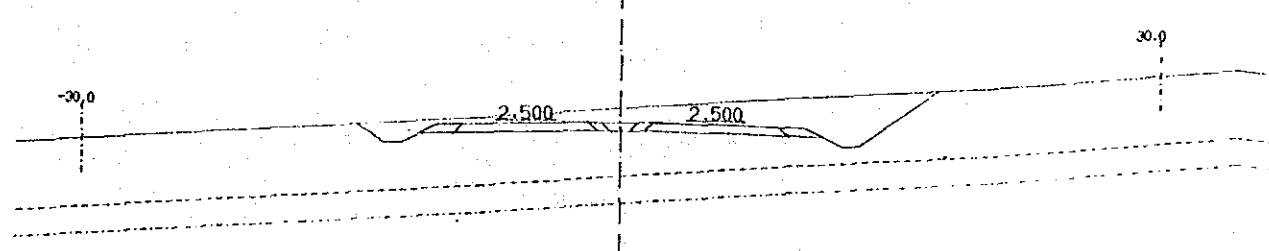
CH. 14+240
 PI=1819.005
 GI=1820.14



CH. 14+180
 PI=1818.729
 GI=1818.74



CH. 14+260
 PI=1819.097
 GI=1819.91



AERIAL PHOTO BY _____ SURVEYED BY _____
 MAPPING BY _____ TRACED BY _____
 LOCATION BY _____ CHECKED BY _____

MOPW ROADS DEPT DRG NO.

REVISIONS	
DESCRIPTION	DATE

JAPAN INTERNATIONAL
 COOPERATION AGENCY

CHIEF ENGINEER (ROADS)
 CHIEF SUPT. ENG. (DESIGN)

SEN. SUPT. ENG. (DESIGN)
 SUPT. ENGINEER (DESIGN)
 PROJECT ENGINEER

SCALES
 1 : 200

NAIROBI BYPASS
 CROSS SECTION

SHEET 96 OF 196

AERIAL PHOTO BY _____
 MAPPING BY _____
 SURVEYED BY _____
 TRACED BY _____
 LOCATION BY _____
 CHECKED BY _____

MOPW ROADS DEPT. DRG. NO.

CH. 14+280
 PI=1819.189
 GI=1820.06

CH. 14+360
 PI=1819.557
 GI=1821.53

CH. 14+300
 PI=1819.281
 GI=1820.05

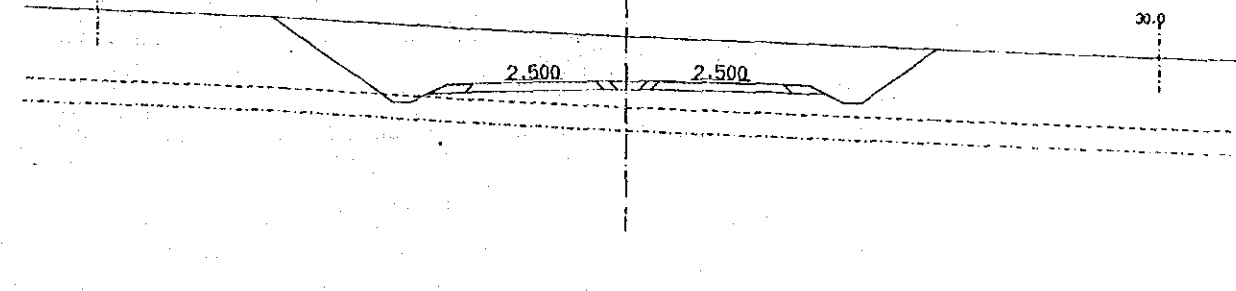
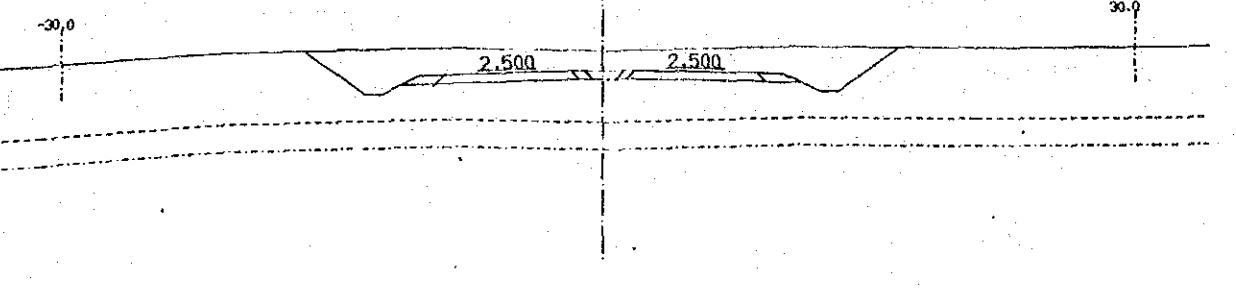
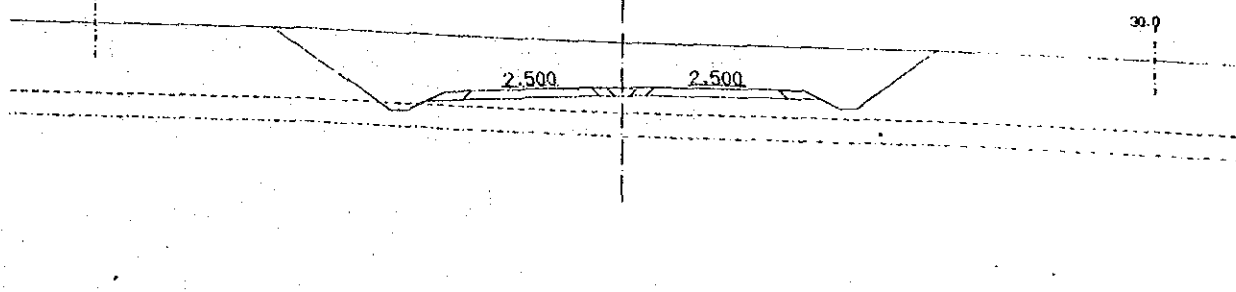
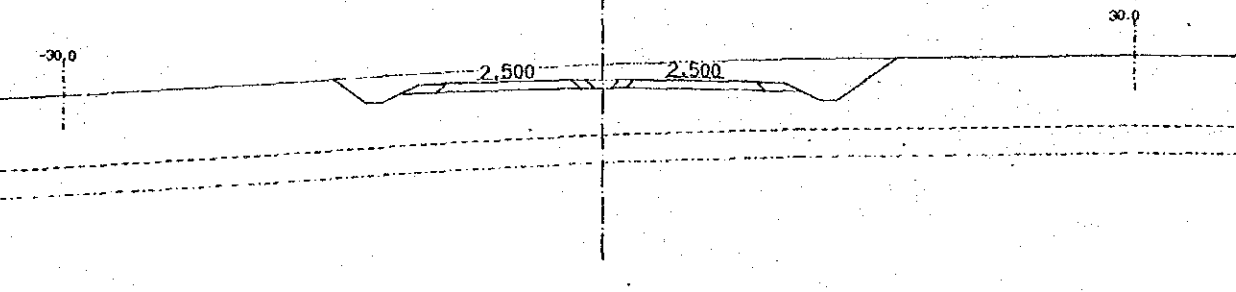
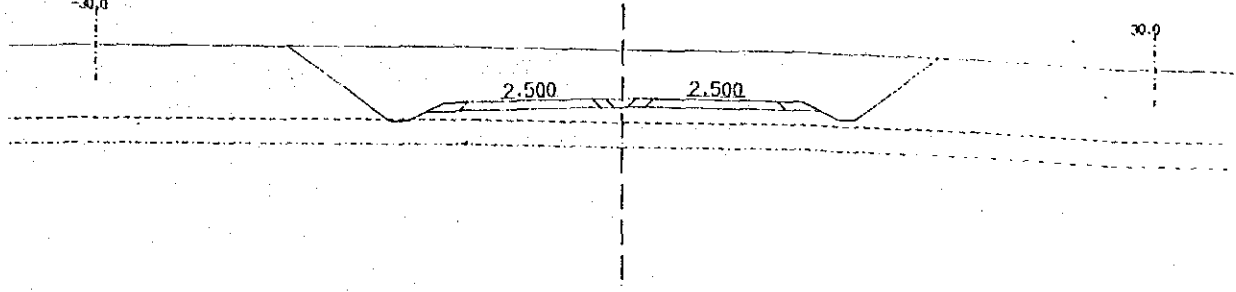
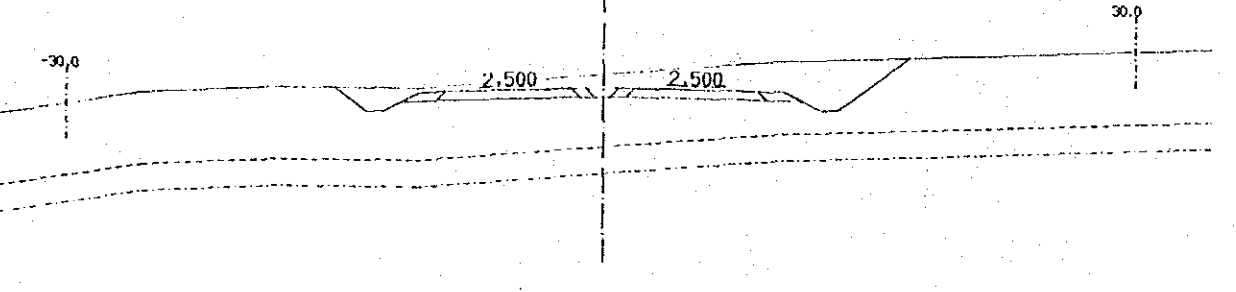
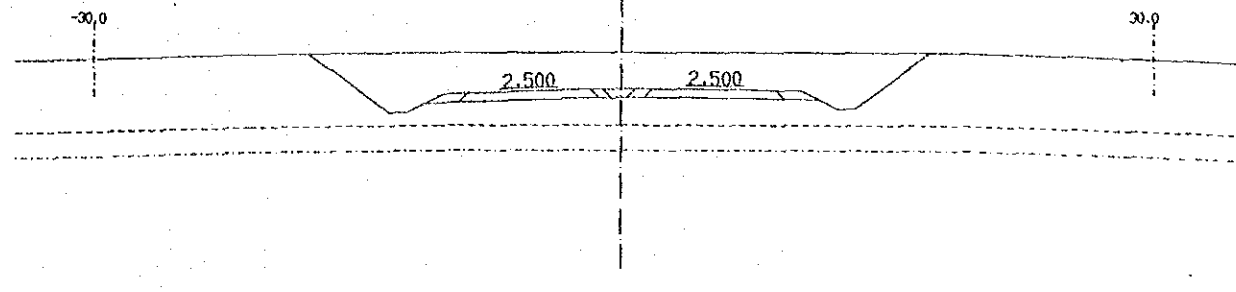
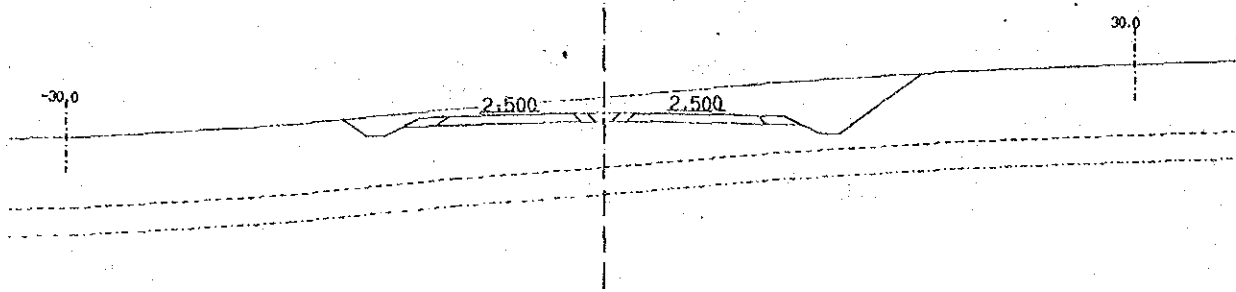
CH. 14+380
 PI=1819.649
 GI=1822.30

CH. 14+320
 PI=1819.373
 GI=1820.27

CH. 14+400
 PI=1819.741
 GI=1822.30

CH. 14+340
 PI=1819.465
 GI=1820.58

CH. 14+420
 PI=1819.833
 GI=1822.36



REVISIONS	
DESCRIPTION	DATE

JAPAN INTERNATIONAL
 COOPERATION AGENCY

CHIEF ENGINEER (ROADS) : _____
 CHIEF SUPT. ENG. (DESIGN) : _____

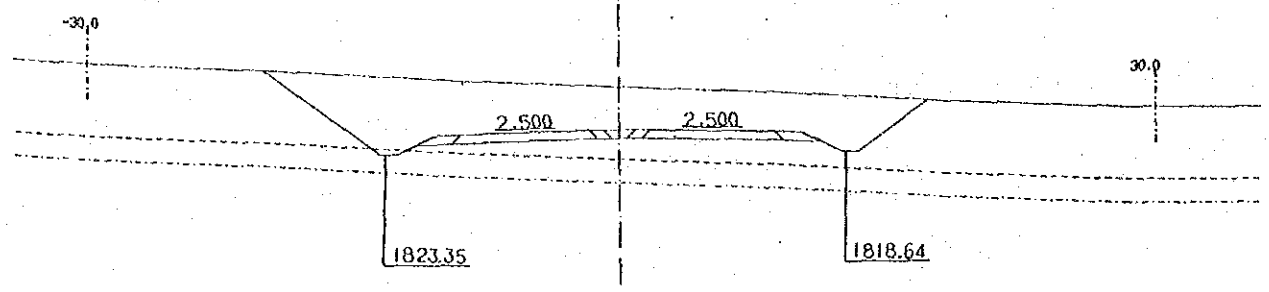
SEN. SUPT. ENG. (DESIGN) : _____
 SUPT. ENGINEER (DESIGN) : _____
 PROJECT ENGINEER : _____

SCALES
 1 : 200

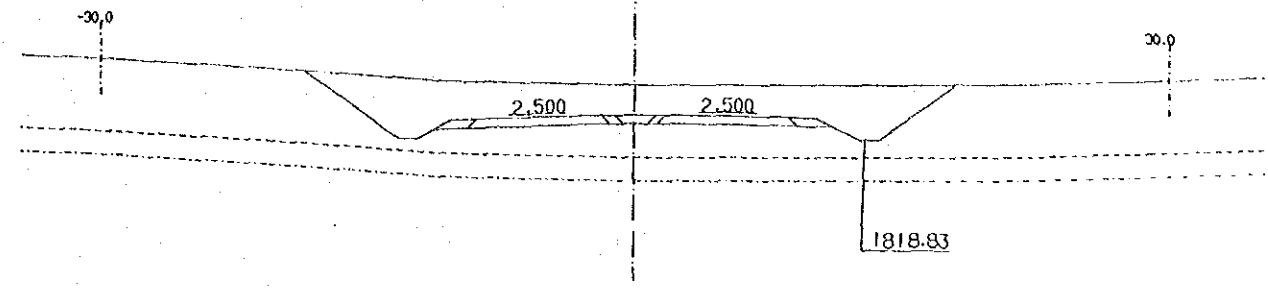
NAIROBI BYPASS
 CROSS SECTION

SHEET 97 OF 196

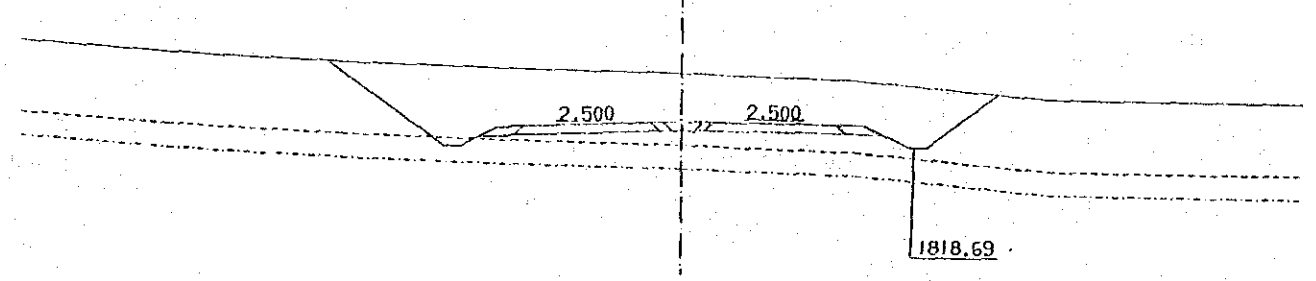
CH. 14+440
 PI=1819.925
 G=1822.30



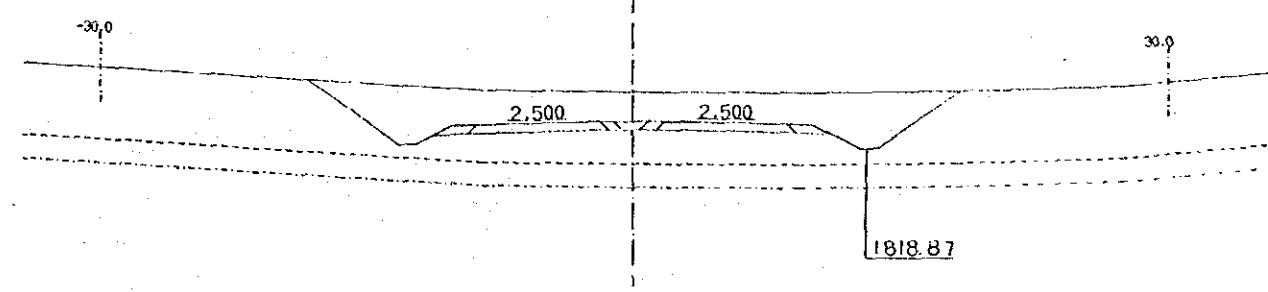
CH. 14+520
 PI=1820.293
 G=1821.95



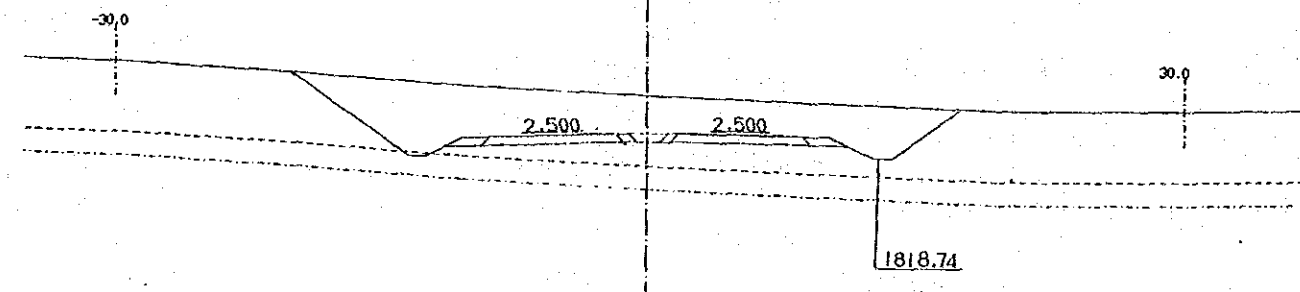
CH. 14+460
 PI=1820.017
 G=1822.75



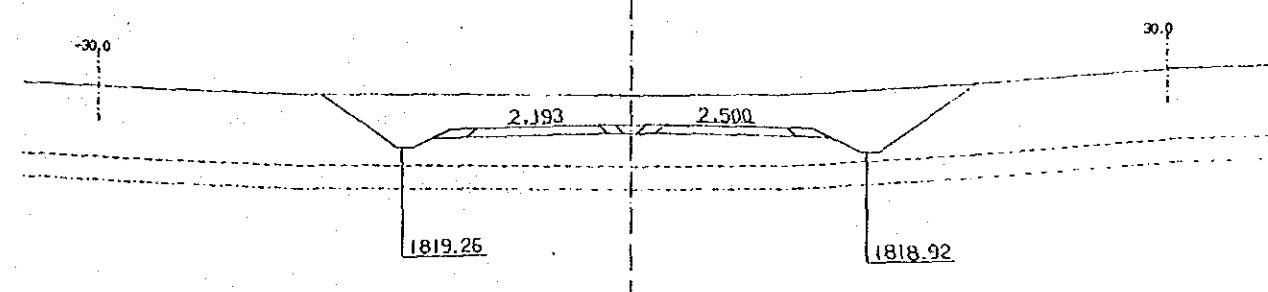
CH. 14+540
 PI=1820.385
 G=1822.03



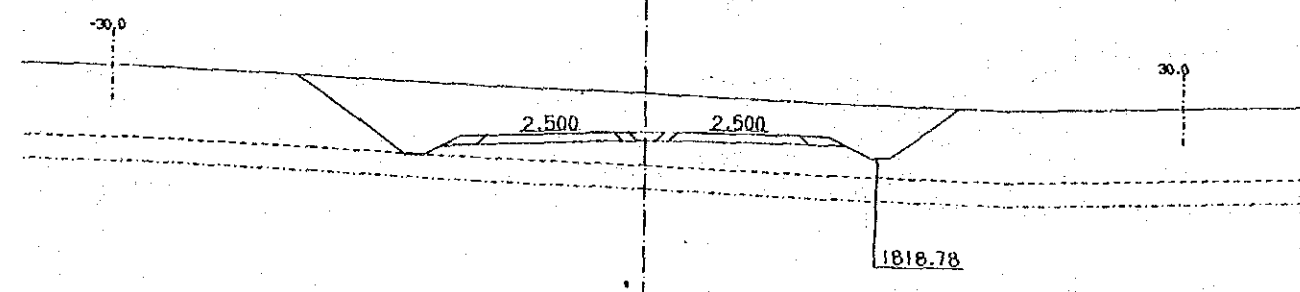
CH. 14+480
 PI=1820.109
 G=1822.26



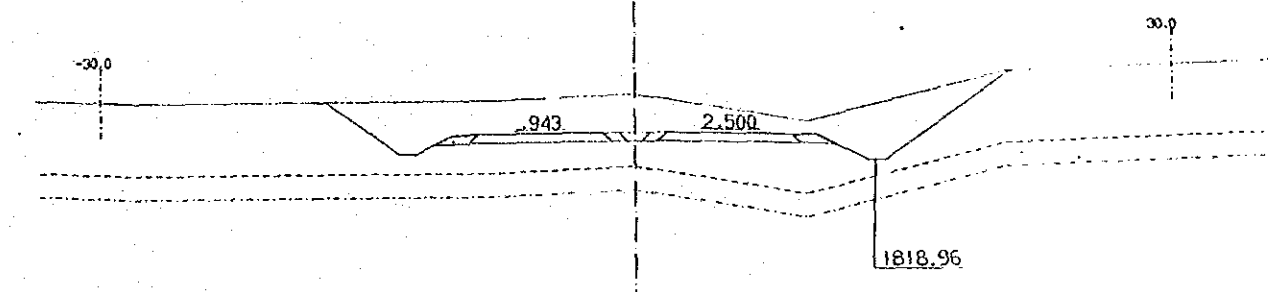
CH. 14+560
 PI=1820.477
 G=1822.14



CH. 14+500
 PI=1820.201
 G=1822.36



CH. 14+580
 PI=1820.569
 G=1822.70



AERIAL PHOTO BY _____
 MAPPING BY _____
 SURVEYED BY _____
 TRACED BY _____
 LOCATION BY _____
 CHECKED BY _____

M.O.P.W. ROADS DEPT DRG NO.

REVISIONS	
DESCRIPTION	DATE

JAPAN INTERNATIONAL
 COOPERATION AGENCY

CHIEF ENGINEER (ROADS)
 CHIEF SUPT. ENG. (DESIGN)

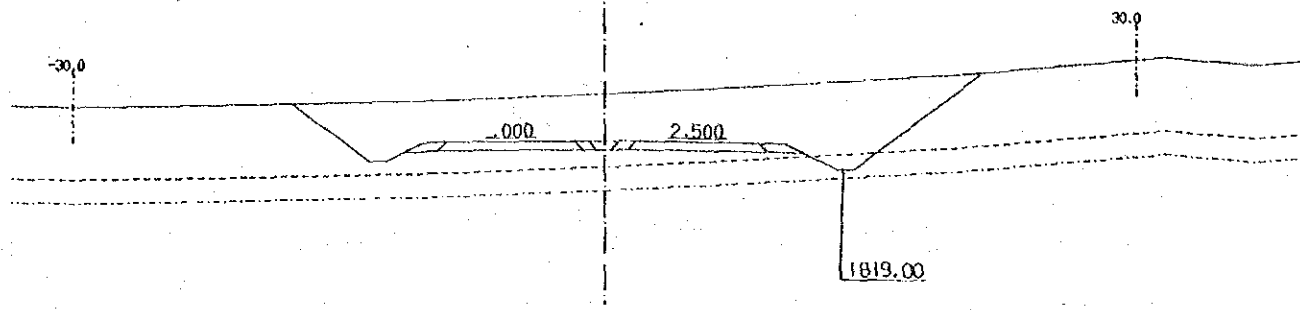
SEN. SUPT. ENG. (DESIGN)
 SUPT. ENGINEER (DESIGN)
 PROJECT ENGINEER

SCALES
 1 : 200

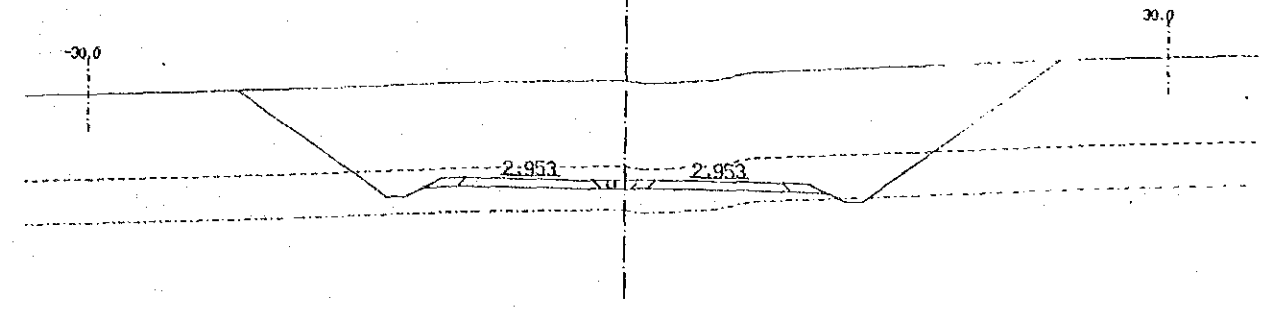
NAIROBI BYPASS
 CROSS SECTION

SHEET 98 OF 196

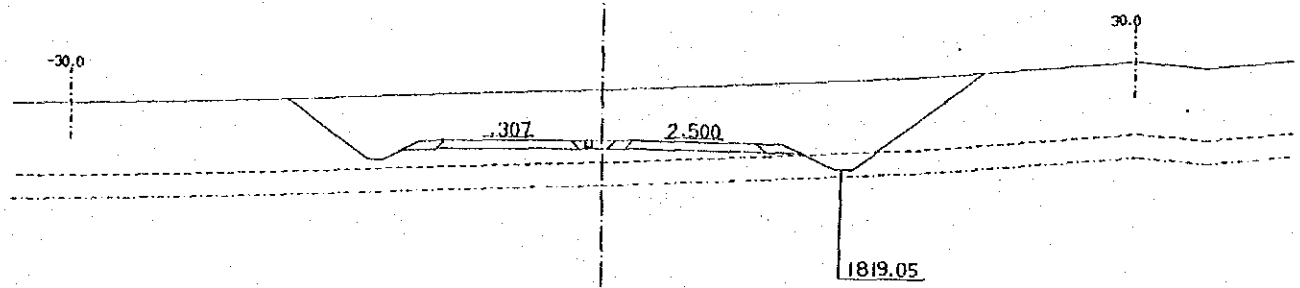
CH. 14+595.083
 PI=1820.638
 GI=1823.23



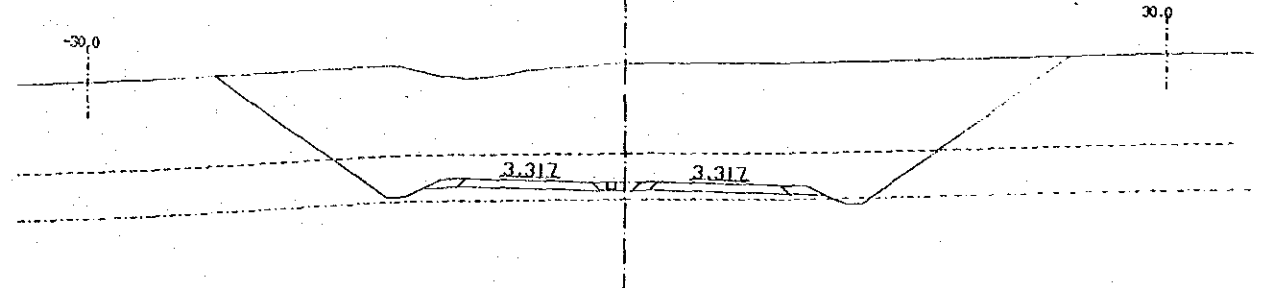
CH 14+660
 PI=1820.937
 GI=1826.42



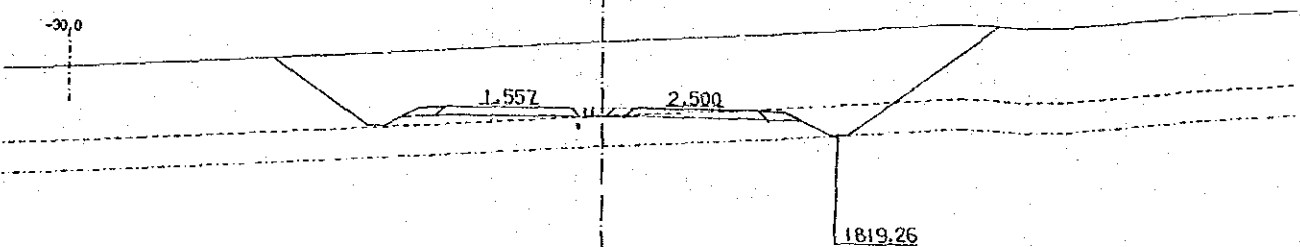
CH. 14+600
 PI=1820.661
 GI=1823.44



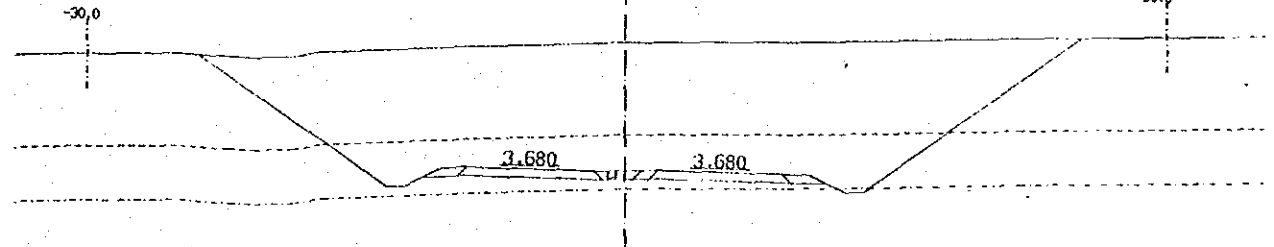
CH 14+680
 PI=1821.029
 GI=1827.66



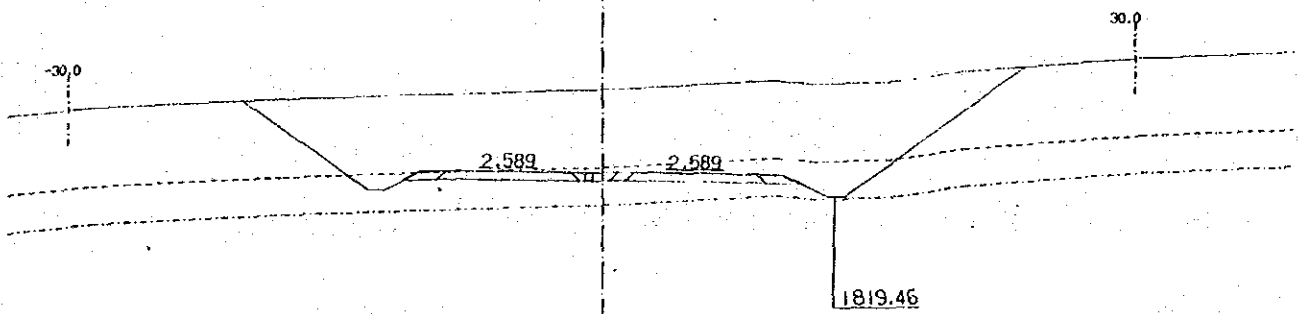
CH. 14+620
 PI=1820.753
 GI=1824.51



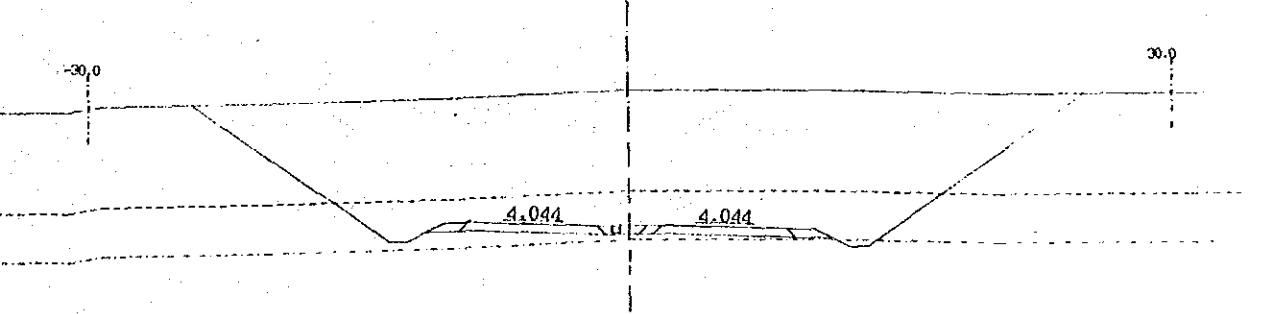
CH. 14+700
 PI=1821.121
 GI=1828.32



CH. 14+640
 PI=1820.845
 GI=1825.51



CH. 14+720
 PI=1821.213
 GI=1828.86



SURVEYED BY
 TRACED BY
 CHECKED BY
 AERIAL PHOTO BY
 MAPPING BY
 LOCATION BY

MOPW ROADS DEPT DRG NO

REVISIONS	
DESCRIPTION	DATE

JAPAN INTERNATIONAL
 COOPERATION AGENCY

CHIEF ENGINEER (ROADS)
 CHIEF SUPT. ENG. (DESIGN)

SEN. SUPT. ENG. (DESIGN)
 SUPT. ENGINEER (DESIGN)
 PROJECT ENGINEER

SCALES
 1 : 200

NAIROBI BYPASS
 CROSS SECTION

SHEET 990F196