

AERIAL PHOTO BY	SURVEYED BY
MAPPING BY	TRACED BY
LOCATION BY	CHECKED BY

MOPW ROADS DEPT DRG NO.

REVISIONS	
DESCRIPTION	DATE

JAPAN INTERNATIONAL COOPERATION AGENCY

CHIEF ENGINEER (ROADS)
 CHIEF SUPT. ENG. (DESIGN)

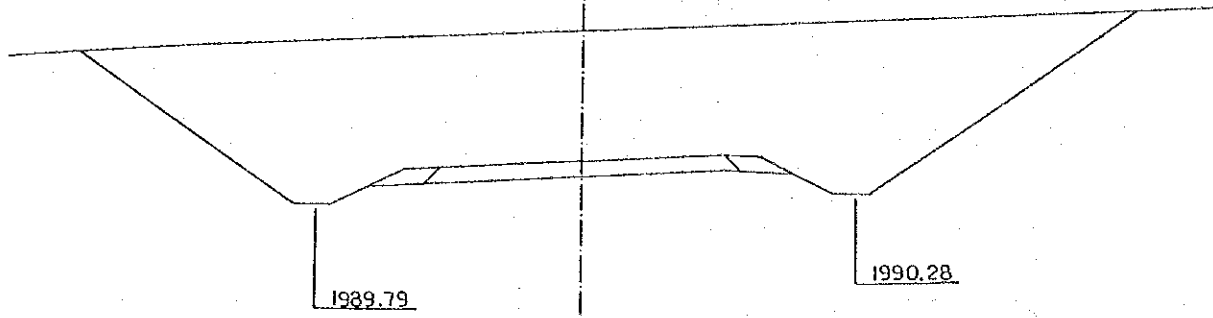
SEN. SUPT. ENG. (DESIGN)
 SUPT. ENGINEER (DESIGN)
 PROJECT ENGINEER

SCALES
 1 : 100

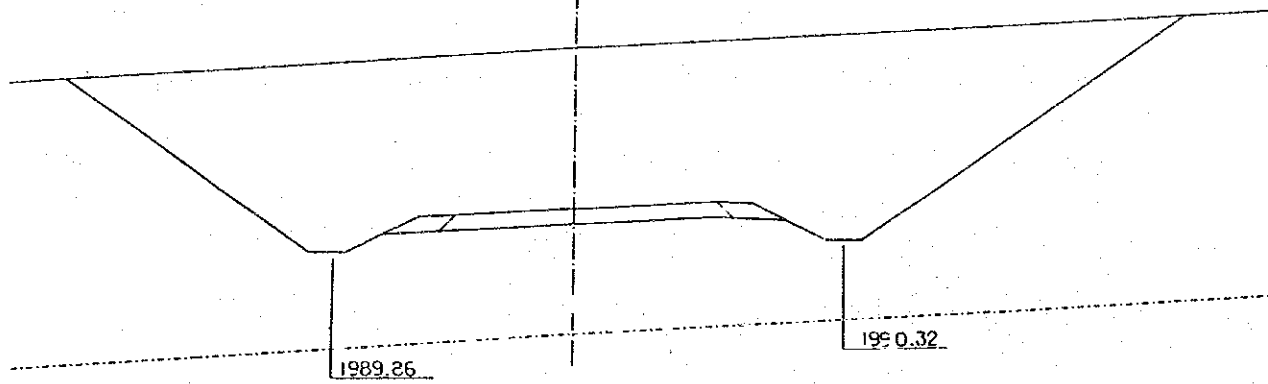
NAIROBI BYPASS
 CROSS SECTION THOGOTO JUNCTION A

SHEET 47 OF 82

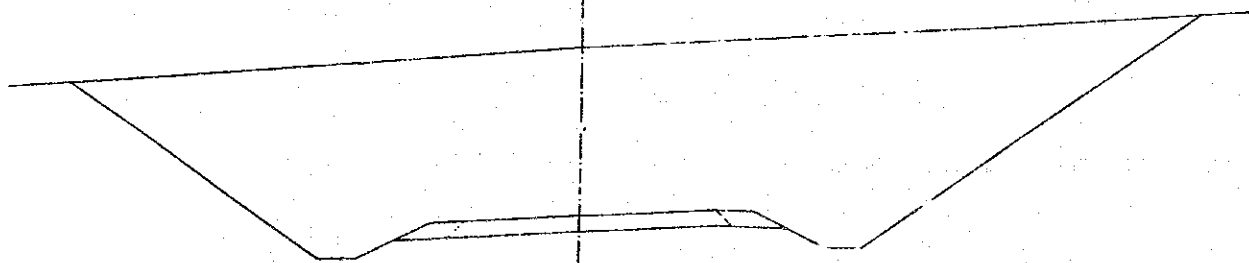
CH. 0+80
 PH=1991.080
 G=1994.72



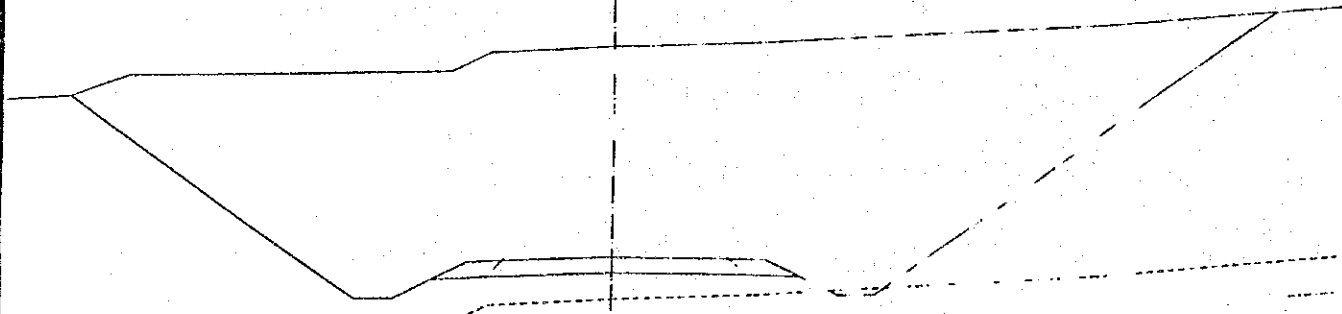
CH. 0+95.579
 PH=1991.127
 G=1995.62



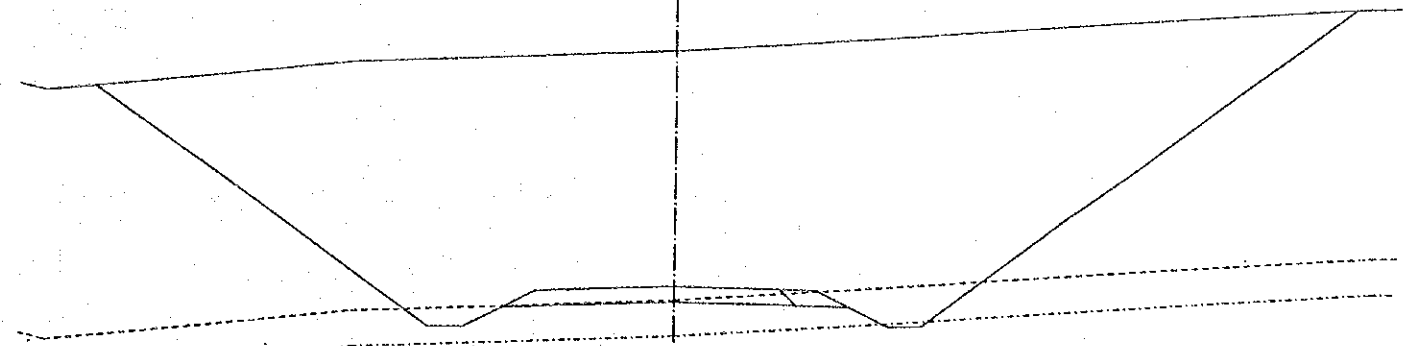
CH. 0+100
 PH=1991.141
 G=1995.88



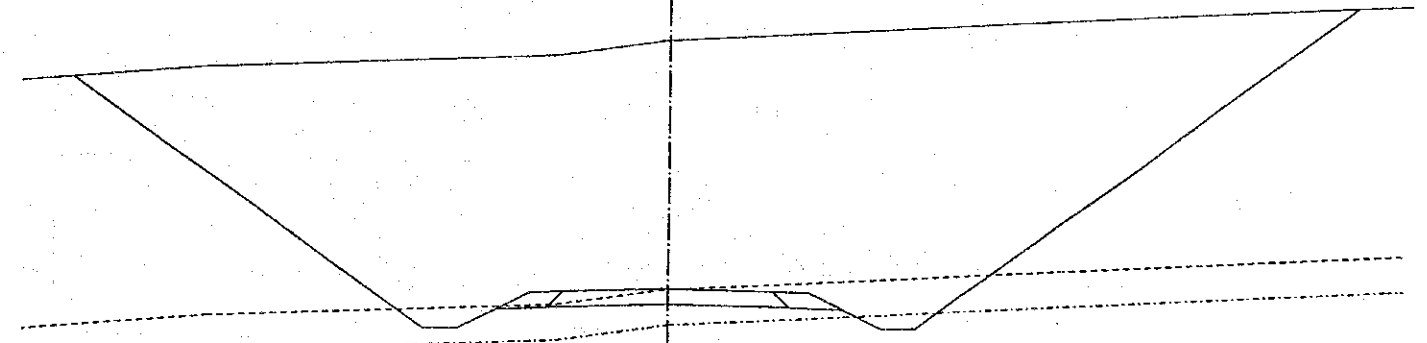
CH. 0+120
 PH=1991.201
 G=1997.04



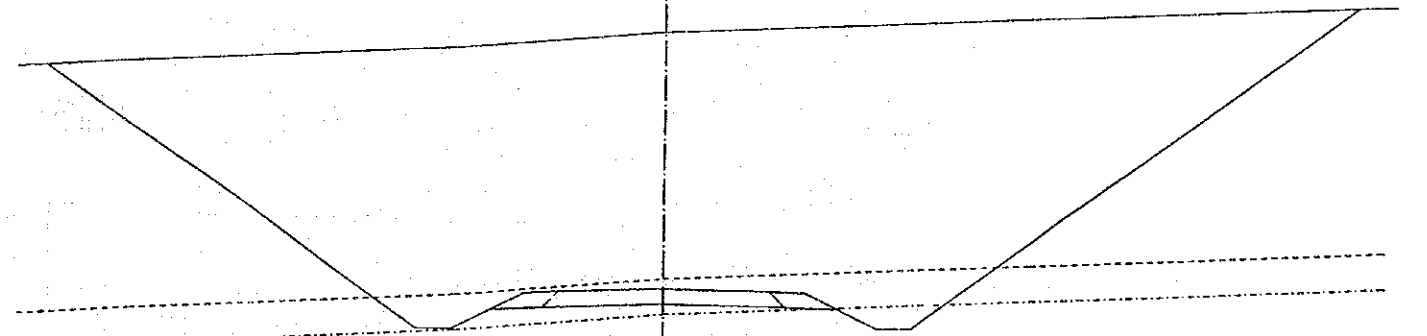
CH. 0+140
 PH=1991.262
 G=1997.89



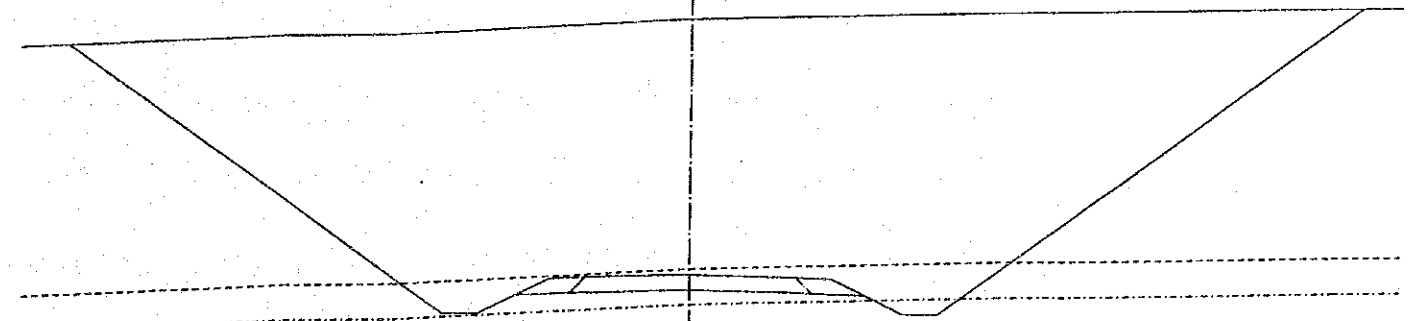
CH. 0+160
 PH=1991.322
 G=1998.31



CH. 0+180
 PH=1991.383
 G=1998.67



CH. 0+200
 PH=1991.443
 G=1998.61



AERIAL PHOTO BY	SURVEYED BY
MAPPING BY	TRACED BY
LOCATION BY	CHECKED BY

MOPW ROADS DEPT. DRG. NO.

REVISIONS	
DESCRIPTION	DATE

JAPAN INTERNATIONAL COOPERATION AGENCY

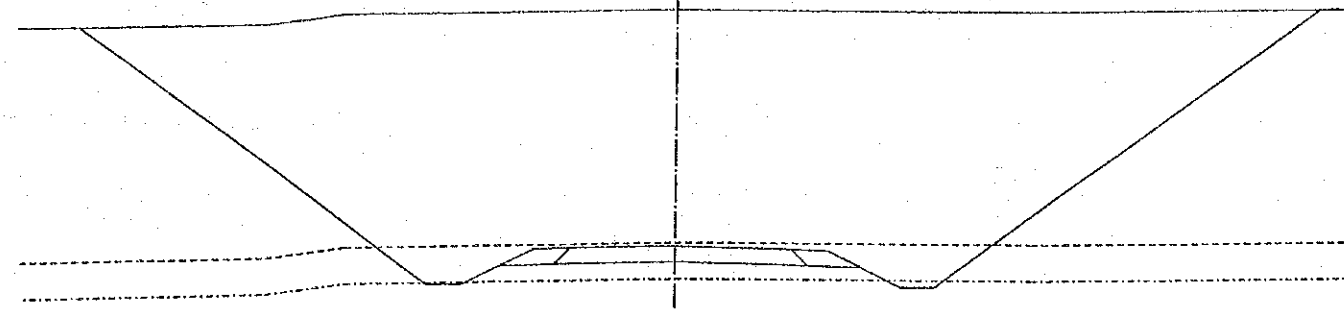
CHIEF ENGINEER ROADS
 CHIEF SURV. ENGR. (DLS. N)

SEN. SUPT. ENG. (DESIGN)
 SUPT. ENGINEER (DESIGN)
 PROJECT ENGINEER

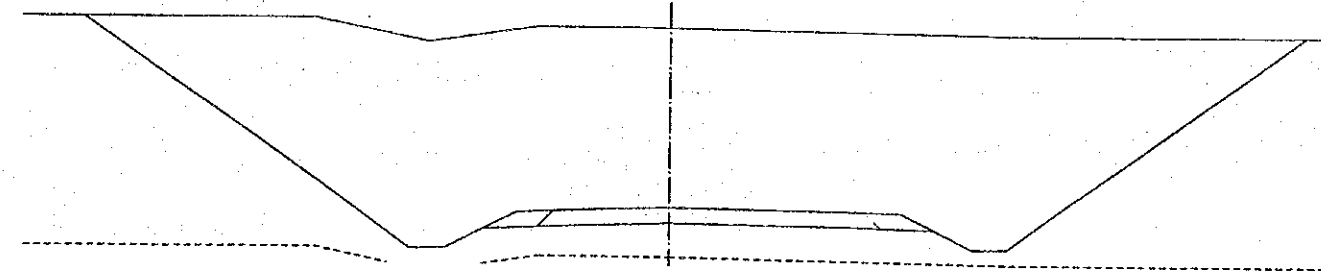
SCALES
 1 : 100

NAIROBI BYPASS
 CROSS SECTION THOGOTO JUNCTION A

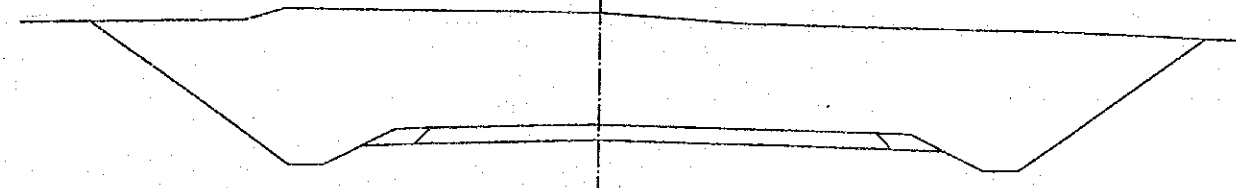
CH. 0+220
 H=1991.503
 G=1998.10



CH. 0+240
 H=1991.591
 G=1996.72



CH. 0+260
 H=1991.871
 G=1995.02



AERIAL PHOTO BY	SURVEYED BY
MAPPING BY	TRACED BY
LOCATION BY	CHECKED BY

MOPW ROADS DEPT DRG NO

REVISIONS	
DESCRIPTION	DATE

JAPAN INTERNATIONAL
 COOPERATION AGENCY

CHIEF ENGINEER (ROADS)
 CHIEF SUPT. ENG. (DESIGN)

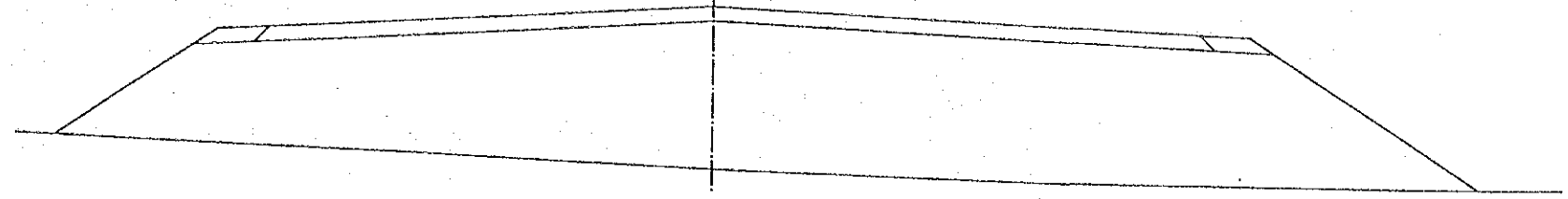
SEN. SUPT. ENG. (DESIGN)
 SUPT. ENGINEER (DESIGN)
 PROJECT ENGINEER

SCALES
 1 : 100

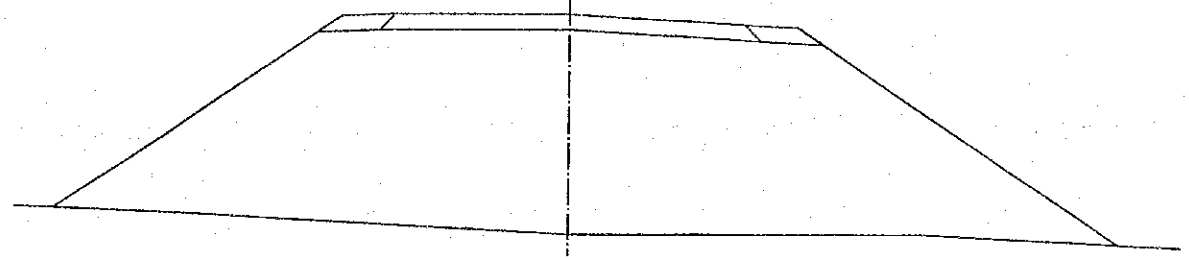
NAIROBI BYPASS
 CROSS SECTION THOGOTO JUNCTION A

SHEET 49 OF 82

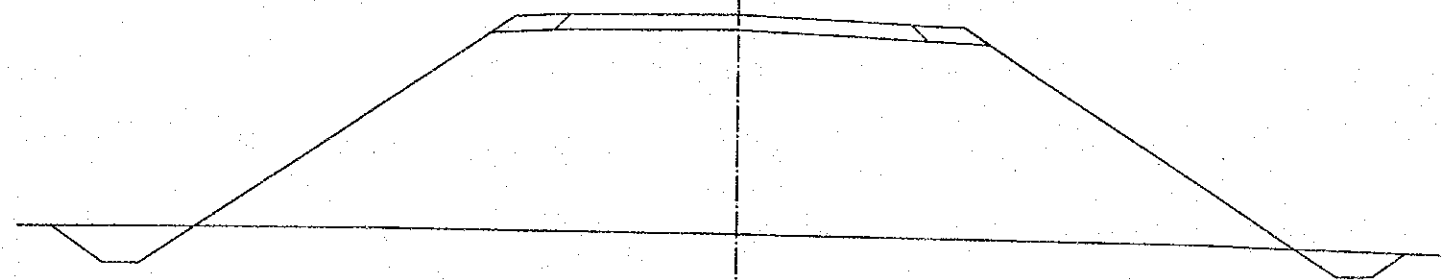
CH. 0+20
 PI=1991.020
 GI=1986.19



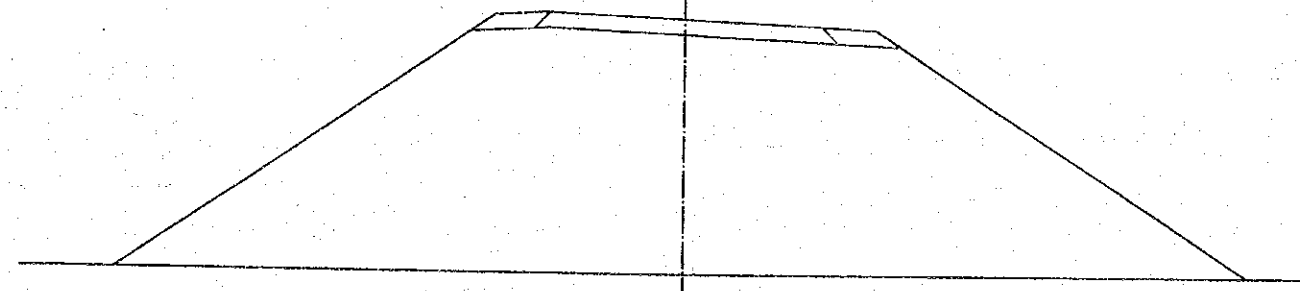
CH. 0+38.639
 PI=1991.020
 GI=1984.86



CH. 0+40
 PI=1991.020
 GI=1984.81



CH. 0+60
 PI=1990.730
 GI=1983.52



AERIAL PHOTO BY _____ SURVEYED BY _____
 MAPPING BY _____ TRACED BY _____
 LOCATION BY _____ CHECKED BY _____

MOPW ROADS DEPT DRG NO.

REVISIONS	
DESCRIPTION	DATE

JAPAN INTERNATIONAL
 COOPERATION AGENCY

CHIEF ENGINEER (ROADS)
 CHIEF SUPT. ENG. (DESIGN)

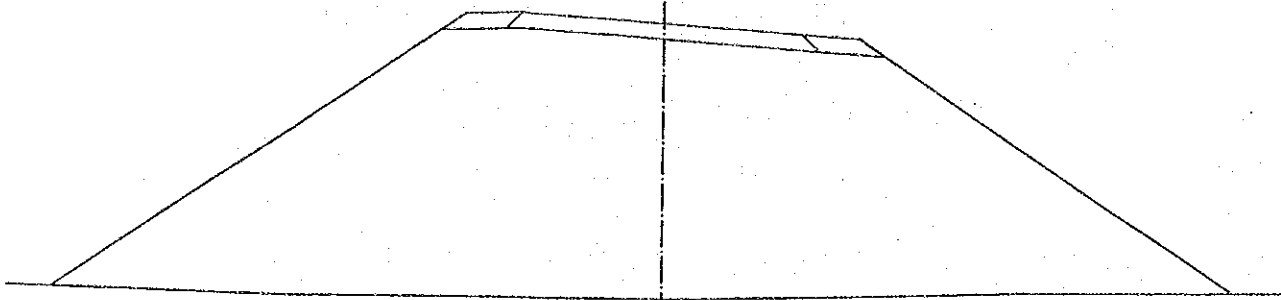
SEN. SUPT. ENG. (DESIGN)
 SUPT. ENGINEER (DESIGN)
 PROJECT ENGINEER

SCALES
 1 : 100

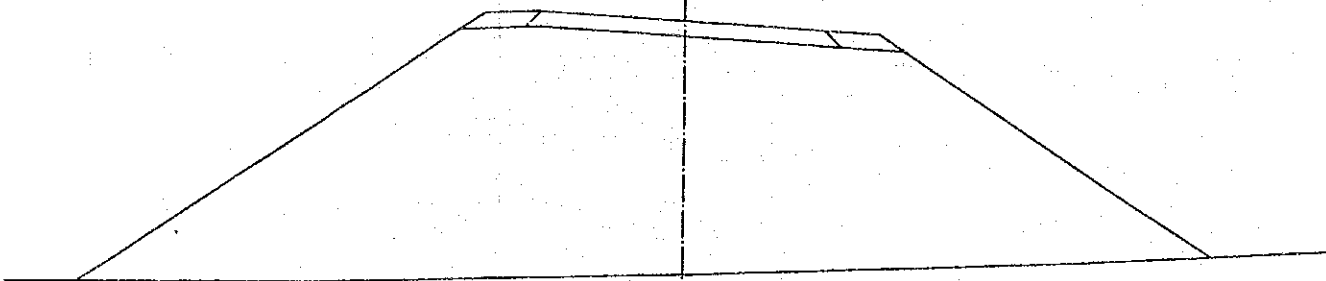
NAIROBI BYPASS
 CROSS SECTION THOGOTO JUNCTION B

SHEET 50 OF 82

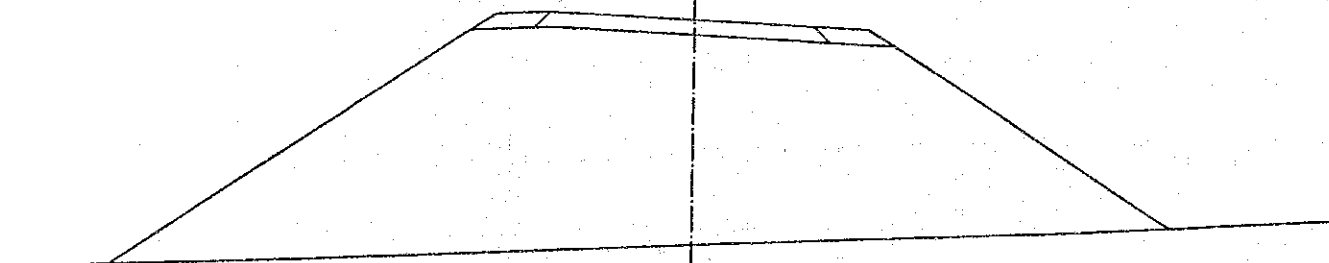
CH. 0+80
 P+1989.860
 G+1982.25



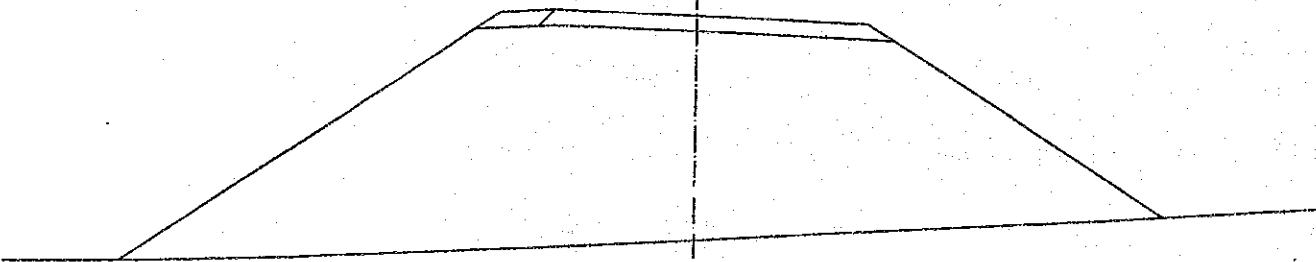
CH. 0+100
 P+1988.699
 G+1981.66



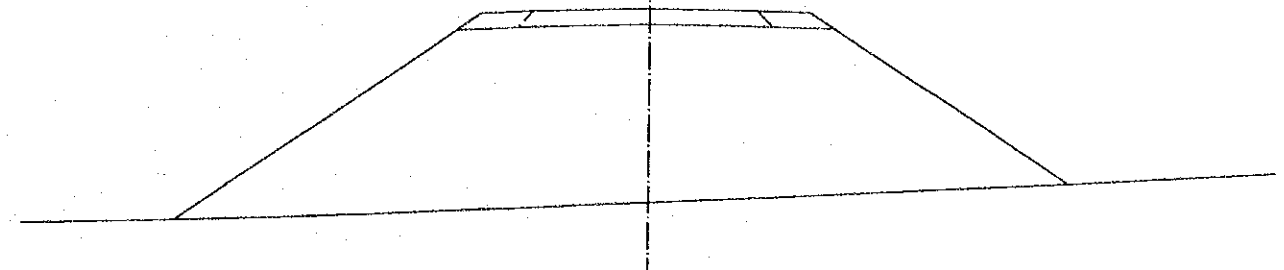
CH. 0+117.805
 P+1987.666
 G+1981.35



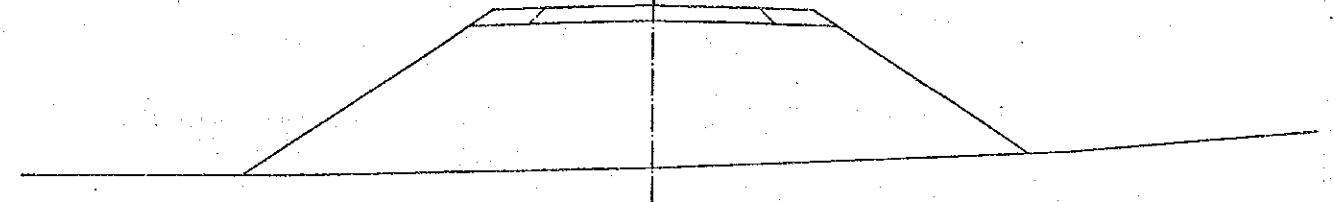
CH. 0+120
 P+1987.539
 G+1981.23



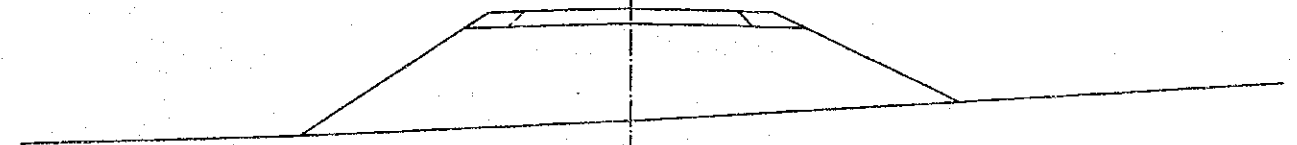
CH. 0+140
 P+1986.378
 G+1981.00



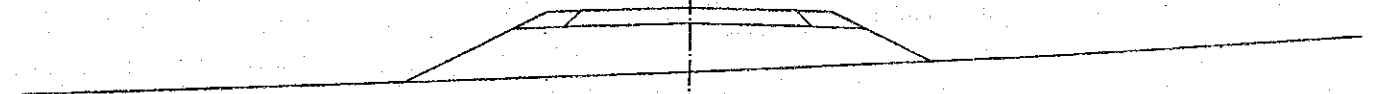
CH. 0+160
 P+1985.218
 G+1980.69



CH. 0+180
 P+1984.057
 G+1980.87



CH. 0+200
 P+1982.897
 G+1981.09



AERIAL PHOTO BY _____ SURVEYED BY _____
 MAPPING BY _____ TRACED BY _____
 LOCATION BY _____ CHECKED BY _____

MOPW ROADS DEPT DRG NO.

REVISIONS	
DESCRIPTION	DATE

JAPAN INTERNATIONAL
 COOPERATION AGENCY

CHIEF ENGINEER (ROADS)
 CHIEF SUPT. ENG (DESIGN)

SEN SUPT. ENG. (DESIGN)
 SUPT. ENGINEER (DESIGN)
 PROJECT ENGINEER

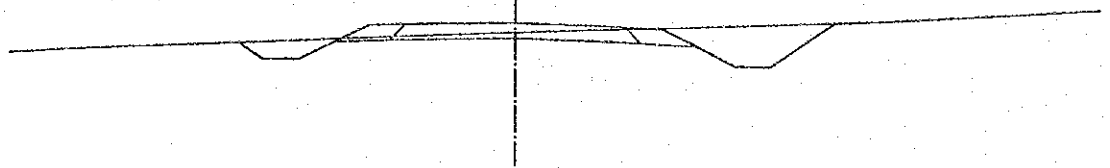
SCALES
 1 : 100

NAIROBI BYPASS
 CROSS SECTION THOGOTO JUNCTION B

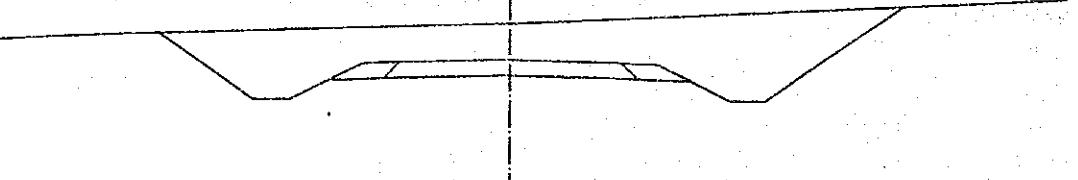
SHEET 51 OF 82

AERIAL PHOTO BY _____ SURVEYED BY _____
 MAPPING BY _____ TRACED BY _____
 LOCATION BY _____ CHECKED BY _____
 MOPW ROADS DEPT DRG NO. _____

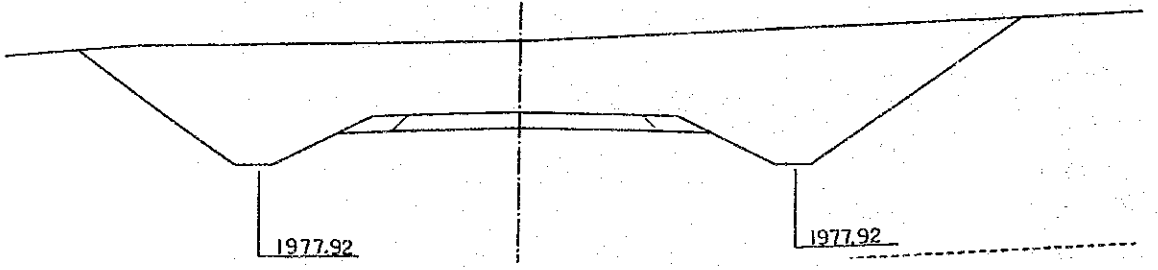
CH. 0+220
 PI=1981.737
 GI=1981.47



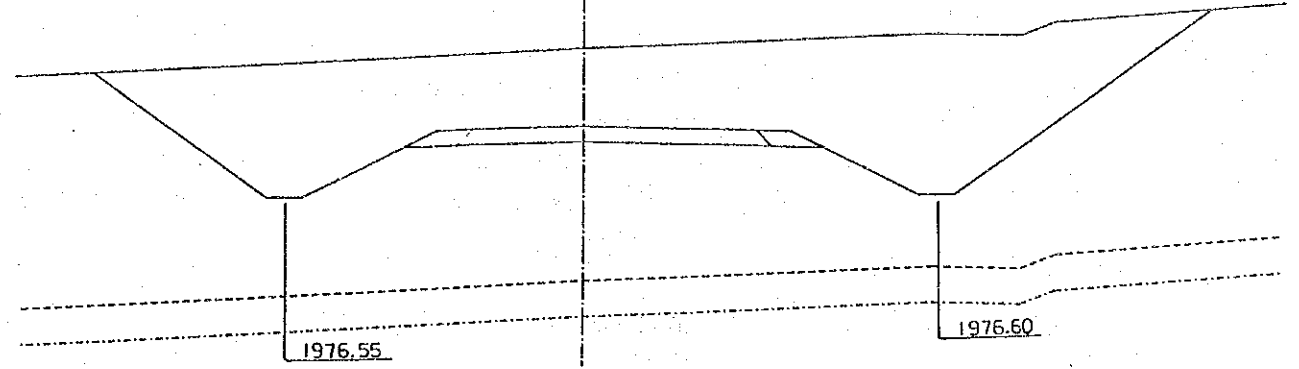
CH. 0+240
 PI=1980.576
 GI=1981.60



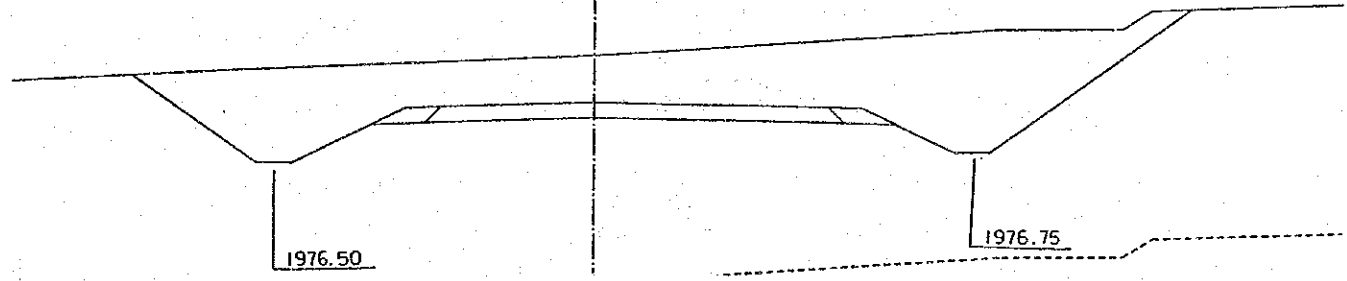
CH. 0+260
 PI=1979.416
 GI=1981.38



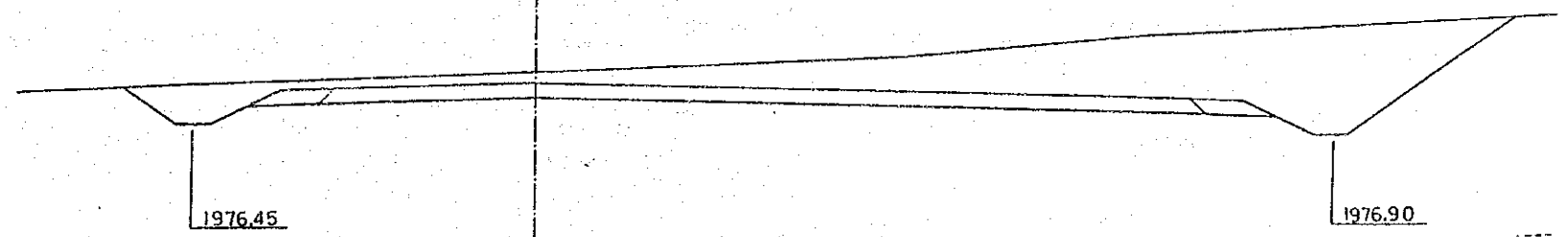
CH. 0+280
 PI=1978.532
 GI=1980.72



CH. 0+300
 PI=1978.202
 GI=1979.54



CH. 0+320
 PI=1978.425
 GI=1978.75



REVISIONS	
DESCRIPTION	DATE

JAPAN INTERNATIONAL
 COOPERATION AGENCY

CHIEF ENGINEER (ROADS)
 CHIEF SUPT. ENG (DESIGN)

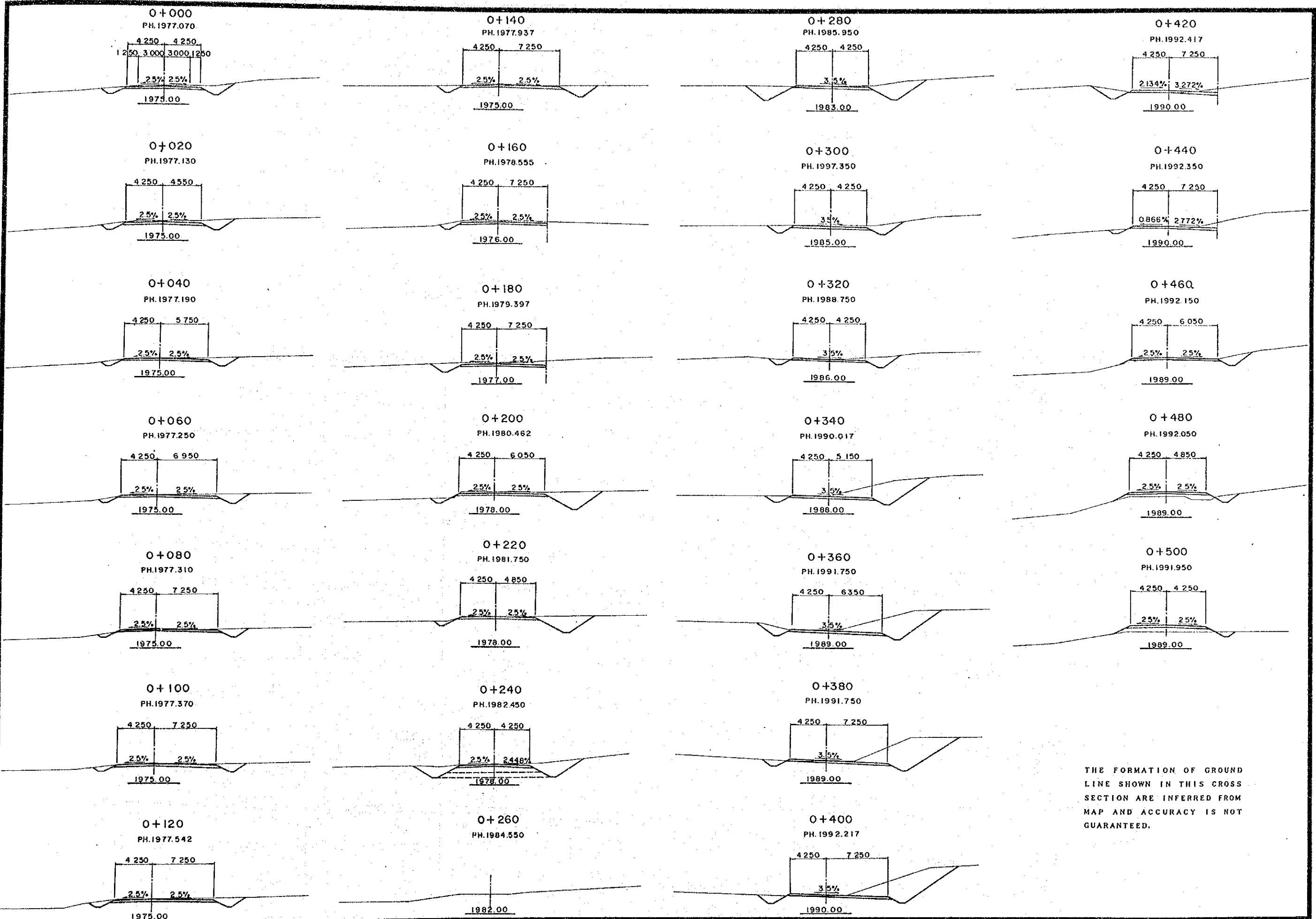
SEN. SUPT. ENG. (DESIGN)
 SUPT. ENGINEER (DESIGN)
 PROJECT ENGINEER

SCALES
 1 : 100

NAIROBI BYPASS
 CROSS SECTION THOGOTO JUNCTION B

SHEET 52 OF 82

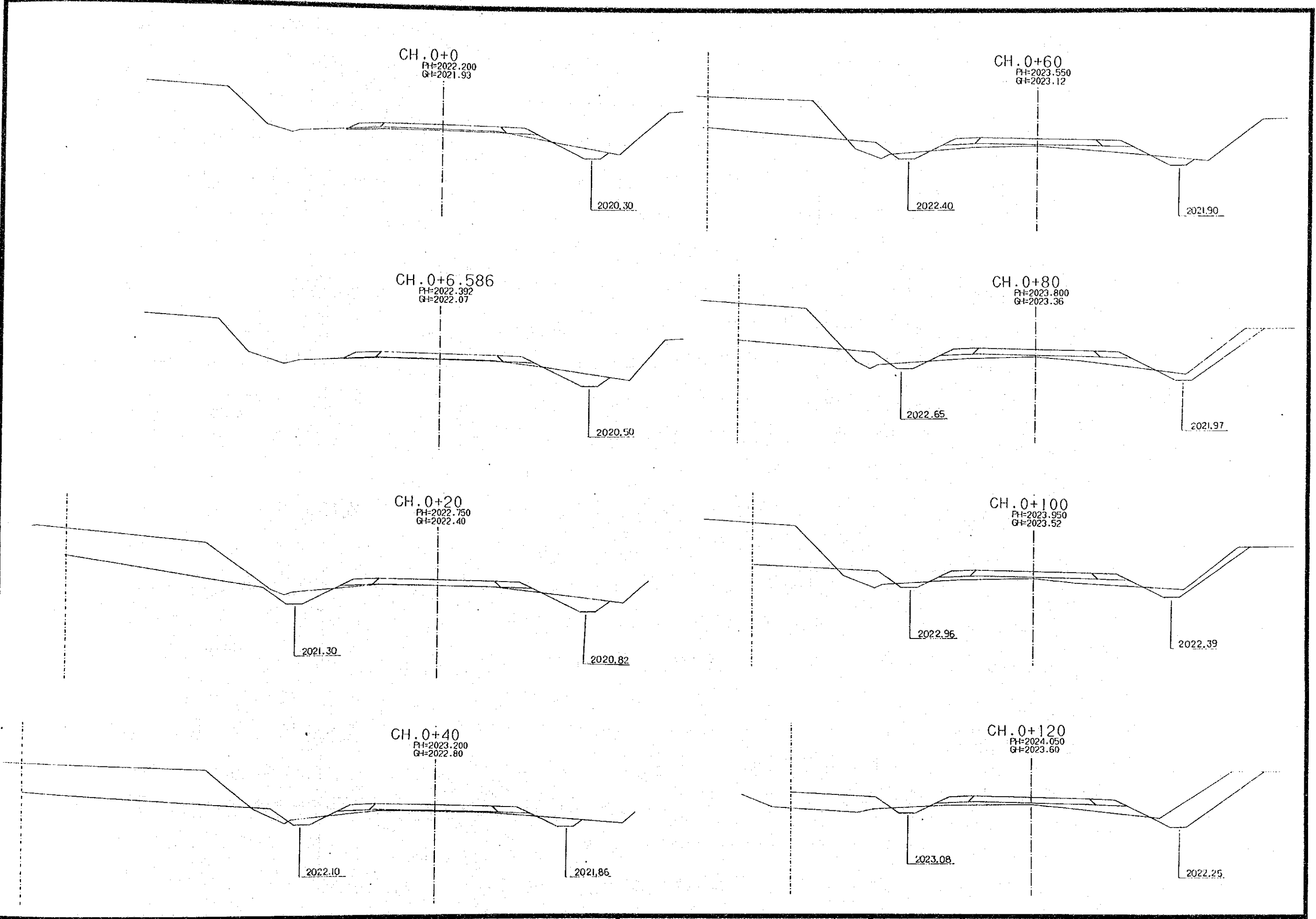
AERIAL PHOTO BY _____ SURVEYED BY _____
 MAPPING BY _____ TRACED BY _____
 LOCATION BY _____ CHECKED BY _____
 M.O.P.W. ROADS DEPT DRG NO _____



THE FORMATION OF GROUND
 LINE SHOWN IN THIS CROSS
 SECTION ARE INFERRED FROM
 MAP AND ACCURACY IS NOT
 GUARANTEED.

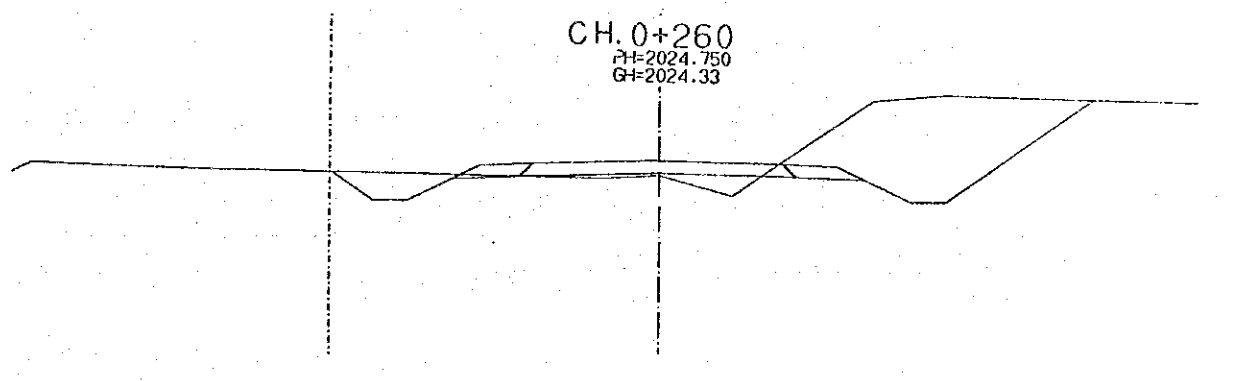
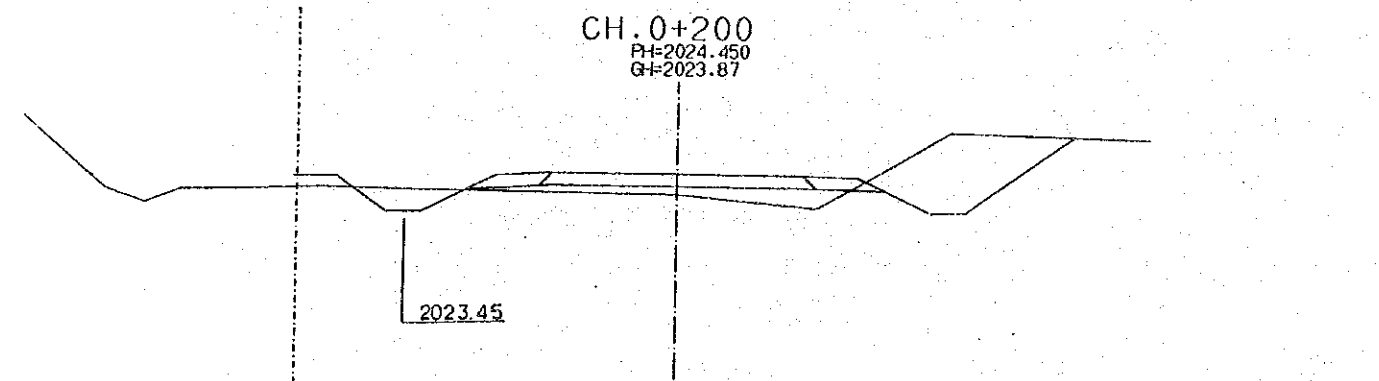
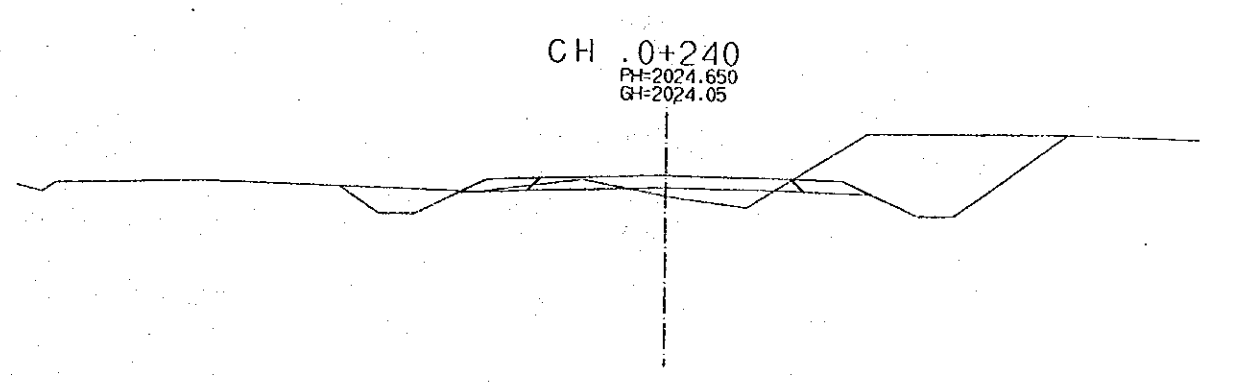
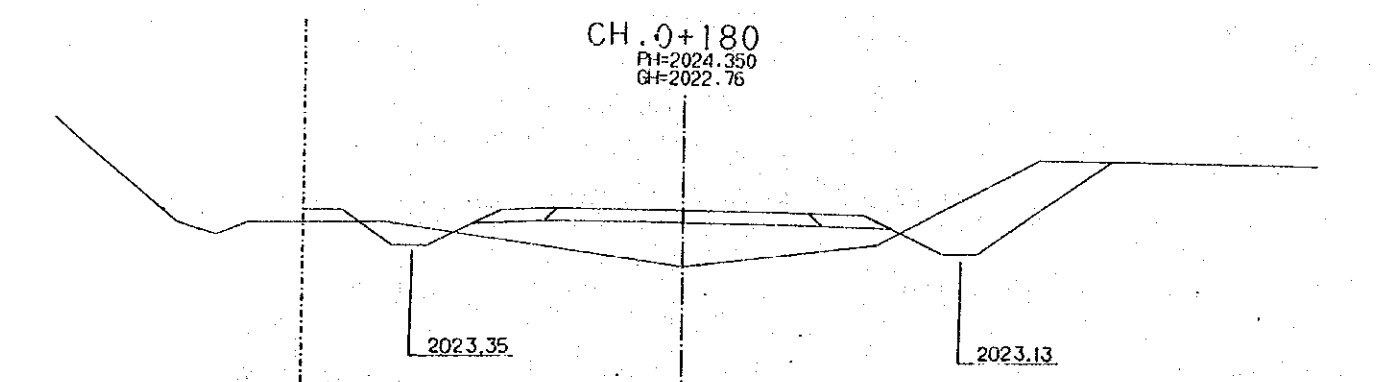
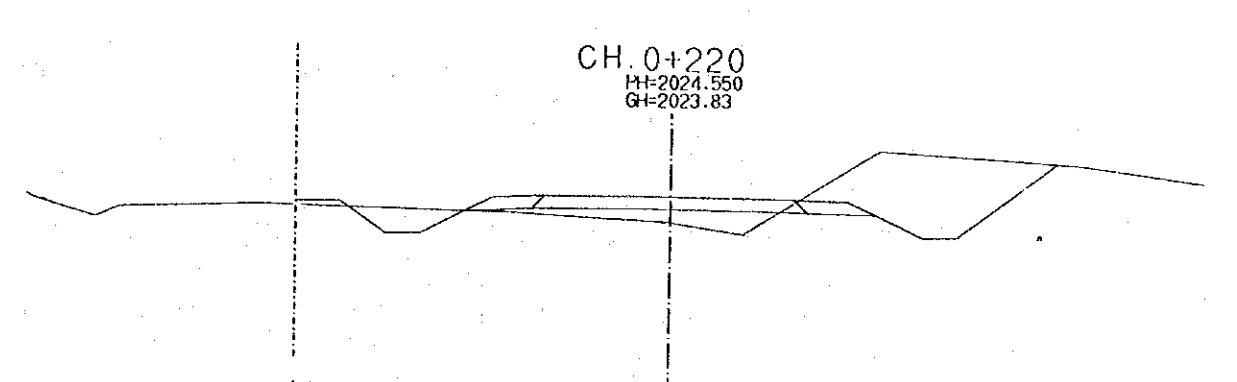
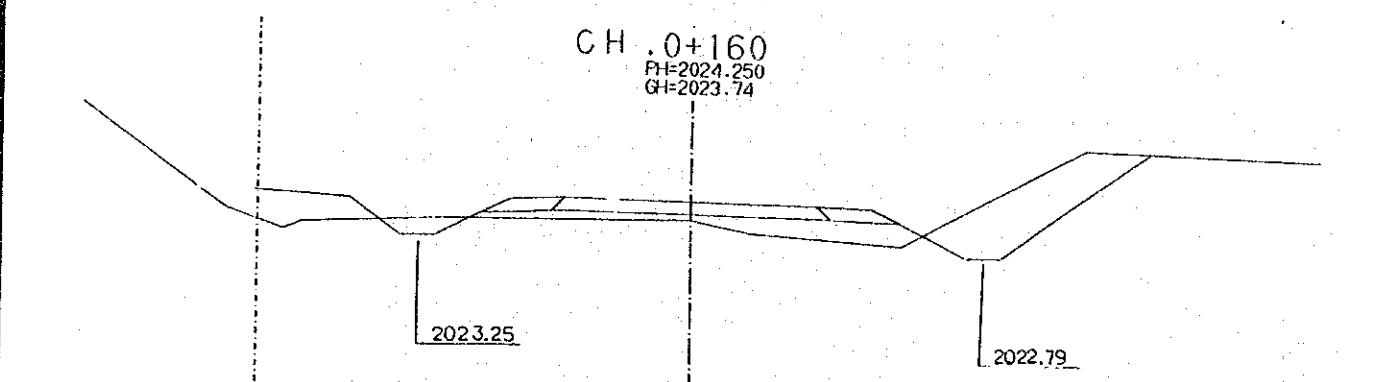
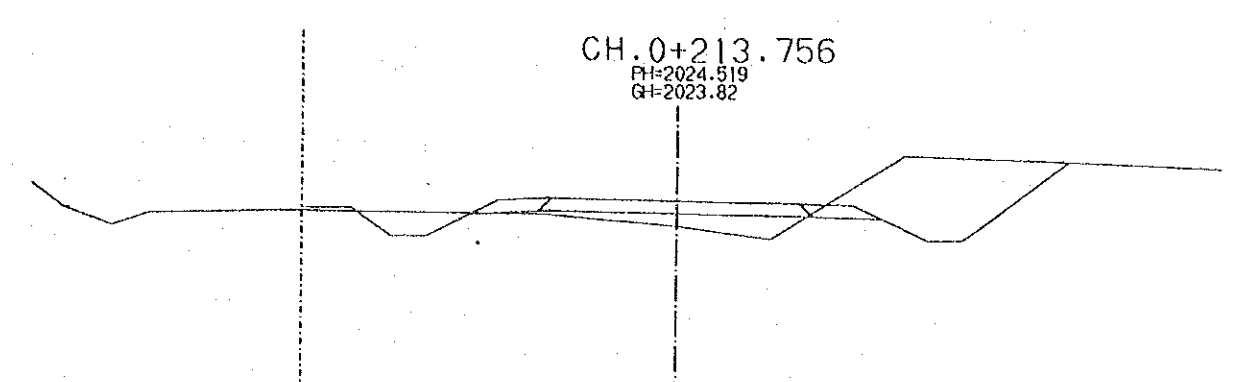
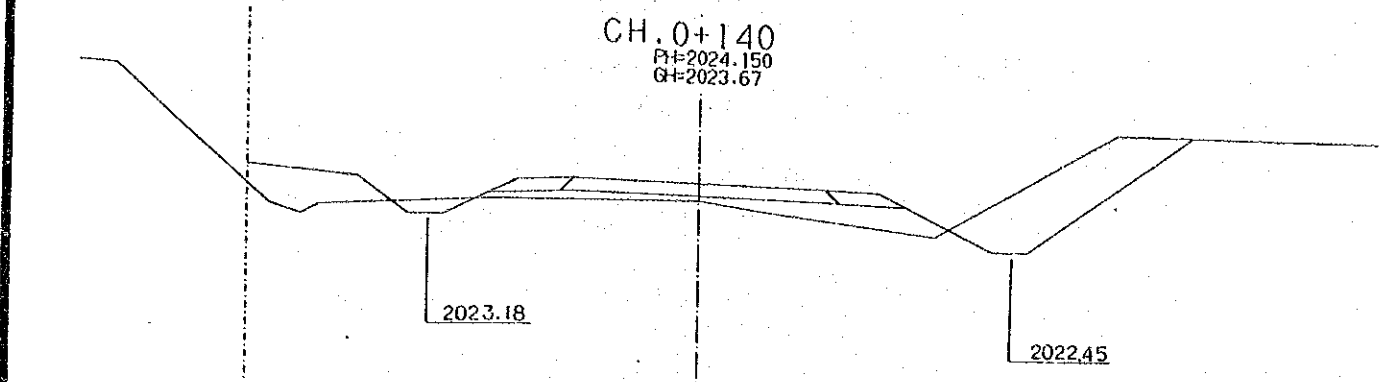
REVISIONS DESCRIPTION DATE		JAPAN INTERNATIONAL COOPERATION AGENCY	CHIEF ENGINEER (ROADS) CHIEF SUPT ENG (DESIGN)	SEN SUPT. ENG (DESIGN) SUPT. ENGINEER (DESIGN) PROJECT ENGINEER	SCALES 1:200	NAIROBI BYPASS CROSS SECTION (THOGOTO J-C APPROACH ROAD)	SHEET 53 OF 82

AERIAL PHOTO BY _____ SURVEYED BY _____
 MAPPING BY _____ TRACED BY _____
 LOCATION BY _____ CHECKED BY _____
 MOPW ROADS DEPT DRG NO _____



REVISIONS		JAPAN INTERNATIONAL COOPERATION AGENCY	CHIEF ENGINEER (ROADS)	SEN. SUPT. ENG. (DESIGN)	SCALES	NAIROBI BYPASS
DESCRIPTION	DATE					
			CHIEF SUPT. ENG (DESIGN)	SUPT ENGINEER (DESIGN)	1 : 100	CROSS-SECTION KIKUYU TOWN JUNCTION A
				PROJECT ENGINEER		SHEET 54 OF 82

AERIAL PHOTO BY _____ SURVEYED BY _____
 MAPPING BY _____ TRACED BY _____
 LOCATION BY _____ CHECKED BY _____
 M.O.P.W. ROADS DEPT. DRG. NO. _____



REVISIONS	
DESCRIPTION	DATE

JAPAN INTERNATIONAL COOPERATION AGENCY

CHIEF ENGINEER (ROADS)
CHIEF SUPT. ENG. (DESIGN)

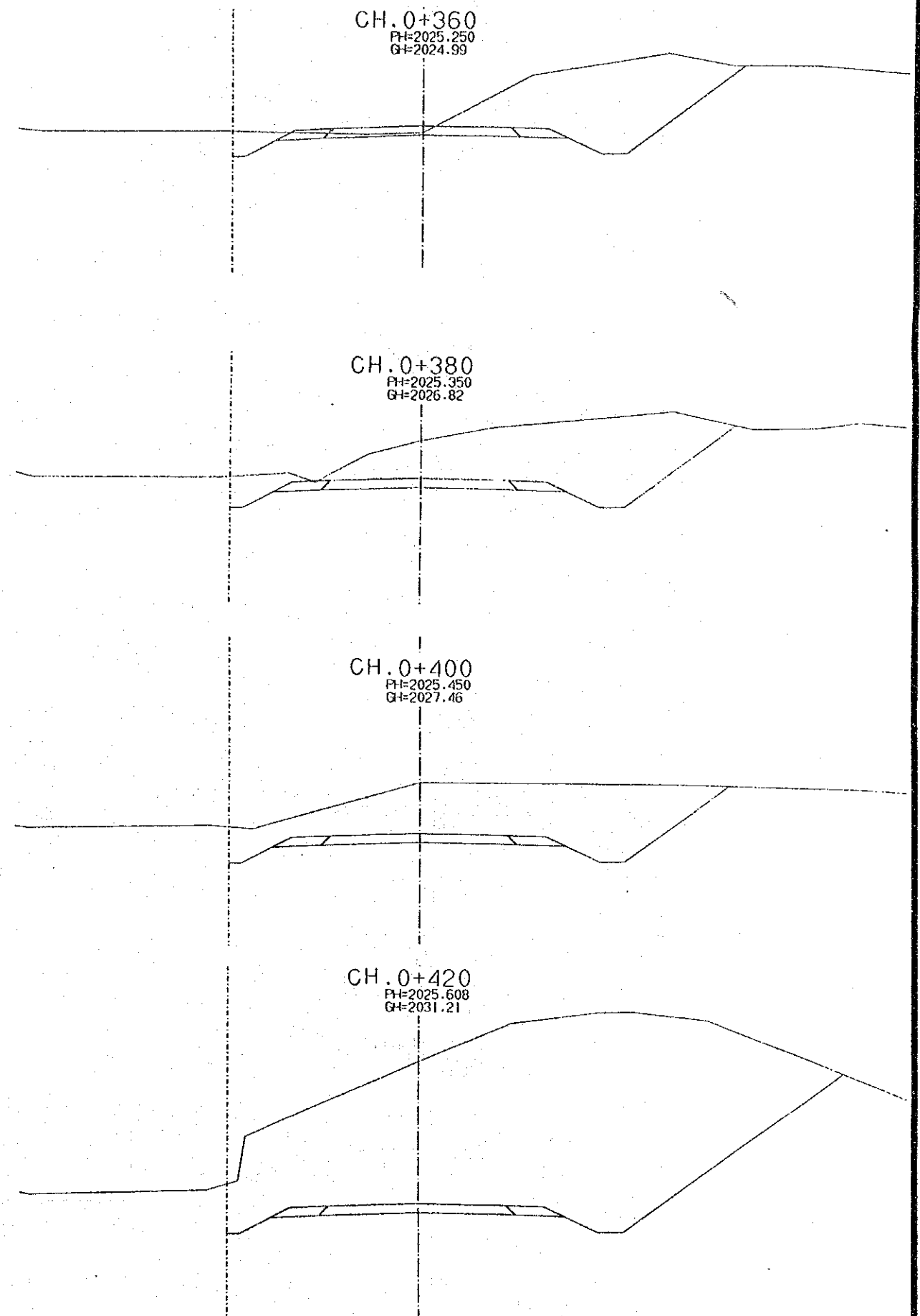
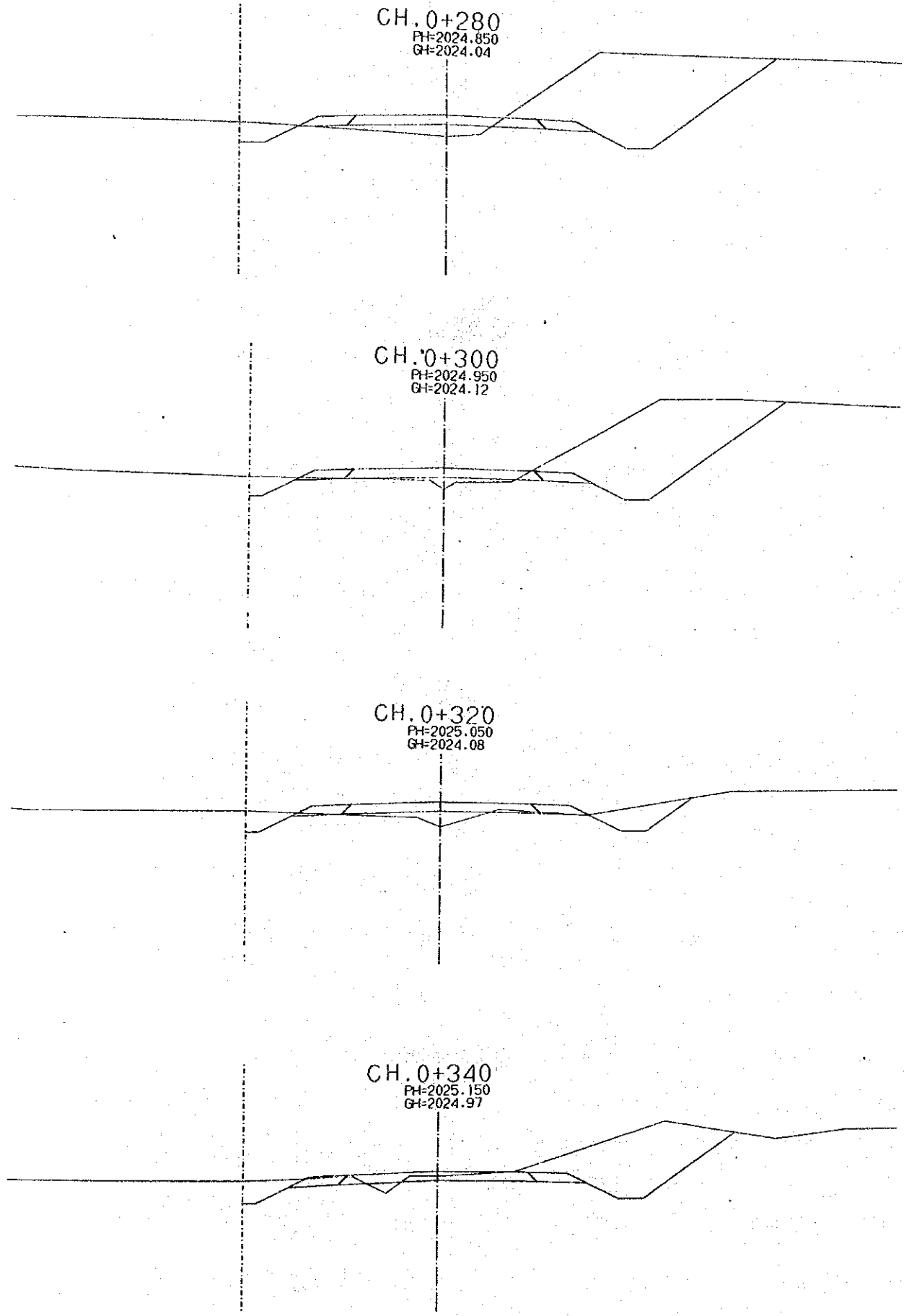
SEN. SUPT. ENG. (DESIGN)
SUPT. ENGINEER (DESIGN)
PROJECT ENGINEER

SCALES
1 : 100

NAIROBI BYPASS
CROSS SECTION KIKUYU TOWN JUNCTION A

AERIAL PHOTO BY _____ SURVEYED BY _____
 MAPPING BY _____ TRACED BY _____
 LOCATION BY _____ CHECKED BY _____

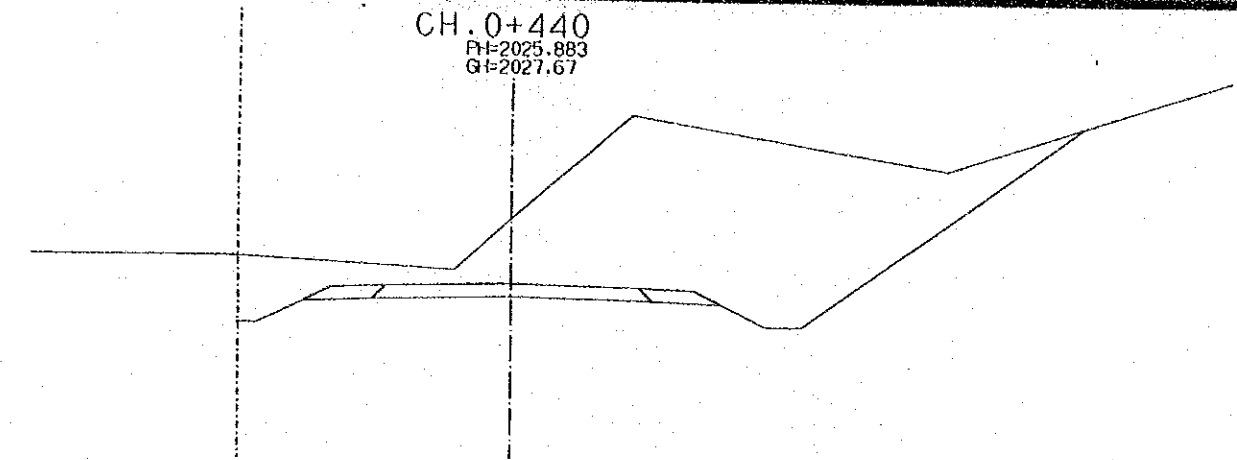
MOPW ROADS DEPT DRG NO



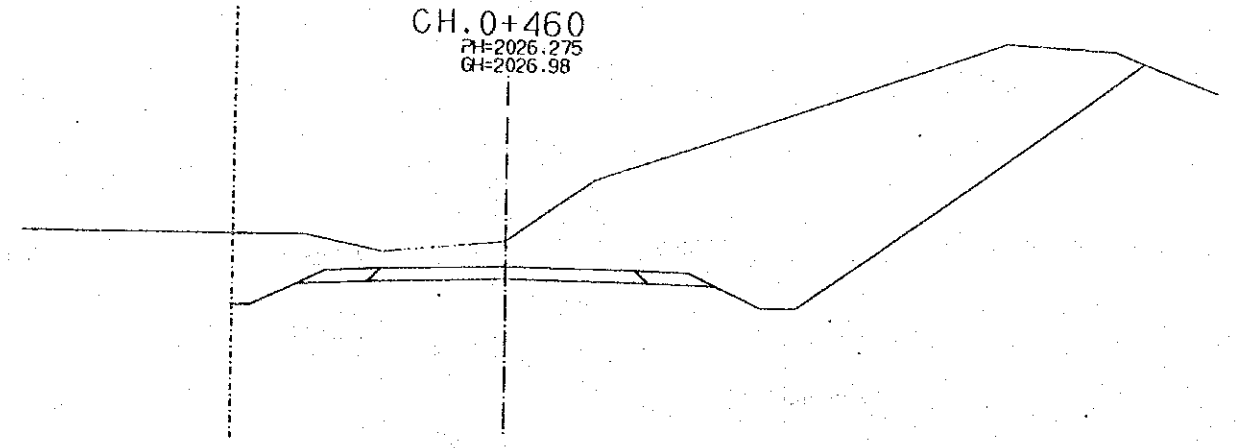
REVISIONS		JAPAN INTERNATIONAL COOPERATION AGENCY	CHIEF ENGINEER (ROADS) CHIEF SUPT. ENG (DESIGN)	SEN. SUPT. ENG. (DESIGN) SUPT. ENGINEER (DESIGN) PROJECT ENGINEER	SCALES 1 : 100	NAIROBI BYPASS CROSS SECTION KIKUYU TOWN JUNCTION A	SHEET 56 OF 82
DESCRIPTION	DATE						

AERIAL PHOTO BY _____
 MAPPING BY _____
 LOCATION BY _____
 SURVEYED BY _____
 TRACED BY _____
 CHECKED BY _____

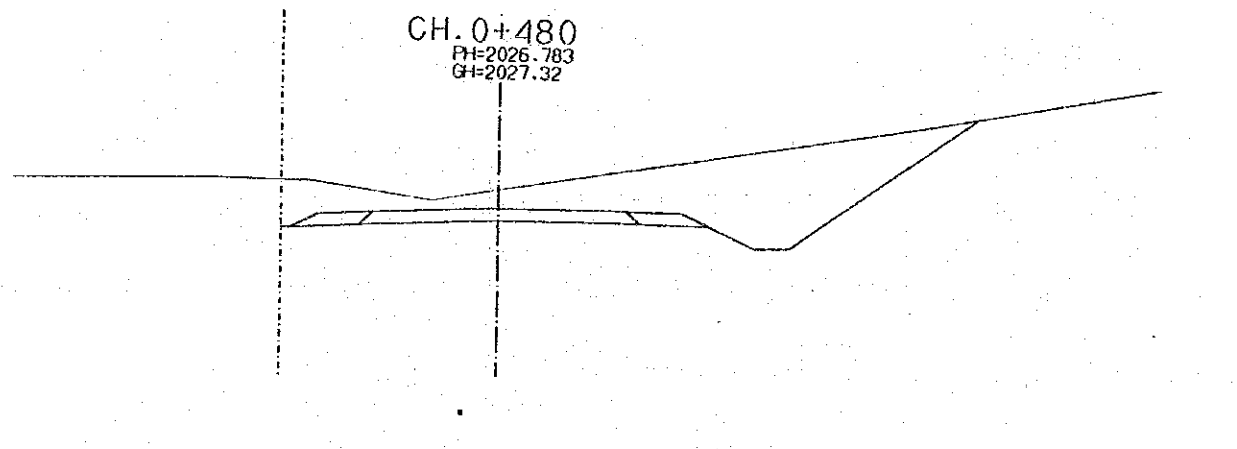
M.C.P.W. ROADS DEPT. DRG. NO.



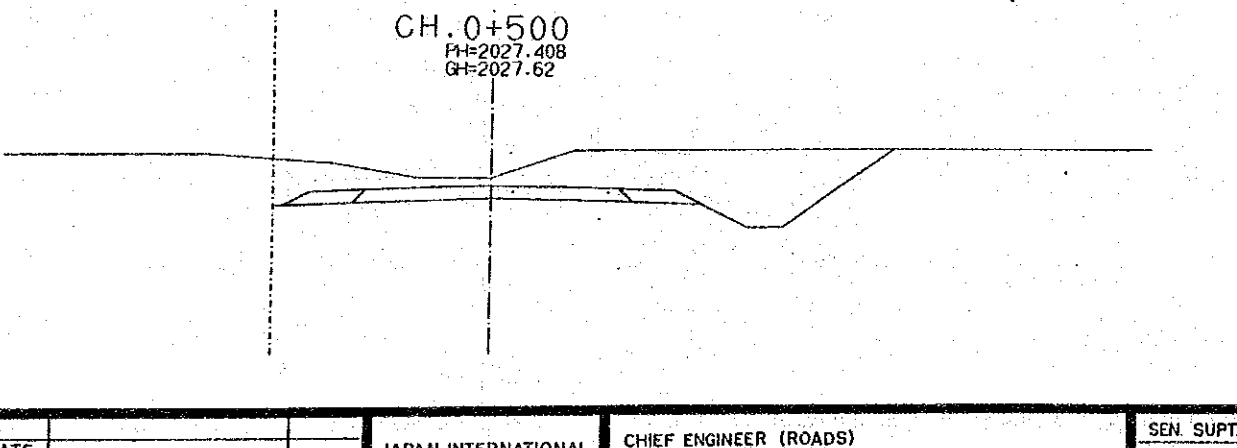
CH. 0+440
 PI=2025.883
 GI=2027.67



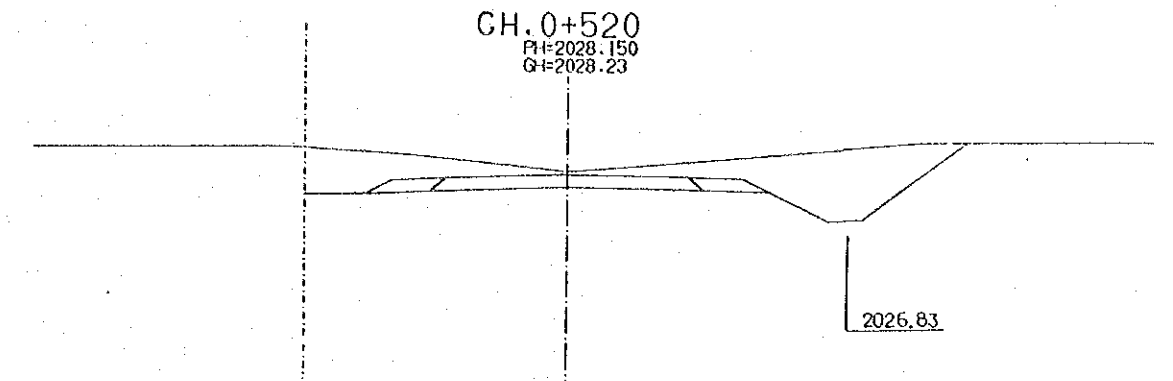
CH. 0+460
 PI=2026.275
 GI=2026.98



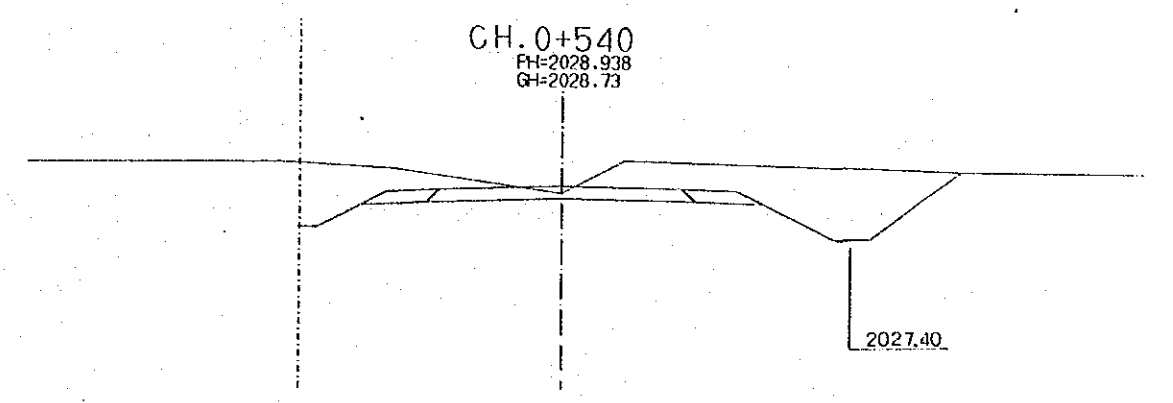
CH. 0+480
 PI=2026.783
 GI=2027.32



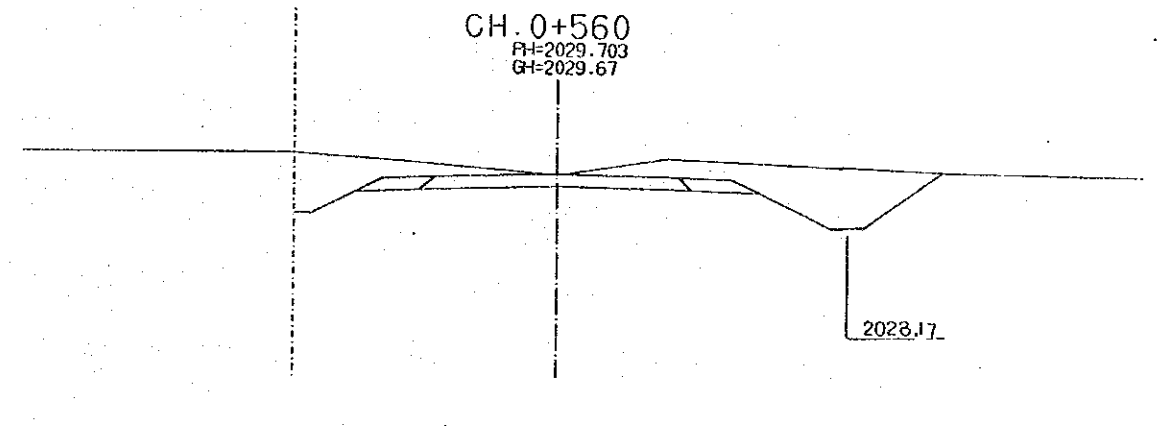
CH. 0+500
 PI=2027.408
 GI=2027.62



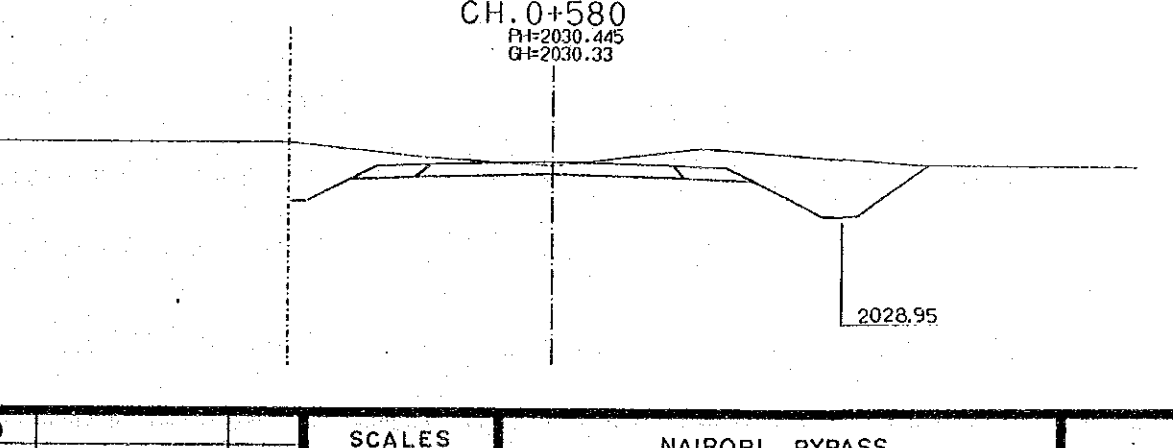
CH. 0+520
 PI=2028.150
 GI=2028.23



CH. 0+540
 PI=2028.938
 GI=2028.73



CH. 0+560
 PI=2029.703
 GI=2029.67



CH. 0+580
 PI=2030.445
 GI=2030.33

REVISIONS	
DESCRIPTION	DATE

JAPAN INTERNATIONAL
 COOPERATION AGENCY

CHIEF ENGINEER (ROADS)
 CHIEF SUPT. ENG. (DESIGN)

SEN. SUPT. ENG. (DESIGN)
 SUPT. ENGINEER (DESIGN)
 PROJECT ENGINEER

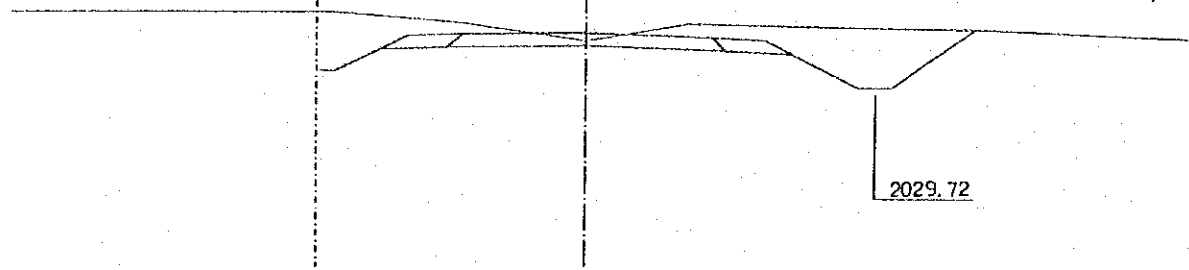
SCALES
 1 : 100

NAIROBI BYPASS
 CROSS SECTION KIKUYU TOWN JUNCTION A

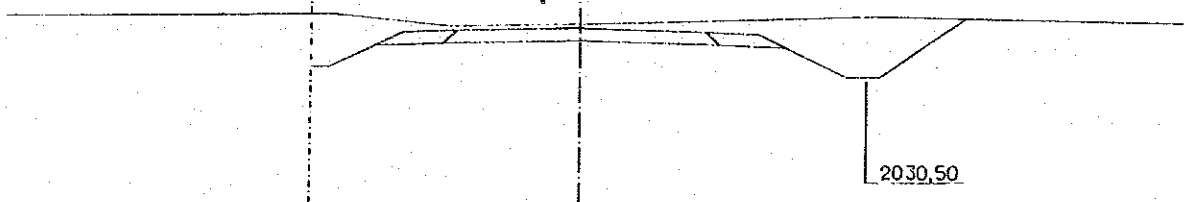
SHEET 57 OF 82

AERIAL PHOTO BY _____ SURVEYED BY _____
 MAPPING BY _____ TRACED BY _____
 LOCATION BY _____ CHECKED BY _____
 MOPW ROADS DEPT DRG NO _____

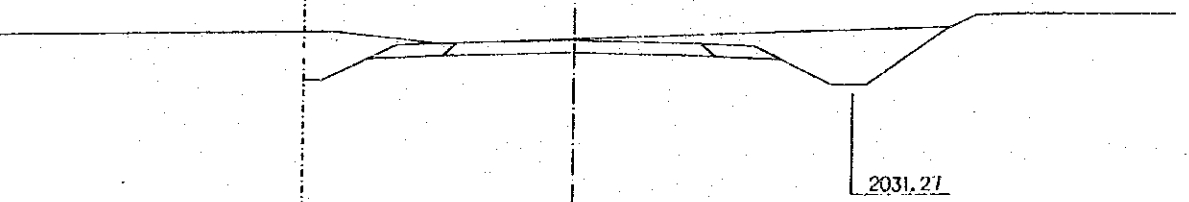
CH. 0+600
 PH=2031.163
 G=2030.94



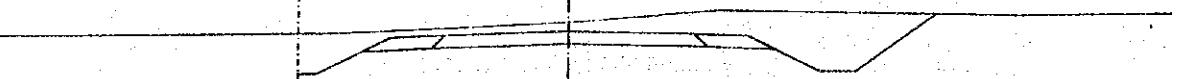
CH. 0+620
 PH=2031.858
 G=2031.98



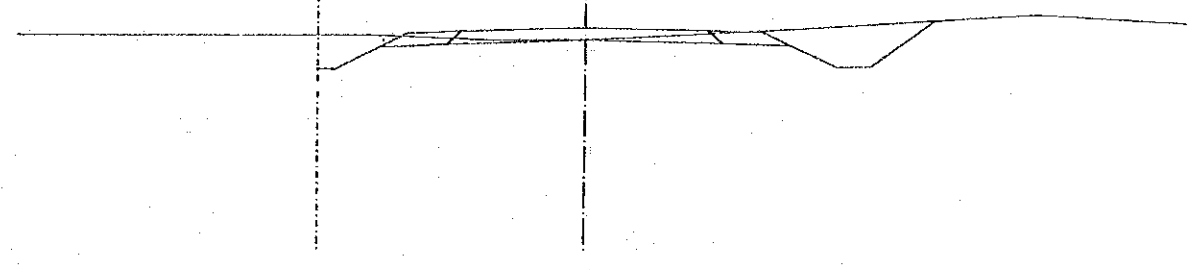
CH. 0+640
 PH=2032.530
 G=2032.57



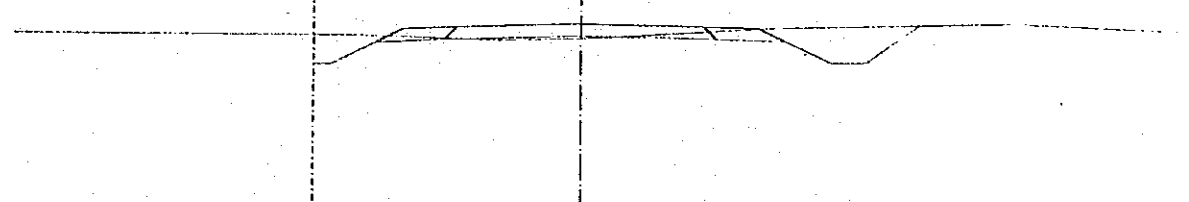
CH. 0+660
 PH=2033.190
 G=2033.45



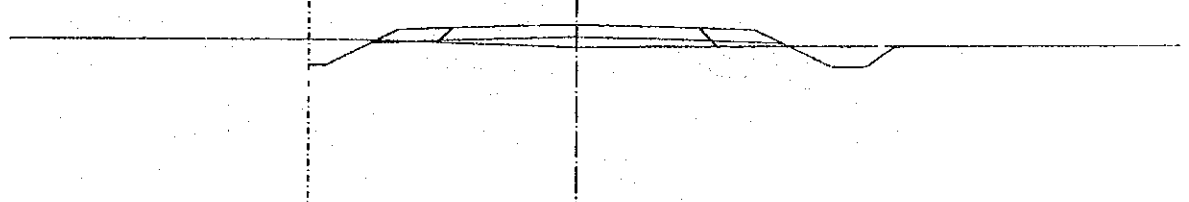
CH. 0+680
 PH=2033.775
 G=2033.44



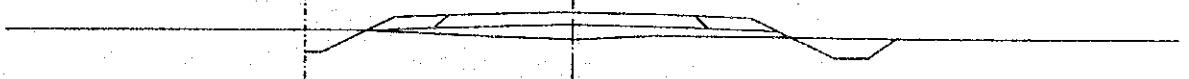
CH. 0+700
 PH=2034.208
 G=2033.78



CH. 0+720
 PH=2034.491
 G=2033.84



CH. 0+740
 PH=2034.623
 G=2033.84



REVISIONS	
DESCRIPTION	DATE

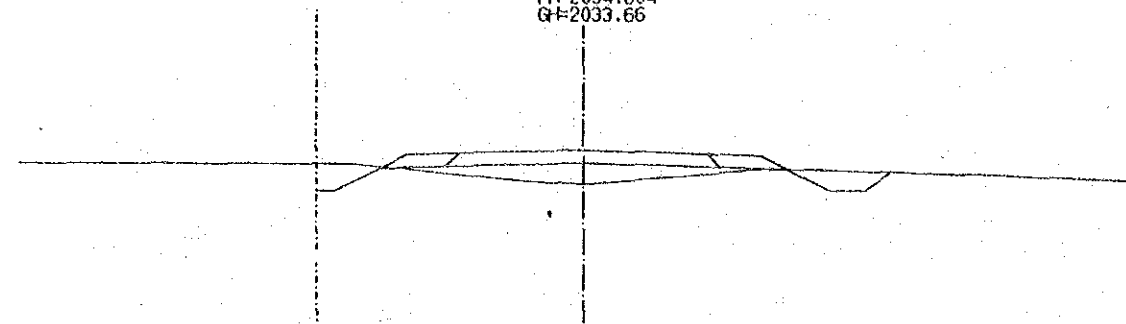
JAPAN INTERNATIONAL COOPERATION AGENCY
 CHIEF ENGINEER (ROADS)
 CHIEF SUPT. ENG. (DESIGN)

SEN. SUPT. ENG (DESIGN)
 SUPT. ENGINEER (DESIGN)
 PROJECT ENGINEER

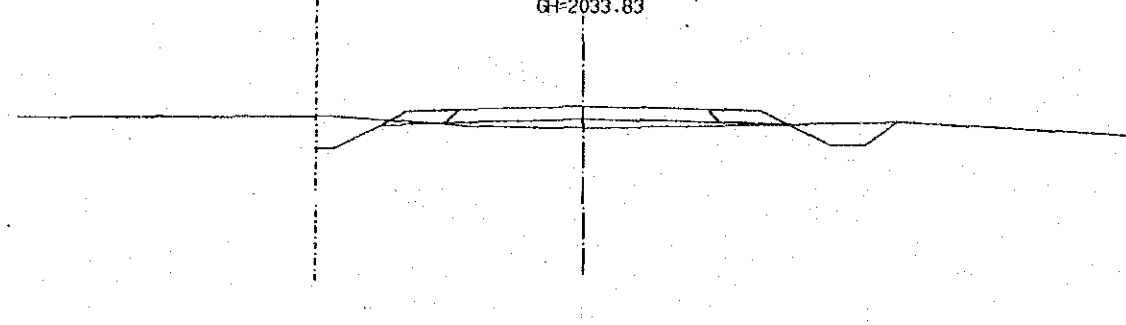
SCALES
 1 : 100

NAIROBI BYPASS
 CROSS SECTION KIKUYU TOWN JUNCTION A

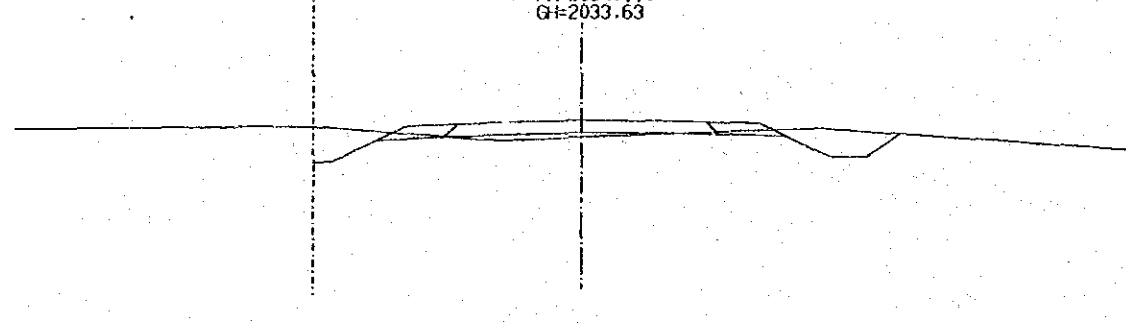
CH. 0+760
 PI=2034.604
 GI=2033.66



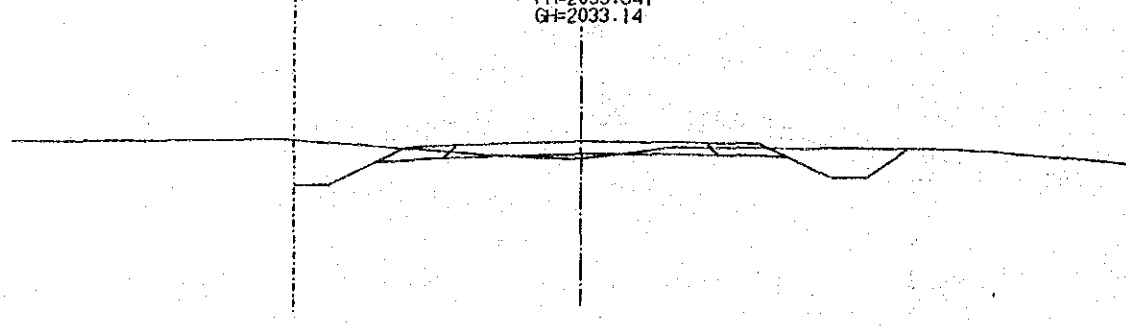
CH. 0+780
 PI=2034.434
 GI=2033.83



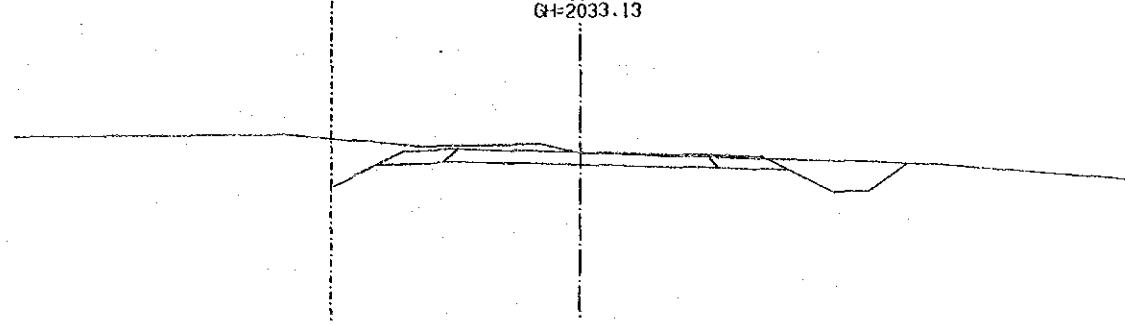
CH. 0+800
 PI=2034.113
 GI=2033.63



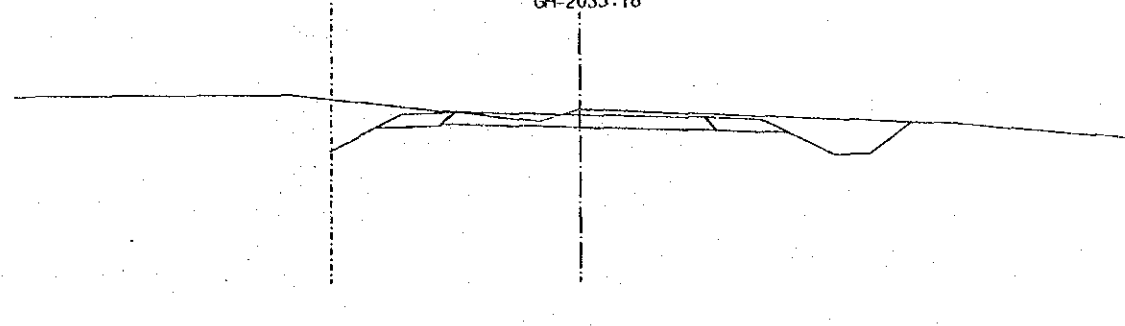
CH. 0+820
 PI=2033.641
 GI=2033.14



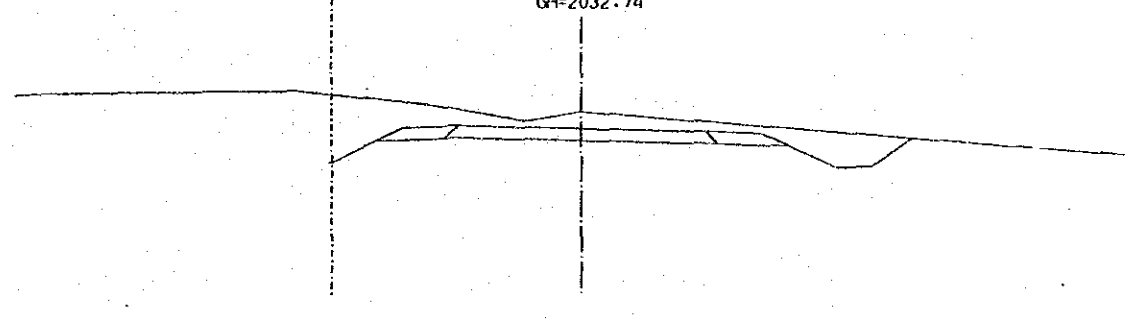
CH. 0+835.845
 PI=2033.160
 GI=2033.13



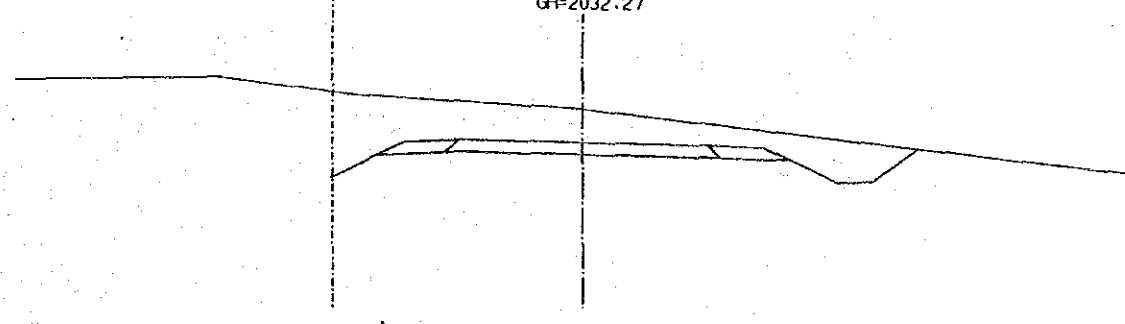
CH. 0+840
 PI=2033.018
 GI=2033.18



CH. 0+860
 PI=2032.245
 GI=2032.74



CH. 0+880
 PI=2031.320
 GI=2032.27



AERIAL PHOTO BY _____ SURVEYED BY _____
 MAPPING BY _____ TRACED BY _____
 LOCATION BY _____ CHECKED BY _____

M.O.P.W. ROADS DEPT. DRG. NO.

REVISIONS	
DESCRIPTION	DATE

JAPAN INTERNATIONAL
 COOPERATION AGENCY

CHIEF ENGINEER (ROADS)
 CHIEF SUPT. ENG. (DESIGN)

SEN. SUPT. ENG. (DESIGN)
 SUPT. ENGINEER (DESIGN)
 PROJECT ENGINEER

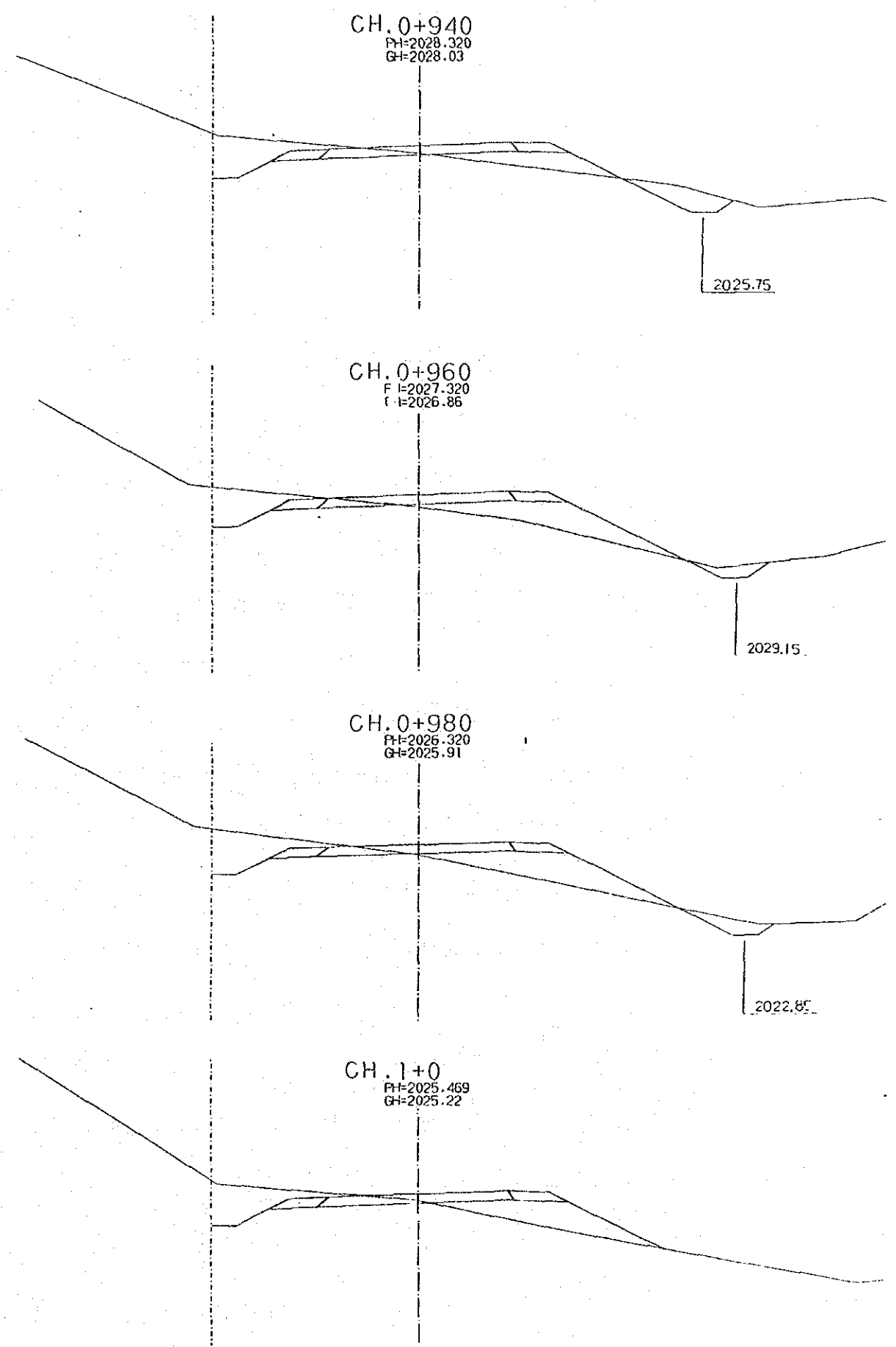
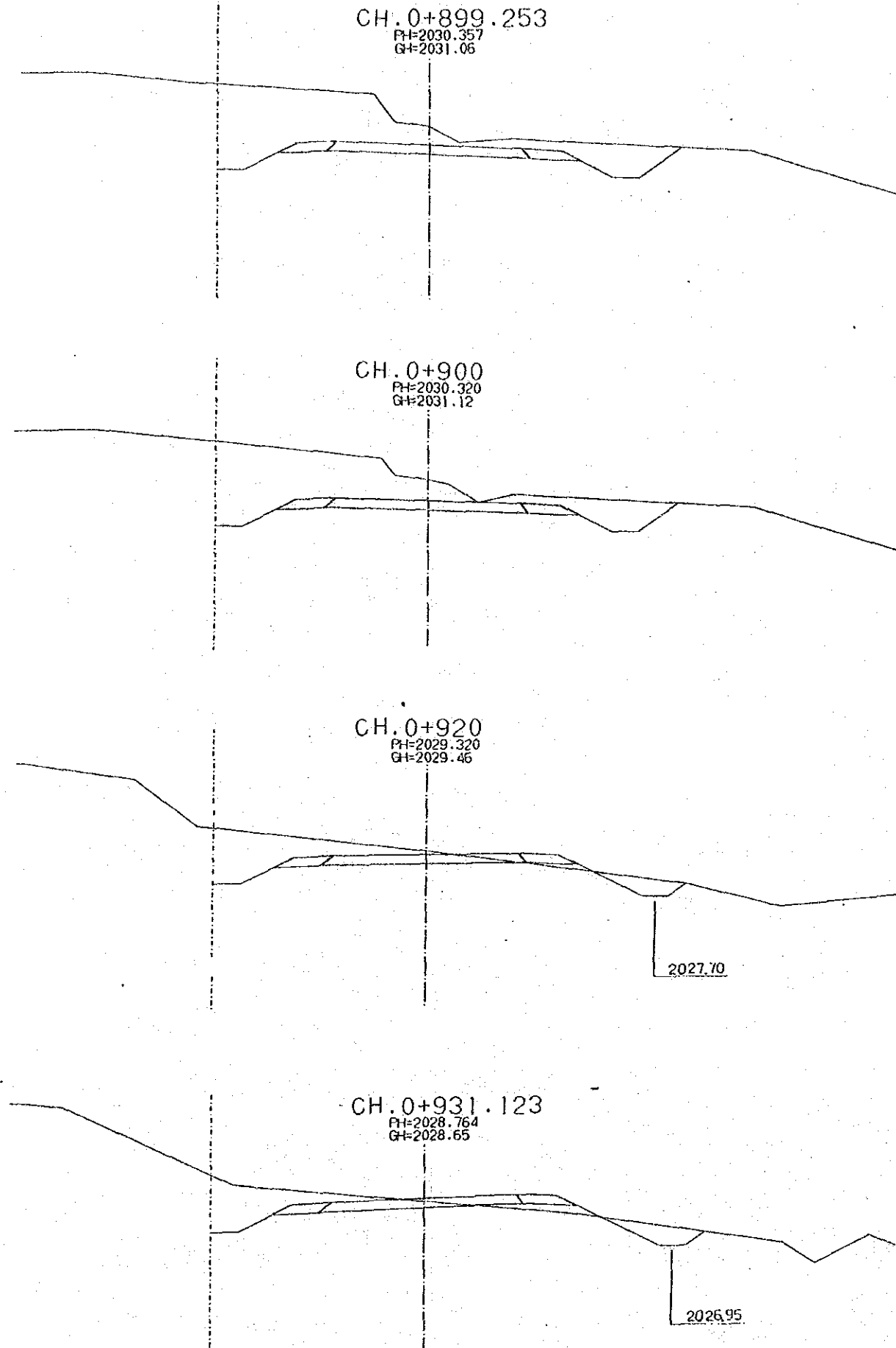
SCALES
 1 : 100

NAIROBI BYPASS
 CROSS SECTION KIKUYU TOWN JUNCTION A

SHEET 590F 02

AERIAL PHOTO BY _____
 MAPPING BY _____
 LOCATION BY _____
 SURVEYED BY _____
 TRACED BY _____
 CHECKED BY _____

M.O.P.W. ROADS DEPT. DRG. NO.



REVISIONS	
DESCRIPTION	DATE

JAPAN INTERNATIONAL COOPERATION AGENCY

CHIEF ENGINEER (ROADS)
CHIEF SUPT. ENG (DESIGN)

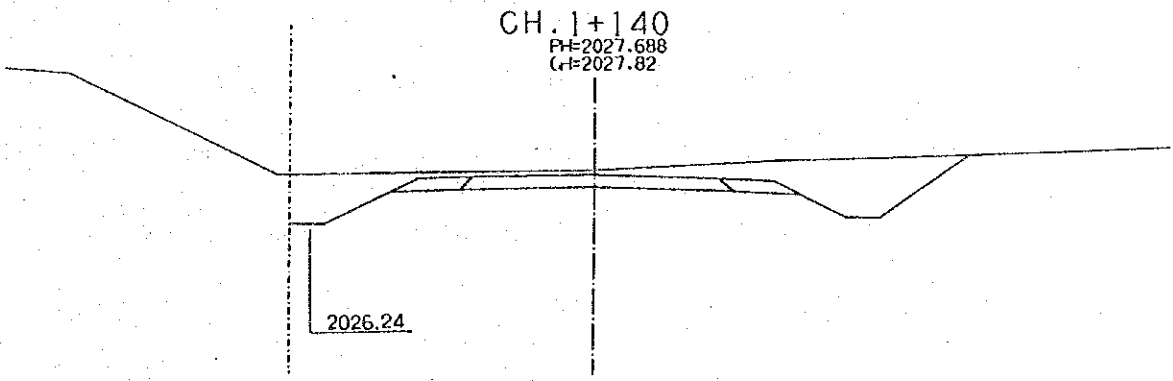
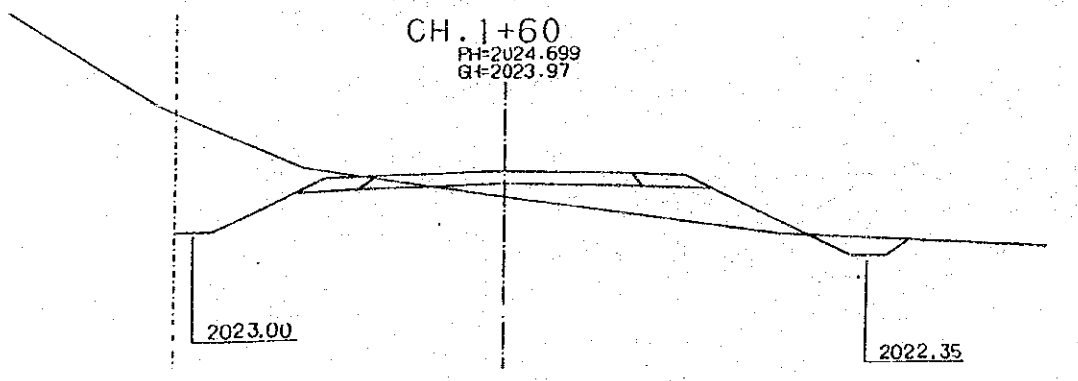
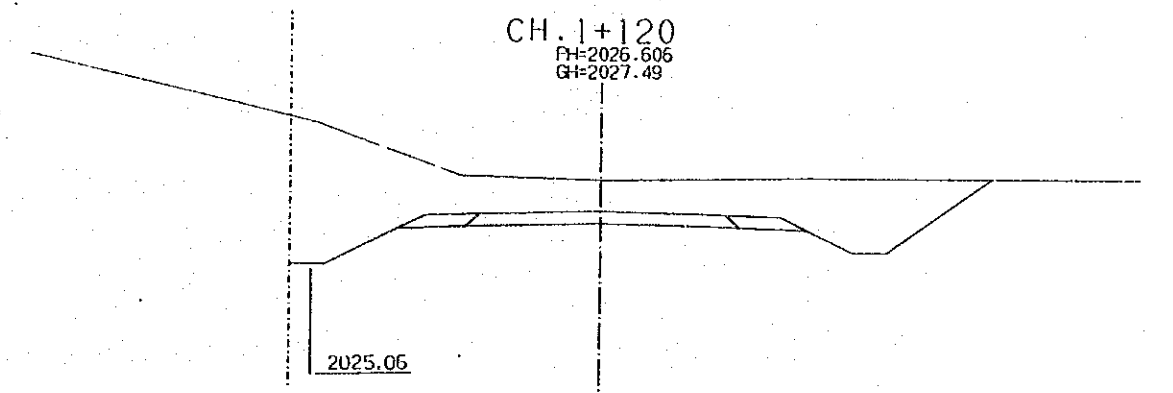
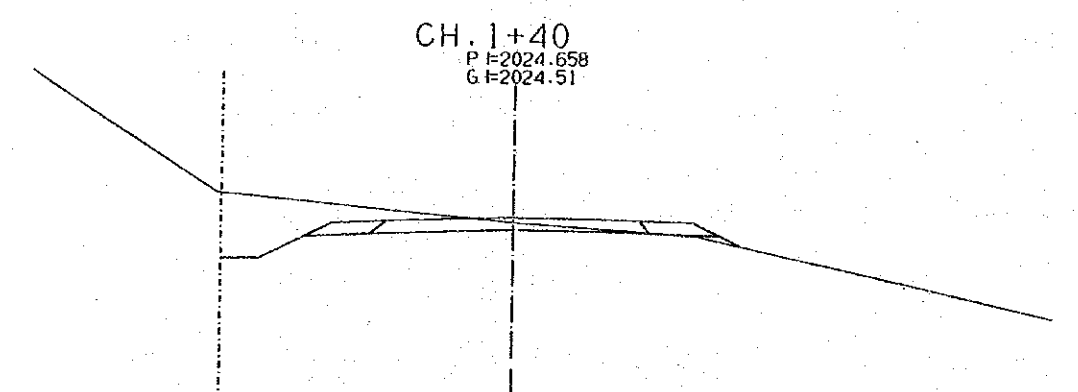
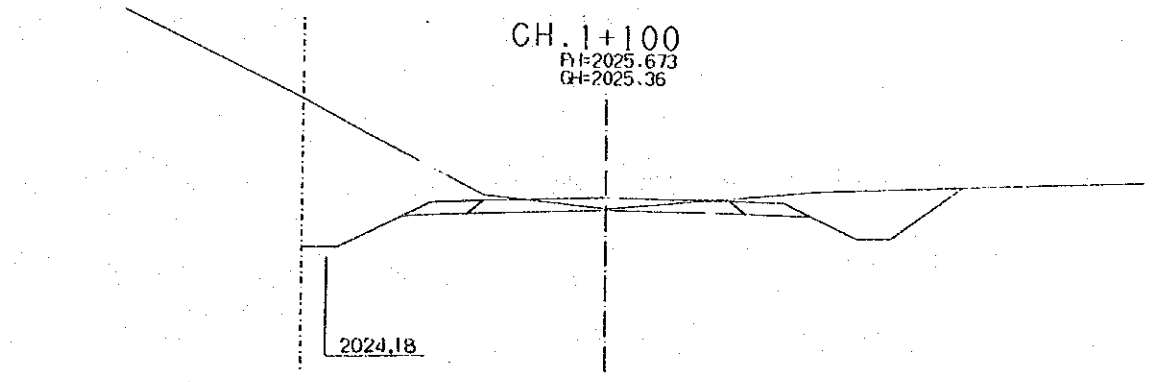
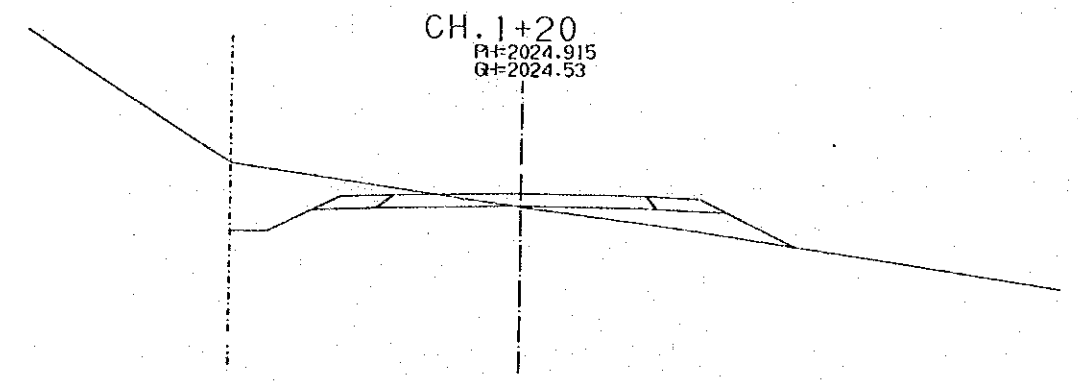
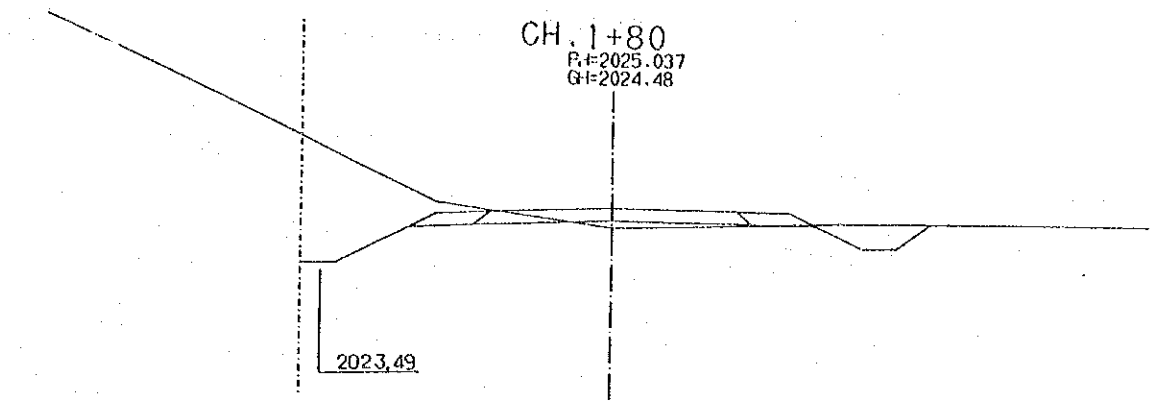
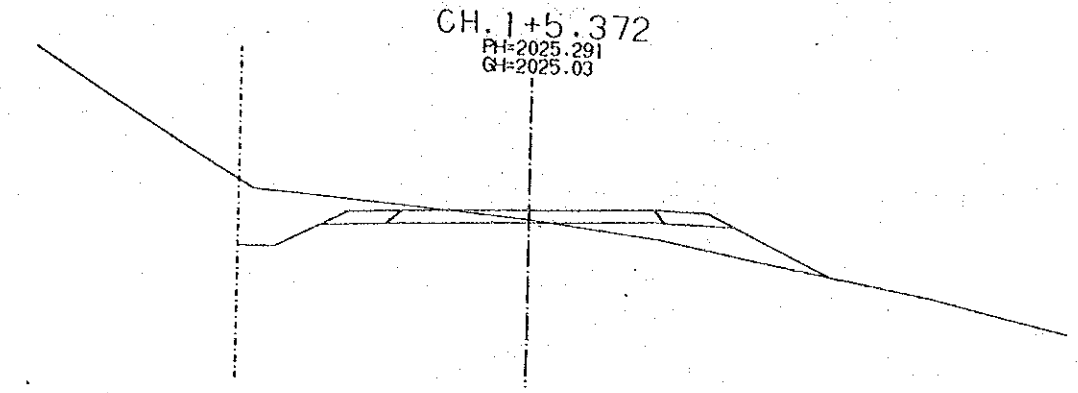
SEN SUPT. ENG (DESIGN)
SUPT. ENGINEER (DESIGN)
PROJECT ENGINEER

SCALES
1 : 100

NAIROBI BYPASS
CROSS SECTION KIKUYU TOWN JUNCTION A

SHEET 00 OF 02

AERIAL PHOTO BY _____ SURVEYED BY _____
 MAPPING BY _____ TRACED BY _____
 LOCATION BY _____ CHECKED BY _____
 M.O.P.W. ROADS DEPT DRG NO. _____



REVISIONS	
DESCRIPTION	DATE

JAPAN INTERNATIONAL
 COOPERATION AGENCY

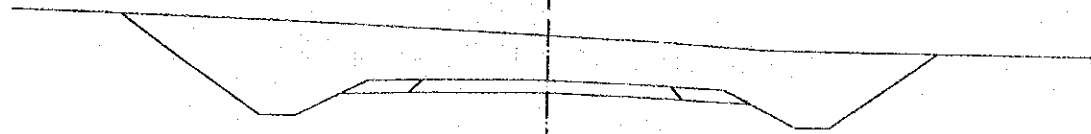
CHIEF ENGINEER (ROADS)
 CHIEF SUPT ENG (DESIGN)

SEN SUPT ENG (DESIGN)
 SUPT ENGINEER (DESIGN)
 PROJECT ENGINEER

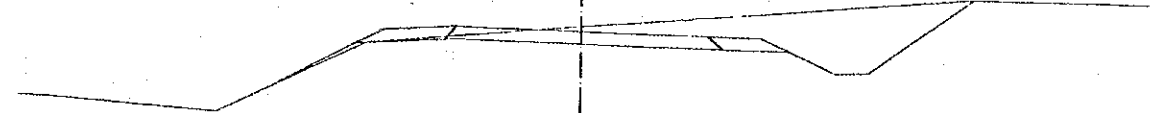
SCALES
 1:100

NAIROBI BYPASS
 CROSS SECTION KIKUYU TOWN JUNCTION A

CH. 1+160
 PI=2028.770
 GI=2030.01



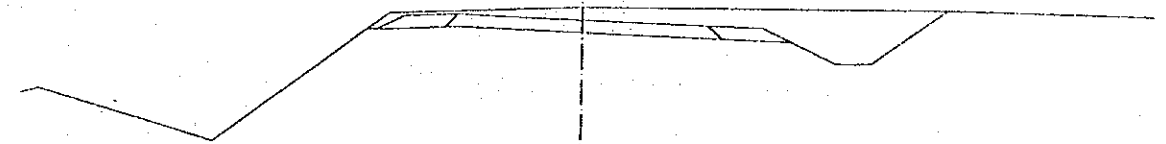
CH. 1+220
 PI=2032.015
 GI=2032.16



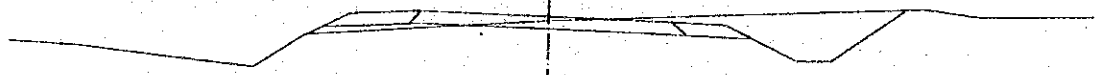
CH. 1+180
 PI=2029.852
 GI=2029.58



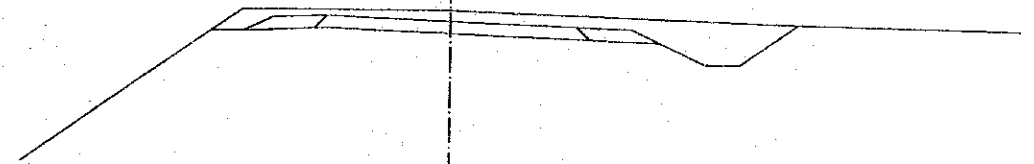
CH. 1+240
 PI=2033.097
 GI=2033.46



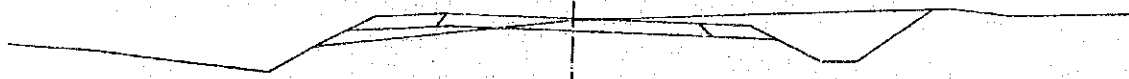
CH. 1+200
 PI=2030.933
 GI=2030.82



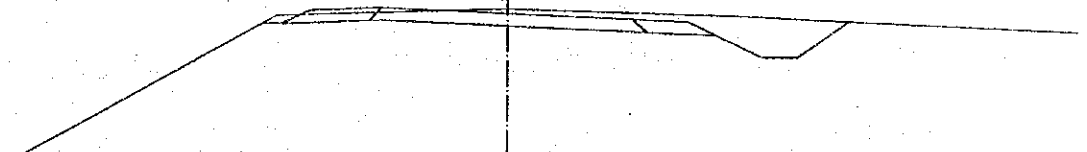
CH. 1+260
 PI=2034.179
 GI=2034.49



CH. 1+200.508
 PI=2030.961
 GI=2030.91



CH. 1+271.222
 PI=2034.786
 GI=2034.92



AERIAL PHOTO BY	SURVEYED BY
MAPPING BY	TRACED BY
LOCATION BY	CHECKED BY

M.P.W. ROADS DEPT. DRG. NO.

REVISIONS	
DESCRIPTION	DATE

JAPAN INTERNATIONAL
 COOPERATION AGENCY

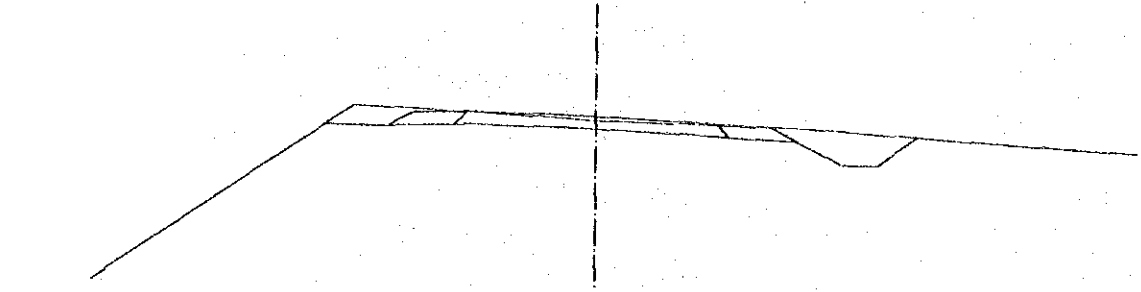
CHIEF ENGINEER (ROADS)
 CHIEF SUPT. ENG. (DESIGN)

SEN. SUPT. ENG. (DESIGN)
 SUPT. ENGINEER (DESIGN)
 PROJECT ENGINEER

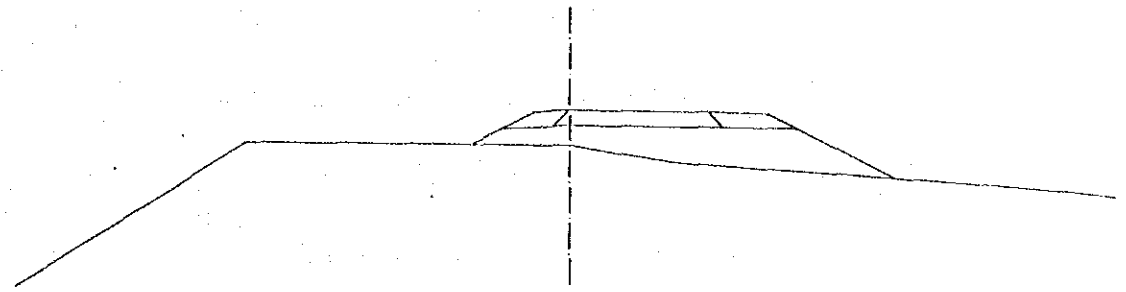
SCALES
 1 : 100

NAIROBI BYPASS
 CROSS SECTION KIKUYU TOWN JUNCTION A

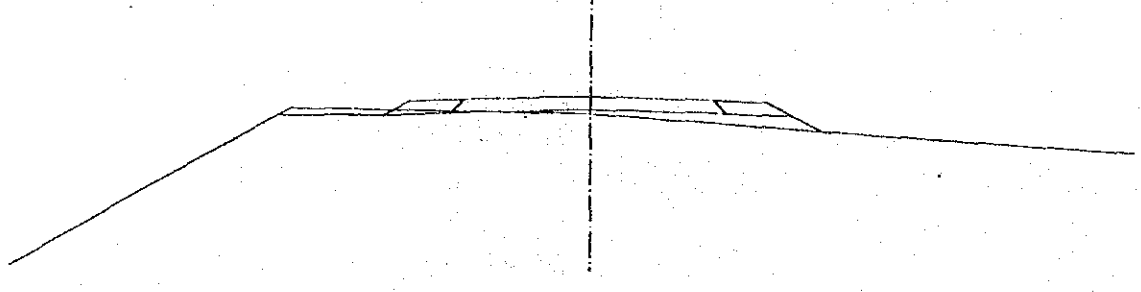
CH. 1+280
 PI=2035.261
 GI=2035.14



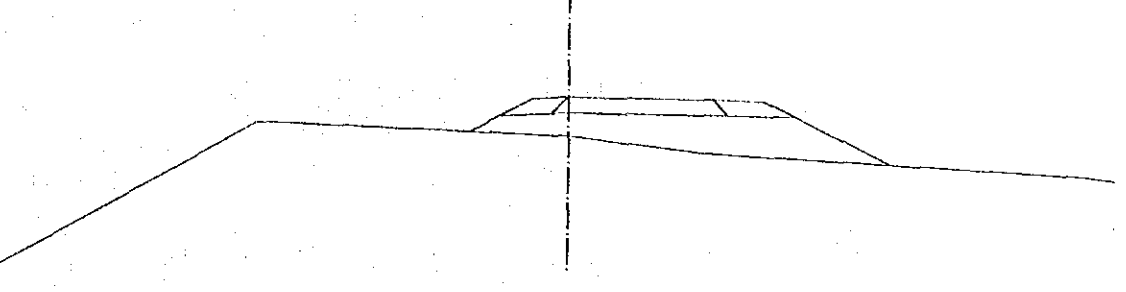
CH. 1+340
 PI=2036.589
 GI=2035.60



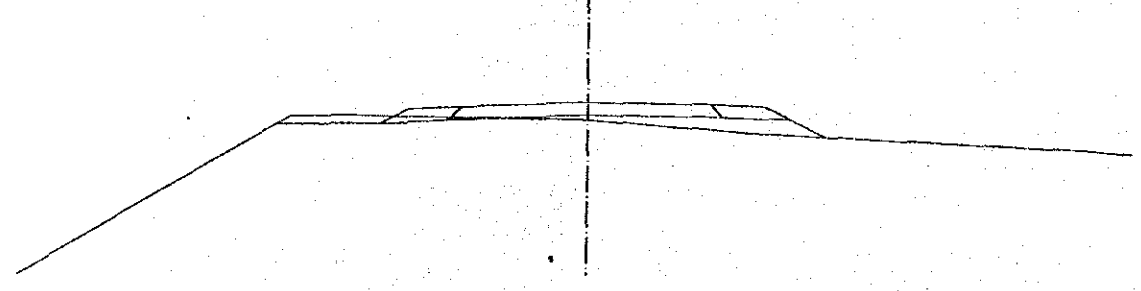
CH. 1+299.173
 PI=2036.170
 GI=2035.70



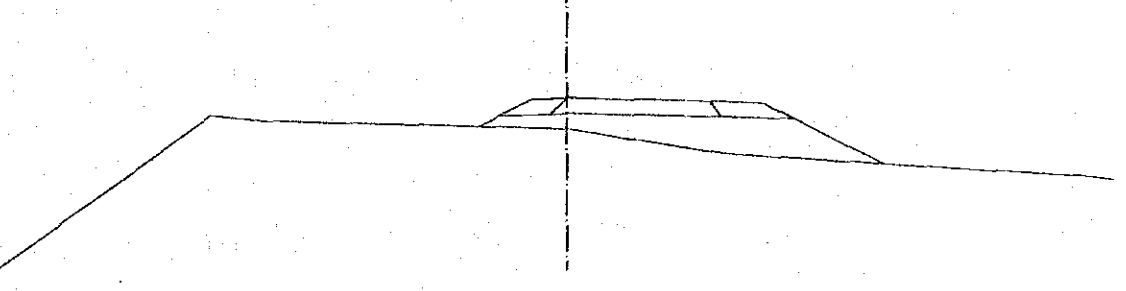
CH. 1+348.760
 PI=2036.403
 GI=2035.33



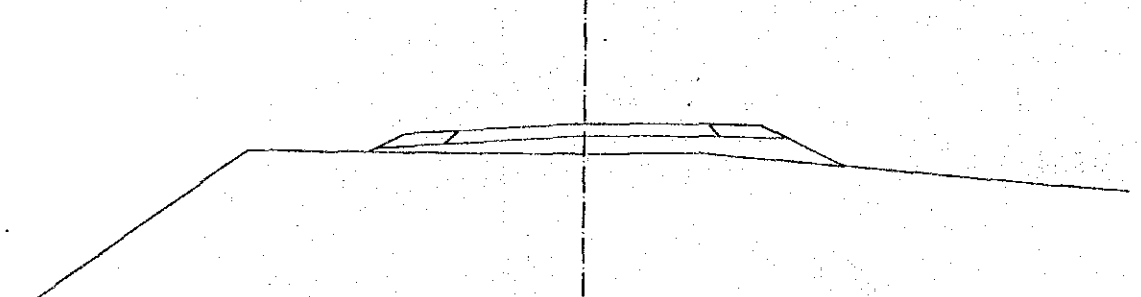
CH. 1+300
 PI=2036.200
 GI=2035.71



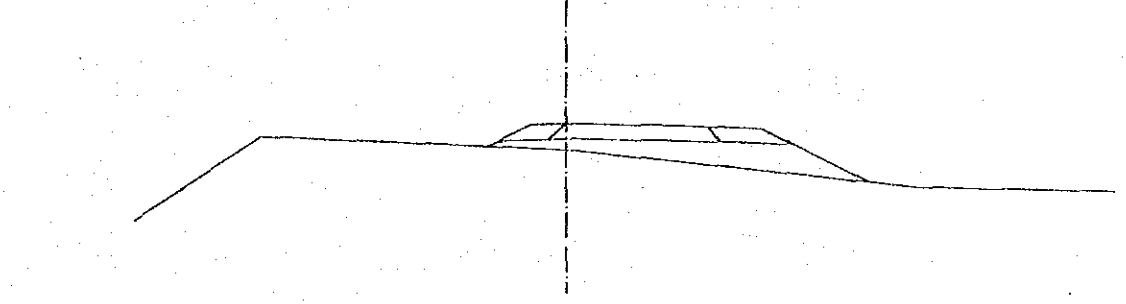
CH. 1+360
 PI=2036.022
 GI=2035.16



CH. 1+320
 PI=2036.648
 GI=2035.79



CH. 1+380
 PI=2034.965
 GI=2034.21



AERIAL PHOTO BY _____ SURVEYED BY _____
 MAPPING BY _____ TRACED BY _____
 LOCATION BY _____ CHECKED BY _____

M.O.P.W. ROADS DEPT. DRG. NO.

REVISIONS	
DESCRIPTION	DATE

JAPAN INTERNATIONAL
 COOPERATION AGENCY

CHIEF ENGINEER (ROADS)
 CHIEF SUPT. ENG. (DESIGN)

SEN SUPT. ENG. (DESIGN)
 SUPT. ENGINEER (DESIGN)
 PROJECT ENGINEER

SCALES
 1 : 100

NAIROBI BYPASS
 CROSS SECTION KIKUYU TOWN JUNCTION A

CH. 1+400
 FH=2033.765
 G=2033.02

CH. 1+460
 FH=2030.319
 G=2024.87

CH. 1+420
 FH=2032.565
 G=2031.75

CH. 1+468.012
 FH=2029.986
 G=2024.69

CH. 1+440
 FH=2031.365
 G=2028.55

CH. 1+480
 FH=2029.580
 G=2026.00

2019.20

2025.90

AERIAL PHOTO BY _____
 SURVEYED BY _____
 MAPPING BY _____
 LOCATION BY _____
 TRACED BY _____
 CHECKED BY _____

MOPW ROADS DEPT DRG NO

REVISIONS	
DESCRIPTION	DATE

JAPAN INTERNATIONAL
 COOPERATION AGENCY

CHIEF ENGINEER (ROADS)
 CHIEF SUPT. ENG. (DESIGN)

SEN. SUPT. ENG. (DESIGN)
 SUPT. ENGINEER (DESIGN)
 PROJECT ENGINEER

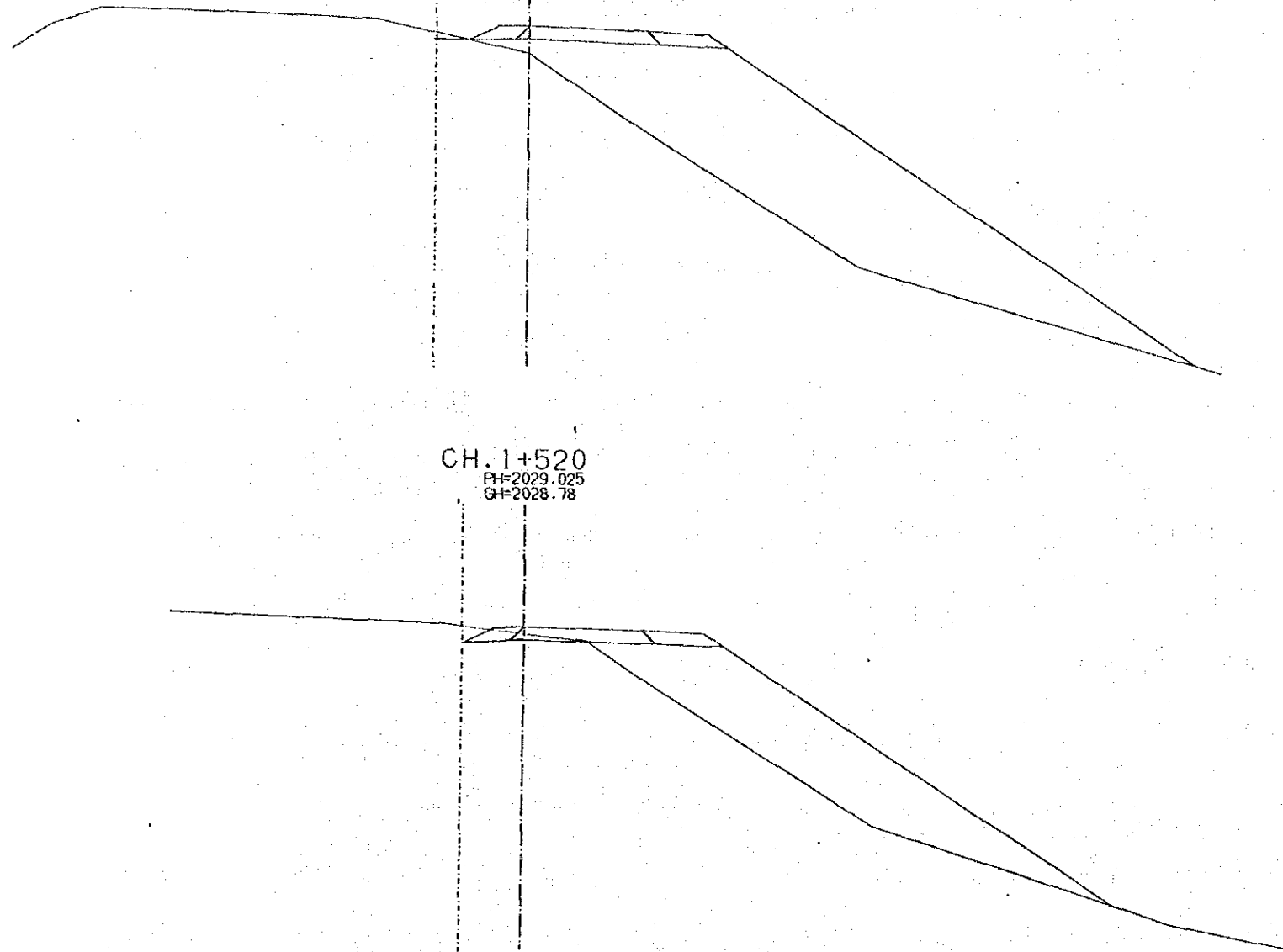
SCALES
 1 : 100

NAIROBI BYPASS
 CROSS SECTION KIKUYU TOWN JUNCTION A

SHEET 64 OF 82

CH. 1+500
 PI=2029.149
 GI=2028.23

CH. 1+520
 PI=2029.025
 GI=2028.78



AERIAL PHOTO BY	SURVEYED BY
MAPPING BY	TRACED BY
LOCATION BY	CHECKED BY

MOPW ROADS DEPT. DRS NO.

REVISIONS	
DESCRIPTION	DATE

JAPAN INTERNATIONAL
 COOPERATION AGENCY

CHIEF ENGINEER (ROADS)
 CHIEF SUPT. ENG. (DESIGN)

SEN SUPT. ENG. (DESIGN)
 SUPT. ENGINEER (DESIGN)
 PROJECT ENGINEER

SCALES
 1 : 100

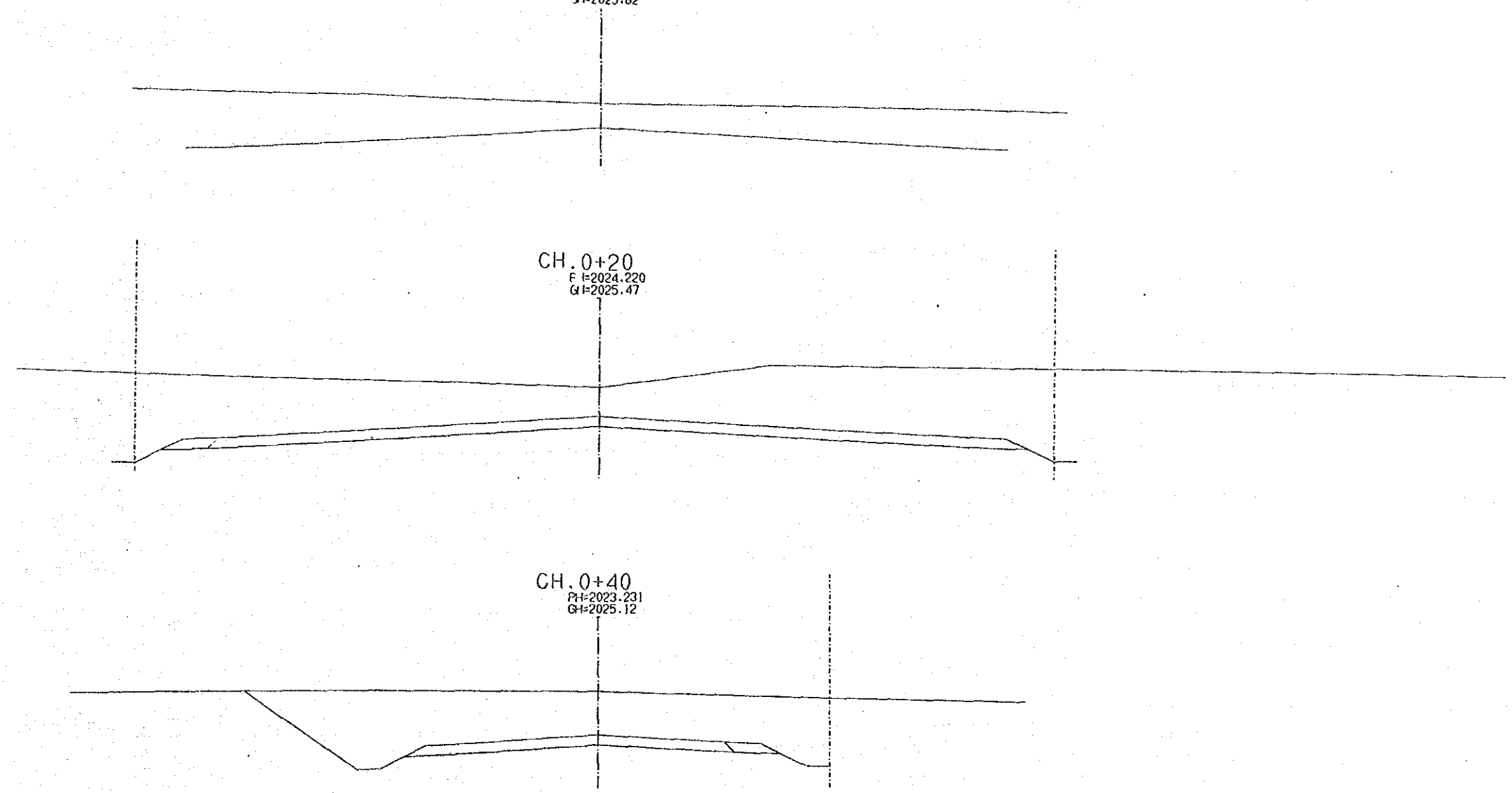
NAIROBI BYPASS
 CROSS SECTION KIKUYU TOWN JUNCTION A

SHEET 65 OF 82

CH. 0+0
 F=2024.776
 G=2025.82

CH. 0+20
 F=2024.220
 G=2025.47

CH. 0+40
 F=2023.231
 G=2025.12



AERIAL PHOTO BY _____ SURVEYED BY _____
 MAPPING BY _____ TRACED BY _____
 LOCATION BY _____ CHECKED BY _____

MOPW RC-11 DEPT DRG NO _____

REVISIONS	
DESCRIPTION	DATE

JAPAN INTERNATIONAL
 COOPERATION AGENCY

CHIEF ENGINEER (ROADS)
 CHIEF SUPT. ENG (DESIGN)

SEN SUPT. ENG (DESIGN)
 SUPT ENGINEER (DESIGN)
 PROJECT ENGINEER

SCALES
 1 : 100

NAIROBI BYPASS
 CROSS SECTION KIKUYU TOWN JUNCTION B

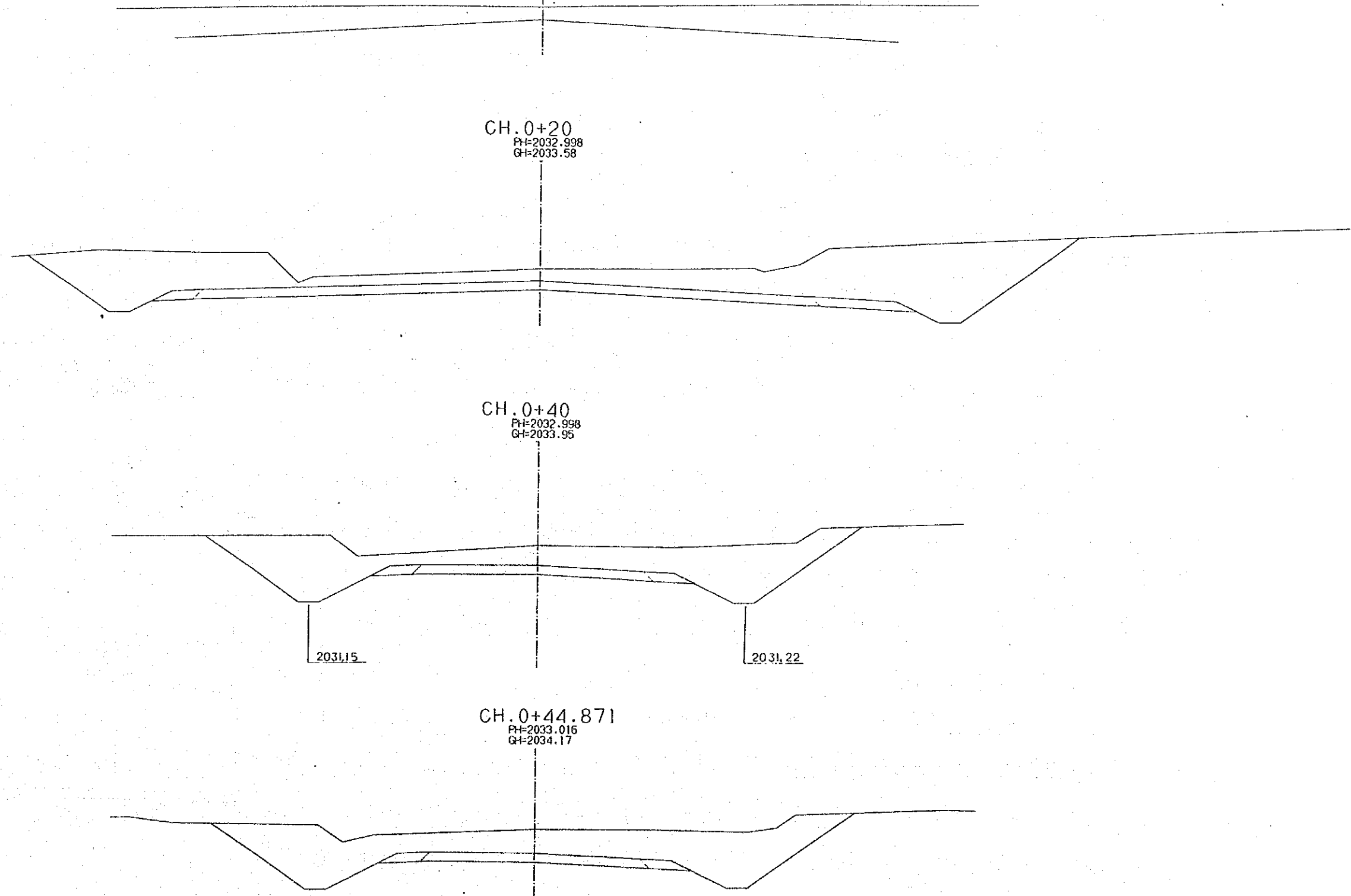
SHEET 66 OF 82

CH. 0+0
 PI=2032.998
 GI=2033.59

CH. 0+20
 PI=2032.998
 GI=2033.58

CH. 0+40
 PI=2032.998
 GI=2033.95

CH. 0+44.871
 PI=2033.016
 GI=2034.17



AERIAL PHOTO BY	SURVEYED BY
MAPPING BY	TRACED BY
LOCATION BY	CHECKED BY

M.O.P.W. ROADS DEPT DRG NO.

REVISIONS	
DESCRIPTION	DATE

JAPAN INTERNATIONAL
 COOPERATION AGENCY

CHIEF ENGINEER (ROADS)
 CHIEF Supt. Eng (DESIGN)

SEN Supt. Eng. (DESIGN)
 Supt. Engineer (DESIGN)
 PROJECT ENGINEER

SCALES
 1 : 100

NAIROBI BYPASS
 CROSS SECTION KIKUYU TOWN JUNCTION C

SHEET 67 OF 82

CH. 0+60
 PI=2033.310
 GI=2034.98

CH. 0+112.709
 PI=2036.282
 GI=2038.77

CH. 0+80
 PI=2034.244
 GI=2036.17

CH. 0+120
 PI=2036.736
 GI=2038.47

CH. 0+100
 PI=2035.490
 GI=2037.43

CH. 0+140
 PI=2037.796
 GI=2038.77

CH. 0+108.359
 PI=2036.011
 GI=2037.95

CH. 0+160
 PI=2038.492
 GI=2038.66

AERIAL PHOTO BY	SURVEYED BY
MAPPING BY	TRACED BY
LOCATION BY	CHECKED BY

MOPW ROADS DEPT DRG NO

REVISIONS	
DESCRIPTION	DATE

JAPAN INTERNATIONAL
 COOPERATION AGENCY

CHIEF ENGINEER (ROADS)
 CHIEF SUPT. ENG. (DESIGN)

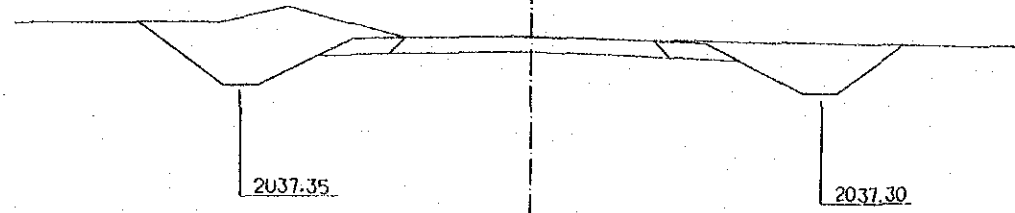
SEN SUPT. ENG. (DESIGN)
 SUPT. ENGINEER (DESIGN)
 PROJECT ENGINEER

SCALES
 1 : 100

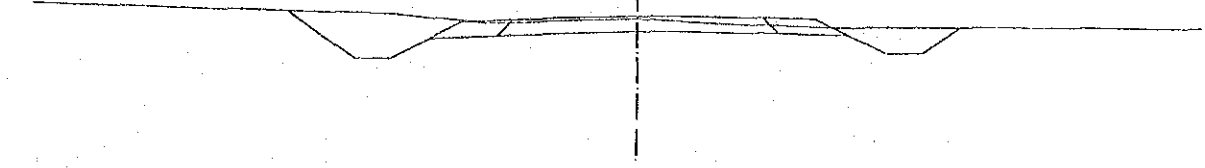
NAIROBI BYPASS
 CROSS SECTION KIKUYU TOWN JUNCTION C

SHEET 68 OF 82

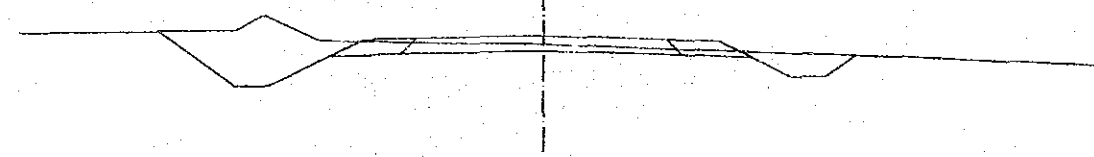
CH. 0+0
 PI=2038.800
 G=2038.77



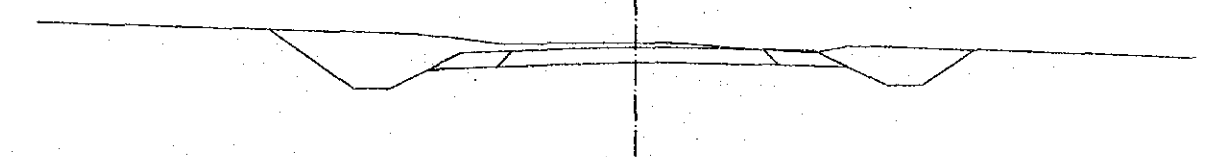
CH. 0+80
 PI=2039.600
 G=2039.52



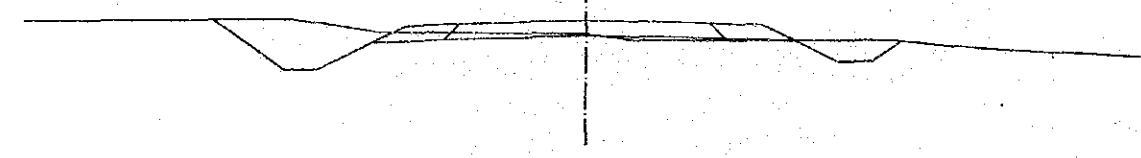
CH. 0+20
 PI=2039.000
 G=2038.76



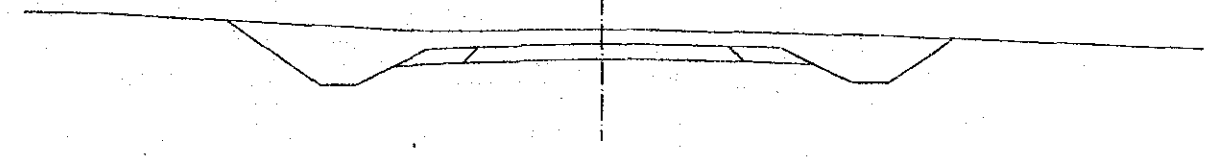
CH. 0+100
 PI=2039.800
 G=2039.93



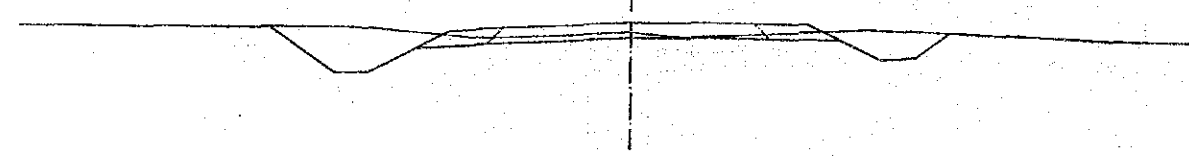
CH. 0+40
 PI=2039.200
 G=2038.82



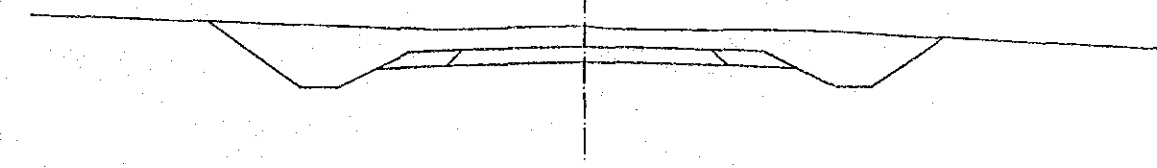
CH. 0+120
 PI=2039.888
 G=2040.30



CH. 0+60
 PI=2039.400
 G=2039.13



CH. 0+140
 PI=2039.750
 G=2040.34



AERIAL PHOTO BY _____ SURVEYED BY _____
 MAPPING BY _____ TRACED BY _____
 LOCATION BY _____ CHECKED BY _____

MOPW ROADS DEPT DRG NO

REVISIONS	
DESCRIPTION	DATE

JAPAN INTERNATIONAL
 COOPERATION AGENCY

CHIEF ENGINEER (ROADS)
 CHIEF SUPT. ENG (DESIGN)

SEN SUPT. ENG. (DESIGN)
 SUPT. ENGINEER (DESIGN)
 PROJECT ENGINEER

SCALES
 1 : 100

NAIROBI BYPASS
 CROSS SECTION KIKUYU TOWN JUNCTION D

SHEET 69 OF 82

CH. 0+160
 PI=2039.388
 G=2039.97

CH. 0+220
 PI=2036.950
 G=2037.18

CH. 0+180
 PI=2038.800
 G=2039.20

CH. 0+240
 PI=2035.800
 G=2035.77

CH. 0+182.310
 PI=2038.718
 G=2039.09

CH. 0+260
 PI=2034.650
 G=2034.34

CH. 0+200
 PI=2037.988
 G=2038.23

CH. 0+277.864
 PI=2033.686
 G=2033.24

2036.00

AERIAL PHOTO BY	SURVEYED BY
MAPPING BY	TRACED BY
LOCATION BY	CHECKED BY

M.O.P.W. ROADS DEPT DRG NO

REVISIONS	
DESCRIPTION	DATE

JAPAN INTERNATIONAL
 COOPERATION AGENCY

CHIEF ENGINEER (ROADS)
 CHIEF SUPT. ENG (DESIGN)

SEN. SUPT. ENG (DESIGN)
 SUPT. ENGINEER (DESIGN)
 PROJECT ENGINEER

SCALES
 1:100

NAIROBI BYPASS
 CROSS SECTION KIKUYU TOWN JUNCTION D

SHEET 70 OF 82

AERIAL PHOTO BY _____ SURVEYED BY _____
 MAPPING BY _____ TRACED BY _____
 LOCATION BY _____ CHECKED BY _____

M.O.P.W. ROADS DEPT. DRG. NO.

CH. 0+280
 P=2033.579
 G=2033.24

CH. 0+360
 P=2030.879
 G=2029.70

CH. 0+300
 P=2032.667
 G=2032.00

CH. 0+380
 P=2030.600
 G=2028.80

CH. 0+320
 P=2031.913
 G=2030.71

CH. 0+400
 P=2030.400
 G=2028.45

CH. 0+340
 P=2031.317
 G=2030.30

CH. 0+420
 P=2030.200
 G=2028.79

2029.23

2029.45

2030.00

2028.68

2030.00

2027.40

2027.50

REVISIONS	
DESCRIPTION	DATE

JAPAN INTERNATIONAL
 COOPERATION AGENCY

CHIEF ENGINEER (ROADS)
 CHIEF SUPT. ENG. (DESIGN)

SEN SUPT. ENG. (DESIGN)
 SUPT. ENGINEER (DESIGN)
 PROJECT ENGINEER

SCALES
 1 : 100

NAIROBI BYPASS
 CROSS SECTION KIKUYU TOWN JUNCTION D

CH. 0+440
 P=2030.117
 G=2028.61

2027.57

CH. 0+520
 P=2032.117
 G=2031.09

2030.30

CH. 0+460
 P=2030.267
 G=2028.69

2027.98

2028.50

CH. 0+560
 P=2034.400
 G=2034.99

CH. 0+480
 P=2030.650
 G=2028.84

2028.18

2028.50

CH. 0+540
 P=2033.200
 G=2034.44

CH. 0+500
 P=2031.267
 G=2029.63

2028.92

2028.60

CH. 0+583.566
 P=2035.806
 G=2036.85

AERIAL PHOTO BY _____ SURVEYED BY _____
 MAPPING BY _____ TRACED BY _____
 LOCATION BY _____ CHECKED BY _____

M.O.P.W. ROADS DEPT. DRG. NO.

REVISIONS	
DESCRIPTION	DATE

JAPAN INTERNATIONAL
 COOPERATION AGENCY

CHIEF ENGINEER (ROADS)
 CHIEF SUPT. ENG. (DESIGN)

SEN. SUPT. ENG. (DESIGN)
 SUPT. ENGINEER (DESIGN)
 PROJECT ENGINEER

SCALES
 1 : 100

NAIROBI BYPASS
 CROSS SECTION KIKUYU TOWN JUNCTION D

SHEET 72 OF 82

CH. 0+580
 PI=2035.600
 GI=2036.62

CH. 0+660
 PI=2036.240
 GI=2039.15

CH. 0+600
 PI=2036.540
 GI=2037.89

CH. 0+674.507
 PI=2035.465
 GI=2038.64

CH. 0+620
 PI=2036.960
 GI=2038.87

CH. 0+680
 PI=2035.100
 GI=2038.50

CH. 0+640
 PI=2036.860
 GI=2039.13

CH. 0+700
 PI=2033.700
 GI=2036.97

AERIAL PHOTO BY _____
 SURVEYED BY _____
 MAPPING BY _____
 LOCATION BY _____
 TRACED BY _____
 CHECKED BY _____

M.O.P.W. ROADS DEPT. DRG. NO.

REVISIONS	
DESCRIPTION	DATE

JAPAN INTERNATIONAL
 COOPERATION AGENCY

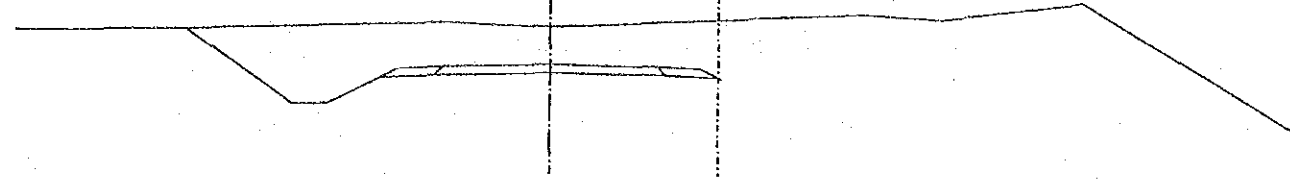
CHIEF ENGINEER (ROADS)
 CHIEF SUPT. ENG. (DESIGN)

SEN. SUPT. ENG. (DESIGN)
 SUPT. ENGINEER (DESIGN)
 PROJECT ENGINEER

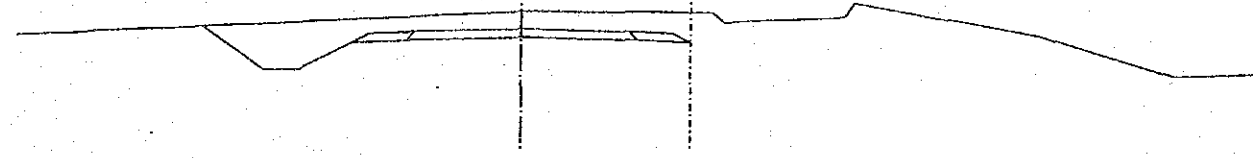
SCALES
 1 : 100

NAIROBI BYPASS
 CROSS SECTION KIKUYU TOWN JUNCTION D

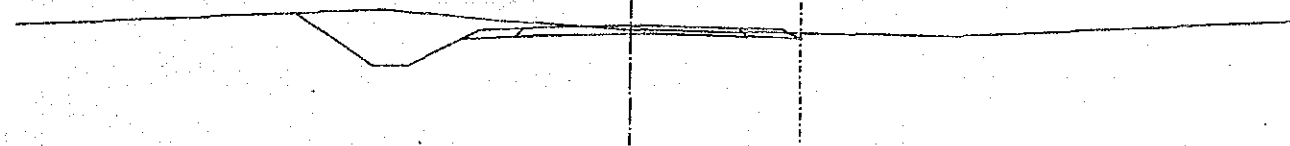
CH. 0+720
 PI=2032.300
 GI=2033.35



CH. 0+740
 PI=2030.900
 GI=2031.40



CH. 0+760
 PI=2029.500
 GI=2029.37



AERIAL PHOTO BY	SURVEYED BY
MAPPING BY	TRACED BY
LOCATION BY	CHECKED BY

MOPW ROADS DEPT DRG NO.

REVISIONS	
DESCRIPTION	DATE

JAPAN INTERNATIONAL
 COOPERATION AGENCY

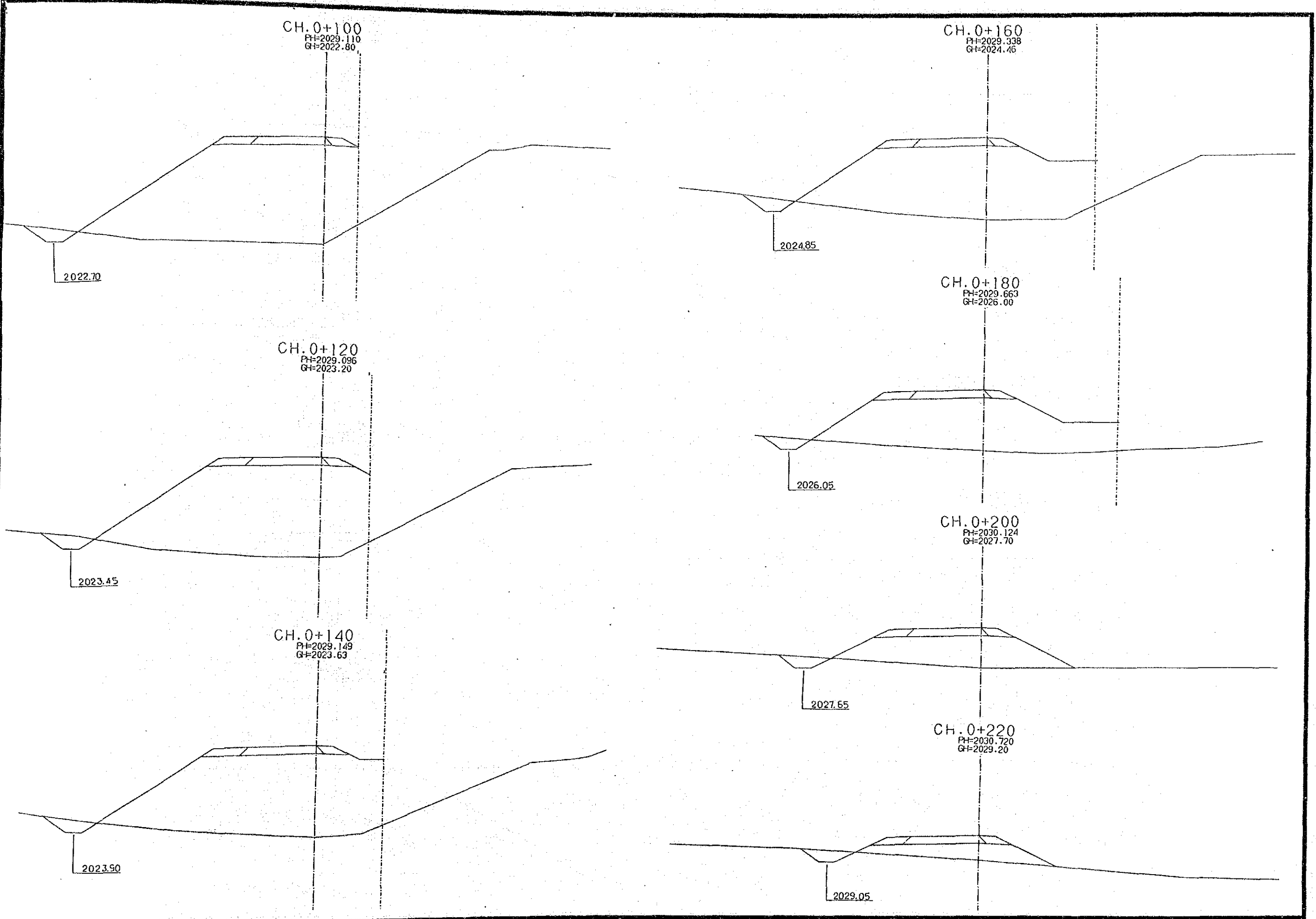
CHIEF ENGINEER (ROADS)
 CHIEF SUPT. ENG. (DESIGN)

SEN SUPT. ENG. (DESIGN)
 SUPT. ENGINEER (DESIGN)
 PROJECT ENGINEER

SCALES
 1 : 100

NAIROBI BYPASS
 CROSS SECTION KIKUYU TOWN JUNCTION D

SHEET 74 OF 82



AERIAL PHOTO BY _____ SURVEYED BY _____
 MAPPING BY _____ TRACED BY _____
 LOCATION BY _____ CHECKED BY _____

M.O.P.W. ROADS DEPT. DRG. NO. _____

REVISIONS	
DESCRIPTION	DATE

JAPAN INTERNATIONAL
 COOPERATION AGENCY

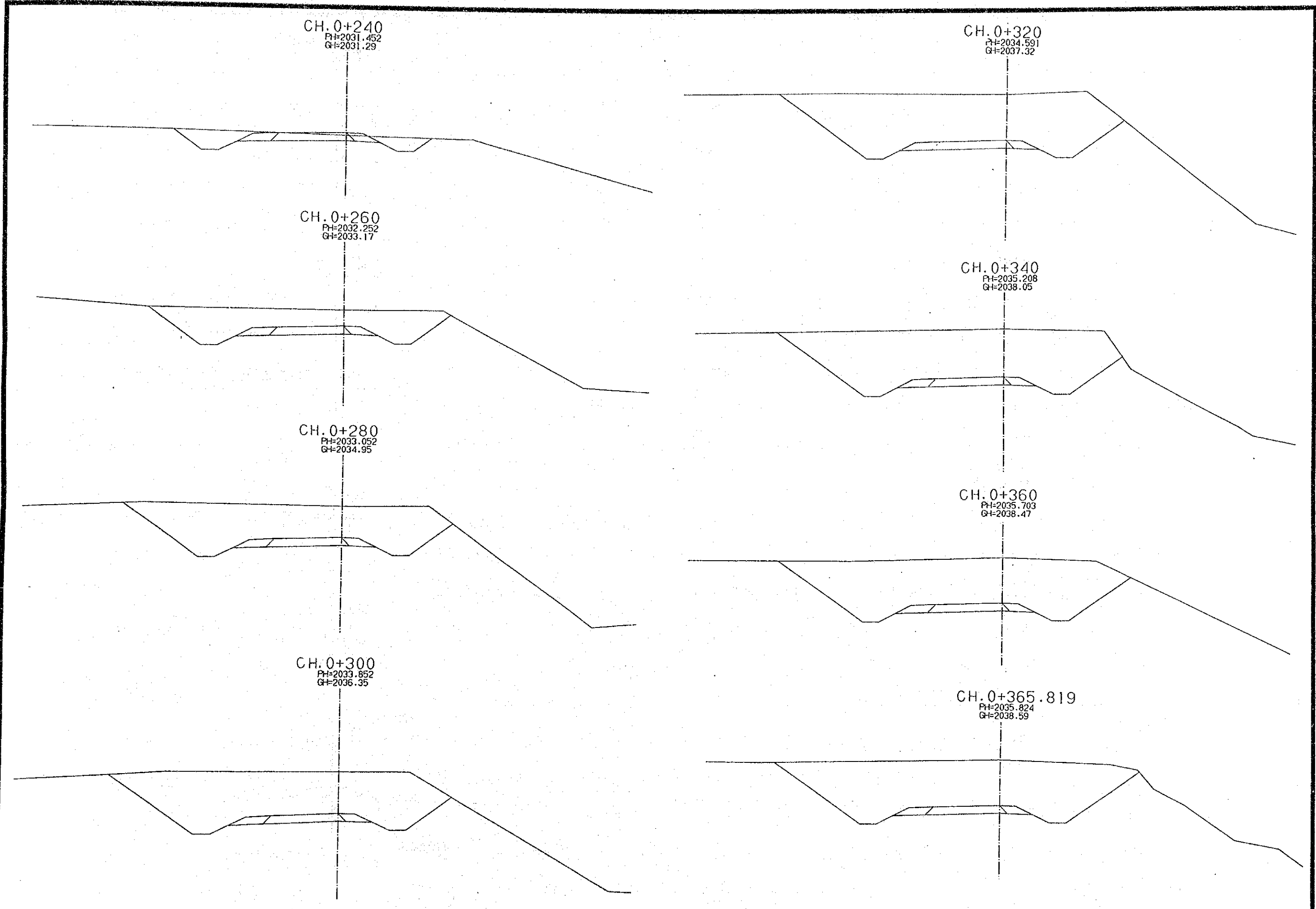
CHIEF ENGINEER (ROADS)
 CHIEF SUPT. ENG. (DESIGN)

SEN. SUPT. ENG. (DESIGN)
 SUPT. ENGINEER (DESIGN)
 PROJECT ENGINEER

SCALES
 1:100

NAIROBI BYPASS
 CROSS SECTION KIKUYU JUNCTION A

SHEET 75 OF 82



AERIAL PHOTO BY	SURVEYED BY
MAPPING BY	TRACED BY
LOCATION BY	CHECKED BY

M.O.W. ROADS DEPT. DRG. NO.

REVISIONS	
DESCRIPTION	DATE

JAPAN INTERNATIONAL
COOPERATION AGENCY

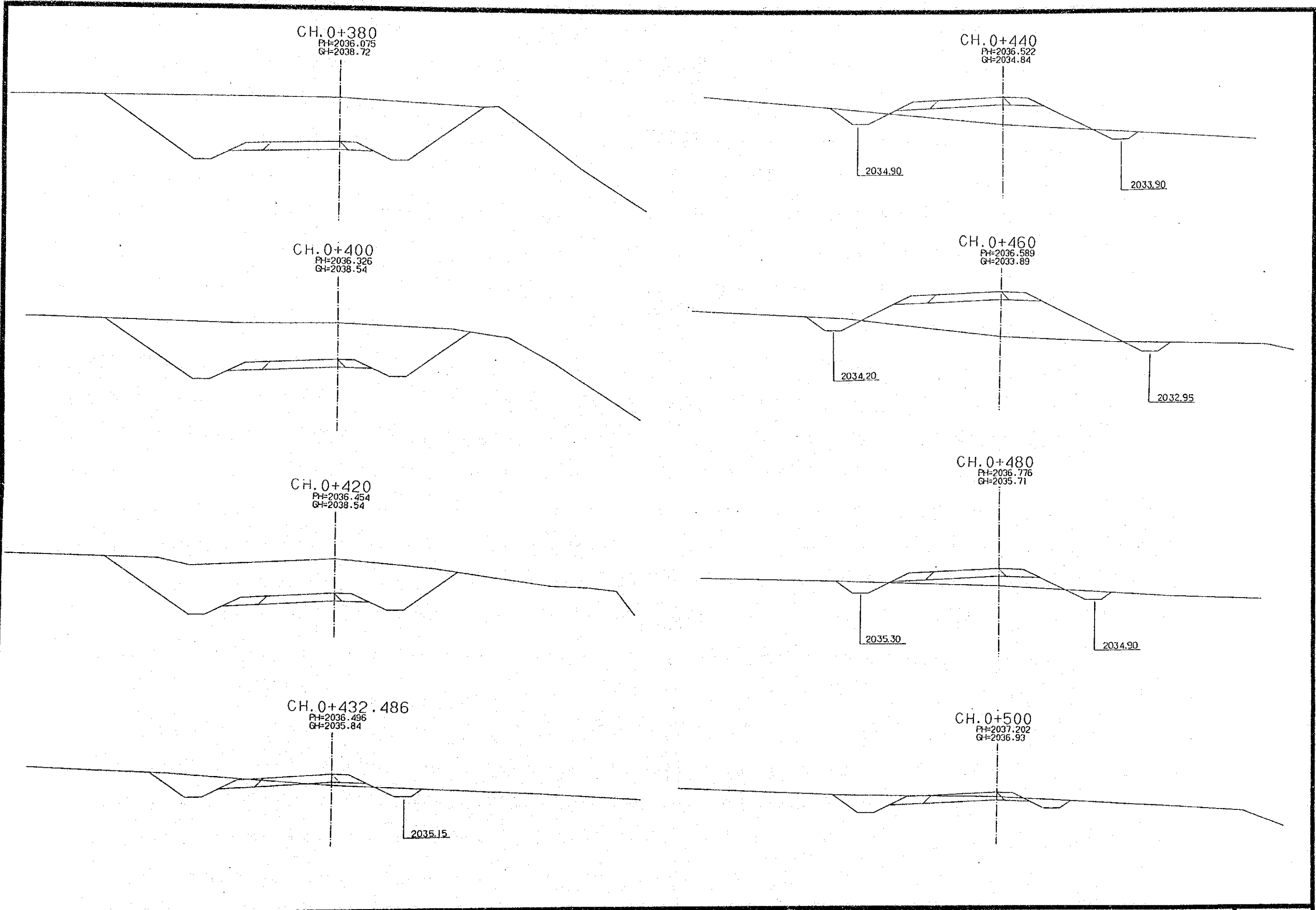
CHIEF ENGINEER (ROADS)
CHIEF SUPT. ENG. (DESIGN)

SEN. SUPT. ENG. (DESIGN)
SUPT. ENGINEER (DESIGN)
PROJECT ENGINEER

SCALES
1 : 100

NAIROBI BYPASS
CROSS SECTION KIKUYU JUNCTION A

SHEET 76 OF 82

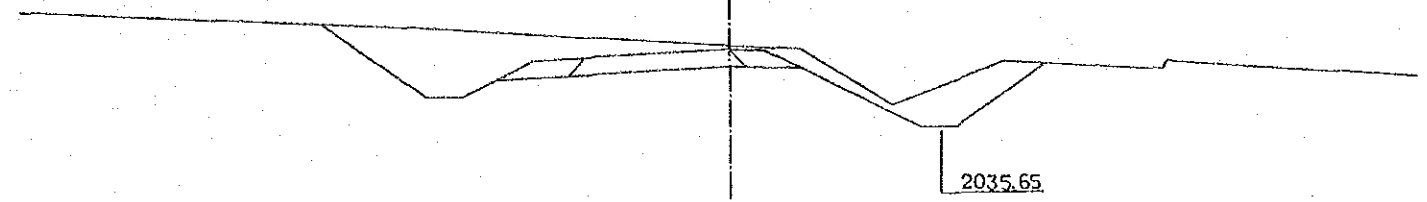


SURVEYED BY	
TRACED BY	
CHECKED BY	
AERIAL PHOTO BY	
MAPPING BY	
LOCATION BY	

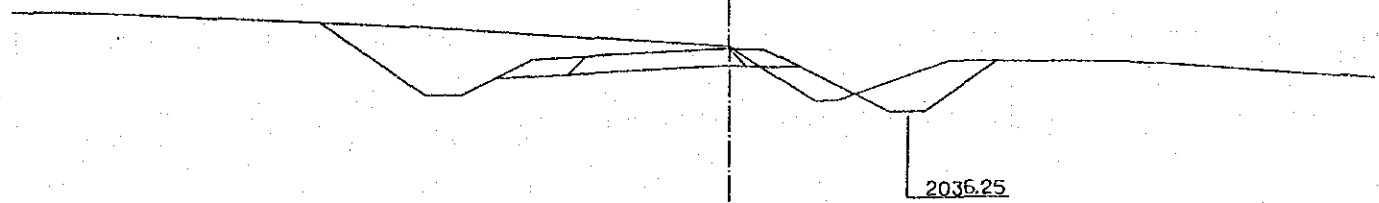
M.O.P. ROADS DEPT DRG NO.

REVISIONS DESCRIPTION DATE		JAPAN INTERNATIONAL COOPERATION AGENCY	CHIEF ENGINEER (ROADS) CHIEF SUPT. ENG. (DESIGN)	SEN. SUPT. ENG. (DESIGN) SUPT. ENGINEER (DESIGN) PROJECT ENGINEER	SCALES 1 : 100	NAIROBI BYPASS CROSS SECTION KIKUYU JUNCTION A	SHEET 77 OF 82

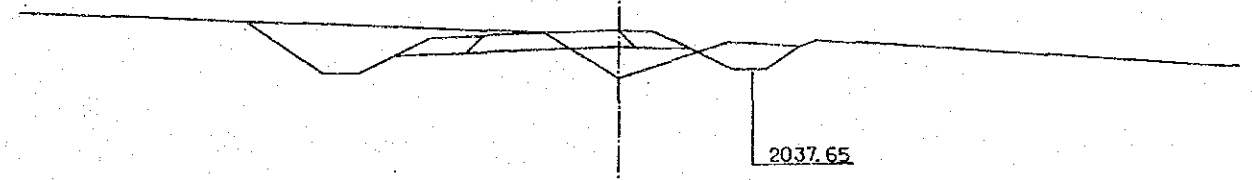
CH. 0+520
 PI=2037.867
 GI=2037.97



CH. 0+524.703
 PI=2038.058
 GI=2038.12



CH. 0+540
 PI=2038.771
 GI=2037.40



AERIAL PHOTO BY	SURVEYED BY
MAPPING BY	TRACED BY
LOCATION BY	CHECKED BY

M.O.P.W. ROADS DEPT DRG NO.

REVISIONS	
DESCRIPTION	DATE

JAPAN INTERNATIONAL
 COOPERATION AGENCY

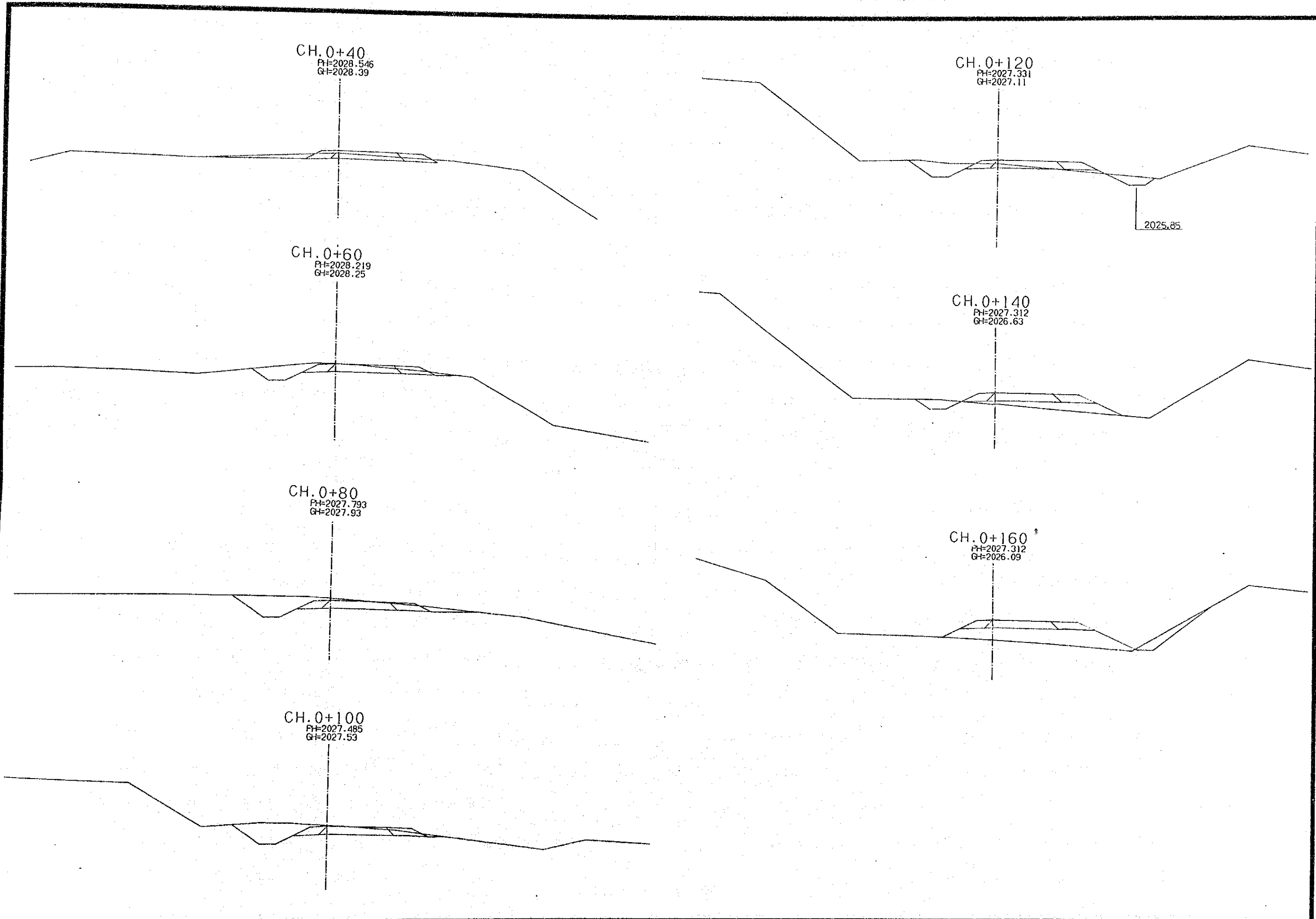
CHIEF ENGINEER (ROADS)
 CHIEF SUPT. ENG. (DESIGN)

SEN. SUPT. ENG. (DESIGN)
 SUPT. ENGINEER (DESIGN)
 PROJECT ENGINEER

SCALES
 1 : 100

NAIROBI BYPASS
 CROSS SECTION KIKUYU JUNCTION A

SHEET 78 OF 82



CH. 0+40
 PI=2028.546
 GI=2028.39

CH. 0+120
 PI=2027.331
 GI=2027.11

CH. 0+60
 PI=2028.219
 GI=2028.25

CH. 0+140
 PI=2027.312
 GI=2026.63

2025.85

CH. 0+80
 PI=2027.793
 GI=2027.93

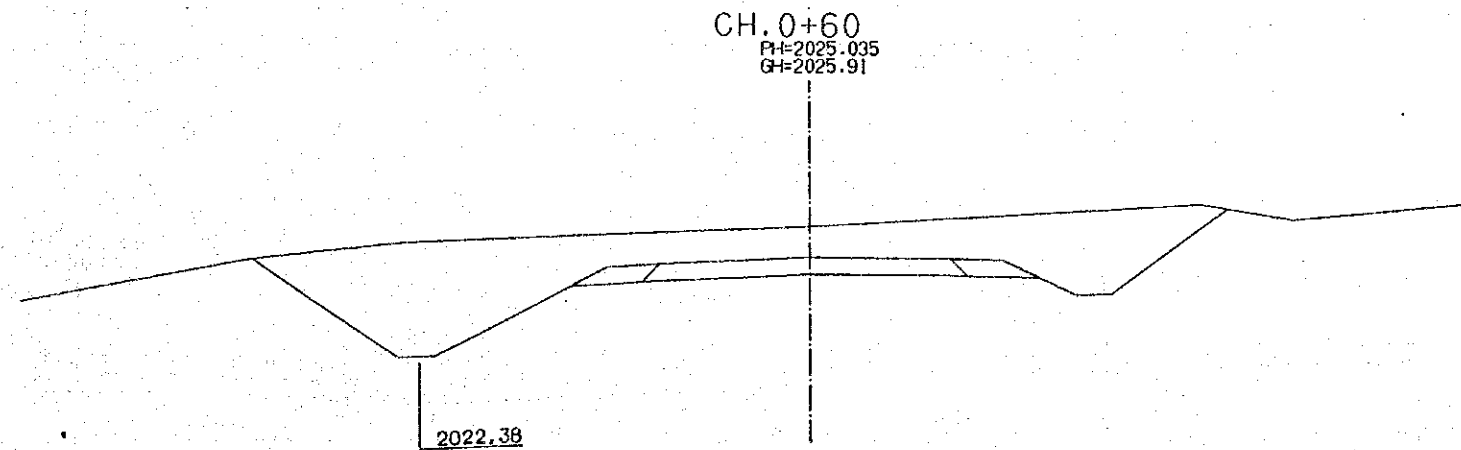
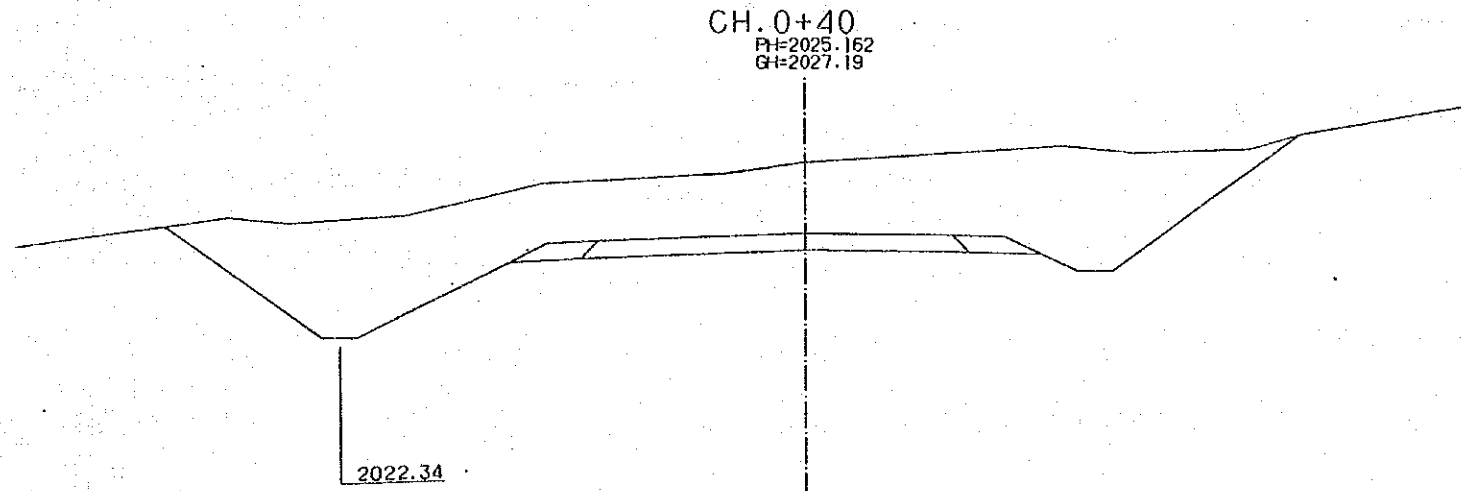
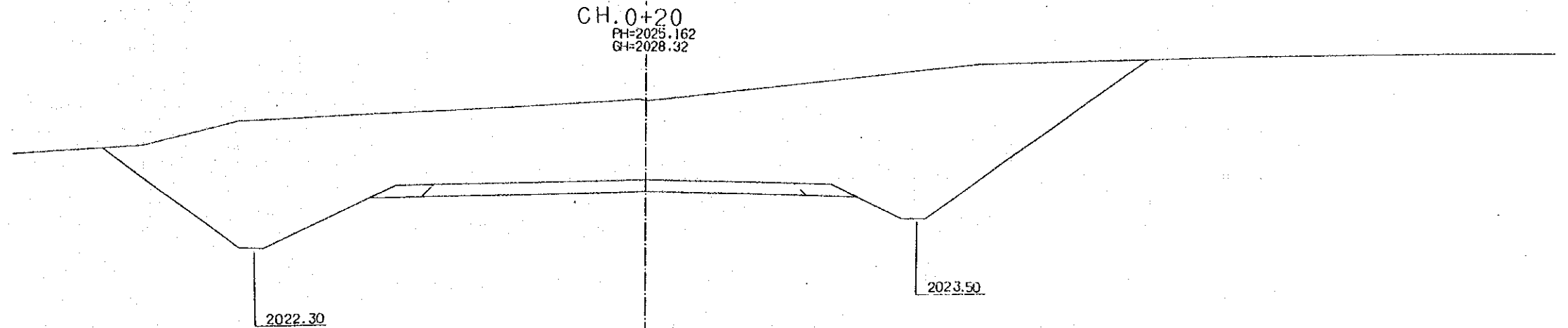
CH. 0+160
 PI=2027.312
 GI=2026.09

CH. 0+100
 PI=2027.485
 GI=2027.53

AERIAL PHOTO BY	SURVEYED BY
MAPPING BY	TRACED BY
LOCATION BY	CHECKED BY

M.O.P.W. ROADS DEPT. DRG. NO.

<table border="1"> <thead> <tr> <th colspan="2">REVISIONS</th> </tr> <tr> <th>DESCRIPTION</th> <th>DATE</th> </tr> </thead> <tbody> <tr> <td> </td> <td> </td> </tr> <tr> <td> </td> <td> </td> </tr> </tbody> </table>		REVISIONS		DESCRIPTION	DATE					JAPAN INTERNATIONAL COOPERATION AGENCY CHIEF ENGINEER (ROADS) CHIEF SUPT. ENG. (DESIGN)	SEN. SUPT. ENG. (DESIGN) SUPT. ENGINEER (DESIGN) PROJECT ENGINEER	SCALES 1 : 100	NAIROBI BYPASS CROSS SECTION KIKUYU JUNCTION 8	SHEET 79 OF 82
REVISIONS														
DESCRIPTION	DATE													



AERIAL PHOTO BY _____ SURVEYED BY _____
 MAPPING BY _____ TRACED BY _____
 LOCATION BY _____ CHECKED BY _____

MOPW ROADS DEPT DRG NO

REVISIONS	
DESCRIPTION	DATE

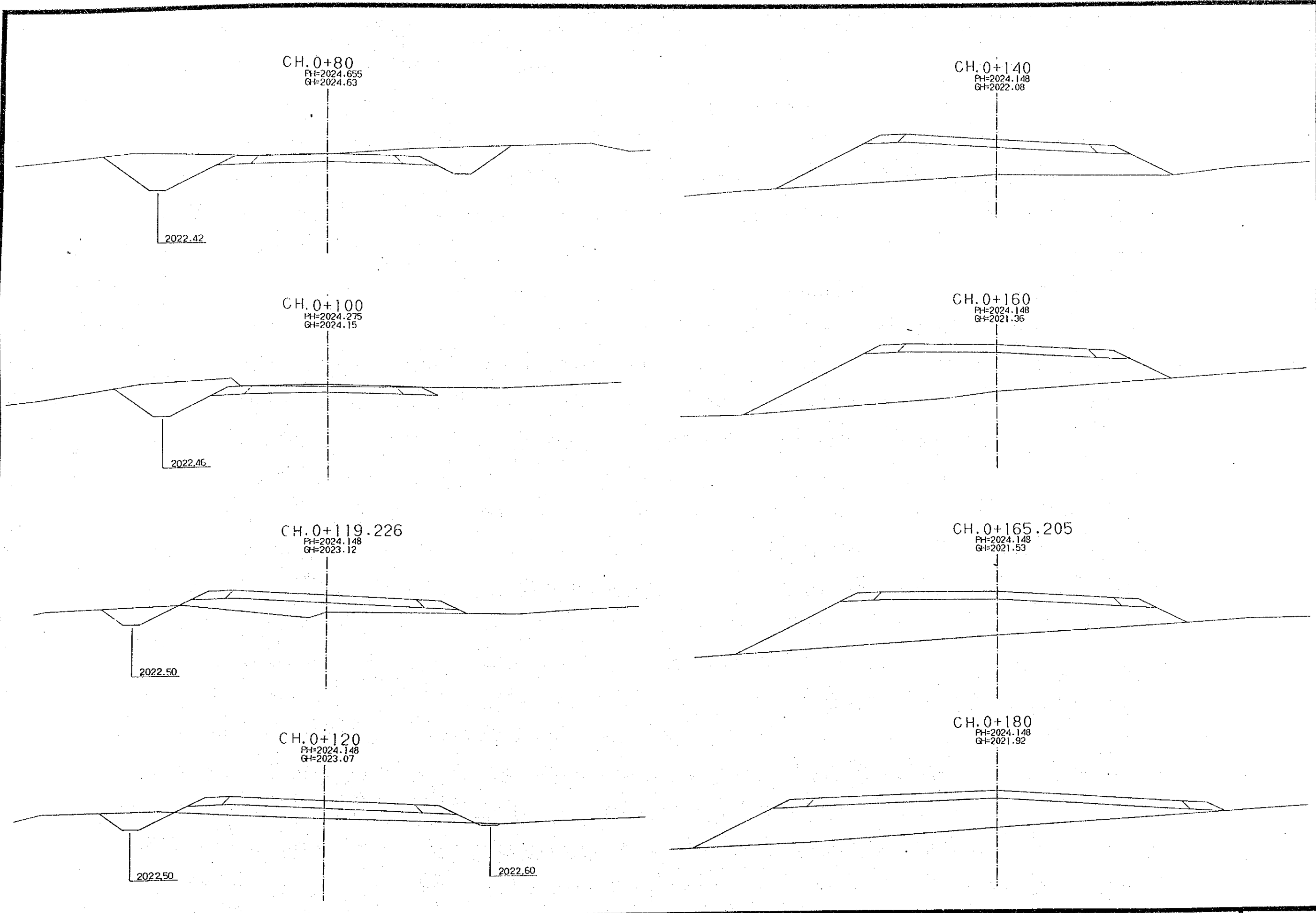
JAPAN INTERNATIONAL
COOPERATION AGENCY

CHIEF ENGINEER (ROADS)
CHIEF SUPT. ENG (DESIGN)

SEN. SUPT. ENG. (DESIGN)
SUPT. ENGINEER (DESIGN)
PROJECT ENGINEER

SCALES
1 : 100

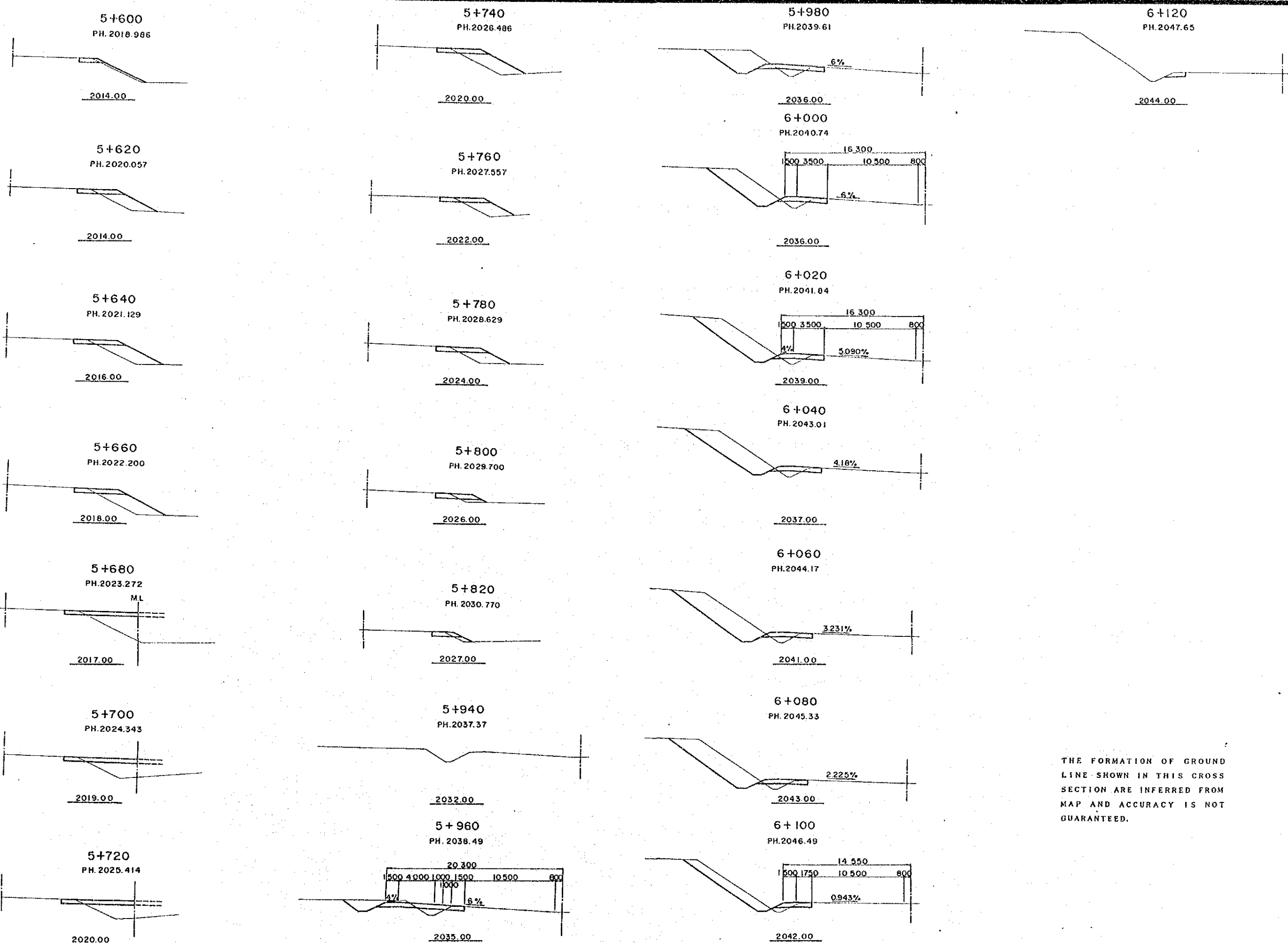
NAIROBI BYPASS
CROSS SECTION KIKUYU JUNCTION C



SURVEYED BY	BY
TRACED BY	BY
CHECKED BY	BY
AERIAL PHOTO BY	BY
MAPPING	BY
LOCATION	BY

M.O.P.W. ROADS DEPT. DRG. NO.

REVISIONS DESCRIPTION DATE		JAPAN INTERNATIONAL COOPERATION AGENCY	CHIEF ENGINEER (ROADS) CHIEF SUPT. ENG. (DESIGN)	SEN. SUPT. ENG. (DESIGN) SUPT. ENGINEER (DESIGN) PROJECT ENGINEER	SCALES 1 : 100	NAIROBI BYPASS CROSS SECTION KIKUYU JUNCTION C	SHEET 81 OF 82



THE FORMATION OF GROUND LINE SHOWN IN THIS CROSS SECTION ARE INFERRED FROM MAP AND ACCURACY IS NOT GUARANTEED.

SURVEYED BY
 TRACED BY
 CHECKED BY
 AERIAL PHOTO BY
 MAPPING BY
 LOCATION BY

MCPW ROADS DEPT DRG NO

REVISIONS	
DESCRIPTION	DATE

JAPAN INTERNATIONAL COOPERATION AGENCY

CHIEF ENGINEER (ROADS)
 CHIEF SUPT ENG (DESIGN)

SEN SUPT. ENG. (DESIGN)
 SUPT. ENGINEER (DESIGN)
 PROJECT ENGINEER

SCALES
 1:200

NAIROBI BYPASS
 CROSS SECTION(KIKUYU J-C KABETE LIMURU ROAD)

SHEET 82 OF 82

