




REPUBLIC OF KENYA
MINISTRY OF PUBLIC WORKS
THE NAIROBI BYPASS PROJECT
DETAILED DESIGN STUDY
FINAL REPORT
CROSS SECTION (JUNCTION)
(DRAWINGS)

SEPTEMBER 1992

JAPAN INTERNATIONAL COOPERATION AGENCY

S.S.F.
C.B.(9)
92-074

JICA LIBRARY

1104288141

26804



REPUBLIC OF KENYA

MINISTRY OF PUBLIC WORKS

THE NAIROBI BYPASS PROJECT

DETAILED DESIGN STUDY

FINAL REPORT

CROSS SECTION (JUNCTION)

(DRAWINGS)

SEPTEMBER 1992

JAPAN INTERNATIONAL COOPERATION AGENCY



CONTENTS

1 MAIN ROAD

MOMBASA J, C	~ UHURU MONUMENT J, C	0~ 8+700	1 ~ 44
UHURU MONUMENT J, C	~ NGONG ROAD J, C	15+500	45 ~ 105
NGONG ROAD J, C	~ DAGORETTI FOREST J, C	20+920	106 ~ 141
DAGORETTI FOREST J, C	~ THOGOTO J, C	23+180	142 ~ 158
THOGOTO J, C	~ KIKUYU TOWN J, C	26+800	159 ~ 184
KIKUYU TOWN J, C	~ KIKUYU J, C	END	185 ~ 196

2 MOMBASA J, C	1 ~ 19
3 UHURU MONUMENT J, C	20 ~ 28
4 NGONG ROAD J, C	29 ~ 38
5 DAGORETTI FOREST J, C	39 ~ 46
6 THOGOTO J, C	47 ~ 53
7 KIKUYU TOWN J, C	54 ~ 74
8 KIKUYU J, C	75 ~ 82

AERIAL PHOTO BY	SURVEYED BY
MAPPING BY	TRACED BY
LOCATION BY	CHECKED BY

MOPW ROADS DEPT DRG NO

The formations shown in this cross-sectional view are inferred from the boring survey results and accuracy is not guaranteed.

<table style="width: 100%; border-collapse: collapse;"> <tr> <th style="text-align: left;">REVISIONS</th> <th style="text-align: left;">DATE</th> </tr> <tr> <td> </td> <td> </td> </tr> <tr> <td> </td> <td> </td> </tr> </table>	REVISIONS	DATE					JAPAN INTERNATIONAL COOPERATION AGENCY	CHIEF ENGINEER (ROADS) CHIEF SUPT. ENG. (DESIGN)	SEN. SUPT. ENG. (DESIGN) SUPT. ENGINEER (DESIGN) PROJECT ENGINEER	SCALES	NAIROBI BYPASS	SHEET OF
REVISIONS	DATE											

AERIAL PHOTO BY _____ SURVEYED BY _____
 MAPPING BY _____ TRACED BY _____
 LOCATION BY _____ CHECKED BY _____

M.O.P.W. ROADS DEPT DRG NO.

CH. 0+120
 PI=1648.841
 GI=1647.84

CH. 0+162.278
 PI=1648.818
 GI=1648.21

CH. 0+140
 PI=1648.814
 GI=1648.24

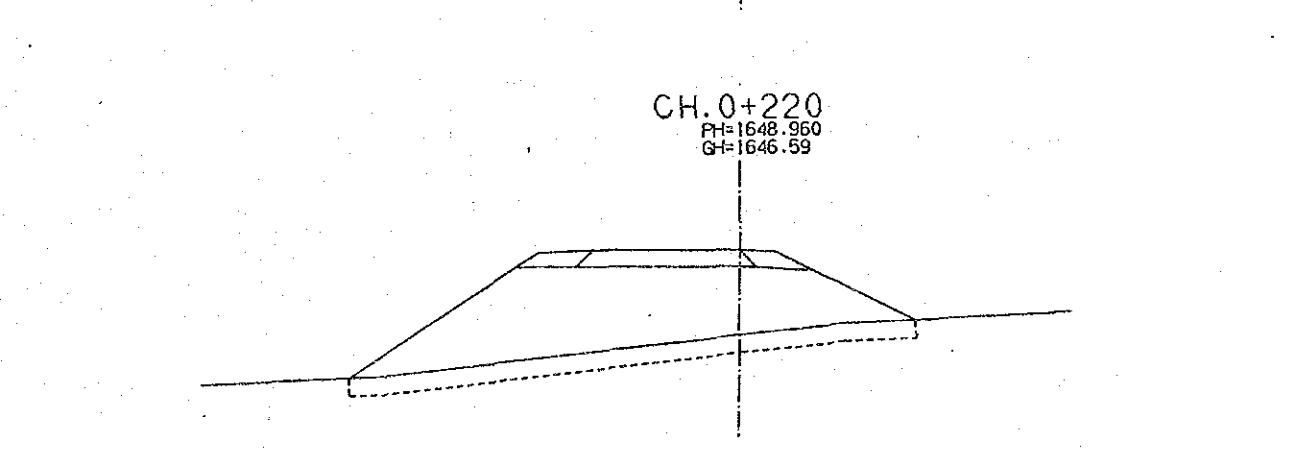
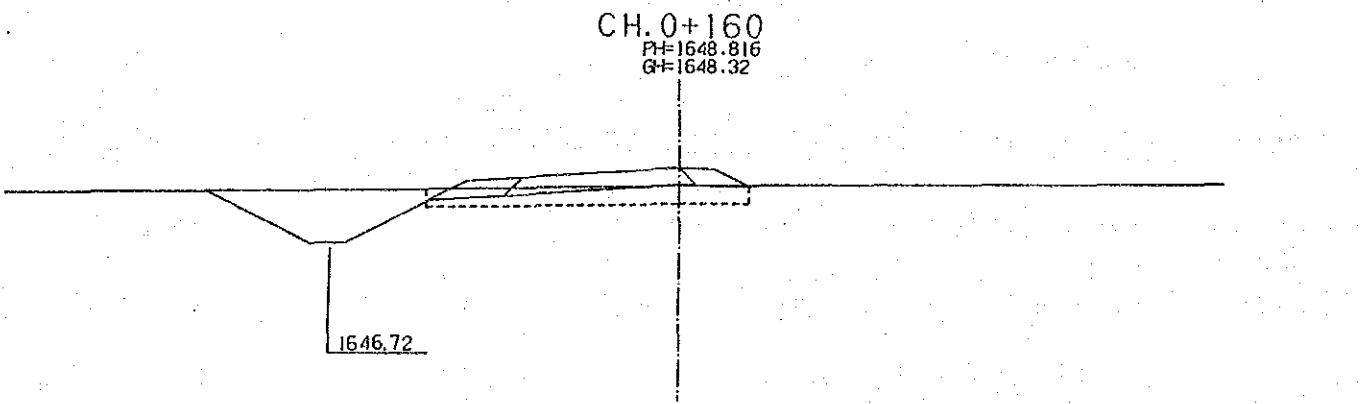
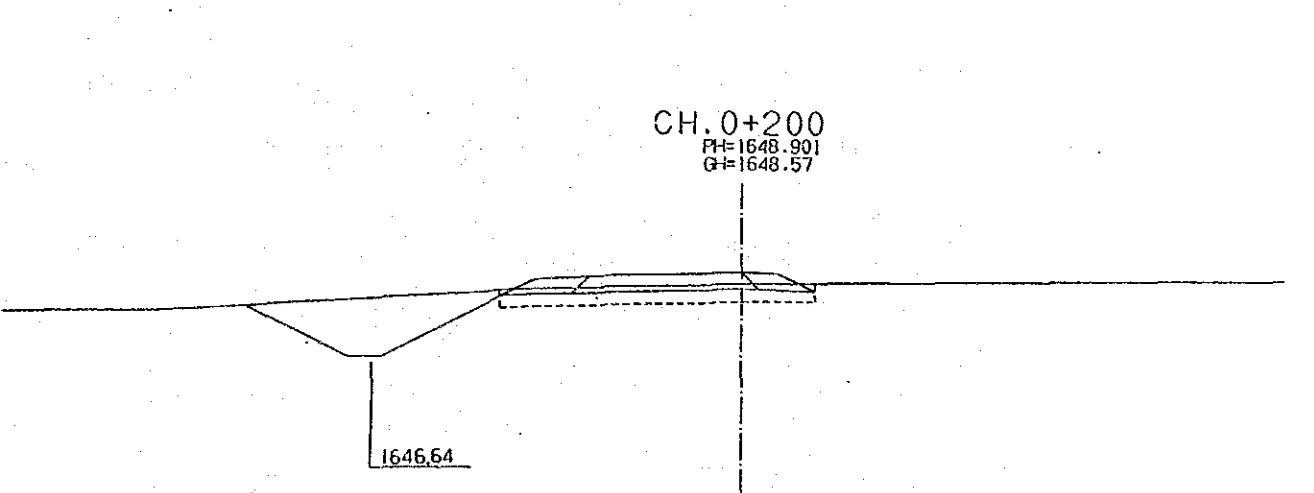
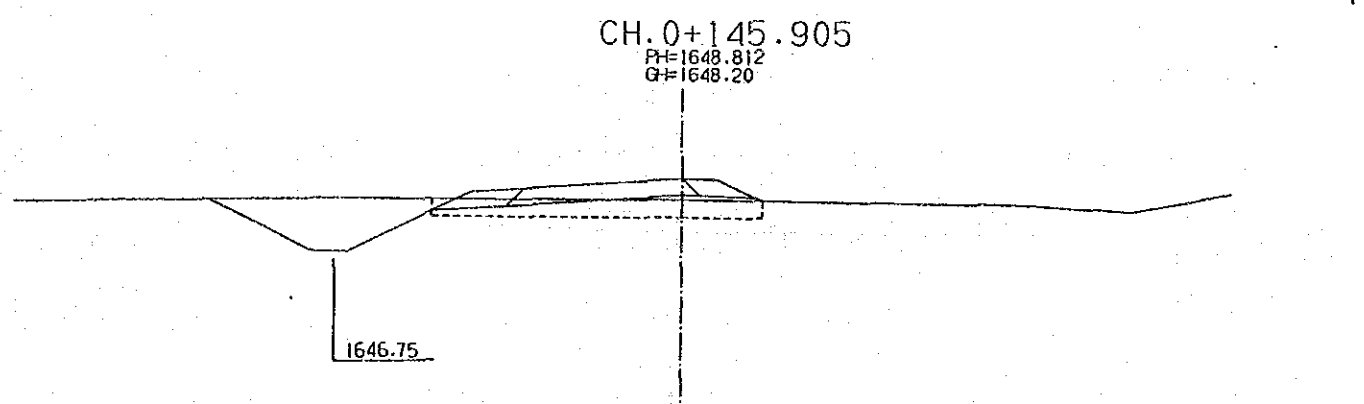
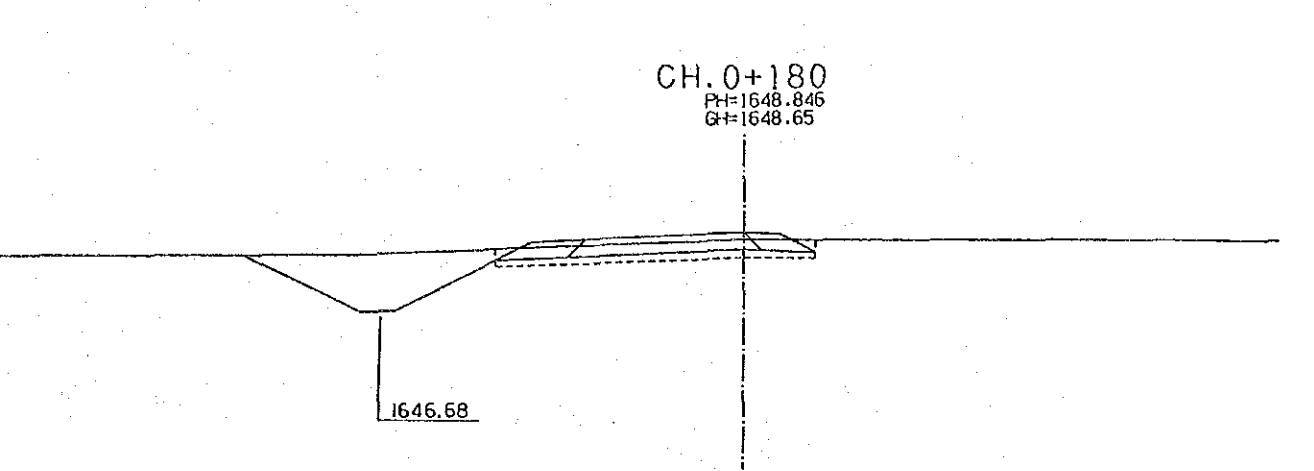
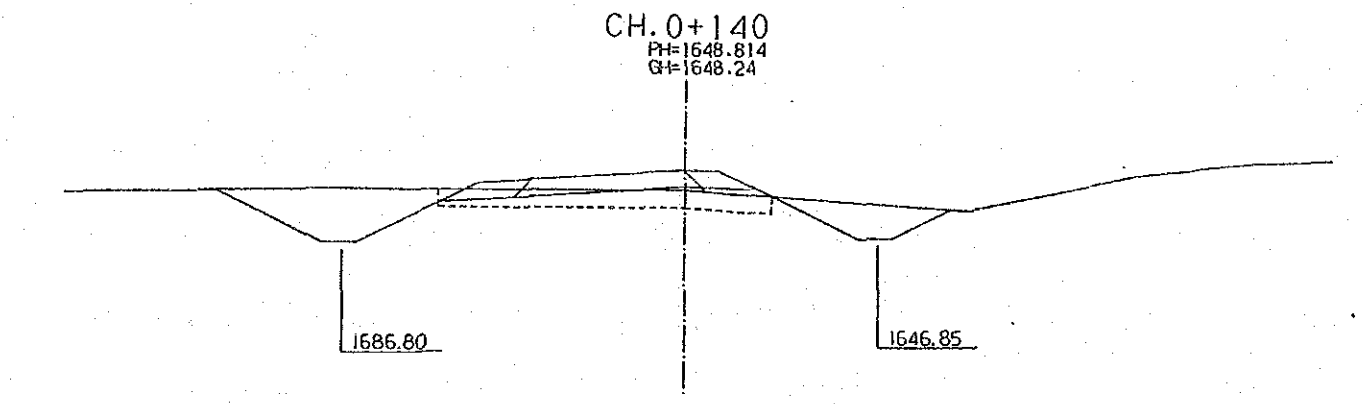
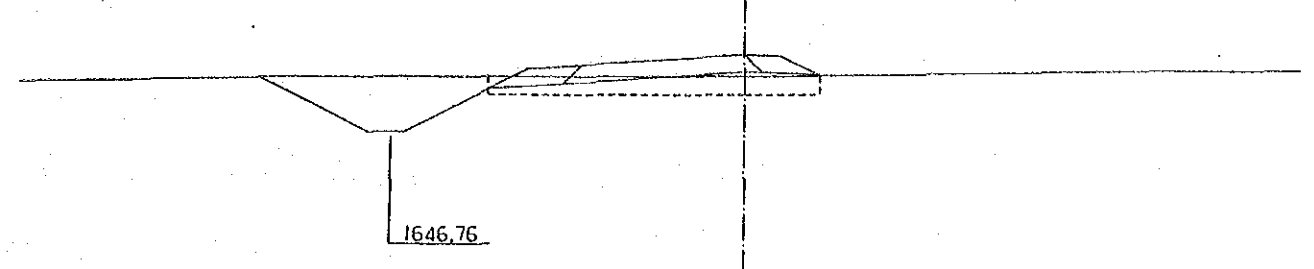
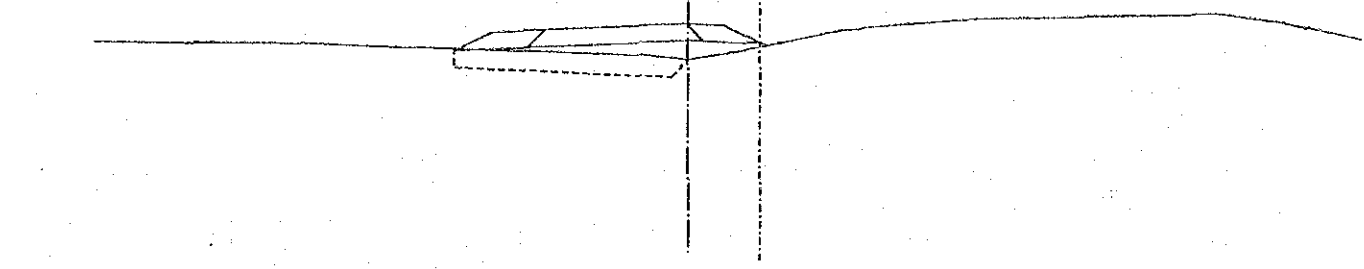
CH. 0+180
 PI=1648.846
 GI=1648.65

CH. 0+145.905
 PI=1648.812
 GI=1648.20

CH. 0+200
 PI=1648.901
 GI=1648.57

CH. 0+160
 PI=1648.816
 GI=1648.32

CH. 0+220
 PI=1648.960
 GI=1646.59



REVISIONS	
DESCRIPTION	DATE

JAPAN INTERNATIONAL COOPERATION AGENCY
 CHIEF ENGINEER (ROADS)
 CHIEF SUPT. ENG. (DESIGN)

SEN. SUPT. ENG. (DESIGN)
 SUPT. ENGINEER (DESIGN)
 PROJECT ENGINEER

SCALES
 1 : 100

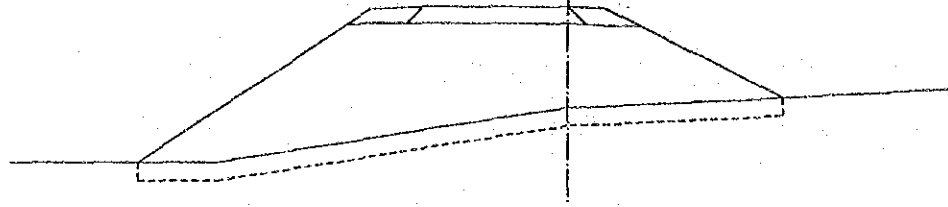
NAIROBI BYPASS
 CROSS SECTION MOMBASA ROAD JUNCTION A

SHEET 1 OF 82

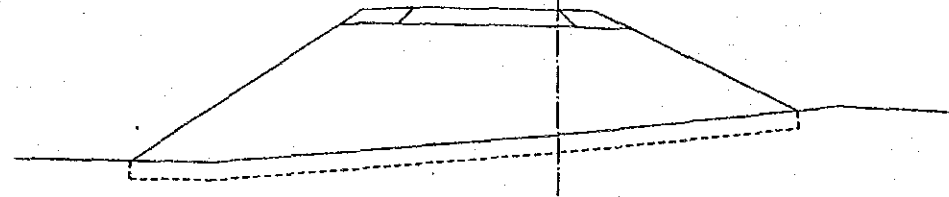
SURVEYED BY	BY
TRACED BY	BY
CHECKED BY	BY
AERIAL PHOTO BY	BY
MAPPING BY	BY
LOCATION BY	BY

M.O.P.W. ROADS DEPT DRG NO.

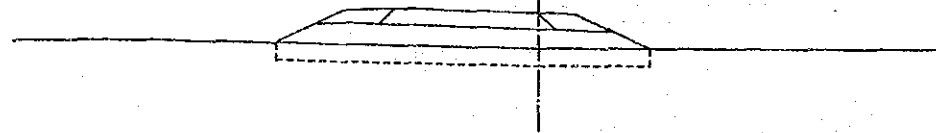
CH. 0+222.278
 Pt=1648.966
 G=1646.17



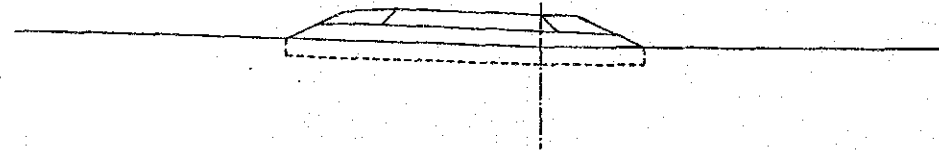
CH. 0+240
 Pt=1649.018
 G=1645.51



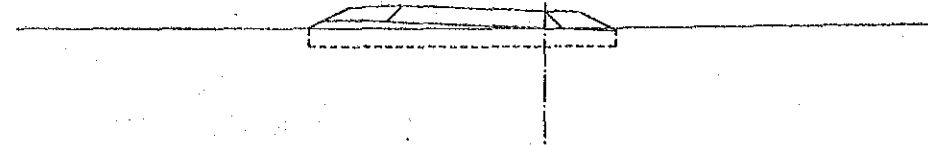
CH. 0+260
 Pt=1649.077
 G=1648.05



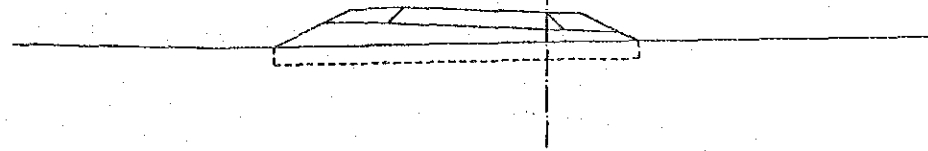
CH. 0+264.945
 Pt=1649.096
 G=1648.18



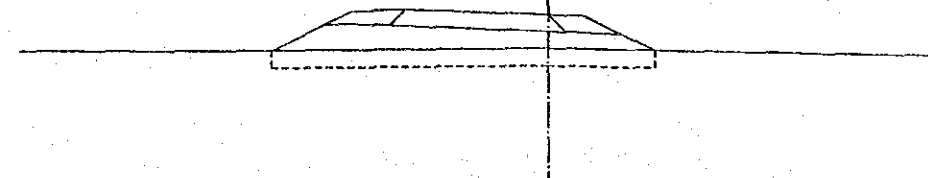
CH. 0+280
 Pt=1649.210
 G=1648.73



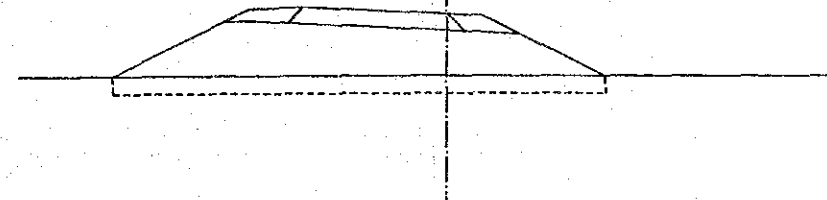
CH. 0+300
 Pt=1649.491
 G=1648.67



CH. 0+320
 Pt=1649.921
 G=1648.98



CH. 0+340
 Pt=1650.498
 G=1648.76



REVISIONS	
DESCRIPTION	DATE

JAPAN INTERNATIONAL
 COOPERATION AGENCY

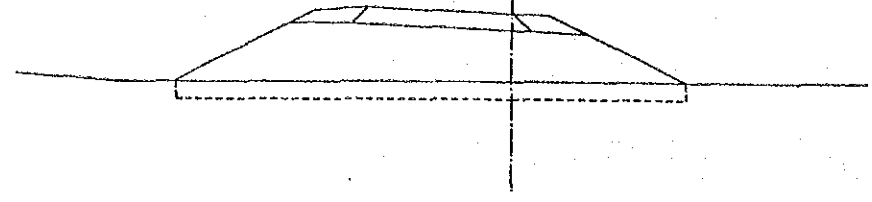
CHIEF ENGINEER (ROADS)
 CHIEF SUPT. ENG. (DESIGN)

SEN. SUPT. ENG. (DESIGN)
 SUPT. ENGINEER (DESIGN)
 PROJECT ENGINEER

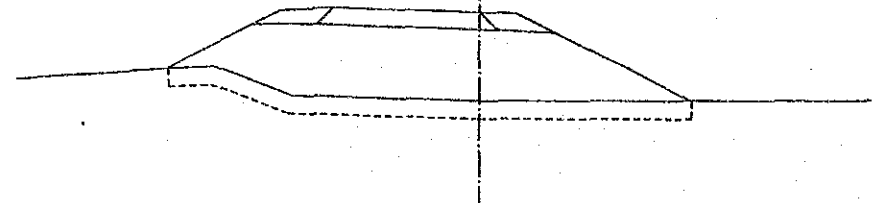
SCALES
 1 : 100

NAIROBI BYPASS
 CROSS SECTION MOMBASA ROAD JUNCTION A

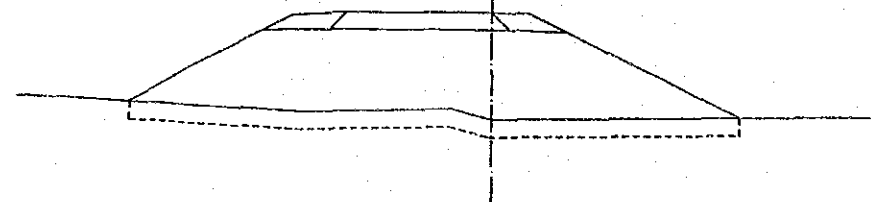
CH. 0+345.583
 P=1650.686
 G=1648.78



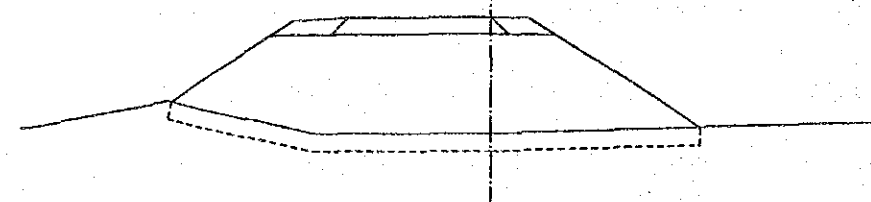
CH. 0+360
 P=1651.224
 G=1648.80



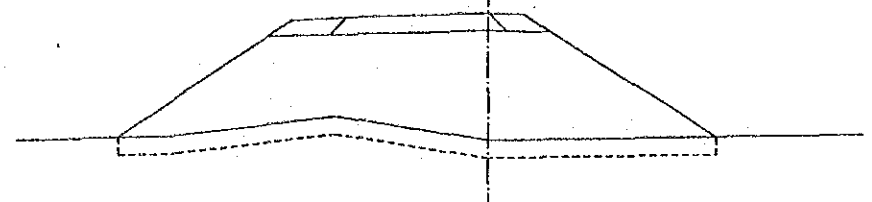
CH. 0+380
 P=1651.991
 G=1649.03



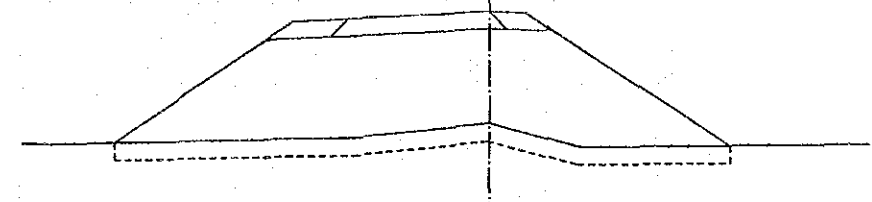
CH. 0+388.250
 P=1652.243
 G=1648.96



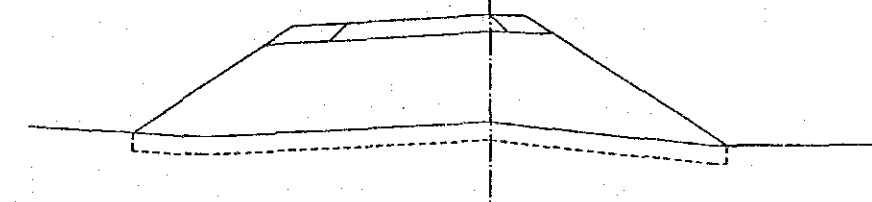
CH. 0+400
 P=1652.524
 G=1648.95



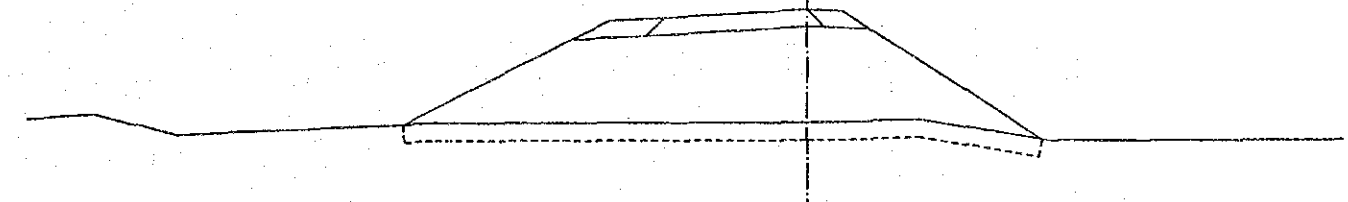
CH. 0+420
 P=1652.789
 G=1649.70



CH. 0+430.916
 P=1652.822
 G=1649.81



CH. 0+440
 P=1652.788
 G=1649.60



AERIAL PHOTO BY	SURVEYED BY
MAPPING BY	TRACED BY
LOCATION BY	CHECKED BY

MOPW ROADS DEPT DRG NO.

REVISIONS	
DESCRIPTION	DATE

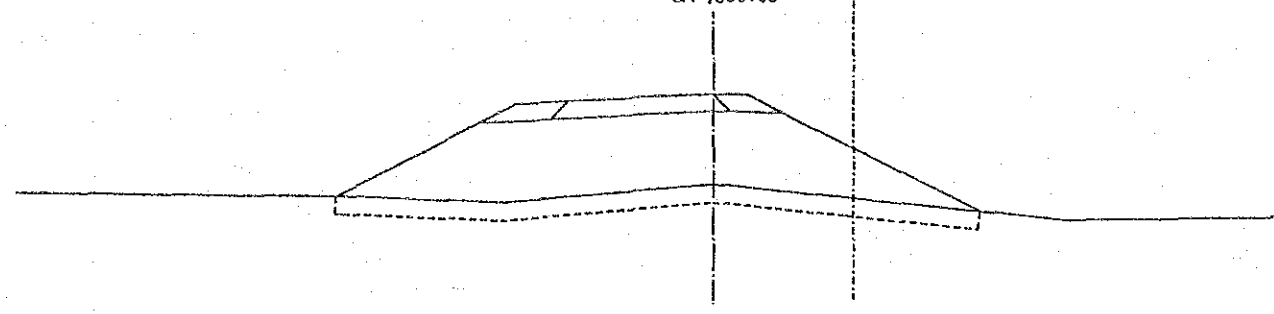
JAPAN INTERNATIONAL COOPERATION AGENCY	CHIEF ENGINEER (ROADS)
	CHIEF SUPT. ENG (DESIGN)

SEN. SUPT. ENG. (DESIGN)	
SUPT. ENGINEER (DESIGN)	
PROJECT ENGINEER	

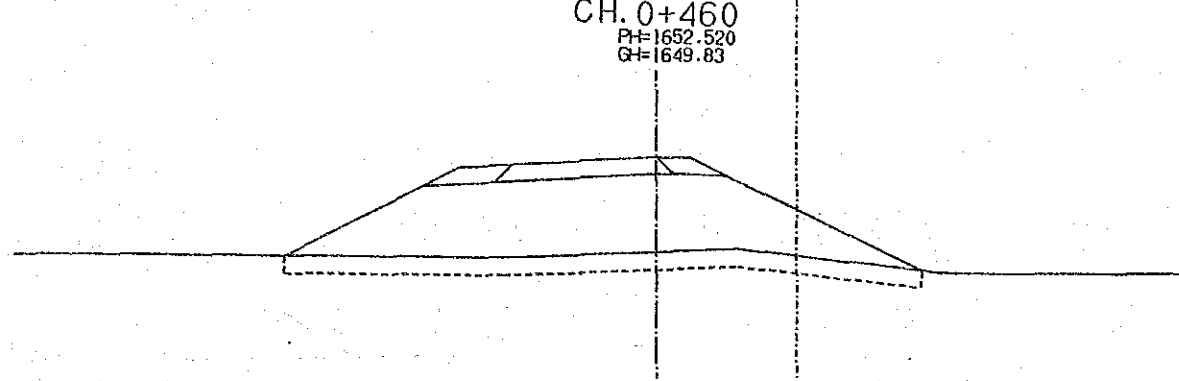
SCALES
 1 : 100

NAIROBI BYPASS
 CROSS SECTION MOMBASA ROAD JUNCTION A

CH. 0+456.816
 Pt=1652.580
 G=1650.08



CH. 0+460
 Pt=1652.520
 G=1649.83



AERIAL PHOTO BY	SURVEYED BY
MAPPING BY	TRACED BY
LOCATION BY	CHECKED BY

M.O.P.W. ROADS DEPT DRG NO.

REVISIONS	
DESCRIPTION	DATE

JAPAN INTERNATIONAL
 COOPERATION AGENCY

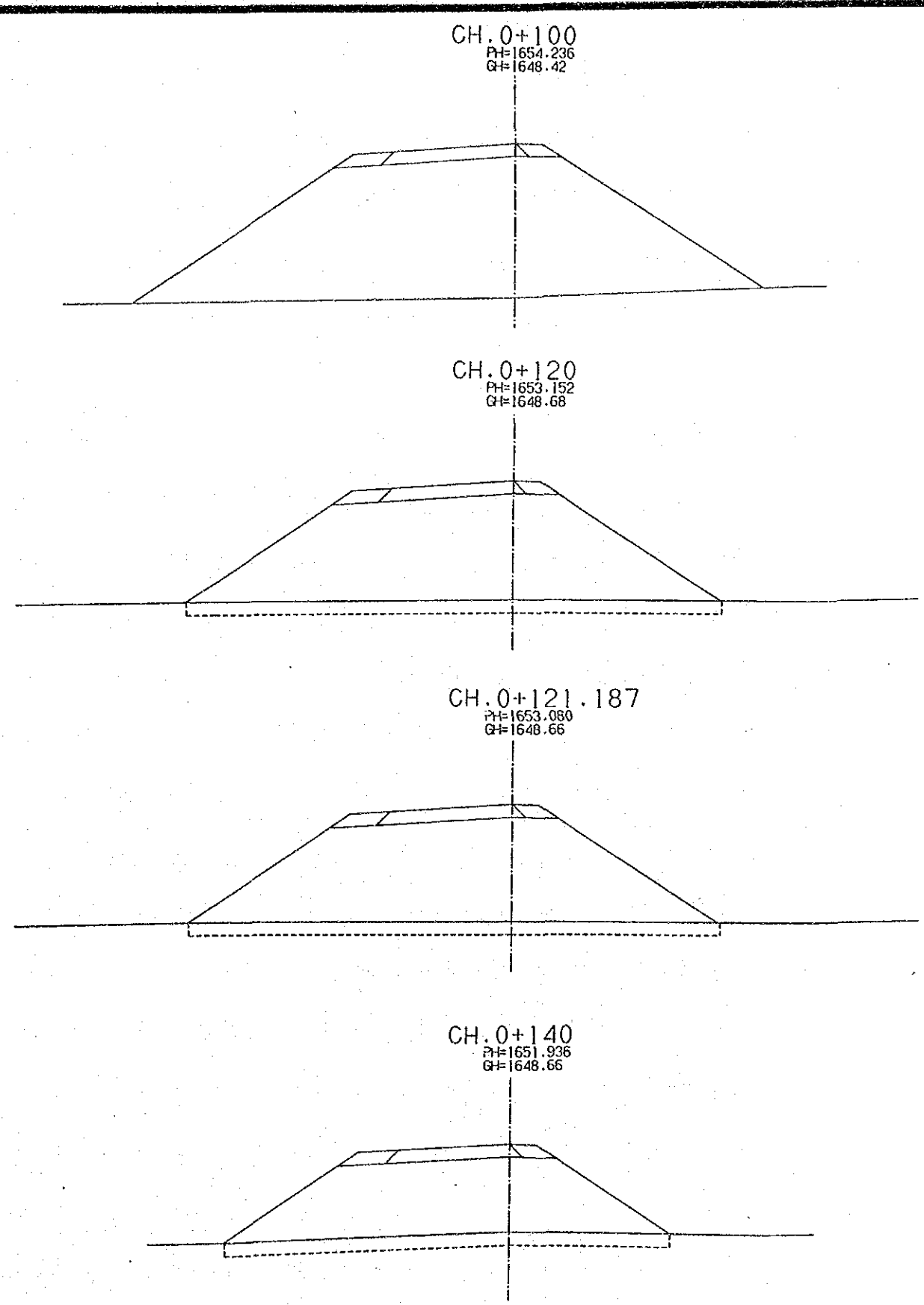
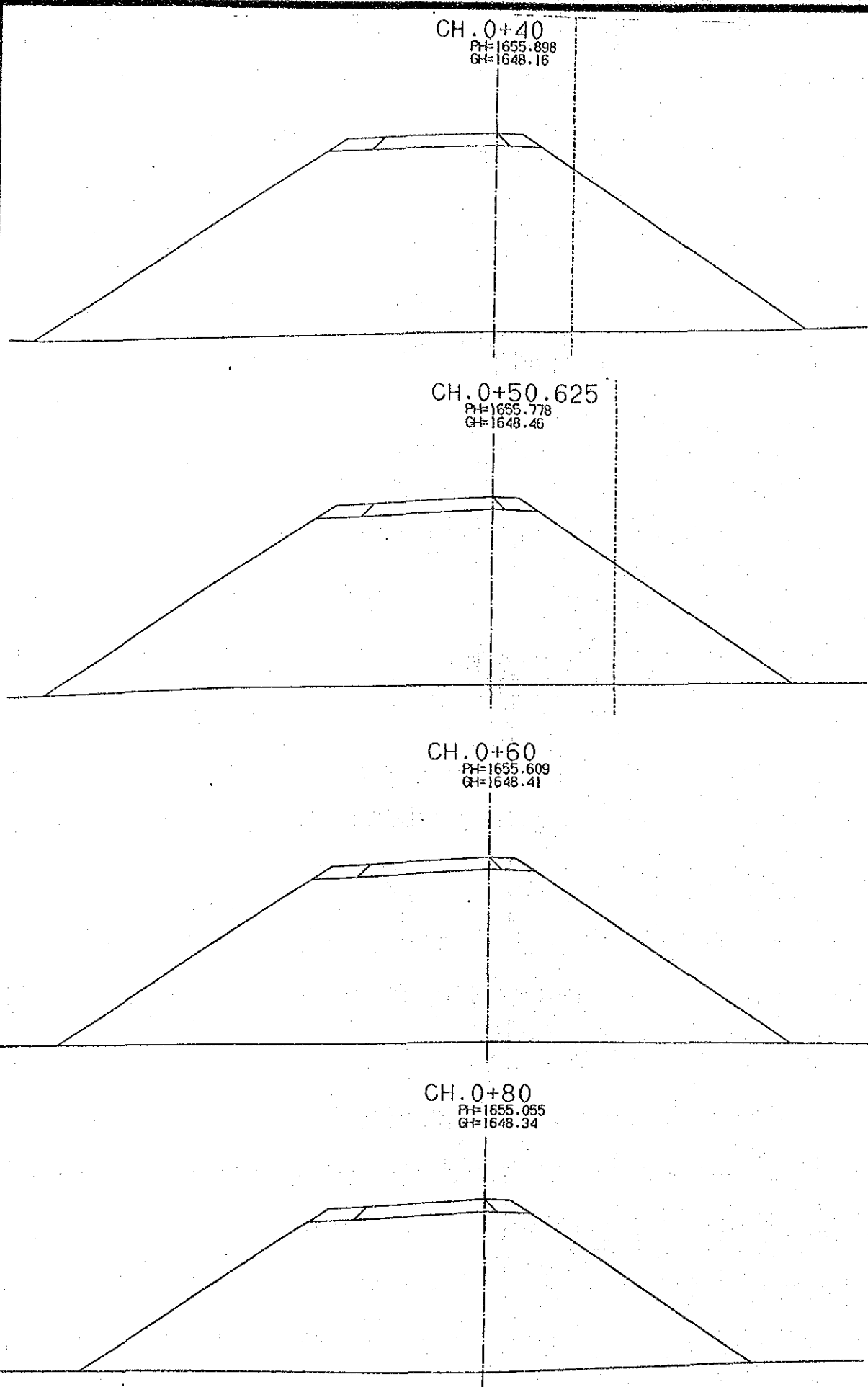
CHIEF ENGINEER (ROADS)
 CHIEF SUPT. ENG. (DESIGN)

SEN. SUPT. ENG. (DESIGN)
 SUPT. ENGINEER (DESIGN)
 PROJECT ENGINEER

SCALES
 1 : 100

NAIROBI BYPASS
 CROSS SECTION MOMBASA ROAD JUNCTION A

SHEET 4 OF 82



AERIAL PHOTO BY _____ SURVEYED BY _____
 MAPPING BY _____ TRACED BY _____
 LOCATION BY _____ CHECKED BY _____

M.O.P.W. ROADS DEPT DRG NO. _____

REVISIONS	
DESCRIPTION	DATE

JAPAN INTERNATIONAL
COOPERATION AGENCY

CHIEF ENGINEER (ROADS)
CHIEF SUPT. ENG. (DESIGN)

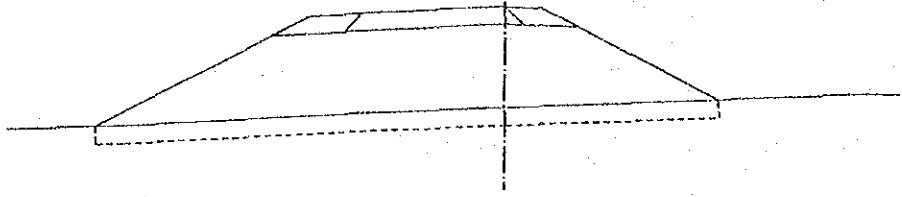
SEN. SUPT. ENG. (DESIGN)
SUPT. ENGINEER (DESIGN)
PROJECT ENGINEER

SCALES
1 : 100

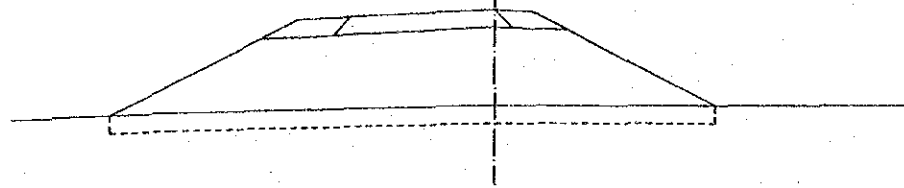
NAIROBI BYPASS
CROSS SECTION MOMBASA ROAD JUNCTION B

SHEET 5 OF 82

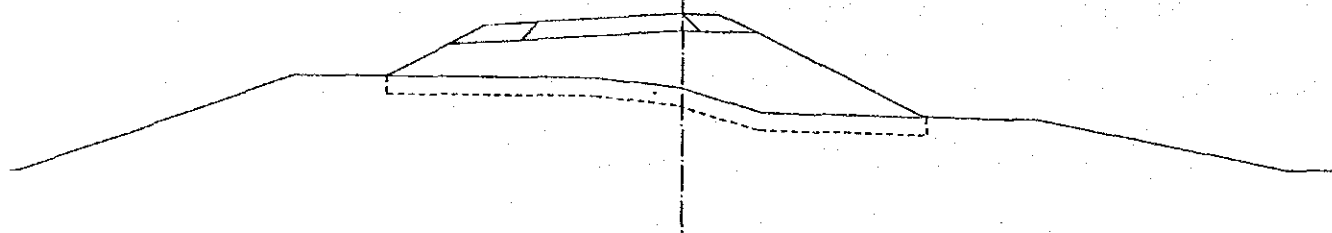
CH. 0+150.520
 PI=1651.296
 GI=1648.53



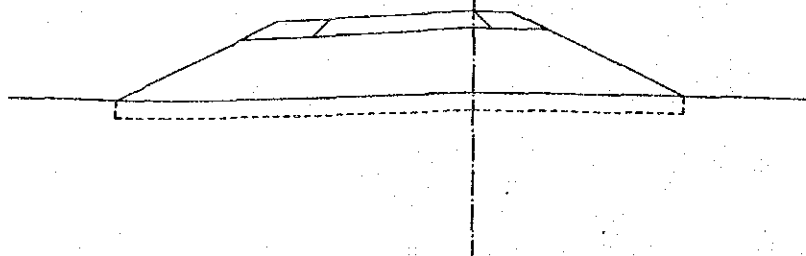
CH. 0+160
 PI=1650.720
 GI=1648.11



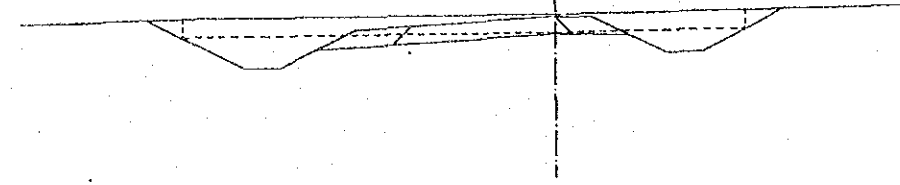
CH. 0+180
 PI=1649.673
 GI=1647.61



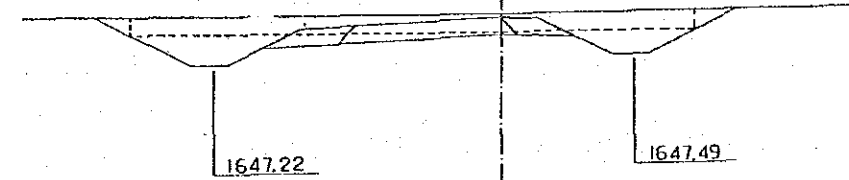
CH. 0+200
 PI=1648.962
 GI=1646.66



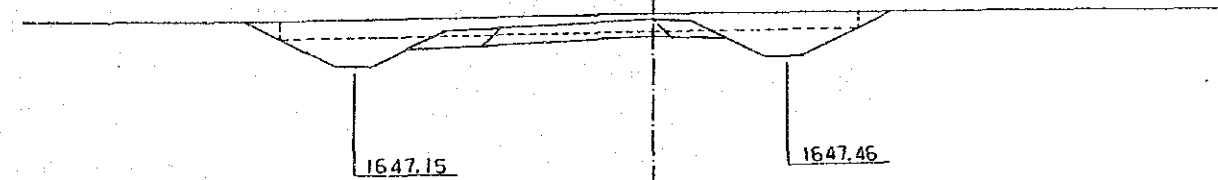
CH. 0+220
 PI=1648.589
 GI=1648.65



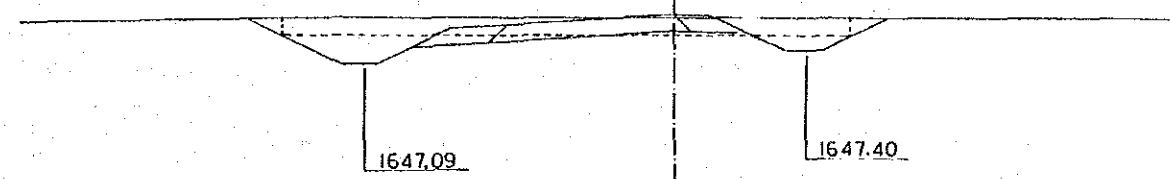
CH. 0+230.690
 PI=1648.528
 GI=1648.63



CH. 0+240
 PI=1648.554
 GI=1648.72



CH. 0+260.023
 PI=1648.687
 GI=1648.59



SURVEYED BY
 TRACED BY
 CHECKED BY
 AERIAL PHOTO BY
 MAPPING BY
 LOCATION BY

MOPW ROADS DEPT. DRG. NO.

REVISIONS	
DESCRIPTION	DATE

JAPAN INTERNATIONAL
 COOPERATION AGENCY

CHIEF ENGINEER (ROADS)
 CHIEF SUPT. ENG. (DESIGN)

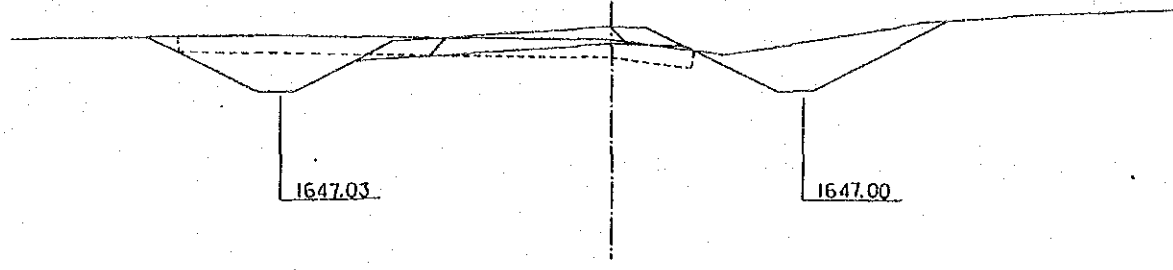
SEN. SUPT. ENG. (DESIGN)
 SUPT. ENGINEER (DESIGN)
 PROJECT ENGINEER

SCALES
 1 : 100

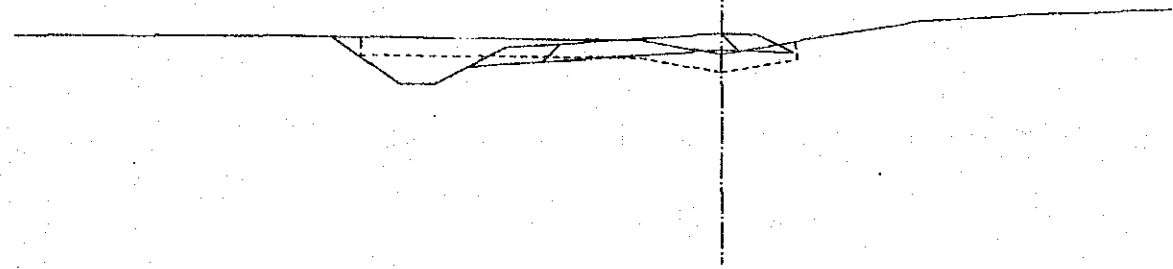
NAIROBI BYPASS
 CROSS SECTION MOMBASA ROAD JUNCTION B

SHEET 6 OF 82

CH. 0+275.614
 P=1648.790
 Q=1648.43



CH. 0+280
 P=1648.819
 Q=1648.22



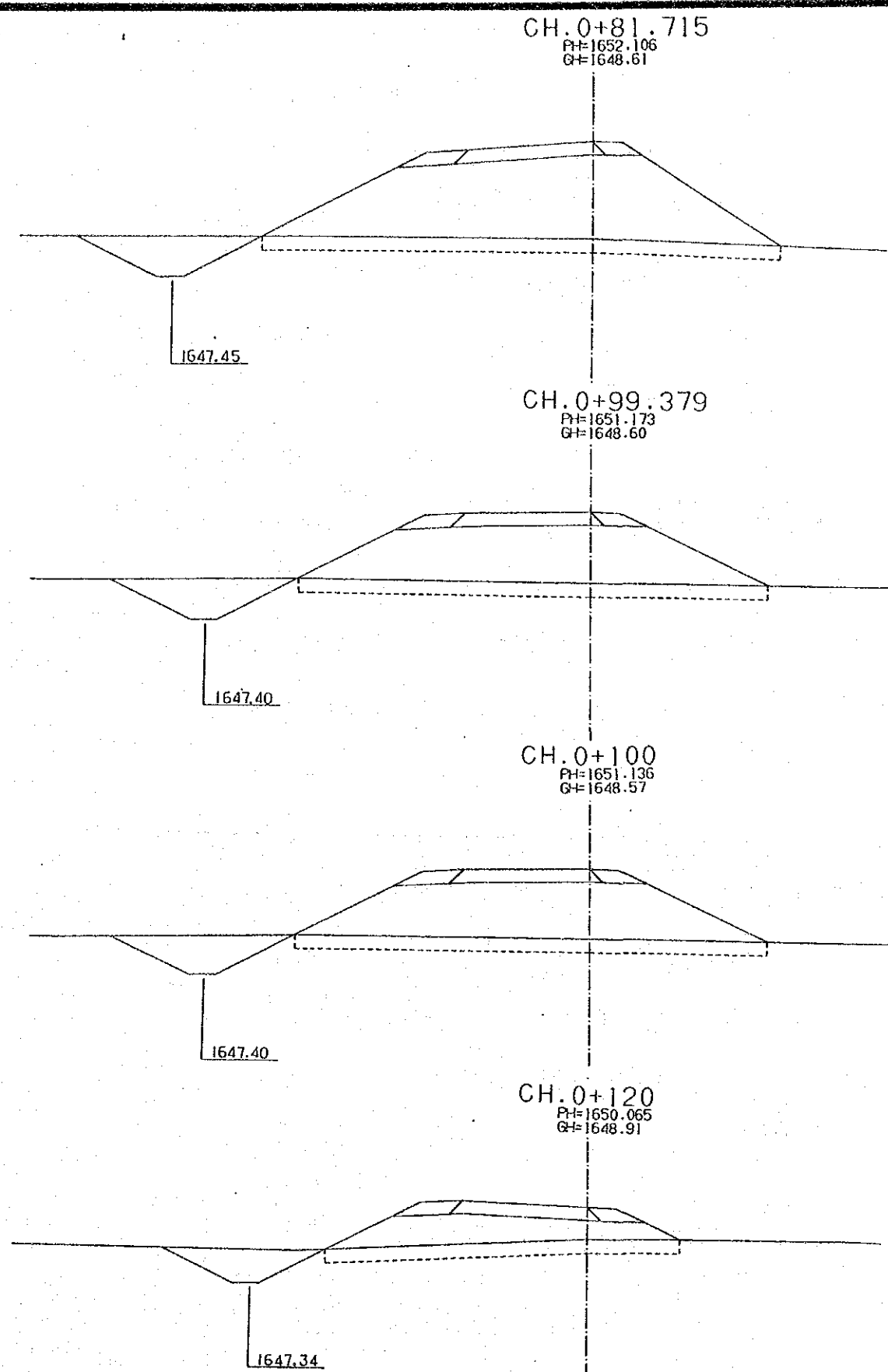
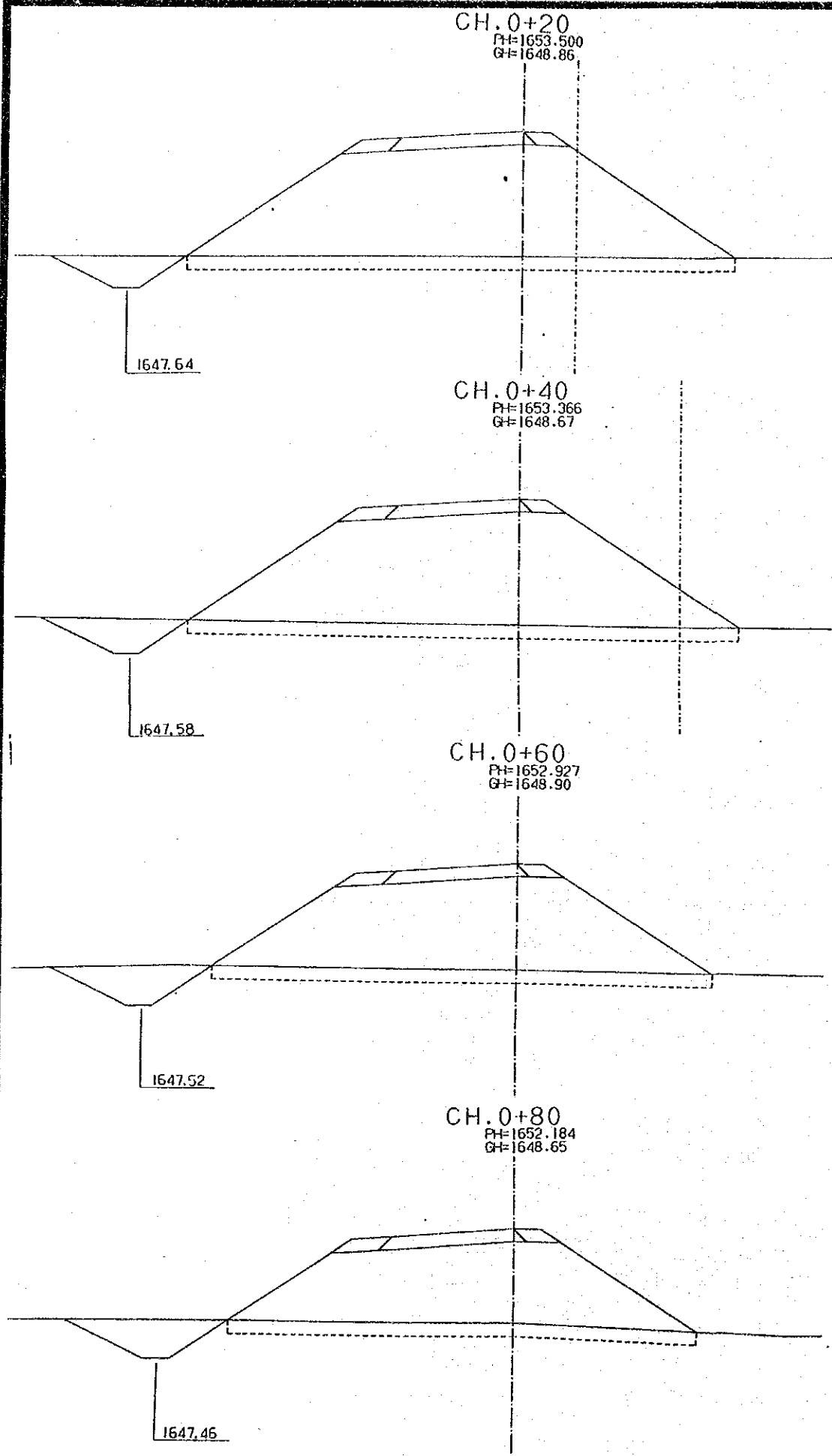
AERIAL PHOTO BY	SURVEYED BY
MAPPING	TRACED BY
LOCATION	CHECKED BY

M.O.P.W. ROADS DEPT DRG NO.

REVISIONS DESCRIPTION DATE		JAPAN INTERNATIONAL COOPERATION AGENCY	CHIEF ENGINEER (ROADS)	SEN. SUPT. ENG. (DESIGN)	SCALES 1 : 100	NAIROBI BYPASS CROSS SECTION MOMBASA ROAD JUNCTION . B	SHEET 7 OF 82
			CHIEF SUPT. ENG. (DESIGN)	SUPT. ENGINEER (DESIGN)			

AERIAL PHOTO BY _____
 MAPPING BY _____
 LOCATION BY _____
 SURVEYED BY _____
 TRACED BY _____
 CHECKED BY _____

MOPW ROADS DEPT. DRG. NO.



REVISIONS	
DESCRIPTION	DATE

JAPAN INTERNATIONAL
COOPERATION AGENCY

CHIEF ENGINEER (ROADS)
CHIEF SUPT. ENG. (DESIGN)

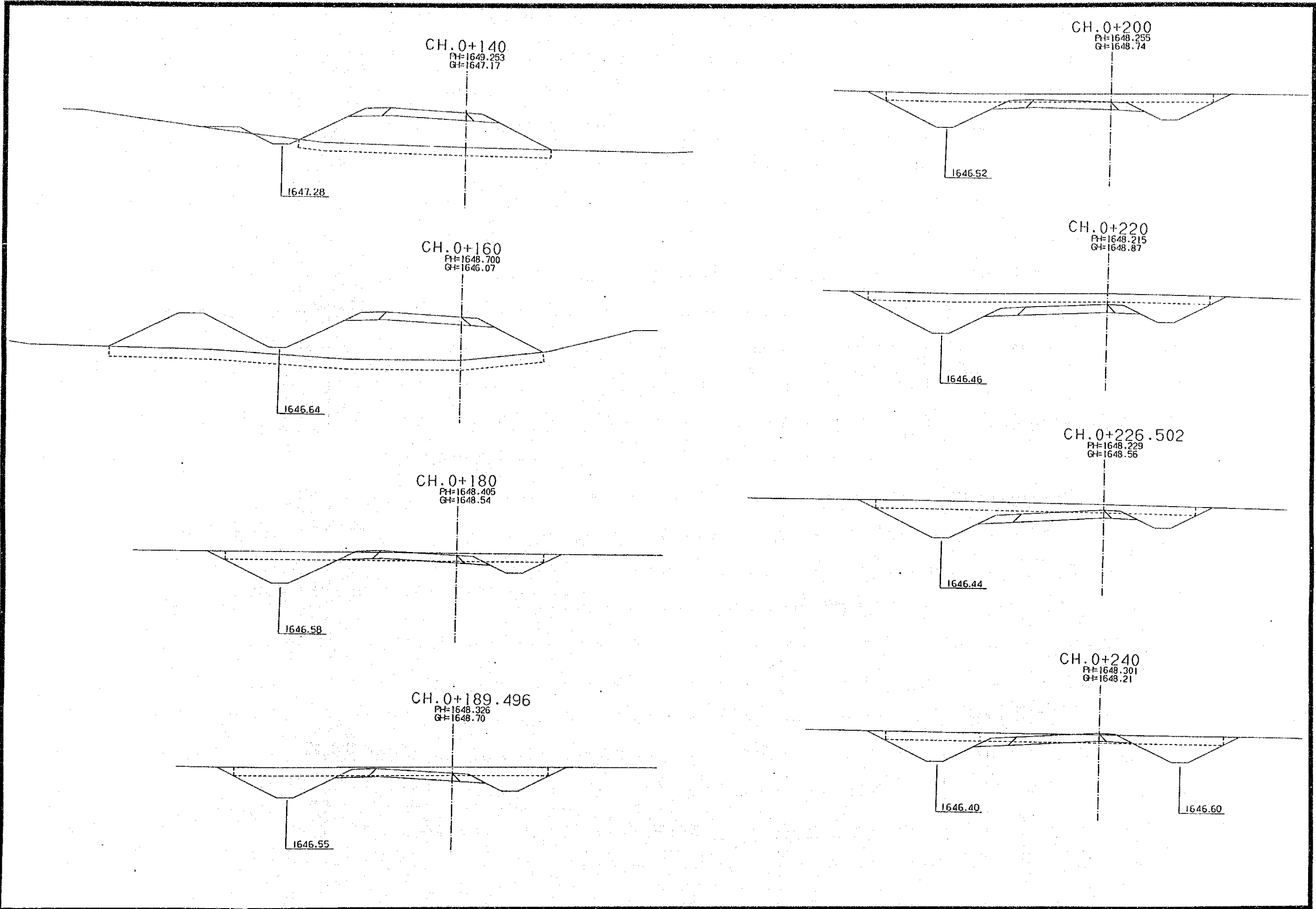
SEN. SUPT. ENG. (DESIGN)
SUPT. ENGINEER (DESIGN)
PROJECT ENGINEER

SCALES
1 : 100

NAIROBI BYPASS
CROSS SECTION MOMBASA ROAD JUNCTION C

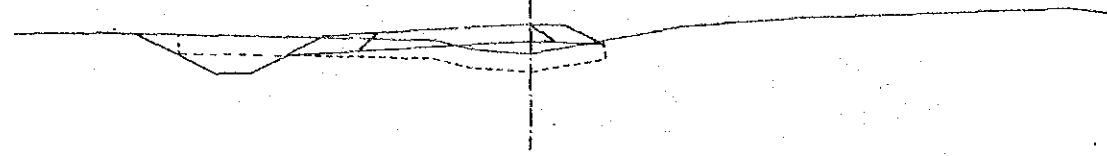
AERIAL PHOTO BY	SURVEYED BY
MAPPING BY	TRACED BY
LOCATION BY	CHECKED BY

M.P.W. ROADS DEPT DRG NO.

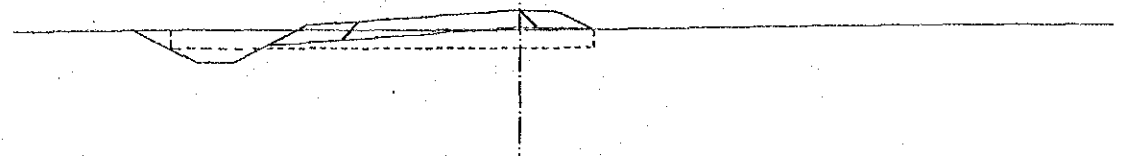


REVISIONS		JAPAN INTERNATIONAL COOPERATION AGENCY	CHIEF ENGINEER (ROADS)	SEN SUPT. ENG. (DESIGN)	SCALES	NAIROBI BYPASS	SHEET 9 OF 82
DESCRIPTION	DATE						

CH. 0+60
 PI=1648.530
 GI=1647.72



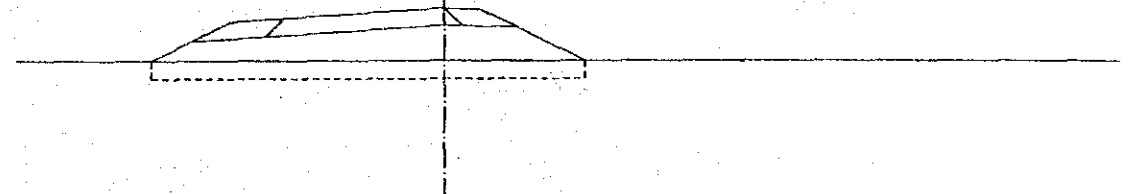
CH. 0+120
 PI=1649.401
 GI=1648.85



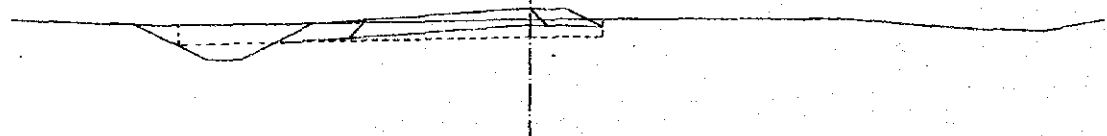
CH. 0+80
 PI=1648.552
 GI=1648.32



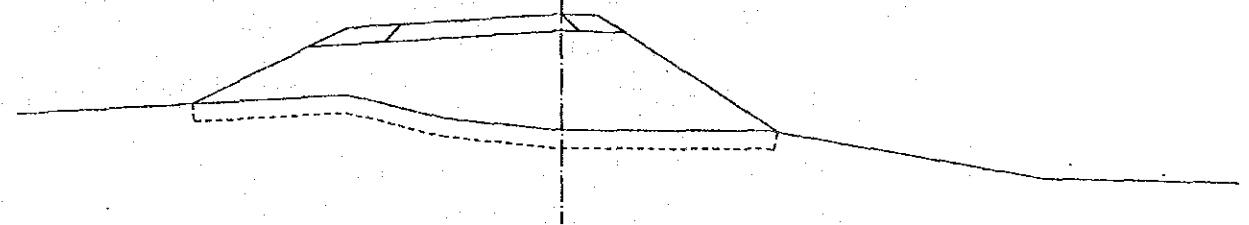
CH. 0+140
 PI=1650.188
 GI=1648.73



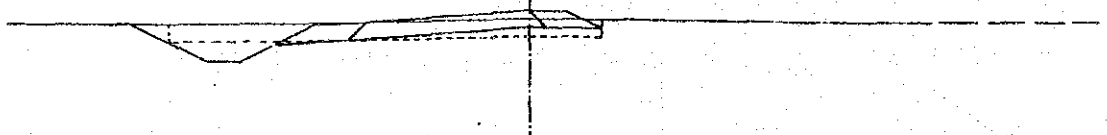
CH. 0+81.667
 PI=1648.566
 GI=1648.26



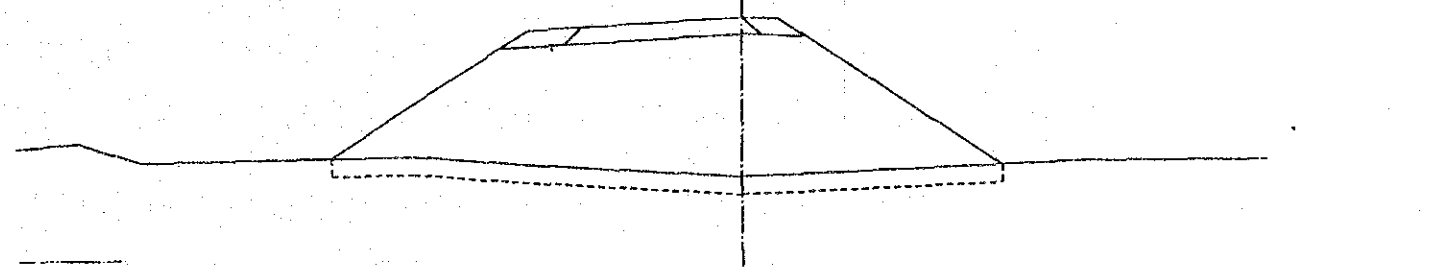
CH. 0+160
 PI=1651.002
 GI=1647.72



CH. 0+100
 PI=1648.842
 GI=1648.61



CH. 0+179.337
 PI=1651.790
 GI=1647.28

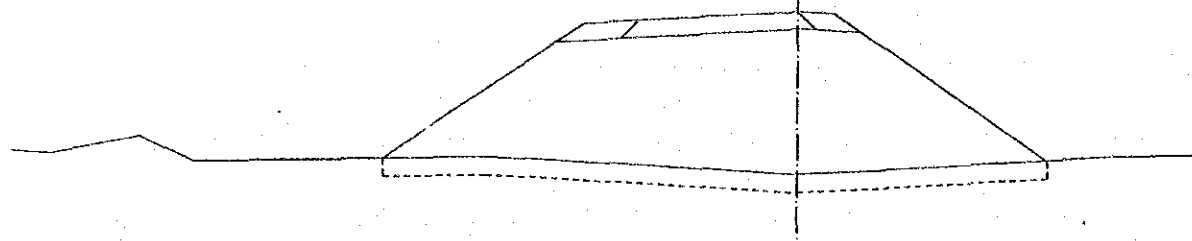


AERIAL PHOTO BY	SURVEYED BY
MAPPING BY	TRACED BY
LOCATION BY	CHECKED BY

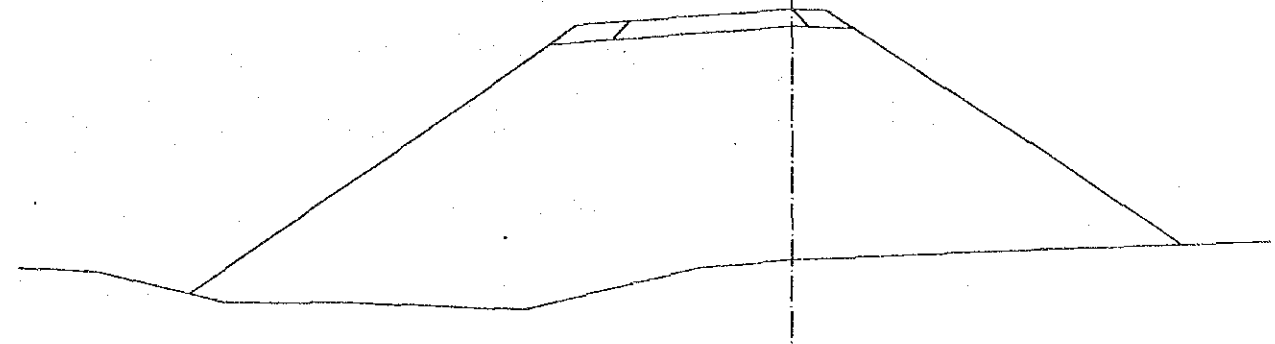
M.O.R.W. ROADS DEPT DRG NO.

REVISIONS DESCRIPTION DATE		JAPAN INTERNATIONAL COOPERATION AGENCY	CHIEF ENGINEER (ROADS) CHIEF SUPT. ENG. (DESIGN)	SEN SUPT. ENG. (DESIGN) SUPT. ENGINEER (DESIGN) PROJECT ENGINEER	SCALES 1:100	NAIROBI BYPASS CROSS SECTION MOMBASA ROAD JUNCTION D	SHEET 10 OF 82

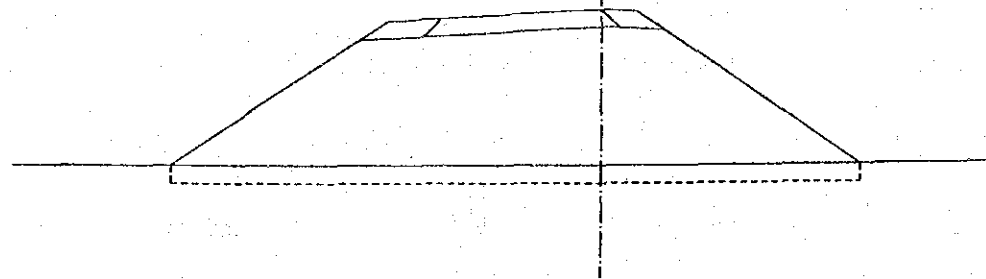
CH. 0+180
 P=1651.817
 G=1647.35



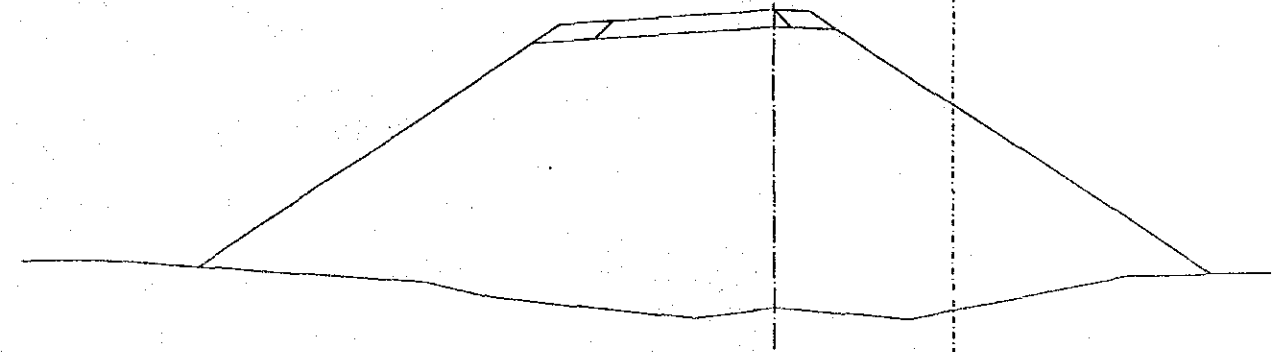
CH. 0+260
 P=1654.796
 G=1647.90



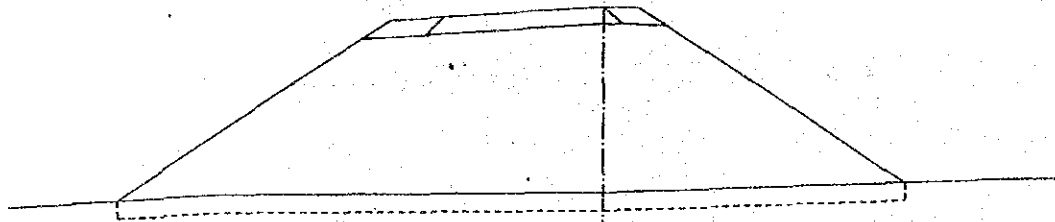
CH. 0+200
 P=1652.631
 G=1648.31



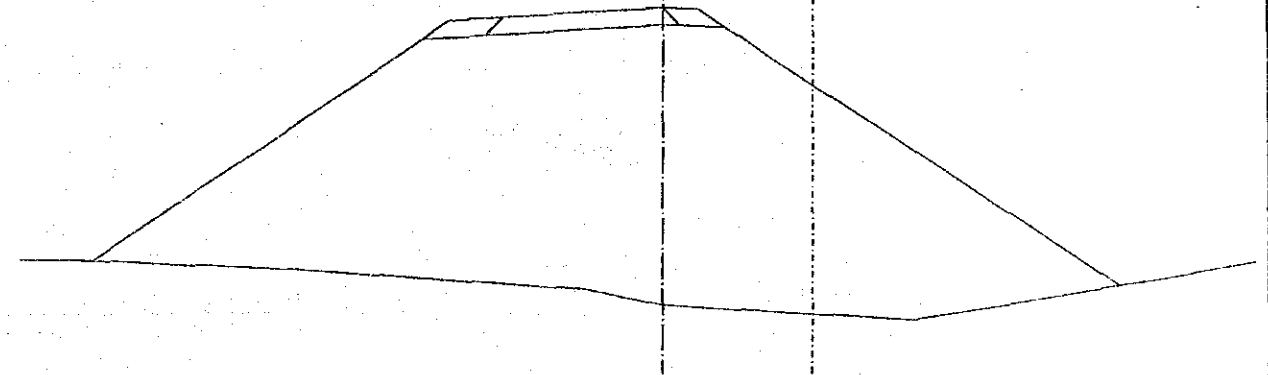
CH. 0+277.008
 P=1655.268
 G=1646.89



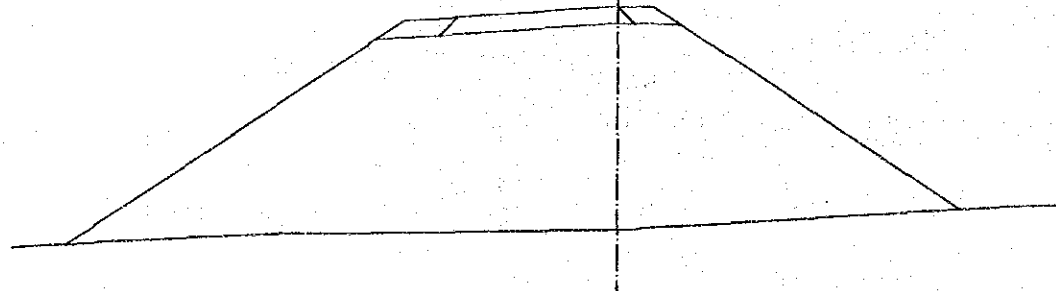
CH. 0+220
 P=1653.434
 G=1648.21



CH. 0+280
 P=1655.344
 G=1646.99



CH. 0+240
 P=1654.159
 G=1647.87



AERIAL PHOTO BY	SURVEYED BY
MAPPING BY	TRACED BY
LOCATION BY	CHECKED BY

MOPW ROADS DEPT DRG NO.

REVISIONS	
DESCRIPTION	DATE

JAPAN INTERNATIONAL
 COOPERATION AGENCY

CHIEF ENGINEER (ROADS)
 CHIEF SUPT. ENG. (DESIGN)

SEN. SUPT. ENG. (DESIGN)
 SUPT. ENGINEER (DESIGN)
 PROJECT ENGINEER

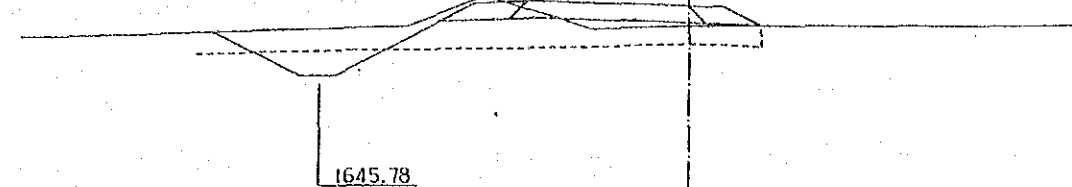
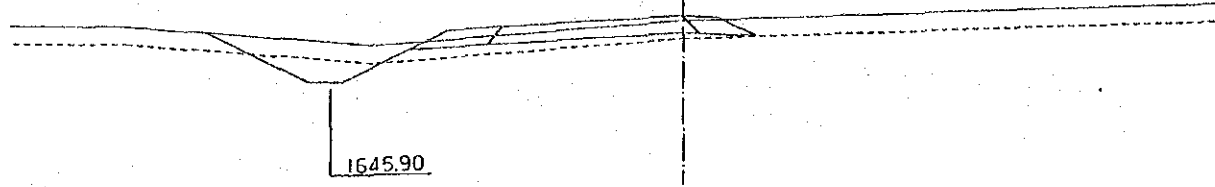
SCALES
 1 : 100

NAIROBI BYPASS
 CROSS SECTION MOMBASA ROAD JUNCTION D

SHEET 11 OF 82

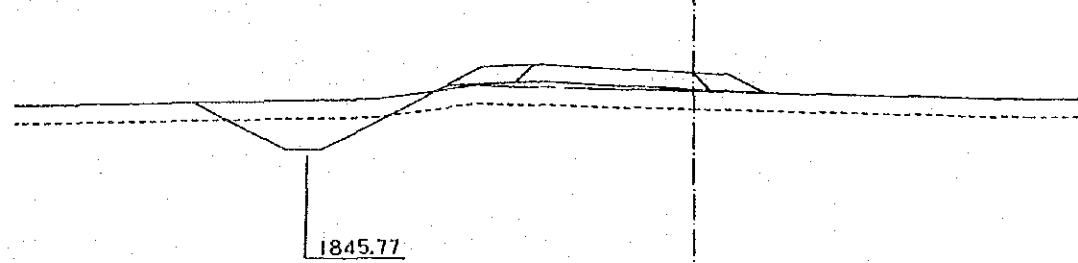
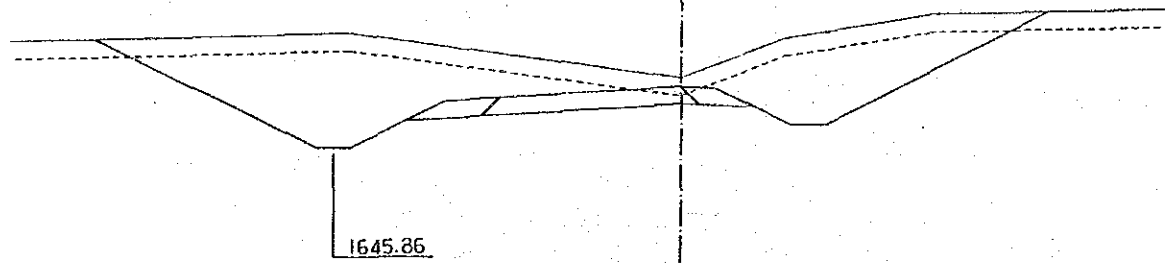
CH. 0+20
 PI=1647.735
 GI=1647.60

CH. 0+80
 PI=1647.777
 GI=1647.22



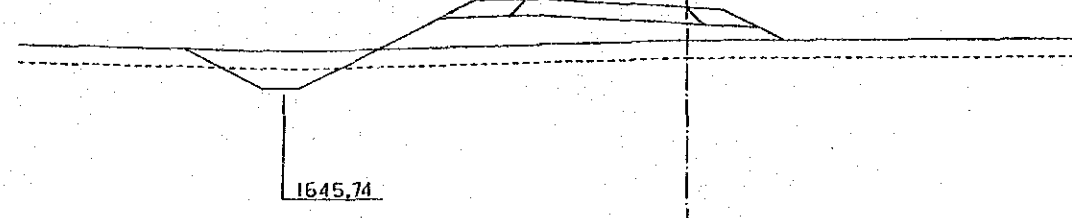
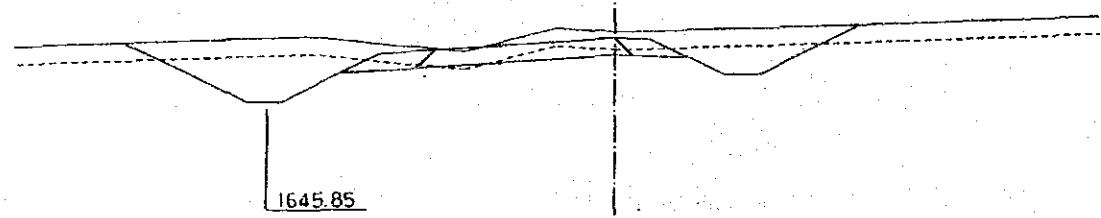
CH. 0+40
 PI=1647.620
 GI=1647.86

CH. 0+85.678
 PI=1647.842
 GI=1647.32



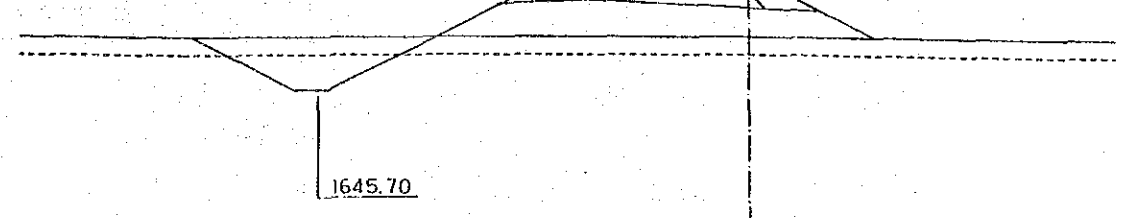
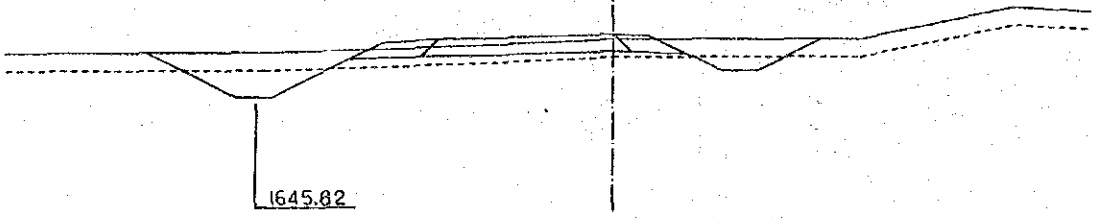
CH. 0+46.959
 PI=1647.610
 GI=1647.78

CH. 0+100
 PI=1648.058
 GI=1647.12



CH. 0+60
 PI=1647.633
 GI=1647.50

CH. 0+120
 PI=1648.488
 GI=1647.20



AERIAL PHOTO BY	SURVEYED BY
MAPPING BY	TRACED BY
LOCATION BY	CHECKED BY

M.O.P.W. ROADS DEPT DRG NO.

REVISIONS	
DESCRIPTION	DATE

JAPAN INTERNATIONAL
 COOPERATION AGENCY

CHIEF ENGINEER (ROADS)
 CHIEF SUPT. ENG. (DESIGN)

SEN SUPT. ENG. (DESIGN)
 SUPT. ENGINEER (DESIGN)
 PROJECT ENGINEER

SCALES
 1 : 100

NAIROBI BYPASS
 CROSS SECTION MOMBASA ROAD JUNCTION E

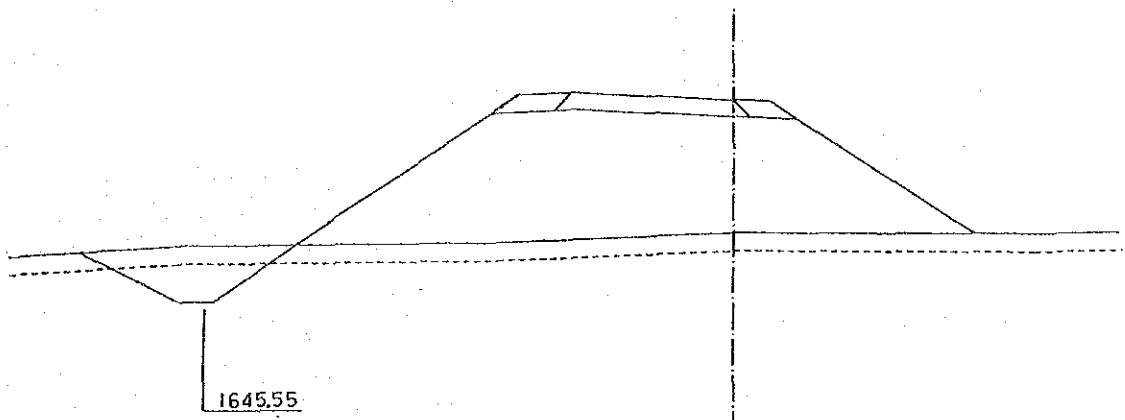
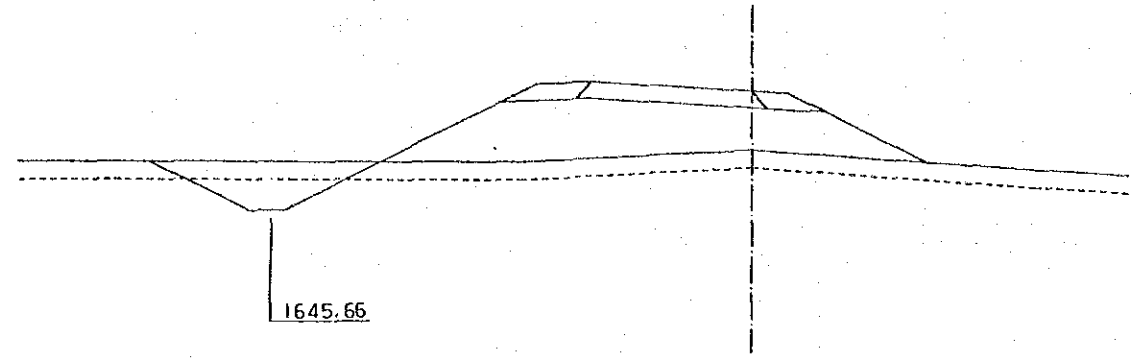
SHEET 12 OF 82

AERIAL PHOTO BY _____
 MAPPING BY _____
 LOCATION BY _____
 SURVEYED BY _____
 TRACED BY _____
 CHECKED BY _____

MOPW ROADS DEPT DRG NO.

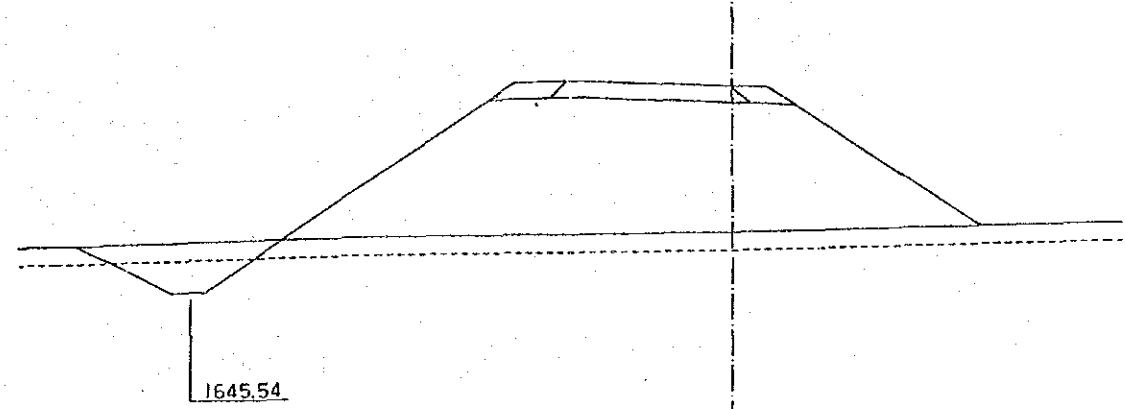
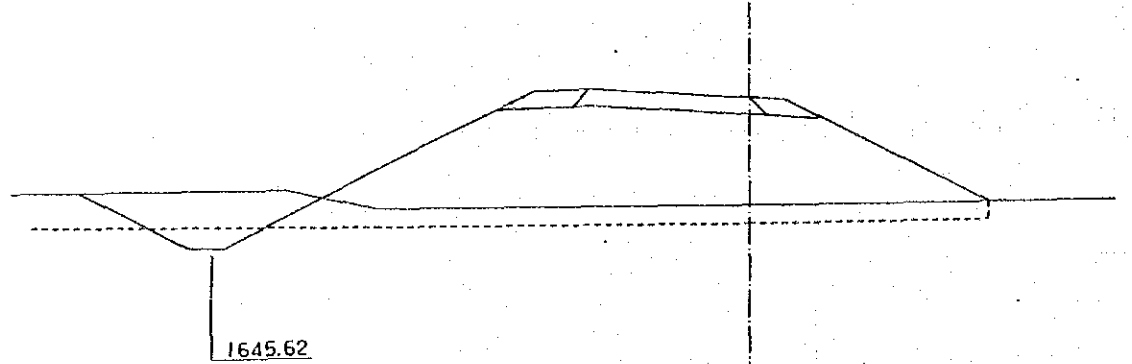
CH. 0+140
 PI=1649.066
 GI=1647.42

CH. 0+194.633
 PI=1651.092
 GI=1647.38



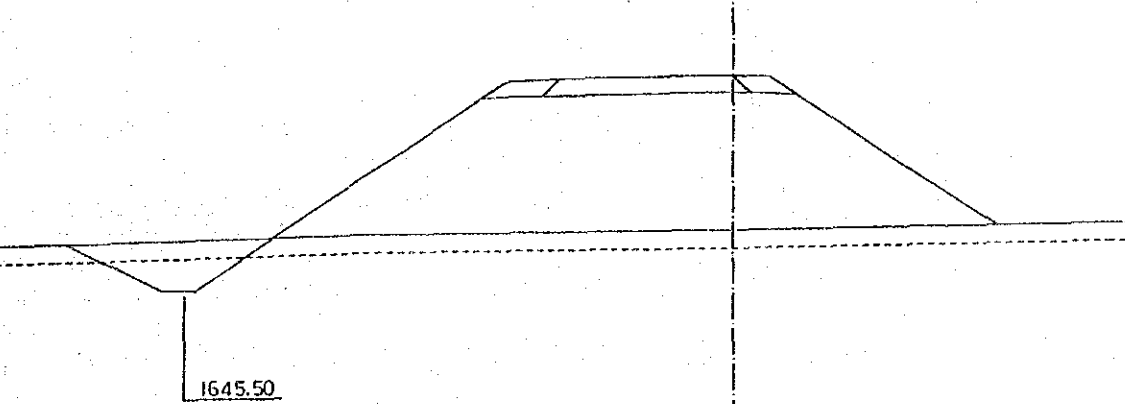
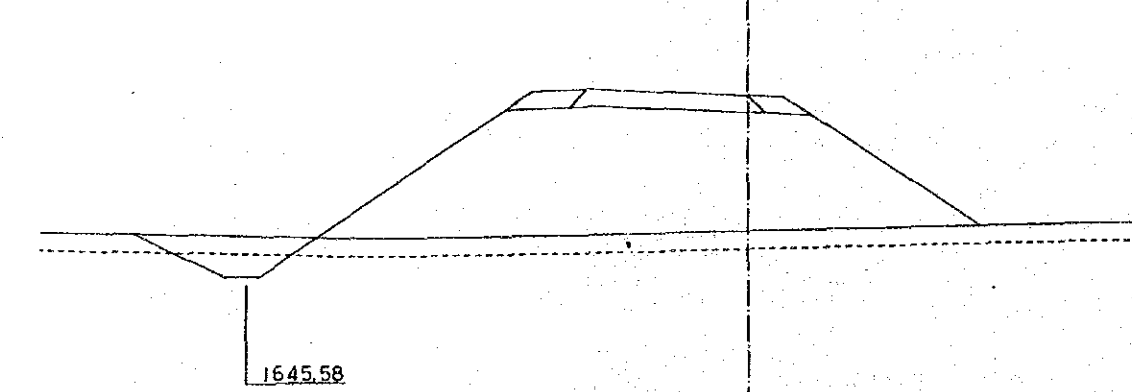
CH. 0+160
 PI=1649.792
 GI=1646.79

CH. 0+200
 PI=1651.232
 GI=1647.15



CH. 0+180
 PI=1650.592
 GI=1646.81

CH. 0+220
 PI=1651.551
 GI=1647.21



REVISIONS	
DESCRIPTION	DATE

JAPAN INTERNATIONAL
 COOPERATION AGENCY

CHIEF ENGINEER (ROADS)
 CHIEF SUPT. ENG (DESIGN)

SEN. SUPT. ENG. (DESIGN)
 SUPT. ENGINEER (DESIGN)
 PROJECT ENGINEER

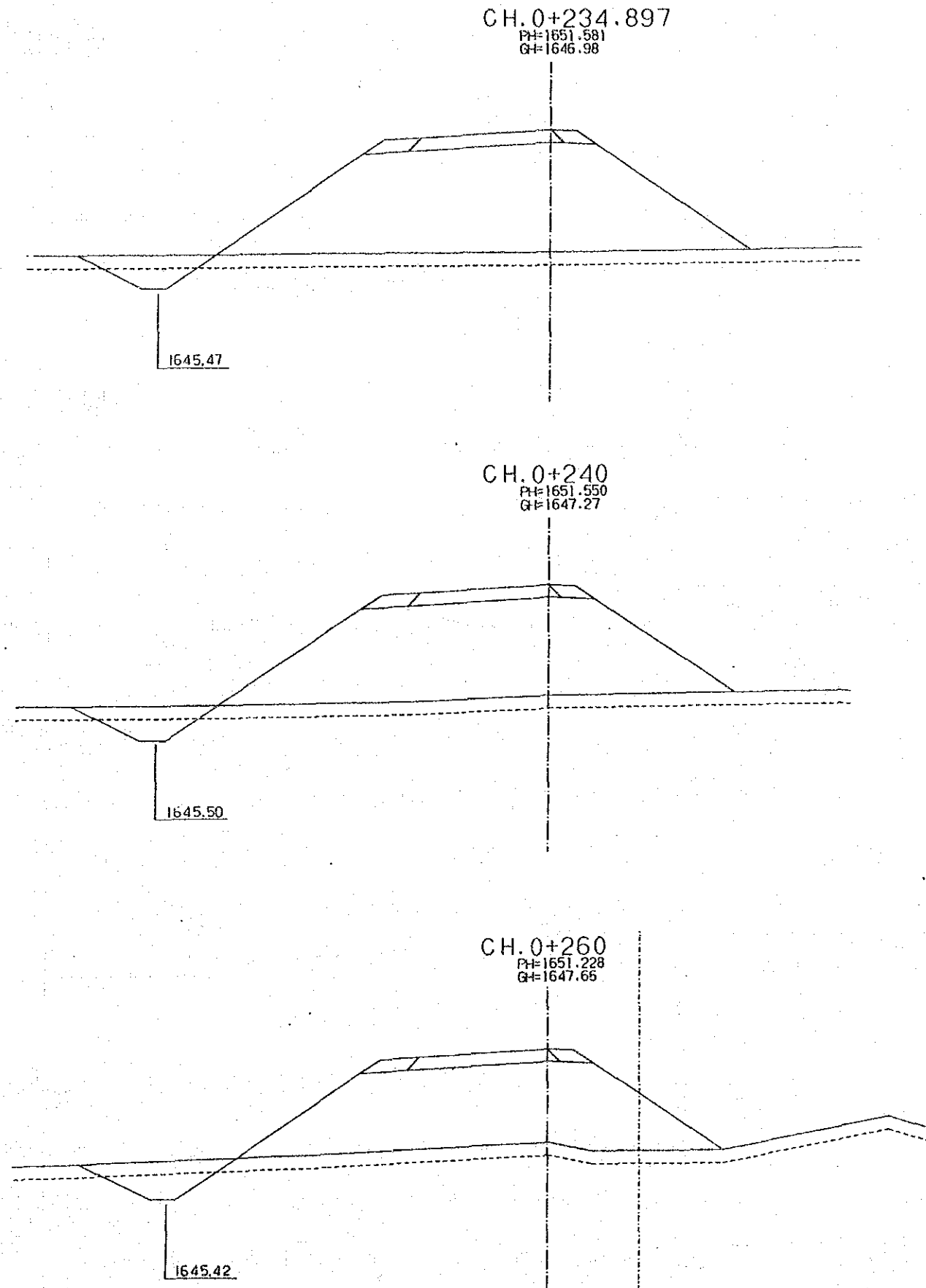
SCALES
 1:100

NAIROBI BYPASS
 CROSS SECTION MOMBASA ROAD JUNCTION E

SHEET 13 OF 82

AERIAL PHOTO BY	SURVEYED BY
MAPPING BY	TRACED BY
LOCATION BY	CHECKED BY

MOPW ROADS DEPT DRG NO.

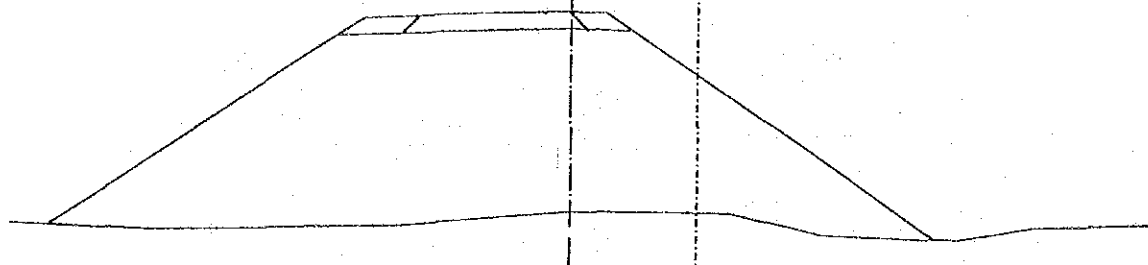


REVISIONS		JAPAN INTERNATIONAL COOPERATION AGENCY	CHIEF ENGINEER (ROADS)	SEN. SUPT. ENG (DESIGN)	SCALES	NAIROBI BYPASS	CROSS SECTION MOMBASA ROAD JUNCTION E	SHEET 14 OF 82
DESCRIPTION	DATE			CHIEF SUPT. ENG. (DESIGN)				

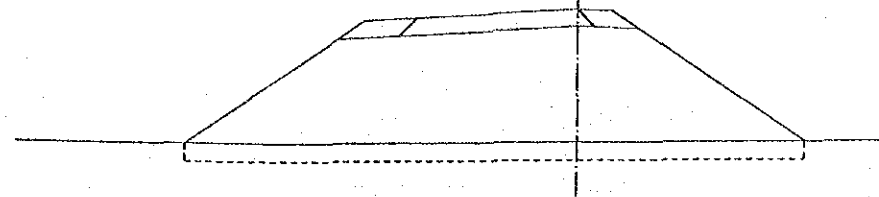
AERIAL PHOTO BY	SURVEYED BY
MAPPING BY	TRACED BY
LOCATION BY	CHECKED BY

M.O.P.W. ROADS DEPT. DRG. NO.

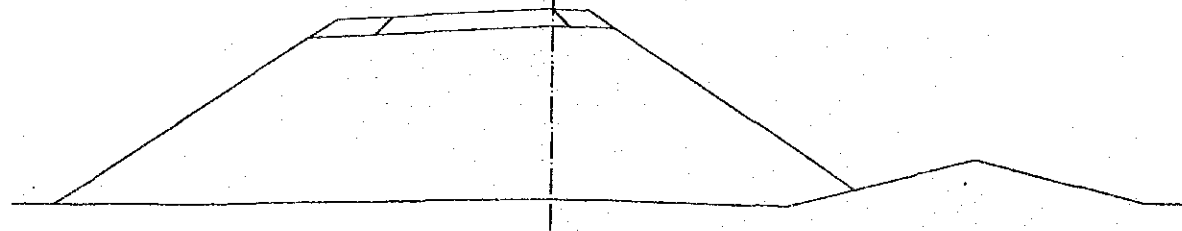
CH 0+60
 PI=1653.658
 GI=1648.13



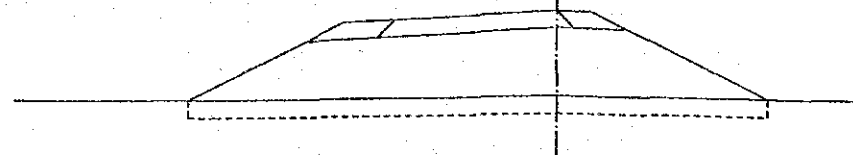
CH.0+120
 PI=1650.959
 GI=1647.28



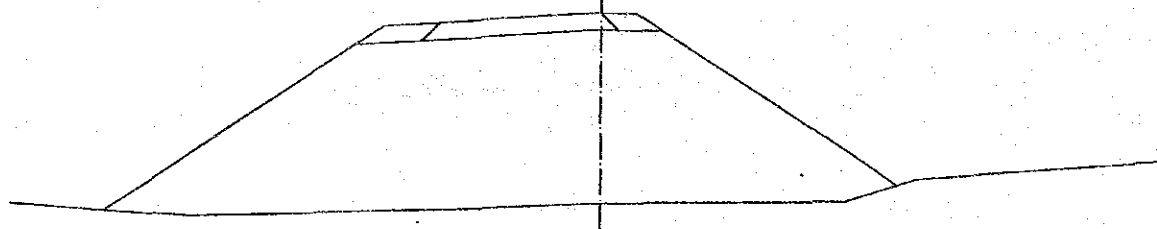
CH 0+80
 PI=1652.894
 GI=1647.59



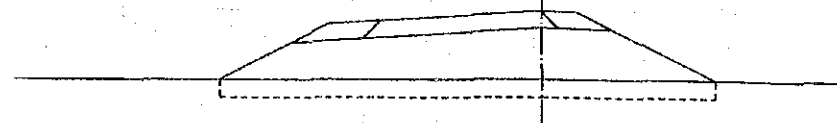
CH.0+140
 PI=1649.838
 GI=1647.46



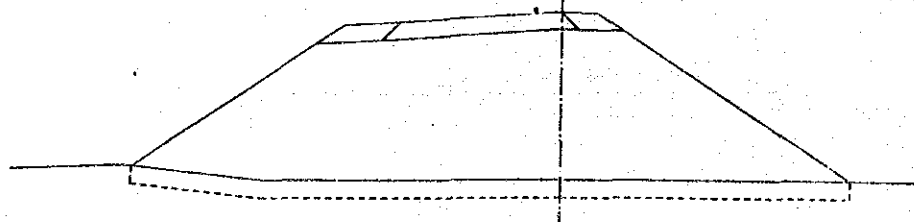
CH.0+81.667
 PI=1652.825
 GI=1647.49



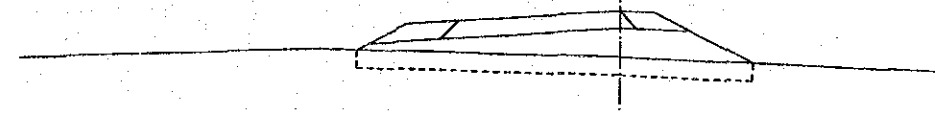
CH.0+160
 PI=1648.934
 GI=1647.02



CH.0+100
 PI=1651.995
 GI=1647.36



CH.0+180
 PI=1648.298
 GI=1647.03



REVISIONS	
DESCRIPTION	DATE

JAPAN INTERNATIONAL COOPERATION AGENCY

CHIEF ENGINEER (ROADS)
 CHIEF SUPT. ENG. (DESIGN)

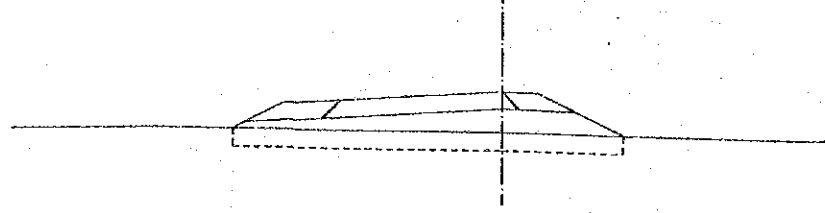
SEN SUPT. ENG (DESIGN)
 SUPT ENGINEER (DESIGN)
 PROJECT ENGINEER

SCALES
 1 : 100

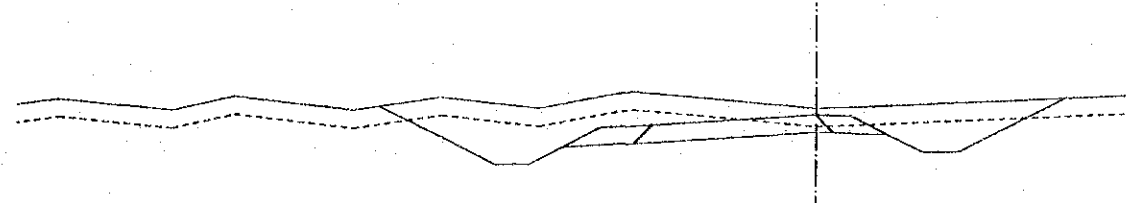
NAIROBI BYPASS
 CROSS SECTION MOMBASA ROAD JUNCTION F

SHEET 15 OF 82

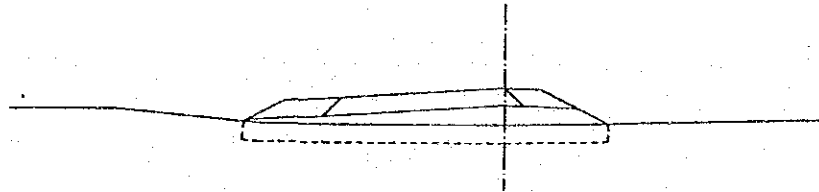
CH. 0+181.497
 PI=1648.262
 GI=1647.14



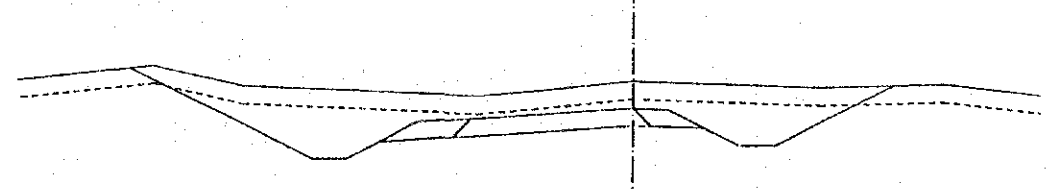
CH. 0+260
 PI=1647.693
 GI=1647.87



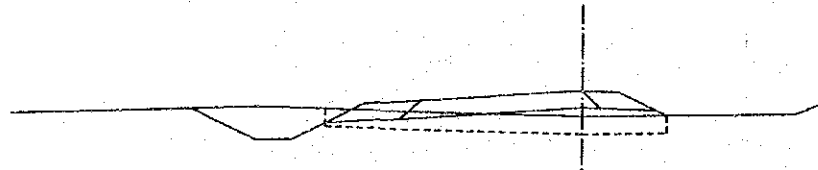
CH. 0+200
 PI=1647.930
 GI=1646.92



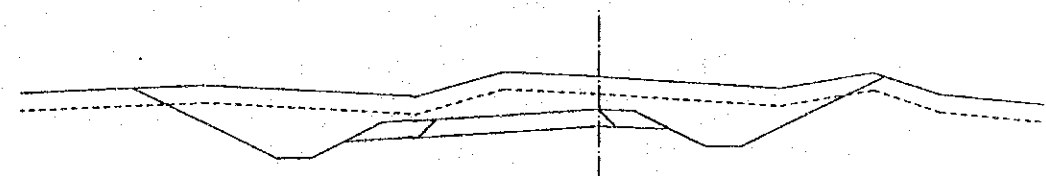
CH. 0+280
 PI=1647.764
 GI=1648.52



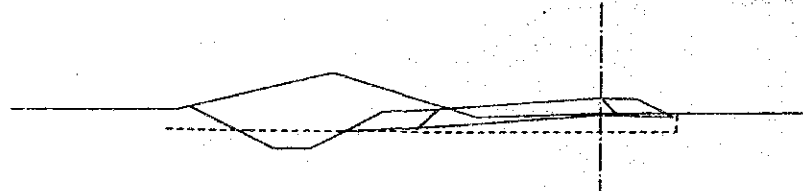
CH. 0+220
 PI=1647.797
 GI=1647.08



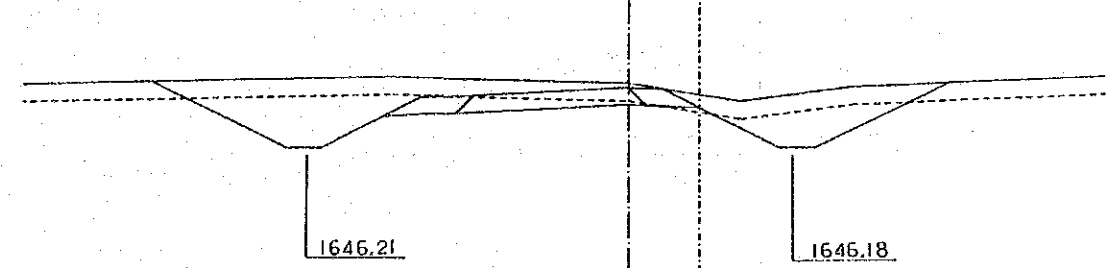
CH. 0+281.328
 PI=1647.771
 GI=1648.71



CH. 0+240
 PI=1647.708
 GI=1647.28



CH. 0+300
 PI=1647.909
 GI=1648.04



AERIAL PHOTO BY	SURVEYED BY
MAPPING BY	TRACED BY
LOCATION BY	CHECKED BY

MOPW ROADS DEPT. DRG. NO.

REVISIONS	
DESCRIPTION	DATE

JAPAN INTERNATIONAL
 COOPERATION AGENCY

CHIEF ENGINEER (ROADS)
 CHIEF SUPT. ENG. (DESIGN)

SEN. SUPT. ENG. (DESIGN)
 SUPT. ENGINEER (DESIGN)
 PROJECT ENGINEER

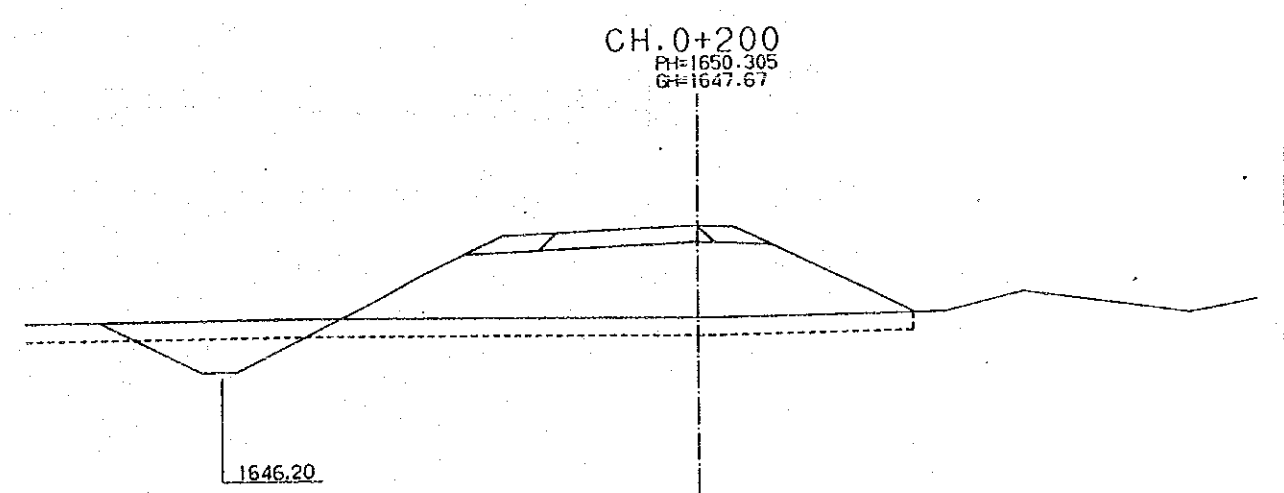
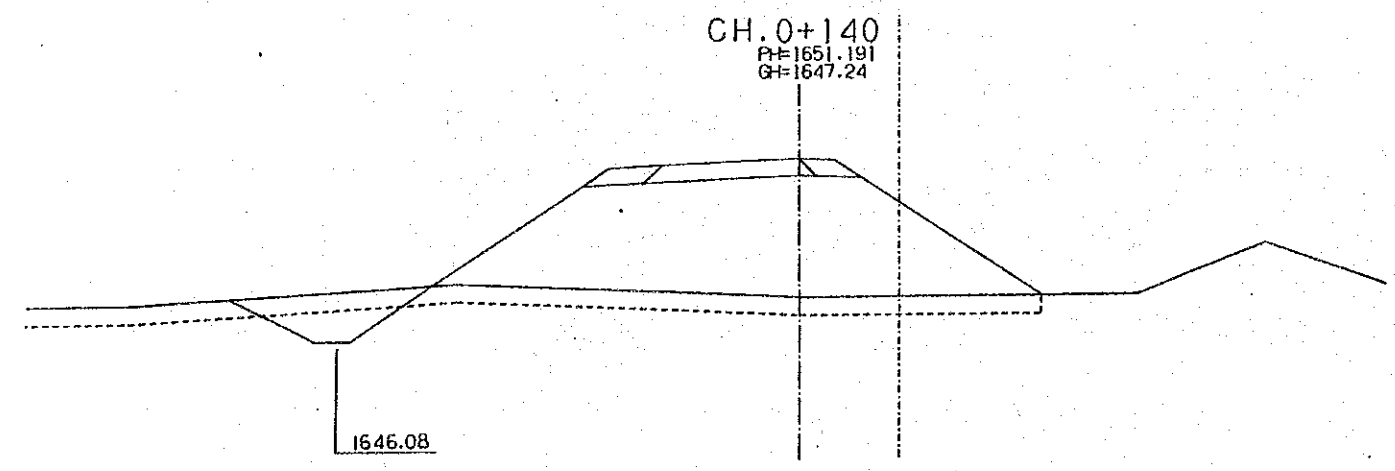
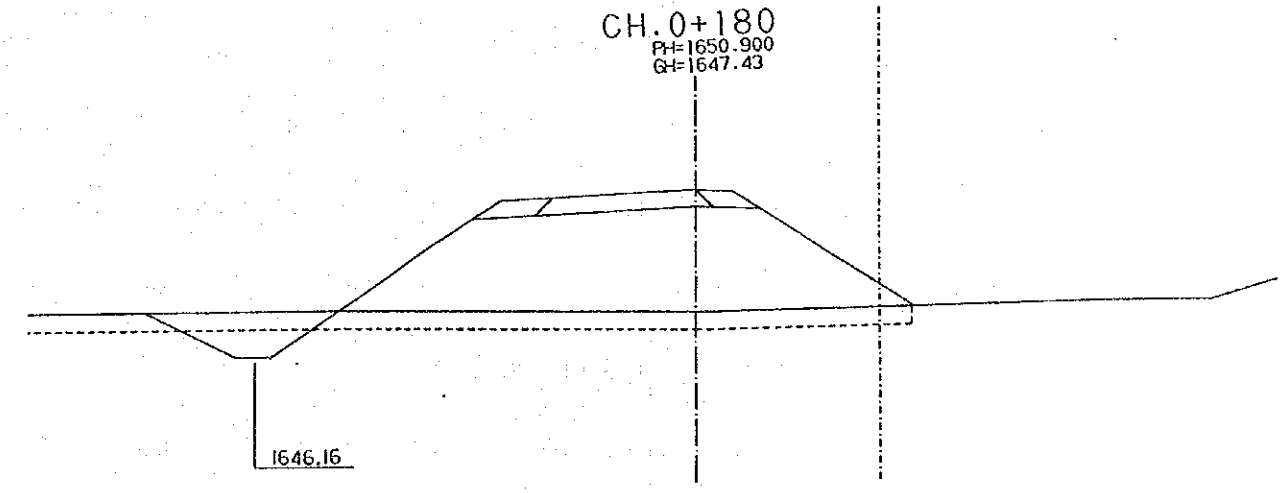
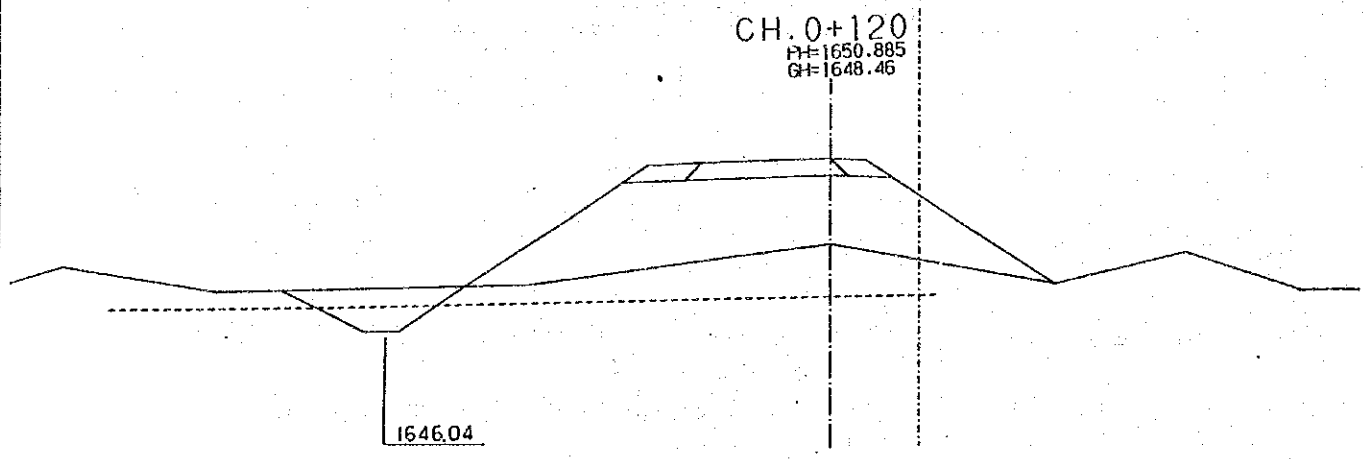
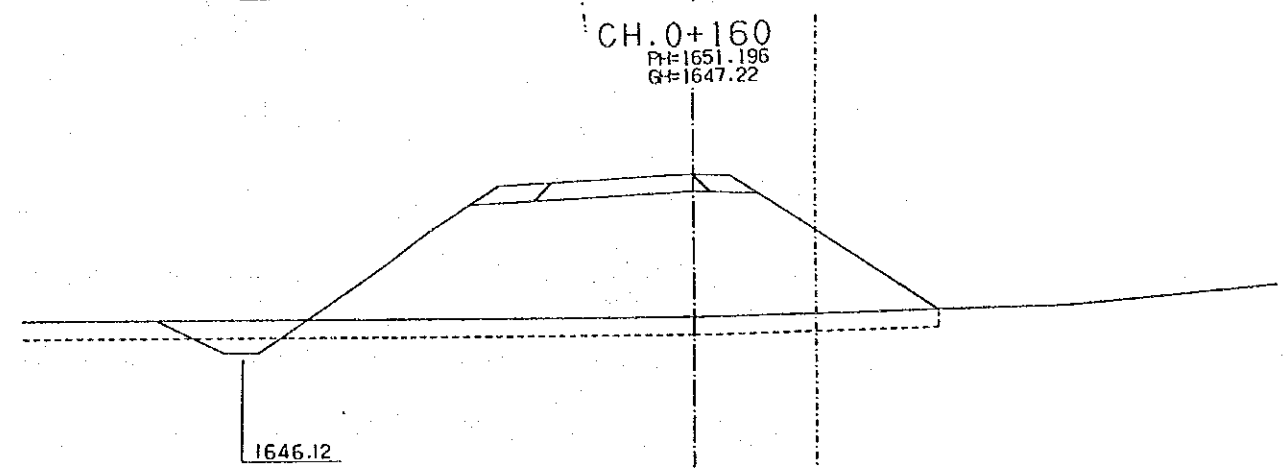
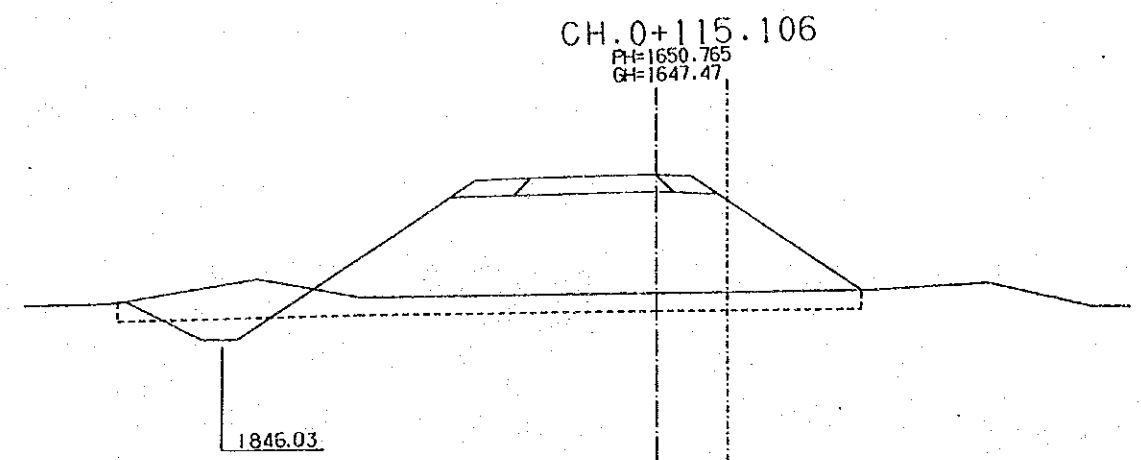
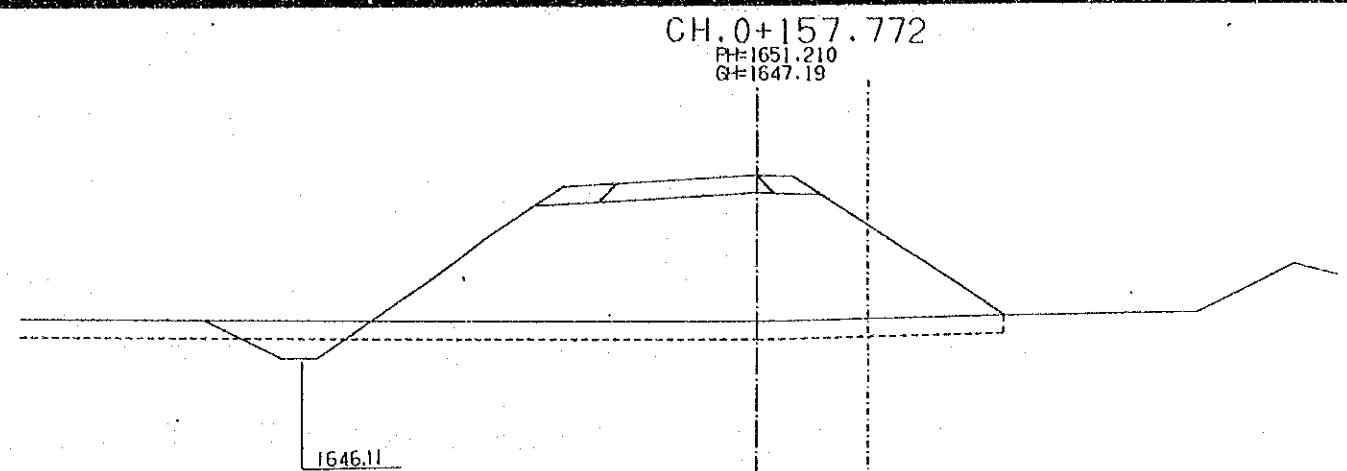
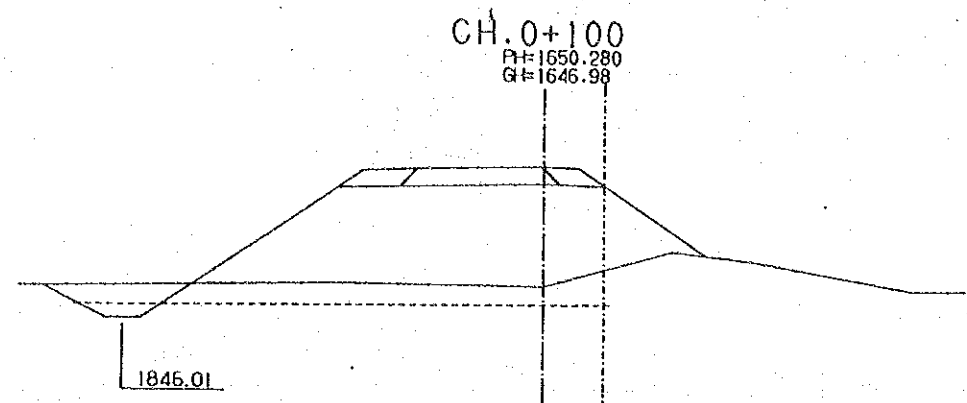
SCALES
 1 : 100

NAIROBI BYPASS
 CROSS SECTION MOMBASA ROAD JUNCTION F

SHEET 16 OF 82

AERIAL PHOTO BY _____ SURVEYED BY _____
 MAPPING BY _____ TRACED BY _____
 LOCATION BY _____ CHECKED BY _____

M.O.P.W. ROADS DEPT. DRG. NO.



REVISIONS	
DESCRIPTION	DATE

JAPAN INTERNATIONAL
 COOPERATION AGENCY

CHIEF ENGINEER (ROADS)
 CHIEF SUPT. ENG. (DESIGN)

SEN. SUPT. ENG. (DESIGN)
 SUPT. ENGINEER (DESIGN)
 PROJECT ENGINEER

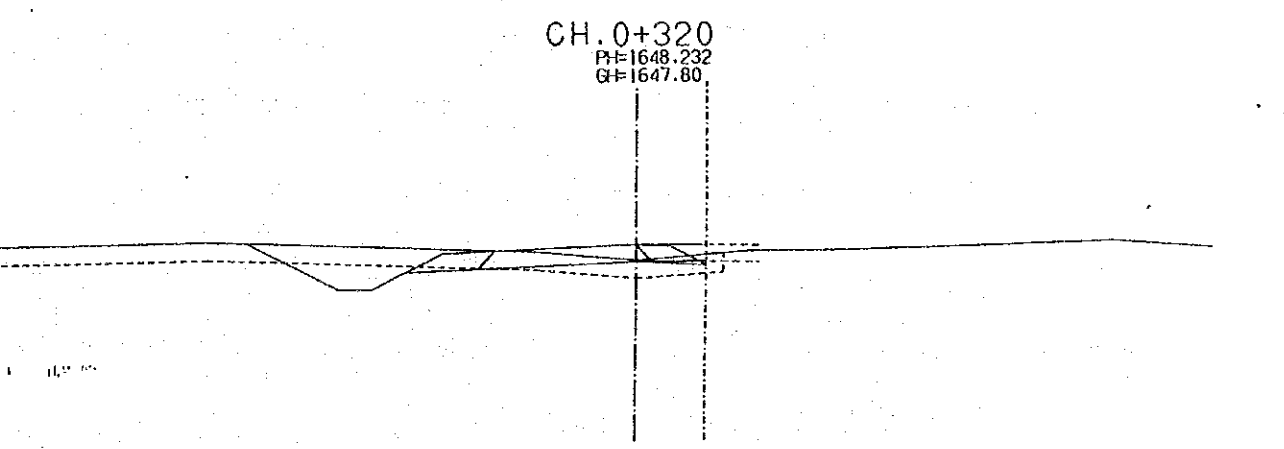
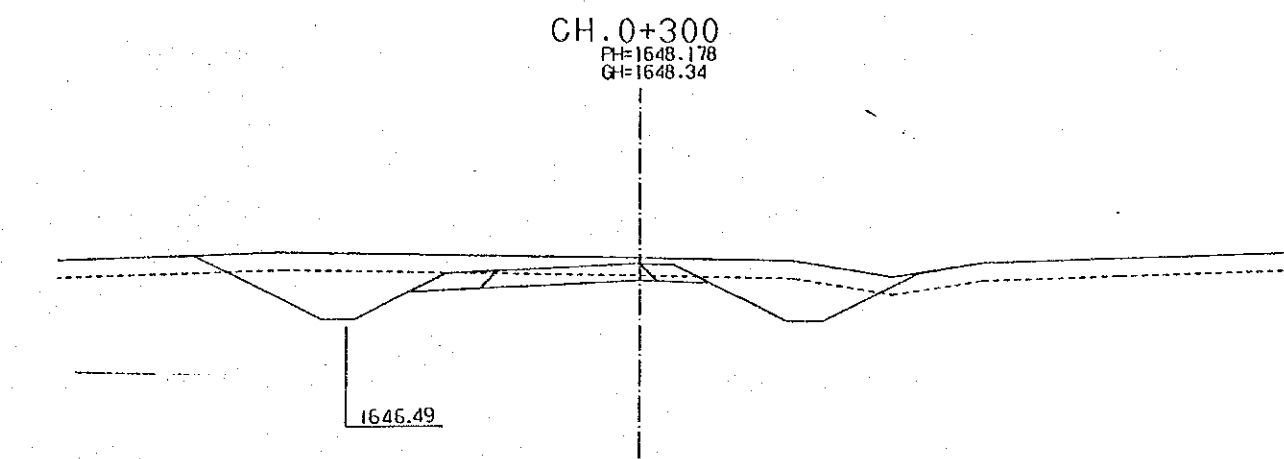
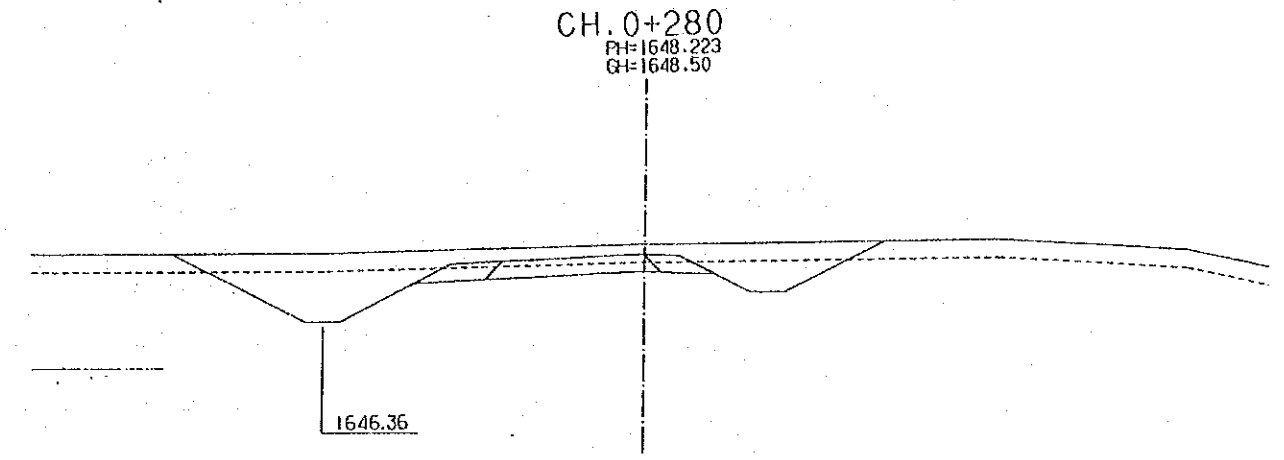
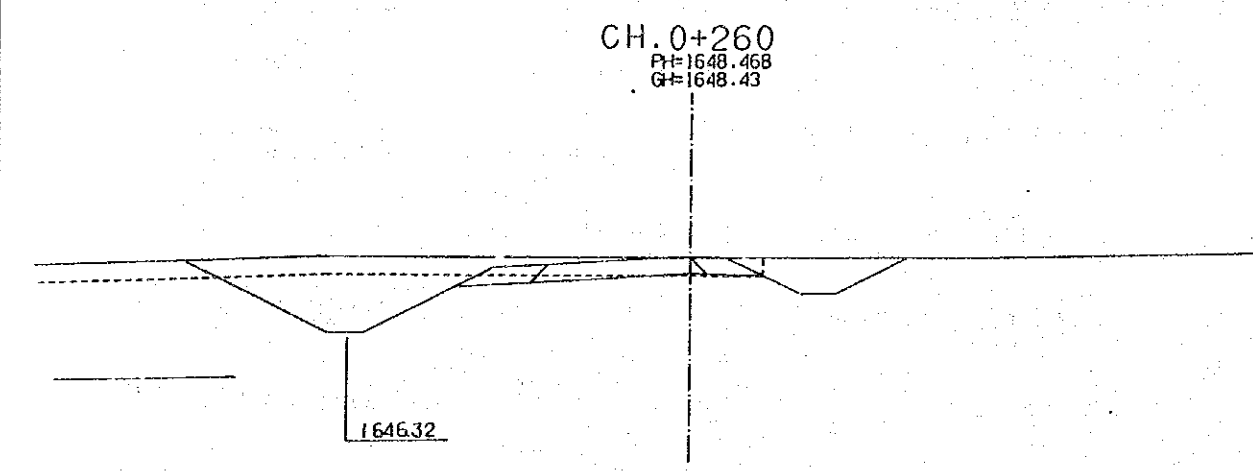
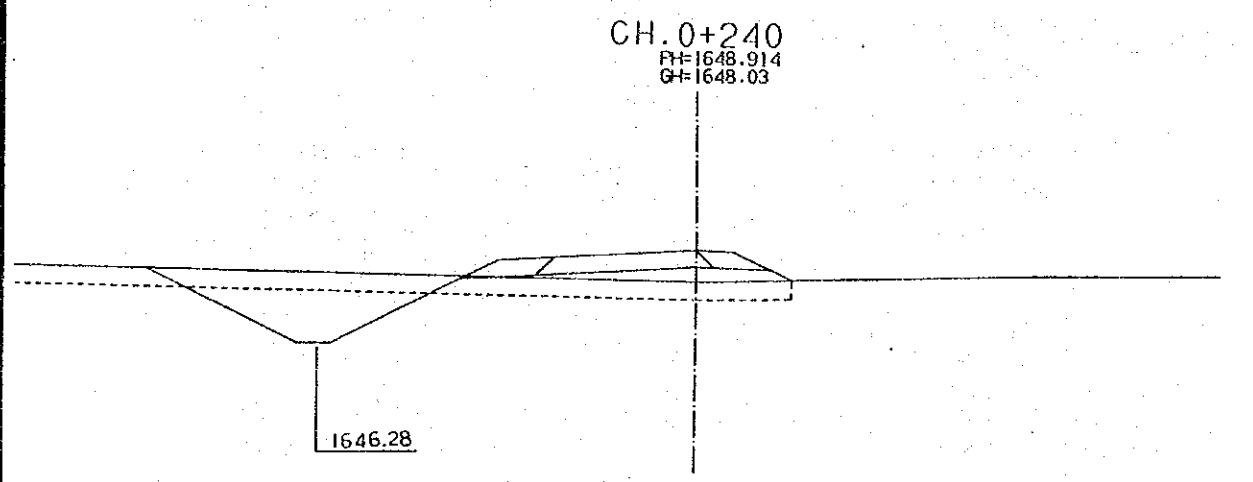
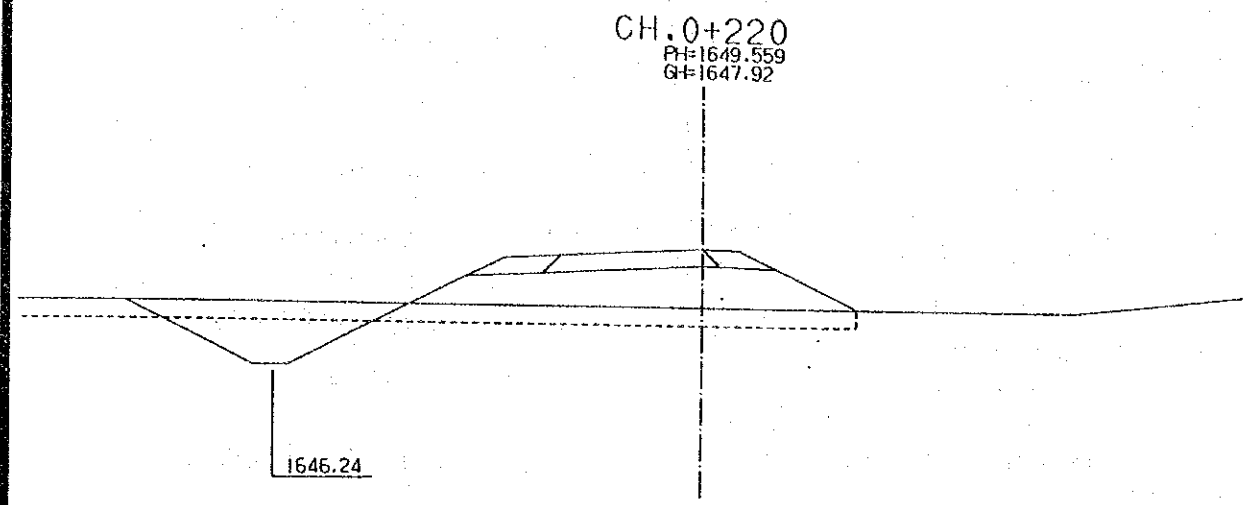
SCALES
 1 : 100

NAIROBI BYPASS
 CROSS SECTION MOMBASA ROAD JUNCTION G

SHEET 17 OF 82

AERIAL PHOTO BY _____
 MAPPING BY _____
 LOCATION BY _____
 SURVEYED BY _____
 TRACED BY _____
 CHECKED BY _____

MOPW ROADS DEPT. DRG. NO. _____



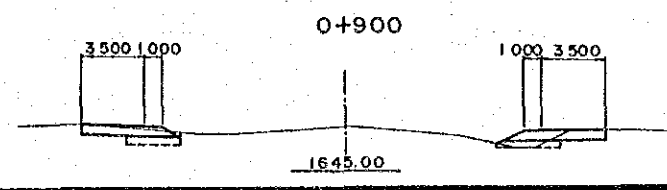
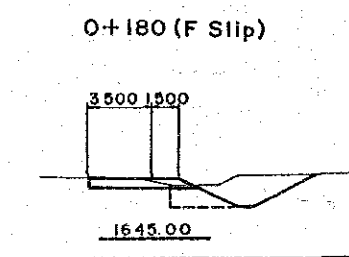
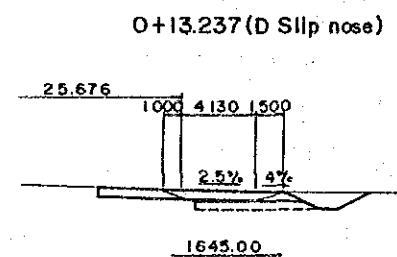
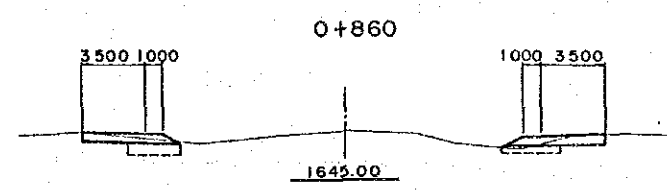
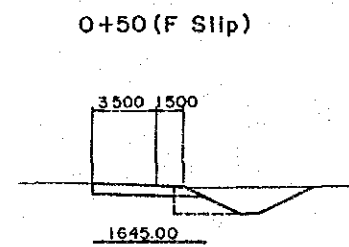
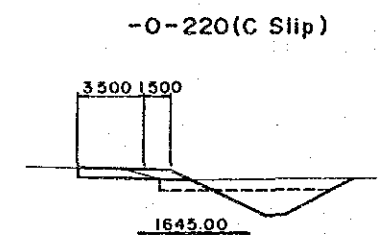
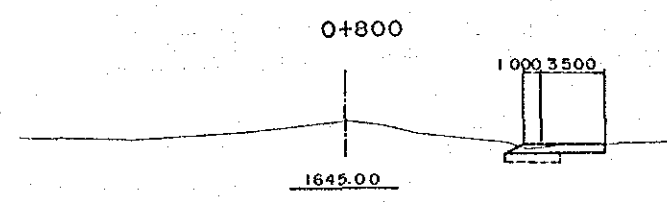
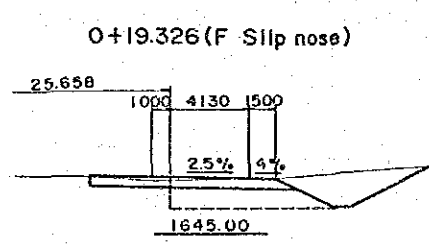
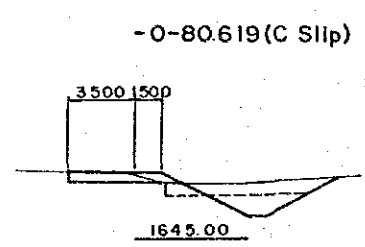
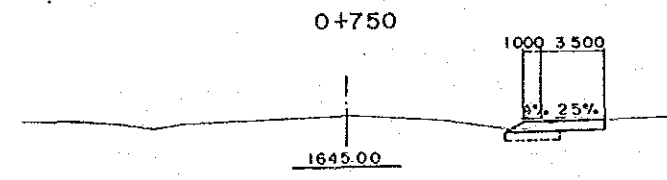
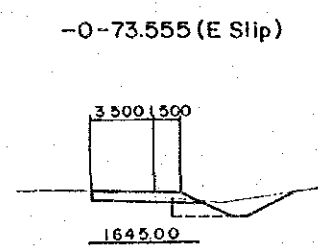
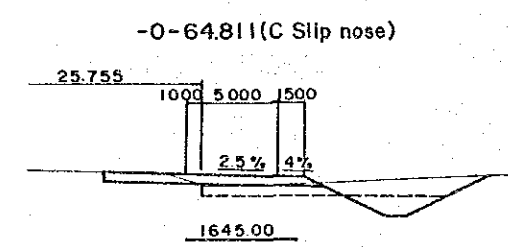
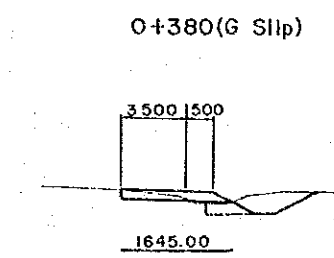
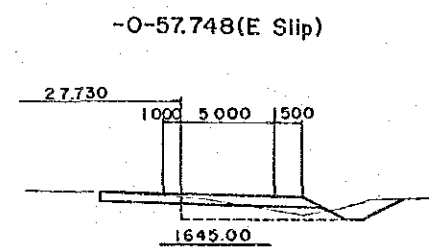
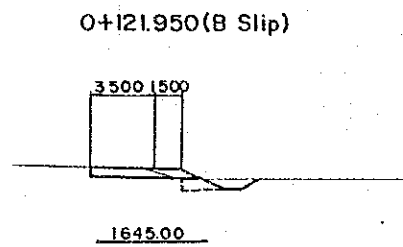
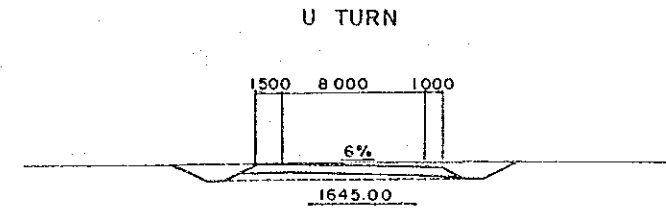
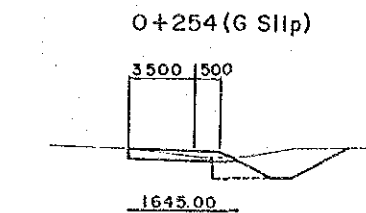
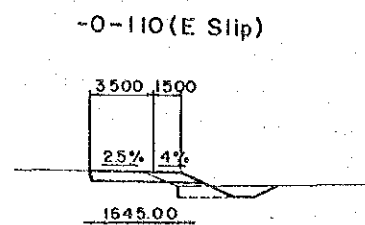
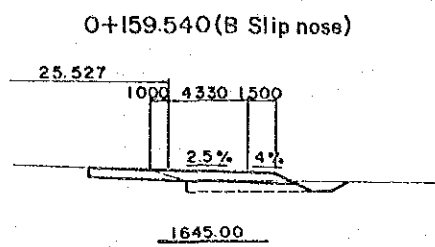
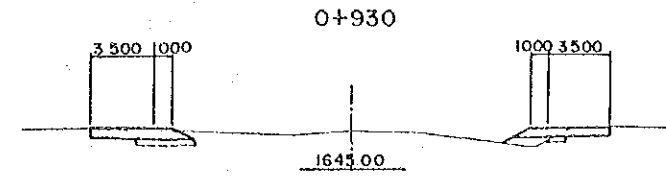
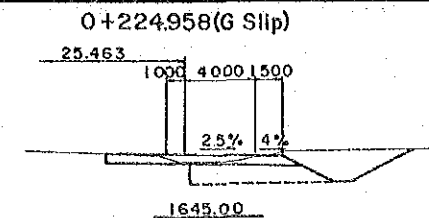
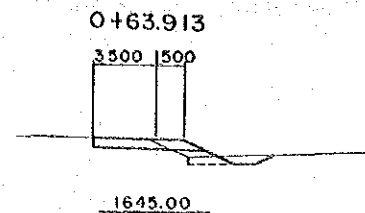
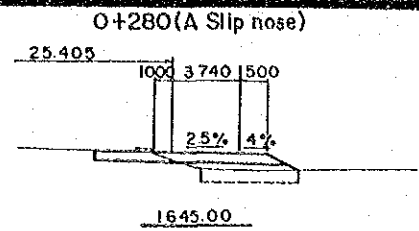
REVISIONS	
DESCRIPTION	DATE

JAPAN INTERNATIONAL COOPERATION AGENCY
 CHIEF ENGINEER (ROADS)
 CHIEF SUPT. ENG. (DESIGN)

SEN. SUPT. ENG. (DESIGN)
 SUPT. ENGINEER (DESIGN)
 PROJECT ENGINEER

SCALES
 1:100

NAIROBI BYPASS
 CROSS SECTION MOMBASA ROAD JUNCTION G

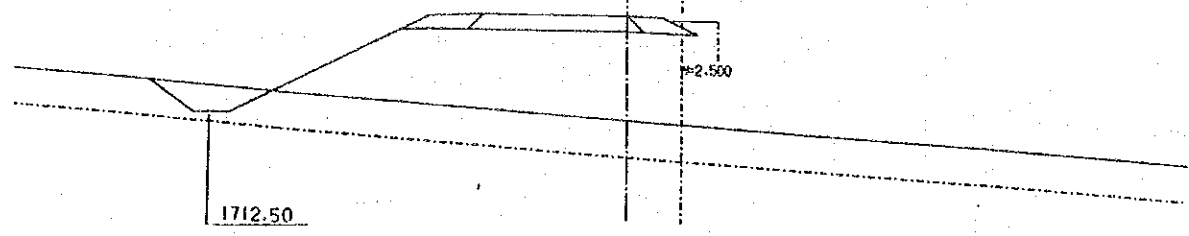


THE FORMATION OF GROUND LINE SHOWN IN THIS CROSS SECTION ARE INFERRED FROM MAP AND ACCURACY IS NOT GUARANTEED.

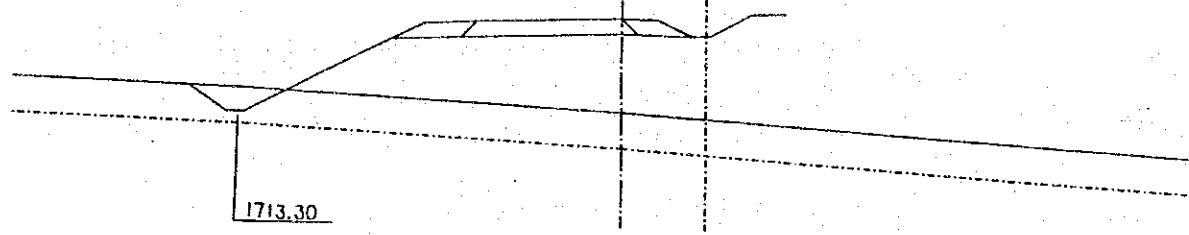
SURVEYED BY
 MAPPING BY
 AERIAL PHOTO BY
 CHECKED BY
 LOCATION BY
 M.O.P.W. ROADS DEPT DRG NO

REVISIONS		JAPAN INTERNATIONAL COOPERATION AGENCY	CHIEF ENGINEER (ROADS)	SEN SUPT. ENG (DESIGN)	SCALES	NAIROBI BYPASS
DESCRIPTION	DATE					
			CHIEF SUPT ENG (DESIGN)	SUPT ENGINEER (DESIGN)	1:200	CROSS SECTION (MOMBASA ROAD J-C A104)
				PROJECT ENGINEER		SHEET 19 OF 82

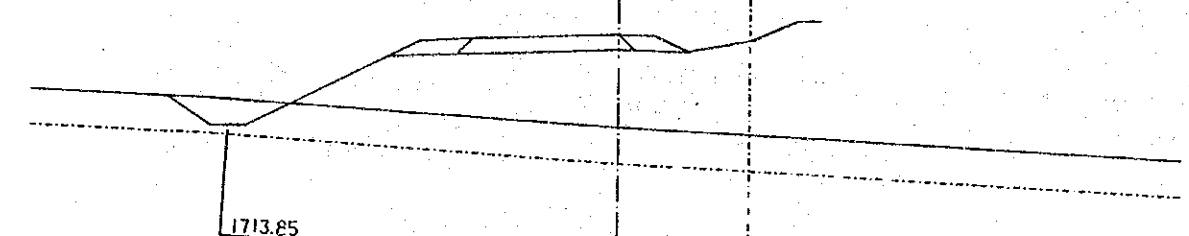
CH. 0+140
 P=1715.315
 G=1712.42



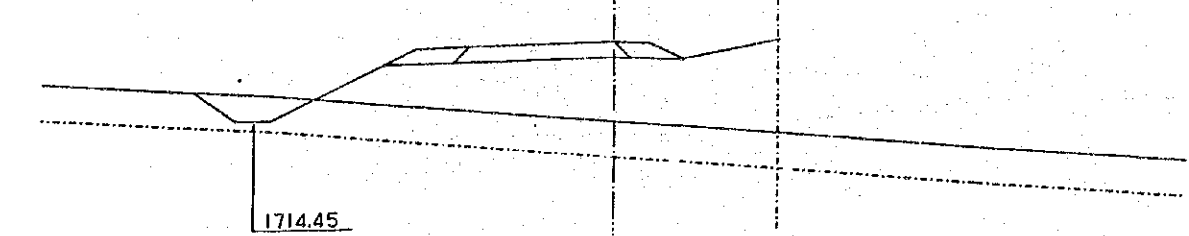
CH. 0+160
 P=1715.947
 G=1713.32



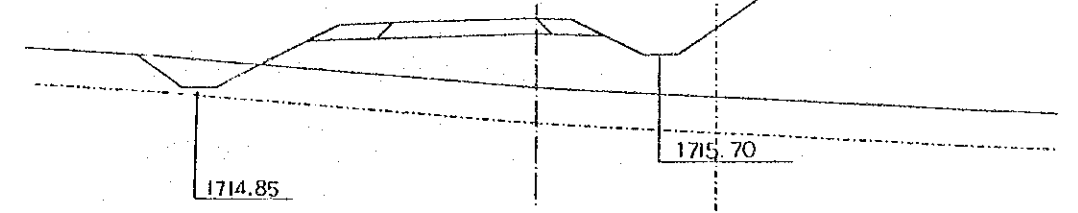
CH. 0+180
 P=1716.395
 G=1713.76



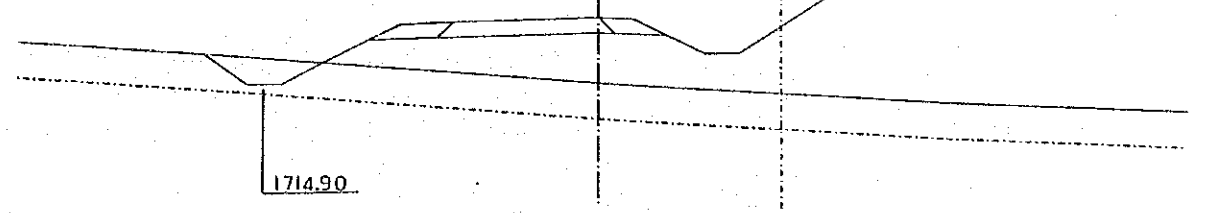
CH. 0+200
 P=1716.657
 G=1714.42



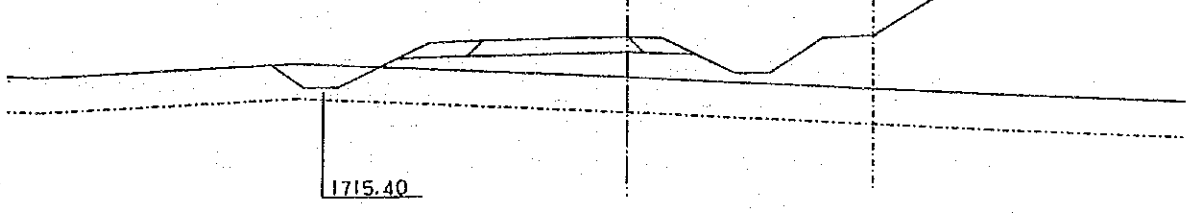
CH. 0+216.569
 P=1716.744
 G=1714.81



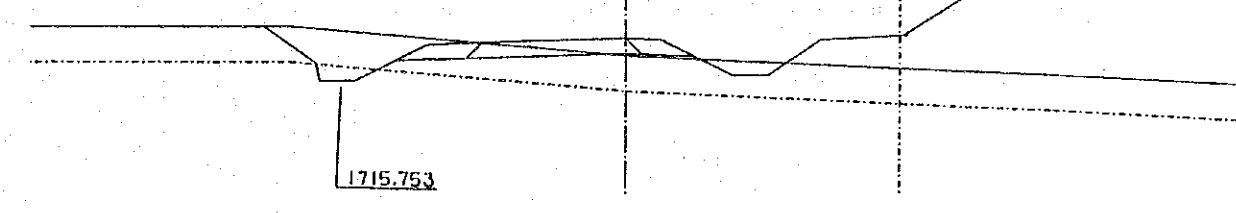
CH. 0+220
 P=1716.758
 G=1714.91



CH. 0+240
 P=1716.835
 G=1715.68



CH. 0+260
 P=1716.913
 G=1716.42



AERIAL PHOTO BY _____ SURVEYED BY _____
 MAPPING BY _____ TRACED BY _____
 LOCATION BY _____ CHECKED BY _____

M.O.P.W. ROADS DEPT. DRS. NO. _____

REVISIONS	
DESCRIPTION	DATE

JAPAN INTERNATIONAL
 COOPERATION AGENCY

CHIEF ENGINEER (ROADS)
 CHIEF SUPT. ENG. (DESIGN)

SEN. SUPT. ENG. (DESIGN)
 SUPT. ENGINEER (DESIGN)
 PROJECT ENGINEER

SCALES
 1 : 100

NAIROBI BYPASS
 CROSS SECTION UHURU MONUMENT JUNCTION A

SHEET 20 OF 82

CH. 0+280
 P=1716.990
 G=1717.53

CH. 0+360
 P=1717.434
 G=1719.60

CH. 0+300
 P=1717.068
 G=1717.91

CH. 0+373.729
 P=1717.734
 G=1719.45

CH. 0+320
 P=1717.145
 G=1718.41

CH. 0+380
 P=1717.913
 G=1718.97

CH. 0+340
 P=1717.223
 G=1718.73

SURVEYED BY
 MAPPING BY
 AERIAL PHOTO BY
 TRACED BY
 LOCATION BY
 CHECKED BY

M.O.P.W. ROADS DEPT. DRG. NO.

REVISIONS	
DESCRIPTION	DATE

JAPAN INTERNATIONAL
 COOPERATION AGENCY

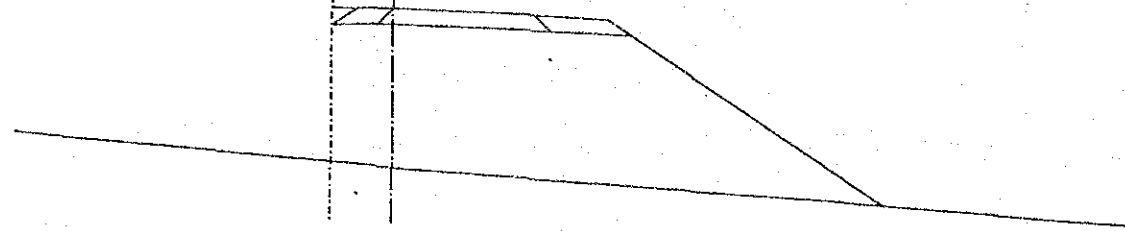
CHIEF ENGINEER (ROADS)
 CHIEF SUPT. ENG. (DESIGN)

SEN. SUPT. ENG. (DESIGN)
 SUPT. ENGINEER (DESIGN)
 PROJECT ENGINEER

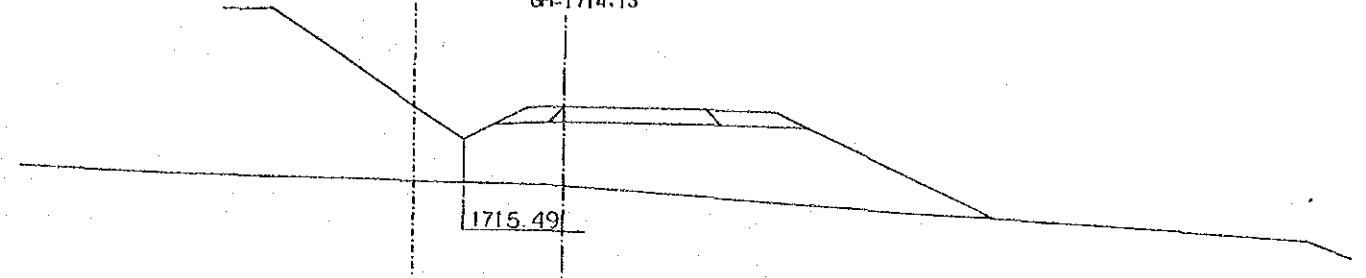
SCALES
 1 : 100

NAIROBI BYPASS
 CROSS SECTION UHURU MONUMENT JUNCTION A

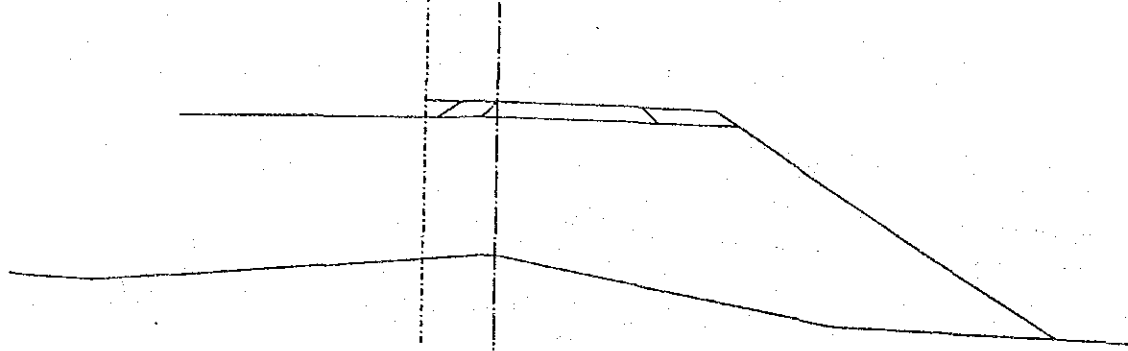
CH. 0+100
 PI=1715.760
 G=1711.31



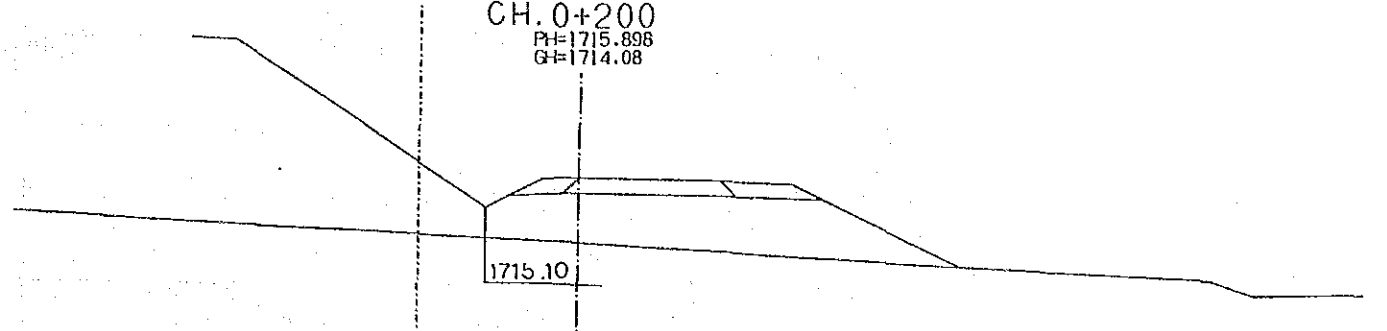
CH. 0+180
 PI=1716.366
 G=1714.13



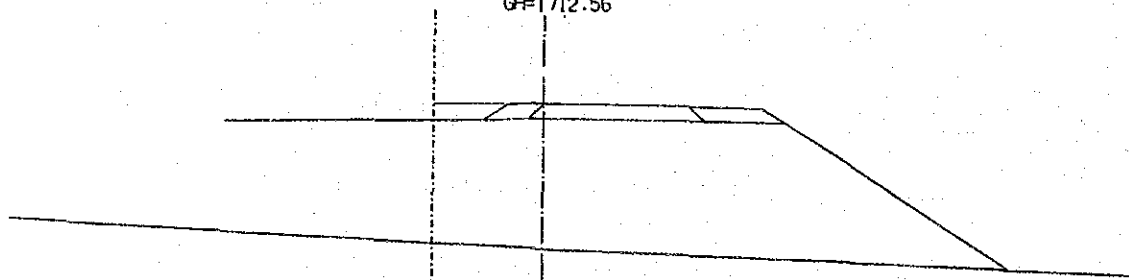
CH. 0+120
 PI=1716.376
 G=1712.12



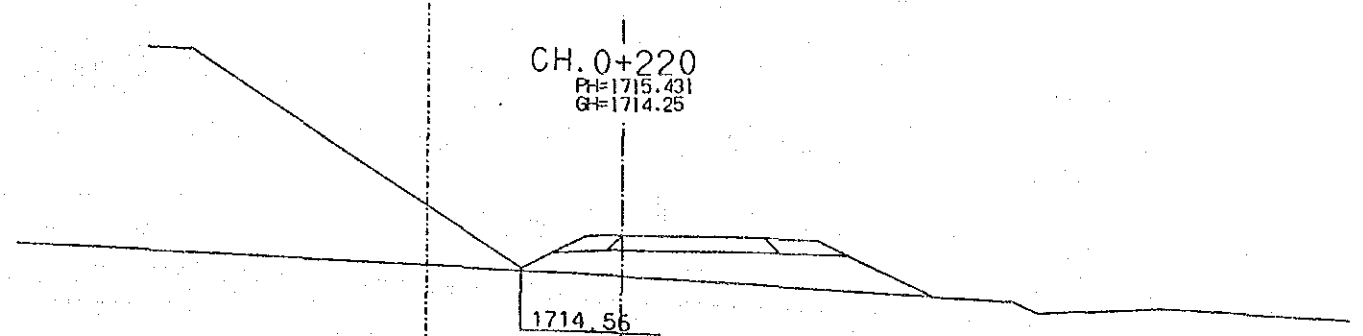
CH. 0+200
 PI=1715.898
 G=1714.08



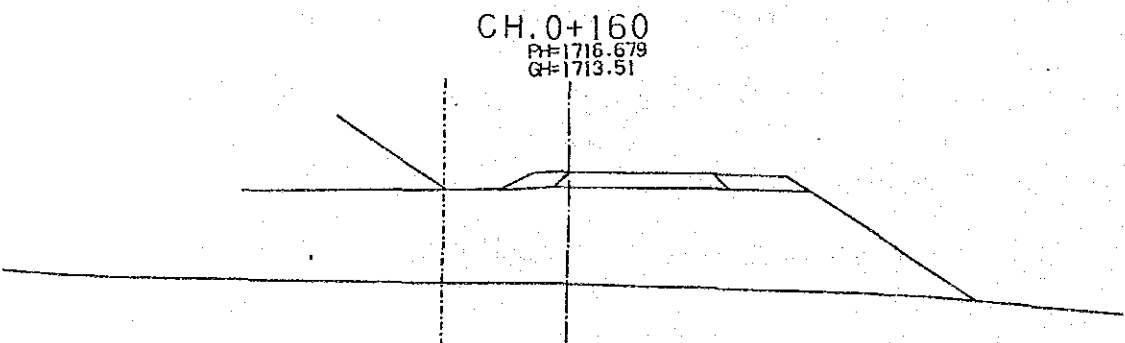
CH. 0+140
 PI=1716.682
 G=1712.56



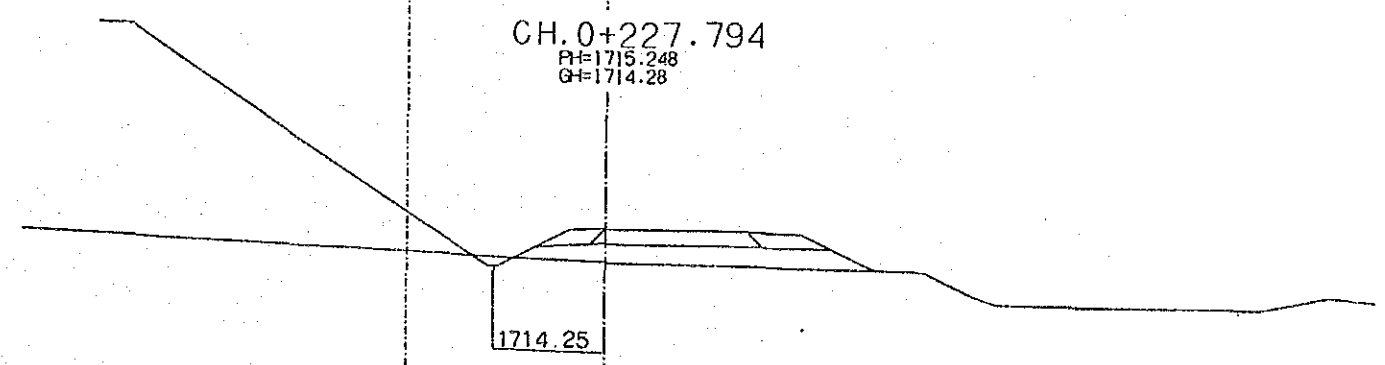
CH. 0+220
 PI=1715.431
 G=1714.25



CH. 0+160
 PI=1716.679
 G=1713.51



CH. 0+227.794
 PI=1715.248
 G=1714.28



AERIAL PHOTO BY _____ SURVEYED BY _____
 MAPPING BY _____ TRACED BY _____
 LOCATION BY _____ CHECKED BY _____

MOPW ROADS DEPT DRG NO.

REVISIONS	
DESCRIPTION	DATE

JAPAN INTERNATIONAL COOPERATION AGENCY
 CHIEF ENGINEER (ROADS)
 CHIEF SUPT. ENG. (DESIGN)

SEN. SUPT. ENG. (DESIGN)
 SUPT. ENGINEER (DESIGN)
 PROJECT ENGINEER

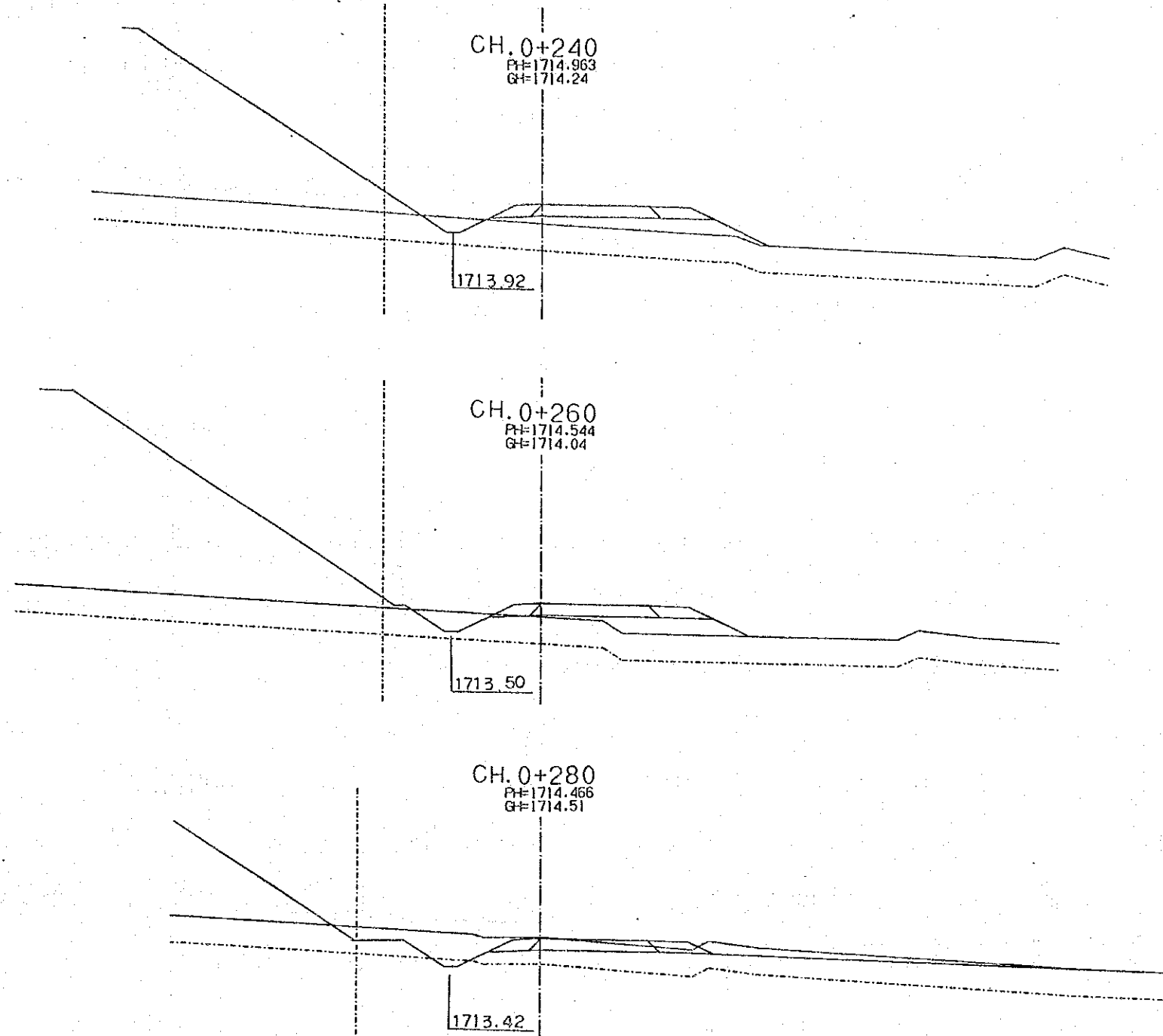
SCALES
 1 : 100

NAIROBI BYPASS
 CROSS SECTION UHURU MONUMENT JUNCTION B

SHEET 22 OF 82

AERIAL PHOTO BY _____ SURVEYED BY _____
 MAPPING BY _____ TRACED BY _____
 LOCATION BY _____ CHECKED BY _____

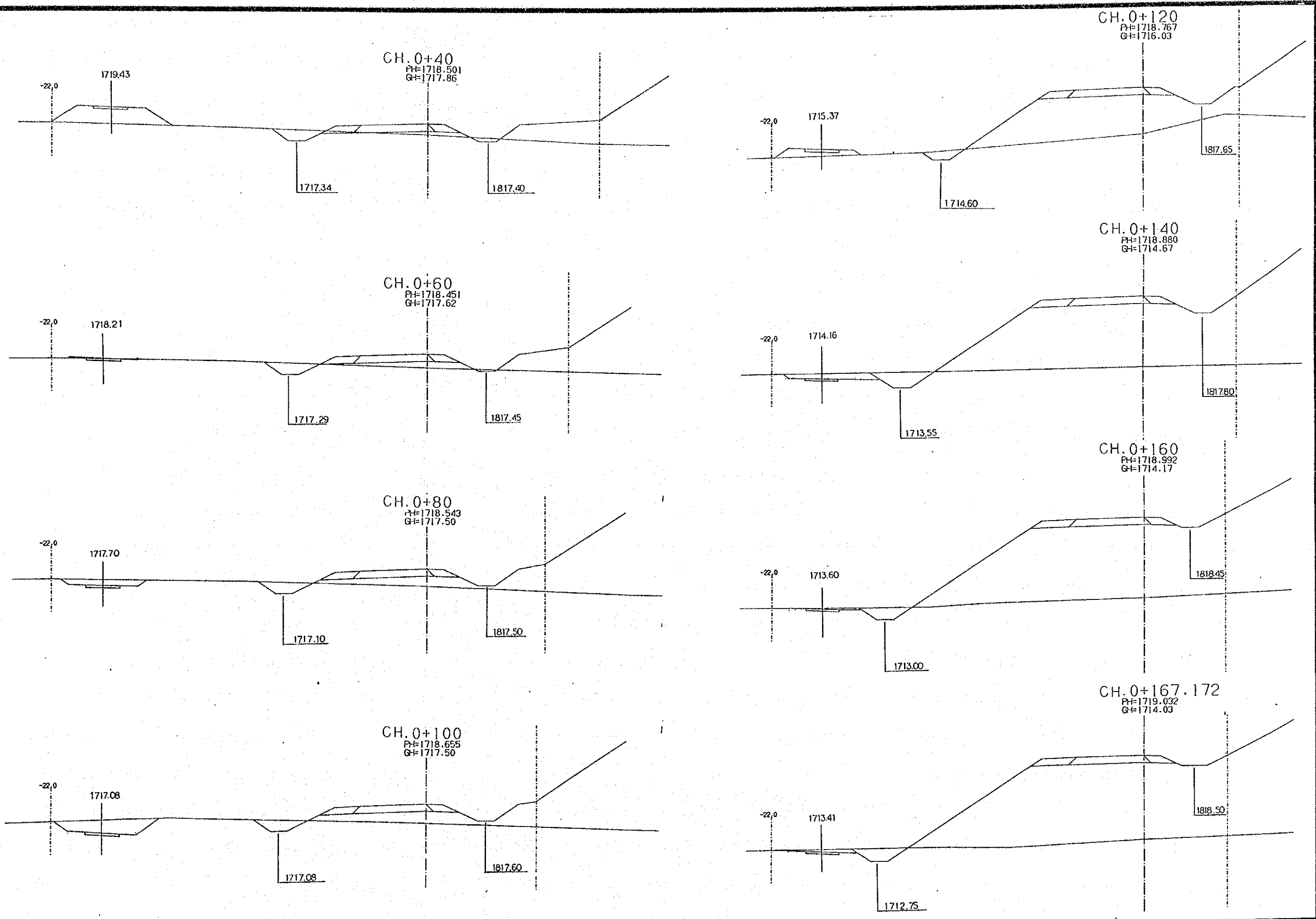
M.O.P.W. ROADS DEPT DRG NO.



REVISIONS		JAPAN INTERNATIONAL COOPERATION AGENCY	CHIEF ENGINEER (ROADS) CHIEF SUPT. ENG. (DESIGN)	SEN. SUPT. ENG. (DESIGN) SUPT. ENGINEER (DESIGN) PROJECT ENGINEER	SCALES 1:100	NAIROBI BYPASS CROSS SECTION UHURU MONUMENT JUNCTION B	SHEET 23 OF 82
DESCRIPTION	DATE						

AERIAL PHOTO BY _____
 MAPPING BY _____
 LOCATION BY _____
 SURVEYED BY _____
 TRACED BY _____
 CHECKED BY _____

M.O.P.W. ROADS DEPT. DRG. NO.



REVISIONS	
DESCRIPTION	DATE

JAPAN INTERNATIONAL COOPERATION AGENCY

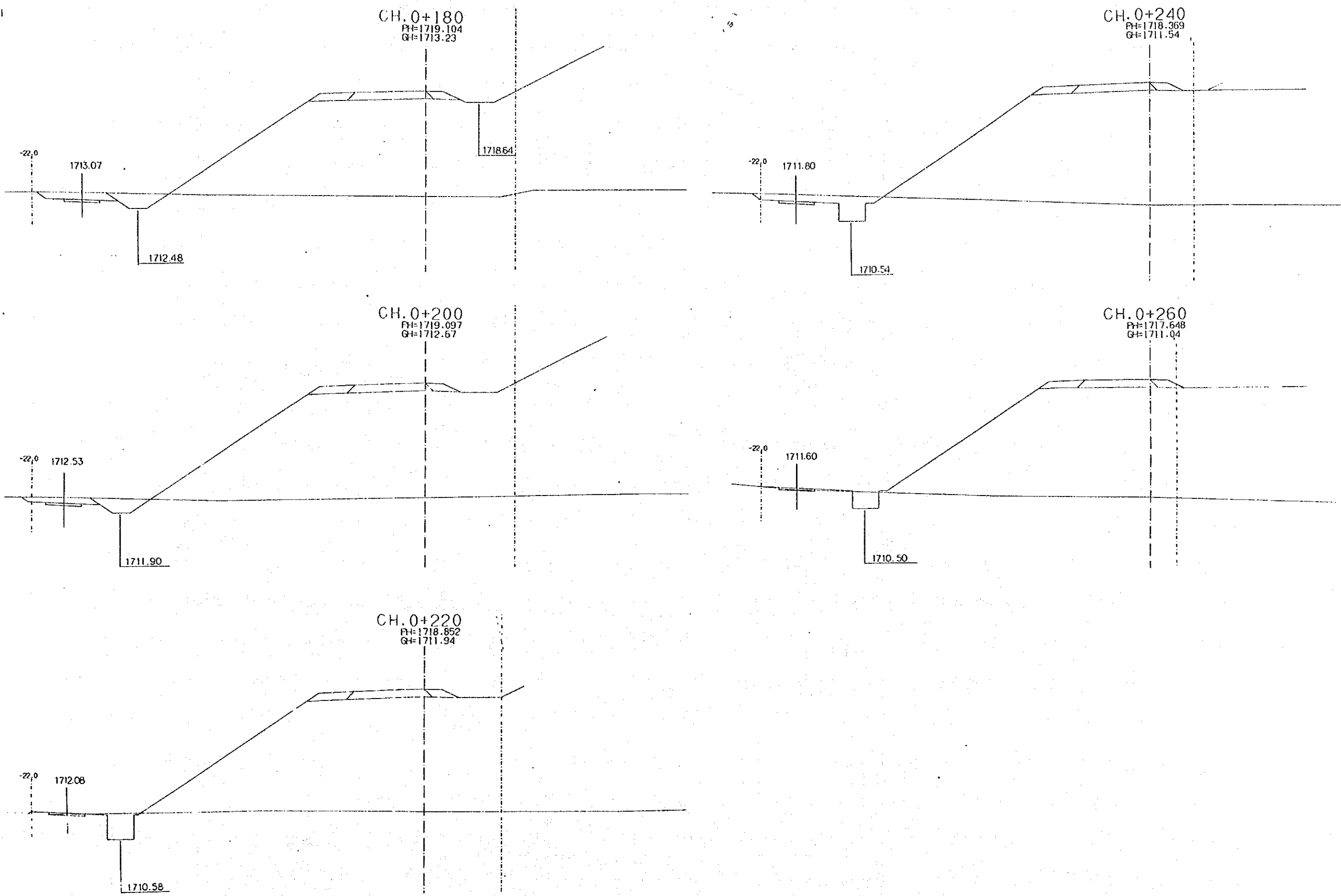
CHIEF ENGINEER (ROADS)
 CHIEF Supt. Eng (DESIGN)

SEN. SUPT. ENG. (DESIGN)
 SUPT. ENGINEER (DESIGN)
 PROJECT ENGINEER

SCALES
 1 : 100

NAIROBI BYPASS
 CROSS SECTION UHURU MONUMENT JUNCTION C

SHEET 24 OF 82



M.C.P.W. ROADS DEPT. DRG. NO.
 SURVEYED BY
 TRACED BY
 CHECKED BY
 AERIAL PHOTO BY
 MAPPING BY
 LOCATION BY

REVISIONS	
DESCRIPTION	DATE

JAPAN INTERNATIONAL COOPERATION AGENCY

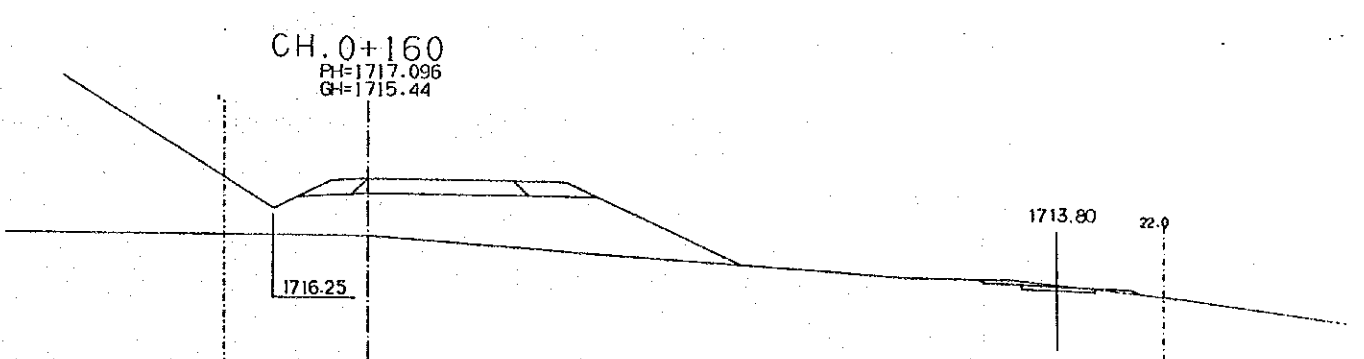
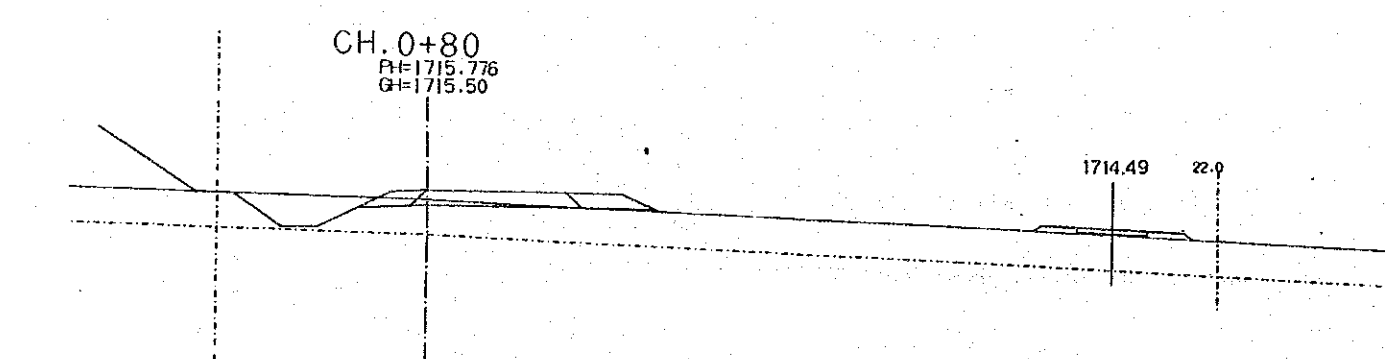
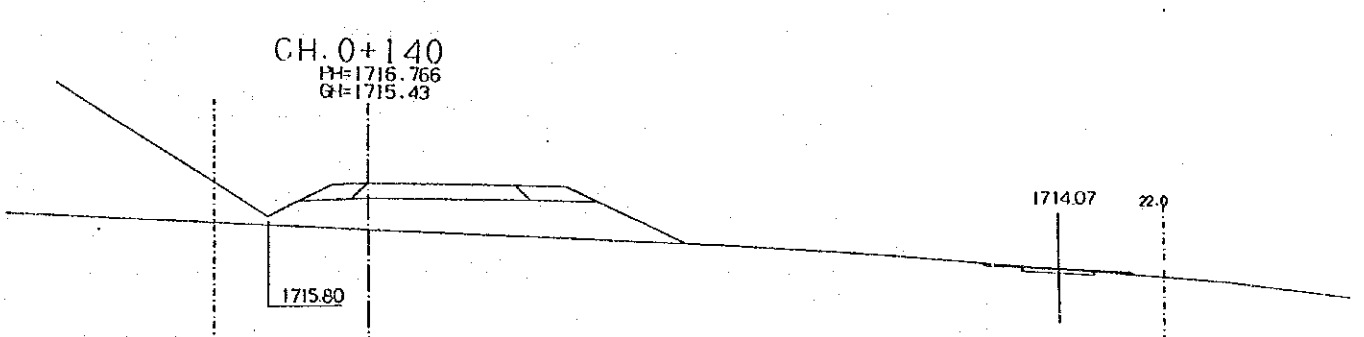
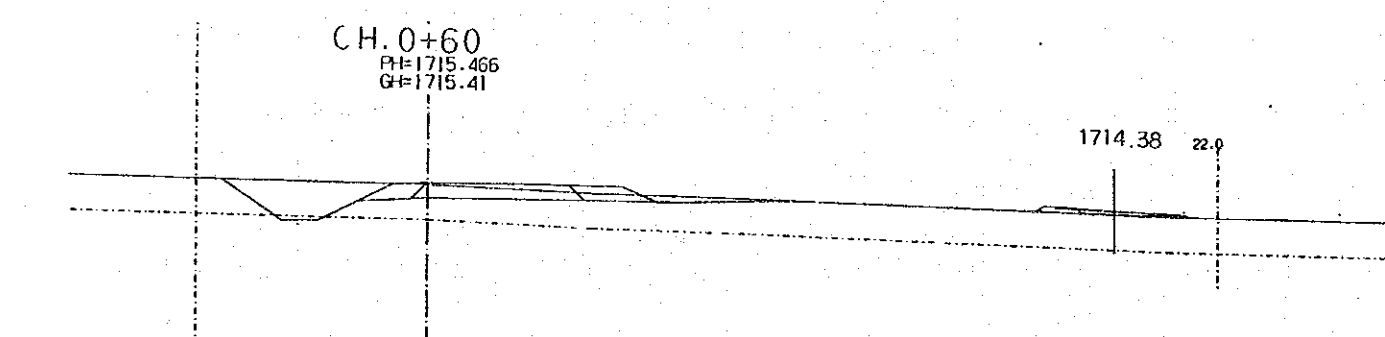
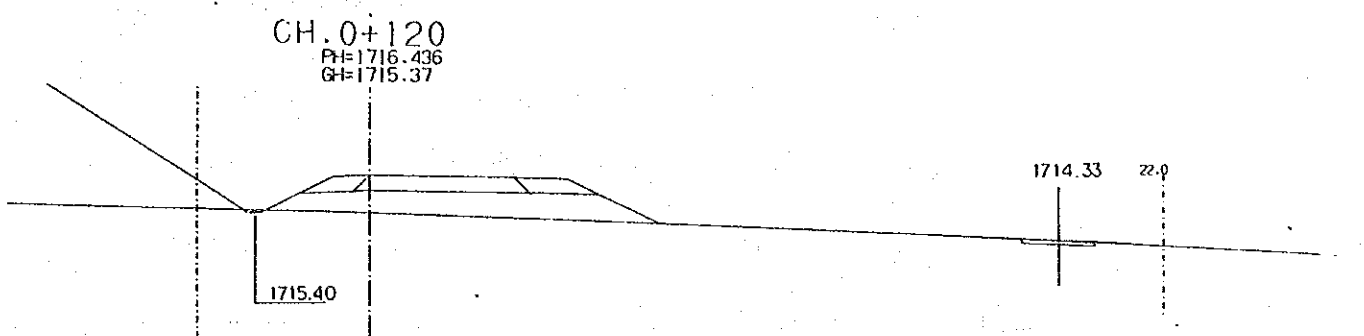
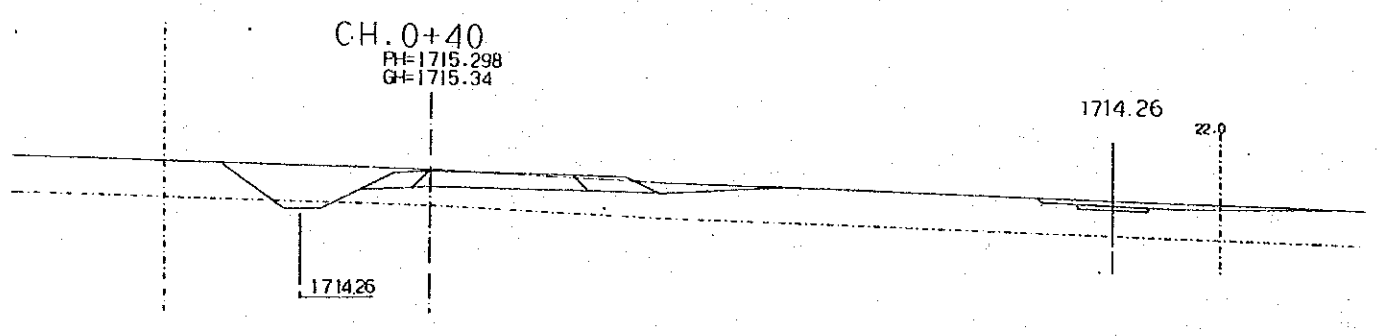
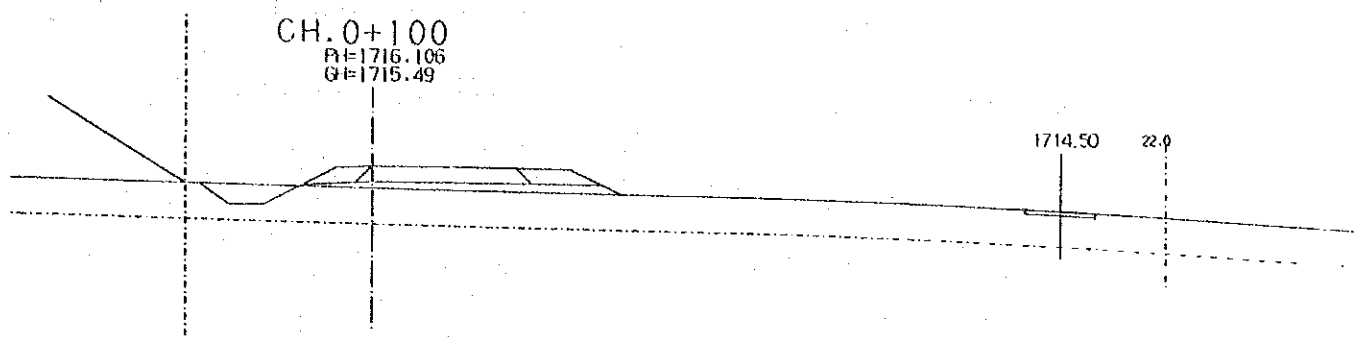
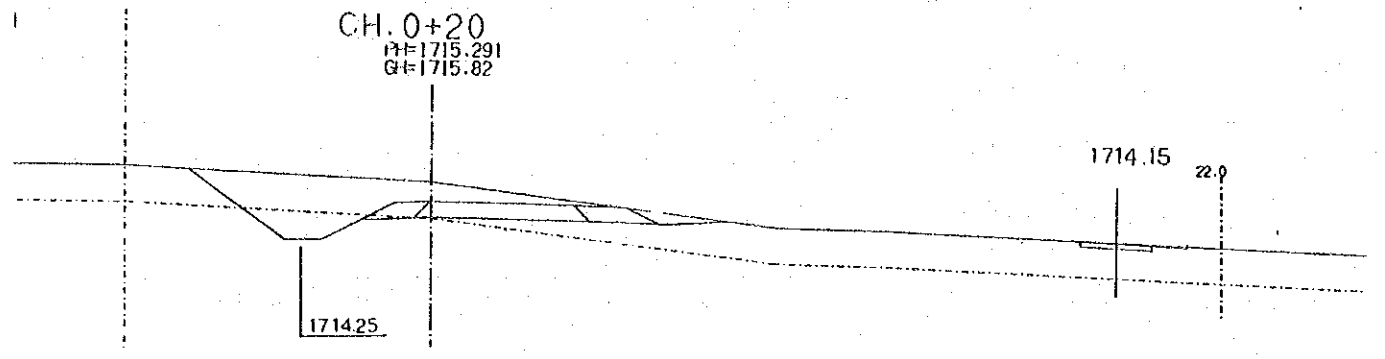
CHIEF ENGINEER (ROADS)
 CHIEF S.U.P.T. ENG. (DESIGN)

SEN. SUPT. ENG. (DESIGN)
 SUPT. ENGINEER (DESIGN)
 PROJECT ENGINEER

SCALES
 1 : 100

NAIROBI BYPASS
 CROSS SECTION UHURU MONUMENT JUNCTION C

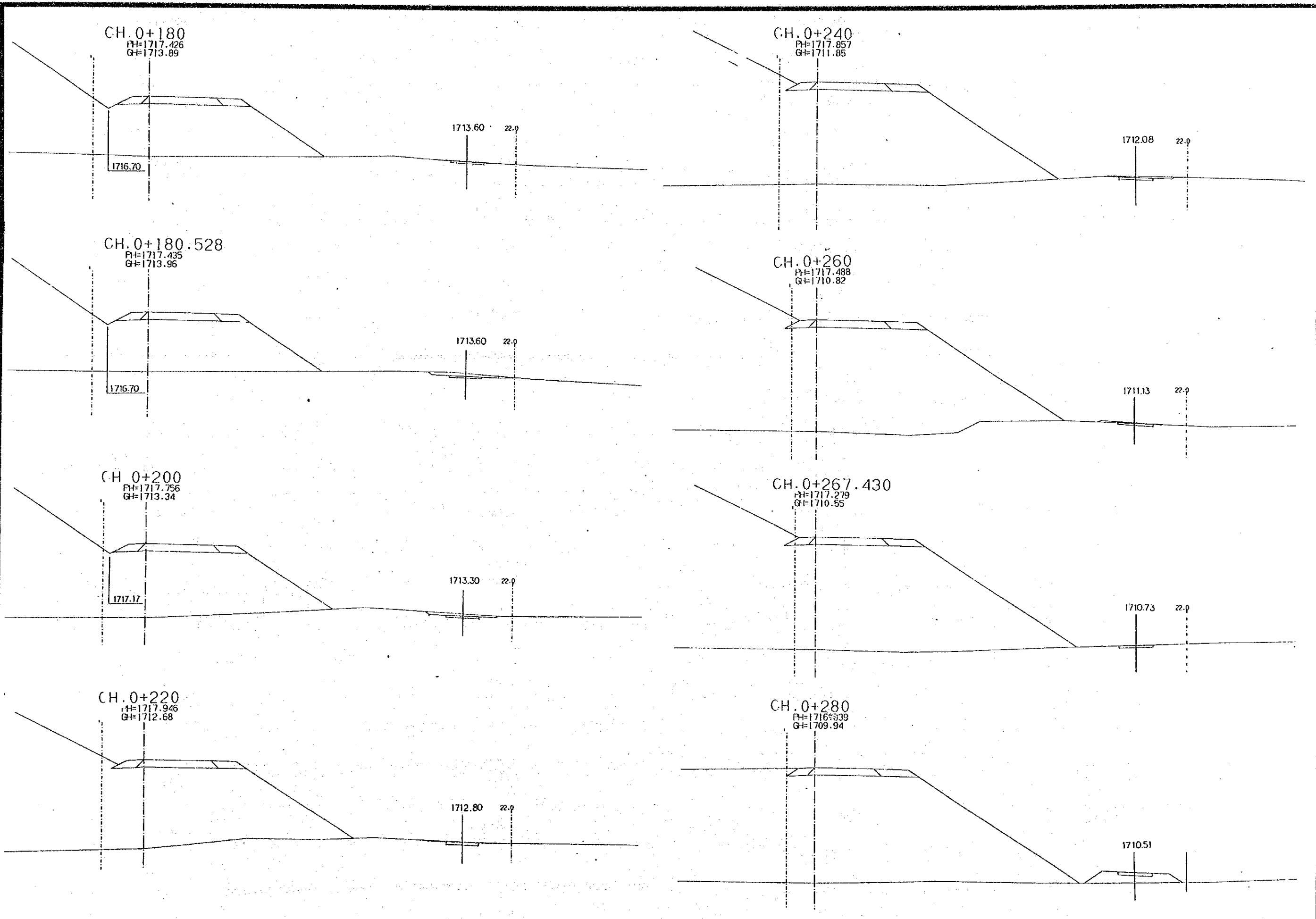
SHEET 25 OF 82



AERIAL PHOTO BY	SURVEYED BY
MAPPING BY	TRACED BY
LOCATION BY	CHECKED BY

M.O.P.W. ROADS DEPT. DRG. NO.

<table border="1"> <thead> <tr> <th>REVISIONS</th> <th>DESCRIPTION</th> <th>DATE</th> </tr> </thead> <tbody> <tr> <td> </td> <td> </td> <td> </td> </tr> <tr> <td> </td> <td> </td> <td> </td> </tr> </tbody> </table>		REVISIONS	DESCRIPTION	DATE							JAPAN INTERNATIONAL COOPERATION AGENCY CHIEF ENGINEER (ROADS) CHIEF SUPT. ENG. (DESIGN)	SEN. SUPT. ENG. (DESIGN) SUPT. ENGINEER (DESIGN) PROJECT ENGINEER	SCALES 1 : 100	NAIROBI BYPASS CROSS SECTION UHURU MONUMENT JUNCTION D	SHEET 26 OF 82
REVISIONS	DESCRIPTION	DATE													



AERIAL PHOTO BY	SURVEYED BY
MAPPING BY	TRACED BY
LOCATION BY	CHECKED BY

M.O.P.W. ROADS DEPT DRG NO

REVISIONS	
DESCRIPTION	DATE

JAPAN INTERNATIONAL
 COOPERATION AGENCY

CHIEF ENGINEER (ROADS)
 CHIEF SUPT. ENG. (DESIGN)

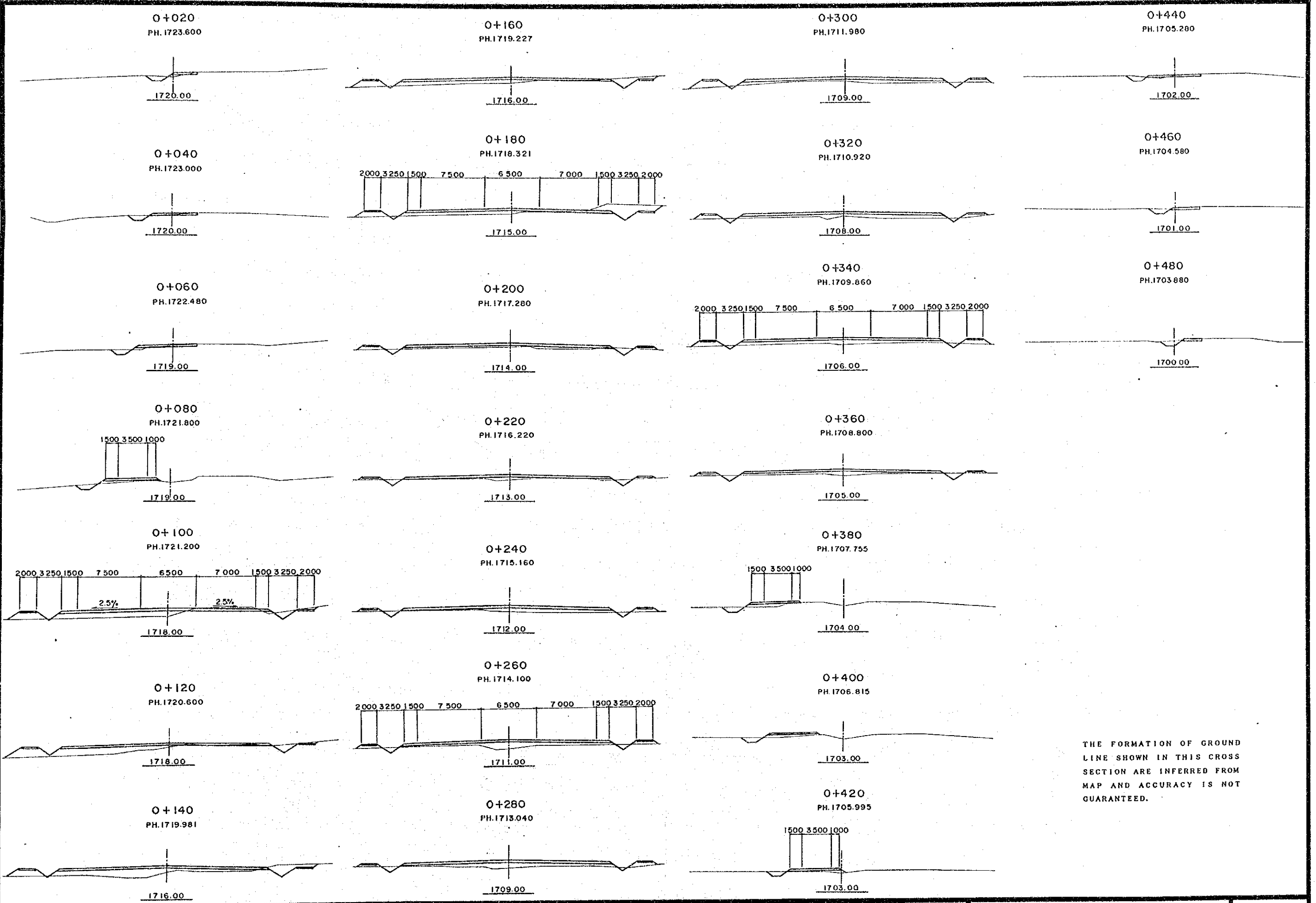
SEN. SUPT. ENG. (DESIGN)
 SUPT. ENGINEER (DESIGN)
 PROJECT ENGINEER

SCALES
 1 : 100

NAIROBI BYPASS
 CROSS SECTION UHURU MONUMENT JUNCTION D

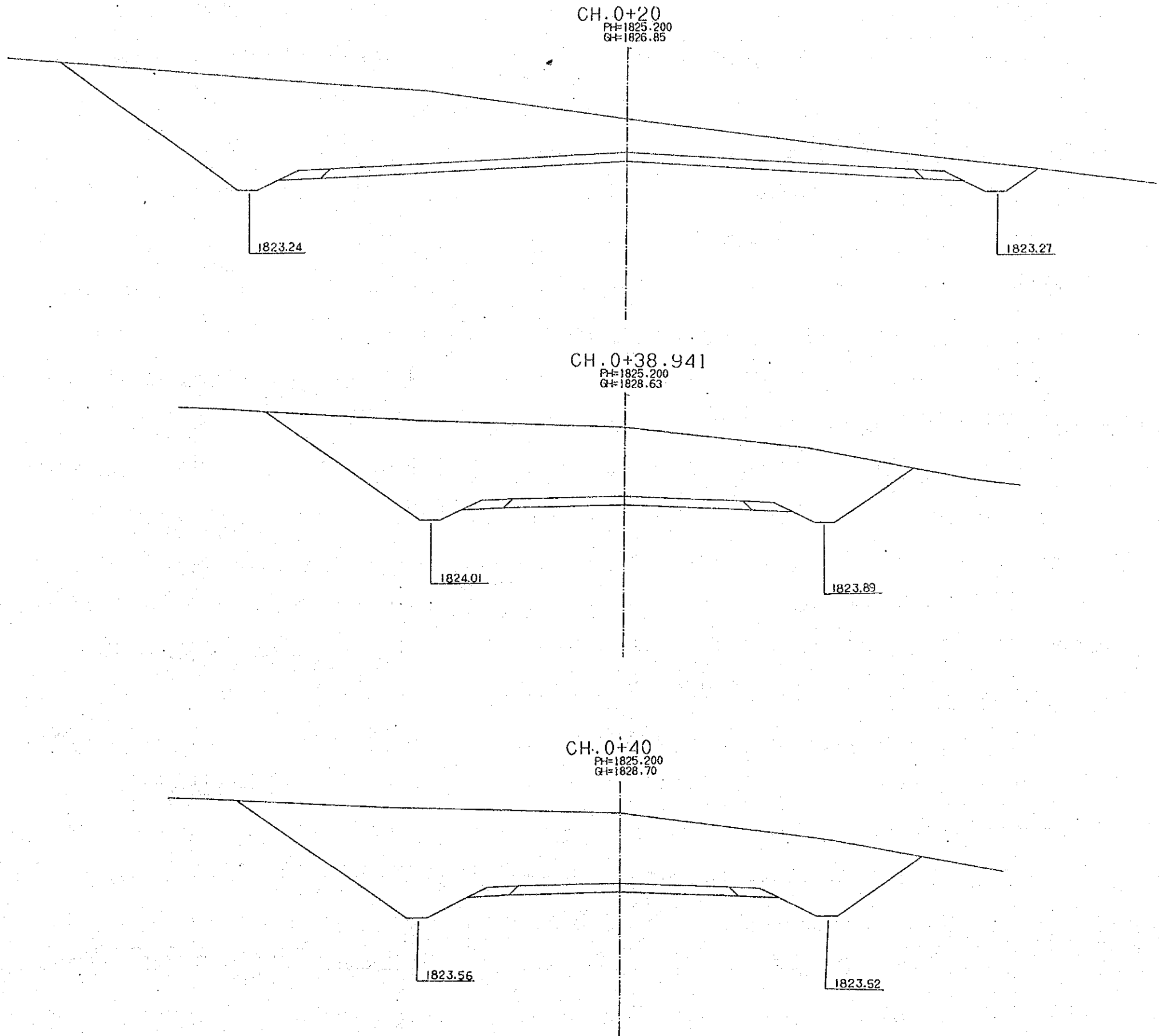
SHEET 27 OF 82

M.O.P.W. ROADS DEPT. DRG. NO. AERIAL PHOTO BY _____ SURVEYED BY _____
 MAPPING BY _____ TRACED BY _____
 LOCATION BY _____ CHECKED BY _____



THE FORMATION OF GROUND
 LINE SHOWN IN THIS CROSS
 SECTION ARE INFERRED FROM
 MAP AND ACCURACY IS NOT
 GUARANTEED.

REVISIONS DESCRIPTION DATE		JAPAN INTERNATIONAL COOPERATION AGENCY	CHIEF ENGINEER (ROADS) CHIEF SUPT. ENG. (DESIGN)	SEN SUPT. ENG. (DESIGN) SUPT. ENGINEER (DESIGN) PROJECT ENGINEER	SCALES 1:200	NAIROBI BYPASS CROSS SECTION (UHURU MONUMENT J-C LANGATA ROAD)	SHEET 28 OF 82



AERIAL PHOTO BY	SURVEYED BY
MAPPING BY	TRACED BY
LOCATION BY	CHECKED BY

M.O.P.W. ROADS DEPT. DRG. NO.

REVISIONS DESCRIPTION DATE		JAPAN INTERNATIONAL COOPERATION AGENCY	CHIEF ENGINEER (ROADS) CHIEF SUPT. ENG. (DESIGN)	SEN. SUPT. ENG. (DESIGN) SUPT. ENGINEER (DESIGN) PROJECT ENGINEER	SCALES 1 : 100	NAIROBI BYPASS CROSS SECTION NGONG ROAD JUNCTION A	SHEET 29 OF 82

CH. 0+60
 P=1825.331
 G=1829.12

CH. 0+140
 P=1827.301
 G=1831.40

1824.20

1824.15

1826.36

1826.12

CH. 0+80
 P=1825.725
 G=1830.00

CH. 0+160
 P=1827.826
 G=1831.20

1824.79

1824.55

1826.89

1826.65

CH. 0+100
 P=1826.250
 G=1830.64

CH. 0+180
 P=1828.294
 G=1831.40

1825.31

1825.07

1827.35

1827.11

CH. 0+120
 P=1826.775
 G=1831.04

CH. 0+200
 P=1828.649
 G=1831.33

1825.84

1825.60

1827.71

1827.47

SURVEYED BY
 TRACED BY
 CHECKED BY
 AERIAL PHOTO BY
 MAPPING BY
 LOCATION BY

M.O.P.W. ROADS DEPT. DRG. NO.

REVISIONS	
DESCRIPTION	DATE

JAPAN INTERNATIONAL
 COOPERATION AGENCY

CHIEF ENGINEER (ROADS)
 CHIEF SUPT. ENG. (DESIGN)

SEN. SUPT. ENG. (DESIGN)
 SUPT. ENGINEER (DESIGN)
 PROJECT ENGINEER

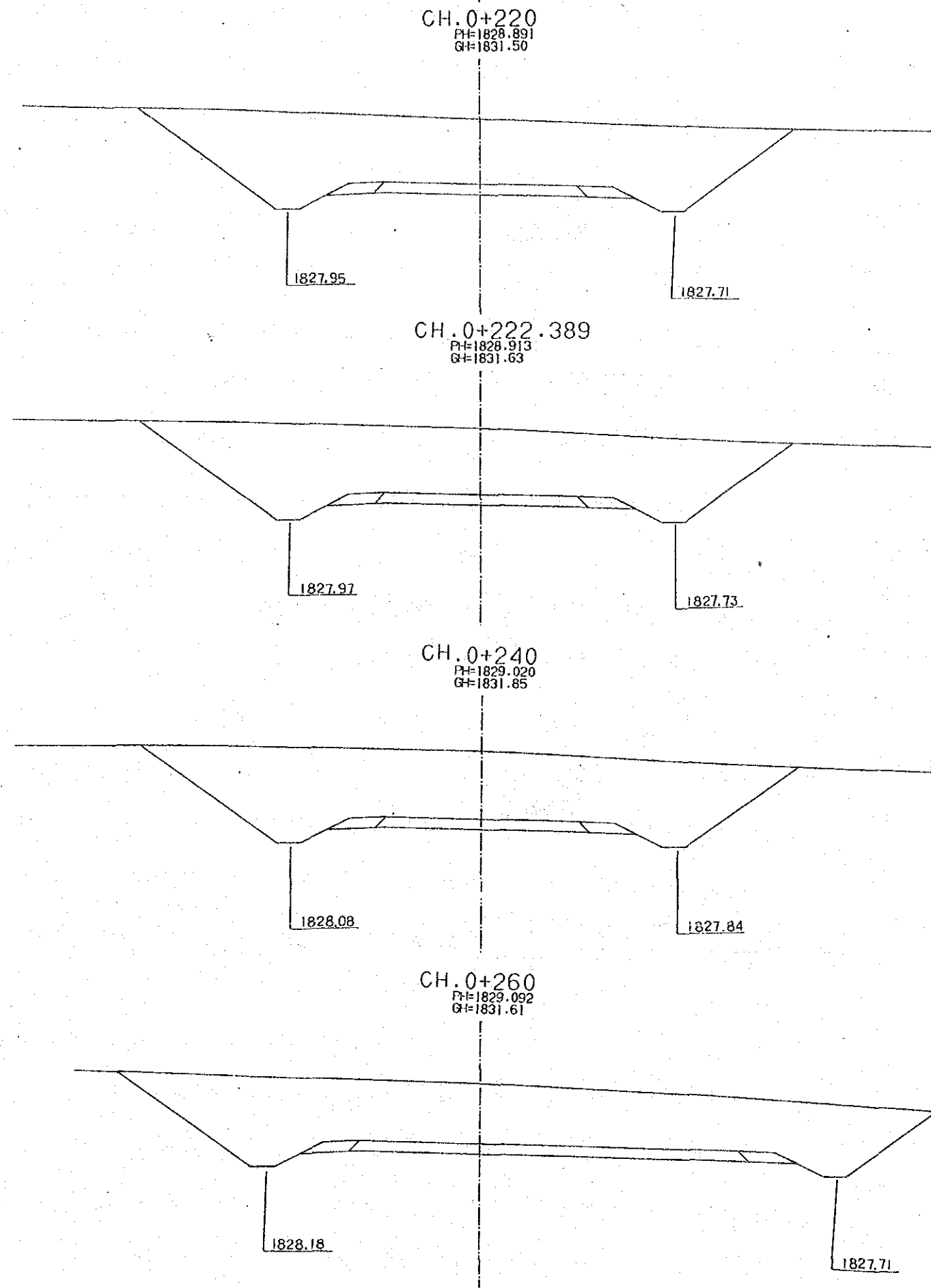
SCALES
 1 : 100

NAIROBI BYPASS
 CROSS SECTION NGONG ROAD JUNCTION A

SHEET 30 OF 82

AERIAL PHOTO BY	SURVEYED BY
MAPPING BY	TRACED BY
LOCATION BY	CHECKED BY

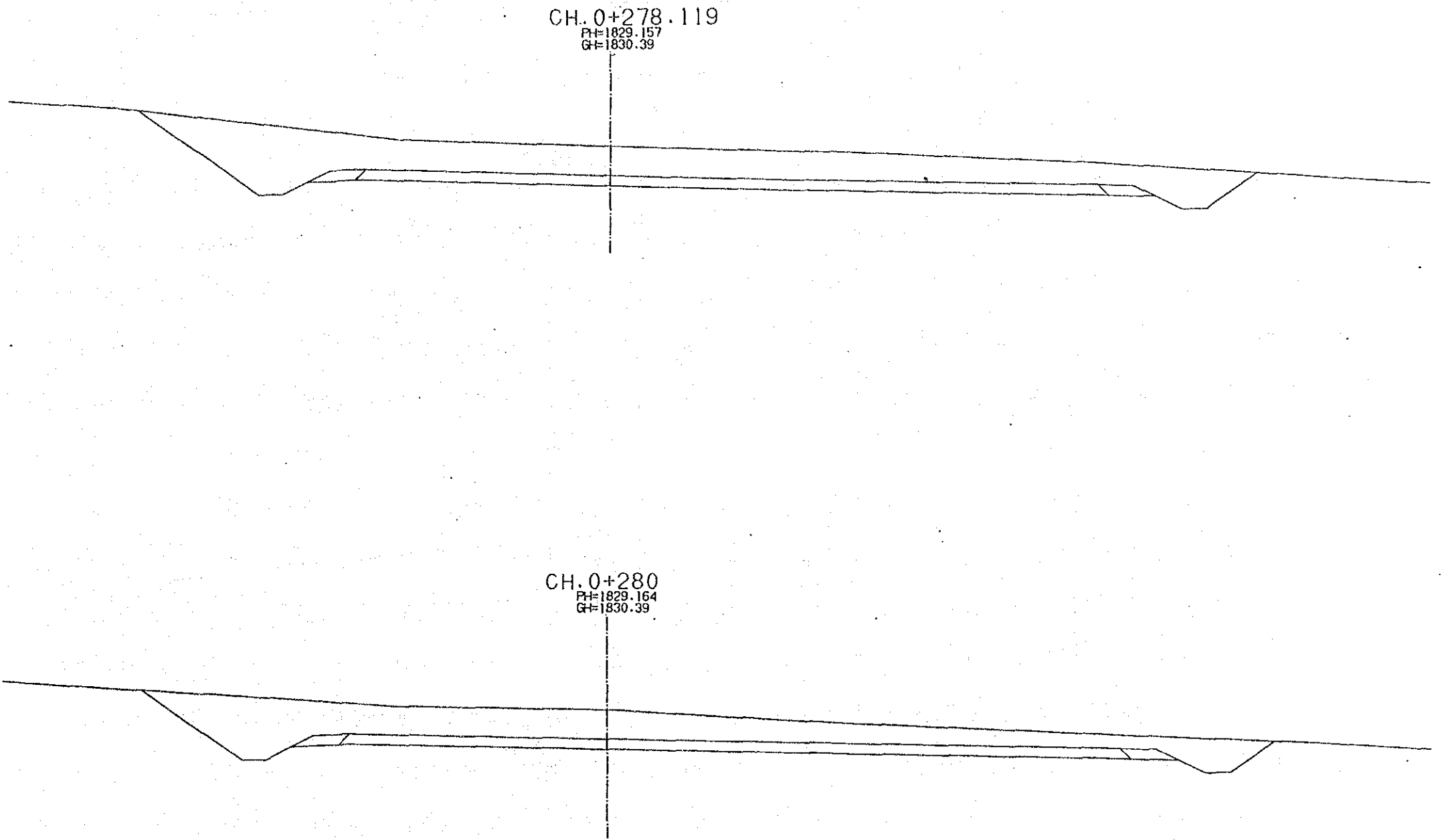
M.P.W. ROADS DEPT DRG NO



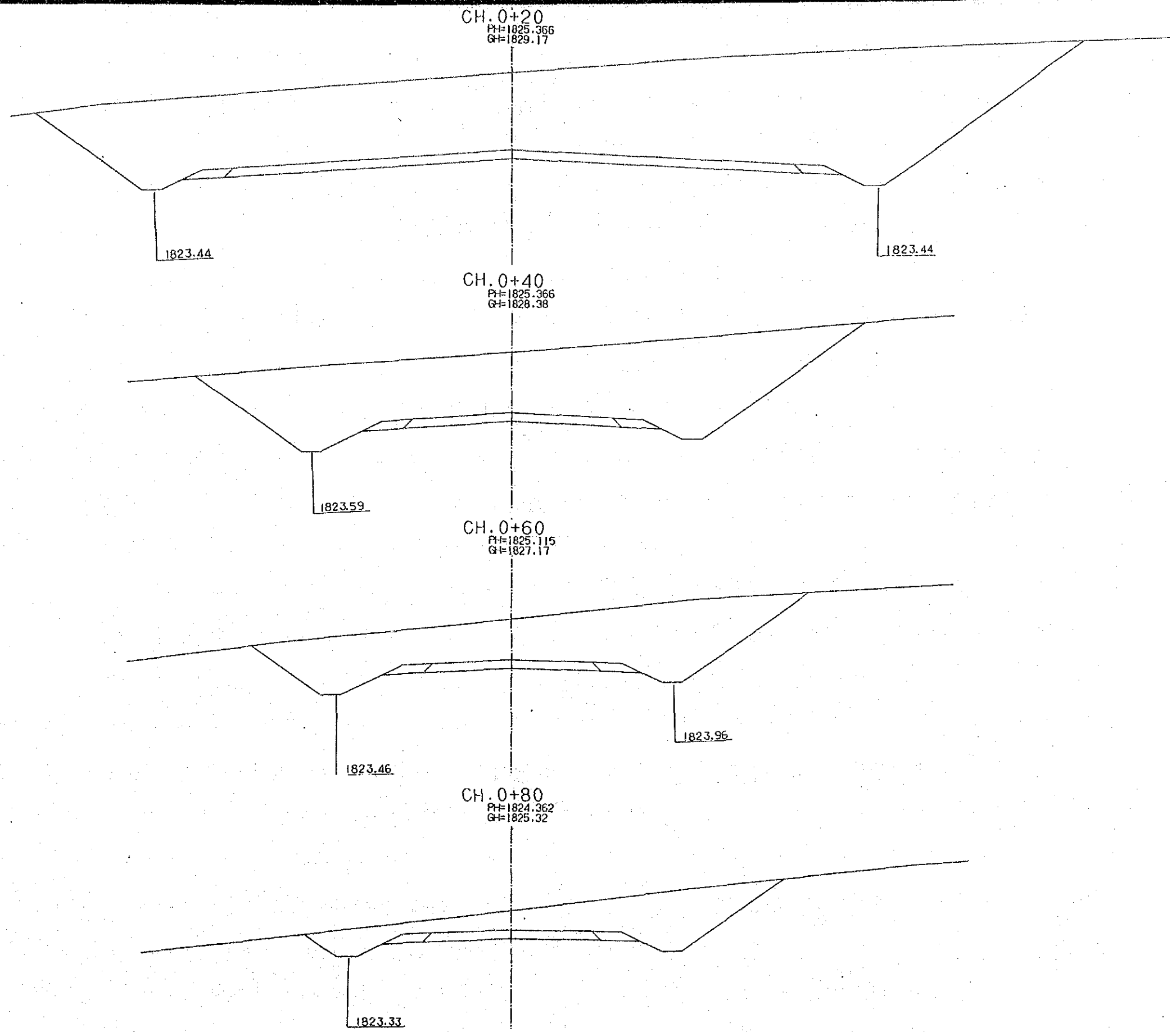
<table border="1"> <thead> <tr> <th colspan="2">REVISIONS</th> </tr> <tr> <th>DESCRIPTION</th> <th>DATE</th> </tr> </thead> <tbody> <tr> <td> </td> <td> </td> </tr> <tr> <td> </td> <td> </td> </tr> </tbody> </table>		REVISIONS		DESCRIPTION	DATE					JAPAN INTERNATIONAL COOPERATION AGENCY	CHIEF ENGINEER (ROADS) CHIEF SUPT. ENG. (DESIGN)	SEN. SUPT. ENG. (DESIGN) SUPT. ENGINEER (DESIGN) PROJECT ENGINEER	SCALES 1 : 100	NAIROBI BYPASS CROSS SECTION NGONG ROAD JUNCTION A	SHEET 31 OF 82
REVISIONS															
DESCRIPTION	DATE														

AERIAL PHOTO BY	SURVEYED BY
MAPPING BY	TRACED BY
LOCATION BY	CHECKED BY

M.O.P.W. ROADS DEPT. DRG. NO.



REVISIONS		JAPAN INTERNATIONAL COOPERATION AGENCY	CHIEF ENGINEER (ROADS) CHIEF SUPT. ENG. (DESIGN)	SEN. SUPT. ENG. (DESIGN) SUPT. ENGINEER (DESIGN) PROJECT ENGINEER	SCALES 1 : 100	NAIROBI BYPASS CROSS SECTION NGONG ROAD JUNCTION A	SHEET 32 OF 82
DESCRIPTION	DATE						



AERIAL PHOTO BY	SURVEYED BY
MAPPING BY	TRACED BY
LOCATION BY	CHECKED BY

M.O.P.W. ROADS DEPT DRG NO.

REVISIONS	
DESCRIPTION	DATE

JAPAN INTERNATIONAL
 COOPERATION AGENCY

CHIEF ENGINEER (ROADS)
 CHIEF SUPT. ENG. (DESIGN)

SEN. SUPT. ENG. (DESIGN)
 SUPT. ENGINEER (DESIGN)
 PROJECT ENGINEER

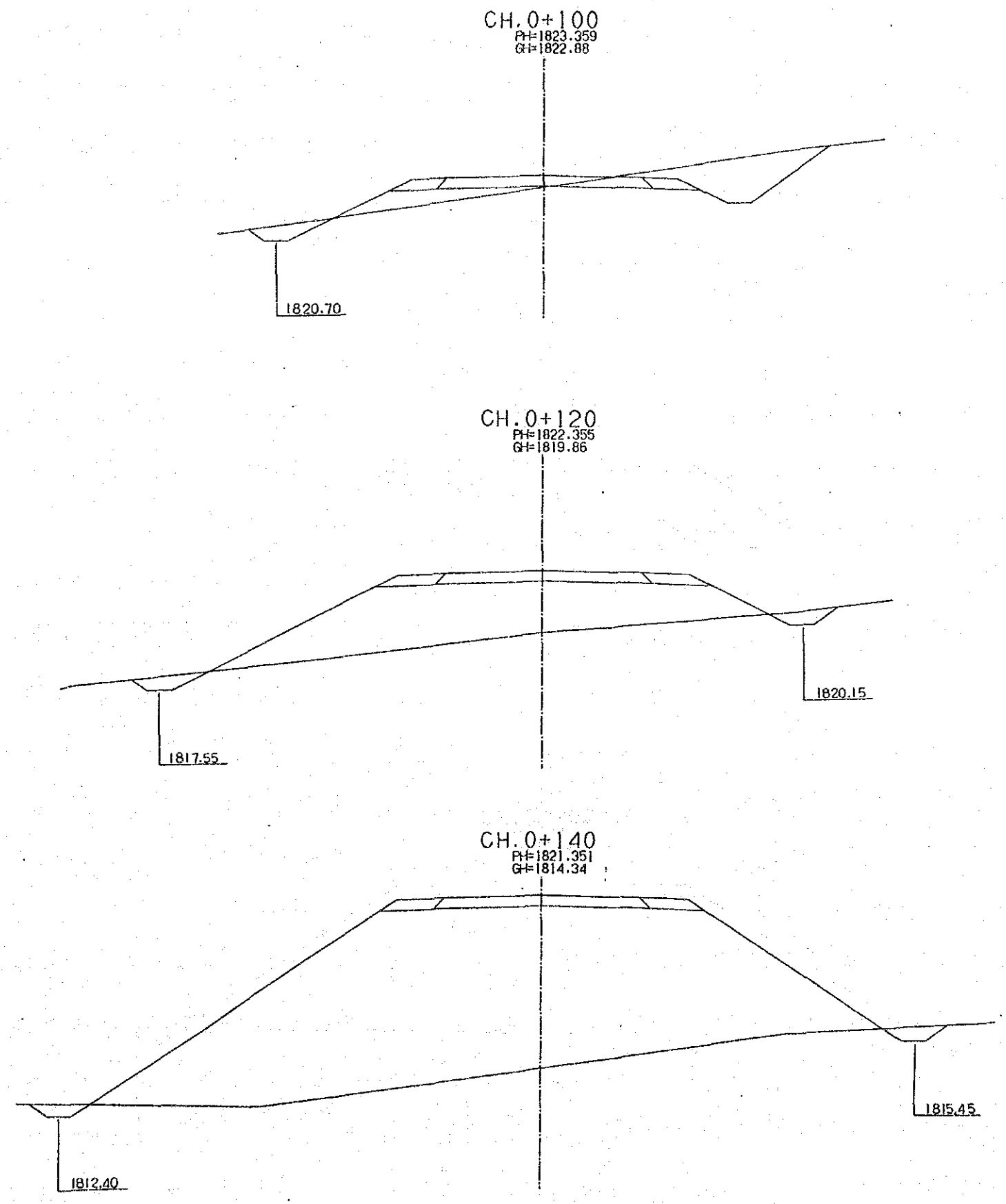
SCALES
 1 : 100

NAIROBI BYPASS
 CROSS SECTION NGONG ROAD JUNCTION B

SHEET 33 OF 82

AERIAL PHOTO BY	SURVEYED BY
MAPPING BY	TRACED BY
LOCATION BY	CHECKED BY

M.C.P.W. ROADS DEPT DRG NO.



REVISIONS	
DESCRIPTION	DATE

JAPAN INTERNATIONAL
COOPERATION AGENCY

CHIEF ENGINEER (ROADS)
CHIEF SUPT. ENG. (DESIGN)

SEN. SUPT. ENG. (DESIGN)
SUPT. ENGINEER (DESIGN)
PROJECT ENGINEER

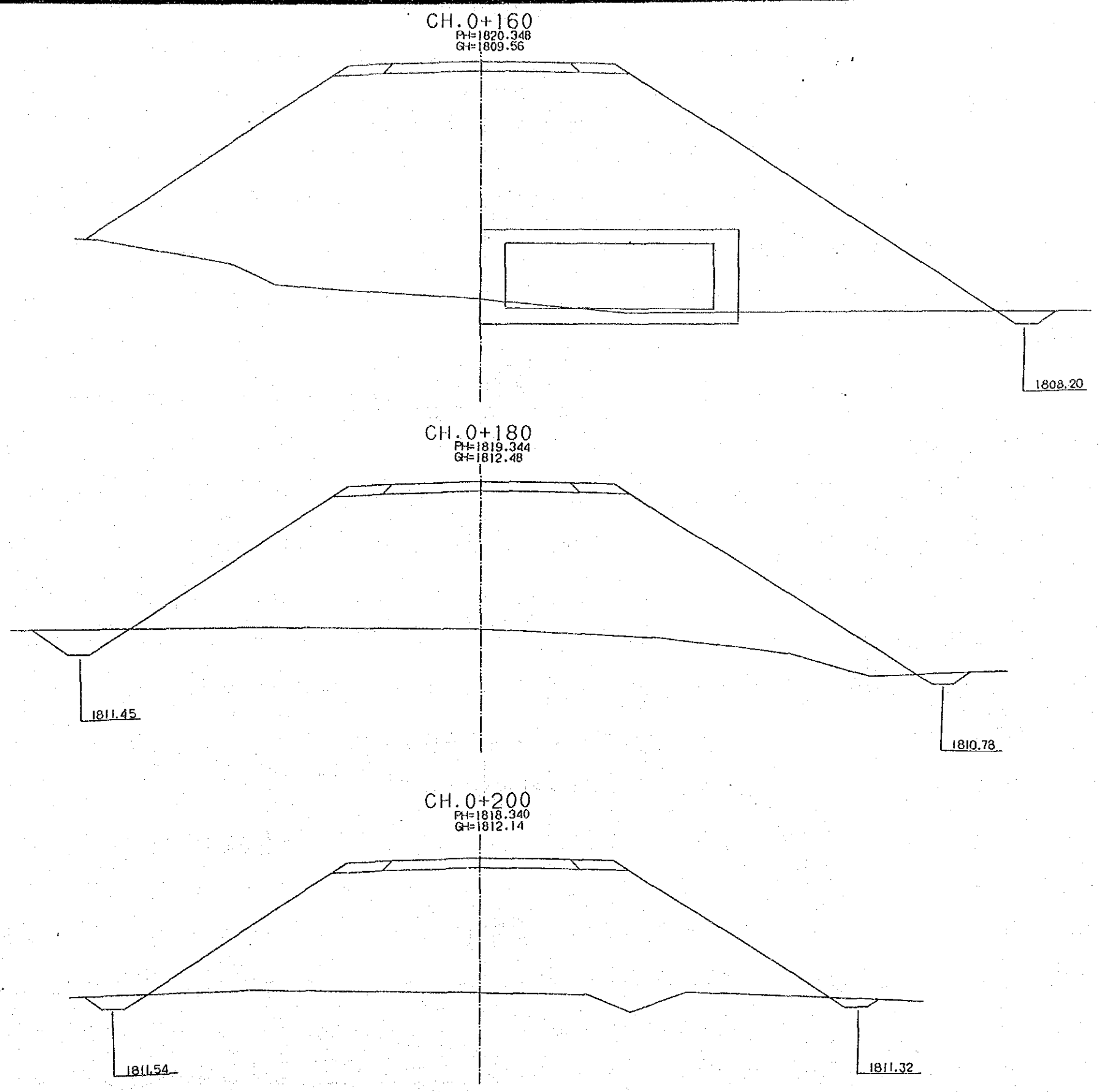
SCALES
1 : 100

NAIROBI BYPASS
CROSS SECTION NGONG ROAD JUNCTION B

SHEET 34 OF 82

AERIAL PHOTO BY	SURVEYED BY
MAPPING BY	TRACED BY
LOCATION BY	CHECKED BY

M.O.P.W. ROADS DEPT DRG NO.



REVISIONS	
DESCRIPTION	DATE

JAPAN INTERNATIONAL COOPERATION AGENCY

CHIEF ENGINEER (ROADS)
CHIEF SUPT. ENG (DESIGN)

SEN. SUPT. ENG. (DESIGN)
SUPT. ENGINEER (DESIGN)
PROJECT ENGINEER

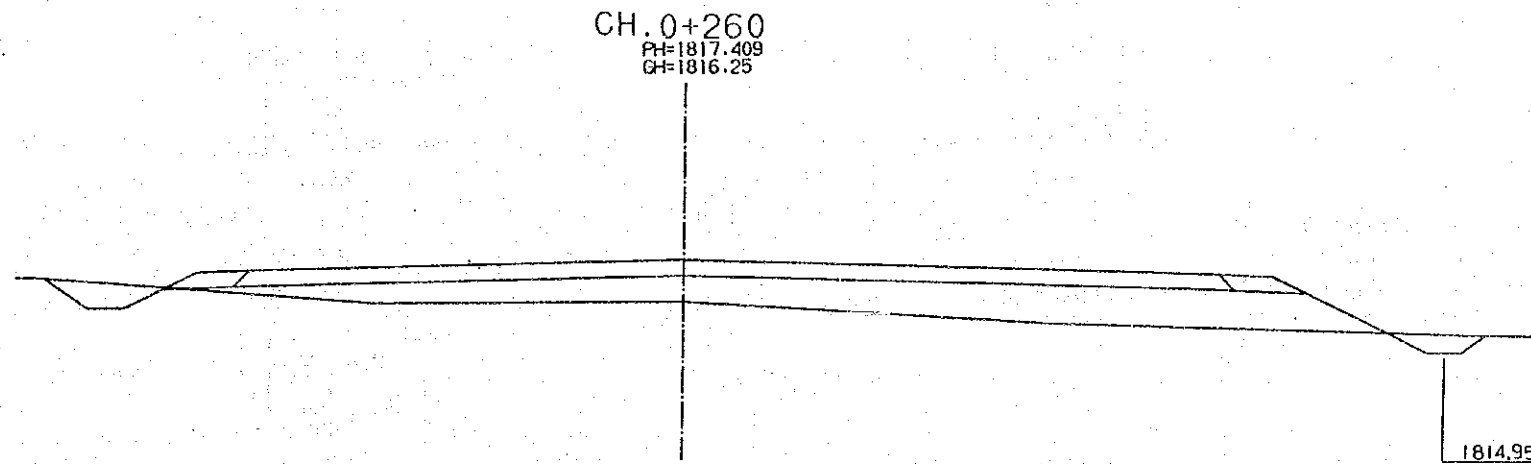
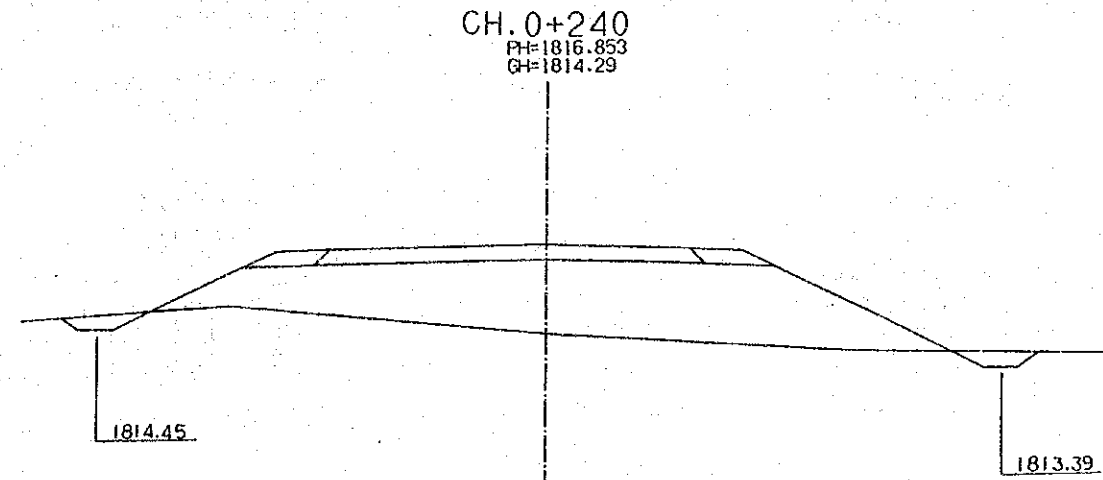
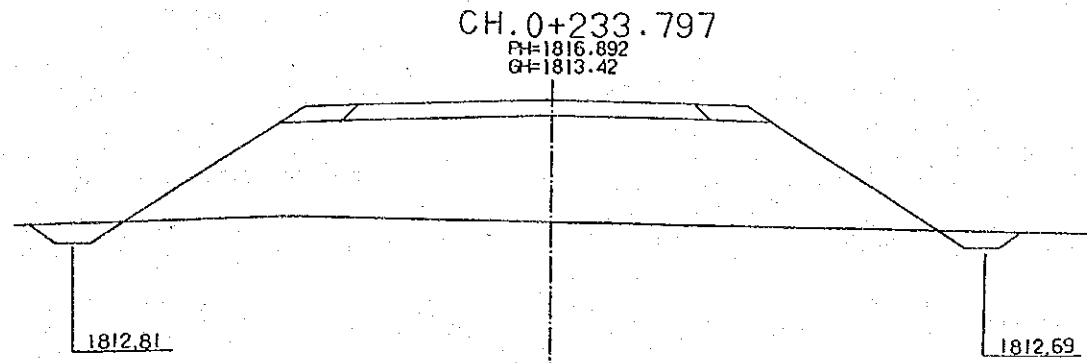
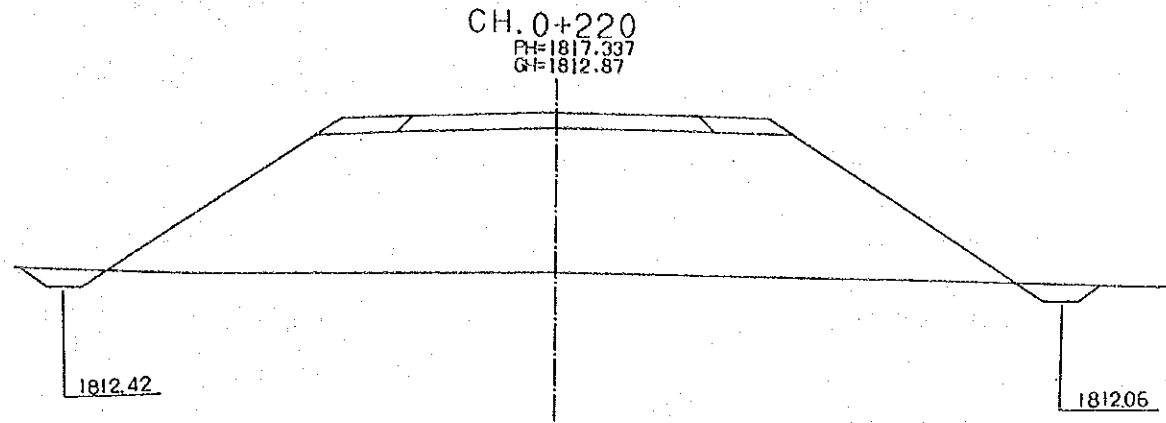
SCALES
1 : 100

NAIROBI BYPASS
CROSS SECTION NGONG ROAD JUNCTION B

SHEET 35 OF 82

AERIAL PHOTO BY _____ SURVEYED BY _____
 MAPPING BY _____ TRACED BY _____
 LOCATION BY _____ CHECKED BY _____

M.O.P.W. ROADS DEPT. DRG. NO.



REVISIONS	
DESCRIPTION	DATE

JAPAN INTERNATIONAL
COOPERATION AGENCY

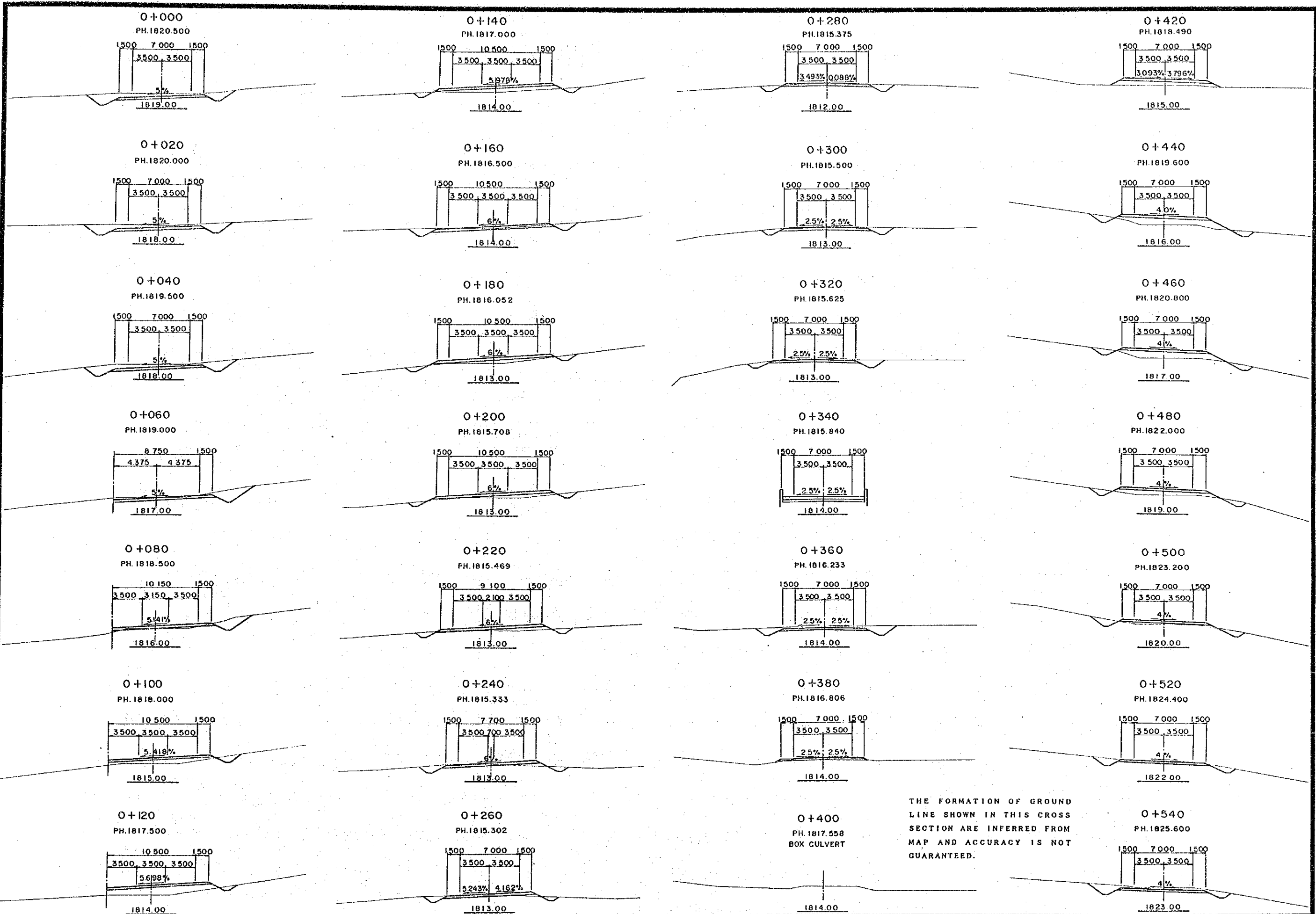
CHIEF ENGINEER (ROADS)
CHIEF SUPT. ENG. (DESIGN)

SEN. SUPT. ENG. (DESIGN)
SUPT. ENGINEER (DESIGN)
PROJECT ENGINEER

SCALES
1 : 100

NAIROBI BYPASS
CROSS SECTION NGONG ROAD JUNCTION B

SHEET 36 OF 82

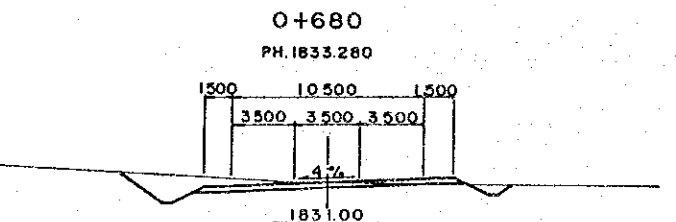
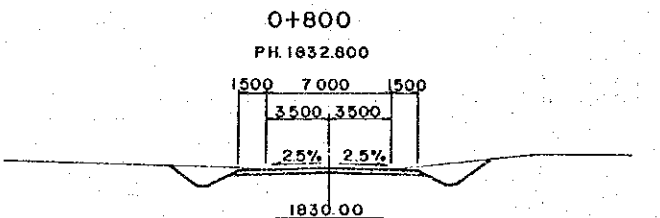
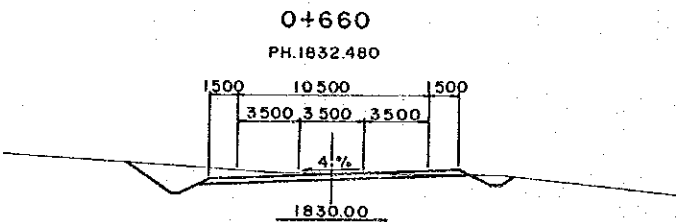
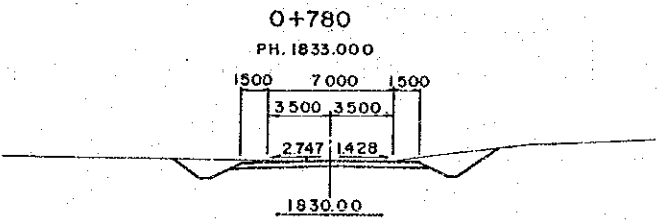
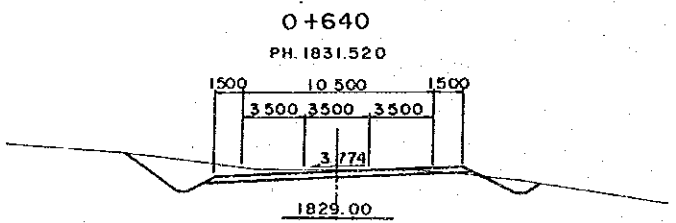
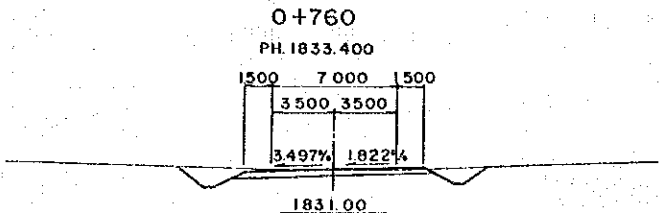
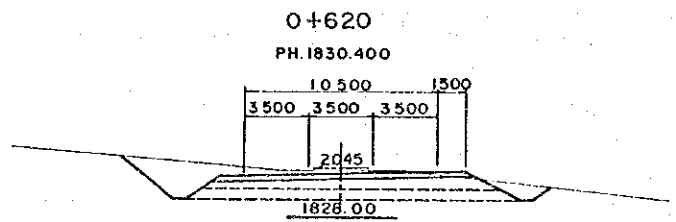
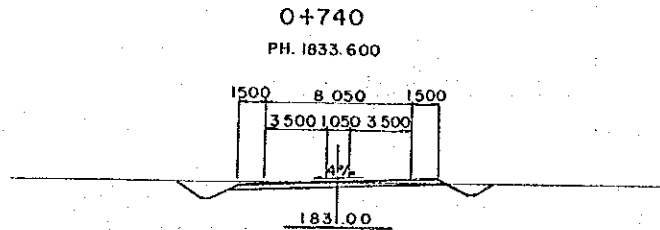
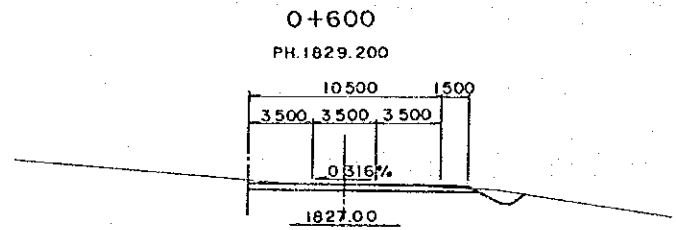
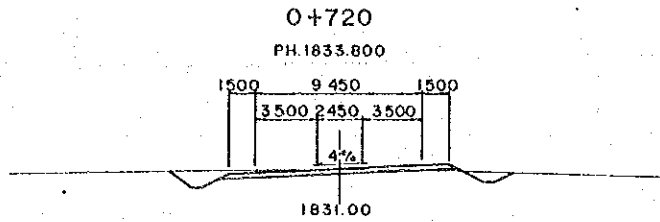
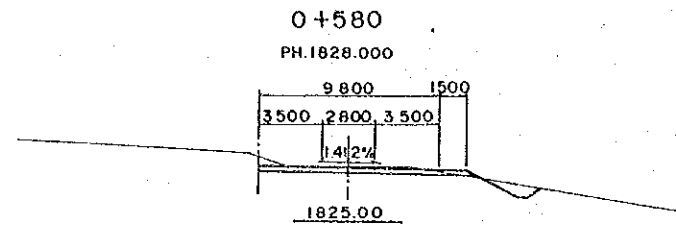
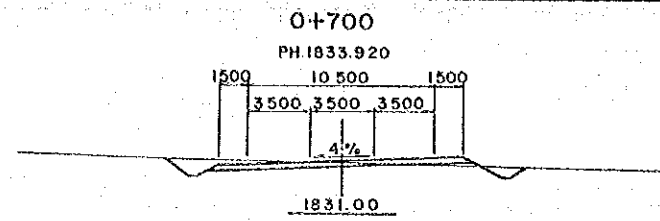
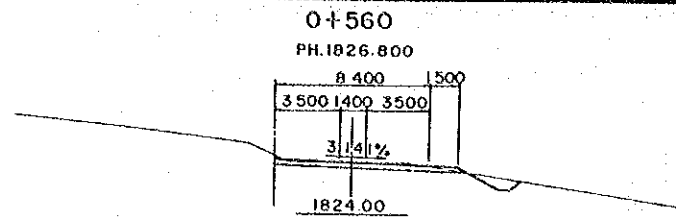


THE FORMATION OF GROUND LINE SHOWN IN THIS CROSS SECTION ARE INFERRED FROM MAP AND ACCURACY IS NOT GUARANTEED.

AERIAL PHOTO BY _____ SURVEYED BY _____
 MAPPING BY _____ TRACED BY _____
 LOCATION BY _____ CHECKED BY _____
 MOPW ROADS DEPT DRG NO _____

REVISIONS DESCRIPTION DATE		JAPAN INTERNATIONAL COOPERATION AGENCY	CHIEF ENGINEER (ROADS) CHIEF SUPT. ENG (DESIGN)	SEN. SUPT. ENG (DESIGN) SUPT. ENGINEER (DESIGN) PROJECT ENGINEER	SCALES 1:200	NAIROBI BYPASS CROSS SECTION(NGONG.ROAD J-C APPROACH ROAD)	SHEET 37 OF 82
------------------------------------	--	---	--	--	-----------------	---	----------------

AERIAL PHOTO BY _____ SURVEYED BY _____
 MAPPING BY _____ TRACED BY _____
 LOCATION BY _____ CHECKED BY _____
 MOPW ROADS DEPT DRG NO _____



THE FORMATION OF GROUND LINE SHOWN IN THIS CROSS SECTION ARE INFERRED FROM MAP AND ACCURACY IS NOT GUARANTEED.

REVISIONS	
DESCRIPTION	DATE

JAPAN INTERNATIONAL COOPERATION AGENCY

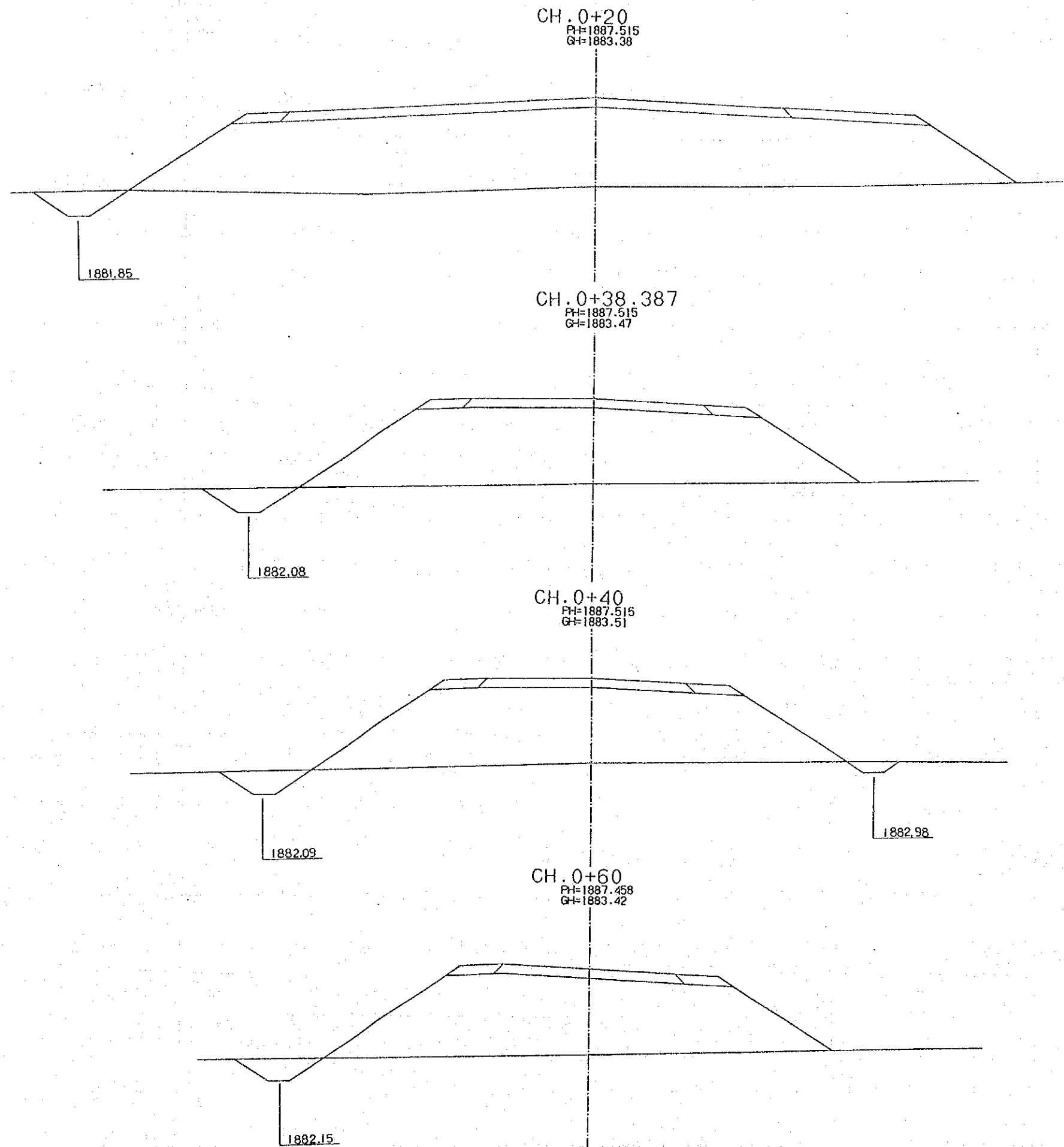
CHIEF ENGINEER (ROADS)
CHIEF SUPT ENG (DESIGN)

SEN SUPT. ENG (DESIGN)
SUPT. ENGINEER (DESIGN)
PROJECT ENGINEER

SCALES
1 : 200

NAIROBI BYPASS
CROSS SECTION (NGONG ROAD J.C APPROACH ROAD)

SHEET 38 OF 82



AERIAL PHOTO BY	SURVEYED BY
MAPPING BY	TRACED BY
LOCATION BY	CHECKED BY

M.O.P.W. ROADS DEPT. DRG NO.

REVISIONS	
DESCRIPTION	DATE

JAPAN INTERNATIONAL COOPERATION AGENCY

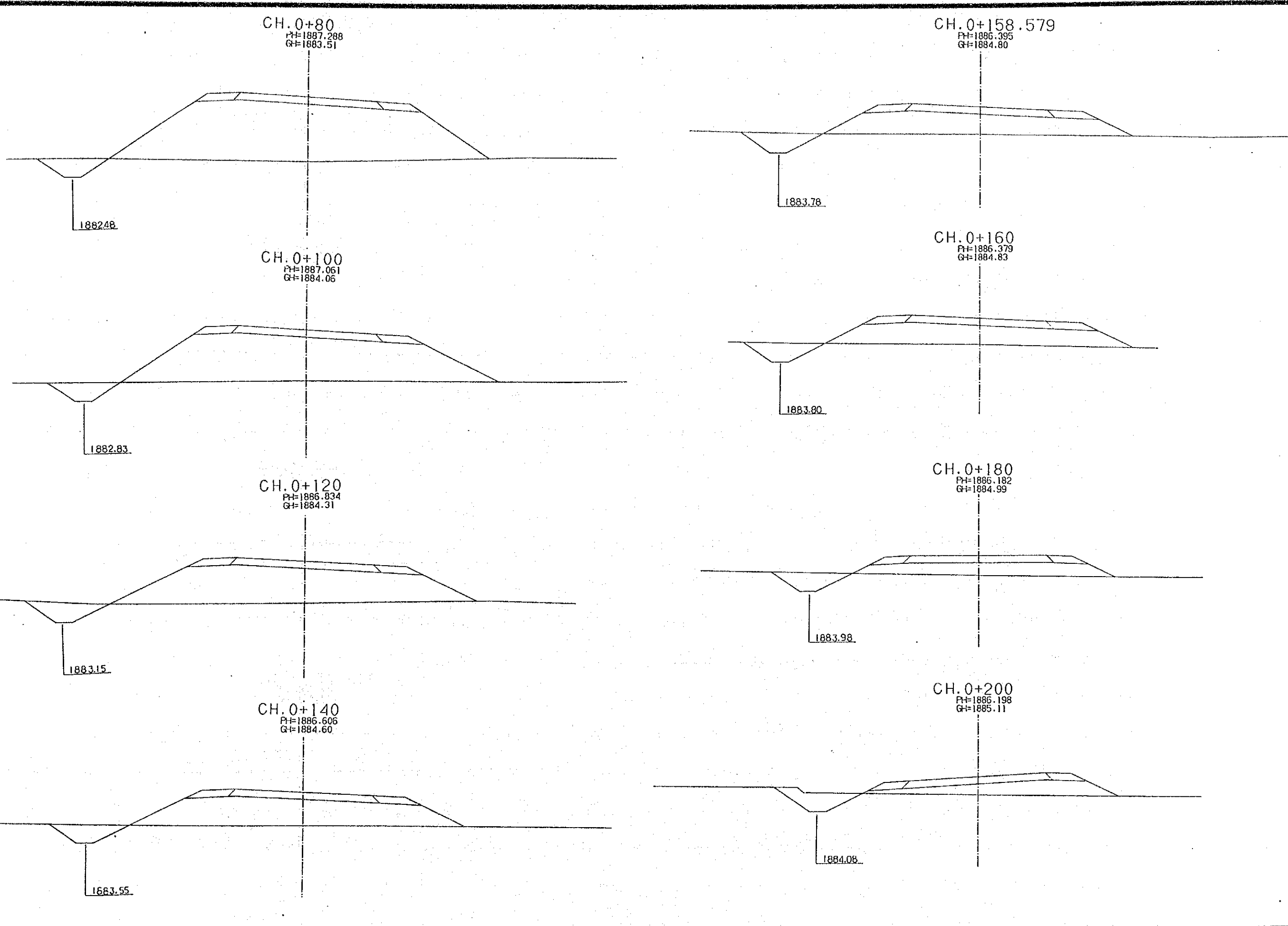
CHIEF ENGINEER (ROADS)
CHIEF SUPT. ENG. (DESIGN)

SEN. SUPT. ENG. (DESIGN)
SUPT. ENGINEER (DESIGN)
PROJECT ENGINEER

SCALES
1 : 100

NAIROBI BYPASS
CROSS SECTION DAGORETTI FOREST JUNCTION A

SHEET 39 OF 82



AERIAL PHOTO BY	SURVEYED BY
MAPPING BY	TRACED BY
LOCATION BY	CHECKED BY

M.O.P.W. ROADS DEPT. DRG. NO.

REVISIONS	
DESCRIPTION	DATE

JAPAN INTERNATIONAL COOPERATION AGENCY

CHIEF ENGINEER (ROADS)
 CHIEF SUPT. ENG. (DESIGN)

SEN. SUPT. ENG. (DESIGN)
 SUPT. ENGINEER (DESIGN)
 PROJECT ENGINEER

SCALES
 1 : 100

NAIROBI BYPASS
 CROSS SECTION DAGORETTI FOREST JUNCTION A

AERIAL PHOTO BY _____
 MAPPING BY _____
 LOCATION BY _____
 SURVEYED BY _____
 TRACED BY _____
 CHECKED BY _____

M.O.P.W. ROADS DEPT. DRG. NO. _____

CH. 0+200.595
 P+1886.202
 G+1885.10

CH. 0+260
 P+1887.425
 G+1886.13

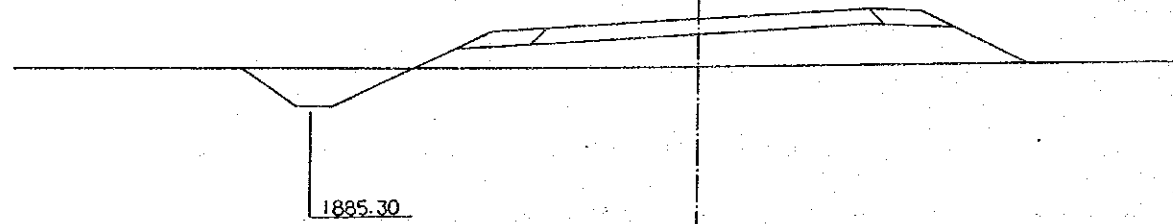
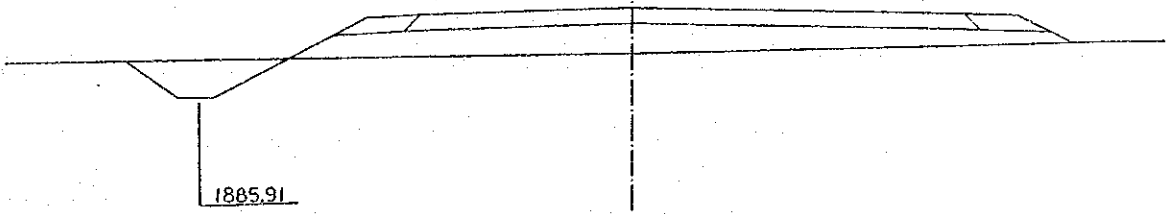
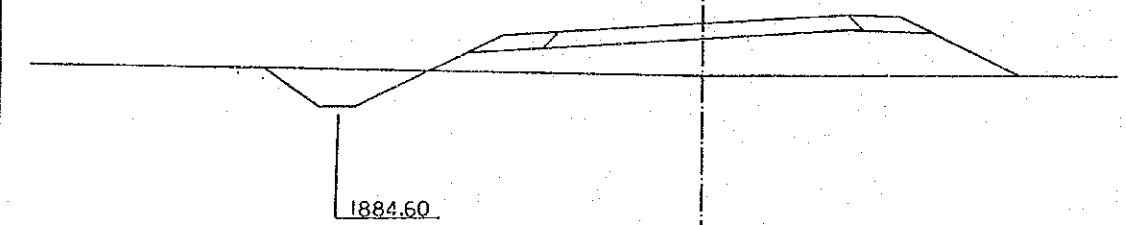
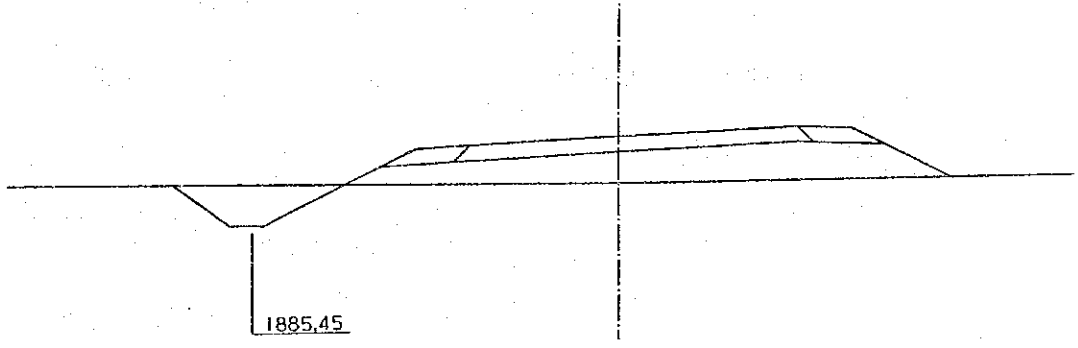
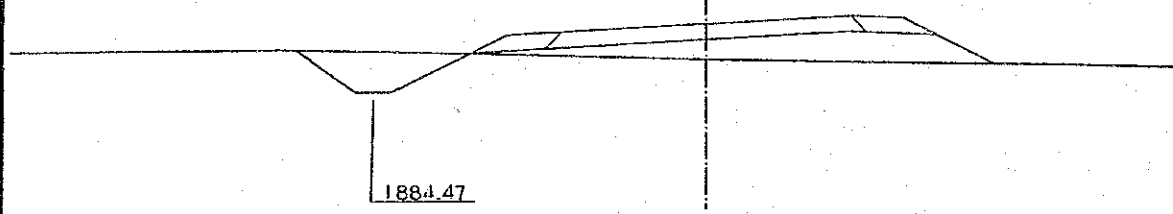
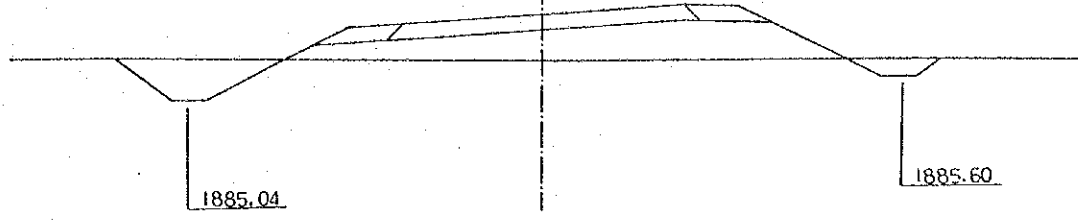
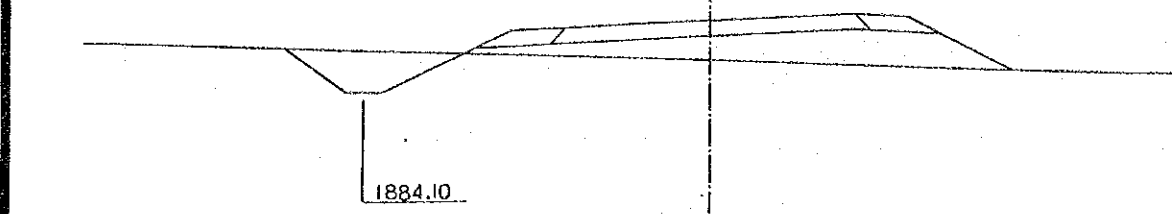
CH. 0+220
 P+1886.455
 G+1885.47

CH. 0+280
 P+1887.925
 G+1886.61

CH. 0+240
 P+1886.925
 G+1885.45

CH. 0+300
 P+1888.425
 G+1887.16

CH. 0+276.939
 P+1887.848
 G+1886.49



REVISIONS	
DESCRIPTION	DATE

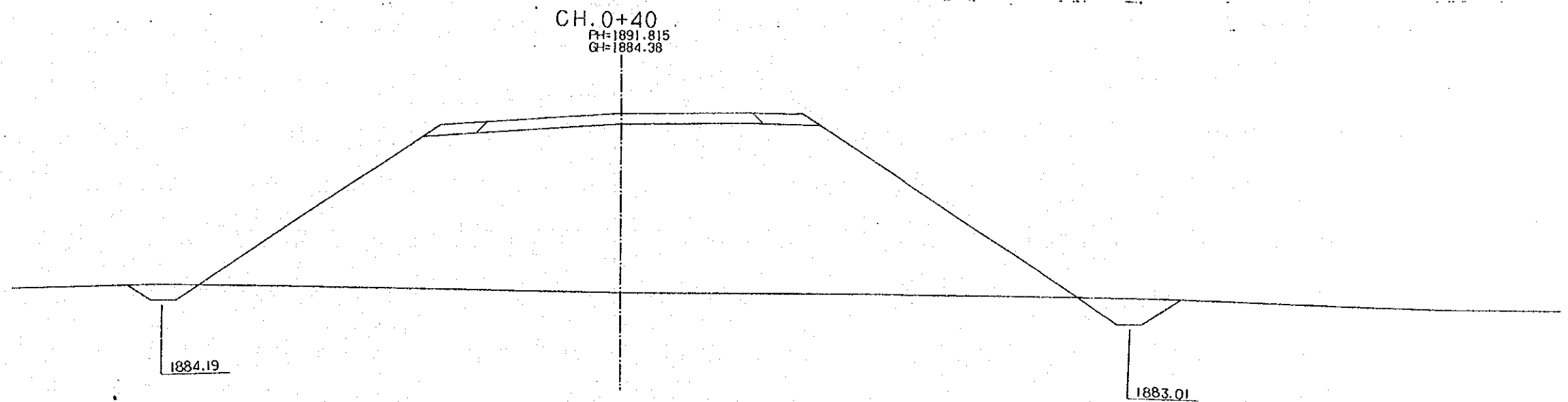
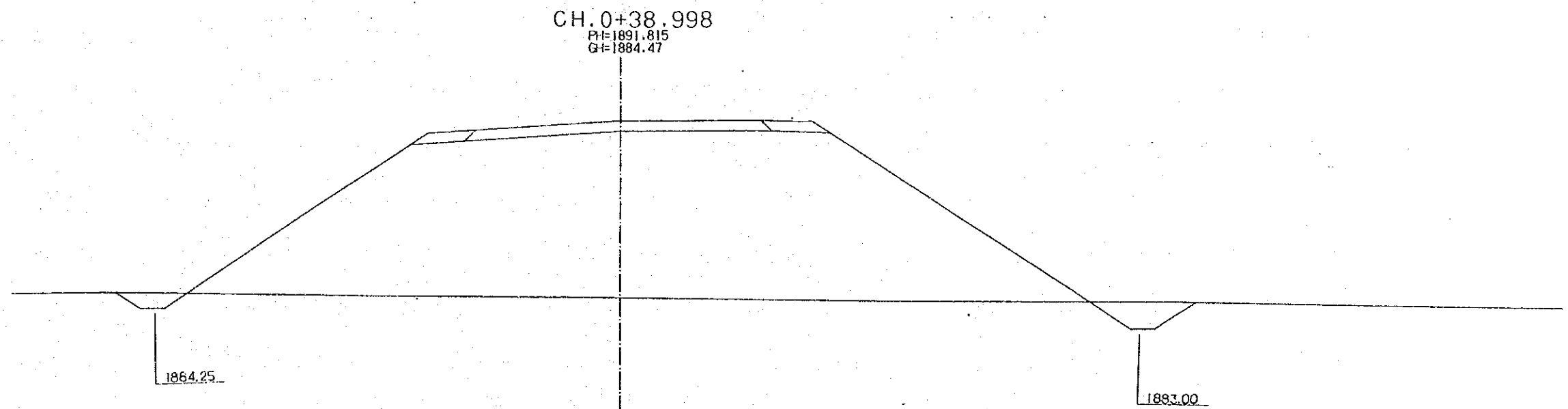
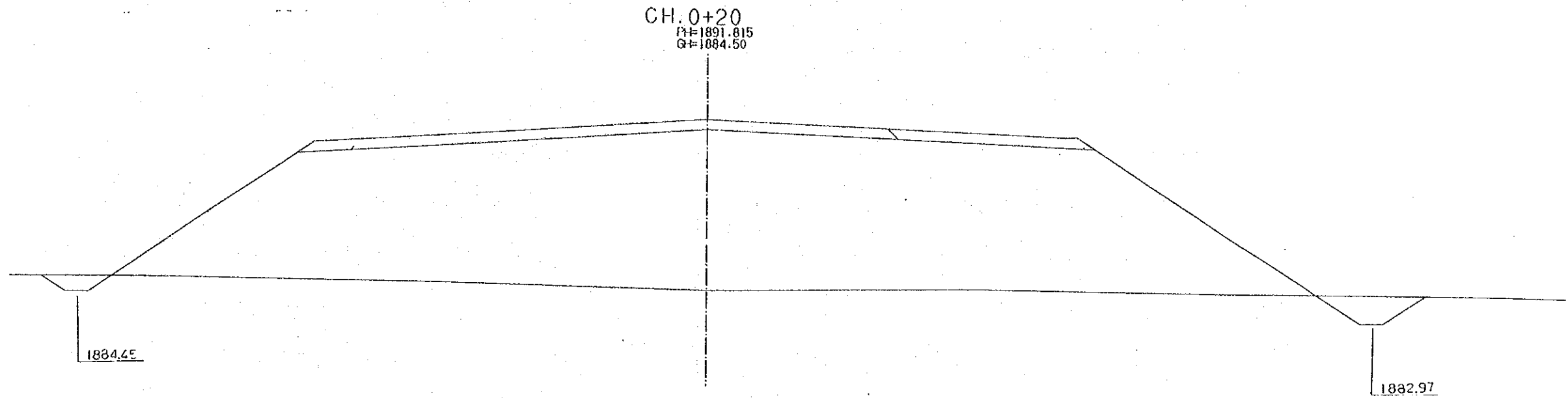
JAPAN INTERNATIONAL
 COOPERATION AGENCY

CHIEF ENGINEER (ROADS)
 CHIEF SUPT. ENG. (DESIGN)

SEN. SUPT. ENG. (DESIGN)
 SUPT. ENGINEER (DESIGN)
 PROJECT ENGINEER

SCALES
 1 : 100

NAIROBI BYPASS
 CROSS SECTION DAGORETTI FOREST JUNCTION A



AERIAL PHOTO BY	SURVEYED BY
MAPPING BY	TRACED BY
LOCATION BY	CHECKED BY

M.O.P.W. ROADS DEPT. DRG. NO.

REVISIONS	
DESCRIPTION	DATE

JAPAN INTERNATIONAL
COOPERATION AGENCY

CHIEF ENGINEER (ROADS)
CHIEF SUPT. ENG. (DESIGN)

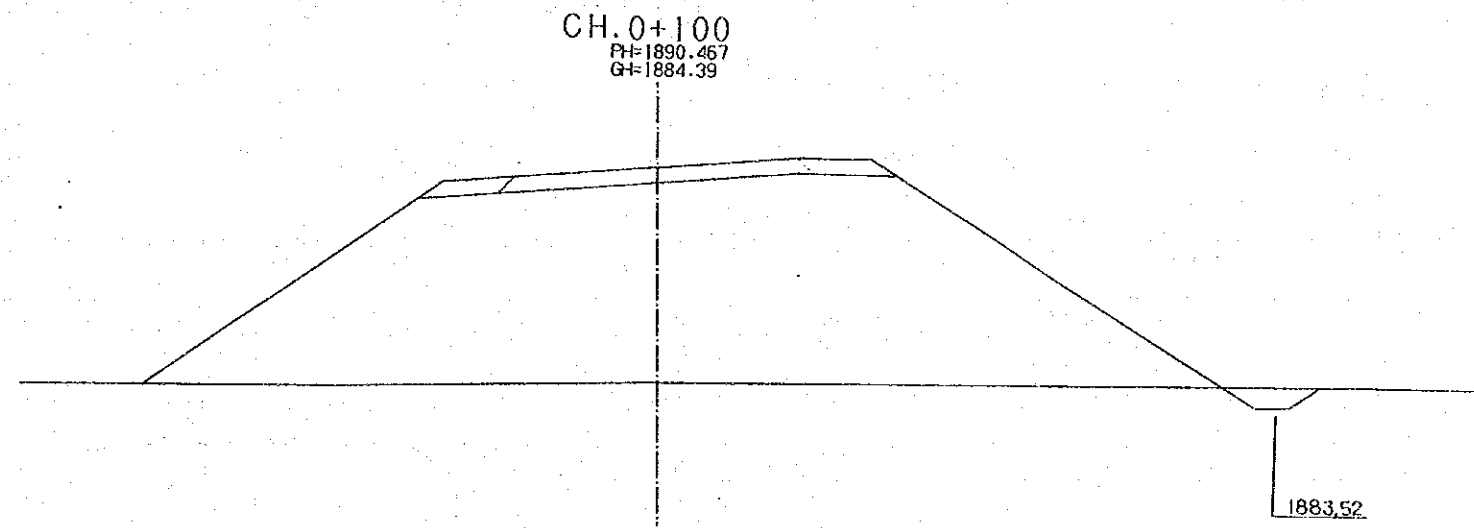
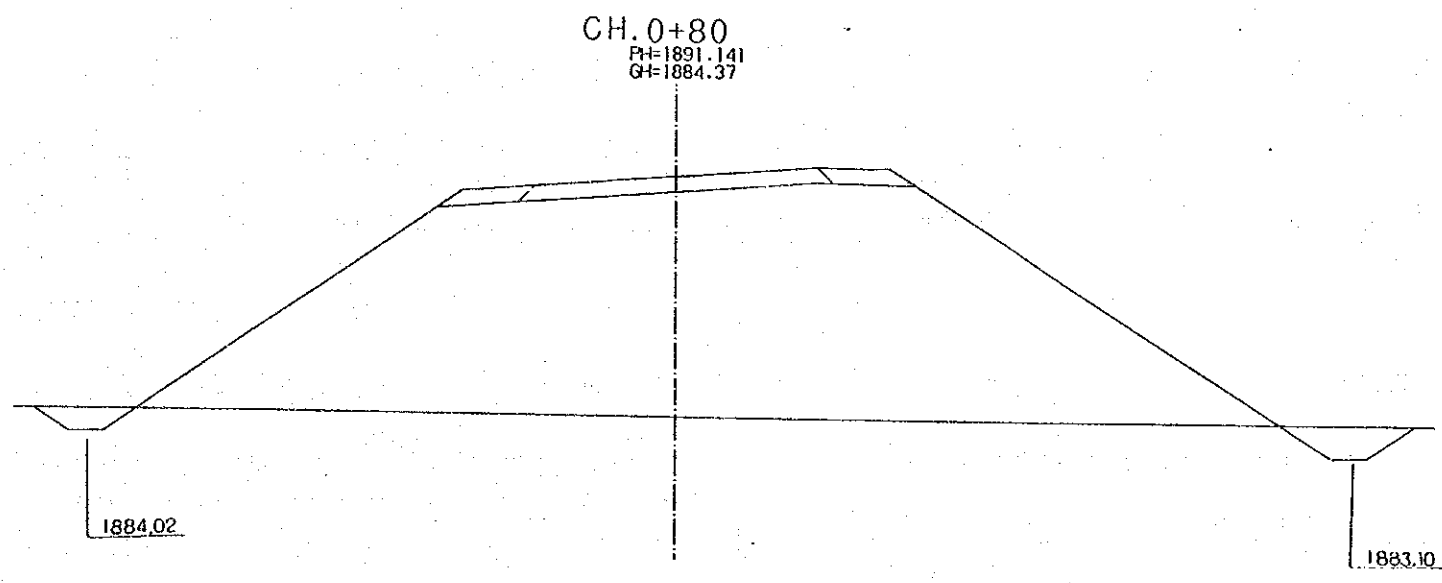
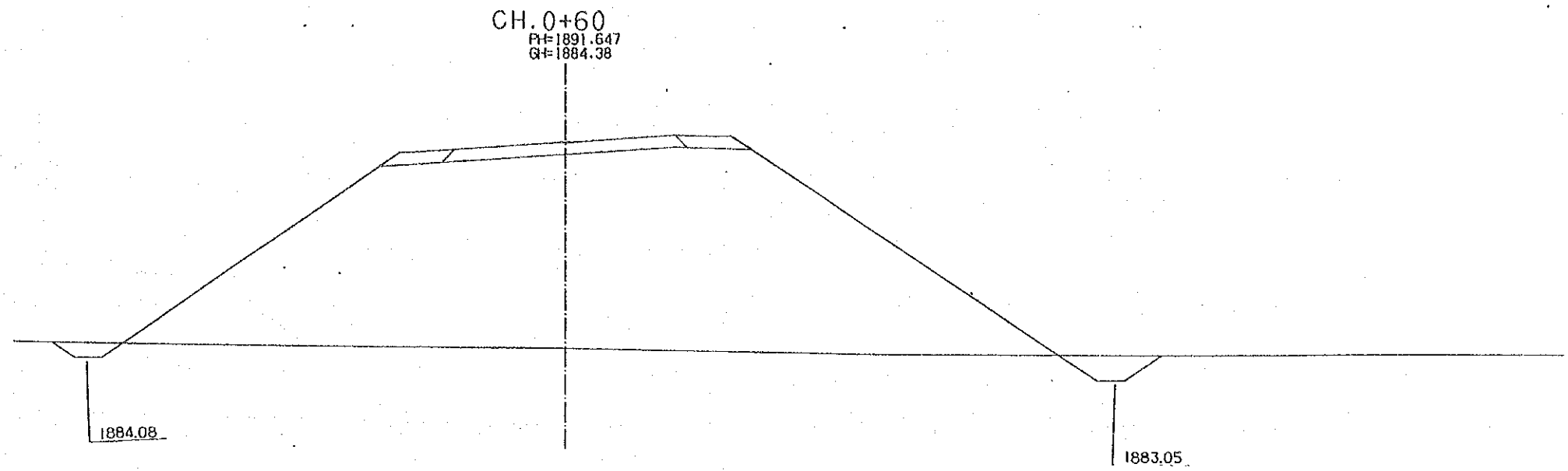
SEN. SUPT. ENG. (DESIGN)
SUPT. ENGINEER (DESIGN)
PROJECT ENGINEER

SCALES
1 : 100

NAIROBI BYPASS
CROSS SECTION DAGORETTI FOREST JUNCTION B

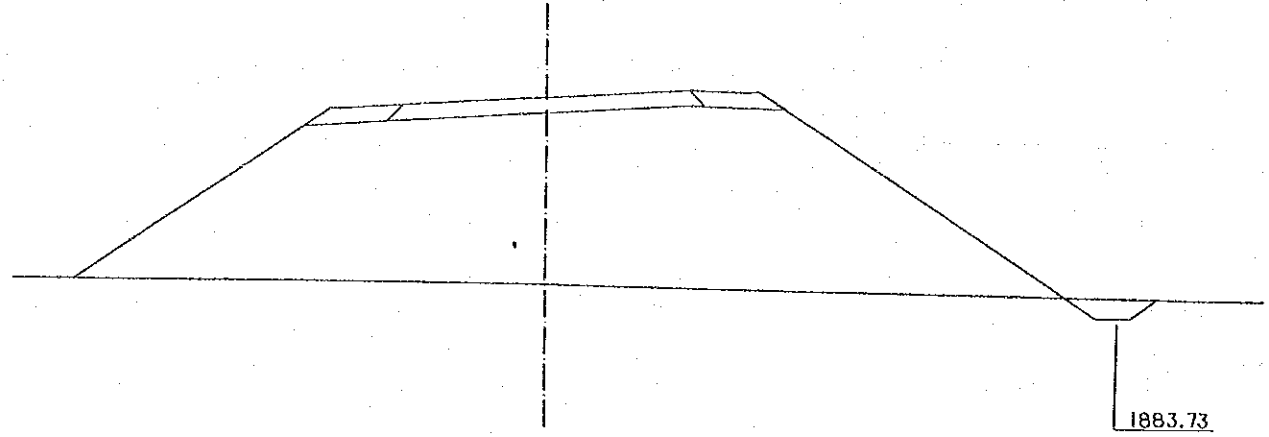
AERIAL PHOTO BY _____
 MAPPING BY _____
 SURVEYED BY _____
 TRACED BY _____
 LOCATION BY _____
 CHECKED BY _____

MOPW ROADS DEPT DRG NO

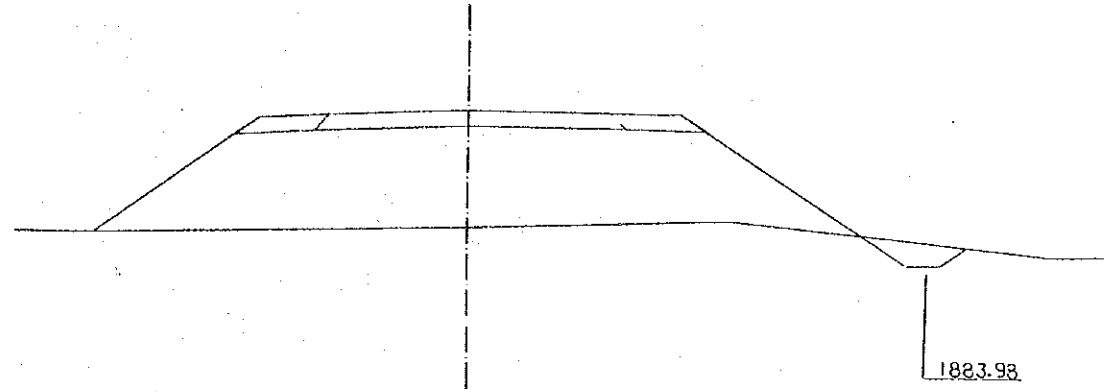


REVISIONS		JAPAN INTERNATIONAL COOPERATION AGENCY	CHIEF ENGINEER (ROADS)	SEN. SUPT. ENG. (DESIGN)	SCALES	NAIROBI BYPASS
DESCRIPTION	DATE					
						SHEET 43 OF 82

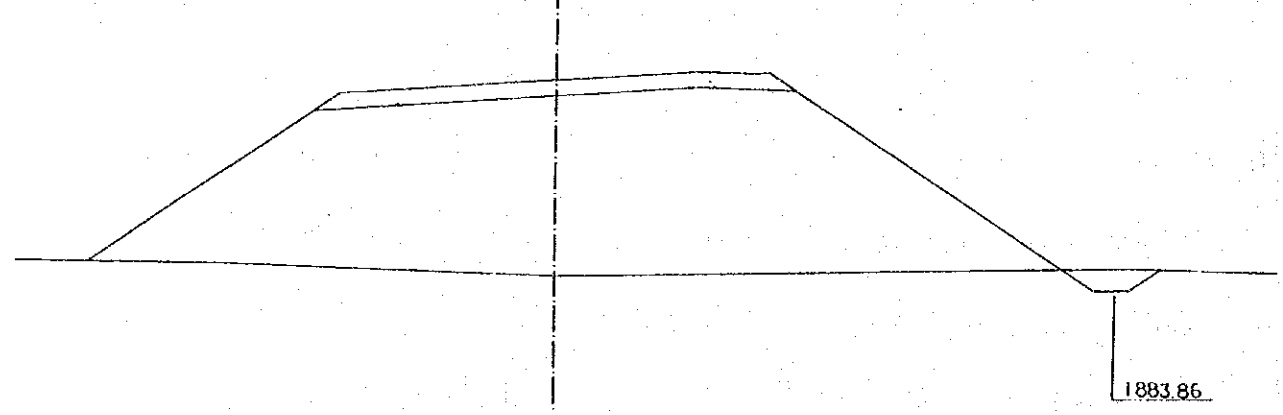
CH. 0+120
 PI=1889.793
 GI=1884.61



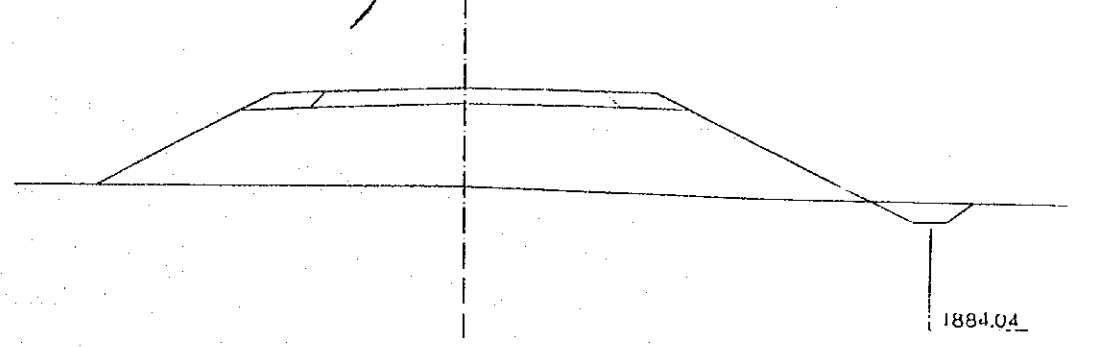
CH. 0+160
 PI=1888.446
 GI=1885.18



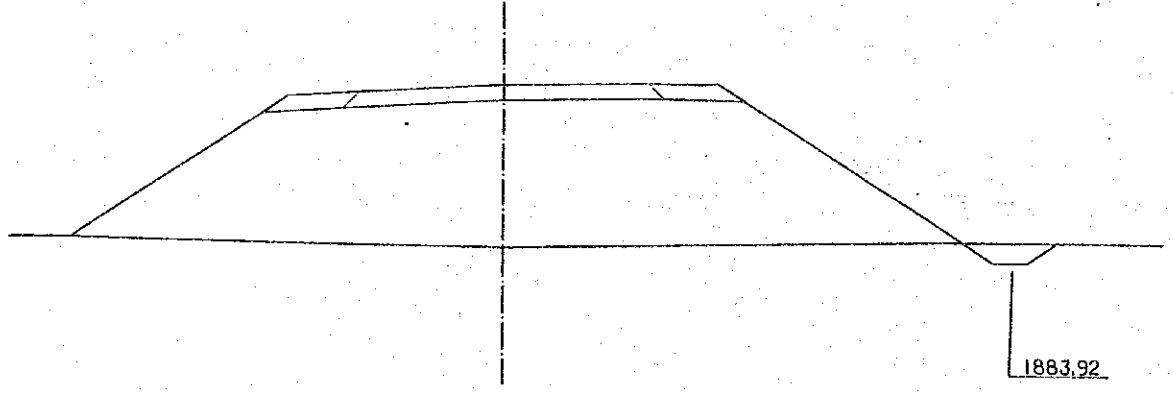
CH. 0+122.402
 PI=1889.712
 GI=1884.29



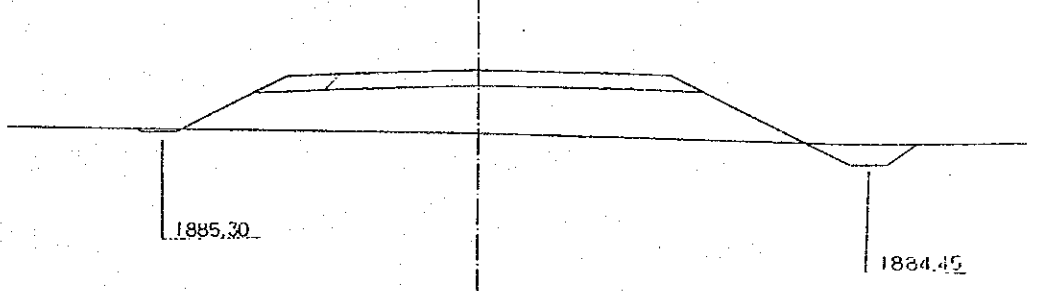
CH. 0+180
 PI=1887.772
 GI=1885.03



CH. 0+140
 PI=1889.119
 GI=1884.51



CH. 0+200
 PI=1887.098
 GI=1885.31



AERIAL PHOTO BY _____ SURVEYED BY _____
 MAPPING BY _____ TRACED BY _____
 LOCATION BY _____ CHECKED BY _____

M.C.P.W. ROADS DEPT DRG NO.

REVISIONS	
DESCRIPTION	DATE

JAPAN INTERNATIONAL
 COOPERATION AGENCY

CHIEF ENGINEER (ROADS)
 CHIEF SUPT. ENG (DESIGN)

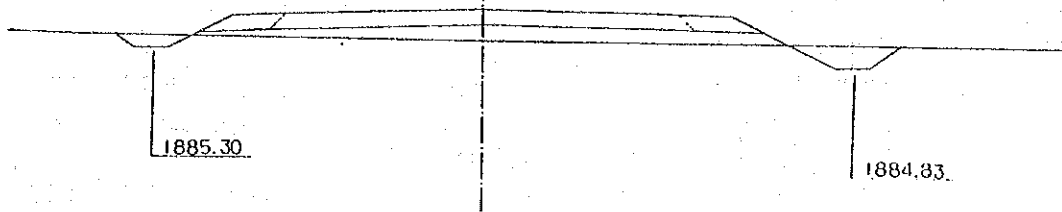
SEN. SUPT. ENG. (DESIGN)
 SUPT. ENGINEER (DESIGN)
 PROJECT ENGINEER

SCALES
 1 : 100

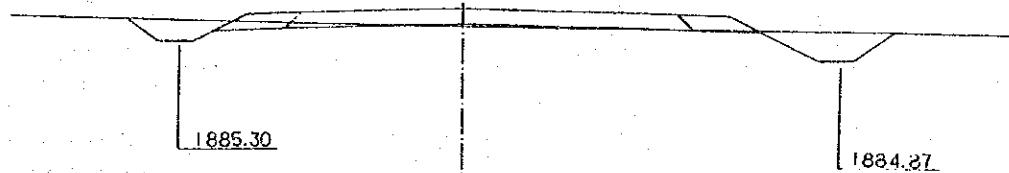
NAIROBI BYPASS
 CROSS SECTION DAGORETTI FOREST JUNCTION B

SHEET 44 OF 82

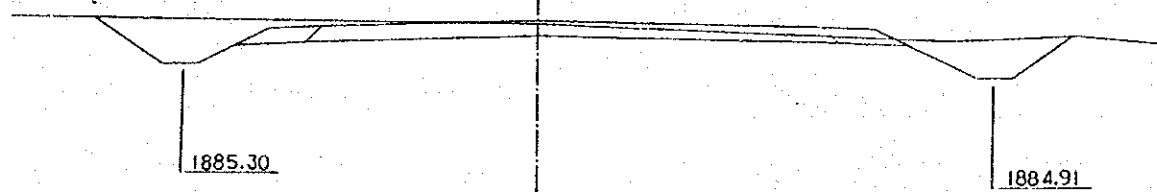
CH. 0+220
 Pt=1886.483
 G=1885.60



CH. 0+240
 Pt=1886.279
 G=1885.77



CH. 0+260
 Pt=1886.546
 G=1886.45



AERIAL PHOTO BY _____ SURVEYED BY _____
 MAPPING BY _____ TRACED BY _____
 LOCATION BY _____ CHECKED BY _____

MOPW ROADS DEPT DRG NO

REVISIONS	
DESCRIPTION	DATE

JAPAN INTERNATIONAL
 COOPERATION AGENCY

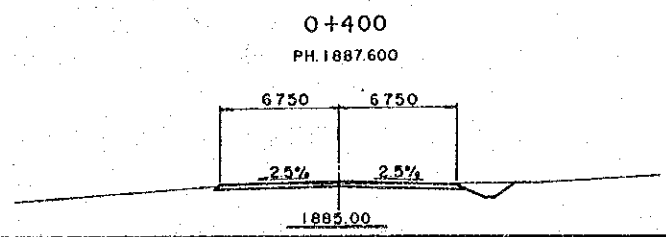
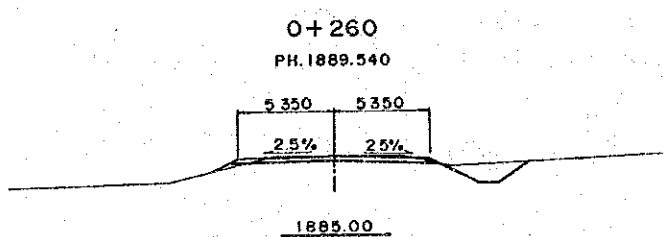
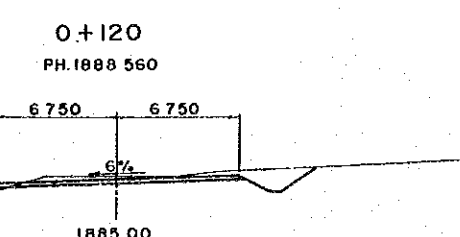
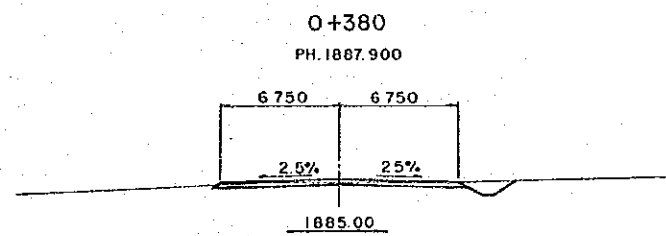
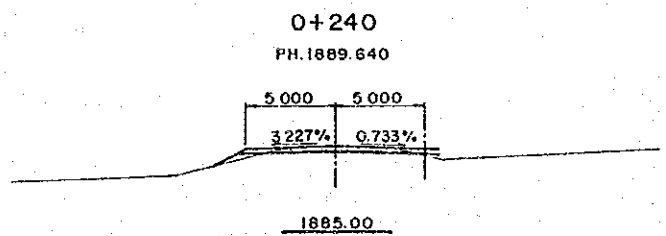
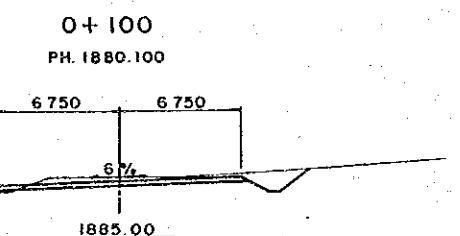
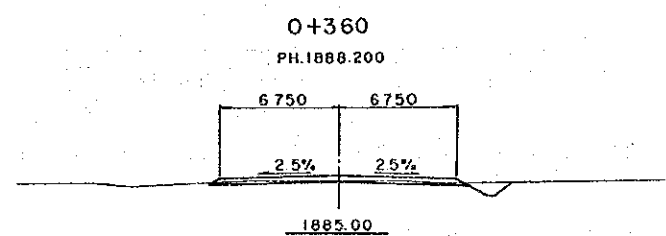
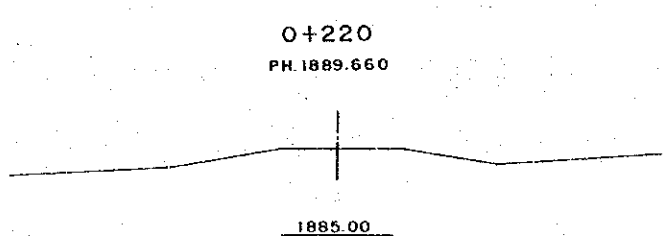
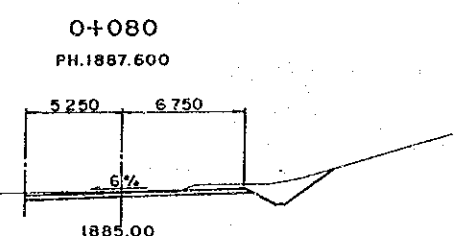
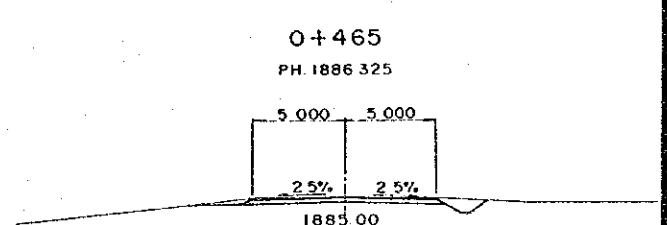
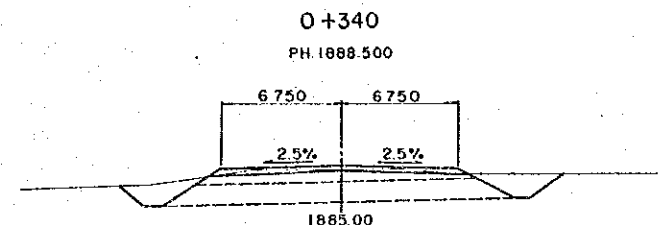
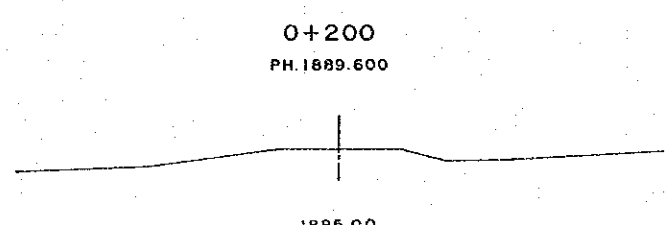
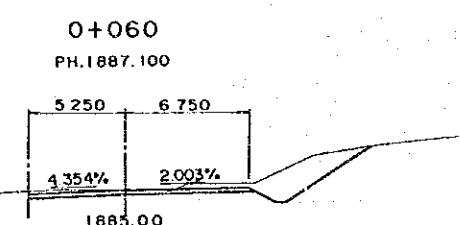
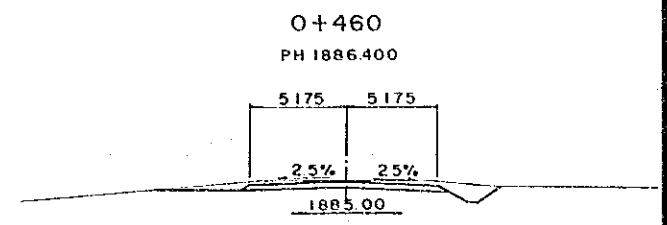
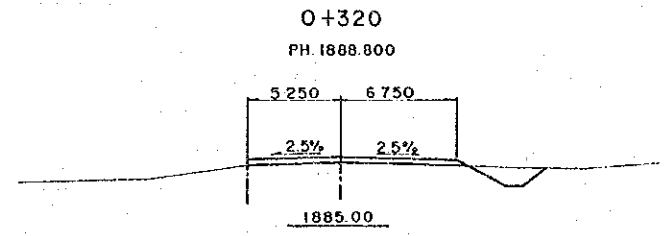
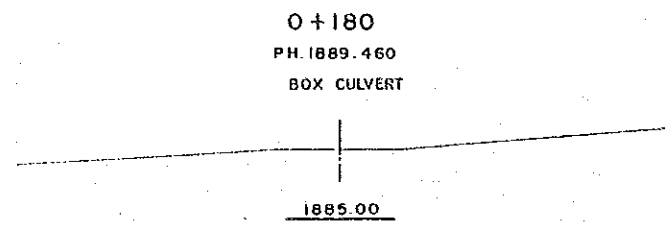
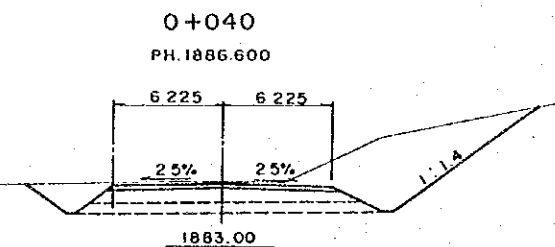
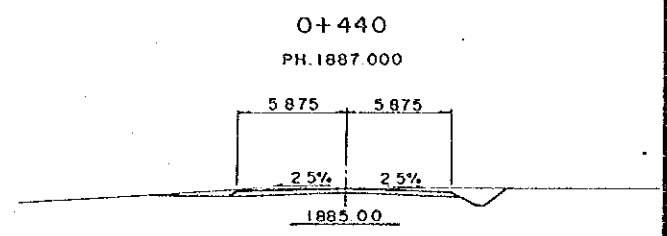
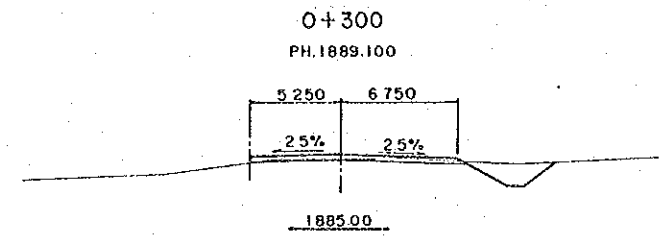
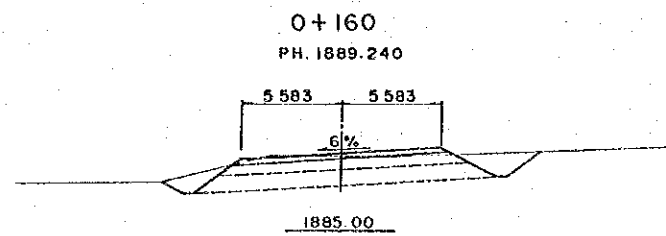
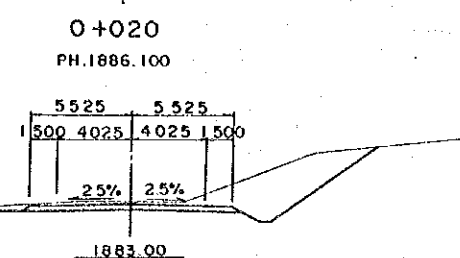
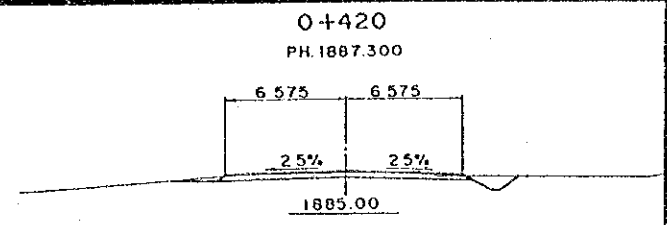
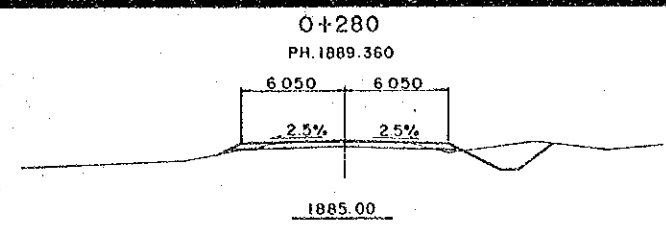
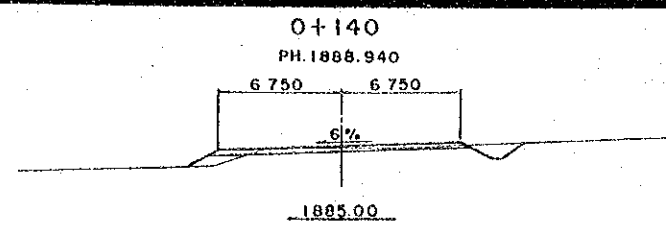
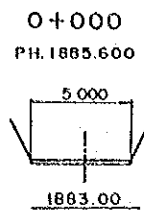
CHIEF ENGINEER (ROADS)
 CHIEF SUPT. ENG. (DESIGN)

SEN. SUPT. ENG. (DESIGN)
 SUPT. ENGINEER (DESIGN)
 PROJECT ENGINEER

SCALES
 1 : 100

NAIROBI BYPASS
 CROSS SECTION DAGORETTI FOREST JUNCTION B

SHEET 45 OF 82



THE FORMATION OF GROUND LINE SHOWN IN THIS CROSS SECTION ARE INFERRED FROM MAP AND ACCURACY IS NOT GUARANTEED.

AERIAL PHOTO BY SURVEYED BY
MAPPING BY TRACED BY
LOCATION BY CHECKED BY
M.C.P.W. ROADS DEPT. DRG. NO.

REVISIONS	
DESCRIPTION	DATE

JAPAN INTERNATIONAL COOPERATION AGENCY

CHIEF ENGINEER (ROADS)
CHIEF SUPT. ENG. (DESIGN)

SEN. SUPT. ENG. (DESIGN)
SUPT. ENGINEER (DESIGN)
PROJECT ENGINEER

SCALES
1:200

NAIROBI BYPASS
CROSS SECTION (DAGORETTI FOREST J.C. APPROACH ROAD)

SHEET 46 OF 82