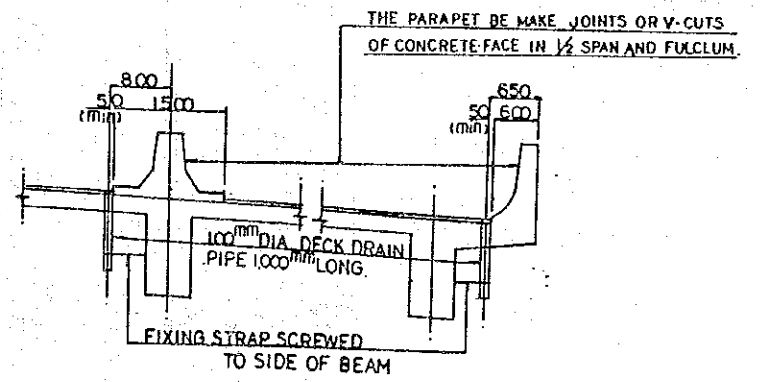
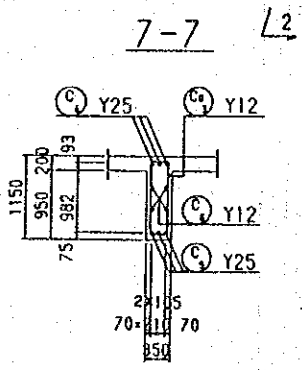
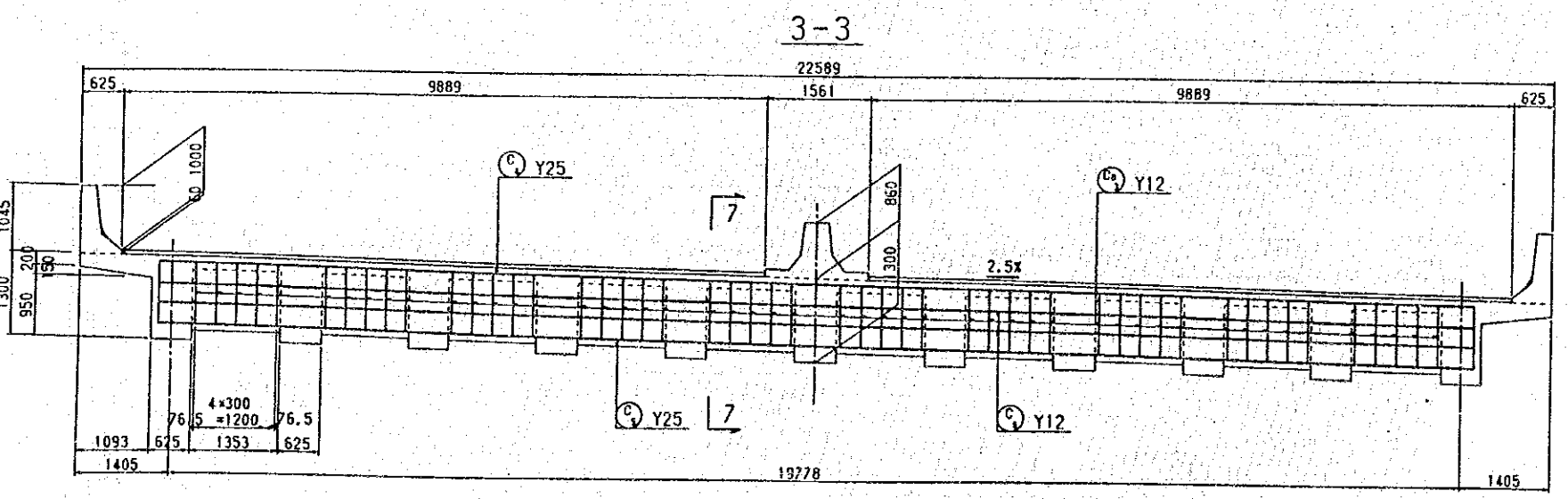
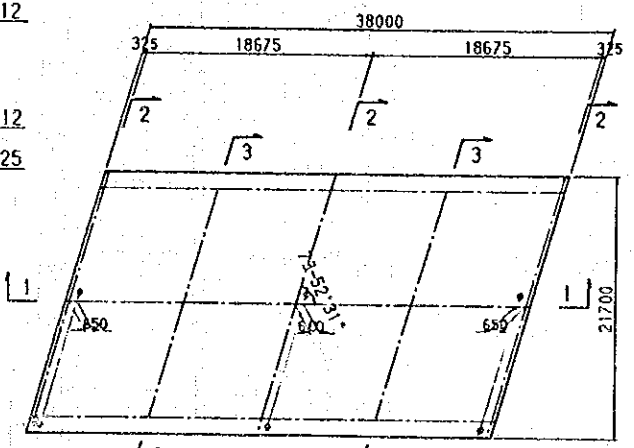
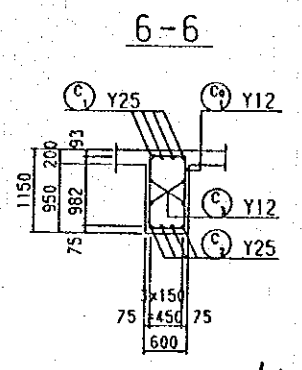
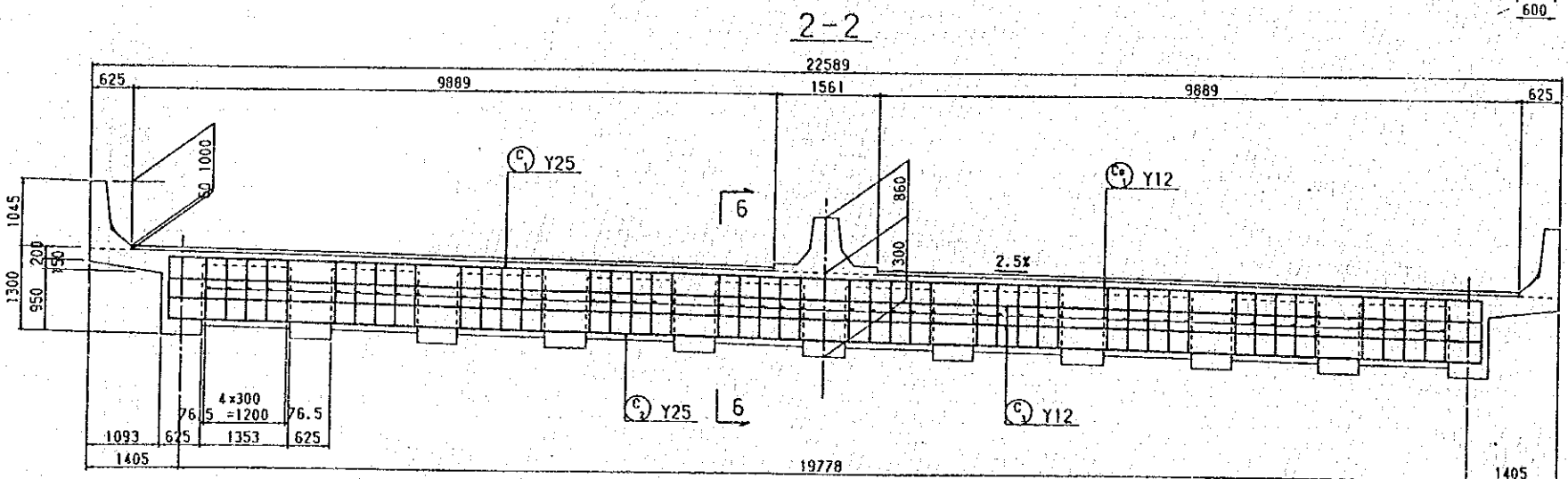
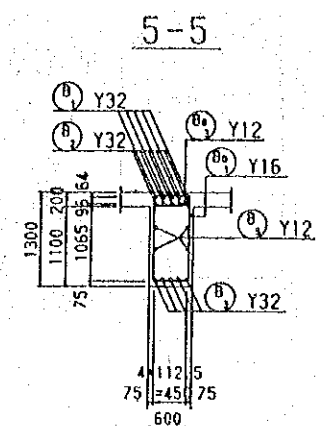
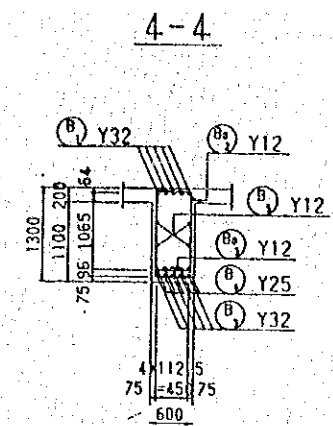
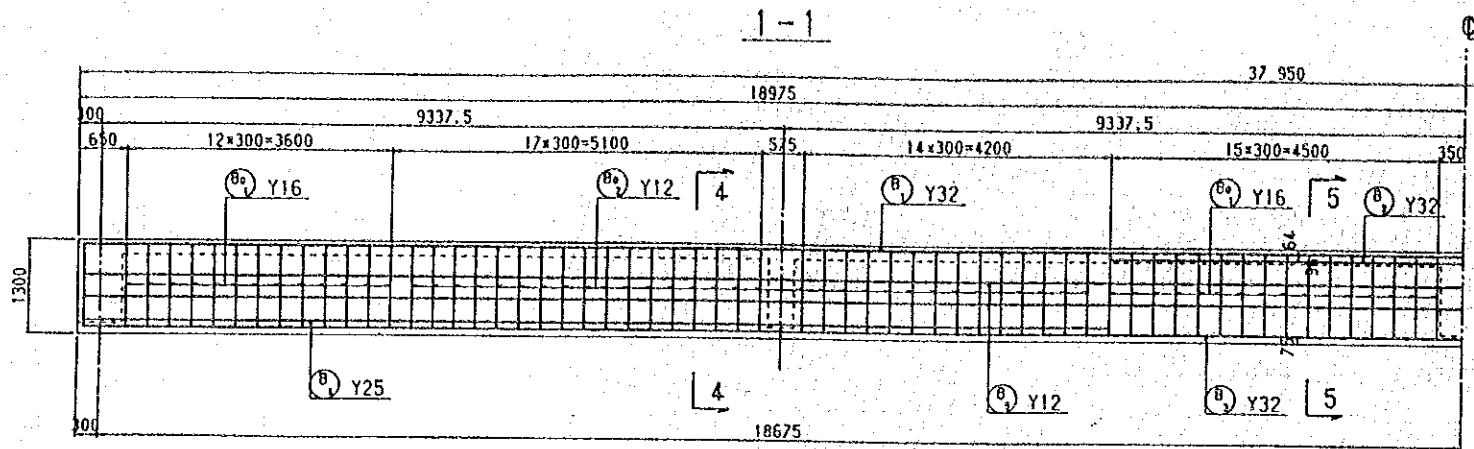


SURVEYED BY
 MAPPING BY
 TRACED BY
 LOCATION BY
 CHECKED BY

M.O.P.W. ROADS DEPT. DRG. NO.



REVISIONS	
DESCRIPTION	DATE

JAPAN INTERNATIONAL COOPERATION AGENCY	CHIEF ENGINEER (ROADS)
	CHIEF SUPT. ENG. (DESIGN)

SEN SUPT. ENG. (DESIGN)	
SUPT. ENGINEER (DESIGN)	
PROJECT ENGINEER	

SCALES	
1:50	

NAIROBI BYPASS	
UBUKU MONUMENT JUNCTION BRIDGE	
SUBSTRUCTURE (1)	

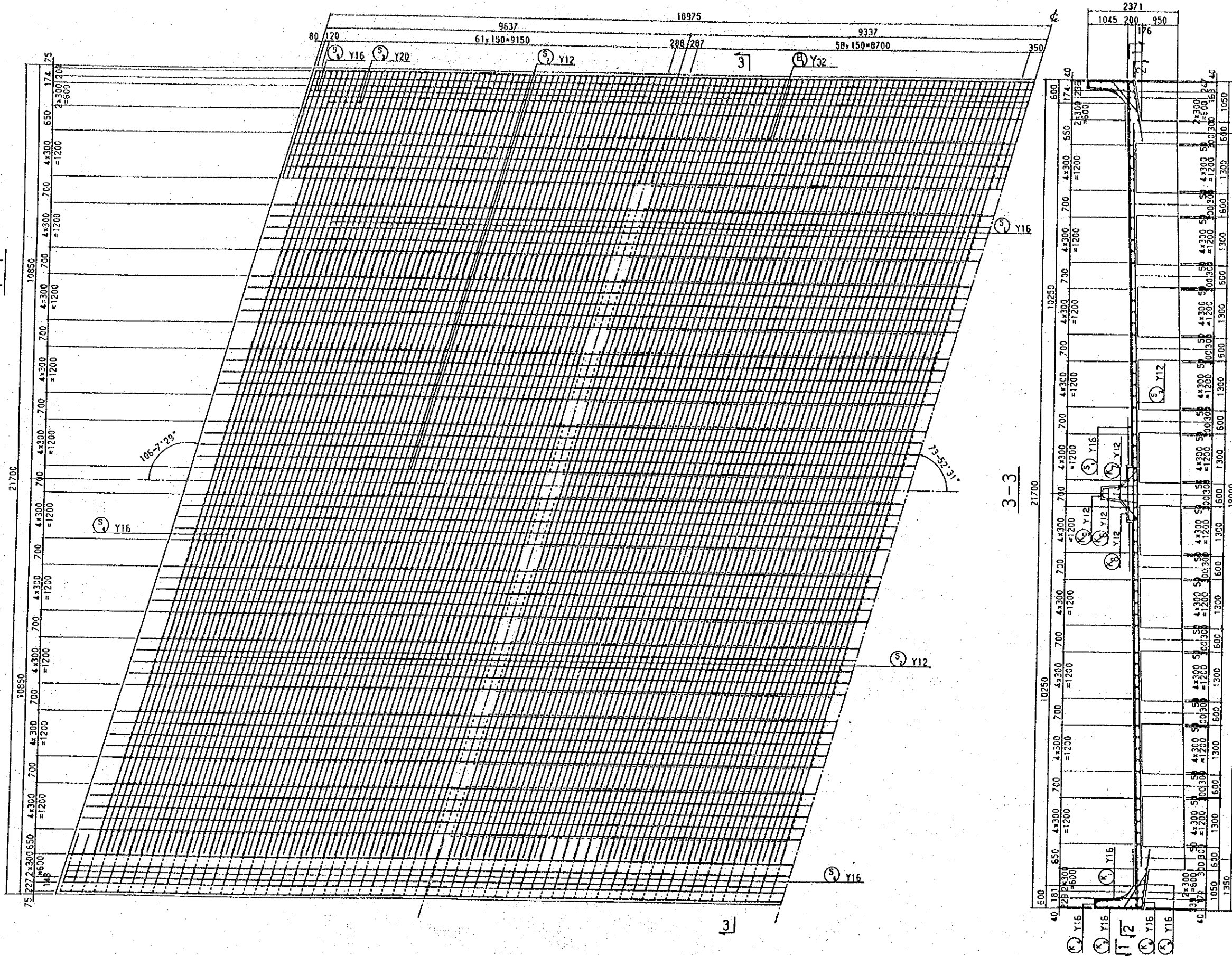
0	
SHEET 20 OF 75	

AERIAL PHOTO BY	SURVEYED BY
MAPPING BY	TRACED BY
LOCATION BY	CHECKED BY

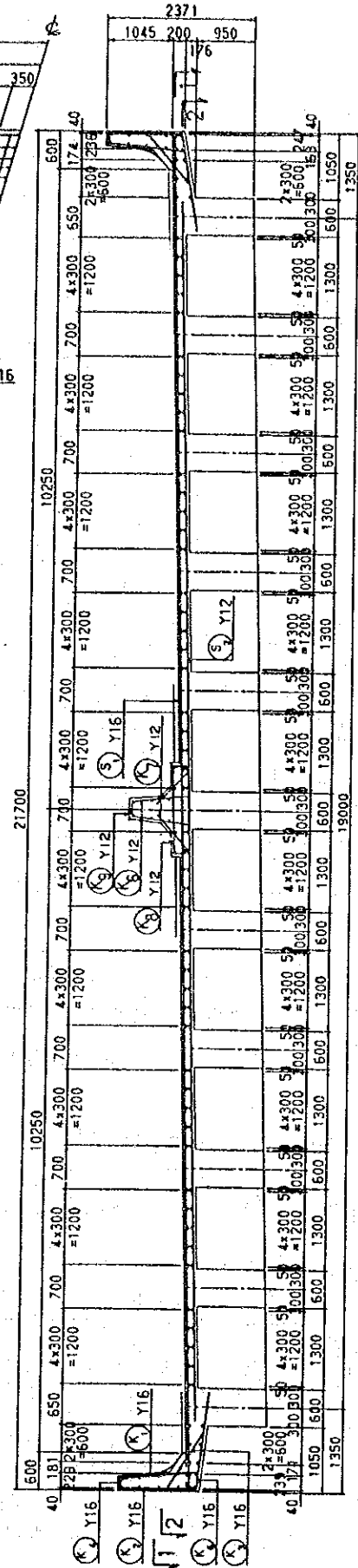
MOPW ROADS DEPT. DRG. NO.

2-2

1-1



3-3



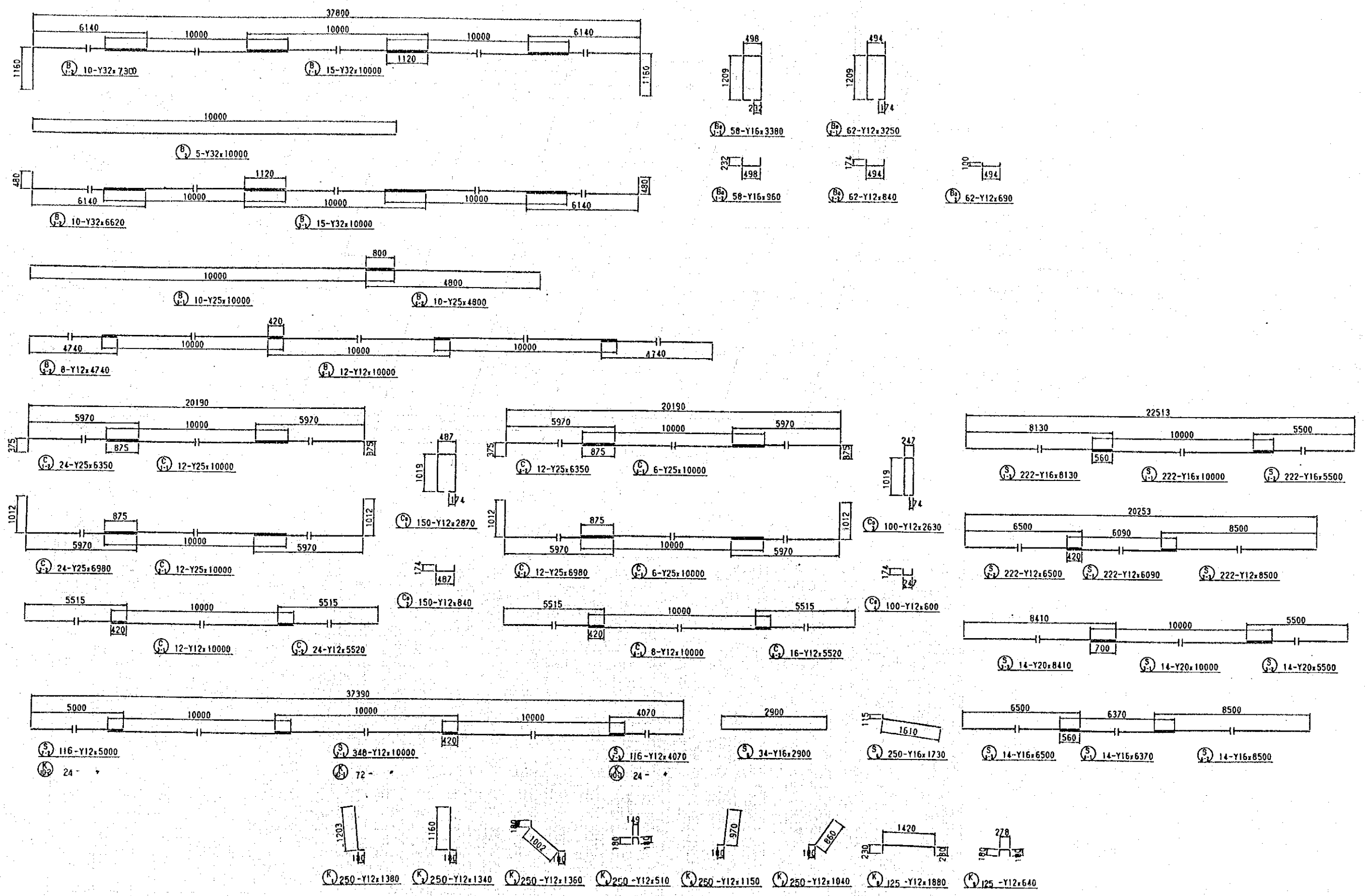
REVISIONS	
DESCRIPTION	DATE

JAPAN INTERNATIONAL COOPERATION AGENCY	CHIEF ENGINEER (ROADS)	SEN. SUPT. ENG. (DESIGN)
	CHIEF SUPT. ENG. (DESIGN)	SUPT. ENGINEER (DESIGN)
		PROJECT ENGINEER

SCALES
1:50

NAIROBI BYPASS
URURU MONUMENT JUNCTION BRIDGE
SUPERSTRUCTURE (1)

AERIAL PHOTO BY _____ SURVEYED BY _____
 MAPPING BY _____ TRACED BY _____
 LOCATION BY _____ CHECKED BY _____
 MOPW ROADS DEPT. DRG. NO. _____



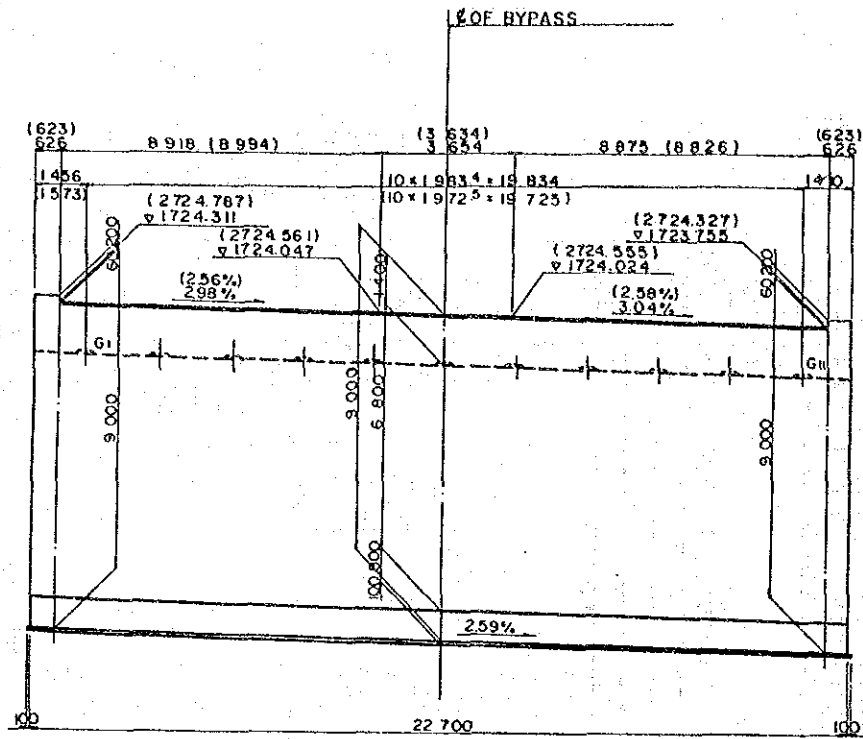
REVISIONS	
DESCRIPTION	DATE

JAPAN INTERNATIONAL COOPERATION AGENCY
 CHIEF ENGINEER (ROADS)
 CHIEF SUPT. ENG. (DESIGN)

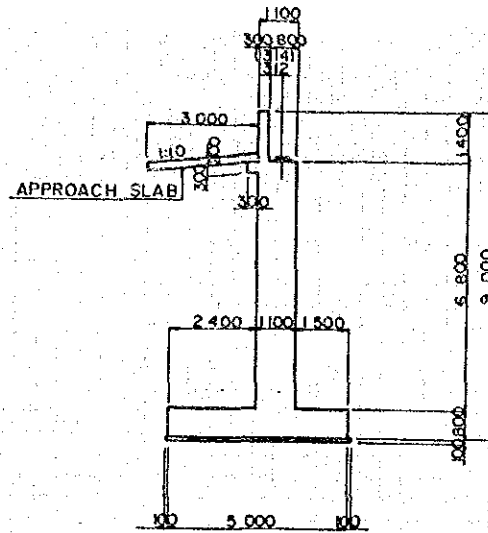
SEN SUPT. ENG. (DESIGN)
 SUPT. ENGINEER (DESIGN)
 PROJECT ENGINEER

SCALES
 1:50

NAIROBI BYPASS
 URURU MONUMENT JUNCTION BRIDGE
 SUPERSTRUCTURE (3)



FRONT VIEW - A1 (A2)

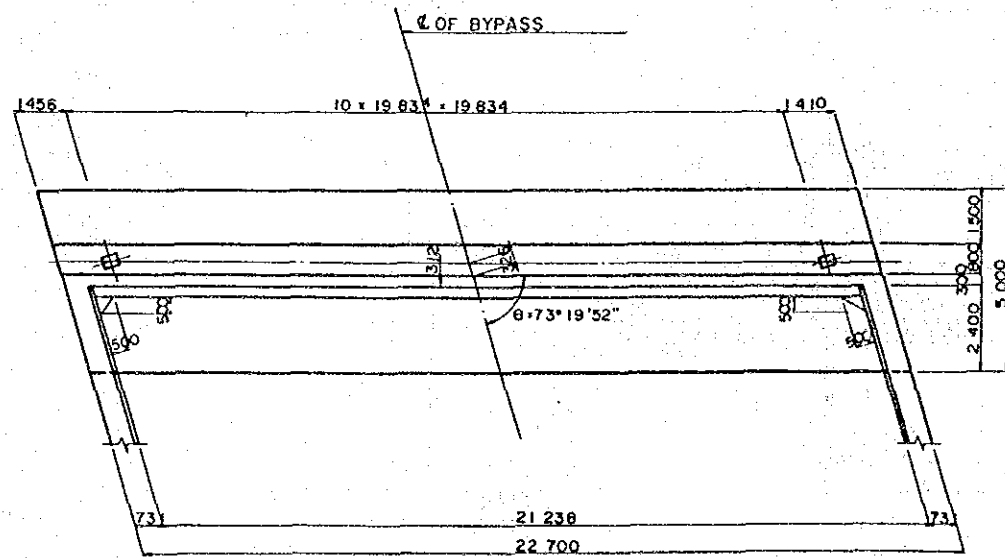


Girder No	G1	G2	G3	G4	G5	G6	G7	G8	G9	G10	G11
Height											
Road face	1724.288	1724.229	1724.170	1724.111	1724.052	1724.036	1724.020	1723.960	1723.900	1723.839	1723.779
Pavement	60										60
Girder	1300										1300
Shoe	46										46
Mortar	56	56	56	56	56	54	56	56	56	56	54
Total	1482	1462	1462	1462	1462	1460	1460	1460	1460	1460	1460
Pedestal face	1722.826	1722.767	1722.708	1722.649	1722.590	1722.576	1722.560	1722.500	1722.440	1722.379	1722.319

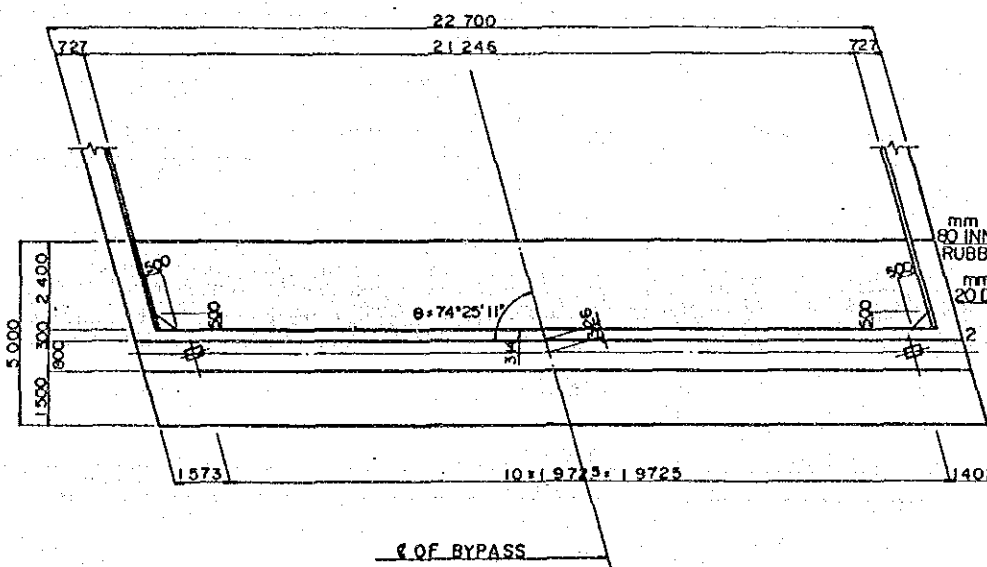
A1 - ABUTMENT (Mov)

Girder No	G1	G2	G3	G4	G5	G6	G7	G8	G9	G10	G11
Height											
Road face	1724.767	1724.717	1724.666	1724.616	1724.565	1724.559	1724.551	1724.500	1724.449	1724.398	1724.347
Pavement	60										60
Girder	1300										1300
Shoe	46										46
Mortar	56	56	56	56	56	54	52	52	52	52	52
Total	1462	1462	1462	1462	1462	1460	1458	1458	1458	1458	1458
Pedestal face	1723.305	1723.255	1723.204	1723.154	1723.103	1723.098	1723.093	1723.042	1722.991	1722.940	1722.889

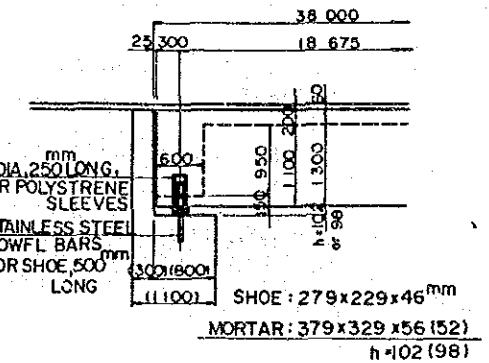
A2 - ABUTMENT (Mov)



PLAN - A1 ABUTMENT



PLAN - A2 ABUTMENT



ABUTMENT (Mov)

- NOTES:
1. JOINT FILLER SHOULD BE 25mm THICK PLIX CELL OR SIMILAR APPROVED LOW COMPRESSION MATERIAL.
 2. JOINT SEALANT SHOULD BE TRIOPLEX 900 OR SIMILAR APPROVED POLYURETHANE.

AERIAL PHOTO BY: _____ SURVEYED BY: _____
 MAPPING BY: _____ TRACED BY: _____
 LOCATION BY: _____ CHECKED BY: _____

M.O.P.W. ROADS DEPT DRG NO.

REVISIONS	DESCRIPTION	DATE

JAPAN INTERNATIONAL COOPERATION AGENCY	CHIEF ENGINEER (ROADS)
	CHIEF SUPT ENG (DESIGN)

SEN SUPT. ENG (DESIGN)	
SUPT ENGINEER (DESIGN)	
PROJECT ENGINEER	

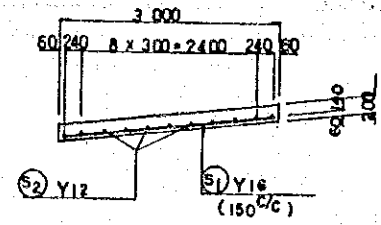
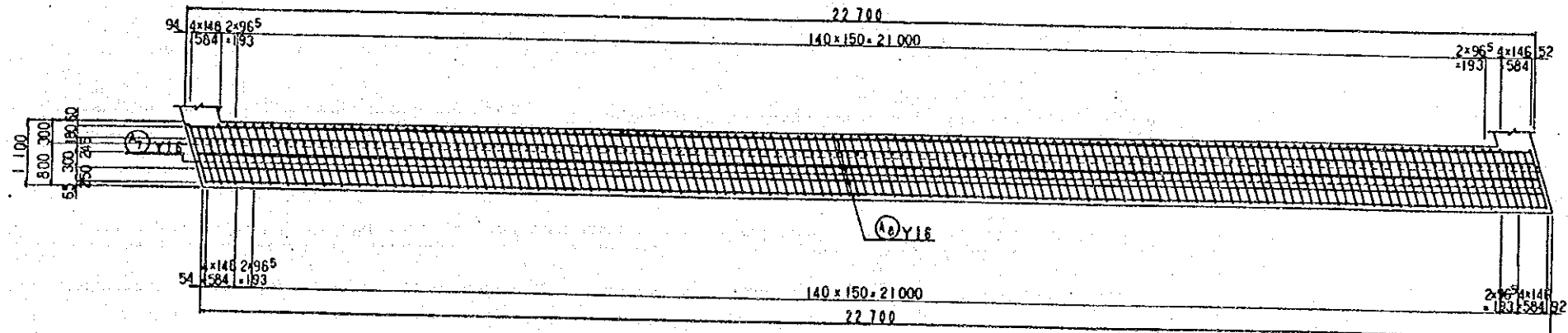
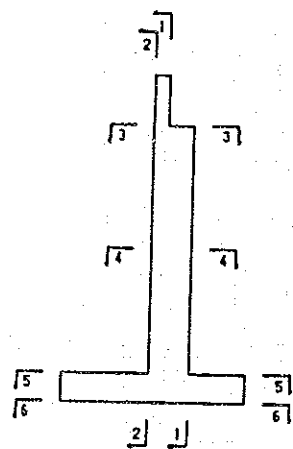
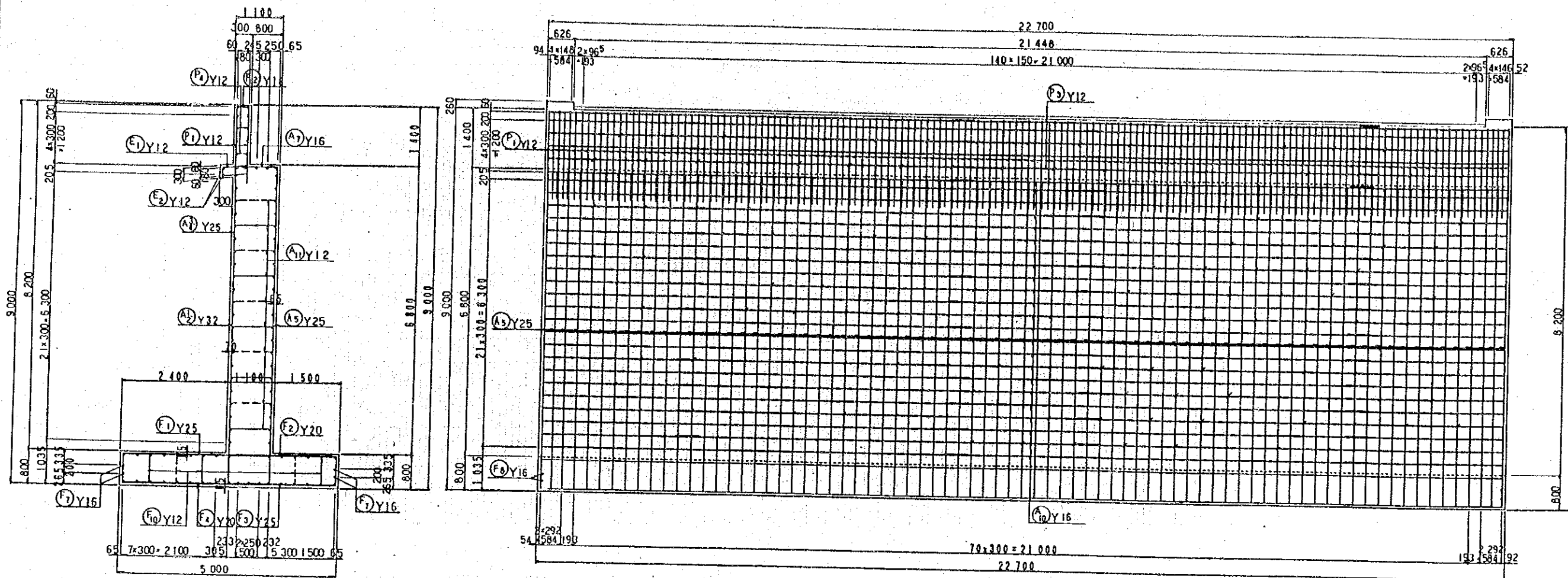
SCALES	
1:50	1:100

NAIROBI BYPASS	
USURU MONUMENT JUNCTION BRIDGE	
ABUTMENTS (A1, A2) (1)	

0	
SHEET 24 OF 75	

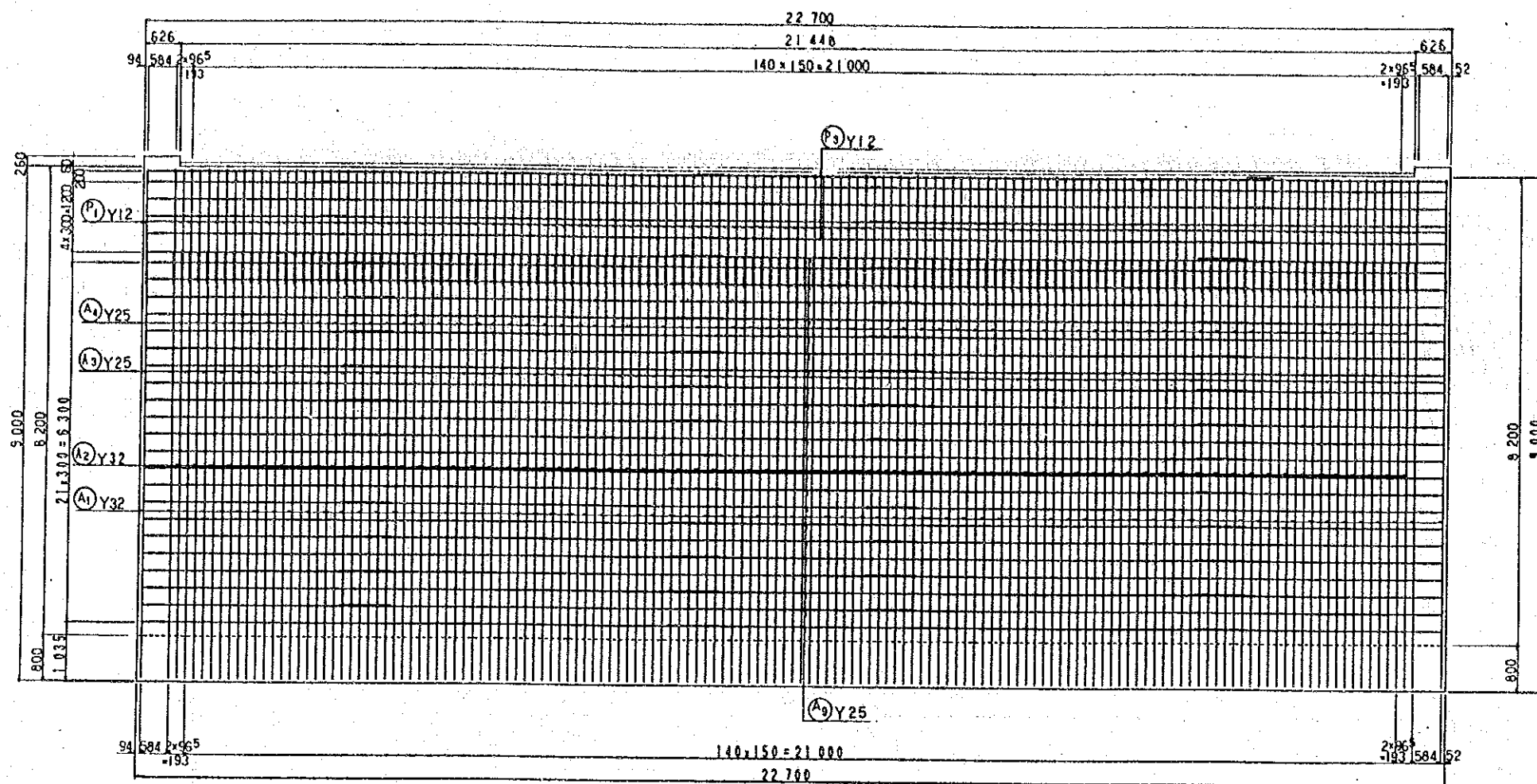
SURVEYED BY
 TRACED BY
 CHECKED BY
 AERIAL PHOTO BY
 MAPPING BY
 LOCATION BY

MOPW ROADS DEPT DRG NO.

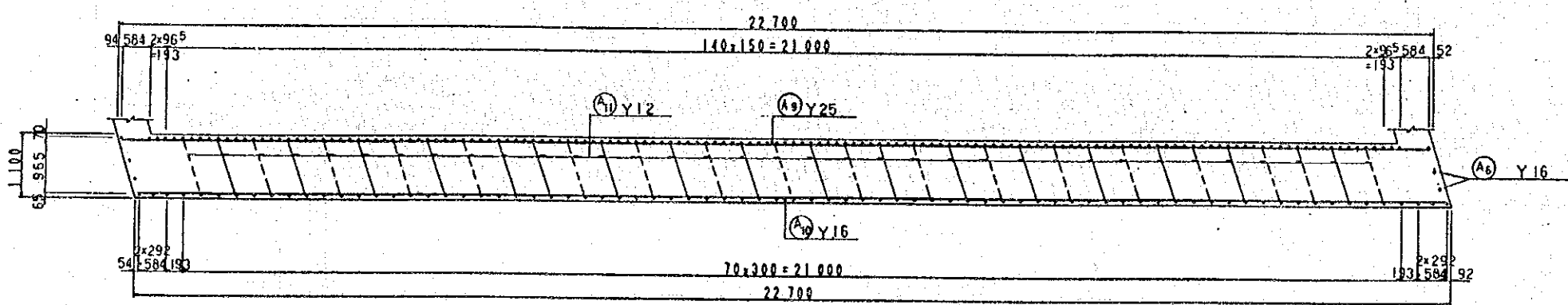


APPROACH SLAB

REVISIONS		JAPAN INTERNATIONAL COOPERATION AGENCY	CHIEF ENGINEER (ROADS)	SEN SUPT. ENG (DESIGN)	SUALES	NAIROBI BYPASS	0
DESCRIPTION	DATE						
			CHIEF SUPT ENG (DESIGN)	SUPT ENGINEER (DESIGN)	1:50	URUWU MONUMENT JUNCTION BRIDGE	SHEET 25 OF 75
				PROJECT ENGINEER		ABUTMENTS (A1, A2) (2)	



2 — 2



4 — 4

SURVEYED BY
 TRACED BY
 CHECKED BY
 AERIAL PHOTO BY
 MAPPING BY
 LOCATION BY

MOPW ROADS DEPT DRG NO.

REVISIONS	
DESCRIPTION	DATE

JAPAN INTERNATIONAL COOPERATION AGENCY

CHIEF ENGINEER (ROADS)

CHIEF SUPY ENG (DESIGN)

SEN SUPT. ENG (DESIGN)

SUPT ENGINEER (DESIGN)

PROJECT ENGINEER

SCALES

1:50

NAIROBI BYPASS

URUBU MONUMENT JUNCTION BRIDGE

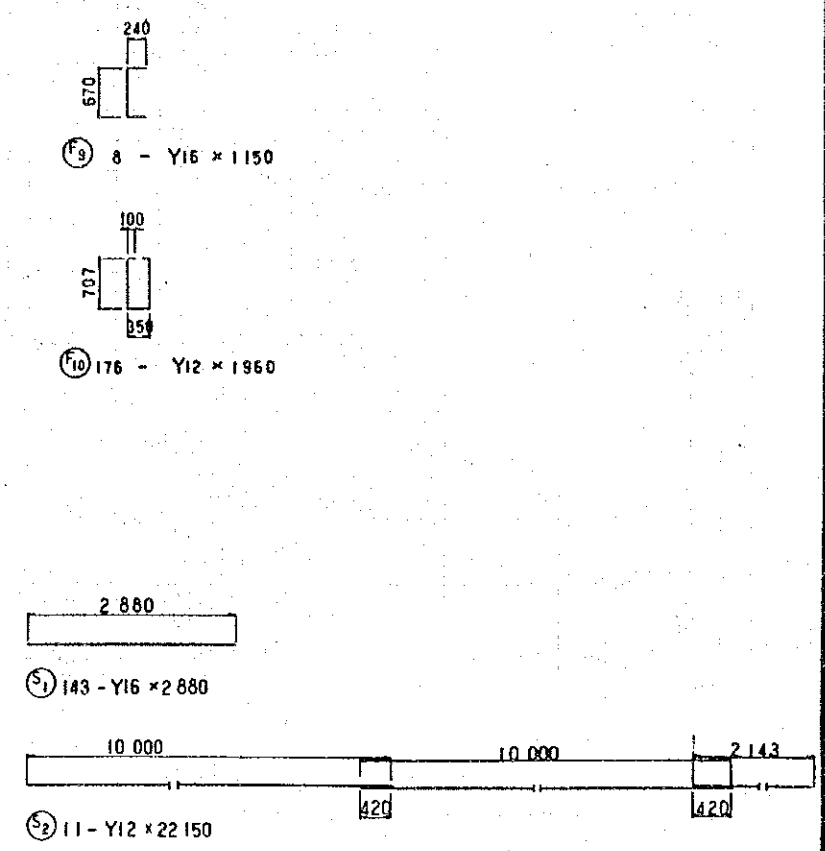
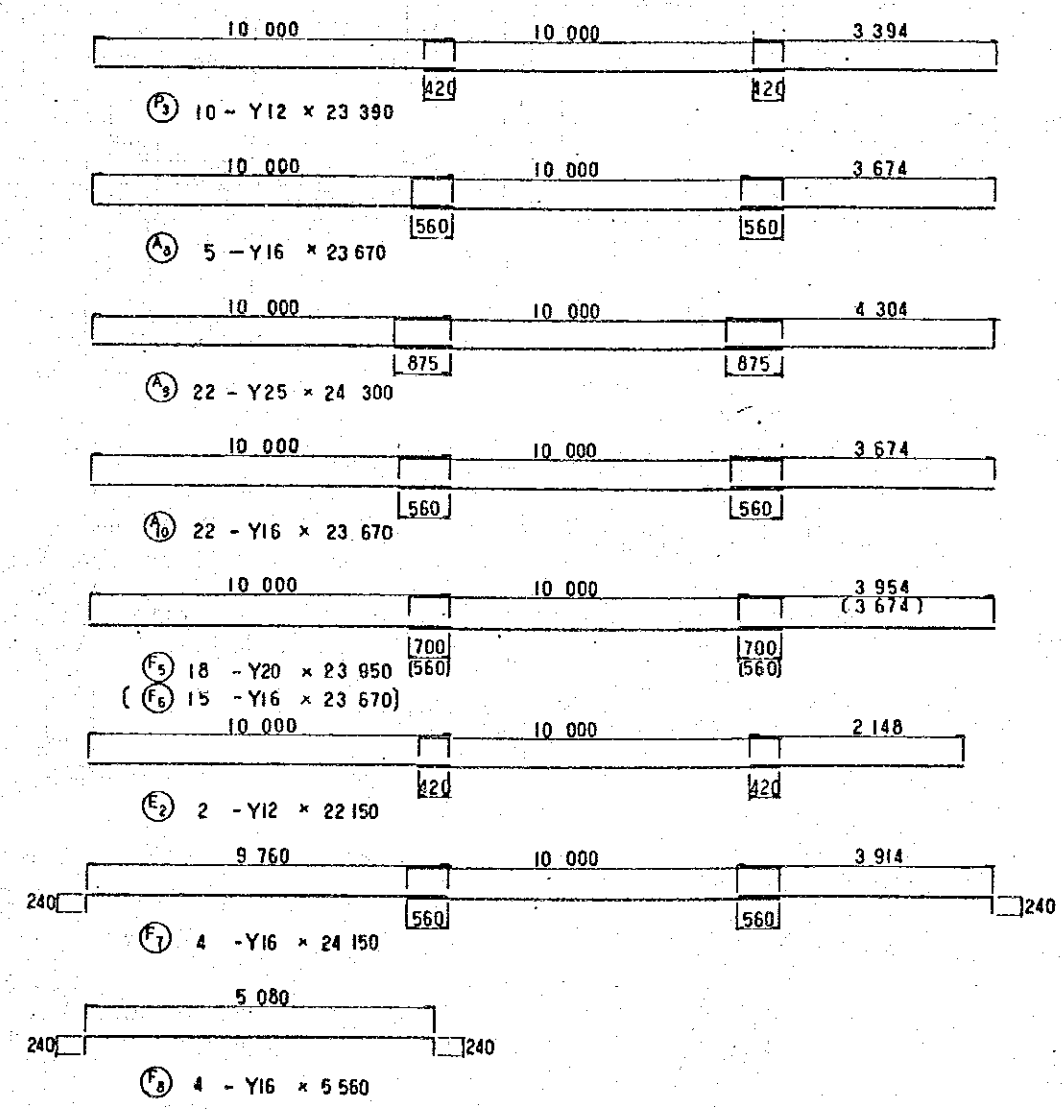
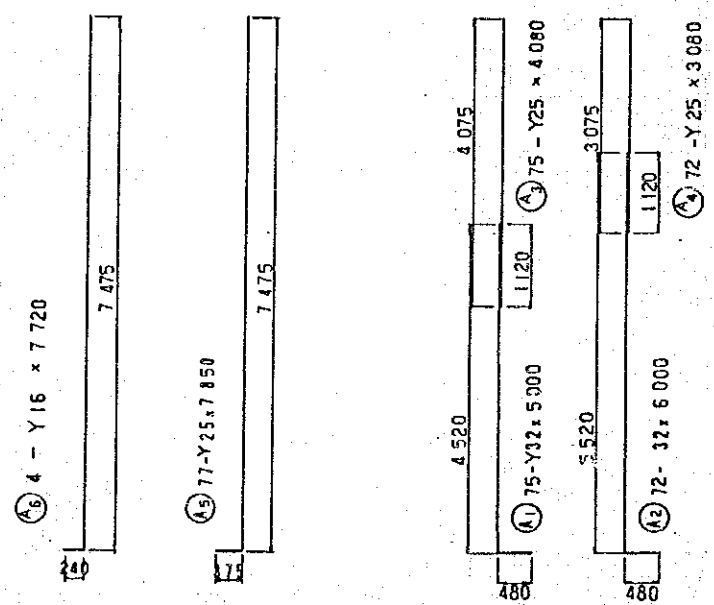
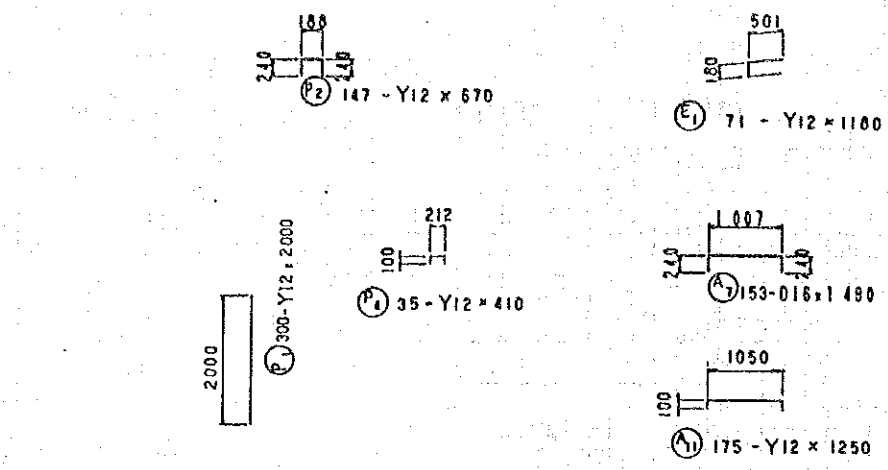
ABUTMENTS (A1, A2) (S)

0

SHEET 26 OF 75

AERIAL PHOTO BY _____
 MAPPING BY _____
 LOCATION BY _____
 SURVEYED BY _____
 TRACED BY _____
 CHECKED BY _____

M.O.P.W. ROADS DEPT. DRG. NO.



REVISIONS	
DESCRIPTION	DATE

JAPAN INTERNATIONAL
 COOPERATION AGENCY

CHIEF ENGINEER (ROADS)
 CHIEF SUPT. ENG. (DESIGN)

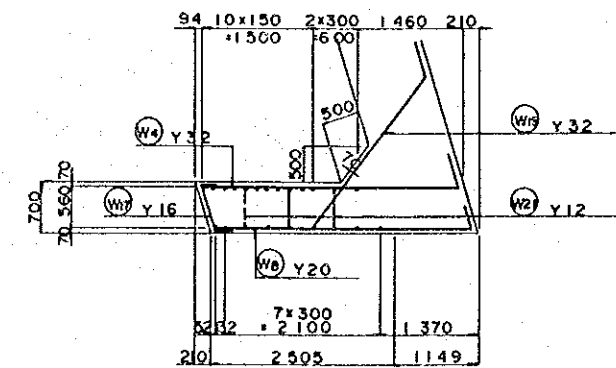
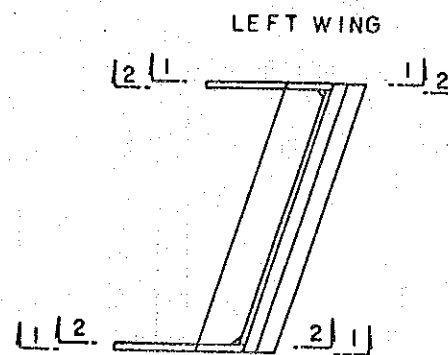
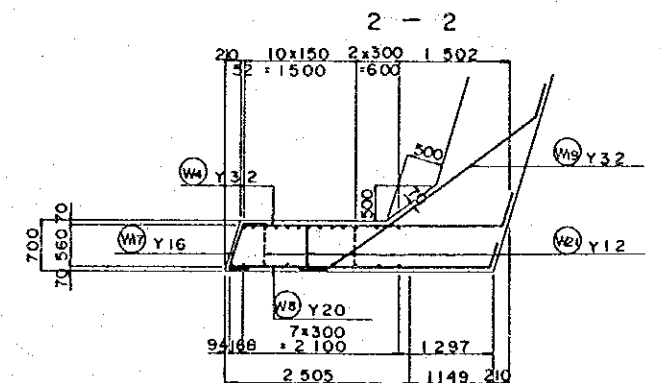
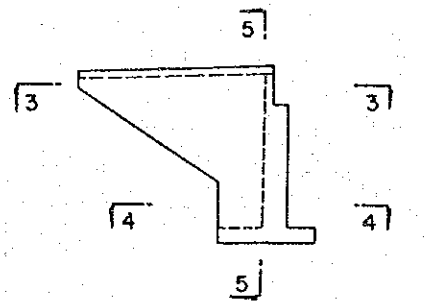
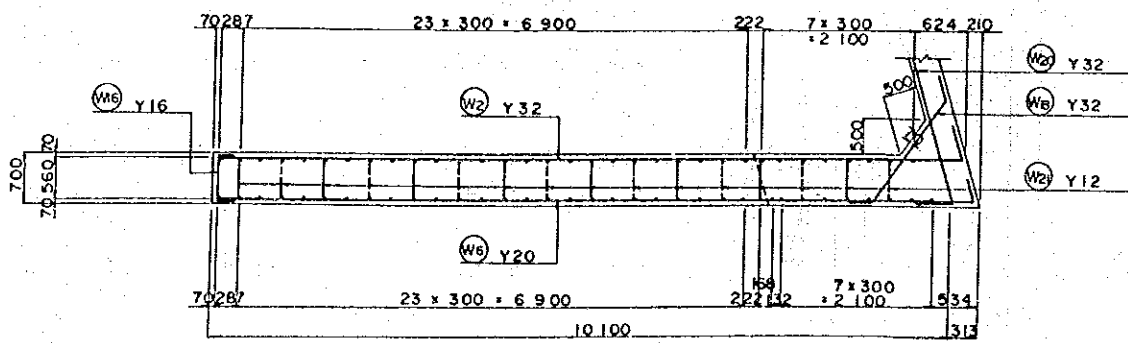
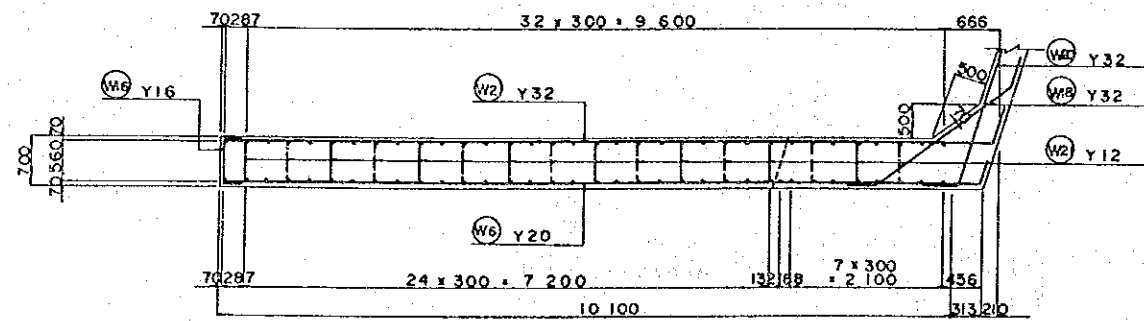
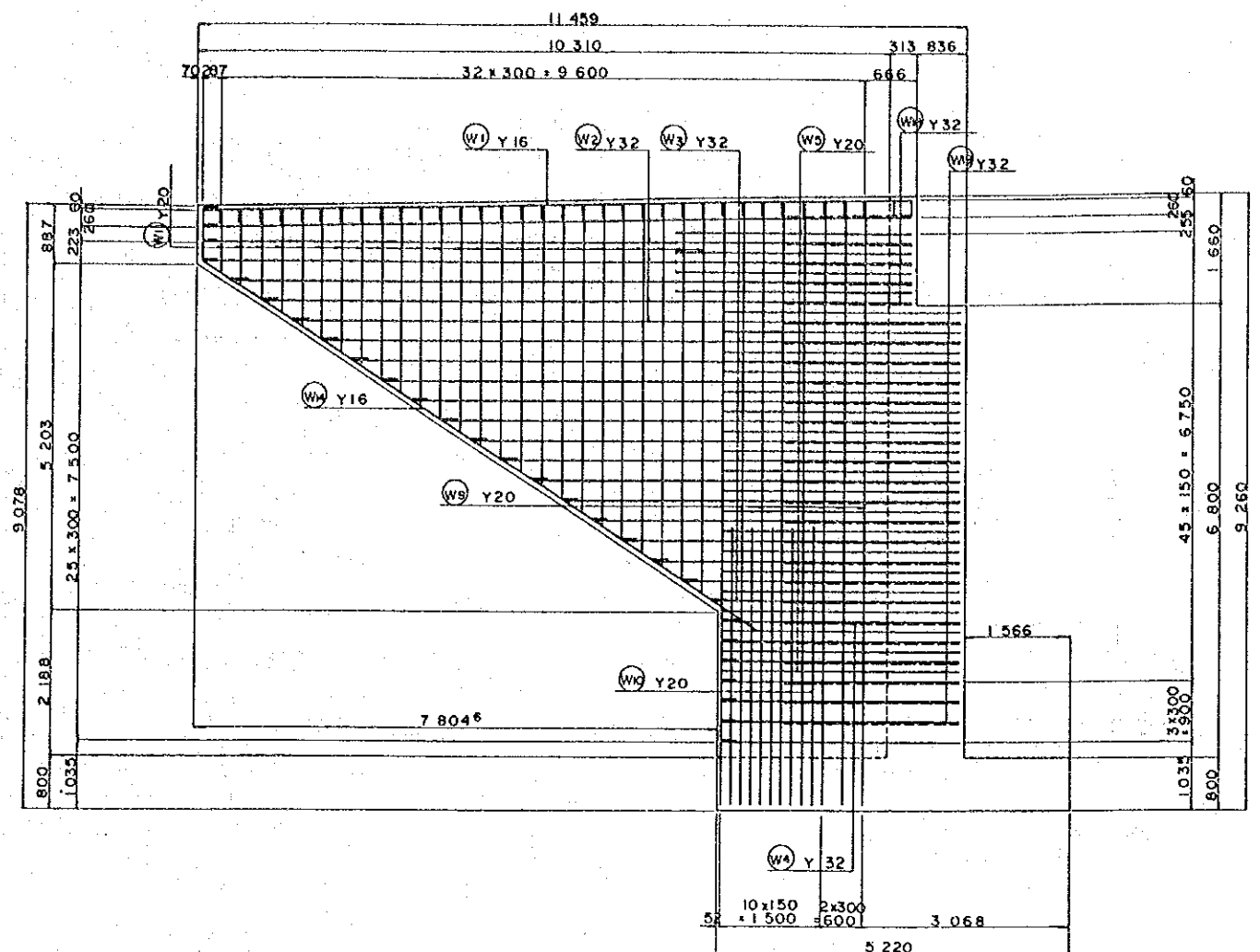
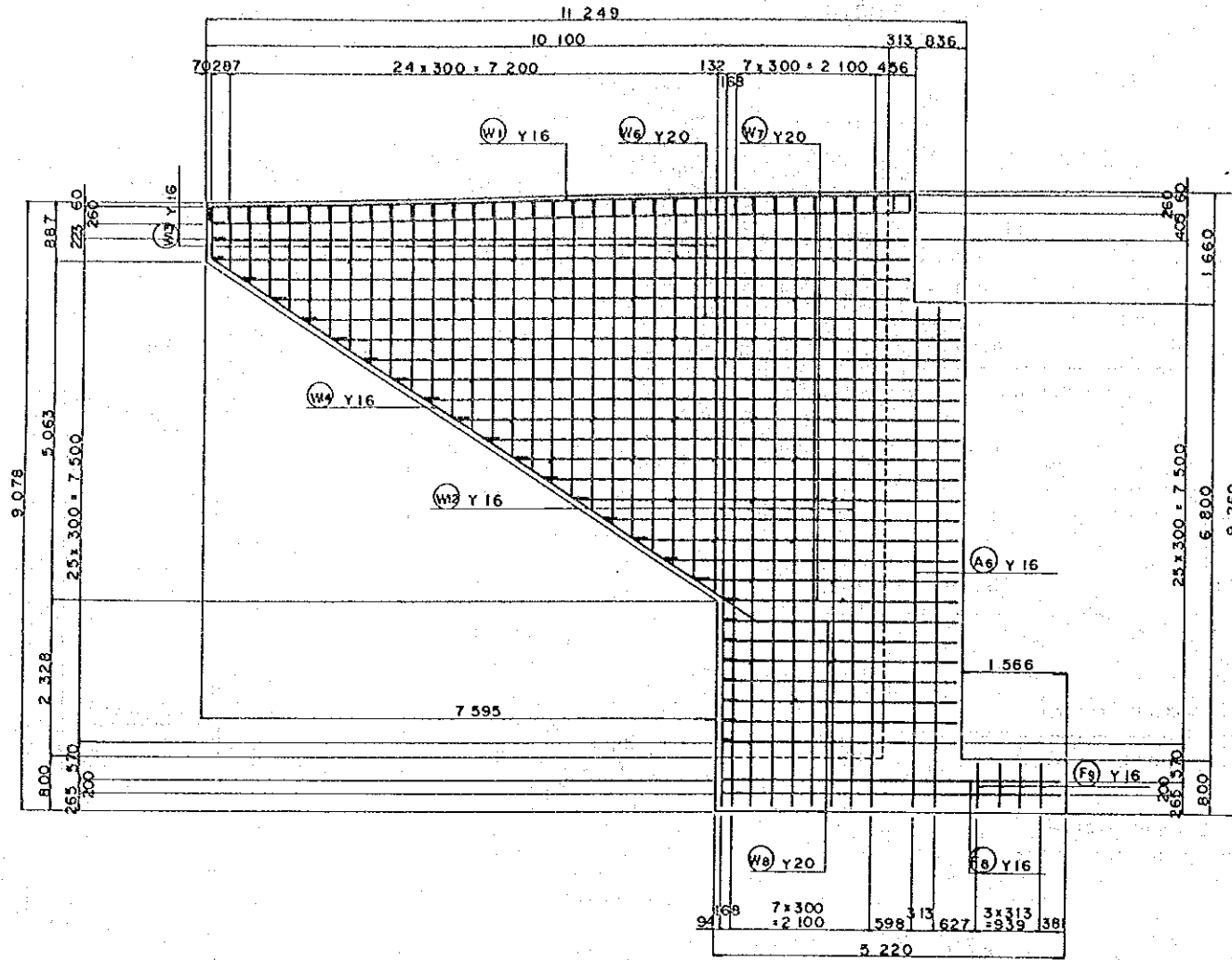
SEN SUPT. ENG. (DESIGN)
 SUPT. ENGINEER (DESIGN)
 PROJECT ENGINEER

SCALES
 1:50

NAIROBI BYPASS
 URURU MOMENT JUNCTION BRIDGE
 ABUTMENTS (A1, A2) (6)

AERIAL PHOTO BY
MAPPING BY
LOCATION BY
SURVEYED BY
TRACED BY
CHECKED BY

MOPW ROADS DEPT. DRG. NO.



RIGHT WING

4 - 4 (LEFT WING)

REVISIONS	
DESCRIPTION	DATE

JAPAN INTERNATIONAL
COOPERATION AGENCY

CHIEF ENGINEER (ROADS)
CHIEF SUPT. ENG. (DESIGN)

SEN. SUPT. ENG. (DESIGN)
SUPT. ENGINEER (DESIGN)
PROJECT ENGINEER

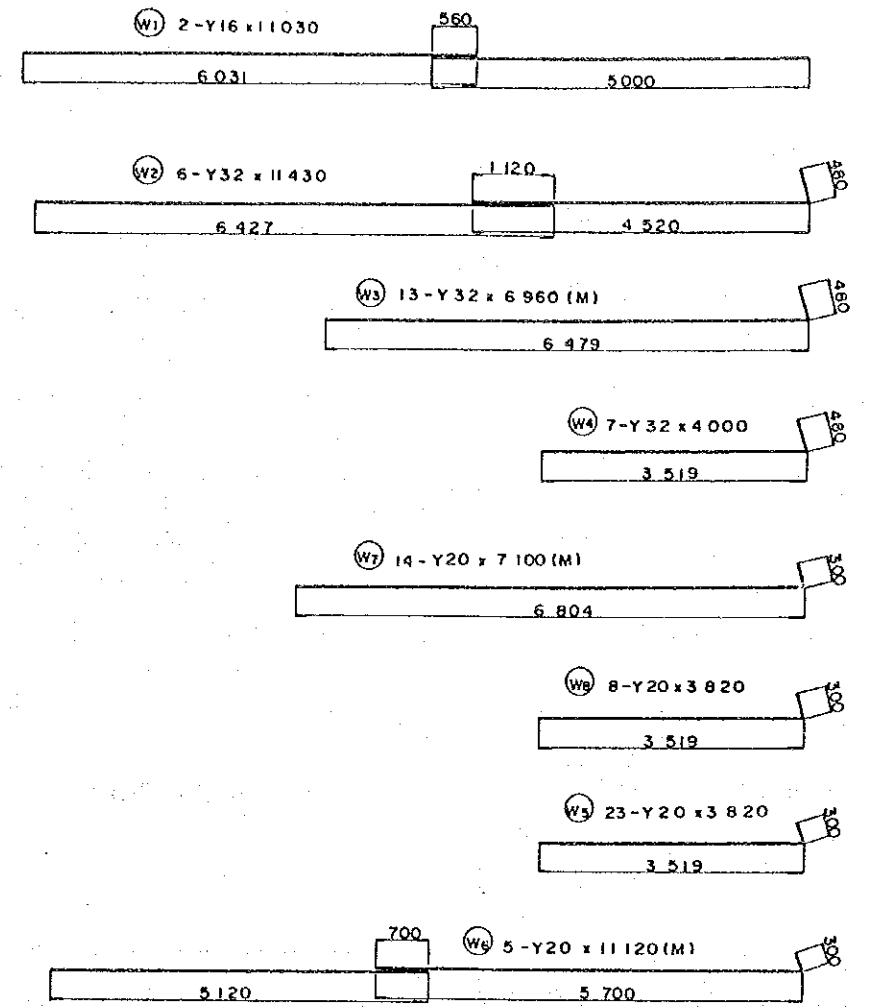
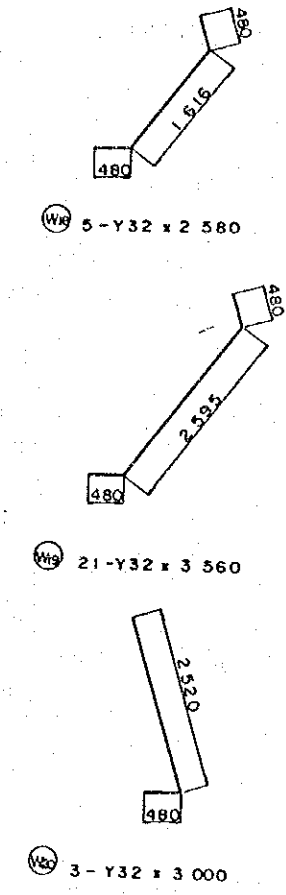
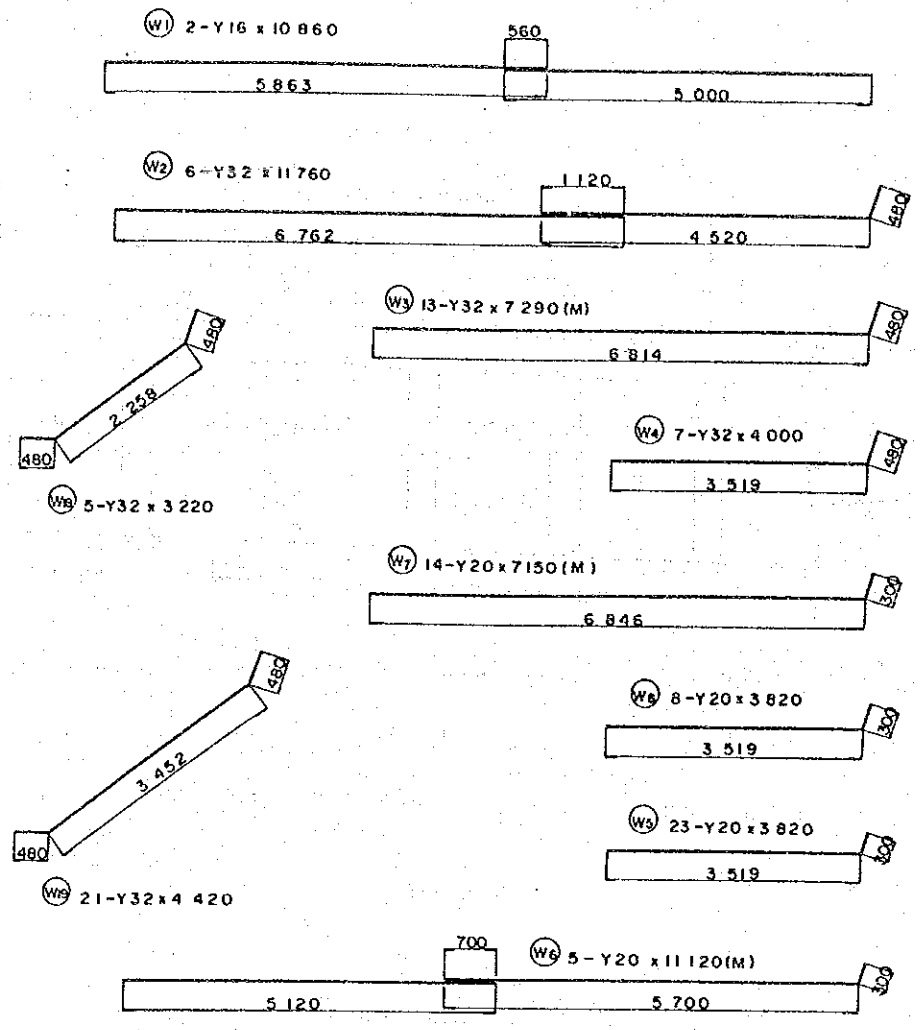
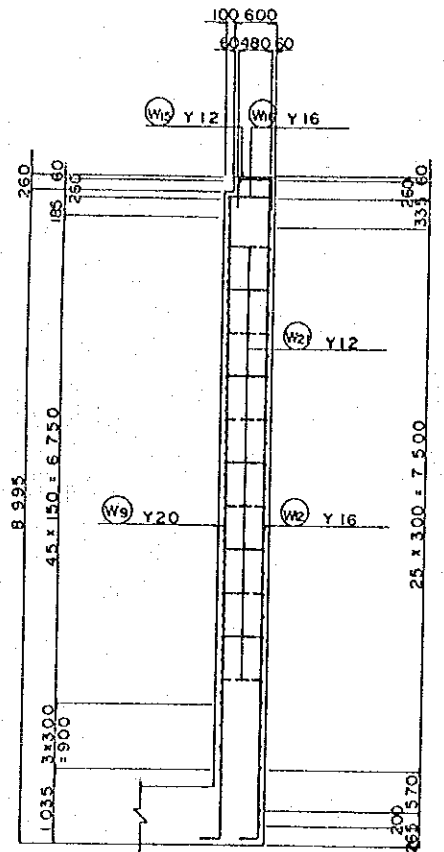
SCALES
1:50

NAIROBI BYPASS
URURU MONUMENT JUNCTION BRIDGE
RING WALL (A) (1)

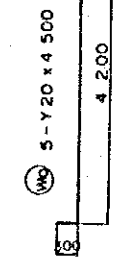
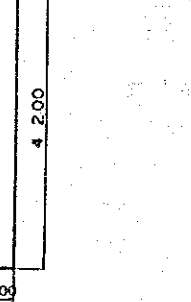
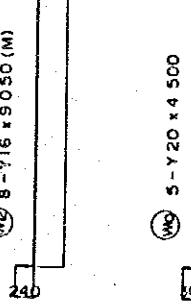
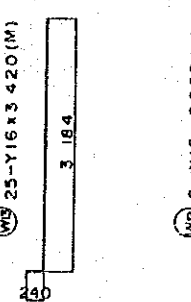
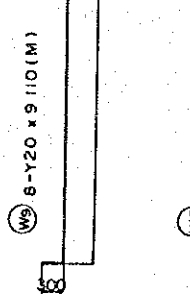
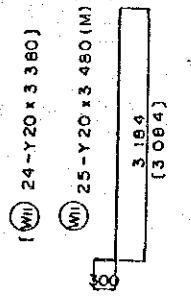
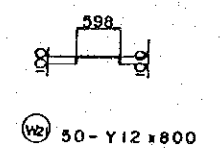
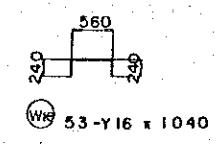
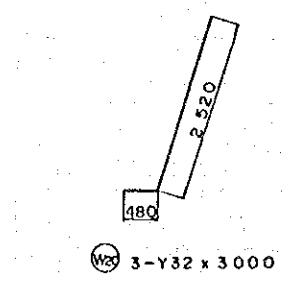
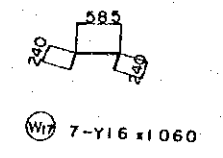
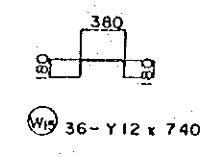
0
SHEET 29 OF 75

RIGHT WING

LEFT WING



5 - 5



IN COMMON OF BAR

MOPW ROADS DEPT DRG NO.

AERIAL PHOTO BY SURVEYED BY
MAPPING BY TRACED BY
LOCATION BY CHECKED BY

REVISIONS	DESCRIPTION	DATE

JAPAN INTERNATIONAL COOPERATION AGENCY

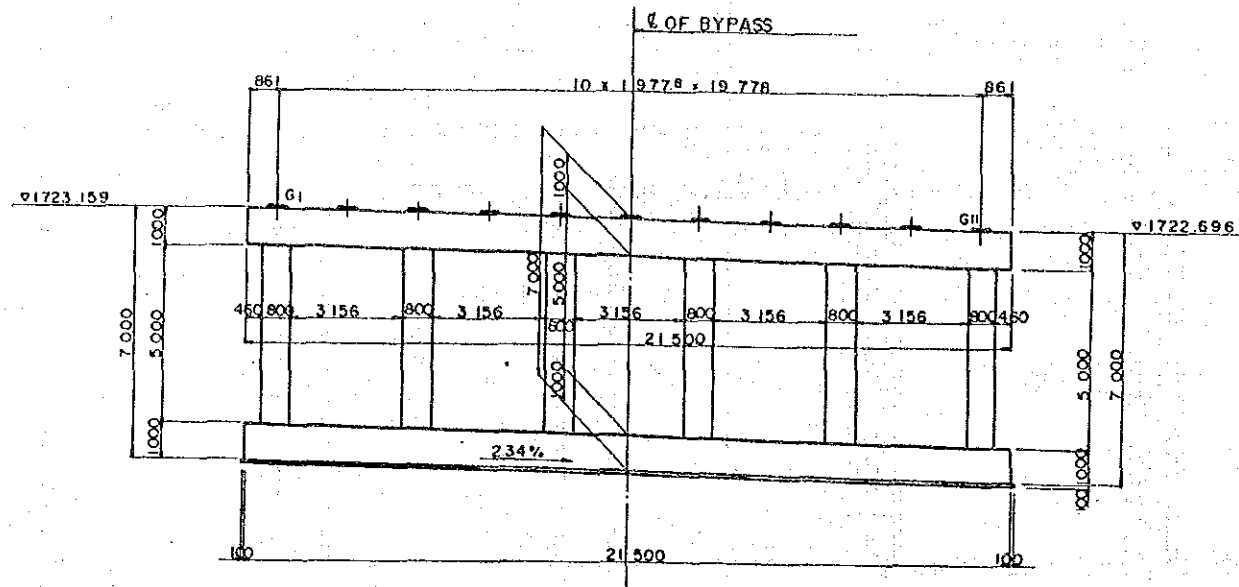
CHIEF ENGINEER (ROADS)
CHIEF SUPT ENG (DESIGN)

SEN SUPT ENG (DESIGN)
SUPT ENGINEER (DESIGN)
PROJECT ENGINEER

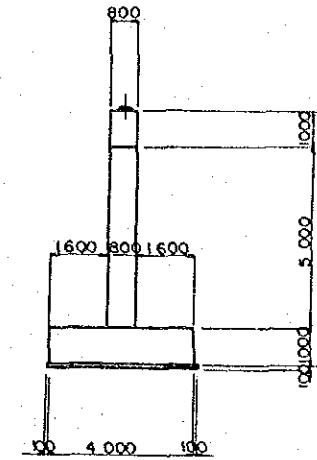
SCALES
1:50

NAIROBI BYPASS
URURU MONUMENT JUNCTION BRIDGE
RING WALL (A1) (2)

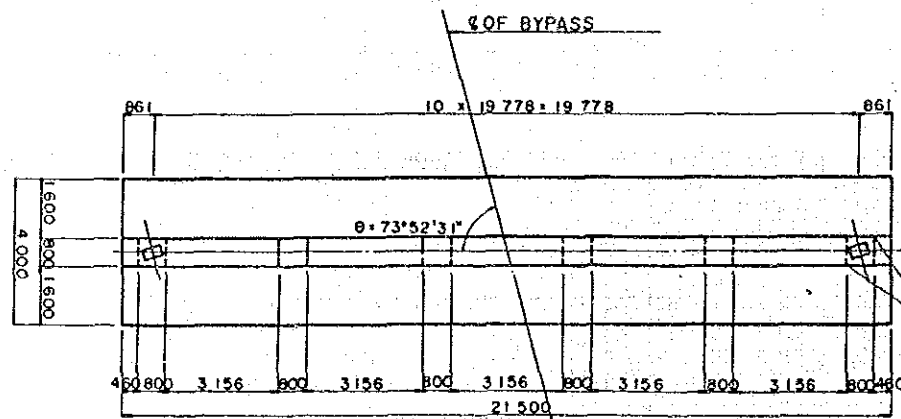
0
SHEET 30 OF 75



FRONT VIEW



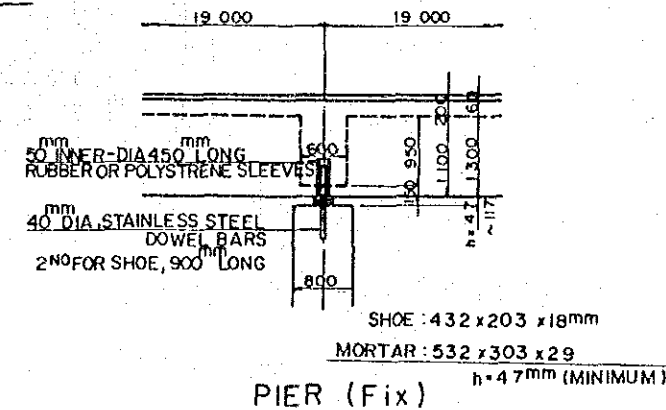
SIDE VIEW



PLAN-PIER

Girder No	G1	G2	G3	G4	G5	G6	G7	G8	G9	G10	G11
Road face	1724.599	1724.545	1724.490	1724.435	1724.381	1724.369	1724.358	1724.302	1724.247	1724.191	1724.136
Structure	Pavement	60									60
	Girder	1300									1300
	Shoe	18									18
	Mortar	62	54	46	37	29	64	99	89	80	71
Total	1440	1432	1424	1415	1407	1442	1477	1467	1458	1449	1440
Pedestal face	1723.159	1723.113	1723.066	1723.020	1722.974	1722.927	1722.881	1722.835	1722.789	1722.742	1722.696

THE FOUR CORNERS OF THE PILLAR SHOULD BE MADE HALF CIRCLES OF 100mm RADIUS.



PIER (Fix)

SURVEYED BY
 MAPPING BY
 AERIAL PHOTO BY
 TRACED BY
 LOCATION BY
 CHECKED BY

M.O.P.W. ROADS DEPT. DRG. NO.

REVISIONS	DESCRIPTION	DATE

JAPAN INTERNATIONAL COOPERATION AGENCY

CHIEF ENGINEER (ROADS)
 CHIEF SUPT. ENG. (DESIGN)

SEN SUPT. ENG. (DESIGN)
 SUPT. ENGINEER (DESIGN)
 PROJECT ENGINEER

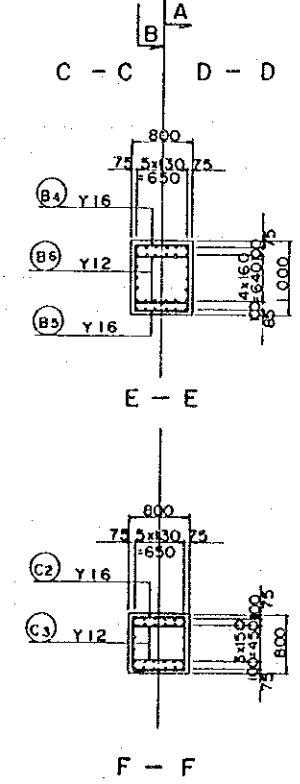
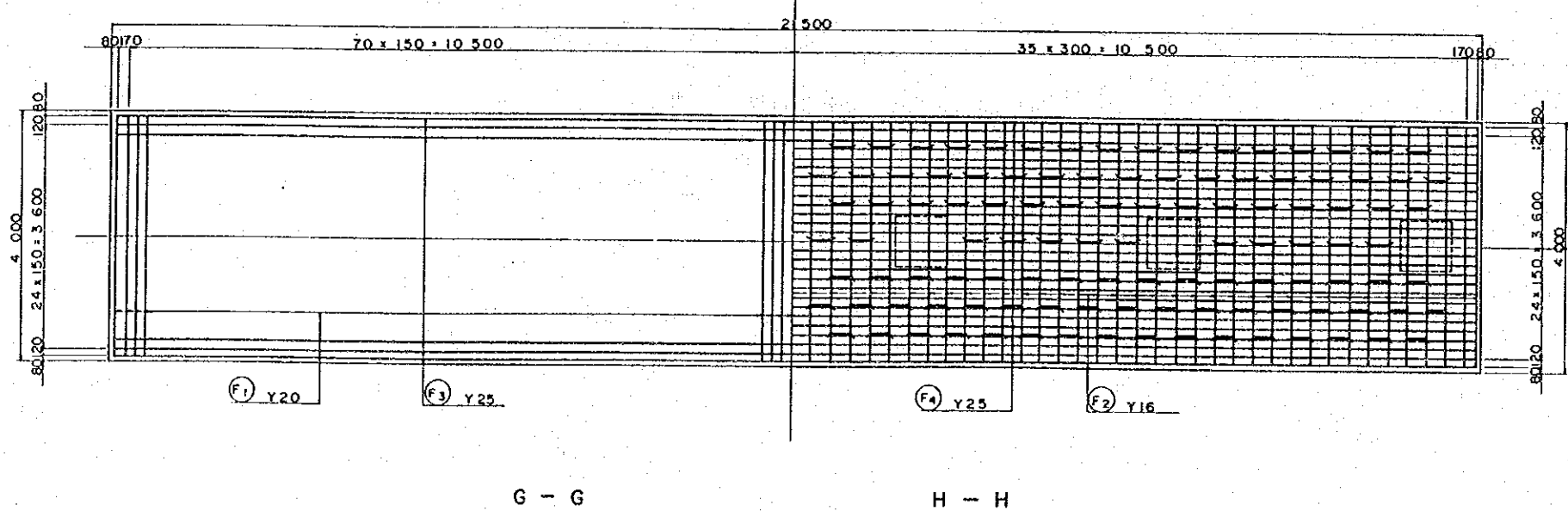
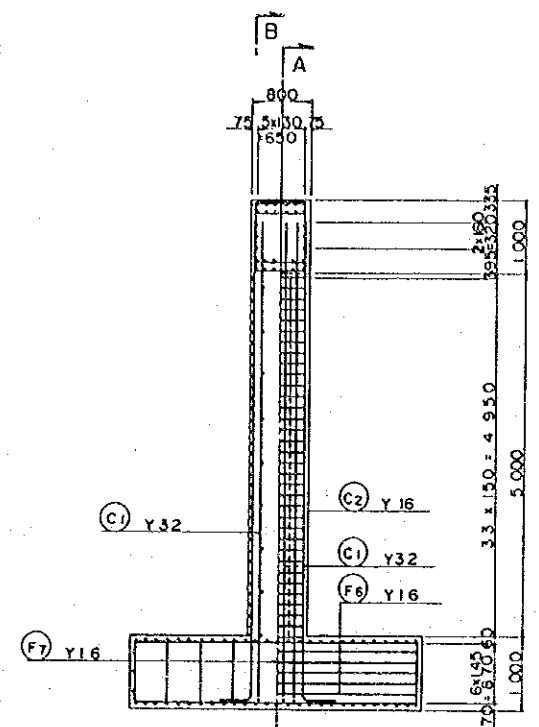
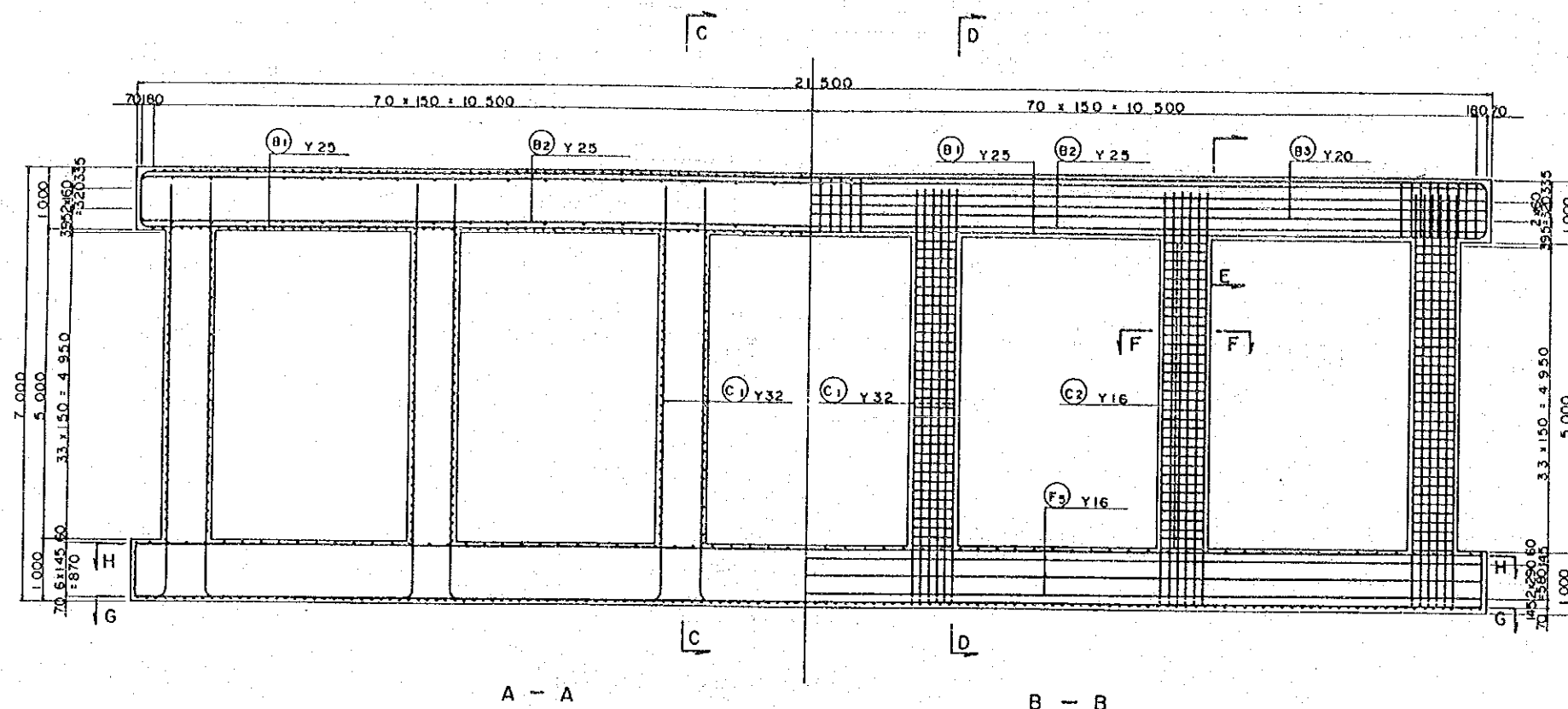
SCALES
 1:50, 1:100

NAIROBI BYPASS
 URURU JUNCTION BRIDGE
 PIER (1)

0
 SHEET 31 OF 75

AERIAL PHOTO BY _____ SURVEYED BY _____
 MAPPING BY _____ TRACED BY _____
 LOCATION BY _____ CHECKED BY _____

MOPW ROADS DEPT DRG NO.



REVISIONS	
DESCRIPTION	DATE

JAPAN INTERNATIONAL COOPERATION AGENCY

CHIEF ENGINEER (ROADS)
CHIEF SUPT ENG (DESIGN)

SEN SUPT ENG (DESIGN)
SUPT ENGINEER (DESIGN)
PROJECT ENGINEER

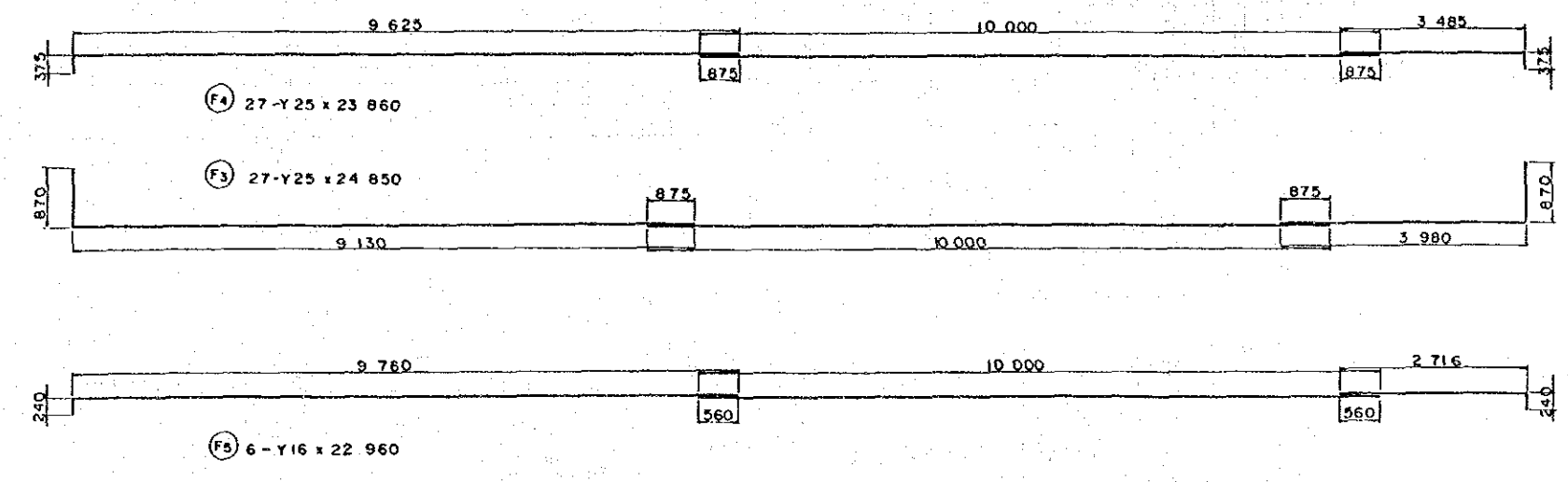
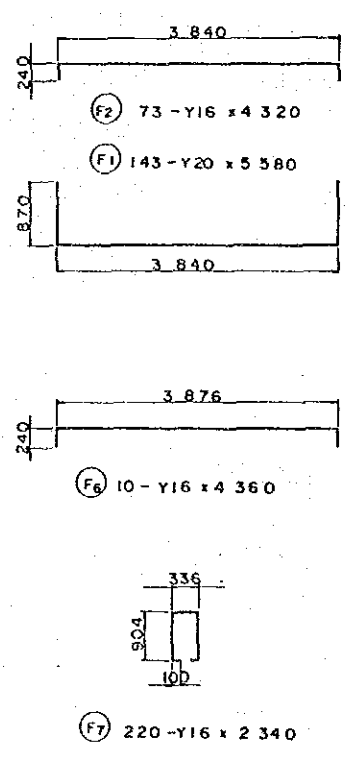
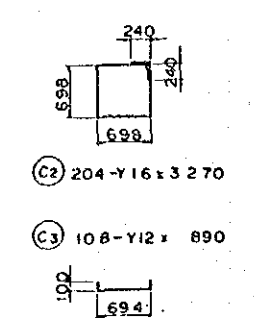
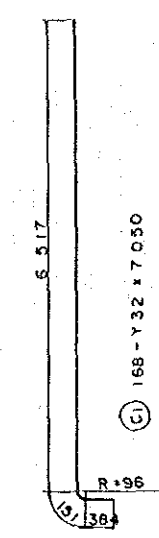
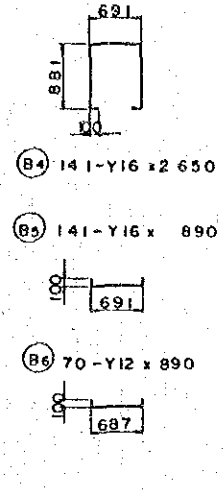
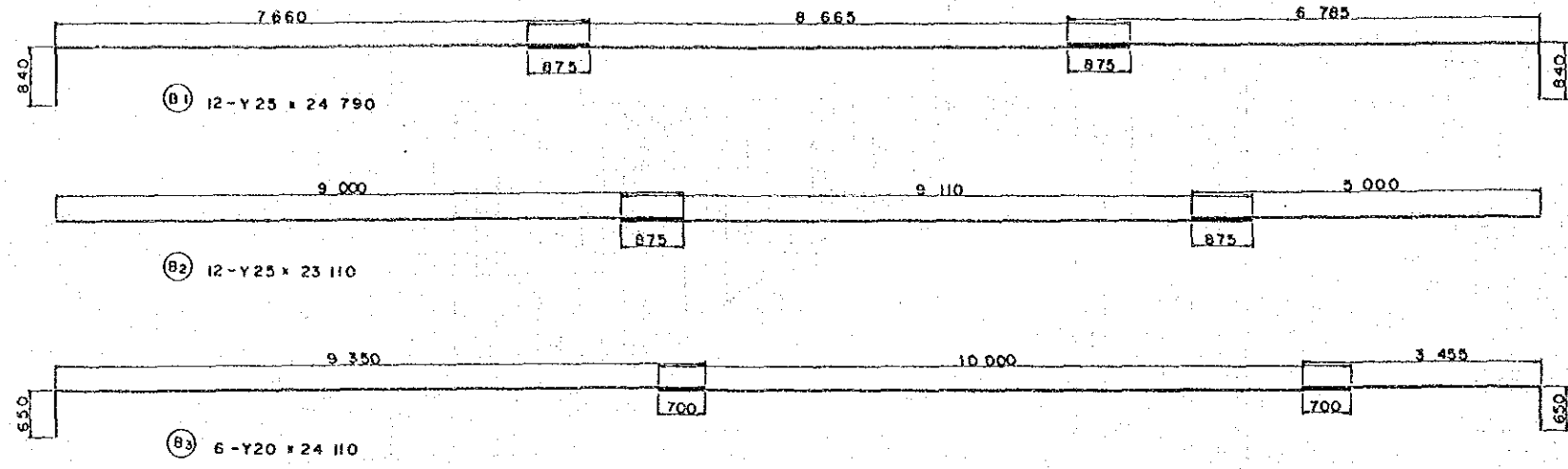
SCALES
1:50

NAIROBI BYPASS
UNURU MOKIMENT JUNCTION BRIDGE
PIER (2)

0
SHEET 32 OF 75

AERIAL PHOTO BY _____ SURVEYED BY _____
 MAPPING BY _____ TRACED BY _____
 LOCATION BY _____ CHECKED BY _____

M.O.P.W. ROADS DEPT. DRG. NO. _____



REVISIONS	
DESCRIPTION	DATE

JAPAN INTERNATIONAL
COOPERATION AGENCY

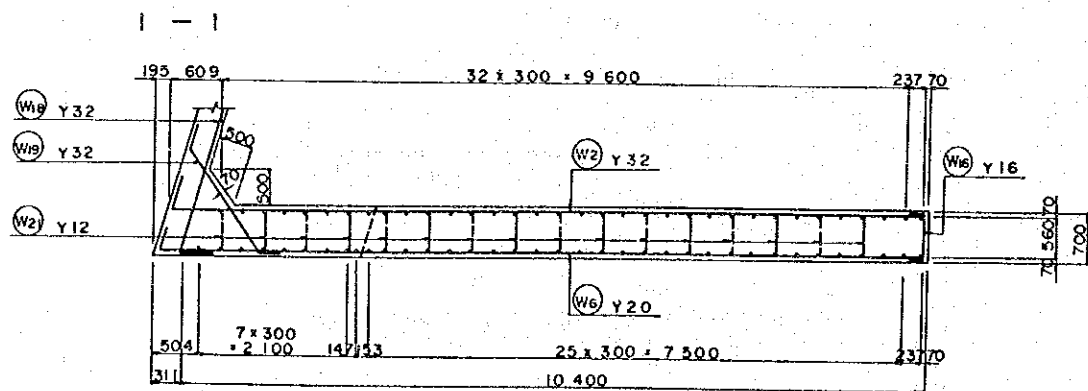
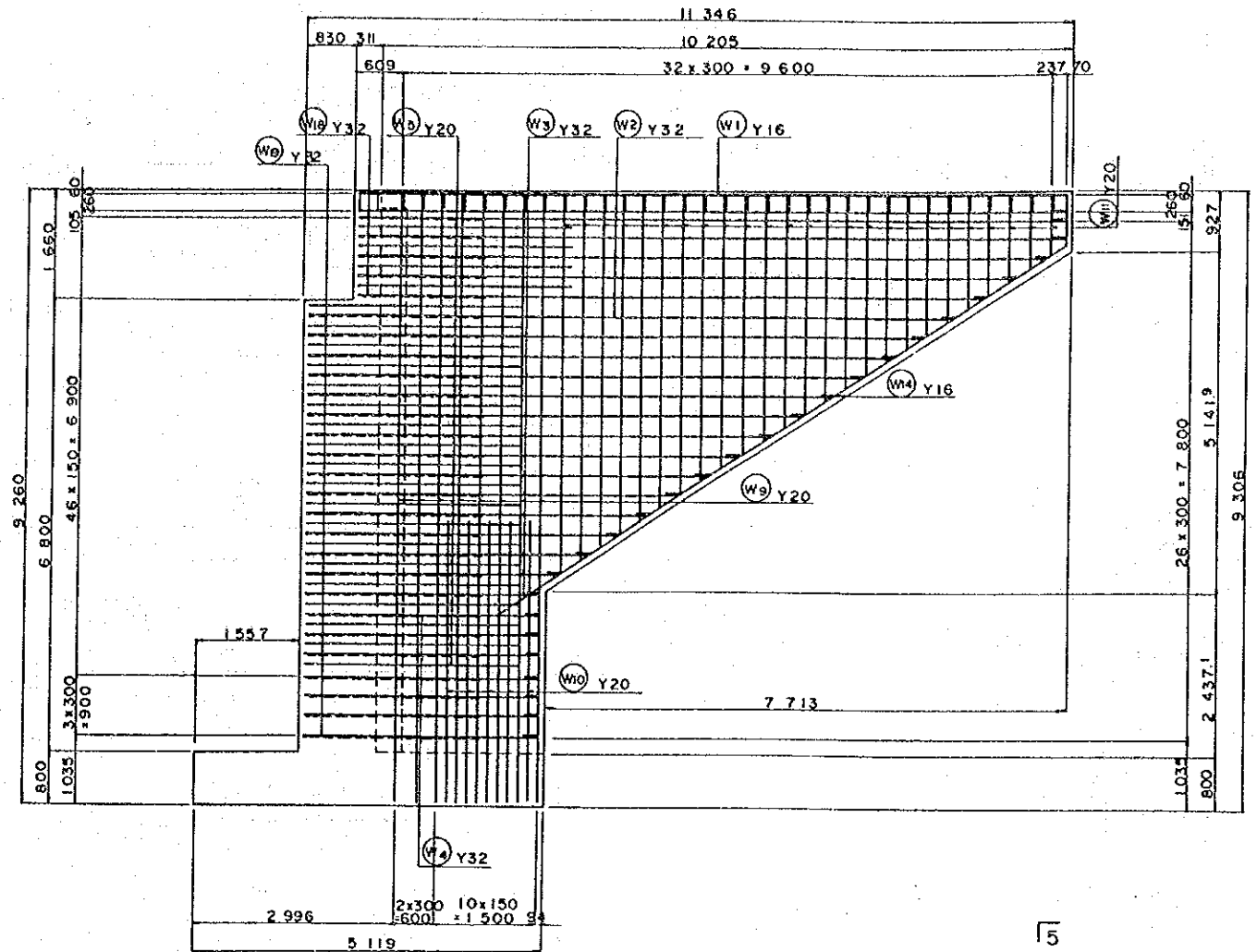
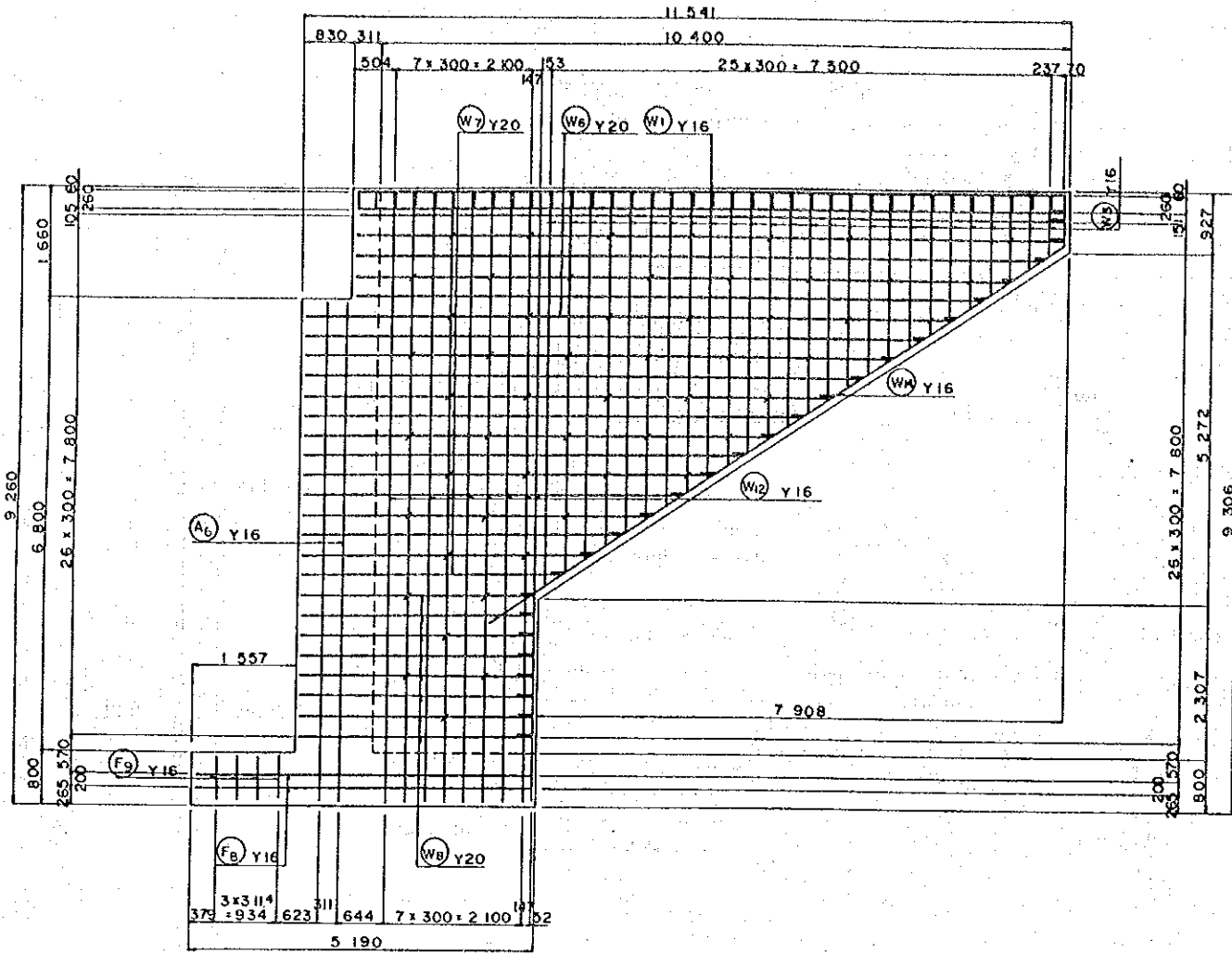
CHIEF ENGINEER (ROADS)
CHIEF SUPT ENG (DESIGN)

SEN SUPT ENG (DESIGN)
SUPT ENGINEER (DESIGN)
PROJECT ENGINEER

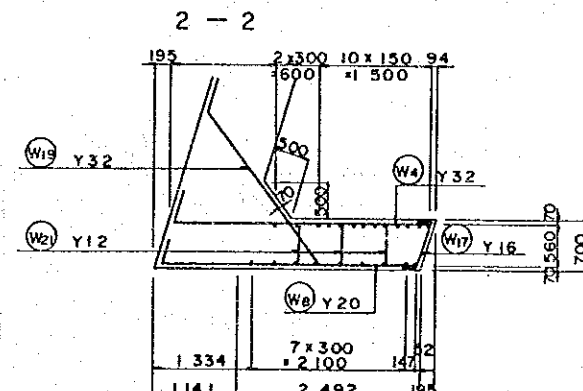
SCALES
1:50

NAIROBI BYPASS
WINDU WINDHENT JUNCTION BRIDGE
FILEE (3)

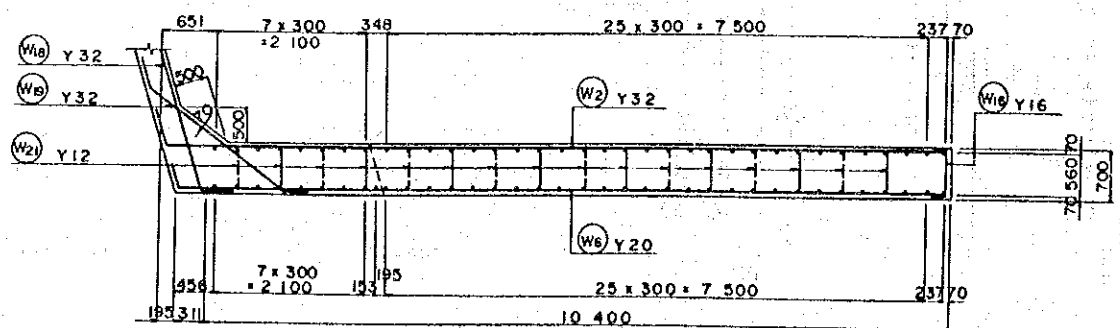
0
SHEET 33 OF 75



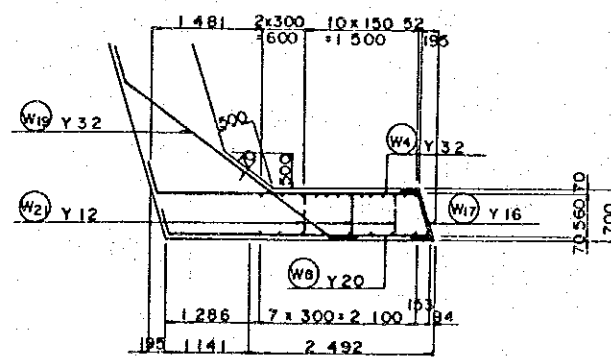
3-3 (LEFT WING)



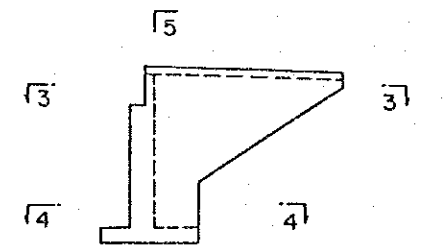
4-4 (LEFT WING)



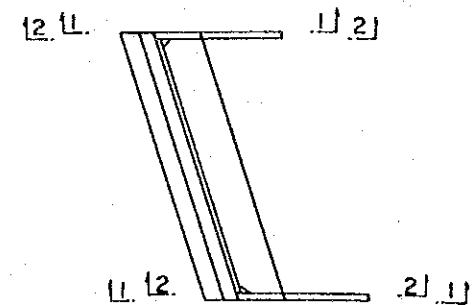
3-3 (RIGHT WING)



4-4 (RIGHT WING)



LEFT WING



RIGHT WING

AERIAL PHOTO BY _____ SURVEYED BY _____
 MAPPING BY _____ TRACED BY _____
 LOCATION BY _____ CHECKED BY _____

MOPW ROADS DEPT DRG NO _____

REVISIONS	
DESCRIPTION	DATE

JAPAN INTERNATIONAL COOPERATION AGENCY

CHIEF ENGINEER (ROADS)
 CHIEF Supt ENG (DESIGN)

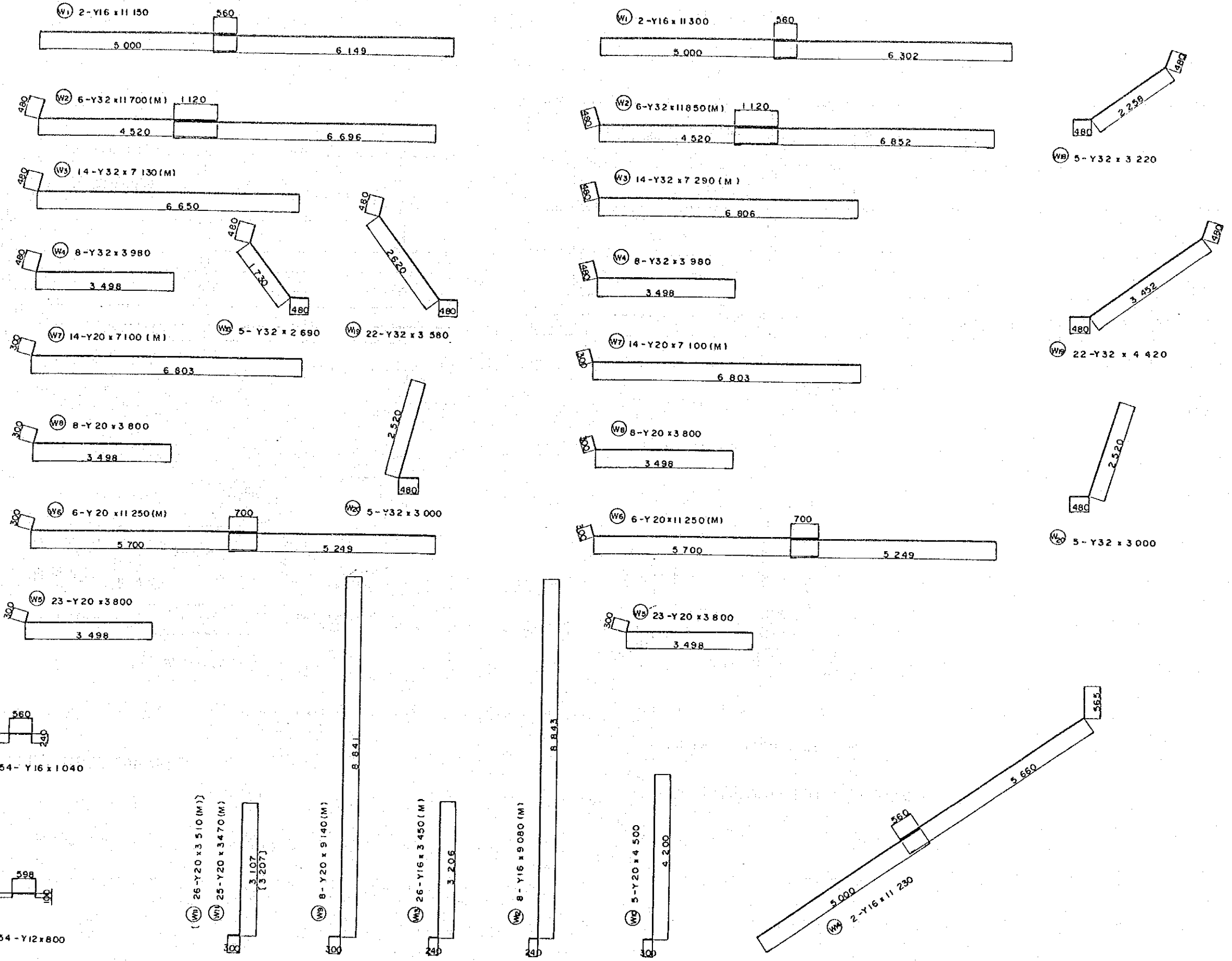
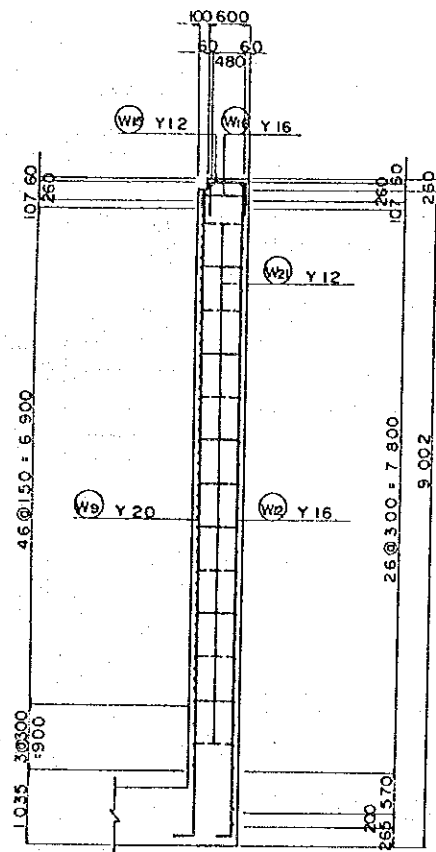
SEN Supt ENG (DESIGN)
 Supt ENGINEER (DESIGN)
 PROJECT ENGINEER

SCALES
 1:50

NAIROBI BYPASS
 UNBUN MOUNTAIN JUNCTION BRIDGE
 WING WALL (A2) (1)

0
 SHEET 34 OF 75

M.O.P.W. ROADS DEPT DRG NO
 AERIAL PHOTO BY
 MAPPING BY
 LOCATION BY
 SURVEYED BY
 TRACED BY
 CHECKED BY



IN COMMON OF BAR

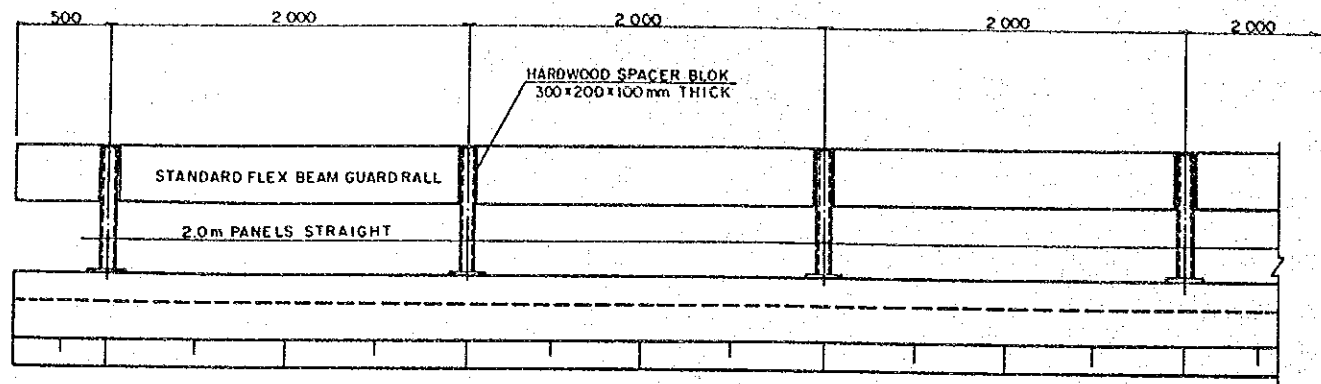
REVISIONS	
DESCRIPTION	DATE

JAPAN INTERNATIONAL COOPERATION AGENCY
 CHIEF ENGINEER (ROADS)
 CHIEF SUPT ENG (DESIGN)

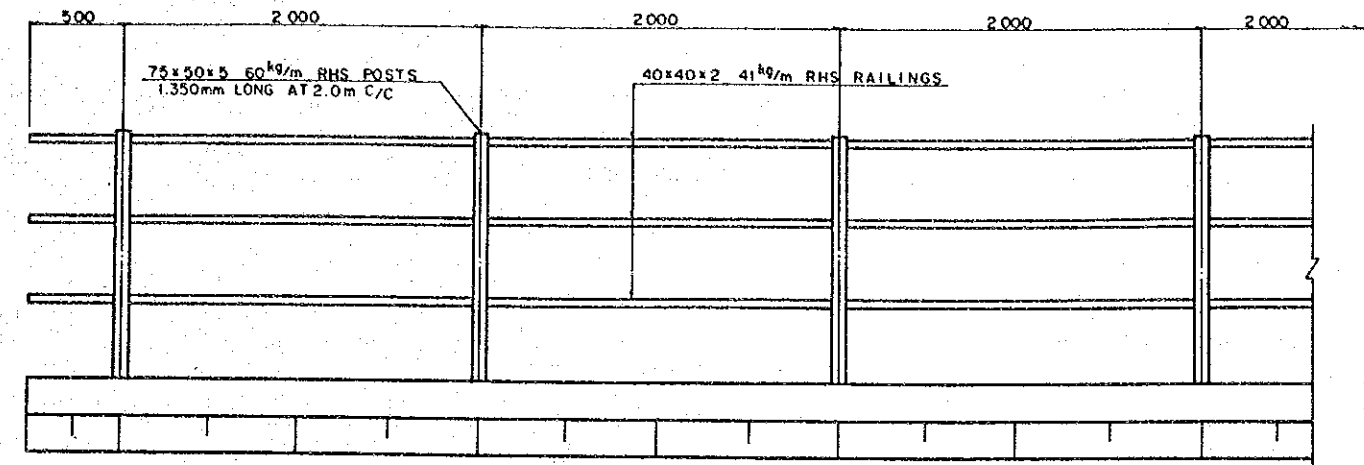
SEN SUPT ENG (DESIGN)
 SUPT ENGINEER (DESIGN)
 PROJECT ENGINEER

SCALES
 1:50

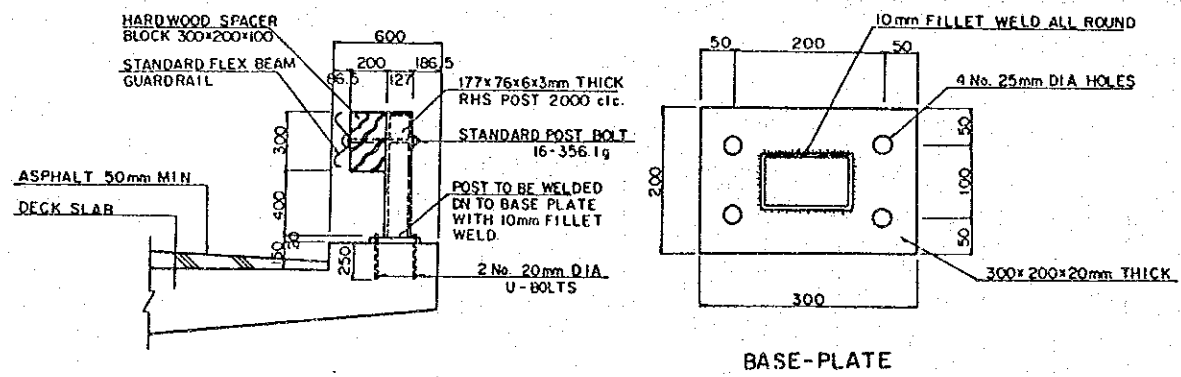
NAIROBI BYPASS
 URUGU MONUMENT JUNCTION BRIDGE
 WING WALL (A2) (1)



PROFILE SCALE 1:20

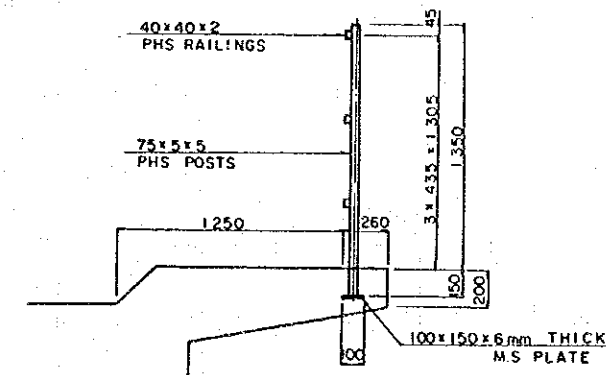


PROFILE SCALE 1:20



CROSS SECTION SCALE 1:20

VEHICLE BRIDGE PARAPET



CROSS SECTION SCALE 1:20

RAILWAY BRIDGE PARAPET

SURVEYED BY
 MAPPING BY
 LOCATION BY
 TRACED BY
 CHECKED BY

MOPW ROADS DEPT DRG NO

REVISIONS	DESCRIPTION	DATE

JAPAN INTERNATIONAL
COOPERATION AGENCY

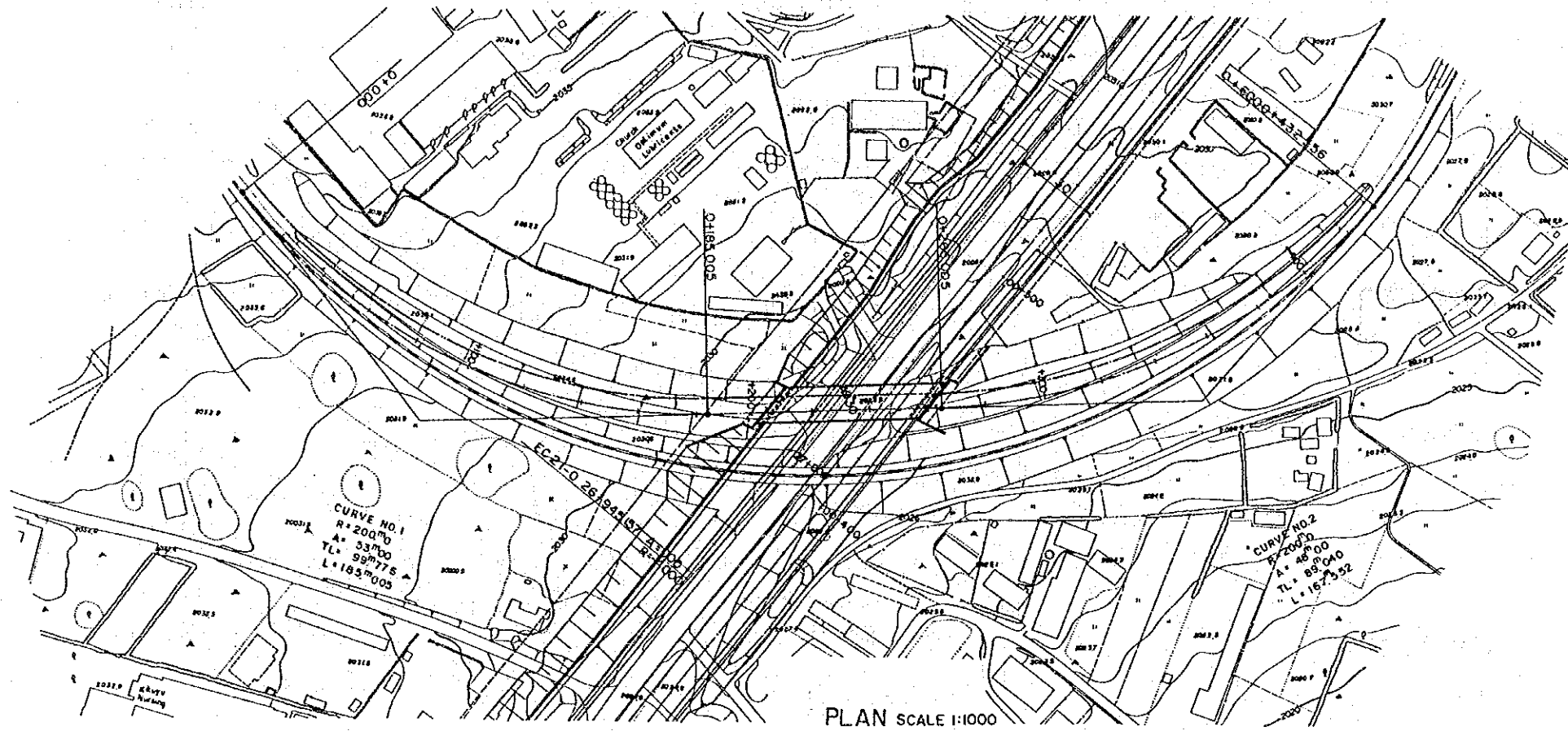
CHIEF ENGINEER (ROADS)
CHIEF SUPT ENG (DESIGN)

SEN SUPT ENG (DESIGN)
SUPT ENGINEER (DESIGN)
PROJECT ENGINEER

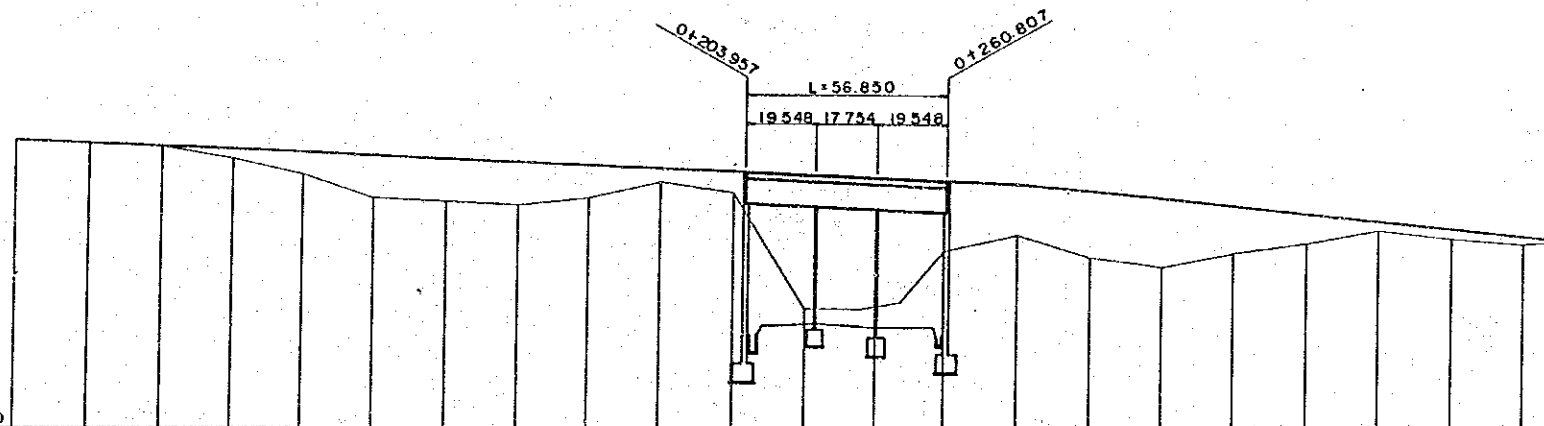
SCALES
1:20

NAIROBI BYPASS
URUBU MONUMENT JUNCTION BRIDGE
PARAPET

0
SHEET 38 OF 75



PLAN SCALE 1:1000



DA TLIM 20200

STATION	0+000	0+100	0+200	0+300	0+400	0+432.557
ROAD LEVEL						
GROUND LEVEL	2035.700	2032.600	2033.100	2033.600	2030.700	2030.755
VERTICAL ALIGN	S = -0.735% L = 280.000			S = -1.901% L = 152.556		
HORIZONTAL ALIGN	R = 200 L = 185.000		R = ∞ L = 80.000		R = 200 L = 167.552	
SUPER LEVEL						

PROFILE SCALE V I: 200
SCALE H I: 1000

AERIAL PHOTO BY: SURVEYED BY:
 MAPPING BY: TRACED BY:
 LOCATION BY: CHECKED BY:

MOPW ROADS DEPT DRG NO

REVISIONS	
DESCRIPTION	DATE

JAPAN INTERNATIONAL
COOPERATION AGENCY

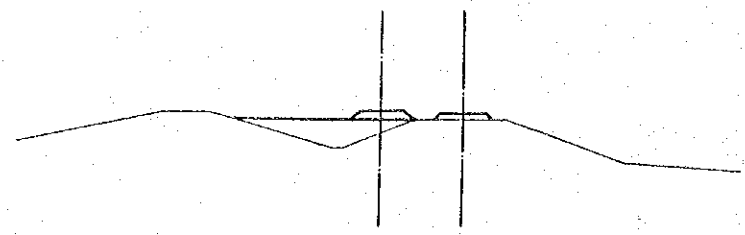
CHIEF ENGINEER (ROADS)
CHIEF SUPT ENG (DESIGN)

SEN SUPT ENG (DESIGN)
SUPT ENGINEER (DESIGN)
PROJECT ENGINEER

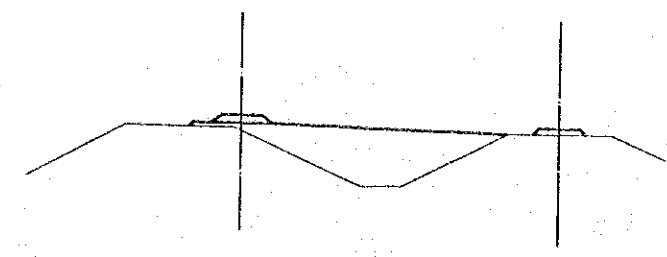
SCALES
AS SHOWN

NAIROBI BYPASS
RAILWAY PROFILE (1)

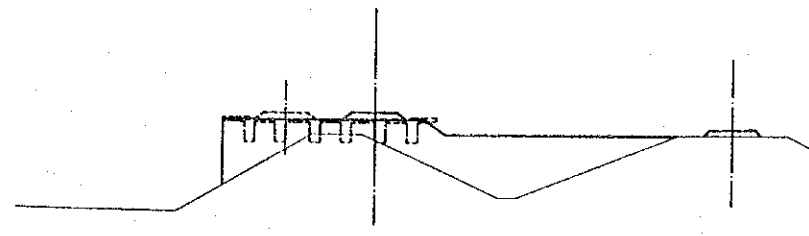
0 + 80.000
PH : 2035.120
GH : 2033.900



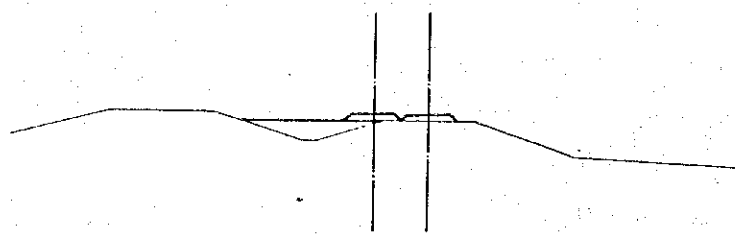
0 + 180.000
PH : 2034.385
GH : 2033.600



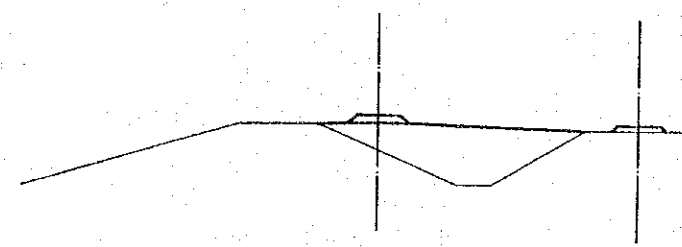
0 + 260.000
PH : 2033.797
FH : 2032.300



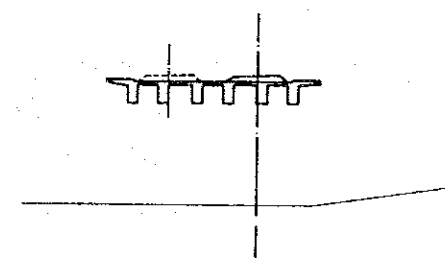
0 + 60.000
PH : 2035.267
GH : 2034.750



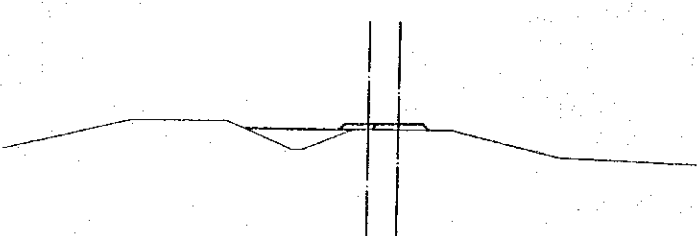
0 + 160.000
PH : 2034.532
GH : 2032.700



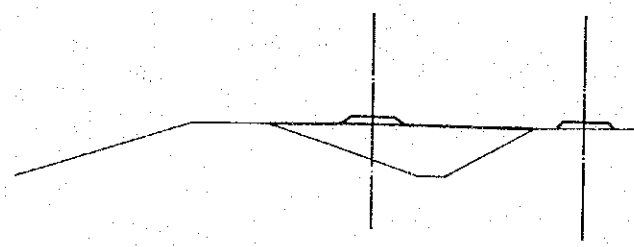
0 + 240.000
PH : 2033.944
GH : 2026.800



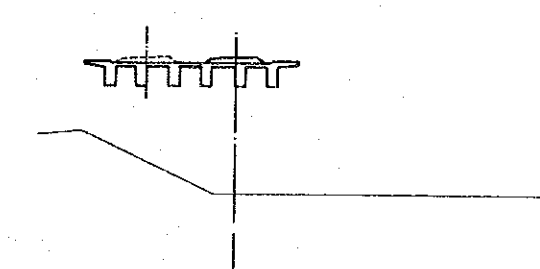
0 + 40.000
PH : 2035.414
GH : 2035.400



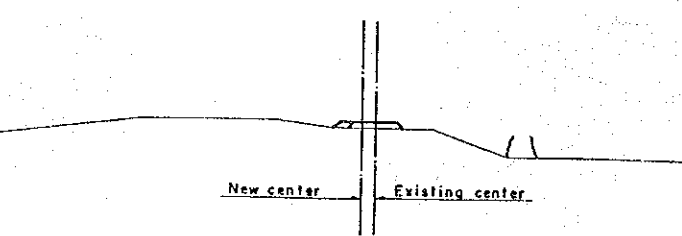
0 + 140.000
PH : 2034.679
GH : 2032.300



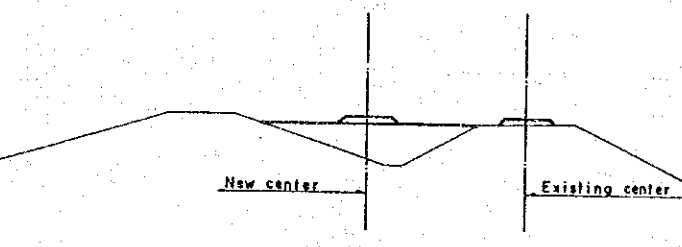
0 + 220.000
PH : 2034.091
GH : 2028.500



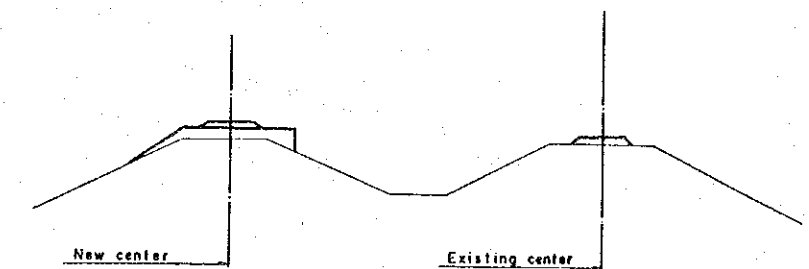
0 + 20.000
PH : 2035.561
GH : 2035.500



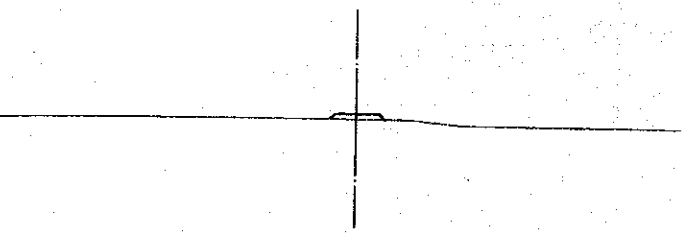
0 + 120.000
PH : 2034.826
GH : 2032.400



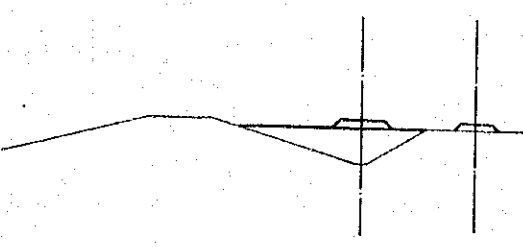
0 + 200.000
PH : 2034.238
GH : 2033.100



0 + 0.000
PH : 2035.708
GH : 2035.700



0 + 100.000
PH : 2034.973
GH : 2032.600



CROSS SECTION SCALE 1:200

AERIAL PHOTO BY	SURVEYED BY
MAPPING BY	TRACED BY
LOCATION BY	CHECKED BY

M.O.P.W. ROADS DEPT DRG NO.

REVISIONS	
DESCRIPTION	DATE

JAPAN INTERNATIONAL COOPERATION AGENCY

CHIEF ENGINEER (ROADS)
CHIEF SUPT ENG. (DESIGN)

SEN SUPT ENG. (DESIGN)
SUPT ENGINEER (DESIGN)
PROJECT ENGINEER

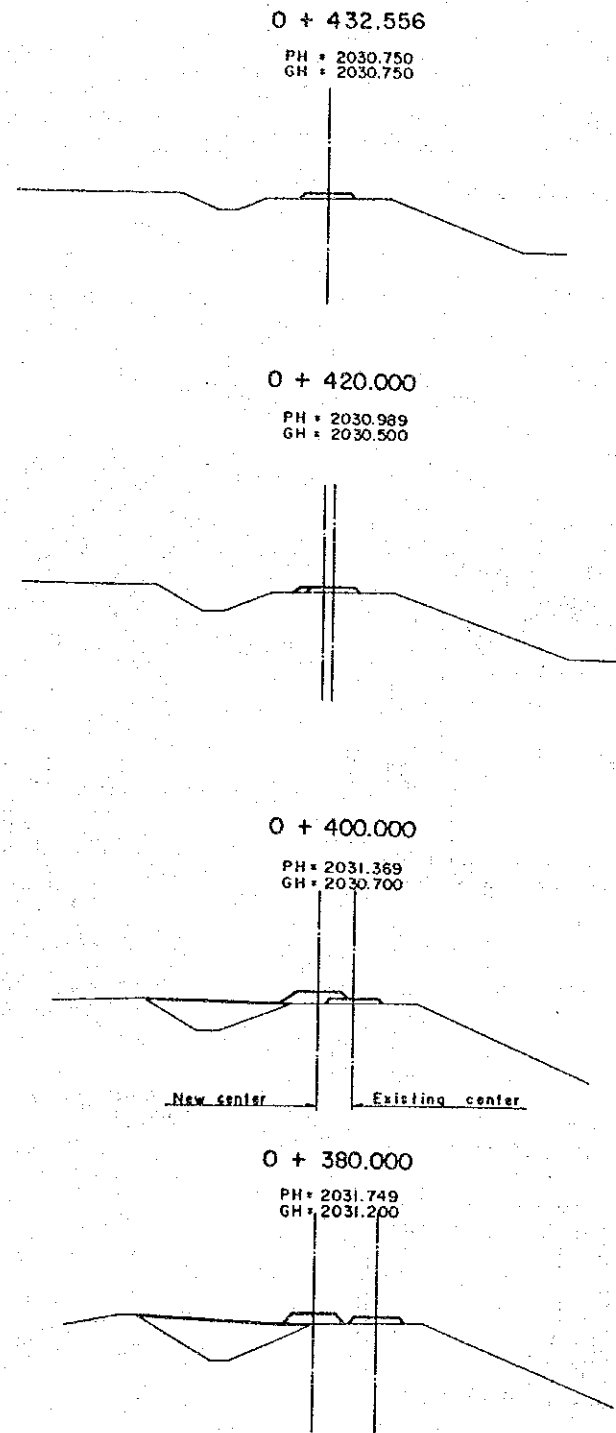
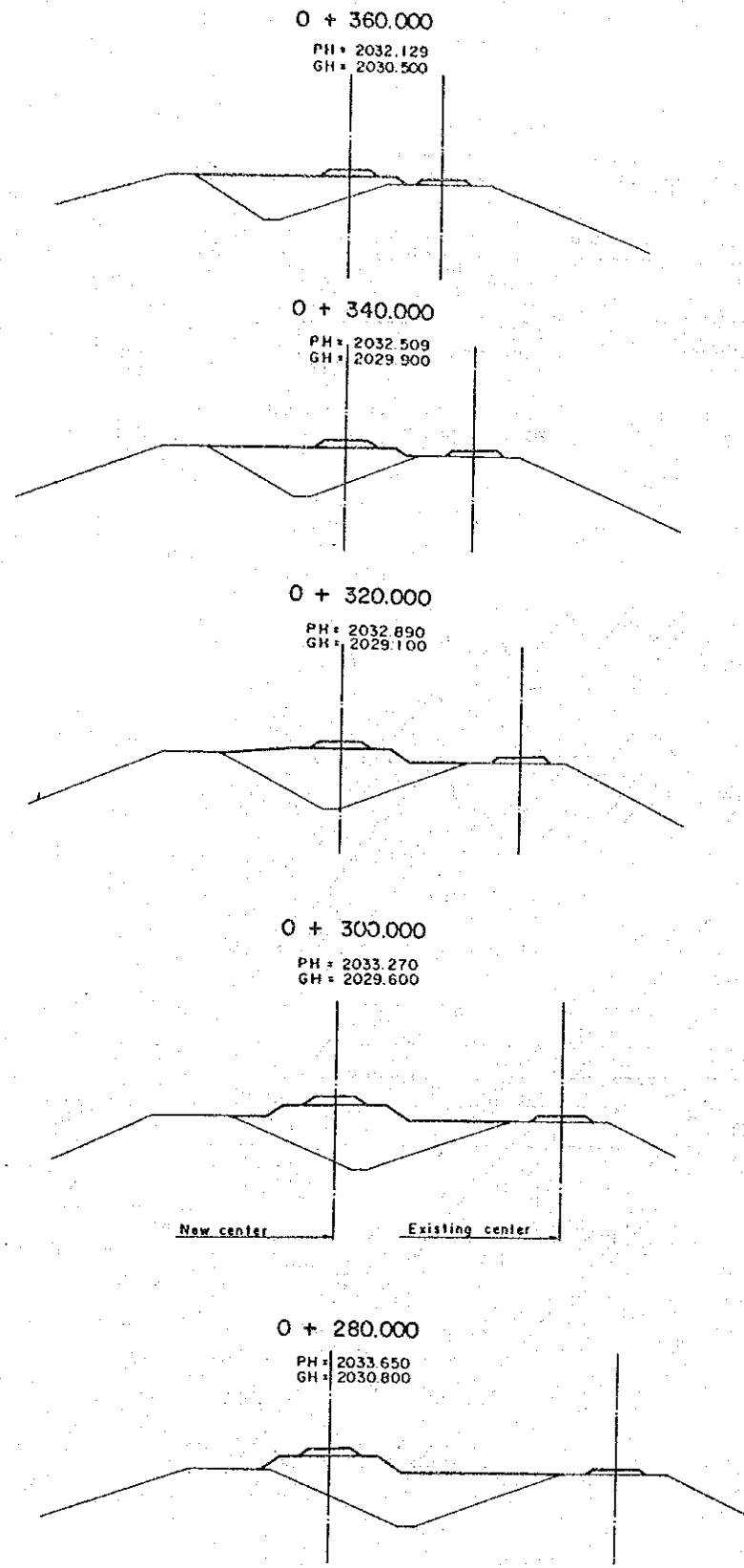
SCALES
1:200

NAIROBI BYPASS
RAILWAY PROFILE(2)

0
SHEET 38 OF 15

AERIAL PHOTO BY _____ SURVEYED BY _____
 MAPPING BY _____ TRACED BY _____
 LOCATION BY _____ CHECKED BY _____

MOPW ROADS DEPT DRG NO.



CROSS SECTION SCALE 1:200

REVISIONS	
DESCRIPTION	DATE

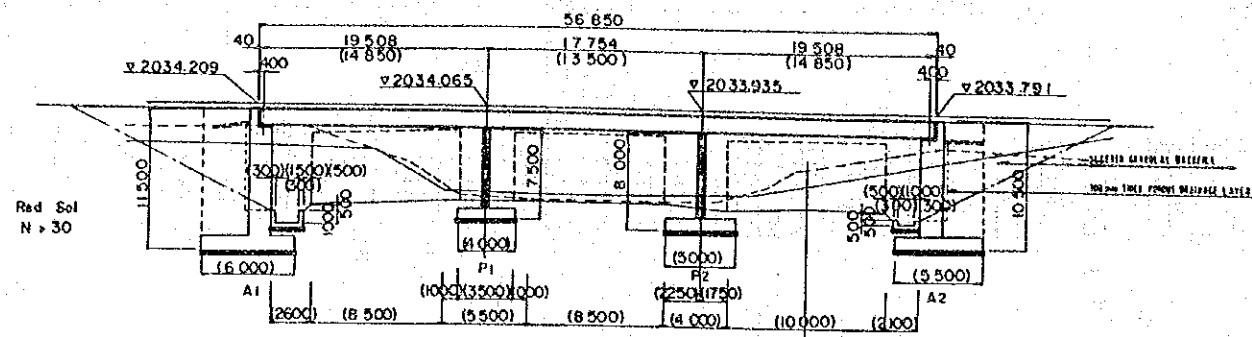
JAPAN INTERNATIONAL COOPERATION AGENCY

CHIEF ENGINEER (ROADS)
 CHIEF SUPT ENG (DESIGN)

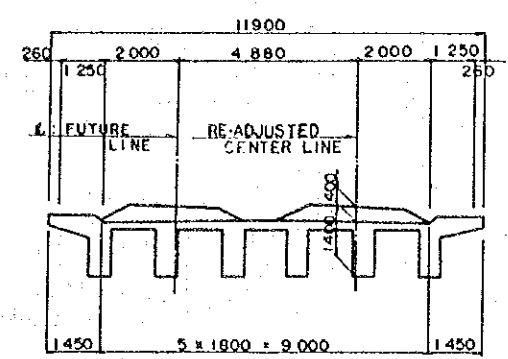
SEN SUPT ENG (DESIGN)
 SUPT ENGINEER (DESIGN)
 PROJECT ENGINEER

SCALES
 1:200

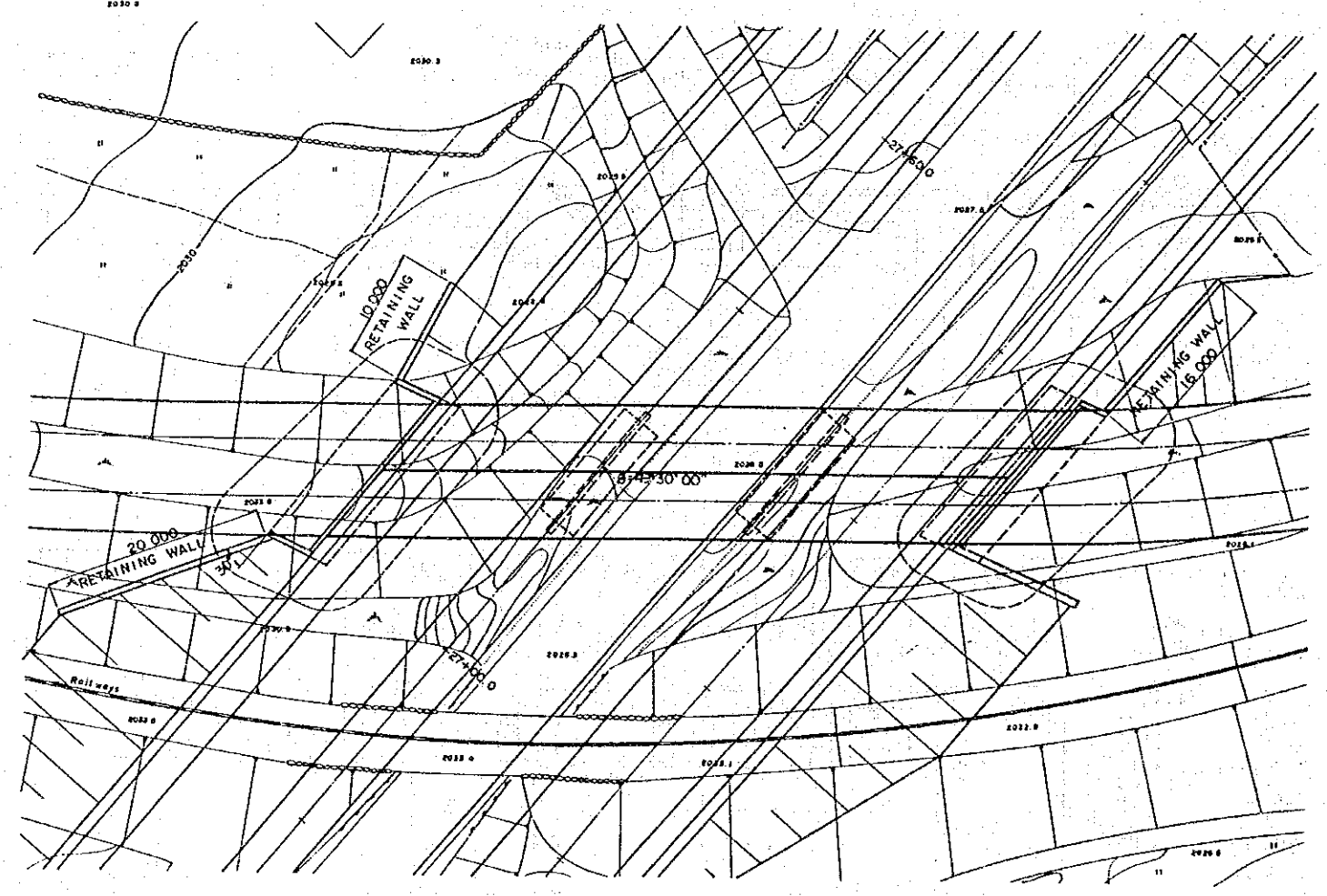
NAIROBI BYPASS
 RAILWAY PROFILE(3)



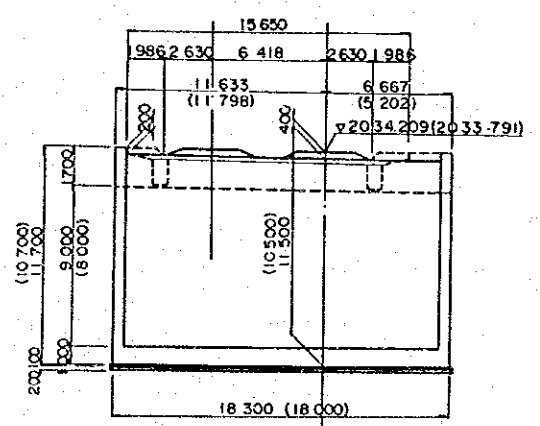
PROFILE SCALE 1:300



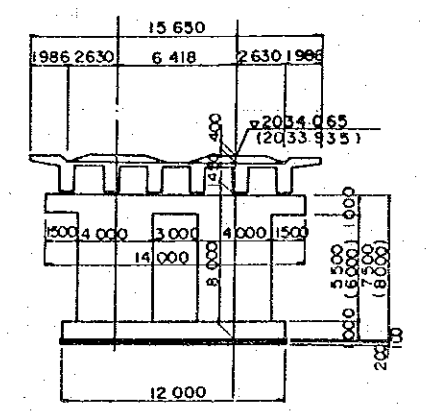
SUPERSTRUCTURE SCALE 1:100



PLAN SCALE 1:300

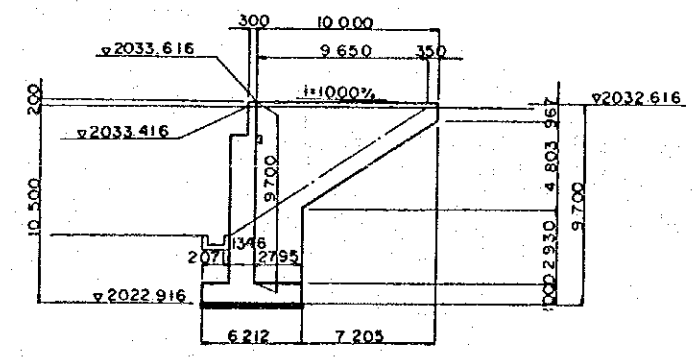


ABUTMENT A1, (A2)



PIER P1 (P2)

SUBSTRUCTURE SCALE 1:200



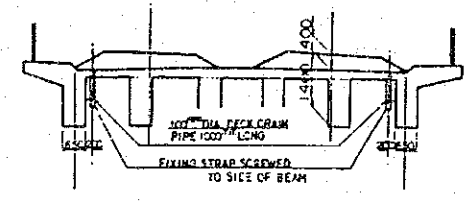
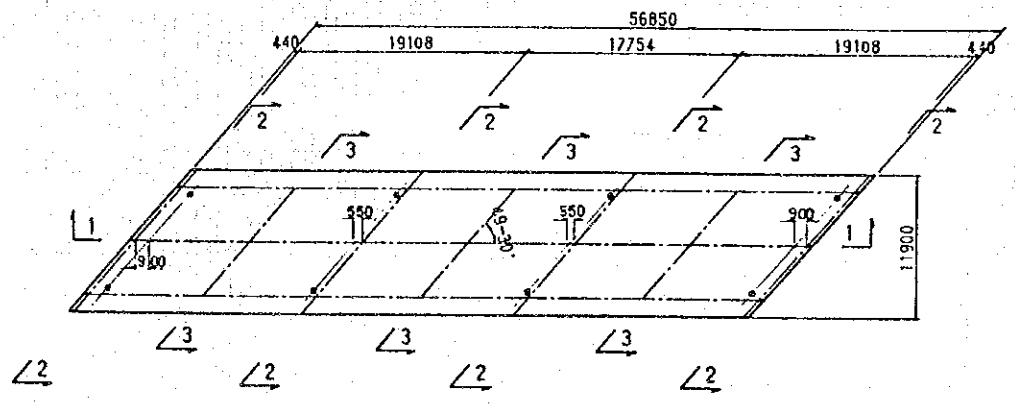
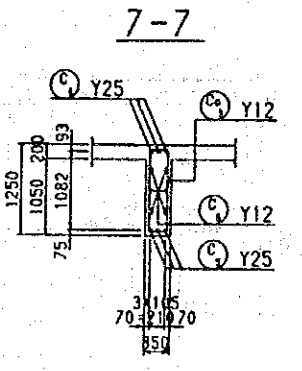
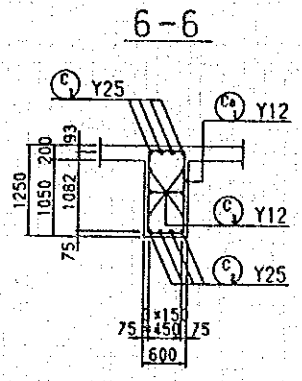
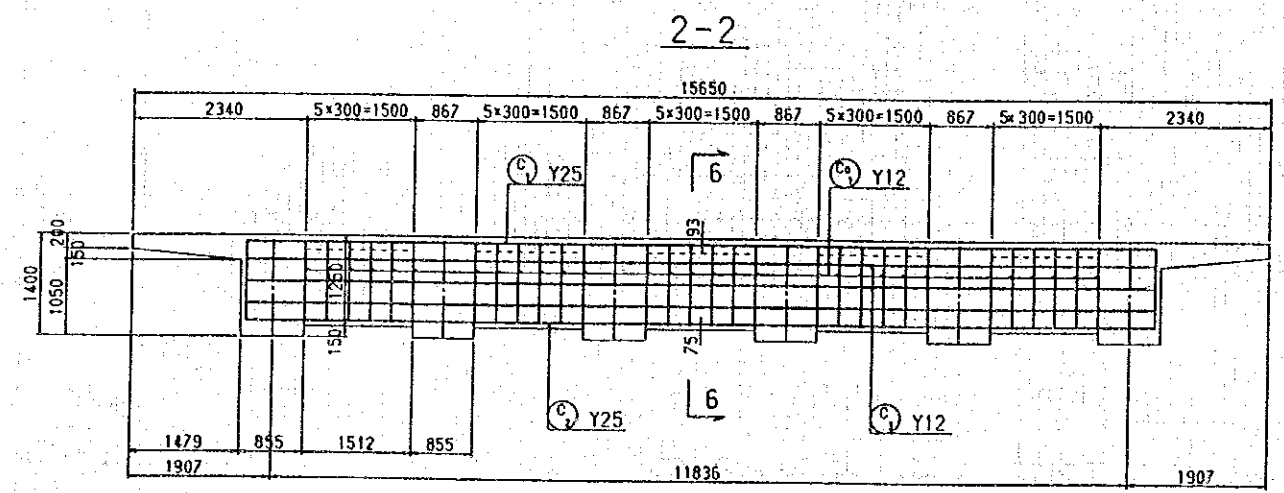
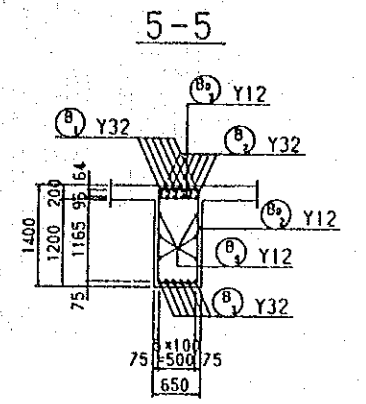
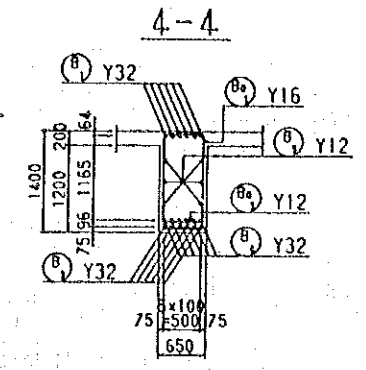
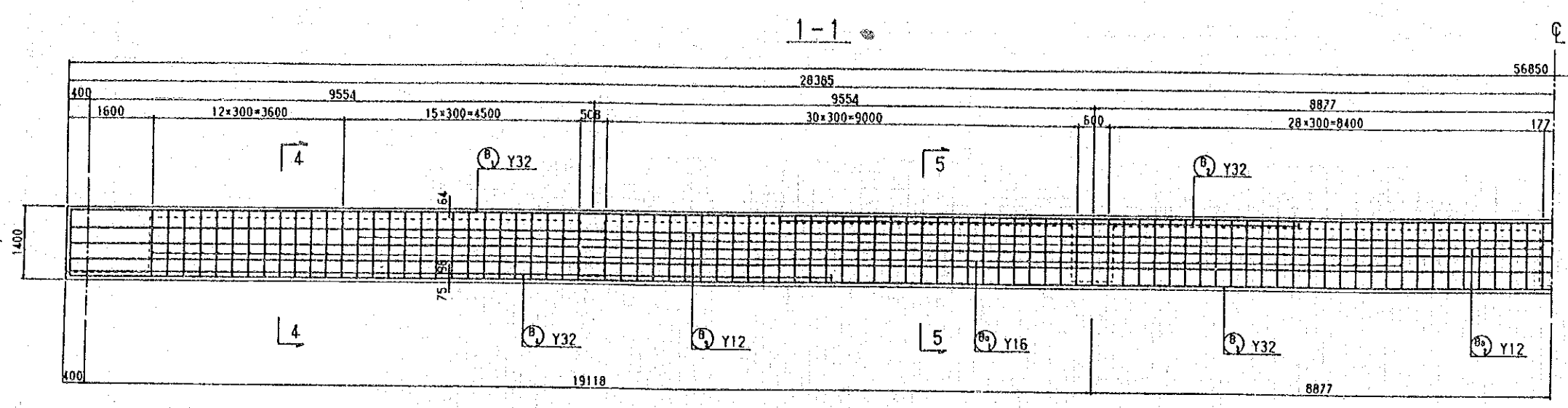
A2 WING

RAILWAY BRIDGE

AERIAL PHOTO BY SURVEYED BY
 MAPPING BY TRACED BY
 LOCATION BY CHECKED BY

M.O.P.W. ROADS DEPT. DRG. NO.

REVISIONS		DESCRIPTION	DATE	JAPAN INTERNATIONAL COOPERATION AGENCY	CHIEF ENGINEER (ROADS)	SEN SUPT ENG (DESIGN)	Supt ENGINEER (DESIGN)	PROJECT ENGINEER	SCALES	NAIROBI BYPASS	RAILWAY BRIDGE GENERAL VIEW	0
DESCRIPTION	DATE											



SURVEYED BY
 TRACED BY
 CHECKED BY
 AERIAL PHOTO BY
 BY
 LOCATION BY

M.O.P.W. ROADS DEPT. DRG. NO.

REVISIONS	
DESCRIPTION	DATE

JAPAN INTERNATIONAL COOPERATION AGENCY	CHIEF ENGINEER (ROADS)
	CHIEF SUPT. ENG. (DESIGN)

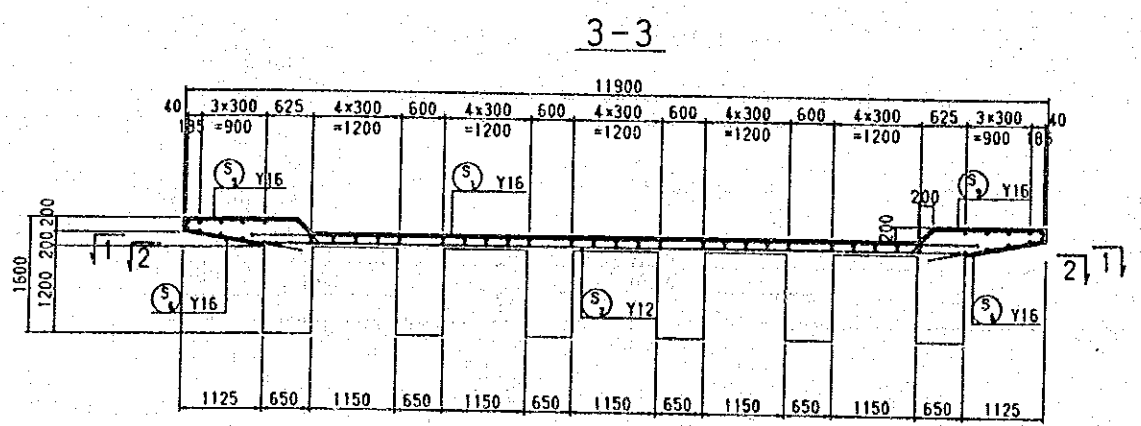
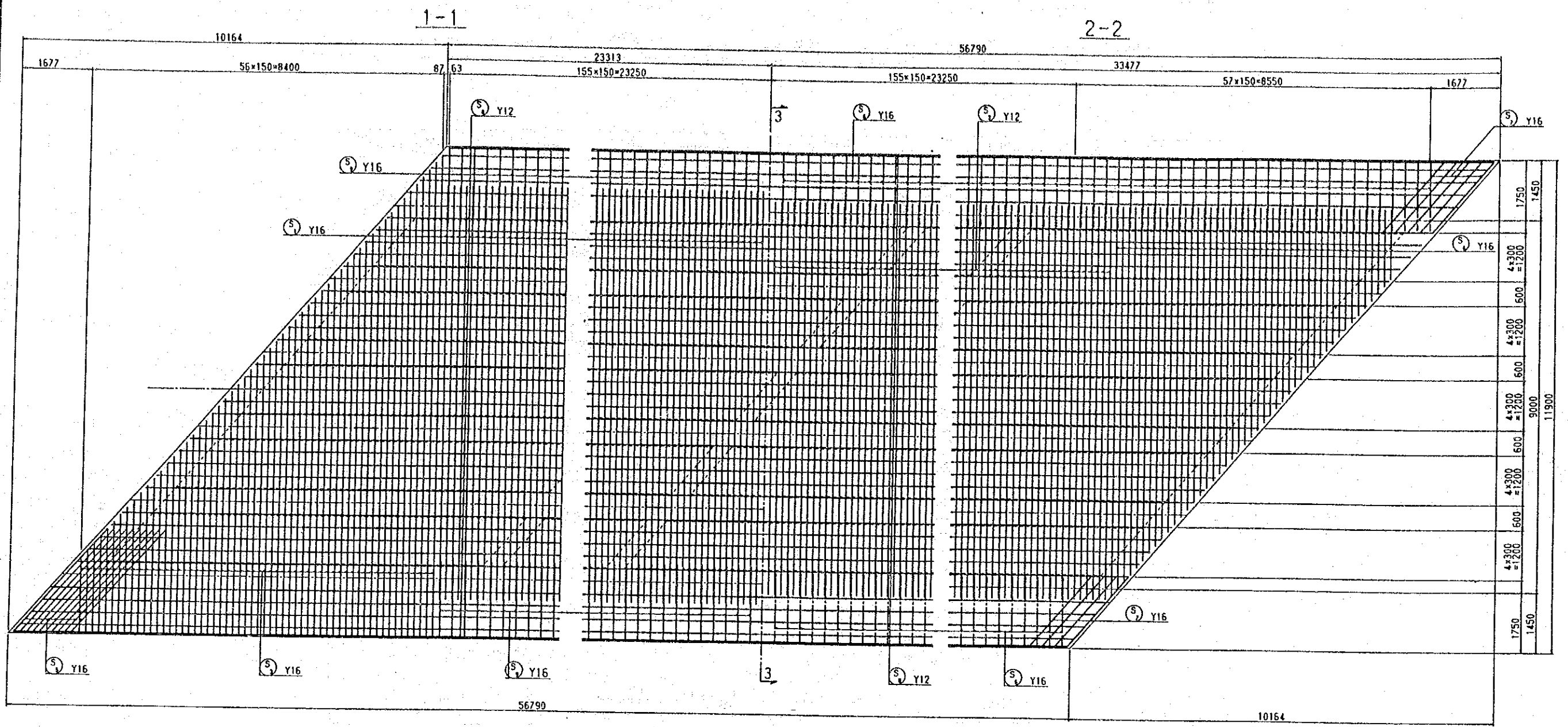
SEN SUPT. ENG. (DESIGN)	
SUPT. ENGINEER (DESIGN)	
PROJECT ENGINEER	

SCALES	
1:50	

NAIROBI BYPASS	
RAILWAY BRIDGE SUPERSTRUCTURE (I)	

SURVEYED BY
 TRACED BY
 CHECKED BY
 AERIAL PHOTO BY
 MAPPING BY
 LOCATION BY

M.O.P.W. ROADS DEPT DRG NO



REVISIONS	
DESCRIPTION	DATE

JAPAN INTERNATIONAL COOPERATION AGENCY
 CHIEF ENGINEER (ROADS)
 CHIEF SUPT ENG (DESIGN)

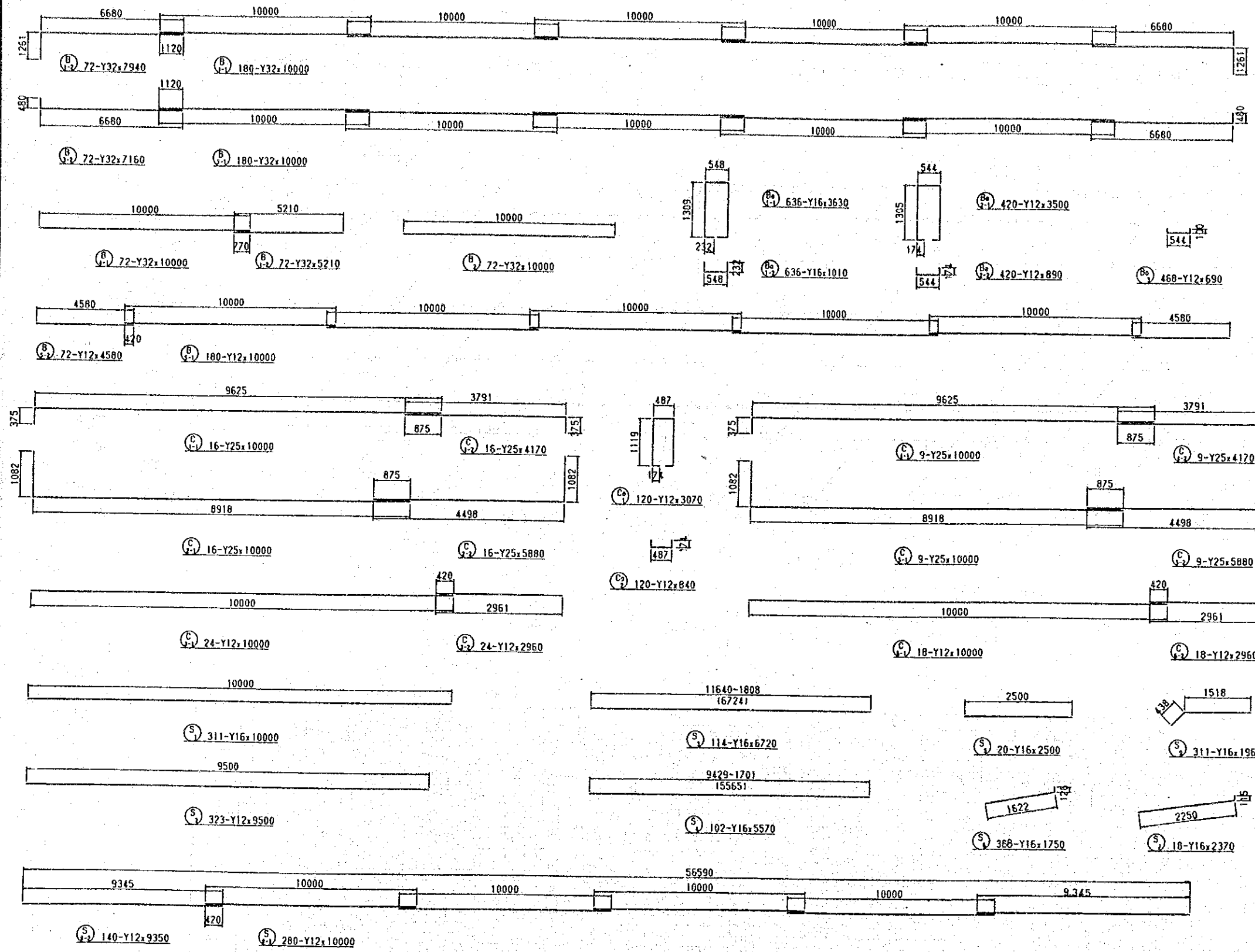
SEN SUPT. ENG (DESIGN)
 SUPT ENGINEER (DESIGN)
 PROJECT ENGINEER

SCALES
 1:50

NAIROBI BYPASS
 RAILWAY BRIDGE
 SUPERSTRUCTURE (2)

AERIAL PHOTO BY _____ SURVEYED BY _____
 MAPPING BY _____ TRACED BY _____
 LOCATION BY _____ CHECKED BY _____

M.O.P.W. ROADS DEPT. DRG. NO. _____



REVISIONS	
DESCRIPTION	DATE

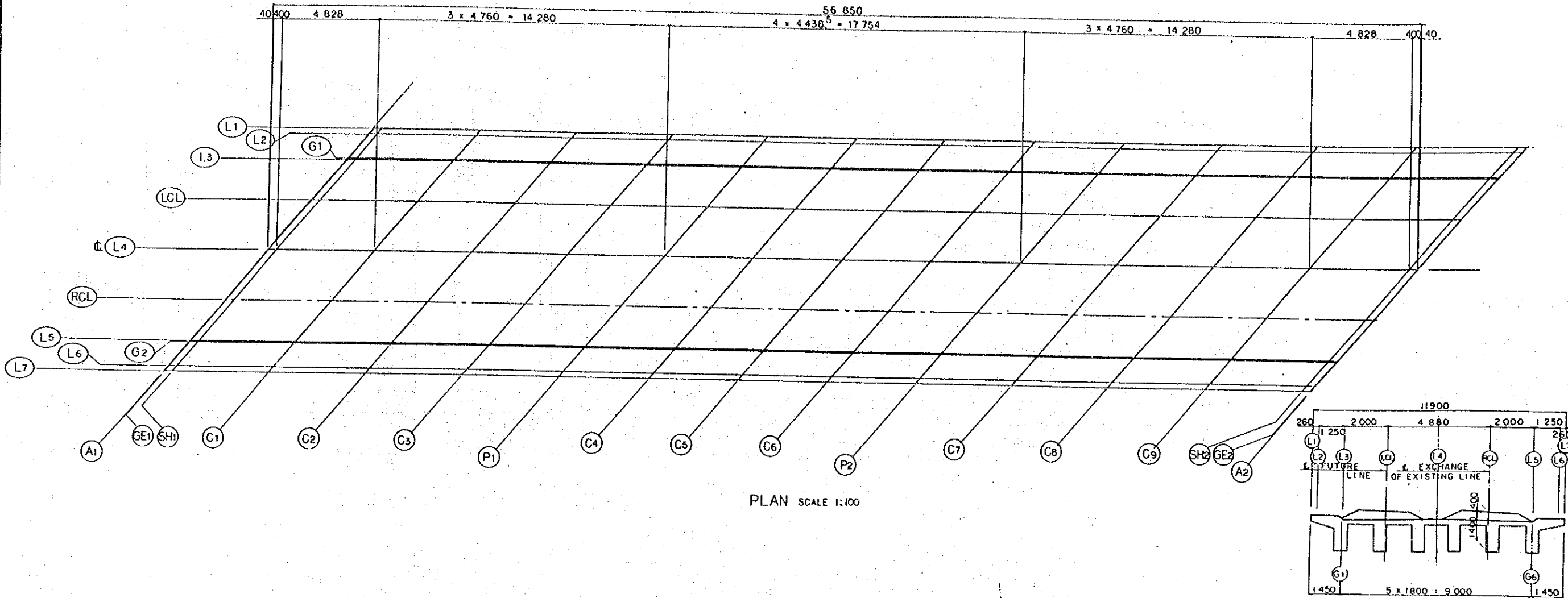
JAPAN INTERNATIONAL
 COOPERATION AGENCY

CHIEF ENGINEER (ROADS)
 CHIEF SUPT. ENG. (DESIGN)

SEN SUPT. ENG. (DESIGN)
 SUPT. ENGINEER (DESIGN)
 PROJECT ENGINEER

SCALES
 1:50

NAIROBI BYPASS
 RAILWAY BRIDGE
 SUPERSTRUCTURE (3)



PLAN SCALE 1:100

SECTION SCALE 1:200

COORDINATES AND PROPORTION HEIGHT

	A1	GE1	SH1	C1	C2	C3	P1	C4	C5	C6	P2	C7	C8	C9	SH2	GE2	A2
L1	X 62335.7685	62335.7910	62335.0151	62338.7205	62341.3879	62344.0552	62346.7226	62349.2098	62351.6970	62354.1841	62356.6713	62359.3387	62362.0060	62364.6734	62367.4009	62369.8881	62372.5555
L2	Y 240038.0664	240038.0996	240038.4309	240042.4296	240046.3721	240050.3145	240054.2570	240057.9331	240061.6092	240065.2853	240068.9614	240072.9041	240076.8465	240080.7890	240084.7902	240088.7890	240092.7878
L3	Z 2034.1562	2034.1560	2034.1530	2034.1175	2034.0825	2034.0476	2034.0126	2033.9779	2033.9432	2033.9084	2033.8737	2033.8390	2033.8042	2033.7695	2033.7347	2033.7000	2033.6652
L4	X 62335.4288	62335.4512	62335.6753	62338.3808	62341.0481	62343.7154	62346.3828	62348.8700	62351.3572	62353.8444	62356.3315	62358.8187	62361.3059	62363.7931	62366.2802	62368.7674	62371.2546
L5	Y 240038.0282	240038.0613	240038.3926	240042.3914	240046.3338	240050.2763	240054.2187	240057.8949	240061.5711	240065.2472	240068.9234	240072.8658	240076.8083	240080.7507	240084.7516	240088.7884	240092.7872
L6	Z 2034.1579	2034.1576	2034.1546	2034.1192	2034.0842	2034.0492	2034.0142	2033.9795	2033.9447	2033.9099	2033.8752	2033.8404	2033.8056	2033.7708	2033.7360	2033.7012	2033.6664
L7	X 62333.8736	62333.8960	62334.1202	62336.8256	62339.4930	62342.1603	62344.8277	62347.3148	62349.8020	62352.2892	62354.7764	62357.4437	62360.1111	62362.7784	62365.4457	62368.1130	62370.7802
G1	Y 240037.8533	240037.8864	240038.2177	240042.2164	240046.1589	240050.1013	240054.0438	240057.7199	240061.3961	240065.0723	240068.7484	240072.6909	240076.6333	240080.5758	240084.5745	240088.5732	240092.5719
G2	Z 2034.1654	2034.1651	2034.1621	2034.1266	2034.0916	2034.0567	2034.0217	2033.9868	2033.9519	2033.9170	2033.8821	2033.8472	2033.8123	2033.7774	2033.7425	2033.7076	2033.6727
LCL	X 62333.7952	62333.8176	62334.0418	62336.7472	62339.4146	62342.0819	62344.7492	62347.2364	62349.7236	62352.2108	62354.6980	62357.1852	62359.6724	62362.1596	62364.6468	62367.1340	62369.6212
LCL	Y 240037.8444	240037.8776	240038.2089	240042.2076	240046.1501	240050.0925	240054.0350	240057.7111	240061.3873	240065.0634	240068.7396	240072.6821	240076.6245	240080.5670	240084.5658	240088.5645	240092.5632
LCL	Z 2034.1657	2034.1654	2034.1624	2034.1270	2034.0920	2034.0570	2034.0220	2033.9871	2033.9522	2033.9173	2033.8824	2033.8475	2033.8126	2033.7777	2033.7428	2033.7079	2033.6730
L4	X 62331.1815	62331.2039	62331.4281	62334.1335	62336.8009	62339.4682	62342.1356	62344.6227	62347.1099	62349.5971	62352.0843	62354.5715	62357.0587	62359.5459	62362.0331	62364.5203	62367.0075
L4	Y 240037.5504	240037.5835	240037.9148	240041.9136	240045.8560	240049.7985	240053.7409	240057.4171	240061.0932	240064.7694	240068.4456	240072.3880	240076.3305	240080.2729	240084.2717	240088.2704	240092.2692
L4	Z 2034.1783	2034.1780	2034.1750	2034.1396	2034.1046	2034.0696	2034.0346	2034.0000	2033.9654	2033.9307	2033.8961	2033.8614	2033.8268	2033.7921	2033.7575	2033.7228	2033.6881
L5	X 62327.9828	62328.0152	62328.2394	62330.9448	62333.6122	62336.2795	62338.9469	62341.4340	62343.9212	62346.4084	62348.8956	62351.3827	62353.8699	62356.3571	62358.8442	62361.3314	62363.8186
L5	Y 240037.1917	240037.2248	240037.5561	240041.5549	240045.4973	240049.4397	240053.3822	240057.0584	240060.7345	240064.4107	240068.0868	240071.7629	240075.4390	240079.1151	240082.7912	240086.4673	240090.1434
L5	Z 2034.1936	2034.1933	2034.1904	2034.1549	2034.1199	2034.0849	2034.0499	2034.0150	2033.9801	2033.9452	2033.9103	2033.8754	2033.8405	2033.8056	2033.7707	2033.7358	2033.7009
RCL	X 62324.8041	62324.8265	62325.0507	62327.7561	62330.4235	62333.0908	62335.7582	62338.2454	62335.7582	62340.7325	62345.7069	62350.6812	62355.6555	62360.6298	62365.6041	62370.5784	62375.5527
RCL	Y 240036.8329	240036.8661	240037.1973	240041.1961	240045.1386	240049.0810	240053.0235	240056.9660	240060.9084	240064.8509	240068.7933	240072.7357	240076.6781	240080.6205	240084.5629	240088.5053	240092.4477
RCL	Z 2034.2089	2034.2086	2034.2057	2034.1702	2034.1352	2034.1002	2034.0652	2034.0302	2033.9953	2033.9603	2033.9254	2033.8904	2033.8555	2033.8205	2033.7856	2033.7506	2033.7157
L6	X 62322.1904	62322.2129	62322.4370	62325.1425	62327.8098	62330.4771	62333.1444	62335.6317	62338.1189	62340.6061	62343.0933	62345.5805	62348.0677	62350.5549	62353.0421	62355.5293	62358.0165
L6	Y 240036.5389	240036.5720	240036.9033	240040.9021	240044.8445	240048.7870	240052.7294	240056.6718	240060.6142	240064.5566	240068.4990	240072.4414	240076.3838	240080.3262	240084.2686	240088.2110	240092.1534
L6	Z 2034.2215	2034.2212	2034.2182	2034.1828	2034.1478	2034.1128	2034.0778	2034.0428	2034.0078	2033.9728	2033.9378	2033.9028	2033.8678	2033.8328	2033.7978	2033.7628	2033.7278
G6	X 62322.1120	62322.1344	62322.3586	62325.0640	62327.7314	62330.3987	62333.0661	62335.5533	62338.0405	62340.5277	62343.0149	62345.5021	62347.9893	62350.4765	62352.9637	62355.4509	62357.9381
G6	Y 240036.5301	240036.5632	240036.8945	240040.8933	240044.8357	240048.7781	240052.7205	240056.6629	240060.6053	240064.5477	240068.4901	240072.4325	240076.3749	240080.3173	240084.2597	240088.2021	240092.1445
G6	Z 2034.2218	2034.2215	2034.2186	2034.1831	2034.1481	2034.1131	2034.0781	2034.0431	2034.0081	2033.9731	2033.9381	2033.9031	2033.8681	2033.8331	2033.7981	2033.7631	2033.7281
L7	X 62320.5569	62320.5793	62320.8035	62323.5089	62326.1762	62328.8436	62331.5109	62334.1782	62336.8455	62339.5128	62342.1801	62344.8474	62347.5147	62350.1820	62352.8493	62355.5166	62358.1839
L7	Y 240036.3551	240036.3882	240036.7195	240040.7183	240044.6607	240048.6032	240052.5456	240056.4880	240060.4304	240064.3728	240068.3152	240072.2576	240076.2000	240080.1424	240084.0848	240088.0272	240091.9696
L7	Z 2034.2293	2034.2290	2034.2261	2034.1906	2034.1556	2034.1206	2034.0856	2034.0506	2034.0156	2033.9806	2033.9456	2033.9106	2033.8756	2033.8406	2033.8056	2033.7706	2033.7356
L7	X 62320.2171	62320.2395	62320.4637	62323.1691	62325.8365	62328.5039	62331.1712	62333.8386	62336.5059	62339.1732	62341.8405	62344.5078	62347.1751	62349.8424	62352.5097	62355.1770	62357.8443
L7	Y 240036.3169	240036.3500	240036.6813	240040.6801	240044.6225	240048.5650	240052.5074	240056.4498	240060.3922	240064.3346	240068.2770	240072.2194	240076.1618	240080.1042	240084.0466	240087.9890	240091.9314
L7	Z 2034.2310	2034.2307	2034.2277	2034.1922	2034.1572	2034.1222	2034.0872	2034.0522	2034.0172	2033.9822	2033.9472	2033.9122	2033.8772	2033.8422	2033.8072	2033.7722	2033.7372

SURVEYED BY
 TRACED BY
 CHECKED BY
 AERIAL PHOTO BY
 MAPPING BY
 LOCATION BY
 M.O.P.W. ROADS DEPT. DRG. NO.

REVISIONS																	
DESCRIPTION																	
DATE																	
JAPAN INTERNATIONAL COOPERATION AGENCY			CHIEF ENGINEER (ROADS)			SEN SUPT. ENG (DESIGN)			SUPT. ENGINEER (DESIGN)			PROJECT ENGINEER			SCALES		
CHIEF SUPT. ENG (DESIGN)												1:100 1:200			NAIROBI BYPASS		
															RAILWAY BRIDGE SUPERSTRUCTURE (4)		
																	0
																	SHEET 44 OF 75