

添 付 資 料 (3)

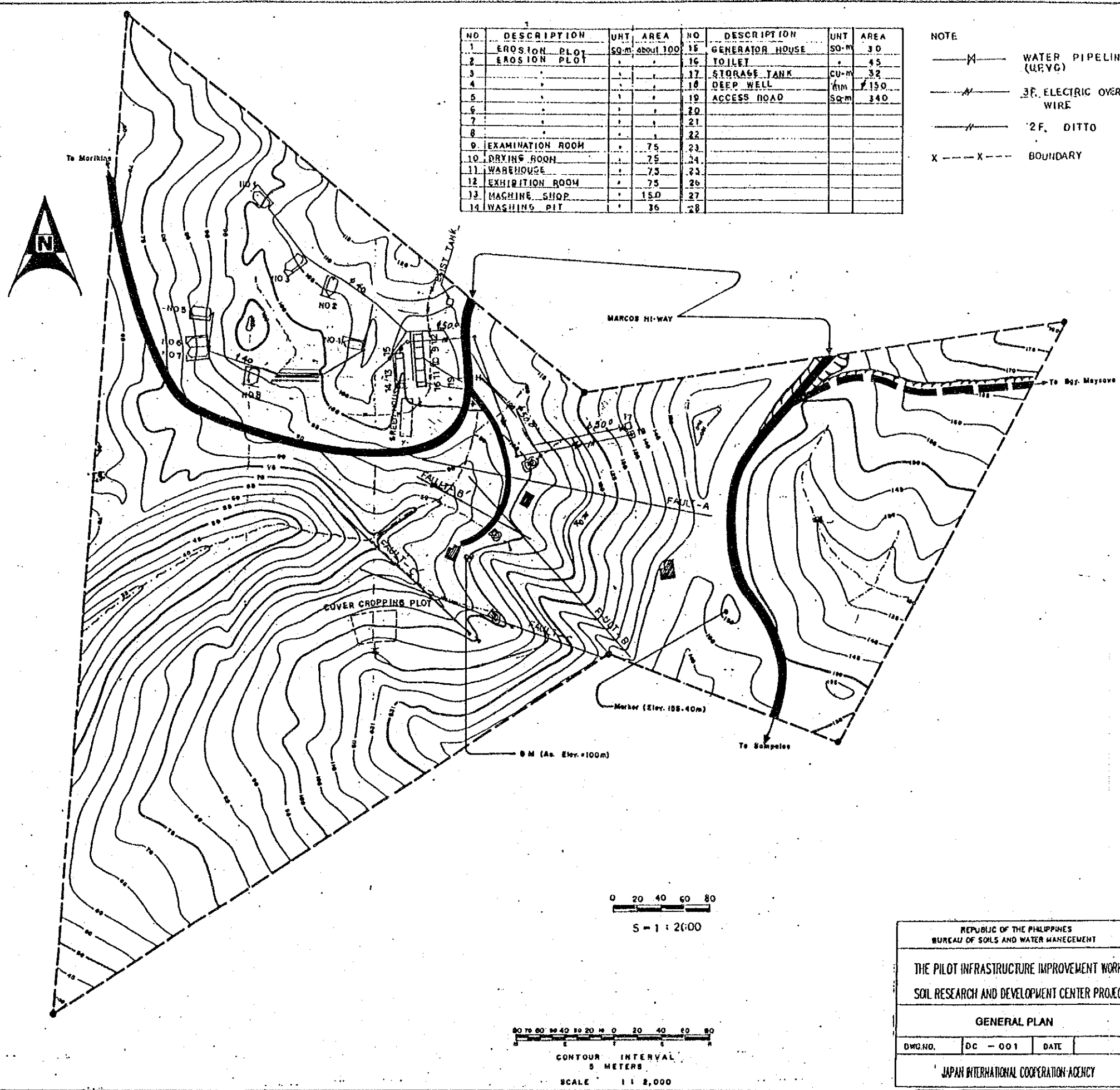
図 面

TOPOGRAPHIC MAP
CENTRAL SOIL & WATER RESOURCES
RESEARCH STATION
 CUYAMBAY, TANAY, RIZAL

NO	DESCRIPTION	UNT	AREA	NO	DESCRIPTION	UNT	AREA
1	EROSION PLOT	sq.m	about 100	15	GENERATOR HOUSE	sq.m	30
2	EROSION PLOT	"	"	16	TOILET	"	45
3	"	"	"	17	STORAGE TANK	cu-m	32
4	"	"	"	18	DEEP WELL	mm	150
5	"	"	"	19	ACCESS ROAD	sq.m	340
6	"	"	"	20			
7	"	"	"	21			
8	"	"	"	22			
9	EXAMINATION ROOM	"	75	23			
10	DRYING ROOM	"	75	24			
11	WAREHOUSE	"	75	25			
12	EXHIBITION ROOM	"	75	26			
13	MACHINE SHOP	"	150	27			
14	WASHING PIT	"	26	28			

NOTE

- WATER PIPELINE (U.P.V.G.)
- 3F. ELECTRIC OVERHEAD WIRE
- 2F. DITTO
- BOUNDARY



0 20 40 60 80
 S = 1 : 2000

80 70 60 50 40 30 20 10 0 20 40 60 80
 CONTOUR INTERVAL
 5 METERS
 SCALE 1 : 2,000

REPUBLIC OF THE PHILIPPINES
 BUREAU OF SOILS AND WATER MANAGEMENT

THE PILOT INFRASTRUCTURE IMPROVEMENT WORKS
 SOIL RESEARCH AND DEVELOPMENT CENTER PROJECT

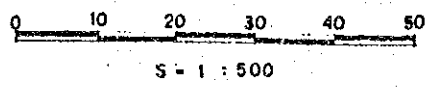
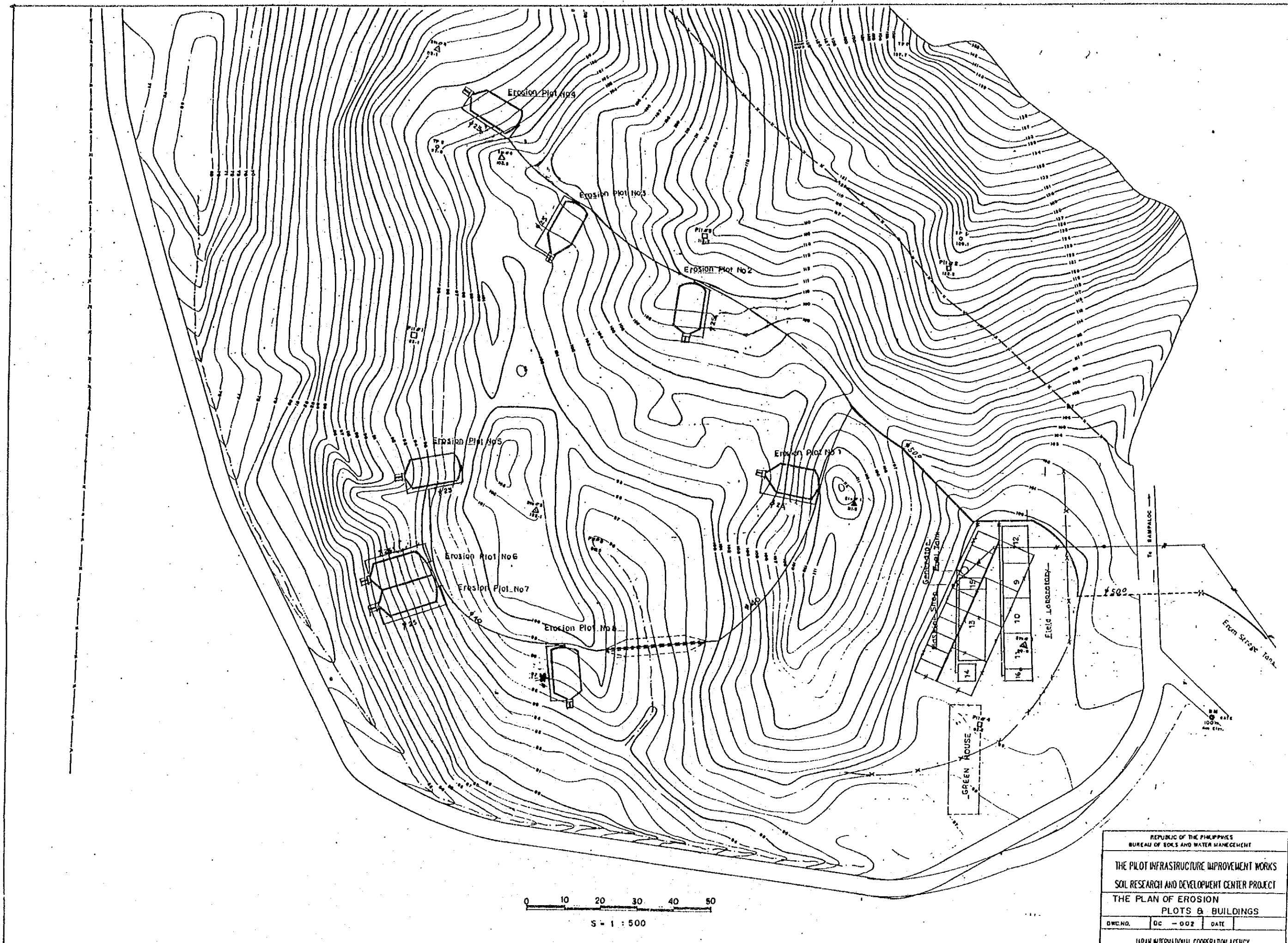
GENERAL PLAN

DWG. NO. DC - 001 DATE

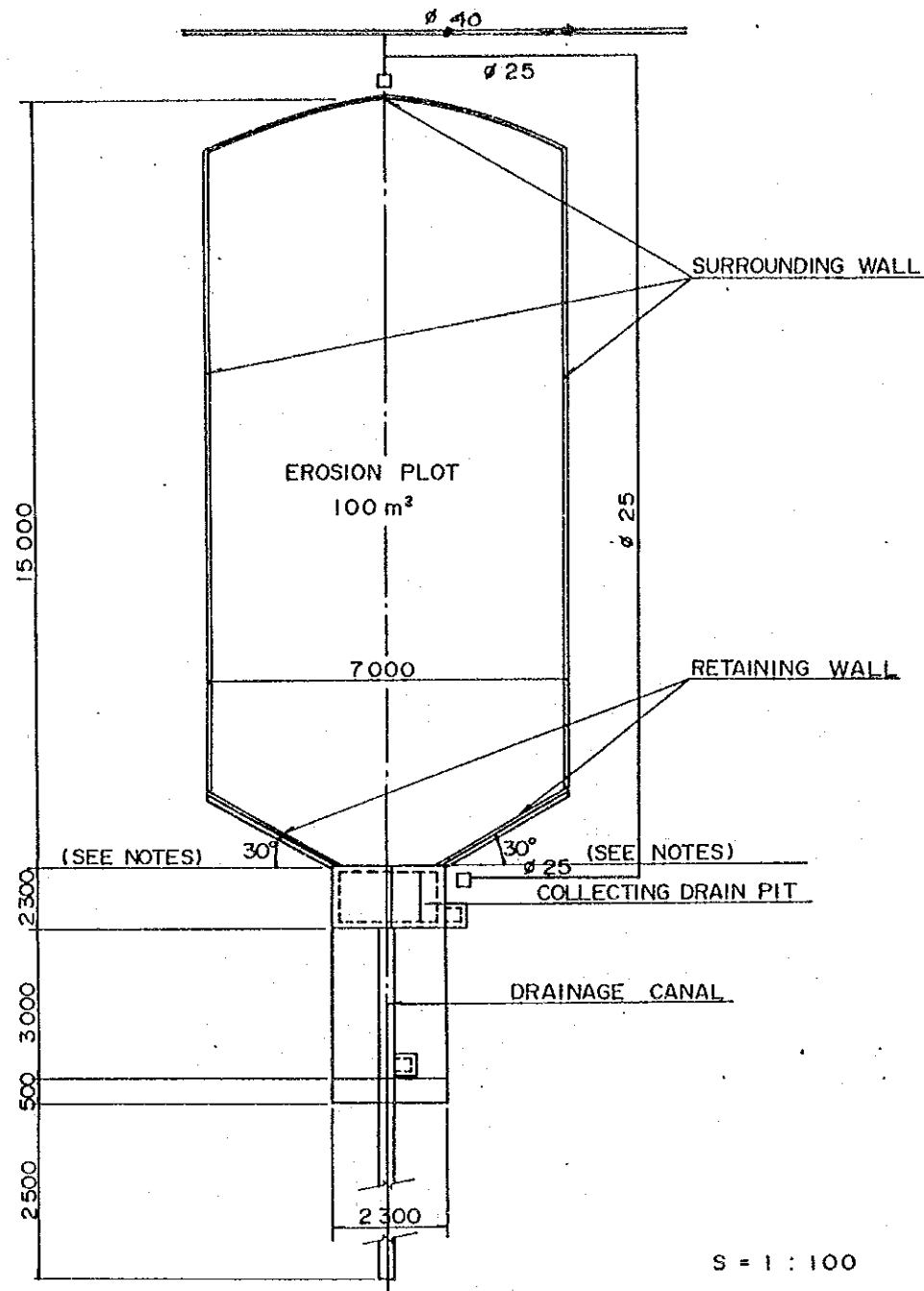
JAPAN INTERNATIONAL COOPERATION AGENCY

CONVENTIONAL SIGNS

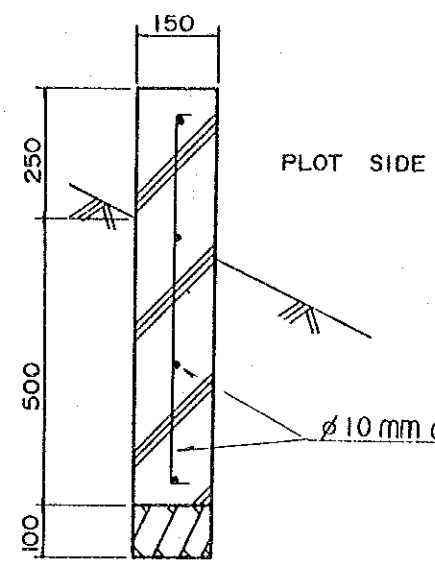
- ROAD
- ROAD CUT
- DIRT ROAD
- SPRING
- INTERMITTENT CREEK
- CONTOUR LINES
- STATION BOUNDARY
- P.S. MONUMENT
- FARM POND
- MINI POND
- BUILDING
- RESERVOIR



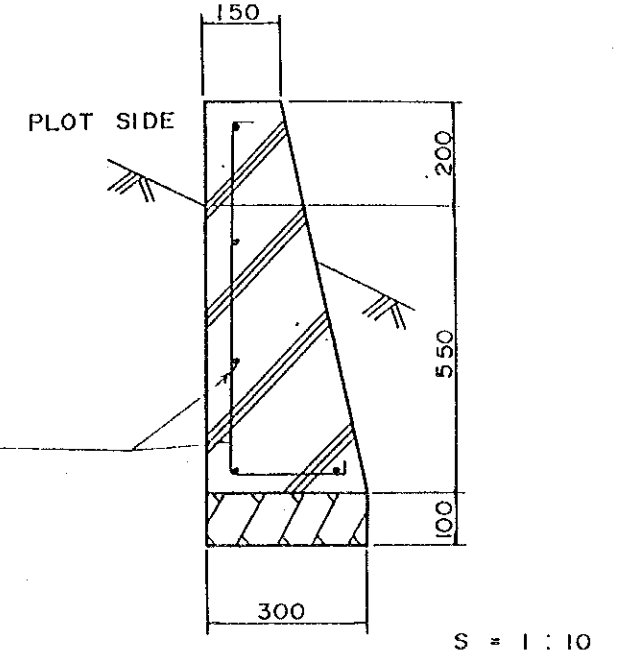
REPUBLIC OF THE PHILIPPINES
 BUREAU OF SOILS AND WATER MANAGEMENT
 THE PILOT INFRASTRUCTURE IMPROVEMENT WORKS
 SOIL RESEARCH AND DEVELOPMENT CENTER PROJECT
 THE PLAN OF EROSION
 PLOTS & BUILDINGS
 D.W.C. NO. DC - 002 DATE
 JAPAN INTERNATIONAL COOPERATION AGENCY



STANDARD PLAN OF EROSION PLOT



STANDARD SECTION OF
SURROUNDING WALL

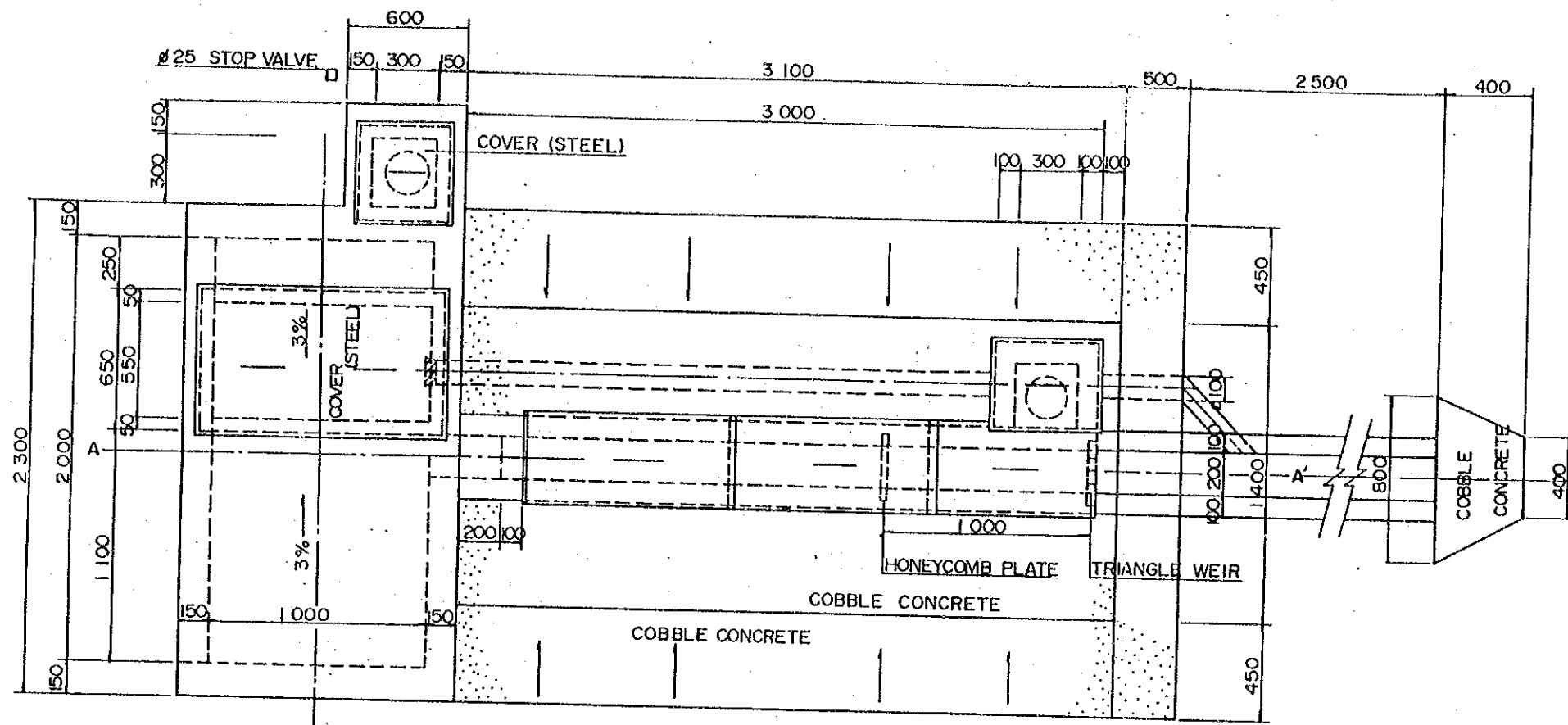


STANDARD SECTION OF
RETAINING WALL

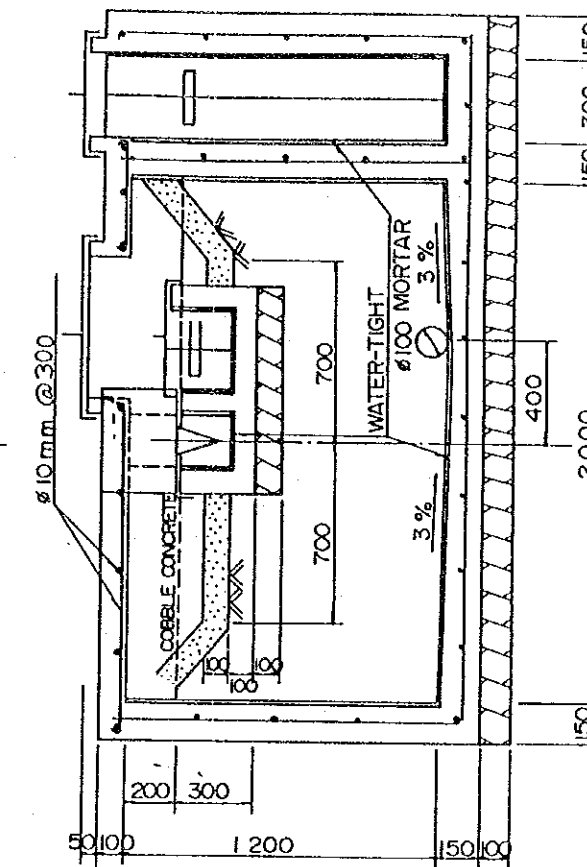
NOTES :

1. ALL DIMENSIONS ARE GIVEN IN MILLI METERS.
2. THE ANGLE SHOWN IN STANDARD PLAN OF EROSION PLOT IS THE STANDARD. IT IS SUBJECT TO CHANGE DUE TO TOPOGRAPHICAL CONDITIONS, AS DIRECTED BY THE ENGINEER.
3. THE LOCATION OF EACH EROSION PLOT WILL BE INDICATED BY THE ENGINEER.
4. ALL PIPES EXCEPT RISE-UP PART ARE BURIED ABOUT 10 CENTIMETERS BELOW GROUND SURFACE.

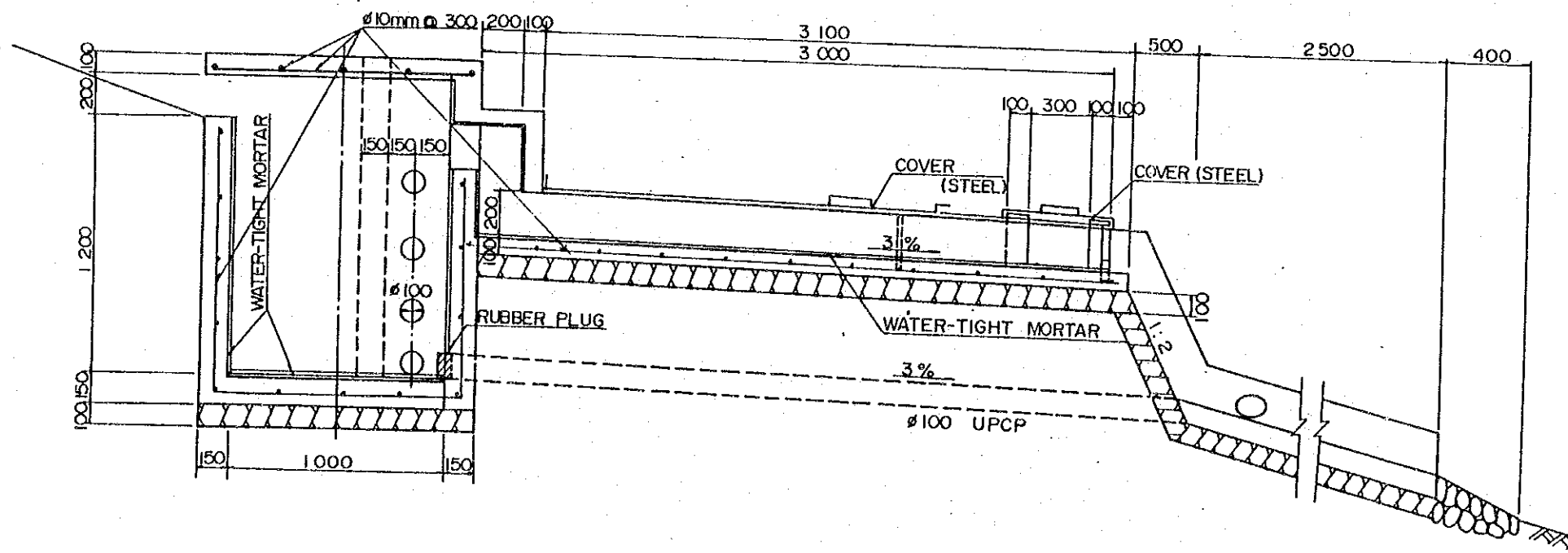
REPUBLIC OF THE PHILIPPINES BUREAU OF SOILS AND WATER MANAGEMENT			
THE PILOT INFRASTRUCTURE IMPROVEMENT WORKS SOIL RESEARCH AND DEVELOPMENT CENTER PROJECT			
EROSION PLOT			
DWG. NO.	DCI - 003	DATE	
JAPAN INTERNATIONAL COOPERATION AGENCY			



PLAN OF COLLECTING PIT



FRONT ELEVATION

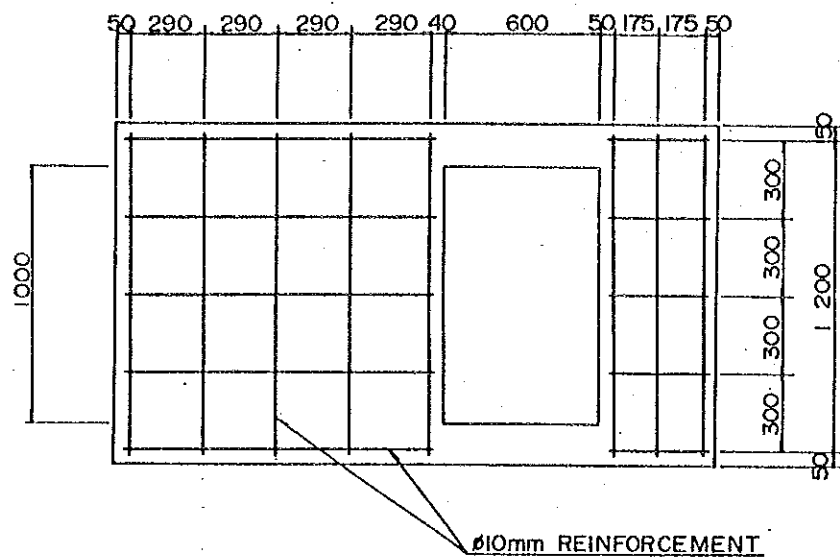


SECTION OF COLLECTING PIT (A ~ A')

NOTES:

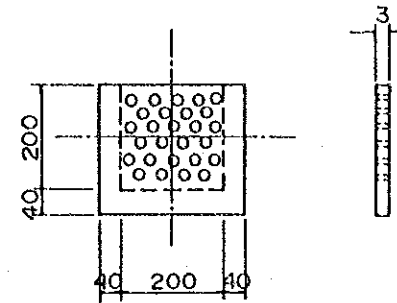
1. ALL DIMENSIONS ARE GIVEN IN MILLIMETERS
2. PIPE INSTALLATION WORKS ARE NOT SHOWN
3. SCALE = 1 : 20

REPUBLIC OF THE PHILIPPINES BUREAU OF SOILS AND WATER MANAGEMENT		
THE PILOT INFRASTRUCTURE IMPROVEMENT WORKS SOIL RESEARCH AND DEVELOPMENT CENTER PROJECT		
DETAILED PLAN OF COLLECTING PIT		
DWG. NO.	DC 1 - 004	DATE
JAPAN INTERNATIONAL COOPERATION AGENCY		



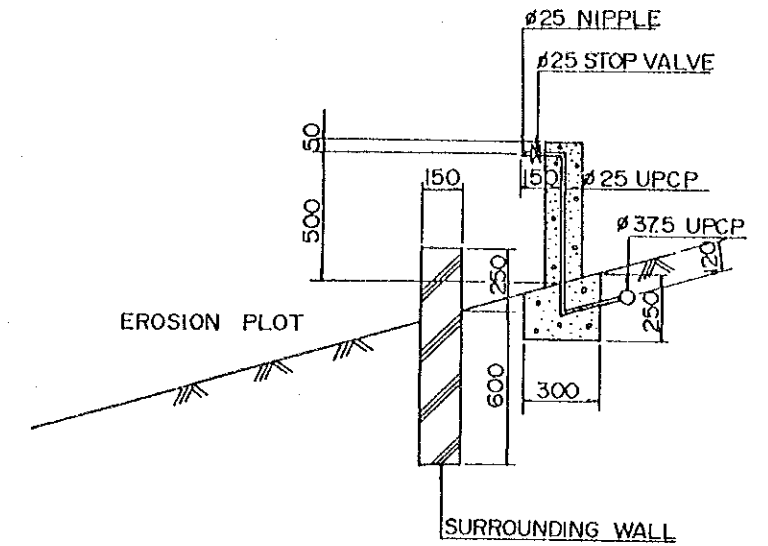
S = 1 : 20

DETAILED PLAN OF REINFORCEMENT FOR COLLECTING PIT



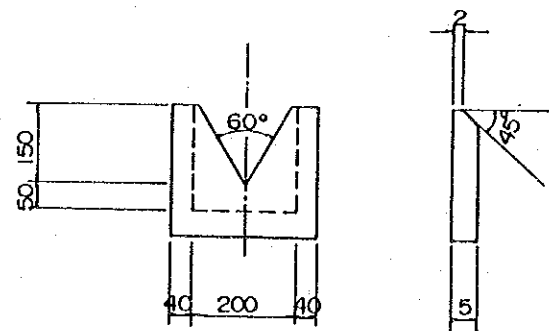
S = 1 : 10

HONZYCOMB PLATE



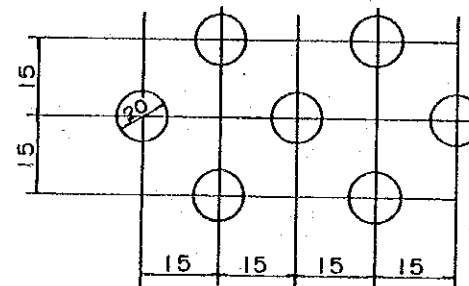
S = 1 : 20

DETAILED PLAN OF UPSIDE WATER SUPPLY FACILITY



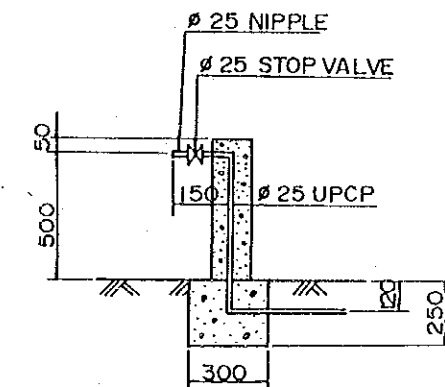
S = 1 : 10

TRIANGLE WEIR (STAINLESS STEEL)



S = 1 : 10

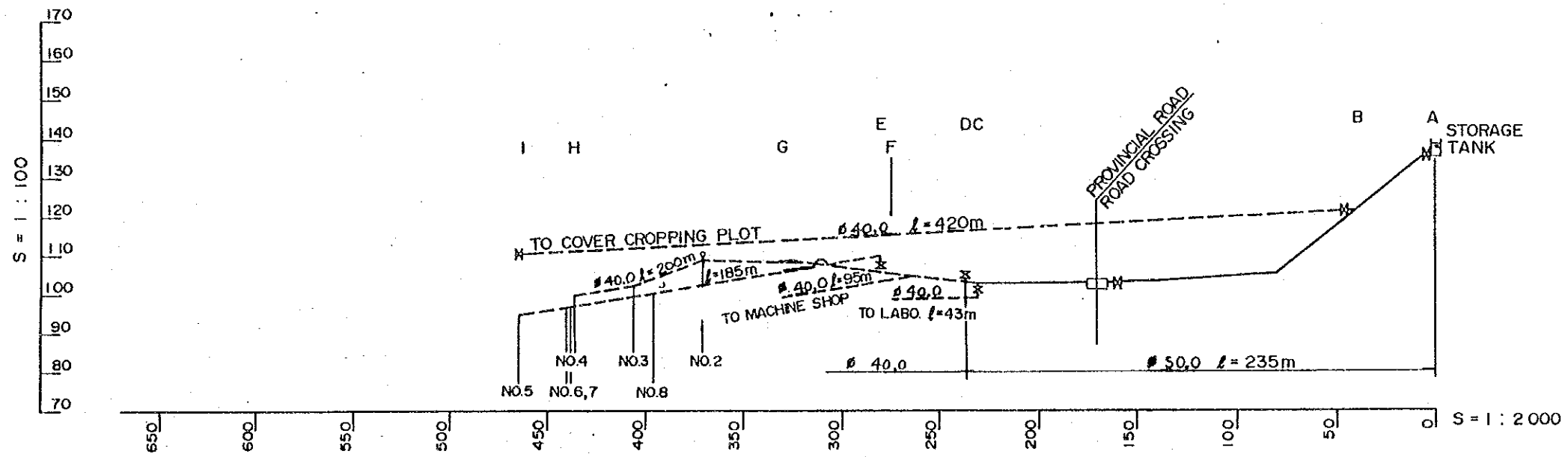
DETAILED PLAN OF HONEYCOMB PLATE



S = 1 : 20

DETAILED PLAN OF DOWNWARD WATER SUPPLY FACILITY

REPUBLIC OF THE PHILIPPINES BUREAU OF SOILS AND WATER MANAGEMENT		
THE PILOT INFRASTRUCTURE IMPROVEMENT WORKS SOIL RESEARCH AND DEVELOPMENT CENTER PROJECT		
DETAILED PLAN OF EROSION PLOT		
DWG. NO.	DC - 005	DATE
JAPAN INTERNATIONAL COOPERATION AGENCY		



LEGEND :

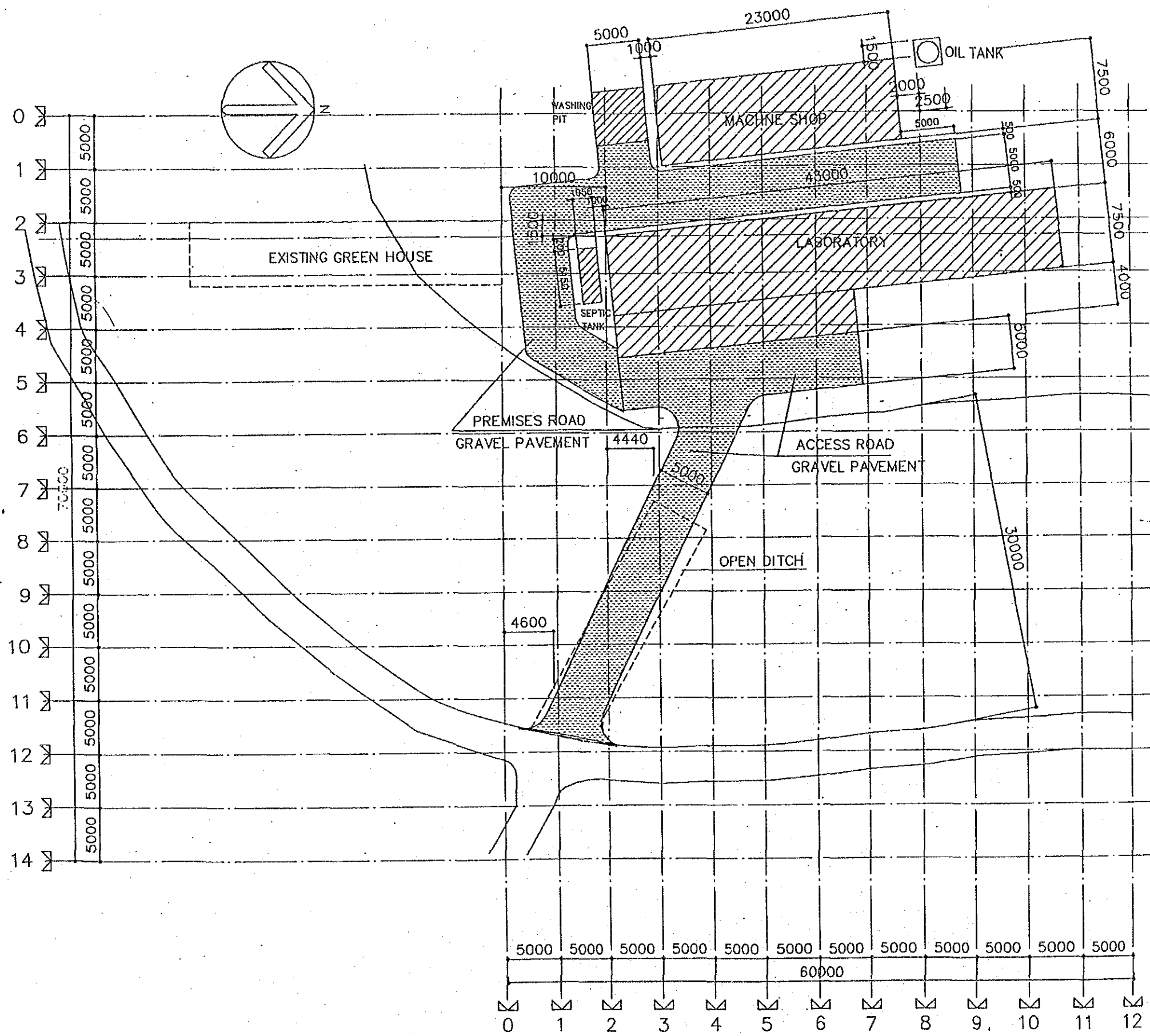
- UNPLASTICIZED POLYVINYL CHLORIDE PIPE
- - - " " " "
- ⊗ BLOCK VALVE
- ∩ AIR VENT

PIPELINE	∅	LENGTH
A -- D	50.0 ^{mm}	235 m
D -- H	40.0	200
B -- I	40.0	420
C -- F	40.0	43
D -- G	40.0	95
E -- I	40.0	185

NOTES :

1. ALL PIPES EXCEPT RISE-UP PART ARE BURIED ABOUT 10 CENTIMETERS BELOW GROUND SURFACE.
2. ALL PIPES SHALL BE UNPLASTICIZED POLYVINYL CHLORIDE PIPES.

REPUBLIC OF THE PHILIPPINES BUREAU OF SOILS AND WATER MANAGEMENT			
THE PILOT INFRASTRUCTURE IMPROVEMENT WORKS SOIL RESEARCH AND DEVELOPMENT CENTER PROJECT			
PROFILE OF WATER PIPELINE			
DWG. NO.	DC - 006	DATE	
JAPAN INTERNATIONAL COOPERATION AGENCY			



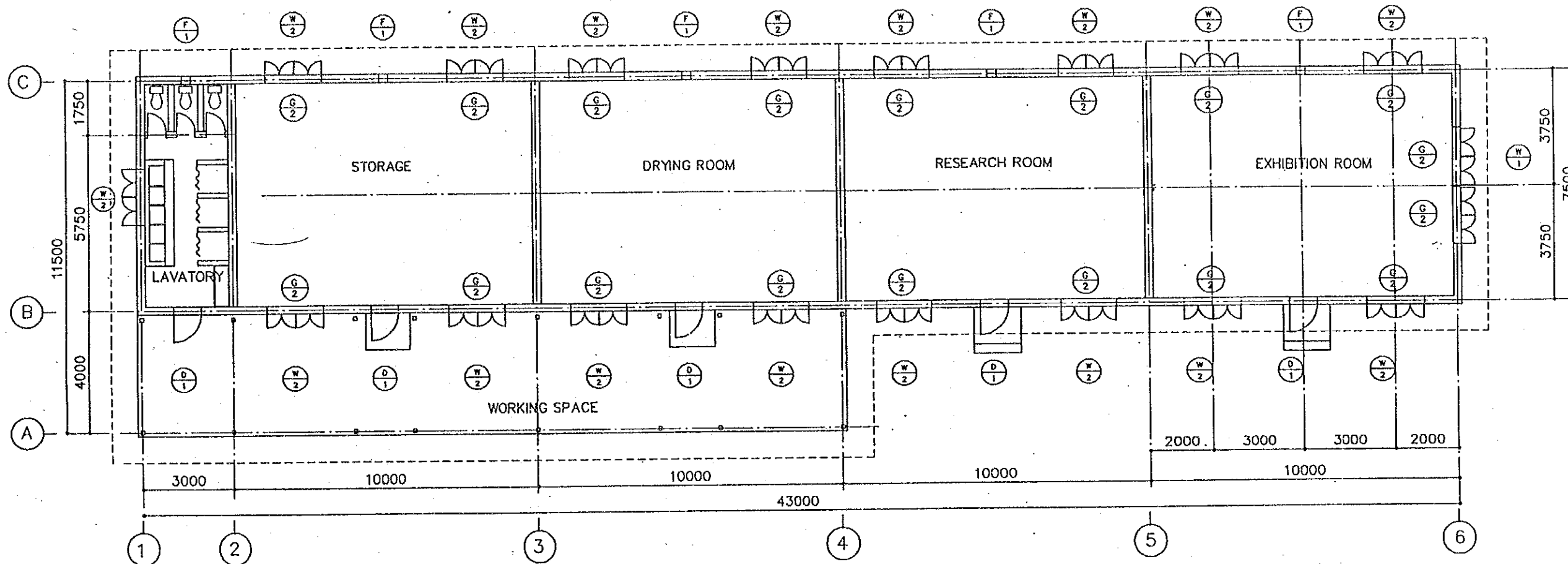
GL=99,500

REPUBLIC OF THE PHILIPPINES BUREAU OF SOILS AND WATER MANAGEMENT		
THE PILOT INFRASTRUCTURE IMPROVEMENT WORKS SOIL RESEARCH AND DEVELOPMENT CENTER PROJECT		
SITE PLAN		1/400
DWG. NO.	DC-007	DATE
JAPAN INTERNATIONAL COOPERATION AGENCY		

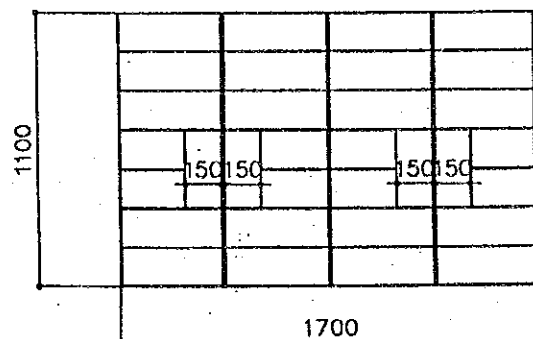
GENERAL FINISHINGS

	ROOF	EXTERNAL WALL		AREA	FLOOR	SKIRTING	INTERNAL WALL	CEILING
LABORATORY 414.5 M ²	WOODEN TRUSS PRE-PAINTED COLOR ROOF	150mmCHB W/ CEMENT PLASTER FINISH, AND PAINTED EMULSION PAINT	EXHIBITION ROOM	75.0 M ²	LOCAL VINYL TILES 12"x12" T=2.0	WOOD H=100	MORTAR & PAINTED	PLYWOOD(6)EMULSION.P
			RESEARCH ROOM	75.0 M ²	LOCAL VINYL TILES 12"x12" T=2.0	WOOD H=100	MORTAR & PAINTED	PLYWOOD(6)EMULSION.P
			DRYING ROOM	75.0 M ²	MORTAR	MORTAR H=100	MORTAR	—————
			STORAGE	75.0 M ²	MORTAR	MORTAR H=100	EXPOSED CHB	—————
			LAVATORY	22.5 M ²	MOSAIC TILES	—————	CERAMIC TILE H=1800 & PAINTED	PLYWOOD(6)EMULSION.P
			WORKING SPACE	92.0 M ²	CONCRETE FINISH			
MACHINE SHOP 172.5 M ²	WOODEN TRUSS PRE-PAINTED COLOR ROOF	150mmCHB W/ CEMENT PLASTER FINISH, AND PAINTED EMULSION PAINT	WORKING AREA	112.5 M ²	MORTAR	MORTAR H=100	MORTAR	—————
			OFFICE	18.75 M ²	LOCAL VINYL TILES 12"x12" T=2.0	WOOD H=100	MORTAR & PAINTED	PLYWOOD(6)EMULSION.P
			TOOL ROOM 1	7.5 M ²	MORTAR	MORTAR H=100	MORTAR & PAINTED	PLYWOOD(6)EMULSION.P
			TOOL ROOM 2	11.25 M ²	MORTAR	MORTAR H=100	MORTAR & PAINTED	PLYWOOD(6)EMULSION.P
			GENERATOR ROOM	22.5 M ²	MORTAR	MORTAR H=100	—————	—————
WASHING PIT 25.0 M ²	—————	CONCRETE FINISH		CONCRETE FINISH	—————	—————	—————	
STORAGE TANK 30.0 M ²	CONCRETE FINISH	CONCRETE FINISH		WATER PROOF MORTAR (T=30)	—————	WATER PROOF MORTAR (T=30)	—————	
OIL TANK BASE	CONCRETE FINISH							
ACCESS ROAD	GRAVEL PAVEMENT T=100							
PREMISES ROAD	GRAVEL PAVEMENT T=100							

REPUBLIC OF THE PHILIPPINES BUREAU OF SOILS AND WATER MANAGEMENT			
THE PILOT INFRASTRUCTURE IMPROVEMENT WORKS SOIL RESEARCH AND DEVELOPMENT CENTER PROJECT			
GENERAL FINISHINGS			
DWG. NO.	DC- 008	DATE	
JAPAN INTERNATIONAL COOPERATION AGENCY			



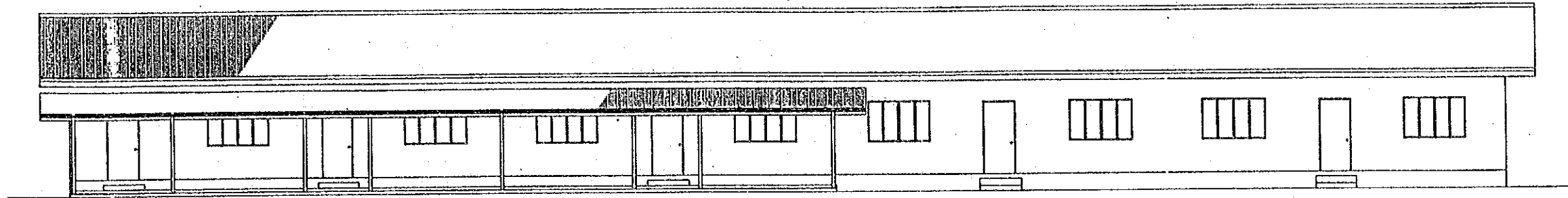
STEEL GRILL STEEL FLAT PLATE T=5 OP



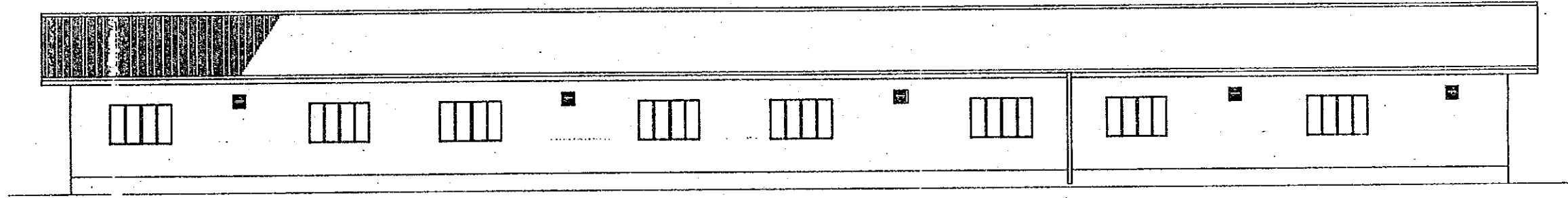
NOTE

MARK	SIZE	TYPE	UNIT	Q.T	
W-1	900x1160x4	STEEL HINGE SIDE OPEN	ea	1	STEEL HINGE CLEAR GLASS T=3
W-2	900x1160x2	'	'	17	HANDLES OIL PAINT
D-1	900x2100	STEEL FLASH DOOR	'	5	HINGES LOCKSET
F-1	φ300	CONT.FAN	'	5	
G-2	1700 x 1100	STEEL GRILL		18	OP

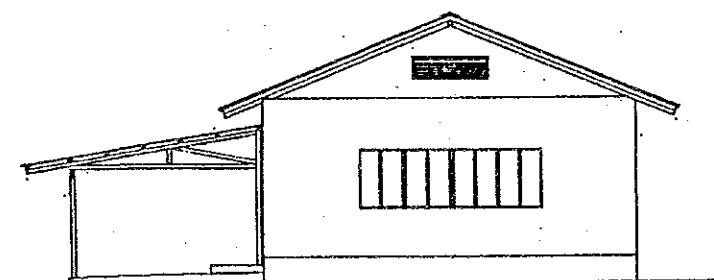
REPUBLIC OF THE PHILIPPINES BUREAU OF SOILS AND WATER MANAGEMENT			
THE PILOT INFRASTRUCTURE IMPROVEMENT WORKS SOIL RESEARCH AND DEVELOPMENT CENTER PROJECT			
LABORATORY I 1/150			
DWG.NO.	DC- 009	DATE	
JAPAN INTERNATIONAL COOPERATION AGENCY			



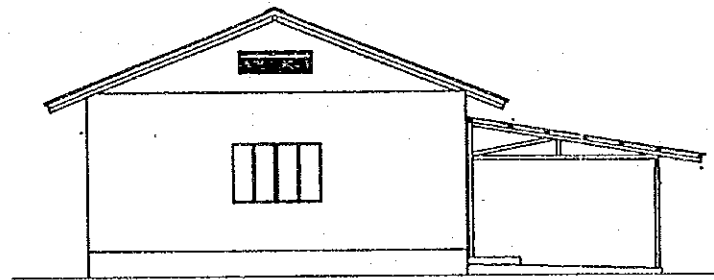
EAST SIDE



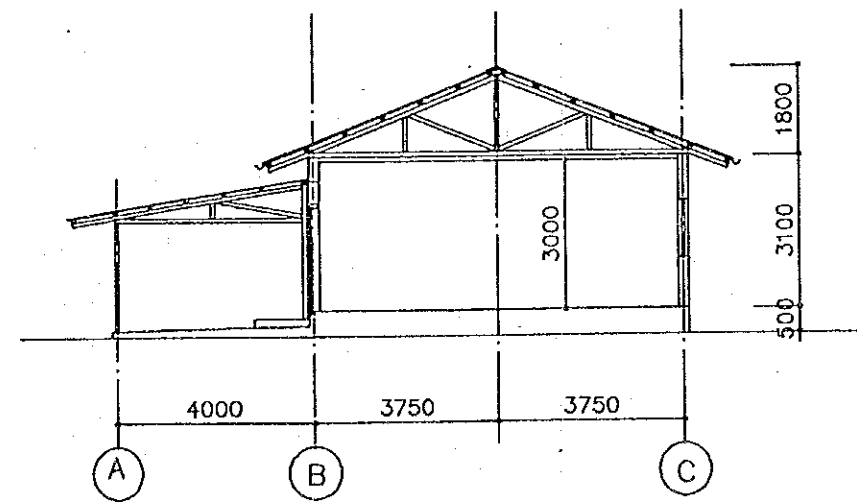
WEST SIDE



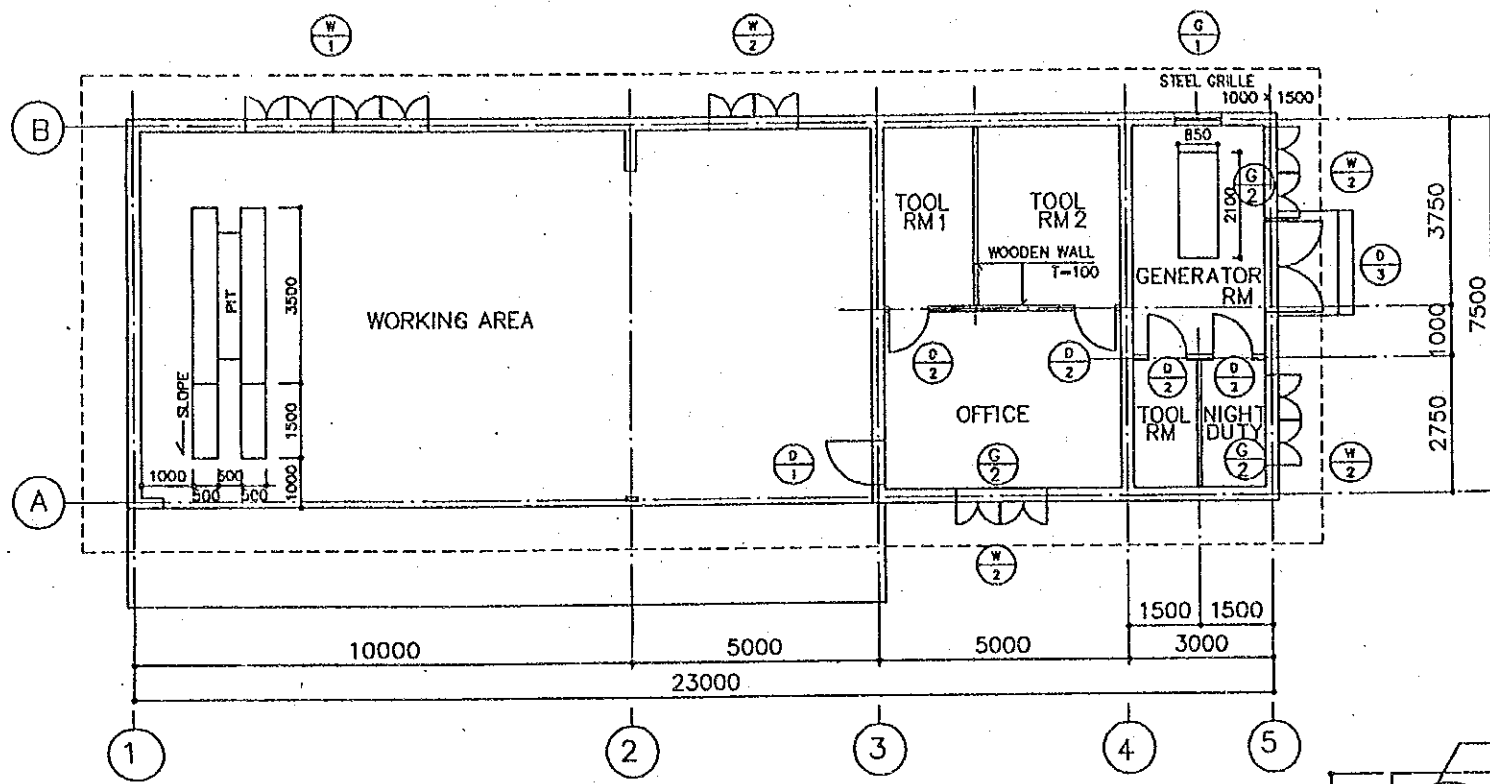
NORTH SIDE



SOUTH SIDE



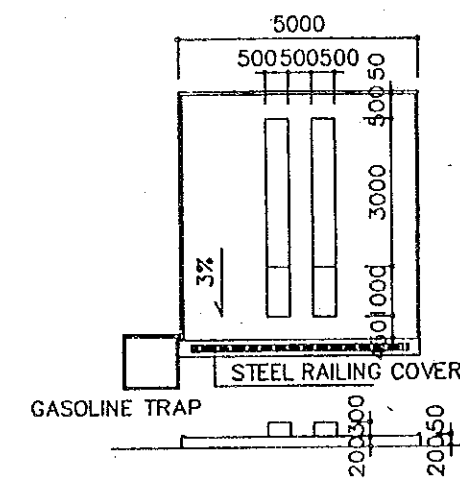
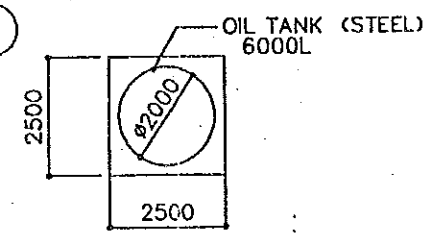
REPUBLIC OF THE PHILIPPINES			
BUREAU OF SOILS AND WATER MANAGEMENT			
THE PILOT INFRASTRUCTURE IMPROVEMENT WORKS			
SOIL RESEARCH AND DEVELOPMENT CENTER PROJECT			
LABORATORY I 1/150			
OWG. NO.	DC- 010	DATE	
JAPAN INTERNATIONAL COOPERATION AGENCY			



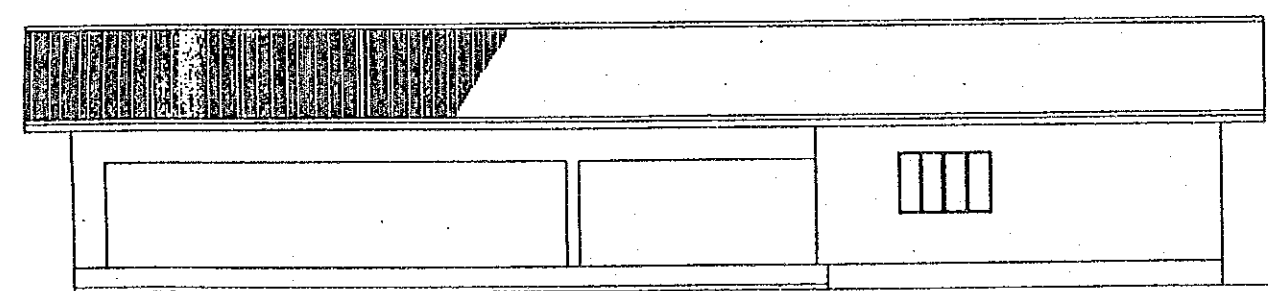
MACHINE SHOP 1/150

NOTE

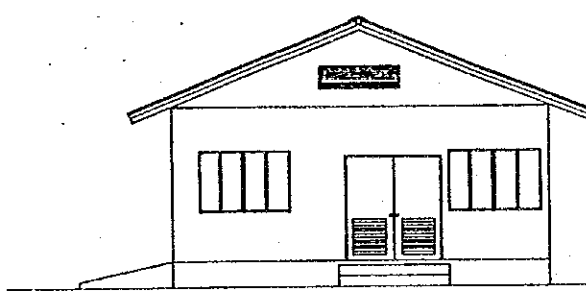
MARK	SIZE	TYPE	UNIT	Q.T	
W-1	900x1160x4	STEEL, HINGE SIDE OPEN	ea	1	CLEAR GLASS T=3
W-2	900x1160x2	"	"	4	HINGE HANDLES
D-1	900x2100	STEEL FLASH DOOR	"	1	OP
D-2	800x2100	WOODEN FLASH DOOR	"	4	OP
D-3	2000x2100	STEEL FLASH DOOR	"	1	STEEL GRILLE OP
G-1	1000 x 1500	STEEL GRILLE			OP
G-2	1700 x 1100	STEEL GRILLE		3	OP



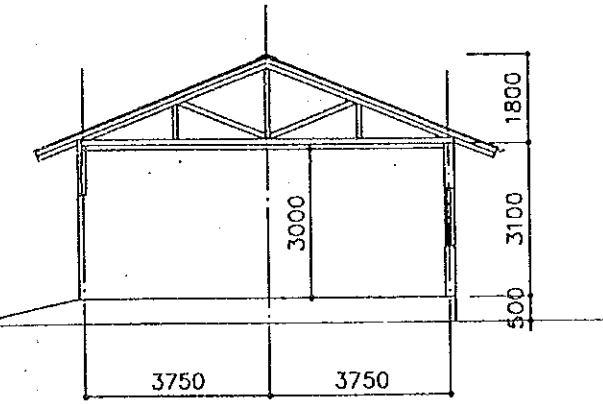
WASHING PIT 1/150



EAST SIDE

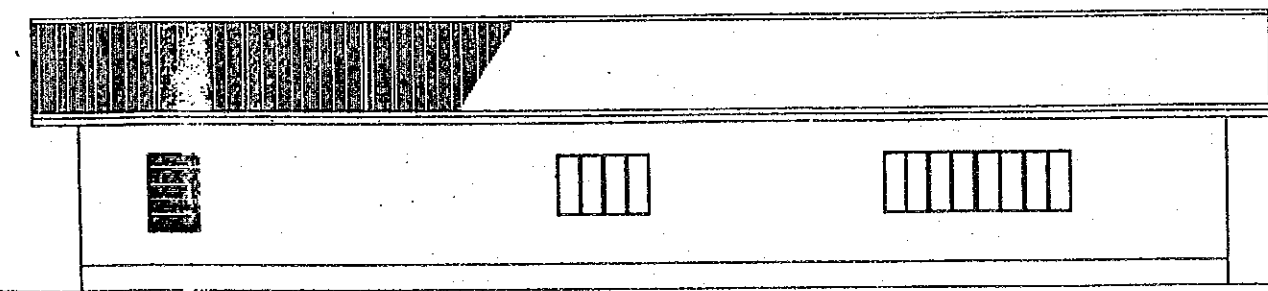


NORTH SIDE

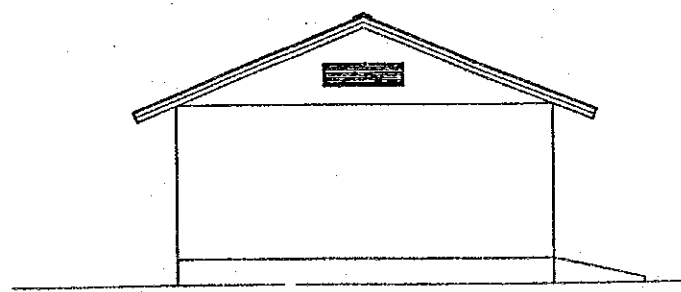


A

B



WEST SIDE



SOUTH SIDE

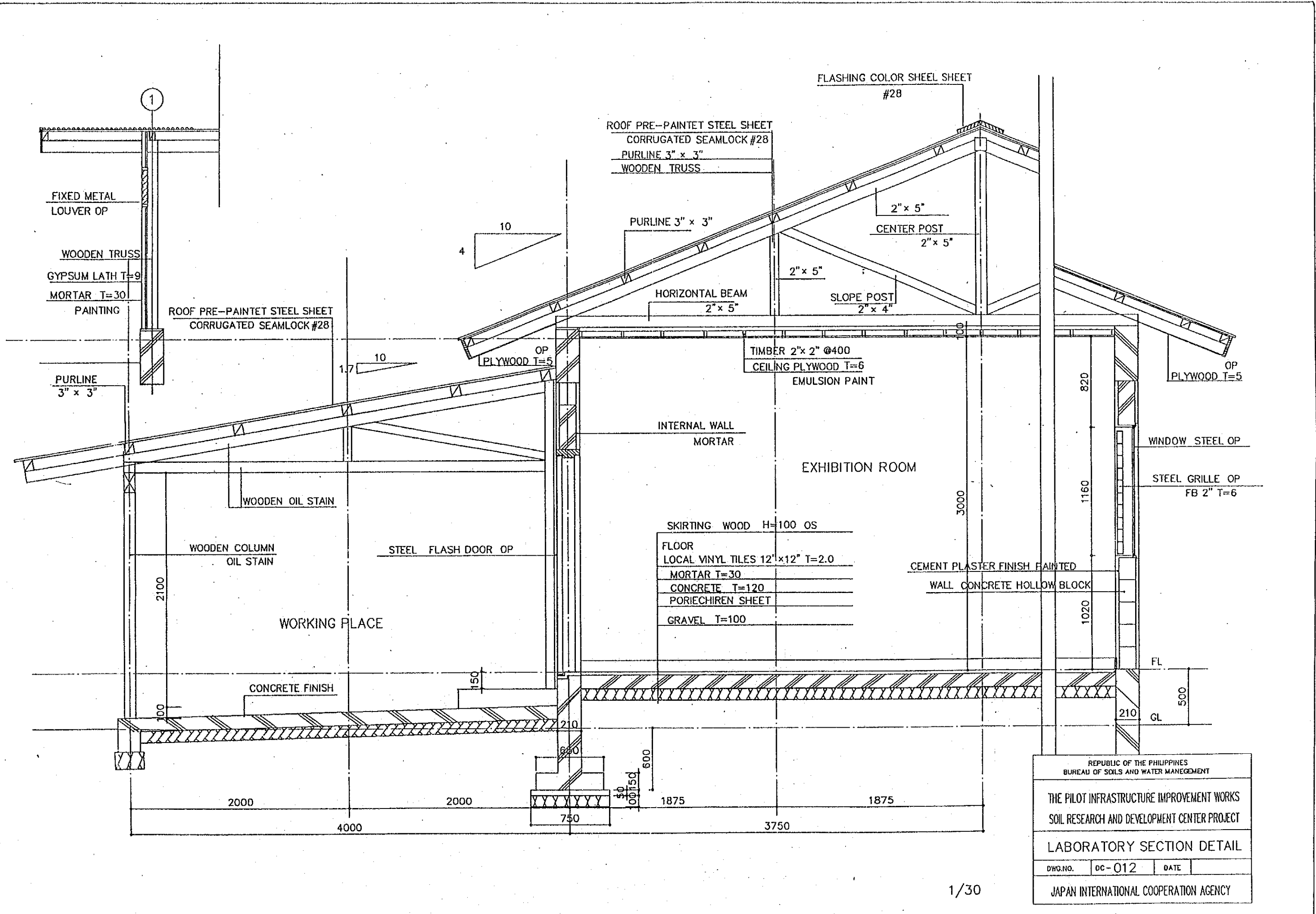
REPUBLIC OF THE PHILIPPINES
BUREAU OF SOILS AND WATER MANAGEMENT

THE PILOT INFRASTRUCTURE IMPROVEMENT WORKS
SOIL RESEARCH AND DEVELOPMENT CENTER PROJECT

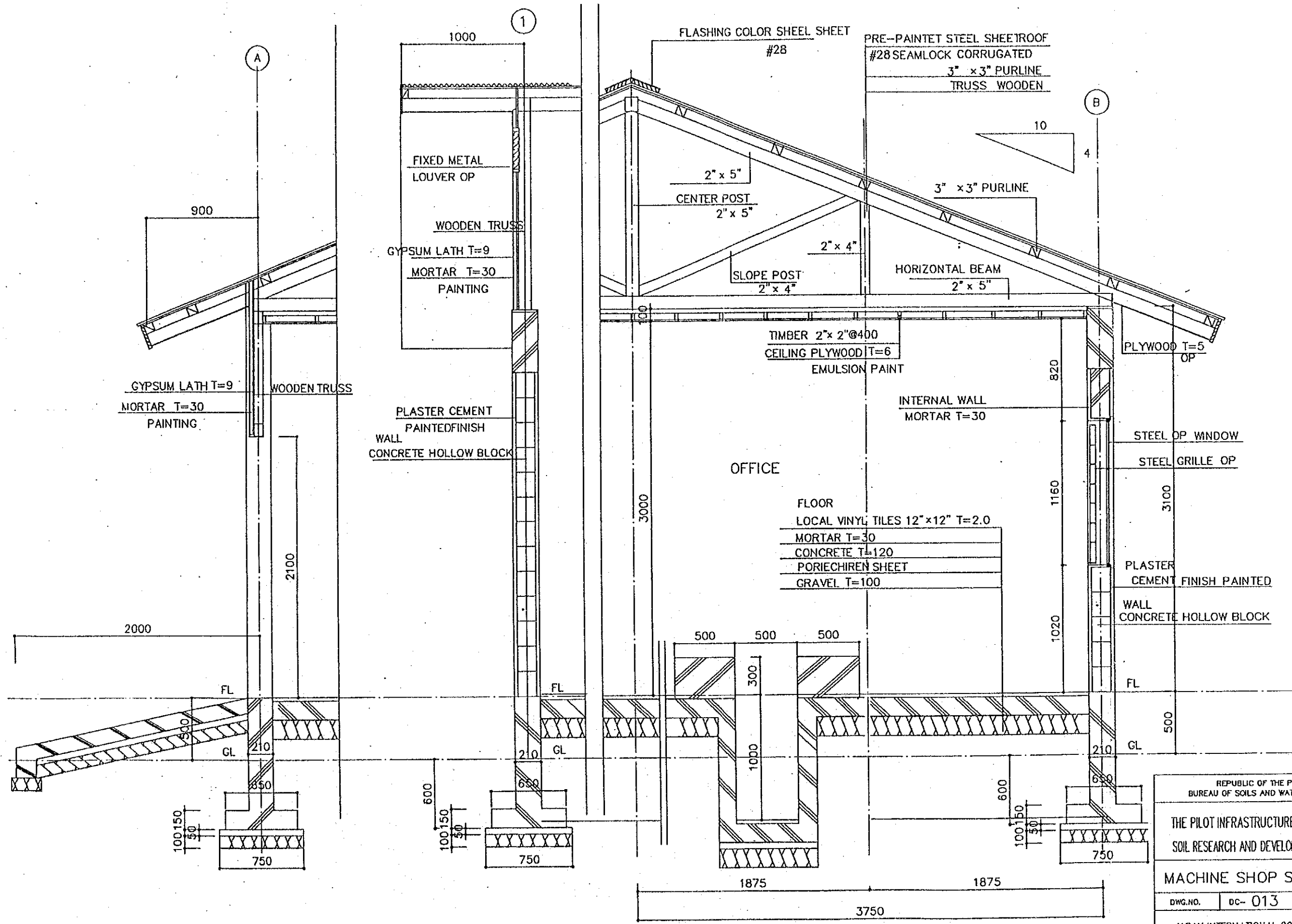
MACHINE SHOP 1/150

DWG. NO. DC-011 DATE

JAPAN INTERNATIONAL COOPERATION AGENCY



REPUBLIC OF THE PHILIPPINES
 BUREAU OF SOILS AND WATER MANAGEMENT
 THE PILOT INFRASTRUCTURE IMPROVEMENT WORKS
 SOIL RESEARCH AND DEVELOPMENT CENTER PROJECT
 LABORATORY SECTION DETAIL
 DWG. NO. DC-012 DATE
 JAPAN INTERNATIONAL COOPERATION AGENCY



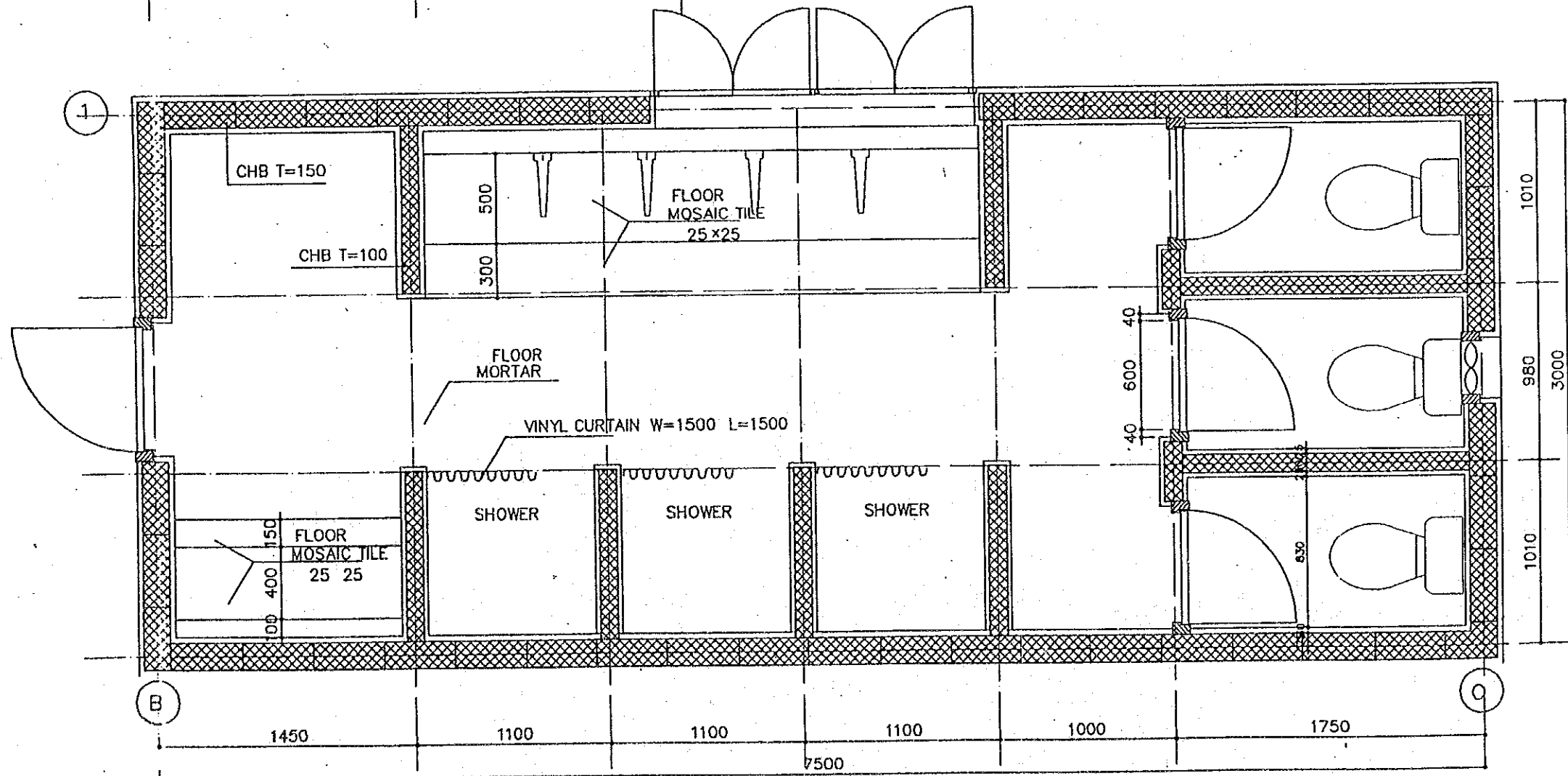
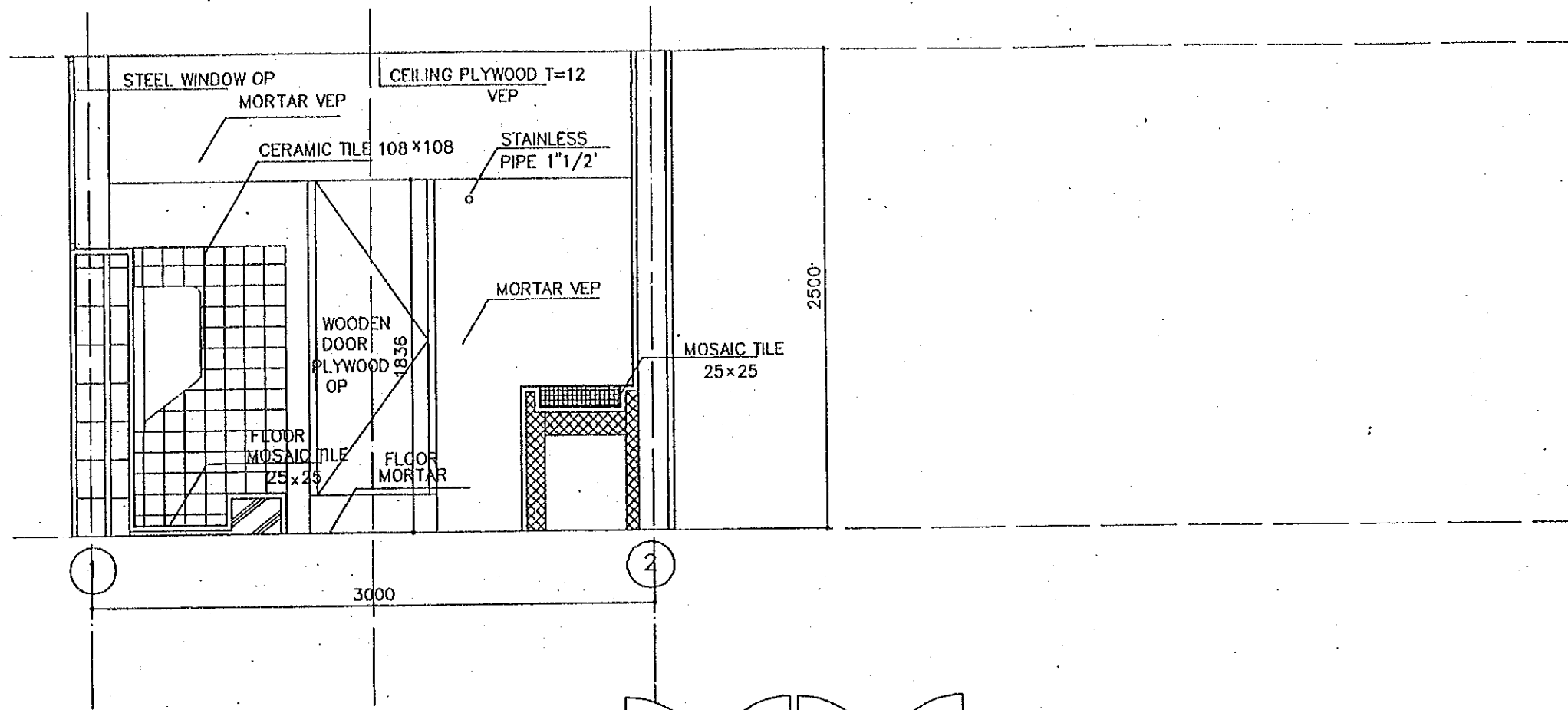
REPUBLIC OF THE PHILIPPINES
BUREAU OF SOILS AND WATER MANAGEMENT

THE PILOT INFRASTRUCTURE IMPROVEMENT WORKS
SOIL RESEARCH AND DEVELOPMENT CENTER PROJECT

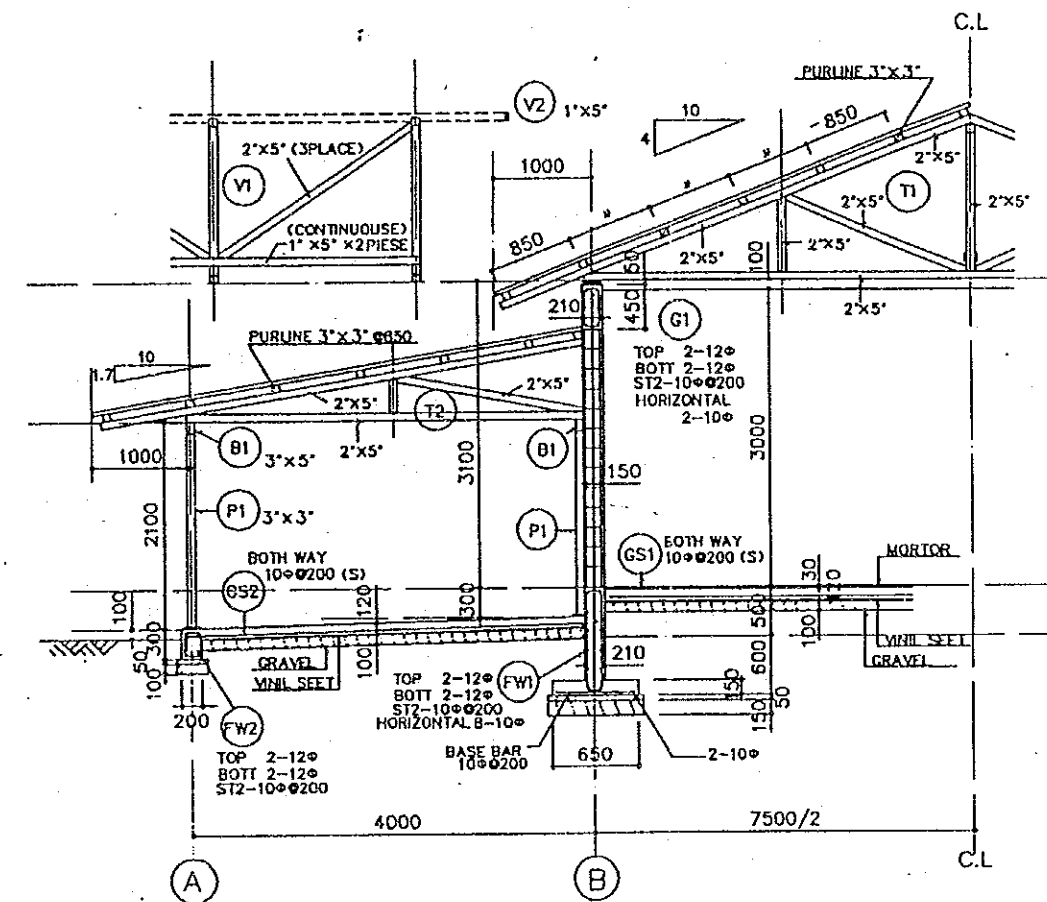
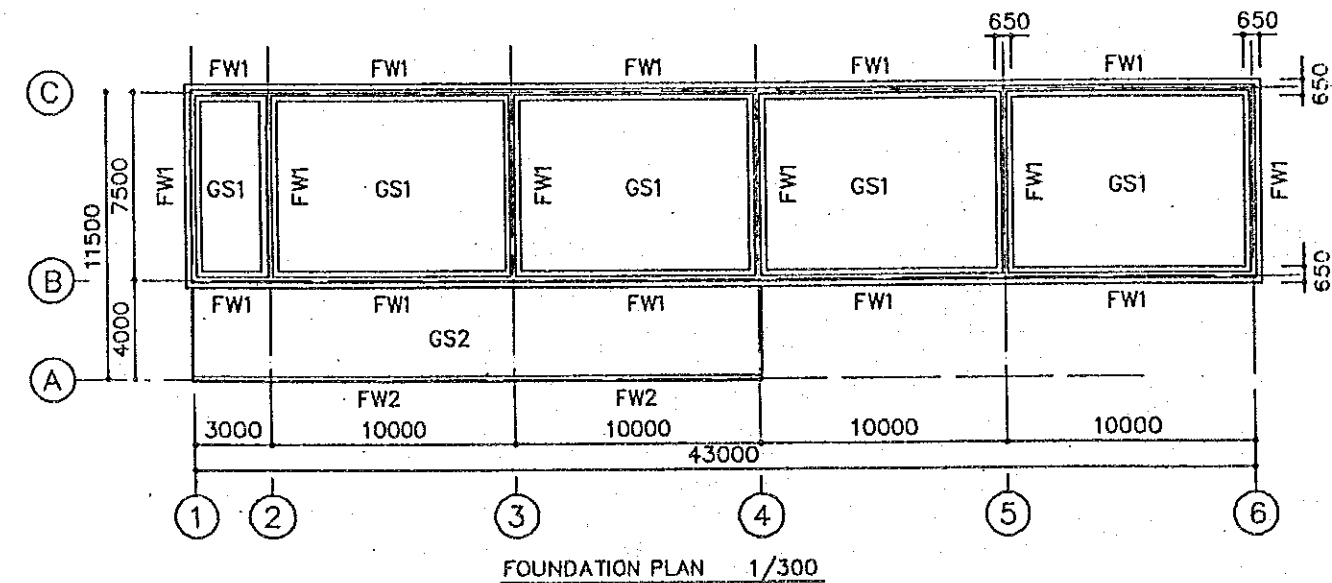
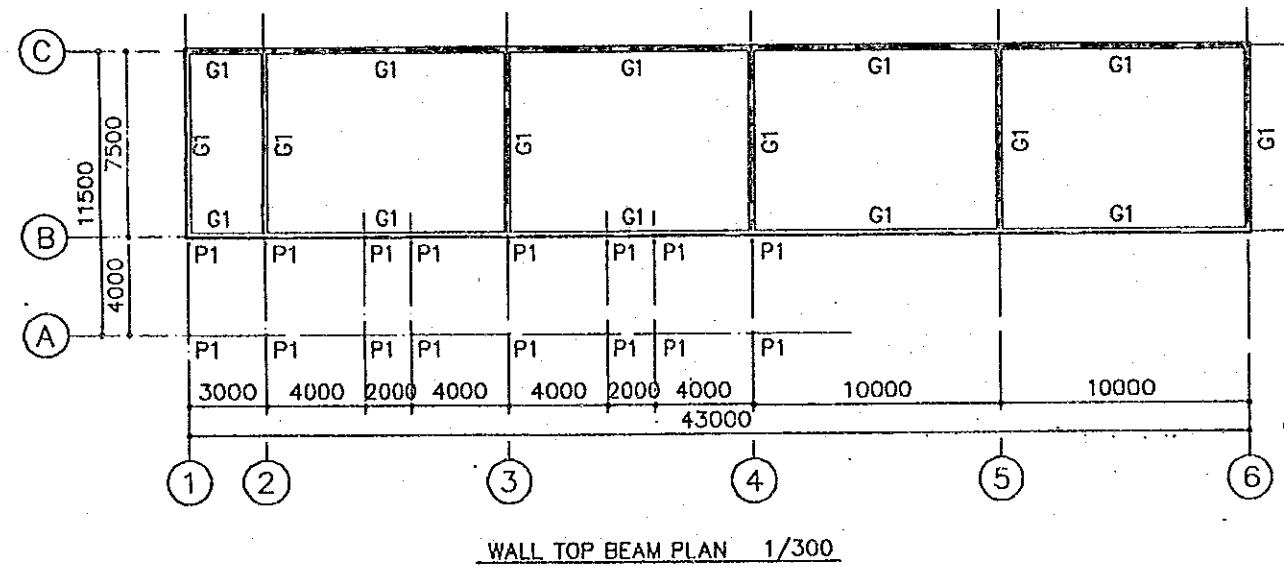
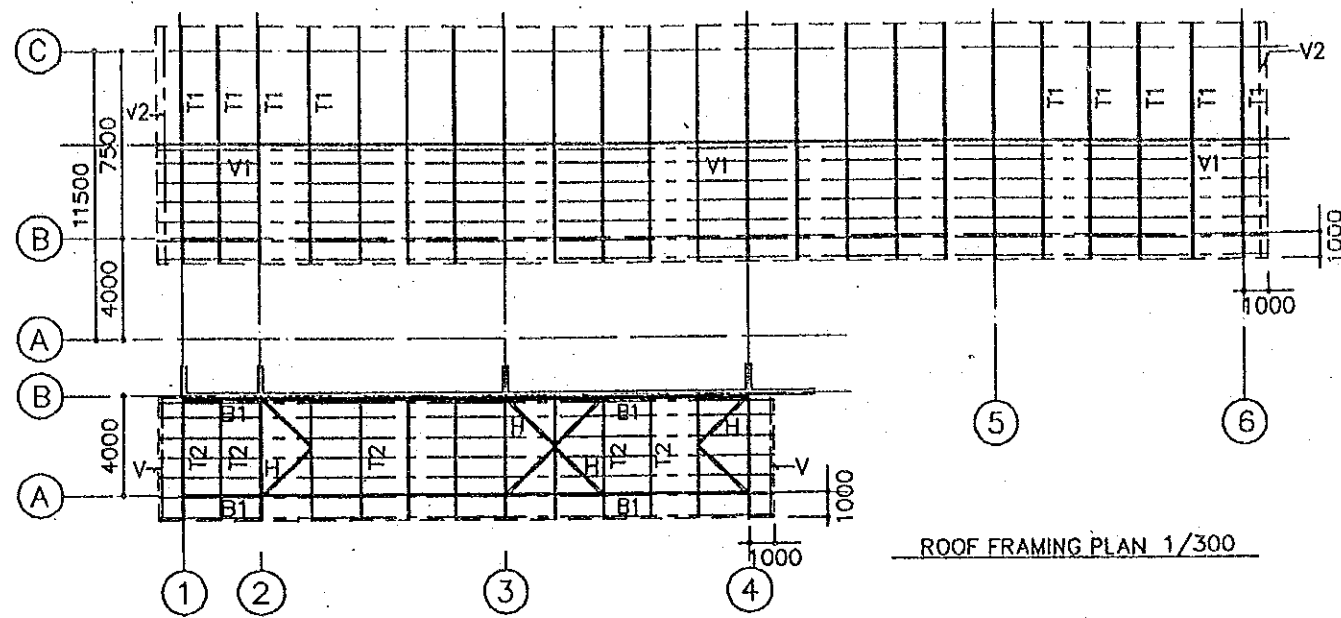
MACHINE SHOP SECTION DETAIL

DWG. NO.	DC- 013	DATE	
----------	---------	------	--

JAPAN INTERNATIONAL COOPERATION AGENCY



REPUBLIC OF THE PHILIPPINES			
BUREAU OF SOILS AND WATER MANAGEMENT			
THE PILOT INFRASTRUCTURE IMPROVEMENT WORKS			
SOIL RESEARCH AND DEVELOPMENT CENTER PROJECT			
LAVATORY PLAN SECTION DETAIL 1/30			
DWG. NO.	DC - 014	DATE	
JAPAN INTERNATIONAL COOPERATION AGENCY			

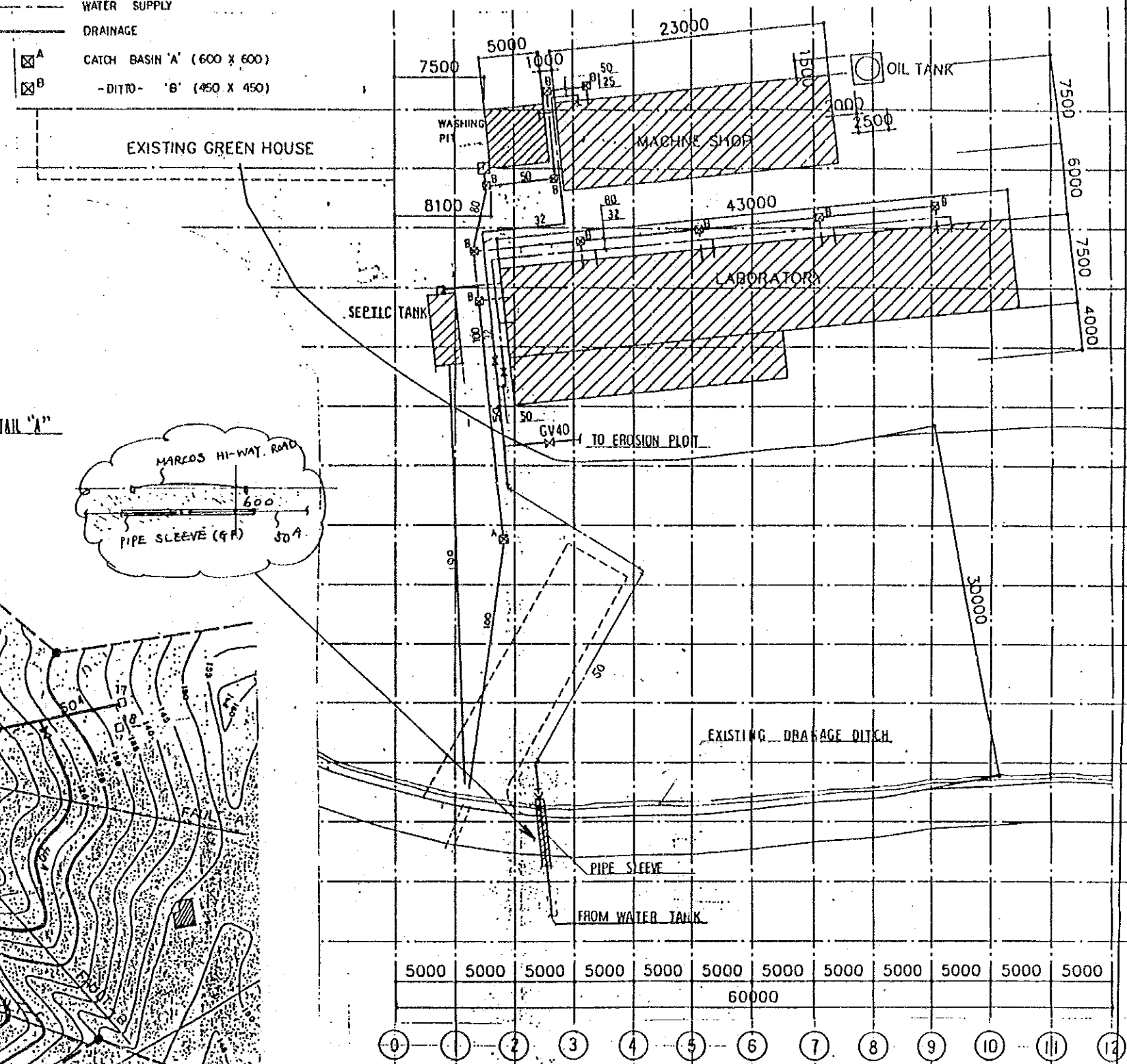
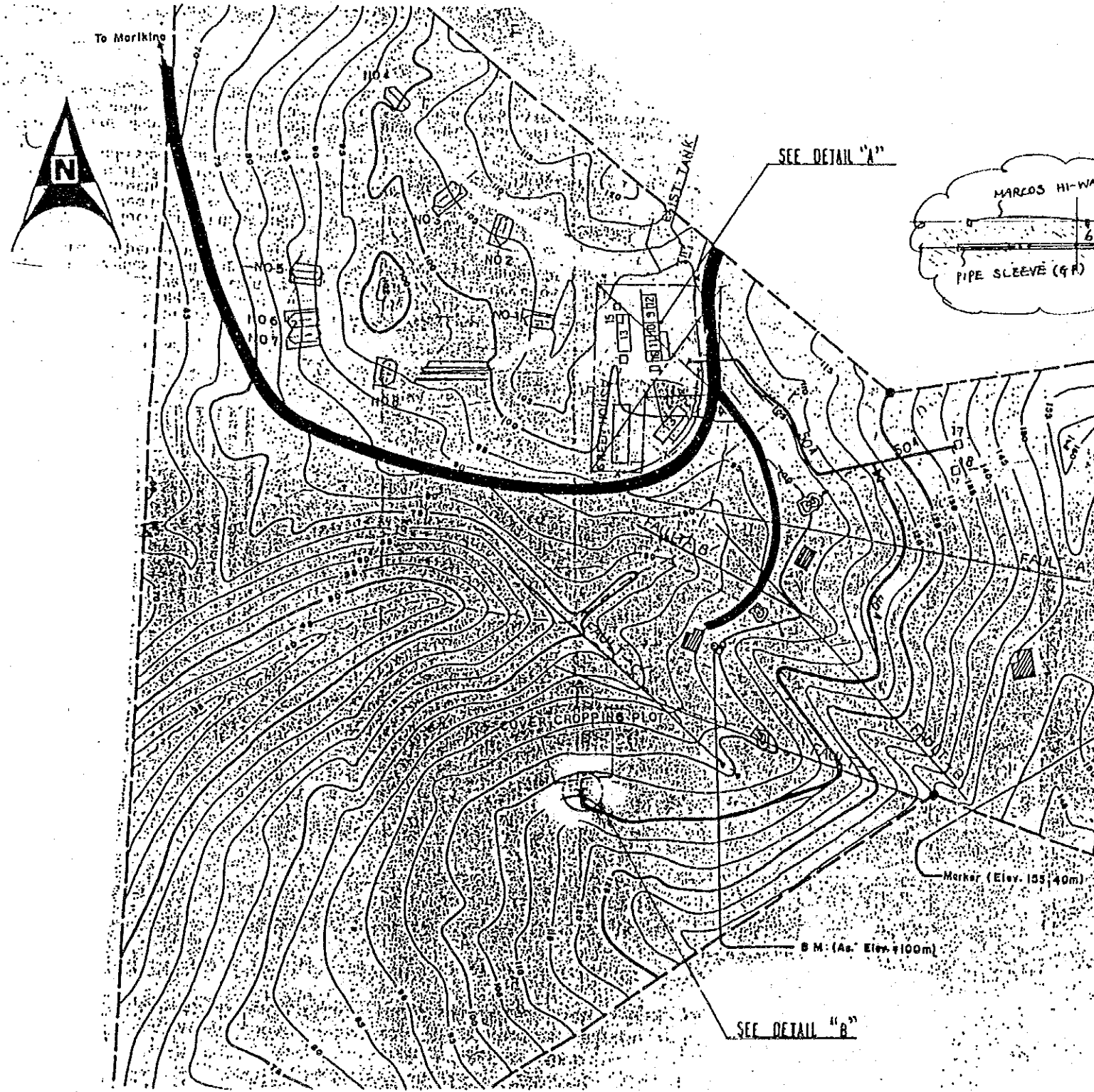


REPUBLIC OF THE PHILIPPINES BUREAU OF SOILS AND WATER MANAGEMENT		
THE PILOT INFRASTRUCTURE IMPROVEMENT WORKS SOIL RESEARCH AND DEVELOPMENT CENTER PROJECT		
LABORATORY STRUCTURE		
DWG. NO.	DC- 015	DATE
JAPAN INTERNATIONAL COOPERATION AGENCY		

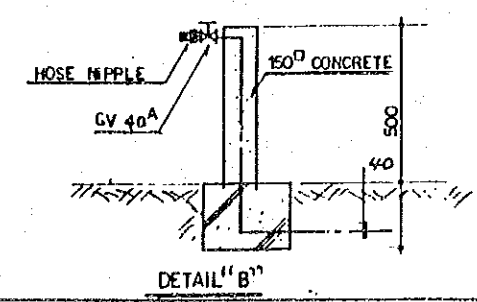
NO	DESCRIPTION	UNT.	AREA	NO	DESCRIPTION	UNT.	AREA
1	EROSION PLOT	SQ-m	about 100	15	GENERATOR HOUSE	SQ-m	30
2	EROSION PLOT			16	TOILET		45
				17	STORAGE TANK	CU-m	25
				18	DEEP WELL (BY OTHERS)	mm	150
				19	ACCESS ROAD	SQ-m	340
				20			
				21			
				22			
9	RESEARCH ROOM		75	23			
10	DRYING ROOM		75	24			
11	WAREHOUSE		75	25			
12	EXHIBITION ROOM		75	26			
13	MACHINE SHOP		150	27			
14	WASHING PIT		75	28			

SYMBOL:

- WATER SUPPLY
- DRAINAGE
- ☒ A CATCH BASIN 'A' (600 X 600)
- ☒ B - DITD - 'B' (450 X 450)



DETAIL "A" 1:300



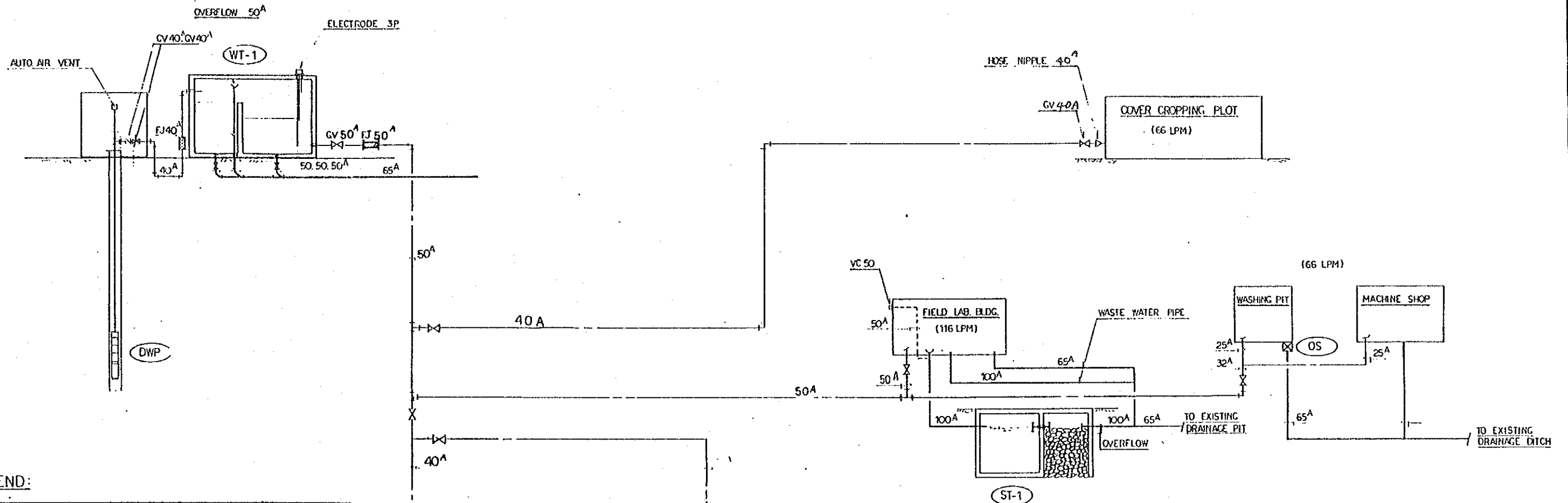
REPUBLIC OF THE PHILIPPINES
BUREAU OF SOILS AND WATER MANAGEMENT

THE PILOT INFRASTRUCTURE IMPROVEMENT WORKS
SOIL RESEARCH AND DEVELOPMENT CENTER PROJECT

SITE PLAN OF PLUMBING SYSTEM

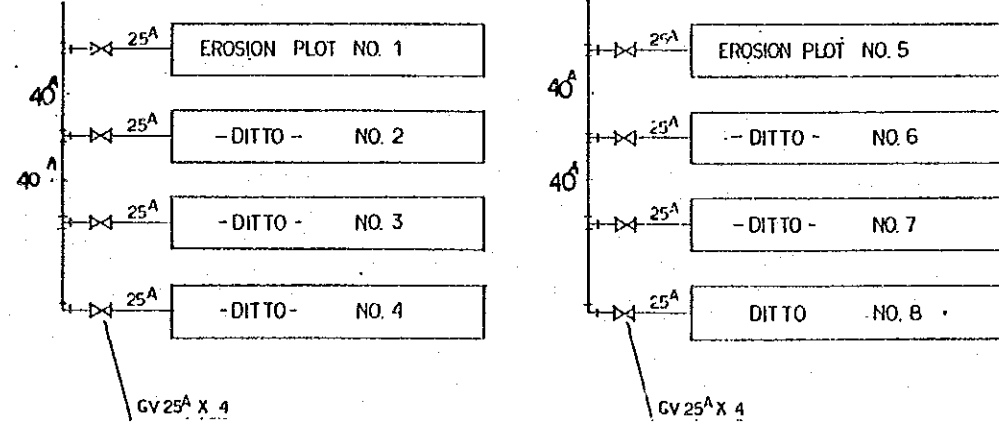
DWG. NO.	DC-018	DATE	92-9-11
----------	--------	------	---------

JAPAN INTERNATIONAL COOPERATION AGENCY



LEGEND:

SYMBOL	DESCRIPTION	SPECIFICATION	REMARKS
---	WATER SUPPLY PIPE	UPVC CLASS 150	
---	SOIL PIPE	UPVC S1000	
---	WASTE WATER PIPE	- DITTO -	
---	VENT PIPE	- DITTO -	
⊘	GATE VALVE	JIS5K SCREW TYPE	
⊘	CHECK VALVE	- DITTO -	
⊘	FLEXIBLE JOINT	SUS JIS5K	
WT-1	WATER TANK	EFFECTIVE CAP: 36M ³ W/ SEPARATOR	
ST-1	SEPTIC TANK	FOR 30 PERSONS	
OS	OIL SEPARATOR	CONCRETE MADE	
DWP	DEEPWELL PUMP	3.7 KW	PUMP HEAD TO BE CONFIRMED



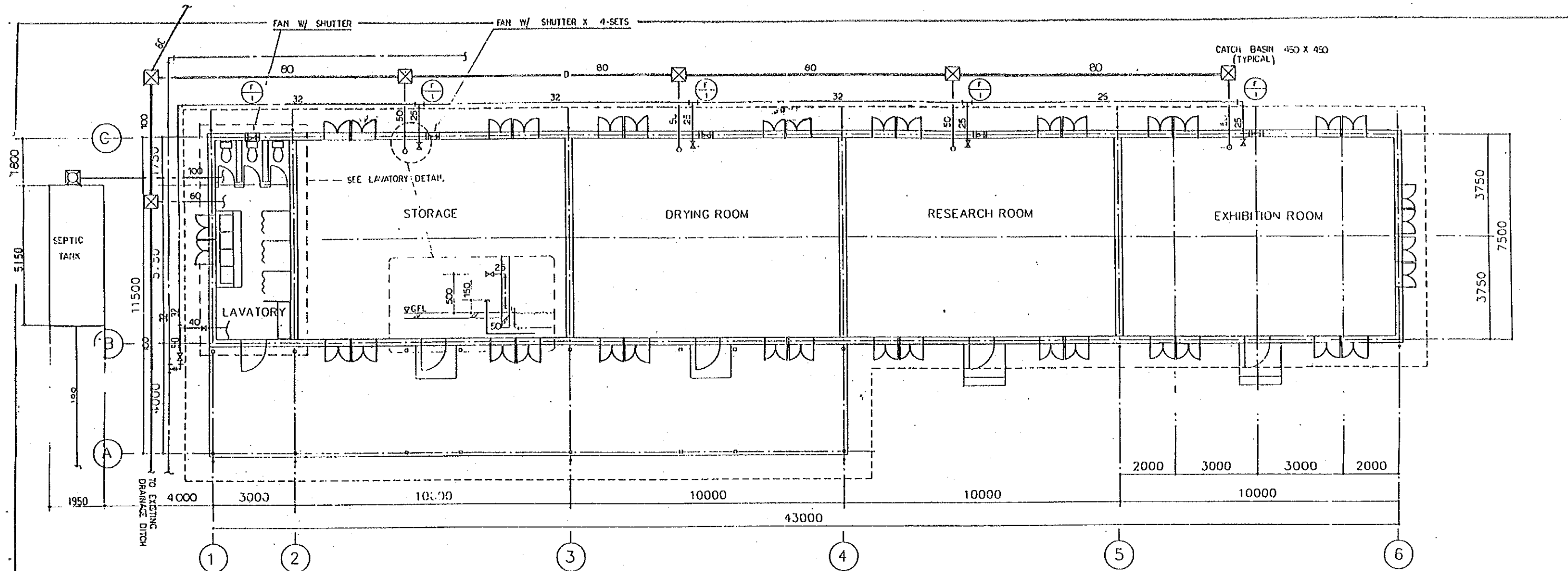
REPUBLIC OF THE PHILIPPINES
BUREAU OF SOILS AND WATER MANAGEMENT

THE PILOT INFRASTRUCTURE IMPROVEMENT WORKS
SOIL RESEARCH AND DEVELOPMENT CENTER PROJECT

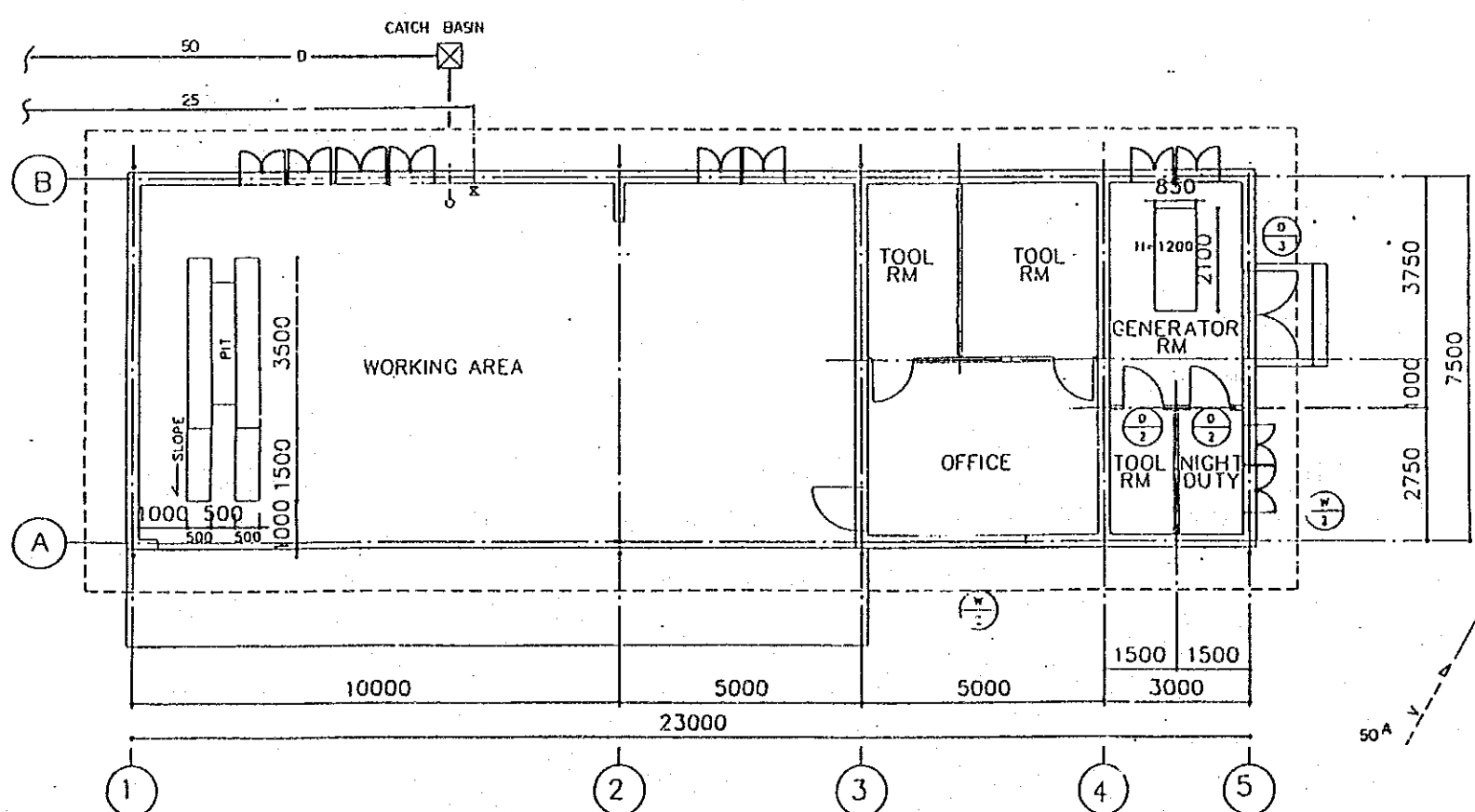
FLOW DIAGRAM OF PLUMBING SYSTEM

DWC.NO.	DC- 019	DATE	92 - 9 - 11
---------	---------	------	-------------

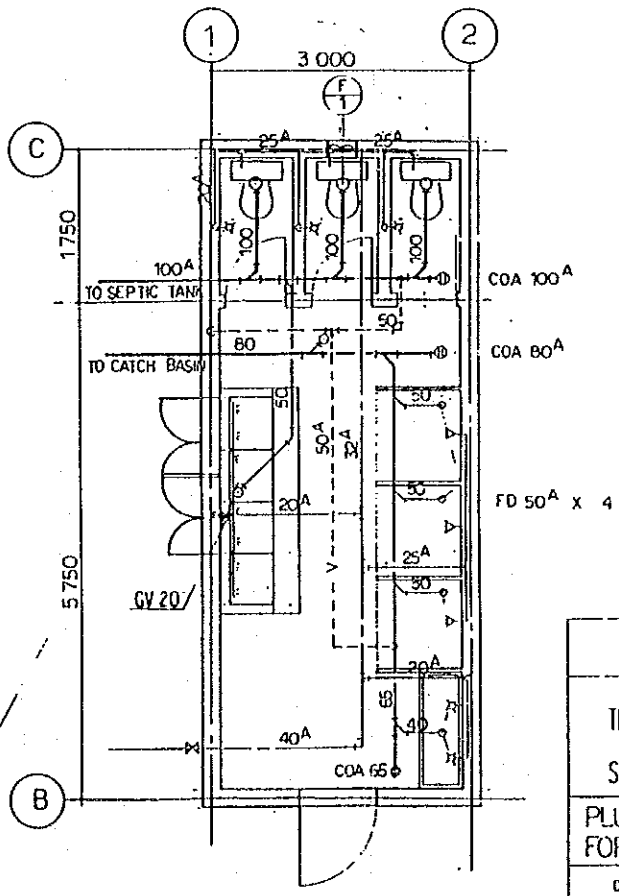
JAPAN INTERNATIONAL COOPERATION AGENCY



LABORATORY 1/100



MACHINE SHOP 1/100



LAVATORY PIPING DETAIL 1/60

SANITARY FIXTURE SCHEDULE

EQPT. NAME	MODEL NO.	QTY.
WATER CLOSET	PF 2400	3
SHOWER HEAD	TB 17R OR EQUAL	3
PAPER HOLDER	PF 318ER	3
FAUCET	T23813 OR EQUAL	5

FAN SCHEDULE

EQPT. NAME	DESCRIPTION	QTY.
EXHAUST FAN	WALL-MOUNTED TYPE W/ SHUTTER 300F	5

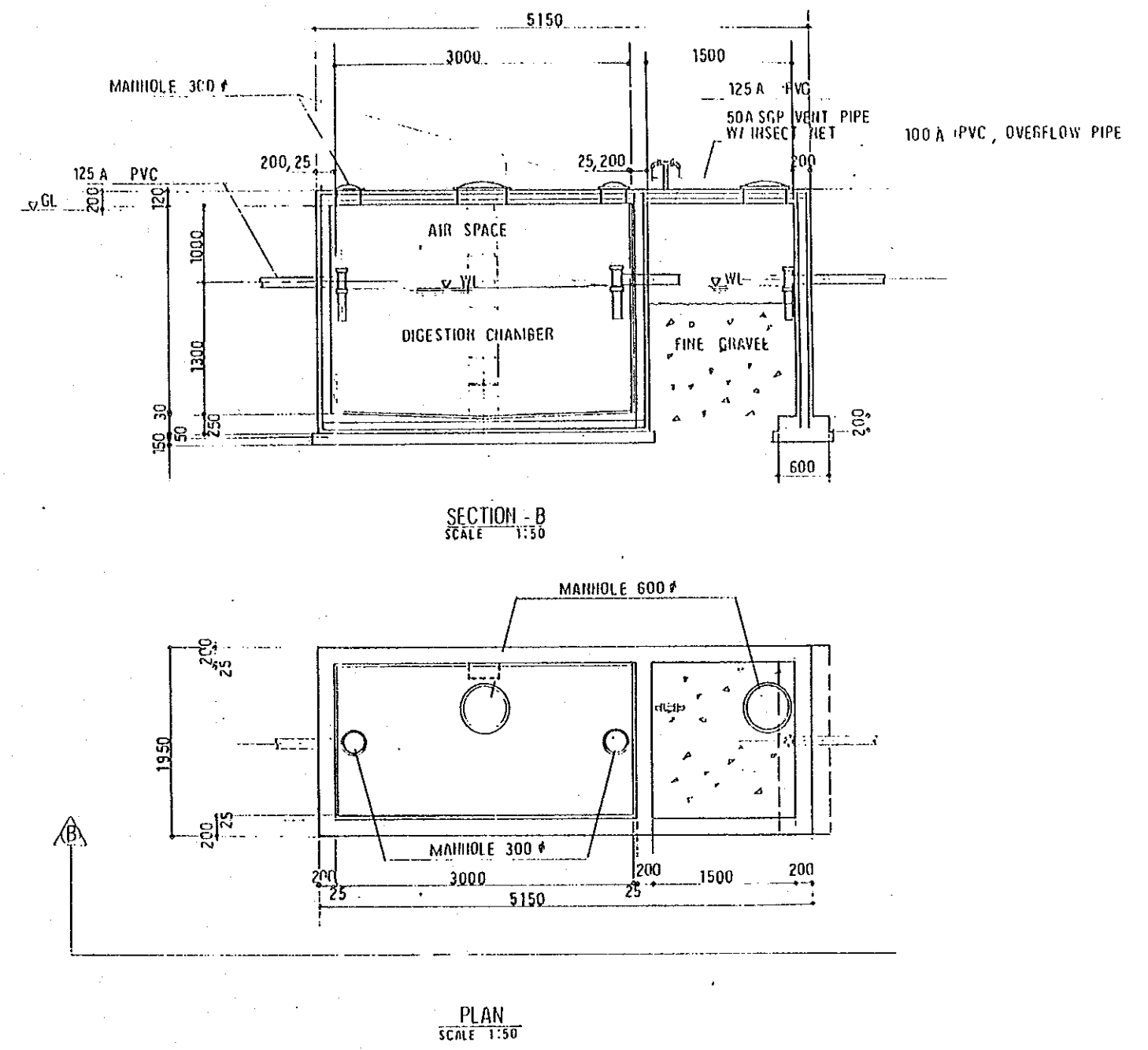
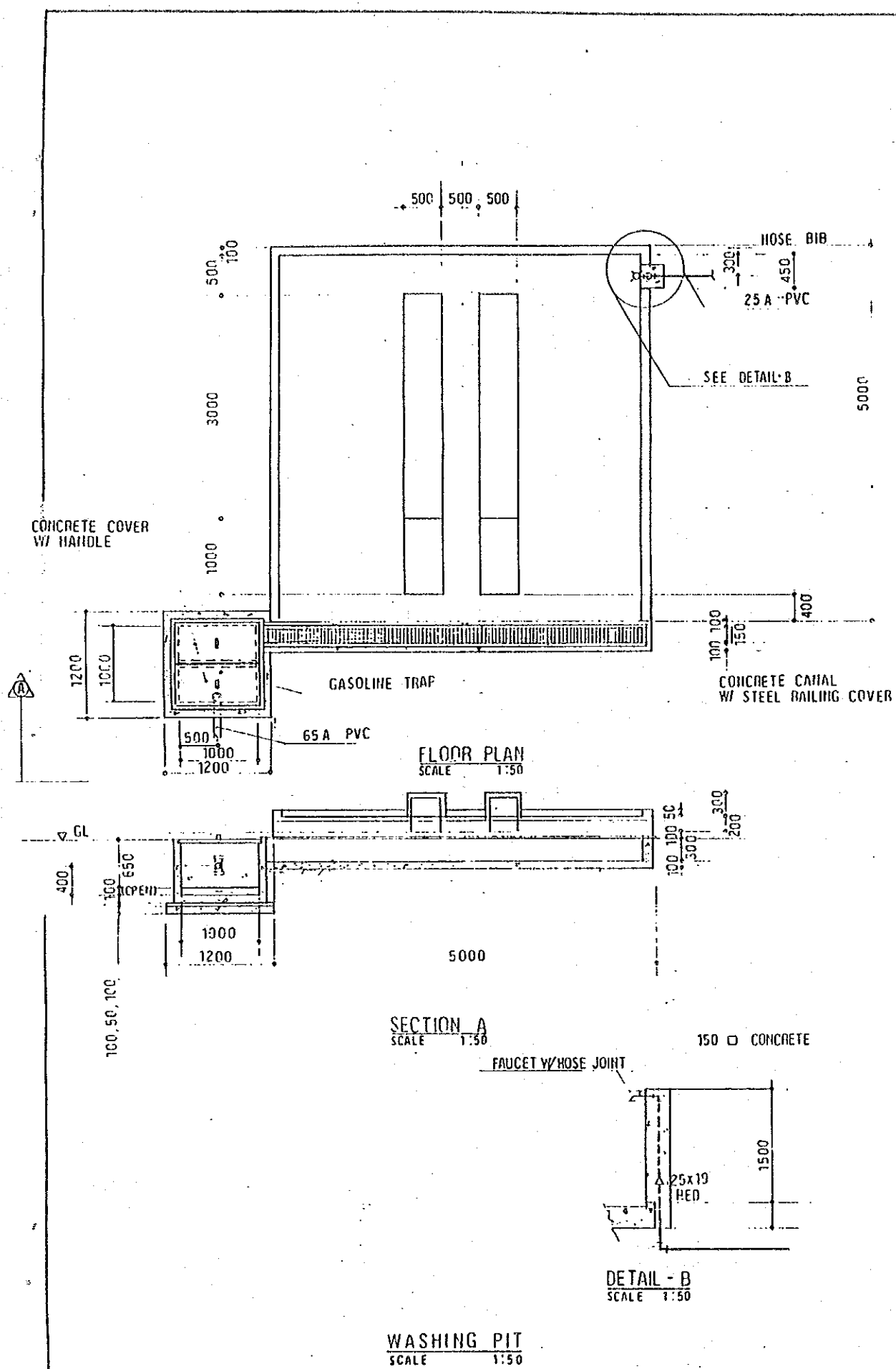
REPUBLIC OF THE PHILIPPINES
BUREAU OF SOILS AND WATER MANAGEMENT

THE PILOT INFRASTRUCTURE IMPROVEMENT WORKS
SOIL RESEARCH AND DEVELOPMENT CENTER PROJECT

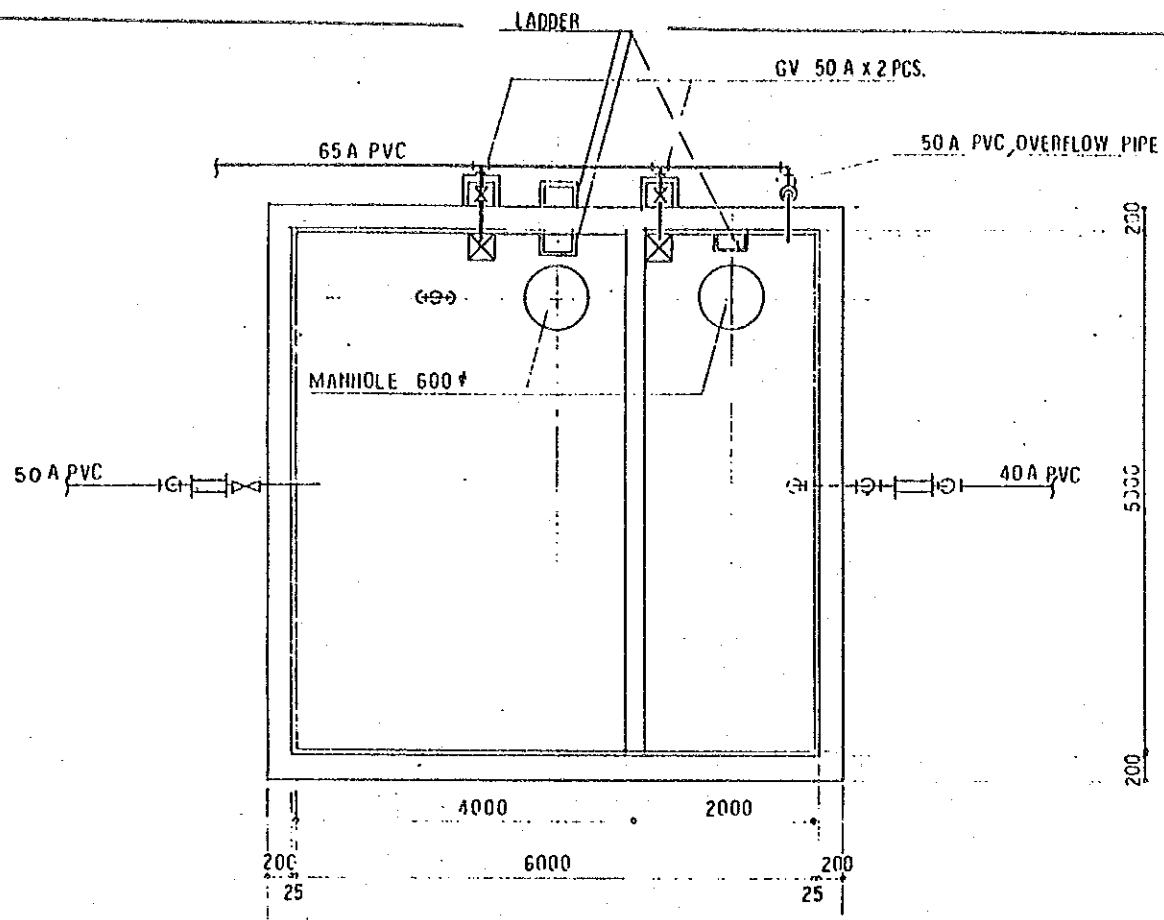
PLUMBING & VENTILATION SYSTEM
FOR LAB. BLDG. & MACHINE SHOP

DWC.NO.	DC-020	DATE	92-9-11
---------	--------	------	---------

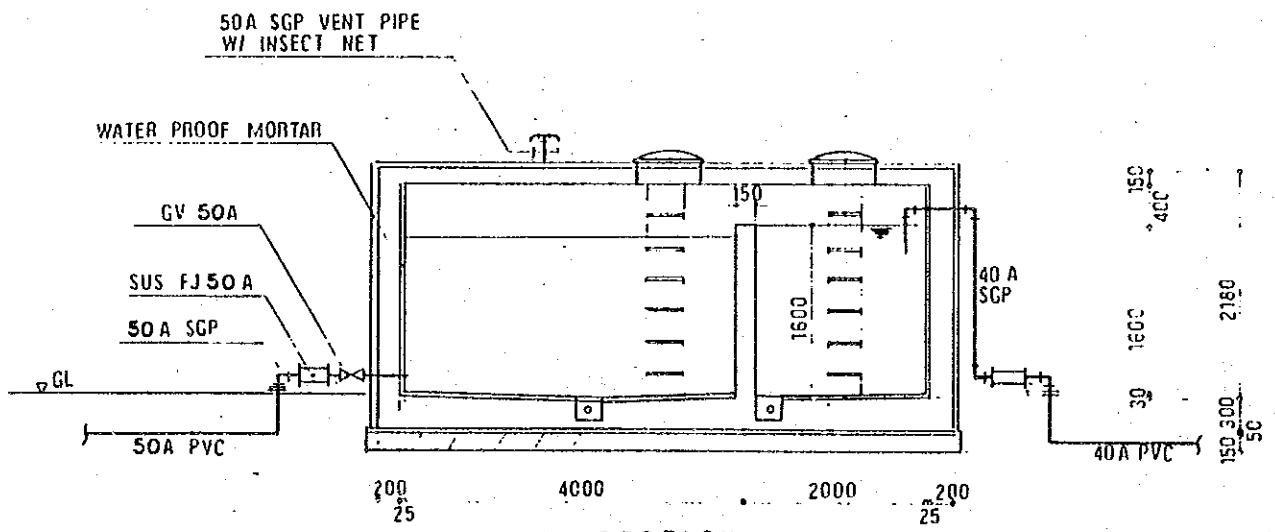
JAPAN INTERNATIONAL COOPERATION AGENCY



REPUBLIC OF THE PHILIPPINES BUREAU OF SOILS AND WATER MANAGEMENT			
THE PILOT INFRASTRUCTURE IMPROVEMENT WORKS SOIL RESEARCH AND DEVELOPMENT CENTER PROJECT			
PIPING DETAIL FOR SEPTIC TANK AND WASHING PIT			
DWG. NO.	DC- 021	DATE	
JAPAN INTERNATIONAL COOPERATION AGENCY			

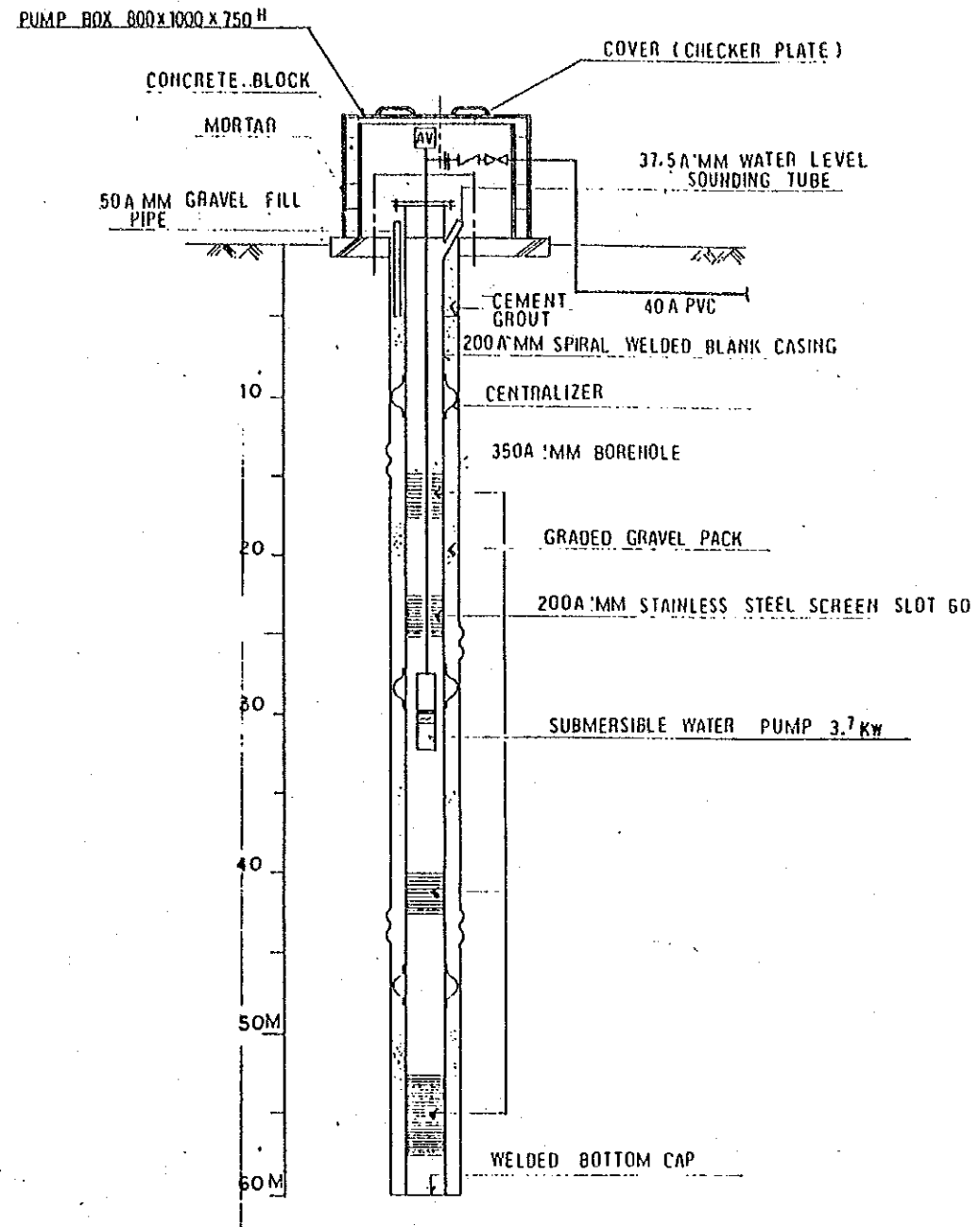


PLAN
NOT TO SCALE



SECTION
NOT TO SCALE

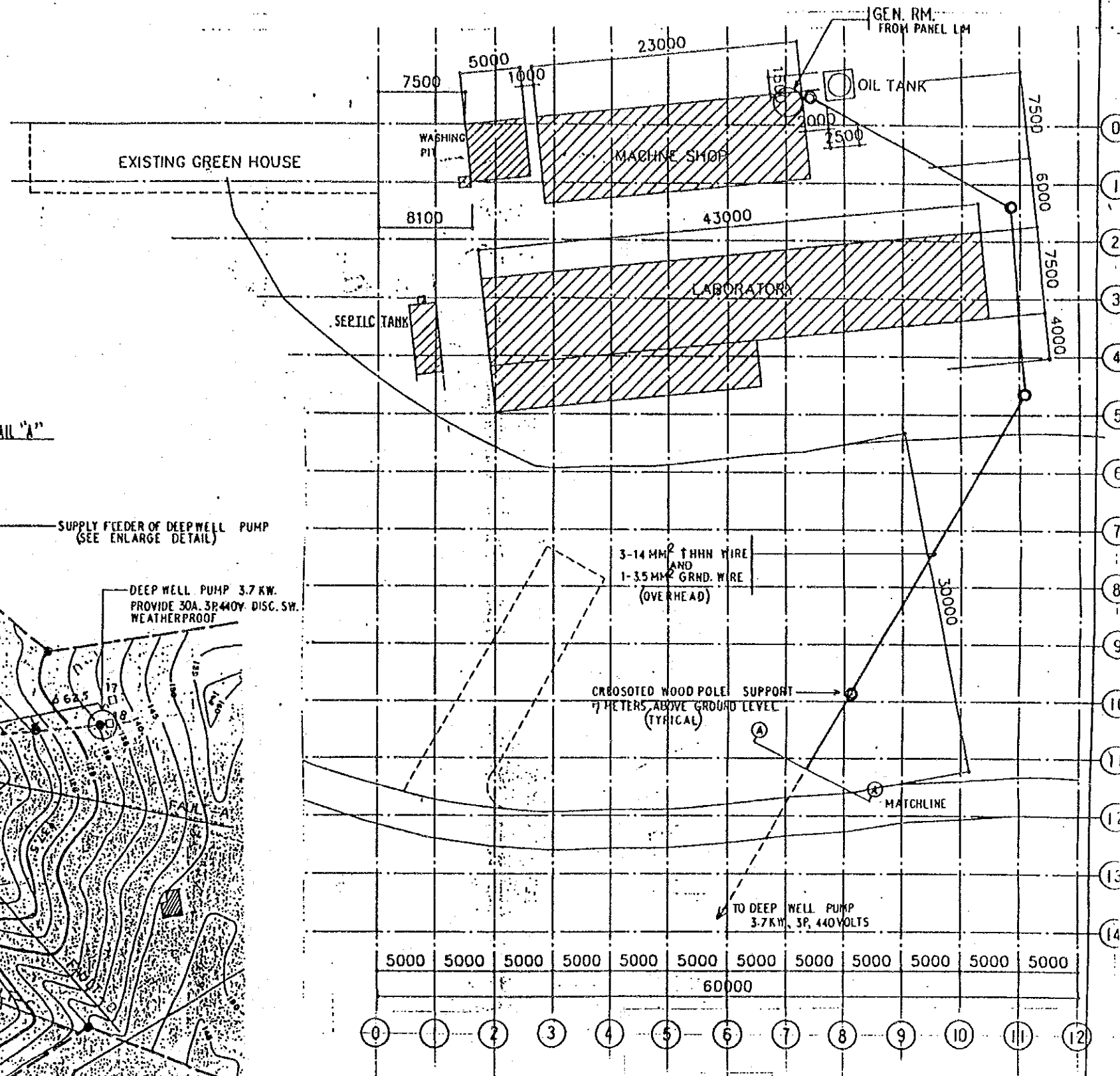
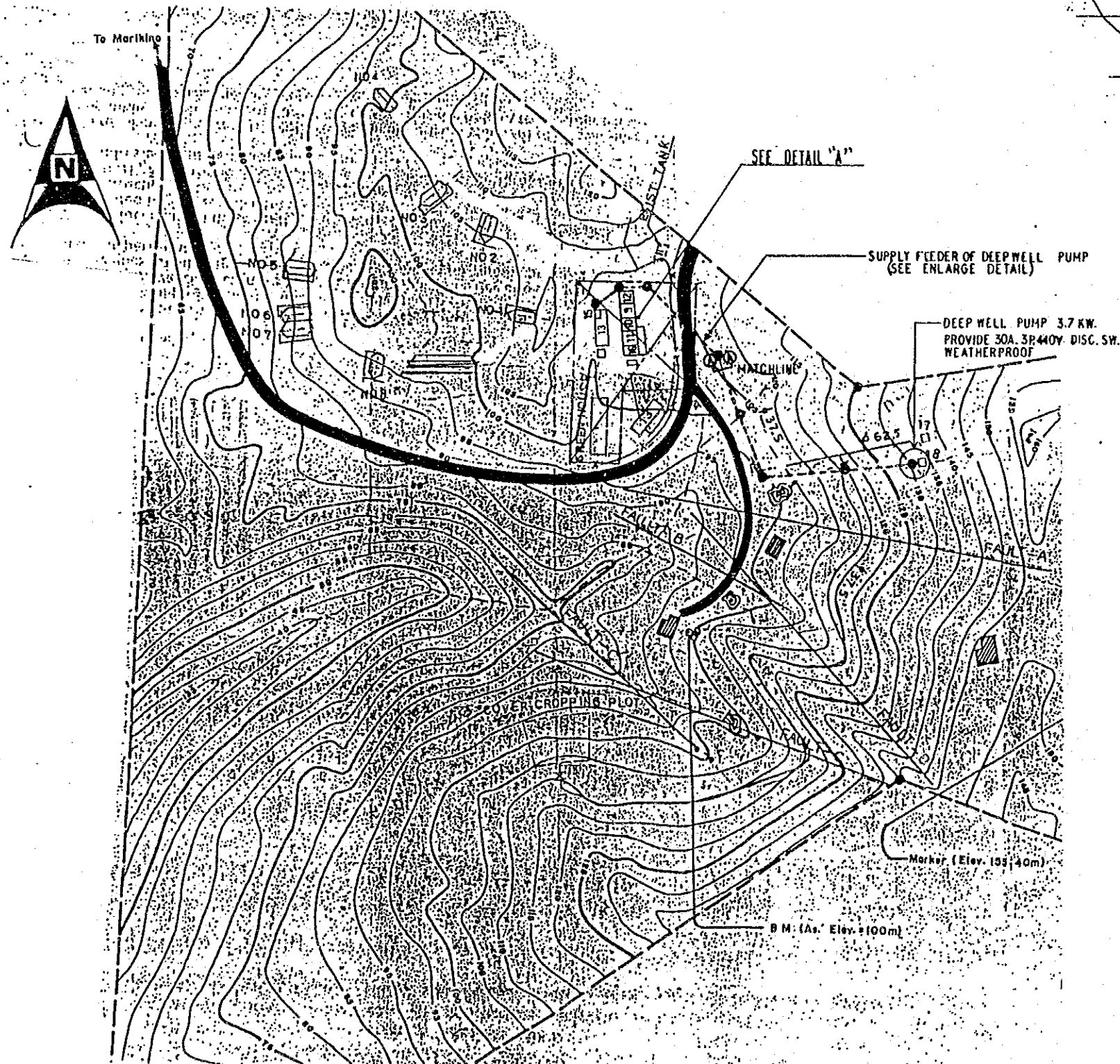
WATER STORAGE TANK
NOT TO SCALE



DETAIL FOR DEEPWELL
NOT TO SCALE

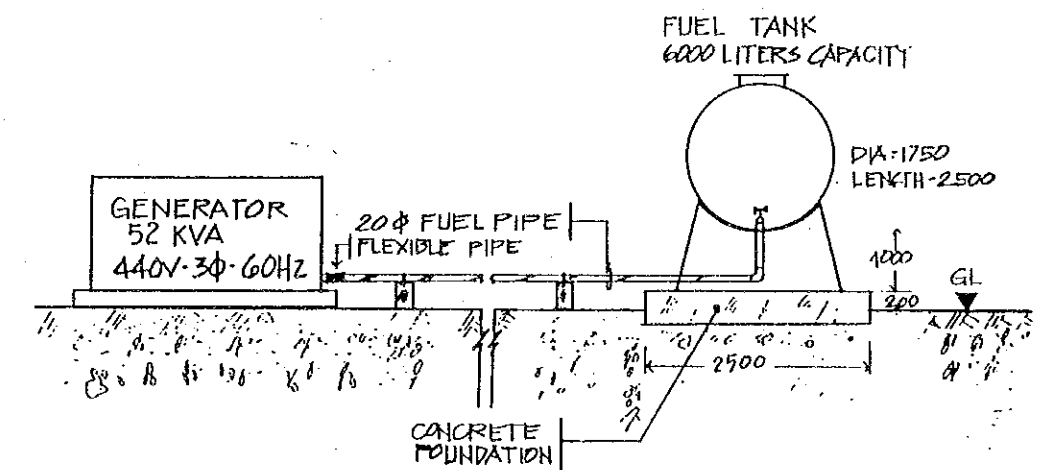
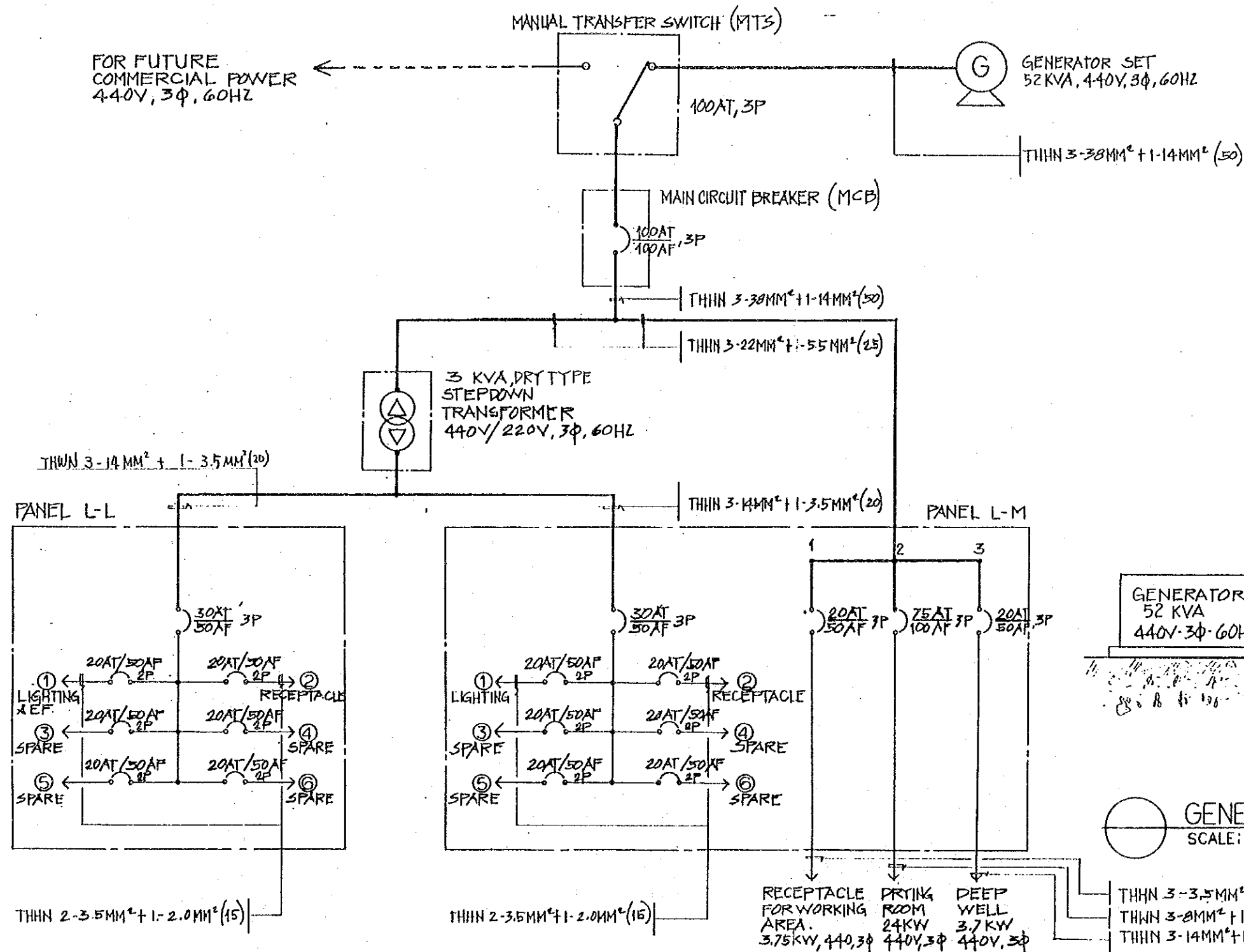
REPUBLIC OF THE PHILIPPINES BUREAU OF SOILS AND WATER MANAGEMENT			
THE PILOT INFRASTRUCTURE IMPROVEMENT WORKS SOIL RESEARCH AND DEVELOPMENT CENTER PROJECT			
PIPING DETAIL FOR WATER STORAGE AND DEEPWELL			
DWG. NO.	DC-022	DATE	
JAPAN INTERNATIONAL COOPERATION AGENCY			

NO	DESCRIPTION	UNT	AREA	NO	DESCRIPTION	UNT	AREA
1	EROSION PLOT	SQ-m	about 100	15	GENERATOR HOUSE	SQ-m	30
2	EROSION PLOT			16	TOILET		4.5
3				17	STORAGE TANK	CU-m	25
4				18	DEEP WELL	m	150
5				19	ACCESS ROAD	SQ-m	340
6				20			
7				21			
8				22			
9	RESERCH ROOM		75	23			
10	DRYING ROOM		75	24			
11	WAREHOUSE		75	25			
12	EXHIBITION ROOM		75	26			
13	MACHINE SHOP		150	27			
14	WASHING PIT		75	28			



DETAIL "A" 1:300

REPUBLIC OF THE PHILIPPINES BUREAU OF SOILS AND WATER MANAGEMENT	
THE PILOT INFRASTRUCTURE IMPROVEMENT WORKS SOIL RESEARCH AND DEVELOPMENT CENTER PROJECT	
SITE DEVELOPMENT PLAN	
OWG. NO.	DC-023
DATE	9-11-92
JAPAN INTERNATIONAL COOPERATION AGENCY	



GENERATOR SET SCHEMATIC DIAGRAM
SCALE: NONE

SINGLE LINE RISER DIAGRAM
SCALE: NONE

REPUBLIC OF THE PHILIPPINES BUREAU OF SOILS AND WATER MANAGEMENT			
THE PILOT INFRASTRUCTURE IMPROVEMENT WORKS SOIL RESEARCH AND DEVELOPMENT CENTER PROJECT			
SINGLE LINE RISER DIAGRAM AND GENERATOR SET SCHEMATIC DIAGRAM			
DWG.NO.E-01	DC-024	DATE	9-11-92
JAPAN INTERNATIONAL COOPERATION AGENCY			

