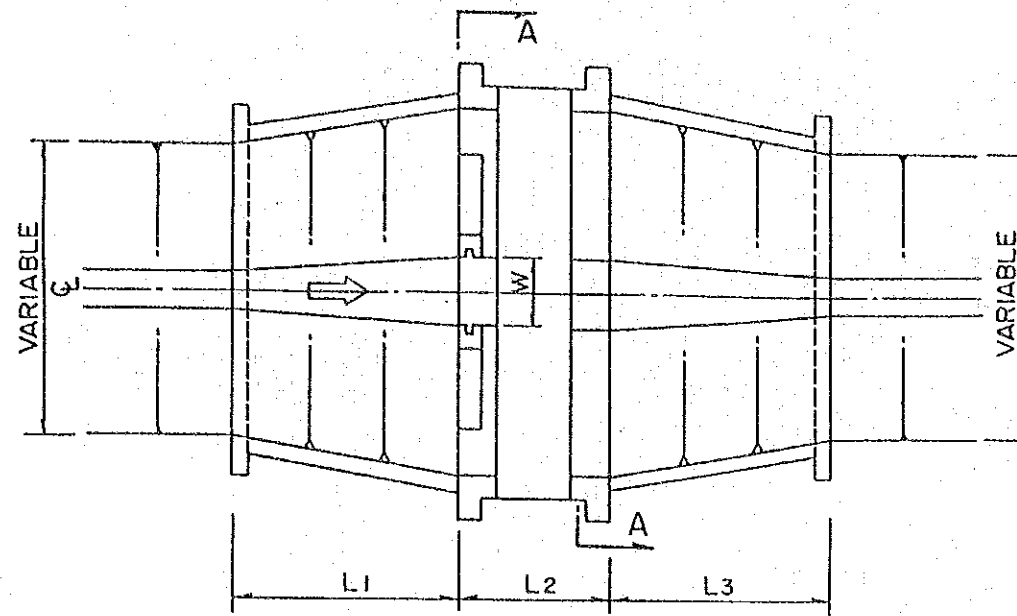
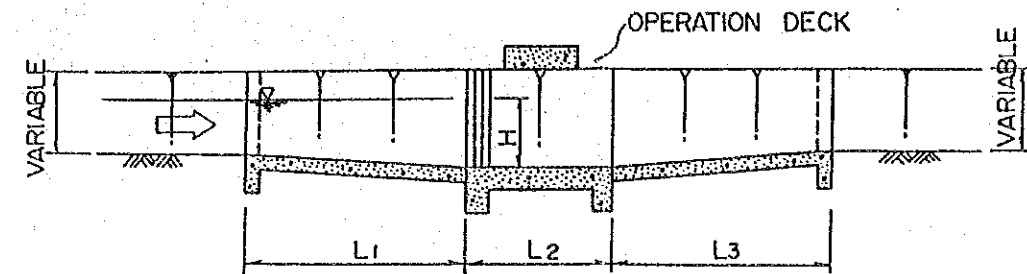


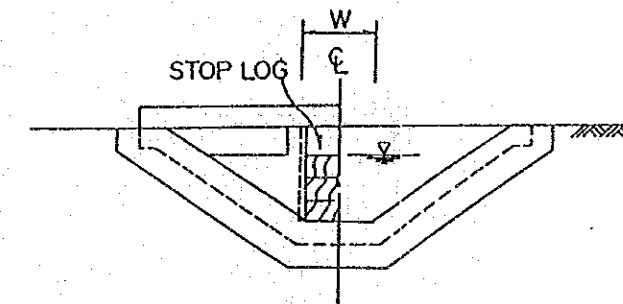
CHECK , TYPE - A G



PLAN SCALE - A



PROFILE SCALE - A



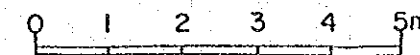
SECTION A-A SCALE - A

DIMENSION

UNIT : mm

TYPE	Q (m ³ /s)	W	H	L1	L2	L3
A	1.0 ~ 1.5	800	1300	3000	2 000	3 000
B	0.5 ~ 1.0	600	1000	2500	2 000	2 500
C	0.3 ~ 0.5	500	800	2000	1 500	2 000
D	0.2 ~ 0.3	400	700	1500	1 000	1 500
E	0.1 ~ 0.2	400	600	1500	1 000	1 500
F	0.05 ~ 0.1	300	400	1000	800	1 000
G	~ 0.05	300	300	1000	800	1 000

SCALE - A

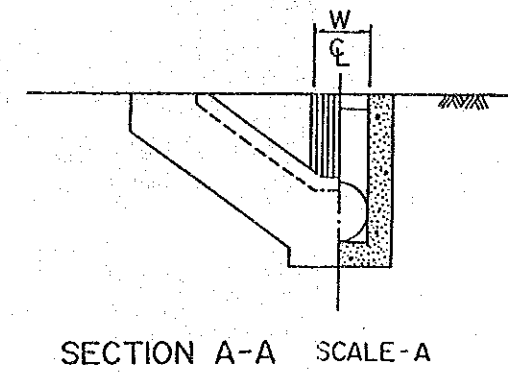
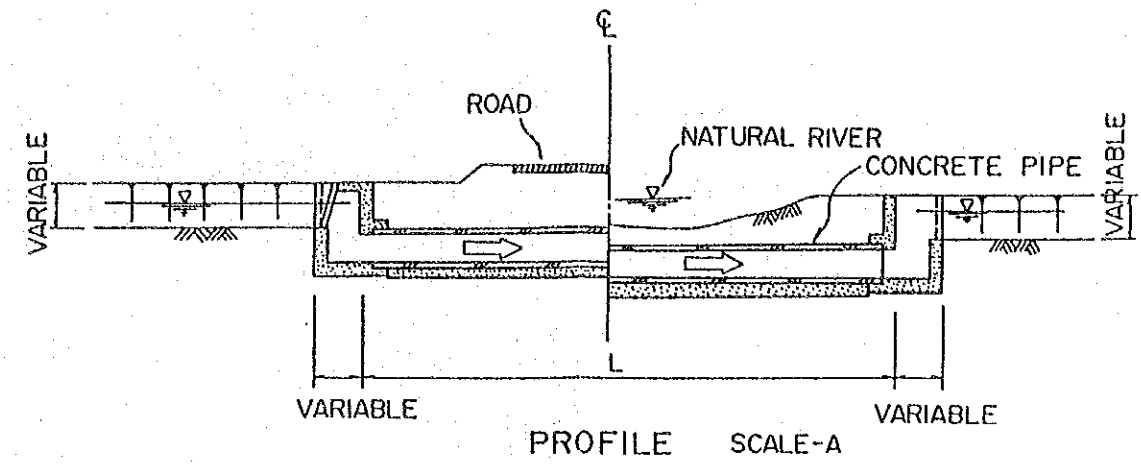
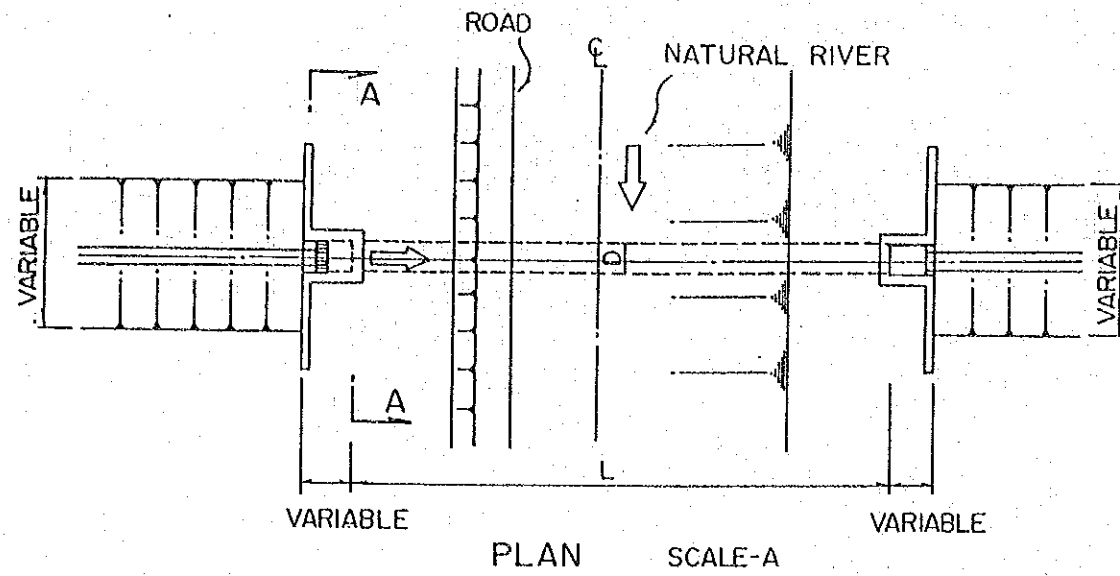


TITLE OF DRAWING

CHECKS

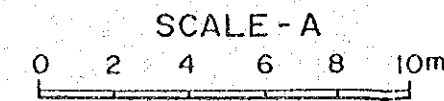
DRAWING No. I - 35

SYPHION , TYPE - A E



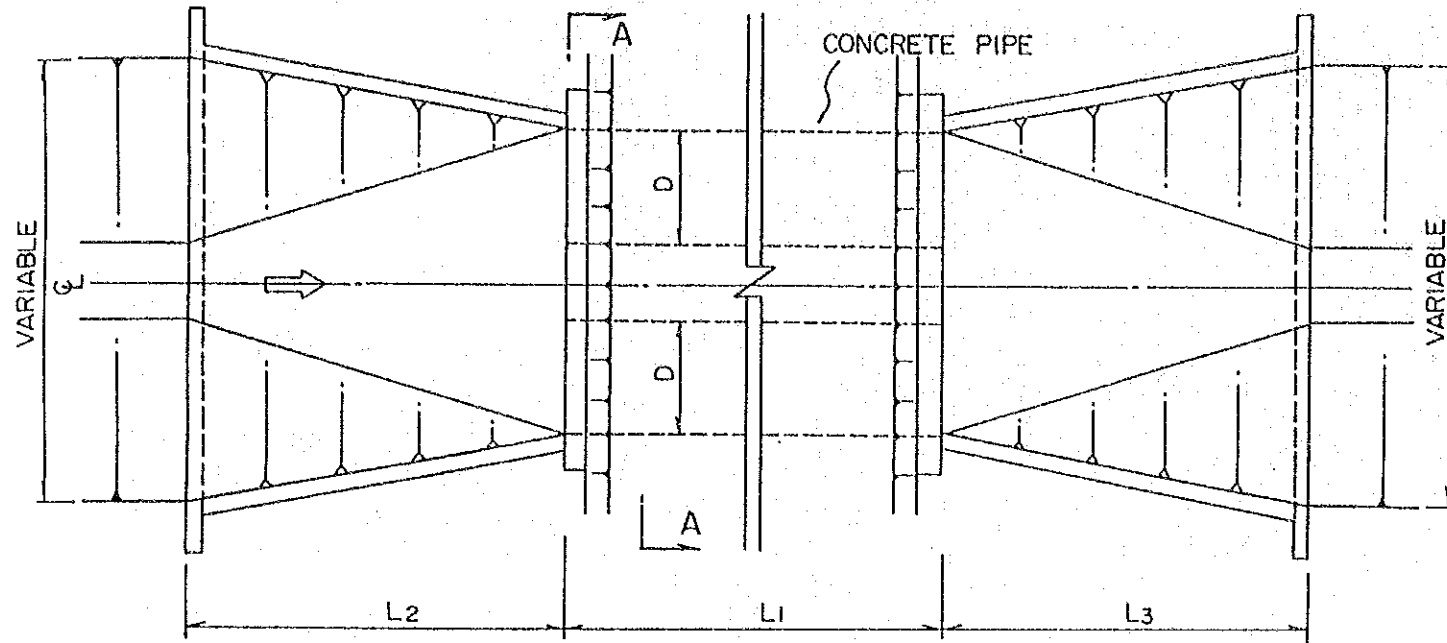
DIMENSION UNIT: mm

TYPE	Q (m ³ /s)	D	L	W	PIPE
A	0.3 ~ 0.6	800	20 000	800	φ 800
B	0.3 ~ 0.6	800	10 000	800	φ 800
C	0.2 ~ 0.3	600	10 000	600	φ 600
D	0.1 ~ 0.2	500	10 000	500	φ 500
E	~ 0.1	300	5.000	300	φ 300



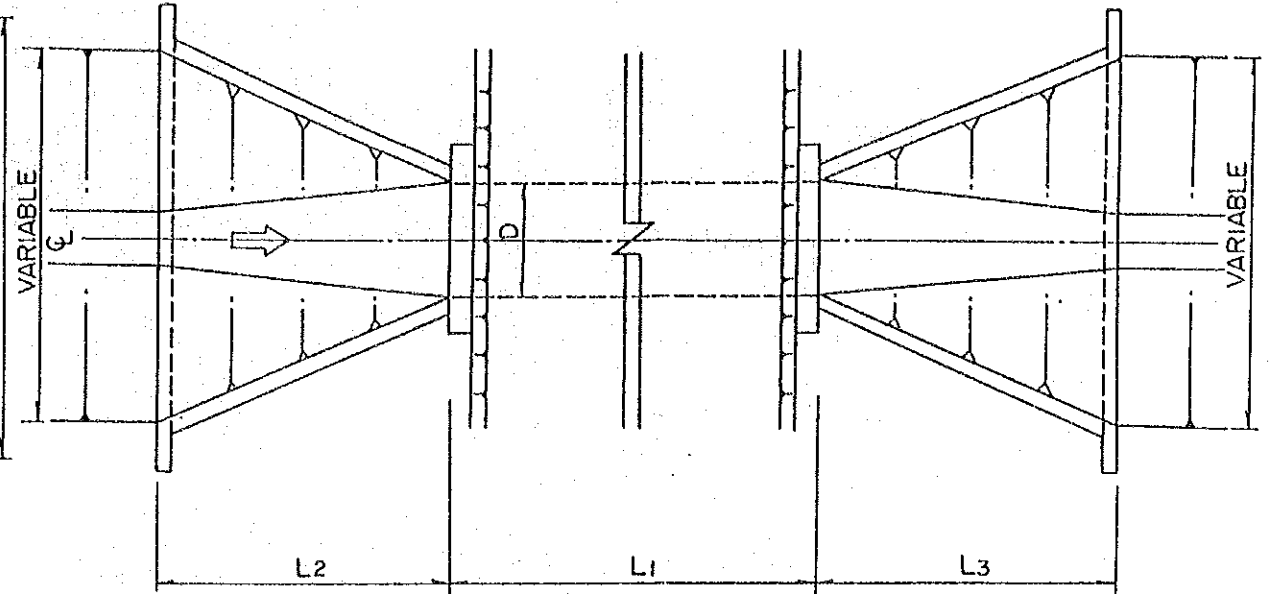
TITLE OF DRAWING
SYPHONS
DRAWING No. I - 36

CULVERT, TYPE - A

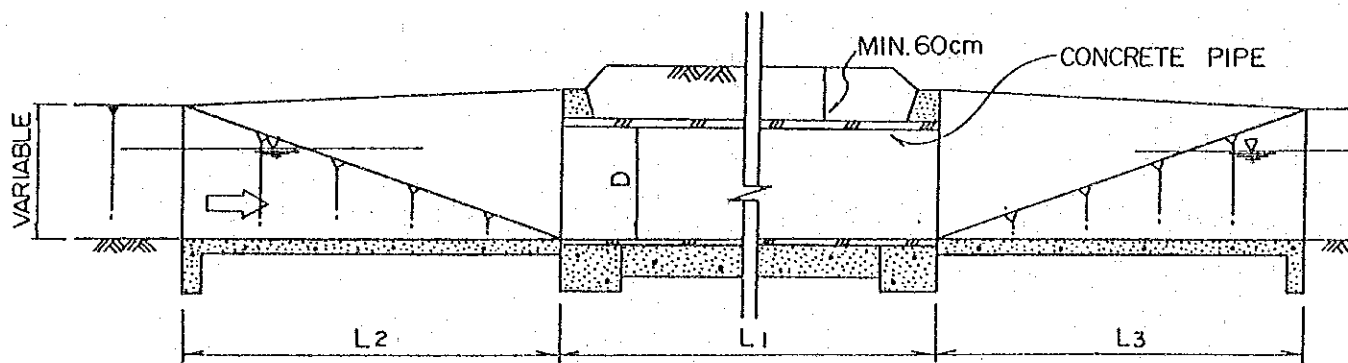


PLAN SCALE - A

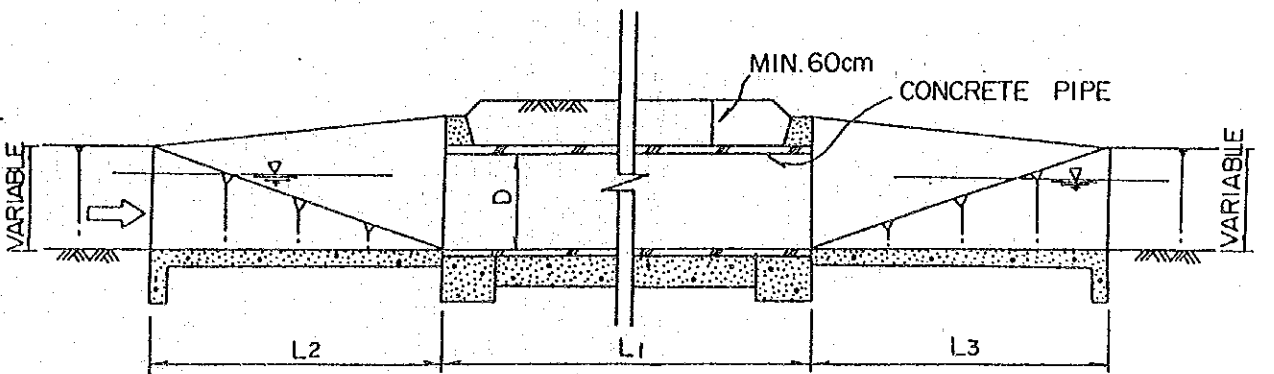
CULVERT, TYPE - B, C



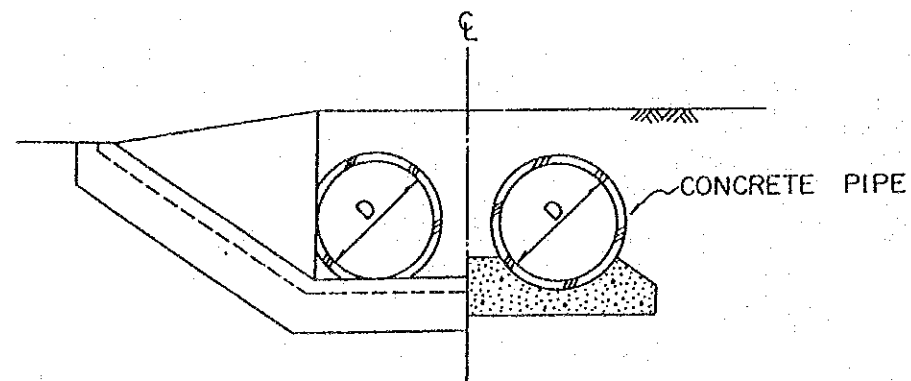
PLAN SCALE - A



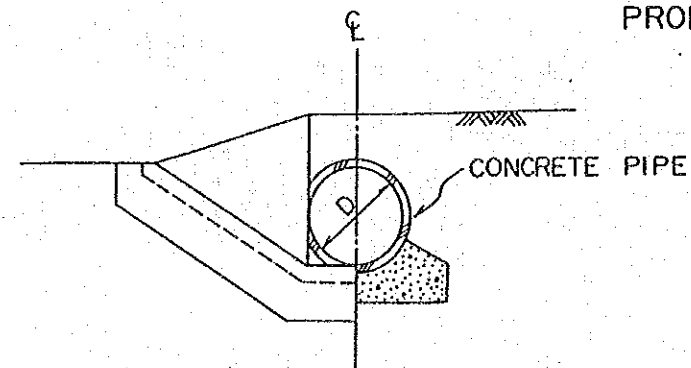
PROFILE SCALE - A



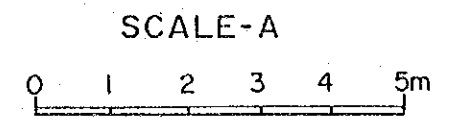
PROFILE SCALE - A



SECTION A - A SCALE - A

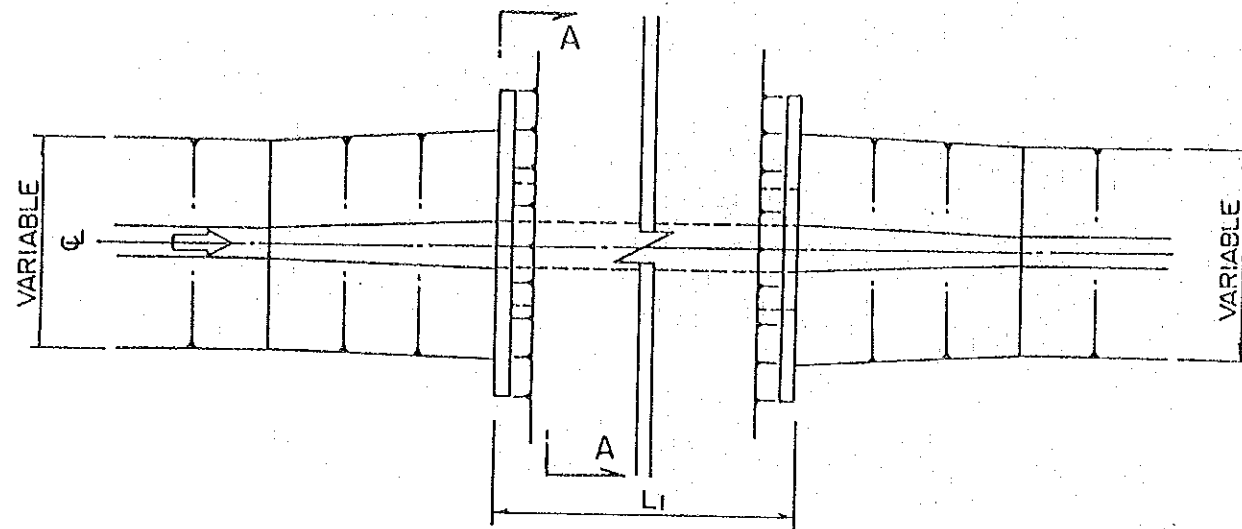


SECTION A - A SCALE - A

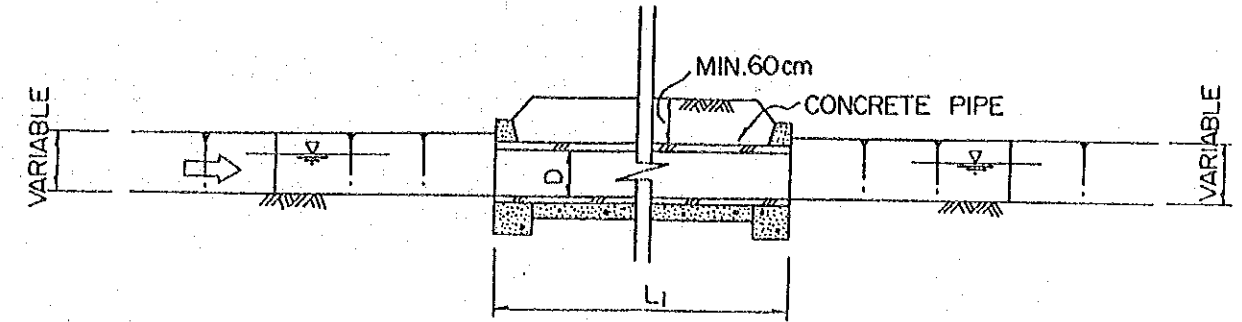


TITLE OF DRAWING
CULVERTS (1/2)
DRAWING No. I-37

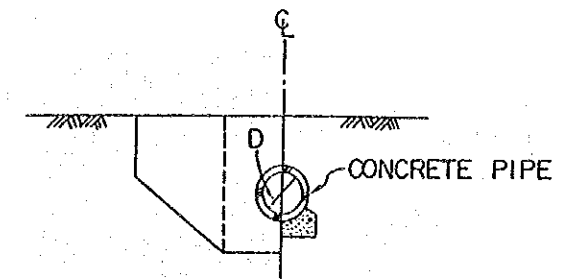
CULVERT, TYPE - D, E



SCALE - A



PROFILE SCALE - A



SECTION A-A SCALE - A

DIMENSION

UNIT : mm

TYPE	Q (m ³ /s)	D	L ₁	L ₂	L ₃	PIPE
A	1.5 ~ 3.0	1 500	6 000	5 000	5 000	φ 1 500 x 2 Nos
B	0.65 ~ 1.5	1 500	4 000	4 000	4 000	φ 1 500
C	0.25 ~ 0.65	1 000	4 000	2 000	2 000	φ 1 000
D	0.1 ~ 0.25	500	2 000	—	—	φ 500
E	~ 0.1	200	2 000	—	—	φ 200

SCALE - A

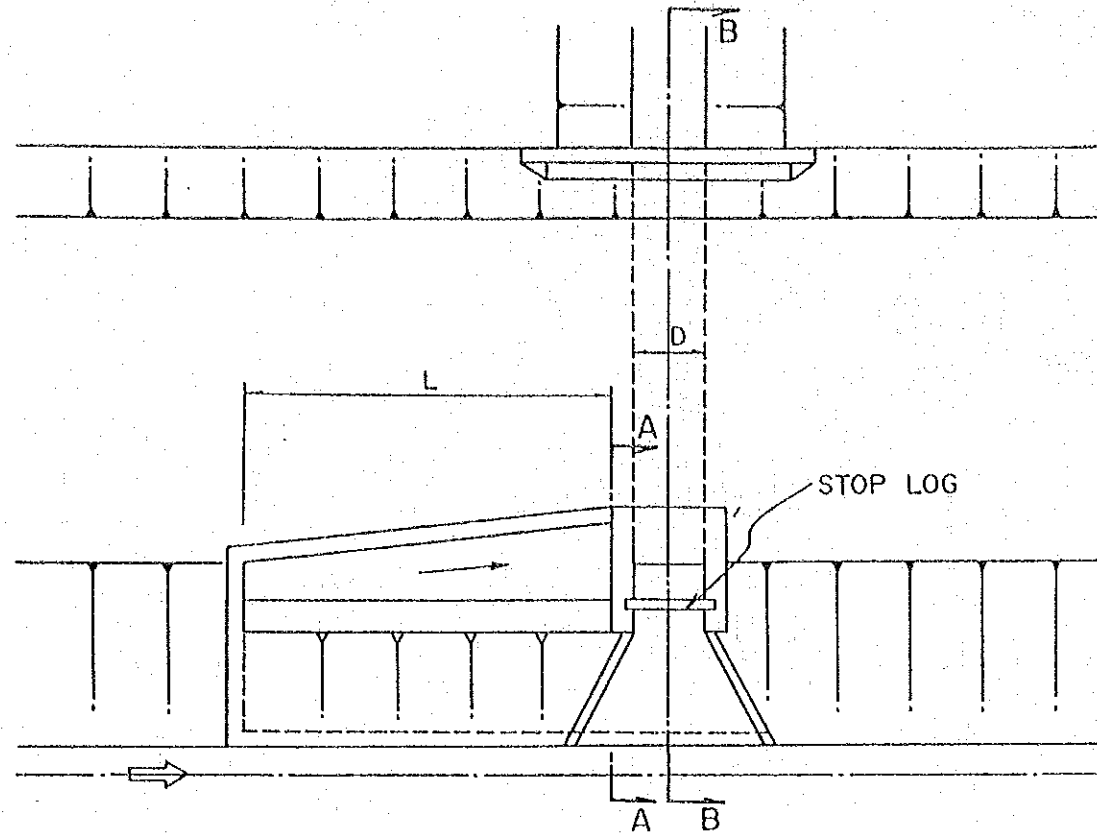


TITLE OF DRAWING

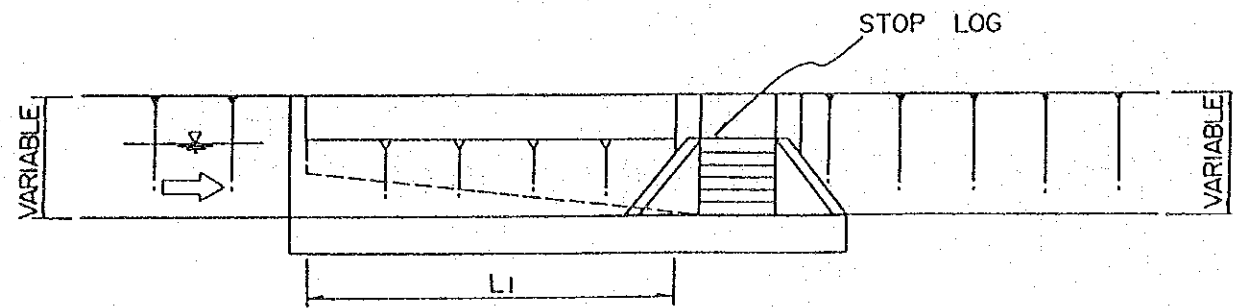
CULVERTS (2/2)

DRAWING No. I - 38

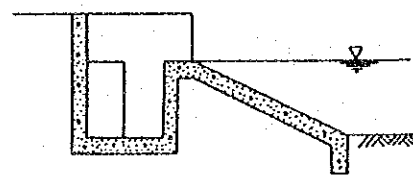
SPILLWAY WASTEWAY, TYPE-A E



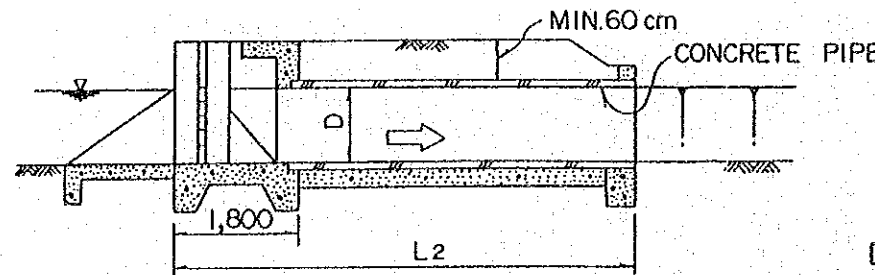
PLAN SCALE-A



PROFILE SCALE-A

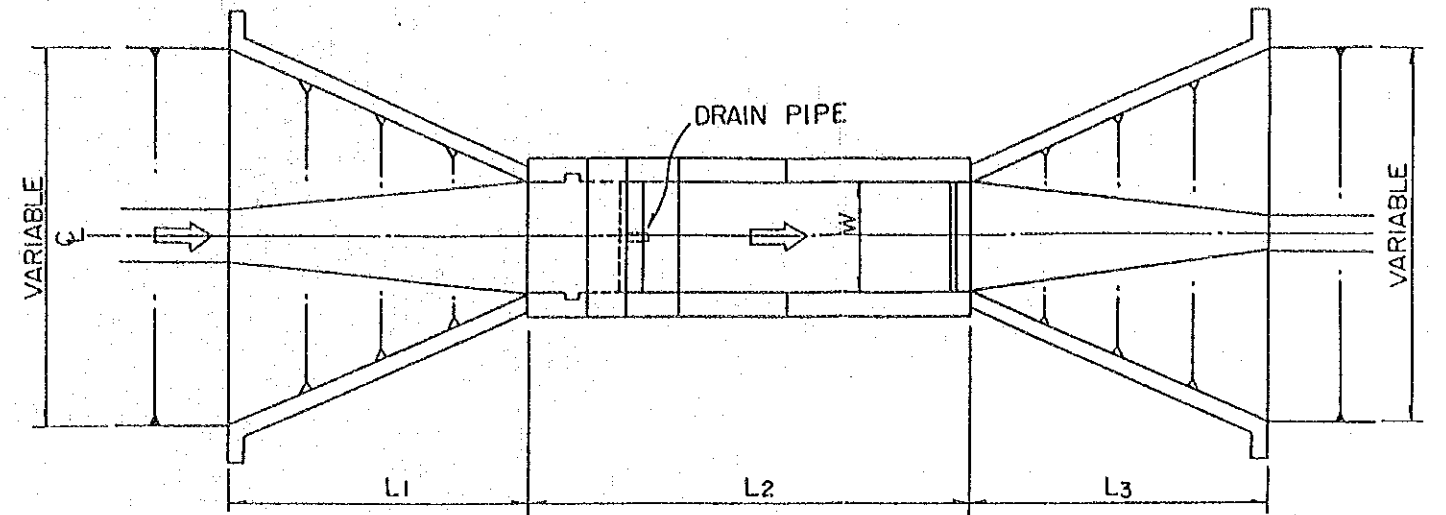


SECTION A-A SCALE-A

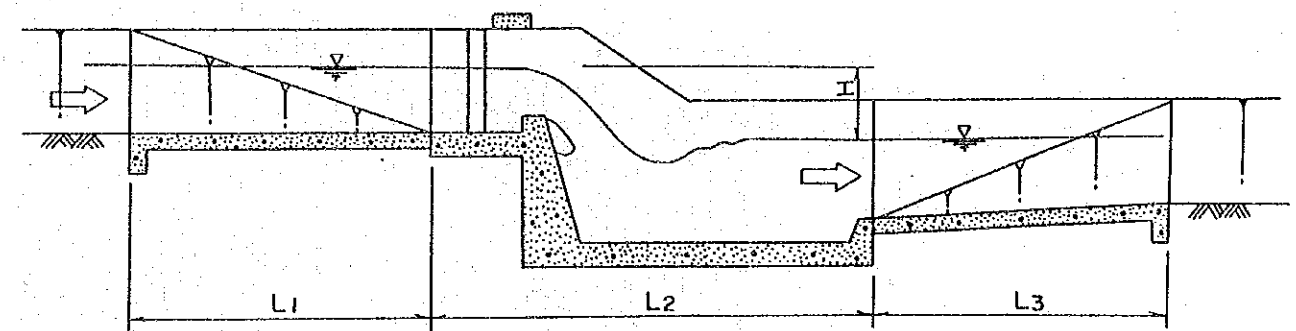


SECTION B-B SCALE-A

DROP, TYPE-A D



PLAN SCALE-A



PROFILE SCALE-A

DIMENSION (DROP)

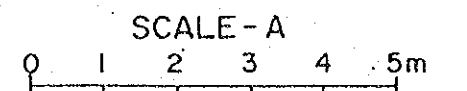
UNIT : mm

TYPE	H	Q (m ³ /s)	L1	L2	L3	W
A - 1	1000	0.25 ~ 0.5	1500	2000	3000	1300
A - 2	500	φ	1500	2000	3000	1300
B - 1	1000	0.1 ~ 0.25	1000	1500	2000	1000
B - 2	500	φ	1000	1500	2000	1000
C	1000	~ 0.1	500	1500	500	800

DIMENSION (SPILLWAY WASTEWAY)

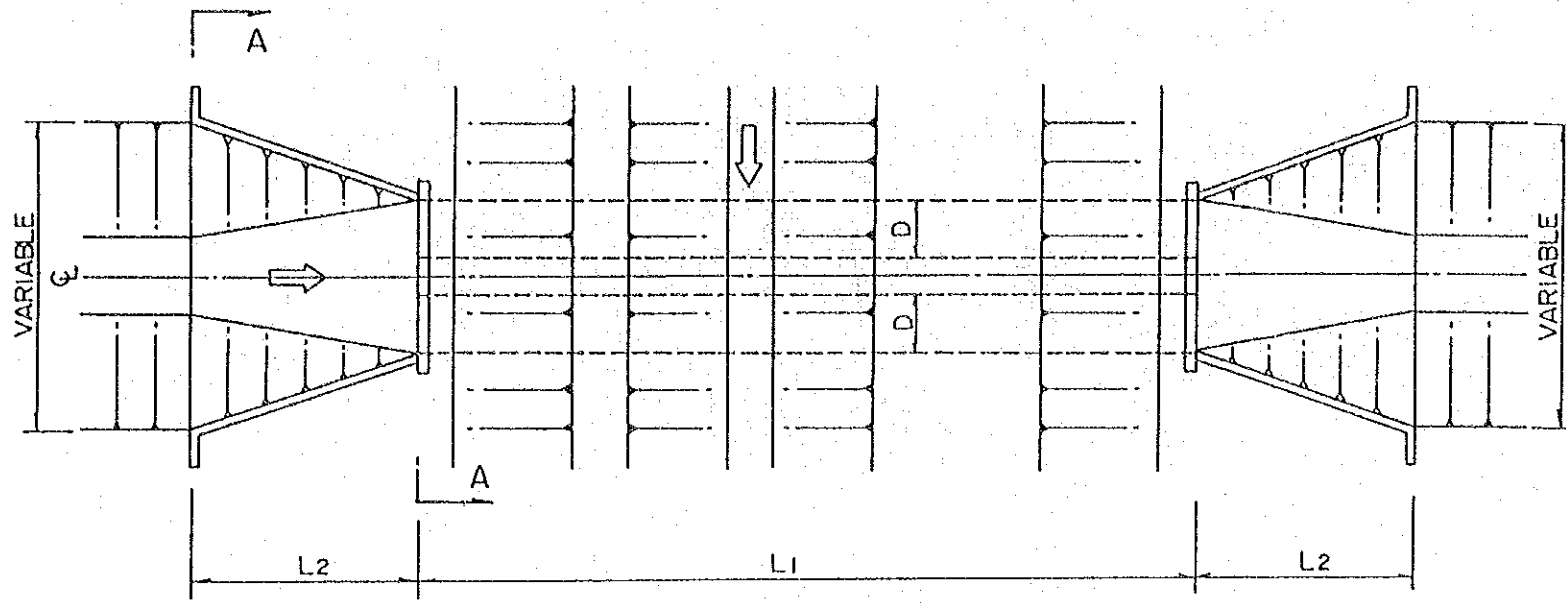
UNIT : mm

TYPE	Q (m ³ /s)	D	L1	L2	PIPE	STOP LOG
A	0.5 ~ 1.0	1000	4000	7000	φ1000	1000x1000
B	0.3 ~ 0.5	1000	2000	7000	φ1000	1000x1000
C	0.2 ~ 0.3	600	2000	7000	φ 600	600 x 600
D	~ 0.2	500	1000	5500	φ 500	500 x 500

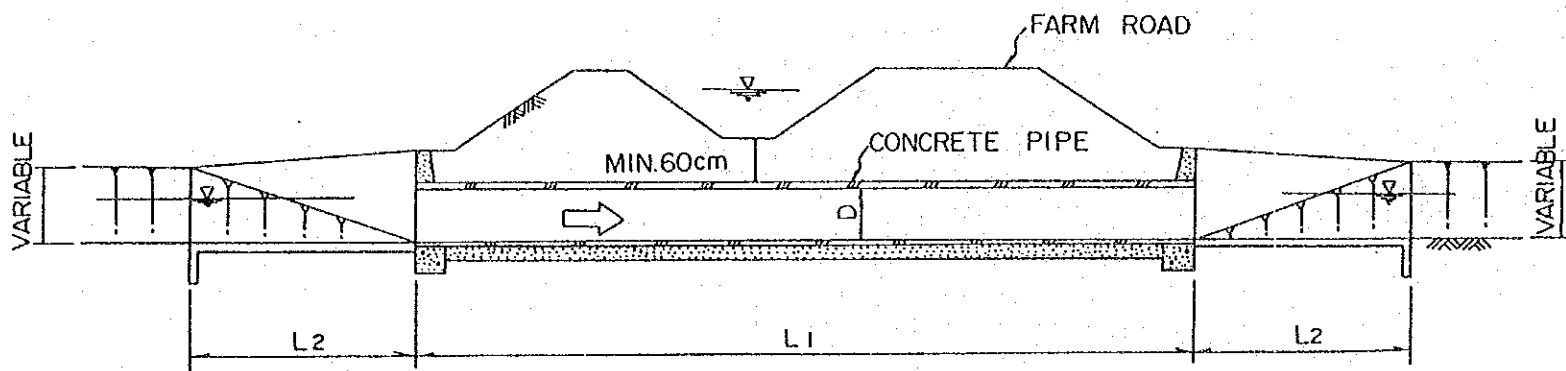


TITLE OF DRAWING
SPILLWAY / WASTEWAYS
& DROPS

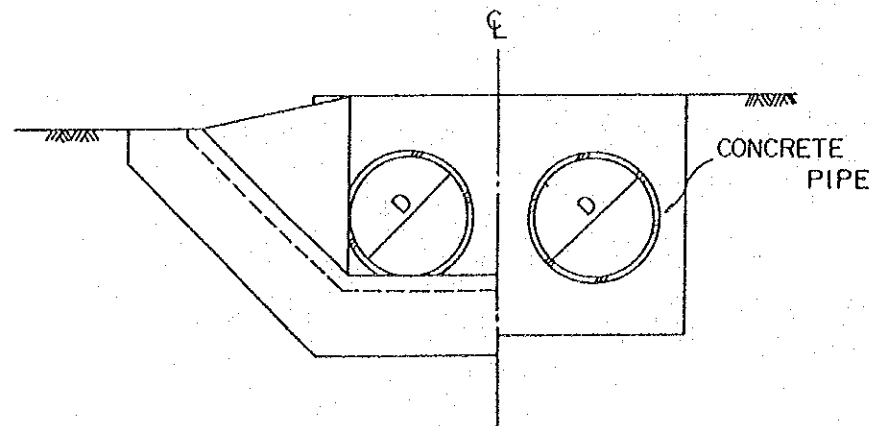
CROSS DRAIN , TYPE - A



PLAN SCALE - A

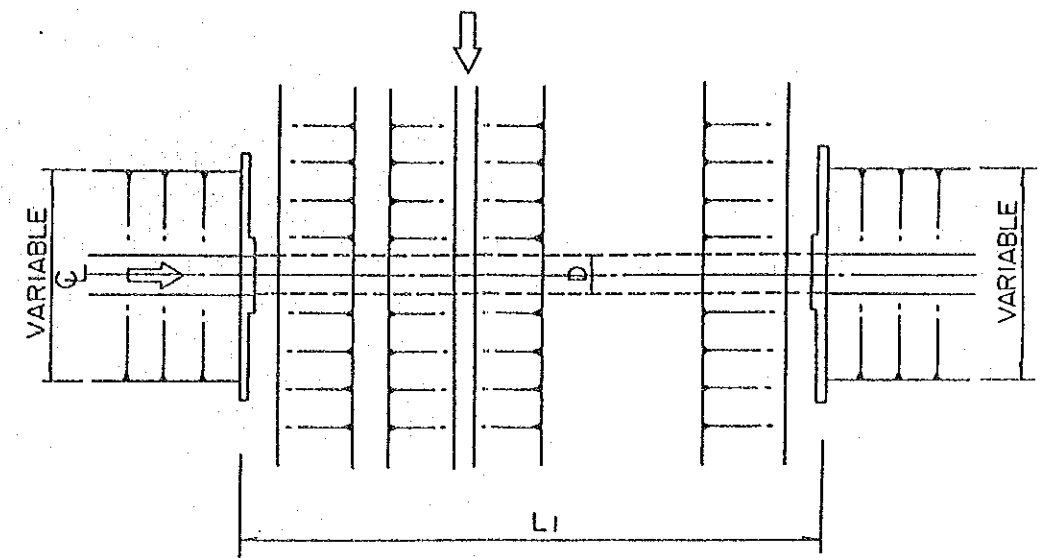


PROFILE SCALE - A

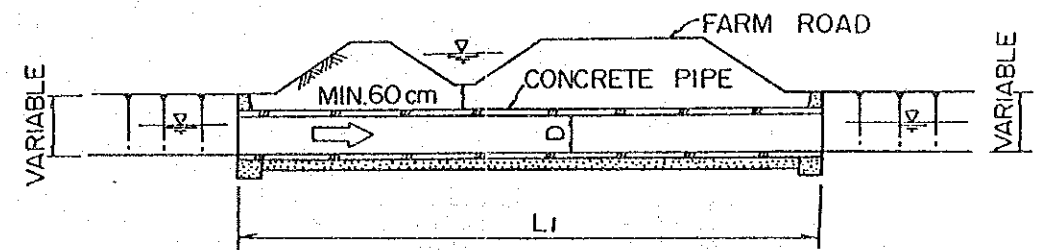


SECTION A - A SCALE - B

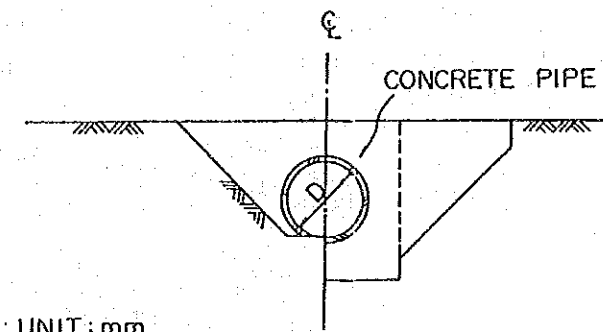
CROSS DRAIN , TYPE - B



PLAN SCALE - A



PROFILE SCALE - A

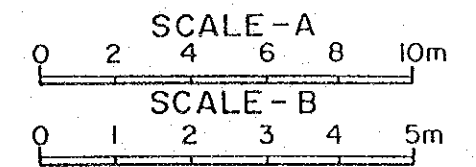


SECTION A - A SCALE - B

DIMENSION

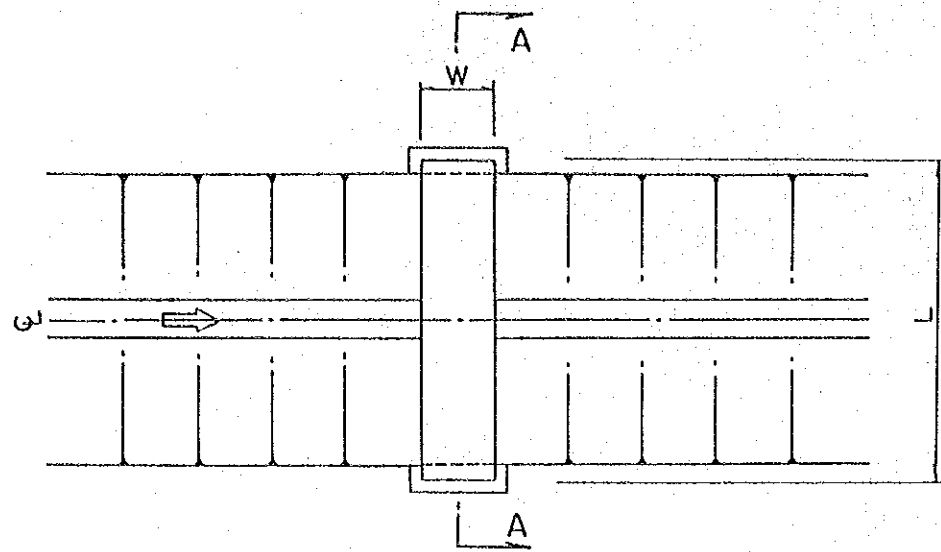
UNIT : mm

TYPE	Q(m ³ /s)	D	L ₁	L ₂	PIPE
A	2.5 ~ 5.0	1500	12000	5000	ϕ1500x2 Nos
B-1	1.0 ~ 2.5	1500	15000	—	ϕ1500
-2	1.0 ~ 2.5	1500	7000	—	ϕ1500
-3	0.5 ~ 1.0	1000	12000	—	ϕ1000
-4	0.5 ~ 1.0	1000	10000	—	ϕ1000
-5	0.5 ~ 1.0	1000	7000	—	ϕ1000
-6	0.2 ~ 0.5	800	12000	—	ϕ 800
-7	0.2 ~ 0.5	800	10000	—	ϕ 800
-8	0.2 ~ 0.5	800	7000	—	ϕ 800
-9	~ 0.2	500	3000	—	ϕ 500

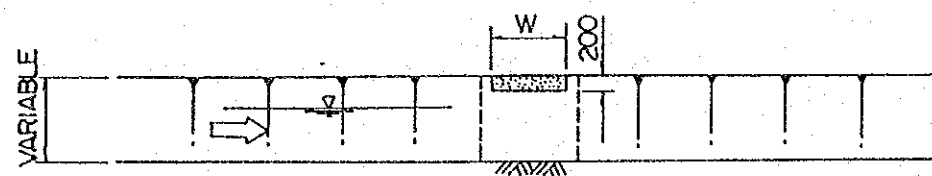


TITLE OF DRAWING
CROSS DRAINS
DRAWING No. I - 40

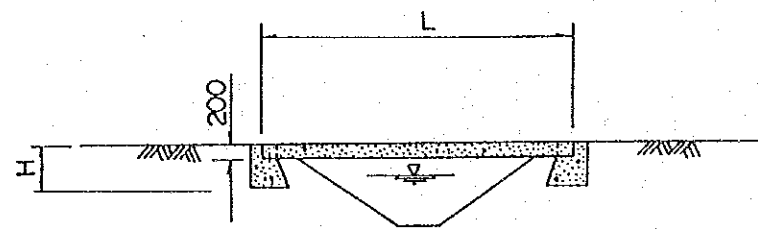
FOOTPATH BRIDGE, TYPE-A (L = 5m)



PLAN SCALE-A



PROFILE SCALE-A

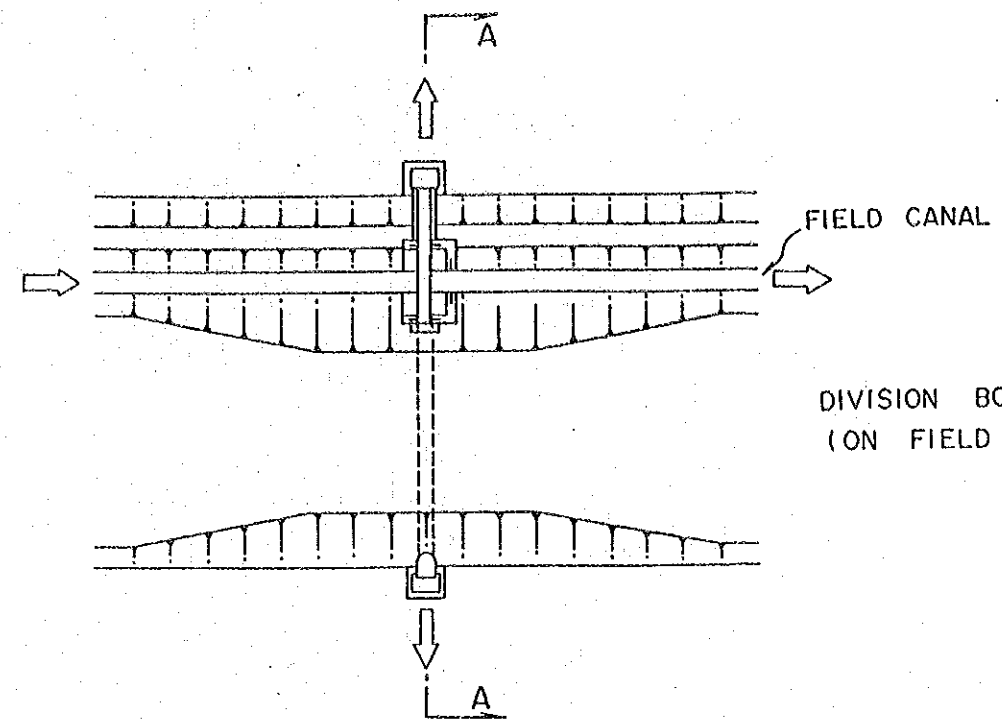


SECTION A-A SCALE-A

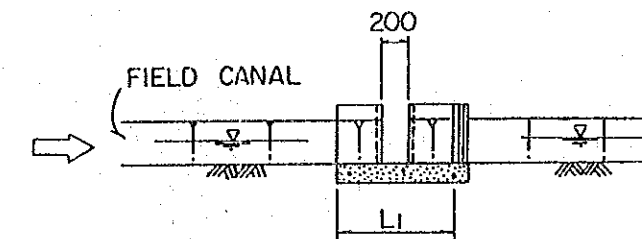
DIMENSION (FOOTPATH BRIDGE)

UNIT: mm

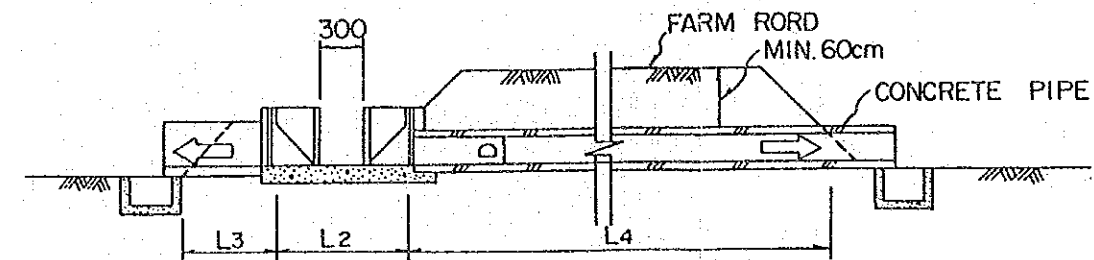
TYPE	H	W	L
A-1	600	1000	5000
-2	600	1000	4000
-3	600	1000	3000
-4	600	1000	2000



PLAN SCALE-A



PROFILE SCALE-B

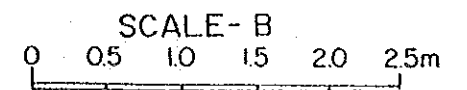
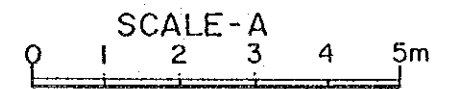


SECTION A-A SCALE-B

DIMENSION (DIVISION BOX)

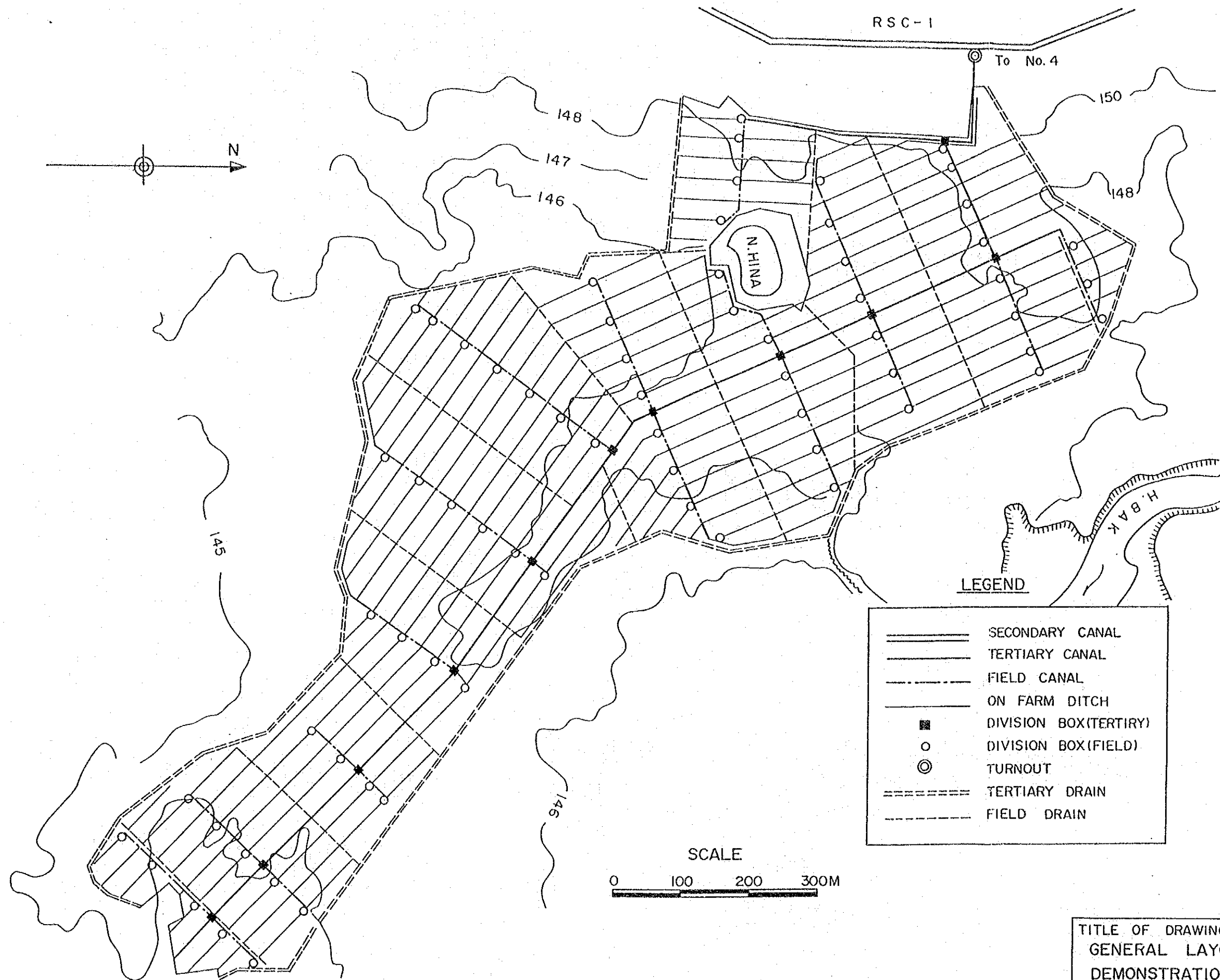
UNIT: mm

TYPE	L ₁	L ₂	L ₃	L ₄
A	800	900	600	1500
B	400	500	400	500



TITLE OF DRAWING
FOOTPATH BRIDGES
& DIVISION BOXES

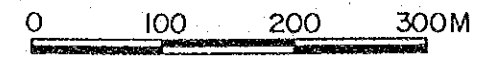
DRAWING No. I-41



LEGEND

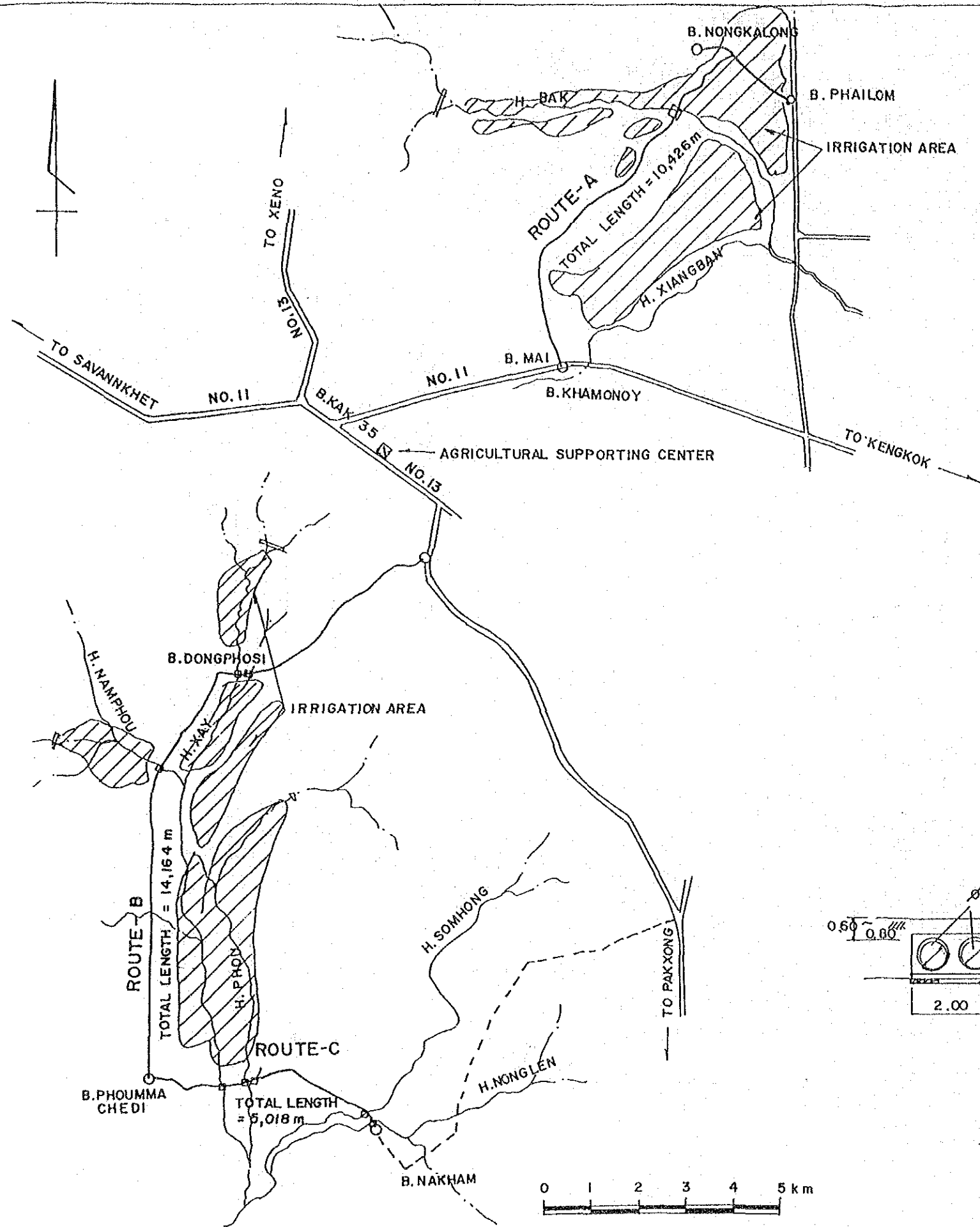
	SECONDARY CANAL
	TERTIARY CANAL
	FIELD CANAL
	ON FARM DITCH
	DIVISION BOX (TERTIARY)
	DIVISION BOX (FIELD)
	TURNOUT
	TERTIARY DRAIN
	FIELD DRAIN

SCALE

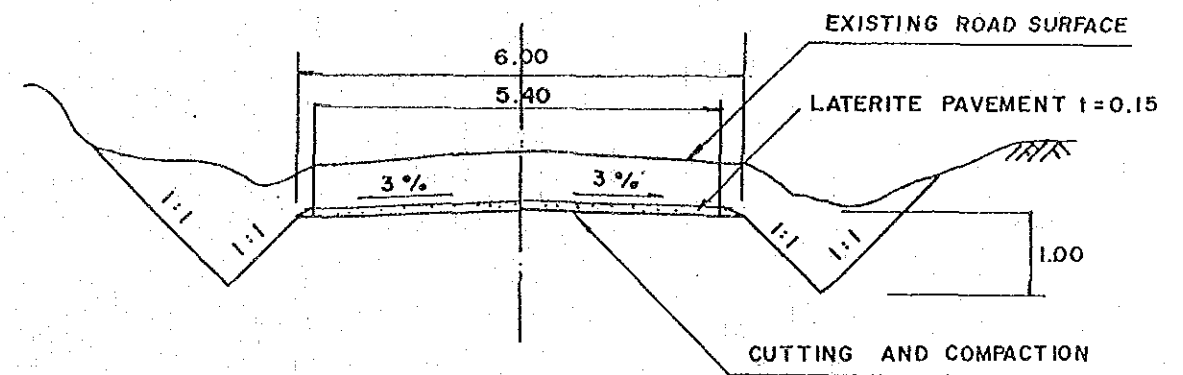
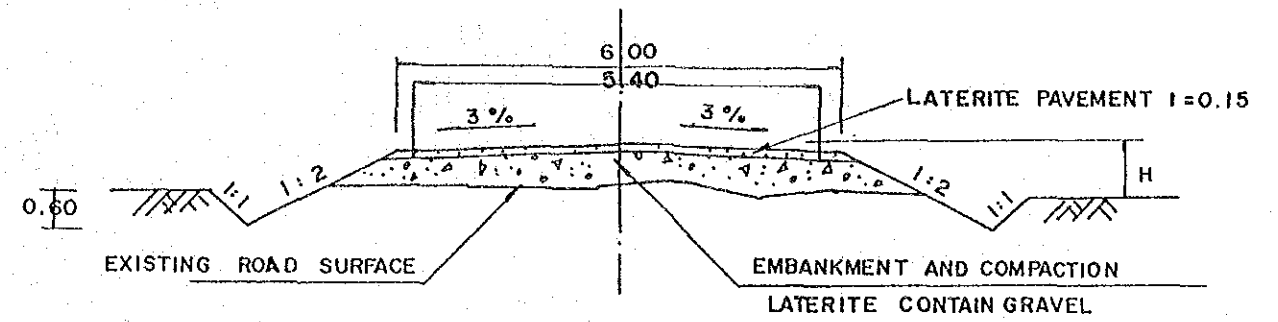


TITLE OF DRAWING
 GENERAL LAYOUT OF
 DEMONSTRATION FARM

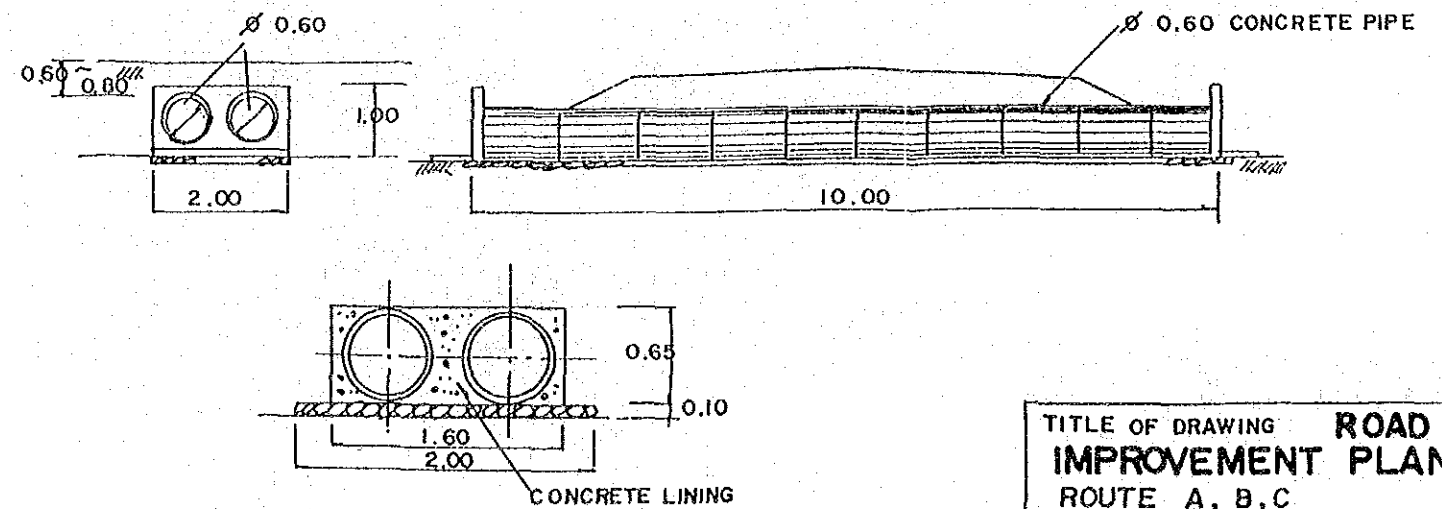
DRAWING No. I-42



TYPICAL SECTION OF ROAD IMPROVEMENT $s = 1:100$

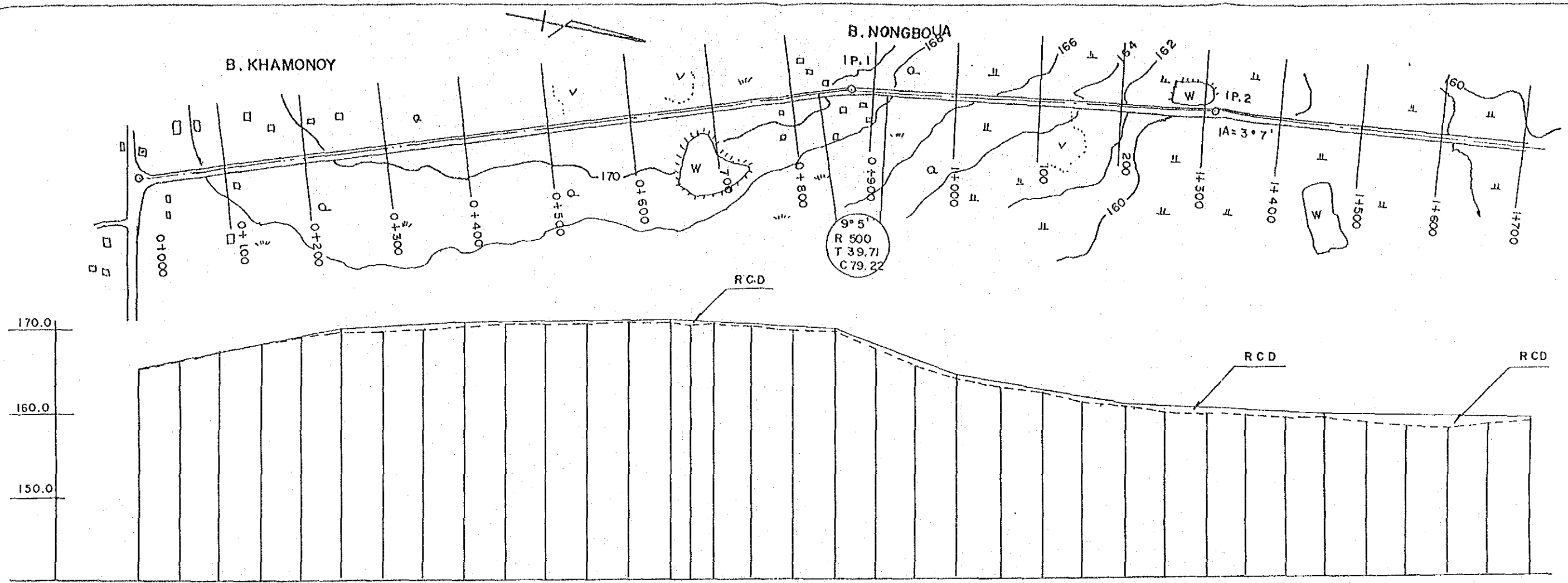


ROAD CROSS DRAIN (RCD) $s = 1:100$



TITLE OF DRAWING **ROAD IMPROVEMENT PLAN**
ROUTE A, B, C

DRAWING NO. R - 1



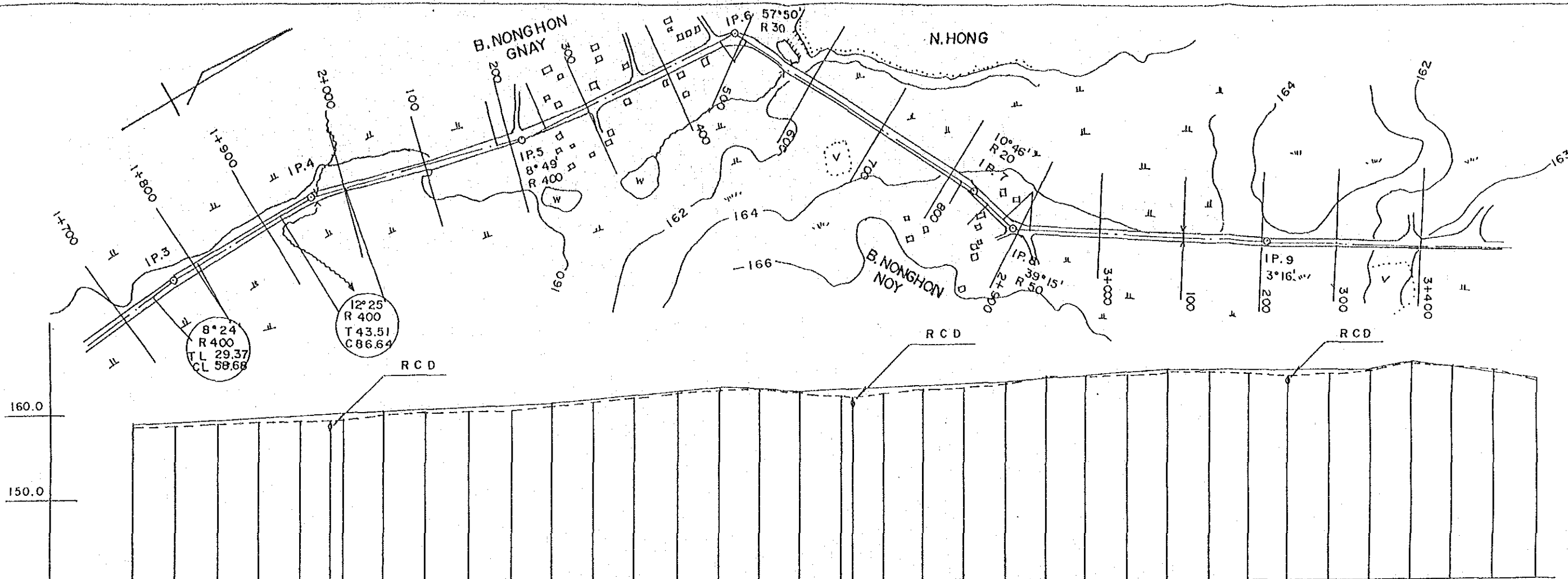
CURVE	1.76% 0.6% 0.28% 0.9% 3.47% 1.7% 0.56% 0.16%																																			
ROAD SURFAC	165.20		169.60		170.50		171.20		169.40		164.20		160.80		159.40		159.00																			
GROUND LEVEL	165.11	166.23	167.40	168.14	168.90	169.43	169.86	170.03	170.21	170.34	170.59	170.86	170.86	170.96	170.63	170.74	170.37	169.82	169.25	167.55	165.38	163.94	163.01	162.21	161.18	160.44	159.72	159.43	159.37	159.15	159.13	158.65	158.27	158.08	158.28	158.67
ACCUMULAT DISTANCE	0	50	100	150	200	250	300	350	400	450	500	550	600	650	676	700	750	800	850	900	950	1000	1050	1100	1150	1200	1250	1300	1350	1400	1450	1500	1550	1600	1650	1700
DISTANS	0	50	50	50	50	50	50	50	50	50	50	50	50	50	26	24	50	50	50	50	50	50	50	50	50	50	50	50	50	50	50	50	50	50	50	50
STATION	0+000		0+100		0+200		0+300		0+400		0+500		0+600		0+700		0+800		0+900		1+000		1+100		1+200		1+300		1+400		1+500		1+600		1+700	



INTEGRATED AGRICULTURAL
RURAL DEVELOPMENT PROJECT

TITLE OF DRAWING
RURAL ROAD IMPROVEMENT
ROUTE - A

A-1 DRAWING NO. R - 2

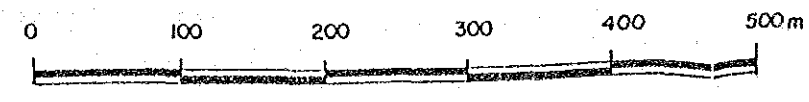


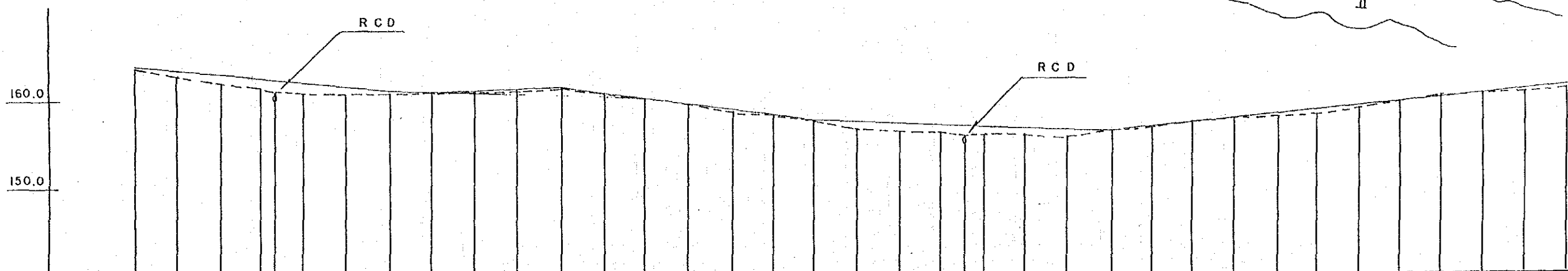
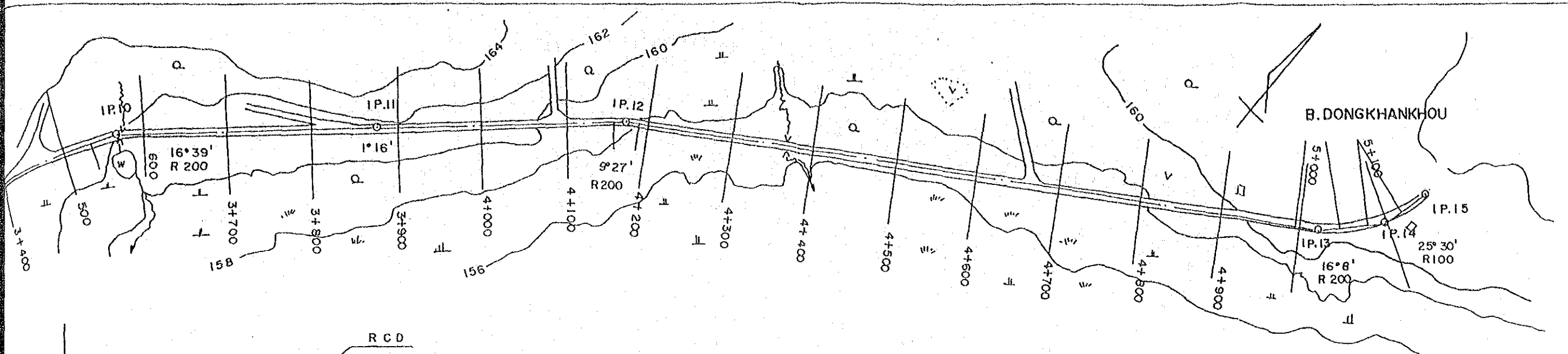
CURVE SLOPE																																						
ROAD SURFAC	159.00																																					
GROUND LEVEL	158.67	158.91	158.99	159.15	159.37	159.39	159.76	160.01	160.15	160.43	160.68	160.99	161.61	162.03	162.62	162.84	163.07	162.78	162.04	161.80	162.35	162.96	163.25	163.70	164.35	164.35	164.76	164.99	165.02	164.59	164.42	164.46	165.29	166.00	165.66	164.99	163.87	
ACCUMULAT DISTANCE	1700	1750	1800	1850	1900	1935	1950	2000	2050	2100	2150	2200	2250	2300	2350	2400	2450	2500	2550	2565	2600	2650	2700	2750	2800	2850	2900	2950	3000	3050	3100	3150	3200	3250	3300	3350	3400	
DISTANS	50	50	50	50	50	35	15	50	50	50	50	50	50	50	50	50	50	50	50	15	35	50	50	50	50	50	50	50	50	50	50	50	50	50	50	50	50	50
STATION	1+700	1+800	1+900		2+000			2+100	2+200	2+300		2+400	2+500	2+600		2+700	2+800	2+900	3+000		3+100		3+200		3+300	3+400												

INTEGRATED AGRICULTURAL RURAL DEVELOPMENT PROJECT

TITLE OF DRAWING
RURAL ROAD IMPROVEMENT ROUTE-A

A-2	DRAWING NO. R-3
-----	-----------------

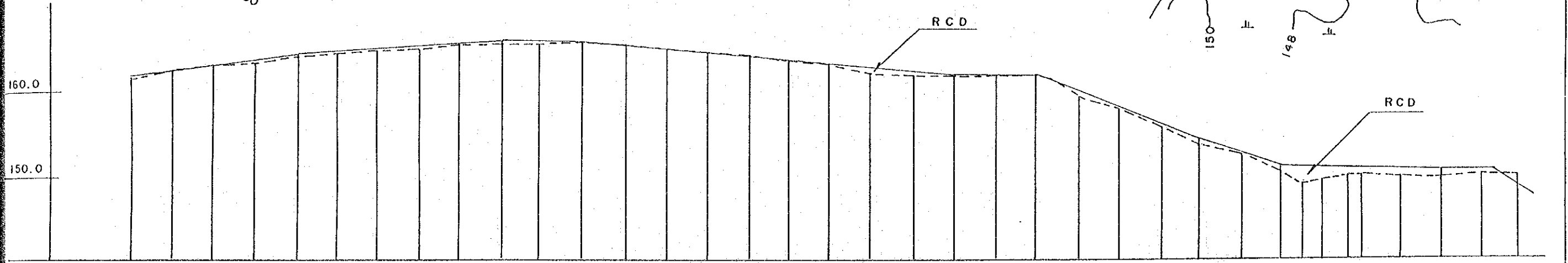
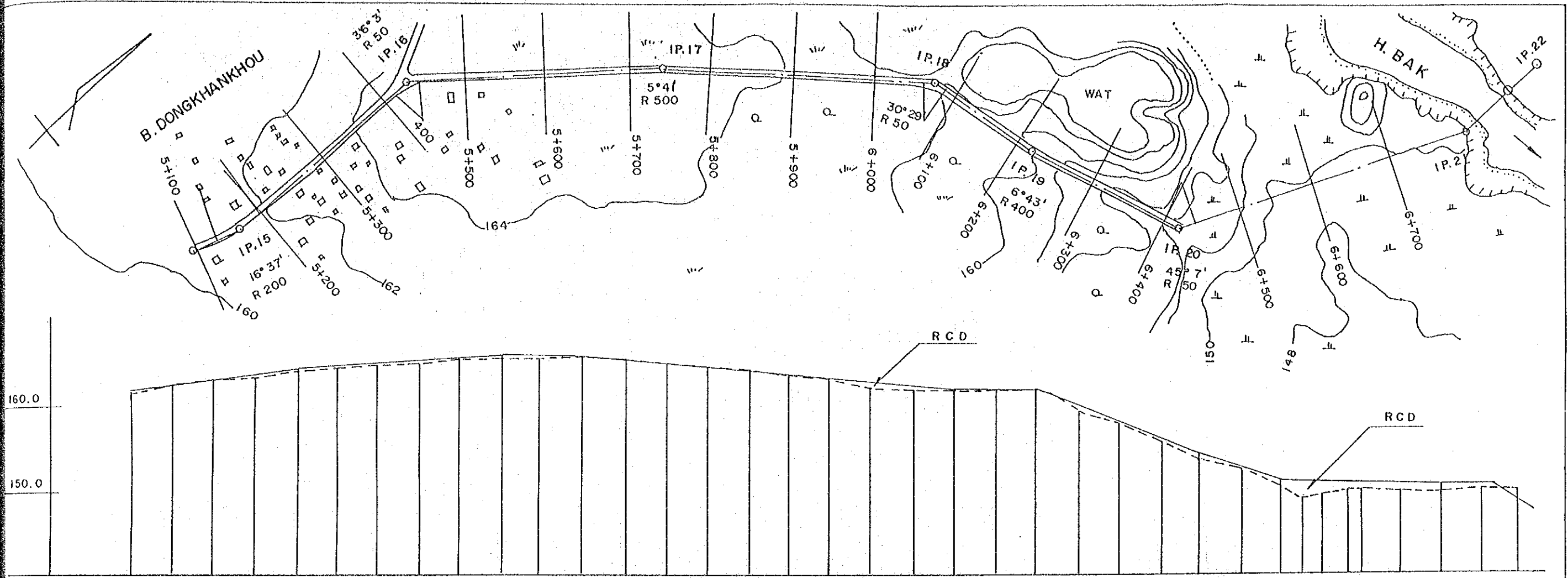




CURVE SLOPE																																						
ROAD SURFAC																																						
GROUND LEVEL	163.87	162.87	162.00	161.32	161.20	161.04	160.89	160.83	161.00	161.03	161.29	161.66	160.94	160.27	159.55	158.84	158.41	157.79	157.19	156.72	156.39	156.06	156.26	156.24	156.15	156.62	157.14	157.47	157.80	158.09	158.60	159.24	159.95	160.36	160.81	161.00	161.34	161.50
ACCUMULAT DISTANCE	3400	3450	3500	3550	3566	3600	3650	3700	3750	3800	3850	3900	3950	4000	4050	4100	4150	4200	4250	4300	4350	4378	4400	4450	4500	4550	4600	4650	4700	4750	4800	4850	4900	4950	5000	5050	5100	
DISTANS	50	50	50	50	16	34	50	50	50	50	50	50	50	50	50	50	50	50	50	50	28	22	50	50	50	50	50	50	50	50	50	50	50	50	50	50	50	50
STATION	3+400	3+500		3+600		3+700		3+800		3+900		4+000		4+100		4+200		4+300		4+400		4+500		4+600		4+700		4+800		4+900		5+000		5+100				



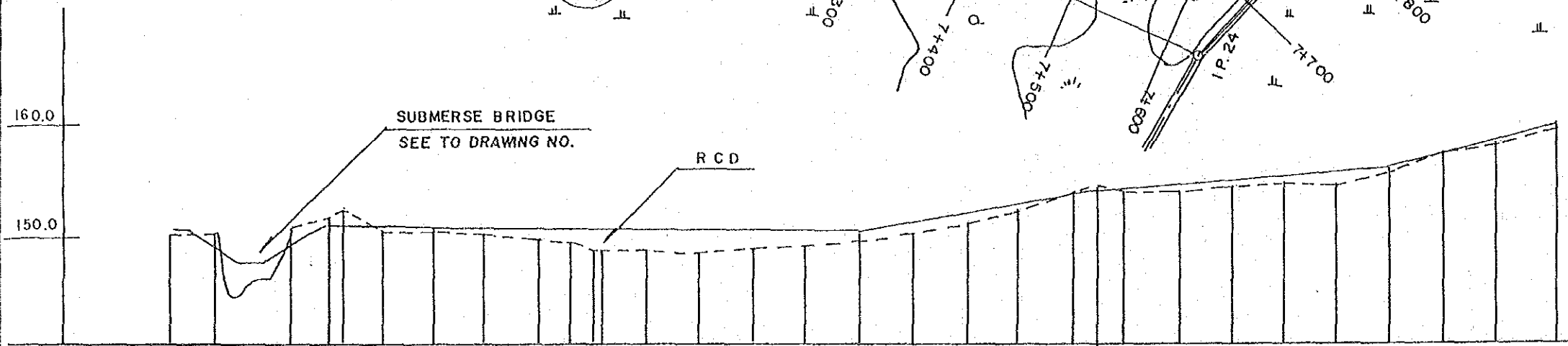
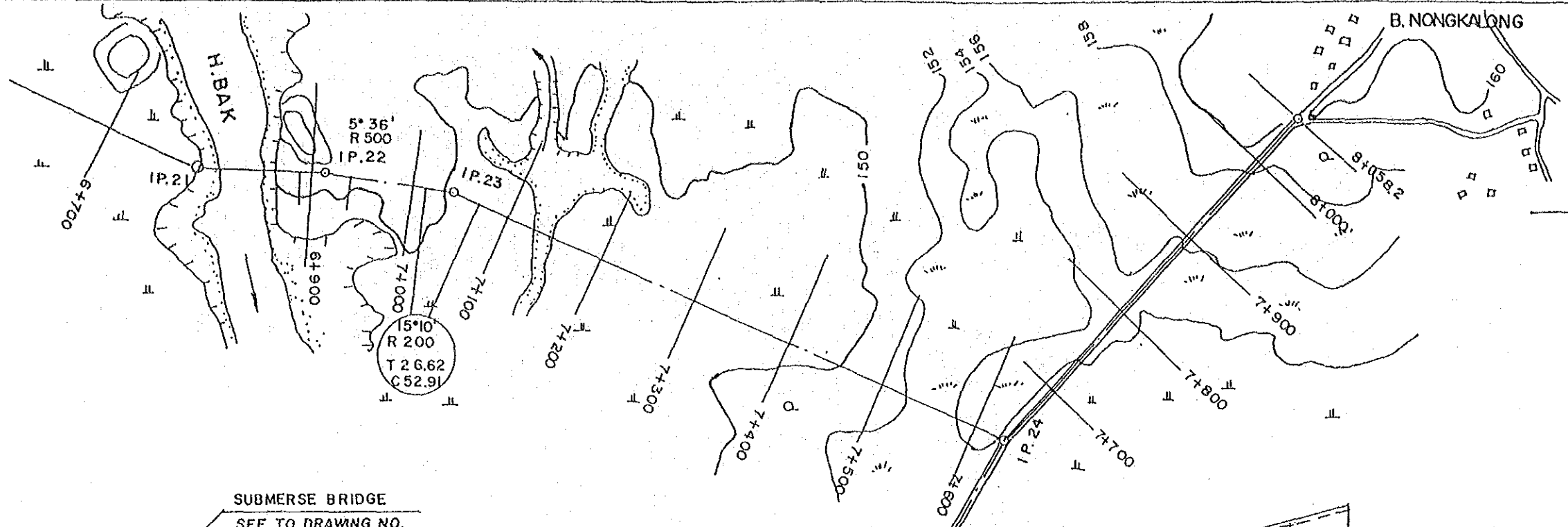
INTEGRATED AGRICULTURAL
 RURAL DEVELOPMENT PROJECT
 TITLE OF DRAWING
 RURAL ROAD IMPROVEMENT
 ROUTE - A
 A-3 DRAWING NO. R-4



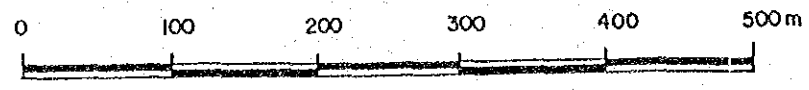
CURVE SLOPE																																					
ROAD SURFAC	161.50		164.20		166.20	166.10		162.30	162.30		154.50	150.90		150.50	150.50																						
GROUND LEVEL	161.34	162.33	162.98	163.52	164.00	164.51	164.94	165.39	165.86	166.04	166.12	166.13	165.62	165.21	165.03	164.43	163.99	163.18	162.50	162.05	162.21	162.29	162.32	159.67	158.16	156.22	154.13	152.85	150.63	149.73	150.08	150.16	150.15	150.05	150.00	150.25	150.23
ACCUMULAT DISTANCE	5100	5150	5200	5250	5300	5350	5400	5450	5500	5550	5600	5650	5700	5750	5800	5850	5900	5950	6000	6050	6100	6150	6200	6250	6300	6350	6400	6450	6500	6526	6550	6578	6600	6650	6700	6750	6796.1
DISTANS	50	50	50	50	50	50	50	50	50	50	50	50	50	50	50	50	50	50	50	50	50	50	50	50	50	50	50	50	26	24	28	22	50	50	50	18.30	
STATION	5+100		5+200		5+300		5+400		5+500		5+600		5+700		5+800		5+900		6+000		6+100		6+200		6+300		6+400		6+500		6+600		6+700		IP.21		



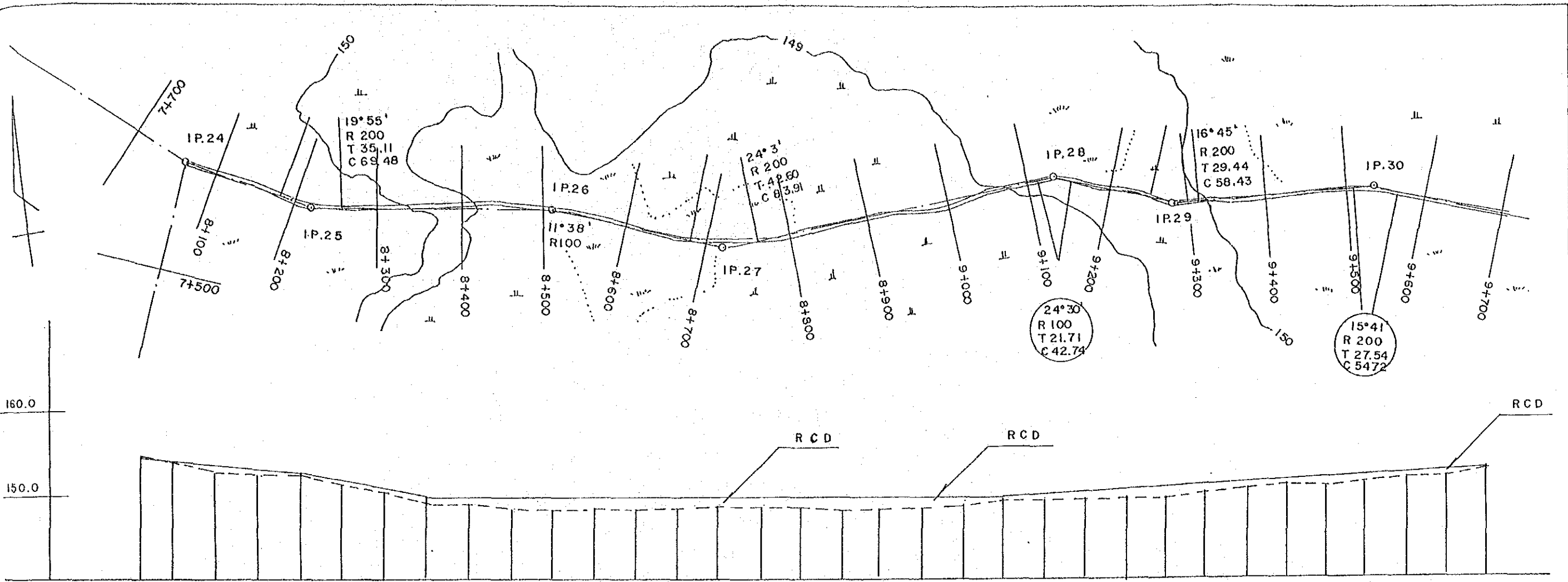
INTEGRATED AGRICULTURAL
 RURAL DEVELOPMENT PROJECT
 TITLE OF DRAWING
 RURAL ROAD IMPROVEMENT
 ROUTE -A
 A-4 DRAWING NO. R-5



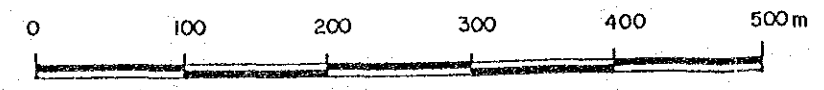
CURVE SLOPE	6.4% 7.4% 0.56% 0.125% 1.95% 0.78% 2.34%																																
ROAD SURFAC	150.50	147.30	151.00	150.40								149.90								156.50	160.20												
GROUND LEVEL	150.25	150.23	144.53	150.71	151.93	152.34	150.56	150.20	150.12	149.95	149.75	148.40	148.52	148.60	148.62	148.67	148.95	149.63	150.08	151.33	152.48	154.22	154.67	153.94	154.05	154.34	154.78	155.01	156.20	157.96	158.80	160.12	
ACCUMULAT DISTANCE	6750	6796.16	6804.66	6868.36	6900	6916	6950	7000	7050	7100	7131	7150	7156	7200	7250	7300	7350	7400	7450	7500	7550	7600	7631.2	7650	7650	7700	7750	7800	7850	7900	7950	8000	8058.2
DISTANS	50	46.16	8.50	72.20	31.64	16	34	50	50	50	31	18	6	44	50	50	50	50	50	50	50	50	31.2	18.8	50	50	50	50	50	50	50	50	58.2
STATION	6+750	IP.21	6+800		6+900			7+000		7+100			7+200		7+300			7+400		7+500			7+600	IP.24		7+700		7+800		7+900		8+000	



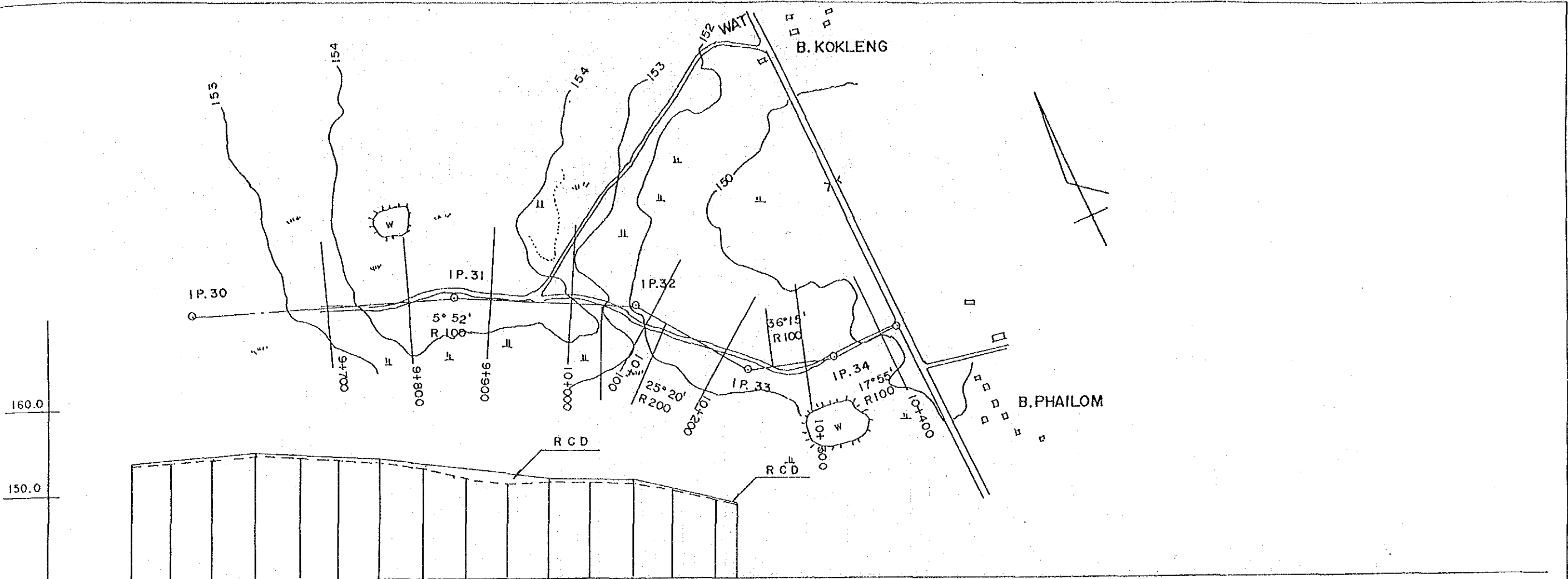
INTEGRATED AGRICULTURAL
RURAL DEVELOPMENT PROJECT
TITLE OF DRAWING
RURAL ROAD IMPROVEMENT
ROUTE-A
A-5 DRAWING NO. R-6



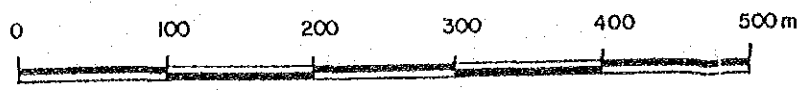
CURVE SLOPE	0.85%		1.93%		LEVEL															0.67%														
ROAD SURFAC	154.40		152.70		149.80													149.80		153.80														
GROUND LEVEL	154.67	153.77	152.85	152.45	152.55	151.14	150.21	149.26	149.03	148.70	148.62	148.51	148.46	148.40	148.35	148.67	148.78	148.38	148.13	148.39	149.01	149.50	149.61	149.77	149.81	149.94	150.66	150.99	151.20	151.64	151.72	152.11	152.86	153.72
ACCUMULAT DISTANCE	(76312) 8058.2	8100	8150	8200	8250	8300	8350	8400	8450	8500	8550	8600	8650	8700	8750	8800	8850	8900	8950	9000	9050	9100	9150	9200	9250	9300	9350	9400	9450	9500	9550	9600	9650	9700
DISTANS		41.8	50	50	50	50	50	50	50	50	50	50	50	50	50	50	50	50	50	50	50	50	50	50	50	50	50	50	50	50	50	50	50	50
STATION	IP.24	8+100	8+200	8+300	8+400	8+500	8+600	8+700	8+800	8+900	9+000	9+100	9+200	9+300	9+400	9+500	9+600	9+700																



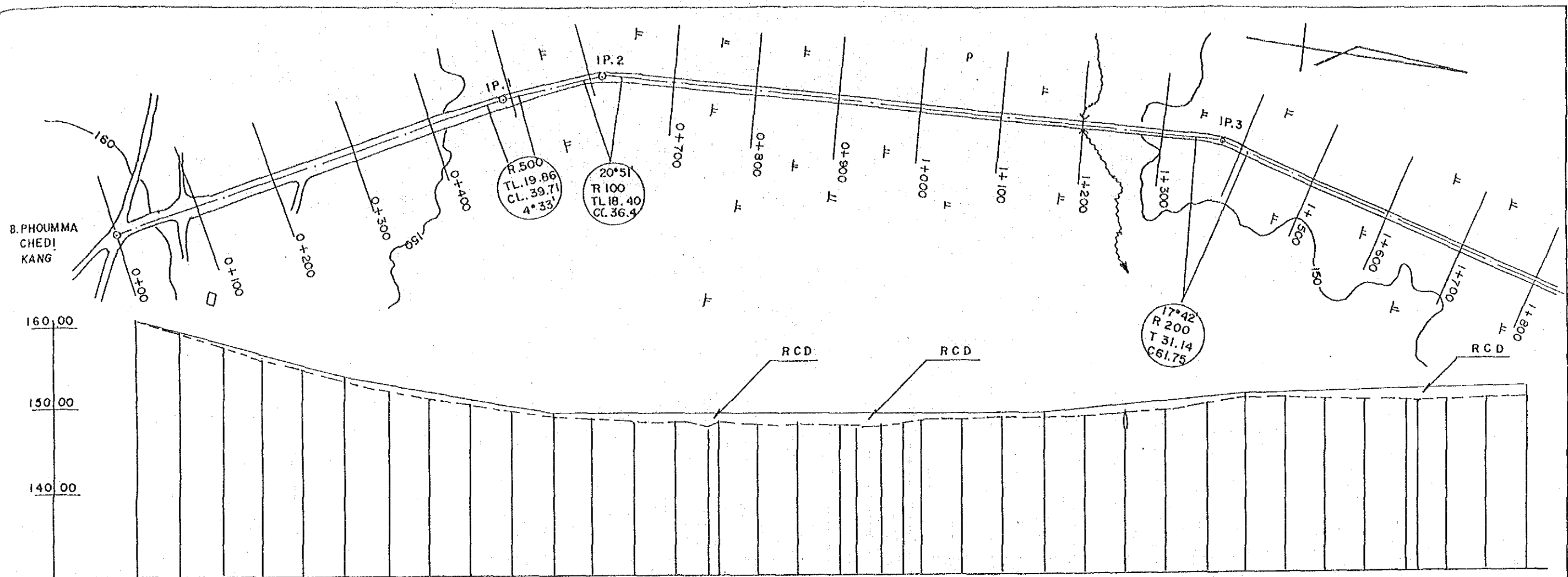
INTEGRATED AGRICULTURAL
RURAL DEVELOPMENT PROJECT
TITLE OF DRAWING
RURAL ROAD IMPROVEMENT
ROUTE - A
A-6 DRAWING NO. R-7



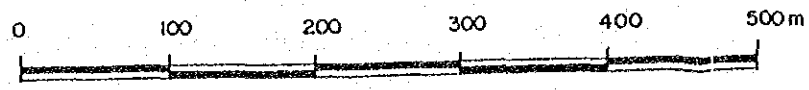
CURVE SLOPE																
ROAD SURFAC	153.80		155.30		154.50		152.00		151.60		149.50					
GROUND LEVEL	153.72	154.09	154.65	155.05	154.83	154.42	154.15	153.43	152.07	151.64	151.72	151.40	151.33	150.87	149.96	149.33
ACCUMULAT DISTANCE	9700	9750	9800	9850	9900	9950	10000	10050	10100	10150	10200	10250	10300	10350	10400	10426
DISTANS	50	50	50	50	50	50	50	50	50	50	50	50	50	50	50	26
STATION	9+700		9+800		9+900		10+000		10+100		10+200		10+300		10+400	10+426



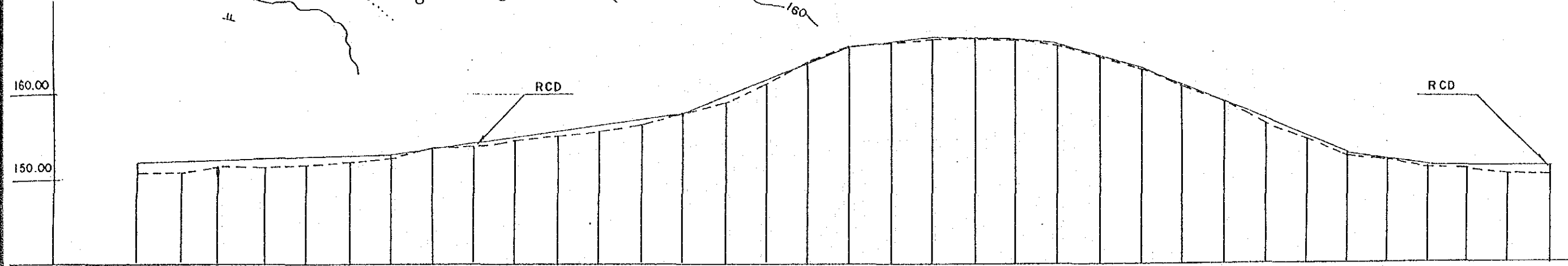
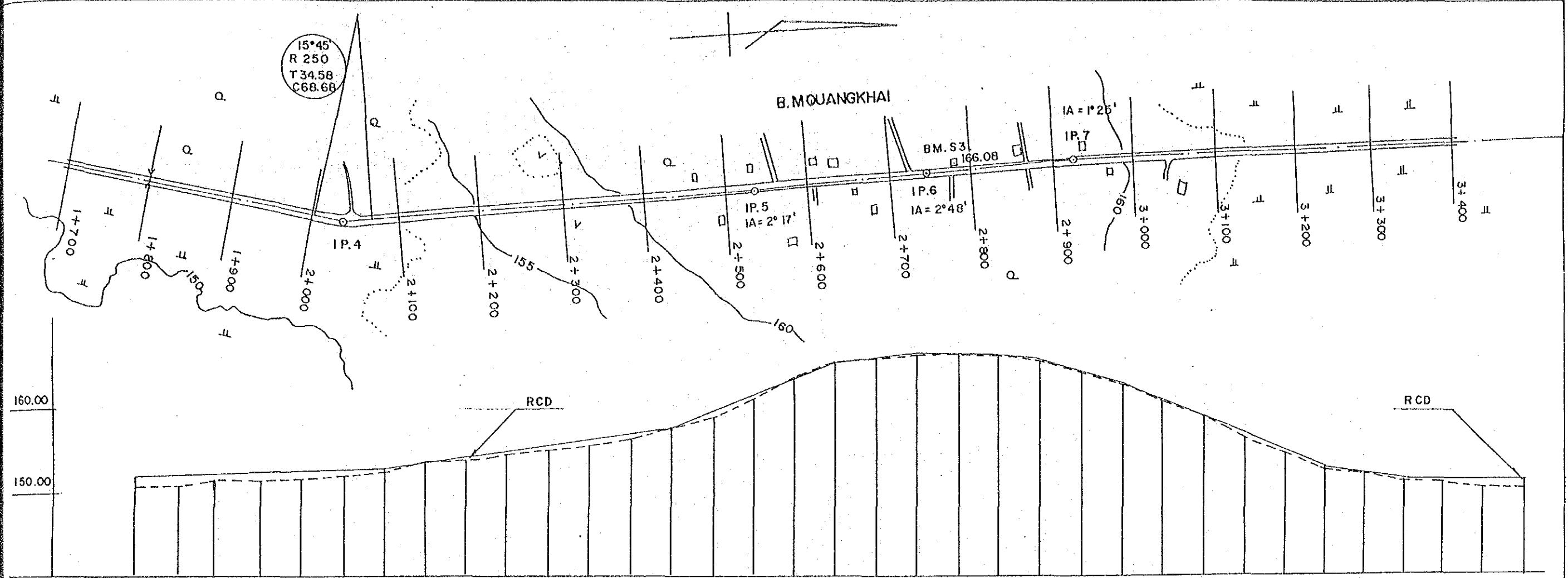
INTEGRATED AGRICULTURAL
 RURAL DEVELOPMENT PROJECT
 TITLE OF DRAWING
 RURAL ROAD IMPROVEMENT
 ROUTE-A
 A-7 DRAWING NO. R-8



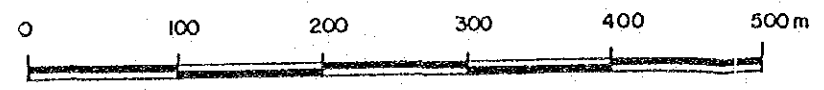
CURVE SLOPE																																											
ROAD SURFAC	160.90				153.40					149.50						149.20		151.20		151.96																							
GROUND LEVEL	160.91	158.96	157.60	156.34	155.02	153.23	151.98	151.10	150.22	149.73	149.27	149.22	148.91	148.61	148.39	148.27	147.78	148.24	148.08	148.17	148.00	147.63	148.26	148.14	148.42	148.53	148.80	148.79	148.89	149.29	147.64	149.58	150.34	150.85	150.93	150.99	150.65	150.52	150.55	150.30	150.57	150.68	150.79
ACCUMULAT DISTANCE	0	50	100	150	200	250	300	350	400	450	500	550	600	650	690	700	750	800	850	866.5	900	927	950	1000	1050	1100	1150	1200	1250	1300	1350	1400	1450	1500	1550	1562	1600	1650	1700				
DISTANS	0	50	50	50	50	50	50	50	50	50	50	50	50	50	40	10	50	50	50	16.50	33.50	27.00	23.00	50	50	50	50	50	50	50	50	50	50	50	50	12	38	50	50				
STATION	0+000	0+100	0+200	0+300	0+400	IP.1	0+500	0+600	IP.2	0+700	0+800	0+900	1+000	1+100	1+200	1+300	IP.3	1+400	1+500	1+600	1+700																						



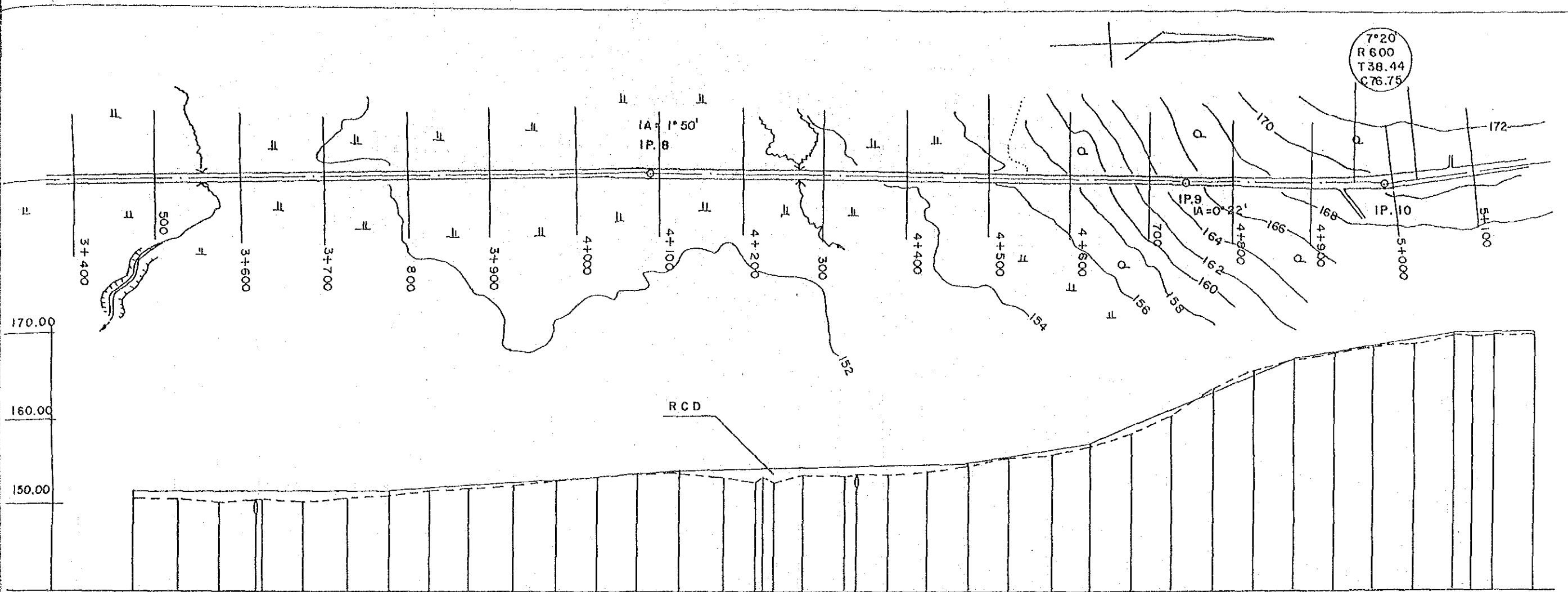
INTEGRATED AGRICULTURAL RURAL DEVELOPMENT PROJECT
 TITLE OF DRAWING
 RURAL ROAD IMPROVEMENT
 ROUTE-B
 B-1 | DRAWING NO. R-9



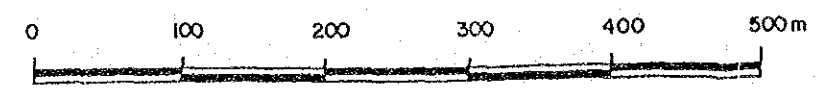
CURVE SLOPE	ROAD SURFAC	GROUND LEVEL	ACCUMULAT DISTANCE	DISTANS	STATION
0.22%	151.96	150.79	1700	50	1+700
		150.90	1750	50	1+800
		151.23	1795	45	
		151.30	1800	5	
		151.24	1850	50	1+900
		151.34	1900	50	
		152.03	1950	50	
	152.60	152.38	2000	50	2+000 IP.4
		153.40	2050	50	
		153.60	2100	50	
		153.93	2150	50	
		154.30	2200	50	
		155.02	2250	50	
		155.61	2300	50	
		156.65	2350	50	
	158.20	158.12	2400	50	
		159.89	2450	50	
		161.18	2500	50	2+500 IP.5
		163.88	2550	50	
	165.50	165.03	2600	50	
		165.36	2650	50	
	166.50	165.90	2700	50	2+700 IP.6
		166.65	2750	50	
		166.48	2800	50	
		166.12	2850	50	
	165.60	165.47	2900	50	2+900 IP.7
		164.21	2950	50	
	163.00	162.87	3000	50	
		162.07	3050	50	
		161.10	3100	50	
		159.03	3150	50	
		156.89	3200	50	
		154.83	3250	50	
	153.10	152.90	3300	50	3+300
		152.13	3350	50	
	151.90	151.62	3400	50	3+400
		151.16			
		150.66			
		150.33			



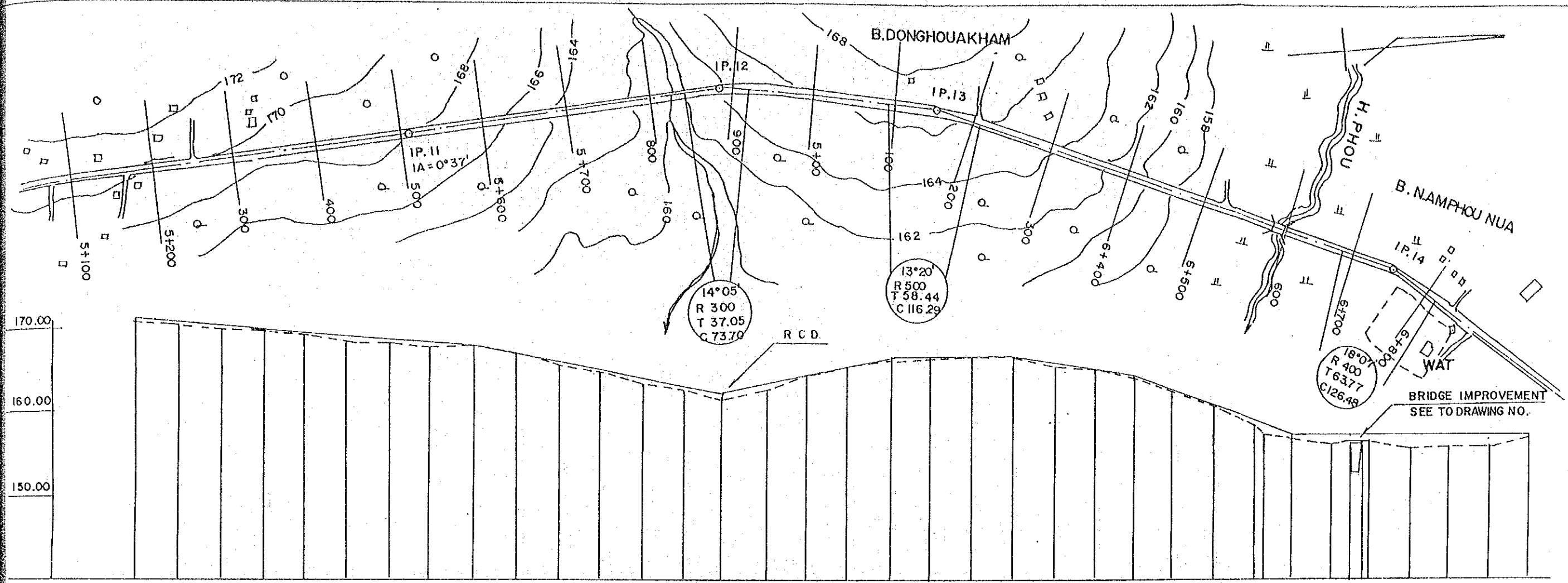
INTEGRATED AGRICULTURAL
RURAL DEVELOPMENT PROJECT
TITLE OF DRAWING
RURAL ROAD IMPROVEMENT
ROUTE - B
B - 2 DRAWING NO. R - 10



CURVE SLOPE																																												
ROAD SURFAC																																												
GROUND LEVEL	150.33	150.19	150.06	150.33	150.26	150.05	150.52	151.12	151.70	151.65	152.04	152.27	153.08	153.21	153.47	153.59	153.56	153.32	152.85	153.28	152.64	153.34	153.35	153.36	153.58	153.98	154.59	155.30	156.21	157.02	158.41	160.83	164.18	166.36	166.52	167.55	168.40	169.05	169.69	170.50	170.51	170.30	170.59	170.47
ACCUMULAT DISTANCE	3400	3450	3500	3546.25	3550	3600	3650	3700	3750	3800	3850	3900	3950	4000	4050	4100	4143	4150	4162	4200	4250	4267	4300	4350	4400	4450	4500	4550	4600	4650	4700	4750	4800	4850	4900	4950	5000	5022	5050	5100				
DISTANS	50	50	50	46.25	3.75	50	50	50	50	50	50	50	50	50	50	50	43	7	12	38	50	17	33	50	50	50	50	50	50	50	50	50	50	50	50	50	50	22	28	50				
STATION	3+400	3+500	3+600	3+700	3+800	3+900	4+000	IP.8	4+100	4+200	4+300	4+400	4+500	4+600	4+700	IP.9	4+800	4+900	IP.10	5+000	5+100																							



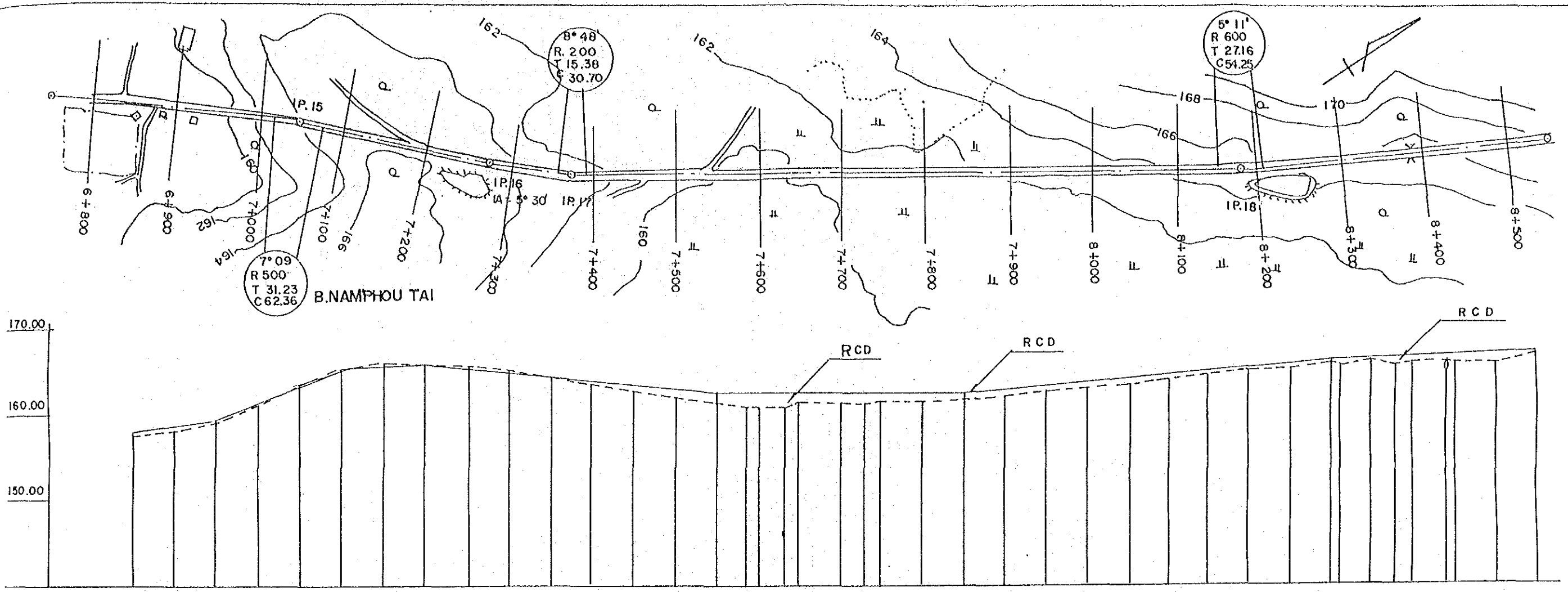
INTEGRATED AGRICULTURAL
 RURAL DEVELOPMENT PROJECT
 TITLE OF DRAWING
RURAL ROAD IMPROVEMENT
 ROUTE - B
 B-3 DRAWING NO. R - 11



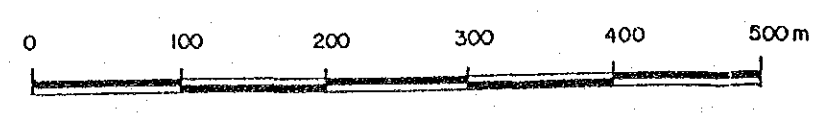
CURVE SLOPE																																										
ROAD SURFAC	170.60							168.00													157.40																					
GROUND LEVEL	170.47	170.28	169.82	169.42	169.10	168.51	168.21	167.99	167.89	166.90	165.65	164.46	163.12	162.27	161.63	161.75	162.76	164.37	164.61	165.61	166.29	166.67	166.76	166.72	166.71	165.65	164.98	163.92	162.59	160.89	158.49	157.68	156.98	156.65	156.94	156.97	156.87	156.09	156.35	156.53	156.38	157.39
ACCUMULAT DISTANCE	5100	5150	5200	5250	5300	5350	5400	5445	5450	5500	5550	5600	5650	5700	5750	5795	5800	5850	5900	5950	6000	6050	6100	6150	6200	6250	6300	6350	6400	6450	6461	6500	6550	6575	6589	6600	6650	6700	6750	6800		
DISTANS	50	50	50	50	50	50	50	45	5	50	50	50	50	50	45	5	50	50	50	50	50	50	50	50	50	50	50	50	50	11	39	50	25	14	11	50	50	50	50			
STATION	5+100		5+200		5+300		5+400		5+500	IP.11		5+600		5+700		5+800		IP.12		5+900		6+000		6+100		IP.13		6+200		6+300		6+400		6+500		6+600		6+700	IP.14		6+800	



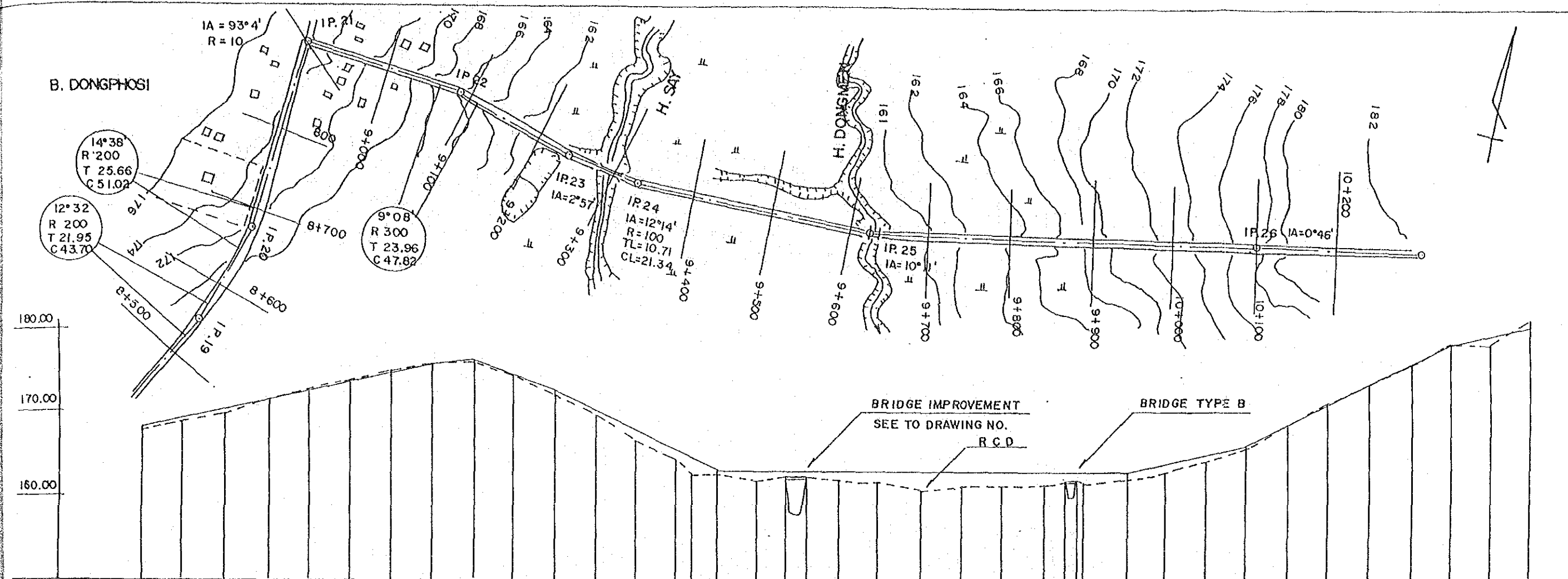
INTEGRATED AGRICULTURAL
 RURAL DEVELOPMENT PROJECT
 TITLE OF DRAWING
RURAL ROAD IMPROVEMENT
 ROUTE-B
 B-4 DRAWING NO. R-12



CURVE SLOPE																																												
ROAD SURFAC	157.40	159.20	165.10	165.90	164.50	162.20	162.20	166.30	167.60																																			
GROUND LEVEL	157.39	158.00	159.19	161.21	163.42	164.84	165.15	165.93	165.94	165.87	165.31	164.88	164.49	163.77	163.53	162.77	161.89	161.55	161.37	161.02	160.97	161.21	161.12	161.48	161.66	161.82	162.12	162.60	163.23	163.75	164.28	164.73	155.16	165.69	165.68	166.24	165.81	166.22	165.78	166.29	166.15	166.20	166.54	167.58
ACCUMULAT DISTANCE	6800	6850	6900	6950	7000	7050	7100	7150	7200	7250	7300	7350	7400	7450	7460	7500	7535	7550	7565	7600	7650	7680	7700	7750	7800	7850	7900	7950	8000	8050	8100	8150	8200	8250	8257	8300	8325	8350	8389	8400	8450	8500		
DISTANS	50	50	50	50	50	50	50	50	50	50	50	50	50	50	10	40	35	15	33	17	50	30	20	50	50	50	50	50	50	50	50	50	50	7	43	25	25	39	11	50	50			
STATION	6+800	6+900	7+000	IP.15	7+100	7+200	IP.16	7+300	IP.17	7+400	7+500	7+600	7+700	7+800	7+900	8+000	8+100	IP.18	8+200	8+300	8+400	8+500																						



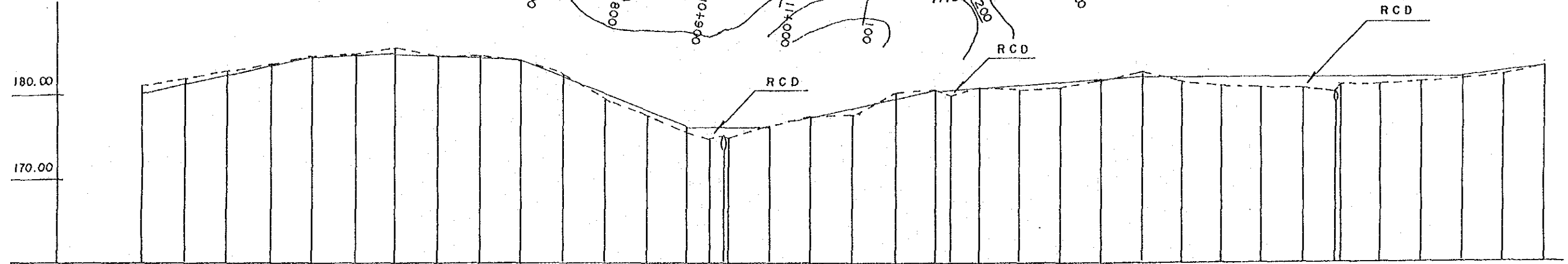
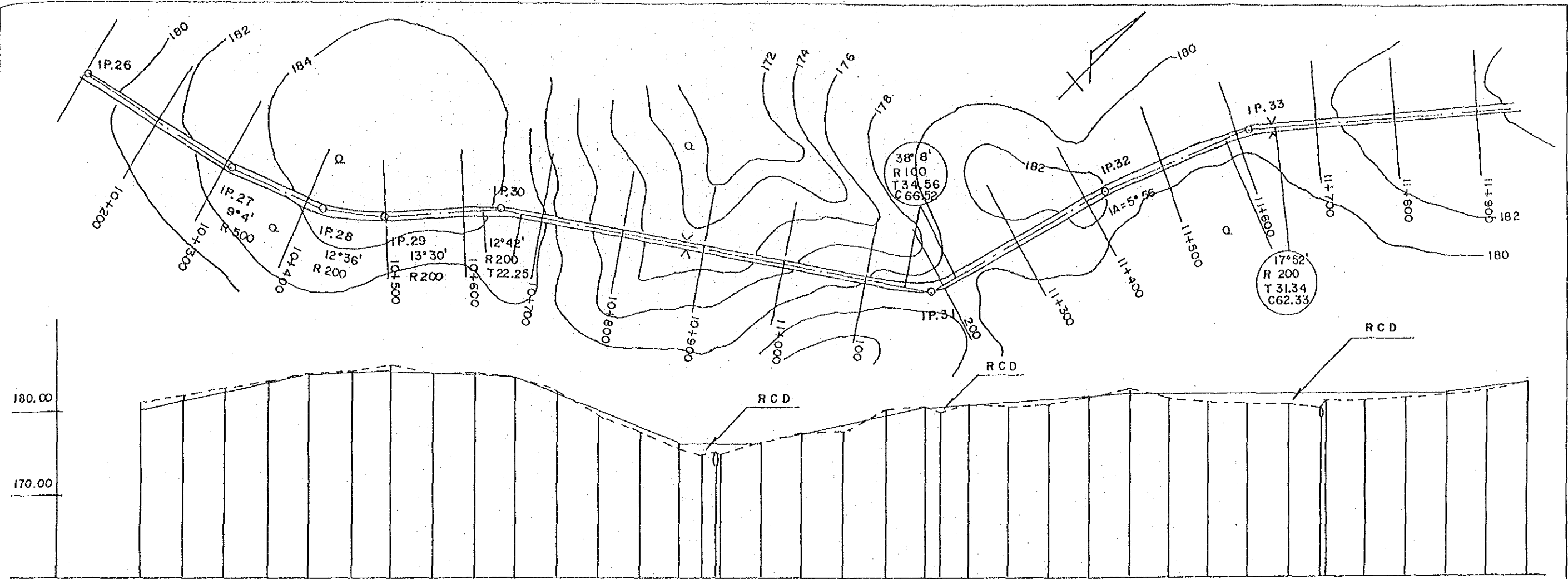
INTEGRATED AGRICULTURAL
RURAL DEVELOPMENT PROJECT
TITLE OF DRAWING
RURAL ROAD IMPROVEMENT
ROUTE - B
B-5 DRAWING NO. R - 13



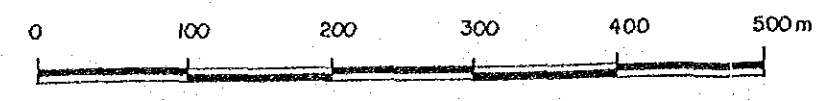
CURVE SLOPE																																											
ROAD SURFAC	167.60						175.30	175.90		172.10				162.60				162.60	165.50				177.90																				
GROUND LEVEL	167.58	168.66	168.72	169.61	171.09	172.21	172.68	173.84	174.66	175.22	175.97	175.80	174.14	171.86	169.33	167.66	166.64	164.16	162.91	162.22	161.70	161.63	162.20	161.82	161.65	161.29	160.56	161.08	161.04	161.03	161.74	161.37	161.45	162.55	163.87	165.35	168.33	171.04	173.17	175.41	177.93	179.74	180.98
ACCUMULAT DISTANCE	8500	8550	8600	8650	8700	8750	8800	8850	8900	8950	9000	9050	9100	9150	9166	9200	9250	9285.2	9309.7	9350	9400	9450	9500	9550	9600	9630.26	9650	9700	9750	9800	9850	9900	9950	10000	10050	10100	10150	10200					
DISTANS	50	50	50	50	50	50	50	50	50	50	50	50	50	50	16	34	50	35.2	14.6	9.7	50	50	50	50	50	30.26	15.30	4.34	50	50	50	50	50	50	50	50	50	50	50	50			
STATION	8+500	IP.19	8+600	IP.20	8+700	8+800	IP.21	8+900	9+000	IP.22	9+100	9+200	IP.23	9+300	IP.24	9+400	9+500	9+600	9+700	9+800	9+900	10+000	10+100	10+200																			



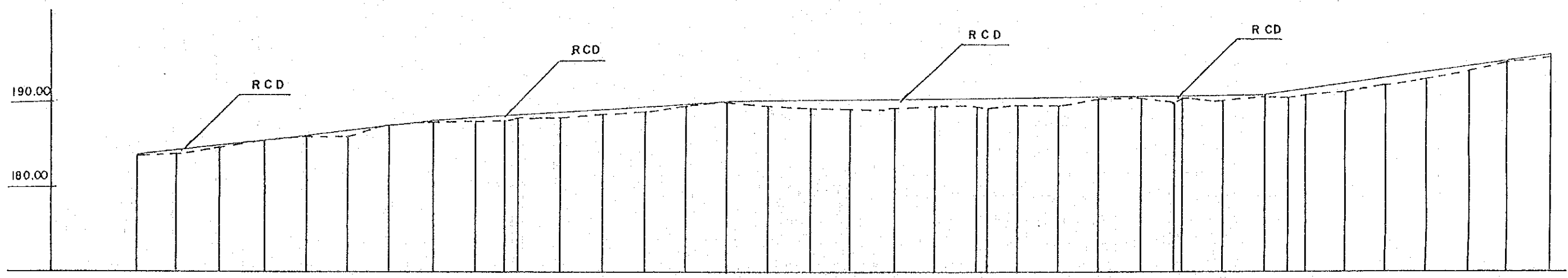
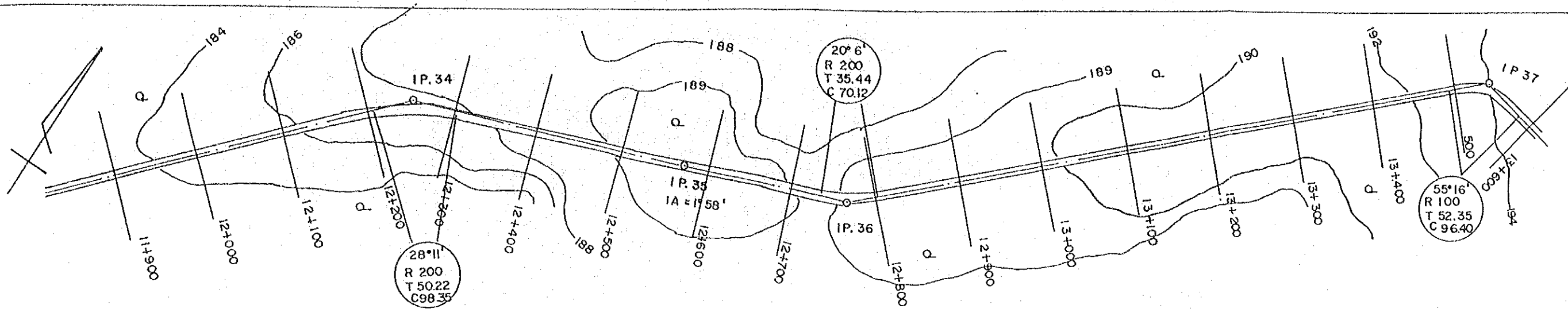
INTEGRATED AGRICULTURAL
RURAL DEVELOPMENT PROJECT
TITLE OF DRAWING
RURAL ROAD IMPROVEMENT
ROUTE - B
B-6 DRAWING NO. R-14



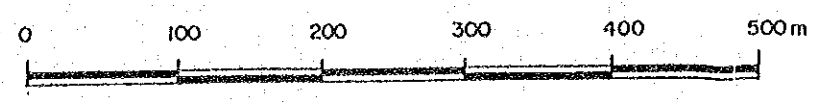
CURVE SLOPE																																							
ROAD SURFAC					184.10	185.10		183.90		176.00	176.00		180.50		182.00		182.40																						
GROUND LEVEL	180.98	181.77	182.80	183.47	184.12	184.78	185.17	184.67	184.35	183.98	182.20	179.41	177.40	175.50	174.80	175.18	175.08	176.23	177.38	178.83	179.98	180.48	179.77	180.73	180.34	180.70	181.54	182.27	181.63	181.06	180.82	180.94	180.04	181.08	181.32	181.86	182.17	182.92	183.51
ACCUMULAT DISTANCE	10200	10250	10300	10350	10400	10450	10500	10550	10600	10650	10700	10750	10800	10850	10877	10895	10900	10950	11000	11050	11100	11150	11165	11200	11250	11300	11350	11400	11450	11500	11550	11600	11644	11650	11700	11750	11800	11850	11900
DISTANS	50	50	50	50	50	50	50	50	50	50	50	50	50	50	27	18	5	50	50	50	50	50	15	35	50	50	50	50	50	50	50	50	44	6	50	50	50	50	50
STATION	10+200		10+300		10+400		10+500		10+600		10+700		10+800		10+900		11+000		11+100		11+200		11+300		11+400		11+500		11+600		11+700		11+800		11+900				



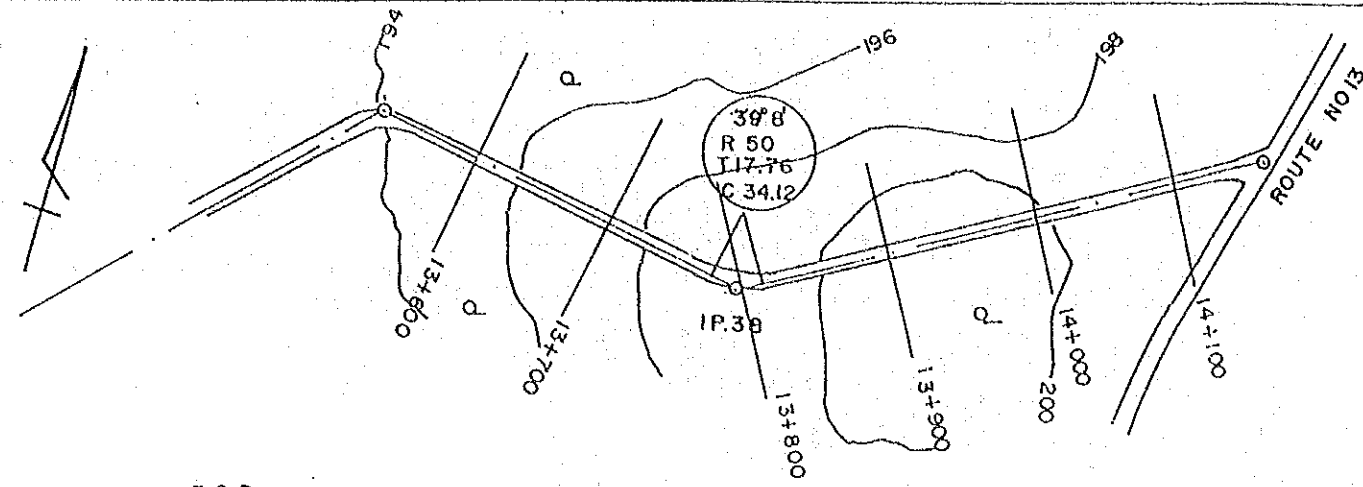
INTEGRATED AGRICULTURAL
 RURAL DEVELOPMENT PROJECT
 TITLE OF DRAWING
 RURAL ROAD IMPROVEMENT
 ROUTE - B
 B-7 DRAWING NO. R-15



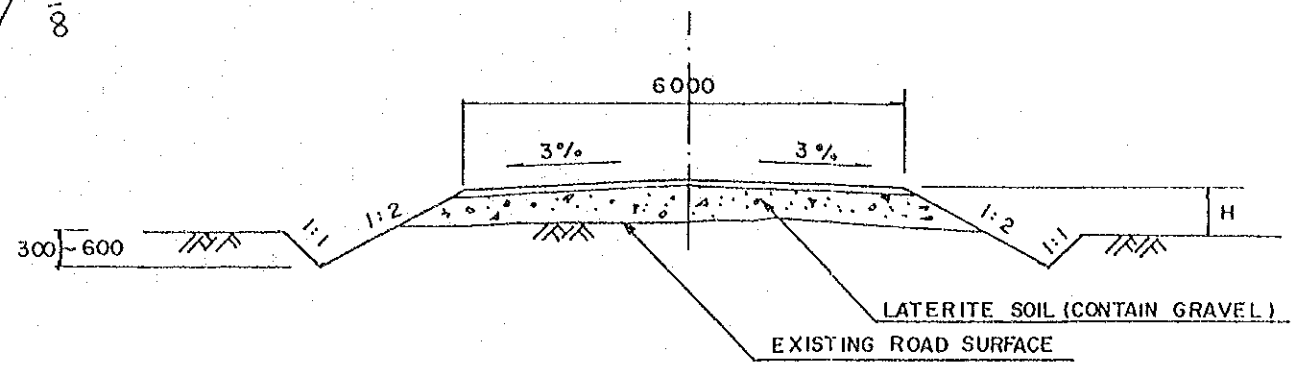
STATION	DISTANS	ACCUMULAT DISTANCE	GROUND LEVEL	ROAD SURFAC	CURVE SLOPE
11+900	50	11900	183.51		1.13 %
	50	11950	183.99		
12+000	50	12000	184.44		0.68 %
	50	12050	185.34		
12+100	50	12100	185.76		
	50	12150	186.30		
12+200	50	12200	186.99		
	50	12250	187.38	187.50	
12+300	50	12300	187.89		
	30	12330	187.86		
	20	12350	187.99		
12+400	50	12400	188.16		
	50	12450	188.42		0.09 %
	50	12500	188.97		
	50	12550	189.64		
12+600	50	12600	189.92	189.90	
	50	12650	189.62		
12+700	50	12700	189.19		
	50	12750	189.20		
12+800	50	12800	189.26		
	50	12850	189.58		
12+900	50	12900	189.70		
	14	12914	189.28		
	36	12950	189.84		1.37 %
13+000	50	13000	189.78		
	50	13050	190.20		
13+100	50	13100	190.06		
	40	13140	189.90		
	10	13150	190.21		
13+200	50	13200	189.97		
	50	13250	190.33	190.50	
13+300	30	13280	190.21		
	20	13300	190.56		
	50	13350	191.04		
13+400	50	13400	191.79		
	50	13450	192.63		
13+500	50	13500	193.53		
	50	13550	194.73		
13+600	50	13600	195.18	195.30	



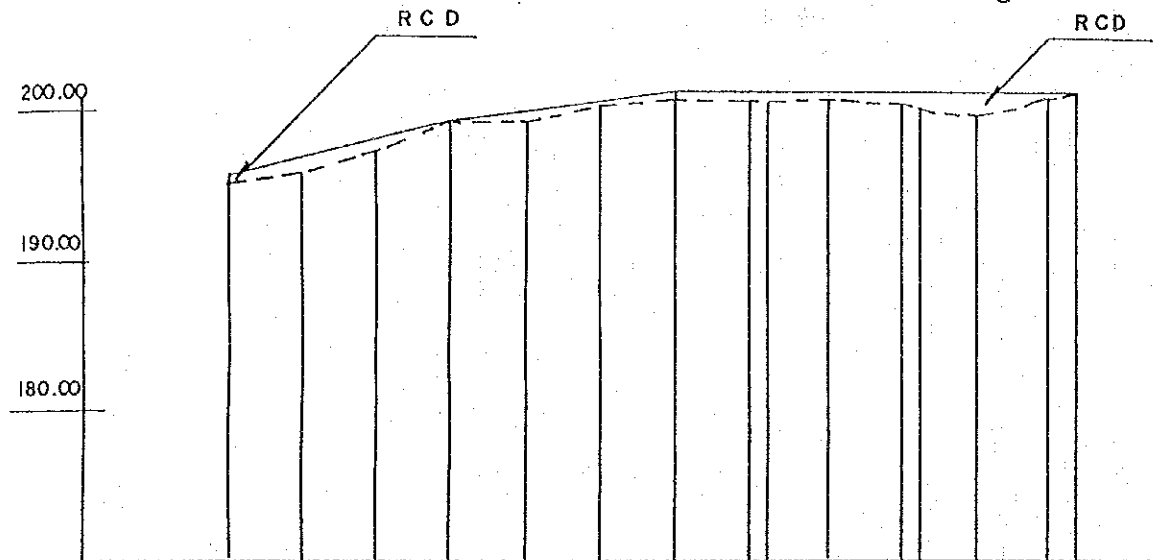
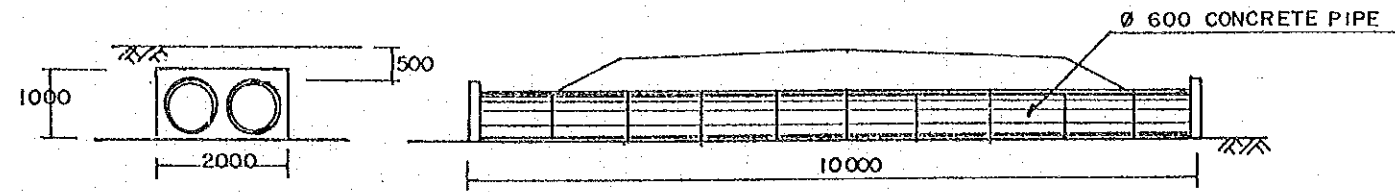
INTEGRATED AGRICULTURAL
RURAL DEVELOPMENT PROJECT
TITLE OF DRAWING
RURAL ROAD IMPROVEMENT
ROUTE - B
B-8 DRAWING NO. R-16



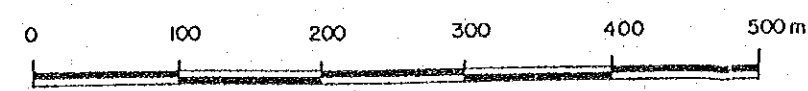
ROAD IMPROVEMENT PLAN



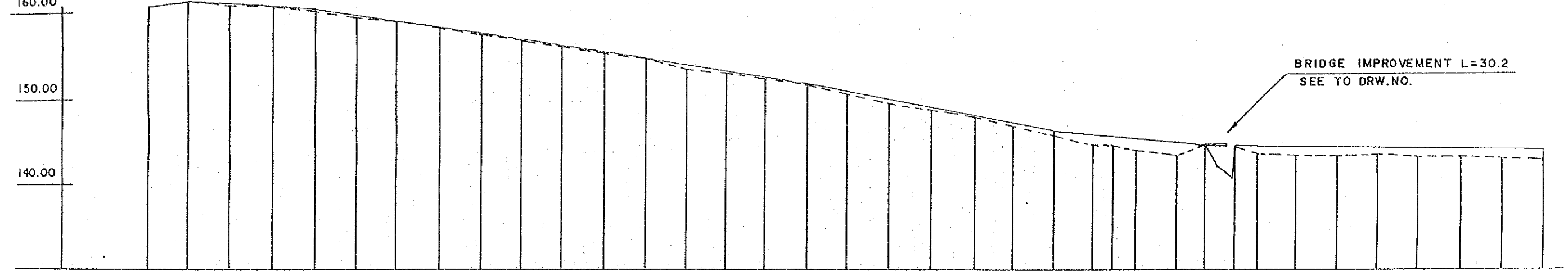
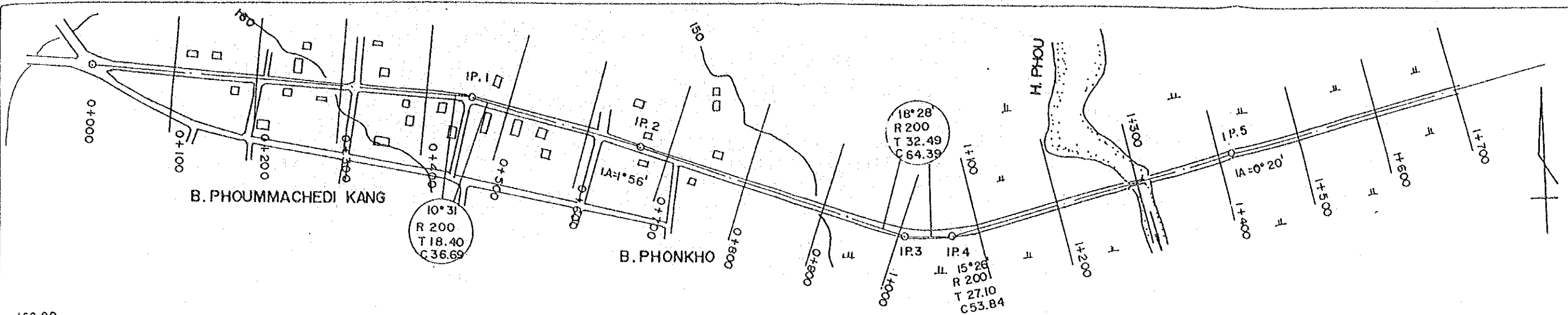
ROAD CROSS DRAIN (RCD)



CURVE SLOPE															
ROAD SURFAC	195.30			198.20			200.90						201.15		
GROUND LEVEL	195.18	195.91	197.13	198.16	199.25	200.21	200.65	200.78	200.68	200.67	200.32	200.13	199.85	200.70	201.15
ACCUMULAT DISTANCE	13600	13650	13700	13750	13800	13850	13900	13950	13960	14000	14050	14060	14100	14150	14163.95
DISTANS	50	50	50	50	50	50	50	50	10	40	50	10	40	50	13.95
STATION	13+600		13+700		13+800		13+900		14+000		14+100		14+163.95		



INTEGRATED AGRICULTURAL
RURAL DEVELOPMENT PROJECT
TITLE OF DRAWING
RURAL ROAD IMPROVEMENT
ROUTE - B
B-9 DRAWING NO. R-17



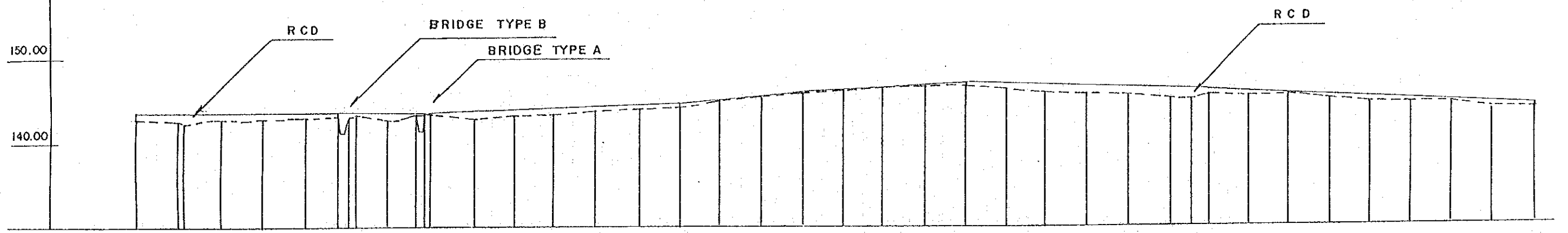
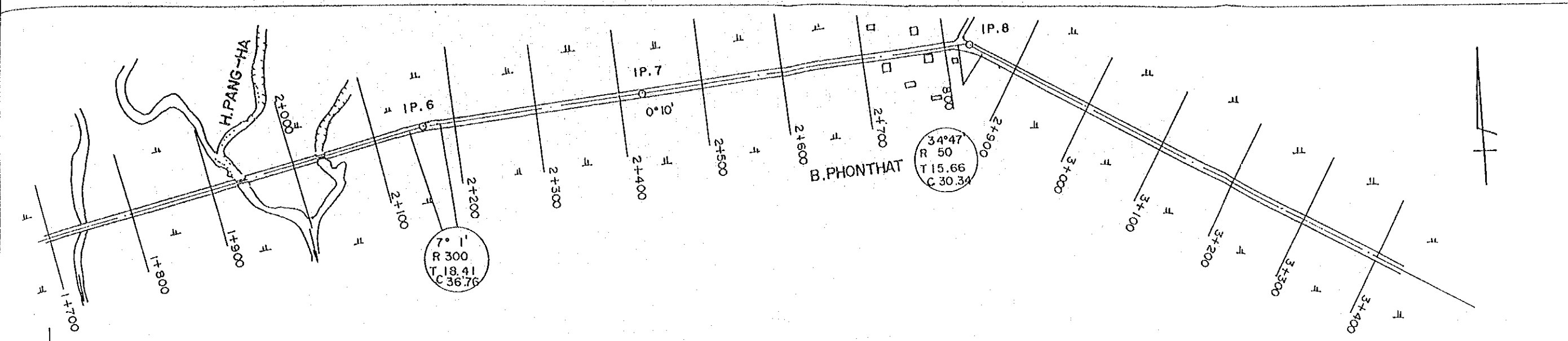
CURVE SLOPE																																							
ROAD SURFAC	160.90	161.20	160.15	157.70	154.70	146.00	144.60	144.60	143.50									143.50																					
GROUND LEVEL	160.91	161.17	160.93	160.51	160.09	159.49	159.02	158.22	157.48	156.99	156.35	155.46	154.62	153.72	153.16	152.38	151.34	150.40	149.67	148.68	147.53	146.76	145.63	144.57	144.36	144.08	143.74	144.50	144.60	144.60	144.17	143.42	143.13	143.09	143.33	143.10	143.00	143.04	142.93
ACCUMULAT DISTANCE	0	50	100	150	200	250	300	350	400	450	500	550	600	650	700	750	800	850	900	950	1000	1050	1100	1150	1170	1200	1250	1287.3	1300	1309.1	1318	1350	1400	1450	1500	1550	1600	1650	1700
DISTANS	0	50	50	50	50	50	50	50	50	50	50	50	50	50	50	50	50	50	50	50	50	50	50	50	20	30	50	37.3	12.7	8.1	8.9	32	50	50	50	50	50	50	50
STATION	0+000	0+100	0+200	0+300	0+400	0+500	0+600	0+700	0+800	0+900	1+000	1+100	1+200	1+300	1+400	1+500	1+600	1+700																					



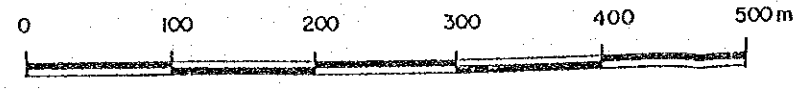
INTEGRATED AGRICULTURAL
RURAL DEVELOPMENT PROJECT

TITLE OF DRAWING
RURAL ROAD IMPROVEMENT
ROUTE - C

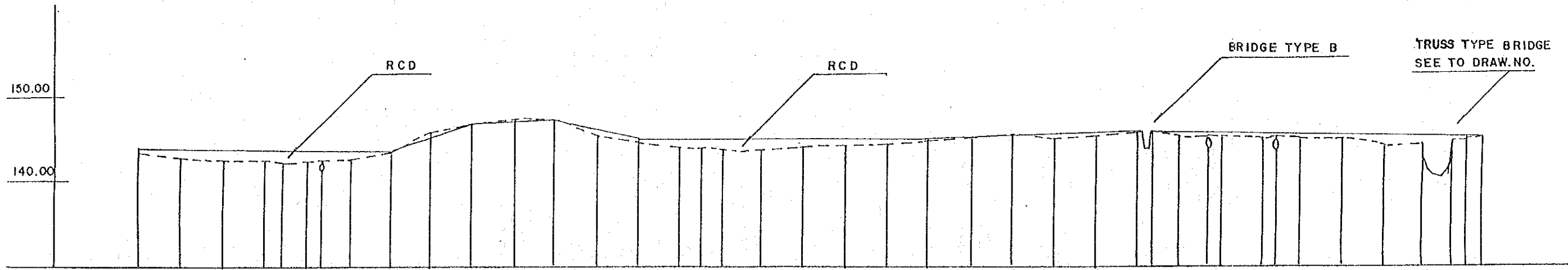
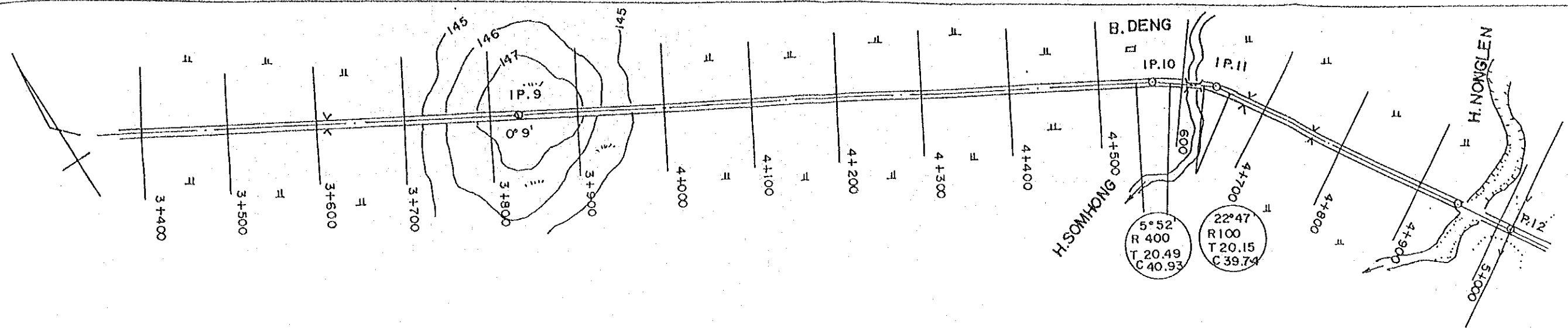
C-1 DRAWING NO. R - 18



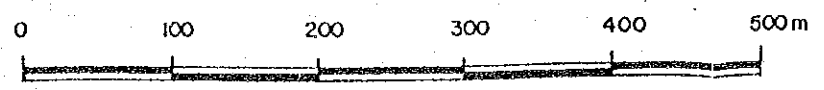
CURVE SLOPE	LEVEL																																			
ROAD SURFAC	143.50		143.50	143.50	144.30	146.00	146.40	145.40	144.90	143.40																										
GROUND LEVEL	142.93	142.46 142.13	142.83	142.91	142.95	143.22 142.15 142.81	142.87	143.50 143.45 143.20	142.94	143.05	143.23	143.67	144.00	144.10	144.77	145.44	145.89	146.01	146.20	146.38	146.32	146.10	145.60	145.42	145.36	145.23	145.08	145.22	145.30	145.27	144.94	144.60	144.43	144.26	143.68	143.23
ACCUMULAT DISTANCE	1700	1750 1755	1800	1850	1900	1936 1950 1955	2000	2038 2044.3 2050	2100	2150	2200	2250	2300	2350	2400	2450	2500	2550	2600	2650	2700	2750	2800	2850	2900	2950	2977	3000	3050	3100	3150	3200	3250	3300	3350	3400
DISTANS	50	50	45	50	50	36 14 5	45	38.05 6.25 5.70	50	50	50	50	50	50	50	50	50	50	50	50	50	50	50	50	50	50	27	23	50	50	50	50	50	50	50	50
STATION	1+700		1+800		1+900		2+000		2+100		2+200		2+300		2+400		2+500		2+600		2+700		2+800		2+900		3+000		3+100		3+200		3+300		3+400	



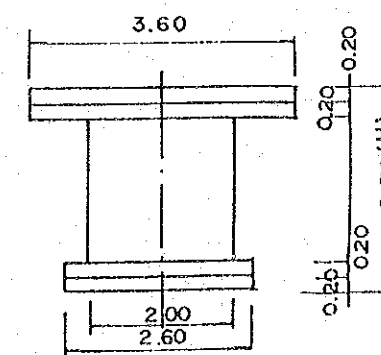
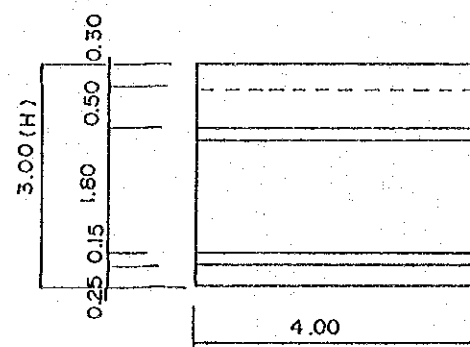
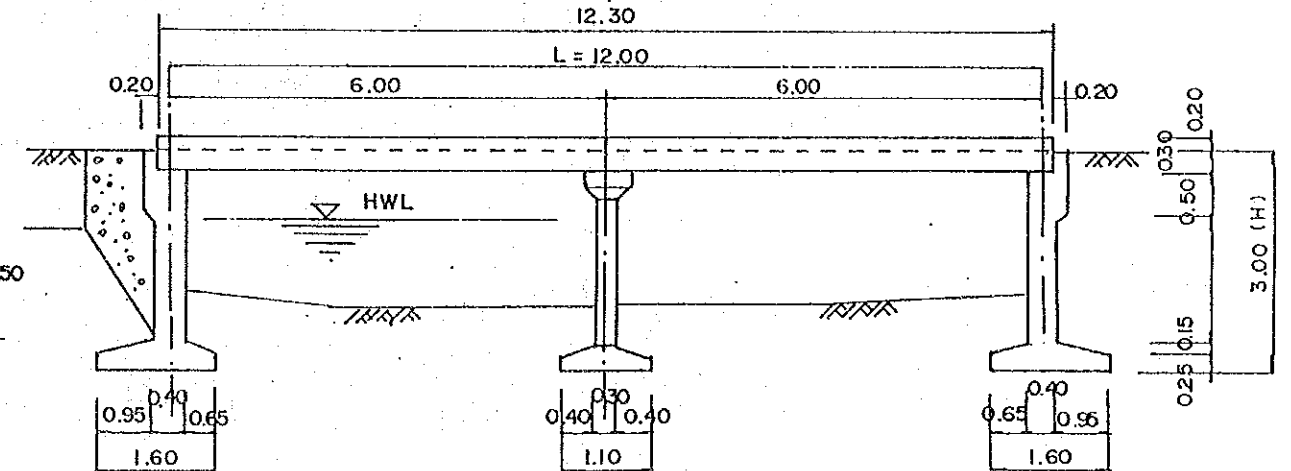
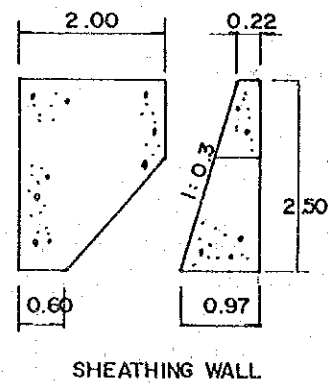
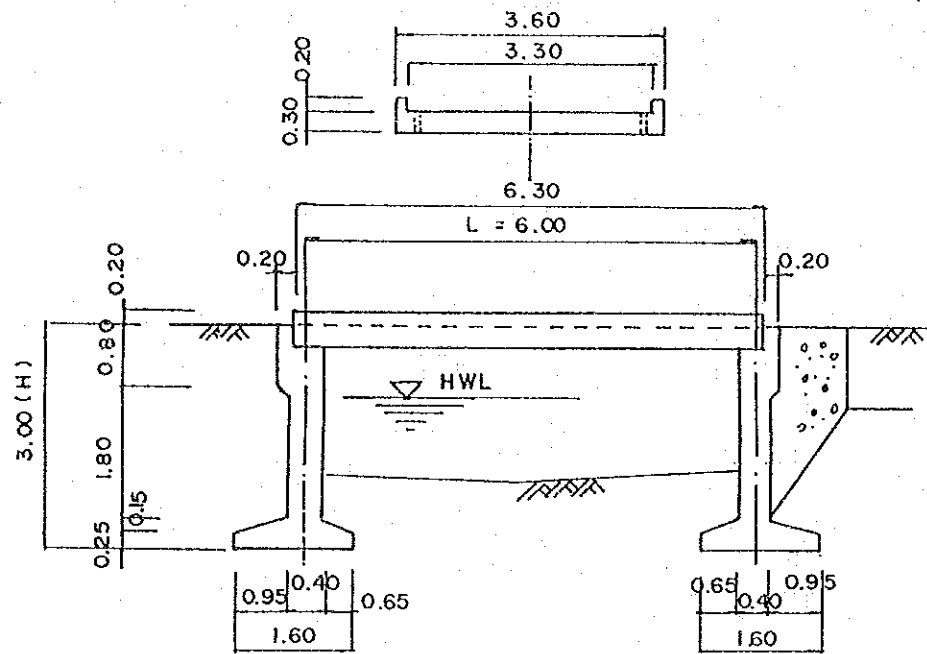
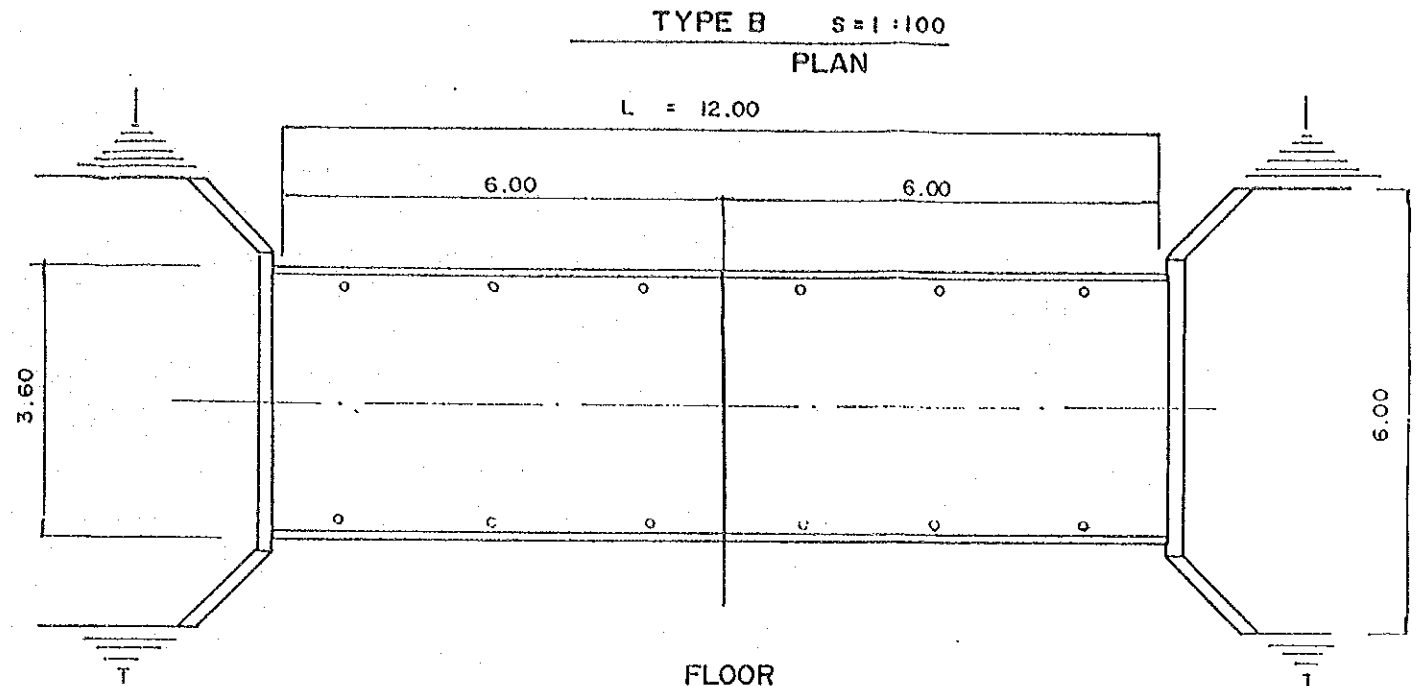
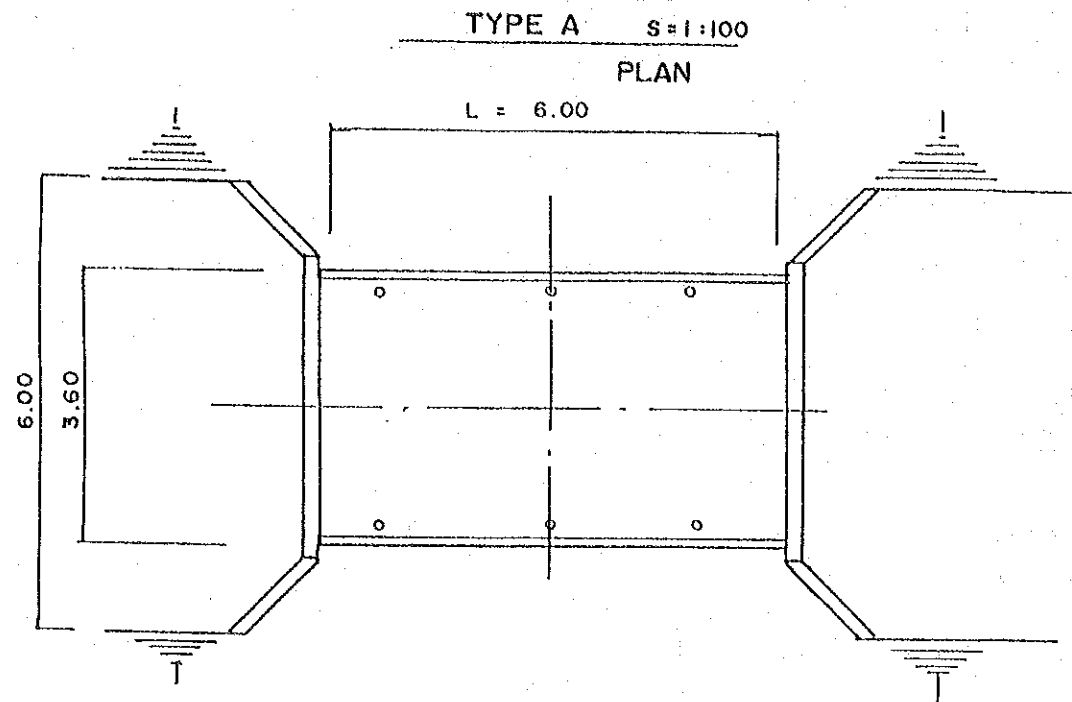
INTEGRATED AGRICULTURAL
RURAL DEVELOPMENT PROJECT
TITLE OF DRAWING
RURAL ROAD IMPROVEMENT
ROUTE - C
C-2 DRAWING NO. R - 19



CURVE SLOPE	0.13% 3.40% 0.10% 2.60% 0.11% 0.39% 0.22%																																											
ROAD SURFAC	143.40					143.80	147.20	147.30	144.70						145.10			146.10	146.10	145.20																								
GROUND LEVEL	143.23	142.65	142.40	142.11	141.98	142.21	142.32	142.36	143.74	145.79	147.15	147.60	147.34	145.52	144.53	144.11	144.23	143.92	143.82	144.13	144.39	144.67	144.90	144.97	145.13	145.10	145.38	145.71	145.84	145.84	145.76	145.48	145.37	145.24	145.09	145.09	145.12	145.30	145.20	144.69	144.70	145.26	145.15	145.10
ACCUMULAT DISTANCE	3400	3450	3500	3550	3568	3600	3618	3650	3700	3750	3800	3850	3900	3950	4000	4050	4074	4100	4150	4200	4250	4300	4350	4400	4450	4500	4550	4600	4604.3	4619	4650	4681.5	4700	4750	4767	4800	4850	4900	4948.1	4980.7	5000	5018.2		
DISTANS	50	50	50	50	18	32	18	32	50	50	50	50	50	50	50	50	24	26	50	50	50	50	50	50	50	50	50	4.3	14.7	31	31.5	18.5	50	17	33	50	50	48.1	32.6	19.3	18.2			
STATION	3+400		3+500			3+600			3+700		3+800		3+900		4+000		4+100		4+200		4+300		4+400		4+500		4+600		4+700		4+800		4+900				5+000	IP.12						

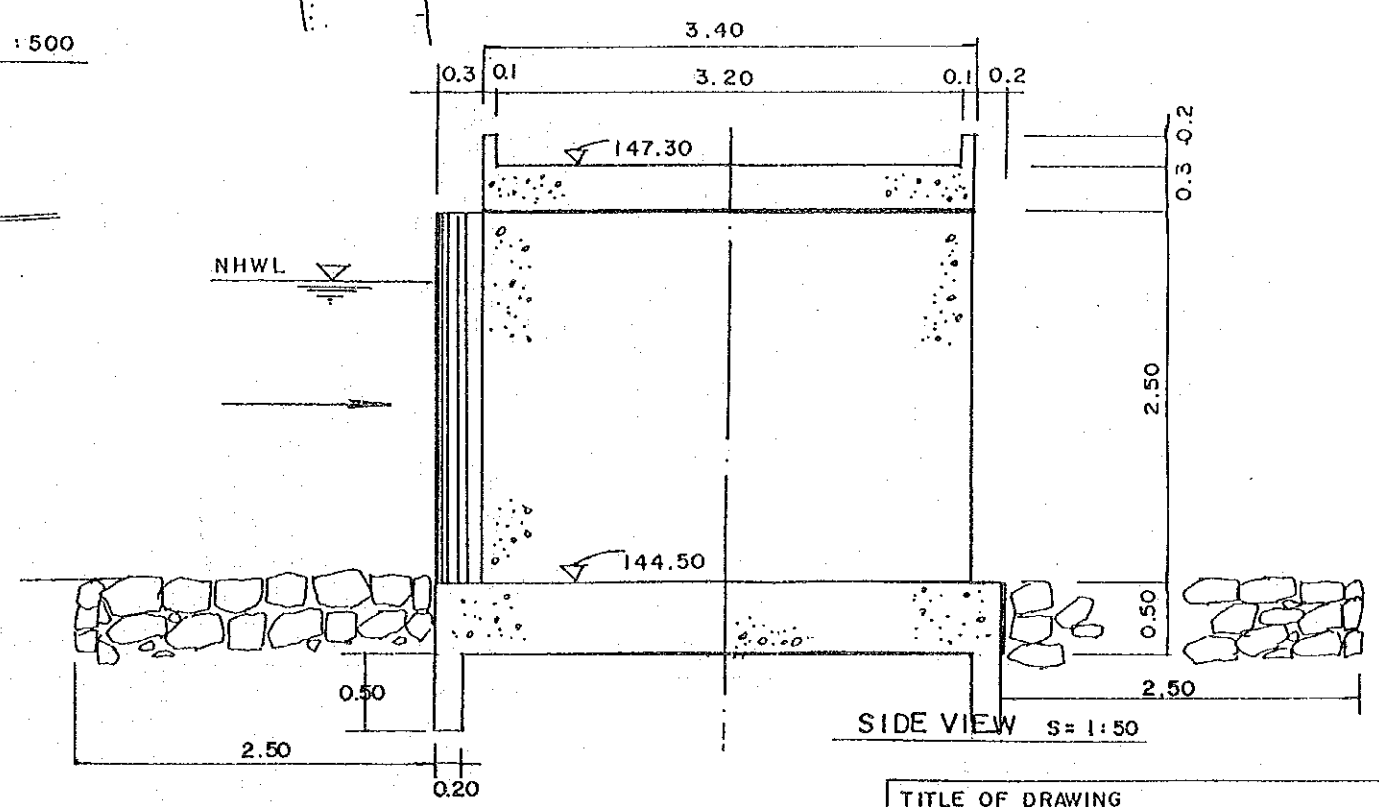
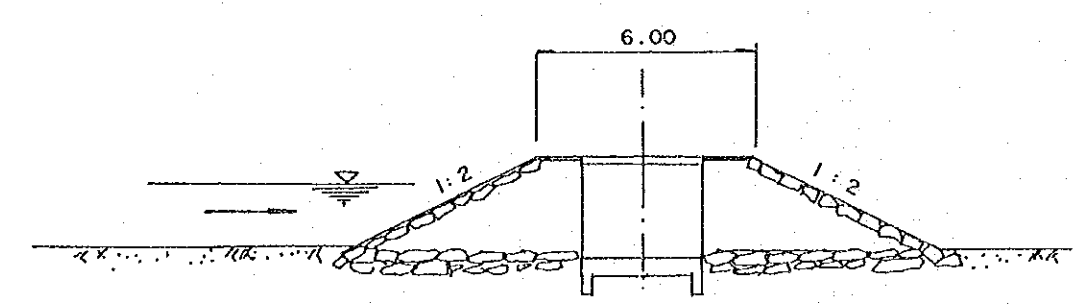
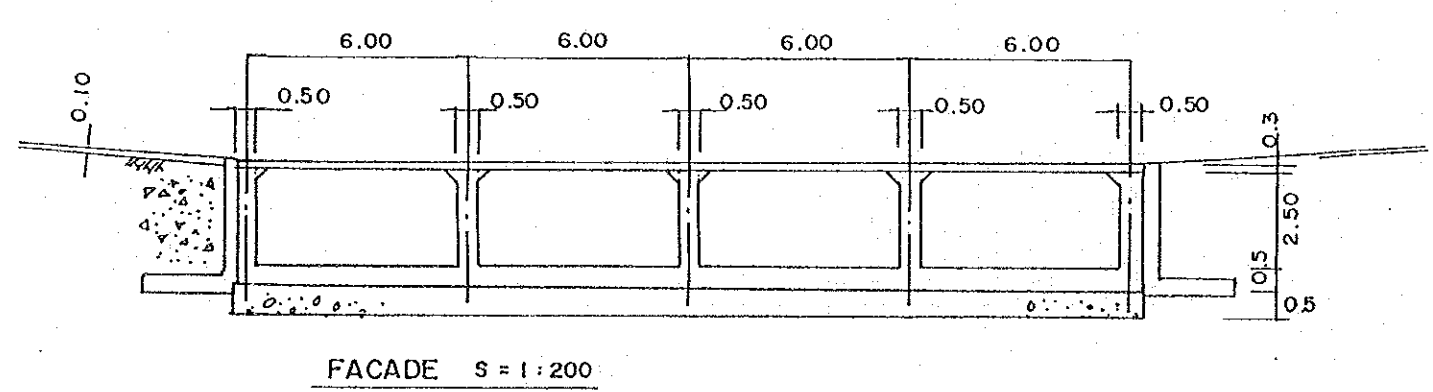
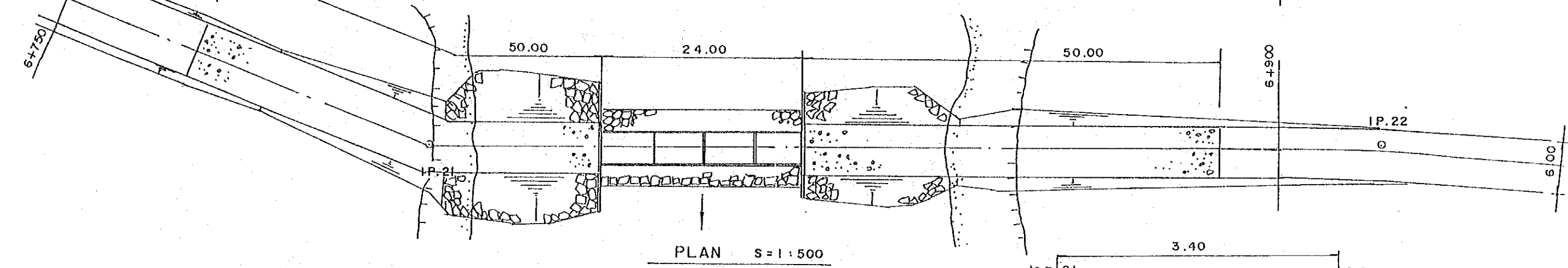
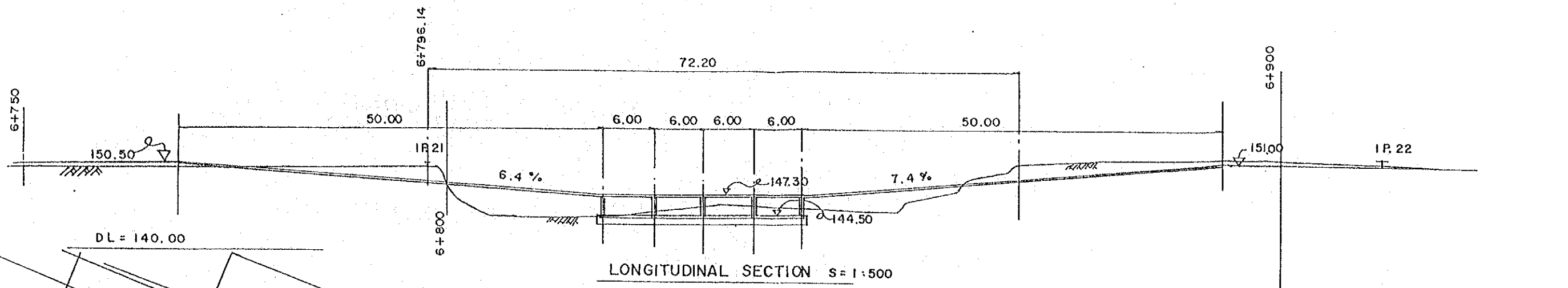


INTEGRATED AGRICULTURAL
RURAL DEVELOPMENT PROJECT
TITLE OF DRAWING
RURAL ROAD IMPROVEMENT
ROUTE - C
C-3 DRAWING NO. R - 20

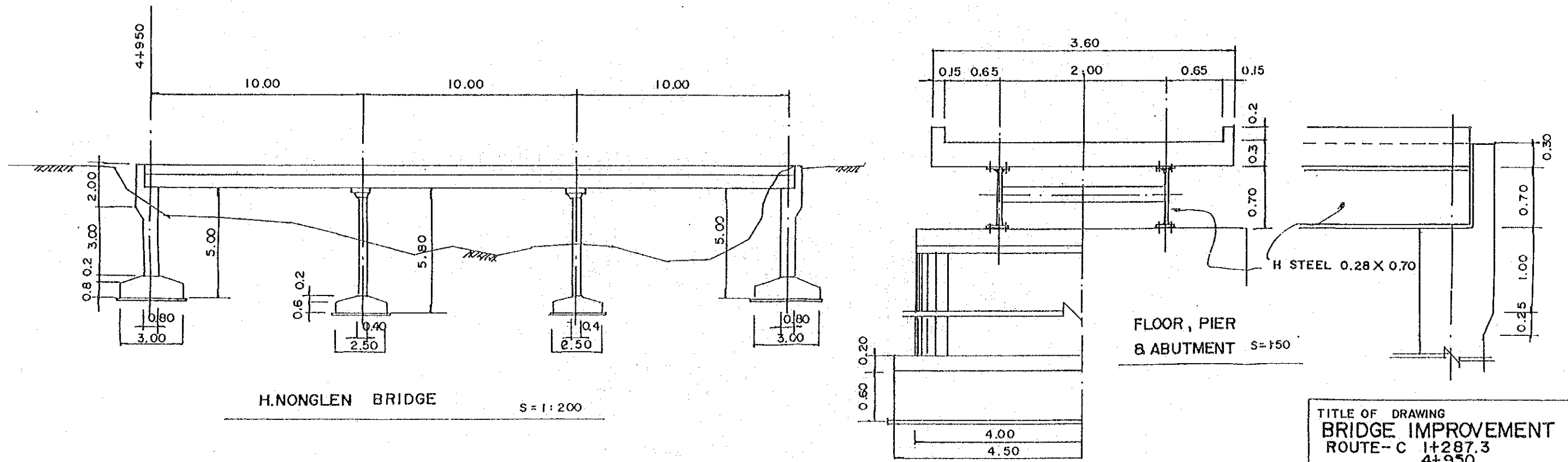
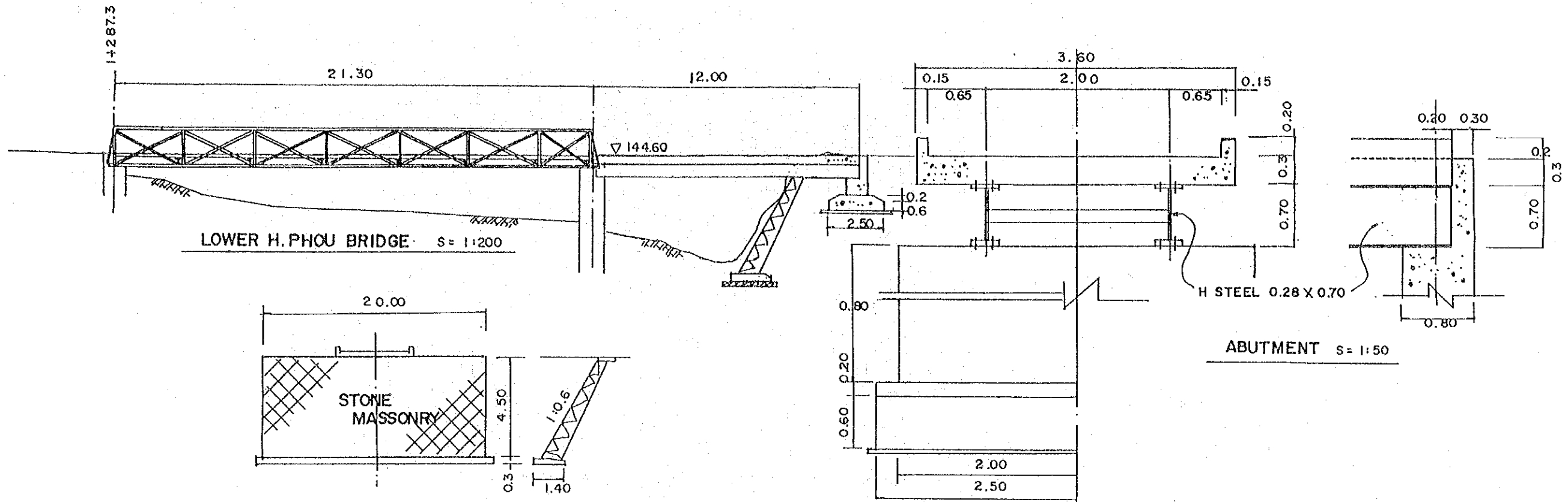


NOTES: THE FARM ROAD BRIDGE IS MADE REINFORCED CONCRETE (RC BRIDGE), AND T-LOADING IS 10 ton (T-10).
THE ABUTMENT AND PIER HEIGHT (H) WILL BE CHANGED FOR THE RIVER BED ELEVATION.

TITLE OF DRAWING	FARM ROAD BRIDGE
DRAWING NO.	R - 21

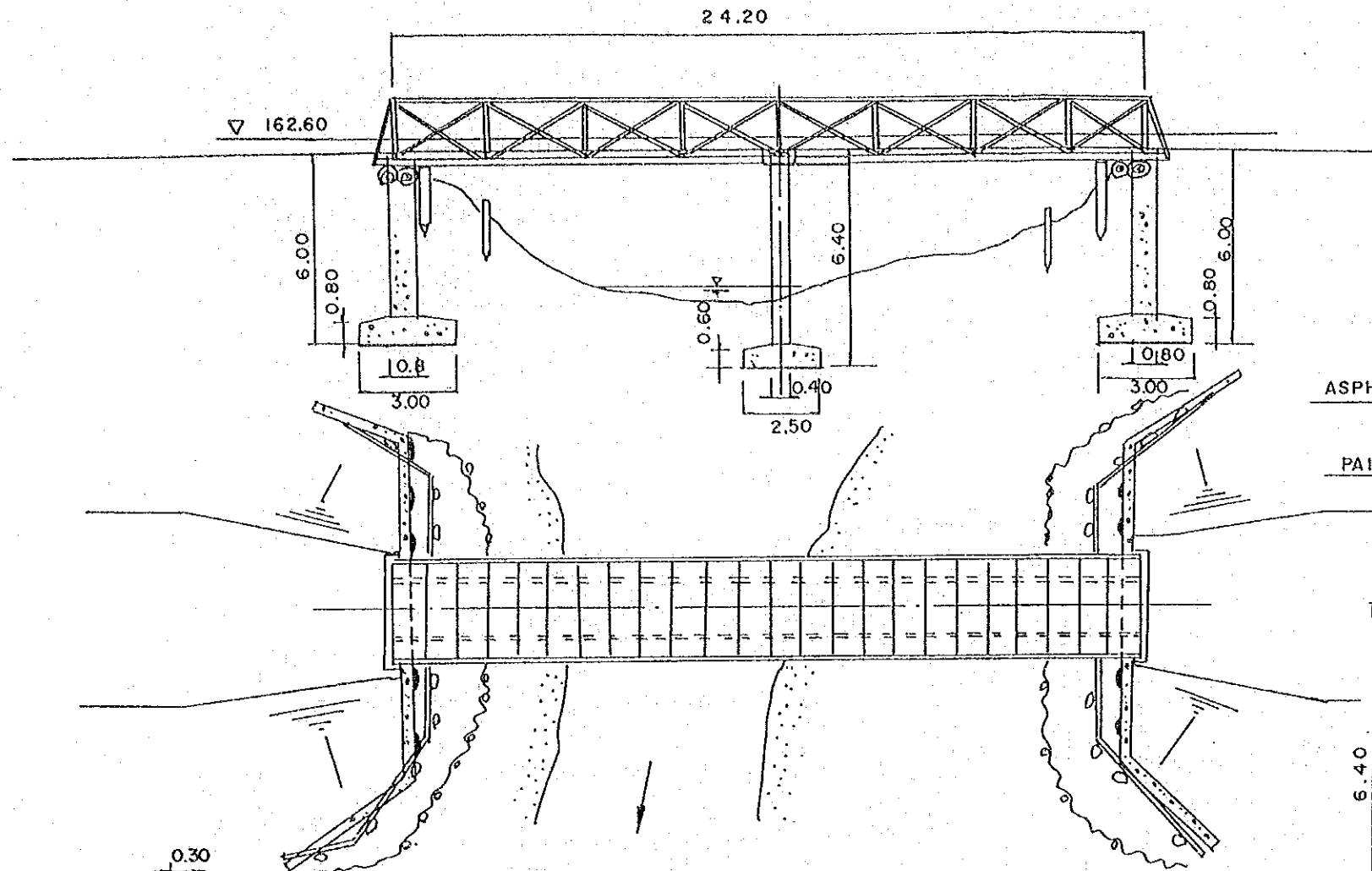


TITLE OF DRAWING
SUBMERGED BRIDGE
 ROUTE A 6+796.14
 DRAWING NO. R-22

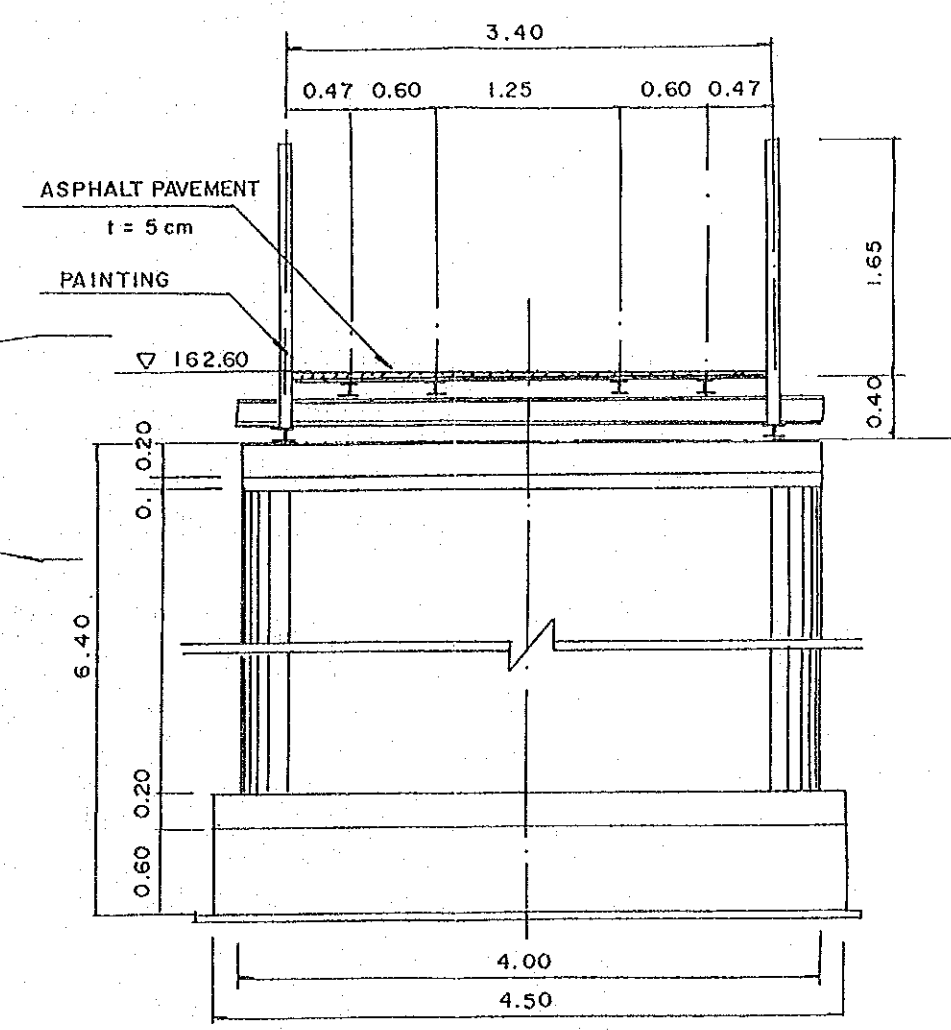


TITLE OF DRAWING
BRIDGE IMPROVEMENT
 ROUTE-C 1+287.3
 4+950

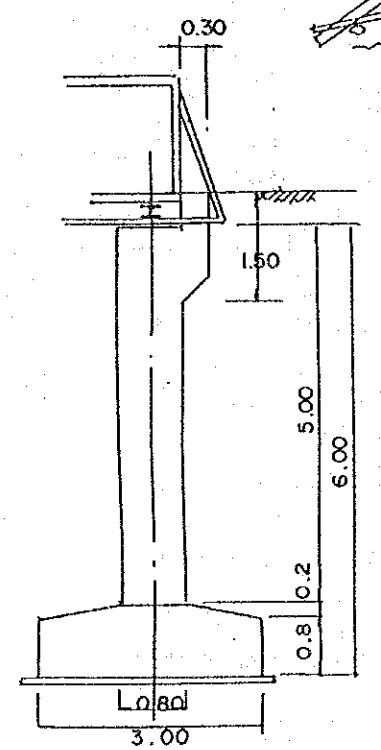
DRAWING NO. R - 23



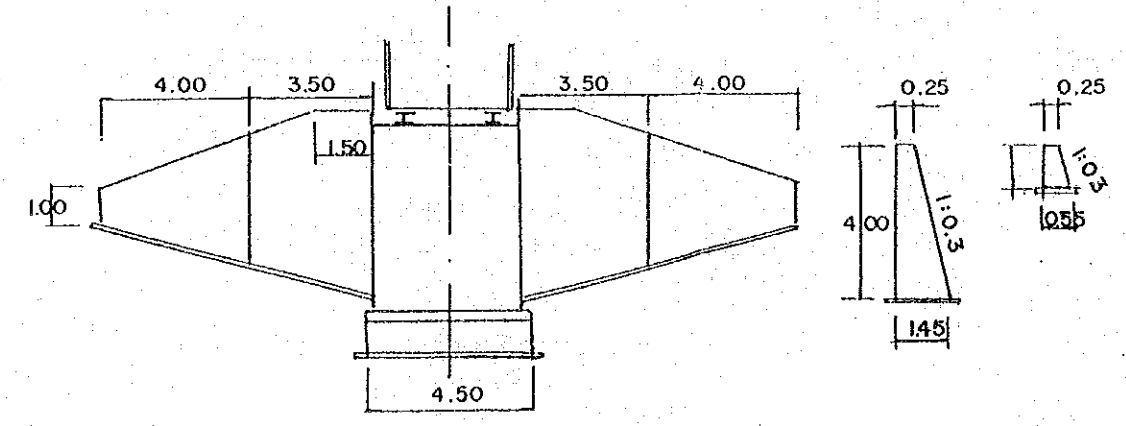
H. SAY BRIDGE S = 1:200



PIER S = 1:50

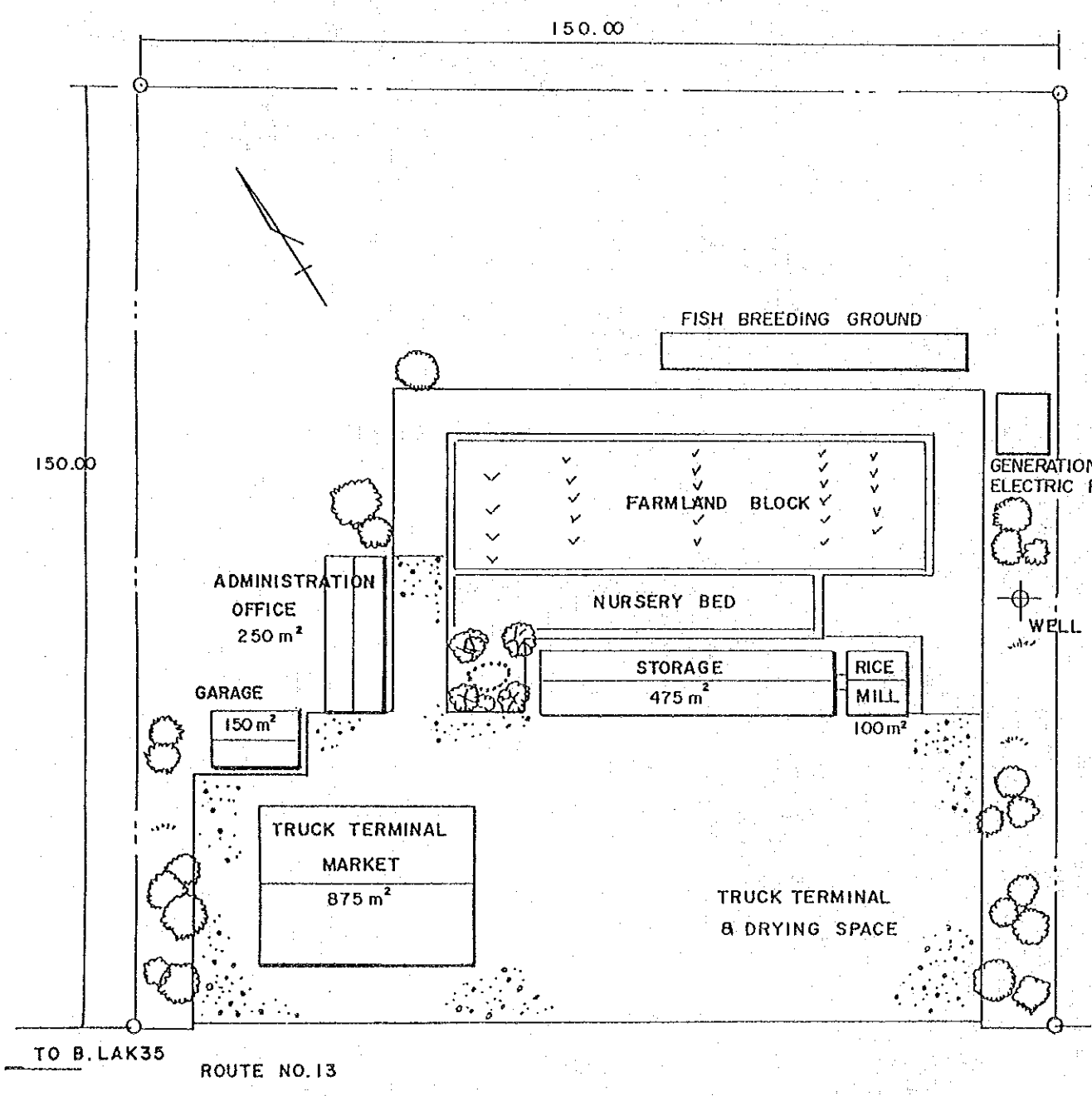
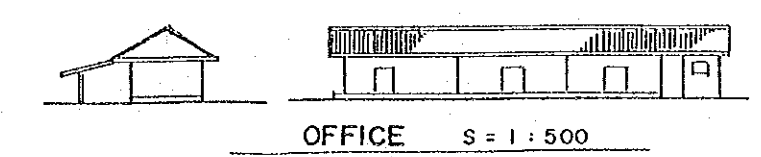
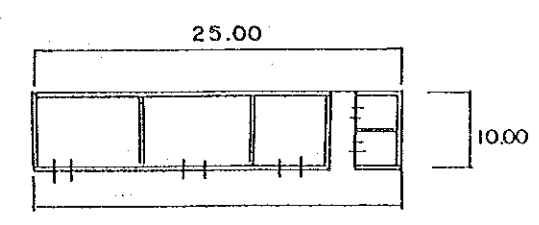
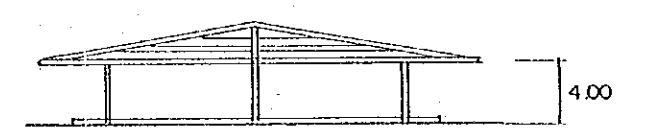
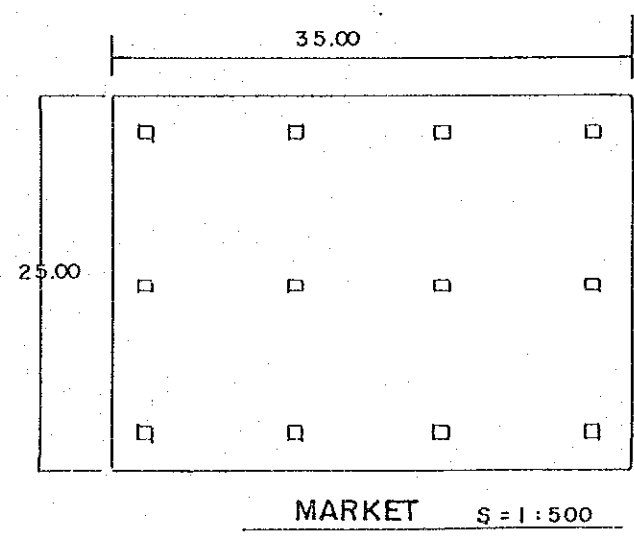
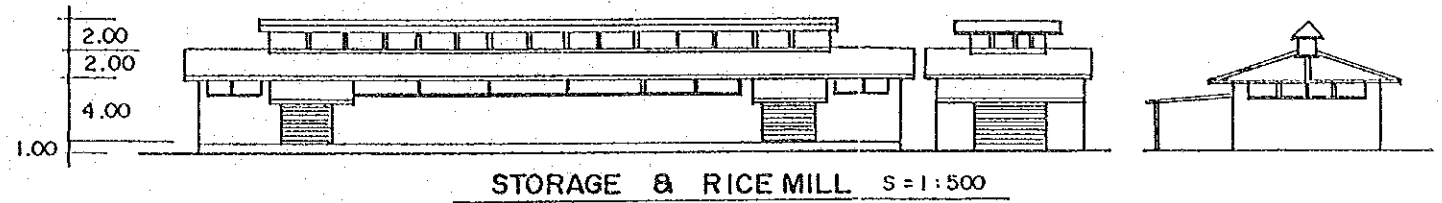
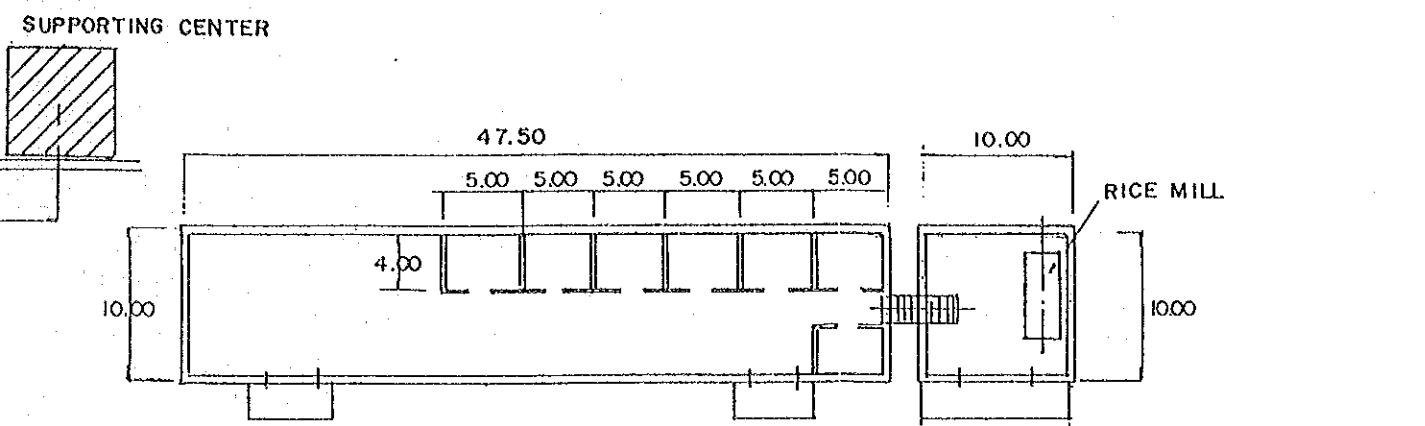
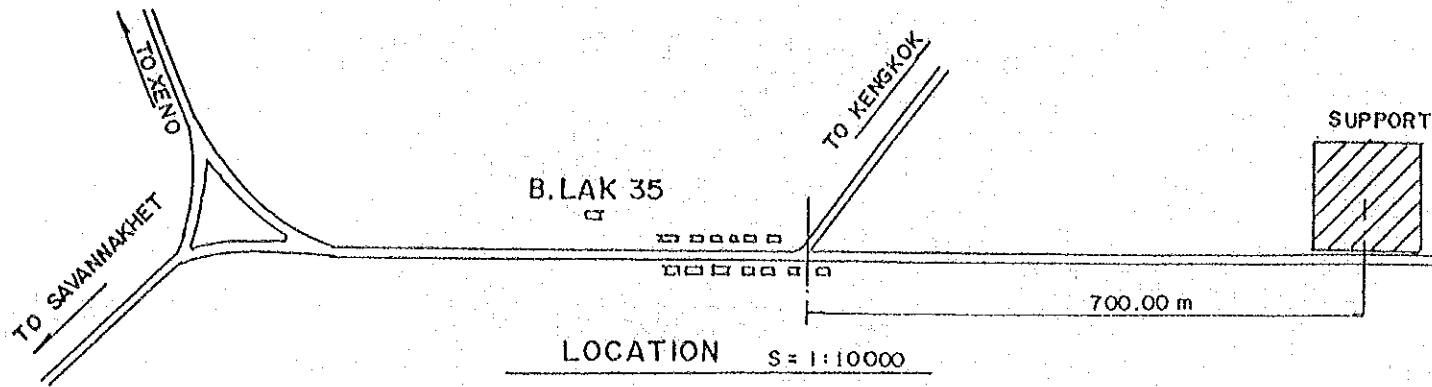


ABUTMENT S = 1:100



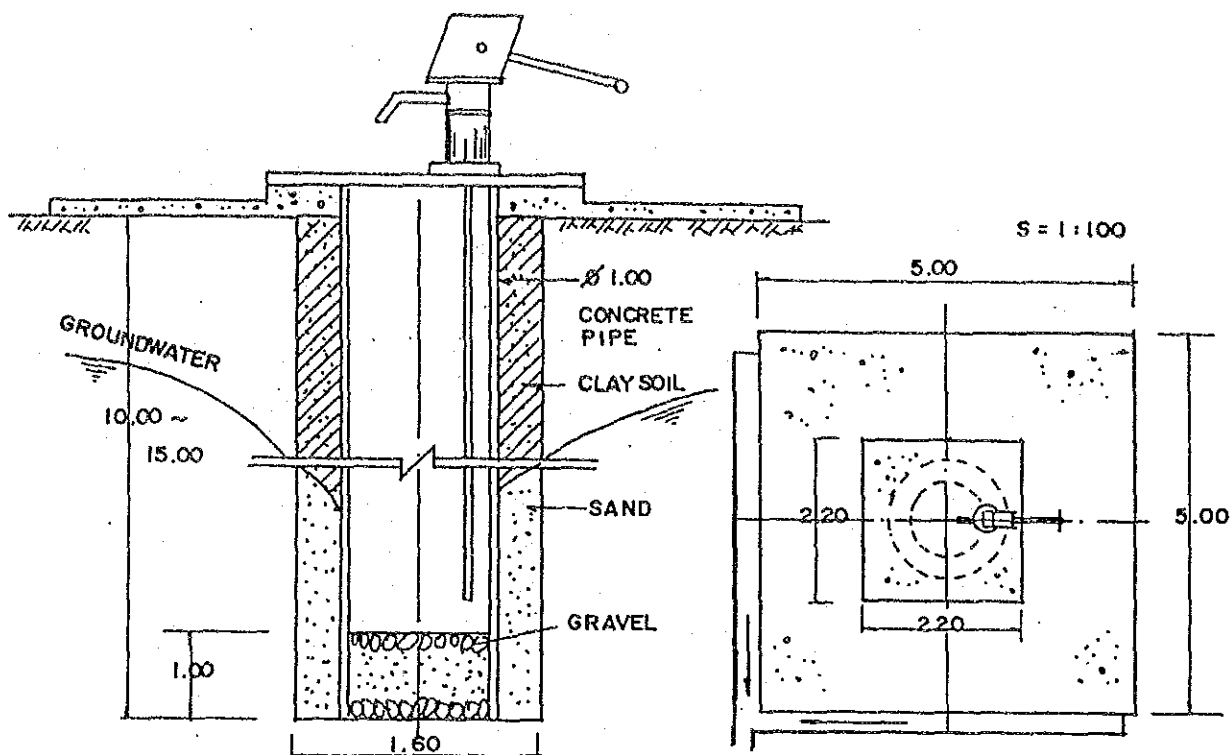
RETAINING WALL S = 1:200

TITLE	
BRIDGE IMPROVEMENT	
ROUTE-B	9+285.20
DRAWING NO. R-24	

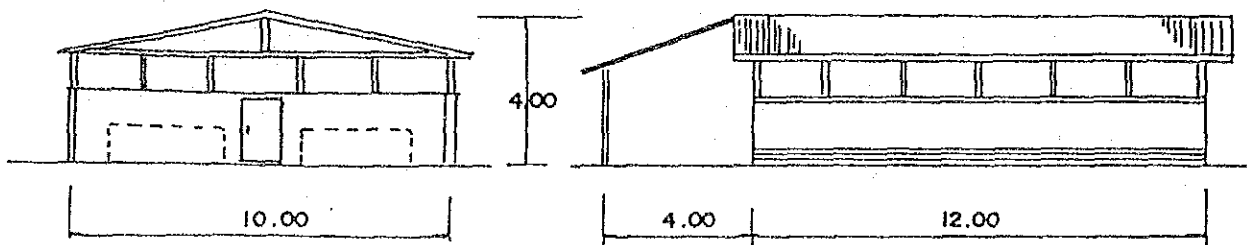
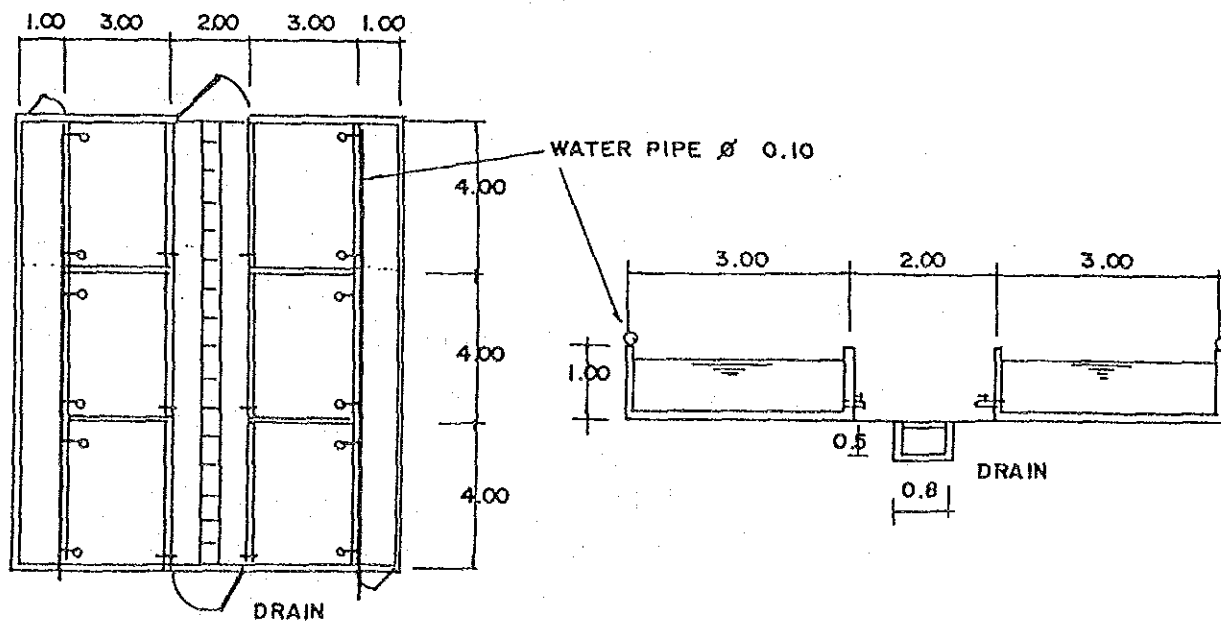


TITLE OF DRAWING
AGRICULTURAL
SUPPORTING CENTER
DRAWING NO. C - I

RURAL WATER SUPPLY S=1:50



FISH BREEDING FARM S=1:200



JICA