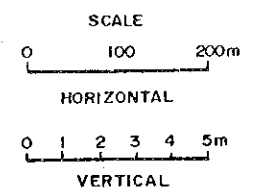
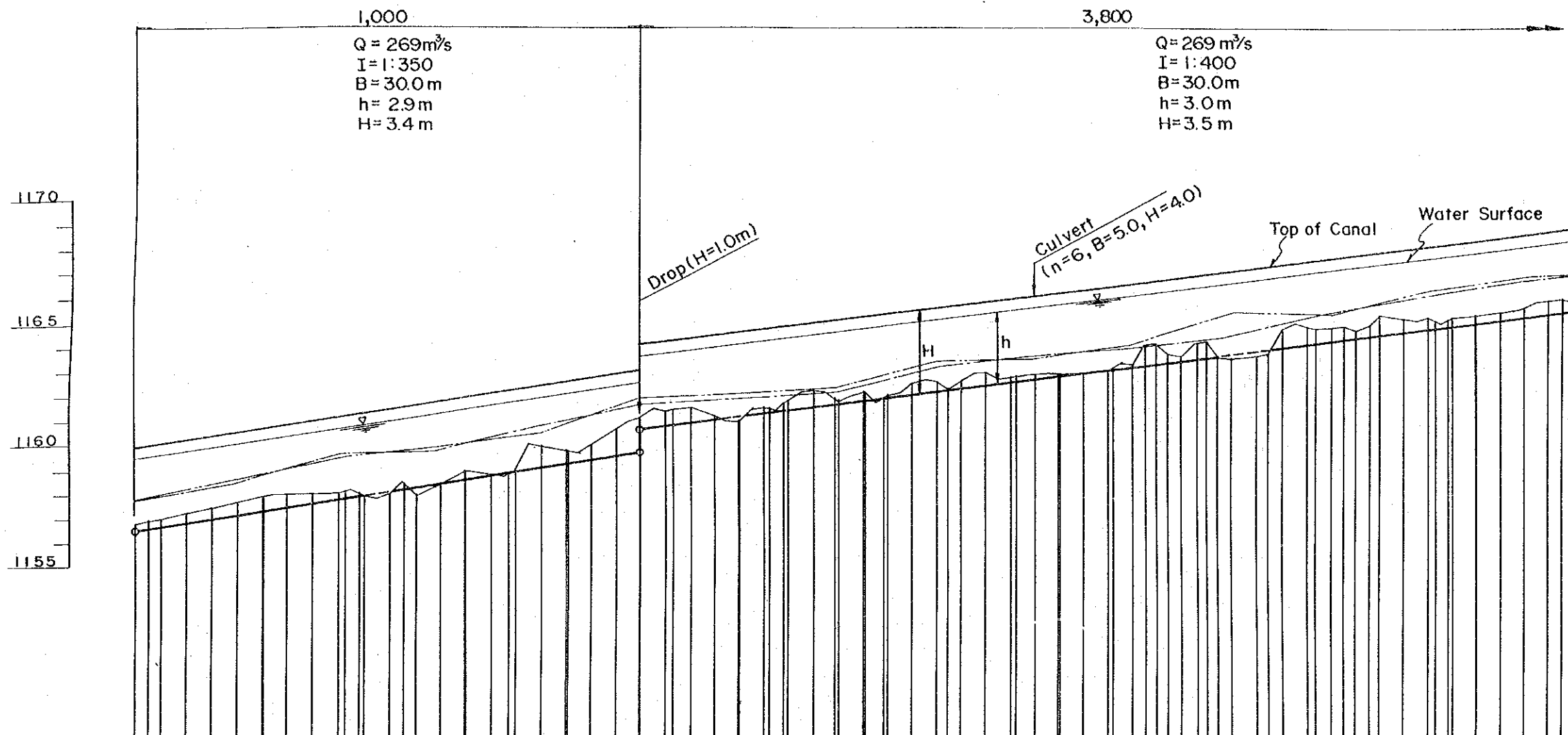


PROPOSED CANAL BED ELEVATION	1145.16	1147.16	1148.16	1149.16	1150.05	1150.32	1150.74	1151.10	1151.45	1151.95	1151.86	1152.01	1152.19	1152.55	1152.95	1153.27	1153.71	1154.22	1154.57	1155.02	1155.31	1155.76	1156.00	1156.90	1156.76	1157.51	1156.73	1157.61	1158.02	1156.95	1157.04			
GROUND SURFACE ELEVATION	1145.00	1145.25	1145.90	1145.87	1147.06	1147.91	1147.42	1150.05	1150.32	1150.74	1151.10	1151.45	1151.95	1151.86	1152.01	1152.19	1152.55	1152.95	1153.27	1153.71	1154.22	1154.57	1155.02	1155.31	1155.76	1156.00	1156.90	1156.76	1157.51	1156.73	1157.61	1158.02	1156.95	1157.04
STATION	0.000	50.000	38.433	0.000	0.000	0.000	95.600	0.000	0.000	0.000	0.000	0.000	0.000	0.000	0.000	0.000	0.000	0.000	0.000	0.000	0.000	0.000	0.000	0.000	0.000	0.000	0.000	0.000	0.000	0.000	0.000	0.000	0.000	50.000
DISTANCE	5+400	5+500	5+600	5+700	5+800	5+900	6+000	6+100	6+200	6+300	6+400	6+500	6+600	6+700	6+800	6+900	7+000	7+100	7+200	7+300	7+400	7+500	7+600	7+700	7+800	7+900	8+000	8+100	8+200	8+300				

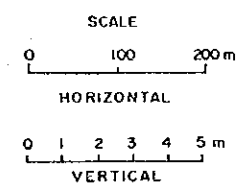


----- EXISTING RIGHT BANK
 - - - - - EXISTING LEFT BANK

REPUBLIC OF KENYA
 LAKE BASIN DEVELOPMENT AUTHORITY
 KANO PLAIN IRRIGATION PROJECT
 PROFILE OF MAIN DRAINAGE CANAL
 (NYAIDHO) (3/6)
 JAPAN INTERNATIONAL COOPERATION AGENCY

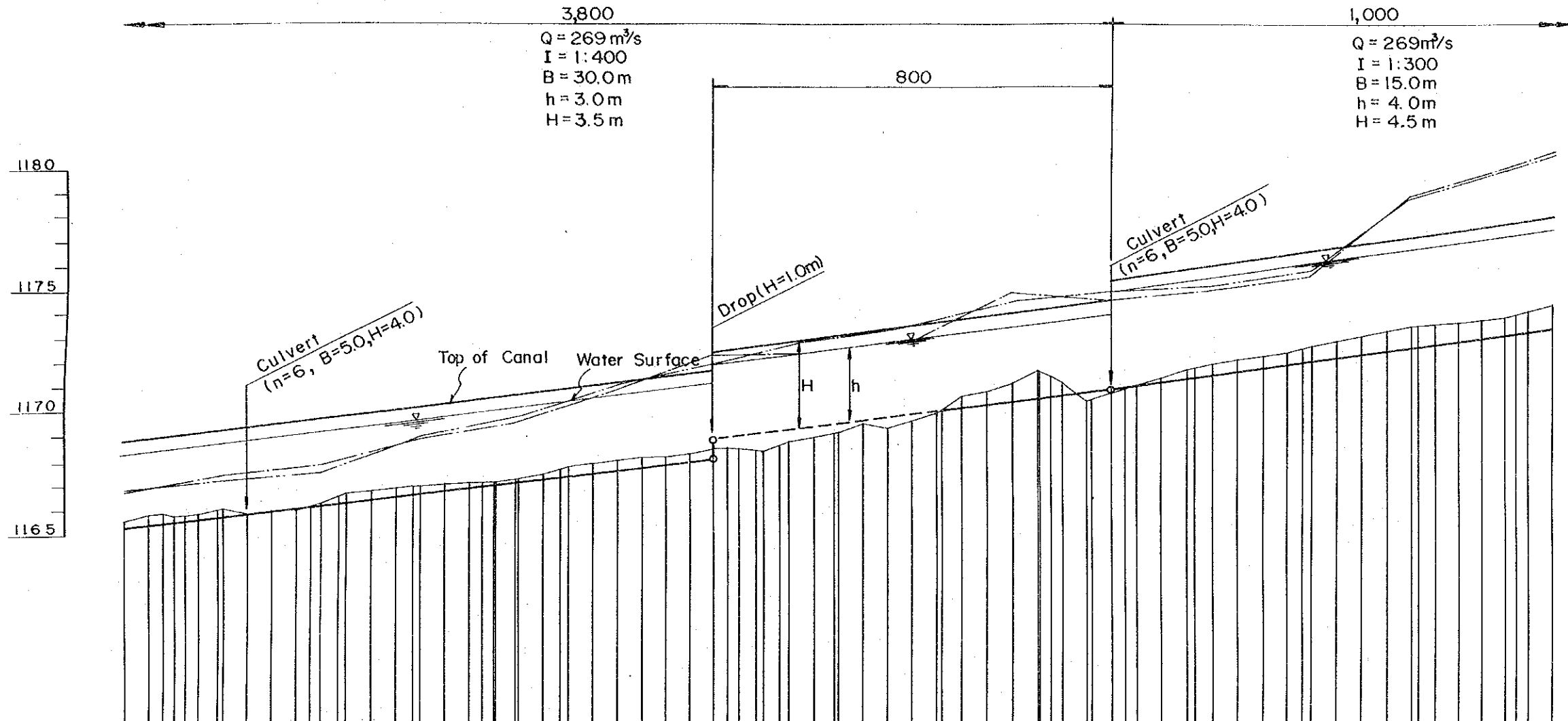


PROPOSED CANAL BED ELEVATION	1156.80																				1159.66 1160.66		1165.16																			
GROUND SURFACE ELEVATION	1156.95	1157.19	1157.85	1158.08	1158.21	1158.31	1158.20	1158.14	1159.07	1158.99	1160.09	1160.16	1161.25	1161.54	1161.31	1161.66	1161.83	1162.00	1162.04	1162.63	1162.66	1162.82	1162.96	1163.01	1163.34	1164.22	1163.70	1164.30	1163.62	1163.78	1164.86	1164.83	1164.74	1165.32	1165.29	1165.20	1165.51	1165.99	1165.95			
STATION	0.000	50.000	50.000	50.000	50.000	13.653	0.000	48.771	47.244	34.708	0.000	0.000	97.842	64.730	50.000	50.000	91.987	91.891	92.687	0.000	50.000	50.000	0.000	0.000	0.000	50.000	50.000	0.000	71.224	50.000	0.000	50.000	0.000	40.847	50.000	50.000	0.000	0.000				
DISTANCE	8+200	8+300	8+400	8+500	8+600	8+700	8+800	8+900	9+000	9+100	9+200	9+300	9+400	9+500	9+600	9+700	9+800	9+900	10+000	10+100	10+200	10+300	10+400	10+500	10+600	10+700	10+800	10+900	11+000	11+100												

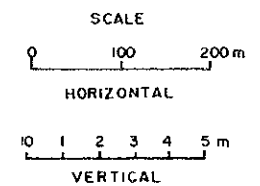


----- EXISTING RIGHT BANK
 - - - - - EXISTING LEFT BANK

REPUBLIC OF KENYA
 LAKE BASIN DEVELOPMENT AUTHORITY
 KANO PLAIN IRRIGATION PROJECT
 PROFILE OF MAIN DRAINAGE CANAL
 (NYAIDHO) (4/6)
 JAPAN INTERNATIONAL COOPERATION AGENCY

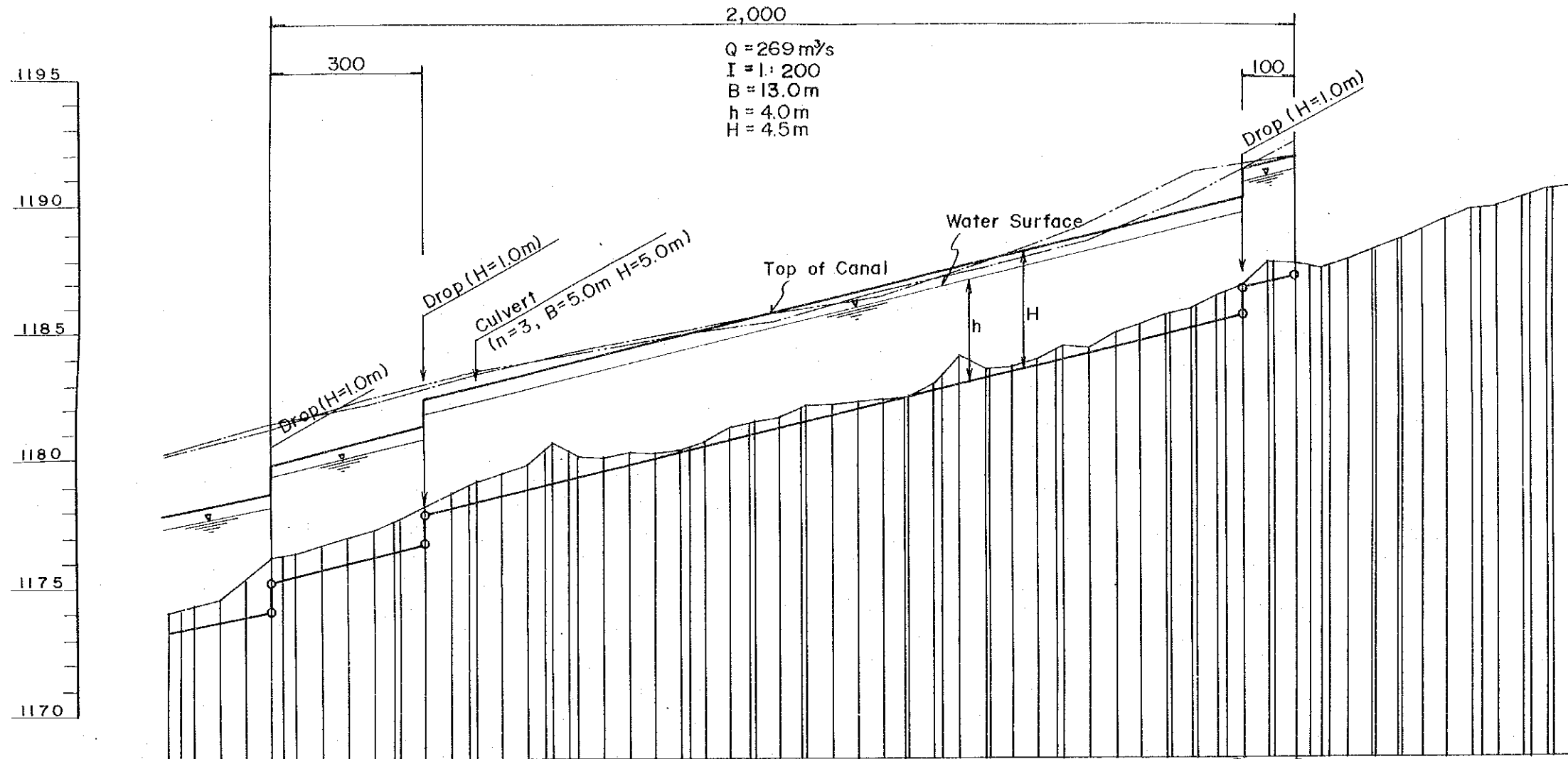


PROPOSED CANAL BED ELEVATION	1165.16																									1168.16	1169.16	1171.16	1173.83											
GROUND SURFACE ELEVATION	1165.71	1166.05	1166.00	1166.23	1166.09	1166.28	1166.54	1166.94	1167.16	1167.25	1167.38	1167.40	1167.72	1168.05	1168.30	1168.45	1168.82	1168.79	1168.70	1169.07	1169.40	1169.79	1169.93	1170.37	1171.15	1172.04	1171.49	1170.82	1171.23	1171.64	1172.10	1172.40	1172.72	1172.97	1172.39	1173.81	1173.88	1174.07	1174.30	1174.70
STATION	0.000	78.540	24.246	89.300	50.000	50.000	0.000	50.000	50.000	0.000	0.000	50.000	50.000	0.000	0.000	98.251	0.000	50.000	0.000	50.000	40.852	0.000	0.000	60.219	50.000	50.000	0.000	0.000	60.173	27.647	0.000	65.259	50.000	50.000	0.000	0.000	50.000	24.734	0.000	
DISTANCE	11+000	11+100	11+200	11+300	11+400	11+500	11+600	11+700	11+800	11+900	12+000	12+100	12+200	12+300	12+400	12+500	12+600	12+700	12+800	12+900	13+000	13+100	13+200	13+300	13+400	13+500	13+600	13+700	13+800	13+900										

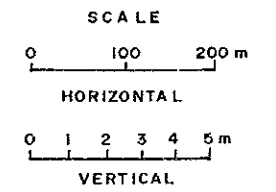


———— EXISTING RIGHT BANK
 ———— EXISTING LEFT BANK

REPUBLIC OF KENYA
 LAKE BASIN DEVELOPMENT AUTHORITY
 KANO PLAIN IRRIGATION PROJECT
 PROFILE OF MAIN DRAINAGE CANAL
 (NYAIDHO) (5/6)
 JAPAN INTERNATIONAL COOPERATION AGENCY



PROPOSED CANAL BED ELEVATION																																						
	1173.93	1174.50		1175.50		1177.00		1178.00																1186.00	1187.00	1187.50												
GROUND SURFACE ELEVATION	1174.18	1174.43	1175.49	1176.42	1176.82	1177.42	1177.86	1178.86	1179.31	1179.97	1180.85	1180.30	1180.47	1180.57	1180.90	1181.63	1181.85	1182.31	1182.45	1182.63	1183.49	1183.74	1184.14	1184.68	1185.23	1186.96	1186.17	1186.65	1187.10	1187.95	1187.76	1188.09	1188.89	1189.75	1190.21	1190.64	1190.98	1191.09
STATION	0.000	50.000	50.000	22.815	0.000	0.000	50.000	50.000	0.000	0.000	50.000	0.000	0.000	0.000	50.000	38.116	0.000	50.000	50.000	42.091	15.644	0.000	0.000	50.000	50.000	50.000	0.000	50.000	0.000	50.000	0.000	0.000	0.000	58.521	50.000	0.000	48.144	
DISTANCE		13+800	13+900	14+000	14+100	14+200	14+300	14+400	14+500	14+600	14+700	14+800	14+900	15+000	15+100	15+200	15+300	15+400	15+500	15+600	15+700	15+800	15+900	16+000	16+100	16+200	16+300	16+400	16+500									

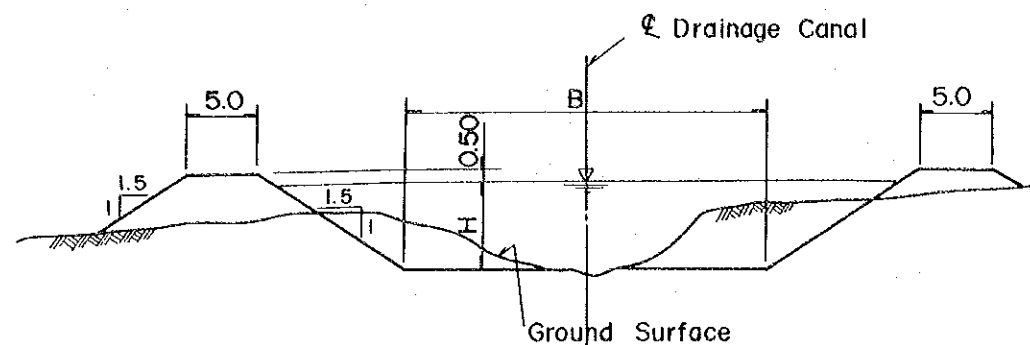


_____ EXISTING RIGHT BANK
 _____ EXISTING LEFT BANK

REPUBLIC OF KENYA
 LAKE BASIN DEVELOPMENT AUTHORITY
 KANO PLAIN IRRIGATION PROJECT

PROFILE OF MAIN DRAINAGE CANAL
 (NYAIDHO) (6/6)

JAPAN INTERNATIONAL COOPERATION AGENCY



STANDARD CROSS SECTION OF MAIN DRAINAGE CANAL

Main Secondary Drain

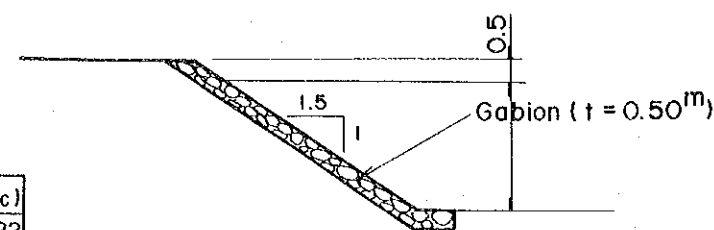
TYPE	H(m)	B(m)
TYPE-1	1.5	3.0
TYPE-2	1.8	6.0
TYPE-3	2.5	8.0
TYPE-4	2.8	10.0
TYPE-5	2.8	15.0
TYPE-6	2.8	20.0

Tertiary Drain

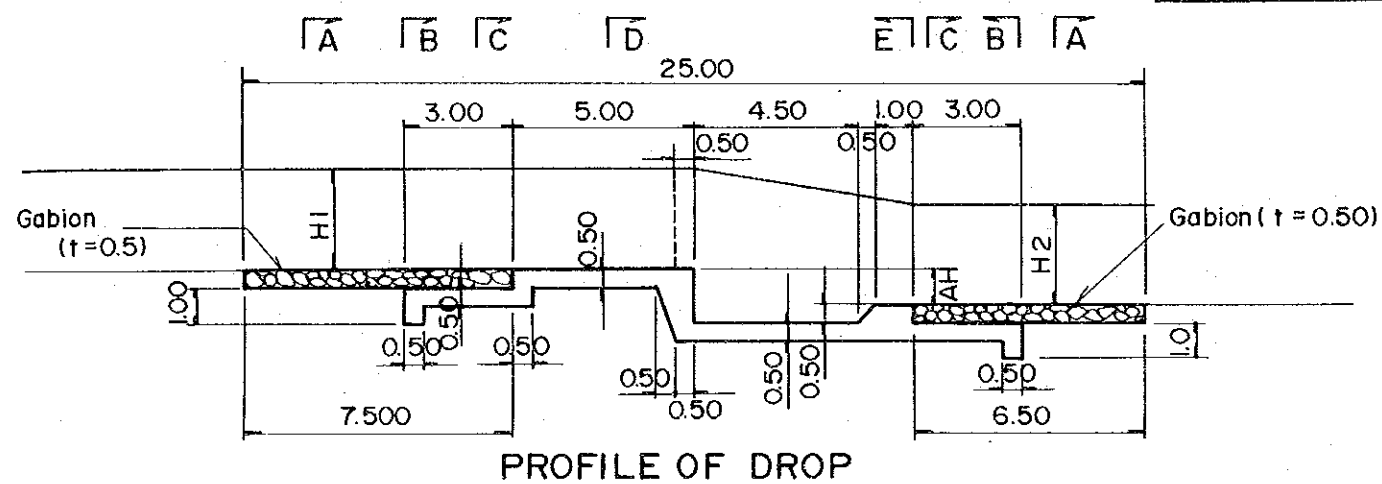
	H(m)	B(m)	Q(m ³ /sec)
Paddy Field	0.7~1.4	0.5~1.2	0.03~0.22
Upland	0.7~1.4	0.5~1.2	0.8~4.9

Field Drain

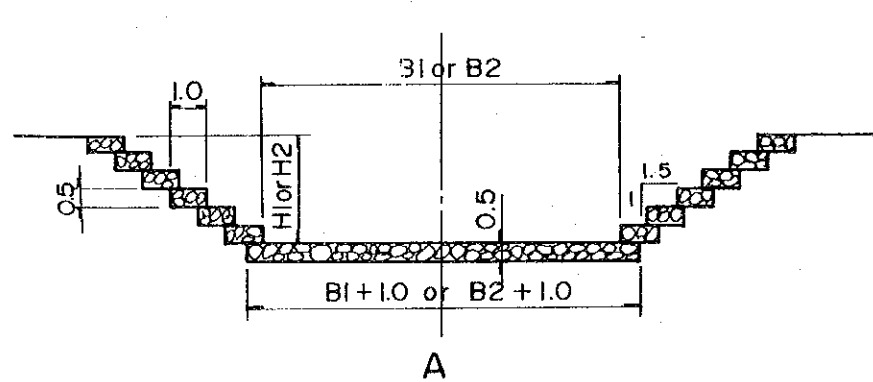
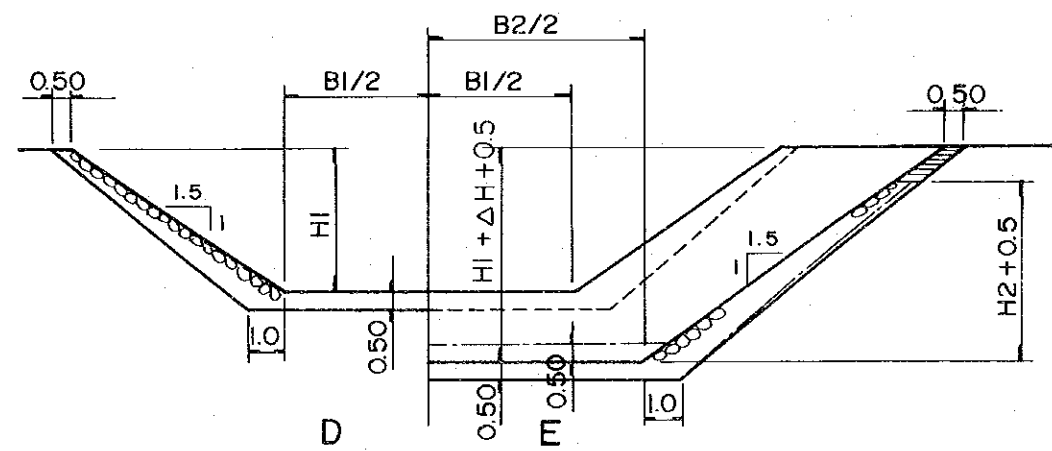
	H(m)	B(m)	Q(m ³ /sec)
Paddy Field	0.20	0.20	0.03
Upland	1.30	1.20	0.2~0.8



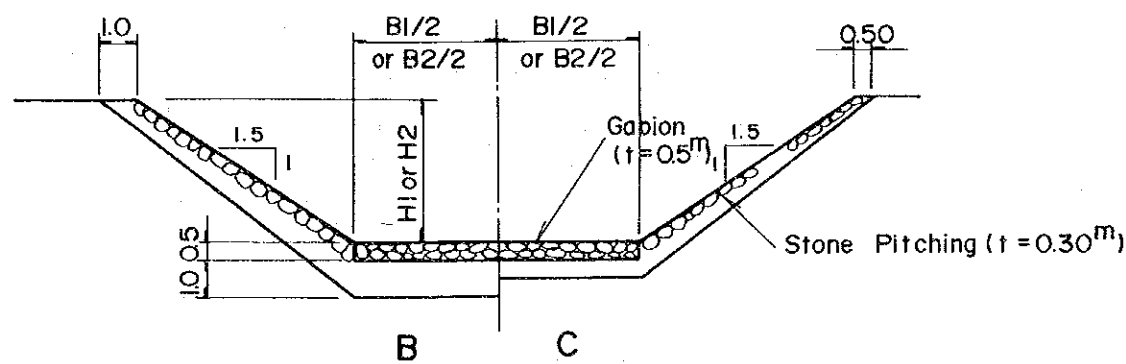
RIVER PROTECTION



PROFILE OF DROP



A



B

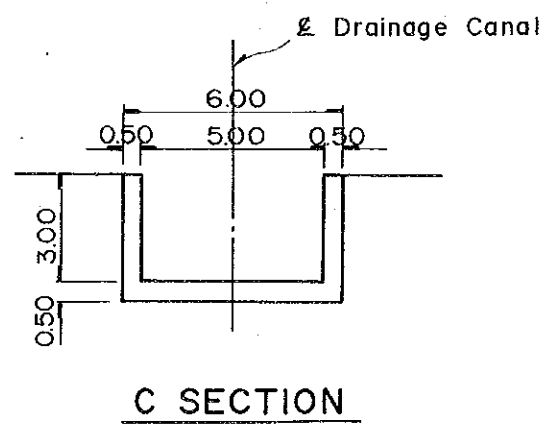
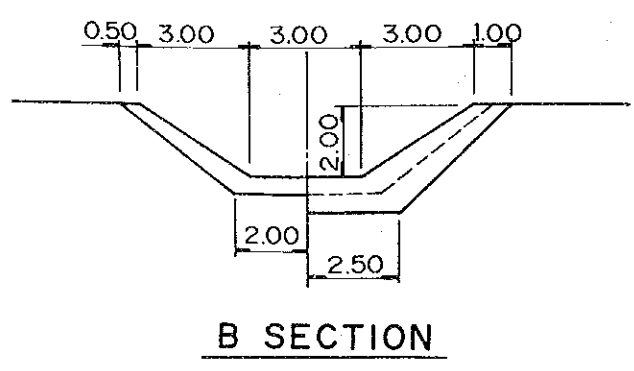
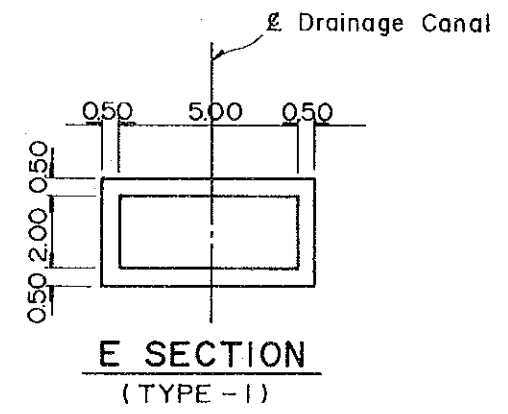
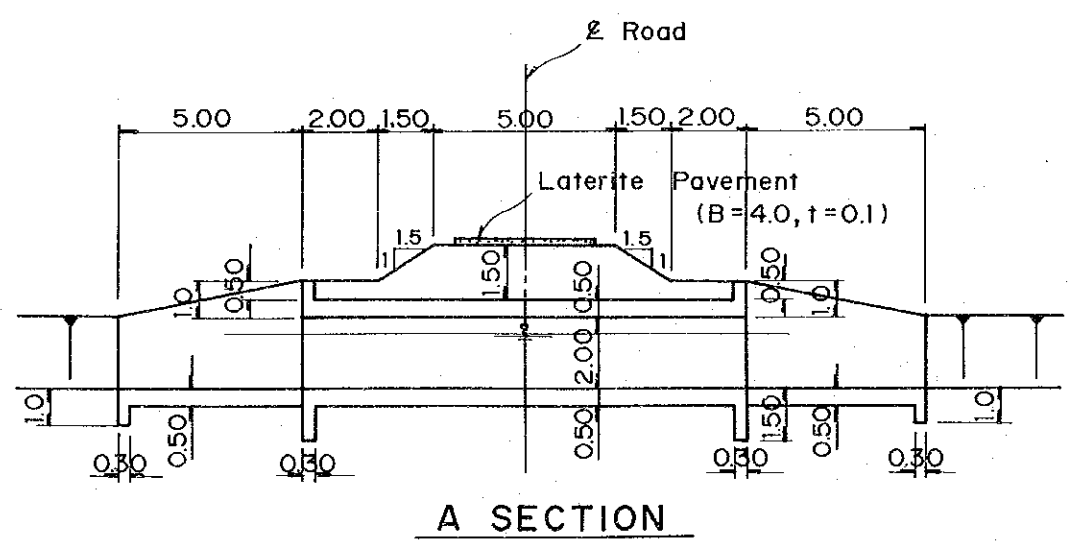
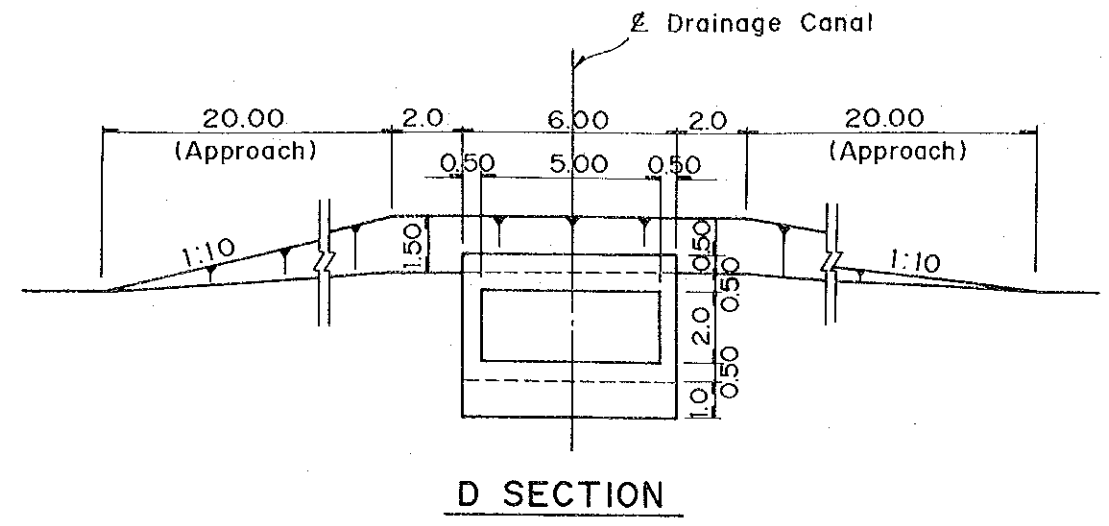
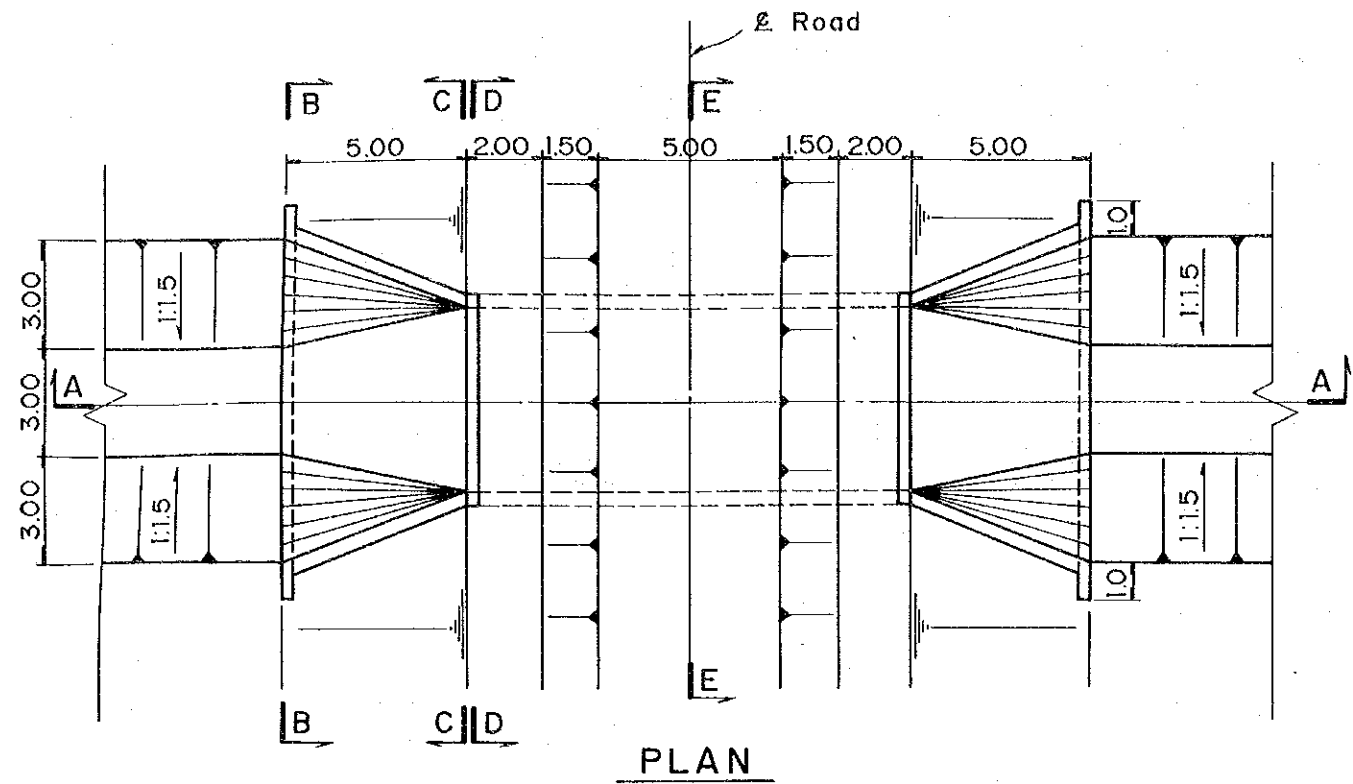
C

TYPE	Discharge (m ³ /sec)	Mean Discharge	H1, H2 (m)	B1, B2 (m)
TYPE-1	0 ~ 20	12.5	2.0	3.0
TYPE-2	20 ~ 50	35	2.3	6.0
TYPE-3	50 ~ 100	75	3.0	8.0
TYPE-4	100 ~ 150	125	3.3	10.0
TYPE-5	150 ~ 200	175	3.3	15.0
TYPE-6	200 ~ 250	225	3.3	20.0

REPUBLIC OF KENYA
LAKE BASIN DEVELOPMENT AUTHORITY
KANO PLAIN IRRIGATION PROJECT

TYPICAL CROSS SECTION OF DRAINAGE CANAL AND RELATED STRUCTURE

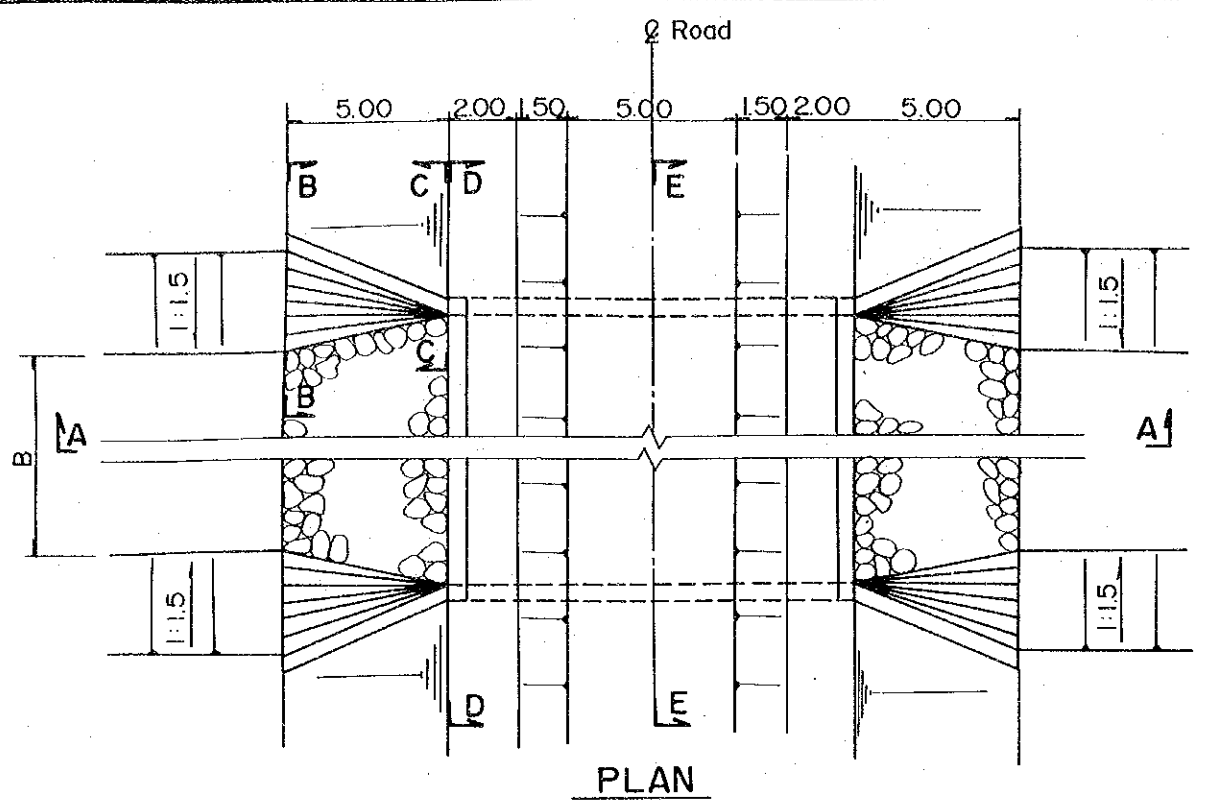
JAPAN INTERNATIONAL COOPERATION AGENCY



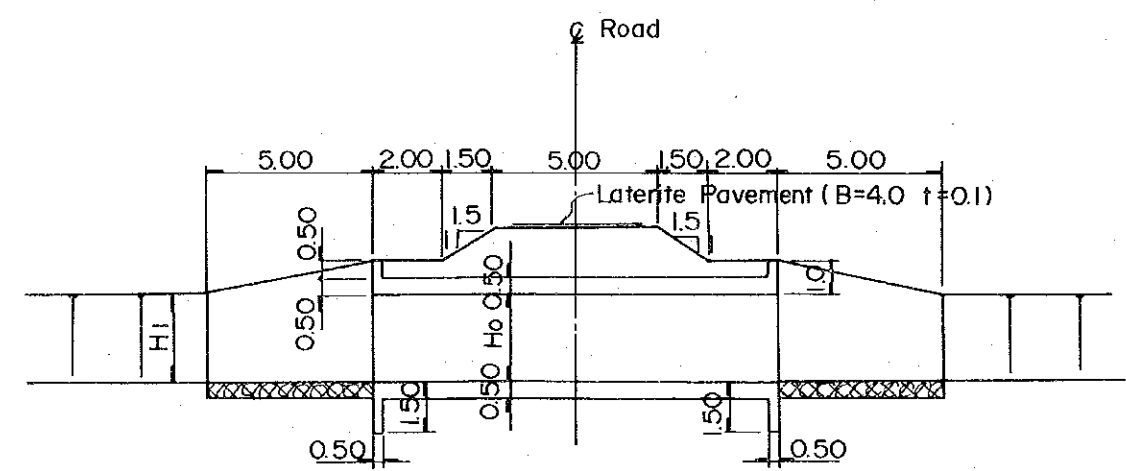
REPUBLIC OF KENYA
 LAKE BASIN DEVELOPMENT AUTHORITY
 KANO PLAIN IRRIGATION PROJECT

CROSSING FACILITY IN
 DRAINAGE CANAL (1/2)

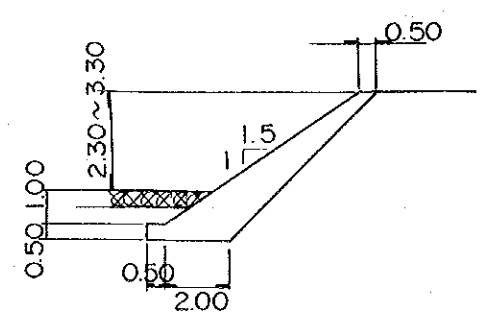
JAPAN INTERNATIONAL COOPERATION AGENCY



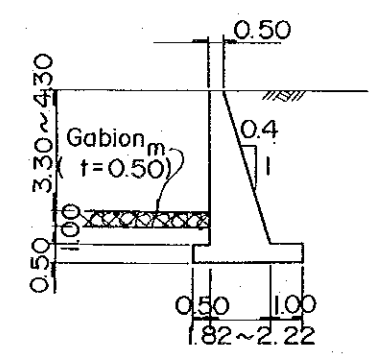
PLAN



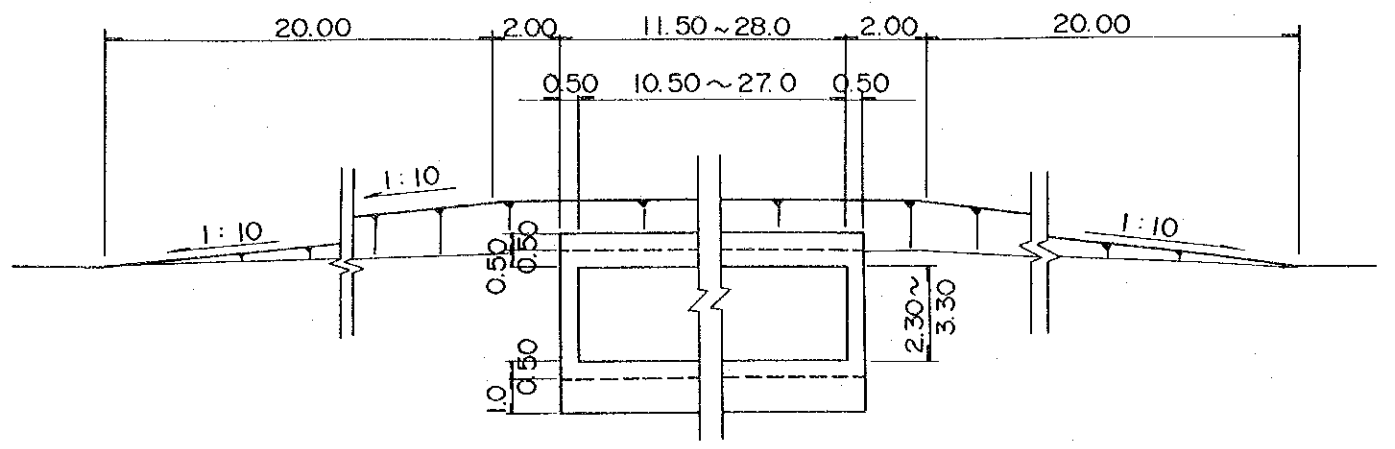
A SECTION



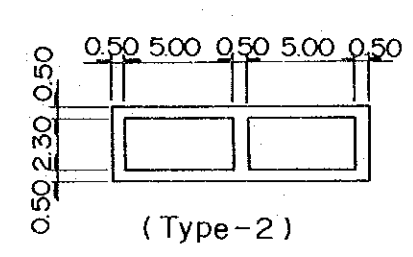
B SECTION



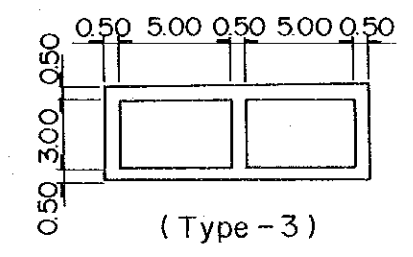
C SECTION



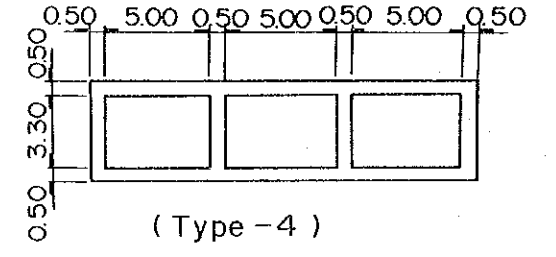
D SECTION



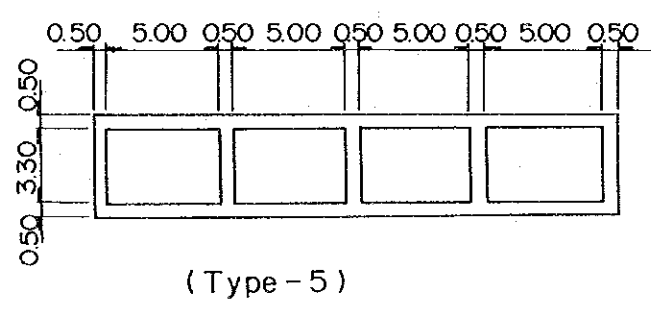
(Type-2)



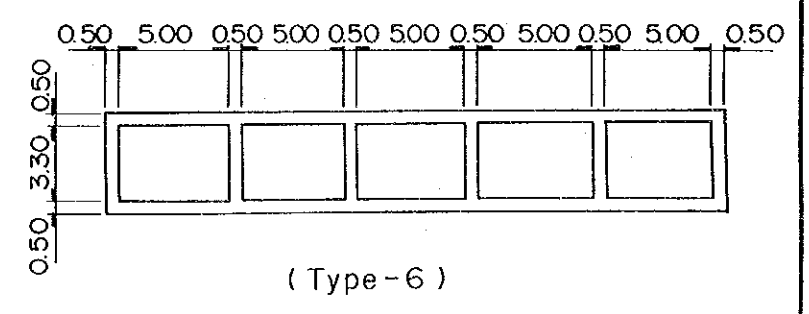
(Type-3)



(Type-4)



(Type-5)

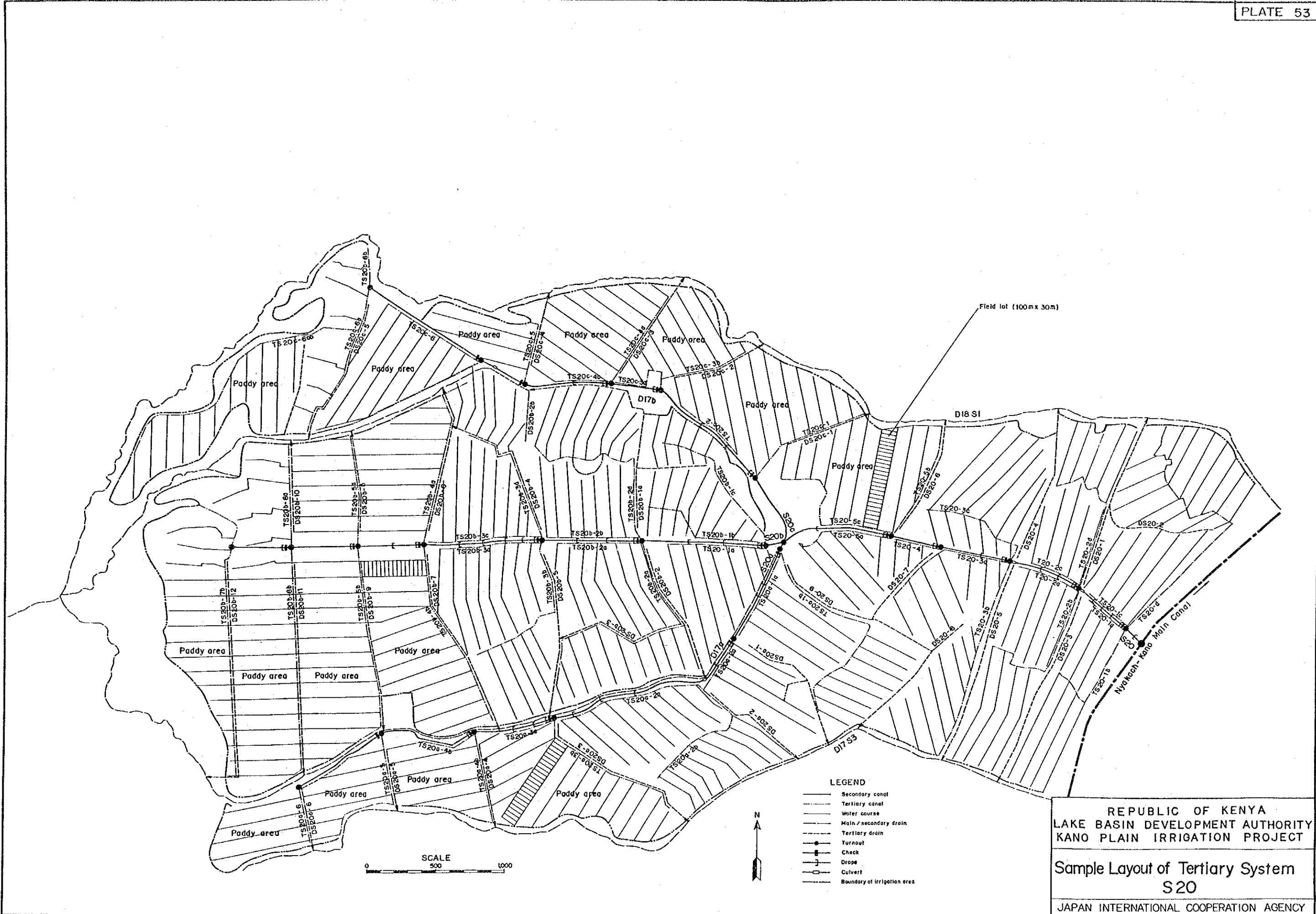


(Type-6)

E SECTION

TYPE	Discharge (m ³)	H ₁ = H ₀ (m)	B (m)
TYPE - 1	12.5 (5 ~ 20)	2.0	3.0
TYPE - 2	35.0 (20 ~ 50)	2.3	6.0
TYPE - 3	75.0 (50 ~ 100)	3.0	8.0
TYPE - 4	125.0 (100 ~ 150)	3.3	10.0
TYPE - 5	175.0 (150 ~ 200)	3.3	15.0
TYPE - 6	225.0 (200 ~ 250)	3.3	20.0

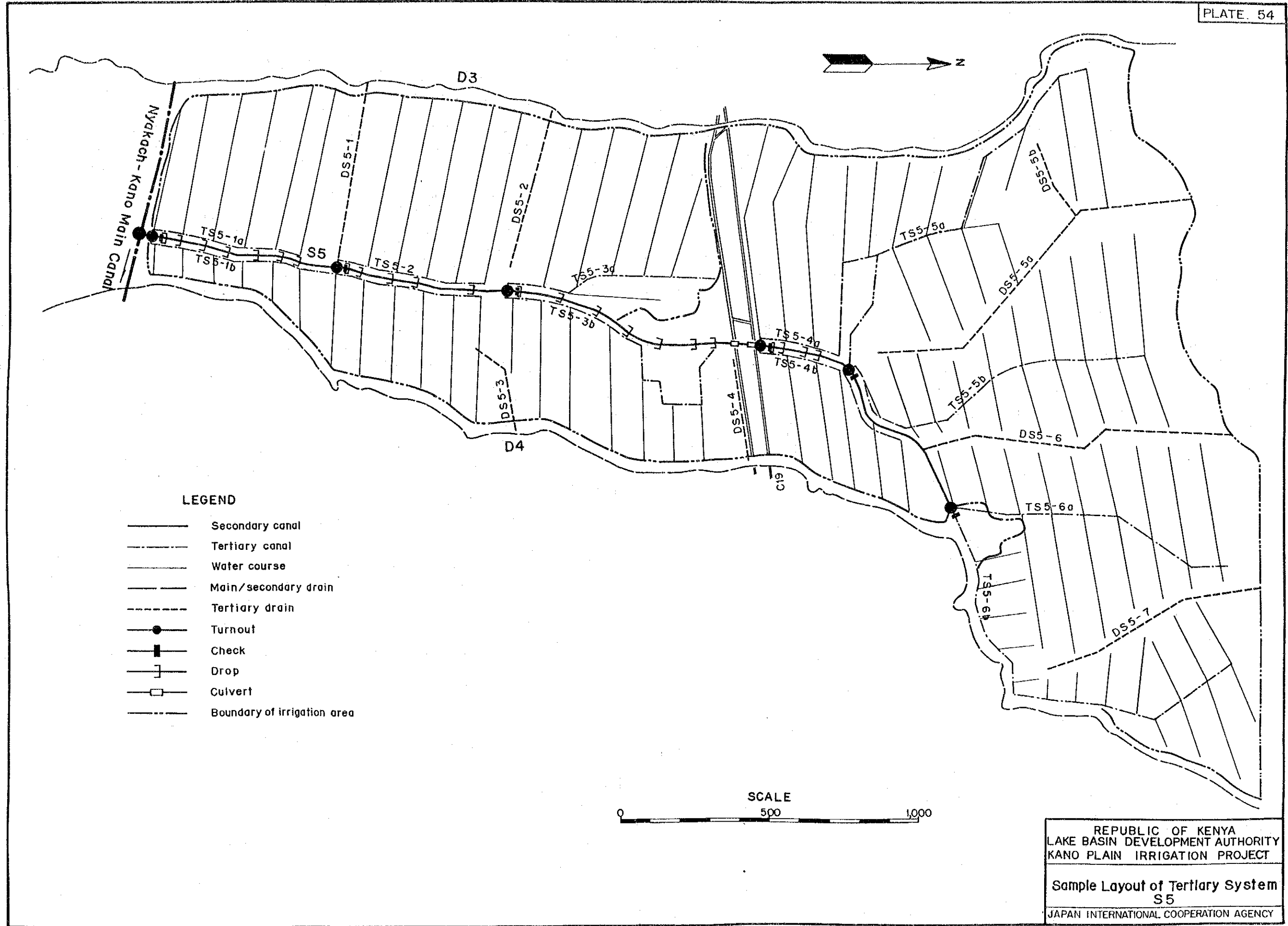
REPUBLIC OF KENYA
 LAKE BASIN DEVELOPMENT AUTHORITY
 KANO PLAIN IRRIGATION PROJECT
**CROSSING FACILITY
 IN DRAINAGE CANAL (2/2)**
 JAPAN INTERNATIONAL COOPERATION AGENCY



REPUBLIC OF KENYA
 LAKE BASIN DEVELOPMENT AUTHORITY
 KANO PLAIN IRRIGATION PROJECT

Sample Layout of Tertiary System
 S20

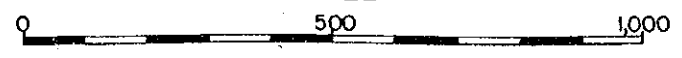
JAPAN INTERNATIONAL COOPERATION AGENCY



LEGEND

- Secondary canal
- - - Tertiary canal
- Water course
- - - Main/secondary drain
- - - Tertiary drain
- Turnout
- Check
- ⊥ Drop
- Culvert
- - - Boundary of irrigation area

SCALE

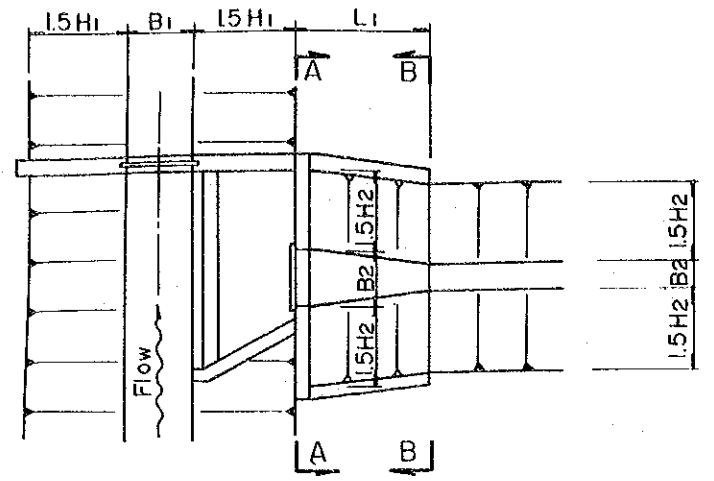


REPUBLIC OF KENYA
 LAKE BASIN DEVELOPMENT AUTHORITY
 KANO PLAIN IRRIGATION PROJECT

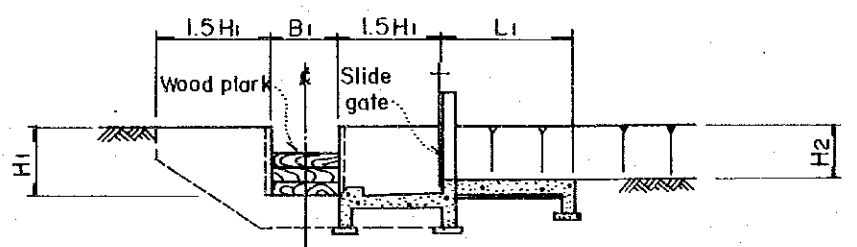
Sample Layout of Tertiary System
 S5

JAPAN INTERNATIONAL COOPERATION AGENCY

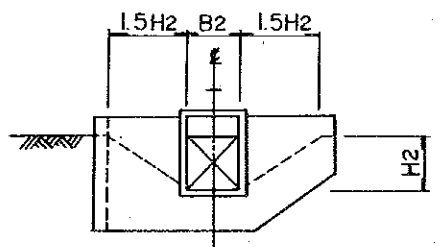
OFFTAKE



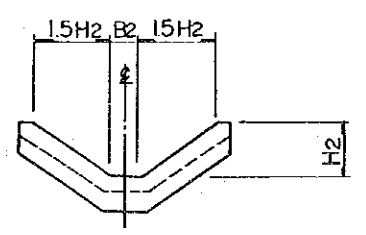
PLAN SCALE-A



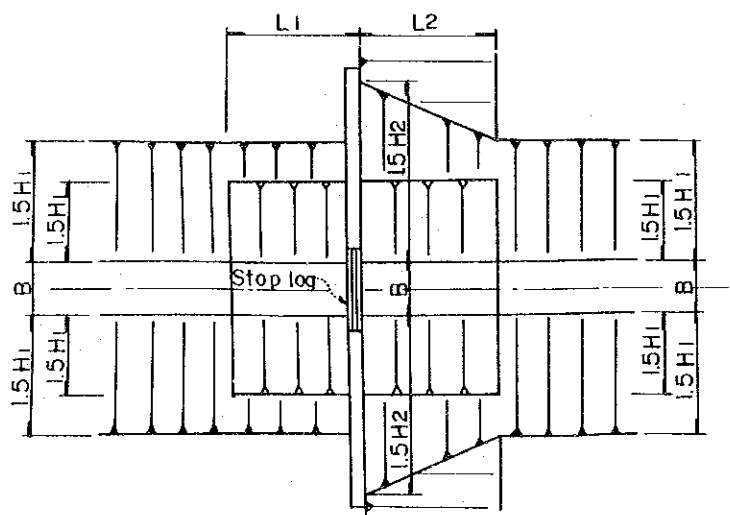
PROFILE SCALE-A



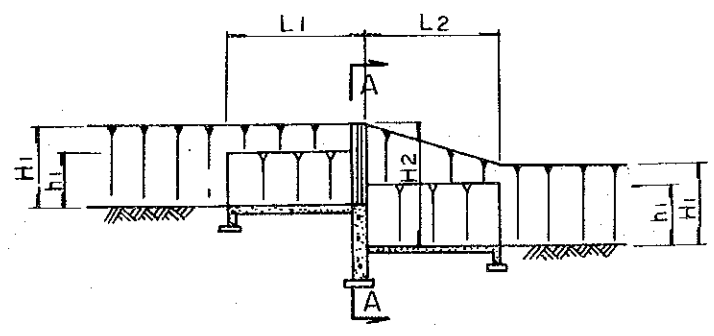
SECTION A-A SCALE-A



SECTION B-B SCALE-A



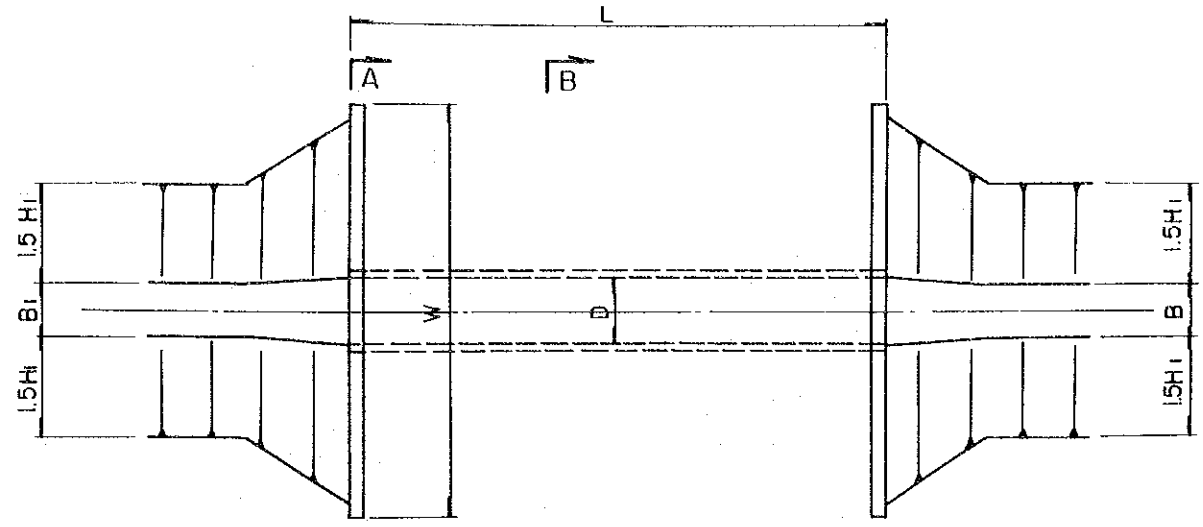
PLAN SCALE-B



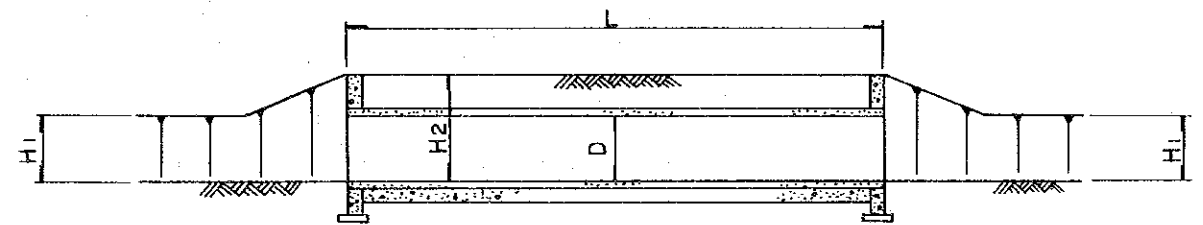
PROFILE SCALE-B

ON-FARM FACILITIES

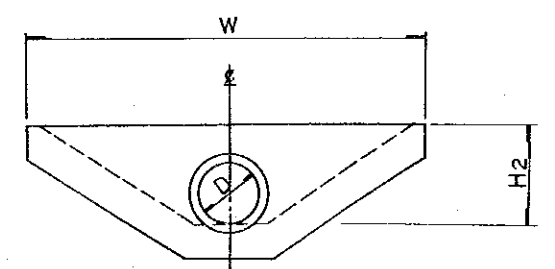
CULVERT



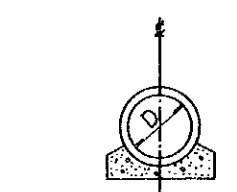
PLAN SCALE-A



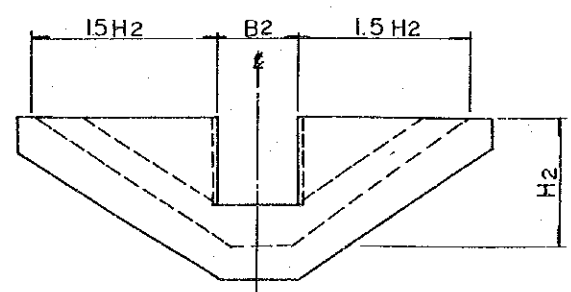
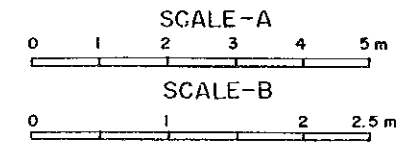
PROFILE SCALE



SECTION A-A SCALE-A



SECTION B-B SCALE-A



SECTION A-A SCALE-B

REPUBLIC OF KENYA
 LAKE BASIN DEVELOPMENT AUTHORITY
 KANO PLAIN IRRIGATION PROJECT

ON-FARM FACILITIES

JAPAN INTERNATIONAL COOPERATION AGENCY

SICA