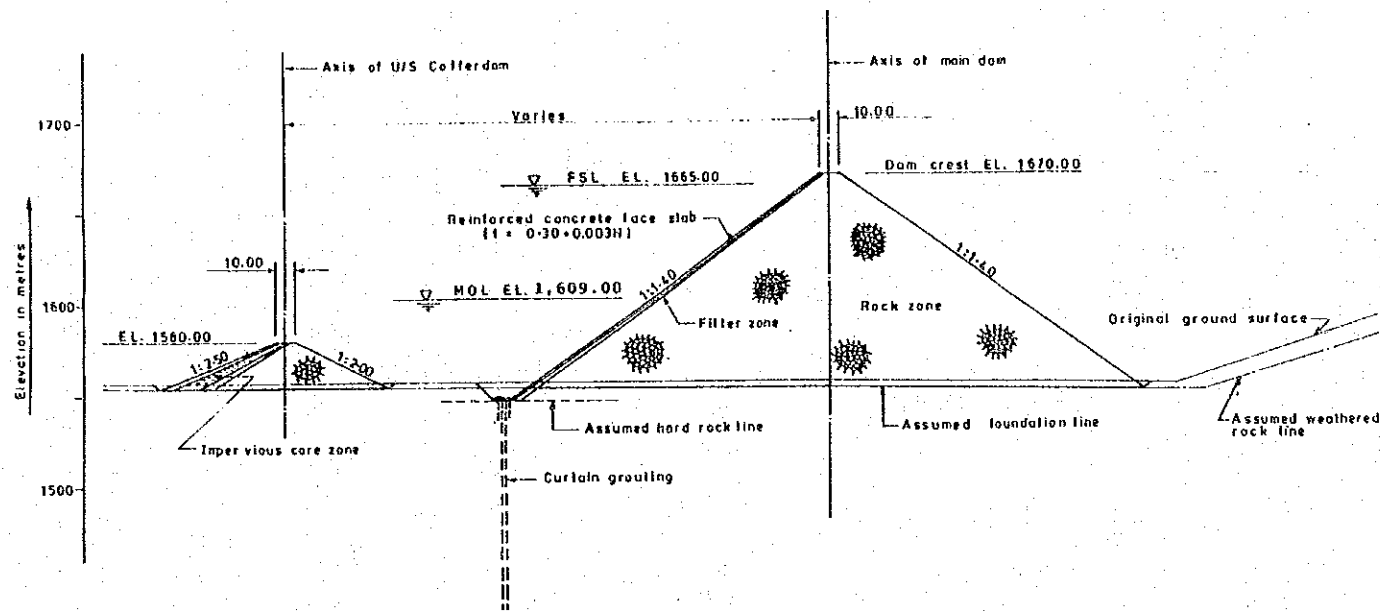
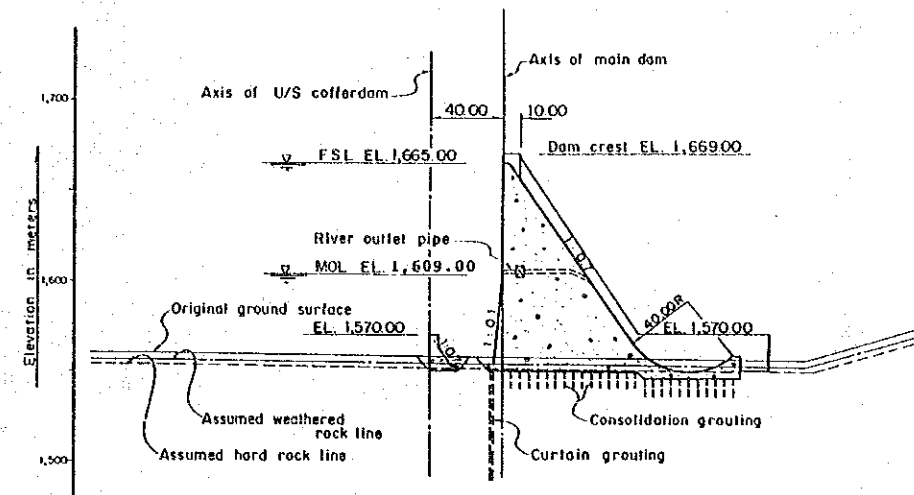


図6.11 中央しゃ水壁型ロックフィルダム的一般平面図

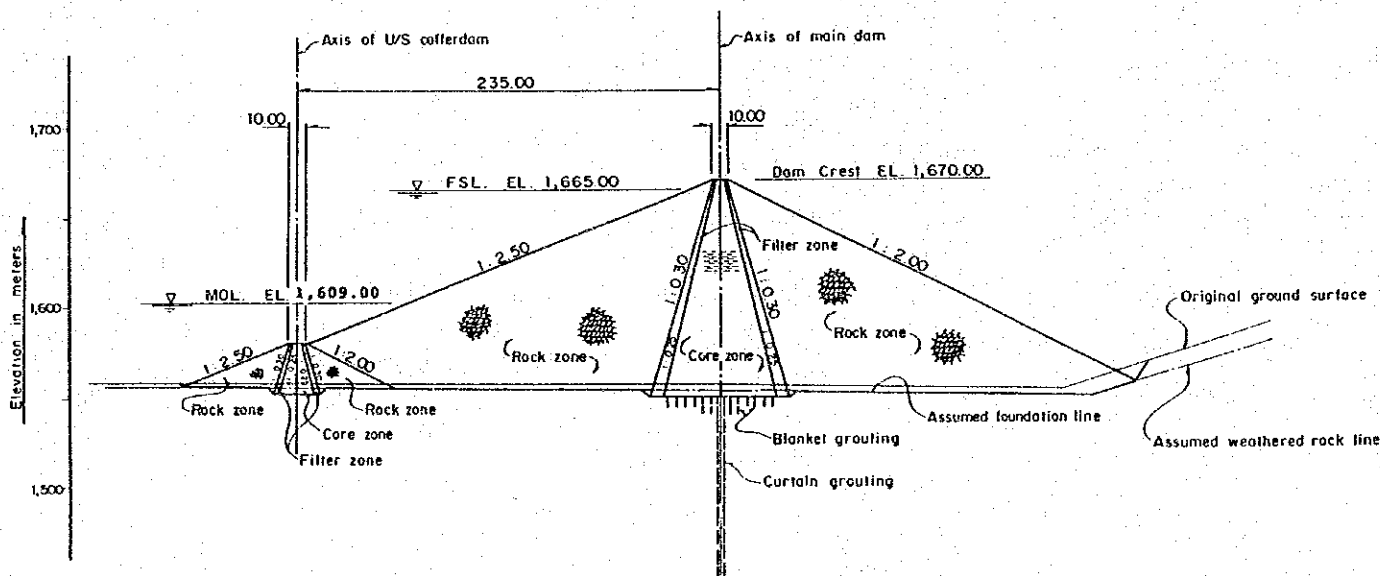
REPUBLIC OF KENYA
MAGWAGWA HYDROELECTRIC
POWER DEVELOPMENT PROJECT
JAPAN INTERNATIONAL COOPERATION AGENCY



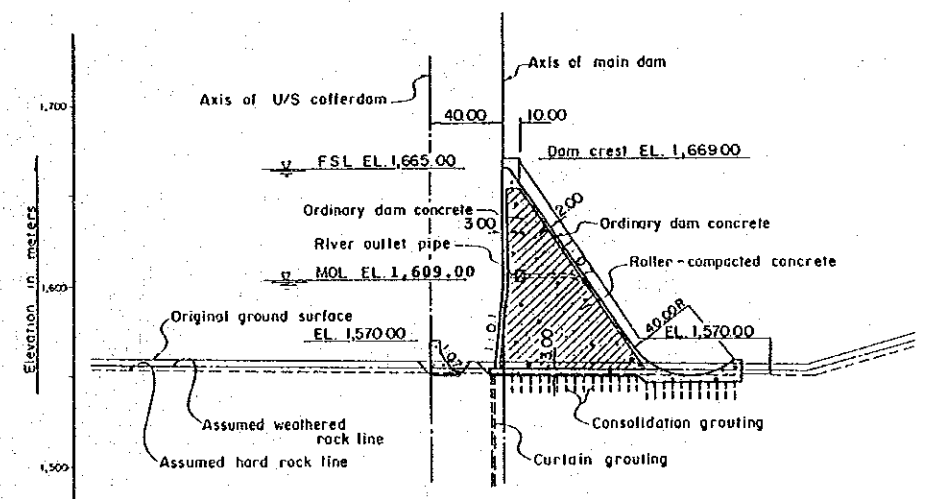
TYPICAL CROSS SECTION FOR CONCRETE FACING DAM



TYPICAL CROSS SECTION FOR CONCRETE GRAVITY DAM



TYPICAL CROSS SECTION FOR ROCKFILL DAM



TYPICAL CROSS SECTION FOR RCD DAM

Scale 0 100m

図6.12 ダム型式代替案の標準横断面図

REPUBLIC OF KENYA
MAGWAGWA HYDROELECTRIC
POWER DEVELOPMENT PROJECT
JAPAN INTERNATIONAL COOPERATION AGENCY

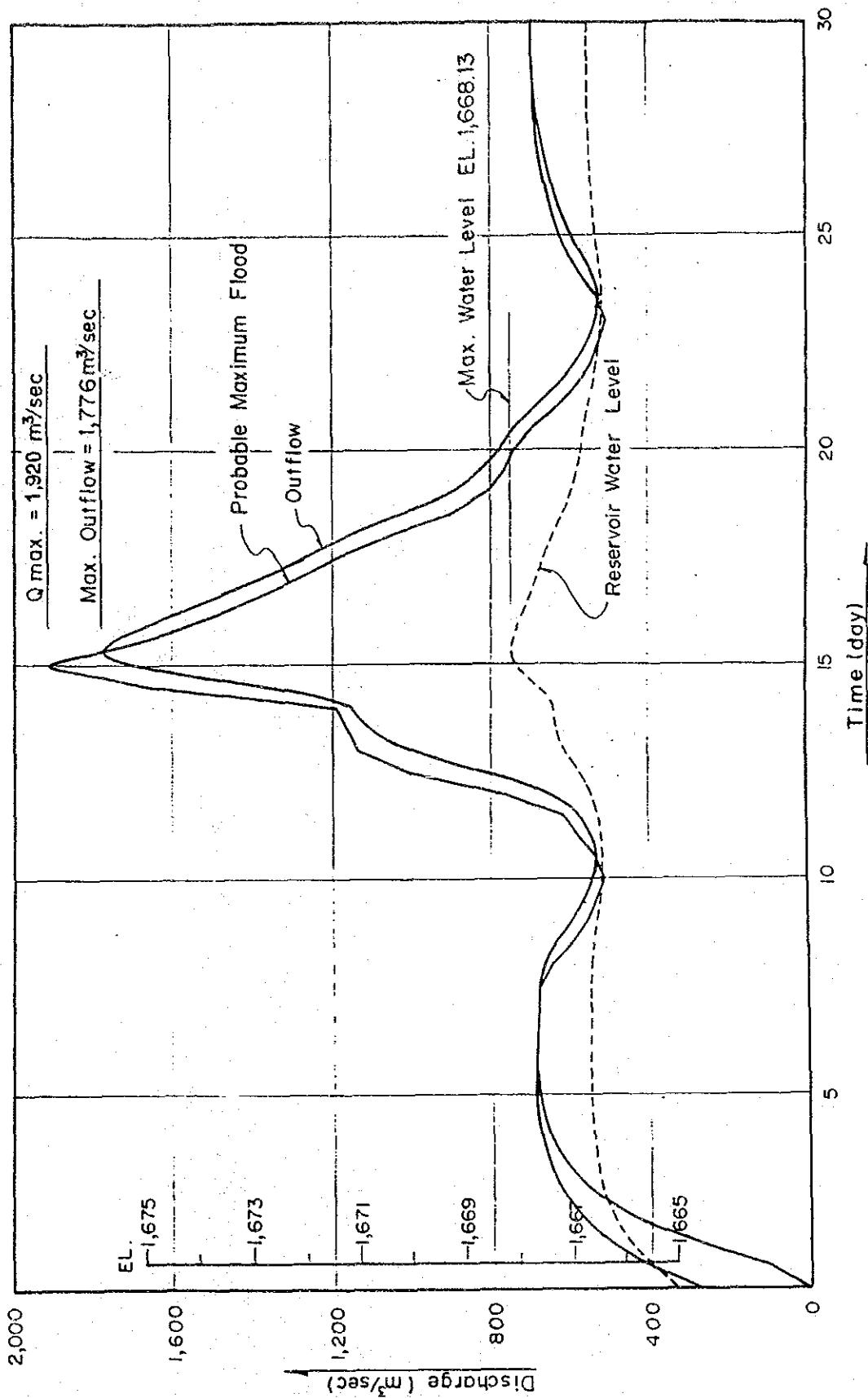


図 6.13 洪水吐による貯留計算結果

REPUBLIC OF KENYA
 MAGWAGWA HYDROELECTRIC
 POWER DEVELOPMENT PROJECT
 JAPAN INTERNATIONAL COOPERATION AGENCY

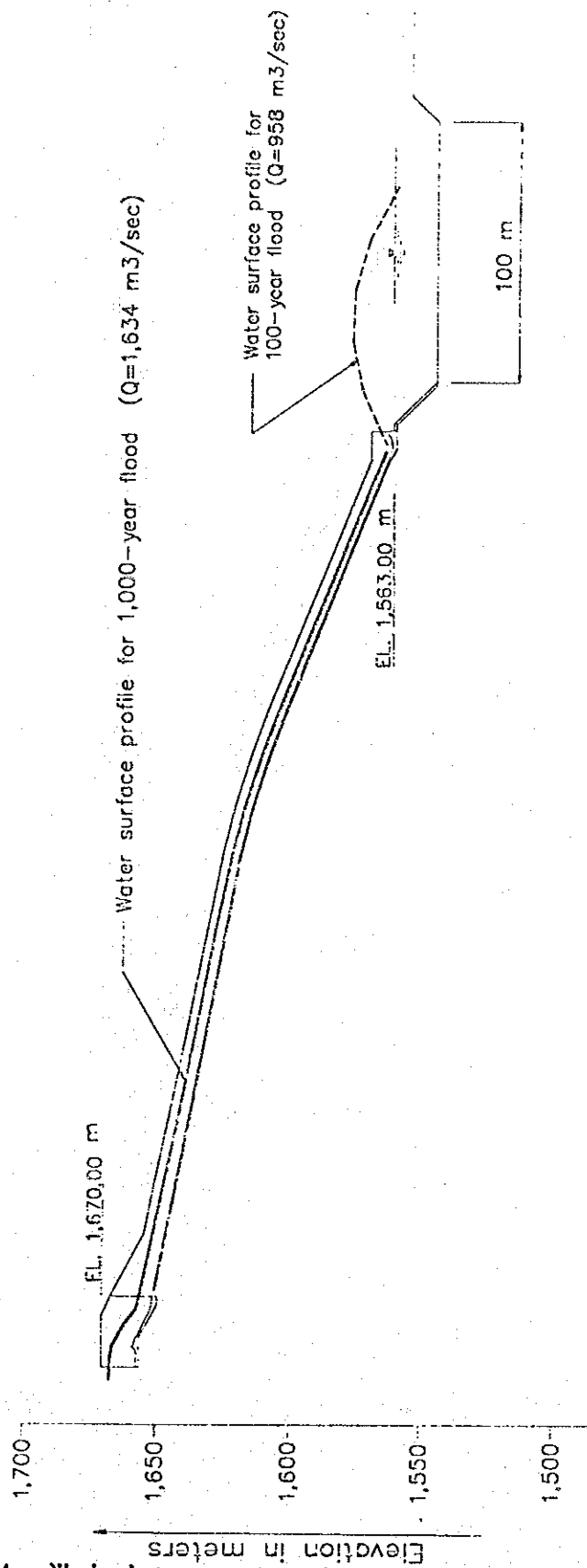
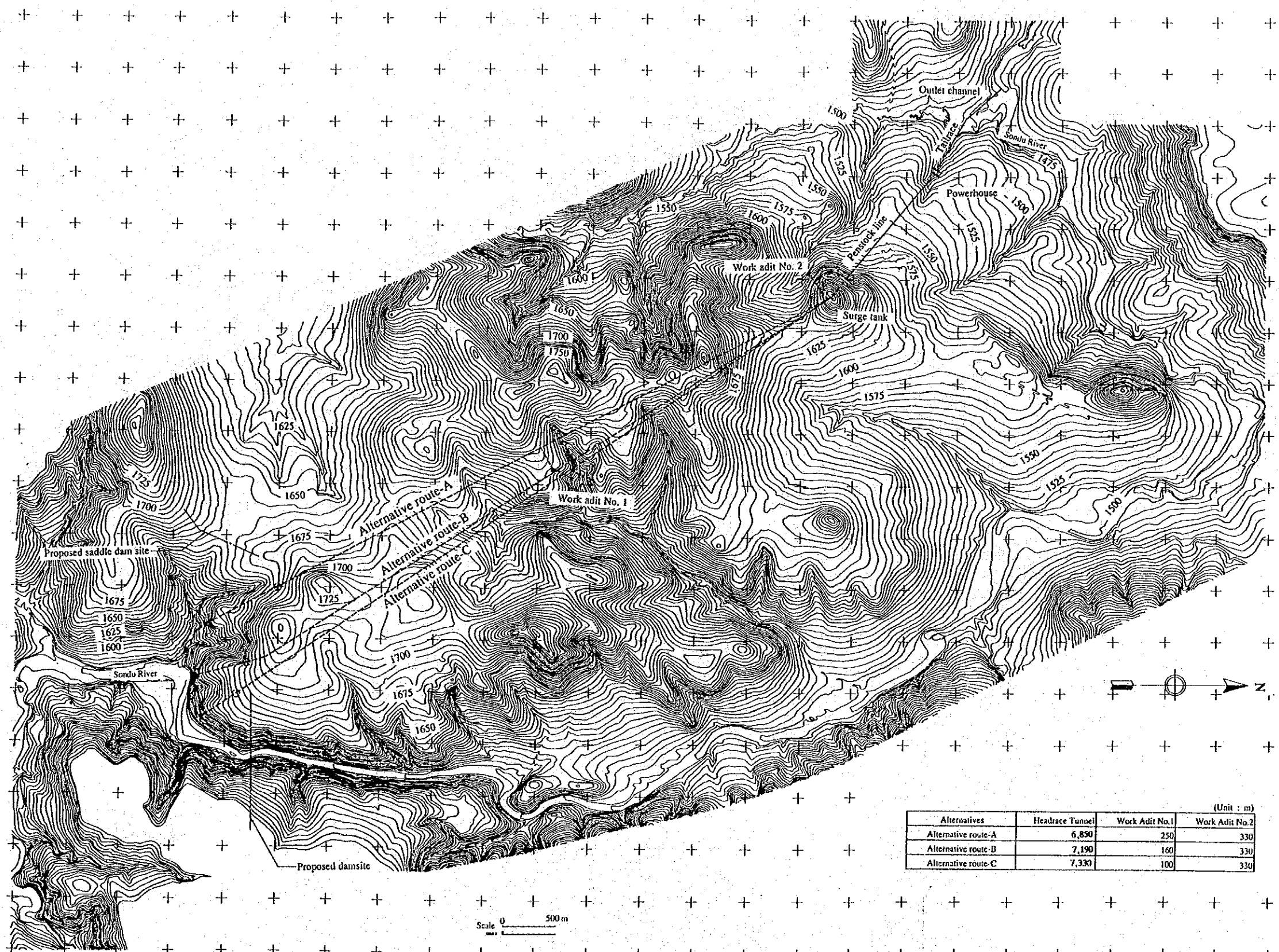


図6.14 洪水吐シュートにおける設計洪水水面形状

REPUBLIC OF KENYA MAGWAGWA HYDROELECTRIC POWER DEVELOPMENT PROJECT JAPAN INTERNATIONAL COOPERATION AGENCY
--



(Unit : m)

Alternatives	Headrace Tunnel	Work Adit No.1	Work Adit No.2
Alternative route-A	6,850	250	330
Alternative route-B	7,190	160	330
Alternative route-C	7,330	100	330

Scale 0 500 m

図6.15 導水路トンネルのルート代替案

REPUBLIC OF KENYA
 MAGWAGWA HYDROELECTRIC
 POWER DEVELOPMENT PROJECT
 JAPAN INTERNATIONAL COOPERATION AGENCY

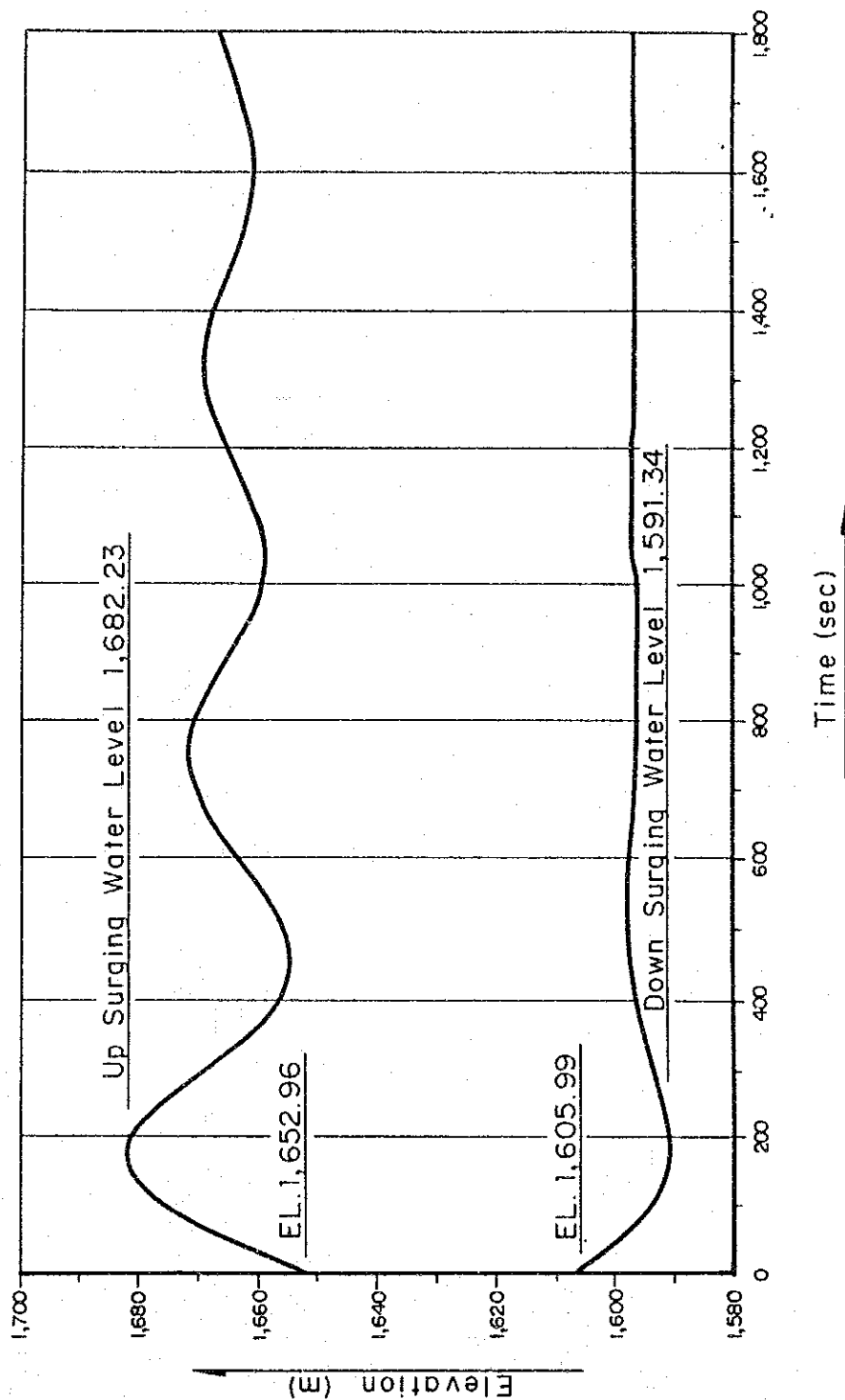


図 6.16 導水路サージタンクにおけるサージング波形

REPUBLIC OF KENYA
 MAGWAGWA HYDROELECTRIC
 POWER DEVELOPMENT PROJECT
 JAPAN INTERNATIONAL COOPERATION AGENCY

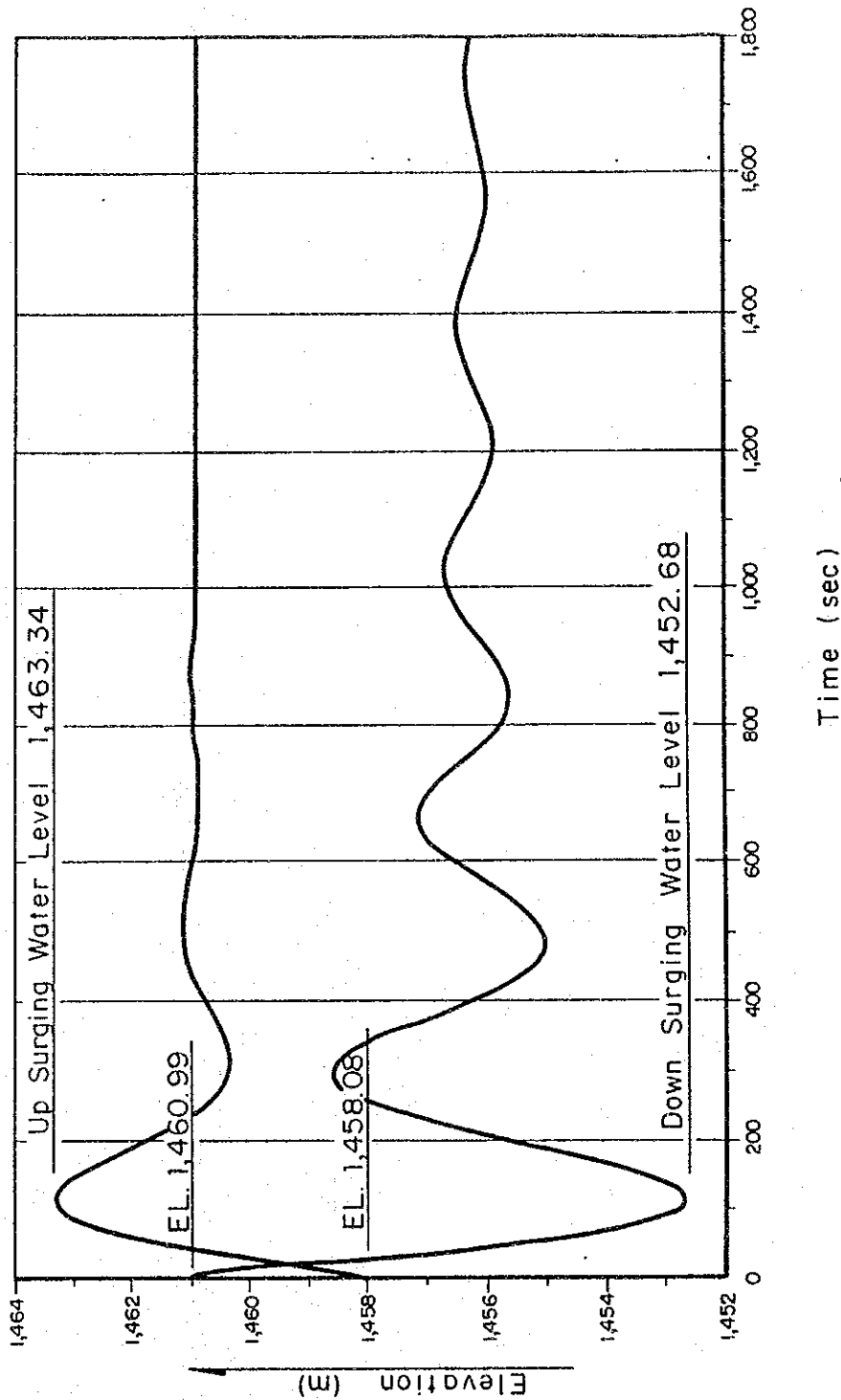
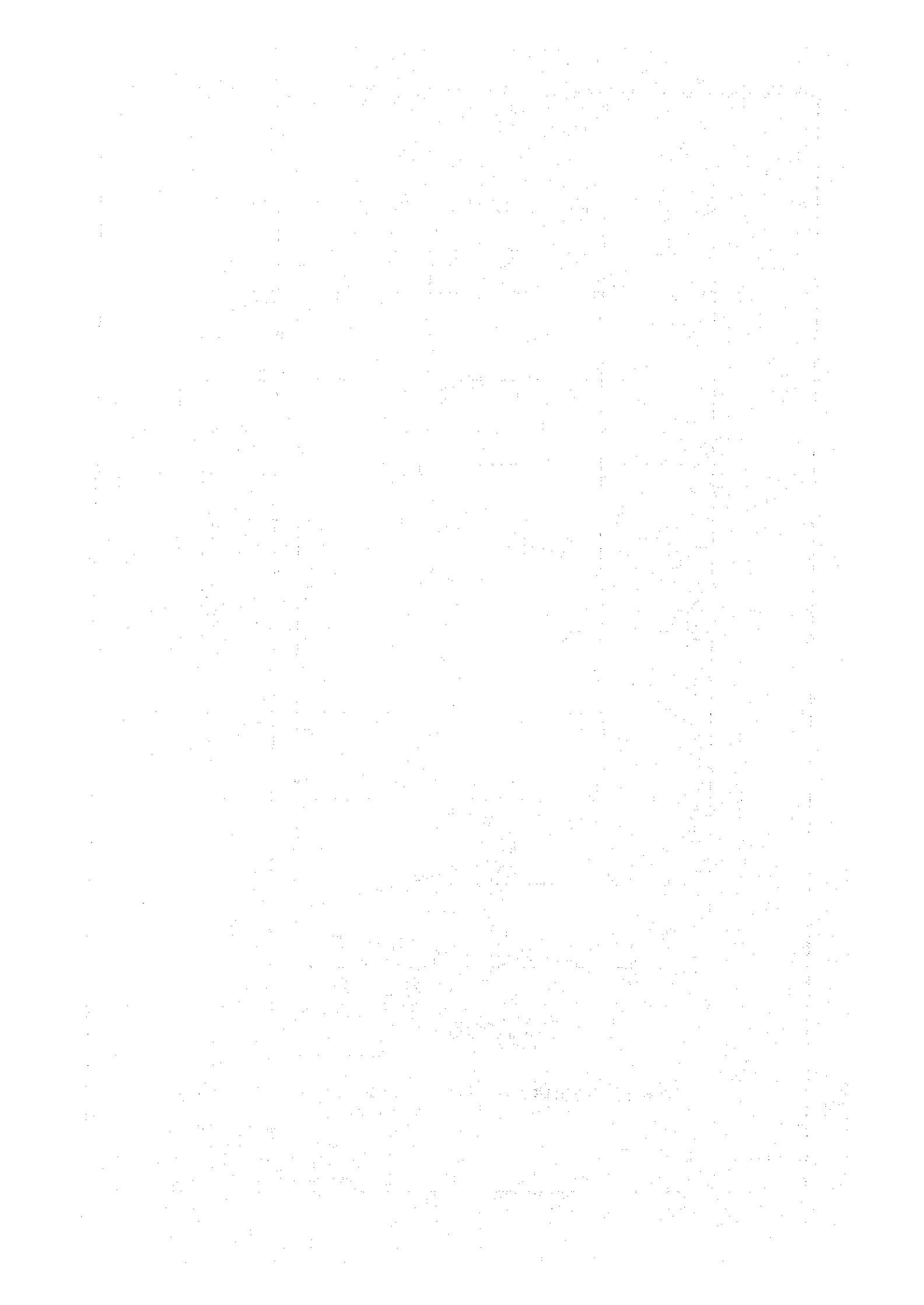
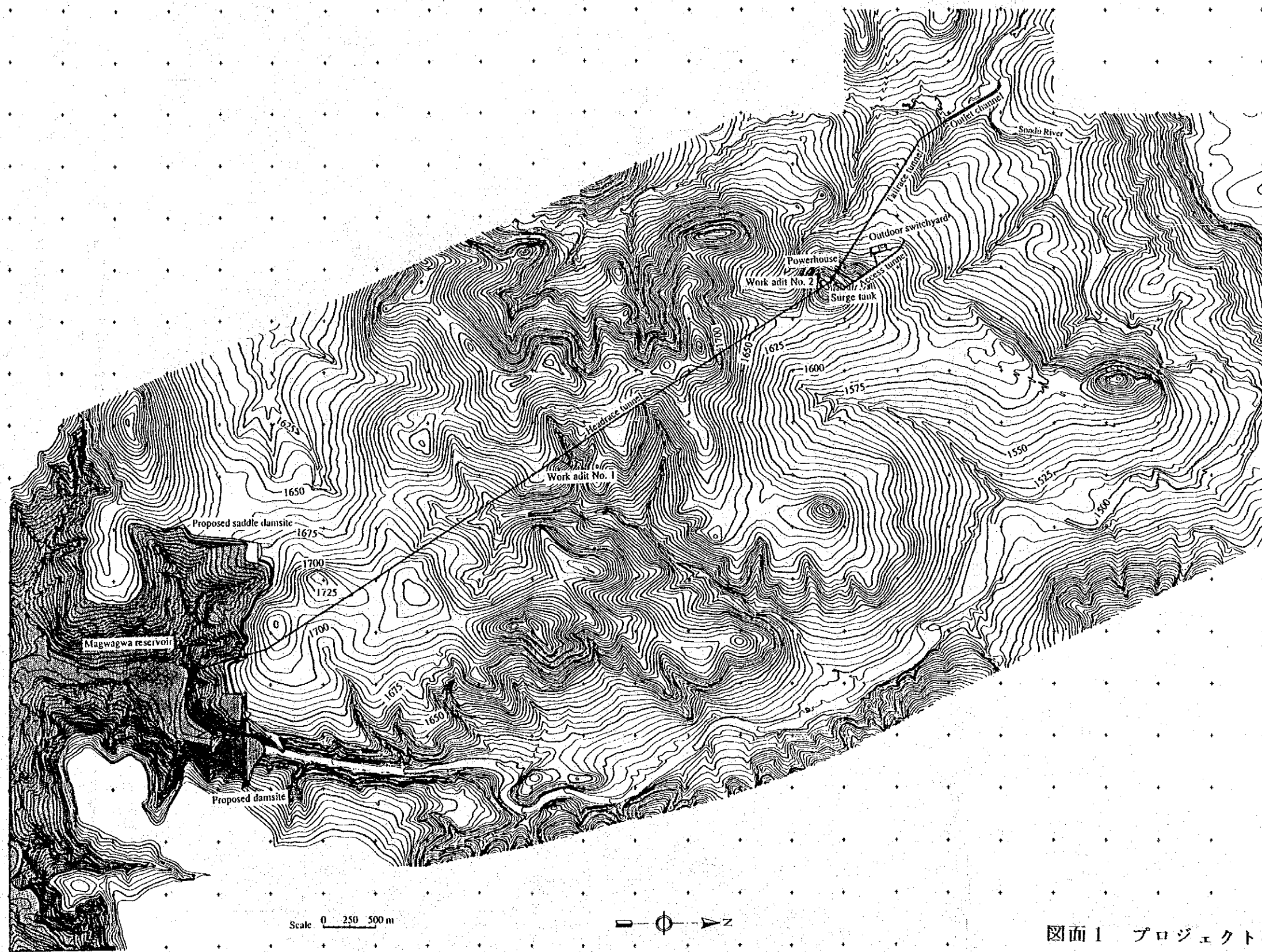


図6.17 放水路サージタンクにおけるサージング波形

REPUBLIC OF KENYA
MAGWAGWA HYDROELECTRIC
POWER DEVELOPMENT PROJECT
JAPAN INTERNATIONAL COOPERATION AGENCY

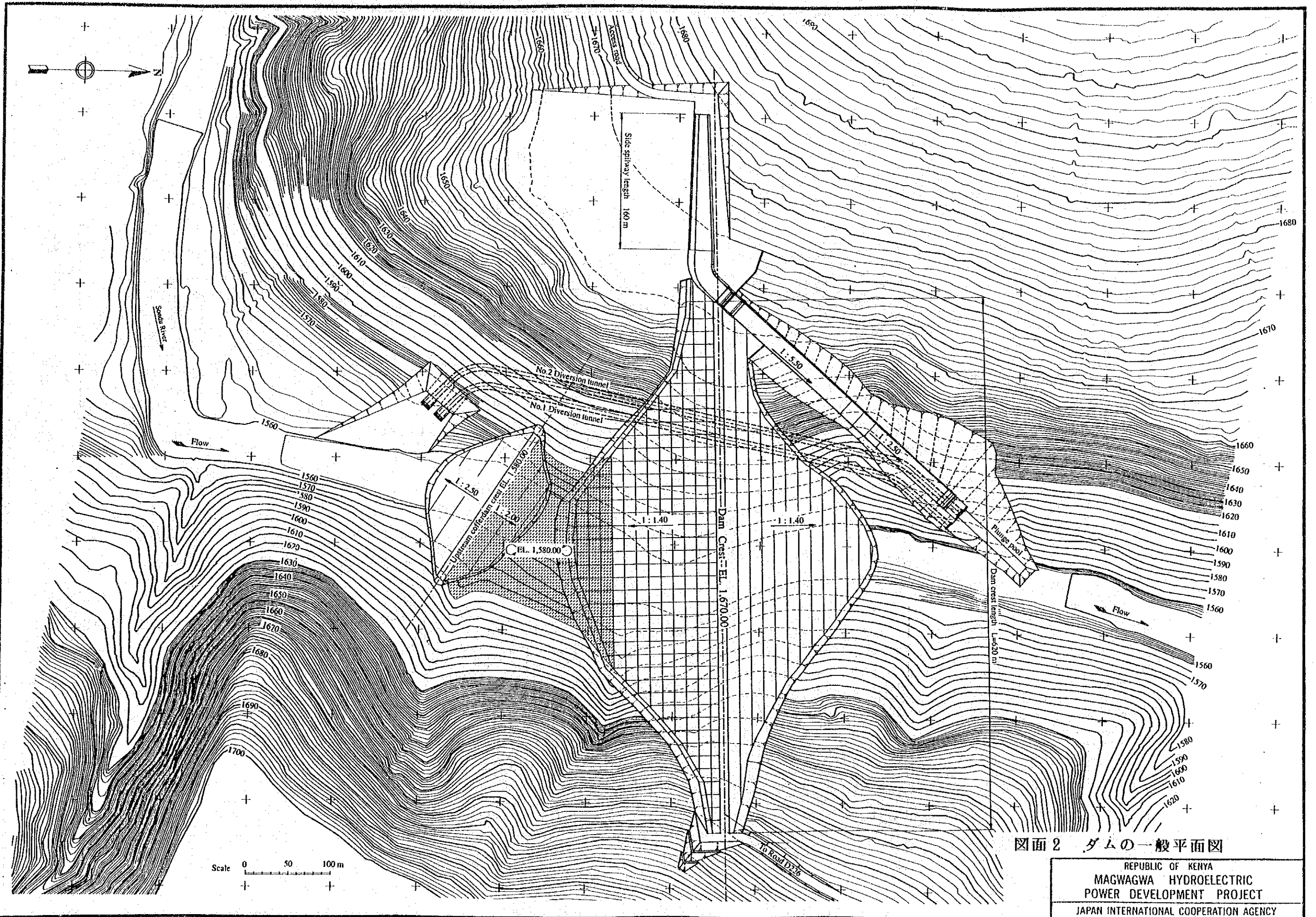


添付図



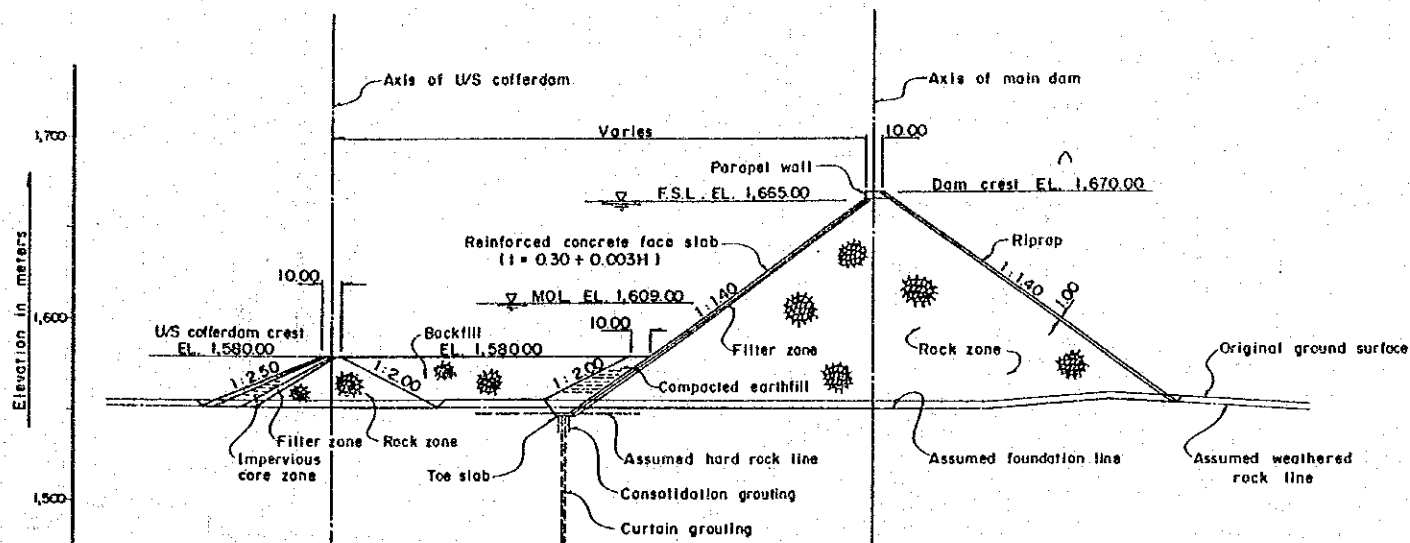
図面1 プロジェクトの一般配置図

REPUBLIC OF KENYA
 MAGWAGWA HYDROELECTRIC
 POWER DEVELOPMENT PROJECT
 JAPAN INTERNATIONAL COOPERATION AGENCY

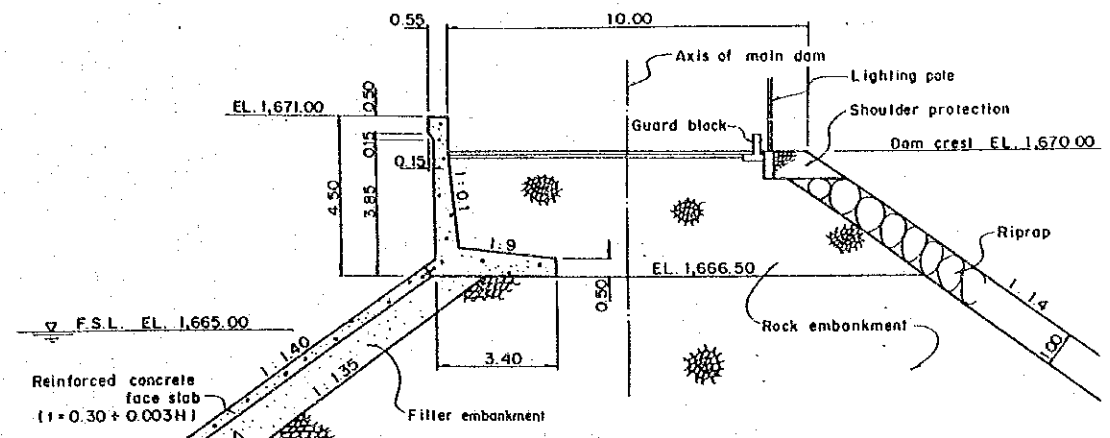


図面 2 ダムの一般平面図

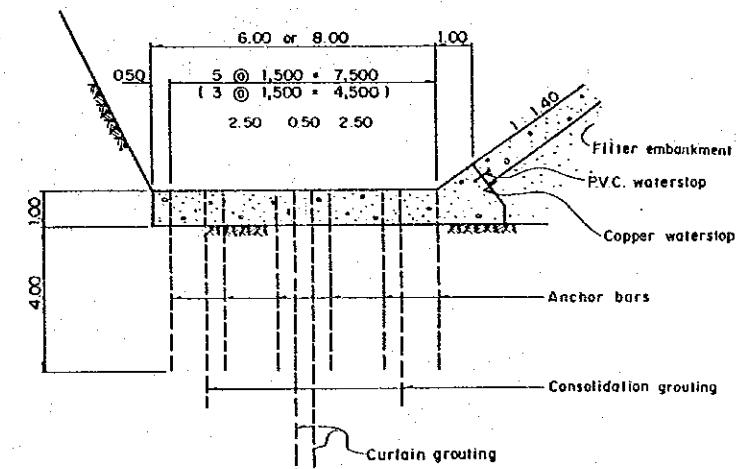
REPUBLIC OF KENYA
 MAGWAGWA HYDROELECTRIC
 POWER DEVELOPMENT PROJECT
 JAPAN INTERNATIONAL COOPERATION AGENCY



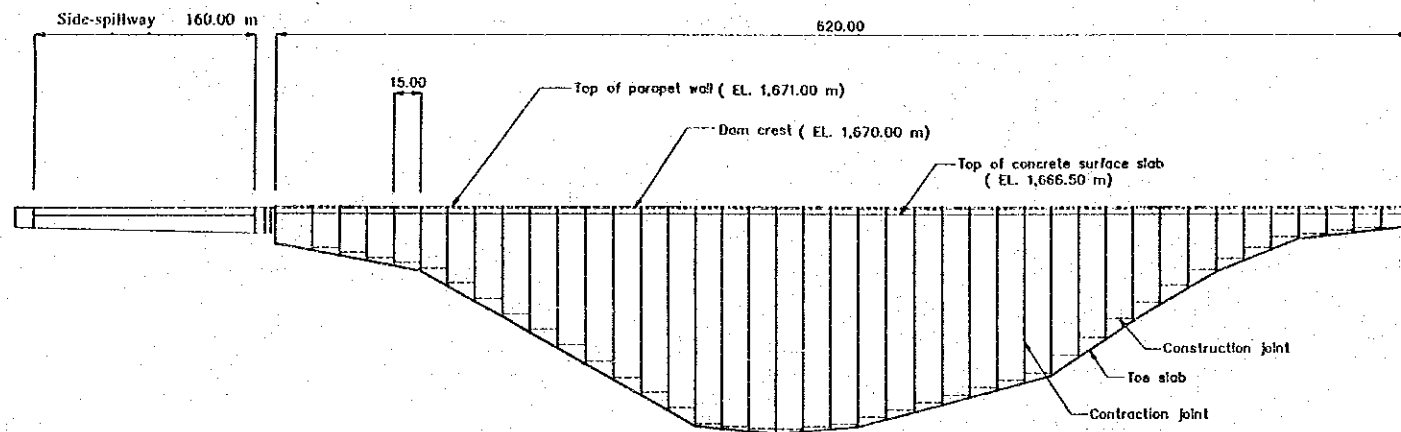
TYPICAL CROSS SECTION SCALE A



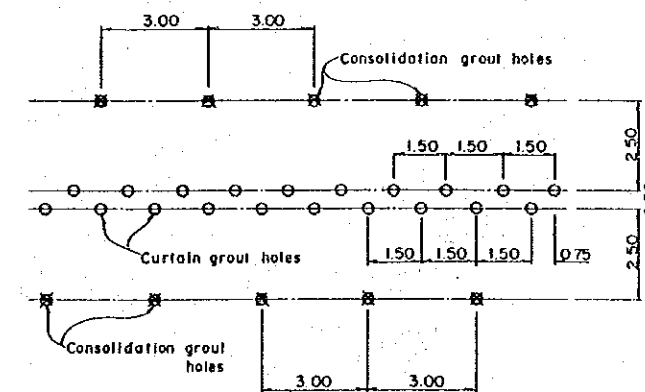
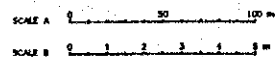
DETAILS OF CREST SCALE B



DETAILS OF TOE SLAB SCALE B



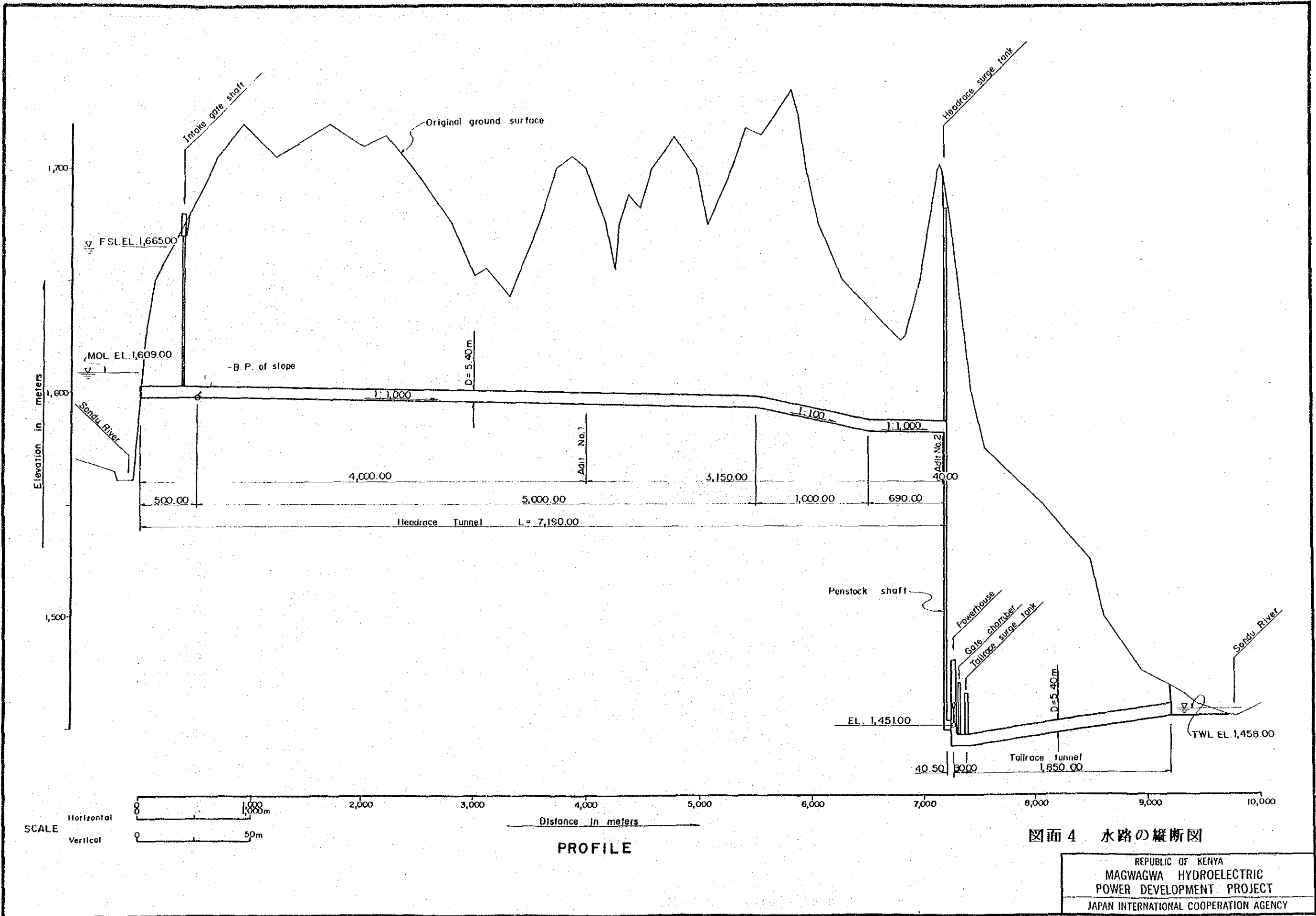
FRONT VIEW SCALE A



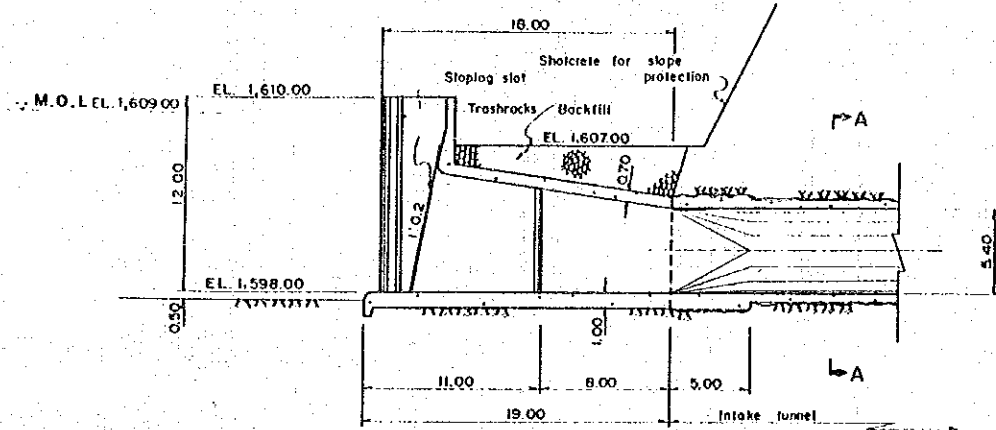
ARRANGEMENT OF GROUT HOLES SCALE B

図面3 主ダムの構造図

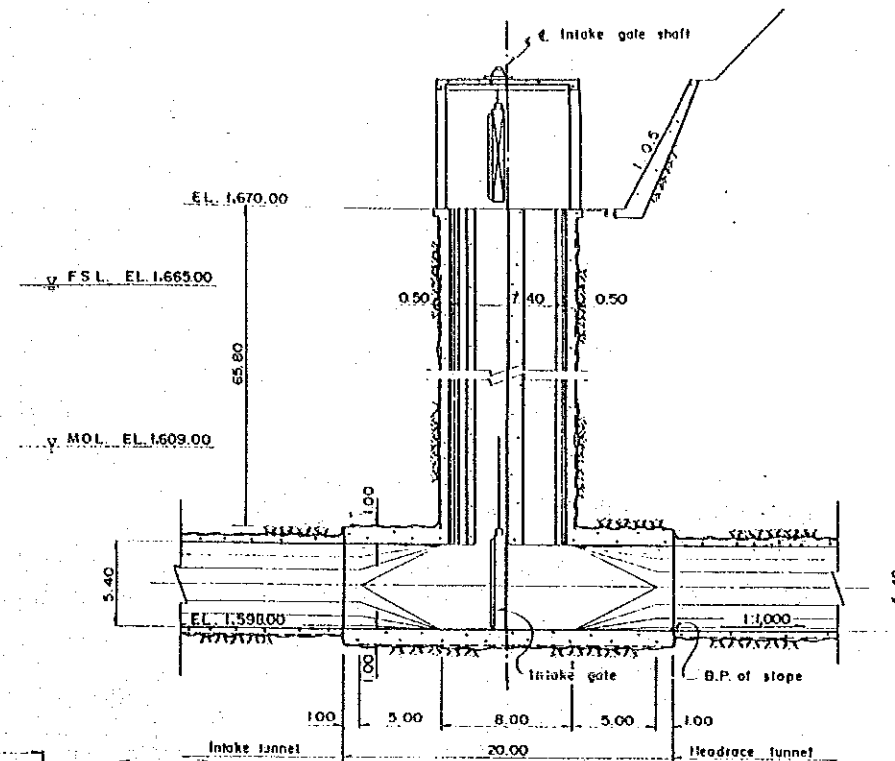
REPUBLIC OF KENYA
MAGWAGWA HYDROELECTRIC
POWER DEVELOPMENT PROJECT
JAPAN INTERNATIONAL COOPERATION AGENCY



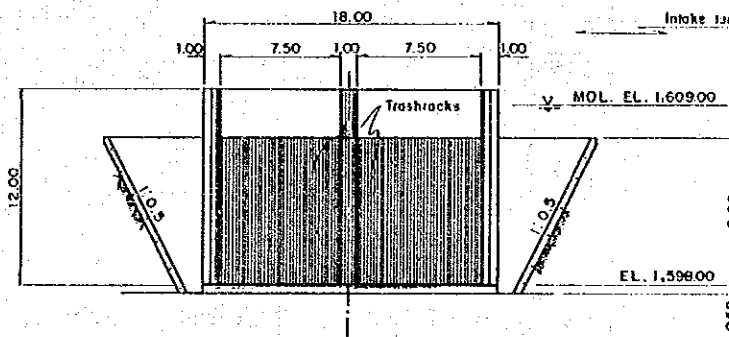
図面 4 水路の縦断面図



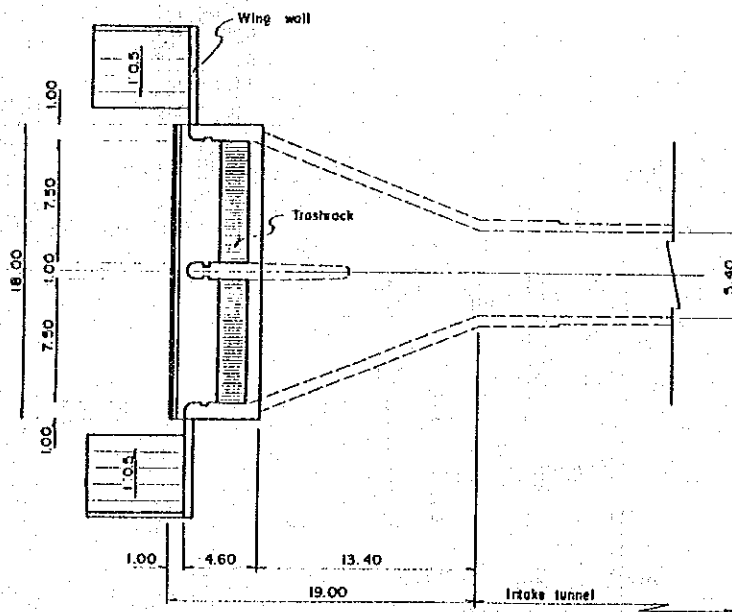
PROFILE OF INTAKE SCALE A



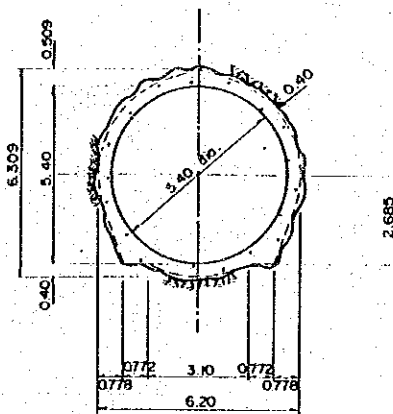
PROFILE OF INTAKE GATE SHAFT SCALE A



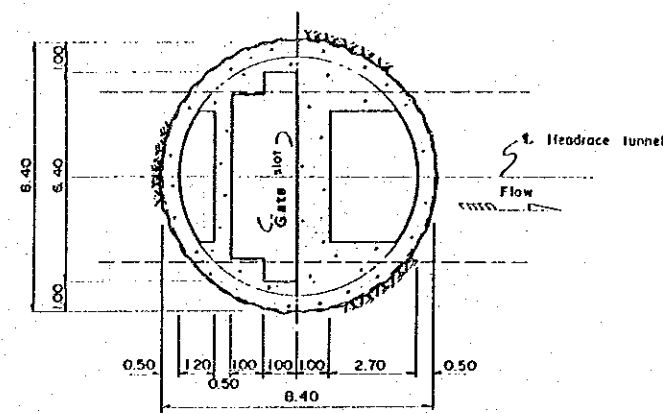
FRONT VIEW SCALE A



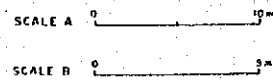
PLAN OF INTAKE SCALE A



SECTION A-A SCALE B

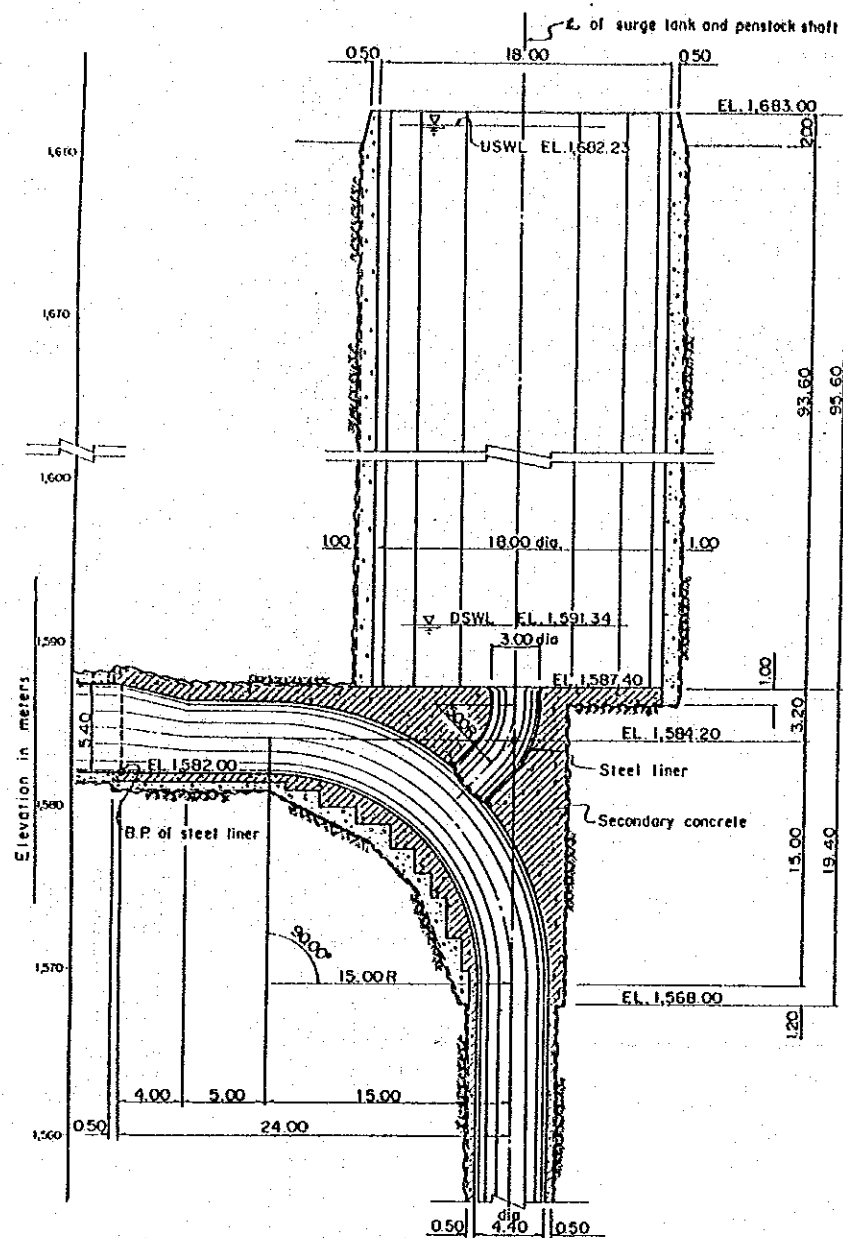


SECTION B-B SCALE B

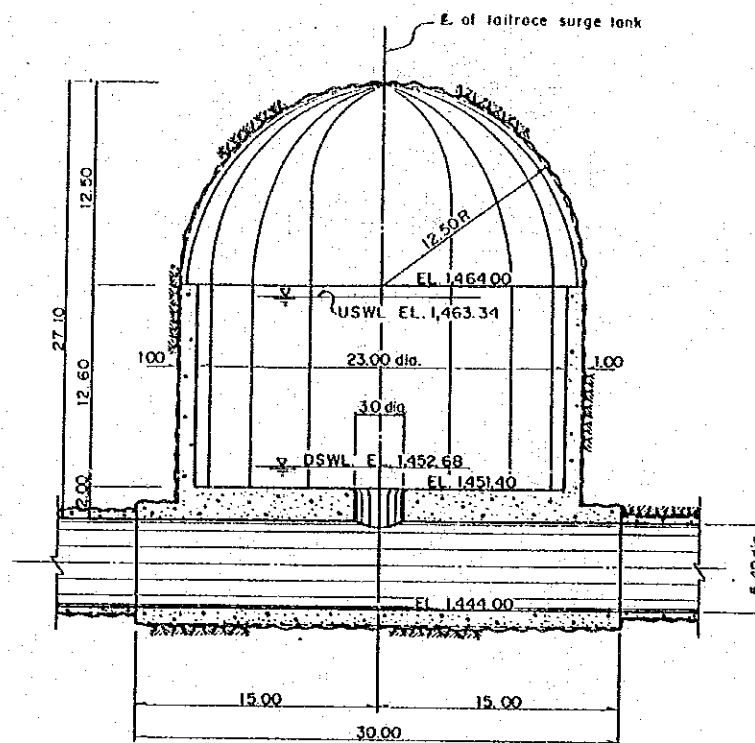


図面 5 取水口及び取水ゲート立坑

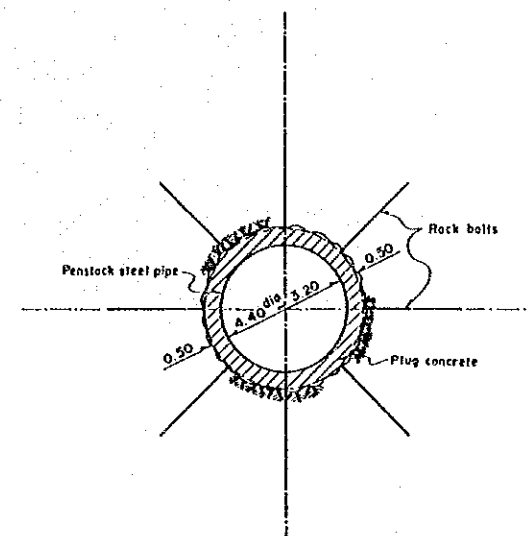
REPUBLIC OF KENYA
MAGWAGWA HYDROELECTRIC
POWER DEVELOPMENT PROJECT
JAPAN INTERNATIONAL COOPERATION AGENCY



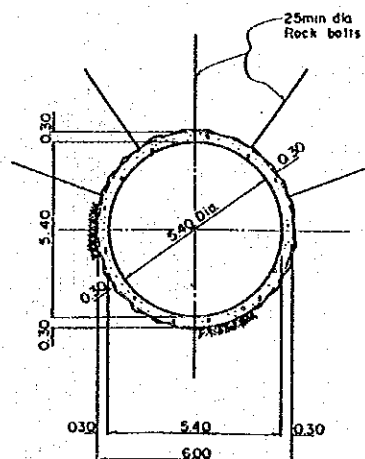
PROFILE OF HEADRACE SURGE TANK Scale A



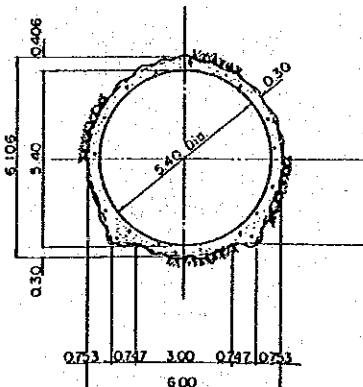
PROFILE OF TAILRACE SURGE TANK Scale A



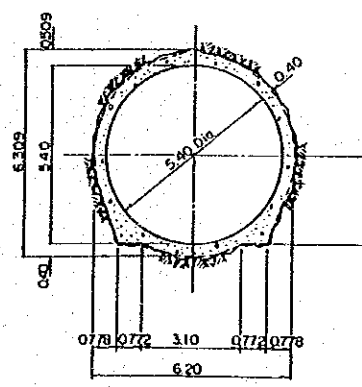
TYPICAL CROSS SECTION OF PENSTOCK SHAFT Scale B



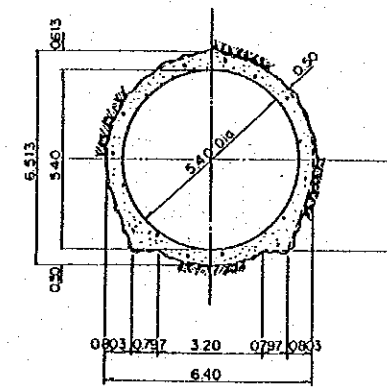
TYPE - I



TYPE - II

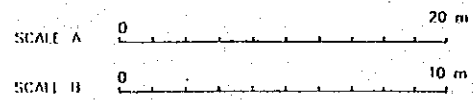


TYPE - III



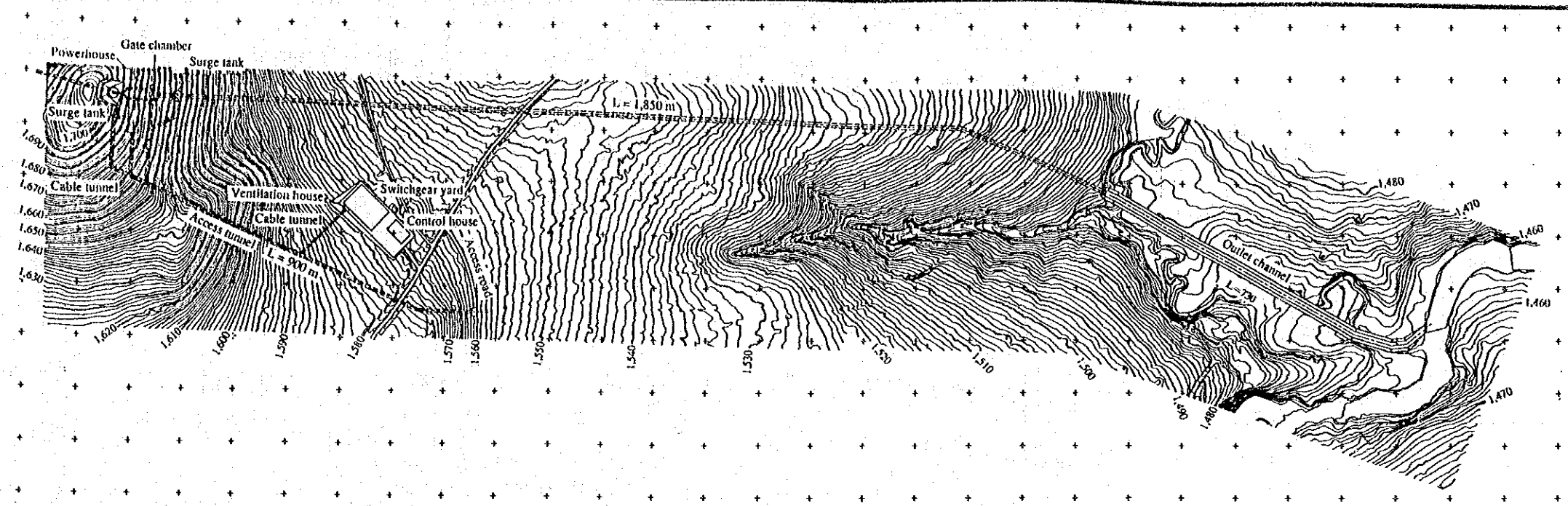
TYPE - IV

TYPICAL CROSS SECTIONS OF HEADRACE AND TAILRACE TUNNELS Scale B

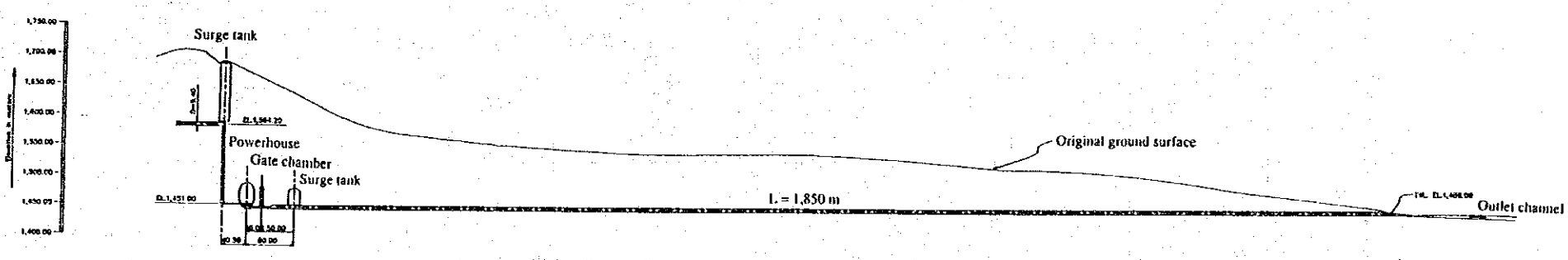


図面6 トンネル断面及びサージタンク詳細

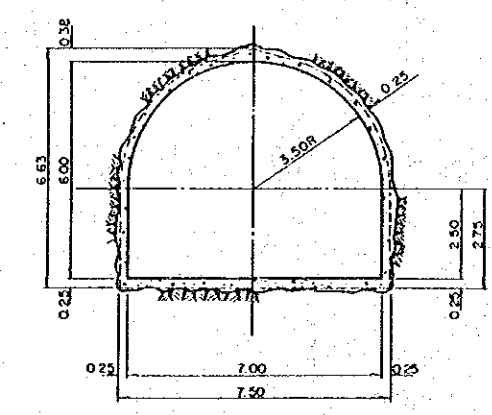
REPUBLIC OF KENYA
MAGWAGWA HYDROELECTRIC
POWER DEVELOPMENT PROJECT
JAPAN INTERNATIONAL COOPERATION AGENCY



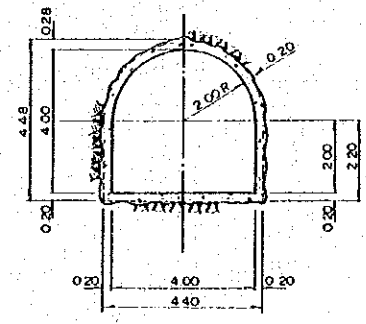
PLAN Scale A



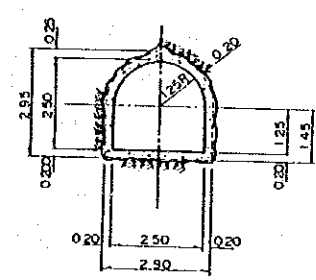
PROFILE Scale A



ACCESS TUNNEL

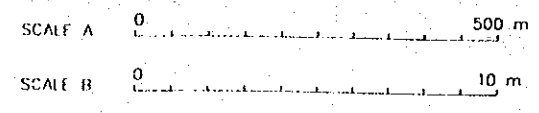


CABLE TUNNEL I



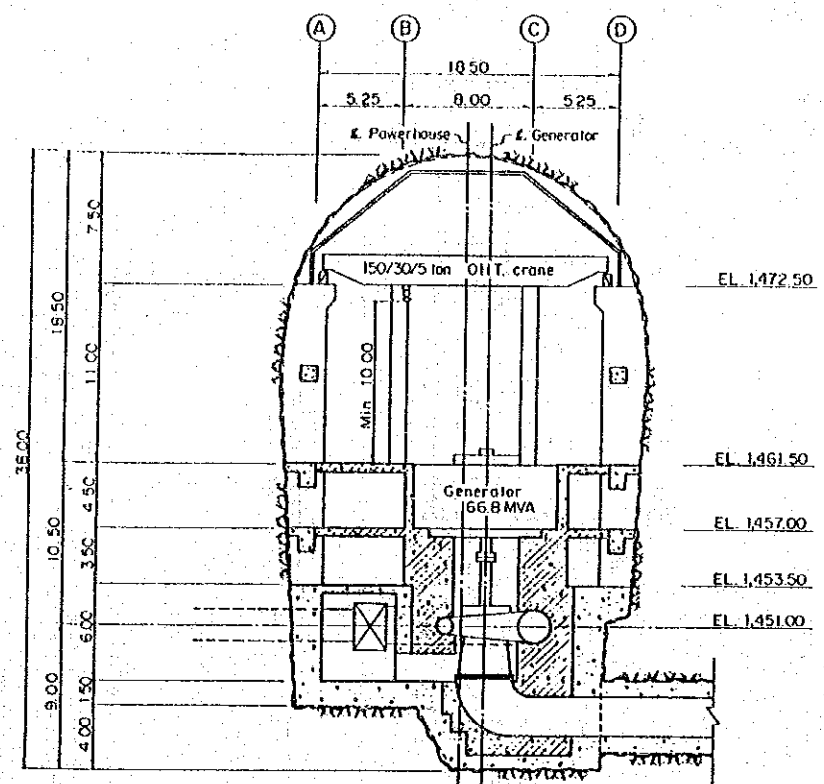
CABLE TUNNEL II

TYPICAL CROSS SECTIONS Scale B

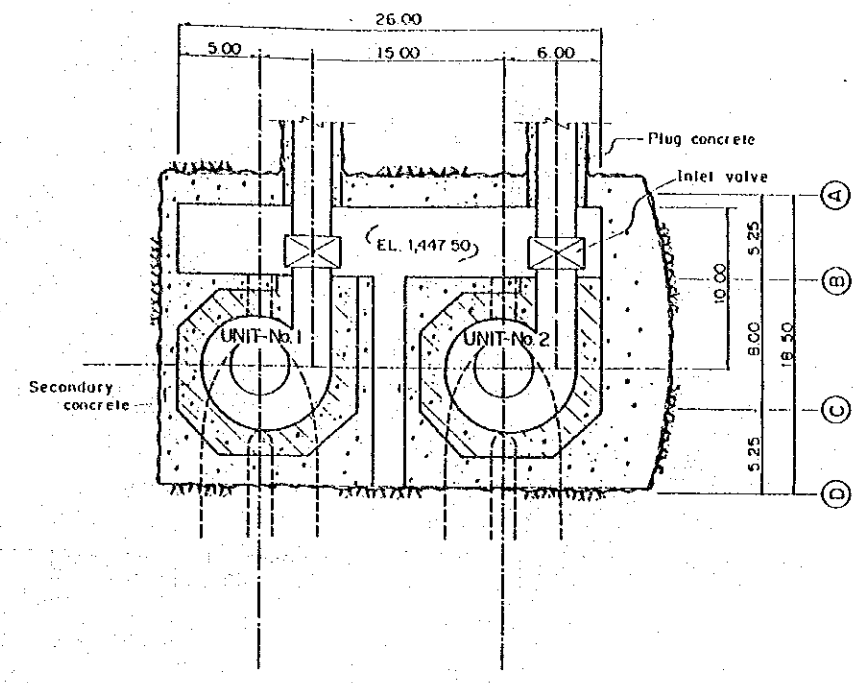


図面 7 発電所周辺一般配置図

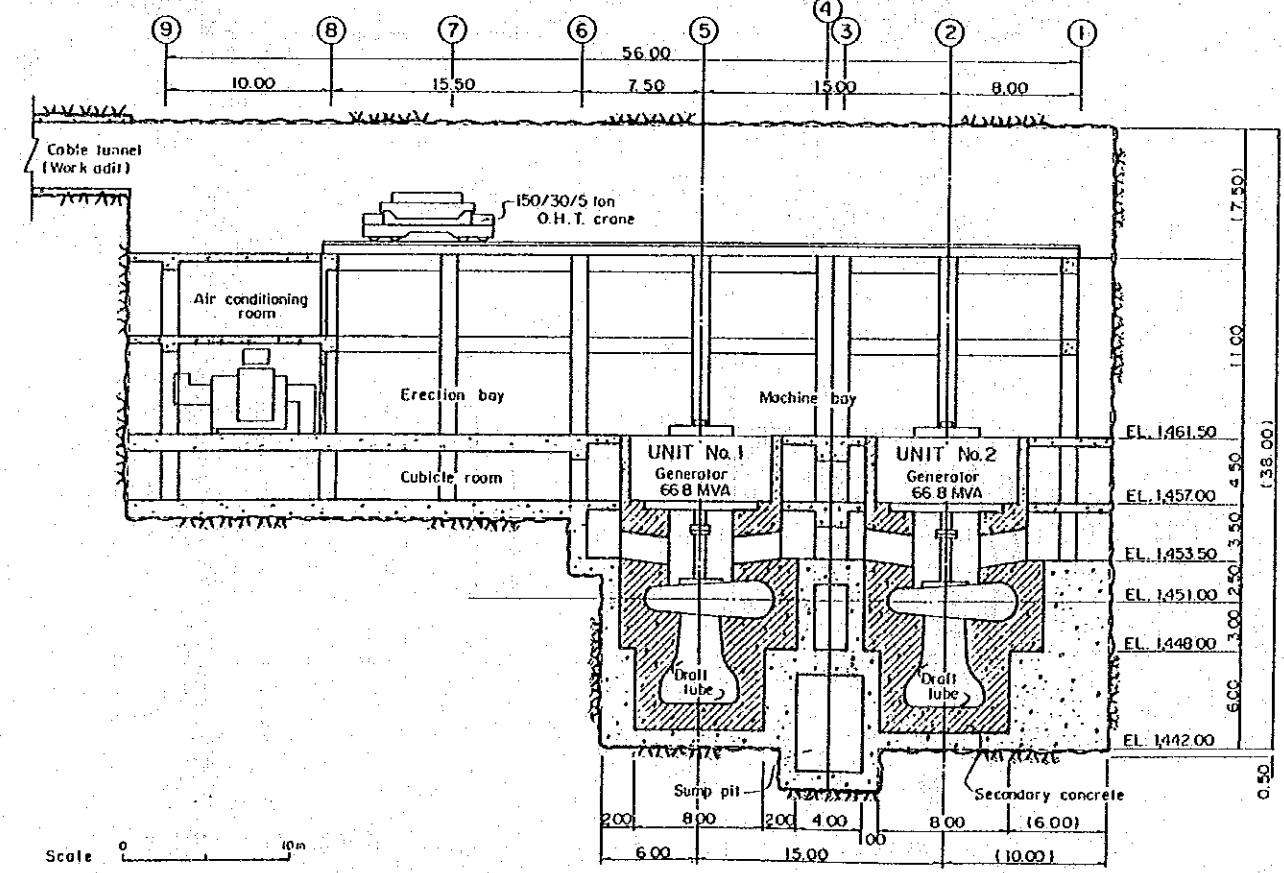
REPUBLIC OF KENYA
MAGWAGWA HYDROELECTRIC
POWER DEVELOPMENT PROJECT
JAPAN INTERNATIONAL COOPERATION AGENCY



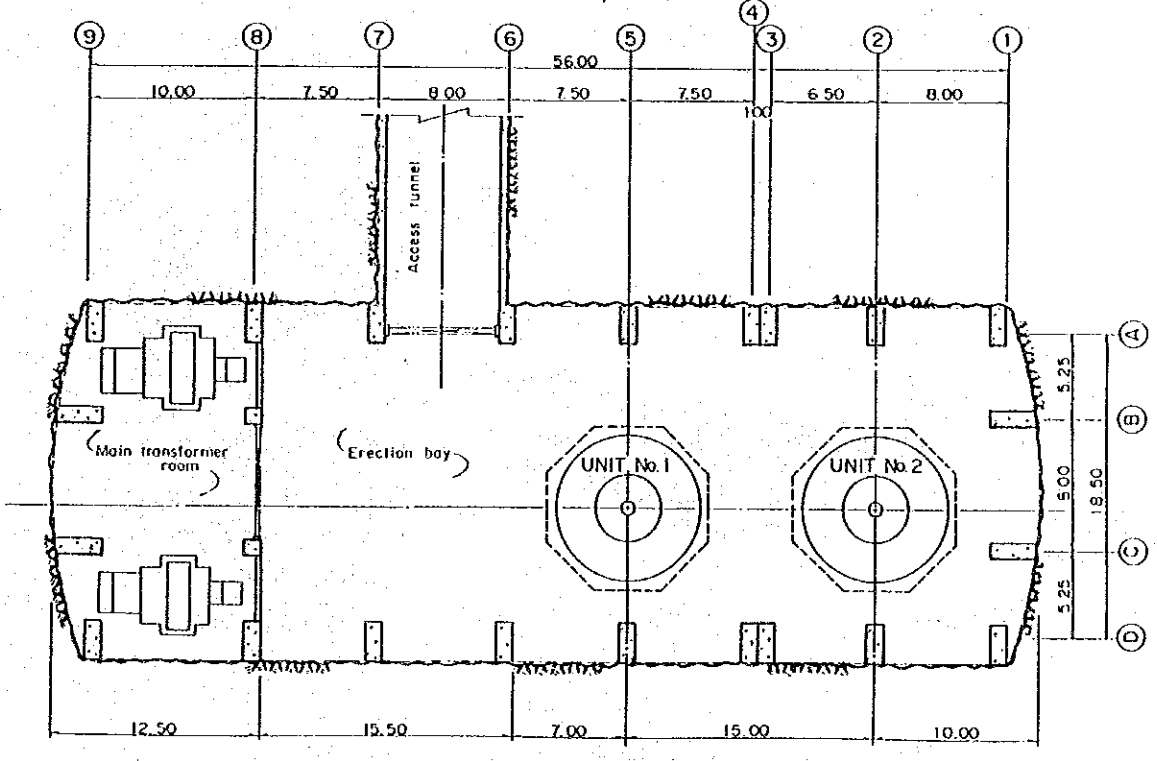
TRANSVERSE SECTION



PLAN AT EL. 1,451.00



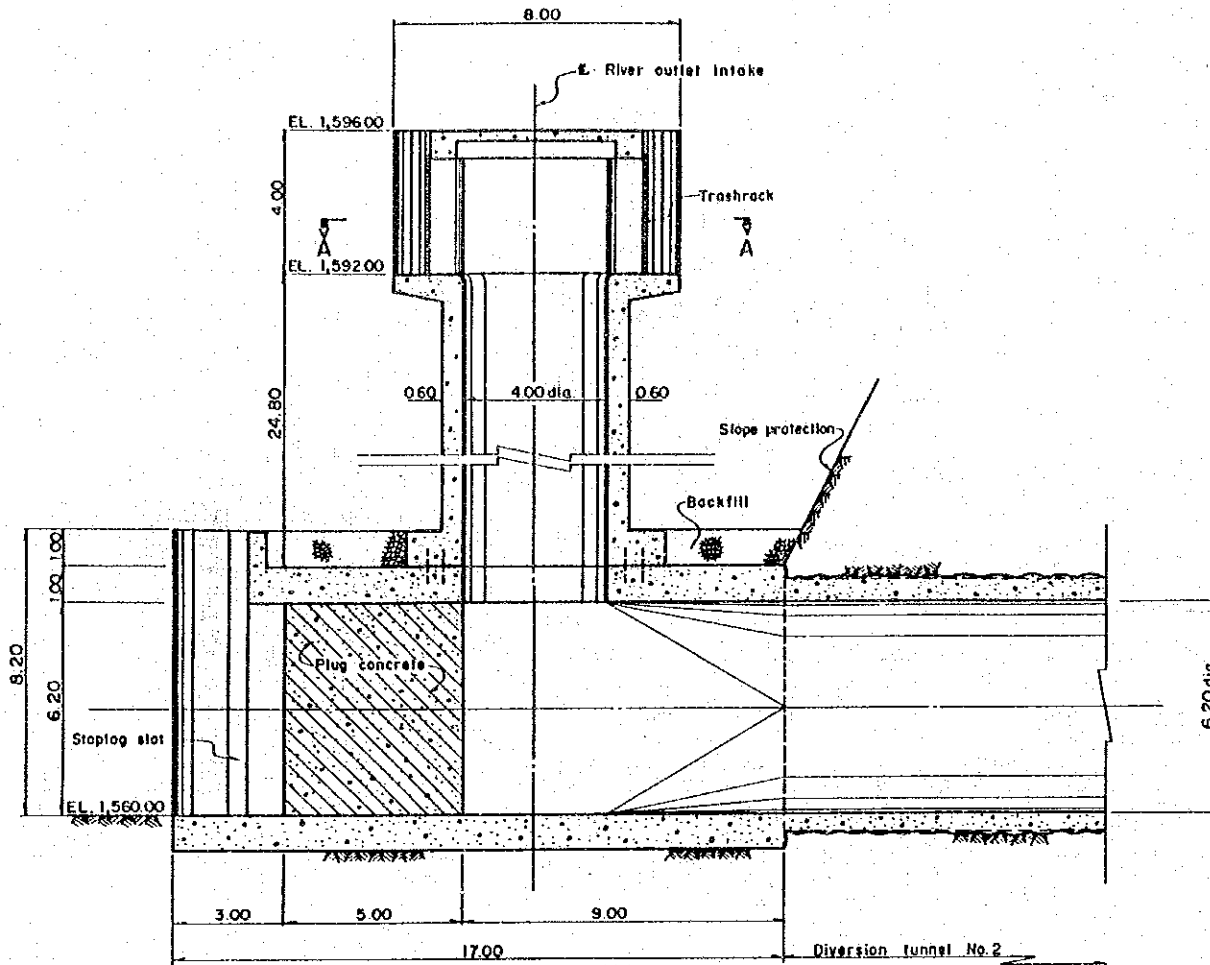
LONGITUDINAL SECTION



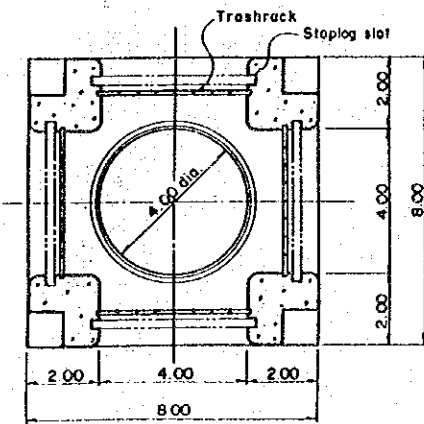
PLAN AT EL. 1,461.50

図面 8 発電所の構造図

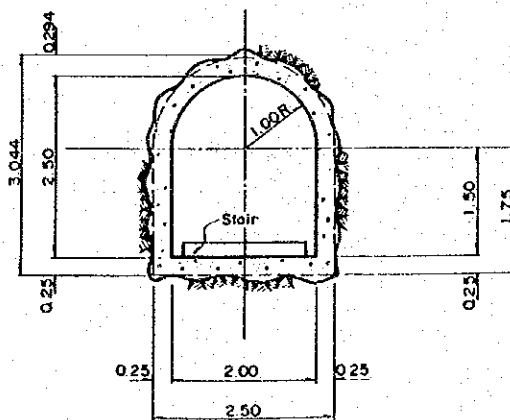
REPUBLIC OF KENYA
 MAGWAGWA HYDROELECTRIC
 POWER DEVELOPMENT PROJECT
 JAPAN INTERNATIONAL COOPERATION AGENCY



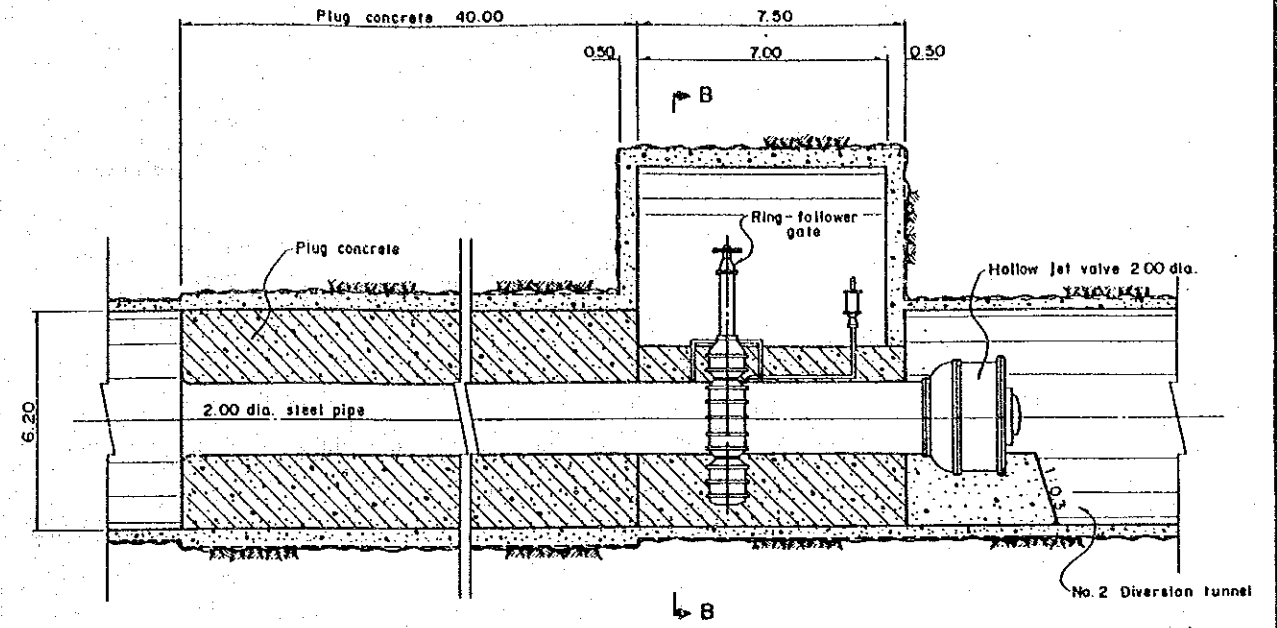
INTAKE STRUCTURE SCALE A



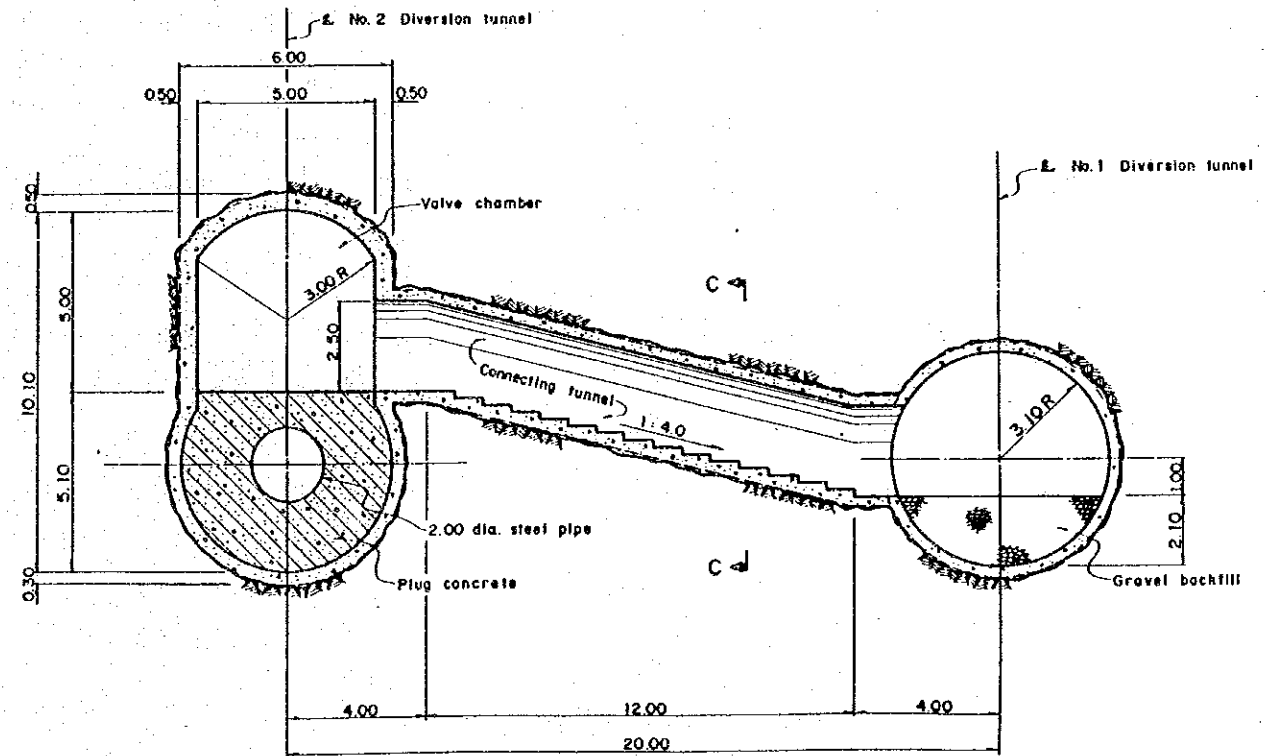
SECTION A-A SCALE A



SECTION C-C SCALE B



PLUG AND VALVE CHAMBER SCALE A



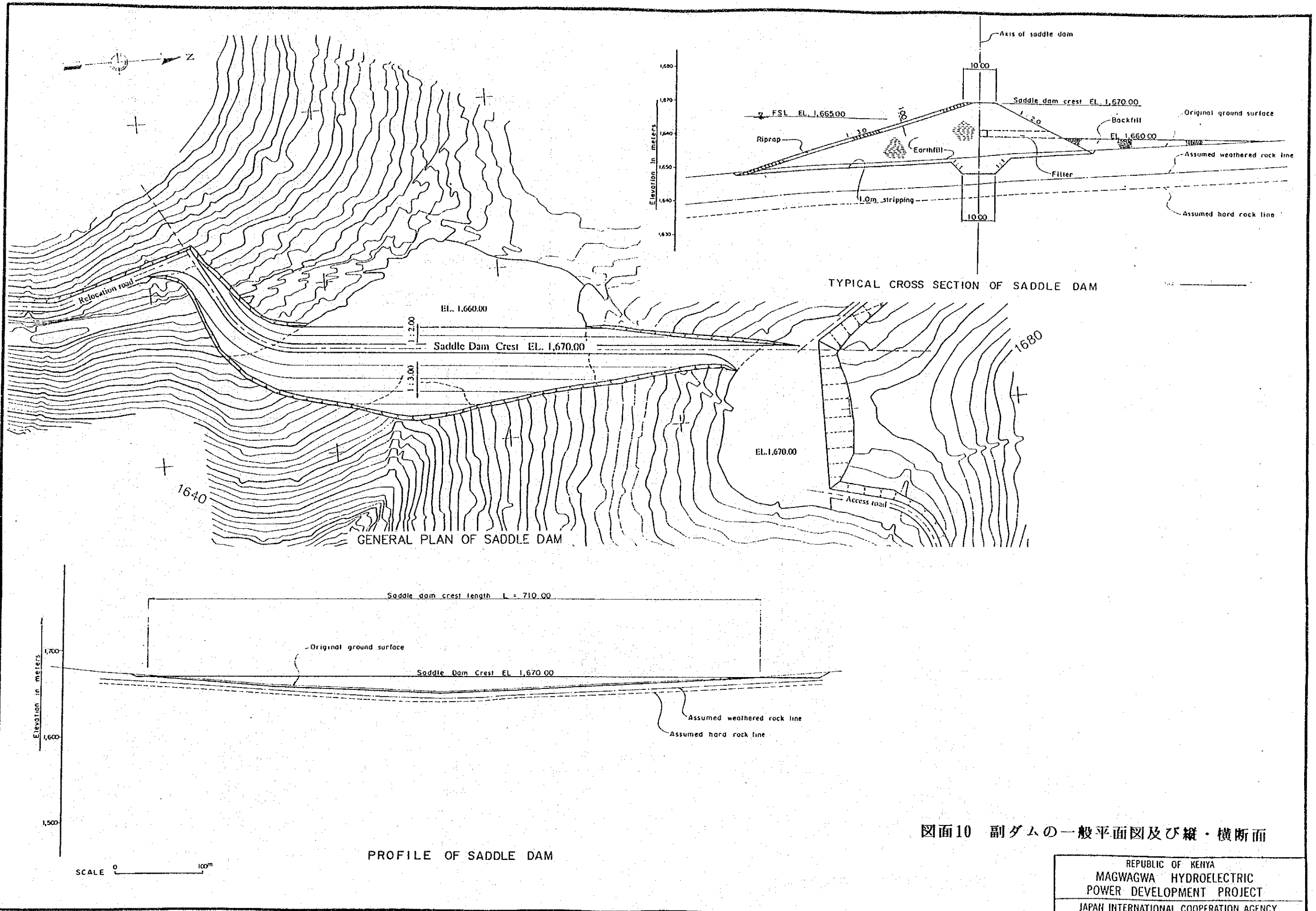
SECTION B-B SCALE A

図面 9 放流施設の構造図

SCALE A 0 5m

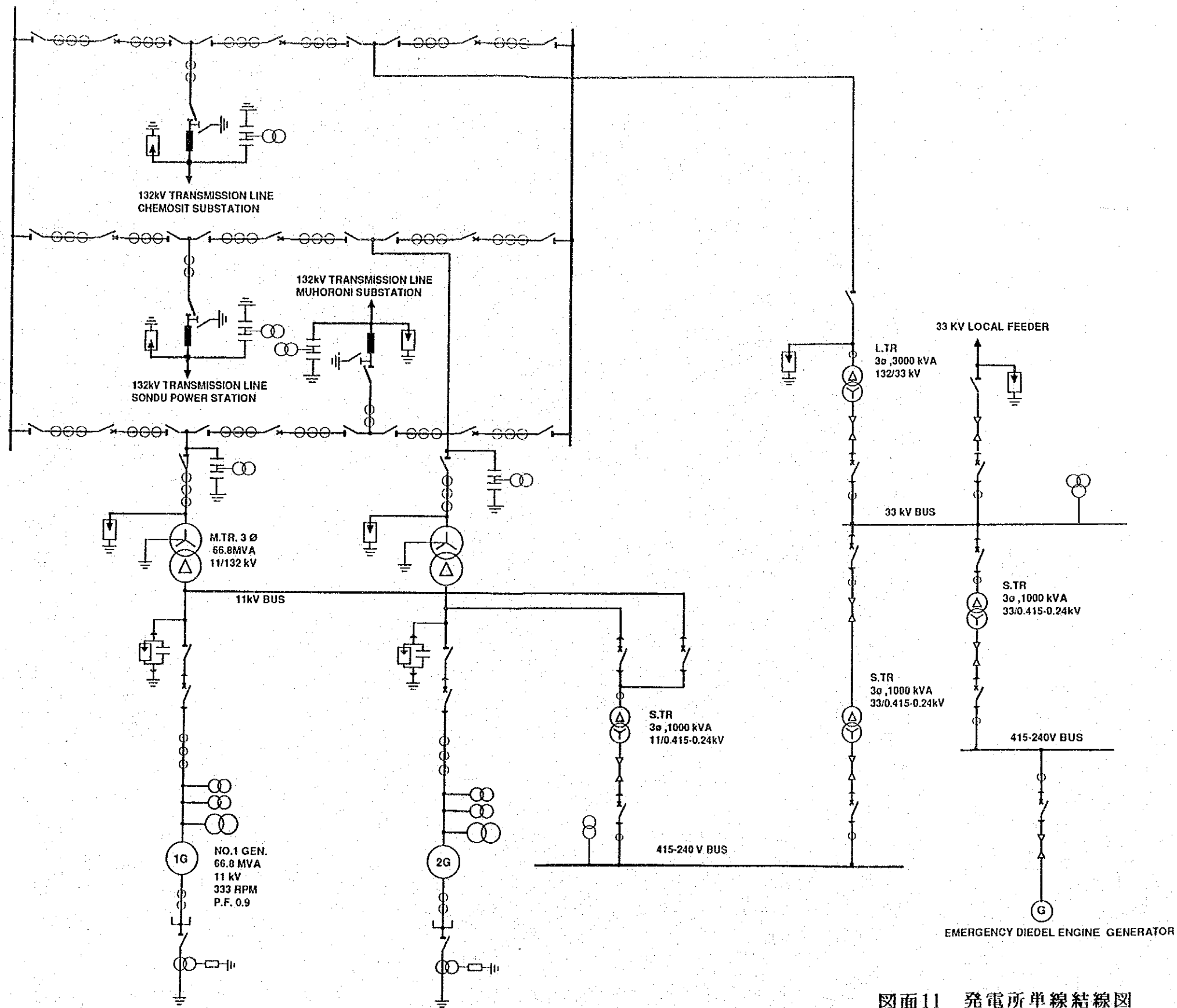
SCALE B 0 2.5m

REPUBLIC OF KENYA
MAGWAGWA HYDROELECTRIC
POWER DEVELOPMENT PROJECT
JAPAN INTERNATIONAL COOPERATION AGENCY



図面10 副ダムの一般平面図及び縦・横断面

REPUBLIC OF KENYA
 MAGWAGWA HYDROELECTRIC
 POWER DEVELOPMENT PROJECT
 JAPAN INTERNATIONAL COOPERATION AGENCY



図面11 発電所単線結線図

REPUBLIC OF KENYA
MAGWAGWA HYDROELECTRIC
POWER DEVELOPMENT PROJECT
JAPAN INTERNATIONAL COOPERATION AGENCY

JICA