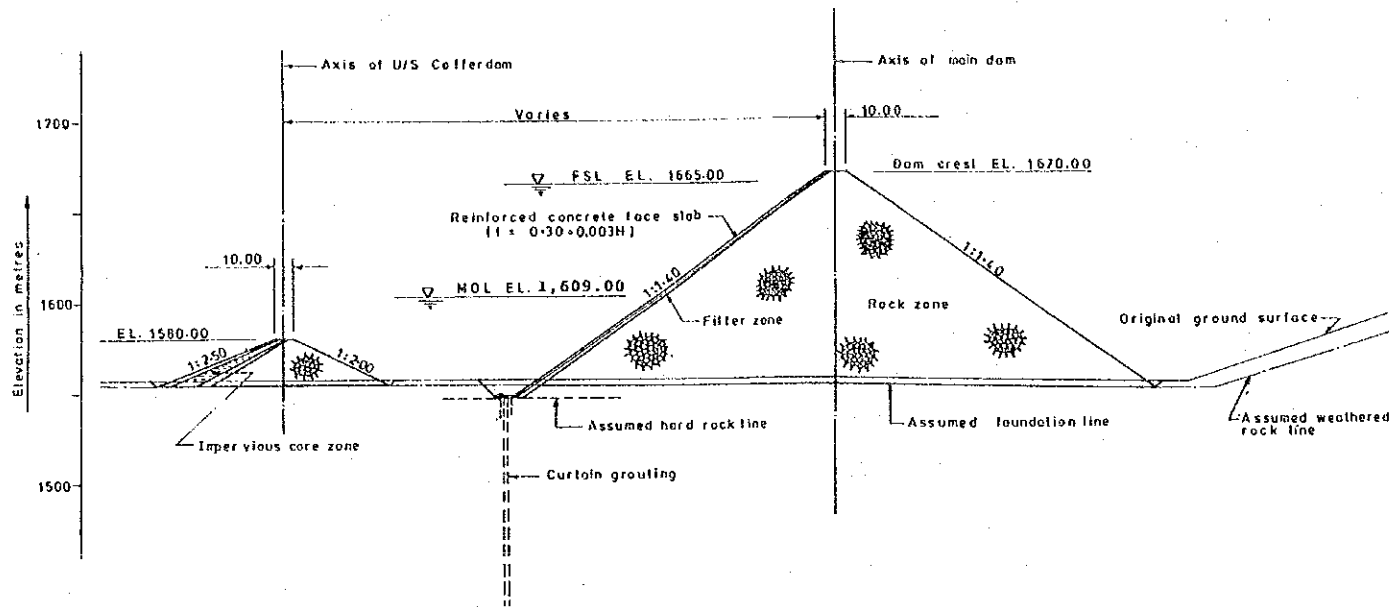
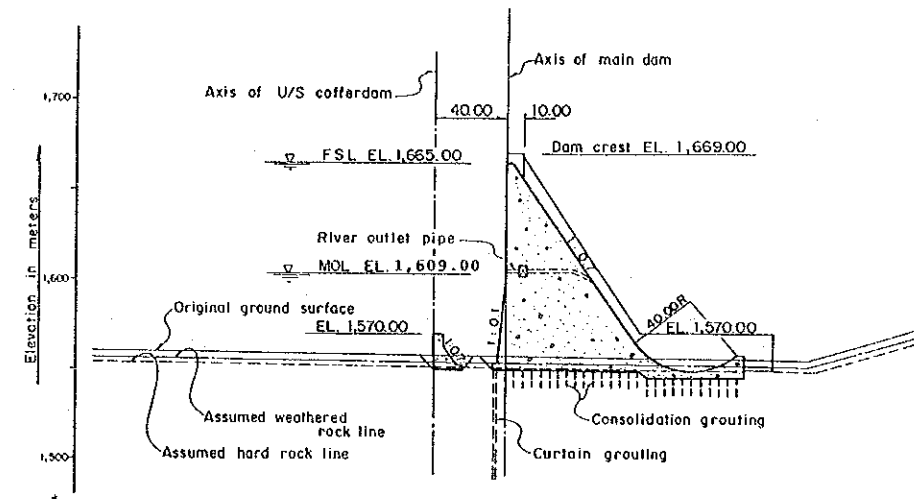


Figure 6.11 General Plan for Centre Core Rockfill Dam

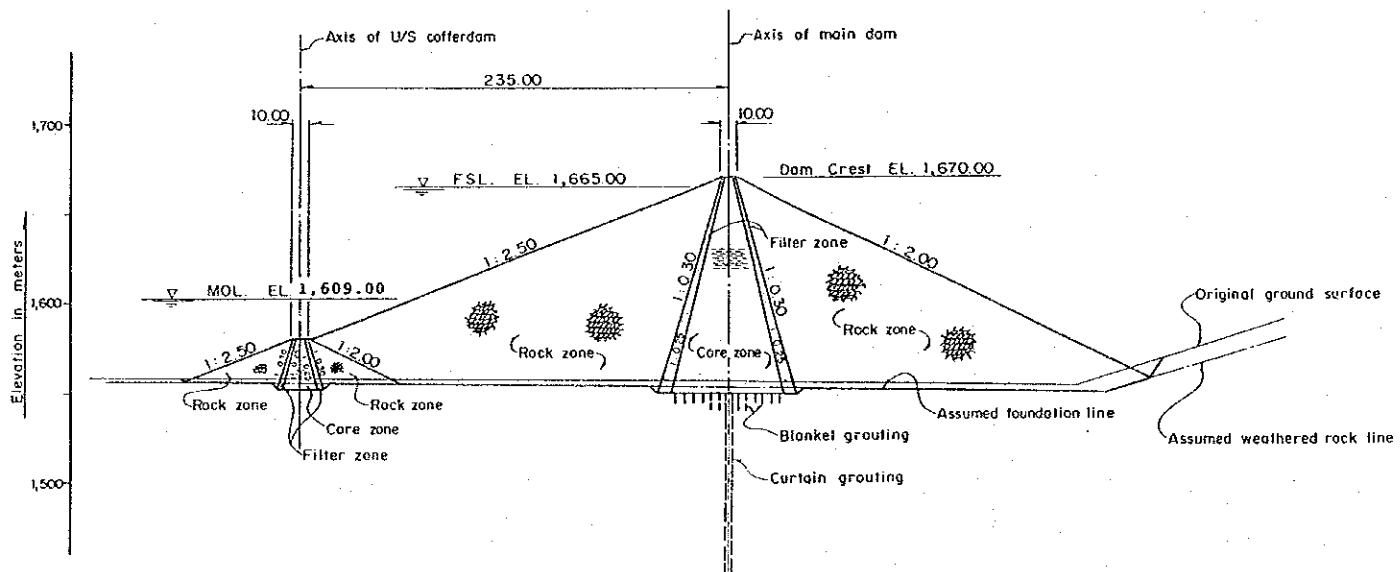
REPUBLIC OF KENYA
 MAGWAGWA HYDROELECTRIC
 POWER DEVELOPMENT PROJECT
 JAPAN INTERNATIONAL COOPERATION AGENCY



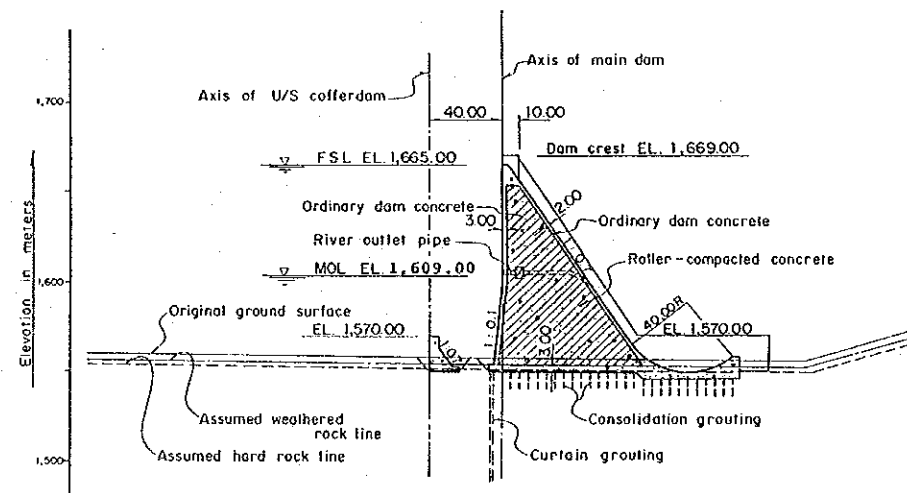
TYPICAL CROSS SECTION FOR CONCRETE FACING DAM



TYPICAL CROSS SECTION FOR CONCRETE GRAVITY DAM



TYPICAL CROSS SECTION FOR ROCKFILL DAM



TYPICAL CROSS SECTION FOR RCD DAM

Scale 0 100m

Figure 6.12 Typical Cross Sections for Alternative Dam Types

REPUBLIC OF KENYA
MAGWAGWA HYDROELECTRIC
POWER DEVELOPMENT PROJECT
JAPAN INTERNATIONAL COOPERATION AGENCY

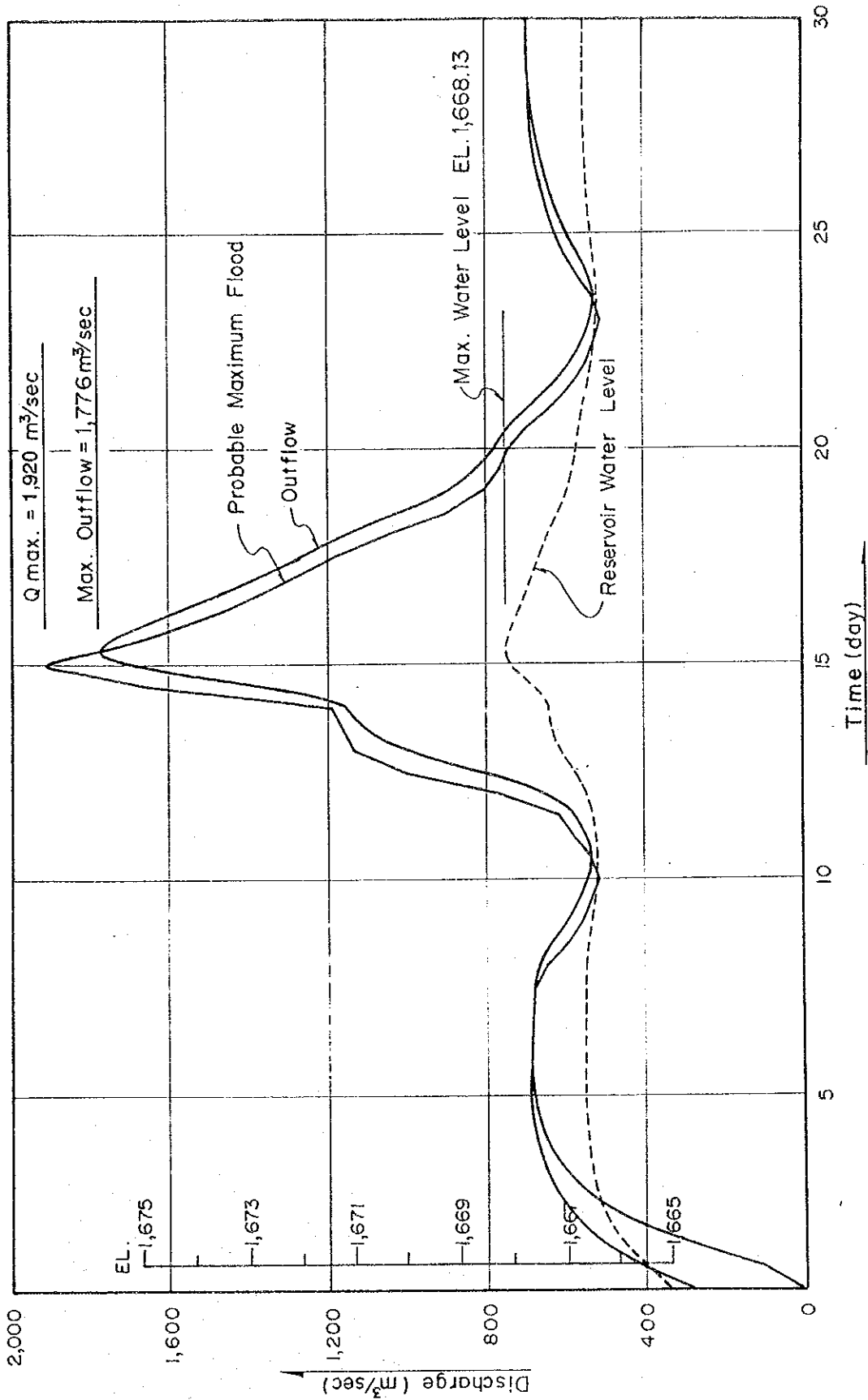


Figure 6.13 Flood Routing Study of Spillway

REPUBLIC OF KENYA
 MAGWAGWA HYDROELECTRIC
 POWER DEVELOPMENT PROJECT
 JAPAN INTERNATIONAL COOPERATION AGENCY

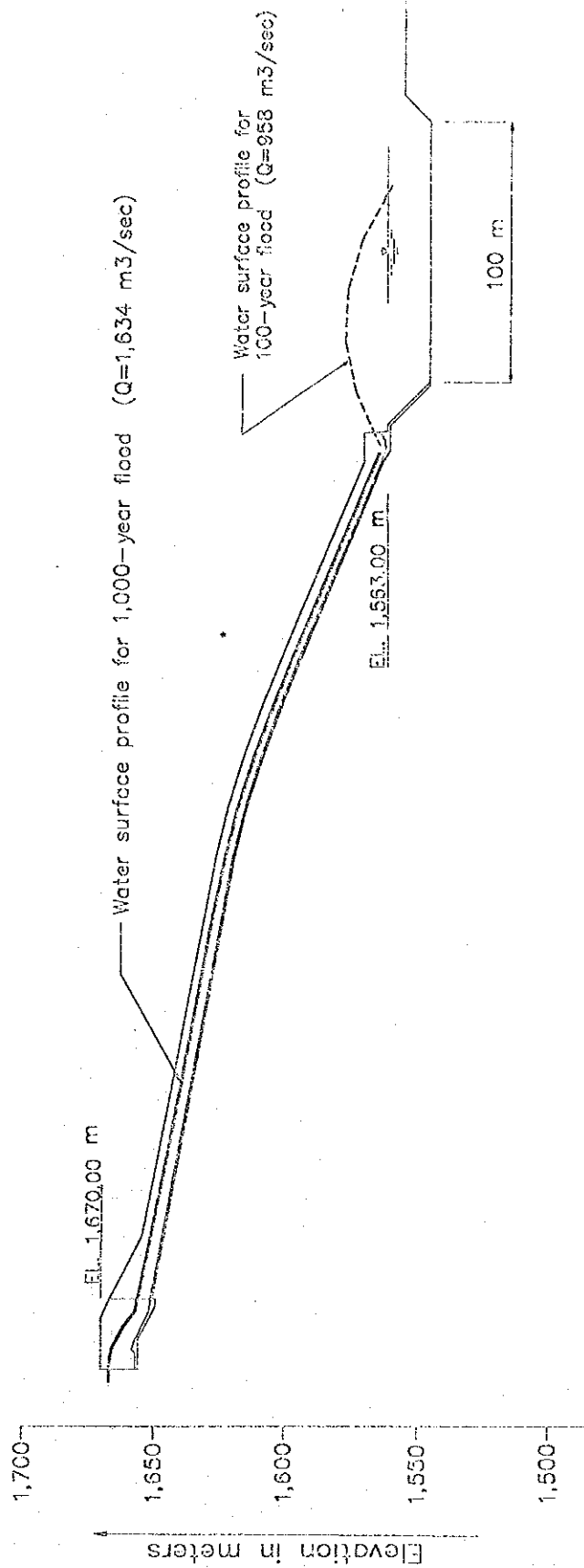
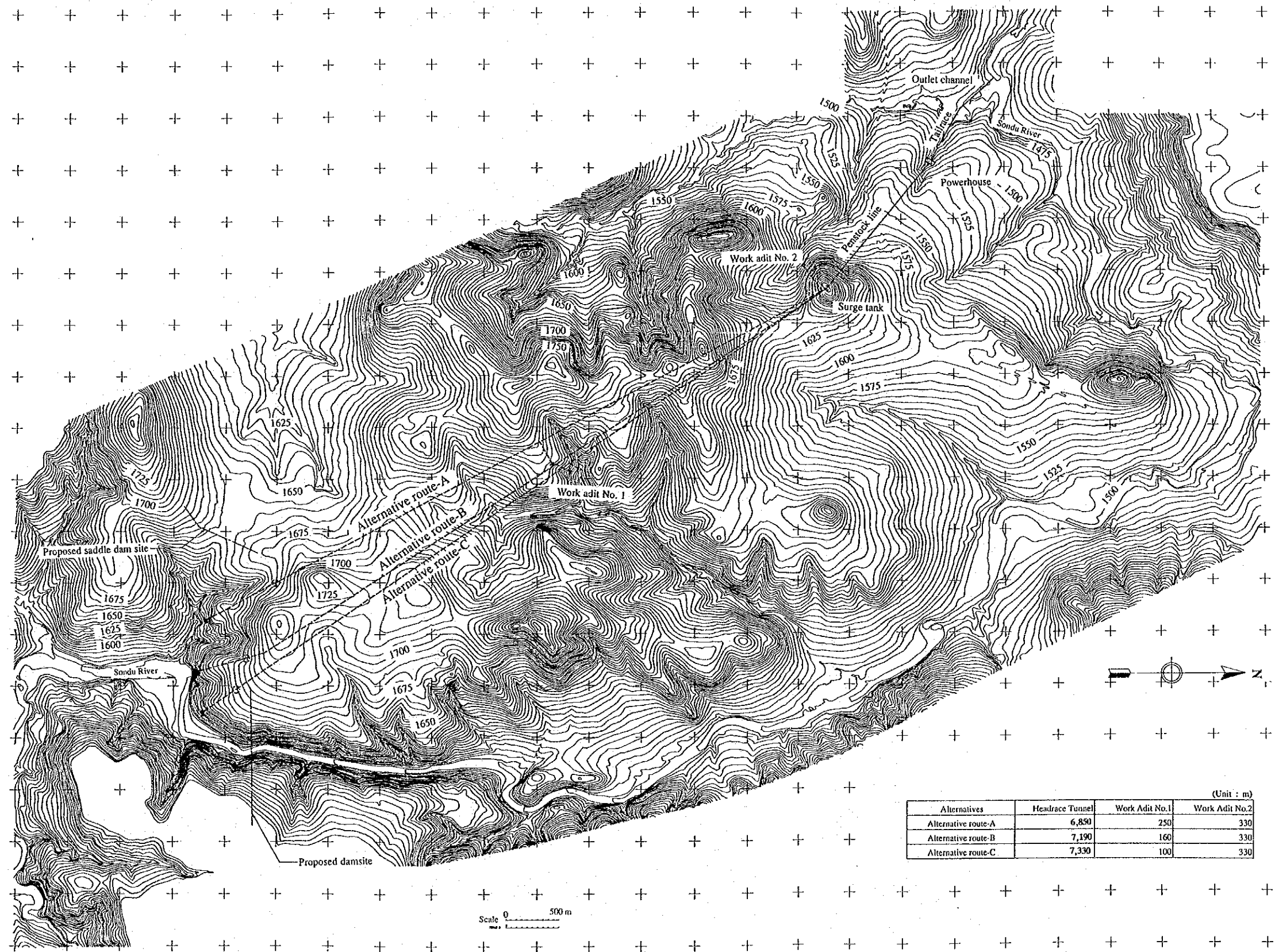


Figure 6.14 Water Profile of Design Flood in Spillway Chuteway

REPUBLIC OF KENYA
 MAGWAGWA HYDROELECTRIC
 POWER DEVELOPMENT PROJECT
 JAPAN INTERNATIONAL COOPERATION AGENCY



(Unit : m)

Alternatives	Headrace Tunnel	Work Adit No.1	Work Adit No.2
Alternative route-A	6,850	250	330
Alternative route-B	7,190	160	330
Alternative route-C	7,330	100	330

Figure 6.15 Alternative Routes of Headrace Tunnel

REPUBLIC OF KENYA
MAGWAGWA HYDROELECTRIC
POWER DEVELOPMENT PROJECT
JAPAN INTERNATIONAL COOPERATION AGENCY

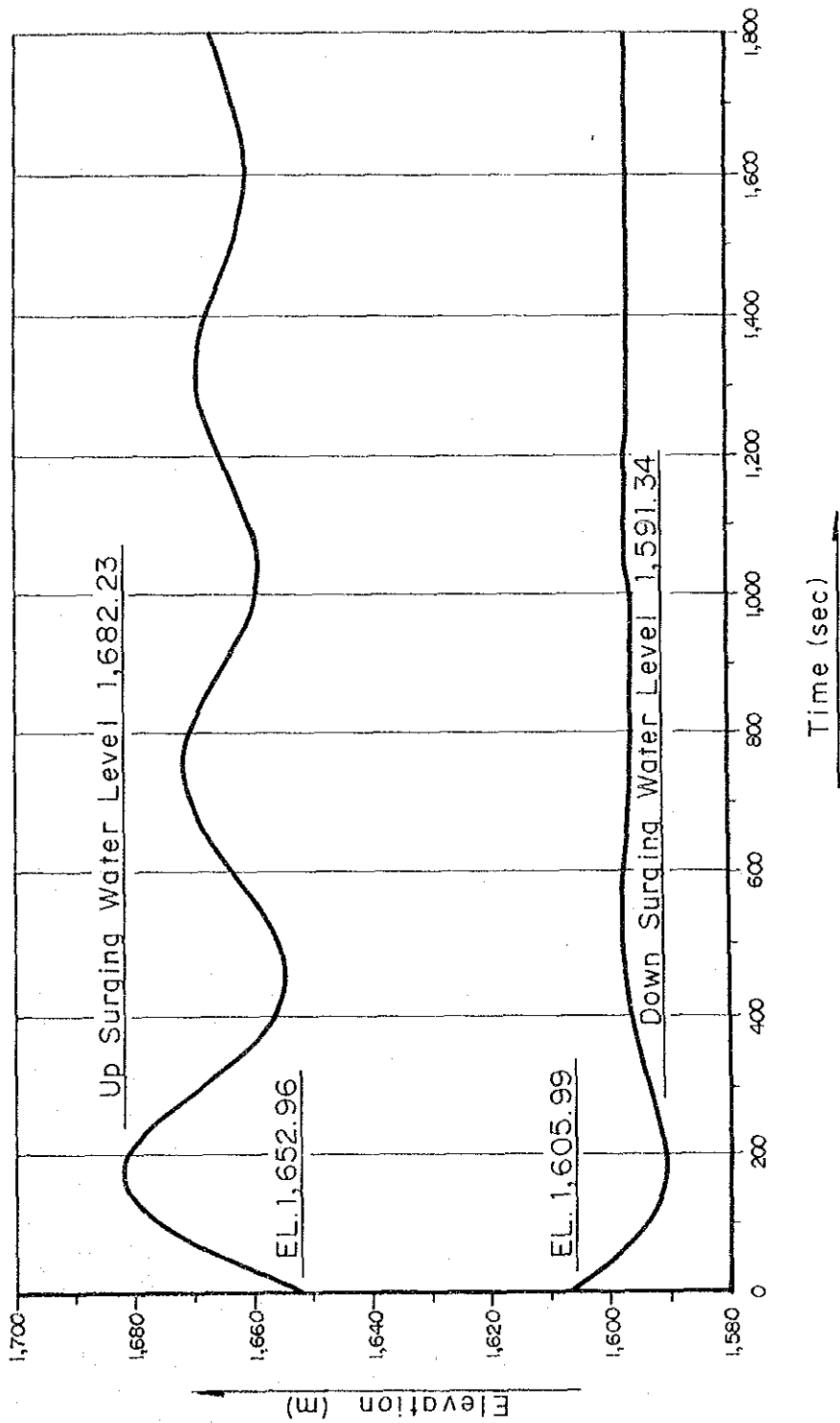


Figure 6.16 Surging Wave Curves in Headrace Surge Tank

REPUBLIC OF KENYA
 MAGWAGWA HYDROELECTRIC
 POWER DEVELOPMENT PROJECT
 JAPAN INTERNATIONAL COOPERATION AGENCY

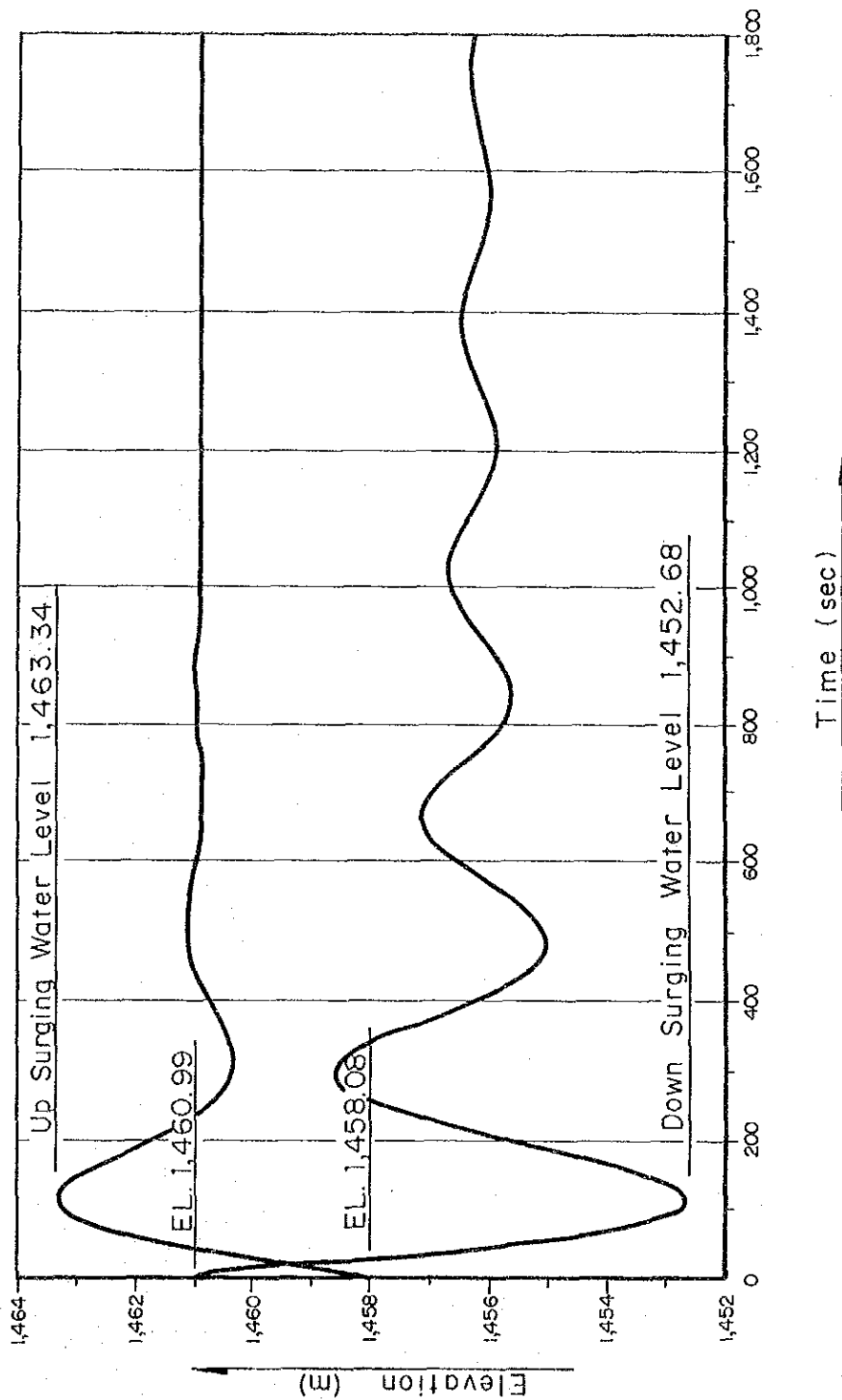


Figure 6.17 Surging Wave Curves in Tailrace Surge Tank

REPUBLIC OF KENYA
 MAGWAGWA HYDROELECTRIC
 POWER DEVELOPMENT PROJECT
 JAPAN INTERNATIONAL COOPERATION AGENCY

Plates

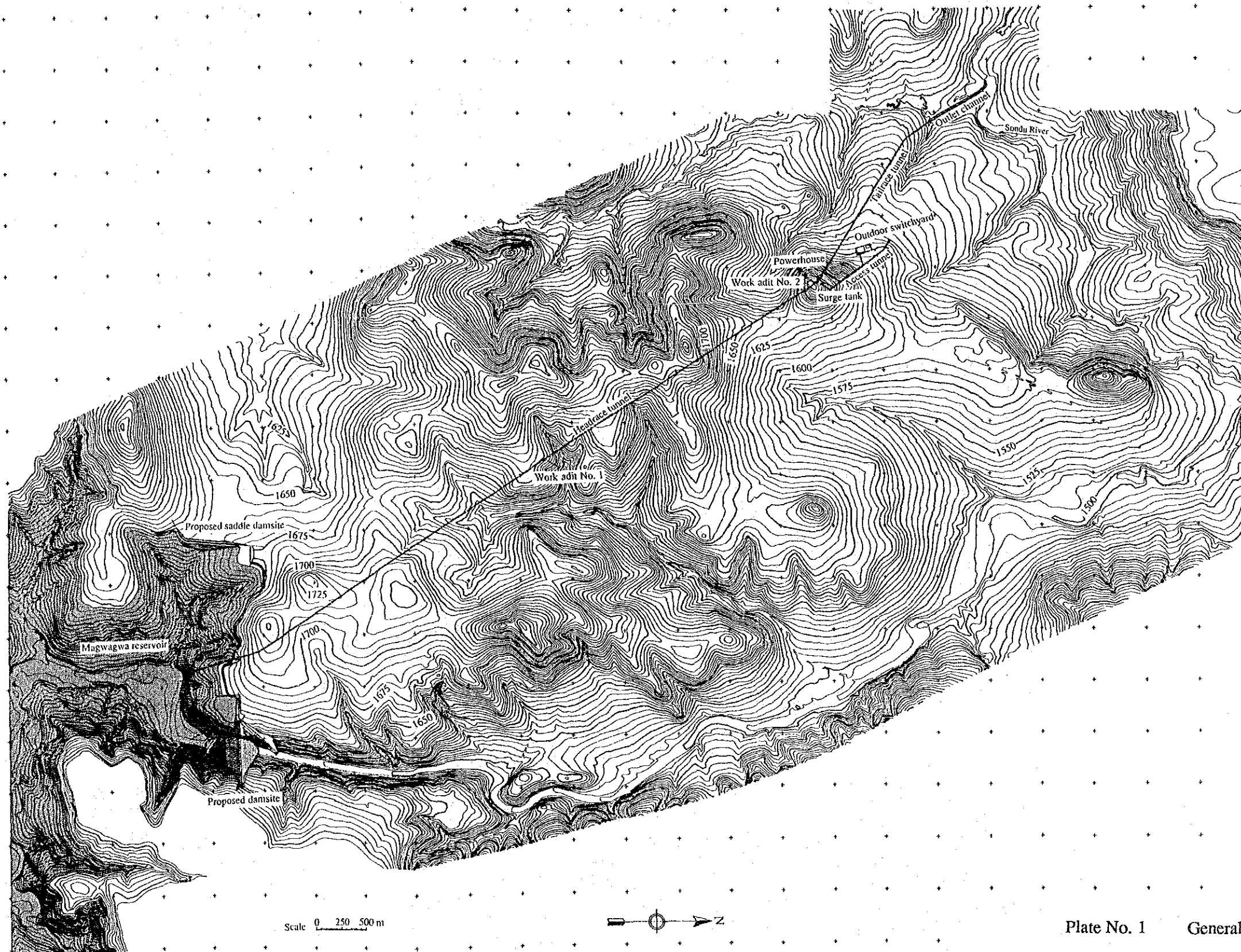


Plate No. 1 General Layout of Project

REPUBLIC OF KENYA MAGWAGWA HYDROELECTRIC POWER DEVELOPMENT PROJECT JAPAN INTERNATIONAL COOPERATION AGENCY
--

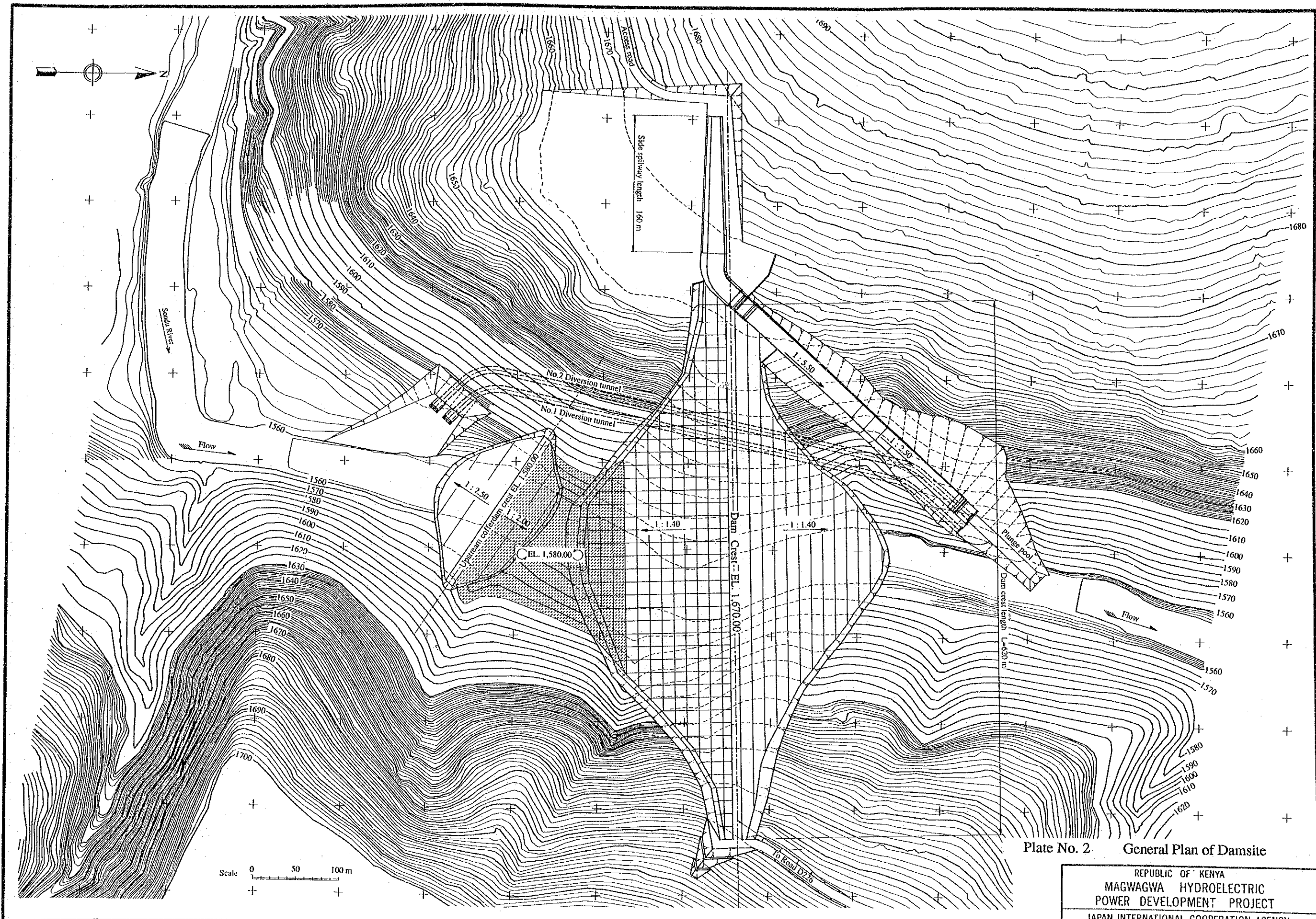
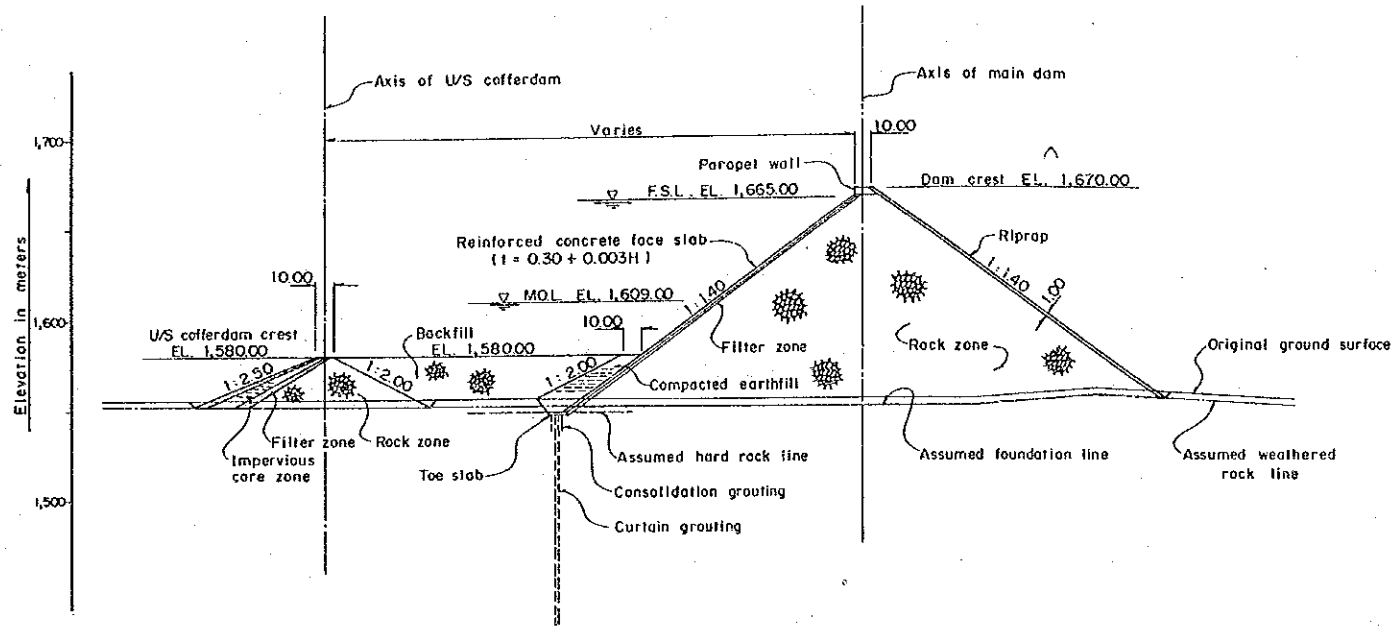
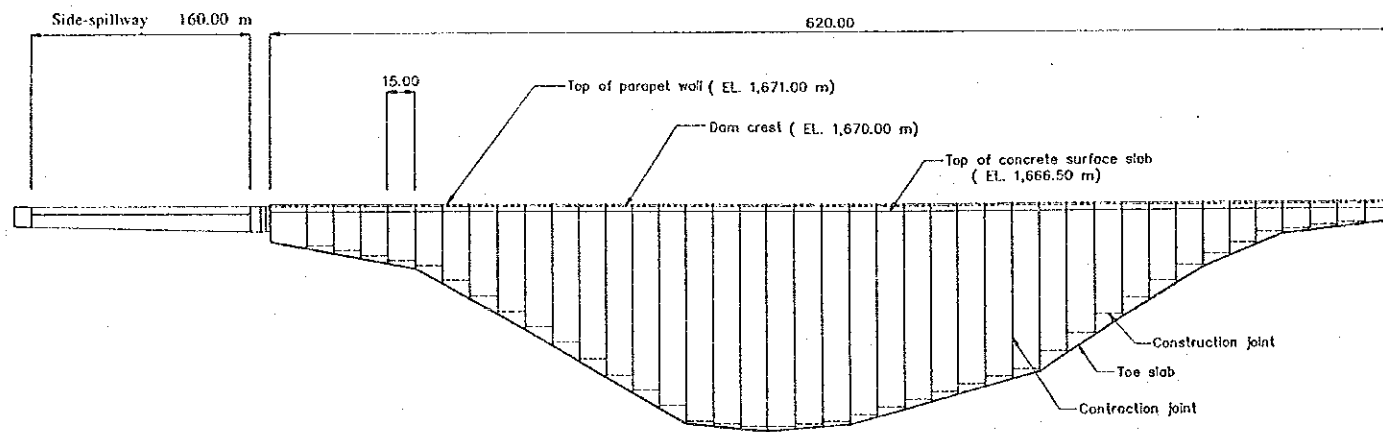


Plate No. 2 General Plan of Damsite

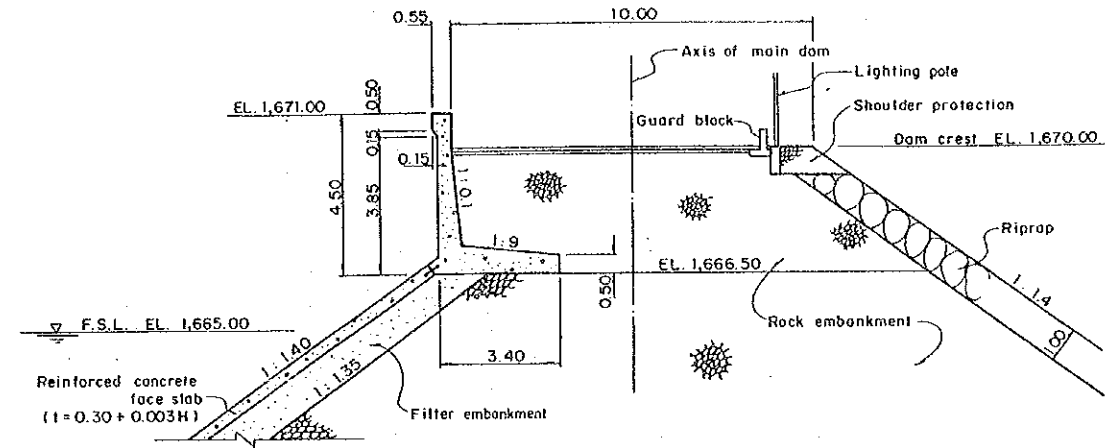
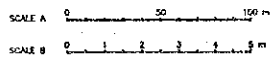
REPUBLIC OF KENYA
 MAGWAGWA HYDROELECTRIC
 POWER DEVELOPMENT PROJECT
 JAPAN INTERNATIONAL COOPERATION AGENCY



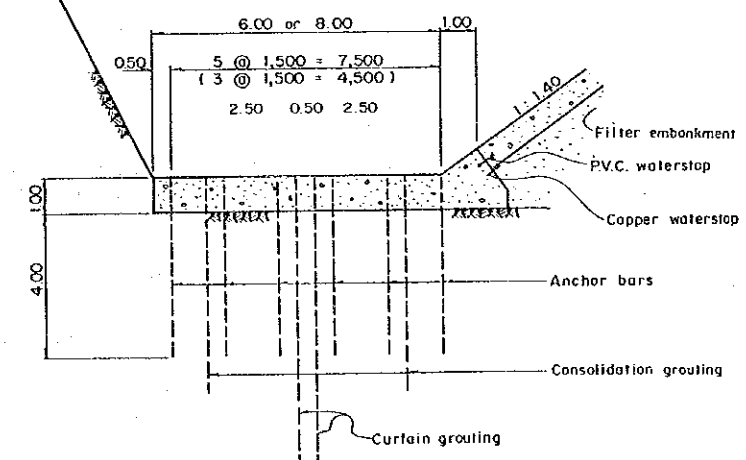
TYPICAL CROSS SECTION SCALE A



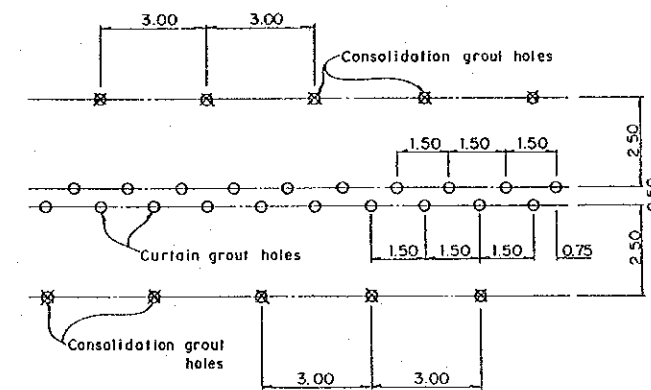
FRONT VIEW SCALE A



DETAILS OF CREST SCALE B



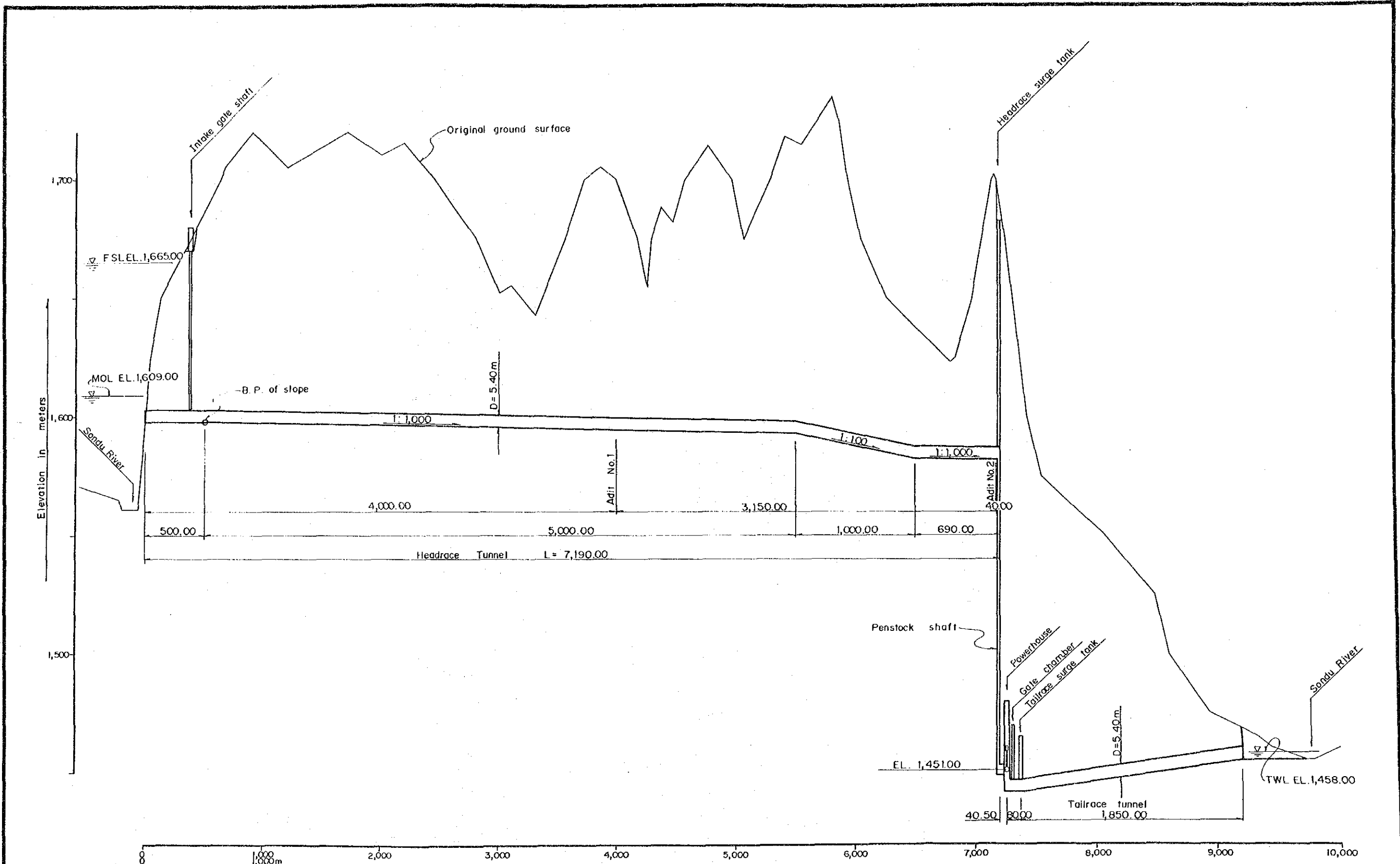
DETAILS OF TOE SLAB SCALE B



ARRANGEMENT OF GROUT HOLES SCALE B

Plate No. 3 Structural Details of Main Dam

REPUBLIC OF KENYA
MAGWAGWA HYDROELECTRIC
POWER DEVELOPMENT PROJECT
JAPAN INTERNATIONAL COOPERATION AGENCY

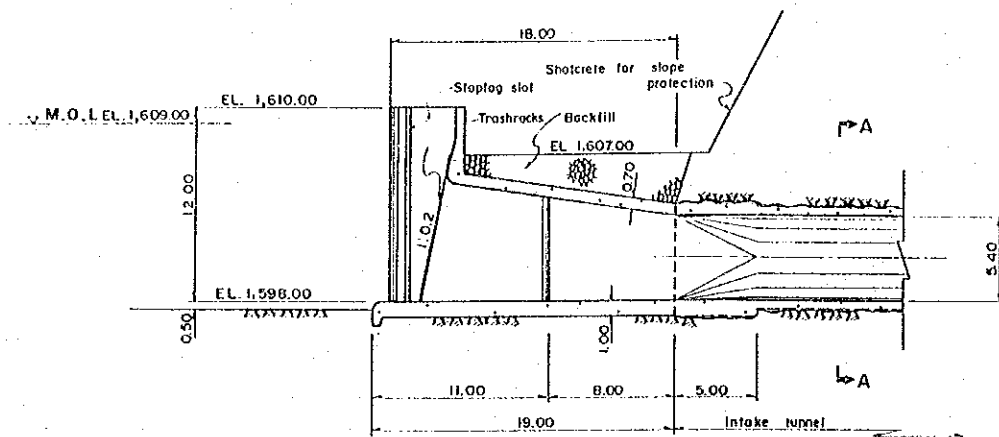


SCALE
 Horizontal 0 1,000m
 Vertical 0 50m

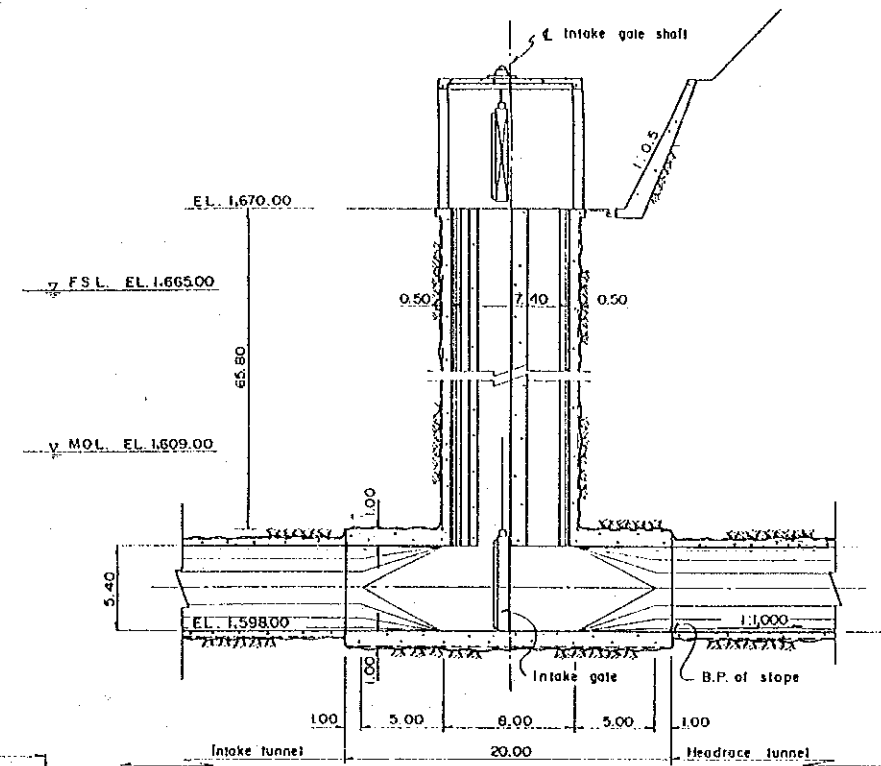
PROFILE

Plate No. 4 Profile of Waterway

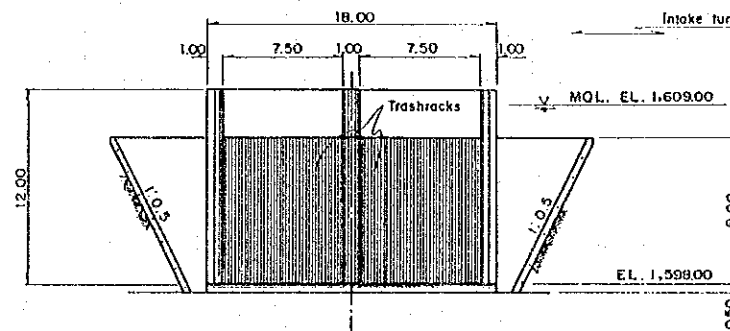
REPUBLIC OF KENYA
 MAGWAGWA HYDROELECTRIC
 POWER DEVELOPMENT PROJECT
 JAPAN INTERNATIONAL COOPERATION AGENCY



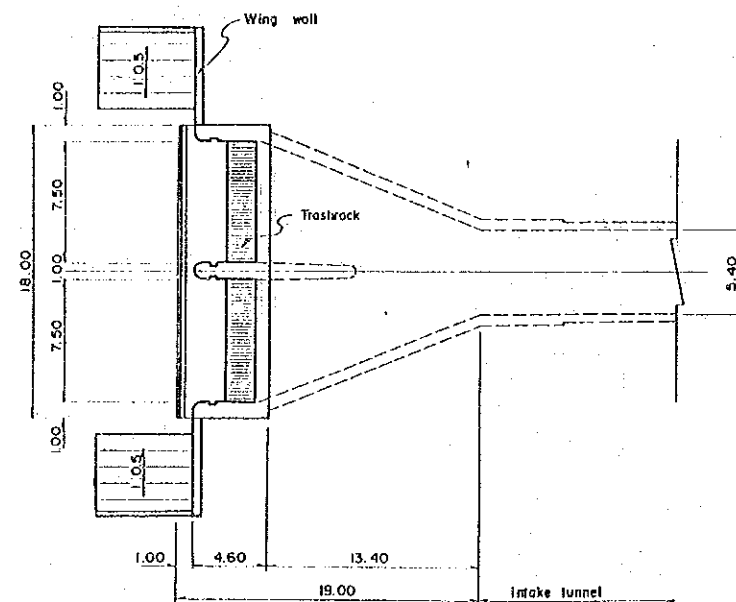
PROFILE OF INTAKE SCALE A



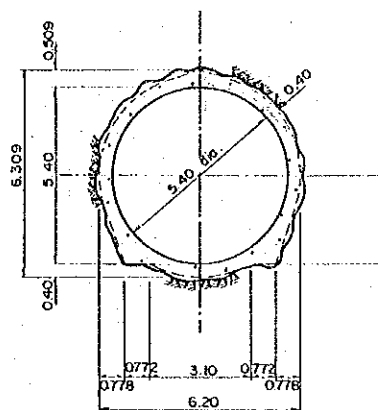
PROFILE OF INTAKE GATE SHAFT SCALE A



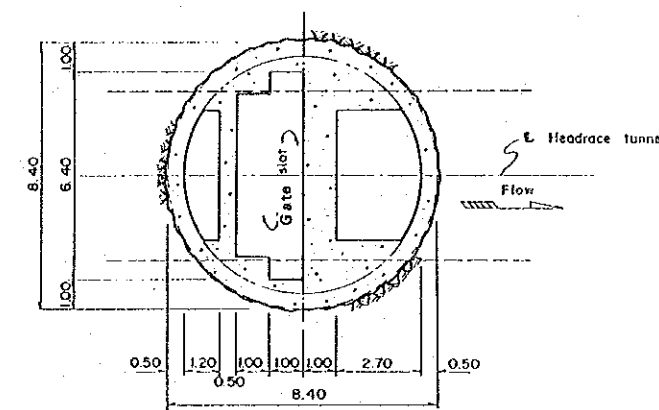
FRONT VIEW SCALE A



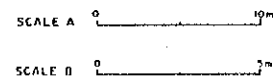
PLAN OF INTAKE SCALE A

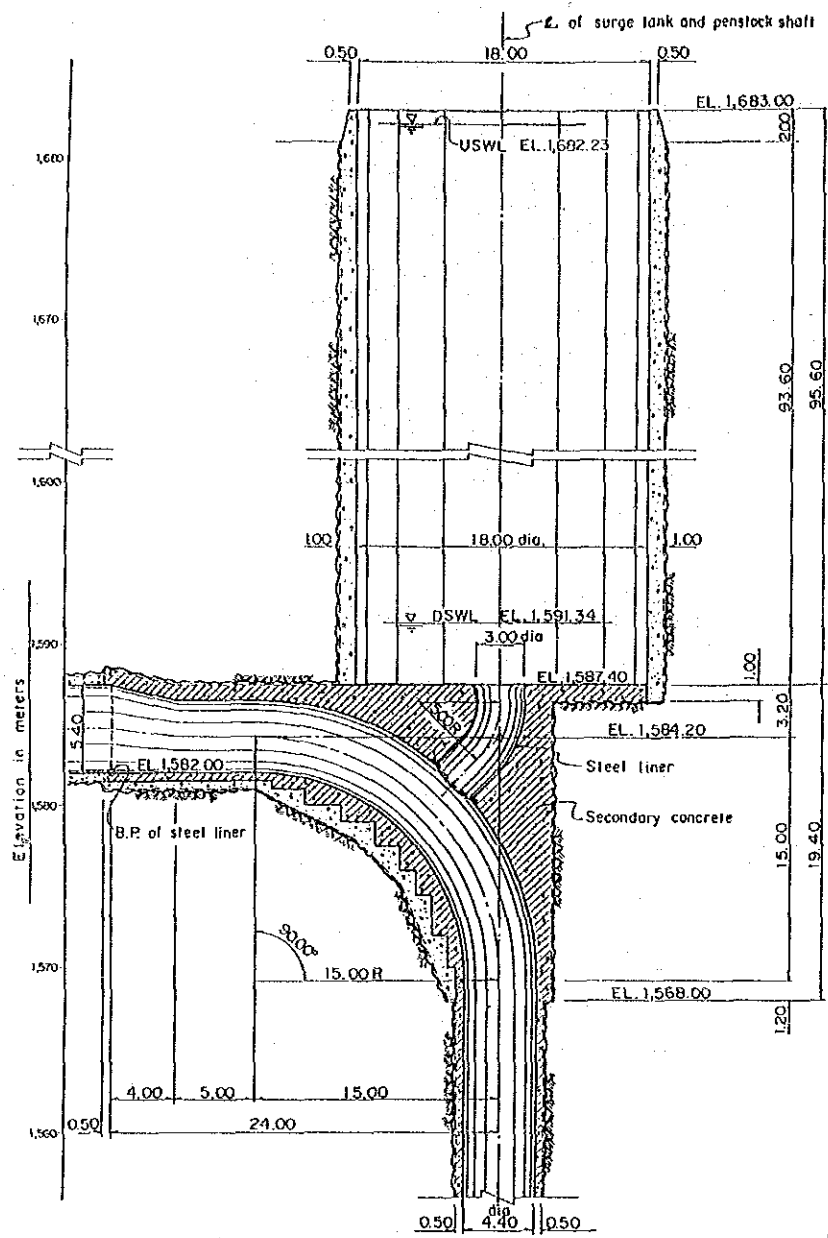


SECTION A-A SCALE B

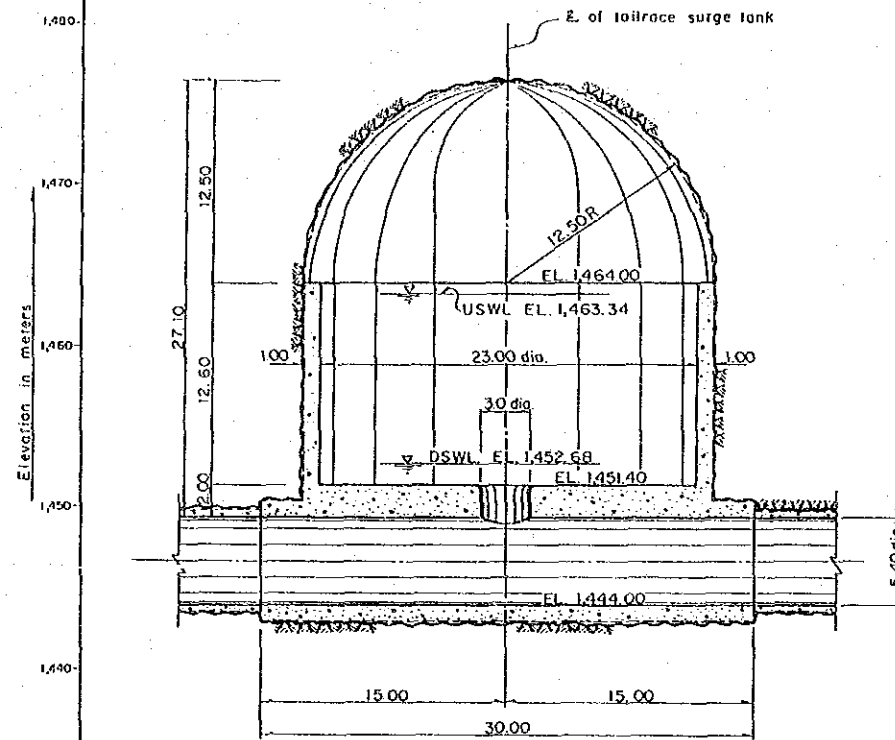
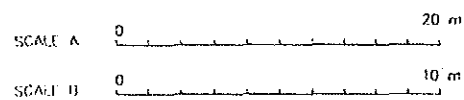


SECTION B-B SCALE B

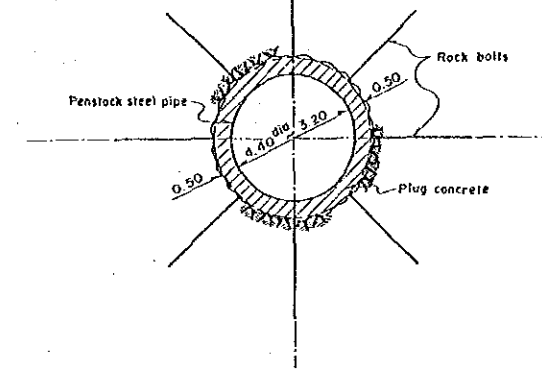




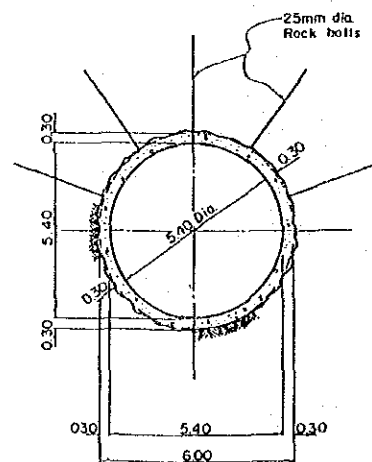
PROFILE OF HEADRACE SURGE TANK Scale A



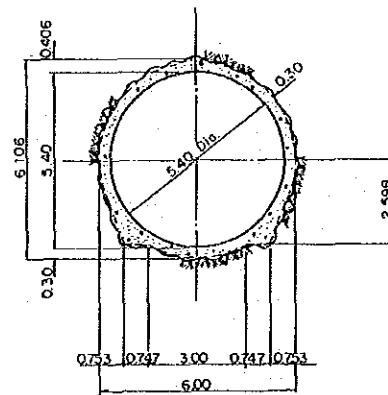
PROFILE OF TAILRACE SURGE TANK Scale A



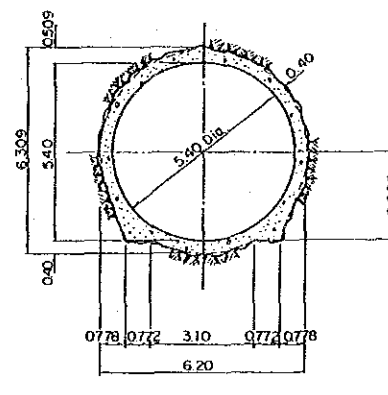
TYPICAL CROSS SECTION OF PENSTOCK SHAFT Scale B



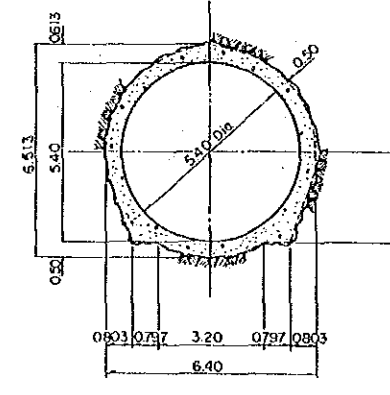
TYPE - I



TYPE - II

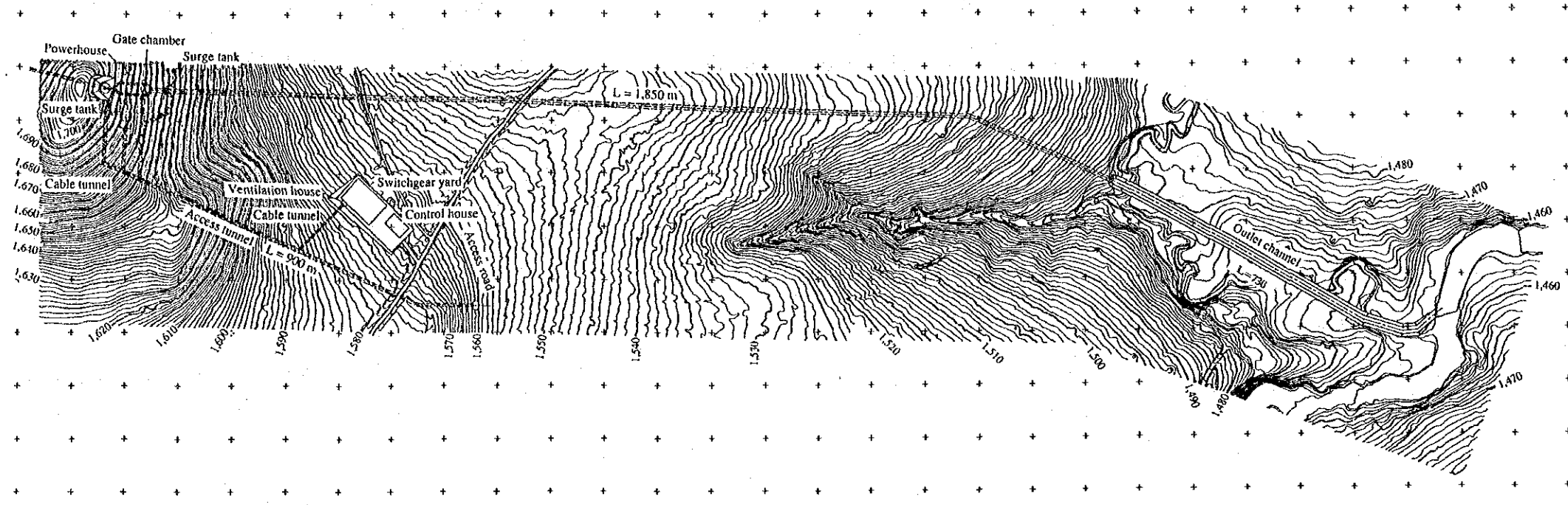


TYPE - III

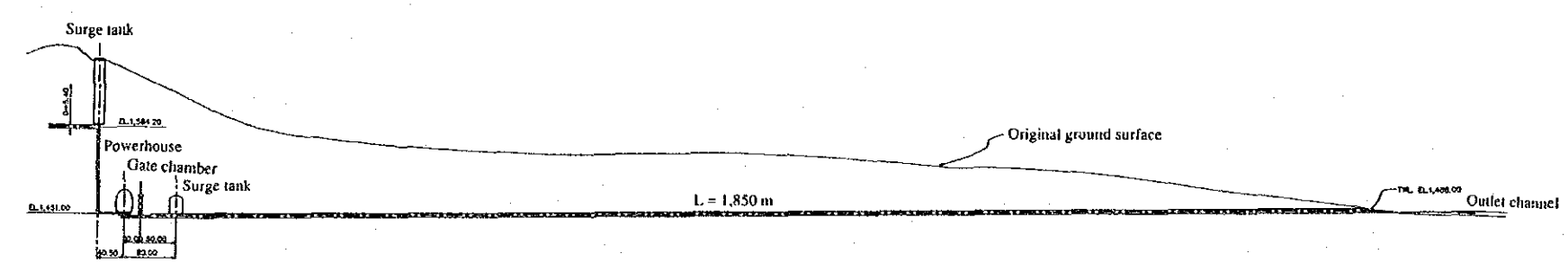
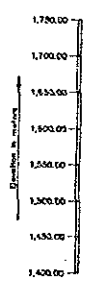


TYPE - IV

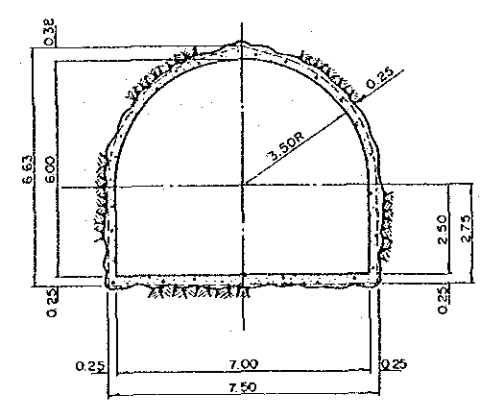
TYPICAL CROSS SECTIONS OF HEADRACE AND TAILRACE TUNNELS Scale B



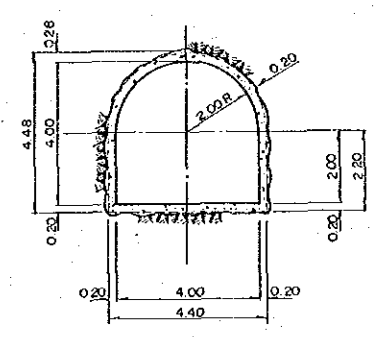
PLAN Scale A



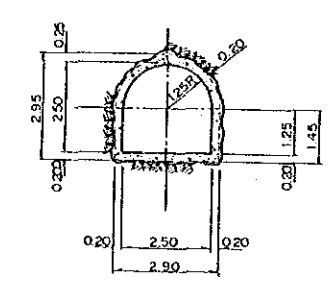
PROFILE Scale A



ACCESS TUNNEL



CABLE TUNNEL I



CABLE TUNNEL II

TYPICAL CROSS SECTIONS Scale B

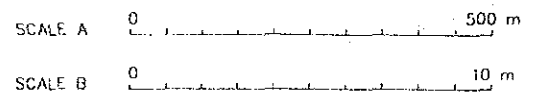
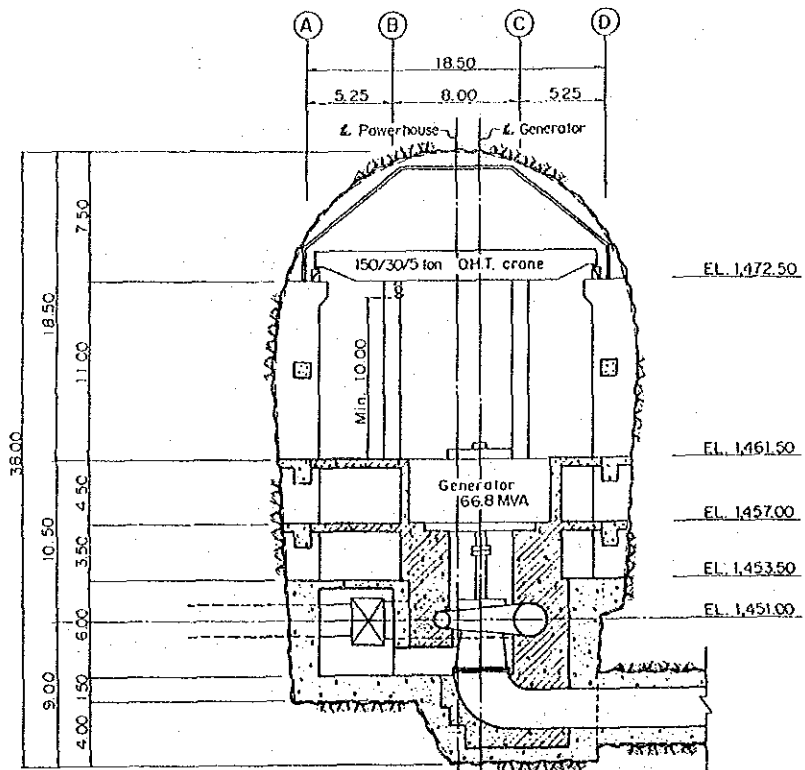


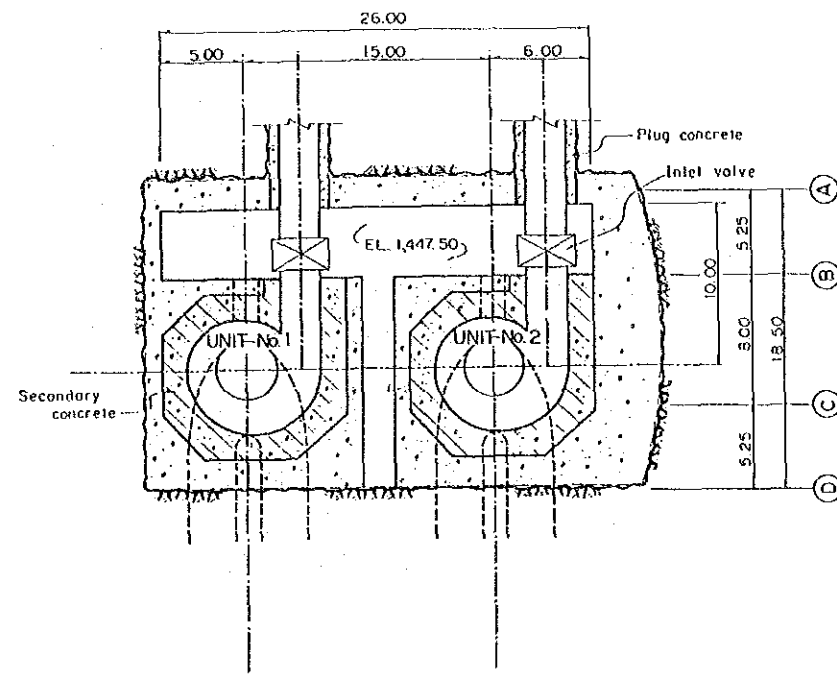
Plate No. 7

General Layout around Powerhouse

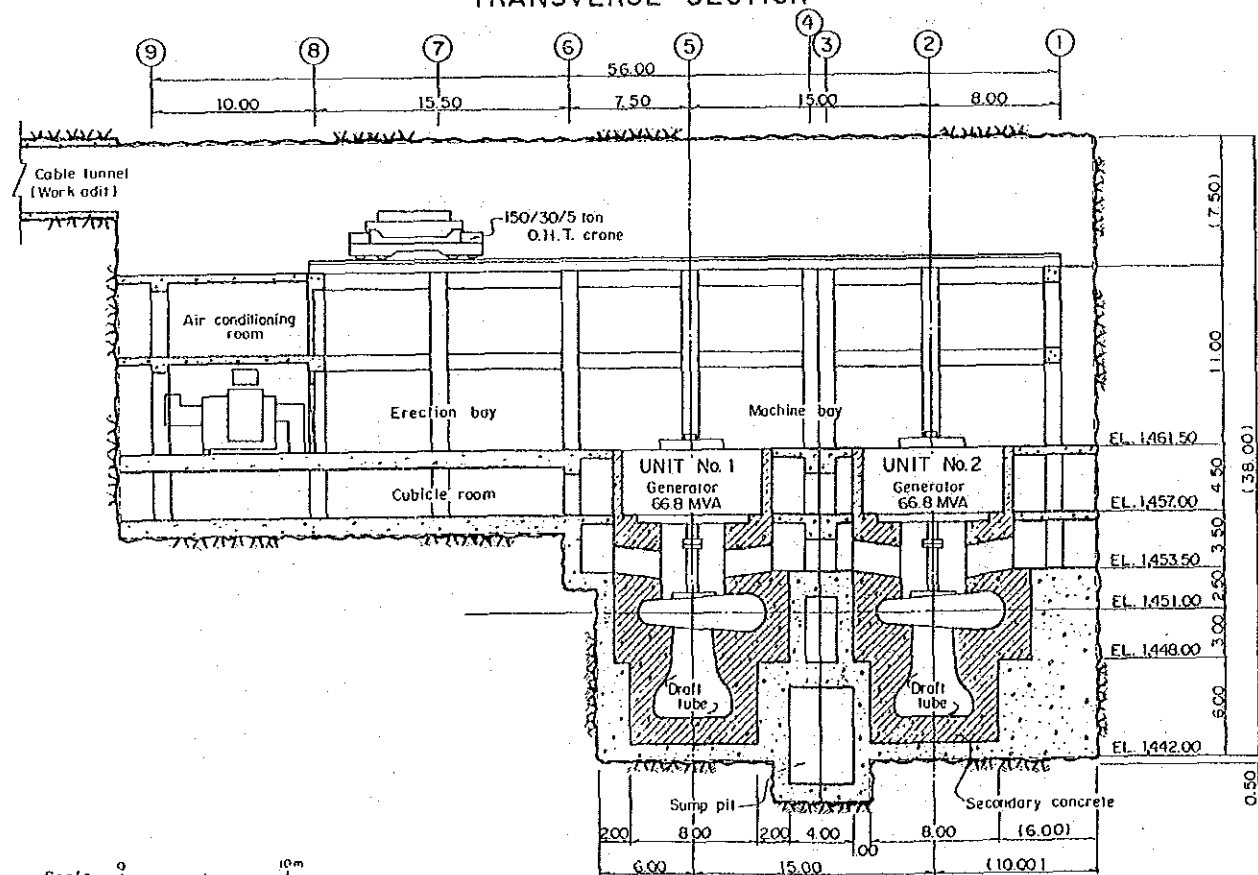
REPUBLIC OF KENYA
 MAGWAGWA HYDROELECTRIC
 POWER DEVELOPMENT PROJECT
 JAPAN INTERNATIONAL COOPERATION AGENCY



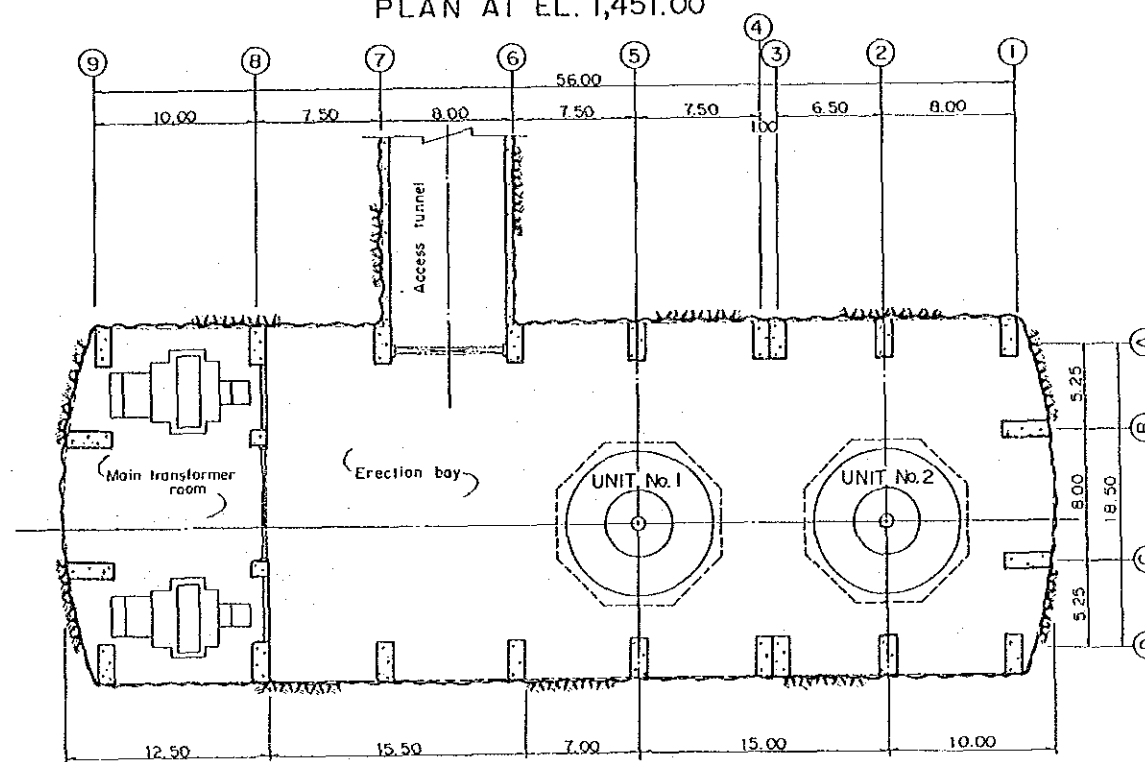
TRANSVERSE SECTION



PLAN AT EL. 1,451.00



LONGITUDINAL SECTION

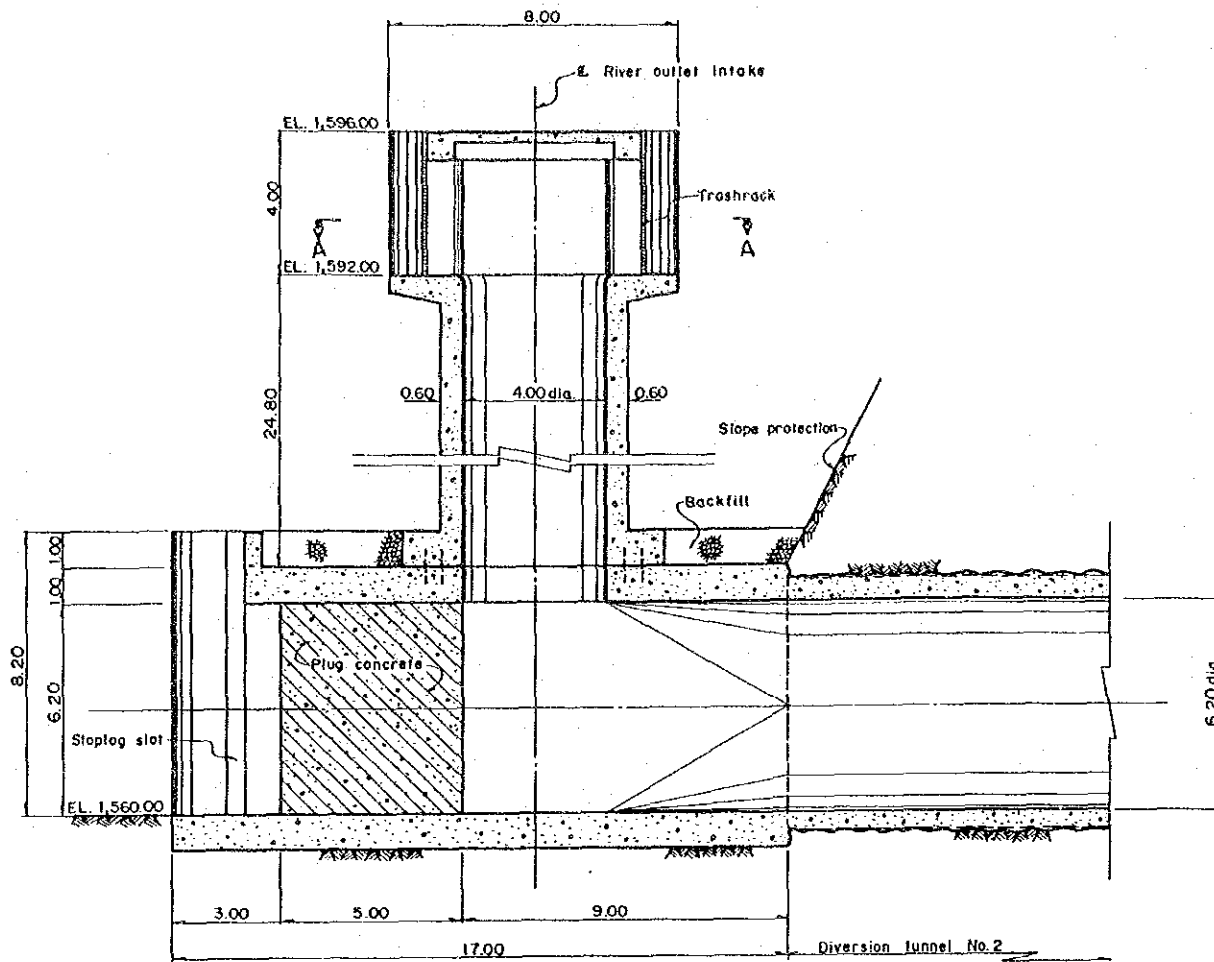


PLAN AT EL. 1,461.50

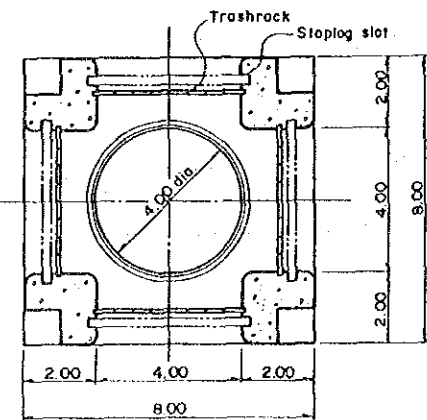
Plate No. 8

Structural Details of Powerhouse

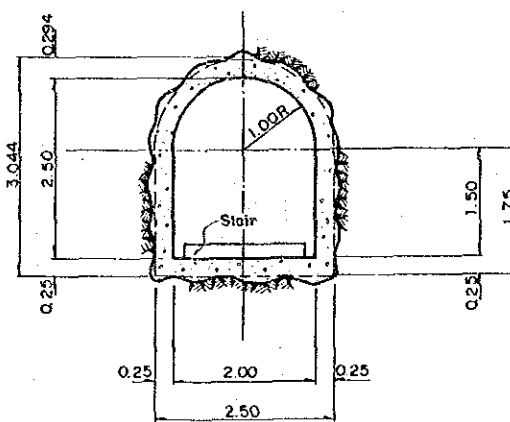
REPUBLIC OF KENYA
MAGWAGWA HYDROELECTRIC
POWER DEVELOPMENT PROJECT
JAPAN INTERNATIONAL COOPERATION AGENCY



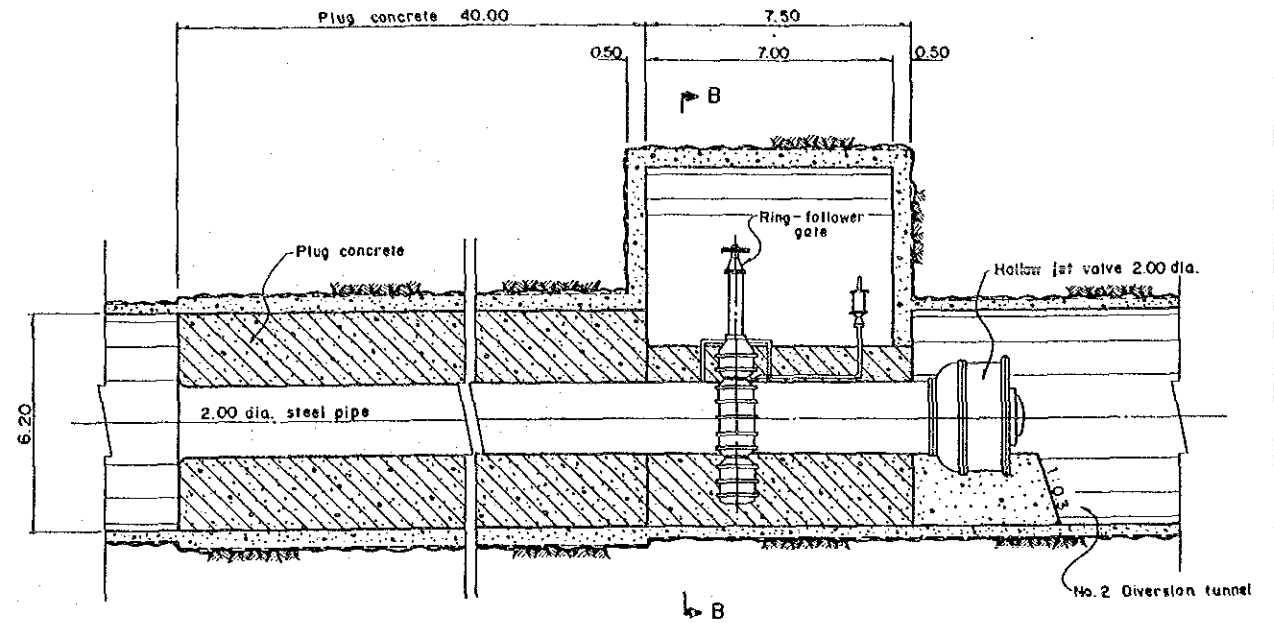
INTAKE STRUCTURE SCALE A



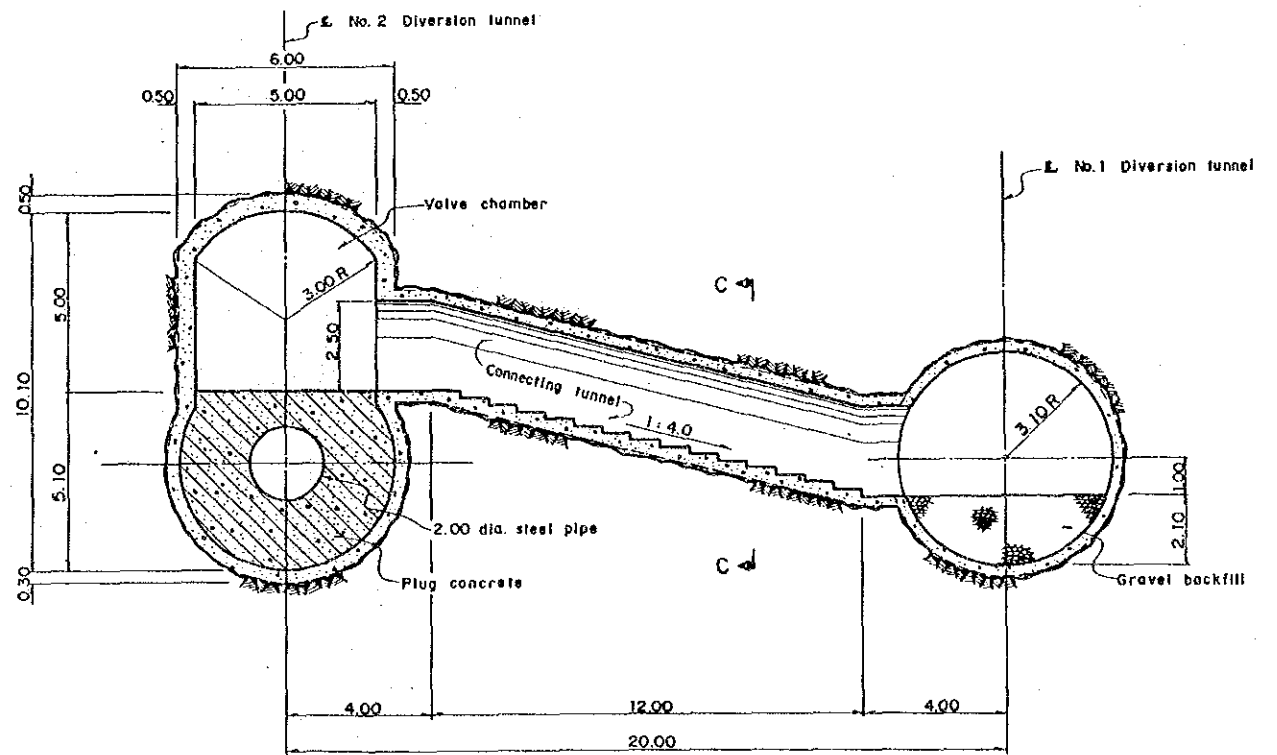
SECTION A-A SCALE A



SECTION C-C SCALE B



PLUG AND VALVE CHAMBER SCALE A



SECTION B-B SCALE A

Plate No. 9 Structural Details of River Outlet Facilities

REPUBLIC OF KENYA
 MAGWAGWA HYDROELECTRIC
 POWER DEVELOPMENT PROJECT
 JAPAN INTERNATIONAL COOPERATION AGENCY

SCALE A 0 5m
 SCALE B 0 2.5m

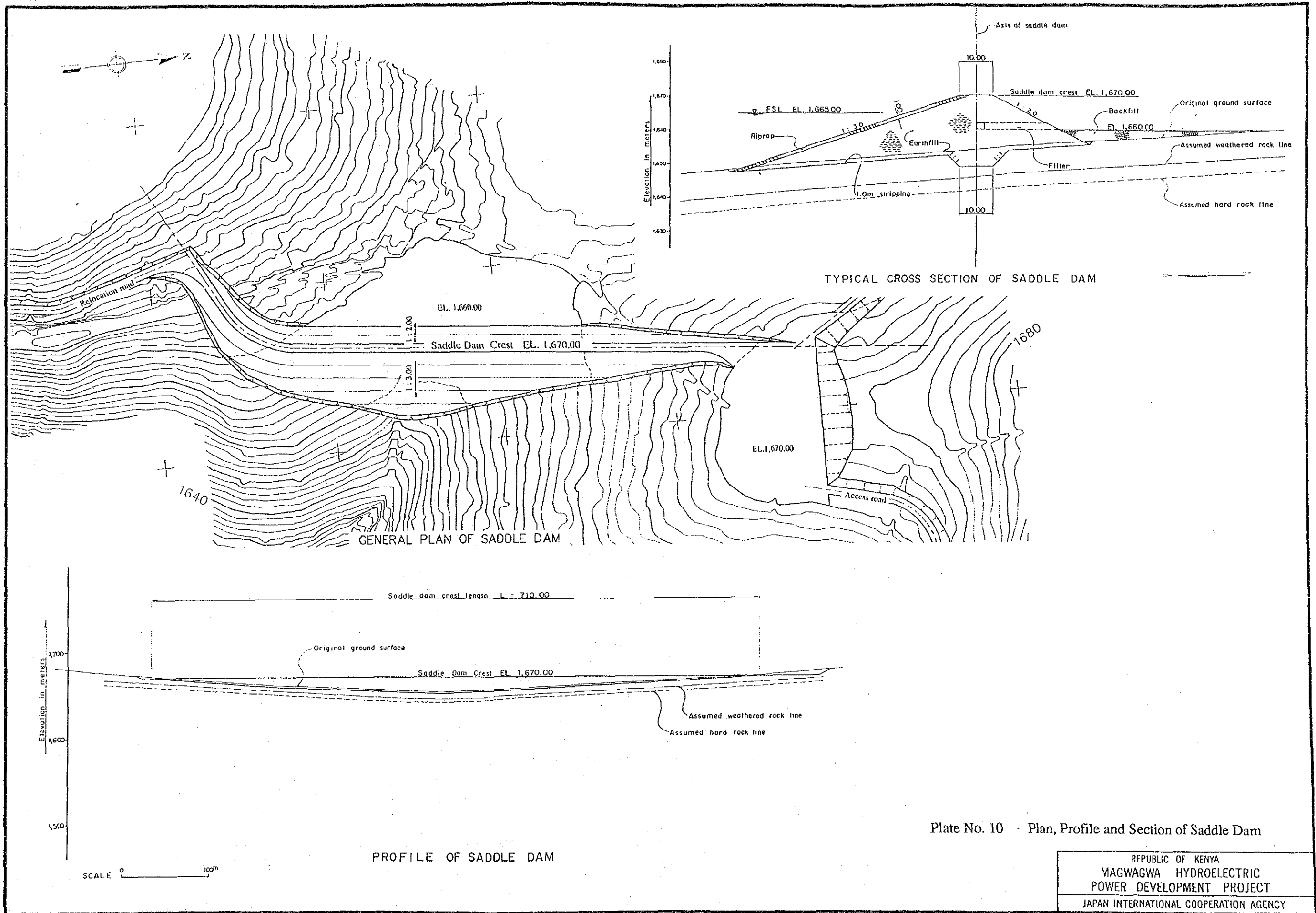


Plate No. 10 - Plan, Profile and Section of Saddle Dam

REPUBLIC OF KENYA
 MAGWAGWA HYDROELECTRIC
 POWER DEVELOPMENT PROJECT
 JAPAN INTERNATIONAL COOPERATION AGENCY

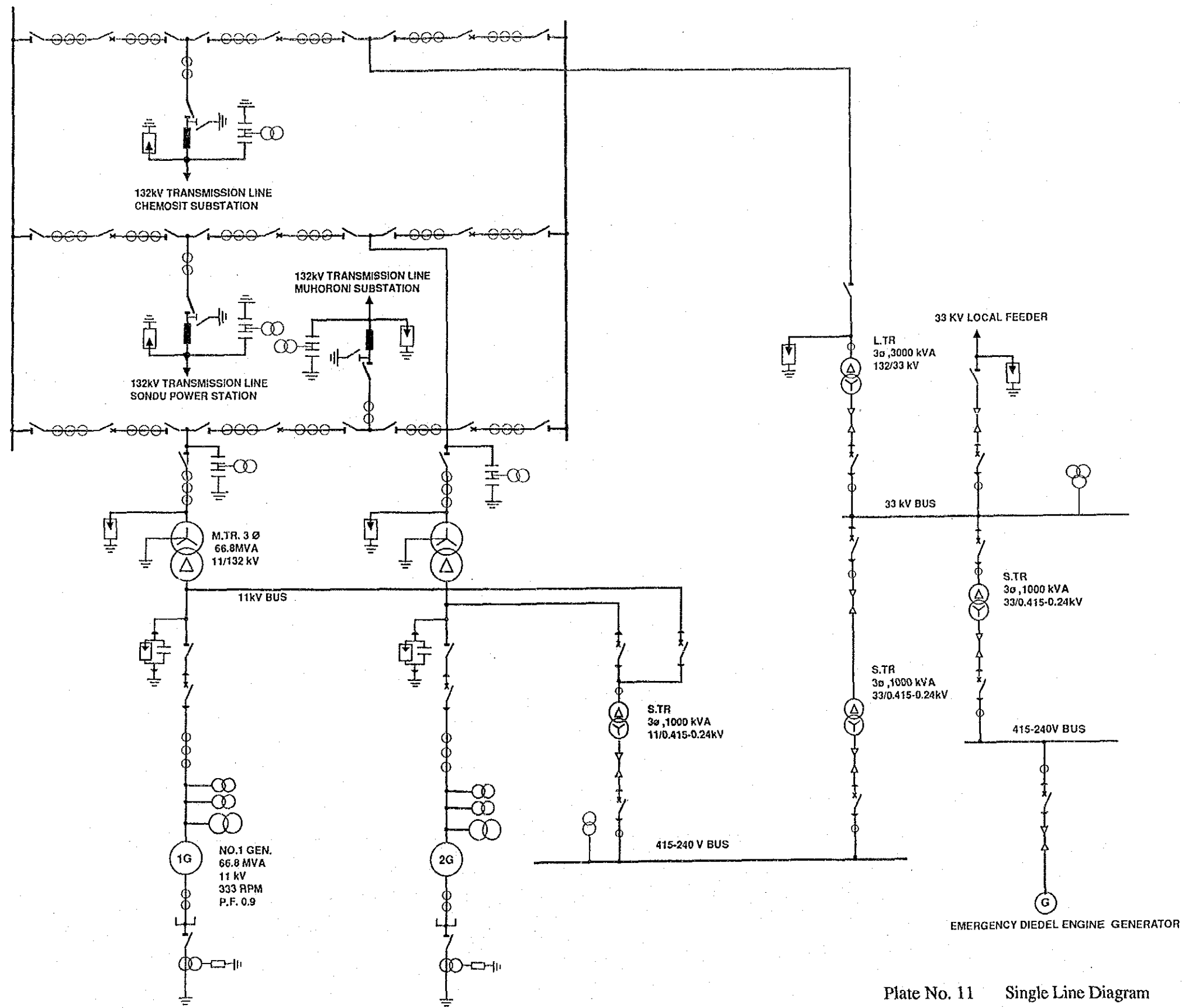


Plate No. 11 Single Line Diagram

REPUBLIC OF KENYA
MAGWAGWA HYDROELECTRIC
POWER DEVELOPMENT PROJECT
JAPAN INTERNATIONAL COOPERATION AGENCY

JICA