



Fig. III.4.2 GENERAL LAYOUT OF DALBERGIA HYDROPOWER SCHEME FOR COMPARATIVE STUDY

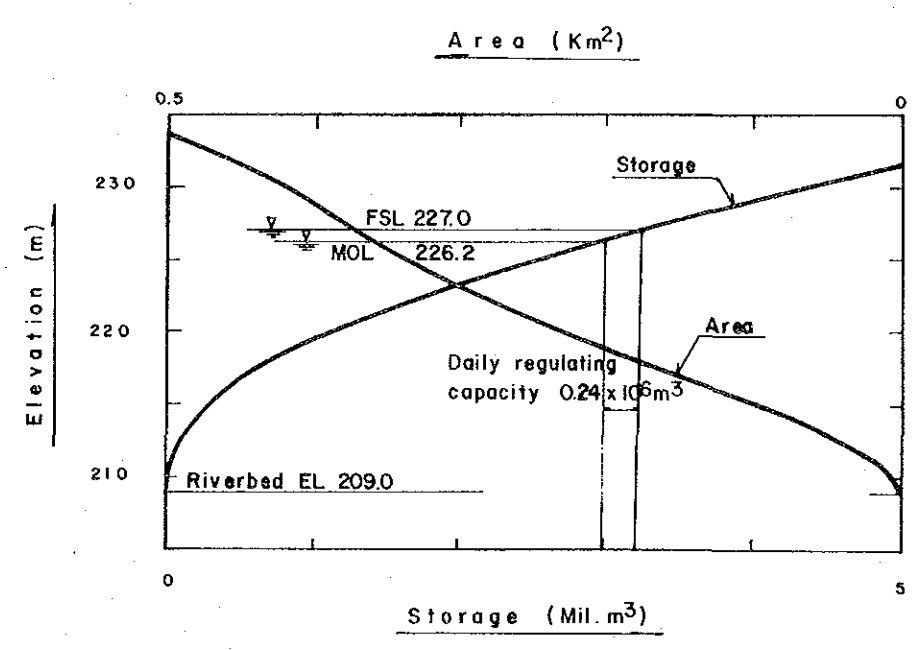
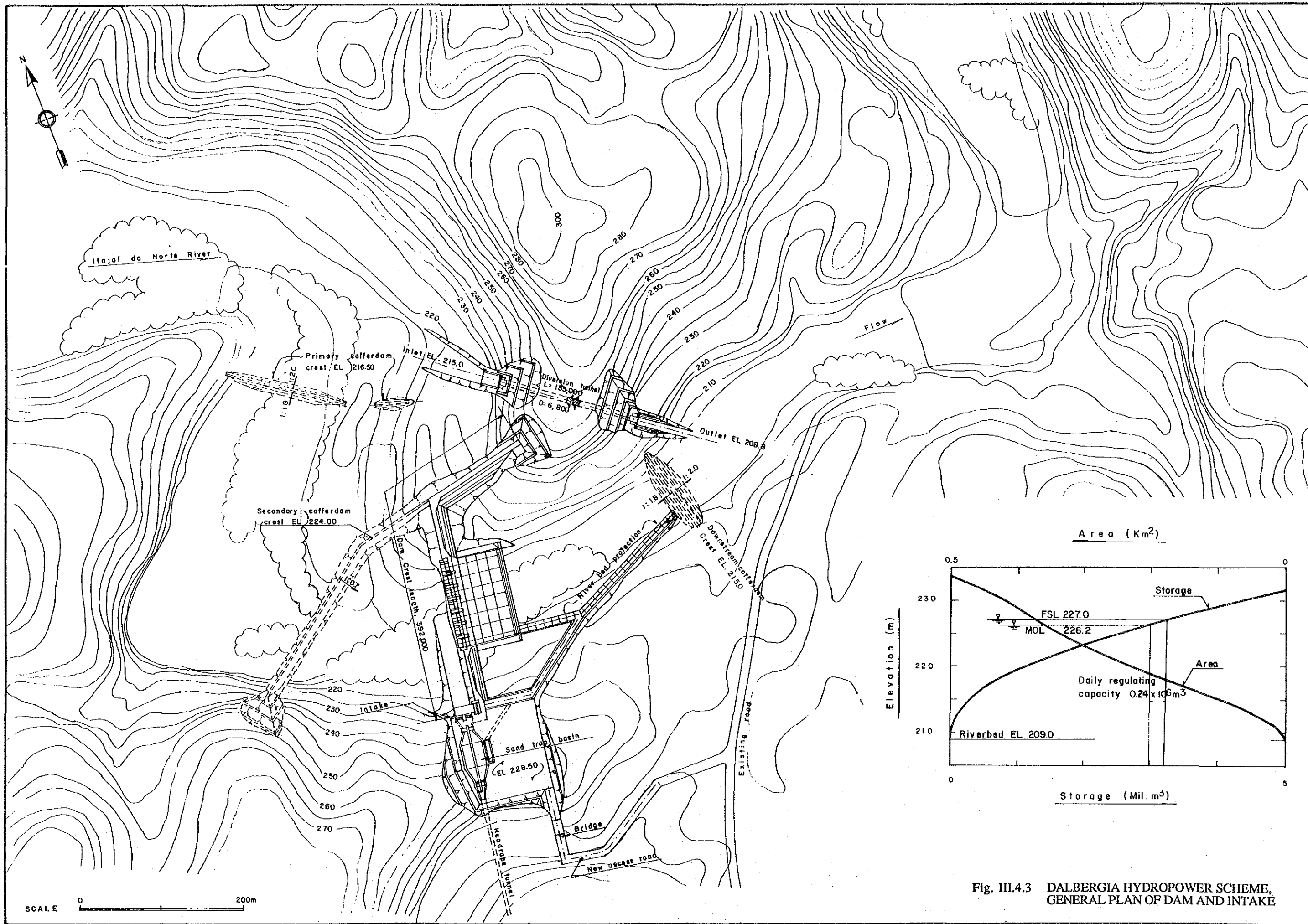
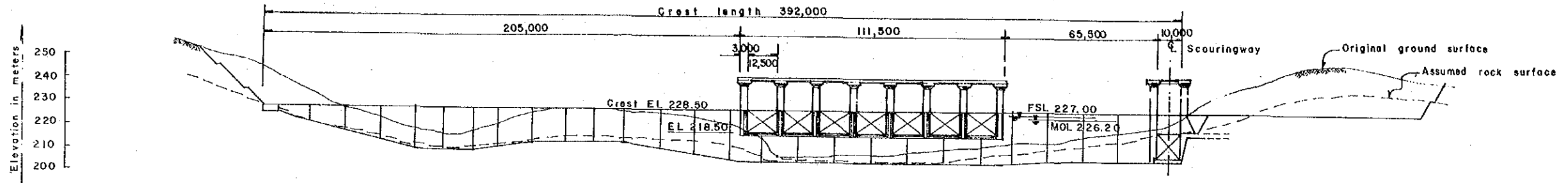
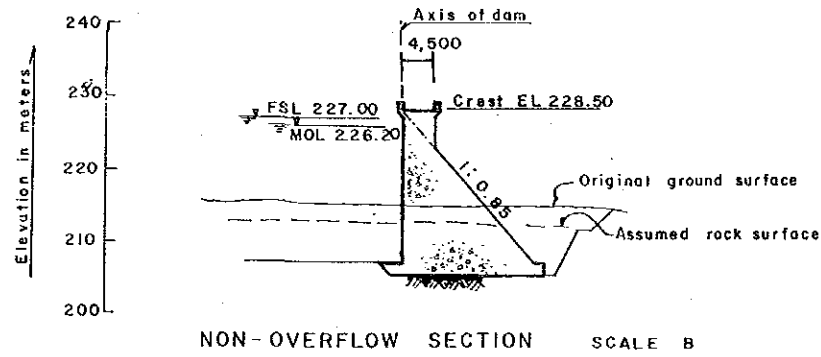


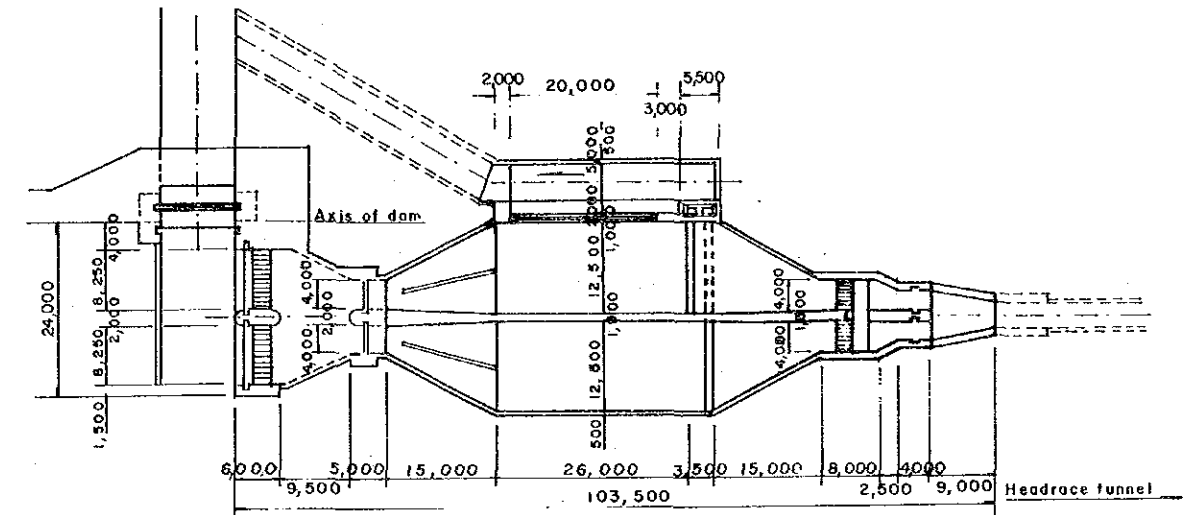
Fig. III.4.3 DALBERGIA HYDROPOWER SCHEME, GENERAL PLAN OF DAM AND INTAKE



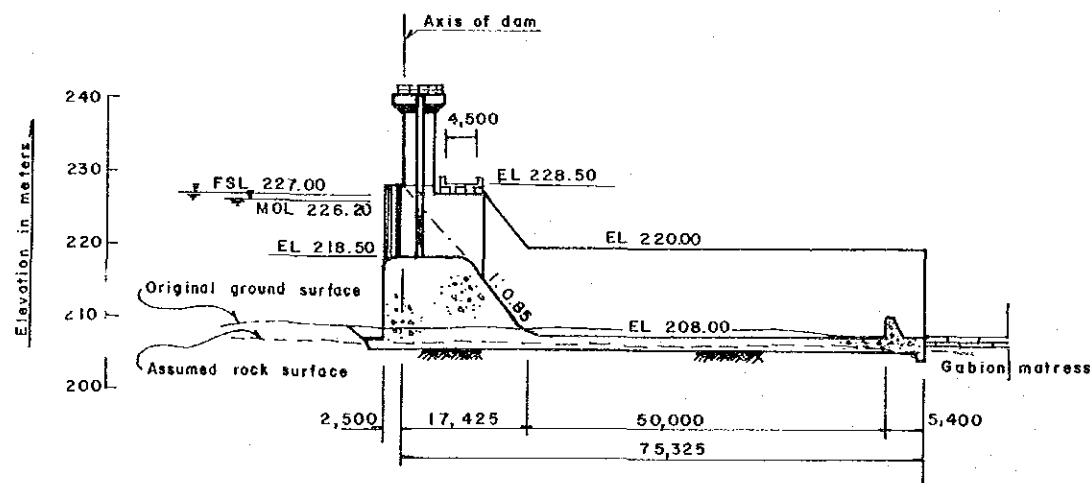
UPSTREAM ELEVATION OF DAM SCALE A



NON-OVERFLOW SECTION SCALE B

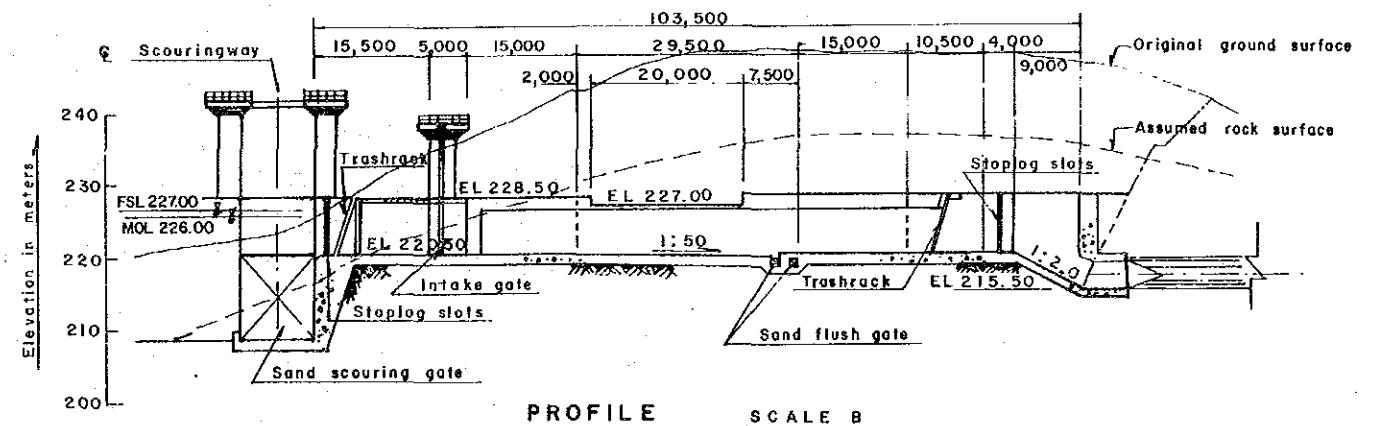


PLAN SCALE B



OVERFLOW SECTION SCALE B

CROSS SECTION OF DAM

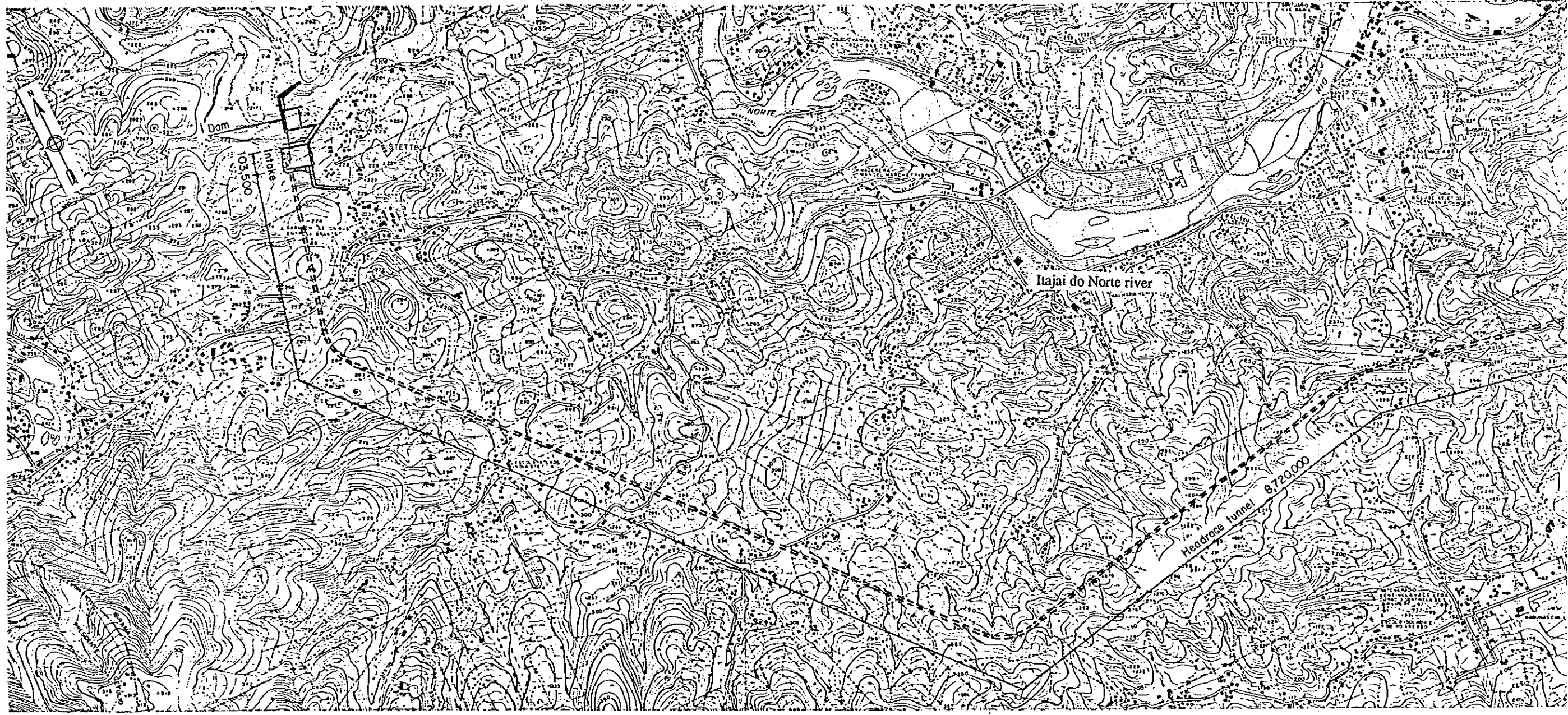


PROFILE SCALE B

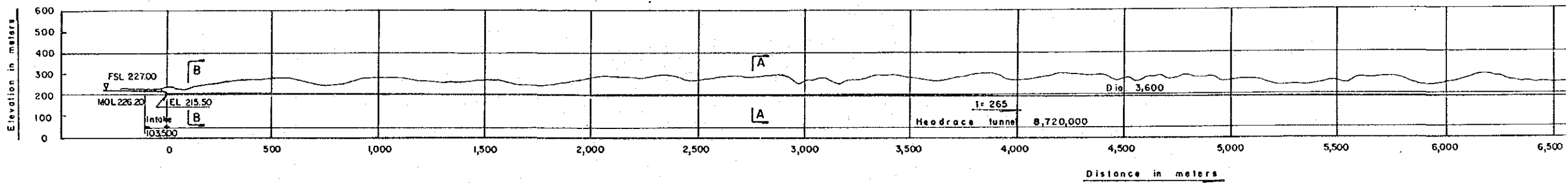
INTAKE & SAND TRAP BASIN



Fig. III.4.4 DALBERGIA HYDROPOWER SCHEME, DAM AND INTAKE

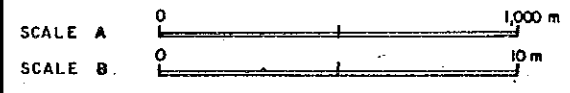


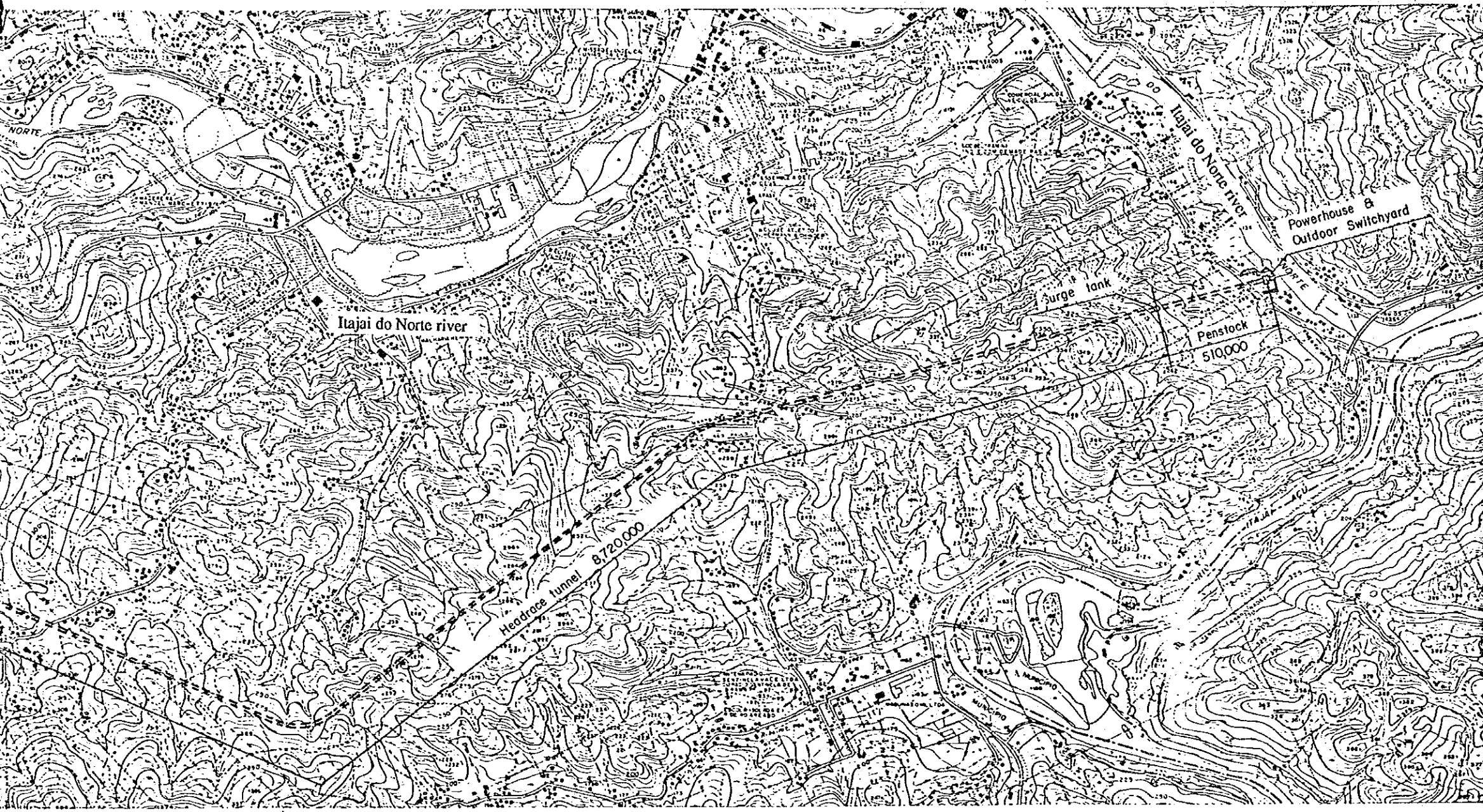
PLAN SCALE A



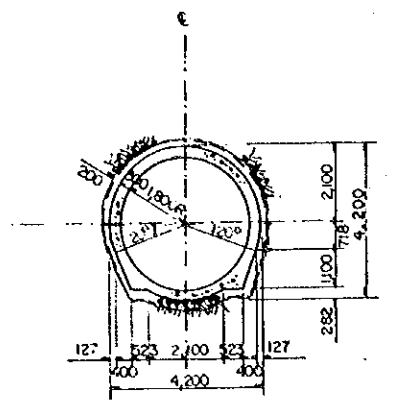
Distance in meters

PROFILE SCALE A

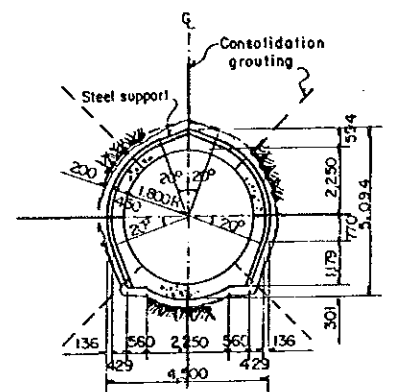




PLAN SCALE A

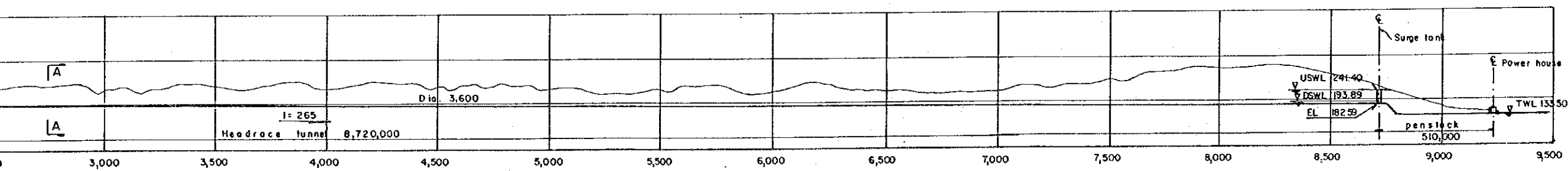


SECTION A-A



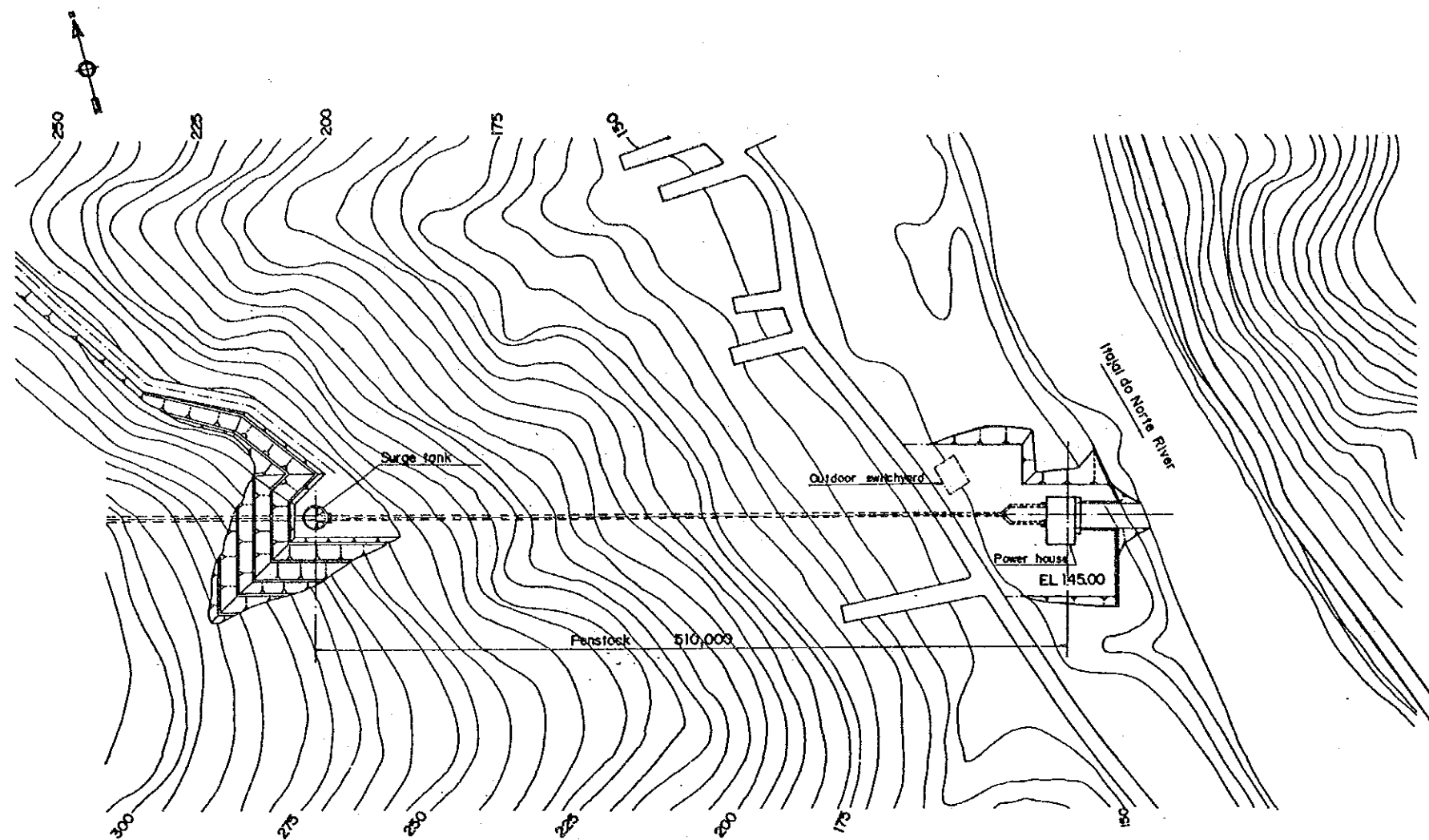
SECTION B-B

TYPICAL SECTION OF HEADRACE TUNNEL SCALE B

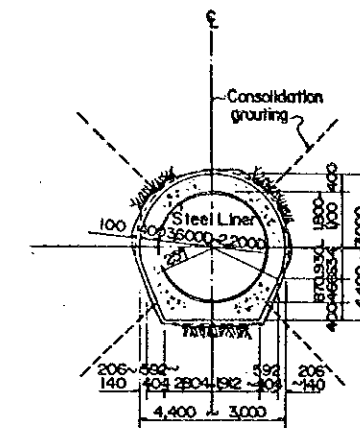


Distance in meters  
PROFILE SCALE A

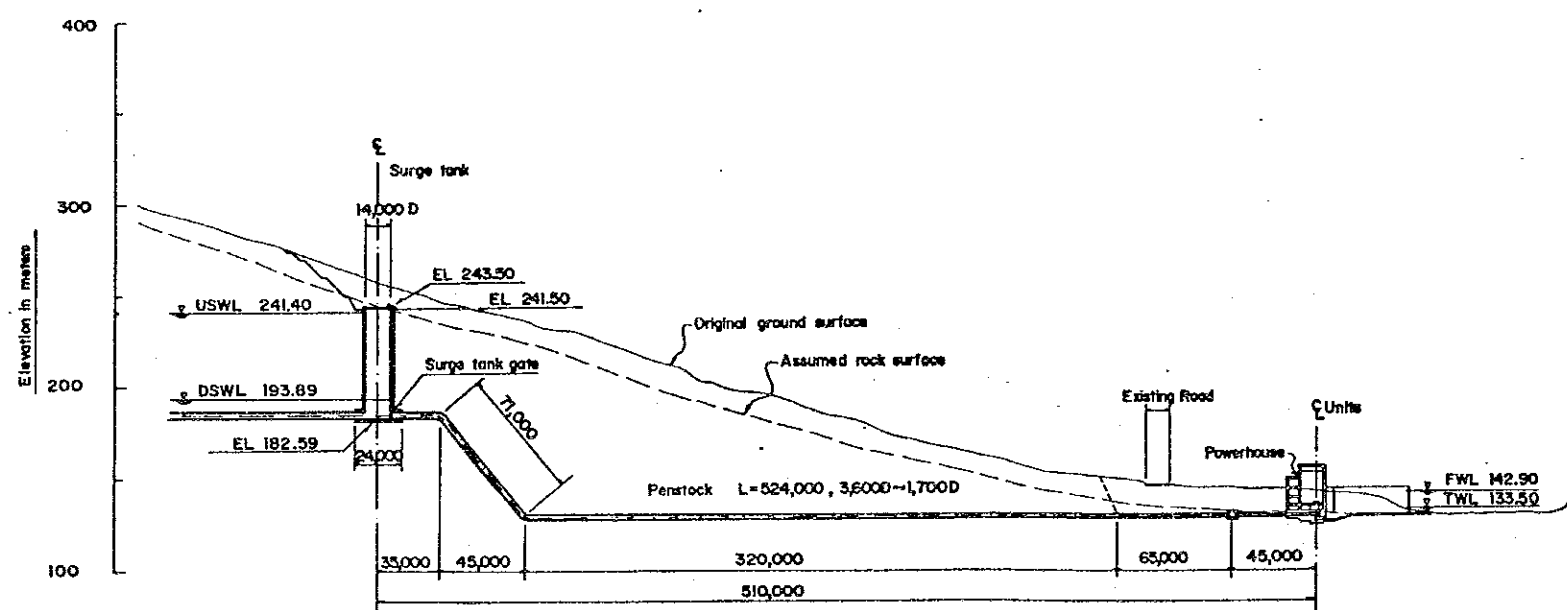
Fig. III.4.5 DALBERGIA HYDROPOWER SCHEME, GENERAL PLAN AND PROFILE OF WATERWAY



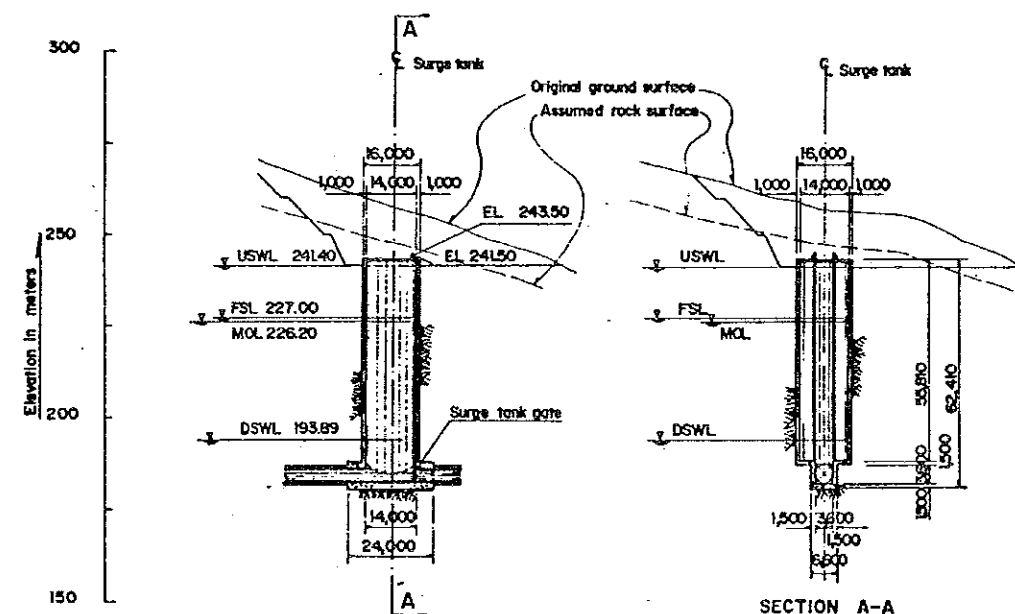
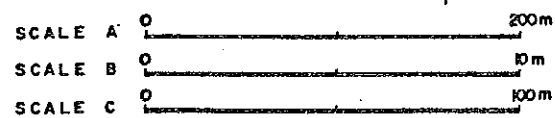
PLAN SCALE A



TYPICAL SECTION OF PENSTOCK TUNNEL SCALE B

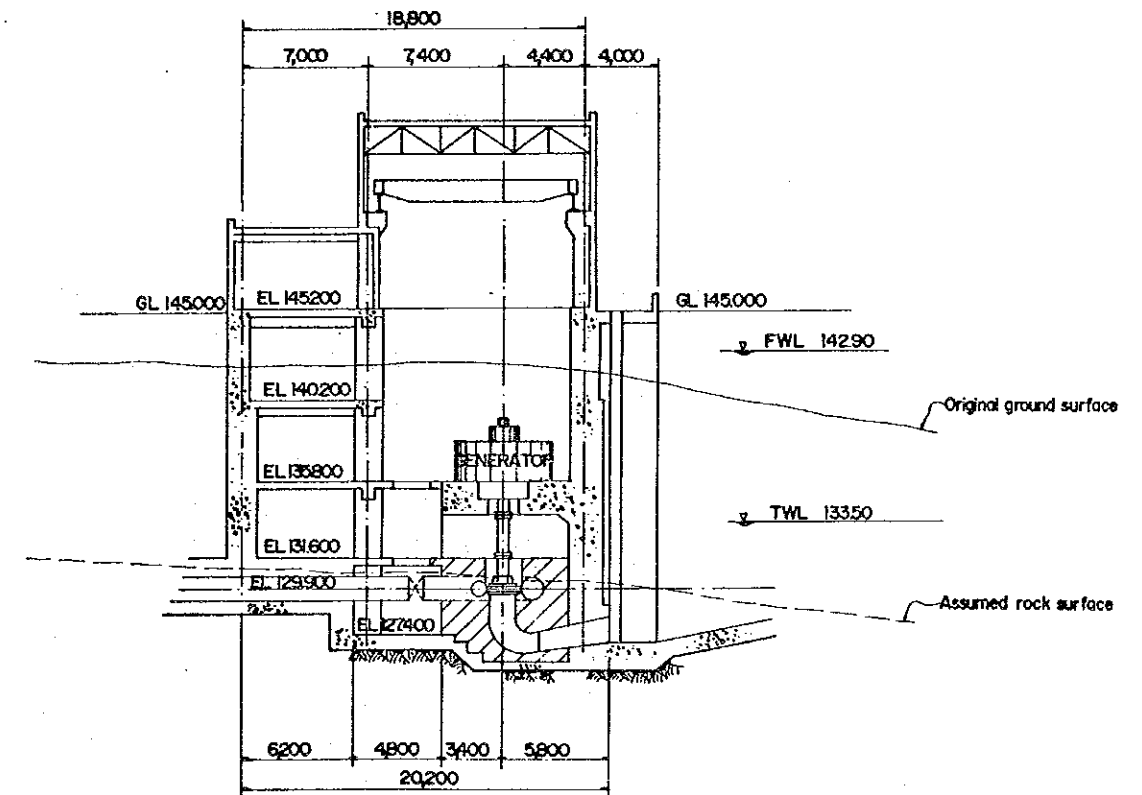
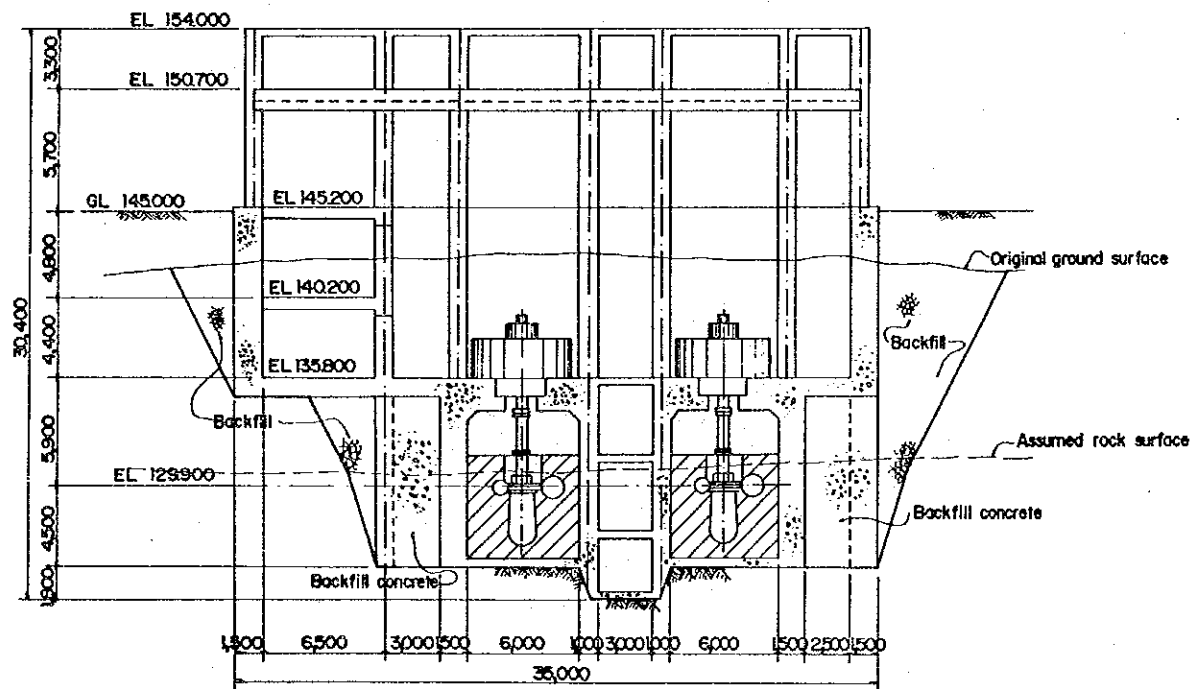
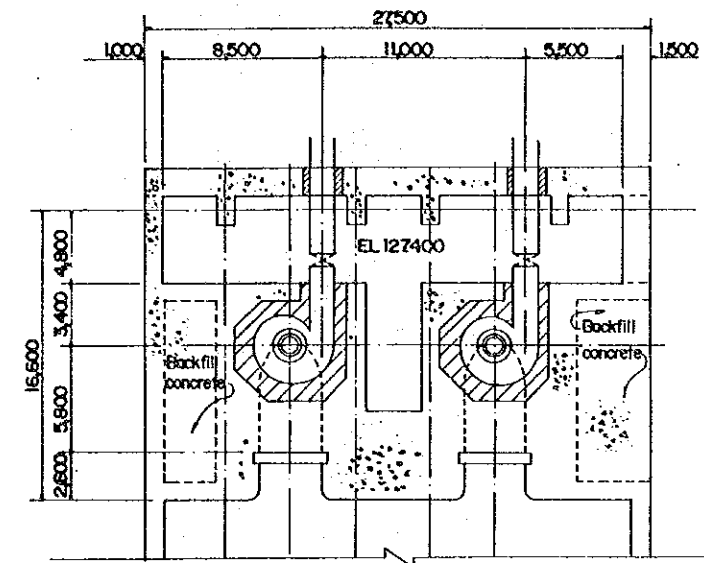
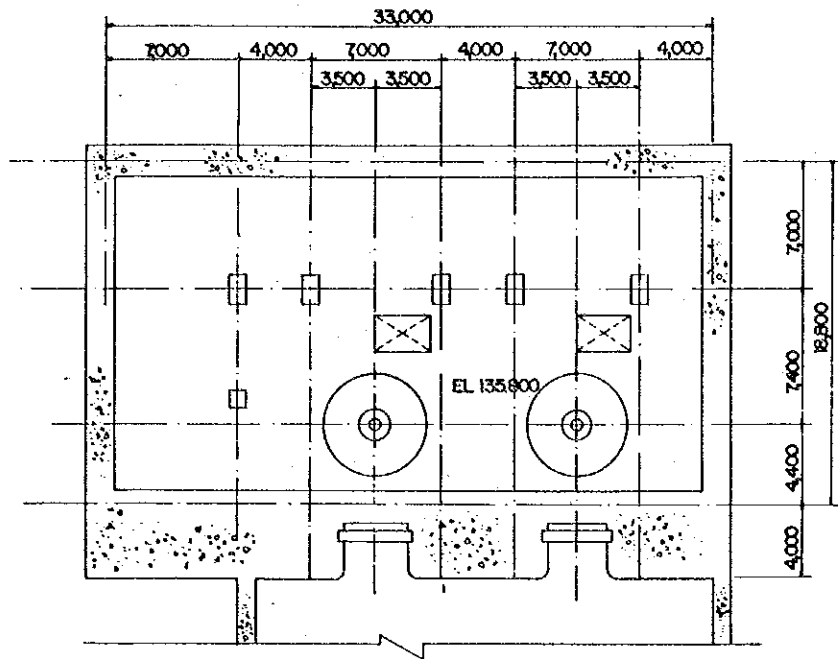


PROFILE SCALE A



SURGE TANK SCALE C

Fig. III.4.6 DALBERGIA HYDROPOWER SCHEME, GENERAL PLAN AND PROFILE OF SURGE TANK AND PENSTOCK LINE



SCALE 0 20m

Fig. III.4.7 DALBERGIA HYDROPOWER SCHEME, POWERHOUSE

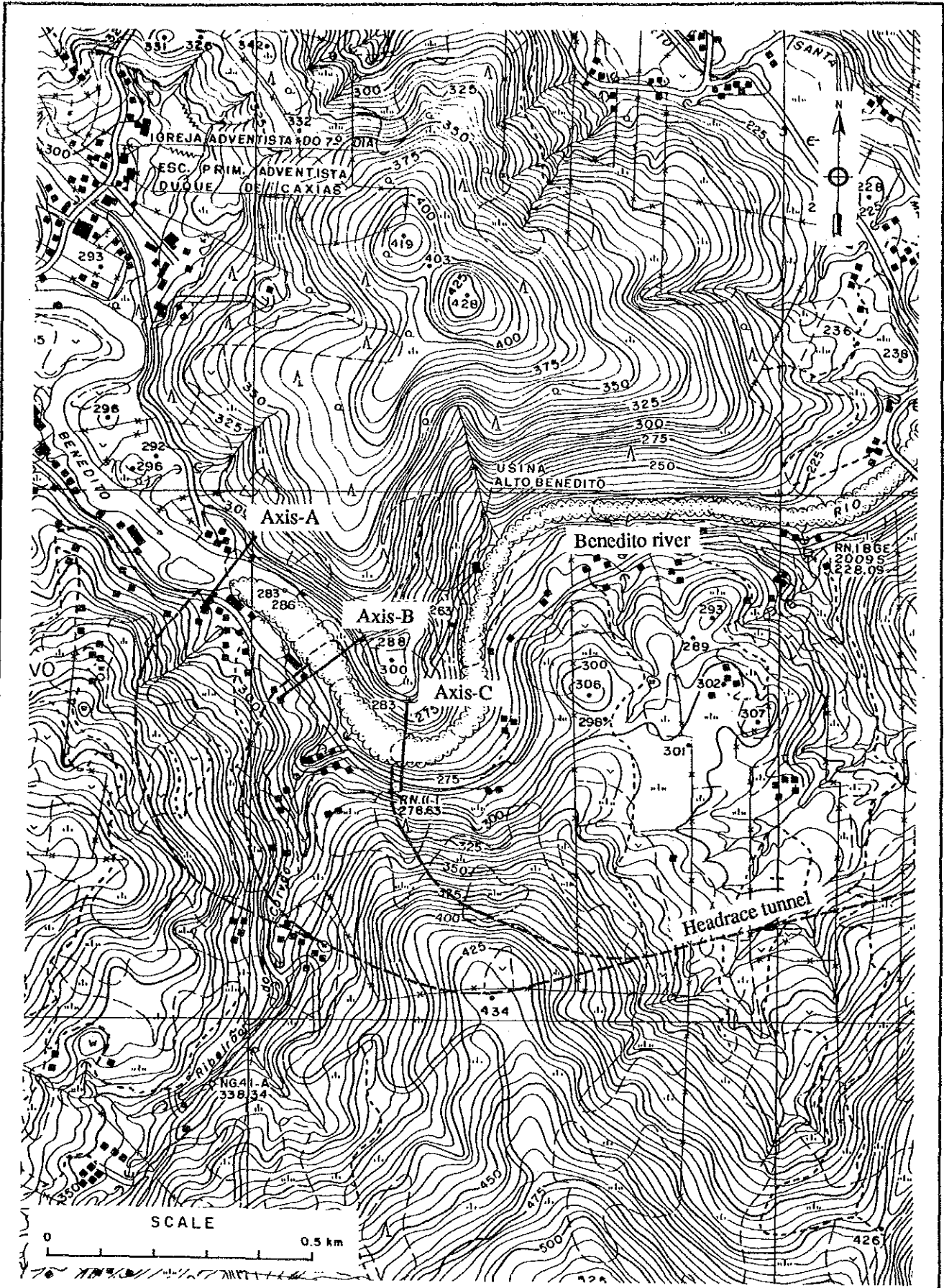


Fig. III.5.1 LOCATION OF ALTERNATIVE DAM AXES FOR BENEDITO NOVO HYDROPOWER SCHEME





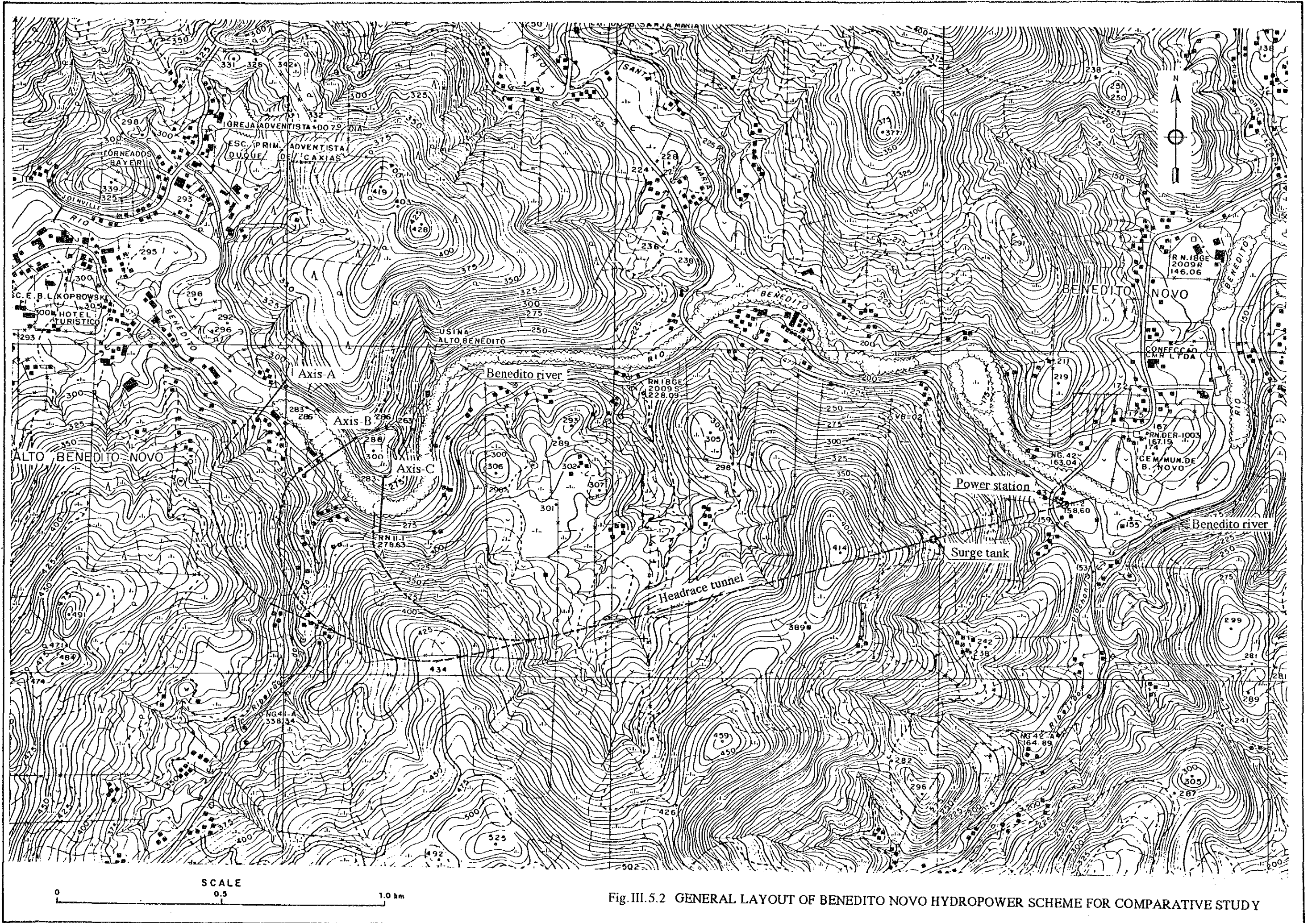


Fig. III.5.2 GENERAL LAYOUT OF BENEDITO NOVO HYDROPOWER SCHEME FOR COMPARATIVE STUDY

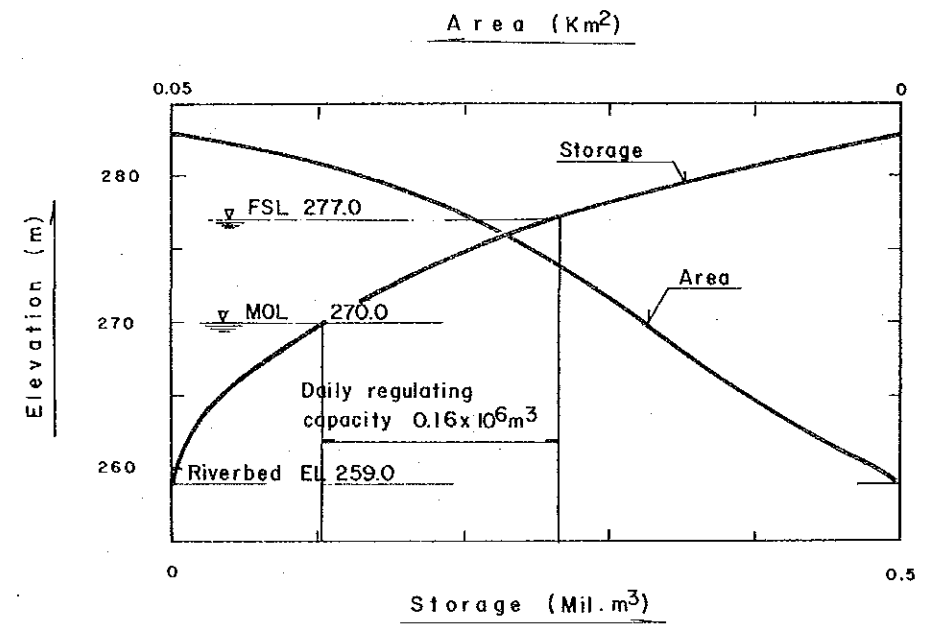
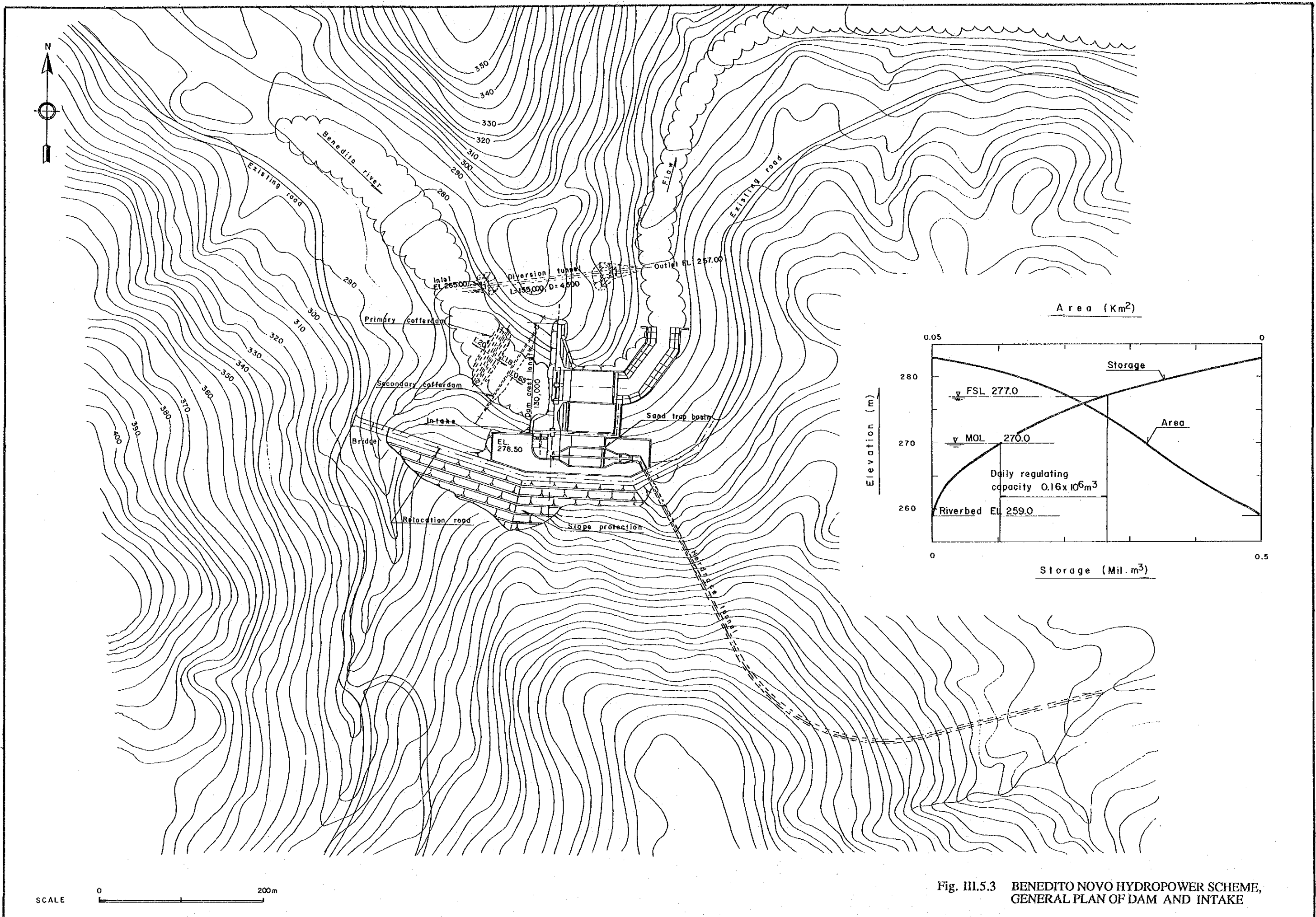
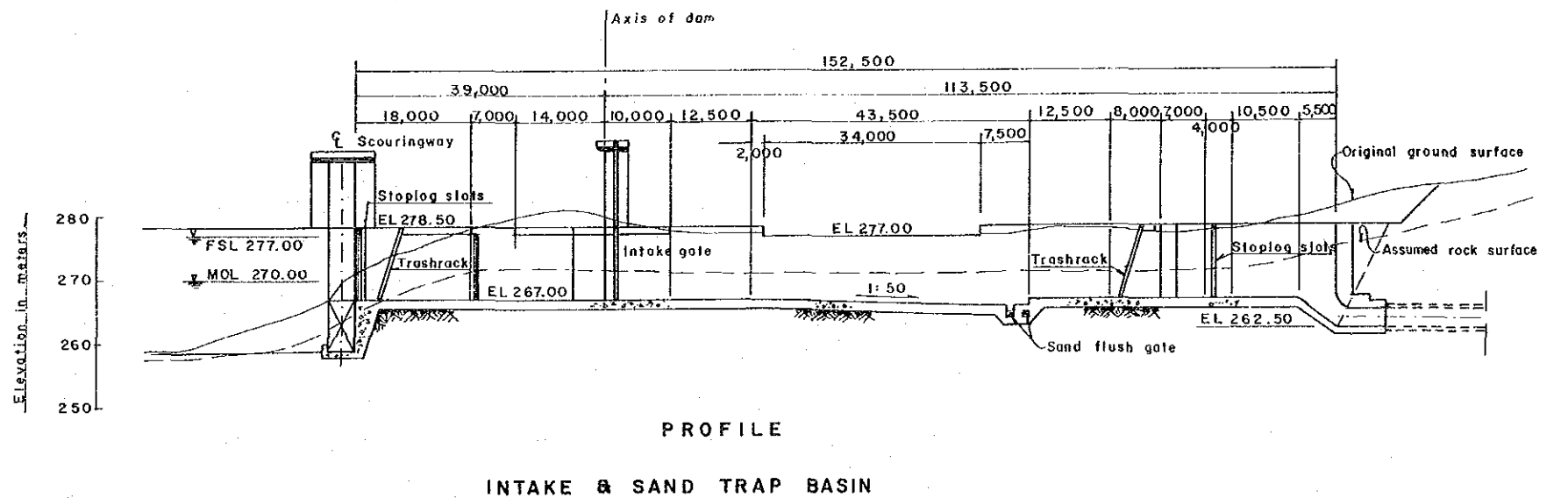
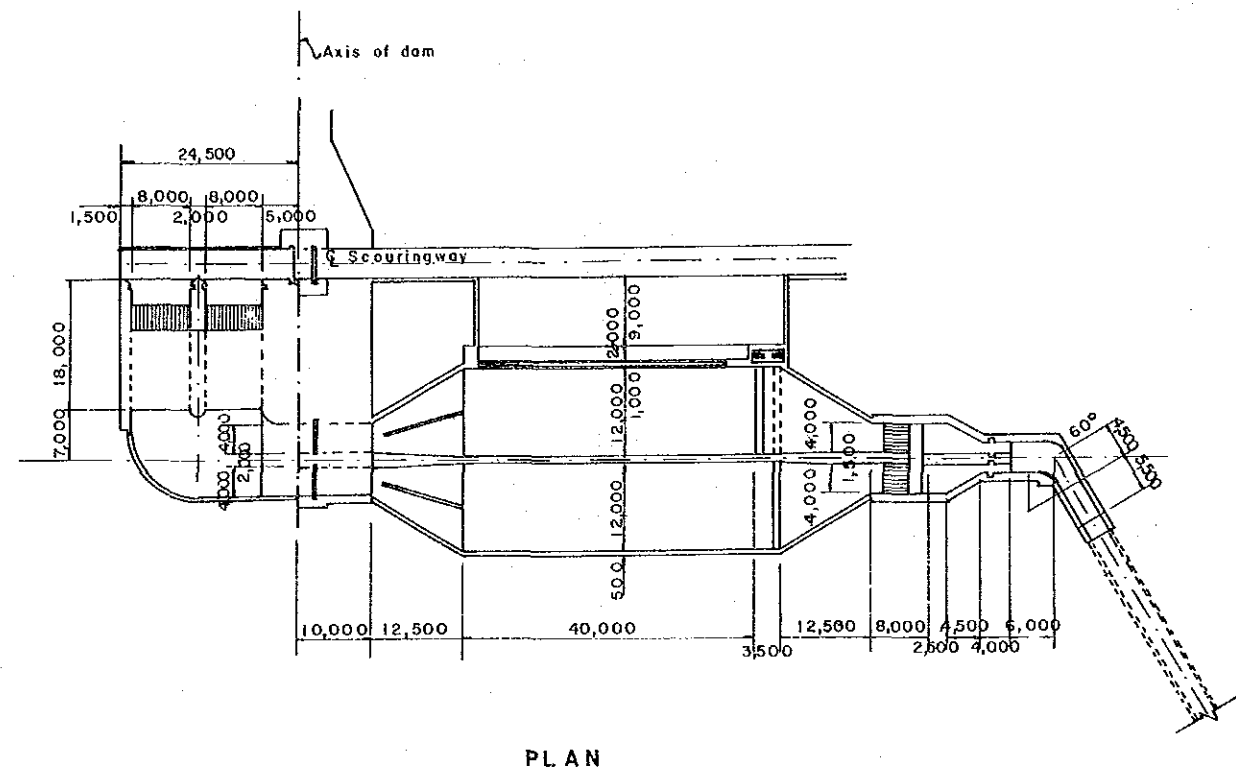
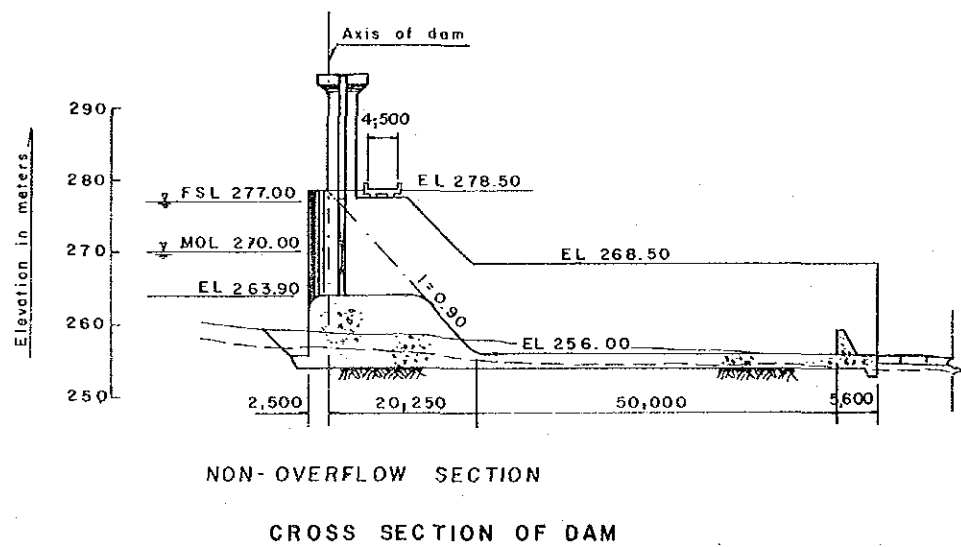
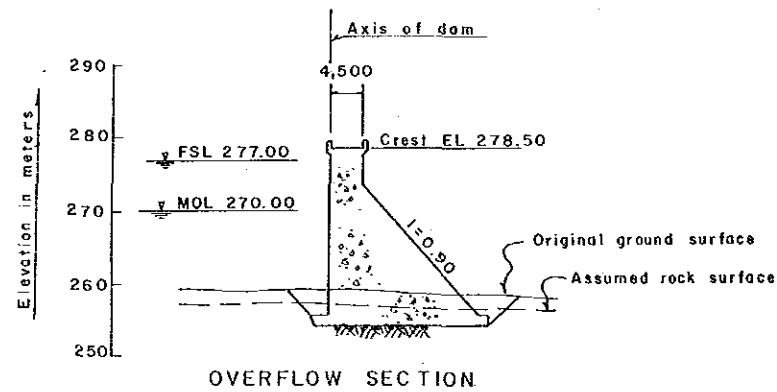
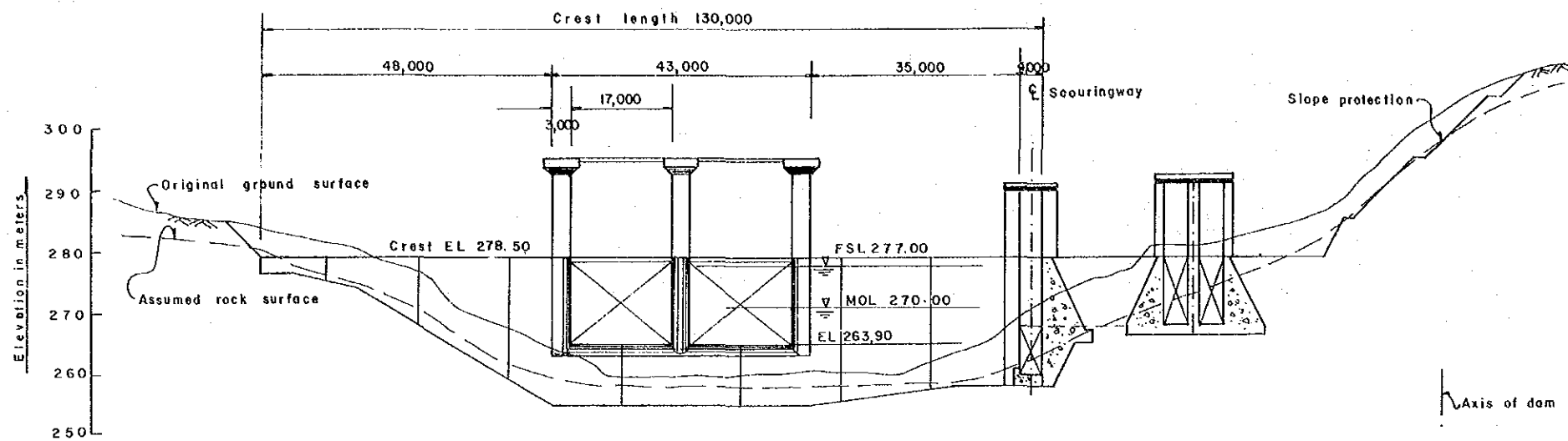
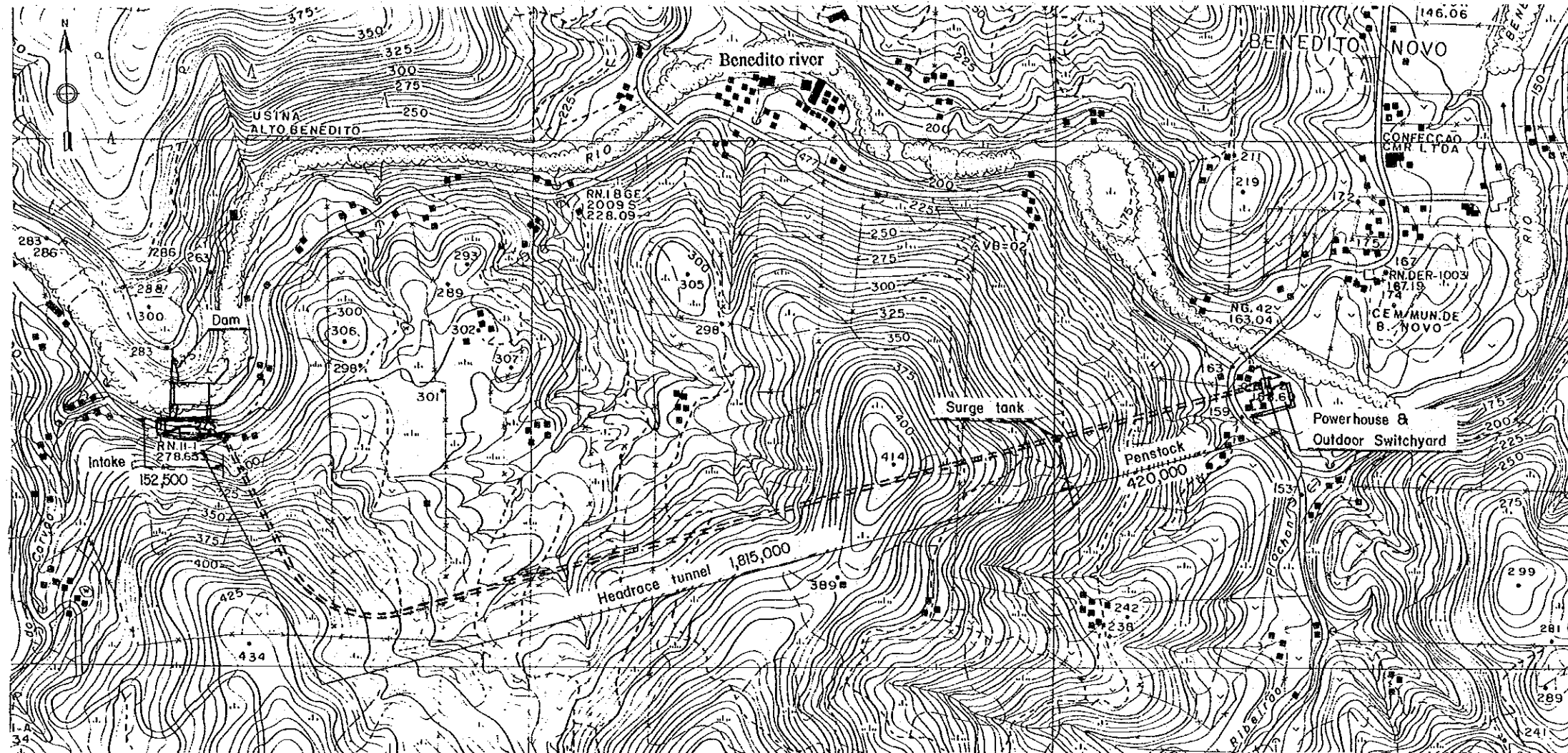


Fig. III.5.3 BENEDITO NOVO HYDROPOWER SCHEME, GENERAL PLAN OF DAM AND INTAKE

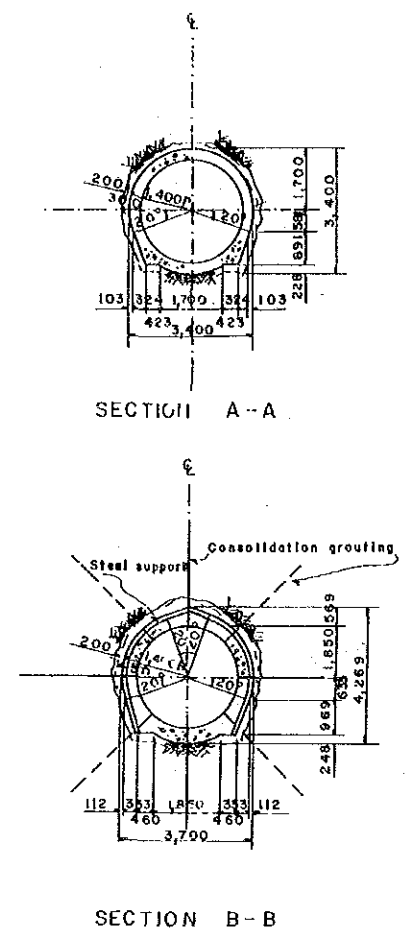


SCALE 0 50 m

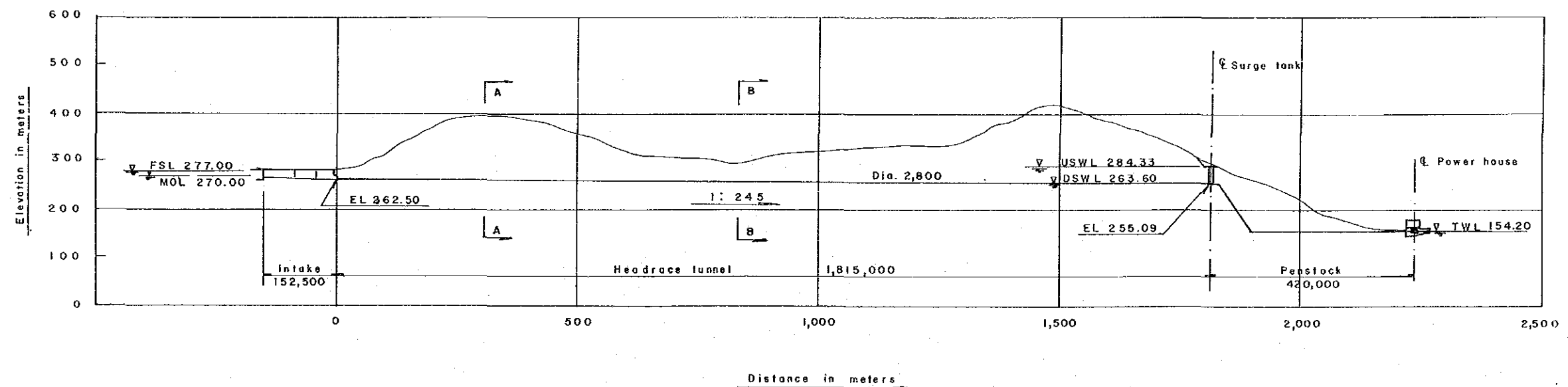
Fig. III.5.4 BENEDITO NOVO HYDROPOWER SCHEME, DAM AND INTAKE



PLAN SCALE A



TYPICAL SECTION OF HEADRACE TUNNEL  
SCALE B



PROFILE SCALE A

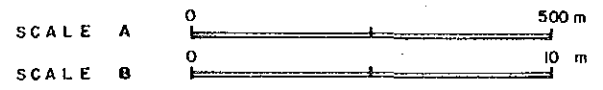
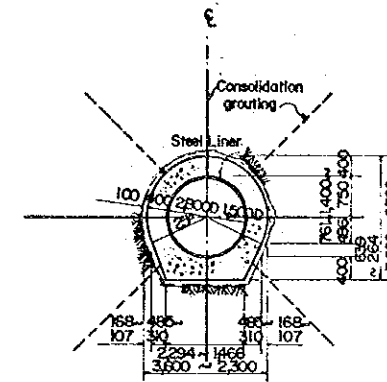
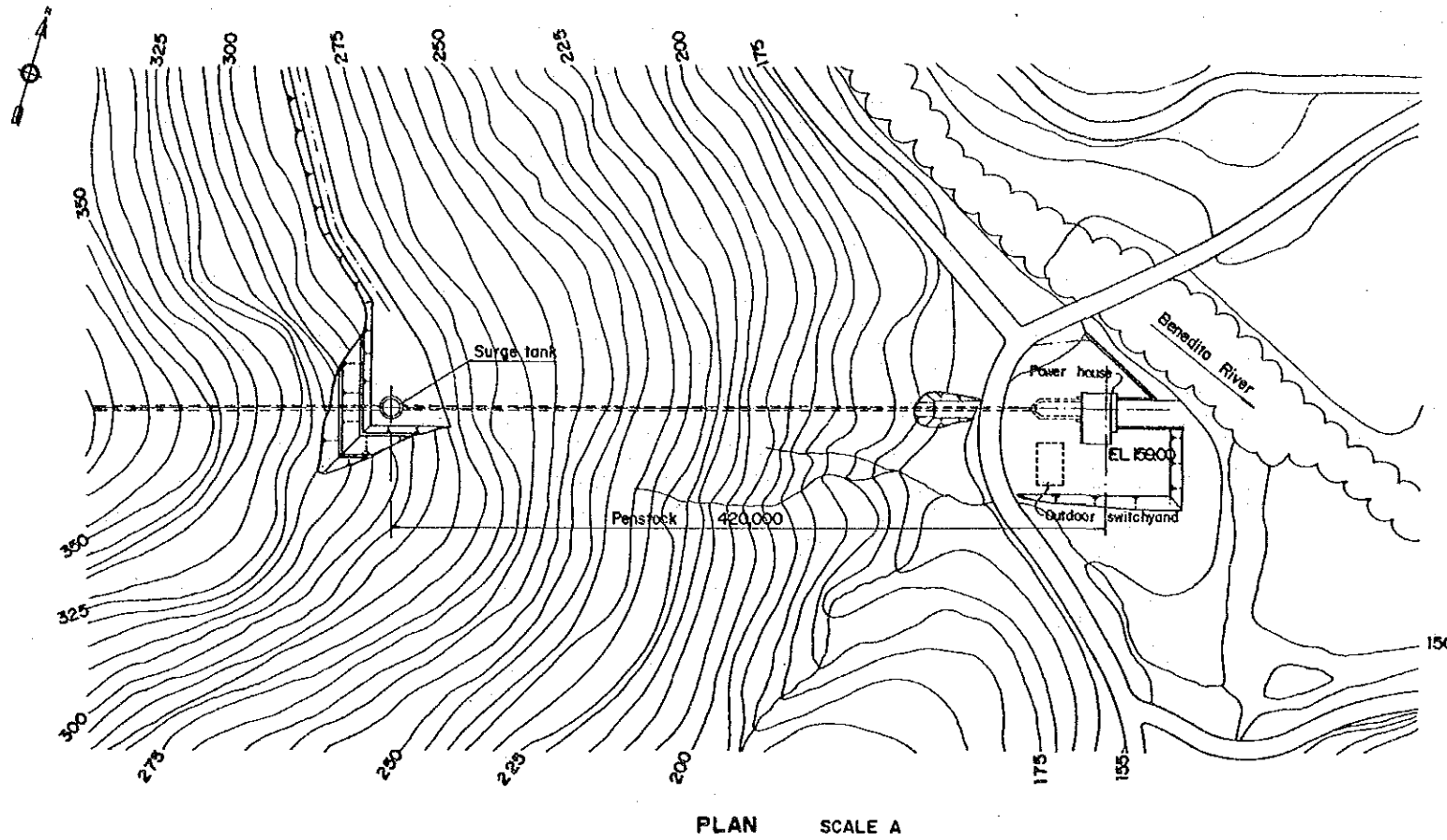
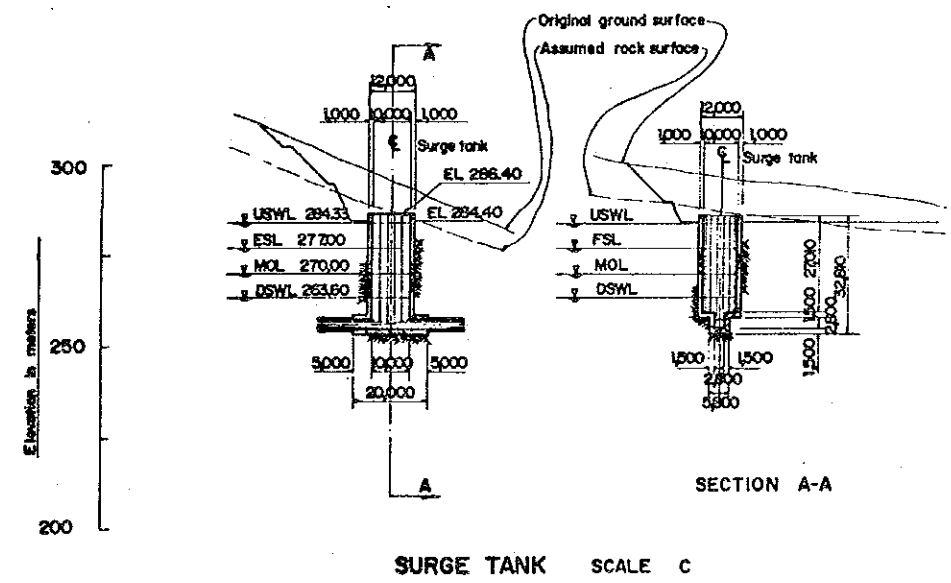
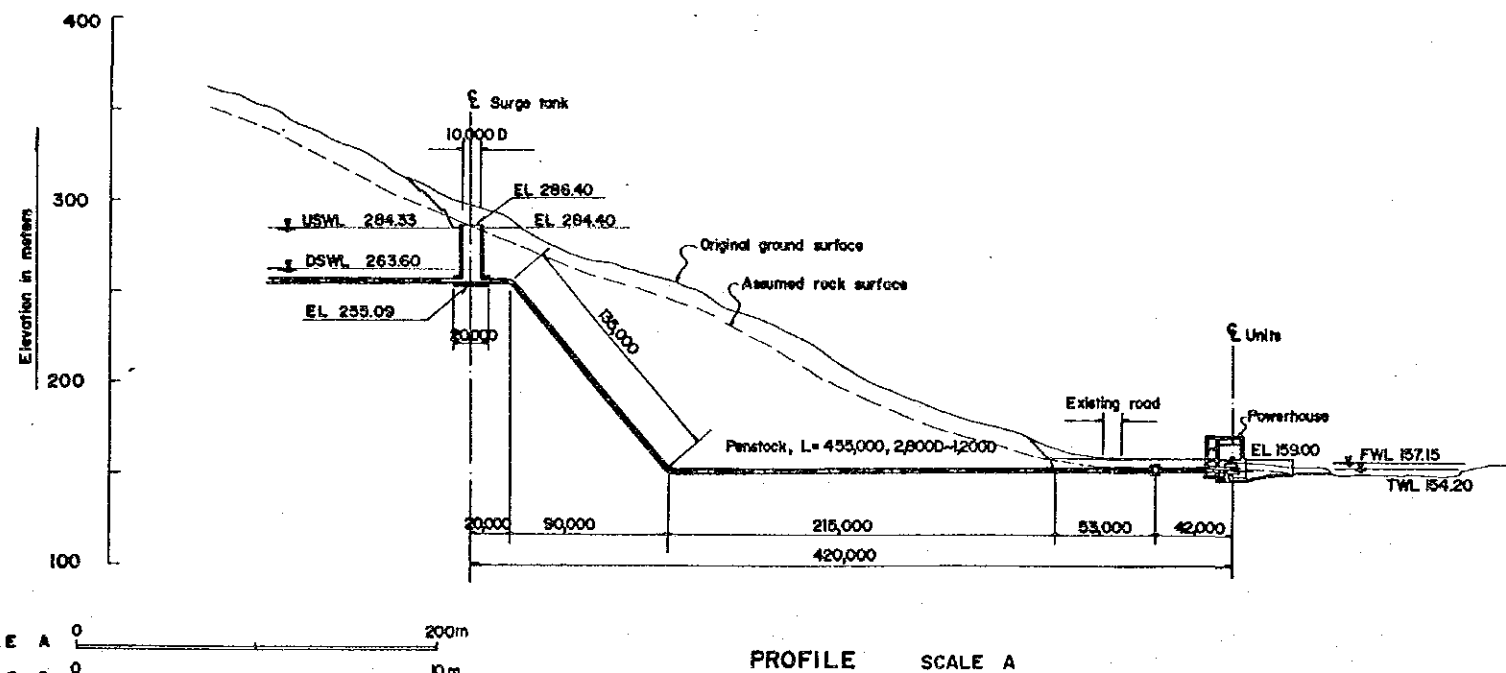


Fig. III.5.5 BENEDITO NOVO HYDROPOWER SCHEME,  
GENERAL PLAN AND PROFILE OF WATERWAY



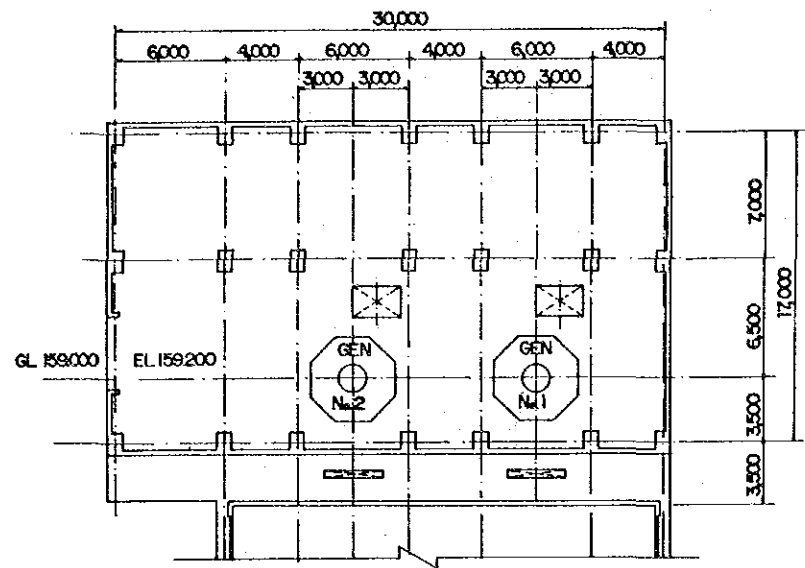
TYPICAL SECTION OF PENSTOCK TUNNEL SCALE B



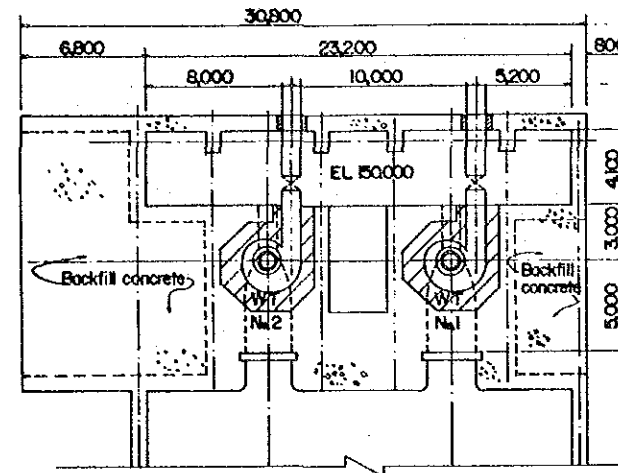
SURGE TANK SCALE C

SCALE A 0 200m  
 SCALE B 0 10m  
 SCALE C 0 100m

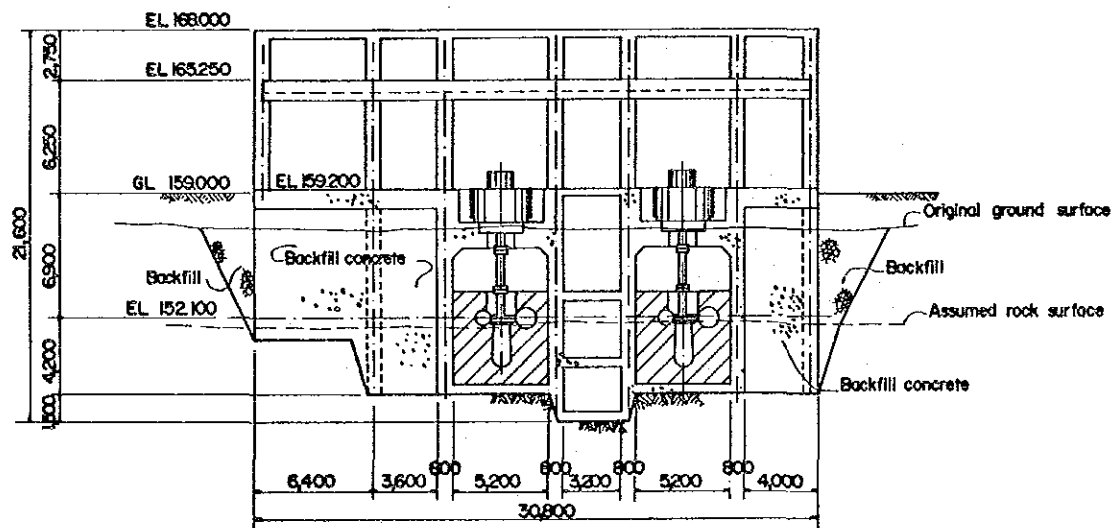
Fig. III.5.6 BENEDITO NOVO HYDROPOWER SCHEME, GENERAL PLAN AND PROFILE OF SURGE TANK AND PENSTOCK LINE



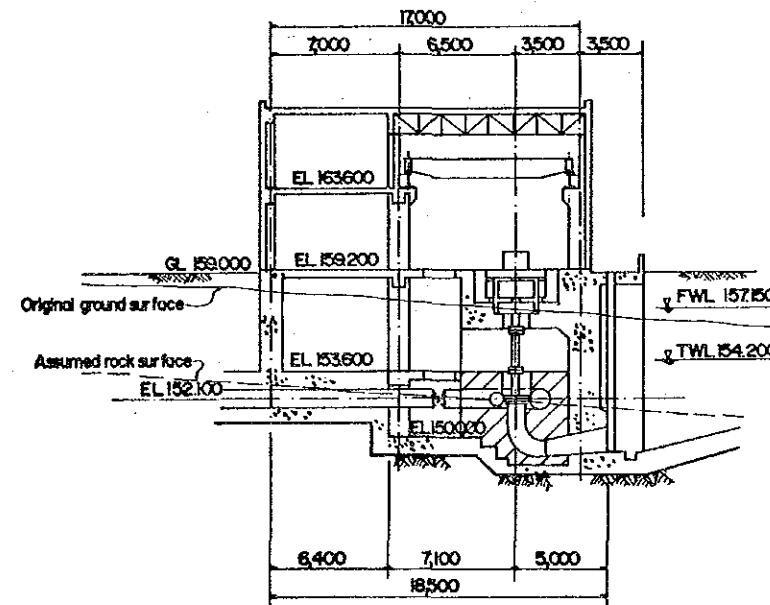
PLAN (EL 159200)



PLAN (EL 152100)



LONGITUDINAL SECTION



TRANSVERSE SECTION



Fig. III.5.7 BENEDITO NOVO HYDROPOWER SCHEME, POWERHOUSE

ACTION	YEAR	1992	1993	1994	1995	1996	1997	1998	1999	2000
A. Feasibility Study		█								
B. Detailed design										
(1) Financing		█								
(2) Detailed design			█							
C. Construction										
(1) Land acquisition					█	█				
(2) Financing					█	█				
(3) P/Q & tendering						█				
(4) Construction							█	█	█	█

Commencement of  
Power Generation

Fig. III.6.1 IMPLEMENTATION SCHEDULE FOR SALTO PILÃO (1) HYDROPOWER SCHEME





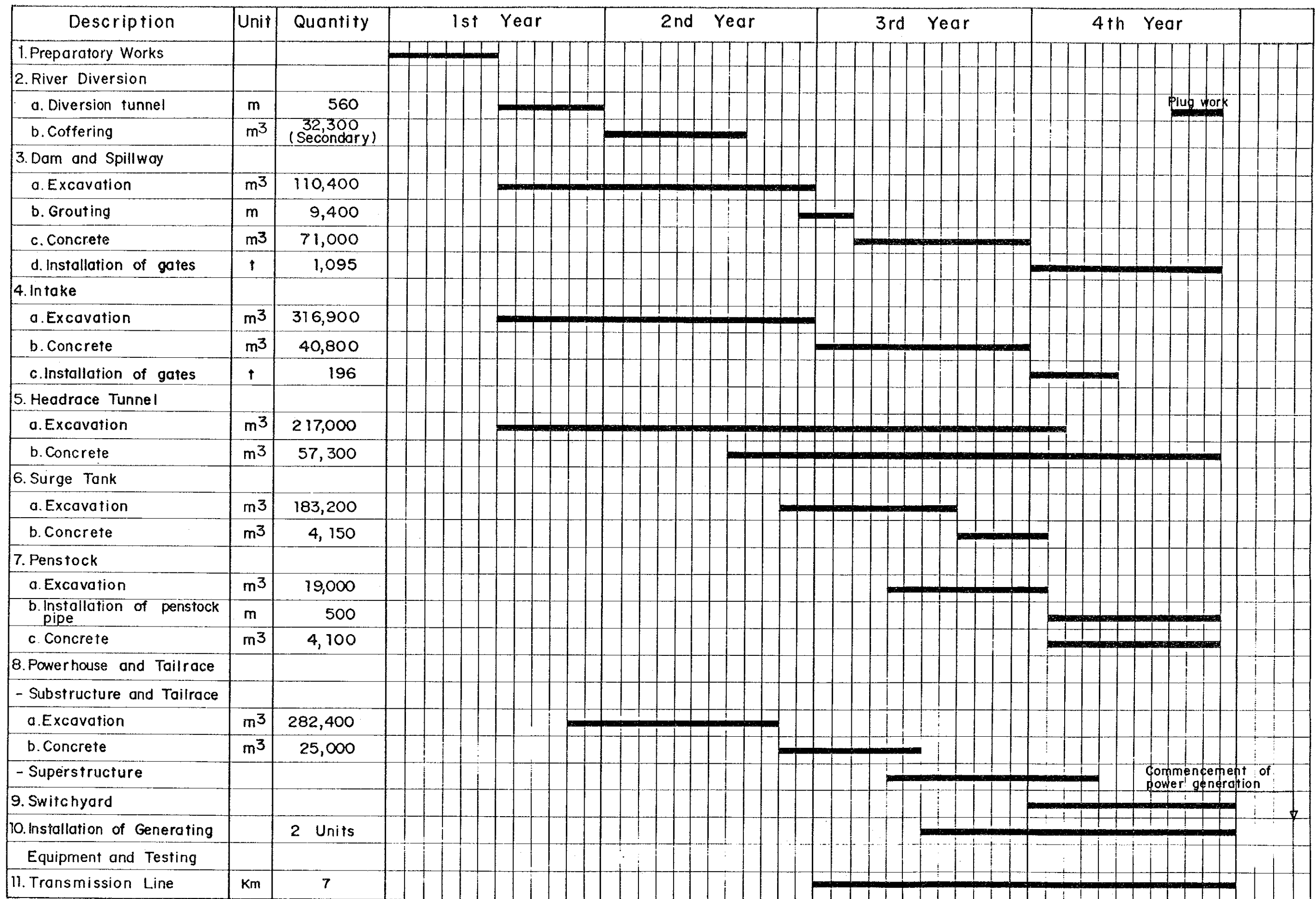


Fig. III.6.2 CONSTRUCTION TIME SCHEDULE FOR SALTO PILÃO (1) HYDROPOWER SCHEME

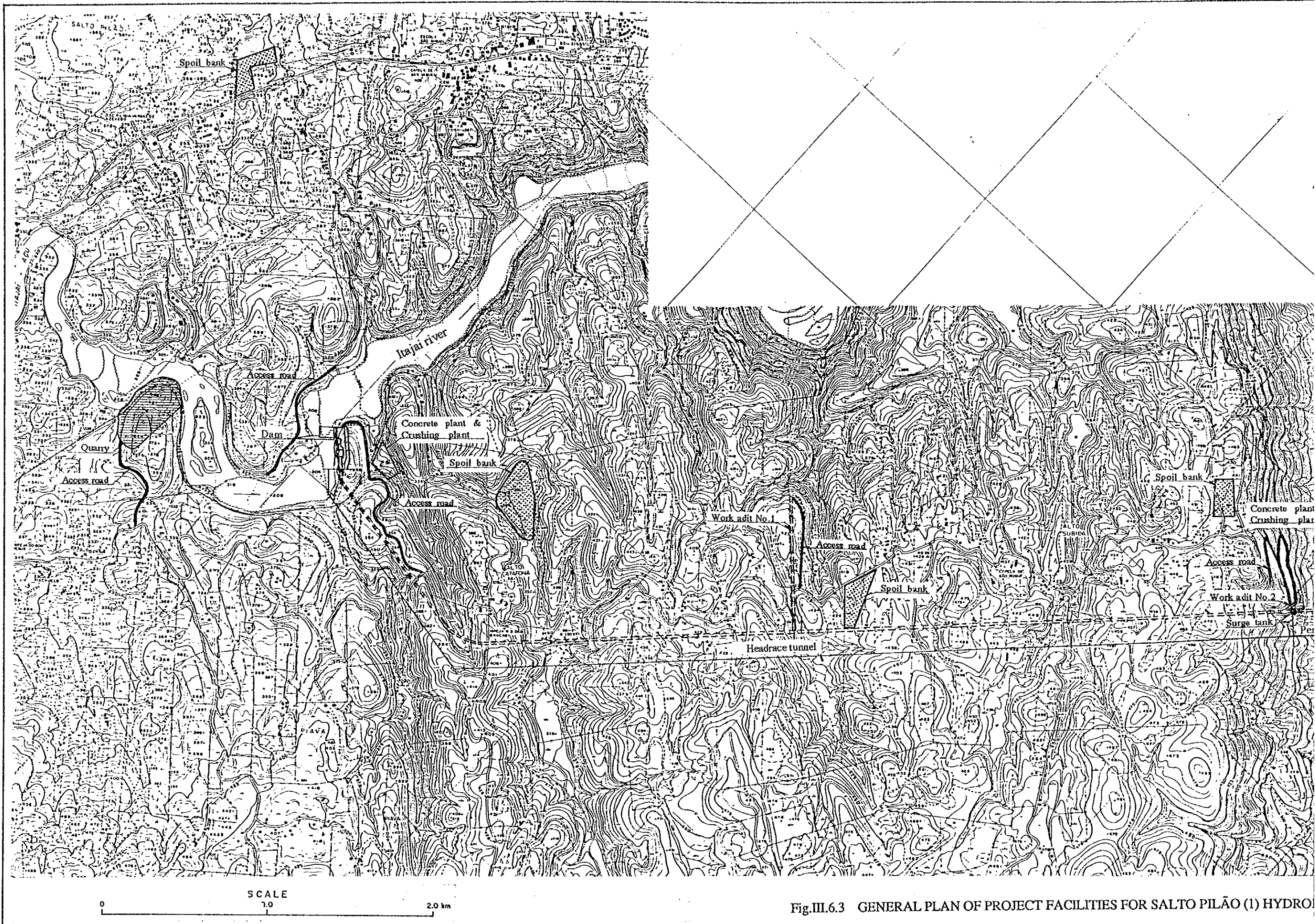


Fig.III.6.3 GENERAL PLAN OF PROJECT FACILITIES FOR SALTO PILÃO (1) HYDRO

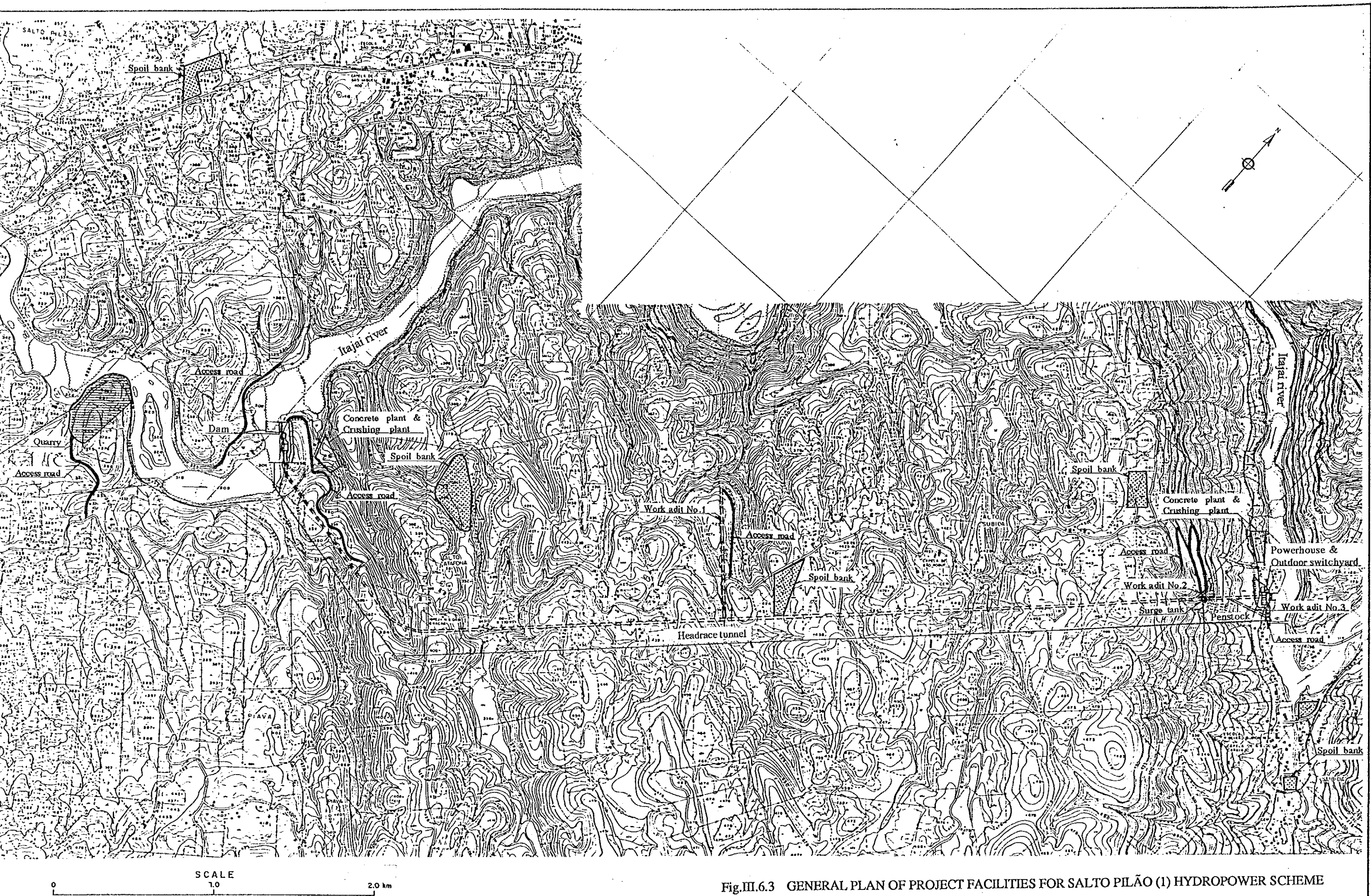


Fig.III.6.3 GENERAL PLAN OF PROJECT FACILITIES FOR SALTO PILÃO (I) HYDROPOWER SCHEME

ACTION	YEAR	1 st	2 nd	3 rd	4 th	5 th	6 th	7 th	8 th	9 th
A. Feasibility Study		█								
B. Detailed design										
(1) Financing			█							
(2) Detailed design				█						
C. Construction						█				
(1) Land acquisition										
(2) Financing					█					
(3) P/Q & tendering							█			
(4) Construction								█		

Commencement of  
Power Generation

Fig.III.6.4 IMPLEMENTATION SCHEDULE FOR DALBERGIA HYDROPOWER SCHEME



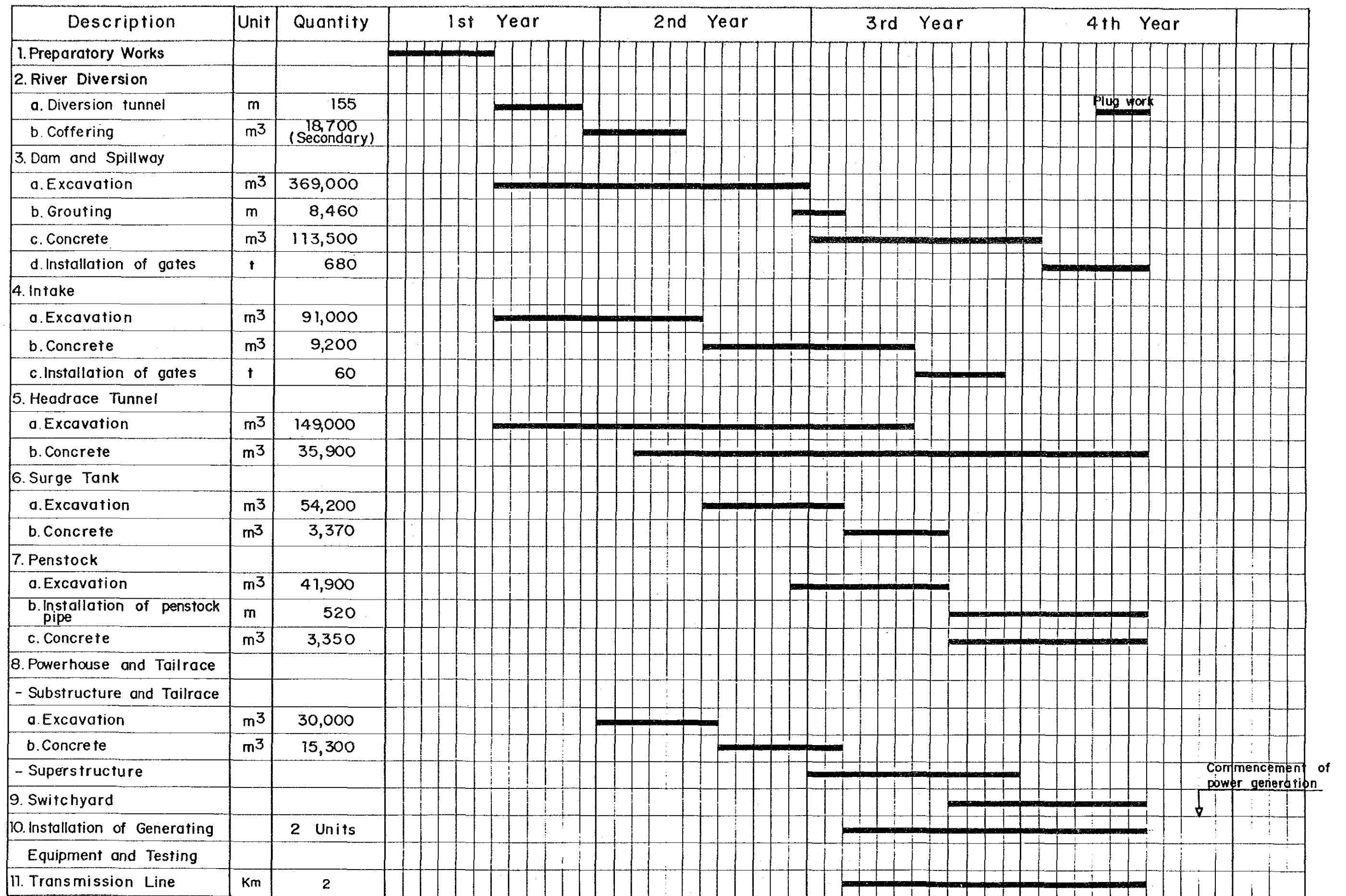


Fig. III.6.5 CONSTRUCTION TIME SCHEDULE FOR DALBERGIA HYDROPOWER SCHEME



Fig.III.6.6 GENERAL PLAN OF PROJECT FACILITIES FOR DALBERGIA HYDROPOWER SCHEME



ACTION	YEAR	2003	2004	2005	2006	2007	2008	2009	2010
A. Feasibility Study		■							
B. Detailed design									
(1) Financing		■							
(2) Detailed design			■						
C. Construction									
(1) Land acquisition					■	■			
(2) Financing					■				
(3) P/Q & tendering						■			
(4) Construction							■	■	■

Commencement of  
Power Generation

Fig. III.6.7 IMPLEMENTATION SCHEDULE FOR BENEDITO NOVO HYDROPOWER SCHEME



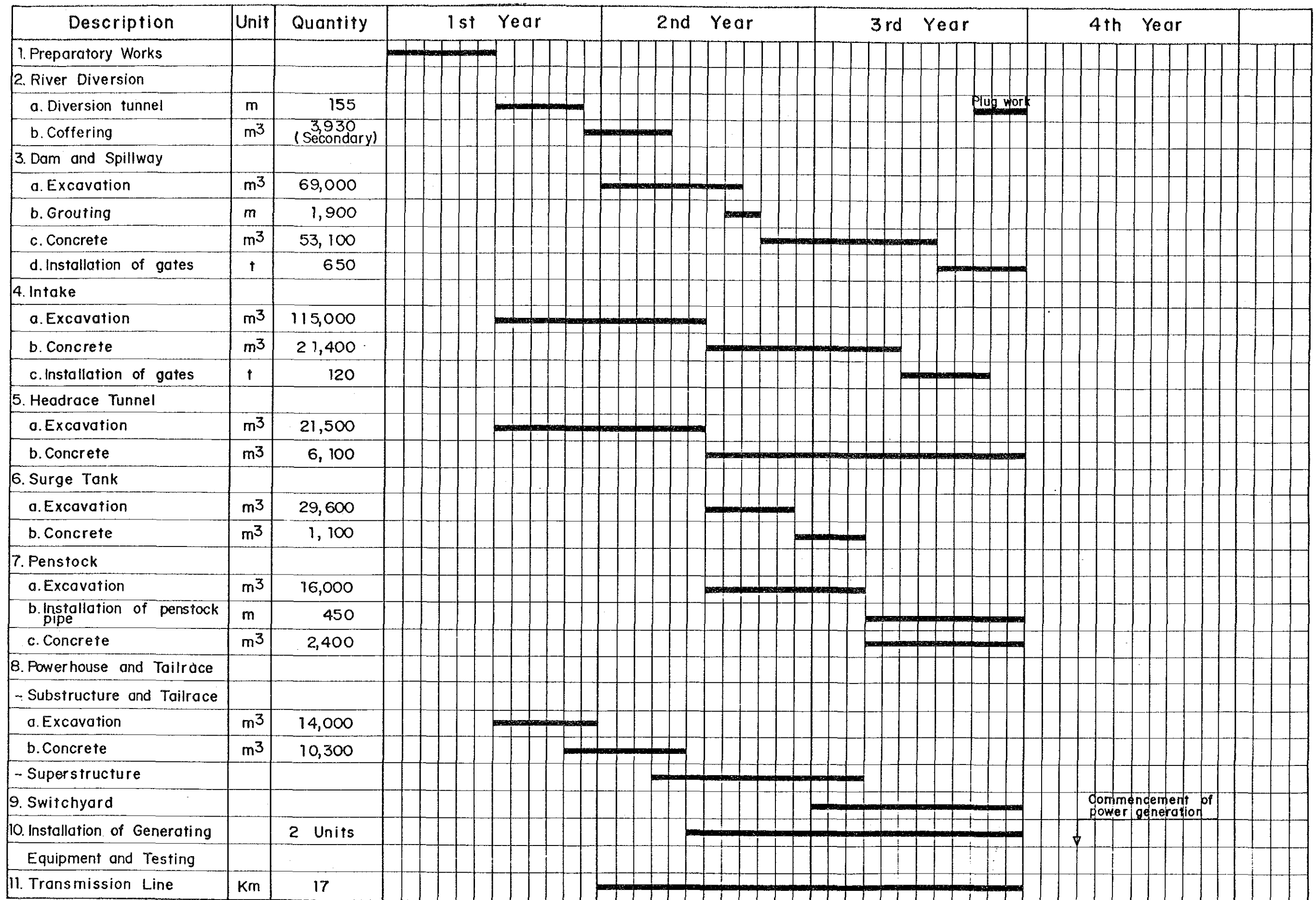


Fig.III.6.8 CONSTRUCTION TIME SCHEDULE FOR BENEDITO NOVO HYDROPOWER SCHEME

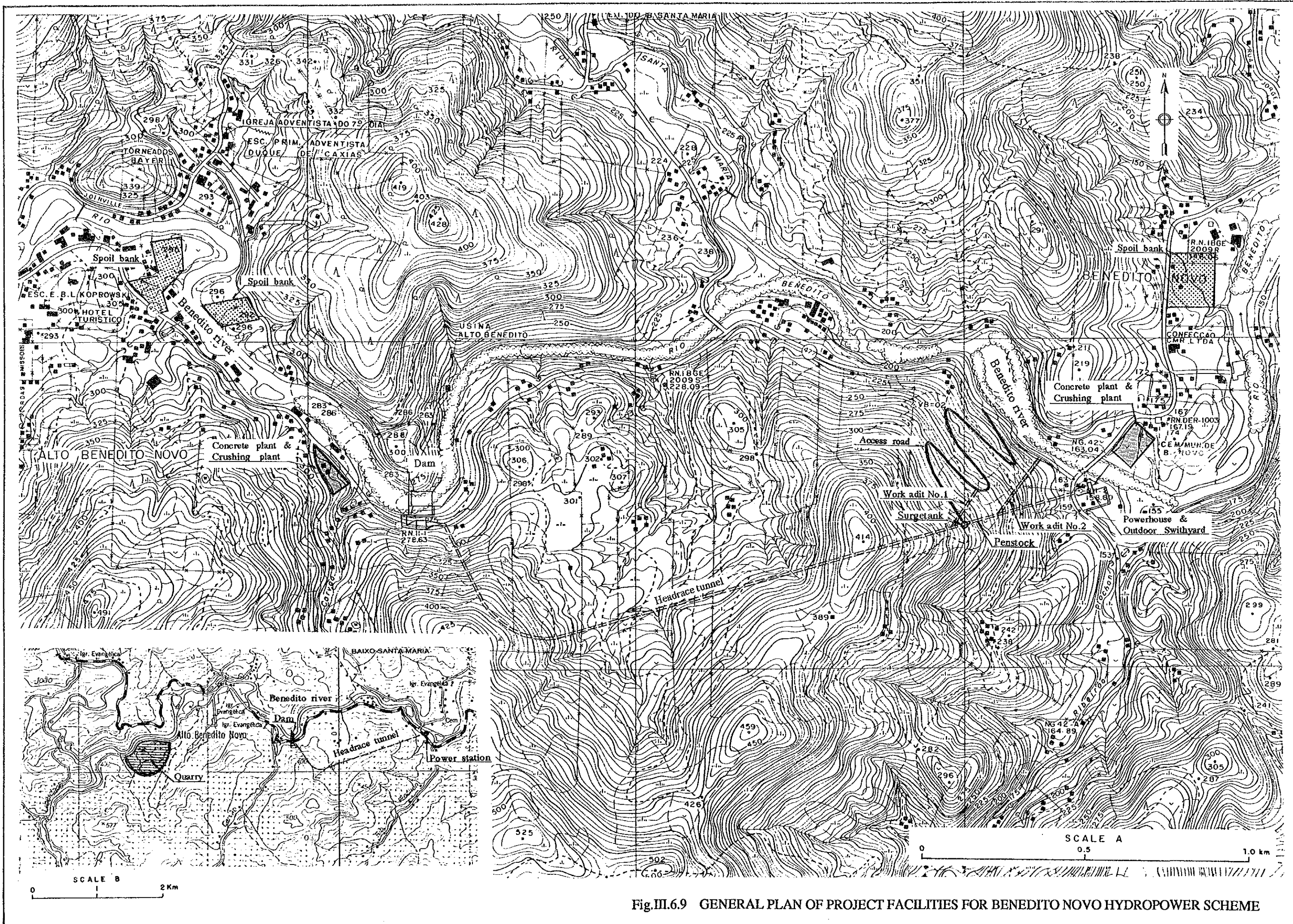


Fig.III.6.9 GENERAL PLAN OF PROJECT FACILITIES FOR BENEDITO NOVO HYDROPOWER SCHEME