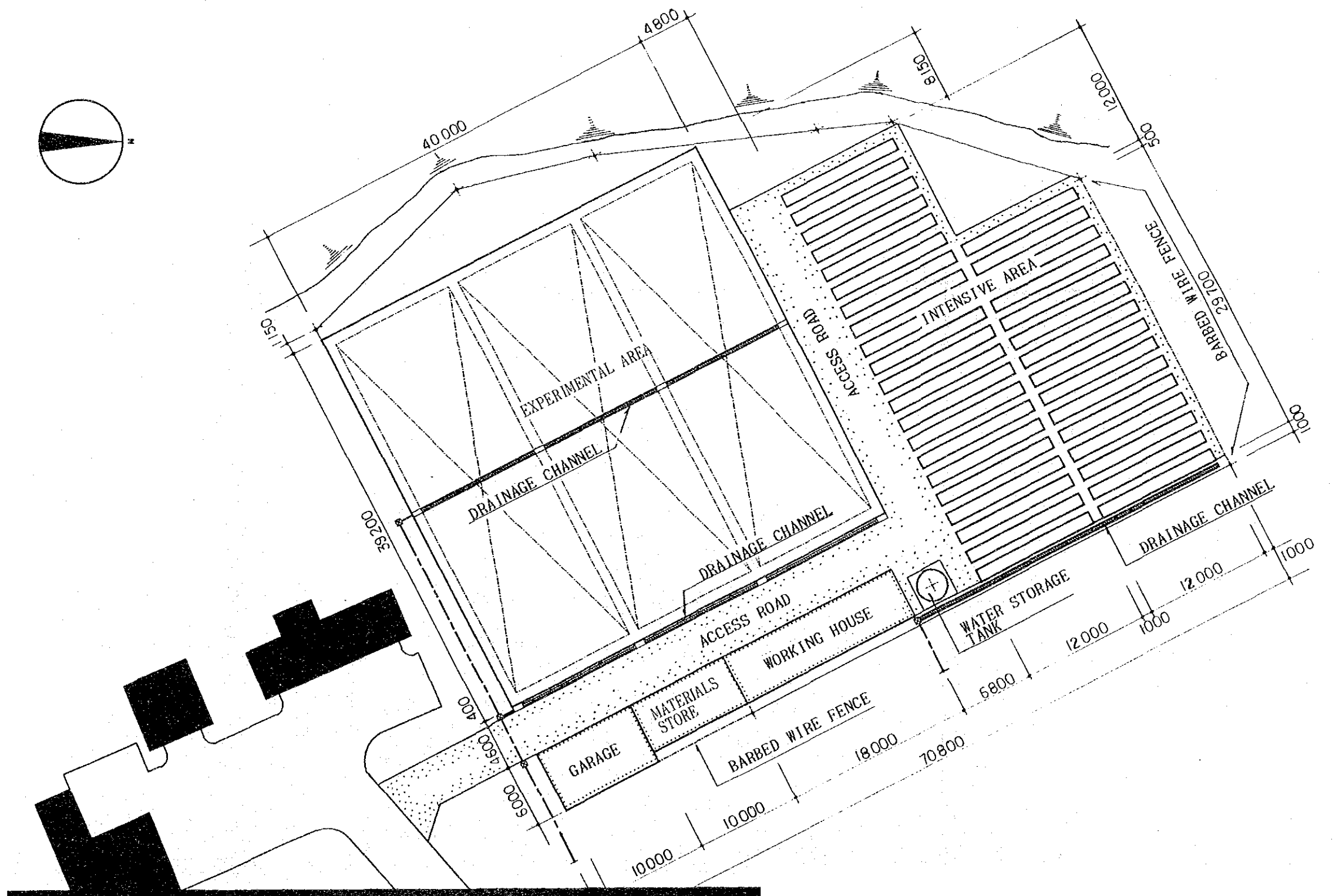
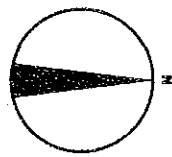
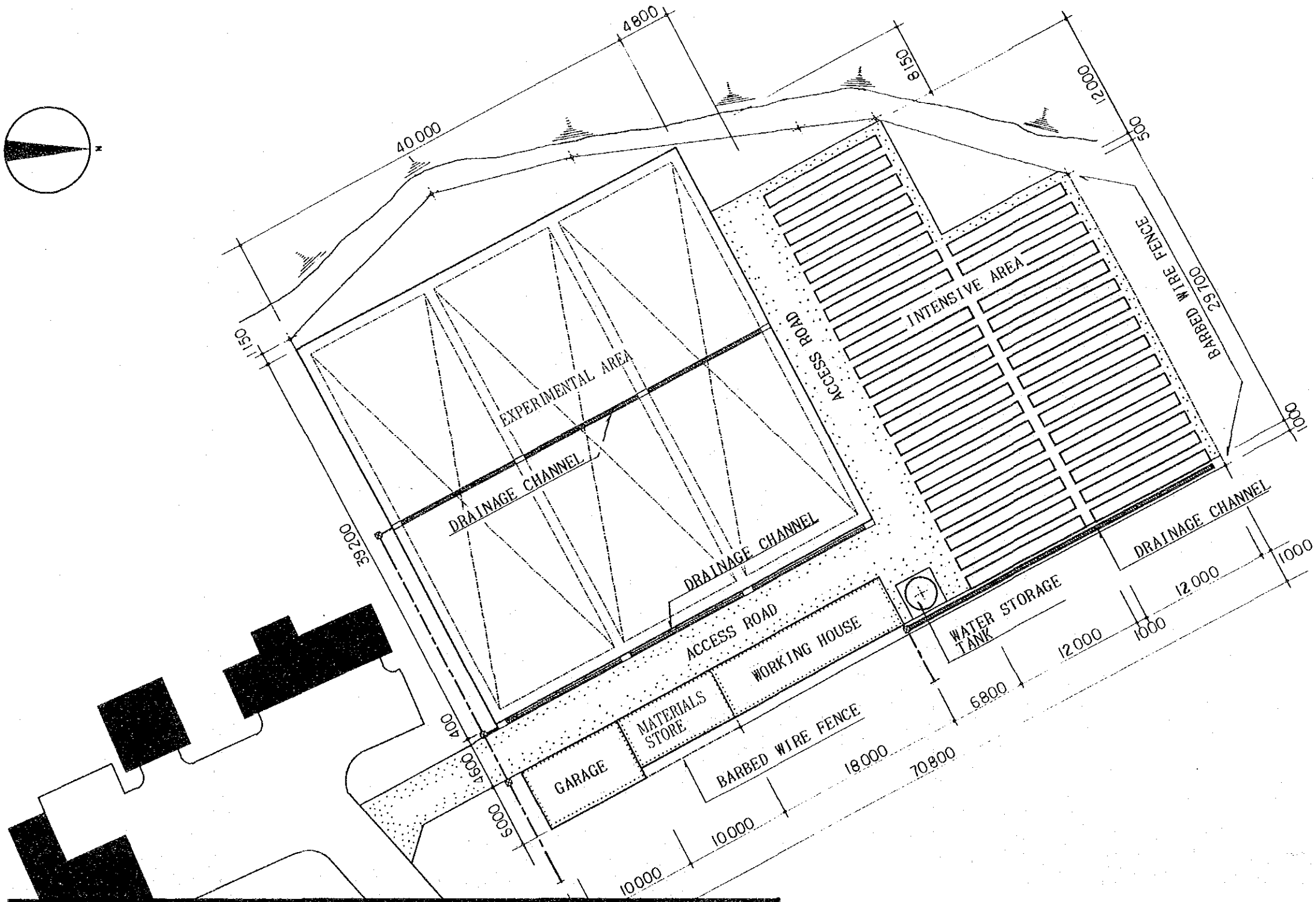
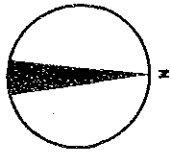
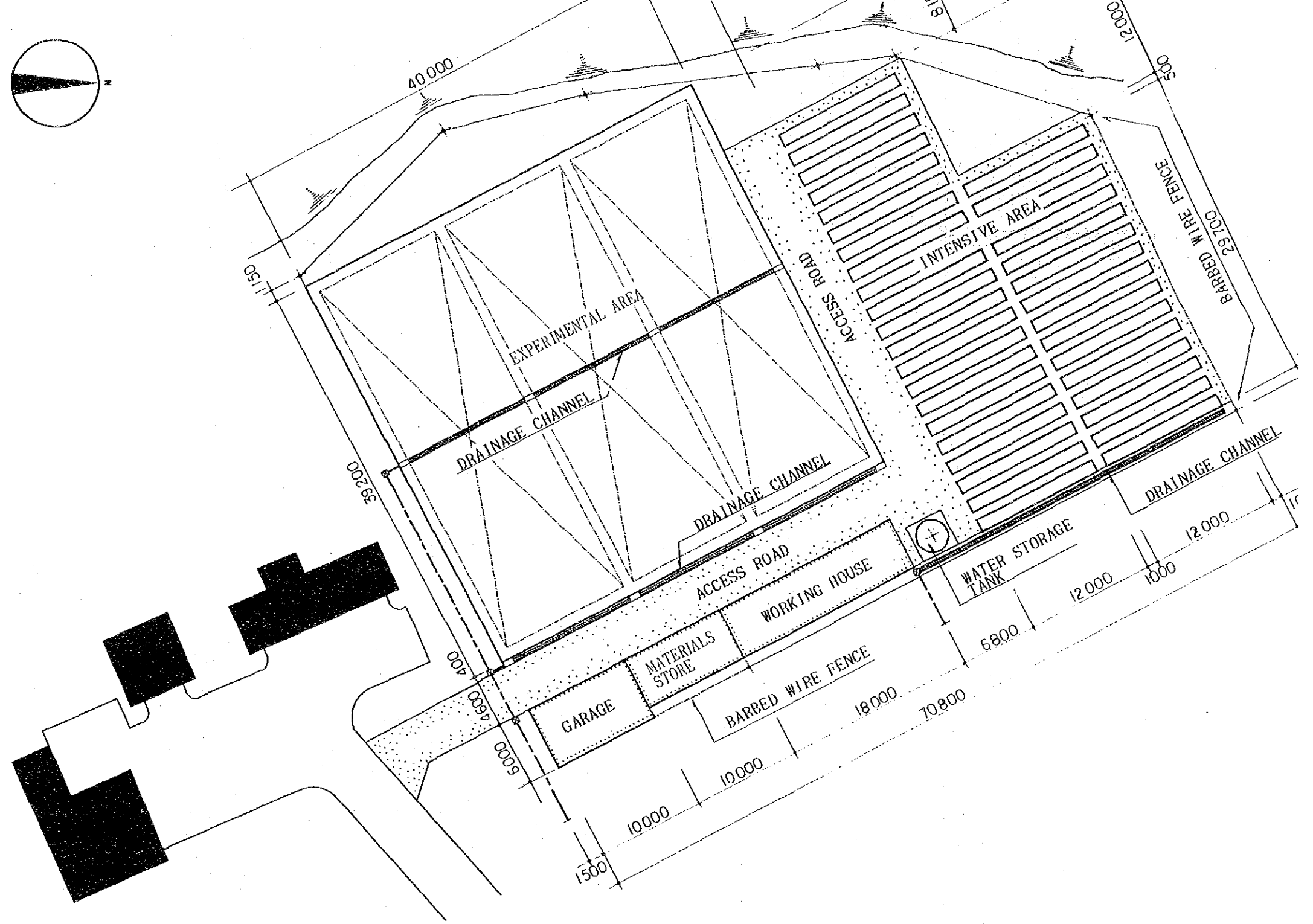
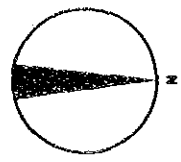


### LIST OF ATTACHMENTS

Sheet No.	Title
MK-01	Site Plan
"-02	Experimental Area (Floor Plan)
"-03	" (Timber Frame Plan)
"-04	Garage, Materials Store, Working House (Floor Plan, Foundation Plan, Roof Plan, Illumination Plan)
"-05	Garage, Materials Store, Working House (Elevation, Section)
"-06	Garage (Detail Section)
"-07	Experimental Plantation (Site Plan)
"-08	" (Gate, Barbed wire Fence, Location Board)
"-09	Intensive Area (Raised Bed Plan, Steel Frame Plan)
"-10	Water Storage Tank (Foundation Plan, Frame Plan, Elevation, Detail)
"-11	Water Storage Tank (Elevation, Section)
"-12	Site Plan (Electric Installation, Water Supply & Drainage Plumbing)





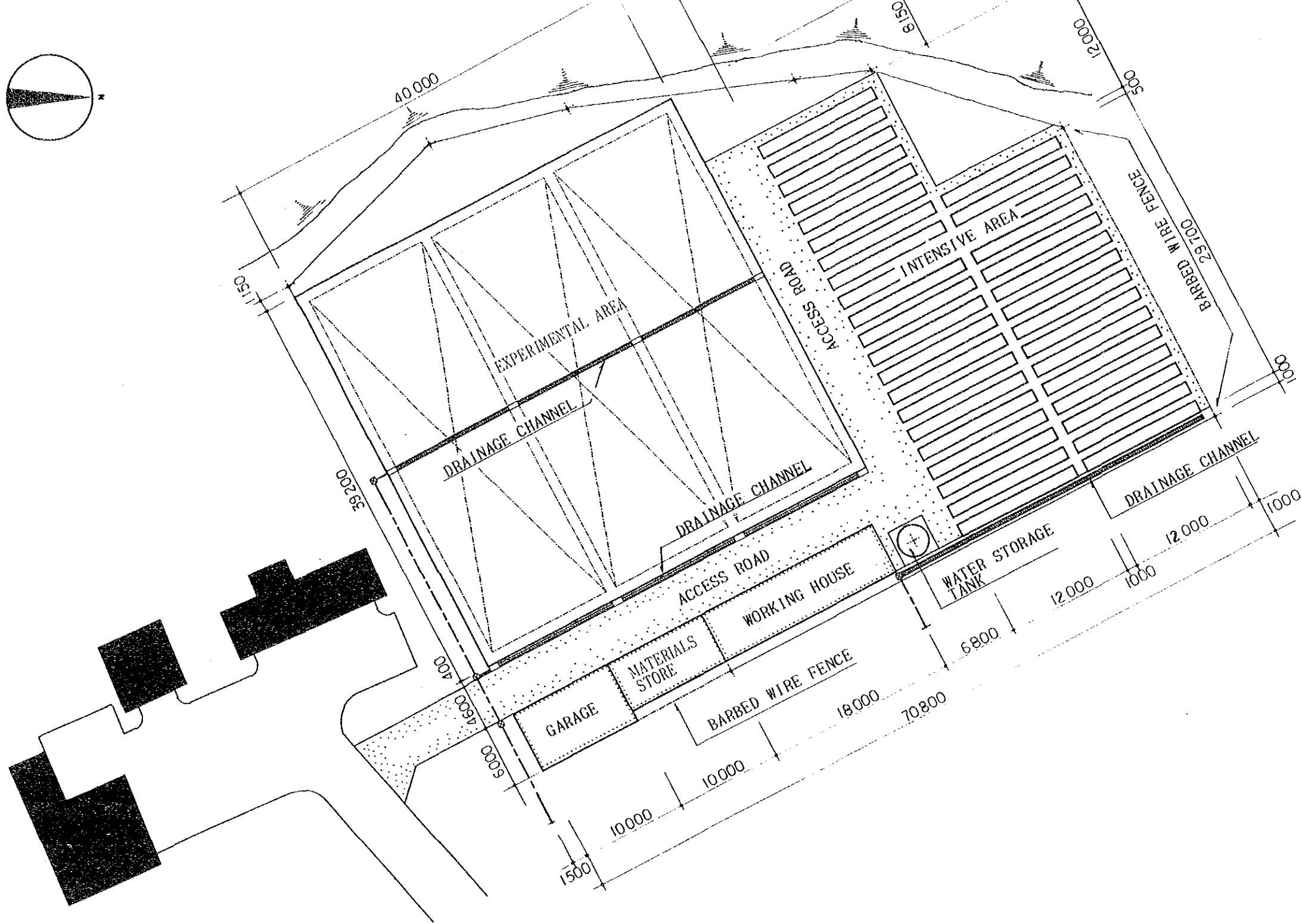
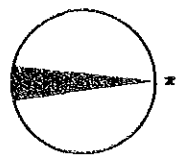


THE MODEL INFRASTRUCTURE WORK FOR  
THE FOREST RESEARCH PROJECT  
IN PAPUA NEW GUINEA

SITE PLAN

S = 1

MK-

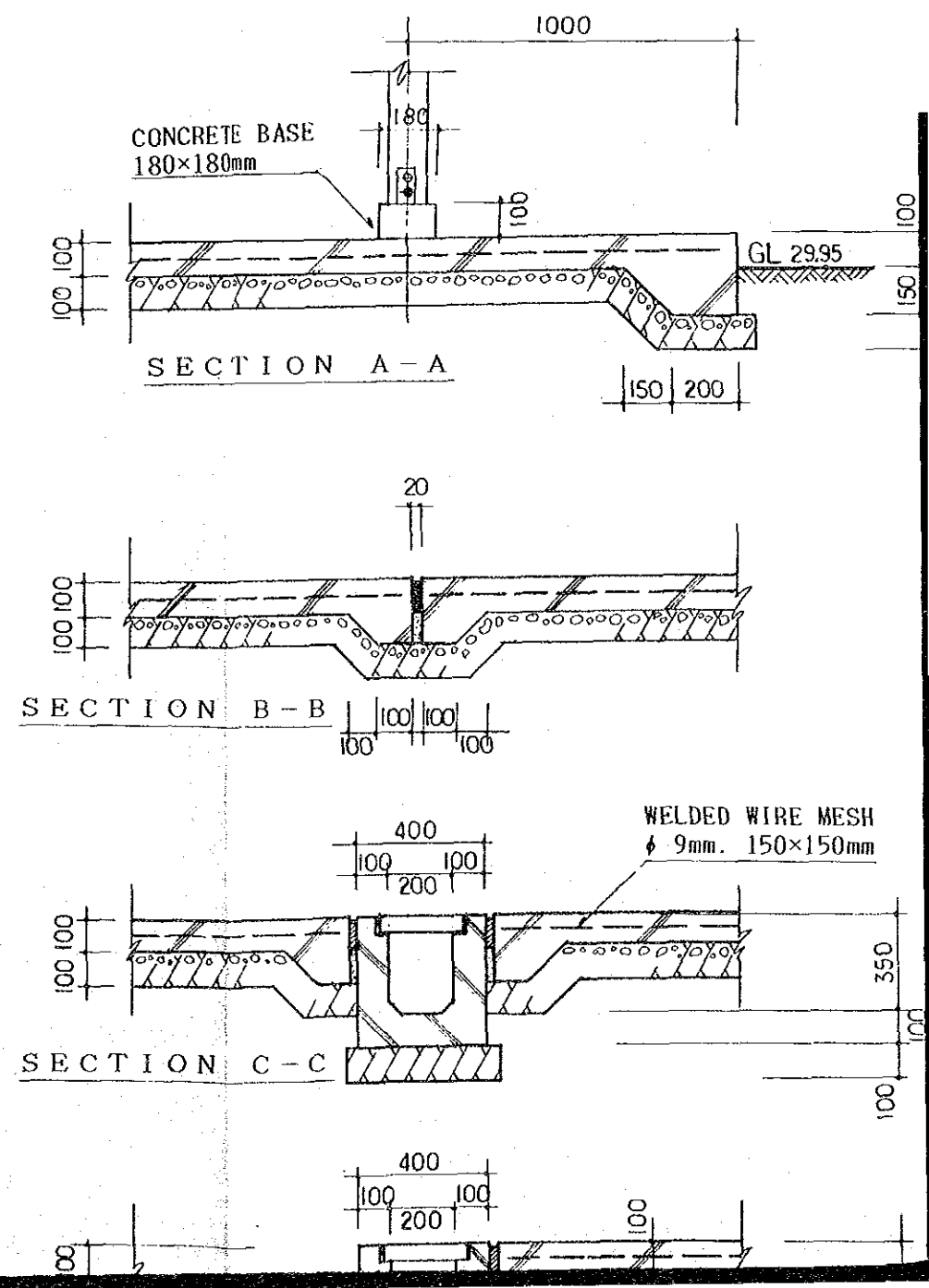
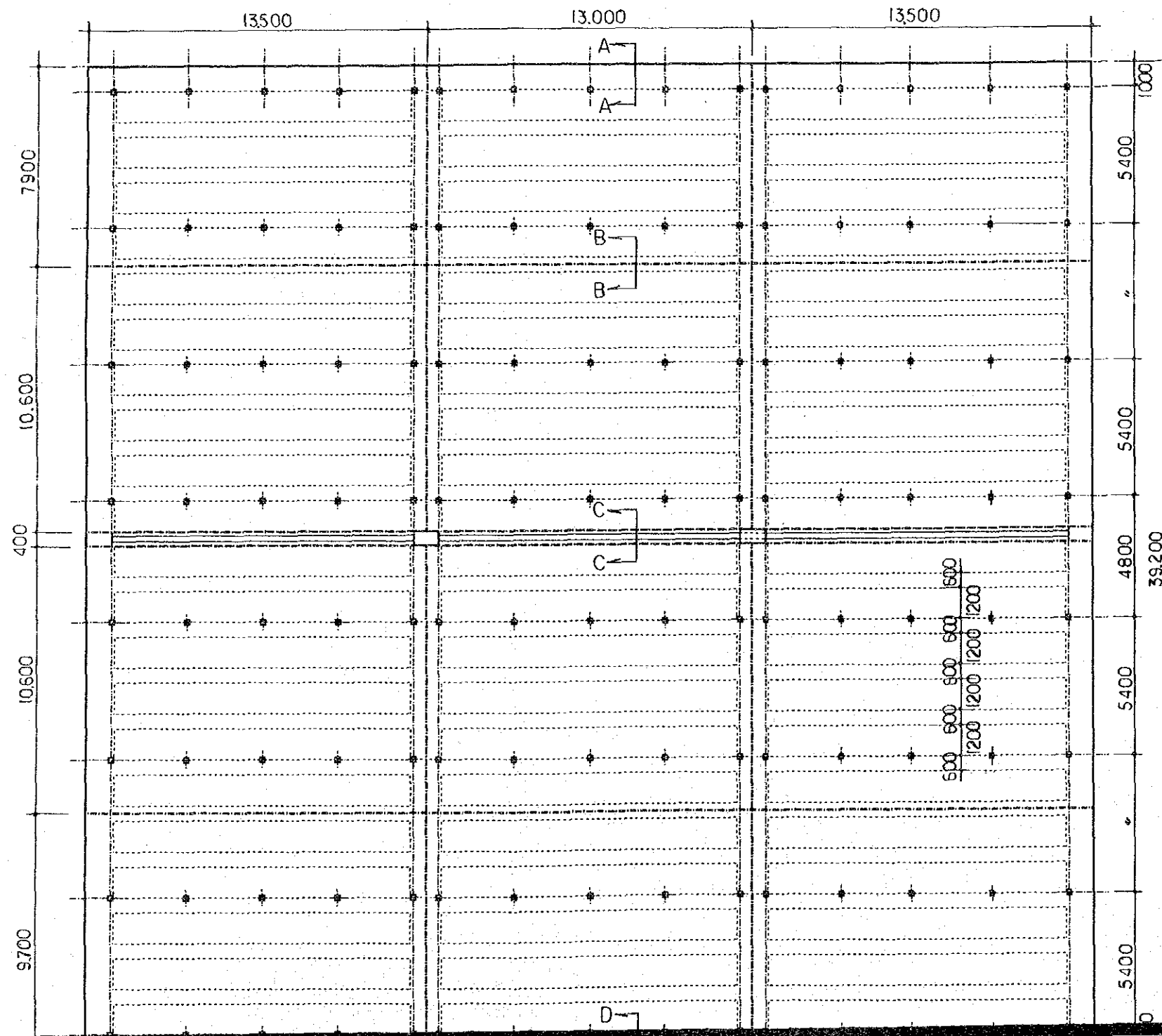


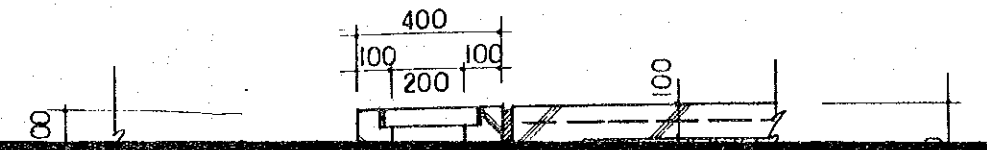
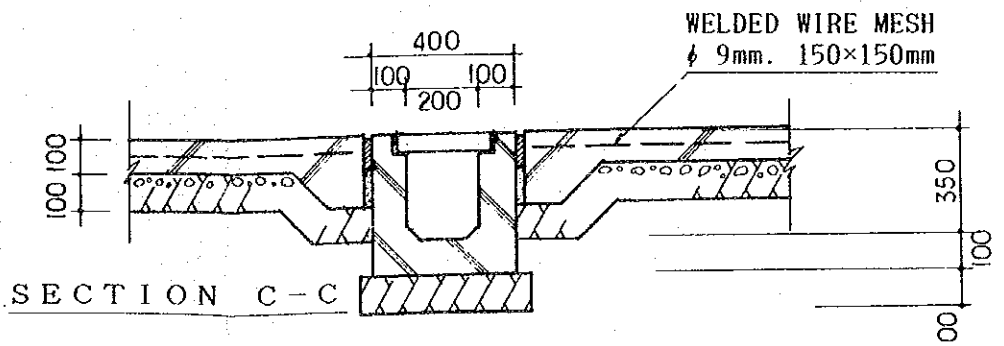
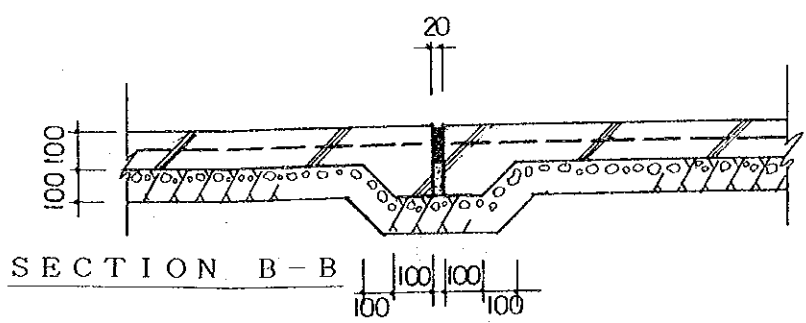
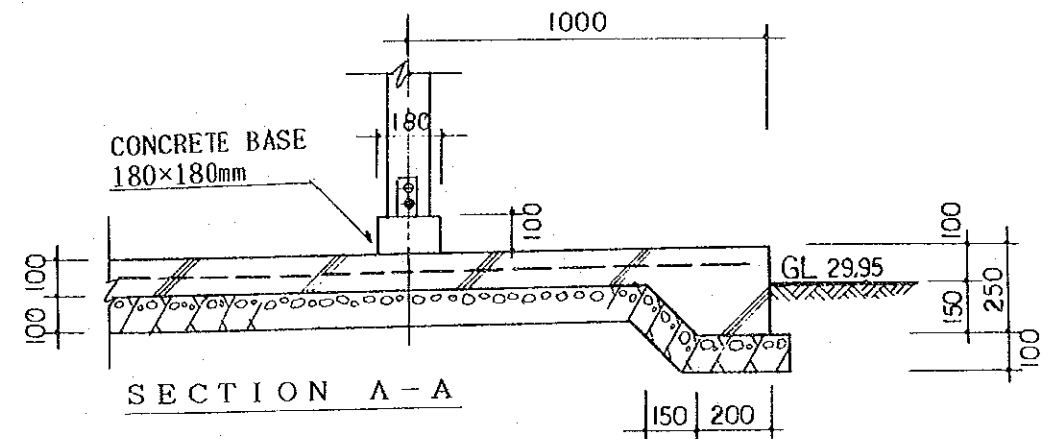
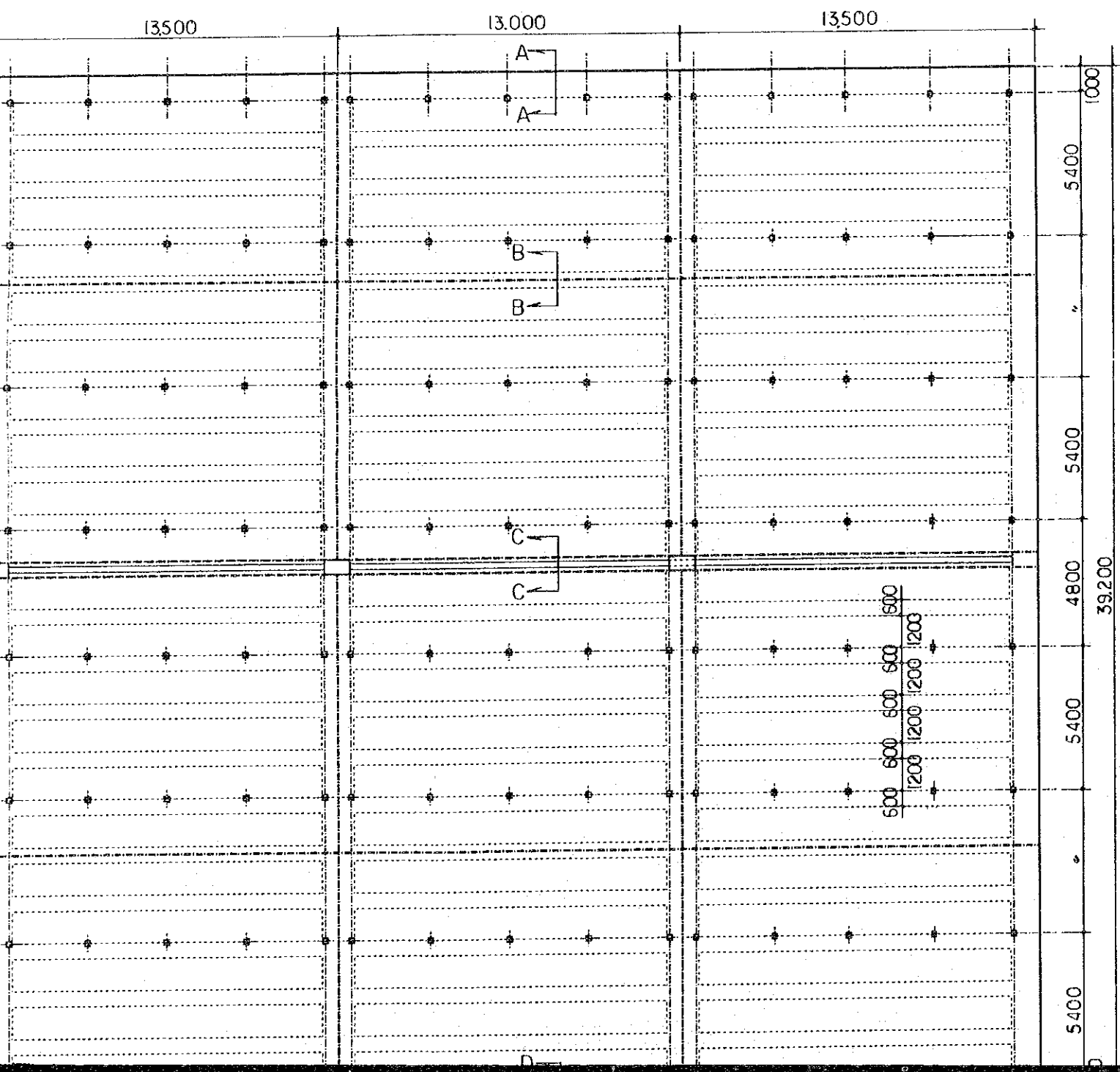
INFRASTRUCTURE WORK FOR  
FOREST RESEARCH PROJECT  
IN PAPUA NEW GUINEA

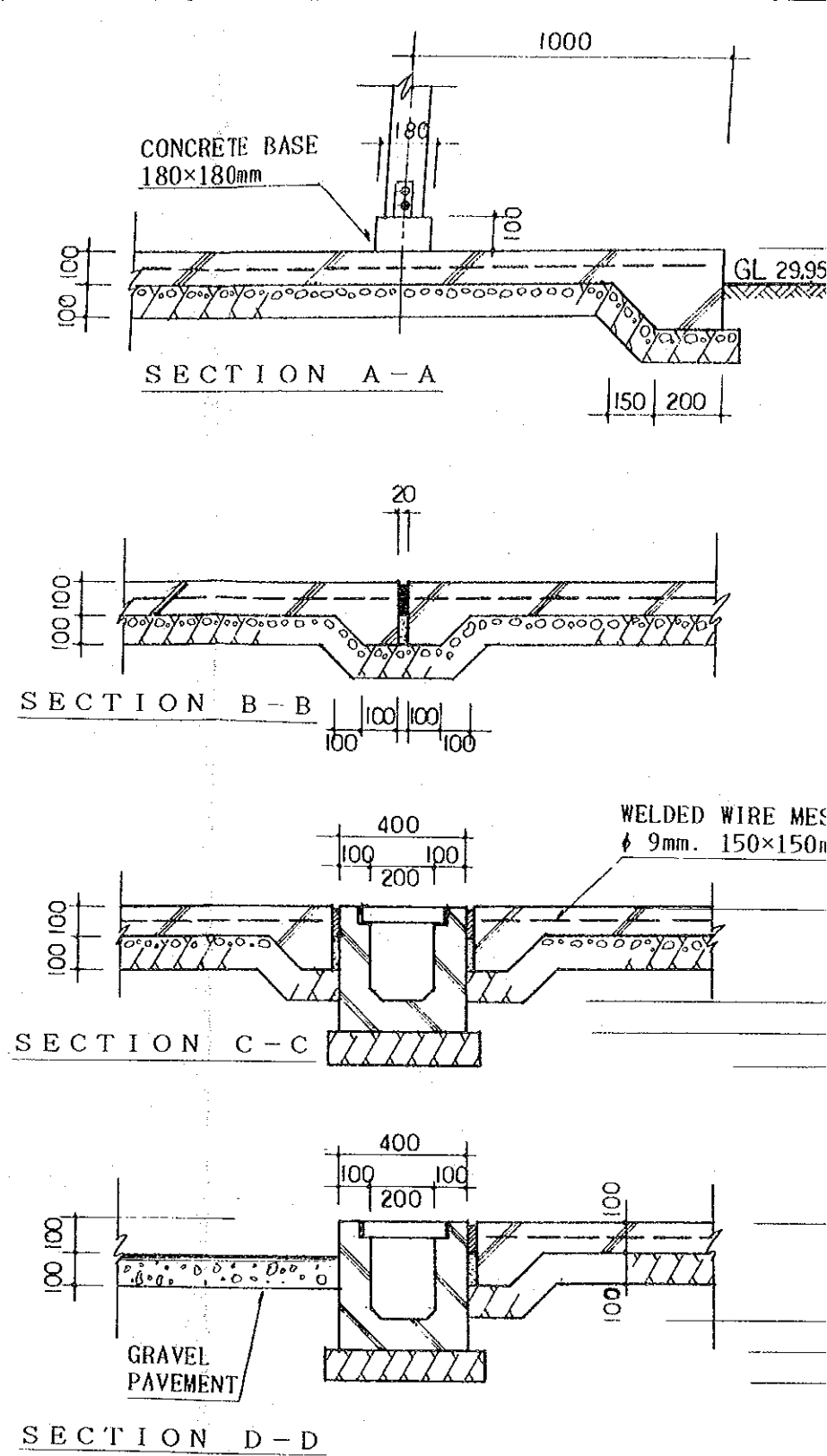
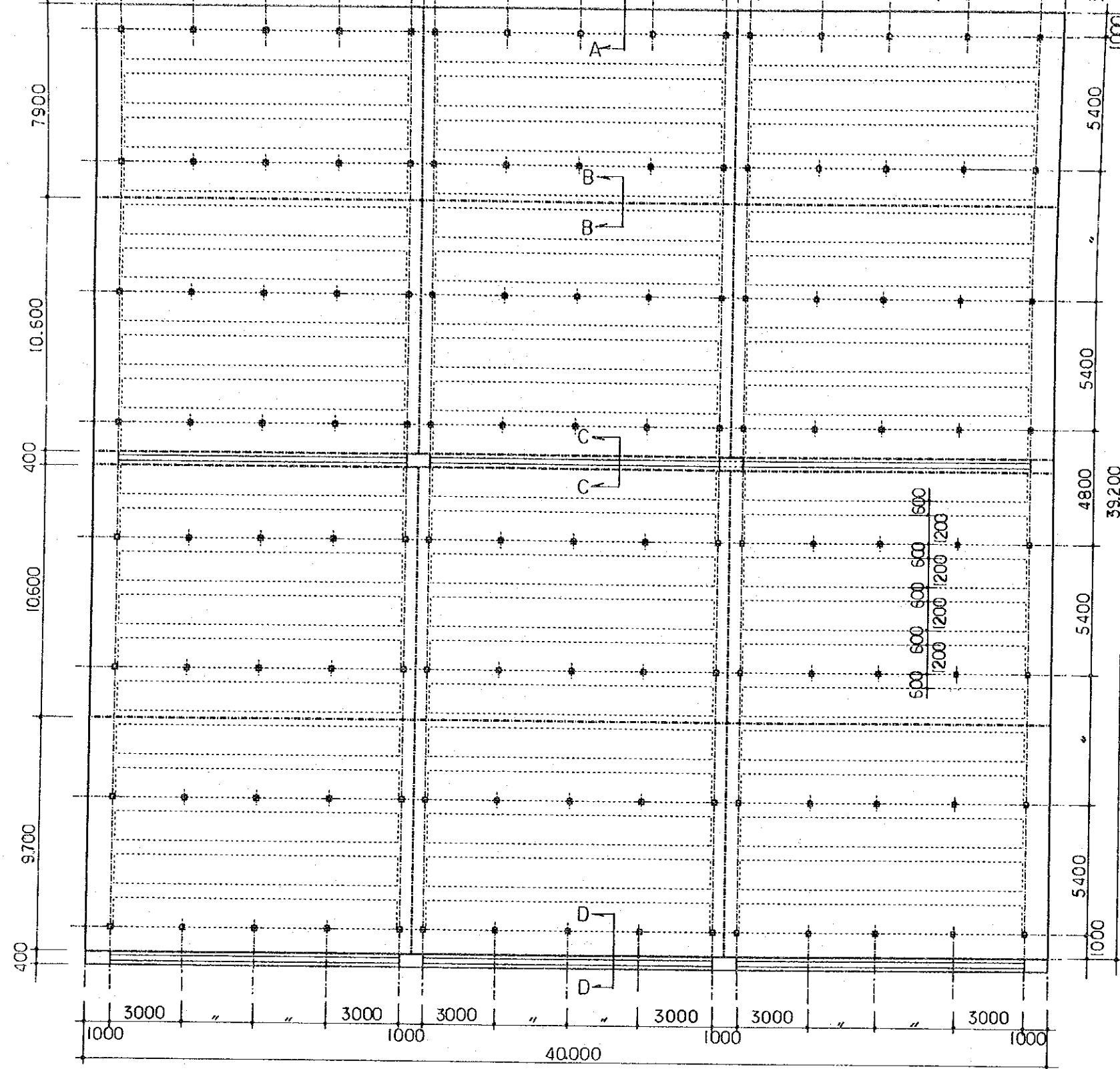
SITE PLAN

S = 1 / 400

MK-01

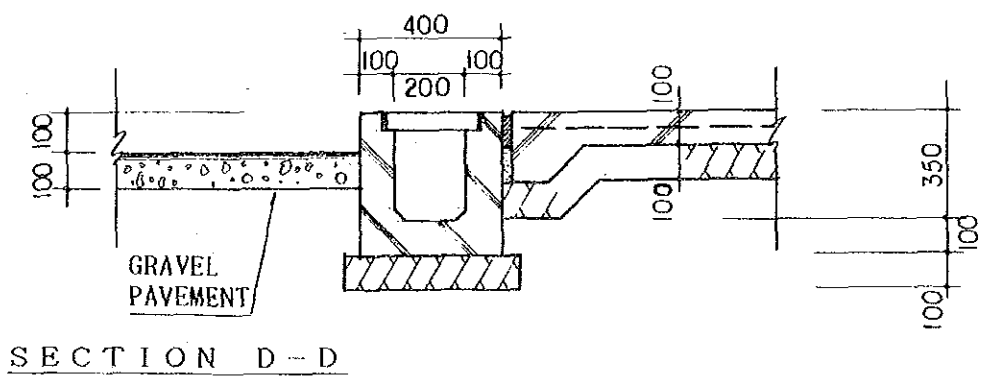
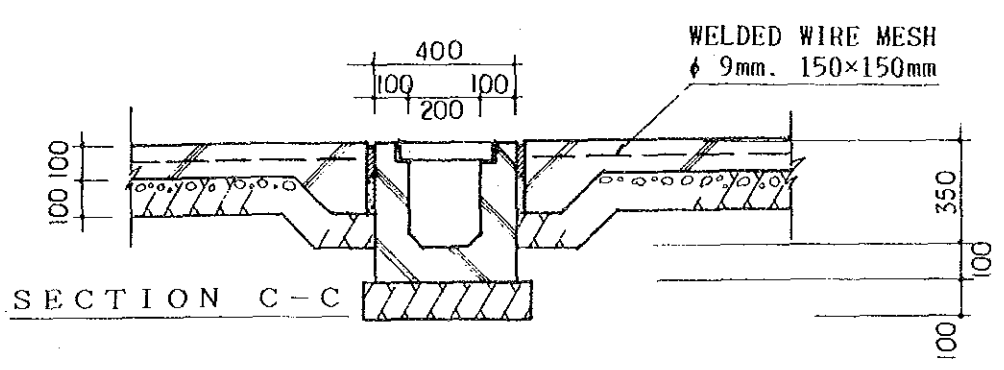
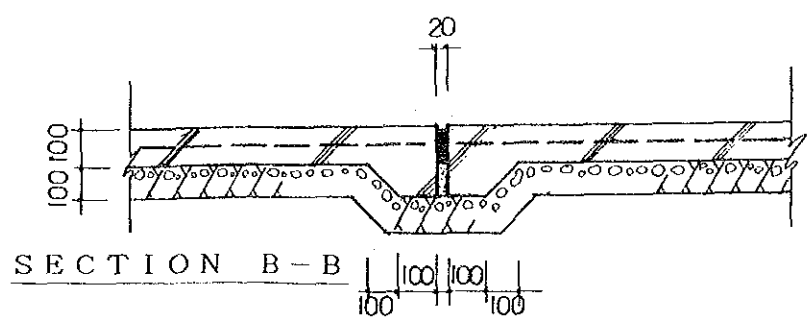
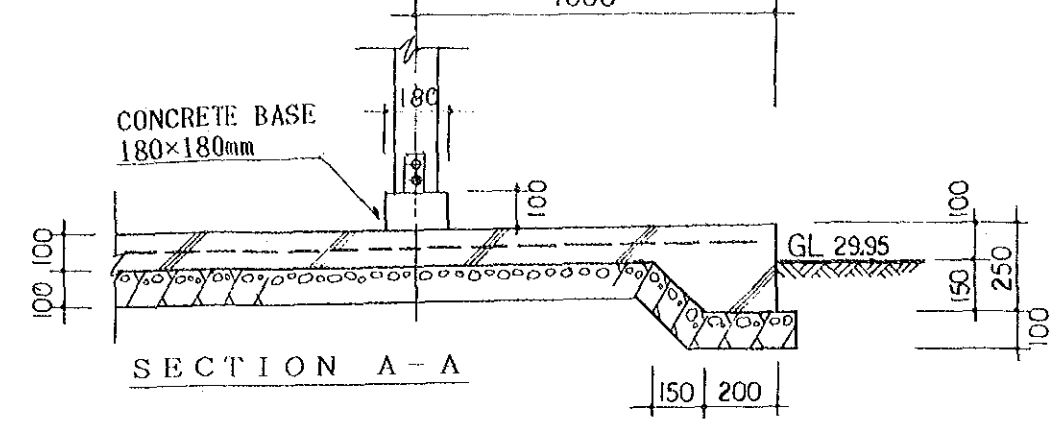
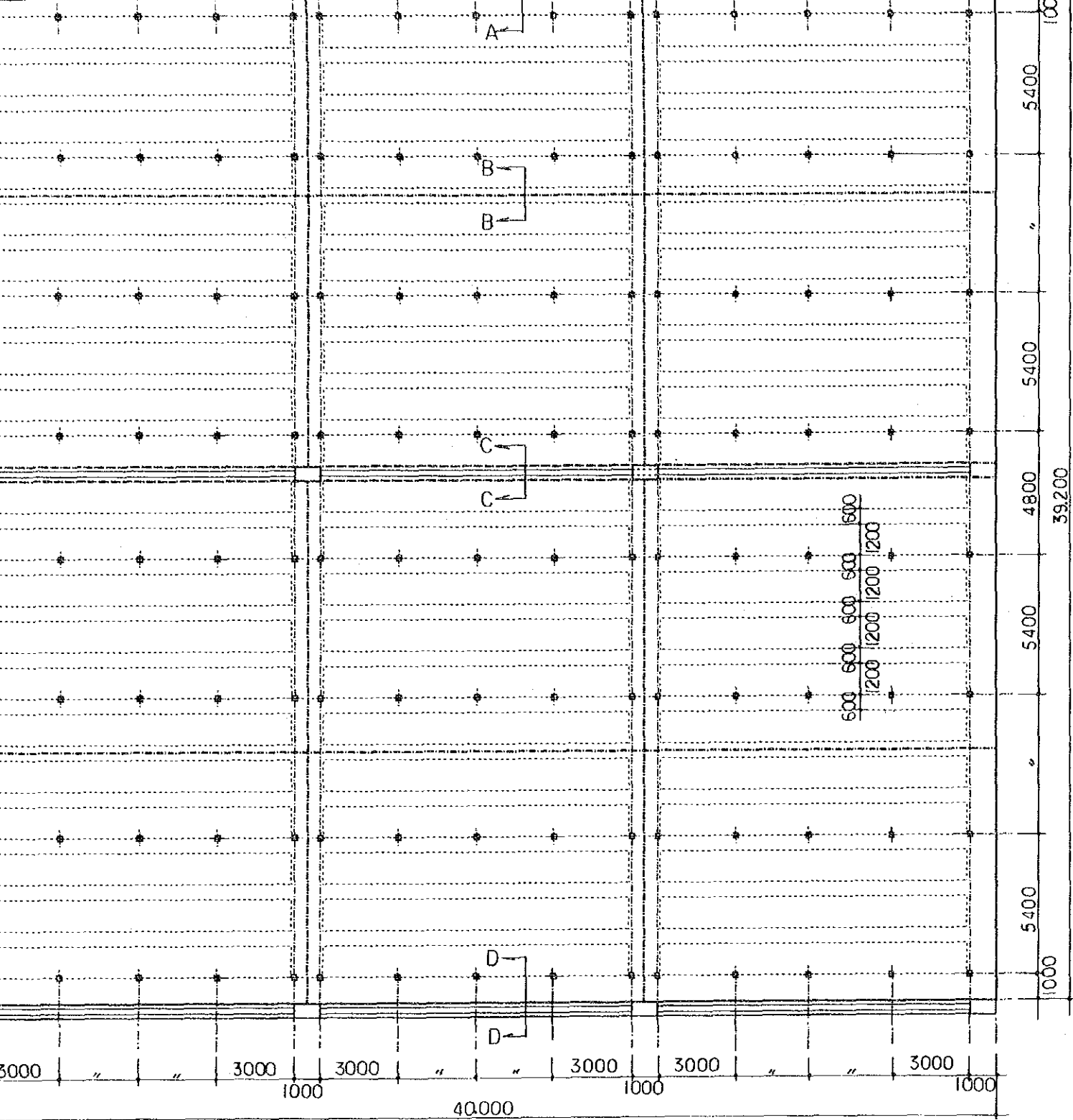






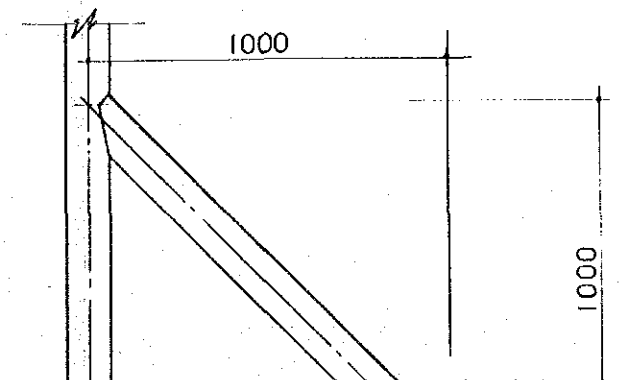
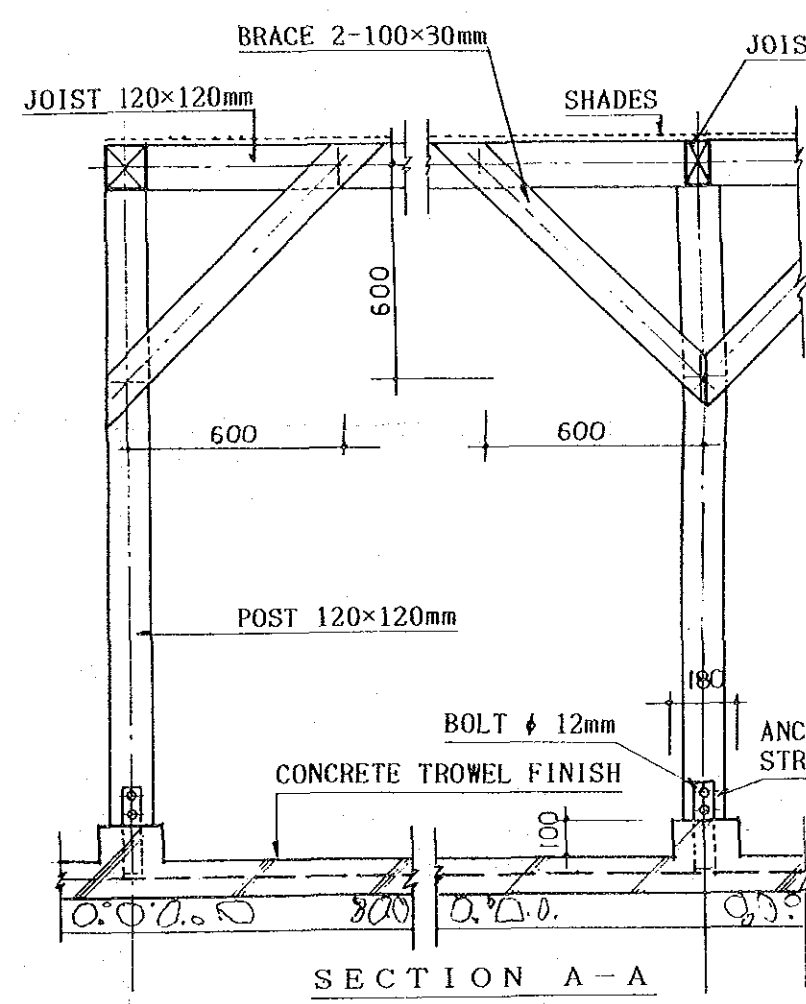
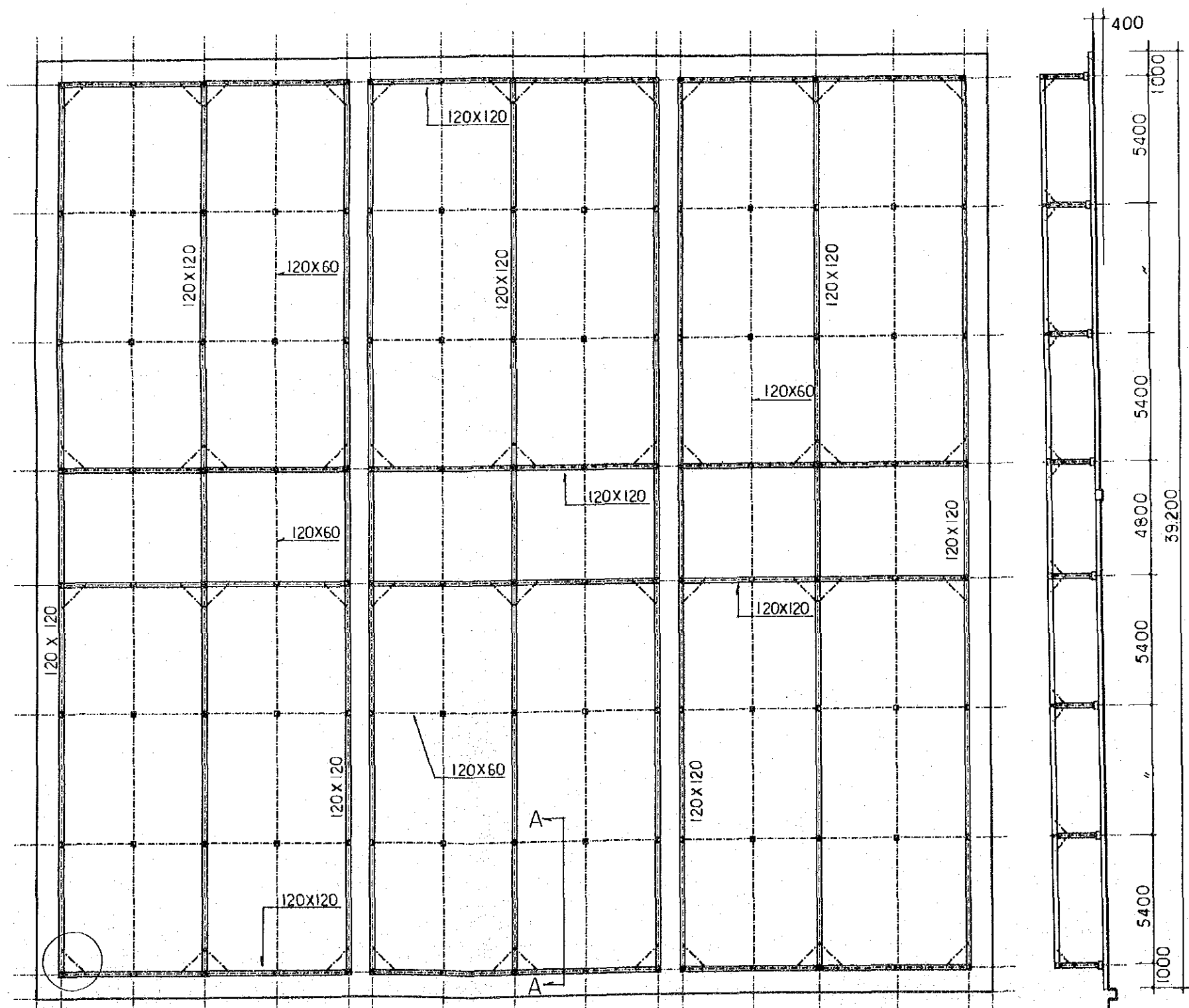
THE MODEL INFRASTRUCTURE WORK FOR THE FOREST RESEARCH PROJECT IN PAPUA NEW GUINEA	EXPERIMENTAL AREA	$S = 1/2$ $S = 1/2$
	FLOOR PLAN	MK-02

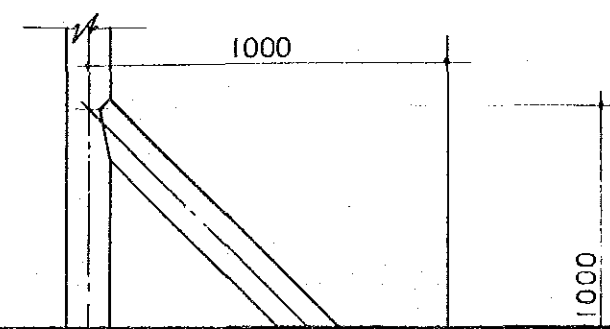
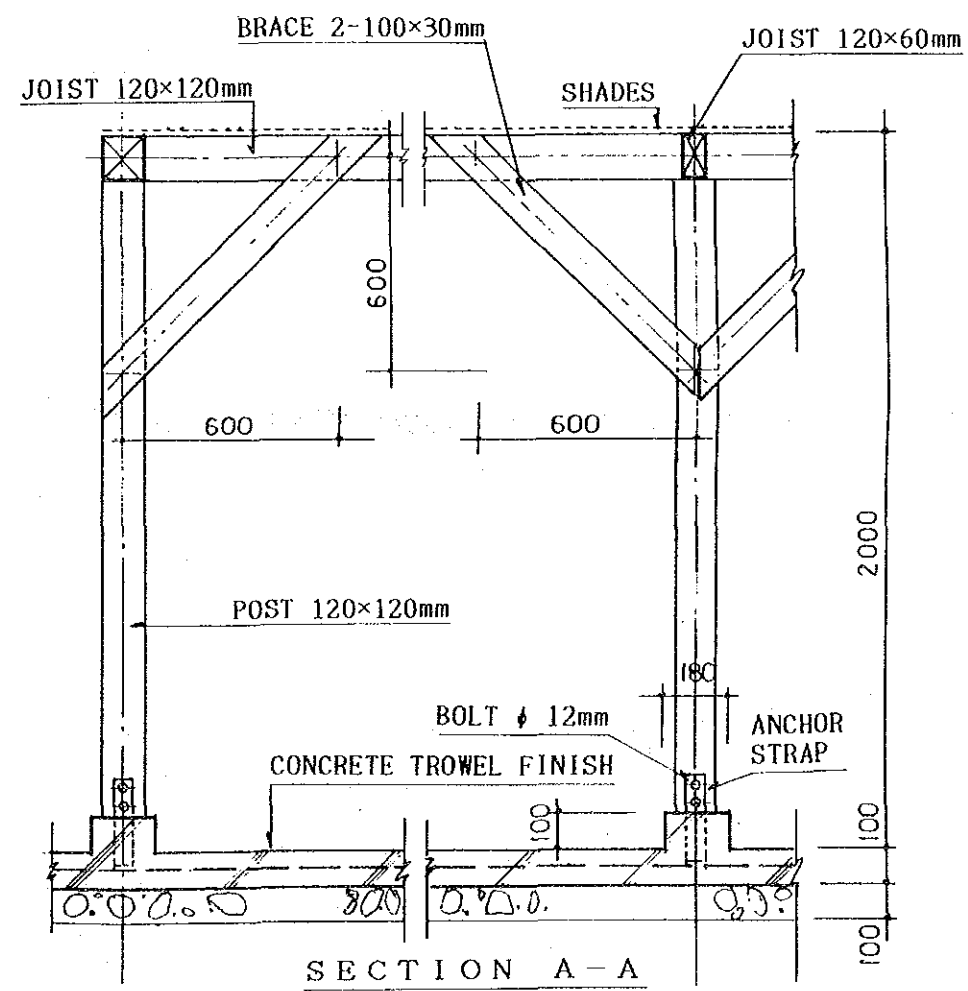
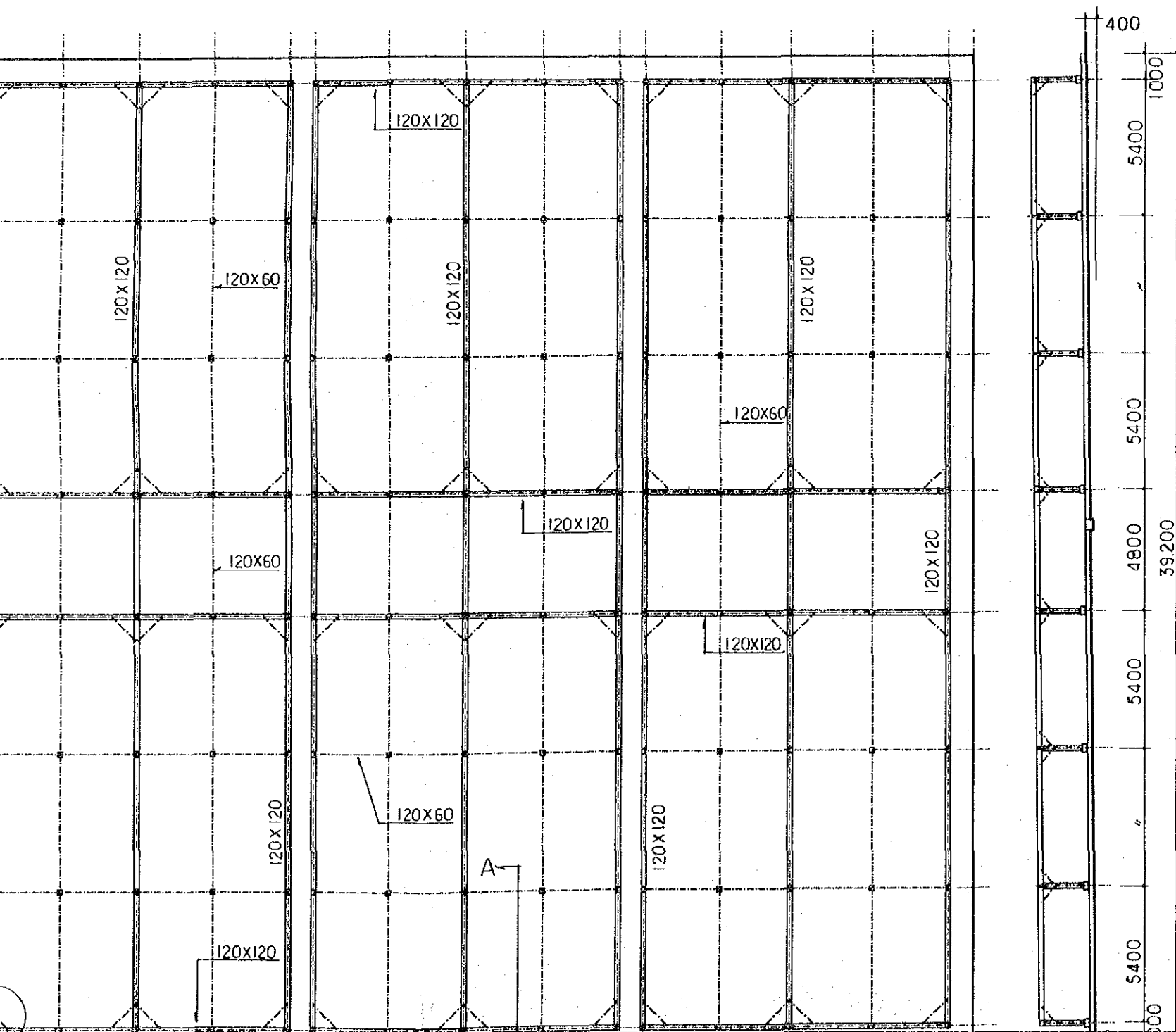


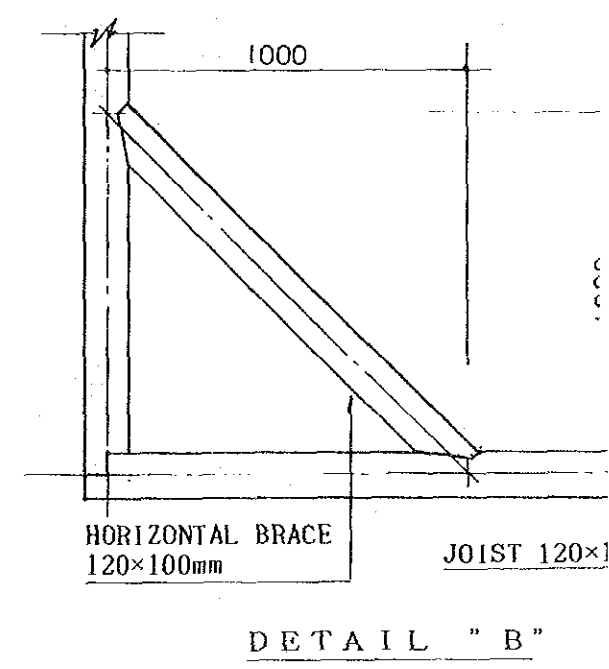
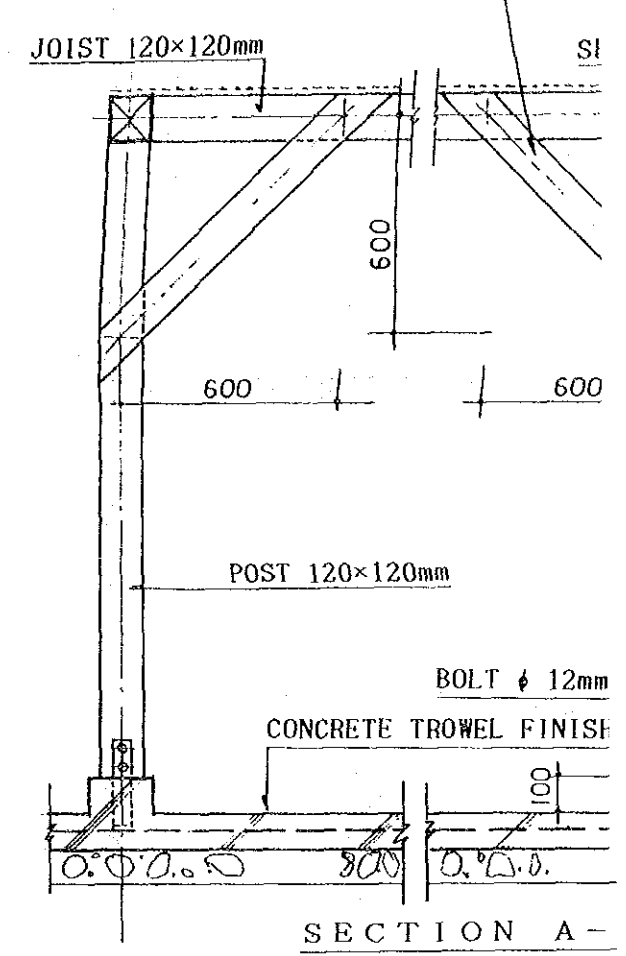
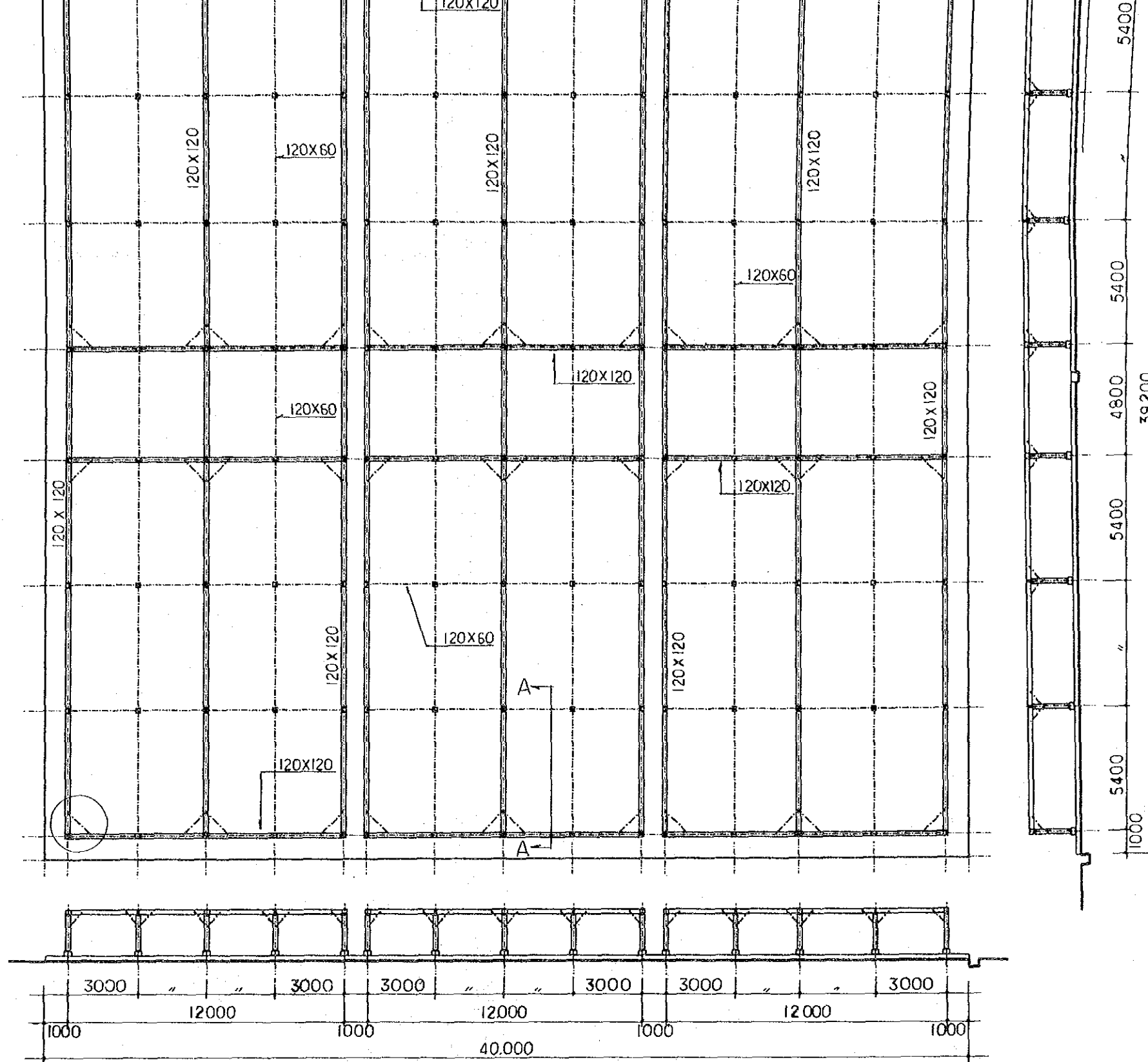


MODEL INFRASTRUCTURE WORK FOR  
THE FOREST RESEARCH PROJECT  
IN PAPUA NEW GUINEA

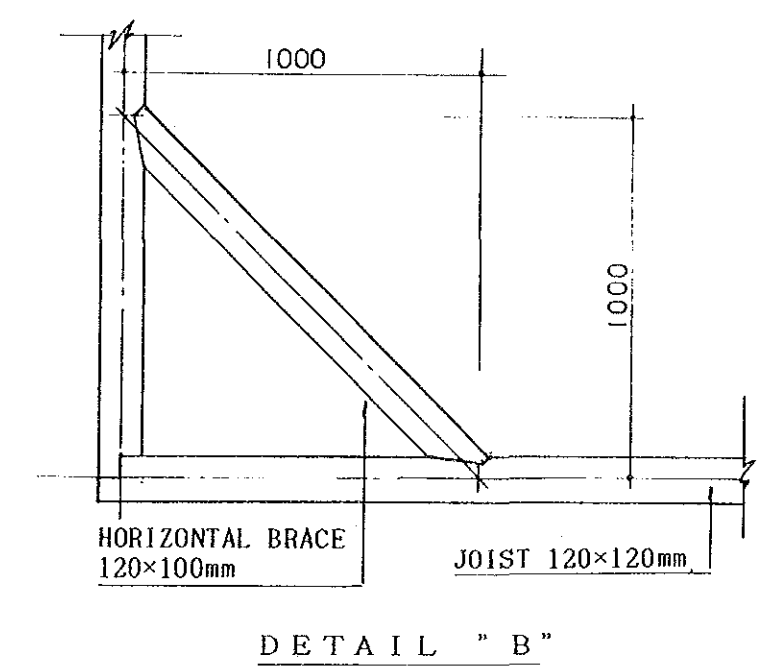
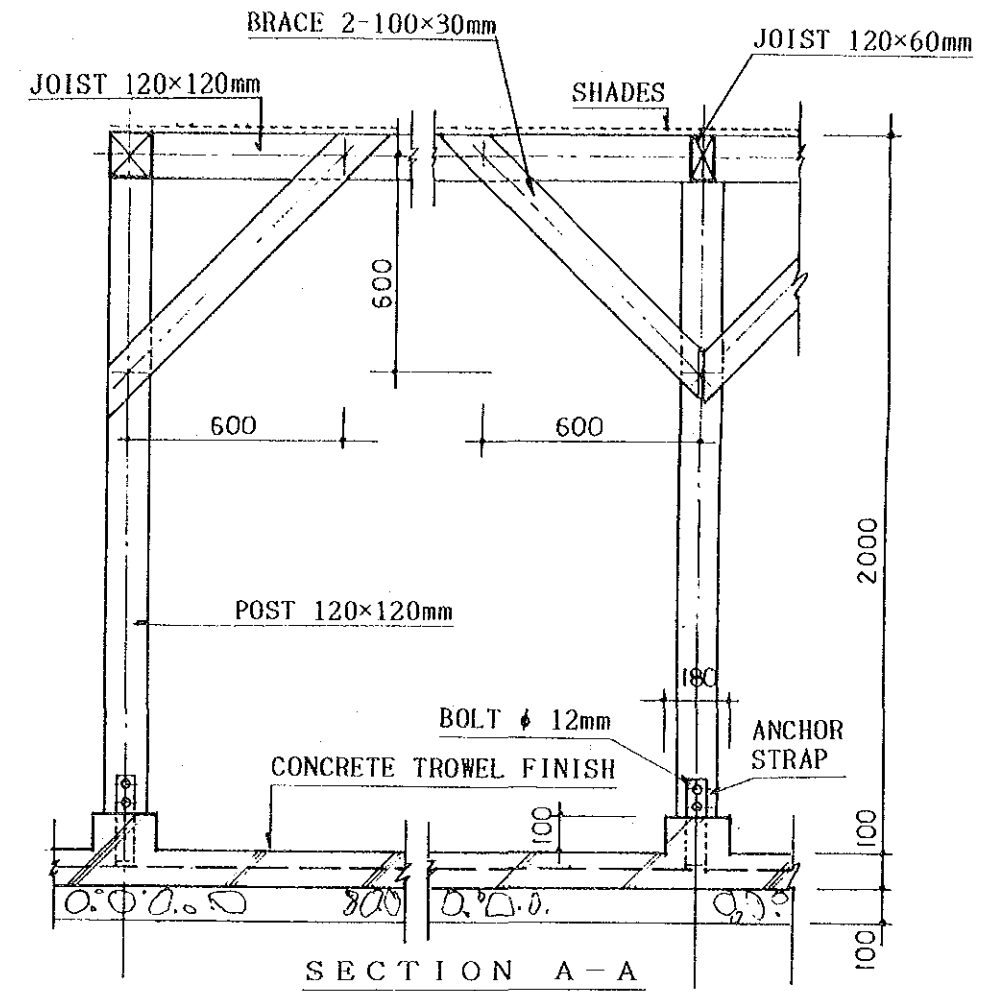
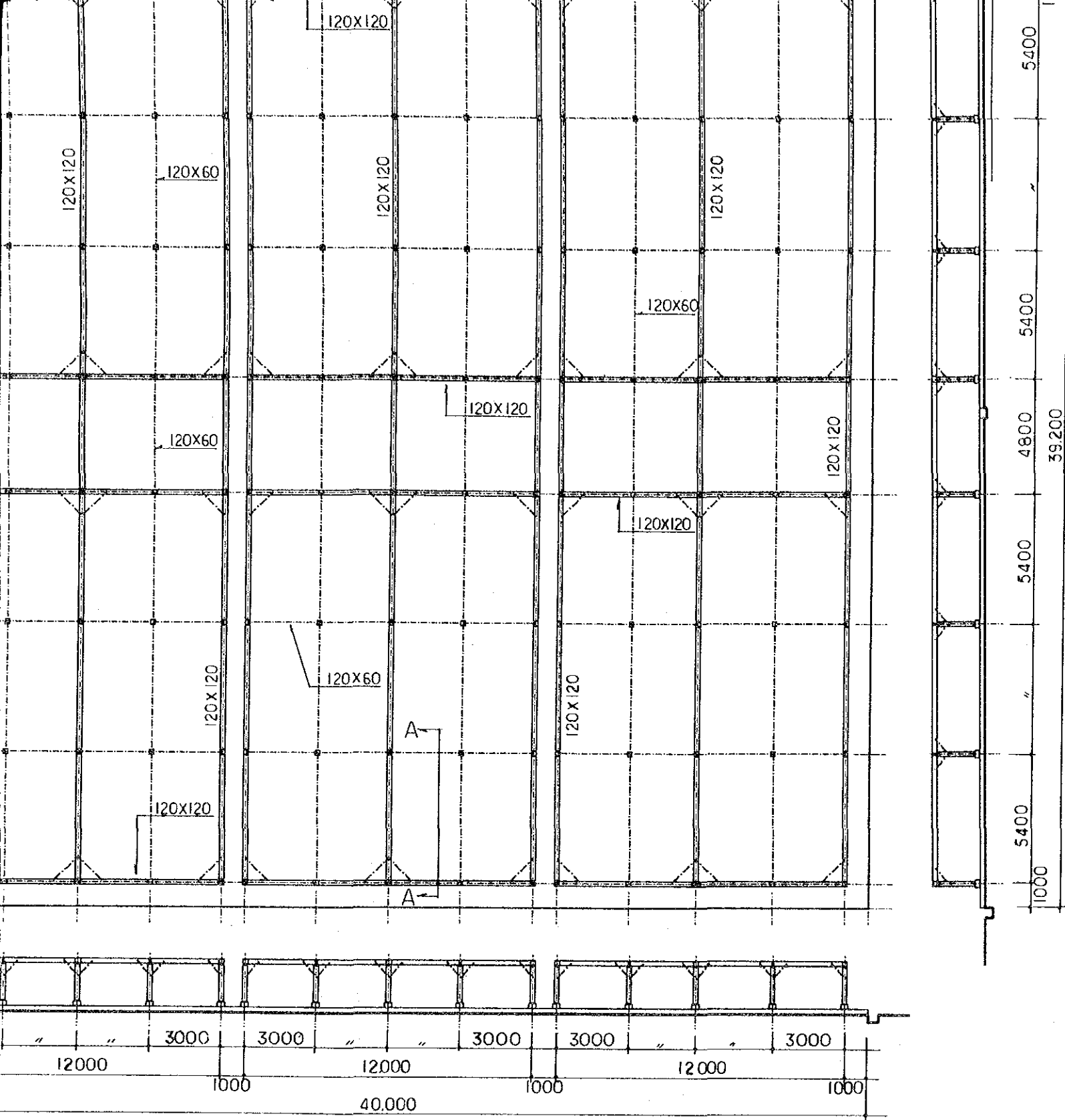
EXPERIMENTAL AREA	S = 1/20 S = 1/200
FLOOR PLAN	MK-02







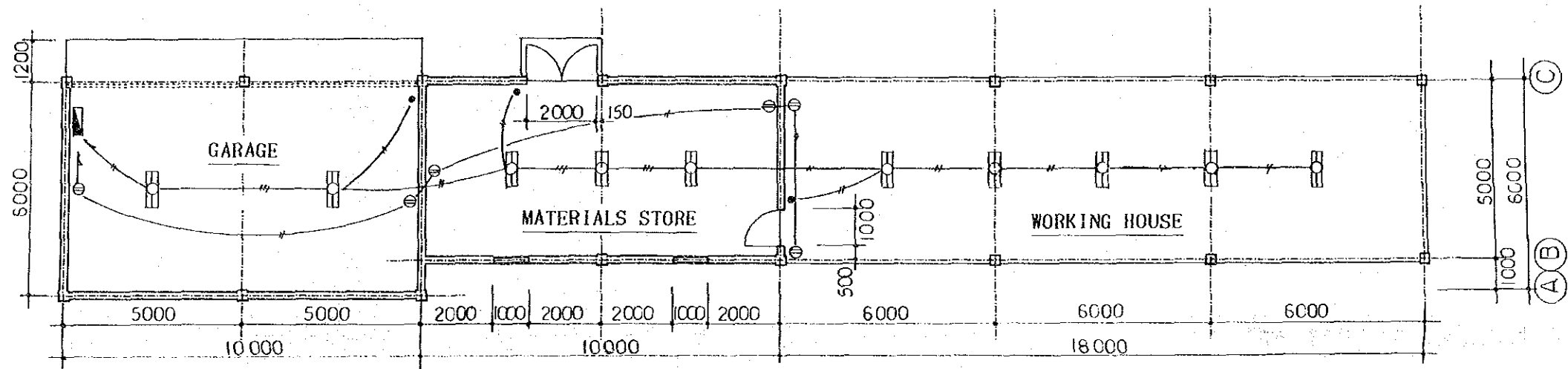
<p>THE MODEL INFRASTRUCTURE WORK FOR THE FOREST RESEARCH PROJECT IN PAPUA NEW GUINEA</p>	<p>EXPERIMENTAL AREA TIMBER FRAME PLAN</p>
--	--



L INFRASTRUCTURE WORK FOR  
 E FOREST RESEARCH PROJECT  
 IN PAPUA NEW GUINEA

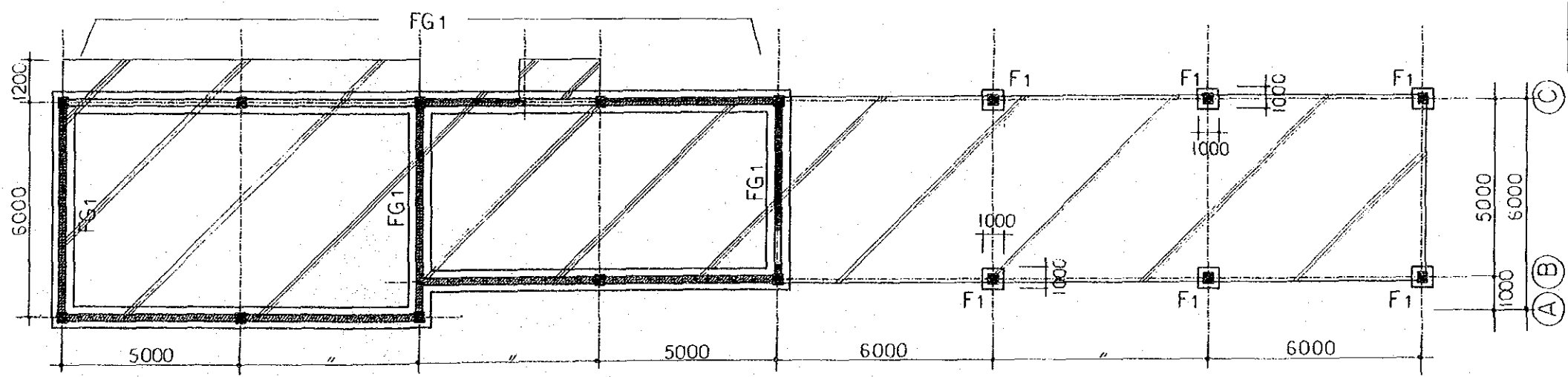
EXPERIMENTAL AREA  
TIMBER FRAME PLAN

S = 1 / 20  
 S = 1 / 200  
 MK-03

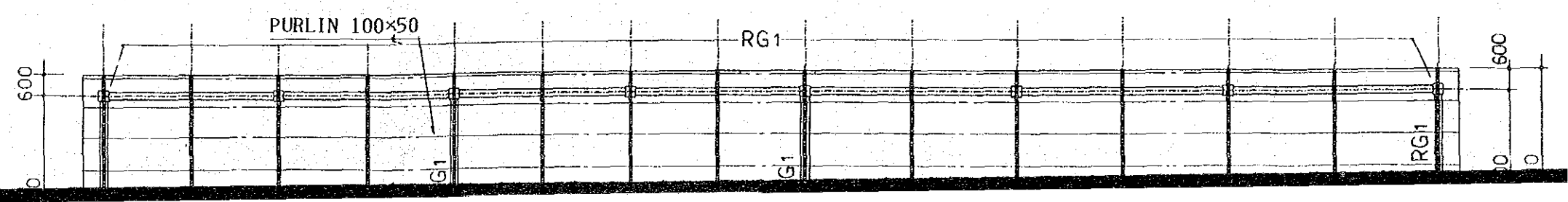


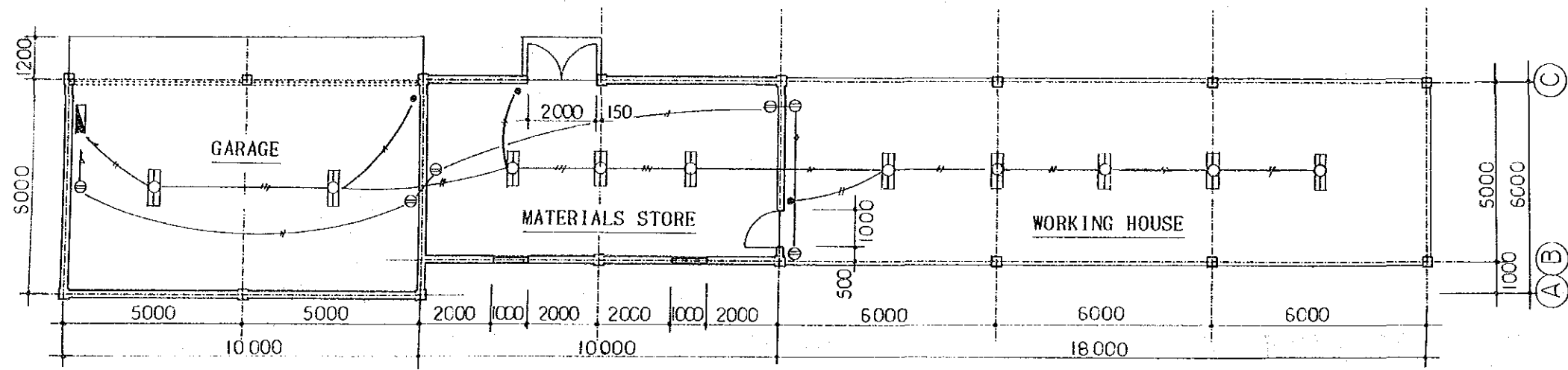
FLOOR PLAN

	FLUORESCENT FI
	RECEPTACLE 10
	SINGLE-POLE SW
	DISTRIBUTION P



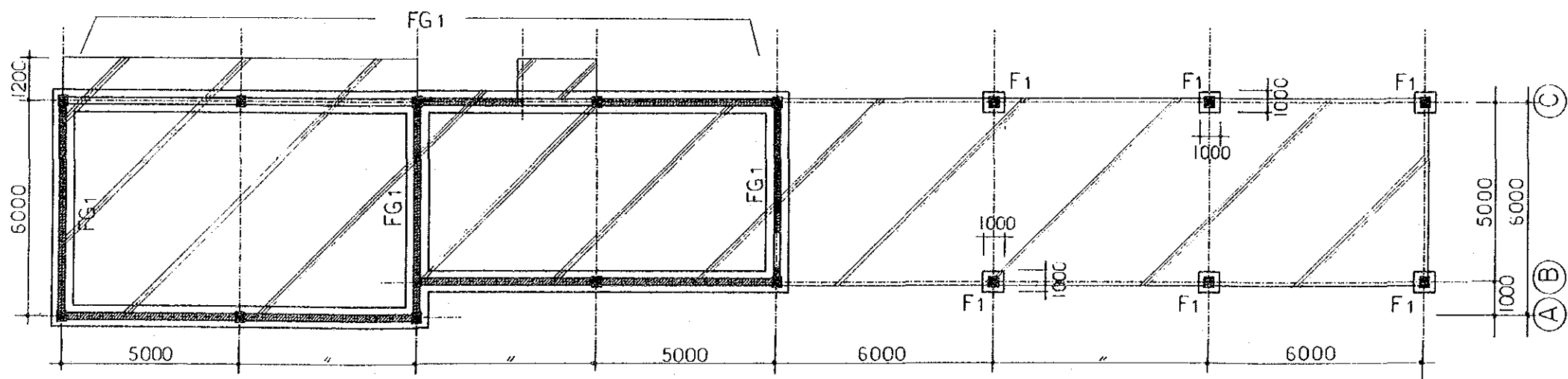
FOUNDATION PLAN



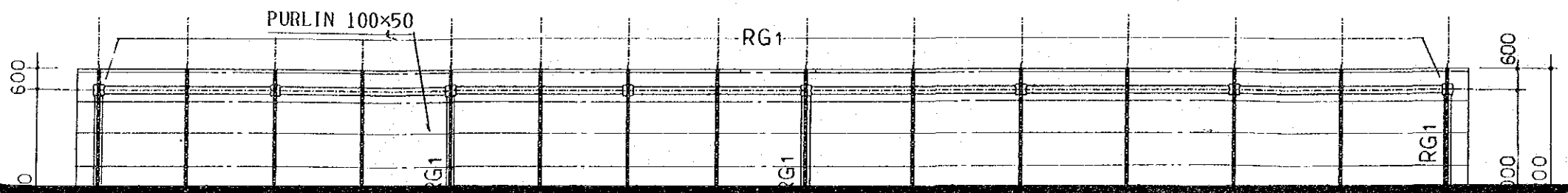


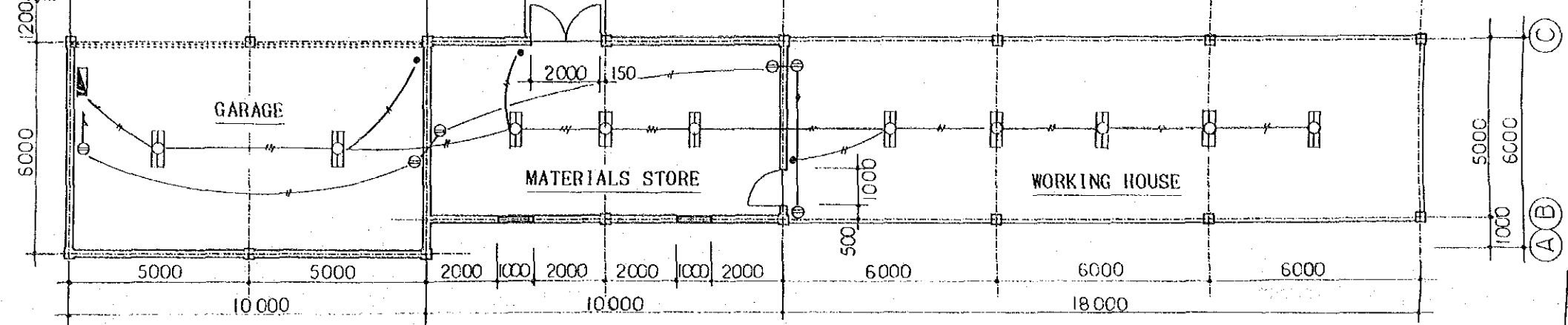
FLOOR PLAN

	FLUORESCENT FL-2x36W
	RECEPTACLE 10A
	SINGLE-POLE SWITCH
	DISTRIBUTION BOARD

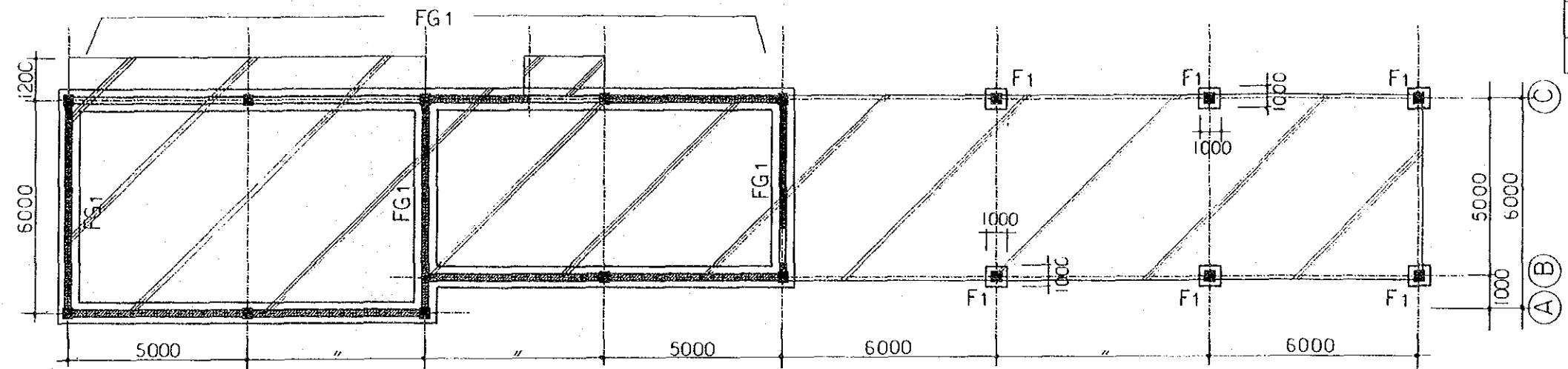


FOUNDATION PLAN

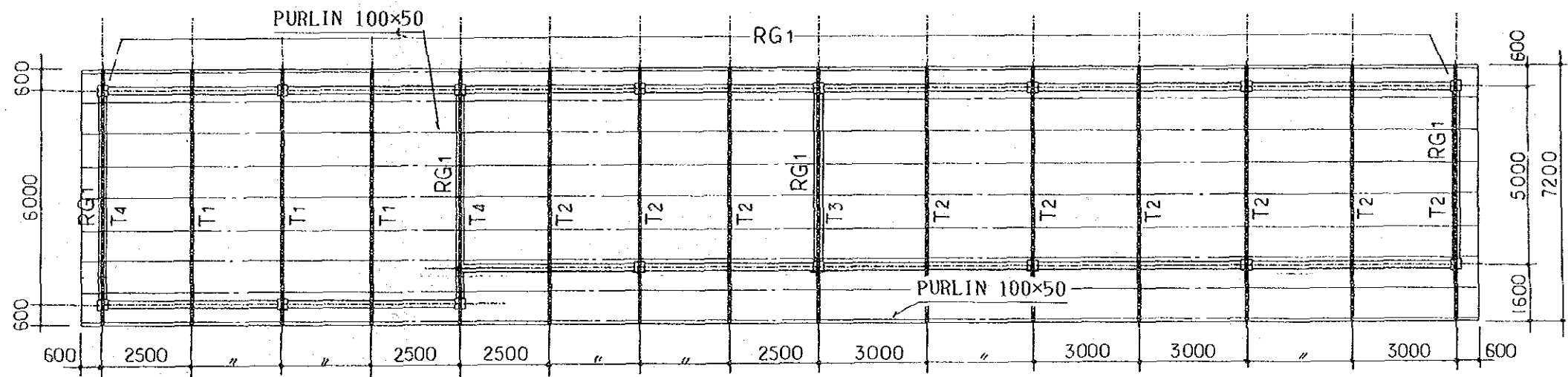




FLOOR PLAN



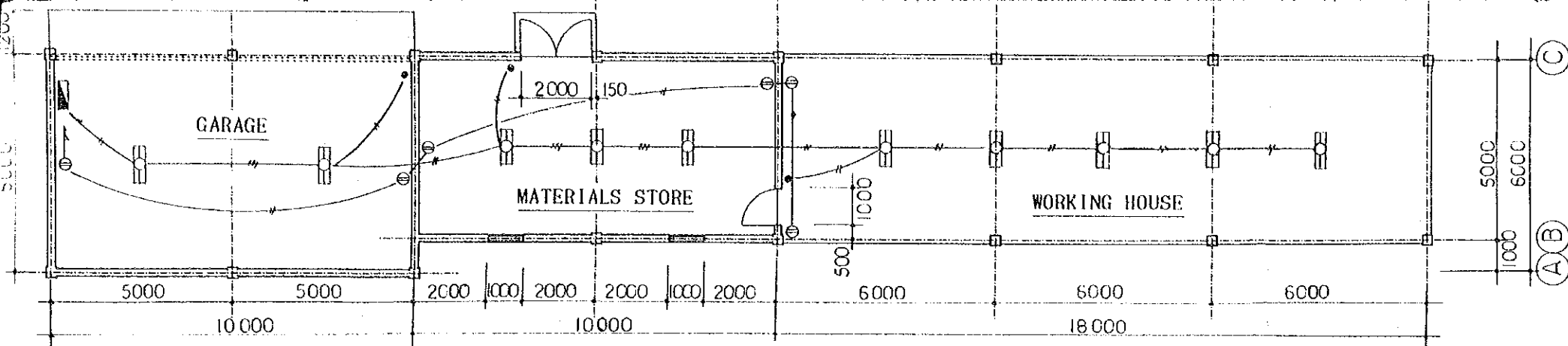
FOUNDATION PLAN



ROOF PLAN

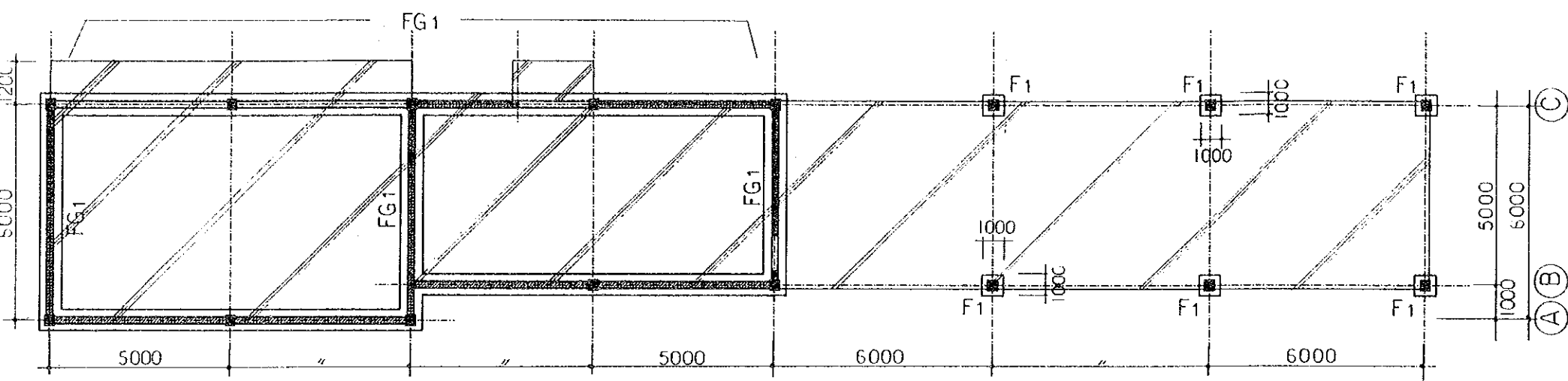
THE MODEL INFRASTRUCTURE WORK FOR THE FOREST RESEARCH PROJECT IN PAPUA NEW GUINEA	GARAGE, MATERIALS STORE, WORKING HOUSE	S
	FLOOR PLAN, FOUNDATION PLAN, ROOF PLAN	
	ILLUMINATION PLAN	



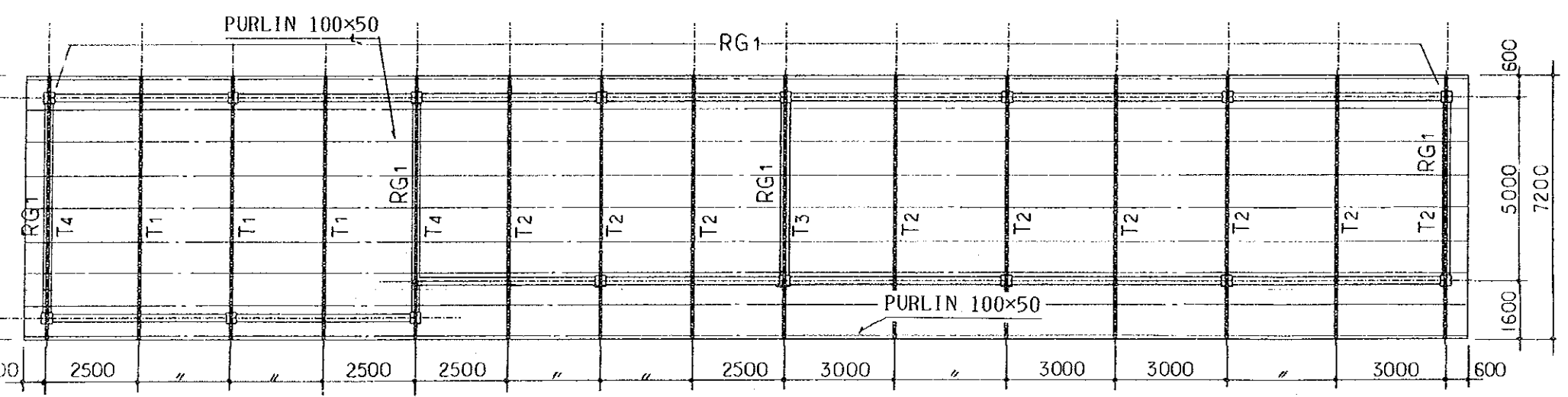


FLOOR PLAN

	FLUORESCENT FL-2x36W
	RECEPTACLE 10A
	SINGLE-POLE SWITCH
	DISTRIBUTION BOARD



FOUNDATION PLAN

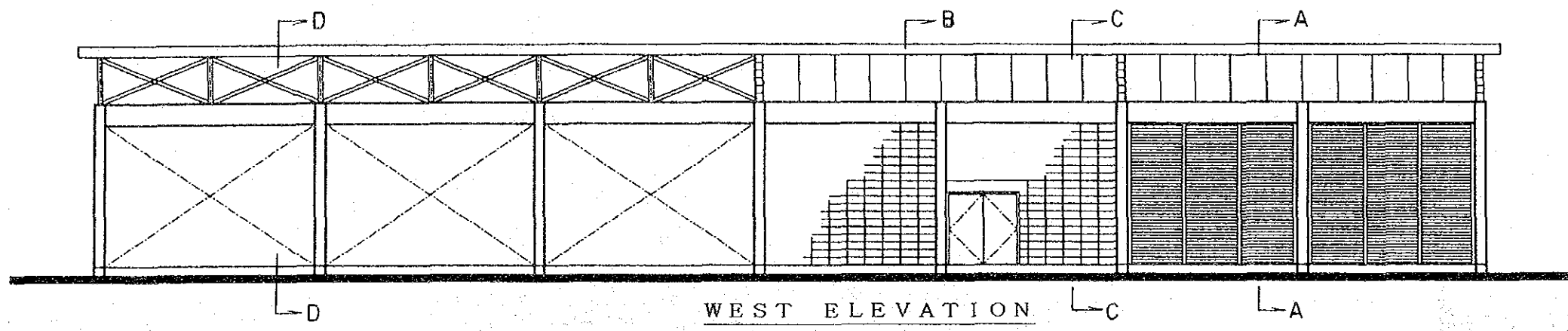


ROOF PLAN

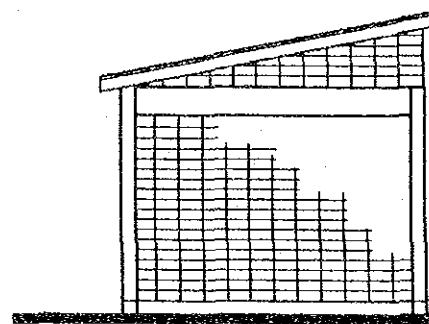
INFRASTRUCTURE WORK FOR  
FOREST RESEARCH PROJECT  
IN PAPUA NEW GUINEA

GARAGE, MATERIALS STORE, WORKING HOUSE  
FLOOR PLAN, FOUNDATION PLAN, ROOF PLAN  
ILLUMINATION PLAN

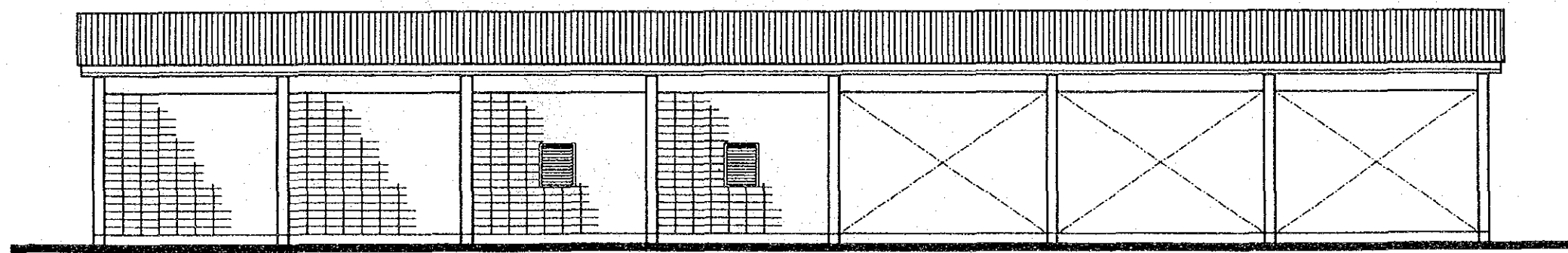
S = 1/150  
MK-04



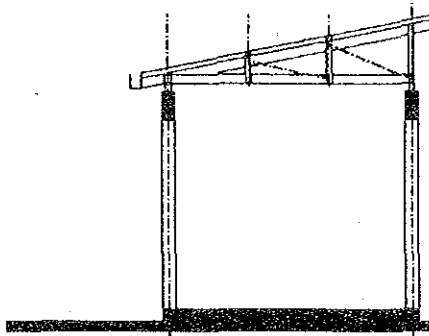
WEST ELEVATION



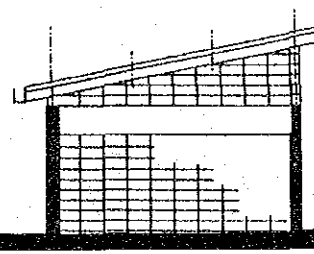
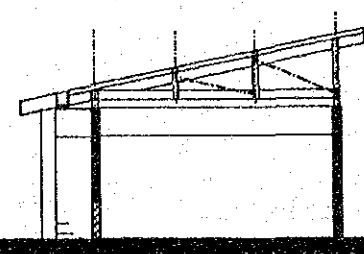
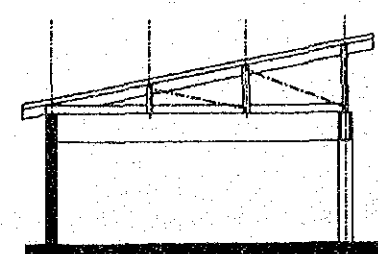
SOUTH ELEVAT

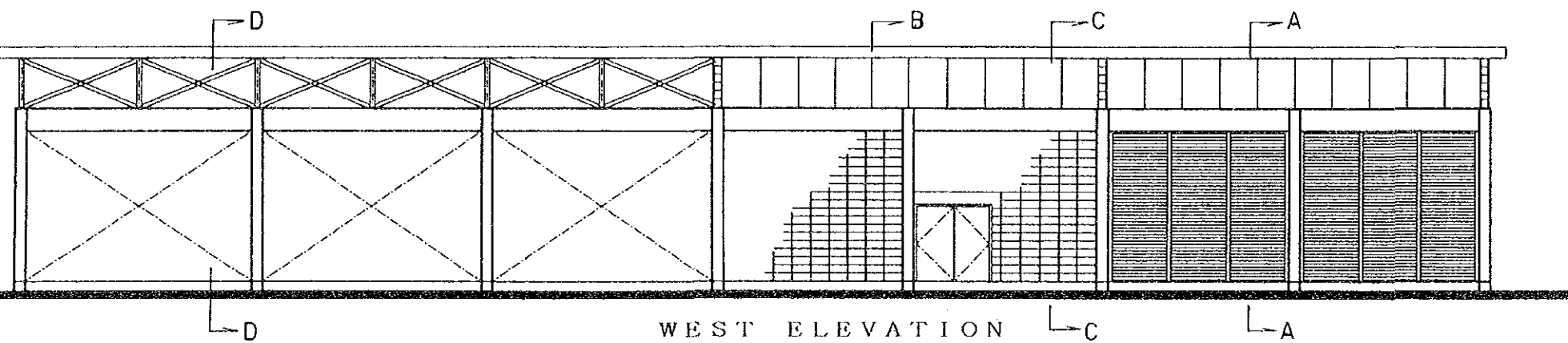


EAST ELEVATION

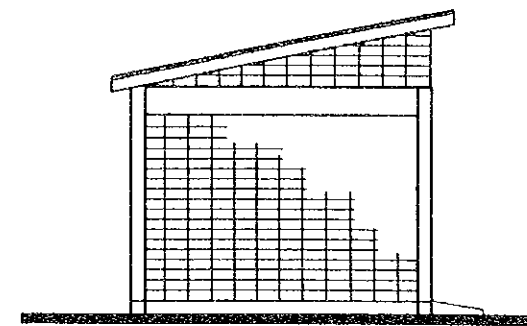


SECTION D-

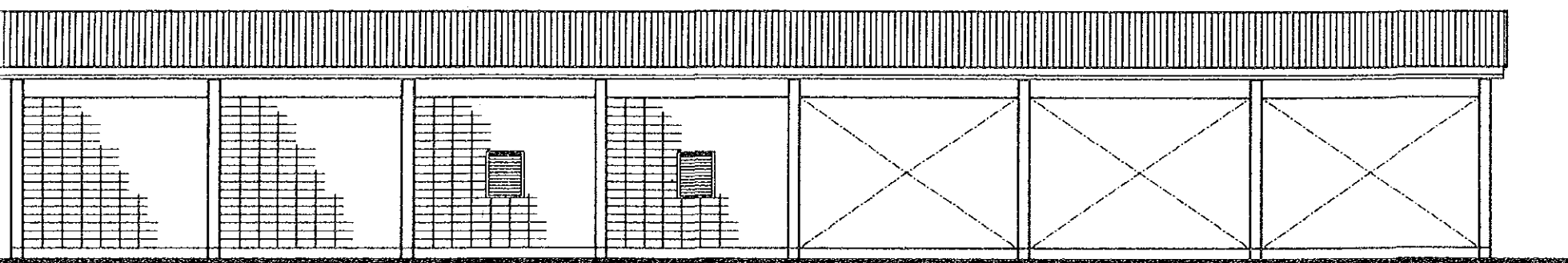




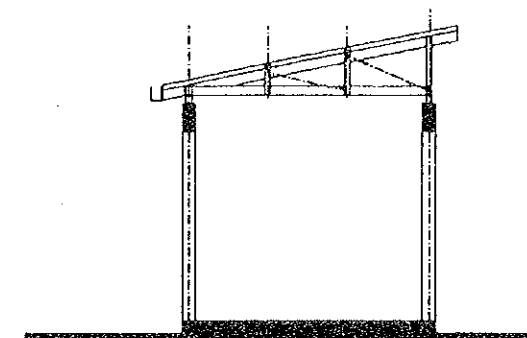
WEST ELEVATION



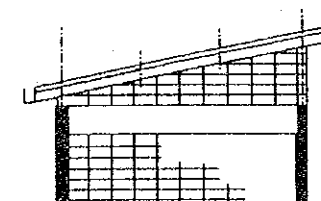
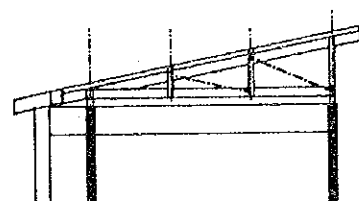
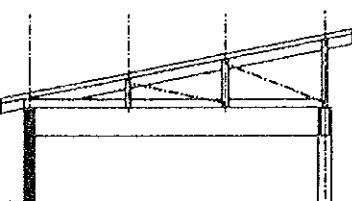
SOUTH ELEVATION

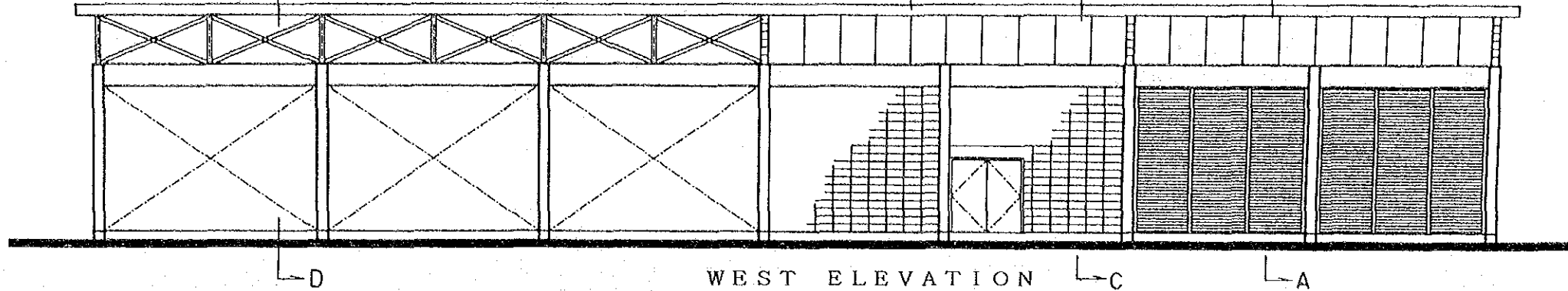


EAST ELEVATION

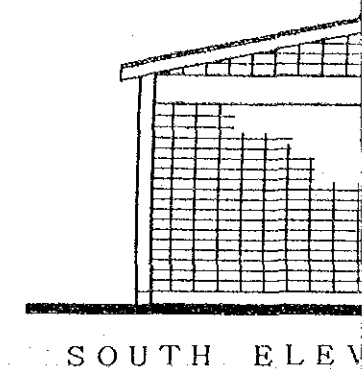


SECTION D-D

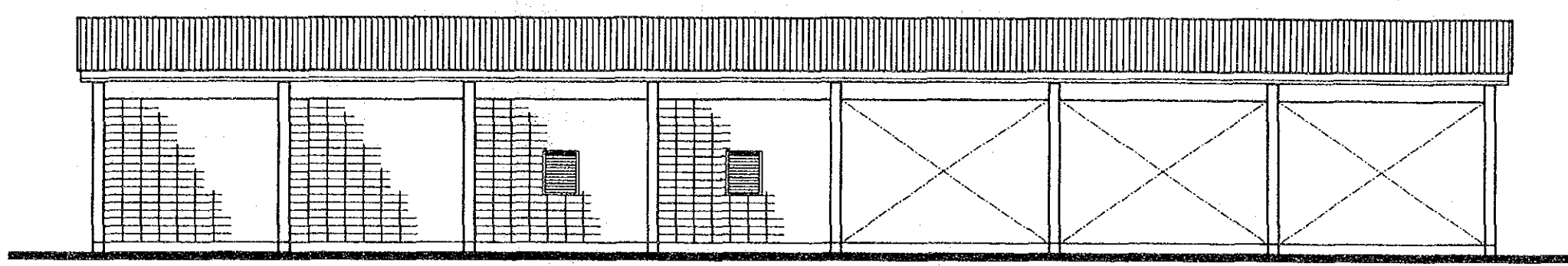




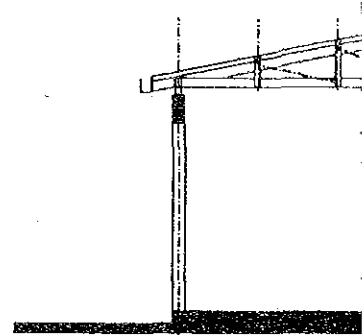
WEST ELEVATION



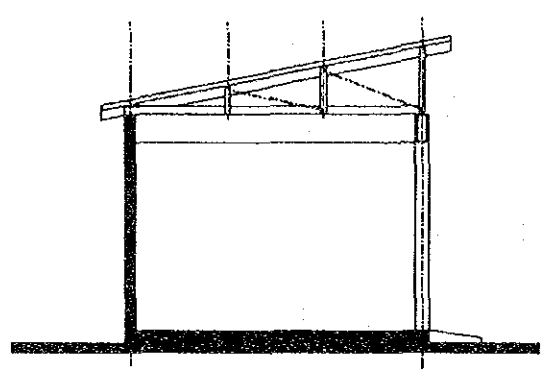
SOUTH ELEVATION



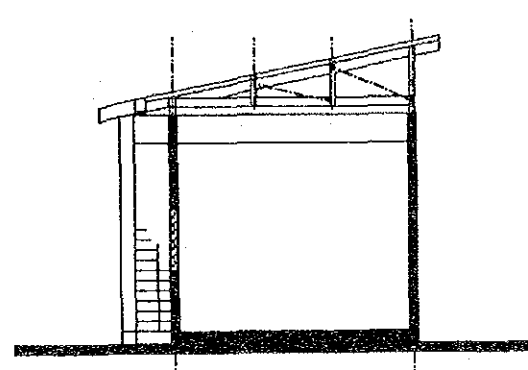
EAST ELEVATION



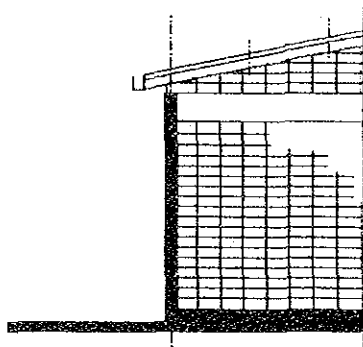
SECTION



SECTION A-A

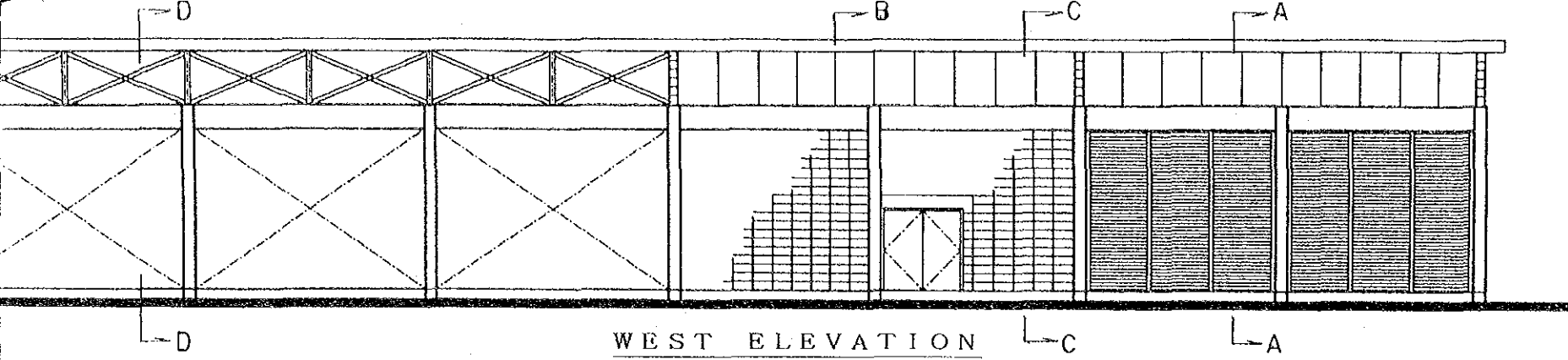


SECTION B-B

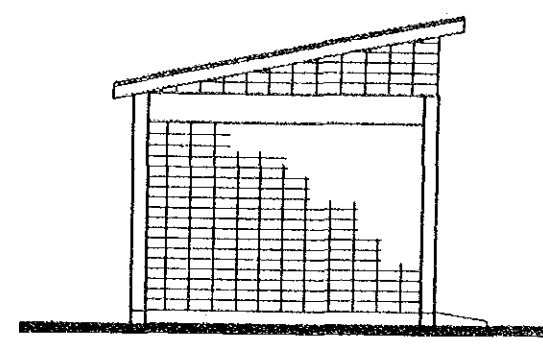


SECTION

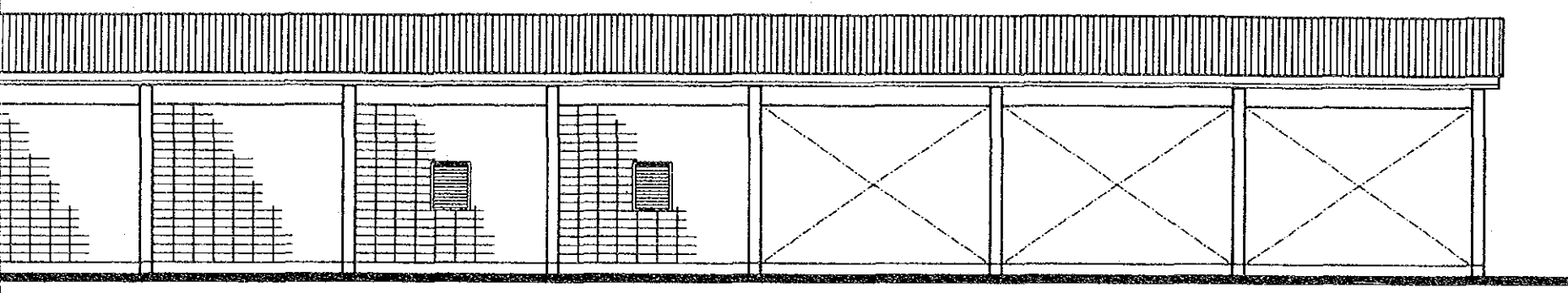
THE MODEL INFRASTRUCTURE WORK FOR THE FOREST RESEARCH PROJECT IN PAPUA NEW GUINEA	GARAGE, MATERIALS STORE, WORKING HOUSE	S = 1
	ELEVATION, SECTION	MK



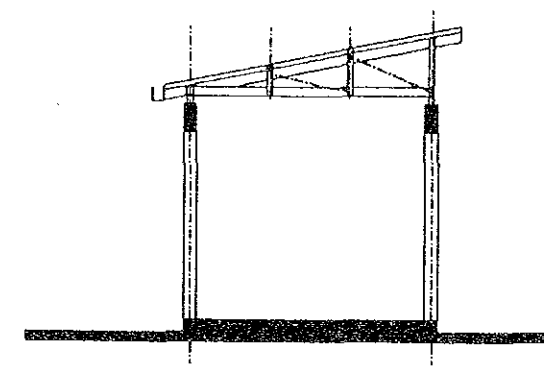
WEST ELEVATION



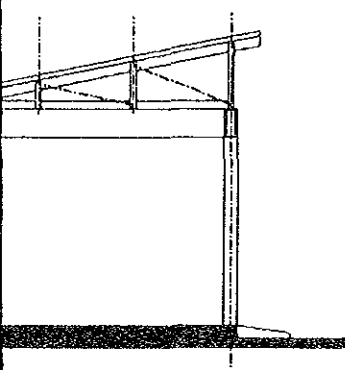
SOUTH ELEVATION



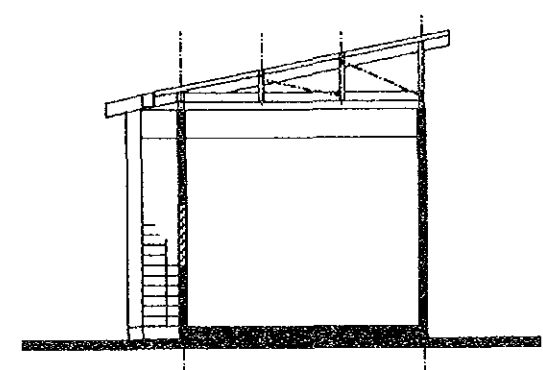
EAST ELEVATION



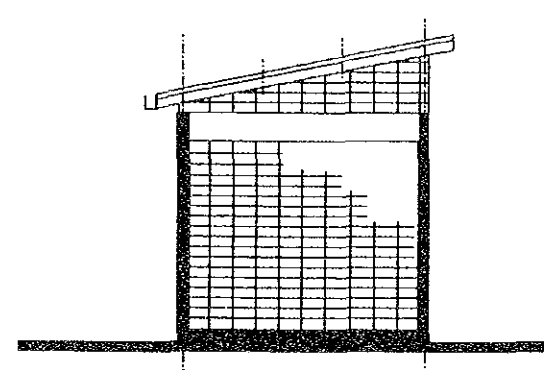
SECTION D-D



SECTION A-A

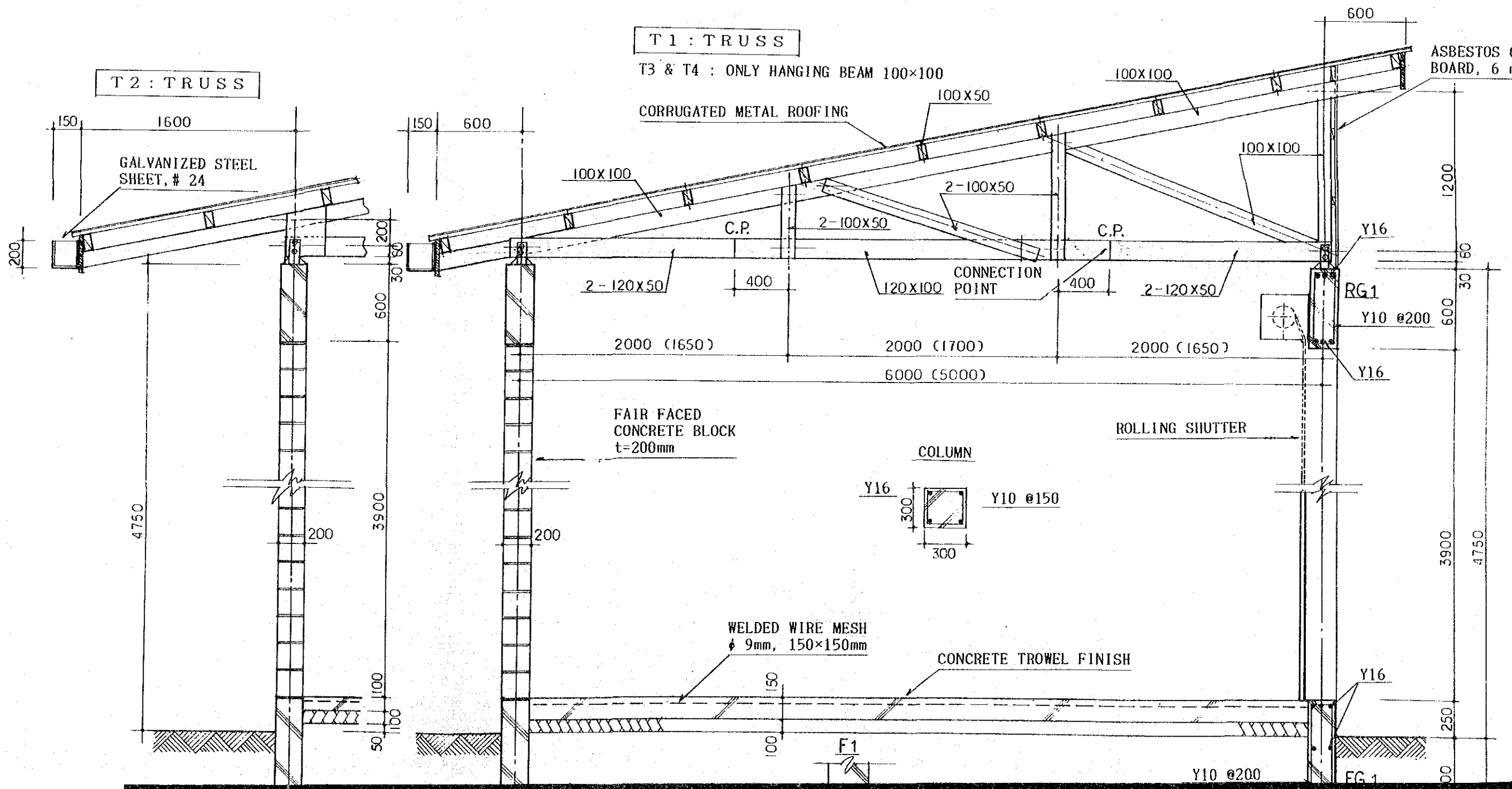


SECTION B-B



SECTION C-C

INFRASTRUCTURE WORK FOR FOREST RESEARCH PROJECT IN PAPUA NEW GUINEA	GARAGE, MATERIALS STORE, WORKING HOUSE	S=1/150
	ELEVATION, SECTION	MK-05



T2 : TRUSS

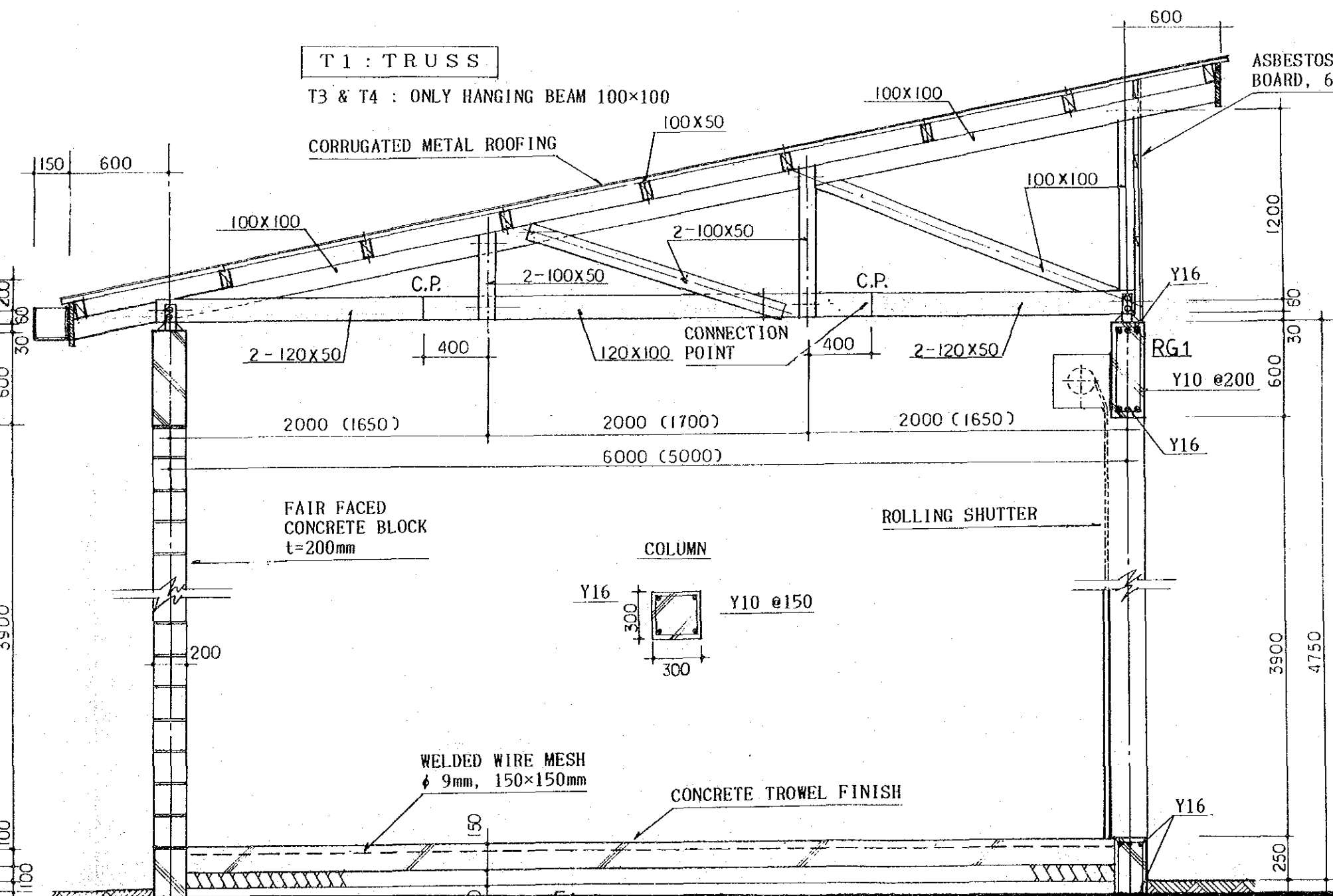
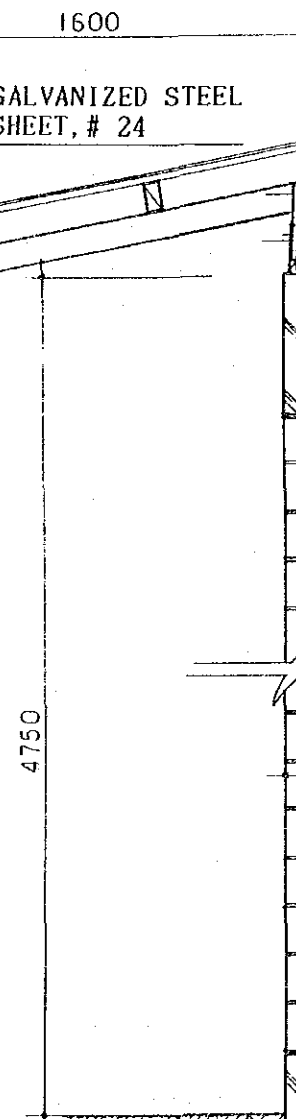
T1 : TRUSS

T3 & T4 : ONLY HANGING BEAM 100x100

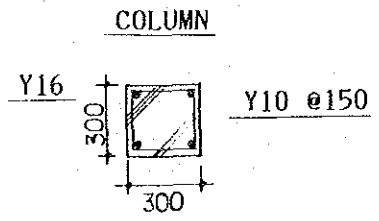
CORRUGATED METAL ROOFING

ASBESTOS CEMENTO BOARD, 6 mm.

1600  
GALVANIZED STEEL SHEET, # 24



Y16  
RG1  
Y10 e200  
Y16



WELDED WIRE MESH  
φ 9mm, 150x150mm

CONCRETE TROWEL FINISH

ROLLING SHUTTER

4750

3900

100

200

200

3900

4750

250

1200

60

600

1600

150

600

100x100

100x50

100x100

100x100

600

C.P.

C.P.

CONNECTION POINT

2-120x50

2-100x50

120x100

2-120x50

2000 (1650)

2000 (1700)

2000 (1650)

6000 (5000)

FAIR FACED  
CONCRETE BLOCK  
t=200mm

COLUMN

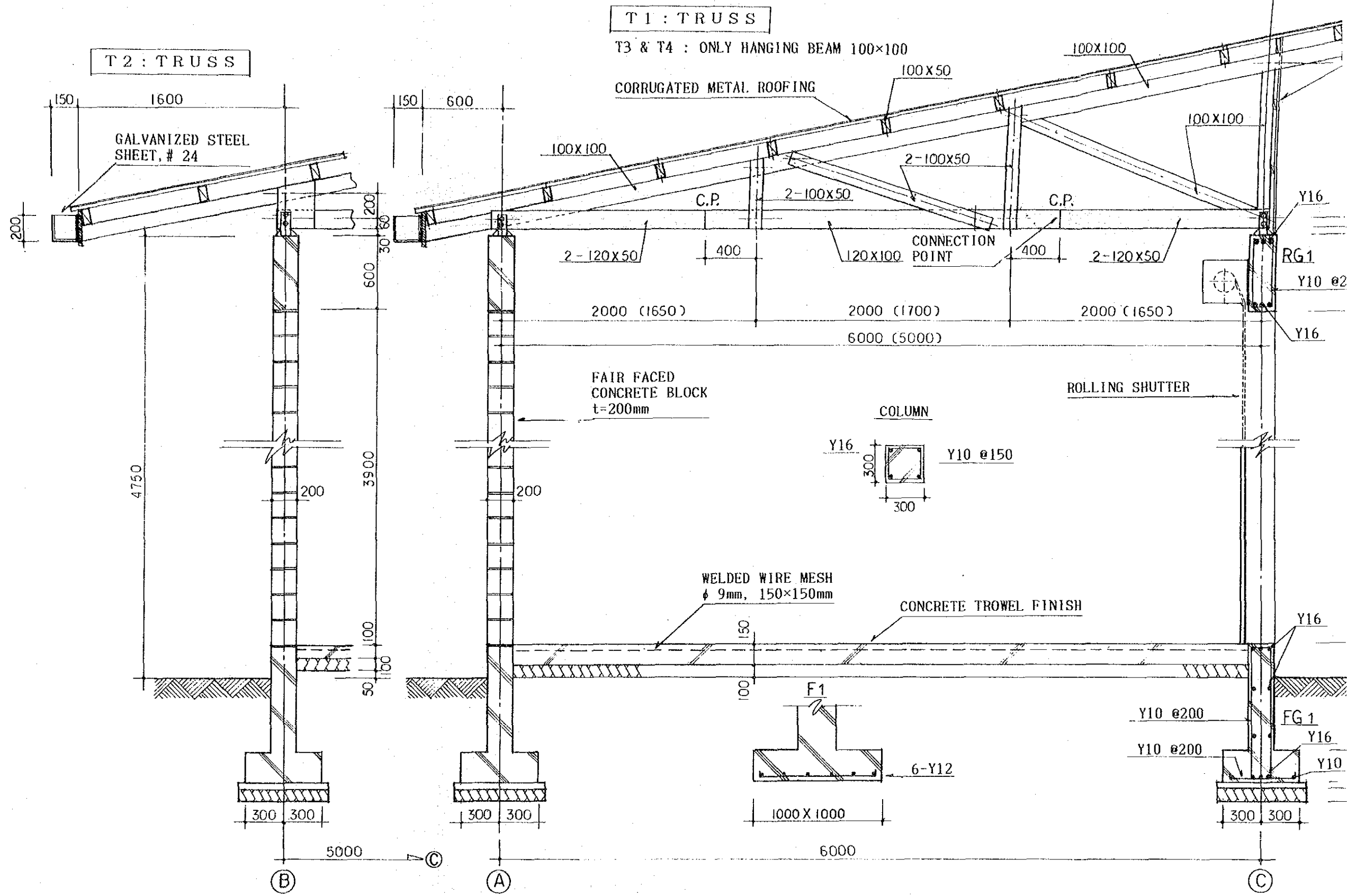
Y16

Y10 e150

300

300

Y16

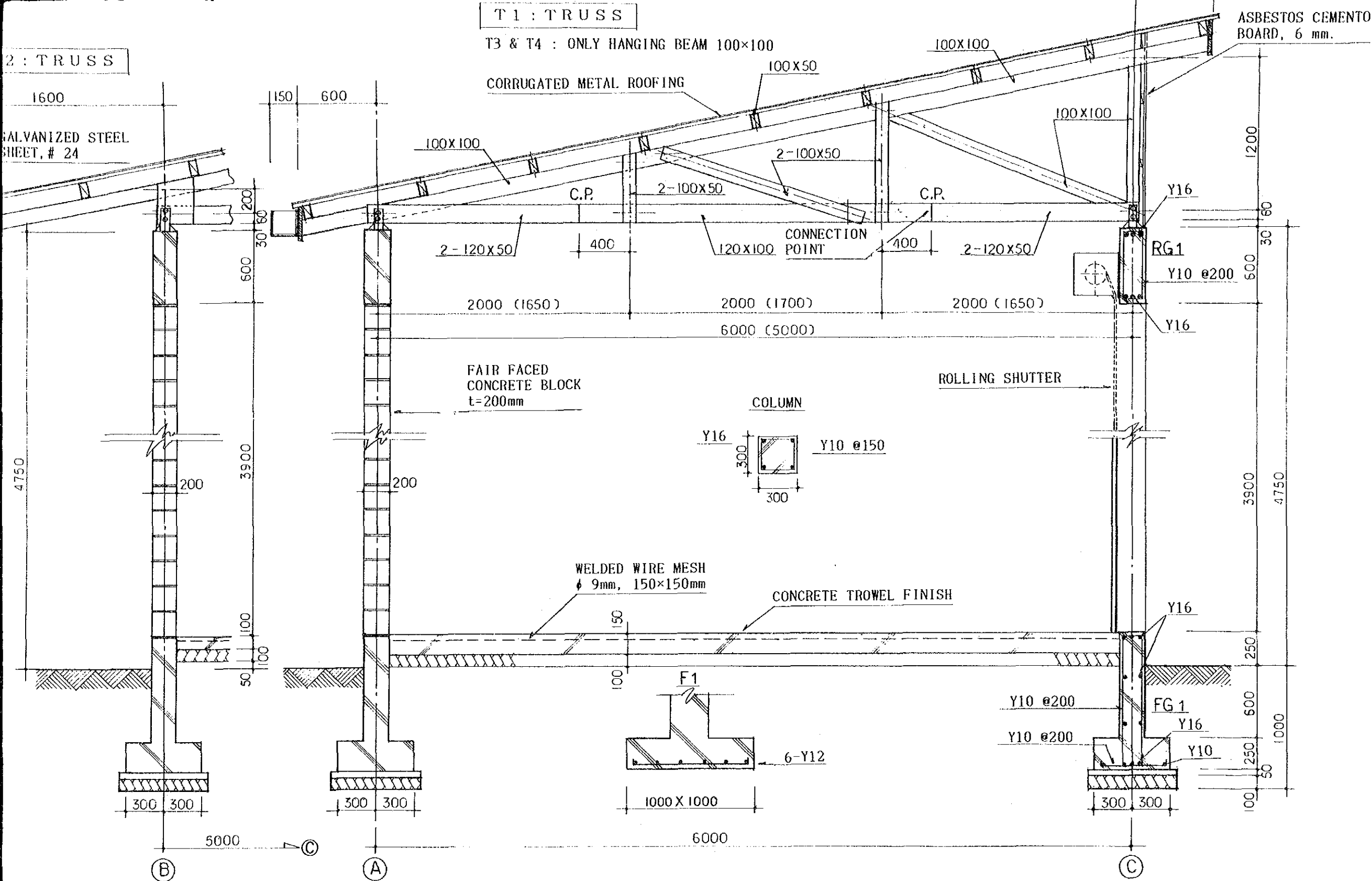


THE MODEL INFRASTRUCTURE WORK FOR  
 THE FOREST RESEARCH PROJECT  
 IN PAPUA NEW GUINEA

GARAGE

DETAIL SECTION





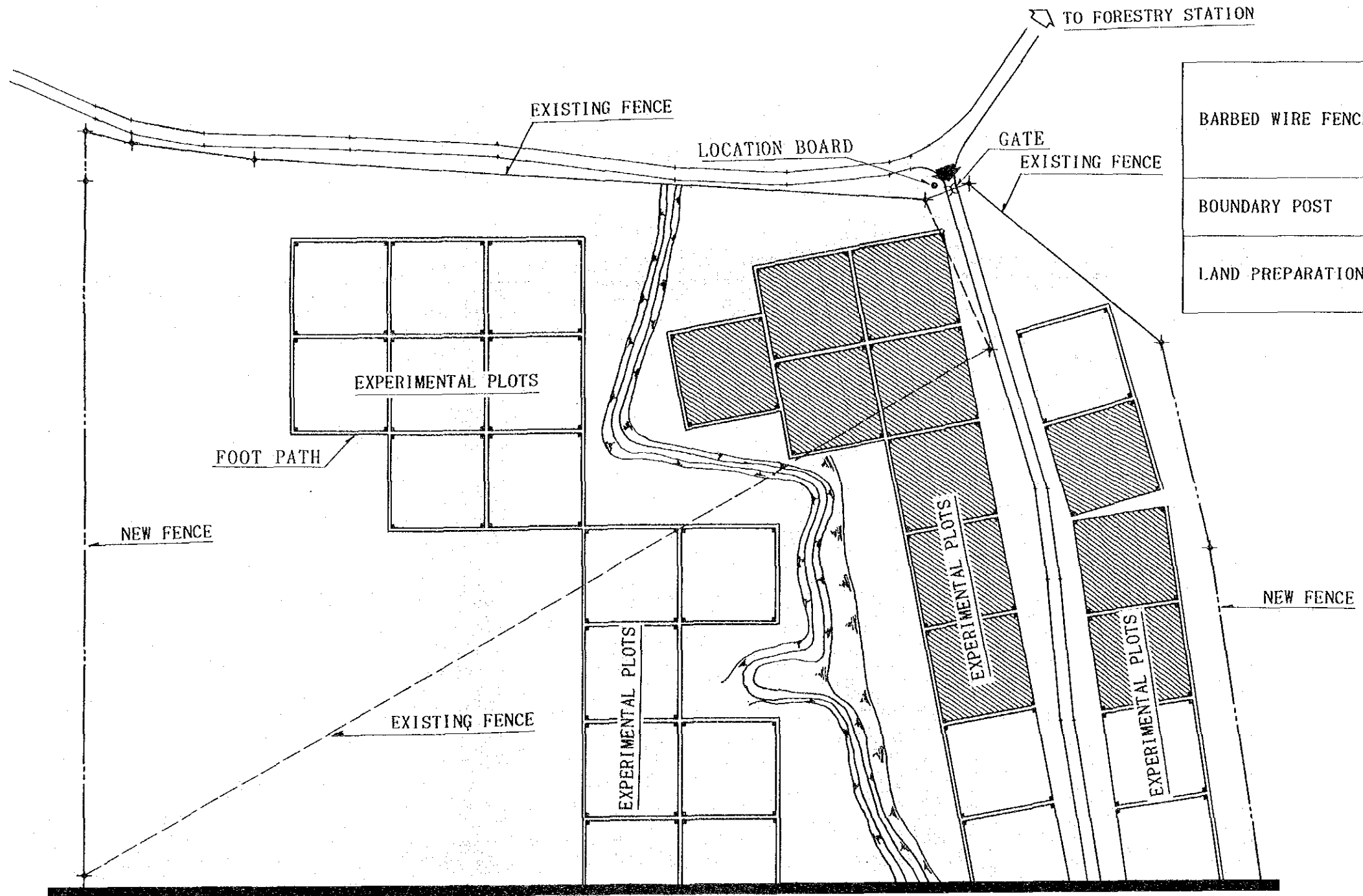
MODEL INFRASTRUCTURE WORK FOR  
 THE FOREST RESEARCH PROJECT  
 IN PAPUA NEW GUINEA

GARAGE

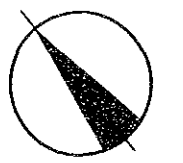
DETAIL SECTION

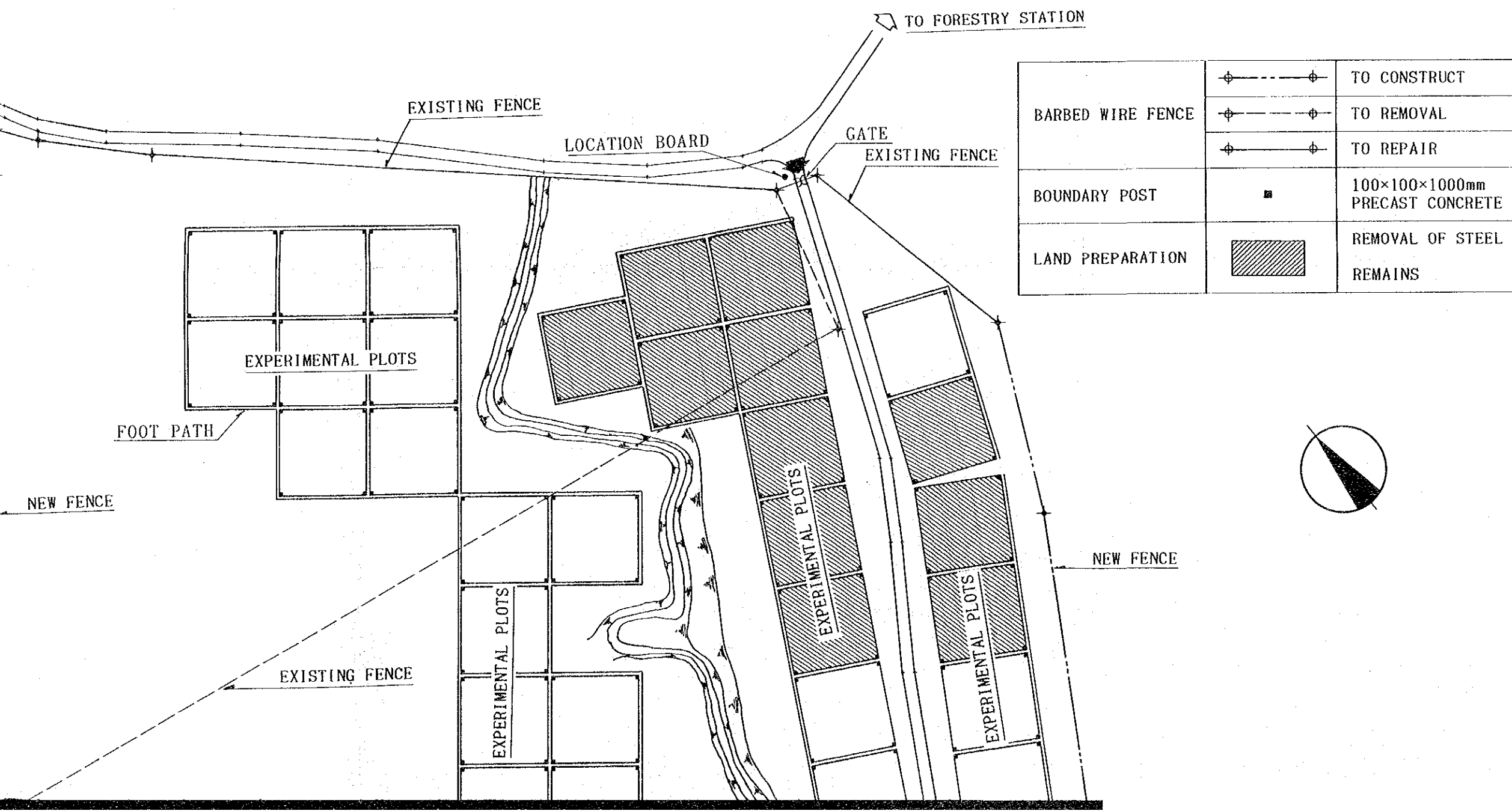
S = 1 / 30

MK-06

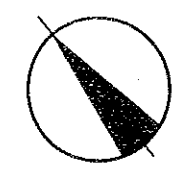


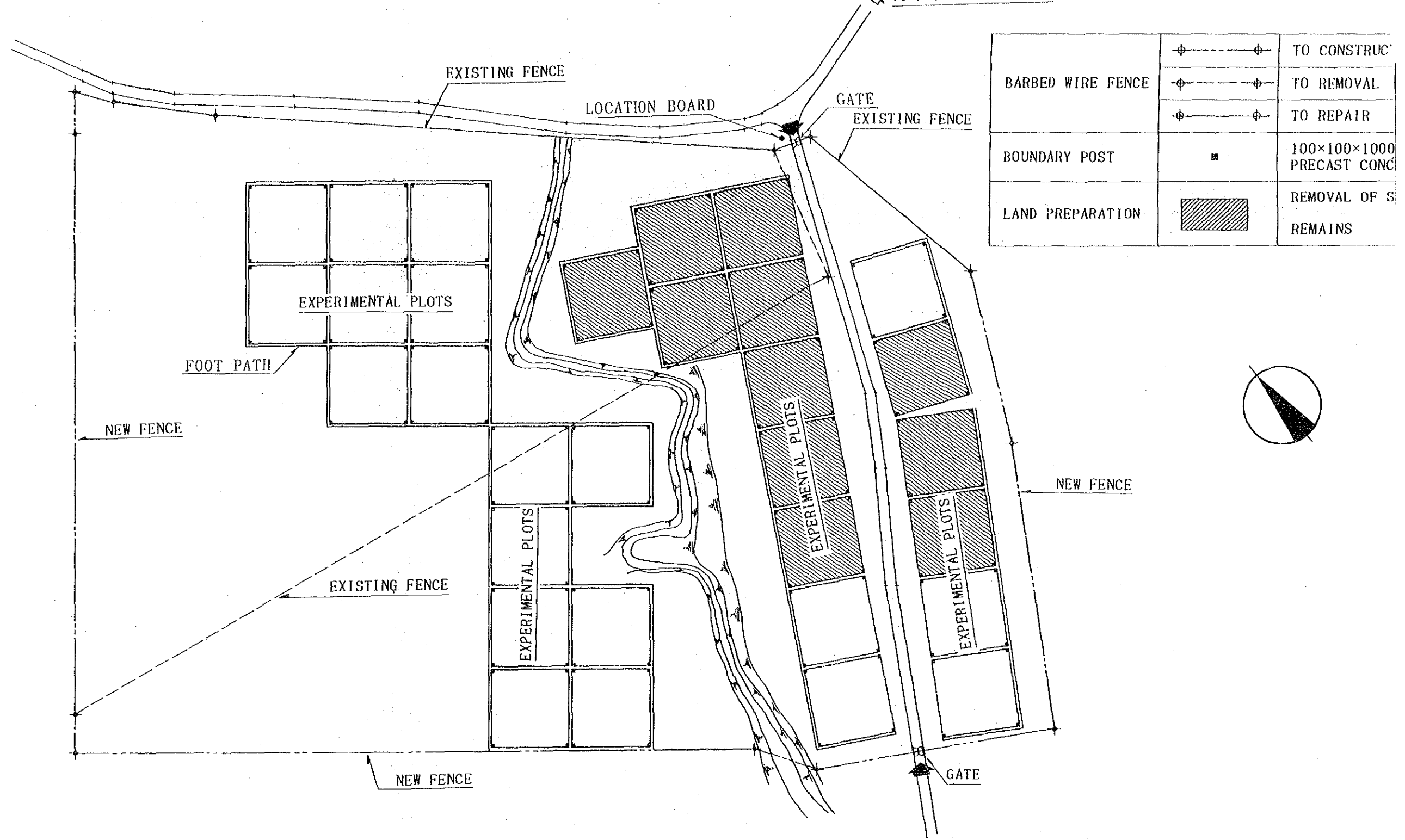
BARBED WIRE FENCE		TO CONSTRUCT
		TO REMOVAL
		TO REPAIR
BOUNDARY POST		100x100x1000mm PRECAST CONCRETE
LAND PREPARATION		REMOVAL OF STEEL
		REMAINS



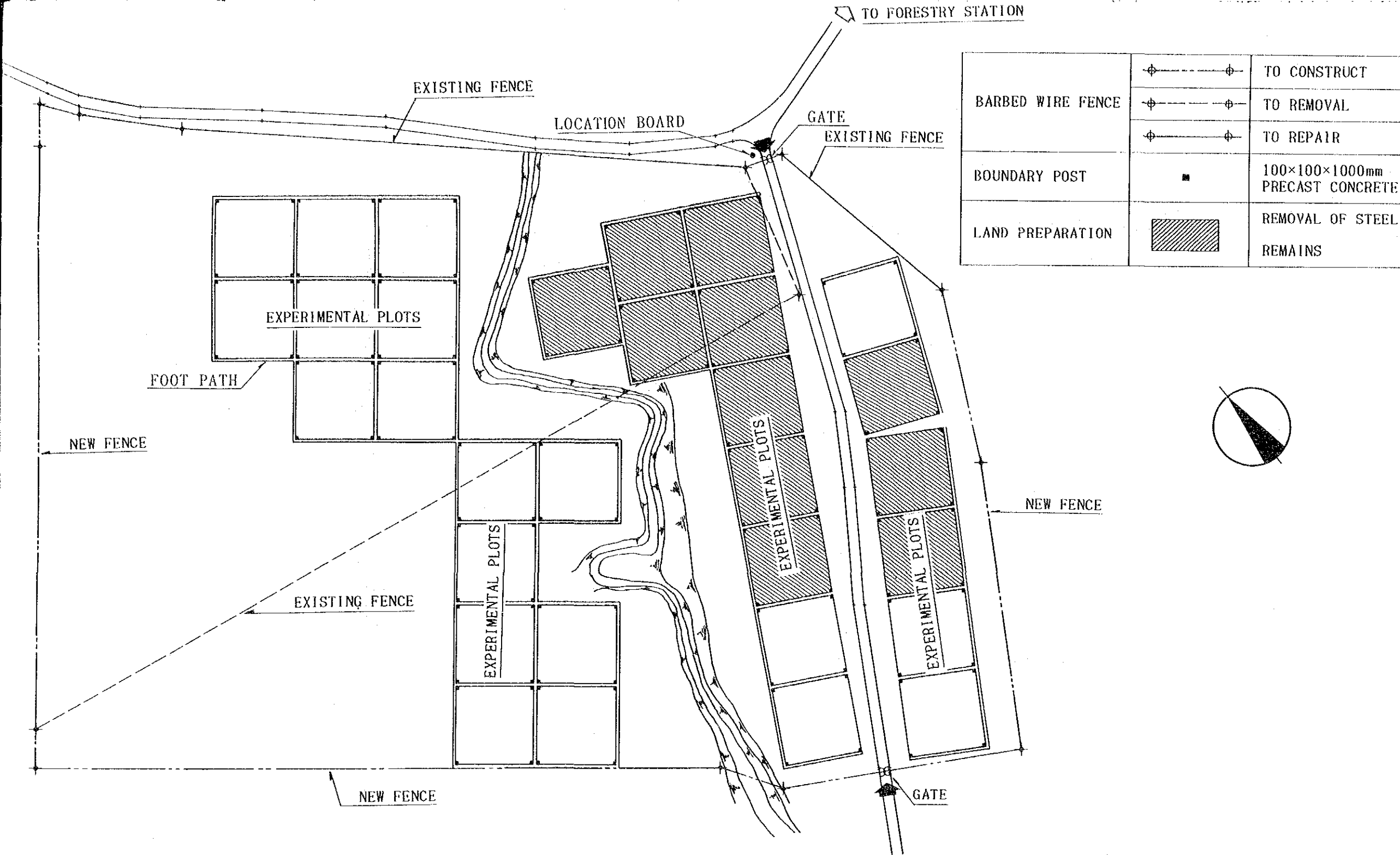


BARBED WIRE FENCE		TO CONSTRUCT
		TO REMOVAL
		TO REPAIR
BOUNDARY POST		100×100×1000mm PRECAST CONCRETE
LAND PREPARATION		REMOVAL OF STEEL REMAINS

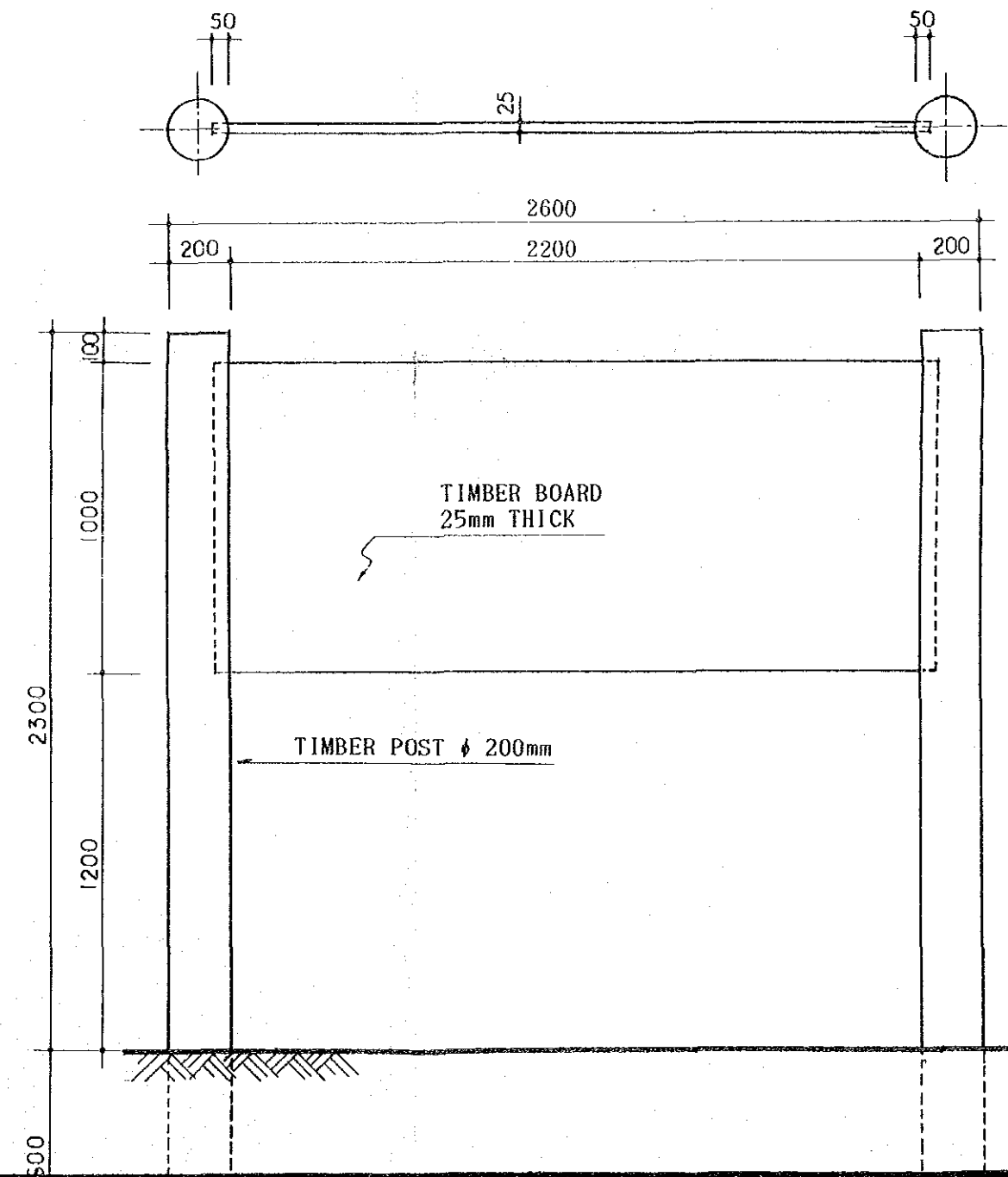
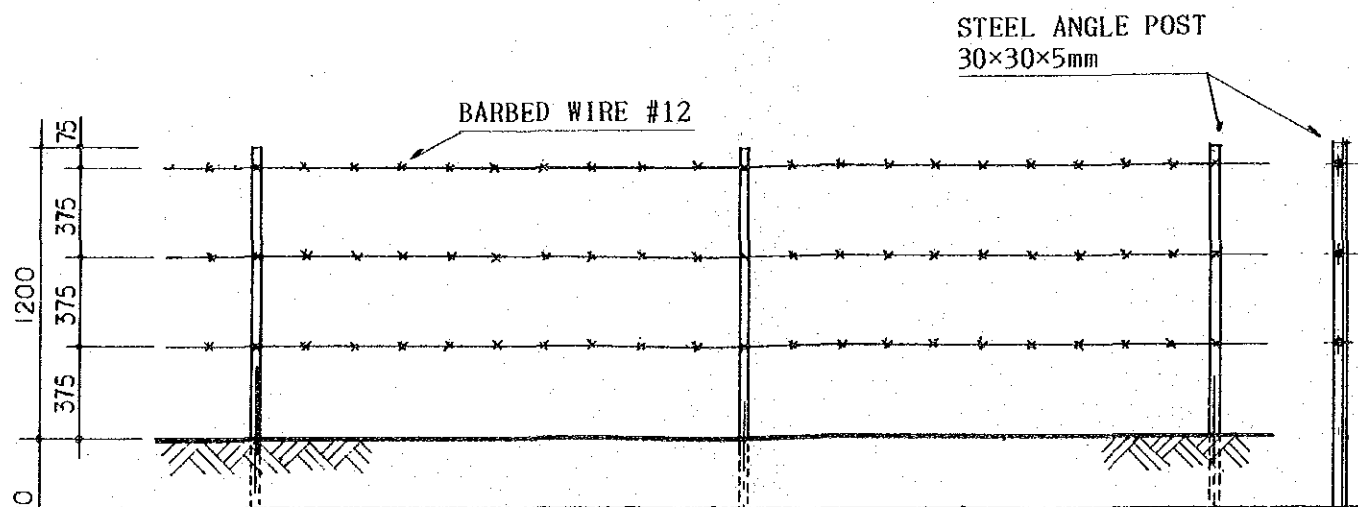
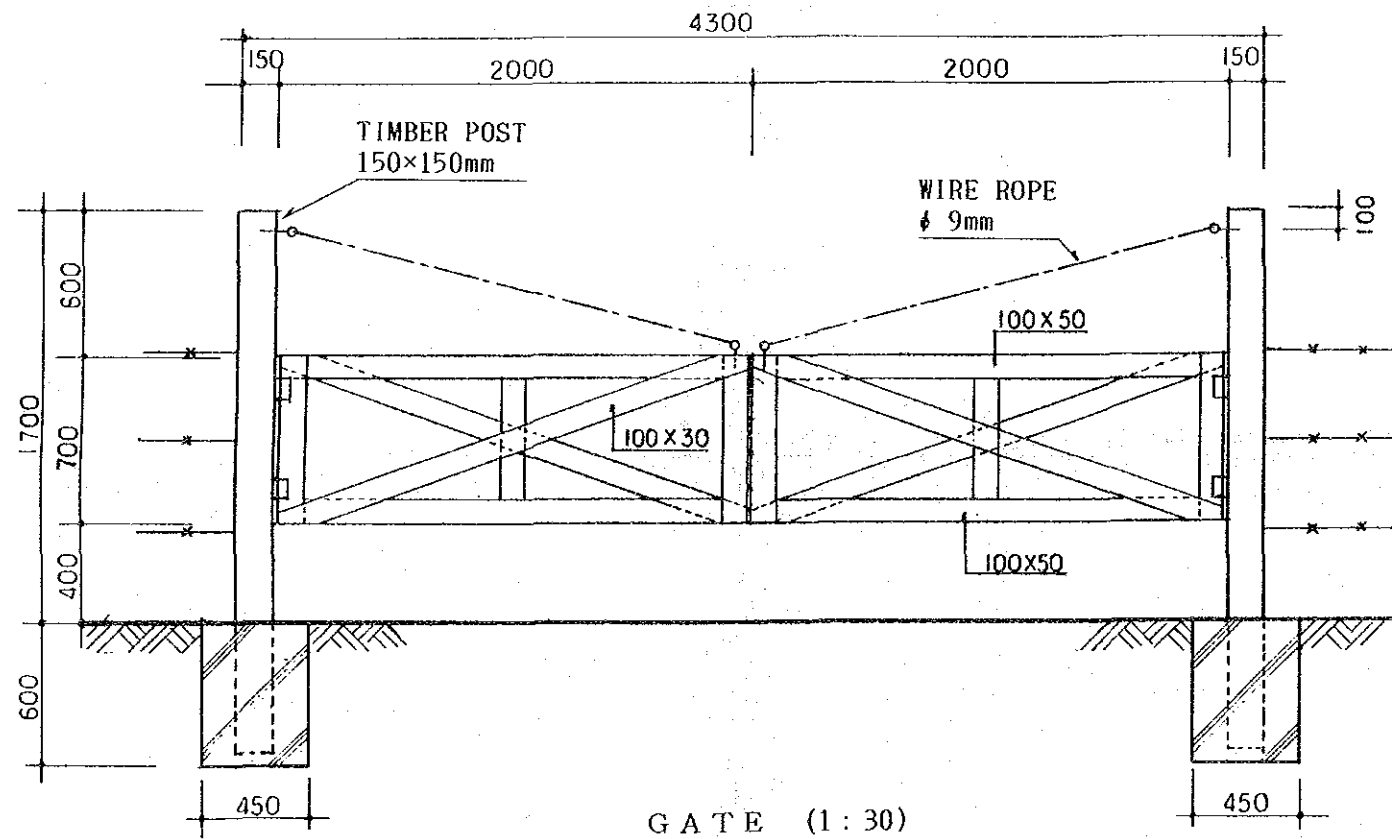


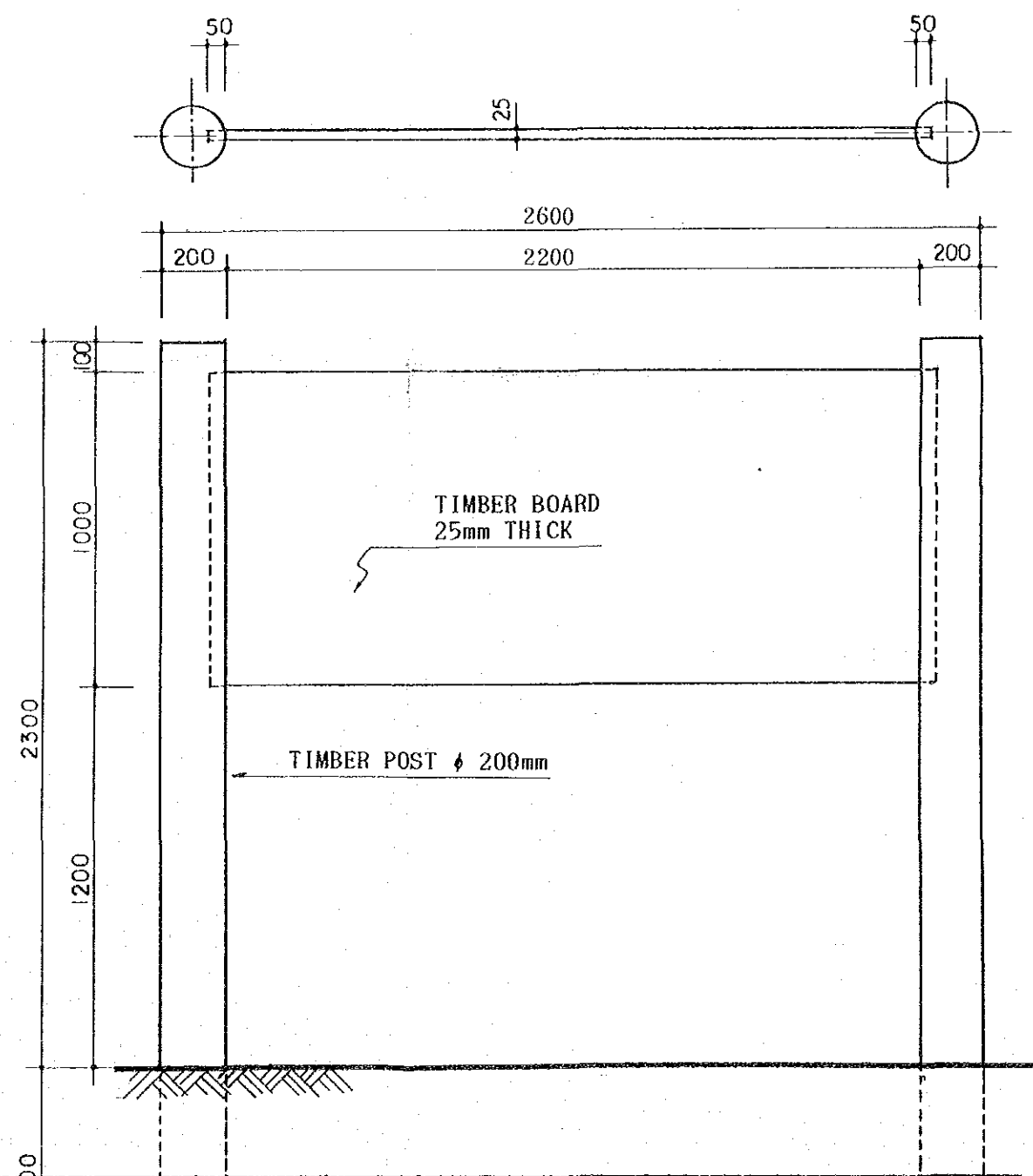
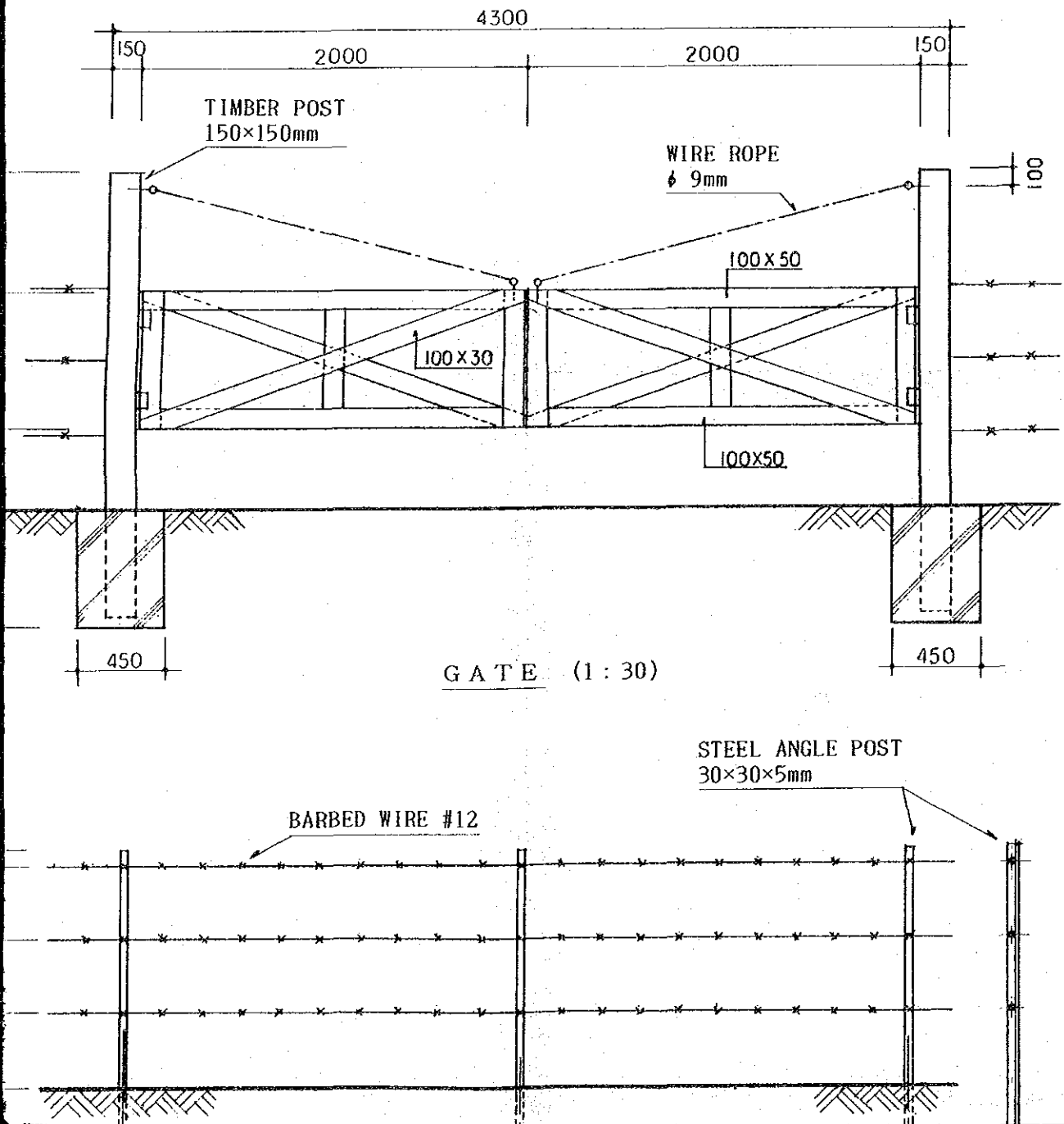


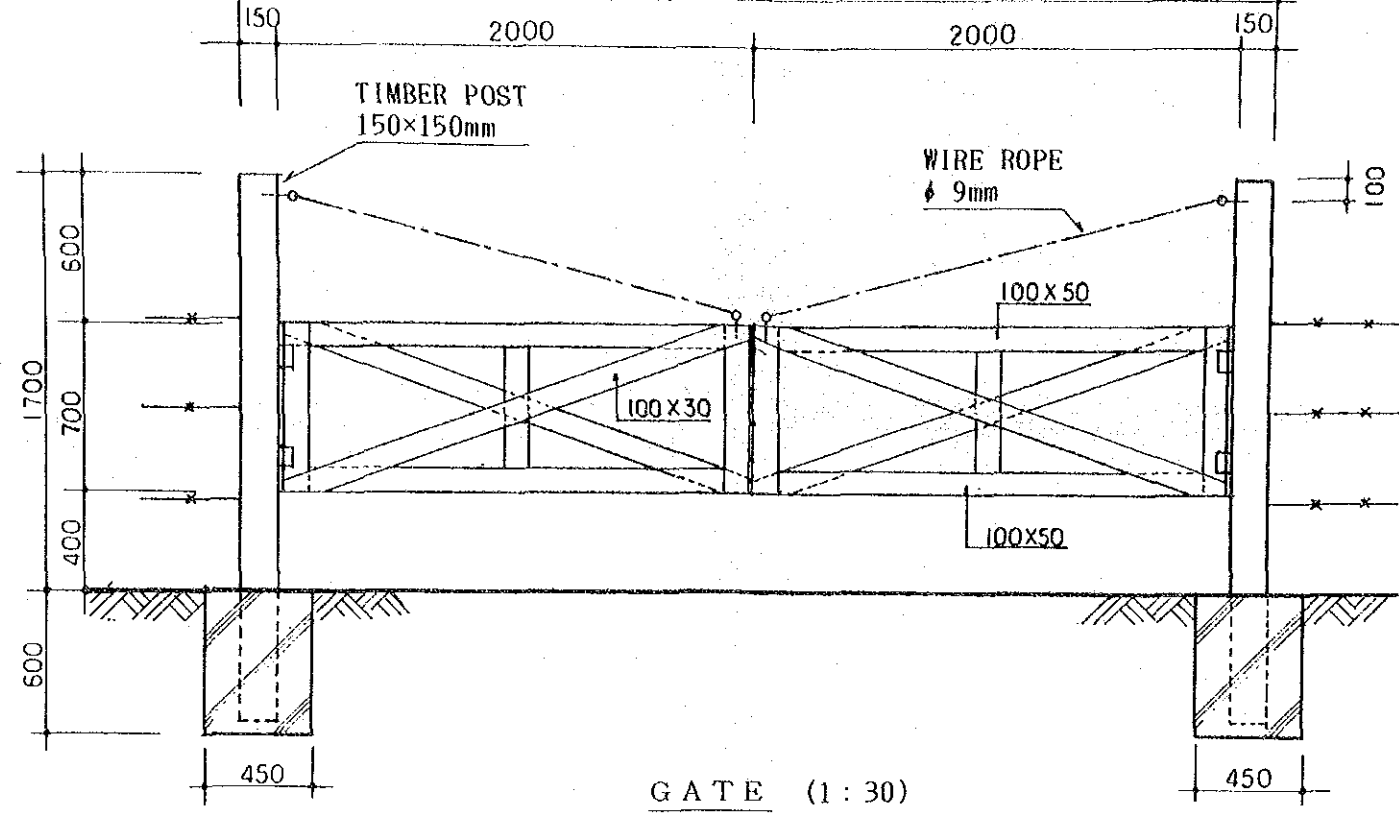
<p>THE MODEL INFRASTRUCTURE WORK FOR THE FOREST RESEARCH PROJECT IN PAPUA NEW GUINEA</p>	<p>EXPERIMENTAL PLANTATION</p>	<p>S = 1 / 1</p>
	<p>SITE PLAN</p>	<p>MK-07</p>



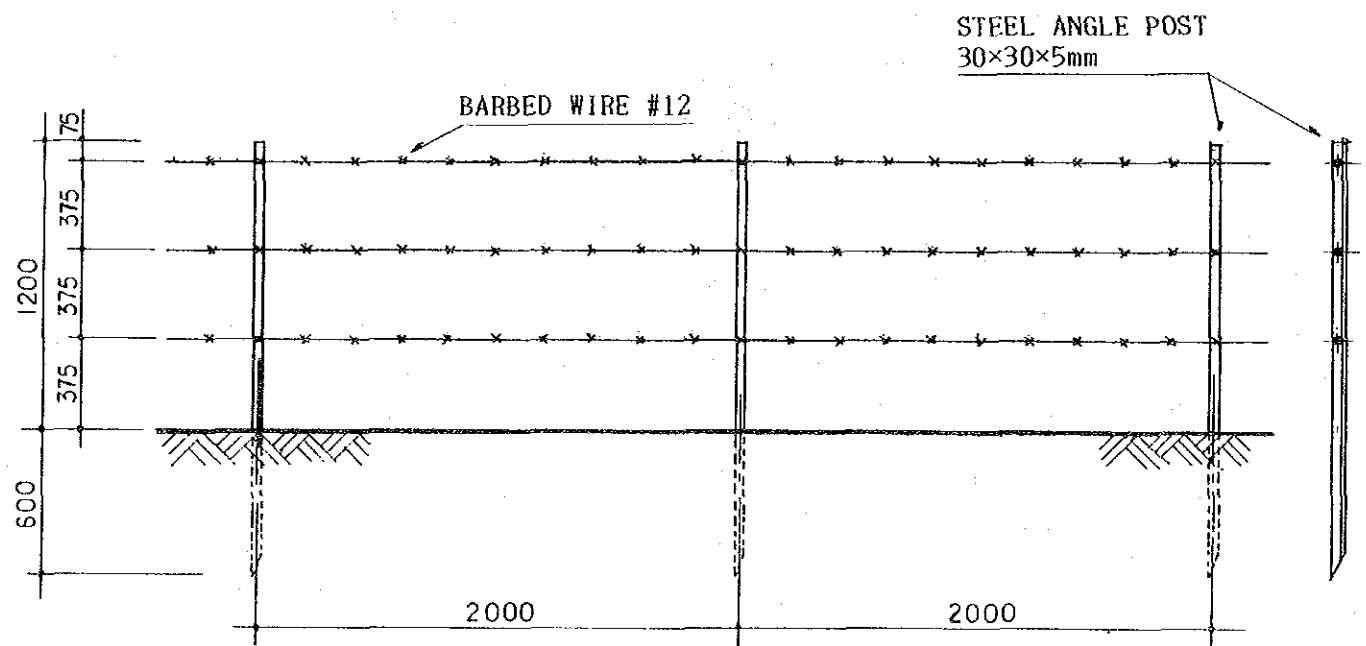
MODEL INFRASTRUCTURE WORK FOR THE FOREST RESEARCH PROJECT IN PAPUA NEW GUINEA	EXPERIMENTAL PLANTATION	S = 1 / 1500
	SITE PLAN	MK-07



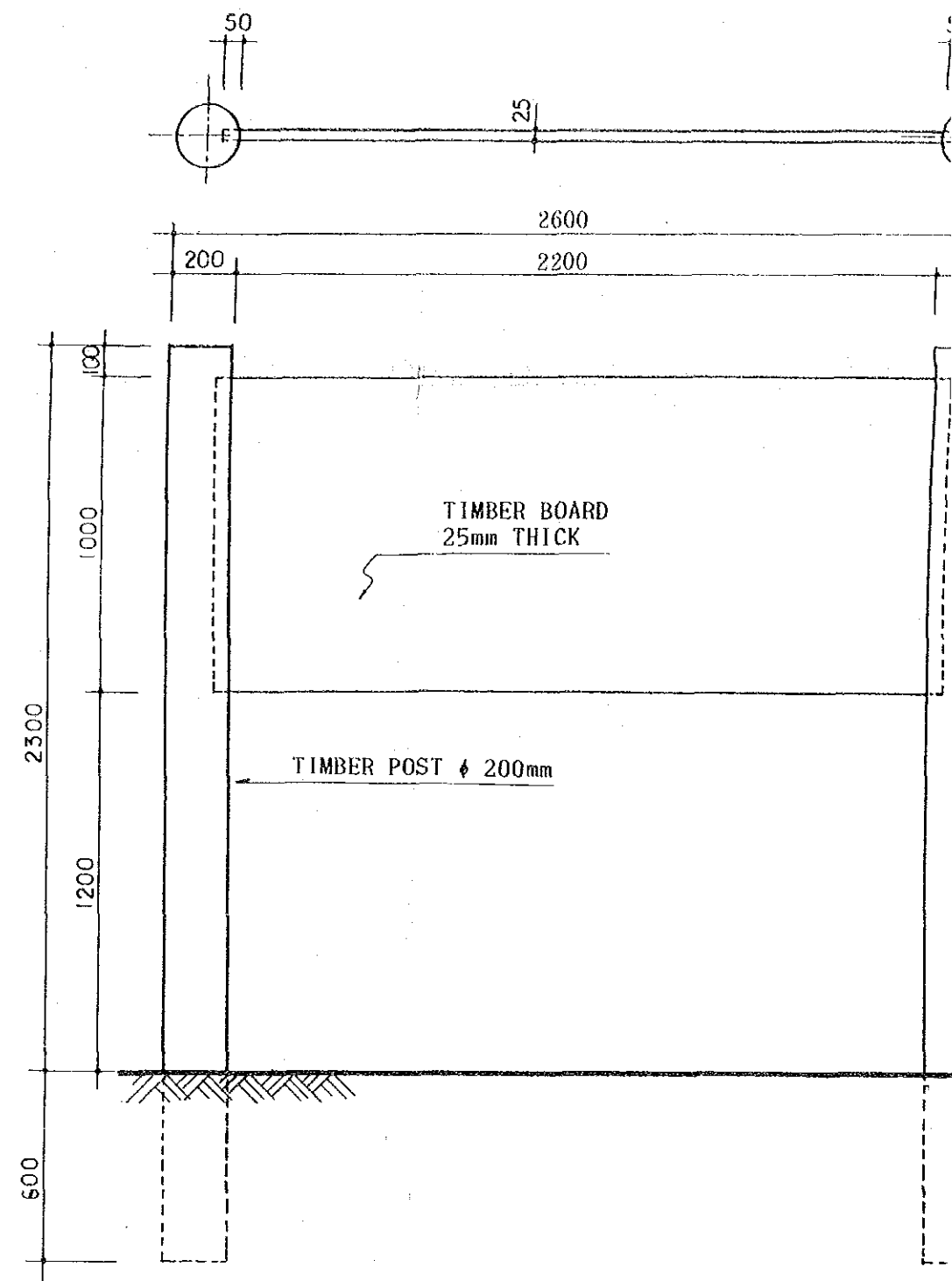




GATE (1:30)



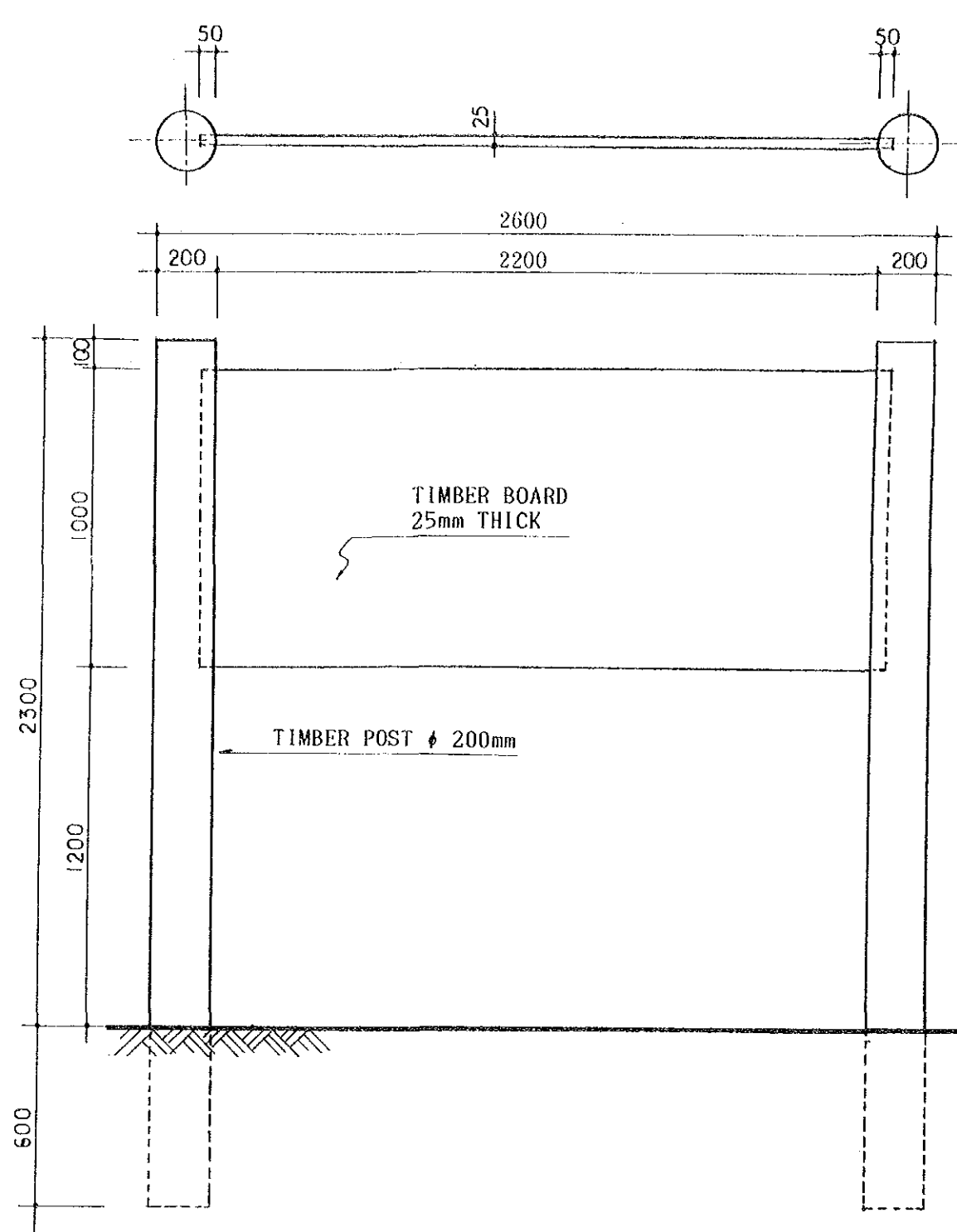
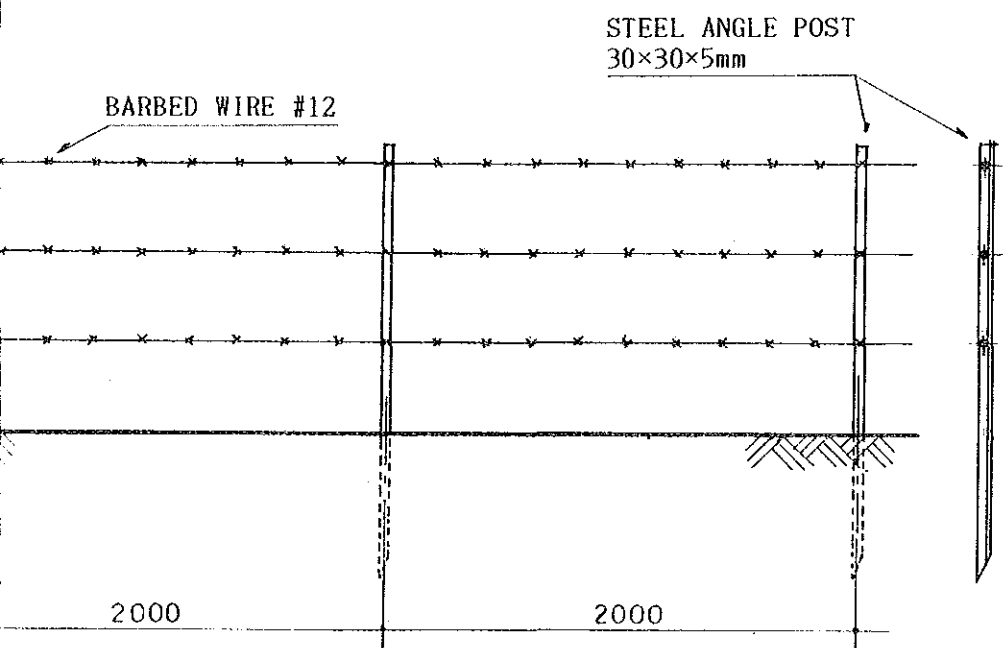
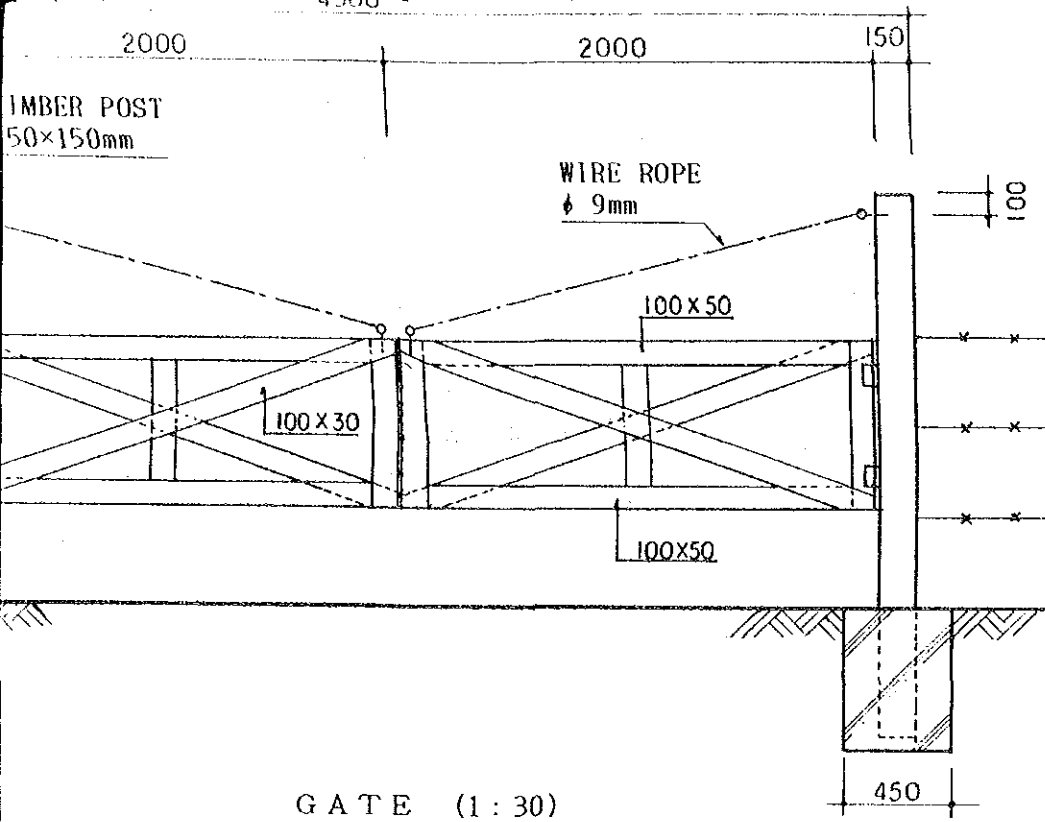
BARBED WIRE FENCE (1:30)



LOCATION BOARD (1:20)

THE MODEL INFRASTRUCTURE WORK FOR THE FOREST RESEARCH PROJECT IN PAPUA NEW GUINEA	EXPERIMENTAL PLANTATION	S = 1 S = 1
	GATE, BARBED WIRE FENCE, LOCATION BOARD	MK-C





BARBED WIRE FENCE (1:30)

LOCATION BOARD (1:20)

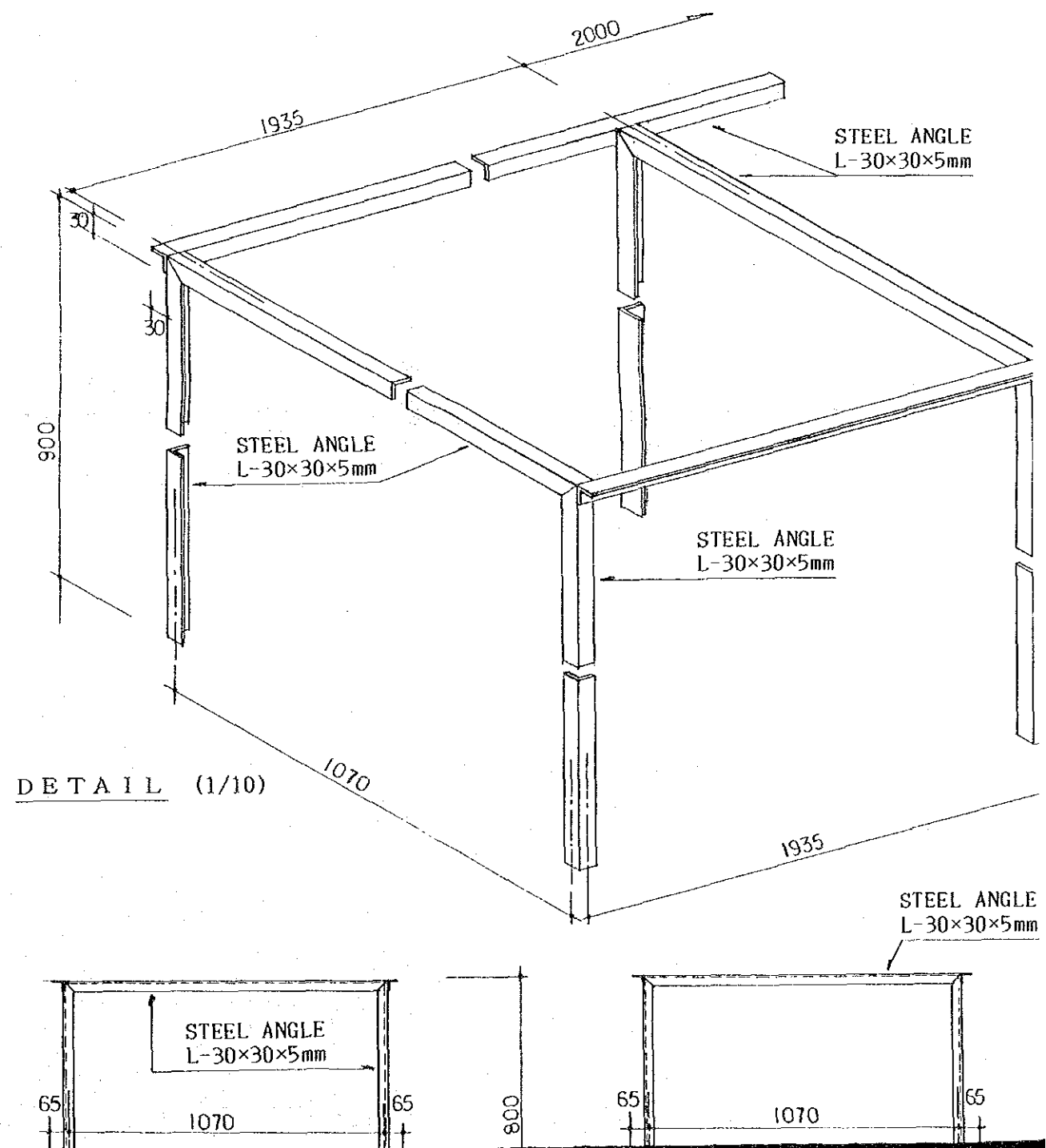
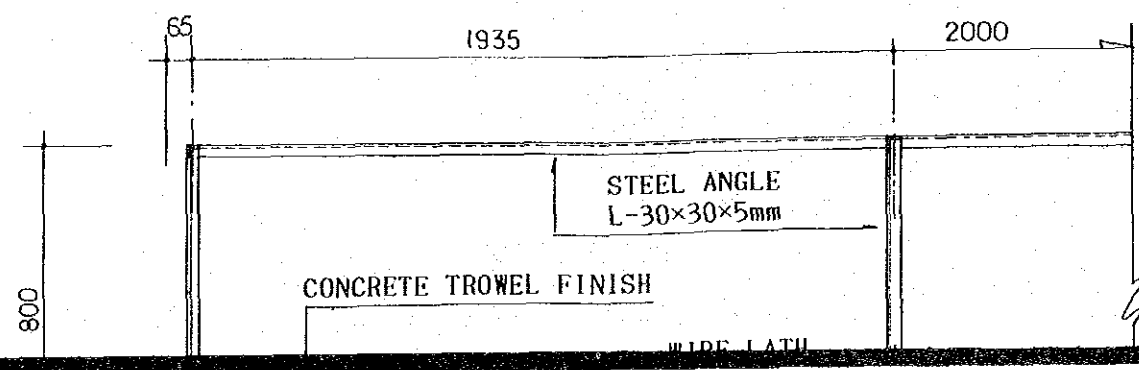
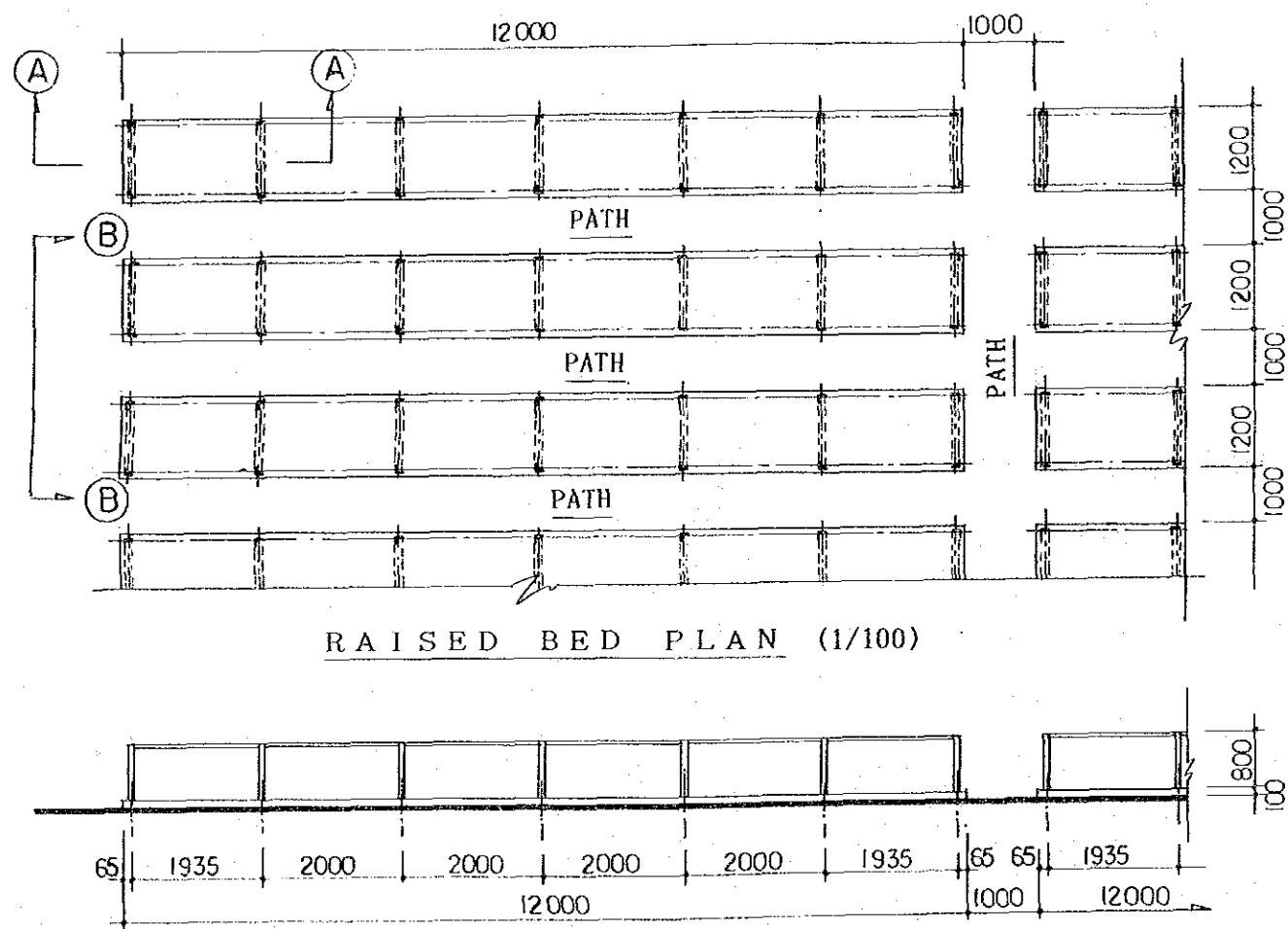
RASTRUCTURE WORK FOR  
EST RESEARCH PROJECT  
IN PAPUA NEW GUINEA

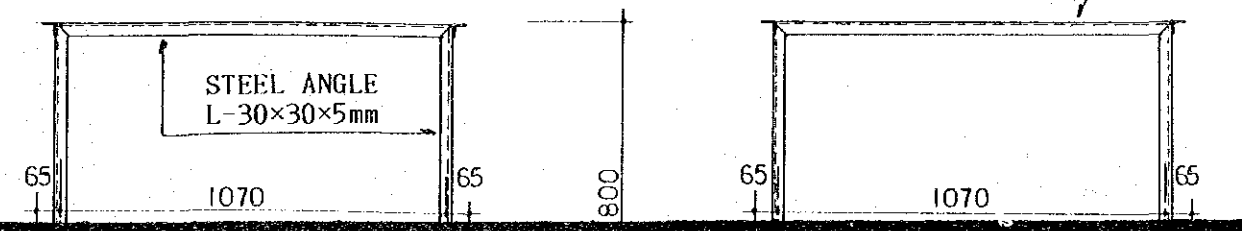
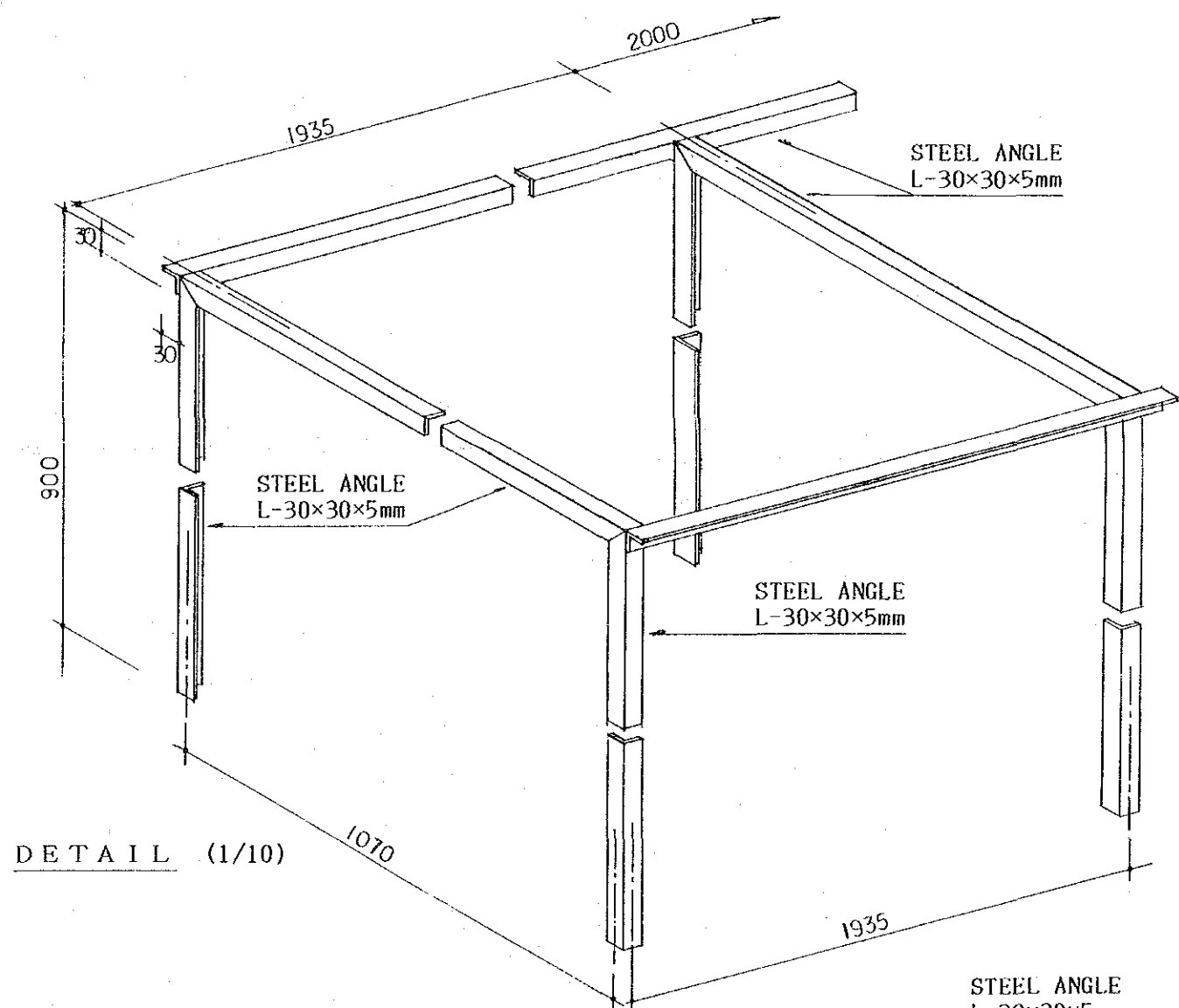
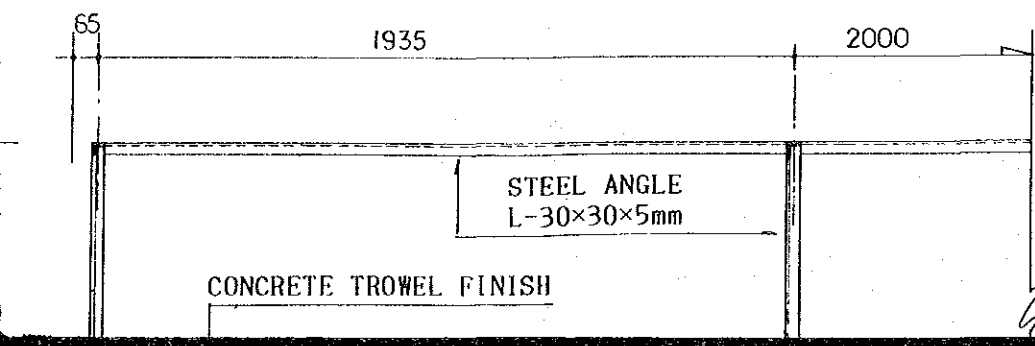
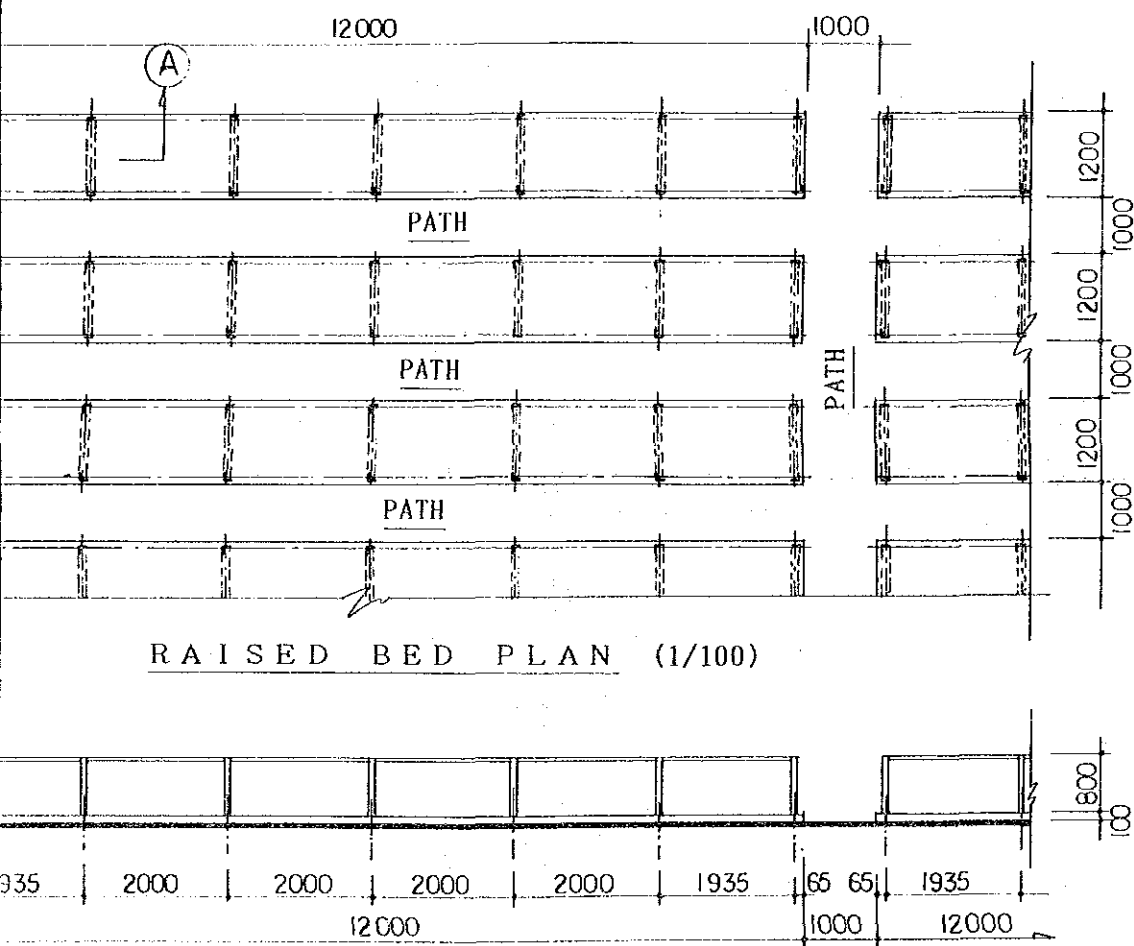
EXPERIMENTAL PLANTATION

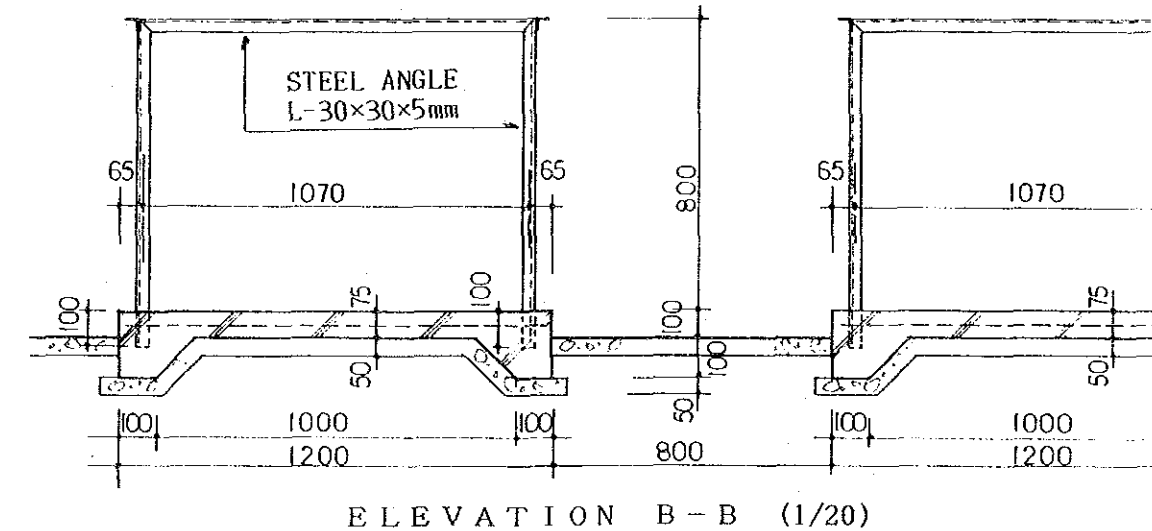
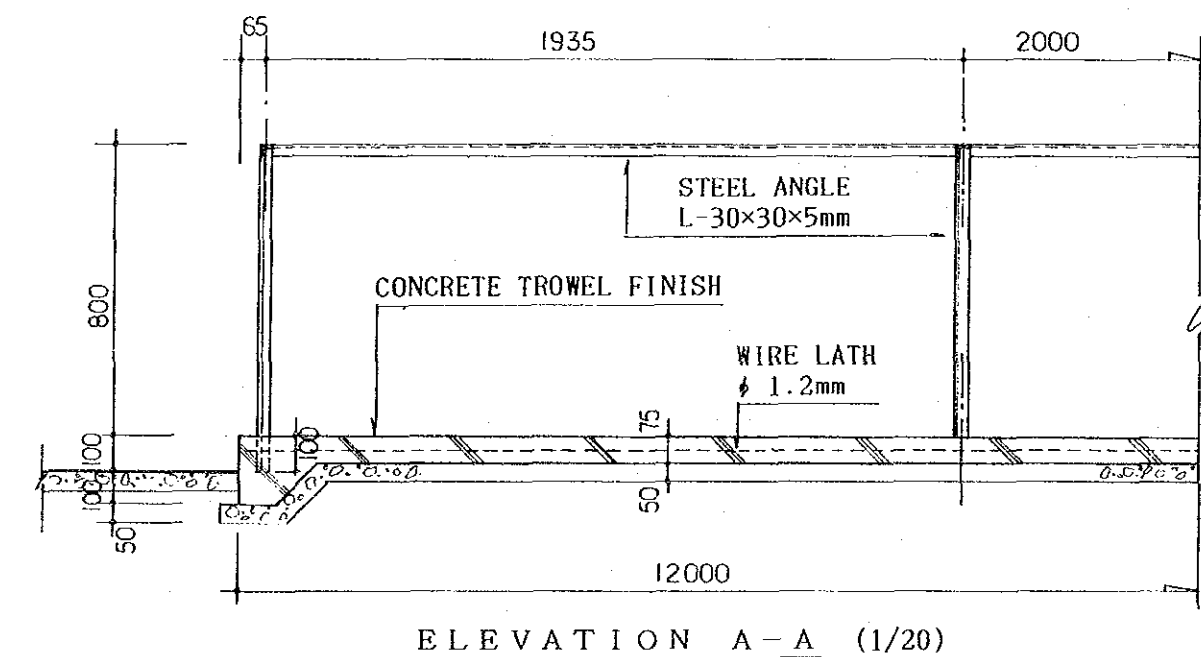
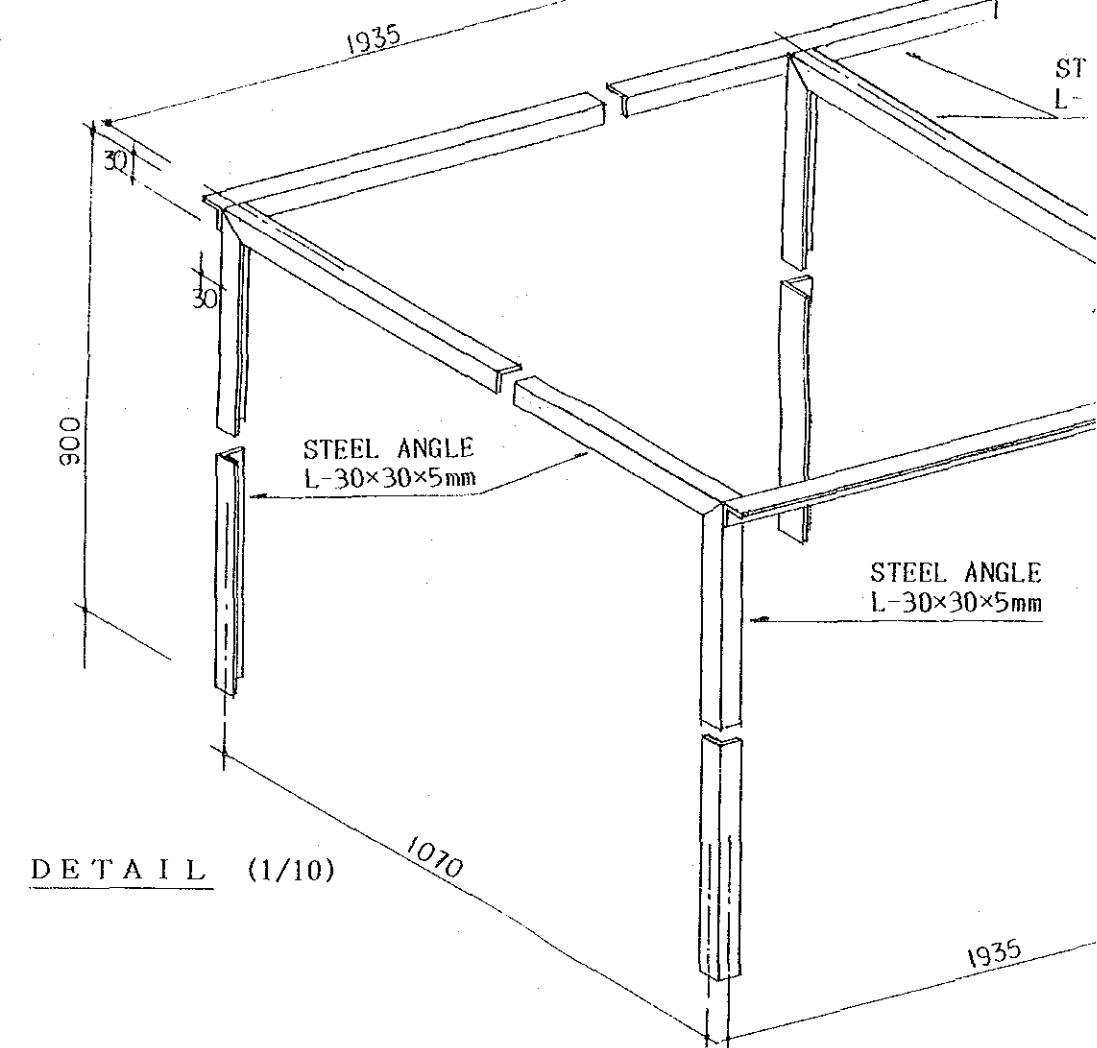
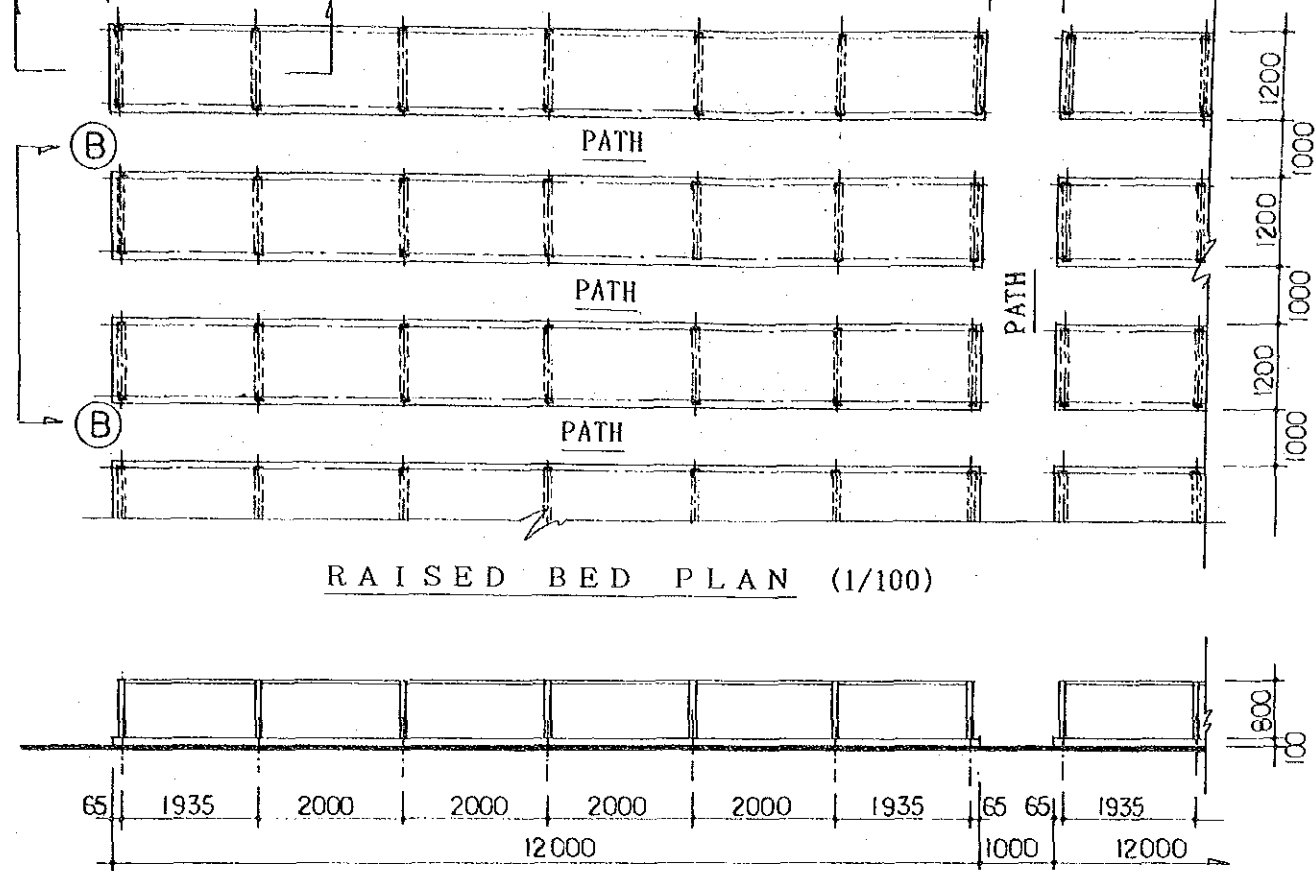
GATE, BARBED WIRE FENCE, LOCATION BOARD

S = 1 / 20  
S = 1 / 30

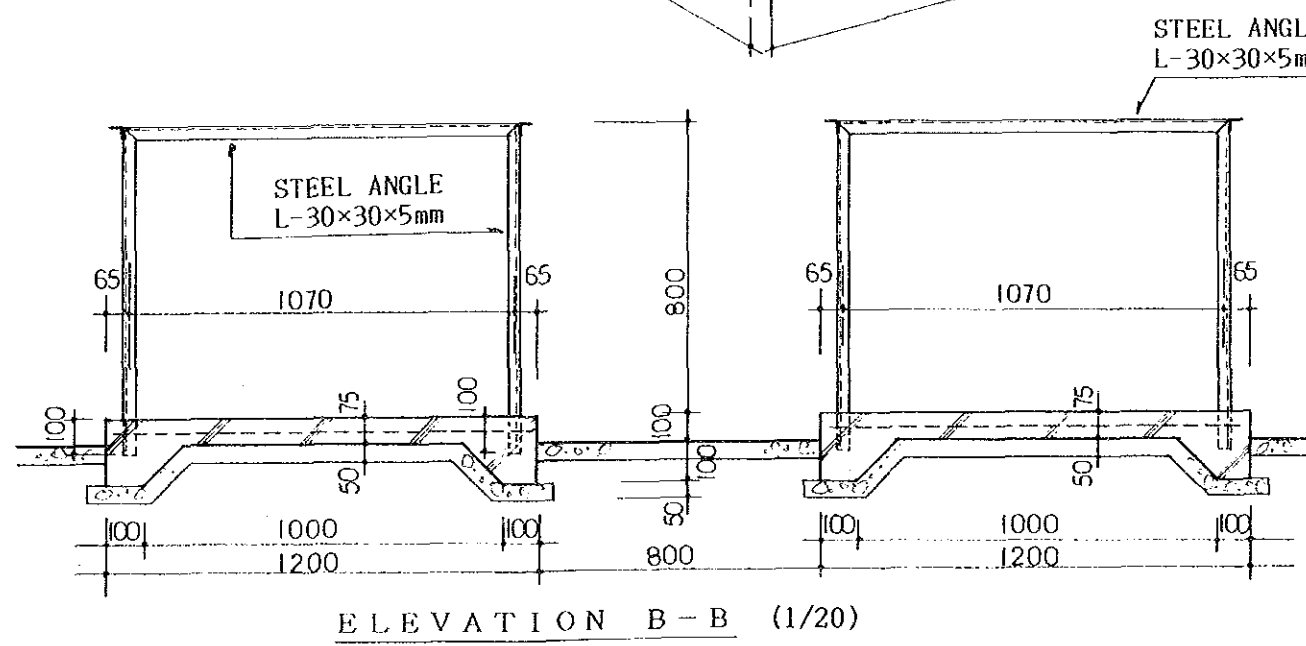
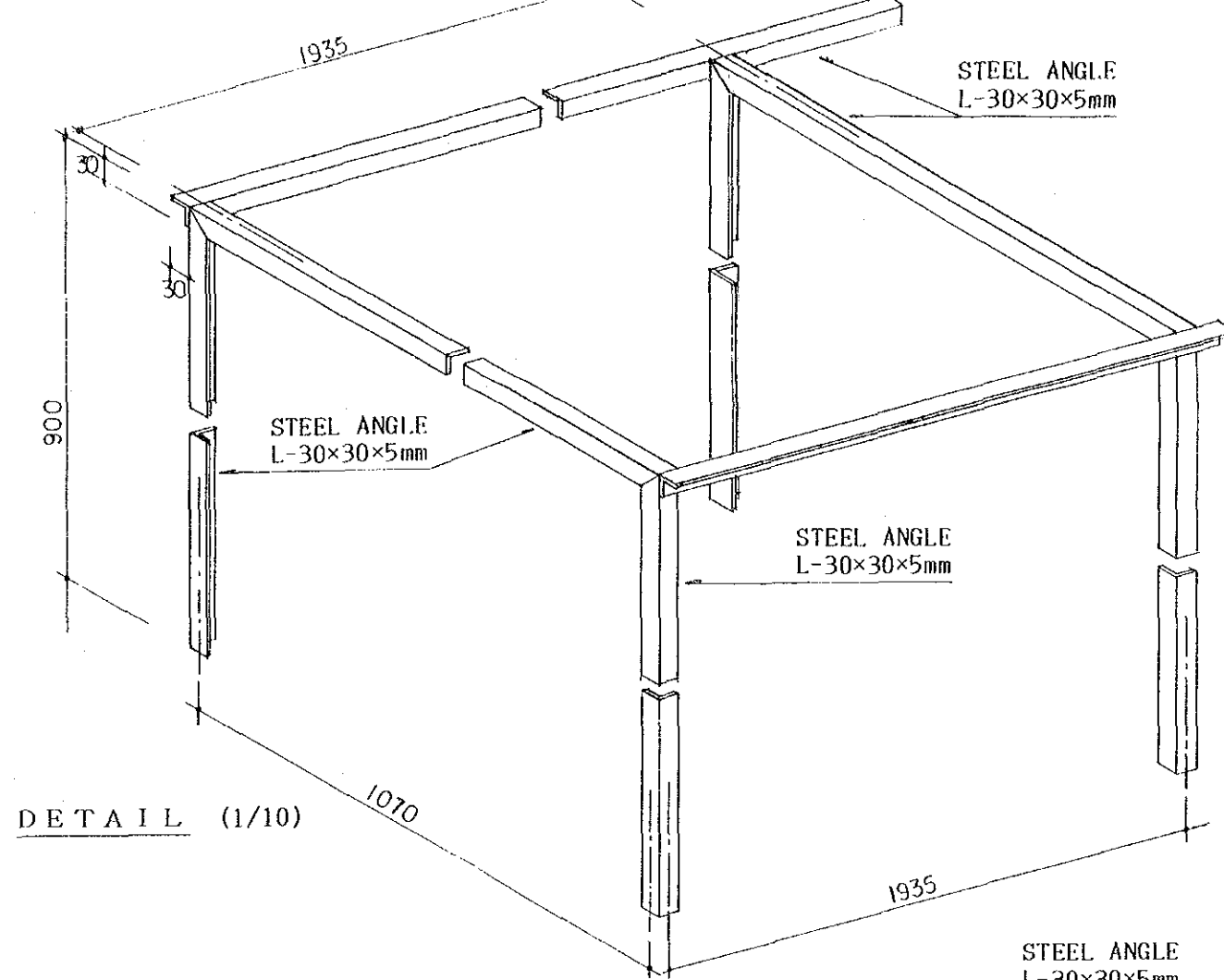
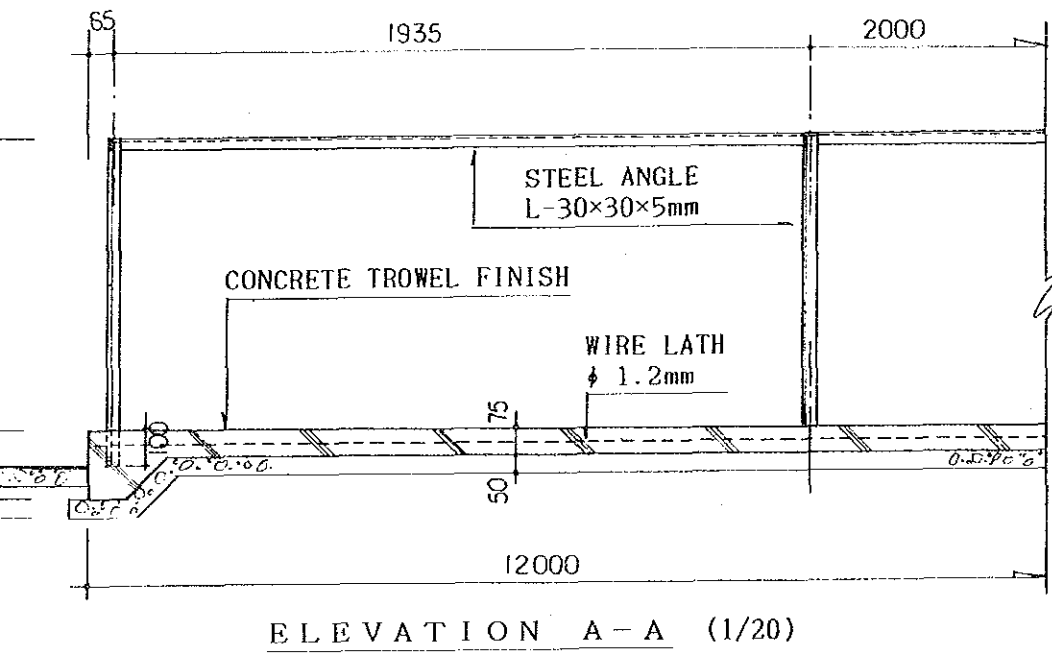
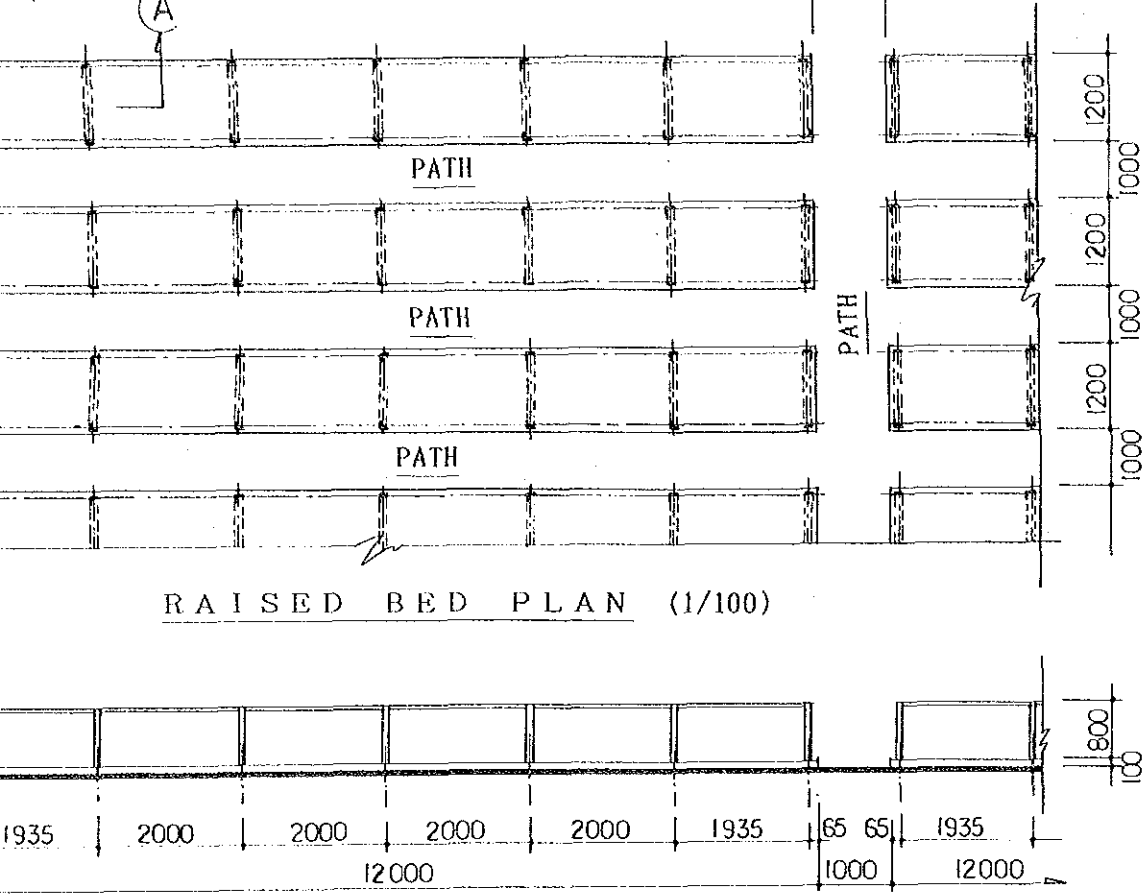
MK-08



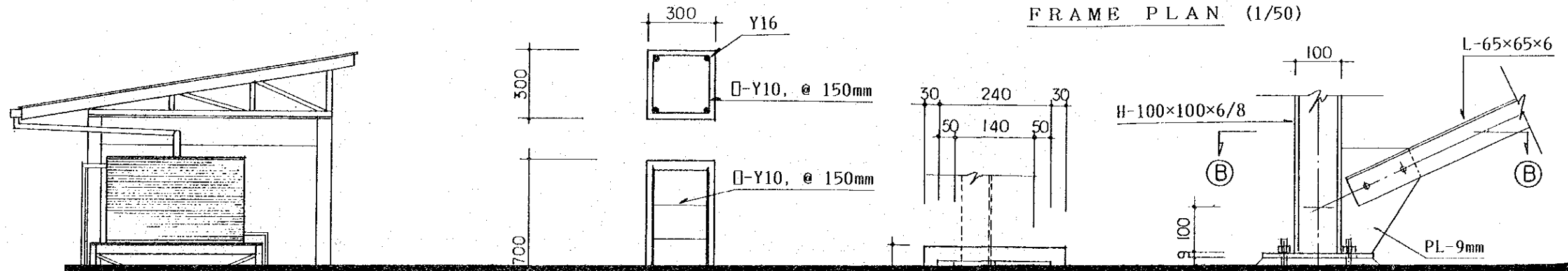
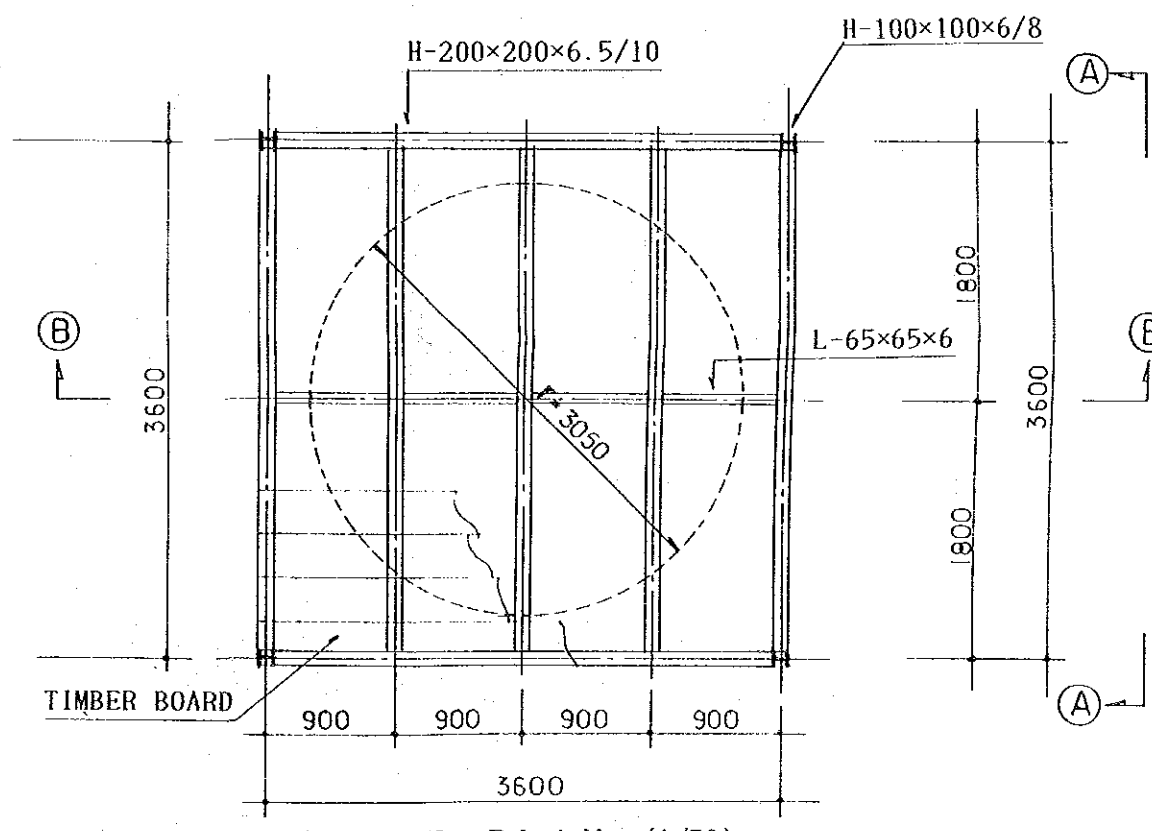
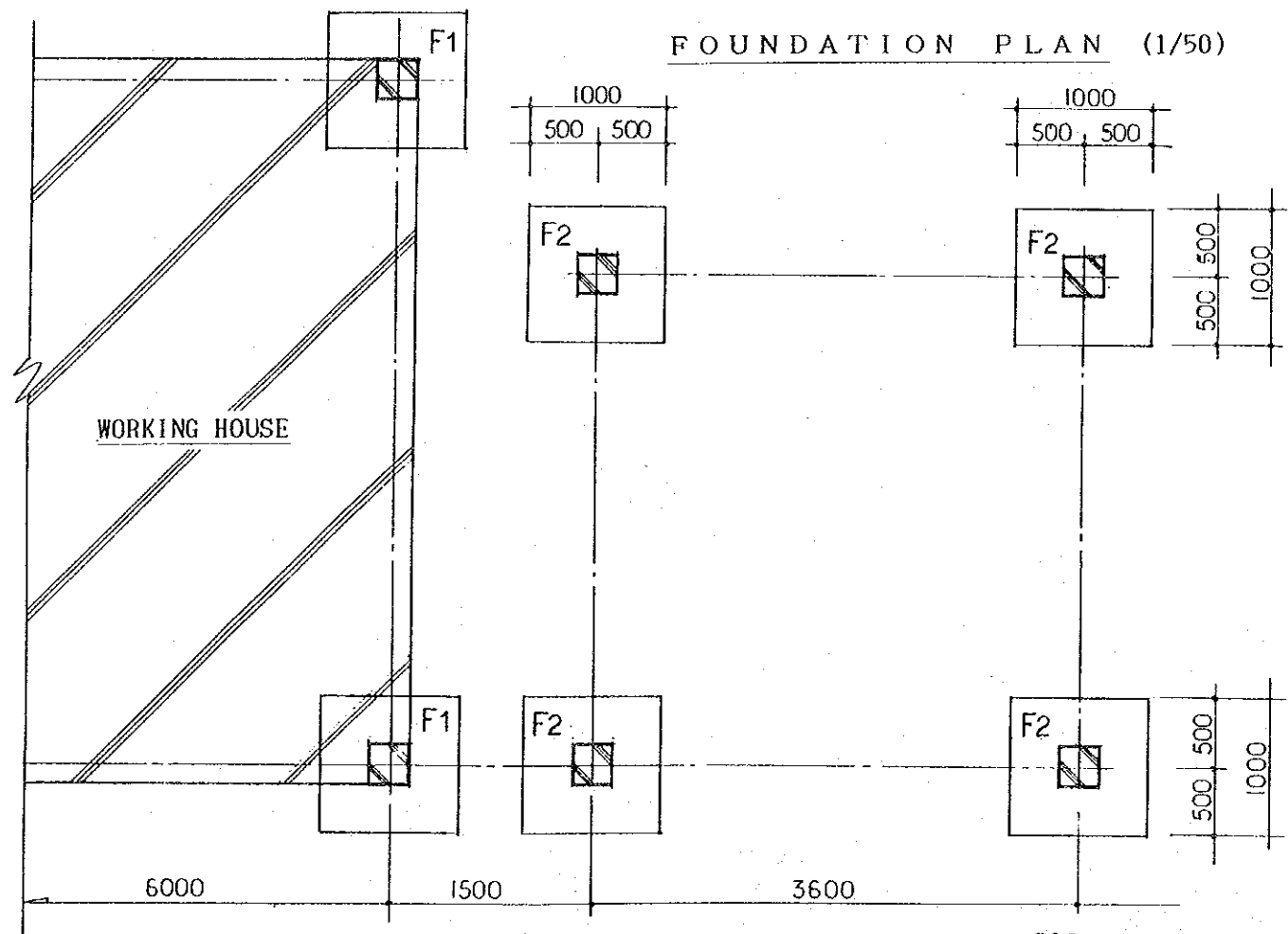


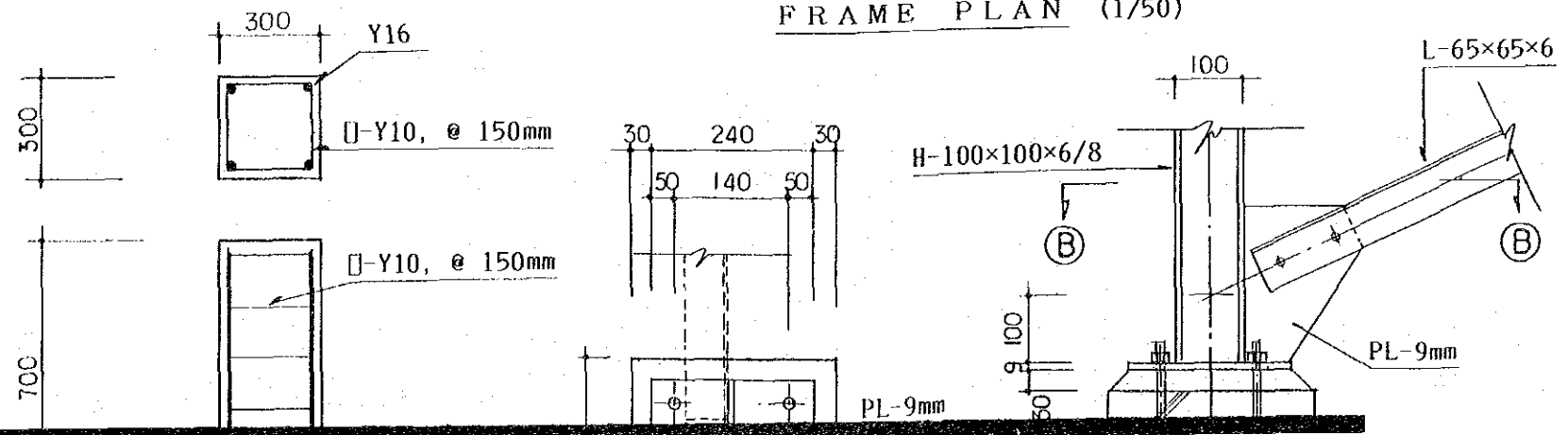
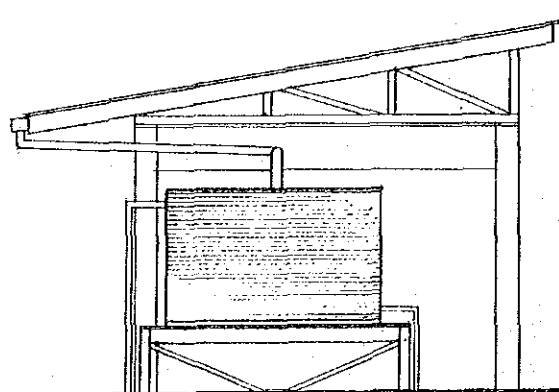
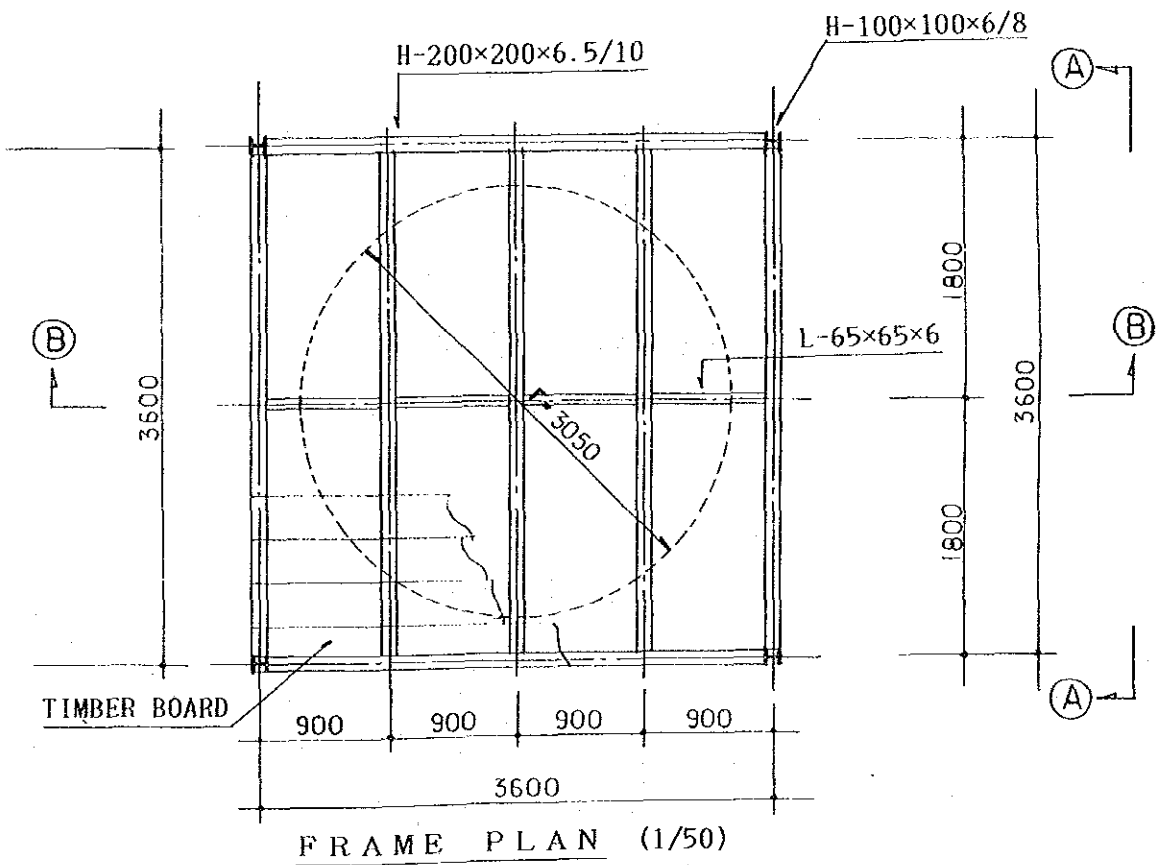
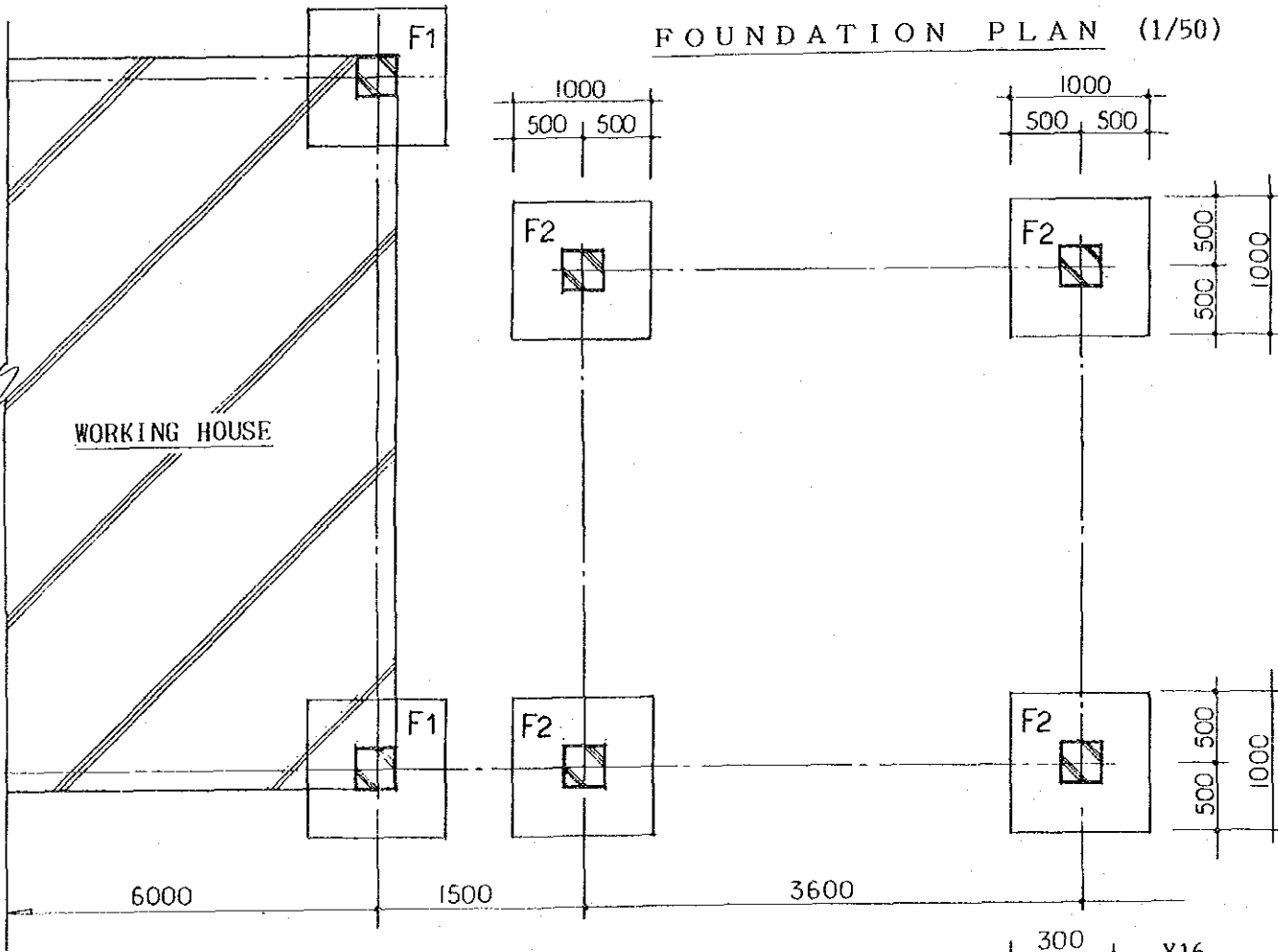


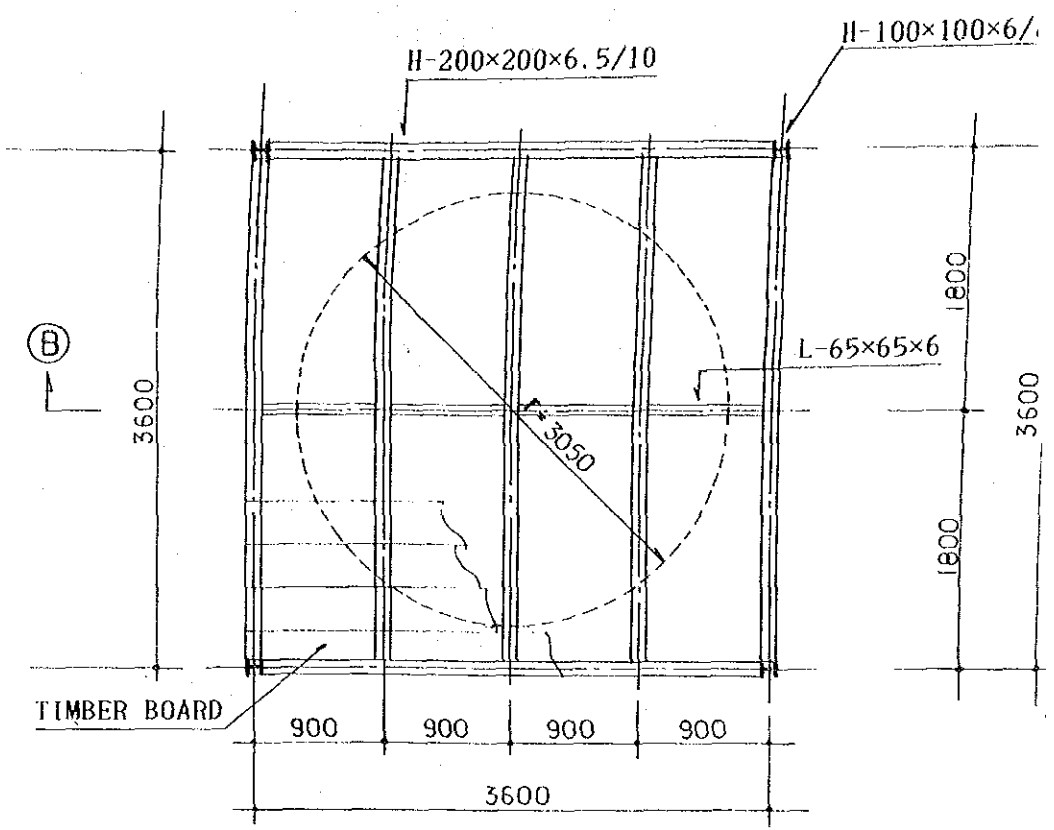
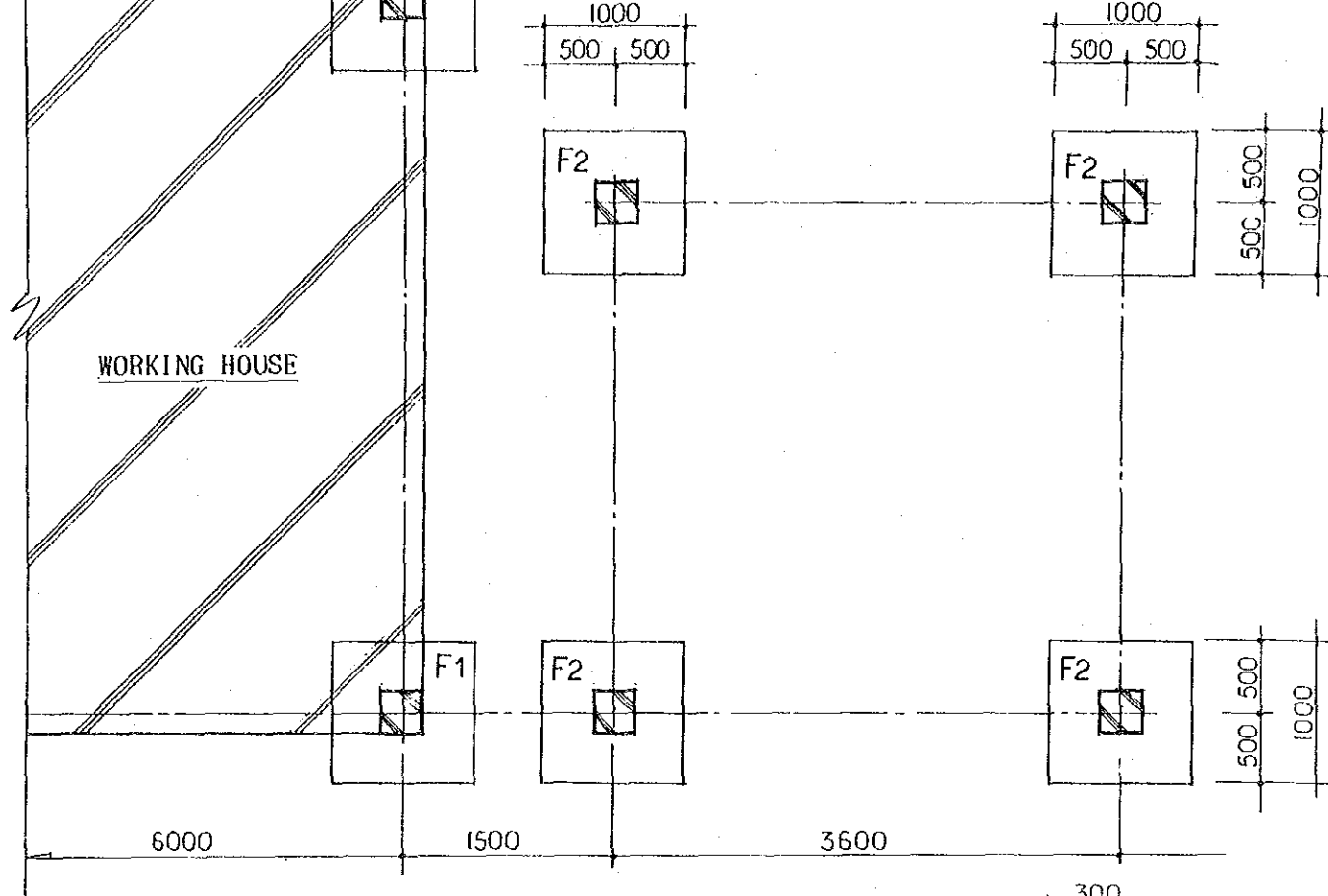
THE MODEL INFRASTRUCTURE WORK FOR THE FOREST RESEARCH PROJECT IN PAPUA NEW GUINEA	INTENSIVE AREA	5000
	RAISED BED PLAN STEEL FRAME PLAN	MI



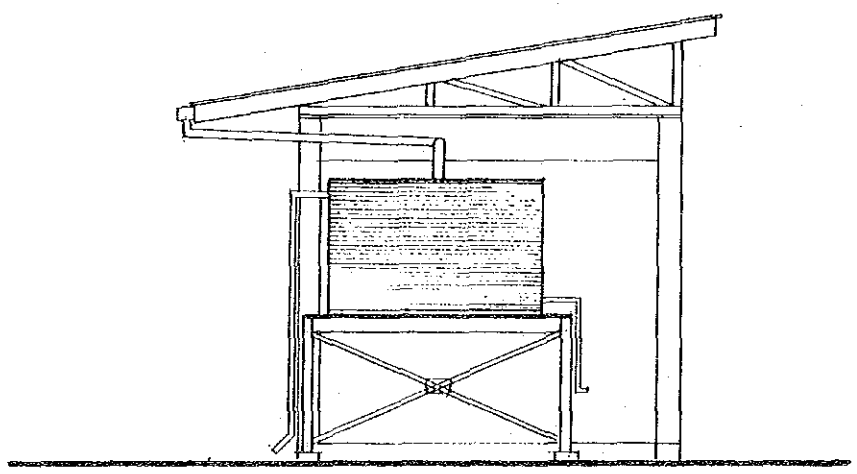
DEL INFRASTRUCTURE WORK FOR THE FOREST RESEARCH PROJECT IN PAPUA NEW GUINEA	INTENSIVE AREA	SS = 1 / 10 S = 1 / 20 S = 1 / 100
	RAISED BED PLAN STEEL FRAME PLAN	MK-09



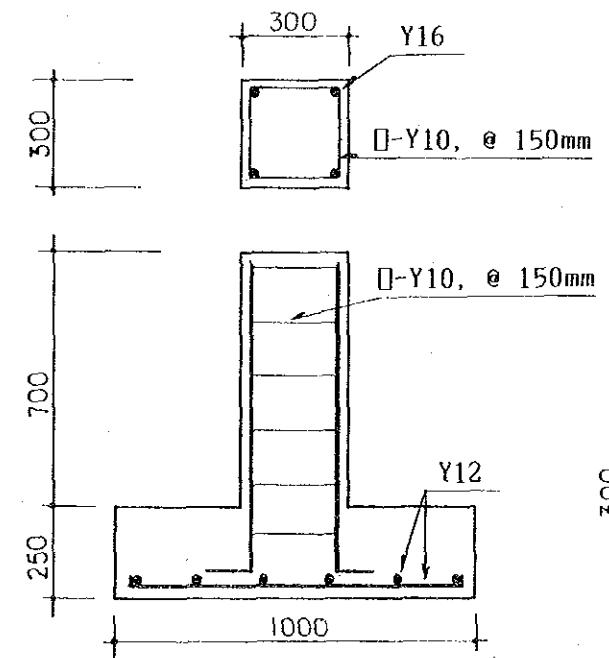




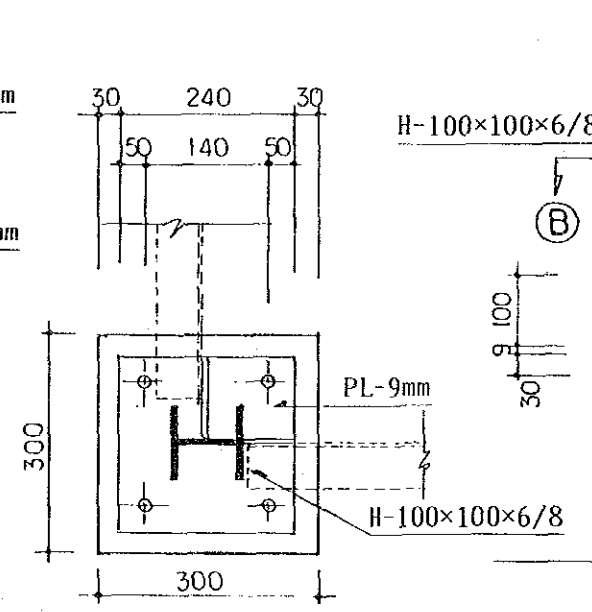
FRAME PLAN (1/50)



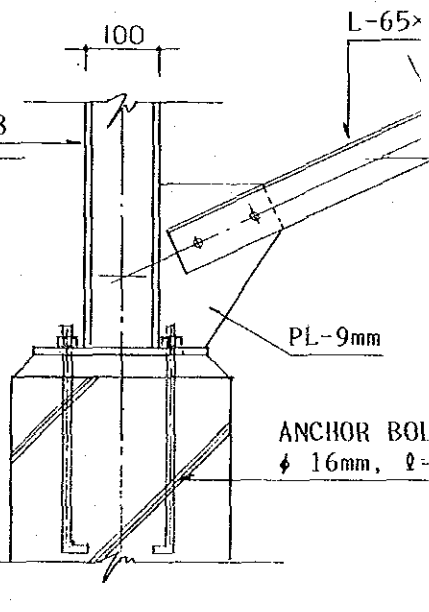
NORTH ELEVATION (1/50)



F2 DETAIL (1/20)



SECTION B-B (1/10)



DETAIL "A" (1/10)

THE MODEL INFRASTRUCTURE WORK FOR  
THE FOREST RESEARCH PROJECT  
IN PAPUA NEW GUINEA

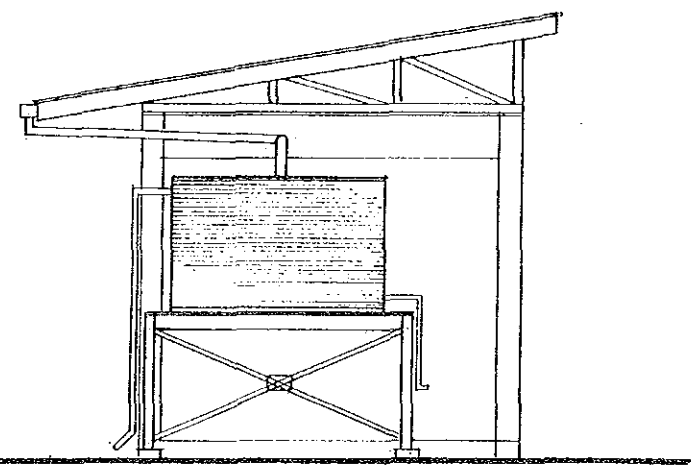
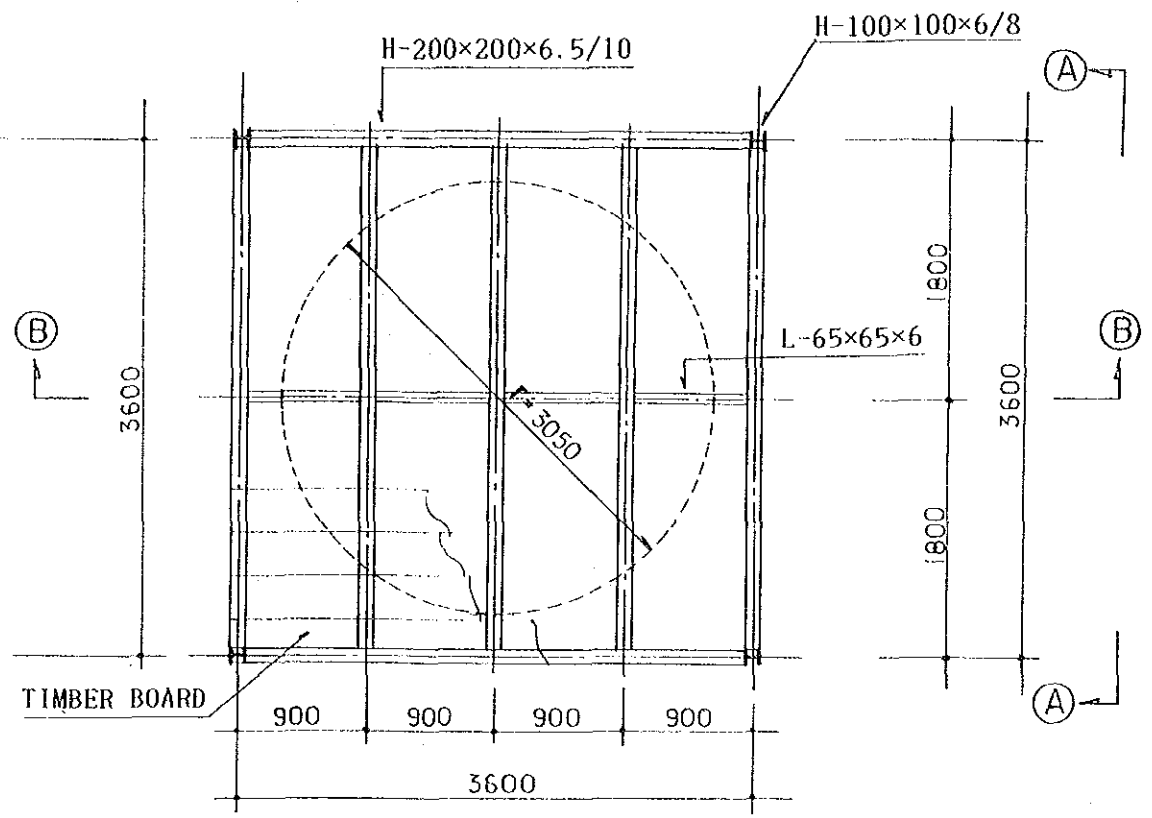
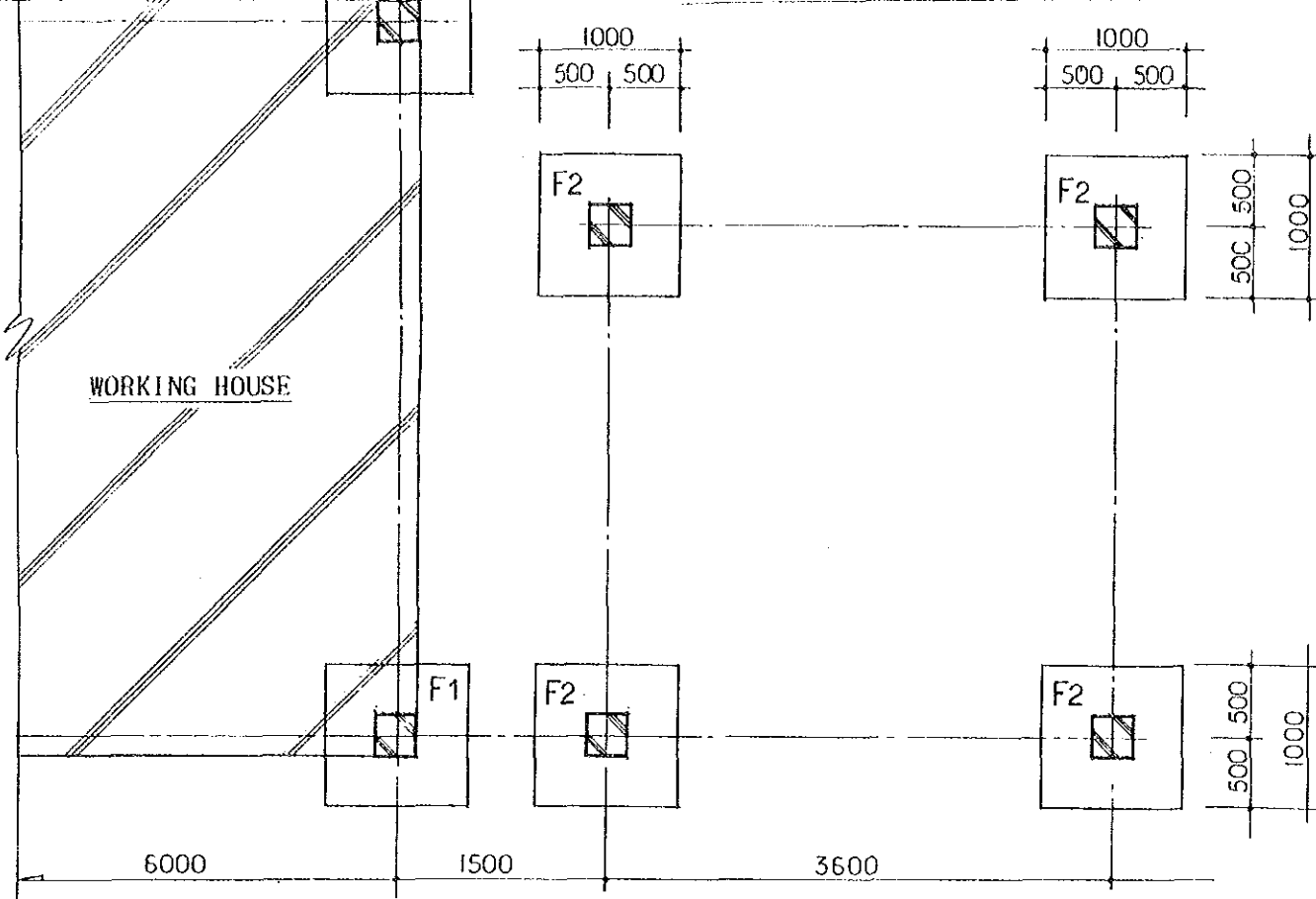
WATER STORAGE TANK

FOUNDATION PLAN, FRAME PLAN  
ELEVATION, DETAIL

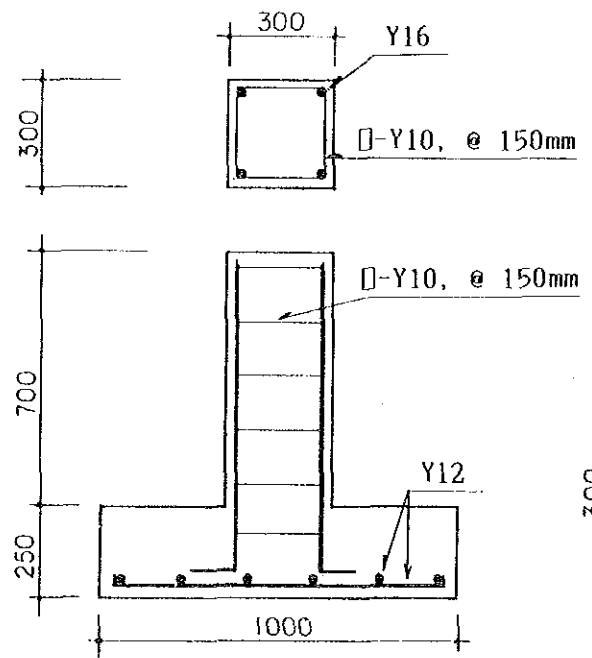
SS = 1  
SS = 1  
SS = 1

MK-10

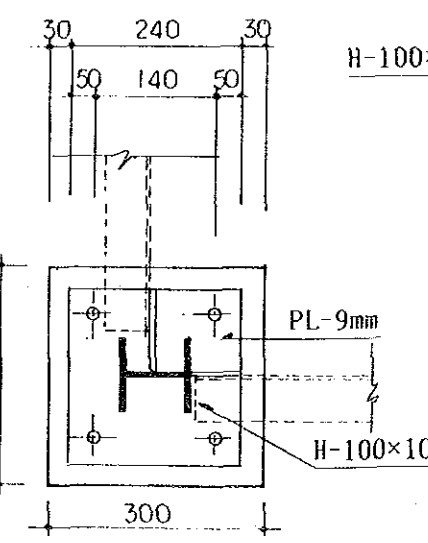




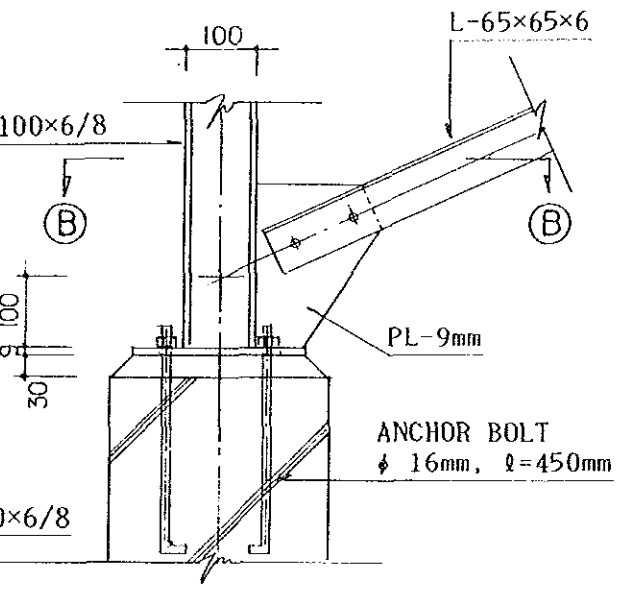
NORTH ELEVATION (1/50)



F2 DETAIL (1/20)



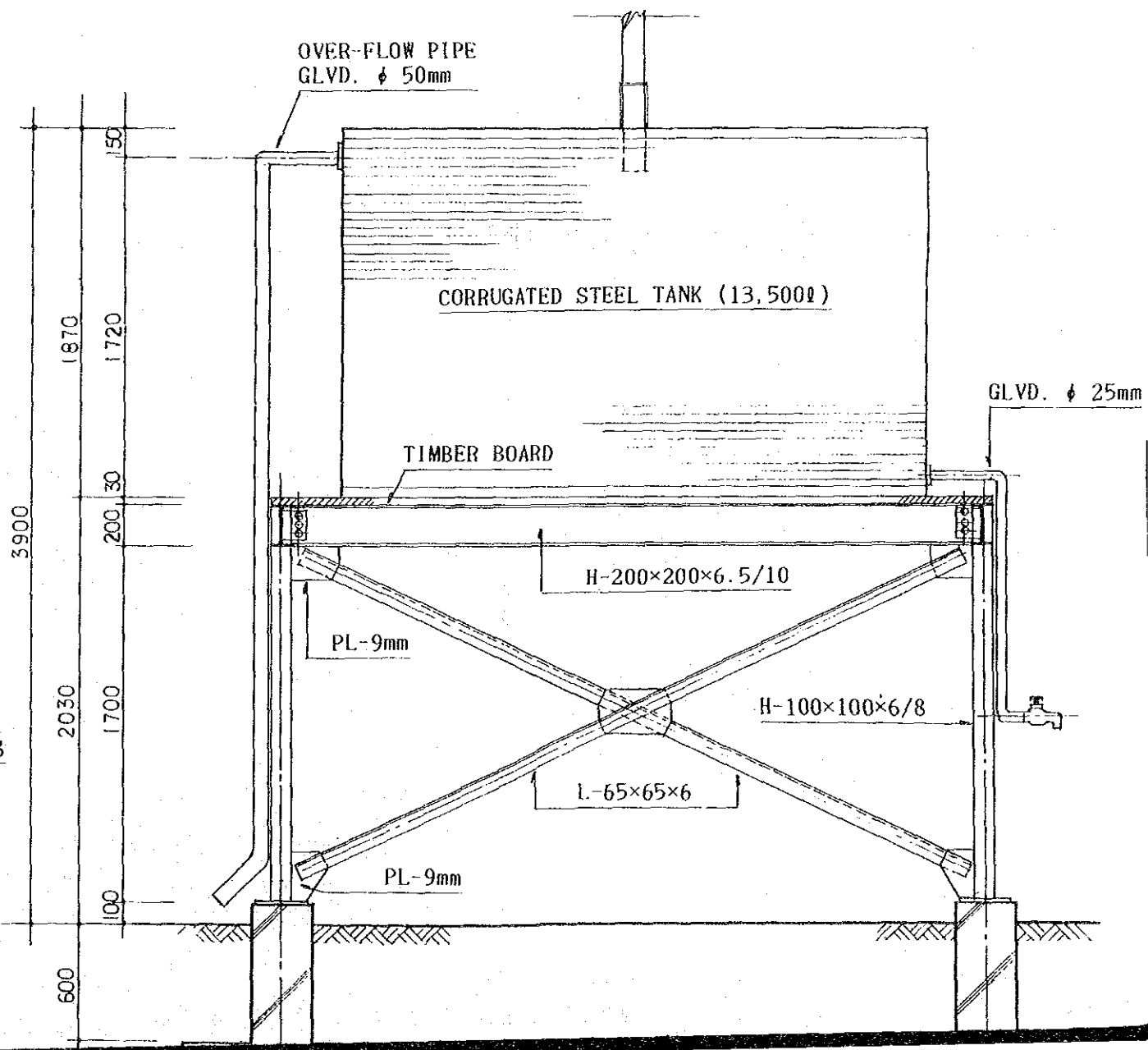
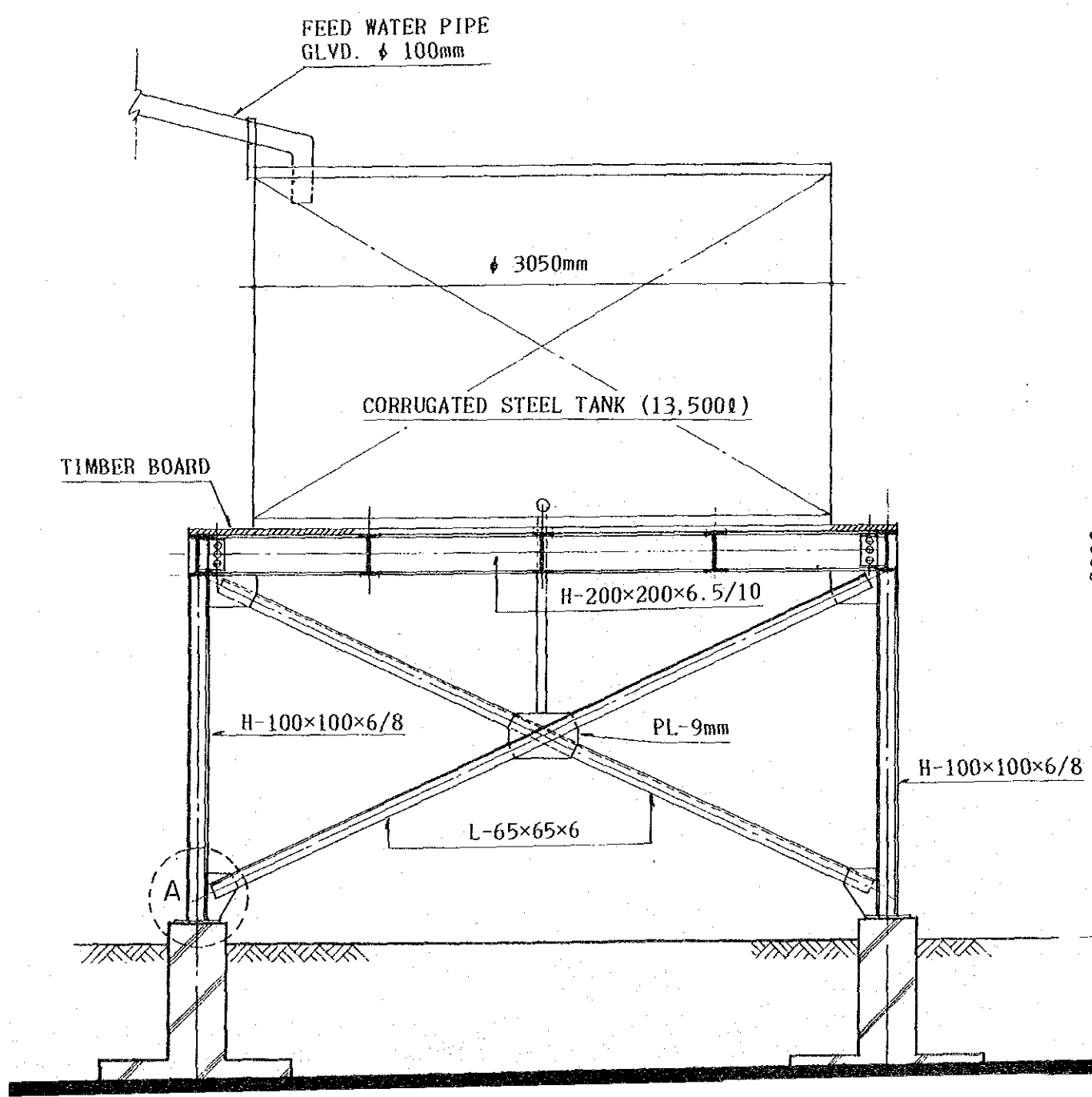
SECTION B-B (1/10)

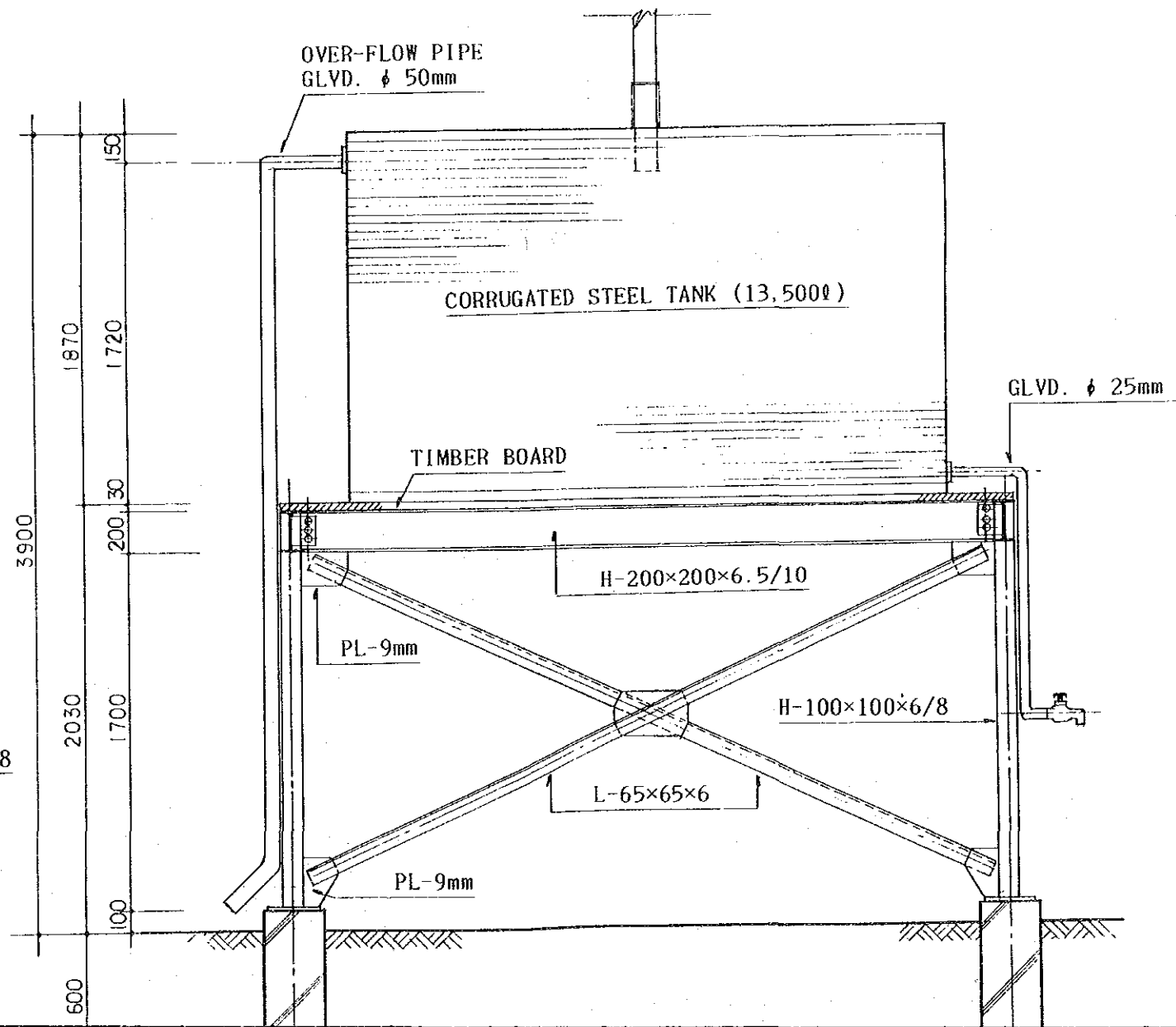
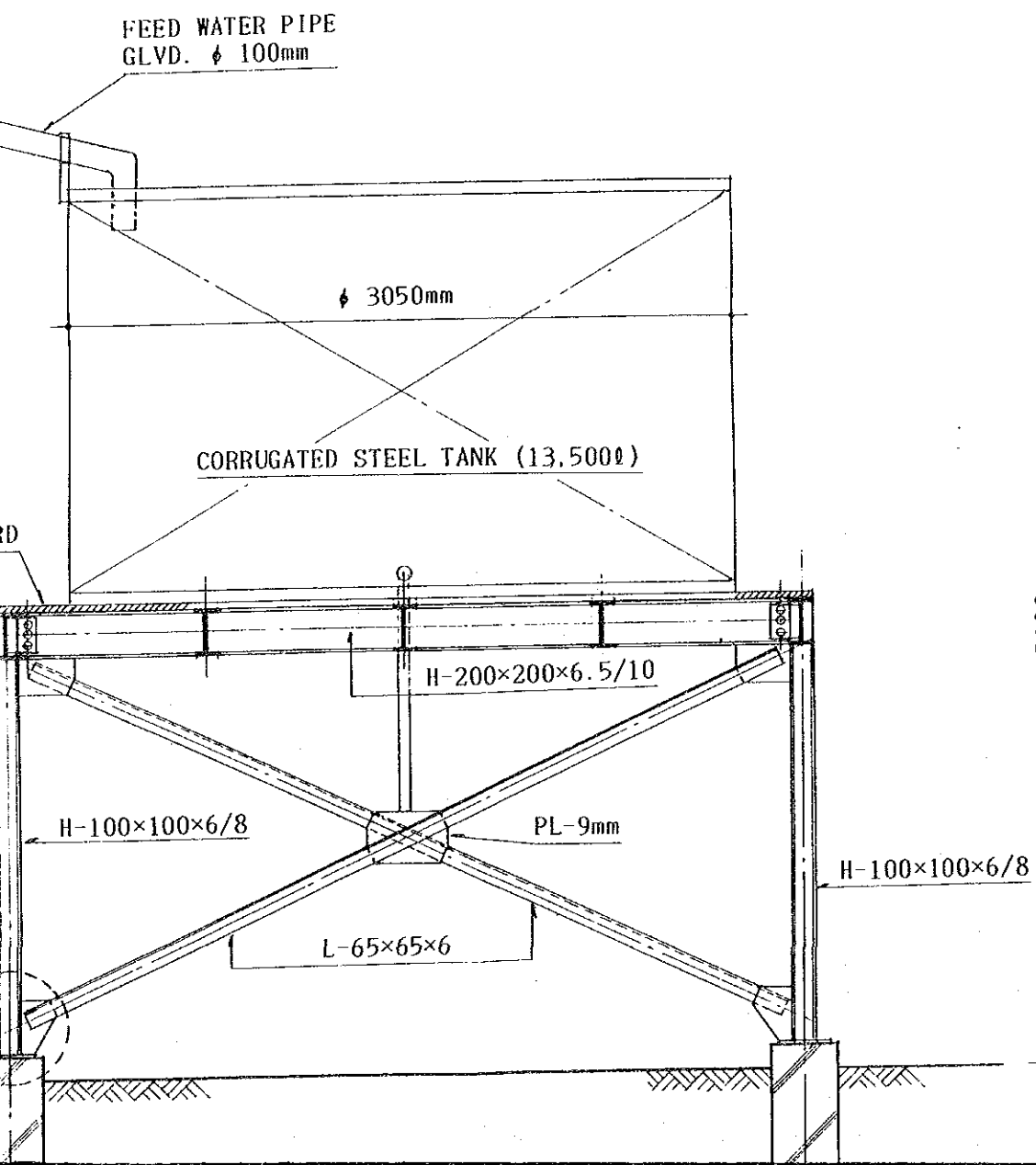


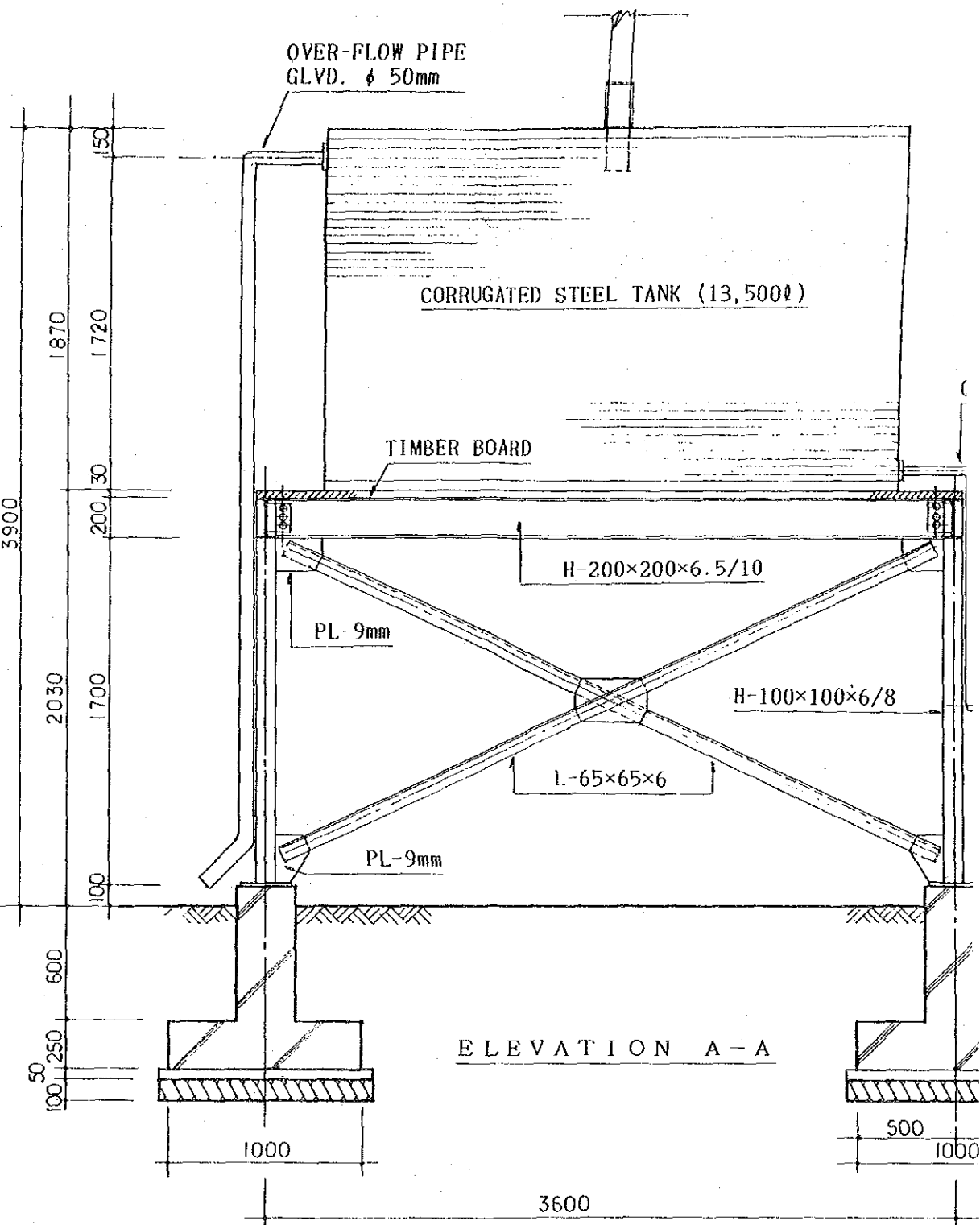
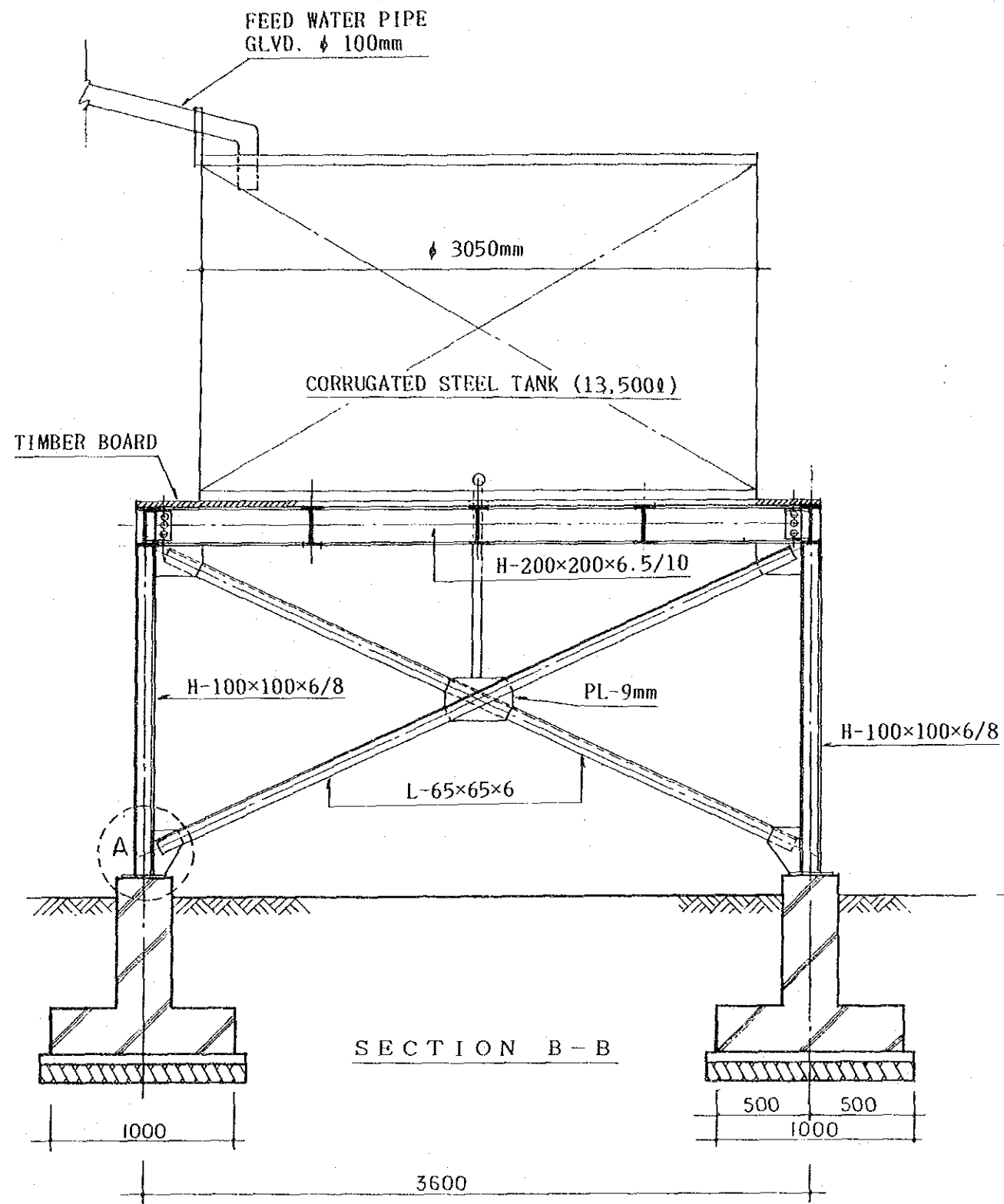
DETAIL "A" (1/10)

MODEL INFRASTRUCTURE WORK FOR  
THE FOREST RESEARCH PROJECT  
IN PAPUA NEW GUINEA

WATER STORAGE TANK	S = 1 / 10 S = 1 / 20 S = 1 / 50
FOUNDATION PLAN, FRAME PLAN ELEVATION, DETAIL	MK-10







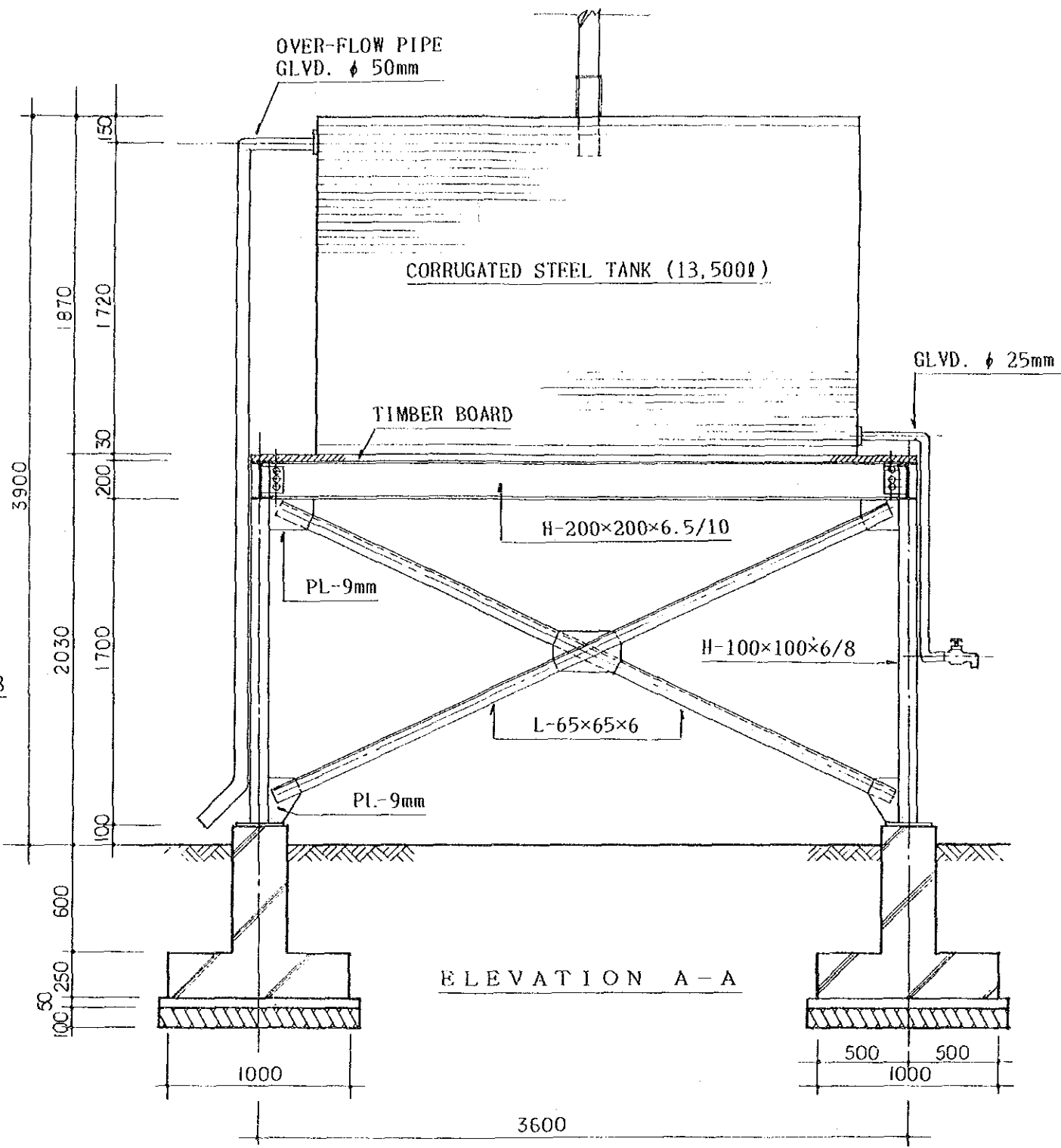
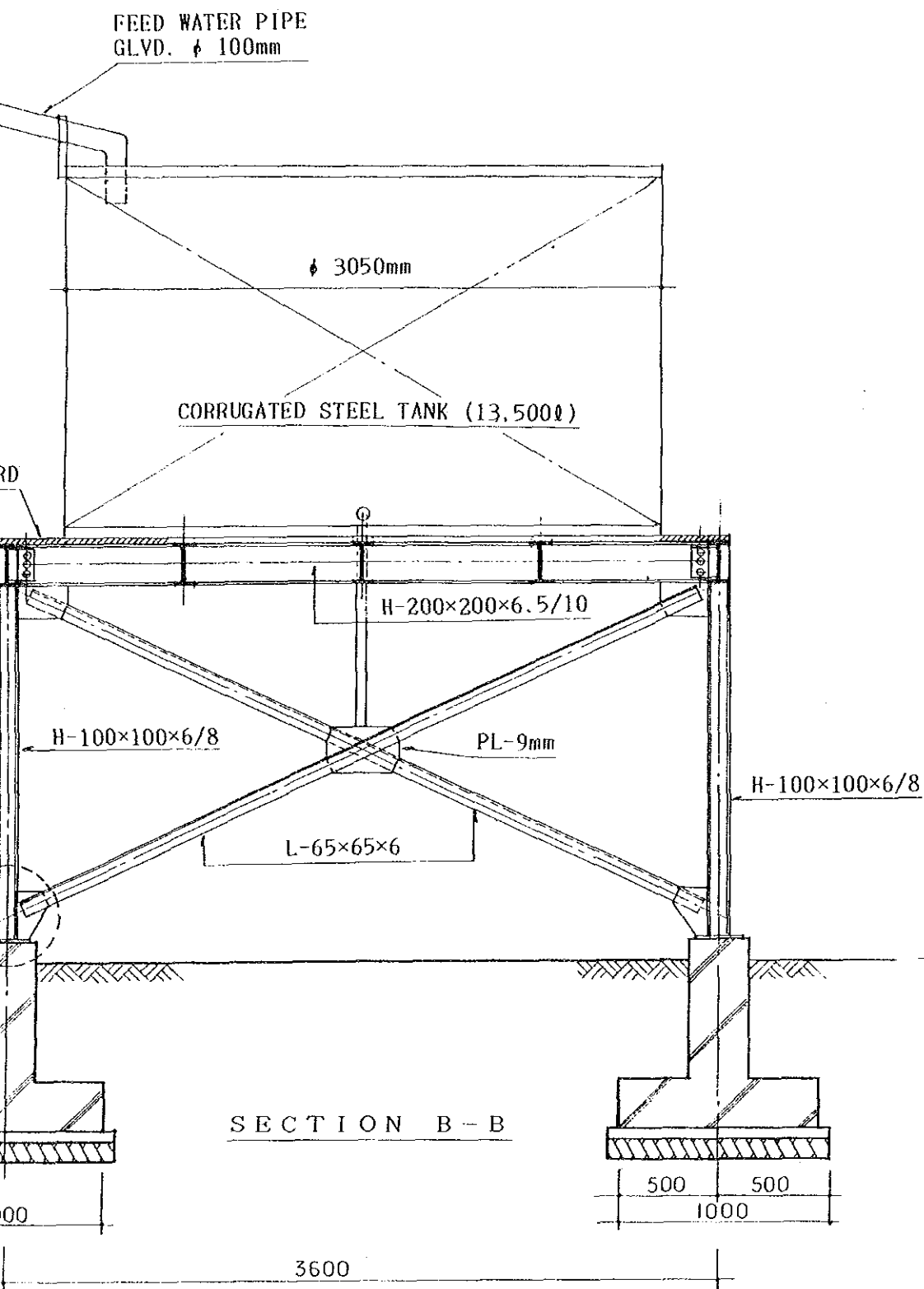
THE MODEL INFRASTRUCTURE WORK FOR  
THE FOREST RESEARCH PROJECT  
IN PAPUA NEW GUINEA

WATER STORAGE TANK

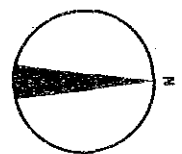
ELEVATION  
SECTION

1/

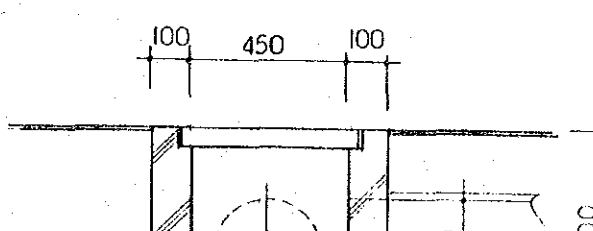
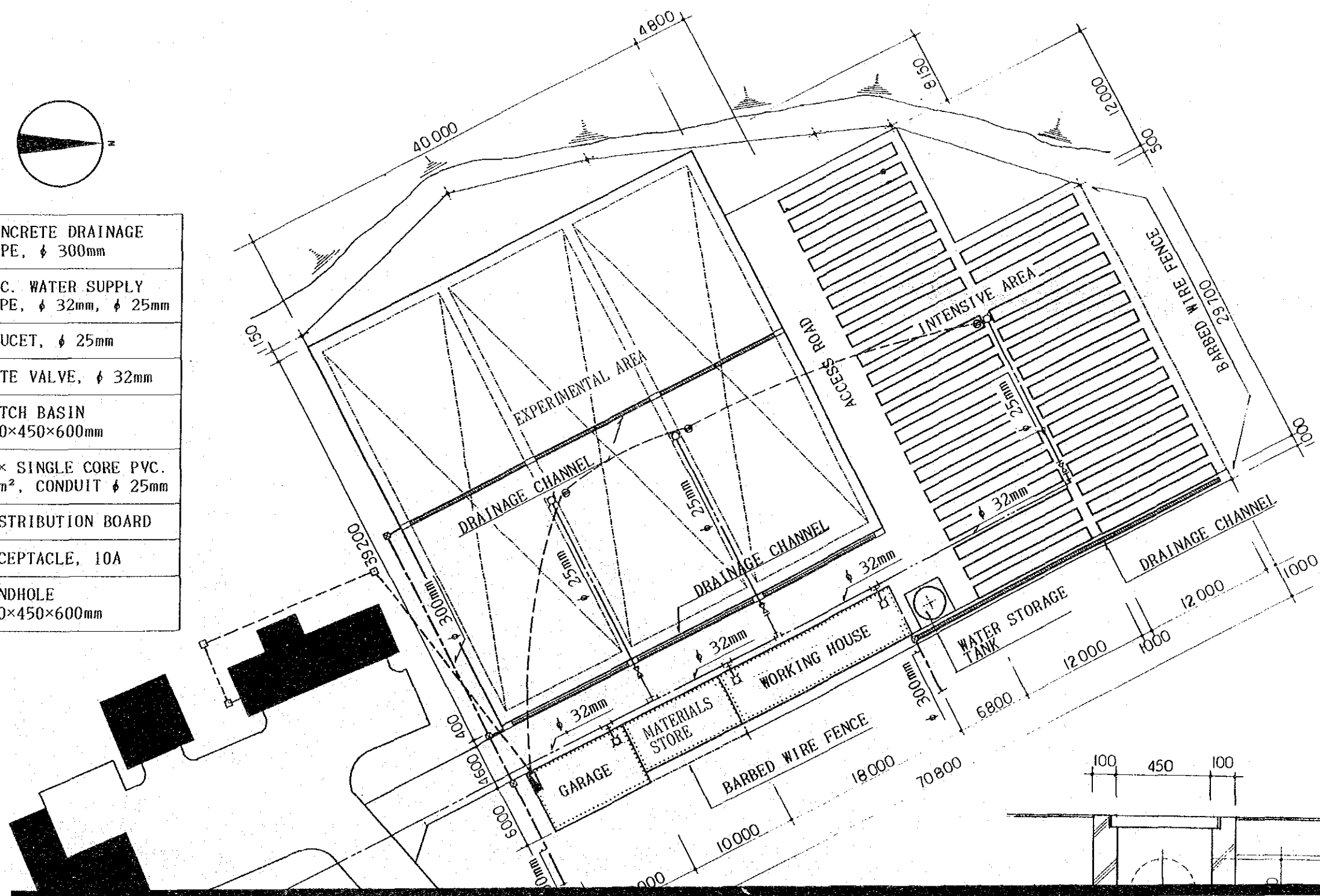
MK-



RAIL INFRASTRUCTURE WORK FOR THE FOREST RESEARCH PROJECT IN PAPUA NEW GUINEA	WATER STORAGE TANK	1 / 3 0
	ELEVATION SECTION	MK-11

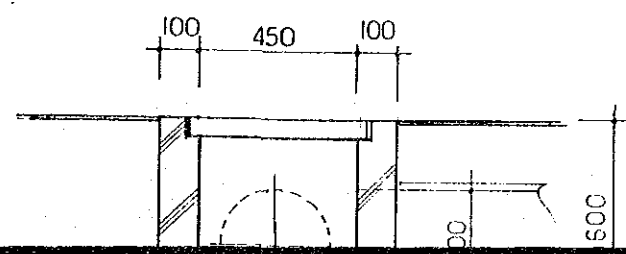
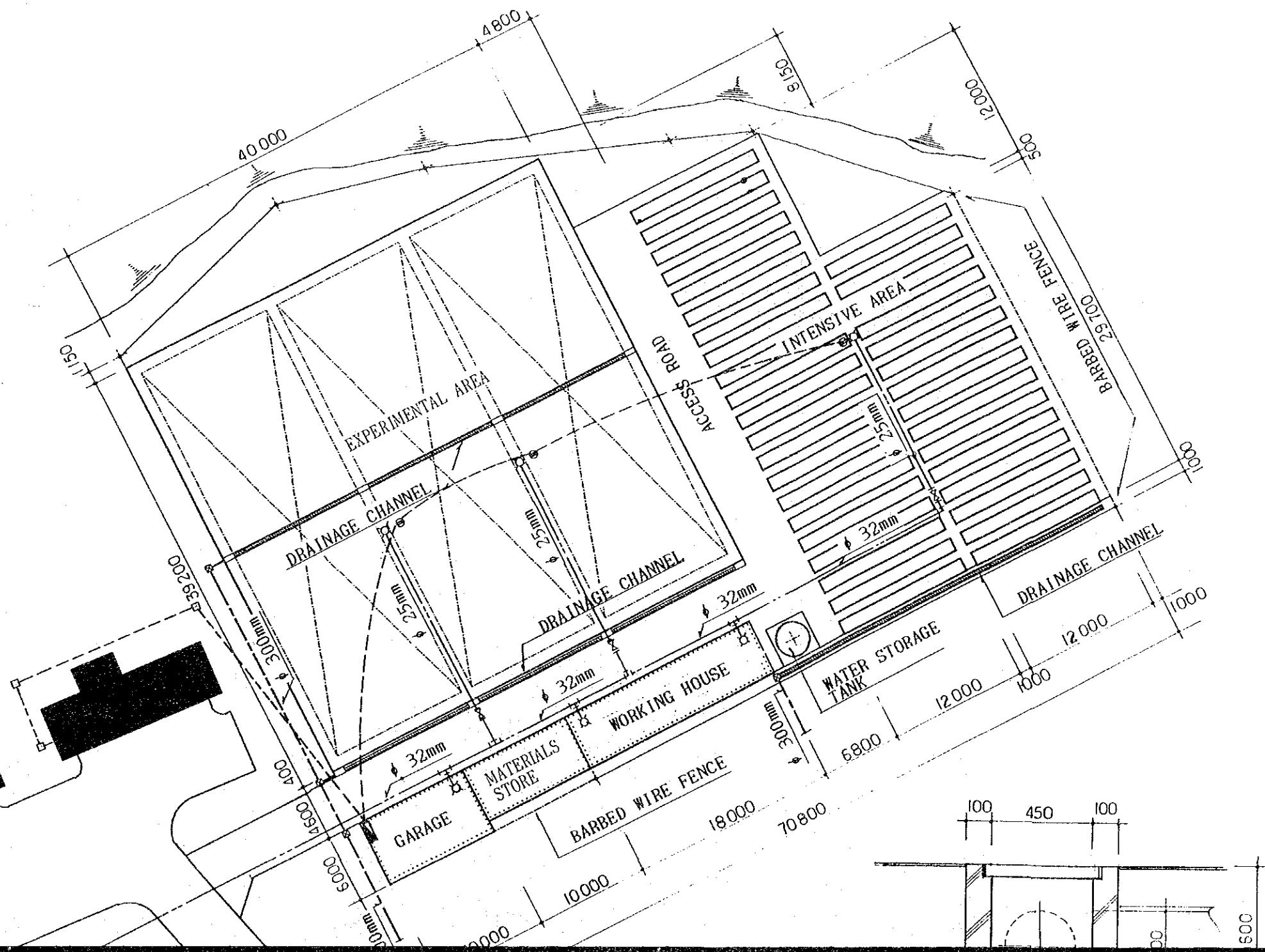


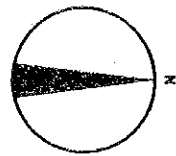
	CONCRETE DRAINAGE PIPE, $\phi$ 300mm
	PVC. WATER SUPPLY PIPE, $\phi$ 32mm, $\phi$ 25mm
	FAUCET, $\phi$ 25mm
	GATE VALVE, $\phi$ 32mm
	CATCH BASIN 450x450x600mm
	1 x SINGLE CORE PVC. 6mm <sup>2</sup> , CONDUIT $\phi$ 25mm
	DISTRIBUTION BOARD
	RECEPTACLE, 10A
	HANDHOLE 450x450x600mm



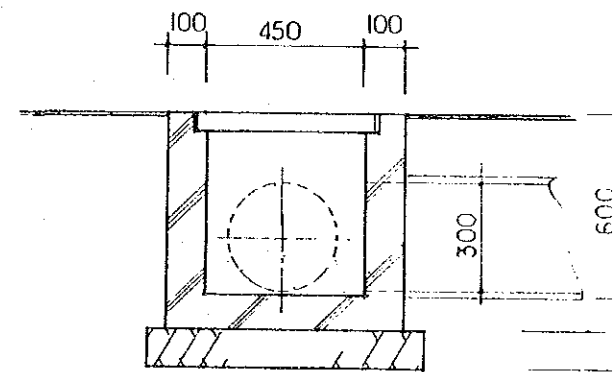
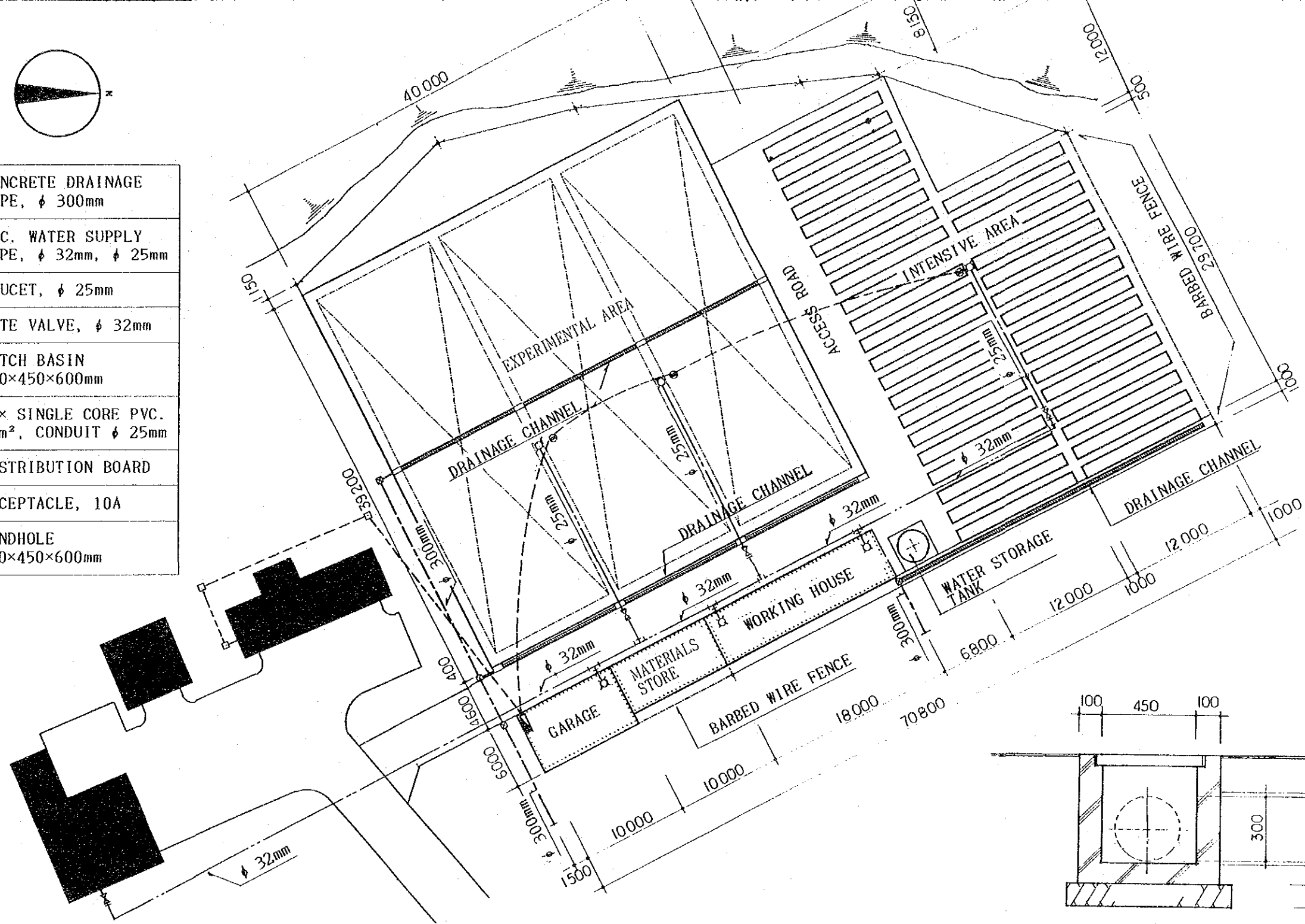


	CONCRETE DRAINAGE PIPE, $\phi$ 300mm
	PVC. WATER SUPPLY PIPE, $\phi$ 32mm, $\phi$ 25mm
	FAUCET, $\phi$ 25mm
	GATE VALVE, $\phi$ 32mm
	CATCH BASIN 450x450x600mm
	1 x SINGLE CORE PVC. 6mm <sup>2</sup> , CONDUIT $\phi$ 25mm
	DISTRIBUTION BOARD
	RECEPTACLE, 10A
	HANDHOLE 450x450x600mm





	CONCRETE DRAINAGE PIPE, $\phi$ 300mm
	PVC. WATER SUPPLY PIPE, $\phi$ 32mm, $\phi$ 25mm
	FAUCET, $\phi$ 25mm
	GATE VALVE, $\phi$ 32mm
	CATCH BASIN 450x450x600mm
	1 x SINGLE CORE PVC. 6mm <sup>2</sup> , CONDUIT $\phi$ 25mm
	DISTRIBUTION BOARD
	RECEPTACLE, 10A
	HANDHOLE 450x450x600mm



CATCH BASIN 1/20

THE MODEL INFRASTRUCTURE WORK FOR  
THE FOREST RESEARCH PROJECT  
IN PAPUA NEW GUINEA

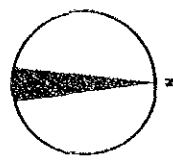
SITE PLAN

ELECTRIC INSTALLATION  
WATER SUPPLY & DRAINAGE PLUMBING

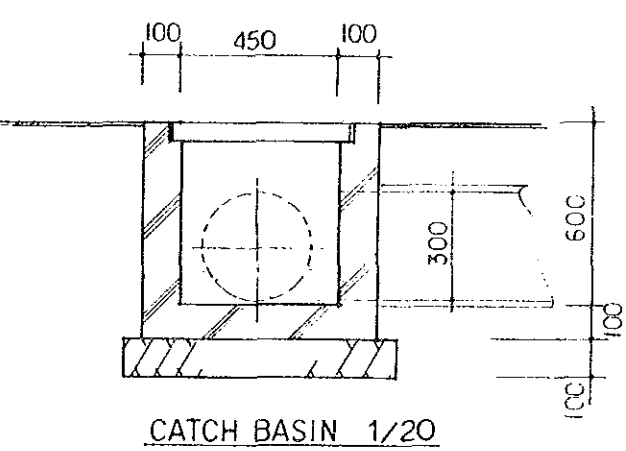
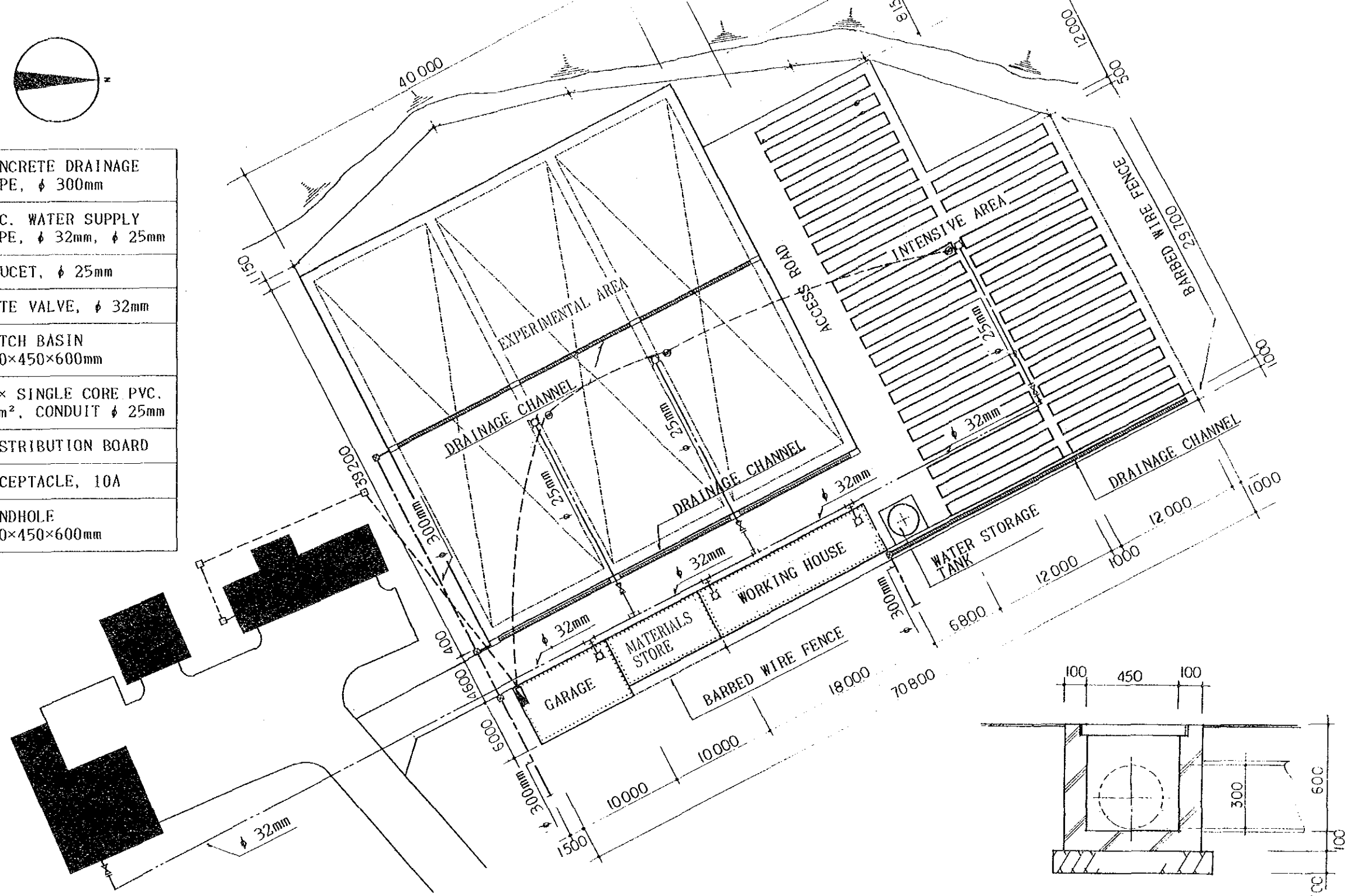
S = 1/40

MK-12





	CONCRETE DRAINAGE PIPE, $\phi$ 300mm
	PVC. WATER SUPPLY PIPE, $\phi$ 32mm, $\phi$ 25mm
	FAUCET, $\phi$ 25mm
	GATE VALVE, $\phi$ 32mm
	CATCH BASIN 450x450x600mm
	1 x SINGLE CORE PVC. 6mm <sup>2</sup> . CONDUIT $\phi$ 25mm
	DISTRIBUTION BOARD
	RECEPTACLE, 10A
	HANDHOLE 450x450x600mm



DEL INFRASTRUCTURE WORK FOR  
THE FOREST RESEARCH PROJECT  
IN PAPUA NEW GUINEA

SITE PLAN	S = 1 / 400
ELECTRIC INSTALLATION WATER SUPPLY & DRAINAGE PLUMBING	MK-12

ADP