

## Population, Power Demand and Transformer Capacity for Villages to be Electrified on Upolu Island

Distribution Lines	Villages or Big Consumers	Population in 1986	Population in 1995	Nos. of Consumer	E.Demand in 1995	Load Factor	Tr. Capa (kVA)	15 kVA	25 kVA	50 kVA
No.1 Line					1,785	0.35				
Tanugamanono-Siumu										
	Tanugamanono	654	715	65	116,069	38	50	0	0	1
	Papauta	504	551	50	89,448	29	50	0	0	1
	Pr. School		[29751]	1	29,751	10	15	1	0	0
	Vailima	790	864	79	140,205	46	50	0	0	1
	Avele	371	406	37	65,843	21	25	0	1	0
	Church			1	36,422	8	15	1	0	0
	Letsva	264	289	26	46,853	15	25	0	1	0
	Vaoola	503	550	50	89,270	29	50	0	0	1
	Tiapapata	112	122	11	19,877	6	15	1	0	0
	Afiamalua East	74	81	7	13,133	4	15	1	0	0
	Trans/Station							0	0	1
	Afiamalua West	40	44	4	7,099	2	15	1	0	0
	Branch line							0	0	1
	FM Trans/Station							0	0	1
	Telcom Relay Station							0	0	1
	Satelite Earth Station							0	0	1
	Maninoa	320	350	32	56,792	19	25	0	1	0
	Siumu	561	614	56	99,564	32	50	0	0	1
	Shops		[24395]	8	195,160	16	25	0	4	0
	Schools		[29751]	2	59,502	10	15	2	0	0
	Churches		[36422]	6	218,532	12	15	6	0	0
	Siumu-Uta	590	645	59	104,710	34	50	0	0	1
	Saaga	407	445	40	72,232	24	25	0	1	0
	Sub-Total	5,190	5,676	534	1,460,464	356	530	13	8	10

Distribution Lines	Villages or Big Consumers	Population in 1986	Population in 1995	Nos. of Consumer	E.Demand in 1995	Peak oad(kW)	Tr. Capa (kVA)	15 kVA	25 kVA	50 kVA
No.2 Line					1,785	0.35				
Lotofaga - Amaile										
	Matatufu	475	520	47	84,301	27	50	0	0	1
	Lotofaga	916	1,002	91	162,567	53	25	0	2	0
	Vavau	387	423	38	68,683	22	25	0	1	0
	Aufaga	511	559	51	90,690	30	50	0	0	1
	Vaigalu	124	136	12	22,007	7	15	1	0	0
	Lepa	318	348	32	56,437	18	25	0	1	0
	Siupapa	198	217	20	35,140	11	15	1	0	0
	Saleapaga	304	332	30	53,952	18	25	0	1	0
	Satitea	481	526	48	85,366	28	50	0	0	1
	Malaefa	123	135	12	21,829	7	15	1	0	0
	Lepue	258	282	26	45,789	15	15	1	0	0
	Mutiatele	252	276	25	44,724	15	15	1	0	0
	Saleaumua	572	626	57	101,516	33	50	0	0	1
	Utufa'alalafa	90	98	9	15,973	5	15	1	0	0
	Samusu	517	565	51	91,755	30	50	0	0	1
	Amaile	260	284	26	46,144	15	25	0	1	0
	Tiavea	584	639	58	103,646	34	50	0	0	1
	Lalomanu	748	818	74	132,752	43	50	0	0	1
	Vailoa	376	411	37	66,731	22	25	0	1	0
	Ulutogia	201	220	20	35,673	12	15	1	0	0
	Shops		[24395]	35	853,825	14	15	20	0	0
	Schools		[29751]	10	297,510	10	15	10	0	0
	Church		[36422]	14	509,908	12	15	14	0	0
	Sub-Total	7,695	8,416	824	3,026,915	481	650	51	7	7

Distribution Lines	Villages or Big Consumers	Population in 1986	Population in 1995	Nos. of Consumer	E.Demand in 1995	Load Factor	Tr. Capa (kVA)	15 kVA	25 kVA	50 kVA
No.3 Line					1,785	0.35				
	Saluafata - Sauniatu									
	Sauano	221	242	22	39,222	13	15	1	0	0
	Falevao	423	463	42	75,072	24	25	0	1	0
	Manunu	177	194	18	31,413	10	15	1	0	0
	Sauniatu	133	145	13	23,604	8	15	1	0	0
	Shops		[24395]	2	48,790	16	25	0	1	0
	Schools		[29751]	2	59,502	19	25	0	1	0
	Church		[36422]	2	72,844	24	25	0	1	0
	Sub-Total	954	1,043	101	350,447	114	145	3	4	0

Distribution Lines	Villages or Big Consumers	Population in 1986	Population in 1995	Nos. of Consumer	E.Demand in 1995	Load Factor	Tr. Capa (kVA)	15 kVA	25 kVA	50 kVA
No.4 Line					1,785	0.35				
	Siusega - Tanumalala									
	Siusega	729	797	72	129,379	42	50	0	0	1
	Tapatapao	117	128	12	20,765	7	15	1	0	0
	Leaupuni	169	185	17	29,993	10	15	1	0	0
	Aleisa East	344	376	34	61,052	20	25	0	1	0
	Aleisa West	610	667	61	108,260	35	50	0	0	1
	Shops		[24395]	4	97,580	16	25	0	2	0
	Schools		[29751]	1	29,751	10	15	1	0	0
	Church		[36422]	3	109,266	12	15	3	0	0
	Sub-Total	1,969	2,153	204	586,046	151	210	6	3	2

Distribution Lines	Villages or Big Consumers	Population in 1986	Population in 1995	Nos. of Consumer	E.Demand in 1995	Load Factor	Tr. Capa (kVA)	15 kVA	25 kVA	50 kVA
No.5 Line					1,785	0.35				
	Aleisa - Saleimoa									
	Salepeua'e	208	227	21	36,915	12	15	1	0	0
	Nohoa	143	156	14	25,379	8	15	1	0	0
	Sub-Total	351	384	35	62,294	20	30	2	0	0

Distribution Lines	Villages or Big Consumers	Population in 1986	Population in 1995	Nos. of Consumer	E.Demand in 1995	Load Factor	Tr. Capa (kVA)	15 kVA	25 kVA	50 kVA
No.6 Line					1,785	0.35				
	Nuu - Faleula									
	Aele	326	357	32	57,857	19	25	0	1	0
	Nuu	257	281	26	45,611	15	15	1	0	0
	Church		[36422]	1	36,422	12	15	1	0	0
	Sub-Total	583	638	59	139,890	46	55	2	1	0

Distribution Lines	Villages or Big Consumers	Population in 1986	Population in 1995	Nos. of Consumer	E.Demand in 1995	Load Factor	Tr. Capa (kVA)	15 kVA	25 kVA	50 kVA
No.7 Line					1,785	0.35				
	Lepal - Fasitoota									
	Lepale	43	47	4	7,631	2	15	1	0	0
	Church		[36422]	2	72,844	24	25	0	1	0
	Sub-Total	43	47	6	80,475	26	40	1	1	0

Distribution Lines	Villages or Big Consumers	Population in 1986	Population in 1995	Nos. of Consumer	E.Demand in 1995	Load Factor	Tr. Capa (kVA)	15 kVA	25 kVA	50 kVA
No.8 Line					1,785	0.35				
	Satuimalufilufi - Satapuala									
	Afia	163	178	16	28,928	9	15	1	0	0
	Vaipapa	126	138	13	22,362	7	15	1	0	0
	Falelele	26	28	3	4,614	2	15	1	0	0
	Afolau	65	71	6	11,536	4	15	1	0	0
	Sina	150	164	15	26,621	9	15	1	0	0
	Church		[36422]	1	36,422	12	15	1	0	0
	Sub-Total	530	580	54	130,484	43	90	6	0	0

## Population, Power Demand, and Transformer Capacity for Villages to be Electrified on Savaii Island

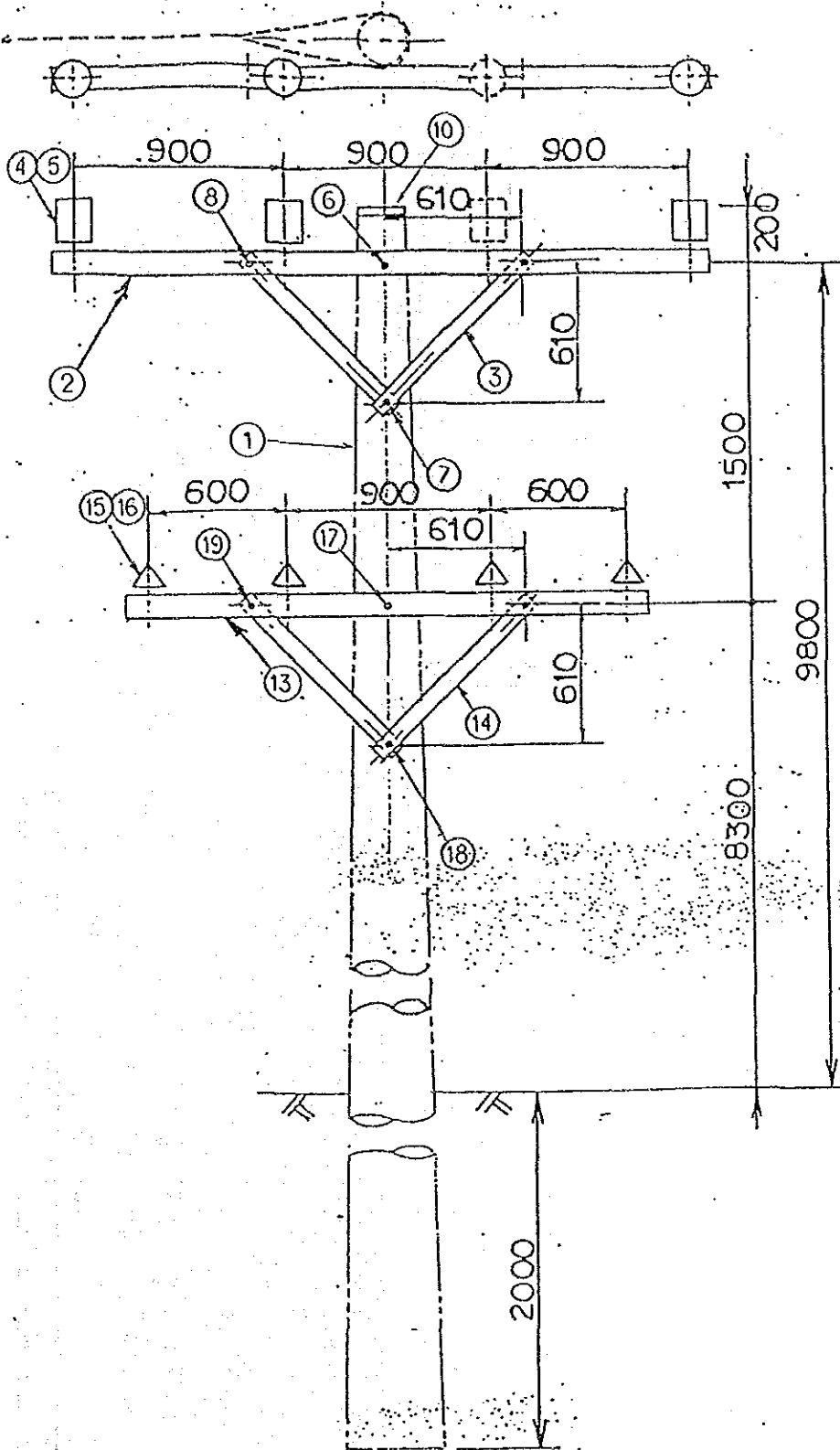
Districts	Villages or Big Consumers	Population in 1986	Population in 1995	Nos. of Consumer	E.Demand in 1995	Load Factor	Tr. Capa (kVA)	15 kVA	25 kVA	50 kVA
Line No.9					1,785	0.35				
	Puapia - Samalaeulu									
	Lane	695	760	42	75,378	25	25	0	1	0
	Asaga	243	266	15	26,355	9	15	1	0	0
	Puapua	519	568	32	56,289	18	25	0	1	0
	Patamea	605	662	37	65,617	21	25	0	1	0
	Samalaeulu	828	906	50	89,802	29	50	0	0	1
	Mauga	157	172	10	17,028	6	15	1	0	0
	Shops		[24395]	2	48,790	16	25	0	1	0
	Schools		[29751]	2	59,502	19	25	0	1	0
	Churches		[36422]	3	109,266	36	50	0	0	1
	Sub-Total	3,047	3,332	192	548,027	179	255	2	5	2

Districts	Villages or Big Consumers	Population in 1986	Population in 1995	Nos. of Consumer	E.Demand in 1995	Load Factor	Tr. Capa (kVA)	15 kVA	25 kVA	50 kVA
Line No.10					1,785	0.35				
	Sasina - Matavai									
	Fagaee	248	271	15	26,897	9	15	1	0	0
	Sasina	614	672	37	66,593	22	25	0	1	0
	Letui	273	299	17	29,609	10	15	1	0	0
	Aopo	389	425	24	42,190	14	15	1	0	0
	Shops		[24395]	6	146,370	24	25	0	2	0
	Schools		[29751]	4	119,004	10	15	4	0	0
	Churches		[36422]	4	145,688	12	15	4	0	0
	Sub-Total	1,524	1,667	107	576,351	99	125	11	3	0

Districts	Villages or Big Consumers	Population in 1986	Population in 1995	Nos. of Consumer	E.Demand in 1995	Load Factor	Tr. Capa (kVA)	15 kVA	25 kVA	50 kVA
Line No.11					1,785	0.35				
	Sasina - Matavai									
	Falealupo-Uta	718	785	44	77,872	25	50	0	0	1
	Vaetupua	386	422	23	41,864	14	15	1	0	0
	Avata	170	186	10	18,438	6	15	1	0	0
	Tufutafoe	354	387	22	38,394	13	15	1	0	0
	Neiafu-Tai	506	553	31	54,879	18	25	0	1	0
	Neiafu-Uta	603	659	37	65,400	21	25	0	1	0
	Falelima	555	607	34	60,194	20	25	0	1	0
	Shops		[24395]	2	48,790	8	15	1	0	0
	Schools		[29751]	3	89,253	10	15	3	0	0
	Churches		[36422]	4	145,688	12	15	4	0	0
	Sub-Total	3,292	3,600	209	640,772	146	215	11	3	1

Districts	Villages or Big Consumers	Population in 1986	Population in 1995	Nos. of Consumer	E.Demand in 1995	Load Factor	Tr. Capa (kVA)	15 kVA	25 kVA	50 kVA
Line No.12					1,785	0.35				
	Maota - Tafuatai									
	Tafua-Tai	357	390	22	38,719	13	15	1	0	0
	Tafua-Uta	185	202	11	20,065	7	15	1	0	0
	Shops		[24395]	1	24,395	8	15	1	0	0
	Schools		[29751]	1	29,751	10	15	1	0	0
	Churches		[36422]	1	36,422	12	15	1	0	0
	Sub-Total	542	593	36	149,352	49	75	5	0	0

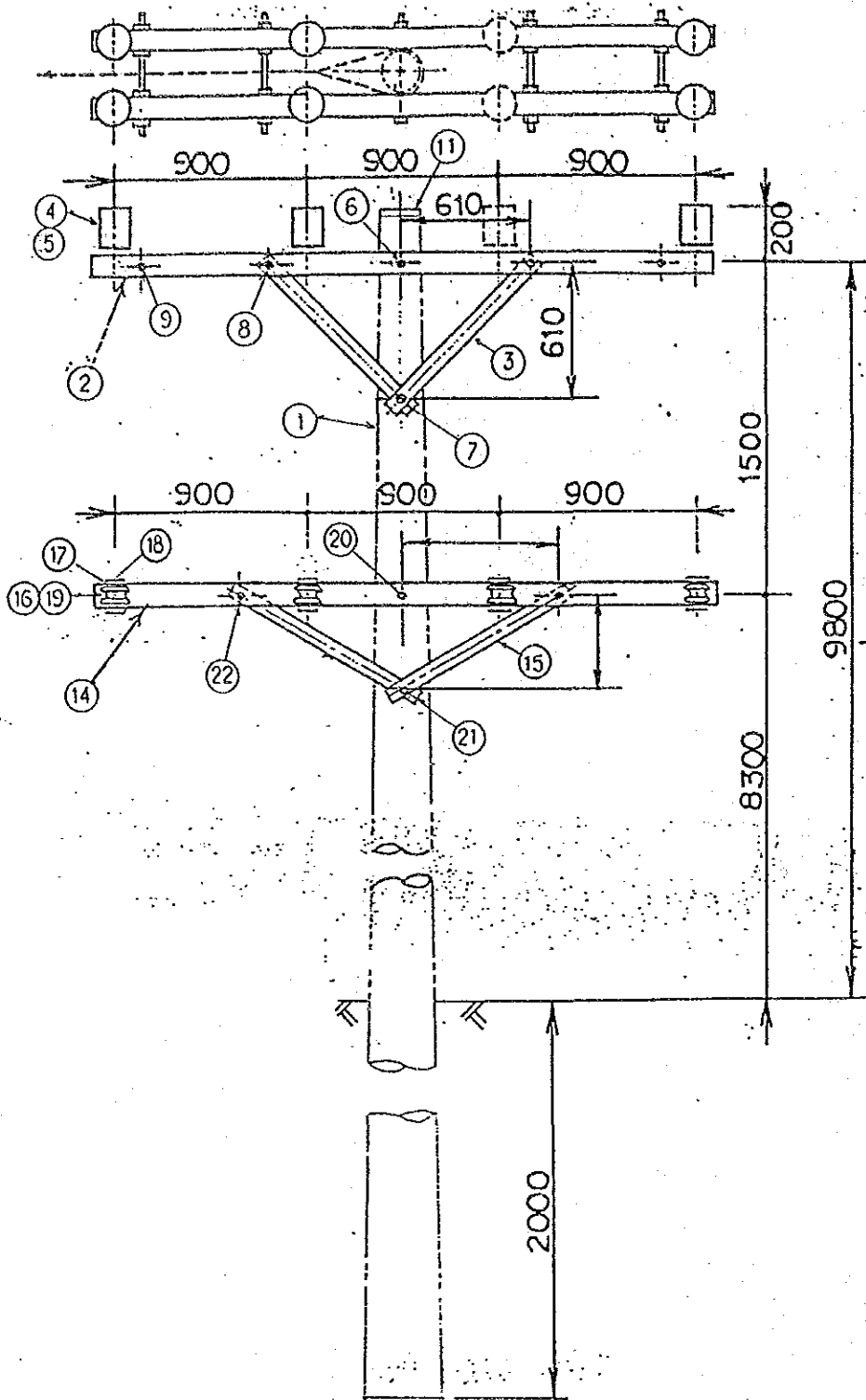
1. STRAIGHT LINE POLES



1. STRAIGHT LINE POLES

DESCRIPTION	SPEC.	Q'TY
[FOR 22KV LINE]		
1 POLES	124	1
2 STEEL CROSSARM	75x75x3.2x2300	1
3 ARM BRACE	863x40x6	2
4 22KV PIN INSULATORS		3
5 22KV INSULATOR PIN		3
6 BOLT FOR ARM/POLE WITH 1-CURVED WASHER	M16x340	1
7 BOLT FOR BRACE/POLE WITH 1-CURVED WASHER	M16x280	1
8 BOLT FOR ARM/BRACE	M16x120	2
9 COACH SCREW	12x100	2
10 ALUMI POLE CAP		1
11 STEP BOLT	16x260	2
12 PREFORMED TOP TIE		3
[FOR L.V. LINE]		
13 STEEL CROSSARM	75x75x3.2x2300	1
14 ARM BRACE	863x40x6	2
15 L/V PIN INSULATOR		4
16 L/V INSULATOR PIN		4
17 BOLT FOR ARM/POLE WITH 1-CURVED WASHER	M16x360	1
18 BOLT FOR BRACE/POLE WITH 1-CURVED WASHER	M16x300	1
19 BOLT FOR ARM/BRACE	M16x120	2
20 AL. BIND WIRE	3.2mm INSULATED	124
21 POLES	94	1

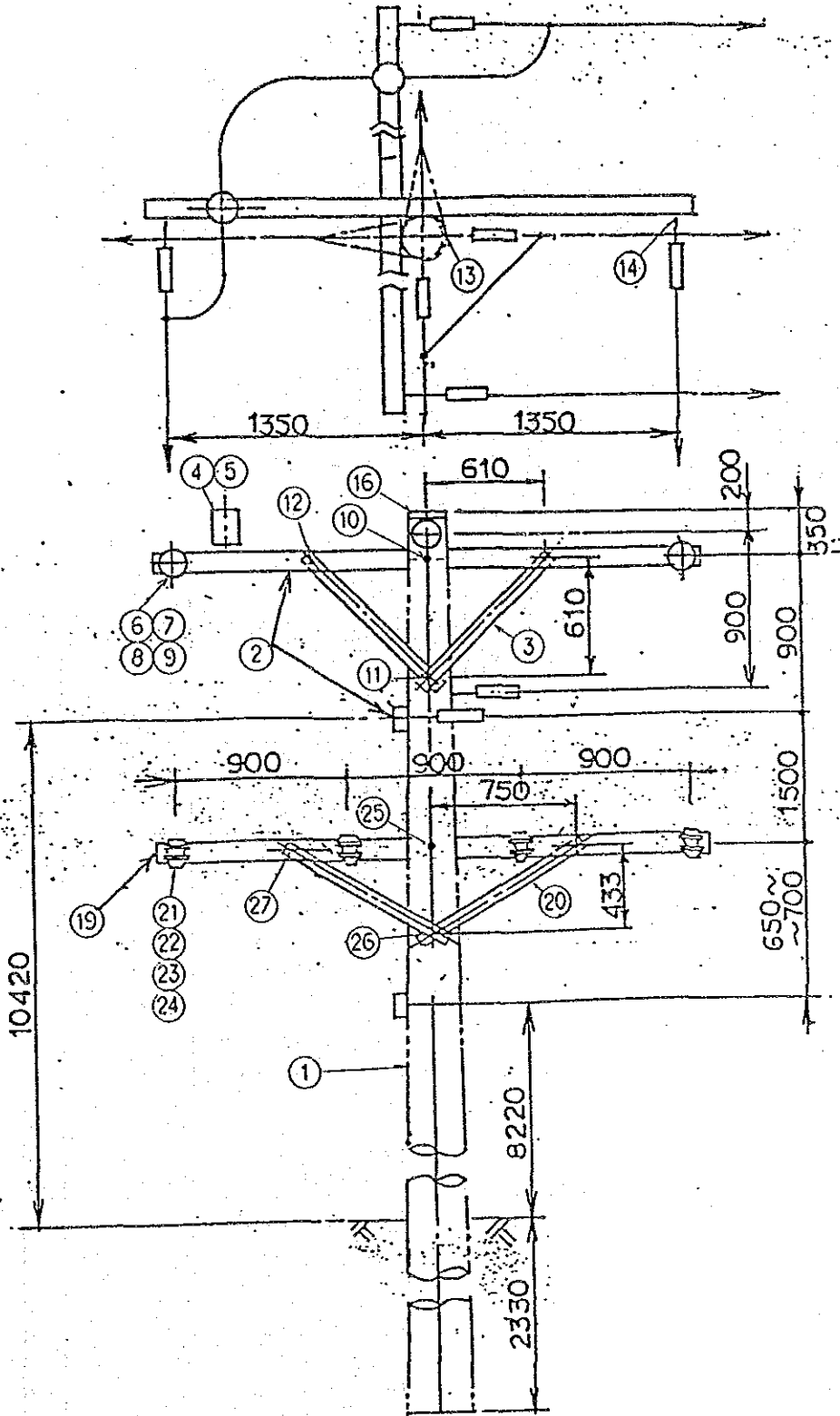
2. LIGHT ANGLE POLE (DOUBLE PIN)



2. LIGHT ANGLE POLE (DOUBLE PIN)

DESCRIPTION	SPEC.	Q'TY
[FOR 22KV LINE]		
1 POLES	124	1
2 STEEL CROSSARM	75x75x3.2x2900	2
3 ARM BRACE	863x40x6	4
4 22KV PIN INSULATORS		6
5 22KV INSULATOR PIN		6
6 BOLT FOR ARM/POLE	M16x420	1
7 BOLT FOR BRACE/POLE	M16x300	1
8 BOLT FOR ARM/BRACE	M16x120	4
9 DOUBLE ARMING BOLT WITH 4-NUT, 4-SQ. WASHER	M16x440	2
10 COACH SCREW	12x100	2
11 ALUMI POLE CAP		1
12 STEP BOLT	16x260	2
13 PREFORMED TOP TIE	FOR DOUBLE PIN	3
[FOR L.V. LINE]		
14 STEEL CROSSARM	75x75x3.2x2900	1
15 ARM BRACE	863x40x6	2
16 SHACKLE INSULATOR		8
17 SHACKLE STRAP	PAIR	8
18 SHACKLE STRAP BOLT	M16x150	4
19 SHACKLE BOLT	M16x120	8
20 BOLT FOR ARM/POLE WITH 1-CURVED WASHER	M16x360	1
21 BOLT FOR BRACE/POLE WITH 1-CURVED WASHER	M16x300	1
22 BOLT FOR ARM/BRACE	M16x120	2
23 AL. BIND WIRE	3.2mm INSULATED	244
24 POLES	94	1

3. ANGLE LINE POLE (SINGLE ARM)



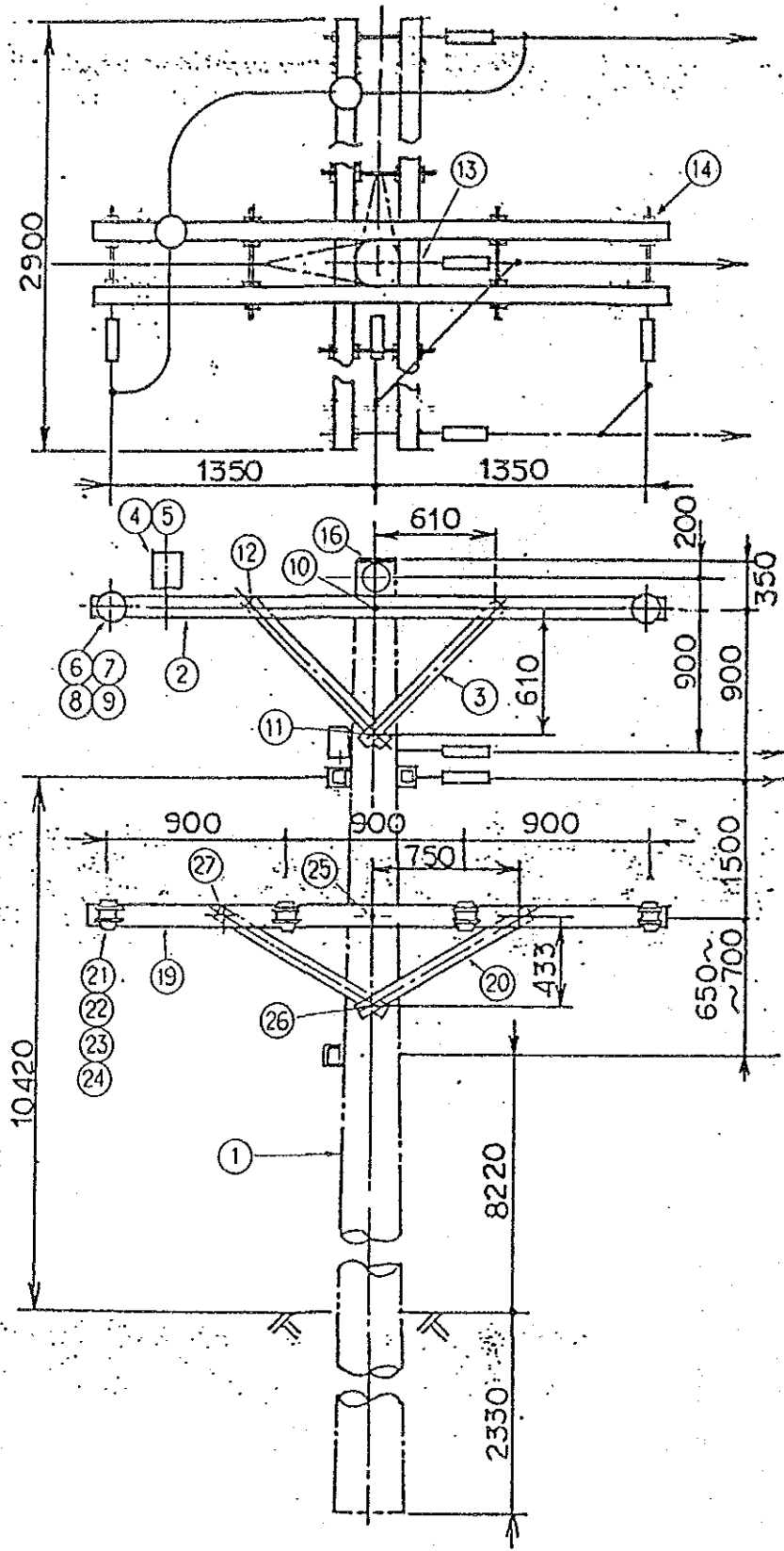
3. ANGLE LINE POLE (SINGLE ARM)

DESCRIPTION	SPEC.	Q'TY
[FOR 22KV LINE]		
1 POLES	14M	1
2 STEEL CROSSARM	75x75x3.2x2900	2
3 ARM BRACE	863x40x6	4
4 22KV PIN INSULATORS		2
5 22KV INSULATOR PIN		2
6 22KV DISC INSULATOR		12
7 BALL HOOK		6
8 SOCKET THIMBLE		6
9 PREFORMED DEADEND GRIP		6
10 BOLT FOR ARM/POLE WITH 1-CURVED WASHER	M16x340	2
11 BOLT FOR BRACE/POLE WITH 1-CURVED WASHER	M16x280	2
12 BOLT FOR ARM/BRACE	M16x120	4
13 EYE BOLT WITH 1-CURVED WASHER	M20x300	2
14 EYE BOLT WITH 1-SQUARE WASHER	M20x120	4
15 COACH SCREW	12x100	2
16 ALUMI POLE CAP		1
17 STEP BOLT	16x260	2
18 PREFORMED TOP TIE		2
[FOR L.V. LINE]		
19 STEEL CROSSARM	75x75x3.2x2900	2
20 ARM BRACE	863x40x6	4
21 SHACKLE INSULATOR		8
22 SHACKLE STRAP	PAIR	8
23 SHACKLE STRAP BOLT	M16x150	8
24 SHACKLE BOLT	M16x120	8
25 BOLT FOR ARM/POLE WITH 1-CURVED WASHER	M16x360	2
26 BOLT FOR BRACE/POLE WITH 1-CURVED WASHER	M16x300	2
27 BOLT FOR ARM/BRACE	M16x120	4
28 AL. BIND WIRE	3.2mm INSULATED	24M
29 POLES	9M	1

# 4. ANGLE LINE POLE (DOUBLE ARM)

Appendix 5-8

Page 4

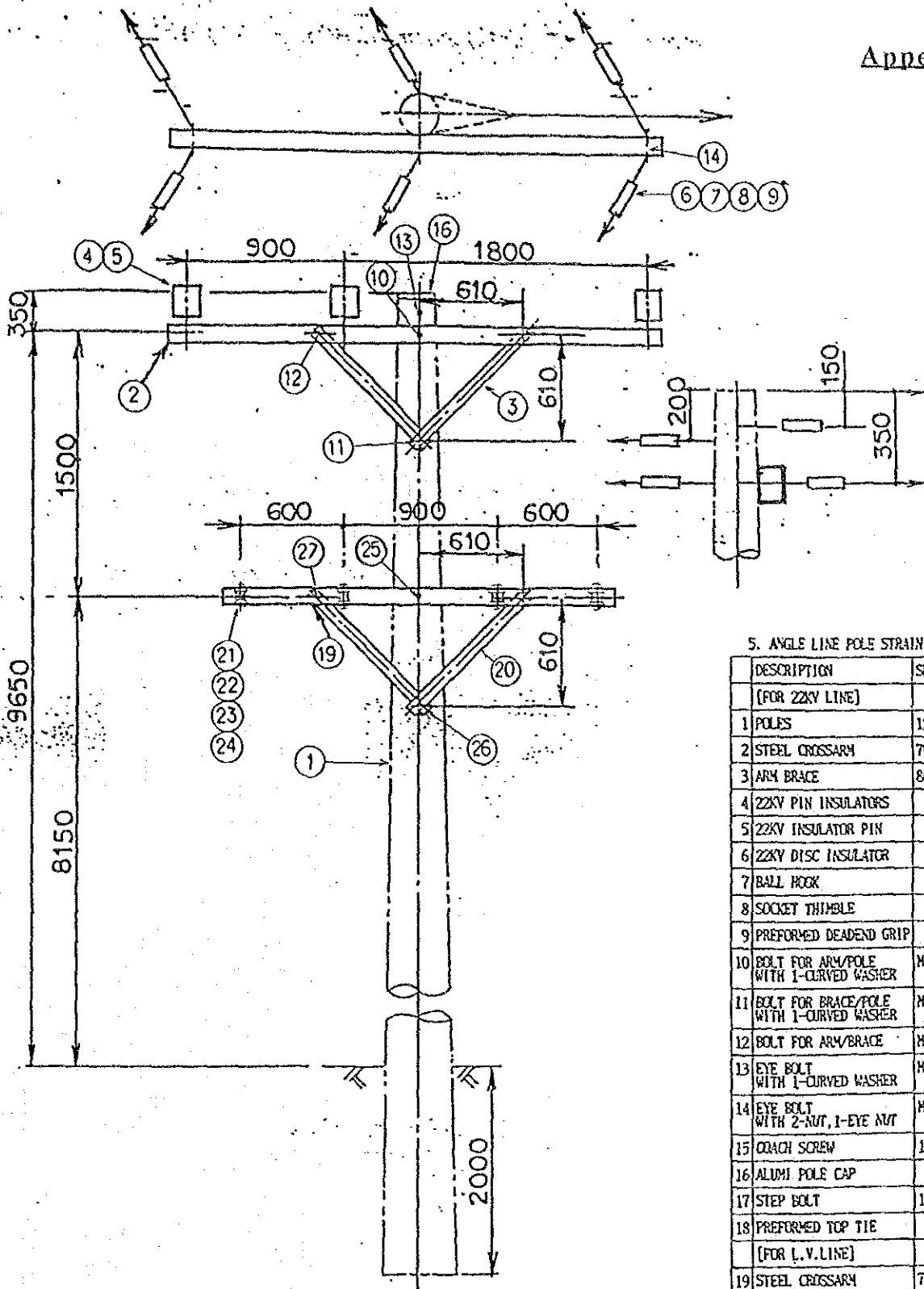


4. ANGLE LINE POLE (DOUBLE ARM)

DESCRIPTION	SPEC.	Q'TY
[FOR 22KV LINE]		
1 POLES	14M	1
2 STEEL CROSSARM	75x75x3.2x2900	4
3 ARM BRACE	863x40x6	8
4 22KV PIN INSULATORS		2
5 22KV INSULATOR PIN		2
6 22KV DISC INSULATOR		12
7 BALL HOOK		6
8 SOCKET THIMBLE		6
9 PREFORMED DEADEND GRIP		6
10 BOLT FOR ARM/POLE	M16x420	2
11 BOLT FOR BRACE/POLE	M16x300	2
12 BOLT FOR ARM/BRACE	M16x120	8
13 EYE BOLT WITH 1-CURVED WASHER	H20x300	2
14 DOUBLE ARMING EYE BOLT WITH 4-NUT, 4-SQ. WASHER	H20x440	4
15 COACH SCREW	12x100	4
16 ALUMI POLE CAP		1
17 STEP BOLT	16x250	4
18 PREFORMED TOP TIE		2
[FOR L.V. LINE]		
19 STEEL CROSSARM	75x75x3.2x2900	2
20 ARM BRACE	863x40x6	4
21 SHACKLE INSULATOR		8
22 SHACKLE STRAP	PAIR	8
23 SHACKLE STRAP BOLT	M16x150	8
24 SHACKLE BOLT	M16x120	8
25 BOLT FOR ARM/POLE WITH 1-CURVED WASHER	M16x360	2
26 BOLT FOR BRACE/POLE WITH 1-CURVED WASHER	M16x300	2
27 BOLT FOR ARM/BRACE	M16x120	4
28 AL. BIND WIRE	3.2mm INSULATED	24M
29 POLES	9M	1

# 5. ANGLE LINE POLES STRAIN (SINGLE ARM)

Appendix 5-8  
Page 5

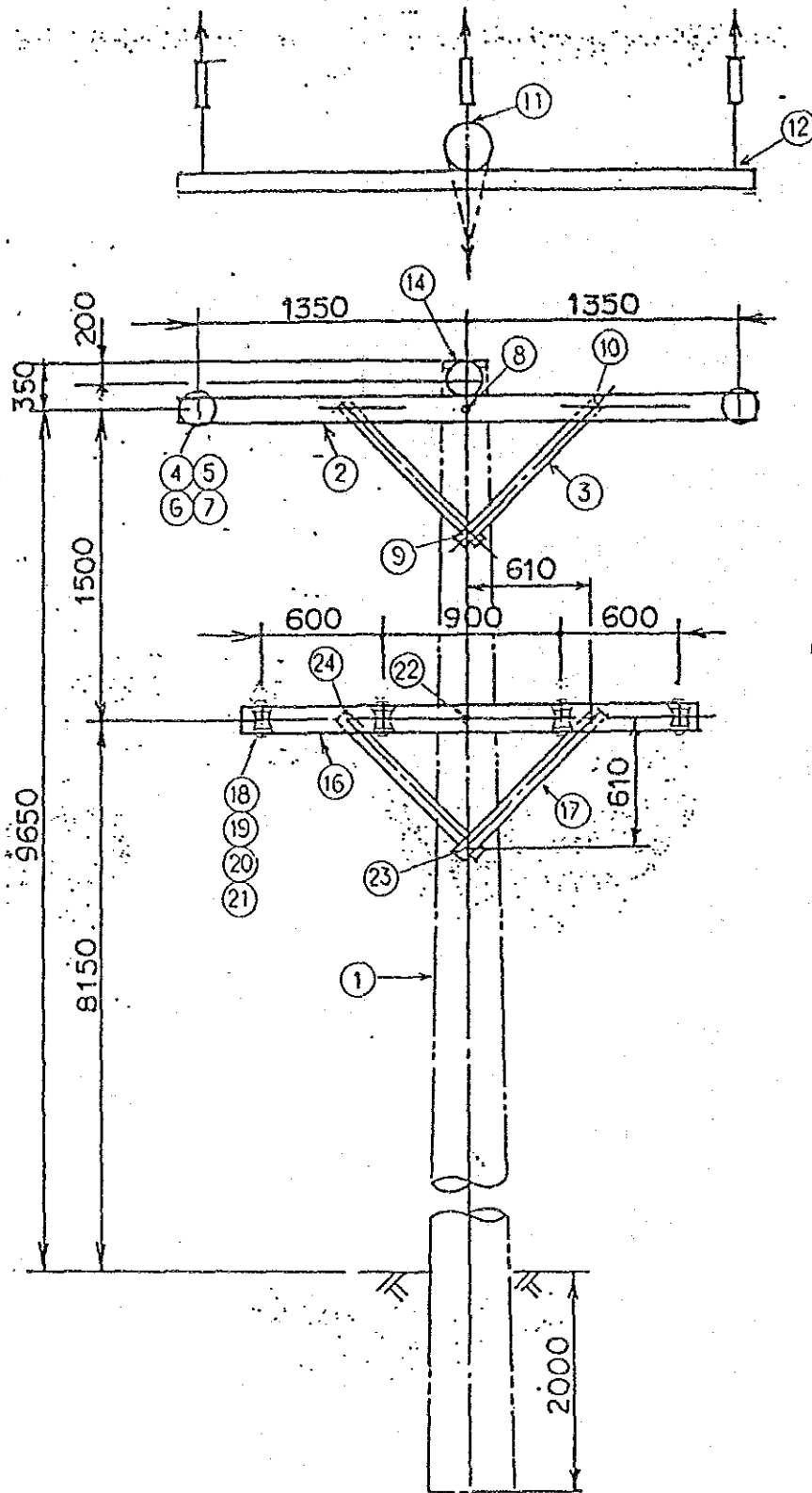


5. ANGLE LINE POLE STRAIN (SINGLE ARM)

DESCRIPTION	SPEC.	Q'TY
[FOR 22KV LINE]		
1 POLES	124	1
2 STEEL CROSSARM	75x75x3.2x2900	1
3 ARM BRACE	863x40x6	2
4 22KV PIN INSULATORS		3
5 22KV INSULATOR PIN		3
6 22KV DISC INSULATOR		12
7 BALL HOOK		6
8 SOCKET THIMBLE		6
9 PREFORMED DEADEND GRIP		6
10 BOLT FOR ARM/POLE WITH 1-CURVED WASHER	M16x340	1
11 BOLT FOR BRACE/POLE WITH 1-CURVED WASHER	M16x280	1
12 BOLT FOR ARM/BRACE	M16x120	2
13 EYE BOLT WITH 1-CURVED WASHER	M20x300	2
14 EYE BOLT WITH 2-NUT, 1-EYE NUT	M20x140	2
15 COACH SCREW	12x100	2
16 ALUMI POLE CAP		1
17 STEP BOLT	16x260	2
18 PREFORMED TOP TIE		3
[FOR L.V. LINE]		
19 STEEL CROSSARM	75x75x3.2x2300	1
20 ARM BRACE	863x40x6	2
21 SHACKLE INSULATOR		8
22 SHACKLE STRAP	PAIR	8
23 SHACKLE STRAP BOLT	M16x150	4
24 SHACKLE BOLT	M16x120	8
25 BOLT FOR ARM/POLE WITH 1-CURVED WASHER	M16x360	1
26 BOLT FOR BRACE/POLE WITH 1-CURVED WASHER	M16x300	1
27 BOLT FOR ARM/BRACE	M16x120	2
28 AL. BIND WIRE	3.2mm INSULATED	244
29 POLES	94	1



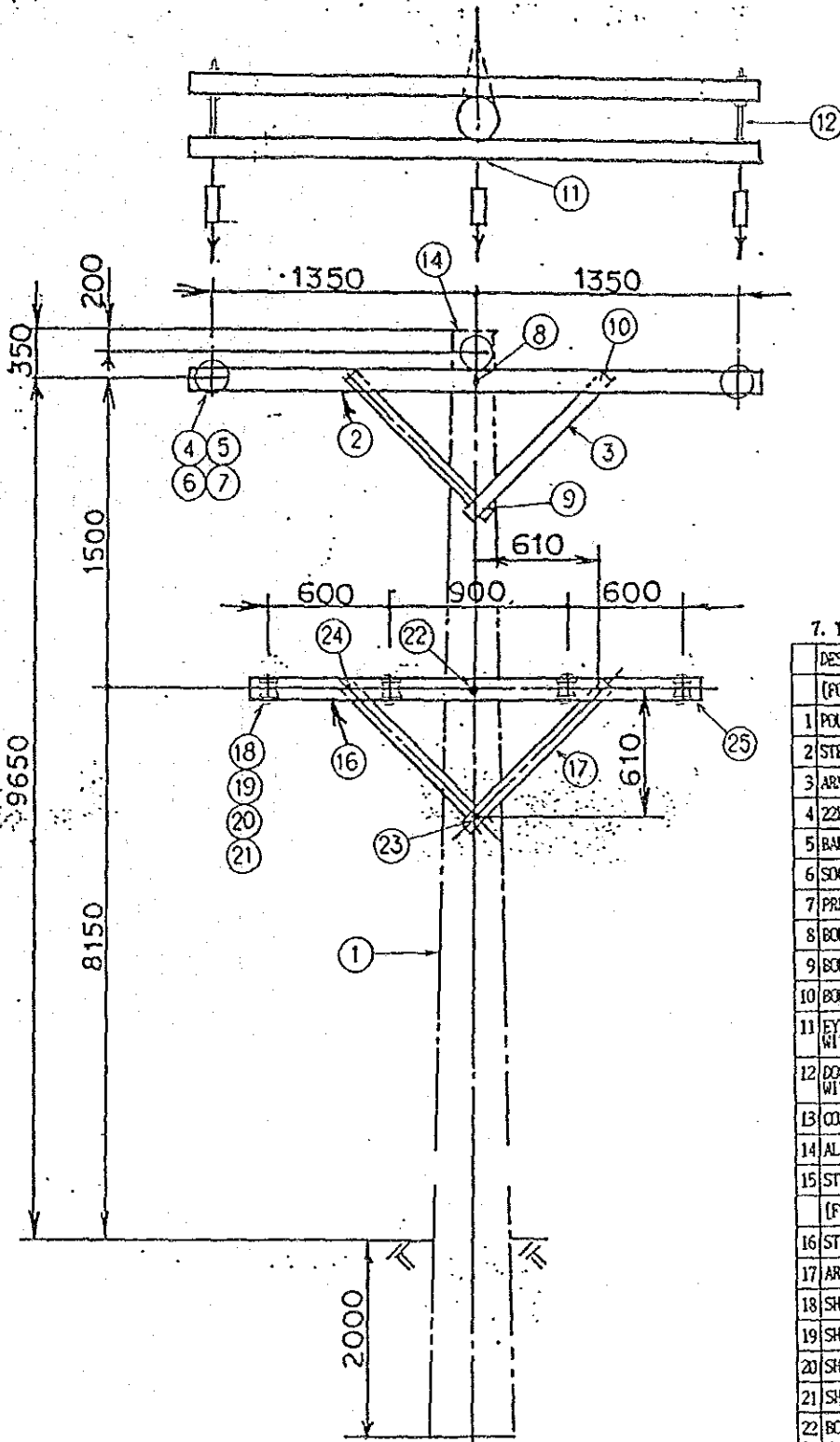
6. TERMINAL POLE (SINGLE ARM)



6. TERMINAL POLE (SINGLE ARM)

DESCRIPTION	SPEC.	Q'TY
[FOR 22KV LINE]		
1 POLES	124	1
2 STEEL CROSSARM	75x75x3.2x2900	1
3 ARM BRACE	863x40x6	2
4 22KV DISC INSULATOR		6
5 BALL HOOK		3
6 SOCKET THIMBLE		3
7 PREFORMED DEADEND GRIP		3
8 BOLT FOR ARM/POLE WITH 1-CURVED WASHER	M16x340	1
9 BOLT FOR BRACE/POLE WITH 1-CURVED WASHER	M16x280	1
10 BOLT FOR ARM/BRACE	M16x120	2
11 EYE BOLT WITH 1-CURVED WASHER	M20x300	1
12 EYE BOLT WITH 2-NUT, 1-SQ. WASHER	M20x140	2
13 COACH SCREW	12x100	2
14 ALUMI POLE CAP		1
15 STEP BOLT	16x260	2
[FOR L.V. LINE]		
16 STEEL CROSSARM	75x75x3.2x2300	1
17 ARM BRACE	863x40x6	2
18 SHACKLE INSULATOR		4
19 SHACKLE STRAP	PAIR	4
20 SHACKLE STRAP BOLT	M16x150	4
21 SHACKLE BOLT	M16x120	4
22 BOLT FOR ARM/POLE WITH 1-CURVED WASHER	M16x360	1
23 BOLT FOR BRACE/POLE WITH 1-CURVED WASHER	M16x300	1
24 BOLT FOR ARM/BRACE	M16x120	2
25 AL. BIND WIRE	3.2mm INSULATED	124
26 POLES	94	1

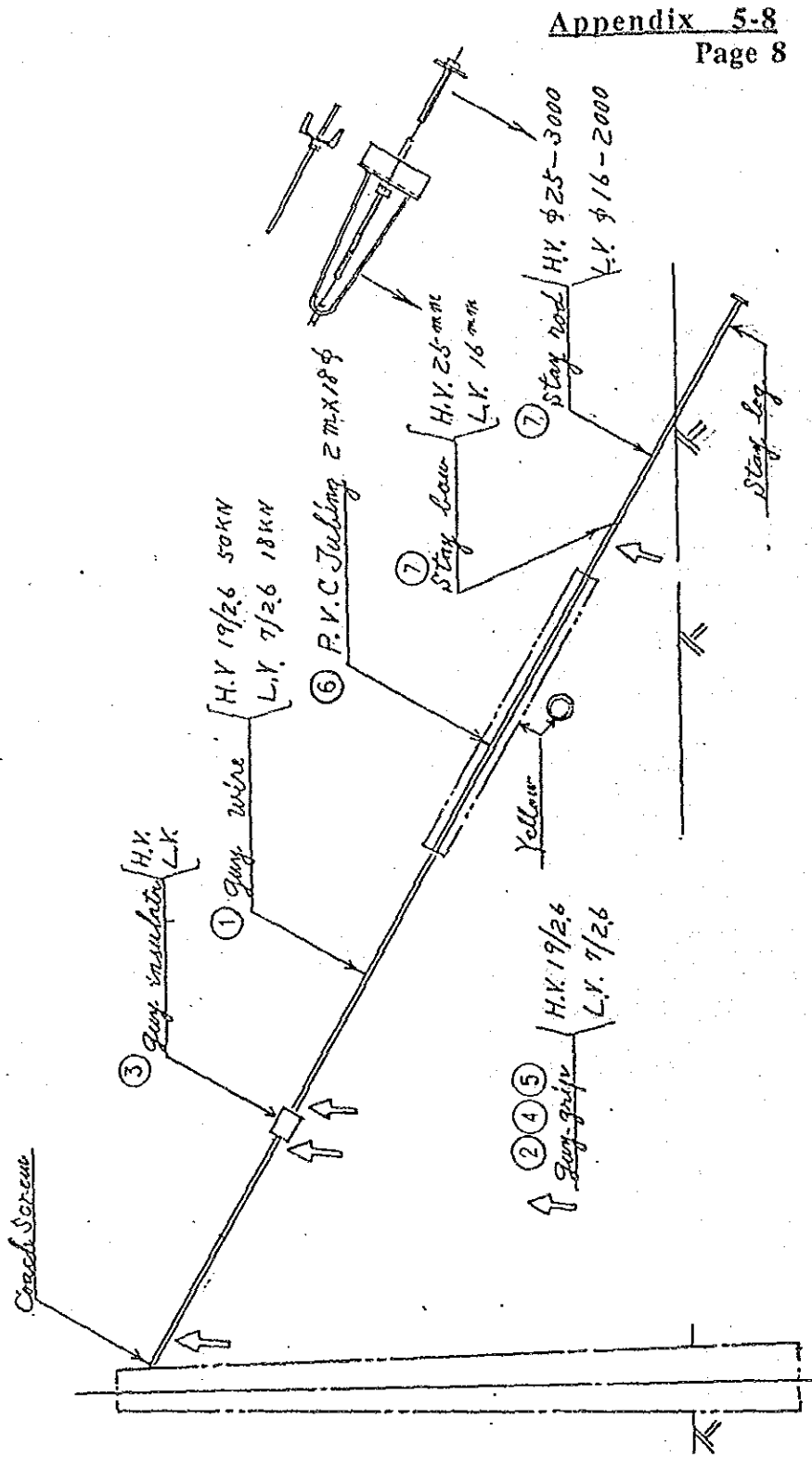
7. TERMINAL POLE (DOUBLE ARM)



7. TERMINAL POLE (DOUBLE ARM)

DESCRIPTION	SPEC.	Q'TY
[FOR 22KV LINE]		
1 POLES	12M	1
2 STEEL CROSSARM	75x75x3, 2x2300	2
3 ARM BRACE	863x40x6	4
4 22KV DISC INSULATOR		6
5 BALL HOOK		3
6 SOCKET THIMBLE		3
7 PREFORMED DEADEND GRIP		3
8 BOLT FOR ARM/POLE	M16x120	1
9 BOLT FOR BRACE/POLE	M16x300	1
10 BOLT FOR ARM/BRACE	M16x120	4
11 EYE BOLT WITH 1-CURVED WASHER	M20x300	1
12 DOUBLE ARMING EYE BOLT WITH 4-NUT, 4-SQ. WASHER	M20x440	2
13 COACH SCREW	12x100	2
14 ALUMI POLE CAP		1
15 STEP BOLT	16x260	2
[FOR L.V. LINE]		
16 STEEL CROSSARM	75x75x3, 2x2300	2
17 ARM BRACE	863x40x6	4
18 SHACKLE INSULATOR		4
19 SHACKLE STRAP	PAIR	4
20 SHACKLE STRAP BOLT	M16x150	4
21 SHACKLE BOLT	M16x120	4
22 BOLT FOR ARM/POLE	M16x440	1
23 BOLT FOR BRACE/POLE	M16x320	1
24 BOLT FOR ARM/BRACE	M16x120	4
25 DOUBLE ARMING BOLT WITH 4-NUT, 4-SQ. WASHER	M16x460	2
26 AL. BIND WIRE	3.2mm INSULATED	12M
27 POLES	9M	1

9. STAY ASSEMBLY



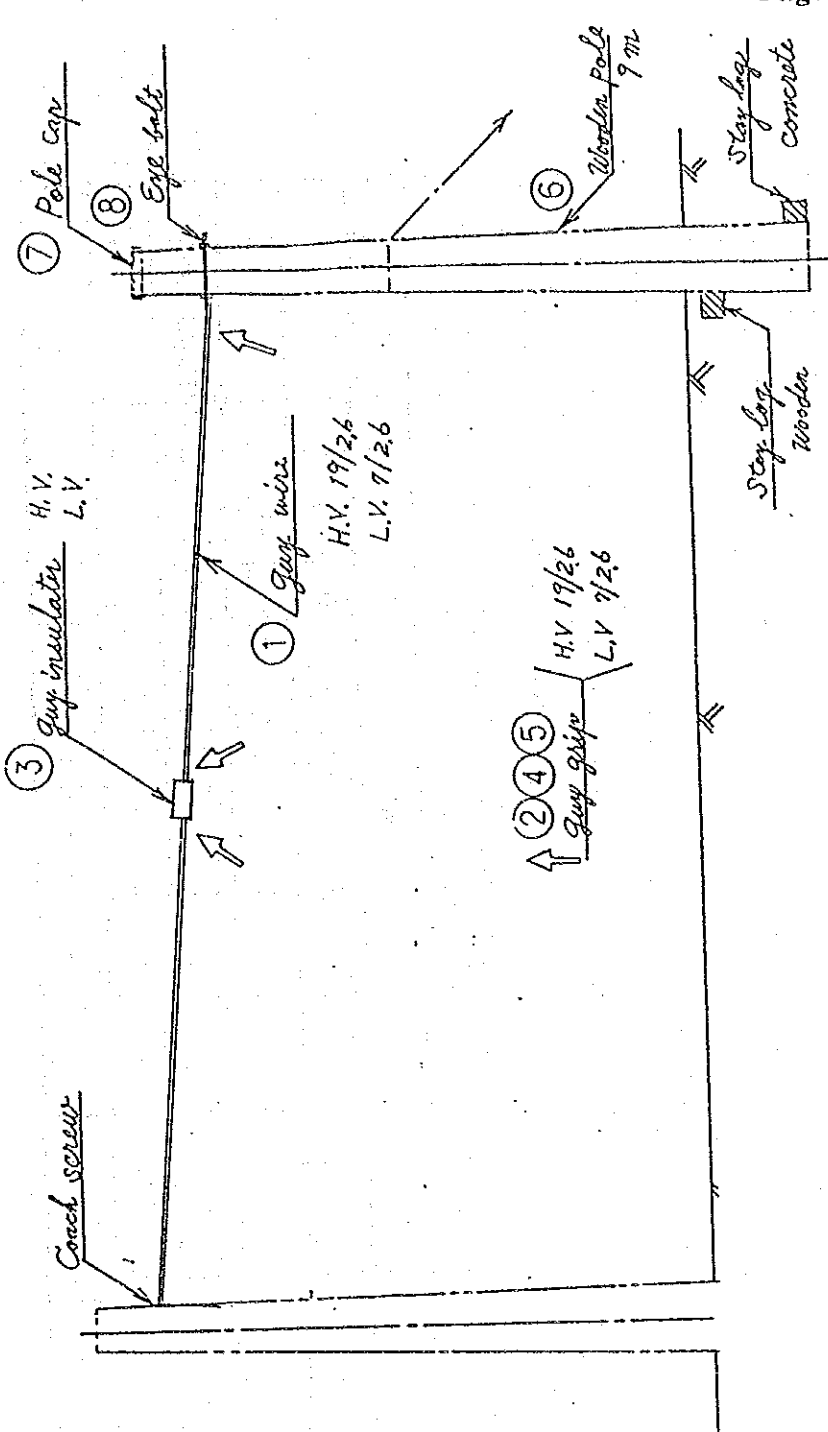
9-1. STAY ASSEMBLY (22KV)

DESCRIPTION	SPEC.	Q'TY
[FOR 22KV LINE]		
1 GUY WIRE	19/2.6	20K
2 GUY GRIP FOR WOOD POLE	FOR 19/2.6	1
3 GUY INSULATOR		1
4 GUY GRIP FOR INSULATOR	FOR 19/2.6	2
5 GUY GRIP FOR THIMBLE	FOR 19/2.6	1
6 PVC TUBE (YELLOW)	18x2500mm	1
7 STAY ROD, BOW TYPE	25x3000mm	1

9-2. STAY ASSEMBLY (L.V)

DESCRIPTION	SPEC.	Q'TY
[FOR L.V LINE]		
1 GUY WIRE	7/2.6	20K
2 GUY GRIP FOR WOOD POLE	FOR 7/2.6	1
3 GUY INSULATOR		1
4 GUY GRIP FOR INSULATOR	FOR 7/2.6	2
5 GUY GRIP FOR THIMBLE	FOR 7/2.6	1
6 PVC TUBE (YELLOW)	18x2500mm	1
7 STAY ROD, BOW TYPE	16x2200mm	1

10. FLYING STAY ASSEMBLY



10-2. FLYING STAY ASSEMBLY (L.V.)

DESCRIPTION	SPEC.	QTY
[FOR L.V. LINE]		
1 GUY WIRE	7/2.6	20K
2 GUY GRIP FOR WOOD POLE	FOR 7/2.6	1
3 GUY INSULATOR		1
4 GUY GRIP FOR INSULATOR	FOR 7/2.6	2
5 GUY GRIP FOR THIMBLE	FOR 7/2.6	1
6 POLES	9K	1
7 ALUMI POLE CAP		1
8 EYE BOLT WITH 1-CURVED WASHER, 1-OPEN THIMBLE	M20x300	1

10-1. FLYING STAY ASSEMBLY (22KV)

DESCRIPTION	SPEC.	QTY
[FOR 22KV LINE]		
1 GUY WIRE	19/2.6	20K
2 GUY GRIP FOR WOOD POLE	FOR 19/2.6	1
3 GUY INSULATOR		1
4 GUY GRIP FOR INSULATOR	FOR 19/2.6	2
5 GUY GRIP FOR THIMBLE	FOR 19/2.6	1
6 POLES	9K	1
7 ALUMI POLE CAP		1
8 EYE BOLT WITH 1-CURVED WASHER, 1-OPEN THIMBLE	M20x300	1



Exchange Rates for Foreign Currencies (1989)

Country	Australia		Japan		New Zealand		Western Samoa
Code and Unit	Australian Dollar SA		Yen ¥		New Zealand Dollar SNZ		Tala WSS
	S	B	S	B	S	B	
	(US\$ against SA1)				(US\$ against SNZ1)		
Jun.	0.7481	0.7521	145.30	145.30	0.5645	0.5570	2.3277
Jul.	0.7446	0.7486	140.00	138.00	0.5747	0.5876	2.3015
Aug.	0.7611	0.7651	145.30	143.30	0.5847	0.5973	2.3288
Sept.	0.7701	0.7741	141.20	139.20	0.5839	0.5962	2.3015
Oct.	0.7826#	-	143.35	141.35	0.5885#	-	2.3073
Nov.	0.7821#	-	143.95	141.95	0.5882#	-	2.2986
Average	0.7648	-	143.183	141.183	0.5808	-	2.3109

## Notes :

1. The above exchange rates are against US\$ except noted.
2. Source : The Monthly Report of The Bank of Tokyo (the rates of the end of every month.)
3. The exchange rates marked as # are those at the end of the month in question on the New York Market collected from The Bank of Tokyo at December 1989.

JICA