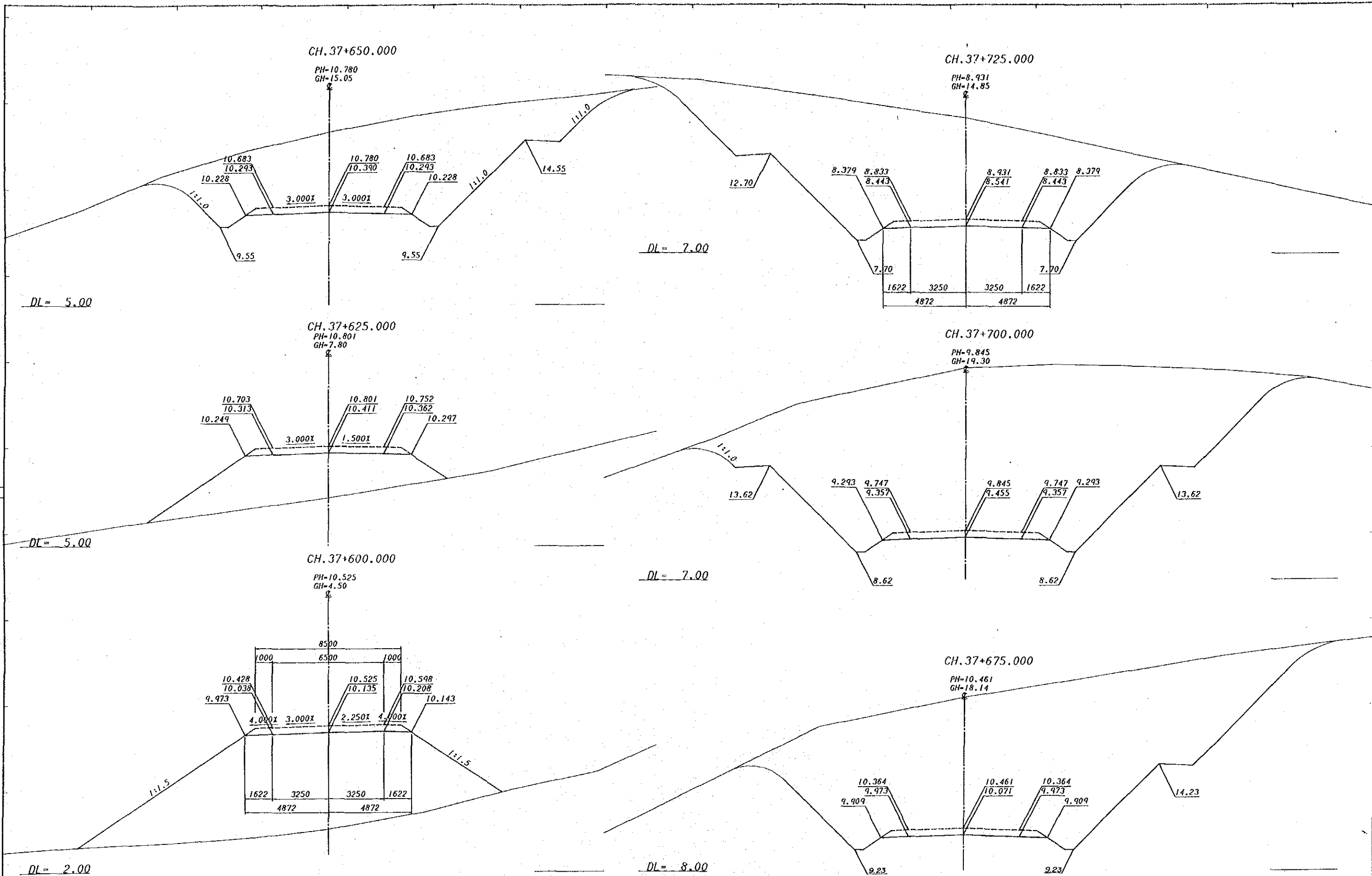
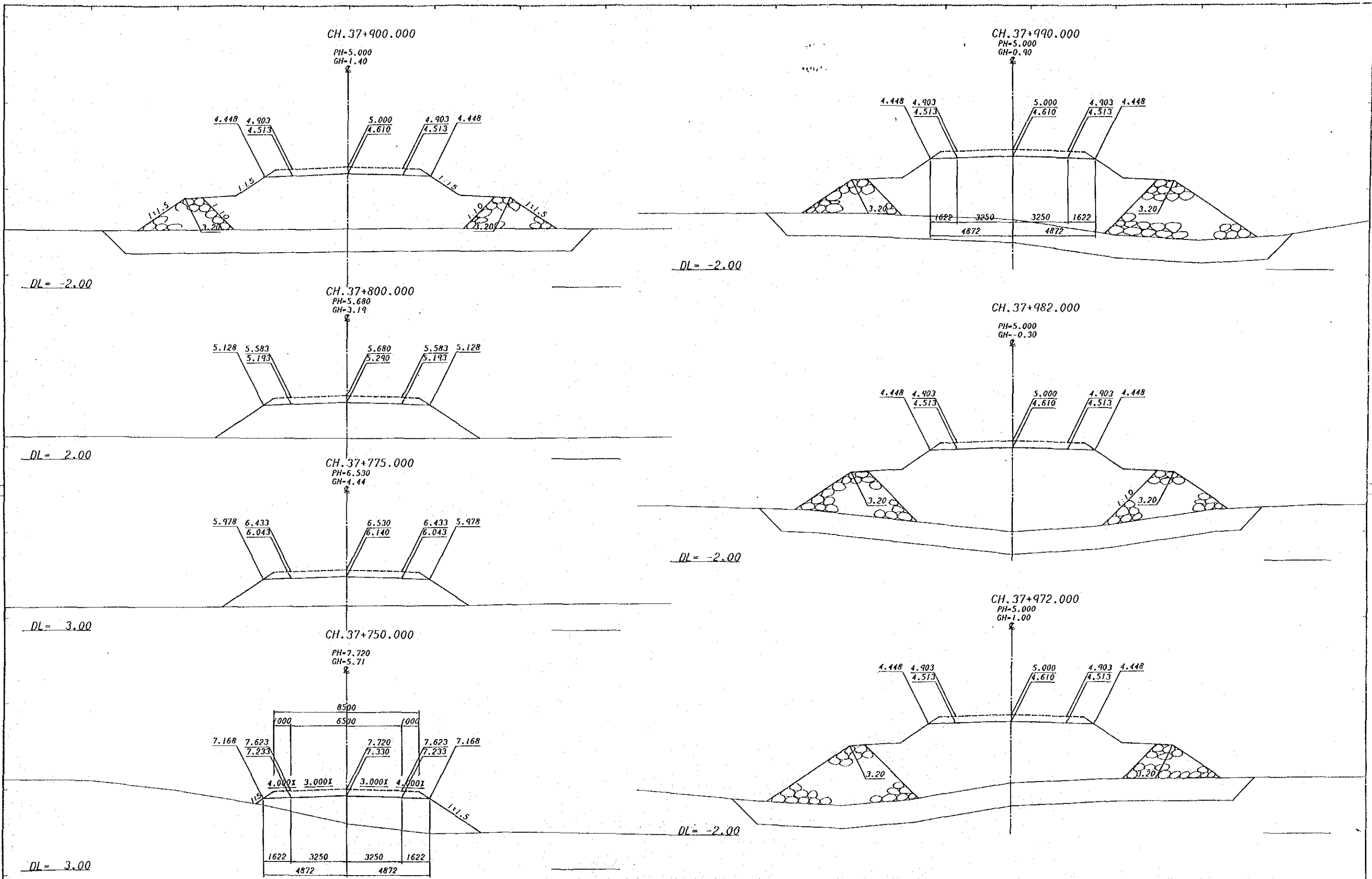


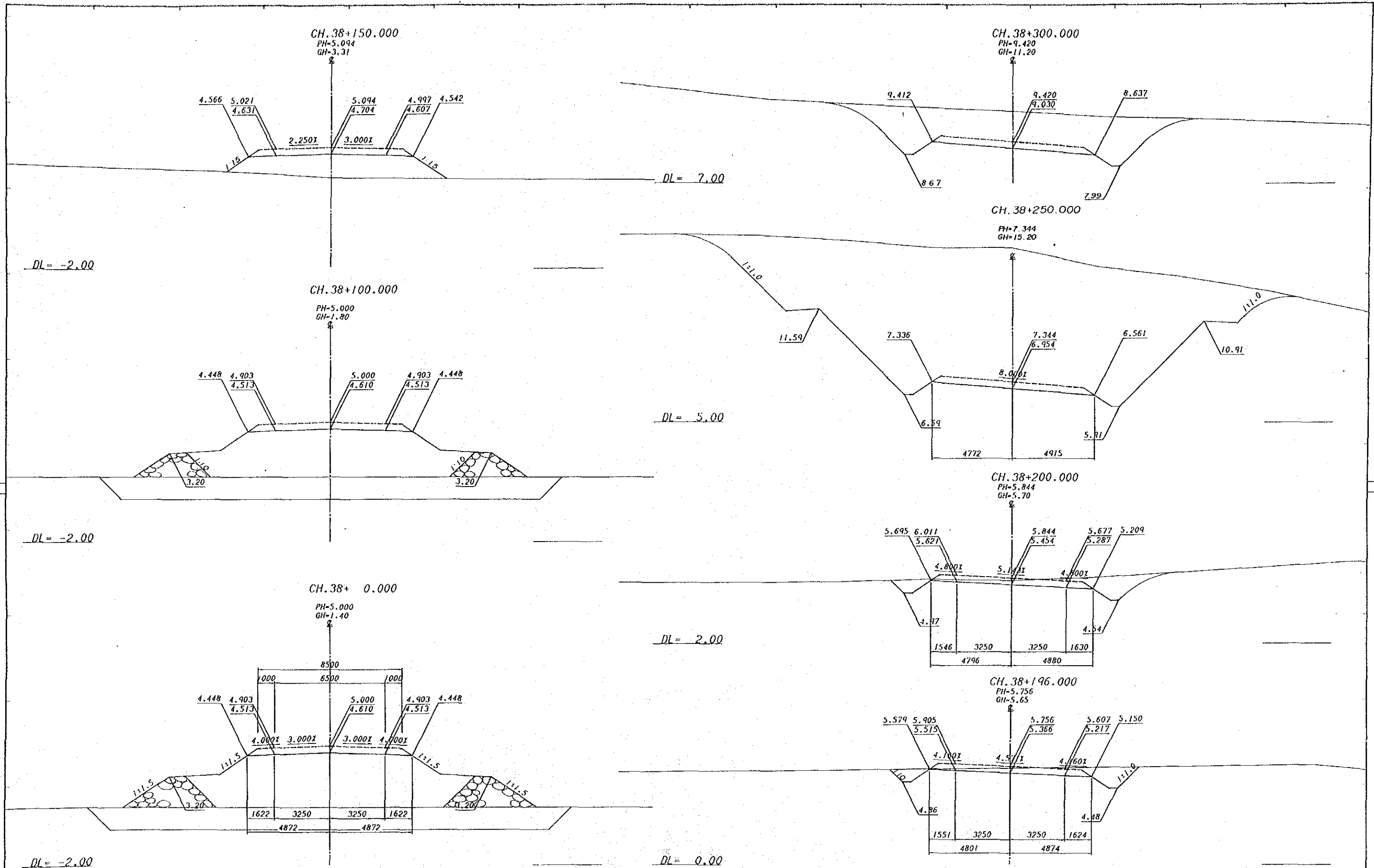
JICA SURVEY Data VERTICAL DATUM MEAN SEA LEVEL. HORIZONTAL DATUM SURVEY BOOK No. 8		JAPAN INTERNATIONAL CO-OPERATION AGENCY J. Hatanaka Principal 25 Sep. 1989 Date		DRAWN K.E. CHECKED <i>C.24</i> DESIGNED <i>A. Magala</i> CHECKED <i>7. Kandi</i>		RECOMMENDED <i>W. K...</i> PROJECT ENGINEER APPROVED <i>J. ...</i> PRINCIPAL ENGINEER 25. 10. 89 SECRETARY		SCALES HORIZONTAL & VERTICAL m. 1 : 100		CENTRAL / GULF PROVINCES TRANS-ISLAND HIGHWAY BEREINA-MALALAU SECTION CROSS SECTIONS CH. 37 + 336. — CH. 37 + 583	
REV.	AMENDMENTS	BY	APP'D	DATE	PROJECT No. S.C.120-33-814/B	SHEET 131 OF 303	PAPUA NEW GUINEA DEPARTMENT OF WORKS		DRAWING No. A1/ 88165	REV.	



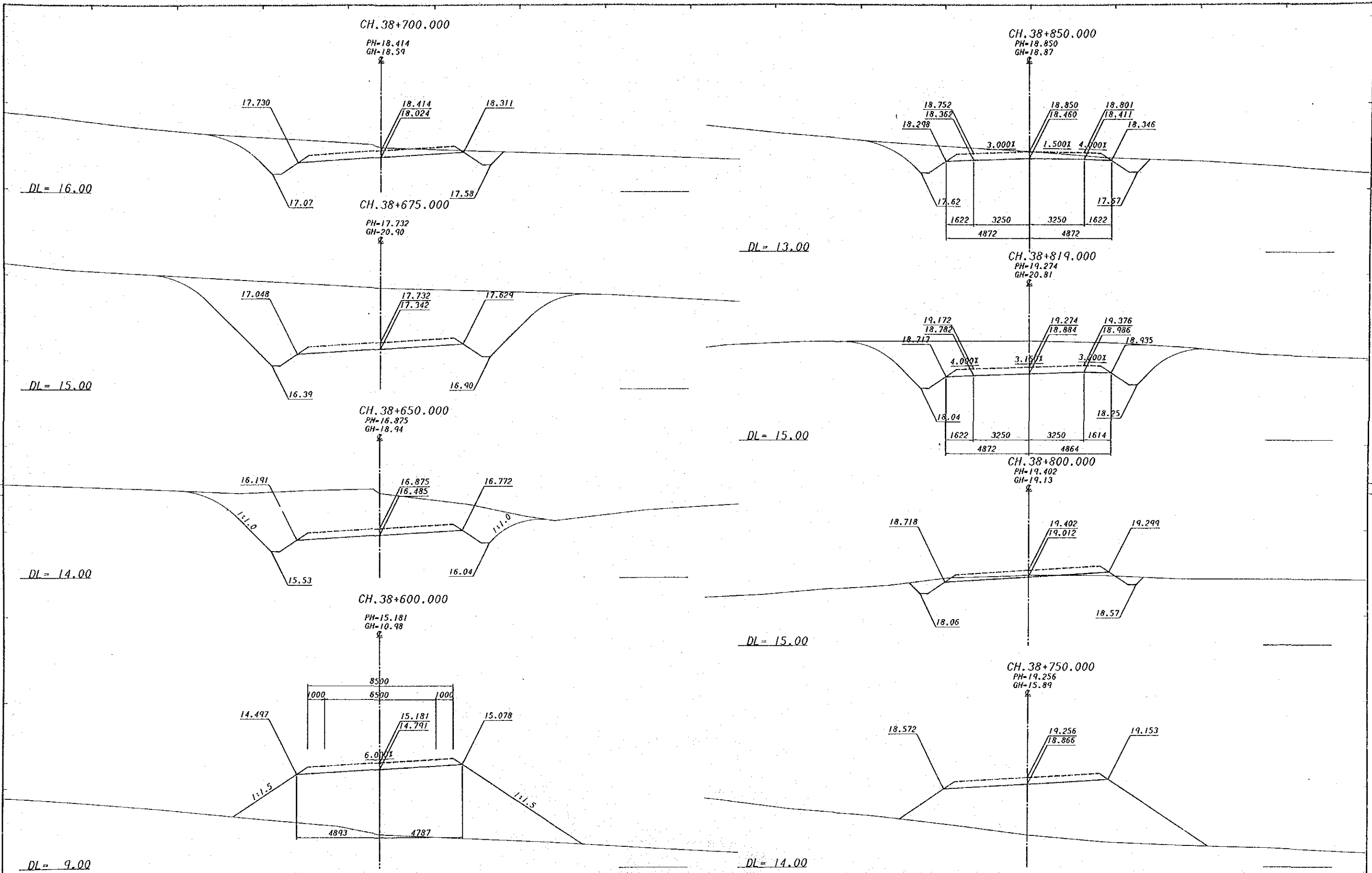
SURVEY		DESIGN		DRAWN		RECOMMENDED		SCALES		CENTRAL / GULF PROVINCES	
JICA		JAPAN INTERNATIONAL CO-OPERATION AGENCY		K.E.		Principal Engineer		HORIZONTAL & VERTICAL m. 1 : 100		TRANS-ISLAND HIGHWAY BERAINA-MALALAU SECTION	
VERTICAL DATUM MEAN SEA LEVEL		J. H. H. 25 Sep. 1989		PROJECT ENGINEER		APPROVED 26.10.89		SHEET 132 OF 303		CH. 37 + 600 --- CH. 37 + 725	
HORIZONTAL DATUM		Date		EXECUTIVE ENGINEER		SECRETARY		PROJECT No. S.C. 120-33-814/B		PAPUA NEW GUINEA DEPARTMENT OF WORKS	
SURVEY BOOK NOS		Date		7. K. K. K.		14/89		DRAWING No.		A1/ 88166	
AMENDMENTS		BY APP'D DATE								REV	



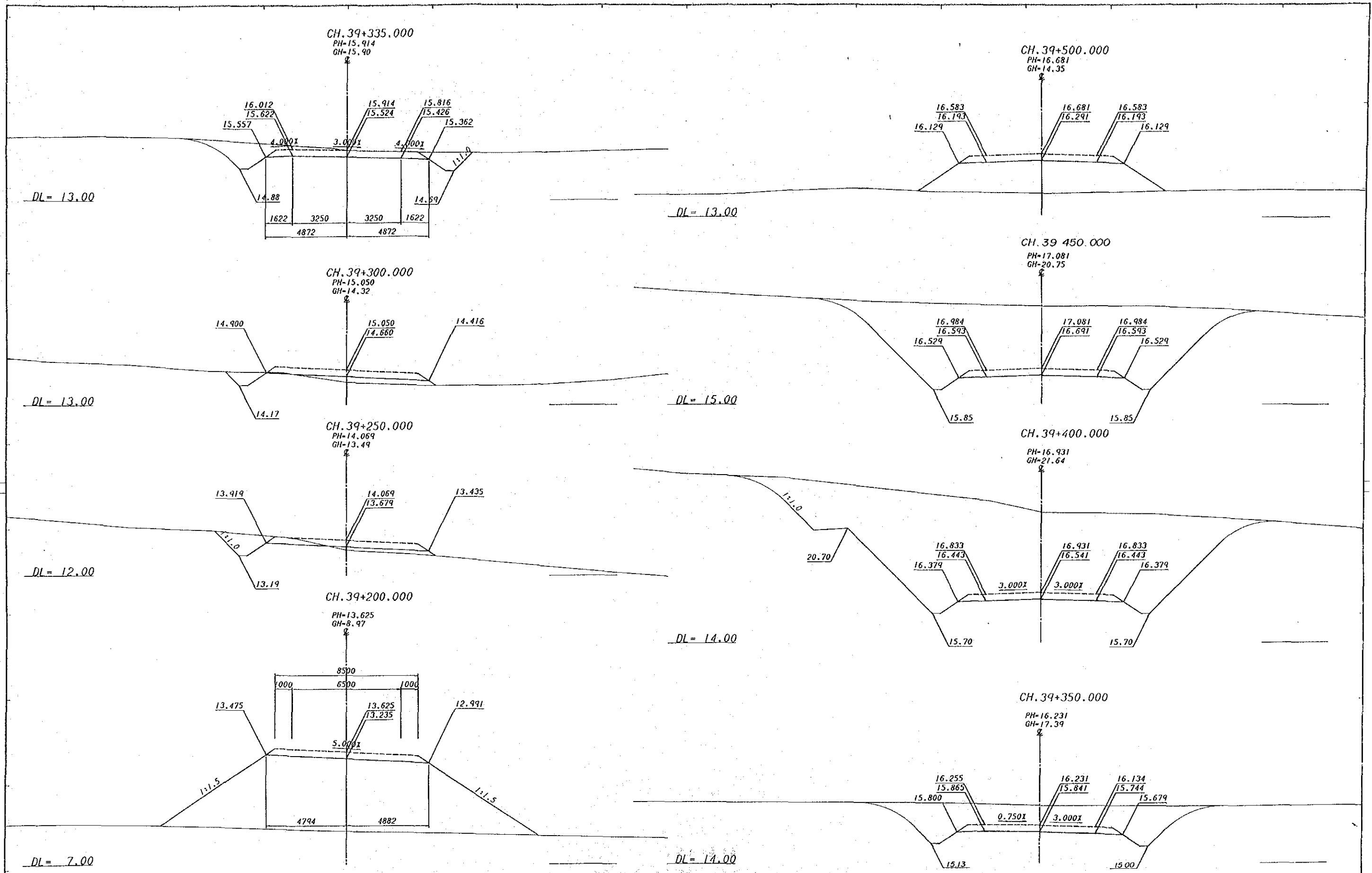
SURVEY		DESIGN		DRAWN		RECOMMENDED		SCALES		CENTRAL / GULF PROVINCES	
JICA		JAPAN INTERNATIONAL CO-OPERATION AGENCY		K.E.		Principal Engineer		HORIZONTAL & VERTICAL 1:100		TRANS-ISLAND HIGHWAY BERENA-MALALAU SECTION	
VERTICAL DATUM MEAN SEA LEVEL		DESIGNED A. M. M.		CHECKED C. S. S.		APPROVED Principal Engineer		PROJECT No. S.C. 120-33-814/B		CROSS SECTIONS CH. 37 + 750 — CH. 37 + 990	
HORIZONTAL DATUM		SURVEY BOOK No. 8		Date 25 Sep. 1989		SECRETARY M. S. S.		SHEET 133 of 303		PAPUA NEW GUINEA DEPARTMENT OF WORKS	
REV.	AMENDMENTS	BY	APP'D	DATE	Principal J. H. H.	Executive Engineer M. S. S.				DRAWING No. A1/ 88167	REV.



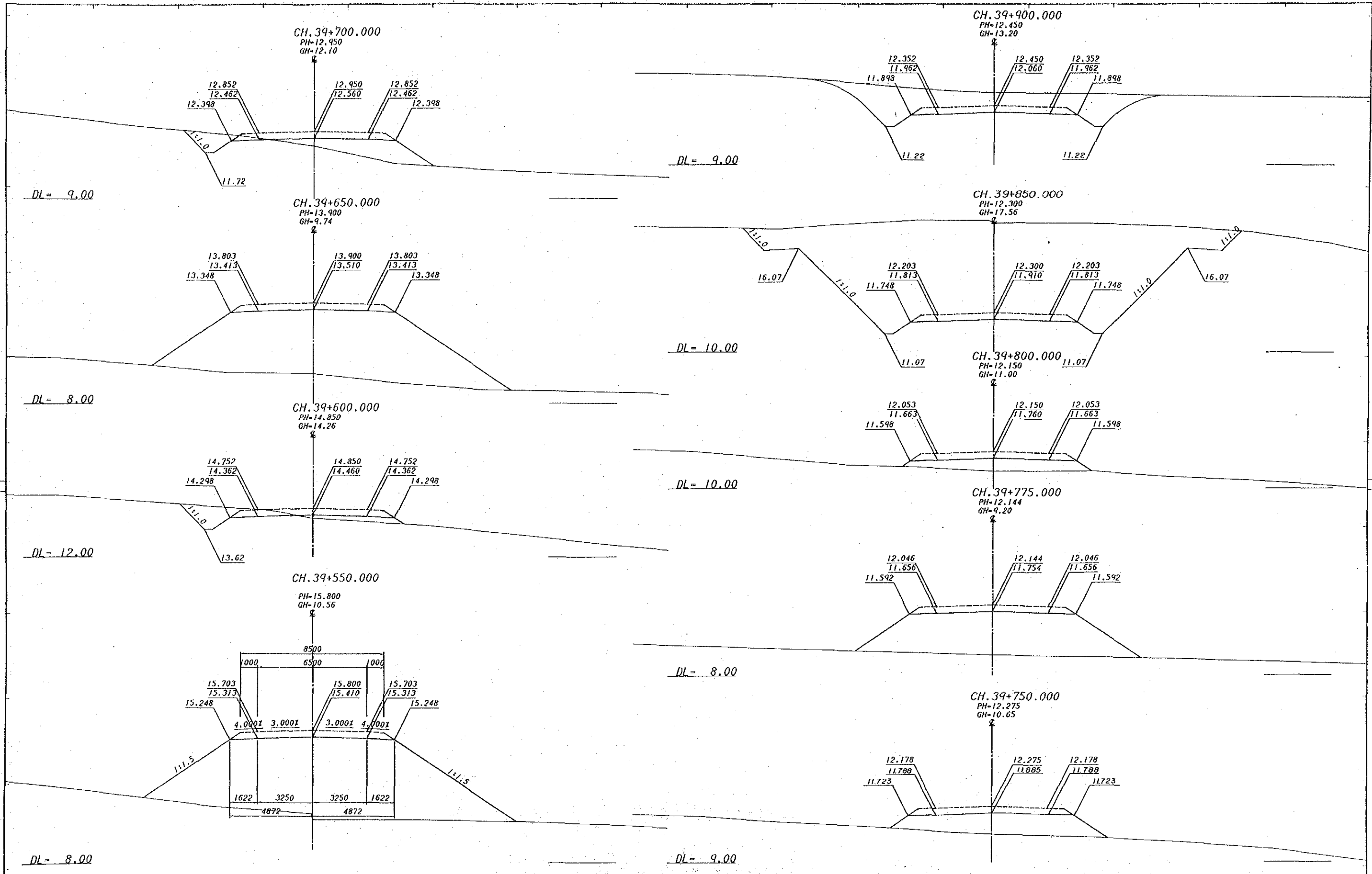
SURVEY JICA Date VERTICAL DATUM MEAN SEA LEVEL. HORIZONTAL DATUM		DESIGN JAPAN INTERNATIONAL CO-OPERATION AGENCY J. Malindang 25 Sep. 1989 Date		DRAWN K.E. CHECKED DESIGNED CHECKED		RECOMMENDED PROJECT ENGINEER APPROVED 25.10.89 SECRETARY		SCALES HORIZONTAL & VERTICAL m. 1 : 100		CENTRAL / GULF PROVINCES TRANS-ISLAND HIGHWAY BEREINA-MALALAU SECTION CROSS SECTIONS CH. 38 + 0 — CH. 38 + 300	
REV.	AMENDMENTS	BY	APP'D	DATE	SURVEY BOOK N°S	EXECUTIVE ENGINEER	PRINCIPAL ENGINEER	SHEET 134 OF 303	PROJECT No. S.C.120-33-814/13	PAPUA NEW GUINEA DEPARTMENT OF WORKS	DRAWING No. A1/ 88168



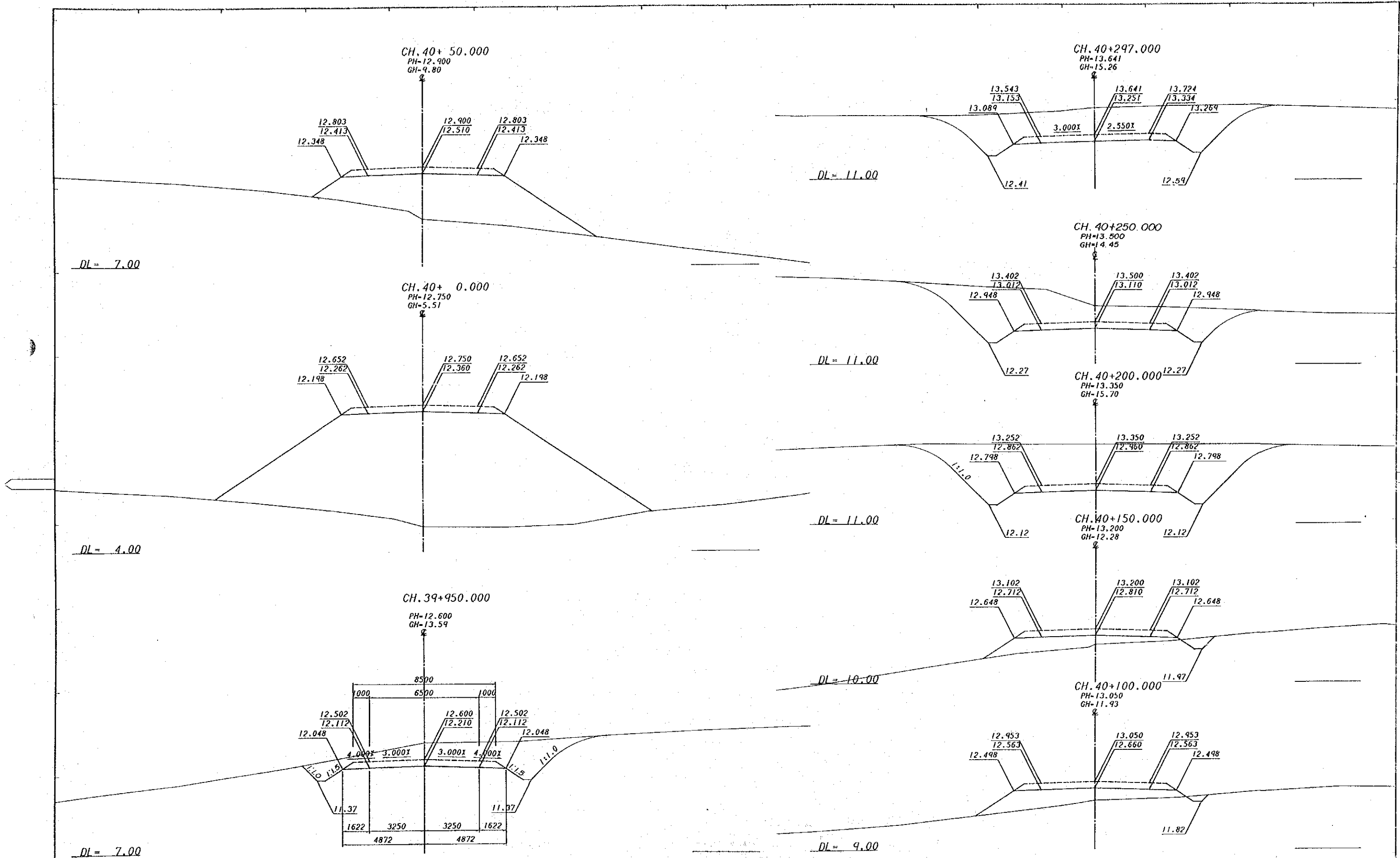
SURVEY		DESIGN		DRAWN		RECOMMENDED		SCALES		CENTRAL / GULF PROVINCES	
JICA		JAPAN INTERNATIONAL CO-OPERATION AGENCY		K. E.		Principal Engineer		1 : 100		TRANS-ISLAND HIGHWAY BEREINA-MALALAU SECTION	
VERTICAL DATUM MEAN SEA LEVEL		Principal		Checked		Principal Engineer		HORIZONTAL & VERTICAL		CROSS SECTIONS	
HORIZONTAL DATUM		Date		Designed		APPROVED		1 : 100		CH. 38 + 600 --- CH. 38 + 850	
SURVEY BOOK No. 8		25 Sep. 1989		Checked		Date		PROJECT No.		PAPUA NEW GUINEA DEPARTMENT OF WORKS	
AMENDMENTS		BY APP'D DATE		Checked		Date		S.C. 120-33-814/B		DRAWING No. A1/ 88170	
REV.				Principal		Executive Engineer		SHEET 136 OF 303		REV.	



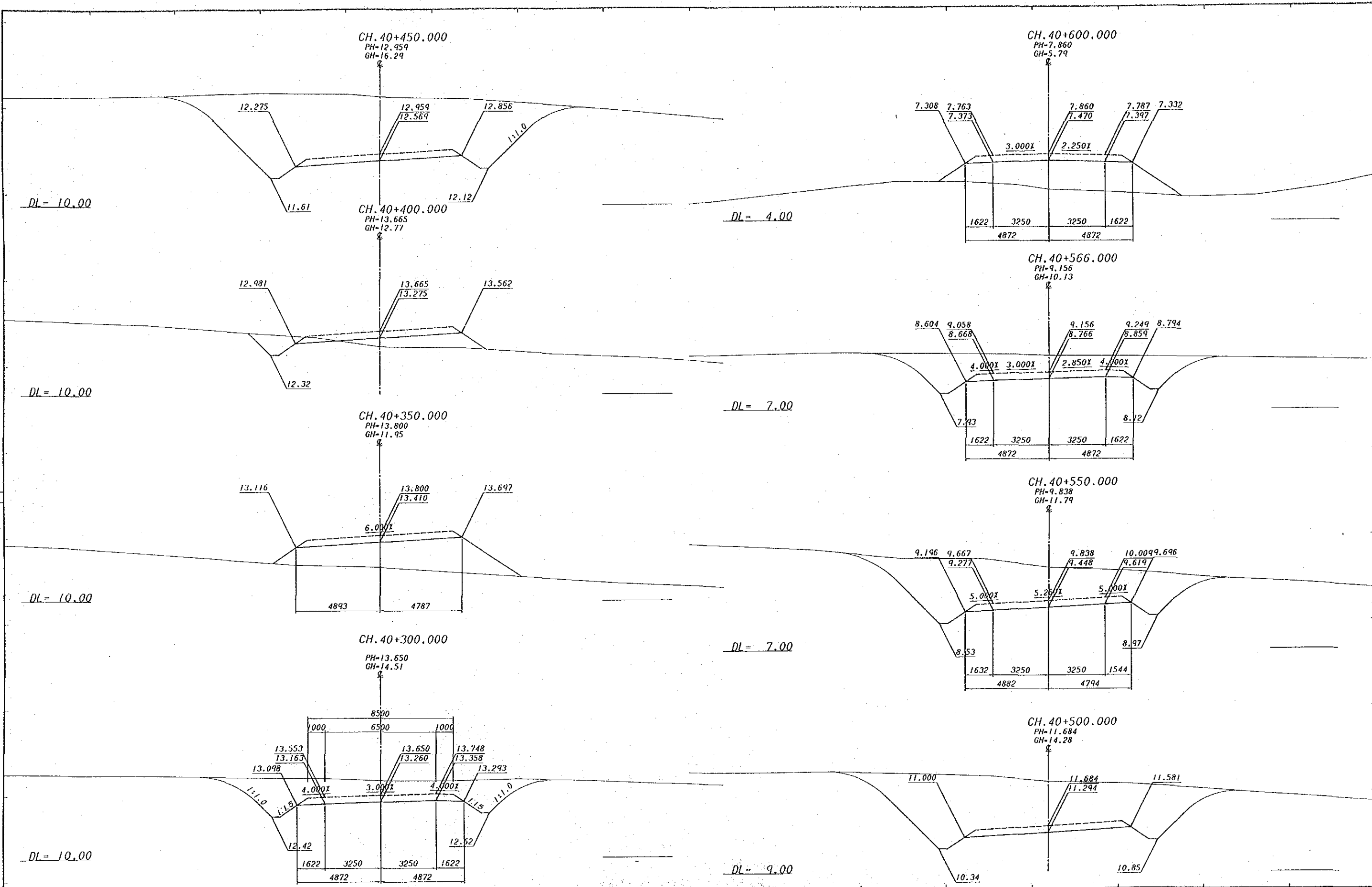
SURVEY		DESIGN		DRAWN		RECOMMENDED		SCALES		CENTRAL / GULF PROVINCES	
JICA		JAPAN INTERNATIONAL CO-OPERATION AGENCY		K.E.		Principal Engineer		4 2 0 2 4		TRANS-ISLAND HIGHWAY BEREINA-MALALAGA SECTION	
Date		Date		Checked		Principal Engineer		HORIZONTAL & VERTICAL m.		CROSS SECTIONS	
MEAN SEA LEVEL		Date		Designed		Approved		1 : 100		CH. 39 + 200 — CH. 39 + 500	
HORIZONTAL DATUM		Date		Checked		Checked		PROJECT No.		PAPUA NEW GUINEA DEPARTMENT OF WORKS	
SURVEY BOOK No. 5		Date		Checked		Checked		S.C. 120-33-814/B		DRAWING No. A1/ 88172	
REV.	AMENDMENTS	BY	APP'D	DATE	Principal	Executive Engineer	Secretary	SHEET 138 OF 303		REL.	



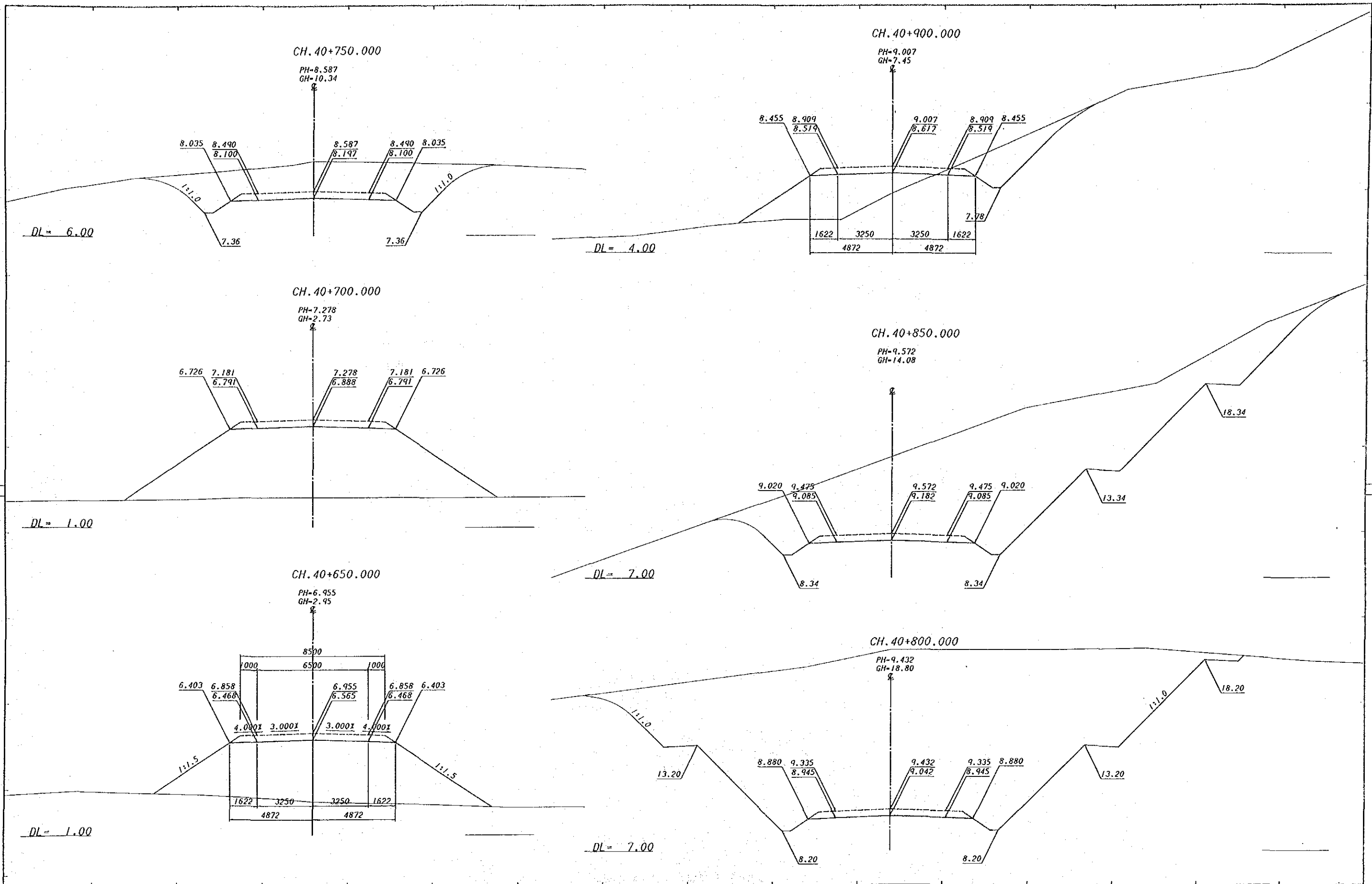
SURVEY JICA Date: _____ VERTICAL DATUM MEAN SEA LEVEL. HORIZONTAL DATUM		DESIGN JAPAN INTERNATIONAL CO-OPERATION AGENCY J. Yamada 25 Sep. 1989		DRAWN K.E. CHECKED DESIGNED CHECKED		RECOMMENDED PROJECT ENGINEER APPROVED 25. 10. 99 SECRETARY		SCALES HORIZONTAL & VERTICAL m. 1 : 100		CENTRAL / GULF PROVINCES TRANS-ISLAND HIGHWAY - BEREINA-MALALAU SECTION CROSS SECTIONS CH. 39 + 550 — CH. 39 + 900 PAPER NEW GUINEA DEPARTMENT OF WORKS DRAWING No. A1/ 88173	
REV.	AMENDMENTS	BY	APP'D	DATE	SURVEY BOOK NOS	Principal	Date	Executive Engineer	SHEET 139 OF 303	PROJECT No. S.C.120-33-814/B	REV.



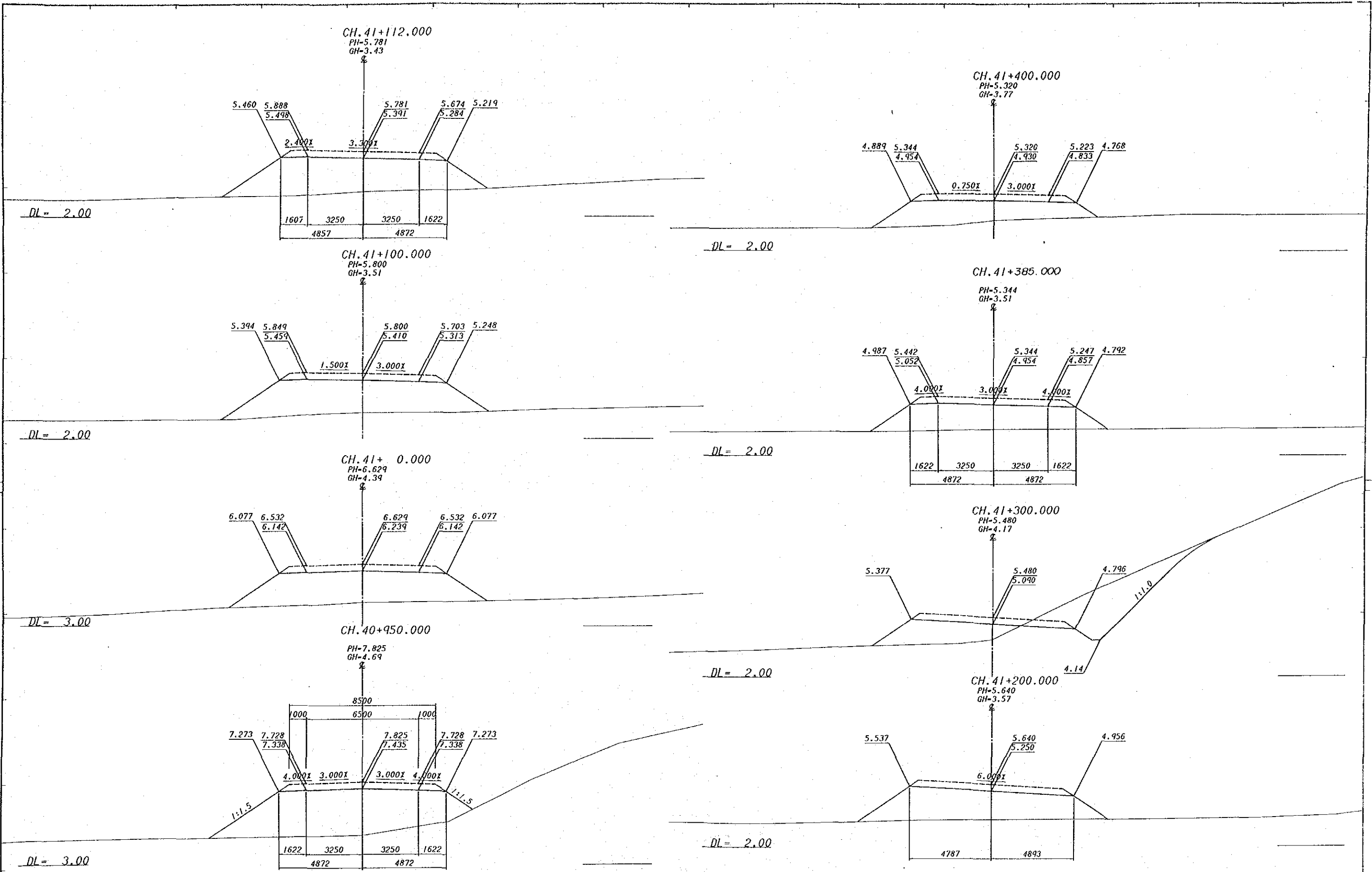
REV.		AMENDMENTS		BY	APP'D	DATE	SURVEY		DESIGN		DRAWN		RECOMMENDED		SCALES		CENTRAL / GULF PROVINCES	
							JICA		JAPAN INTERNATIONAL CO-OPERATION AGENCY		K.E.		Principal Engineer		HORIZONTAL & VERTICAL m. 1 : 100		TRANS-ISLAND HIGHWAY BEREINA-MALALAU SECTION	
							VERTICAL DATUM MEAN SEA LEVEL		Principal		PROJECT ENGINEER		APPROVED 26.10.89				CROSS SECTIONS	
							HORIZONTAL DATUM		25 Sep. 1989		EXECUTIVE ENGINEER		SECRETARY				CH. 39 + 950 — CH. 40 + 297	
							SURVEY BOOK NO'S		Date		Date		PROJECT No.		SHEET 140 OF 303		PAPUA NEW GUINEA DEPARTMENT OF WORKS	
									Date		Date		S.C.120-33-814/B		DRAWING No.		A1/ 88174	



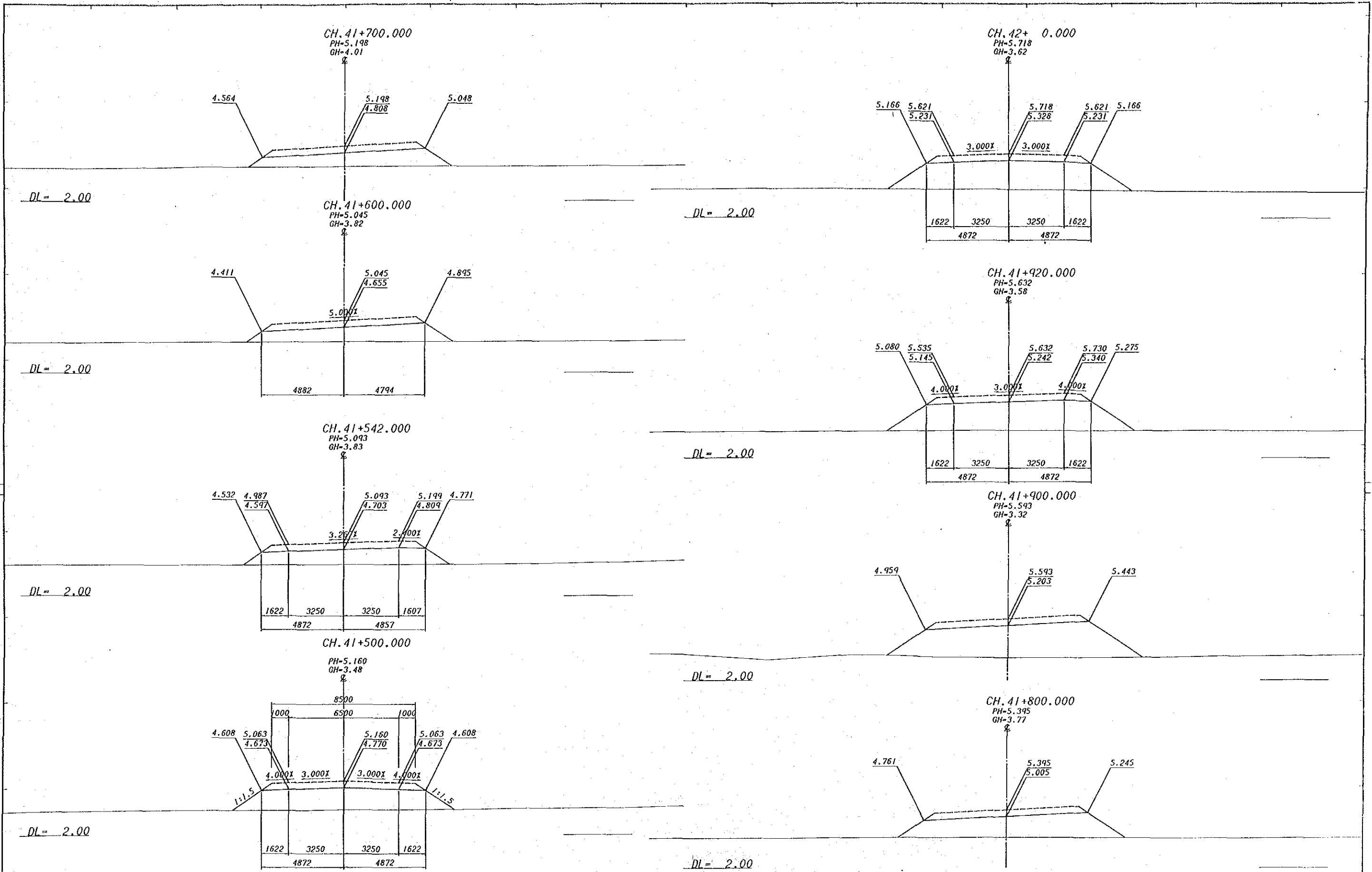
SURVEY JICA Date VERTICAL DATUM MEAN SEA LEVEL HORIZONTAL DATUM SURVEY BOOK NOS.				DESIGN JAPAN INTERNATIONAL CO-OPERATION AGENCY <i>J. Hanaka</i> Principal 25 Sep. 1989 Date		DRAWN K.E. CHECKED <i>[Signature]</i> DESIGNED A. Magata CHECKED <i>[Signature]</i>		RECOMMENDED <i>[Signature]</i> PROJECT ENGINEER W. [Signature] EXECUTIVE ENGINEER [Signature] APPROVED 25. 10. 89 [Signature] SECRETARY		SCALES HORIZONTAL & VERTICAL m. 1 : 100 SHEET 141 OF 303 PROJECT No. S.C.120-33-814/B		CENTRAL / GULF PROVINCES TRANS-ISLAND HIGHWAY BEREINA-MALALUA SECTION CROSS SECTIONS CH. 40 + 300 — CH. 40 + 600 PAPUA NEW GUINEA DEPARTMENT OF WORKS DRAWING No. A1/ 88175	
--	--	--	--	--	--	---	--	--	--	---	--	---	--



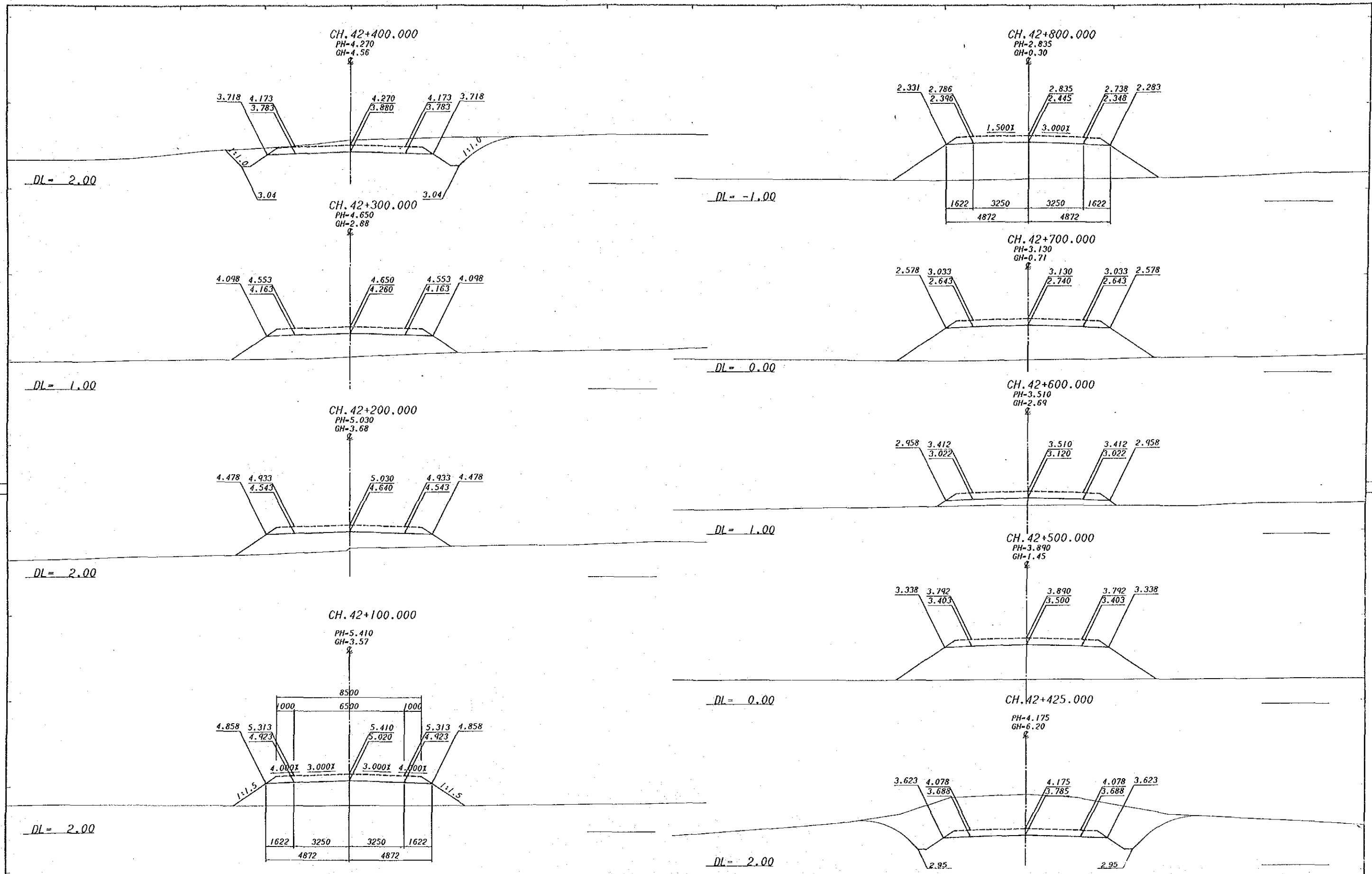
REV.		AMENDMENTS		BY	APP'D	DATE	SURVEY		DESIGN		DRAWN		RECOMMENDED		SCALES		CENTRAL / GULF PROVINCES			
							JICA		JAPAN INTERNATIONAL CO-OPERATION AGENCY		K. E.		<i>[Signature]</i>		HORIZONTAL & VERTICAL 1 : 100		TRANS-ISLAND HIGHWAY BEREINA-MALALAU SECTION			
							VERTICAL DATUM MEAN SEA LEVEL		JAPAN INTERNATIONAL CO-OPERATION AGENCY		CHECKED <i>[Signature]</i>		PROJECT ENGINEER		APPROVED 25. 10. 88		CROSS SECTIONS			
							HORIZONTAL DATUM		J. Y. [Signature]		DESIGNED <i>[Signature]</i>		EXECUTIVE ENGINEER		SHEET 142 OF 303		CH. 40 + 650 — CH. 40 + 900			
							SURVEY BOOK NOS		25 Sep. 1989		CHECKED <i>[Signature]</i>		SECRETARY		PROJECT No. S.C.120-33-814/13		PAPUA NEW GUINEA DEPARTMENT OF WORKS		DRAWING No. A1/ 88176	



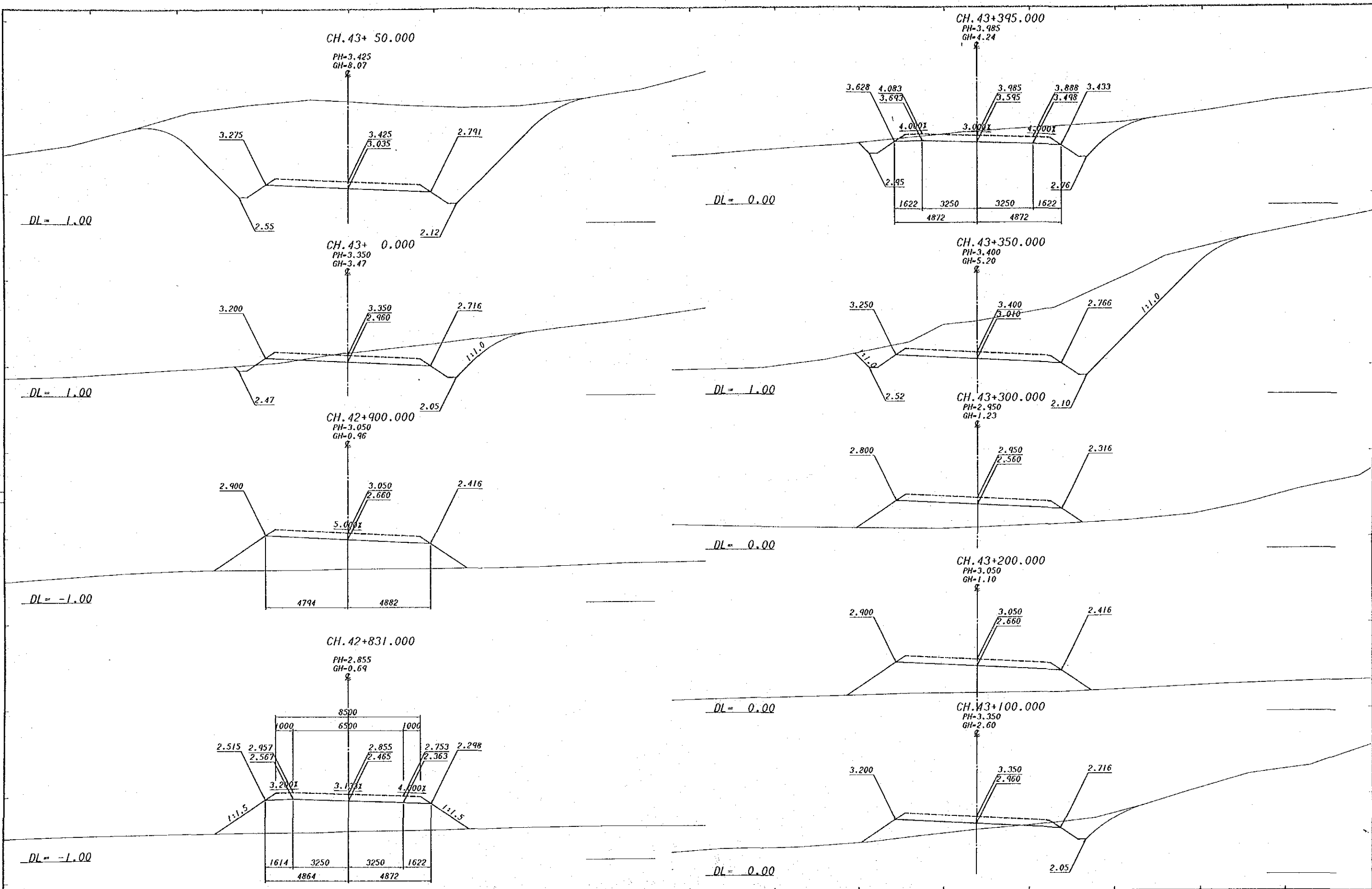
REV.		AMENDMENTS		BY	APP'D	DATE	SURVEY		DESIGN		DRAWN		RECOMMENDED		SCALES		CENTRAL / GULF PROVINCES			
							JICA		JAPAN INTERNATIONAL CO-OPERATION AGENCY		K.E.		PROJECT ENGINEER		HORIZONTAL & VERTICAL m.		TRANS-ISLAND HIGHWAY BEREINA-MALALAU SECTION			
							VERTICAL DATUM MEAN SEA LEVEL		J. H. H. H.		CHECKED C. H. H.		PRINCIPAL ENGINEER		1 : 100		CROSS SECTIONS			
							HORIZONTAL DATUM		25 Sep. 1989		DESIGNED G. H. H.		APPROVED J. H. H.		SHEET 143 OF 303		CH. 40 + 950 --- CH. 41 + 400			
							SURVEY BOOK NOS		Date		CHECKED T. H. H.		EXECUTIVE ENGINEER		PROJECT No. S.C. 120-33-814/B		PAPUA NEW GUINEA DEPARTMENT OF WORKS		DRAWING No. A1/ 88177	



SURVEY JICA Date VERTICAL DATUM MEAN SEA LEVEL HORIZONTAL DATUM SURVEY BOOK N°B				DESIGN JAPAN INTERNATIONAL CO-OPERATION AGENCY Principal 25 Sep. 1989 Date		DRAWN K.E. CHECKED DESIGNED CHECKED		RECOMMENDED PROJECT ENGINEER APPROVED PRINCIPAL ENGINEER SECRETARY		SCALES HORIZONTAL & VERTICAL m. 1 : 100 SHEET 144 OF 303 PROJECT No. S.C. 120-33-814/B		CENTRAL / GULF PROVINCES TRANS-ISLAND HIGHWAY BEREINA-MALALAU SECTION CROSS SECTIONS CH. 41 + 500 — CH. 42 + 0 PAPUA NEW GUINEA DEPARTMENT OF WORKS DRAWING No. A1/ 88178	
REV.	AMENDMENTS	BY	APP'D	DATE									

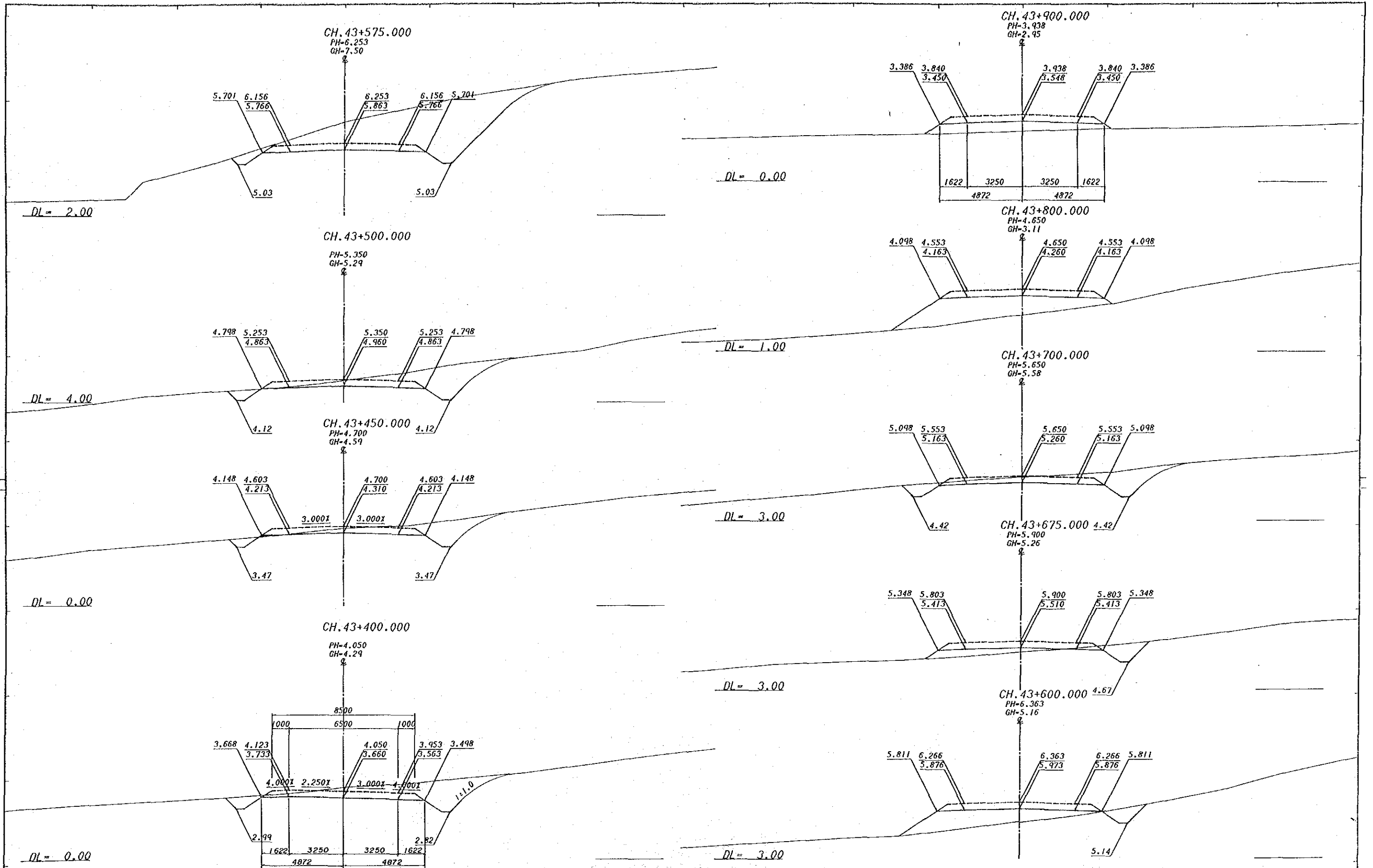


SURVEY JICA Date VERTICAL DATUM MEAN SEA LEVEL HORIZONTAL DATUM		DESIGN JAPAN INTERNATIONAL CO-OPERATION AGENCY J. H. ... 25 Sep. 1989		DRAWN K. E. CHECKED DESIGNED G. Magala CHECKED T. K...		RECOMMENDED PROJECT ENGINEER APPROVED 25.10.89 EXECUTIVE ENGINEER SECRETARY		SCALES HORIZONTAL & VERTICAL m. 1 : 100 SHEET 145 OF 303		CENTRAL / GULF PROVINCES TRANS-ISLAND HIGHWAY BEREINA-MALALUA SECTION CROSS SECTIONS CH. 42 + 100 — CH. 42 + 800 PAPA NEW GUINEA DEPARTMENT OF WORKS DRAWING No. A1/ 88179	
---	--	---	--	--	--	--	--	---	--	---	--

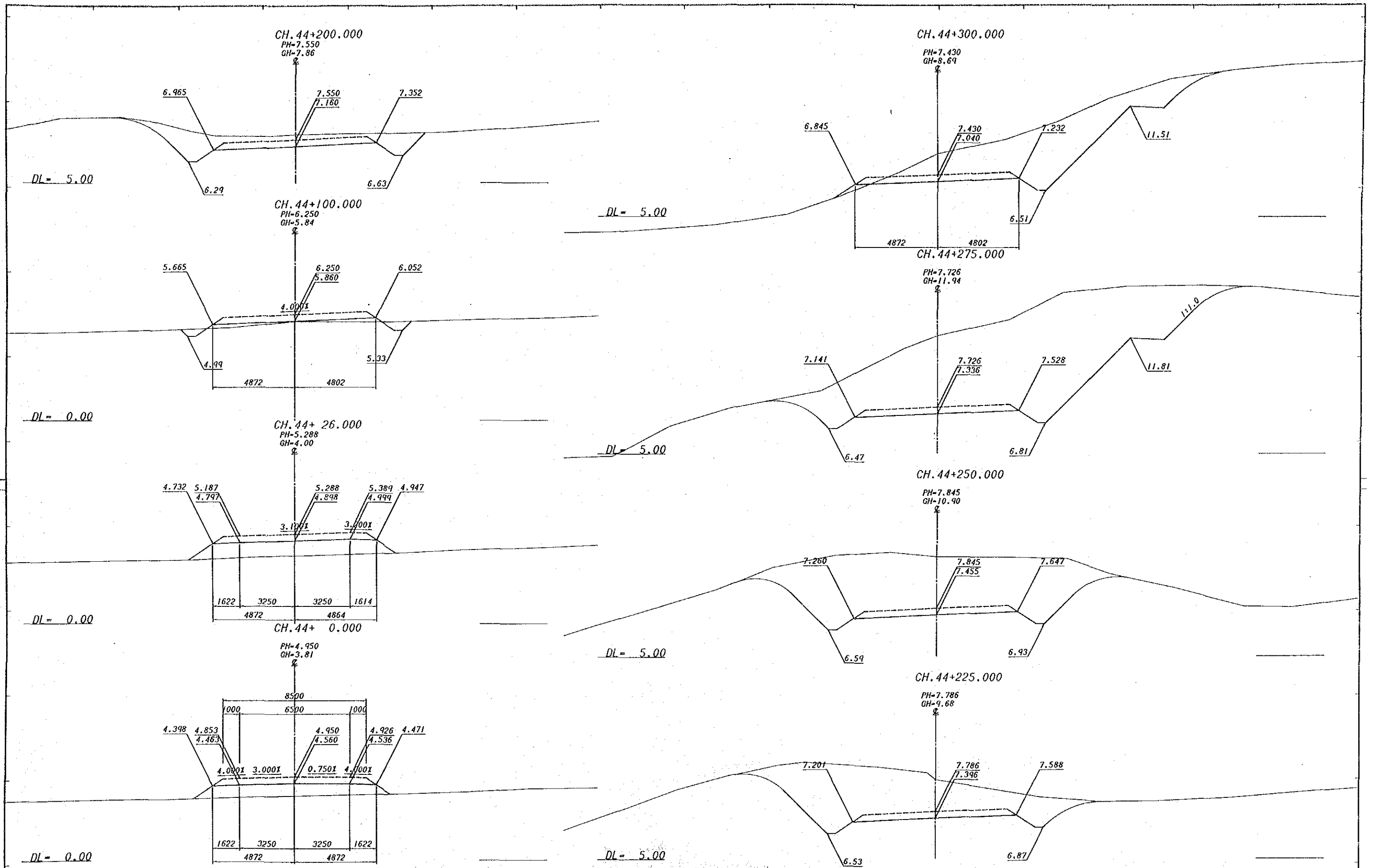


SURVEY JICA Date VERTICAL DATUM MEAN SEA LEVEL HORIZONTAL DATUM SURVEY BOOK NO.8		DESIGN JAPAN INTERNATIONAL CO-OPERATION AGENCY J. Y. ... 25 Sep. 1989 Date		DRAWN K.E. CHECKED DESIGNED CHECKED		RECOMMENDED PROJECT ENGINEER APPROVED PRINCIPAL ENGINEER SECRETARY		SCALES HORIZONTAL & VERTICAL m. 1 : 100 SHEET 146 OF 303 PROJECT No. S.C.120-33-814/B		CENTRAL / GULF PROVINCES TRANS-ISLAND HIGHWAY BEREINA-MALALAU SECTION CROSS SECTIONS CH. 42 + 831 CH. 43 + 395 PAPUA NEW GUINEA DEPARTMENT OF WORKS DRAWING No. A1/ 88180	
--	--	--	--	--	--	---	--	---	--	--	--

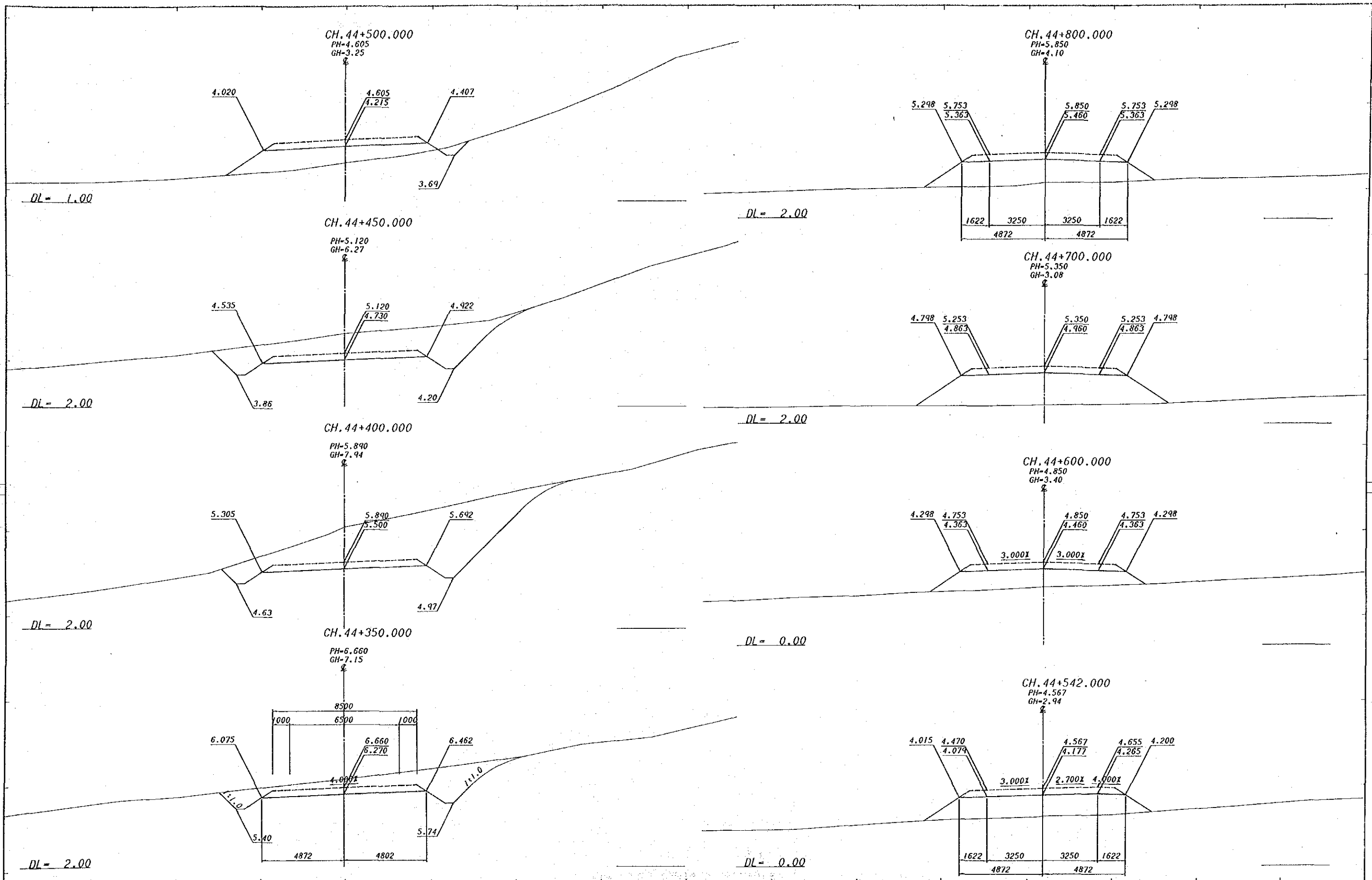
REV.	AMENOMENTS	BY	APP'D	DATE
------	------------	----	-------	------



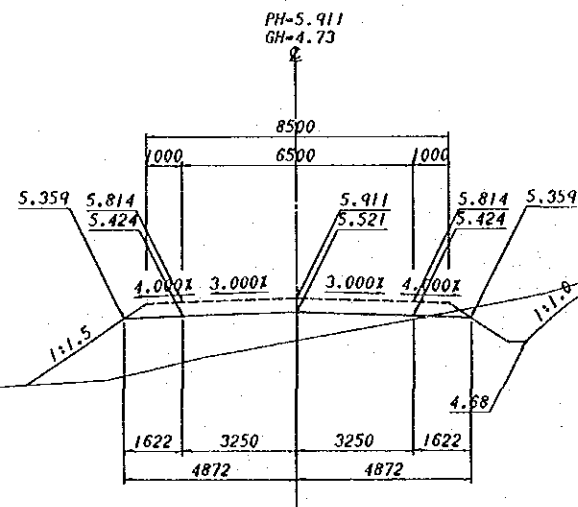
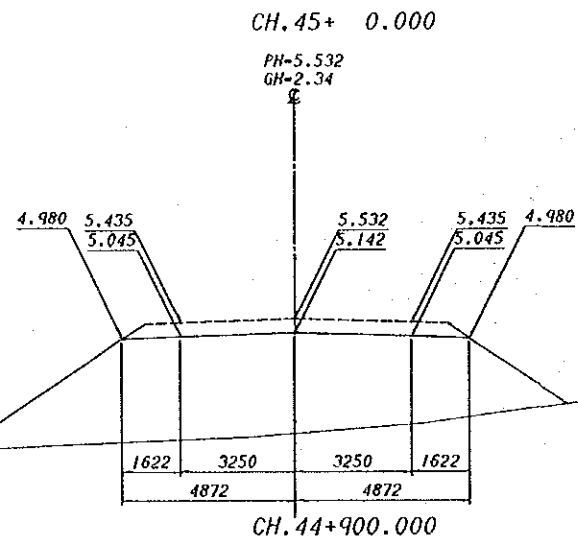
SURVEY JICA Date VERTICAL DATUM MEAN SEA LEVEL HORIZONTAL DATUM SURVEY BOOK NO.		DESIGN JAPAN INTERNATIONAL CO-OPERATION AGENCY J. H. ... 25 Sep. 1989 Date		DRAWN K. E. CHECKED DESIGNED CHECKED PROJECT ENGINEER EXECUTIVE ENGINEER		RECOMMENDED APPROVED PRINCIPAL ENGINEER SECRETARY		SCALES HORIZONTAL & VERTICAL m. 1 : 100 SHEET 147 OF 303		CENTRAL / GULF PROVINCES TRANS-ISLAND HIGHWAY BEREINA-MALALAU SECTION CROSS SECTIONS CH. 43 + 400 — CH. 43 + 900 PAPA NEW GUINEA DEPARTMENT OF WORKS DRAWING No. A1/ 88181	
---	--	--	--	---	--	---	--	--	--	--	--



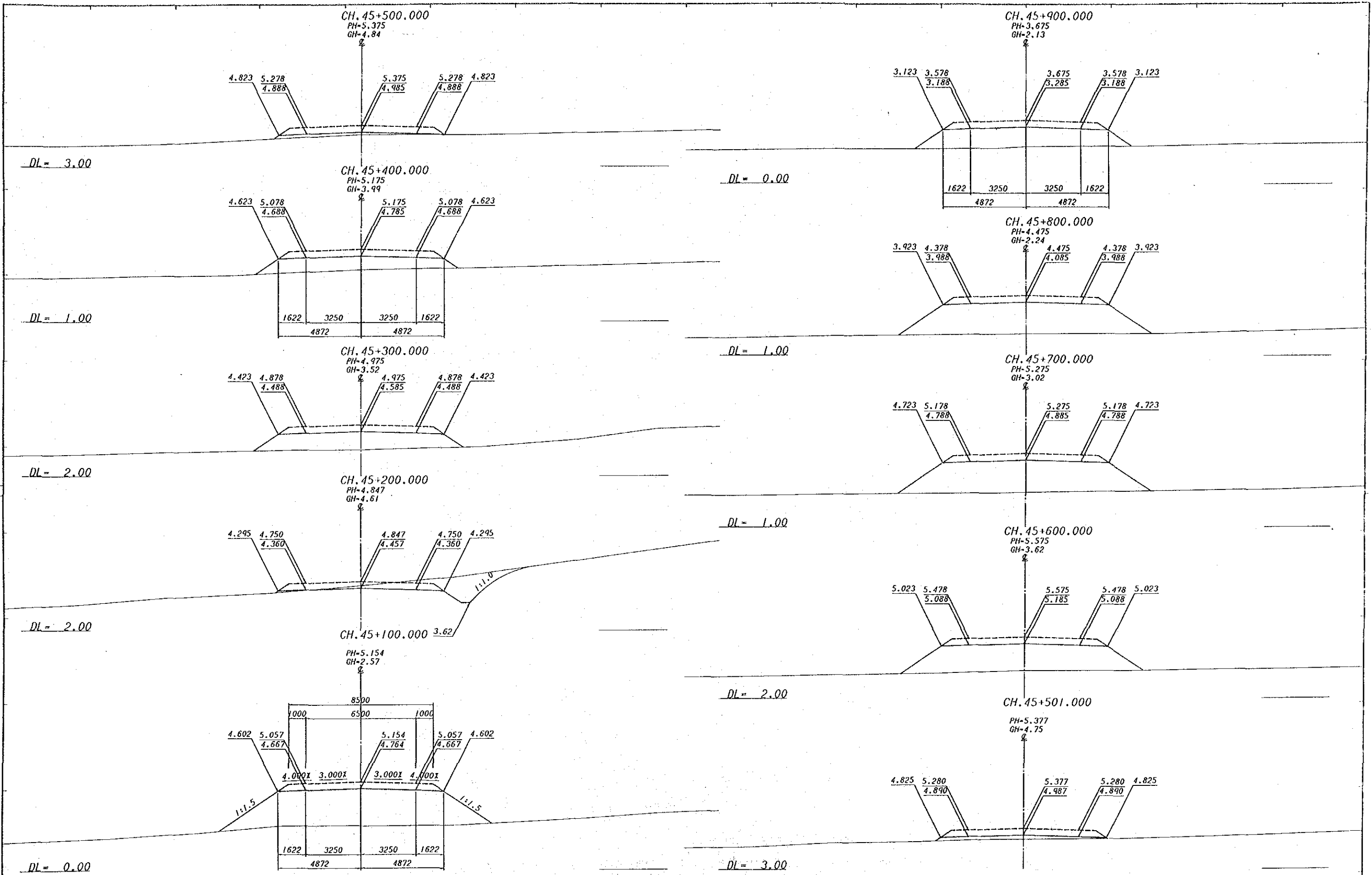
SURVEY		DESIGN		DRAWN		RECOMMENDED		SCALES		CENTRAL / GULF PROVINCES	
JICA		JAPAN INTERNATIONAL CO-OPERATION AGENCY		K.E.		W. K. K...		4 2 0 2 4 HORIZONTAL & VERTICAL m. 1 : 100		TRANS-ISLAND HIGHWAY BEREINA-MALALUA SECTION	
VERTICAL DATUM MEAN SEA LEVEL		J. J. J...		C. P. J...		A. M. J...		PROJECT No. S.C.120-33-814/B		CROSS SECTIONS	
HORIZONTAL DATUM		25 Sep. 1989		A. M. J...		S. J. J...		SHEET 148 OF 303		CH. 44 + 0 CH. 44 + 300	
SURVEY BOOK NO.S		Date		7. K. K...		FAS (P.) SECRETARY		PAPUA NEW GUINEA DEPARTMENT OF WORKS		DRAWING No. A1/ 88182	
REV.	AMENDMENTS	BY	APP'D	DATE							



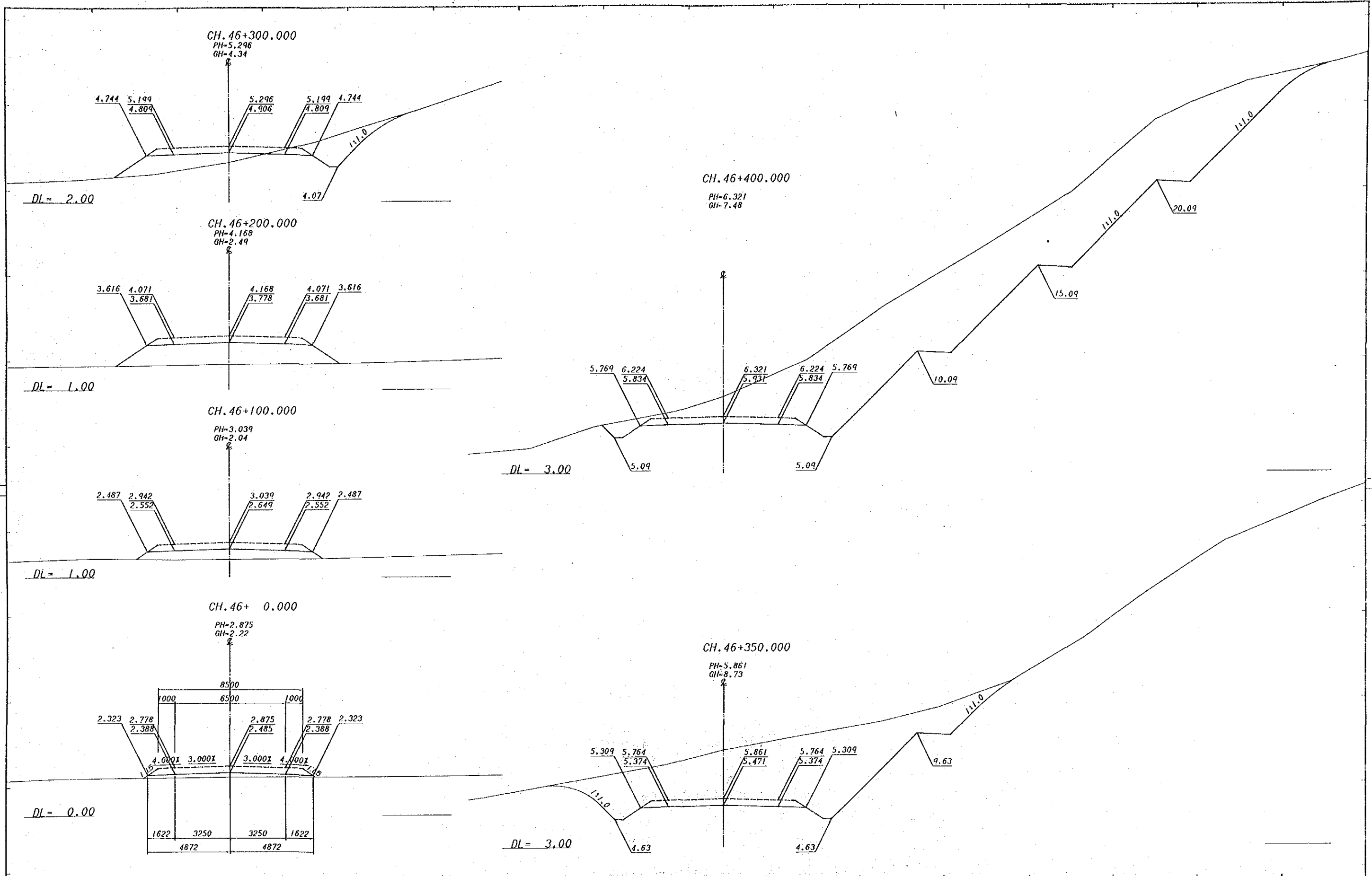
REV.		AMENDMENTS		BY	APP'D	DATE	SURVEY		DESIGN		DRAWN		CHECKED		RECOMMENDED		SCALES		CENTRAL / GULF PROVINCES			
							JICA		JAPAN INTERNATIONAL CO-OPERATION AGENCY		K. E.		PROJECT ENGINEER		PRINCIPAL ENGINEER		HORIZONTAL & VERTICAL, m. 1 : 100		TRANS-ISLAND HIGHWAY - BEREINA-MALALAU SECTION			
							VERTICAL DATUM MEAN SEA LEVEL				DESIGNED		APPROVED		SHEET 149 OF 303		PROJECT No. S.C. 120-33-814/B		CROSS SECTIONS			
							HORIZONTAL DATUM				CHECKED		SECRETARY		DEPARTMENT OF WORKS		DRAWING No.		CH. 44 + 350 — CH. 44 + 800			
							SURVEY BOOK No. 8		Principal 25 Sep. 1989 Date		EXECUTIVE ENGINEER		SECRETARY		PAPUA NEW GUINEA		A1/ 88183.		REV.			



REV.		AMENDMENTS		BY	APP'D	DATE	SURVEY JICA Date VERTICAL DATUM MEAN SEA LEVEL. HORIZONTAL DATUM SURVEY BOOK No.	DESIGN JAPAN INTERNATIONAL CO-OPERATION AGENCY J. Yabuuchi Principal 25 Sep. 1989 Date	DRAWN K.E. CHECKED C. S. S. DESIGNED A. Magaki CHECKED Z. Kubota	PROJECT ENGINEER B. K. ... EXECUTIVE ENGINEER M. ...	RECOMMENDED APPROVED J. ... SECRETARY	SCALES HORIZONTAL & VERTICAL m. 1 : 100 SHEET 150 OF 303	PROJECT No. S.C. 120-33-814/B	CENTRAL / GULF PROVINCES TRANS-ISLAND HIGHWAY BEREINA-MALALAU SECTION CROSS SECTIONS CH. 44 + 900 — CH. 45 + 0 PAPUA NEW GUINEA DEPARTMENT OF WORKS DRAWING No. A1/ 88184
------	--	------------	--	----	-------	------	---	--	---	---	--	---	----------------------------------	--

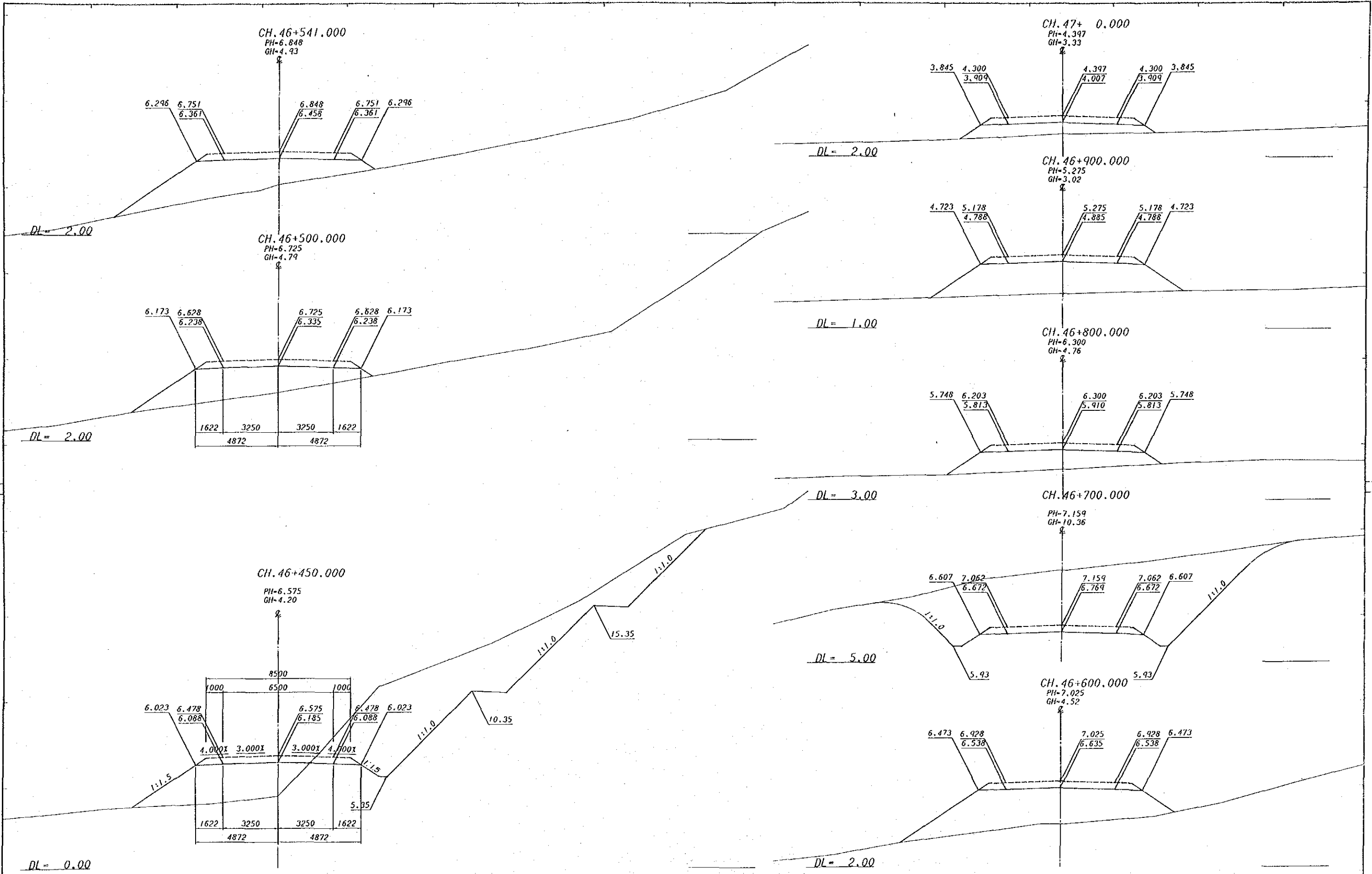


SURVEY		DESIGN		DRAWN		RECOMMENDED		SCALES		CENTRAL / GULF PROVINCES	
JICA		JAPAN INTERNATIONAL CO-OPERATION AGENCY		K.E.		<i>[Signature]</i>		HORIZONTAL & VERTICAL m. 1 : 100		TRANS-ISLAND HIGHWAY BEREINA-MALALAU SECTION	
VERTICAL DATUM MEAN SEA LEVEL		Principal		PROJECT ENGINEER		PRINCIPAL ENGINEER		PROJECT No. S.C.120-33-814/B		CROSS SECTIONS	
HORIZONTAL DATUM		25 Sep. 1989		EXECUTIVE ENGINEER		APPROVED		SHEET 151 OF 303		CH. 45 + 100 — CH. 45 + 900	
SURVEY BOOK NOS		Date		<i>[Signature]</i>		SECRETARY		PAPUA NEW GUINEA		DRAWING No.	
AMENDMENTS		BY APP'D DATE		Principal		SECRETARY		DEPARTMENT OF WORKS		A1/ 88185	

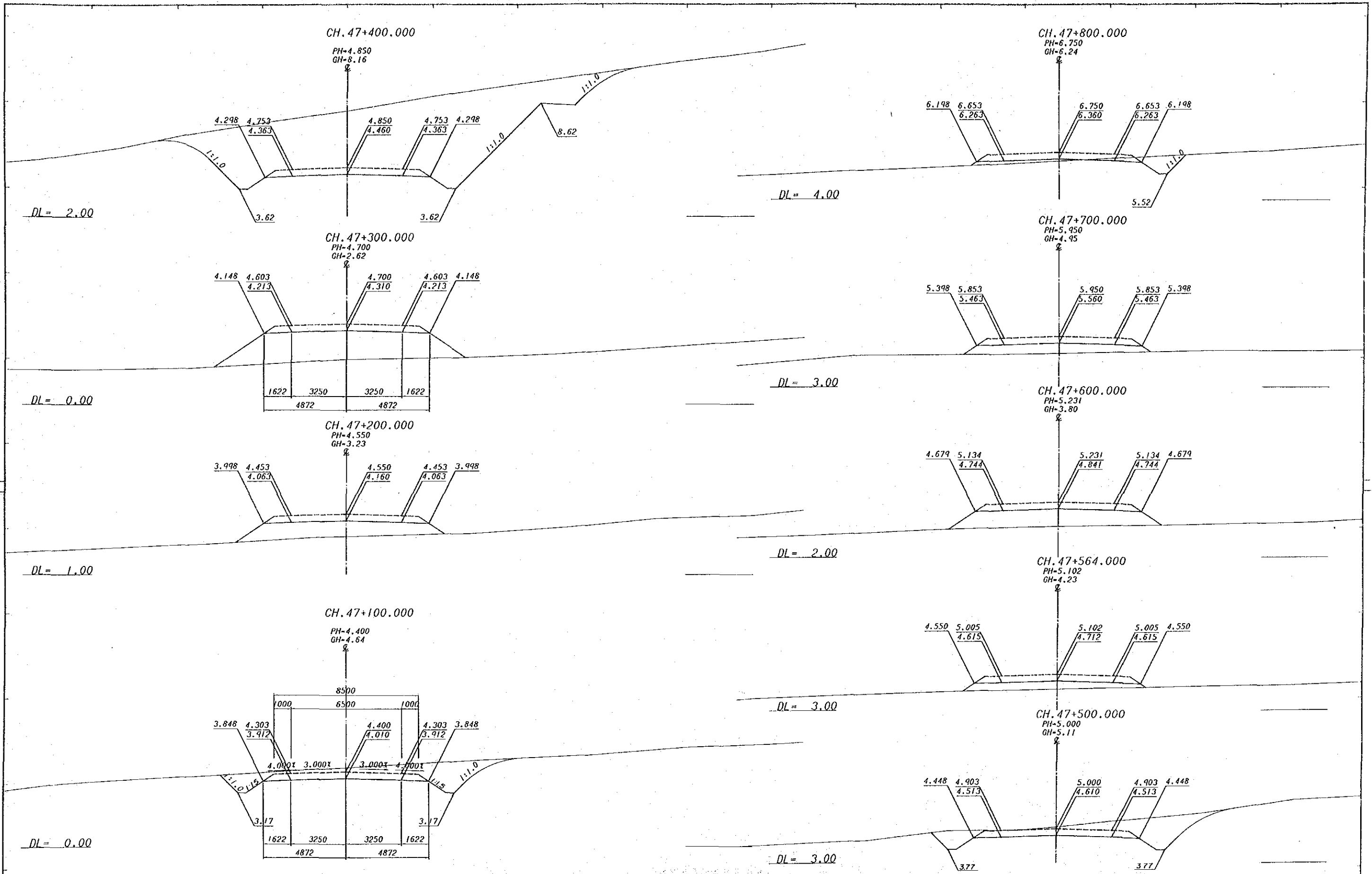


JICA Date: _____ VERTICAL DATUM: MEAN SEA LEVEL HORIZONTAL DATUM: _____ SURVEY BOOK No. _____		DESIGN JAPAN INTERNATIONAL CO-OPERATION AGENCY J. Halim 25 Sep. 1989 Date		DRAWN K.E. CHECKED: <i>[Signature]</i> DESIGNED: A. Magat CHECKED: Z. Kulu		RECOMMENDED <i>[Signature]</i> PROJECT ENGINEER APPROVED: <i>[Signature]</i> 26.10.89 EXECUTIVE ENGINEER SECRETARY		SCALES HORIZONTAL & VERTICAL m. 1 : 100 SHEET 152 OF 303		CENTRAL / GULF PROVINCES TRANS-ISLAND HIGHWAY BEREINA-MALALAU SECTION CROSS SECTIONS CH. 46 + 0 — CH. 46 + 400 PAPUA NEW GUINEA DEPARTMENT OF WORKS DRAWING No. A1/ 88186	
--	--	--	--	---	--	---	--	--	--	--	--

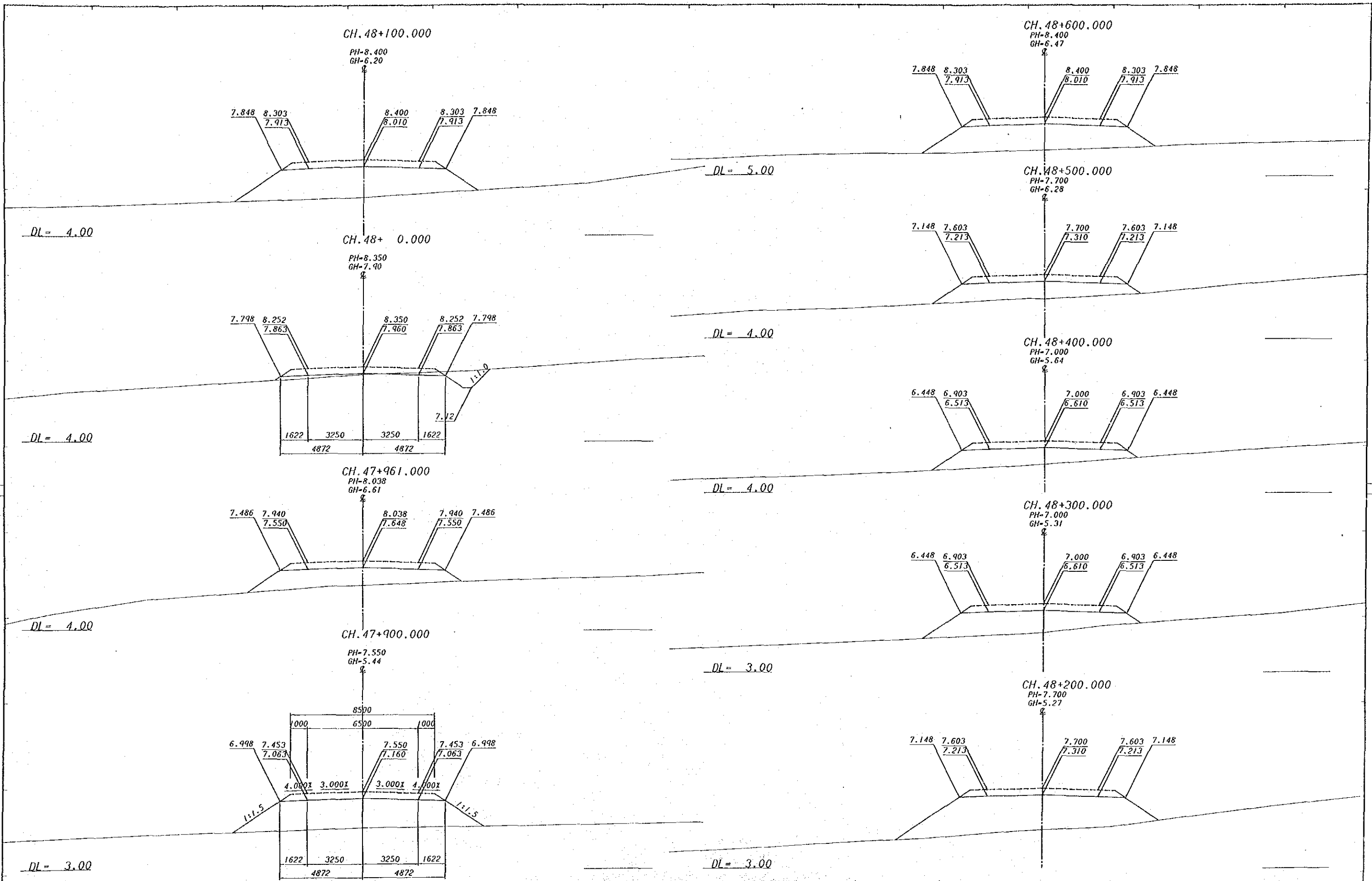
REV.	AMENDMENTS	BY	APP'D	DATE
------	------------	----	-------	------



SURVEY JICA		DESIGN JAPAN INTERNATIONAL CO-OPERATION AGENCY		DRAWN K.E.		RECOMMENDED Principal Engineer		SCALES HORIZONTAL & VERTICAL m. 1 : 100		CENTRAL / GULF PROVINCES	
VERTICAL DATUM MEAN SEA LEVEL		JAPAN INTERNATIONAL CO-OPERATION AGENCY		CHECKED Project Engineer		APPROVED Principal Engineer		PROJECT No. S.C. 120-33-814/B		TRANS-ISLAND HIGHWAY BEREINA-MALALAU SECTION	
HORIZONTAL DATUM		Principal 25 Sep. 1989		DESIGNED Executive Engineer		SECRETARY		SHEET 153 OF 303		CROSS SECTIONS CH. 46 + 450 — CH. 47 + 0	
SURVEY BOOK No. S		Date		CHECKED Executive Engineer		SECRETARY		DEPARTMENT OF WORKS		DRAWING No. A1/ 88187	
REV.	AMENDMENTS	BY	APP'D	DATE							REV.

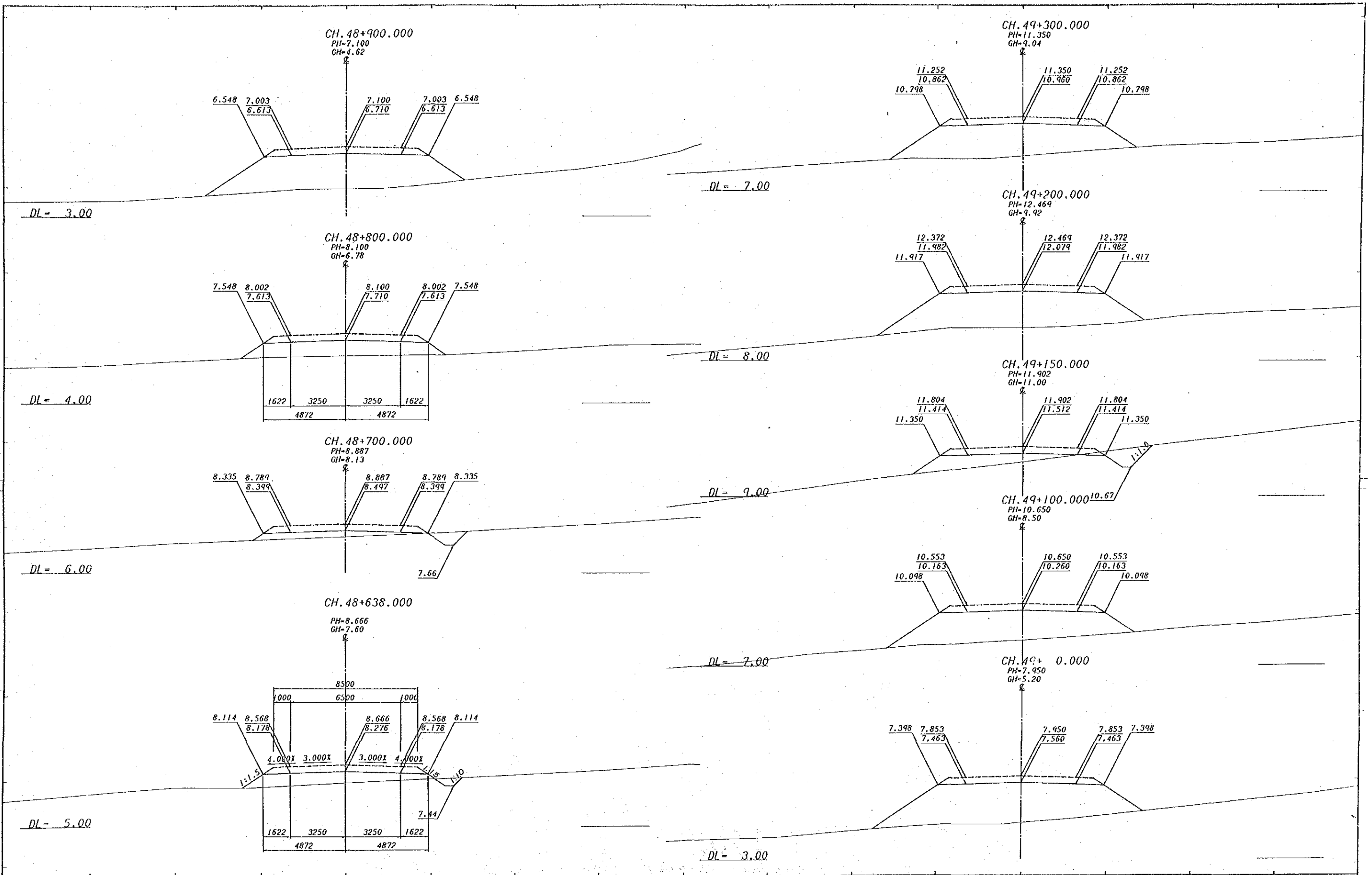


REV.		AMENDMENTS		BY	APP'D	DATE	SURVEY		DESIGN		DRAWN		RECOMMENDED		SCALES		CENTRAL / GULF PROVINCES	
							JICA		JAPAN INTERNATIONAL CO-OPERATION AGENCY		K.E.		Principal Engineer		HORIZONTAL & VERTICAL 1 : 100		TRANS-ISLAND HIGHWAY BEREINA-MALALAU SECTION	
							Date		25 Sep. 1989		Project Engineer		Principal Engineer		PROJECT No.		DRAWING No.	
							MEAN SEA LEVEL.		Date		Executive Engineer		Secretary		S.C. 120-33-814/B		A1/ 88188	
							SURVEY BOOK No. S								SHEET 154 OF 303		DEPARTMENT OF WORKS	

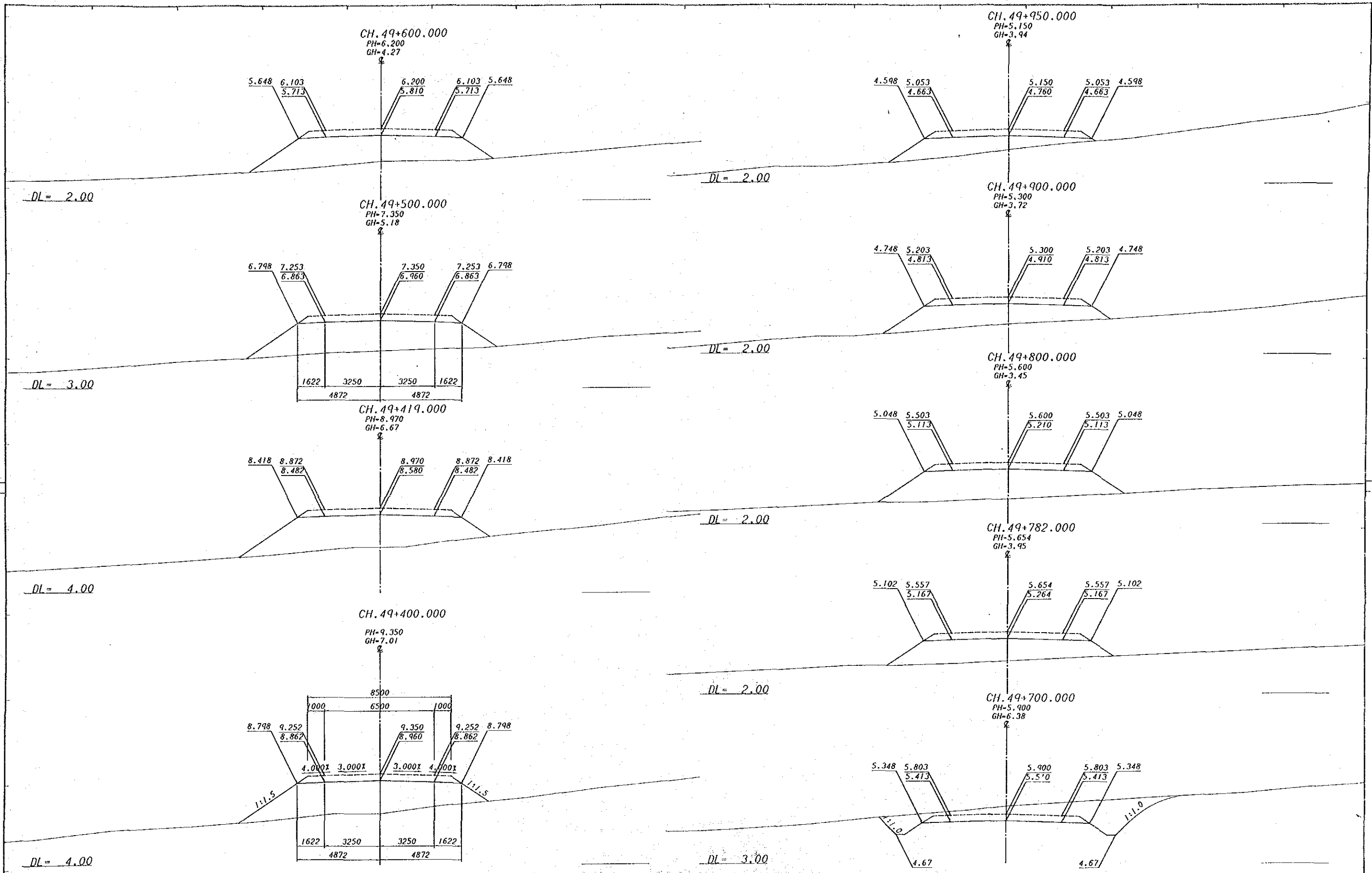


JICA SURVEY Date: _____ VERTICAL DATUM: MEAN SEA LEVEL HORIZONTAL DATUM: _____ SURVEY BOOK NO. 9: _____		JAPAN INTERNATIONAL CO-OPERATION AGENCY DESIGN Date: 25 Sep. 1989 Principal: J. Nakano		K.E. CHECKED: [Signature] PROJECT ENGINEER A. Magalao CHECKED: [Signature] EXECUTIVE ENGINEER		RECOMMENDED [Signature] PRINCIPAL ENGINEER APPROVED 26.10.89 [Signature] SECRETARY		SCALES HORIZONTAL & VERTICAL - m. 1 : 100 SHEET 155 OF 303 PROJECT No. S.C. 120-33-814/13		CENTRAL / GULF PROVINCES TRANS-ISLAND HIGHWAY BEREINA-MALALAU SECTION CROSS SECTIONS CH. 47 + 900 — CH. 48 + 600 PAPUA NEW GUINEA DEPARTMENT OF WORKS DRAWING No. A1/ 88189	
---	--	--	--	--	--	---	--	--	--	---	--

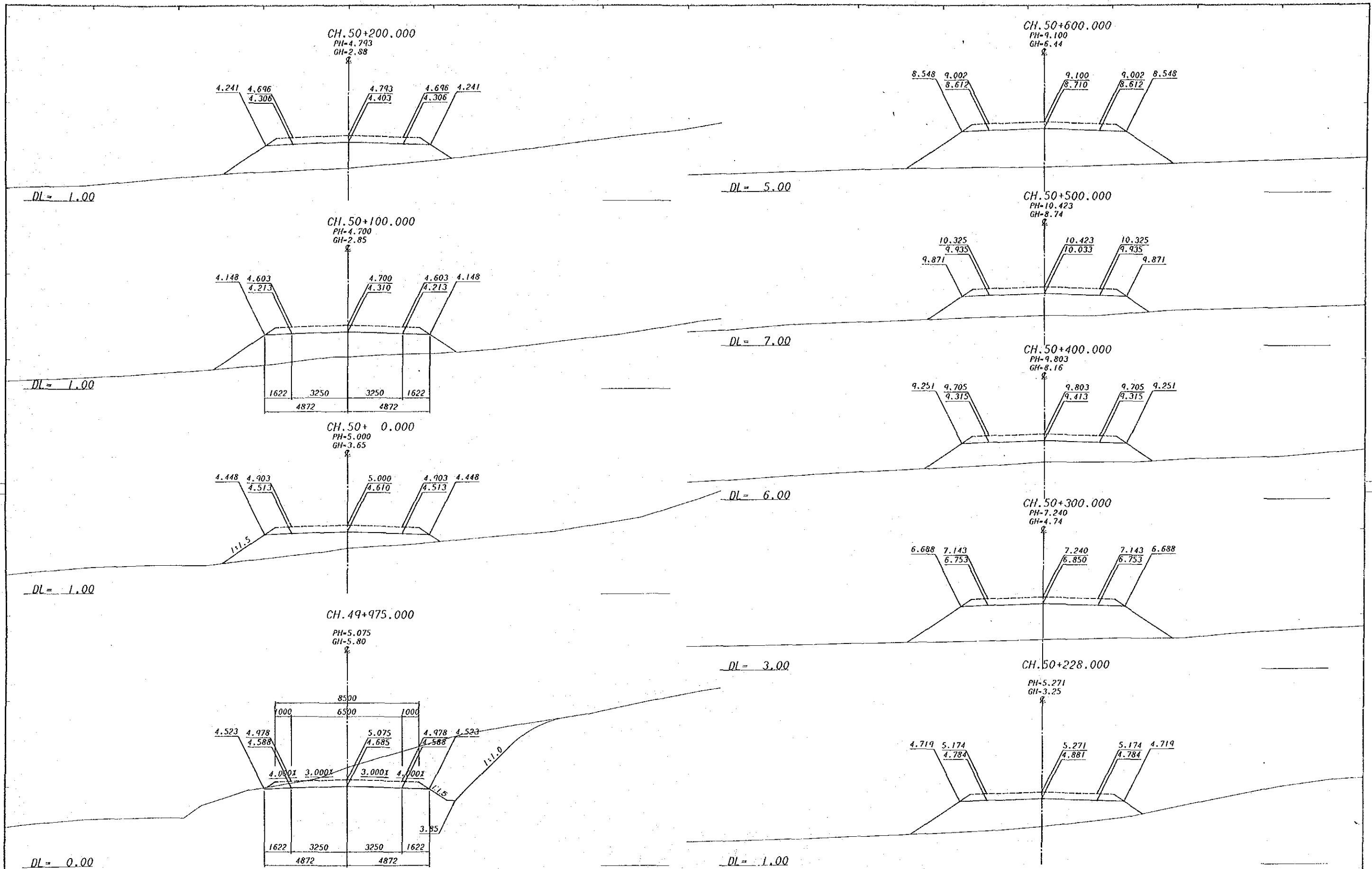
REV.	AMENDMENTS	BY	APP'D	DATE



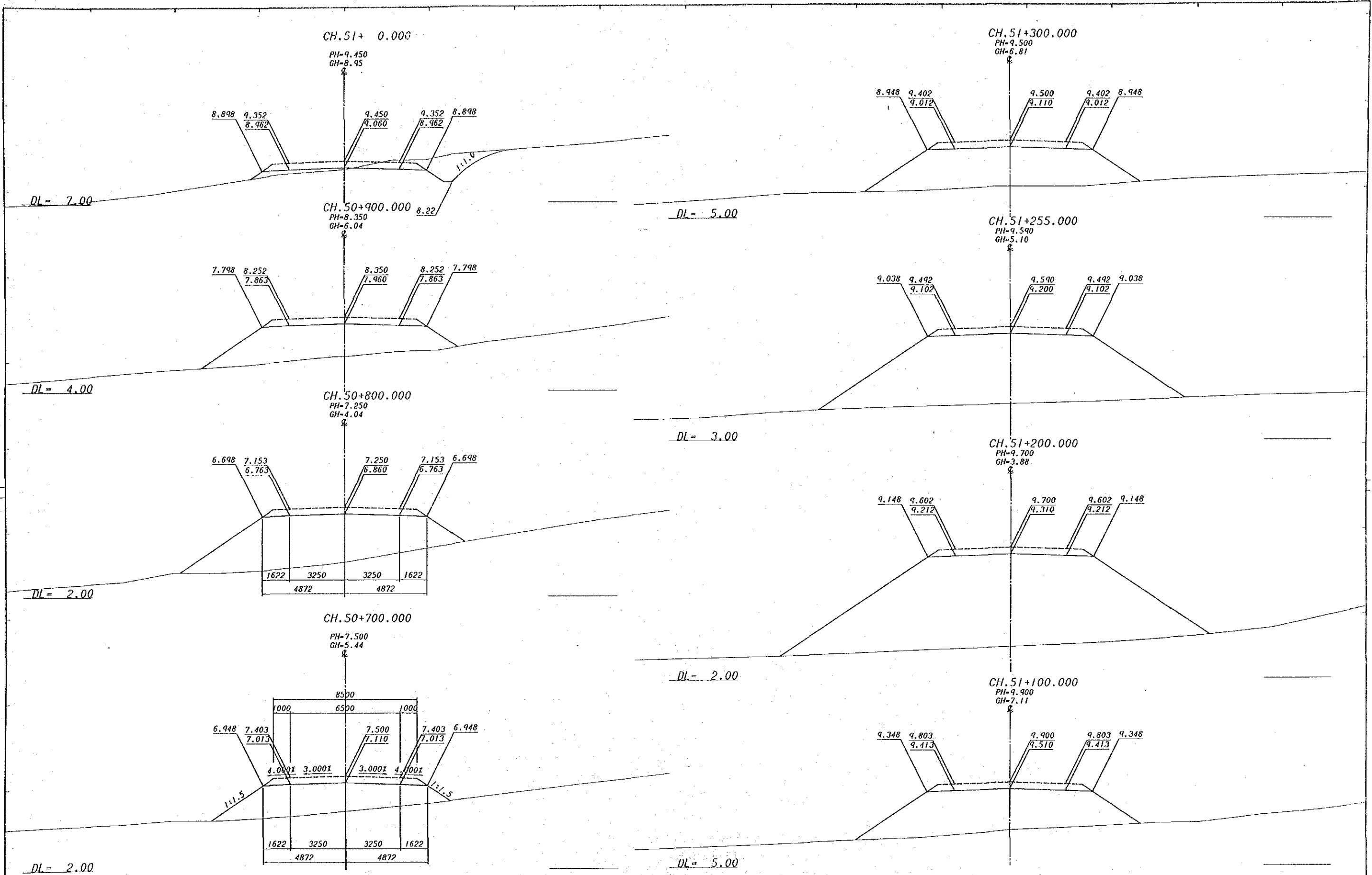
JICA Date: _____ VERTICAL DATUM: MEAN SEA LEVEL HORIZONTAL DATUM: _____ SURVEY BOOK NOS: _____		DESIGN JAPAN INTERNATIONAL CO-OPERATION AGENCY Date: 25 Sep. 1989 Principal: J. Mahanta		DRAWN K.E. CHECKED: C. [Signature] DESIGNED: A. Magala CHECKED: T. [Signature]		RECOMMENDED [Signature] PROJECT ENGINEER APPROVED 20.10.89 [Signature] EXECUTIVE ENGINEER		SCALES HORIZONTAL & VERTICAL m. 1 : 100 SHEET 156 OF 303		CENTRAL / GULF PROVINCES TRANS-ISLAND HIGHWAY HERIENA-MALALAU SECTION CROSS SECTIONS CH. 48 + 638 — CH. 49 + 300 PAPER NEW GUINEA DEPARTMENT OF WORKS DRAWING No. A1/ 88190	
---	--	---	--	---	--	---	--	--	--	---	--



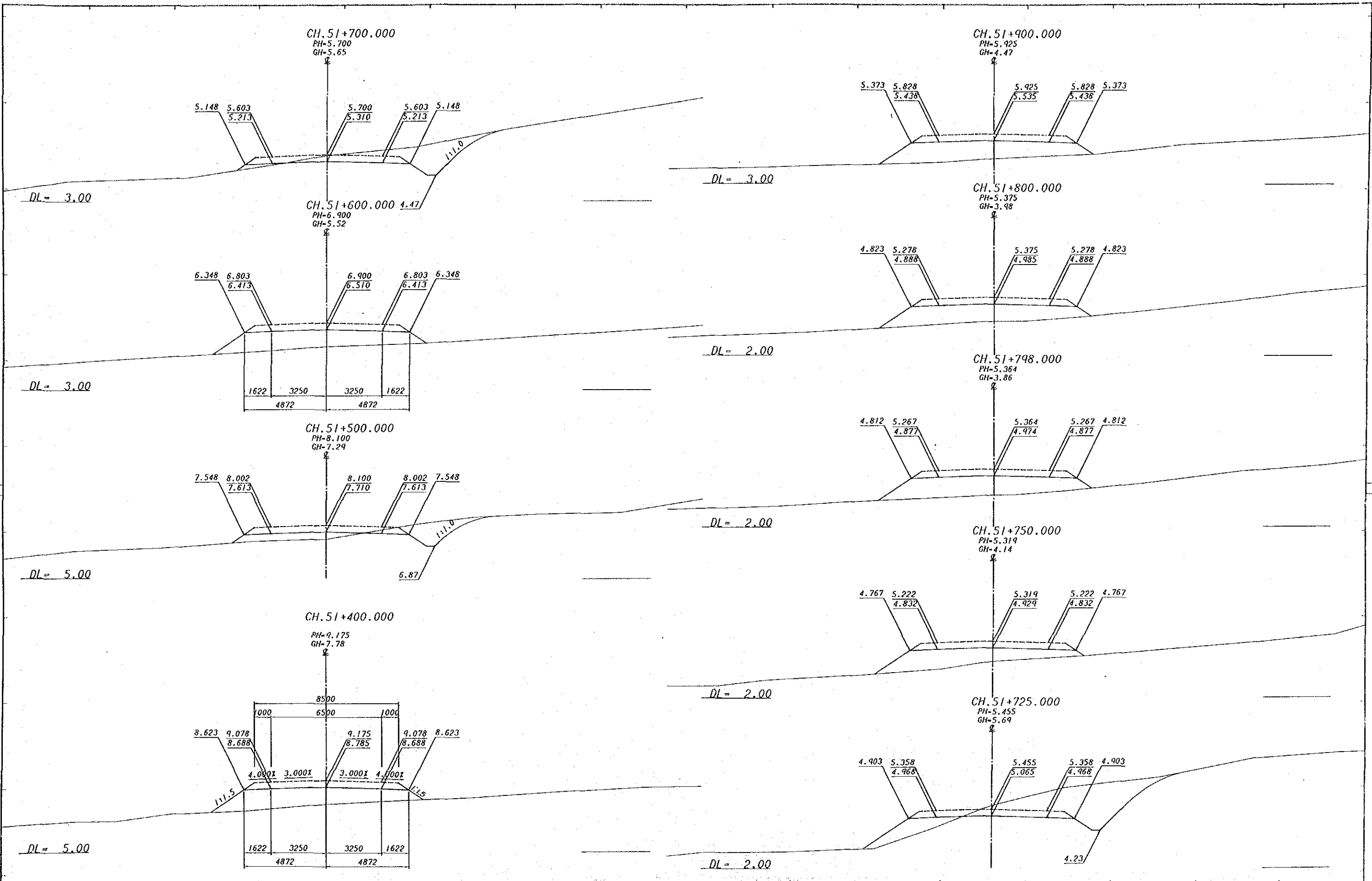
SURVEY JICA		DESIGN JAPAN INTERNATIONAL CO-OPERATION AGENCY		DRAWN K.E.		RECOMMENDED Principal Engineer		SCALES HORIZONTAL & VERTICAL m. 1 : 100		CENTRAL / GULF PROVINCES	
VERTICAL DATUM MEAN SEA LEVEL		DATE 25 Sep. 1989		CHECKED A. Maguire		APPROVED 25.10.89		PROJECT No. S.C. 120-33-814/B		TRANS-ISLAND HIGHWAY BEREINA-MALALAU SECTION	
HORIZONTAL DATUM		SURVEY BOOK No. 8		EXECUTIVE ENGINEER		SECRETARY		SHEET 157 OF 303		CROSS SECTIONS CH. 49 + 400 — CH. 49 + 950	
REV.	AMENDMENTS	BY	APP'D	DATE	DEPARTMENT OF WORKS		DRAWING No. A1/ 88191		PAPUA NEW GUINEA		



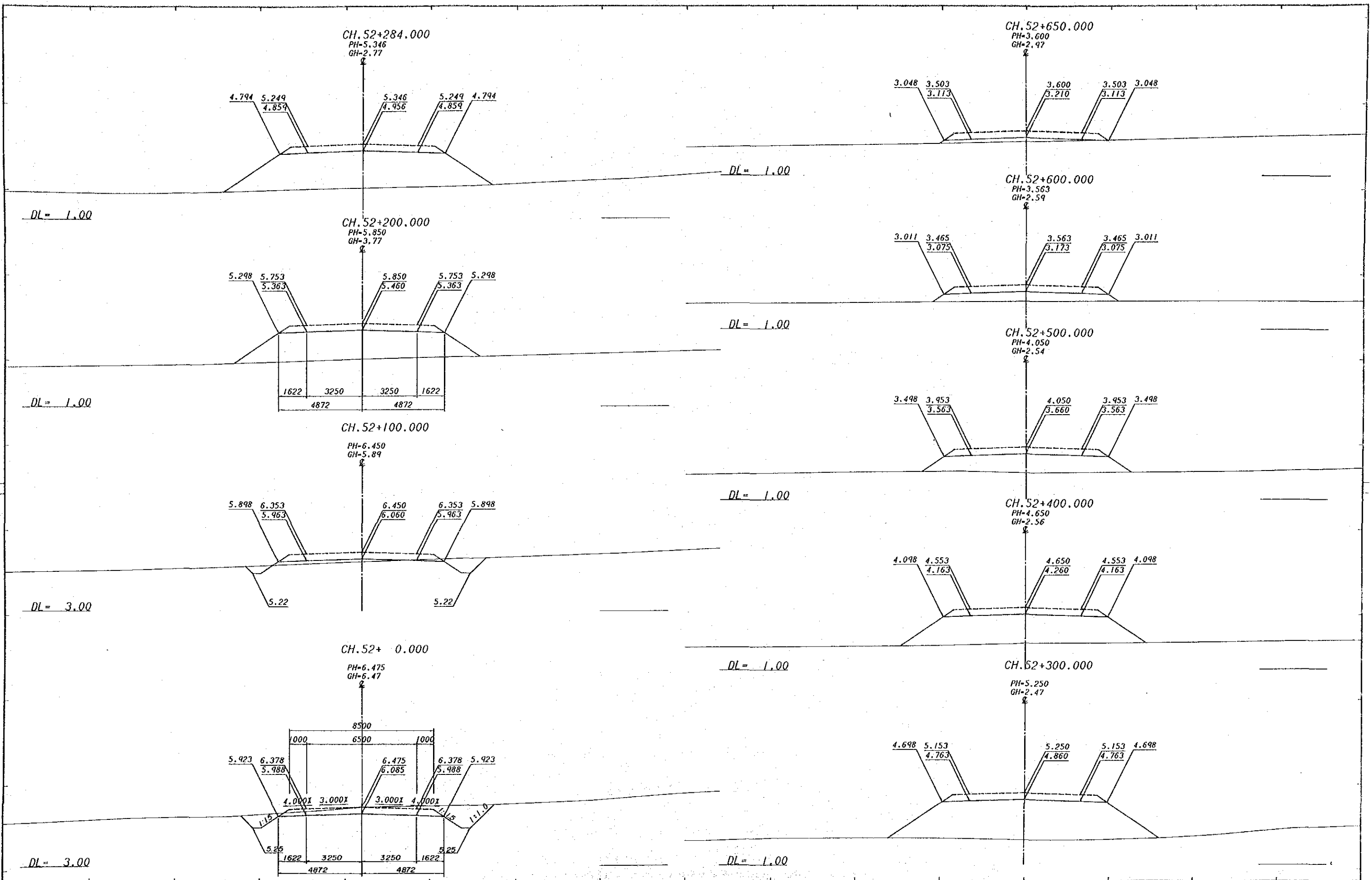
SURVEY JICA		DESIGN JAPAN INTERNATIONAL CO-OPERATION AGENCY		DRAWN K.E.		RECOMMENDED Principal Engineer		SCALES HORIZONTAL & VERTICAL m. 1 : 100		CENTRAL / GULF PROVINCES	
VERTICAL DATUM MEAN SEA LEVEL		JAPAN INTERNATIONAL CO-OPERATION AGENCY		PROJECT ENGINEER		APPROVED 25.10.81		PROJECT No. S.C. 120-33-814/B		TRANS-ISLAND HIGHWAY BERBINA-MALALAU SECTION	
HORIZONTAL DATUM		Principal J. Malinda 25 Sep. 1981		EXECUTIVE ENGINEER		SECRETARY		SHEET 158 OF 303		CROSS SECTIONS	
SURVEY BOOK No. 8		Date		Date		Date		DEPARTMENT OF WORKS		DRAWING No. A1/ 88192	
REV.	AMENDMENTS	BY	APP'D	DATE							



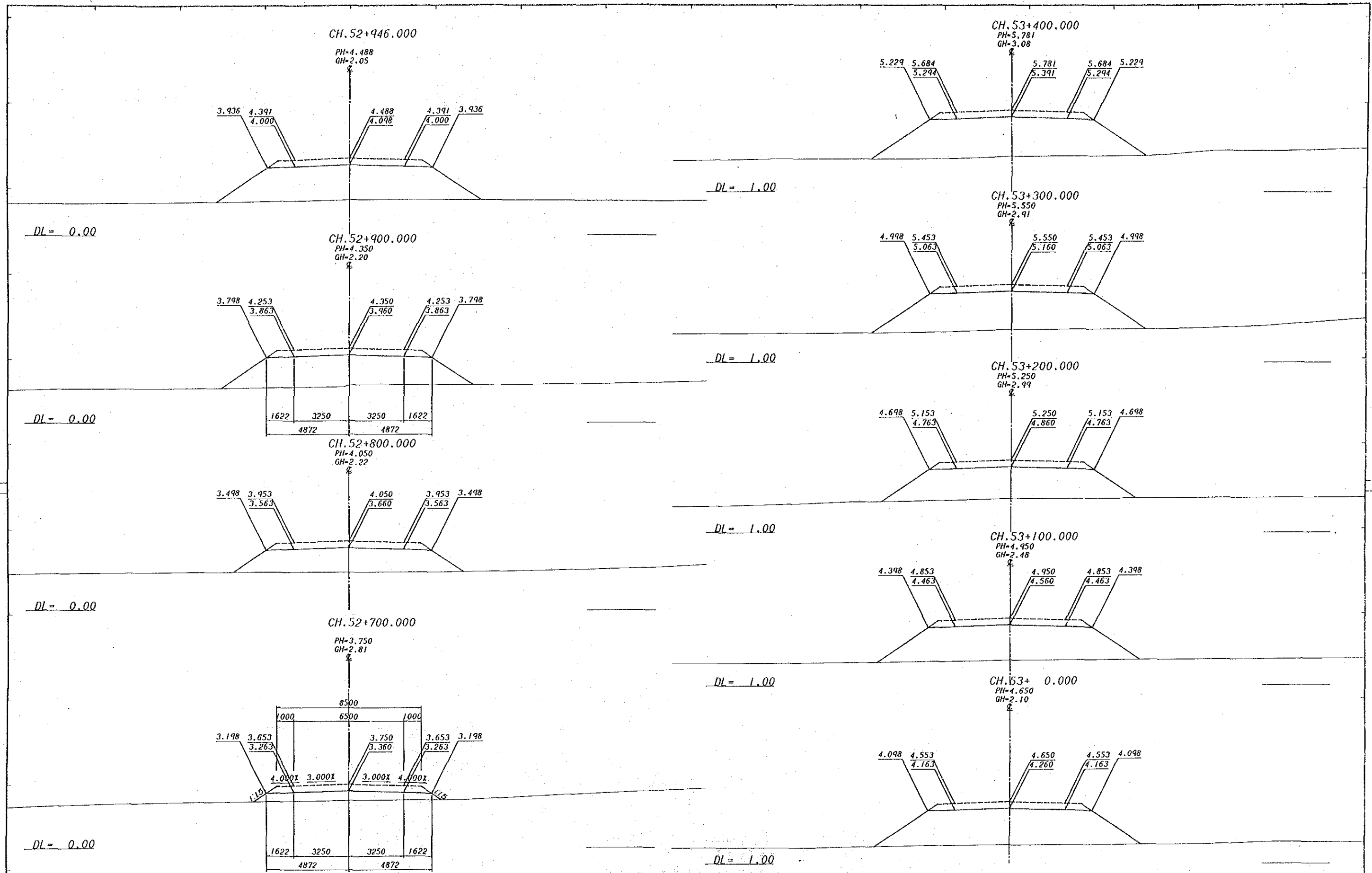
SURVEY JICA Date VERTICAL DATUM MEAN SEA LEVEL HORIZONTAL DATUM		DESIGN JAPAN INTERNATIONAL CO-OPERATION AGENCY Date 25 Sep. 1989		DRAWN K.E. CHECKED DESIGNED A. Magata CHECKED T. K.		RECOMMENDED PROJECT ENGINEER APPROVED PRINCIPAL ENGINEER EXECUTIVE ENGINEER		SCALES HORIZONTAL & VERTICAL m. 1 : 100 SHEET 159 OF 303 PROJECT No. S.C.120-33-814/B		CENTRAL / GULF PROVINCES TRANS-ISLAND HIGHWAY BEREINA-MALALAU SECTION CROSS SECTIONS CH. 50 + 700 — CH. 51 + 300 PAPUA NEW GUINEA DEPARTMENT OF WORKS DRAWING No. A1/ 88193	
---	--	---	--	---	--	---	--	---	--	--	--



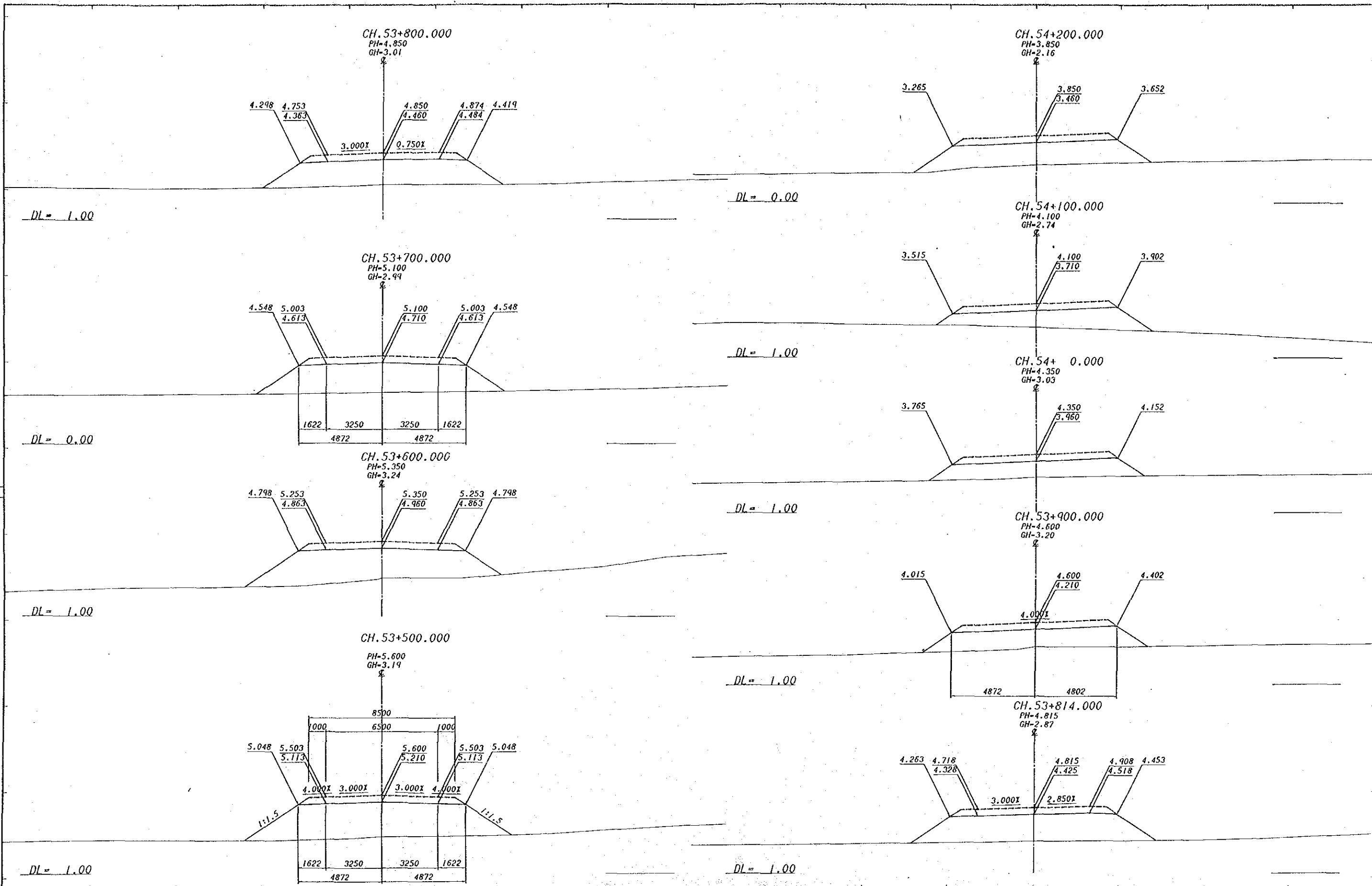
REV.	AMENDMENTS	BY	APP'D	DATE	SURVEY	DESIGN	DRAWN	RECOMMENDED	SCALES	CENTRAL / GULF PROVINCES
					JICA	JAPAN INTERNATIONAL CO-OPERATION AGENCY	K. E.	<i>[Signature]</i>		
					VERTICAL DATUM MEAN SEA LEVEL.	JAPAN INTERNATIONAL CO-OPERATION AGENCY	PROJECT ENGINEER	PRINCIPAL ENGINEER	HORIZONTAL & VERTICAL 1 : 100	CROSS SECTIONS
					HORIZONTAL DATUM	<i>[Signature]</i>	APPROVED	26.10.89		
					SURVEY BOOK NO.8	<i>[Signature]</i>	EXECUTIVE ENGINEER	SECRETARY	SHEET 160 OF 303	PAPUA NEW GUINEA
					25 Sep. 1989	<i>[Signature]</i>			PROJECT No. S.C. 120-33-814/B	DEPARTMENT OF WORKS
										DRAWING No. A1/ 88194



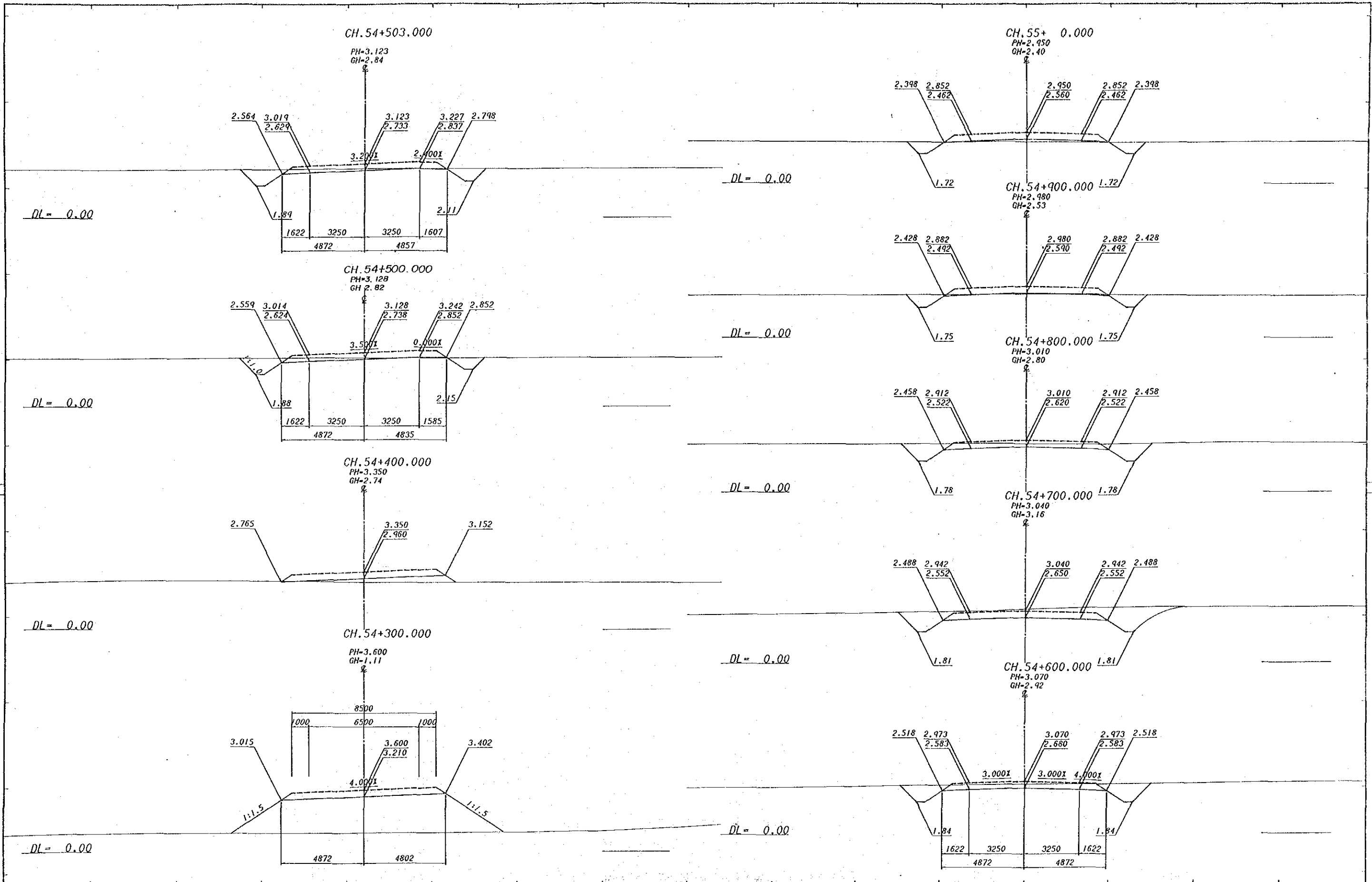
SURVEY JICA		DESIGN JAPAN INTERNATIONAL CO-OPERATION AGENCY		DRAWN K.E.		RECOMMENDED <i>[Signature]</i>		SCALES HORIZONTAL & VERTICAL m. 1 : 100		CENTRAL / GULF PROVINCES TRANS-ISLAND HIGHWAY BEREINA-MALALAU SECTION CROSS SECTIONS CH. 52 + 0 — CH. 52 + 650					
VERTICAL DATUM MEAN SEA LEVEL		Principal <i>[Signature]</i>		CHECKED <i>[Signature]</i>		PROJECT ENGINEER <i>[Signature]</i>		APPROVED 25.10.89 <i>[Signature]</i>		SHEET 161 OF 303		PROJECT No. S.C. 120-83-814/B		DRAWING No. A1/ 88195	
HORIZONTAL DATUM		Date 25 Sep. 1989		DESIGNED A. Magala		EXECUTIVE ENGINEER <i>[Signature]</i>		SECRETARY <i>[Signature]</i>		PAPUA NEW GUINEA DEPARTMENT OF WORKS		REV.			
SURVEY BOOK NOS		BY		APP'D		DATE		AMENDMENTS							



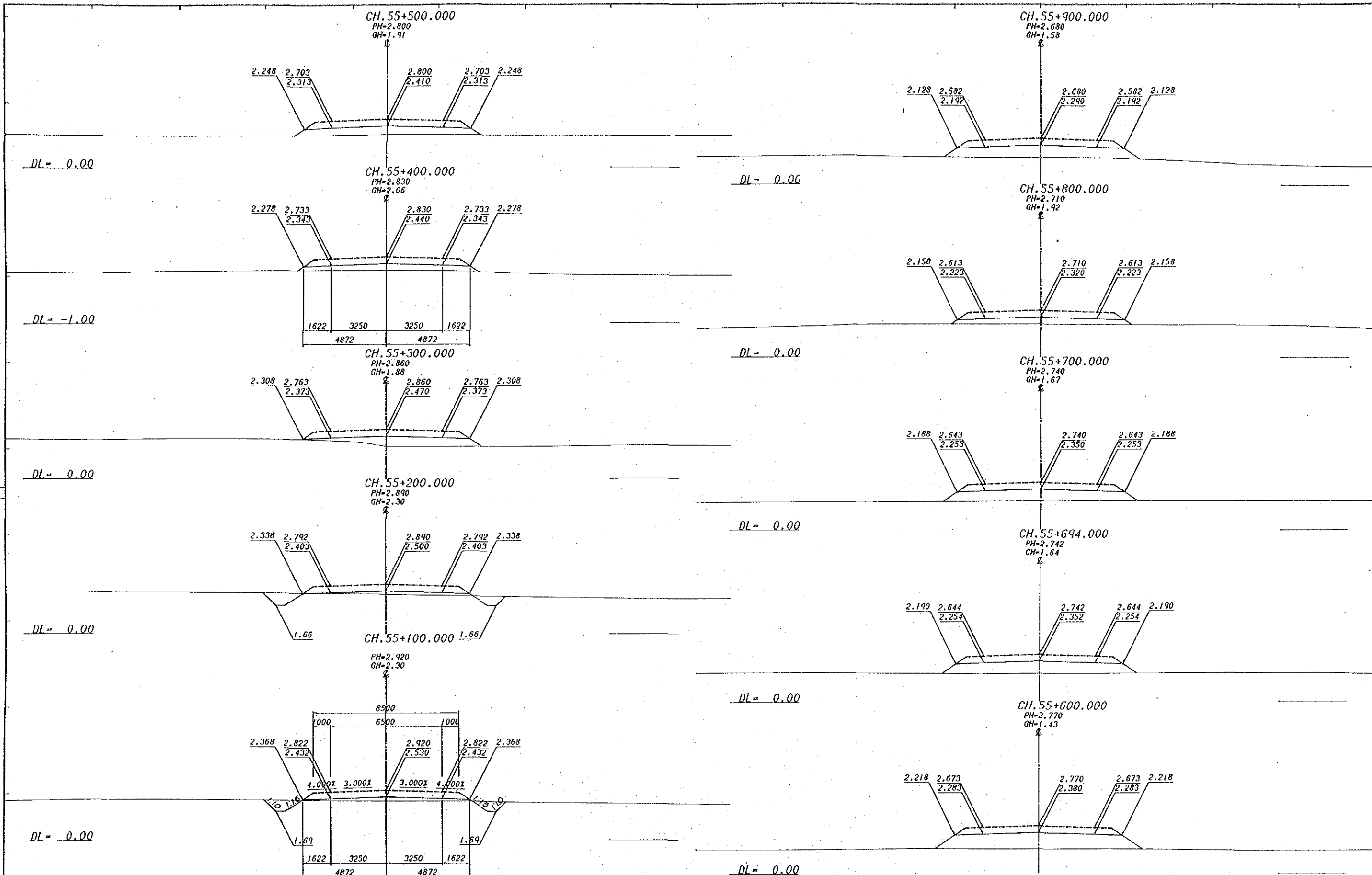
SURVEY JICA		DESIGN JAPAN INTERNATIONAL CO-OPERATION AGENCY		DRAWN K.E.		RECOMMENDED Principal Engineer		SCALES HORIZONTAL & VERTICAL m. 1 : 100		CENTRAL / GULF PROVINCES	
VERTICAL DATUM MEAN SEA LEVEL.		JAPAN INTERNATIONAL CO-OPERATION AGENCY		CHECKED PROJECT ENGINEER		APPROVED Principal Engineer		PROJECT No. S.C.120-33-814/13		TRANS-ISLAND HIGHWAY BEREINA-MALALAU SECTION	
HORIZONTAL DATUM		Principal 25 Sep. 1989		DESIGNED CHECKED		SECRETARY		SHEET 162 OF 303		CROSS SECTIONS	
SURVEY BOOK NO.		Date		CHECKED		SECRETARY		PROJECT No. S.C.120-33-814/13		CH. 52 + 700 — CH. 53 + 400	
REV.	AMENDMENTS	BY	APP'D	DATE	Principal	EXECUTIVE ENGINEER	SECRETARY	DEPARTMENT OF WORKS		DRAWING No. A1/ 88196	



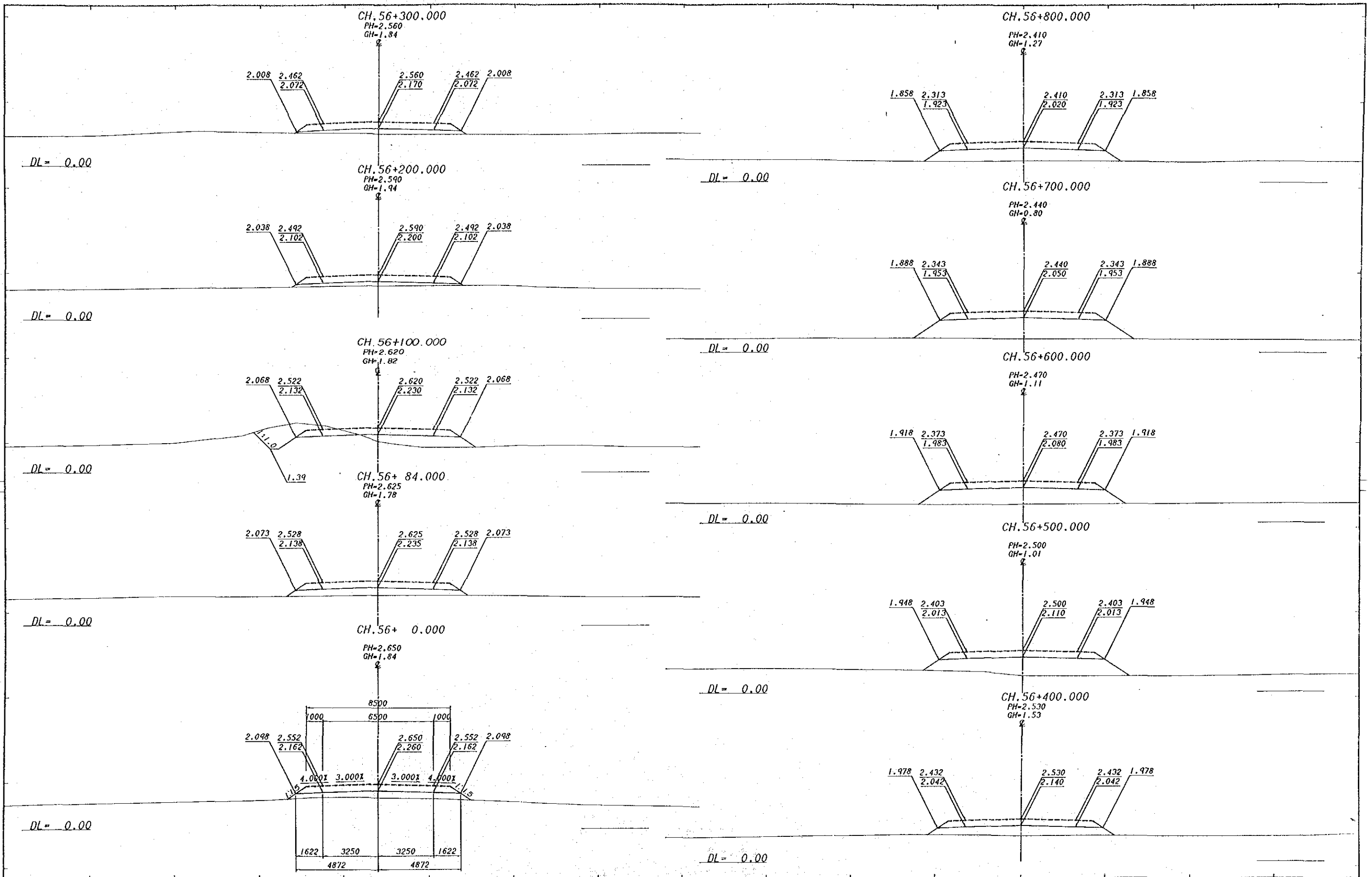
SURVEY		DESIGN		DRAWN		RECOMMENDED		SCALES		CENTRAL / GULF PROVINCES	
JICA		JAPAN INTERNATIONAL CO-OPERATION AGENCY		K. E.		K. Maga		1 : 100		TRANS-ISLAND HIGHWAY BEREINA-MALALAU SECTION	
VERTICAL DATUM MEAN SEA LEVEL		Date		CHECKED C. [Signature]		PROJECT ENGINEER		HORIZONTAL & VERTICAL m.		CROSS SECTIONS	
HORIZONTAL DATUM		Date		DESIGNED A. Maga		APPROVED 25.10.89		1 : 100		CH. 53 + 500 — CH. 54 + 200	
SURVEY BOOK NO.		25 Sep. 1989		CHECKED P. [Signature]		SECRETARY		SHEET 163 OF 303		PAPUA NEW GUINEA DEPARTMENT OF WORKS	
AMENDMENTS		BY APP'D DATE		EXECUTIVE ENGINEER		SECRETARY		PROJECT No. S.C. 120-33-814/B		DRAWING No. A1/ 88197	



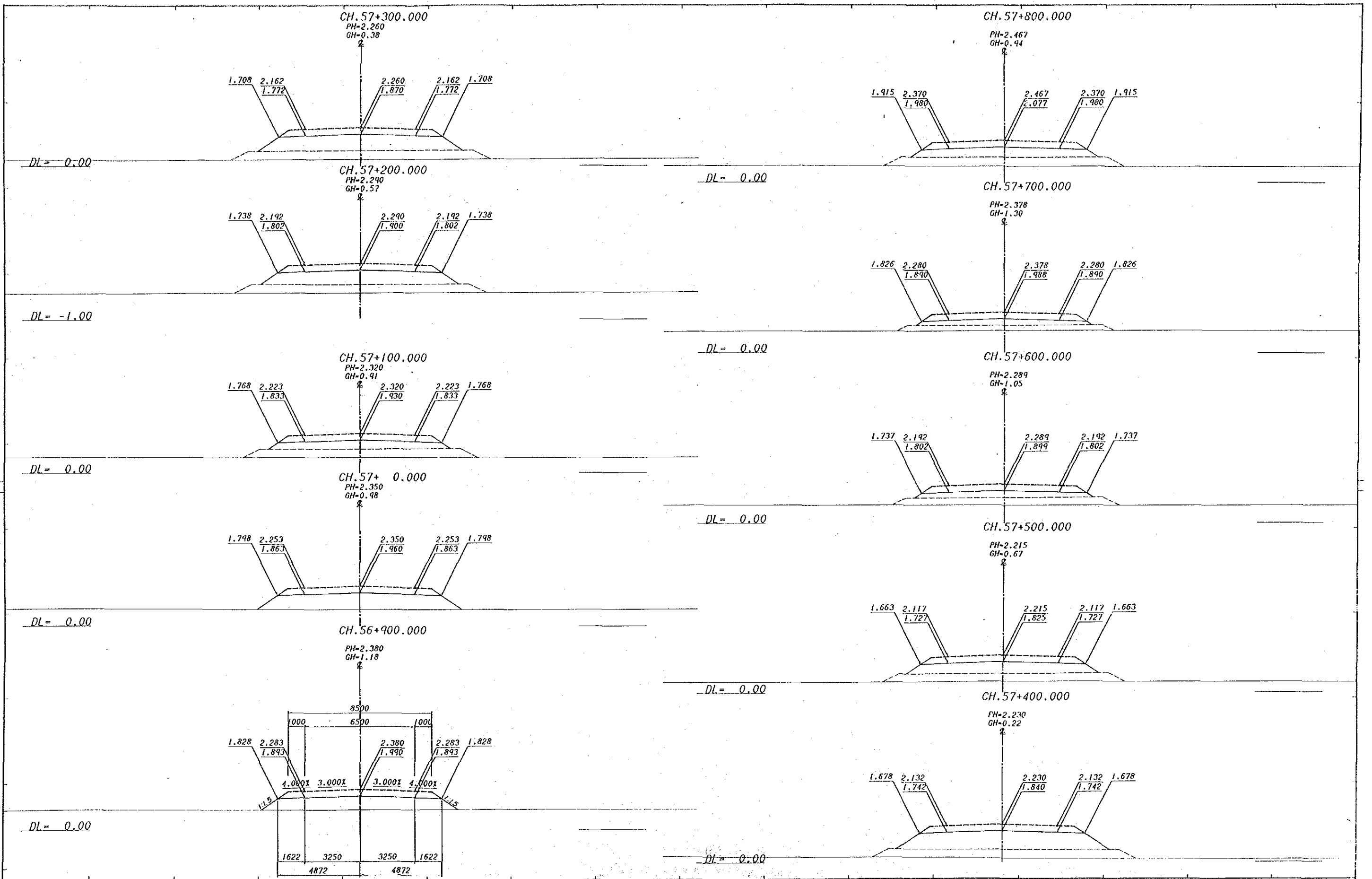
REV.		AMENDMENTS		BY	APP'D	DATE	SURVEY		DESIGN		DRAWN		RECOMMENDED		SCALES		CENTRAL / GULF PROVINCES	
							JICA		JAPAN INTERNATIONAL CO-OPERATION AGENCY		K. E.		W. K. K.		HORIZONTAL & VERTICAL 1 : 100		TRANS-ISLAND HIGHWAY BEREINA-MALALAU SECTION	
							VERTICAL DATUM MEAN SEA LEVEL		25 Sep. 1989		C. E. S.		A. Magala		PROJECT No. S.C. 120-33-814/B		CH. 54+300 — CH. 55+0	
							HORIZONTAL DATUM		Date		A. Magala		J. S. S.		SHEET 164 OF 303		PAPUA NEW GUINEA DEPARTMENT OF WORKS	
							SURVEY BOOK NRS		Date		W. K. K.		J. S. S.		PROJECT No. S.C. 120-33-814/B		DRAWING No. A1/ 88198	



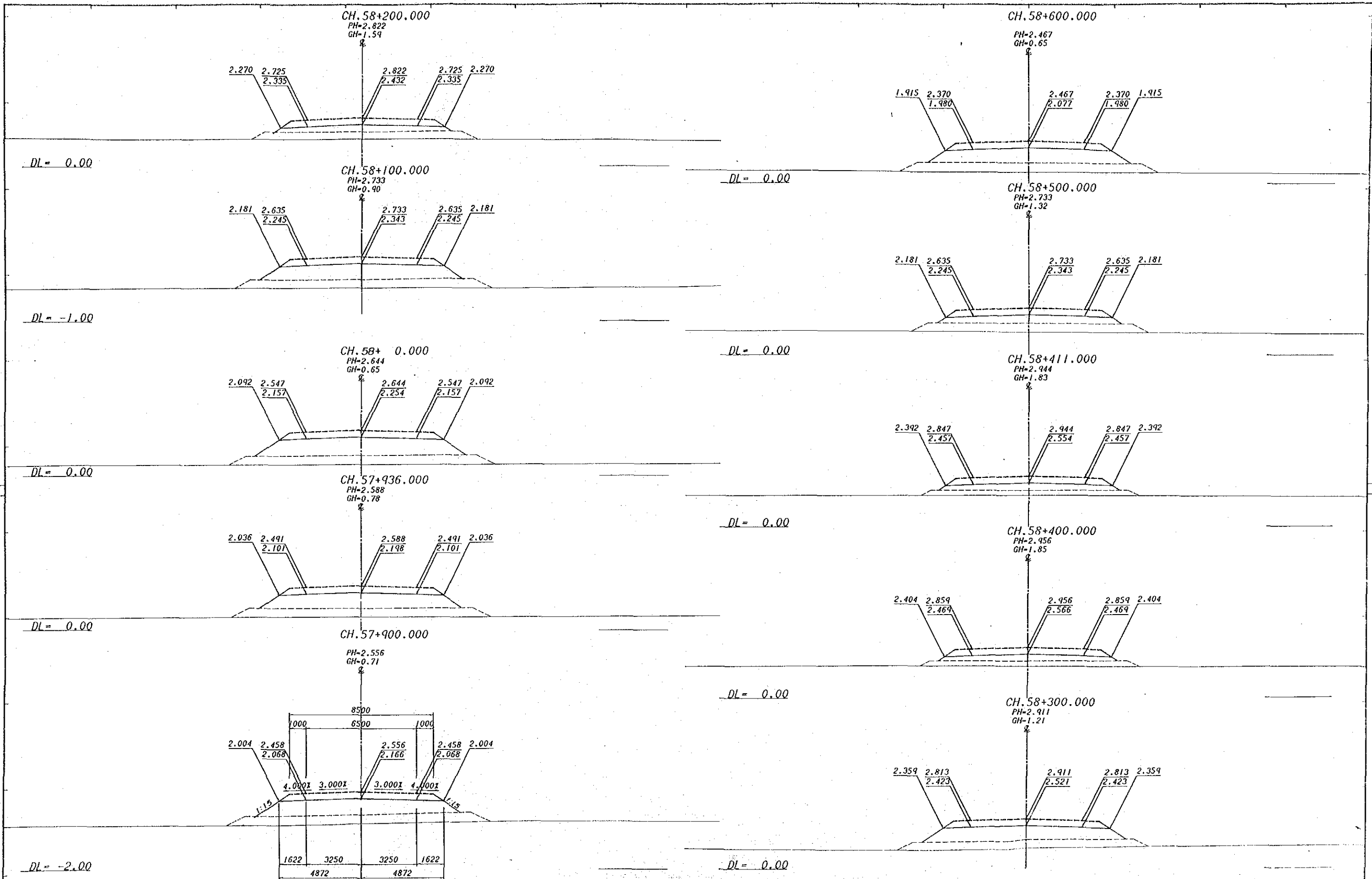
SURVEY JICA Date VERTICAL DATUM MEAN SEA LEVEL HORIZONTAL DATUM		DESIGN JAPAN INTERNATIONAL CO-OPERATION AGENCY J. M. ... 25 Sep. 1989 Date		DRAWN K. E. CHECKED C. ... DESIGNED A. Magala CHECKED J. ...		RECOMMENDED PROJECT ENGINEER APPROVED 26.10.81 PRINCIPAL ENGINEER EXECUTIVE ENGINEER		SCALES HORIZONTAL & VERTICAL m. 1 : 100		CENTRAL / GULF PROVINCES TRANS-ISLAND HIGHWAY BEREINA-MALALUA SECTION CROSS SECTIONS CH. 55 + 100 --- CH. 55 + 900	
REV. AMENDMENTS BY APP'D DATE	SURVEY BOOK NOS.			PROJECT No. S.C.120-33-814/B		PAPUA NEW GUINEA DEPARTMENT OF WORKS		DRAWING No. A1/ 88199		REV.	



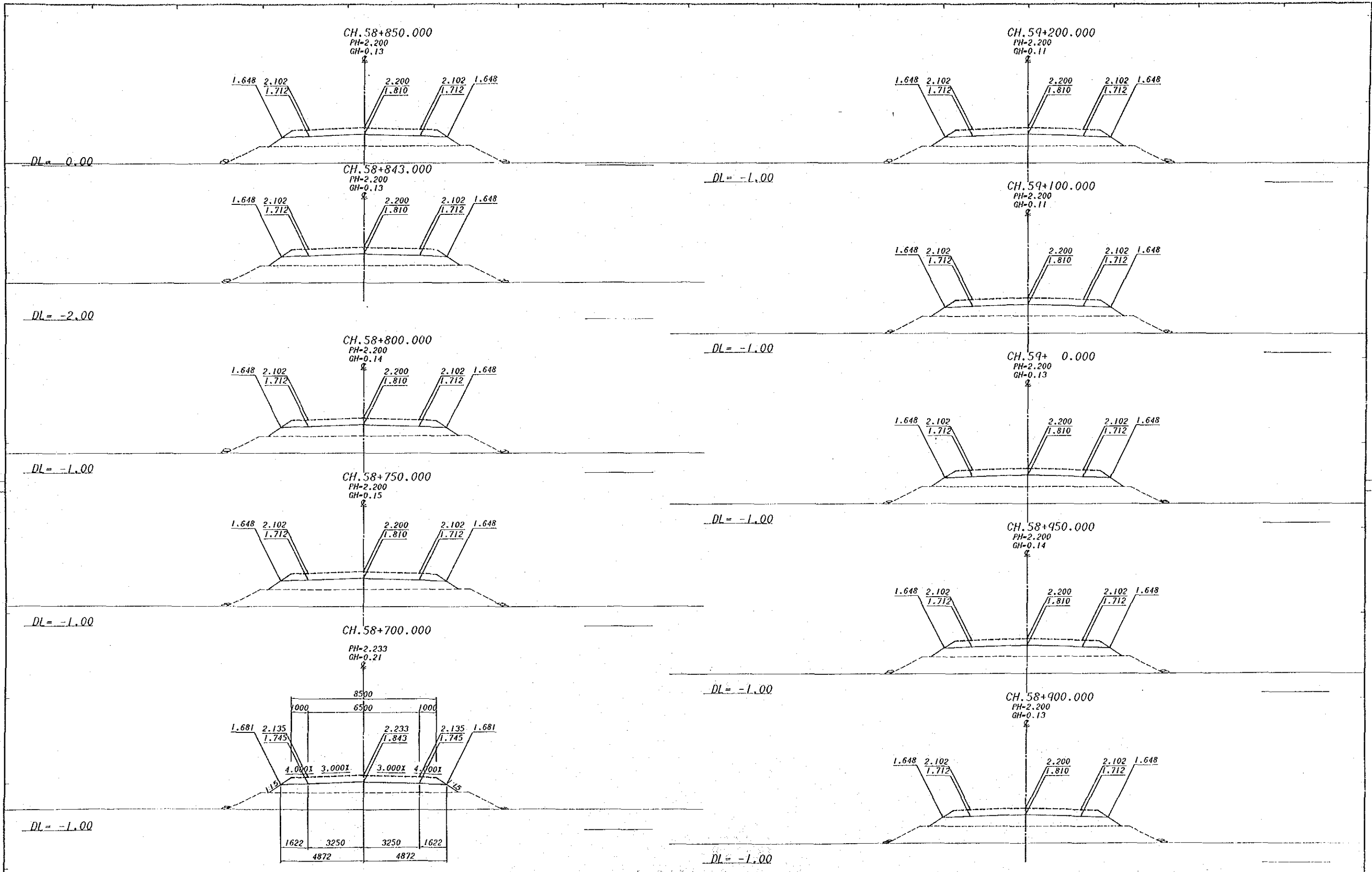
JICA Date VERTICAL DATUM MEAN SEA LEVEL HORIZONTAL DATUM SURVEY BOOK No.		DESIGN JAPAN INTERNATIONAL CO-OPERATION AGENCY J. Y. ... 25 Sep. 1989 Date		DRAWN K.E. CHECKED C.Z.A. DESIGNED A. ... CHECKED J. ...		RECOMMENDED PROJECT ENGINEER APPROVED 26.10.89 PRINCIPAL ENGINEER EXECUTIVE ENGINEER SECRETARY		SCALES HORIZONTAL & VERTICAL, m. 1 : 100 SHEET 166 OF 303 PROJECT No. S.C. 120-33-814/B		CENTRAL / GULF PROVINCES TRANS-ISLAND HIGHWAY BEREINA-MALALAU SECTION CROSS SECTIONS CH. 56 + 0 — CH. 56 + 800 PAPUA NEW GUINEA DEPARTMENT OF WORKS DRAWING No. A1/ 88200	
--	--	--	--	--	--	---	--	--	--	--	--



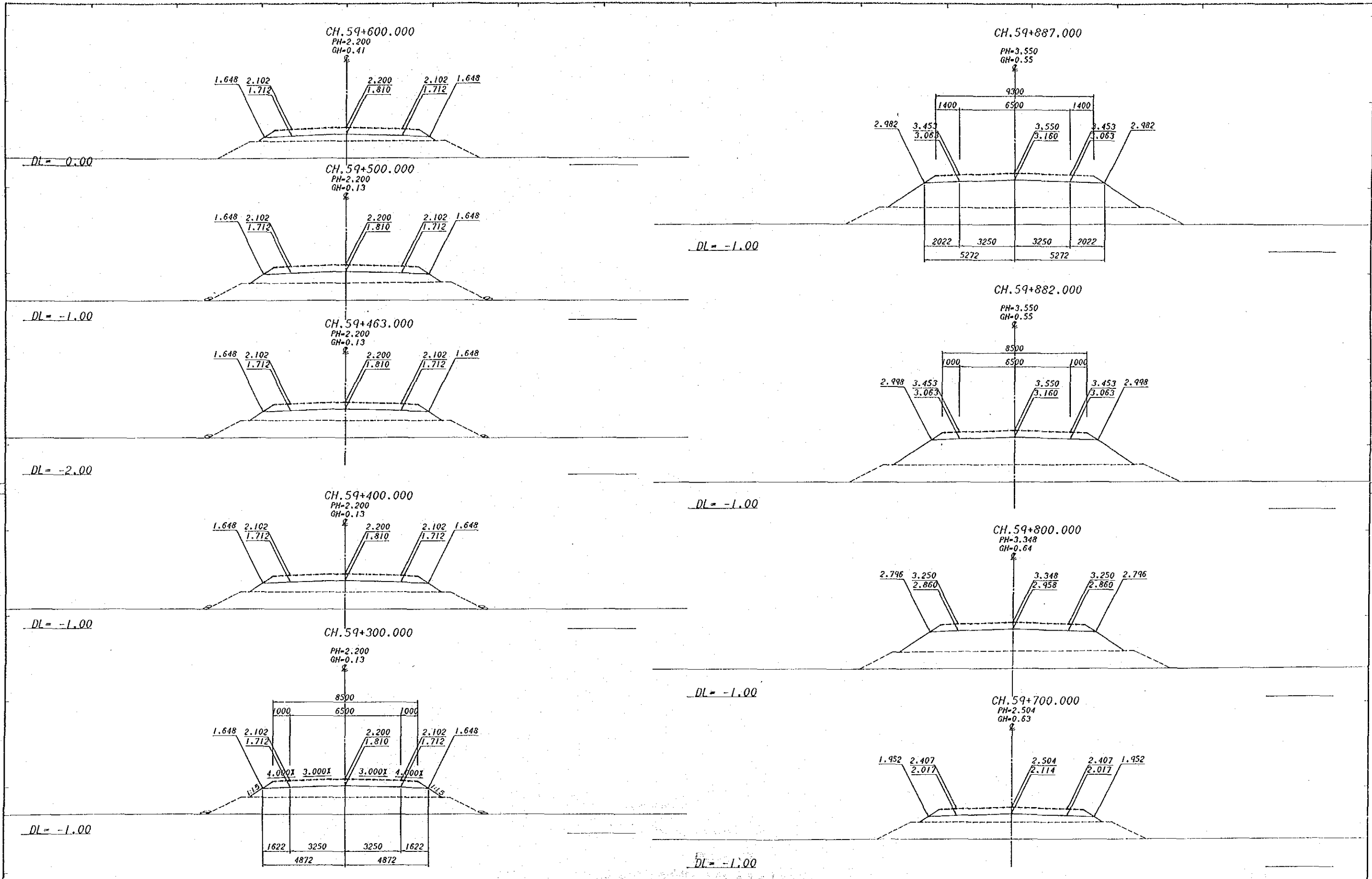
REV.	AMENDMENTS	BY	APP'D	DATE	SURVEY	DESIGN	DRAWN	RECOMMENDED	SCALES	CENTRAL / GULF PROVINCES
					JICA	JAPAN INTERNATIONAL CO-OPERATION AGENCY	K.E.	W. K. ...		
					VERTICAL DATUM MEAN SEA LEVEL	J. ... 25 Sep. 1989	CHECKED A. ...	APPROVED 25.10.89	HORIZONTAL & VERTICAL m. 1 : 100	CH. 56 + 900 — CH. 57 + 800
					HORIZONTAL DATUM	Principal	EXECUTIVE ENGINEER	PRINCIPAL ENGINEER		
					SURVEY BOOK NO.S	Date	2. ...	SECRETARY	SHEET 167 OF 303	DRAWING No.
									PROJECT No.	A1/ 88201
									S.C. 120-33-814/B	DEPARTMENT OF WORKS



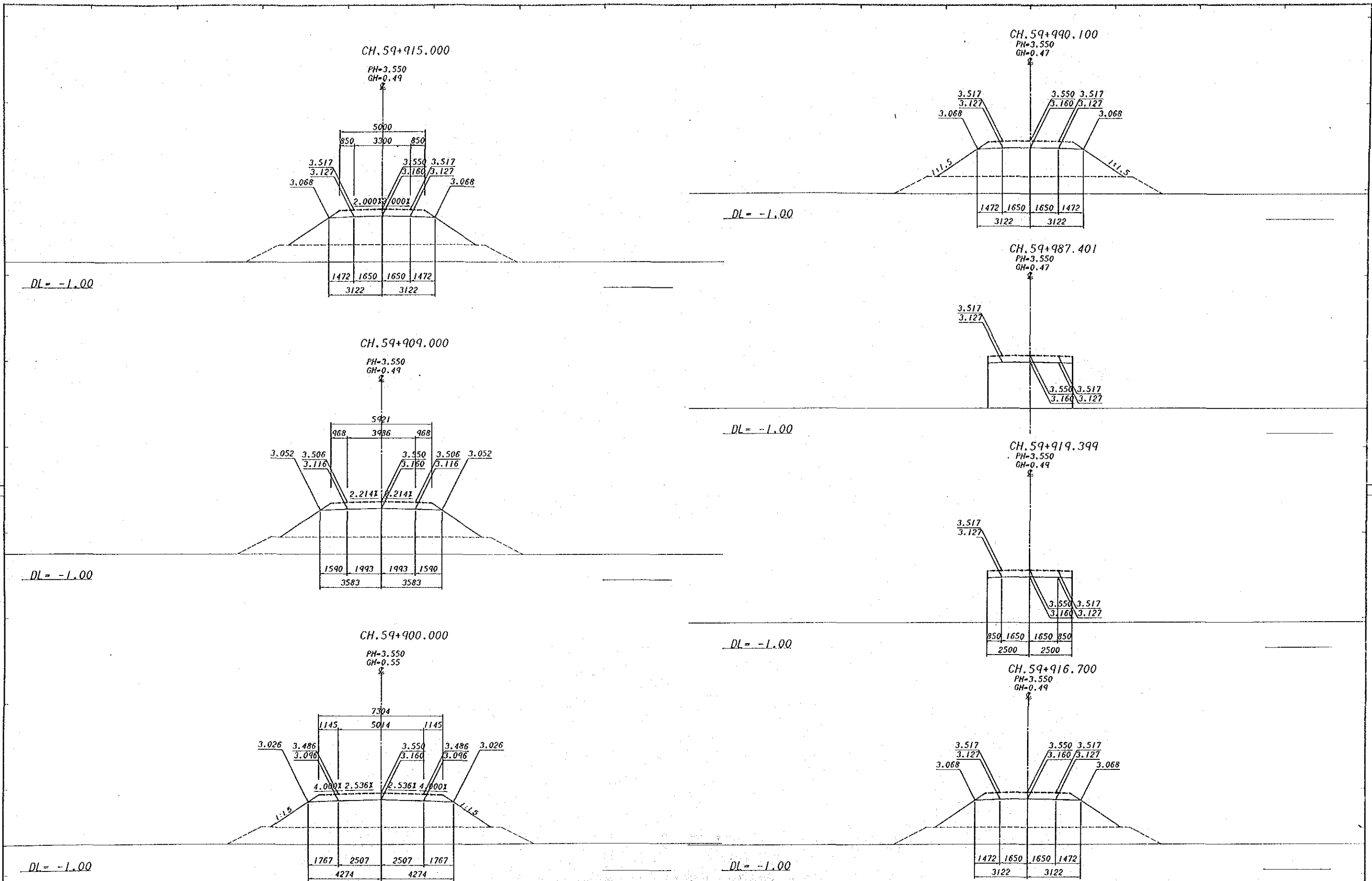
JICA Date: _____ SURVEY BOOK No. _____		JAPAN INTERNATIONAL CO-OPERATION AGENCY Date: 25 Sep. 1989		DRAWN: K.E. CHECKED: [Signature] DESIGNED: A. Masaka CHECKED: [Signature]		RECOMMENDED: [Signature] APPROVED: [Signature] 25.10.89 SECRETARY: [Signature]		SCALES HORIZONTAL & VERTICAL m. 1 : 100		CENTRAL / GULF PROVINCES TRANS-ISLAND HIGHWAY BEREINA-MALALAU SECTION CROSS SECTIONS CH. 57 + 900 — CH. 58 + 600	
SHEET 168 OF 303	PROJECT No. S.C.120-33-814/B		PAPER: NEW GUINEA		DRAWING No. A1/ 88202		DEPARTMENT OF WORKS		REV. AMENDMENTS BY APP'D DATE		



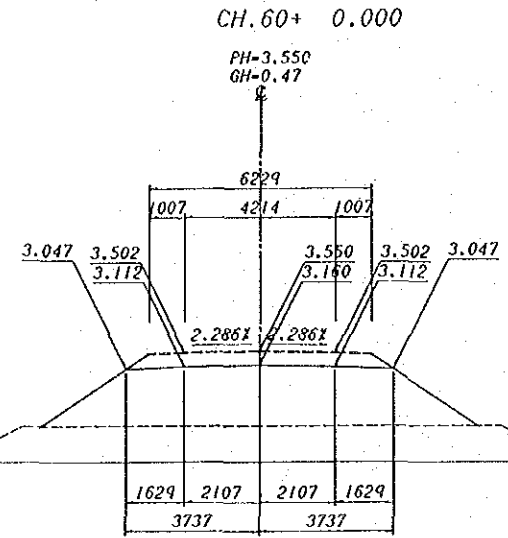
SURVEY		DESIGN		DRAWN		RECOMMENDED		SCALES		CENTRAL / GULF PROVINCES	
JICA		JAPAN INTERNATIONAL CO-OPERATION AGENCY		K.E.		Principal Engineer		1 : 100		TRANS-ISLAND HIGHWAY BEREINA-MALALAU SECTION	
Date		25 Sep. 1989		Project Engineer		Principal Engineer		HORIZONTAL & VERTICAL m.		CROSS SECTIONS	
VERTICAL DATUM		Principal		Executive Engineer		Approved		1 : 100		CH. 58 + 700 — CH. 59 + 200	
MEAN SEA LEVEL		Date		Checked		Secretary		PROJECT No.		PAPUA NEW GUINEA DEPARTMENT OF WORKS	
HORIZONTAL DATUM		Date		Checked		Secretary		S.C. 120-33-814/B		DRAWING No.	
SURVEY BOOK No. 8		Date		Checked		Secretary		SHEET 169 OF 303		A1/ 88203	
REV.	AMENDMENTS	BY	APP'D	DATE							REV.



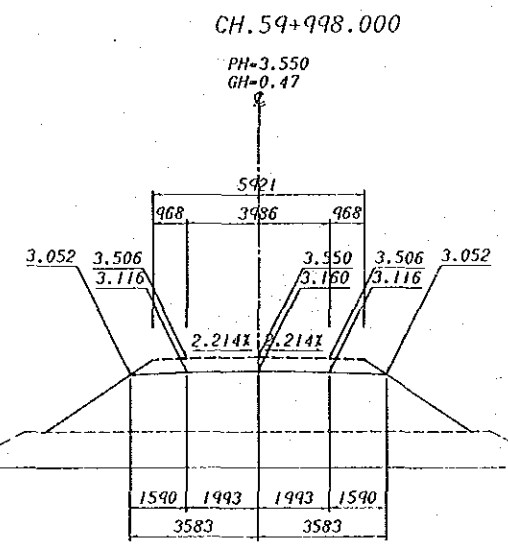
SURVEY		DESIGN		DRAWN		RECOMMENDED		SCALES		CENTRAL / GULF PROVINCES	
JICA		JAPAN INTERNATIONAL CO-OPERATION AGENCY		K.E.		K. Kula		1:100		TRANS-ISLAND HIGHWAY BEREINA-MALALAU SECTION	
VERTICAL DATUM MEAN SEA LEVEL		25 Sep. 1989		CHECKED A. M. J. K.		PROJECT ENGINEER		HORIZONTAL & VERTICAL m.		CROSS SECTIONS	
HORIZONTAL DATUM		Principal		DESIGNED A. M. J. K.		APPROVED		1:100		CH. 59 + 300 — CH. 59 + 887	
SURVEY BOOK NOS		Date		CHECKED Z. K. K.		PRINCIPAL ENGINEER		SHEET 170 OF 303		PAPUA NEW GUINEA DEPARTMENT OF WORKS	
AMENDMENTS		BY APP'D DATE		EXECUTIVE ENGINEER		SECRETARY		PROJECT No. S.C. 120-33-814/B		DRAWING No. A1/ 88204	



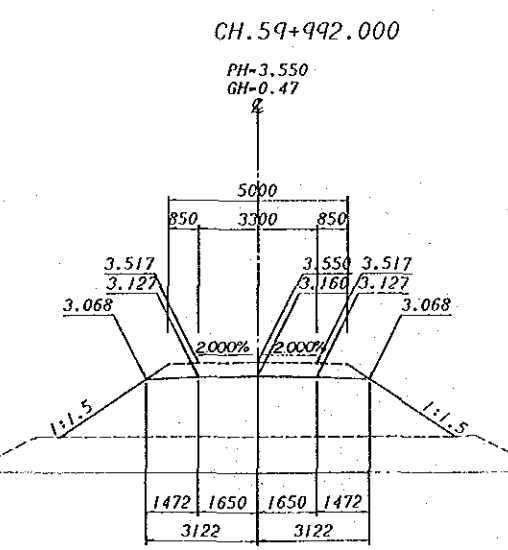
SURVEY JICA		DESIGN JAPAN INTERNATIONAL CO-OPERATION AGENCY		DRAWN K. E.		RECOMMENDED [Signature]		SCALES HORIZONTAL & VERTICAL m. 1 : 100		CENTRAL / GULF PROVINCES	
VERTICAL DATUM MEAN SEA LEVEL		JAPAN INTERNATIONAL CO-OPERATION AGENCY		CHECKED [Signature]		PROJECT ENGINEER [Signature]		APPROVED 25.10.89		TRANS-ISLAND HIGHWAY BEREINA-MALALAU SECTION	
HORIZONTAL DATUM		Principal [Signature]		DESIGNED A. Magata		EXECUTIVE ENGINEER [Signature]		SECRETARY [Signature]		CROSS SECTIONS	
SURVEY BOOK NO.3		Date 25 Sep. 1989		CHECKED [Signature]		[Signature]		PROJECT No. S.C. 120-33-814/B		CH. 59 + 900 — CH. 59 + 990.100	
REV.	AMENDMENTS	BY	APP'D	DATE	SHEET 171 OF 303		DEPARTMENT OF WORKS		DRAWING No. A1/ 88205		



DL = -1.00

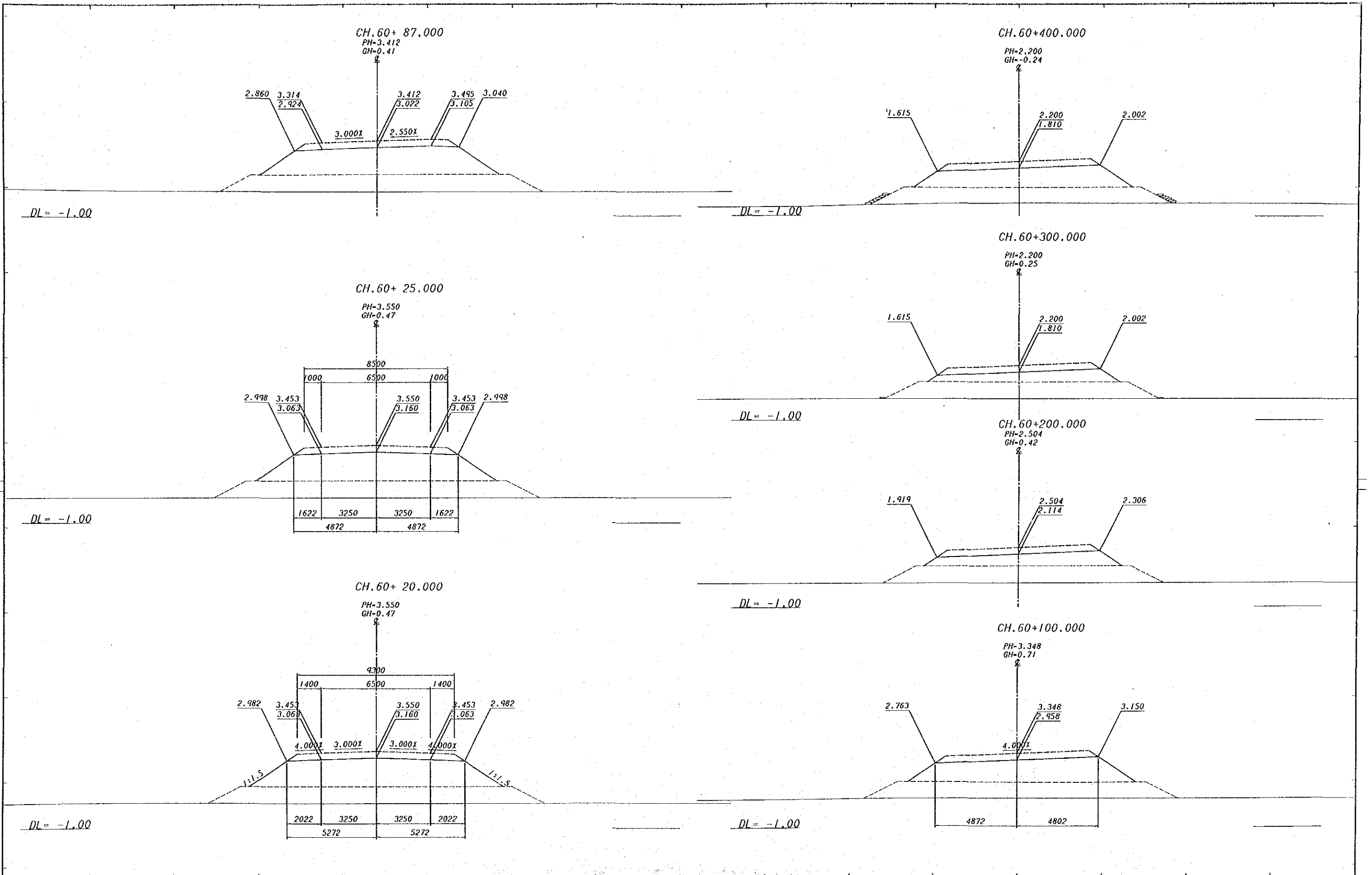


DL = -1.00

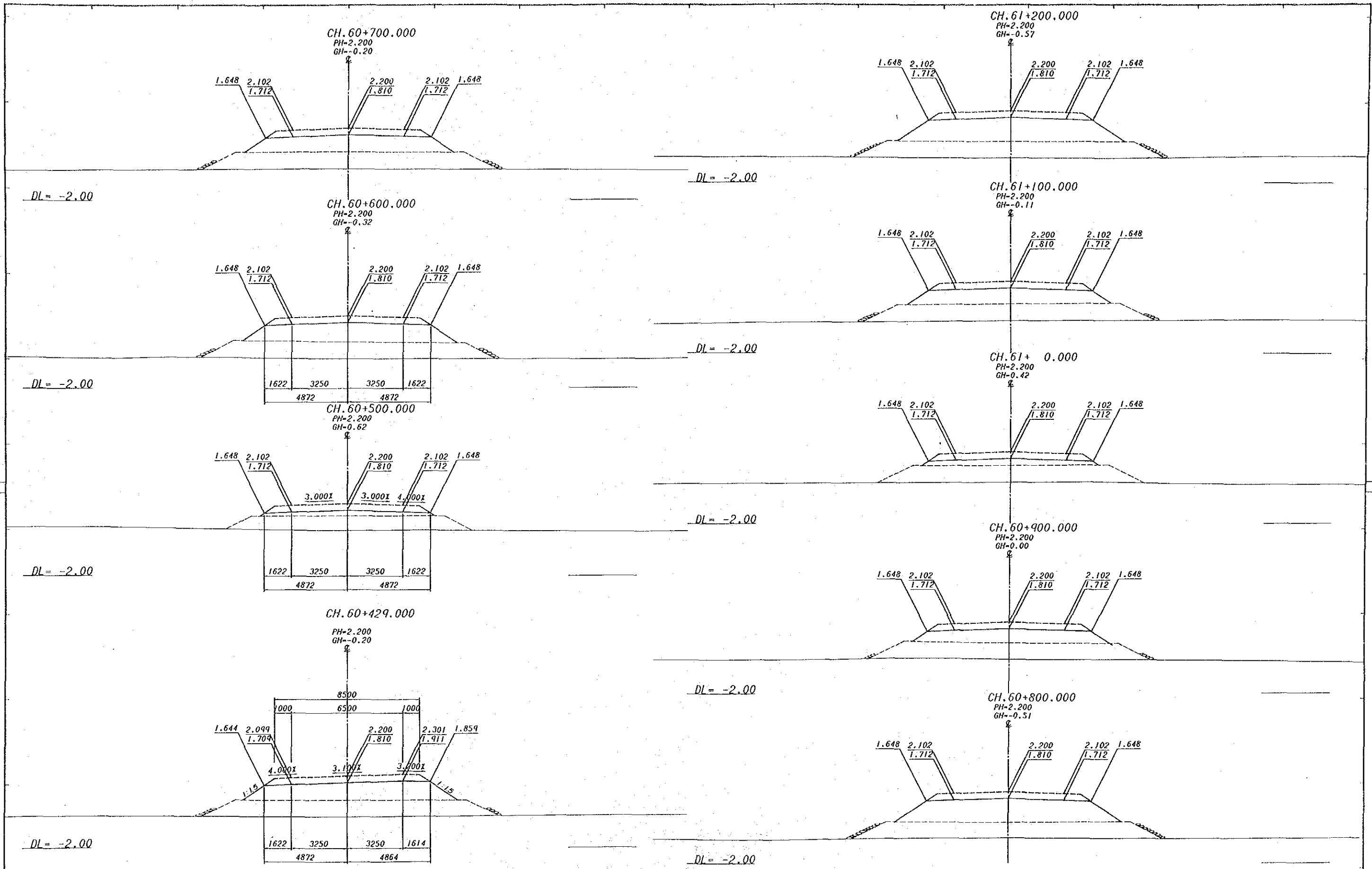


DL = -1.00

SURVEY		DESIGN		DRAWN		RECOMMENDED		SCALES		CENTRAL / GULF PROVINCES	
JICA		JAPAN INTERNATIONAL CO-OPERATION AGENCY		K. E.		W. K. ...		 HORIZONTAL & VERTICAL m. 1 : 100		TRANS-ISLAND HIGHWAY BEREINA-MALALAU SECTION	
VERTICAL DATUM MEAN SEA LEVEL		J. ... 25 Sep. 1989		PROJECT ENGINEER		PRINCIPAL ENGINEER		CH. 59 + 992 — CH. 60 + 0		CROSS SECTIONS	
HORIZONTAL DATUM		Principal		EXECUTIVE ENGINEER		APPROVED 25.10.89		SHEET 172 OF 303		DRAWING No.	
SURVEY BOOK No. 5		Date		2. K. ...		SECRETARY		PROJECT No. S.C. 120-33-814/B		PAPUA NEW GUINEA DEPARTMENT OF WORKS	
AMENDMENTS		BY APP'D DATE						SHEET 172 OF 303		A1/ 88206	

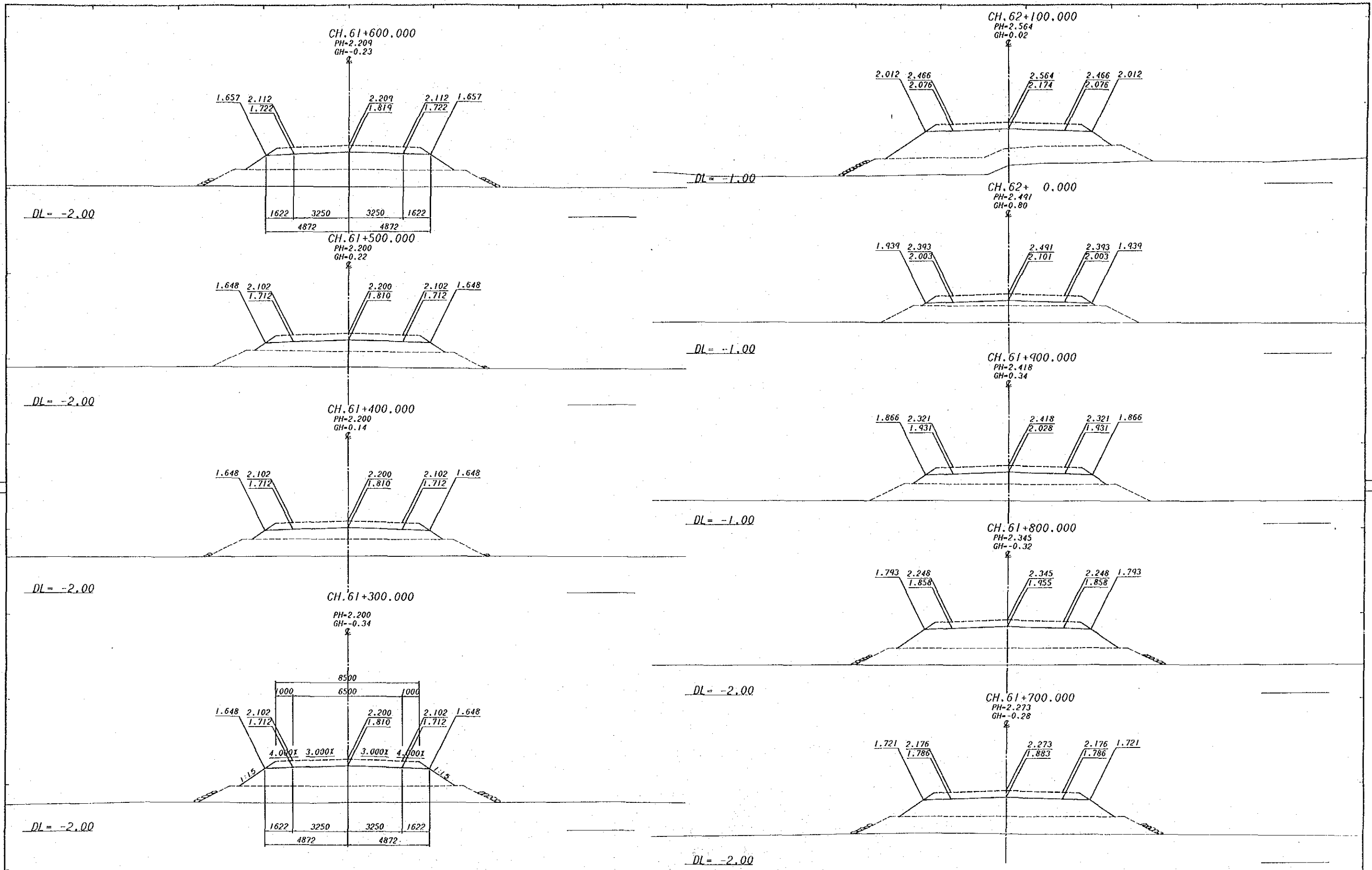


JICA Date: _____ VERTICAL DATUM: MEAN SEA LEVEL HORIZONTAL DATUM: _____ SURVEY BOOK No. _____		DESIGN JAPAN INTERNATIONAL CO-OPERATION AGENCY J. Yoshida Principal Date: 25 Sep. 1989		DRAWN K. E. CHECKED: [Signature] DESIGNED: A. Magala CHECKED: [Signature]		RECOMMENDED [Signature] PROJECT ENGINEER APPROVED: [Signature] 26.10.89 SECRETARY		SCALES HORIZONTAL & VERTICAL m. 1 : 100 SHEET 173 OF 303		CENTRAL / GULF PROVINCES TRANS-ISLAND HIGHWAY BEREINA-MALALAU SECTION CROSS SECTIONS CH. 60 + 20 — CH. 60 + 400 PAPUA NEW GUINEA DEPARTMENT OF WORKS DRAWING No. A1/ 88207	
--	--	---	--	--	--	---	--	--	--	---	--

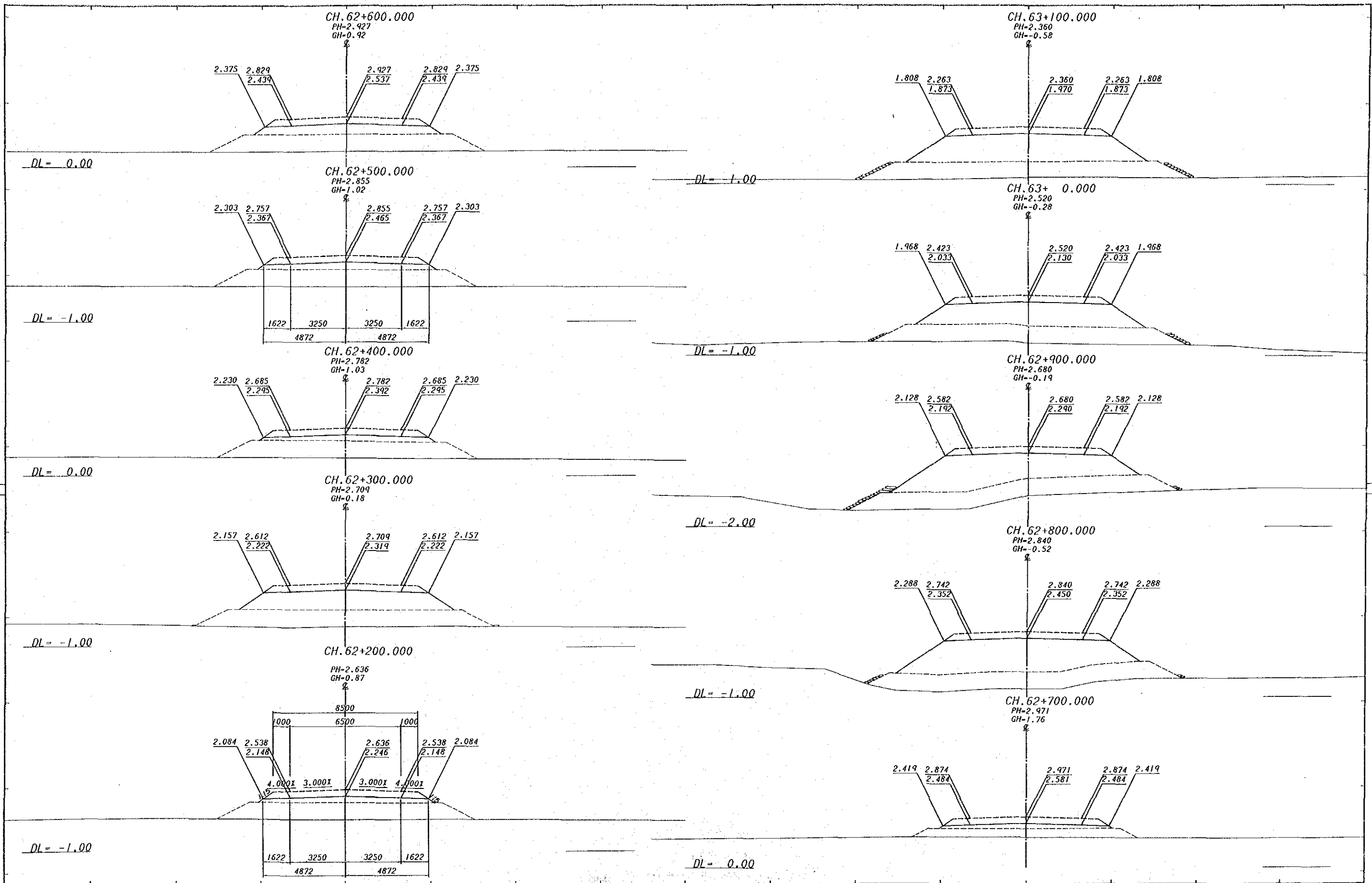


SURVEY JICA Date: _____ VERTICAL DATUM MEAN SEA LEVEL HORIZONTAL DATUM SURVEY BOOK No. _____		DESIGN JAPAN INTERNATIONAL CO-OPERATION AGENCY J. H. ... 25 Sep. 1989 Date		DRAWN K. E. CHECKED DESIGNED CHECKED		RECOMMENDED PROJECT ENGINEER APPROVED PRINCIPAL ENGINEER EXECUTIVE ENGINEER SECRETARY		SCALES HORIZONTAL & VERTICAL m. 1 : 100 SHEET 174 OF 303 PROJECT No. S.C. 120-33-814/B		CENTRAL / GULF PROVINCES TRANS-ISLAND HIGHWAY BEREINA-MALALAU SECTION CROSS SECTIONS CH. 60 + 429 — CH. 61 + 200 PAPUA NEW GUINEA DEPARTMENT OF WORKS DRAWING No. A1/ 88208	
---	--	--	--	--	--	--	--	---	--	--	--

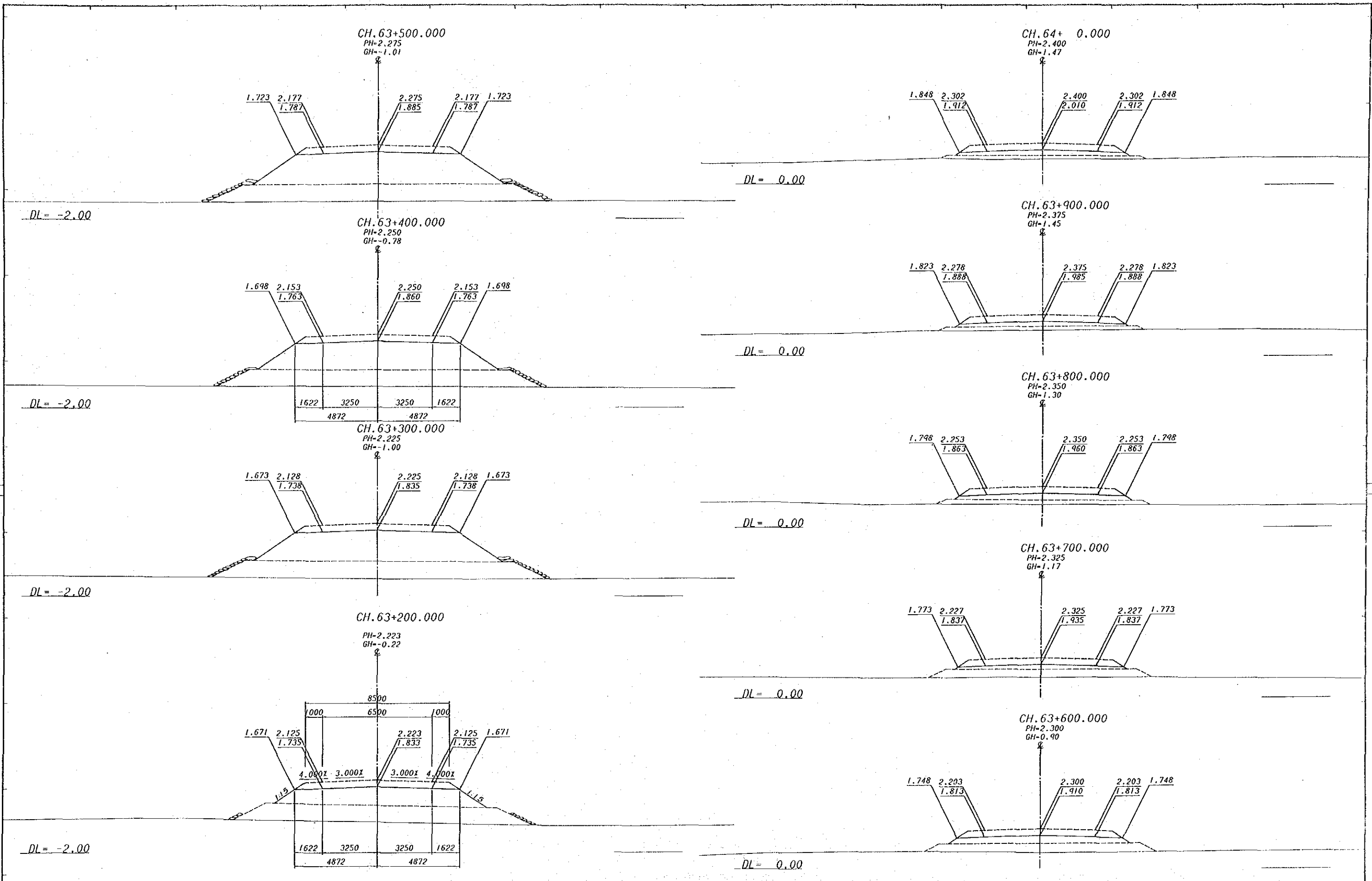
REV.	AMENDMENTS	BY	APP'D	DATE
------	------------	----	-------	------



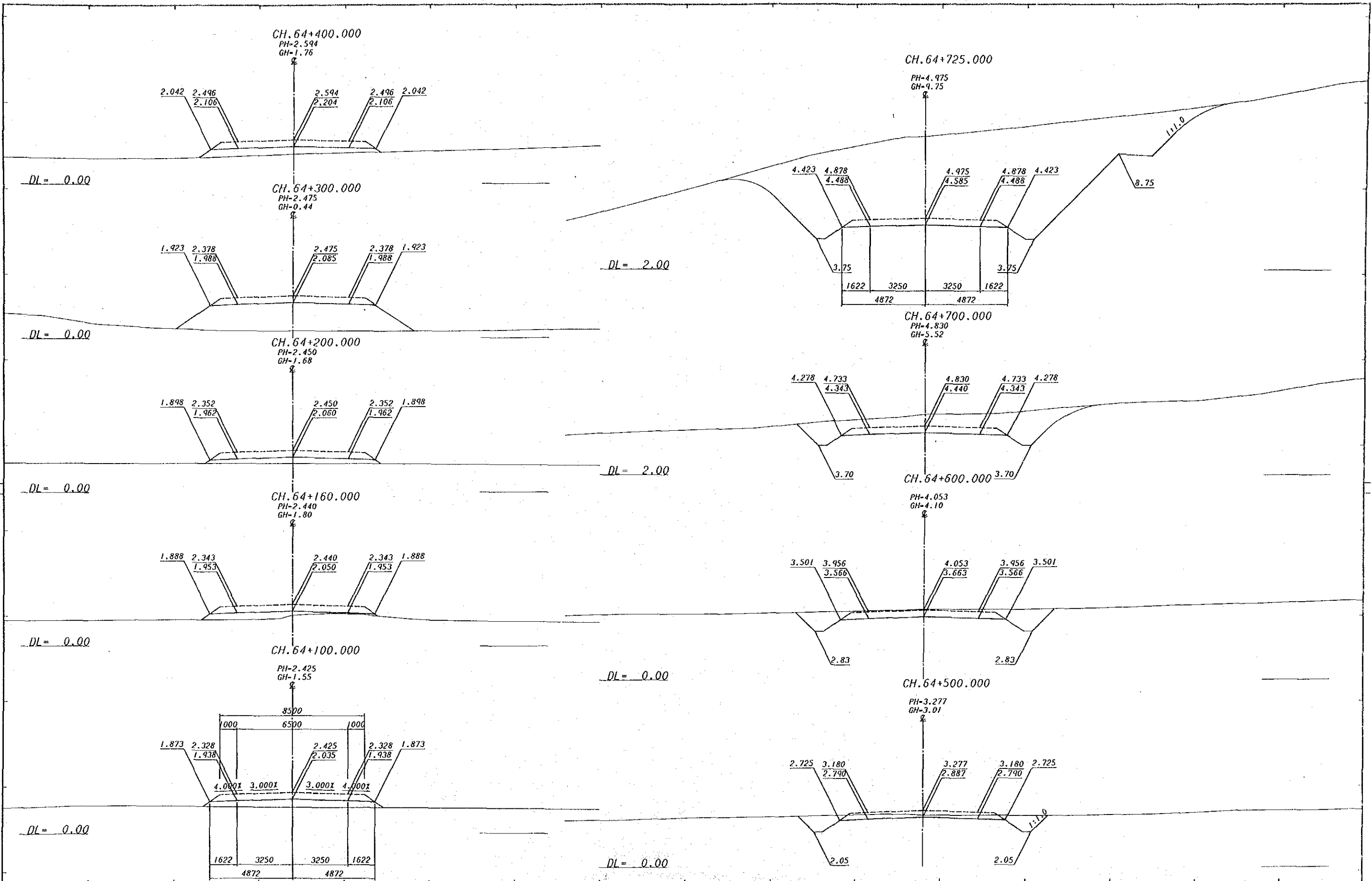
SURVEY JICA Date: _____ VERTICAL DATUM MEAN SEA LEVEL HORIZONTAL DATUM		DESIGN JAPAN INTERNATIONAL CO-OPERATION AGENCY J. Matsuo 25 Sep. 1989 Date		DRAWN K. E. CHECKED C. H. L. DESIGNED A. M. P. CHECKED Z. K. K.		RECOMMENDED M. M. A. PROJECT ENGINEER APPROVED 26.10.89 F. K. S. SECRETARY		SCALES HORIZONTAL & VERTICAL m. 1 : 100 SHEET 175 OF 303		CENTRAL / GULF PROVINCES TRANS-ISLAND HIGHWAY BEREINA-MALALAU SECTION CROSS SECTIONS CH. 61 + 300 — CH. 62 + 100 PAPUA NEW GUINEA DEPARTMENT OF WORKS DRAWING No. A1/ 88209	
--	--	--	--	--	--	--	--	---	--	---	--



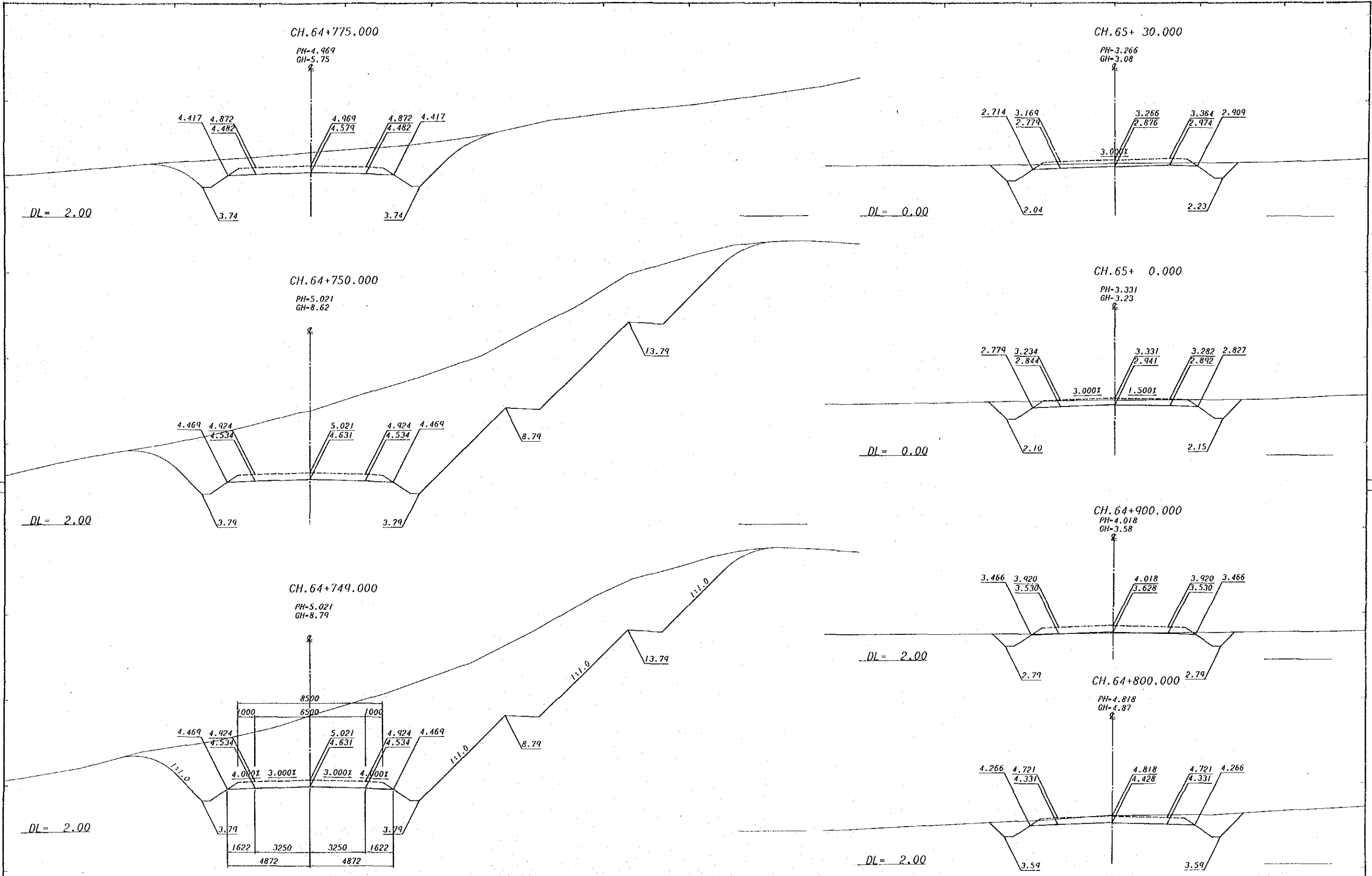
JICA Date: _____ VERTICAL DATUM: MEAN SEA LEVEL HORIZONTAL DATUM: _____ SURVEY BOOK NO. _____		DESIGN JAPAN INTERNATIONAL CO-OPERATION AGENCY Date: 25 Sep. 1989 Principal: _____		DRAWN K. E. CHECKED: _____ DESIGNED: _____ CHECKED: _____		RECOMMENDED PROJECT ENGINEER: _____ APPROVED: _____ PRINCIPAL ENGINEER: _____ SECRETARY: _____		SCALES HORIZONTAL & VERTICAL m. 1 : 100 SHEET 176 OF 303		CENTRAL / GULF PROVINCES TRANS-ISLAND HIGHWAY BEREINA-MALALAU SECTION CROSS SECTIONS CH. 62 + 200 — CH. 63 + 100 PAPUA NEW GUINEA DEPARTMENT OF WORKS DRAWING No. A1/ 88210	
--	--	--	--	--	--	---	--	--	--	---	--



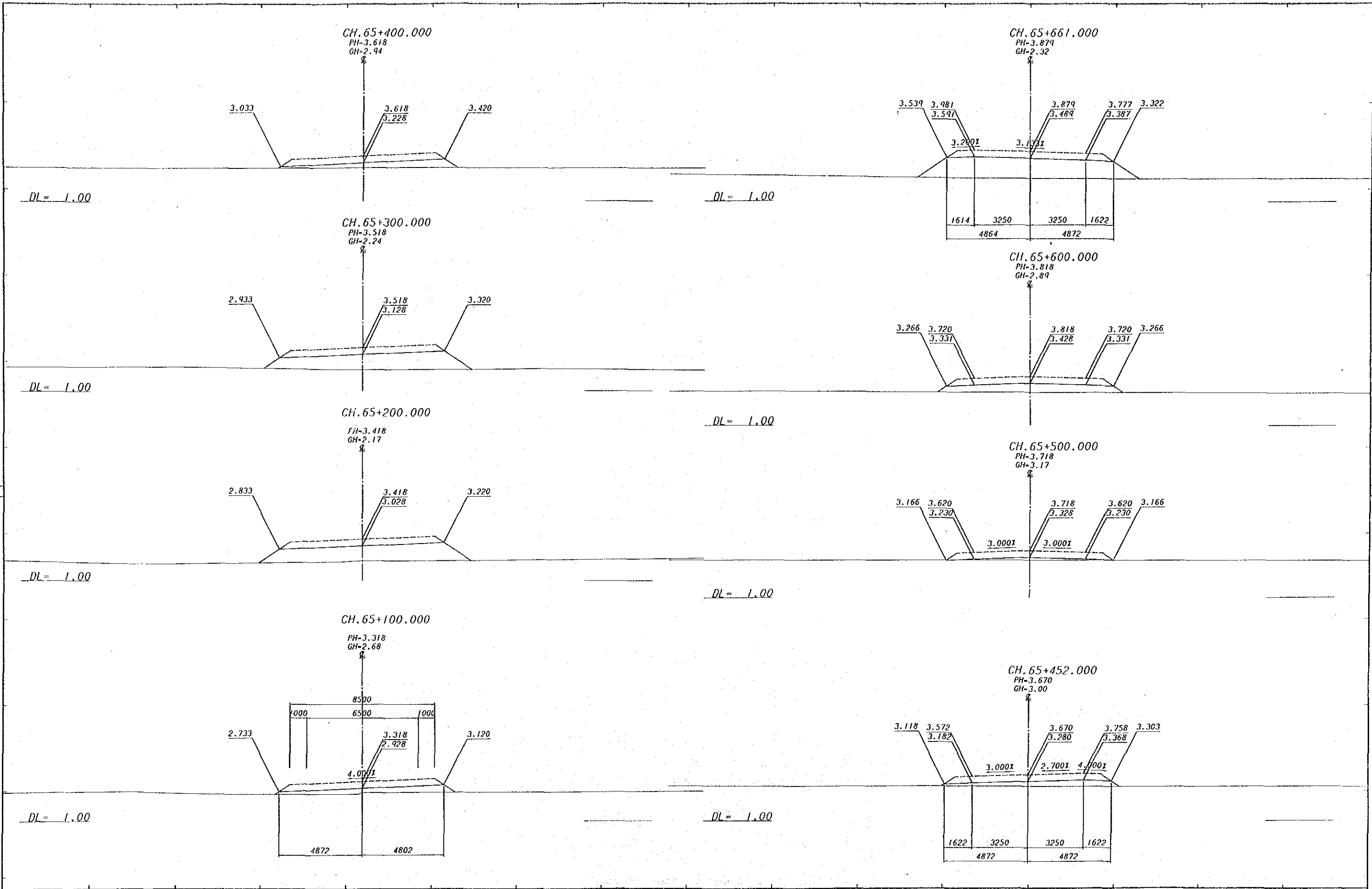
REV.		AMENDMENTS		BY	APP'D	DATE	SURVEY BOOK N ^o . 8	DESIGN	DRAWN	CHECKED	DESIGNED	CHECKED	RECOMMENDED	APPROVED	SCALES	CENTRAL / GULF PROVINCES		
							JICA	JAPAN INTERNATIONAL CO-OPERATION AGENCY	K. E.	<i>[Signature]</i>	<i>[Signature]</i>	<i>[Signature]</i>	<i>[Signature]</i>	PROJECT ENGINEER	PRINCIPAL ENGINEER	HORIZONTAL & VERTICAL m. 1 : 100	TRANS-ISLAND HIGHWAY BEREINA-MALALAU SECTION	
							VERTICAL DATUM MEAN SEA LEVEL	J. [Signature]	25 Sep. 1989	<i>[Signature]</i>	<i>[Signature]</i>	<i>[Signature]</i>	<i>[Signature]</i>	EXECUTIVE ENGINEER	SECRETARY		CROSS SECTIONS	
							HORIZONTAL DATUM	<i>[Signature]</i>	<i>[Signature]</i>	<i>[Signature]</i>	<i>[Signature]</i>	<i>[Signature]</i>	<i>[Signature]</i>	<i>[Signature]</i>	<i>[Signature]</i>	SHEET 177 OF 303	PROJECT No. S.C. 120-33-814/B	CH. 63 + 200 — CH. 64 + 0
							SURVEY BOOK N ^o . 8	<i>[Signature]</i>	<i>[Signature]</i>	<i>[Signature]</i>	<i>[Signature]</i>	<i>[Signature]</i>	<i>[Signature]</i>	<i>[Signature]</i>	<i>[Signature]</i>	PAPUA NEW GUINEA	DEPARTMENT OF WORKS	DRAWING No. A1/ 8 8 2 1 1



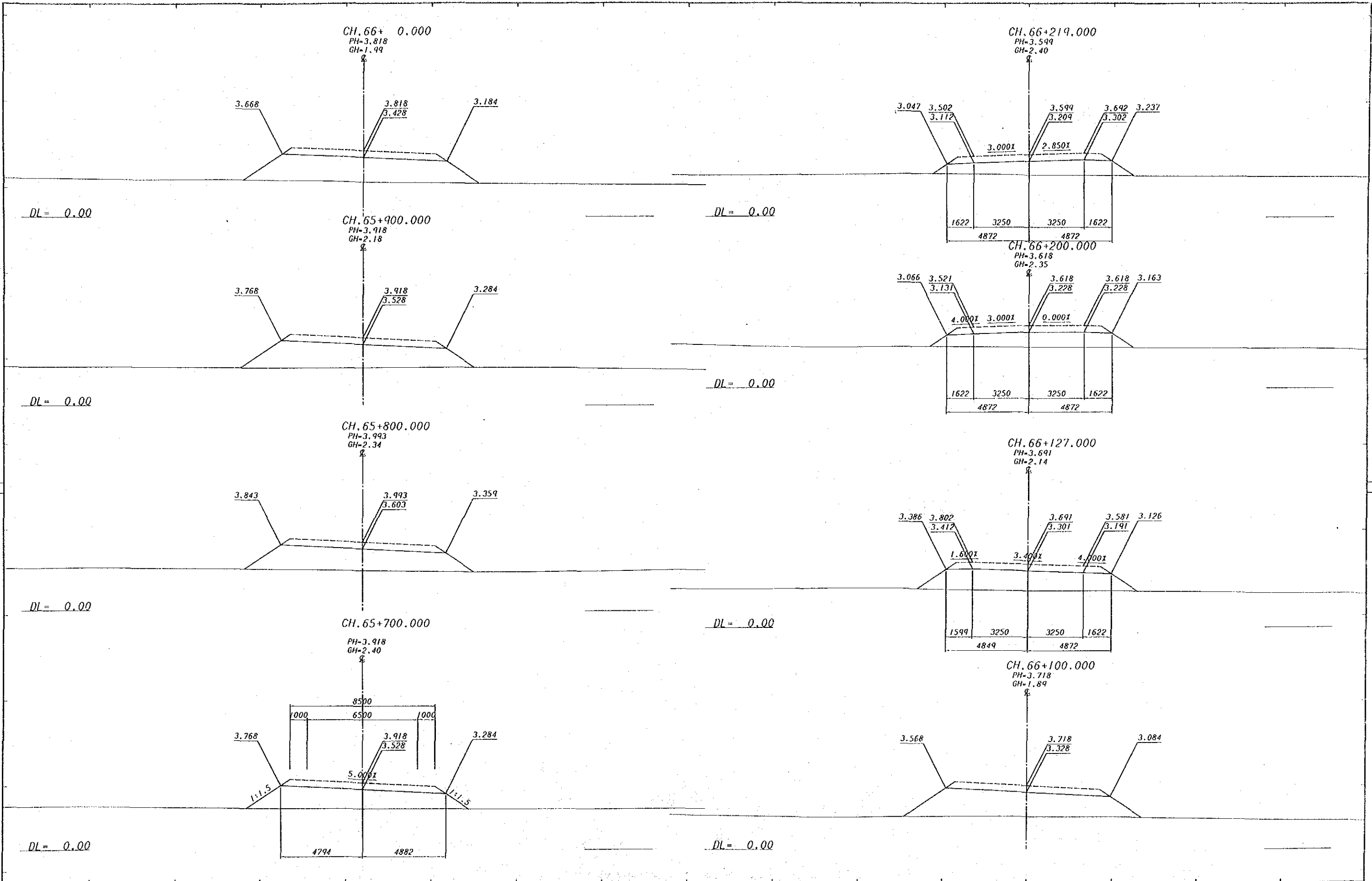
SURVEY JICA Date _____ VERTICAL DATUM MEAN SEA LEVEL HORIZONTAL DATUM SURVEY BOOK NO. _____		DESIGN JAPAN INTERNATIONAL CO-OPERATION AGENCY Principal _____ Date 25 Sep. 1989		DRAWN K.E. CHECKED _____ DESIGNED A. Magala CHECKED _____		RECOMMENDED PROJECT ENGINEER _____ APPROVED _____ 25.9.89 PRINCIPAL ENGINEER _____ EXECUTIVE ENGINEER _____		SCALES HORIZONTAL & VERTICAL m. 1 : 100 SHEET 178 OF 303 PROJECT No. S.C. 120-33-814/B		CENTRAL / GULF PROVINCES TRANS-ISLAND HIGHWAY BEREINA-MALALAU SECTION CROSS SECTIONS CH. 64 + 100 — CH. 64 + 725 PAPUA NEW GUINEA DEPARTMENT OF WORKS DRAWING No. A1/ 88212	
---	--	--	--	--	--	--	--	---	--	--	--



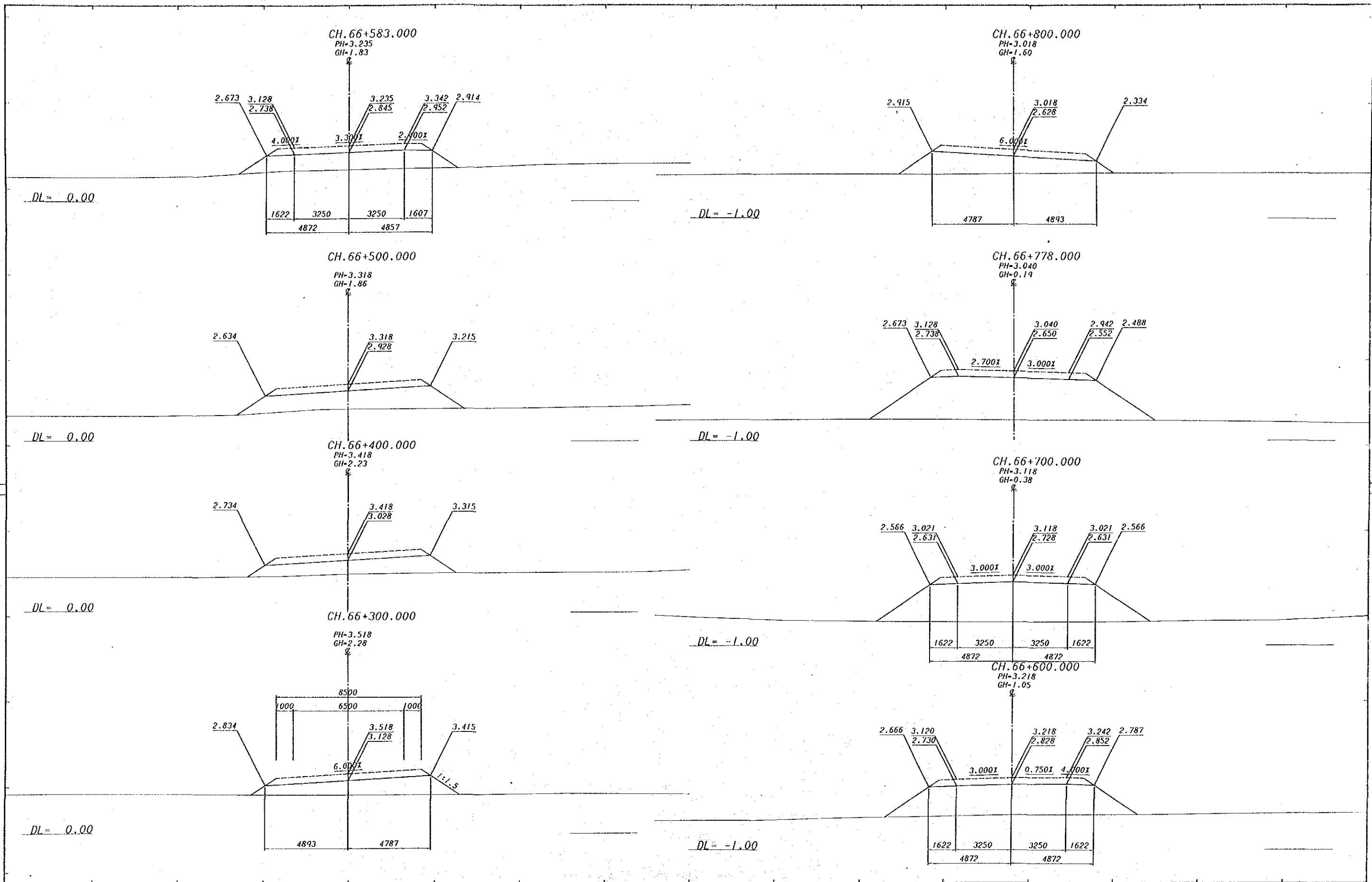
JICA Date: _____ VERTICAL DATUM: MEAN SEA LEVEL HORIZONTAL DATUM: _____ SURVEY BOOK NOS: _____		DESIGN JAPAN INTERNATIONAL CO-OPERATION AGENCY J. Hahara Principal 25 Sep. 1989 Date		DRAWN K. E. CHECKED: [Signature] DESIGNED: A. Magaki CHECKED: [Signature]		RECOMMENDED [Signature] PROJECT ENGINEER APPROVED 26.10.89 [Signature] (14/11) SECRETARY		SCALES HORIZONTAL & VERTICAL m. 1 : 100 SHEET 179 OF 303 PROJECT No. S.C.120-33-814/B		CENTRAL / GULF PROVINCES TRANS-ISLAND HIGHWAY BEREINA-MALALUA SECTION CROSS SECTIONS CH. 64 + 749 — CH. 65 + 30 PAPUA NEW GUINEA DEPARTMENT OF WORKS DRAWING No. A1/ 88213	
REV.	AMENDMENTS	BY	APP'D	DATE							



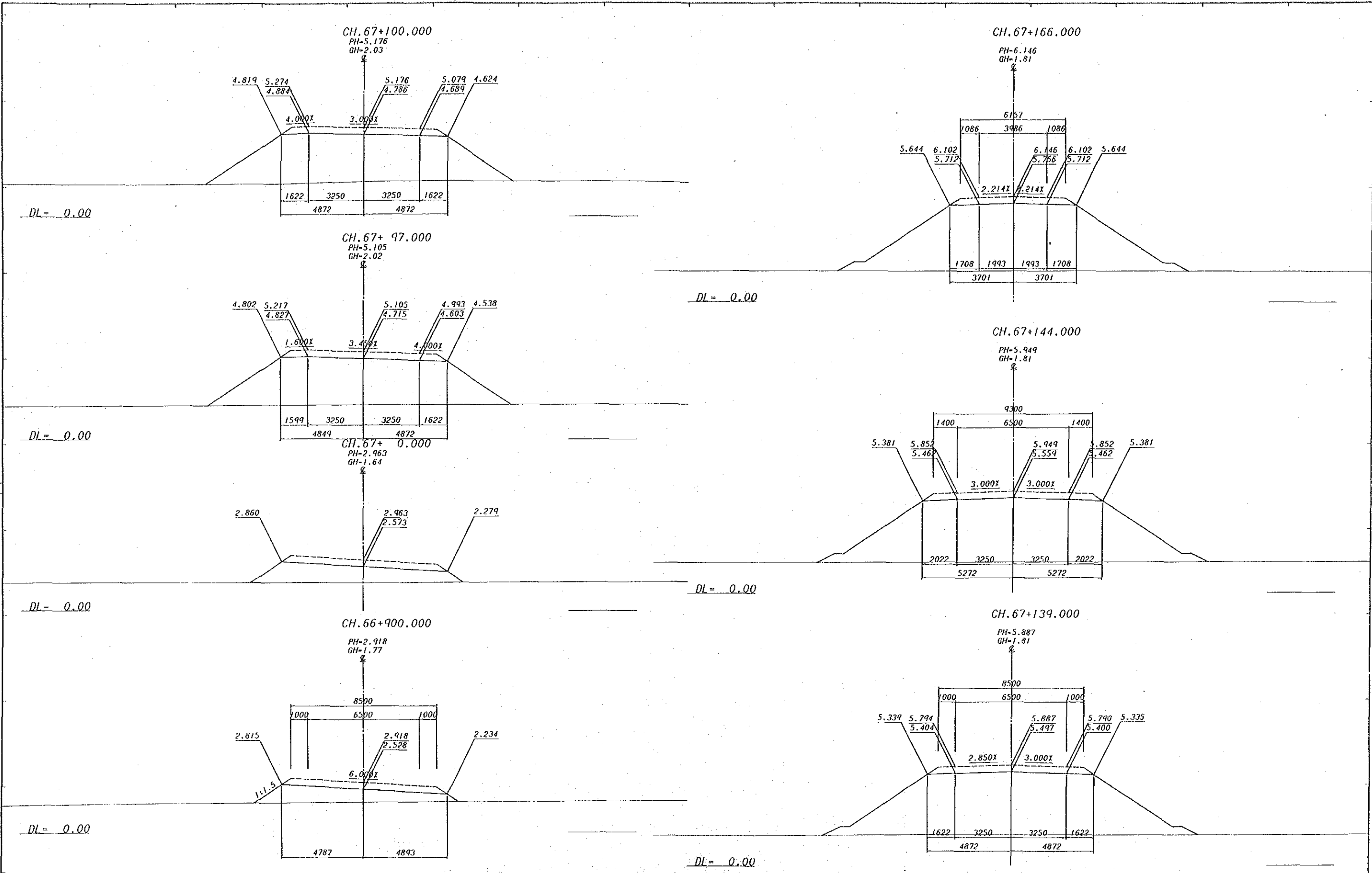
REV.		AMENDMENTS		BY	APP'D	DATE	SURVEY JICA Date VERTICAL DATUM MEAN SEA LEVEL HORIZONTAL DATUM SURVEY BOOK NOS	DESIGN JAPAN INTERNATIONAL CO-OPERATION AGENCY J. Kuroki 25 Sep. 1989 Date Principal	DRAWN K. E. CHECKED C. H. S. DESIGNED A. M. S. CHECKED 7. Kuroki	PROJECT ENGINEER L. Kuroki	RECOMMENDED APPROVED 25.10.89 PRINCIPAL ENGINEER J. Kuroki SECRETARY	SCALES HORIZONTAL & VERTICAL m. 1 : 100 SHEET 180 OF 303	PROJECT No. S.C. 120-33-814/B	CENTRAL / GULF PROVINCES TRANS-ISLAND HIGHWAY BEREINA-MALALADA SECTION CROSS SECTIONS CH. 65 + 100 — CH. 65 + 661 PAPUA NEW GUINEA DEPARTMENT OF WORKS DRAWING No. A1/ 88214
------	--	------------	--	----	-------	------	---	---	---	--------------------------------------	---	--	---	---



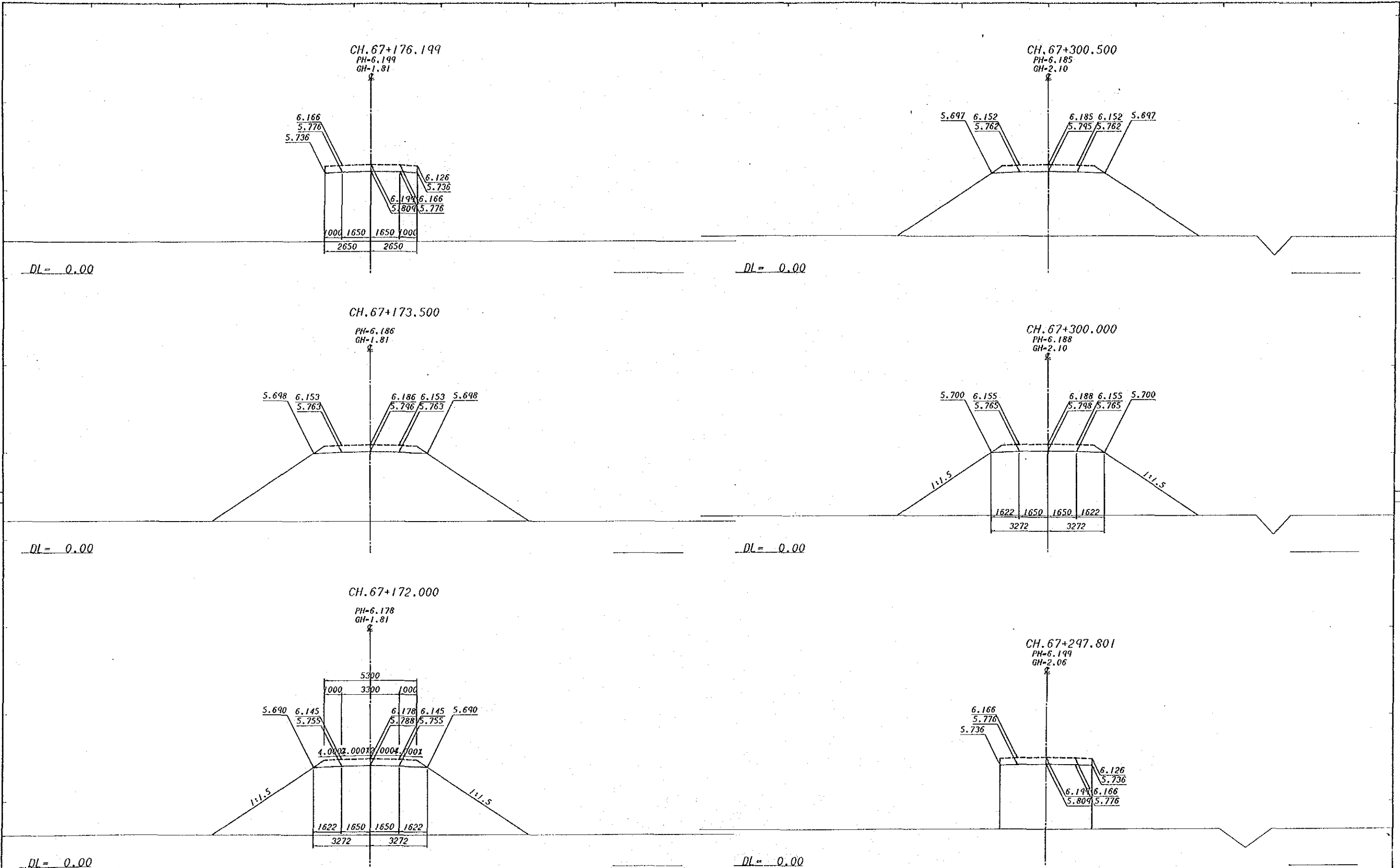
SURVEY JICA		DESIGN JAPAN INTERNATIONAL CO-OPERATION AGENCY		DRAWN K.E.		RECOMMENDED		SCALES HORIZONTAL & VERTICAL m. 1 : 100		CENTRAL / GULF PROVINCES	
VERTICAL DATUM MEAN SEA LEVEL		JAPAN INTERNATIONAL CO-OPERATION AGENCY		CHECKED CZA		PROJECT ENGINEER		HORIZONTAL & VERTICAL m. 1 : 100		TRANS-ISLAND HIGHWAY BEREINA-MALALAUJA SECTION	
HORIZONTAL DATUM		25 Sep. 1989		DESIGNED A. M. J.		PRINCIPAL ENGINEER		SHEET 181 OF 303		CROSS SECTIONS	
SURVEY BOOK NOS		Date		CHECKED Z. K.		APPROVED 25.10.89		PROJECT No. S.C.120-33-814/B		CH. 65 + 700 — CH. 66 + 219	
REV.	AMENDMENTS	BY	APP'D	DATE	Principal	EXECUTIVE ENGINEER	SECRETARY	PAPUA NEW GUINEA		DRAWING No. A1/ 88215	



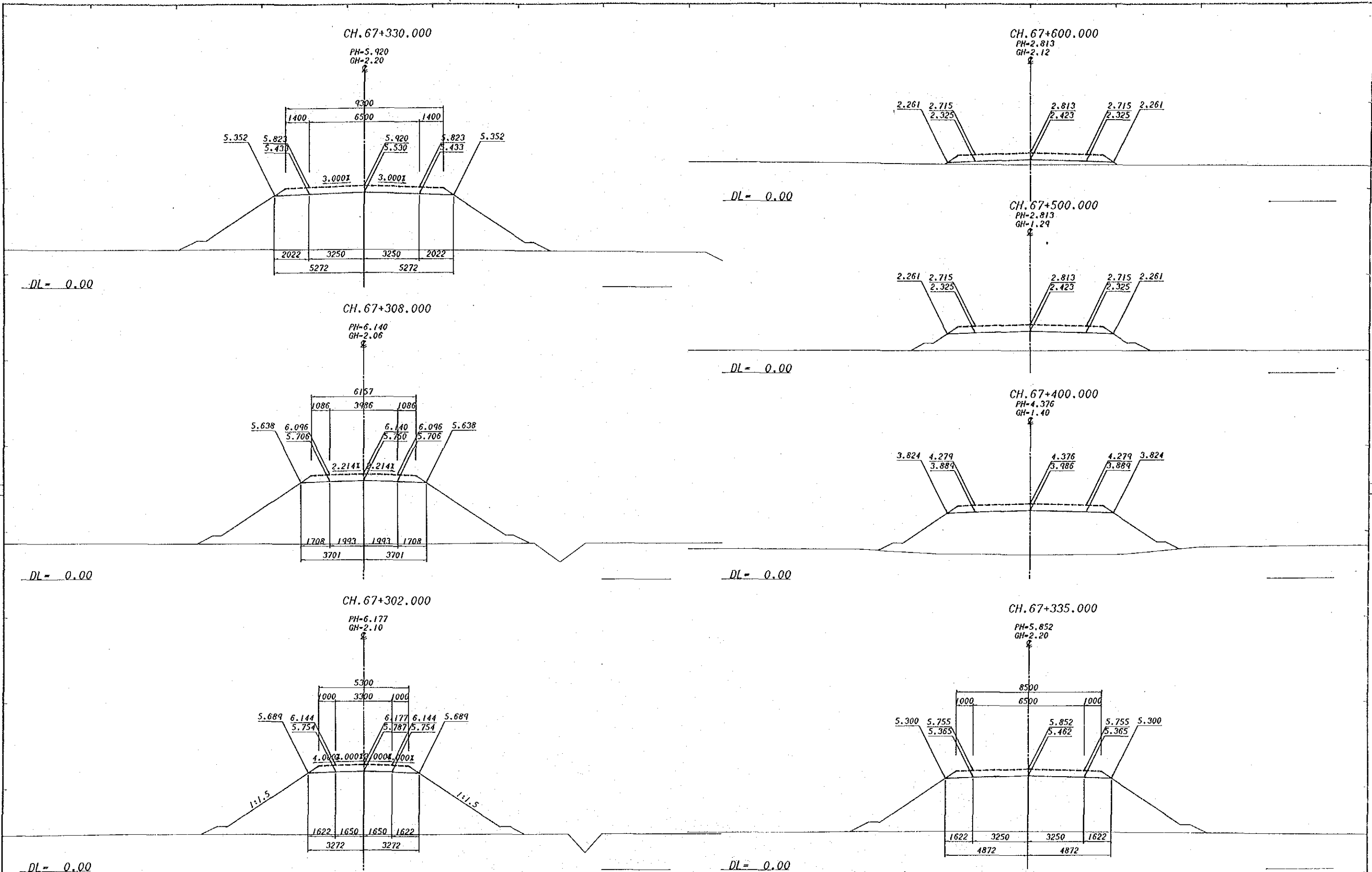
SURVEY JICA		DESIGN JAPAN INTERNATIONAL CO-OPERATION AGENCY		DRAWN K.E.		RECOMMENDED [Signature]		SCALES HORIZONTAL & VERTICAL m. 1 : 100		CENTRAL / GULF PROVINCES	
VERTICAL DATUM MEAN SEA LEVEL		JAPAN INTERNATIONAL CO-OPERATION AGENCY		CHECKED [Signature]		PROJECT ENGINEER [Signature]		APPROVED 25. 10. 89		TRANS-ISLAND HIGHWAY HEREINA-MALALAU SECTION	
HORIZONTAL DATUM		Principal J. [Signature] 25 Sep. 1989		DESIGNED [Signature]		EXECUTIVE ENGINEER [Signature]		SECRETARY [Signature]		CROSS SECTIONS CH. 66 + 300 — CH. 66 + 800	
SURVEY BOOK NO. 8		Date		CHECKED [Signature]		[Signature]		PROJECT No. S.C. 120-33-814/B		PAPUA NEW GUINEA DEPARTMENT OF WORKS	
REV.	AMENDMENTS	BY	APP'D	DATE	SHEET 182 OF 303		DRAWING No. A1/ 88216				



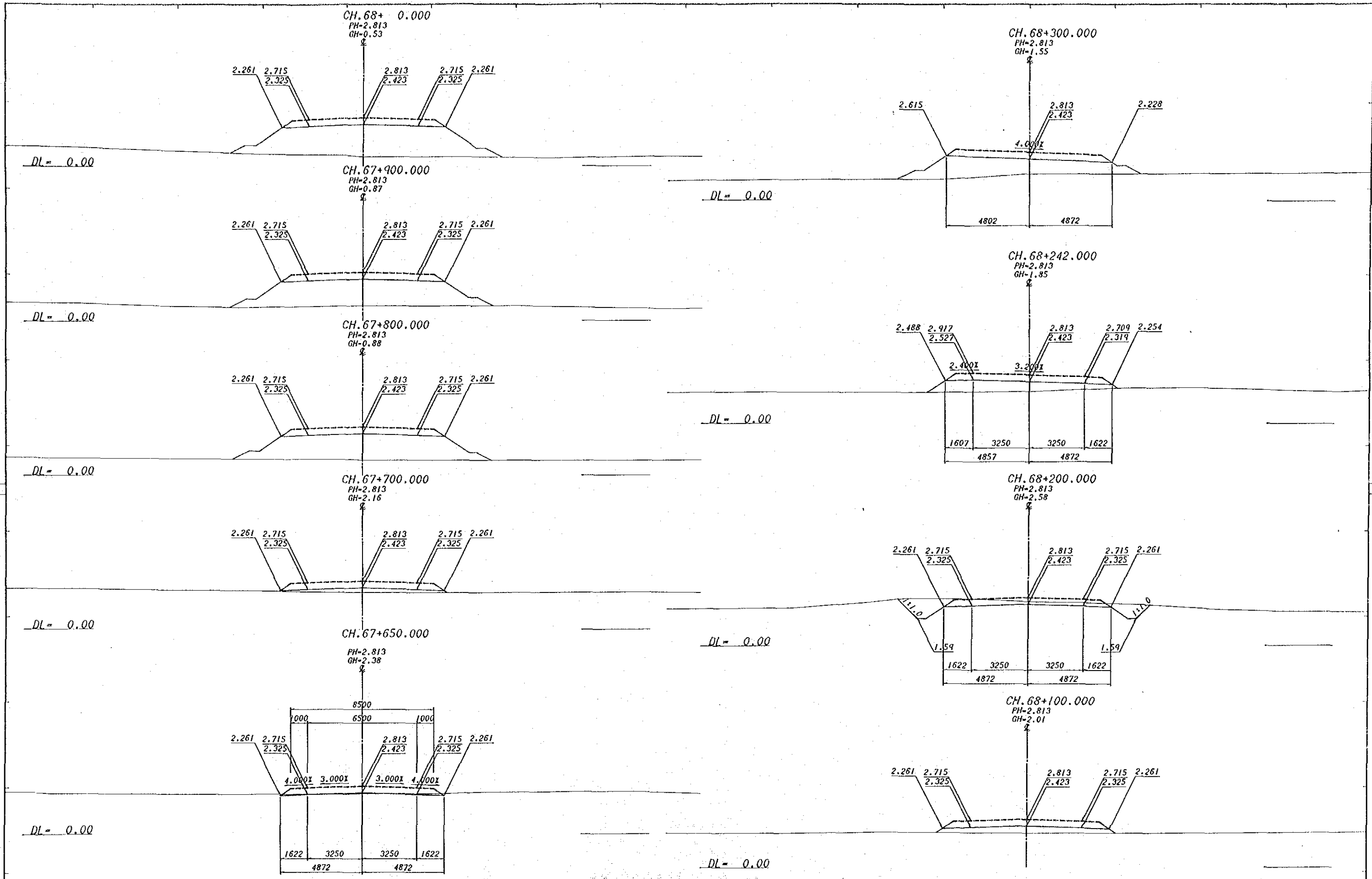
SURVEY JICA		DESIGN JAPAN INTERNATIONAL CO-OPERATION AGENCY		DRAWN K.E.		RECOMMENDED Allways		SCALES HORIZONTAL & VERTICAL m. 1 : 100		CENTRAL / GULF PROVINCES	
Date		JAPAN INTERNATIONAL CO-OPERATION AGENCY		CHECKED C. P. S.		PROJECT ENGINEER W. K. S.		PROJECT No. S.C. 120-33-814/B		TRANS-ISLAND HIGHWAY BEREINA-MALALAU SECTION	
VERTICAL DATUM MEAN SEA LEVEL		Principal J. J. S.		DESIGNED A. Miyata		APPROVED Z. J. P.		SHEET 183 OF 303		CROSS SECTIONS	
HORIZONTAL DATUM		25 Sep. 1989 Date		CHECKED T. K. S.		EXECUTIVE ENGINEER M. S.		PROJECT No. S.C. 120-33-814/B		CH. 66 + 900 — CH. 67 + 166	
SURVEY BOOK NO. 8		Principal		CHECKED T. K. S.		SECRETARY M. S.		PAPUA NEW GUINEA DEPARTMENT OF WORKS		DRAWING No. A1/ 88217	
REV.	AMENDMENTS	BY	APP'D	DATE							REV.



SURVEY		DESIGN		DRAWN		RECOMMENDED		SCALES		CENTRAL / GULF PROVINCES	
JICA		JAPAN INTERNATIONAL CO-OPERATION AGENCY		K.E.		Principal Engineer		1 : 100		TRANS-ISLAND HIGHWAY BEREINA-MALALAU SECTION	
VERTICAL DATUM MEAN SEA LEVEL		Principal		Checked		PROJECT ENGINEER		HORIZONTAL & VERTICAL m.		CROSS SECTIONS	
HORIZONTAL DATUM		Date		Designed		APPROVED		1 : 100		CH. 67 + 172 --- CH. 67 + 300.500	
SURVEY BOOK NO. 8		25 Sep. 1989		Checked		Principal Engineer		SHEET 184 OF 303		PAPUA NEW GUINEA DEPARTMENT OF WORKS	
AMENDMENTS		BY APP'D DATE		Checked		EXECUTIVE ENGINEER		PROJECT No. S.C. 120-33-814/B		DRAWING No. A1/ 8 8 2 1 8	

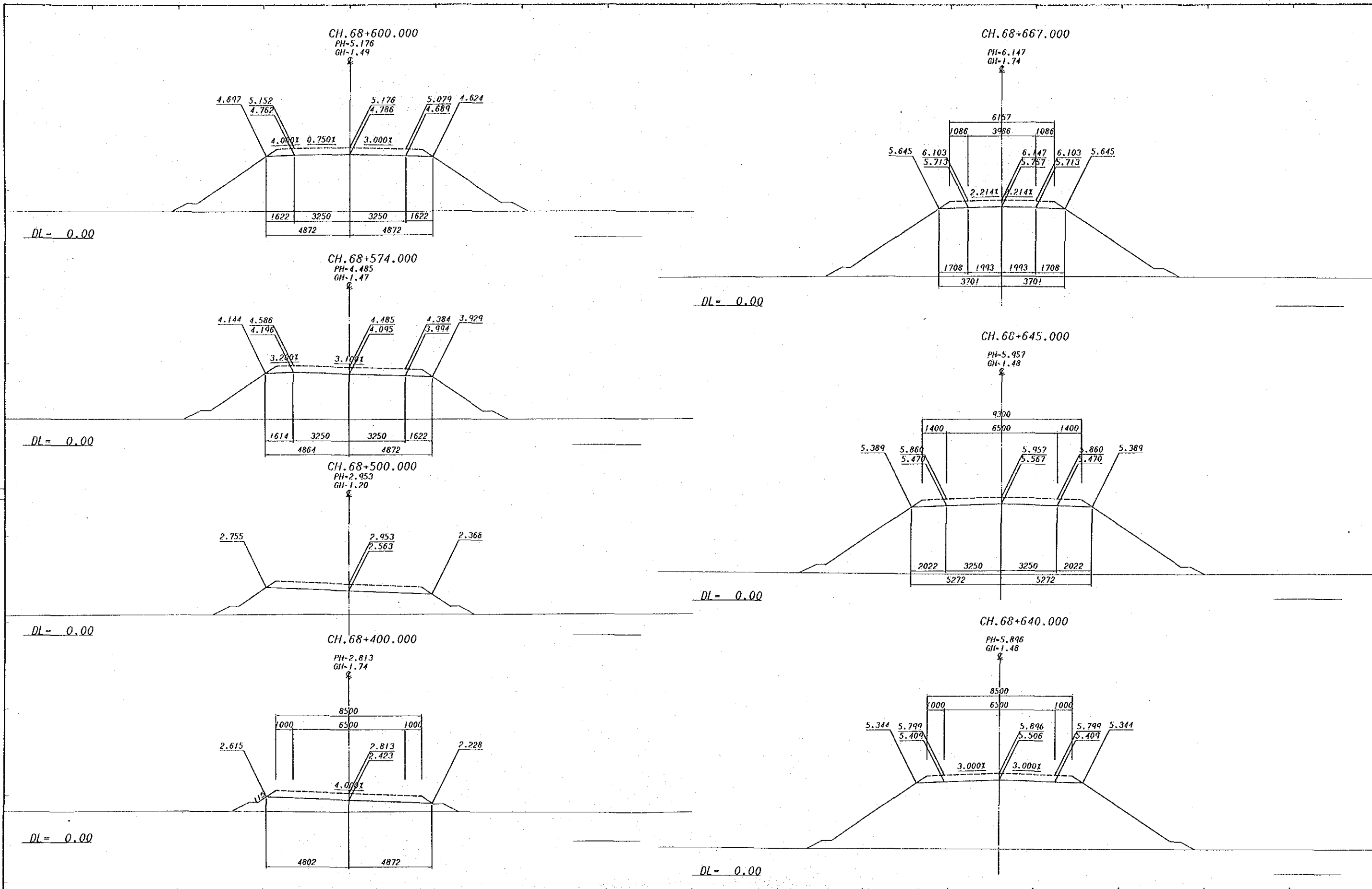


SURVEY JICA		DESIGN JAPAN INTERNATIONAL CO-OPERATION AGENCY		DRAWN K.E.		RECOMMENDED H. K. K.		SCALES HORIZONTAL & VERTICAL m. 1 : 100		CENTRAL / GULF PROVINCES	
VERTICAL DATUM MEAN SEA LEVEL		JAPAN INTERNATIONAL CO-OPERATION AGENCY		CHECKED C.P.A.		PROJECT ENGINEER W. K. K.		APPROVED 25.10.85		TRANS-ISLAND HIGHWAY BEREINA-MALALAU SECTION	
HORIZONTAL DATUM		Principal J. Y. S.		DESIGNED A. Magabo		EXECUTIVE ENGINEER W. K. K.		SECRETARY P. S. S.		CROSS SECTIONS	
SURVEY BOOK No. 3		Date 25 Sep. 1985		CHECKED P. K. K.		SHEET 185 of 303		PROJECT No. S.C. 120-33-814/B		CH. 67 + 302 --- CH. 67 + 600	
REV.	AMENDMENTS	BY	APP'D	DATE	DEPARTMENT OF WORKS		DRAWING No. A1/ 88219		PAPUA NEW GUINEA		

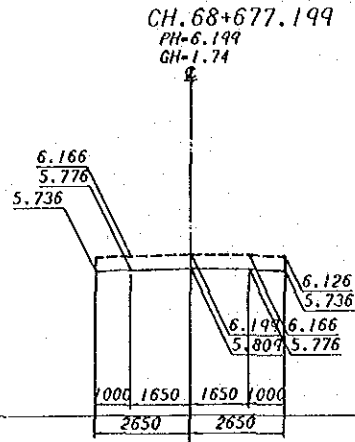


SURVEY JICA Date VERTICAL DATUM MEAN SEA LEVEL HORIZONTAL DATUM SURVEY BOOK NOS		DESIGN JAPAN INTERNATIONAL CO-OPERATION AGENCY J. H. ... 25 Sep. 1989 Date		DRAWN K. E. CHECKED DESIGNED CHECKED		RECOMMENDED PROJECT ENGINEER APPROVED PRINCIPAL ENGINEER EXECUTIVE ENGINEER SECRETARY		SCALES HORIZONTAL & VERTICAL m. 1 : 100 SHEET 186 OF 303 PROJECT No. S.C.120-33-814/B		CENTRAL / GULF PROVINCES TRANS-ISLAND HIGHWAY BEREINA-MALALAU SECTION CROSS SECTIONS CH. 67 + 650 — CH. 68 + 300 PAPA NEW GUINEA DEPARTMENT OF WORKS DRAWING No. A1/ 88220	
--	--	---	--	---	--	--	--	--	--	---	--

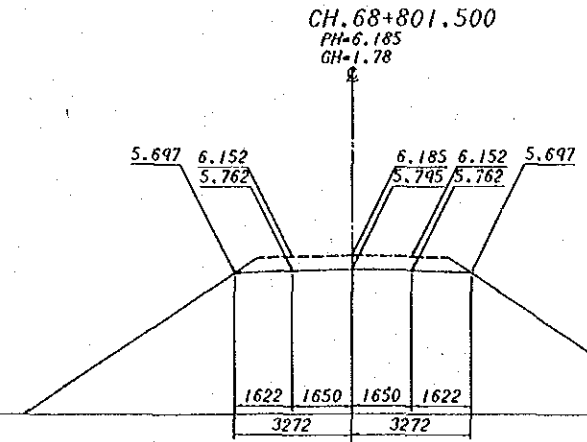
REV.	AMENDMENTS	BY	APP'D	DATE
------	------------	----	-------	------



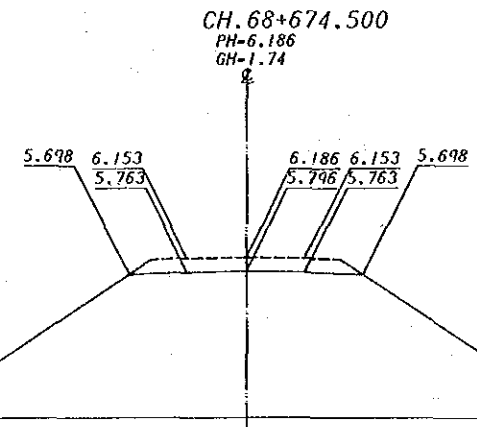
REV.		AMENDMENTS		BY	APP'D	DATE	SURVEY		DESIGN		DRAWN		RECOMMENDED		SCALES		CENTRAL / GULF PROVINCES	
							JICA		JAPAN INTERNATIONAL CO-OPERATION AGENCY		K. E.		PROJECT ENGINEER		HORIZONTAL & VERTICAL 1 : 100		TRANS-ISLAND HIGHWAY BEREINA-MALALAU SECTION	
							Date		Date		CHECKED		PRINCIPAL ENGINEER		PROJECT No.		DRAWING No.	
							MEAN SEA LEVEL		Date		DESIGNED		APPROVED		S.C. 120-33-814/B		CH. 68 + 400 — CH. 68 + 667	
							HORIZONTAL DATUM		Date		CHECKED		SECRETARY		PROJECT No.		PAPUA NEW GUINEA DEPARTMENT OF WORKS	
							SURVEY BOOK No.		Date		CHECKED		SECRETARY		S.C. 120-33-814/B		A1/ 88221	
							Date		Date		EXECUTIVE ENGINEER		SECRETARY		SHEET 187 OF 303			



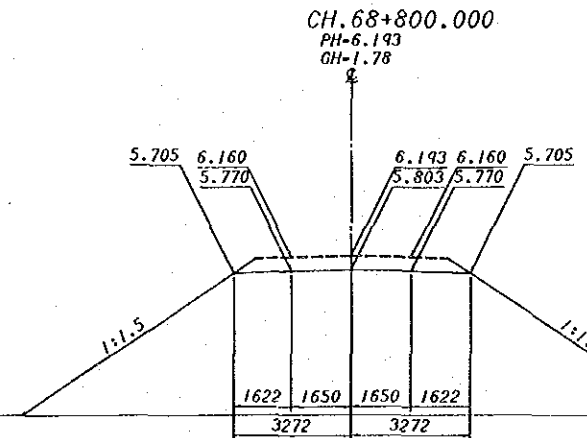
DL = 0.00



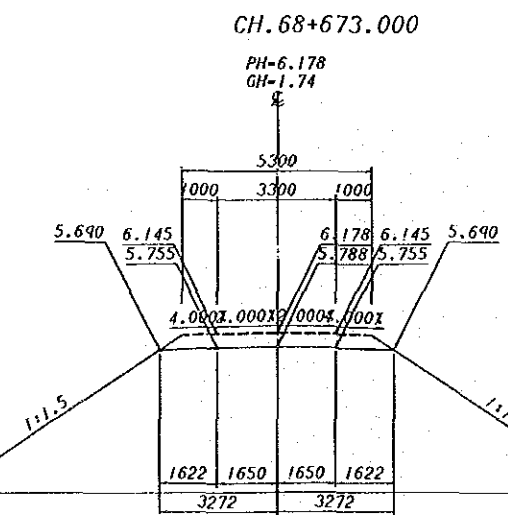
DL = 0.00



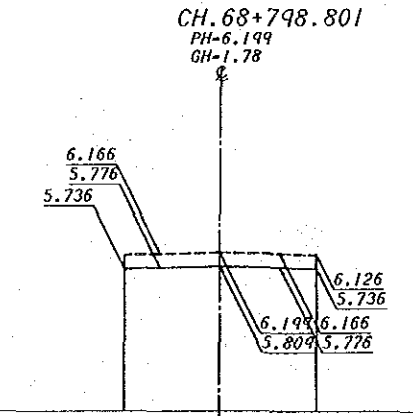
DL = 0.00



DL = 0.00

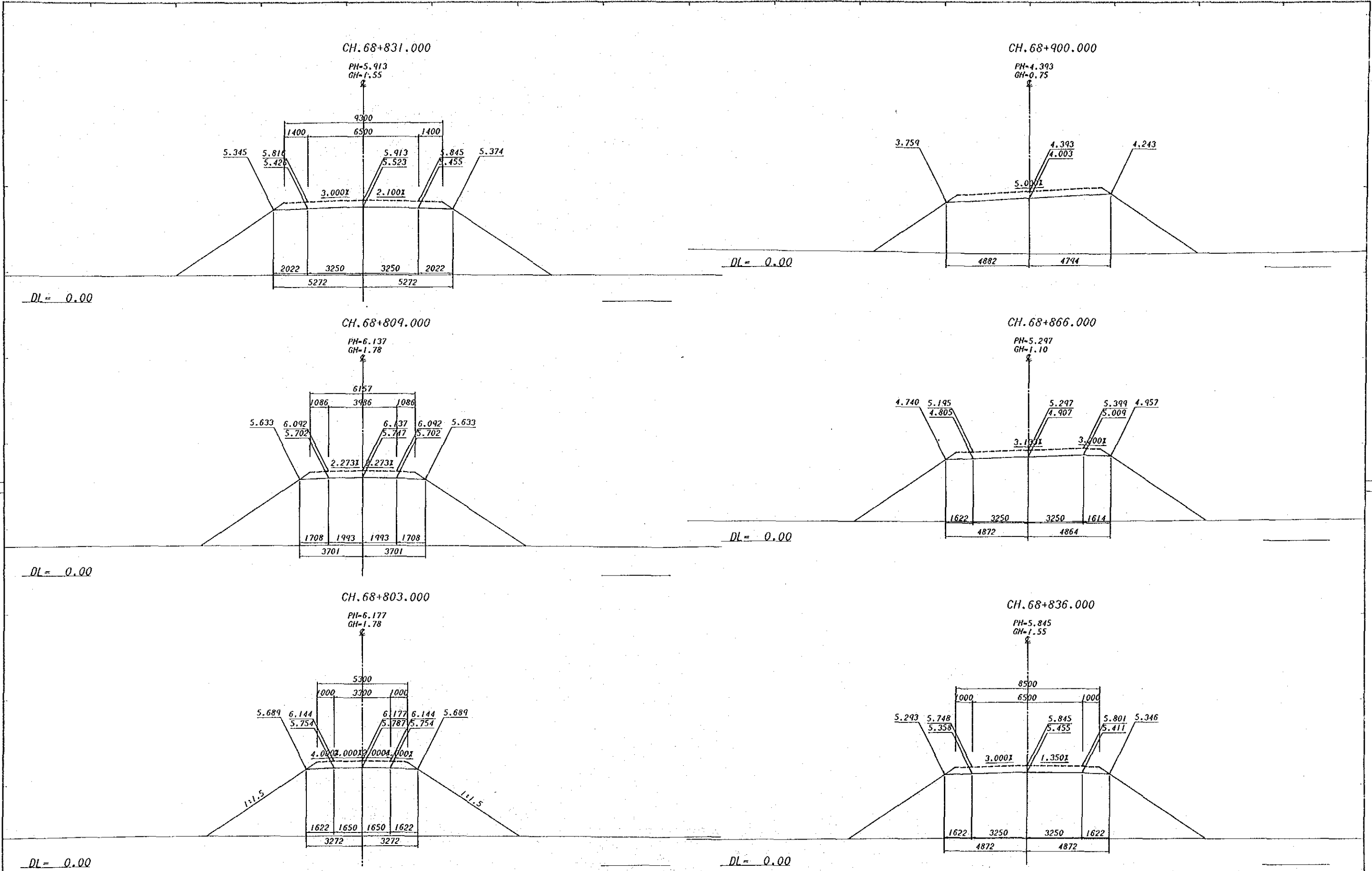


DL = 0.00

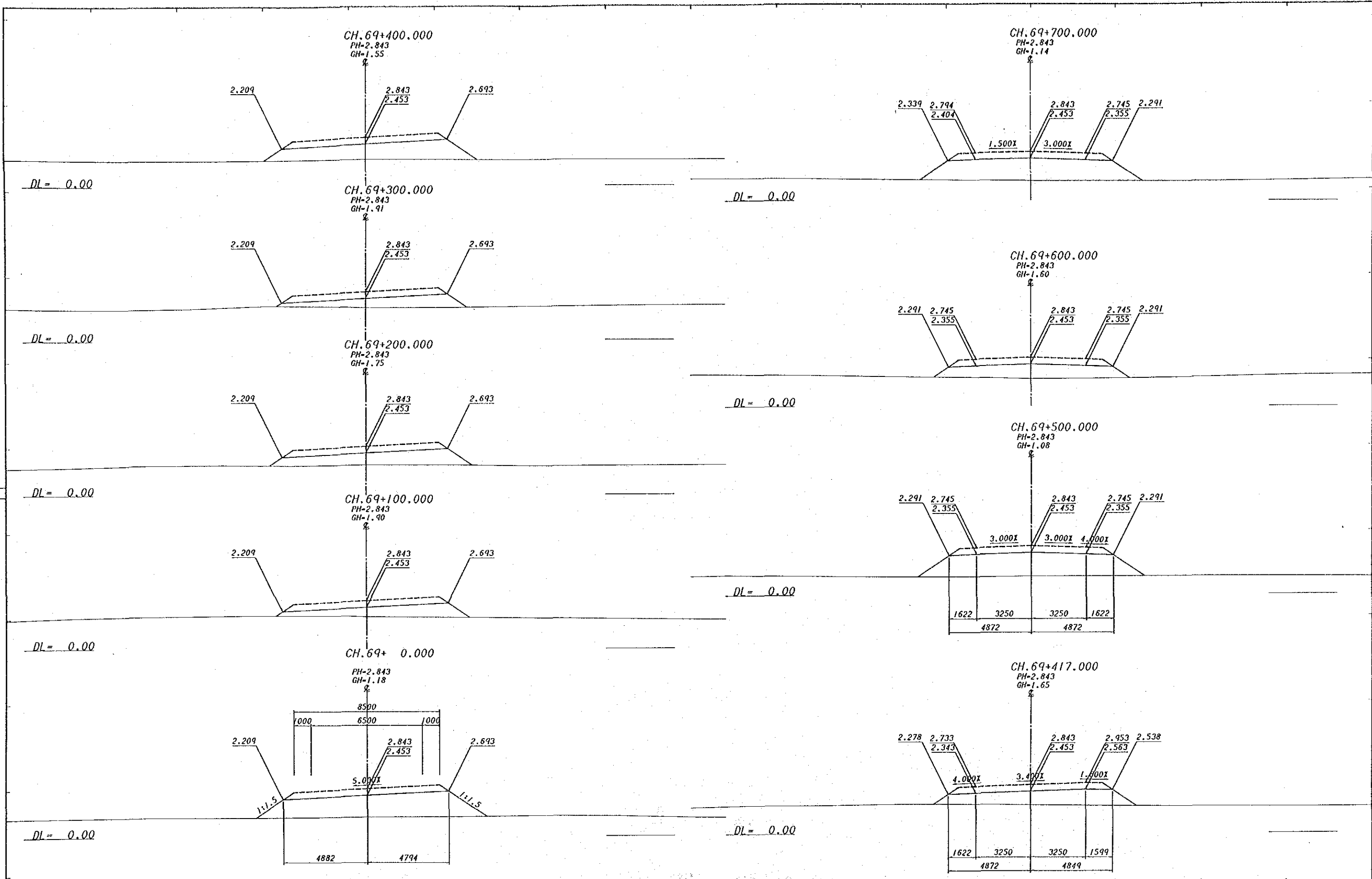


DL = 0.00

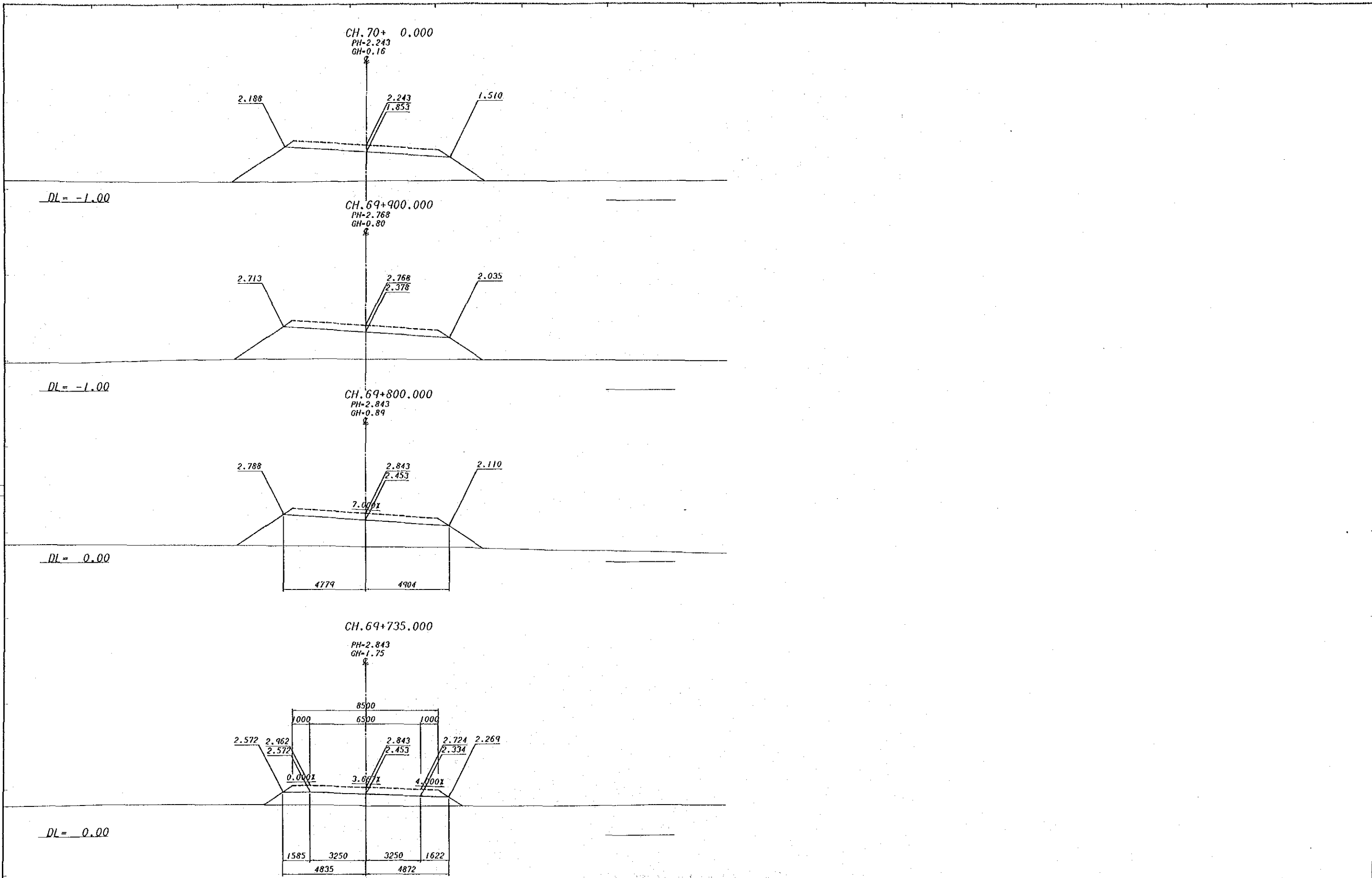
<p>REV. AMENDMENTS</p>				<p>SURVEY JICA Date</p> <p>VERTICAL DATUM MEAN SEA LEVEL.</p> <p>HORIZONTAL DATUM</p> <p>SURVEY BOOK No. 8</p>	<p>DESIGN JAPAN INTERNATIONAL CO-OPERATION AGENCY Principal 25 Sep. 1989 Date</p>	<p>DRAWN K.E. CHECKED DESIGNED CHECKED</p>	<p>RECOMMENDED PROJECT ENGINEER APPROVED PRINCIPAL ENGINEER 25.10.89 SECRETARY</p>	<p>SCALES HORIZONTAL & VERTICAL m. 1 : 100</p> <p>SHEET 188 OF 303</p>	<p>CENTRAL / GULF PROVINCES TRANS-ISLAND HIGHWAY BEREINA-MALALAU SECTION CROSS SECTIONS CH. 68 + 673 — CH. 68 + 801.500 PAPUA NEW GUINEA DEPARTMENT OF WORKS DRAWING No. A1/ 88222</p>
------------------------	--	--	--	---	---	--	--	--	--



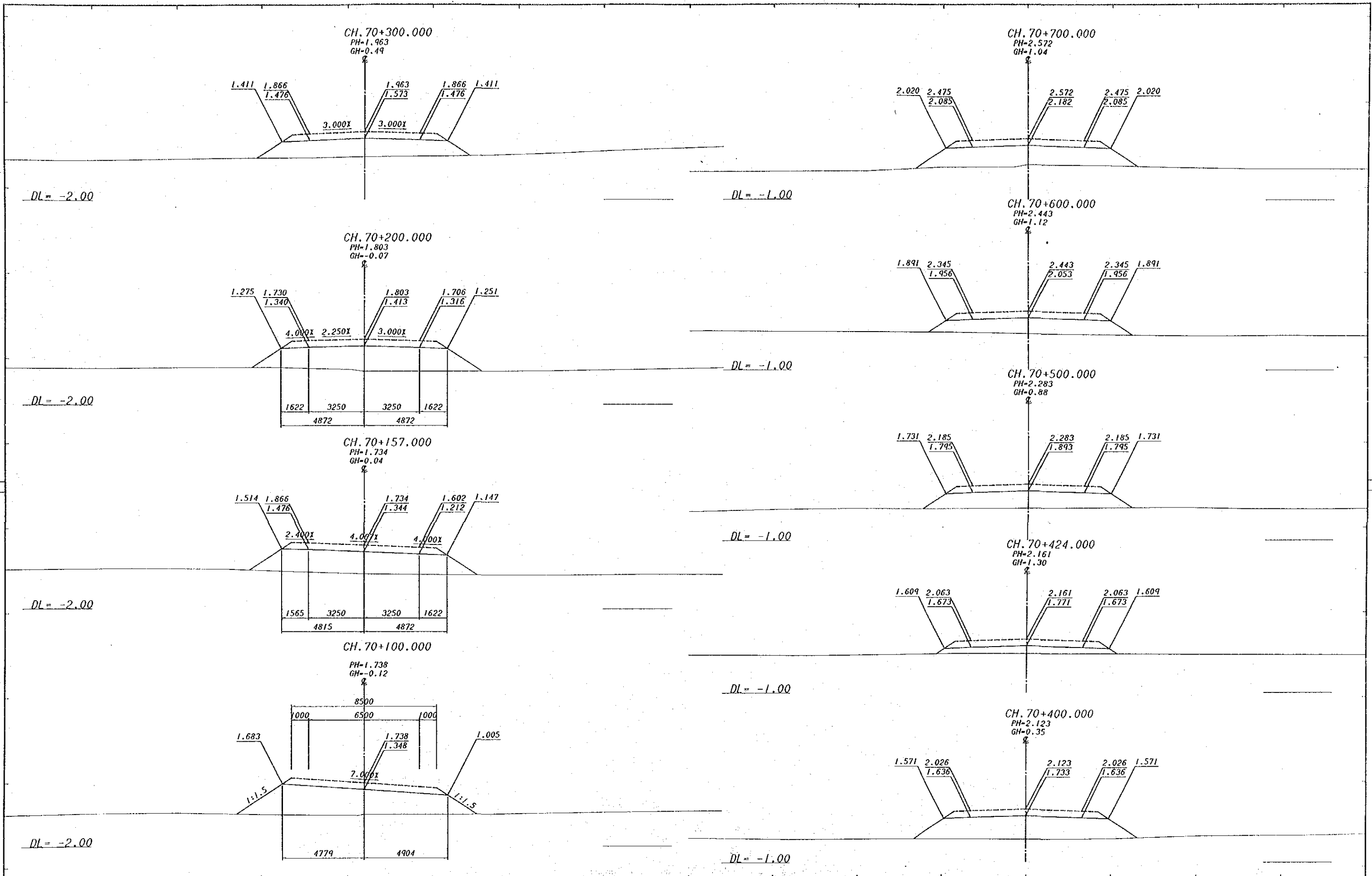
SURVEY JICA		DESIGN JAPAN INTERNATIONAL CO-OPERATION AGENCY		DRAWN K.E.		RECOMMENDED		SCALES HORIZONTAL & VERTICAL m. 1 : 100		CENTRAL / GULF PROVINCES	
VERTICAL DATUM MEAN SEA LEVEL		JAPAN INTERNATIONAL CO-OPERATION AGENCY		PROJECT ENGINEER		PRINCIPAL ENGINEER		PROJECT No. S.C. 120-33-814/B		TRANS-ISLAND HIGHWAY BEREINA-MALALAU SECTION	
HORIZONTAL DATUM		Principal Date		EXECUTIVE ENGINEER		APPROVED		SHEET 189 OF 303		CROSS SECTIONS	
SURVEY BOOK NO.		25 Sep. 1985		Date		25.10.85		DEPARTMENT OF WORKS		CH. 68 + 803 — CH. 68 + 900	
REV.	AMENDMENTS	BY	APP'D	DATE	Principal	Date	SECRETARY	PAPUA NEW GUINEA		DRAWING No. A1/ 88223	



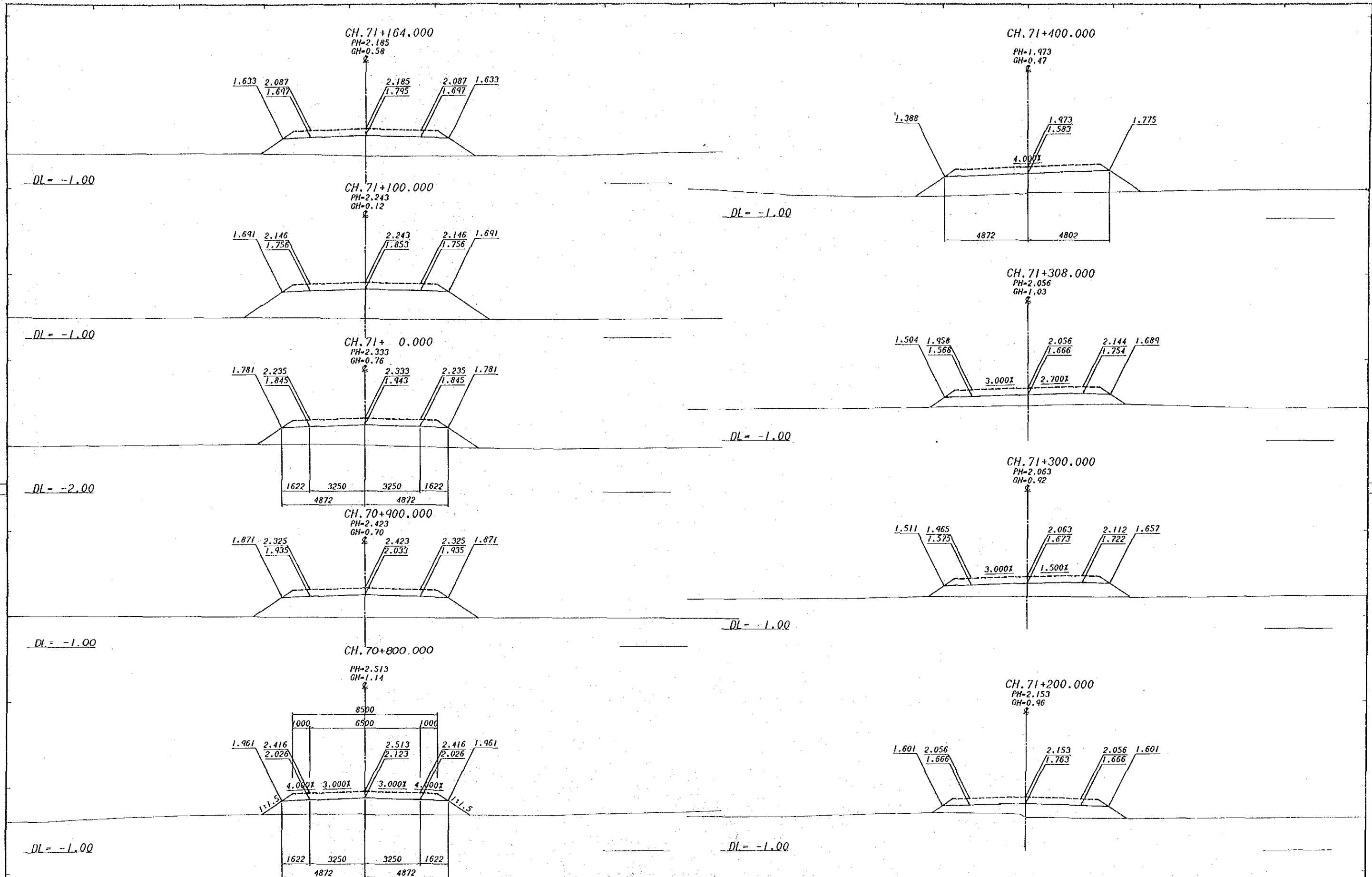
JICA SURVEY BOOK NO. 1 Date: _____				JAPAN INTERNATIONAL CO-OPERATION AGENCY Principal: <i>J. Kuroki</i> 25 Sep. 1989 Date: _____		DRAWN: K.E. CHECKED: <i>[Signature]</i> DESIGNED: a. Magata CHECKED: <i>[Signature]</i>		RECOMMENDED: <i>[Signature]</i> PROJECT ENGINEER APPROVED: <i>[Signature]</i> 25.10.89 PRINCIPAL ENGINEER EXECUTIVE ENGINEER		SCALES: HORIZONTAL & VERTICAL m. 1 : 100		CENTRAL / GULF PROVINCES TRANS-ISLAND HIGHWAY BEREINA-MALALAU SECTION CROSS SECTIONS CH. 69 + 0 — CH. 69 + 700 PAPUA NEW GUINEA DEPARTMENT OF WORKS			
REV.	AMENDMENTS	BY	APP'D	DATE	SHEET 190 OF 303		PROJECT No. S.C.120-33-814/B		DRAWING No. A1/ 8 8 2 2 4		REV.				



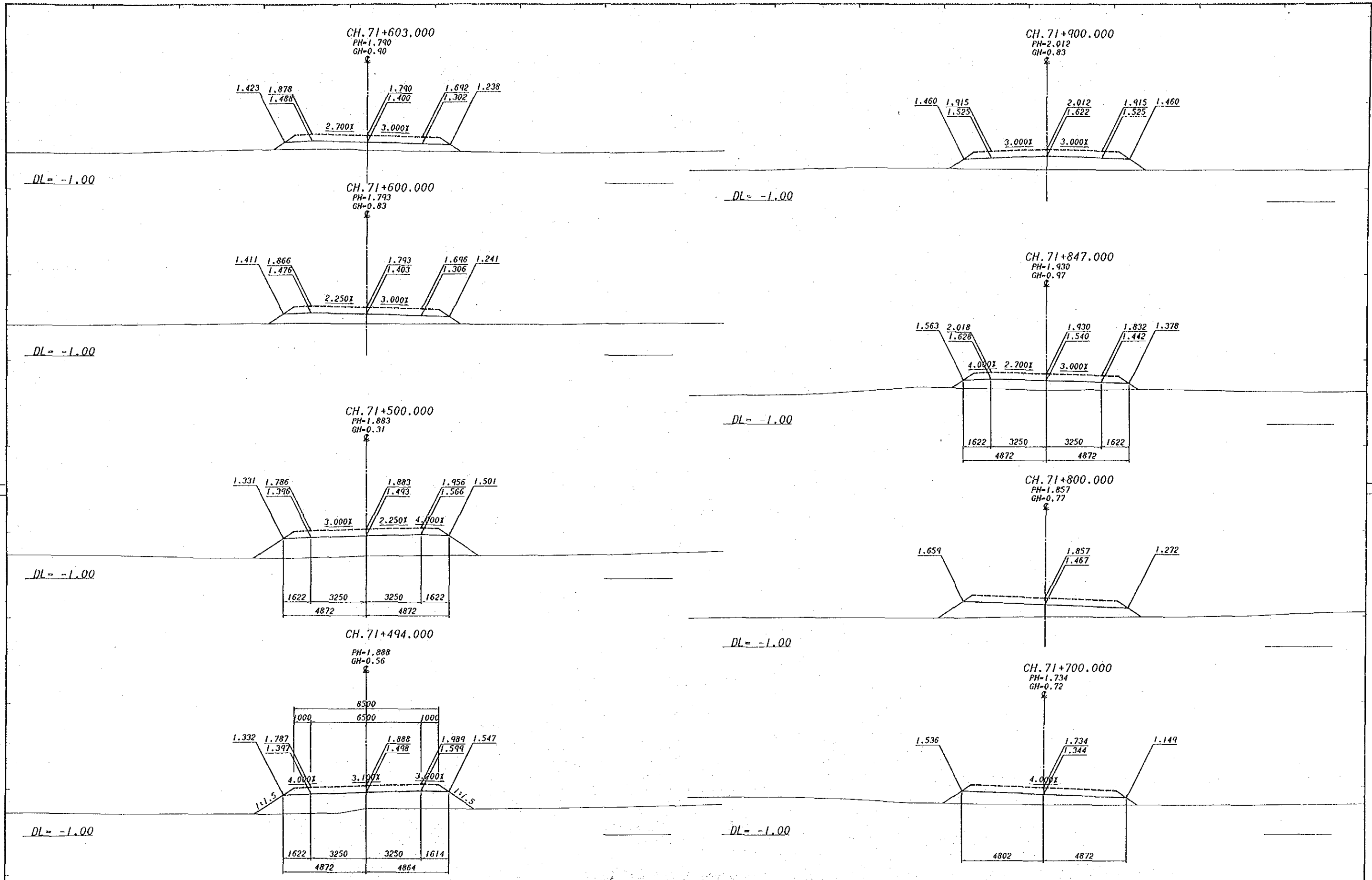
SURVEY JICA		DESIGN JAPAN INTERNATIONAL CO-OPERATION AGENCY		DRAWN K.E.		RECOMMENDED Principal Engineer		SCALES HORIZONTAL & VERTICAL m 1 : 100		CENTRAL / GULF PROVINCES TRANS-ISLAND HIGHWAY - BEREINA-MALALAU SECTION CROSS SECTIONS CH. 69 + 735 — CH. 70 + 0	
VERTICAL DATUM MEAN SEA LEVEL		J. Mahuta Principal		25 Sep. 1989 Date		W. K. K. K. PROJECT ENGINEER		M. M. M. PRINCIPAL ENGINEER		PAPUA NEW GUINEA DEPARTMENT OF WORKS	
HORIZONTAL DATUM		2. Magabo CHECKED		2. K. K. K. EXECUTIVE ENGINEER		J. L. L. APPROVED		25. 10. 89 SECRETARY		DRAWING No. A1/ 88225	
SURVEY BOOK NOS		BY		APP'D		DATE		SHEET 191 OF 303		PROJECT No. S.C. 120-33-814/B	
AMENDMENTS		BY		APP'D		DATE		SHEET 191 OF 303		PROJECT No. S.C. 120-33-814/B	



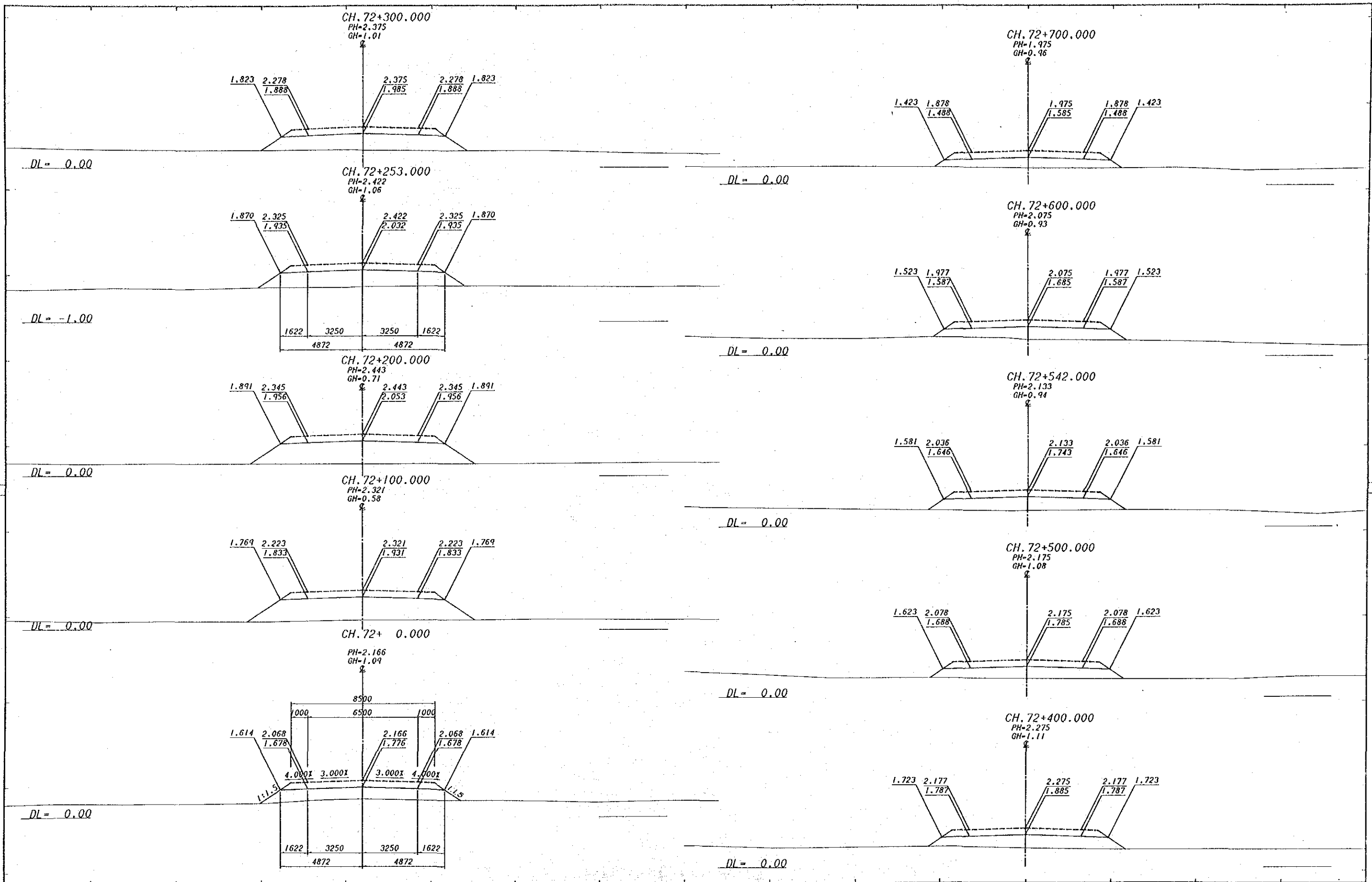
SURVEY		DESIGN		DRAWN		RECOMMENDED		SCALES		CENTRAL / GULF PROVINCES	
JICA		JAPAN INTERNATIONAL CO-OPERATION AGENCY		K. E.		[Signature]		HORIZONTAL & VERTICAL m. 1 : 100		TRANS-ISLAND HIGHWAY BEREINA-MALALAU SECTION	
VERTICAL DATUM MEAN SEA LEVEL.		Principal		CHECKED [Signature]		PROJECT ENGINEER		APPROVED 25.10.89		CROSS SECTIONS	
HORIZONTAL DATUM		Date		DESIGNED A. Magara		[Signature]		SHEET 192 of 303		CH. 70 + 100 — CH. 70 + 700	
SURVEY BOOK No.		25 Sep. 1989		CHECKED 7. Kabe		EXECUTIVE ENGINEER		PROJECT No. S.C. 120-33-814/B		PAPUA NEW GUINEA DEPARTMENT OF WORKS	
REV.	AMENDMENTS	BY	APP'D	DATE	Principal		Date		DRAWING No. A1/ 8 8 2 2 6		REV.



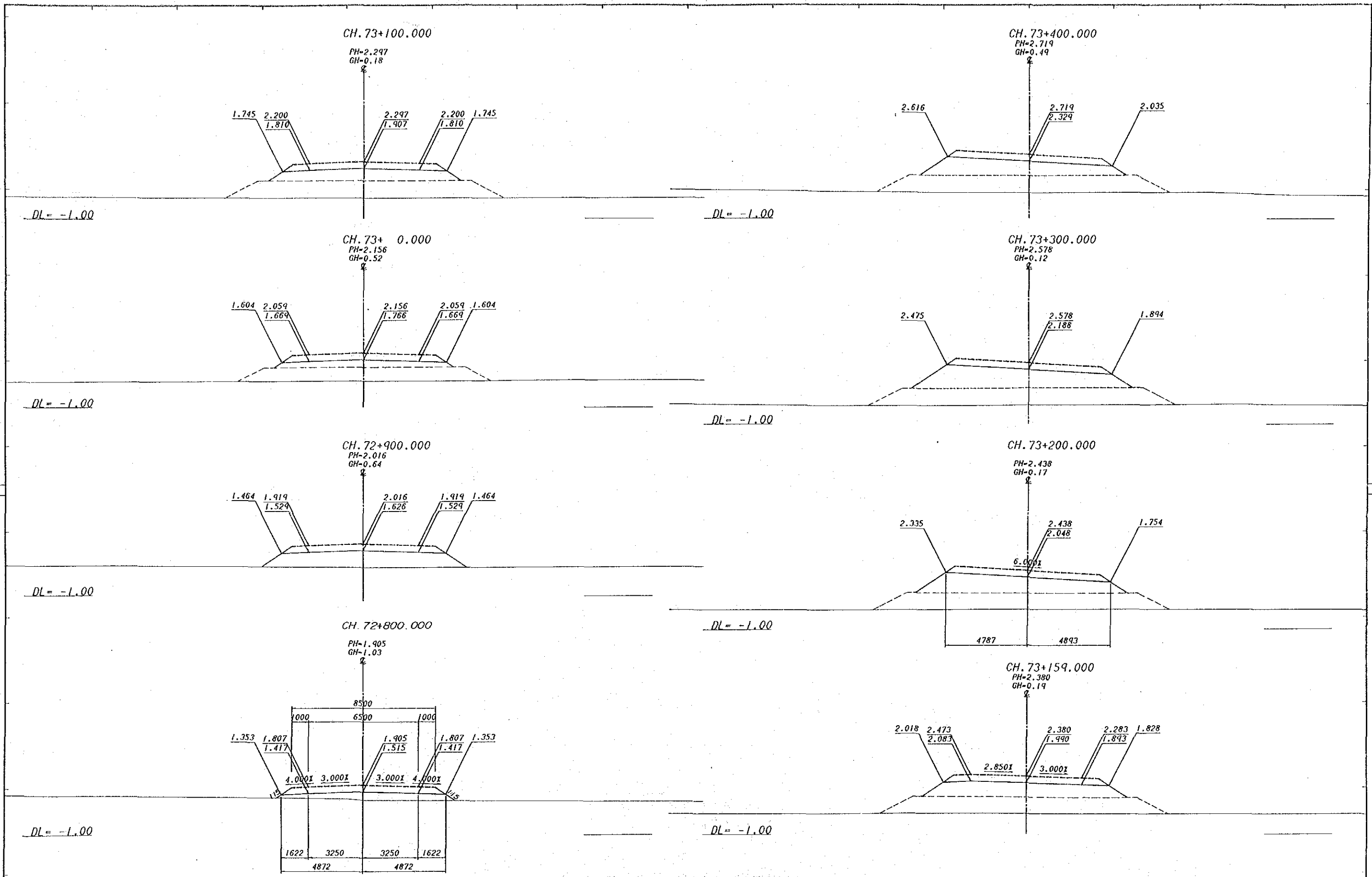
JICA Date: _____ VERTICAL DATUM: MEAN SEA LEVEL HORIZONTAL DATUM: _____ SURVEY BOOK NO. _____		DESIGN JAPAN INTERNATIONAL CO-OPERATION AGENCY Date: 25 Sep. 1989		DRAWN K.E. CHECKED: <i>[Signature]</i> DESIGNED: <i>[Signature]</i> CHECKED: <i>[Signature]</i>		RECOMMENDED <i>[Signature]</i> PROJECT ENGINEER APPROVED: 25.10.89 <i>[Signature]</i> EXECUTIVE ENGINEER		SCALES HORIZONTAL & VERTICAL m. 1 : 100 SHEET 193 OF 303		CENTRAL / GULF PROVINCES TRANS-ISLAND HIGHWAY BEREINA-MALALAU SECTION CROSS SECTIONS CH. 70 + 800 — CH. 71 + 400 PAPUA NEW GUINEA DEPARTMENT OF WORKS DRAWING No. A1/ 88227	
--	--	--	--	--	--	--	--	--	--	--	--



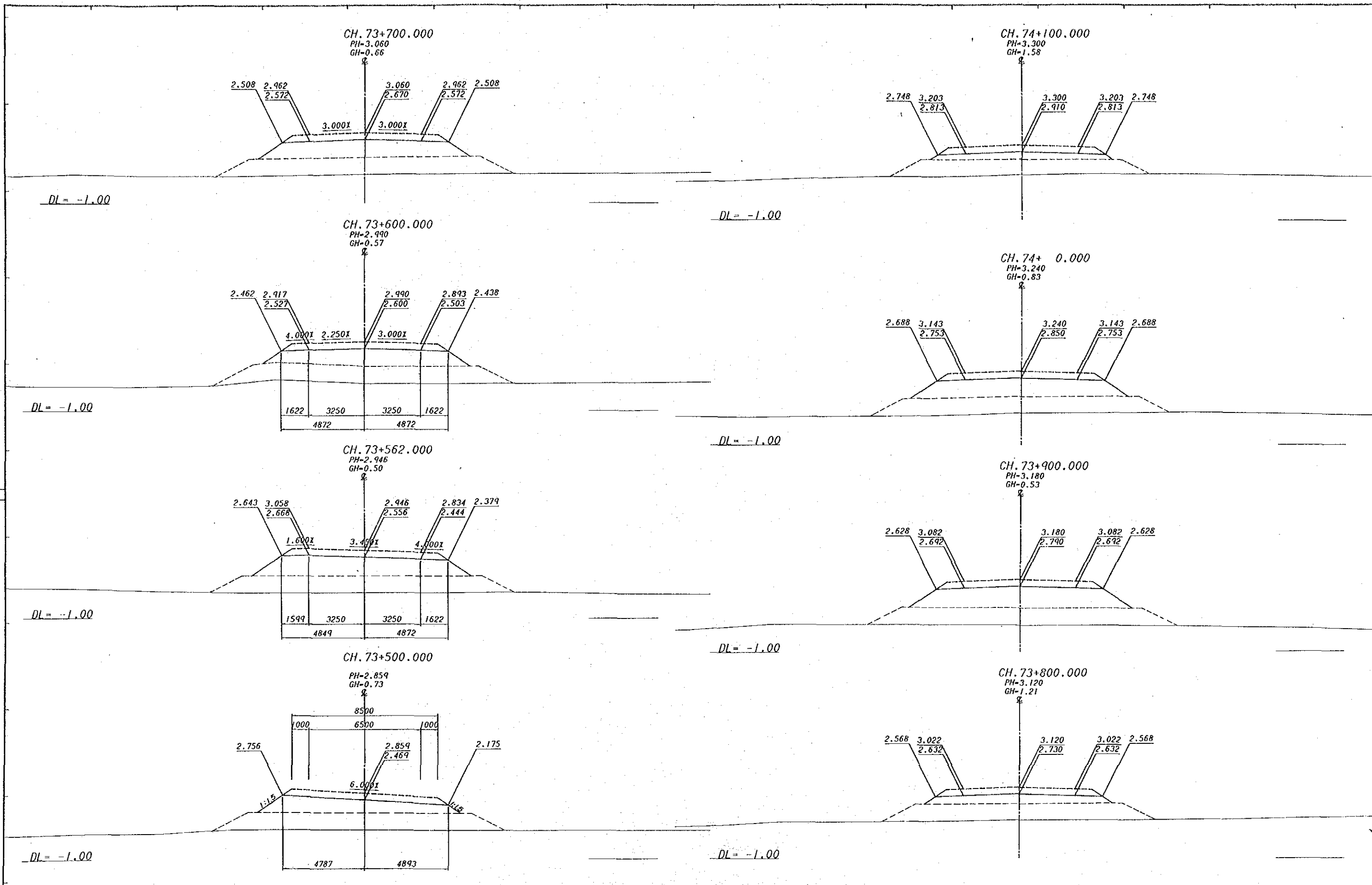
SURVEY JICA Date VERTICAL DATUM MEAN SEA LEVEL HORIZONTAL DATUM SURVEY BOOK No.		DESIGN JAPAN INTERNATIONAL CO-OPERATION AGENCY J. Yamada Principal 25 Sep. 1989 Date		DRAWN K. E. C. E. DESIGNED A. Magaña CHECKED J. Kato		RECOMMENDED W. Kato PROJECT ENGINEER APPROVED 25 10 89 J. Kato EXECUTIVE ENGINEER T. Kato SECRETARY		SCALES HORIZONTAL & VERTICAL m. 1 : 100 SHEET 194 OF 303 PROJECT No. S.C. 120-33-814/B		CENTRAL / GULF PROVINCES TRANS-ISLAND HIGHWAY BEREINA-MALALAU SECTION CROSS SECTIONS CH. 71 + 494 — CH. 71 + 900 PAPER NEW GUINEA DEPARTMENT OF WORKS DRAWING No. A1/ 8 8 2 8	
---	--	---	--	---	--	--	--	--	--	--	--



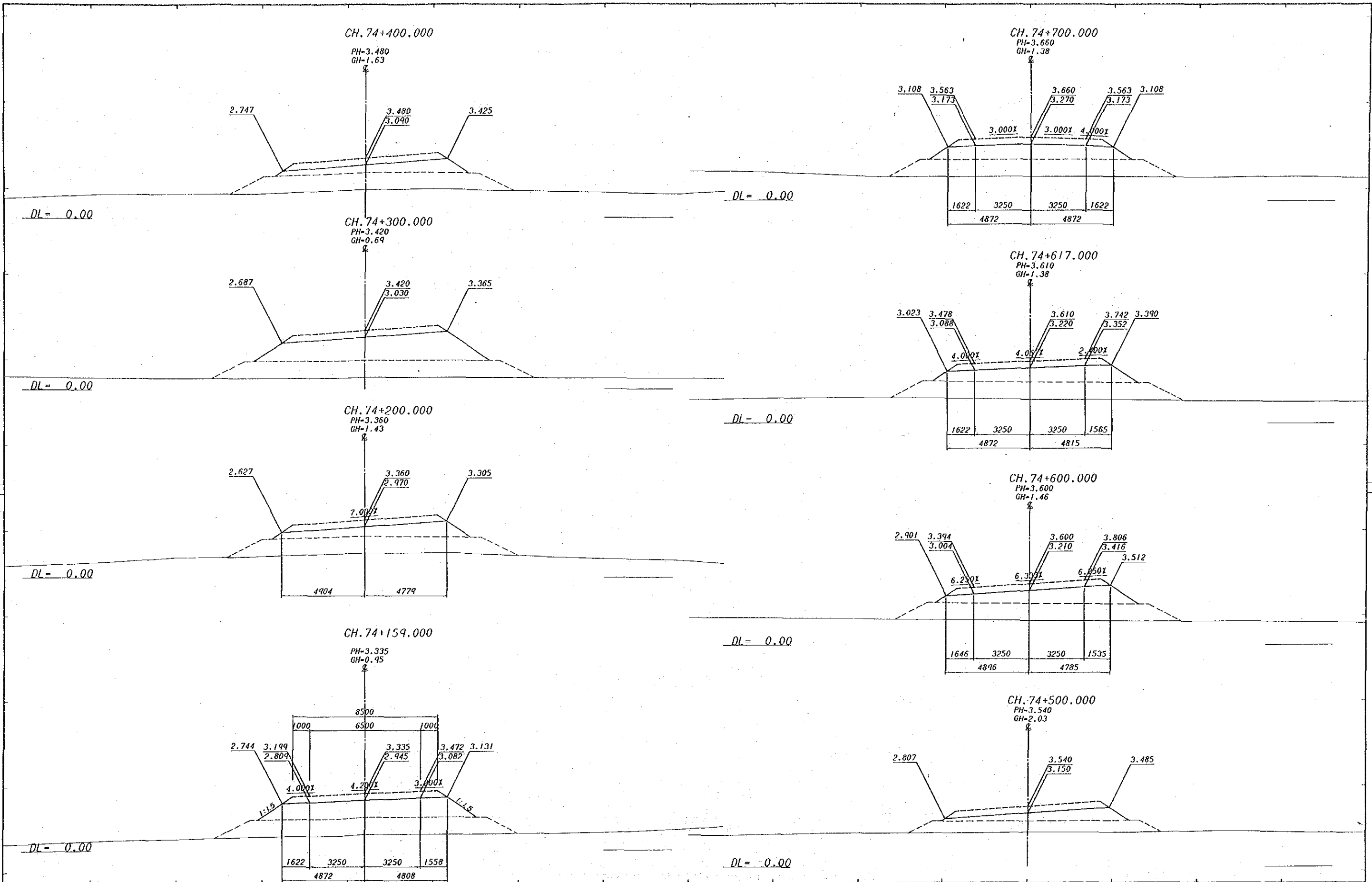
JICA Date VERTICAL DATUM MEAN SEA LEVEL HORIZONTAL DATUM SURVEY BOOK NO.		DESIGN JAPAN INTERNATIONAL CO-OPERATION AGENCY J. Malins 25 Sep. 1989 Date		DRAWN K.E. CHECKED DESIGNED CHECKED		RECOMMENDED PROJECT ENGINEER APPROVED SECRETARY		SCALES HORIZONTAL & VERTICAL m. 1 : 100 SHEET 195 of 303 PROJECT No. S.C.120-33-814/B		CENTRAL / GULF PROVINCES TRANS-ISLAND HIGHWAY BEREINA-MALALALUA SECTION CROSS SECTIONS CH. 72 + 0 — CH. 72 + 700 PAPUA NEW GUINEA DEPARTMENT OF WORKS DRAWING No. A1/ 88229	
--	--	---	--	--	--	---	--	--	--	--	--



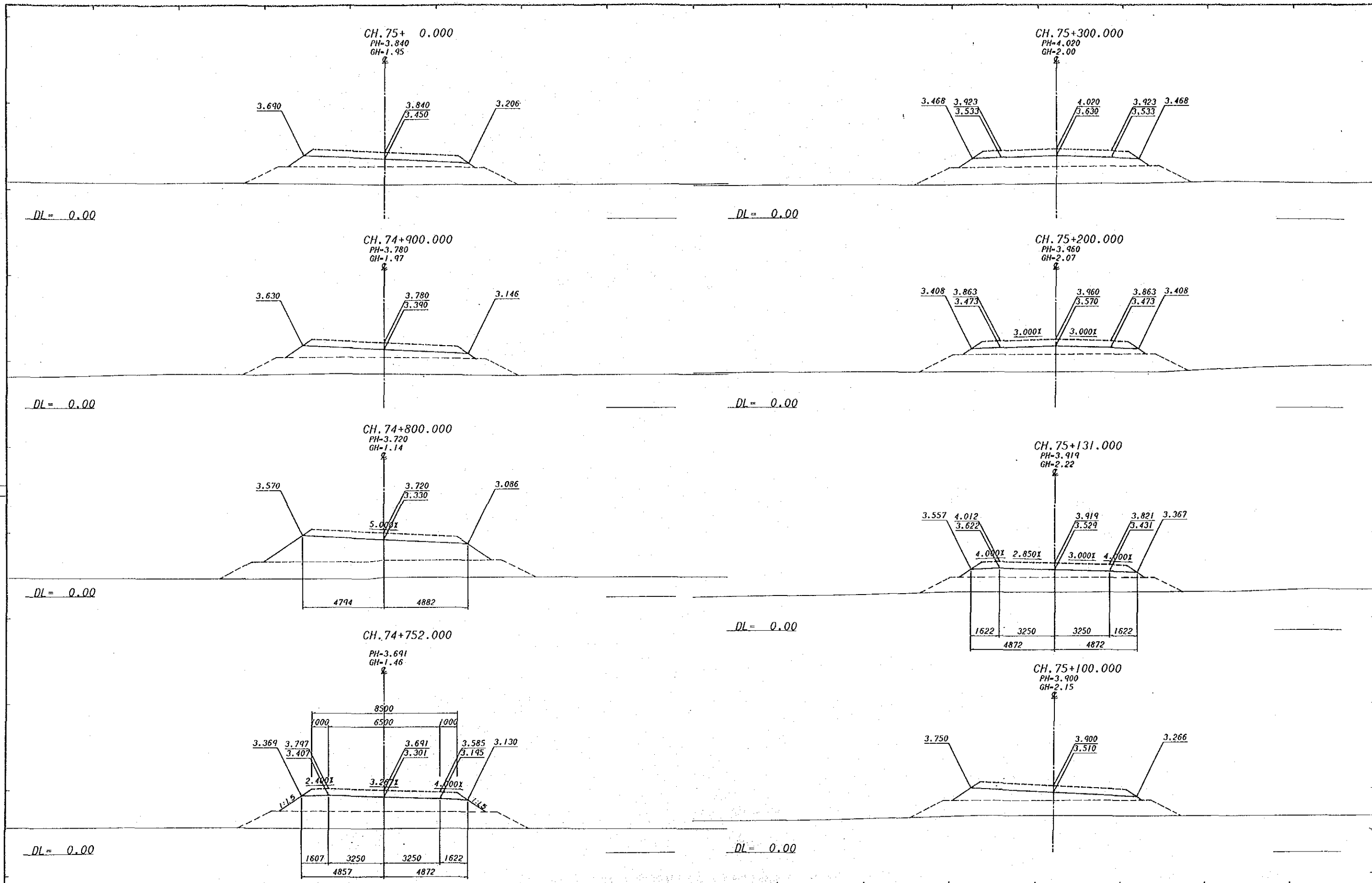
SURVEY JICA		DESIGN JAPAN INTERNATIONAL CO-OPERATION AGENCY		DRAWN K.E.		RECOMMENDED [Signature]		SCALES HORIZONTAL & VERTICAL m. 1 : 100		CENTRAL / GULF PROVINCES	
VERTICAL DATUM MEAN SEA LEVEL		DATE 25 Sep. 1988		CHECKED [Signature]		PROJECT ENGINEER [Signature]		APPROVED 25.10.89		TRANS-ISLAND HIGHWAY BEREINA-MALALAU SECTION	
HORIZONTAL DATUM		Principal		CHECKED [Signature]		EXECUTIVE ENGINEER [Signature]		SECRETARY [Signature]		CROSS SECTIONS CH. 72 + 800 — CH. 73 + 400	
SURVEY BOOK NO. 8		Date		[Signature]		[Signature]		PROJECT No. S.C. 120-33-814/B		DRAWING No. A1/ 88230	
AMENDMENTS		BY		DATE		SHEET 196 OF 303		DEPARTMENT OF WORKS		PAPUA NEW GUINEA	



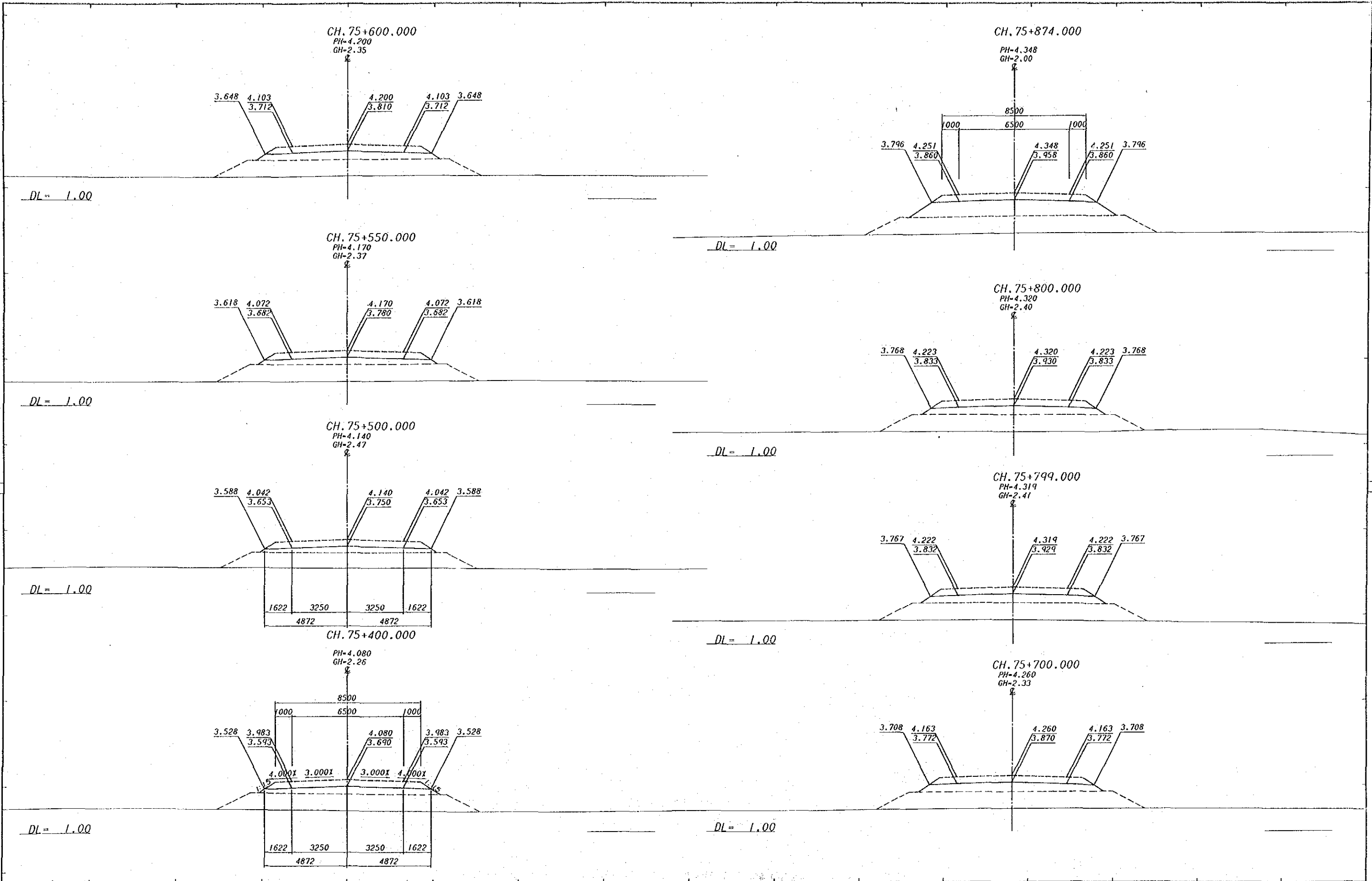
SURVEY JICA		DESIGN JAPAN INTERNATIONAL CO-OPERATION AGENCY		DRAWN K. E.		RECOMMENDED W. K. ...		SCALES HORIZONTAL & VERTICAL m. 1 : 100		CENTRAL / GULF PROVINCES	
VERTICAL DATUM MEAN SEA LEVEL.		DATE 25 Sep. 1989		CHECKED C. E. ...		PROJECT ENGINEER W. K. ...		PROJECT No. S.C. 120-33-814/B		TRANS-ISLAND HIGHWAY BEREINA-MALALAU SECTION	
HORIZONTAL DATUM		Principal J. ...		DESIGNED A. ...		APPROVED J. ...		SHEET 197 of 303		CROSS SECTIONS CH. 73 + 500 — CH. 74 + 100	
SURVEY BOOK No.		Date		CHECKED Z. ...		SECRETARY R. ...		DEPARTMENT OF WORKS		DRAWING No. A1/ 88231	



SURVEY JICA Date VERTICAL DATUM MEAN SEA LEVEL HORIZONTAL DATUM SURVEY BOOK NOS		DESIGN JAPAN INTERNATIONAL CO-OPERATION AGENCY J. Halim Principal 25 Sep. 1989 Date		DRAWN K.E. CHECKED C.B. DESIGNED A. Magalis CHECKED T. Kalua		RECOMMENDED PROJECT ENGINEER APPROVED 25.10.89 PRINCIPAL ENGINEER EXECUTIVE ENGINEER SECRETARY		SCALES HORIZONTAL & VERTICAL m. 1 : 100		CENTRAL / GULF PROVINCES TRANS-ISLAND HIGHWAY BEREINA-MALALAU SECTION CROSS SECTIONS CH. 74 + 159 — CH. 74 + 700 PAPUA NEW GUINEA DEPARTMENT OF WORKS DRAWING No. A1/ 88232	
REV.	AMENDMENTS	BY	APP'D	DATE	SHEET	198	OF	303	PROJECT No.	S.C.120-33-814/B	

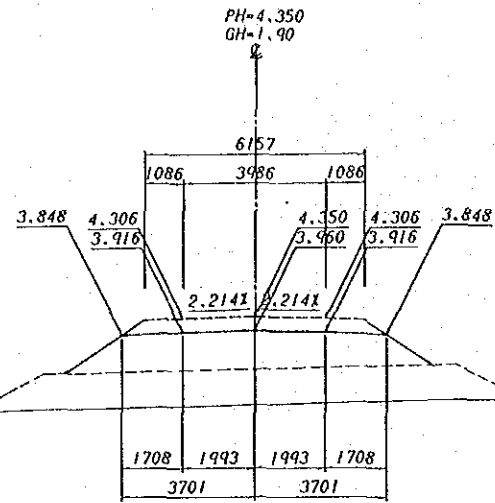


SURVEY		DESIGN		DRAWN		RECOMMENDED		SCALES		CENTRAL / GULF PROVINCES	
JICA		JAPAN INTERNATIONAL CO-OPERATION AGENCY		K. E.		K. K. K.		 HORIZONTAL & VERTICAL m.		TRANS-ISLAND HIGHWAY BEREINA-MALALAU SECTION	
VERTICAL DATUM		Principal		Checked		Principal Engineer		1 : 100		CROSS SECTIONS	
MEAN SEA LEVEL		J. H. H.		Designed		Approved		SHEET 199 OF 303		CH. 74 + 752 — CH. 75 + 300	
HORIZONTAL DATUM		25 Sep. 1989		Checked		25.10.89		PROJECT No.		PAPUA NEW GUINEA	
SURVEY BOOK No.		Date		Checked		FAG(75)		S.C. 120-33-814/B		DEPARTMENT OF WORKS	
REV		BY		APP'D		DATE		DRAWING No.		A1/ 88233	
AMENDMENTS											



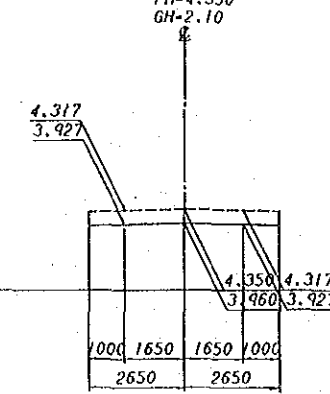
REV.		AMENDMENTS		BY	APP'D	DATE	SURVEY		DESIGN		DRAWN		RECOMMENDED		SCALES		CENTRAL / GULF PROVINCES	
							JICA		JAPAN INTERNATIONAL CO-OPERATION AGENCY		K.E.		L. K. K.		 HORIZONTAL & VERTICAL m. 1 : 100		TRANS-ISLAND HIGHWAY BEREINA-MALALAU A SECTION	
							VERTICAL DATUM MEAN SEA LEVEL.		25 Sep. 1989		a. Magala		M. S.				CROSS SECTIONS	
							HORIZONTAL DATUM		Date		2. K. K.		F. S.				CH. 75 + 400 — CH. 75 + 874	
							SURVEY BOOK NO. 8		Principal		EXECUTIVE ENGINEER		PRINCIPAL ENGINEER		SECRETARY		PAPUA NEW GUINEA DEPARTMENT OF WORKS	
																	DRAWING No. A1/ 8 8 2 3 4	
																	SHEET 200 OF 303 PROJECT No. S.C. 120-33-814/B	

CH. 75+901.000



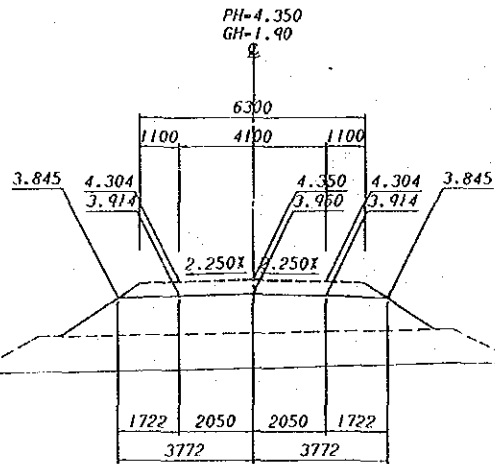
DL = 0.00

CH. 75+954.151



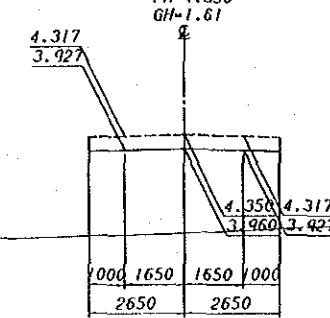
DL = 0.00

CH. 75+900.000



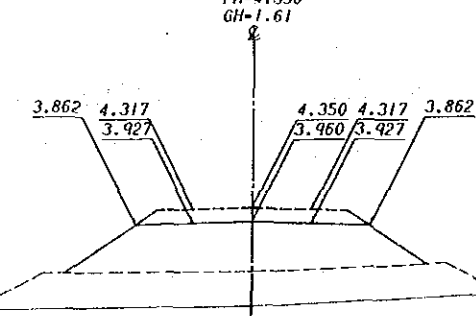
DL = 0.00

CH. 75+911.799



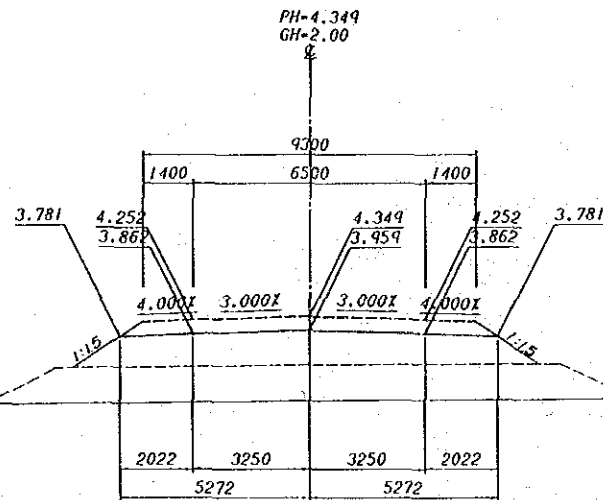
DL = 0.00

CH. 75+909.100



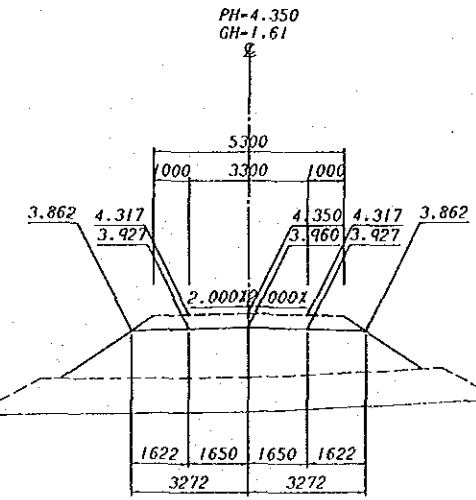
DL = 0.00

CH. 75+879.000



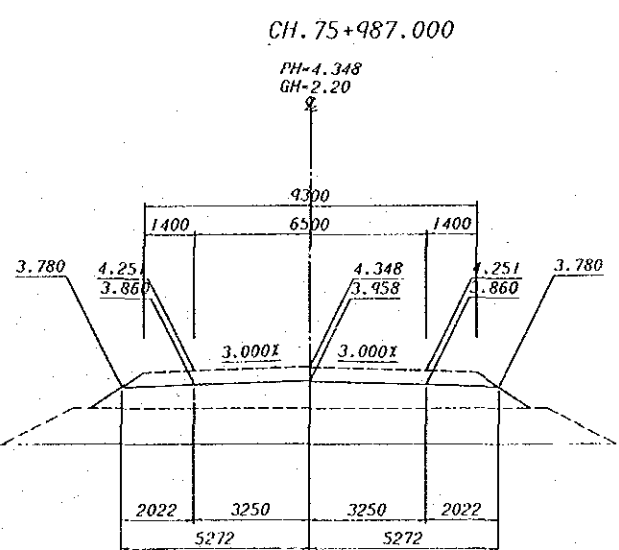
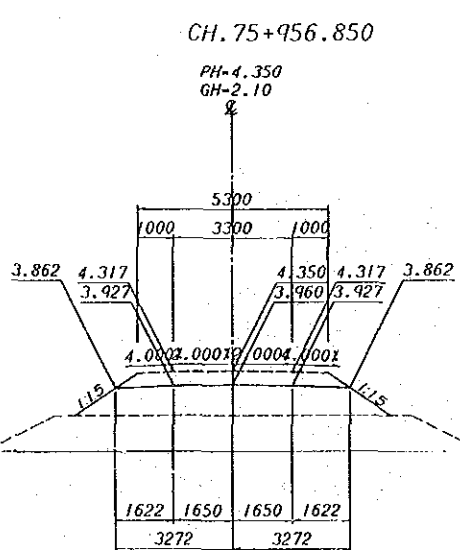
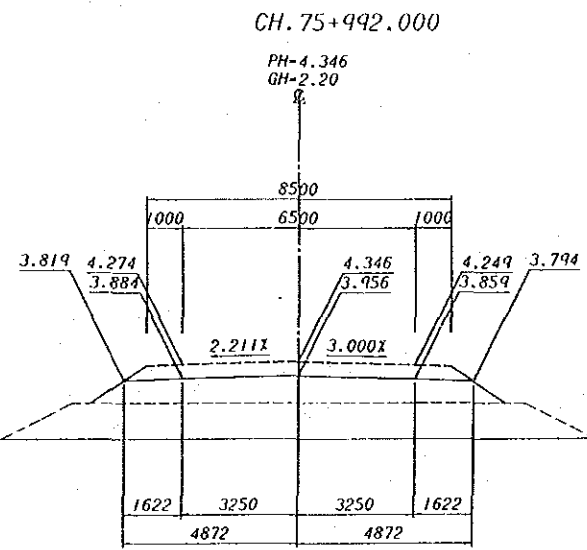
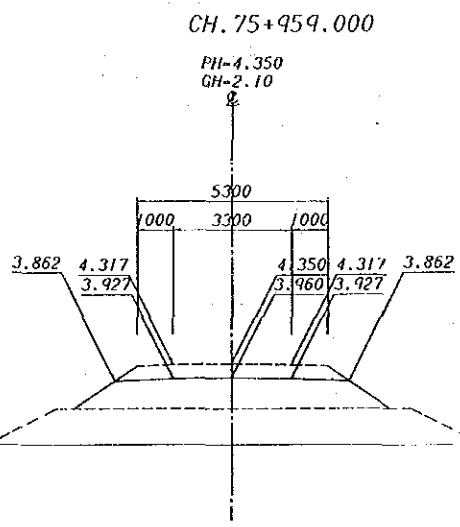
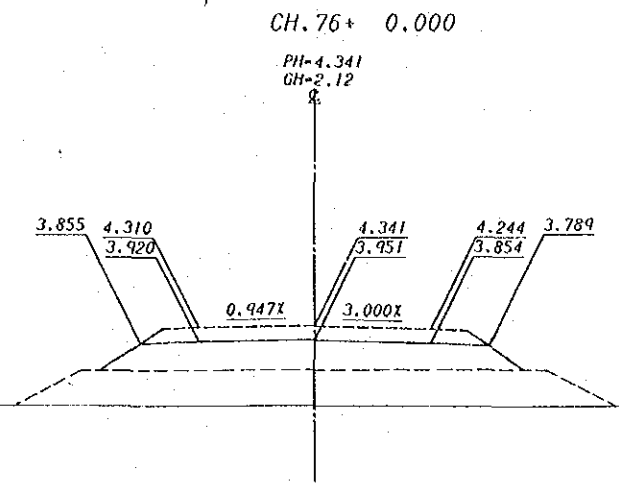
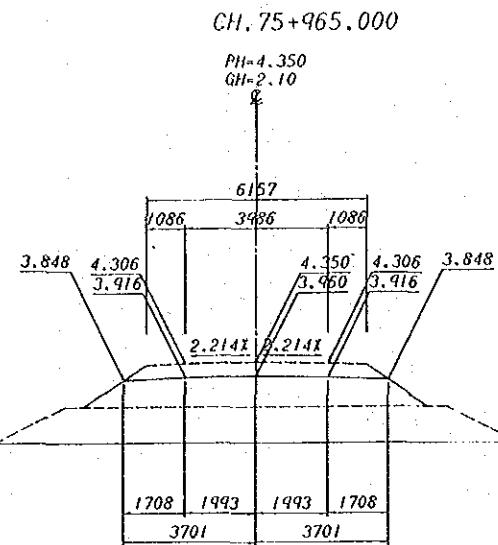
DL = 0.00

CH. 75+907.000



DL = 0.00

SURVEY		DESIGN		DRAWN		RECOMMENDED		SCALES		CENTRAL / GULF PROVINCES	
JICA		JAPAN INTERNATIONAL CO-OPERATION AGENCY		K.E.		[Signature]		HORIZONTAL & VERTICAL m. 1 : 100		TRANS-ISLAND HIGHWAY BEREINA-MALALAU SECTION	
Date		Date		CHECKED [Signature]		APPROVED [Signature]		PROJECT No. S.C.120-33-814/B		CROSS SECTIONS	
VERTICAL DATUM		HORIZONTAL DATUM		DESIGNED [Signature]		CHECKED [Signature]		SHEET 201 OF 303		CH. 75 + 879 — CH. 75 + 954.151	
MEAN SEA LEVEL		SURVEY BOOK NO. 8		Principal J. H. [Signature]		Executive Engineer [Signature]		PROJECT No. S.C.120-33-814/B		PAPUA NEW GUINEA DEPARTMENT OF WORKS	
Date		Date		Principal J. H. [Signature]		Executive Engineer [Signature]		SHEET 201 OF 303		DRAWING No. A1/ 88235	



SURVEY		DESIGN		DRAWN		RECOMMENDED		SCALES		CENTRAL / GULF PROVINCES	
JICA		JAPAN INTERNATIONAL CO-OPERATION AGENCY		K.E.		PROJECT ENGINEER		HORIZONTAL & VERTICAL m. 1 : 100		TRANS-ISLAND HIGHWAY BEREINA-MALALAU SECTION	
VERTICAL DATUM MEAN SEA LEVEL.		Principal 25 Sep. 1989		CHECKED A. Magalao		APPROVED 26.10.89				CROSS SECTIONS	
HORIZONTAL DATUM		Date		CHECKED Z. K. K.		SECRETARY				CH. 75 + 956.850 — CH. 76 + 0	
SURVEY BOOK NOS		Date		EXECUTIVE ENGINEER		PROJECT No. S.C. 120-33-814/B		SHEET 202 OF 303		PAPUA NEW GUINEA DEPARTMENT OF WORKS	
AMENDMENTS		BY APPD DATE		Principal		DRAWING No. A1/ 8 8 2 3 6				REV.	