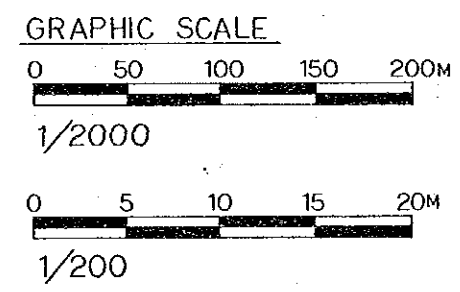
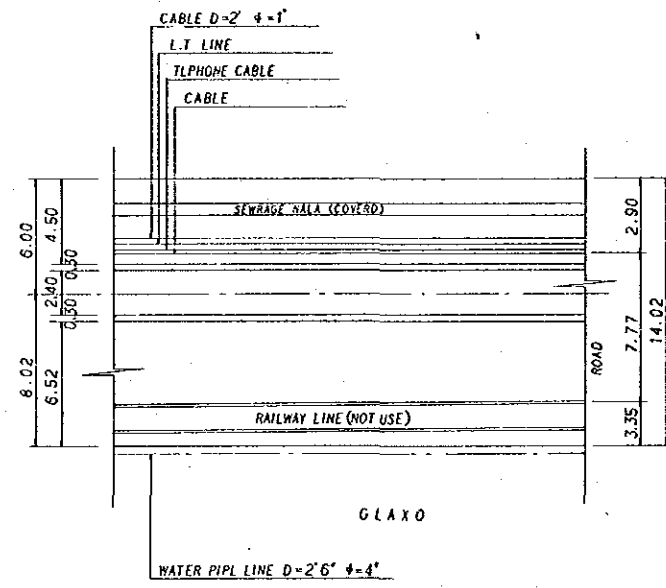
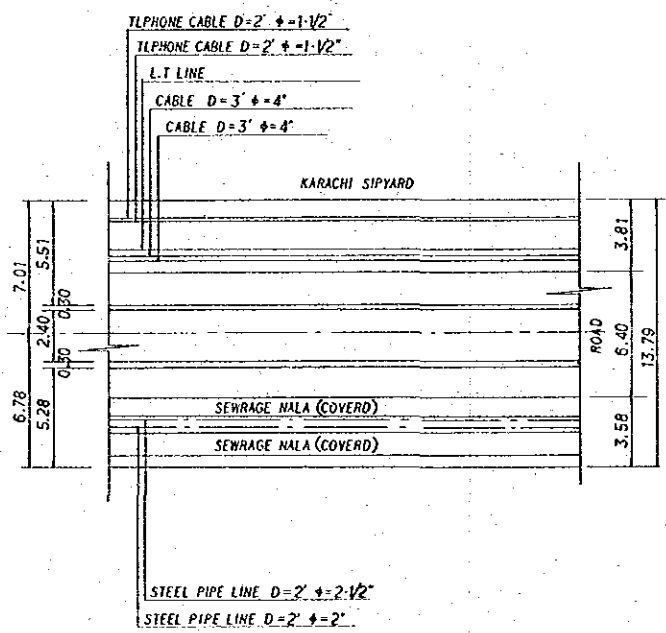
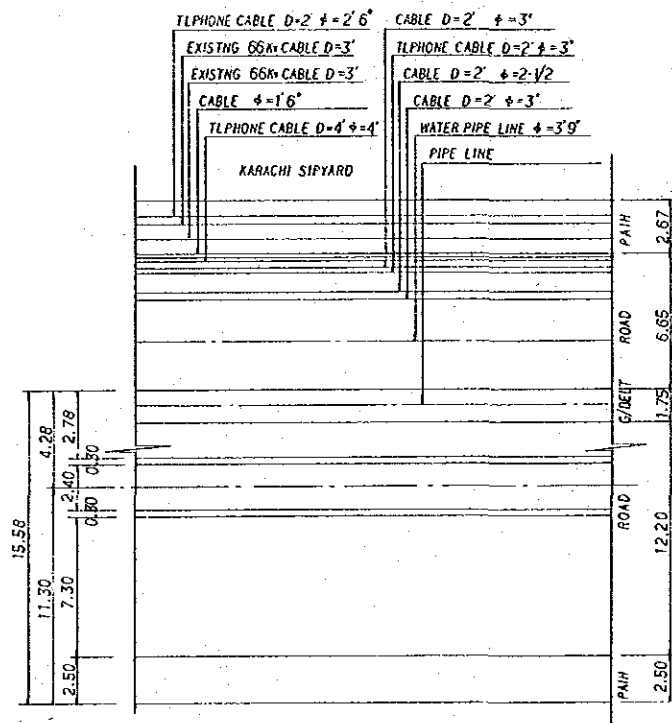
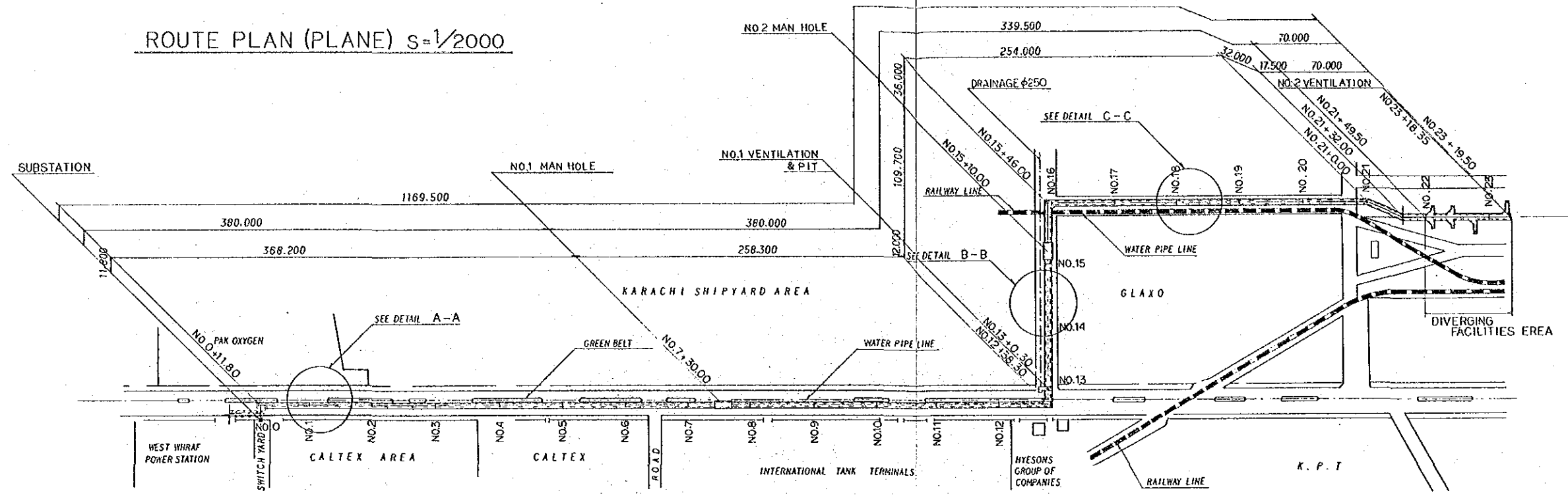
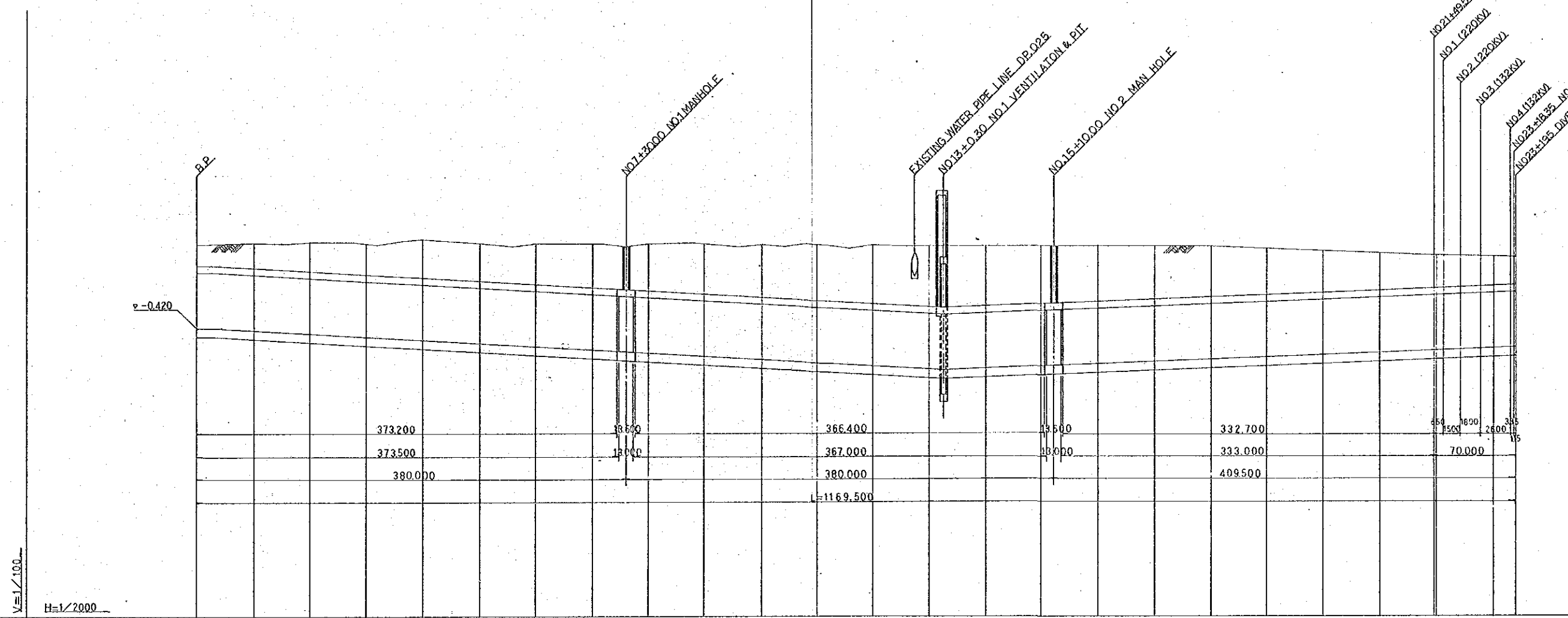


ROUTE PLAN (PLANE) s=1/2000



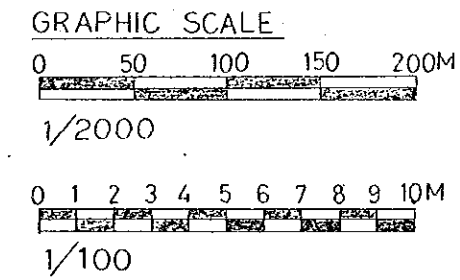
PAKISTAN			
KARACHI ELECTRIC SUPPLY CORPORATION			
WEST WHARF THERMAL POWER PLANT PROJECT			
UNITS NO.1 AND NO.2			
UNDERGROUND CABLE TUNNEL			
JAPAN INTERNATIONAL COOPERATION AGENCY			
TOKYO JAPAN			
APPROVED BY	REVIEWED BY	CHECKED BY	DRAWN BY
	<i>K. Fushimi</i>	<i>T. Yanouya</i>	<i>[Signature]</i>
DRAWING NO.	SCALE	DATE	
WST-4001	AS SHOWN	10TH JAN 1990	

ROUTE PLAN (VERTICAL)



V=1/100
H=1/2000

GRADIENT	Level																							
	0.28 %																							
GROUND ELEVATION	3.28	3.28	3.30	3.29	3.35	3.38	3.35	3.19	3.27	3.20	3.15	3.26	3.14	3.21	3.06	3.19	3.19	3.19	3.13	3.04	2.94	2.75	2.75	
SOIL COVER	1.00	1.00	1.127	1.257	1.457	1.627	1.737	1.717	1.937	1.949	1.957	2.207	2.227	2.437	2.427	2.697	2.698	2.699	2.039	1.849	1.649	1.259	1.220	
TOP ELEVATION	2.280	2.280	2.170	2.033	1.893	1.753	1.613	1.473	1.333	1.249	1.193	1.033	0.913	0.773	0.633	0.493	0.492	0.491	1.091	1.191	1.291	1.491	1.530	
BOTTOM ELEVATION	-0.420	-0.420	-0.527	-0.667	-0.807	-0.947	-1.087	-1.227	-1.367	-1.451	-1.507	-1.647	-1.787	-1.927	-2.067	-2.207	-2.298	-2.389	-1.609	-1.509	-1.409	-1.209	-1.170	
CHAINAGE	0.0	11.80	50.0	100.0	150.0	200.0	250.0	300.0	350.0	380.0	400.0	450.0	500.0	550.0	600.0	650.0	650.3	700.0	750.0	800.0	850.0	900.0	950.0	
S.SPAN	0.00	11.80	38.20	50.00	50.00	50.00	50.00	50.00	50.00	30.00	20.00	50.00	50.00	50.00	50.00	50.00	0.30	49.70	50.00	50.00	50.00	50.00	50.00	
STA.	0	1	2	3	4	5	6	7	8	9	10	11	12	13	14	15	16	17	18	19	20	21	22	23



PAKISTAN
KARACHI ELECTRIC SUPPLY CORPORATION
WEST WHARF THERMAL POWER PLANT PROJECT
UNITS NO.1 AND NO.2

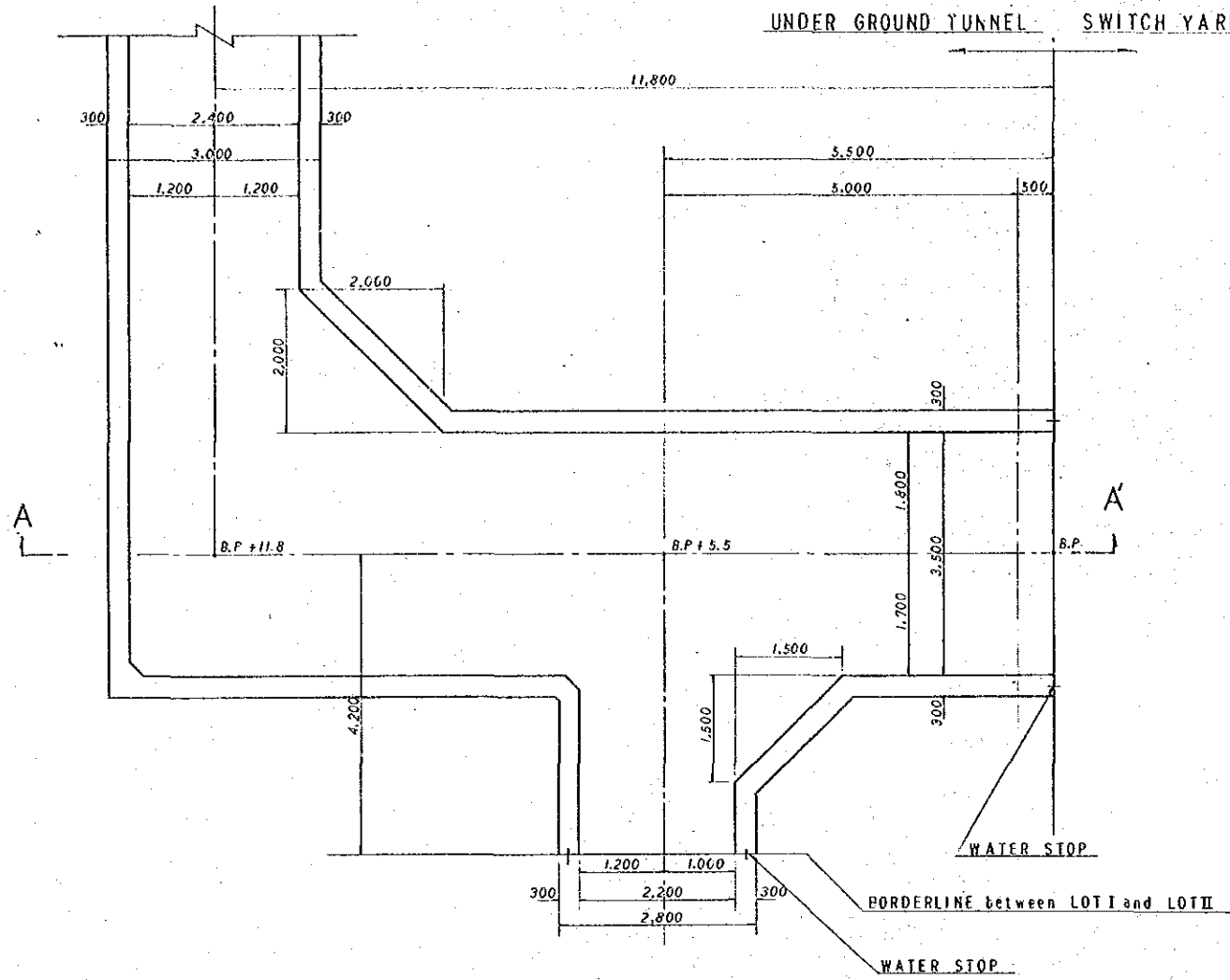
UNDERGROUND CABLE TUNNEL

JAPAN INTERNATIONAL COOPERATION AGENCY
TOKYO JAPAN

APPROVED BY	REVIEWED BY	CHECKED BY	DRAWN BY
	X. Fuchimi	T. Yamawata	
DRAWING NO.	SCALE	DATE	
WST-4002	AS SHOWN	10TH JAN 1990	

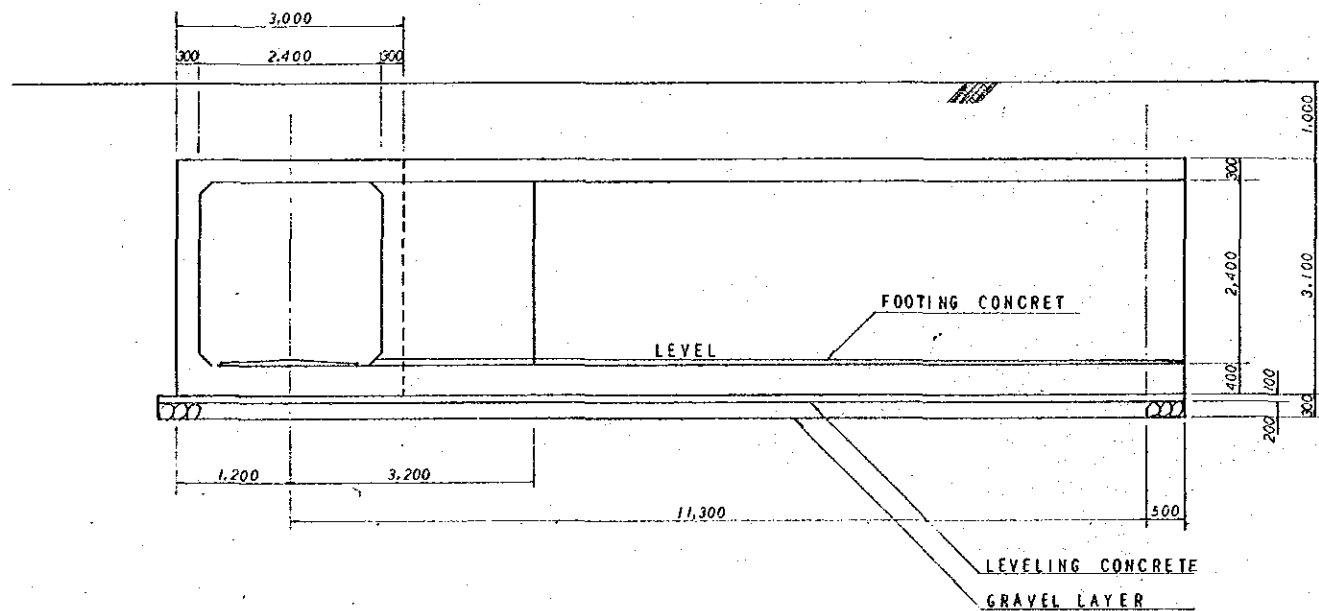
B.P & STANDARD SECTION

PLANE FIGURE S=1/50



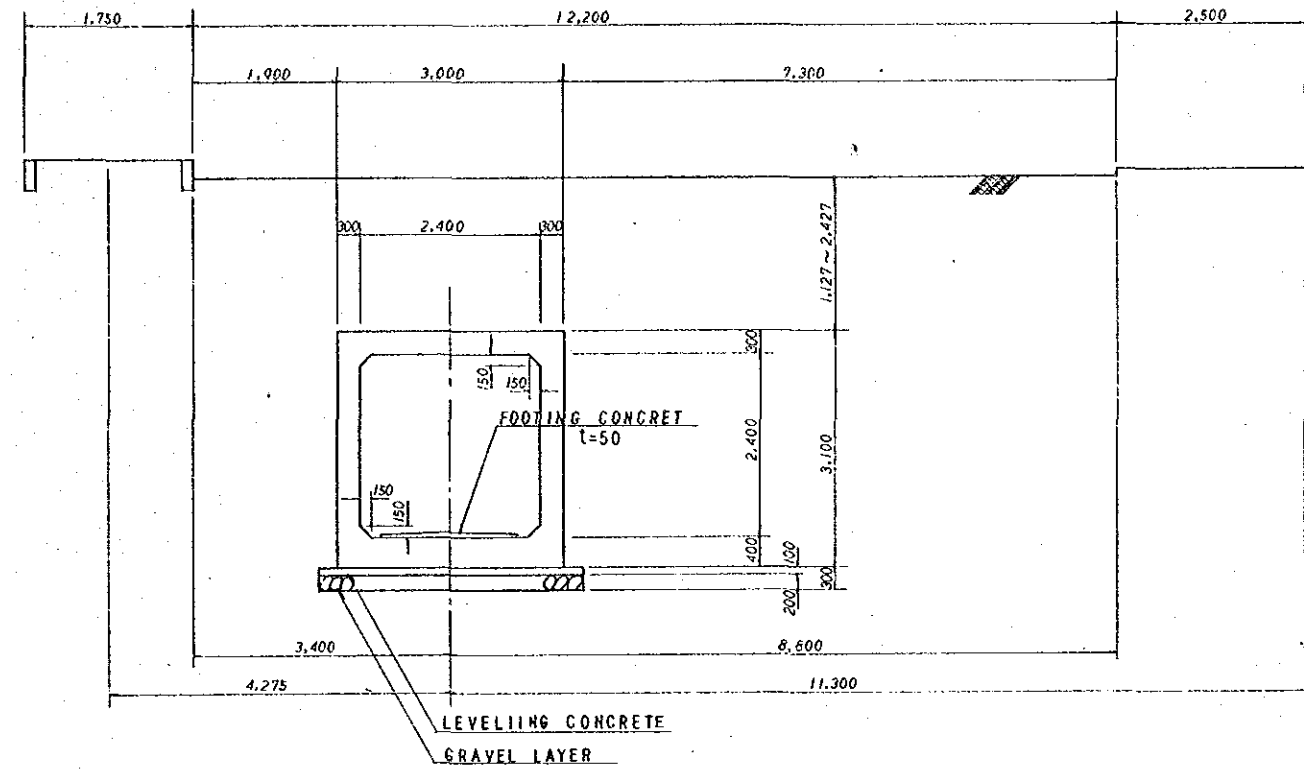
SIDE VIEW S=1/50

A - A



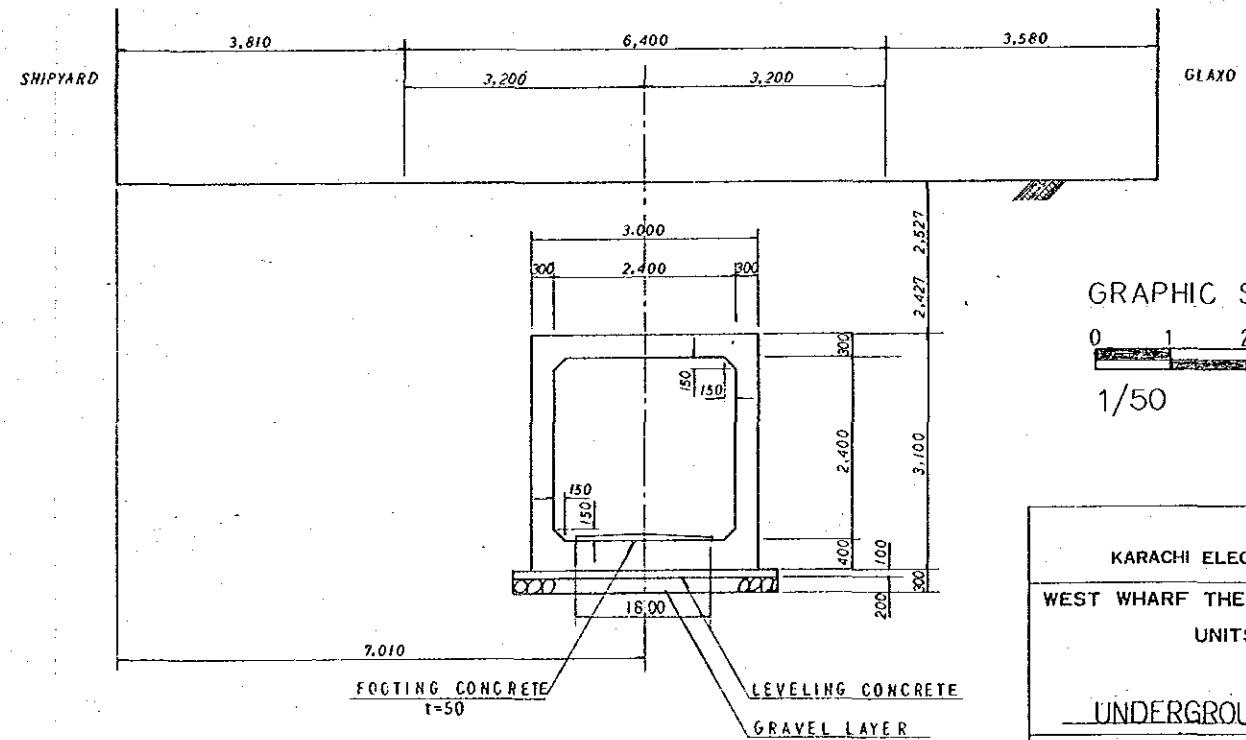
SECTION S=1/50

No. 1 ~ No. 12



SECTION S=1/50

No. 12 +33.300 ~ No 15 +41.00



GRAPHIC SCALE

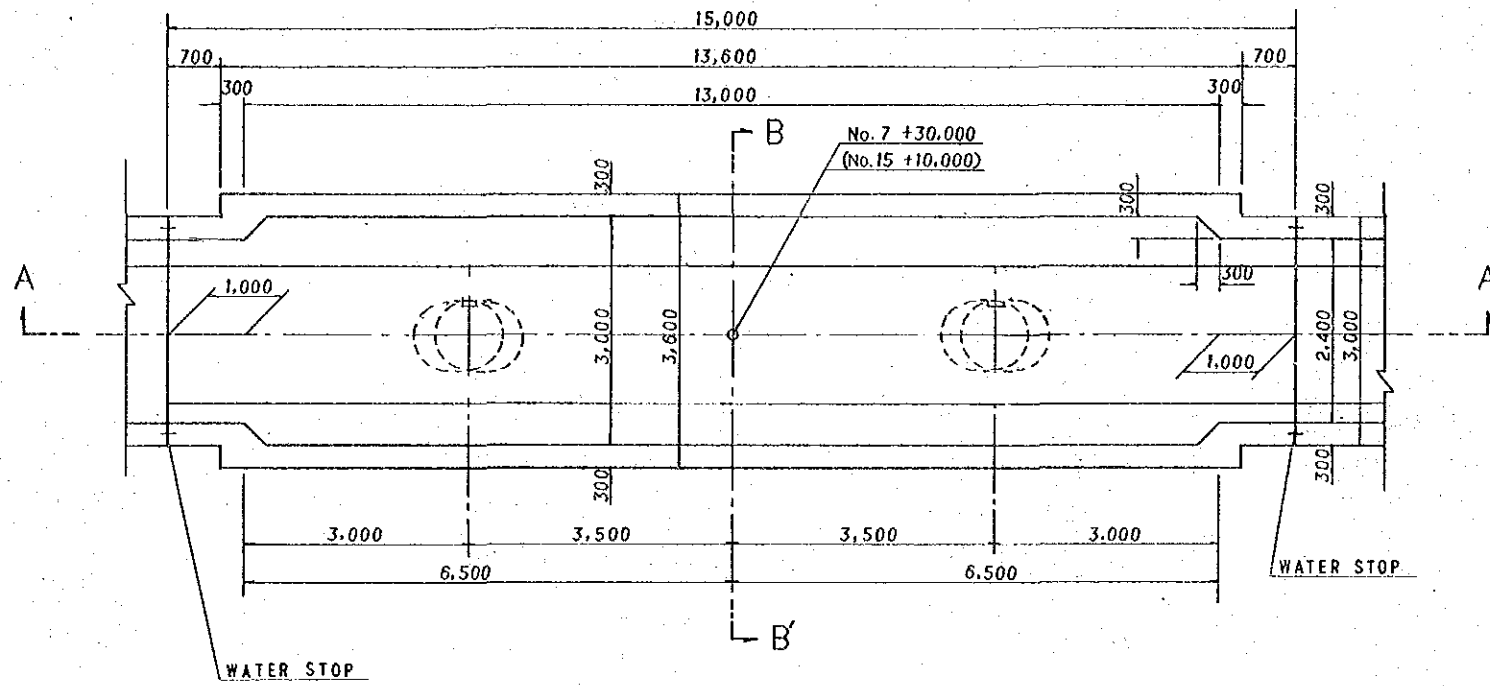


1/50

PAKISTAN			
KARACHI ELECTRIC SUPPLY CORPORATION			
WEST WHARF THERMAL POWER PLANT PROJECT			
UNITS NO.1 AND NO.2			
UNDERGROUND CABLE TUNNEL			
JAPAN INTERNATIONAL COOPERATION AGENCY			
TOKYO JAPAN			
APPROVED BY	REVIEWED BY	CHECKED BY	DRAWN BY
	K. Fushimi	T. Yamada	
DRAWING NO.	SCALE	DATE	
WST-4003	AS SHOWN	10TH JAN 1990	

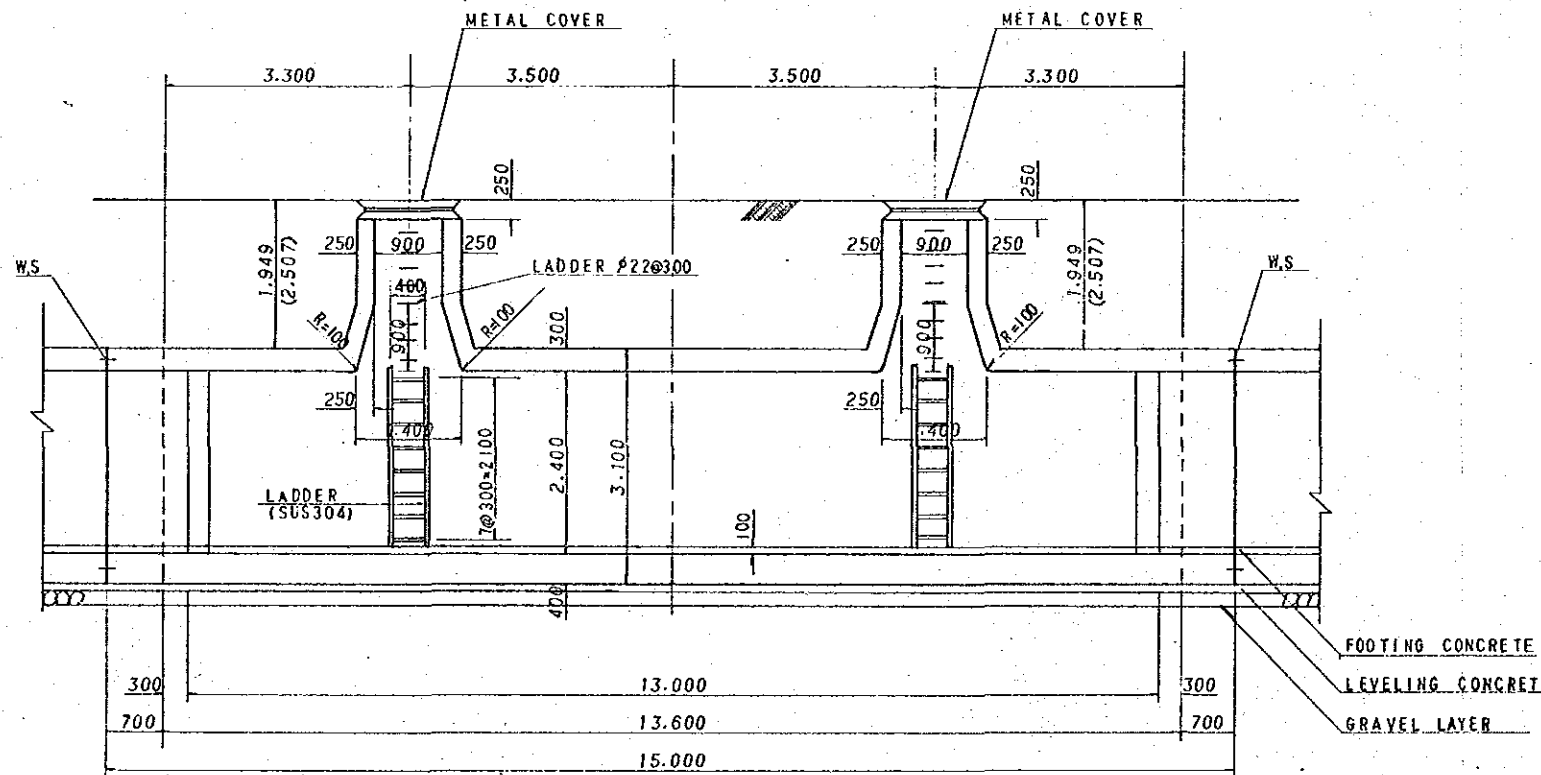
MAN-HOLE

PLANE FIGURE S=1/50



SIDE VIEW S=1/50

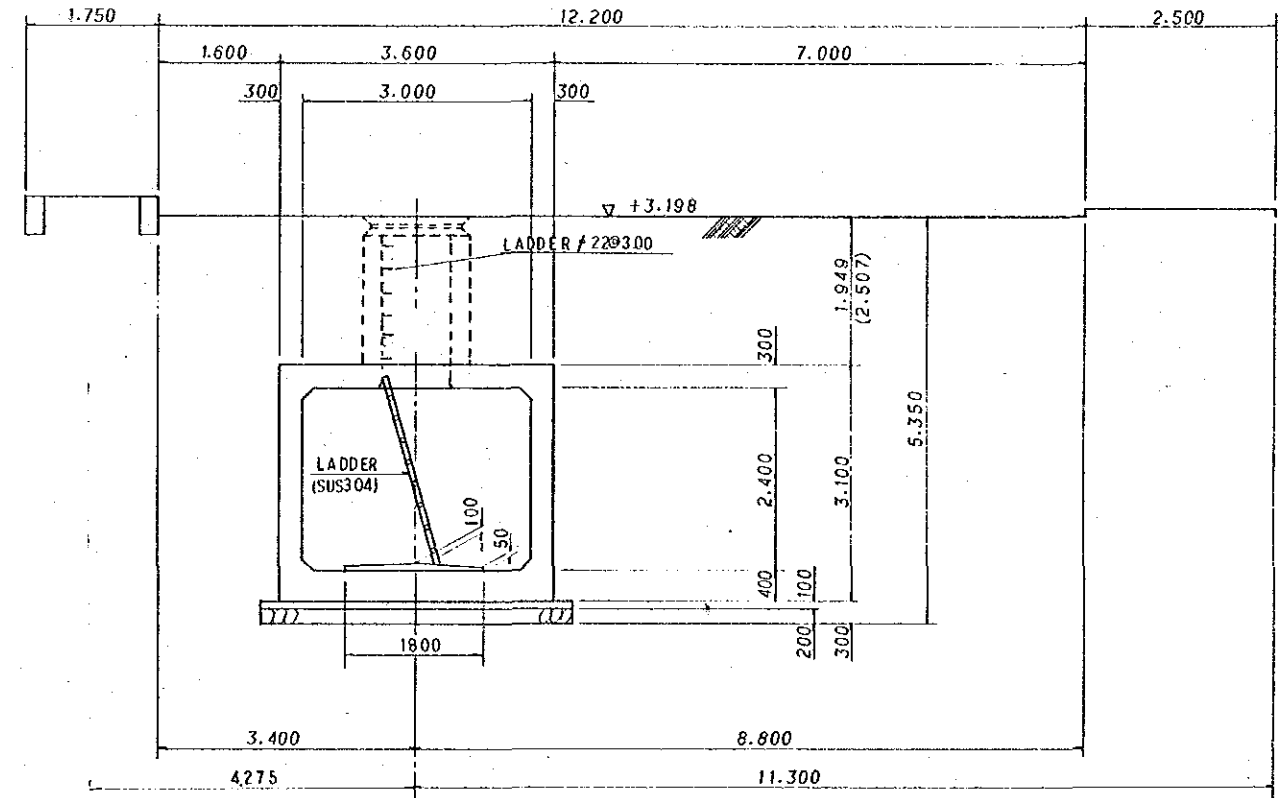
A - A



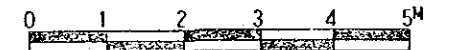
SECTION S=1/50

B - B'

No. 1 MAN HOLE
(No. 2 MAN HOLE)



GRAPHIC SCALE

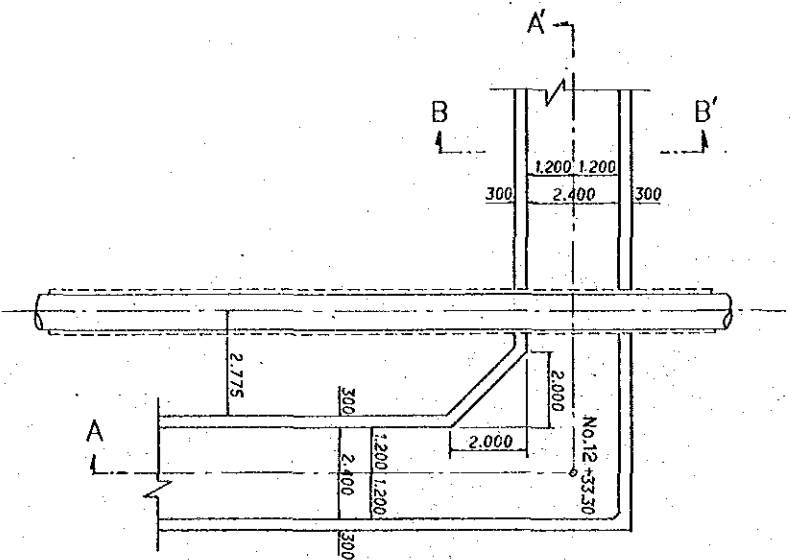


1/50

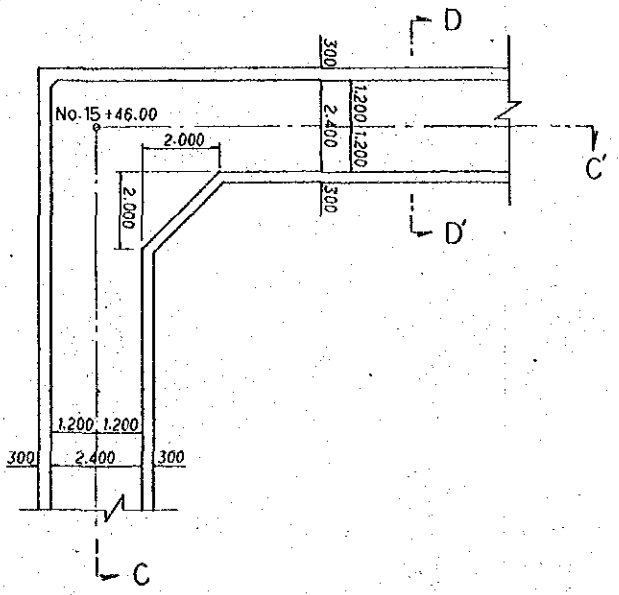
PAKISTAN			
KARACHI ELECTRIC SUPPLY CORPORATION			
WEST WHARF THERMAL POWER PLANT PROJECT			
UNITS NO. 1 AND NO. 2			
UNDERGROUND CABLE TUNNEL			
JAPAN INTERNATIONAL COOPERATION AGENCY			
TOKYO JAPAN			
APPROVED BY	REVIEWED BY	CHECKED BY	DRAWN BY
	K. Fuchino	T. Yamada	
DRAWING NO.	SCALE	DATE	
WST-4004	AS SHOWN	10TH JAN 1990	

TURNING POINTS

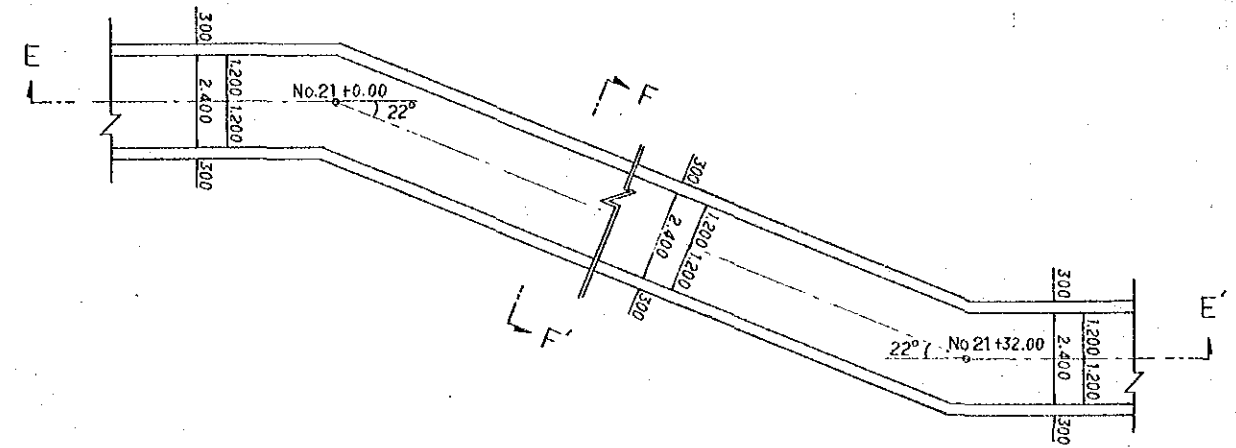
PLANE FIGURE S=1/100



PLANE FIGURE S=1/100

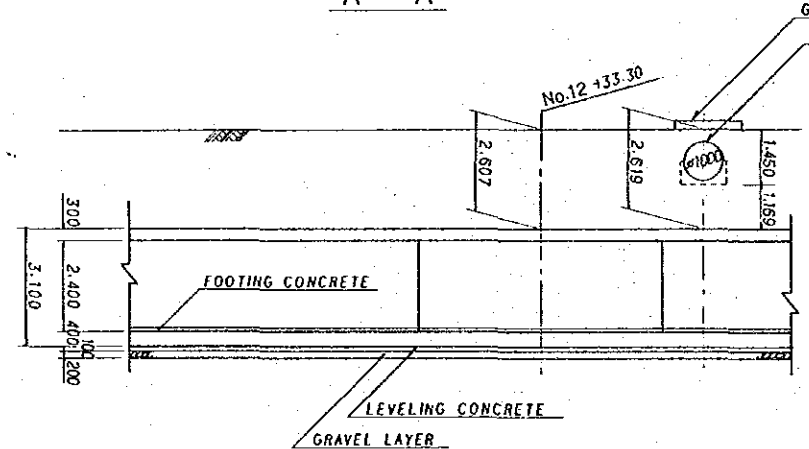


PLANE FIGURE S=1/100



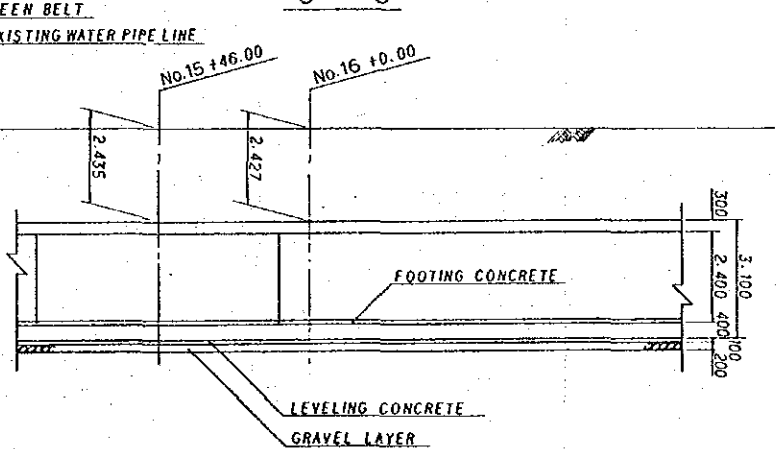
SIDE VIEW S=1/100

A - A



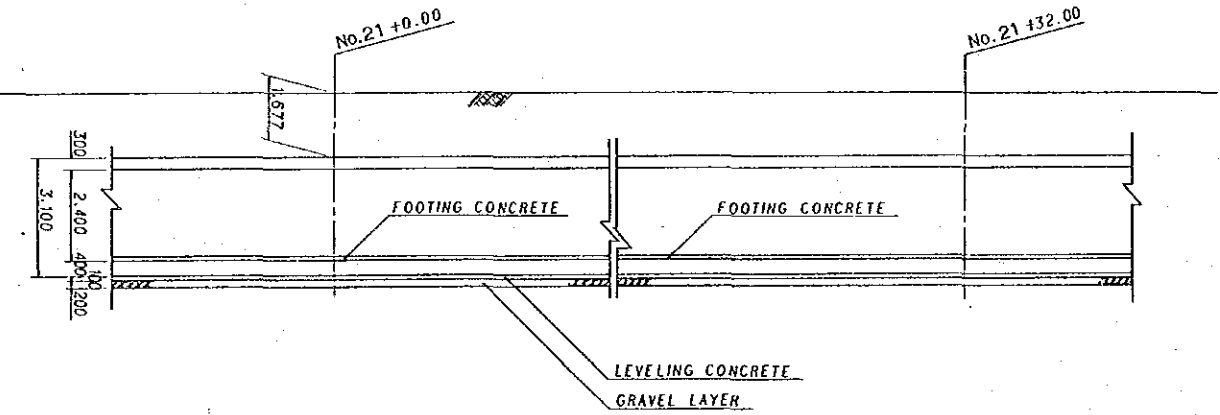
SIDE VIEW S=1/100

C - C'



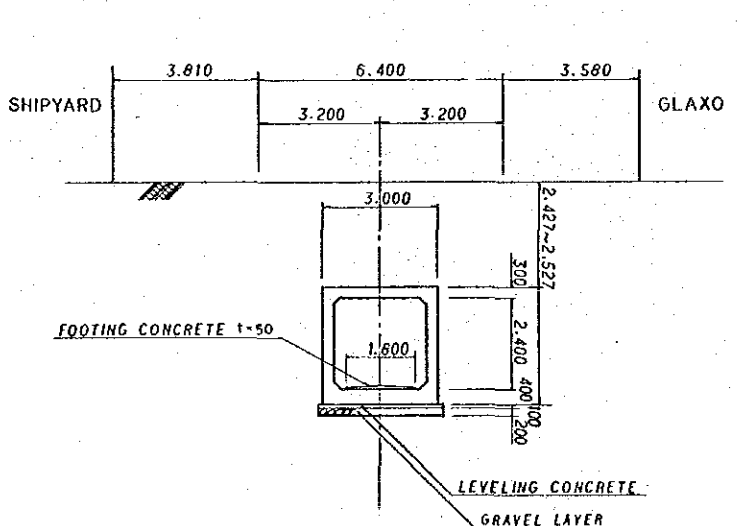
SIDE VIEW S=1/100

E - E'



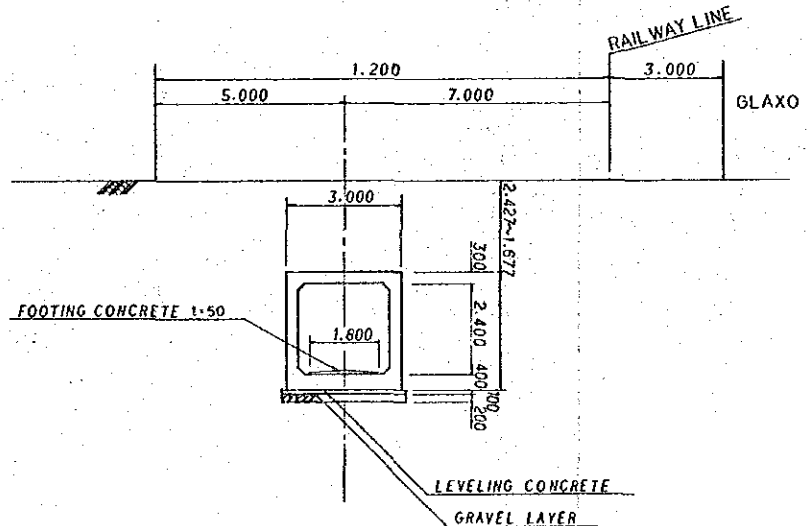
SECTION S=1/100

B - B'



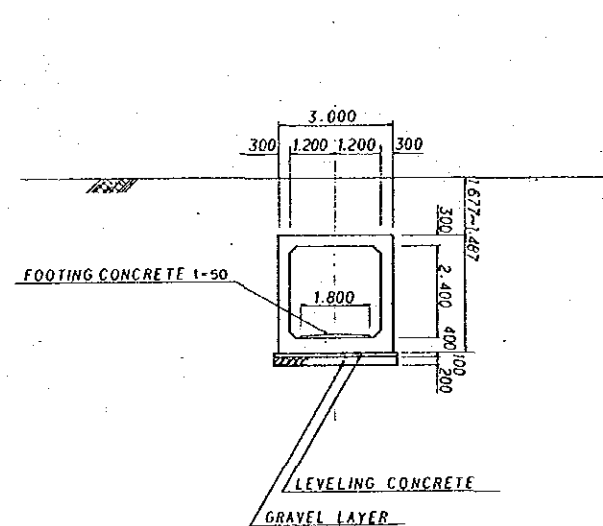
SECTION S=1/100

D - D'

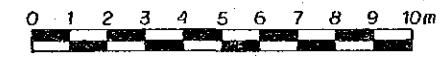


SECTION S=1/100

F - F'



GRAPHIC SCALE

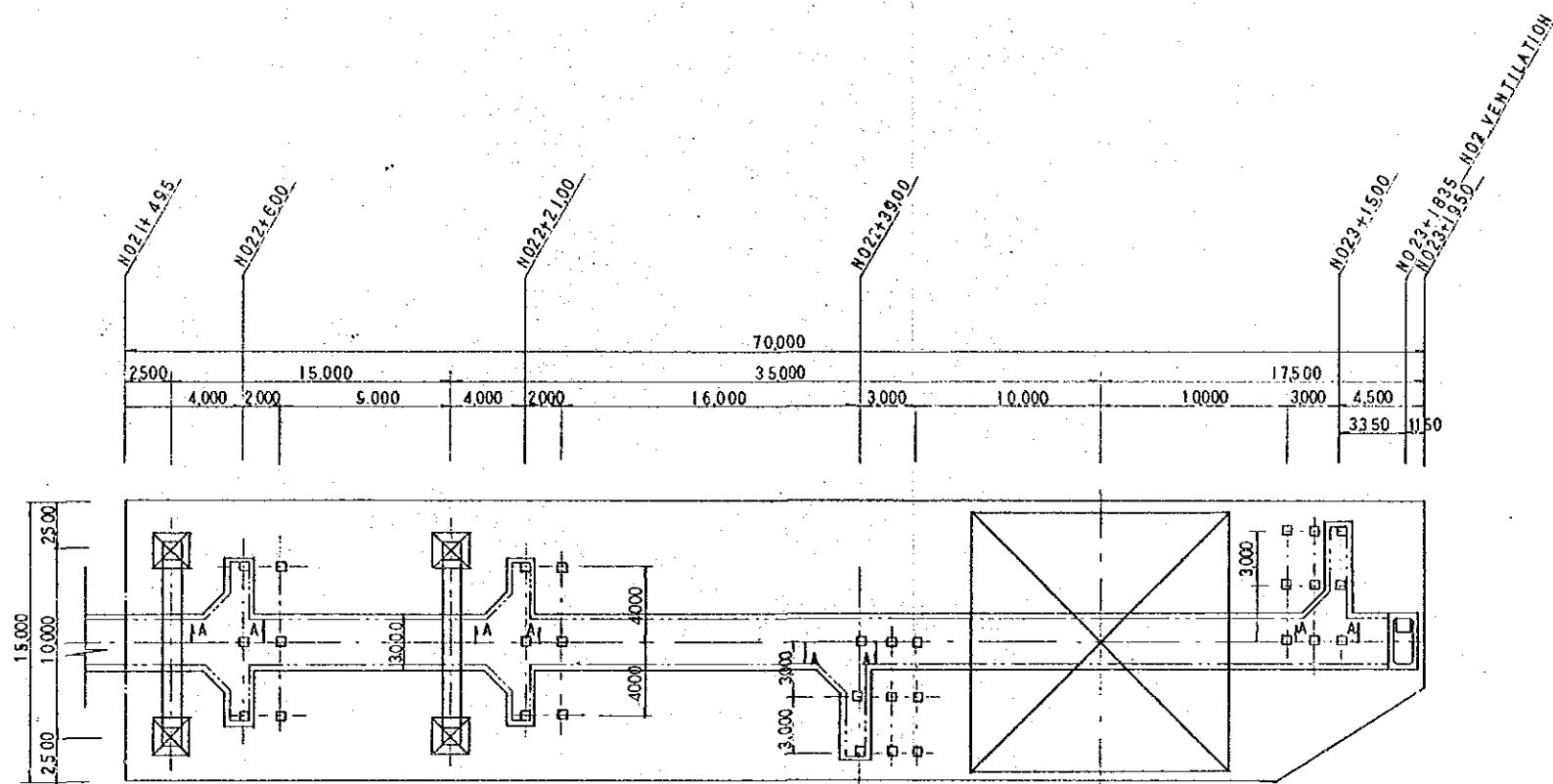


1/100

PAKISTAN			
KARACHI ELECTRIC SUPPLY CORPORATION			
WEST WHARF THERMAL POWER PLANT PROJECT			
UNITS NO.1 AND NO.2			
UNDERGROUND CABLE TUNNEL			
JAPAN INTERNATIONAL COOPERATION AGENCY			
TOKYO JAPAN			
APPROVED BY	REVIEWED BY	CHECKED BY	DRAWN BY
	X. Fudimi	T. Sawada	
DRAWING NO.	SCALE	DATE	
WST - 4005	AS SHOWN	10TH JAN 1990	

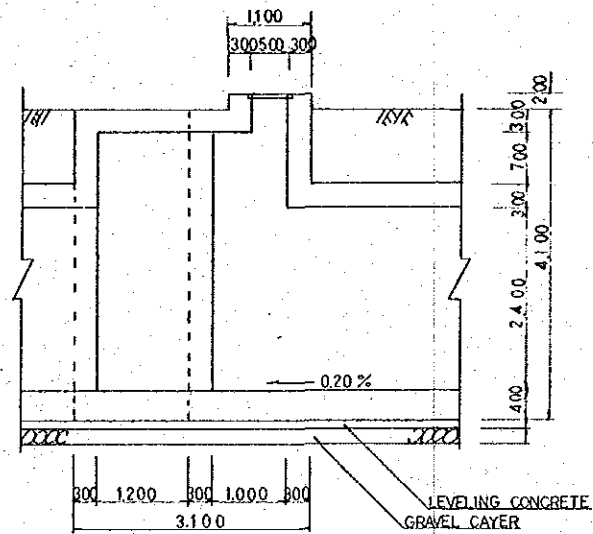
DIVERGING FACILITY (1)

PLANE FIGURE S=1/200



SIDE VIEW S=1/50

SECTION A-A



GRAPHIC SCALE



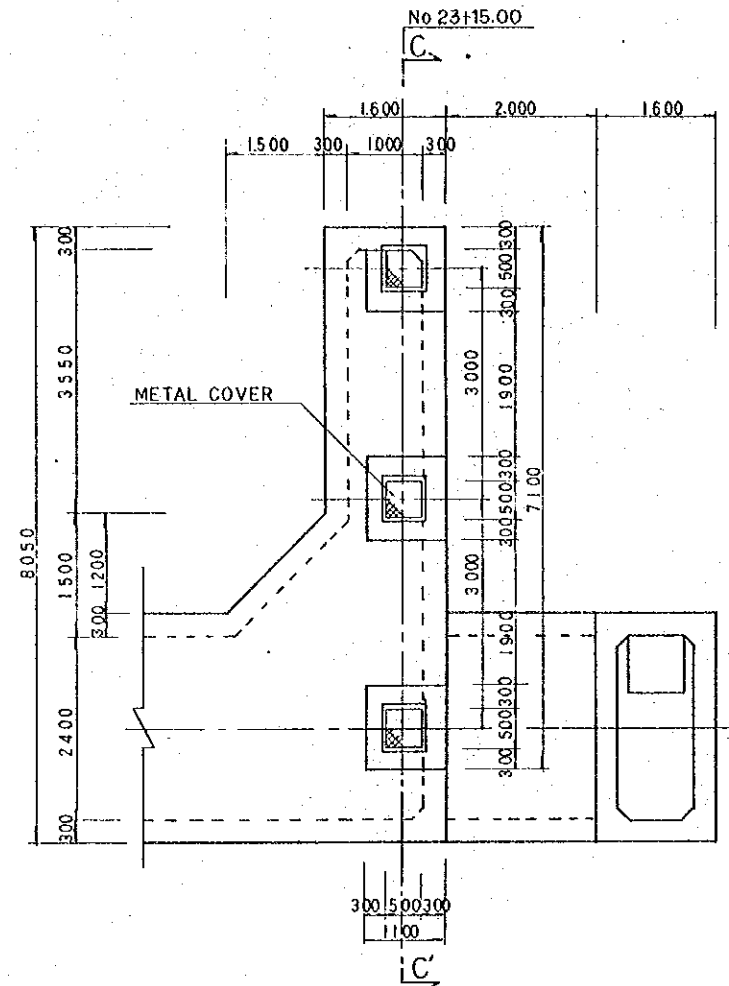
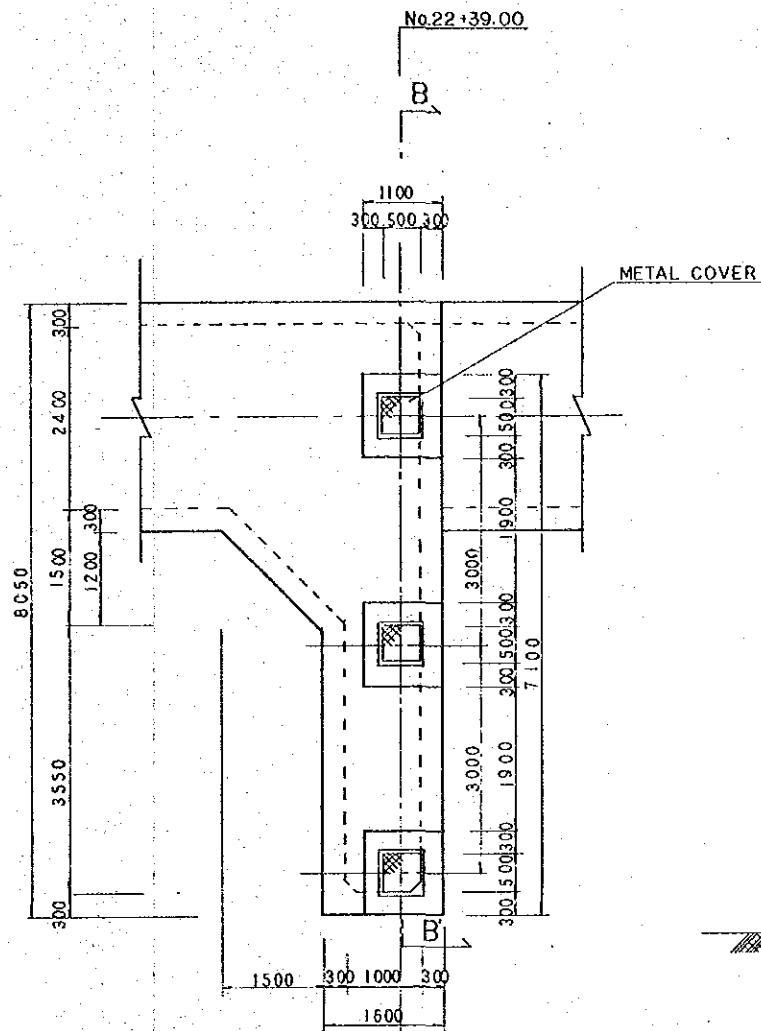
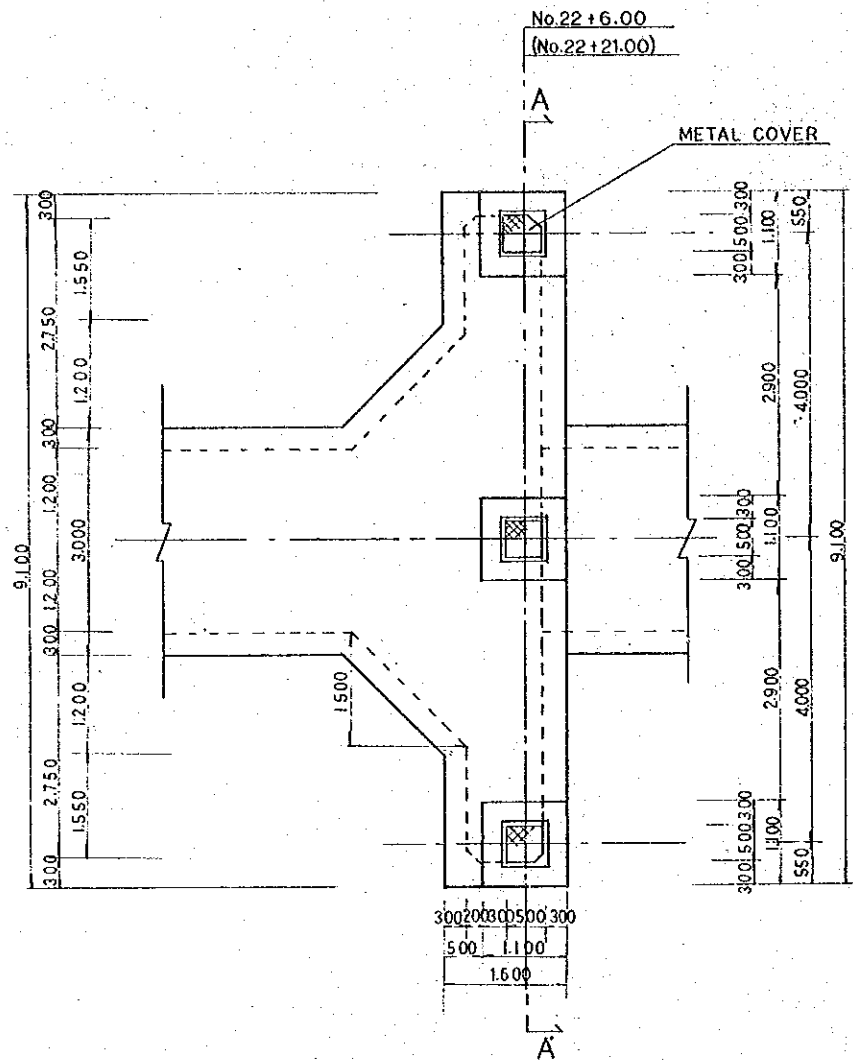
1/200



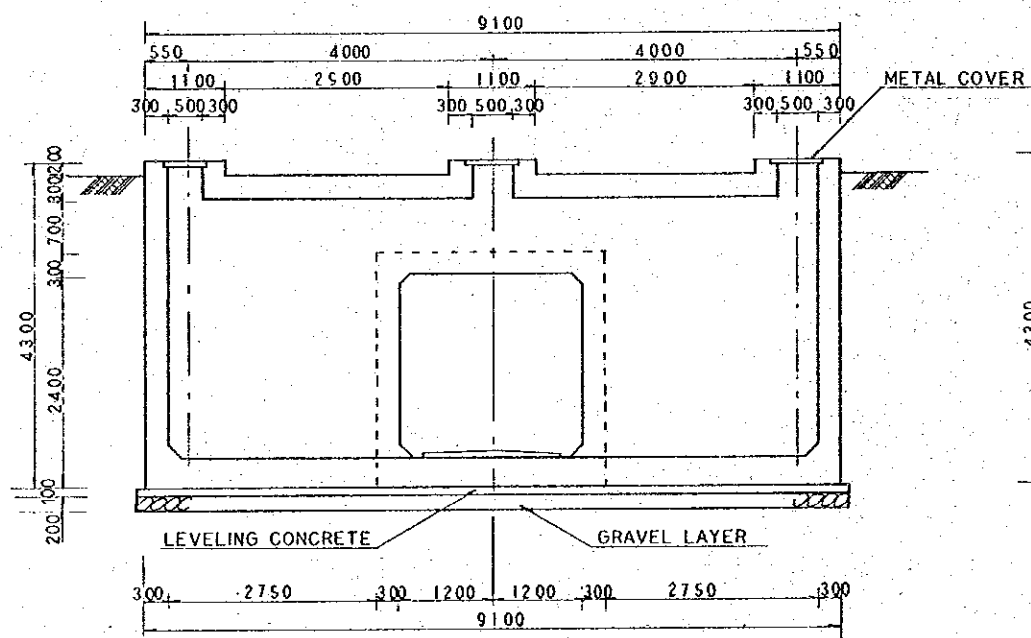
1/50

PAKISTAN			
KARACHI ELECTRIC SUPPLY CORPORATION			
WEST WHARF THERMAL POWER PLANT PROJECT			
UNITS NO.1 AND NO.2			
UNDERGROUND CABLE TUNNEL			
JAPAN INTERNATIONAL COOPERATION AGENCY			
TOKYO JAPAN			
APPROVED BY	REVIEWED BY	CHECKED BY	DRAWN BY
	<i>K. Fushimi</i>	<i>T. Yamada</i>	<i>[Signature]</i>
DRAWING NO.	SCALE	DATE	
WST-4006	AS SHOWN	10TH JAN 1990	

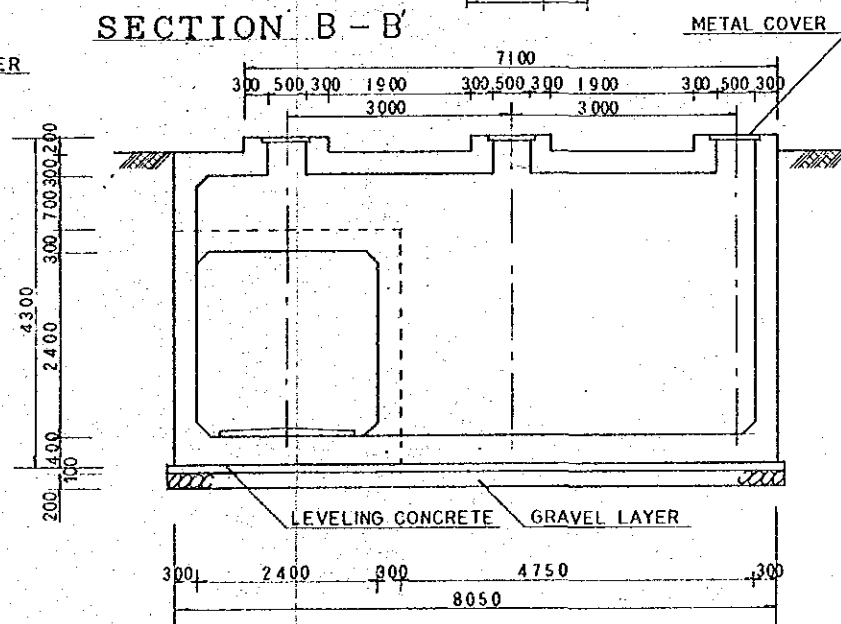
PLANE FIGURE



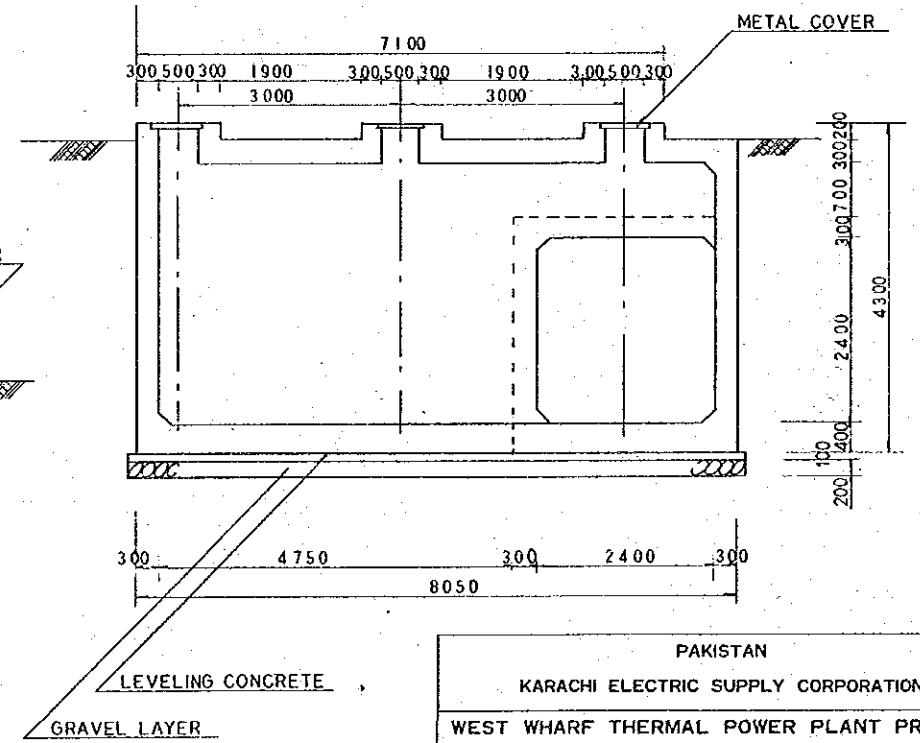
SECTION A-A



SECTION B-B



SECTION C-C



GRAPHIC SCALE

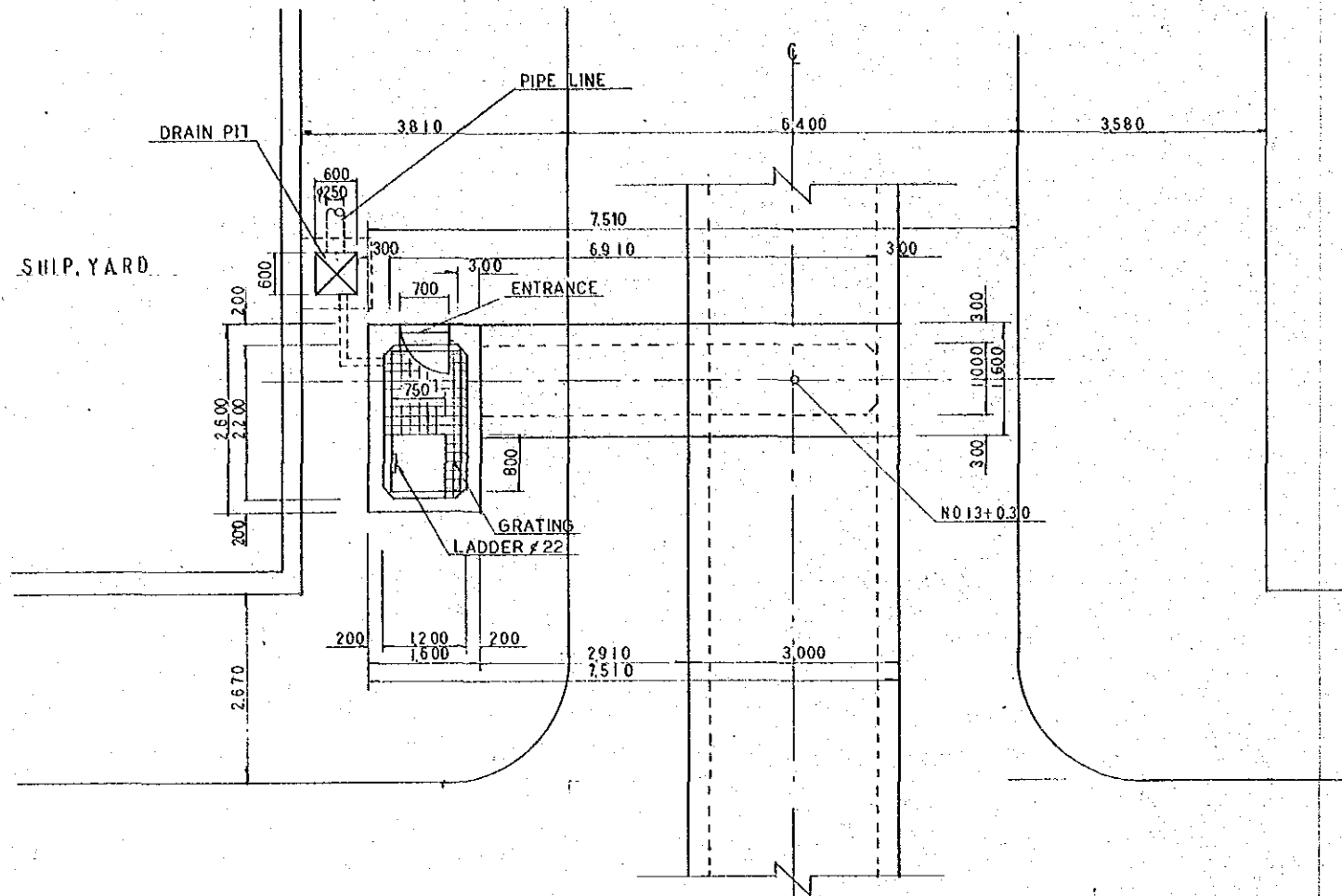


1/50

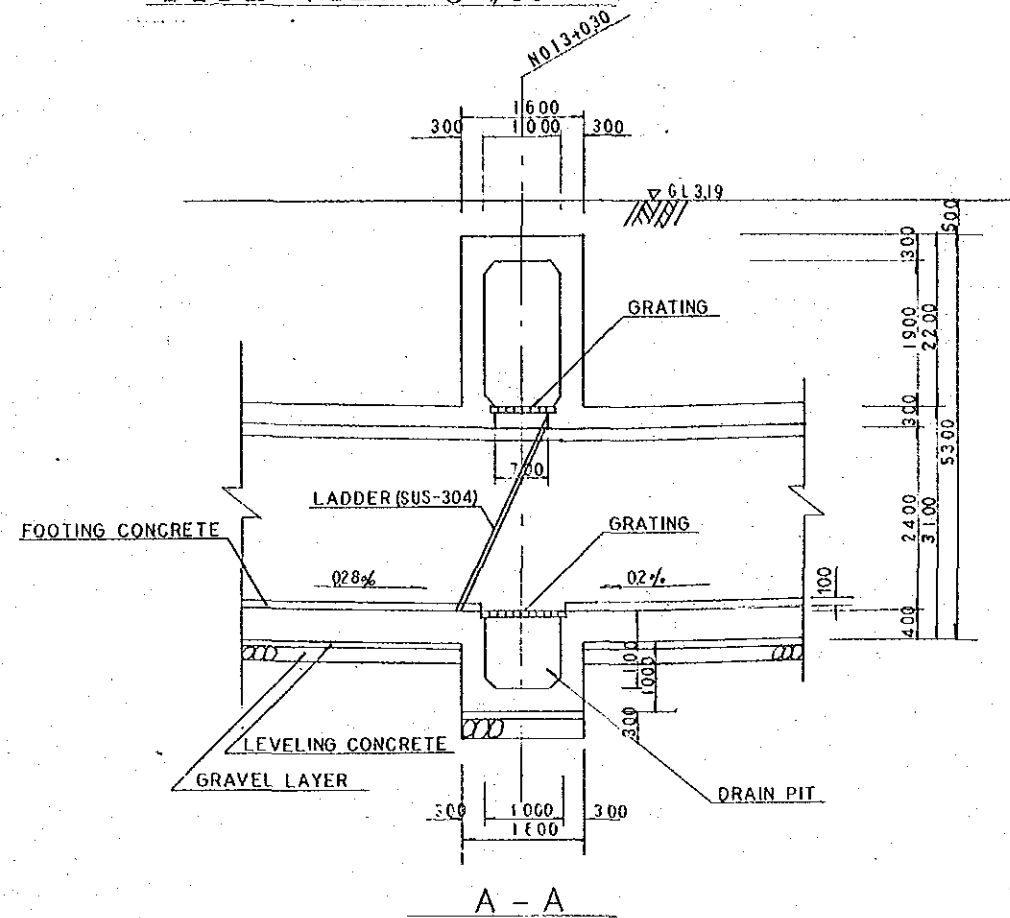
PAKISTAN			
KARACHI ELECTRIC SUPPLY CORPORATION			
WEST WHARF THERMAL POWER PLANT PROJECT			
UNITS NO.1 AND NO.2			
UNDERGROUND CABLE TUNNEL			
JAPAN INTERNATIONAL COOPERATION AGENCY			
TOKYO JAPAN			
APPROVED BY	REVIEWED BY	CHECKED BY	DRAWN BY
	X. Fushimi	T. Yamaura	
DRAWING NO.	SCALE	DATE	
WST-4007	AS SHOWN	10TH JAN 1990	

No.1 VENTILATION

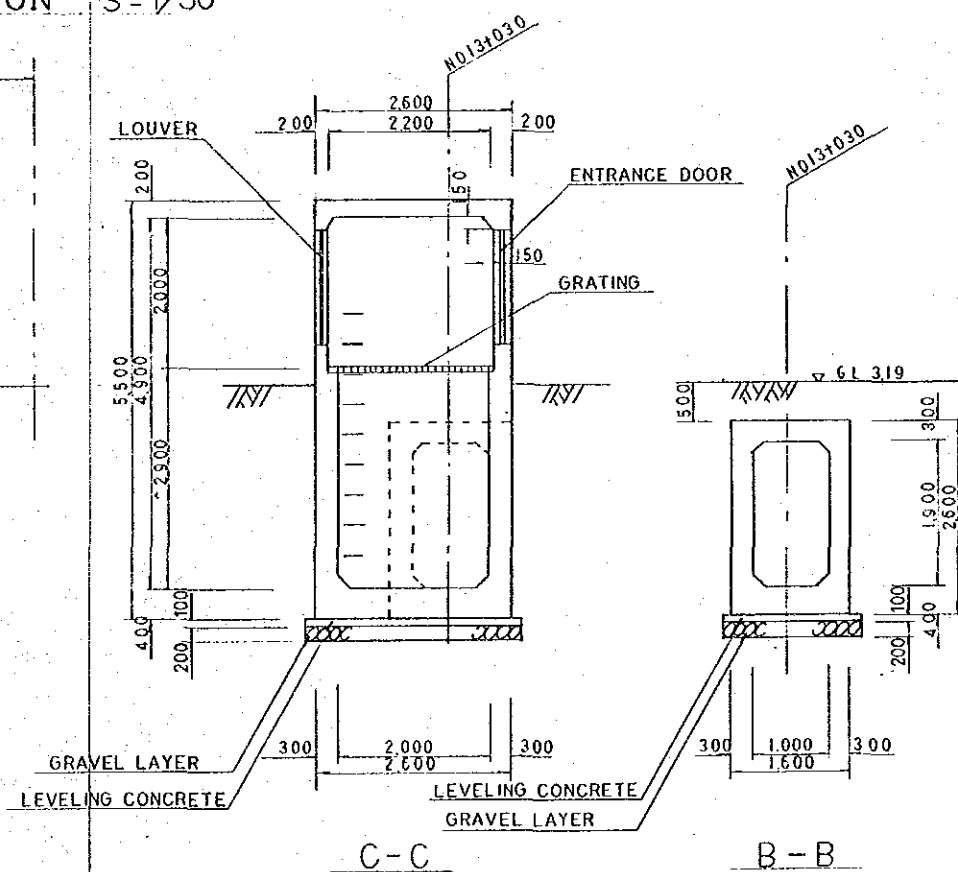
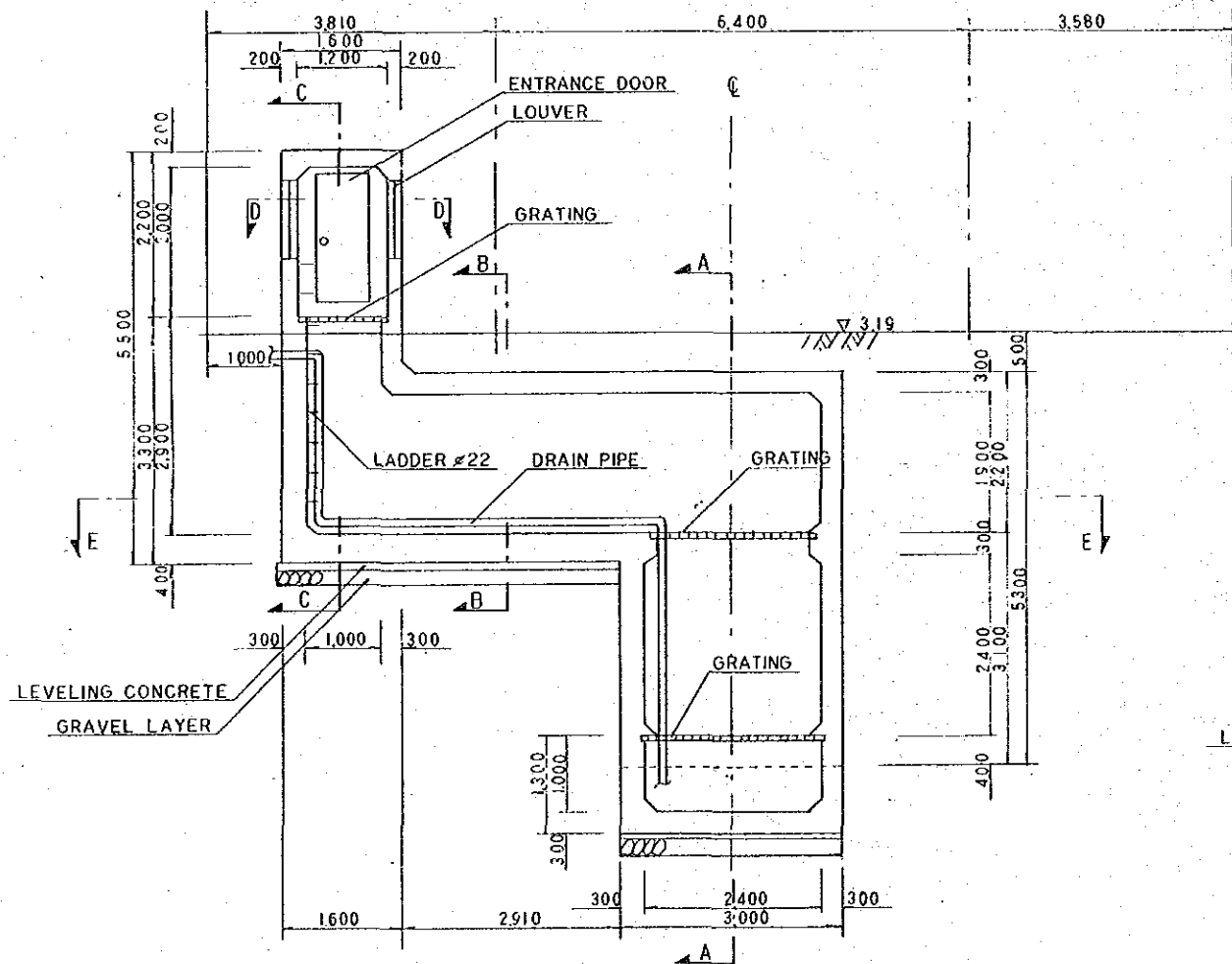
PLANE FIGURE S=1/50



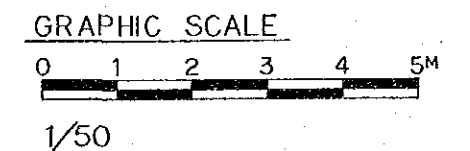
SIDE VIEW S=1/50



SECTION S=1/50



NOTE: A DRAINAGE (PIPE LINE) SHALL BE CARRIED OUT BY FREE DRAINAGE, AND BE DRAINED OFF THROUGH A SEA BANK. (LENGTH OF PIPE LINE 150M)

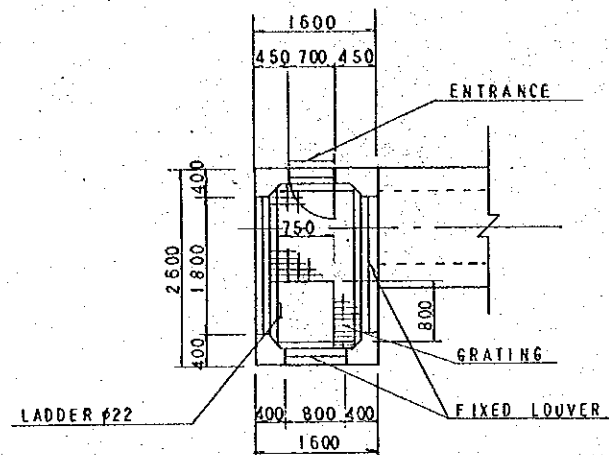


PAKISTAN			
KARACHI ELECTRIC SUPPLY CORPORATION			
WEST WHARF THERMAL POWER PLANT PROJECT			
UNITS NO.1 AND NO.2			
UNDERGROUND CABLE TUNNEL			
JAPAN INTERNATIONAL COOPERATION AGENCY			
TOKYO JAPAN			
APPROVED BY	REVIEWED BY	CHECKED BY	DRAWN BY
	K. Faalimi	T. Yamamoto	
DRAWING NO.	SCALE	DATE	
WST-4008	AS SHOWN	10TH JAN 1990	

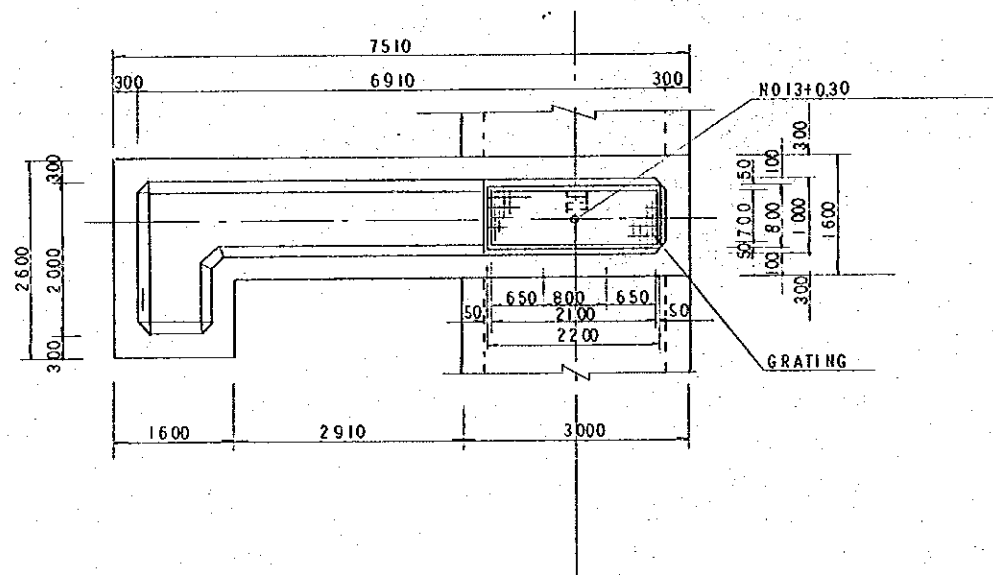
NO1 VENTILATION (2)

S=1/50

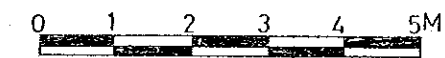
SECTION D-D



SECTION E-E



GRAPHIC SCALE

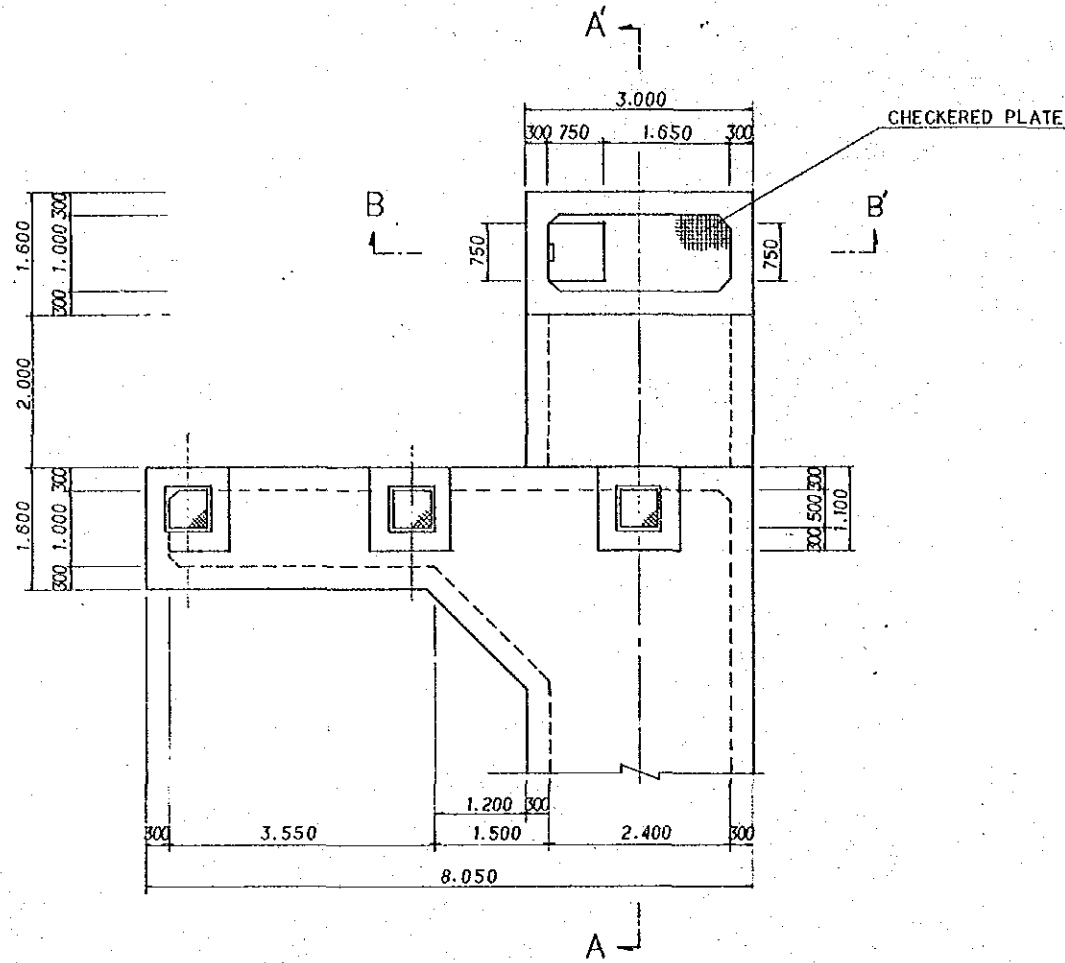


1/50

PAKISTAN			
KARACHI ELECTRIC SUPPLY CORPORATION			
WEST WHARF THERMAL POWER PLANT PROJECT			
UNITS NO.1 AND NO.2			
UNDERGROUND CABLE TUNNEL			
JAPAN INTERNATIONAL COOPERATION AGENCY			
TOKYO JAPAN			
APPROVED BY:	REVIEWED BY:	CHECKED BY:	DRAWN BY:
	<i>K. Fakhri</i>	<i>T. Yamada</i>	<i>[Signature]</i>
DRAWING NO.	SCALE	DATE	
WST-4009	AS SHOWN	10TH JAN 1990	

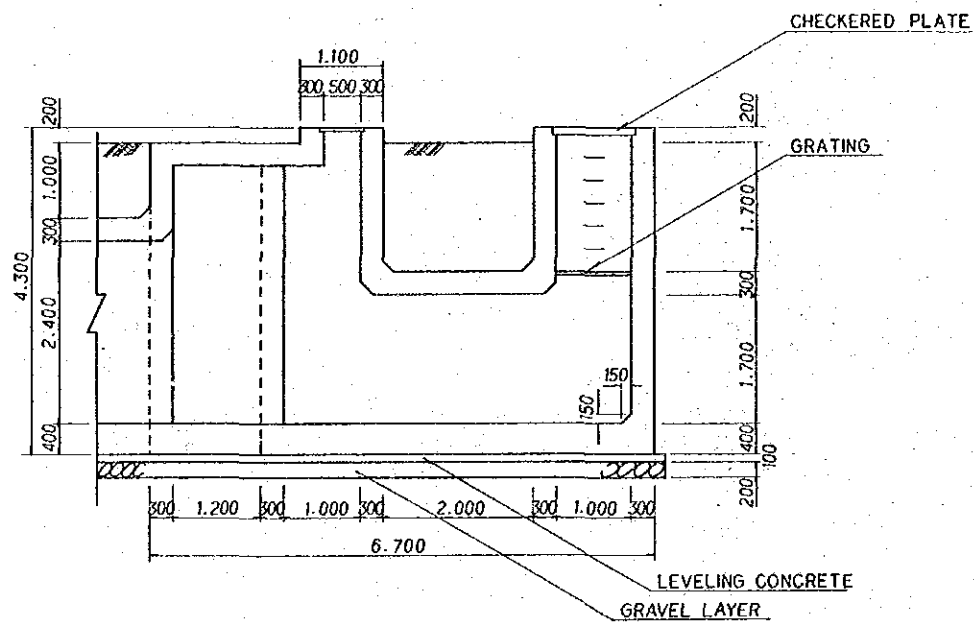
No.2 VENTILATION

PLANE FIGURE S=1/50



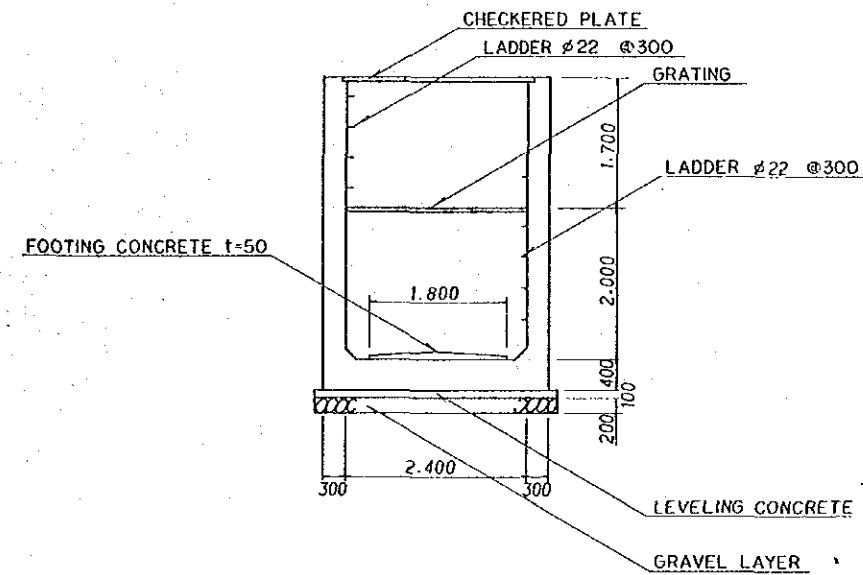
SIDE VIEW S=1/50

A - A

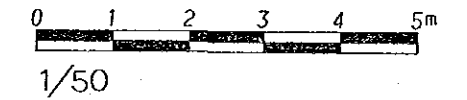


SECTION S=1/50

B - B'



GRAPHIC SCALE



PAKISTAN			
KARACHI ELECTRIC SUPPLY CORPORATION			
WEST WHARF THERMAL POWER PLANT PROJECT			
UNITS NO.1 AND NO.2			
UNDERGROUND CABLE TUNNEL			
JAPAN INTERNATIONAL COOPERATION AGENCY			
TOKYO JAPAN			
APPROVED BY	REVIEWED BY	CHECKED BY	DRAWN BY
	K. Fushimi	T. Yano	
DRAWING NO.	SCALE	DATE	
WST - 4010	AS SHOWN	10TH JAN 1990	

