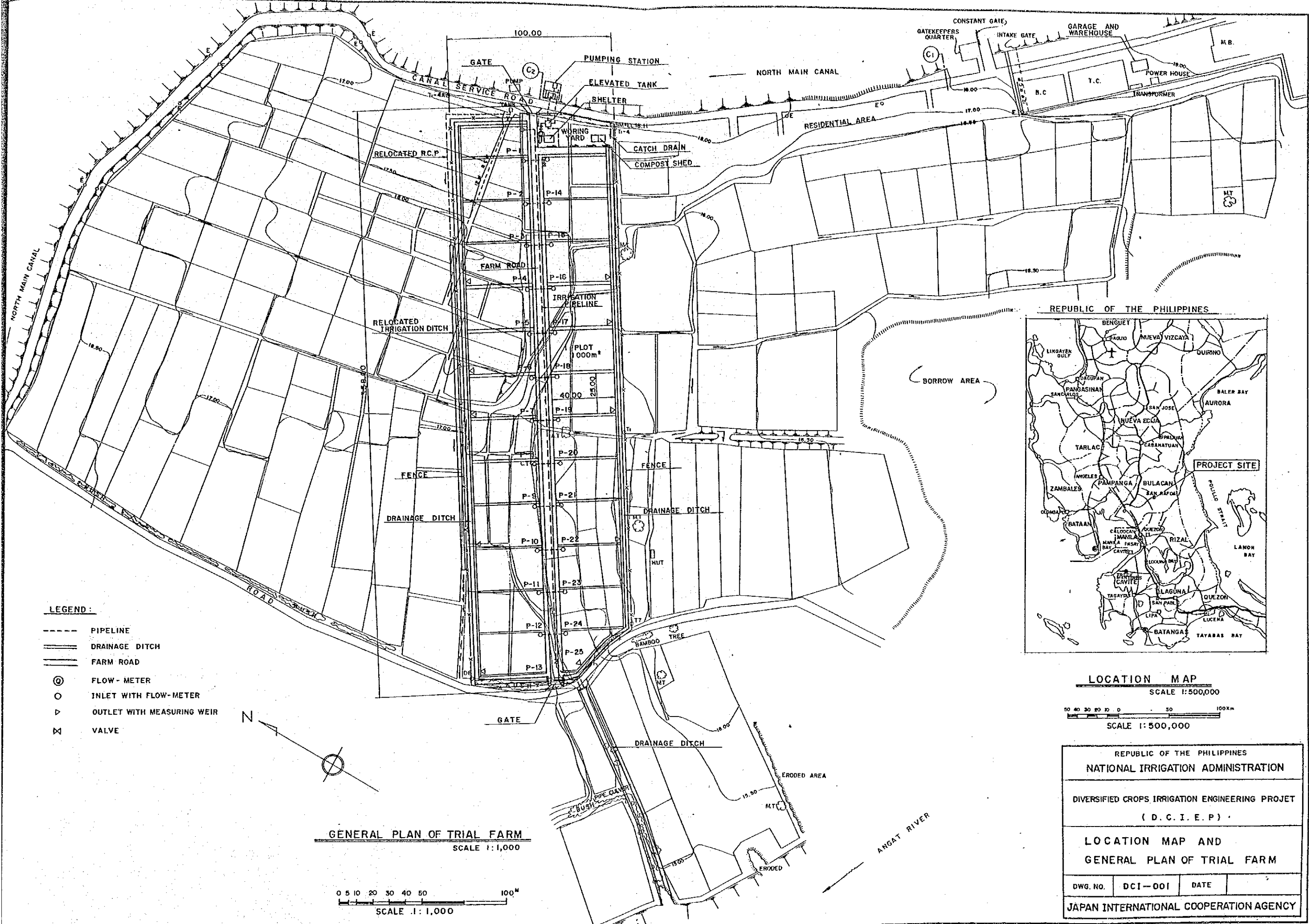


添 付 図 面

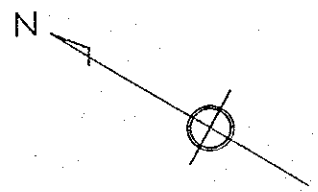
LIST OF DRAWINGS

<u>DRAWING NO.</u>	<u>TITLE OF DRAWINGS</u>
DCI-001	LOCATION MAP AND GENERAL PLAN OF TRIAL FARM
DCI-002	PUMPING STATION FACILITIES (1)
DCI-003	" (2)
DCI-004	" (3)
DCI-005	ELEVATED TANK
DCI-006	PIPE ARRANGEMENT AROUND ELEVATED TANK (1)
DCI-007	" (2)
DCI-008	VALVE BOX, STRAINER BOX, FLOW METER BOX AND BLOW OFF VALVE BOX
DCI-009	IRRIGATION PIPELINE AND FLOW METER & HYDRANT BOX
DCI-010	PLAN OF DRAINAGE DITCH
DCI-011	STRUCTURES ON DRAINAGE DITCH (1)
DCI-012	" (2)
DCI-013	MEASURING WEIR AND OUTLET
DCI-014	PLAN OF FARM ROAD
DCI-015	EARTH WORK OF TRIAL FARM (1)
DCI-016	" (2)
DCI-017	" (3)
DCI-018	" (4)
DCI-019	" (5)
DCI-020	WAREHOUSE AND GARAGE
DCI-021	SHELTER FOR WORKS
DCI-022	COMPOST SHED AND SEPTIC TANK
DCI-023	GATE, FENCE AND RELOCATION OF EXISTING PIPELINE
DCI-024	SURVEY RESULT

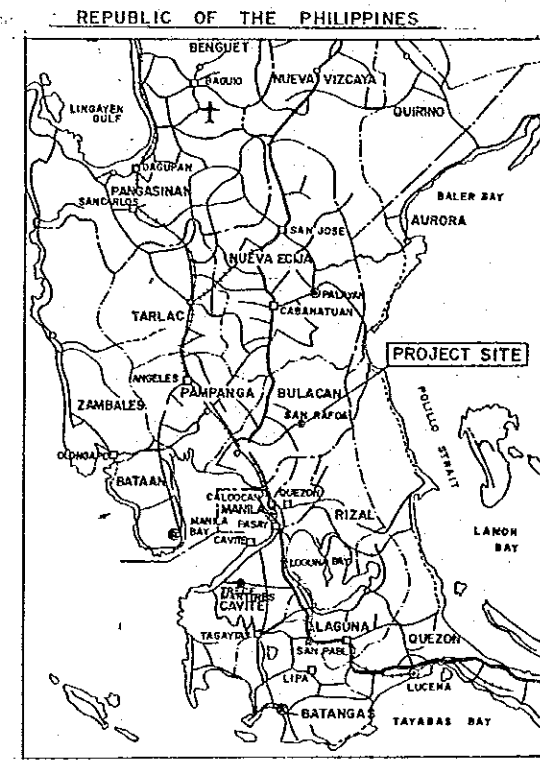
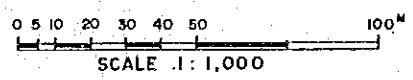


**LEGEND:**

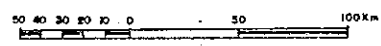
- PIPELINE
- === DRAINAGE DITCH
- FARM ROAD
- ⊙ FLOW-METER
- INLET WITH FLOW-METER
- ▷ OUTLET WITH MEASURING WEIR
- ⊗ VALVE



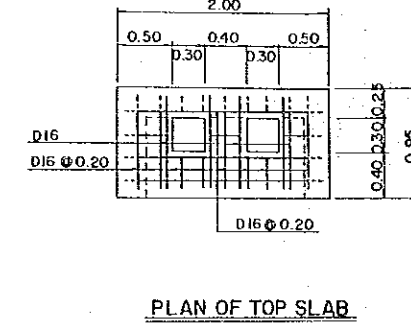
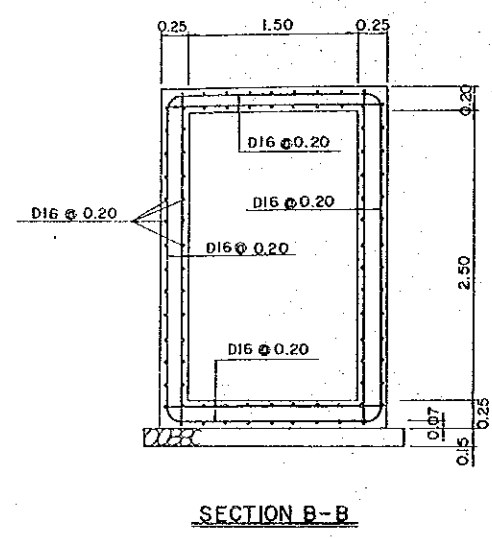
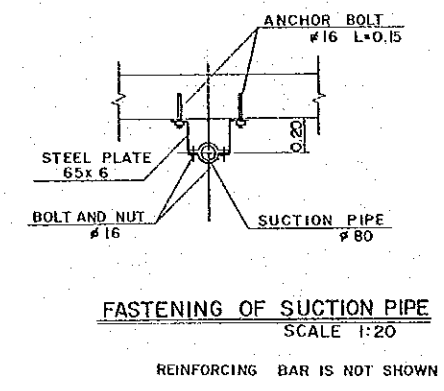
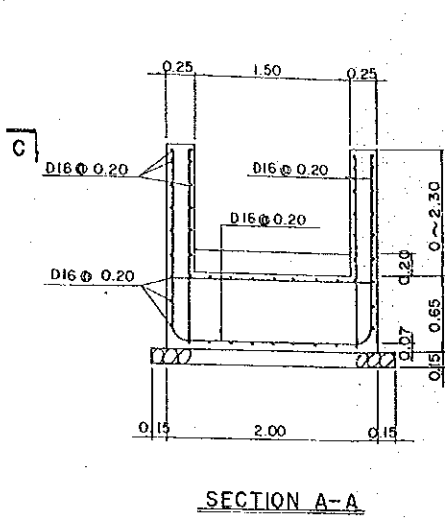
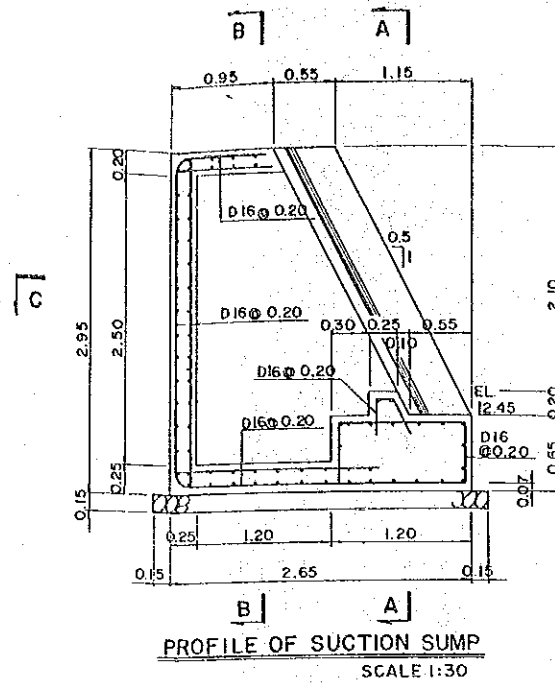
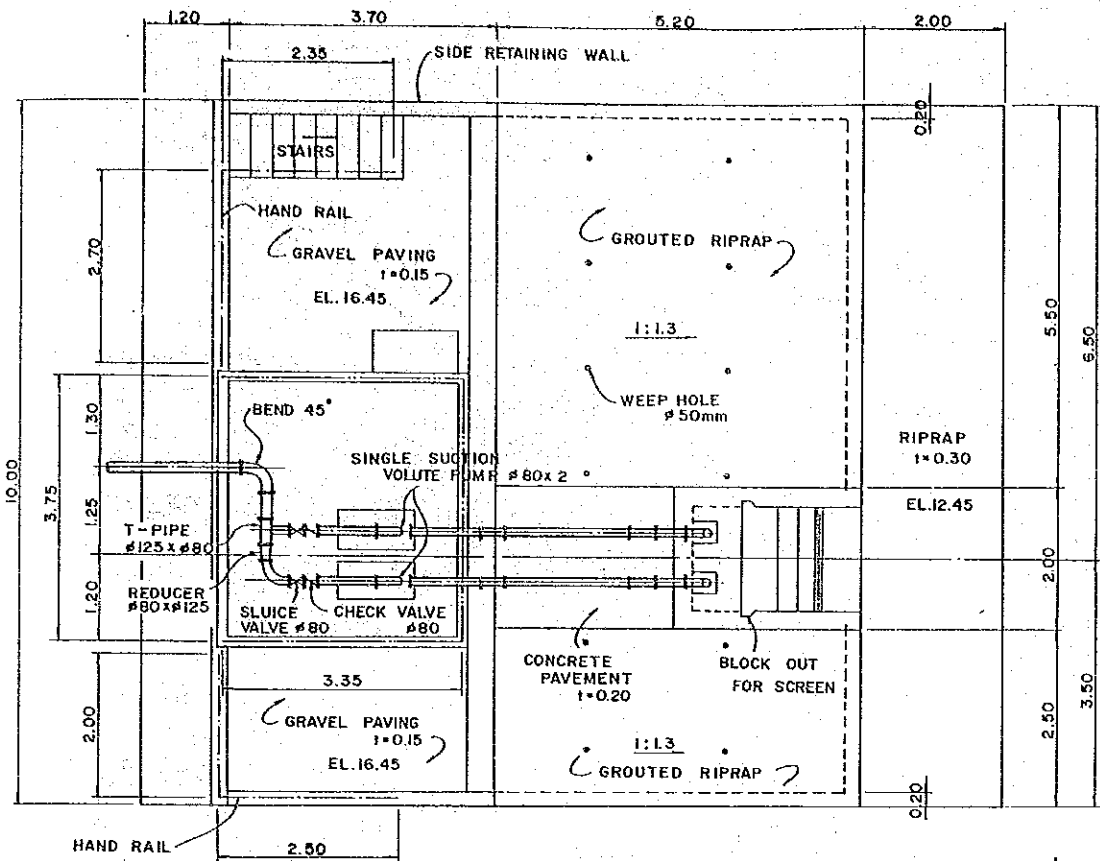
**GENERAL PLAN OF TRIAL FARM**  
SCALE 1:1,000



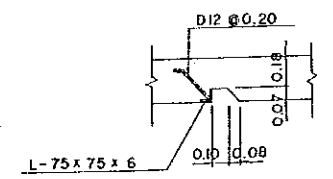
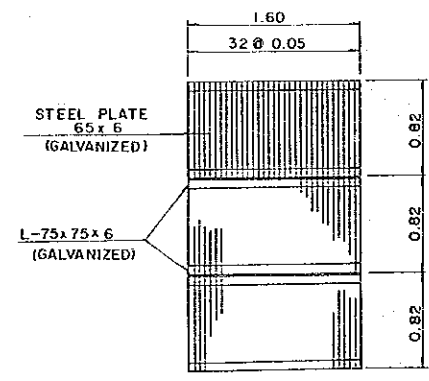
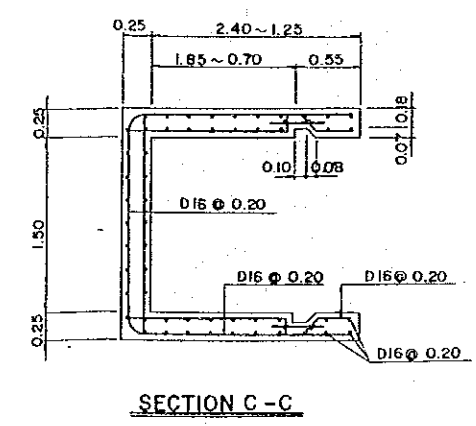
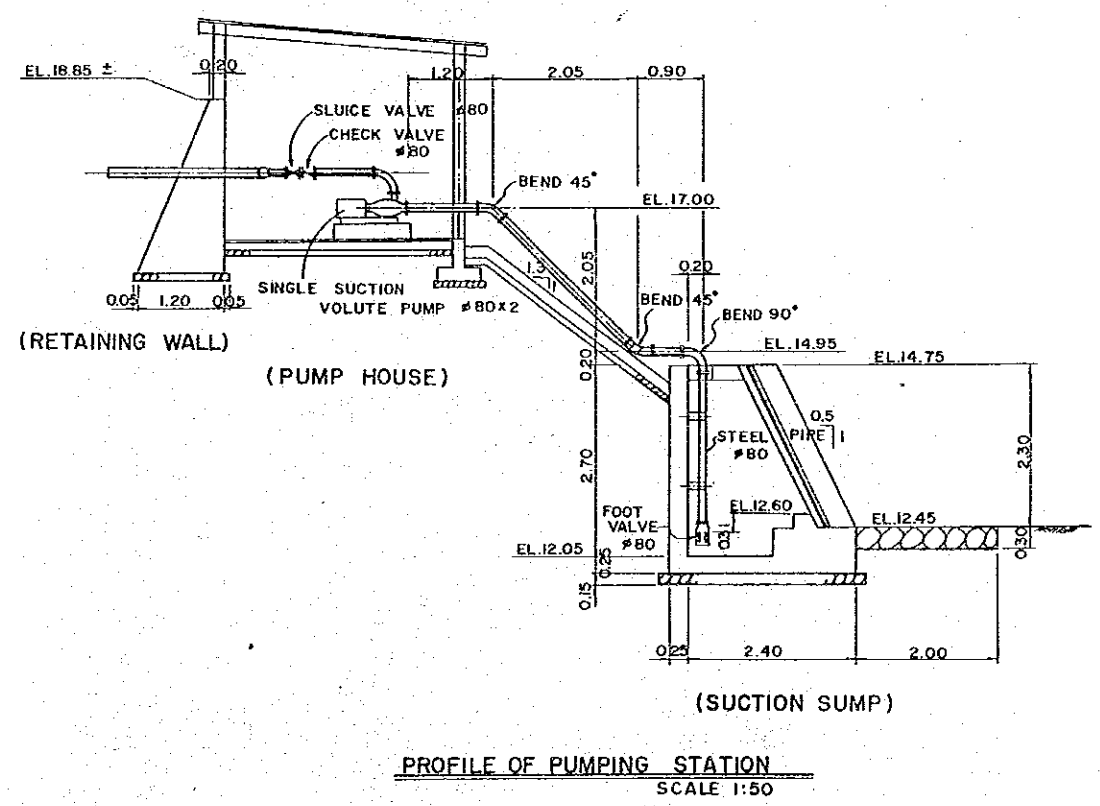
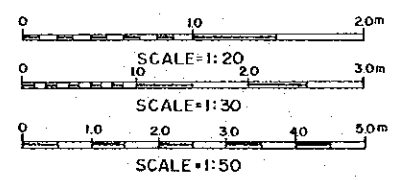
**LOCATION MAP**  
SCALE 1:500,000



REPUBLIC OF THE PHILIPPINES NATIONAL IRRIGATION ADMINISTRATION		
DIVERSIFIED CROPS IRRIGATION ENGINEERING PROJCT ( D . C . I . E . P )		
LOCATION MAP AND GENERAL PLAN OF TRIAL FARM		
DWG. NO.	DCI-001	DATE
JAPAN INTERNATIONAL COOPERATION AGENCY		



- NOTES
1. ALL DIMENSIONS ARE GIVEN IN METERS EXCEPT FOR METAL WORKS.
  2. ALL REINFORCING BAR AND METAL WORKS ARE SHOWN IN MILLIMETERS.
  3. ARRANGEMENT OF PIPES AROUND THE PUMPS SHALL BE PROPOSED BY THE CONTRACTOR FOR ENGINEER'S APPROVAL.
  4. COVERING THICKNESS OF REINFORCING BAR IS 5cm EXCEPT OTHERWISE SHOWN.



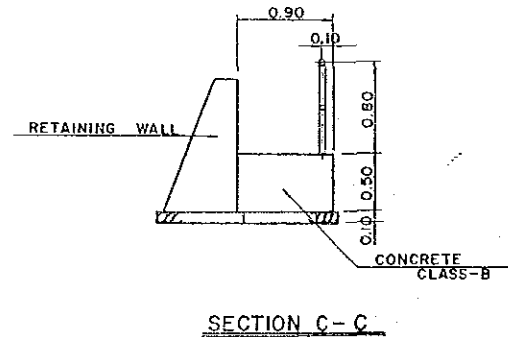
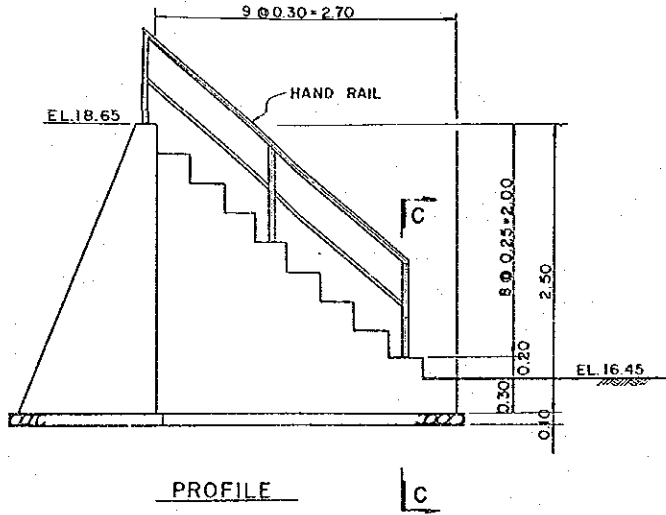
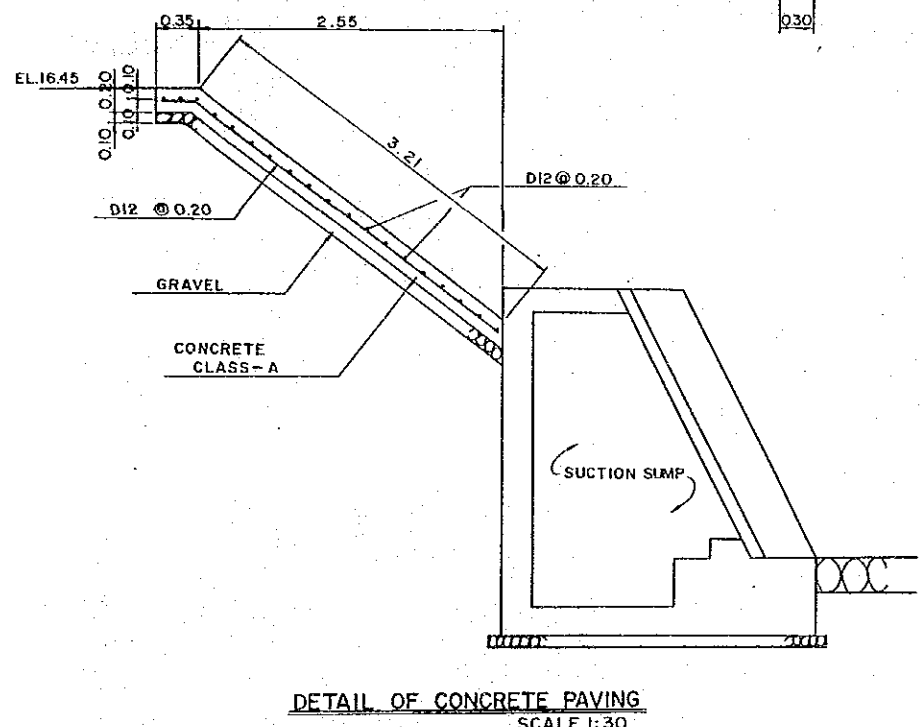
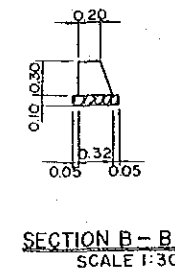
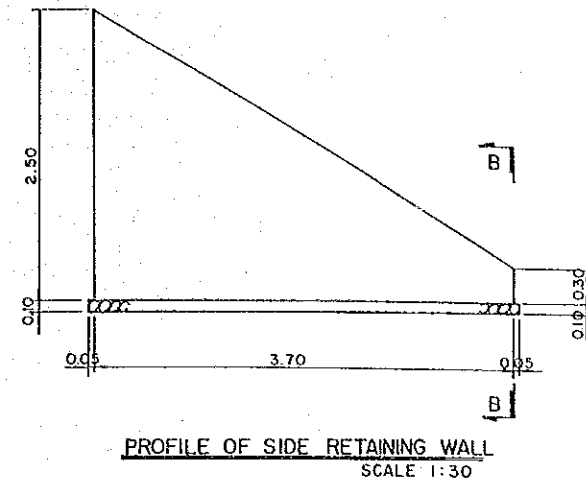
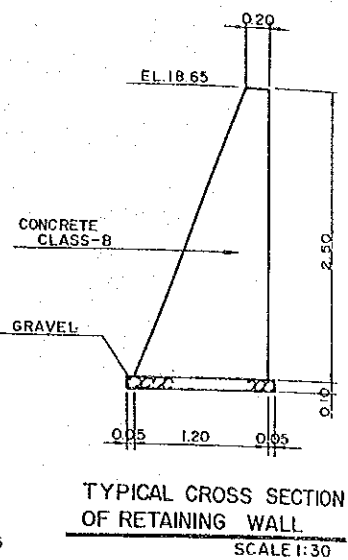
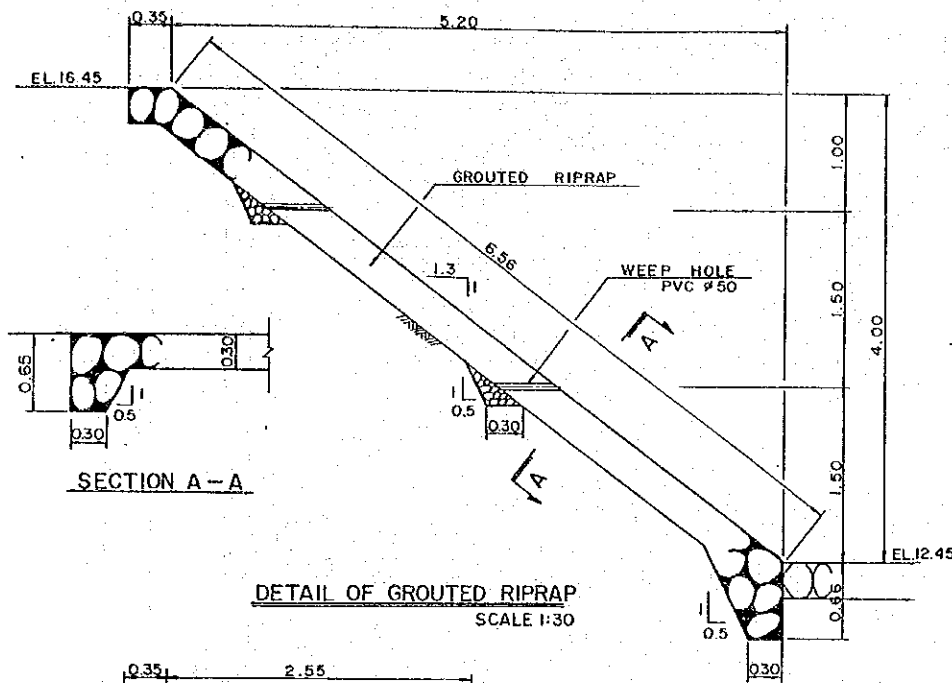
REPUBLIC OF THE PHILIPPINES  
NATIONAL IRRIGATION ADMINISTRATION

DIVERSIFIED CROPS IRRIGATION ENGINEERING PROJECT  
(D.C.I.E.P.)

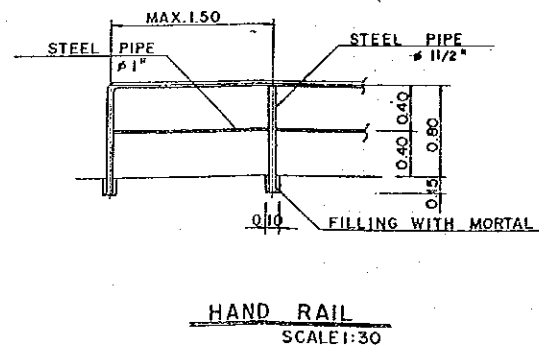
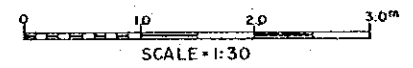
PUMPING STATION FACILITIES (I)

DWG. NO.	DCI-002	DATE	
----------	---------	------	--

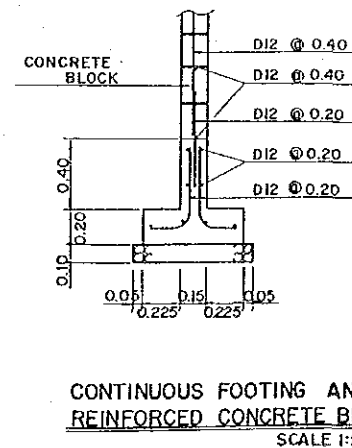
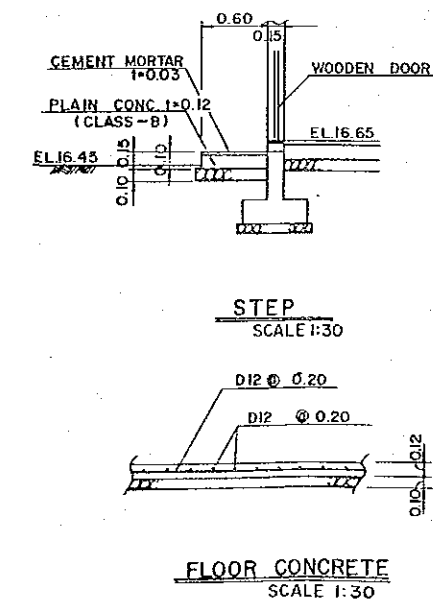
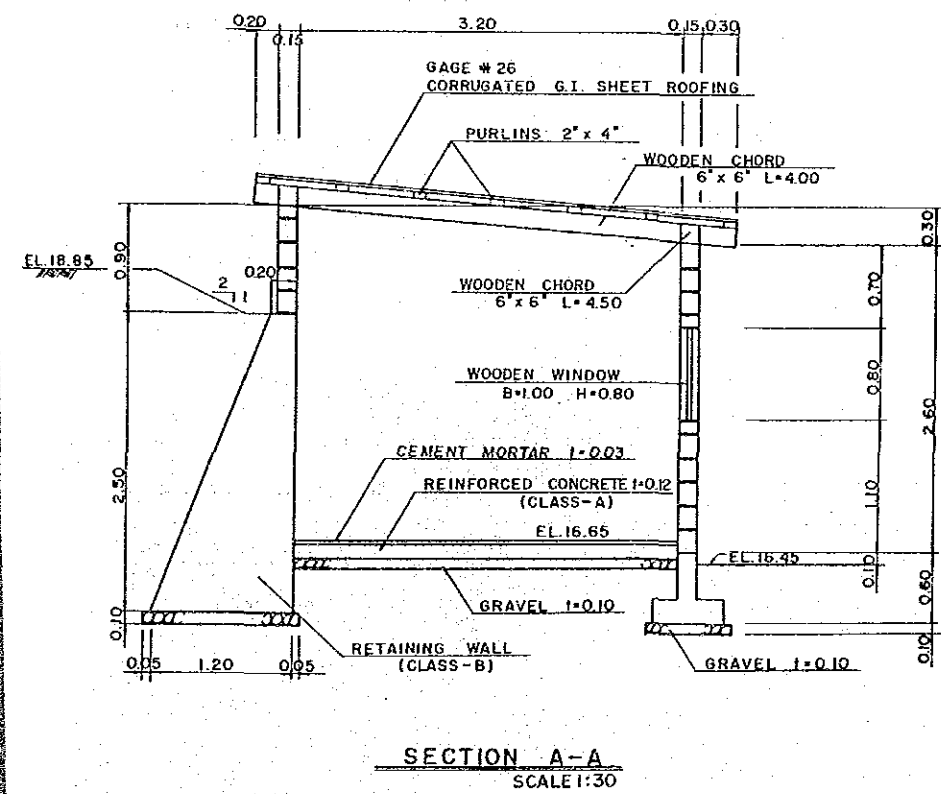
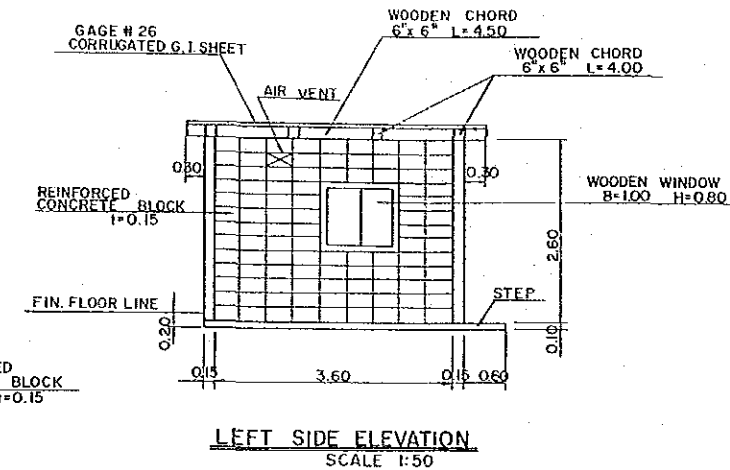
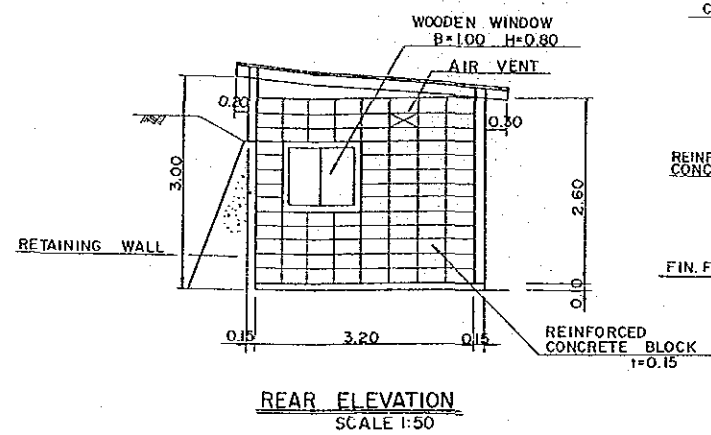
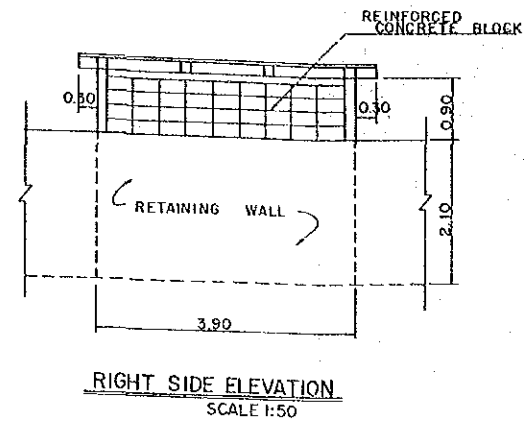
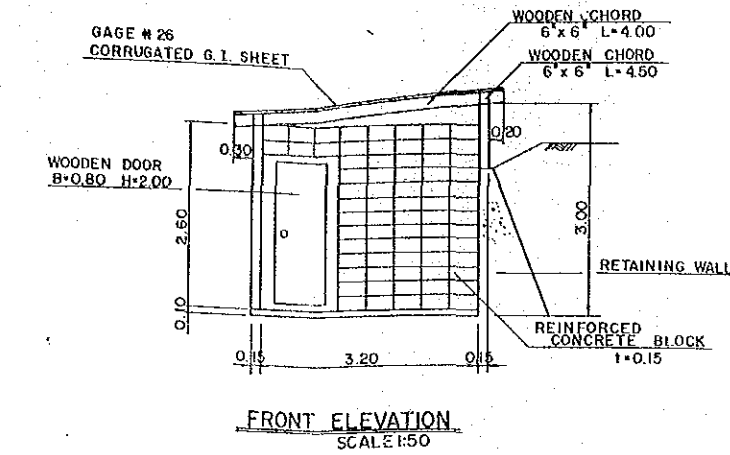
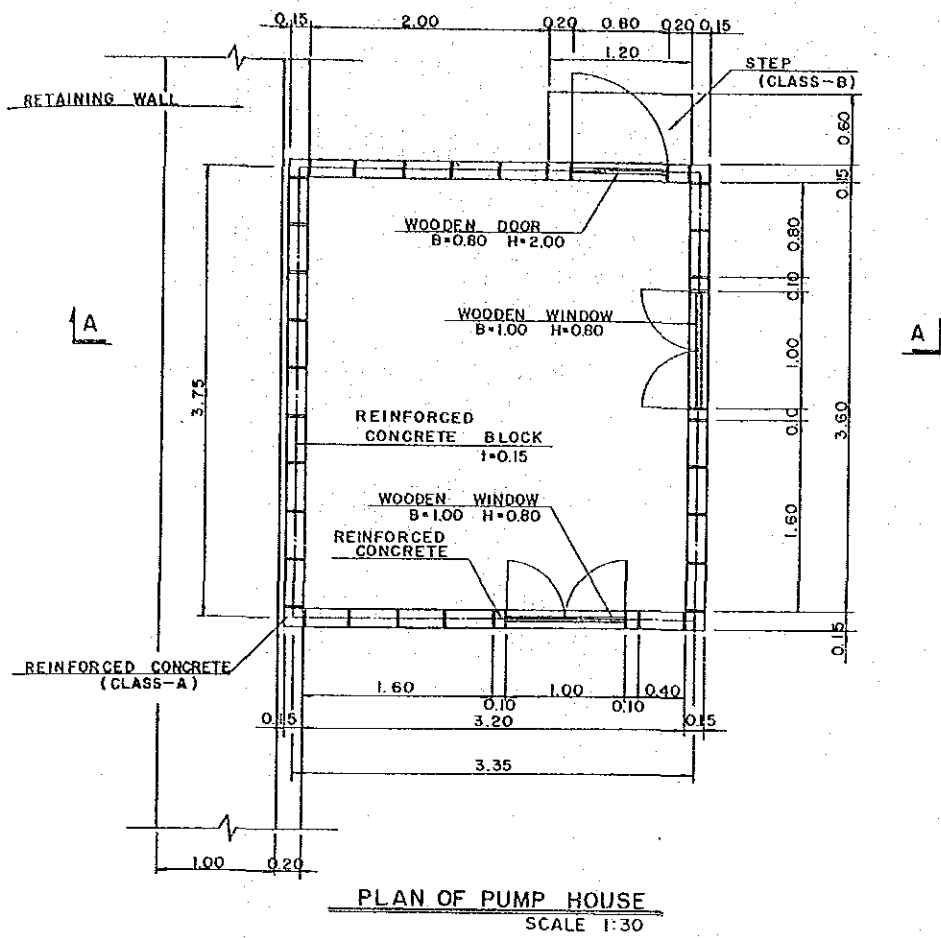
JAPAN INTERNATIONAL COOPERATION AGENCY



- NOTES
1. ALL DIMENSIONS ARE GIVEN IN METERS EXCEPT FOR REINFORCING BAR.
  2. ALL REINFORCING BAR ARE SHOWN IN MILLIMETERS.

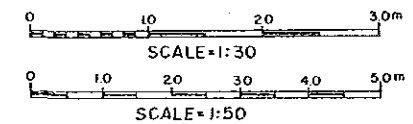


REPUBLIC OF THE PHILIPPINES			
NATIONAL IRRIGATION ADMINISTRATION			
DIVERSIFIED CROPS IRRIGATION ENGINEERING PROJCT			
( D . C . I . E . P )			
PUMPING STATION FACILITIES (2)			
DWG. NO.	DCI - 003	DATE	
JAPAN INTERNATIONAL COOPERATION AGENCY			

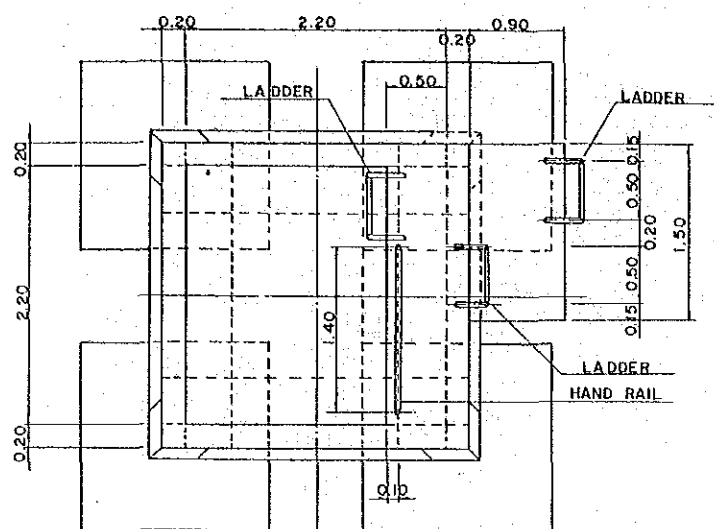


FLOOR CONCRETE SCALE 1:30

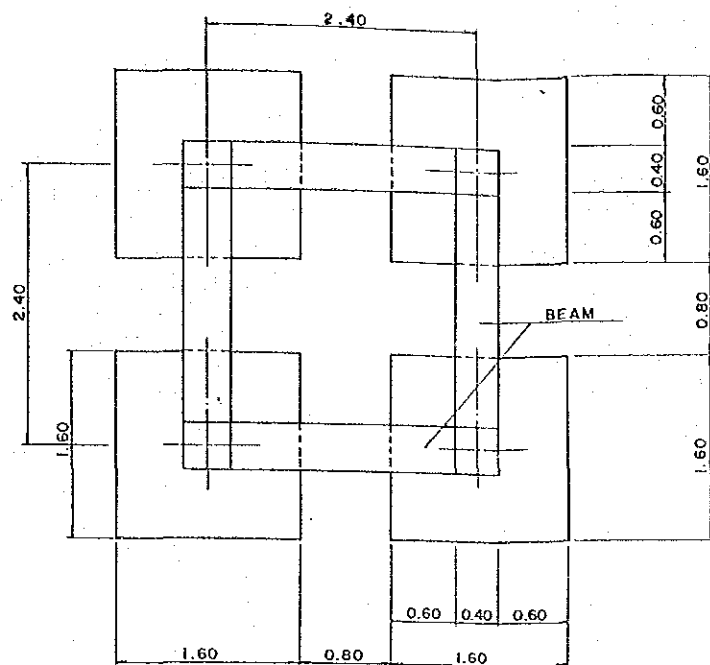
- NOTES.
1. ALL DIMENSIONS ARE GIVEN IN METERS EXCEPT OTHERWISE SHOWN.
  2. ALL REINFORCING BARS ARE SHOWN IN MILLIMETERS.



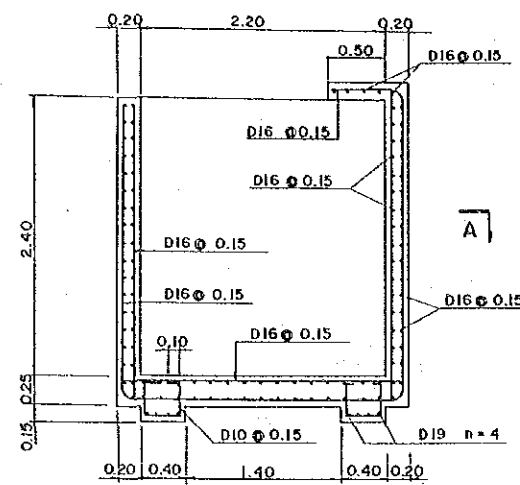
REPUBLIC OF THE PHILIPPINES			
NATIONAL IRRIGATION ADMINISTRATION			
DIVERSIFIED CROPS IRRIGATION ENGINEERING PROJCT ( D . C . I . E . P )			
PUMPING STATION FACILITIES (3)			
DWG. NO.	DCI - 004	DATE	
JAPAN INTERNATIONAL COOPERATION AGENCY			



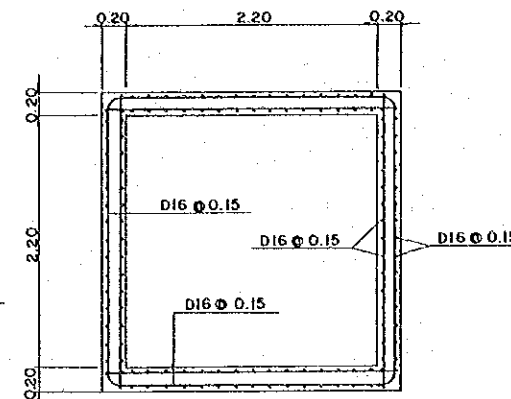
PLAN OF ELEVATED TANK  
SCALE 1:30



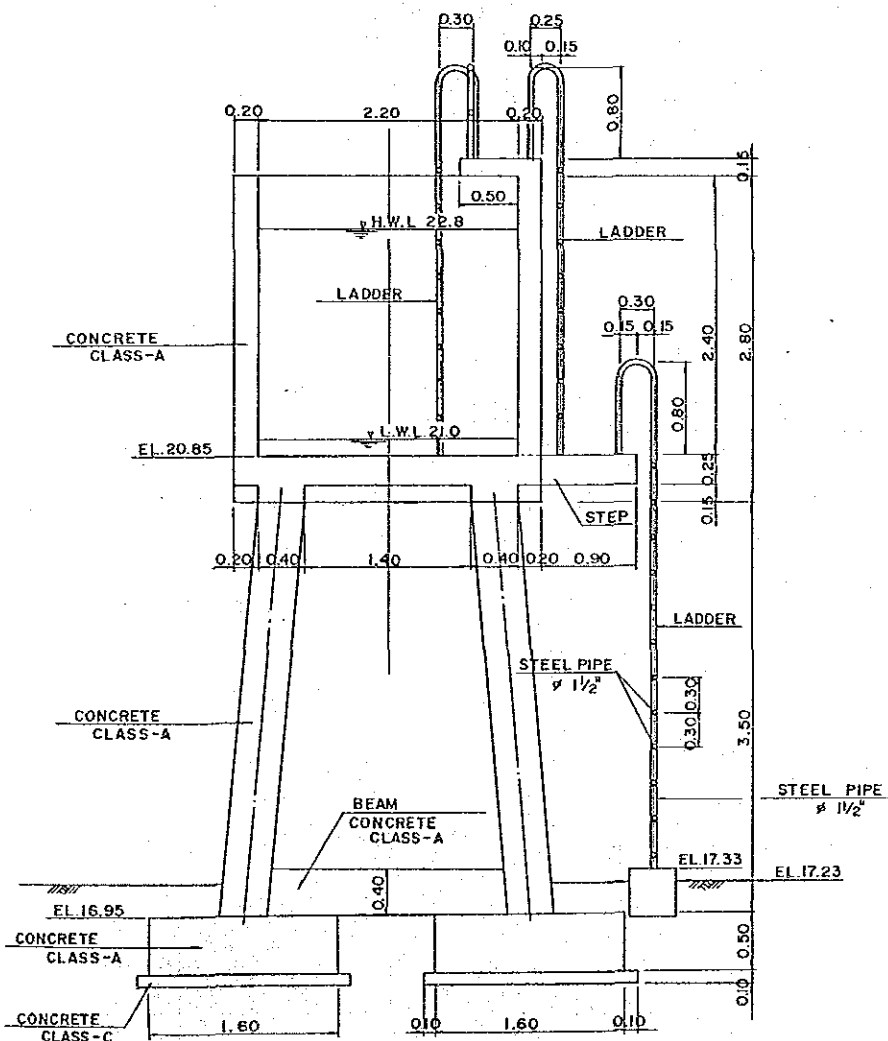
FOUNDATION PLAN  
SCALE 1:30



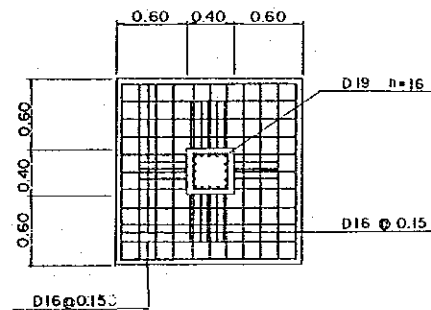
PROFILE OF TANK  
SCALE 1:30



SECTION A-A  
SCALE 1:30

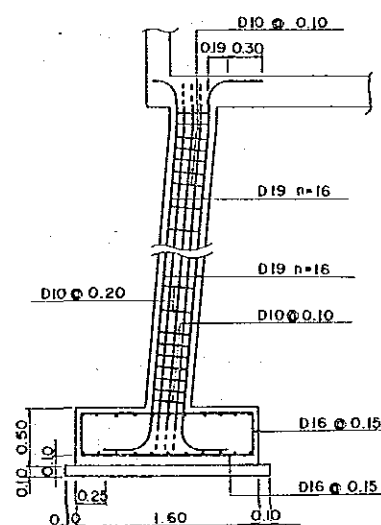


PROFILE  
SCALE 1:30



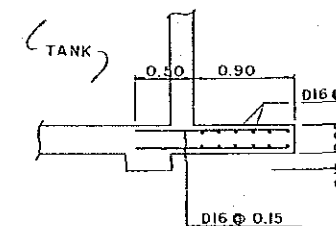
DET. PLAN OF FOUNDATION AND COLUMN  
SCALE 1:30

REINFORCING BAR OF TANK ARE NOT SHOWN.

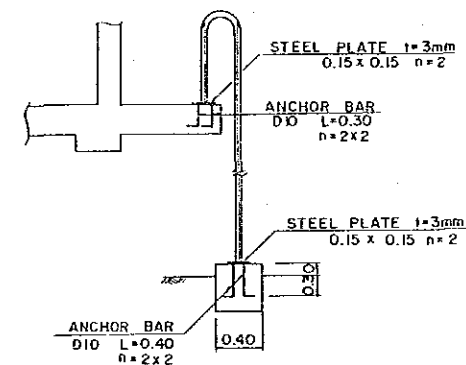


DET. PLAN OF BEAM  
SCALE 1:30

REINFORCING BAR OF FOUNDATION AND COLUMN ARE NOT SHOWN.



PLAN OF STEP  
SCALE 1:30

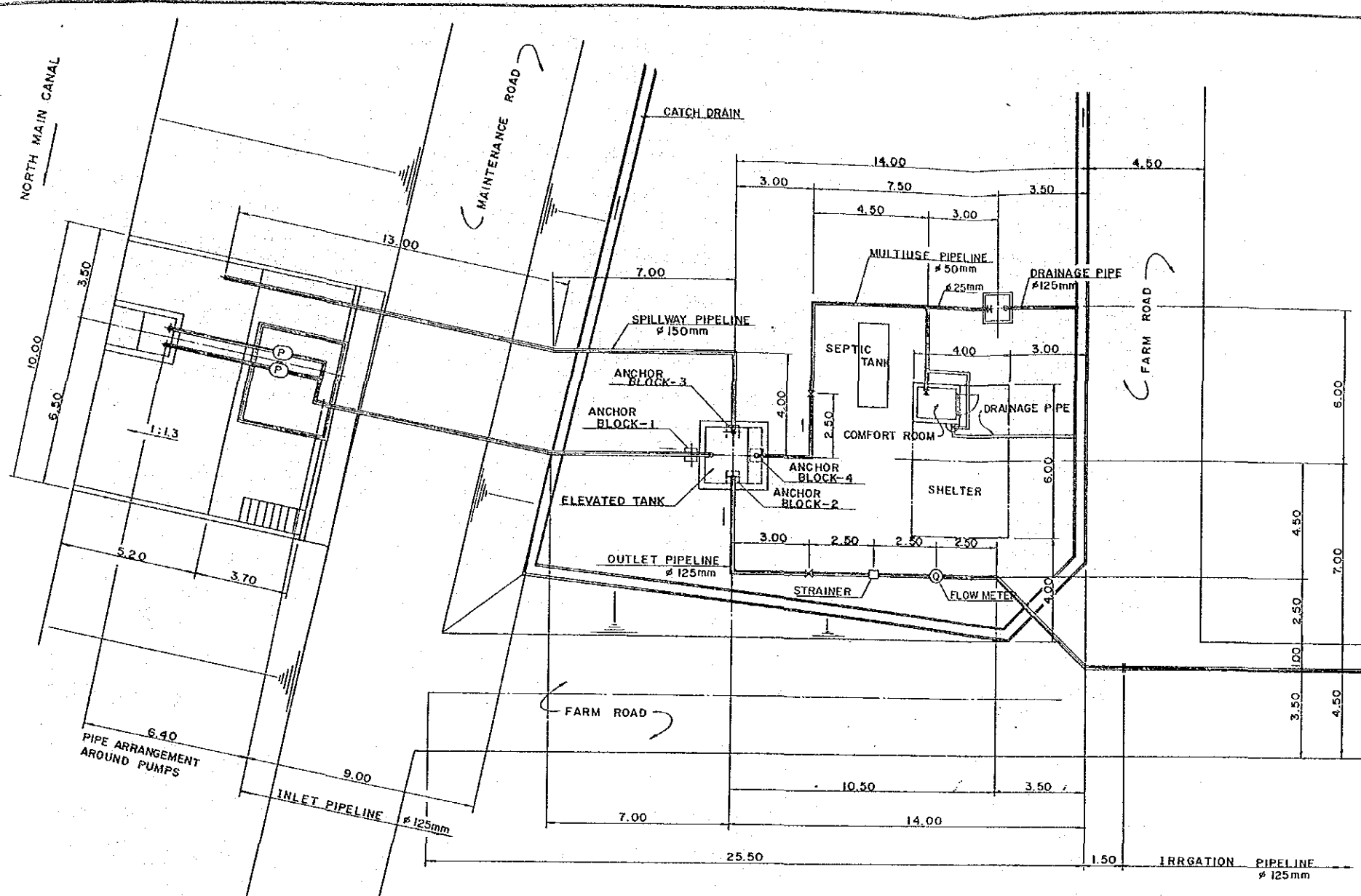


INSTALLATION OF LADDER  
SCALE 1:30

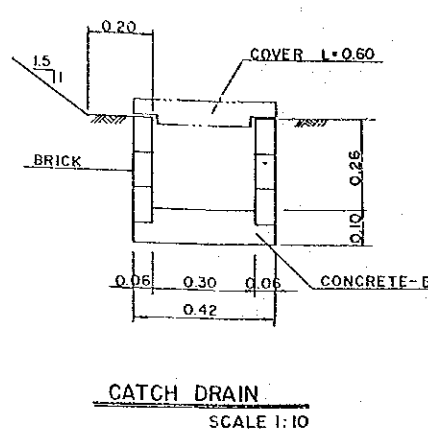
- NOTES.
1. PIPE INSTALLATION WORKS, INLET PIPE, OUTLET PIPE, SPILLWAY AND ETC., ARE NOT SHOWN.
  2. ALL DIMENSIONS ARE GIVEN IN METERS EXCEPT OTHERWISE SHOWN.
  3. ALL REINFORCING BAR ARE SHOWN. IN MILLIMETERS.



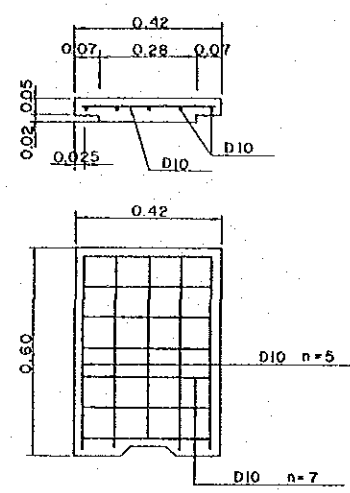
REPUBLIC OF THE PHILIPPINES			
NATIONAL IRRIGATION ADMINISTRATION			
DIVERSIFIED CROPS IRRIGATION ENGINEERING PROJECT ( D. C. I. E. P )			
ELEVATED TANK			
DWG. NO.	DCI-005	DATE	
JAPAN INTERNATIONAL COOPERATION AGENCY			



**PIPE ARRANGEMENT AROUND ELEVATED TANK**  
SCALE 1:100



**CATCH DRAIN**  
SCALE 1:10

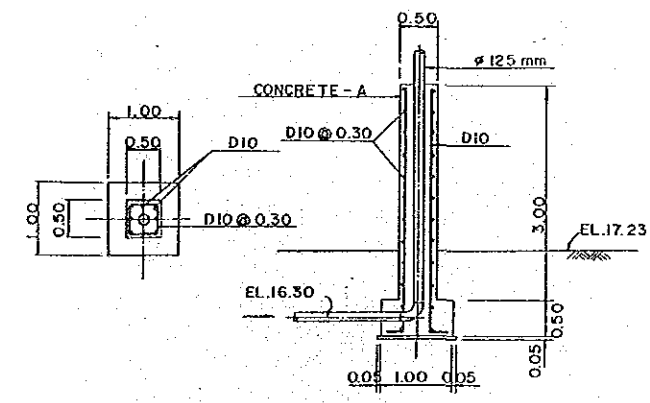
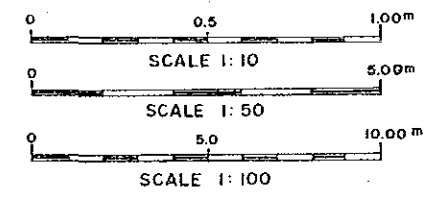


**DETAIL OF COVER**  
SCALE 1:10

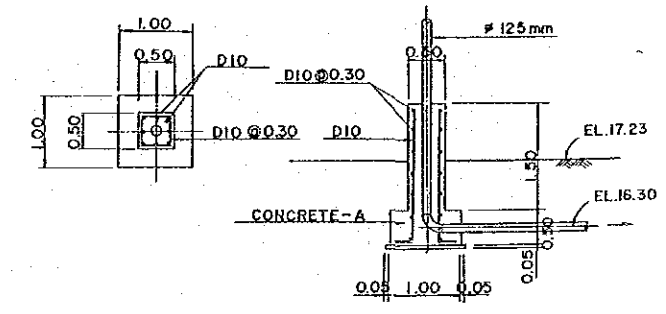
LOCATION OF COVER

LOCATION	NUMBER OF COVER
SHELTER	3 PCS.
WORKING YARD	5 PCS.
COMPOST SHED	13 PCS.

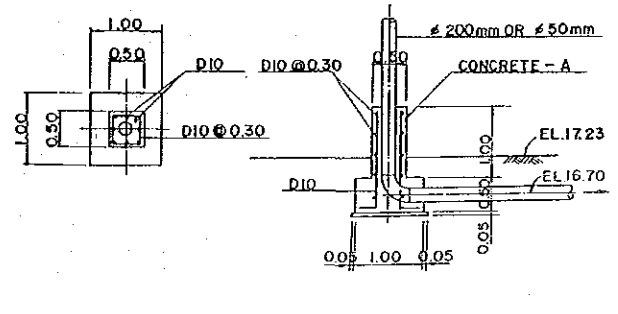
- NOTES.
1. ALL DIMENSIONS ARE GIVEN IN METERS EXCEPT OTHERWISE SHOWN.
  2. REINFORCING BAR IS SHOWN IN MILLIMETERS.



**ANCHOR BLOCK-1**  
SCALE 1:50



**ANCHOR BLOCK-2**  
SCALE 1:50



**ANCHOR BLOCK-3 & 4**  
SCALE 1:50

REPUBLIC OF THE PHILIPPINES  
NATIONAL IRRIGATION ADMINISTRATION

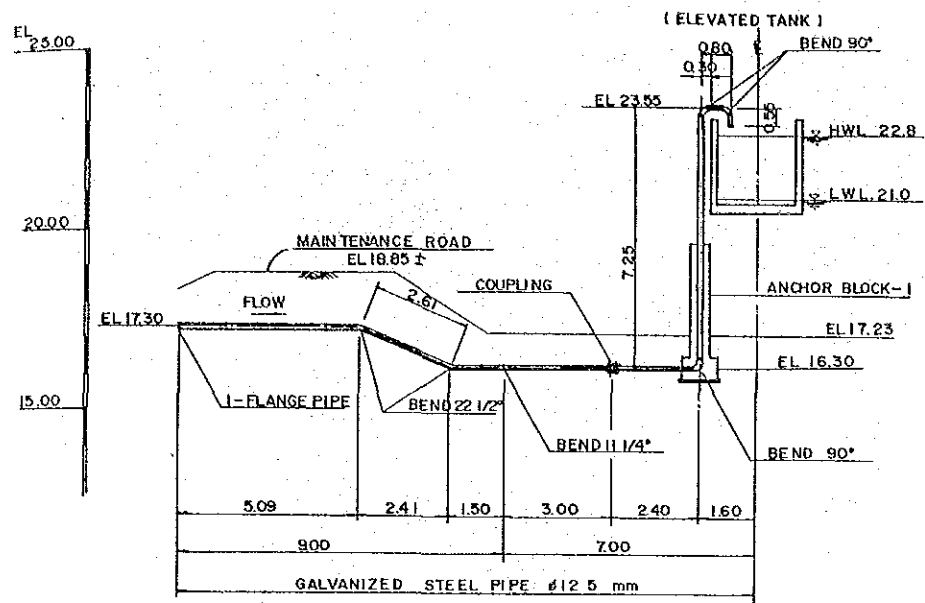
DIVERSIFIED CROPS IRRIGATION ENGINEERING PROJECT  
( D. G. I. E. P )

**PIPE ARRANGEMENT AROUND ELEVATED TANK (I)**

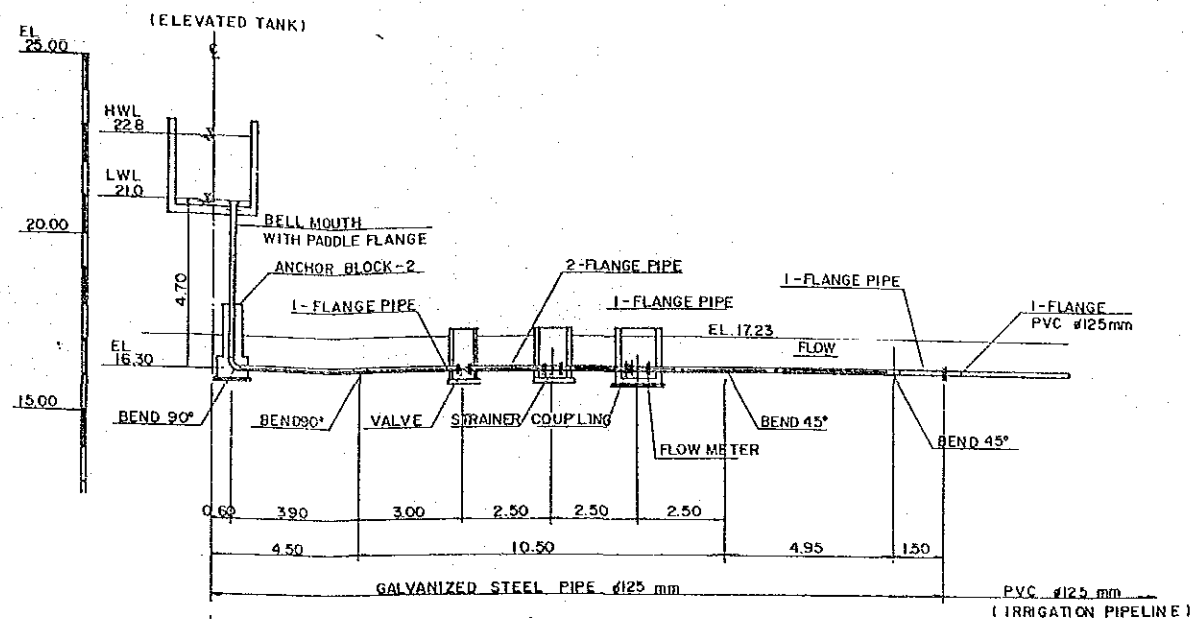
DWG. NO.	DCI - 006	DATE	
----------	-----------	------	--

JAPAN INTERNATIONAL COOPERATION AGENCY

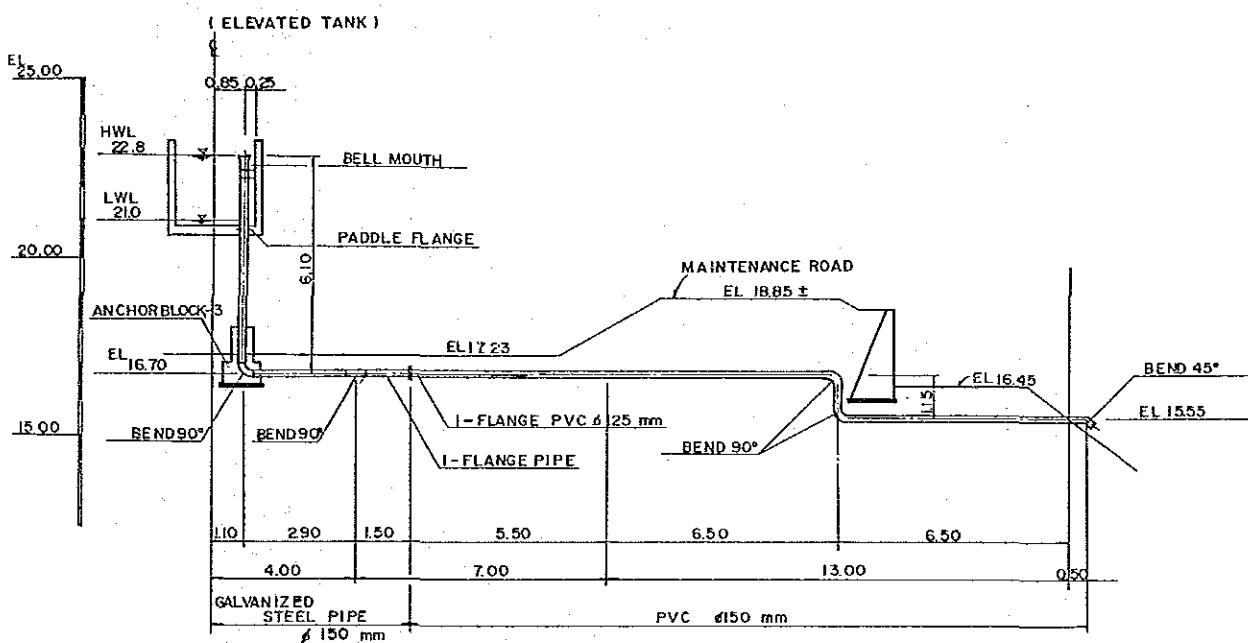




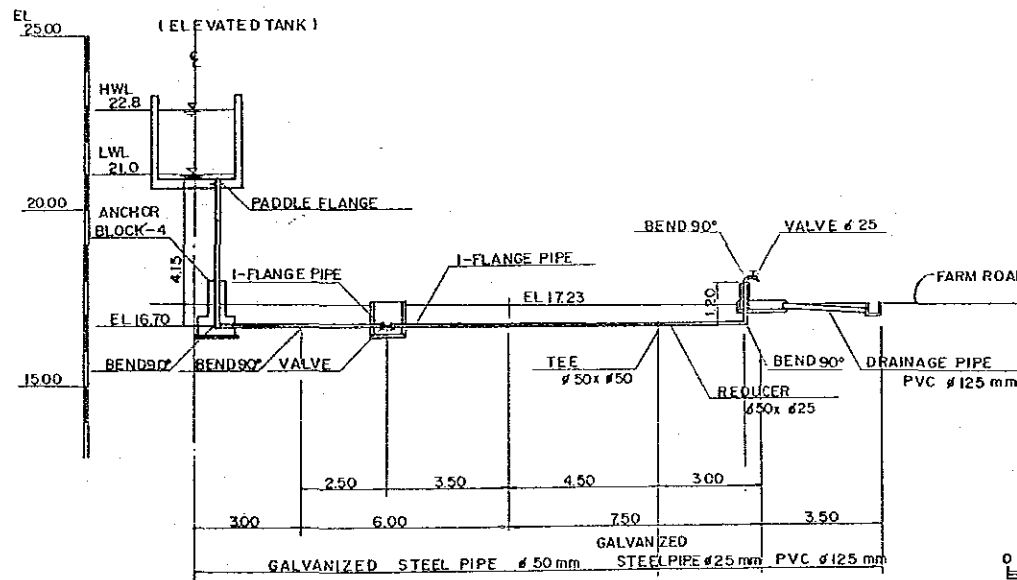
**INLET PIPELINE**  
SCALE 1:100



**OUTLET PIPELINE**  
SCALE 1:100

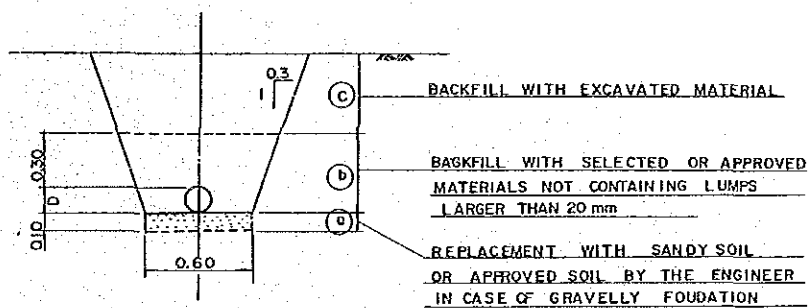
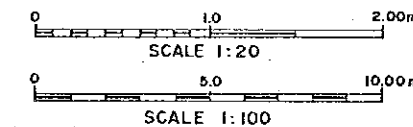


**SPILLWAY PIPELINE**  
SCALE 1:100



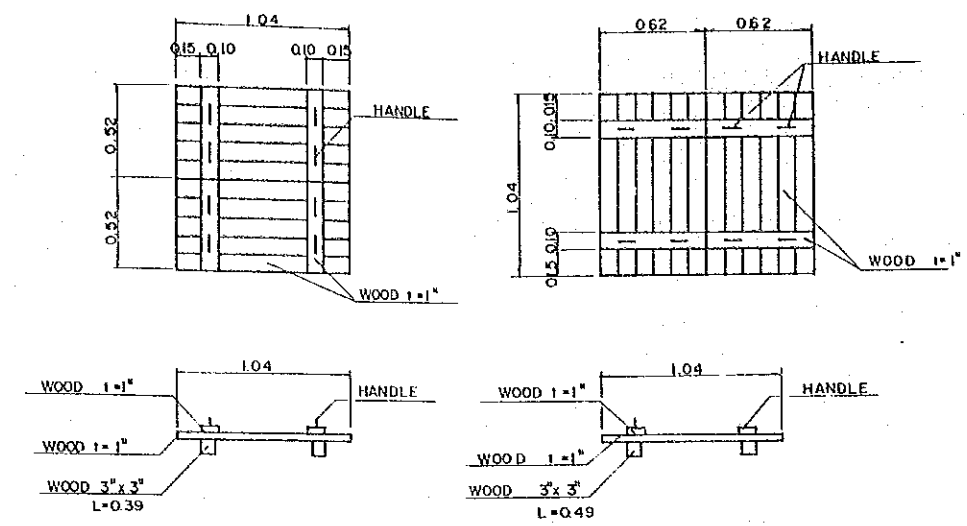
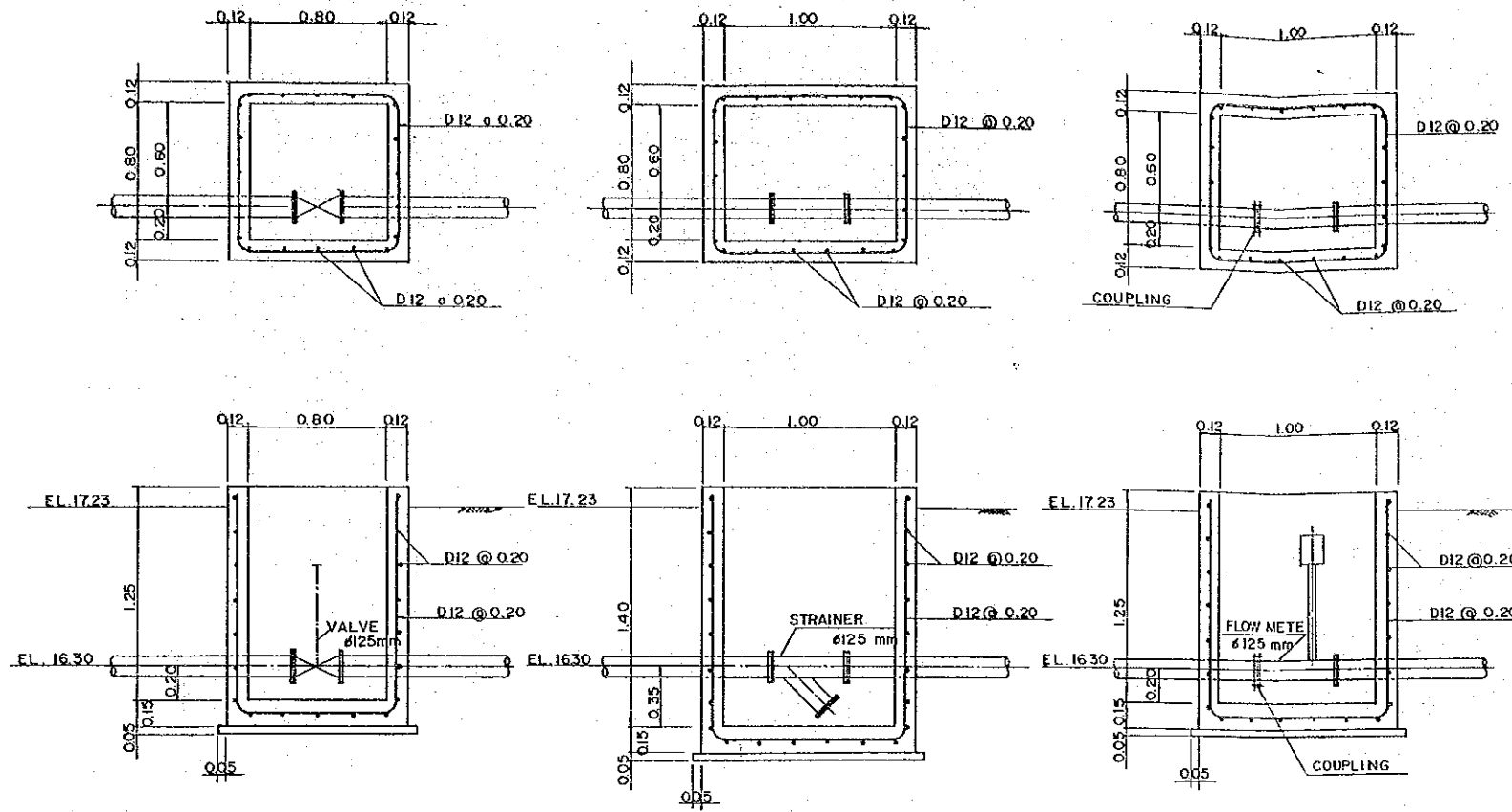
**MULTIUSE PIPELINE**  
SCALE 1:100

NOTES.  
1. ALL DIMENSIONS ARE GIVEN IN METERS EXCEPT OTHERWISE SHOWN



**STANDARD SECTION OF PIPE LAYING WORKS**  
SCALE 1:20

REPUBLIC OF THE PHILIPPINES			
NATIONAL IRRIGATION ADMINISTRATION			
DIVERSIFIED CROPS IRRIGATION ENGINEERING PROJECT			
( D . C . I . E . P )			
PIPE ARRANGEMENT AROUND ELEVATED TANK (2)			
DWG. NO.	DCI - 007	DATE	
JAPAN INTERNATIONAL COOPERATION AGENCY			



**VALVE BOX**

**STRAINER BOX & FLOW METER BOX**

**DETAIL OF COVER**  
SCALE 1:20

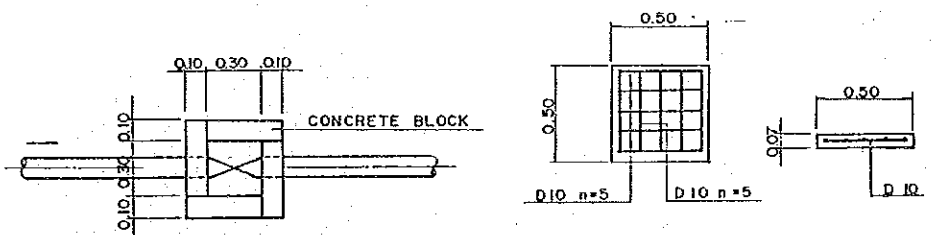
**VALVE BOX**  
SCALE 1:20

**STRAINER BOX**  
SCALE 1:20

**FLOW METER BOX**  
SCALE 1:20

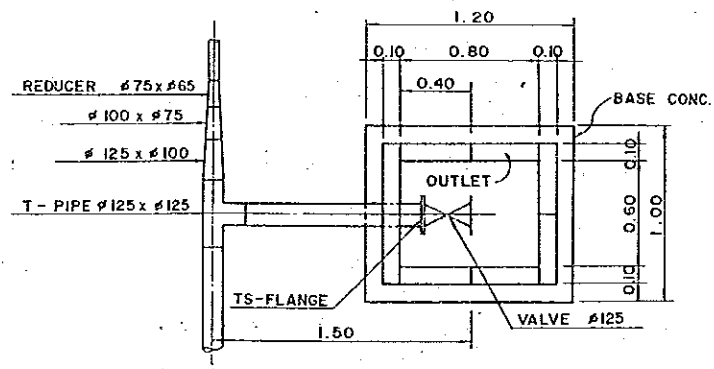
**NOTES.**

- 1. ALL DIMENSIONS ARE GIVEN IN METERS EXCEPT OTHERWISE SHOWN.
- 2. REINFORCING BAR IS SHOWN IN MILLIMETERS

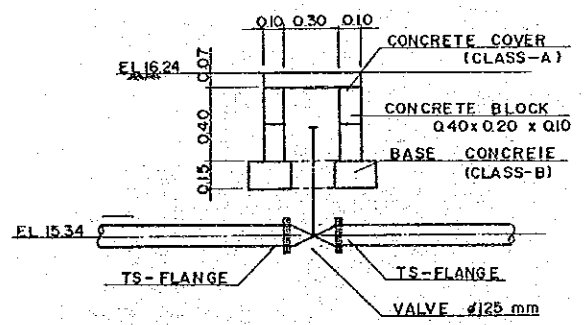


**CONCRETE COVER**

**BASE CONCRETE**

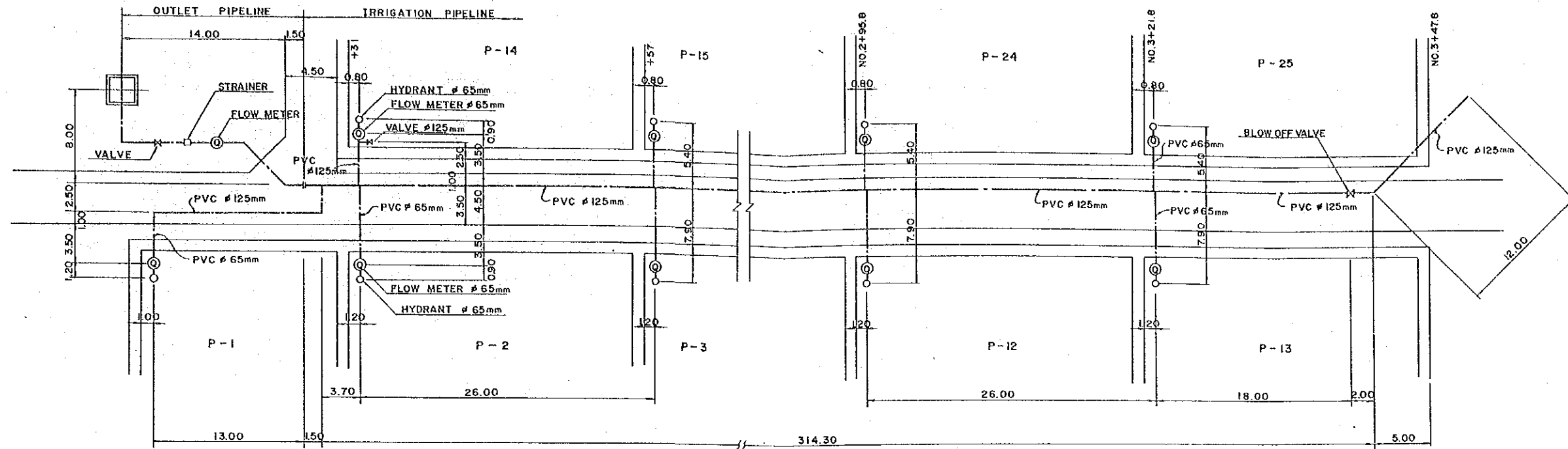


**VALVE BOX AT PLOT NO.14**  
SCALE 1:20

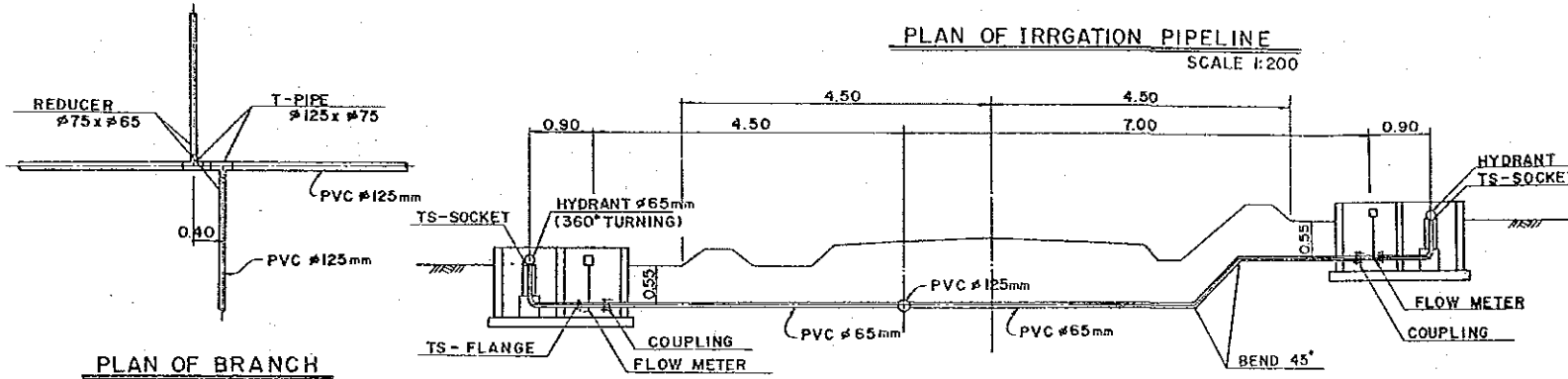


**BLOW OFF VALVE**  
SCALE 1:20

REPUBLIC OF THE PHILIPPINES			
NATIONAL IRRIGATION ADMINISTRATION			
DIVERSIFIED CROPS IRRIGATION ENGINEERING PROJCT			
( D . C . I . E . P )			
VALVE BOX, STRAINER BOX, FLOW METER BOX AND BLOW OFF VALVE BOX			
DWG. NO.	DCI - 008	DATE	
JAPAN INTERNATIONAL COOPERATION AGENCY			

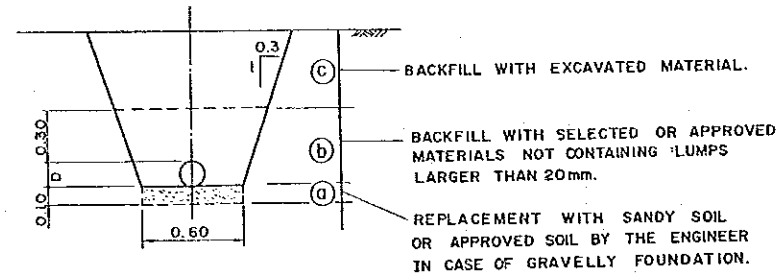


PLAN OF IRRIGATION PIPELINE  
SCALE 1:200

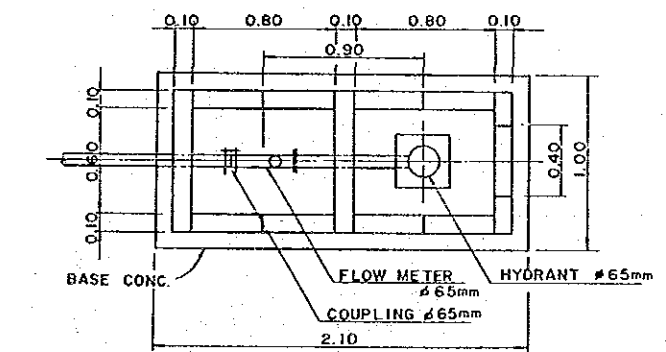


PLAN OF BRANCH  
SCALE 1:50

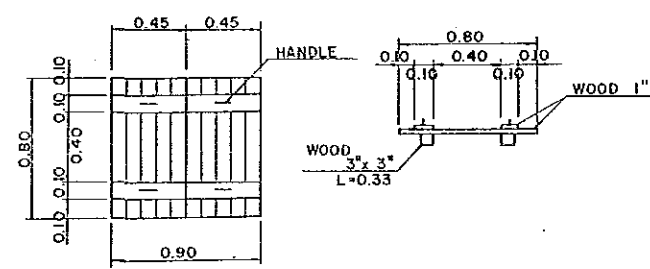
PROFILE OF BRANCH PIPELINE  
SCALE 1:50



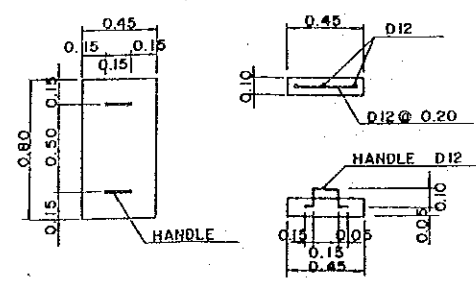
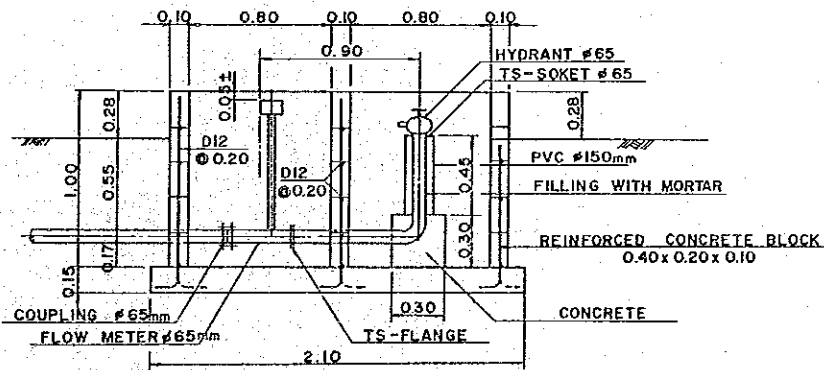
STANDARD SECTION OF  
PIPE LAYING WORKS  
SCALE 1:20



FLOW METER & HYDRANT BOX  
SCALE 1:20

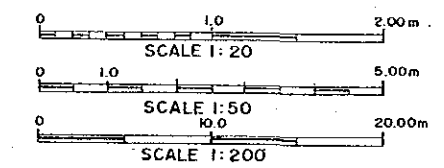


COVER FOR FLOW METER BOX  
SCALE 1:20



COVER FOR HYDRANT BOX  
SCALE 1:20

- NOTES.
1. ALL DIMENSIONS ARE GIVEN IN METERS EXCEPT FOR REINFORCING BAR.
  2. ALL REINFORCING AND METAL ARE SHOWN IN MILLIMETERS.



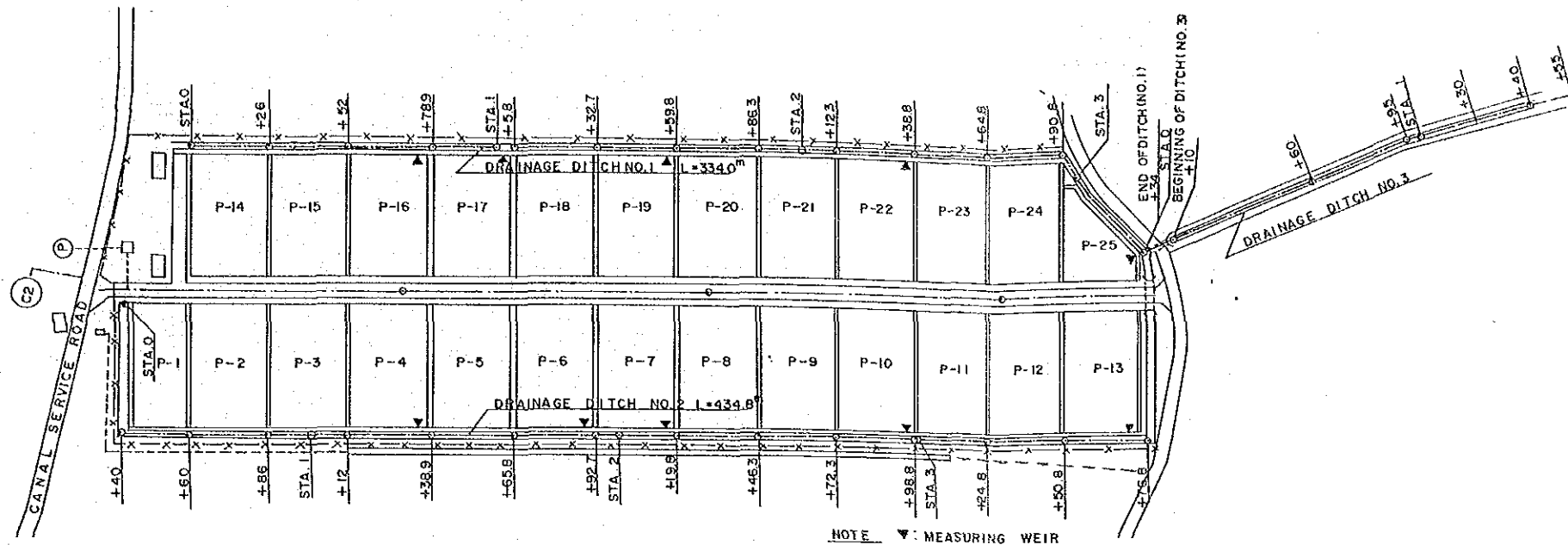
REPUBLIC OF THE PHILIPPINES  
NATIONAL IRRIGATION ADMINISTRATION

DIVERSIFIED CROPS IRRIGATION ENGINEERING PROJCT  
( D . C . I . E . P )

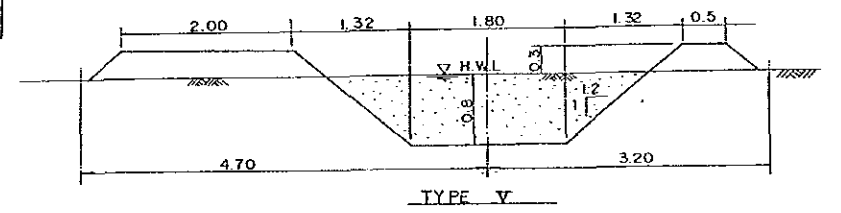
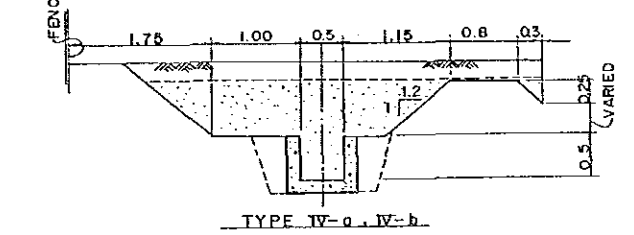
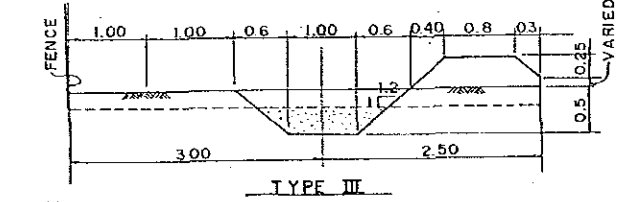
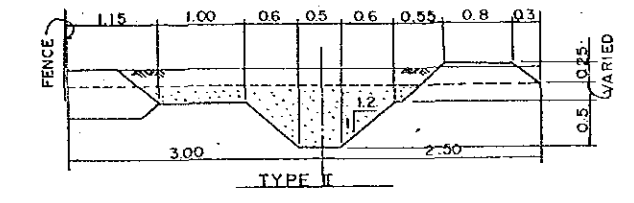
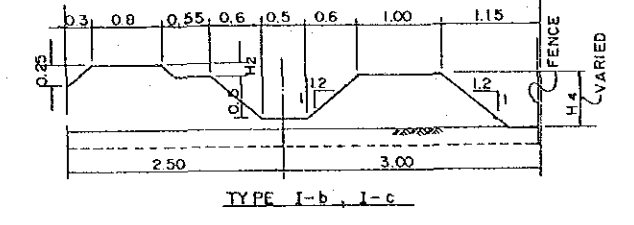
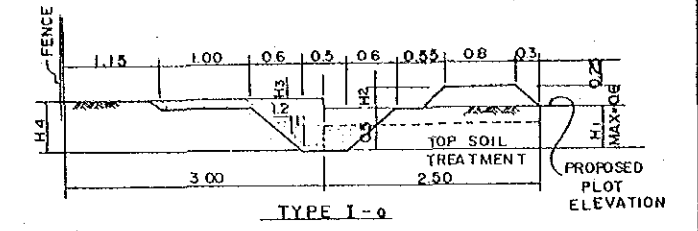
IRRIGATION PIPELINE AND  
FLOW METER & HYDRANT BOX

DWG. NO.	DCI-009	DATE	
----------	---------	------	--

JAPAN INTERNATIONAL COOPERATION AGENCY

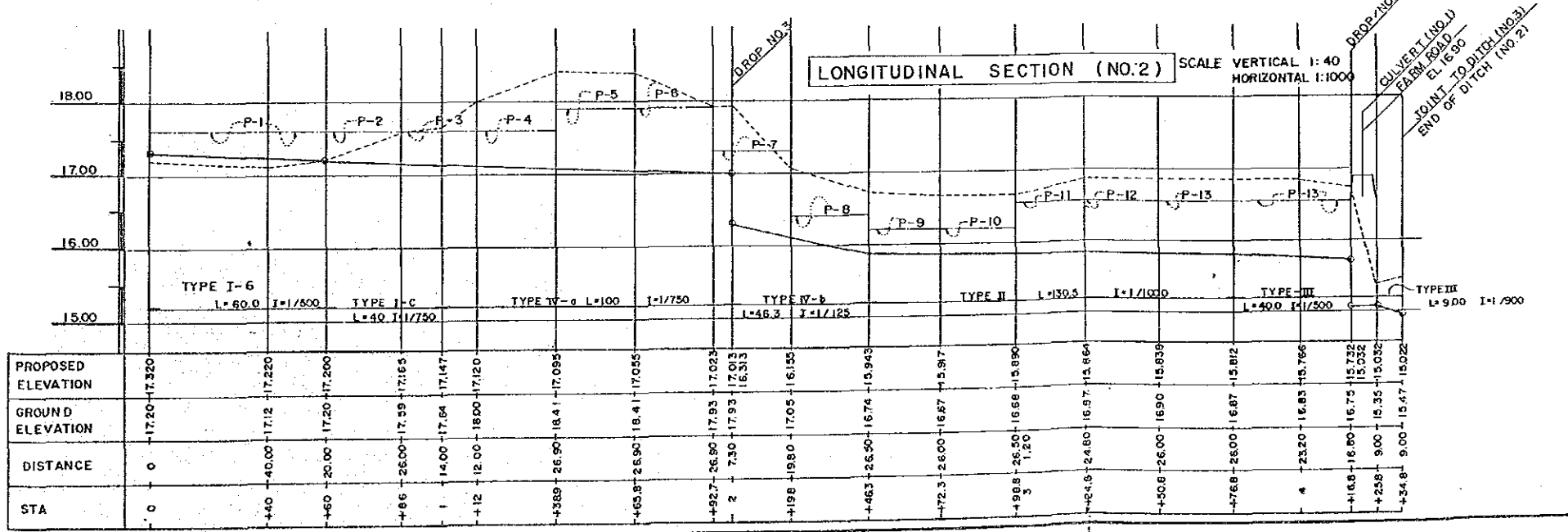
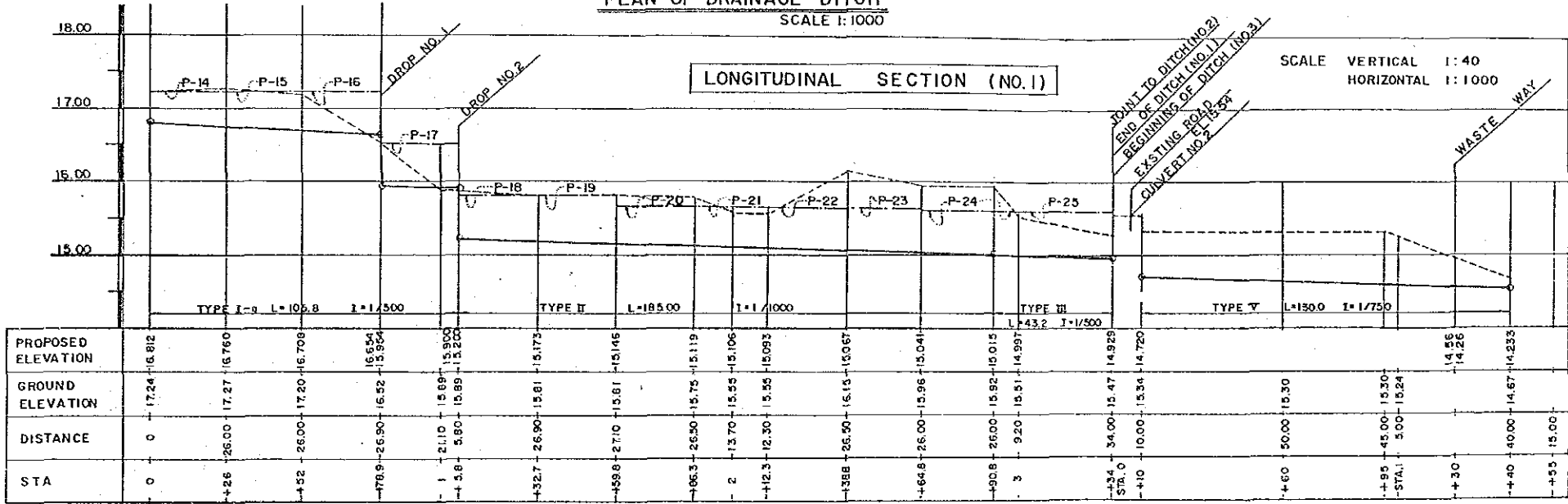


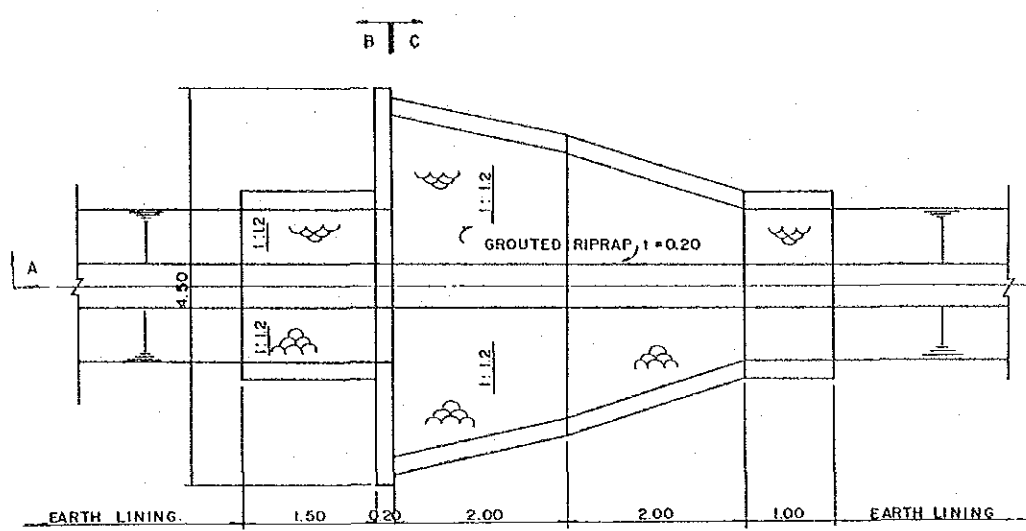
PLAN OF DRAINAGE DITCH  
SCALE 1:1000



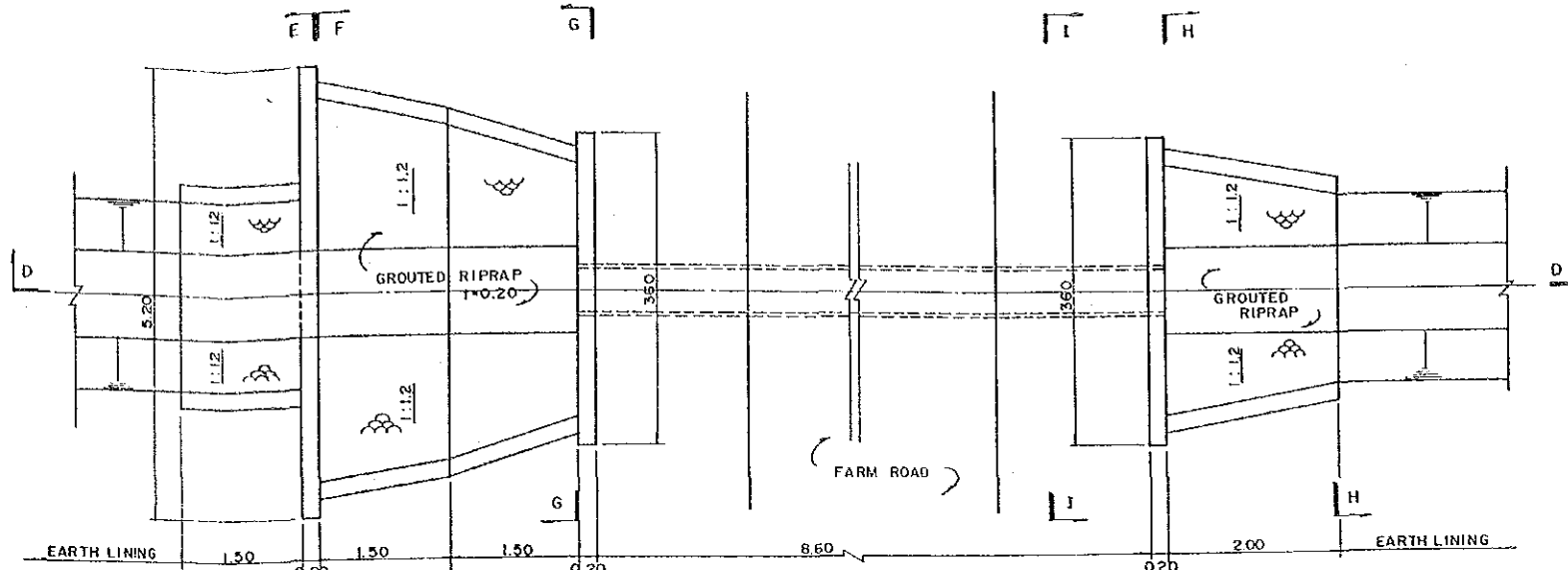
TYPICAL CROSS SECTION  
SCALE 1:40

REPUBLIC OF THE PHILIPPINES  
NATIONAL IRRIGATION ADMINISTRATION  
DIVERSIFIED CROPS IRRIGATION ENGINEERING PROJCT  
( D . C . I . E . P )  
**PLAN OF DRAINAGE DITCH**  
DWG. NO. DCI - 010    DATE     
JAPAN INTERNATIONAL COOPERATION AGENCY

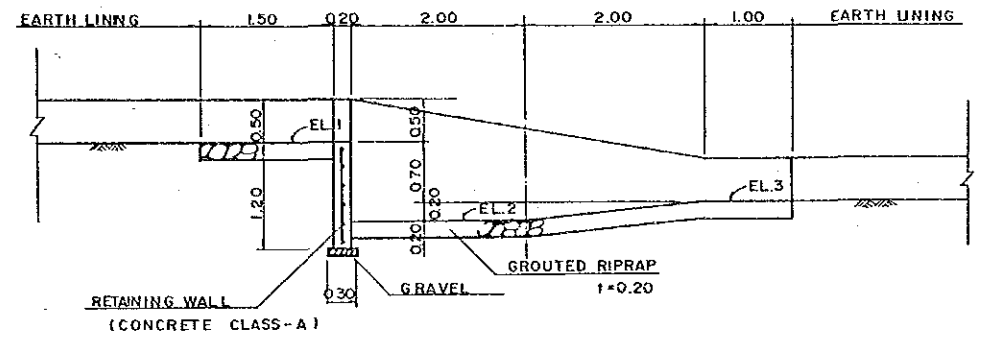




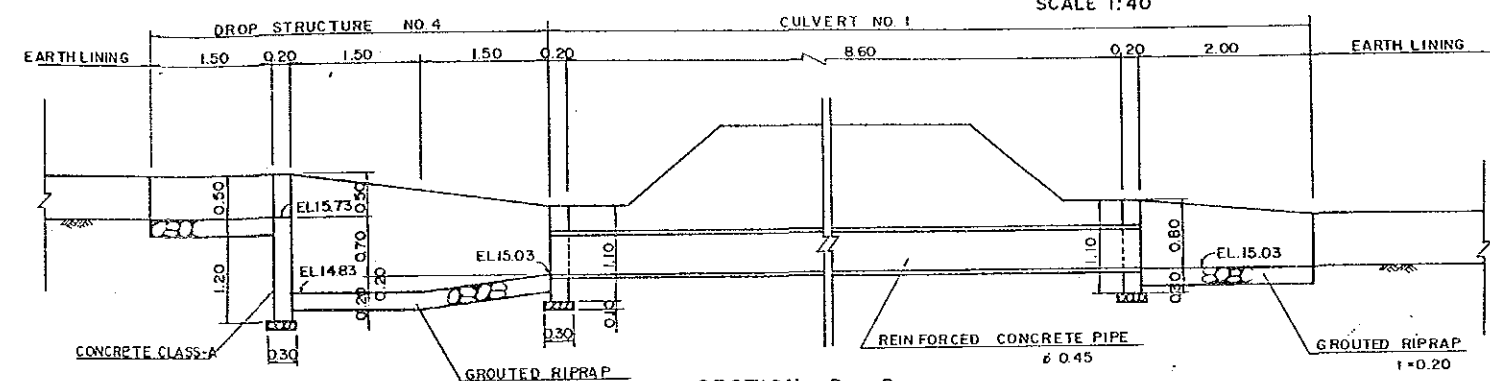
PLAN OF DROP STRUCTURE  
SCALE 1:40



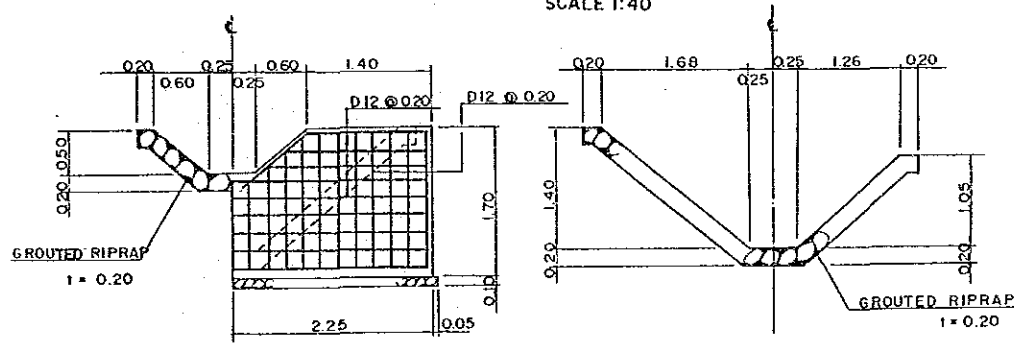
PLAN OF CULVERT NO.1 & DROP STRUCTURE NO.4  
SCALE 1:40



SECTION A-A  
SCALE 1:40

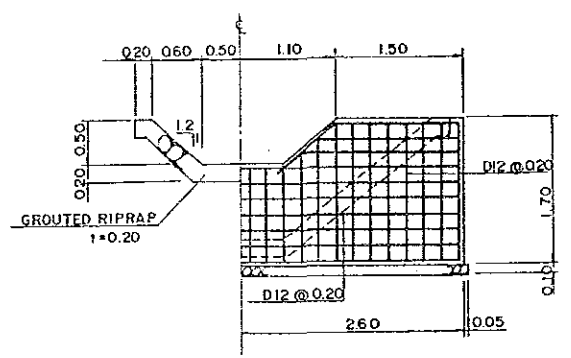


SECTION D-D  
SCALE 1:40

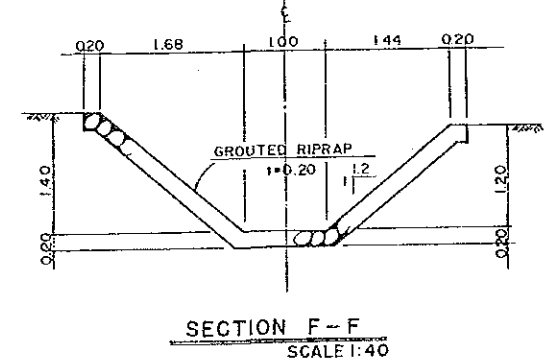


SECTION B-B  
SCALE 1:40

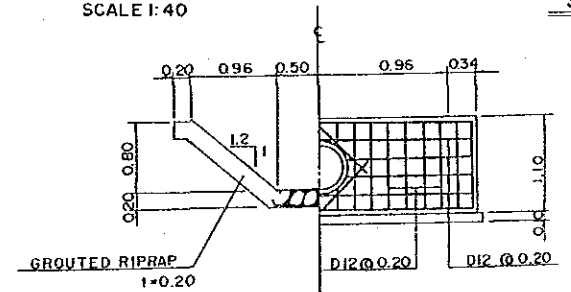
SECTION C-C  
SCALE 1:40



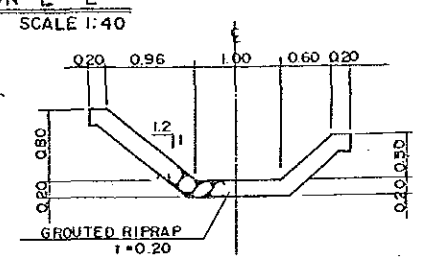
SECTION E-E  
SCALE 1:40



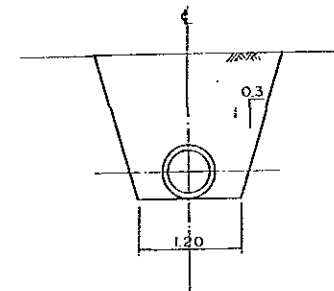
SECTION F-F  
SCALE 1:40



SECTION G-G  
SCALE 1:40



SECTION H-H  
SCALE 1:40



SECTION I-I  
SCALE 1:40

- NOTES.
1. ALL DIMENSIONS ARE GIVEN IN METERS EXCEPT OTHERWISE SHOWN.
  2. ALL REINFORCING BAR IS SHOWN IN MILLIMETERS.



DIMENSION TABLE

NO.	EL. 1	EL. 2	EL. 3
1	16.65	15.75	15.95
2	15.90	15.00	15.20
3	17.01	16.11	16.31

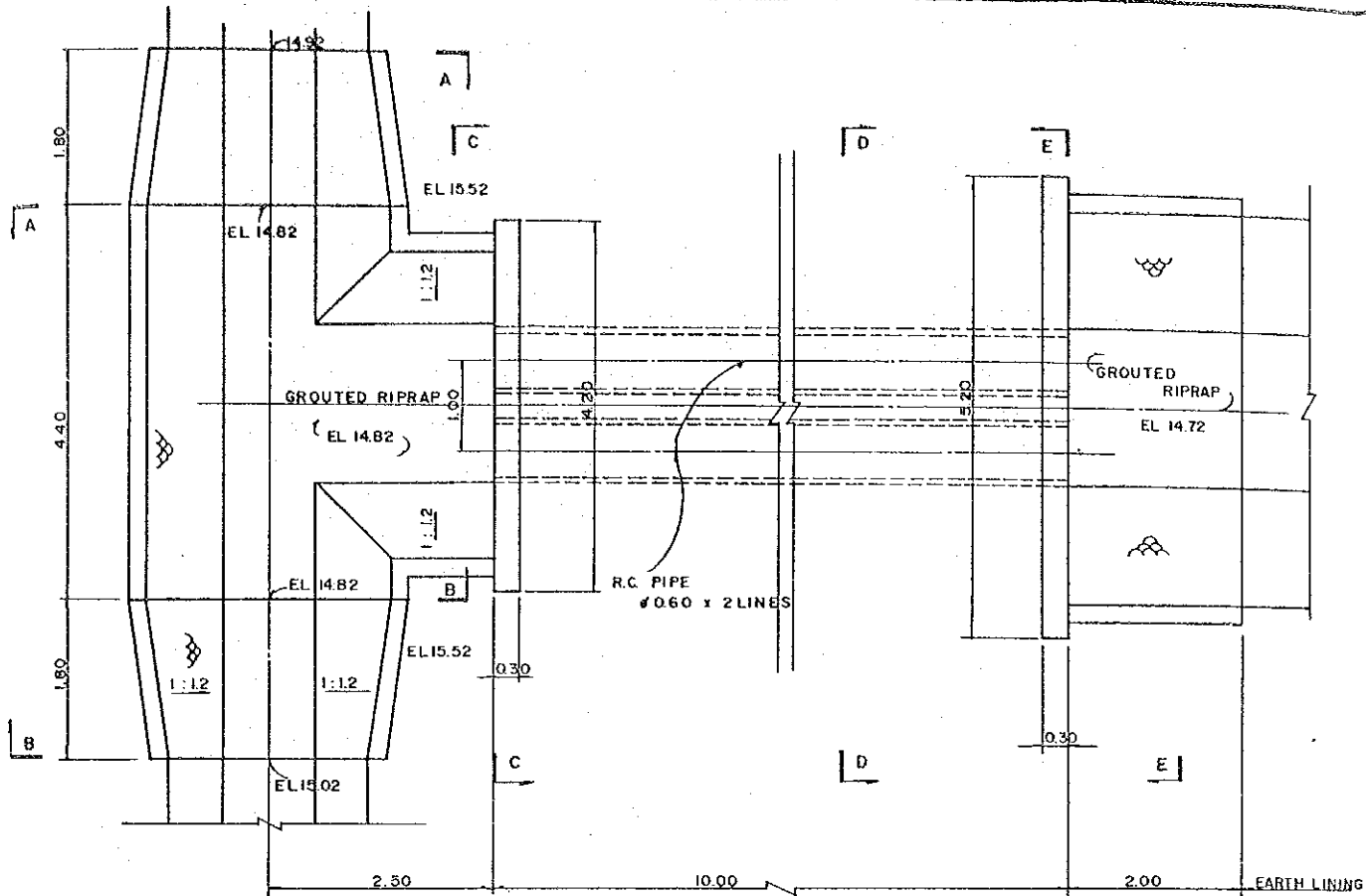
REPUBLIC OF THE PHILIPPINES  
NATIONAL IRRIGATION ADMINISTRATION

DIVERSIFIED CROPS IRRIGATION ENGINEERING PROJECT  
( D. C. I. E. P )

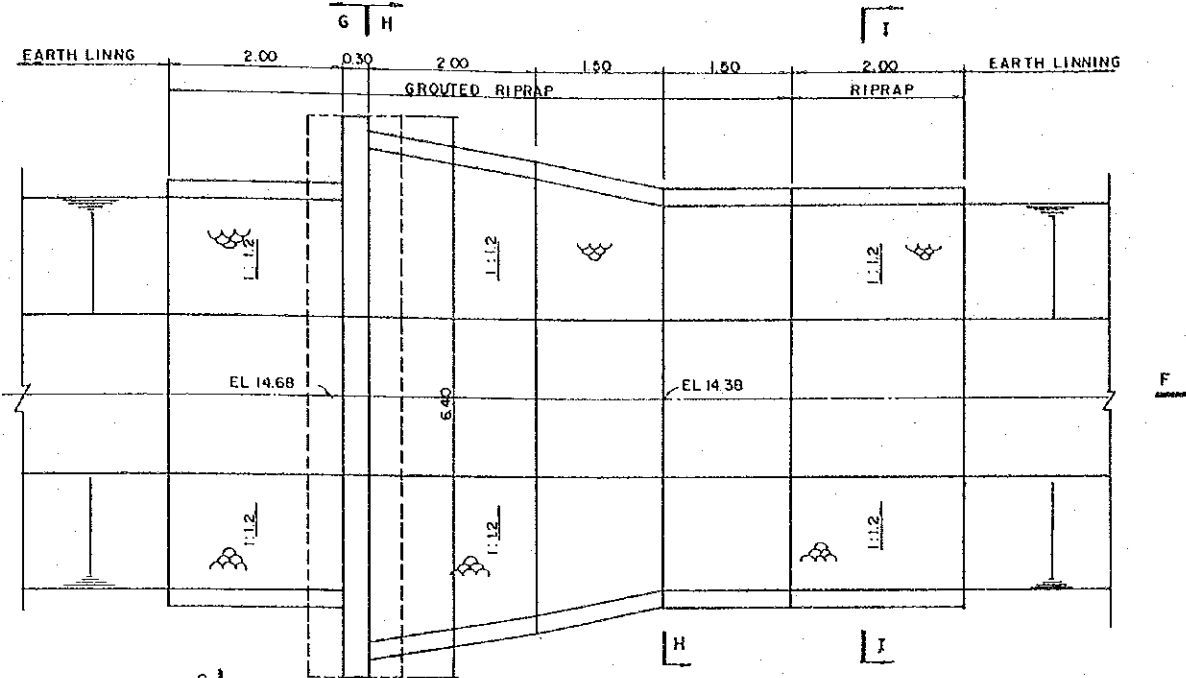
STRUCTURES ON DRAINAGE DITCH (I)

DWG. NO. DCI-011      DATE

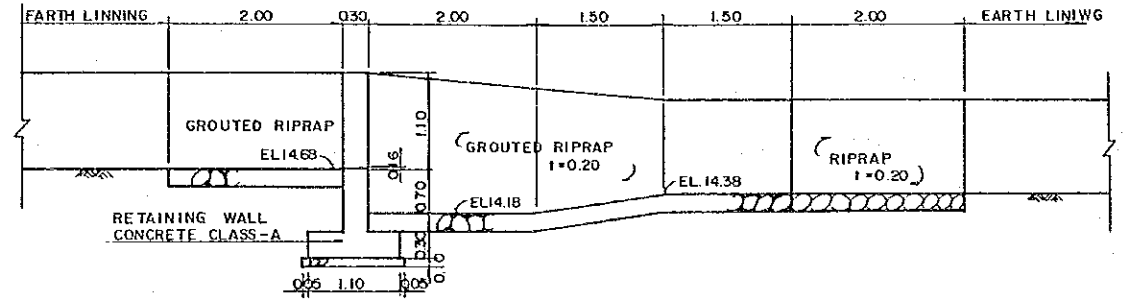
JAPAN INTERNATIONAL COOPERATION AGENCY



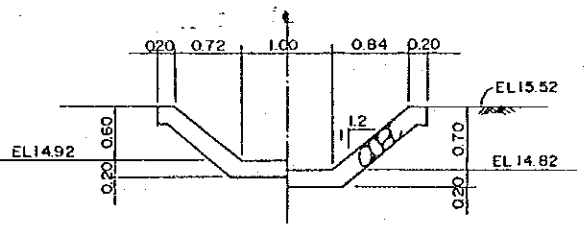
**PLAN OF CULVERT NO. 2**  
SCALE 1:40



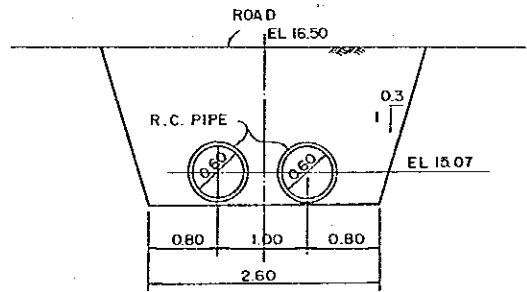
**WASTE WAY**  
SCALE 1:40



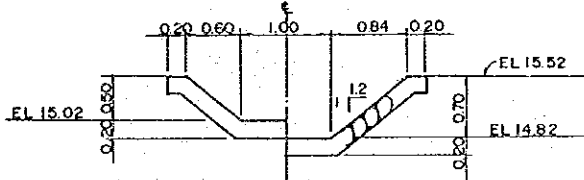
**SECTION F-F**  
SCALE 1:40



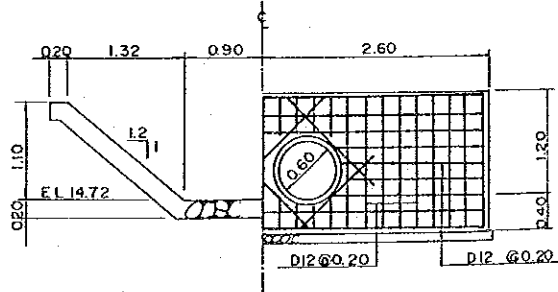
**SECTION A-A**  
SCALE 1:40



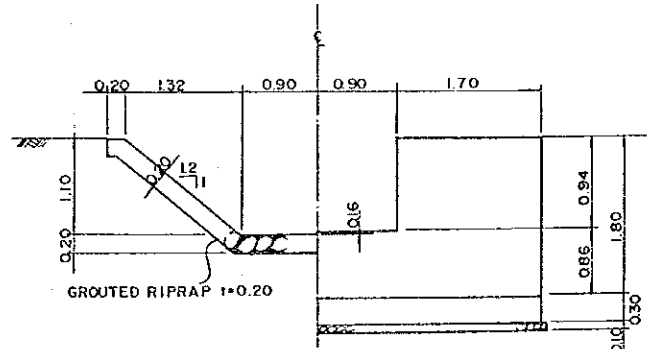
**SECTION D-D**  
SCALE 1:40



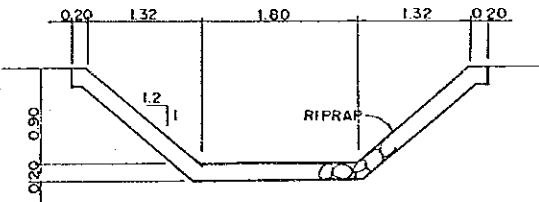
**SECTION B-B**  
SCALE 1:40



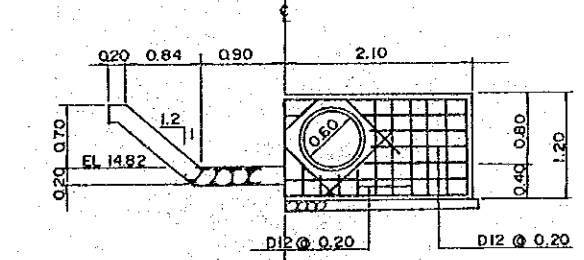
**SECTION E-E**  
SCALE 1:40



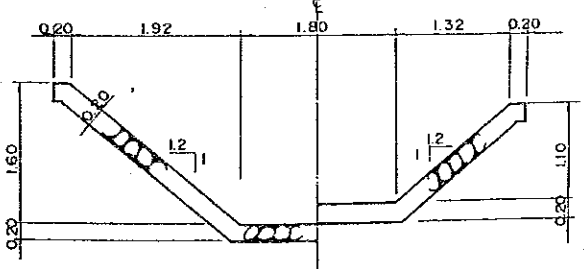
**SECTION G-G**  
SCALE 1:40



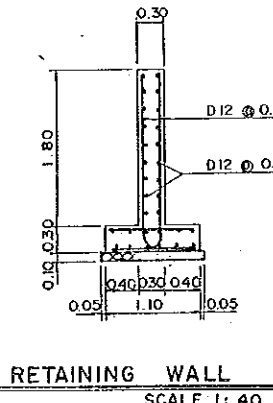
**SECTION I-I**  
SCALE 1:40



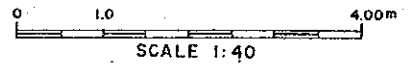
**SECTION C-C**  
SCALE 1:40



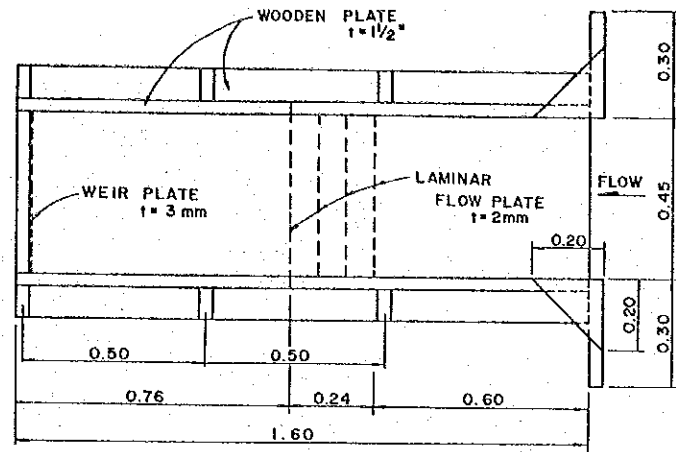
**SECTION H-H**  
SCALE 1:40



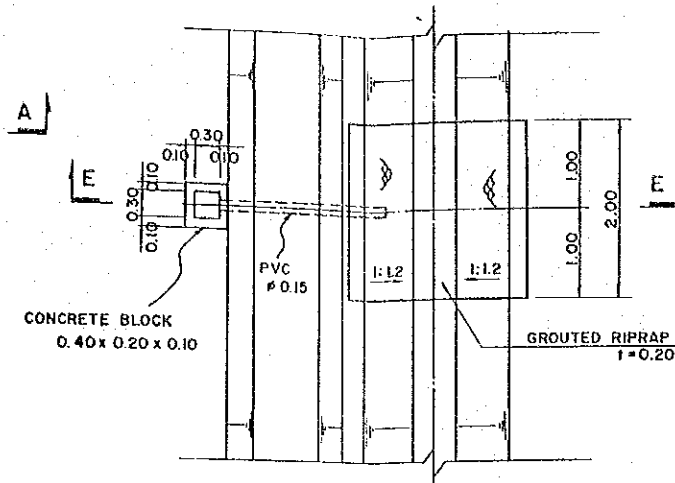
**RETAINING WALL**  
SCALE 1:40



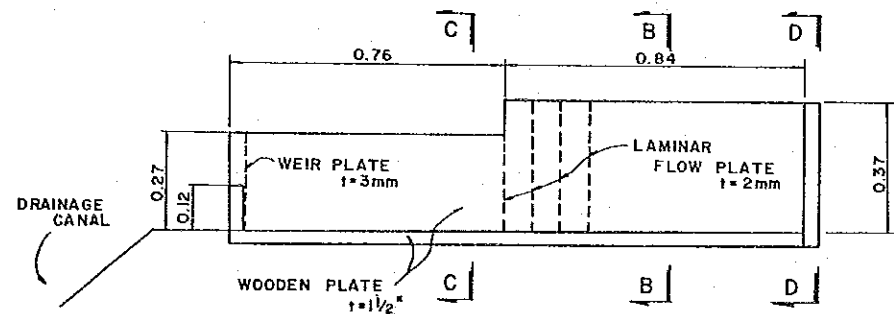
REPUBLIC OF THE PHILIPPINES			
NATIONAL IRRIGATION ADMINISTRATION			
DIVERSIFIED CROPS IRRIGATION ENGINEERING PROJECT ( D . C . I . E . P )			
STRUCTURES ON DRAINAGE DITCH ( 2 )			
DWG. NO.	DCI - 012	DATE	
JAPAN INTERNATIONAL COOPERATION AGENCY			



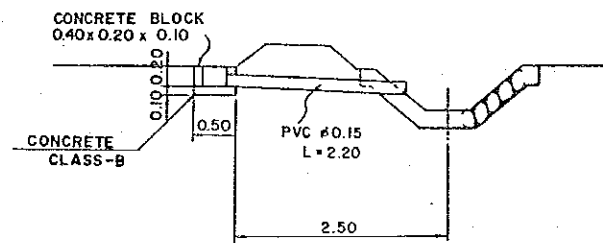
PLAN OF MEASURING WEIR  
SCALE 1:10



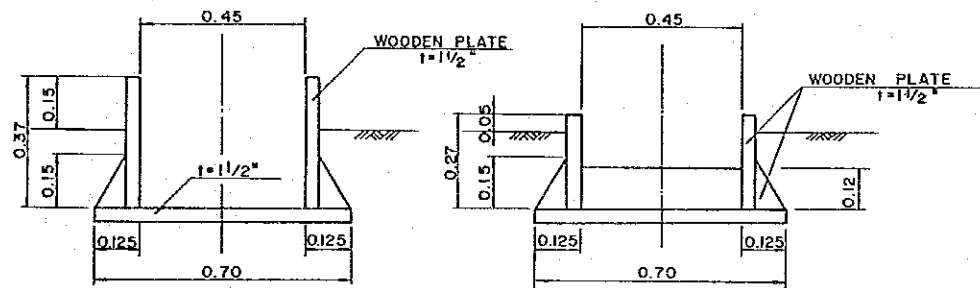
OUTLET OF FARM PLOT  
SCALE 1:40



SECTION A-A  
SCALE 1:10

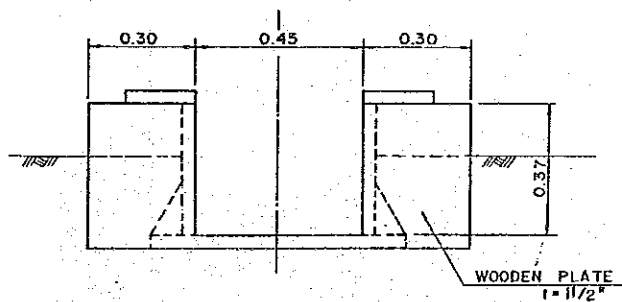


SECTION E-E  
SCALE 1:40

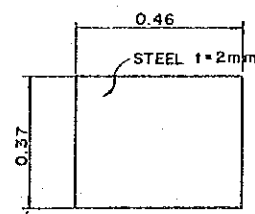


SECTION B-B  
SCALE 1:10

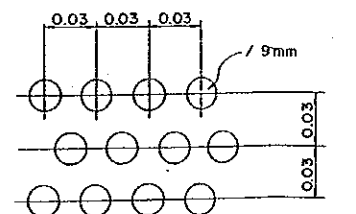
SECTION C-C  
SCALE 1:10



SECTION D-D  
SCALE 1:10



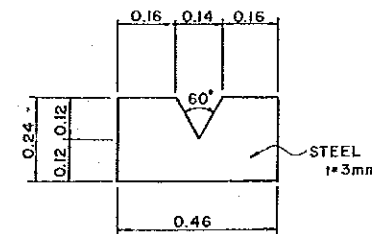
FRONT ELEVATION  
SCALE 1:10



ARRANGEMENT OF PERFORATION

PERFORATION IS NOT INDICATED.

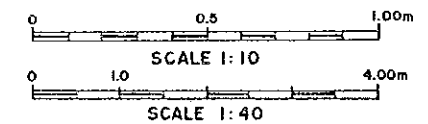
DETAIL OF LAMINAR FLOW PLATE



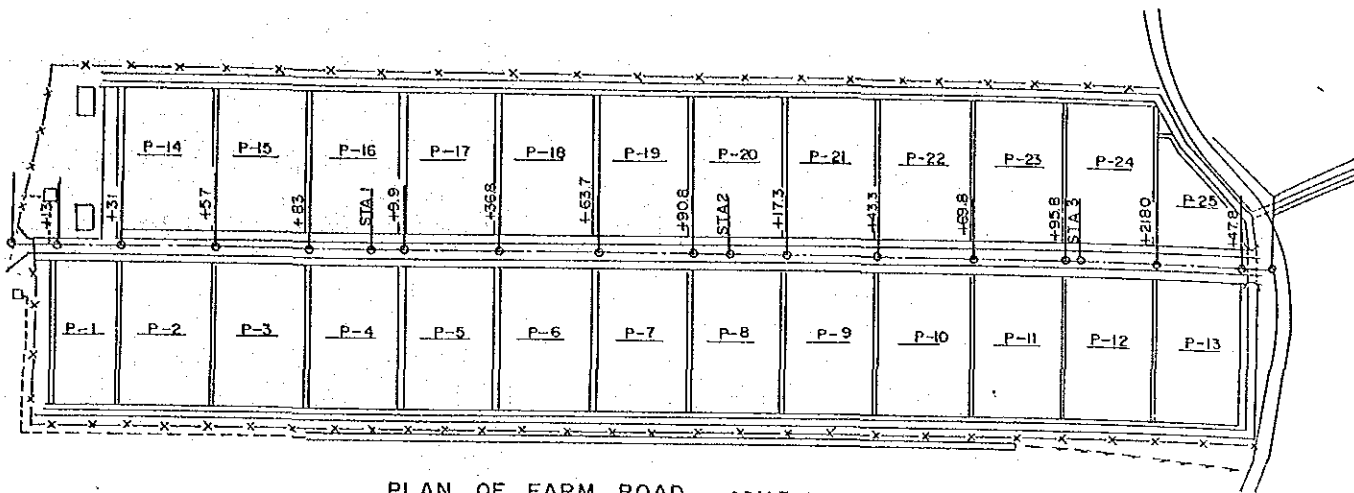
DETAIL OF MEASURING WEIR  
SCALE 1:10

NOTES.

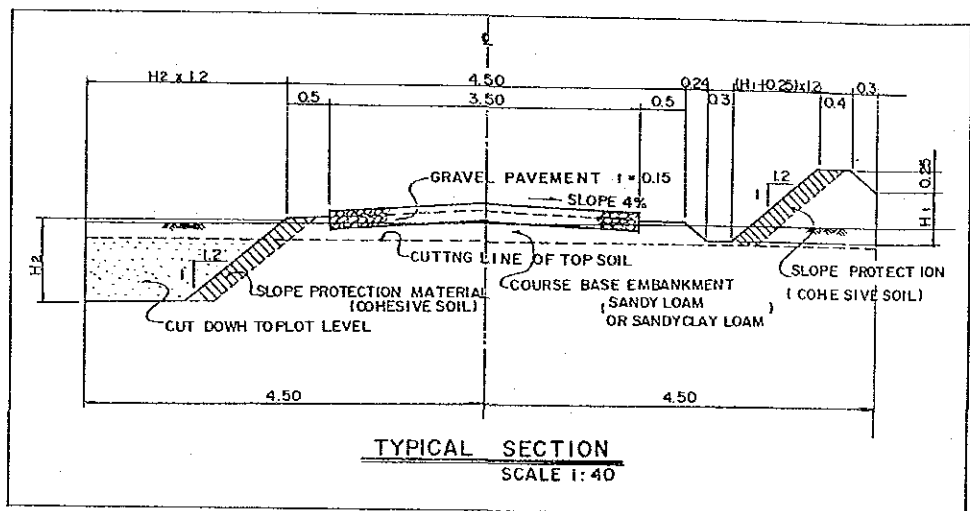
1. ALL DIMENSIONS ARE GIVEN IN METERS EXCEPT FOR REINFORCING BAR.
2. ALL REINFORCING BAR AND METAL ARE SHOWN IN MILLIMETERS.



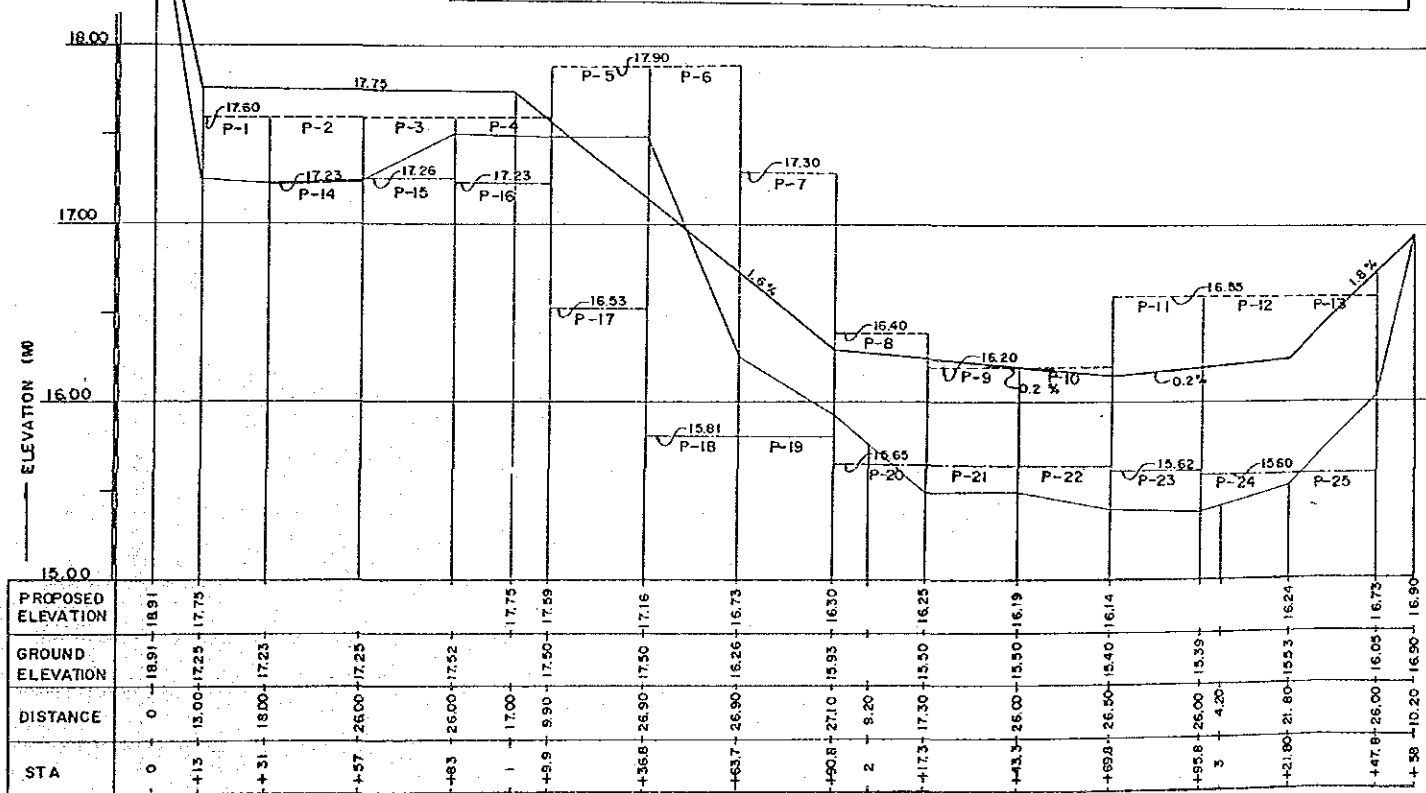
REPUBLIC OF THE PHILIPPINES			
NATIONAL IRRIGATION ADMINISTRATION			
DIVERSIFIED CROPS IRRIGATION ENGINEERING PROJECT			
( D . C . I . E . P )			
MEASURING WEIR AND OUTLET			
DWG. NO.	DCI-013	DATE	
JAPAN INTERNATIONAL COOPERATION AGENCY			



PLAN OF FARM ROAD SCALE 1:1000

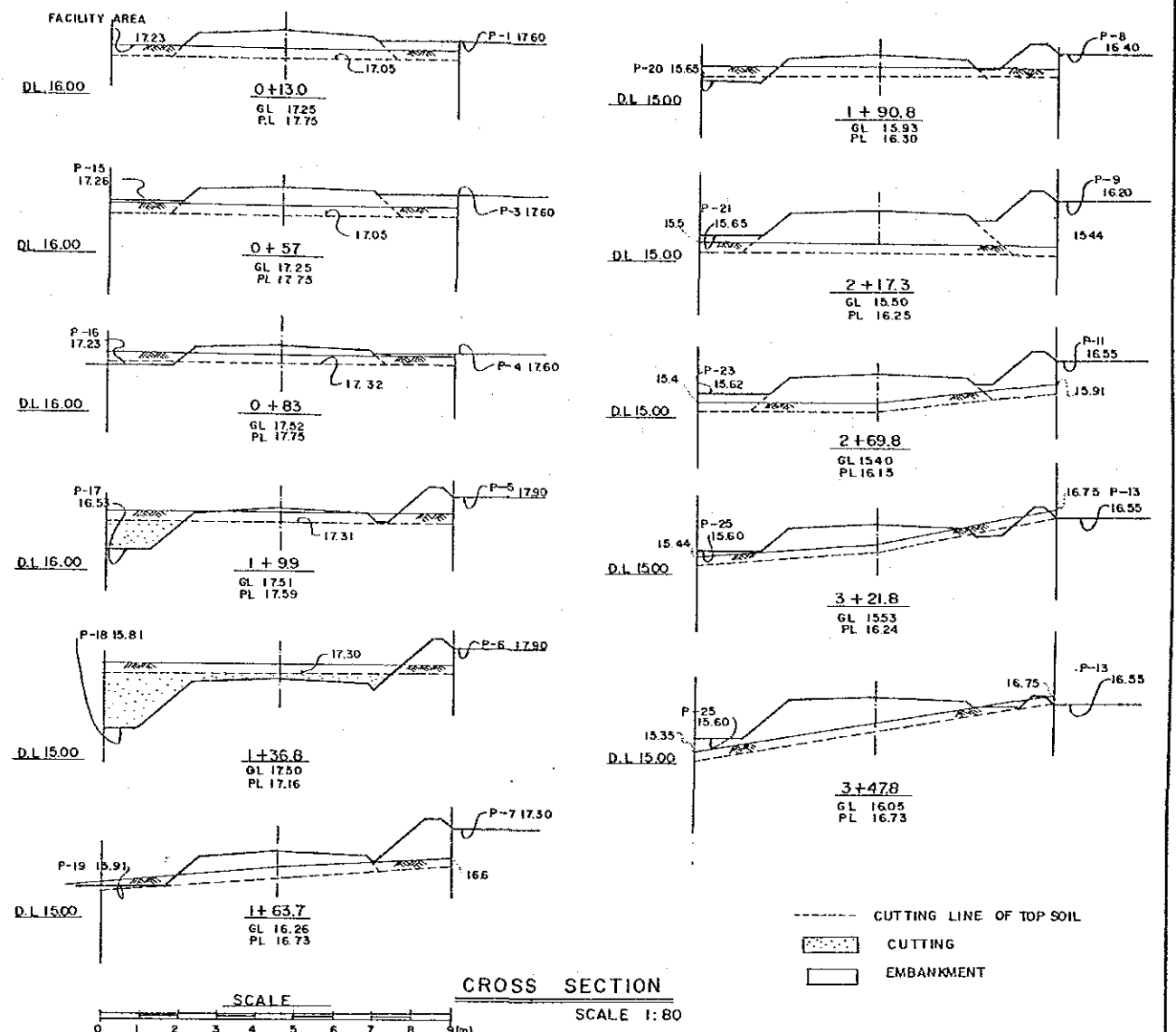


TYPICAL SECTION SCALE 1:40



PROFILE OF FARM ROAD SCALE VERTICAL 1:20 HORIZONTAL 1:1000

PROPOSED ELEVATION	GROUND ELEVATION	DISTANCE	STA
18.91	18.91	0	0
17.75	17.23	13.00	+13
17.75	17.23	18.00	+18
17.25	17.25	26.00	+26
17.52	17.52	26.00	+26
17.75	17.50	17.00	+17
17.99	17.50	9.90	+9.9
17.16	17.50	26.90	+26.9
16.73	16.26	26.90	+26.9
16.30	15.93	27.10	+27.1
16.25	15.50	17.30	+17.3
16.19	15.50	25.00	+25
16.14	15.40	26.50	+26.5
15.39	15.39	26.00	+26
16.24	15.53	21.80	+21.8
16.73	16.05	26.00	+26
16.90	16.90	10.20	+10.2

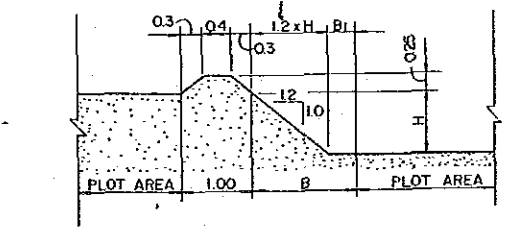
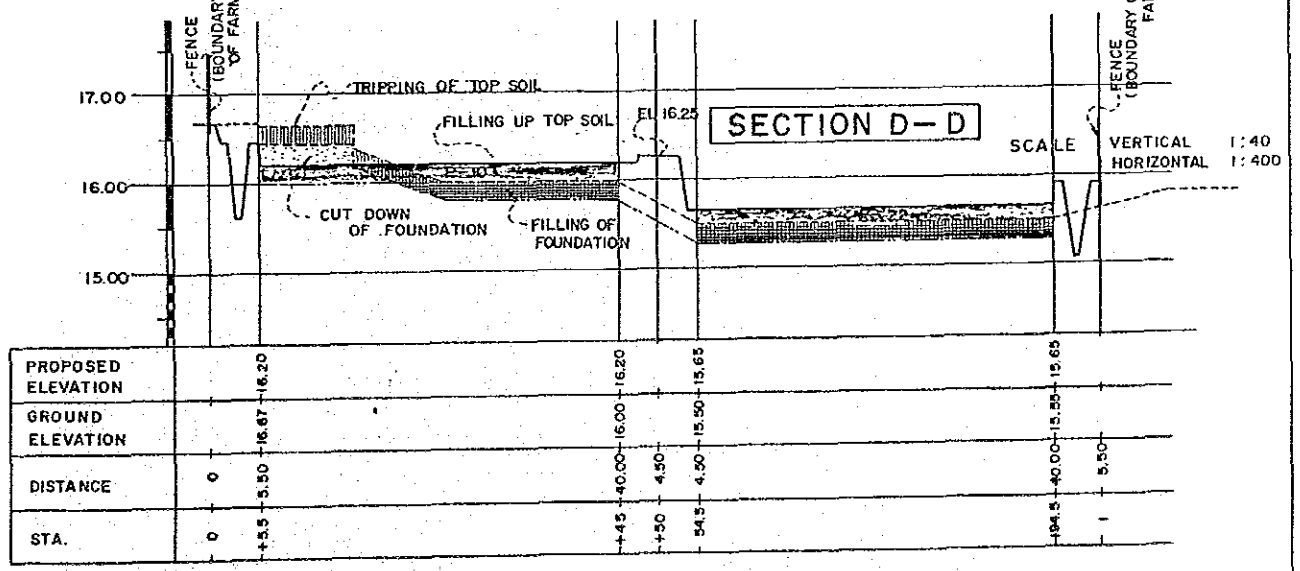
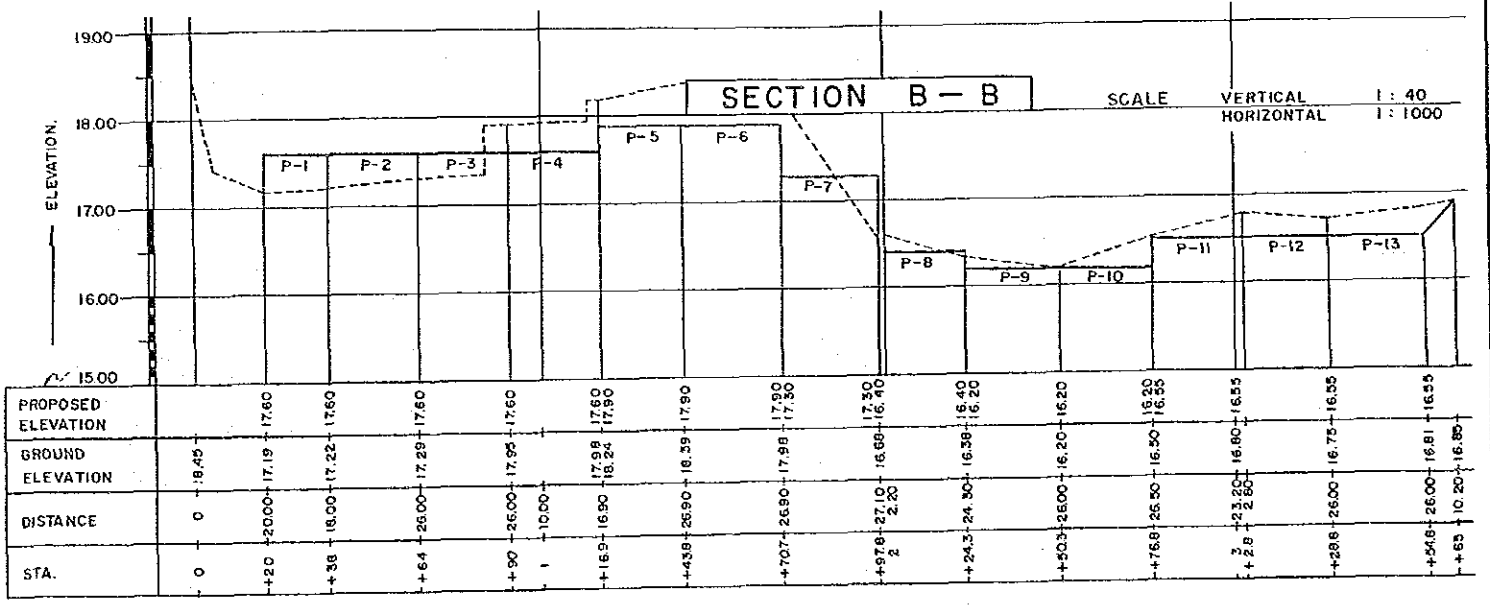
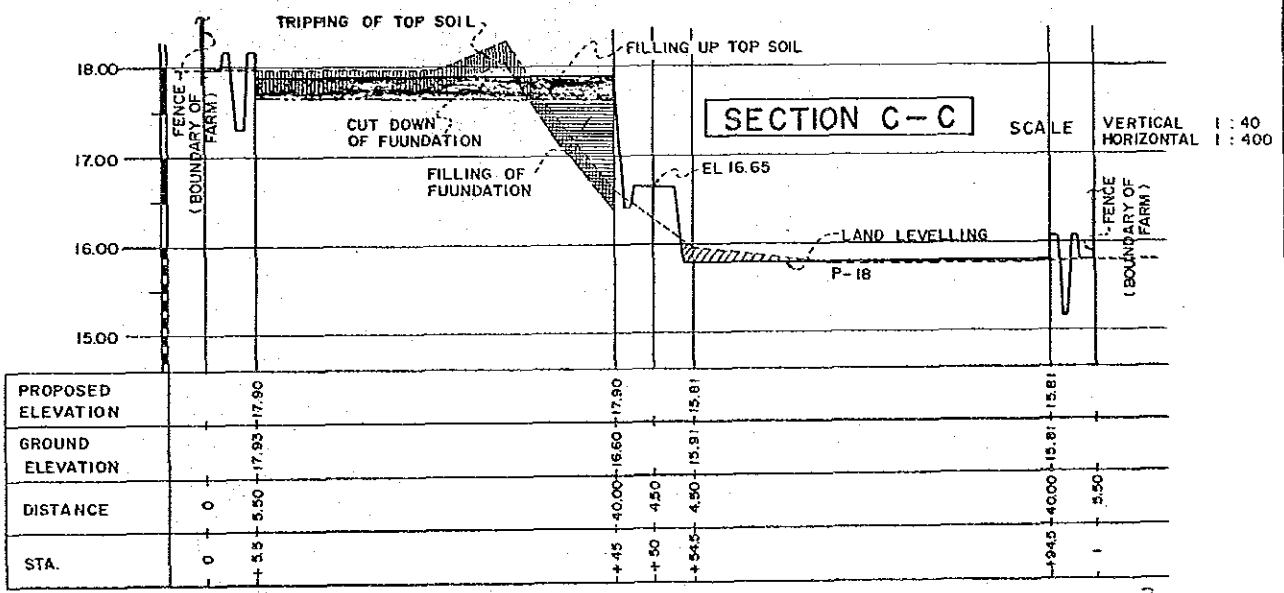
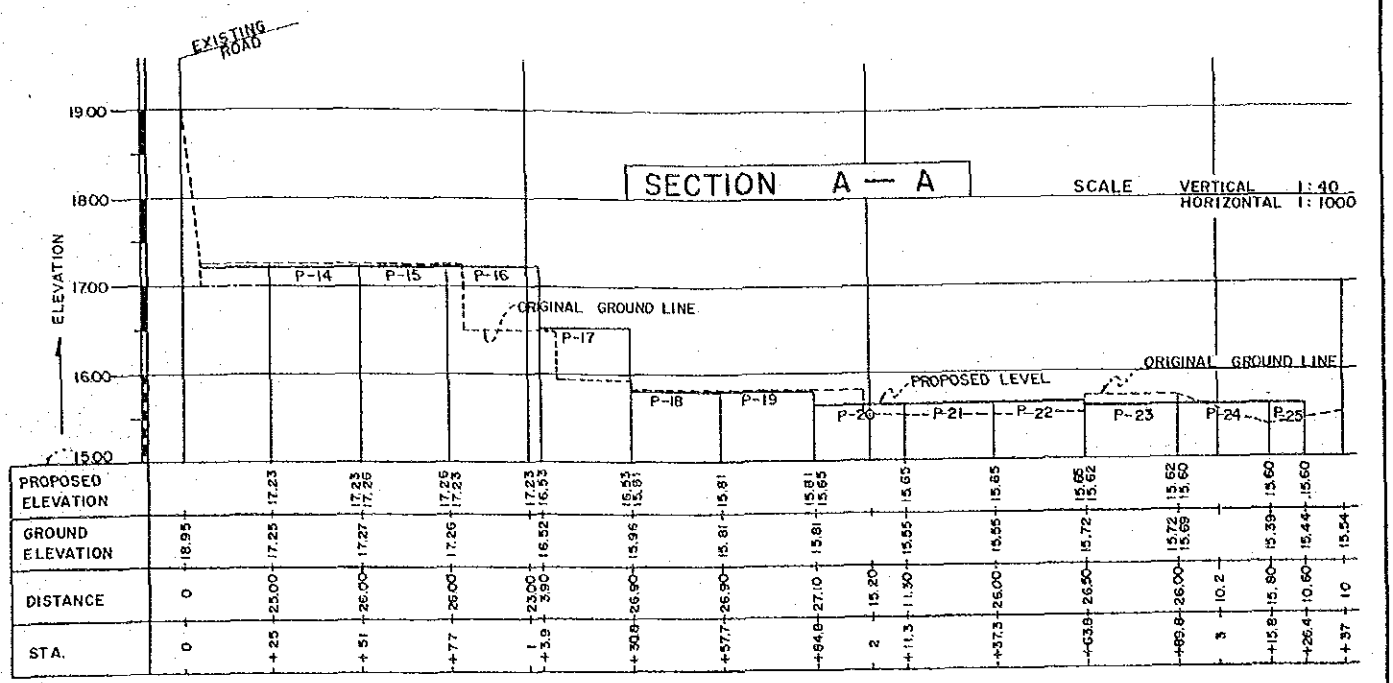
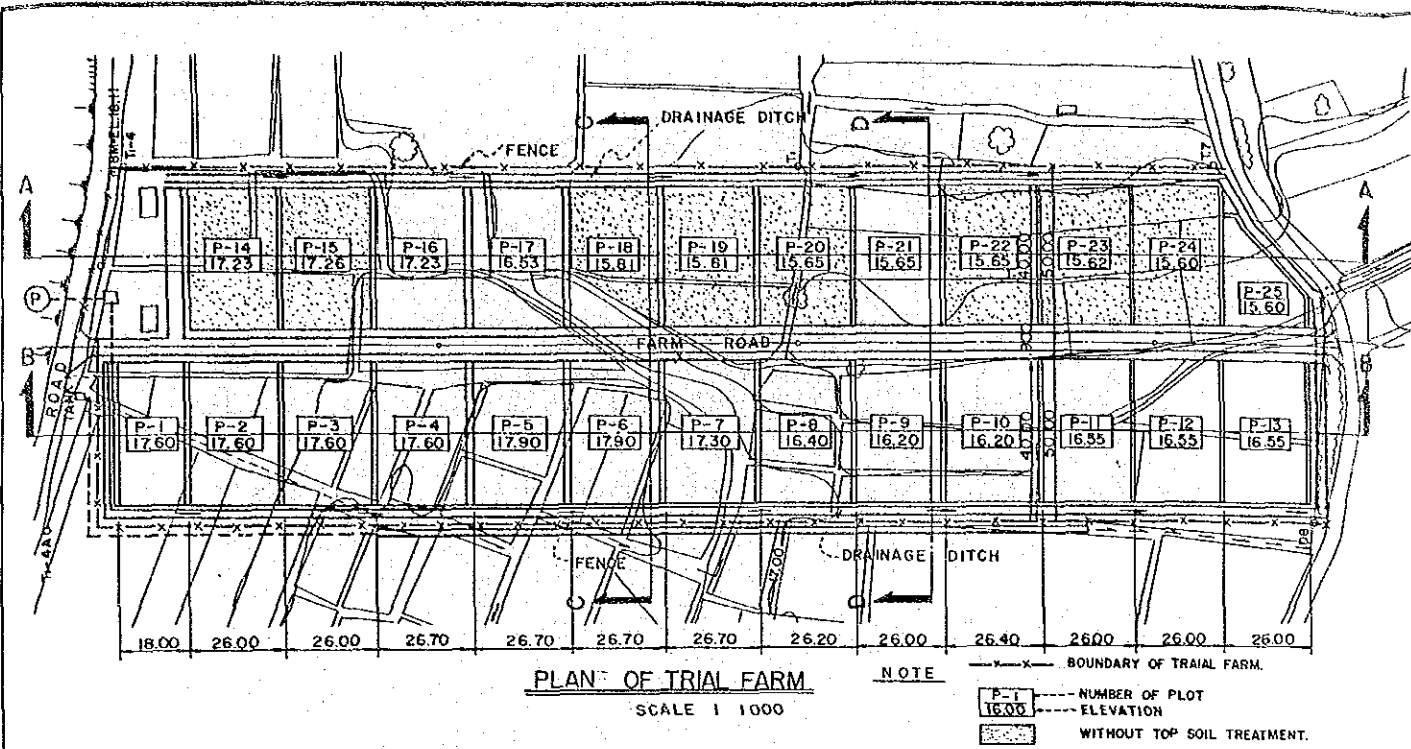


CROSS SECTION SCALE 1:80

--- CUTTING LINE OF TOP SOIL  
 [Pattern] CUTTING  
 [Box] EMBANKMENT

REPUBLIC OF THE PHILIPPINES  
 NATIONAL IRRIGATION ADMINISTRATION  
 DIVERSIFIED CROPS IRRIGATION ENGINEERING PROJECT  
 (D.C.I.E.P.)  
 PLAN OF FARM ROAD  
 DWG. NO. DCI-014 DATE  
 JAPAN INTERNATIONAL COOPERATION AGENCY





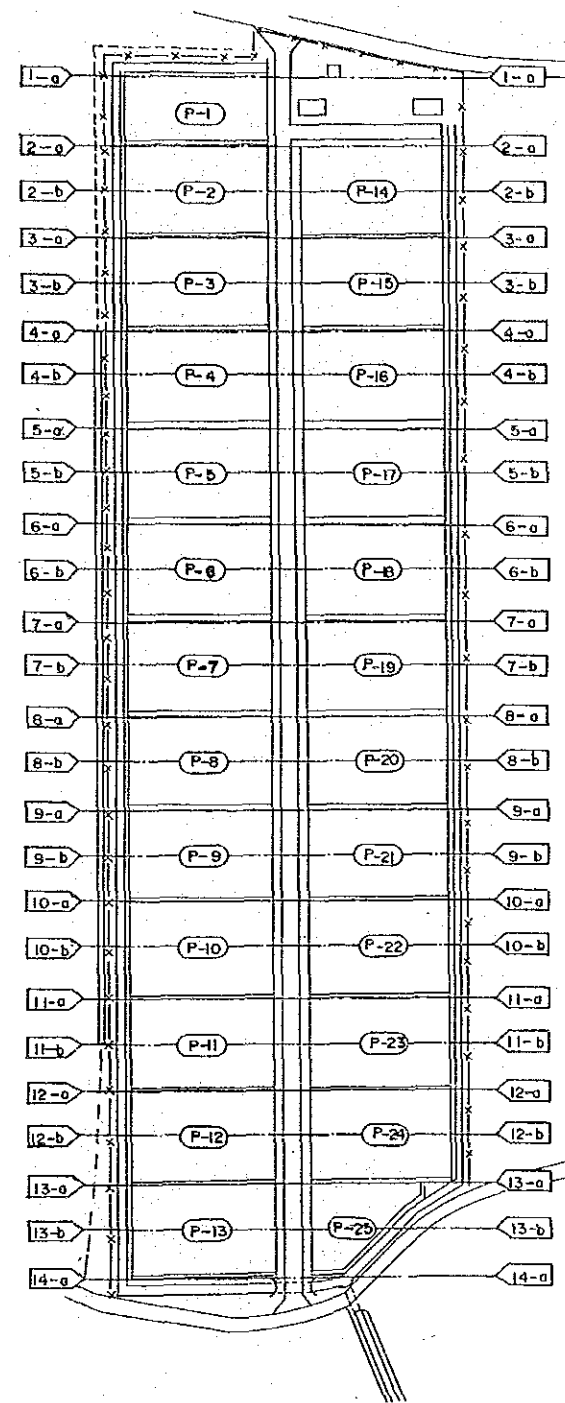
TYPE	H	B	1/2 H	B1	NOTE
A	0.9	1.10	1.08	0.02	P-7 TO P-8
B	0.72	0.90	0.86	0.04	P-17 TO P-18
C	0.36	0.50	0.43	0.07	P-10 TO P-11
D	-	-	-	-	-

REPUBLIC OF THE PHILIPPINES  
NATIONAL IRRIGATION ADMINISTRATION  
DIVERSIFIED CROPS IRRIGATION ENGINEERING PROJECT  
( D . C . I . E . P )

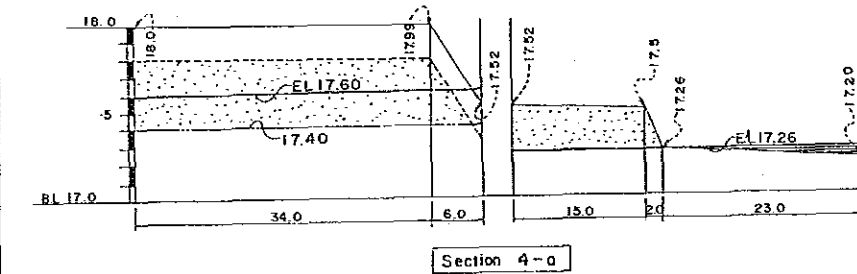
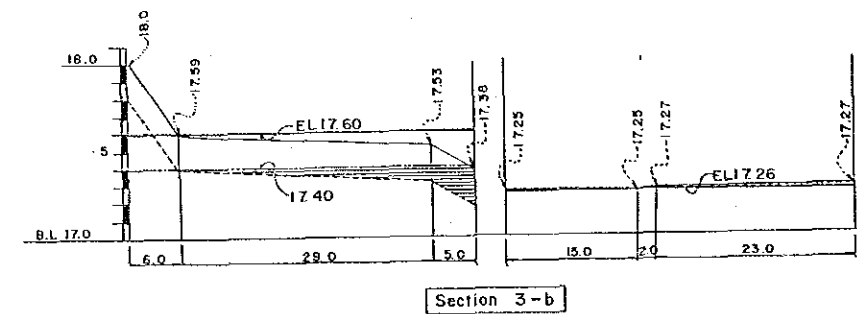
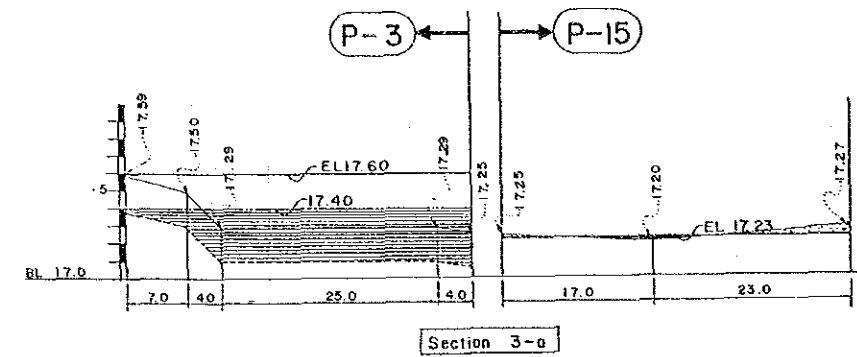
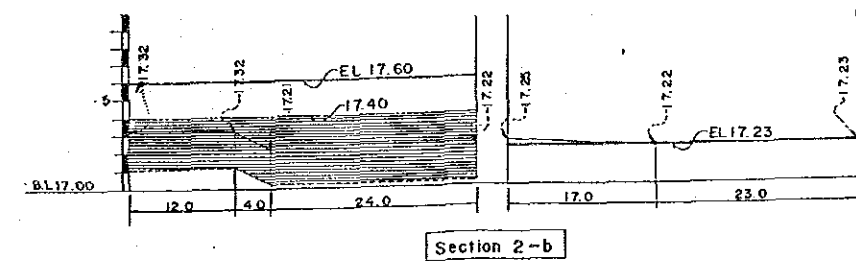
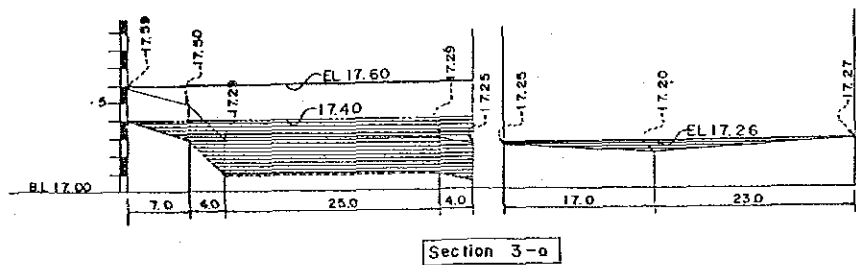
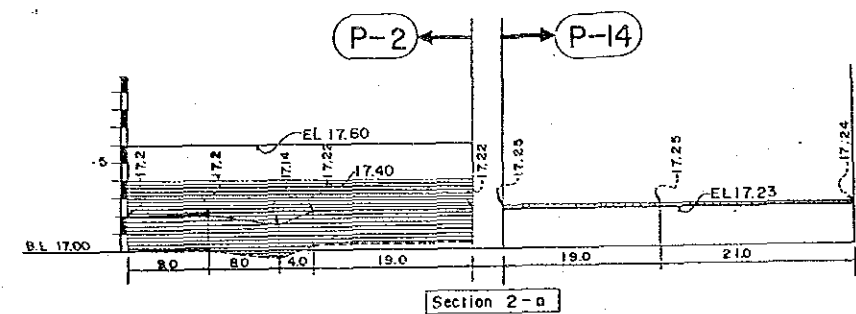
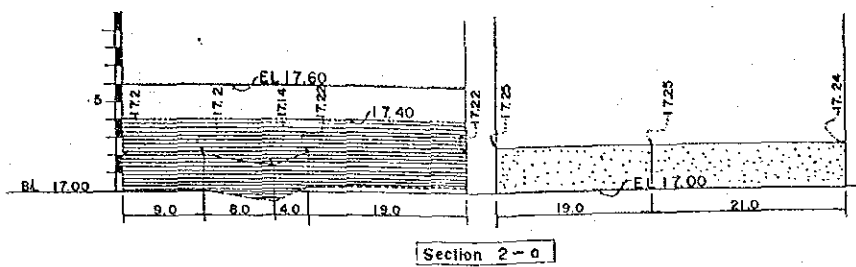
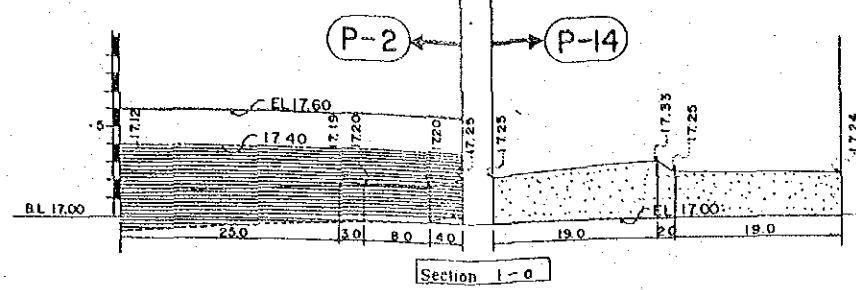
**EARTH WORK OF TRIAL FARM**

DWG. NO. DCI - 015      DATE \_\_\_\_\_

JAPAN INTERNATIONAL COOPERATION AGENCY

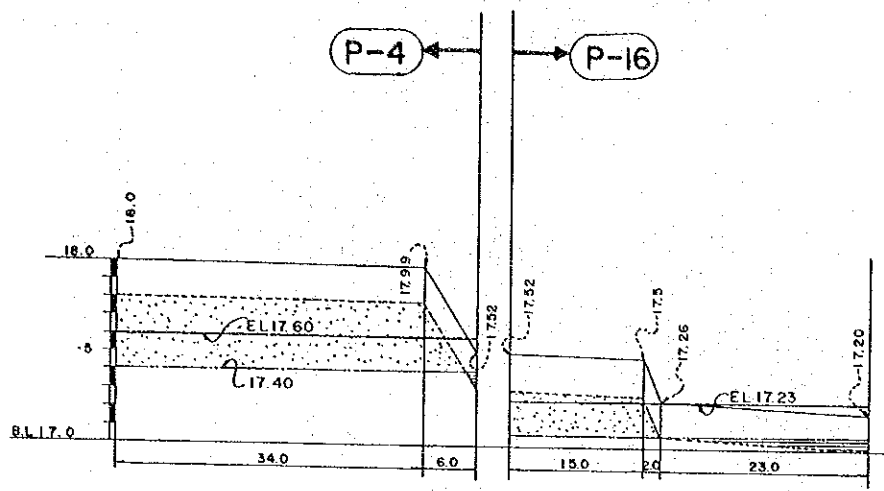


PLAN SCALE 1:1000

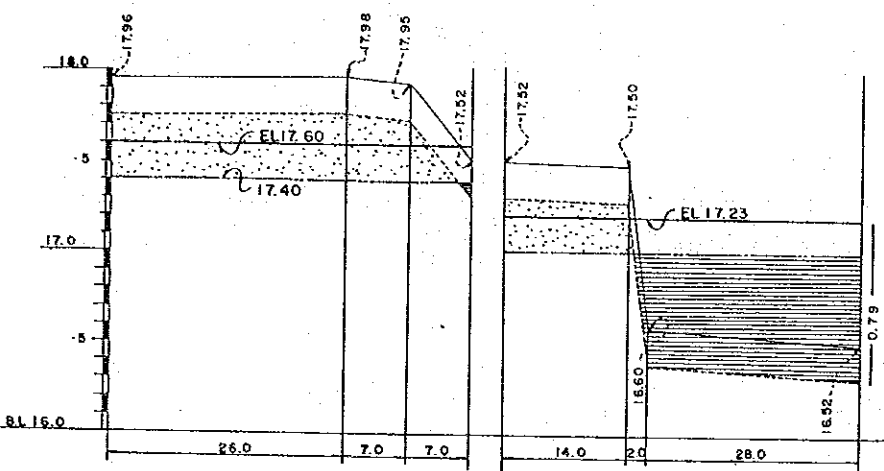


- NOTE**
- EL 17.00 PROPOSED ELEVATION
  - CUT LINE
  - CUTTING AREA
  - EMBANKMENT AREA
  - CUT LINE OF TOP SOIL

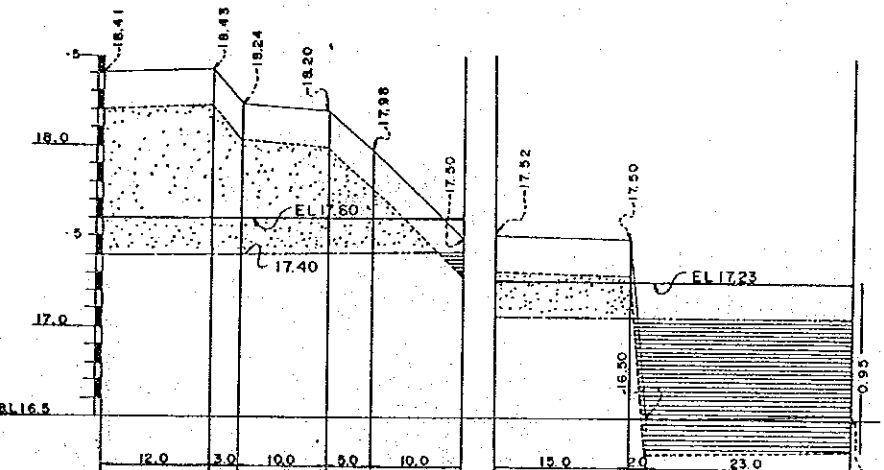
REPUBLIC OF THE PHILIPPINES		
NATIONAL IRRIGATION ADMINISTRATION		
DIVERSIFIED CROPS IRRIGATION ENGINEERING PROJECT		
( D . C . I . E . P )		
EARTH WORK OF TRIAL FARM (2)		
DWG. NO.	DCI - 016	DATE
JAPAN INTERNATIONAL COOPERATION AGENCY		



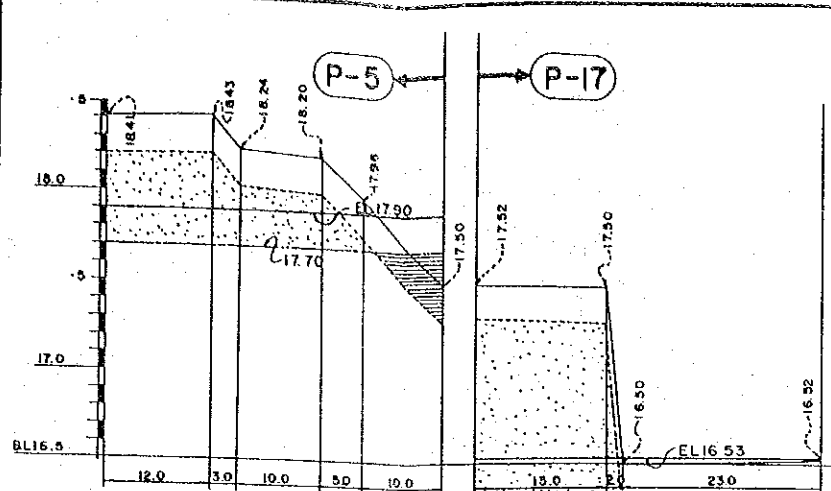
Section 4-a



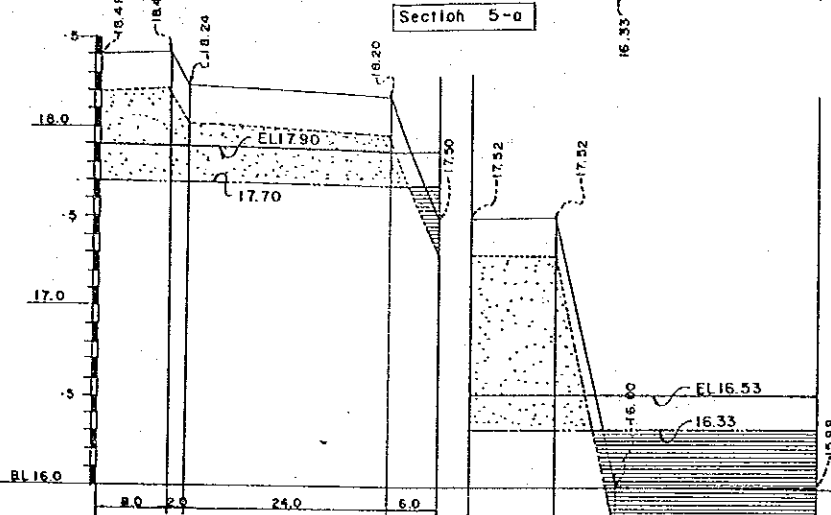
Section 4-b



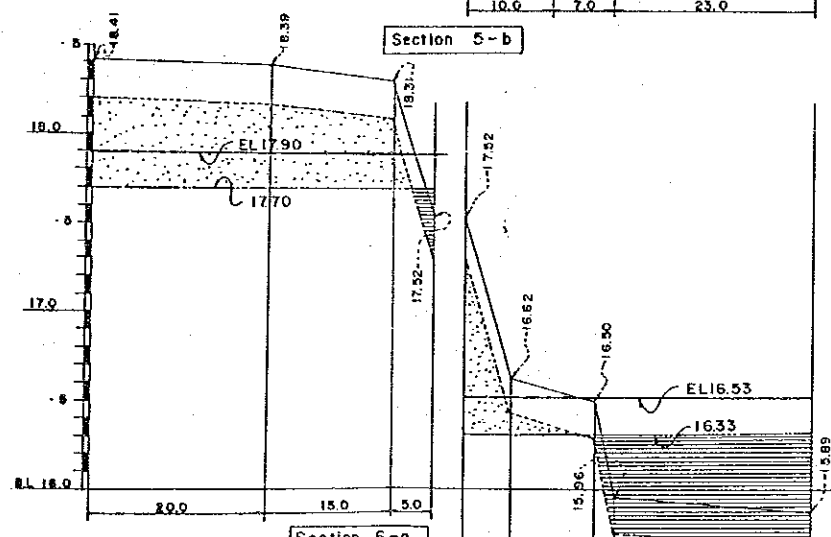
Section 5-a



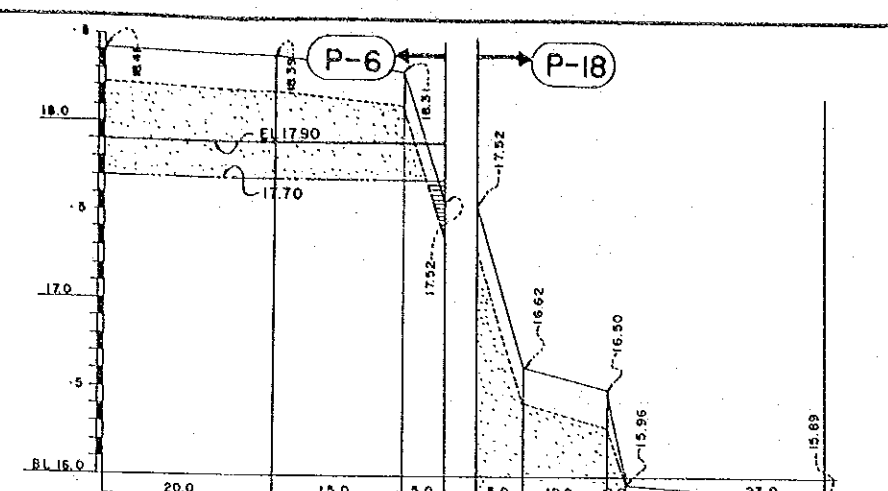
Section 5-a



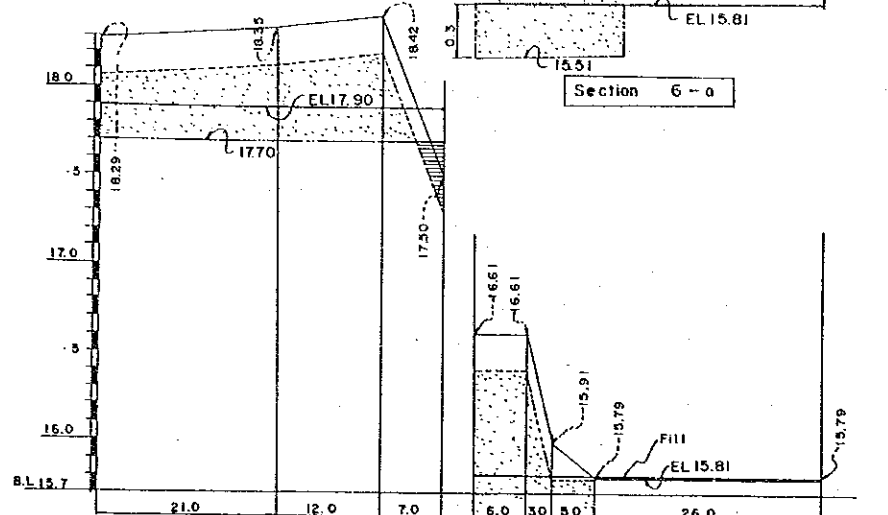
Section 5-b



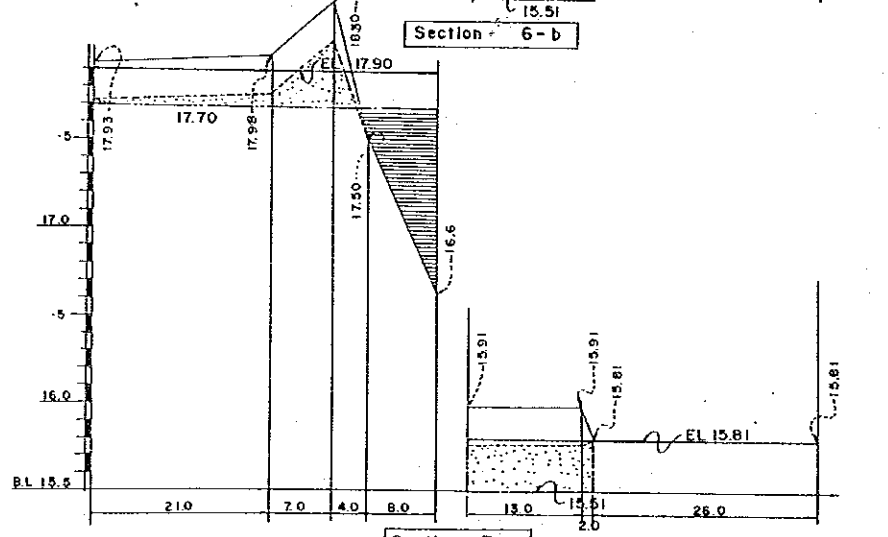
Section 6-a



Section 6-a



Section 6-b



Section 7-a

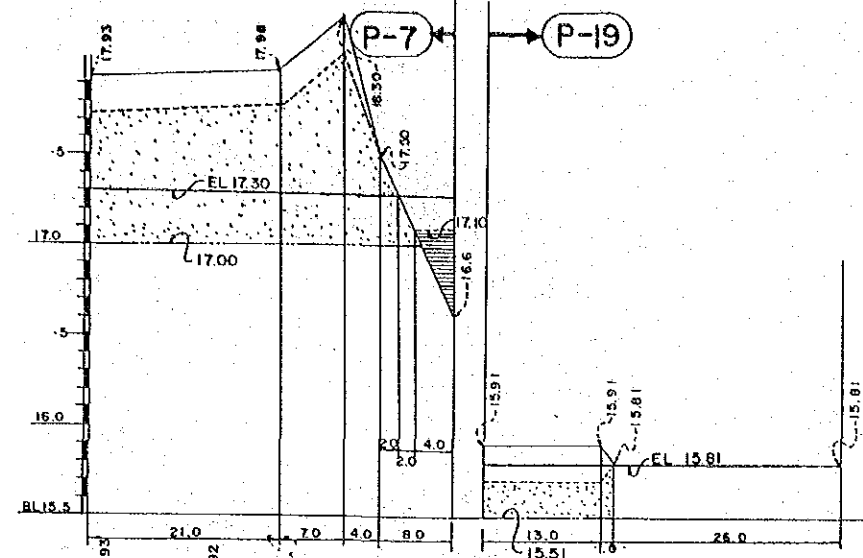
- NOTE**
- EL 17.00 PROPOSED ELEVATION
  - CUT LINE
  - [Stippled Area] CUTTING AREA
  - [Hatched Area] EMBANKMENT AREA
  - CUT LINE OF TOP SOIL

REPUBLIC OF THE PHILIPPINES  
NATIONAL IRRIGATION ADMINISTRATION

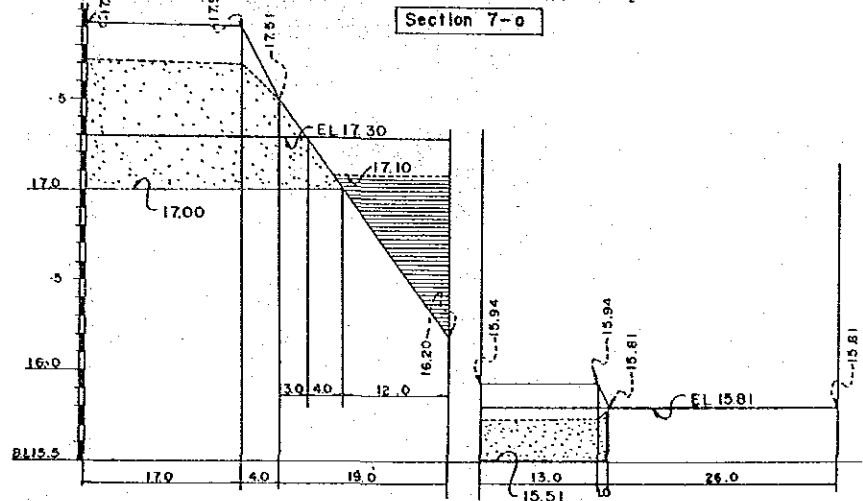
DIVERSIFIED CROPS IRRIGATION ENGINEERING PROJECT  
( D . C . I . E . P )

EARTH WORK OF TRIAL FARM (3)

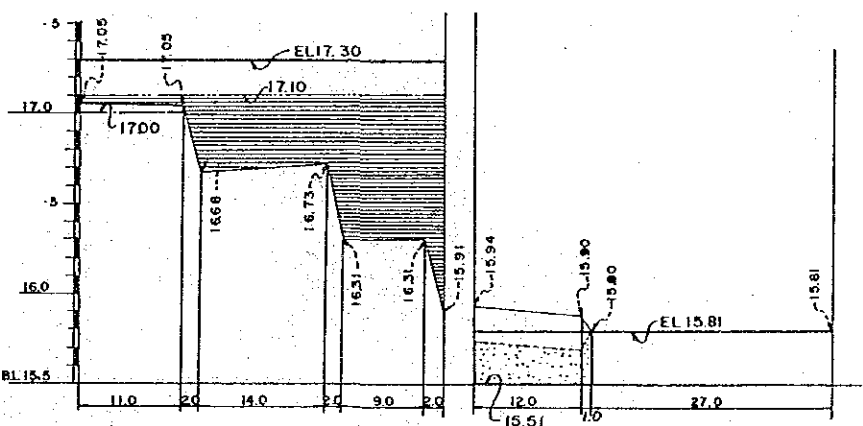
DWG. NO.	DCI - 017	DATE	
JAPAN INTERNATIONAL COOPERATION AGENCY			



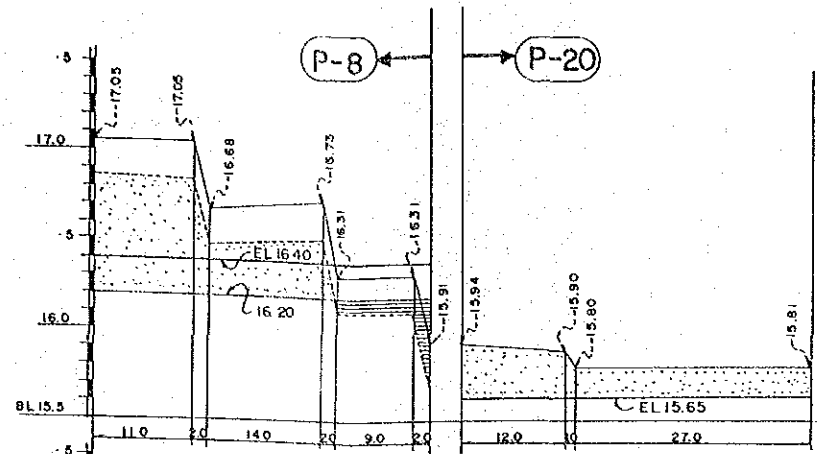
Section 7-a



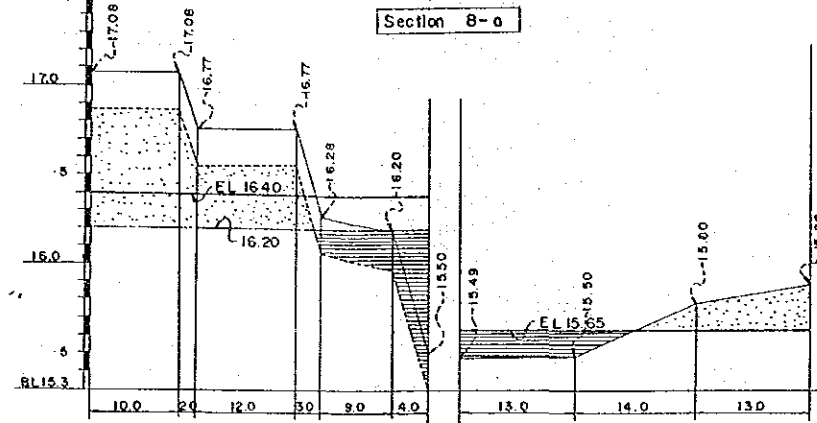
Section 7-b



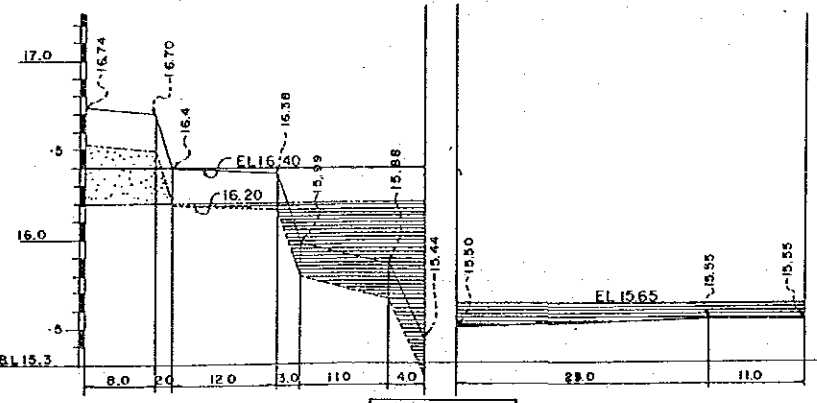
Section 8-a



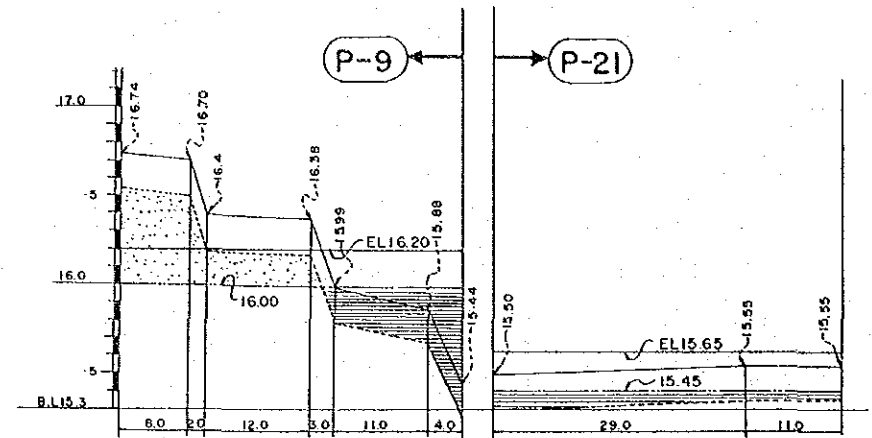
Section 8-a



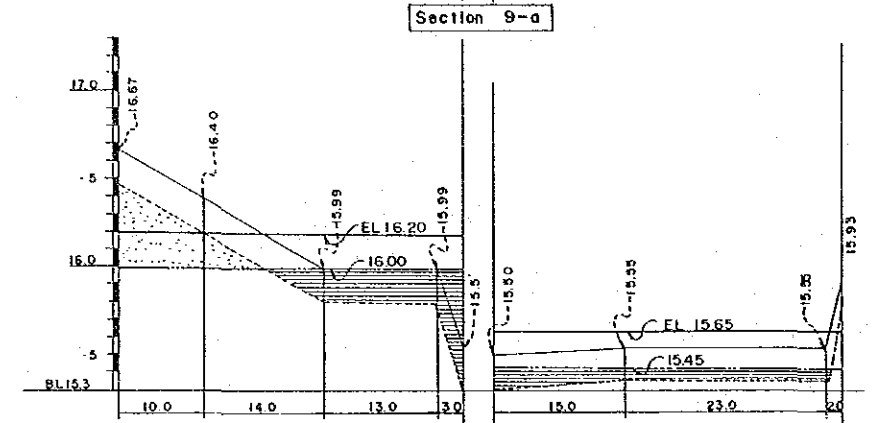
Section 8-b



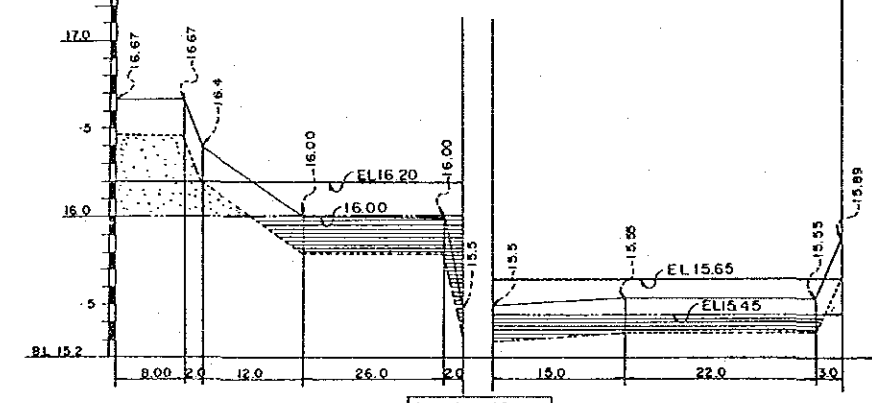
Section 9-a



Section 9-a



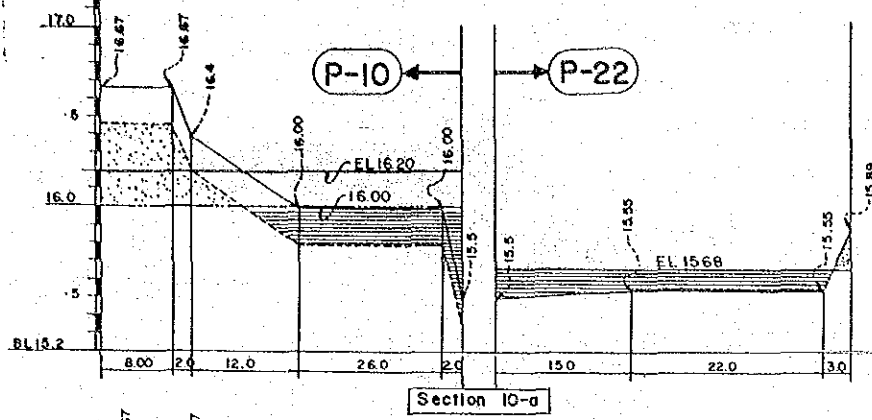
Section 9-b



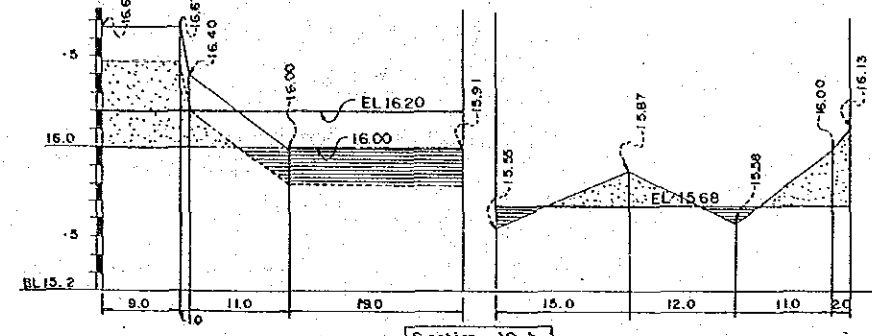
Section 10-a

- NOTE**
- EL 17.00 PROPOSED ELEVATION
  - - - - - CUT LINE
  - ..... CUTTING AREA
  - ===== EMBANKMENT AREA
  - - - - - CUT LINE OF TOP SOIL

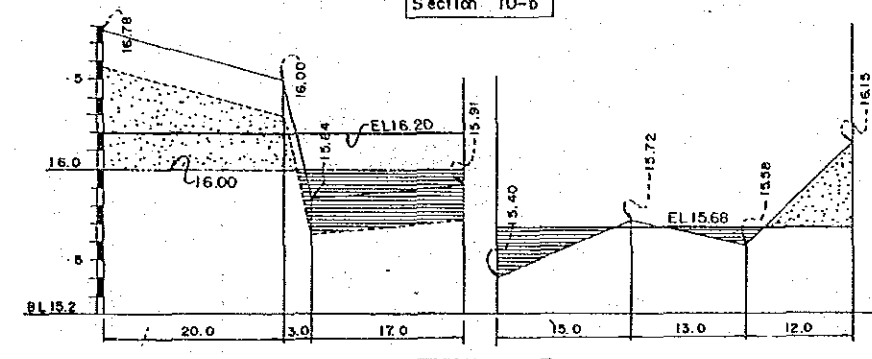
REPUBLIC OF THE PHILIPPINES			
NATIONAL IRRIGATION ADMINISTRATION			
DIVERSIFIED CROPS IRRIGATION ENGINEERING PROJECT			
( D . C . I . E . P )			
EARTH WORK OF TRIAL FARM ( 4 )			
DWG. NO.	DCI -- 018	DATE	
JAPAN INTERNATIONAL COOPERATION AGENCY			



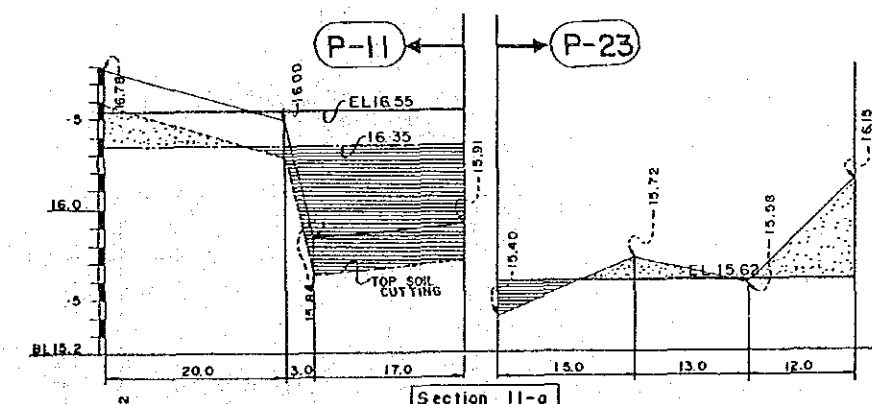
Section 10-a



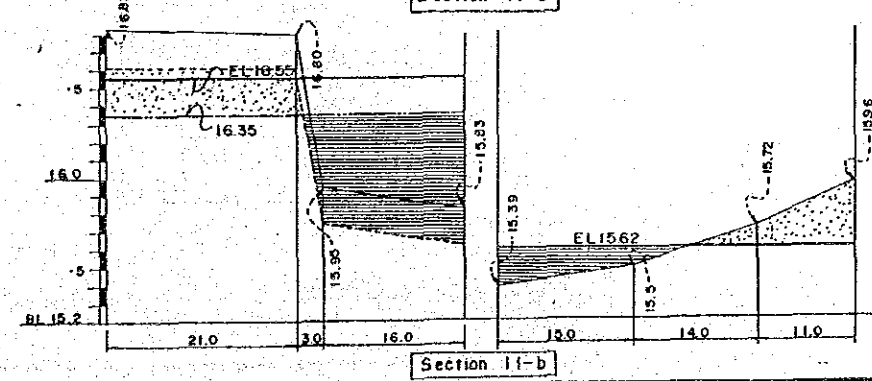
Section 10-b



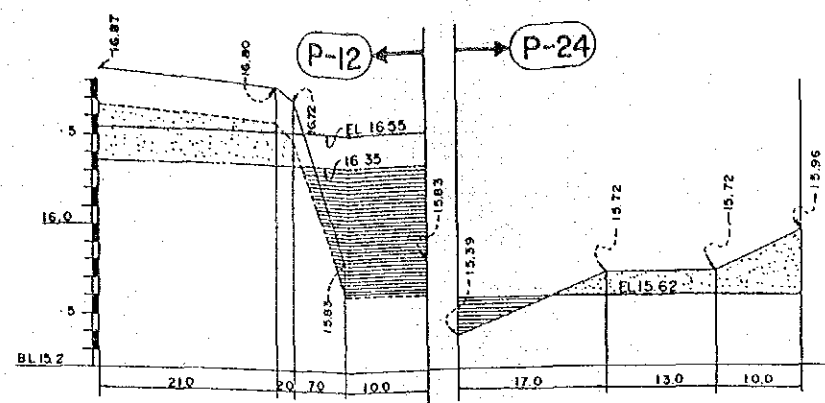
Section 11-a



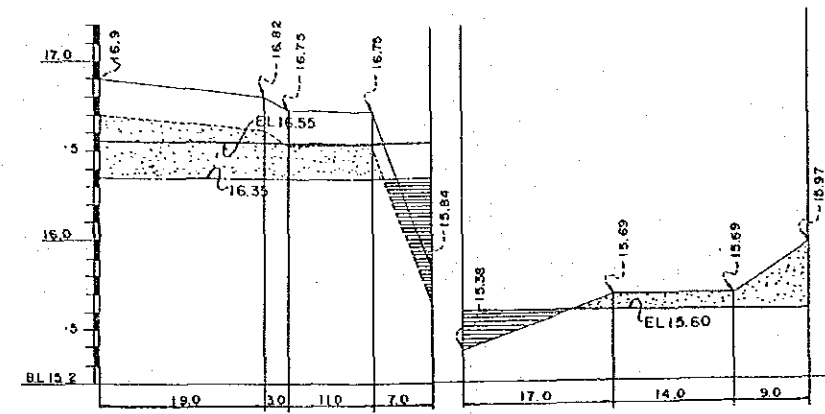
Section 11-a



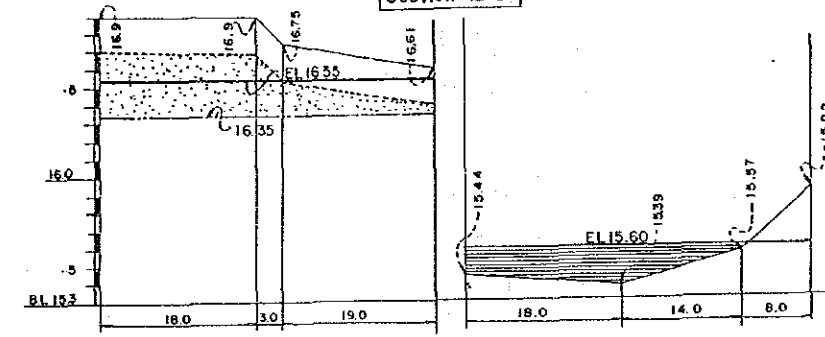
Section 11-b



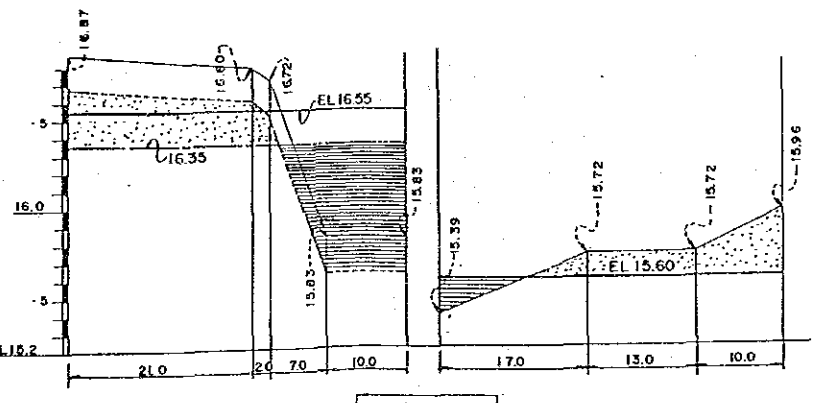
Section 12-a



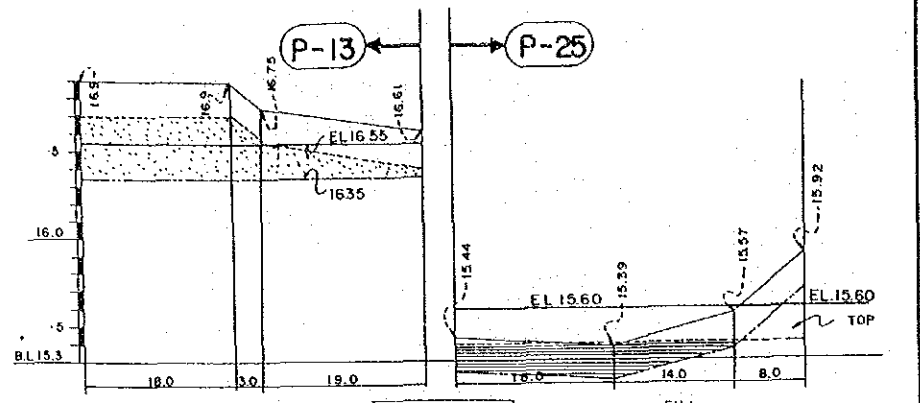
Section 12-b



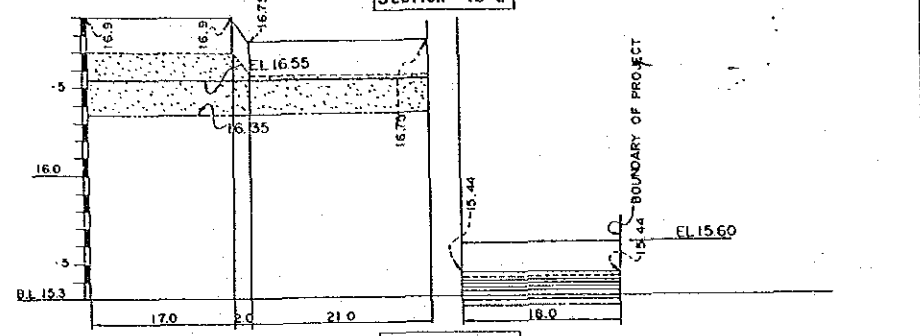
Section 13-a



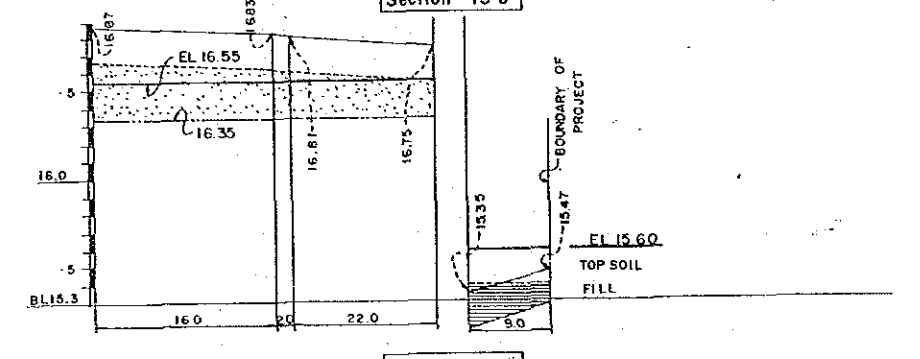
Section 12-a



Section 13-a



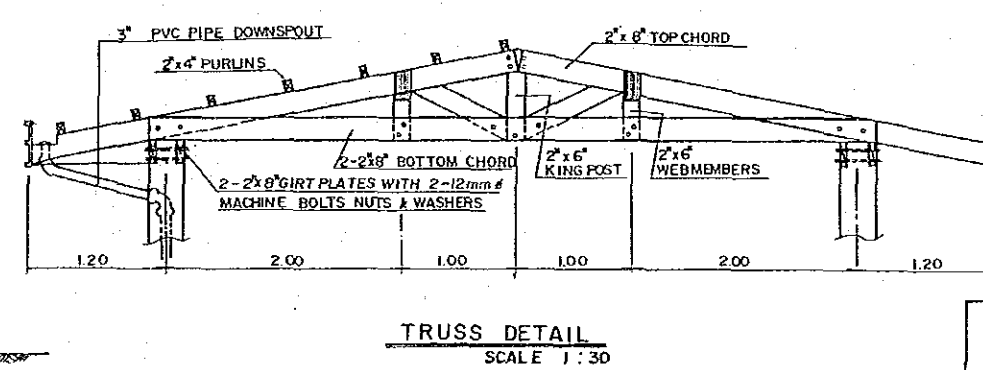
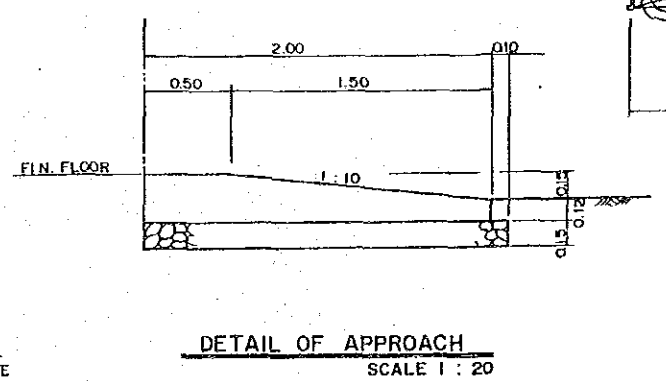
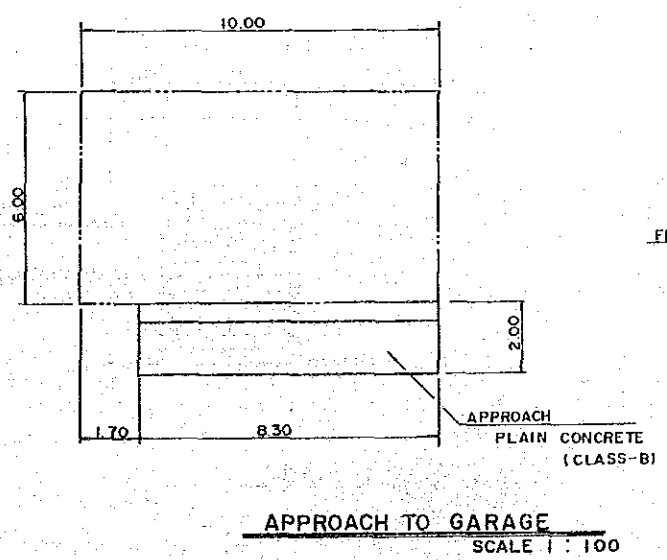
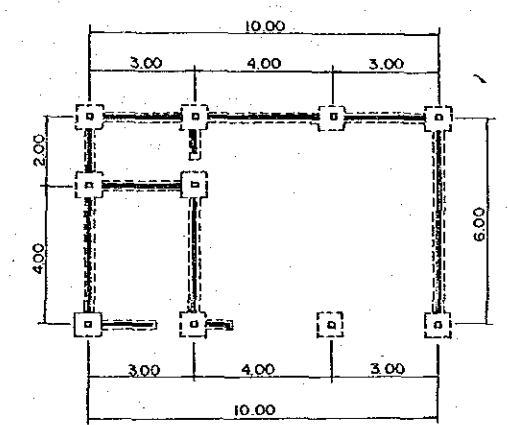
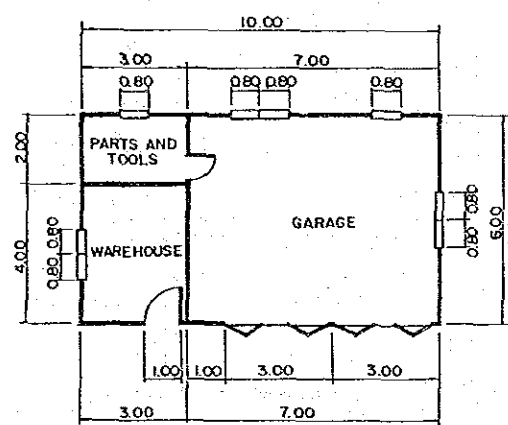
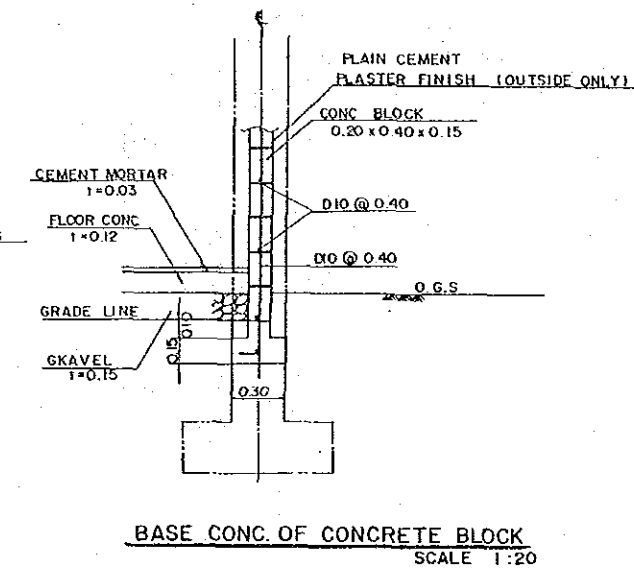
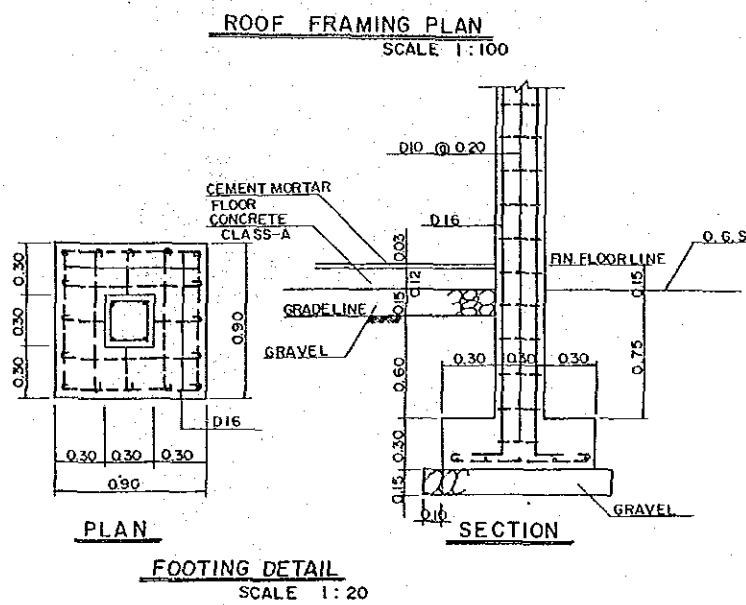
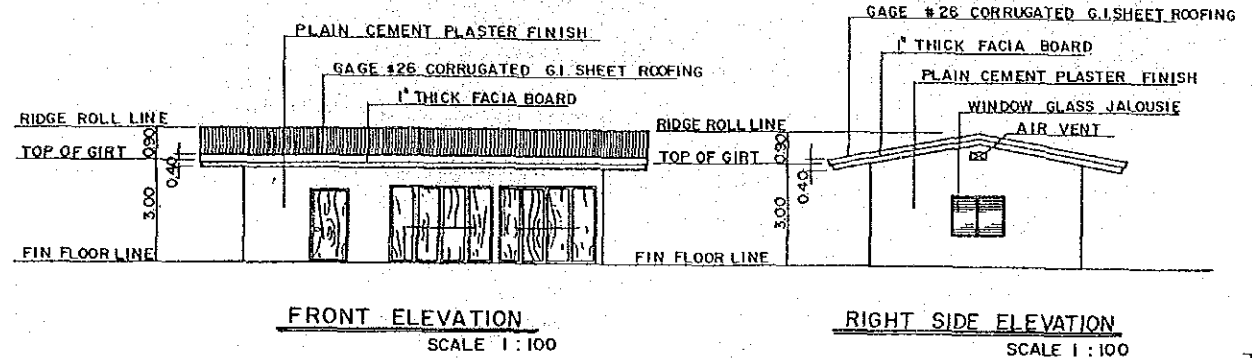
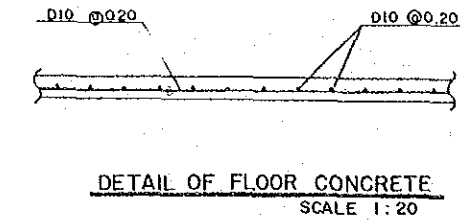
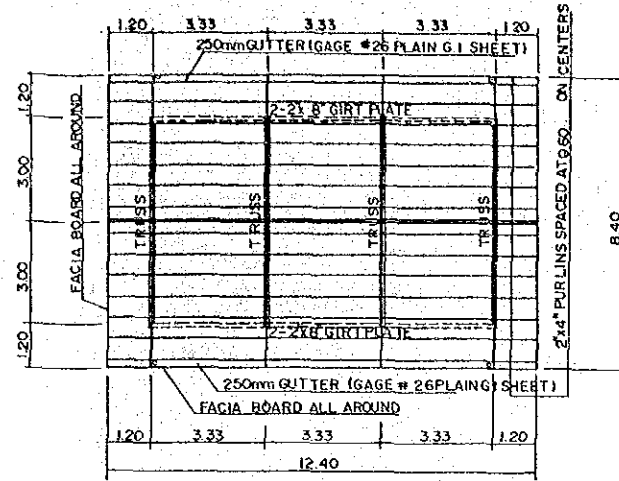
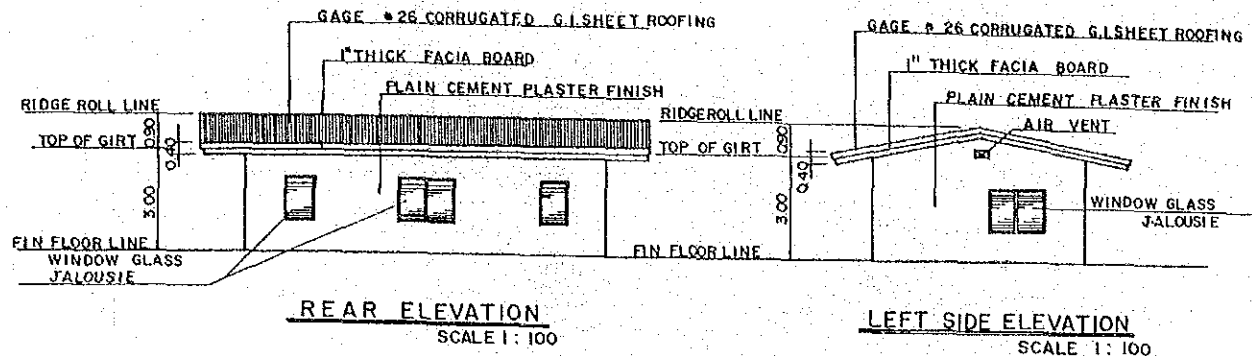
Section 13-b



Section 14-a

- NOTE
- EL 17.00 PROPOSED ELEVATION
  - CUT LINE
  - CUTTING AREA
  - EMBANKMENT AREA
  - CUT LINE OF TOP SOIL

REPUBLIC OF THE PHILIPPINES		
NATIONAL IRRIGATION ADMINISTRATION		
DIVERSIFIED CROPS IRRIGATION ENGINEERING PROJCT		
( D . C . I . E . P )		
EARTH WORK OF TRIAL FARM		
DWG. NO.	DCI - 019	DATE
JAPAN INTERNATIONAL COOPERATION AGENCY		



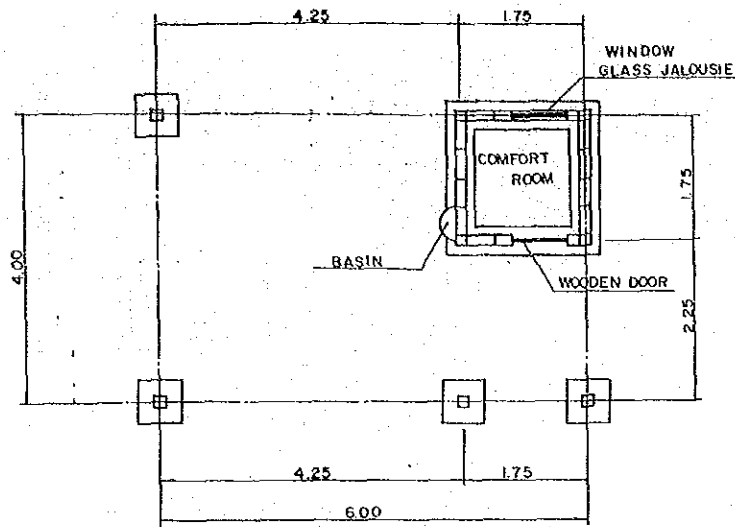
**NOTES**

1. ALL DIMENSIONS ARE GIVEN IN METERS EXCEPT OTHERWISE SHOWN
2. REINFORCING BAR IS SHOWN IN MILLIMETERS.

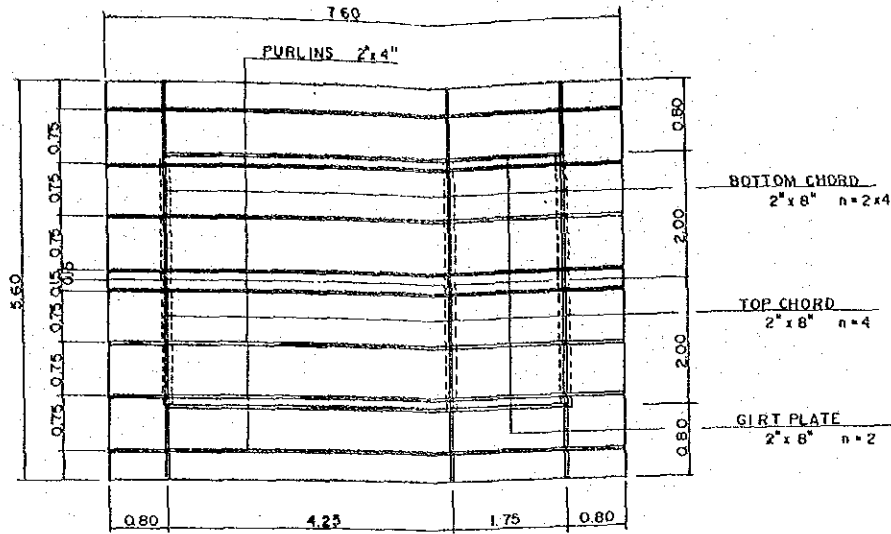
0 1.0 2.00m  
SCALE 1:20

0 5.0 10.00m  
SCALE 1:100

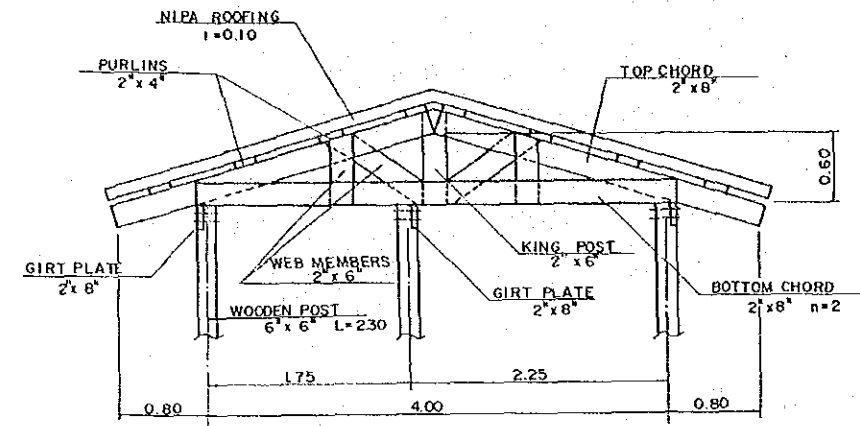
REPUBLIC OF THE PHILIPPINES			
NATIONAL IRRIGATION ADMINISTRATION			
DIVERSIFIED CROPS IRRIGATION ENGINEERING PROJECT (D.C.I.E.P.)			
WAREHOUSE AND GARAGE			
DWG. NO.	DCI - 20	DATE	
JAPAN INTERNATIONAL COOPERATION AGENCY			



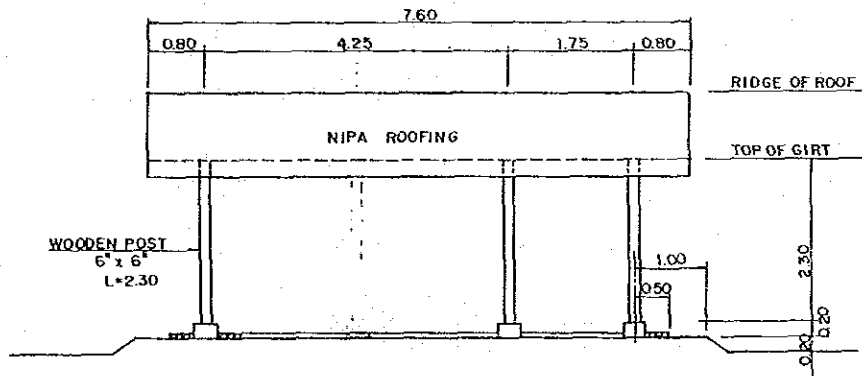
FOUNDATION PLAN OF REST HUT  
SCALE 1:50



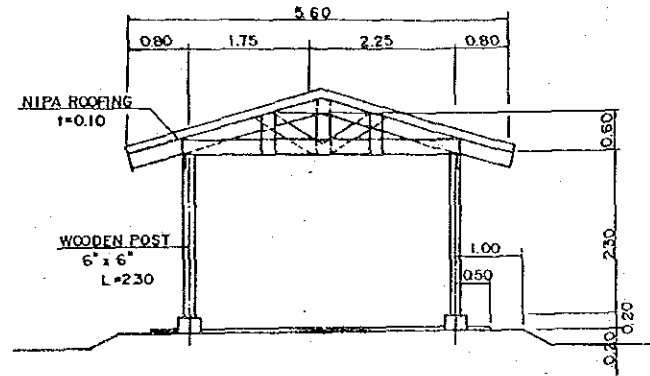
ROOF FRAMING PLAN  
SCALE 1:50



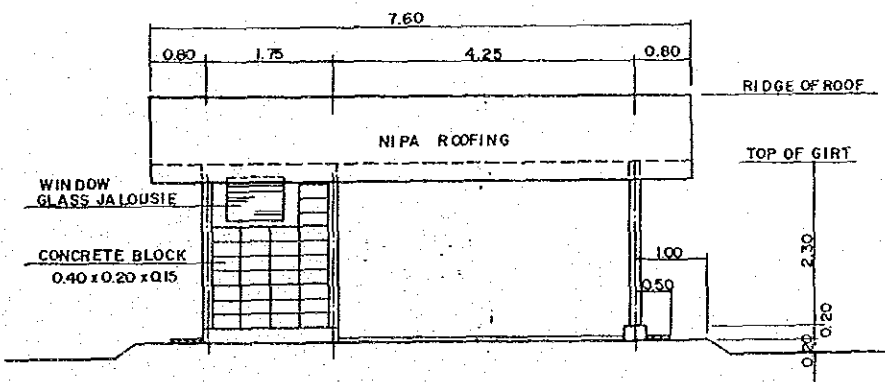
TRUSS DETAIL  
SCALE 1:30



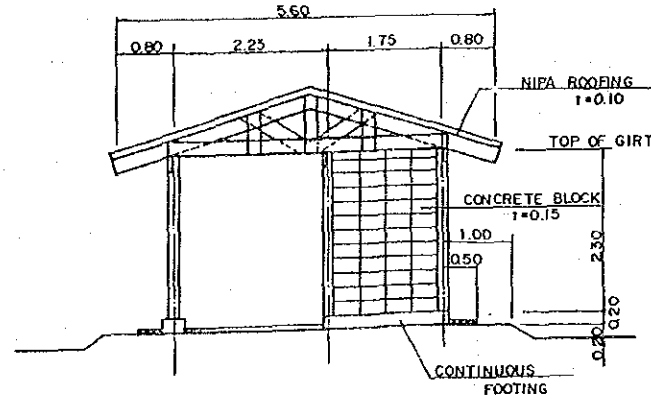
FRONT ELEVATION  
SCALE 1:50



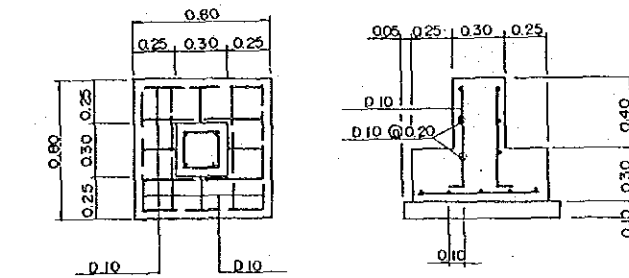
LEFT SIDE ELEVATION  
SCALE 1:50



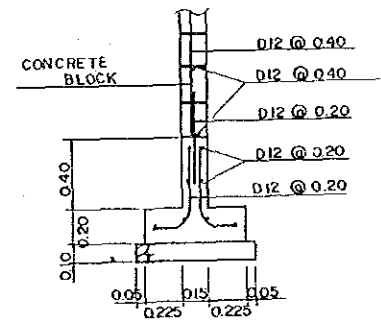
REAR ELEVATION  
SCALE 1:50



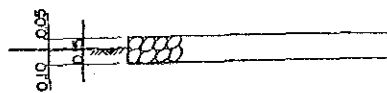
RIGHT SIDE ELEVATION  
SCALE 1:50



FOOTING DETAIL  
SCALE 1:20



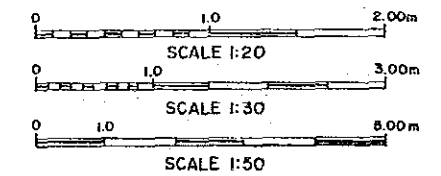
CONTINUOUS FOOTING AND  
REINFORCED CONCRETE BLOCK  
SCALE 1:20



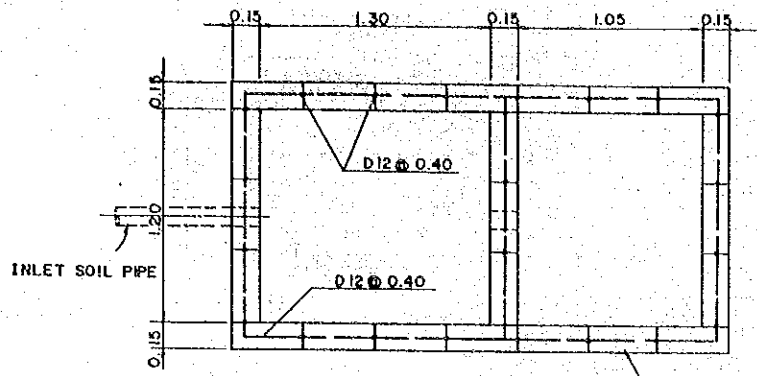
BASE OF REST HUT  
SCALE 1:20

NOTES

1. ALL DIMENSIONS ARE GIVEN IN METERS EXCEPT OTHERWISE SHOWN
2. REINFORCING BAR IS SHOWN IN MILLIMETERS

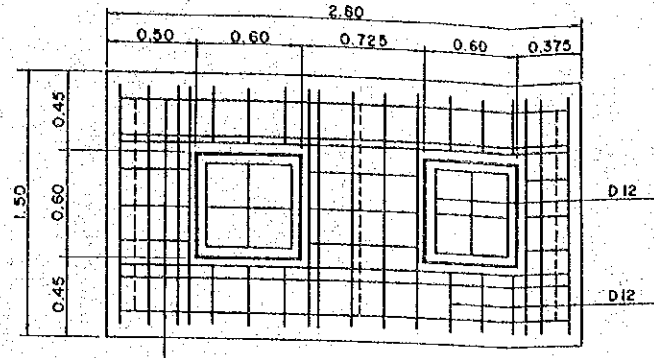


REPUBLIC OF THE PHILIPPINES		
NATIONAL IRRIGATION ADMINISTRATION		
DIVERSIFIED CROPS IRRIGATION ENGINEERING PROJECT ( D . C . I . E . P )		
SHELTER FOR WORKS		
DWG. NO.	DCI - 021	DATE
JAPAN INTERNATIONAL COOPERATION AGENCY		

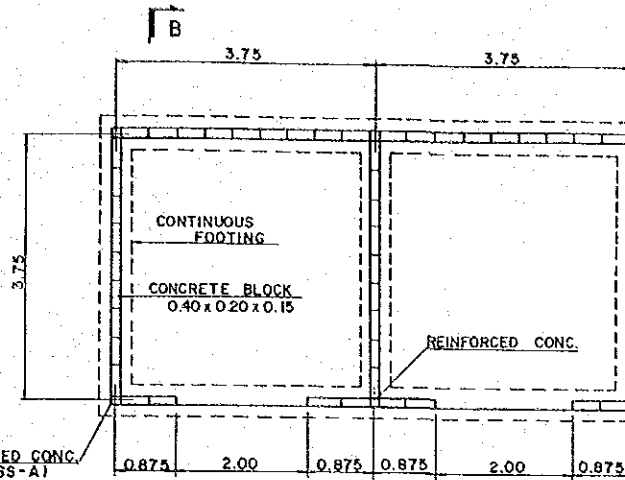


SECTION A-A

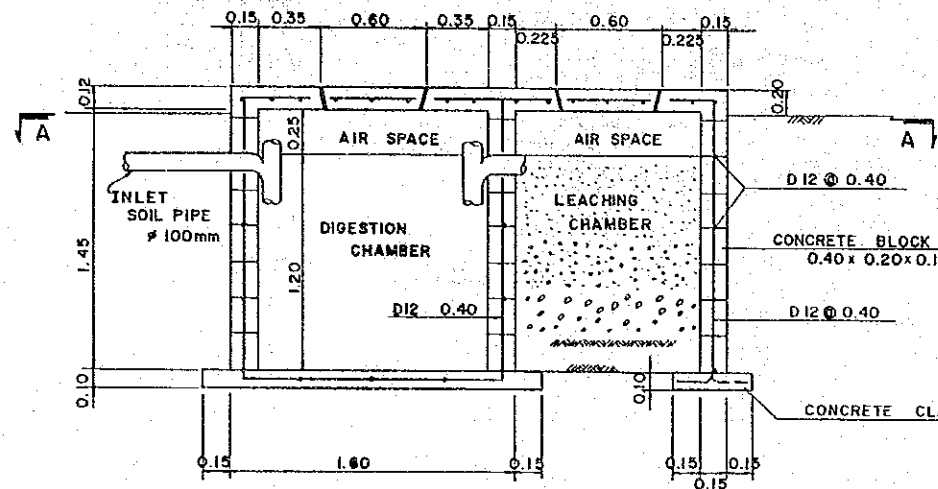
CONCRETE BLOCK  
0.40 x 0.20 x 0.15



TOP SLAB



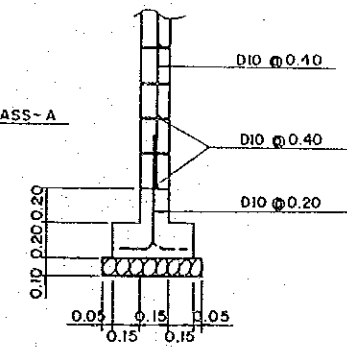
PLAN OF COMPOST SHED



LONGITUDINAL SECTION

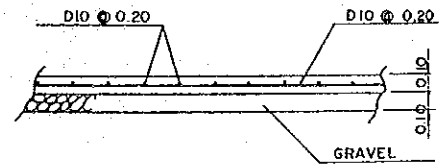
SEPTIC TANK

SCALE 1:20



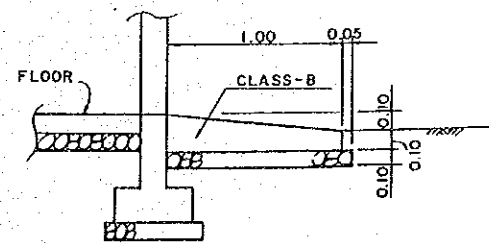
CONTINUOUS FOOTING &  
REINFORCED CONC. BLOCK

SCALE 1:20



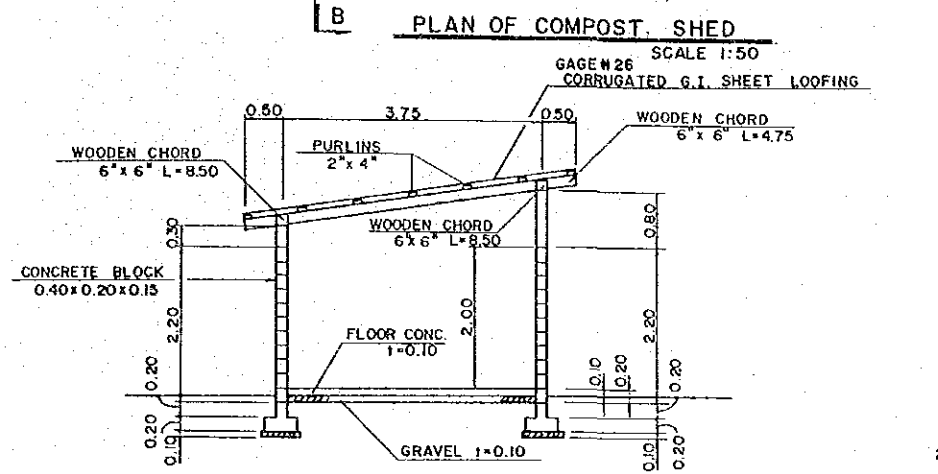
FLOOR CONCRETE

SCALE 1:20



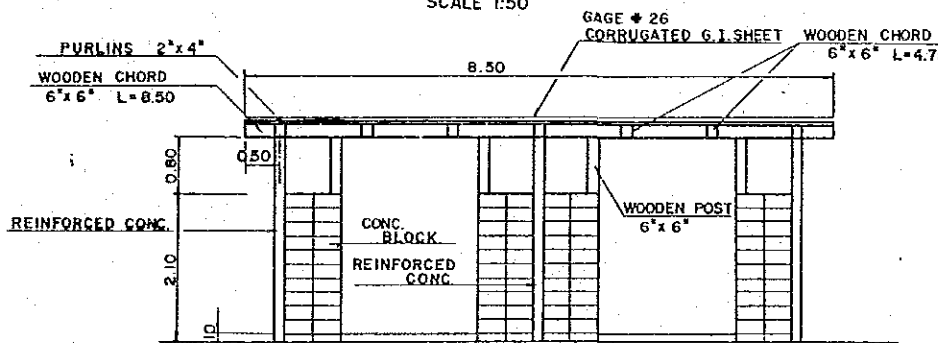
APPROACH (B=780)

SCALE 1:20



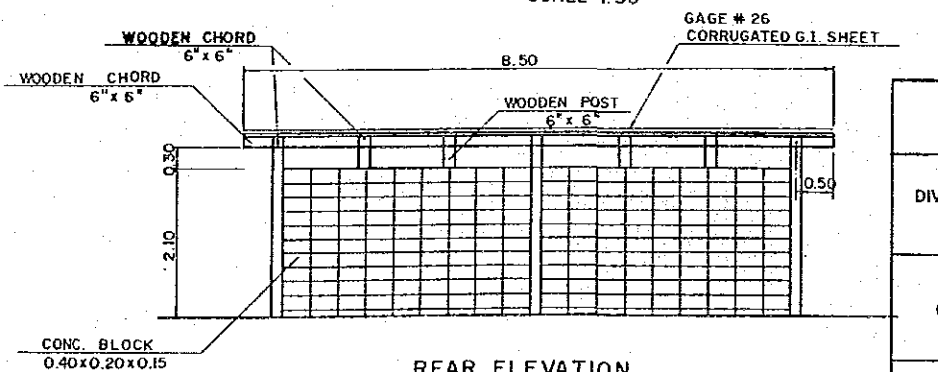
SECTION B-B

SCALE 1:50



FRONT ELEVATION

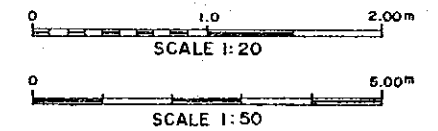
SCALE 1:50



REAR ELEVATION

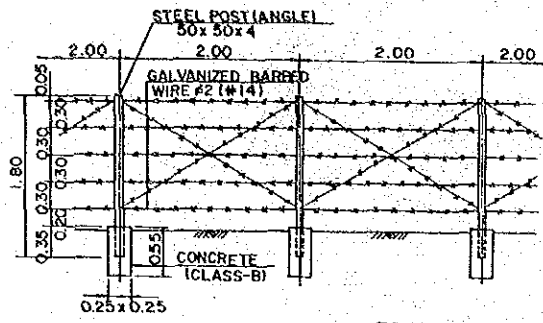
SCALE 1:50

- NOTES
1. ALL DIMENSIONS ARE GIVEN IN METERS EXCEPT OTHERWISE SHOWN.
  2. REINFORCING BAR IS SHOWN IN MILLIMETERS.

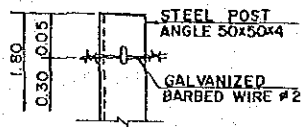


REPUBLIC OF THE PHILIPPINES			
NATIONAL IRRIGATION ADMINISTRATION			
DIVERSIFIED CROPS IRRIGATION ENGINEERING PROJECT			
( D . C . I . E . P )			
COMPOST SHED AND SEPTIC TANK			
DWG. NO.	DCI - 022	DATE	
JAPAN INTERNATIONAL COOPERATION AGENCY			

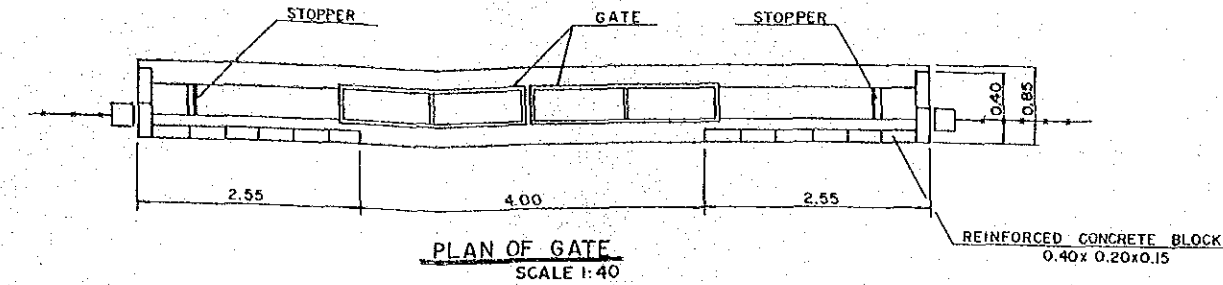
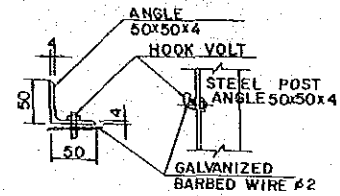




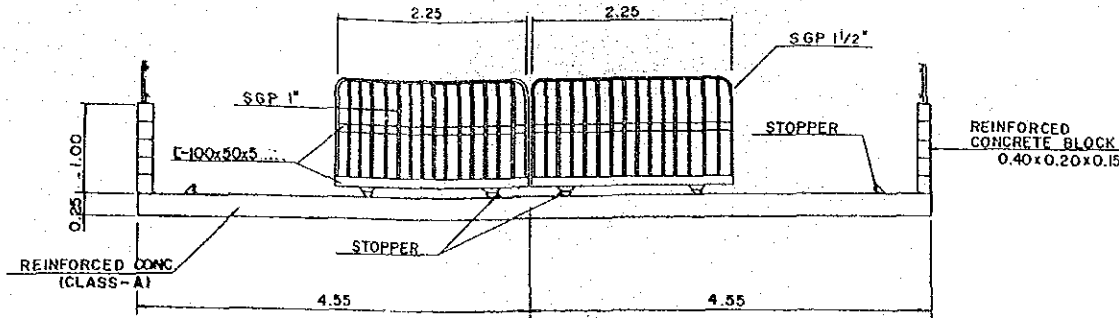
FENCE  
 SCALE 1:40



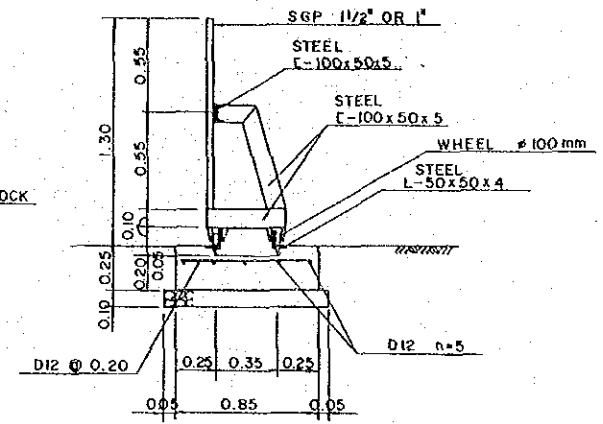
CONNECTION OF BARBED WIRE  
 SCALE 1:2



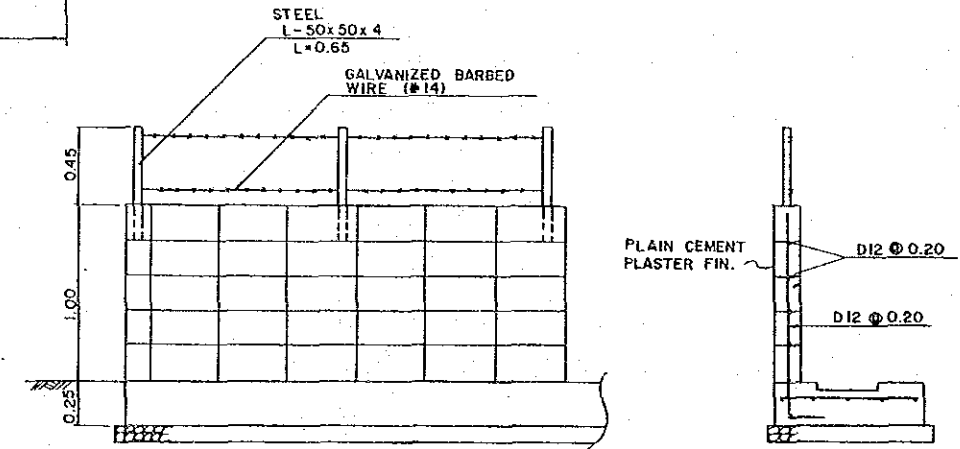
PLAN OF GATE  
 SCALE 1:40



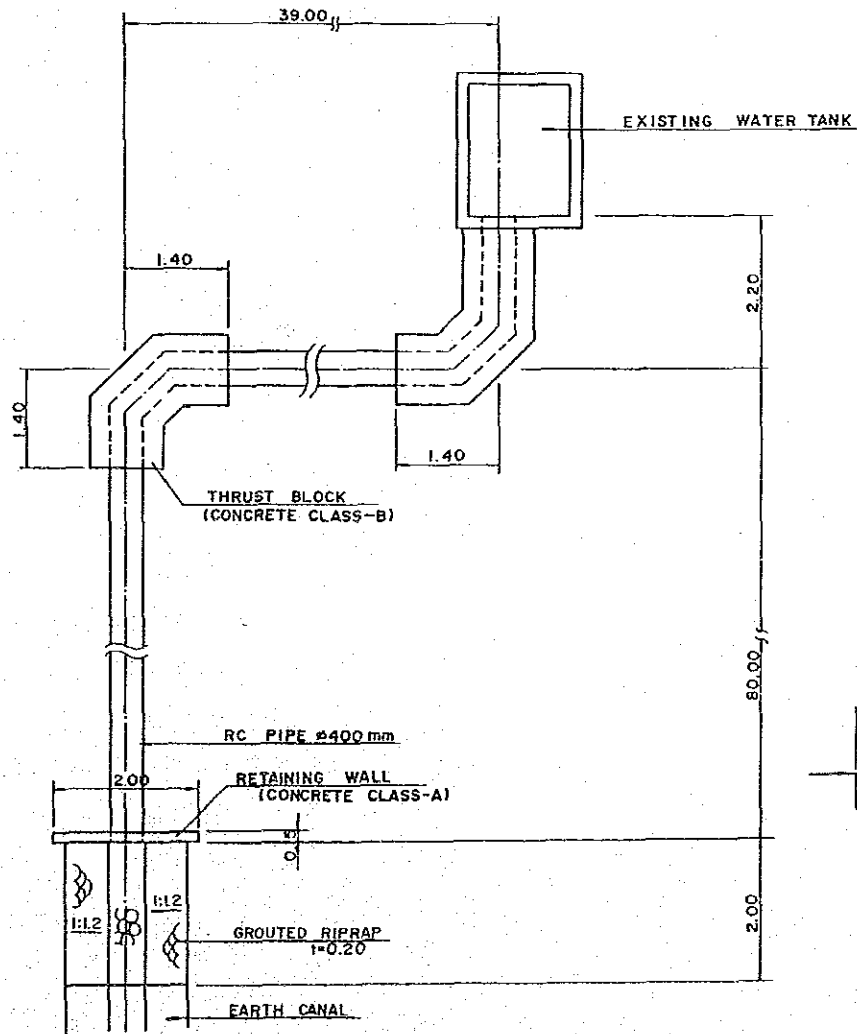
FRONT VIEW OF GATE  
 SCALE 1:40



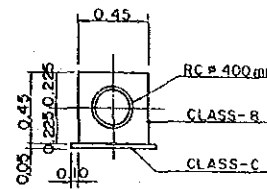
TYPICAL SECTION OF GATE  
 SCALE 1:20



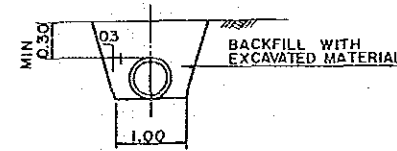
DETAIL OF REINFORCED CONC BLOCK  
 SCALE 1:20



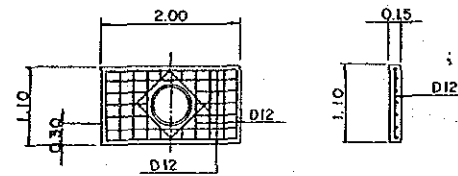
RELOCATION OF EXISTING PIPELINE  
 SCALE 1:50



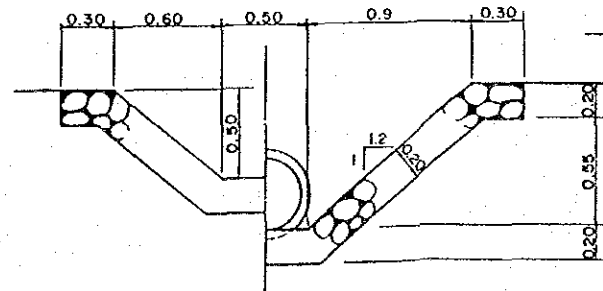
THRUST BLOCK  
 SCALE 1:50



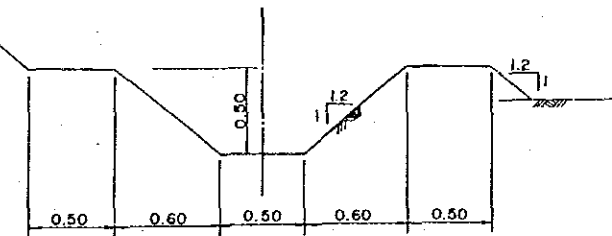
STANDARD SECTION OF PIPE LAYING WORKS  
 SCALE 1:50



RETAINING WALL  
 SCALE 1:50



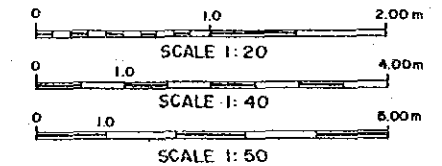
GROUDED RIPRAP CANAL  
 SCALE 1:20



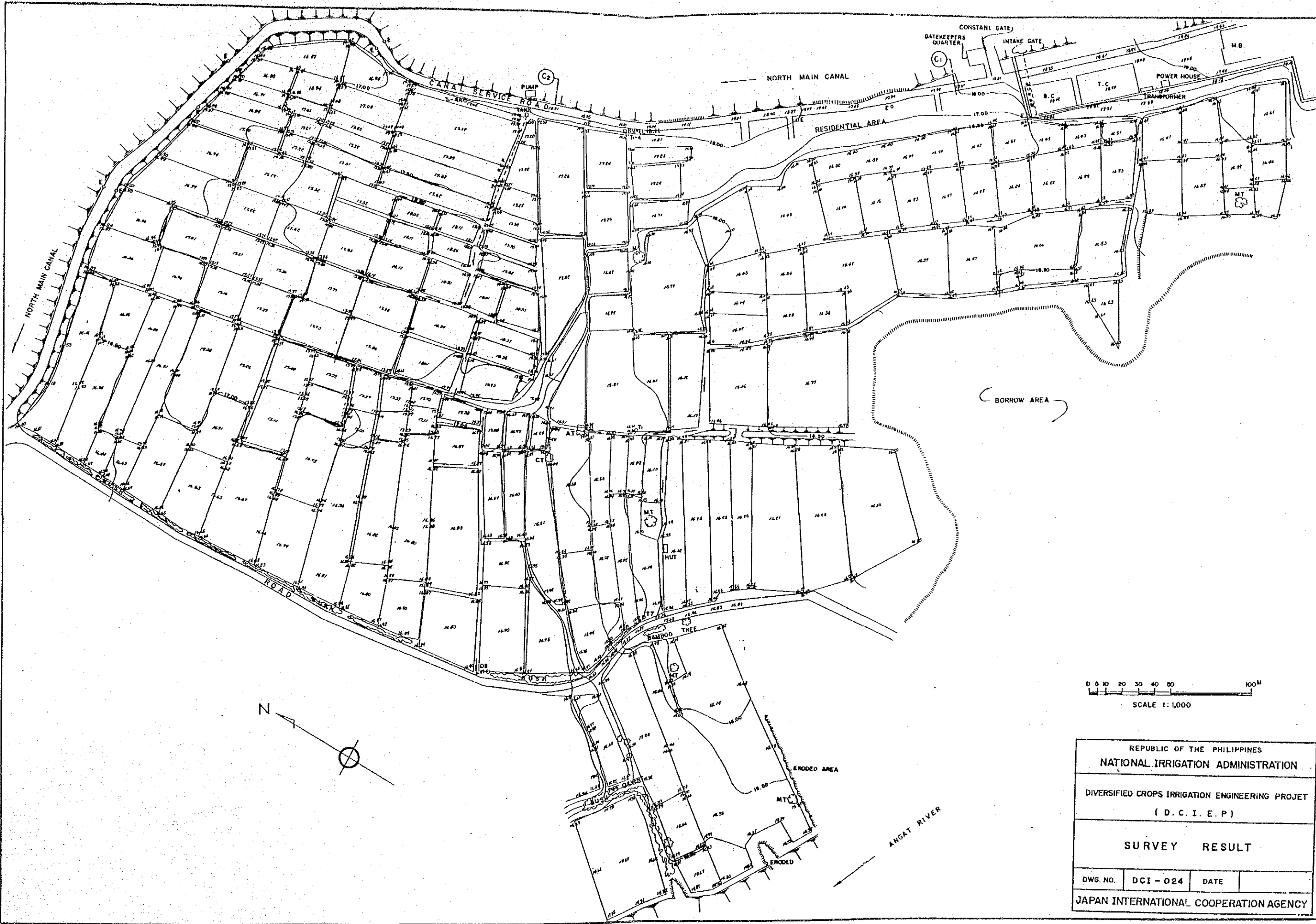
STANDARD SECTION OF EARTH CANAL  
 SCALE 1:20

NOTES.

1. ALL DIMENSIONS ARE GIVEN IN METERS EXCEPT FOR REINFORCING BAR.
2. ALL REINFORCING BAR AND METAL ARE SHOWN IN MILLIMETERS.



REPUBLIC OF THE PHILIPPINES		
NATIONAL IRRIGATION ADMINISTRATION		
DIVERSIFIED CROPS IRRIGATION ENGINEERING PROJCT ( D . C . I . E . P )		
GATE, FENCE AND RELOCATION OF EXISTING PIPELINE		
DWG. NO.	DCI - 023	DATE
JAPAN INTERNATIONAL COOPERATION AGENCY		



0 5 10 20 30 40 50 100<sup>M</sup>  
 SCALE 1:1,000

REPUBLIC OF THE PHILIPPINES		
NATIONAL IRRIGATION ADMINISTRATION		
DIVERSIFIED CROPS IRRIGATION ENGINEERING PROJCT ( D.C.I.E.P )		
SURVEY RESULT		
DWG. NO.	DCI - 024	DATE
JAPAN INTERNATIONAL COOPERATION AGENCY		



JICA