

Drawings

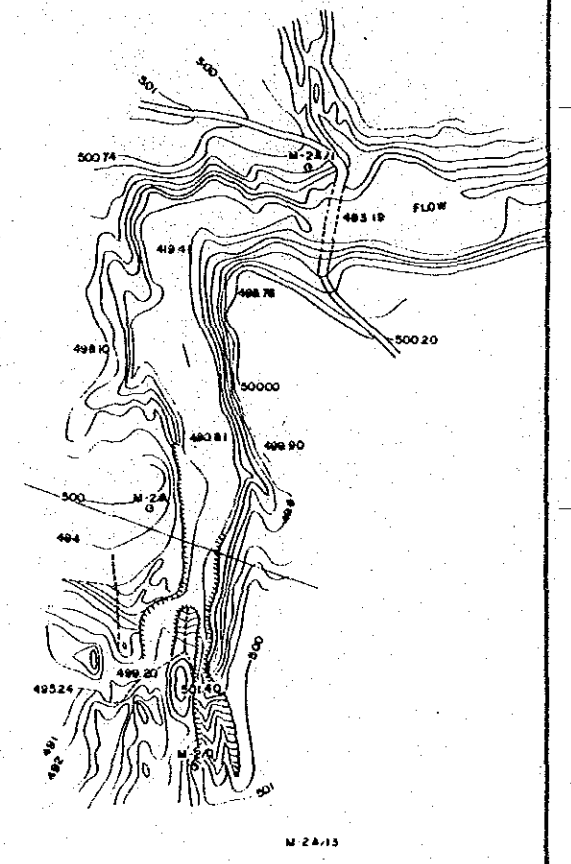
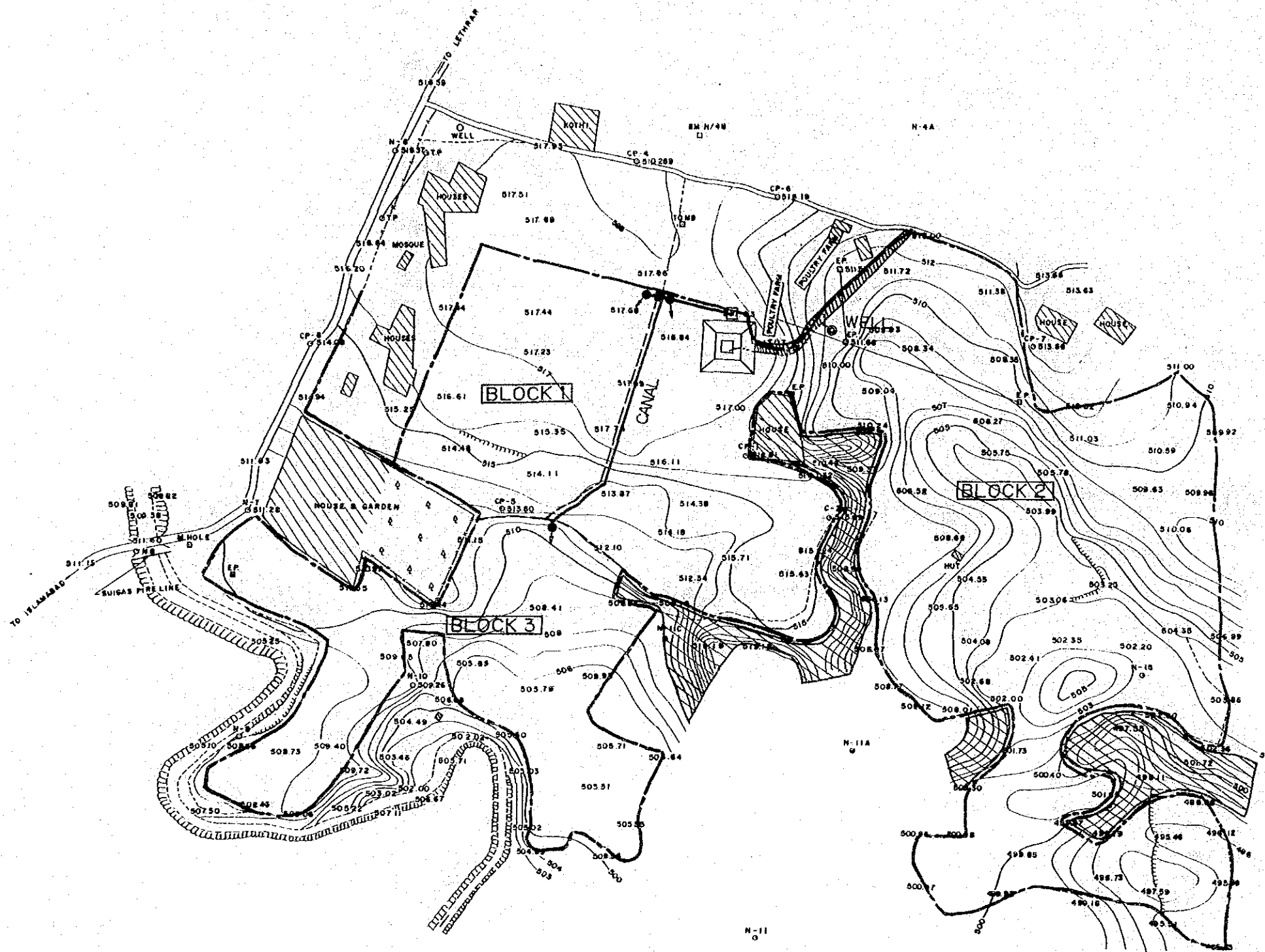
PAKISTAN
ISLAMABAD MODEL INTEGRATED RURAL DEVELOPMENT PROJECT
DRAWING LIST

D.W.G.No.	T I T L E
1	PLAN OF IRRIGATION (WELL A)
2	PLAN OF IRRIGATION (WELL B)
3	PLAN OF IRRIGATION (WELL C)
4	PLAN OF WELL
5	PLAN OF WELL PUMP
6	GENERAL PLAN (M-1 DAM)
7	PLAN OF M-1 DAM
8	LONGITUDINAL SECTION OF M-1 DAM
9	STANDARD SECTION AND CROSS SECTION OF M-1 DAM
10	PLAN OF IRRIGATION (M-1 DAM)
11	GENERAL PLAN (M-2 DAM)
12	PLAN OF M-2 DAM
13	LONGITUDINAL SECTION OF M-2 DAM
14	STANDARD SECTION OF M-2 DAM
15	PLAN OF IRRIGATION (M-2 DAM 1)
16	PLAN OF IRRIGATION (M-2 DAM 2)
17	PLAN OF IRRIGATION (M-2 DAM 3)
18	PLAN OF IRRIGATION (M-2 DAM 4)
19	PLAN OF FARM POND No. 2
20	PLAN OF COMMON FAUCET
21	STANDARD SECTION OF ROAD
22	PLAN OF RURAL DEVELOPMENT STATION

15400 N
15200 N
15000 N
14800 N
14600 N
14400 N

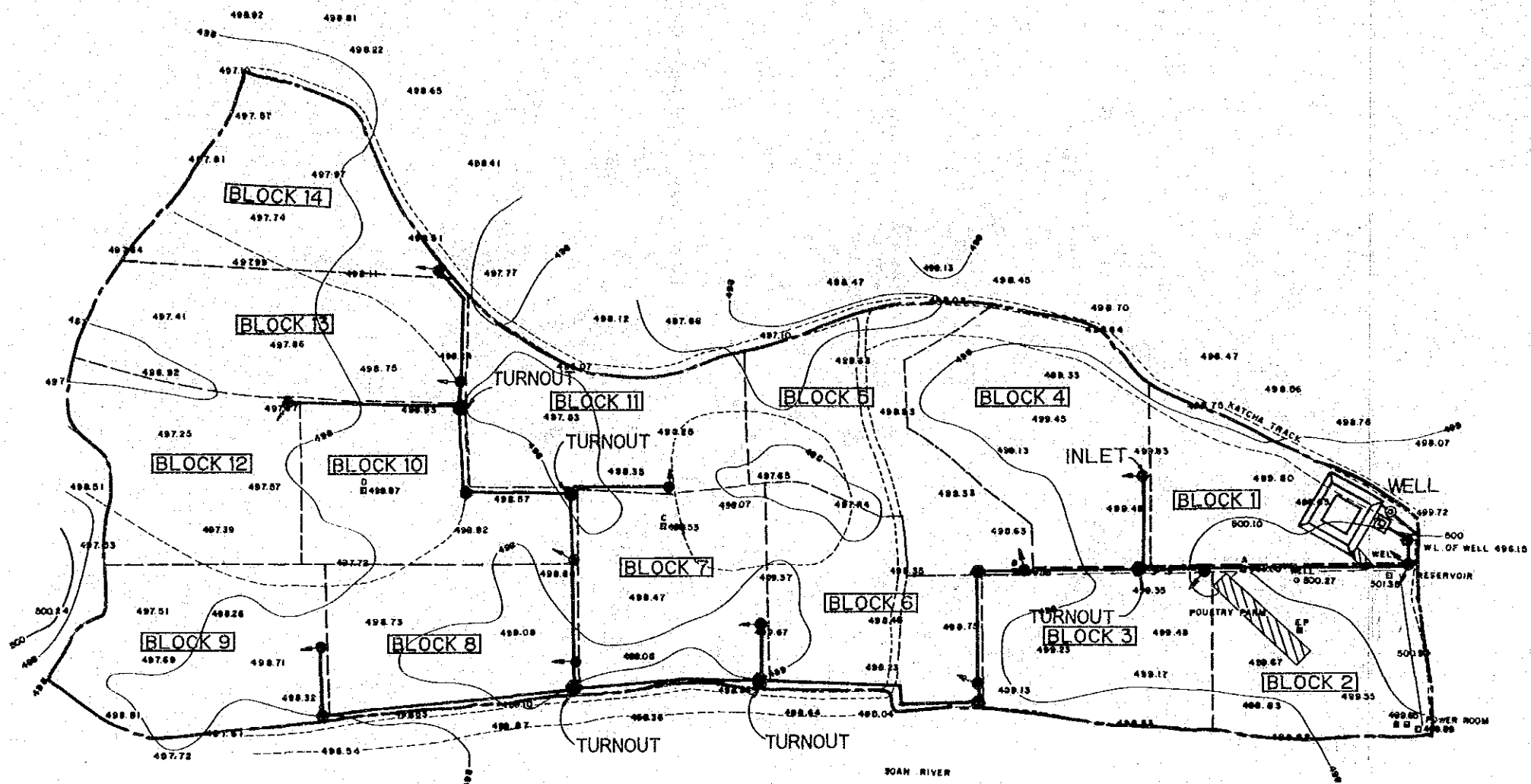
LEGEND

	BOUNDARY OF IRRIGATION AREA
	BOUNDARY OF IRRIGATION BLOCK AREA
	BOUNDARY OF On-Farm AREA
	MAIN CANAL
	BRANCH CANAL
	FARM POND
	TUBE WELL
	INTAKE
	TURNOUT
	INLET
	COLLECTING GALLERY
	ACCESS ROAD



ISLAMABAD CAPITAL TERRITORY ADMINISTRATION
 ISLAMABAD MODEL INTEGRATED RURAL DEVELOPMENT PROJECT
 PLAN OF IRRIGATION
 (WELL A)
 DATE _____ D. W. C. M. 1
 JAPAN INTERNATIONAL COOPERATION AGENCY

3000 E
3000 E
3000 E
3000 E
3000 E
3000 E
3000 E



FLOW

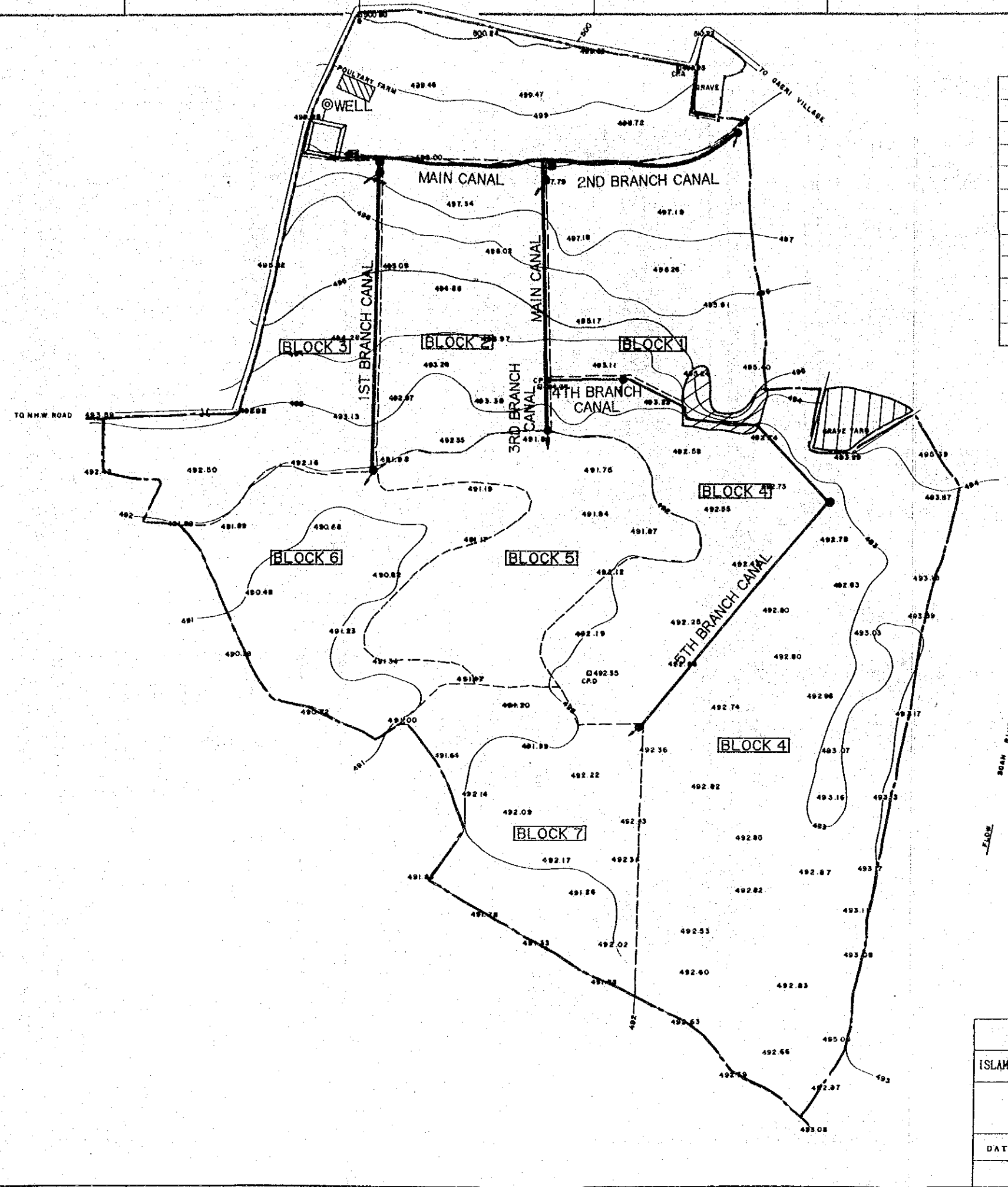
LEGEND

	BOUNDARY OF IRRIGATION AREA
	BOUNDARY OF IRRIGATION BLOCK AREA
	BOUNDARY OF On-Farm AREA
	MAIN CANAL
	BRANCH CANAL
	FARM POND
	TUDE WELL
	INTAKE
	TURNOUT
	INLET
	COLLECTING GALLERY
	ACCESS ROAD

ISLAMABAD CAPITAL TERRITORY ADMINISTRATION			
ISLAMABAD MODEL INTEGRATED RURAL DEVELOPMENT PROJECT			
PLAN OF IRRIGATION (WELL B)			
DATE		D. W. G. No.	2
JAPAN INTERNATIONAL COOPERATION AGENCY			

5000N
4800N
4600N
4400N
4200N
4000N

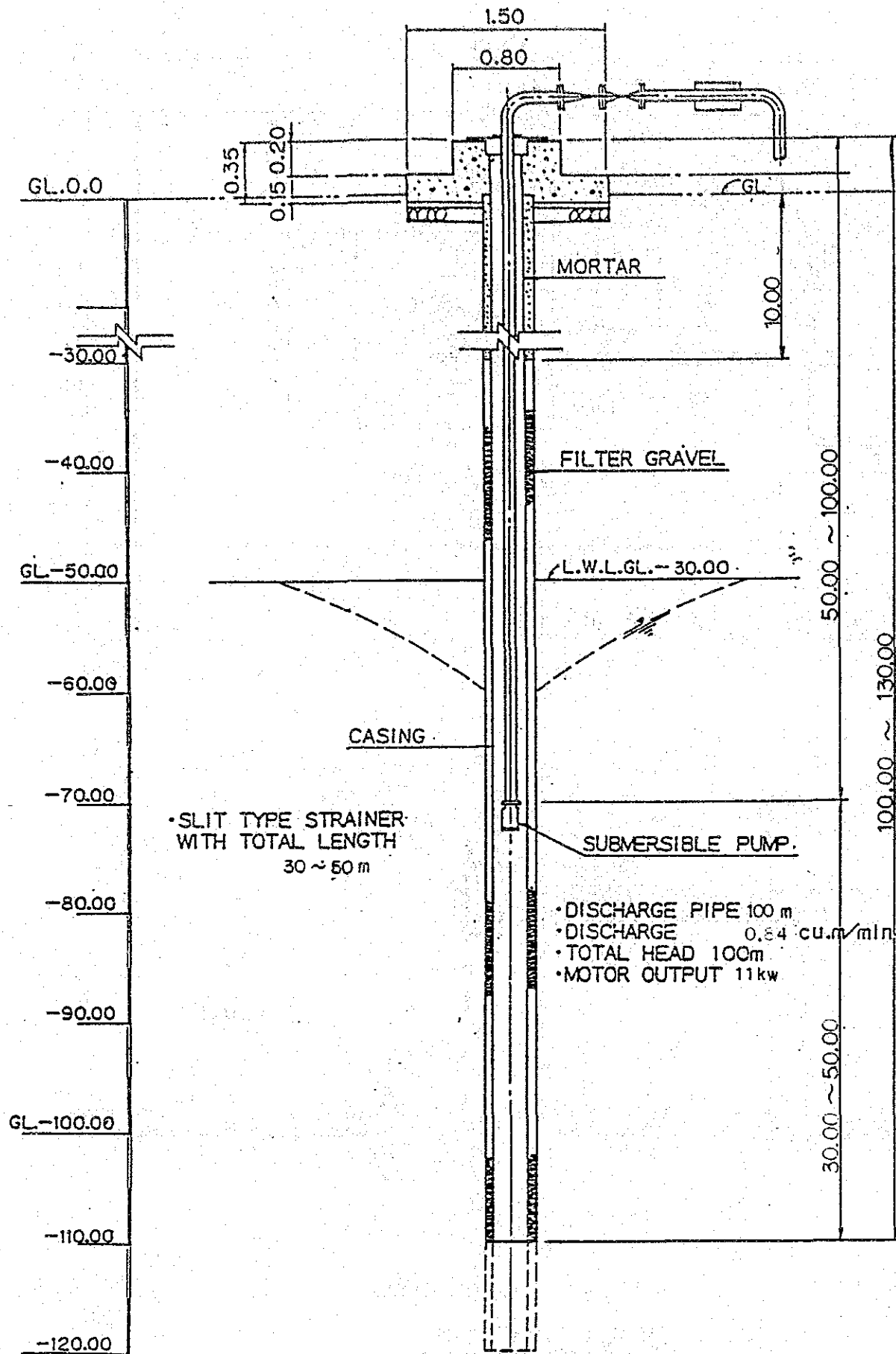
4800E
4900E
5000E
5100E
5200E
5300E
5400E



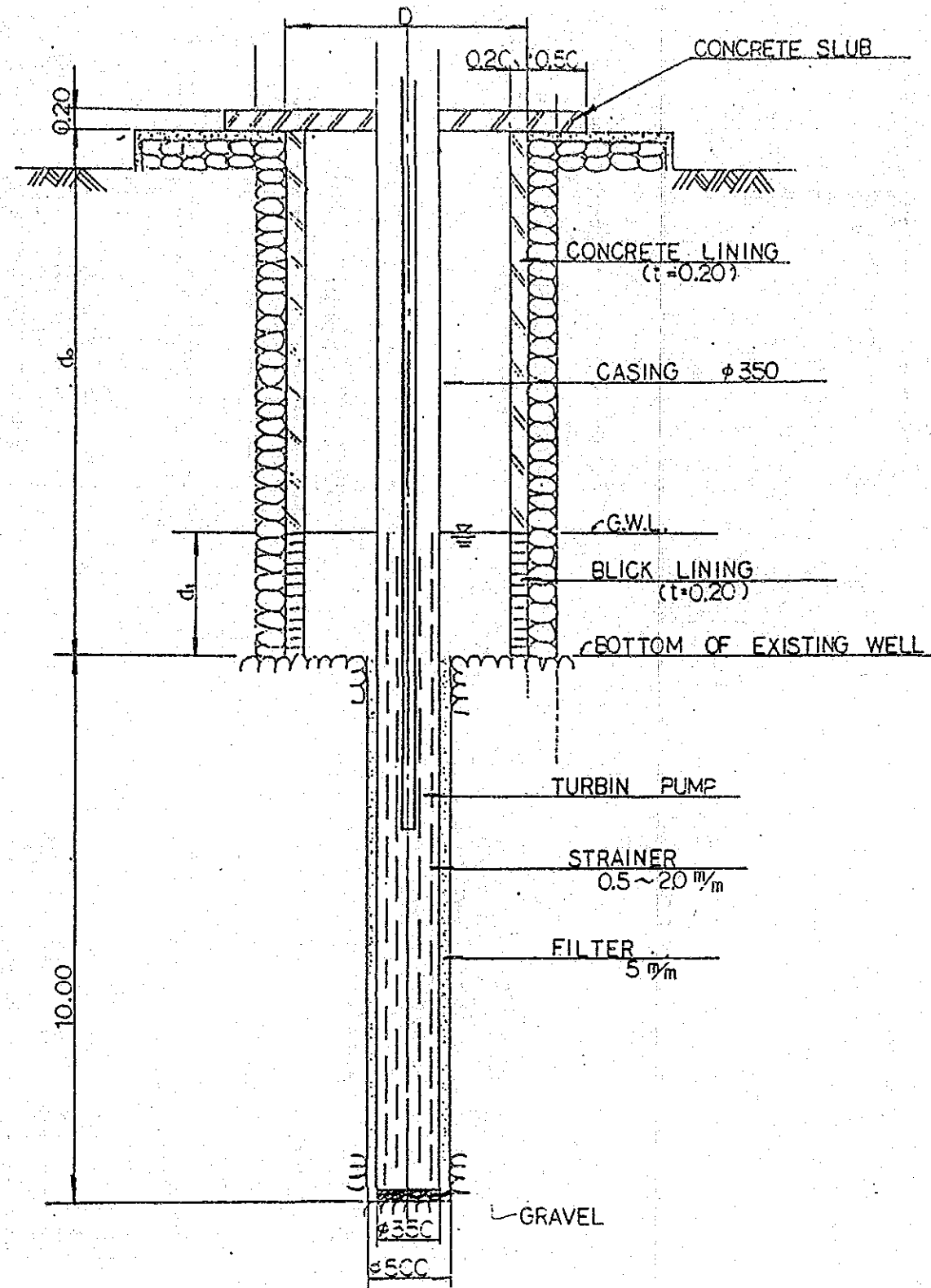
LEGEND

	BOUNDARY OF IRRIGATION AREA
	BOUNDARY OF IRRIGATION BLOCK AREA
	BOUNDARY OF On-Farm AREA
	MAIN CANAL
	BRANCH CANAL
	FARM POND
	TUBE WELL
	INTAKE
	TURNOUT
	INLET
	COLLECTING GALLERY
	ACCESS ROAD

ISLAMABAD CAPITAL TERRITORY ADMINISTRATION		
ISLAMABAD MODEL INTEGRATED RURAL DEVELOPMENT PROJECT		
PLAN OF IRRIGATION (WELL C)		
DATE	D. W. C. No.	3
JAPAN INTERNATIONAL COOPERATION AGENCY		



PLAN OF DEEPWELL

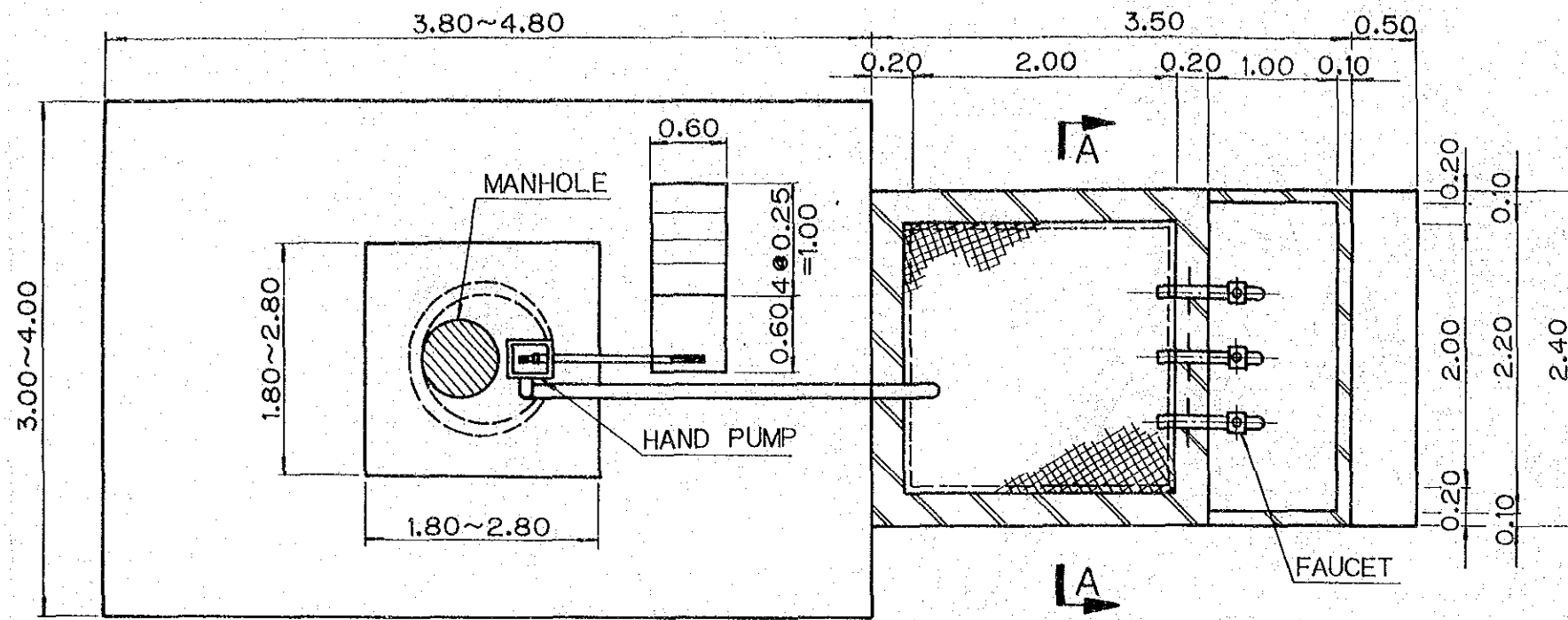


PLAN OF IMPROVED WELL

REPUBLIC OF THE PHILIPPINES
 PROVINCIAL GOVERNMENT OF BENGUET
 THE HIGHLAND INTEGRATED RURAL
 DEVELOPMENT PROJECT IN LA TRINIDAD

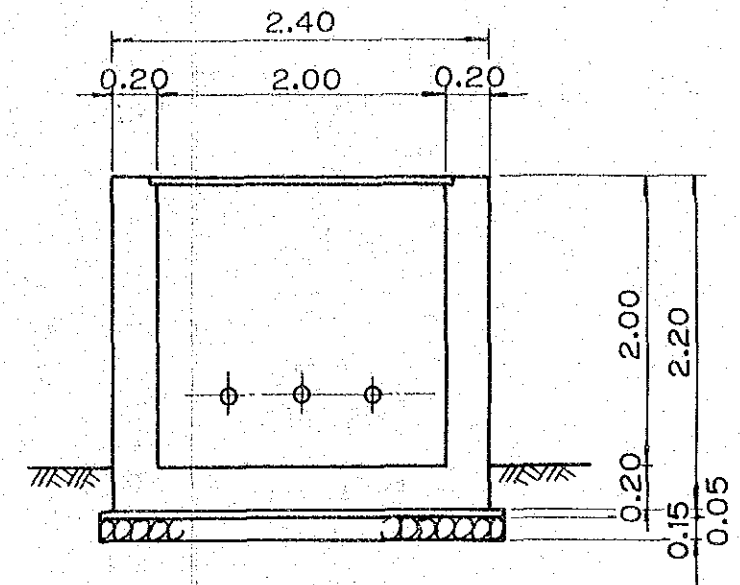
PLAN OF WELL

DATE	D.W.G. NO.	4
JAPAN INTERNATIONAL COOPERATION AGENCY		



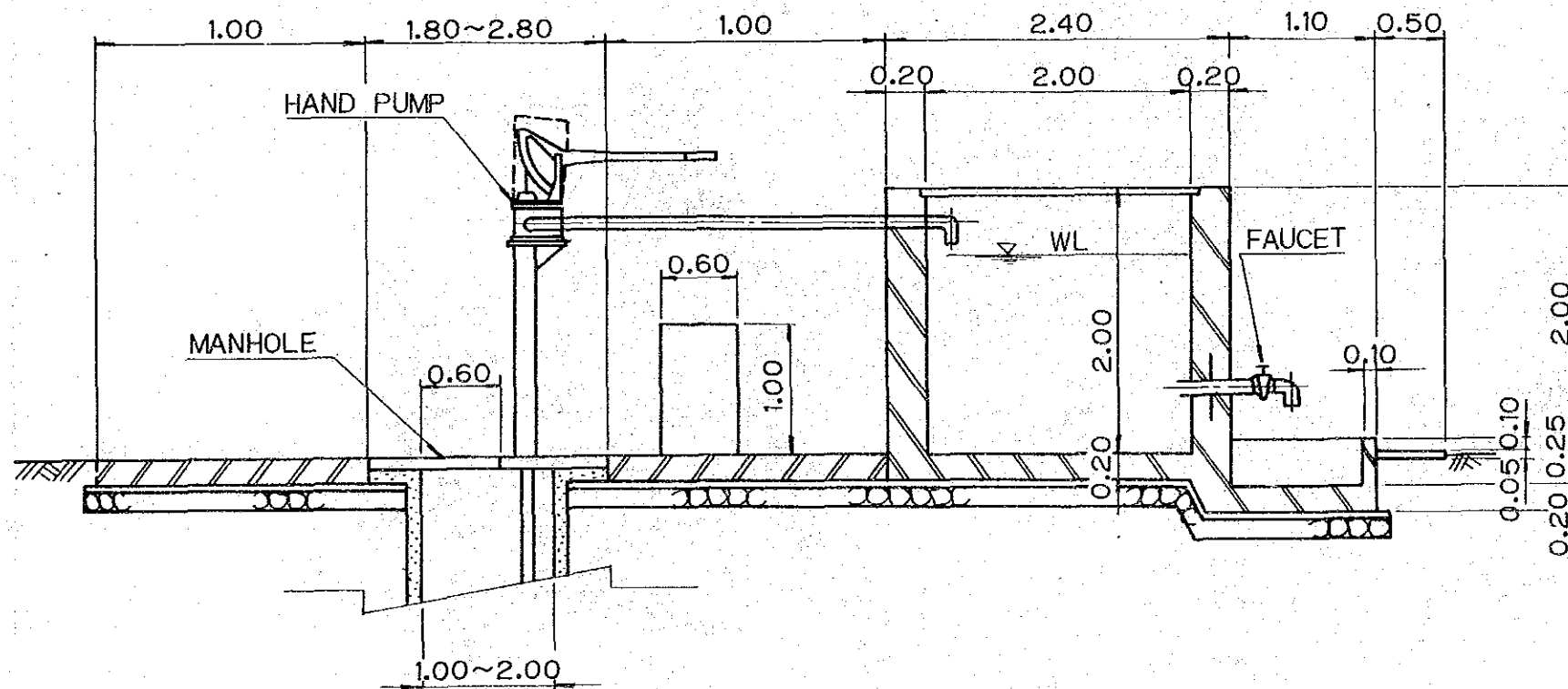
PLAN OF WELL PUMP

SCALE 1:50



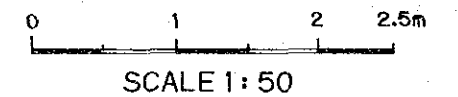
SECTION A-A

SCALE 1:50



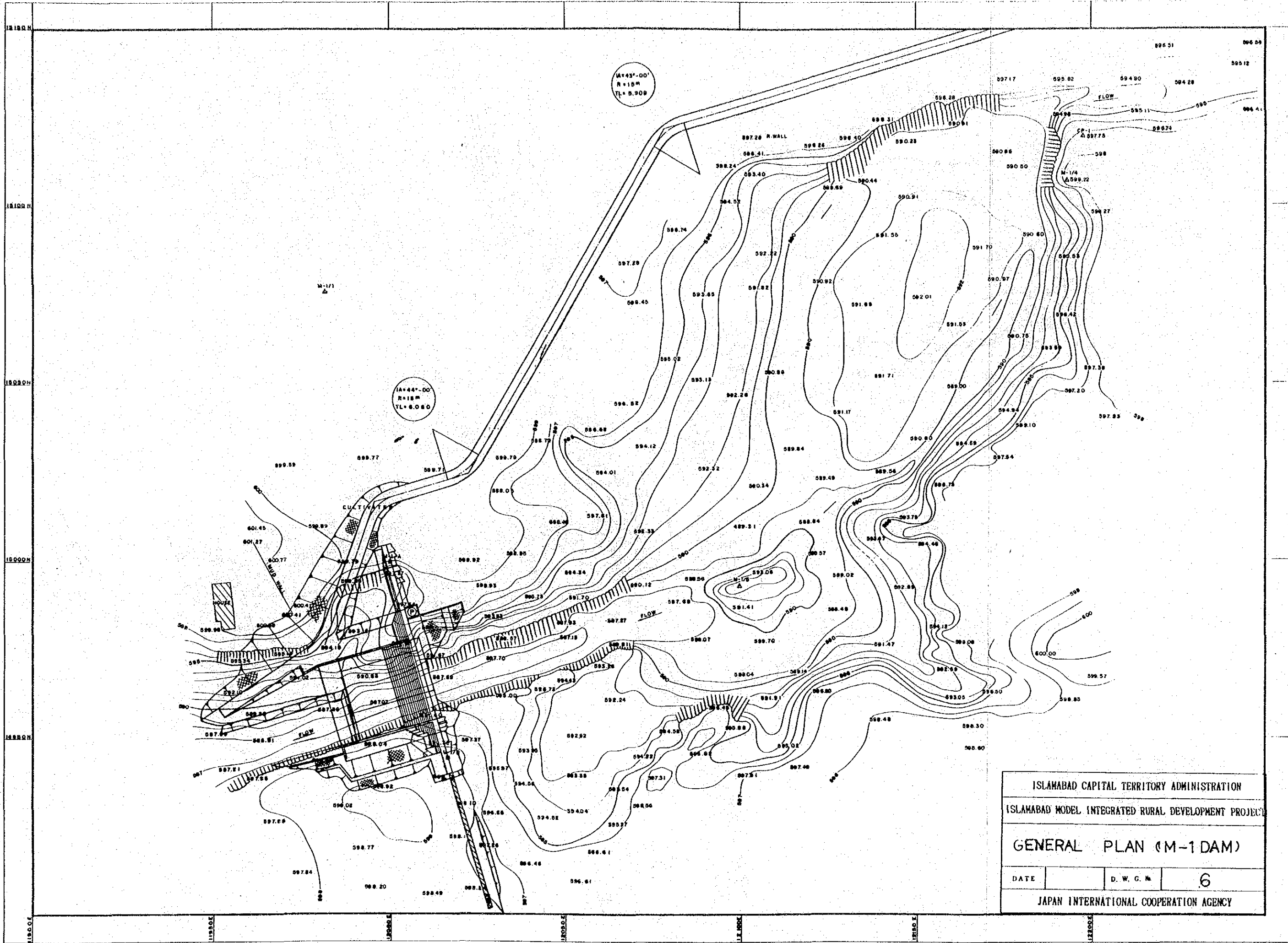
PROFILE OF WELL PUMP

SCALE 1:50

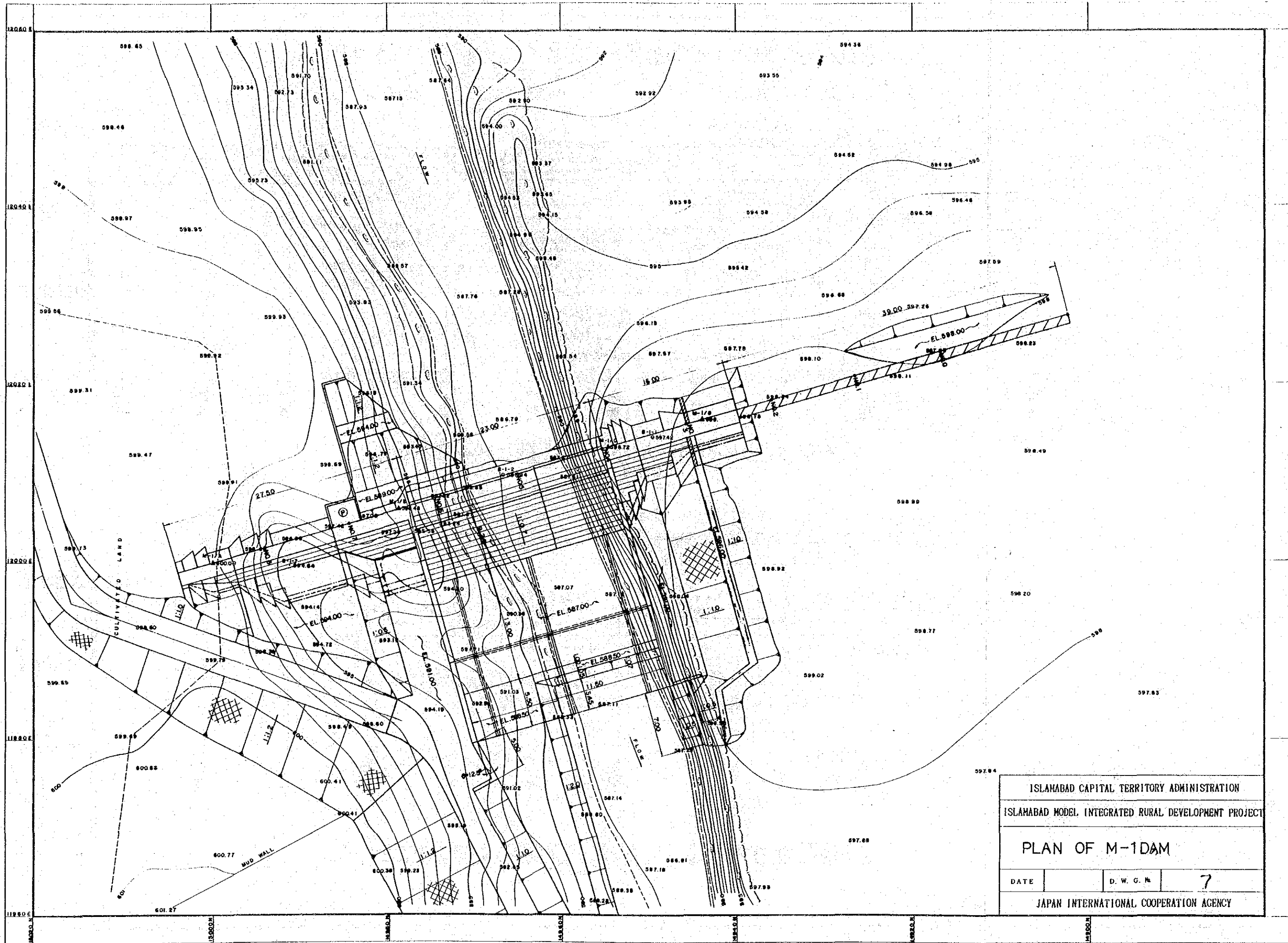


SCALE 1:50

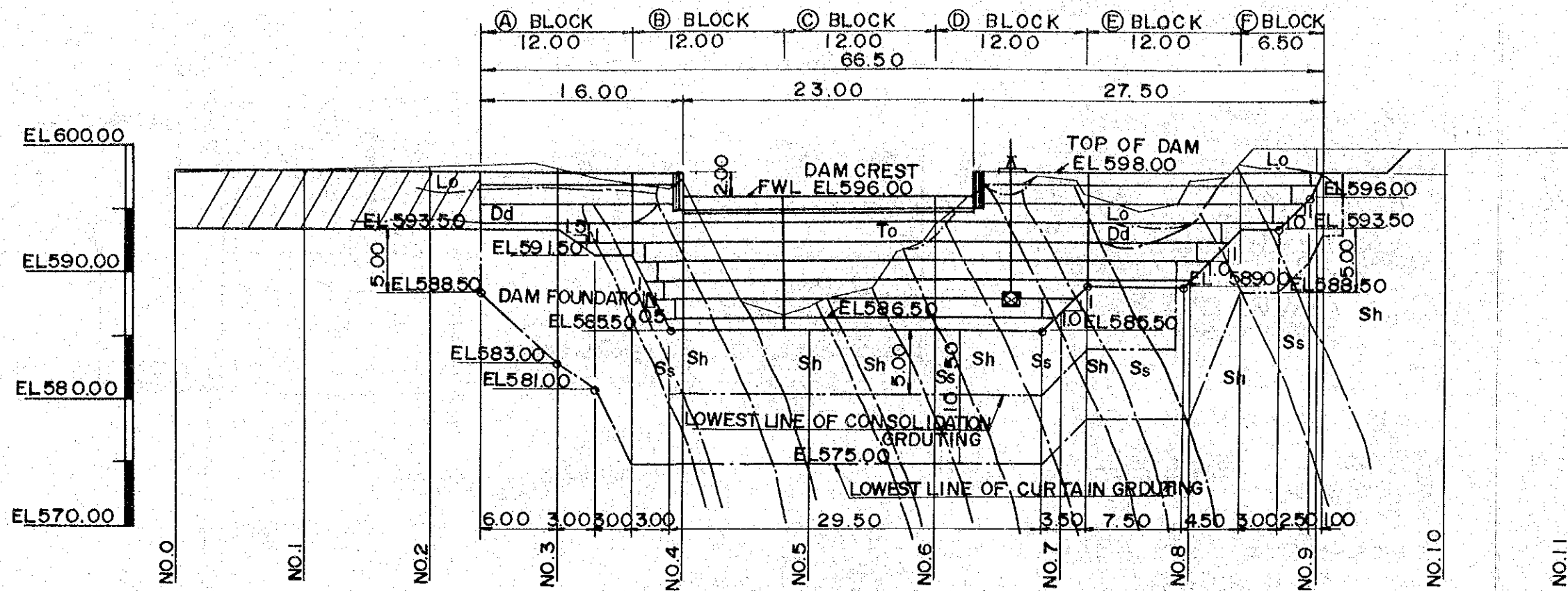
ISLAMABAD CAPITAL TERRITORY ADMINISTRATION			
ISLAMABAD MODEL INTEGRATED RURAL DEVELOPMENT PROJECT			
<u>PLAN OF WELL PUMP</u>			
DATE	D. W. G. N.	5	
JAPAN INTERNATIONAL COOPERATION AGENCY			



ISLAMABAD CAPITAL TERRITORY ADMINISTRATION			
ISLAMABAD MODEL INTEGRATED RURAL DEVELOPMENT PROJECT			
GENERAL PLAN (M-1 DAM)			
DATE		D. W. C. No.	6
JAPAN INTERNATIONAL COOPERATION AGENCY			

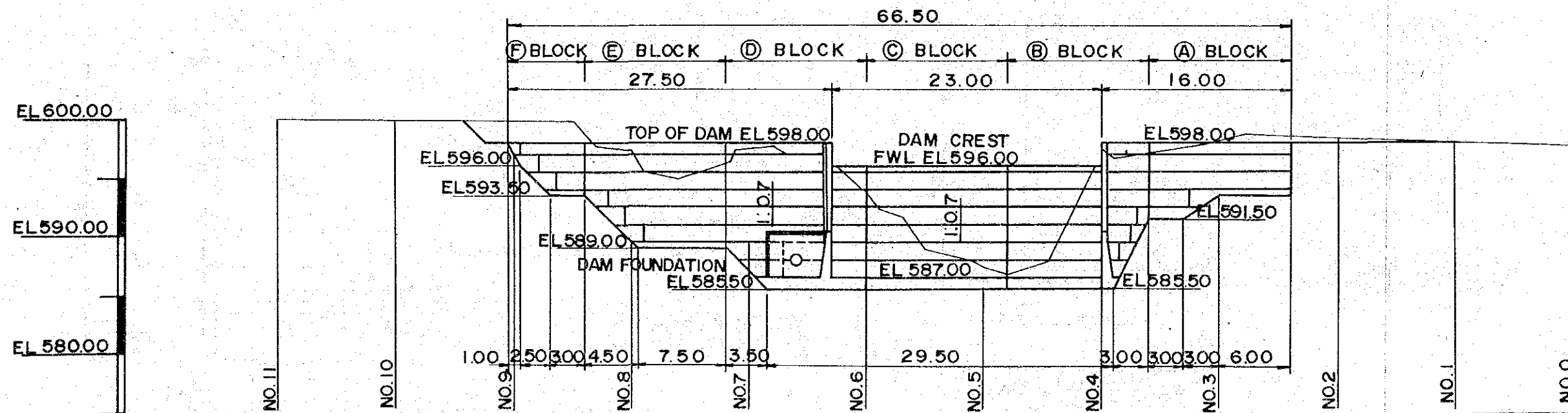


ISLAMABAD CAPITAL TERRITORY ADMINISTRATION		
ISLAMABAD MODEL INTEGRATED RURAL DEVELOPMENT PROJECT		
PLAN OF M-1 DAM		
DATE	D. W. G. No.	7
JAPAN INTERNATIONAL COOPERATION AGENCY		



LONGITUDINAL SECTION OF M-I DAM (UPSTREAM)

SCALE 1 : 400

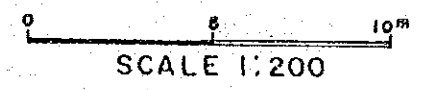
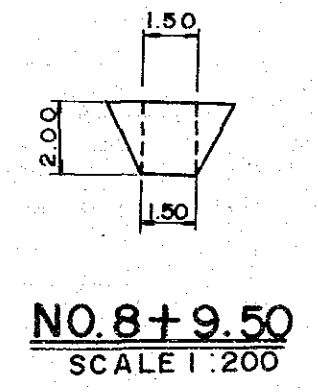
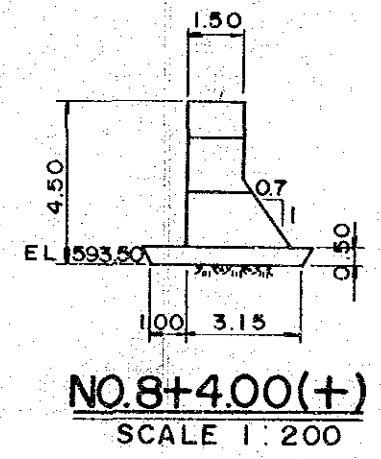
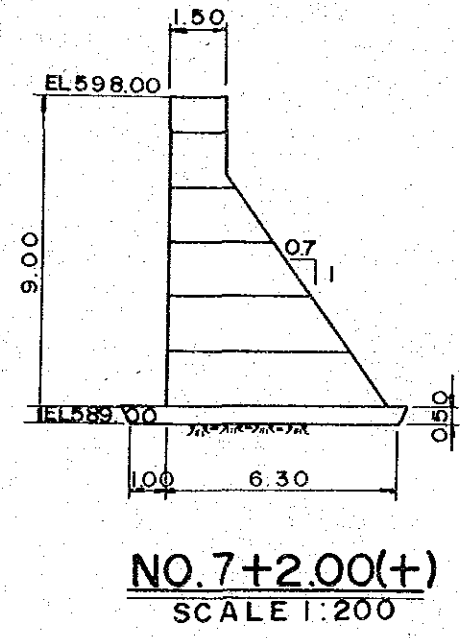
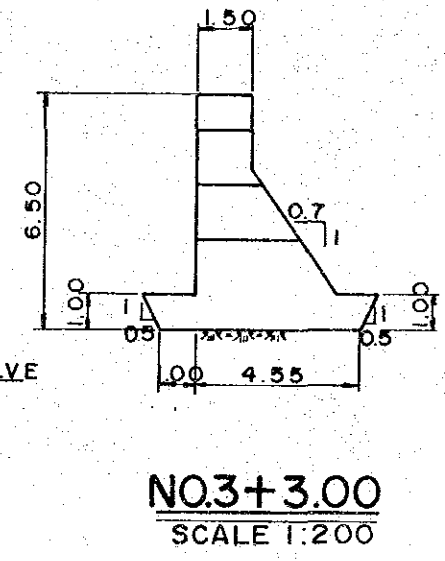
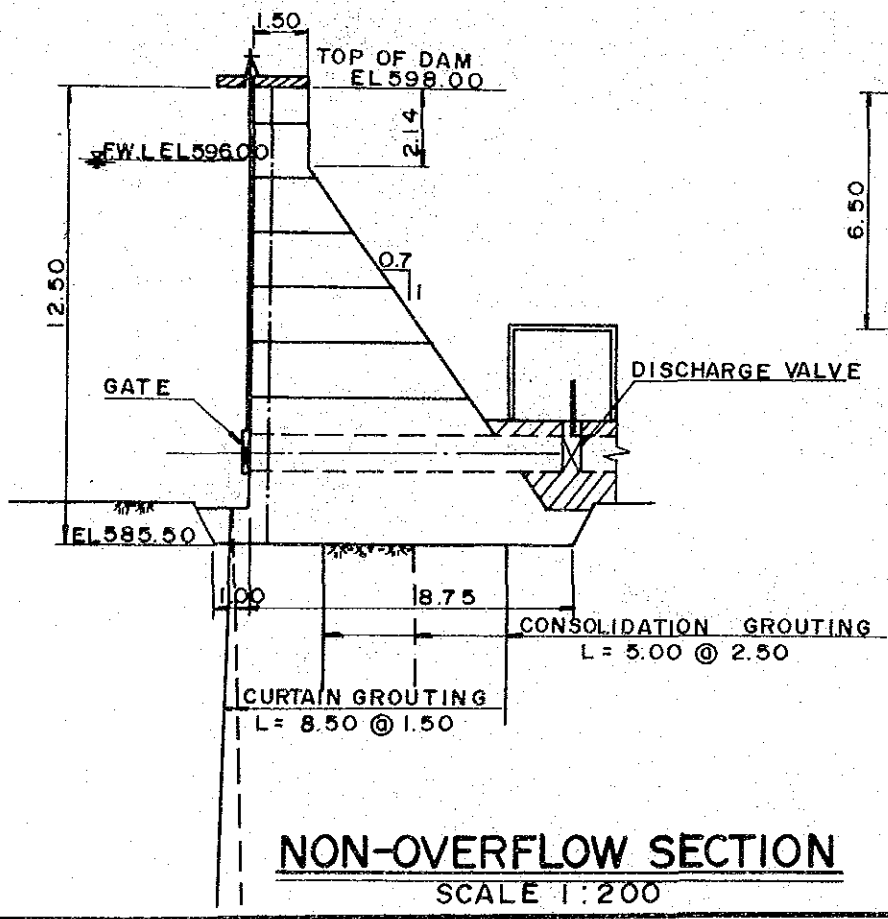
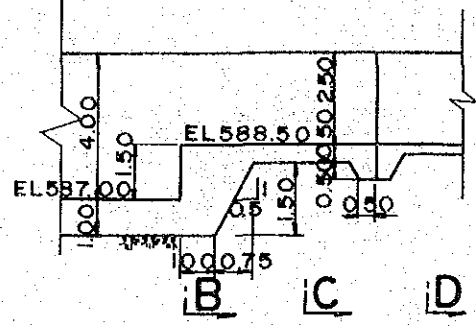
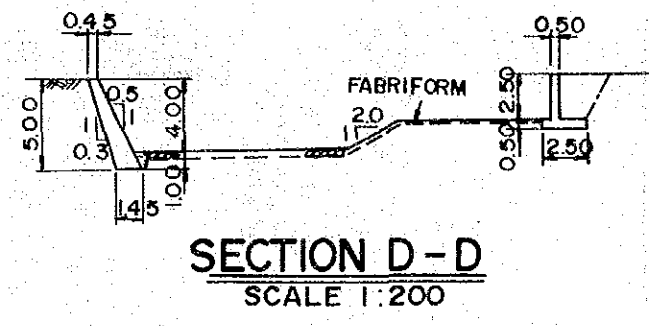
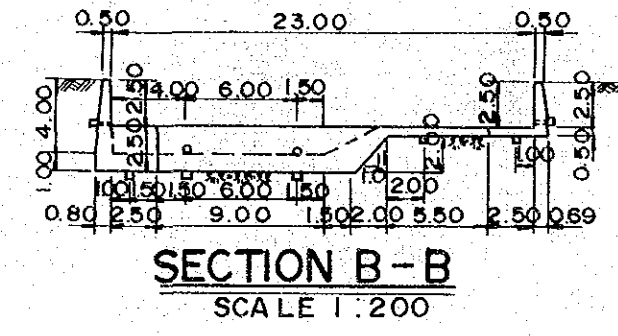
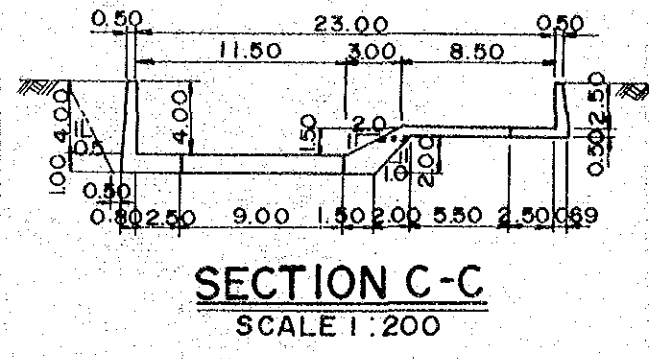
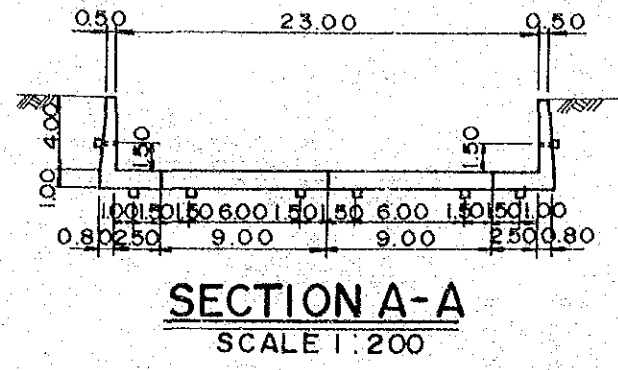
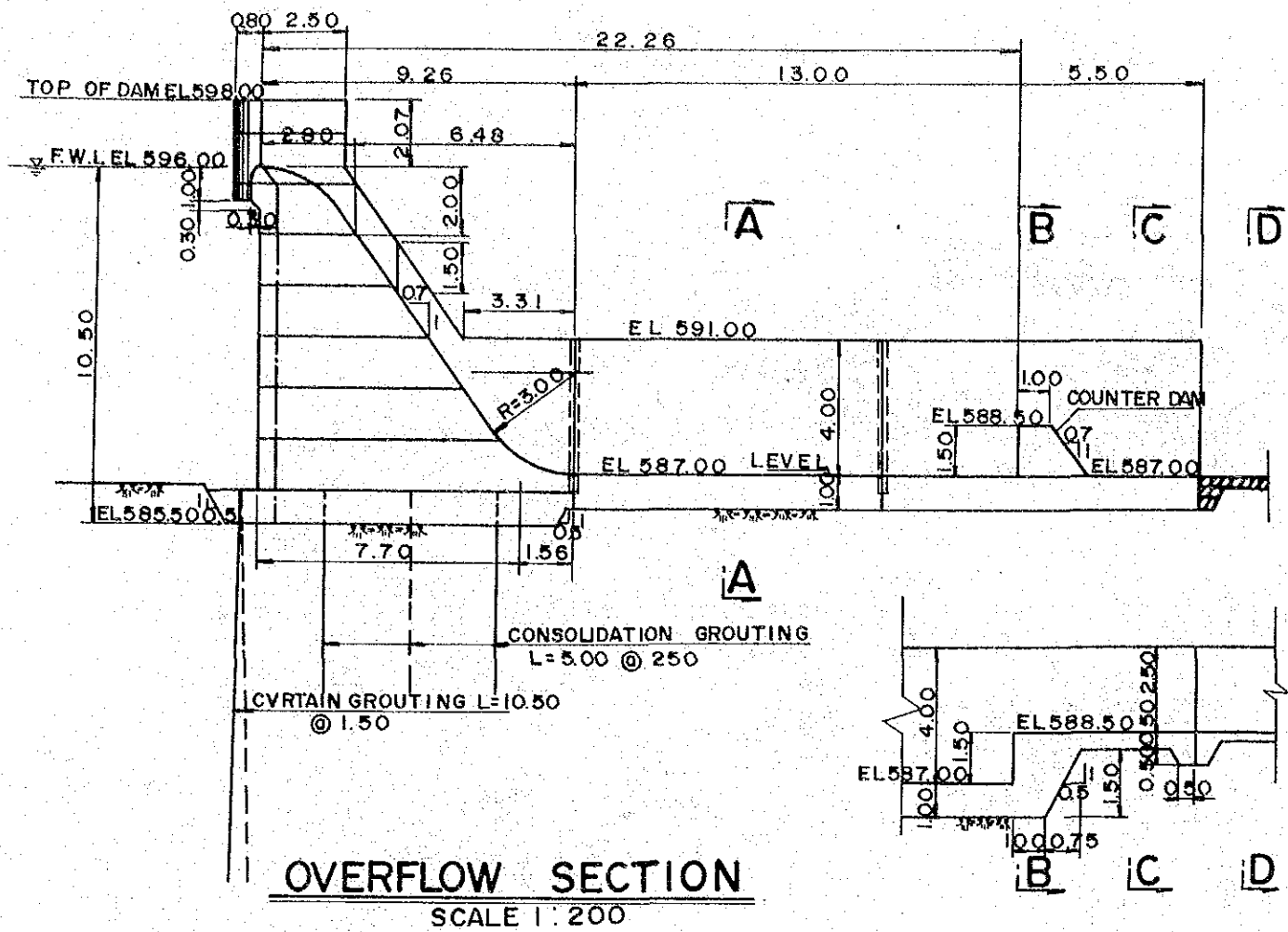


LONGITUDINAL SECTION OF M-I DAM (DOWNSTREAM)

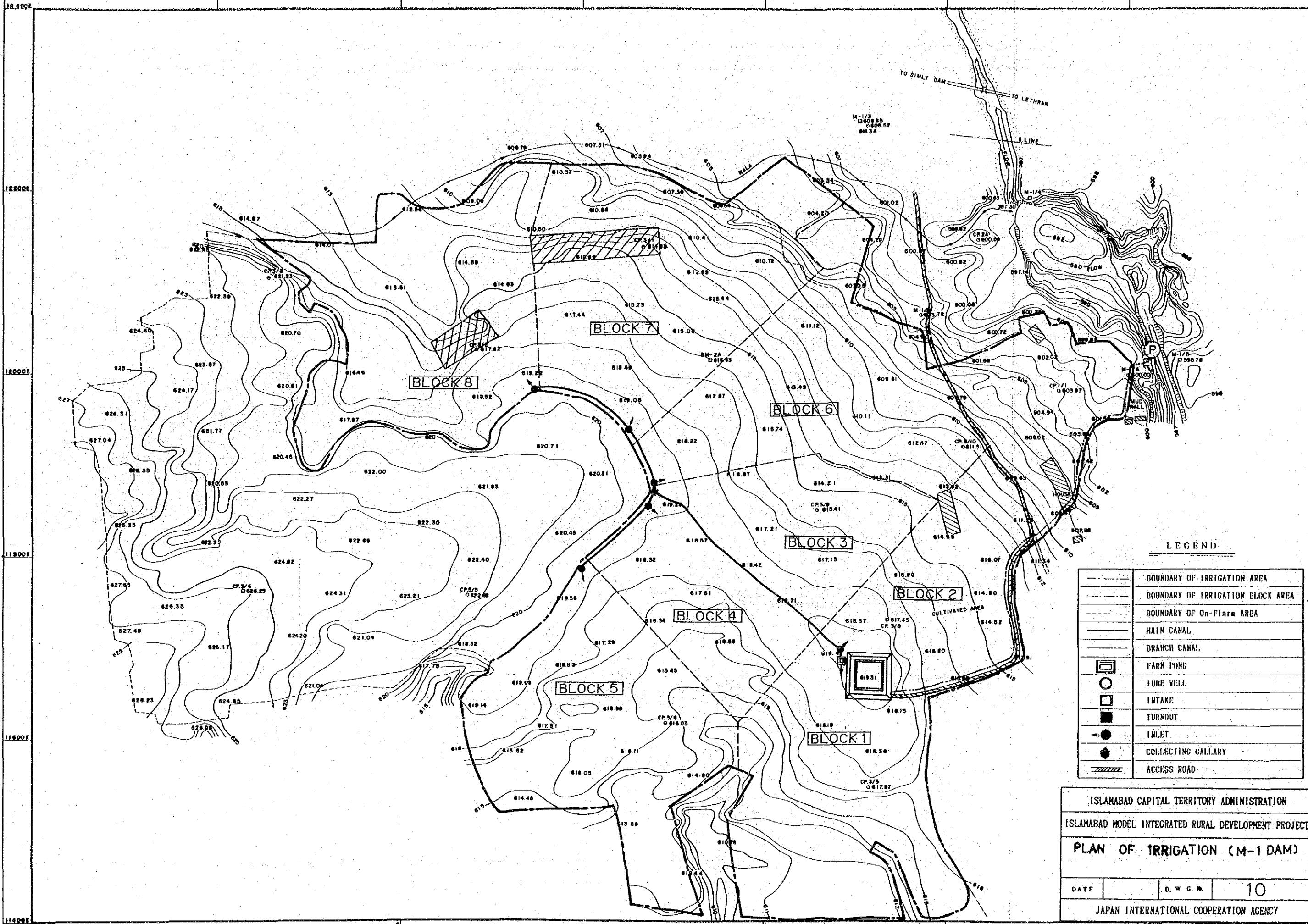
SCALE 1 : 400



ISLAMABAD CAPITAL TERRITORY ADMINISTRATION		
ISLAMABAD MODEL INTEGRATED RURAL DEVELOPMENT PROJECT		
LONGITUDINAL SECTION OF M-I DAM		
DATE	D. W. G. N.	8
JAPAN INTERNATIONAL COOPERATION AGENCY		



ISLAMABAD CAPITAL TERRITORY ADMINISTRATION		
ISLAMABAD MODEL INTEGRATED RURAL DEVELOPMENT PROJECT		
STANDARD SECTION AND CROSS SECTION OF M-1 DAM		
DATE	D. W. G. N.	9
JAPAN INTERNATIONAL COOPERATION AGENCY		



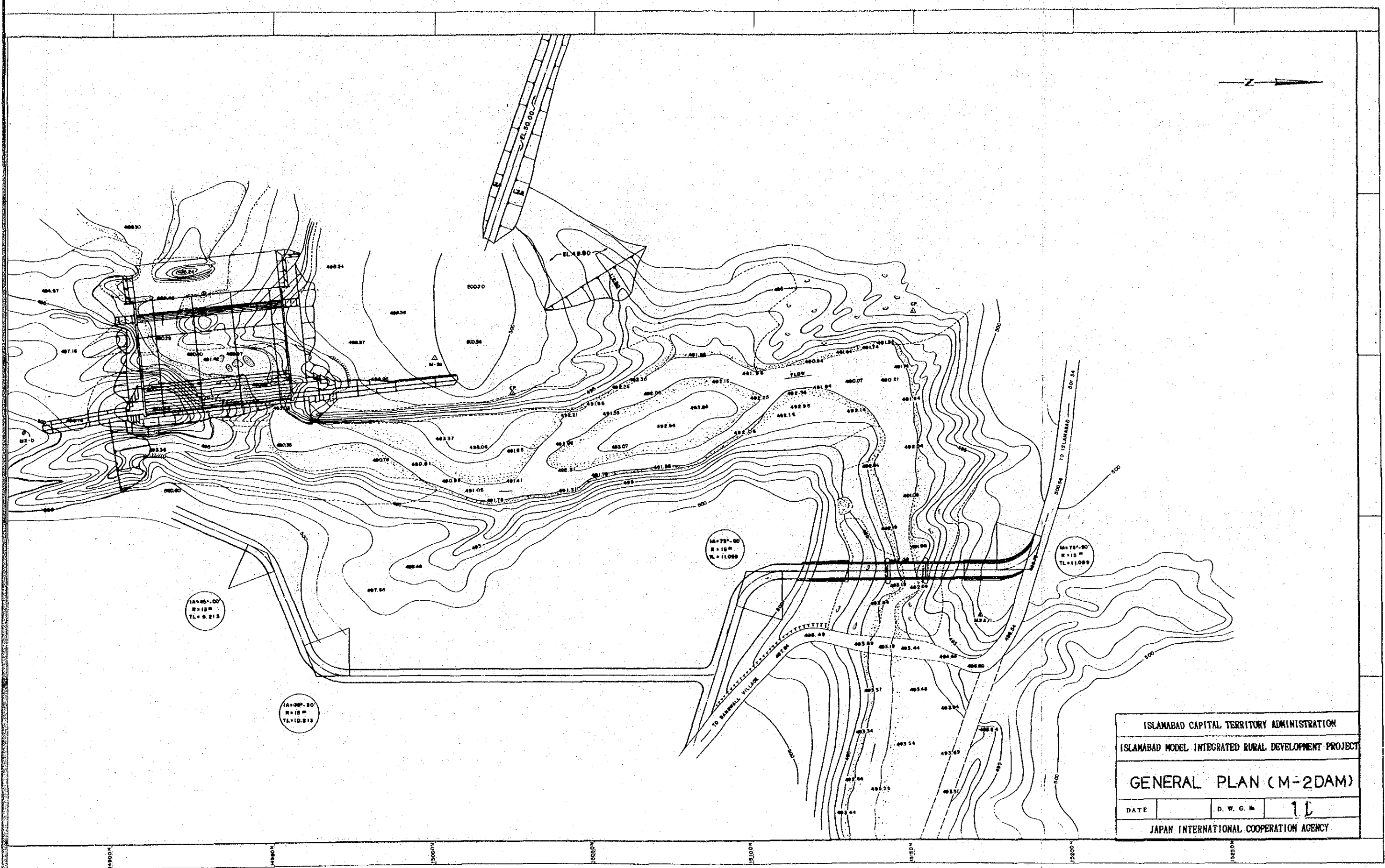
LEGEND

	BOUNDARY OF IRRIGATION AREA
	BOUNDARY OF IRRIGATION BLOCK AREA
	BOUNDARY OF On-Farm AREA
	MAIN CANAL
	BRANCH CANAL
	FARM POND
	TUBE WELL
	INTAKE
	TURNOUT
	INLET
	COLLECTING GALLERY
	ACCESS ROAD

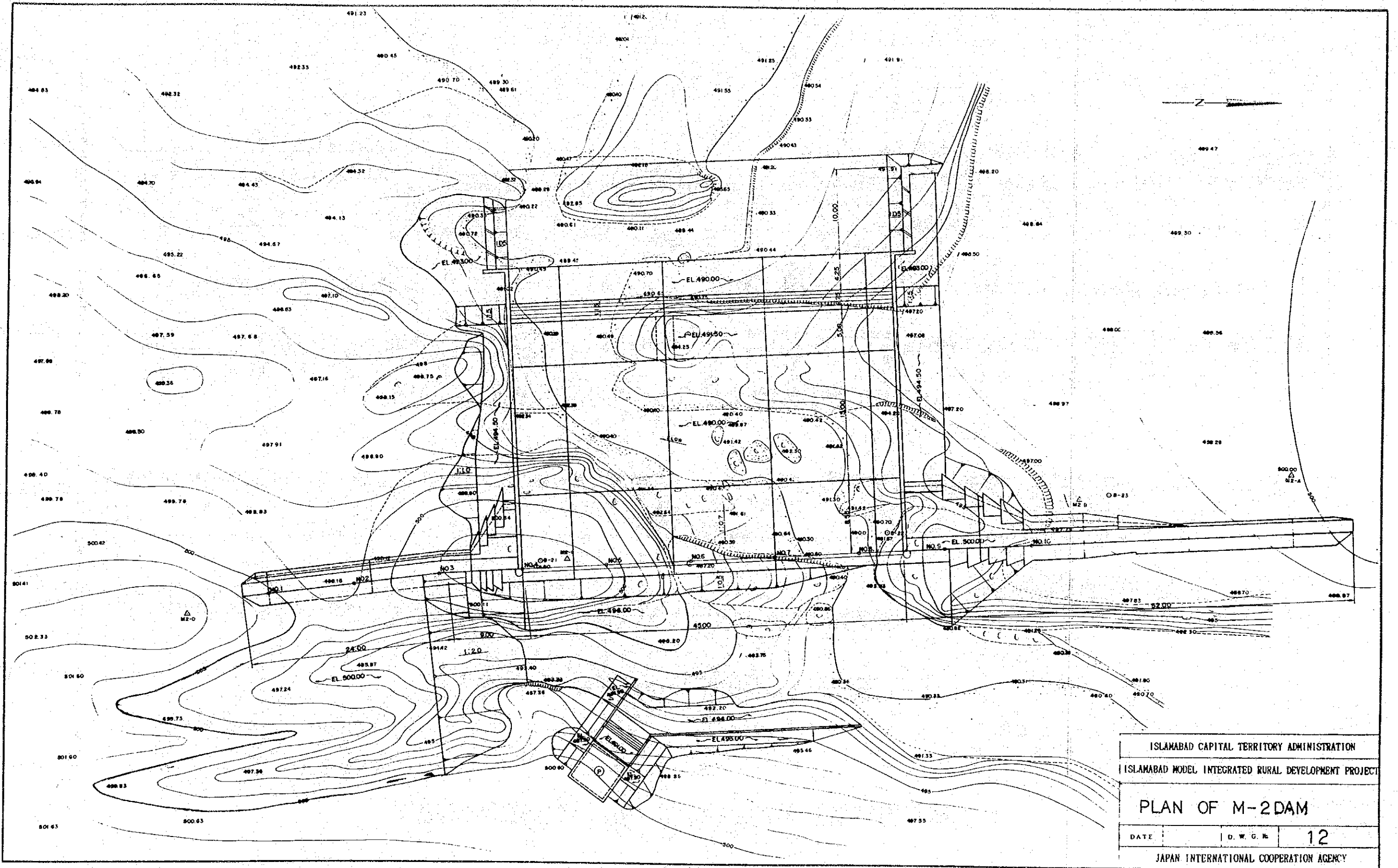
ISLAMABAD CAPITAL TERRITORY ADMINISTRATION
 ISLAMABAD MODEL INTEGRATED RURAL DEVELOPMENT PROJECT
PLAN OF IRRIGATION (M-1 DAM)

DATE	D. W. G. N.	10
------	-------------	----

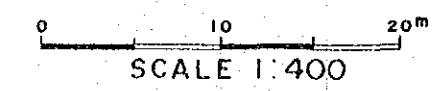
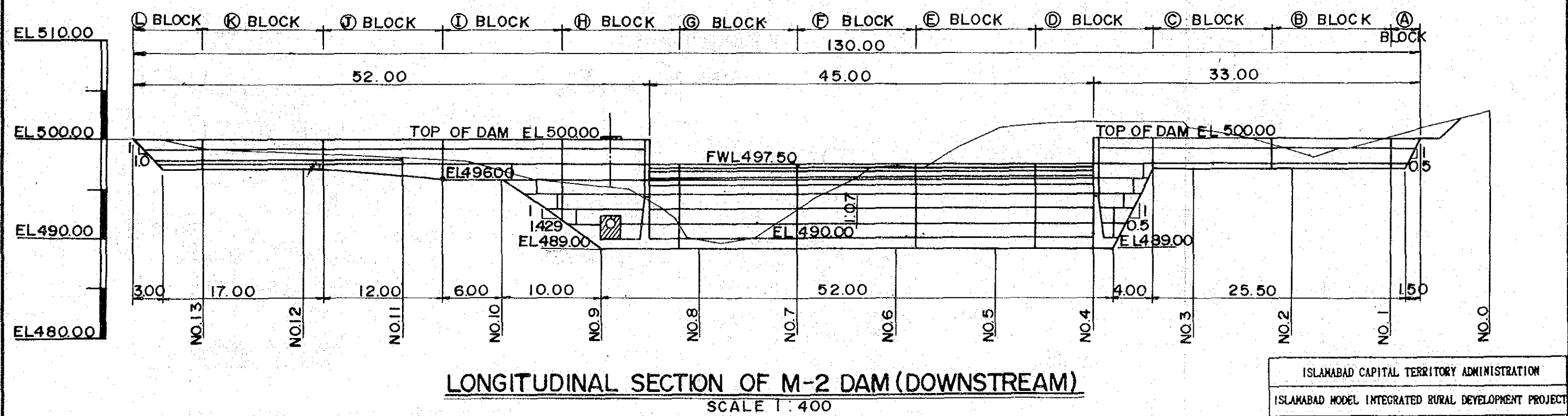
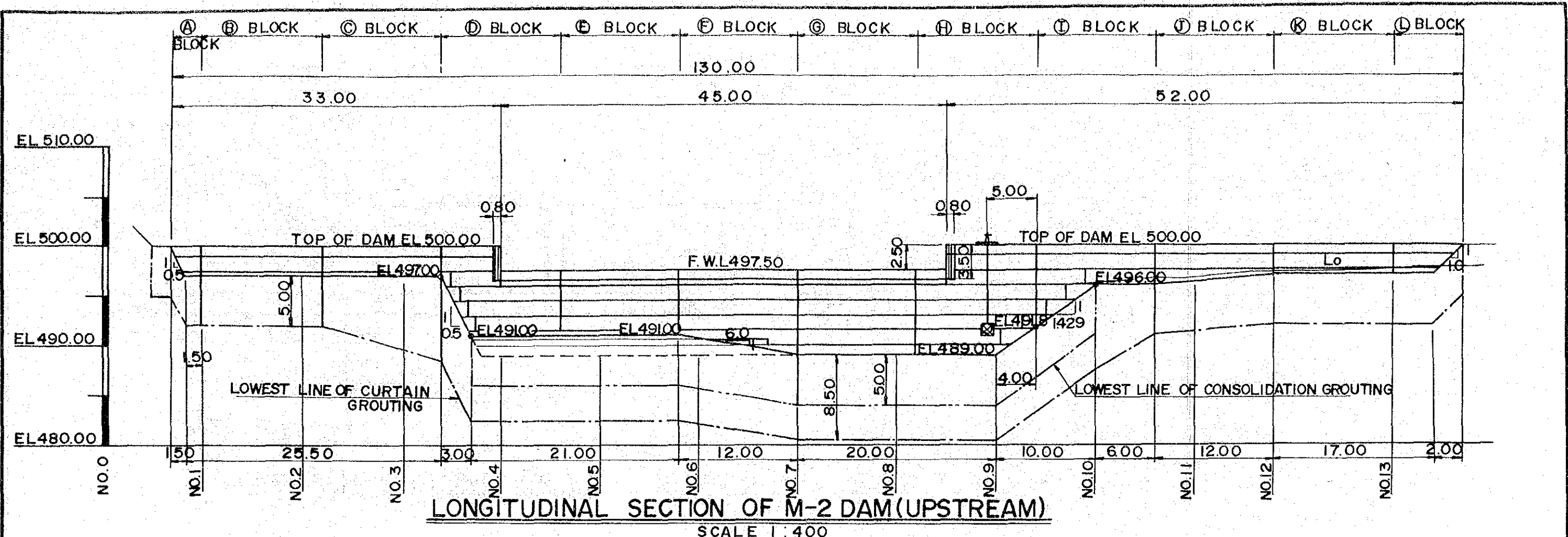
JAPAN INTERNATIONAL COOPERATION AGENCY



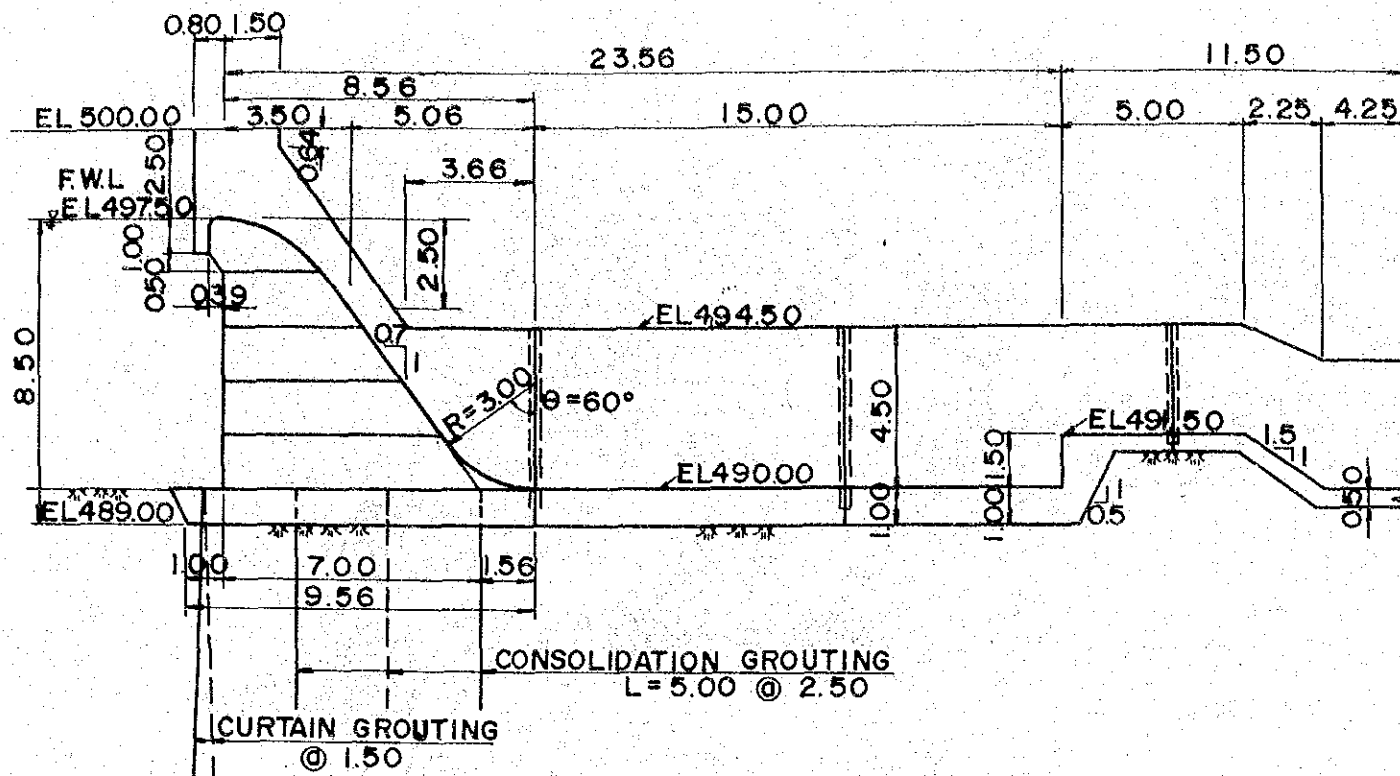
ISLAMABAD CAPITAL TERRITORY ADMINISTRATION
 ISLAMABAD MODEL INTEGRATED RURAL DEVELOPMENT PROJECT
 GENERAL PLAN (M-2DAM)
 DATE D. W. C. M. 10
 JAPAN INTERNATIONAL COOPERATION AGENCY



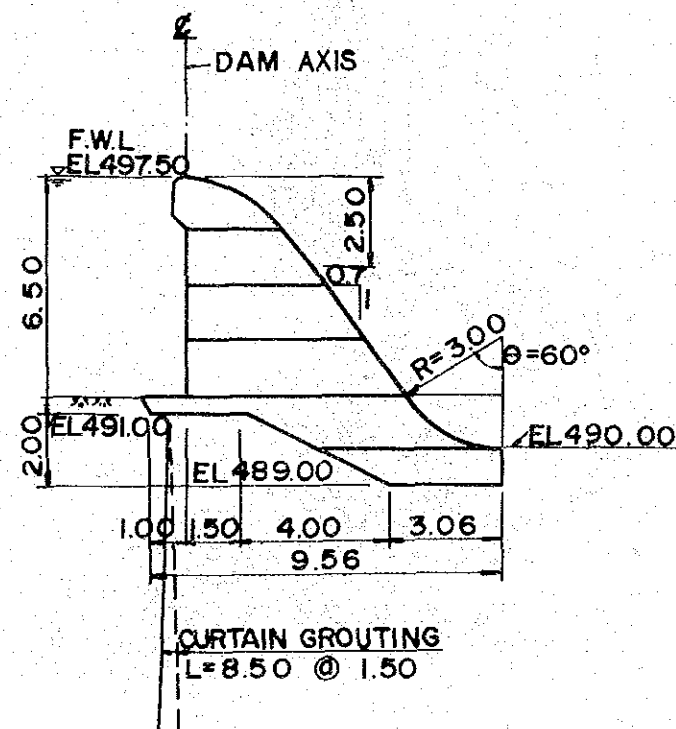
ISLAMABAD CAPITAL TERRITORY ADMINISTRATION		
ISLAMABAD MODEL INTEGRATED RURAL DEVELOPMENT PROJECT		
PLAN OF M-2 DAM		
DATE	D. W. G. R.	12
JAPAN INTERNATIONAL COOPERATION AGENCY		



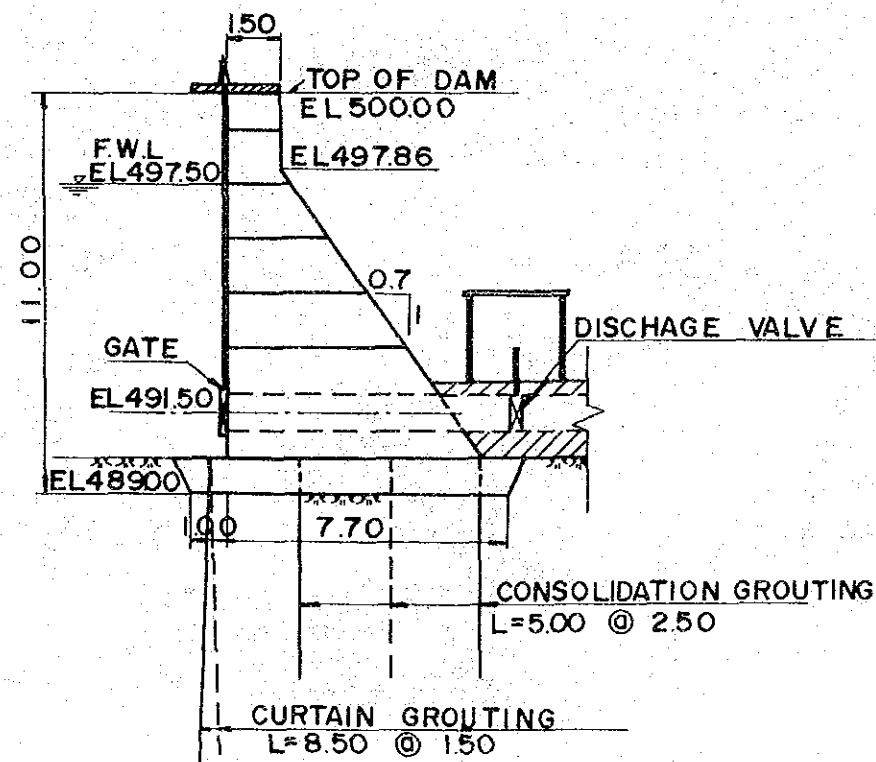
ISLAMABAD CAPITAL TERRITORY ADMINISTRATION		
ISLAMABAD MODEL INTEGRATED RURAL DEVELOPMENT PROJECT		
LONGITUDINAL SECTION OF M-2 DAM		
DATE	D. W. G. N.	13
JAPAN INTERNATIONAL COOPERATION AGENCY		



OVERFLOW SECTION (TYPE I)
SCALE 1:200



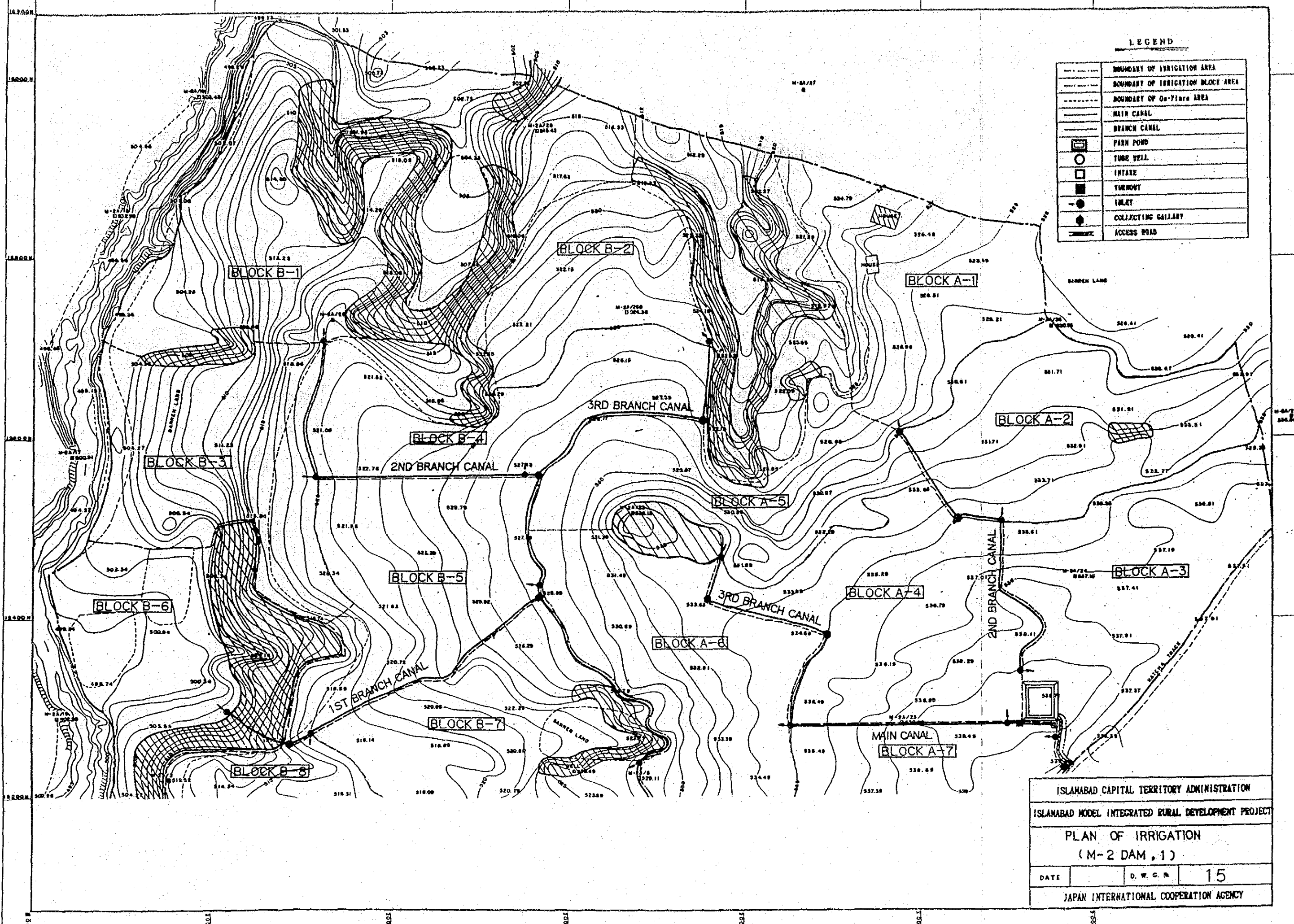
OVERFLOW SECTION (TYPE I)
SCALE 1:200



NON-OVERFLOW SECTION
SCALE 1:200



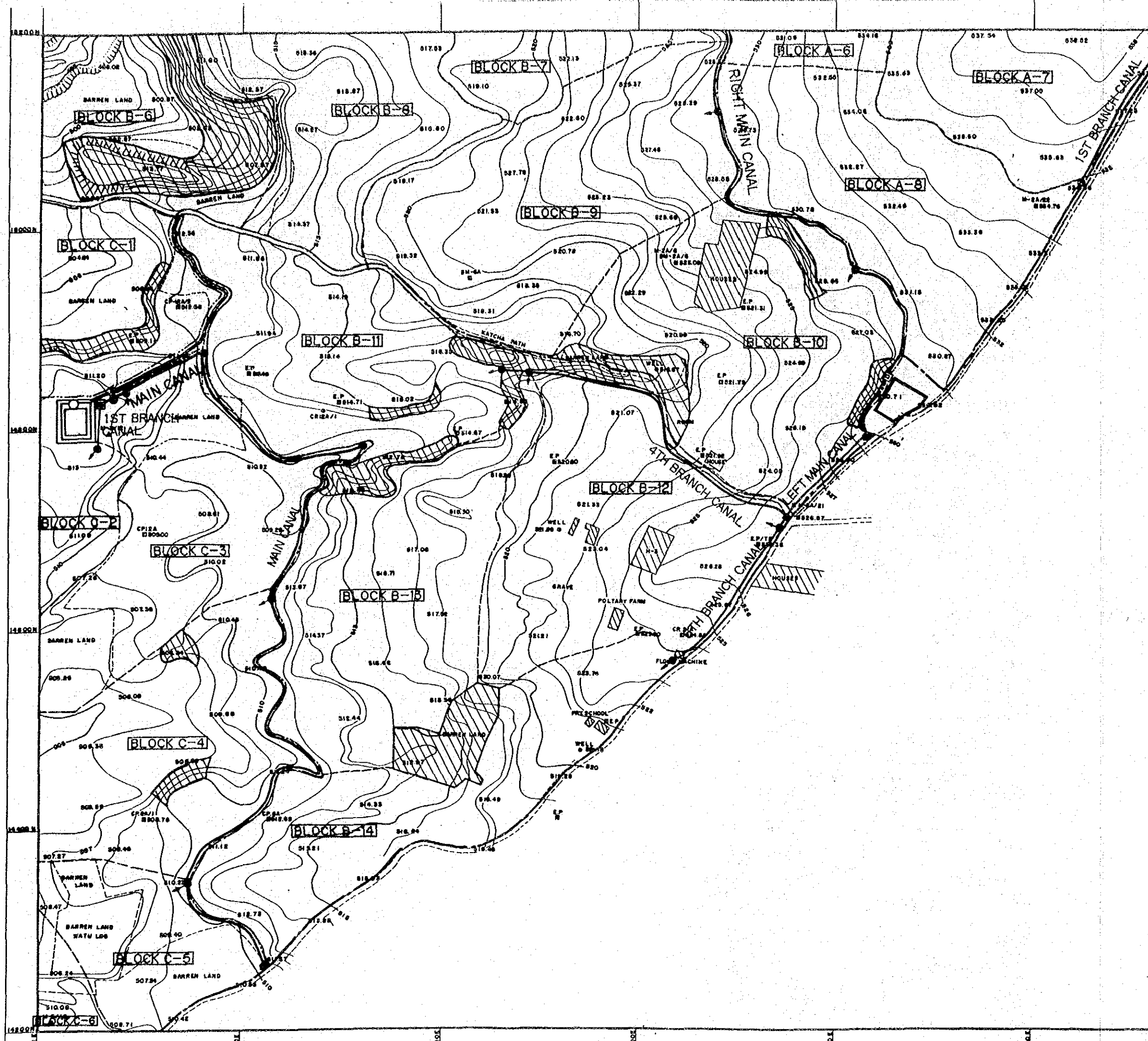
ISLAMABAD CAPITAL TERRITORY ADMINISTRATION		
ISLAMABAD MODEL INTEGRATED RURAL DEVELOPMENT PROJECT		
STANDARD SECTION OF M-2 DAM		
DATE	D. W. G. N.	14
JAPAN INTERNATIONAL COOPERATION AGENCY		



LEGEND

	BOUNDARY OF IRRIGATION AREA
	BOUNDARY OF IRRIGATION BLOCK AREA
	BOUNDARY OF Or-Fara AREA
	RAIN CANAL
	BRANCH CANAL
	FARM POND
	TUBE WELL
	INTAKE
	TURNOUT
	INLET
	COLLECTING GALLERY
	ACCESS ROAD

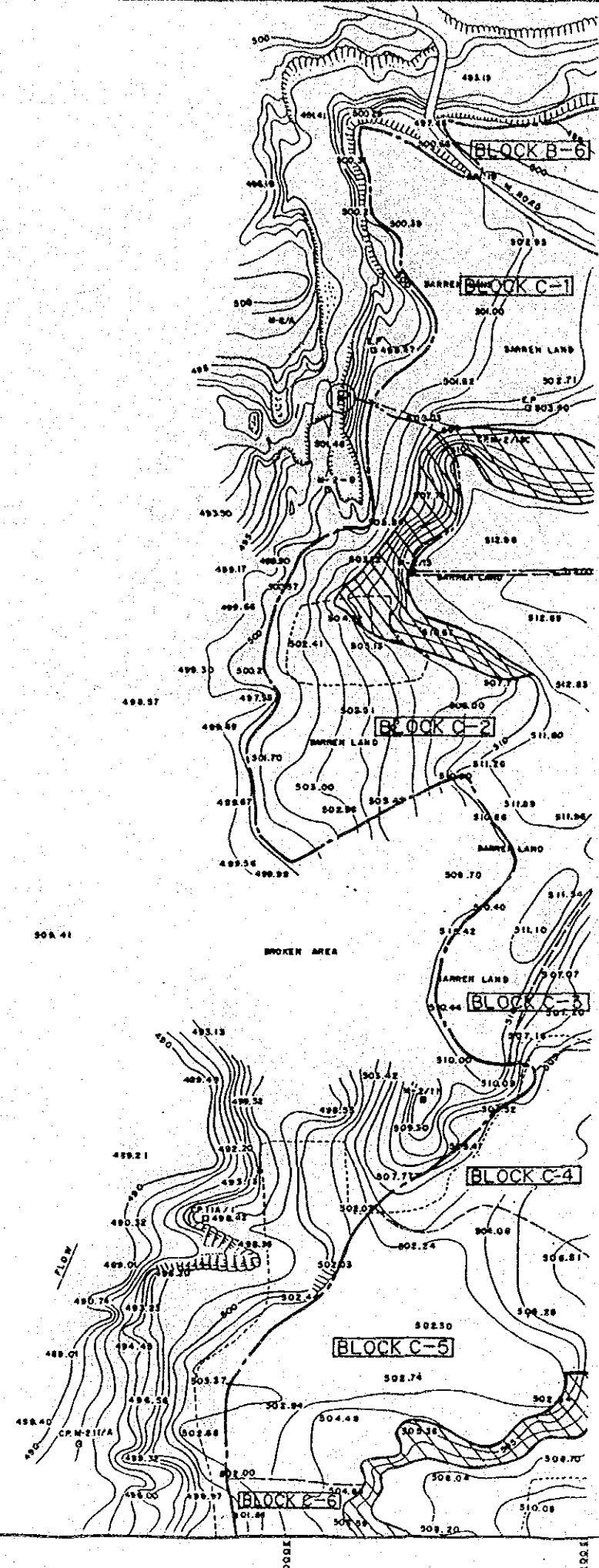
ISLAMABAD CAPITAL TERRITORY ADMINISTRATION
 ISLAMABAD MODEL INTEGRATED RURAL DEVELOPMENT PROJECT
 PLAN OF IRRIGATION
 (M-2 DAM, 1)
 DATE: D. W. G. R. 15
 JAPAN INTERNATIONAL COOPERATION AGENCY



LEGEND

	BOUNDARY OF IRRIGATION AREA
	BOUNDARY OF IRRIGATION BLOCK AREA
	BOUNDARY OF On-Farm AREA
	MAIN CANAL
	BRANCH CANAL
	FARM POND
	TUBE WELL
	INTAKE
	TURNOUT
	INLET
	COLLECTING GALLERY
	ACCESS ROAD

ISLAMABAD CAPITAL TERRITORY ADMINISTRATION		
ISLAMABAD MODEL INTEGRATED RURAL DEVELOPMENT PROJECT		
PLAN OF IRRIGATION (M-2 DAM, 2)		
DATE	D. W. G. R.	16
JAPAN INTERNATIONAL COOPERATION AGENCY		



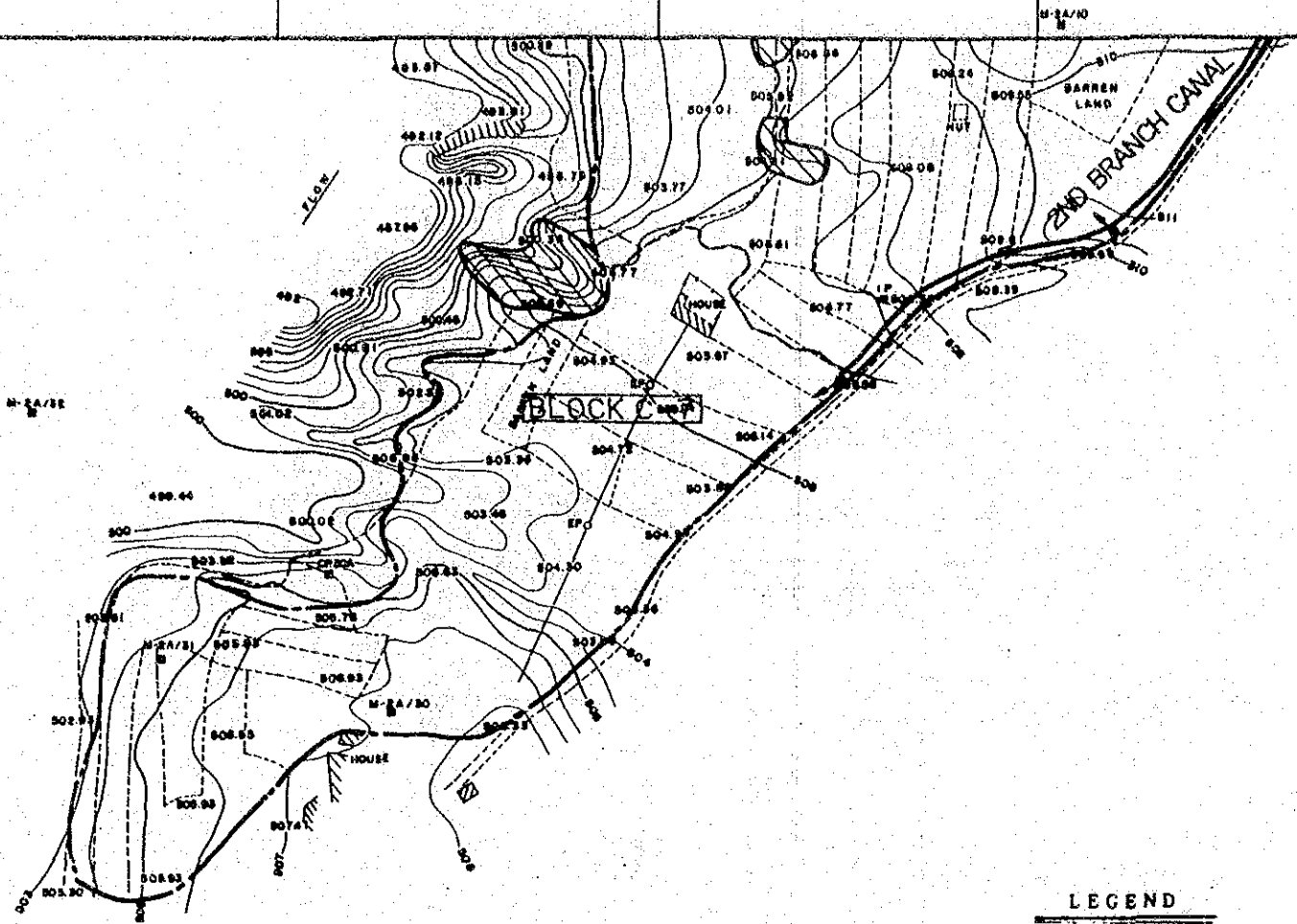
LEGEND

	BOUNDARY OF IRRIGATION AREA
	BOUNDARY OF IRRIGATION BLOCK AREA
	BOUNDARY OF On-Farm AREA
	MAIN CANAL
	BRANCH CANAL
	FARM POND
	TUBE WELL
	INTAKE
	TURMONT
	IMLET
	COLLECTING GALIARY
	ACCESS ROAD

ISLAMABAD CAPITAL TERRITORY ADMINISTRATION	
ISLAMABAD MODEL INTEGRATED RURAL DEVELOPMENT PROJECT	
PLAN OF IRRIGATION (M-2 DAM, 3)	
DATE	D. W. G. N. 17
JAPAN INTERNATIONAL COOPERATION AGENCY	

142000
143000
144000
145000
146000
147000
148000
149000
150000

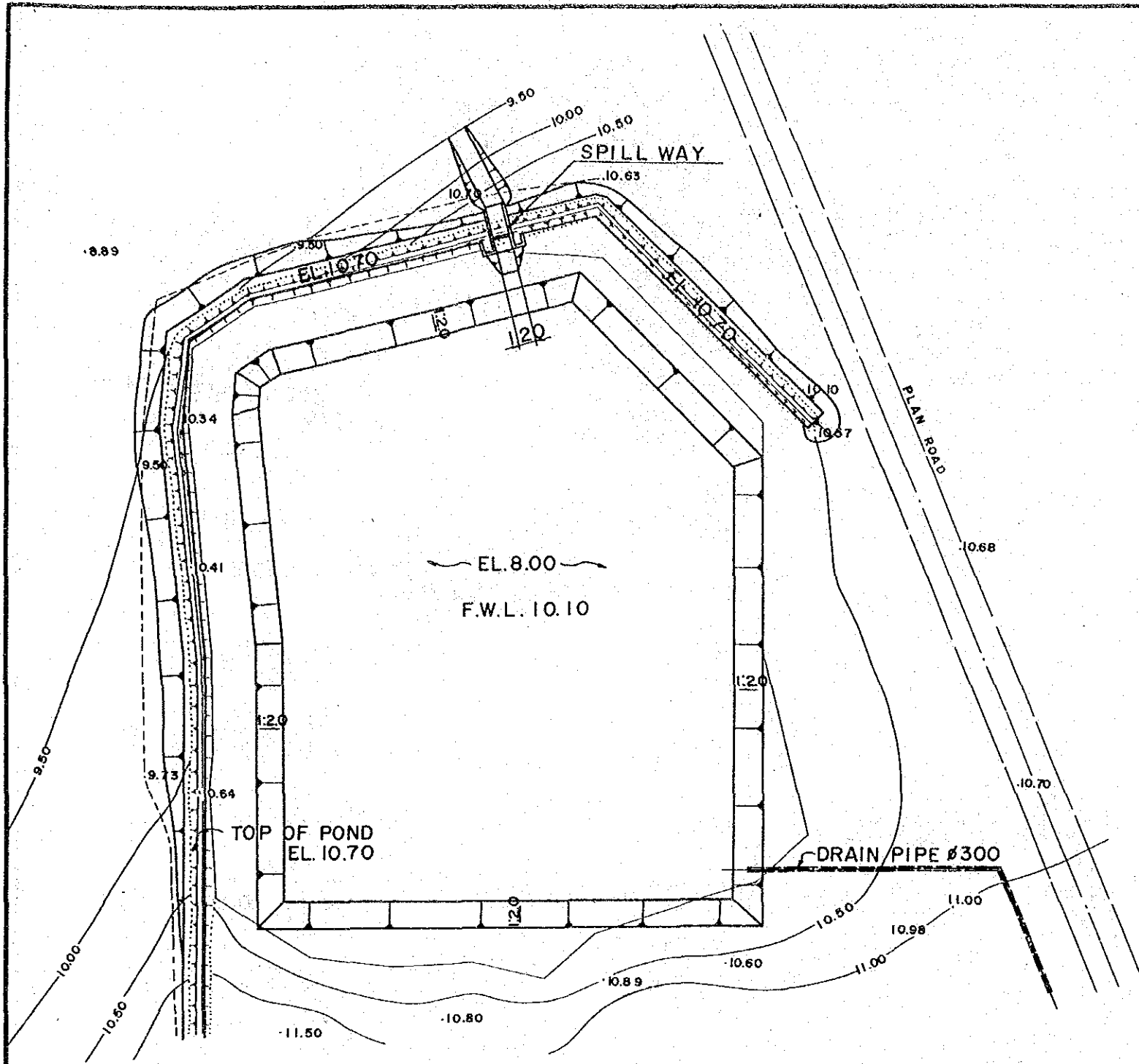
142000
143000
144000
145000
146000
147000
148000
149000
150000



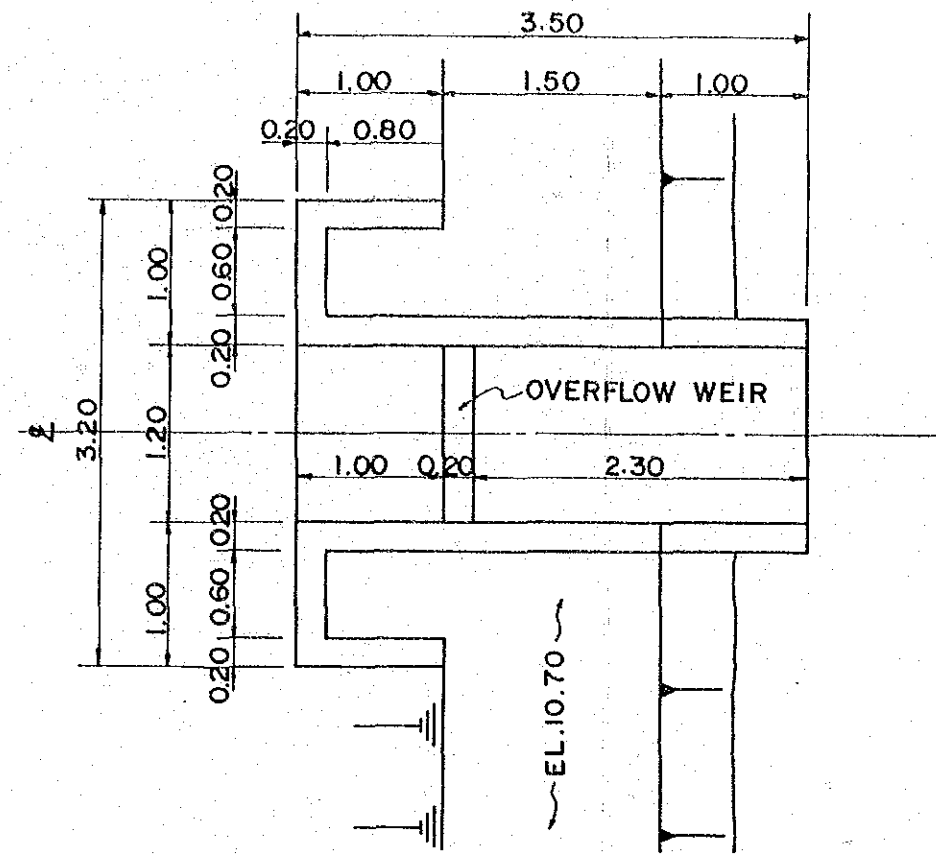
LEGEND

---	BOUNDARY OF IRRIGATION AREA
---	BOUNDARY OF IRRIGATION BLOCK AREA
---	BOUNDARY OF On-Farm AREA
---	MAIN CANAL
---	BRANCH CANAL
□	FARM POND
○	TUBE WELL
□	INTAKE
■	TURNOUT
●	INLET
●	COLLECTING GALLERY
---	ACCESS ROAD

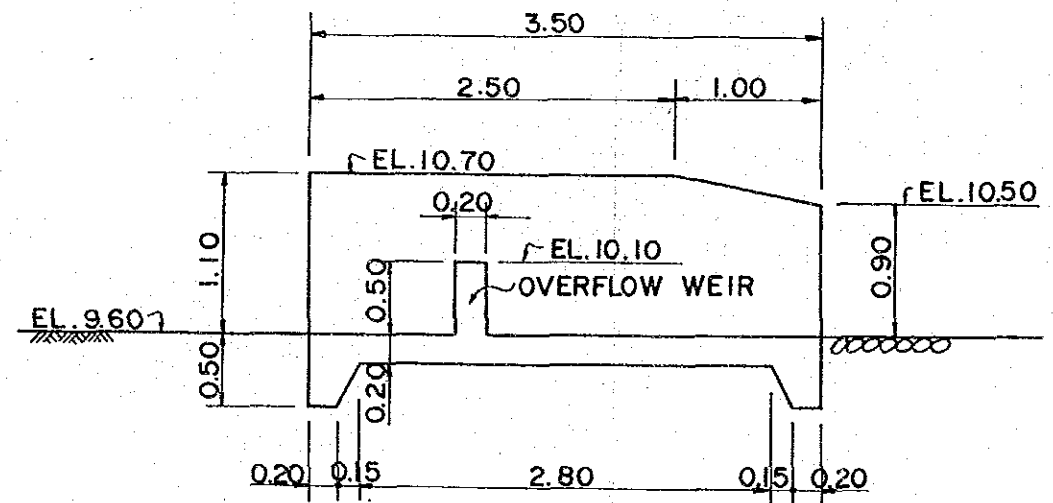
ISLAMABAD CAPITAL TERRITORY ADMINISTRATION
 ISLAMABAD MODEL INTEGRATED RURAL DEVELOPMENT PROJECT
 PLAN OF IRRIGATION
 (M-2 DAM, 4)
 DATE: D. W. G. A. 18
 JAPAN INTERNATIONAL COOPERATION AGENCY



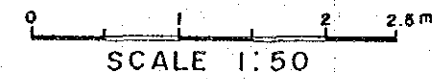
PLAN OF FARM POND NO. 2
SCALE 1:400



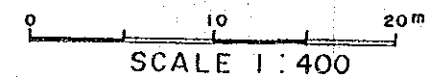
PLAN OF SPILLWAY
SCALE 1:50



SECTION A - A
SCALE 1:50

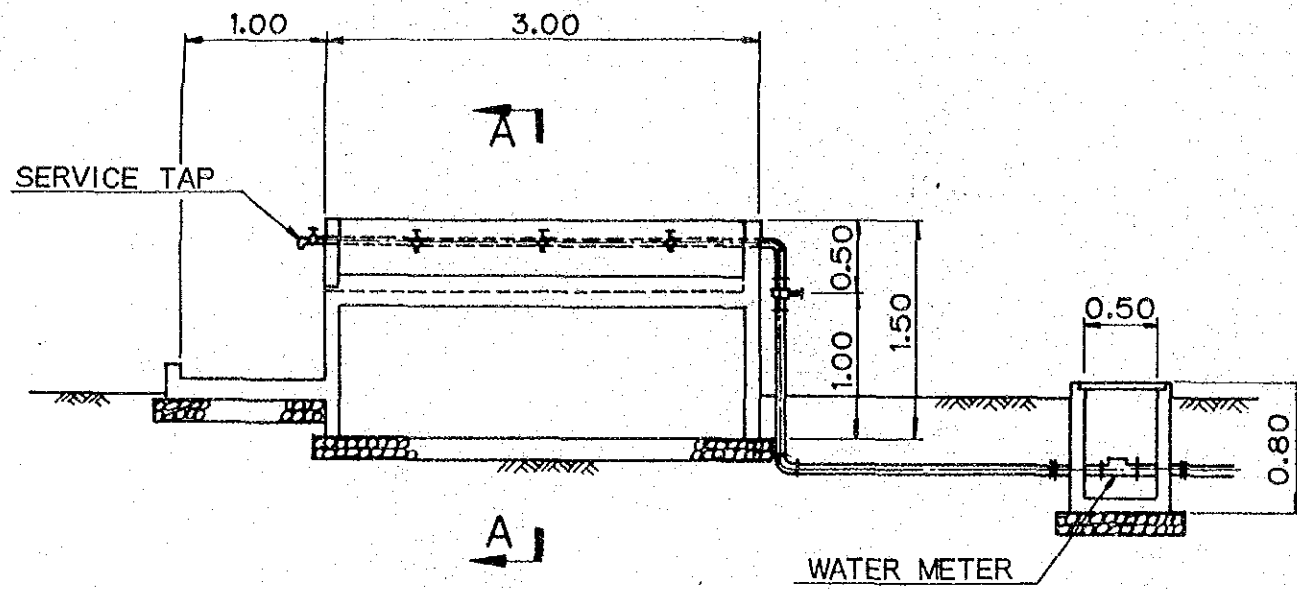


SCALE 1:50

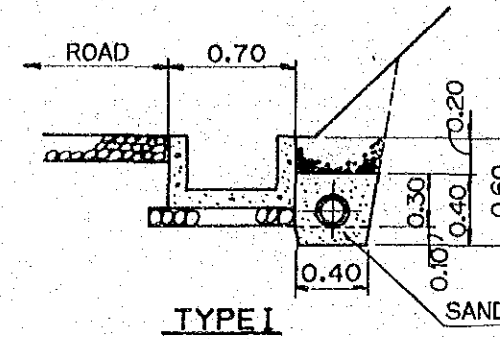


SCALE 1:400

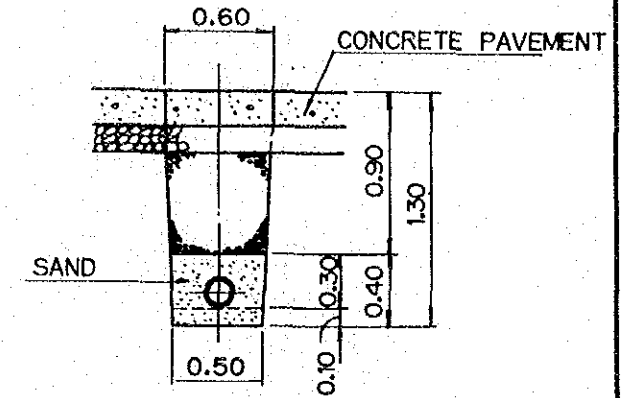
ISLAMABAD CAPITAL TERRITORY ADMINISTRATION		
ISLAMABAD MODEL INTEGRATED RURAL DEVELOPMENT PROJECT		
PLAN OF FARM POND NO. 2		
DATE	D. W. C. No.	19
JAPAN INTERNATIONAL COOPERATION AGENCY		



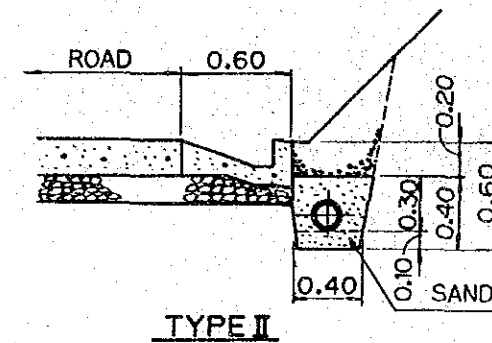
COMMON FAUCET
SCALE 1:50



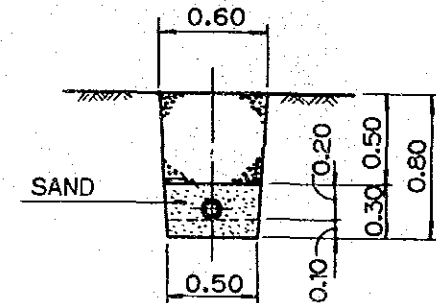
TYPE I



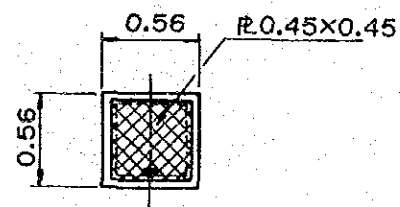
CROSS SECTION AT ROAD
SCALE 1:40



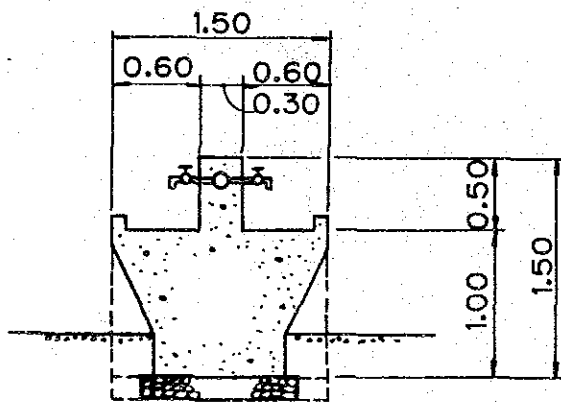
TYPE II



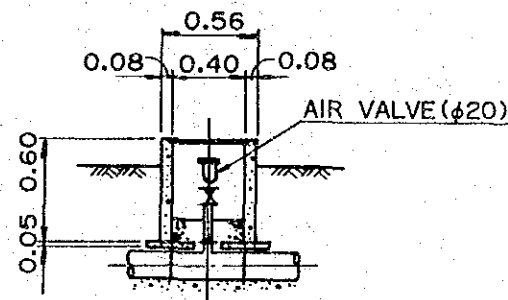
PIPE INSTALLATION
SCALE 1:40



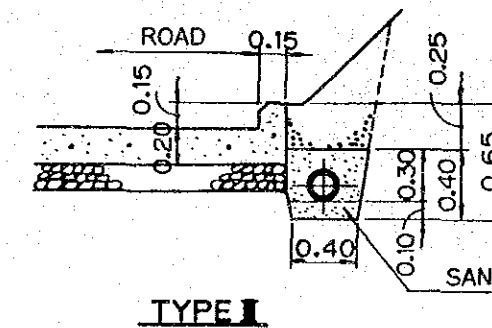
PLANE OF AIR VALVE STAND
SCALE 1:40



SECTION A-A
SCALE 1:50

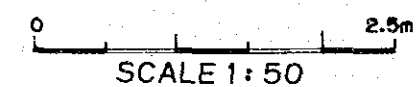


AIR VALVE STAND
SCALE 1:40

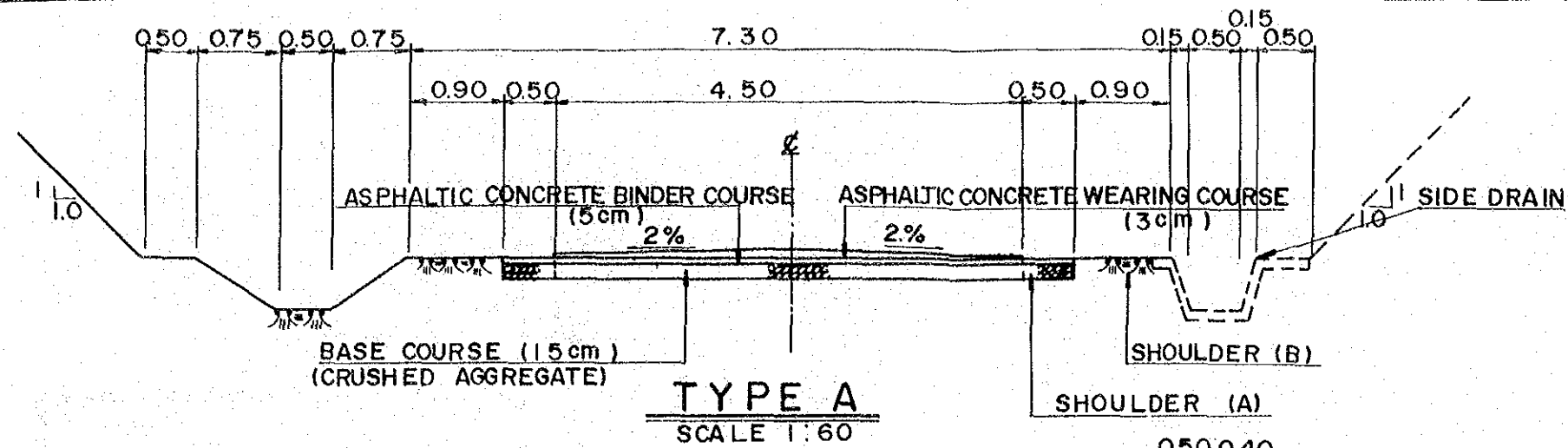


TYPE I

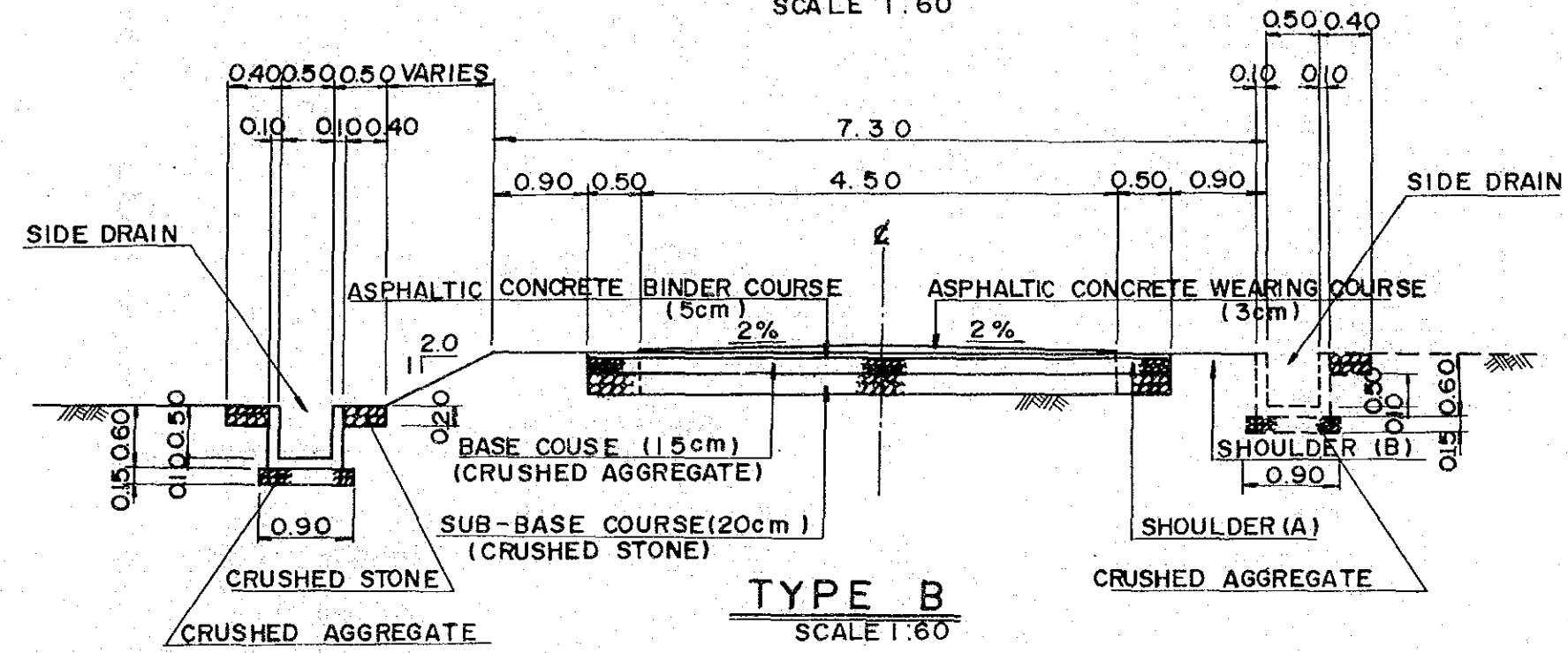
PIPE INSTALLATION
SCALE 1:40



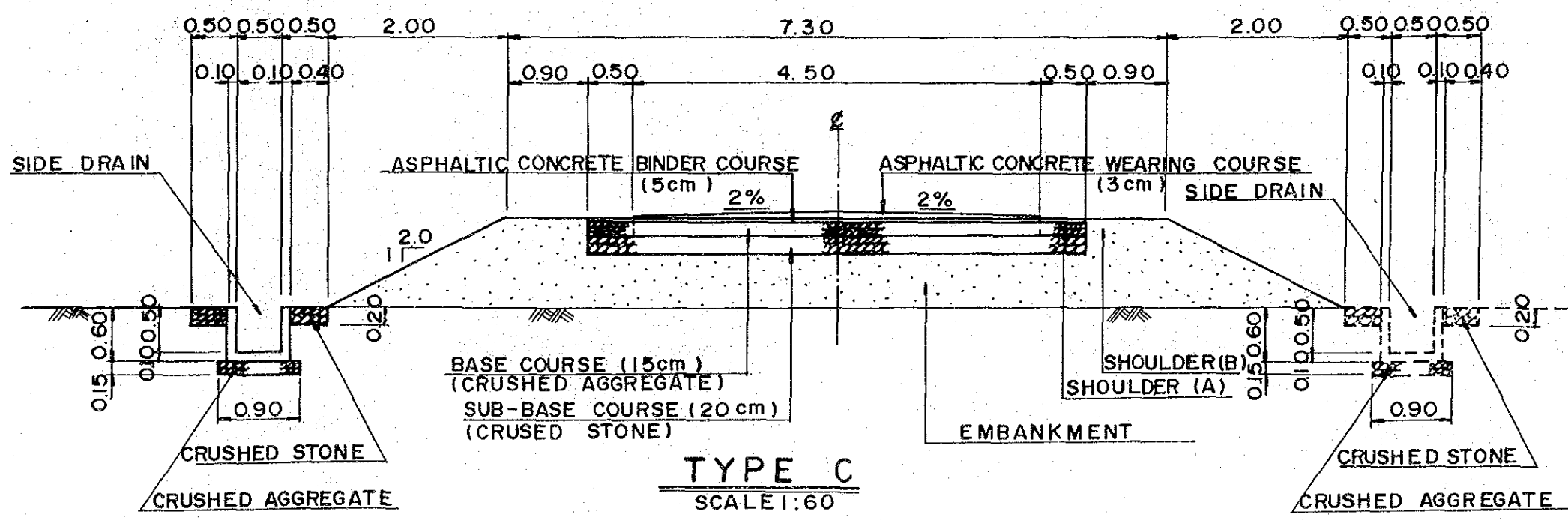
ISLAMABAD CAPITAL TERRITORY ADMINISTRATION			
ISLAMABAD MODEL INTEGRATED RURAL DEVELOPMENT PROJECT			
PLAN OF COMMON FAUCET			
DATE		D. W. G. No.	20
JAPAN INTERNATIONAL COOPERATION AGENCY			



TYPE A
SCALE 1:60



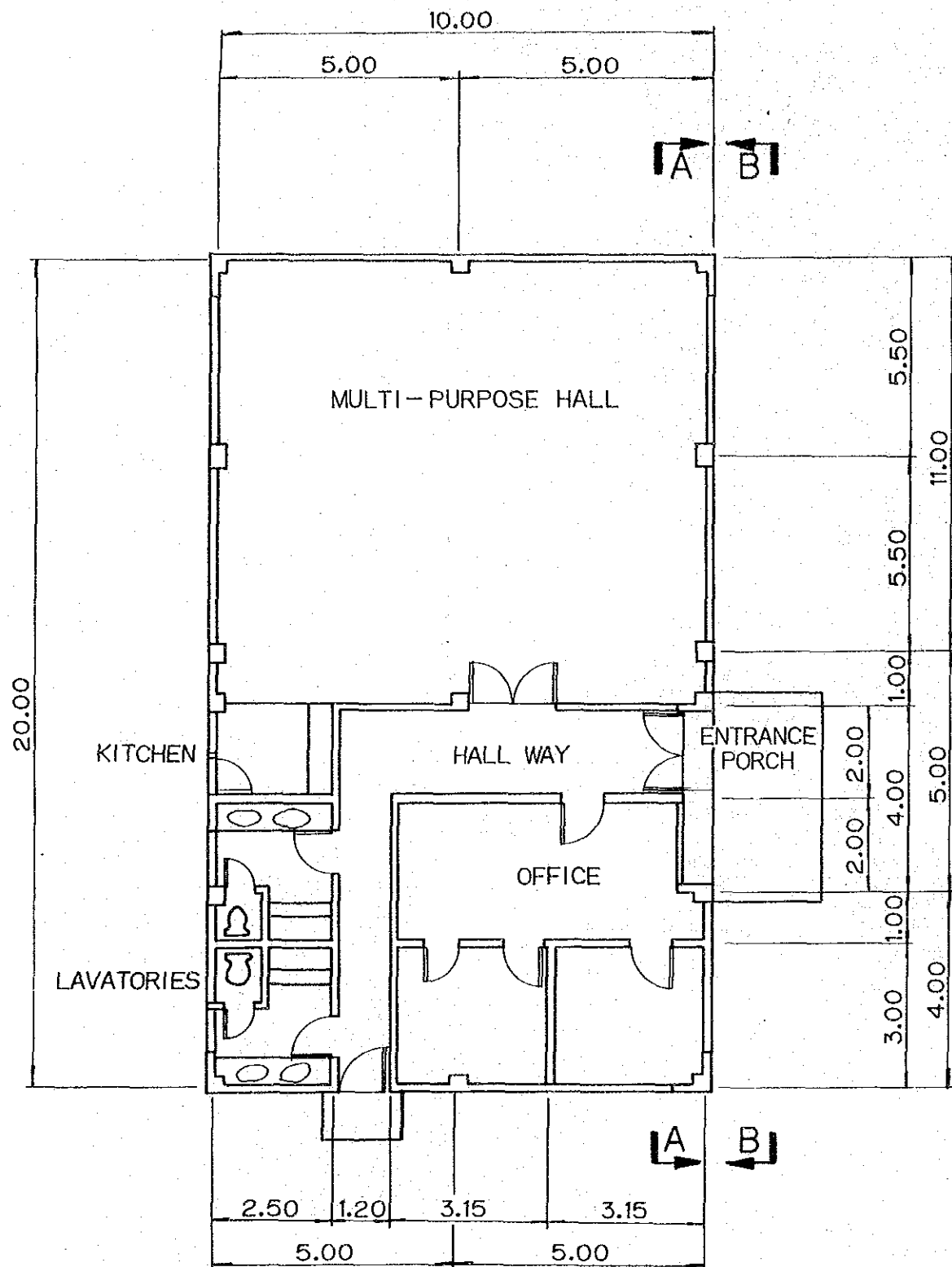
TYPE B
SCALE 1:60



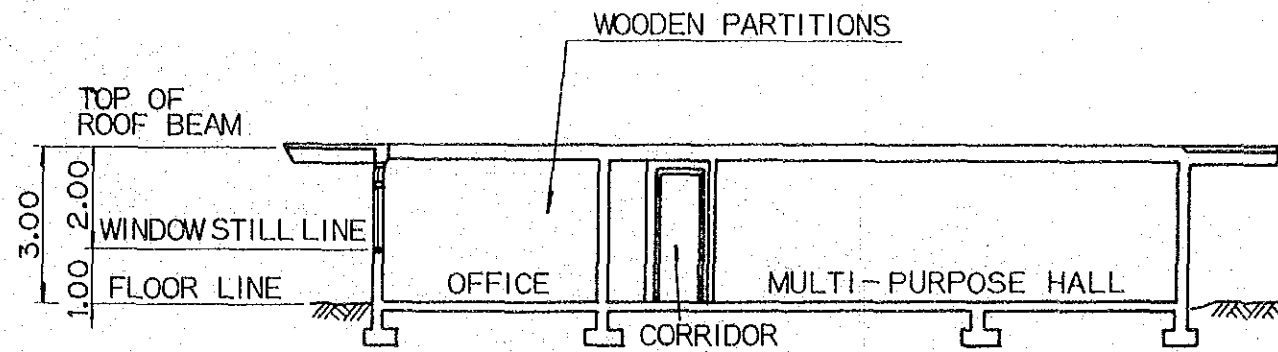
TYPE C
SCALE 1:60



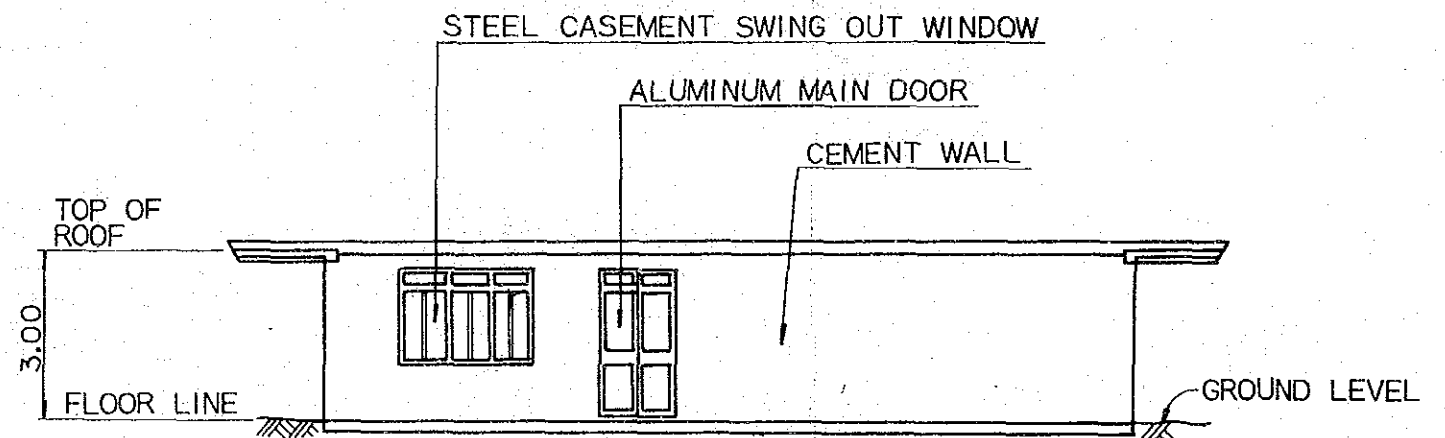
ISLAMABAD CAPITAL TERRITORY ADMINISTRATION		
ISLAMABAD MODEL INTEGRATED RURAL DEVELOPMENT PROJECT		
STANDARD SECTION OF ROAD		
DATE	D. W. G. N.	21
JAPAN INTERNATIONAL COOPERATION AGENCY		



FLOOR PLAN



SECTION A-A



SECTION B-B

ISLAMABAD CAPITAL TERRITORY ADMINISTRATION		
ISLAMABAD MODEL INTEGRATED RURAL DEVELOPMENT PROJECT		
PLAN OF RURAL DEVELOPMENT STATION		
DATE	D. W. G. *	22
JAPAN INTERNATIONAL COOPERATION AGENCY		

JICA