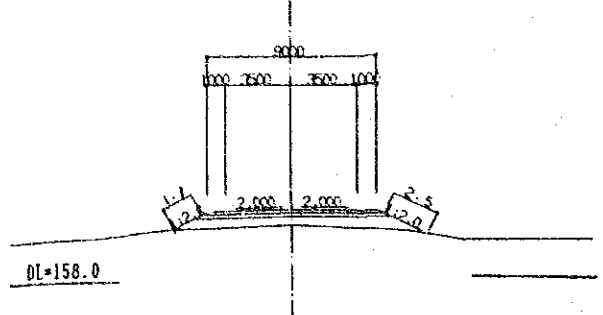


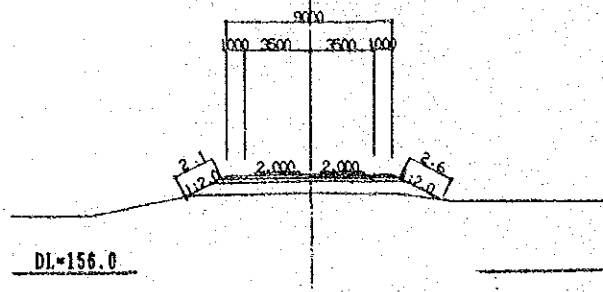
NO. 87+200.000

P+E= 161.515  
P=F= 161.680  
G=F= 160.86  
BA1= 7.95  
BA2= 0.0



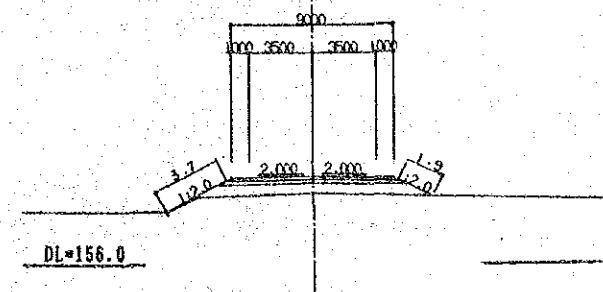
NO. 88+000.000

P+E= 161.035  
P=F= 161.200  
G=F= 160.22  
BA1= 8.15  
BA2= 0.0



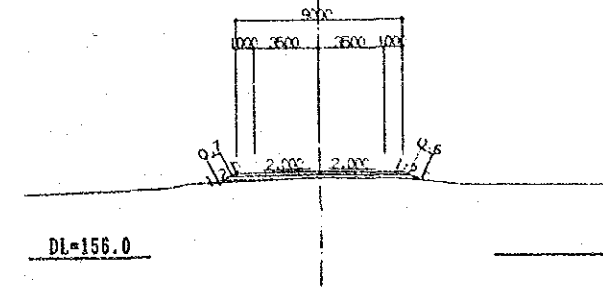
NO. 88+800.000

P+E= 160.555  
P=F= 160.720  
G=F= 159.83  
BA1= 7.65  
BA2= 0.0



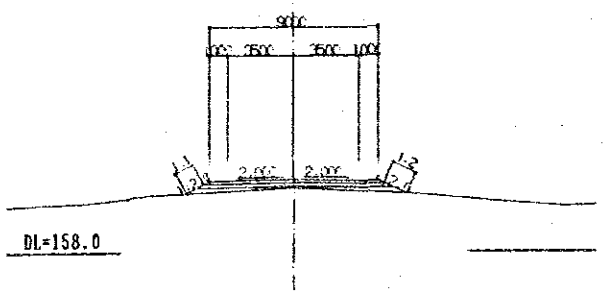
NO. 89+600.000

P+E= 160.125  
P=F= 160.290  
G=F= 160.22  
BA1= 1.75  
BA2= 0.0



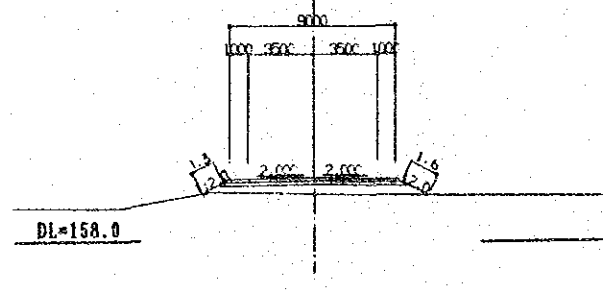
NO. 87+000.000

P+E= 161.628  
P=F= 161.793  
G=F= 161.34  
BA1= 4.25  
BA2= 0.0



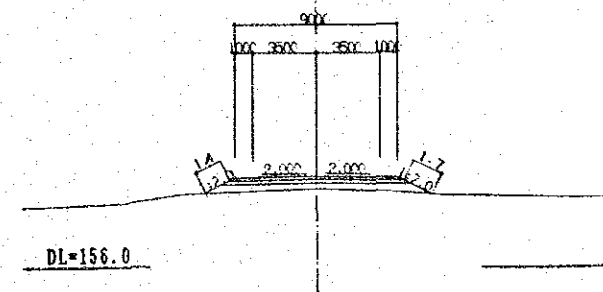
NO. 87+800.000

P+E= 161.155  
P=F= 161.320  
G=F= 160.45  
BA1= 4.65  
BA2= 0.0



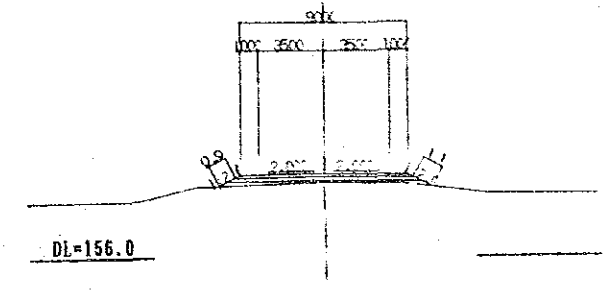
NO. 88+600.000

P+E= 160.675  
P=F= 160.840  
G=F= 160.17  
BA1= 4.95  
BA2= 0.0



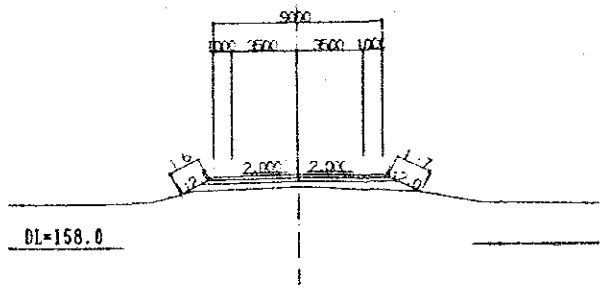
NO. 89+400.000

P+E= 160.195  
P=F= 160.360  
G=F= 159.92  
BA1= 1.95  
BA2= 0.0



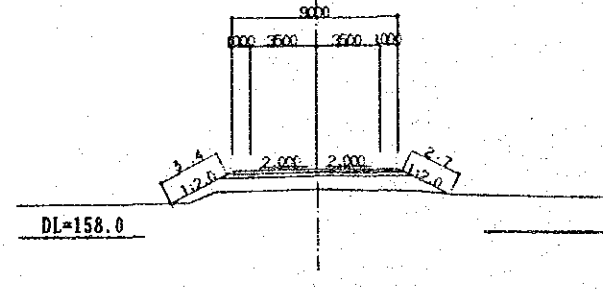
NO. 86+800.000

P+E= 161.635  
P=F= 161.800  
G=F= 161.15  
BA1= 5.15  
BA2= 0.0



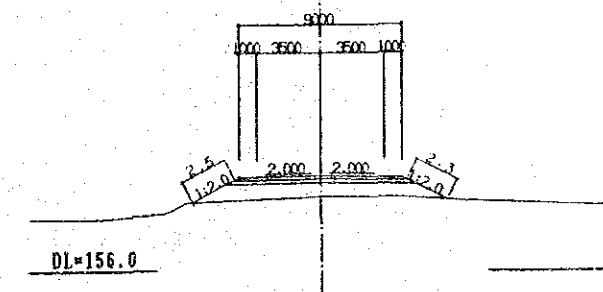
NO. 87+600.000

P+E= 161.275  
P=F= 161.440  
G=F= 160.37  
BA1= 10.15  
BA2= 0.0



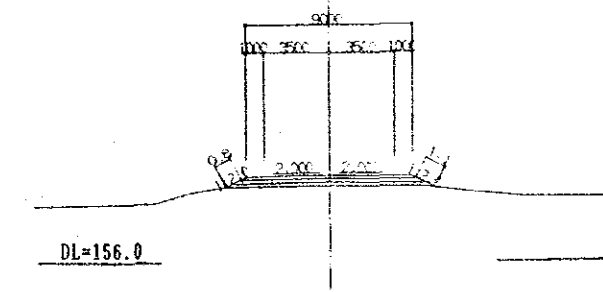
NO. 88+400.000

P+E= 160.795  
P=F= 160.960  
G=F= 159.85  
BA1= 7.75  
BA2= 0.0



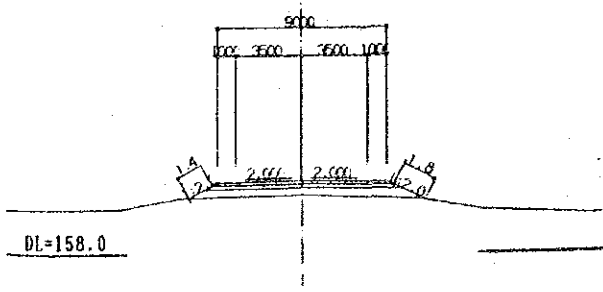
NO. 89+200.000

P+E= 160.315  
P=F= 160.480  
G=F= 159.91  
BA1= 1.05  
BA2= 0.0



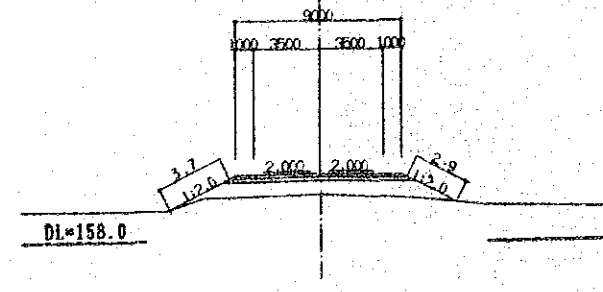
NO. 86+600.000

P+E= 161.635  
P=F= 161.800  
G=F= 161.05  
BA1= 5.85  
BA2= 0.0



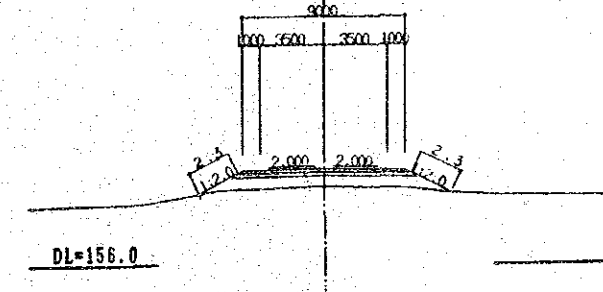
NO. 87+400.000

P+E= 161.395  
P=F= 161.560  
G=F= 160.46  
BA1= 10.95  
BA2= 0.0



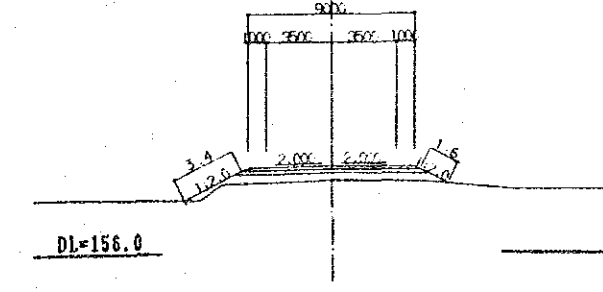
NO. 88+200.000

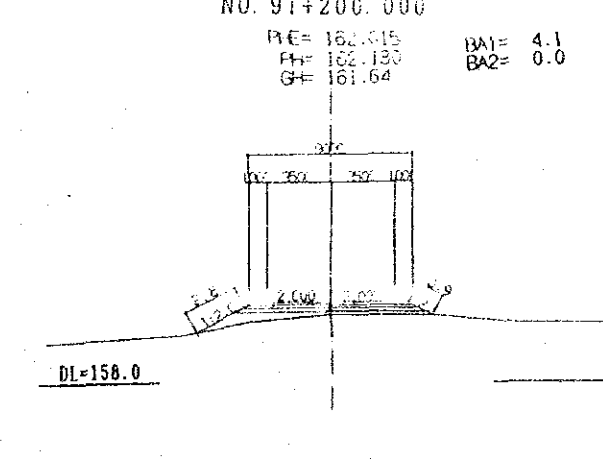
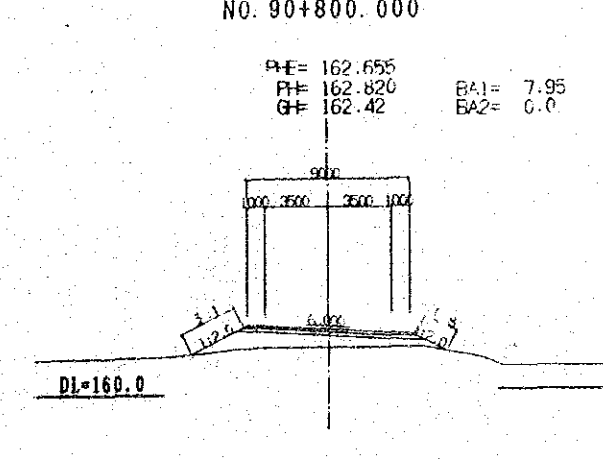
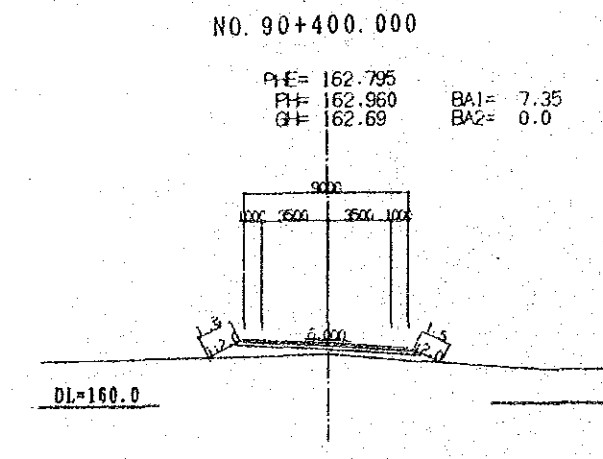
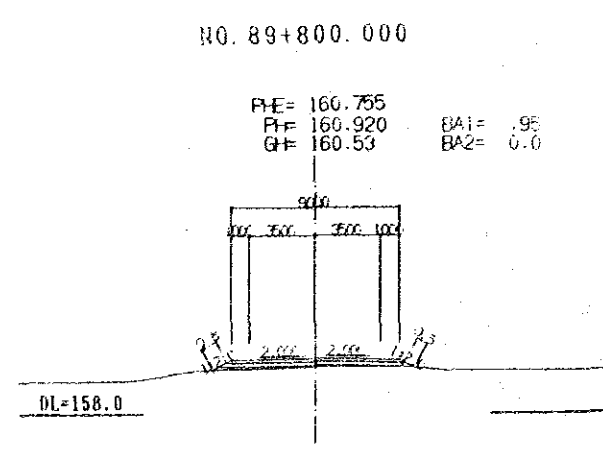
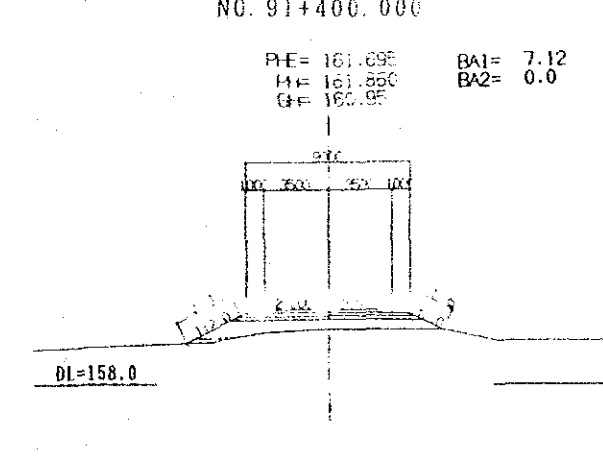
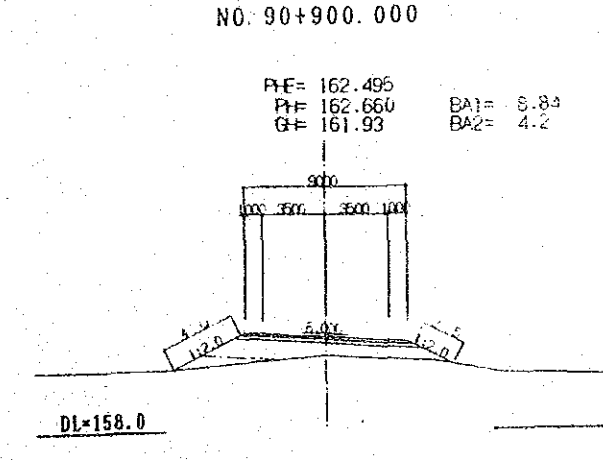
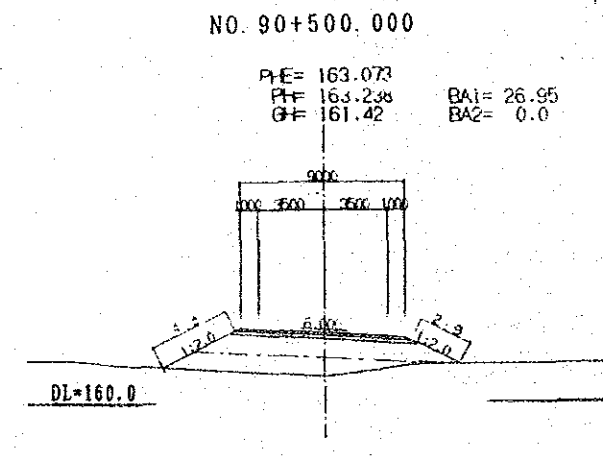
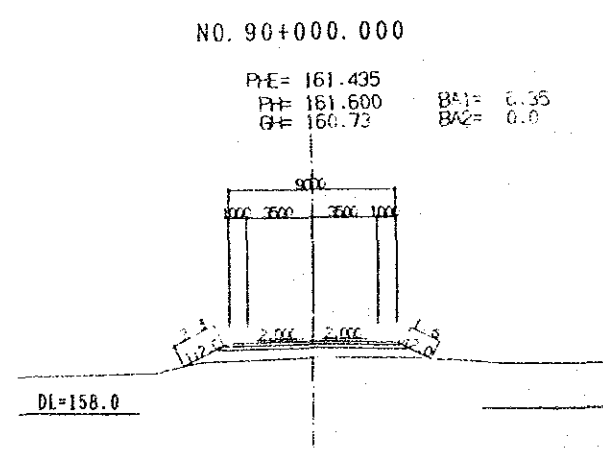
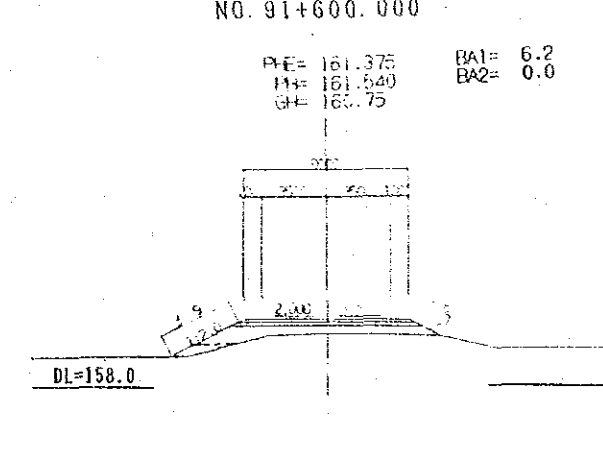
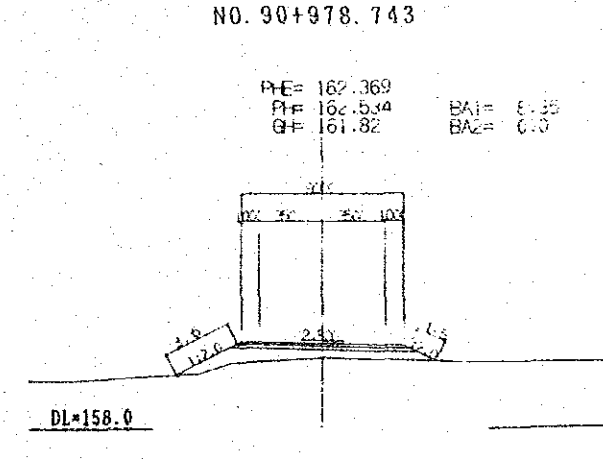
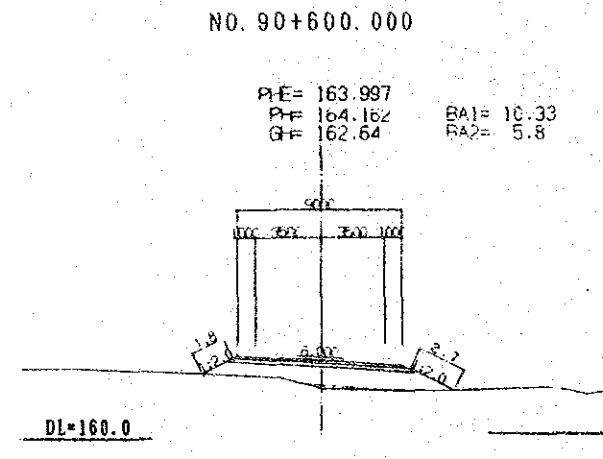
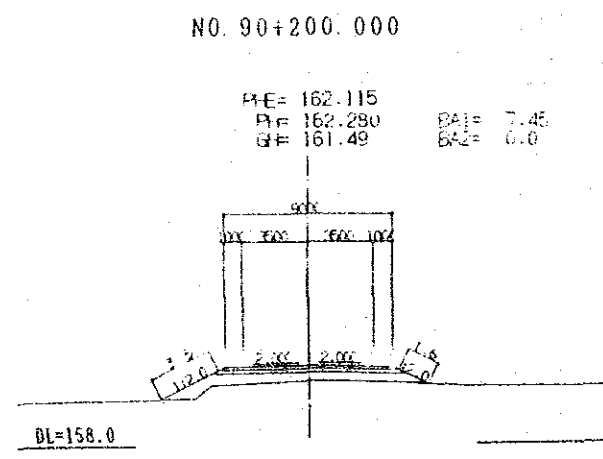
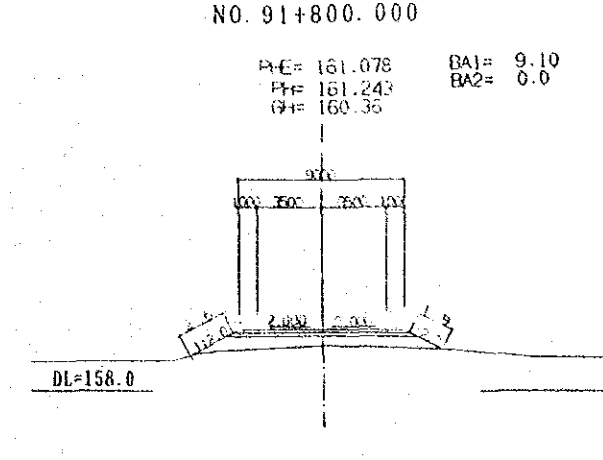
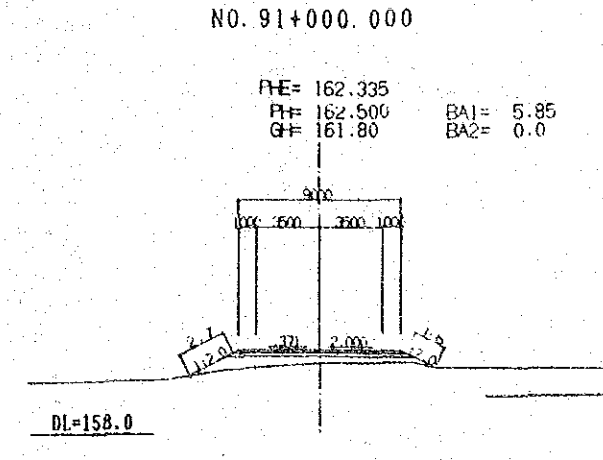
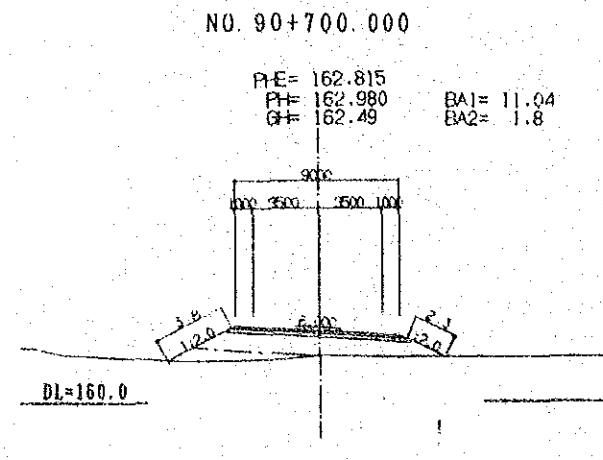
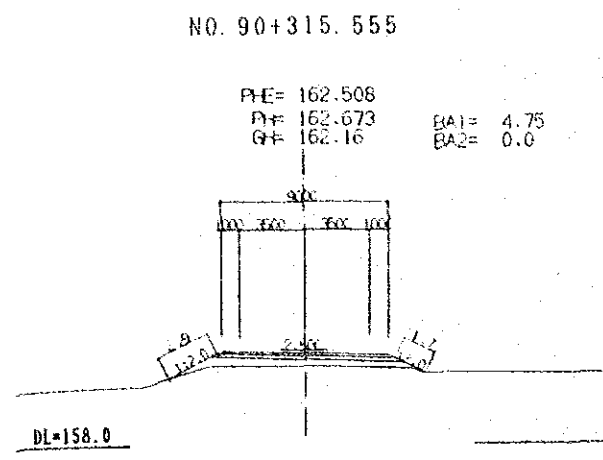
P+E= 160.915  
P=F= 161.080  
G=F= 160.17  
BA1= 9.85  
BA2= 0.0

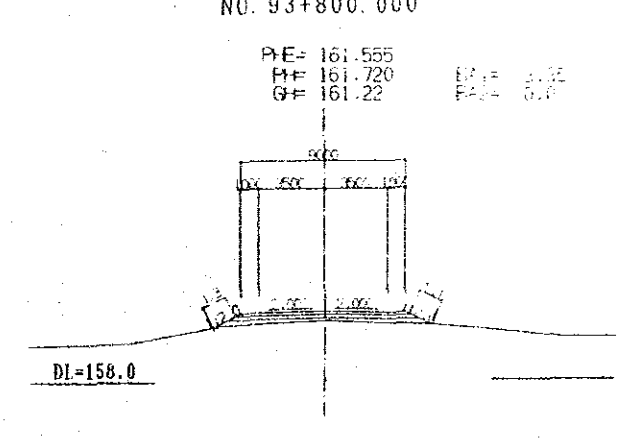
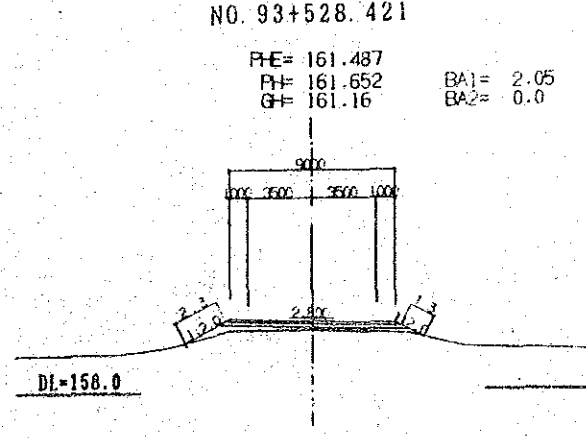
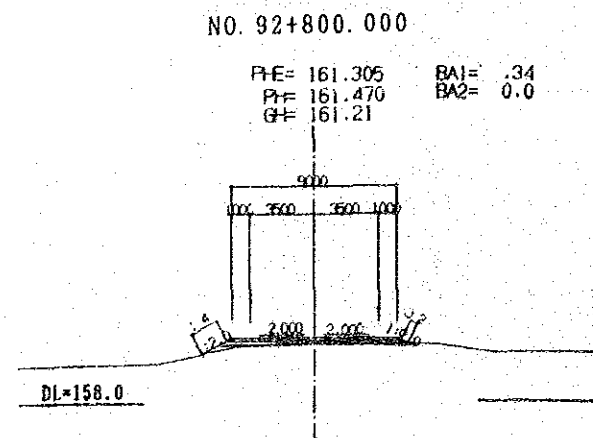
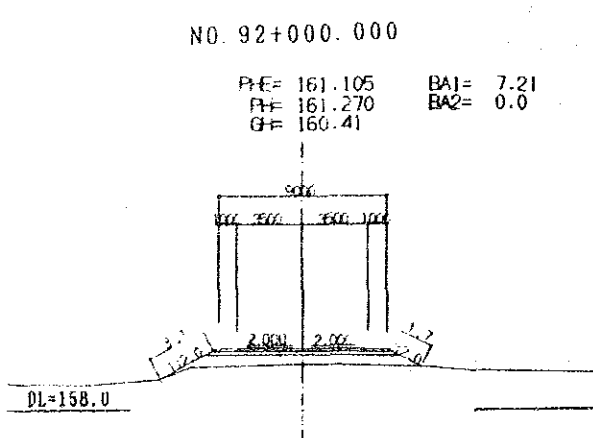
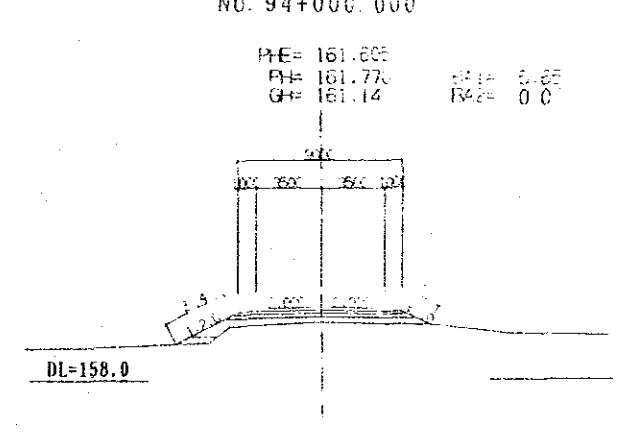
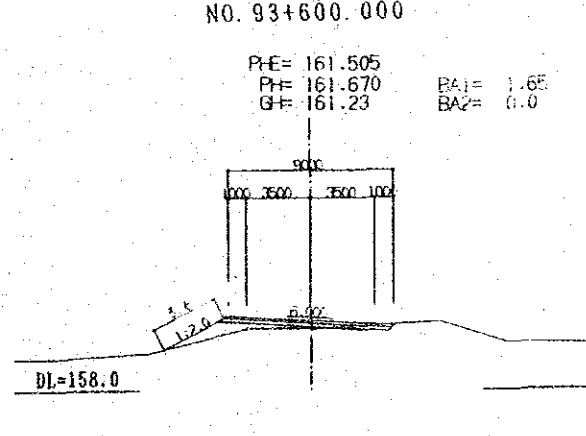
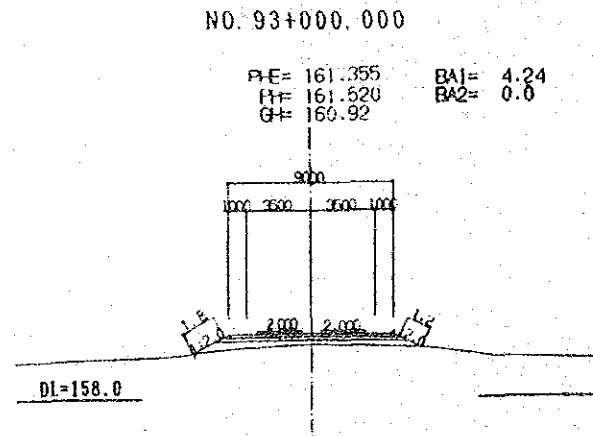
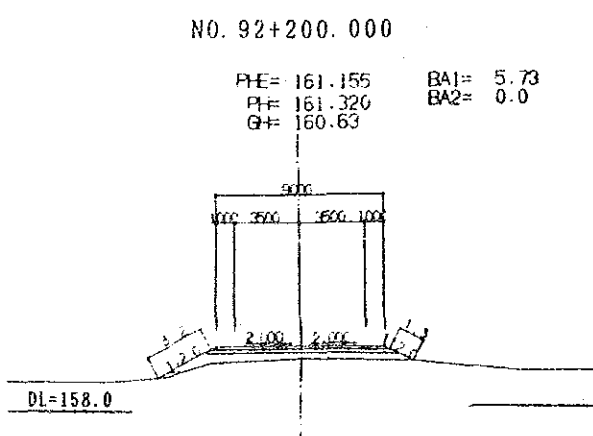
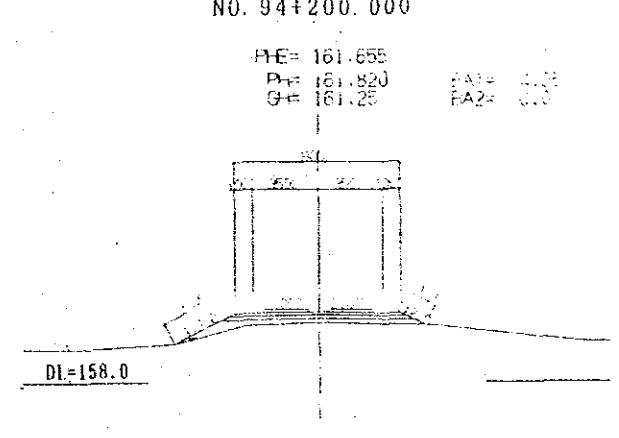
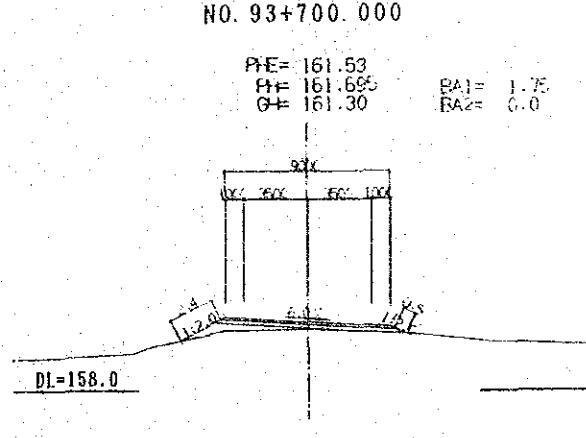
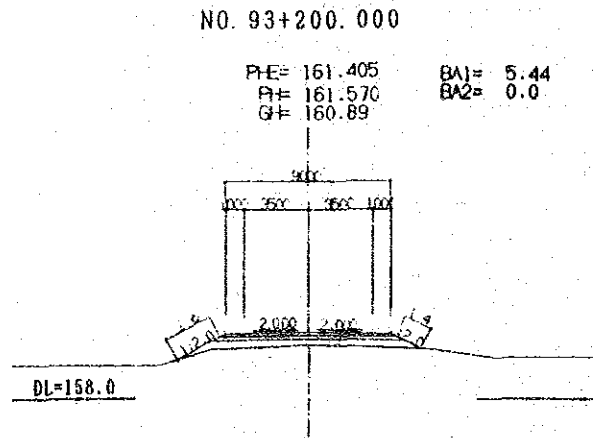
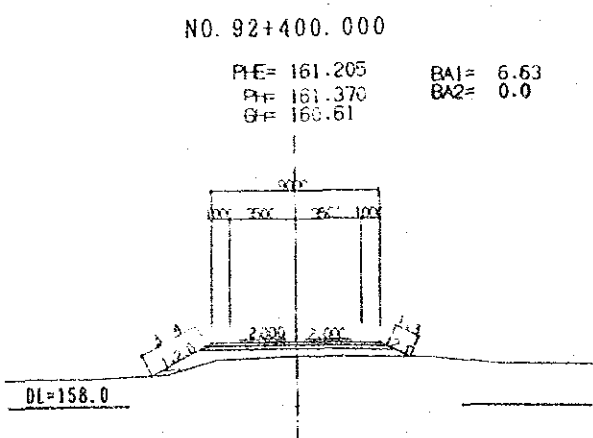
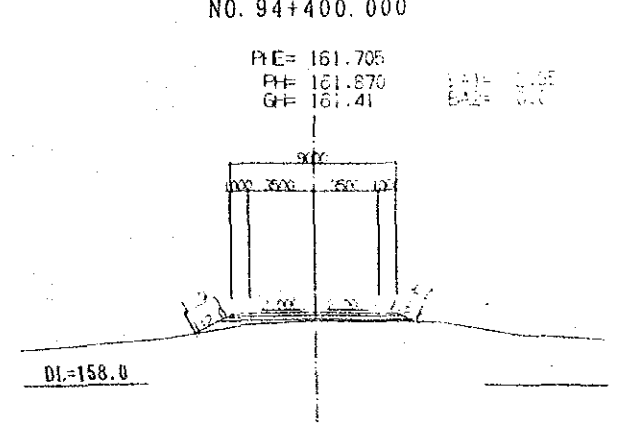
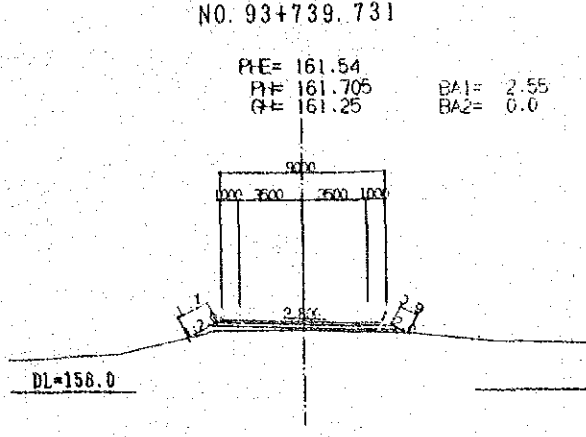
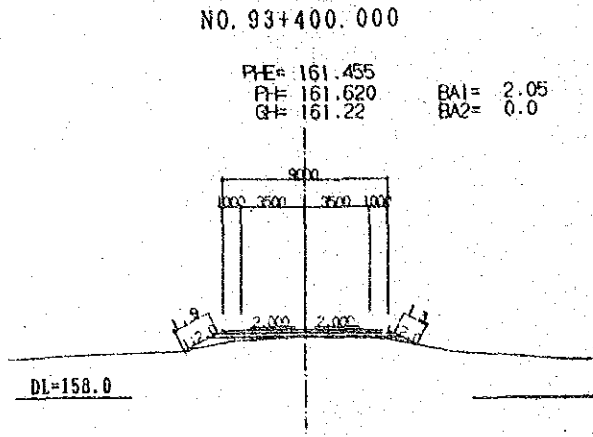
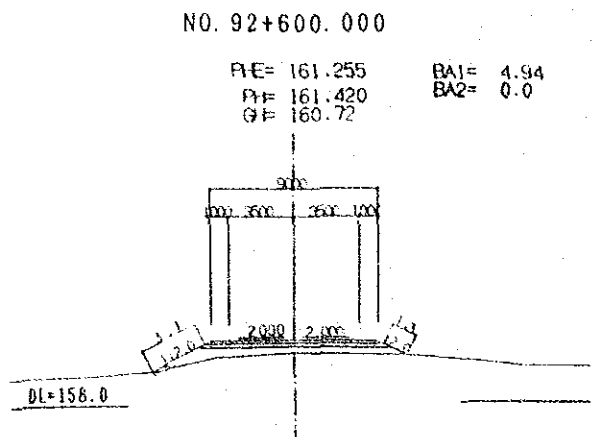


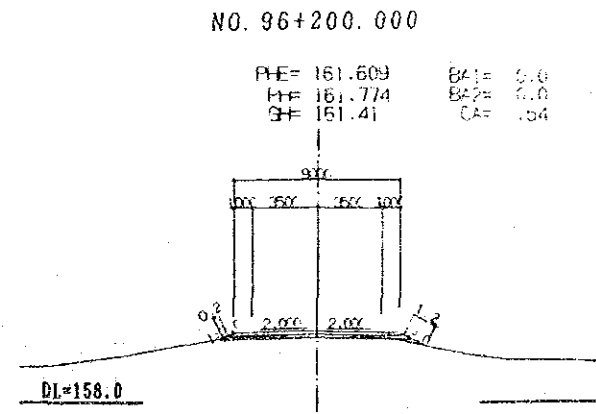
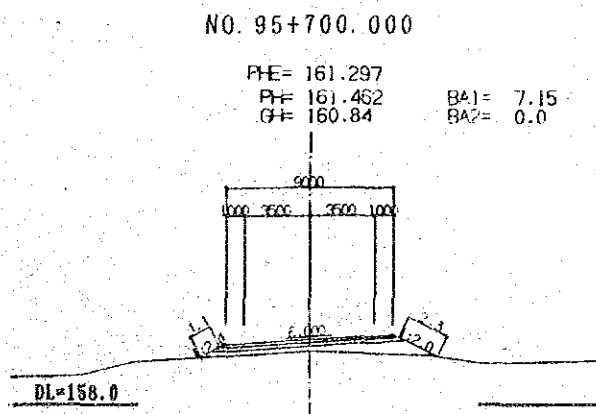
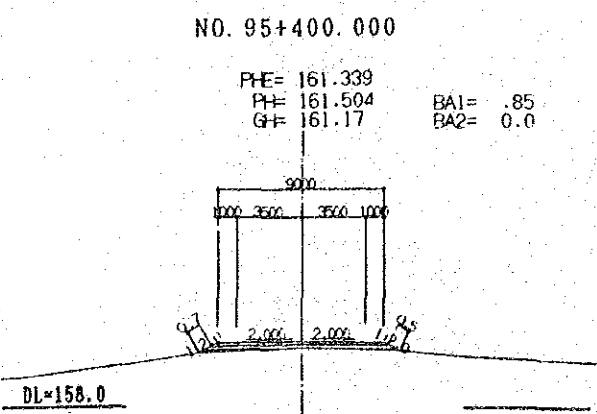
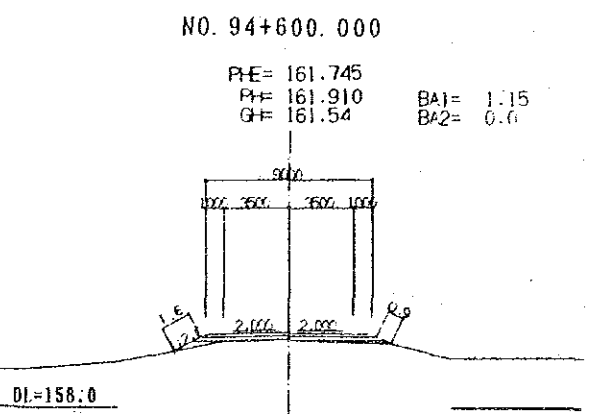
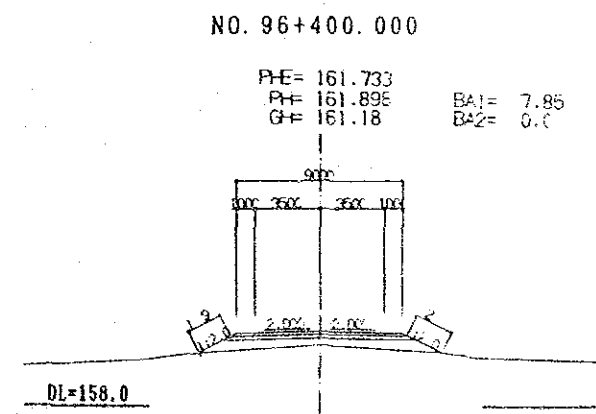
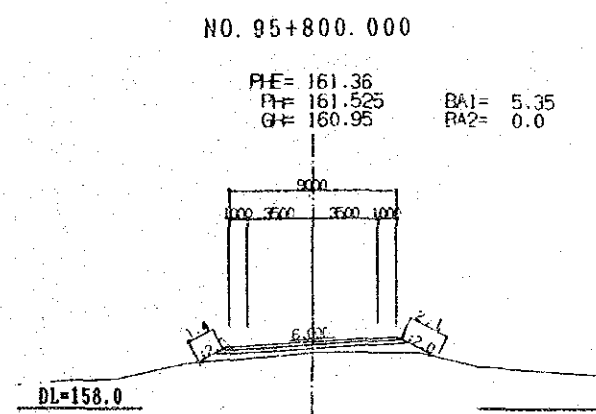
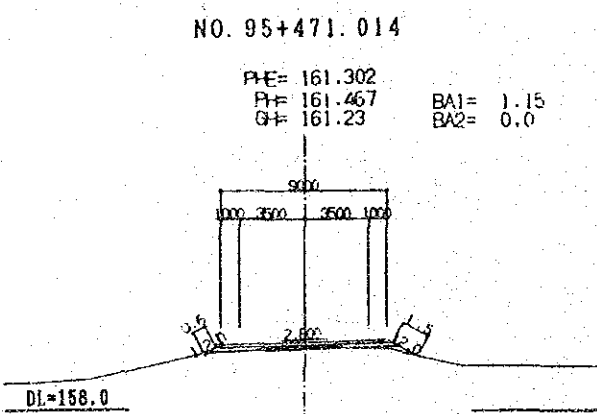
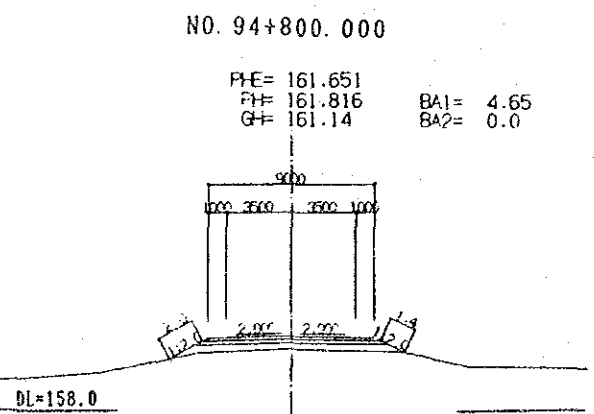
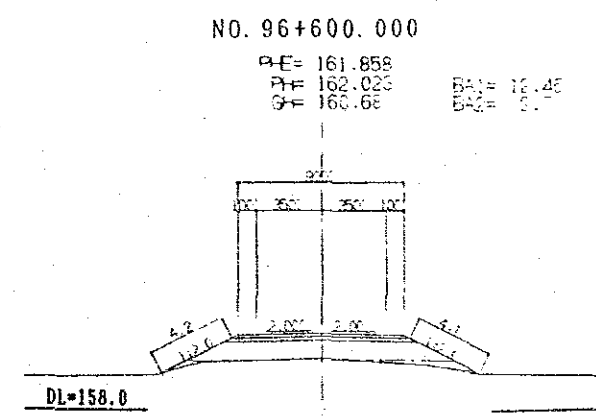
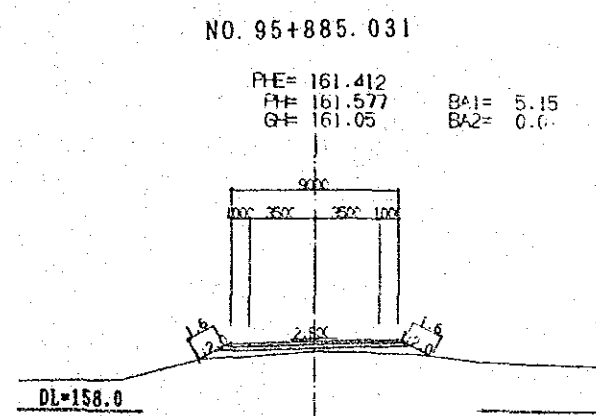
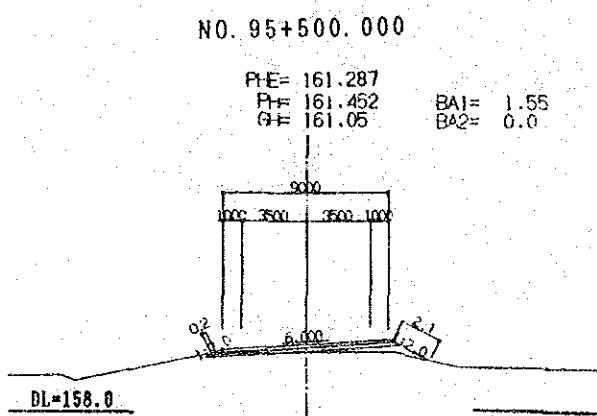
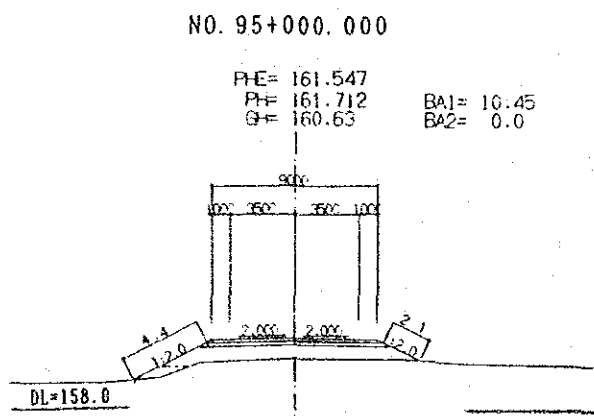
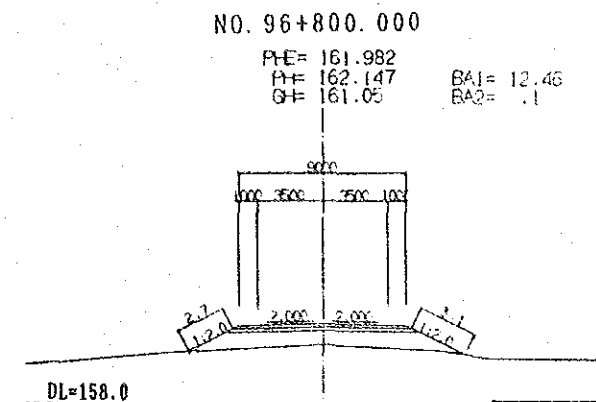
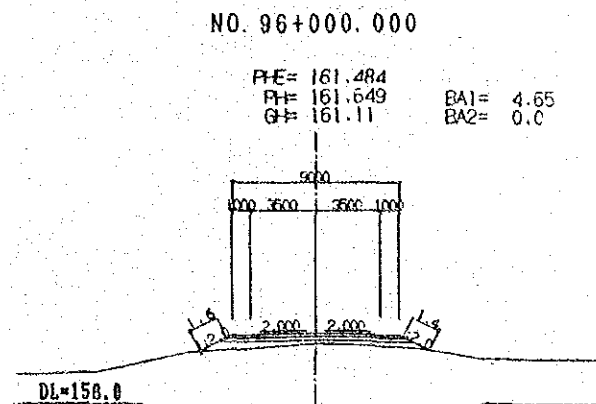
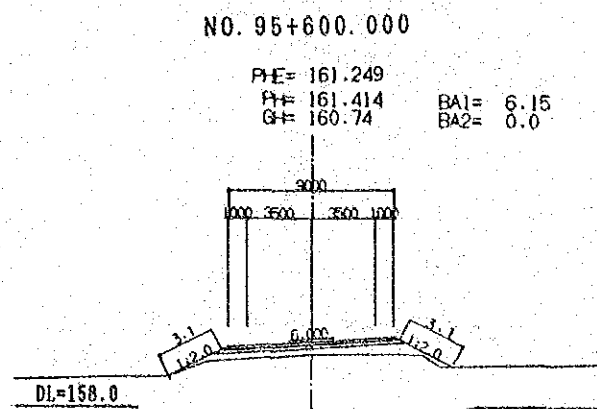
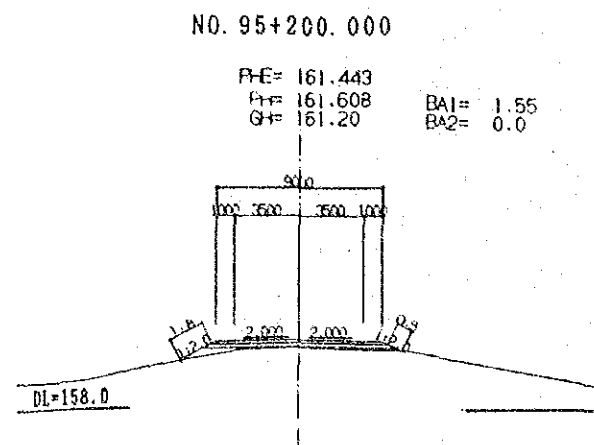
NO. 89+000.000

P+E= 160.435  
P=F= 160.600  
G=F= 159.84  
BA1= 5.75  
BA2= 0.0





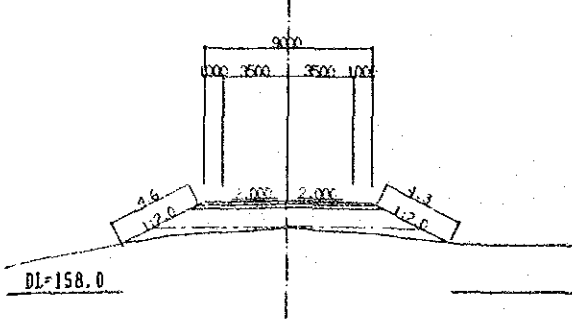




NO. 97+600.000

PtE= 162.48  
P+ 162.645  
G+ 161.19

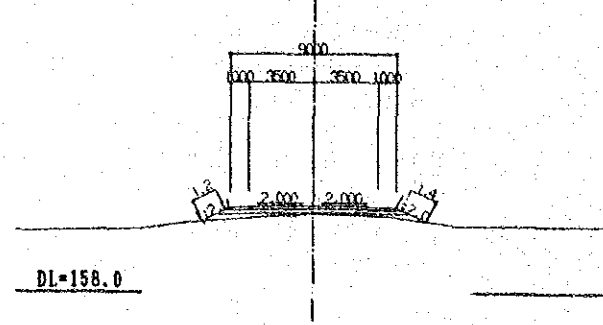
BA1= 4.95  
BA2= 0.0



NO. 98+400.000

PtE= 162.365  
P+ 162.530  
G+ 162.10

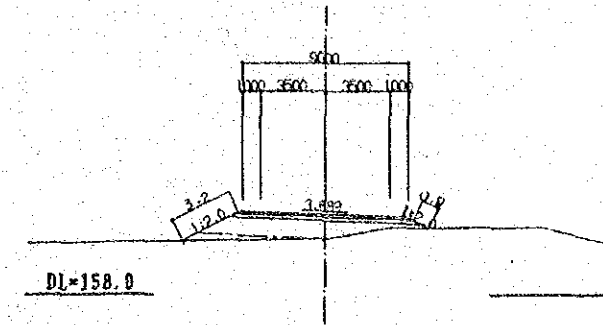
BA1= 2.75  
BA2= 0.0



NO. 99+100.000

PtE= 162.085  
P+ 162.250  
G+ 160.94

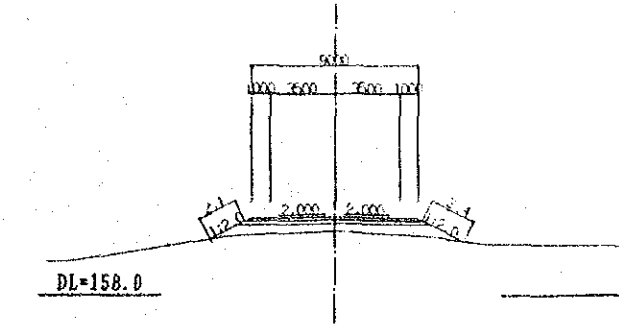
BA1= 6.15  
BA2= 0.0



NO. 99+600.000

PtE= 161.885  
P+ 162.050  
G+ 161.29

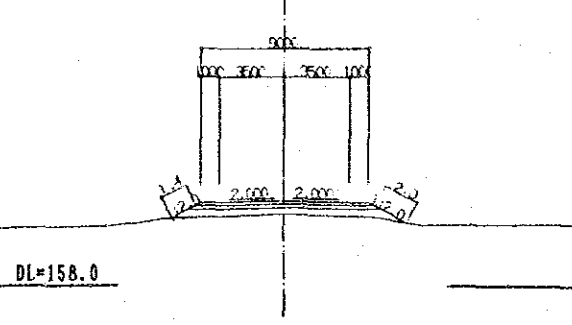
BA1= 7.15  
BA2= 0.0



NO. 97+400.000

PtE= 162.356  
P+ 162.521  
G+ 161.84

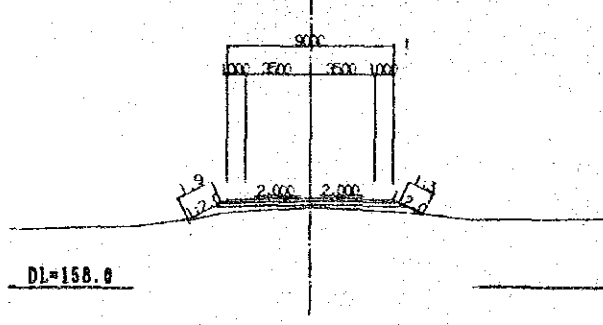
BA1= 3.05  
BA2= 0.0



NO. 98+200.000

PtE= 162.445  
P+ 162.610  
G+ 162.12

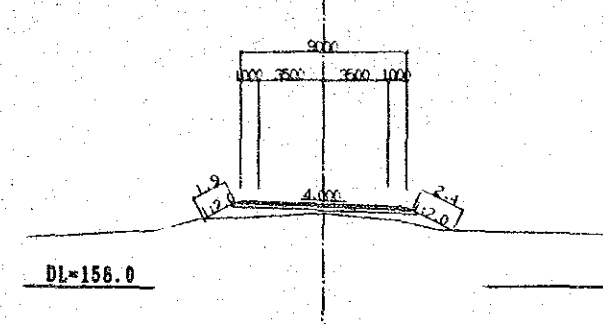
BA1= 3.65  
BA2= 0.0



NO. 99+000.000

PtE= 162.125  
P+ 162.290  
G+ 161.77

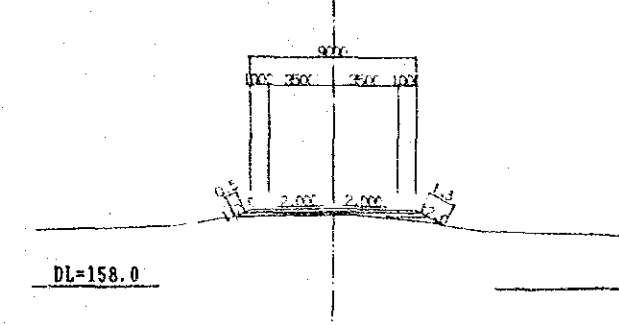
BA1= 6.65  
BA2= 0.0



NO. 99+400.000

PtE= 161.965  
P+ 162.130  
G+ 161.91

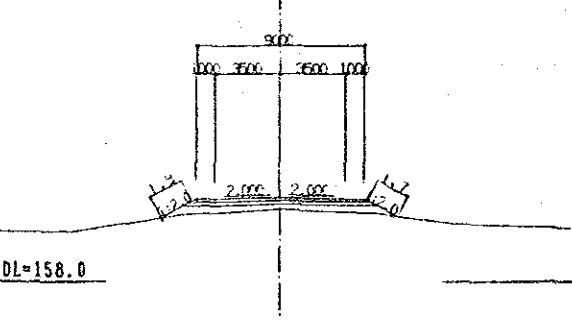
BA1= 2.05  
BA2= 0.0



NO. 97+200.000

PtE= 162.231  
P+ 162.396  
G+ 161.77

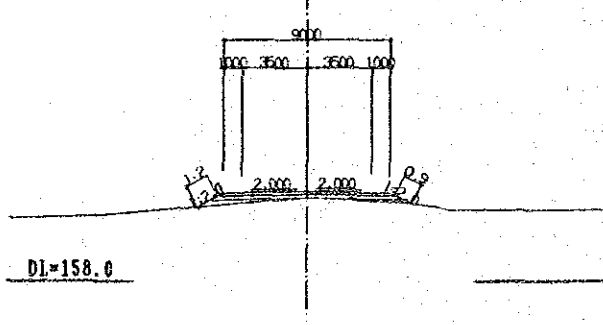
BA1= 4.95  
BA2= 0.0



NO. 98+000.000

PtE= 162.525  
P+ 162.690  
G+ 162.34

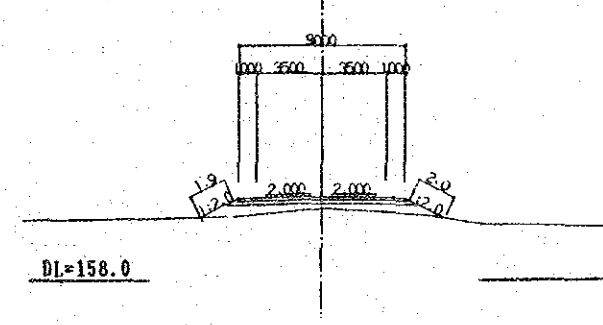
BA1= 2.45  
BA2= 0.0



NO. 98+800.000

PtE= 162.205  
P+ 162.370  
G+ 161.75

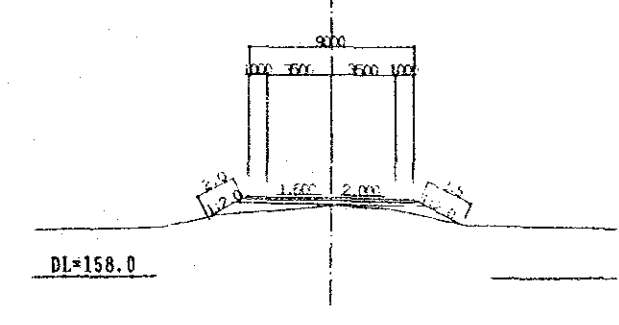
BA1= 7.05  
BA2= 0.0



NO. 99+216.297

PtE= 162.038  
P+ 162.203  
G+ 161.78

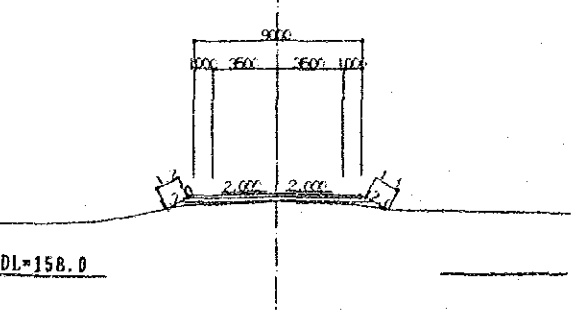
BA1= 4.75  
BA2= 0.0



NO. 97+000.000

PtE= 162.107  
P+ 162.272  
G+ 161.86

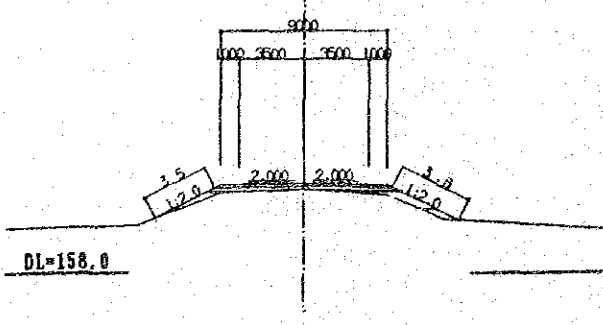
BA1= 1.75  
BA2= 0.0



NO. 97+800.000

PtE= 162.592  
P+ 162.757  
G+ 162.45

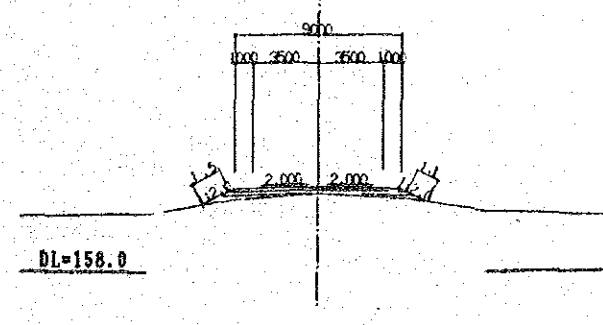
BA1= 12.46  
BA2= 6.4



NO. 98+600.000

PtE= 162.285  
P+ 162.450  
G+ 162.09

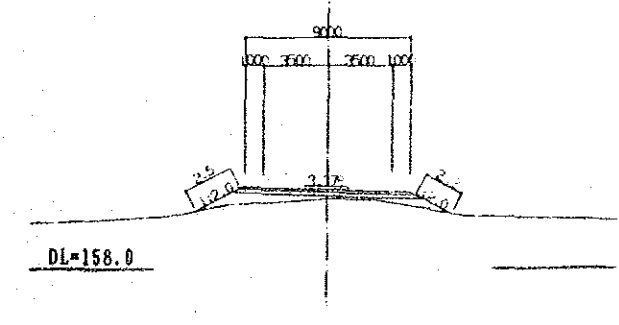
BA1= 2.45  
BA2= 0.0



NO. 99+200.000

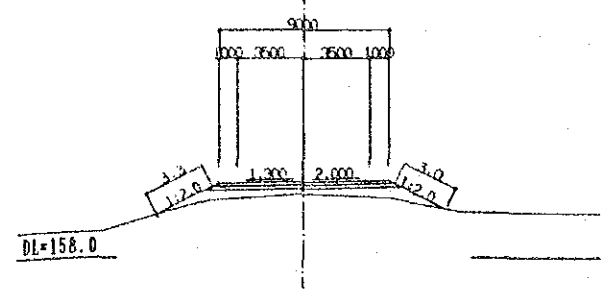
PtE= 162.045  
P+ 162.210  
G+ 161.70

BA1= 4.75  
BA2= 0.0



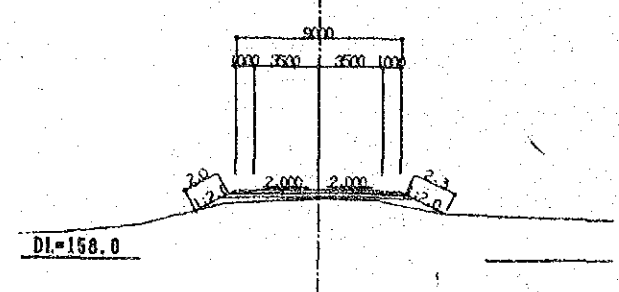
NO. 99+936.539

P+E= 161.75  
P+T= 161.915  
G+T= 161.28  
BA1= 8.15  
BA2= 0.0



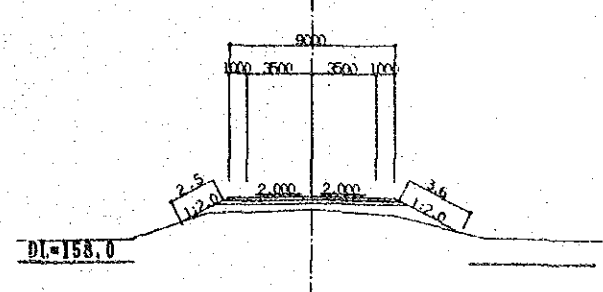
NO. 100+600.000

P+E= 161.485  
P+T= 161.650  
G+T= 161.18  
BA1= 2.35  
BA2= 0.0



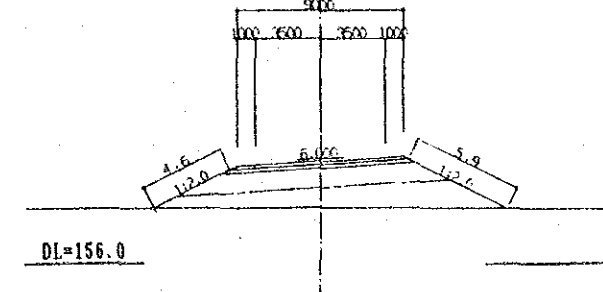
NO. 101+400.000

P+E= 161.325  
P+T= 161.490  
G+T= 160.80  
BA1= 5.55  
BA2= 0.0



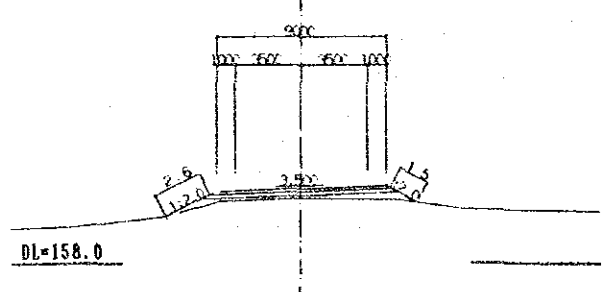
NO. 101+800.000

P+E= 161.325  
P+T= 161.490  
G+T= 159.02  
BA1= 12.46  
BA2= 19.0



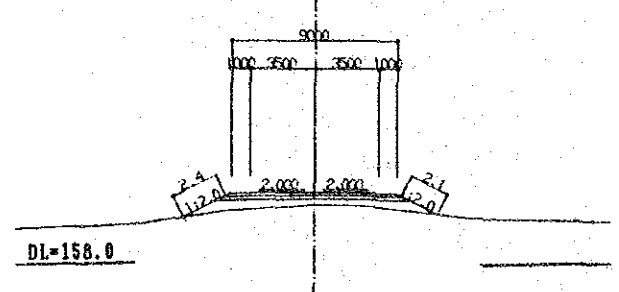
NO. 99+900.000

P+E= 161.765  
P+T= 161.930  
G+T= 161.42  
BA1= 3.55  
BA2= 0.0



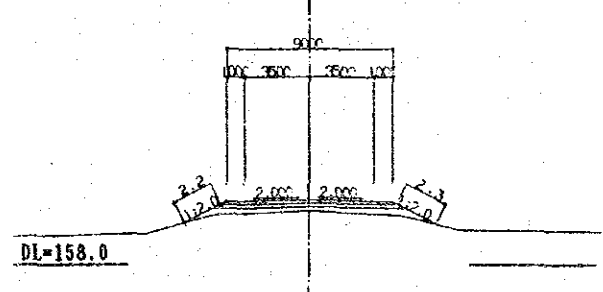
NO. 100+400.000

P+E= 161.565  
P+T= 161.730  
G+T= 161.05  
BA1= 4.75  
BA2= 0.0



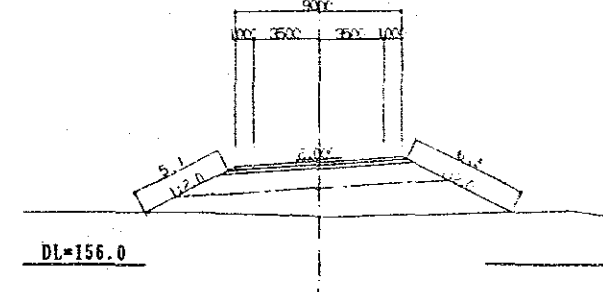
NO. 101+200.000

P+E= 161.325  
P+T= 161.490  
G+T= 160.91  
BA1= 3.25  
BA2= 0.0



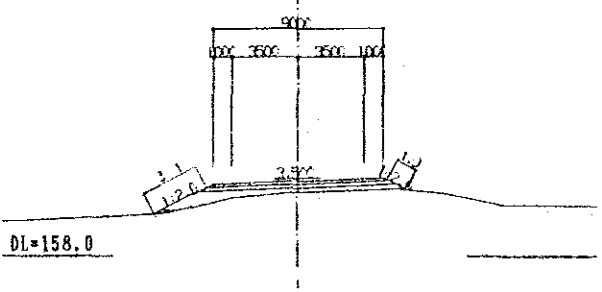
NO. 101+700.000

P+E= 161.325  
P+T= 161.490  
G+T= 158.55  
BA1= 12.46  
BA2= 26.2



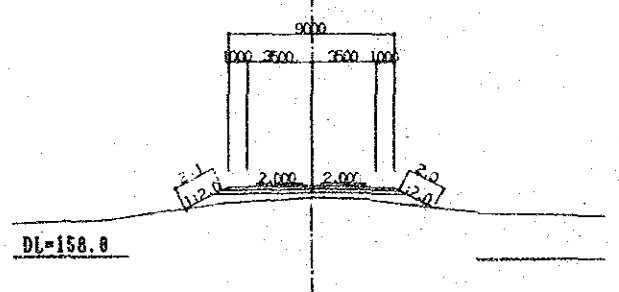
NO. 99+800.000

P+E= 161.805  
P+T= 161.970  
G+T= 161.30  
BA1= 4.75  
BA2= 0.0



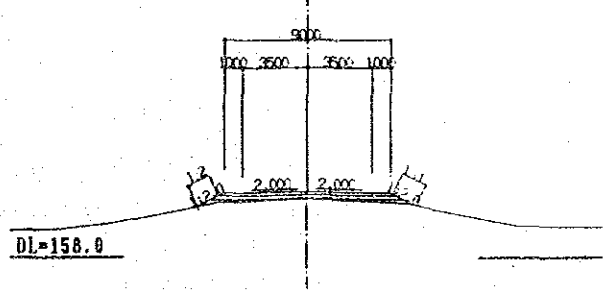
NO. 100+200.000

P+E= 161.645  
P+T= 161.810  
G+T= 161.18  
BA1= 4.15  
BA2= 0.0



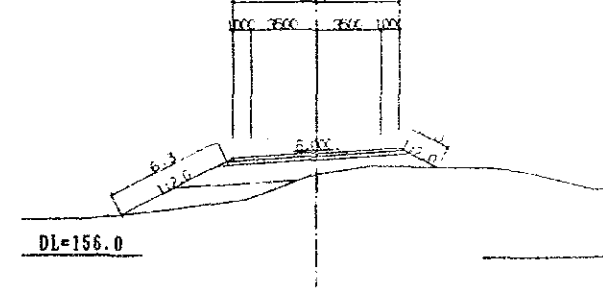
NO. 101+000.000

P+E= 161.33  
P+T= 161.495  
G+T= 161.14  
BA1= .55  
BA2= 0.0



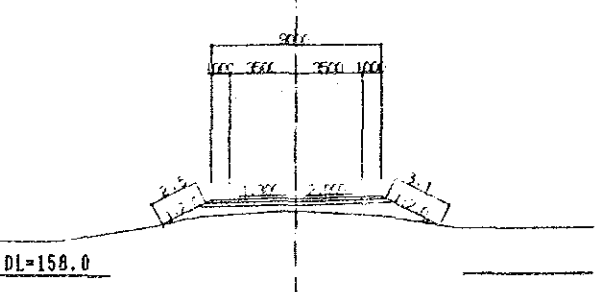
NO. 101+600.000

P+E= 161.325  
P+T= 161.490  
G+T= 160.38  
BA1= 10.30  
BA2= 6.7



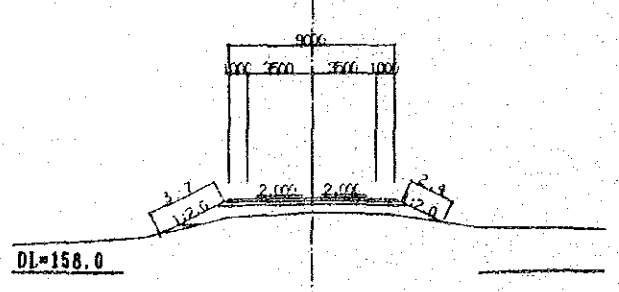
NO. 99+693.522

P+E= 161.848  
P+T= 162.013  
G+T= 161.36  
BA1= 8.15  
BA2= 0.0



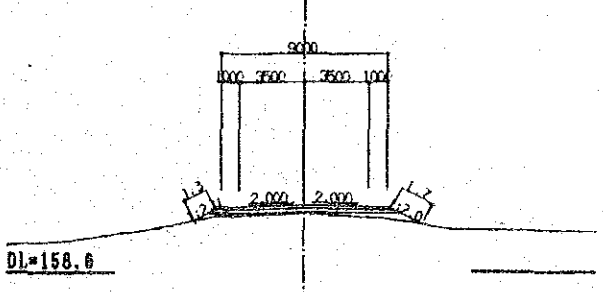
NO. 100+000.000

P+E= 161.725  
P+T= 161.890  
G+T= 161.09  
BA1= 6.65  
BA2= 0.0



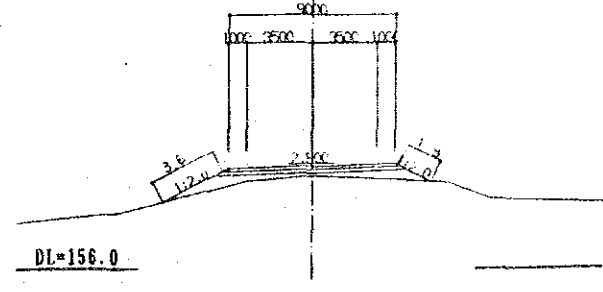
NO. 100+800.000

P+E= 161.405  
P+T= 161.570  
G+T= 161.14  
BA1= 1.55  
BA2= 0.0



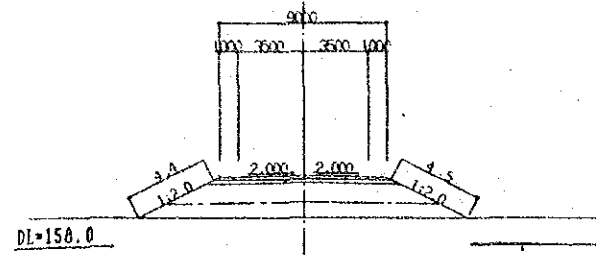
NO. 101+571.179

P+E= 161.325  
P+T= 161.490  
G+T= 160.97  
BA1= 5.05  
BA2= 0.0



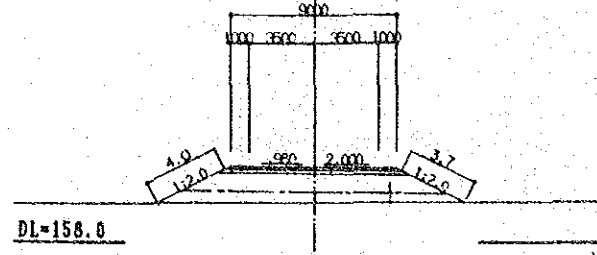
NO. 102+800.000

P+E= 161.477  
P=F= 161.642  
G=F= 159.40  
BA1= 12.46  
BA2= 12.8



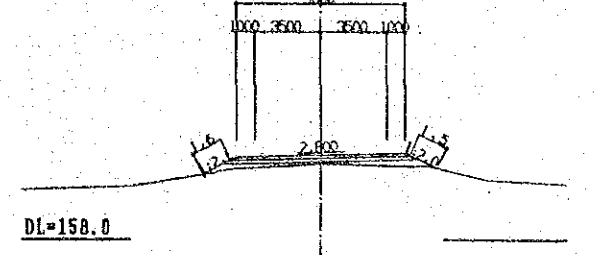
NO. 103+200.000

P+E= 161.781  
P=F= 161.946  
G=F= 160.03  
BA1= 12.46  
BA2= 8.3



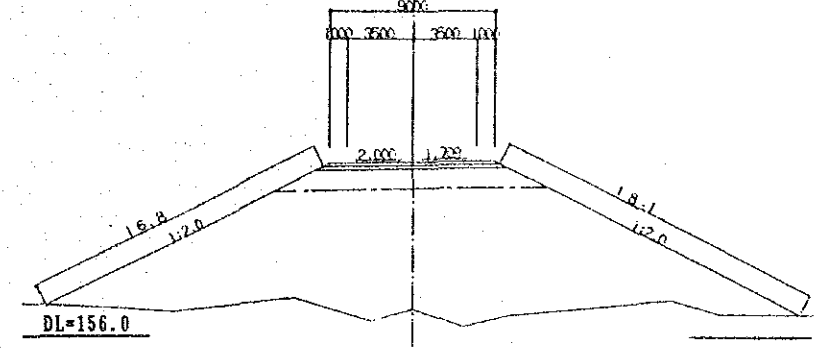
NO. 103+906.000

P+E= 162.317  
P=F= 162.482  
G=F= 162.01  
BA1= 2.65  
BA2= 0.0



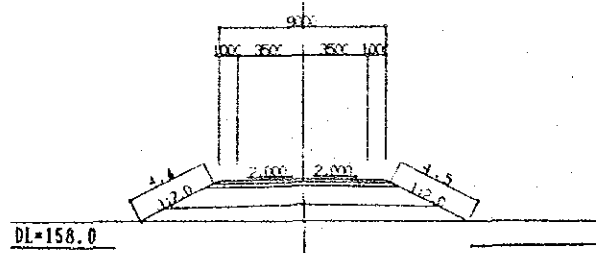
NO. 104+200.000

P+E= 165.120  
P=F= 165.294  
G=F= 157.39  
BA1= 12.46  
BA2= 182.6



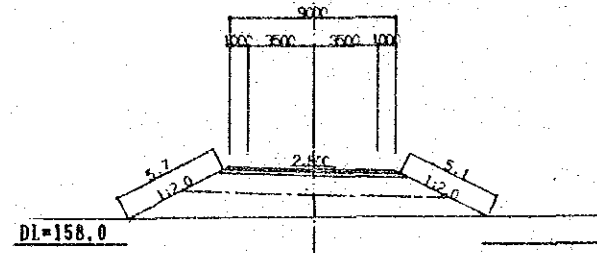
NO. 102+200.000

P+E= 161.325  
P=F= 161.490  
G=F= 159.26  
BA1= 12.46  
BA2= 12.7



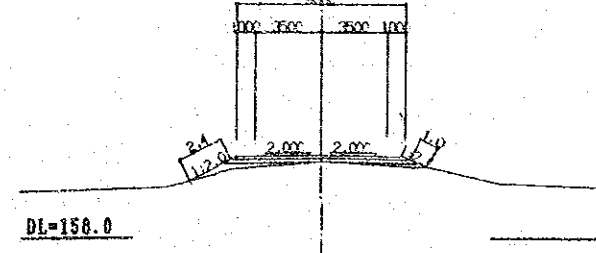
NO. 103+184.077

P+E= 161.769  
P=F= 161.934  
G=F= 159.39  
BA1= 12.46  
BA2= 20.2



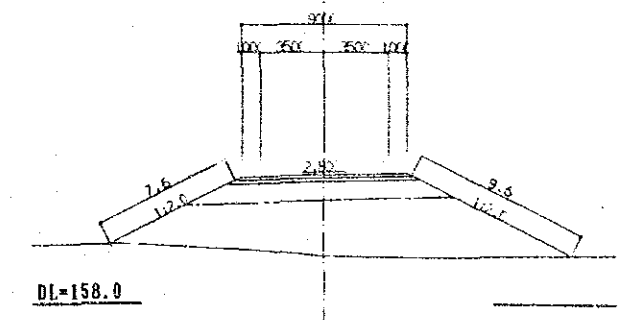
NO. 103+800.000

P+E= 162.237  
P=F= 162.402  
G=F= 162.06  
BA1= 1.25  
BA2= 0.0



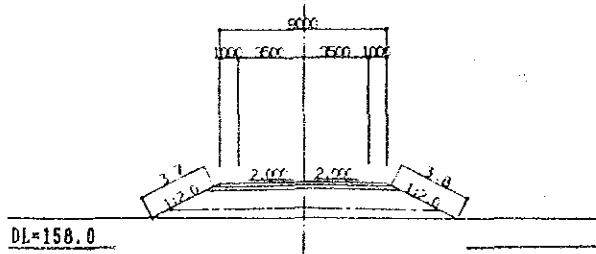
NO. 104+160.546

P+E= 164.69  
P=F= 164.855  
G=F= 160.4E  
BA1= 12.46  
BA2= 55.6



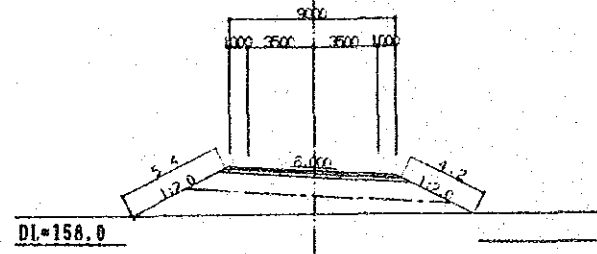
NO. 102+000.000

P+E= 161.325  
P=F= 161.490  
G=F= 159.57  
BA1= 12.46  
BA2= 7.5



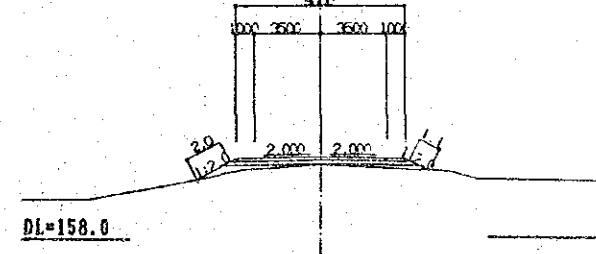
NO. 103+000.000

P+E= 161.629  
P=F= 161.794  
G=F= 159.48  
BA1= 12.46  
BA2= 15.9



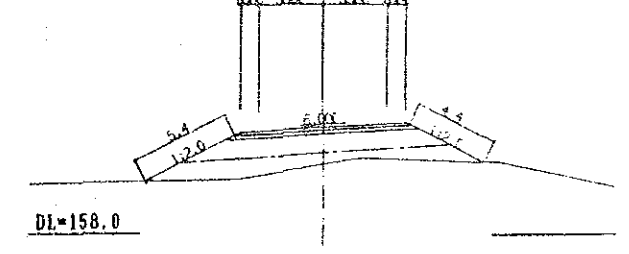
NO. 103+600.000

P+E= 162.085  
P=F= 162.250  
G=F= 161.85  
BA1= 1.65  
BA2= 0.0



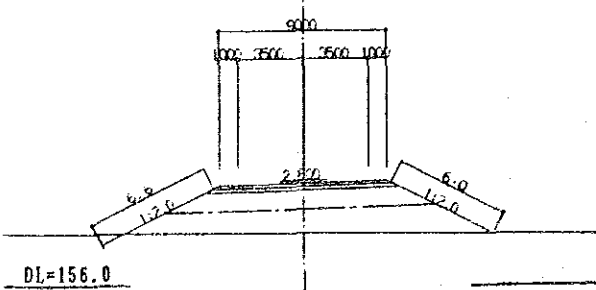
NO. 104+100.000

P+E= 163.592  
P=F= 163.757  
G=F= 161.79  
BA1= 12.46  
BA2= 13.1



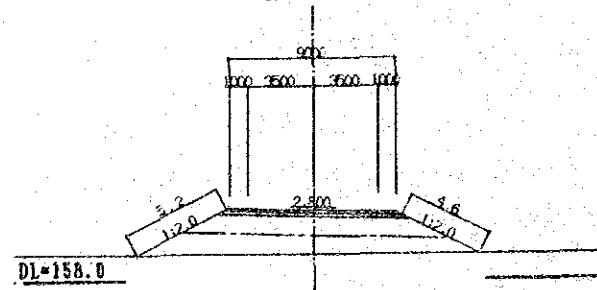
NO. 101+876.740

P+E= 161.325  
P=F= 161.490  
G=F= 158.83  
BA1= 12.46  
BA2= 22.6



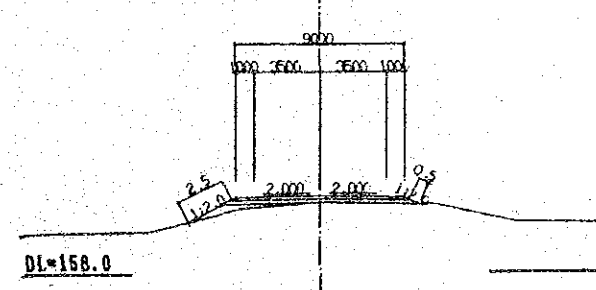
NO. 102+962.109

P+E= 161.6  
P=F= 161.765  
G=F= 159.40  
BA1= 12.46  
BA2= 16.5



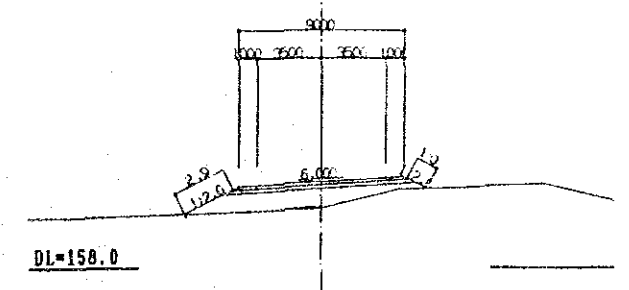
NO. 103+400.000

P+E= 161.933  
P=F= 162.098  
G=F= 161.75  
BA1= .85  
BA2= 0.0



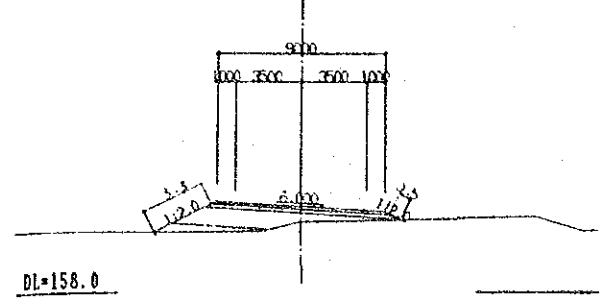
NO. 104+000.000

P+E= 162.457  
P=F= 162.622  
G=F= 161.19  
BA1= 9.75  
BA2= 0.0



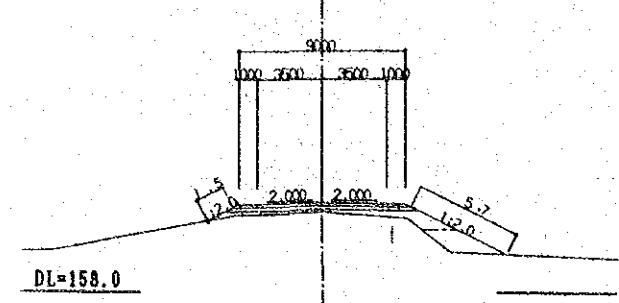
NO. 104+600.000

P+E= 162.303  
P+T= 162.488  
G+T= 161.66  
BA1= 6.55  
BA2= 1.6



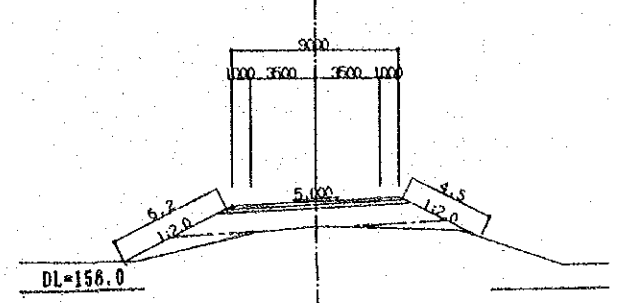
NO. 105+200.000

P+E= 162.399  
P+T= 162.564  
G+T= 162.06  
BA1= 3.61  
BA2= 2.7



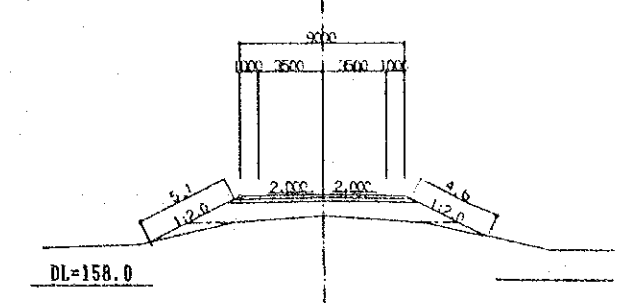
NO. 105+600.000

P+E= 162.463  
P+T= 162.628  
G+T= 161.30  
BA1= 12.46  
BA2= 5.9



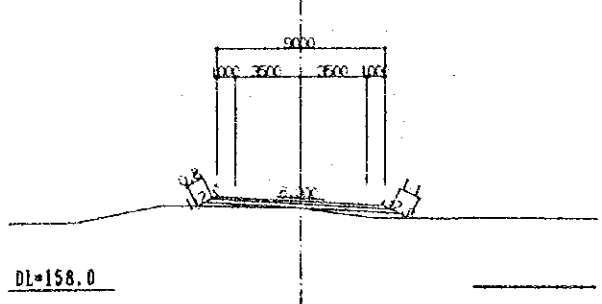
NO. 106+200.000

P+E= 162.559  
P+T= 162.724  
G+T= 161.59  
BA1= 11.44  
BA2= 2.0



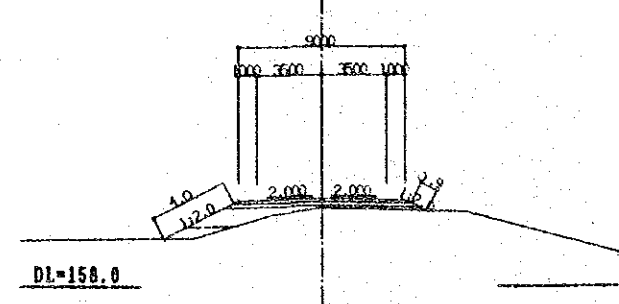
NO. 104+500.000

P+E= 162.363  
P+T= 162.528  
G+T= 162.16  
BA1= 1.75  
BA2= 0.0



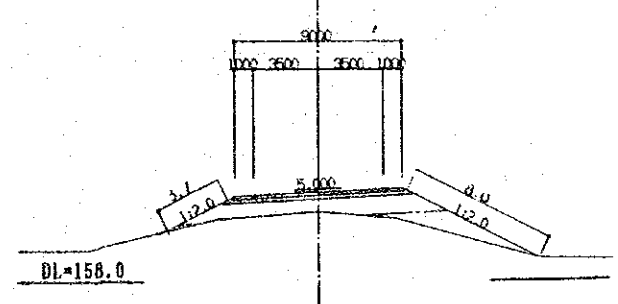
NO. 105+000.000

P+E= 162.367  
P+T= 162.532  
G+T= 162.03  
BA1= 4.62  
BA2= .7



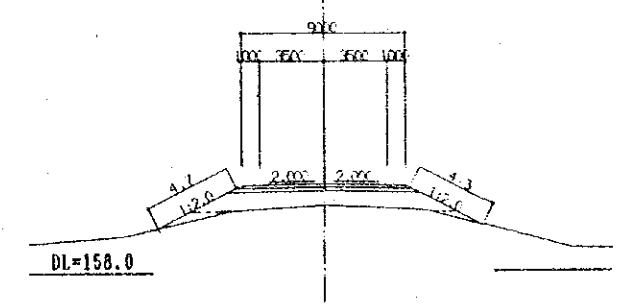
NO. 105+500.000

P+E= 162.447  
P+T= 162.612  
G+T= 161.58  
BA1= 10.21  
BA2= 5.5



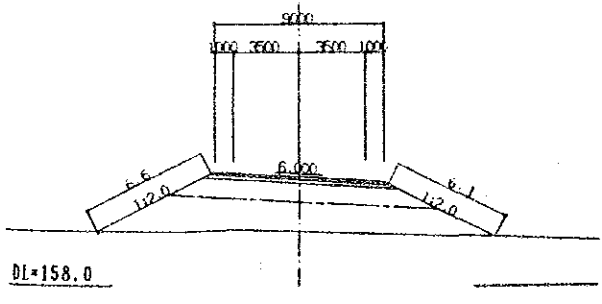
NO. 106+000.000

P+E= 162.527  
P+T= 162.692  
G+T= 161.56  
BA1= 11.41  
BA2= .6



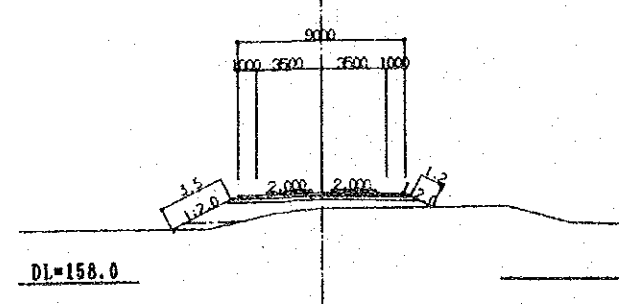
NO. 104+400.000

P+E= 163.471  
P+T= 163.636  
G+T= 160.75  
BA1= 12.46  
BA2= 28.1



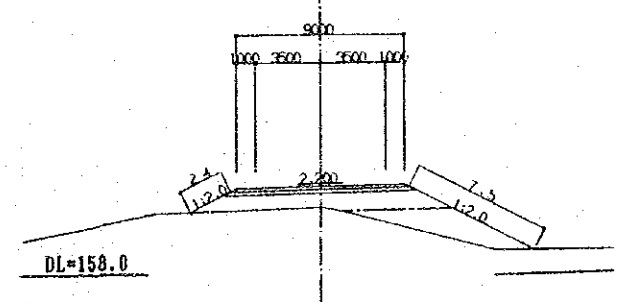
NO. 104+800.000

P+E= 162.335  
P+T= 162.500  
G+T= 161.67  
BA1= 6.78  
BA2= .6



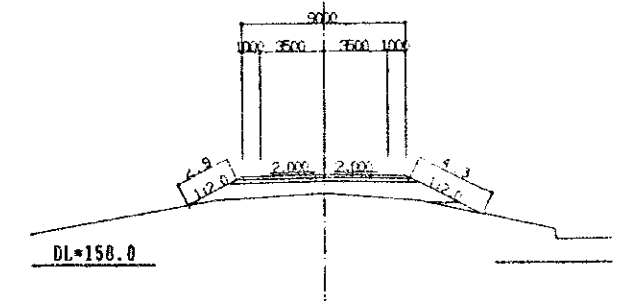
NO. 105+416.086

P+E= 162.433  
P+T= 162.598  
G+T= 161.49  
BA1= 10.66  
BA2= 9.39



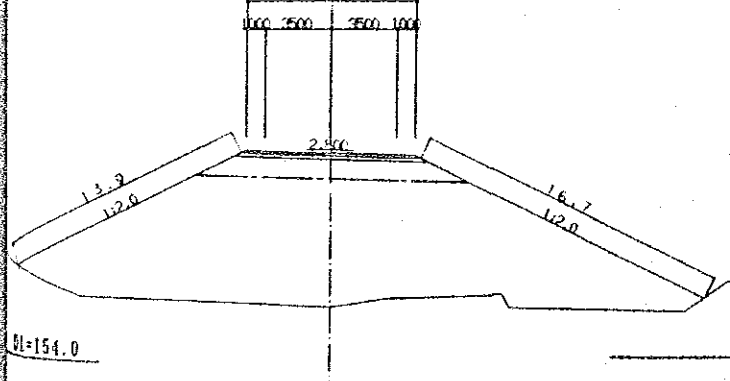
NO. 105+800.000

P+E= 162.495  
P+T= 162.650  
G+T= 161.66  
BA1= 9.89  
BA2= 2



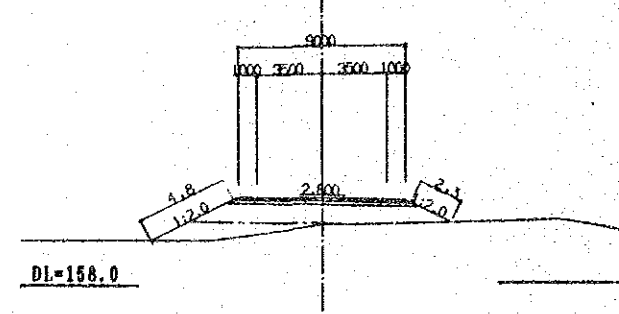
NO. 104+321.207

P+E= 164.854  
P+T= 165.019  
G+T= 156.82  
BA1= 12.46  
BA2= 149.8



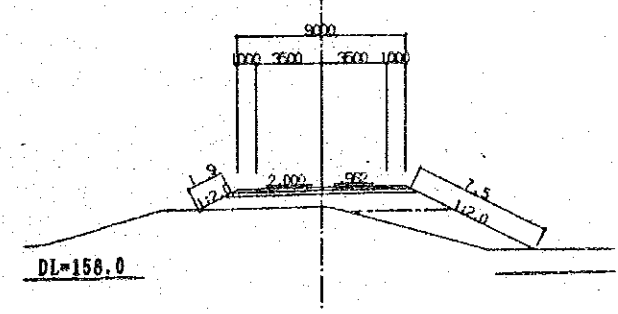
NO. 104+645.752

P+E= 162.31  
P+T= 162.475  
G+T= 161.04  
BA1= 11.56  
BA2= 1.8



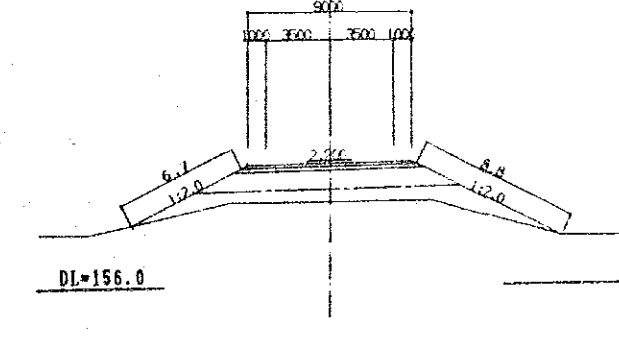
NO. 105+400.000

P+E= 162.431  
P+T= 162.596  
G+T= 161.55  
BA1= 9.5  
BA2= 2.0

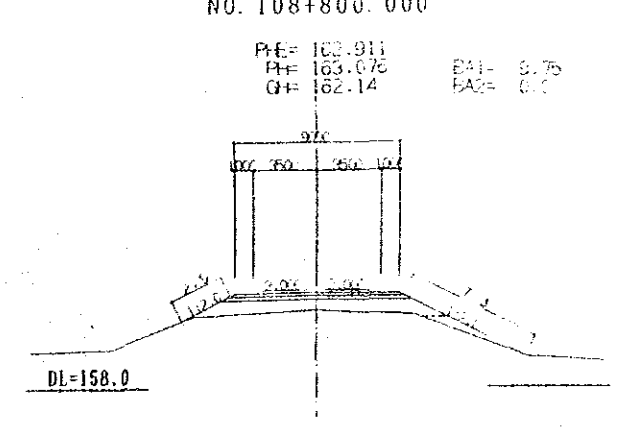
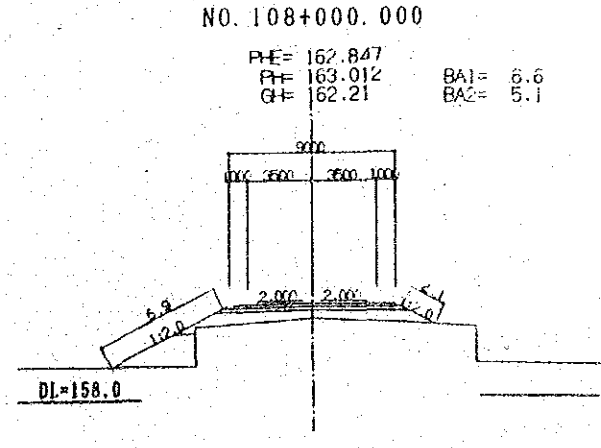
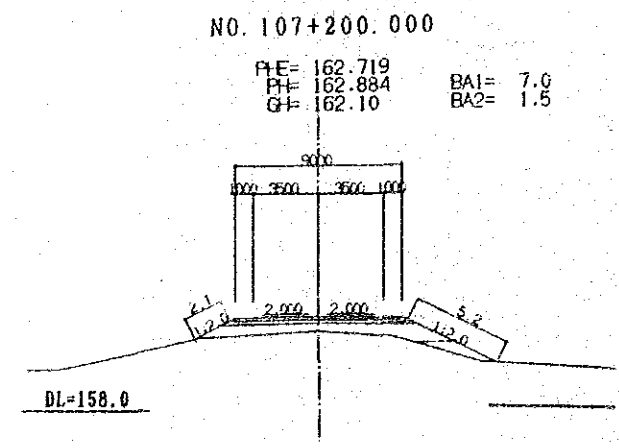
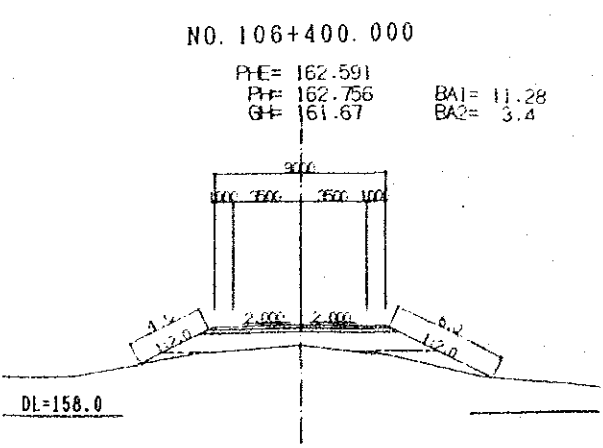
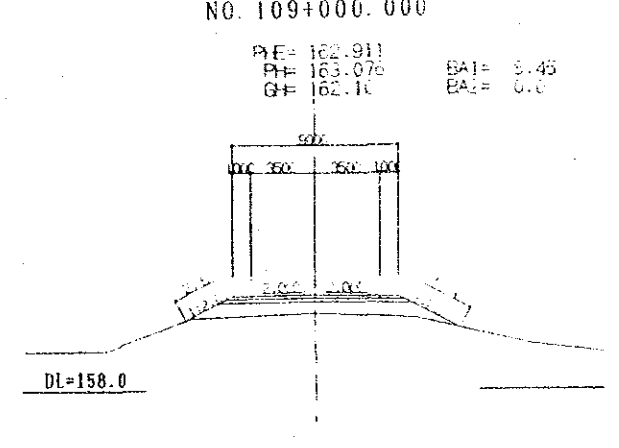
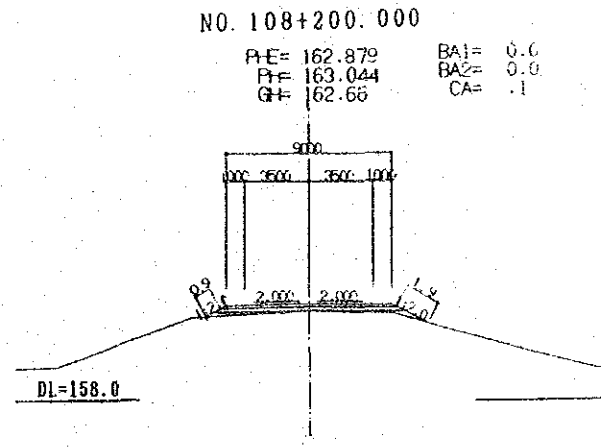
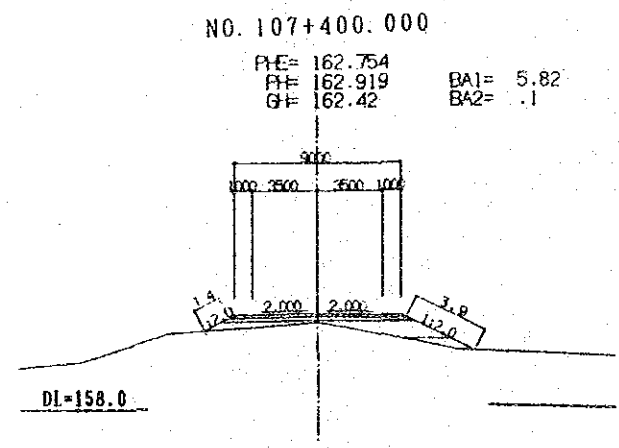
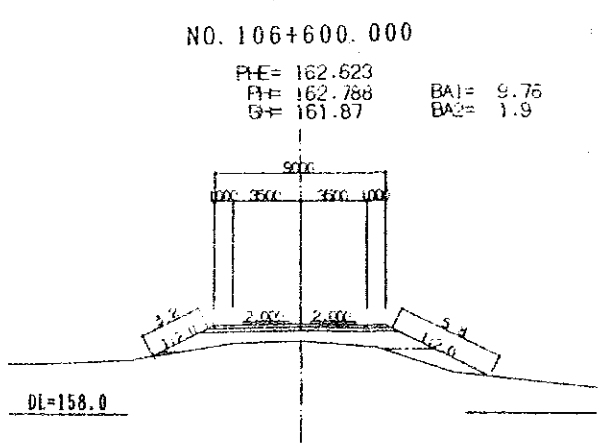
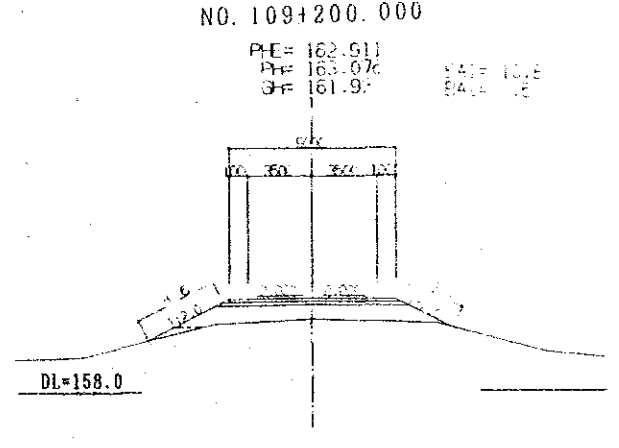
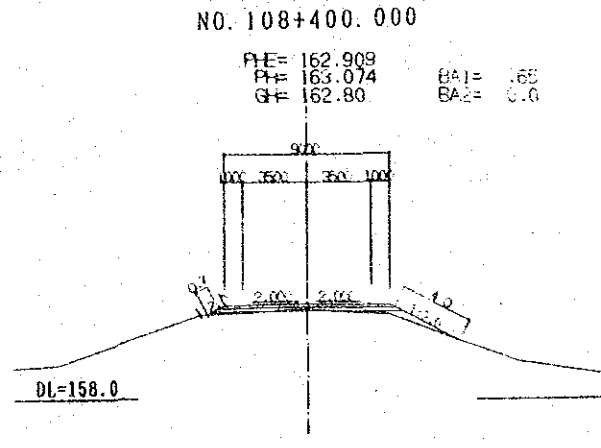
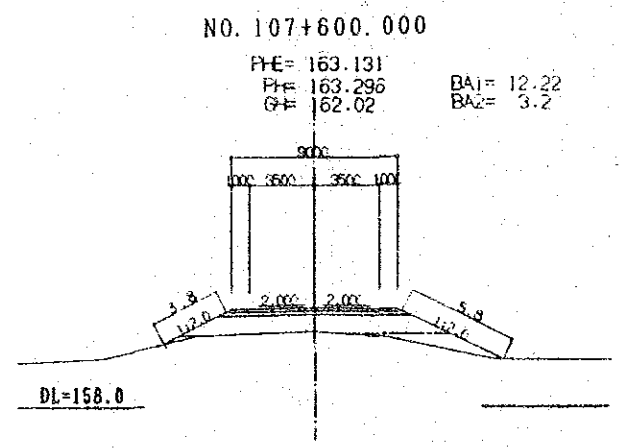
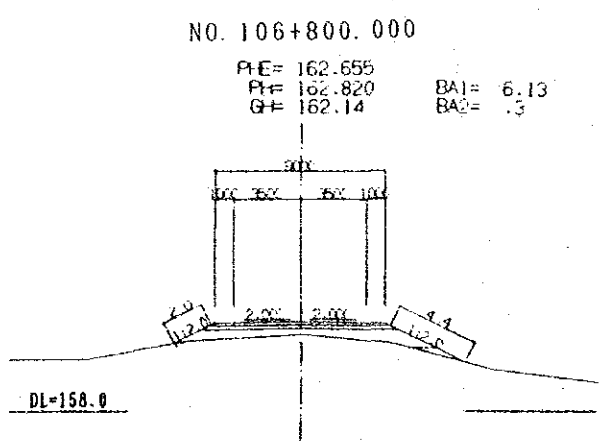
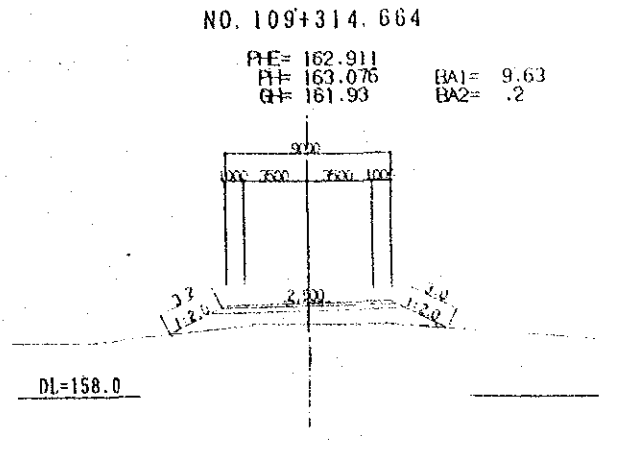
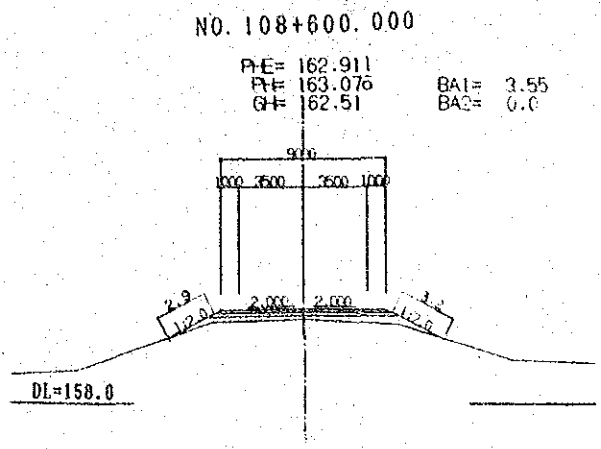
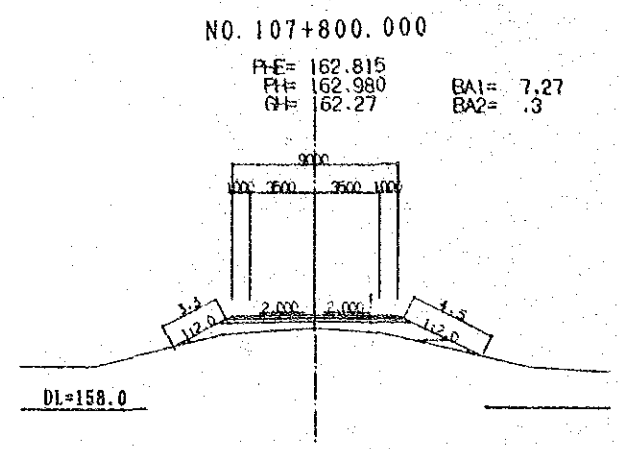
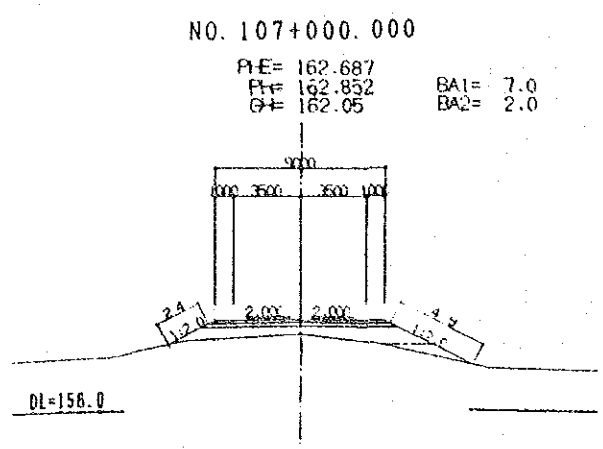


NO. 105+685.116

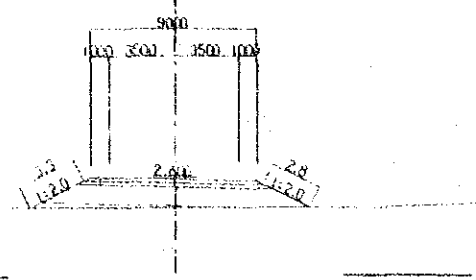
P+E= 162.476  
P+T= 162.641  
G+T= 160.60  
BA1= 12.46  
BA2= 2.2



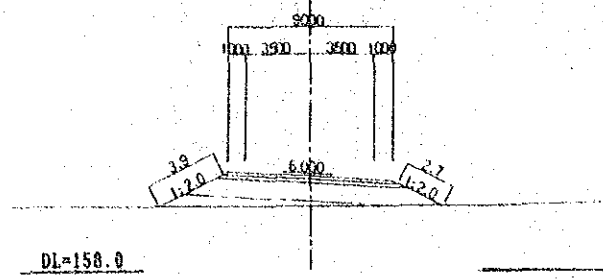




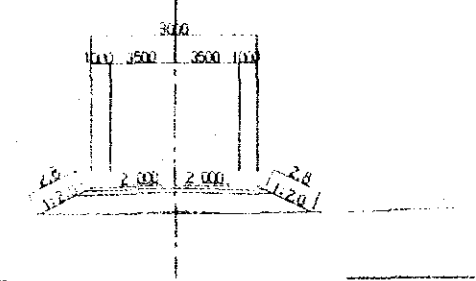
NO. 109+673.615  
P.E= 162.911  
P.F= 163.076  
G.F= 161.56  
BA1= 12.74  
BA2= 1.0



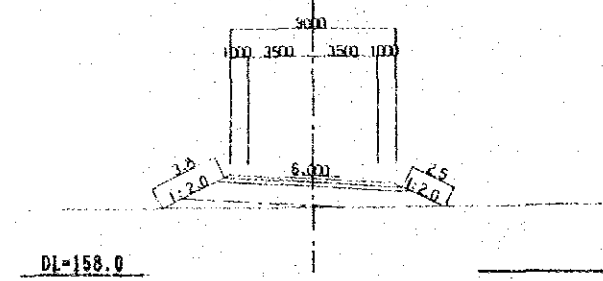
NO. 110+000.000  
P.E= 162.911  
P.F= 163.076  
G.F= 161.47  
BA1= 11.86  
BA2= 4.2



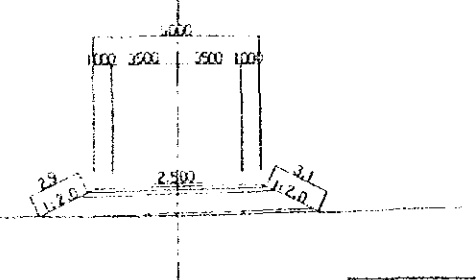
NO. 109+600.000  
P.E= 162.911  
P.F= 163.076  
G.F= 161.57  
BA1= 13.07  
BA2= .2



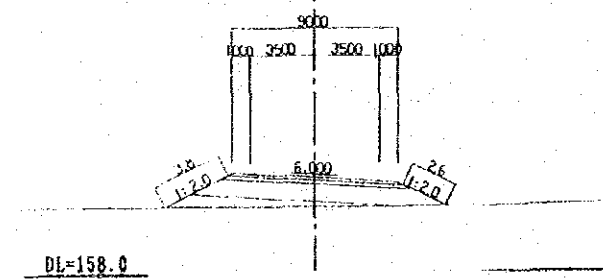
NO. 109+900.000  
P.E= 162.911  
P.F= 163.076  
G.F= 161.50  
BA1= 11.74  
BA2= 2.5



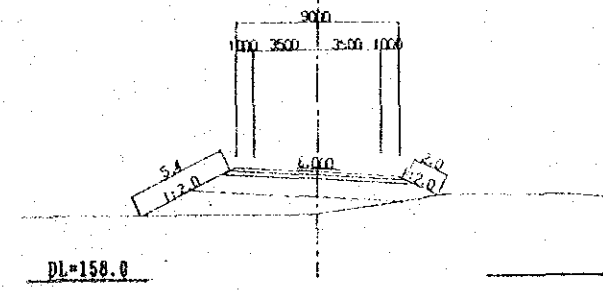
NO. 109+524.539  
P.E= 162.911  
P.F= 163.076  
G.F= 161.50  
BA1= 12.87  
BA2= 1.6



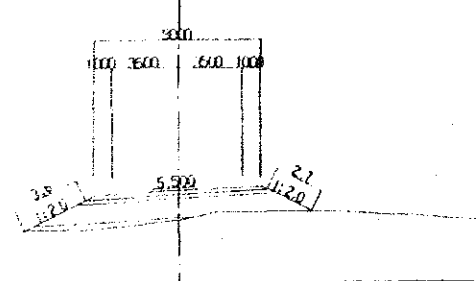
NO. 109+800.000  
P.E= 162.911  
P.F= 163.076  
G.F= 161.52  
BA1= 10.93  
BA2= 4.0



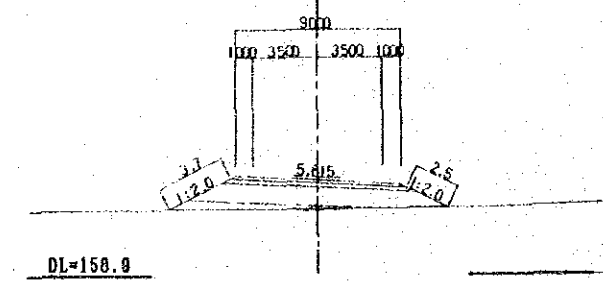
NO. 110+200.000  
P.E= 163.563  
P.F= 163.728  
G.F= 161.45  
BA1= 11.73  
BA2= 11.6



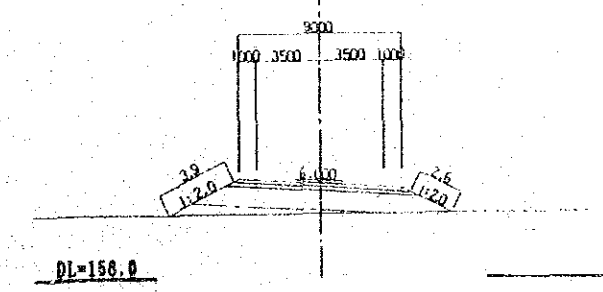
NO. 109+400.000  
P.E= 162.911  
P.F= 163.076  
G.F= 161.50  
BA1= 12.52  
BA2= 2.3

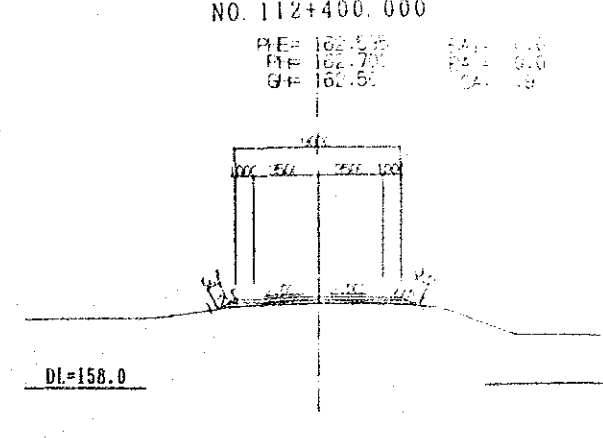
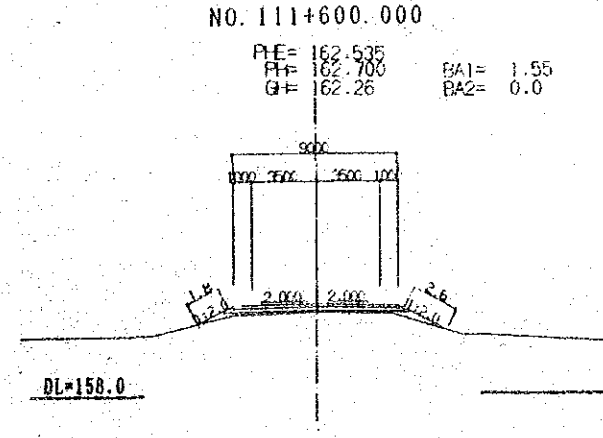
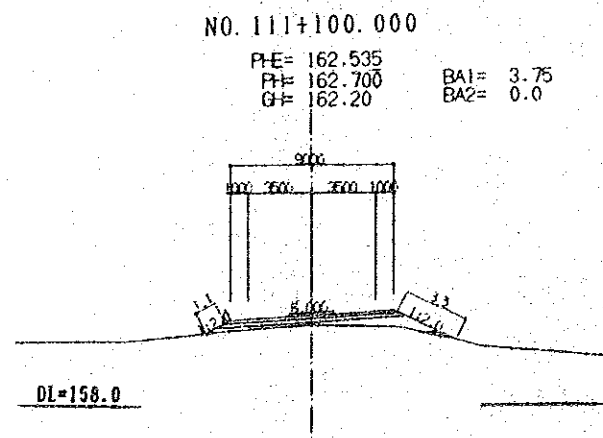
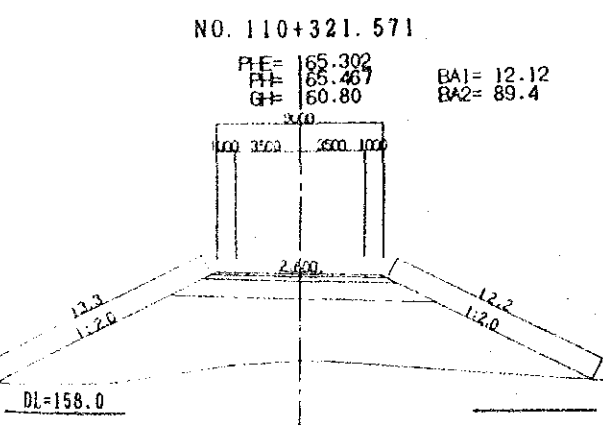
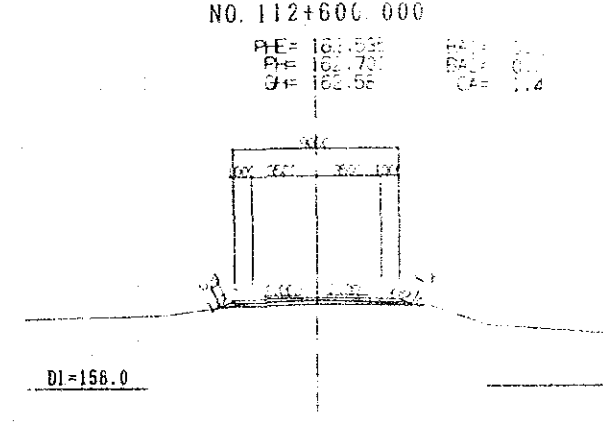
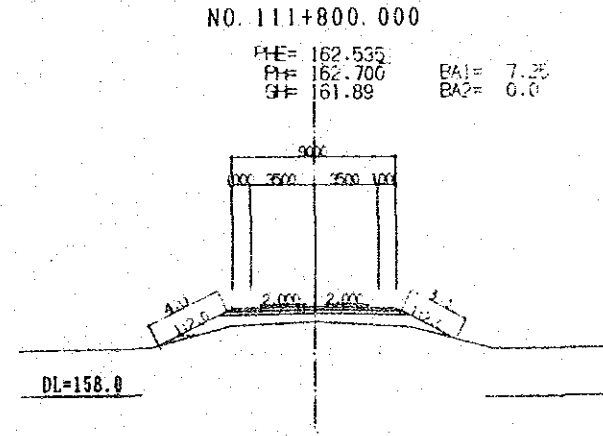
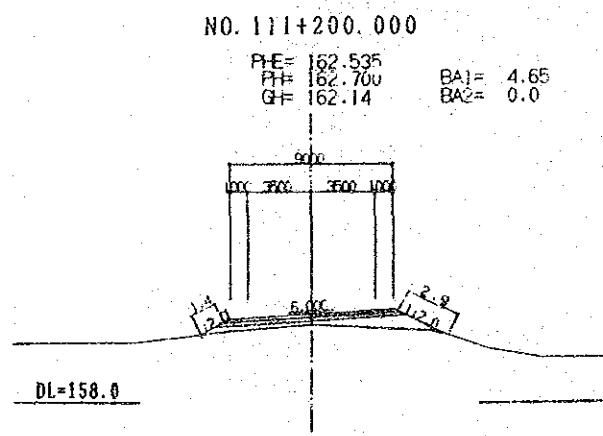
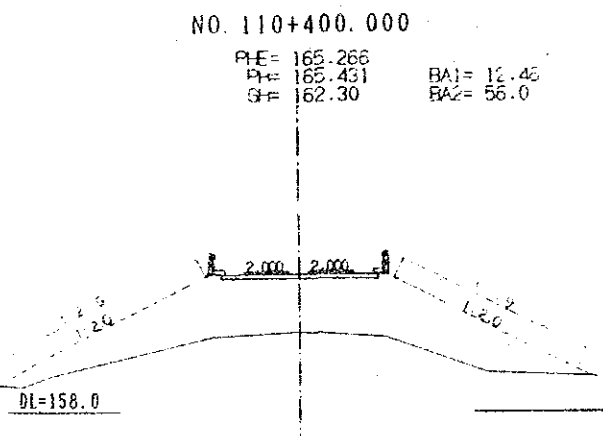
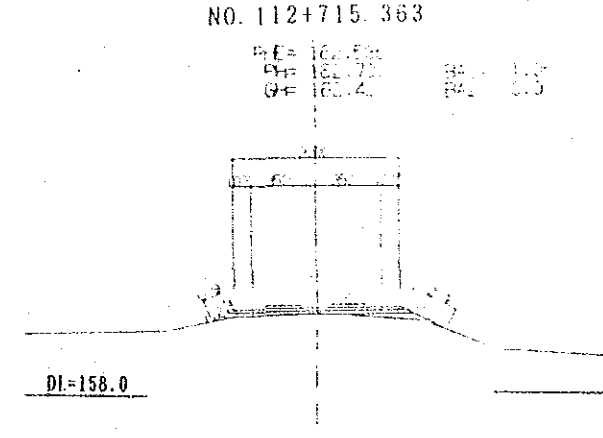
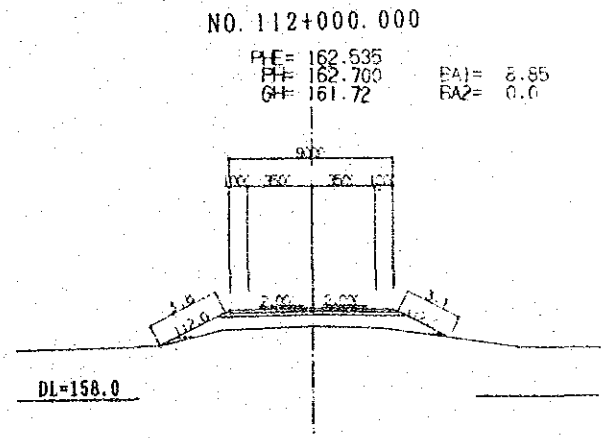
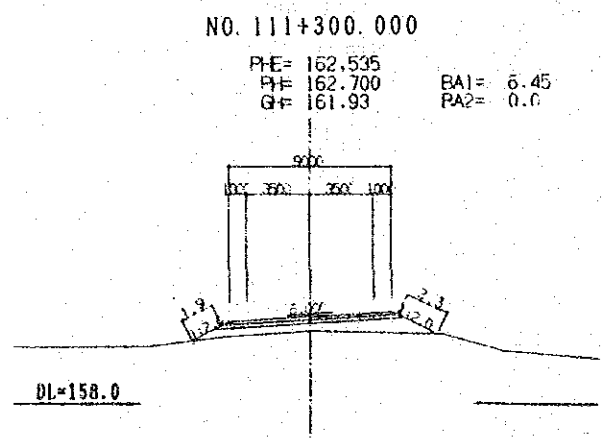
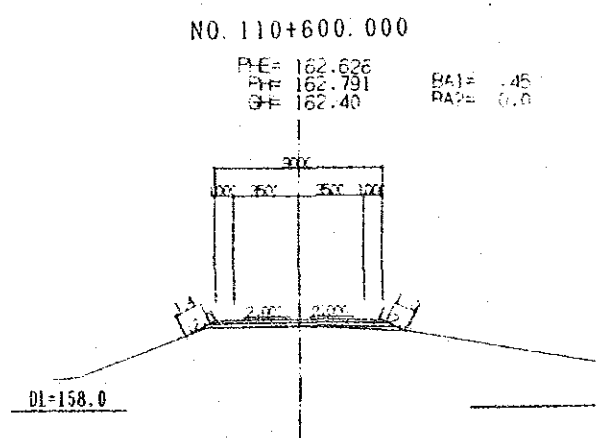
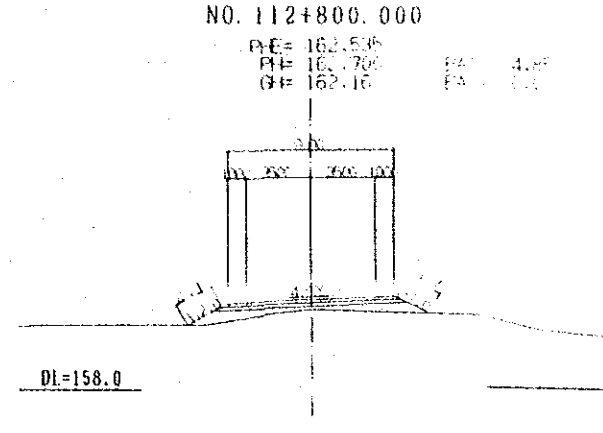
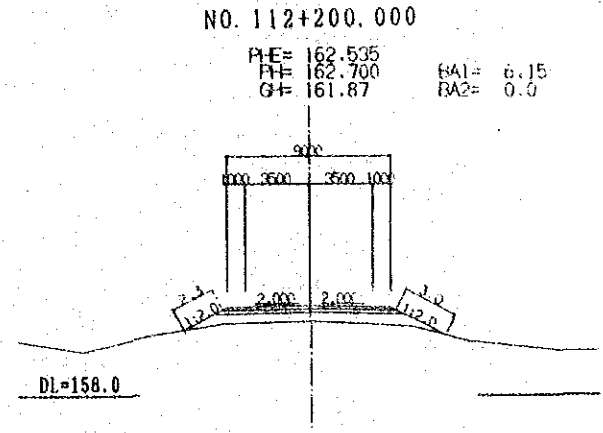
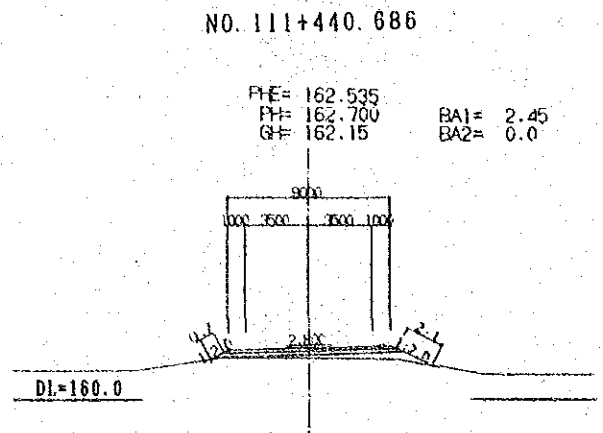
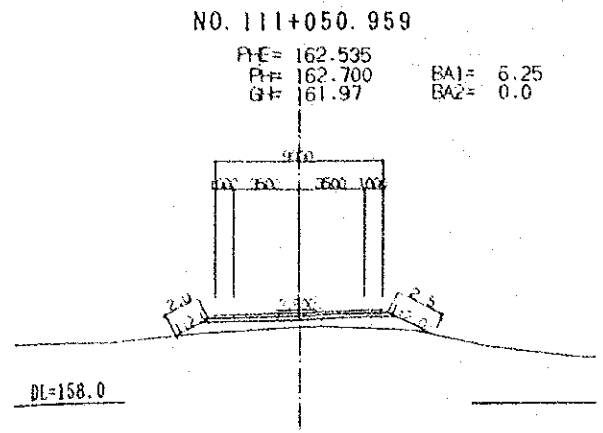


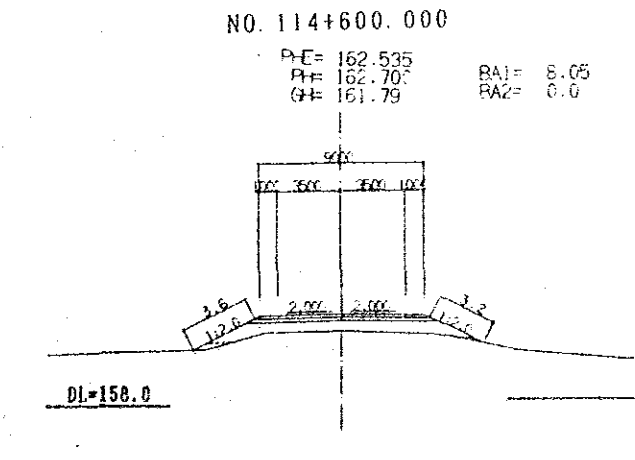
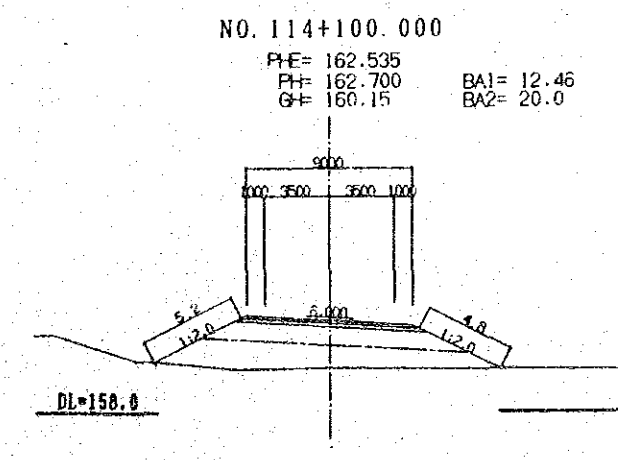
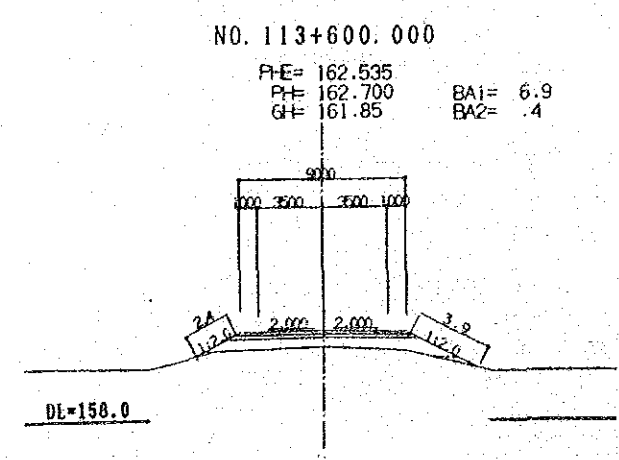
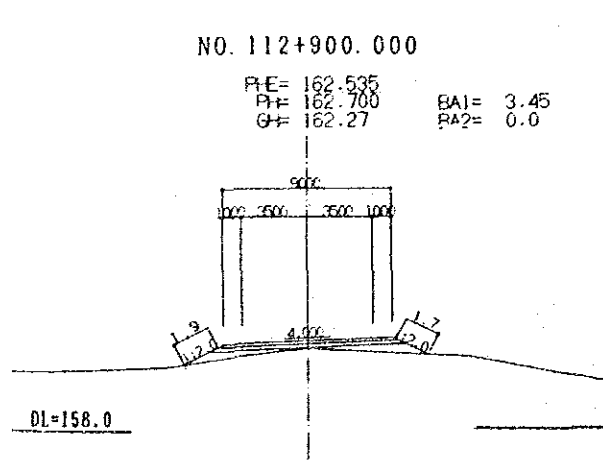
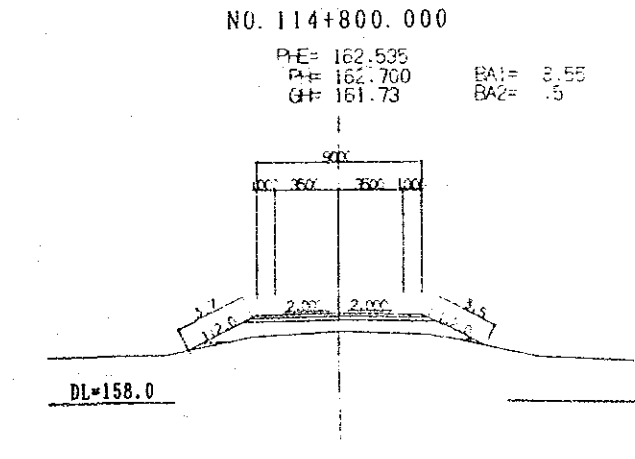
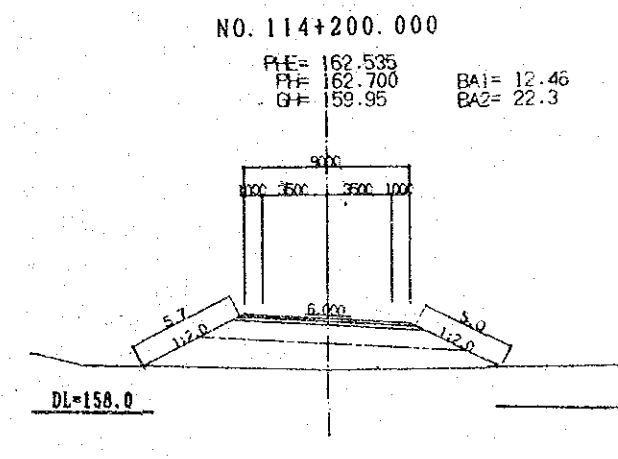
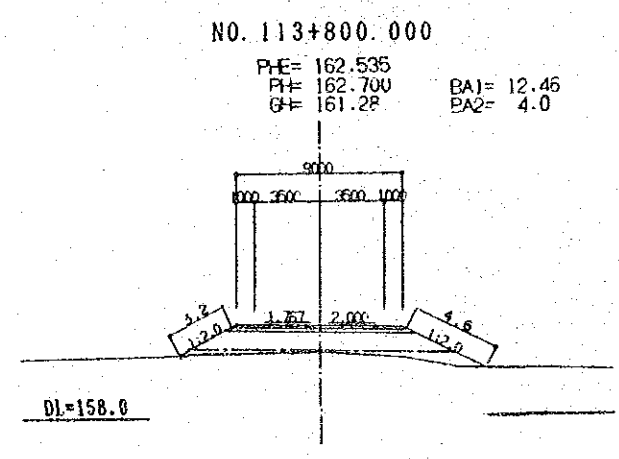
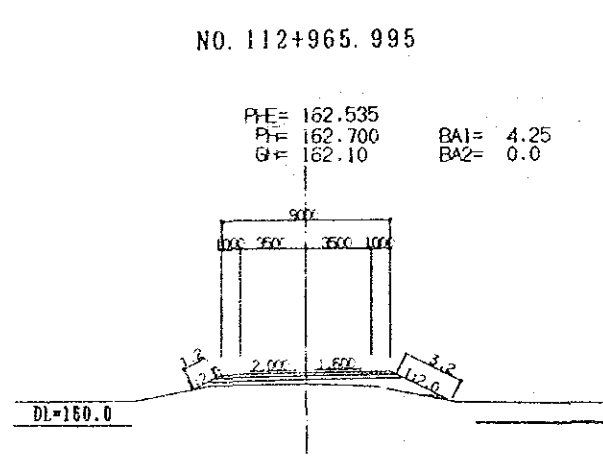
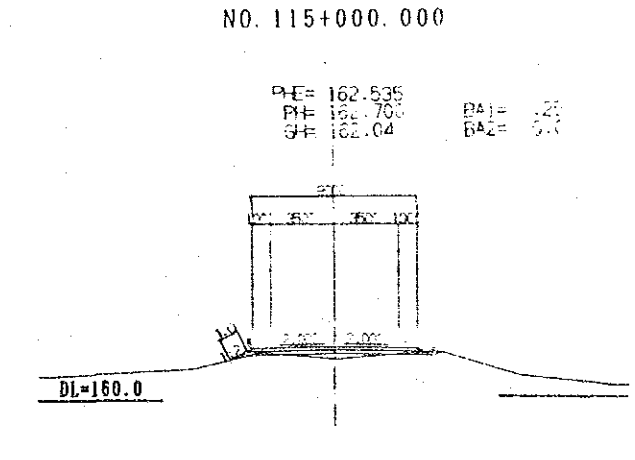
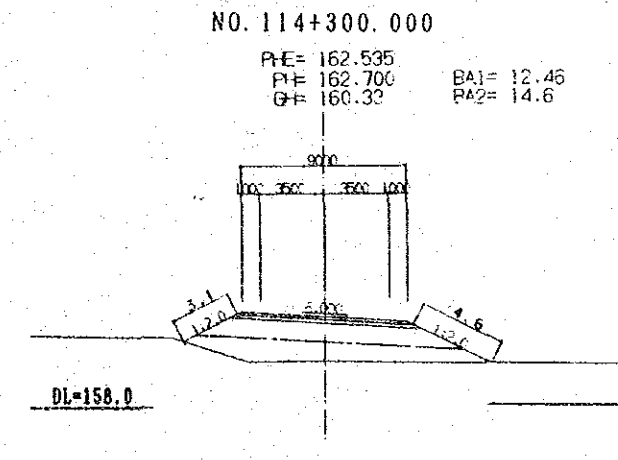
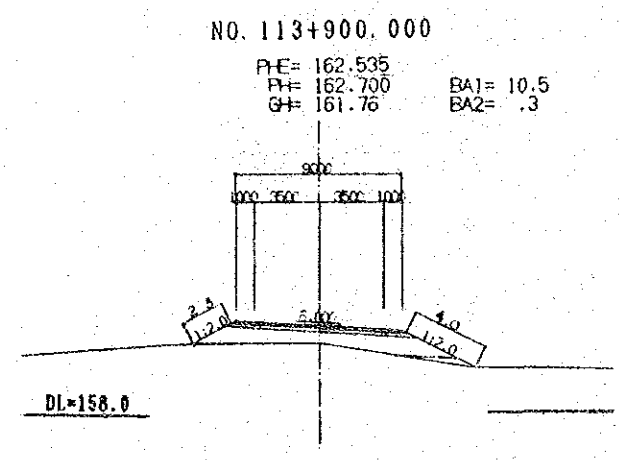
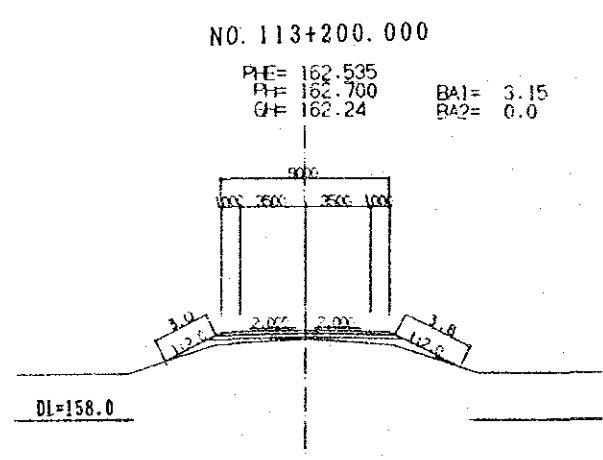
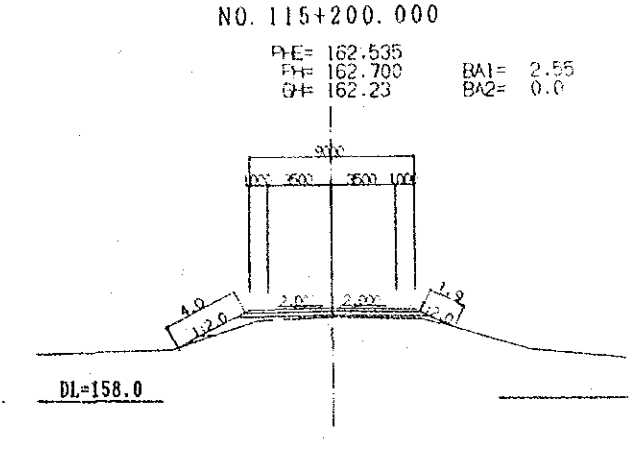
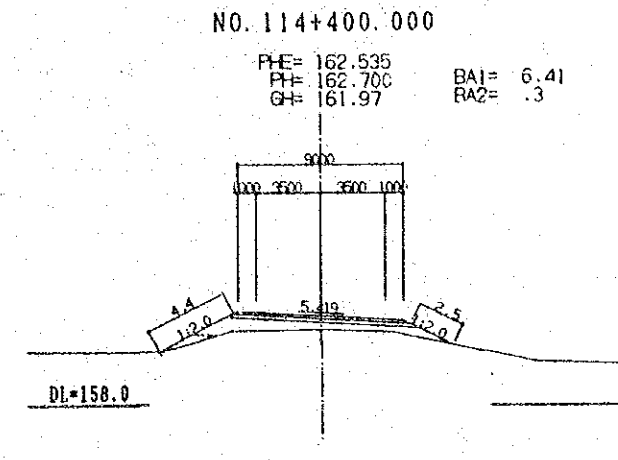
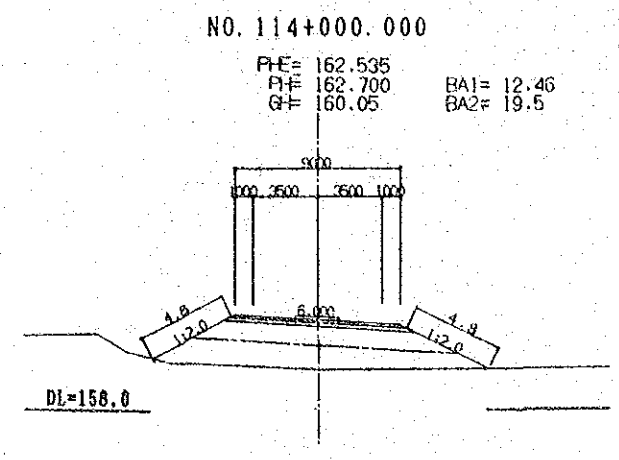
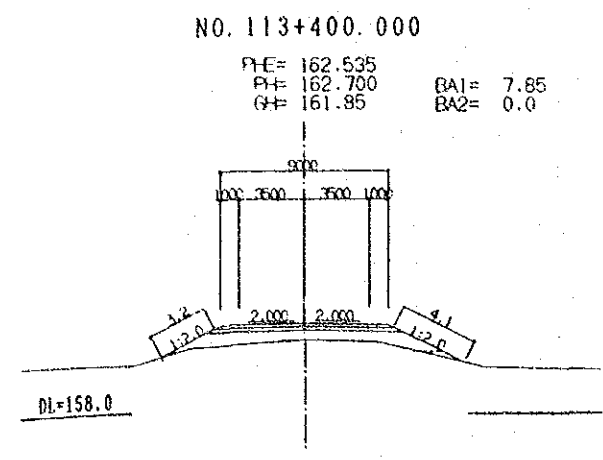
NO. 109+700.000  
P.E= 162.911  
P.F= 163.076  
G.F= 161.55  
BA1= 12.29  
BA2= 2.6



NO. 110+100.000  
P.E= 162.911  
P.F= 163.076  
G.F= 161.45  
BA1= 13.08  
BA2= 3.7

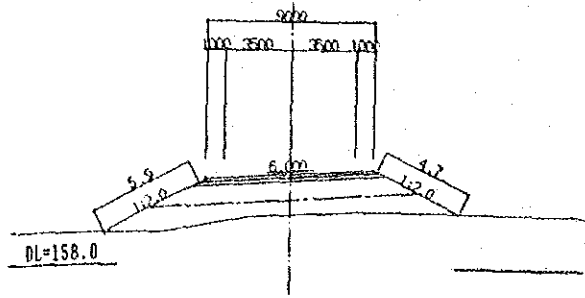






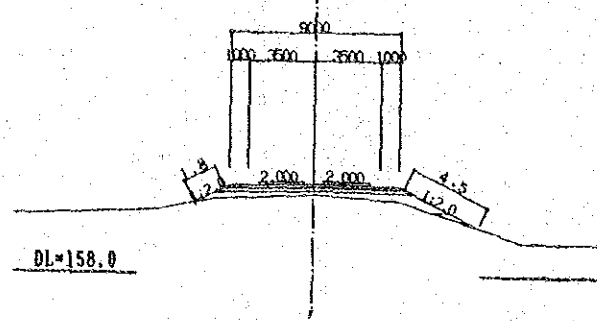
NO. 116+000.000

P+E= 162.535  
P=F 162.700  
G=F 160.58  
BA1= 12.46  
BA2= 16.0



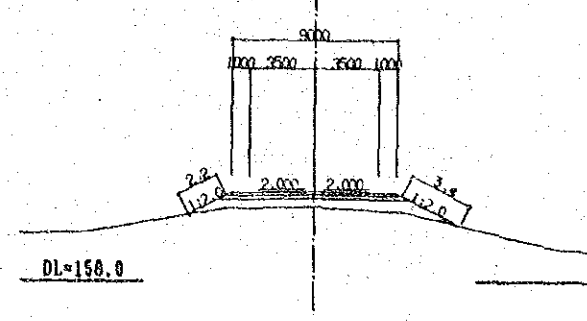
NO. 116+600.000

P+E= 162.535  
P=F 162.700  
G=F 162.14



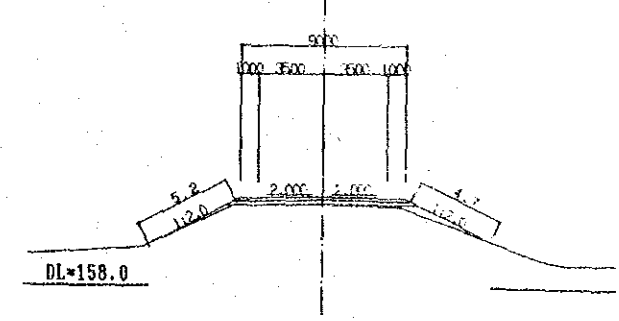
NO. 117+400.000

P+E= 162.535  
P=F 162.700  
G=F 161.89  
BA1= 6.25  
BA2= 0.0



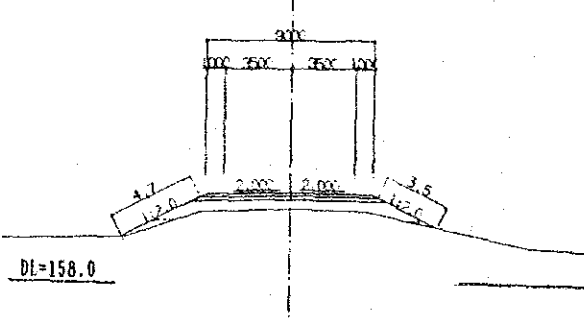
NO. 118+200.000

P+E= 162.535  
P=F 162.700  
G=F 162.28  
BA1= 1.65  
BA2= 0.0



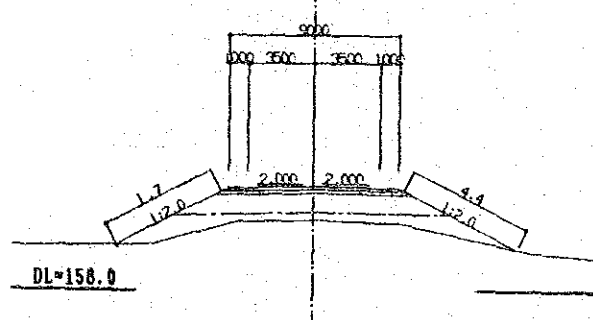
NO. 115+800.000

P+E= 162.535  
P=F 162.700  
G=F 161.84  
BA1= 7.85  
BA2= 0.0



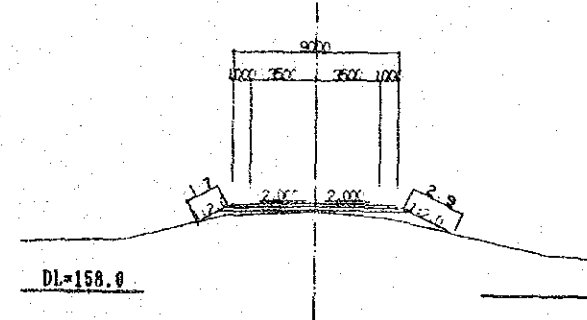
NO. 116+400.000

P+E= 162.641  
P=F 163.500  
G=F 161.72  
BA1= 4.05  
BA2= 0.0



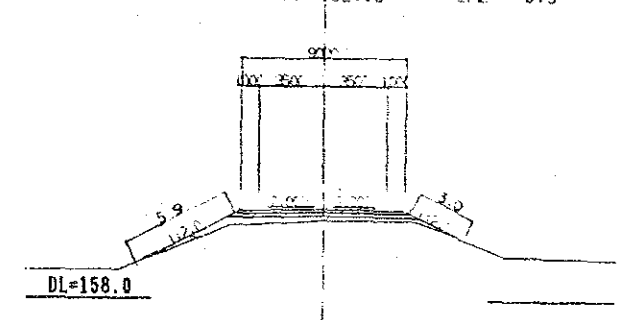
NO. 117+200.000

P+E= 162.535  
P=F 162.700  
G=F 162.25  
BA1= 2.85  
BA2= 0.0



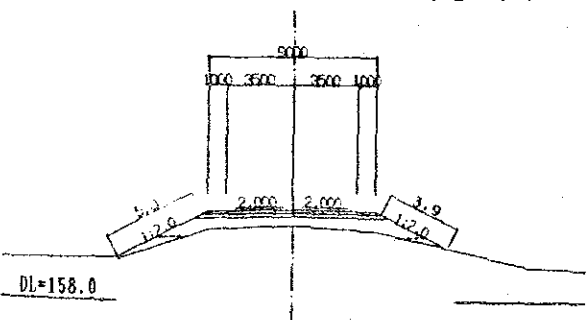
NO. 118+000.000

P+E= 162.535  
P=F 162.700  
G=F 162.09  
BA1= 3.85  
BA2= 0.0



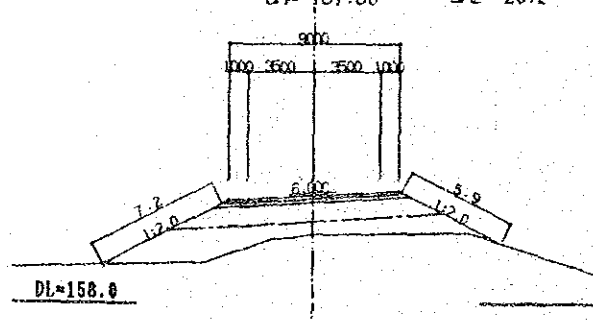
NO. 115+600.000

P+E= 162.535  
P=F 162.700  
G=F 161.86  
BA1= 7.51  
BA2= 1.4



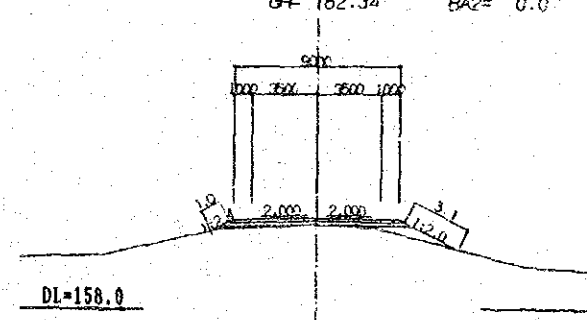
NO. 116+200.000

P+E= 163.335  
P=F 163.660  
G=F 161.60  
BA1= 12.46  
BA2= 20.2



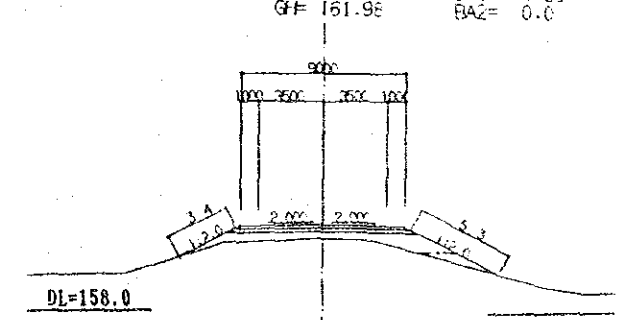
NO. 117+000.000

P+E= 162.535  
P=F 162.700  
G=F 162.34  
BA1= 1.55  
BA2= 0.0



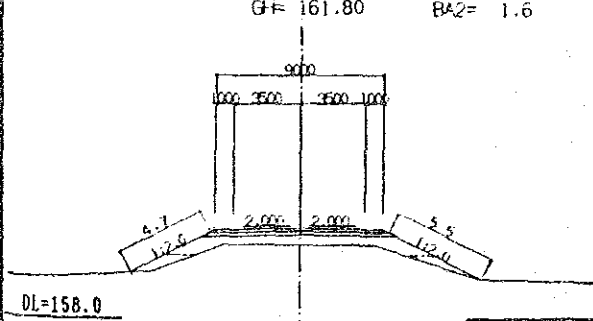
NO. 117+800.000

P+E= 162.535  
P=F 162.700  
G=F 161.95  
BA1= 7.65  
BA2= 0.0



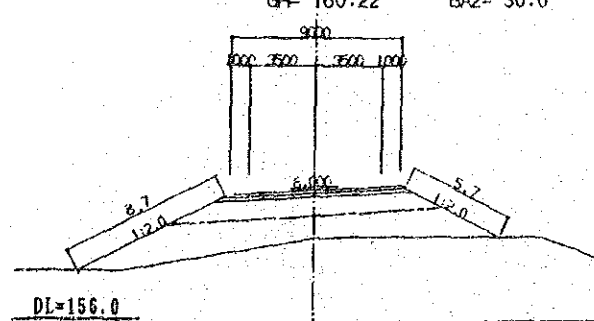
NO. 115+400.000

P+E= 162.535  
P=F 162.700  
G=F 161.80  
BA1= 7.62  
BA2= 1.6



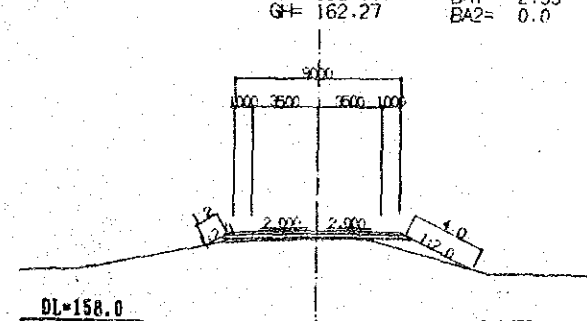
NO. 116+100.000

P+E= 163.495  
P=F 162.806  
G=F 160.22  
BA1= 12.46  
BA2= 30.0



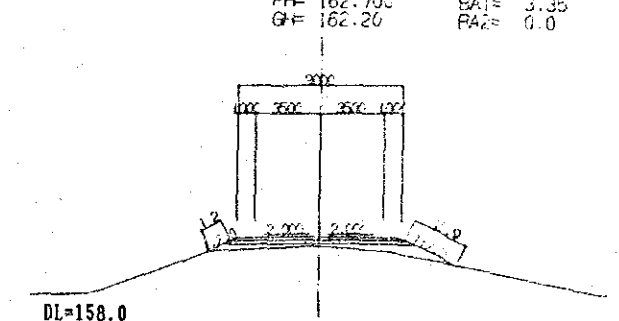
NO. 116+800.000

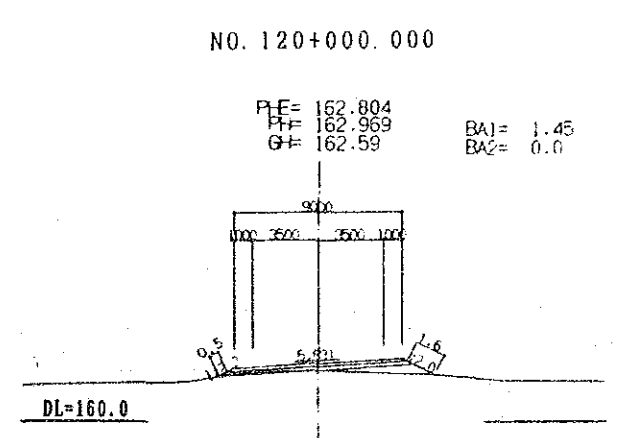
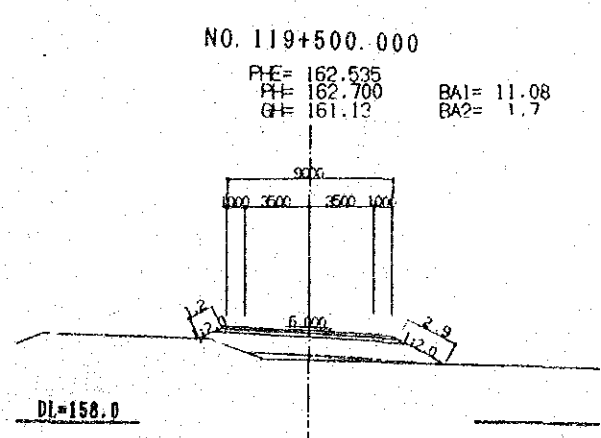
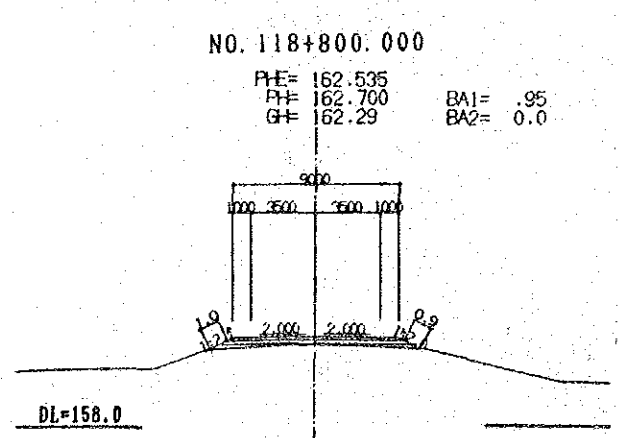
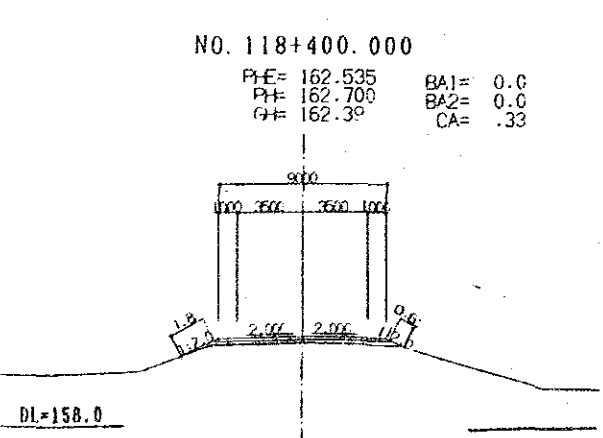
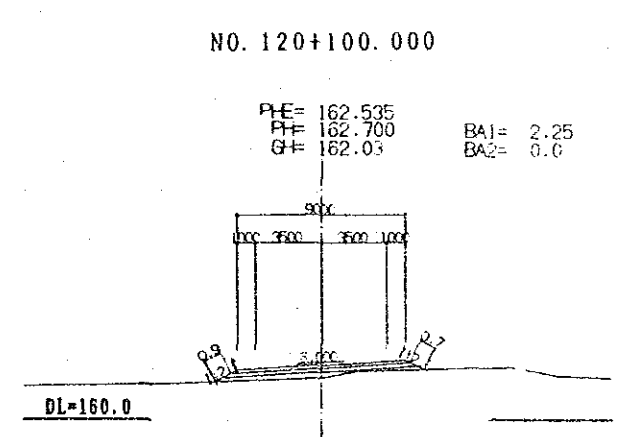
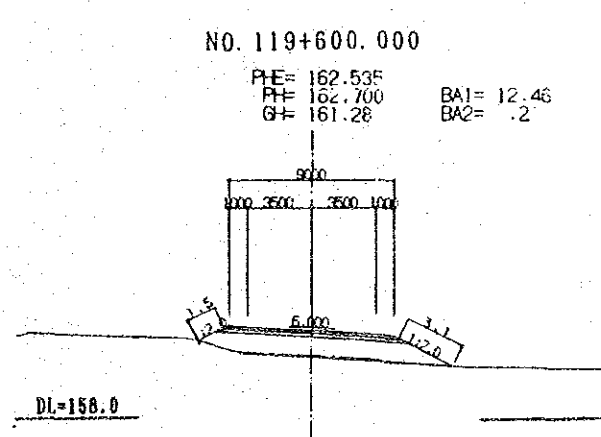
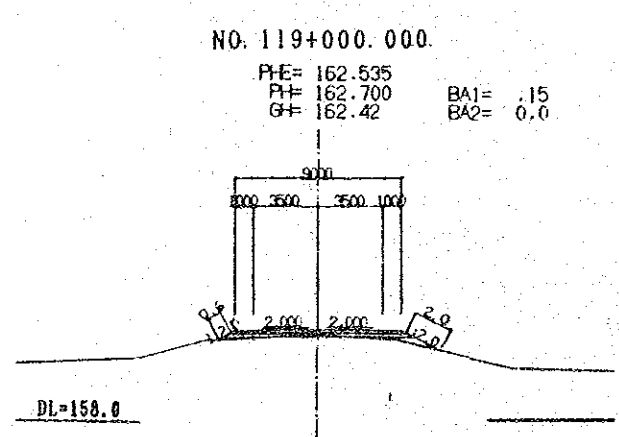
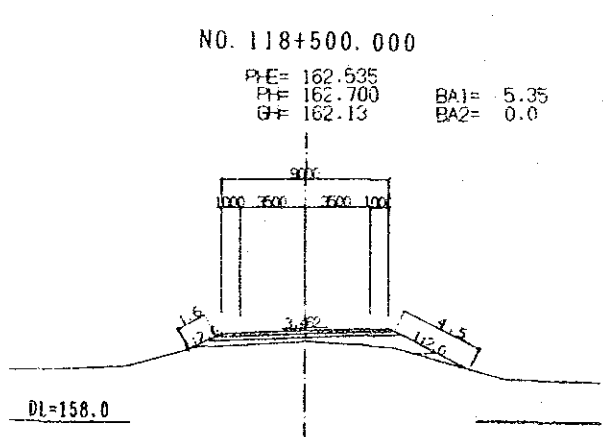
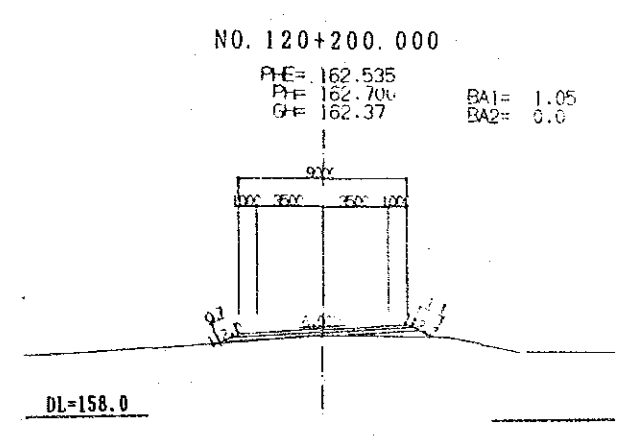
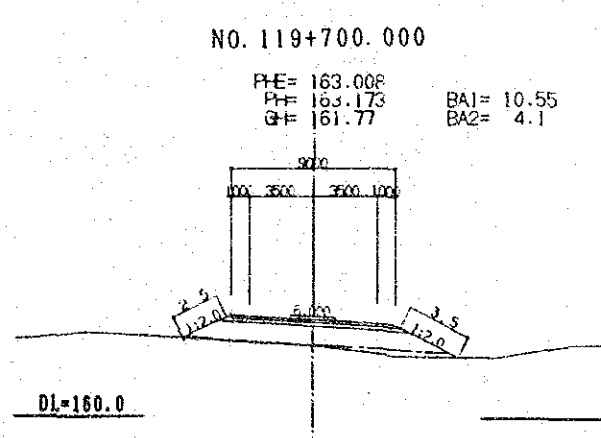
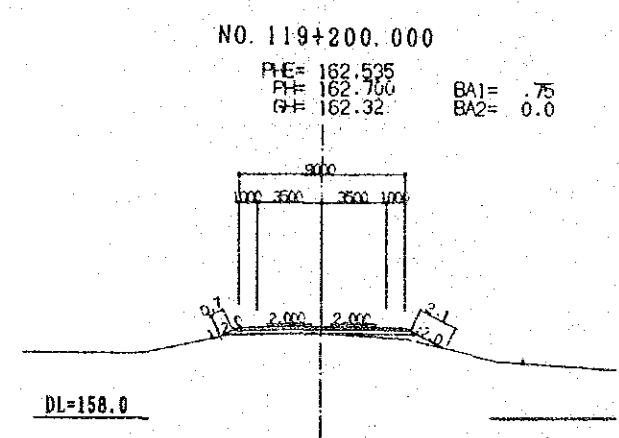
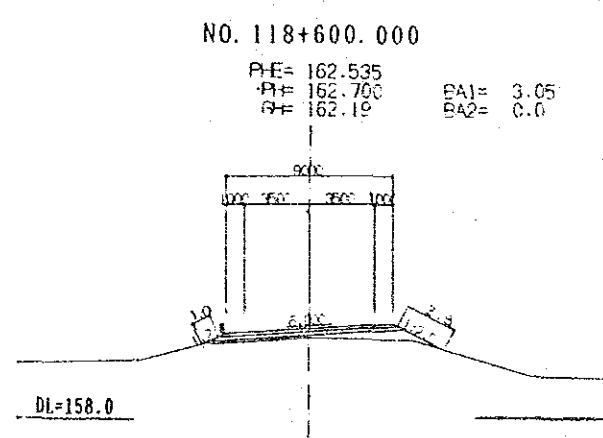
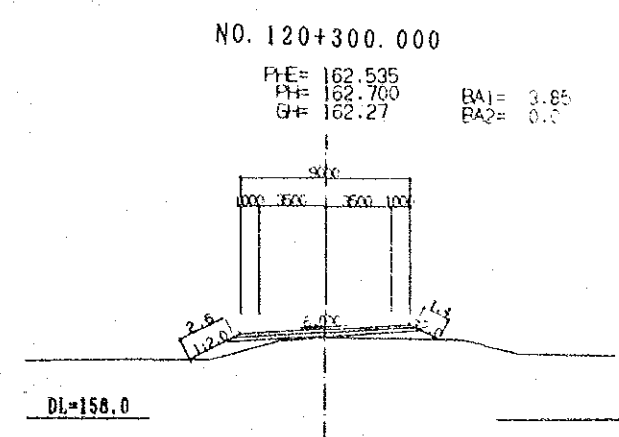
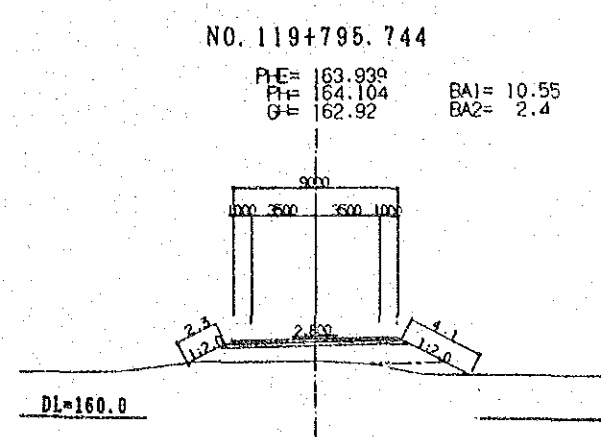
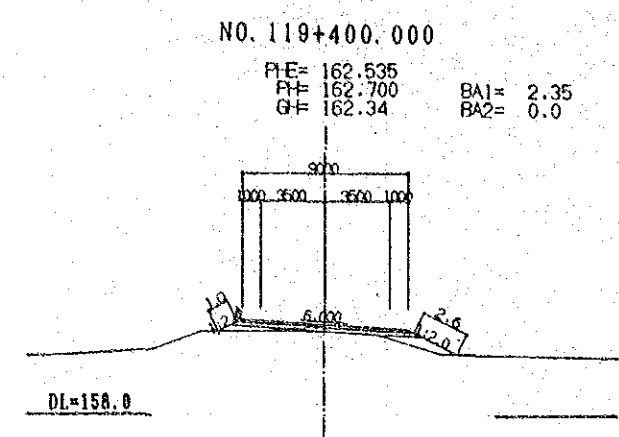
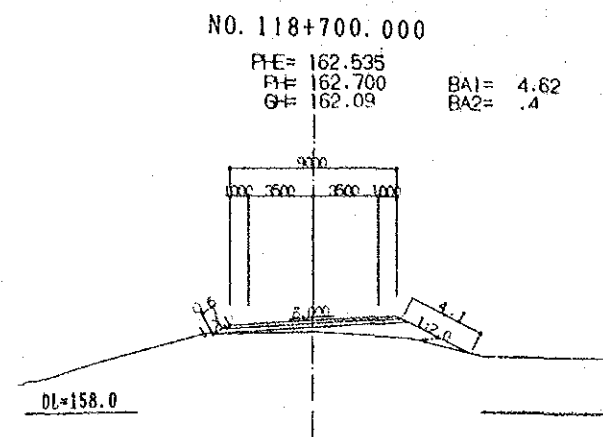
P+E= 162.535  
P=F 162.700  
G=F 162.27  
BA1= 2.55  
BA2= 0.0

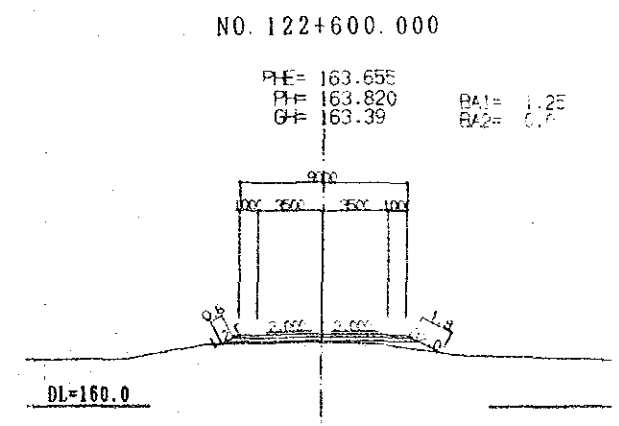
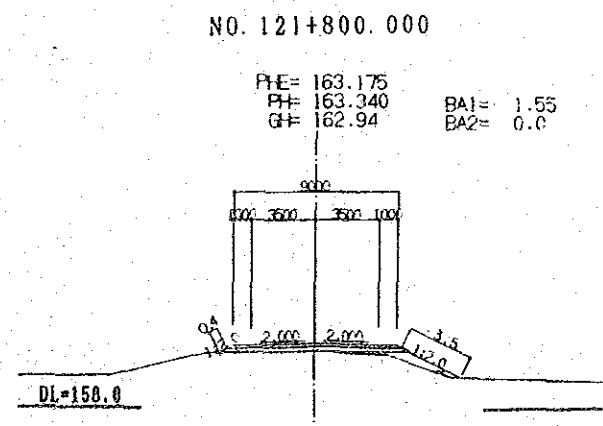
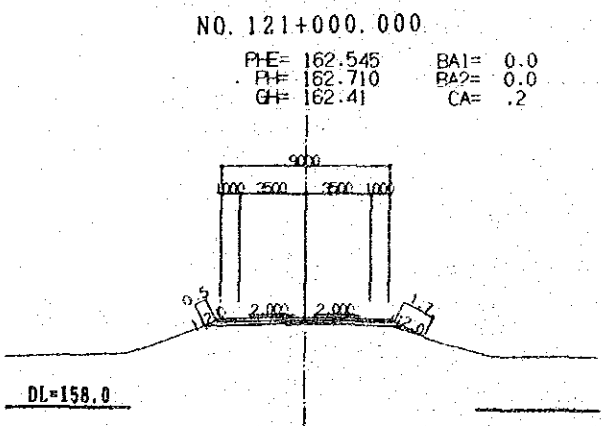
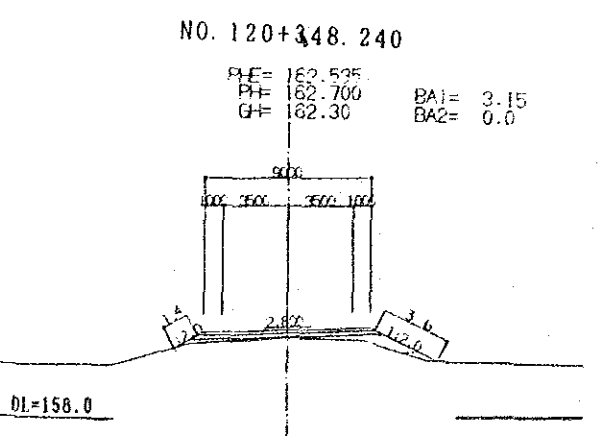
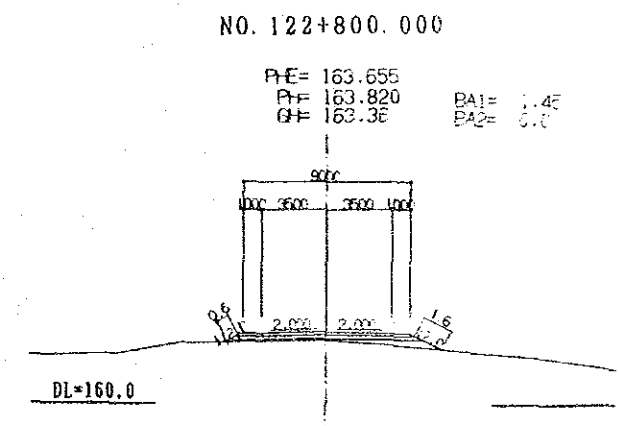
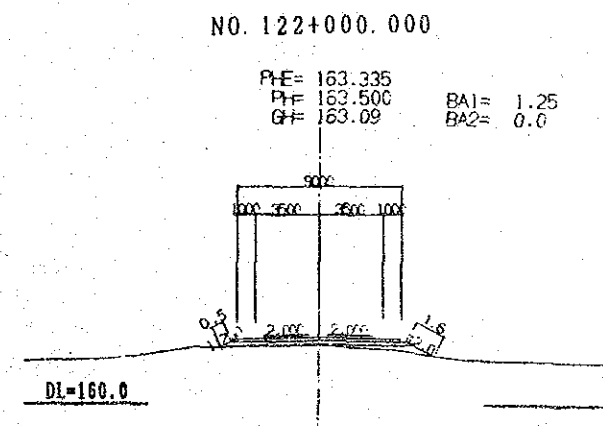
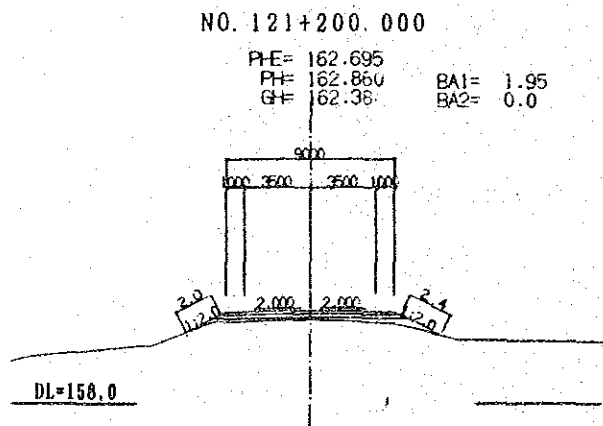
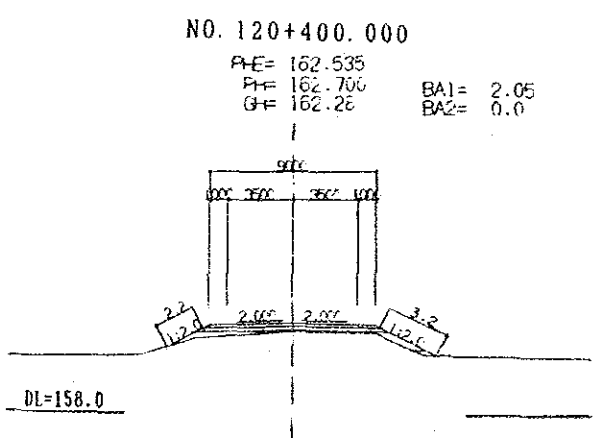
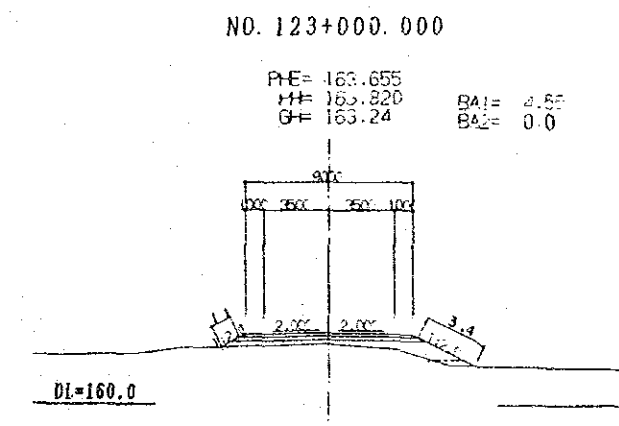
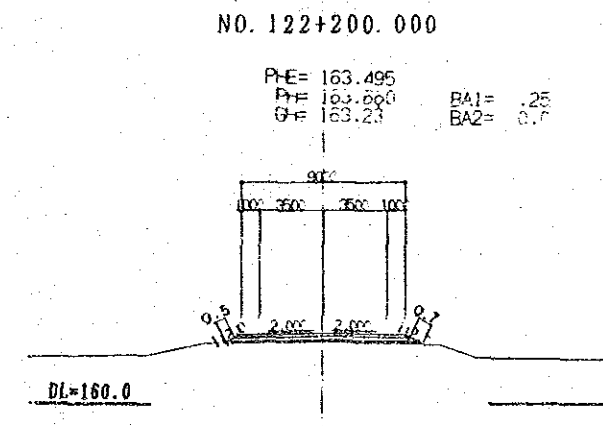
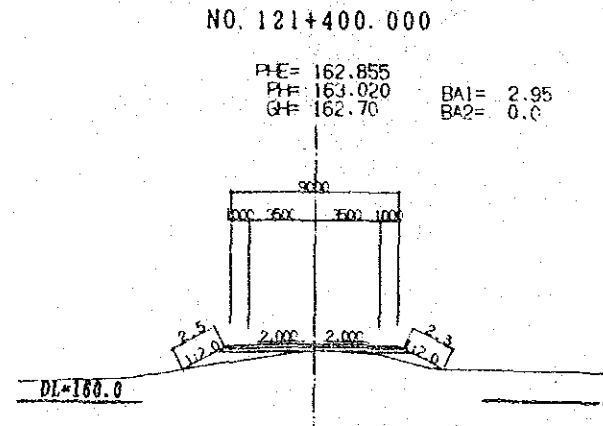
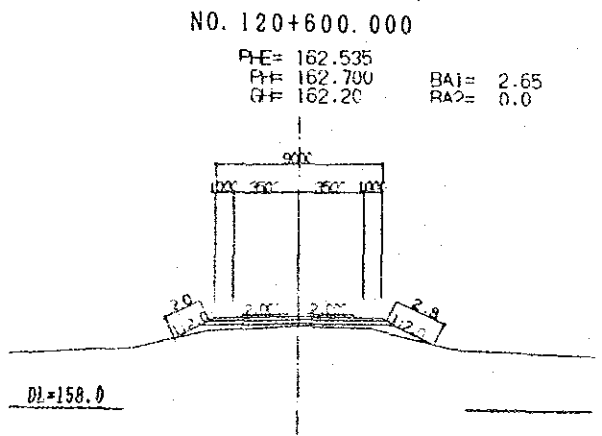
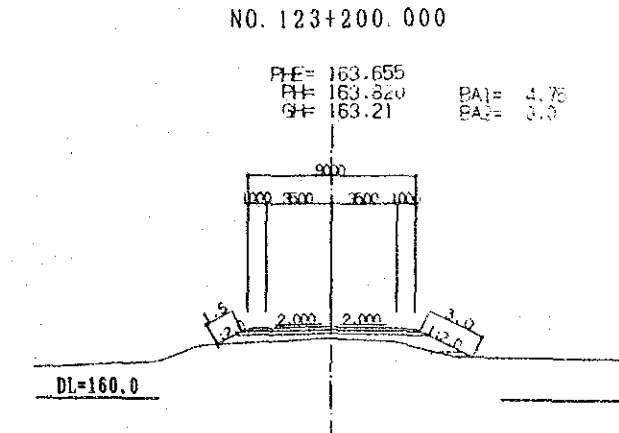
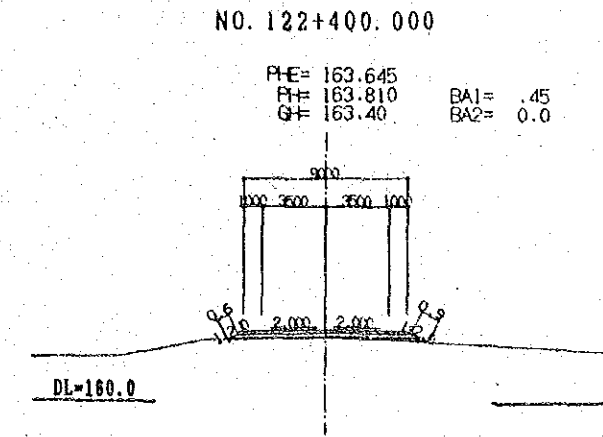
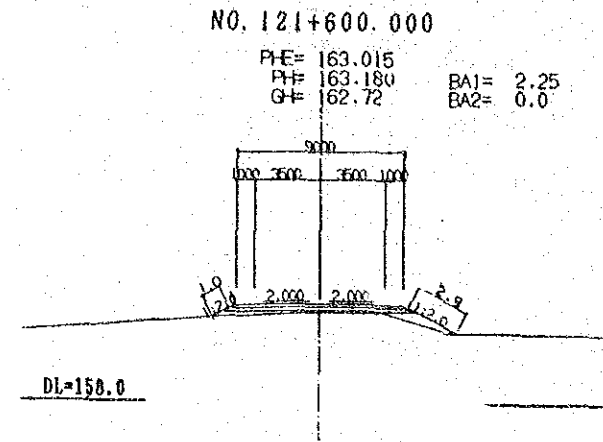
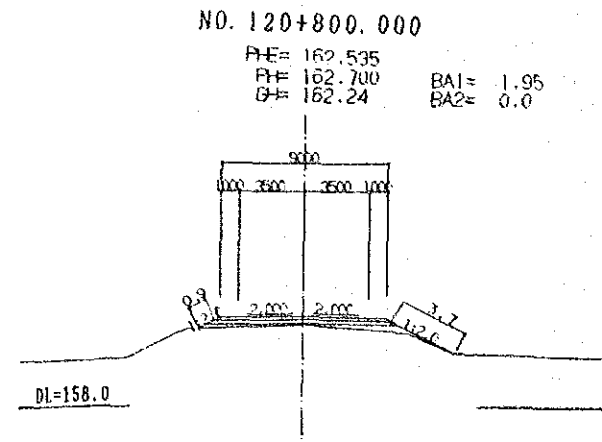


NO. 117+600.000

P+E= 162.535  
P=F 162.700  
G=F 162.20  
BA1= 3.35  
BA2= 0.0

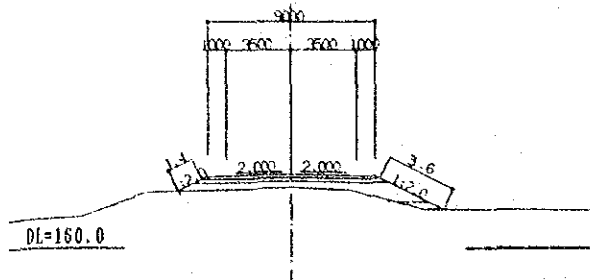






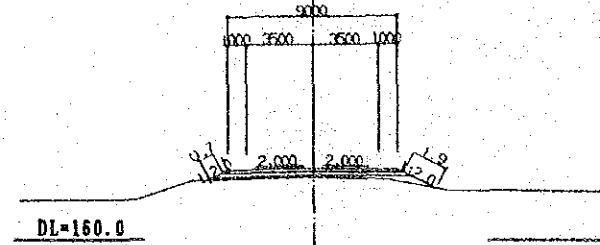
NO. 124+000.000

P-E= 163.655  
P-F= 163.820  
G-F= 163.14  
BA1= 5.85  
BA2= 0.0



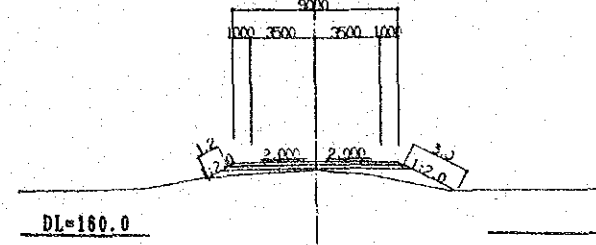
NO. 124+800.000

P-E= 163.655  
P-F= 163.820  
G-F= 163.36  
BA1= 1.35  
BA2= 0.0



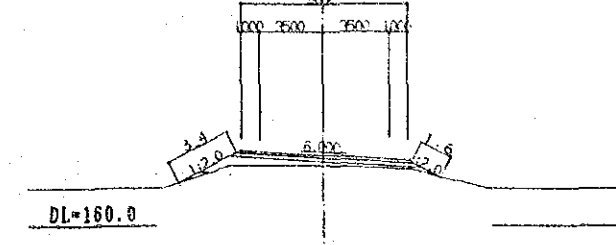
NO. 125+600.000

P-E= 163.655  
P-F= 163.820  
G-F= 163.36  
BA1= 3.65  
BA2= 0.0



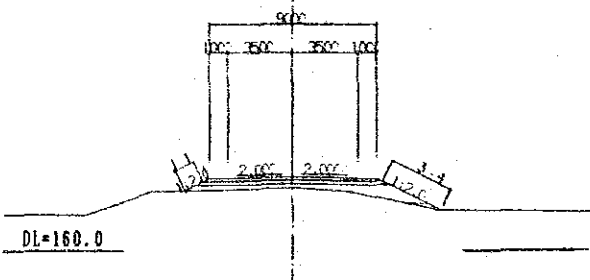
NO. 126+100.000

P-E= 163.655  
P-F= 163.820  
G-F= 163.27  
BA1= 3.45  
BA2= 0.0



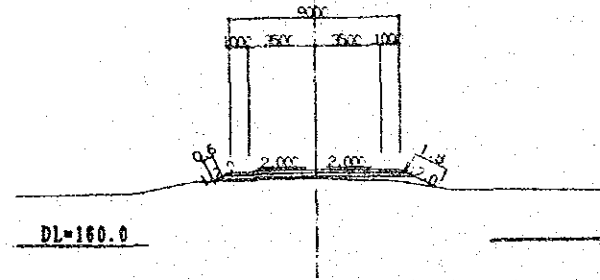
NO. 123+800.000

P-E= 163.655  
P-F= 163.820  
G-F= 163.24  
BA1= 4.25  
BA2= 0.0



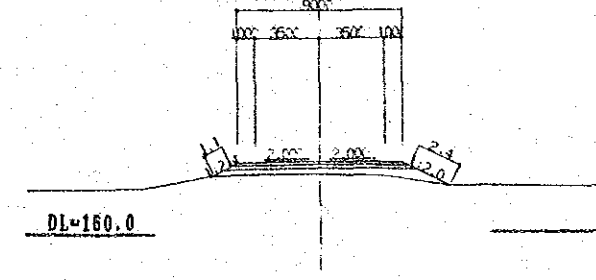
NO. 124+600.000

P-E= 163.655  
P-F= 163.820  
G-F= 163.35  
BA1= 1.45  
BA2= 0.0



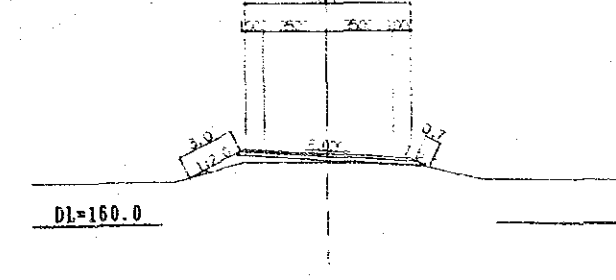
NO. 125+400.000

P-E= 163.655  
P-F= 163.820  
G-F= 163.14  
BA1= 3.85  
BA2= 0.0



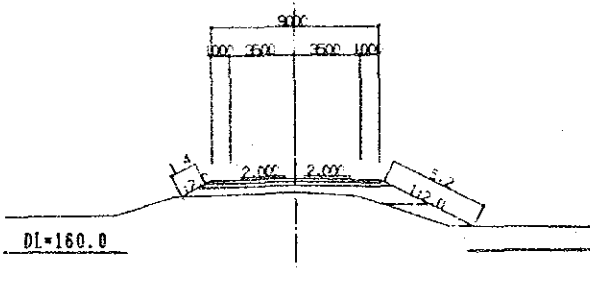
NO. 126+000.000

P-E= 163.655  
P-F= 163.820  
G-F= 163.37  
BA1= 1.35  
BA2= 0.0



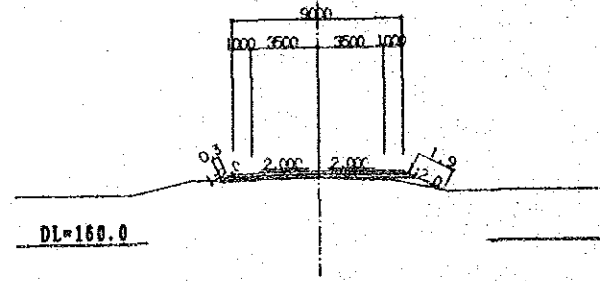
NO. 123+600.000

P-E= 163.655  
P-F= 163.820  
G-F= 163.09  
BA1= 7.95  
BA2= 0.0



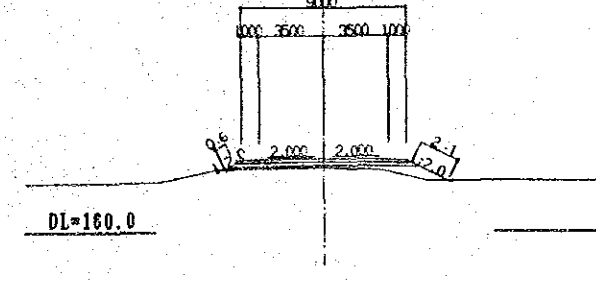
NO. 124+400.000

P-E= 163.655  
P-F= 163.820  
G-F= 163.47  
BA1= .15  
BA2= 0.0



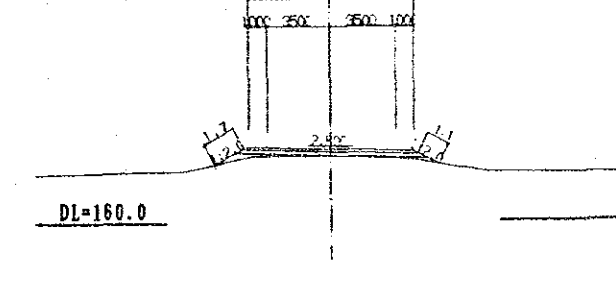
NO. 125+200.000

P-E= 163.655  
P-F= 163.820  
G-F= 163.33  
BA1= 2.05  
BA2= 0.0



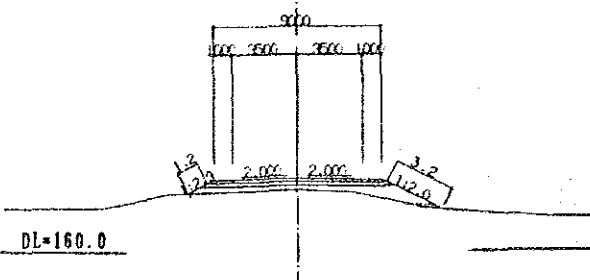
NO. 125+925.957

P-E= 163.655  
P-F= 163.820  
G-F= 163.46  
BA1= .15  
BA2= 0.0



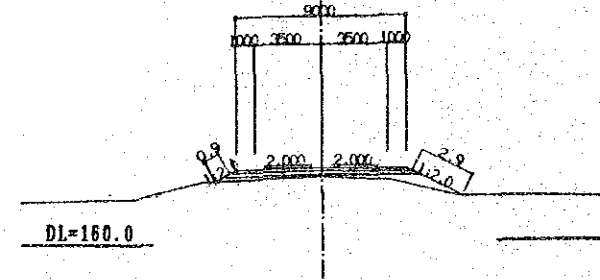
NO. 123+400.000

P-E= 163.655  
P-F= 163.820  
G-F= 163.22  
BA1= 4.35  
BA2= 0.0



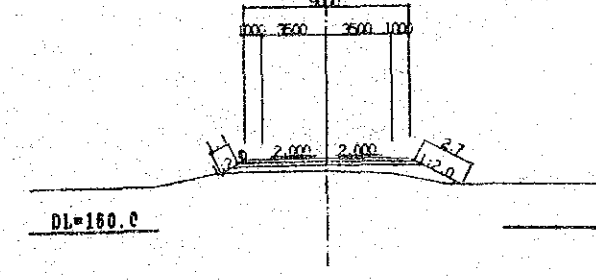
NO. 124+200.000

P-E= 163.655  
P-F= 163.820  
G-F= 163.35  
BA1= 2.55  
BA2= 0.0



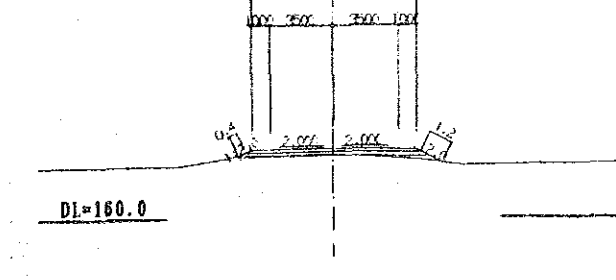
NO. 125+000.000

P-E= 163.655  
P-F= 163.820  
G-F= 163.14  
BA1= 4.45  
BA2= 0.0



NO. 125+800.000

P-E= 163.655  
P-F= 163.820  
G-F= 163.50  
BA1= 2.0  
BA2= 0.0  
CA= 1.4

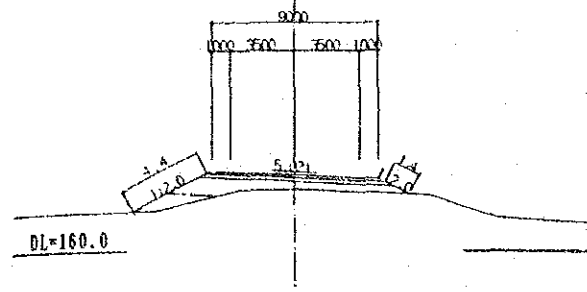




NO. 126+500.000

P+E= 163.859  
P-F= 164.024  
G-F= 163.25

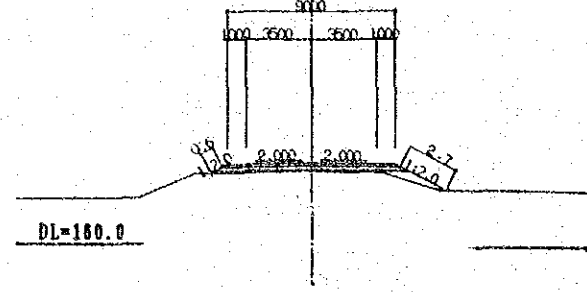
BA1= 6.48  
BA2= 1.9



NO. 127+200.000

P+E= 164.327  
P-F= 164.492  
G-F= 164.07

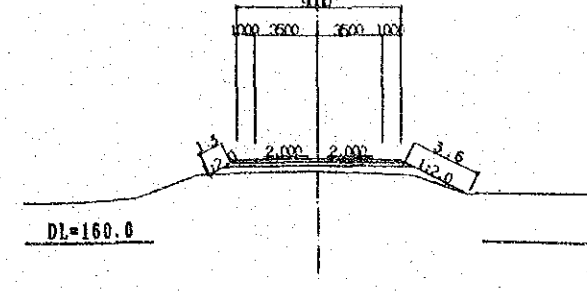
BA1= 1.35  
BA2= 0.0



NO. 128+000.000

P+E= 164.335  
P-F= 164.500  
G-F= 163.83

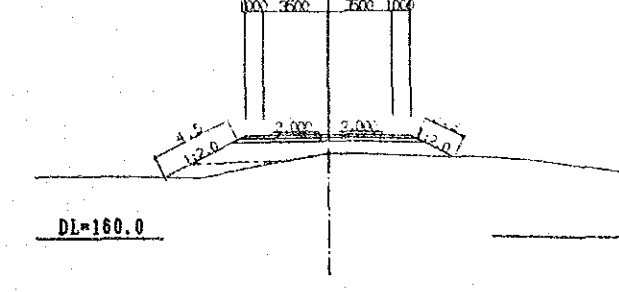
BA1= 4.15  
BA2= 0.0



NO. 128+800.000

P+E= 165.314  
P-F= 165.479  
G-F= 164.46

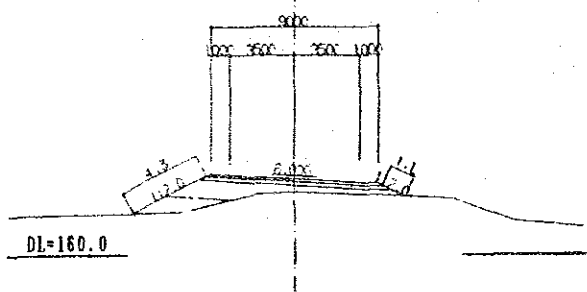
BA1= 10.28  
BA2= 2.4



NO. 126+400.000

P+E= 163.791  
P-F= 163.956  
G-F= 163.28

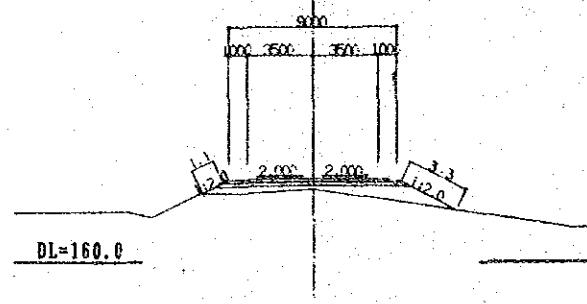
BA1= 6.28  
BA2= 2.4



NO. 127+000.000

P+E= 164.199  
P-F= 164.364  
G-F= 163.79

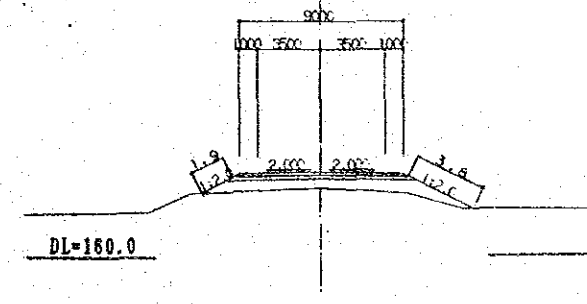
BA1= 5.35  
BA2= 0.0



NO. 127+800.000

P+E= 164.335  
P-F= 164.500  
G-F= 163.85

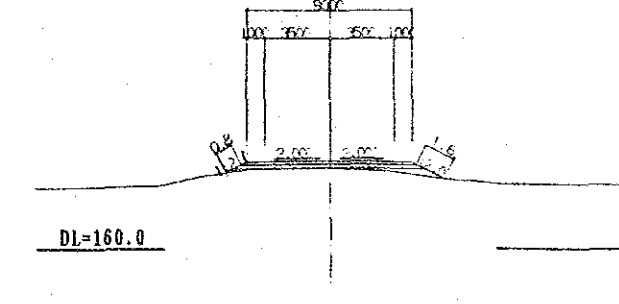
BA1= 7.35  
BA2= 0.0



NO. 128+600.000

P+E= 164.519  
P-F= 164.684  
G-F= 164.29

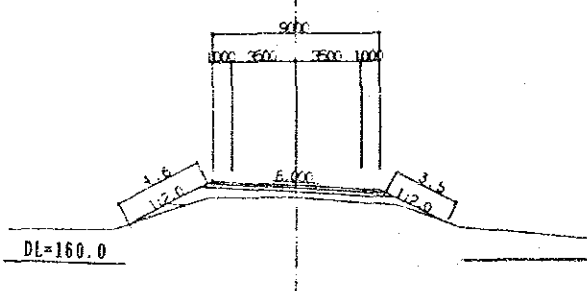
BA1= 1.95  
BA2= 0.0



NO. 126+300.000

P+E= 163.723  
P-F= 163.888  
G-F= 163.24

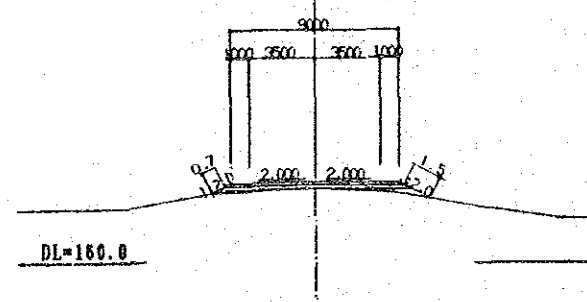
BA1= 5.85  
BA2= 0.0



NO. 126+800.000

P+E= 164.063  
P-F= 164.228  
G-F= 163.88

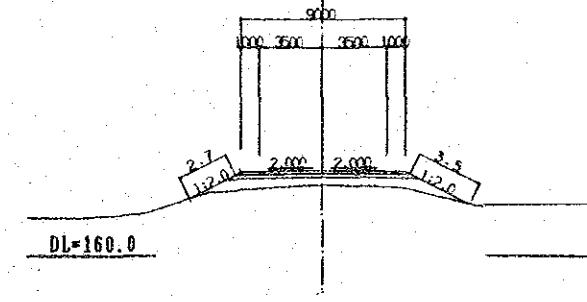
BA1= .55  
BA2= 0.0



NO. 127+600.000

P+E= 164.335  
P-F= 164.500  
G-F= 163.75

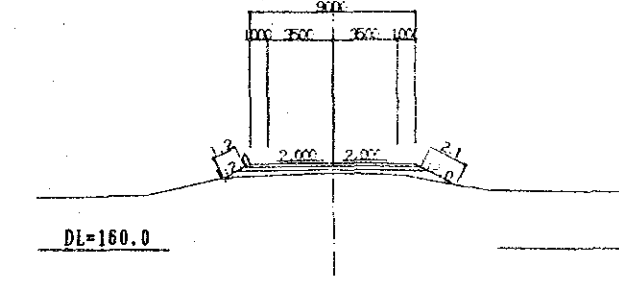
BA1= 6.05  
BA2= 0.0



NO. 128+400.000

P+E= 164.335  
P-F= 164.500  
G-F= 163.96

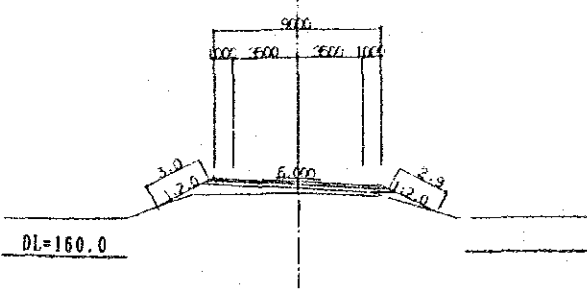
BA1= 2.85  
BA2= 0.0



NO. 126+200.000

P+E= 163.664  
P-F= 163.829  
G-F= 163.23

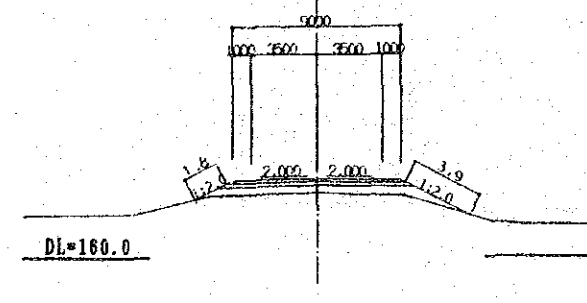
BA1= 4.25  
BA2= 0.0



NO. 126+600.000

P+E= 163.927  
P-F= 164.092  
G-F= 163.33

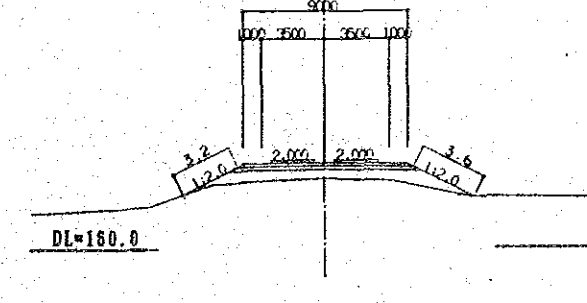
BA1= 5.25  
BA2= 0.0



NO. 127+400.000

P+E= 164.335  
P-F= 164.500  
G-F= 163.66

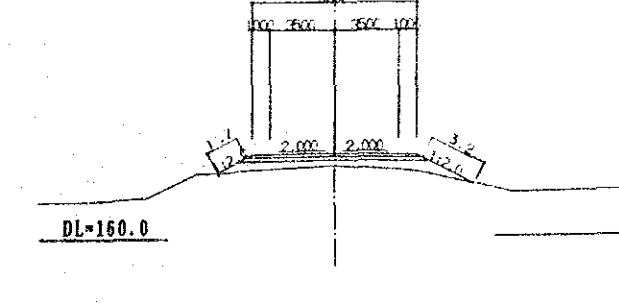
BA1= 7.35  
BA2= 0.0



NO. 128+200.000

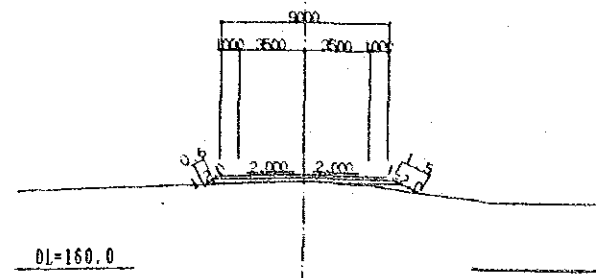
P+E= 164.335  
P-F= 164.500  
G-F= 163.84

BA1= 5.05  
BA2= 0.0



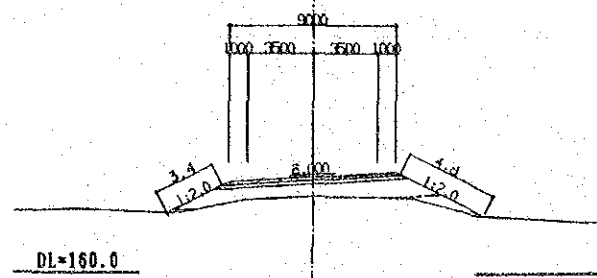
NO. 129+600.000

P+E= 164.835  
P-F= 165.000  
G-F= 164.65  
BA1= 1.45  
BA2= 0.0



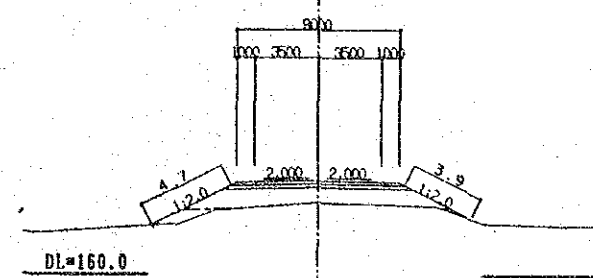
NO. 130+000.000

P+E= 164.835  
P-F= 165.000  
G-F= 163.98  
BA1= 9.28  
BA2= 2.2



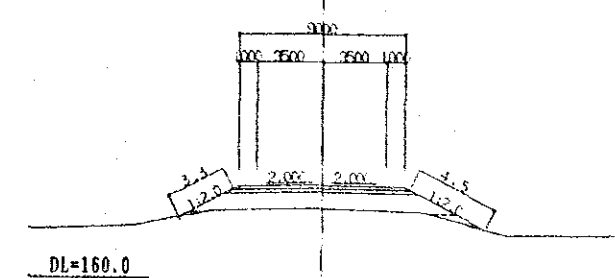
NO. 130+400.000

P+E= 164.835  
P-F= 165.000  
G-F= 163.83  
BA1= 10.6  
BA2= 1.6



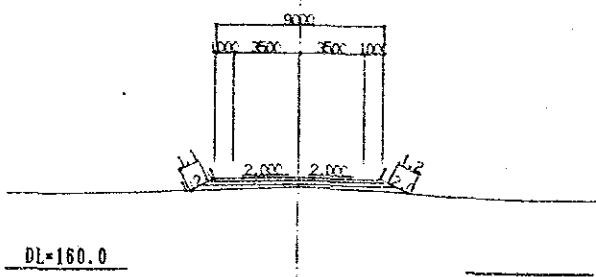
NO. 131+200.000

P+E= 164.835  
P-F= 165.000  
G-F= 163.77  
BA1= 11.45  
BA2= 1.1



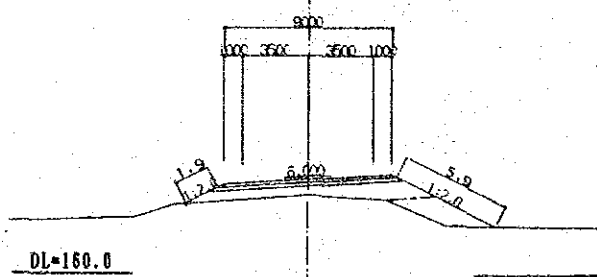
NO. 129+400.000

P+E= 164.935  
P-F= 165.000  
G-F= 164.50  
BA1= 1.85  
BA2= 0.0



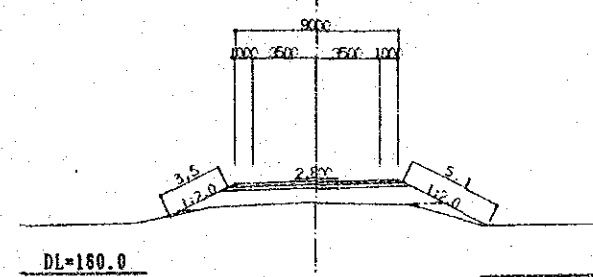
NO. 129+900.000

P+E= 164.835  
P-F= 165.000  
G-F= 164.14  
BA1= 8.17  
BA2= 4.0



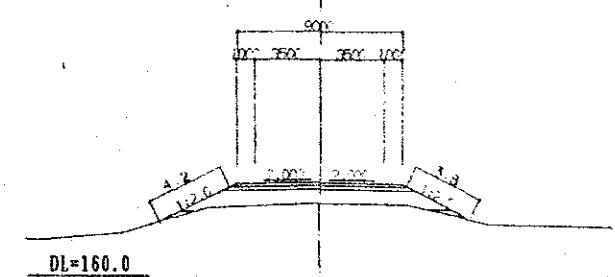
NO. 130+263.282

P+E= 164.835  
P-F= 165.000  
G-F= 163.88  
BA1= 11.08  
BA2= 1.1



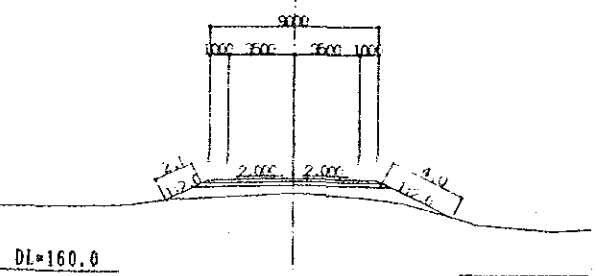
NO. 131+000.000

P+E= 164.835  
P-F= 165.000  
G-F= 163.85  
BA1= 11.32  
BA2= 1.1



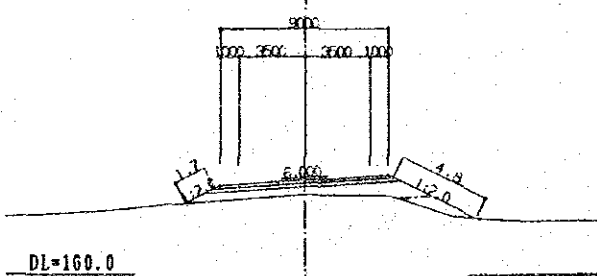
NO. 129+200.000

P+E= 164.835  
P-F= 165.000  
G-F= 164.22  
BA1= 6.85  
BA2= 0.0



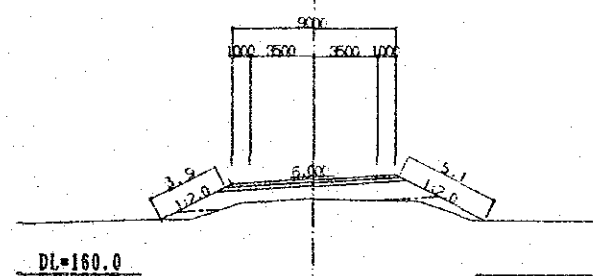
NO. 129+800.000

P+E= 164.835  
P-F= 165.000  
G-F= 164.23  
BA1= 7.01  
BA2= 1.2



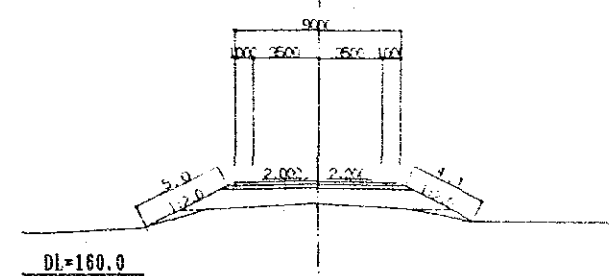
NO. 130+200.000

P+E= 164.835  
P-F= 165.000  
G-F= 163.95  
BA1= 10.58  
BA2= 2.2



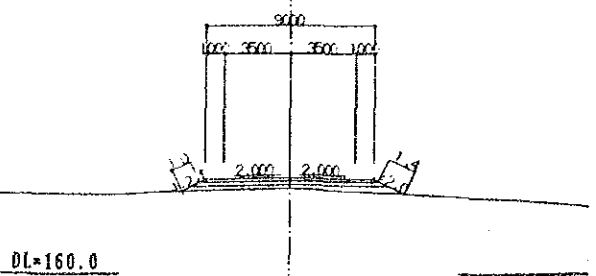
NO. 130+800.000

P+E= 164.835  
P-F= 165.000  
G-F= 163.85  
BA1= 12.19  
BA2= 1.9



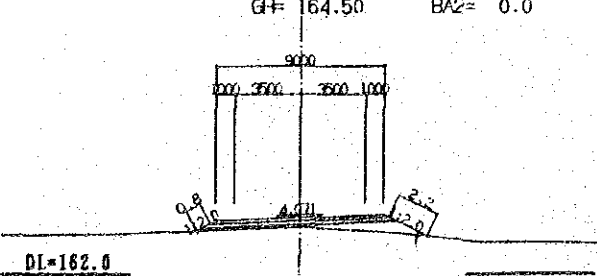
NO. 129+000.000

P+E= 164.835  
P-F= 165.000  
G-F= 164.45  
BA1= 2.35  
BA2= 0.0



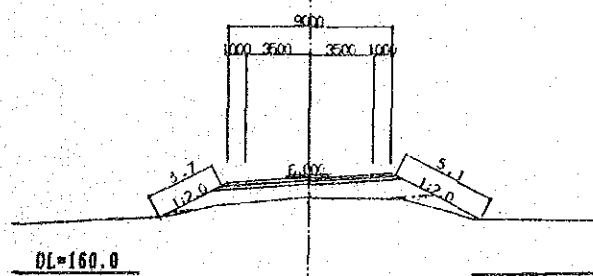
NO. 129+700.000

P+E= 164.835  
P-F= 165.000  
G-F= 164.50  
BA1= 3.25  
BA2= 0.0



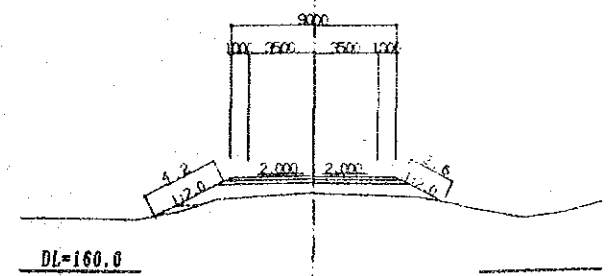
NO. 130+100.000

P+E= 164.835  
P-F= 165.000  
G-F= 163.95  
BA1= 9.68  
BA2= 2.5



NO. 130+600.000

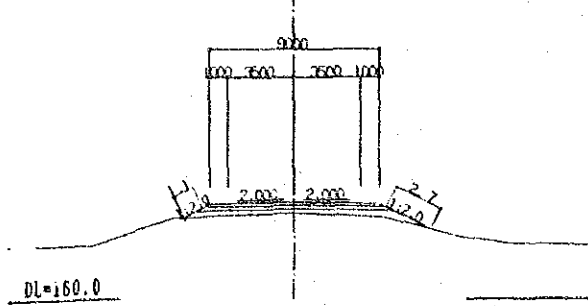
P+E= 164.835  
P-F= 165.000  
G-F= 164.16  
BA1= 11.25  
BA2= 1.7



NO. 132+000.000

P+E= 164.851  
P+T= 165.016  
G+T= 164.44

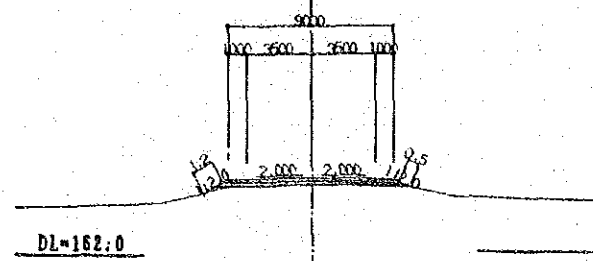
BA1= 3.05  
BA2= 0.0



NO. 132+800.000

P+E= 165.875  
P+T= 166.040  
G+T= 165.71

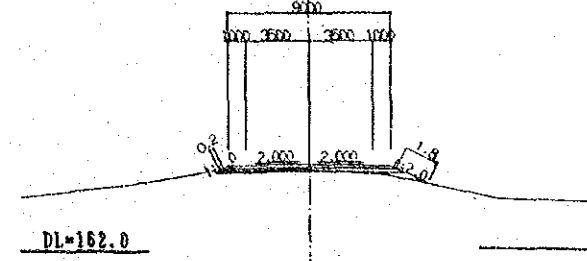
BA1= 0.0  
BA2= 0.0  
CA= .29



NO. 133+600.000

P+E= 166.395  
P+T= 166.560  
G+T= 166.26

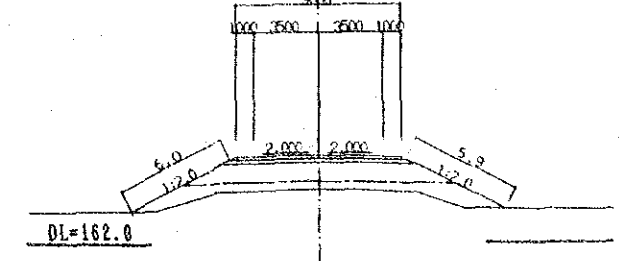
BA1= 0.0  
BA2= 0.0  
CA= .6



NO. 134+400.000

P+E= 166.395  
P+T= 166.560  
G+T= 164.77

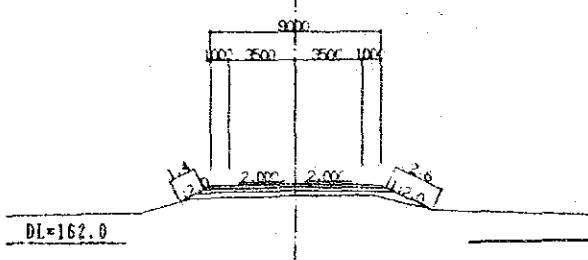
BA1= 12.45  
BA2= 11.4



NO. 131+800.000

P+E= 164.835  
P+T= 165.000  
G+T= 164.37

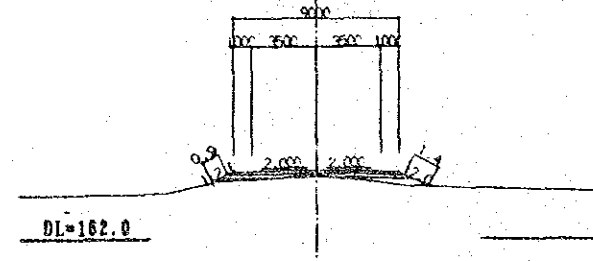
BA1= 2.95  
BA2= 0.0



NO. 132+600.000

P+E= 165.615  
P+T= 165.780  
G+T= 165.51

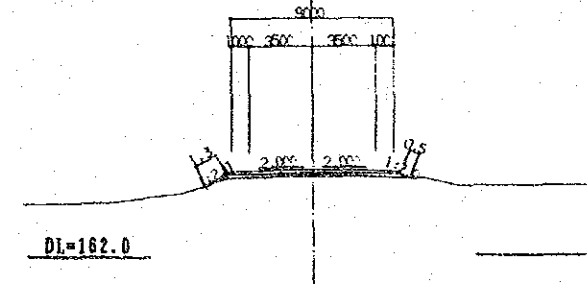
BA1= .75  
BA2= 0.0



NO. 133+400.000

P+E= 166.395  
P+T= 166.560  
G+T= 166.30

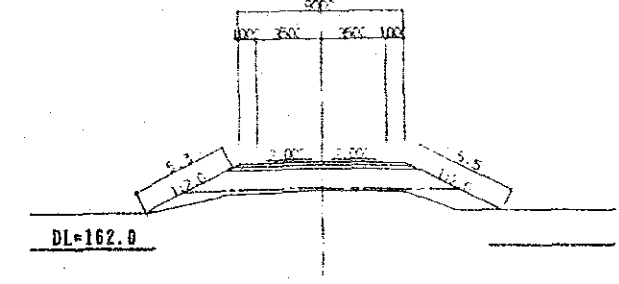
BA1= 0.0  
BA2= 0.0  
CA= .28



NO. 134+200.000

P+E= 166.395  
P+T= 166.560  
G+T= 165.01

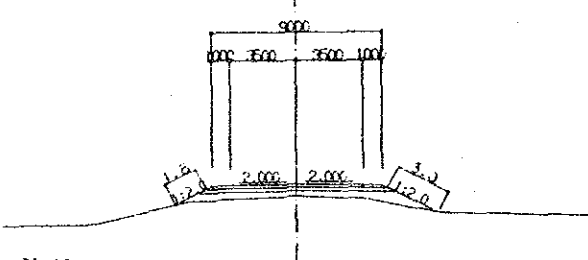
BA1= 12.45  
BA2= 7.3



NO. 131+600.000

P+E= 164.835  
P+T= 165.000  
G+T= 164.36

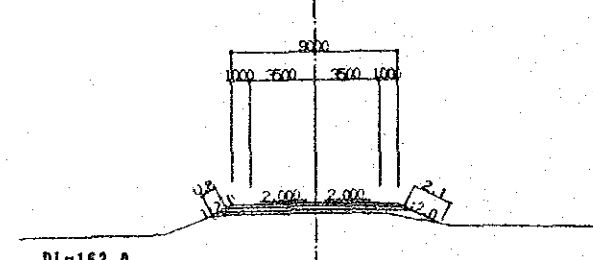
BA1= 4.35  
BA2= 0.0



NO. 132+400.000

P+E= 165.355  
P+T= 165.520  
G+T= 164.98

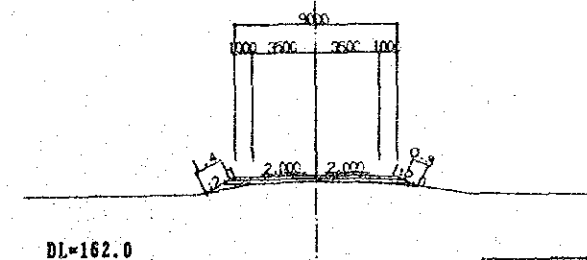
BA1= 1.95  
BA2= 0.0



NO. 133+200.000

P+E= 166.370  
P+T= 166.544  
G+T= 166.23

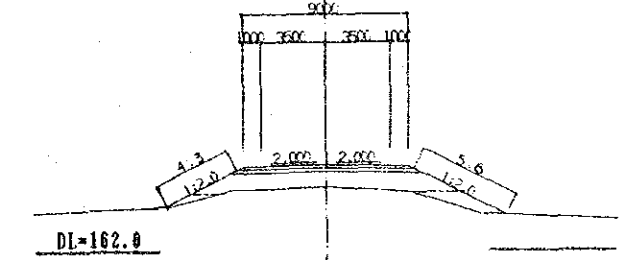
BA1= .05  
BA2= 0.0



NO. 134+000.000

P+E= 166.395  
P+T= 166.560  
G+T= 165.38

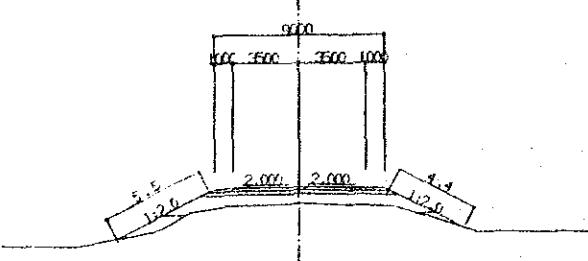
BA1= 11.85  
BA2= 2.7



NO. 131+400.000

P+E= 164.835  
P+T= 165.000  
G+T= 164.12

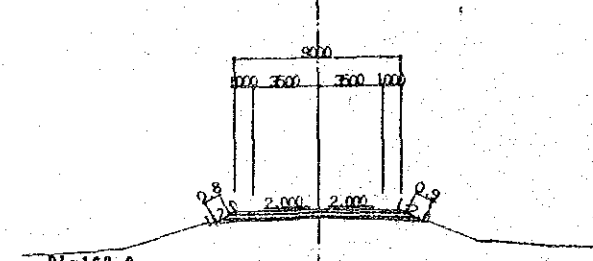
BA1= 7.86  
BA2= 1.1



NO. 132+200.000

P+E= 165.095  
P+T= 165.260  
G+T= 164.83

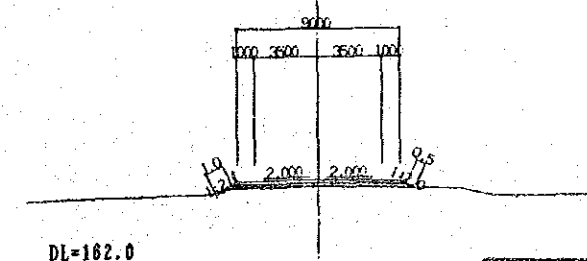
BA1= .85  
BA2= 0.0



NO. 133+000.000

P+E= 166.135  
P+T= 166.300  
G+T= 165.97

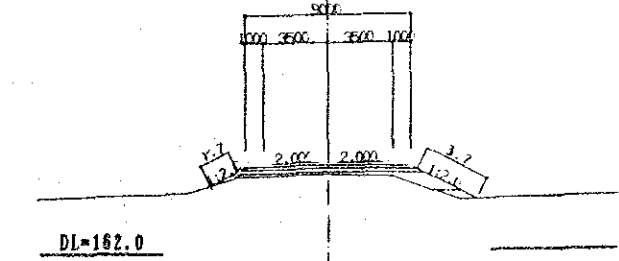
BA1= 0.0  
BA2= 0.0  
CA= .23



NO. 133+800.000

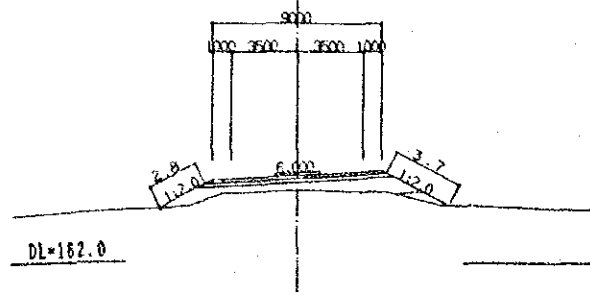
P+E= 166.395  
P+T= 166.560  
G+T= 166.07

BA1= 3.55  
BA2= 0.0



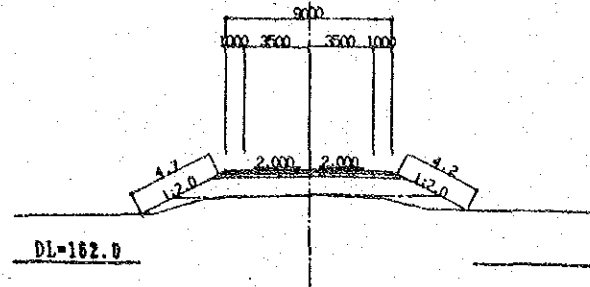
NO. 135+100.000

P+E= 166.395  
P+H= 166.560  
G+H= 165.78  
BA1= 7.95  
BA2= 0.0



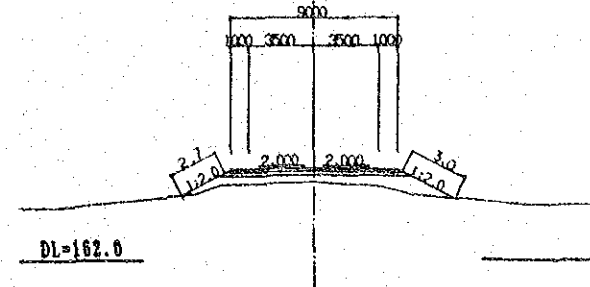
NO. 135+800.000

P+E= 166.724  
P+H= 166.889  
G+H= 165.54  
BA1= 12.46  
BA2= 2.9



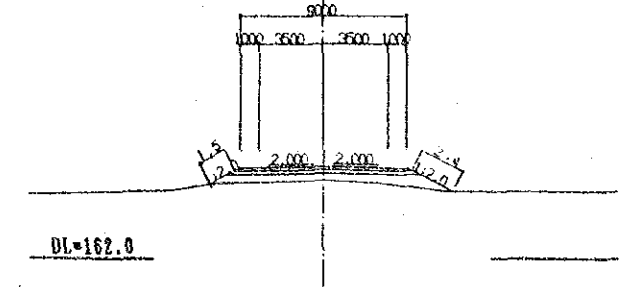
NO. 136+600.000

P+E= 166.735  
P+H= 166.900  
G+H= 166.16  
BA1= 6.45  
BA2= 0.0



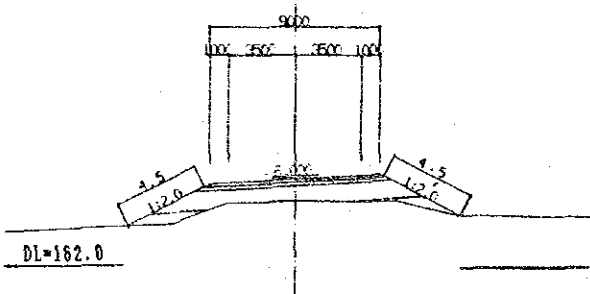
NO. 137+400.000

P+E= 166.735  
P+H= 166.900  
G+H= 166.17  
BA1= 5.15  
BA2= 0.0



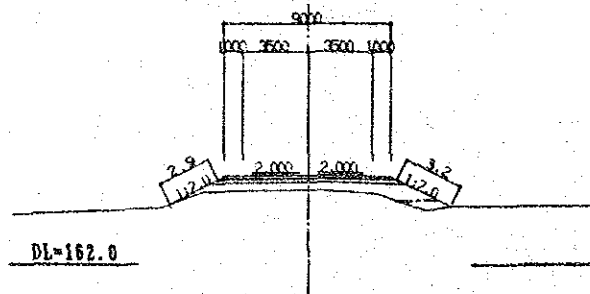
NO. 135+000.000

P+E= 166.395  
P+H= 166.560  
G+H= 165.41  
BA1= 12.46  
BA2= 1.5



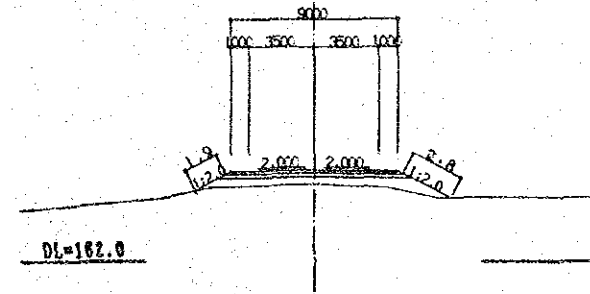
NO. 135+600.000

P+E= 166.565  
P+H= 166.730  
G+H= 165.97  
BA1= 6.75  
BA2= 0.0



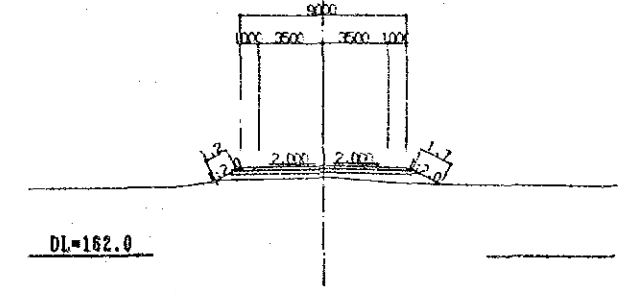
NO. 136+400.000

P+E= 166.735  
P+H= 166.900  
G+H= 166.16  
BA1= 5.55  
BA2= 0.0



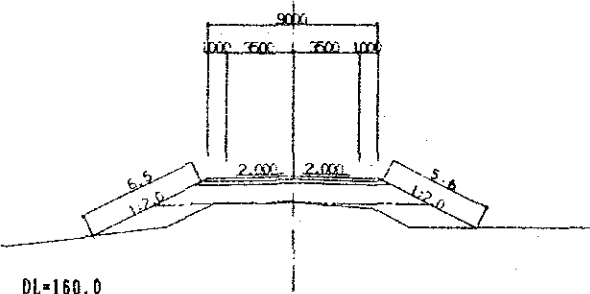
NO. 137+200.000

P+E= 166.735  
P+H= 166.900  
G+H= 166.29  
BA1= 3.45  
BA2= 0.0



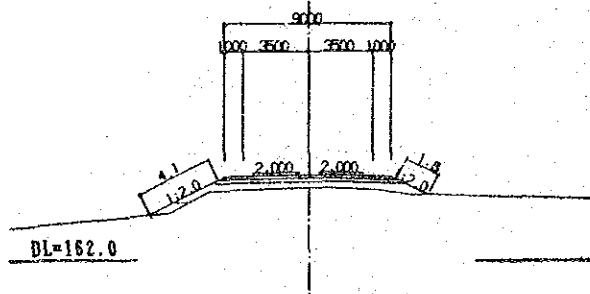
NO. 134+800.000

P+E= 166.395  
P+H= 166.560  
G+H= 165.15  
BA1= 12.46  
BA2= 9.2



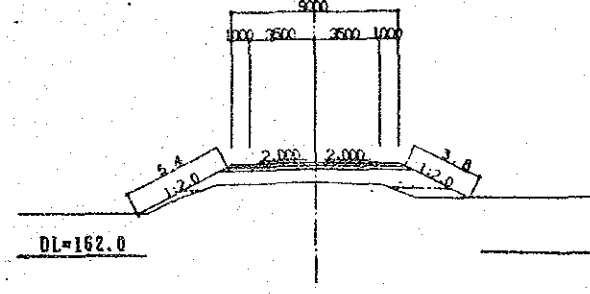
NO. 135+400.000

P+E= 166.406  
P+H= 166.571  
G+H= 165.90  
BA1= 4.95  
BA2= 0.0



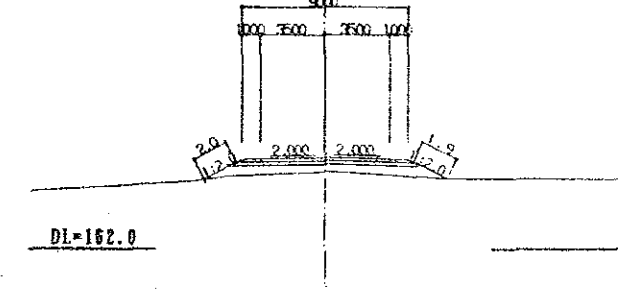
NO. 136+200.000

P+E= 166.735  
P+H= 166.900  
G+H= 165.84  
BA1= 10.89  
BA2= .8



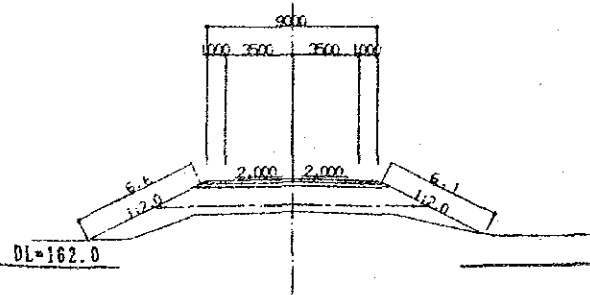
NO. 137+000.000

P+E= 166.735  
P+H= 166.900  
G+H= 166.15  
BA1= 5.25  
BA2= 0.0



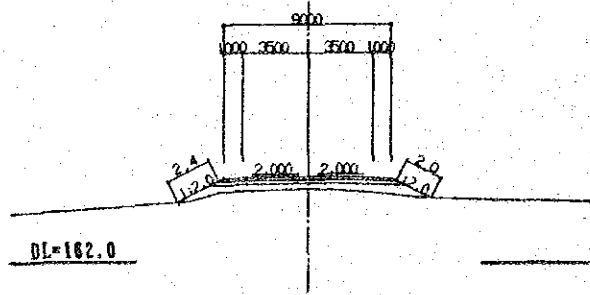
NO. 134+600.000

P+E= 166.395  
P+H= 166.560  
G+H= 164.81  
BA1= 12.46  
BA2= 11.1



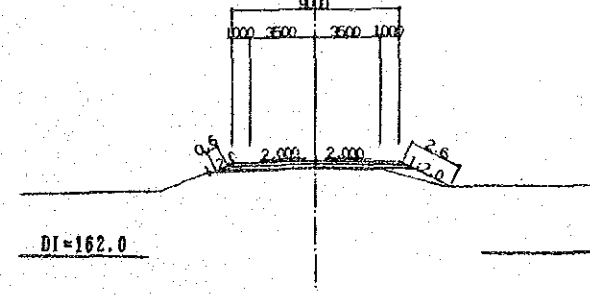
NO. 135+200.000

P+E= 166.395  
P+H= 166.560  
G+H= 165.91  
BA1= 4.45  
BA2= 0.0



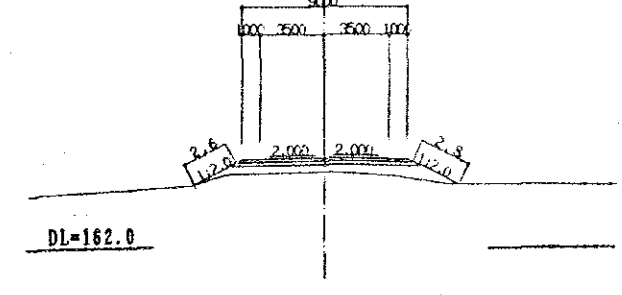
NO. 136+000.000

P+E= 166.735  
P+H= 166.900  
G+H= 166.50  
BA1= 1.15  
BA2= 0.0



NO. 136+800.000

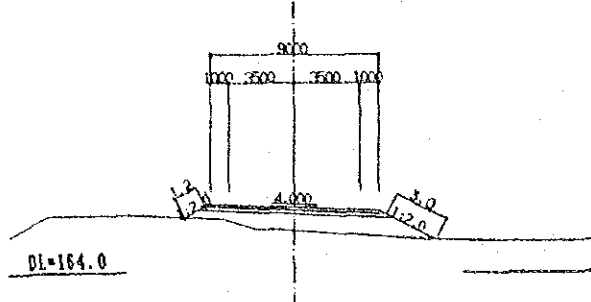
P+E= 166.735  
P+H= 166.900  
G+H= 166.14  
BA1= 5.75  
BA2= 0.0



NO. 138+000.000

P-E= 167.255  
P-F= 167.420  
G-F= 166.19

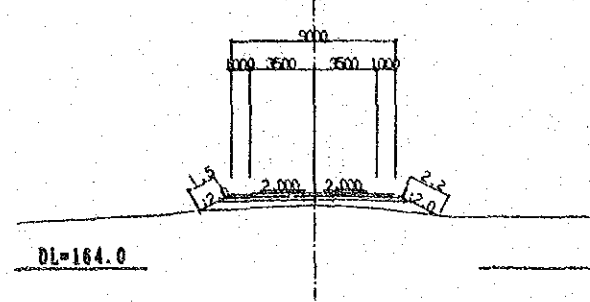
BA1= 9.75  
BA2= 0.0



NO. 138+600.000

P-E= 167.775  
P-F= 167.940  
G-F= 167.29

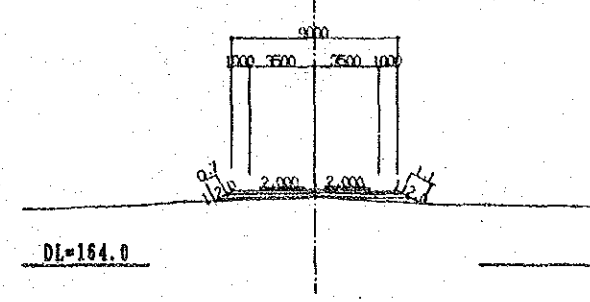
BA1= 4.15  
BA2= 0.0



NO. 139+400.000

P-E= 167.775  
P-F= 167.940  
G-F= 167.52

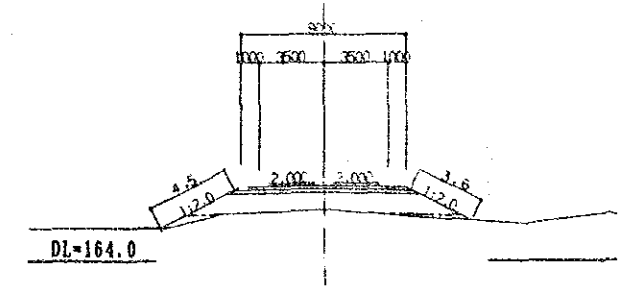
BA1= .95  
BA2= 0.0



NO. 140+200.000

P-E= 167.855  
P-F= 168.020  
G-F= 166.74

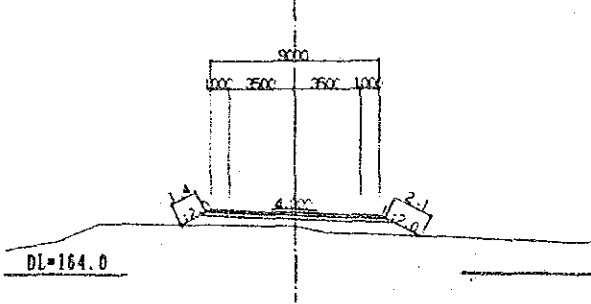
BA1= 12.25  
BA2= 1.8



NO. 137+900.000

P-E= 166.995  
P-F= 167.160  
G-F= 166.42

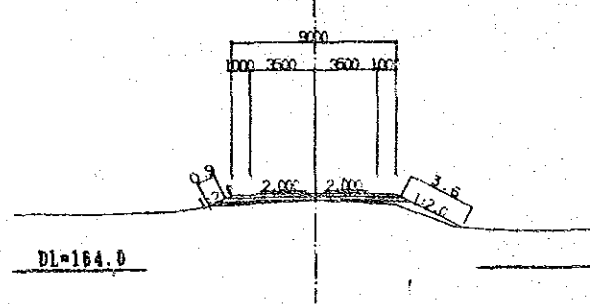
BA1= 6.15  
BA2= 0.0



NO. 138+400.000

P-E= 167.775  
P-F= 167.940  
G-F= 167.58

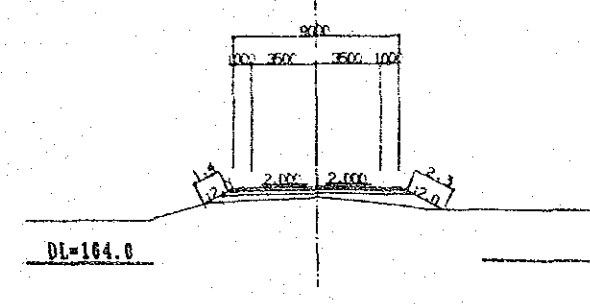
BA1= 1.55  
BA2= 0.0



NO. 139+200.000

P-E= 167.775  
P-F= 167.940  
G-F= 167.34

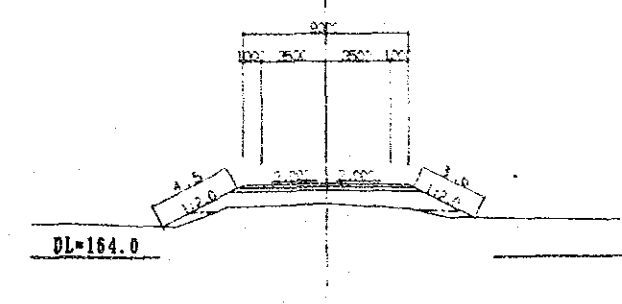
BA1= 4.15  
BA2= 0.0



NO. 140+000.000

P-E= 167.75  
P-F= 167.945  
G-F= 166.67

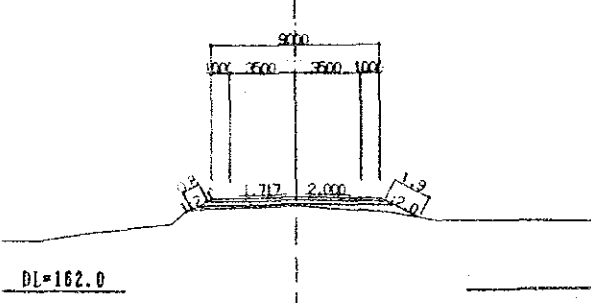
BA1= 11.04  
BA2= 1.6



NO. 137+800.000

P-E= 166.765  
P-F= 166.933  
G-F= 166.46

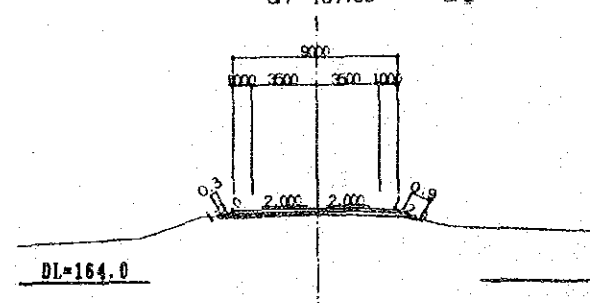
BA1= 2.05  
BA2= 0.0



NO. 138+200.000

P-E= 167.743  
P-F= 167.908  
G-F= 167.58

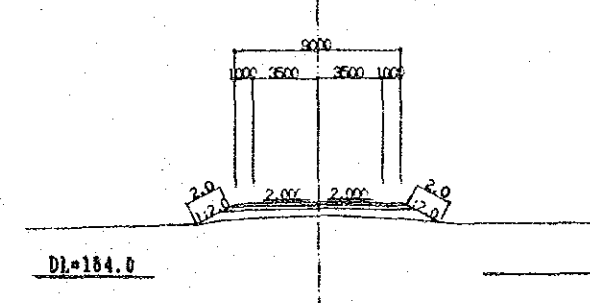
BA1= 0.0  
BA2= 0.0



NO. 139+000.000

P-E= 167.775  
P-F= 167.940  
G-F= 167.22

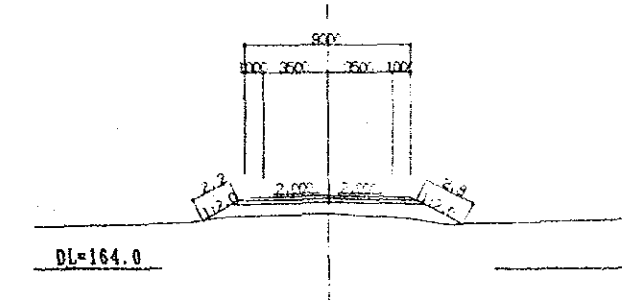
BA1= 4.75  
BA2= 0.0



NO. 139+800.000

P-E= 167.775  
P-F= 167.940  
G-F= 166.97

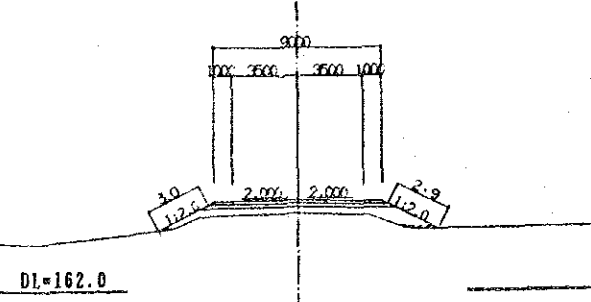
BA1= 5.15  
BA2= 0.0



NO. 137+600.000

P-E= 166.735  
P-F= 166.900  
G-F= 166.21

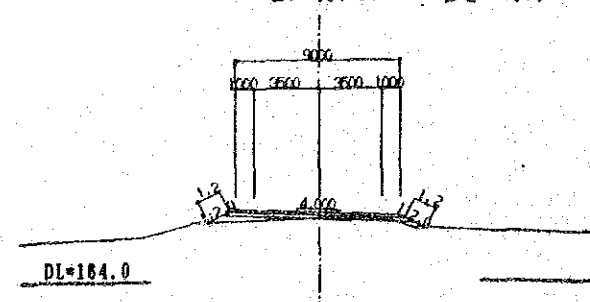
BA1= 5.55  
BA2= 0.0



NO. 138+100.000

P-E= 167.515  
P-F= 167.680  
G-F= 167.37

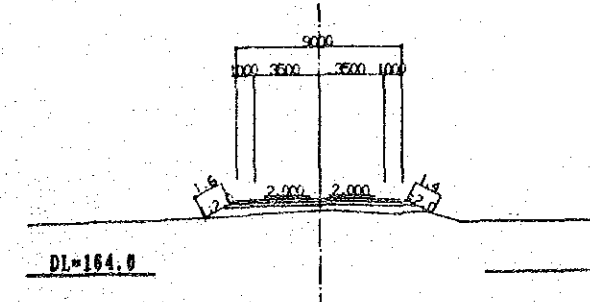
BA1= .85  
BA2= 0.0



NO. 138+800.000

P-E= 167.775  
P-F= 167.940  
G-F= 167.28

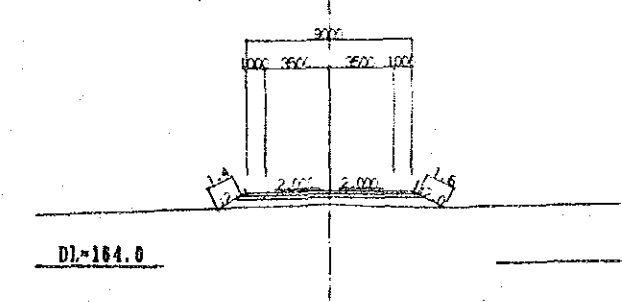
BA1= 3.85  
BA2= 0.0

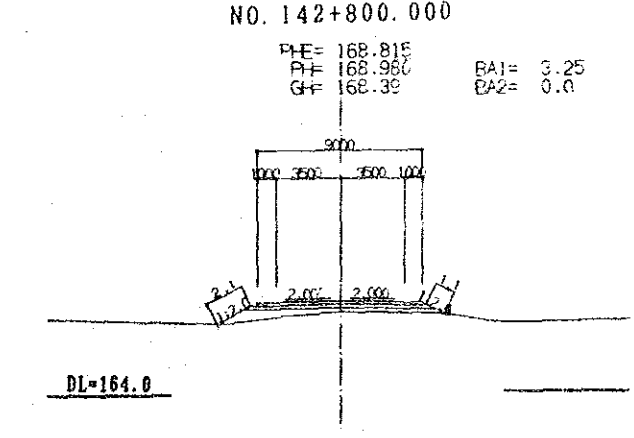
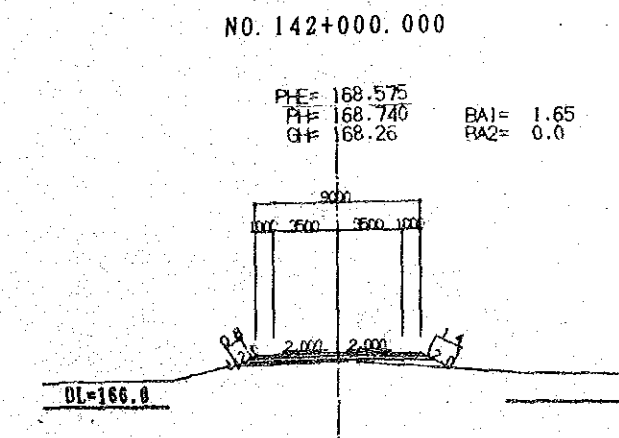
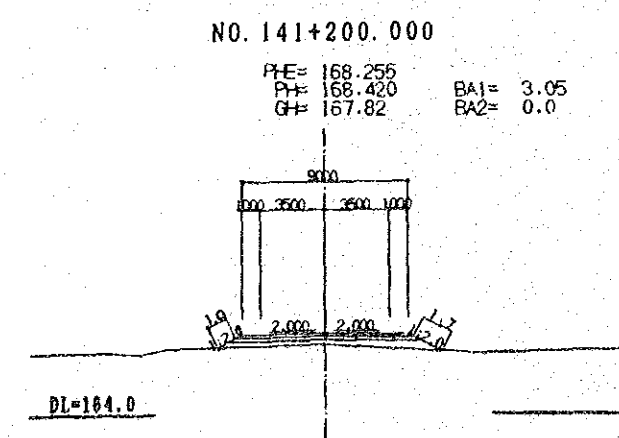
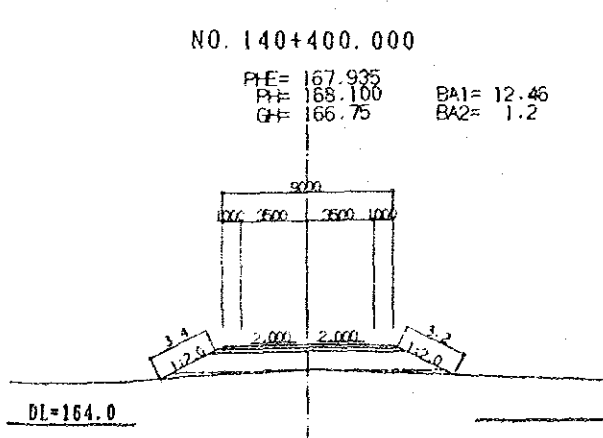
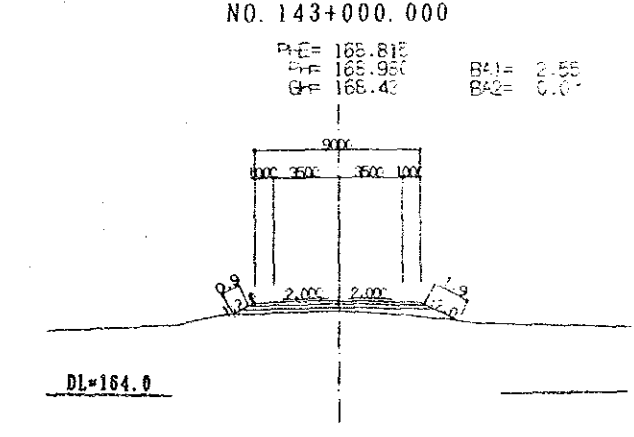
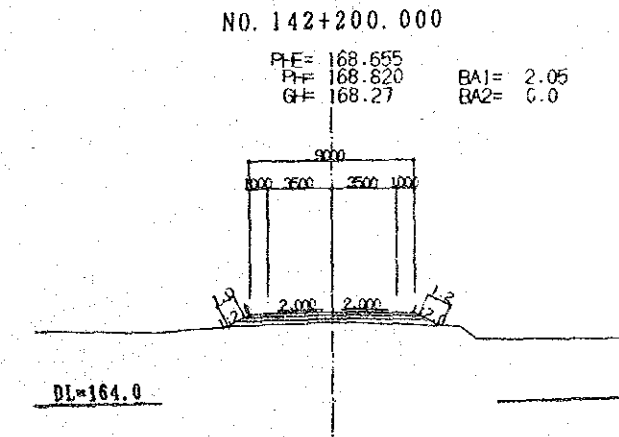
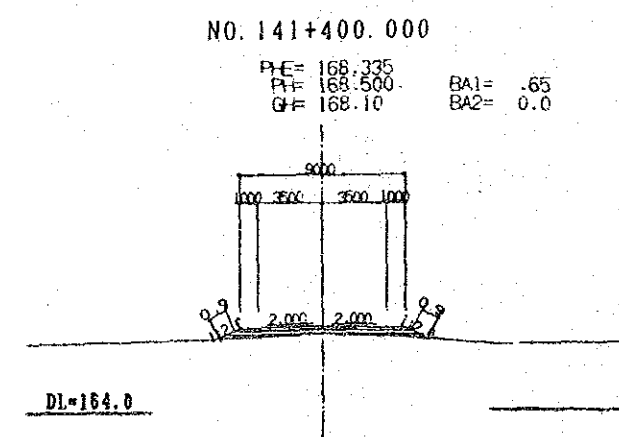
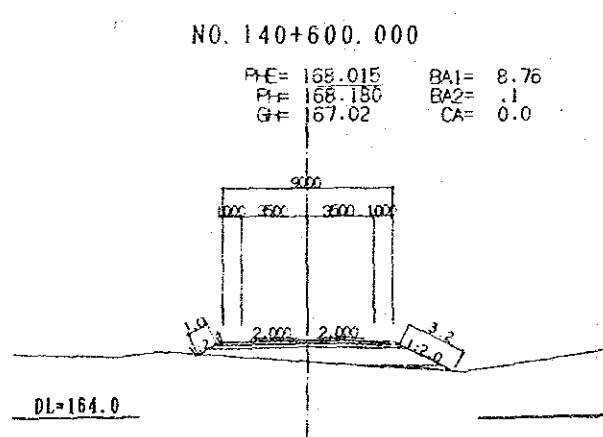
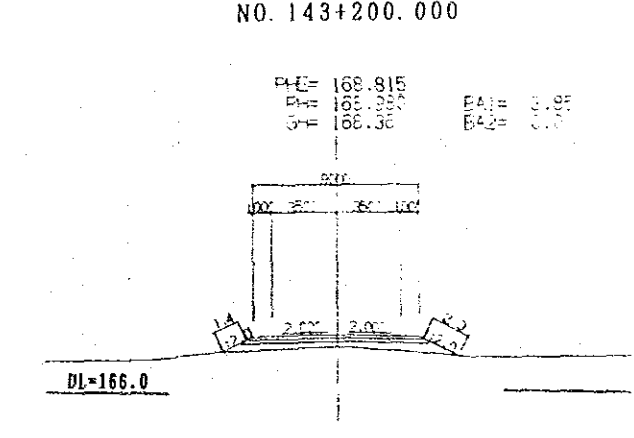
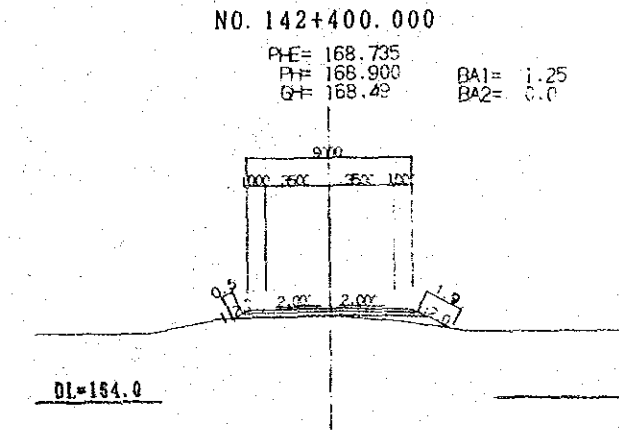
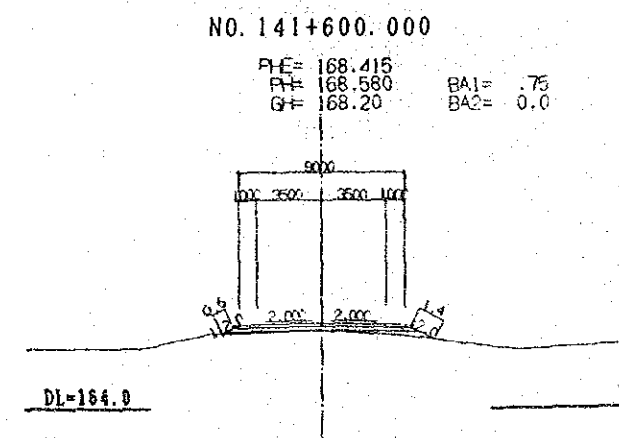
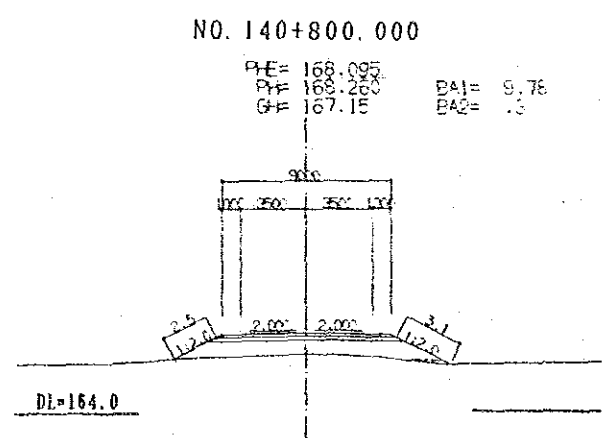
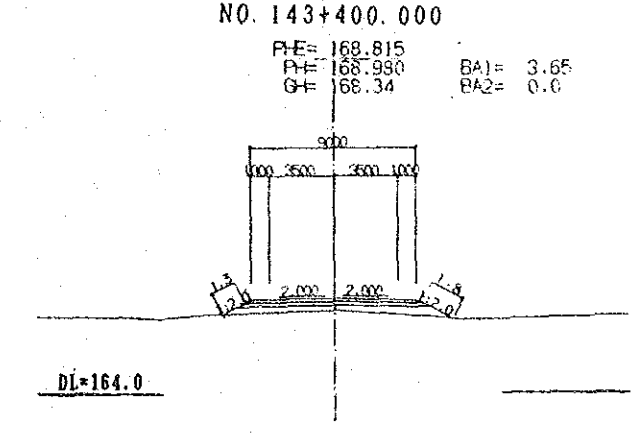
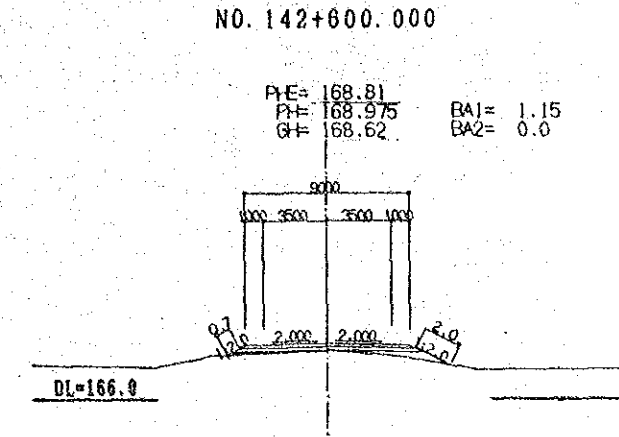
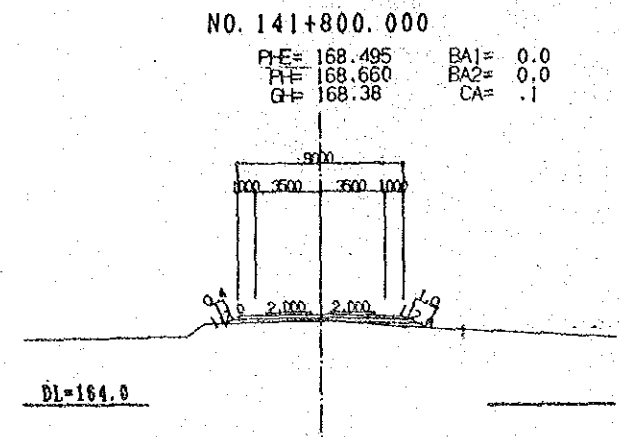
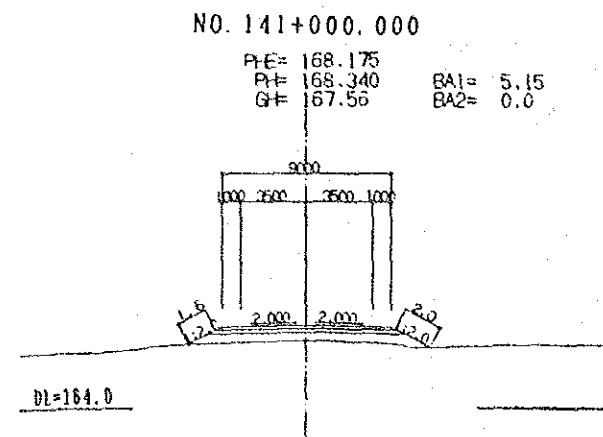


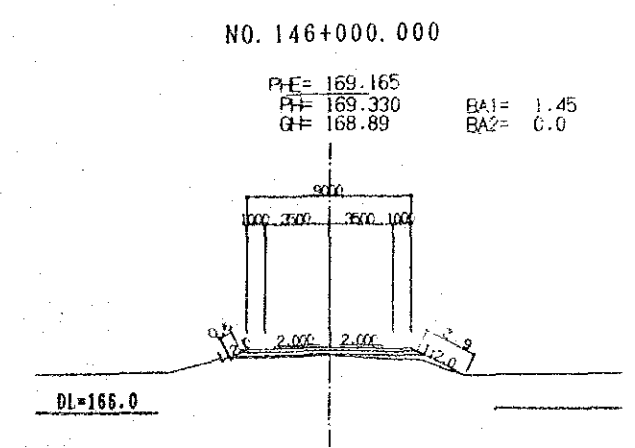
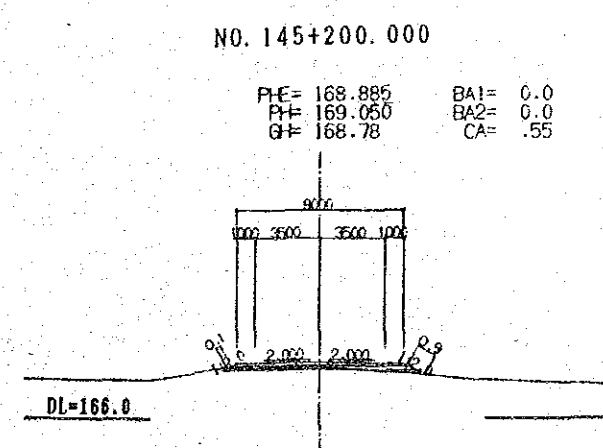
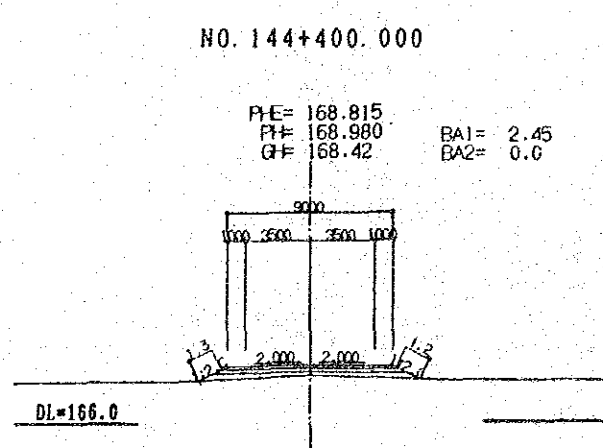
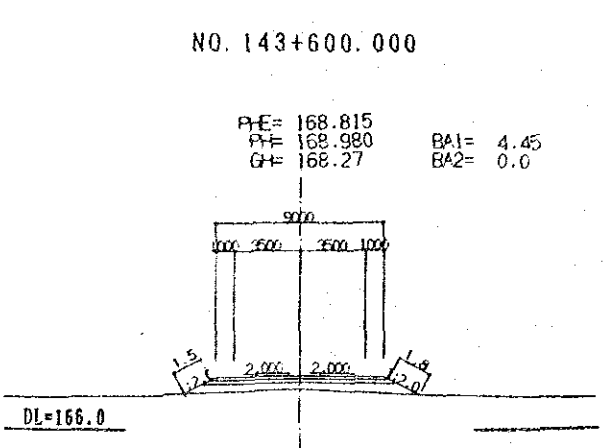
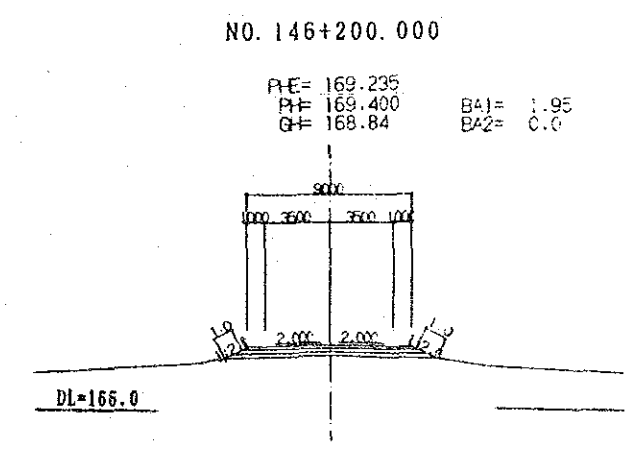
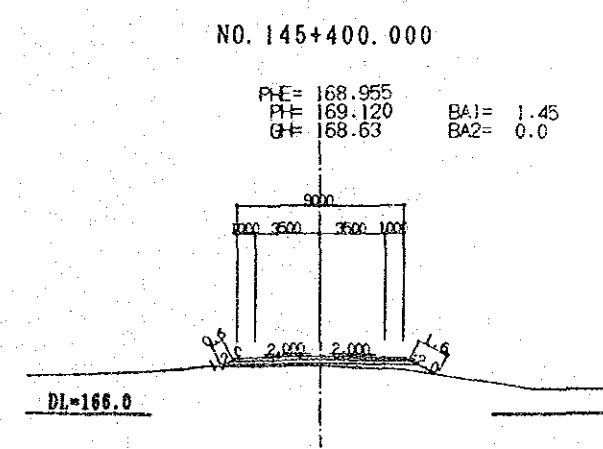
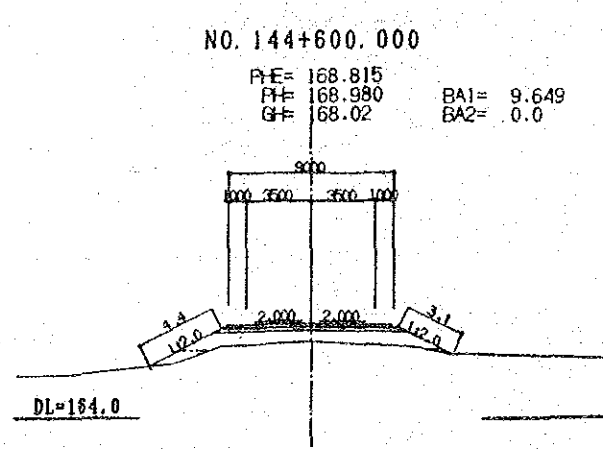
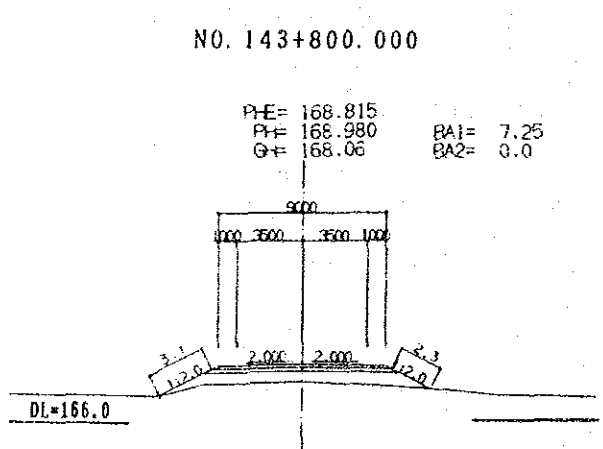
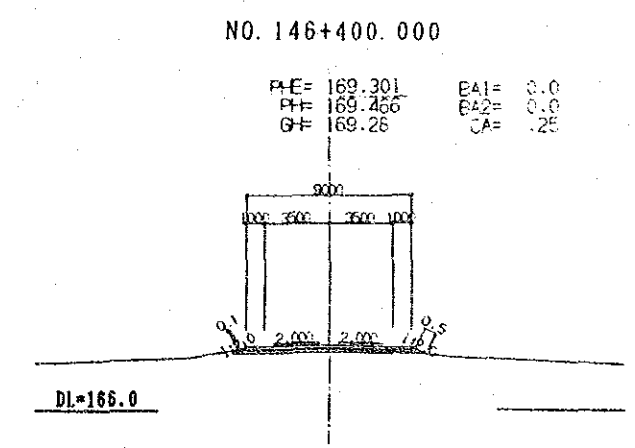
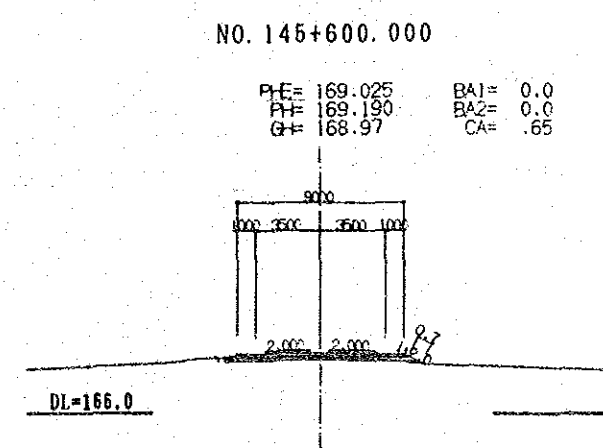
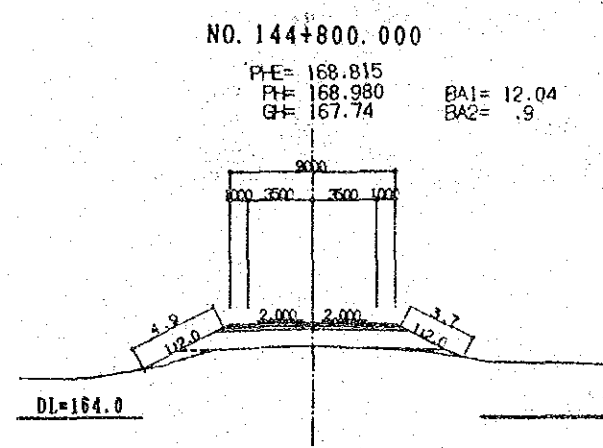
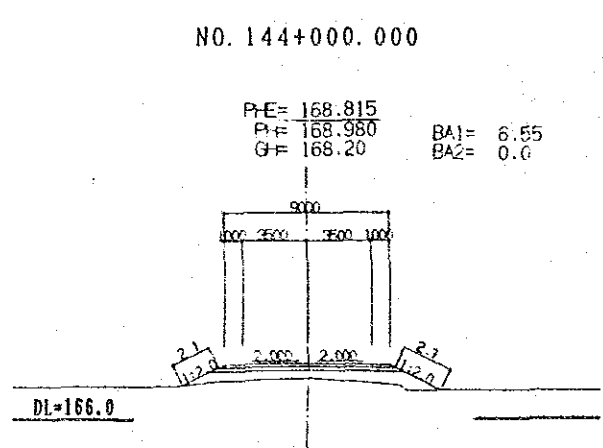
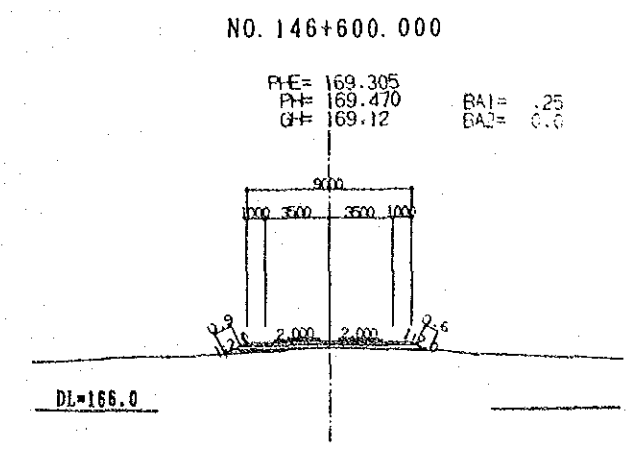
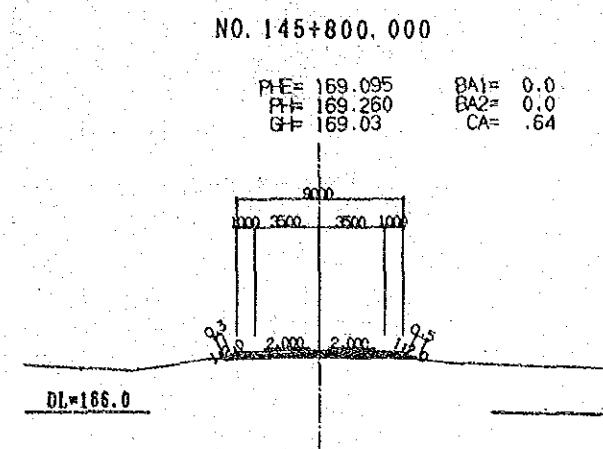
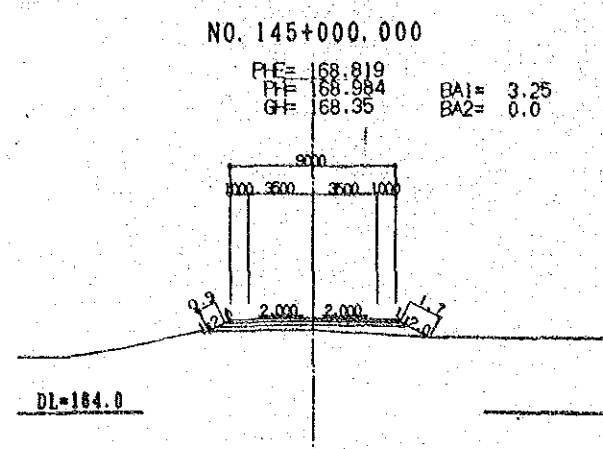
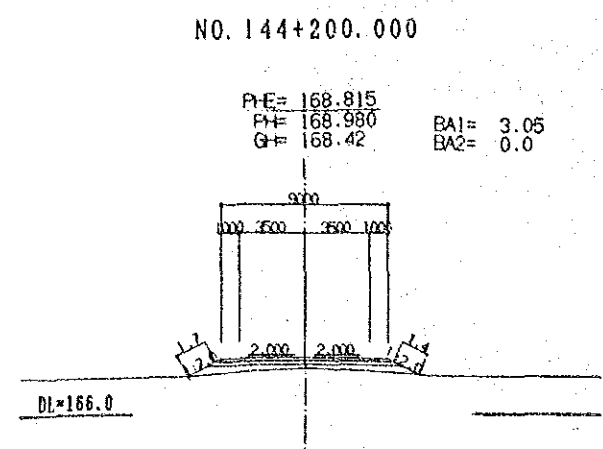
NO. 139+600.000

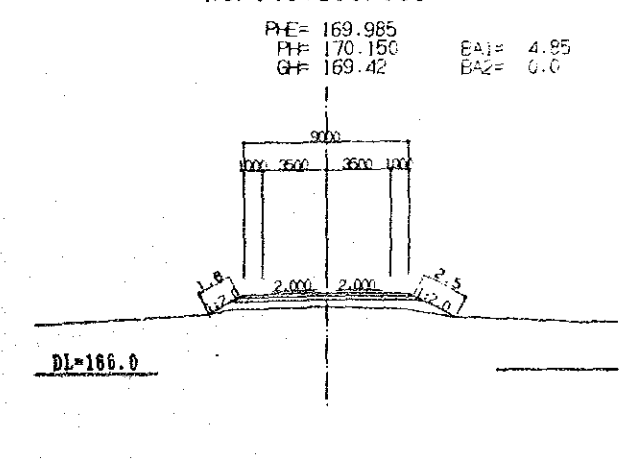
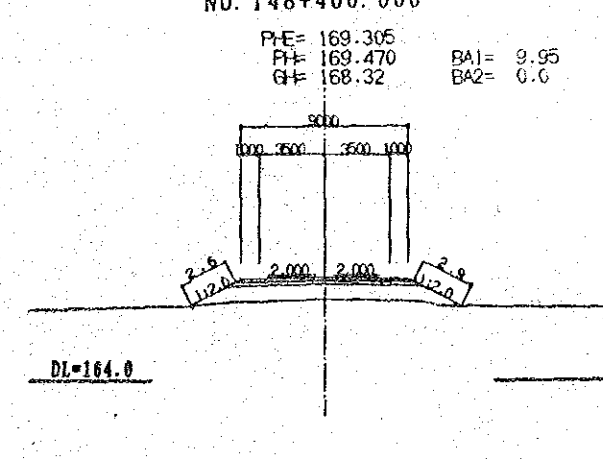
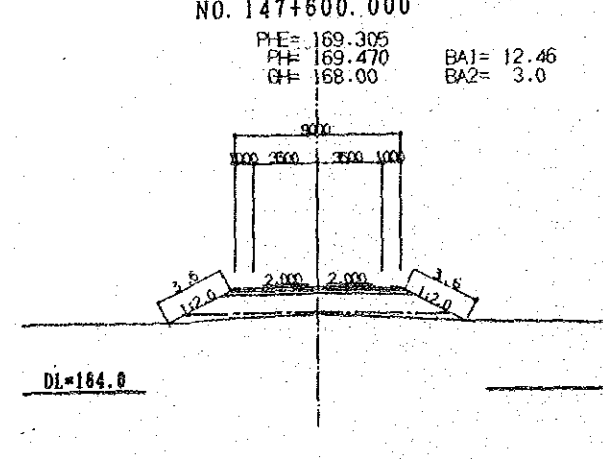
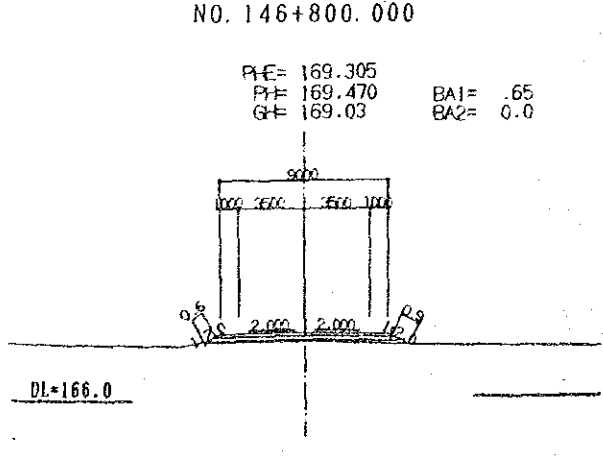
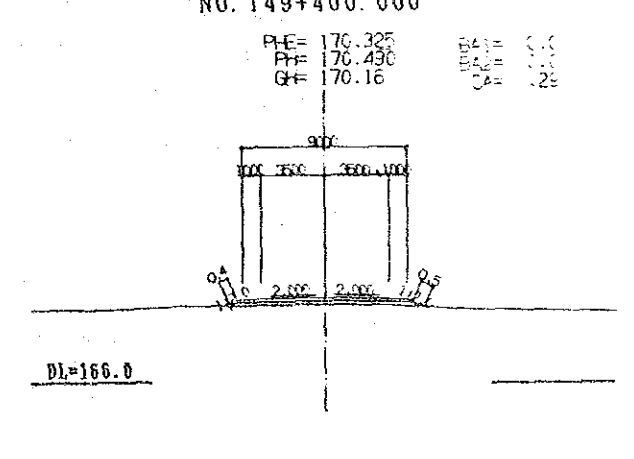
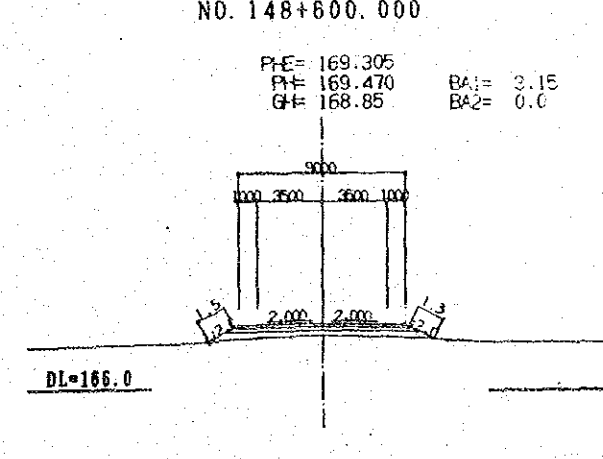
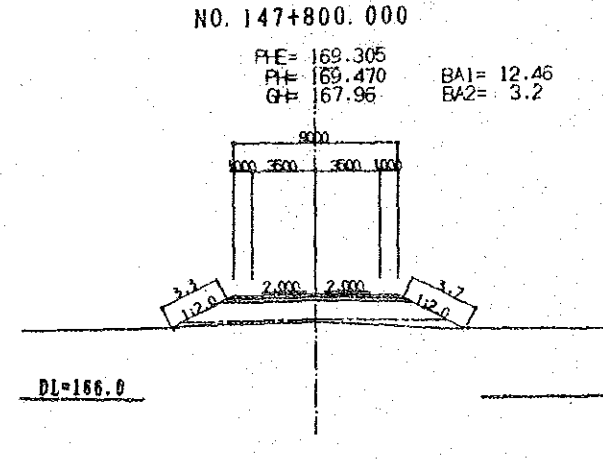
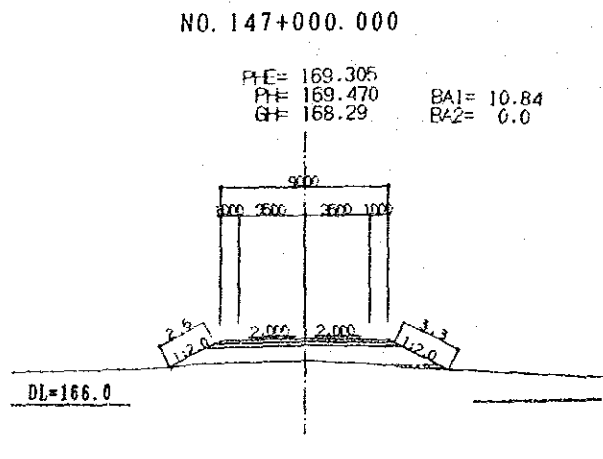
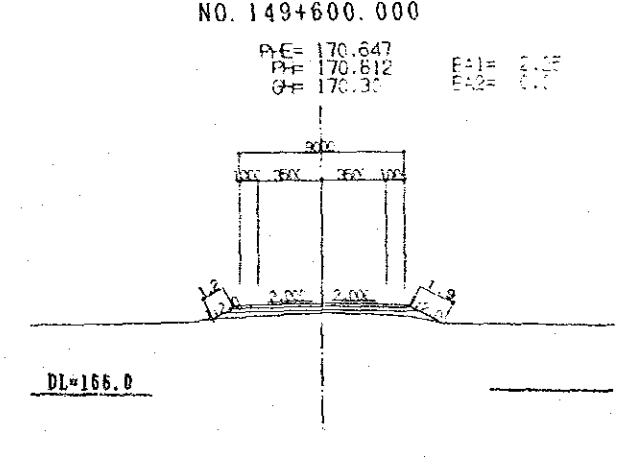
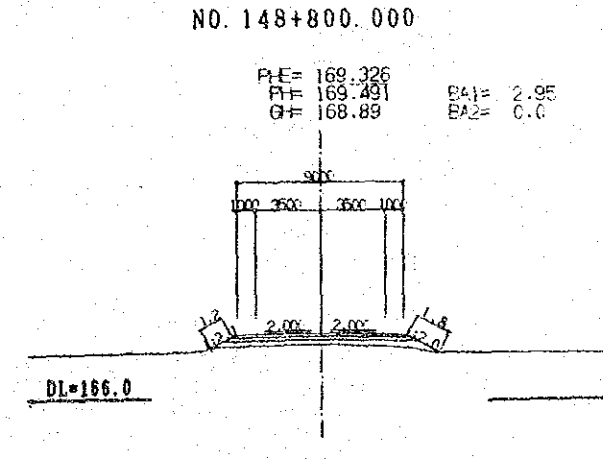
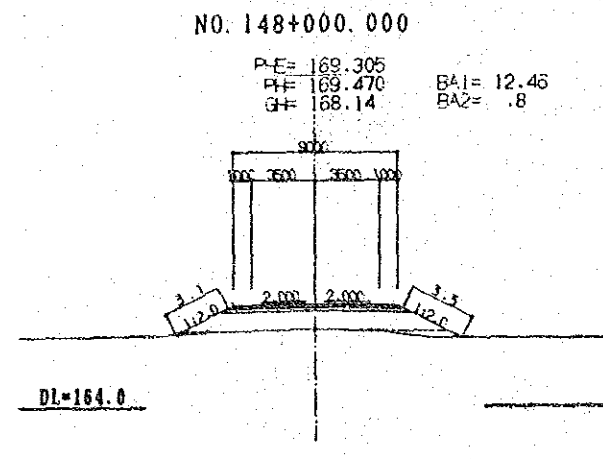
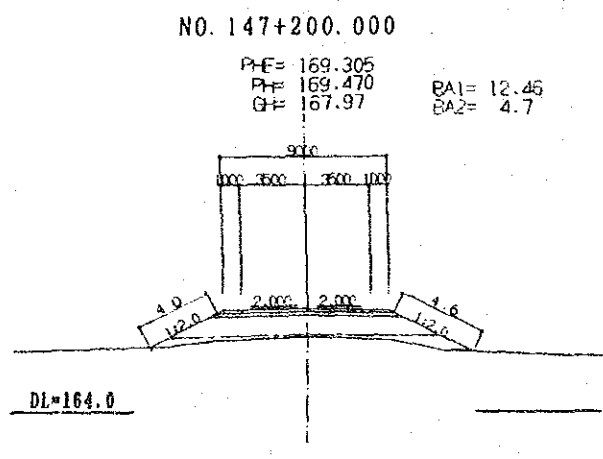
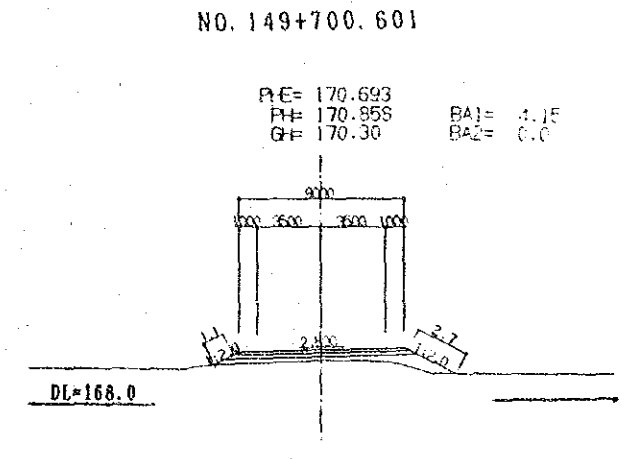
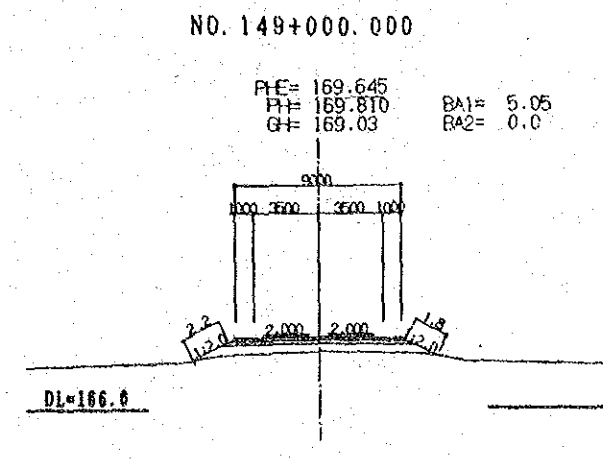
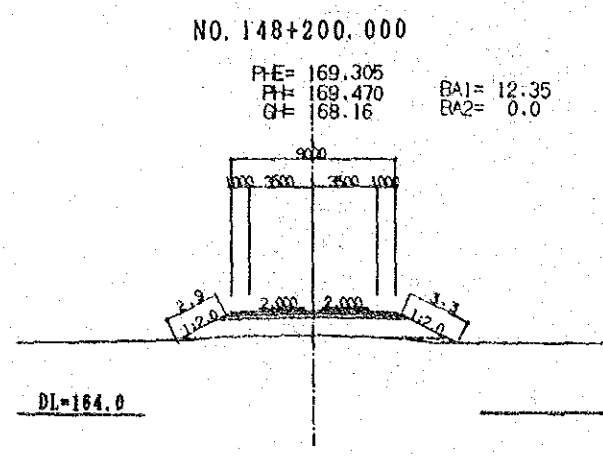
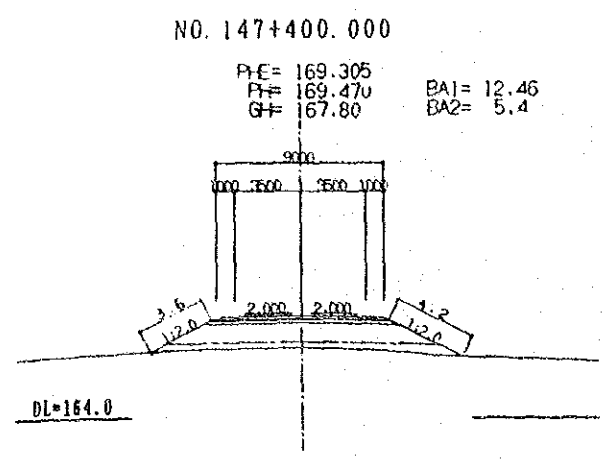
P-E= 167.775  
P-F= 167.940  
G-F= 167.20

BA1= 4.45  
BA2= 0.0





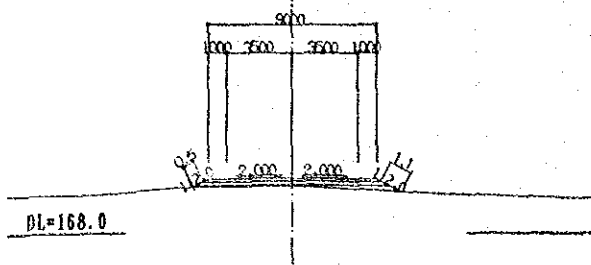






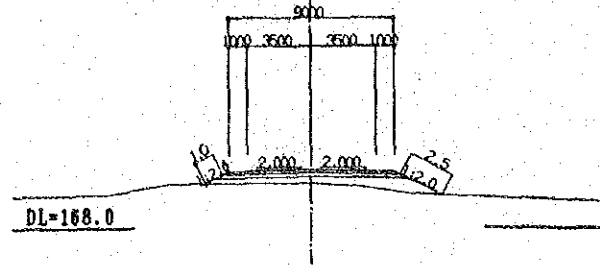
NO. 150+200.000

P+E= 170.833  
P-F= 170.998  
G-F= 170.60  
BA1= .75  
BA2= 0.0



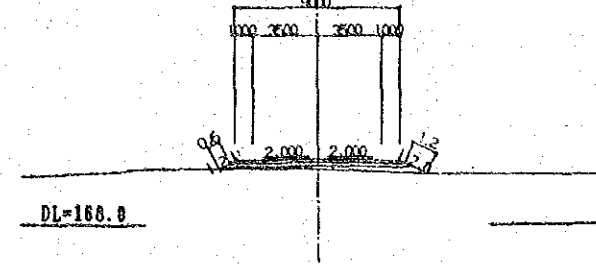
NO. 151+000.000

P+E= 171.057  
P-F= 171.222  
G-F= 170.50  
BA1= 4.75  
BA2= 0.0



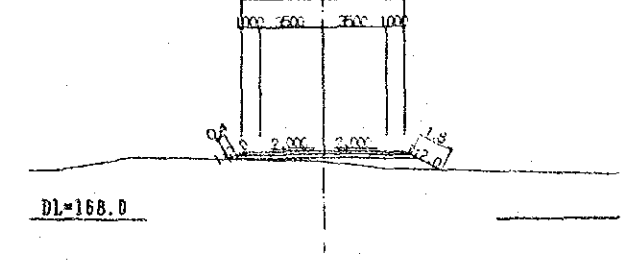
NO. 151+800.000

P+E= 171.281  
P-F= 171.446  
G-F= 170.90  
BA1= 1.65  
BA2= 0.0



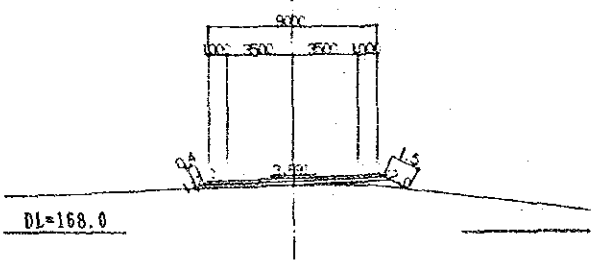
NO. 152+600.000

P+E= 171.505  
P-F= 171.670  
G-F= 171.05  
BA1= 2.85  
BA2= 0.0



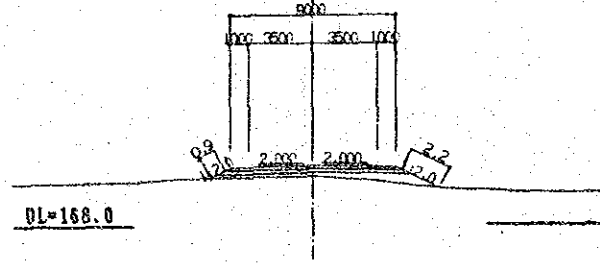
NO. 150+000.000

P+E= 170.777  
P-F= 170.942  
G-F= 170.55  
BA1= .95  
BA2= 0.0



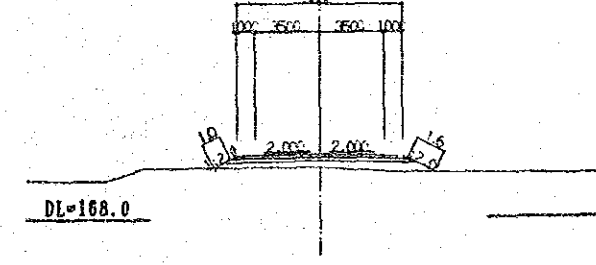
NO. 150+800.000

P+E= 171.001  
P-F= 171.166  
G-F= 170.56  
BA1= 3.05  
BA2= 0.0



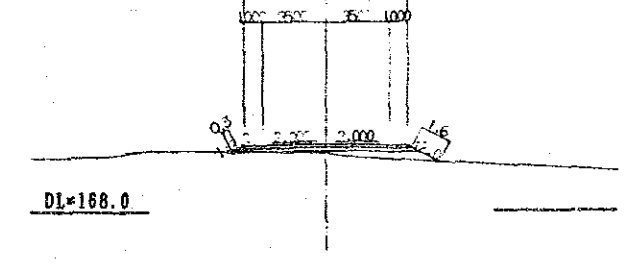
NO. 151+600.000

P+E= 171.225  
P-F= 171.390  
G-F= 170.69  
BA1= 3.85  
BA2= 0.0



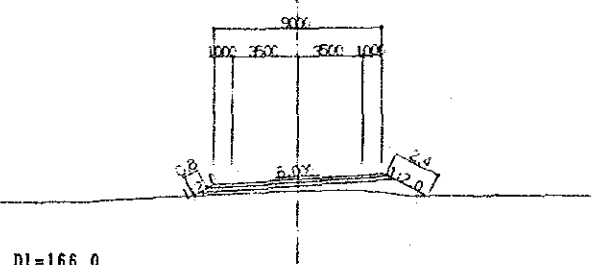
NO. 152+400.000

P+E= 171.449  
P-F= 171.614  
G-F= 171.13  
BA1= 1.75  
BA2= 0.0



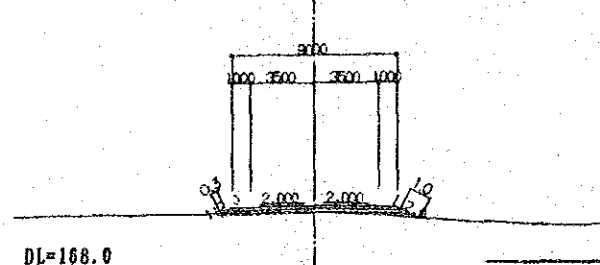
NO. 149+900.000

P+E= 170.749  
P-F= 170.914  
G-F= 170.30  
BA1= 4.15  
BA2= 0.0



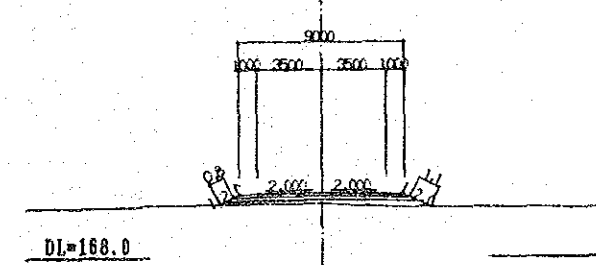
NO. 150+600.000

P+E= 170.945  
P-F= 171.110  
G-F= 170.77  
BA1= 0.0  
BA2= 0.0



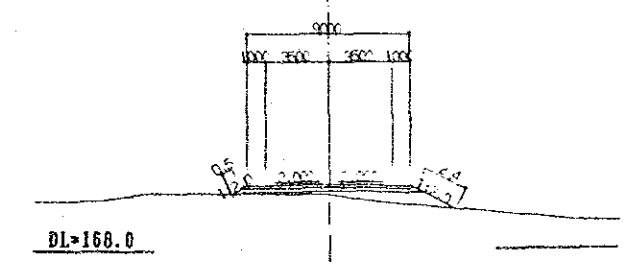
NO. 151+400.000

P+E= 171.169  
P-F= 171.334  
G-F= 170.76  
BA1= 2.15  
BA2= 0.0



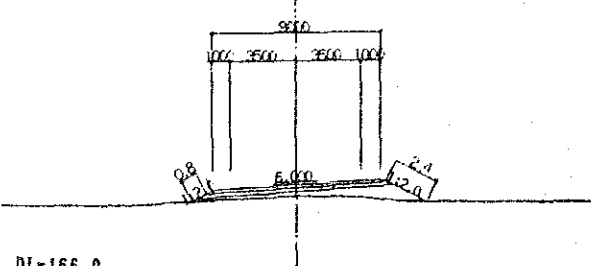
NO. 152+200.000

P+E= 171.391  
P-F= 171.555  
G-F= 171.00  
BA1= 3.35  
BA2= 0.0



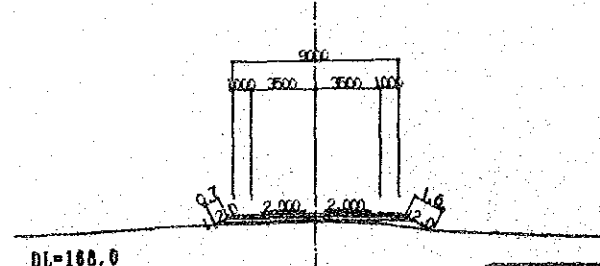
NO. 149+800.000

P+E= 170.721  
P-F= 170.886  
G-F= 170.29  
BA1= 4.25  
BA2= 0.0



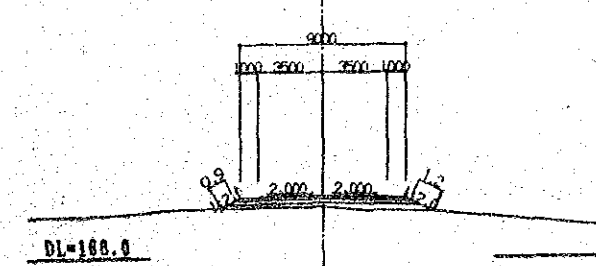
NO. 150+400.000

P+E= 170.889  
P-F= 171.054  
G-F= 170.61  
BA1= 1.25  
BA2= 0.0



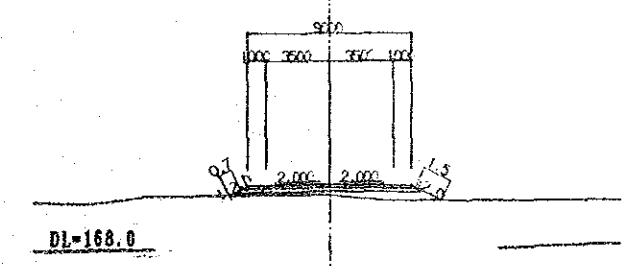
NO. 151+200.000

P+E= 171.113  
P-F= 171.278  
G-F= 170.70  
BA1= 2.45  
BA2= 0.0

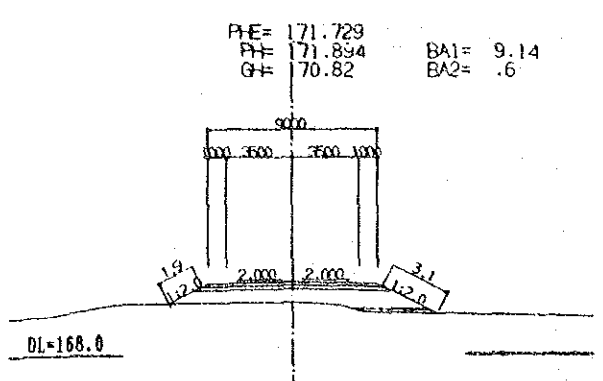


NO. 152+000.000

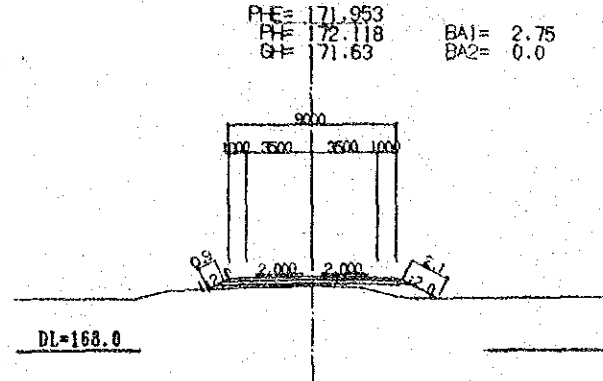
P+E= 171.337  
P-F= 171.502  
G-F= 170.93  
BA1= 2.65  
BA2= 0.0



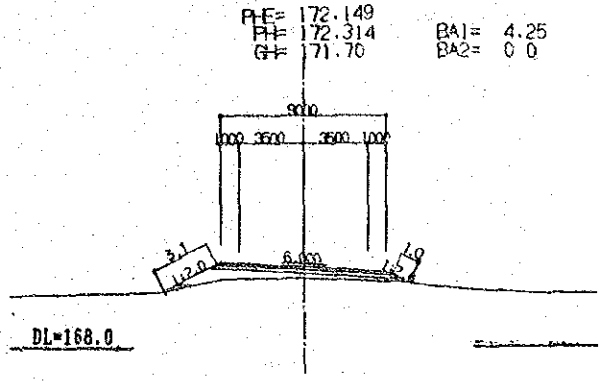
NO. 153+400.000



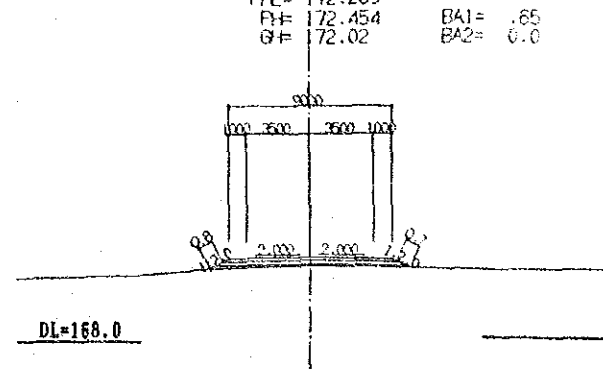
NO. 154+200.000



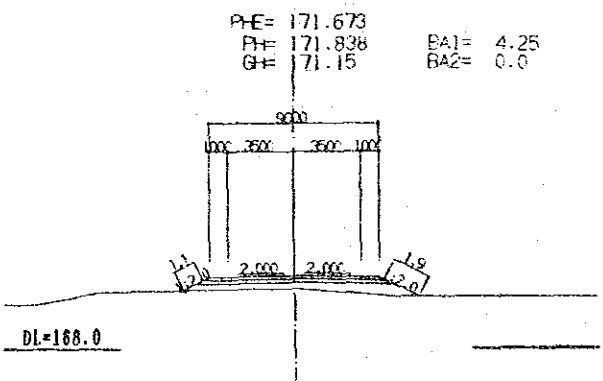
NO. 154+900.000



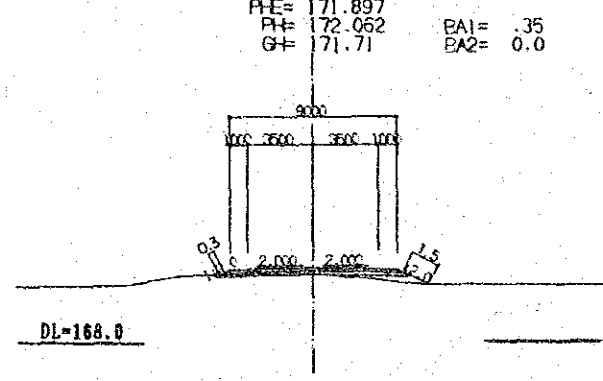
NO. 155+400.000



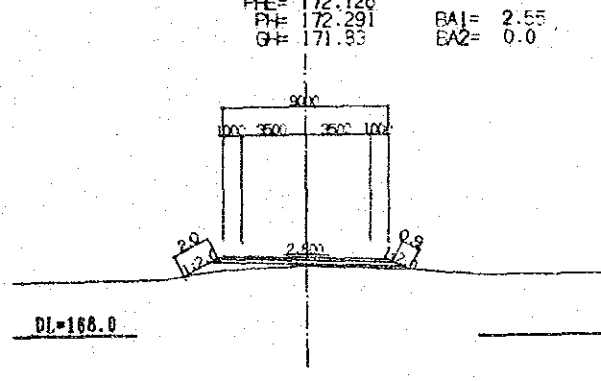
NO. 153+200.000



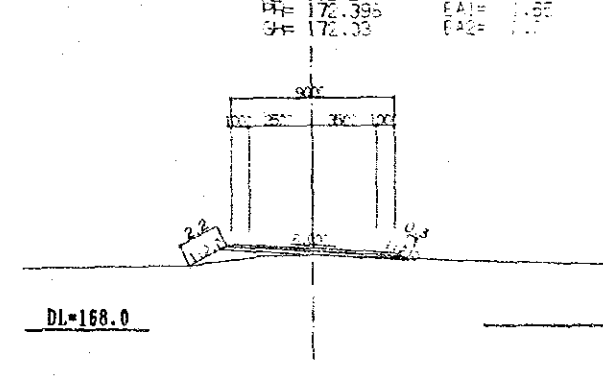
NO. 154+000.000



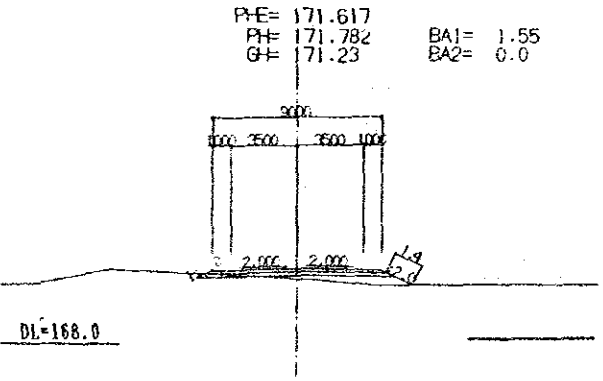
NO. 154+817.163



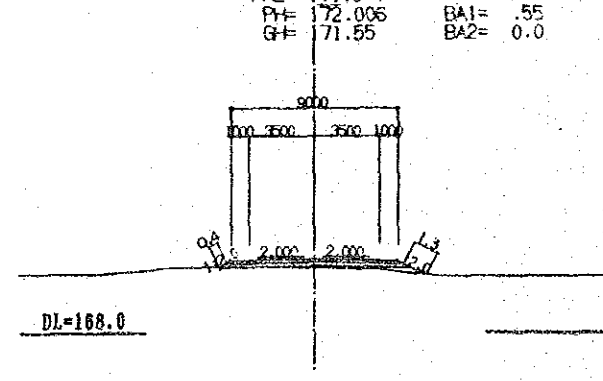
NO. 155+200.000



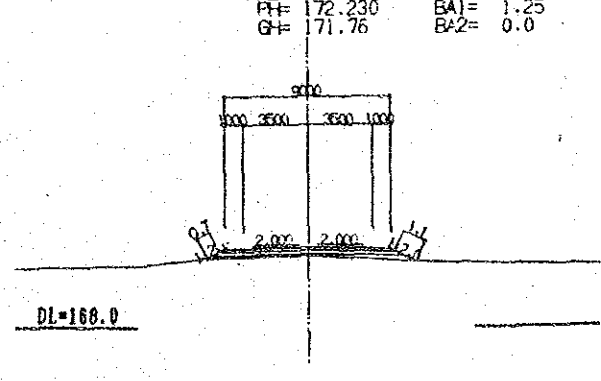
NO. 153+000.000



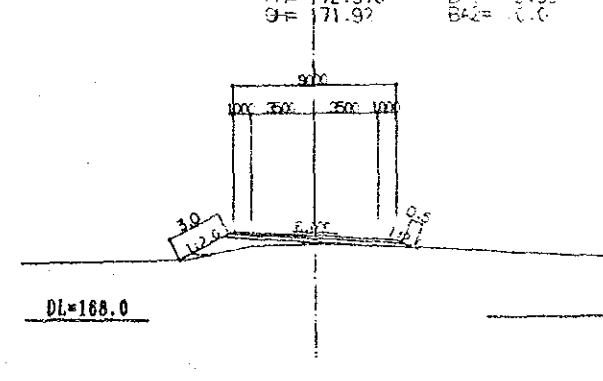
NO. 153+800.000



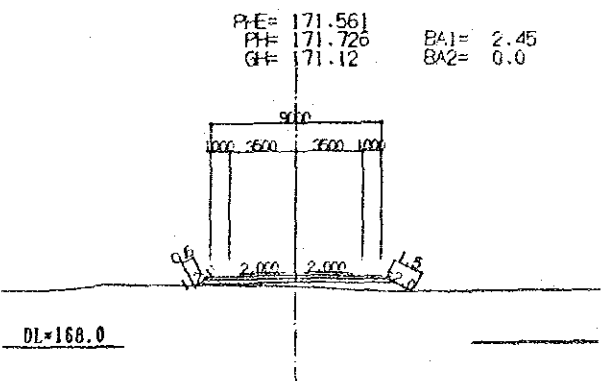
NO. 154+600.000



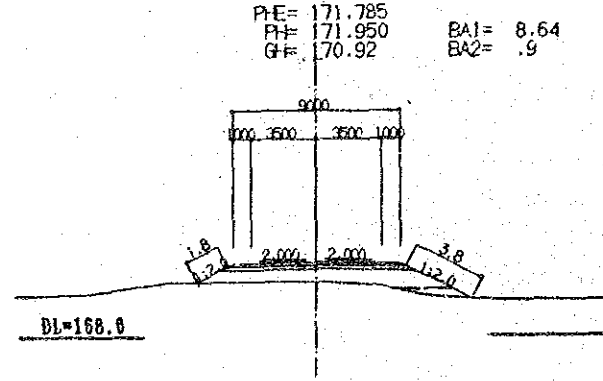
NO. 155+100.000



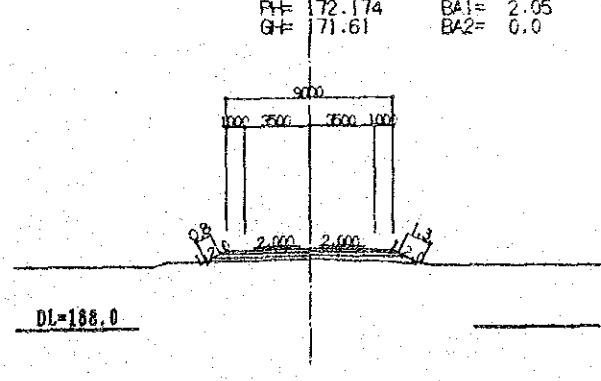
NO. 152+800.000



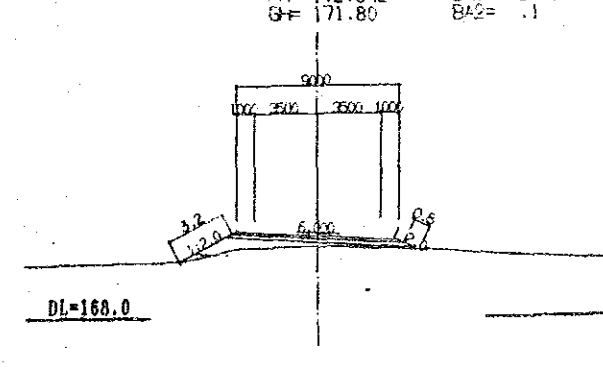
NO. 153+600.000



NO. 154+400.000

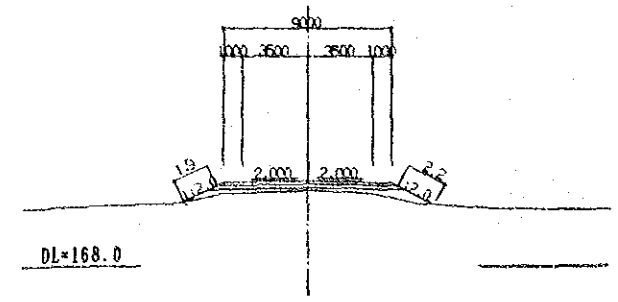


NO. 155+000.000



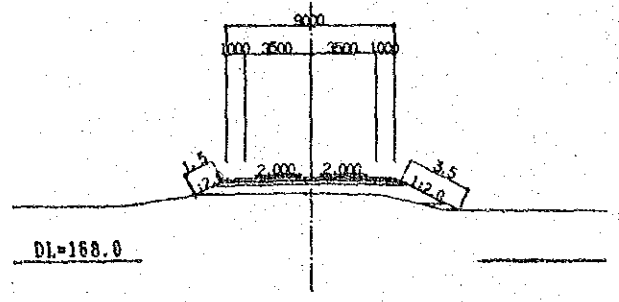
NO. 156+200.000

P/E= 172.35  
P/F= 172.510  
G/F= 172.00  
BA1= 2.8  
BA2= 0.0



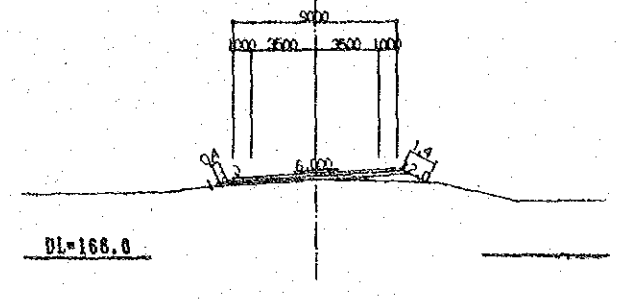
NO. 157+000.000

P/E= 172.35  
P/F= 172.510  
G/F= 171.64  
BA1= 6.7  
BA2= 0.0



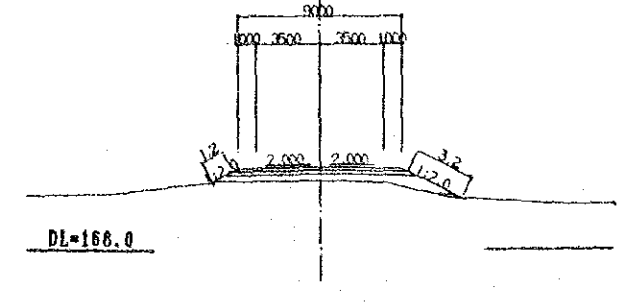
NO. 157+600.000

P/E= 172.35  
P/F= 172.510  
G/F= 172.17  
BA1= .8  
BA2= 0.0



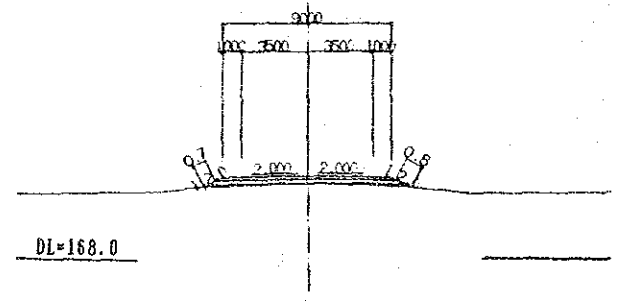
NO. 158+200.000

P/E= 172.35  
P/F= 172.510  
G/F= 171.80  
BA1= 4.7  
BA2= 0.0



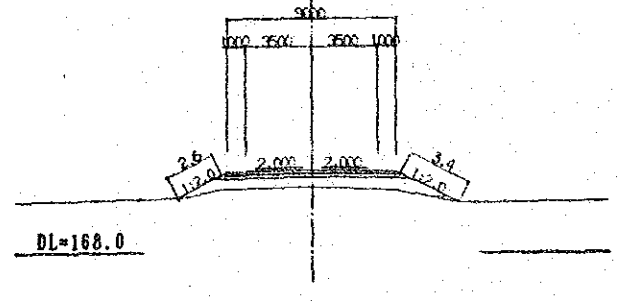
NO. 156+000.000

P/E= 172.345  
P/F= 172.510  
G/F= 172.11  
BA1= .35  
BA2= 0.0



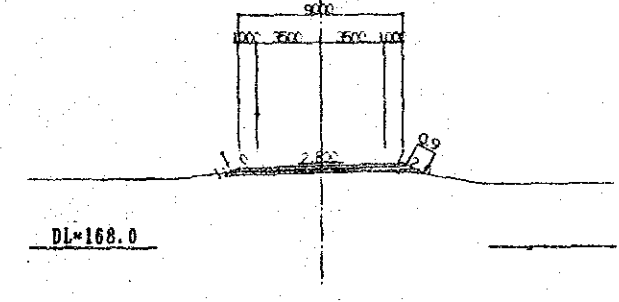
NO. 156+800.000

P/E= 172.35  
P/F= 172.510  
G/F= 171.61  
BA1= 7.5  
BA2= 0.0



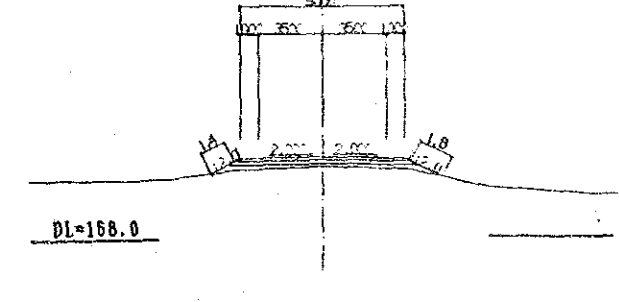
NO. 157+510.814

P/E= 172.35  
P/F= 172.510  
G/F= 172.27  
BA1= 0.0  
BA2= 0.0  
CA= .33



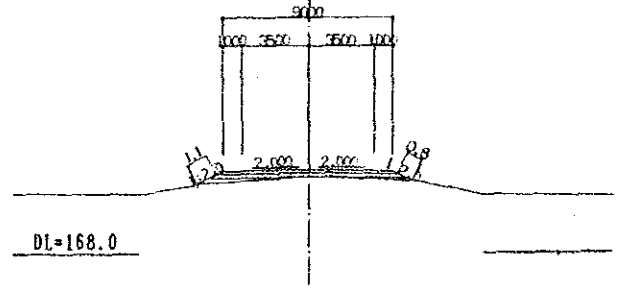
NO. 158+000.000

P/E= 172.35  
P/F= 172.510  
G/F= 171.95  
BA1= 2.1  
BA2= 0.0



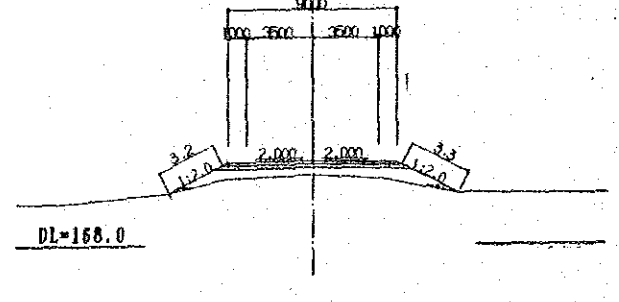
NO. 155+800.000

P/E= 172.345  
P/F= 172.510  
G/F= 172.14  
BA1= .65  
BA2= 0.0



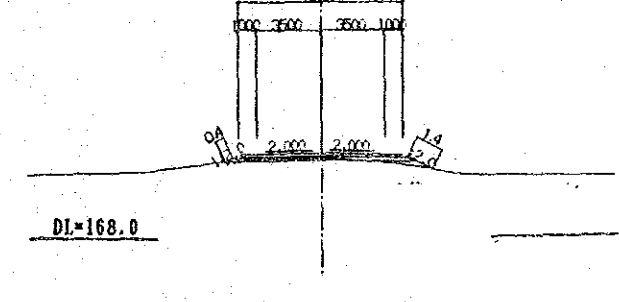
NO. 156+600.000

P/E= 172.35  
P/F= 172.510  
G/F= 171.75  
BA1= 6.7  
BA2= 0.0



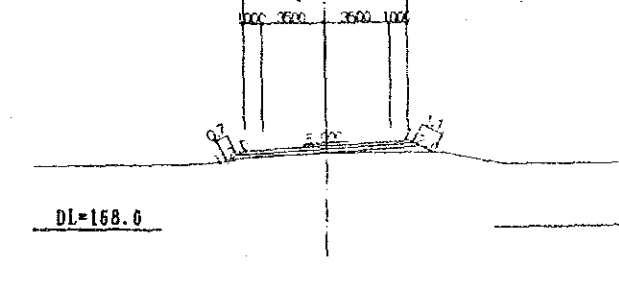
NO. 157+400.000

P/E= 172.35  
P/F= 172.510  
G/F= 172.28  
BA1= 0.0  
BA2= 0.0  
CA= .45



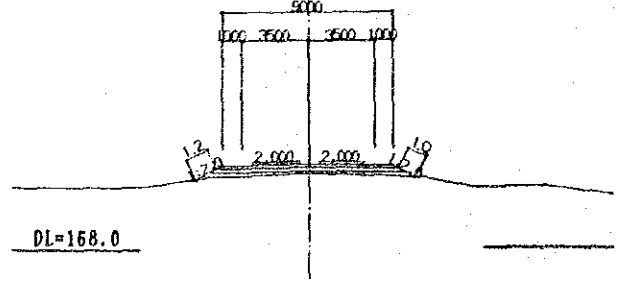
NO. 157+800.000

P/E= 172.35  
P/F= 172.510  
G/F= 172.11  
BA1= 1.1  
BA2= 0.0



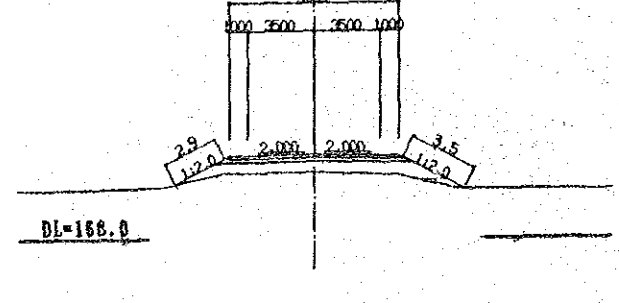
NO. 155+600.000

P/E= 172.342  
P/F= 172.507  
G/F= 172.01  
BA1= 1.65  
BA2= 0.0



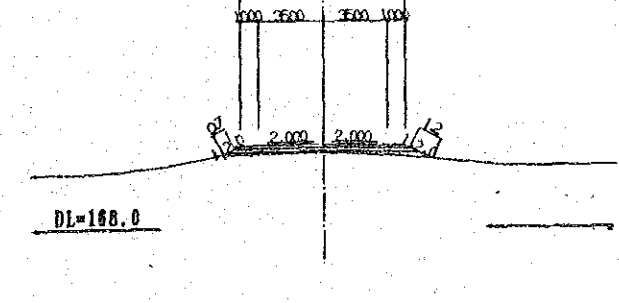
NO. 156+400.000

P/E= 172.35  
P/F= 172.510  
G/F= 171.57  
BA1= 8.0  
BA2= 0.0



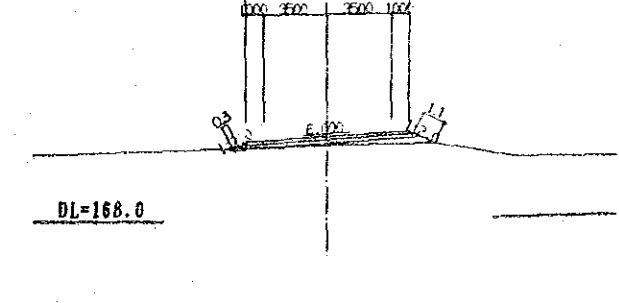
NO. 157+200.000

P/E= 172.35  
P/F= 172.510  
G/F= 172.07  
BA1= 1.0  
BA2= 0.0



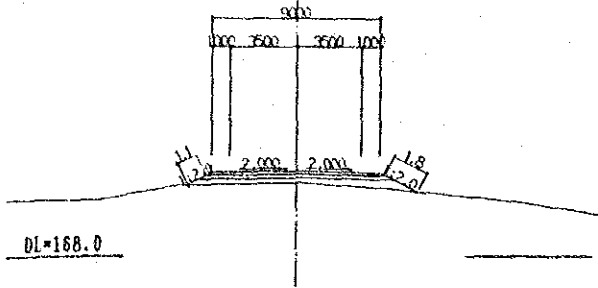
NO. 157+700.000

P/E= 172.35  
P/F= 172.510  
G/F= 172.05  
BA1= 1.4  
BA2= 0.0



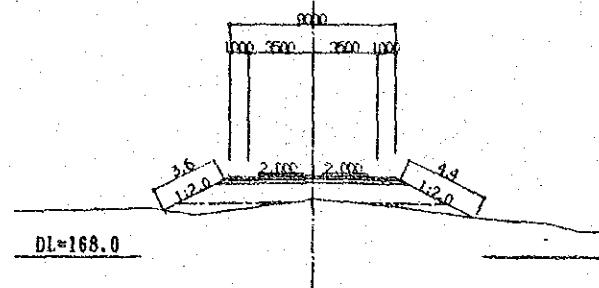
NO. 159+000.000

PtE= 172.35  
PtF= 172.510 BA1= 3.3  
GtF= 171.89 BA2= 0.0



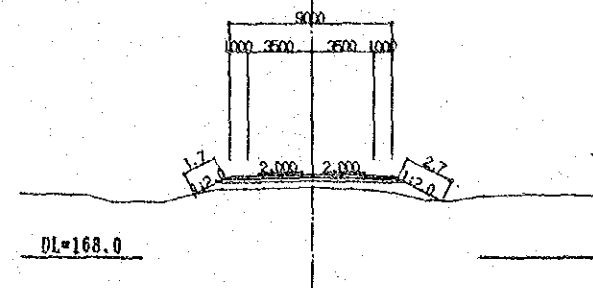
NO. 159+800.000

PtE= 172.35  
PtF= 172.510 BA1= 12.44  
GtF= 171.26 BA2= 3.7



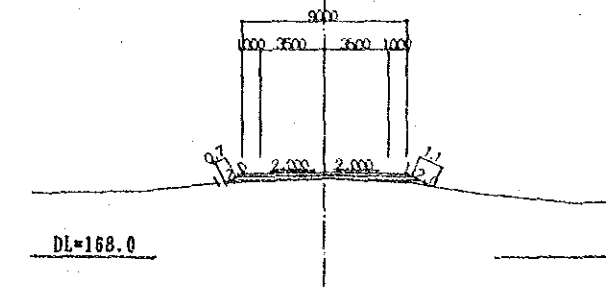
NO. 160+600.000

PtE= 172.35  
PtF= 172.510 BA1= 4.7  
GtF= 171.82 BA2= 0.0



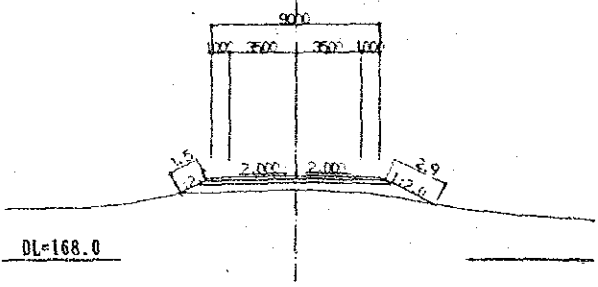
NO. 161+400.000

PtE= 172.356  
PtF= 172.516 BA1= 1.2  
GtF= 172.18 BA2= 0.0



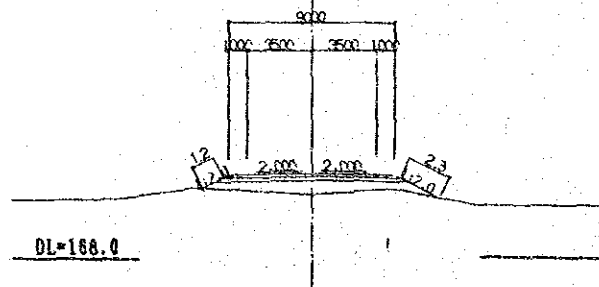
NO. 158+800.000

PtE= 172.35  
PtF= 172.510 BA1= 5.3  
GtF= 171.77 BA2= 0.0



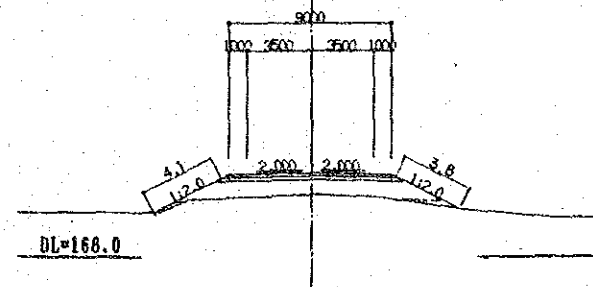
NO. 159+600.000

PtE= 172.35  
PtF= 172.510 BA1= 6.0  
GtF= 171.39 BA2= 0.0



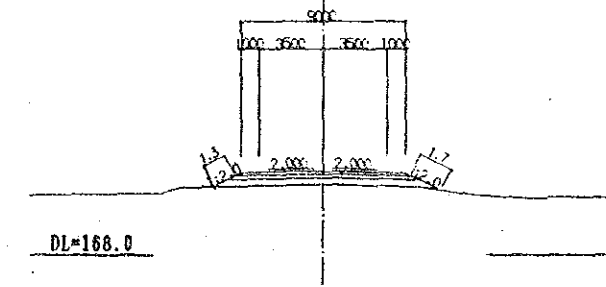
NO. 160+400.000

PtE= 172.35  
PtF= 172.510 BA1= 11.2  
GtF= 171.36 BA2= .1



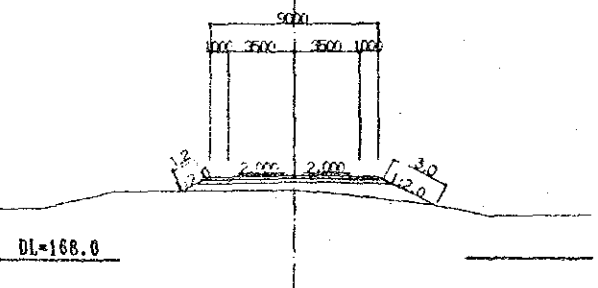
NO. 161+200.000

PtE= 172.35  
PtF= 172.510 BA1= 3.7  
GtF= 171.81 BA2= 0.0



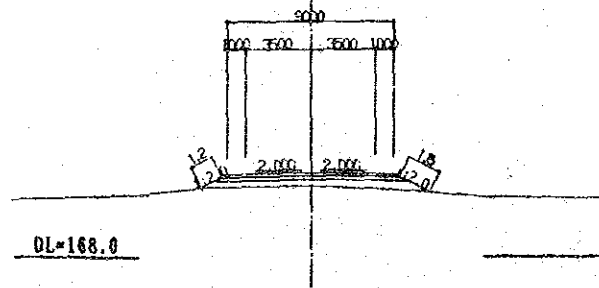
NO. 158+600.000

PtE= 172.35  
PtF= 172.510 BA1= 6.0  
GtF= 171.72 BA2= 0.0



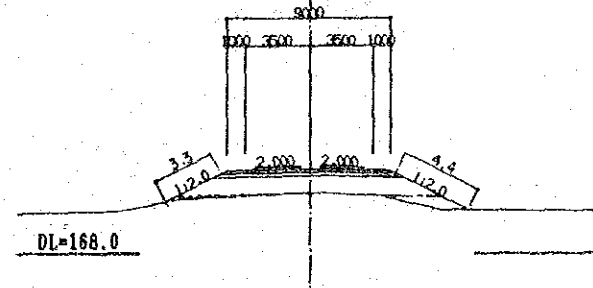
NO. 159+400.000

PtE= 172.35  
PtF= 172.510 BA1= 4.0  
GtF= 171.81 BA2= 0.0



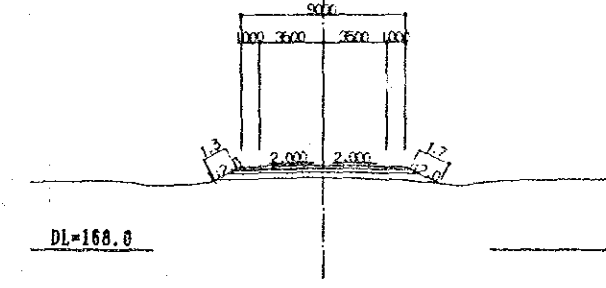
NO. 160+200.000

PtE= 172.35  
PtF= 172.510 BA1= 12.44  
GtF= 171.24 BA2= 2.6



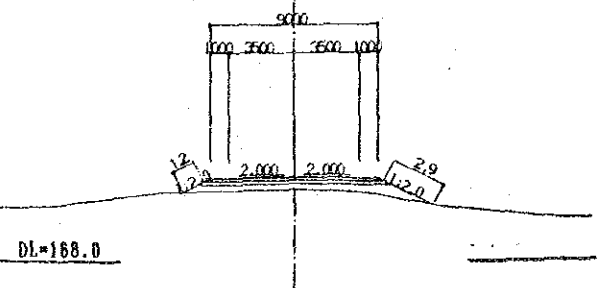
NO. 161+000.000

PtE= 172.35  
PtF= 172.510 BA1= 3.3  
GtF= 171.86 BA2= 0.0



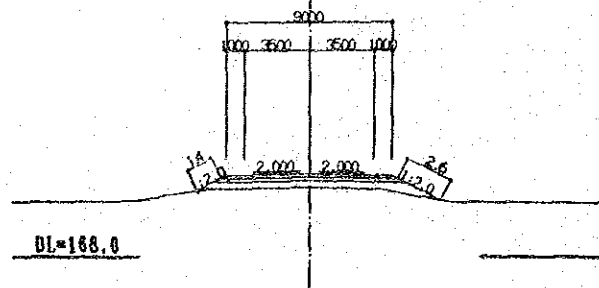
NO. 158+400.000

PtE= 172.35  
PtF= 172.510 BA1= 4.1  
GtF= 171.85 BA2= 0.0



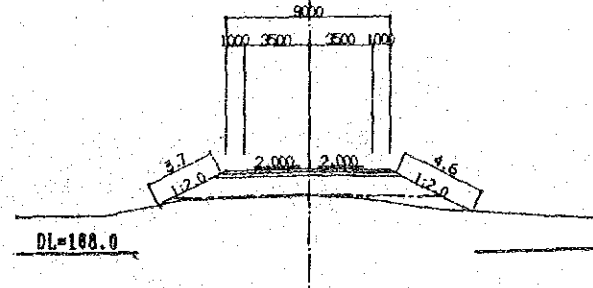
NO. 159+200.000

PtE= 172.35  
PtF= 172.510 BA1= 4.3  
GtF= 171.80 BA2= 0.0



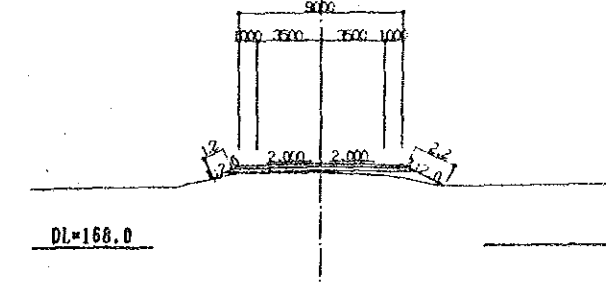
NO. 160+000.000

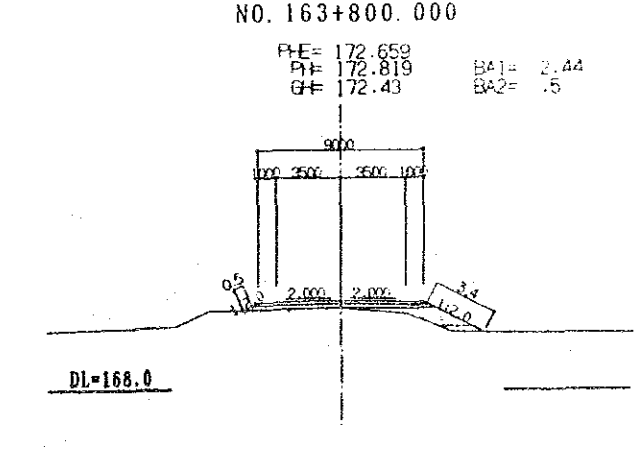
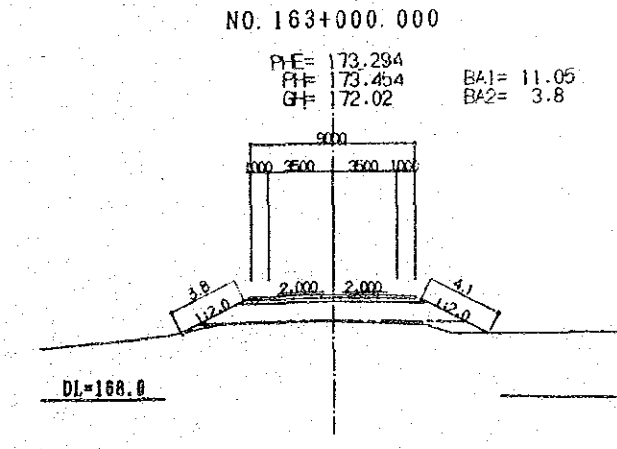
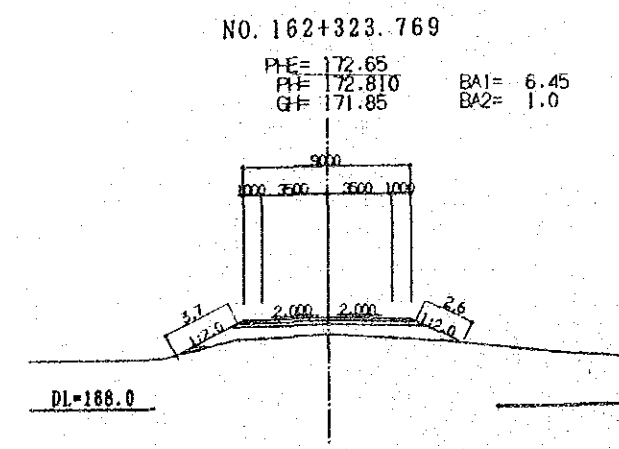
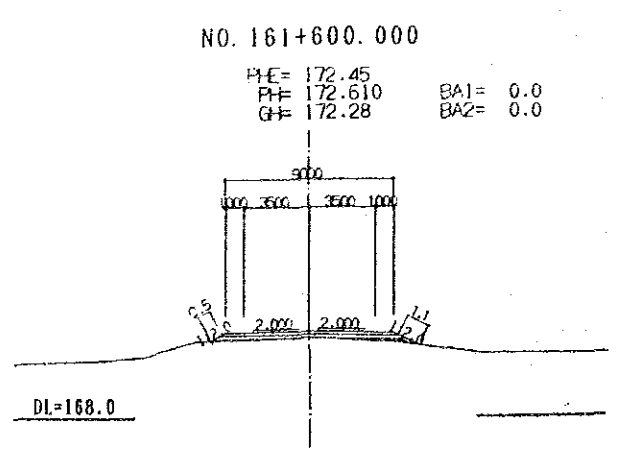
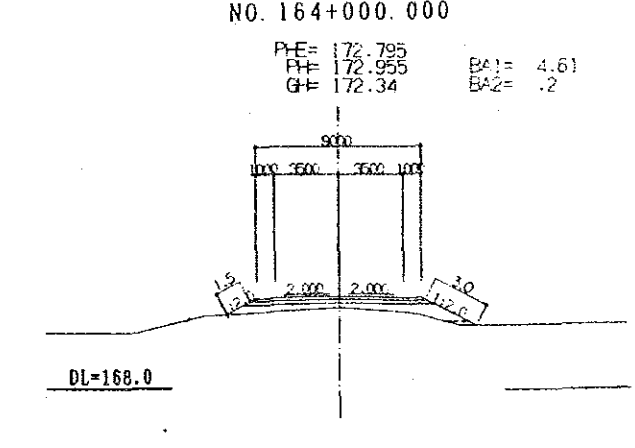
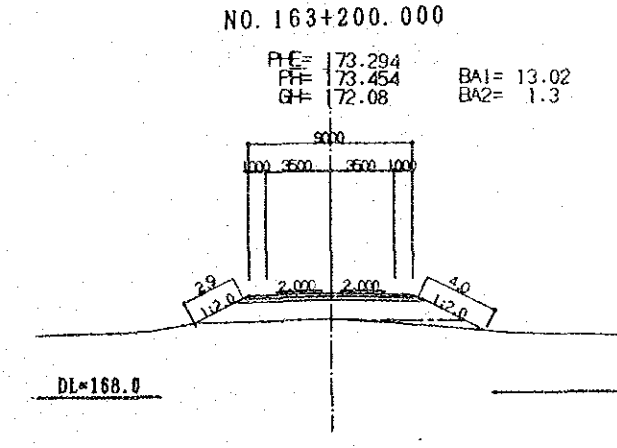
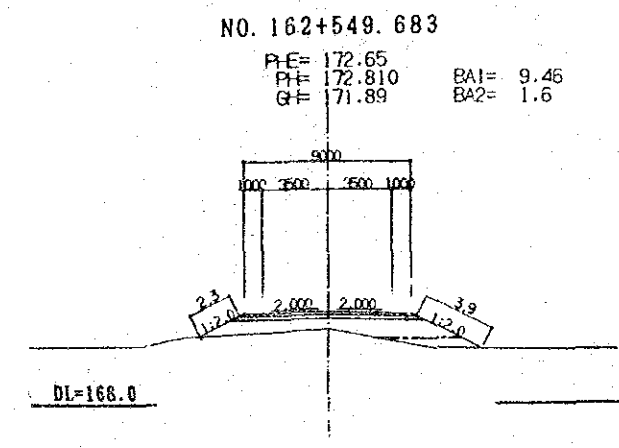
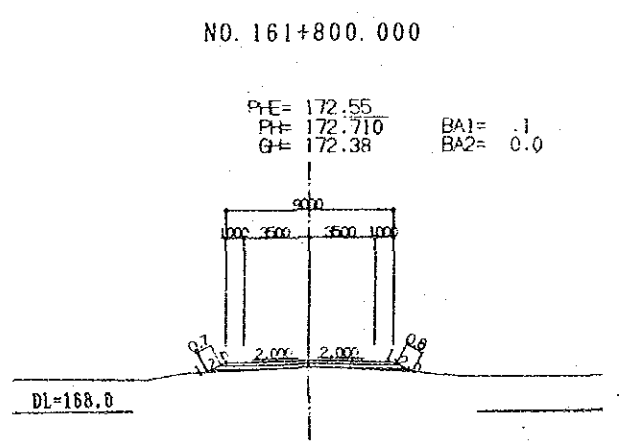
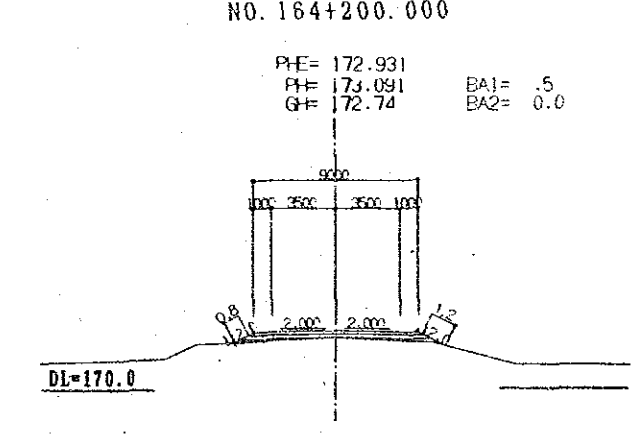
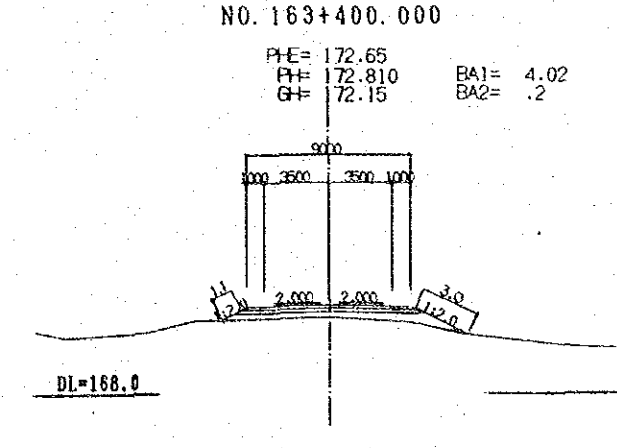
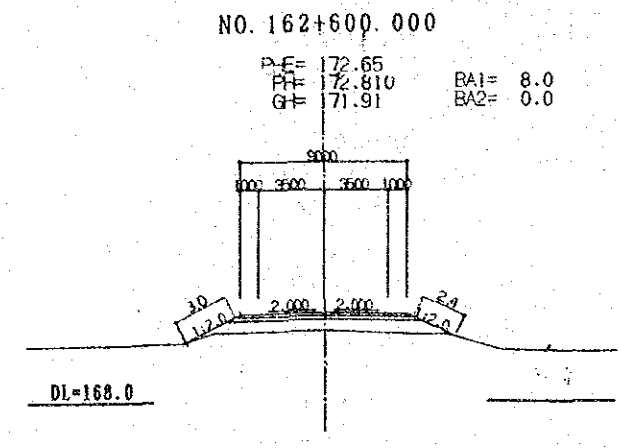
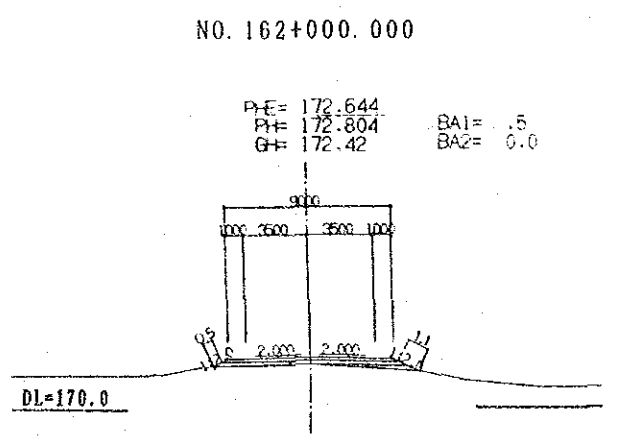
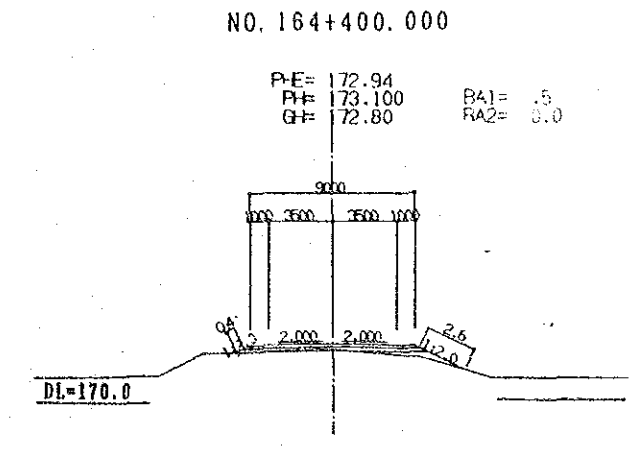
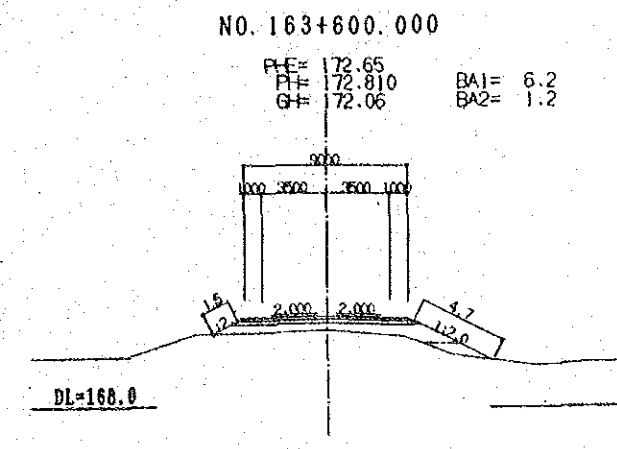
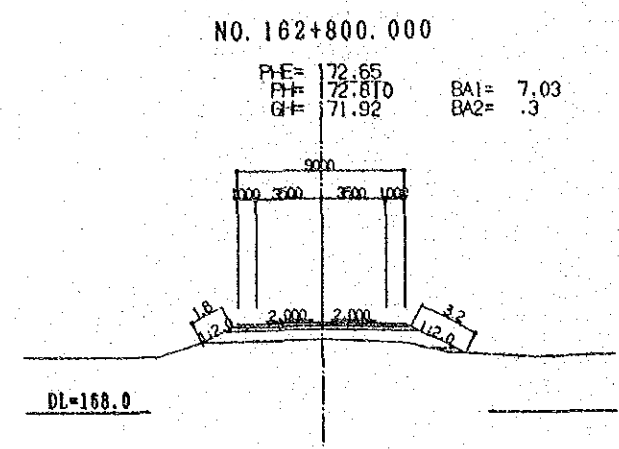
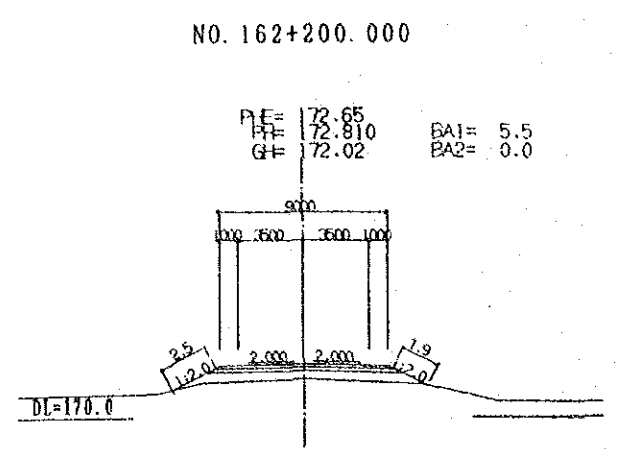
PtE= 172.35  
PtF= 172.510 BA1= 12.44  
GtF= 171.07 BA2= 3.9



NO. 160+800.000

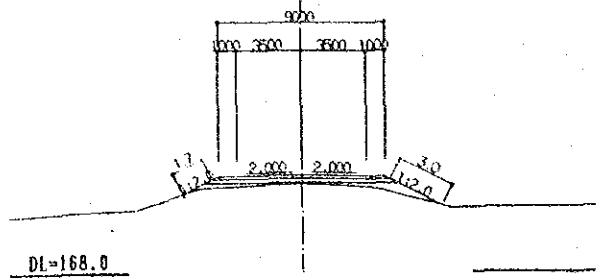
PtE= 172.35  
PtF= 172.510 BA1= 1.8  
GtF= 172.03 BA2= 0.0





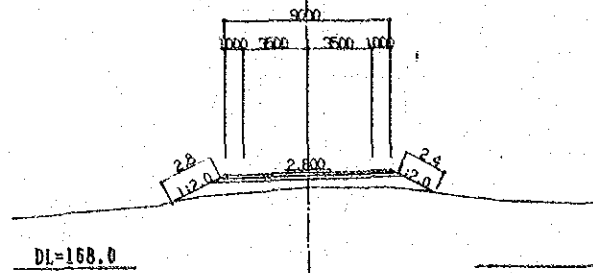
NO. 165+200.000

P+E= 172.94  
P+H= 173.100  
G+H= 72.66  
BA1= 2.4  
BA2= 0.0



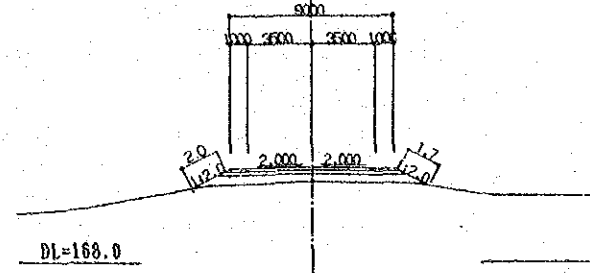
NO. 166+006.432

P+E= 172.94  
P+H= 173.100  
G+H= 72.31  
BA1= 7.1  
BA2= 0.0



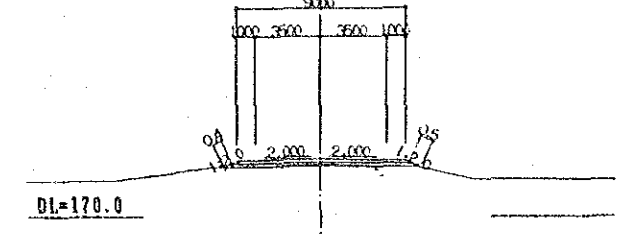
NO. 166+400.000

P+E= 172.94  
P+H= 173.100  
G+H= 72.33  
BA1= 4.8  
BA2= 0.0



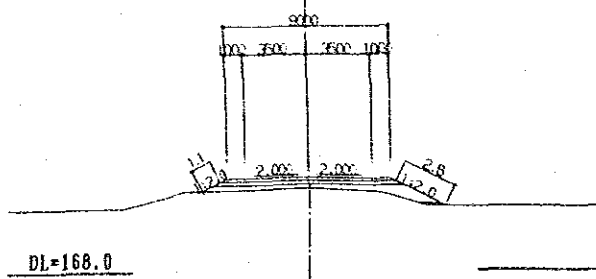
NO. 167+200.000

P+E= 172.958  
P+H= 173.119  
G+H= 72.82  
BA1= 0.0  
BA2= 0.0  
CA= .3



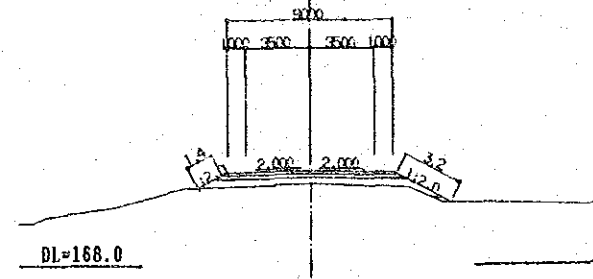
NO. 165+000.000

P+E= 172.94  
P+H= 173.100  
G+H= 72.51  
BA1= 3.8  
BA2= 0.0



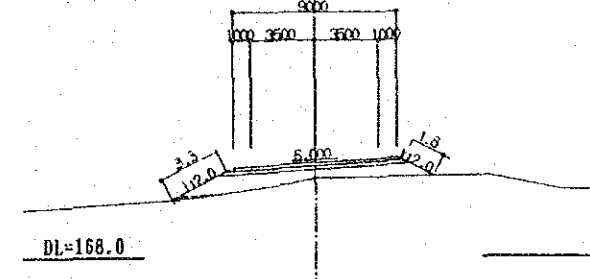
NO. 165+800.000

P+E= 172.94  
P+H= 173.100  
G+H= 72.42  
BA1= 4.5  
BA2= 0.0



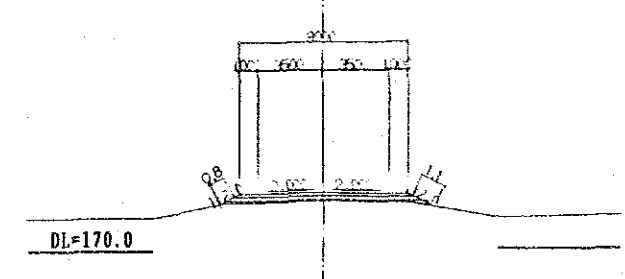
NO. 166+300.000

P+E= 172.94  
P+H= 173.100  
G+H= 72.28  
BA1= 8.2  
BA2= 0.0



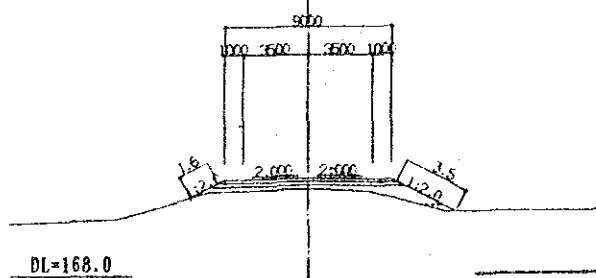
NO. 167+000.000

P+E= 172.94  
P+H= 173.100  
G+H= 72.67  
BA1= 1.1  
BA2= 0.0



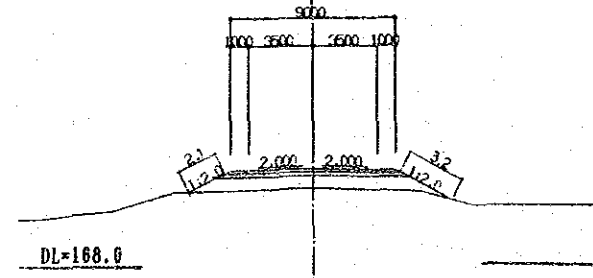
NO. 164+800.000

P+E= 172.94  
P+H= 173.100  
G+H= 72.53  
BA1= 4.1  
BA2= 0.0



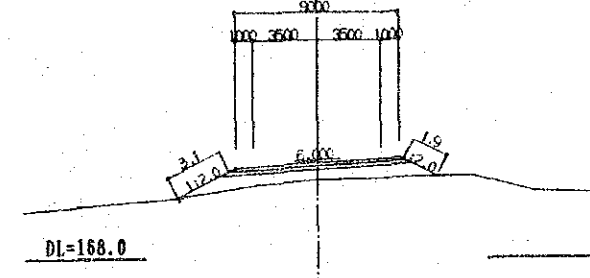
NO. 165+600.000

P+E= 172.94  
P+H= 173.100  
G+H= 72.08  
BA1= 8.2  
BA2= 0.0



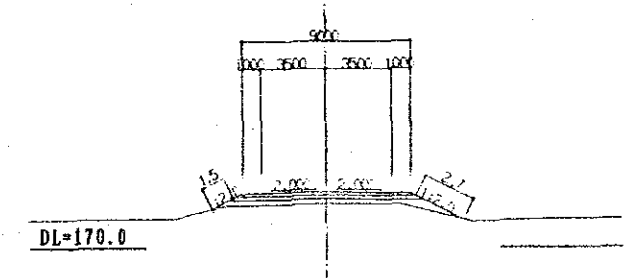
NO. 166+200.000

P+E= 172.94  
P+H= 173.100  
G+H= 72.20  
BA1= 6.0  
BA2= 0.0



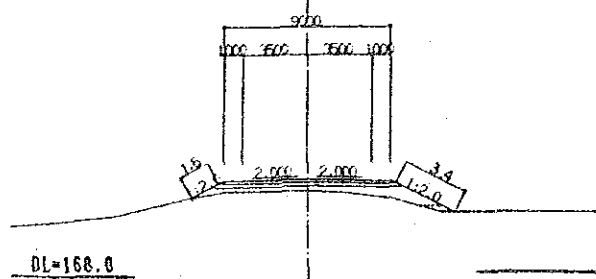
NO. 166+800.000

P+E= 172.94  
P+H= 173.100  
G+H= 72.47  
BA1= 3.2  
BA2= 0.0



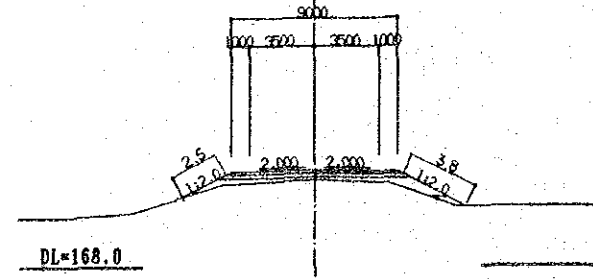
NO. 164+600.000

P+E= 172.94  
P+H= 173.100  
G+H= 72.49  
BA1= 4.4  
BA2= 0.0



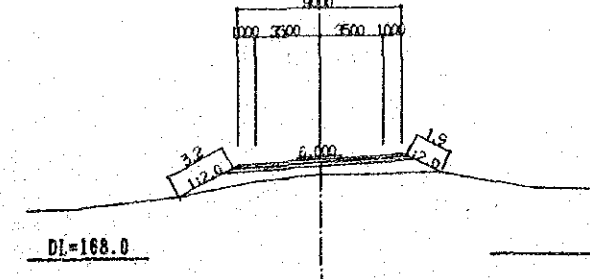
NO. 165+400.000

P+E= 172.94  
P+H= 173.100  
G+H= 72.58  
BA1= 3.9  
BA2= 0.0



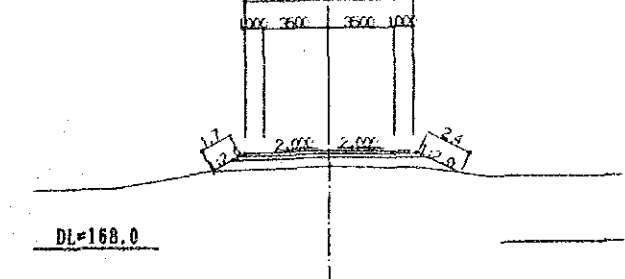
NO. 166+100.000

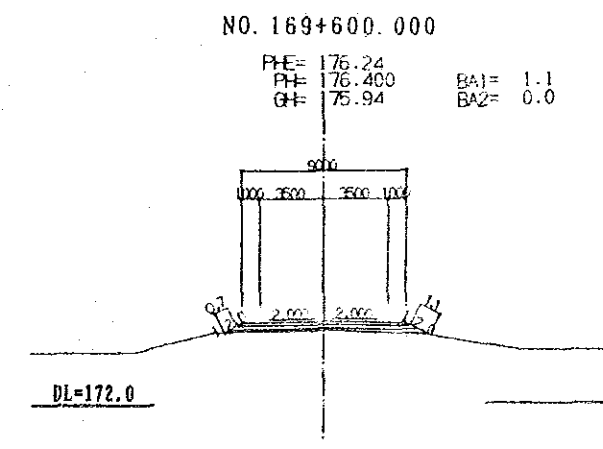
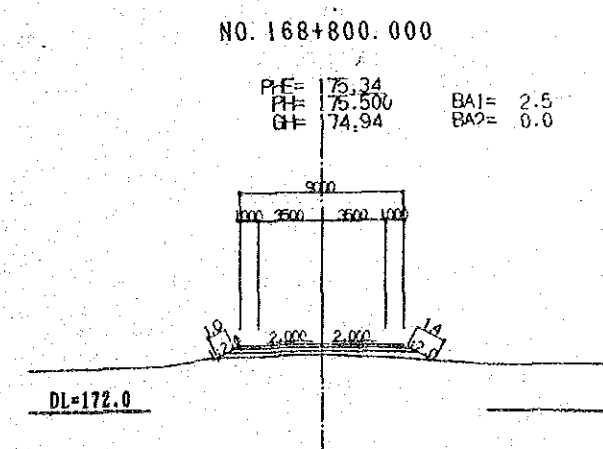
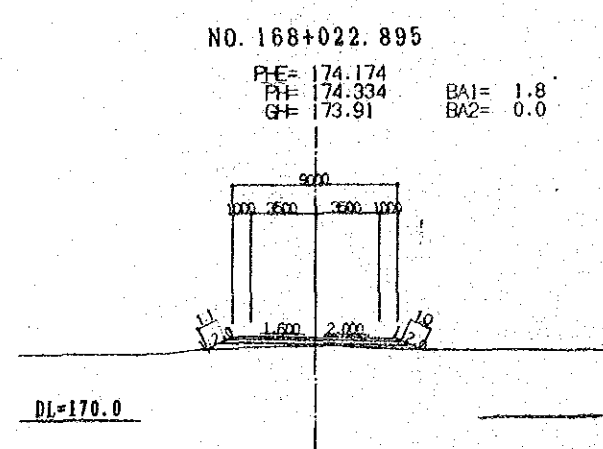
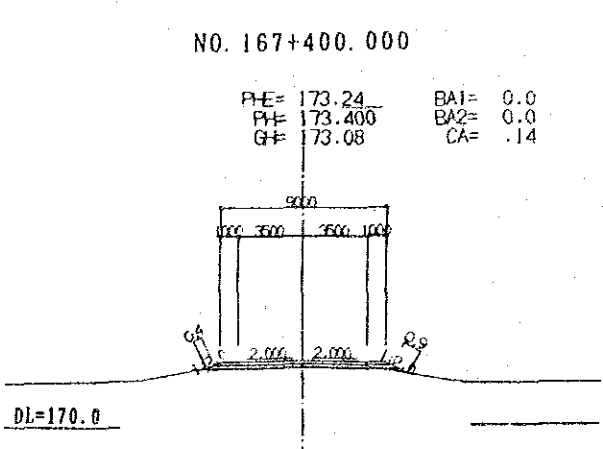
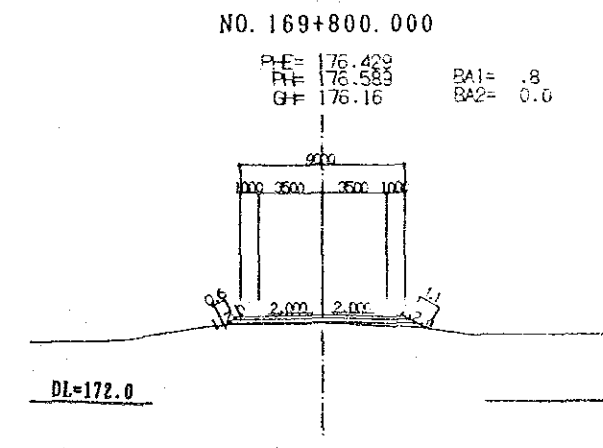
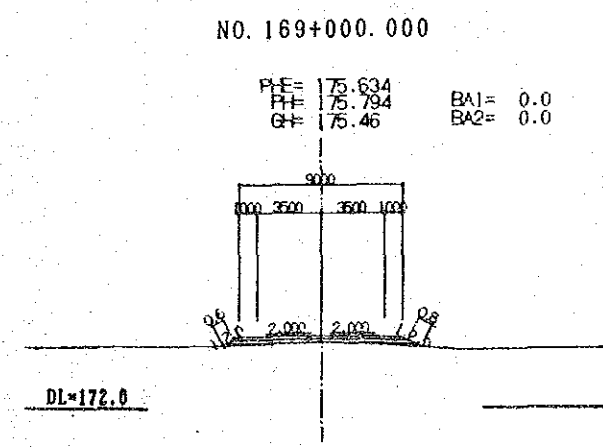
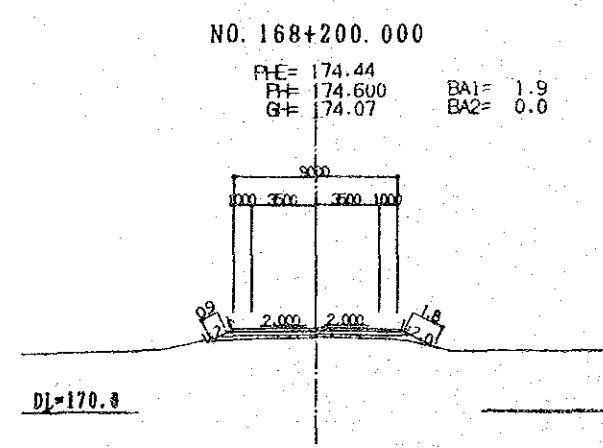
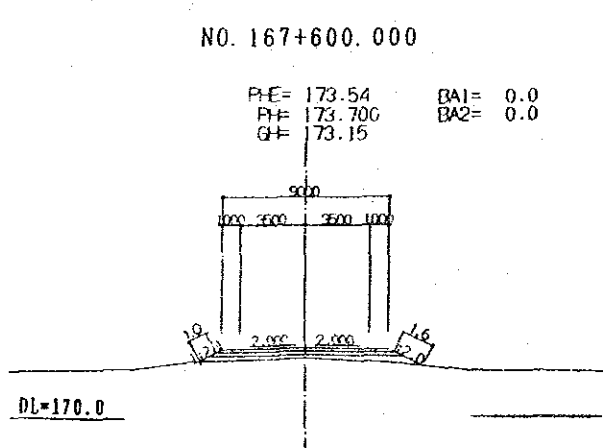
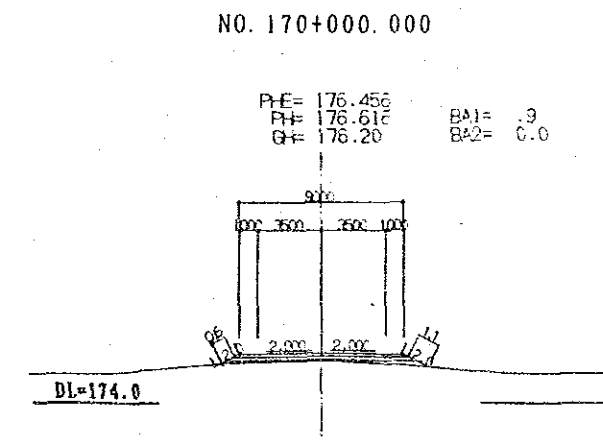
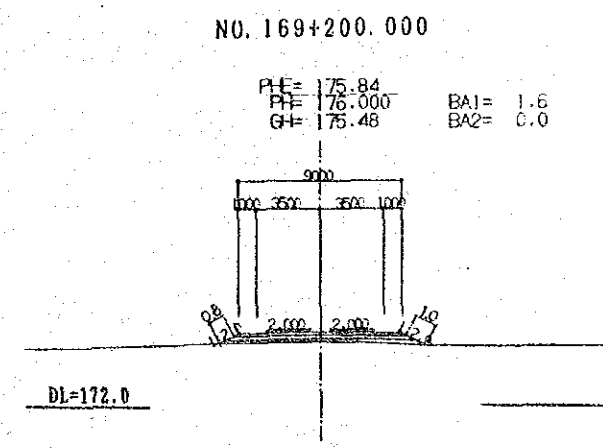
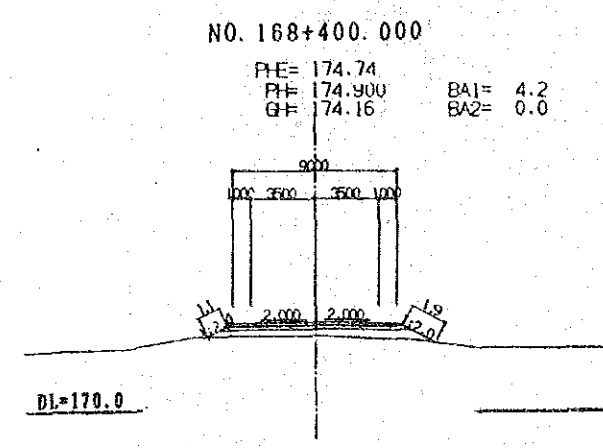
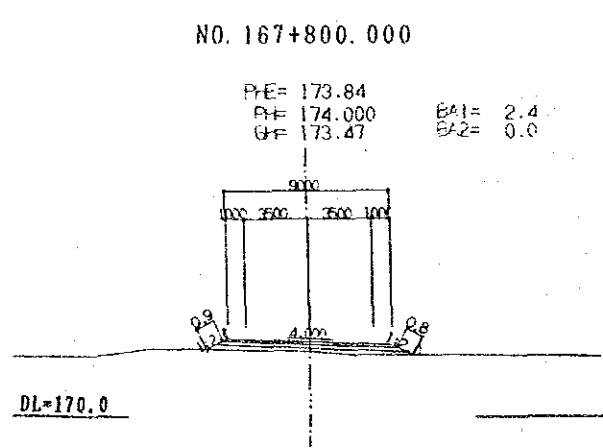
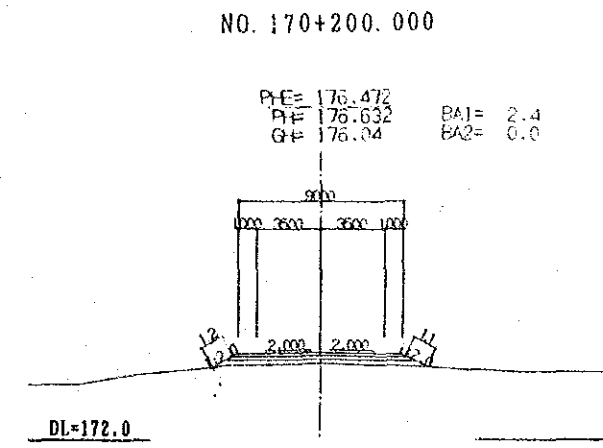
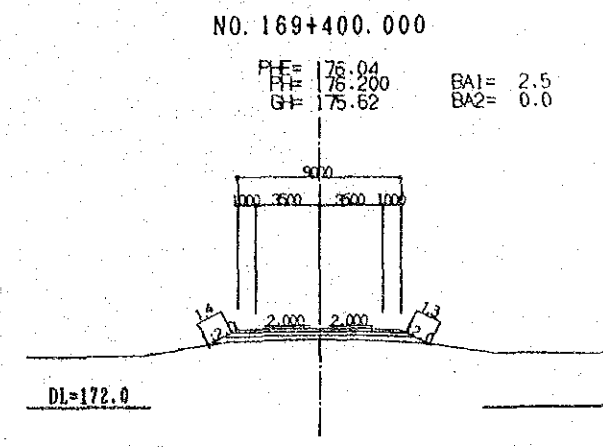
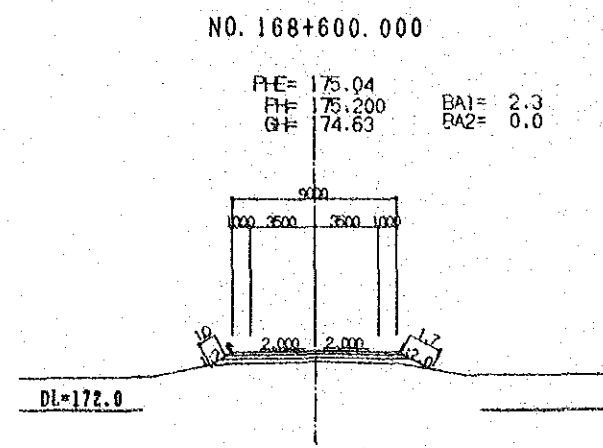
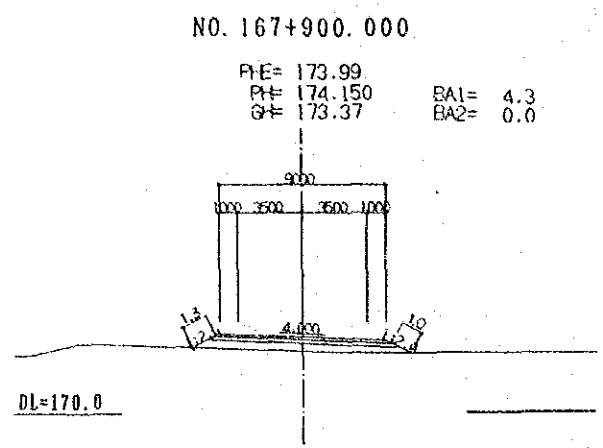
P+E= 172.94  
P+H= 173.100  
G+H= 72.28  
BA1= 7.5  
BA2= 0.0

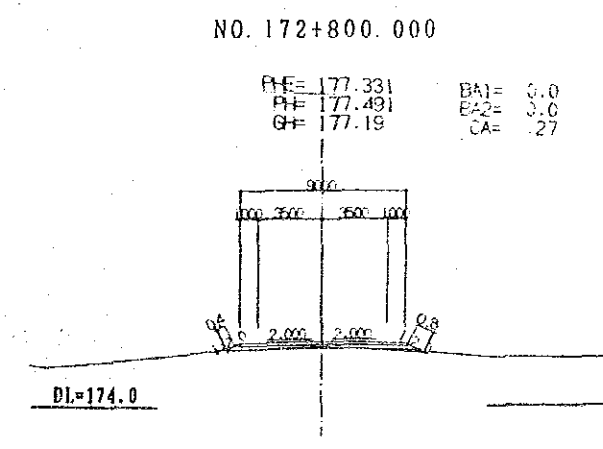
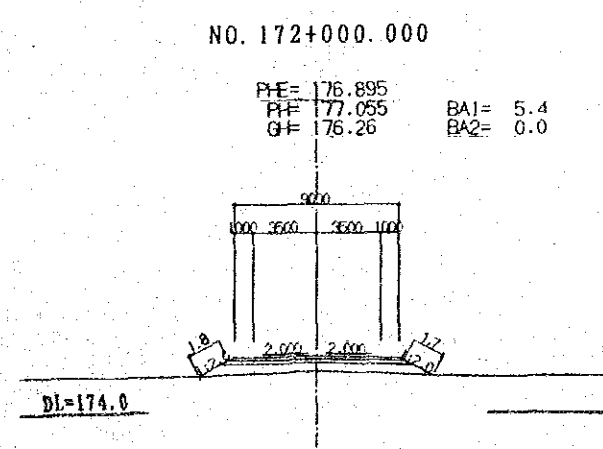
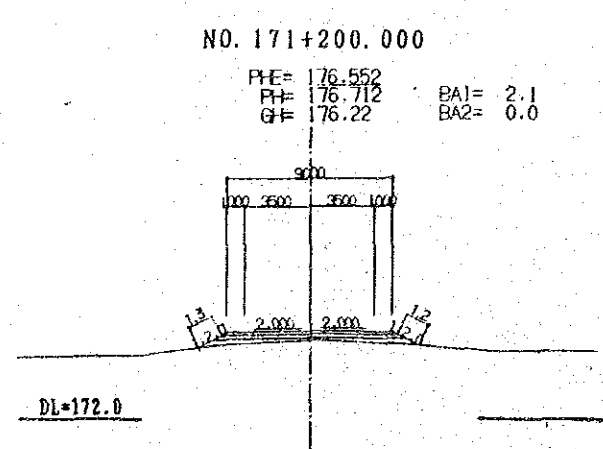
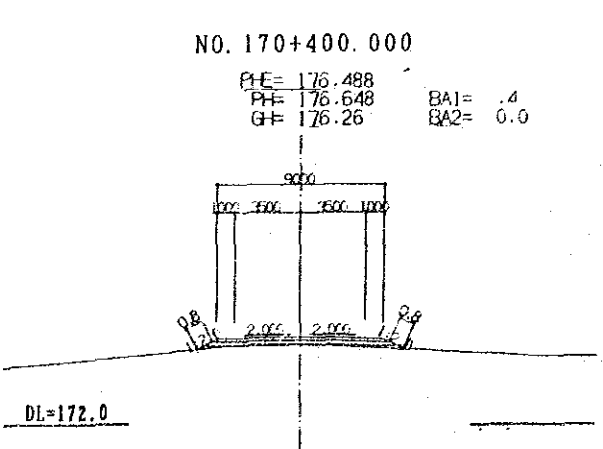
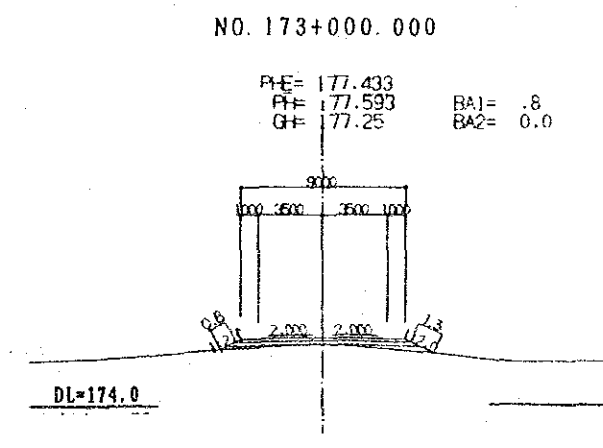
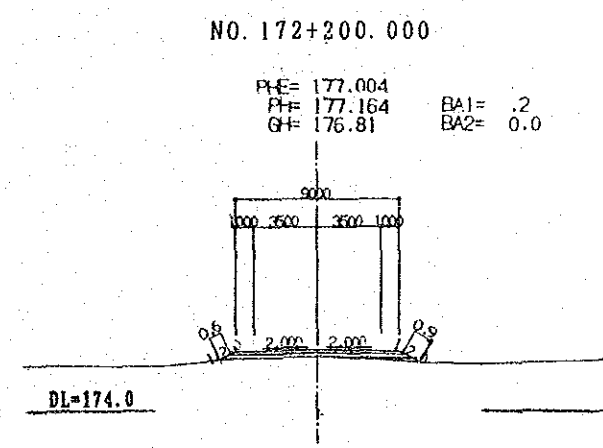
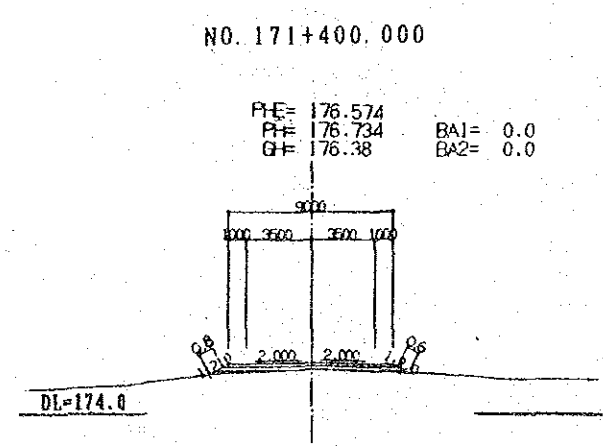
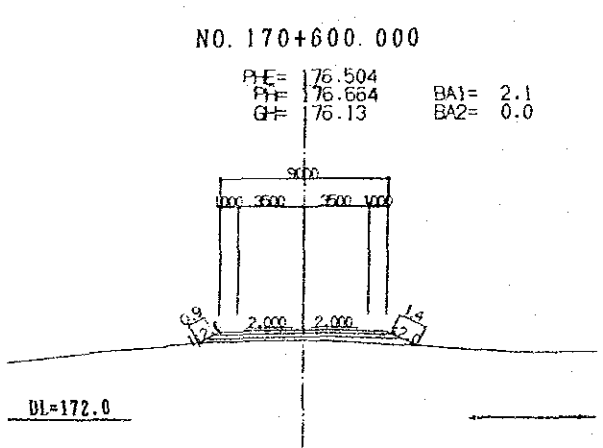
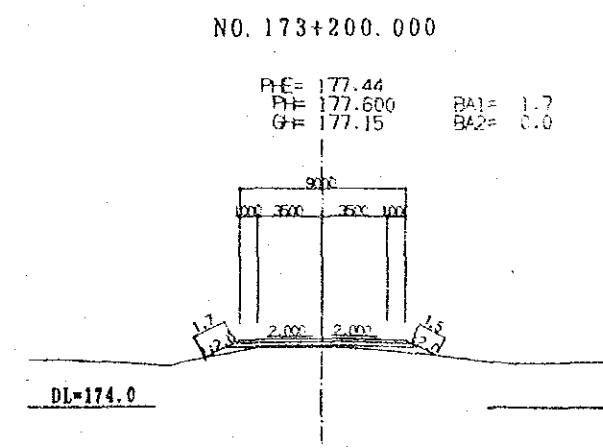
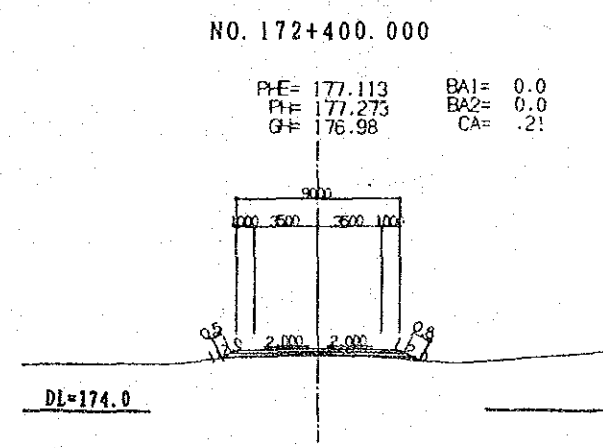
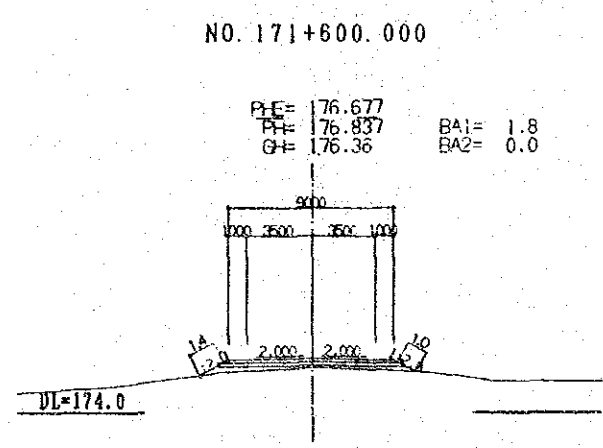
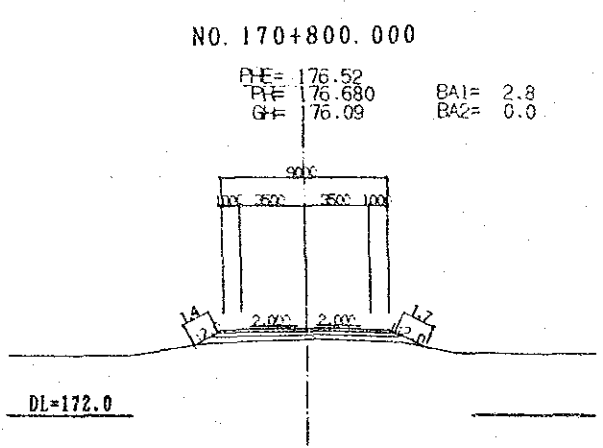
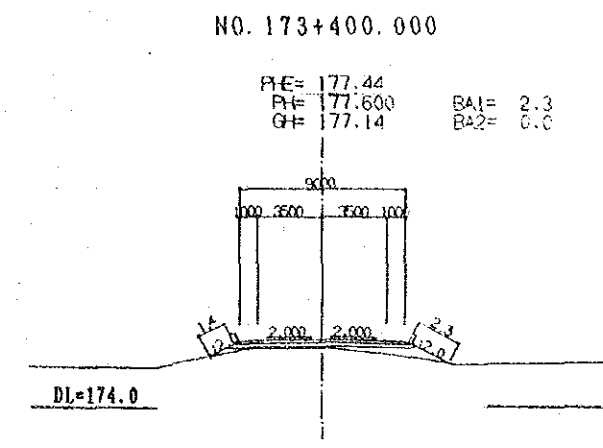
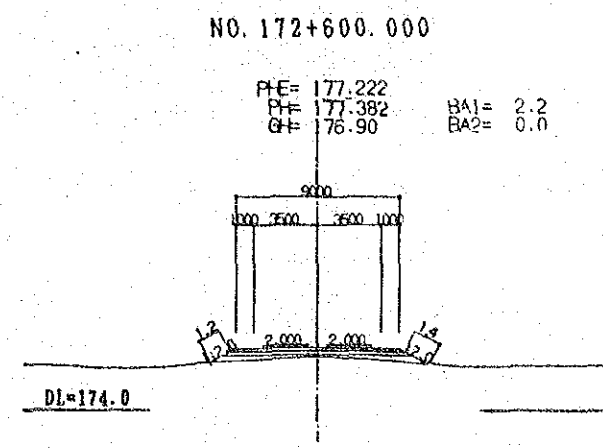
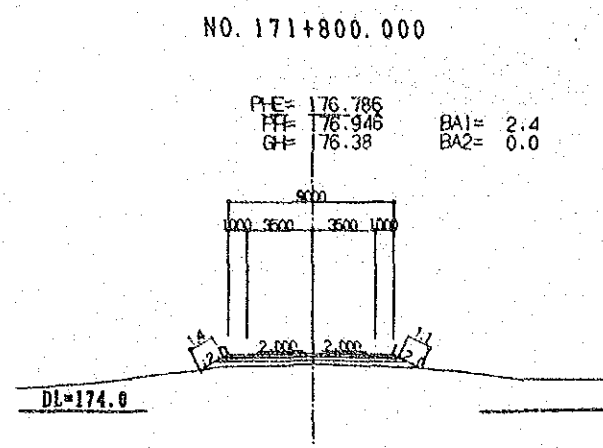
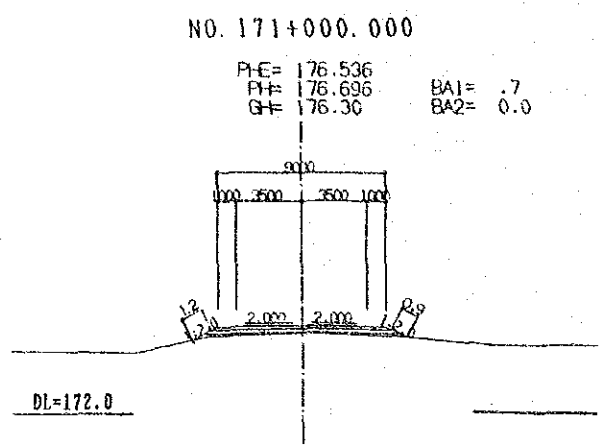


NO. 166+600.000

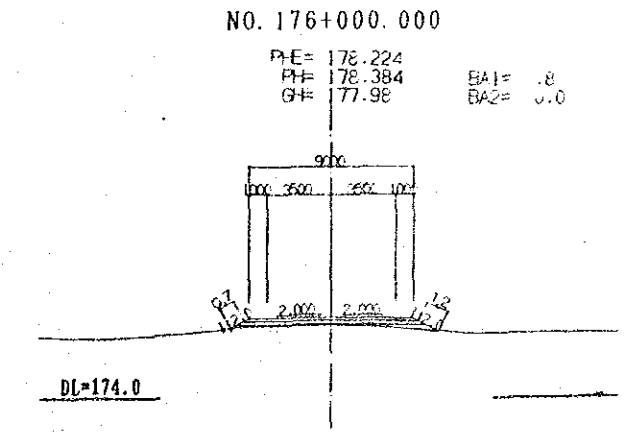
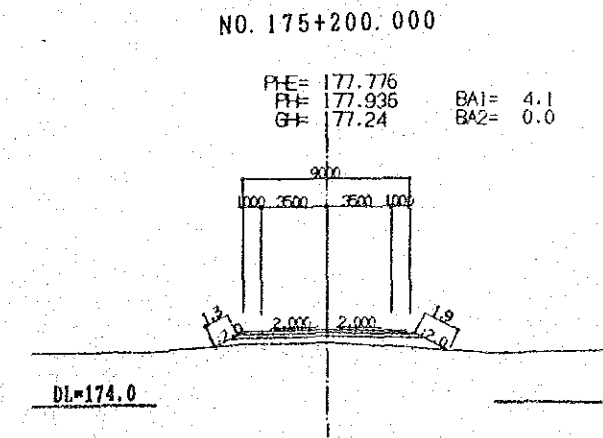
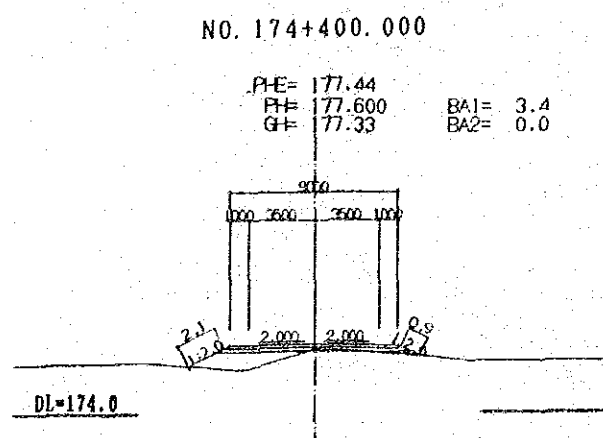
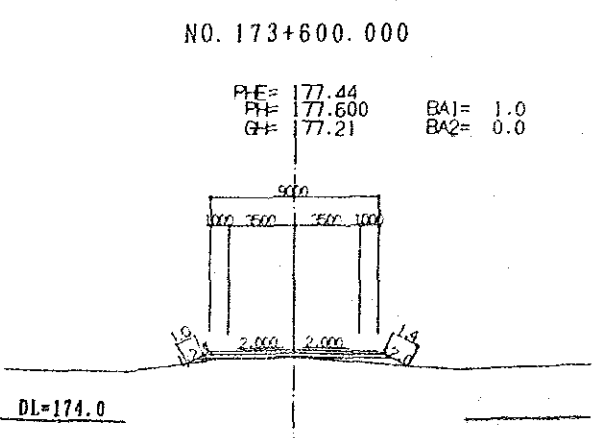
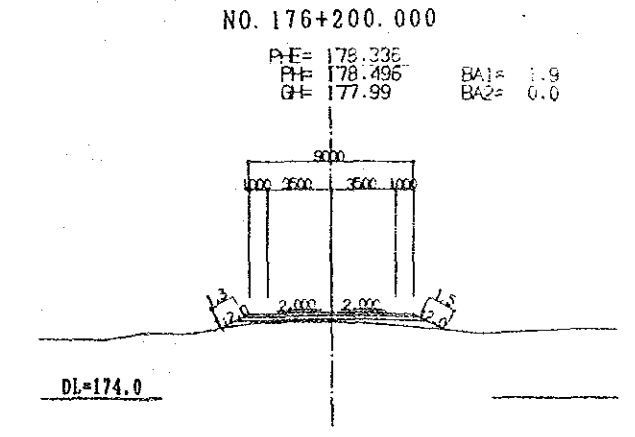
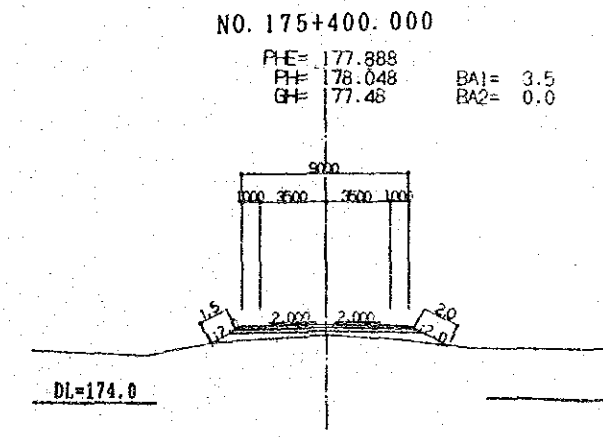
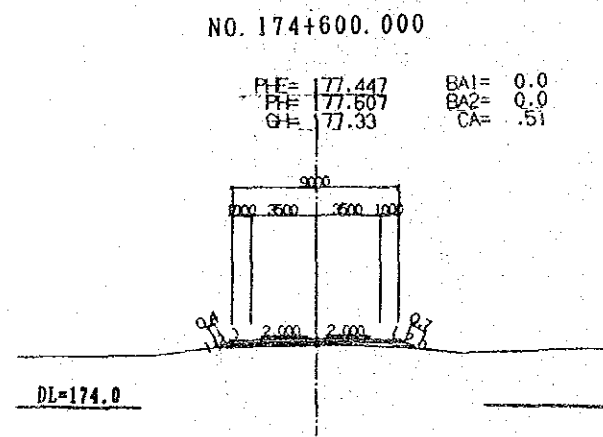
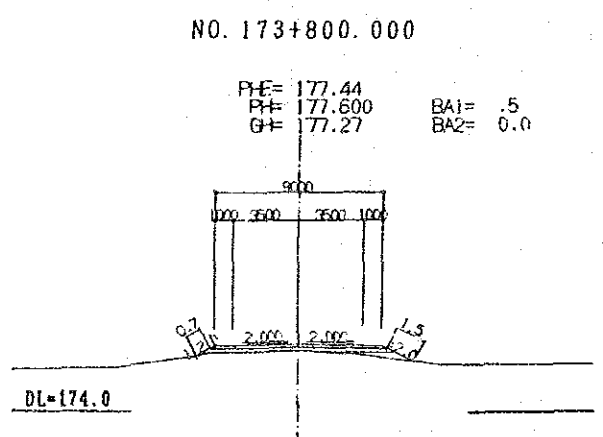
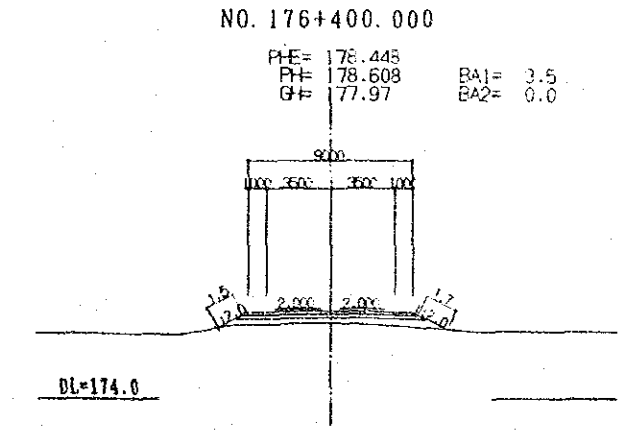
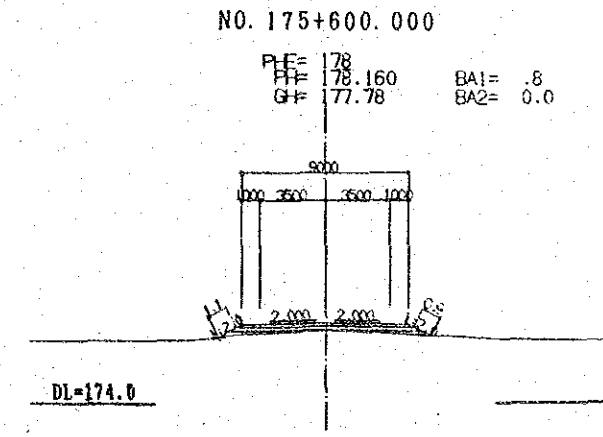
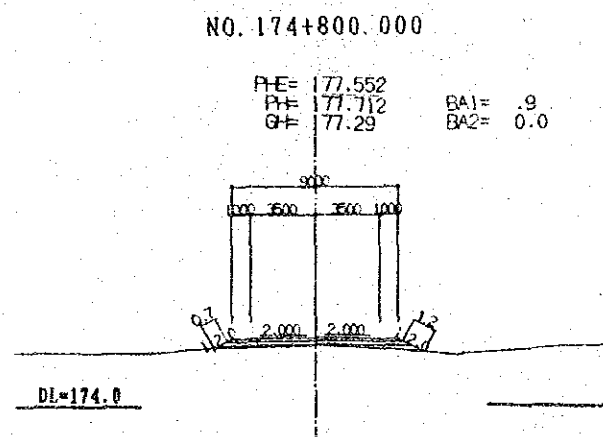
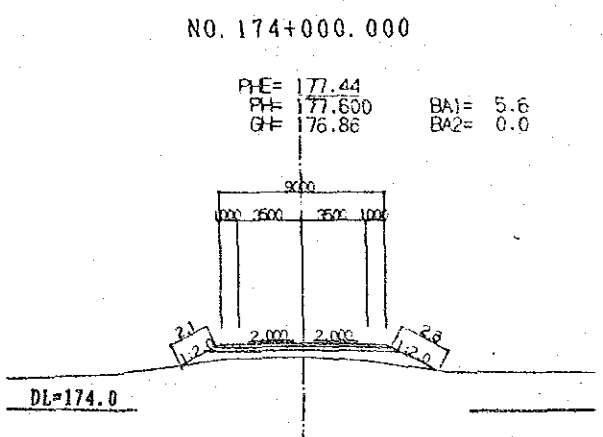
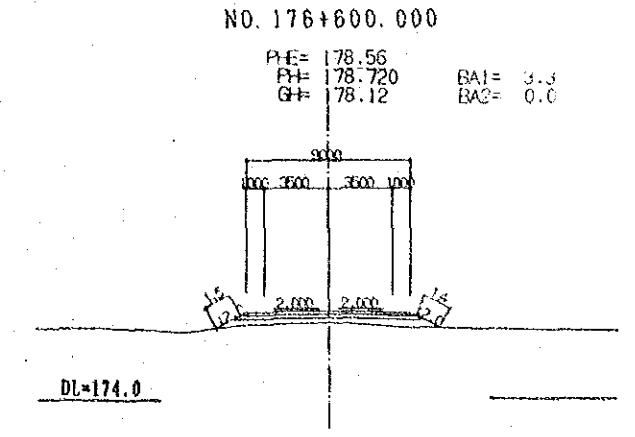
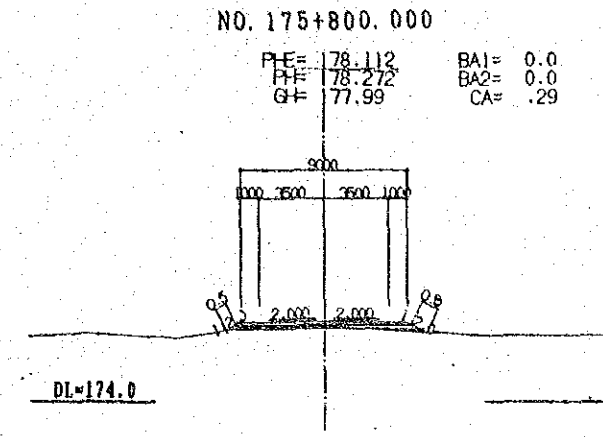
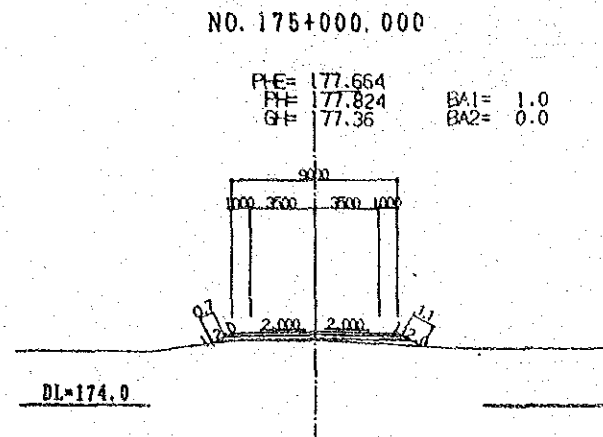
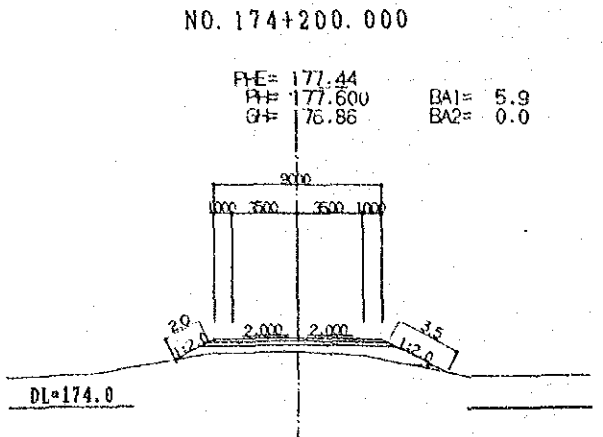
P+E= 172.94  
P+H= 173.100  
G+H= 72.26  
BA1= 5.8  
BA2= 0.0







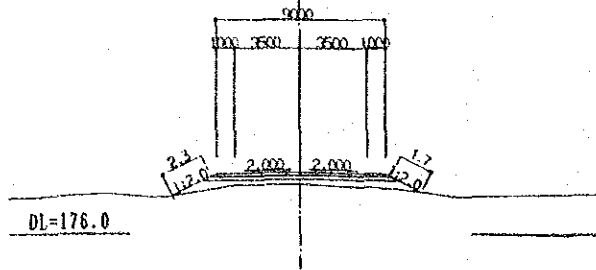




NO. 177+600.000

P-E= 179.12  
P-F= 179.280  
G-F= 78.65

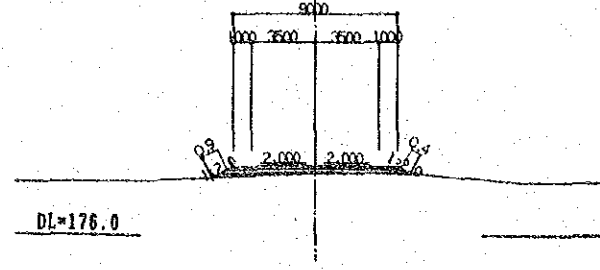
BA1= 1.1  
BA2= 0.0



NO. 178+400.000

P-E= 179.524  
P-F= 179.684  
G-F= 79.26

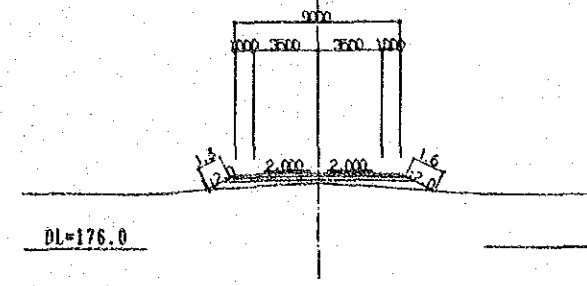
BA1= .3  
BA2= 0.0



NO. 179+200.000

P-E= 179.884  
P-F= 180.044  
G-F= 79.51

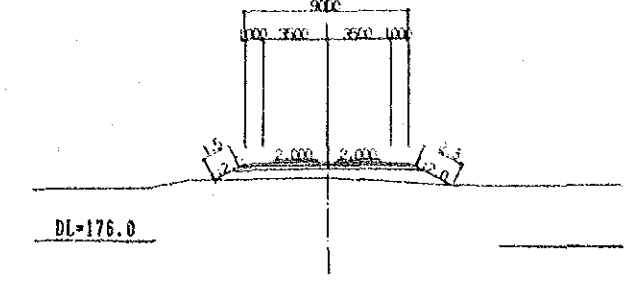
BA1= 2.0  
BA2= 0.0



NO. 180+000.000

P-E= 180.244  
P-F= 180.404  
G-F= 79.55

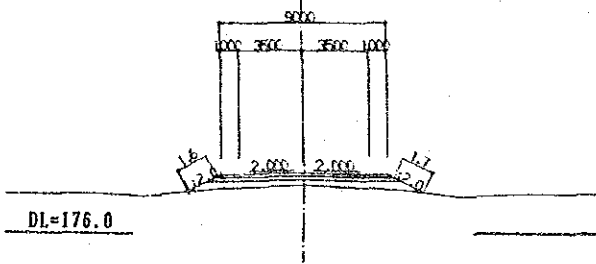
BA1= 5.4  
BA2= 0.0



NO. 177+200.000

P-E= 178.896  
P-F= 179.056  
G-F= 178.42

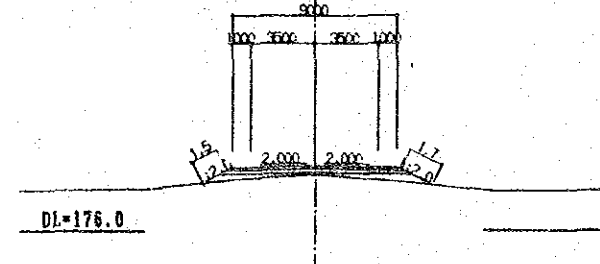
BA1= 3.45  
BA2= .4



NO. 178+200.000

P-E= 179.434  
P-F= 179.594  
G-F= 179.13

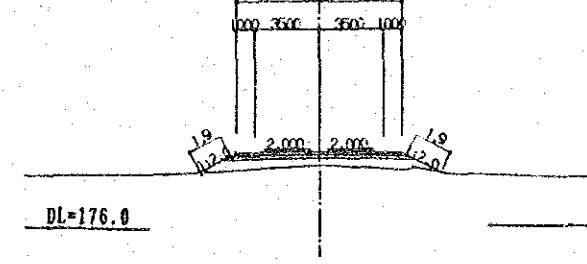
BA1= 3.2  
BA2= 0.0



NO. 179+000.000

P-E= 179.794  
P-F= 179.954  
G-F= 79.22

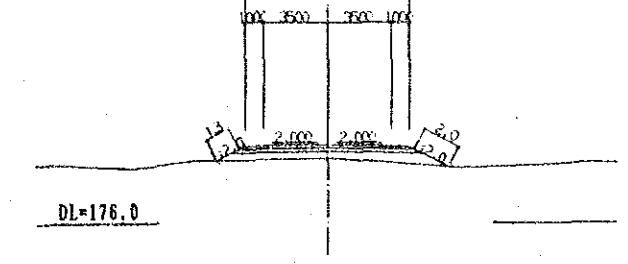
BA1= 3.0  
BA2= 0.0



NO. 179+800.000

P-E= 180.154  
P-F= 180.314  
G-F= 79.59

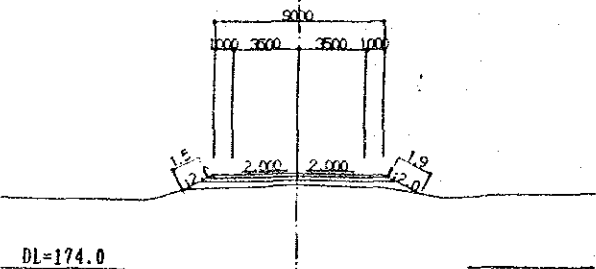
BA1= 5.1  
BA2= 0.0



NO. 177+000.000

P-E= 178.784  
P-F= 178.944  
G-F= 178.34

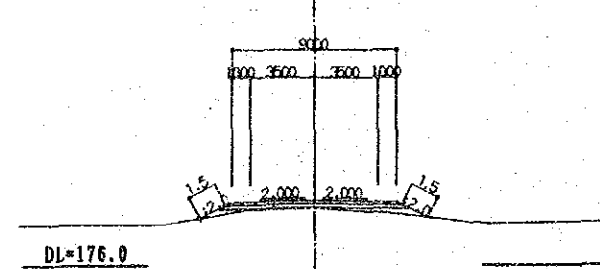
BA1= 1.4  
BA2= 0.0



NO. 178+000.000

P-E= 179.343  
P-F= 179.503  
G-F= 79.09

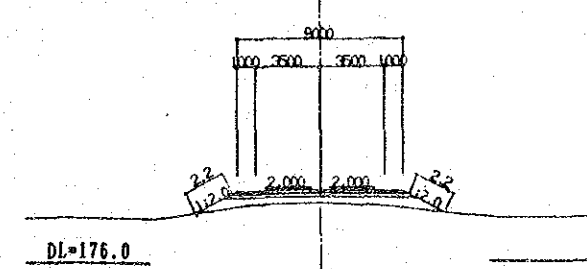
BA1= 2.6  
BA2= 0.0



NO. 178+800.000

P-E= 179.704  
P-F= 179.864  
G-F= 79.17

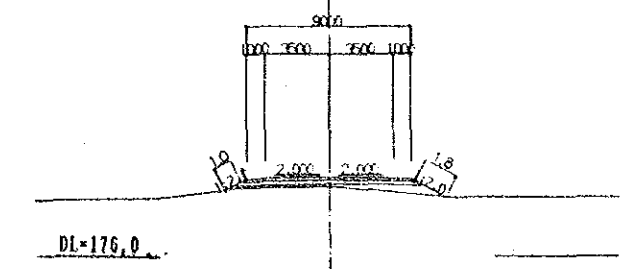
BA1= 5.2  
BA2= 0.0



NO. 179+600.000

P-E= 180.064  
P-F= 180.224  
G-F= 79.71

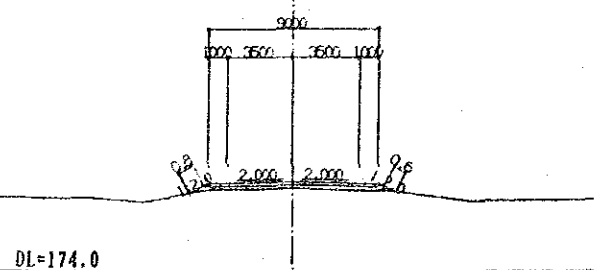
BA1= 4.7  
BA2= 0.0



NO. 176+800.000

P-E= 176.672  
P-F= 178.832  
G-F= 78.48

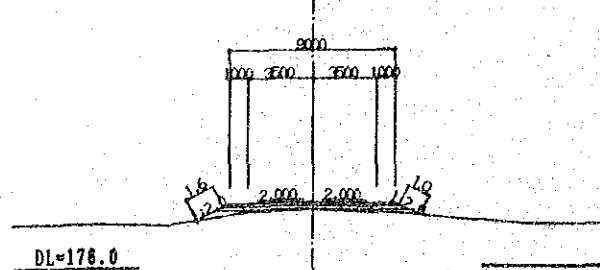
BA1= 0.0  
BA2= 0.0  
CA= .31



NO. 177+800.000

P-E= 179.232  
P-F= 179.392  
G-F= 78.99

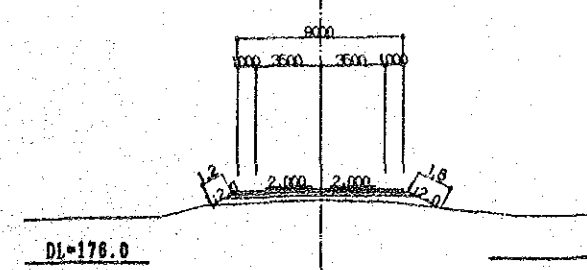
BA1= 1.4  
BA2= 0.0



NO. 178+600.000

P-E= 179.614  
P-F= 179.774  
G-F= 79.18

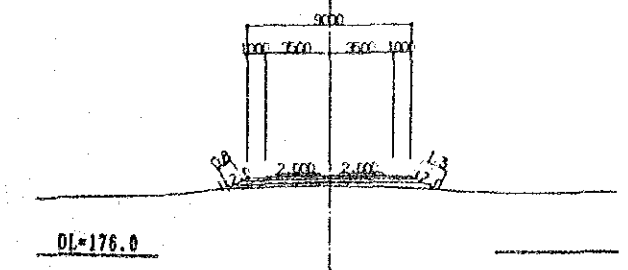
BA1= 4.8  
BA2= 0.0

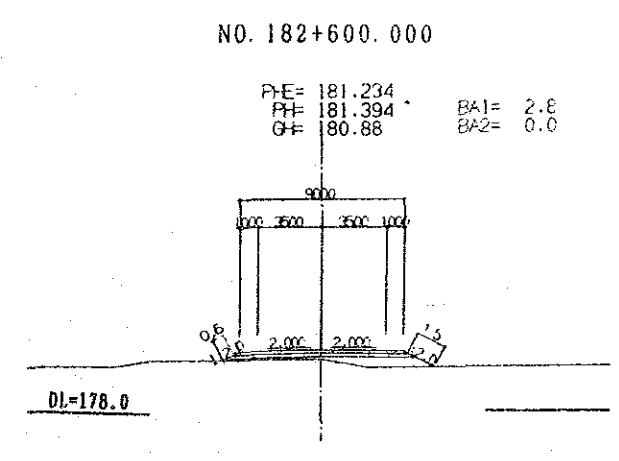
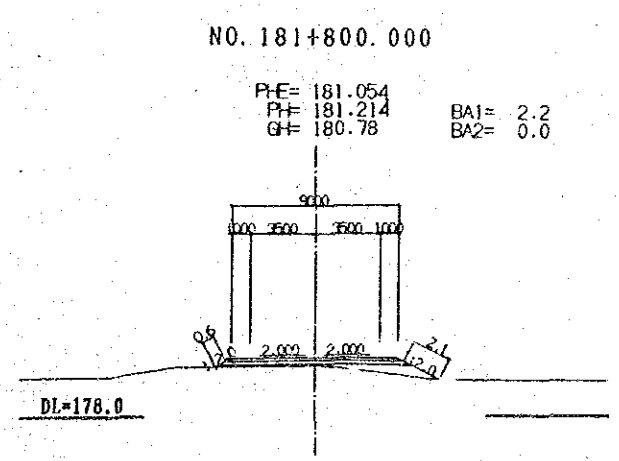
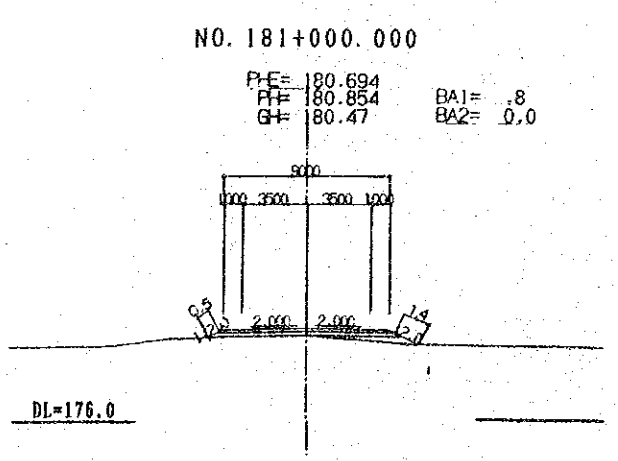
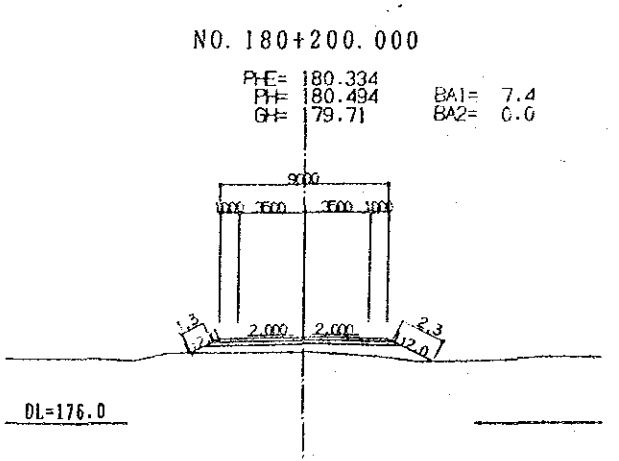
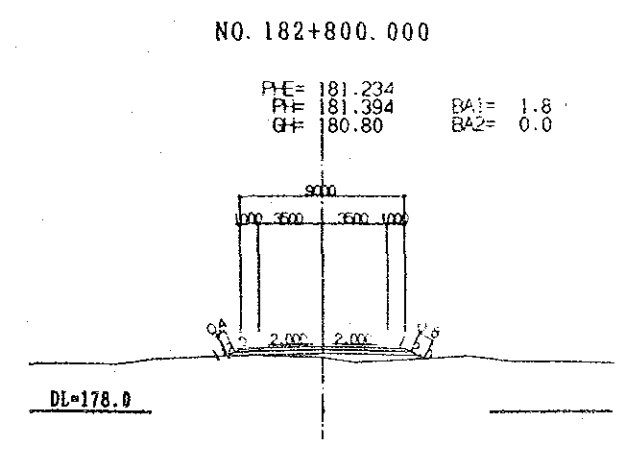
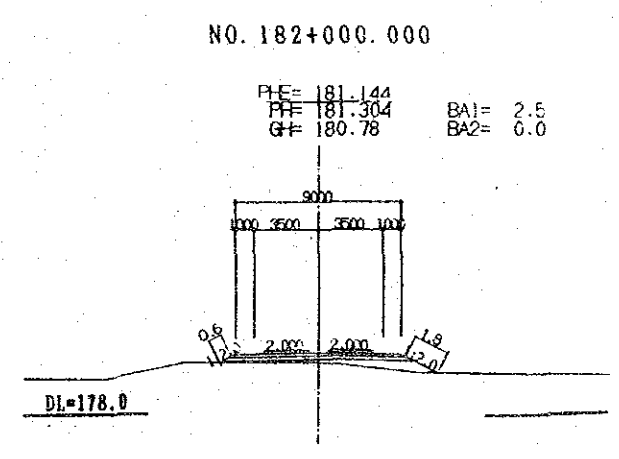
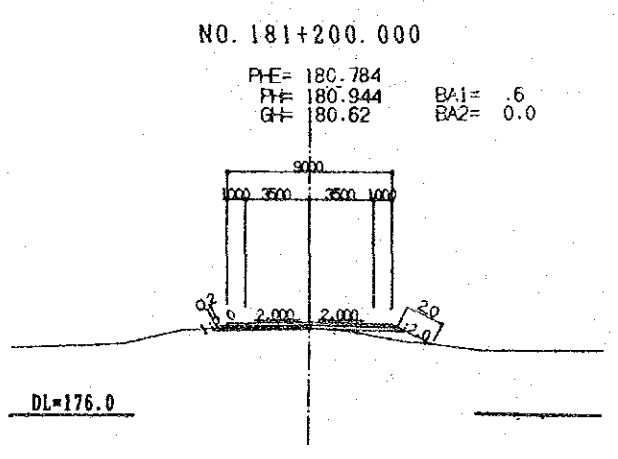
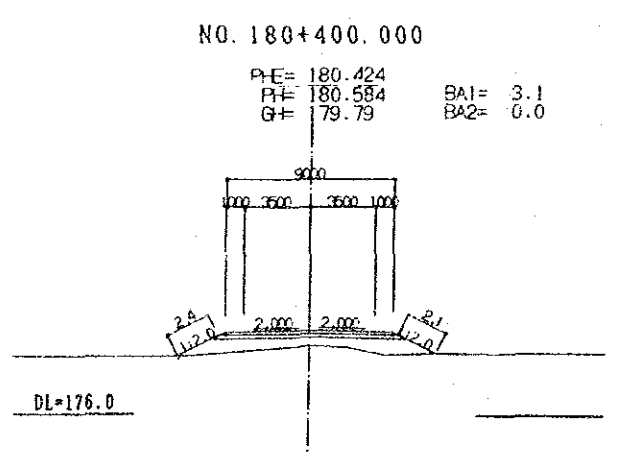
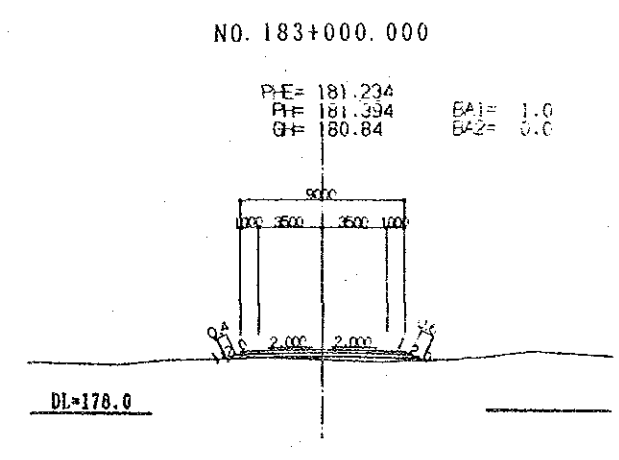
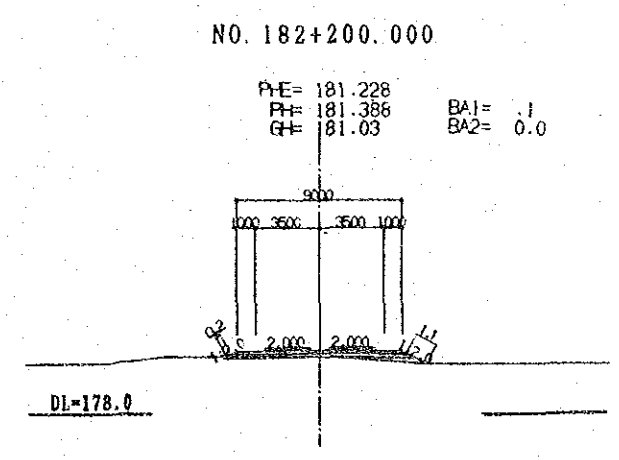
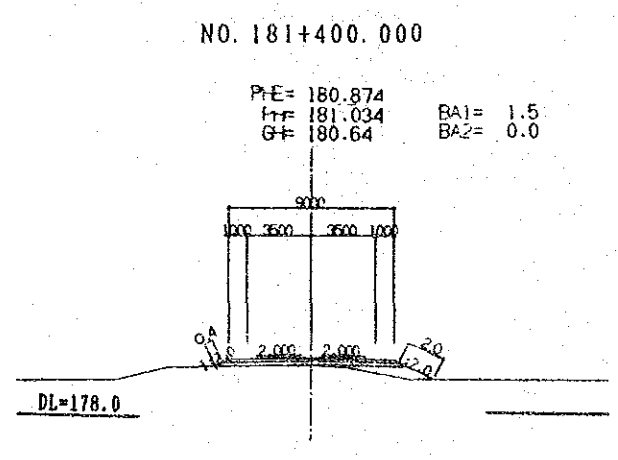
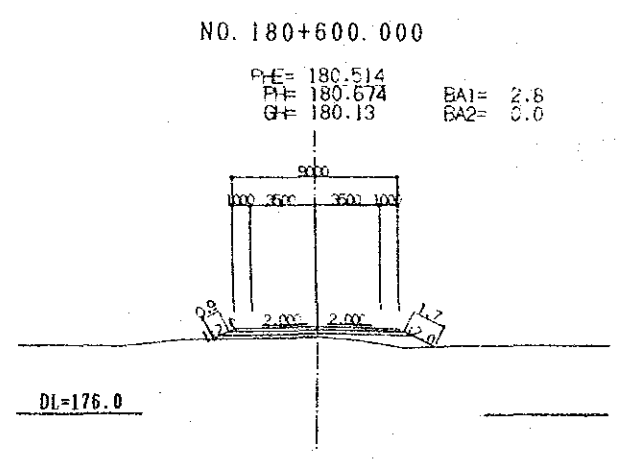
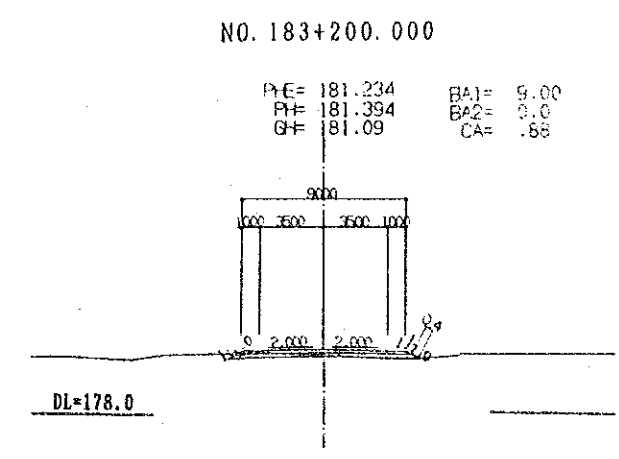
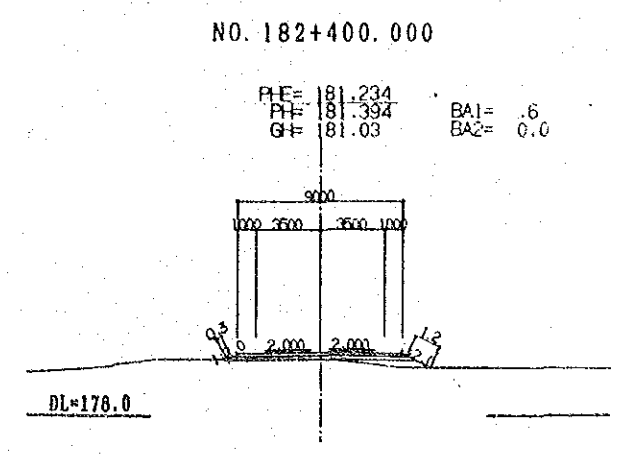
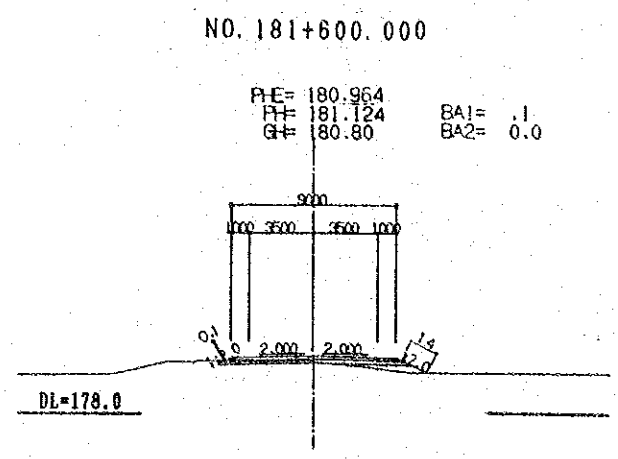
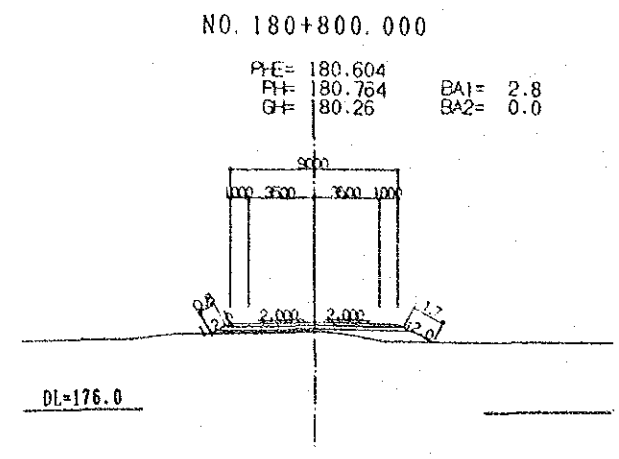


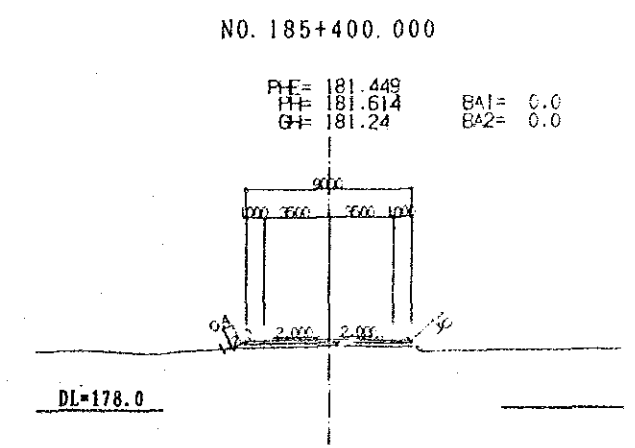
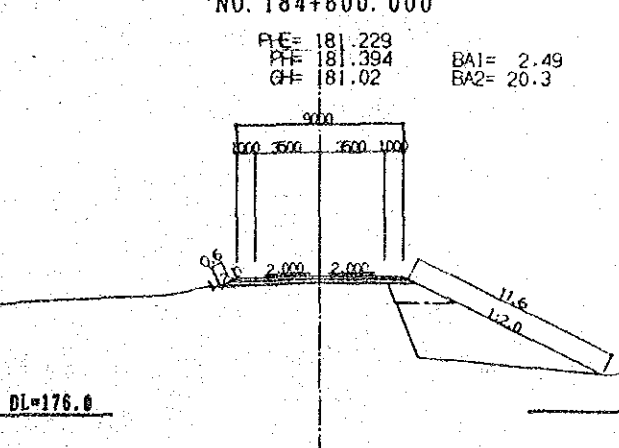
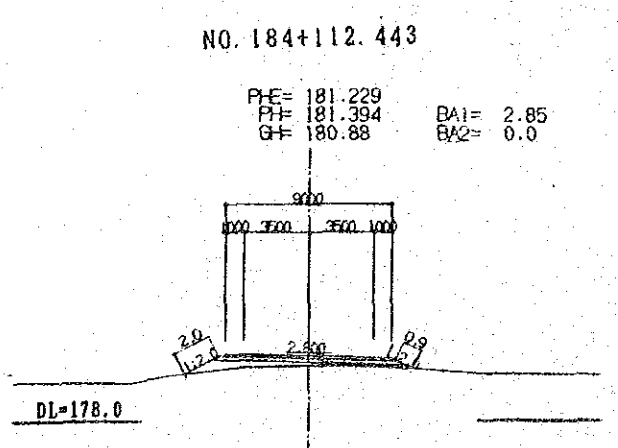
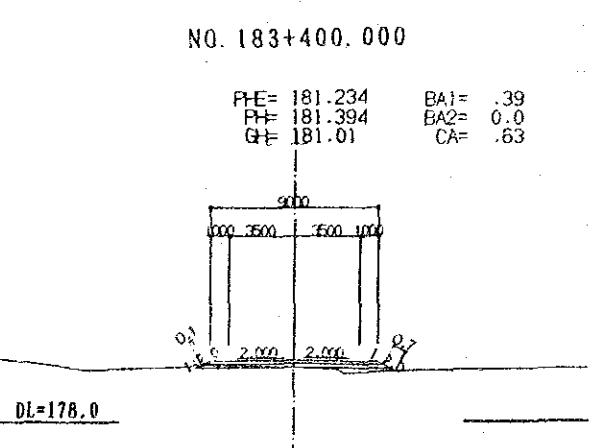
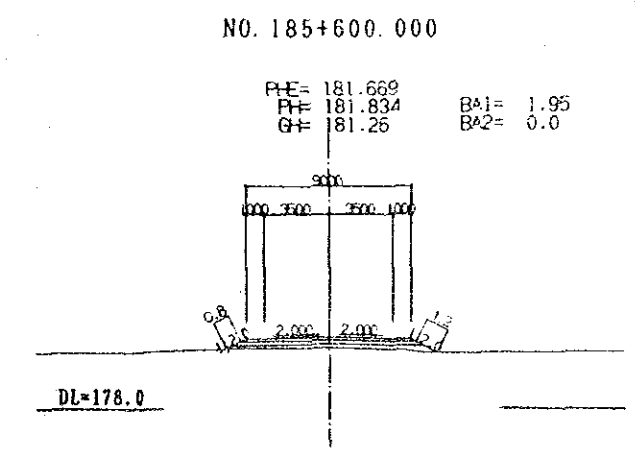
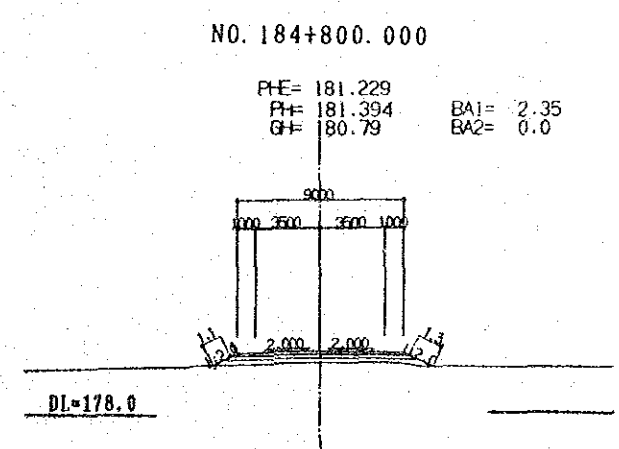
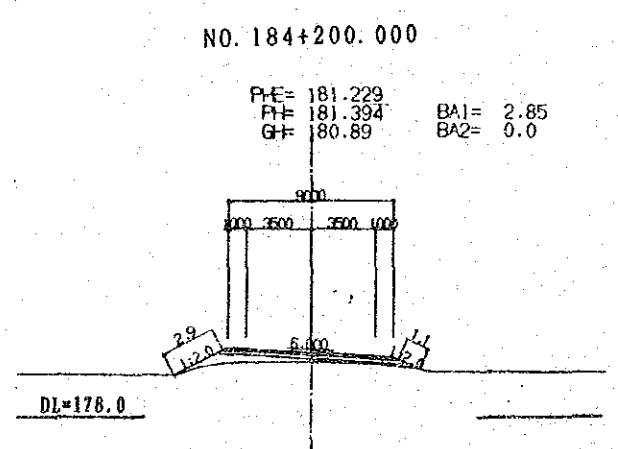
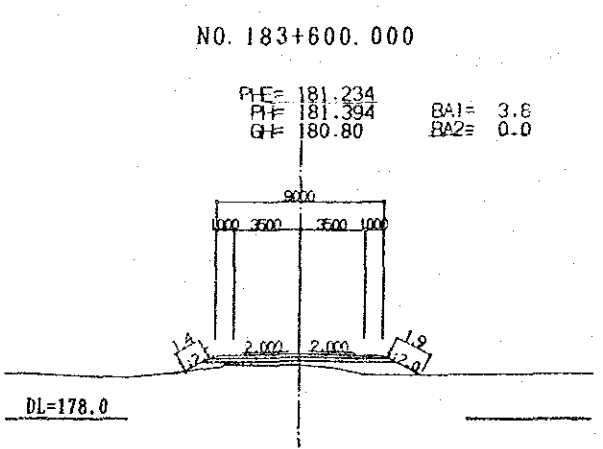
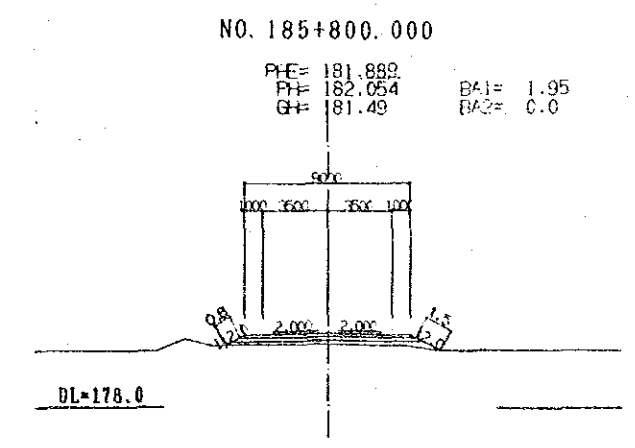
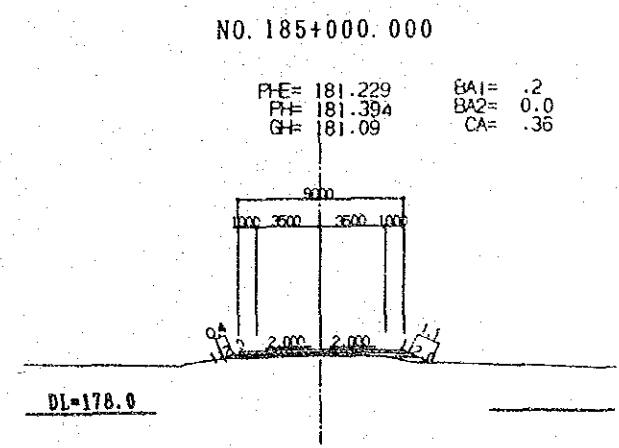
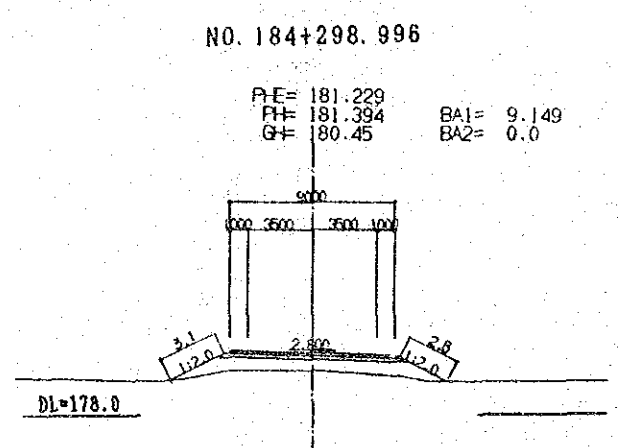
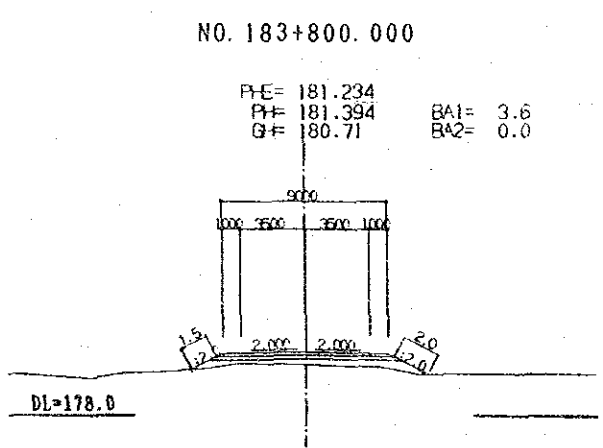
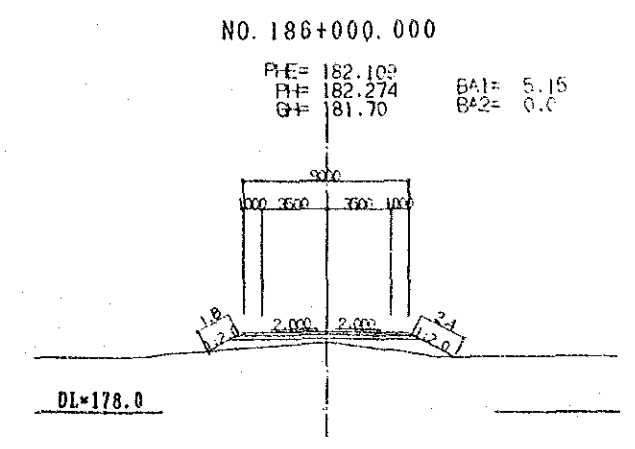
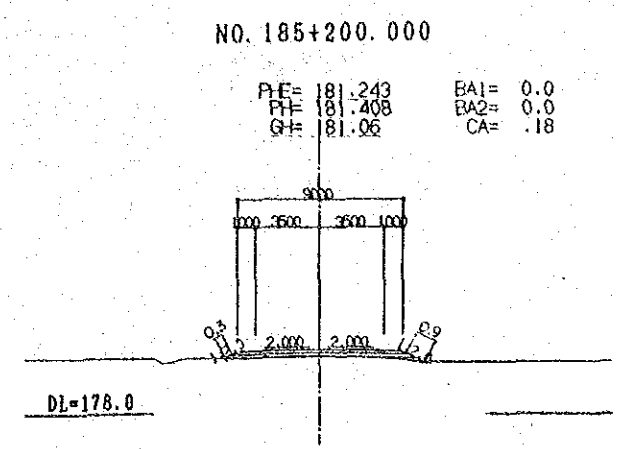
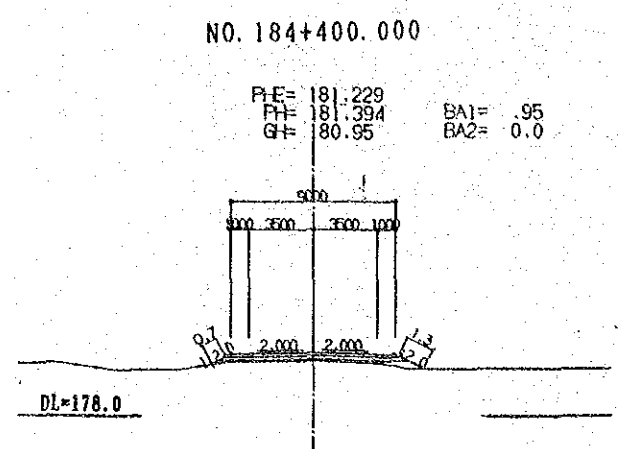
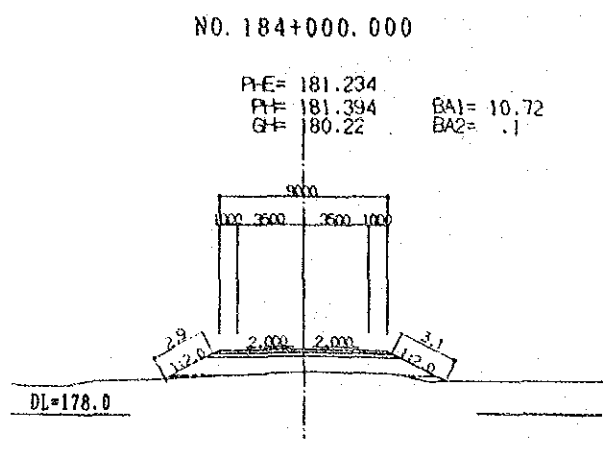
NO. 179+400.000

P-E= 179.974  
P-F= 180.134  
G-F= 79.58

BA1= 2.5  
BA2= 0.0

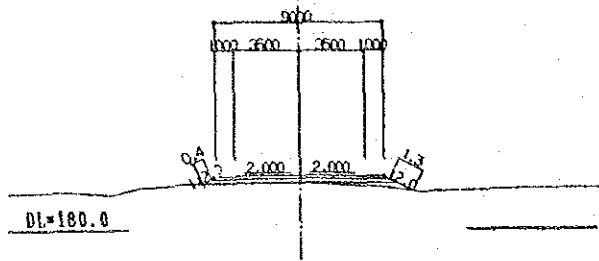






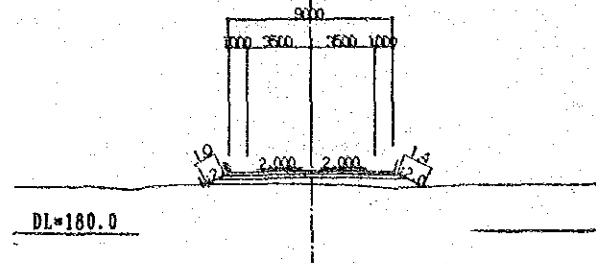
NO. 186+800.000

P+E= 182.721  
P+H= 182.886  
G+H= 182.48  
BA1= .55  
BA2= 0.0



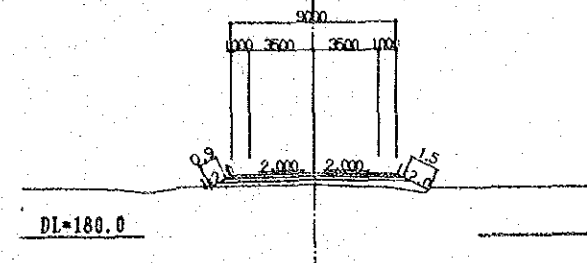
NO. 187+600.000

P+E= 183.065  
P+H= 183.230  
G+H= 182.52  
BA1= 3.65  
BA2= 0.0



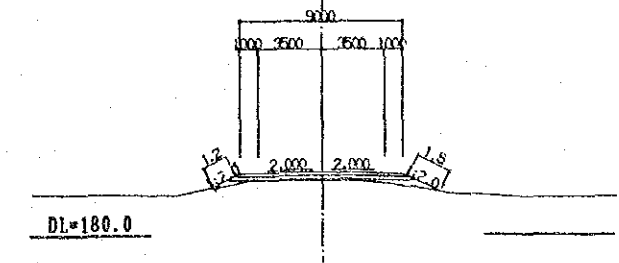
NO. 188+400.000

P+E= 183.237  
P+H= 183.402  
G+H= 182.78  
BA1= 2.95  
BA2= 0.0



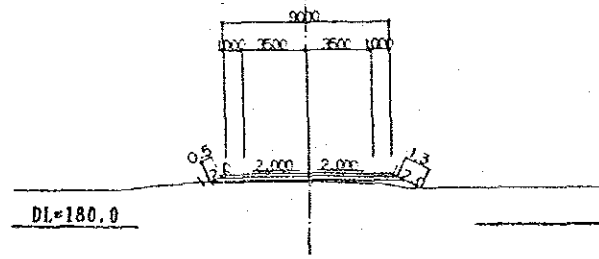
NO. 189+200.000

P+E= 183.237  
P+H= 183.402  
G+H= 182.97  
BA1= 1.15  
BA2= 0.0



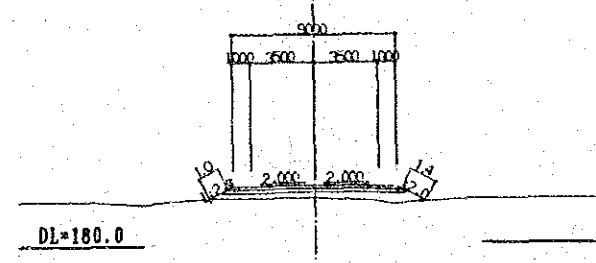
NO. 186+600.000

P+E= 182.635  
P+H= 182.800  
G+H= 182.31  
BA1= 1.05  
BA2= 0.0



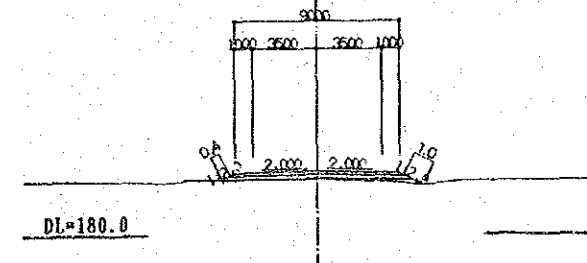
NO. 187+400.000

P+E= 182.979  
P+H= 183.144  
G+H= 182.46  
BA1= 3.65  
BA2= 0.0



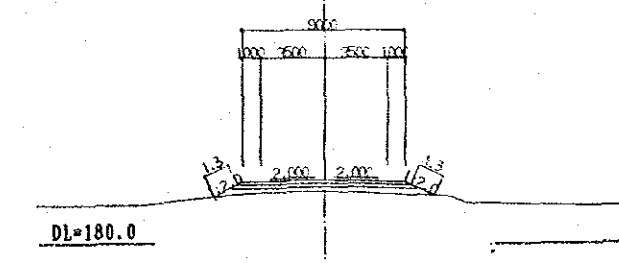
NO. 188+200.000

P+E= 183.237  
P+H= 183.402  
G+H= 183.00  
BA1= .25  
BA2= 0.0



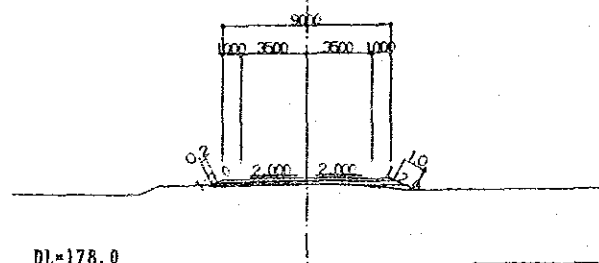
NO. 189+000.000

P+E= 183.237  
P+H= 183.402  
G+H= 182.80  
BA1= 2.75  
BA2= 0.0



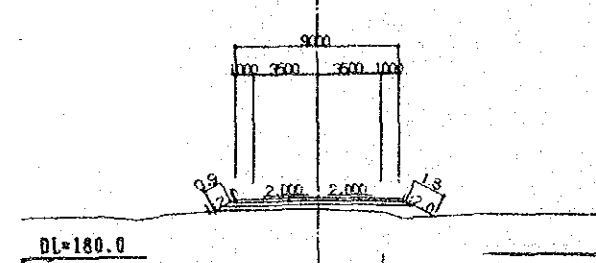
NO. 186+400.000

P+E= 182.541  
P+H= 182.706  
G+H= 182.36  
BA1= 0.0  
BA2= 0.0  
CA= .42



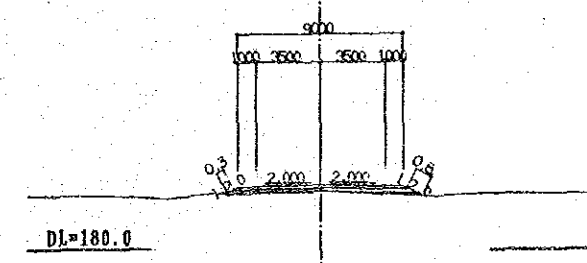
NO. 187+200.000

P+E= 182.893  
P+H= 183.058  
G+H= 182.45  
BA1= 3.35  
BA2= 0.0



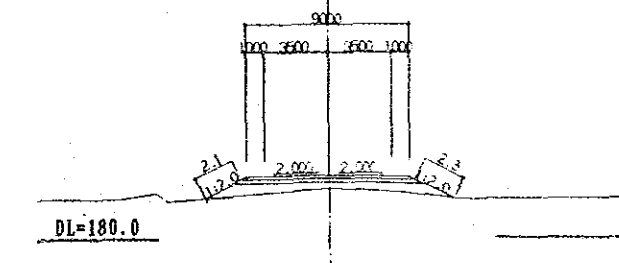
NO. 188+000.000

P+E= 183.232  
P+H= 183.397  
G+H= 183.06  
BA1= 0.0  
BA2= 0.0  
CA= .19



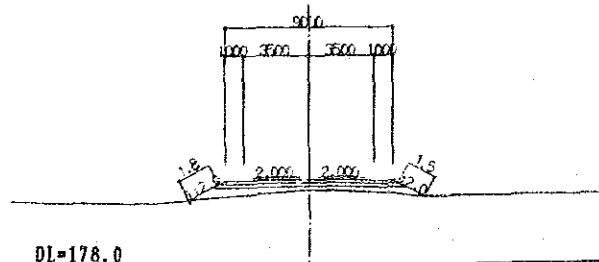
NO. 188+800.000

P+E= 183.237  
P+H= 183.402  
G+H= 182.70  
BA1= 5.55  
BA2= 0.0



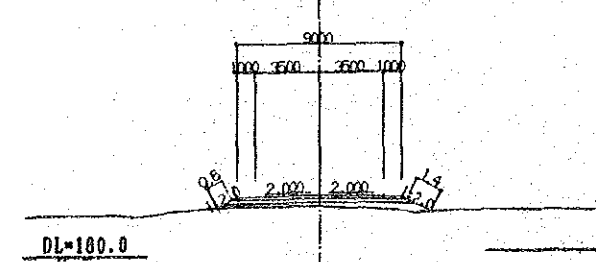
NO. 186+200.000

P+E= 182.329  
P+H= 182.494  
G+H= 181.94  
BA1= 3.35  
BA2= 0.0



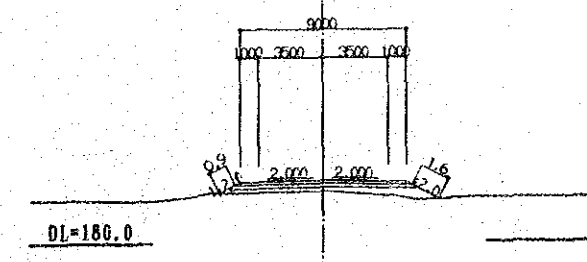
NO. 187+000.000

P+E= 182.807  
P+H= 182.972  
G+H= 182.39  
BA1= 2.45  
BA2= 0.0



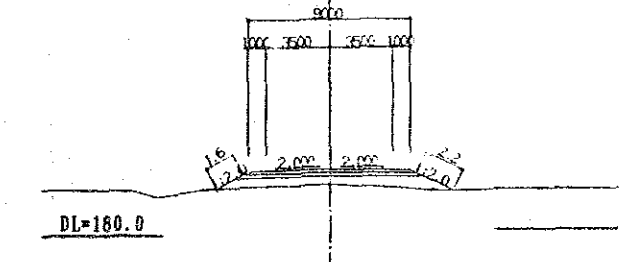
NO. 187+800.000

P+E= 183.151  
P+H= 183.316  
G+H= 182.73  
BA1= 2.95  
BA2= 0.0



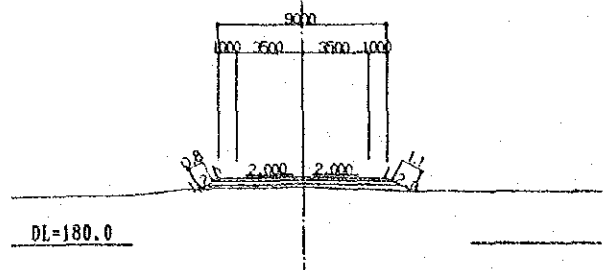
NO. 188+600.000

P+E= 183.237  
P+H= 183.402  
G+H= 182.60  
BA1= 5.75  
BA2= 0.0



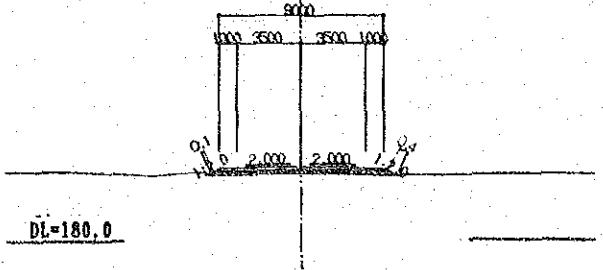
NO. 190+000.000

P-E= 183.347  
P-F= 183.512  
G-F= 182.95  
BA1= 1.85  
BA2= 0.0



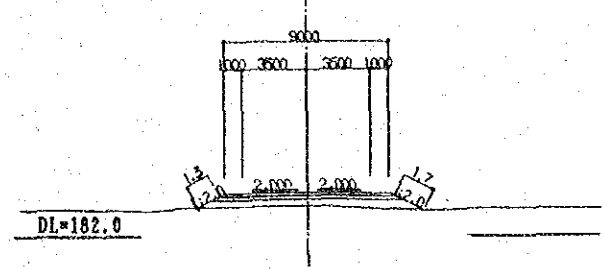
NO. 190+800.000

P-E= 183.787  
P-F= 183.952  
G-F= 183.71  
BA1= 0.0  
BA2= 0.0  
CA= 1.03



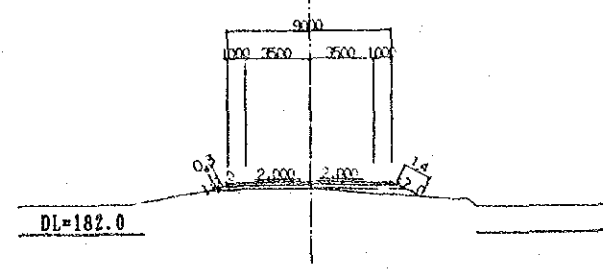
NO. 191+600.000

P-E= 184.227  
P-F= 184.392  
G-F= 183.68  
BA1= 4.15  
BA2= 0.0



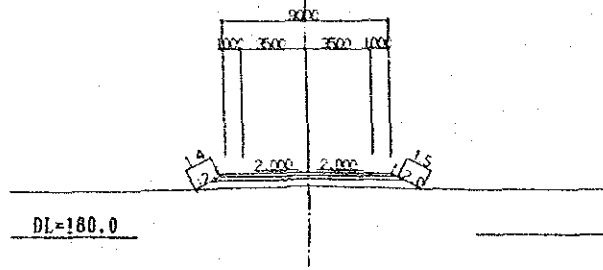
NO. 192+400.000

P-E= 184.667  
P-F= 184.832  
G-F= 184.43  
BA1= .75  
BA2= 0.0



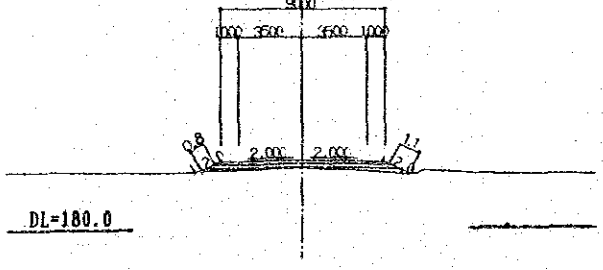
NO. 189+800.000

P-E= 183.244  
P-F= 183.409  
G-F= 182.67  
BA1= 4.15  
BA2= 0.0



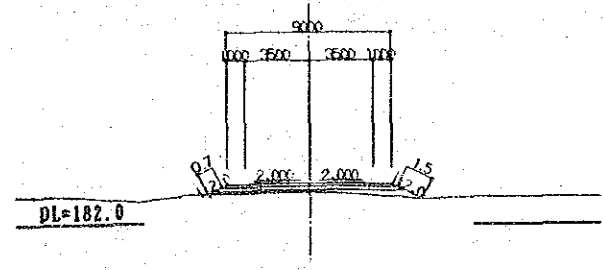
NO. 190+600.000

P-E= 183.677  
P-F= 183.842  
G-F= 183.44  
BA1= .85  
BA2= 0.0



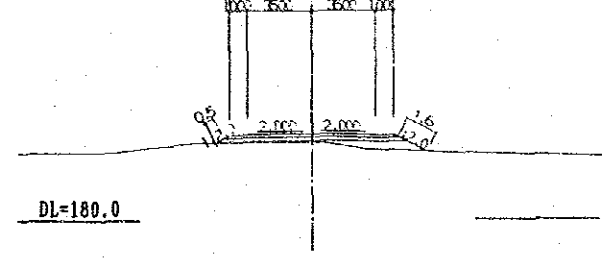
NO. 191+400.000

P-E= 184.117  
P-F= 184.282  
G-F= 183.79  
BA1= 1.75  
BA2= 0.0



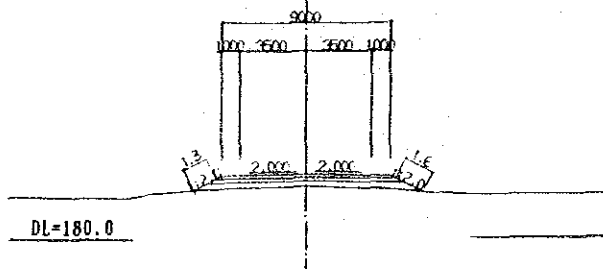
NO. 192+200.000

P-E= 184.557  
P-F= 184.722  
G-F= 184.28  
BA1= 1.85  
BA2= 0.0



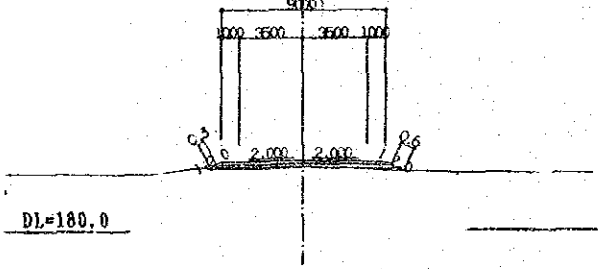
NO. 189+600.000

P-E= 183.237  
P-F= 183.402  
G-F= 182.76  
BA1= 3.15  
BA2= 0.0



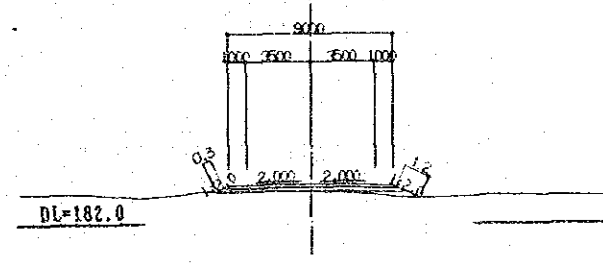
NO. 190+400.000

P-E= 183.567  
P-F= 183.732  
G-F= 183.39  
BA1= 0.0  
BA2= 0.0  
CA= .2



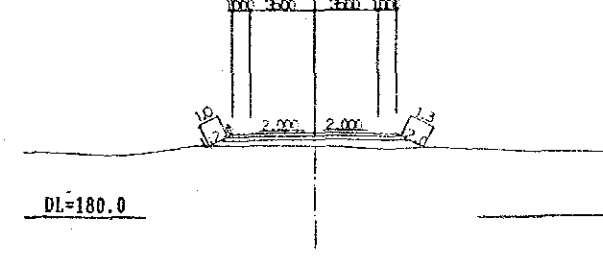
NO. 191+200.000

P-E= 184.007  
P-F= 184.172  
G-F= 183.79  
BA1= .25  
BA2= 0.0



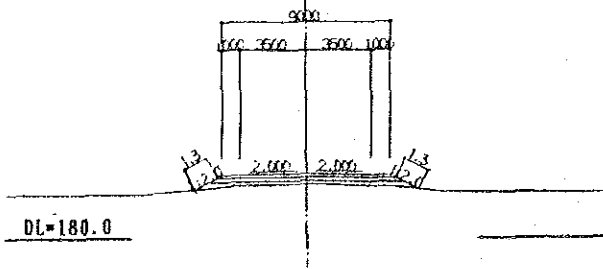
NO. 192+000.000

P-E= 184.447  
P-F= 184.612  
G-F= 183.89  
BA1= 3.75  
BA2= 0.0



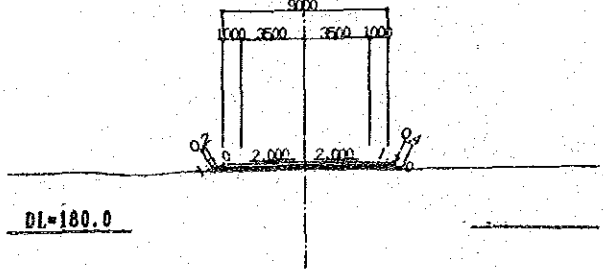
NO. 189+400.000

P-E= 183.237  
P-F= 183.402  
G-F= 182.86  
BA1= 2.05  
BA2= 0.0



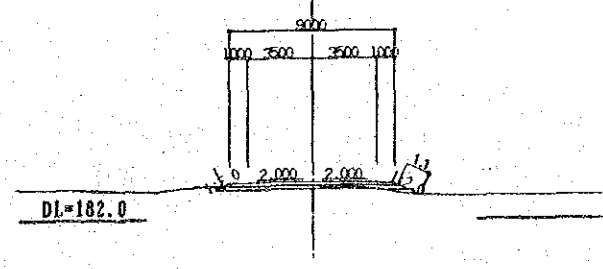
NO. 190+200.000

P-E= 183.457  
P-F= 183.622  
G-F= 183.39  
BA1= 0.0  
BA2= 0.0  
CA= .8



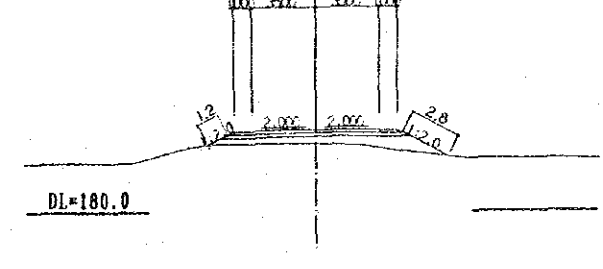
NO. 191+000.000

P-E= 183.897  
P-F= 184.062  
G-F= 183.87  
BA1= .23  
BA2= 0.0  
CA= 1.23



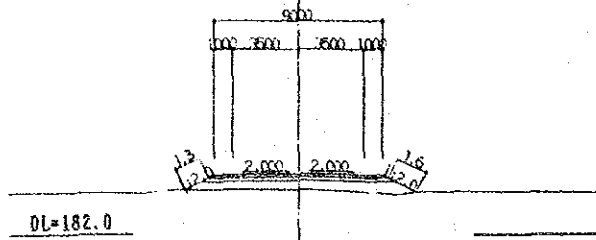
NO. 191+800.000

P-E= 184.337  
P-F= 184.502  
G-F= 183.75  
BA1= 5.25  
BA2= 0.0



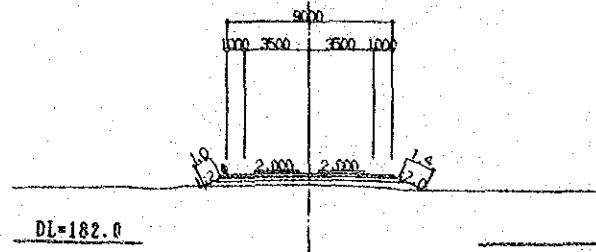
NO. 193+200.000

P+E= 185.107  
P+H= 185.272  
G+H= 184.43  
BA1= 5.35  
BA2= 0.0



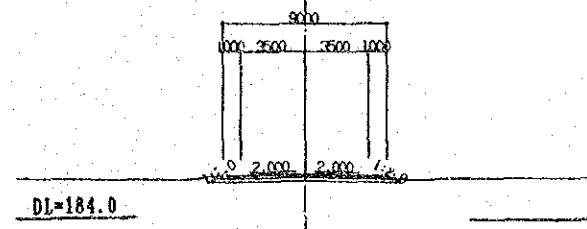
NO. 194+000.000

P+E= 185.547  
P+H= 185.712  
G+H= 185.09  
BA1= 2.85  
BA2= 0.0



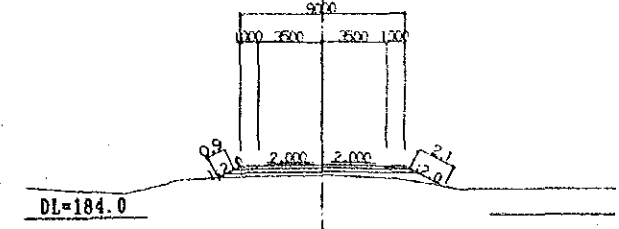
NO. 194+800.000

P+E= 186.256  
P+H= 186.421  
G+H= 186.40  
BA1= 0.0  
BA2= 0.0  
CA= 2.95



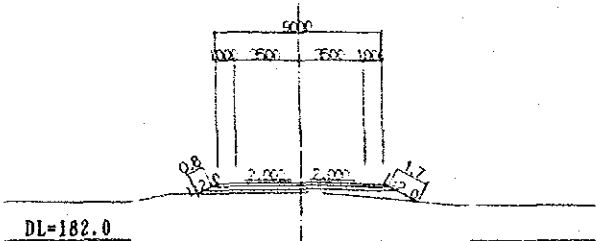
NO. 195+600.000

P+E= 186.635  
P+H= 186.800  
G+H= 186.24  
BA1= 2.55  
BA2= 0.0



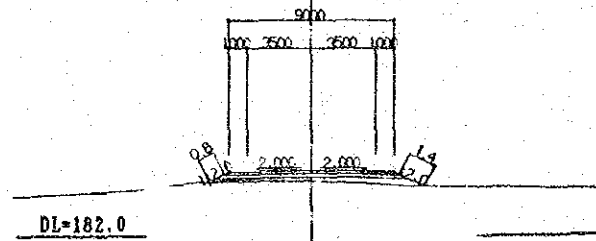
NO. 193+000.000

P+E= 184.997  
P+H= 185.162  
G+H= 184.62  
BA1= 2.35  
BA2= 0.0



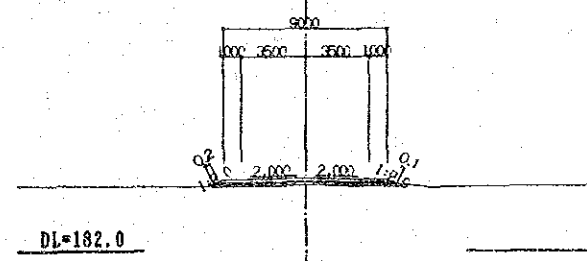
NO. 193+800.000

P+E= 185.437  
P+H= 185.602  
G+H= 185.02  
BA1= 2.25  
BA2= 0.0



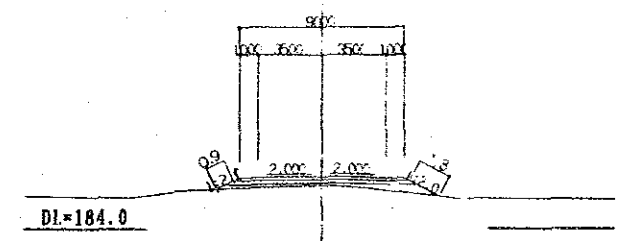
NO. 194+600.000

P+E= 185.894  
P+H= 186.059  
G+H= 185.97  
BA1= 0.0  
BA2= 0.0  
CA= 1.69



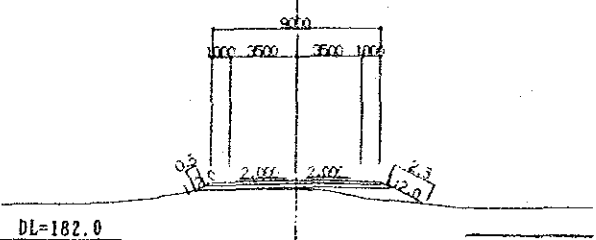
NO. 195+400.000

P+E= 186.635  
P+H= 186.800  
G+H= 186.30  
BA1= 2.15  
BA2= 0.0



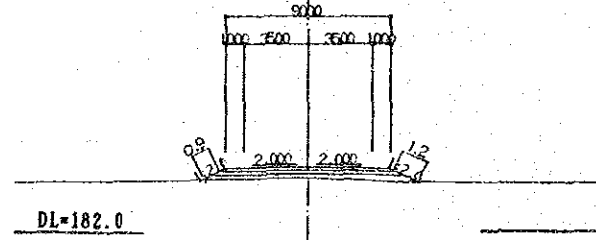
NO. 192+800.000

P+E= 184.887  
P+H= 185.052  
G+H= 184.58  
BA1= 2.35  
BA2= 0.0



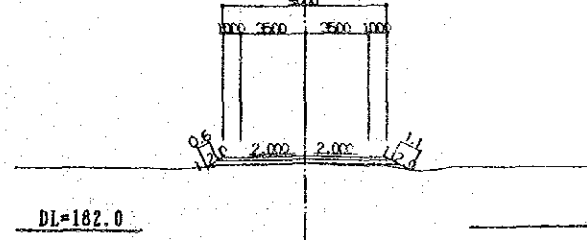
NO. 193+600.000

P+E= 185.327  
P+H= 185.492  
G+H= 184.92  
BA1= 2.35  
BA2= 0.0



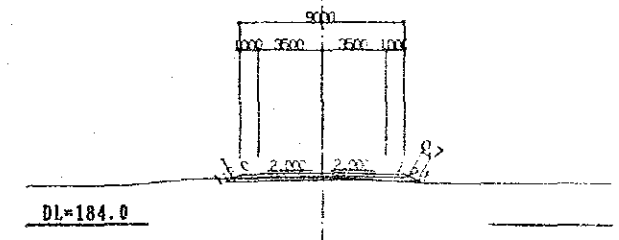
NO. 194+400.000

P+E= 185.767  
P+H= 185.932  
G+H= 185.52  
BA1= 0.35  
BA2= 0.0



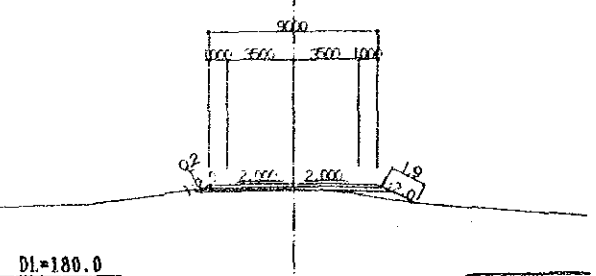
NO. 195+200.000

P+E= 186.535  
P+H= 186.800  
G+H= 186.57  
BA1= 0.0  
BA2= 0.0  
CA= 0.99



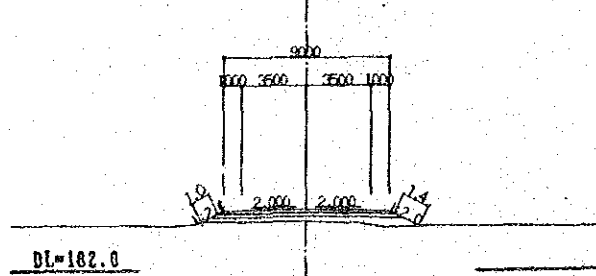
NO. 192+600.000

P+E= 184.777  
P+H= 184.942  
G+H= 184.65  
BA1= 0.05  
BA2= 0.0



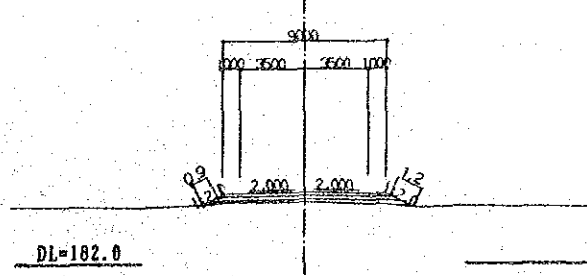
NO. 193+400.000

P+E= 185.217  
P+H= 185.382  
G+H= 184.74  
BA1= 3.05  
BA2= 0.0



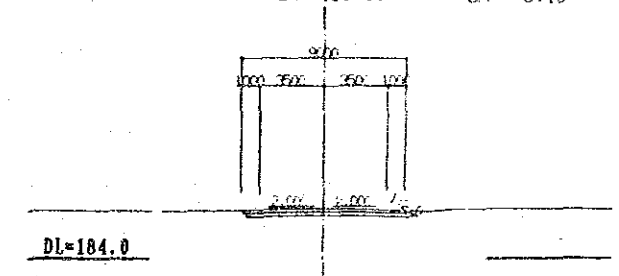
NO. 194+200.000

P+E= 185.657  
P+H= 185.822  
G+H= 185.30  
BA1= 1.35  
BA2= 0.0

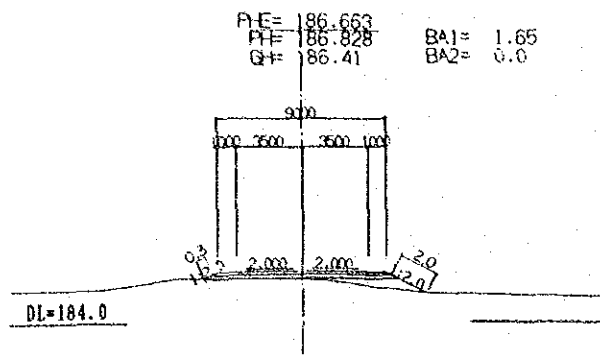


NO. 195+000.000

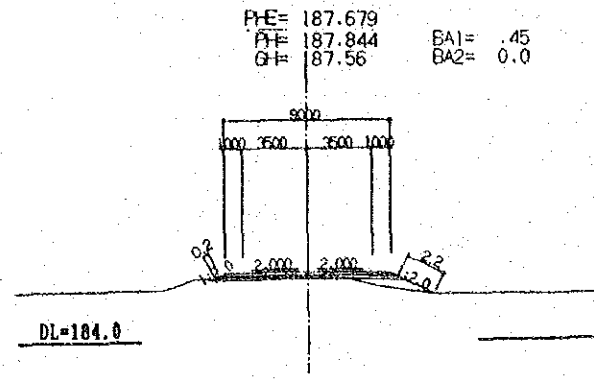
P+E= 186.611  
P+H= 186.776  
G+H= 186.80  
BA1= 0.0  
BA2= 0.0  
CA= 3.19



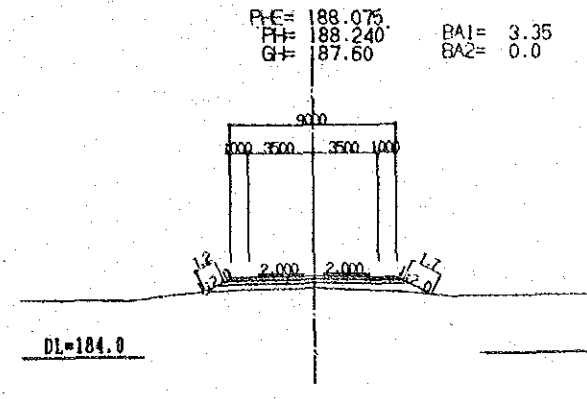
NO. 196+400.000



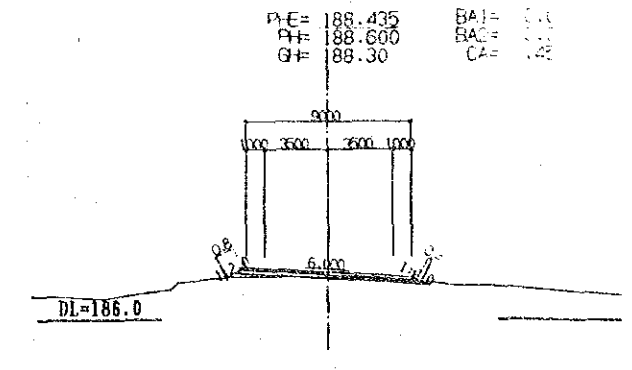
NO. 197+200.000



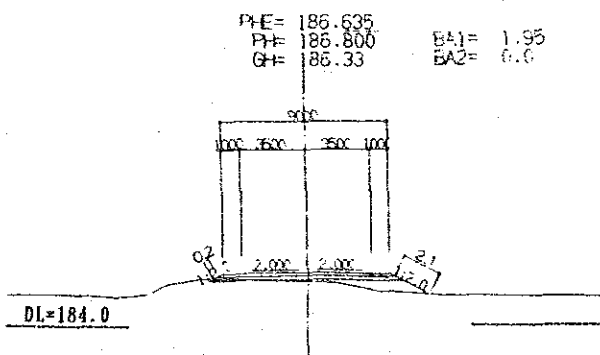
NO. 198+000.000



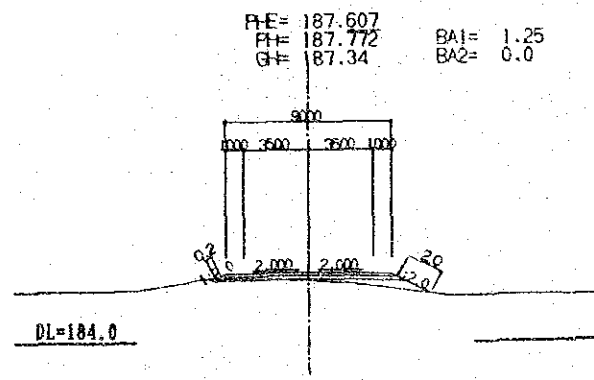
NO. 198+400.000



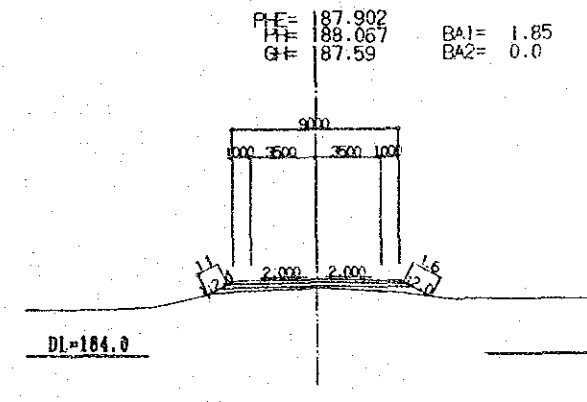
NO. 196+200.000



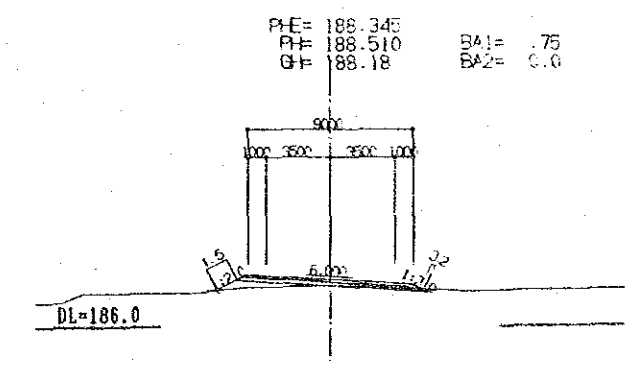
NO. 197+000.000



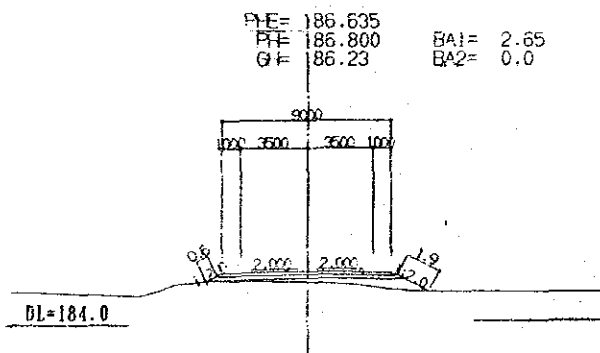
NO. 197+800.000



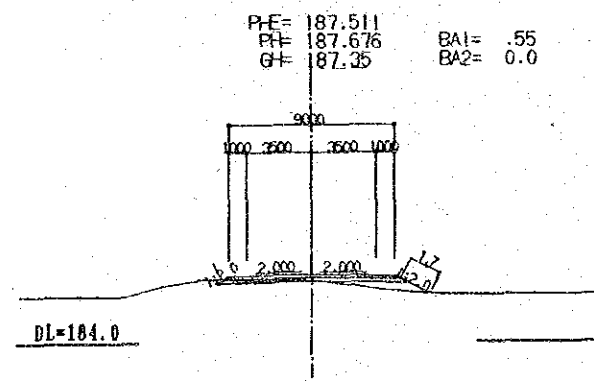
NO. 198+300.000



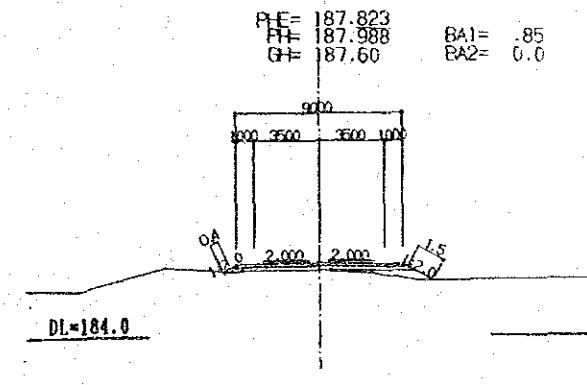
NO. 196+000.000



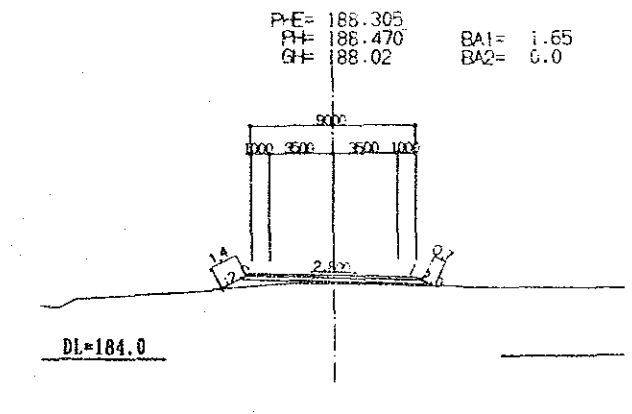
NO. 196+800.000



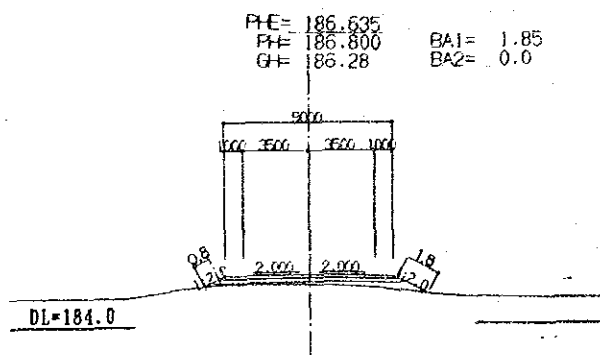
NO. 197+600.000



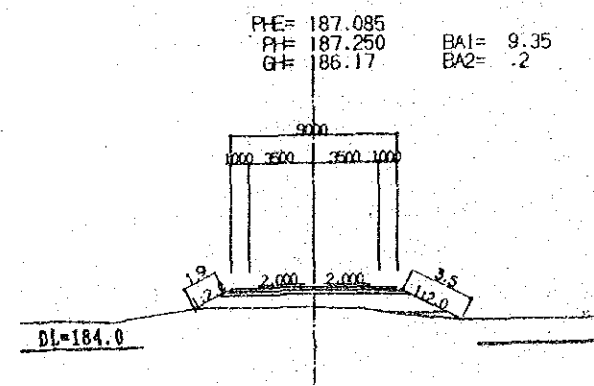
NO. 198+255.065



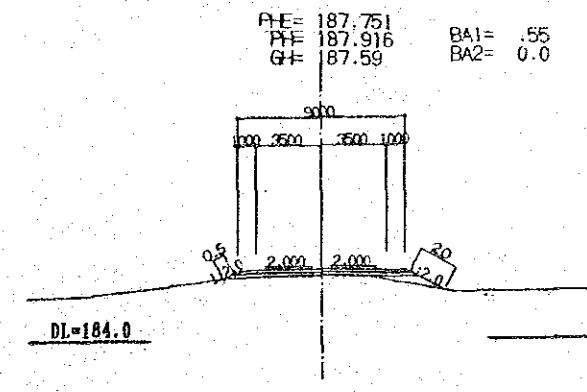
NO. 195+800.000



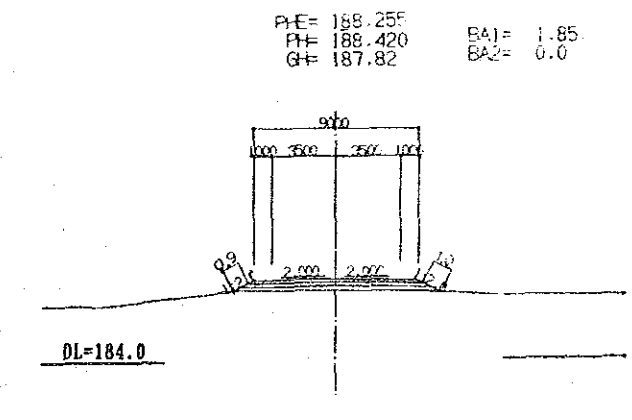
NO. 196+600.000



NO. 197+400.000



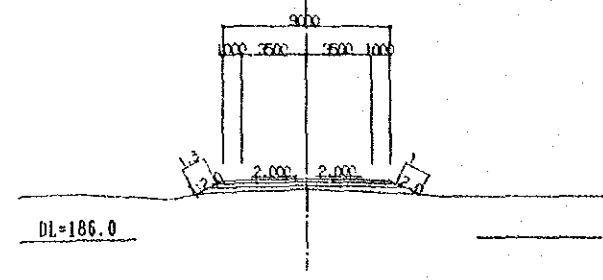
NO. 198+200.000





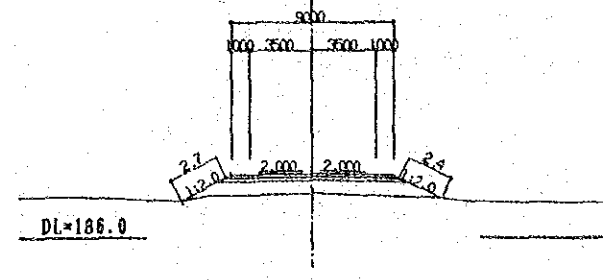
NO. 199+000.000

PtE= 188.975  
 PtF= 189.140  
 GtF= 188.58  
 BA1= 2.45  
 BA2= 0.0



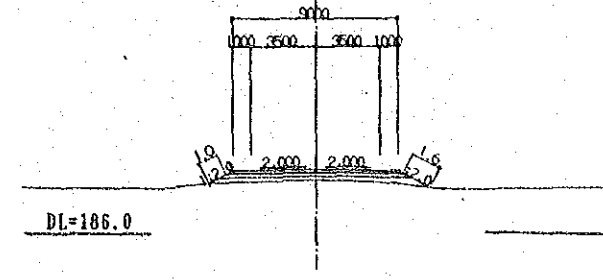
NO. 199+800.000

PtE= 189.335  
 PtF= 189.500  
 GtF= 188.44  
 BA1= 8.55  
 BA2= 0.0



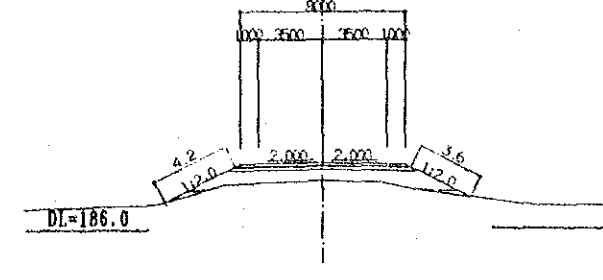
NO. 200+600.000

PtE= 189.335  
 PtF= 189.500  
 GtF= 188.94  
 BA1= 2.45  
 BA2= 0.0



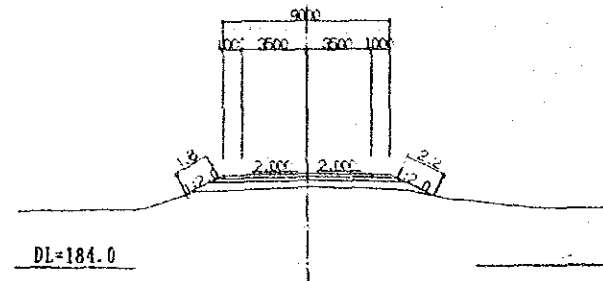
NO. 201+400.000

PtE= 189.335  
 PtF= 189.500  
 GtF= 188.54  
 BA1= 9.35  
 BA2= 0.0



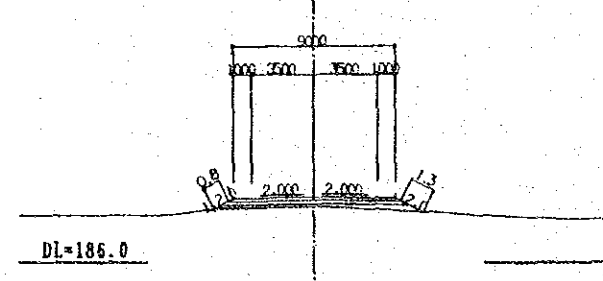
NO. 198+800.000

PtE= 188.735  
 PtF= 188.950  
 GtF= 188.26  
 BA1= 4.25  
 BA2= 0.0



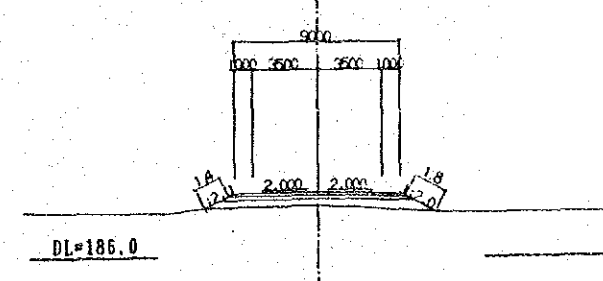
NO. 199+600.000

PtE= 189.335  
 PtF= 189.500  
 GtF= 189.00  
 BA1= 1.75  
 BA2= 0.0



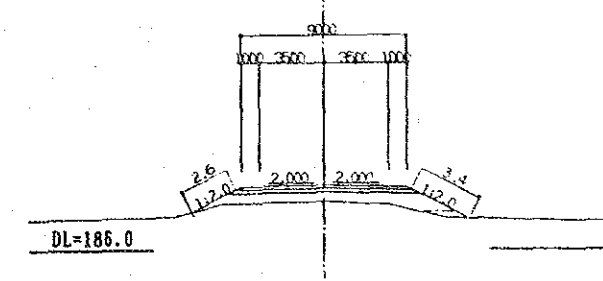
NO. 200+400.000

PtE= 189.335  
 PtF= 189.500  
 GtF= 188.78  
 BA1= 4.35  
 BA2= 0.0



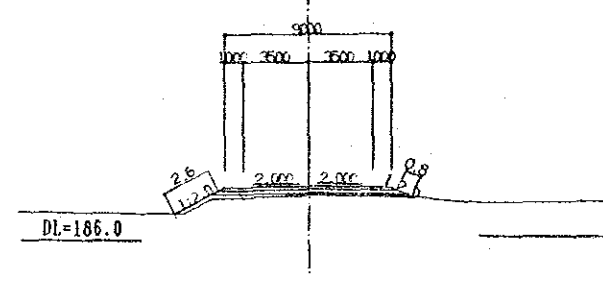
NO. 201+200.000

PtE= 189.335  
 PtF= 189.500  
 GtF= 188.64  
 BA1= 7.2  
 BA2= 1.4



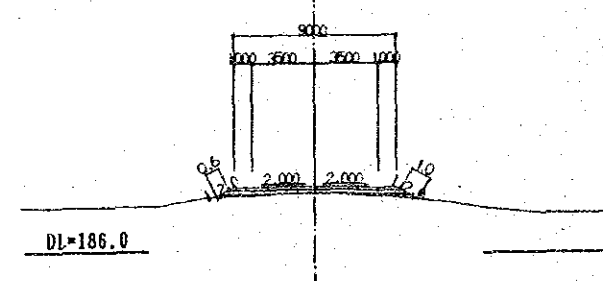
NO. 198+600.000

PtE= 188.615  
 PtF= 188.780  
 GtF= 188.30  
 BA1= 1.55  
 BA2= 0.0



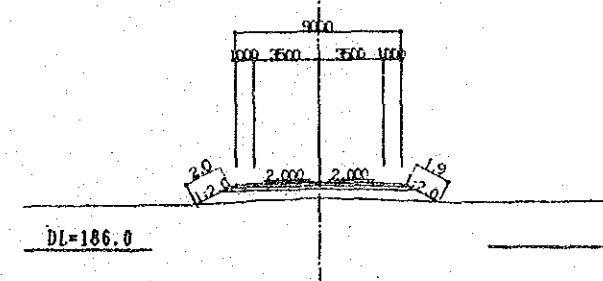
NO. 199+400.000

PtE= 189.324  
 PtF= 189.489  
 GtF= 189.16  
 BA1= .15  
 BA2= 0.0



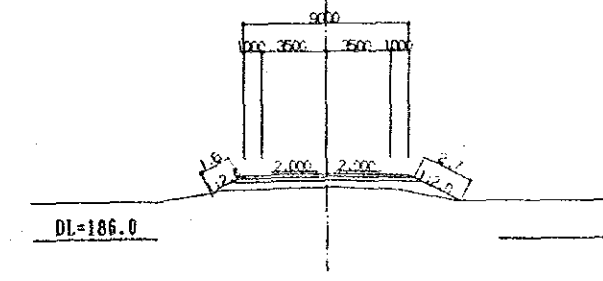
NO. 200+200.000

PtE= 189.335  
 PtF= 189.500  
 GtF= 188.66  
 BA1= 5.95  
 BA2= 0.0



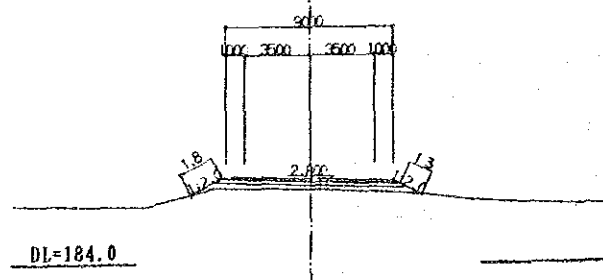
NO. 201+000.000

PtE= 189.335  
 PtF= 189.500  
 GtF= 188.78  
 BA1= 4.85  
 BA2= 0.0



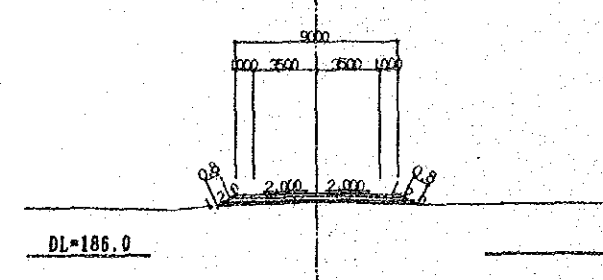
NO. 198+467.373

PtE= 188.496  
 PtF= 188.661  
 GtF= 188.09  
 BA1= 2.85  
 BA2= 0.0



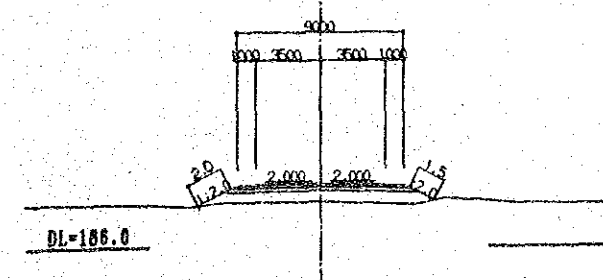
NO. 199+200.000

PtE= 189.155  
 PtF= 189.320  
 GtF= 188.86  
 BA1= .95  
 BA2= 0.0



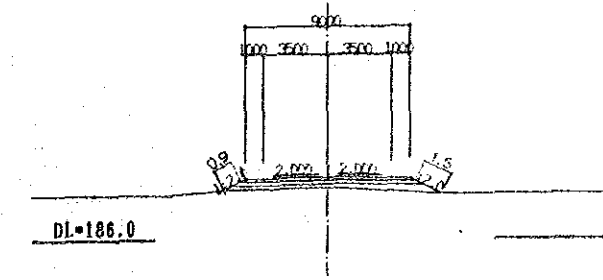
NO. 200+000.000

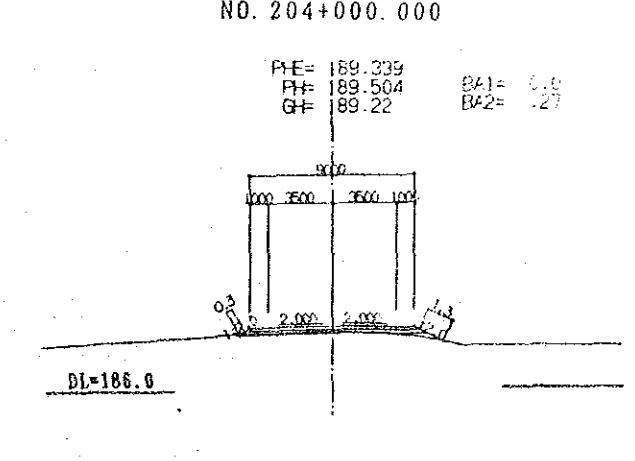
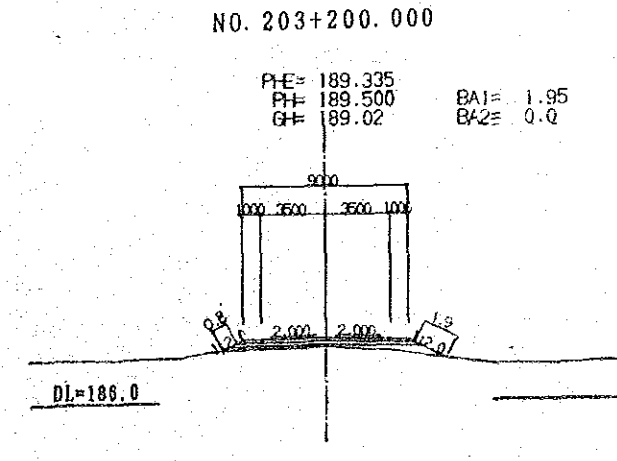
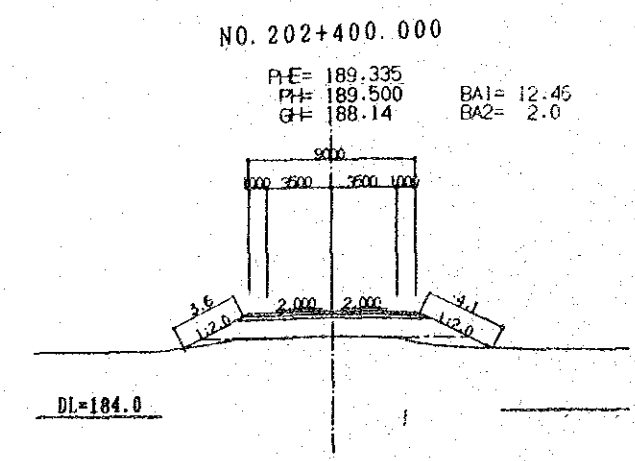
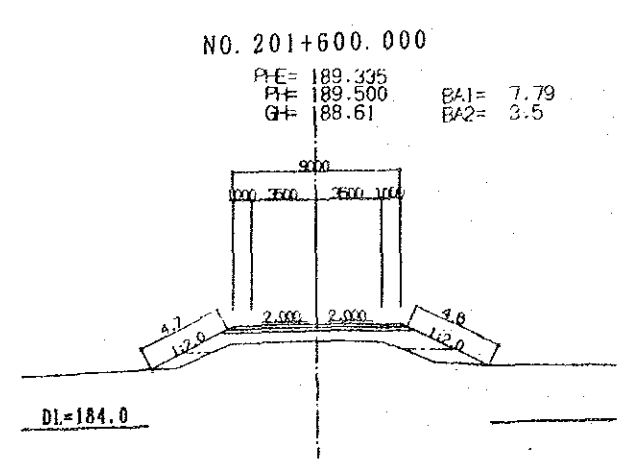
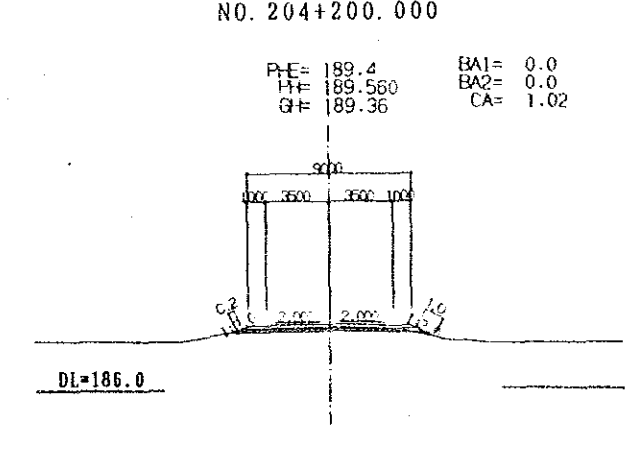
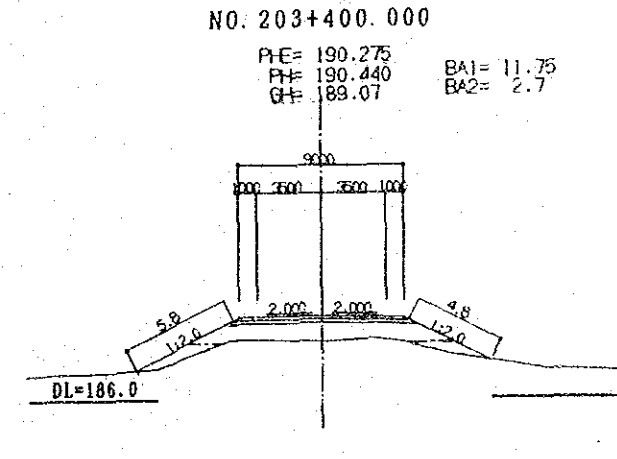
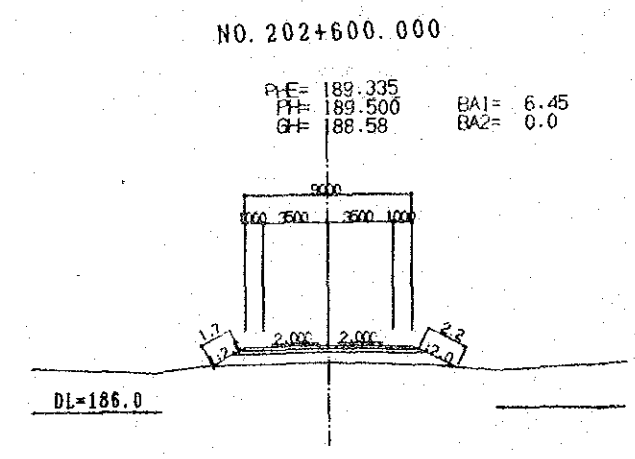
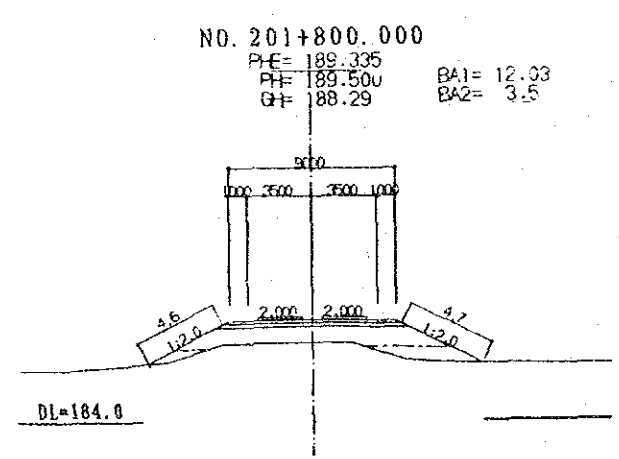
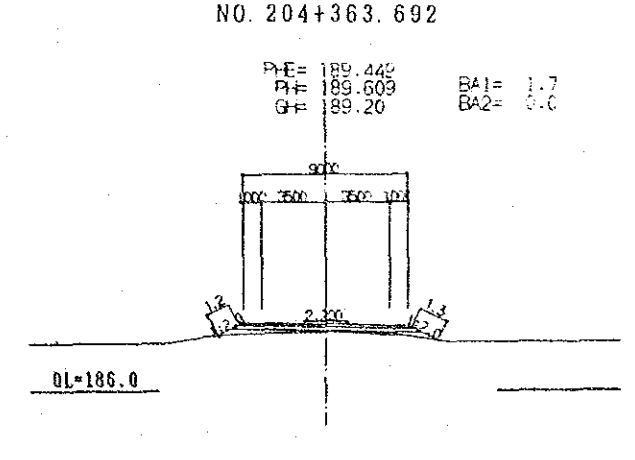
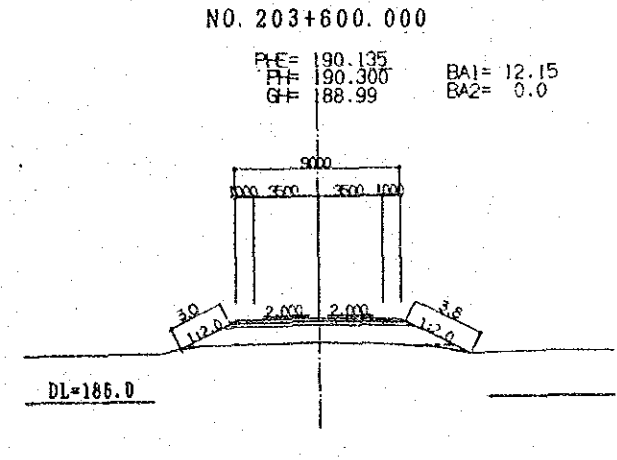
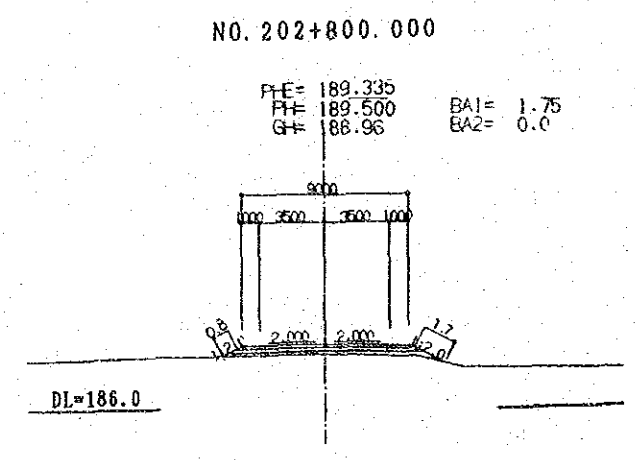
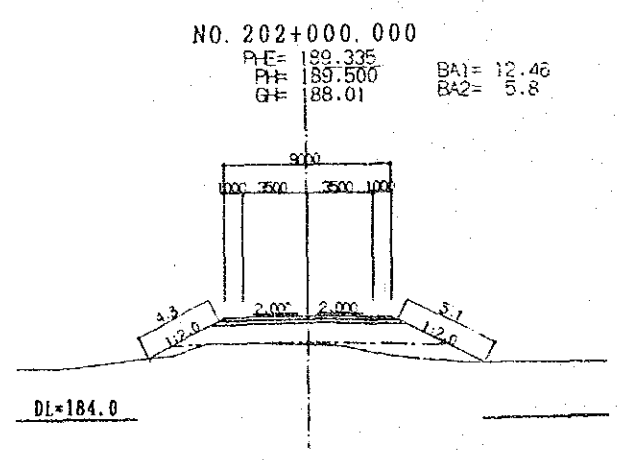
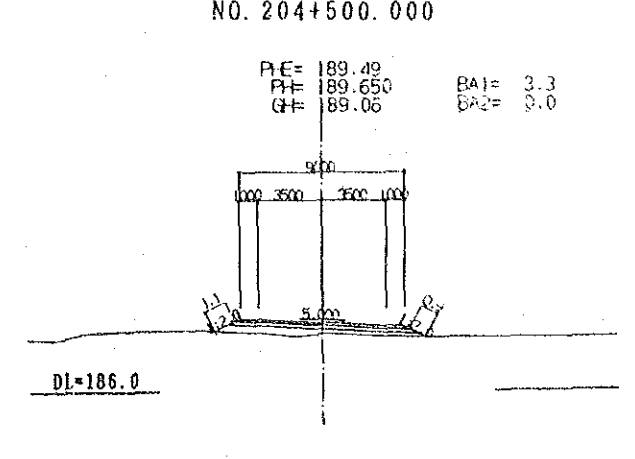
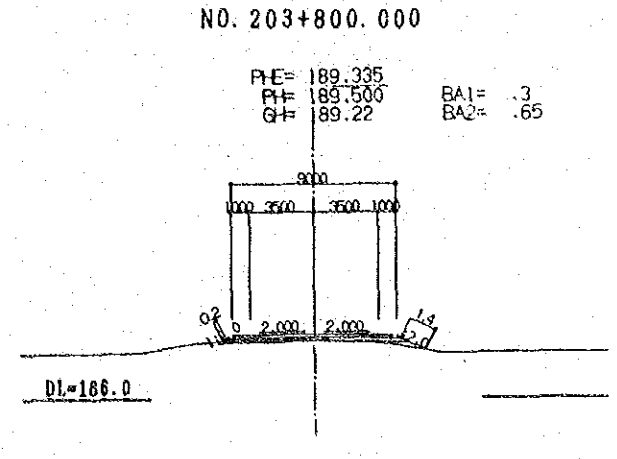
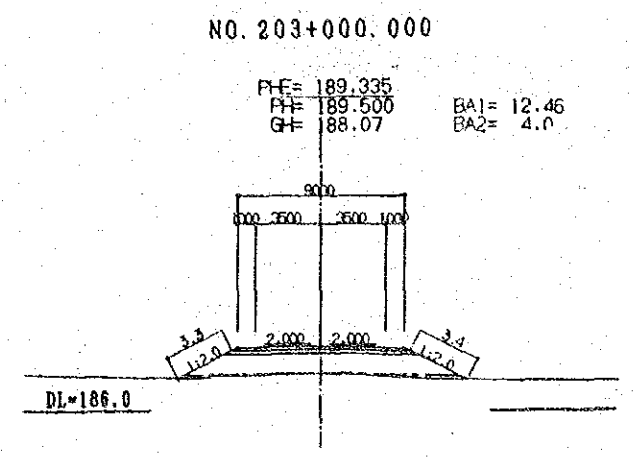
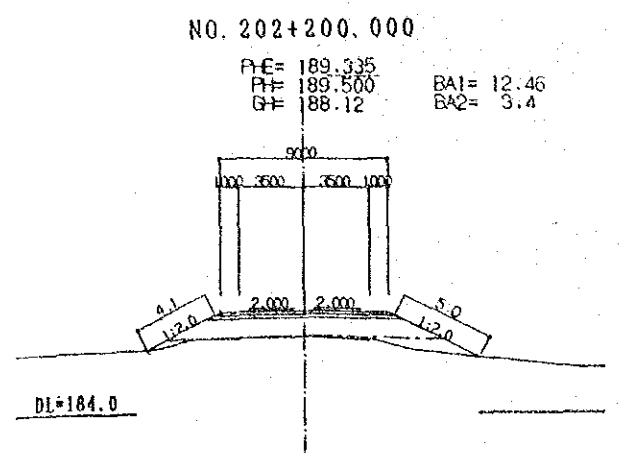
PtE= 189.335  
 PtF= 189.500  
 GtF= 188.54  
 BA1= 6.55  
 BA2= 0.0



NO. 200+800.000

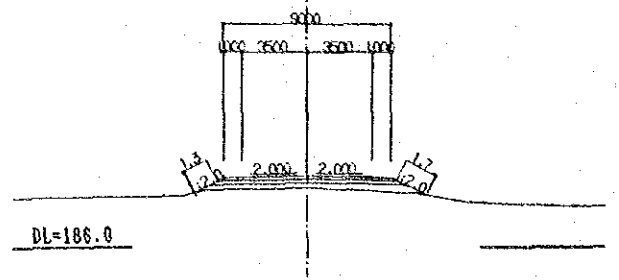
PtE= 189.335  
 PtF= 189.500  
 GtF= 188.93  
 BA1= 2.55  
 BA2= 0.0





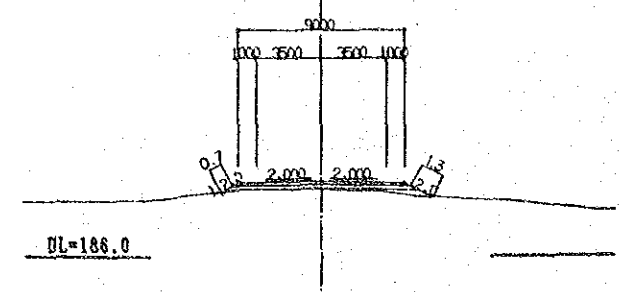
NO. 205+000.000

P/E= 189.64  
P/F= 189.800  
G/F= 189.18  
BA1= 3.1  
BA2= 0.0



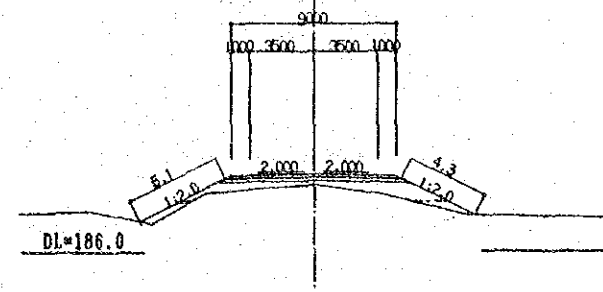
NO. 205+800.000

P/E= 189.88  
P/F= 190.040  
G/F= 189.63  
BA1= .7  
BA2= 0.0



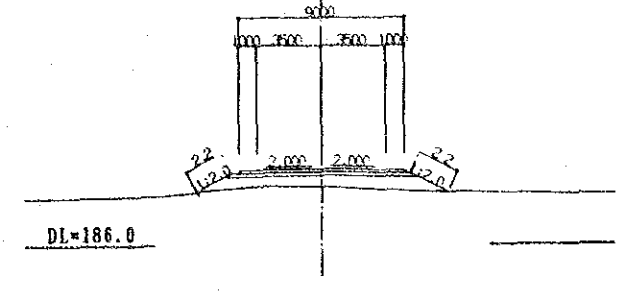
NO. 206+600.000

P/E= 190.06  
P/F= 190.220  
G/F= 189.64  
BA1= 7.6  
BA2= 0.0



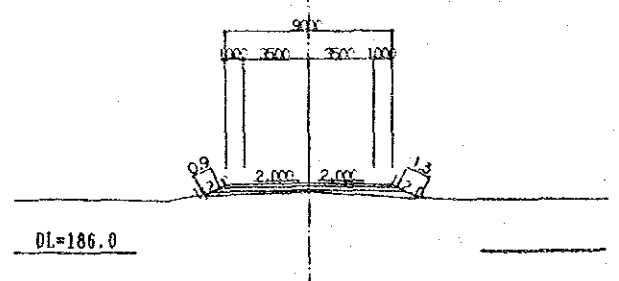
NO. 207+400.000

P/E= 190.06  
P/F= 190.220  
G/F= 189.26  
BA1= 3.3  
BA2= 0.0



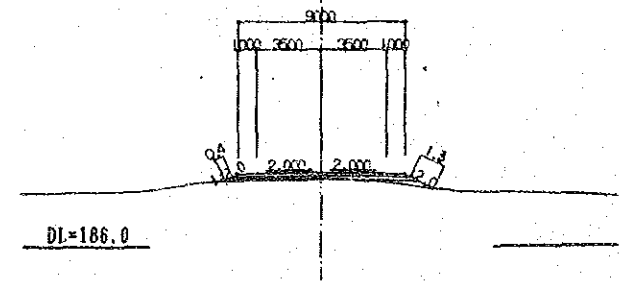
NO. 204+800.000

P/E= 189.58  
P/F= 189.740  
G/F= 189.26  
EA1= 1.8  
EA2= 0.0



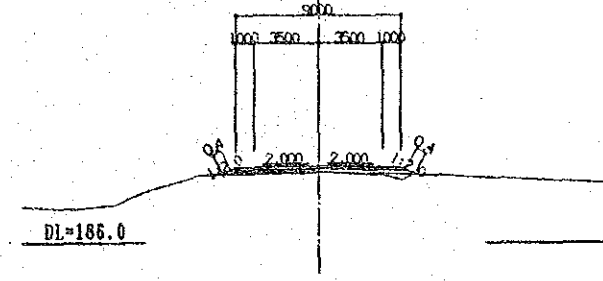
NO. 205+600.000

P/E= 189.82  
P/F= 189.980  
G/F= 189.68  
BA1= 0.0  
EA2= 0.0  
CA= 0.0



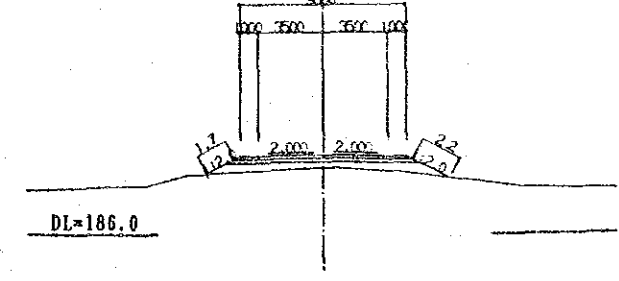
NO. 206+400.000

P/E= 190.056  
P/F= 190.216  
G/F= 189.88  
BA1= 0.0  
BA2= 0.0  
CA= 0.0



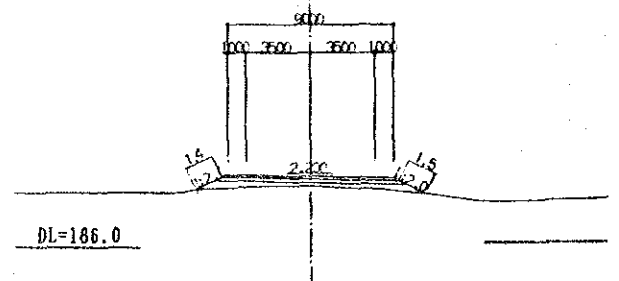
NO. 207+200.000

P/E= 190.06  
P/F= 190.220  
G/F= 189.55  
BA1= 4.7  
BA2= 0.0



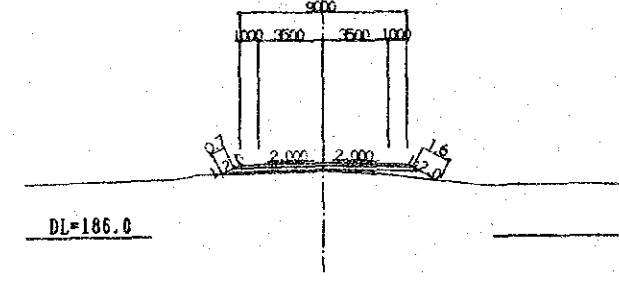
NO. 204+721.823

P/E= 189.557  
P/F= 189.717  
G/F= 189.18  
BA1= 3.1  
BA2= 0.0



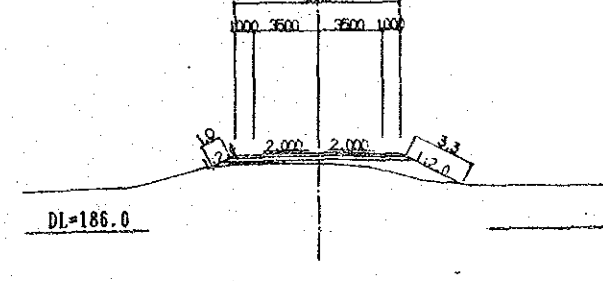
NO. 205+400.000

P/E= 189.76  
P/F= 189.920  
G/F= 189.48  
BA1= 1.4  
BA2= 0.0



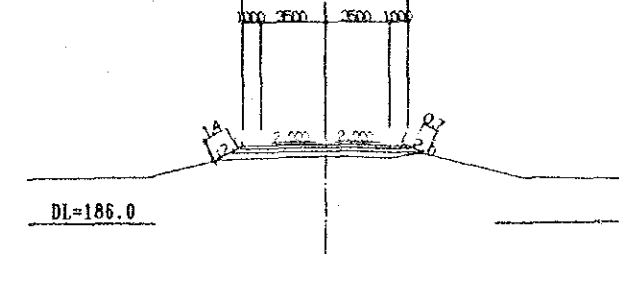
NO. 206+200.000

P/E= 190  
P/F= 190.160  
G/F= 189.58  
BA1= 4.3  
BA2= 0.0



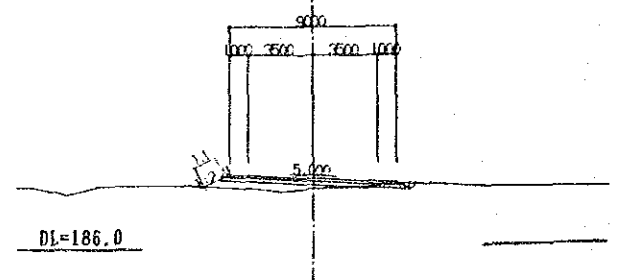
NO. 207+000.000

P/E= 190.06  
P/F= 190.220  
G/F= 189.59  
BA1= 2.7  
BA2= 0.0



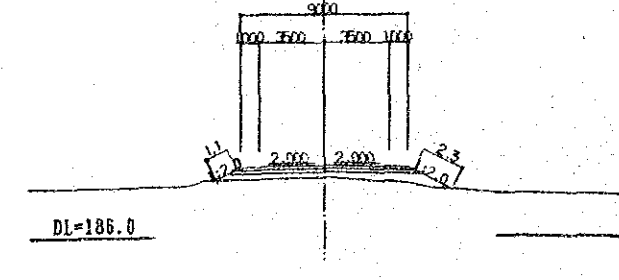
NO. 204+600.000

P/E= 189.52  
P/F= 189.680  
G/F= 189.14  
BA1= 1.7  
BA2= 0.0



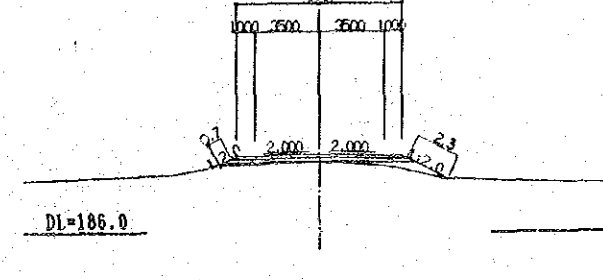
NO. 205+200.000

P/E= 189.7  
P/F= 189.860  
G/F= 189.22  
BA1= 3.9  
BA2= 0.0



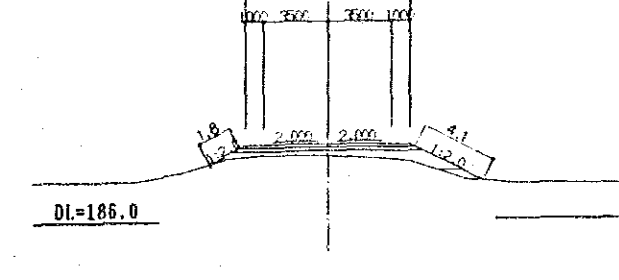
NO. 206+000.000

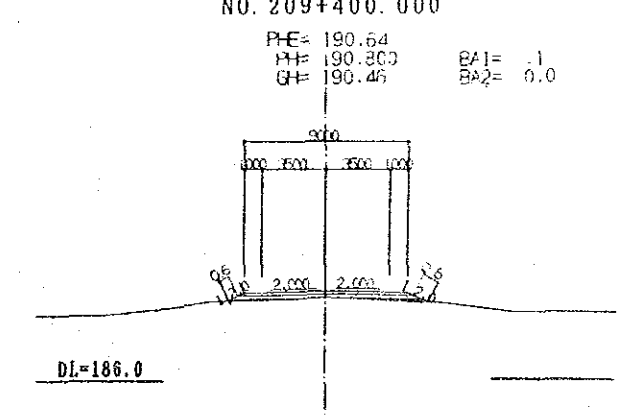
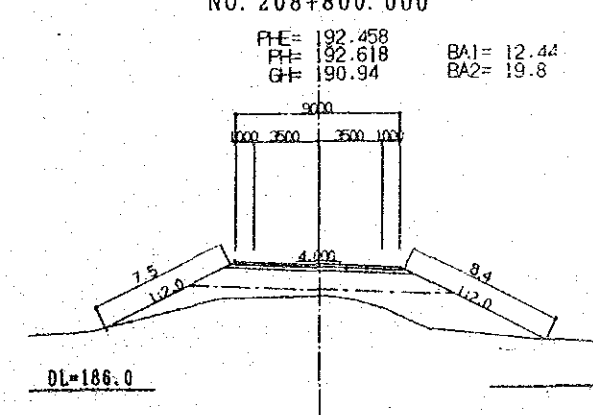
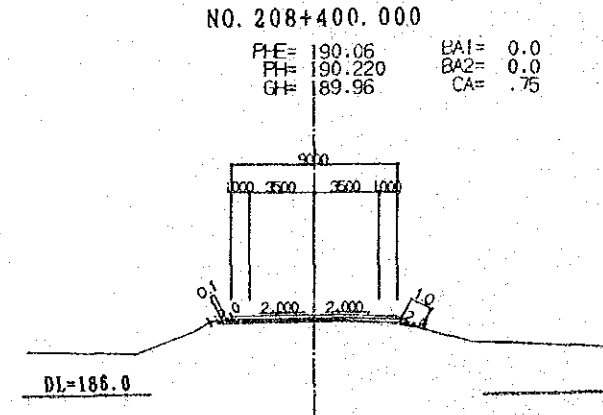
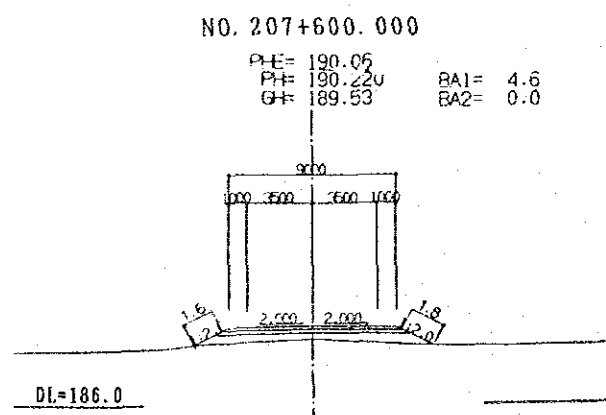
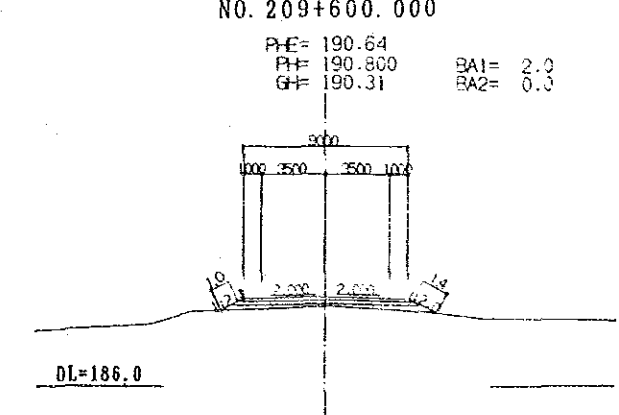
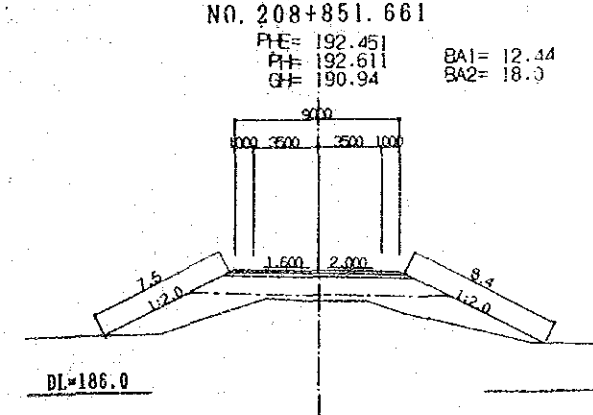
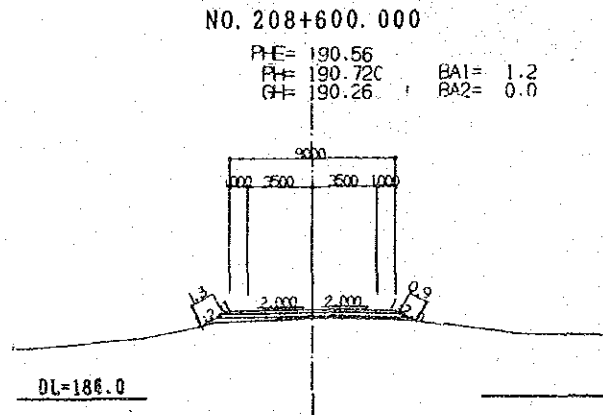
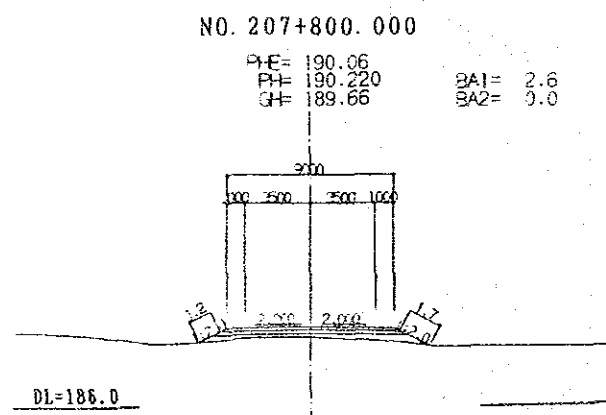
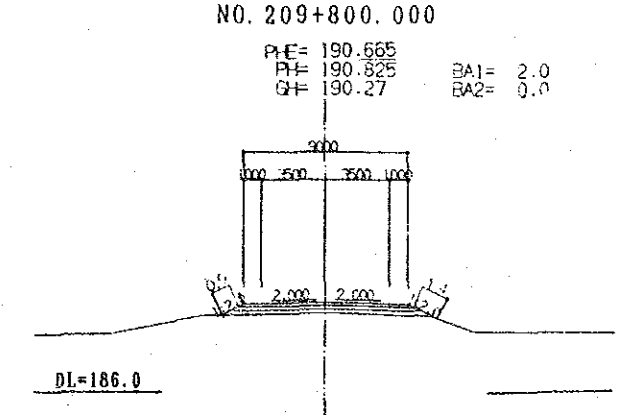
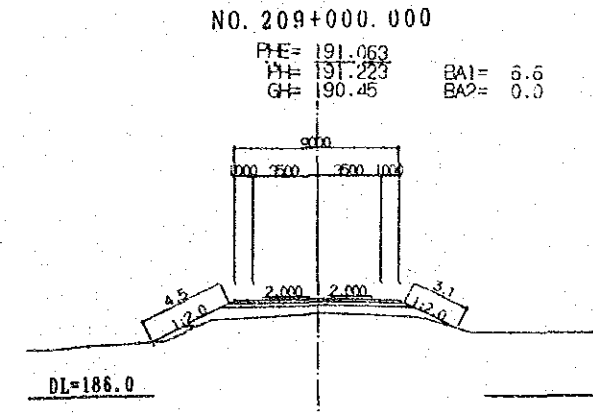
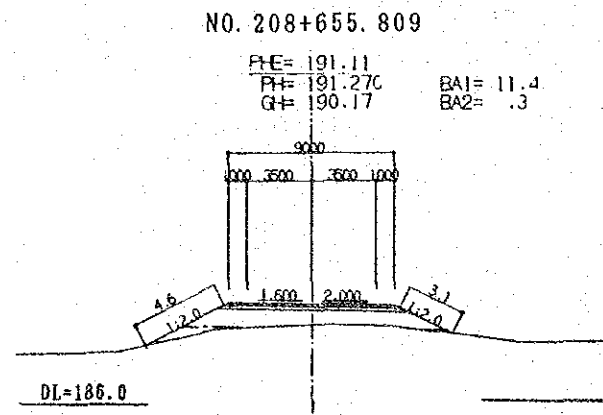
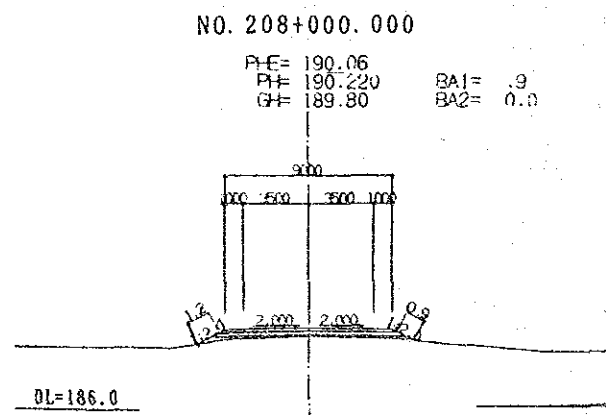
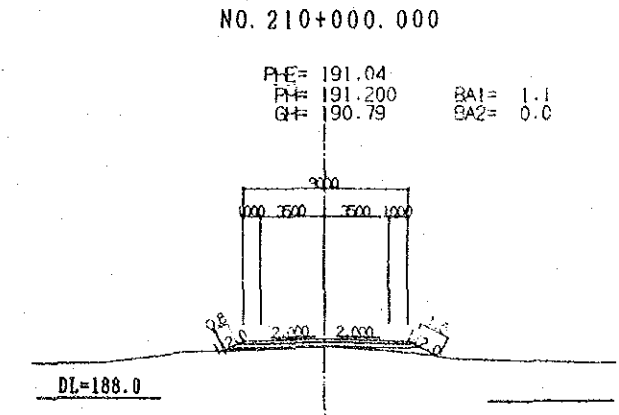
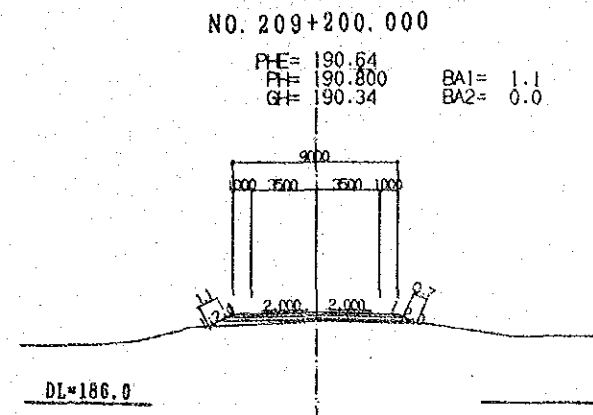
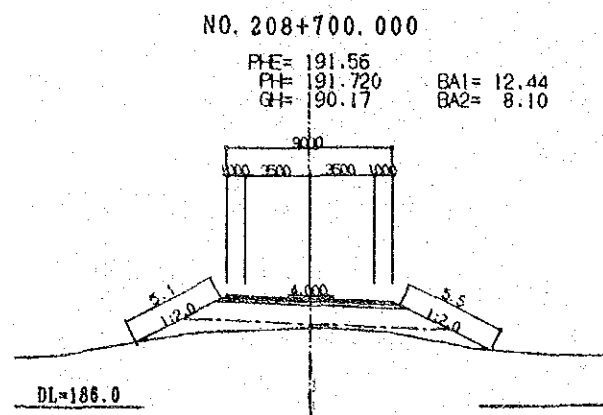
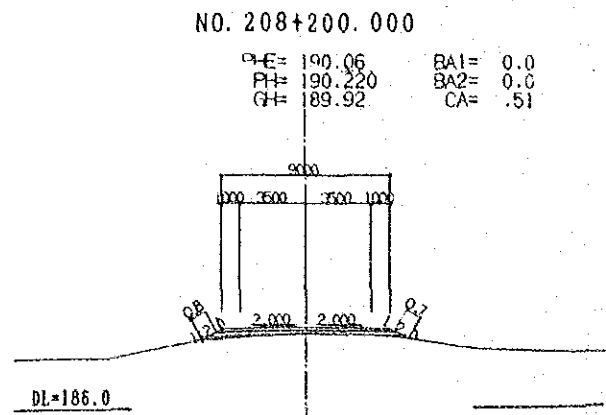
P/E= 189.94  
P/F= 190.100  
G/F= 189.71  
BA1= 1.4  
BA2= 0.0

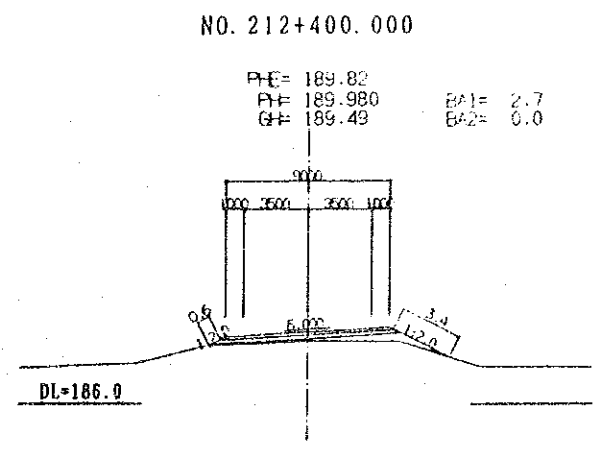
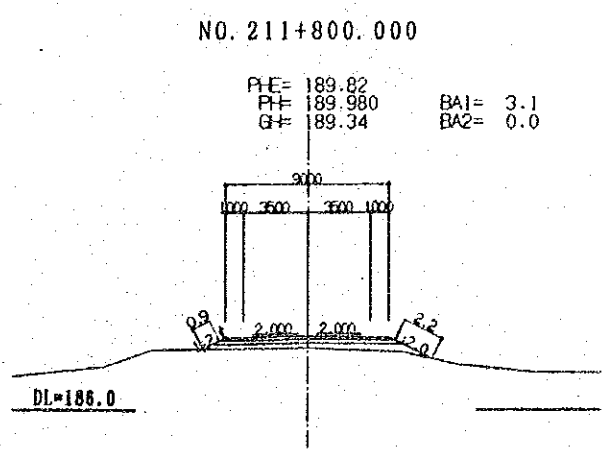
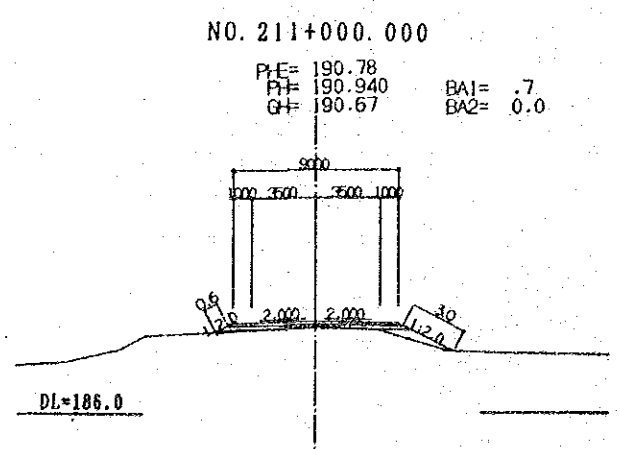
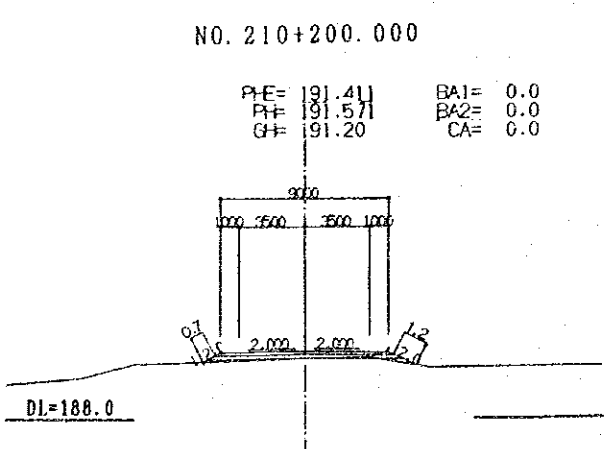
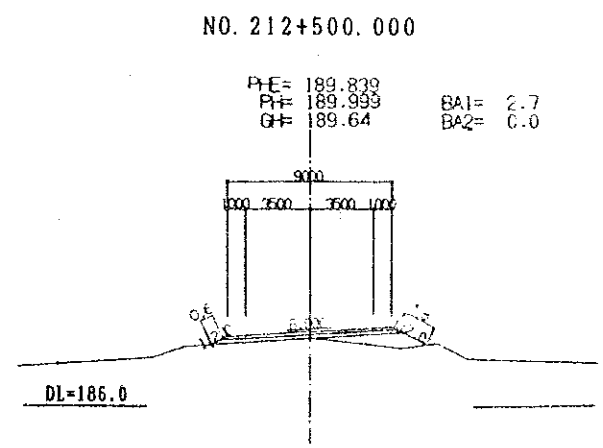
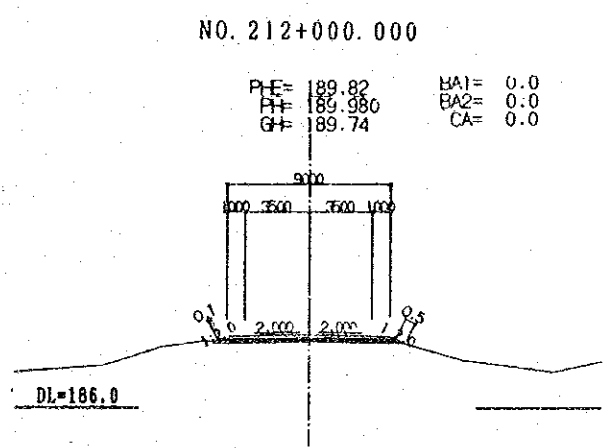
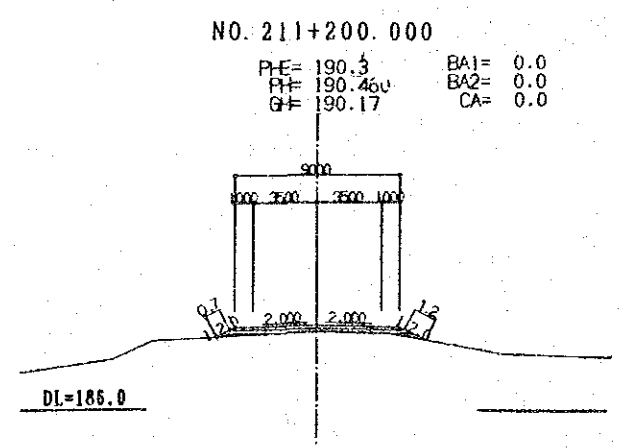
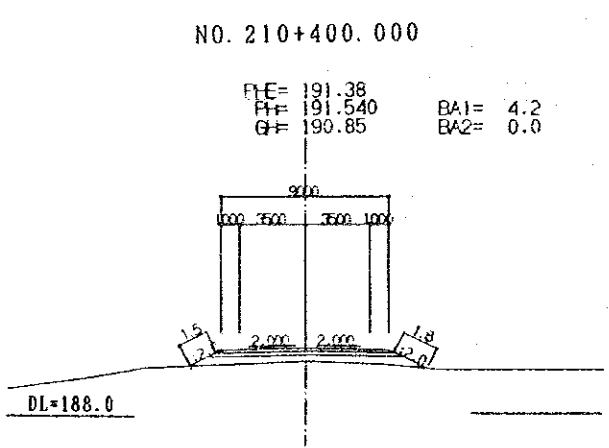
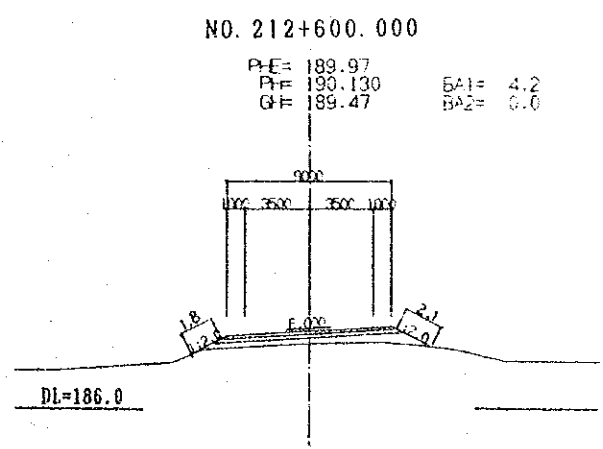
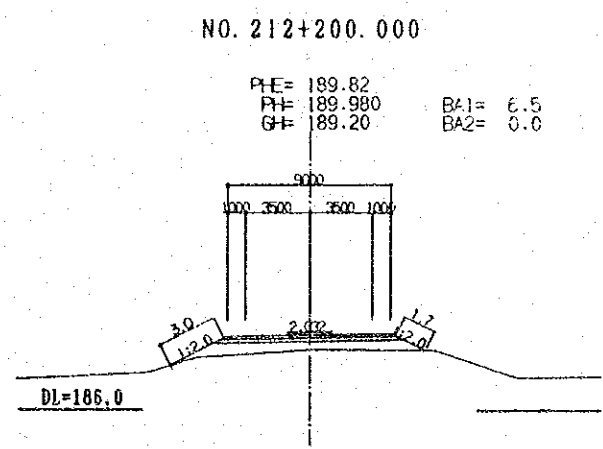
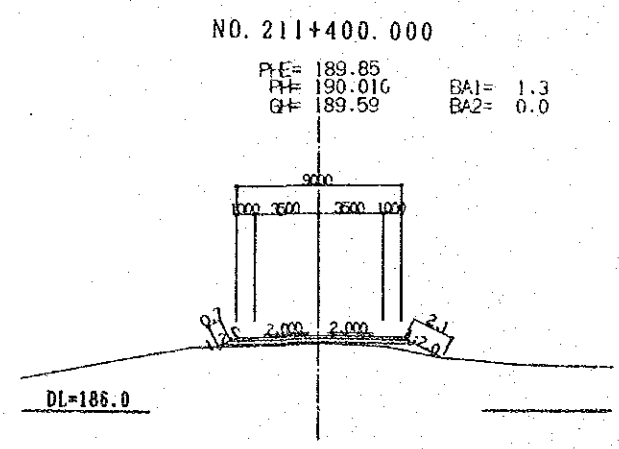
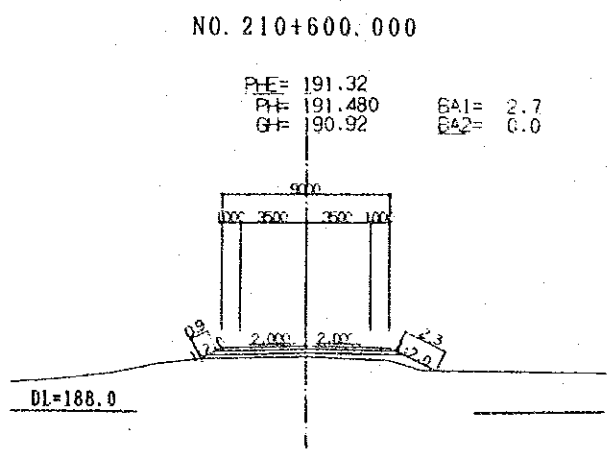
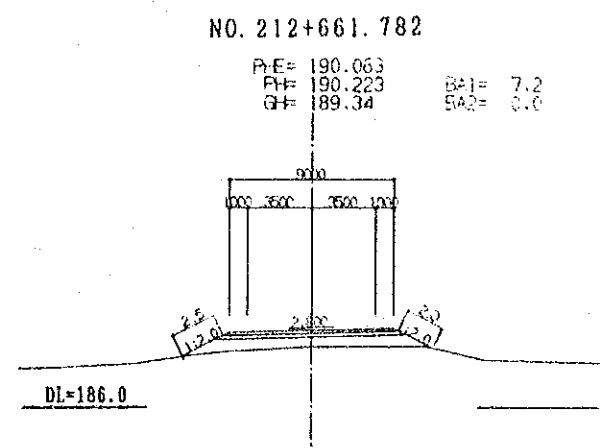
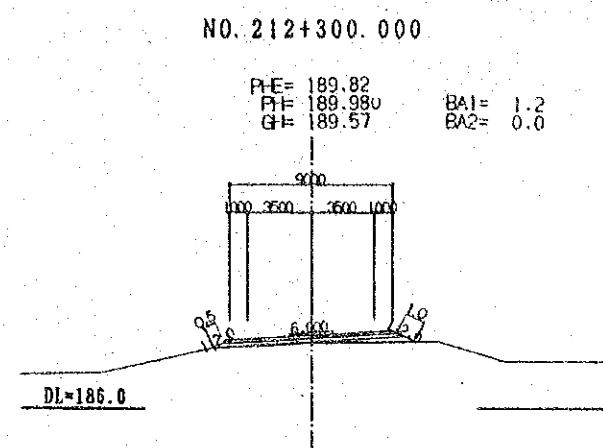
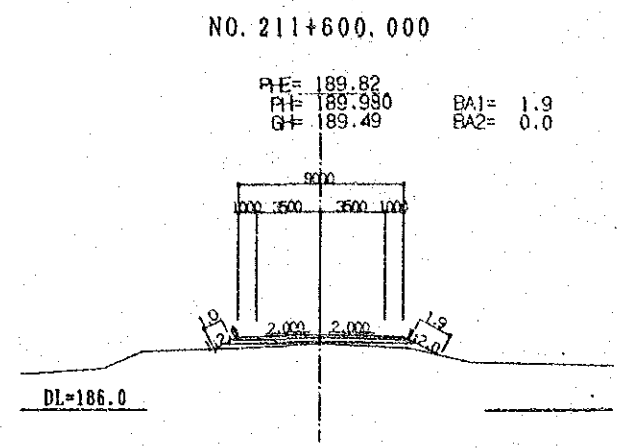
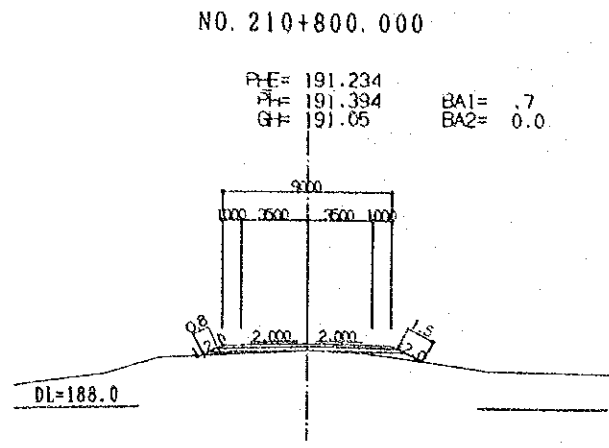


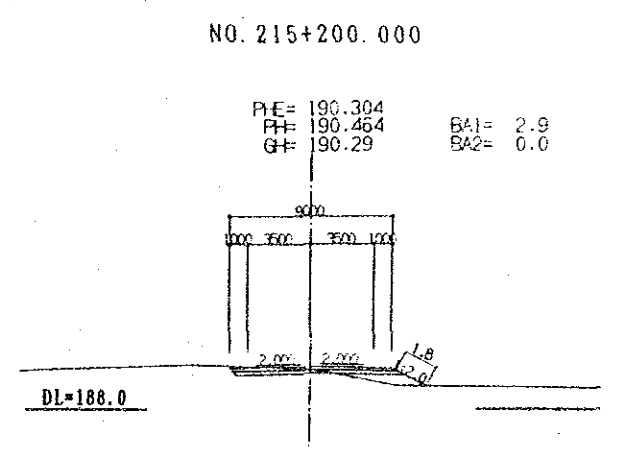
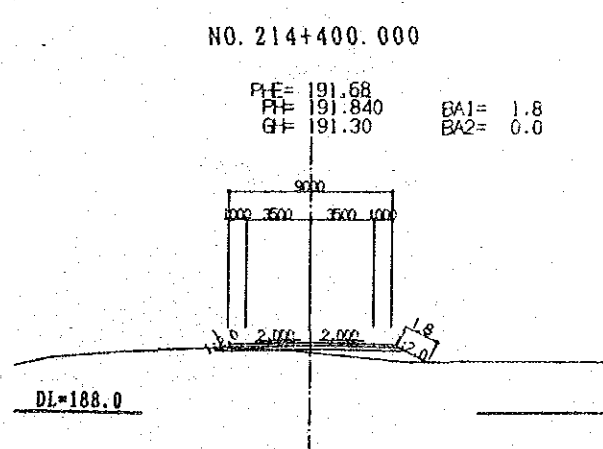
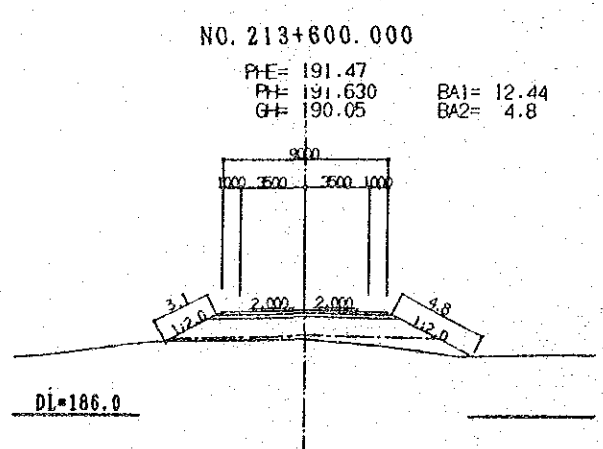
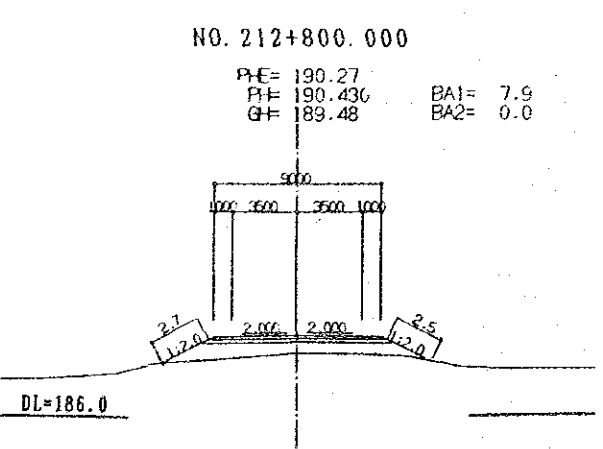
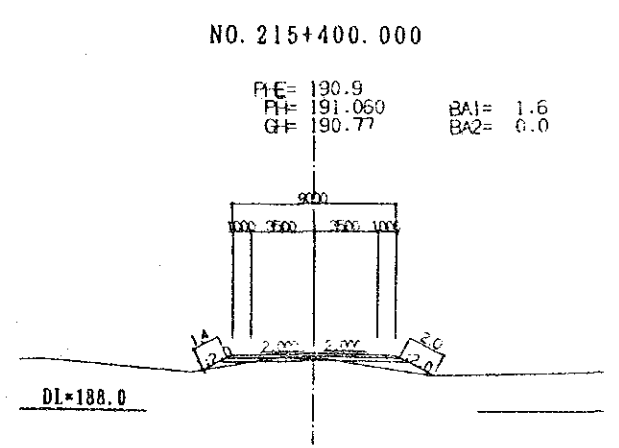
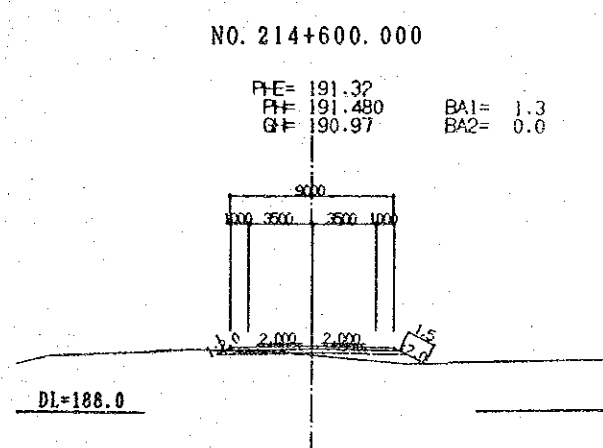
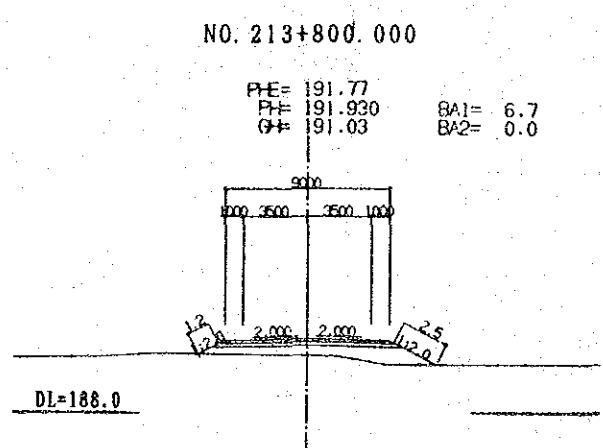
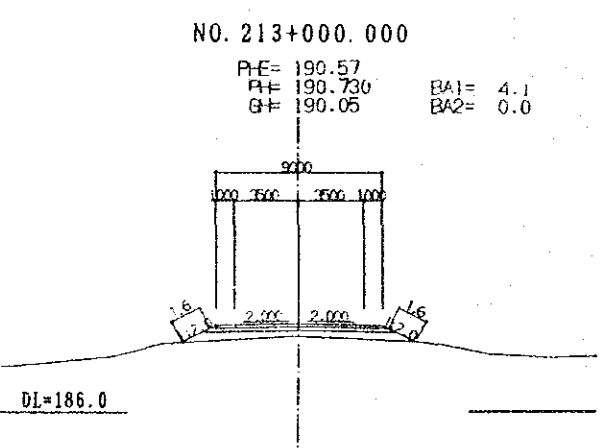
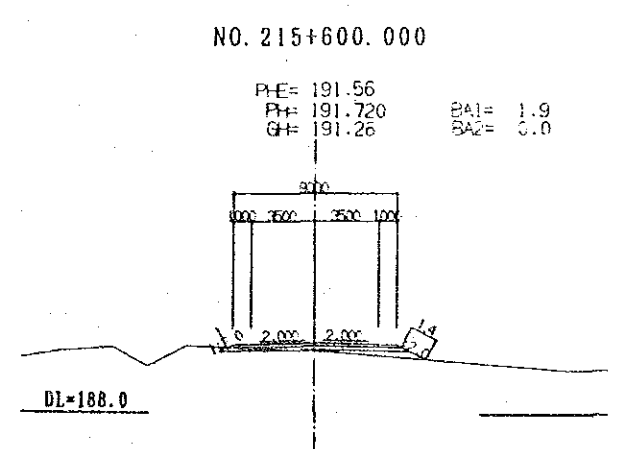
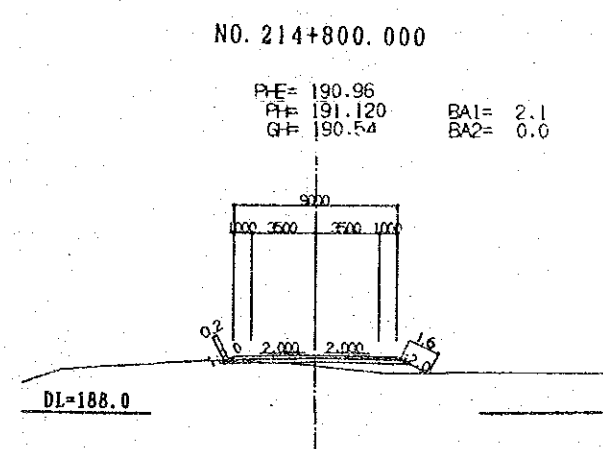
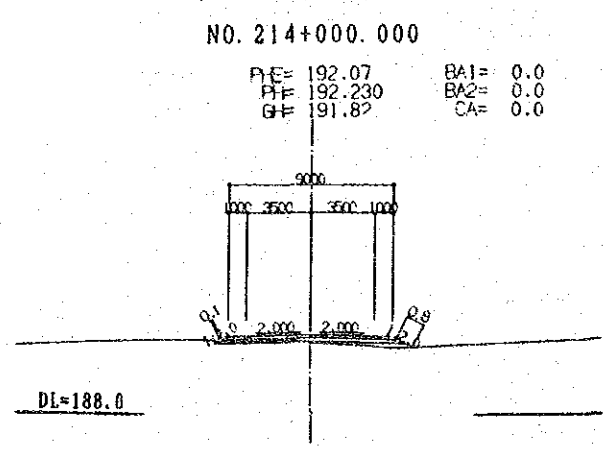
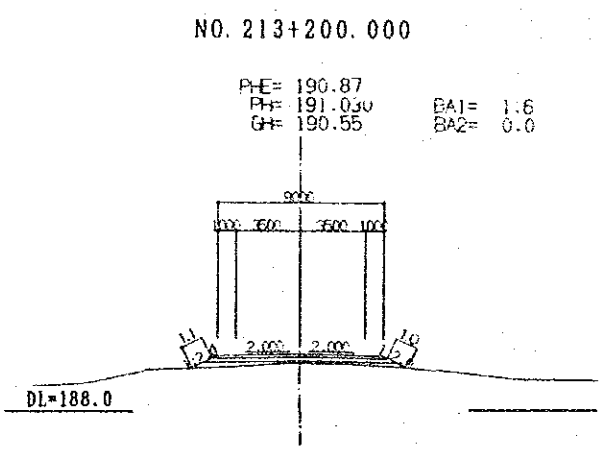
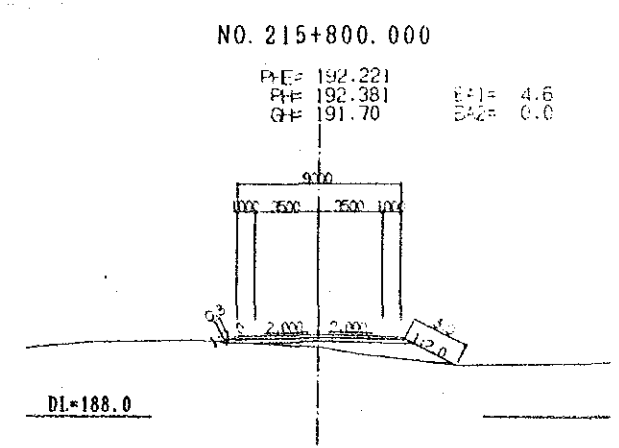
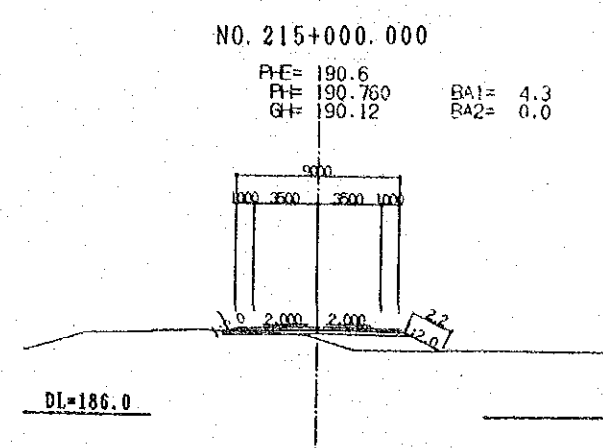
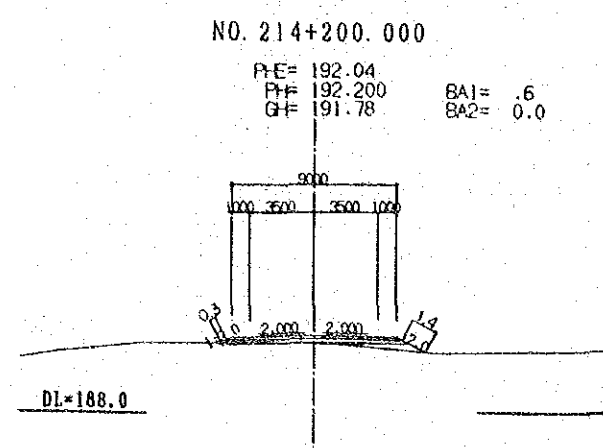
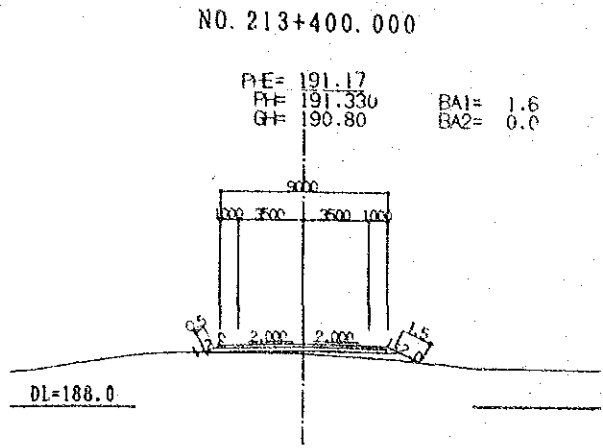
NO. 206+800.000

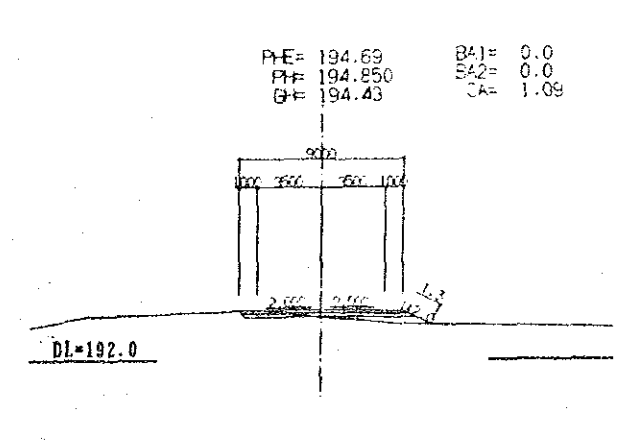
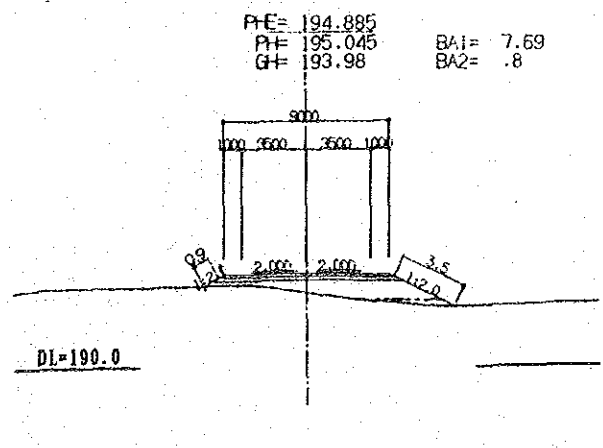
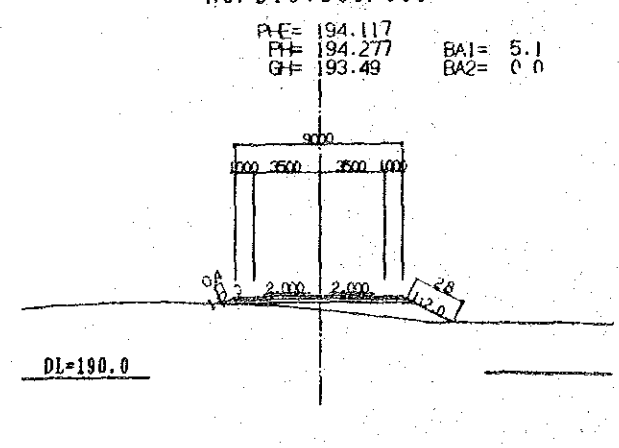
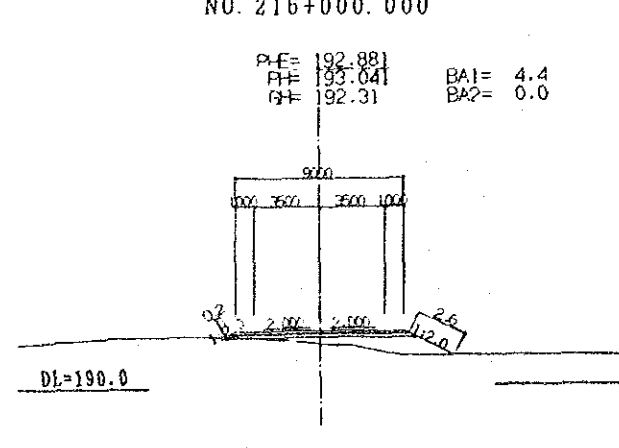
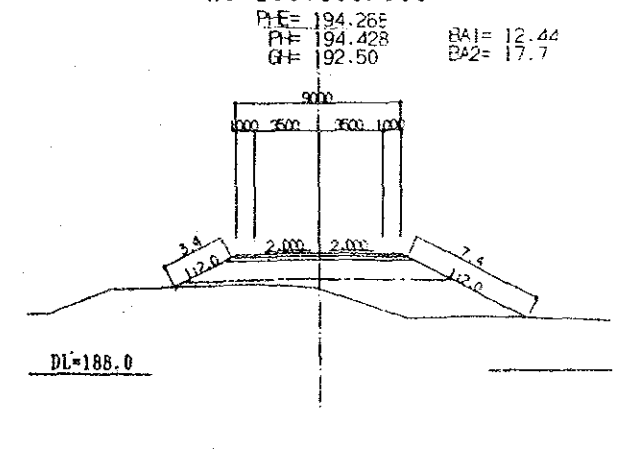
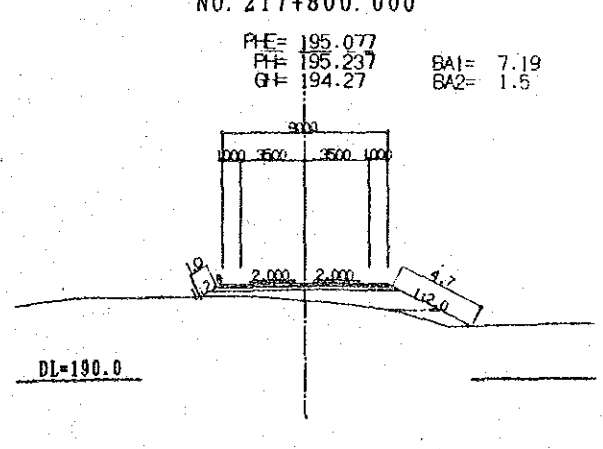
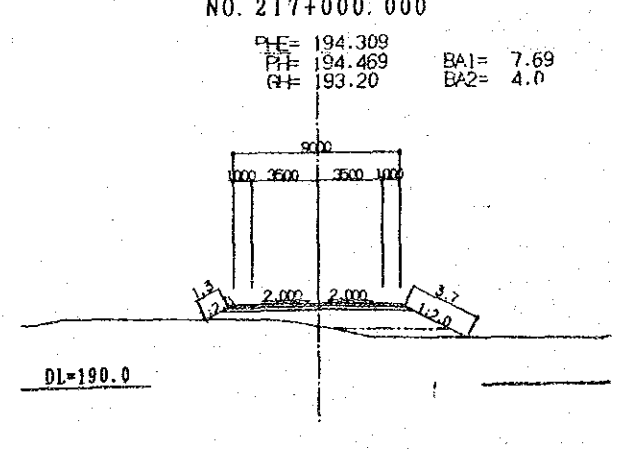
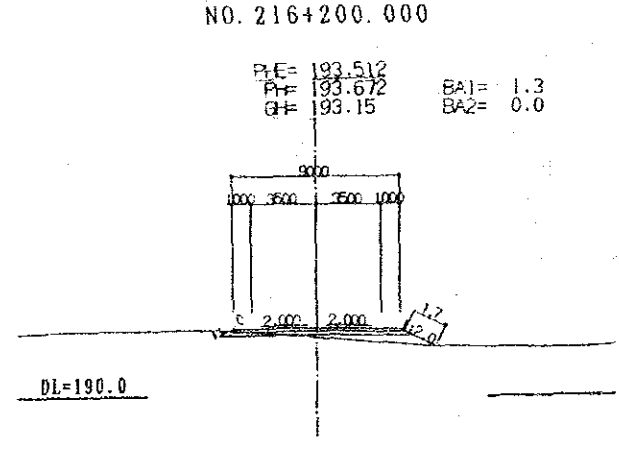
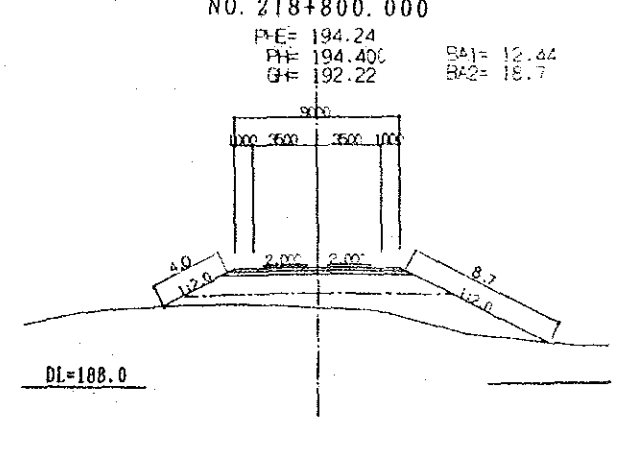
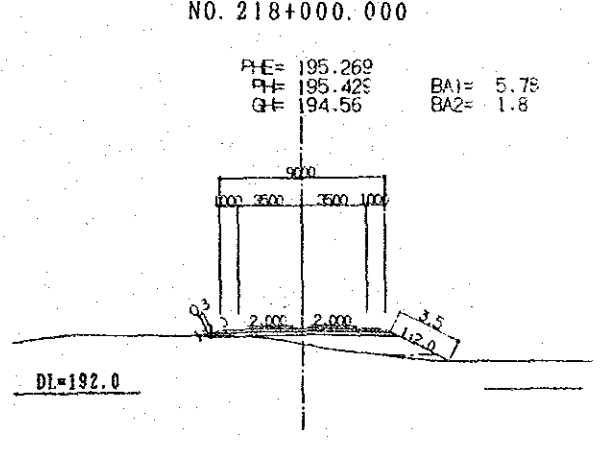
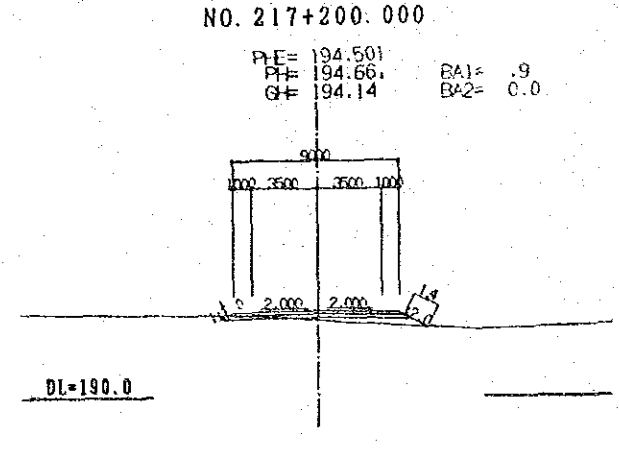
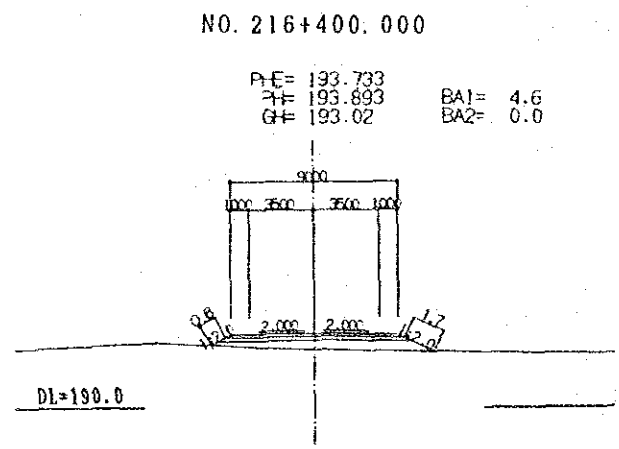
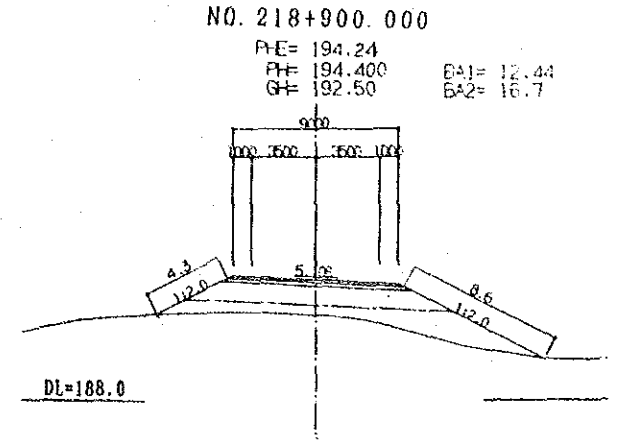
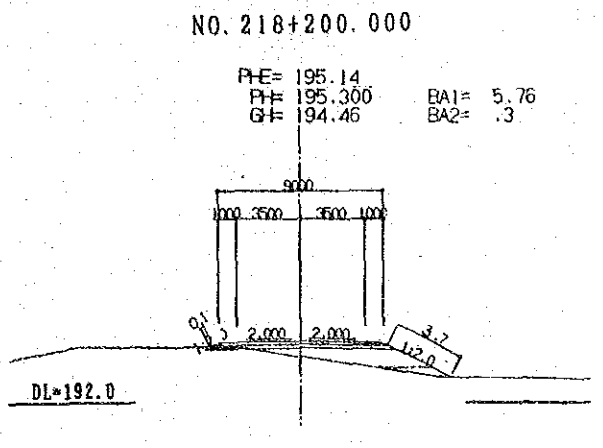
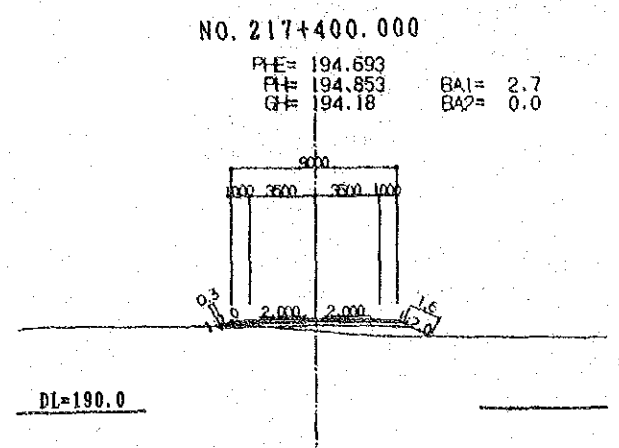
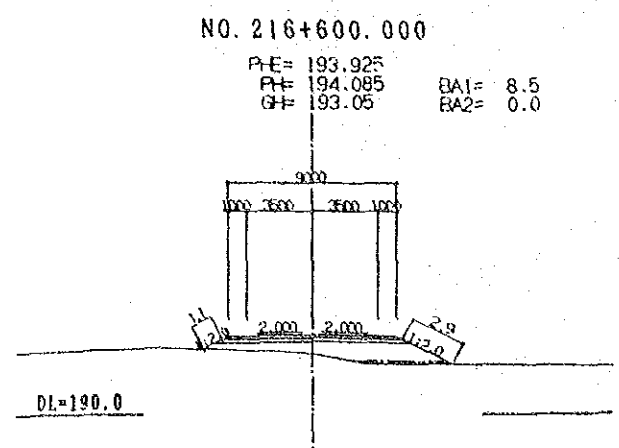
P/E= 190.06  
P/F= 190.220  
G/F= 189.58  
BA1= 5.0  
BA2= 0.0

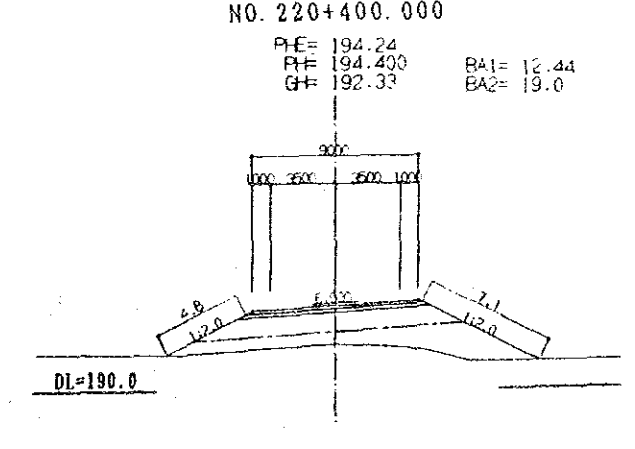
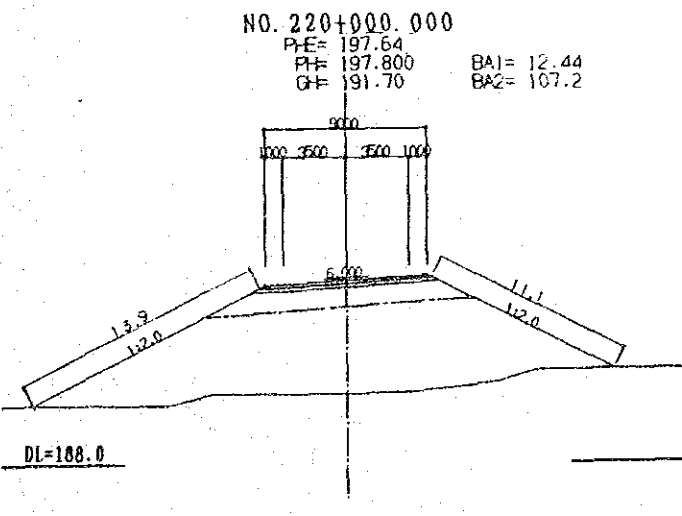
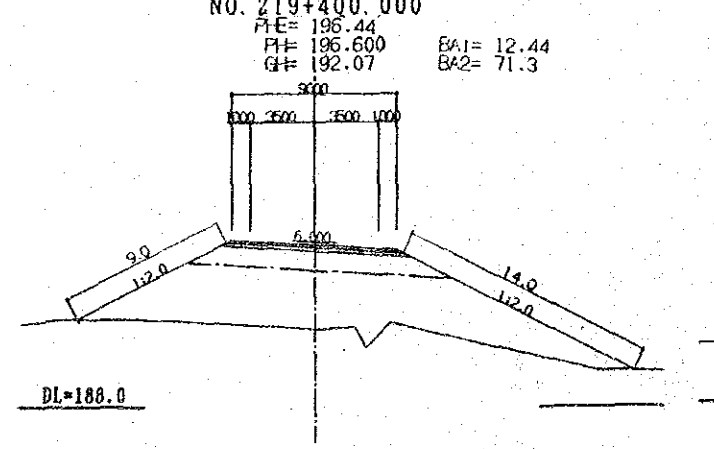
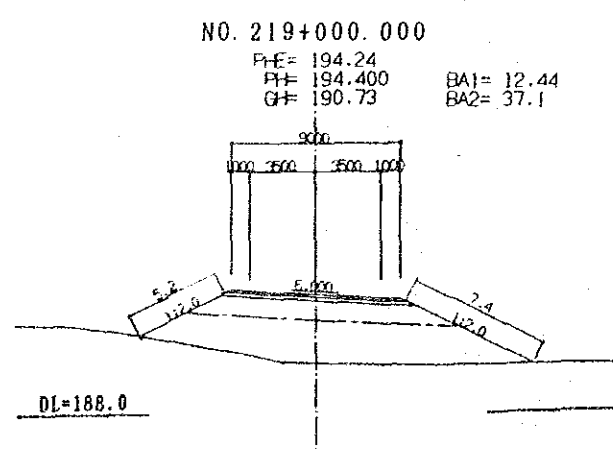
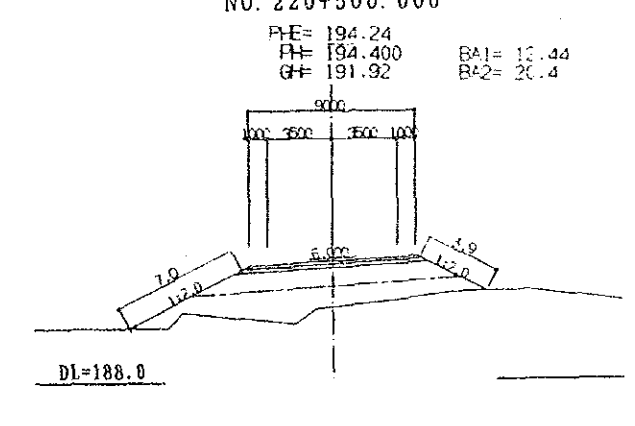
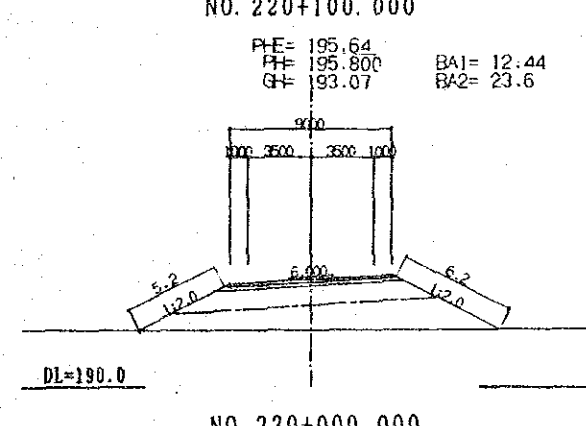
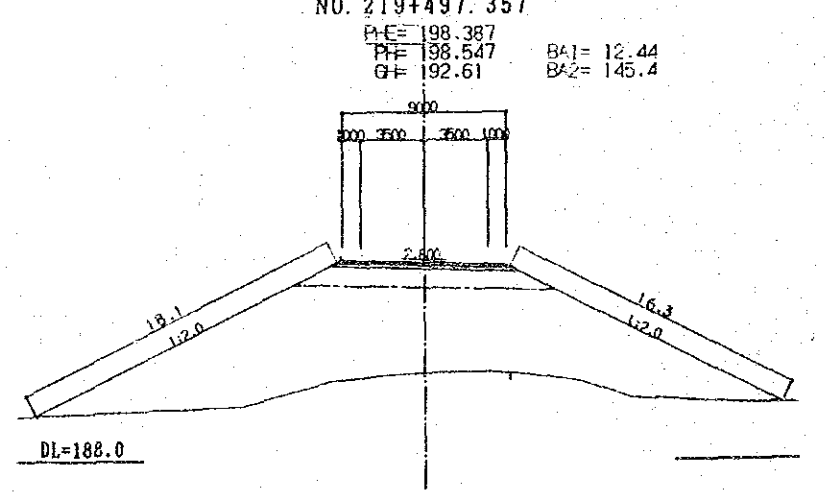
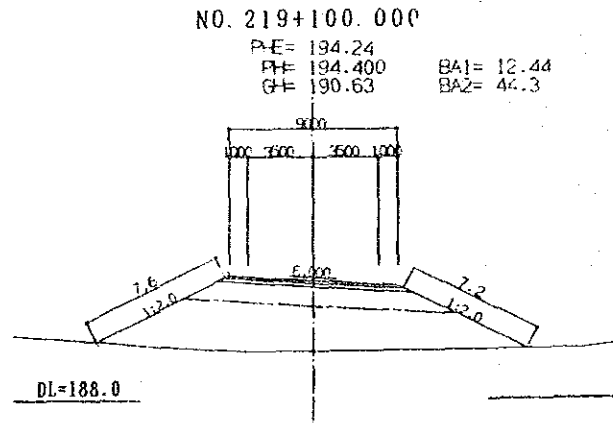
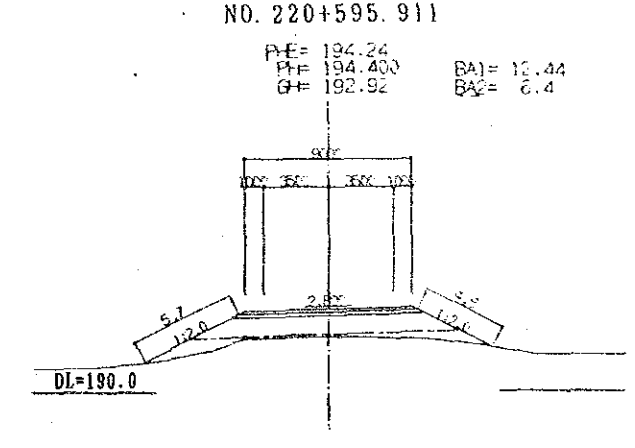
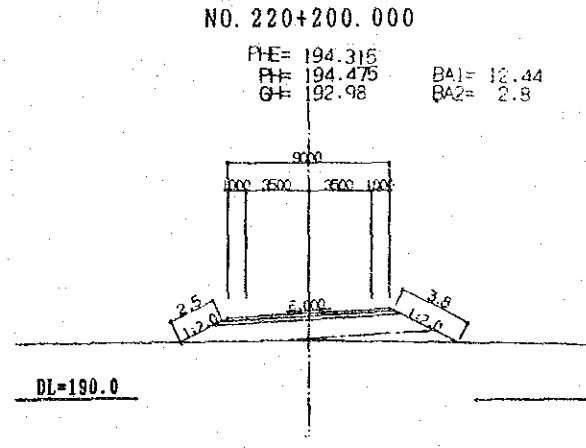
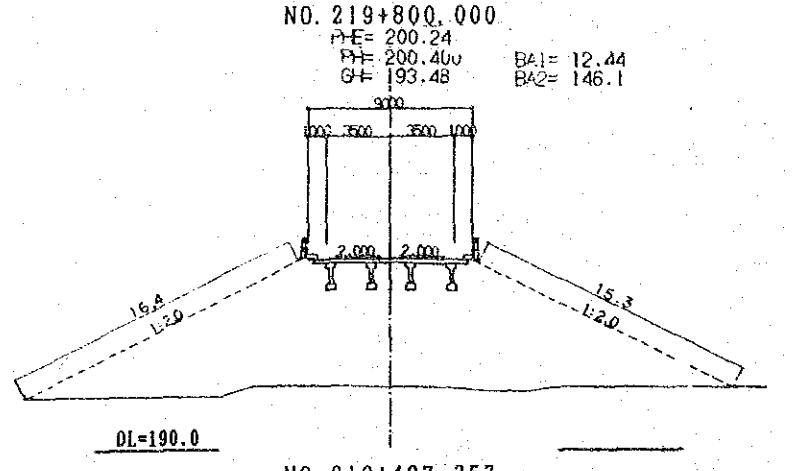
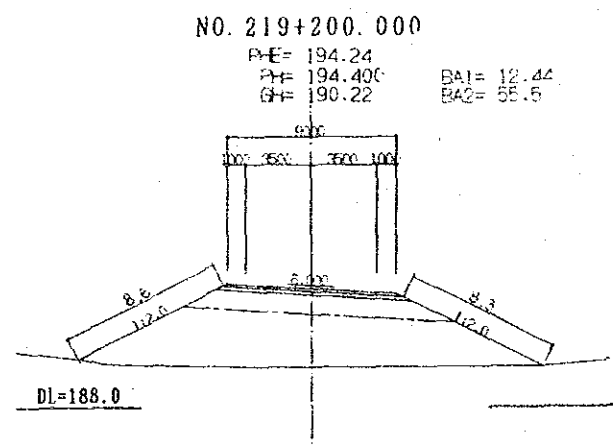
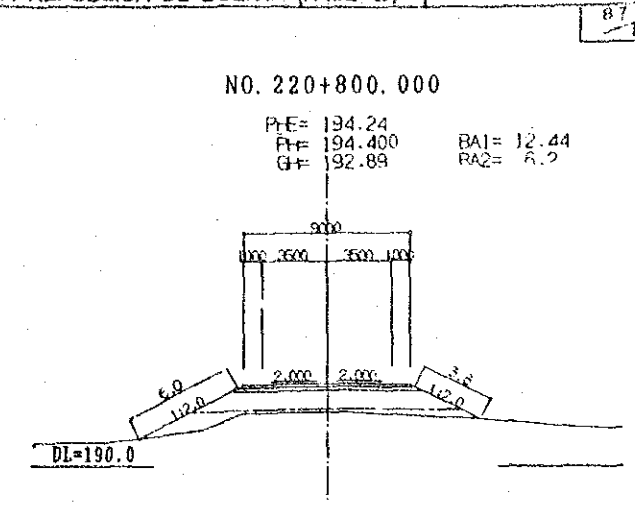
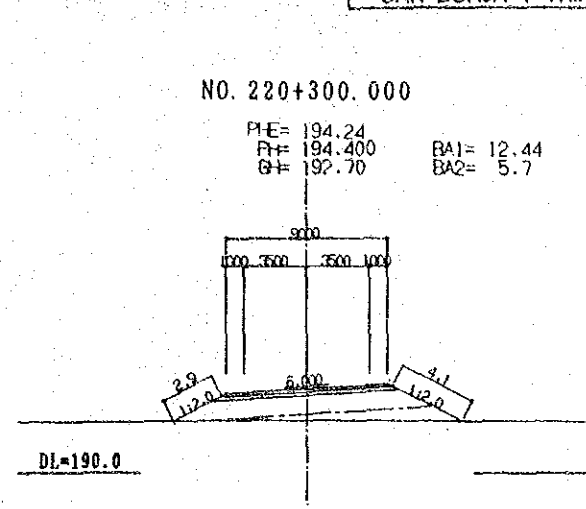
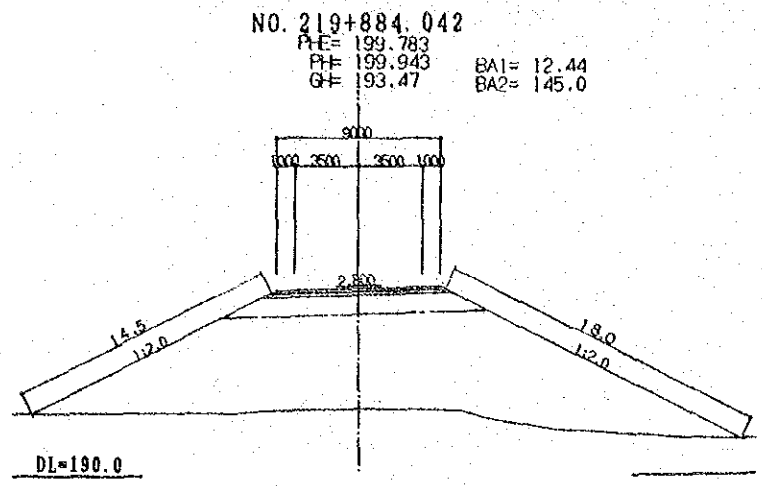
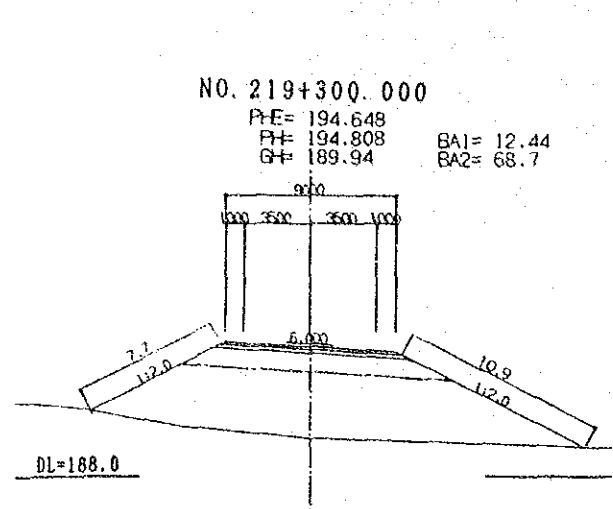








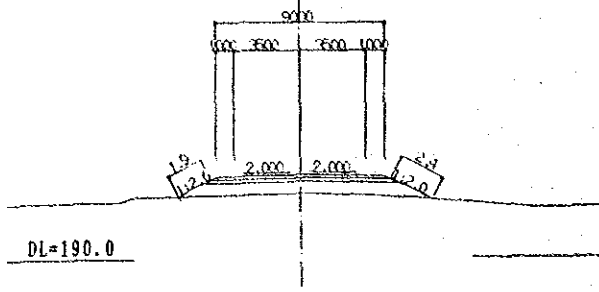






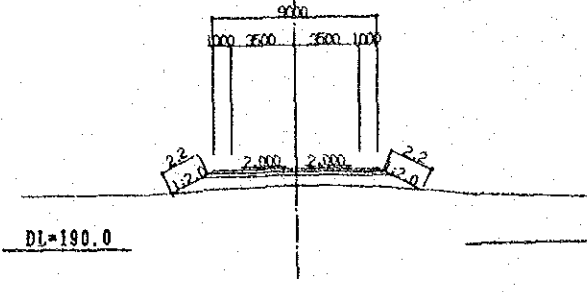
NO. 221+600.000

PrE= 194.24  
PrF= 194.400    BA1= 7.0  
GrF= 193.40    BA2= 0.0



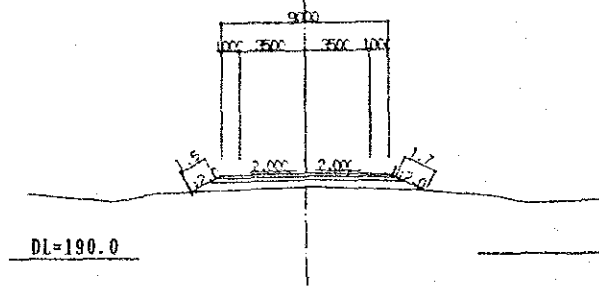
NO. 221+800.000

PrE= 194.24  
PrF= 194.400    BA1= 7.0  
GrF= 193.49    BA2= 0.0



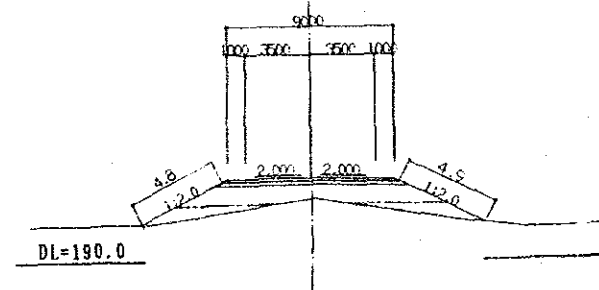
NO. 221+400.000

PrE= 194.24  
PrF= 194.400    BA1= 7.6  
GrF= 193.67    BA2= 0.0



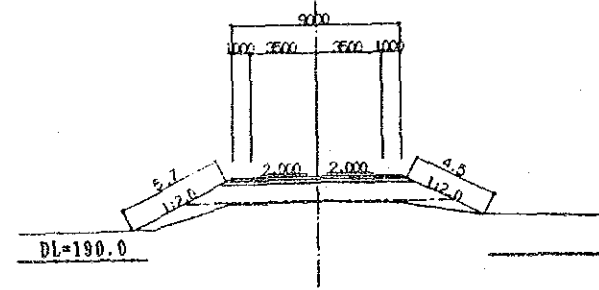
NO. 221+200.000

PrE= 194.24  
PrF= 194.400    BA1= 4.4  
GrF= 193.30    BA2= 4.6



NO. 221+000.000

PrE= 194.24  
PrF= 194.400    BA1= 12.12  
GrF= 193.03    BA2= 4.0



JICA