

**ESTUDIO DE MEJORAMIENTO DE LA CARRETERA
ENTRE SAN BORJA Y TRINIDAD
EN
LA REPUBLICA DE BOLIVIA
(FASE II)**

INFORME FINAL

**DATOS DE REFERENCIA TECNICA
(SECCIONES TRANSVERSALES)**

ENERO 1989

AGENCIA DE COOPERACION INTERNACIONAL DEL JAPON

L702
73.7
SDF

SDF

89 017(11 13)

JICA LIBRARY



1075279(8)

19328

**ESTUDIO DE MEJORAMIENTO DE LA CARRETERA
ENTRE SAN BORJA Y TRINIDAD
EN
LA REPUBLICA DE BOLIVIA
(FASE II)**

INFORME FINAL

**DATOS DE REFERENCIA TECNICA
(SECCIONES TRANSVERSALES)**

ENERO 1989

AGENCIA DE COOPERACION INTERNACIONAL DEL JAPON

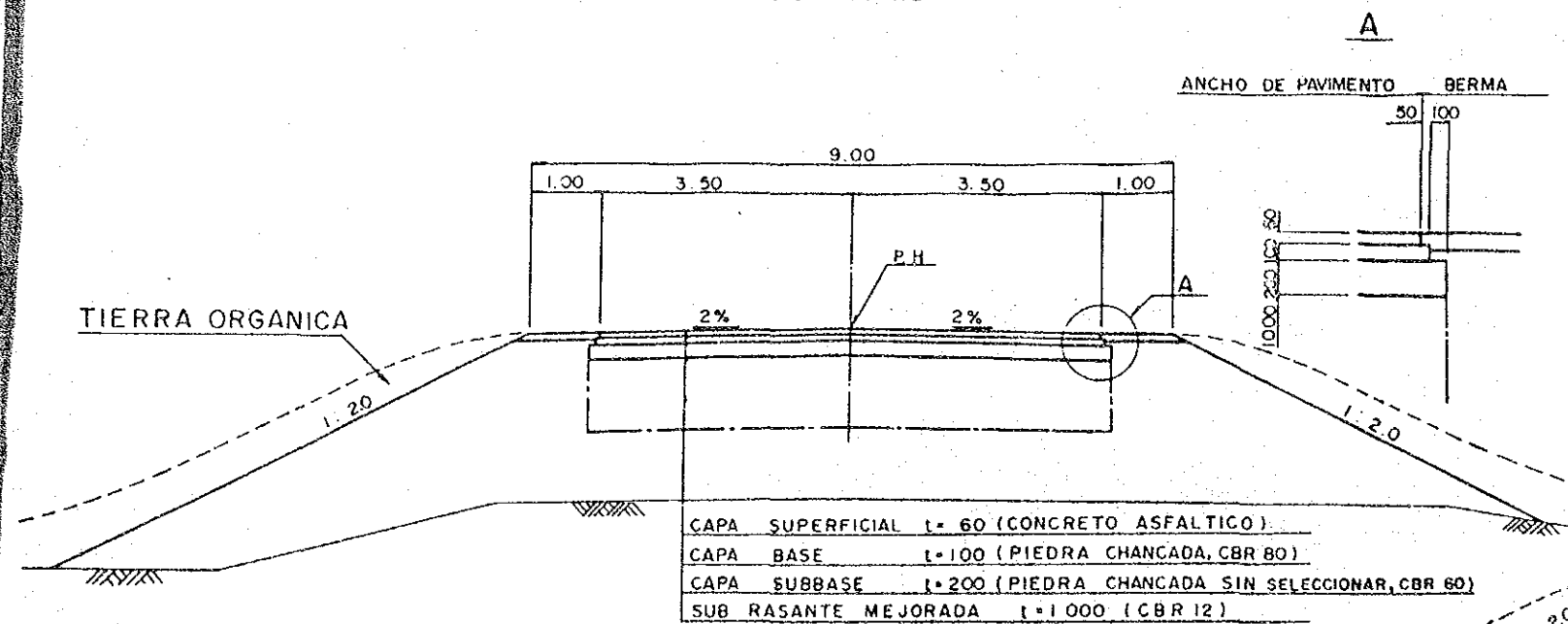


国際協力事業団

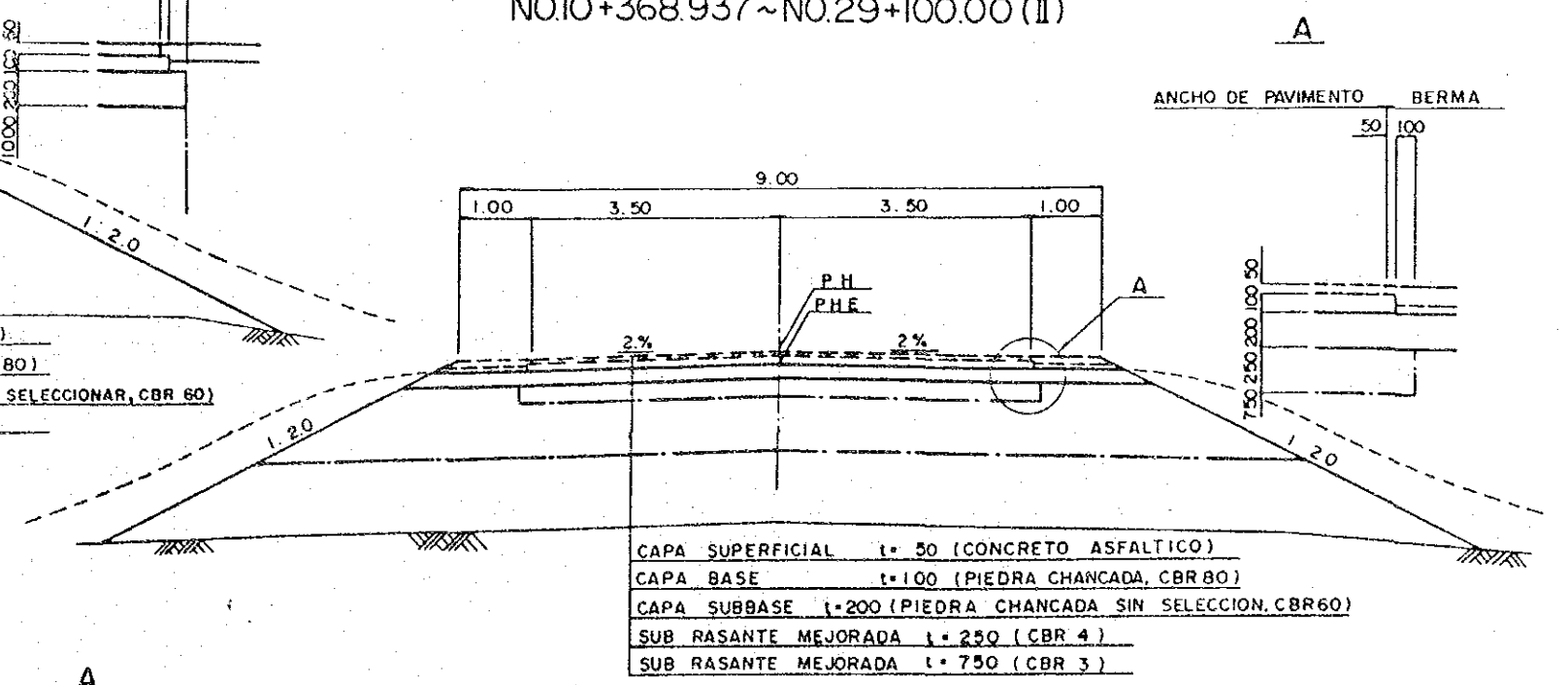
19328

SECCION TRANSVERSAL TIPICA ESCALA 1:50 UNIT mm,m

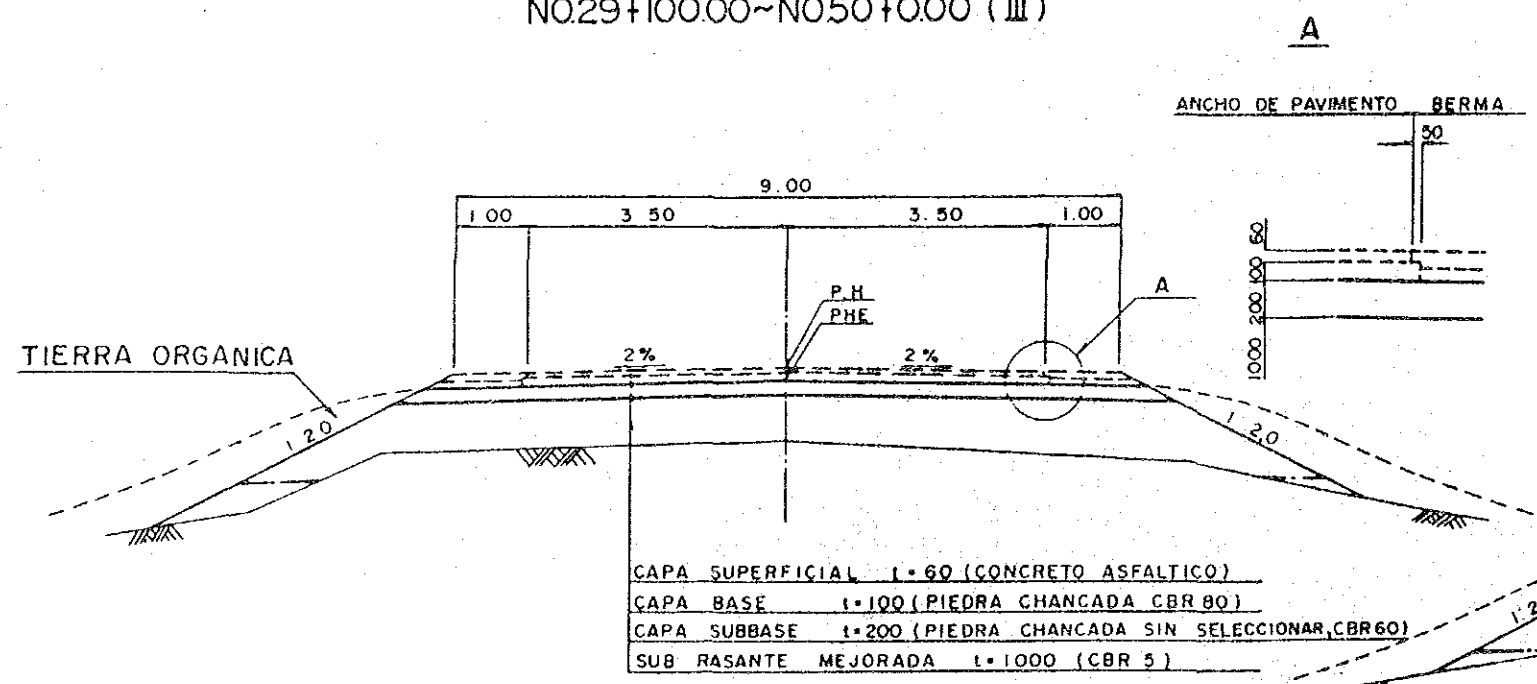
NO.0+00 ~ NO.10+368.937(I)



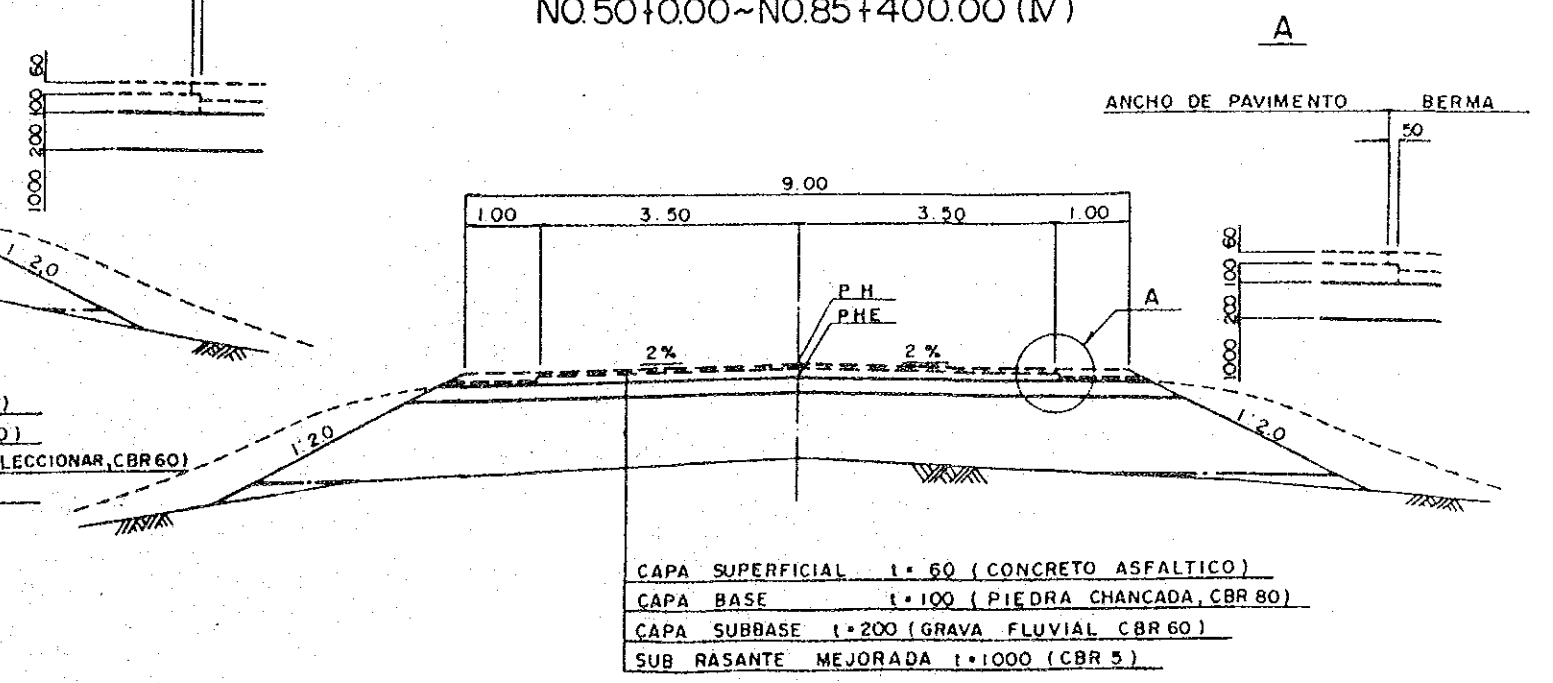
NO.10+368.937 ~ NO.29+100.00 (II)



NO.29+100.00 ~ NO.50+100.00 (III)



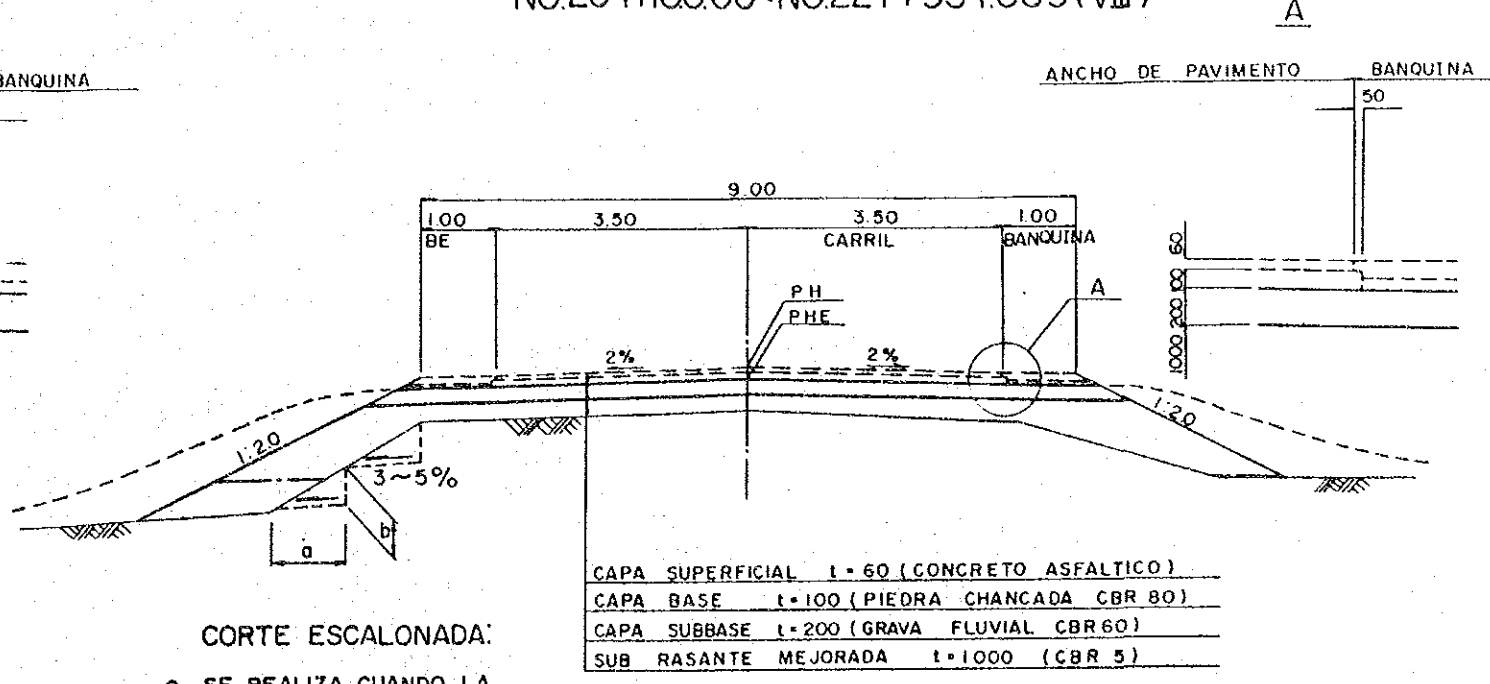
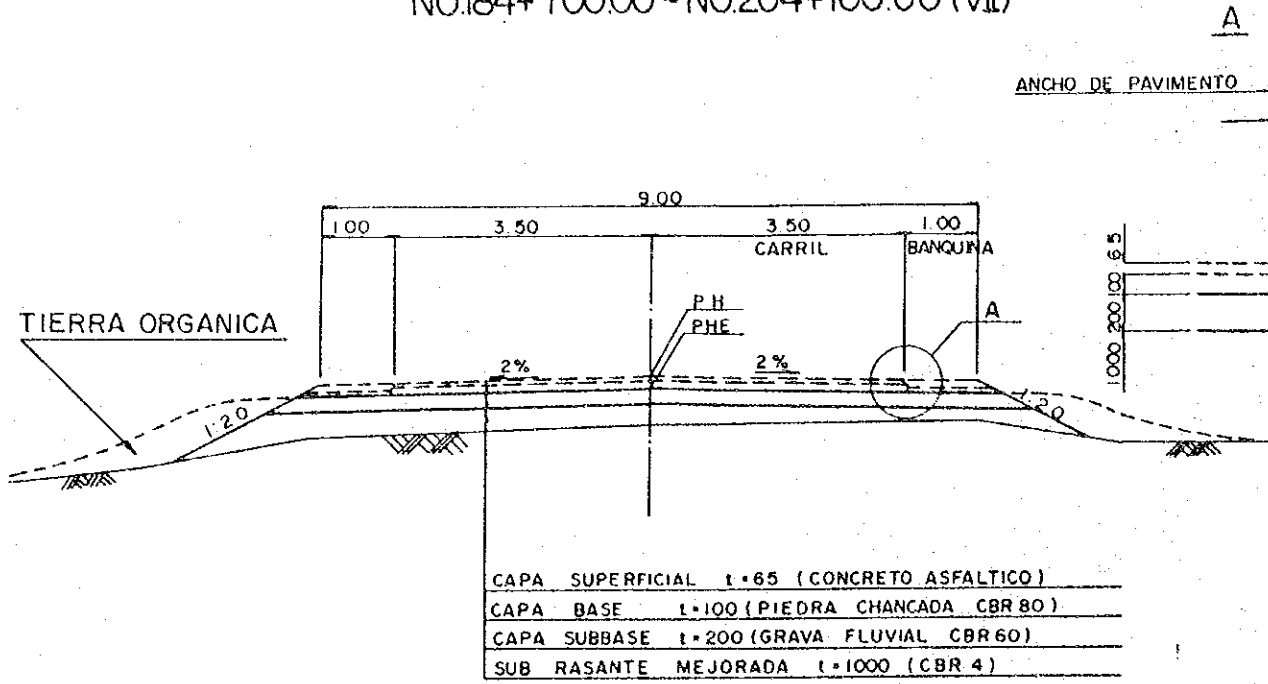
NO.50+100.00 ~ NO.85+400.00 (IV)



SECCION TRANSVERSAL TIPICA S = 1:50 UNIT mm,m

NO.85+40000~NO.156+100.00 (V)
NO.184+100.00~NO.204+100.00 (VII)

NO.156+100.00~NO.184+100.00 (VI)
NO.204+100.00~NO.221+934.669 (VIII)



CAPA SUPERFICIAL	t=65	(CONCRETO ASFALTICO)
CAPA BASE	t=100	(PIEDRA CHANCADA CBR 80)
CAPA SUBBASE	t=200	(GRAVA FLUVIAL CBR 60)
SUB RASANTE MEJORADA	t=1000	(CBR 4)

CAPA SUPERFICIAL	t=60	(CONCRETO ASFALTICO)
CAPA BASE	t=100	(PIEDRA CHANCADA CBR 80)
CAPA SUBBASE	t=200	(GRAVA FLUVIAL CBR 60)
SUB RASANTE MEJORADA	t=1000	(CBR 5)

CORTE ESCALONADA:

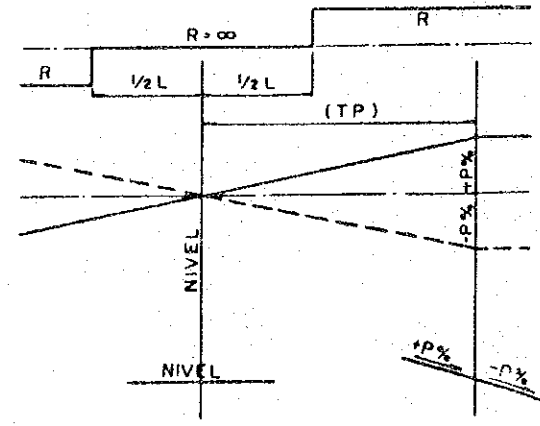
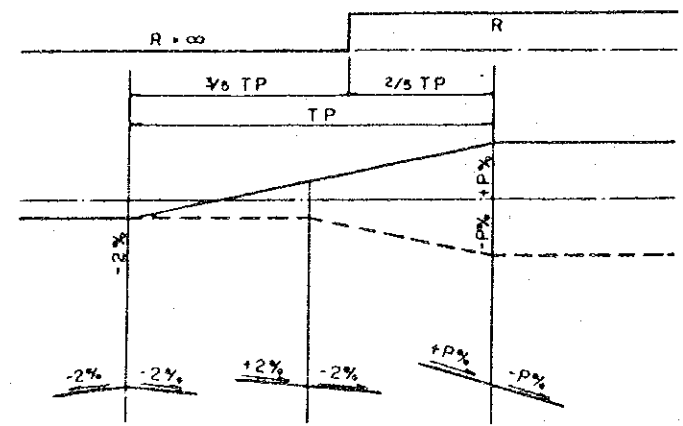
- o SE REALIZA CUANDO LA PENDIENTE DE TERRENO NATURAL ES SUPERIOR A 1:05
- o a ≥ 100 cm, b ≥ 50 cm.

ANCHO DE 1ra FASE

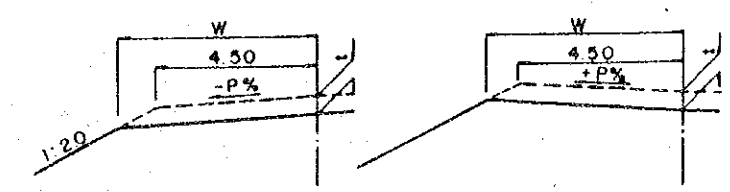
DETALLE DE CONEXION CON ENTRADAS DE PROPIEDADES PRIVADAS

-2% ~ P%

NIVEL ~ P%



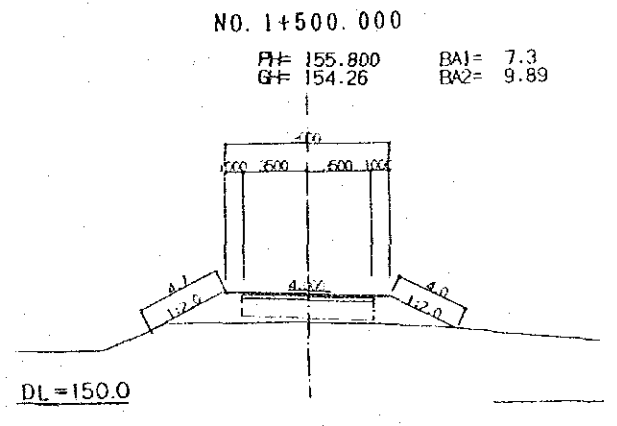
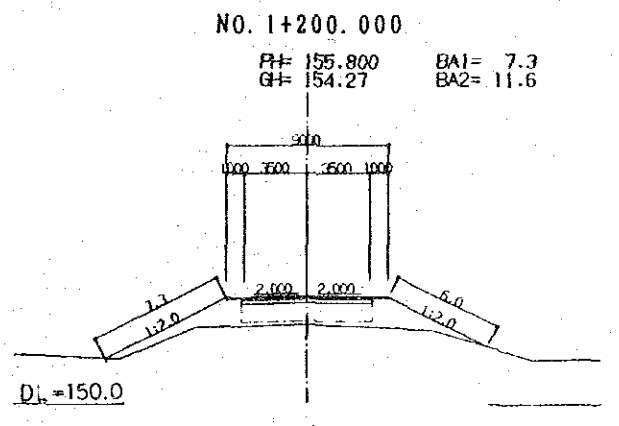
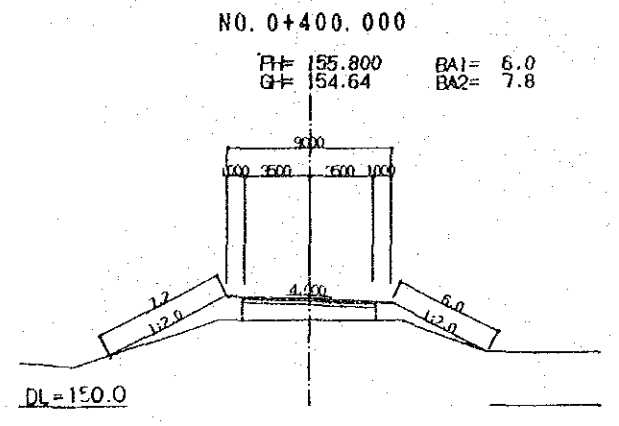
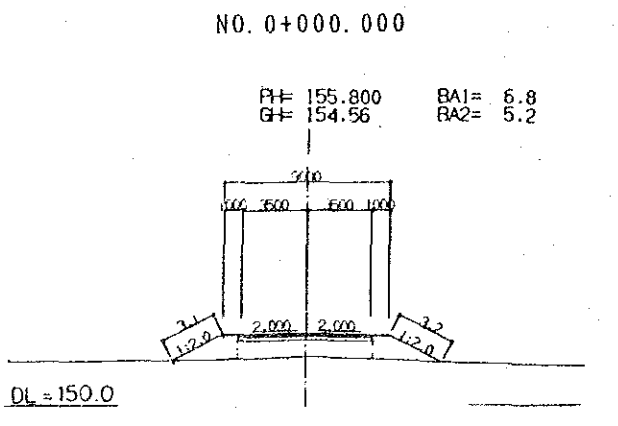
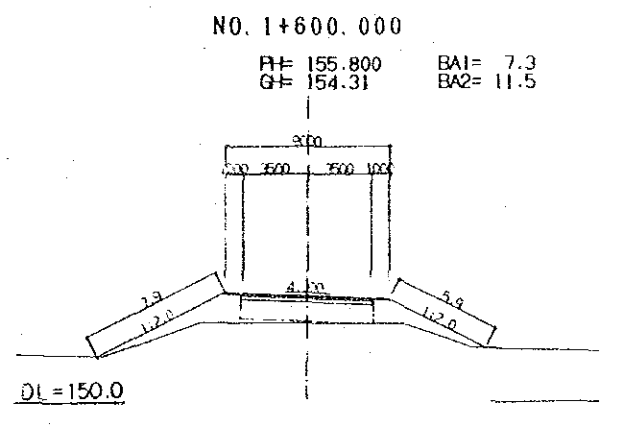
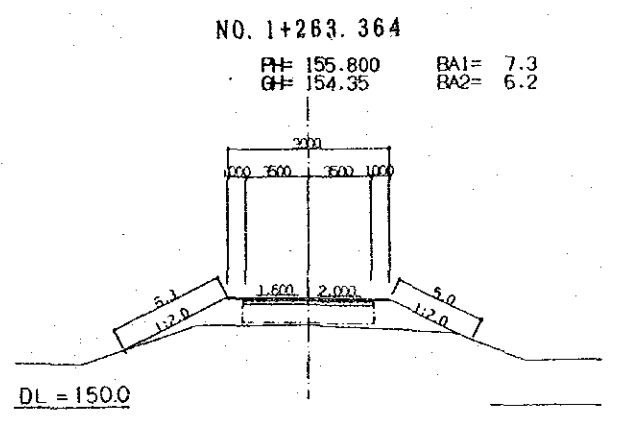
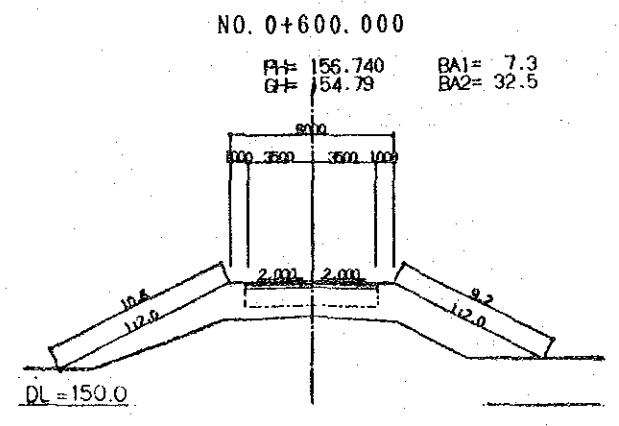
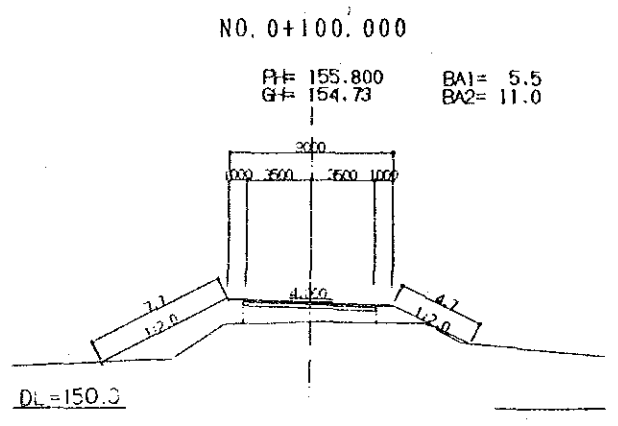
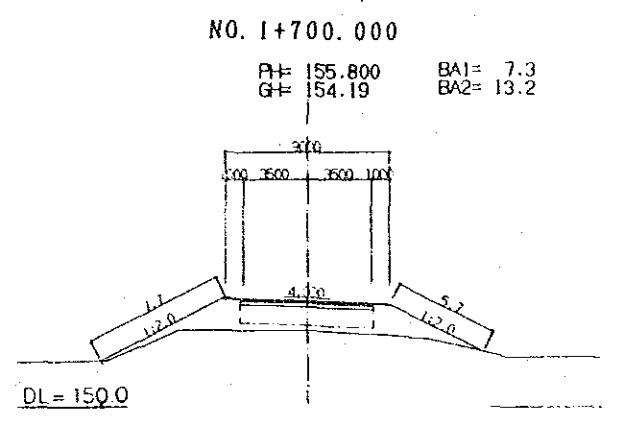
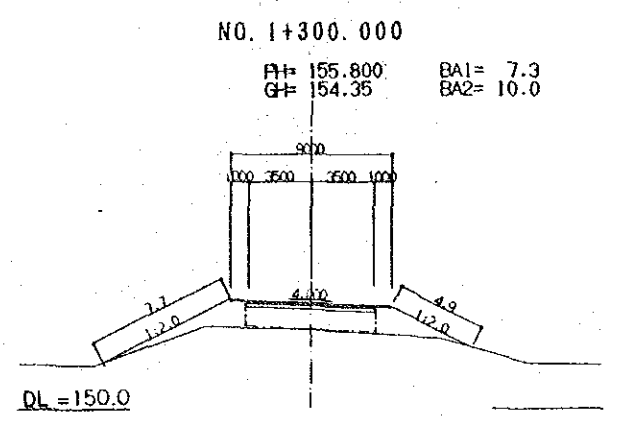
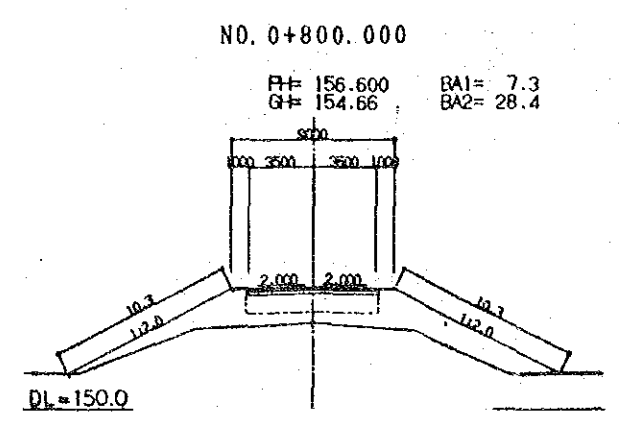
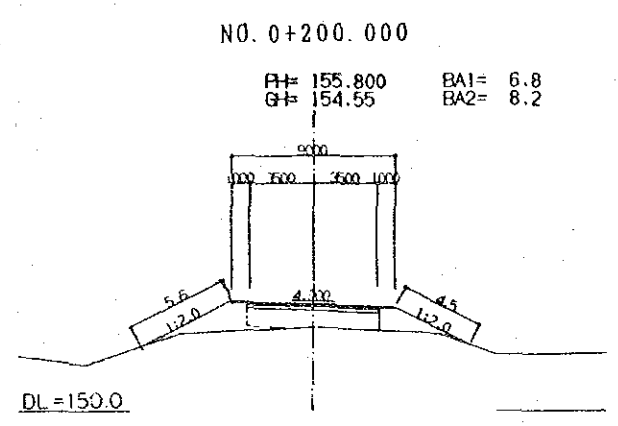
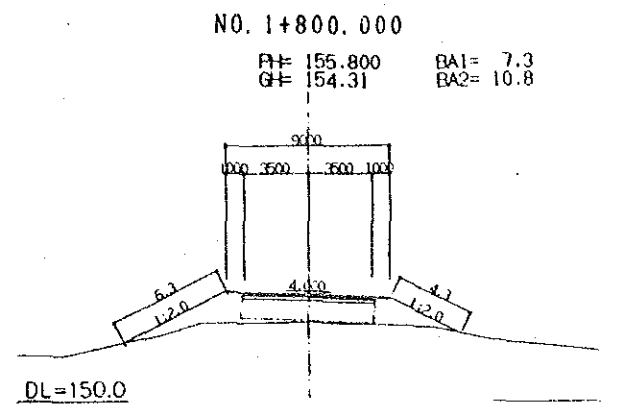
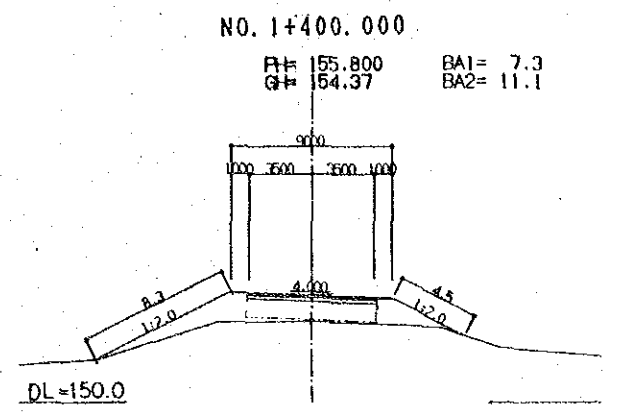
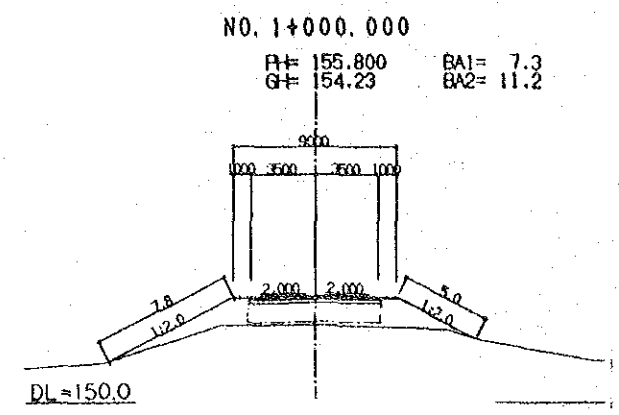
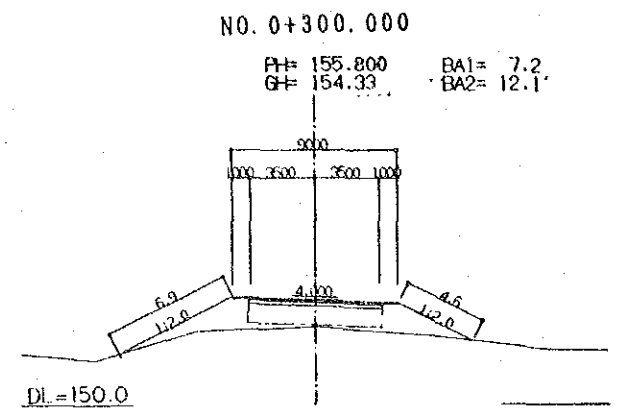
LEYENDA TP Longitud de transición del peralte
P Peralte de curva

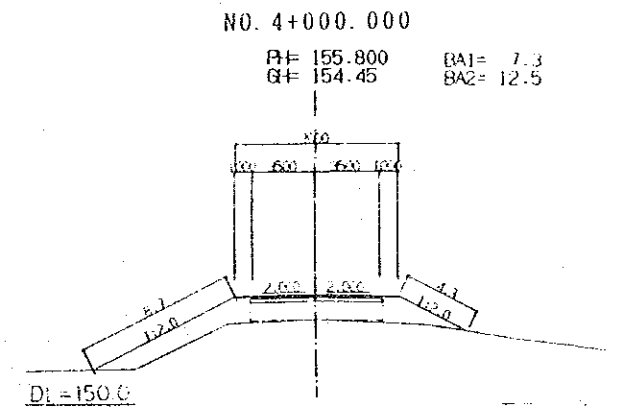
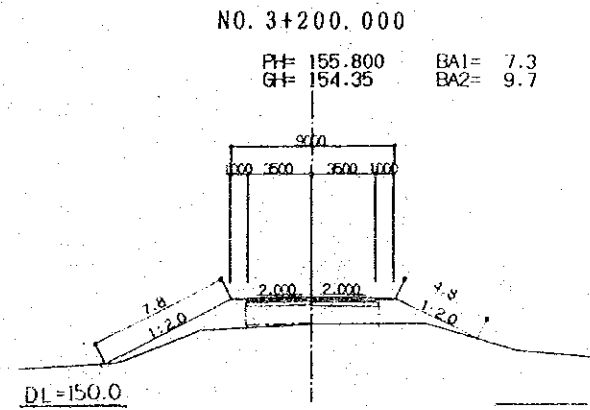
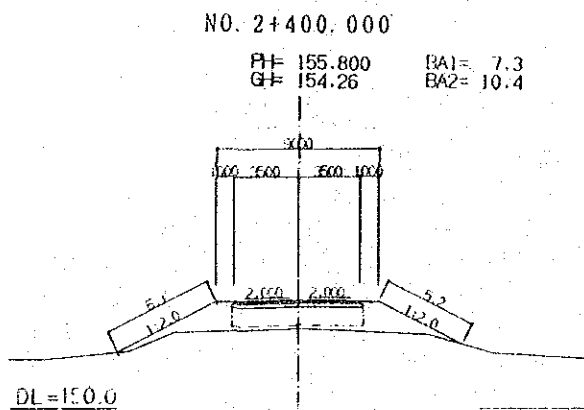
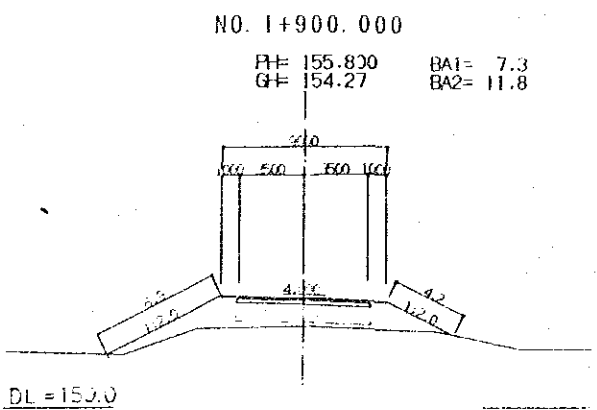
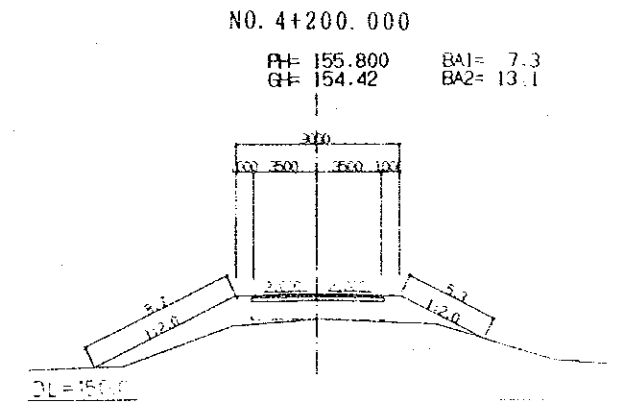
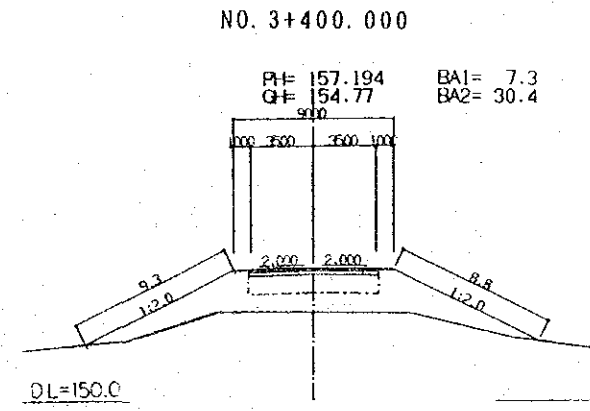
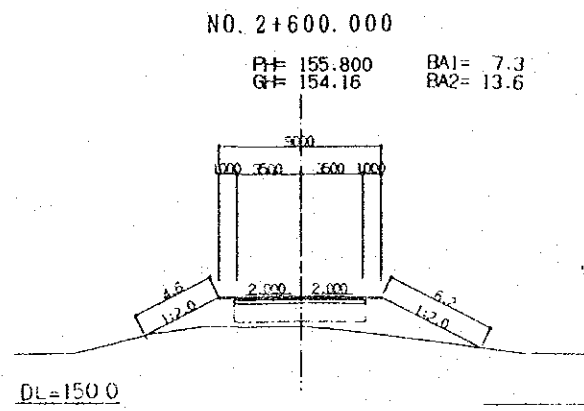
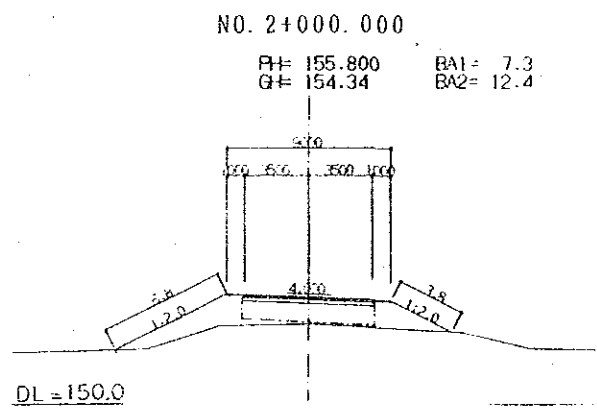
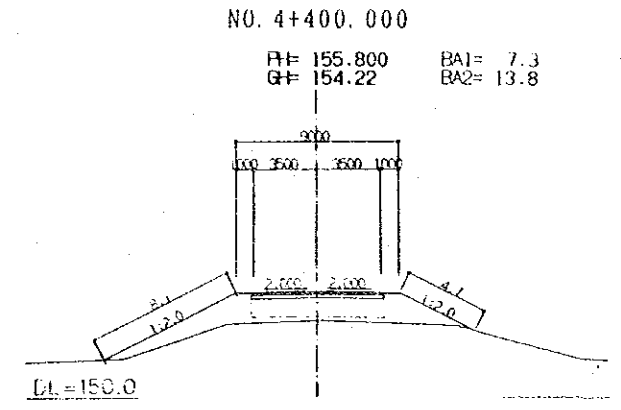
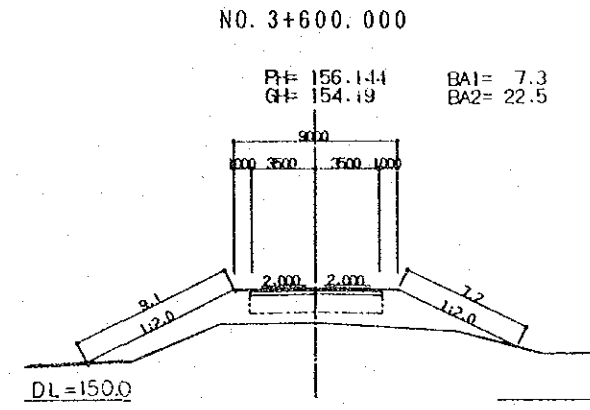
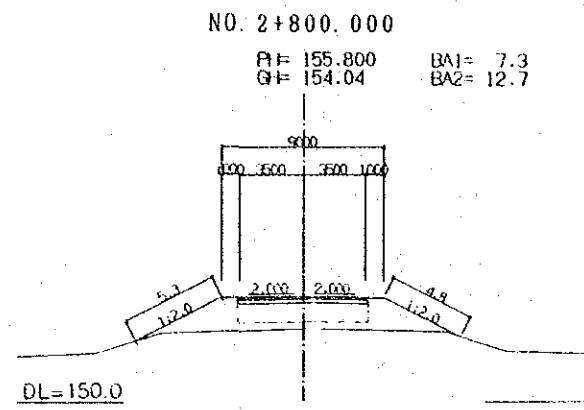
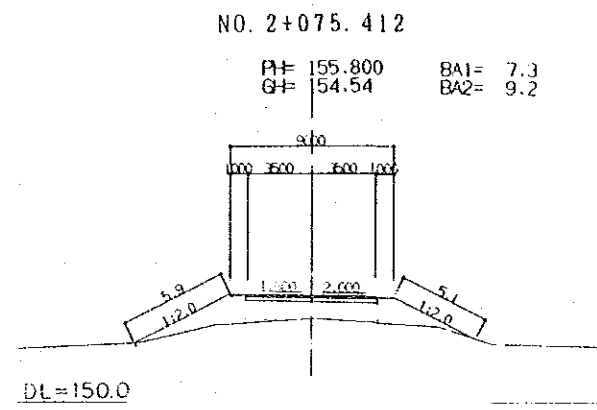
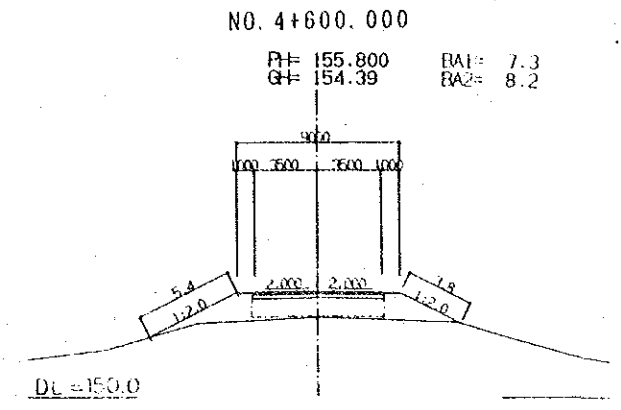
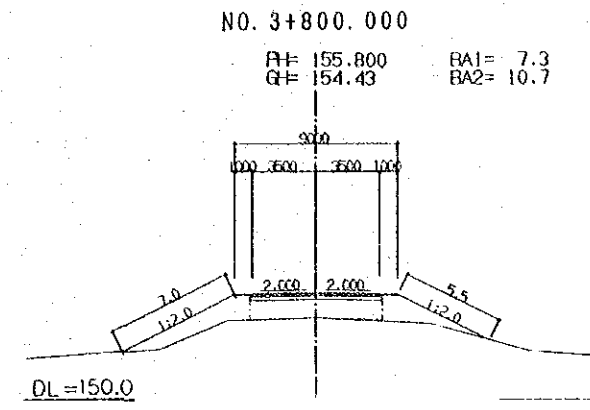
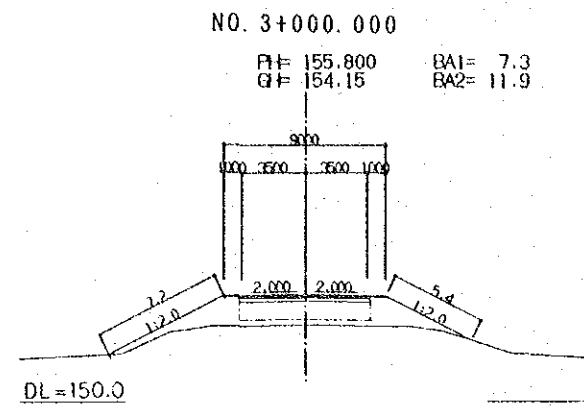
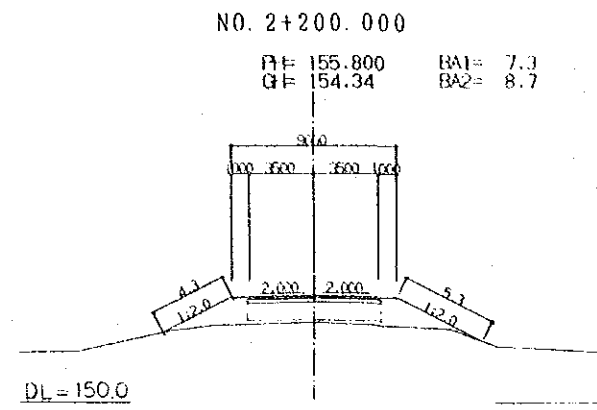


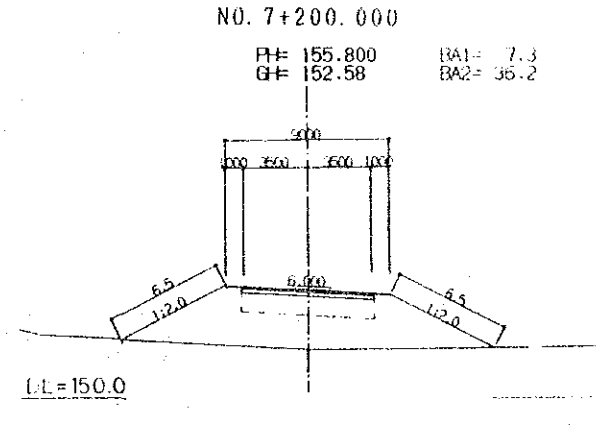
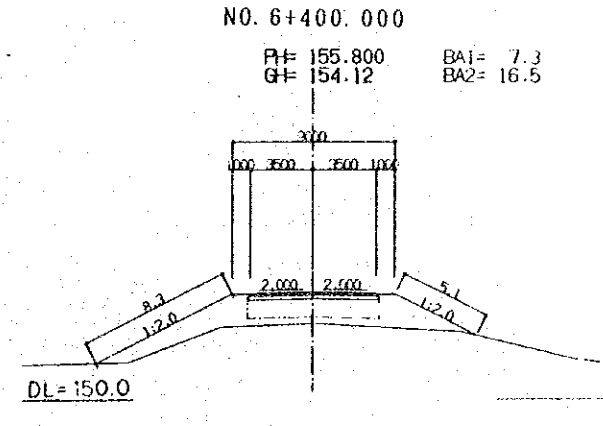
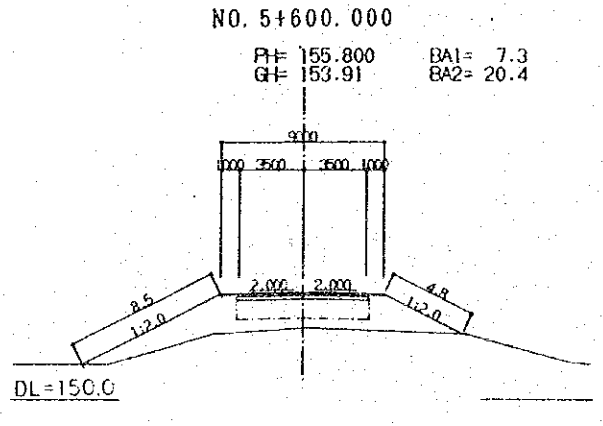
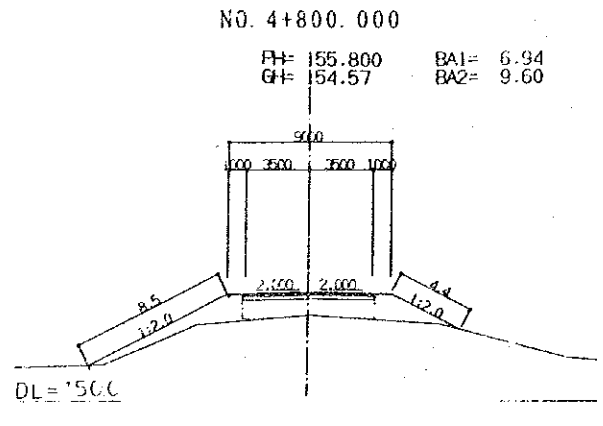
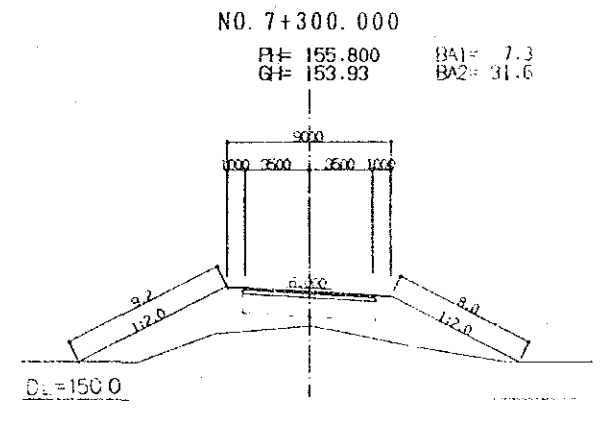
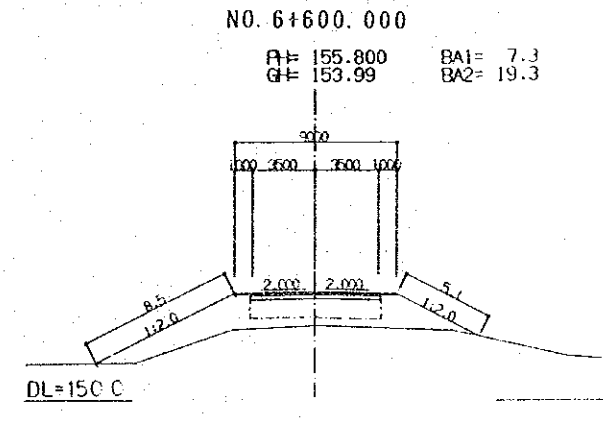
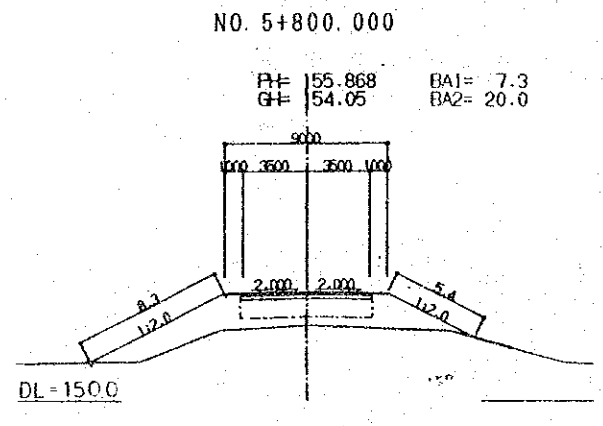
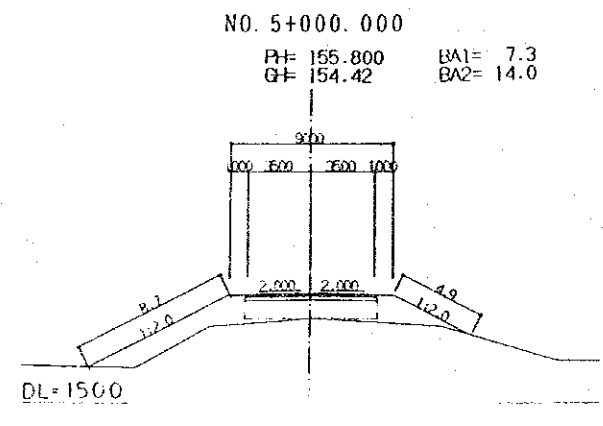
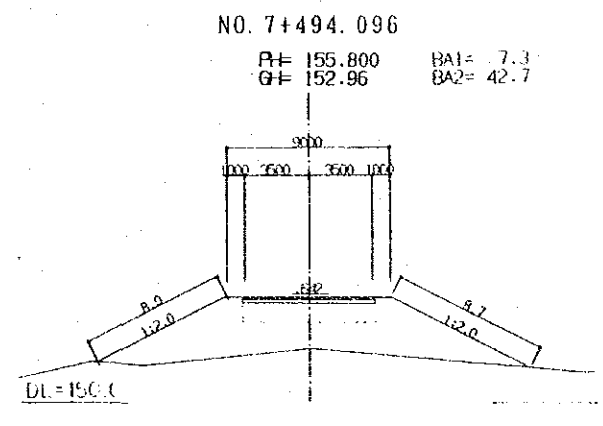
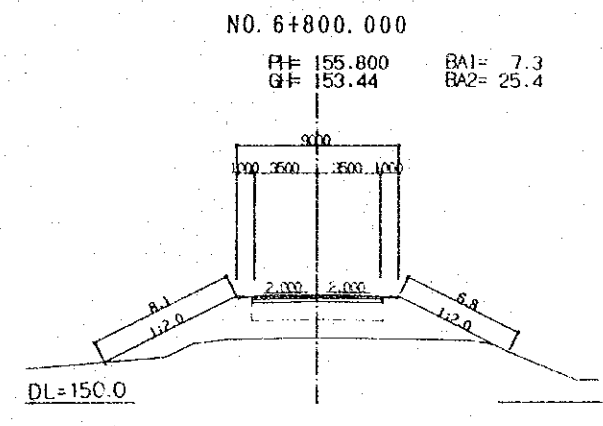
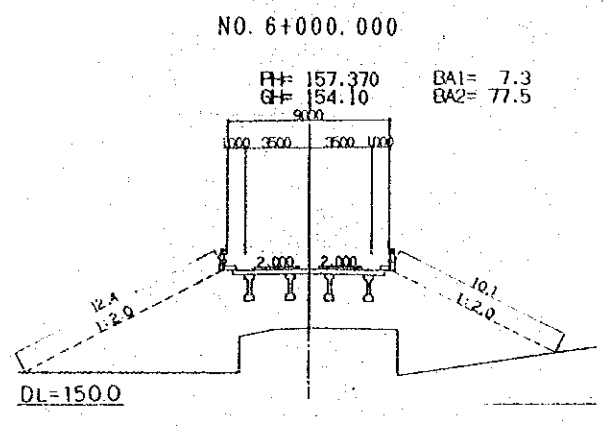
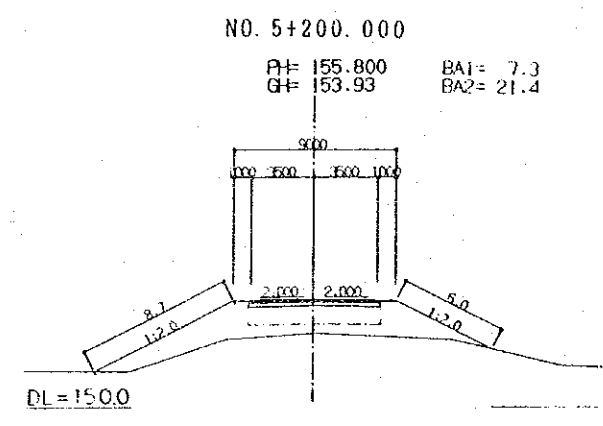
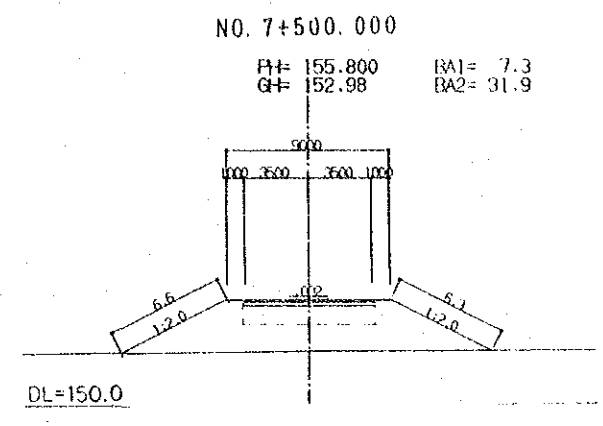
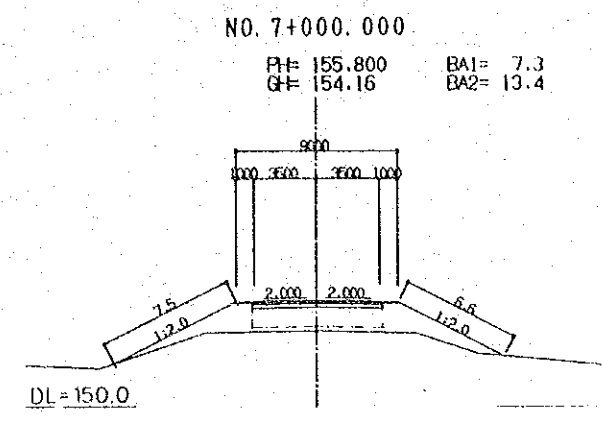
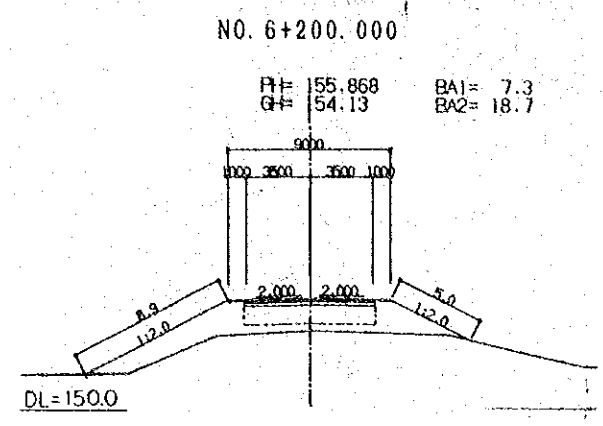
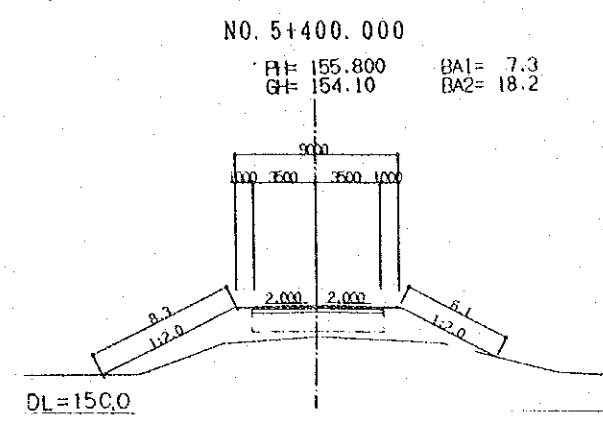
TRAMO DEL PROYECTO	ANCHO P %	W (m)												
		-6	-5	-4	-3	-2	-1	0	+1	+2	+3	+4	+5	+6
I	0.	4.50												
II	150.	4.84	4.83	4.83	4.82	4.81	4.81	4.80	4.80	4.79	4.78	4.78	4.77	4.77
III, IV, VI, VIII	160.	4.86	4.86	4.85	4.84	4.83	4.83	4.82	4.81	4.81	4.80	4.80	4.79	4.79
V, VII	165.	4.88	4.87	4.86	4.85	4.84	4.84	4.83	4.82	4.82	4.81	4.81	4.80	4.79

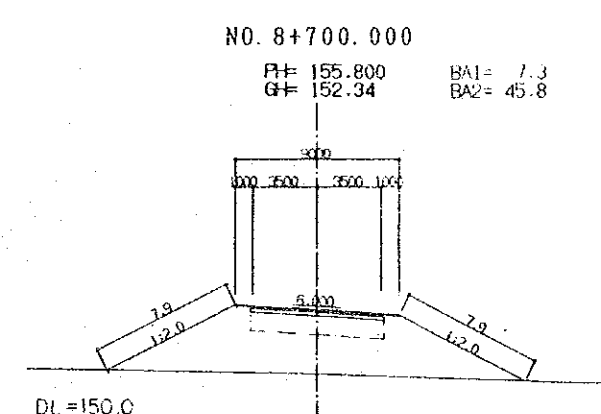
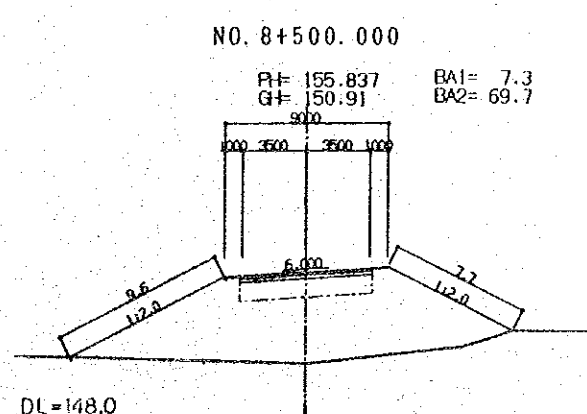
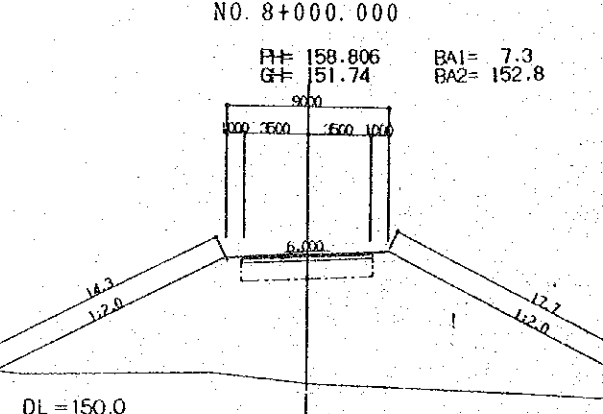
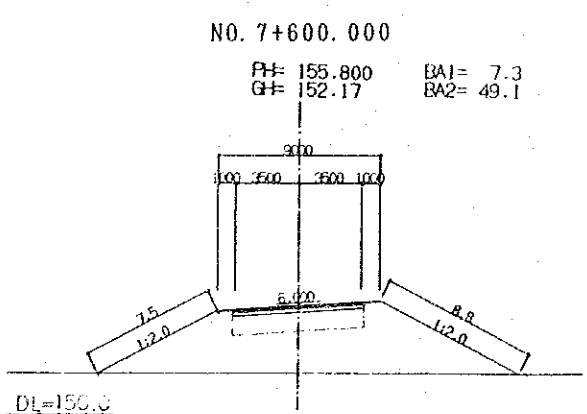
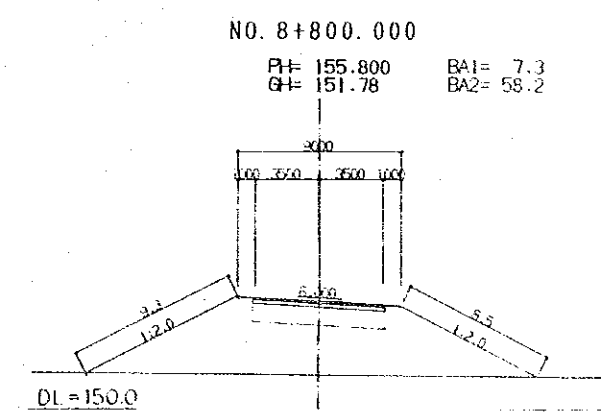
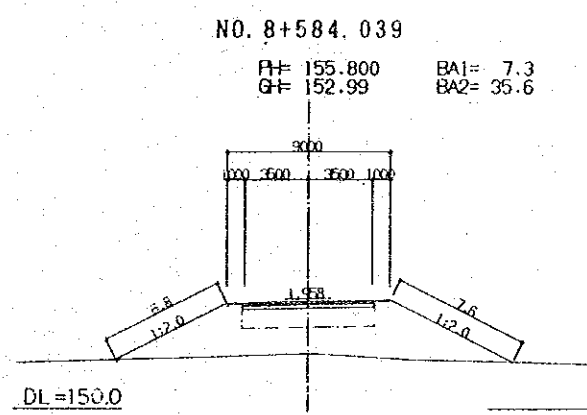
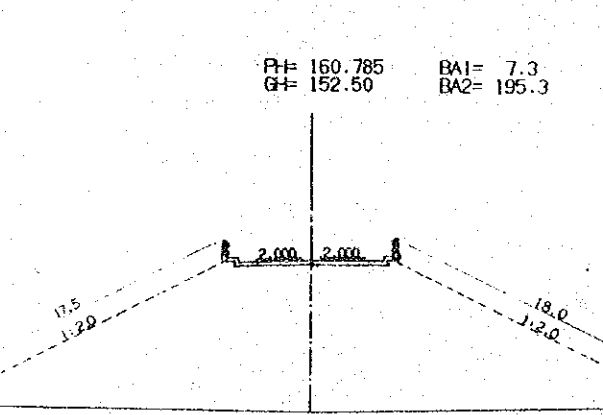
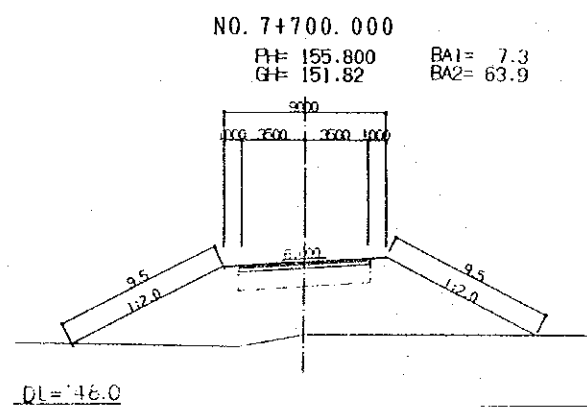
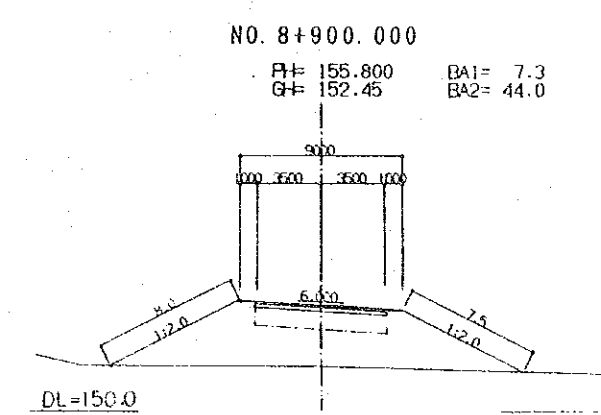
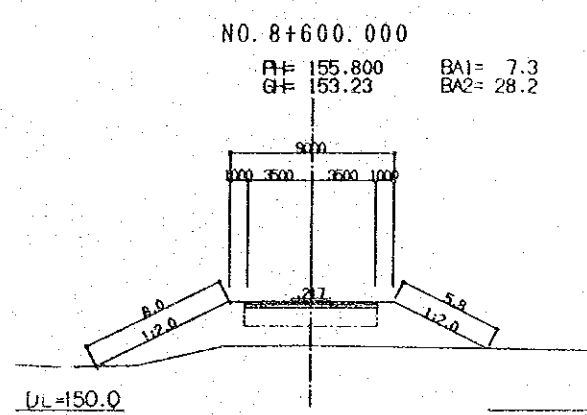
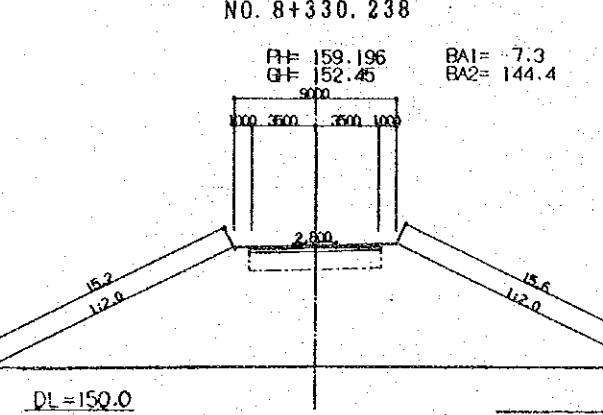
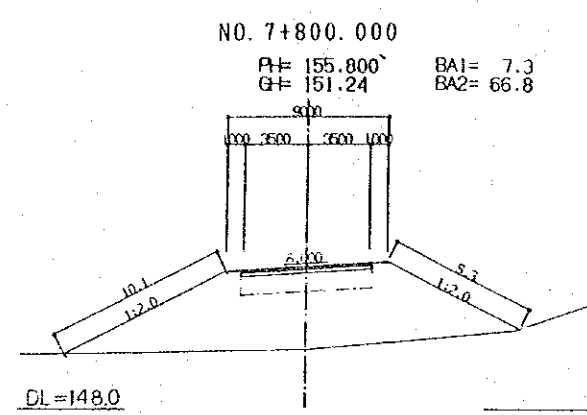
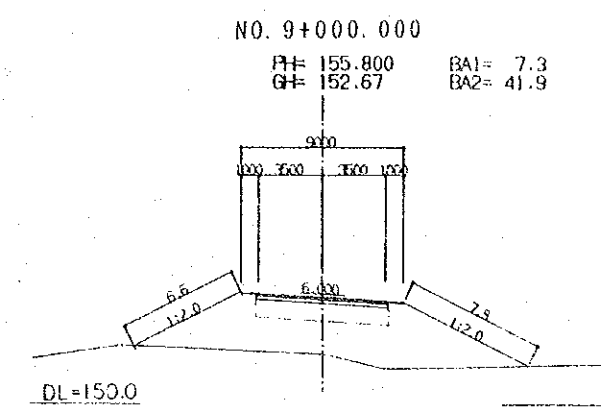
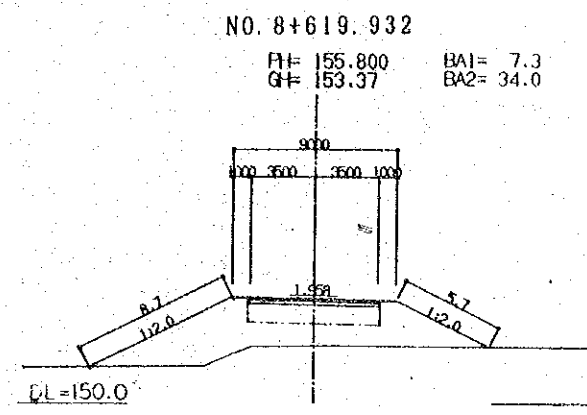
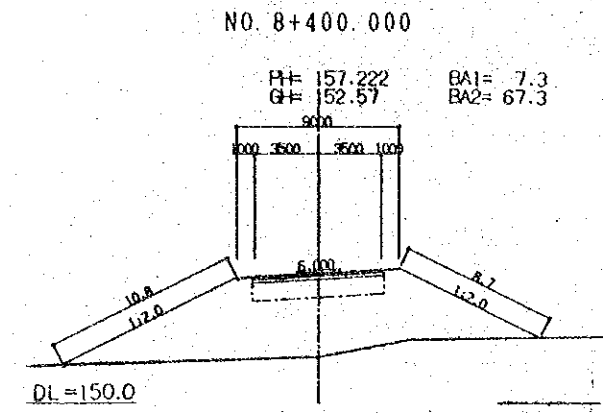
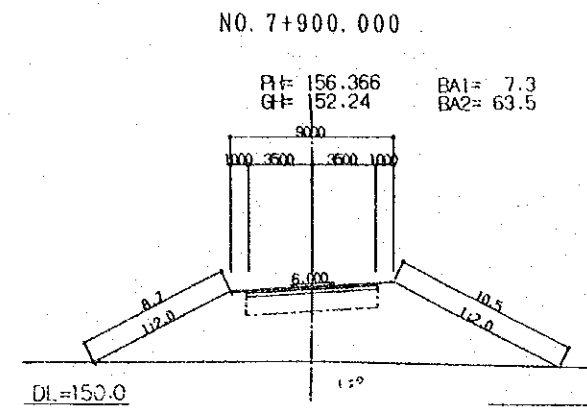
ABREVIACIONES

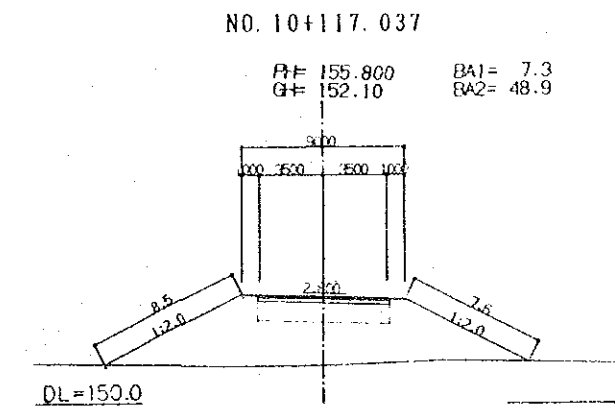
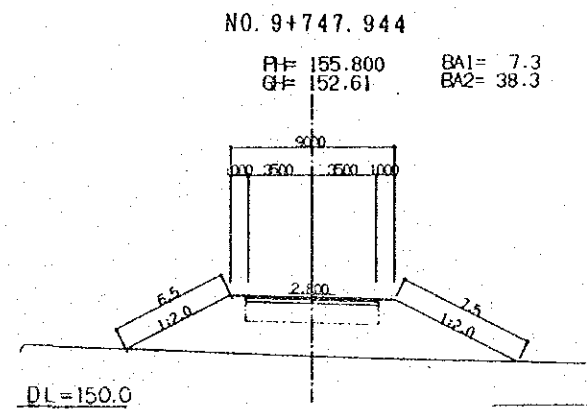
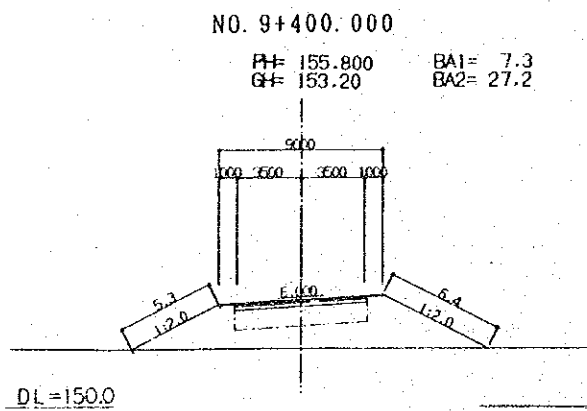
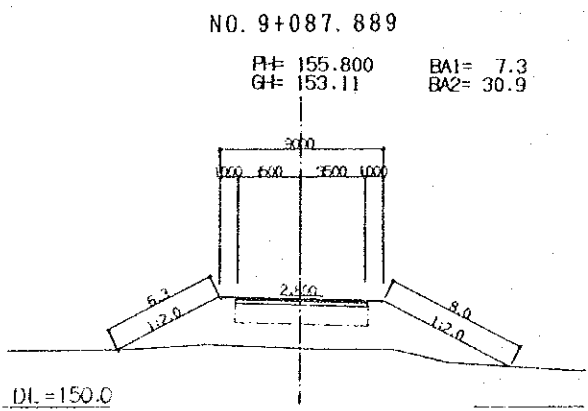
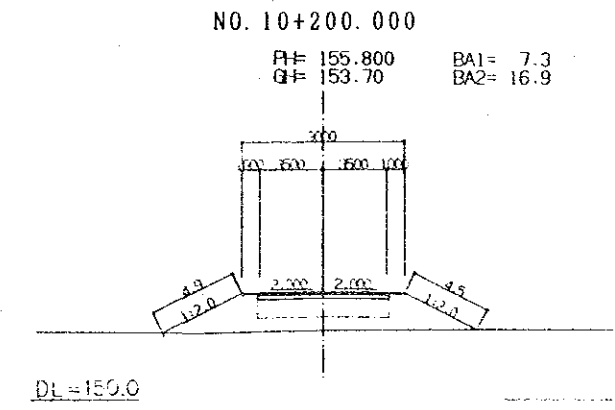
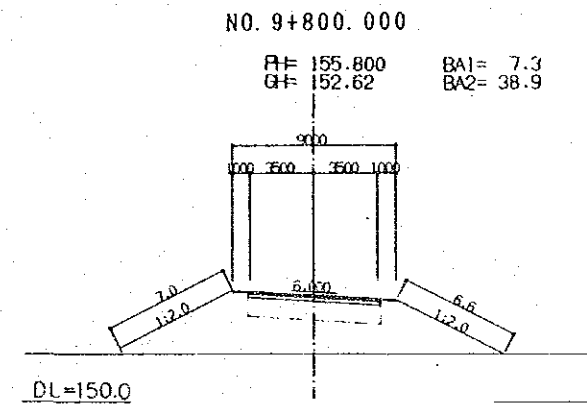
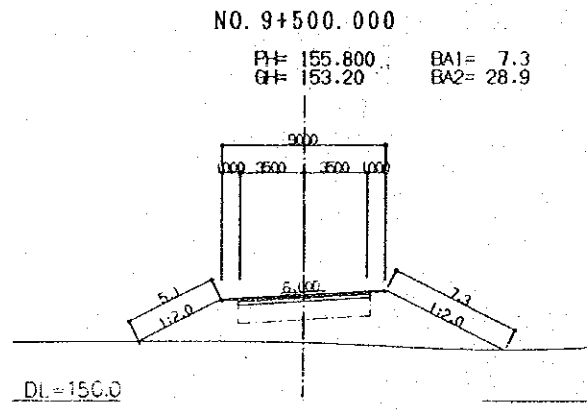
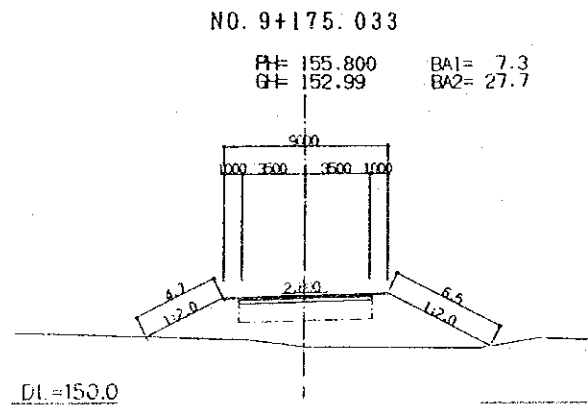
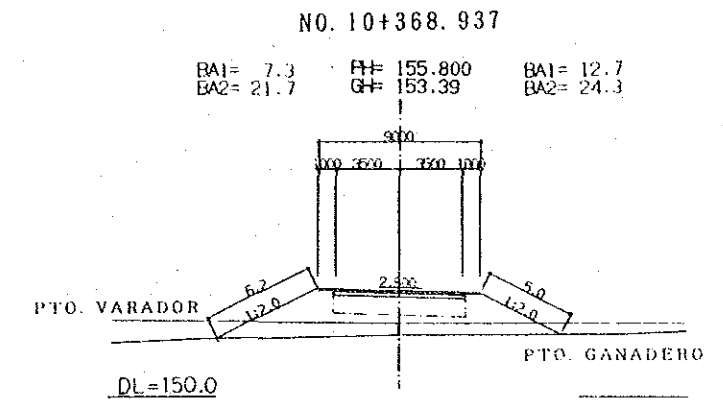
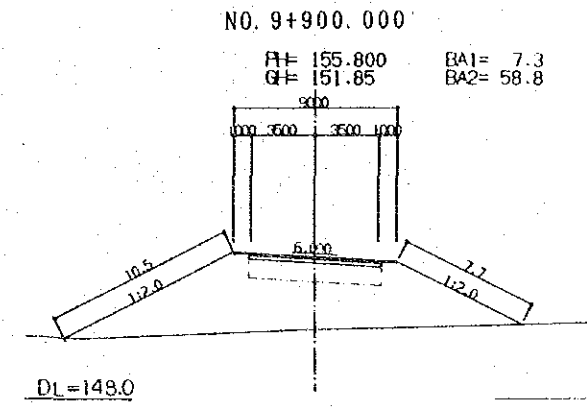
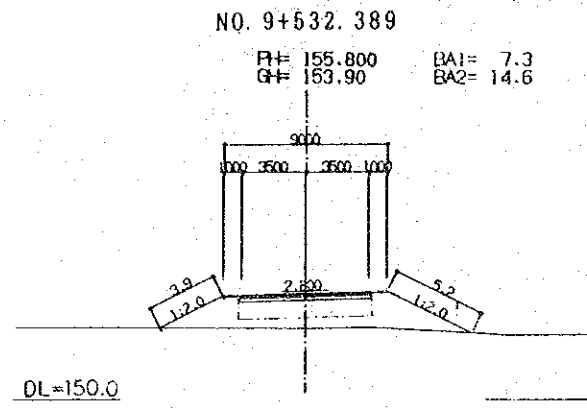
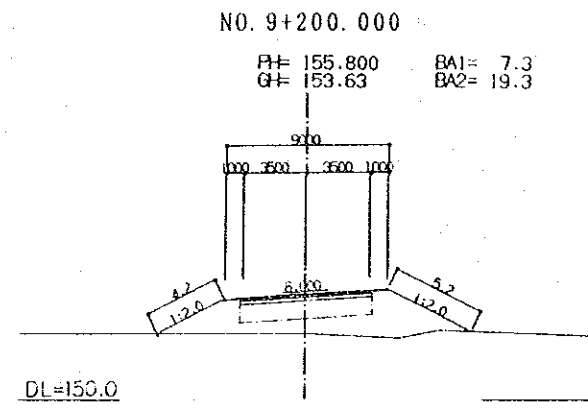
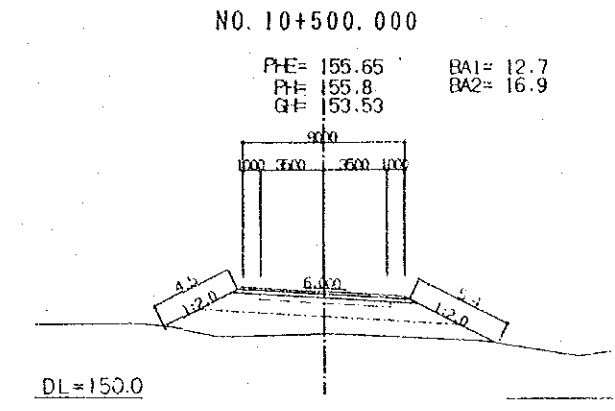
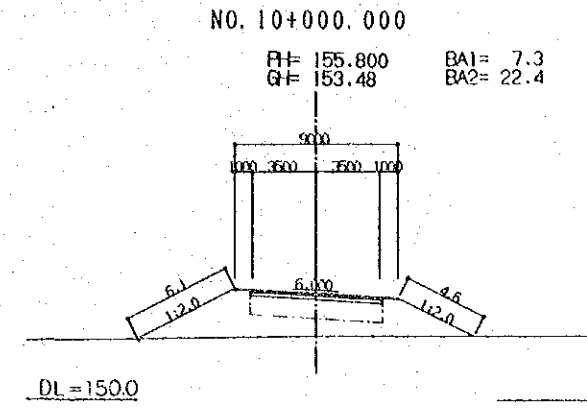
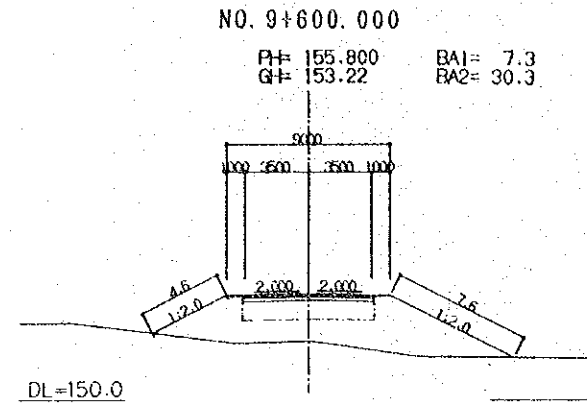
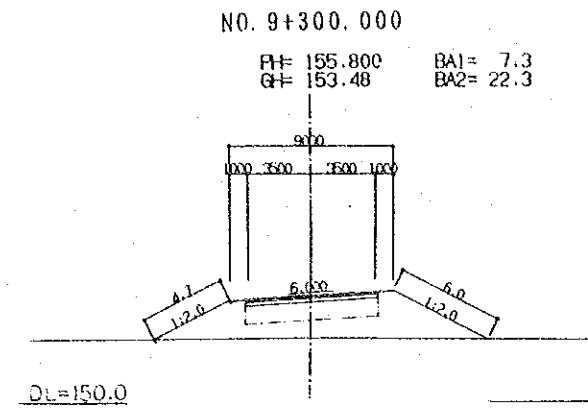
- PH : COTA DE RASANTE
- PHE : COTA DE SUBRASANTE
- GH : COTA DE TERRENO NATURAL
- BA1 : SUBRASANTE MEJORADA
- BA2 : CUERPO DE TERRAPLEN
- DL : COTA DE REFERENCIAS

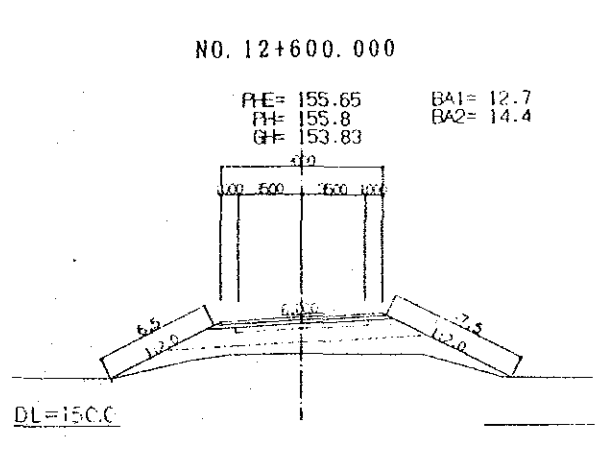
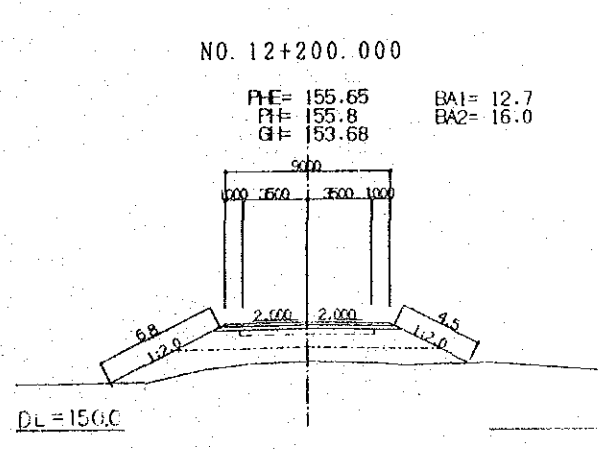
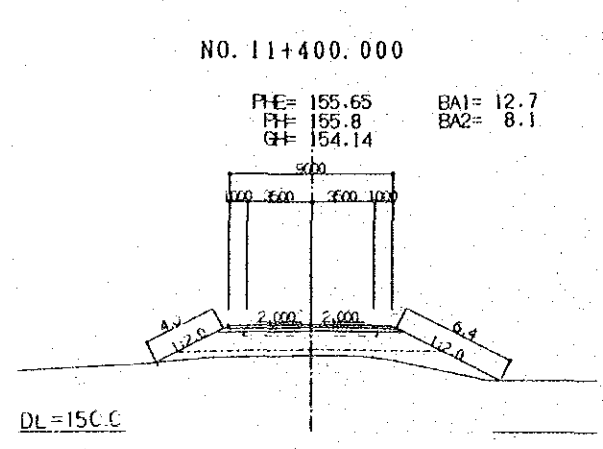
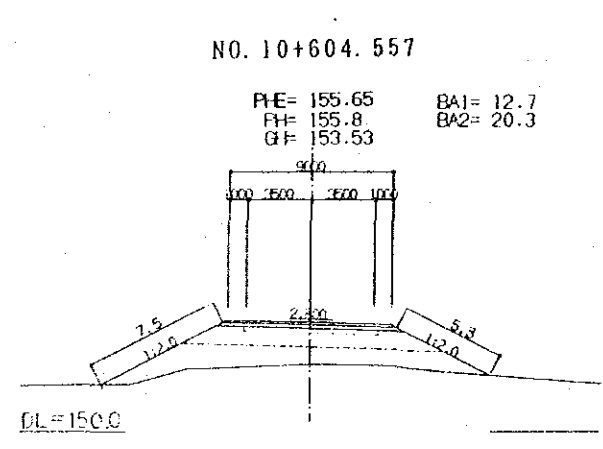
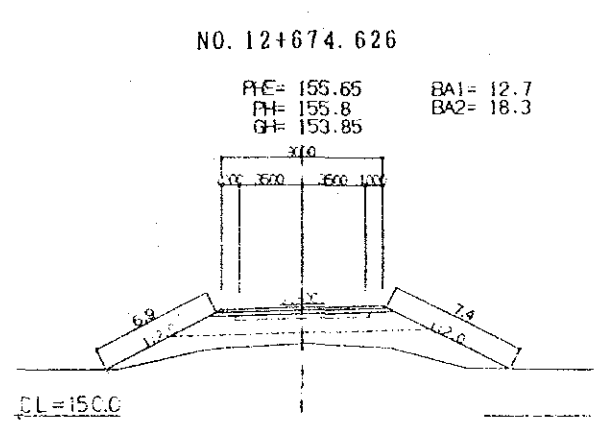
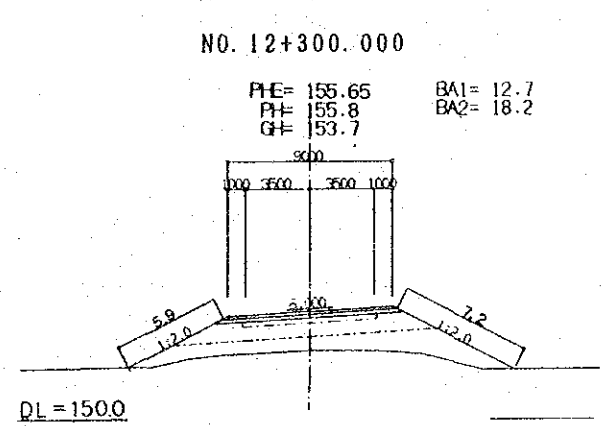
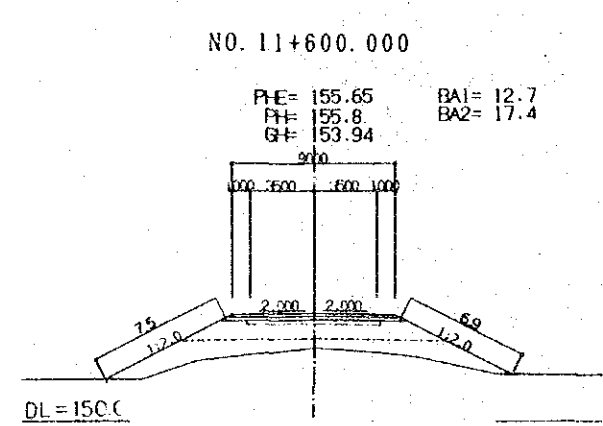
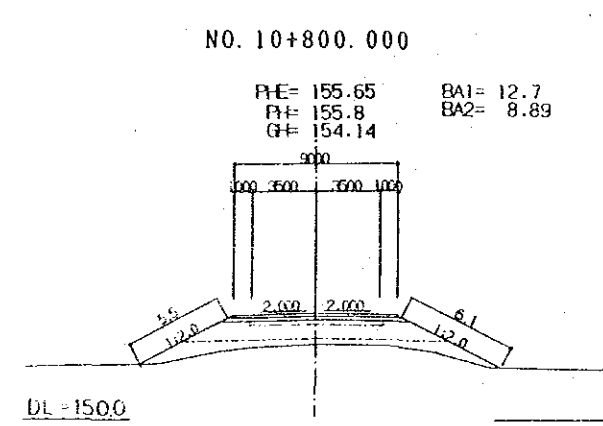
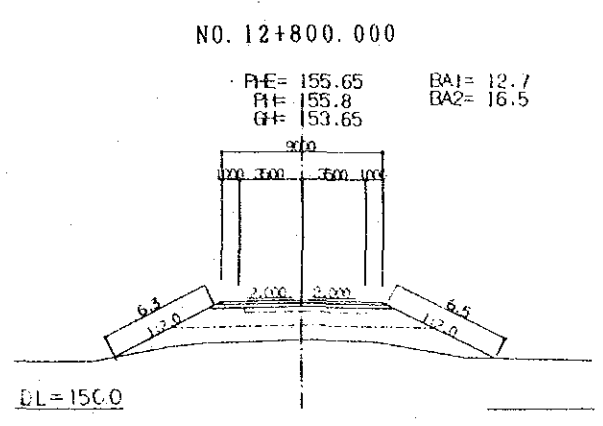
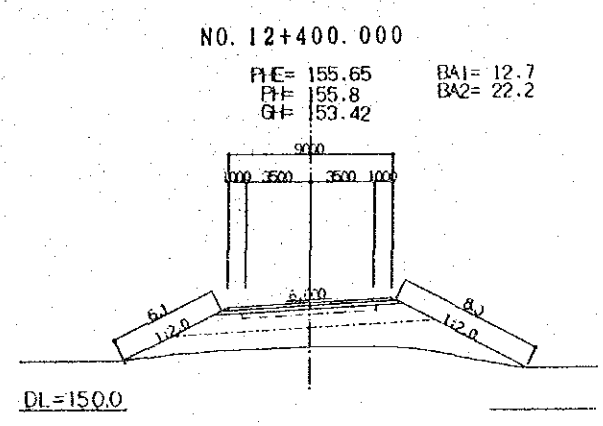
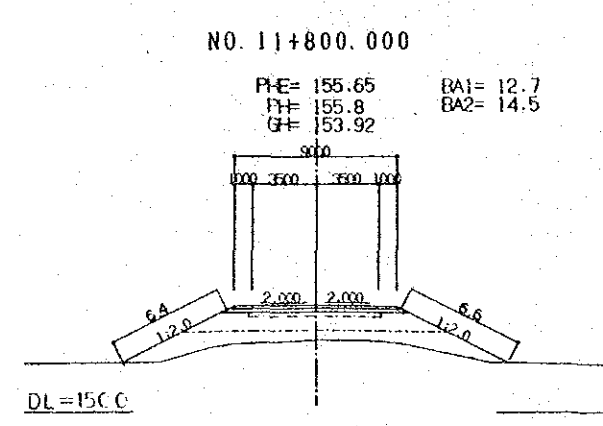
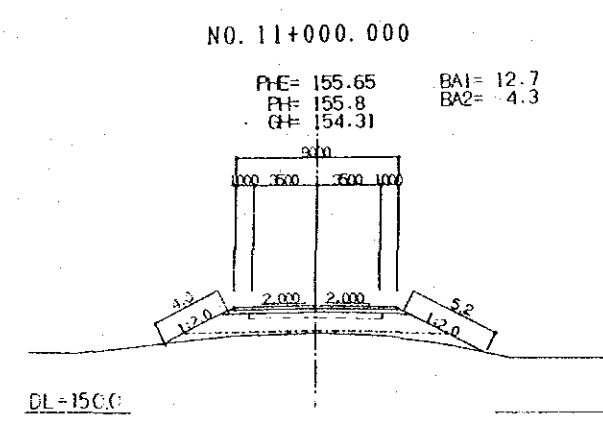
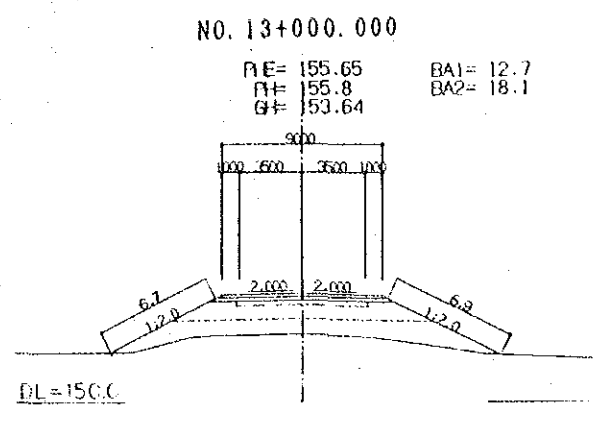
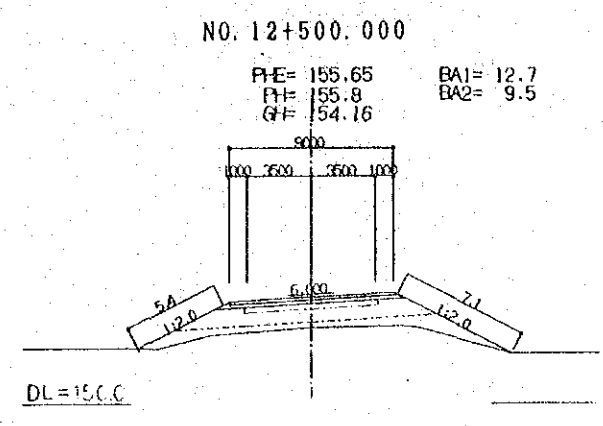
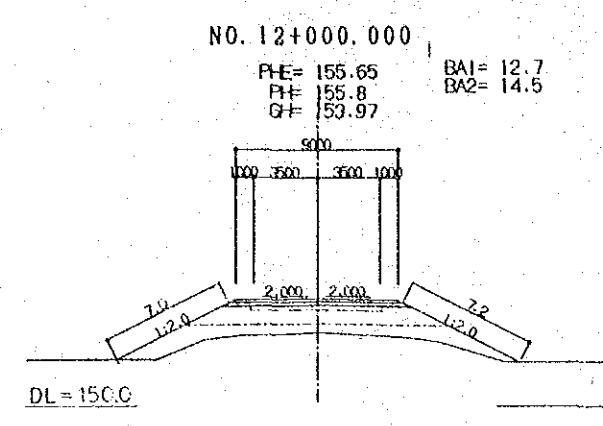
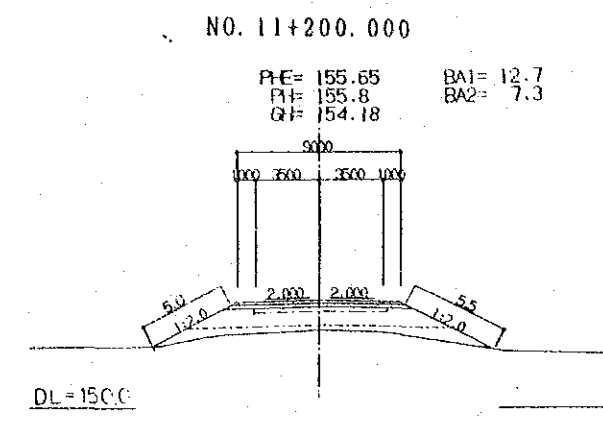






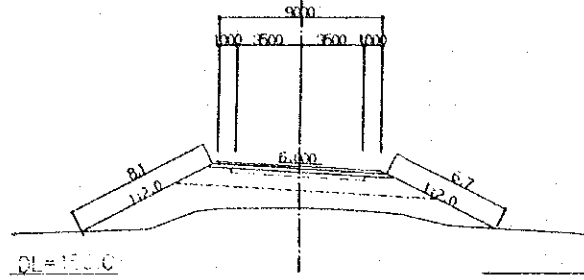






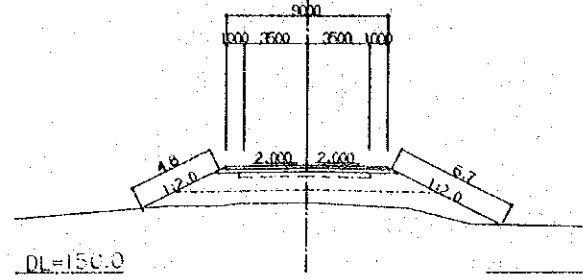
NO. 13+600.000

PIE= 155.65 BA1= 12.7
PI= 155.8 BA2= 24.3
GF= 153.51



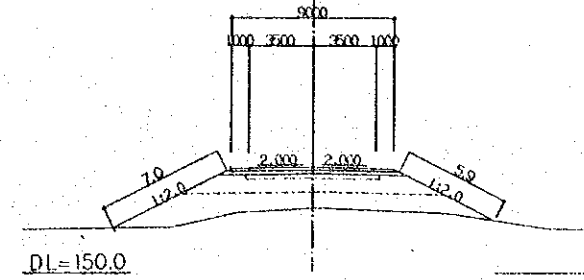
NO. 14+000.000

PIE= 155.65 BA1= 12.7
PI= 155.8 BA2= 14.5
GF= 153.75



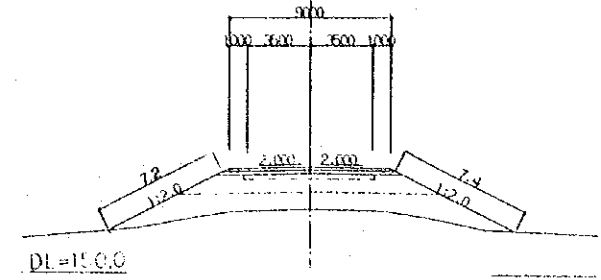
NO. 14+800.000

PIE= 155.65 BA1= 12.7
PI= 155.8 BA2= 19.6
GF= 153.58



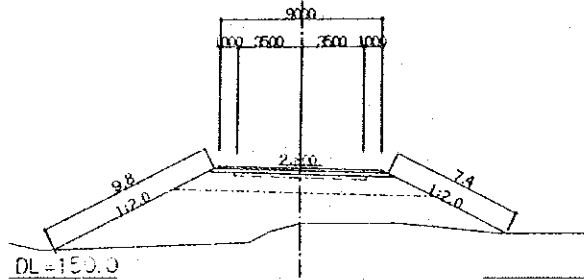
NO. 15+600.000

PIE= 155.65 BA1= 12.7
PI= 155.8 BA2= 21.3
GF= 153.51



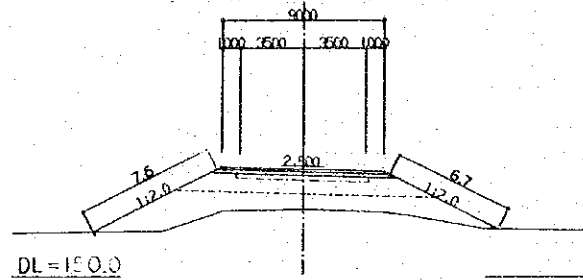
NO. 13+535.346

PIE= 155.65 BA1= 12.7
PI= 155.8 BA2= 42.8
GF= 152.82



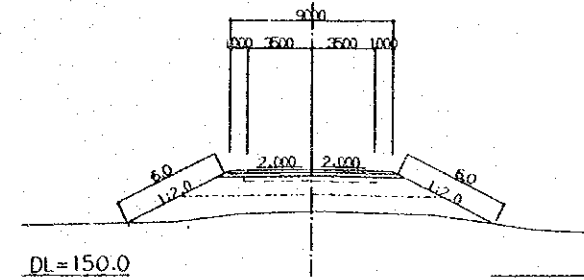
NO. 13+915.328

PIE= 155.65 BA1= 12.7
PI= 155.8 BA2= 21.7
GF= 153.63



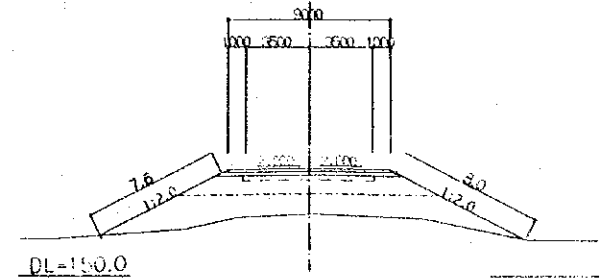
NO. 14+600.000

PIE= 155.65 BA1= 12.7
PI= 155.8 BA2= 17.6
GF= 153.54



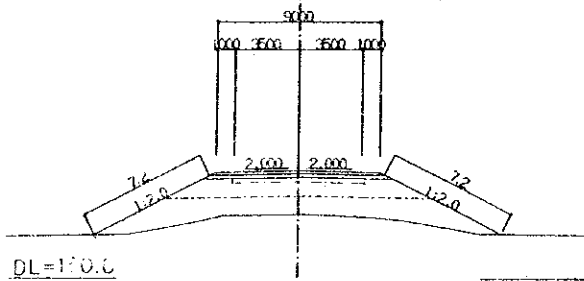
NO. 15+400.000

PIE= 155.65 BA1= 12.7
PI= 155.8 BA2= 25.5
GF= 153.35



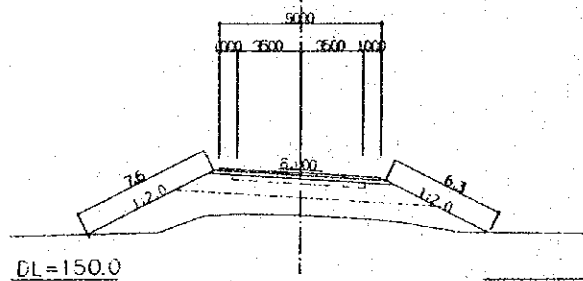
NO. 13+400.000

PIE= 155.65 BA1= 12.7
PI= 155.8 BA2= 22.5
GF= 153.47



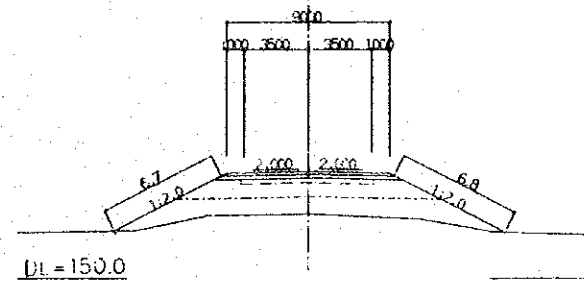
NO. 13+800.000

PIE= 155.65 BA1= 12.7
PI= 155.8 BA2= 22.9
GF= 153.5



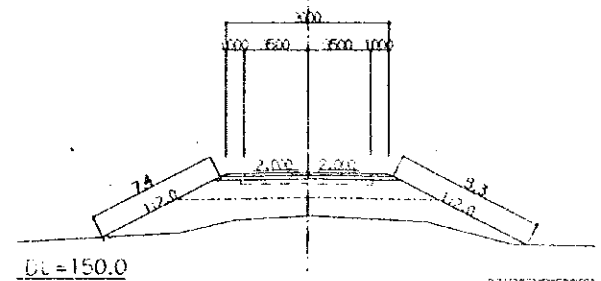
NO. 14+400.000

PIE= 155.65 BA1= 12.7
PI= 155.8 BA2= 19.1
GF= 153.52



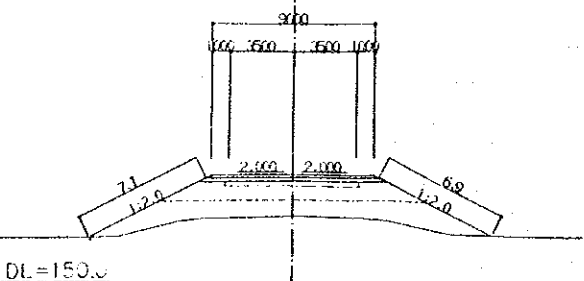
NO. 15+200.000

PIE= 155.65 BA1= 12.7
PI= 155.8 BA2= 24.5
GF= 153.46



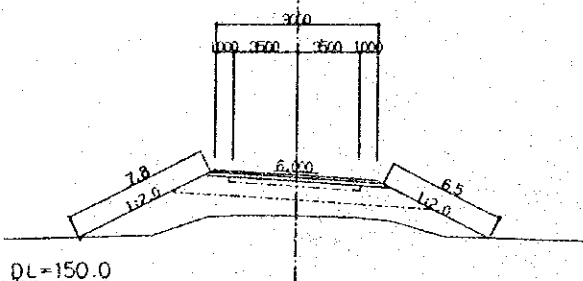
NO. 13+200.000

PIE= 155.65 BA1= 12.7
PI= 155.8 BA2= 20.3
GF= 153.57



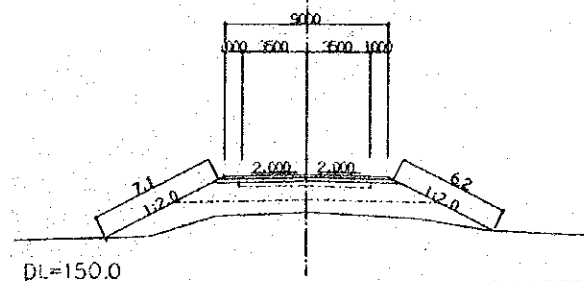
NO. 13+700.000

PIE= 155.65 BA1= 12.7
PI= 155.8 BA2= 22.4
GF= 153.61



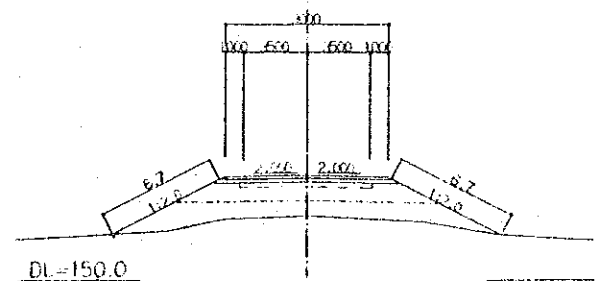
NO. 14+200.000

PIE= 155.65 BA1= 12.7
PI= 155.8 BA2= 16.7
GF= 153.78



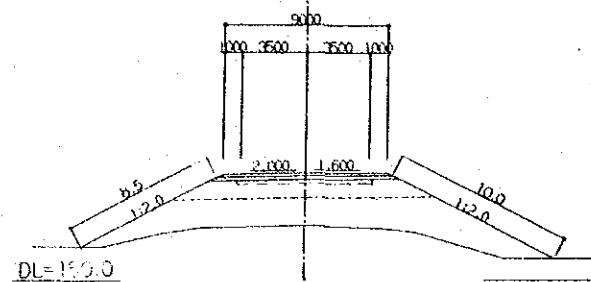
NO. 15+000.000

PIE= 155.65 BA1= 12.7
PI= 155.8 BA2= 18.6
GF= 153.61



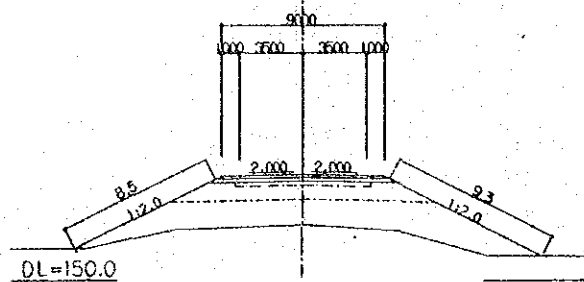
NO. 16+405.112

PIE= 155.65 BA1= 12.7
PI= 155.8 BA2= 37.7
GI= 152.93



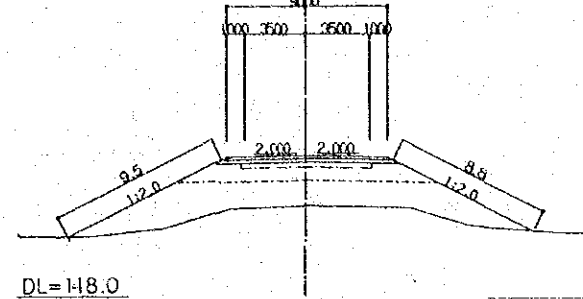
NO. 16+800.000

PIE= 155.65 BA1= 12.7
PI= 155.8 BA2= 33.9
GI= 153.05



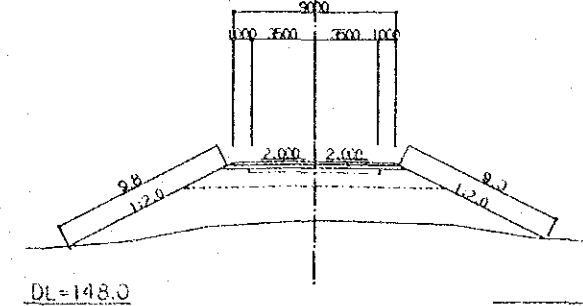
NO. 17+600.000

PIE= 155.65 BA1= 12.7
PI= 155.8 BA2= 35.3
GI= 153.05



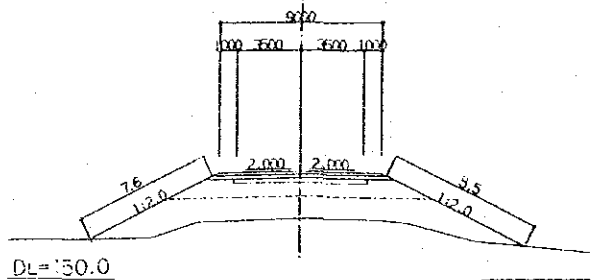
NO. 18+400.000

PIE= 155.65 BA1= 12.7
PI= 155.8 BA2= 42.4
GI= 152.56



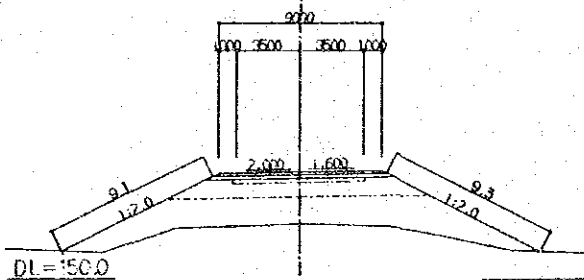
NO. 16+200.000

PIE= 155.65 BA1= 12.7
PI= 155.8 BA2= 27.7
GI= 153.26



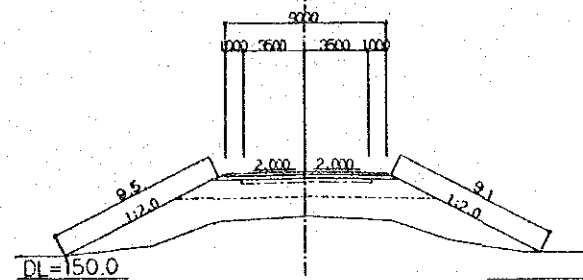
NO. 16+668.016

PIE= 155.65 BA1= 12.7
PI= 155.8 BA2= 36.2
GI= 152.99



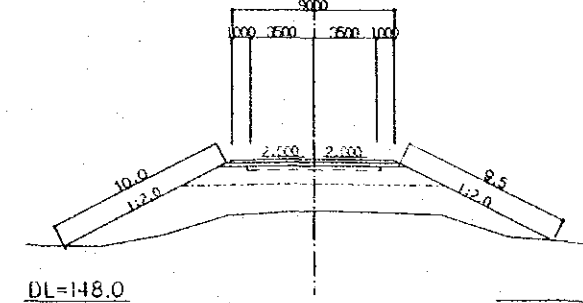
NO. 17+400.000

PIE= 155.65 BA1= 12.7
PI= 155.8 BA2= 40.7
GI= 153.4



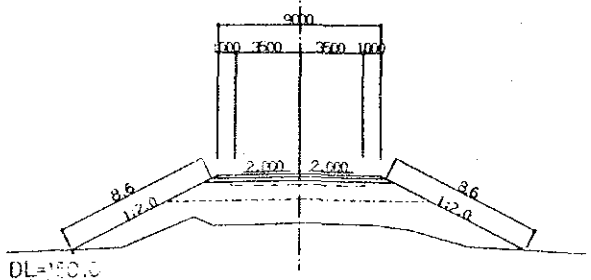
NO. 18+200.000

PIE= 155.65 BA1= 12.7
PI= 155.8 BA2= 38.0
GI= 152.99



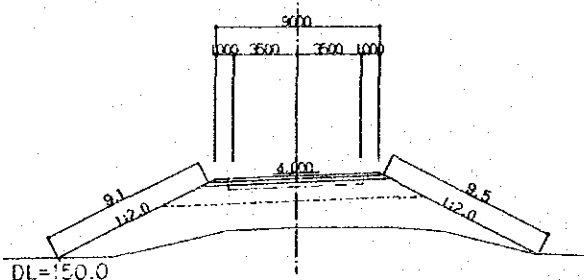
NO. 16+000.000

PIE= 155.65 BA1= 12.7
PI= 155.8 BA2= 29.9
GI= 153.14



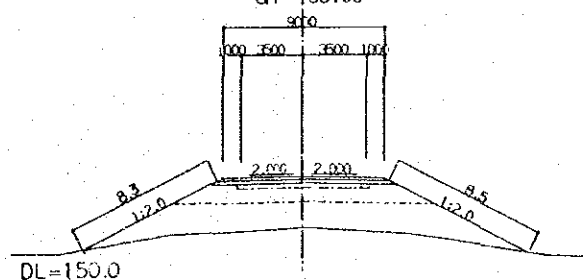
NO. 16+600.000

PIE= 155.65 BA1= 12.7
PI= 155.8 BA2= 35.3
GI= 153.01



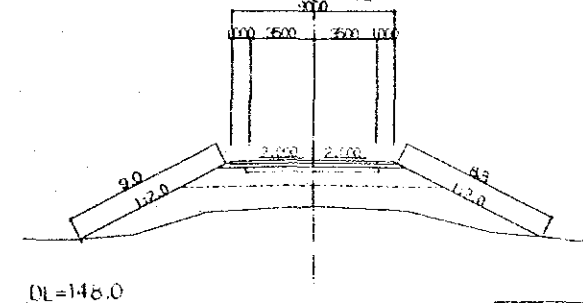
NO. 17+200.000

PIE= 155.65 BA1= 12.7
PI= 155.8 BA2= 31.1
GI= 153.05



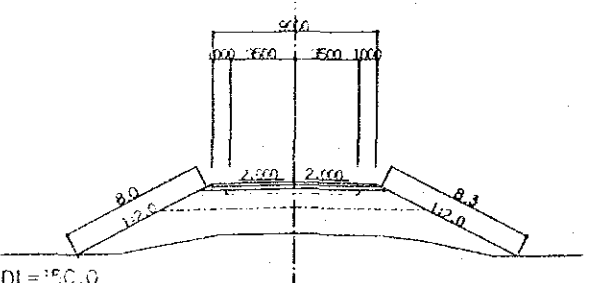
NO. 18+000.000

PIE= 155.65 BA1= 12.7
PI= 155.8 BA2= 29.9
GI= 153.32



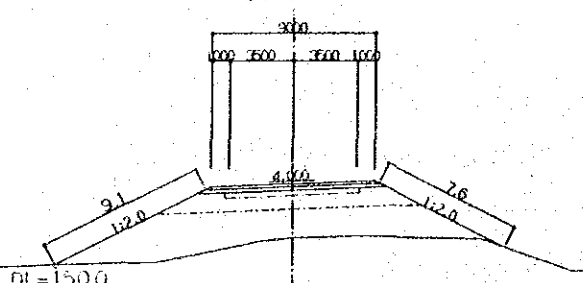
NO. 15+800.000

PIE= 155.65 BA1= 12.7
PI= 155.8 BA2= 30.8
GI= 153.06



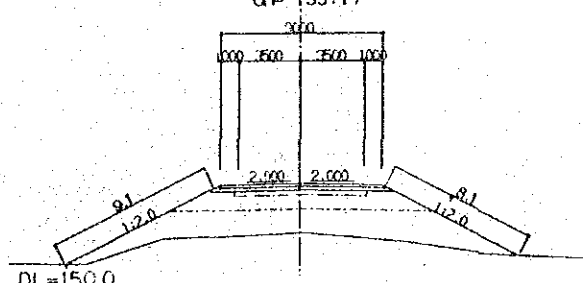
NO. 16+500.000

PIE= 155.65 BA1= 12.7
PI= 155.8 BA2= 36.6
GI= 152.91



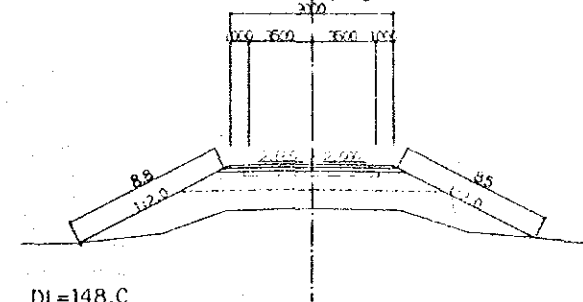
NO. 17+000.000

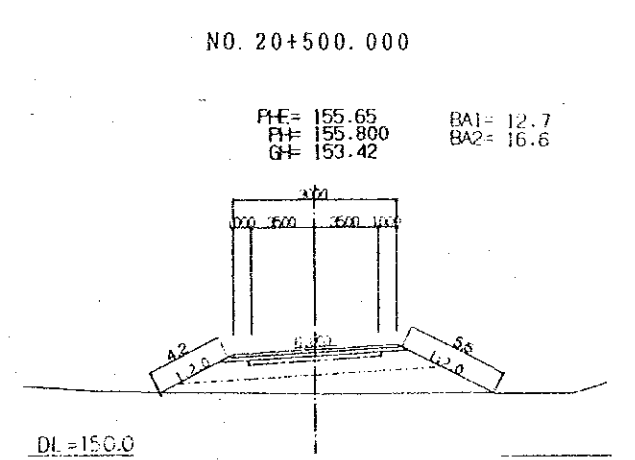
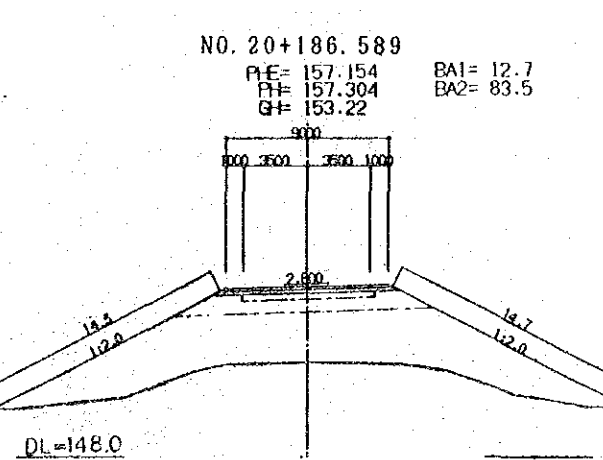
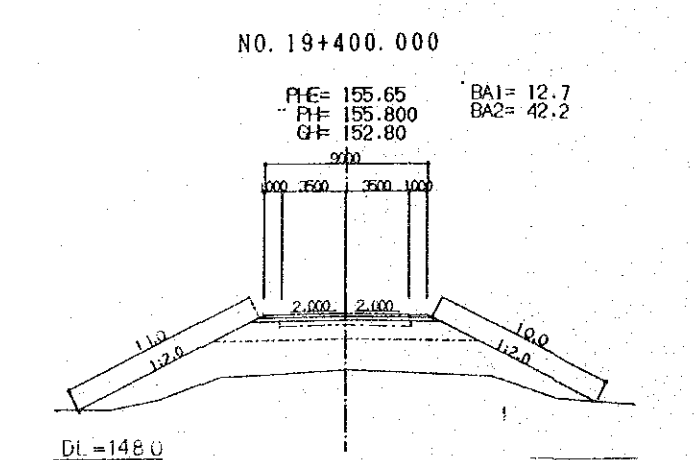
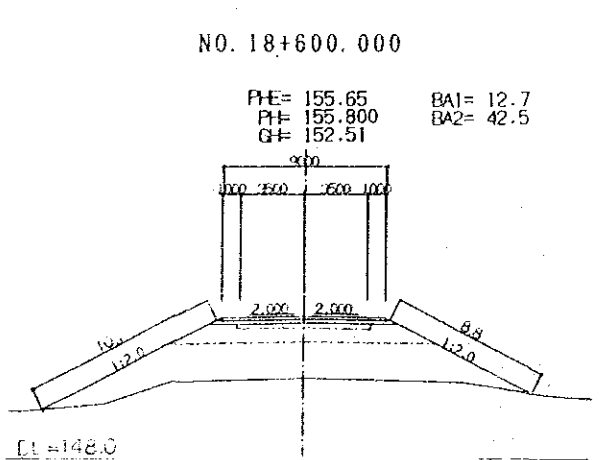
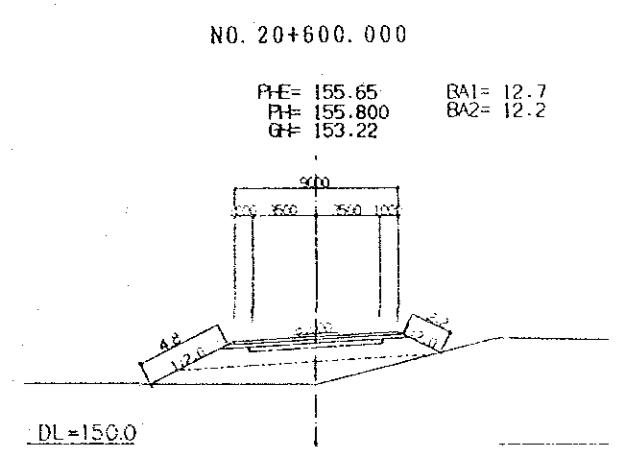
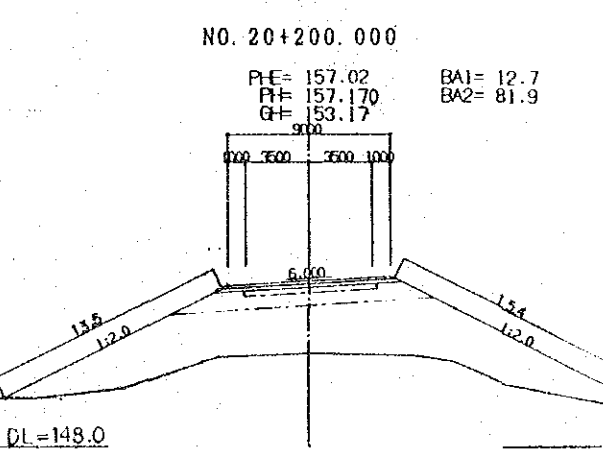
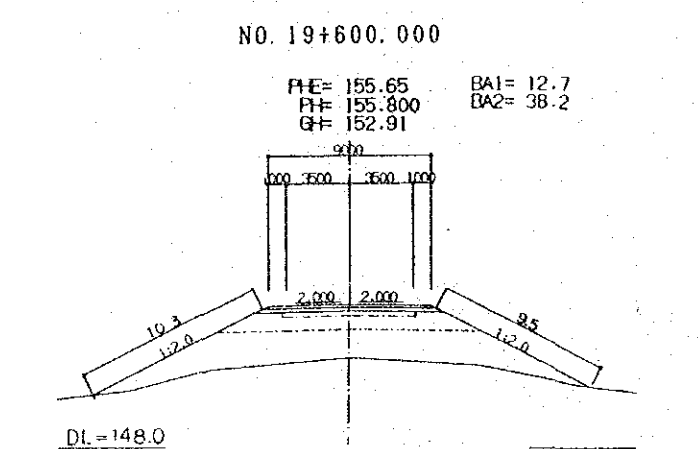
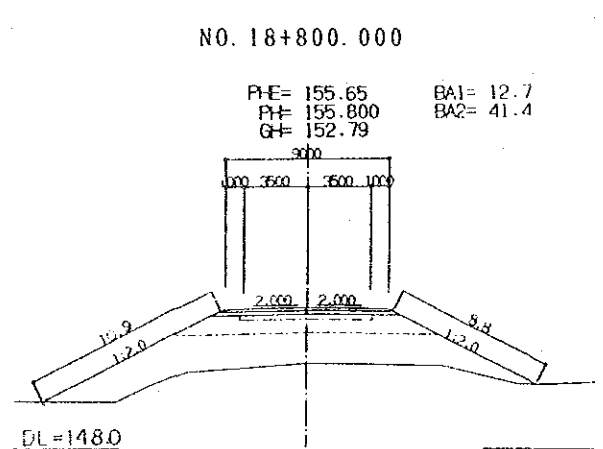
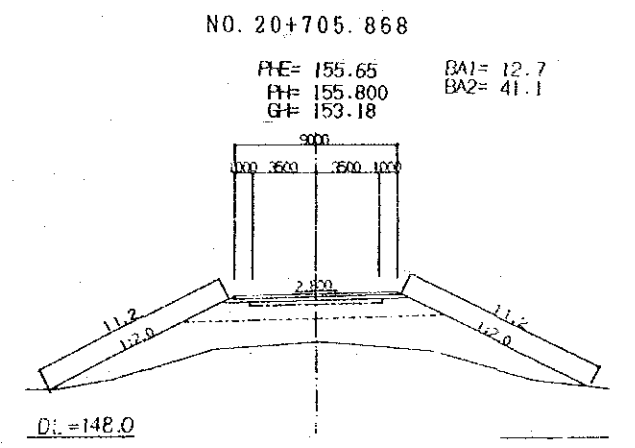
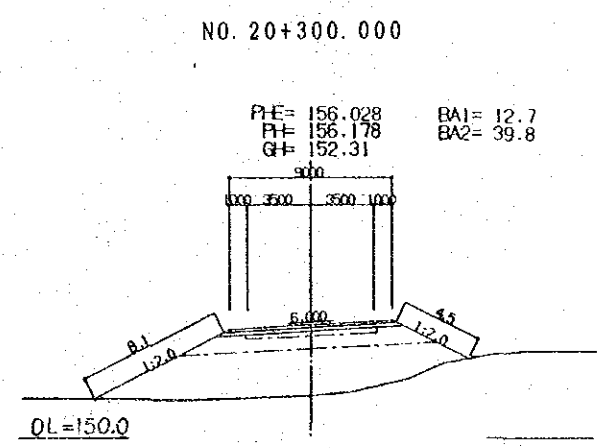
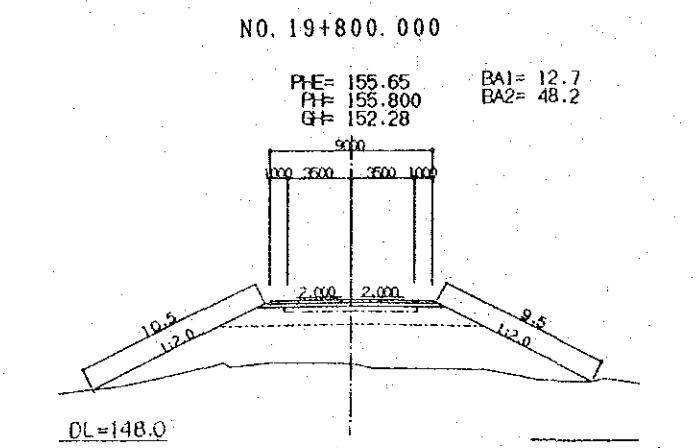
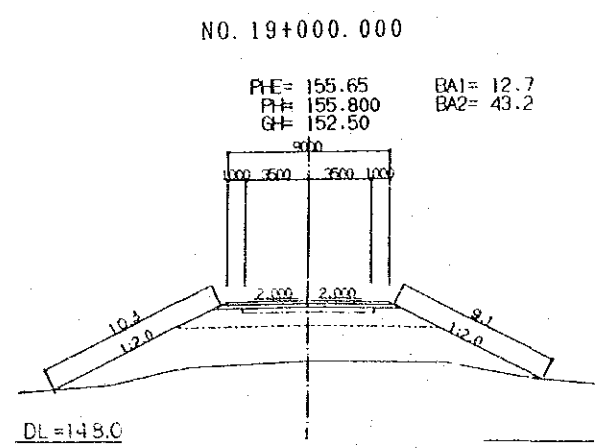
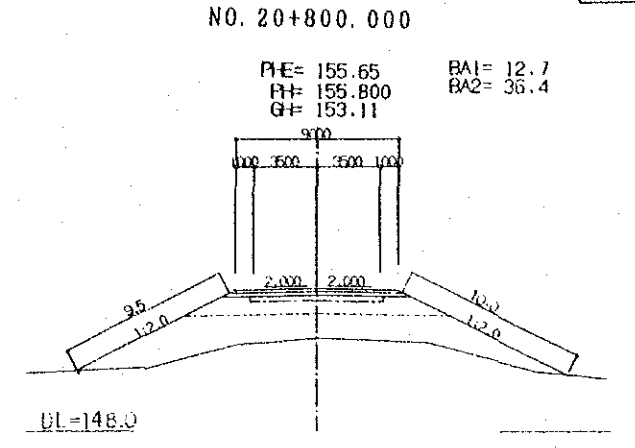
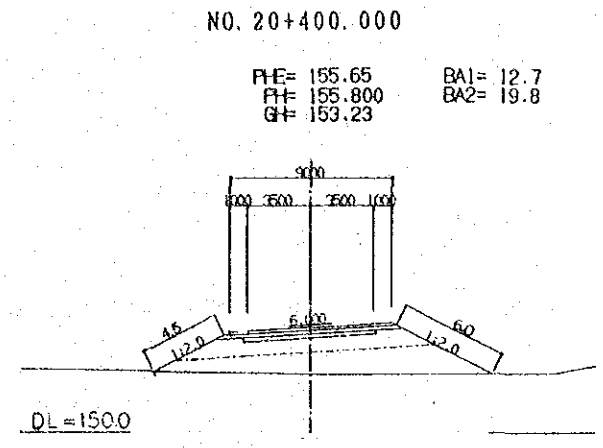
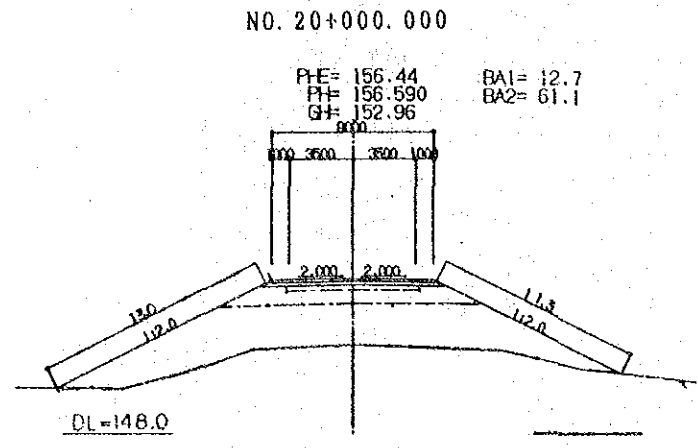
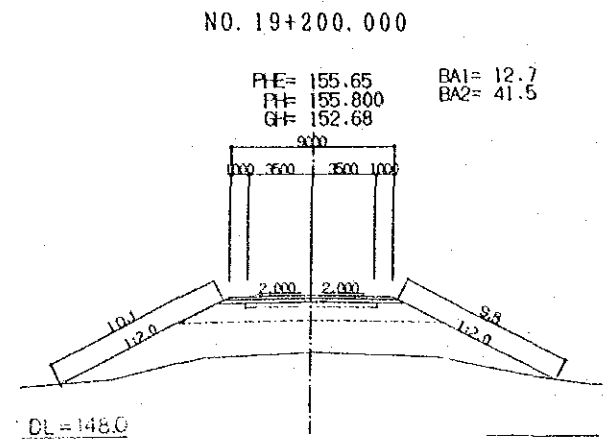
PIE= 155.65 BA1= 12.7
PI= 155.8 BA2= 30.6
GI= 153.17



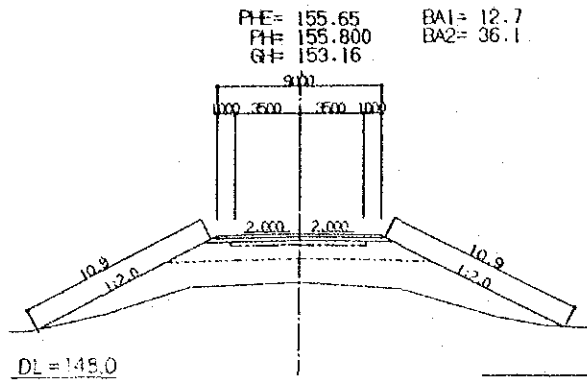
NO. 17+800.000

PIE= 155.65 BA1= 12.7
PI= 155.8 BA2= 27.7
GI= 153.43

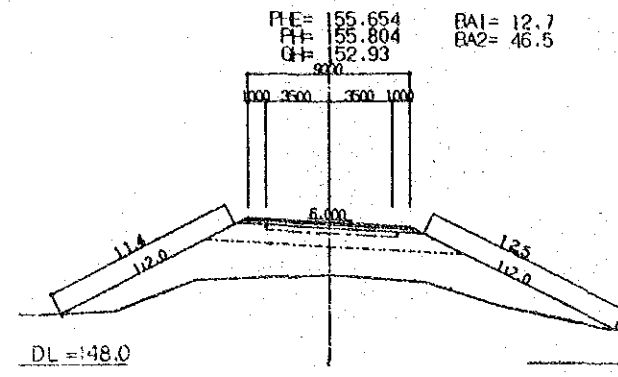




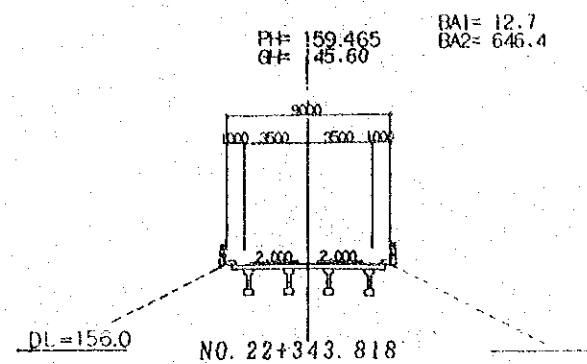
NO. 21+600.000



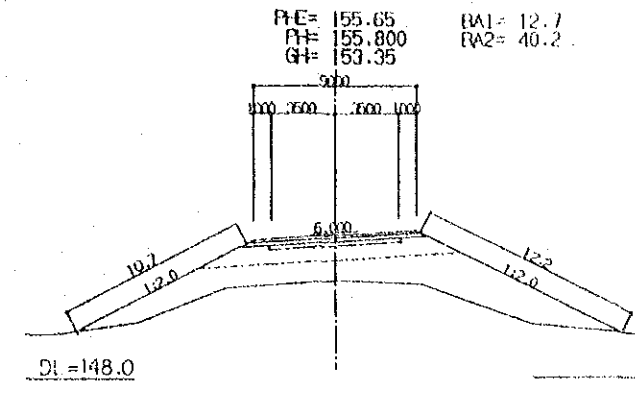
NO. 22+100.000



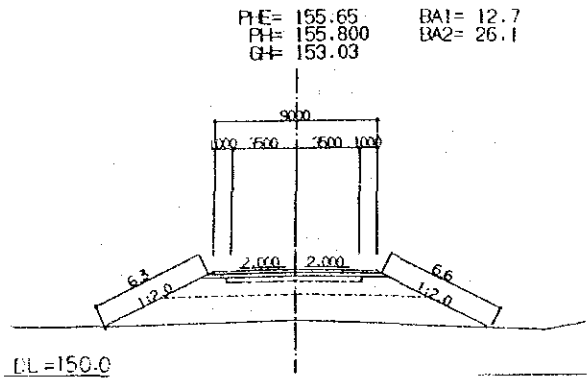
NO. 22+400.000



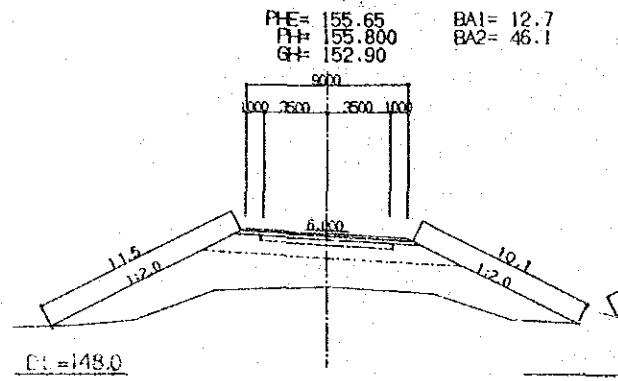
NO. 22+800.000



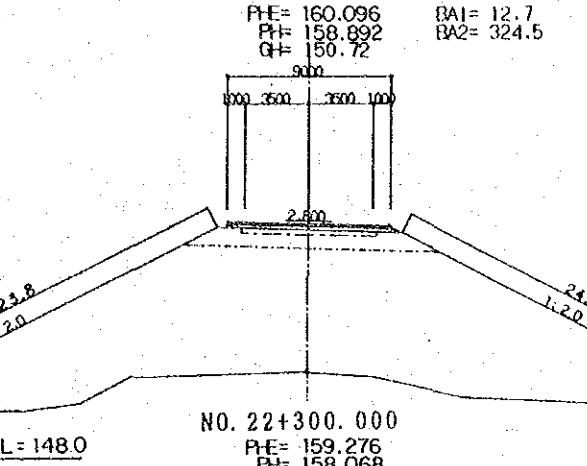
NO. 21+400.000



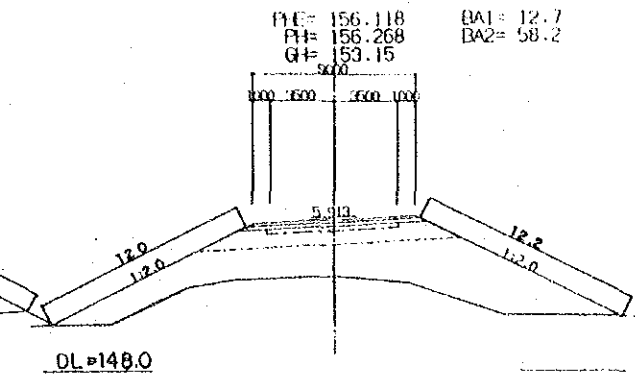
NO. 22+000.000



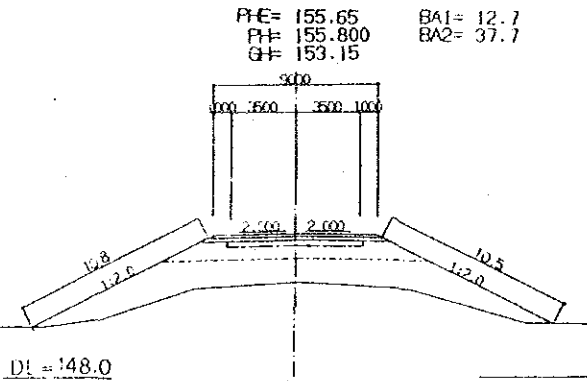
NO. 22+343.818



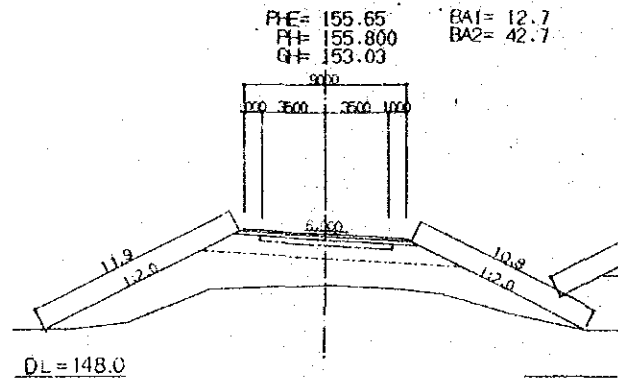
NO. 22+700.000



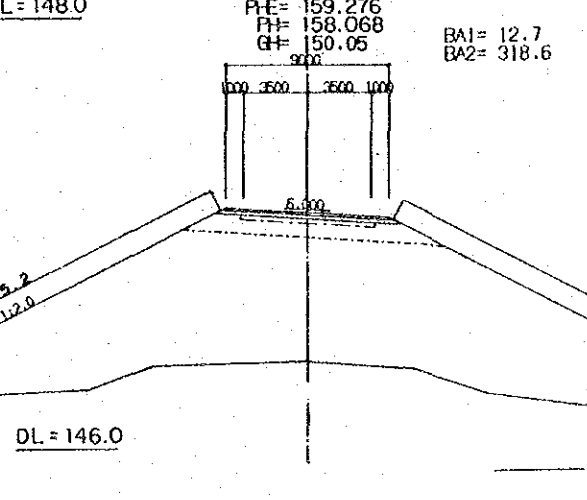
NO. 21+200.000



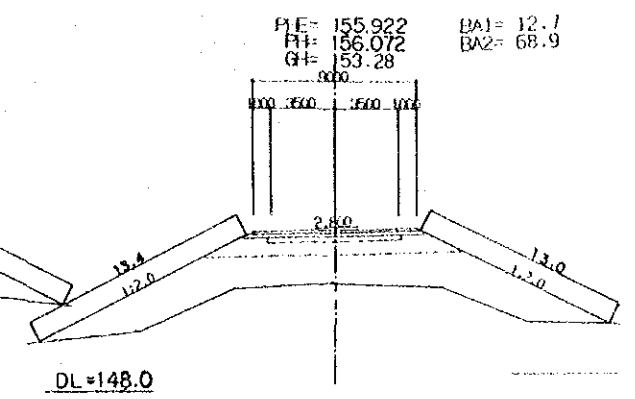
NO. 21+900.000



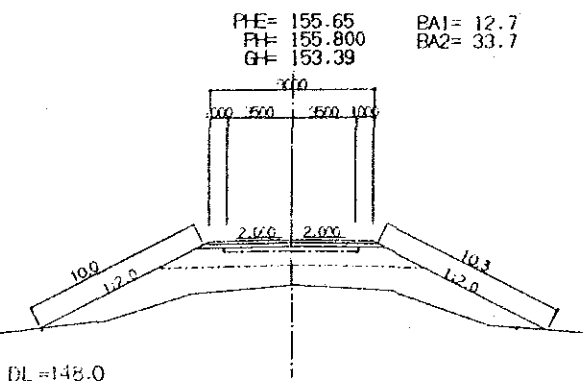
NO. 22+300.000



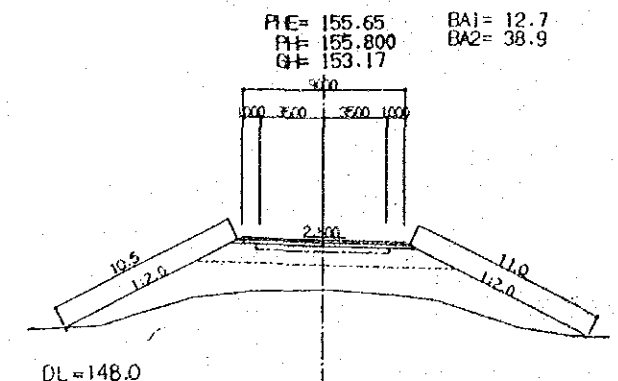
NO. 22+672.757



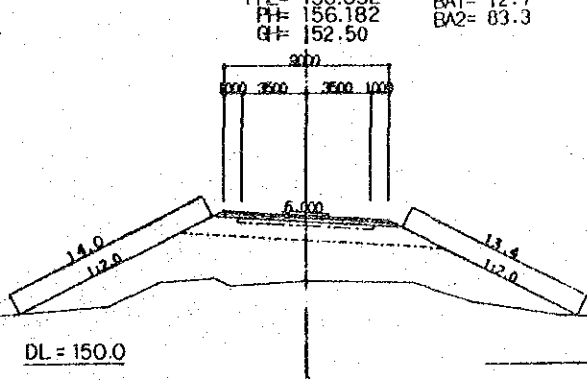
NO. 21+000.000



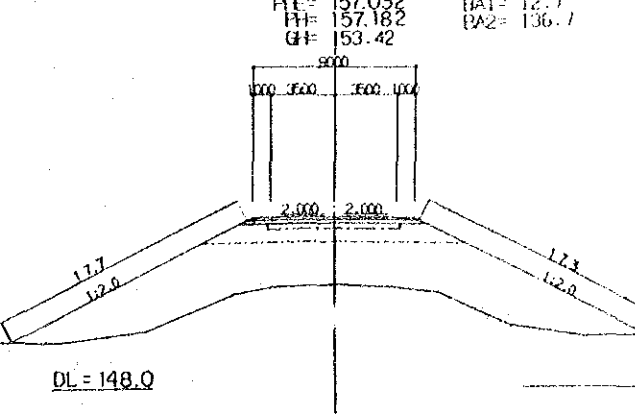
NO. 21+823.843

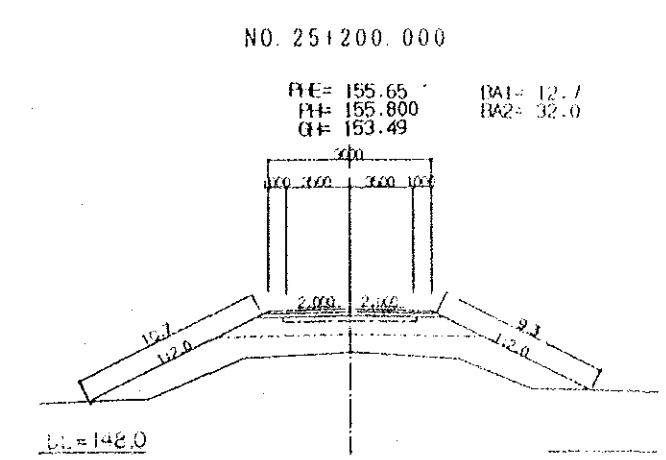
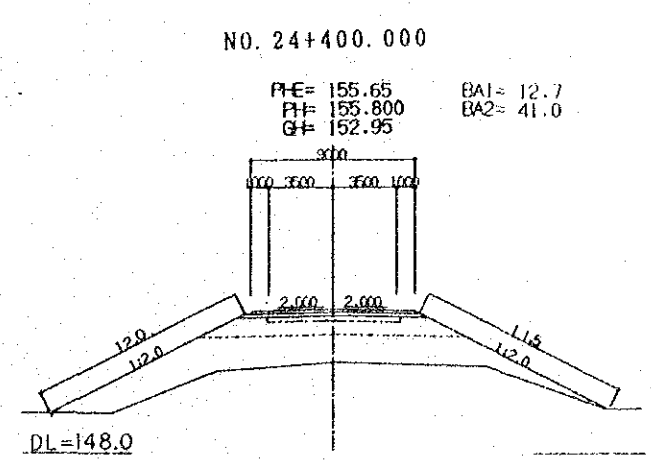
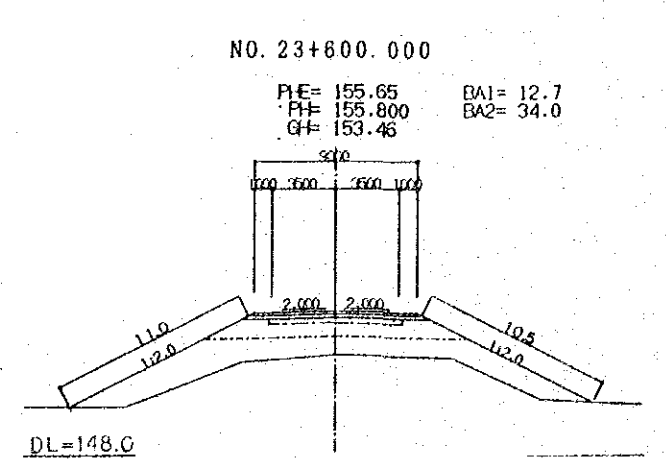
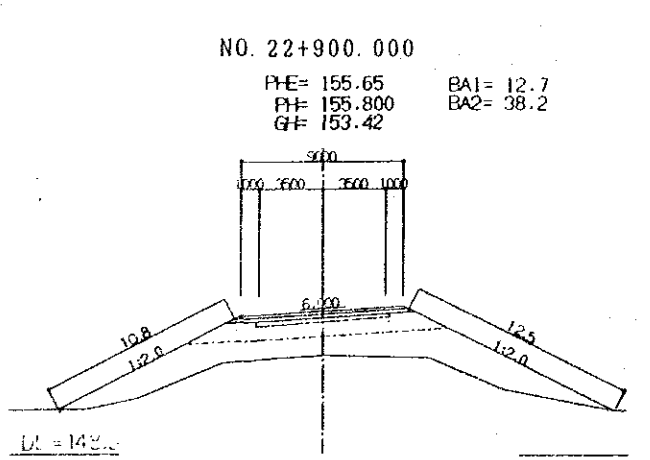
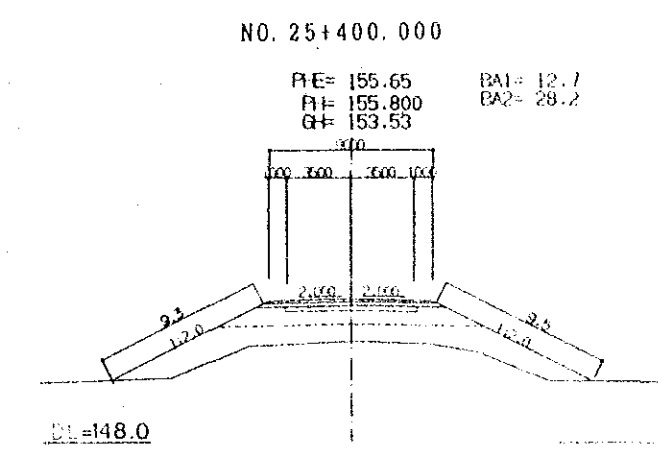
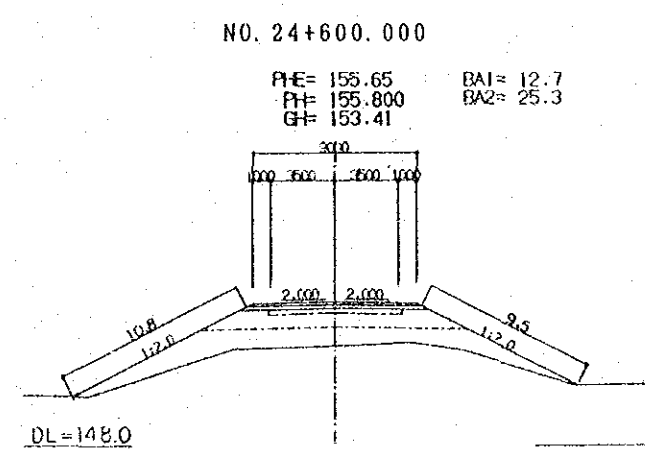
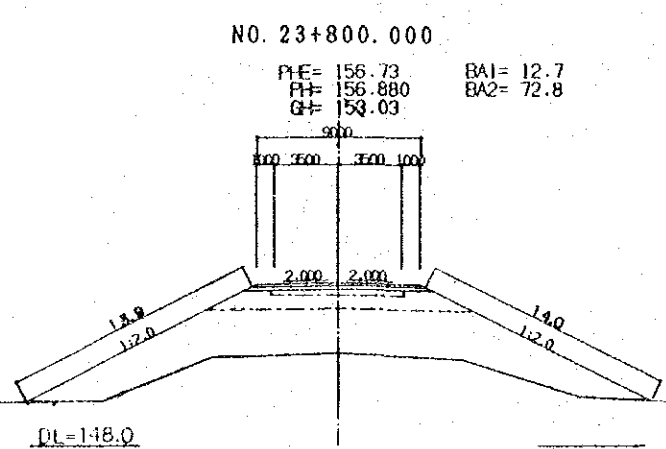
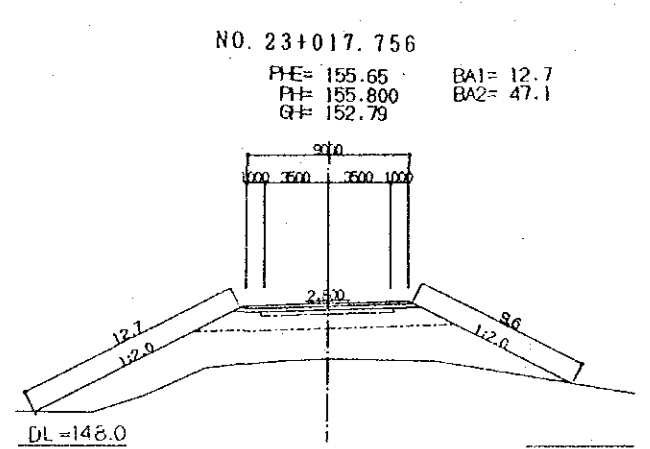
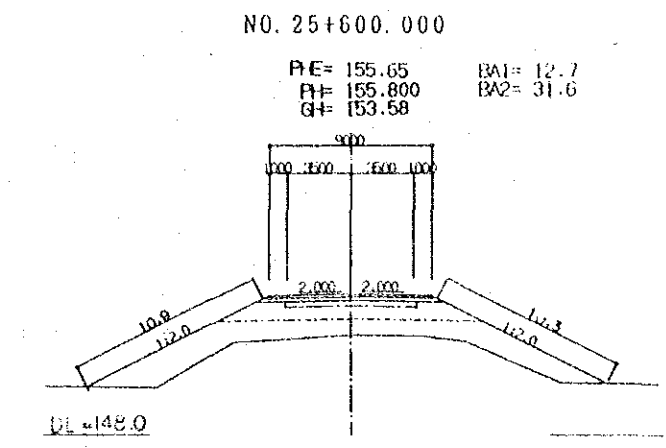
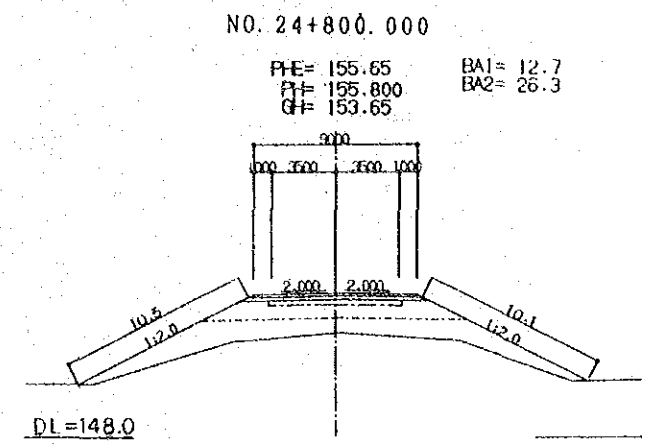
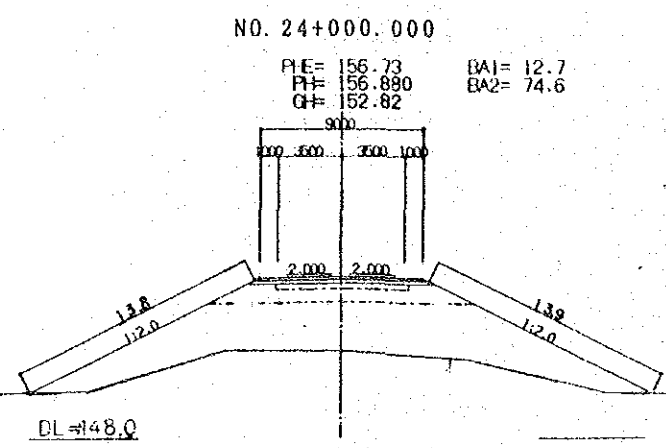
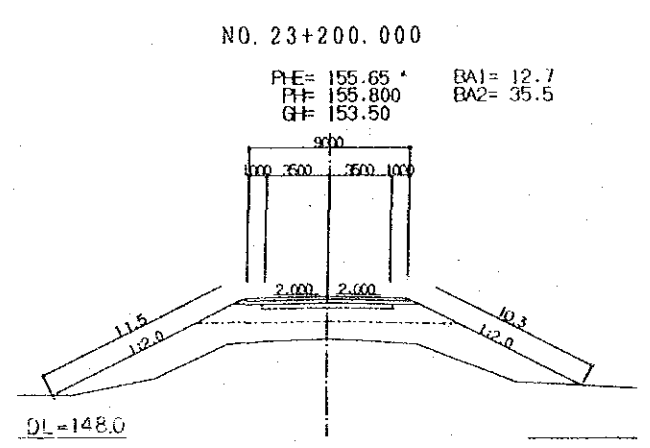
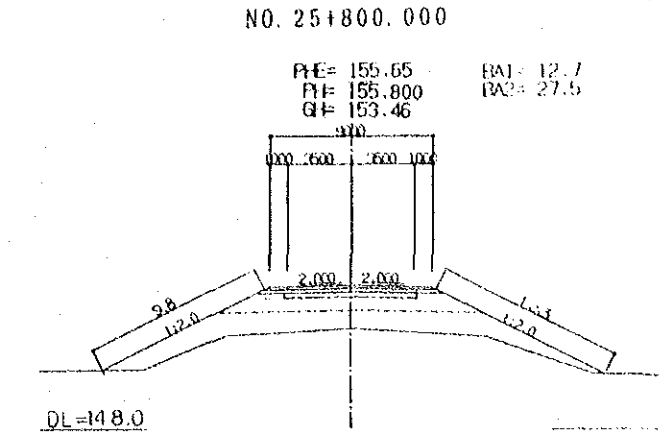
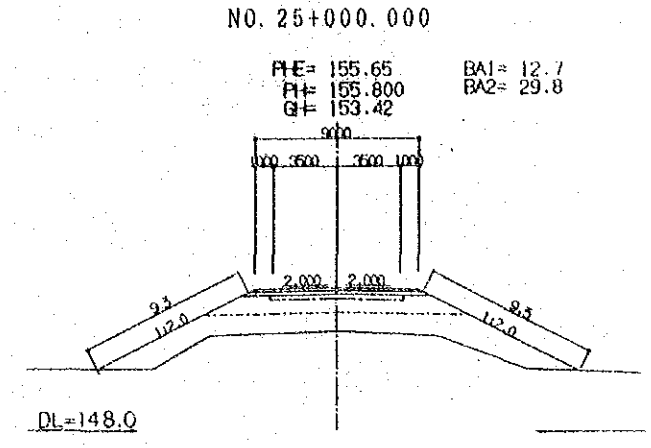
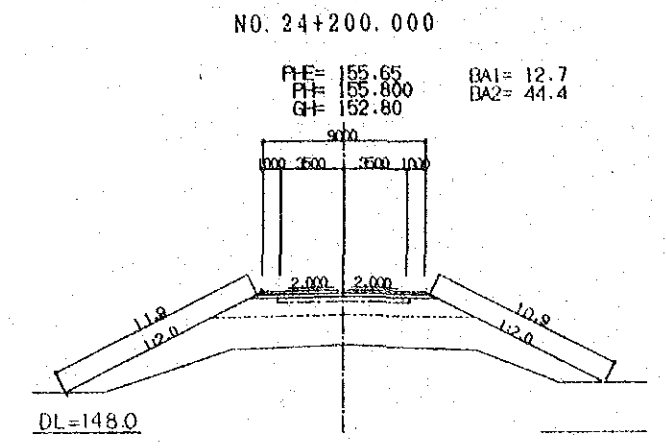
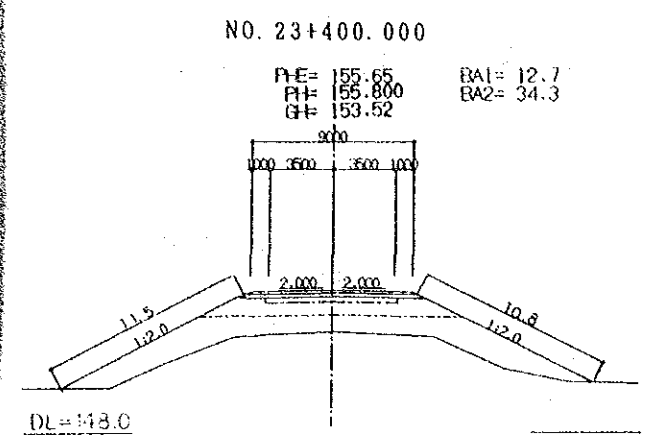


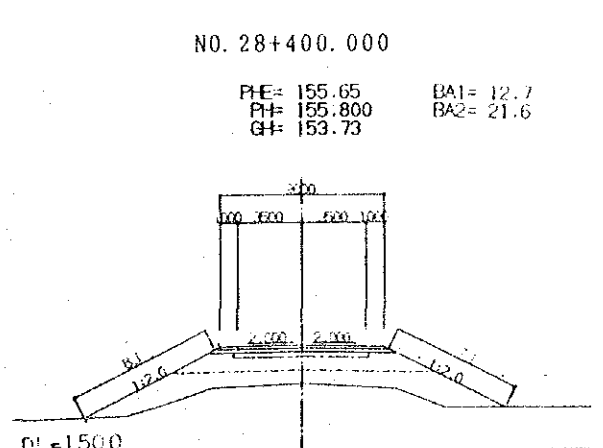
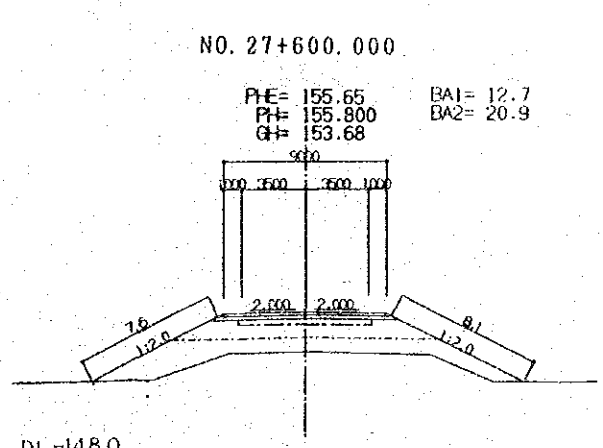
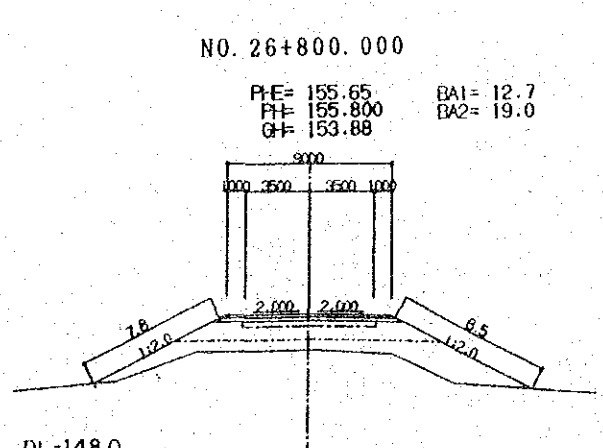
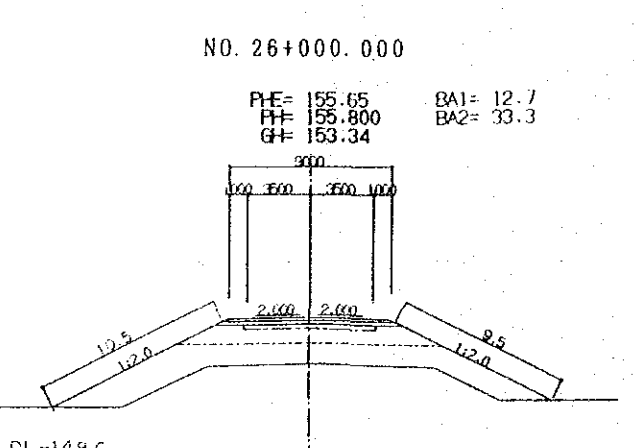
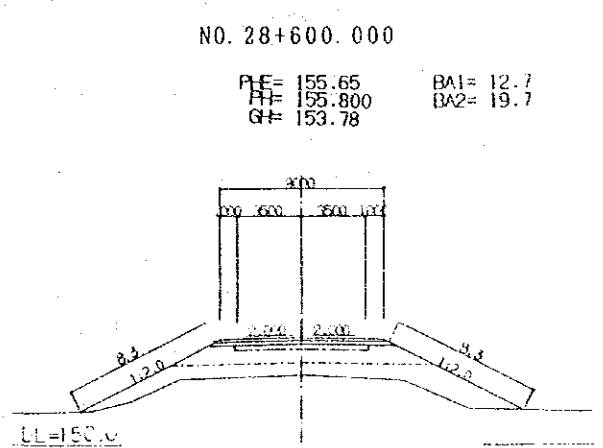
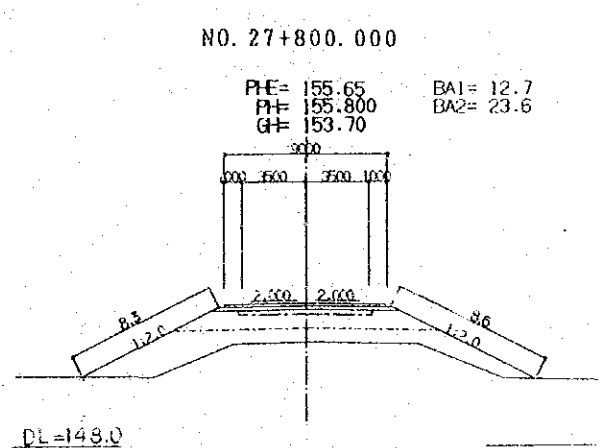
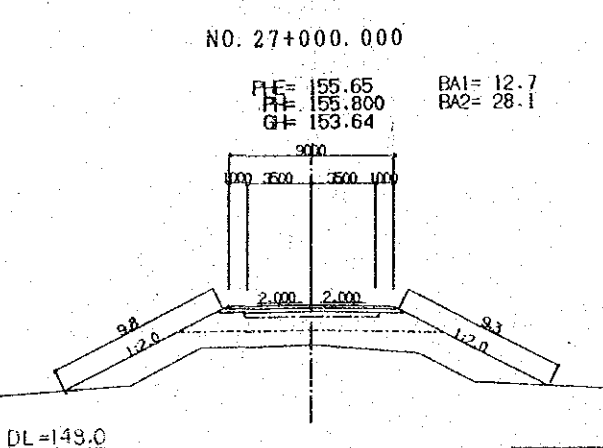
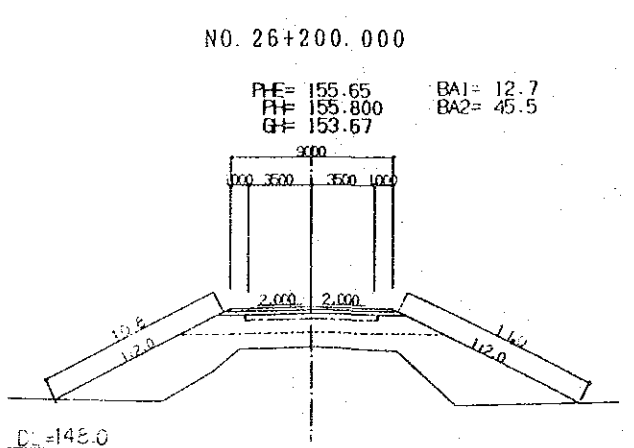
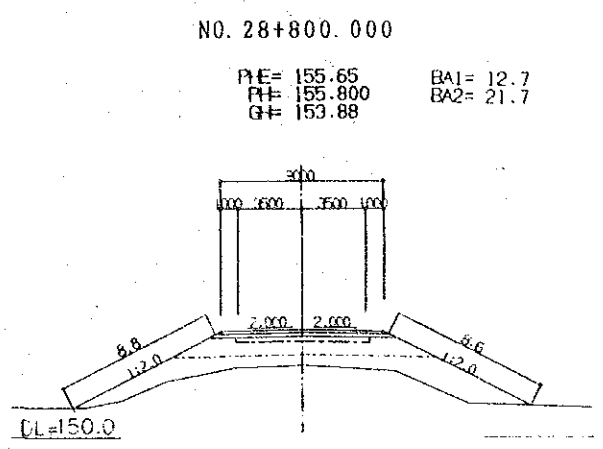
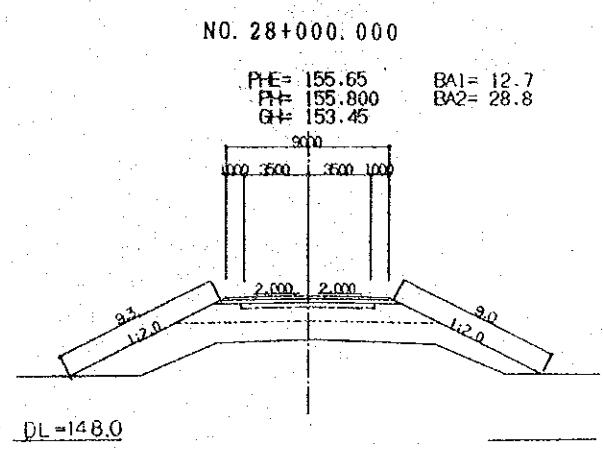
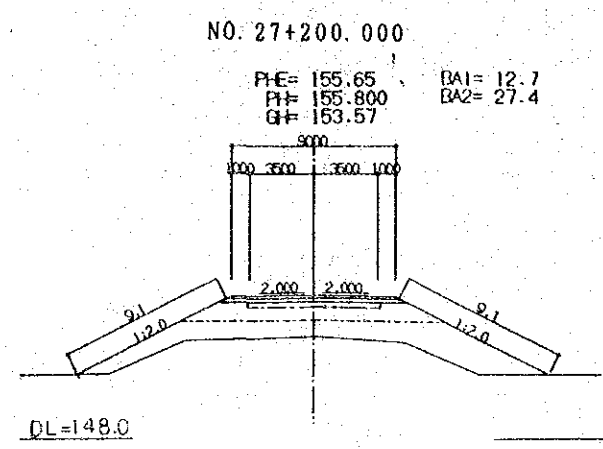
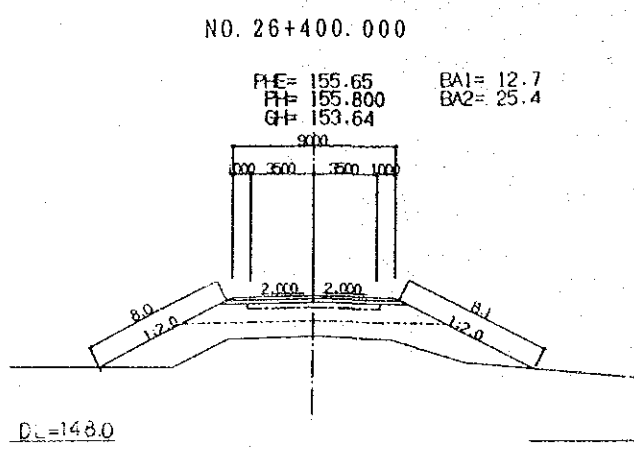
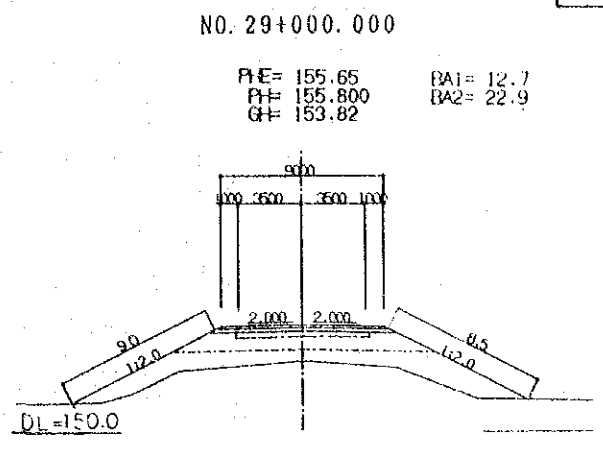
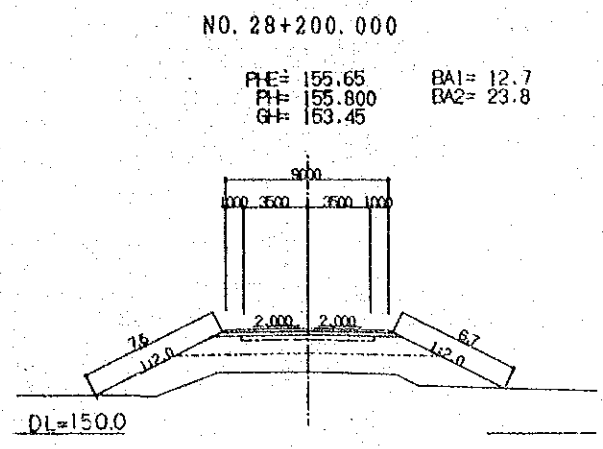
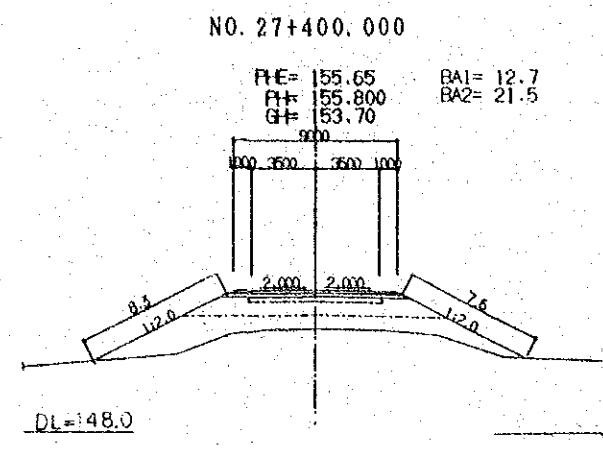
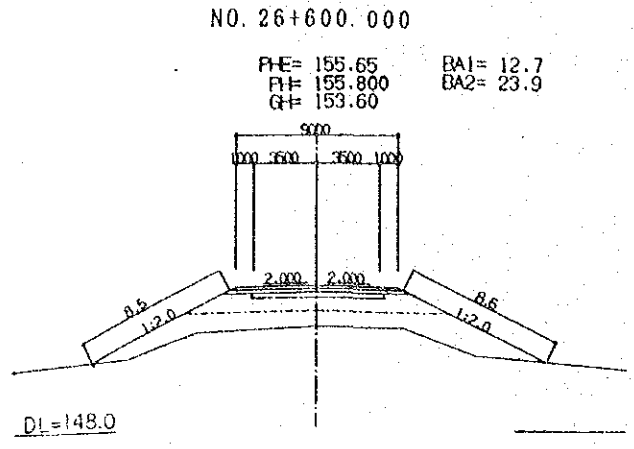
NO. 22+200.000

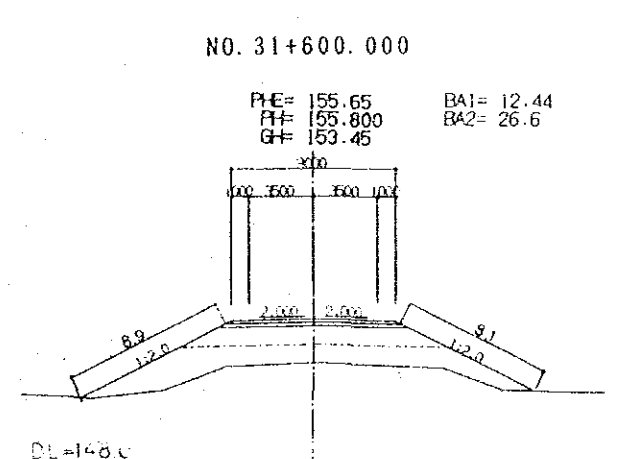
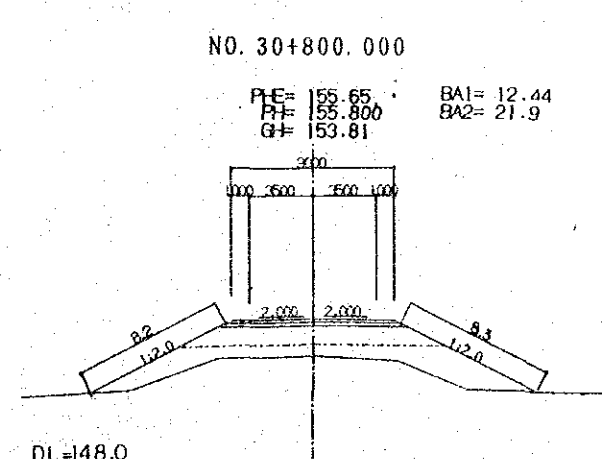
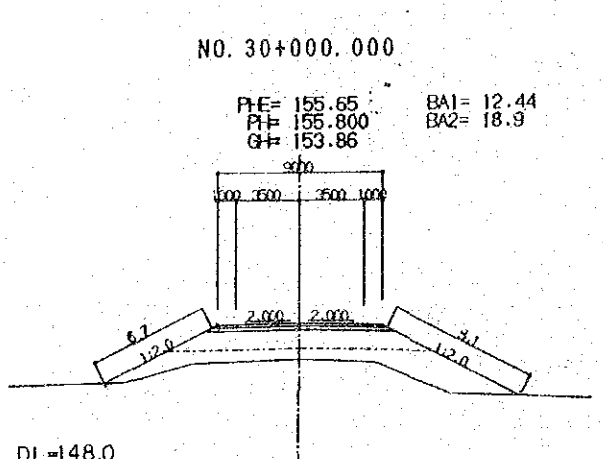
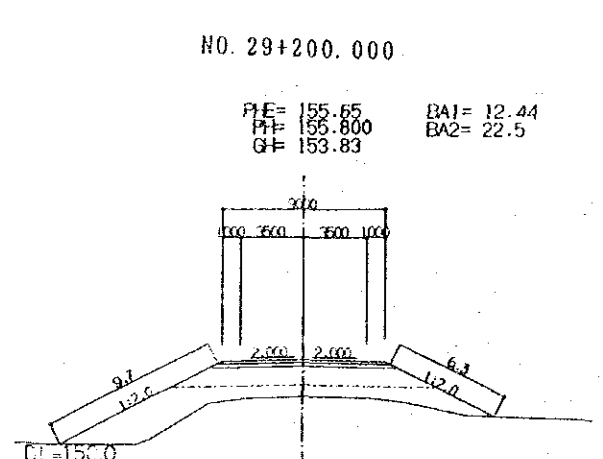
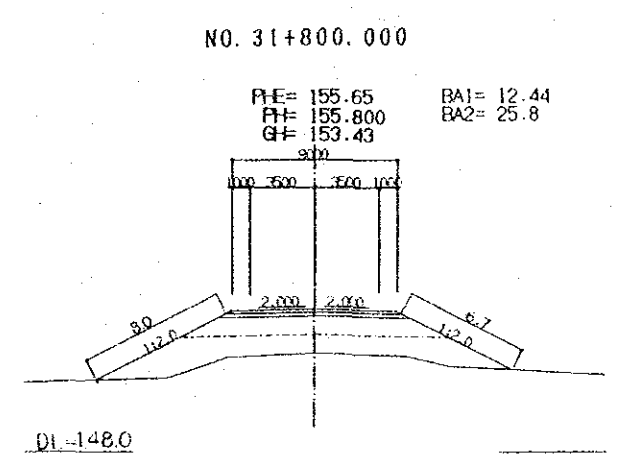
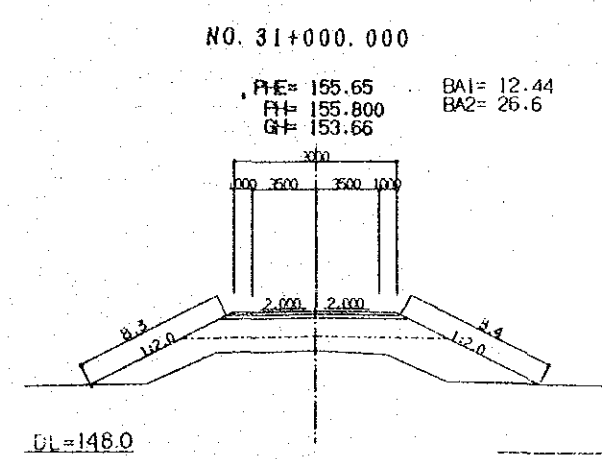
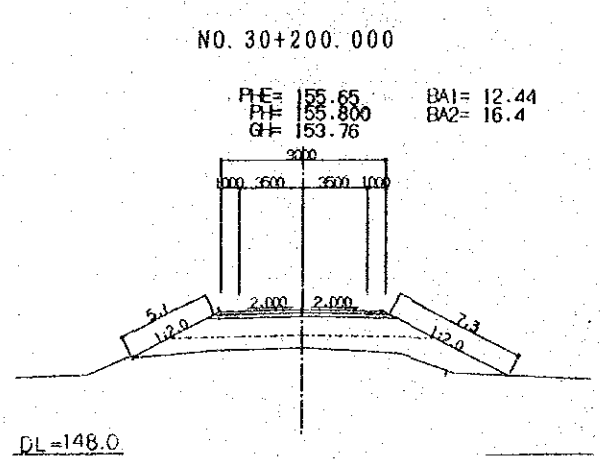
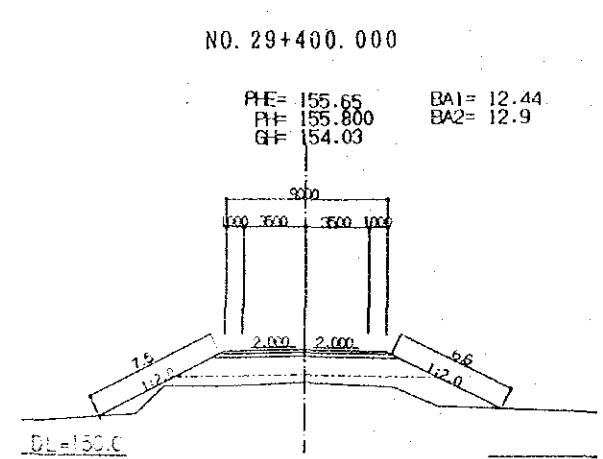
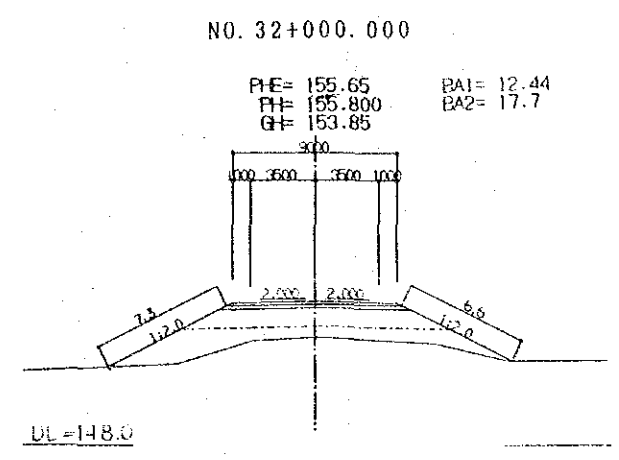
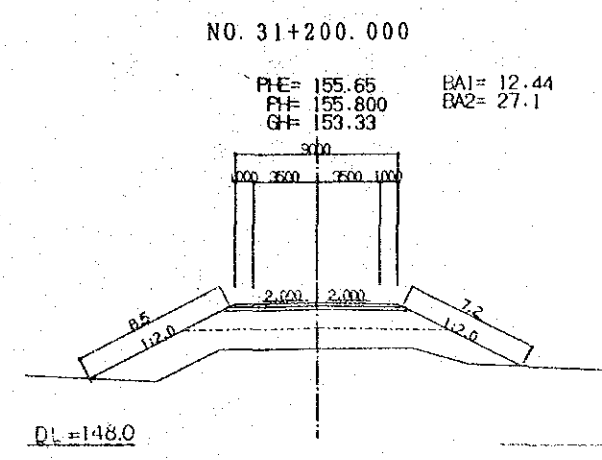
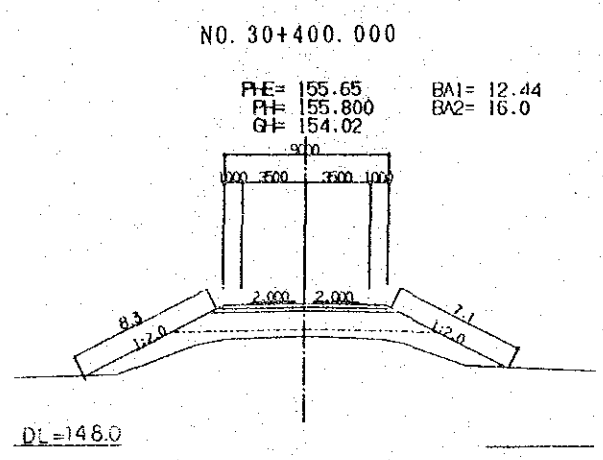
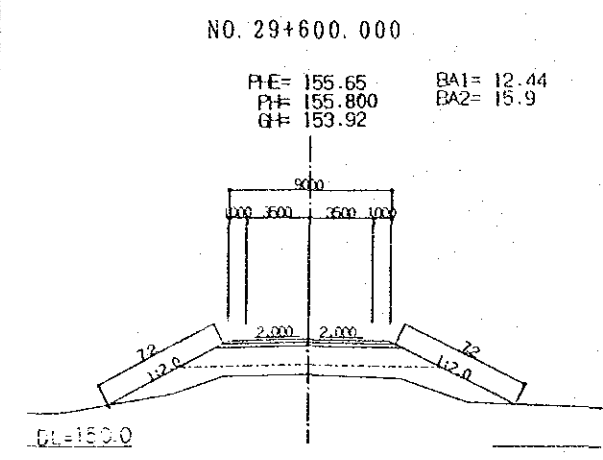
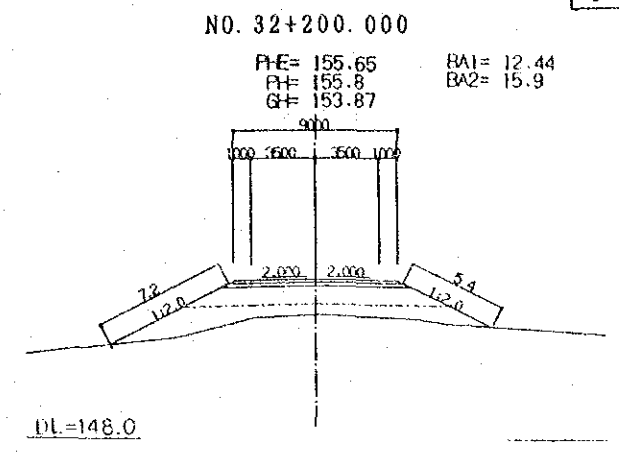
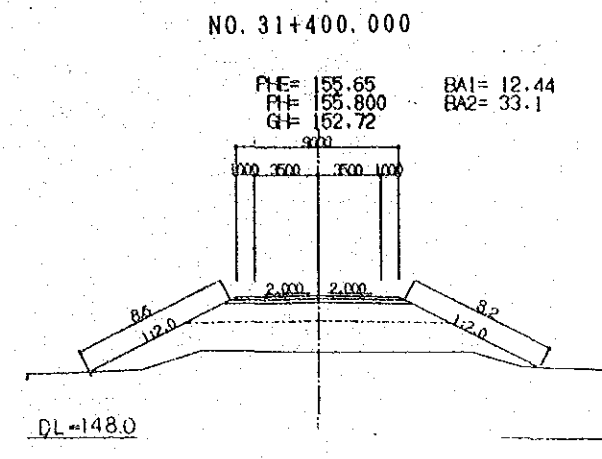
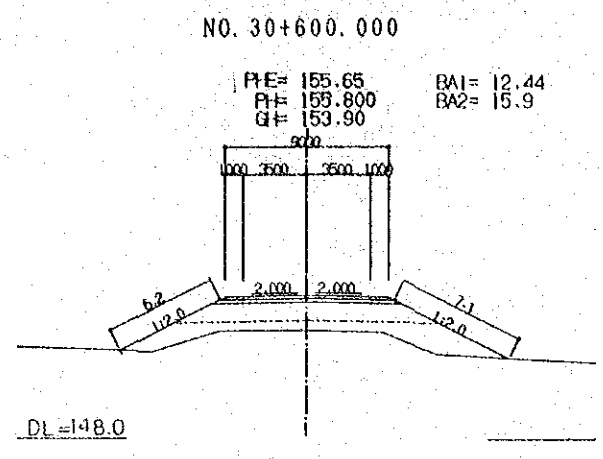
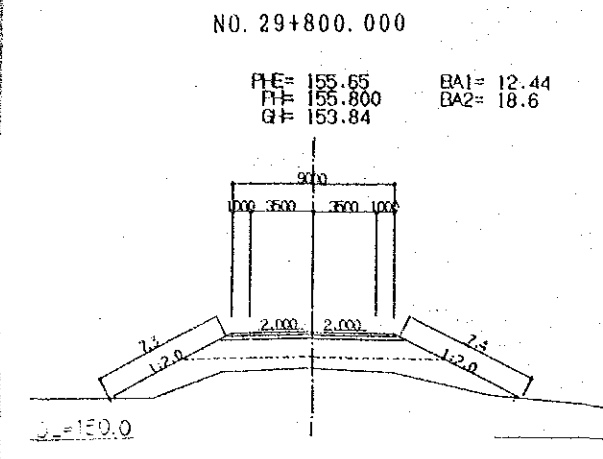


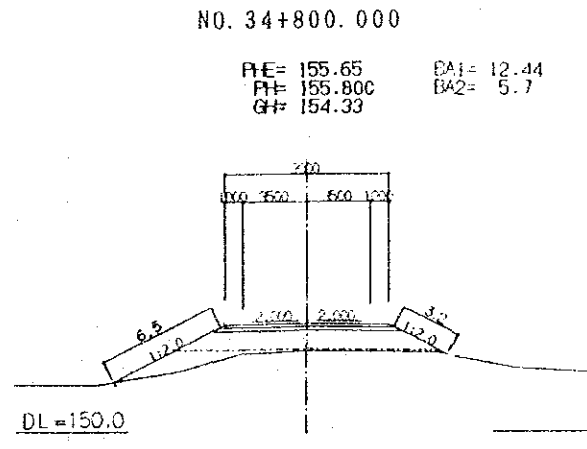
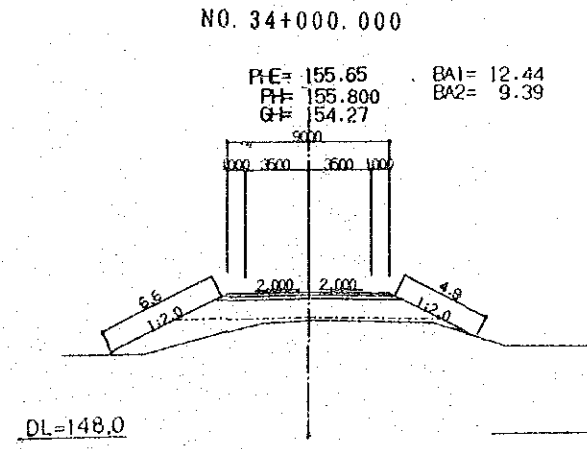
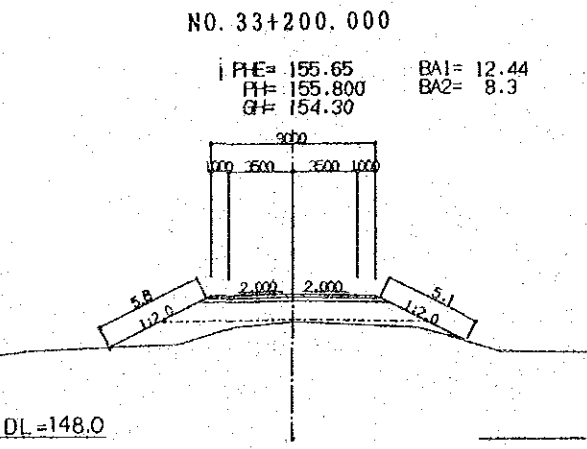
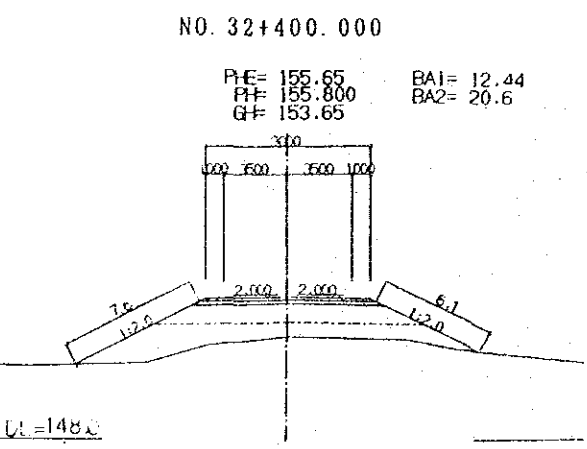
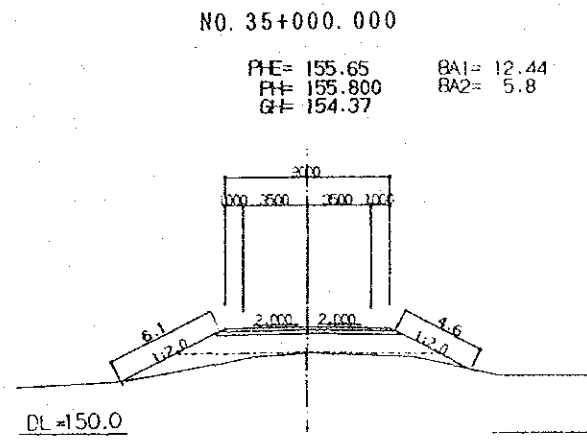
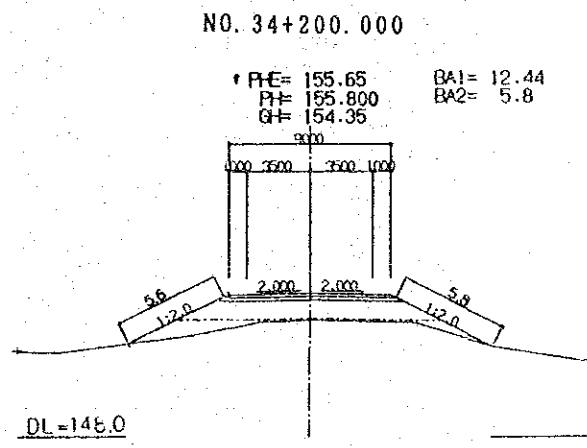
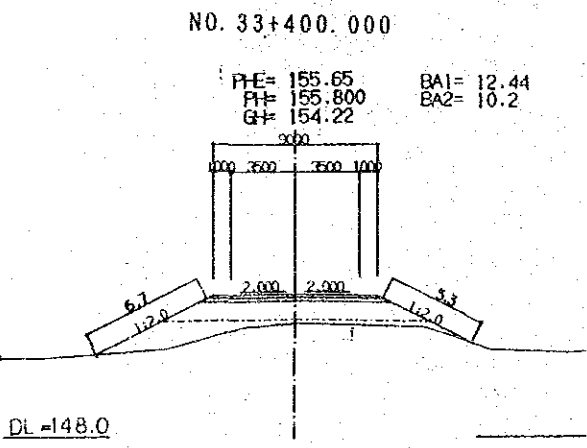
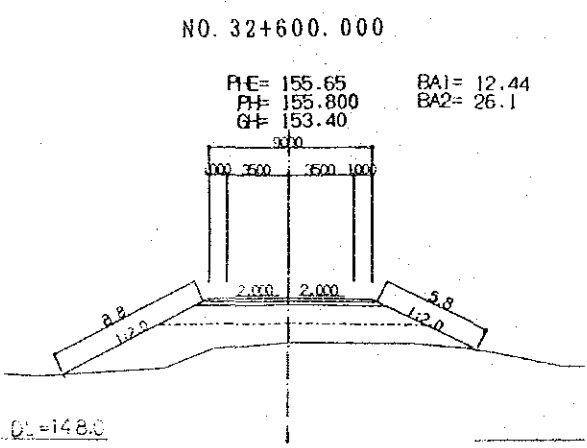
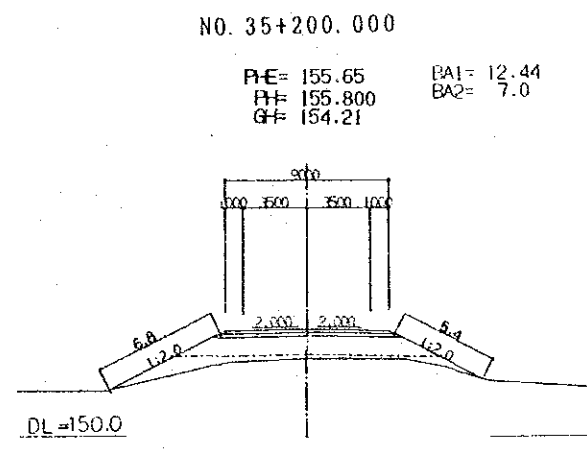
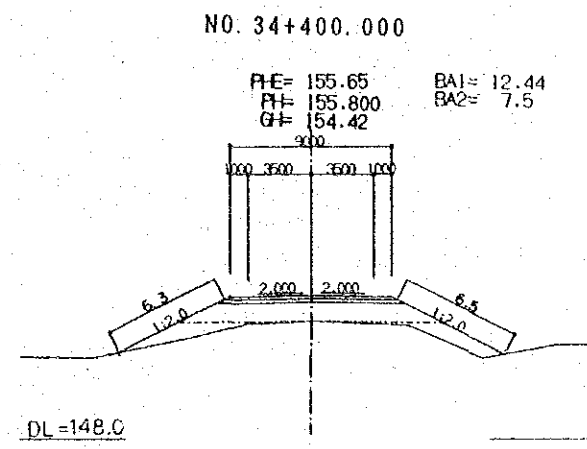
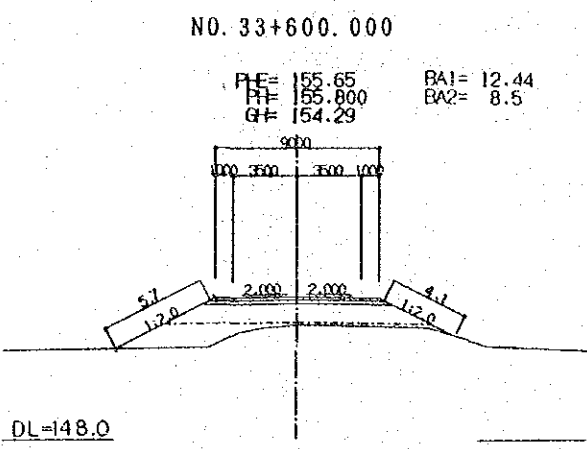
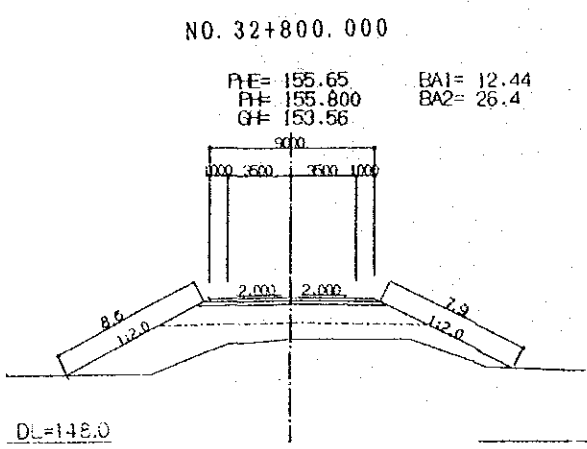
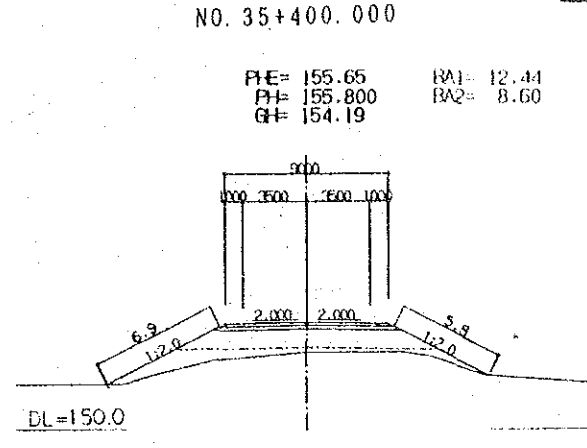
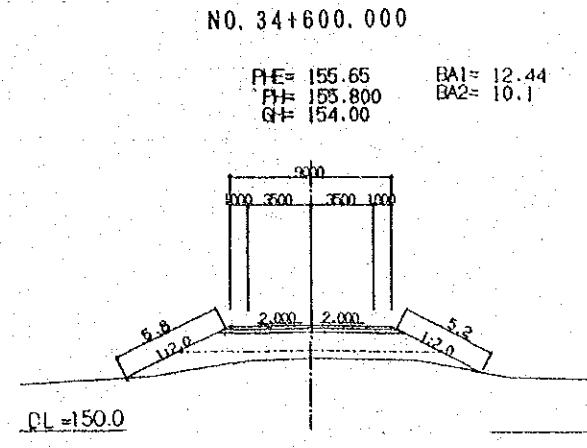
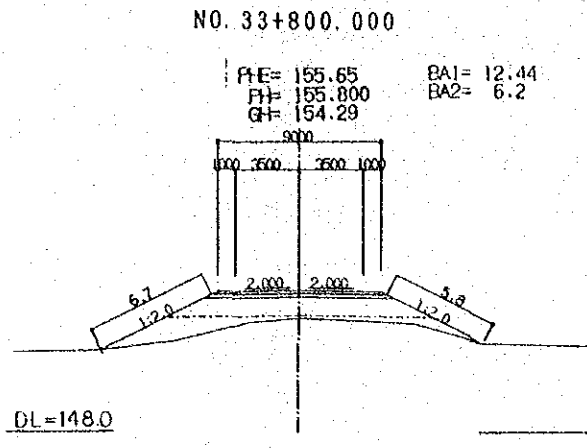
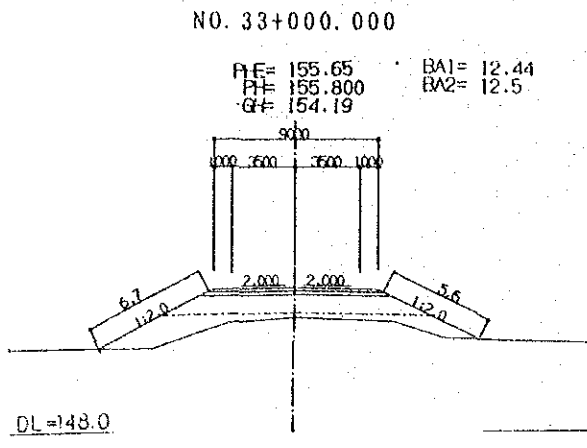
NO. 22+600.000

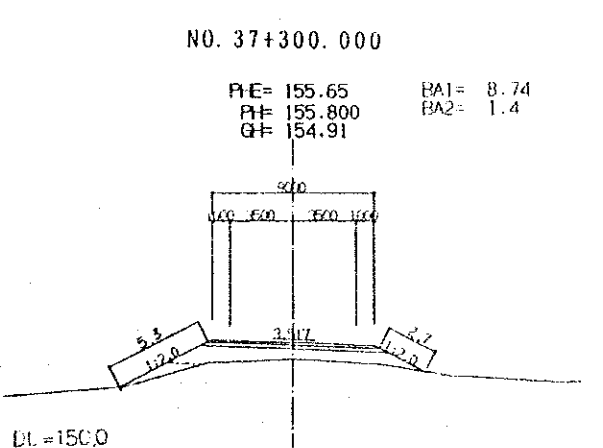
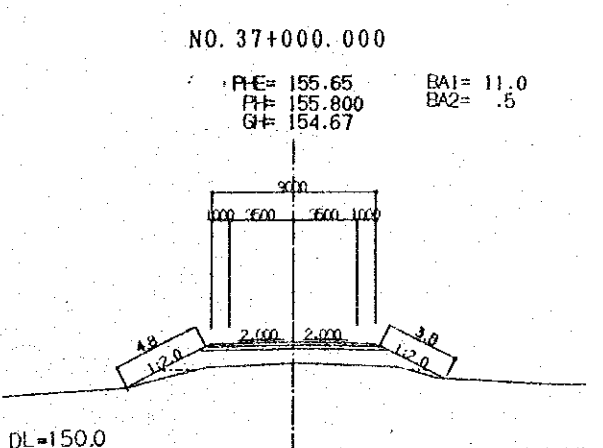
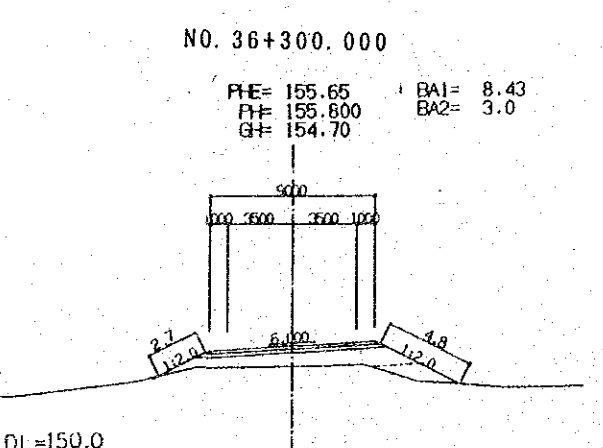
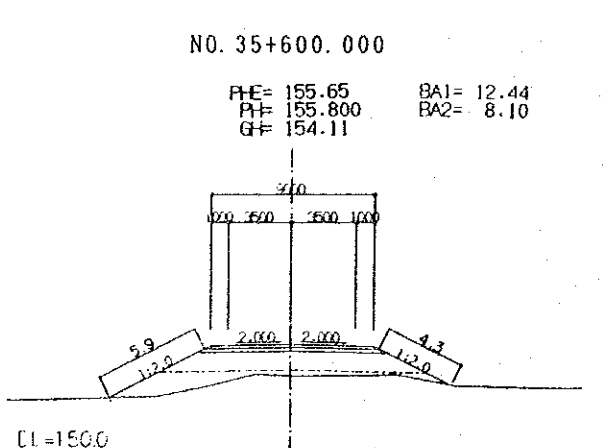
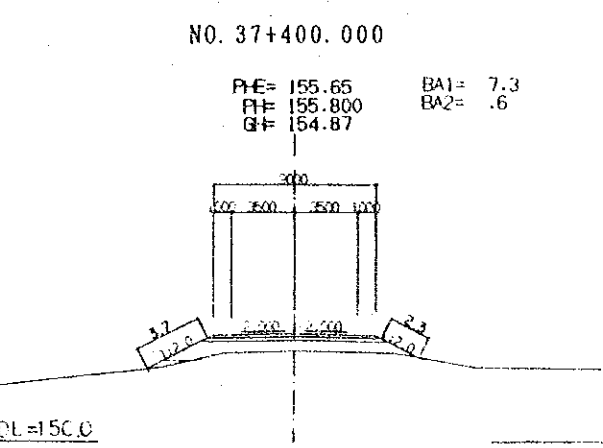
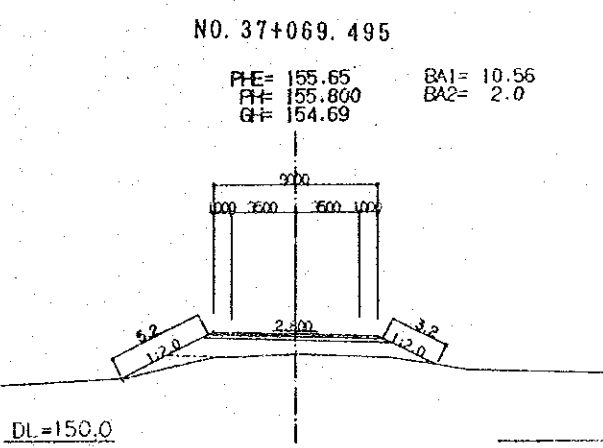
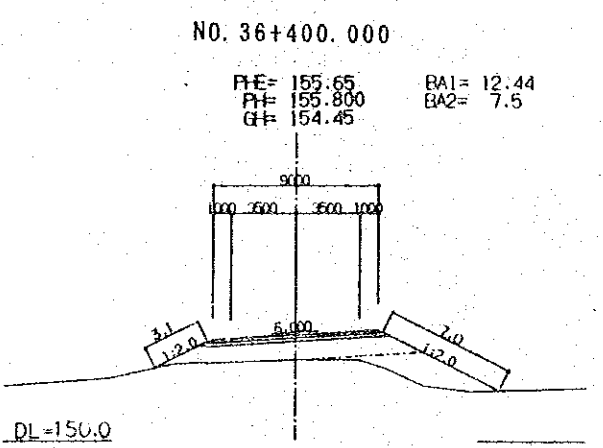
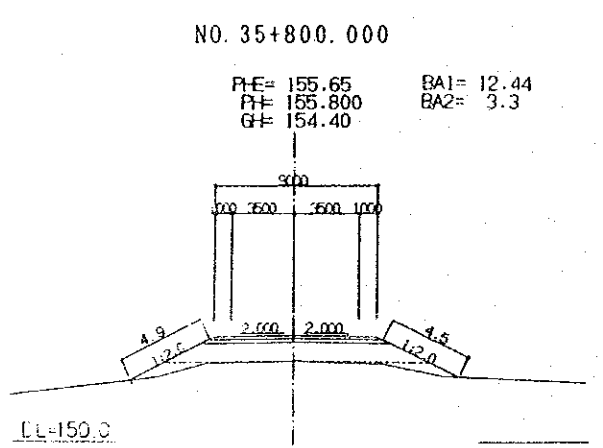
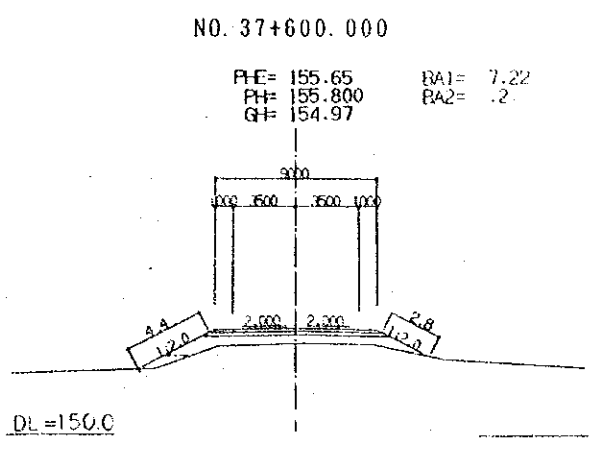
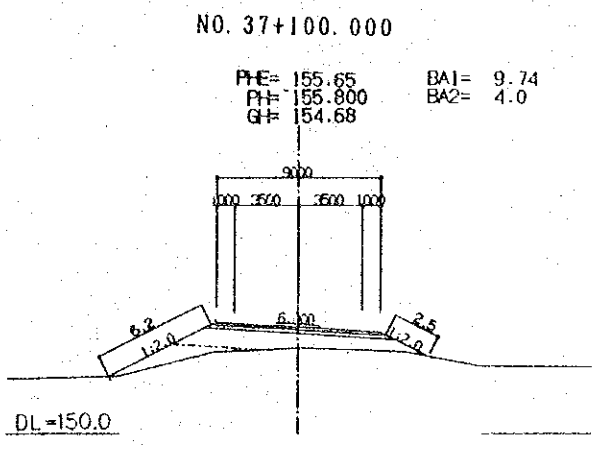
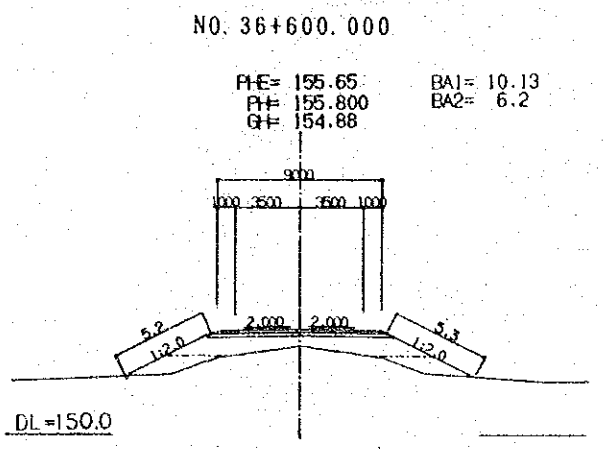
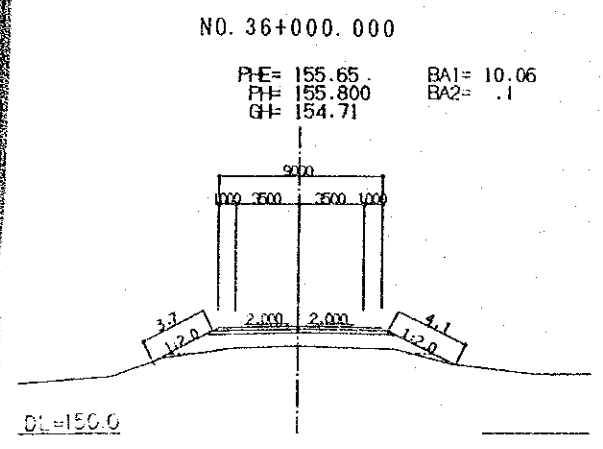
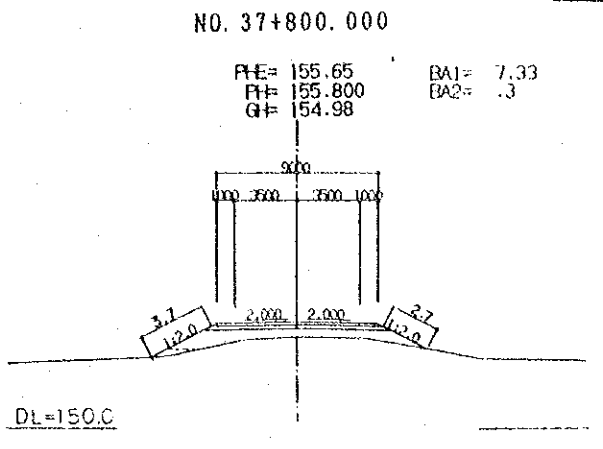
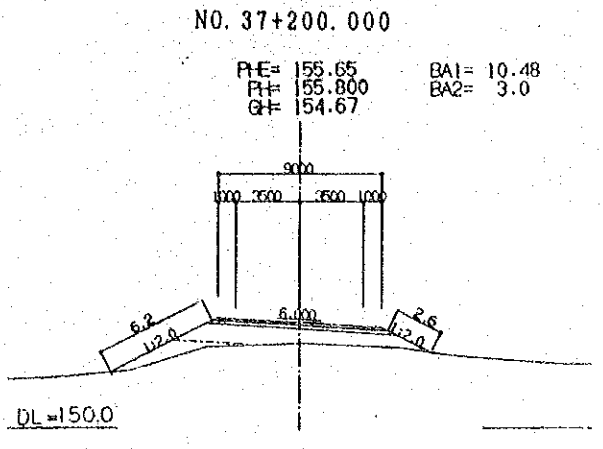
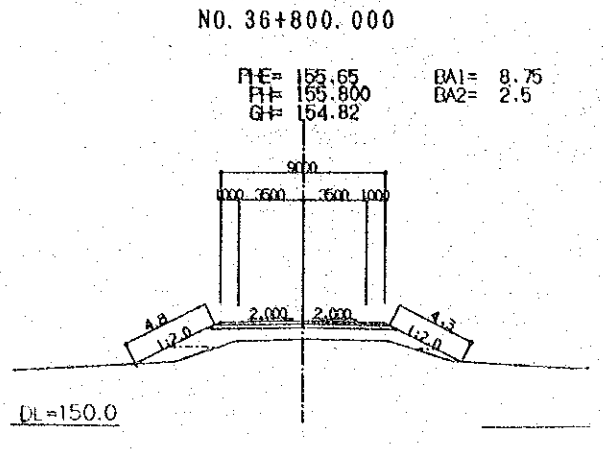
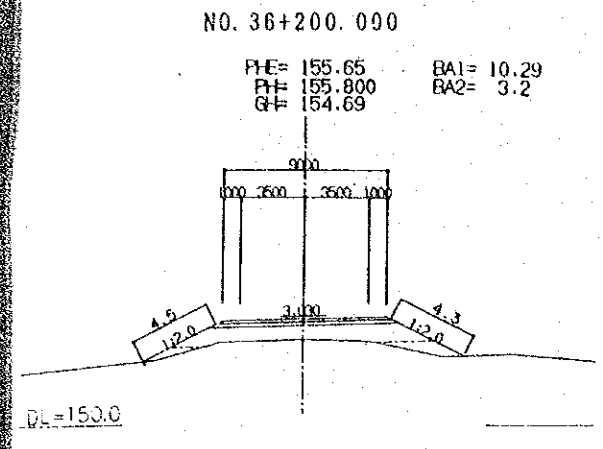






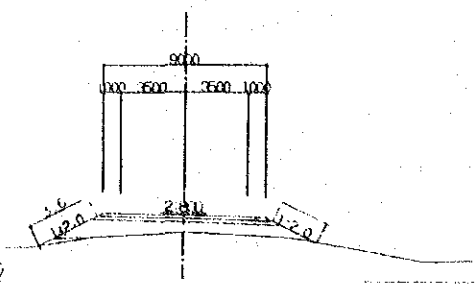






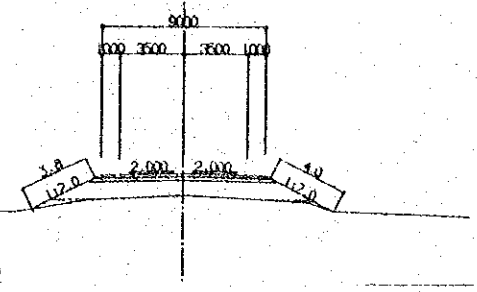
NO. 38+382.304

PE= 155.643 BA1= 8.03
 PF= 155.803 BA2= .4
 GF= 155.001



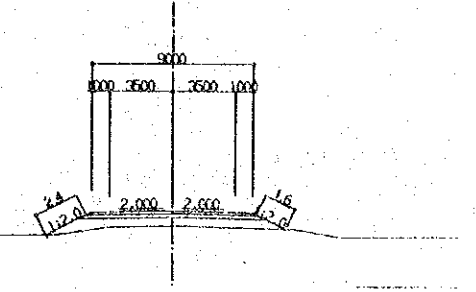
NO. 39+200.000

PE= 155.86 BA1= 7.5
 PF= 156.020 BA2= 0.0
 GF= 154.9



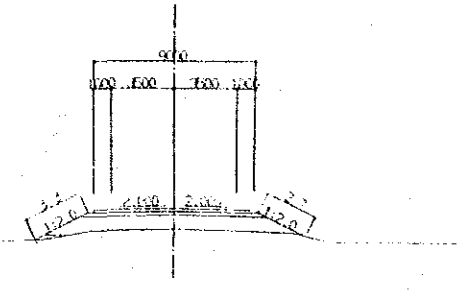
NO. 40+000.000

PE= 156.08 BA1= 12.44
 PF= 156.240 BA2= .7
 GF= 154.51



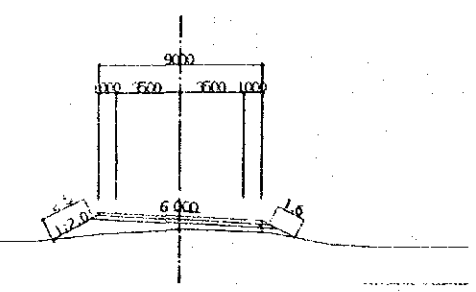
NO. 40+800.000

PE= 156.3 BA1= 11.67
 PF= 156.460 BA2= .38
 GF= 154.65



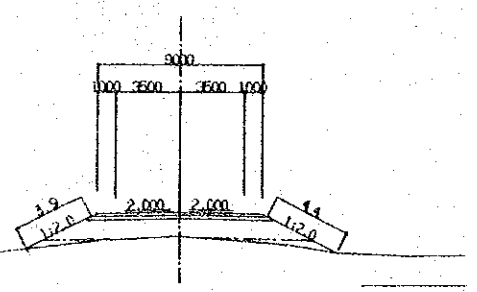
NO. 38+200.000

PE= 155.65 BA1= 6.76
 PF= 155.800 BA2= 0.0
 GF= 155.02



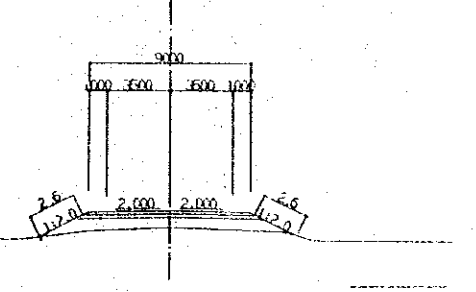
NO. 39+000.000

PE= 155.805 BA1= 7.2
 PF= 155.965 BA2= 0.0
 GF= 154.87



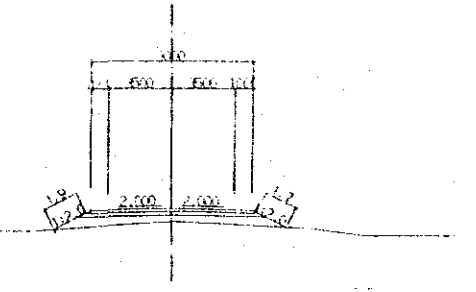
NO. 39+800.000

PE= 156.025 BA1= 12.24
 PF= 156.185 BA2= .9
 GF= 154.5



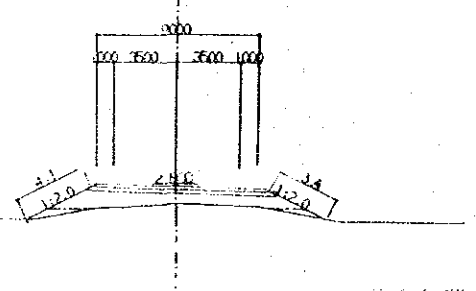
NO. 40+600.000

PE= 156.245 BA1= 11.38
 PF= 156.405 BA2= 3.8
 GF= 154.56



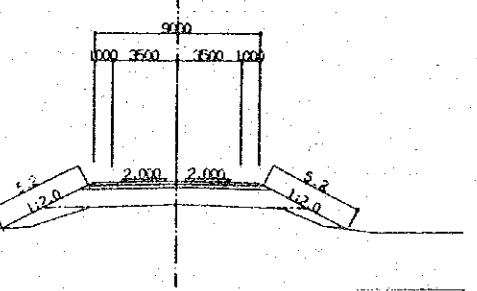
NO. 38+146.339

PE= 155.65 BA1= 8.95
 PF= 155.800 BA2= 1.3
 GF= 154.959



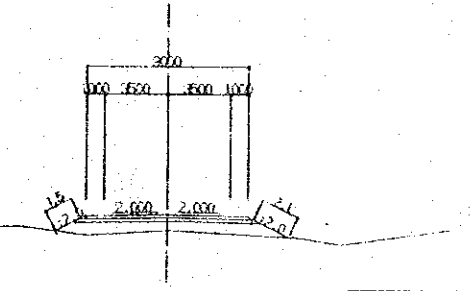
NO. 38+800.000

PE= 155.75 BA1= 10.8
 PF= 155.910 BA2= .1
 GF= 154.61



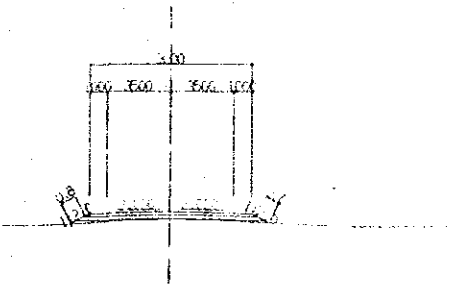
NO. 39+600.000

PE= 155.97 BA1= 7.9
 PF= 156.130 BA2= 4.6
 GF= 154.59



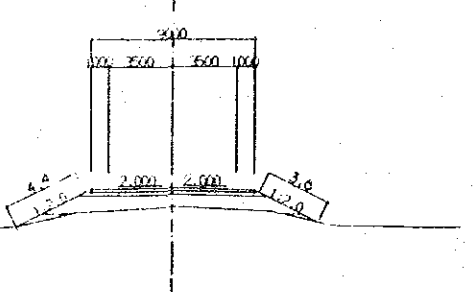
NO. 40+400.000

PE= 156.19 BA1= 12.44
 PF= 156.350 BA2= 3.8
 GF= 154.42



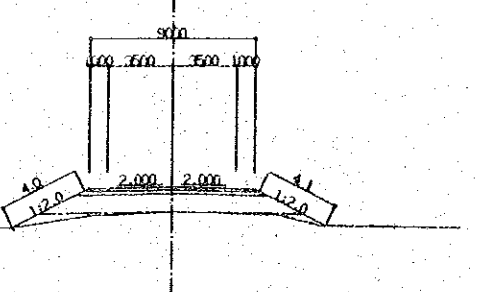
NO. 38+000.000

PE= 155.65 BA1= 4.9
 PF= 155.800 BA2= 0.0
 GF= 155.017



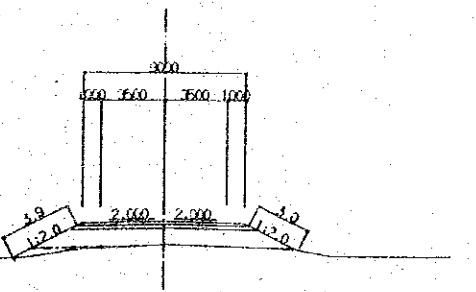
NO. 38+600.000

PE= 155.695 BA1= 12.08
 PF= 155.855 BA2= .7
 GF= 154.51



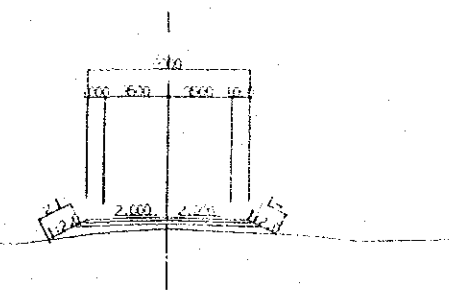
NO. 39+400.000

PE= 155.915 BA1= 7.8
 PF= 156.075 BA2= 0.0
 GF= 154.82



NO. 40+200.000

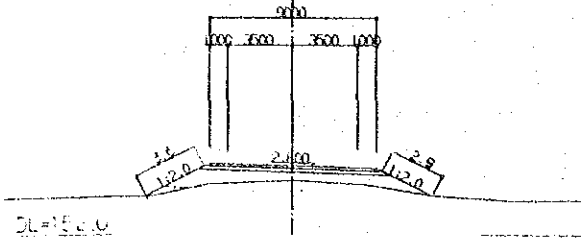
PE= 156.135 BA1= 11.54
 PF= 156.295 BA2= 1.5
 GF= 154.6



NO. 41+600.000

PIE= 155.65
 FI= 155.800
 GI= 154.78

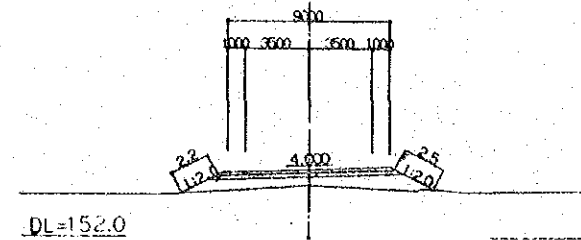
BA1= 9.229
 BA2= .9



NO. 42+100.000

PIE= 155.65
 FI= 155.800
 GI= 154.88

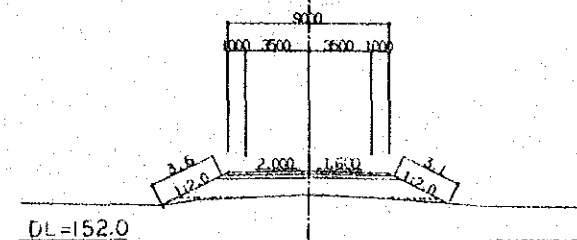
BA1= 7.61
 BA2= 0.0



NO. 42+439.391

PIE= 155.65
 FI= 155.800
 GI= 154.784

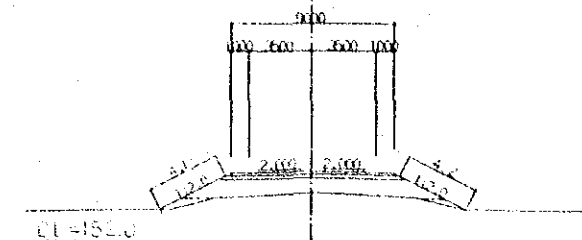
BA1= 12.38
 BA2= 0.0



NO. 43+200.000

PIE= 155.65
 FI= 155.800
 GI= 154.894

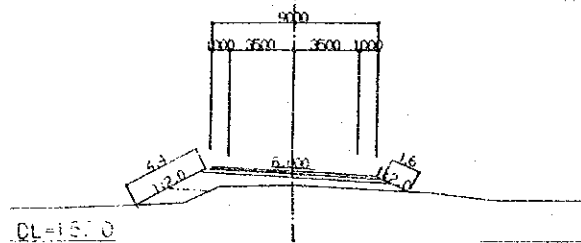
BA1= 7.1
 BA2= 0.0



NO. 41+400.000

PIE= 155.65
 FI= 155.800
 GI= 154.79

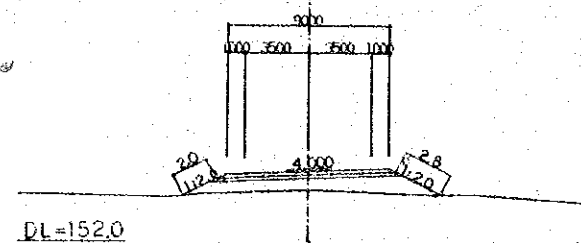
BA1= 9.3
 BA2= .7



NO. 42+000.000

PIE= 155.65
 FI= 155.800
 GI= 154.89

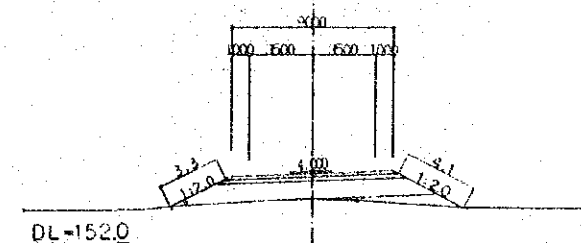
BA1= 9.68
 BA2= 0.0



NO. 42+400.000

PIE= 155.65
 FI= 155.800
 GI= 154.73

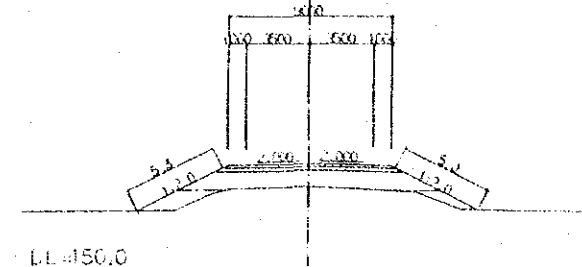
BA1= 13.31
 BA2= 2.4



NO. 43+000.000

PIE= 155.65
 FI= 155.800
 GI= 154.971

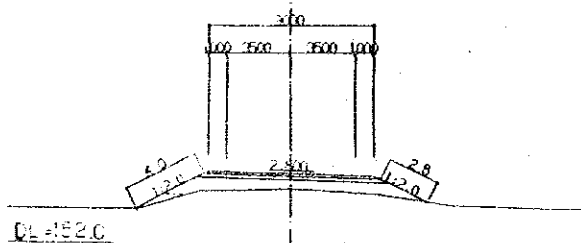
BA1= 6.4
 BA2= 0.0



NO. 41+200.000

PIE= 155.65
 FI= 155.800
 GI= 154.82

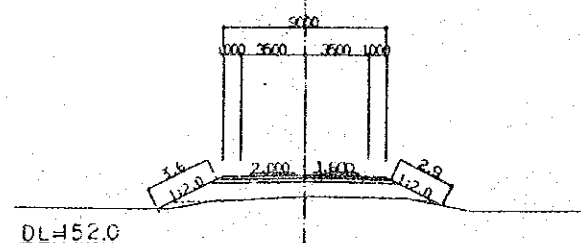
BA1= 7.7
 BA2= 0.0



NO. 41+965.139

PIE= 155.65
 FI= 155.800
 GI= 154.84

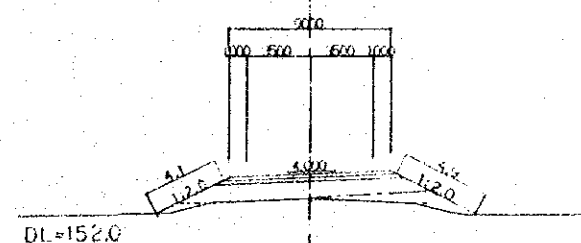
BA1= 10.66
 BA2= .4



NO. 42+300.000

PIE= 155.65
 FI= 155.800
 GI= 154.74

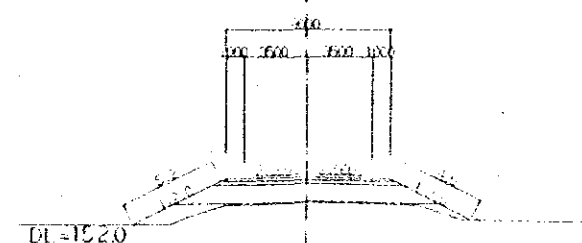
BA1= 11.57
 BA2= 4.3



NO. 42+800.000

PIE= 155.65
 FI= 155.800
 GI= 154.992

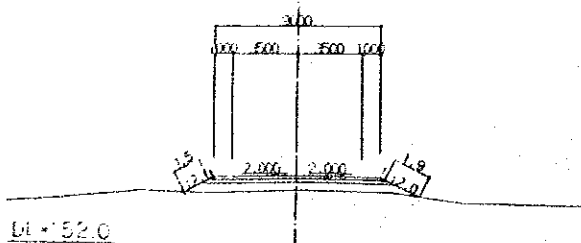
BA1= 6.0
 BA2= 6.0



NO. 41+000.000

PIE= 155.65
 FI= 155.800
 GI= 154.66

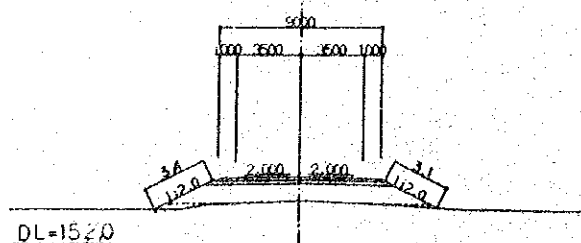
BA1= 11.26
 BA2= .5



NO. 41+800.000

PIE= 155.65
 FI= 155.800
 GI= 154.77

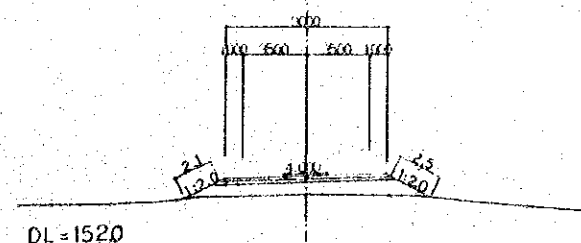
BA1= 9.1
 BA2= 0.0



NO. 42+200.000

PIE= 155.65
 FI= 155.800
 GI= 154.77

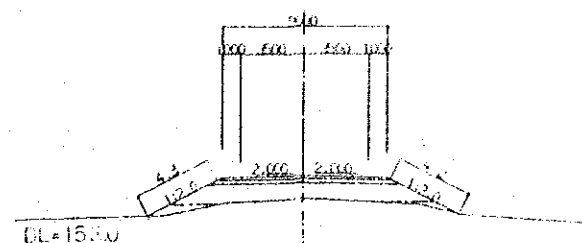
BA1= 8.68
 BA2= 0.0



NO. 42+600.000

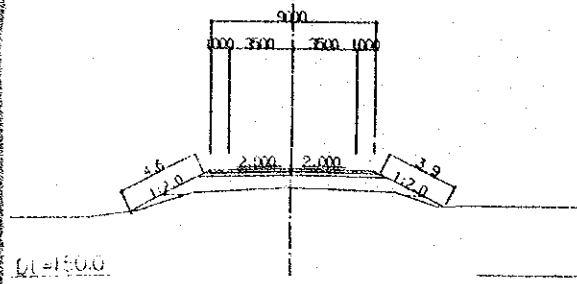
PIE= 155.65
 FI= 155.800
 GI= 154.82

BA1= 6.3
 BA2= 0.0



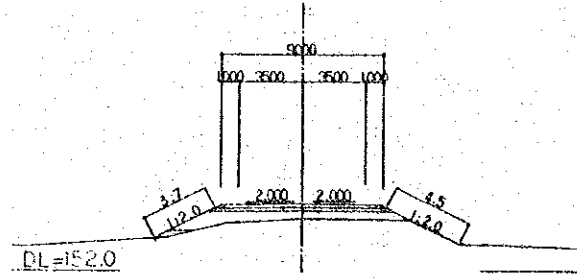
NO. 44+000.000

PIE= 155.65 BA1= 10.8
 PI+ 155.800 BA2= 0.0
 GI+ 154.69



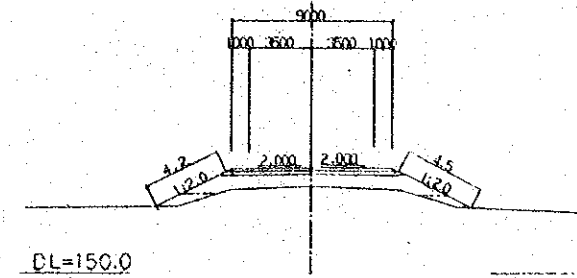
NO. 44+800.000

PIE= 155.65 BA1= 6.05
 PI+ 155.800 BA2= .4
 GI+ 154.84



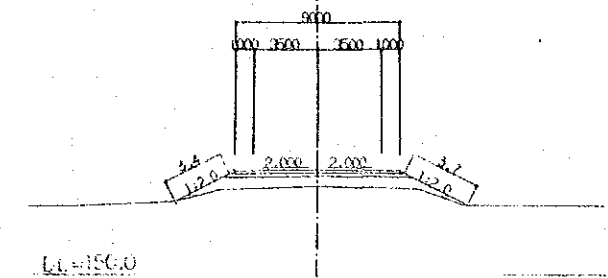
NO. 45+600.000

PIE= 155.65 BA1= 10.28
 PI+ 155.800 BA2= 2.0
 GI+ 155.41



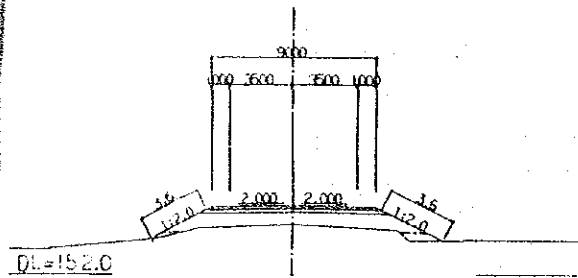
NO. 46+400.000

PIE= 155.65 BA1= 9.8
 PI+ 155.800 BA2= 0.0
 GI+ 155.33



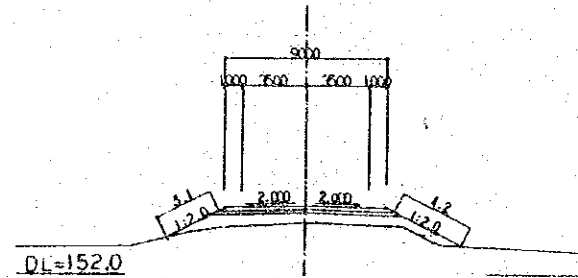
NO. 43+800.000

PIE= 155.65 BA1= 7.0
 PI+ 155.800 BA2= 0.0
 GI+ 154.94



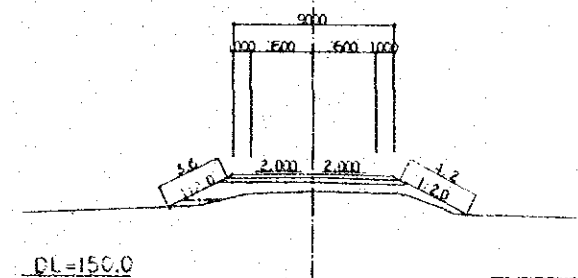
NO. 44+600.000

PIE= 155.65 BA1= 14.9
 PI+ 155.800 BA2= 0.0
 GI+ 154.65



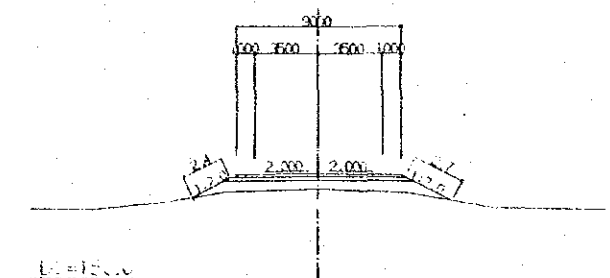
NO. 45+400.000

PIE= 155.65 BA1= 7.74
 PI+ 155.800 BA2= 1.4
 GI+ 155.29



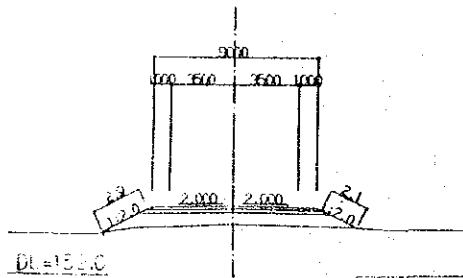
NO. 46+200.000

PIE= 155.65 BA1= 4.9
 PI+ 155.800 BA2= 0.0
 GI+ 155.7



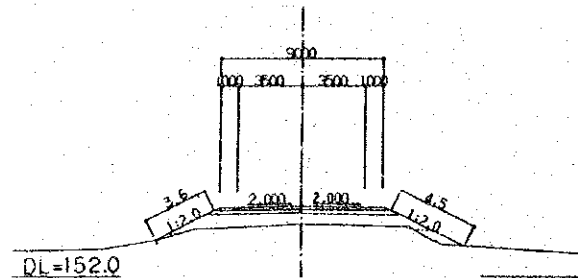
NO. 43+600.000

PIE= 155.65 BA1= 8.2
 PI+ 155.800 BA2= 0.0
 GI+ 154.67



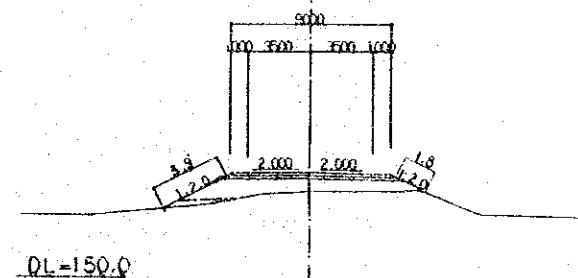
NO. 44+400.000

PIE= 155.65 BA1= 11.5
 PI+ 155.800 BA2= 0.0
 GI+ 154.64



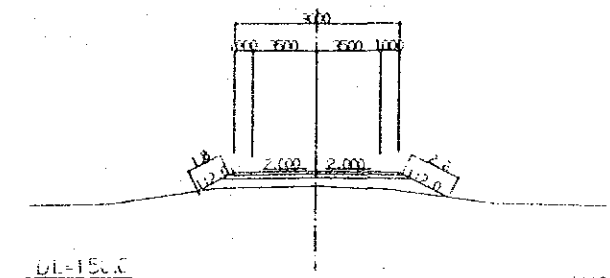
NO. 45+200.000

PIE= 155.65 BA1= 9.89
 PI+ 155.800 BA2= .6
 GI+ 155.27



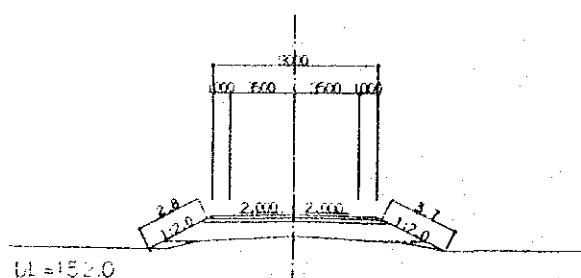
NO. 46+000.000

PIE= 155.65 BA1= .3
 PI+ 155.800 BA2= 0.0
 GI+ 155.98



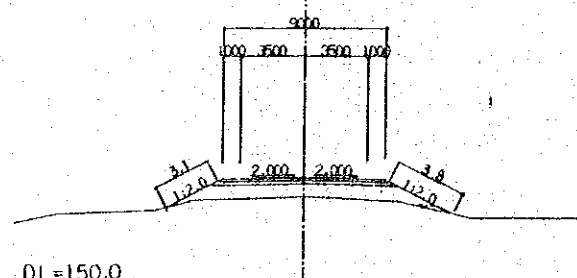
NO. 43+400.000

PIE= 155.65 BA1= 9.8
 PI+ 155.800 BA2= 0.0
 GI+ 154.79



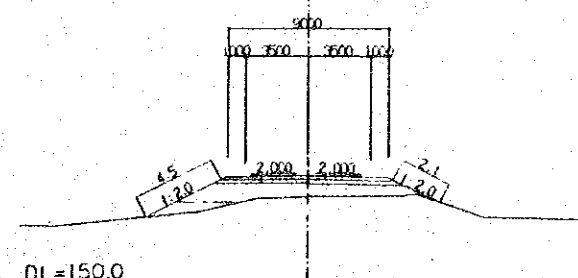
NO. 44+200.000

PIE= 155.65 BA1= 14.1
 PI+ 155.800 BA2= 0.0
 GI+ 154.52



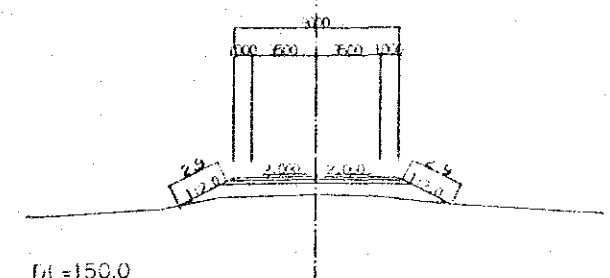
NO. 45+000.000

PIE= 155.65 BA1= 9.88
 PI+ 155.800 BA2= 1.9
 GI+ 154.82



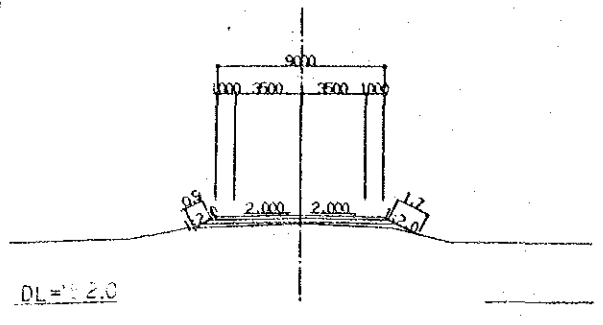
NO. 45+800.000

PIE= 155.65 BA1= 3.6
 PI+ 155.800 BA2= 0.0
 GI+ 155.68



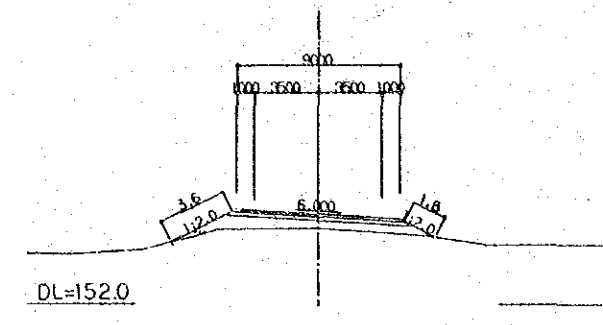
NO. 47+200.000

PtE= 156.52 BA1= 1.4
PtF= 156.680 BA2= 0.0
GtF= 156.22



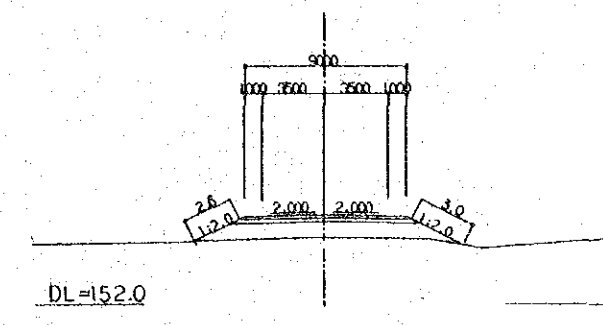
NO. 47+900.000

PtE= 156.713 BA1= 3.1
PtF= 156.873 BA2= 0.0
GtF= 156.10



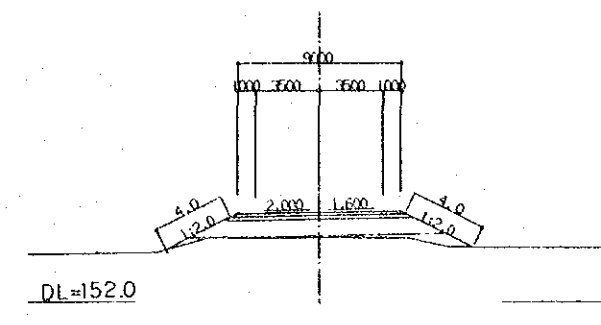
NO. 48+400.000

PtE= 156.74 BA1= 10.3
PtF= 156.900 BA2= 0.0
GtF= 155.89



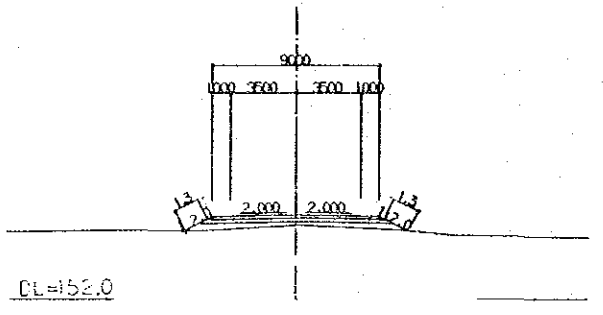
NO. 49+166.549

PtE= 156.74 BA1= 12.44
PtF= 156.900 BA2= 1.5
GtF= 155.54



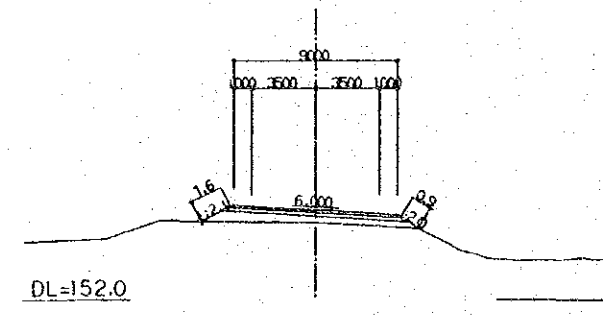
NO. 47+000.000

PtE= 156.465 BA1= 2.7
PtF= 156.625 BA2= 0.0
GtF= 156.07



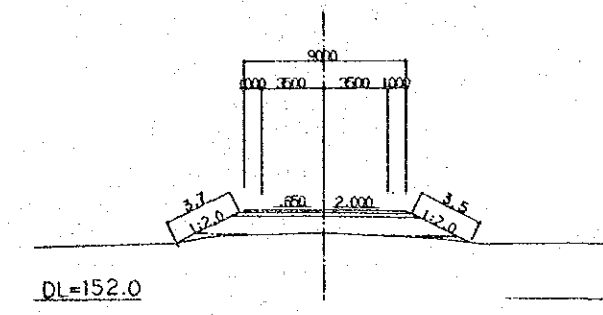
NO. 47+800.000

PtE= 156.685 BA1= 4.9
PtF= 156.845 BA2= 0.0
GtF= 156.15



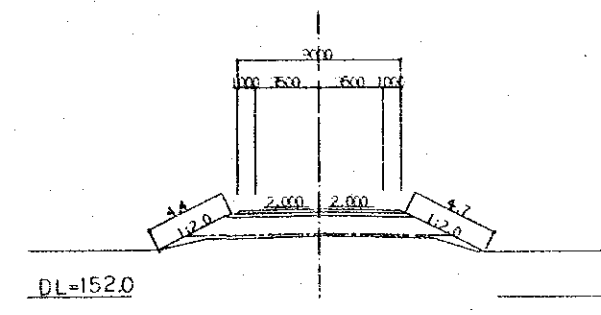
NO. 48+200.000

PtE= 156.74 BA1= 12.31
PtF= 156.900 BA2= .6
GtF= 155.65



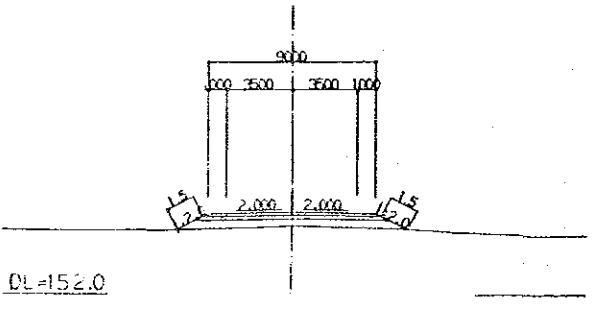
NO. 49+000.000

PtE= 156.74 BA1= 12.44
PtF= 156.900 BA2= 2.8
GtF= 155.44



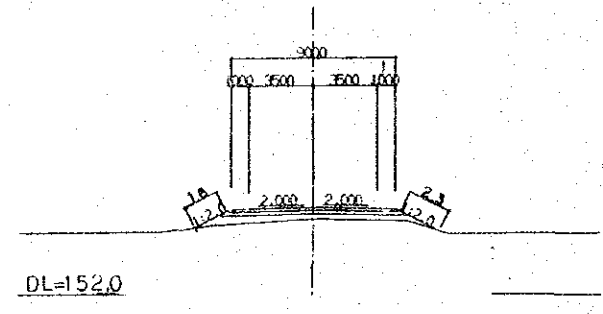
NO. 46+800.000

PtE= 156.41 BA1= 4.4
PtF= 156.570 BA2= 0.0
GtF= 155.83



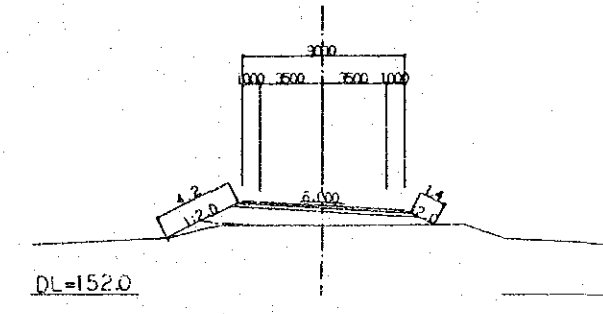
NO. 47+600.000

PtE= 156.63 BA1= 3.6
PtF= 156.790 BA2= 0.0
GtF= 156.15



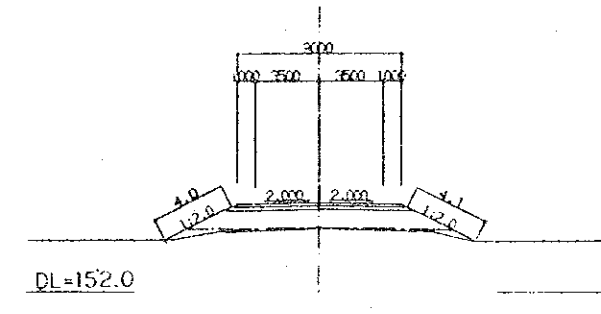
NO. 48+100.000

PtE= 156.74 BA1= 5.8
PtF= 156.900 BA2= 0.0
GtF= 155.80



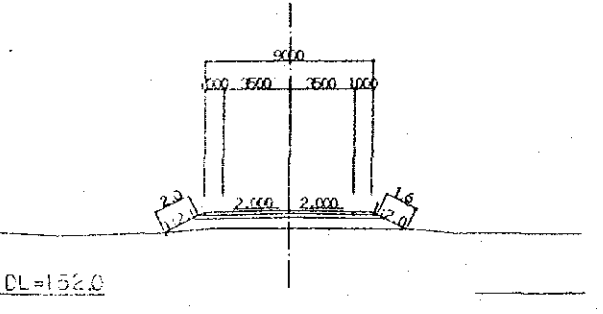
NO. 48+800.000

PtE= 156.74 BA1= 12.44
PtF= 156.900 BA2= 2.0
GtF= 155.50



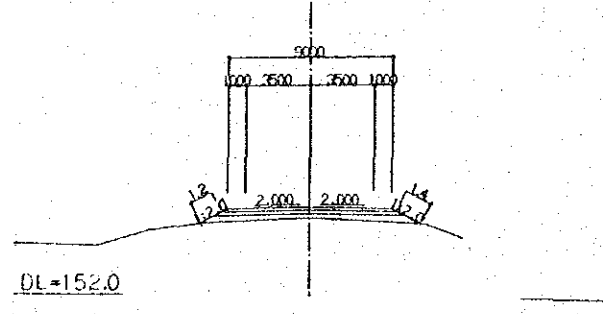
NO. 46+600.000

PtE= 156.355 BA1= 6.2
PtF= 156.515 BA2= 0.0
GtF= 155.55



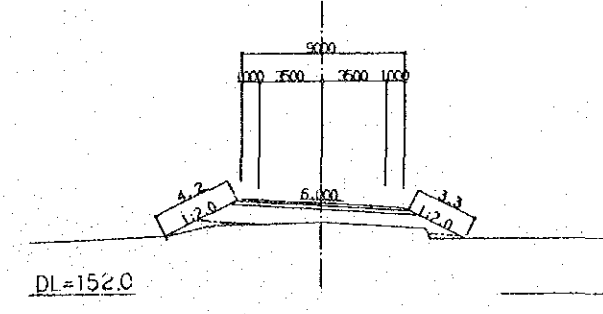
NO. 47+400.000

PtE= 156.575 BA1= 2.9
PtF= 156.735 BA2= 0.0
GtF= 156.17



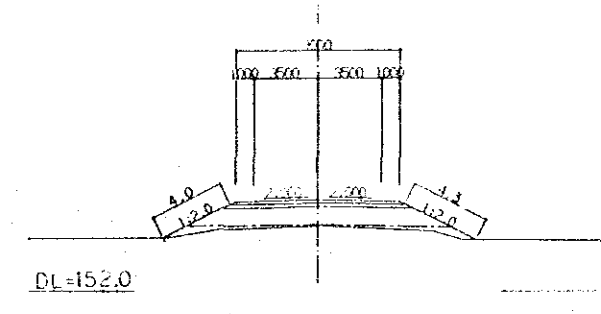
NO. 48+000.000

PtE= 156.737 BA1= 9.95
PtF= 156.897 BA2= 1.3
GtF= 155.86



NO. 48+600.000

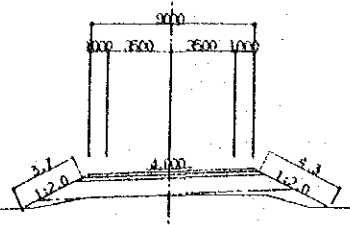
PtE= 156.74 BA1= 12.44
PtF= 156.900 BA2= 2.5
GtF= 155.51



NO. 49+600.000

PIE= 156.74
 PI= 156.9
 GF= 155.58

BA1= 12.44
 BA2= 1.8

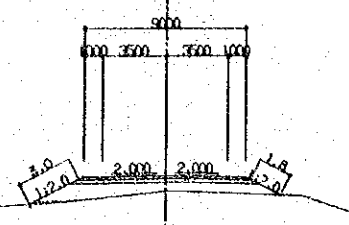


DL=152.0

NO. 49+900.000

PIE= 156.74
 PI= 156.9
 GF= 156.06

BA1= 7.5
 BA2= 0.0

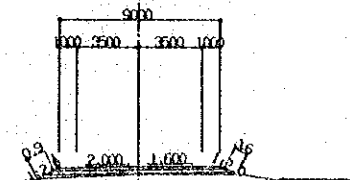


DL=152.0

NO. 50+660.390

PIE= 156.74
 PI= 156.9
 GF= 156.5

BA1= 1.6
 BA2= 0.0

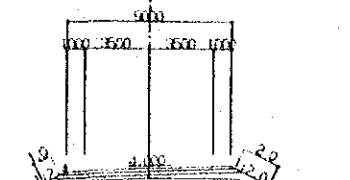


DL=154.0

NO. 50+900.000

PIE= 156.74
 PI= 156.9
 GF= 156.36

BA1= 3.8
 BA2= 0.0

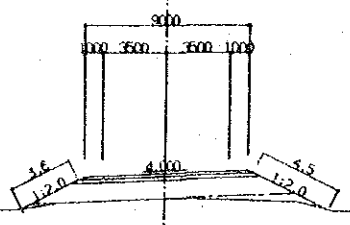


DL=154.0

NO. 49+500.000

PIE= 156.74
 PI= 156.9
 GF= 155.56

BA1= 12.44
 BA2= 2.2

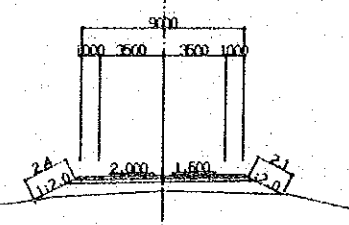


DL=152.0

NO. 49+818.831

PIE= 156.74
 PI= 156.9
 GF= 156.04

BA1= 7.3
 BA2= 0.0

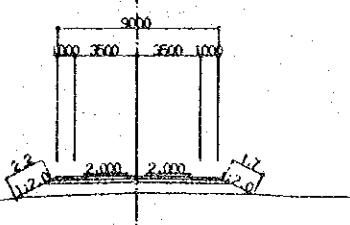


DL=152.0

NO. 50+400.000

PIE= 156.74
 PI= 156.9
 GF= 155.96

BA1= 7.8
 BA2= 0.0

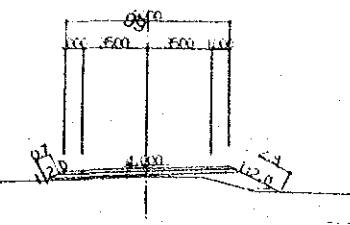


DL=152.0

NO. 50+800.000

PIE= 156.74
 PI= 156.9
 GF= 156.42

BA1= 3.8
 BA2= 0.0

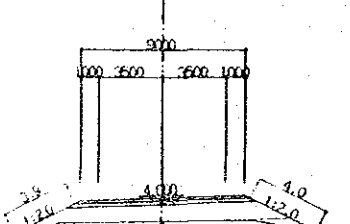


DL=154.0

NO. 49+400.000

PIE= 156.74
 PI= 156.9
 GF= 155.64

BA1= 11.06
 BA2= 1.8

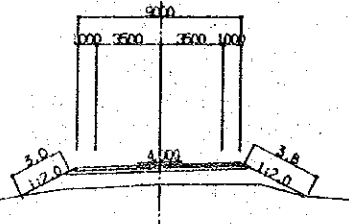


DL=152.0

NO. 49+800.000

PIE= 156.74
 PI= 156.9
 GF= 155.84

BA1= 10.1
 BA2= 0.0

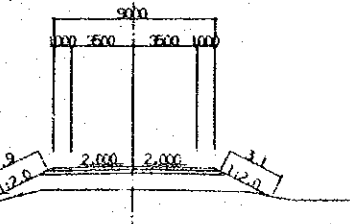


DL=152.0

NO. 50+200.000

PIE= 156.74
 PI= 156.9
 GF= 155.65

BA1= 11.7
 BA2= 0.0

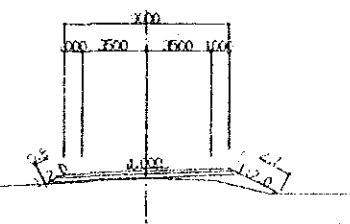


DL=152.0

NO. 50+700.000

PIE= 156.74
 PI= 156.9
 GF= 156.48

BA1= 4.0
 BA2= 0.0

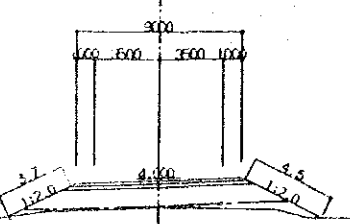


DL=154.0

NO. 49+300.000

PIE= 156.74
 PI= 156.9
 GF= 155.46

BA1= 12.44
 BA2= 3.8

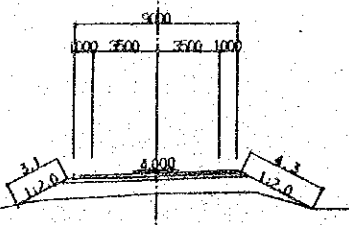


DL=152.0

NO. 49+700.000

PIE= 156.74
 PI= 156.9
 GF= 155.82

BA1= 10.7
 BA2= 0.0

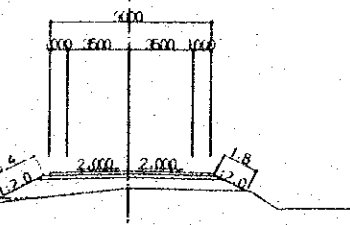


DL=152.0

NO. 50+000.000

PIE= 156.74
 PI= 156.9
 GF= 155.97

BA1= 8.82
 BA2= 1.78

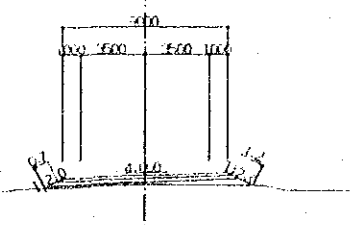


DL=152.0

NO. 50+600.000

PIE= 156.74
 PI= 156.9
 GF= 156.41

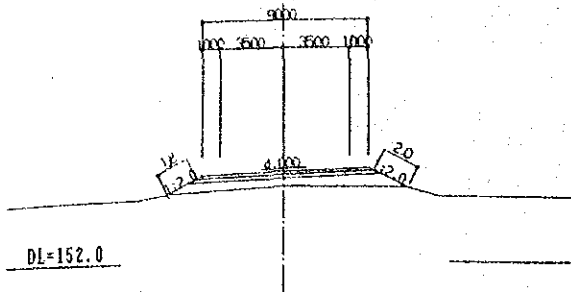
BA1= 2.1
 BA2= 0.0



DL=154.0

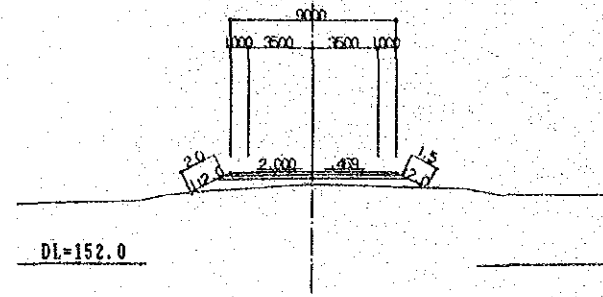
NO. 51+300.000

PtE= 156.74
PtF= 156.900
GtF= 156.12
BA1= 7.6
BA2= 0.0



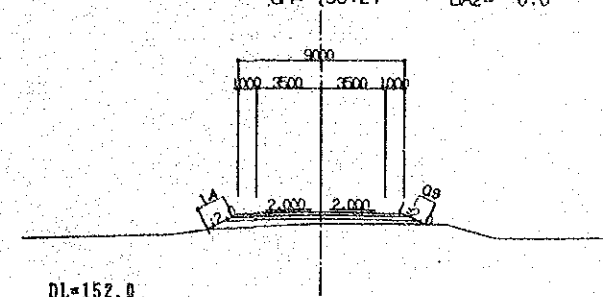
NO. 51+600.000

PtE= 156.74
PtF= 156.900
GtF= 156.23
BA1= 6.6
BA2= 0.0



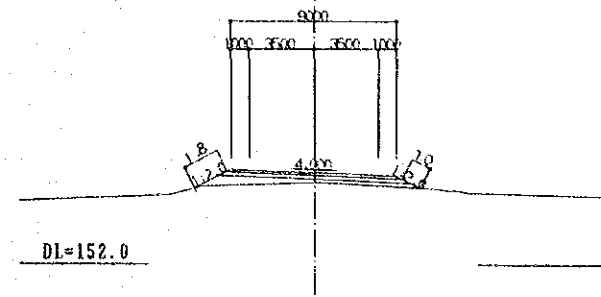
NO. 52+400.000

PtE= 156.74
PtF= 156.900
GtF= 156.27
BA1= 3.8
BA2= 0.0



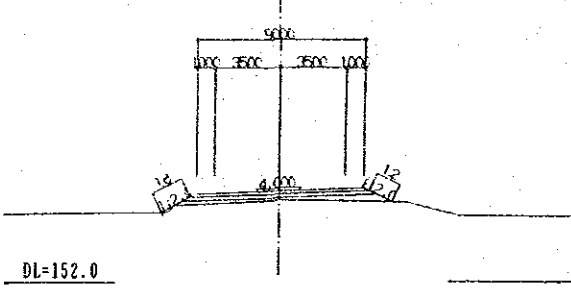
NO. 52+800.000

PtE= 156.74
PtF= 156.900
GtF= 156.35
BA1= 4.7
BA2= 0.0



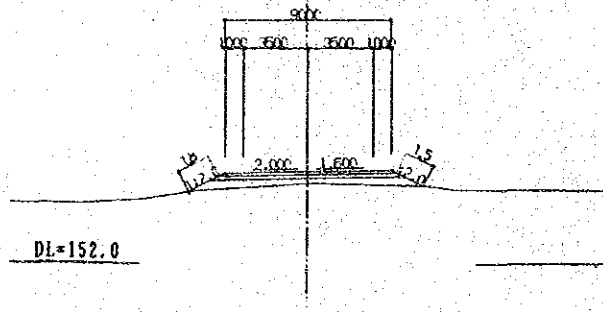
NO. 51+200.000

PtE= 156.74
PtF= 156.900
GtF= 156.41
BA1= 6.9
BA2= 3.0



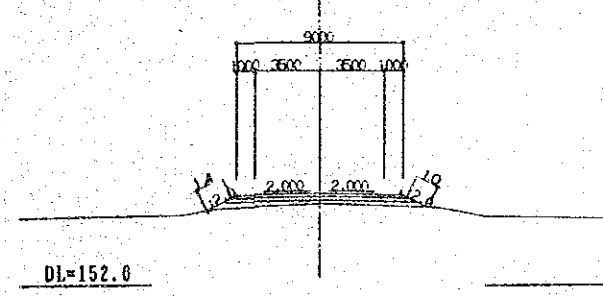
NO. 51+571.401

PtE= 156.74
PtF= 156.900
GtF= 156.27
BA1= 6.2
BA2= 0.0



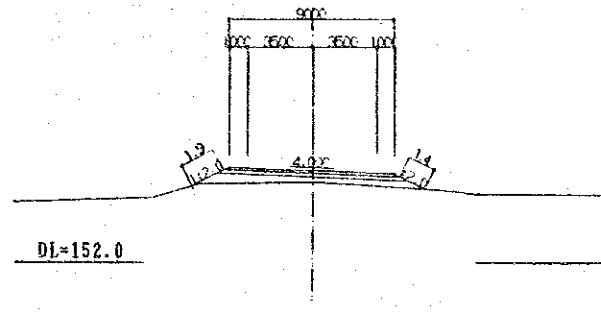
NO. 52+200.000

PtE= 156.74
PtF= 156.900
GtF= 156.36
BA1= 3.6
BA2= 0.0



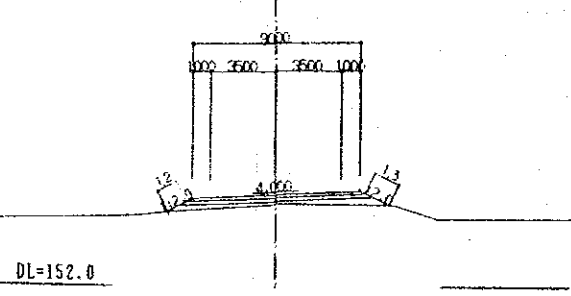
NO. 52+700.000

PtE= 156.74
PtF= 156.900
GtF= 156.27
BA1= 5.8
BA2= 0.0



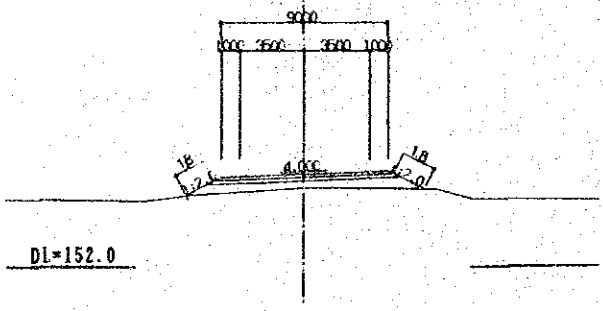
NO. 51+100.000

PtE= 156.74
PtF= 156.900
GtF= 156.40
BA1= 4.2
BA2= 0.0



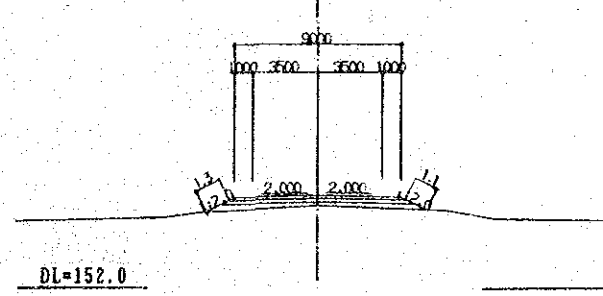
NO. 51+500.000

PtE= 156.74
PtF= 156.900
GtF= 156.18
BA1= 7.1
BA2= 0.0



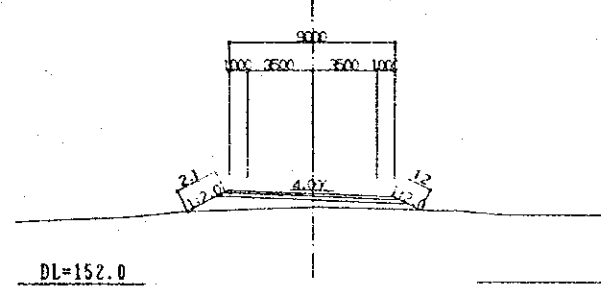
NO. 52+000.000

PtE= 156.74
PtF= 156.900
GtF= 156.37
BA1= 4.3
BA2= 0.0



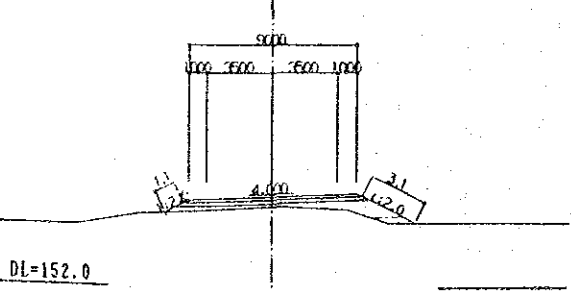
NO. 52+600.000

PtE= 156.74
PtF= 156.900
GtF= 156.18
BA1= 6.0
BA2= 0.0



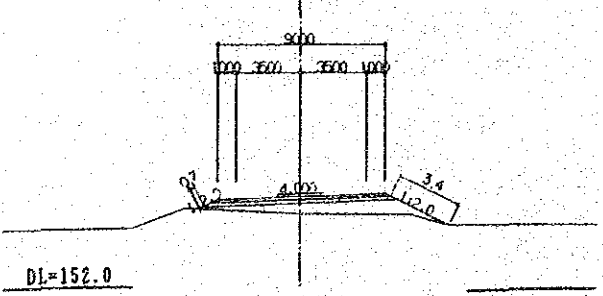
NO. 51+000.000

PtE= 156.74
PtF= 156.900
GtF= 156.39
BA1= 3.91
BA2= 2.1



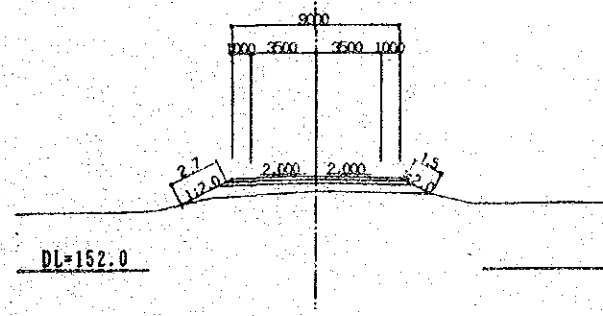
NO. 51+400.000

PtE= 156.74
PtF= 156.900
GtF= 155.99
BA1= 5.5
BA2= 0.0



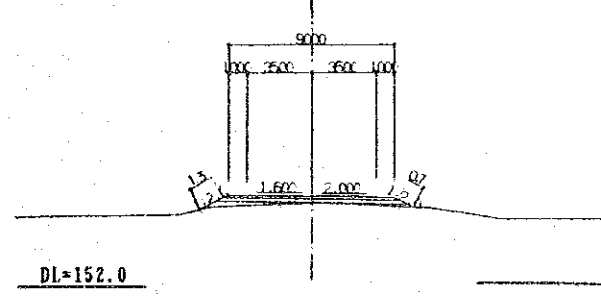
NO. 51+800.000

PtE= 156.74
PtF= 156.900
GtF= 156.11
BA1= 6.6
BA2= 0.0

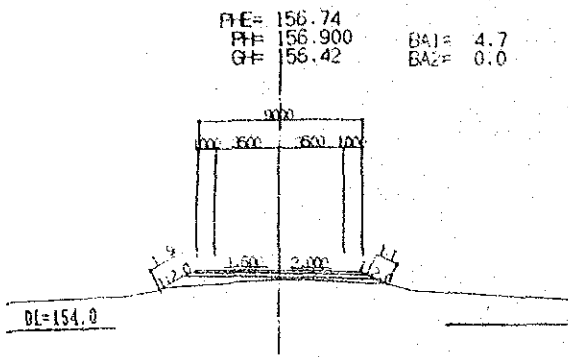


NO. 52+515.464

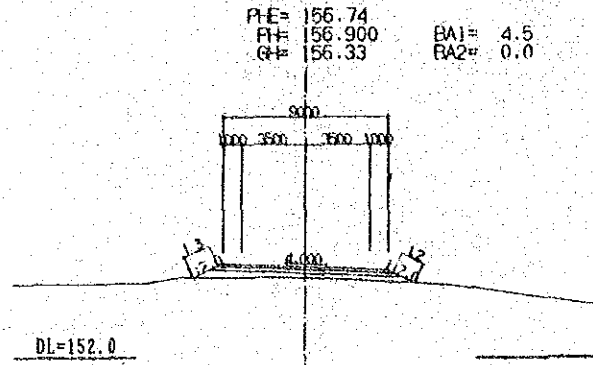
PtE= 156.74
PtF= 156.900
GtF= 156.53
BA1= 2.5
BA2= 0.0



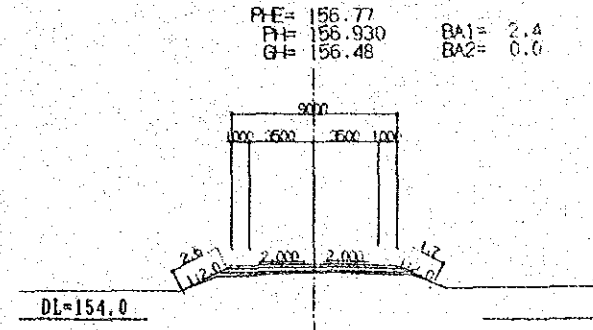
NO. 53+345.214



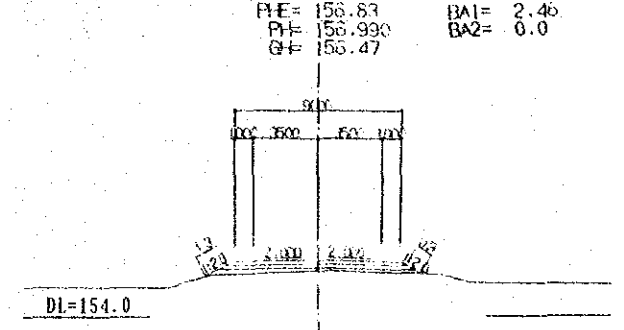
NO. 53+700.000



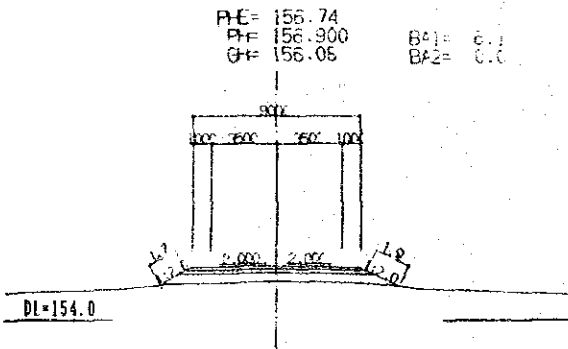
NO. 54+400.000



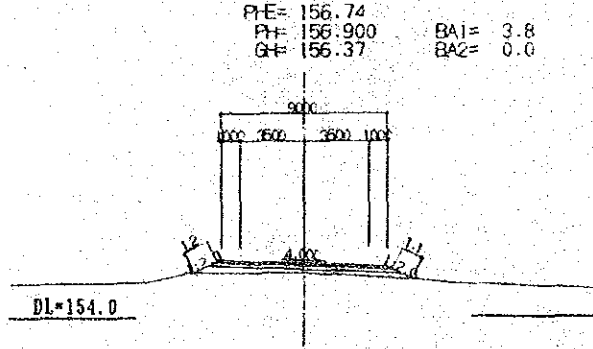
NO. 55+200.000



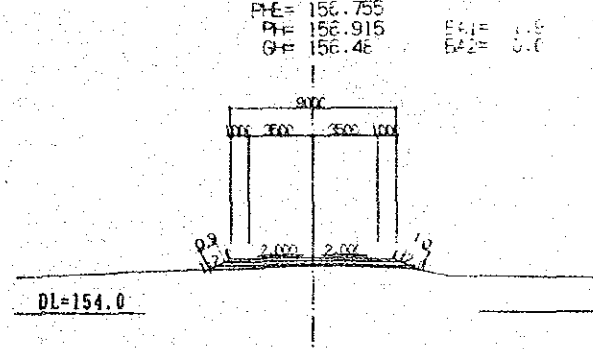
NO. 53+200.000



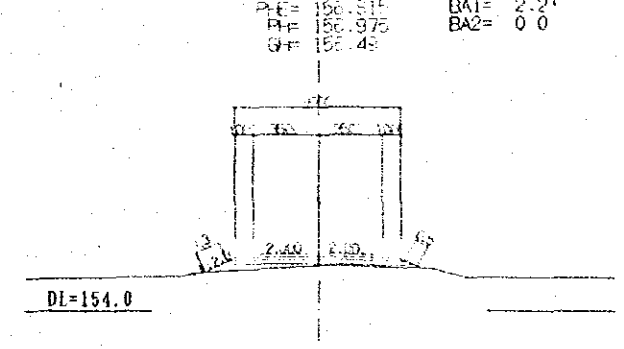
NO. 53+600.000



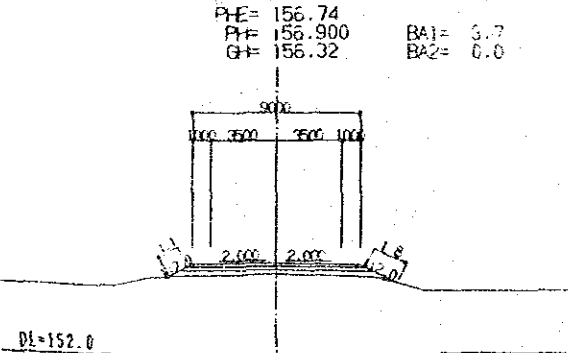
NO. 54+200.000



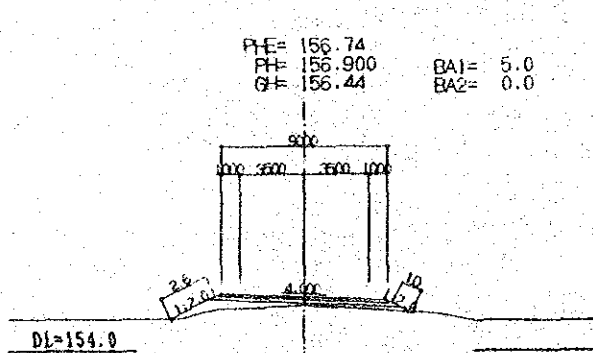
NO. 55+000.000



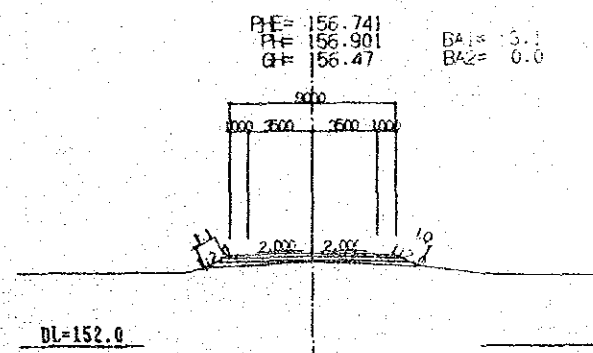
NO. 53+000.000



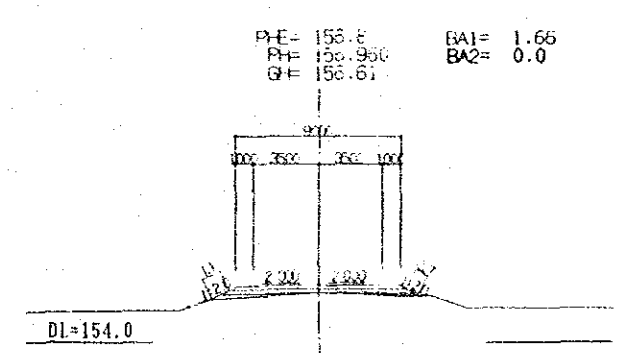
NO. 53+500.000



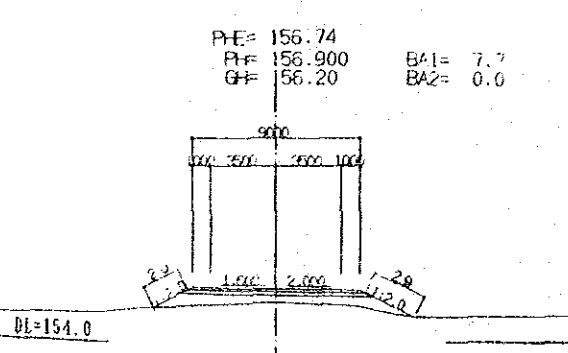
NO. 54+000.000



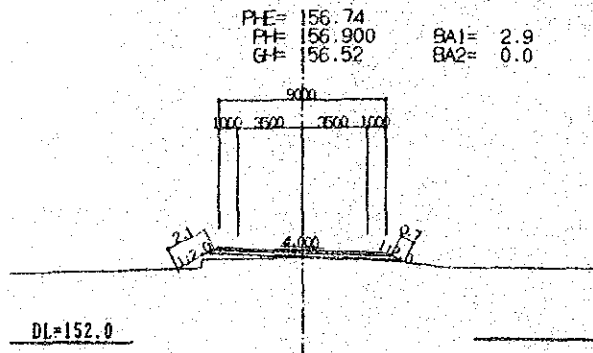
NO. 54+800.000



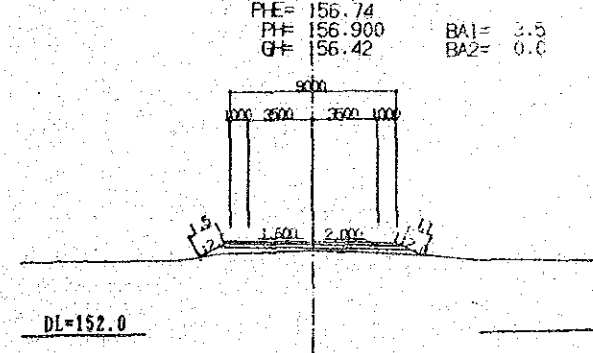
NO. 52+869.117



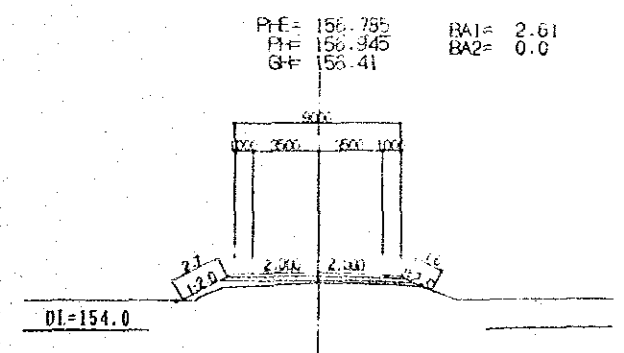
NO. 53+400.000



NO. 53+781.859

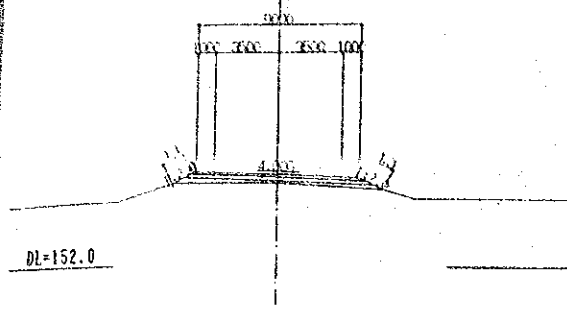


NO. 54+600.000



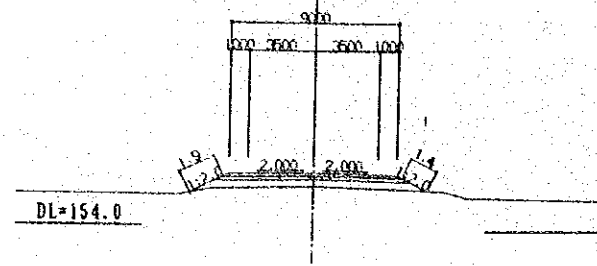
NO. 55+700.000

P+E= 156.868
P-F= 157.028
G-F= 156.55
BA1= 3.0
BA2= 0.0



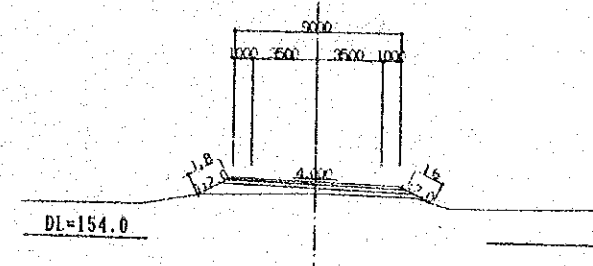
NO. 56+200.000

P+E= 156.905
P-F= 157.065
G-F= 156.33
BA1= 5.3
BA2= 0.0



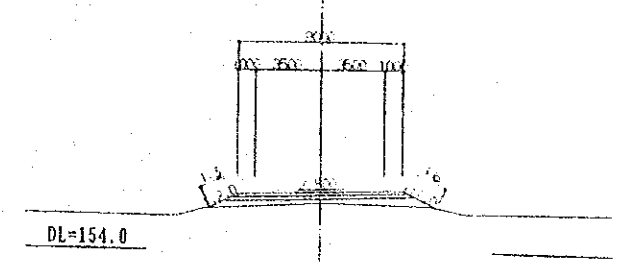
NO. 56+800.000

P+E= 156.95
P-F= 157.110
G-F= 156.47
BA1= 4.8
BA2= 0.0



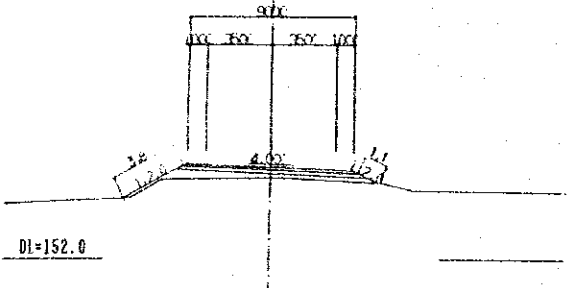
NO. 57+283.119

P+E= 156.986
P-F= 157.146
G-F= 156.57
BA1= 6.1
BA2= 0.0



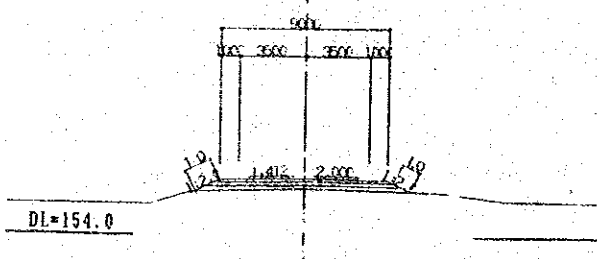
NO. 55+600.000

P+E= 156.86
P-F= 157.02
G-F= 156.46
BA1= 4.8
BA2= 0.0



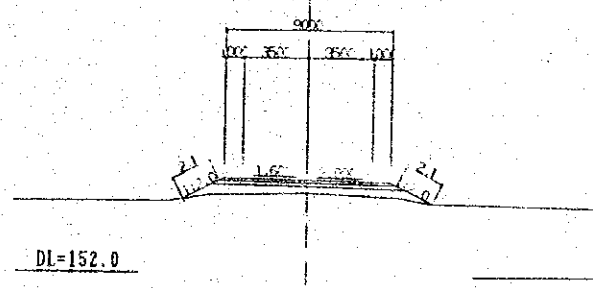
NO. 56+000.000

P+E= 156.89
P-F= 157.050
G-F= 156.50
BA1= 3.2
BA2= 0.0



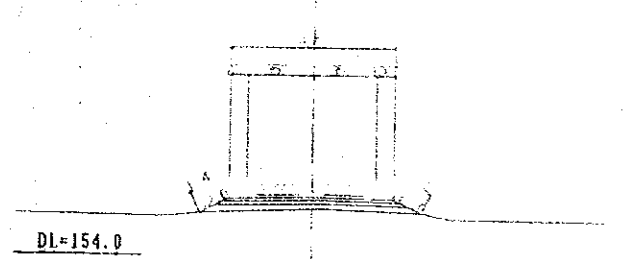
NO. 56+759.592

P+E= 156.947
P-F= 157.107
G-F= 156.41
BA1= 6.0
BA2= 0.0



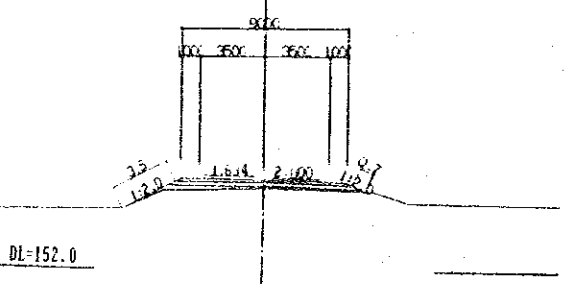
NO. 57+200.000

P+E= 156.96
P-F= 157.14
G-F= 156.51
BA1= 6.0
BA2= 0.0



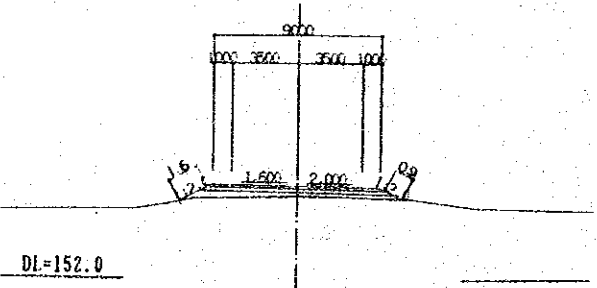
NO. 55+500.000

P+E= 156.853
P-F= 157.013
G-F= 156.54
BA1= 1.68
BA2= 0.0



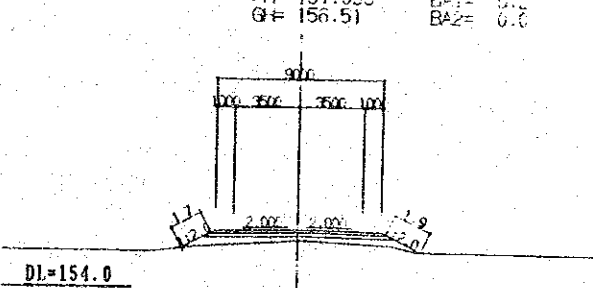
NO. 55+972.393

P+E= 156.888
P-F= 157.048
G-F= 156.50
BA1= 3.5
BA2= 0.0



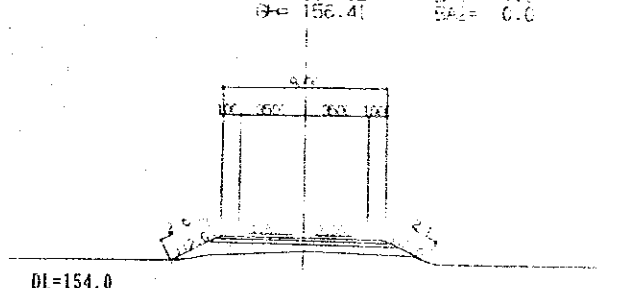
NO. 56+600.000

P+E= 156.936
P-F= 157.095
G-F= 156.51
BA1= 5.1
BA2= 0.0



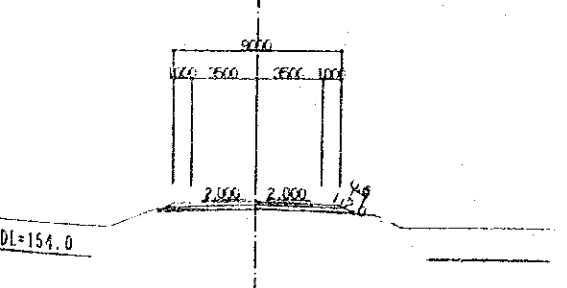
NO. 57+021.624

P+E= 156.967
P-F= 157.127
G-F= 156.41
BA1= 7.0
BA2= 0.0



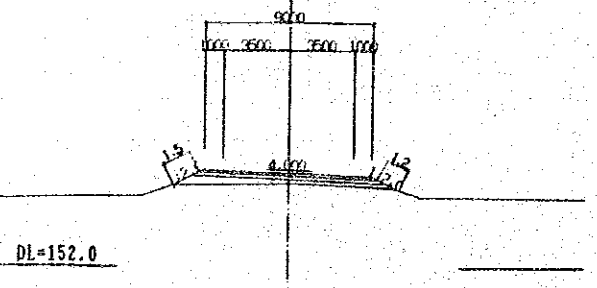
NO. 55+400.000

P+E= 156.845
P-F= 157.005
G-F= 156.63
BA1= 0.0
BA2= 0.0



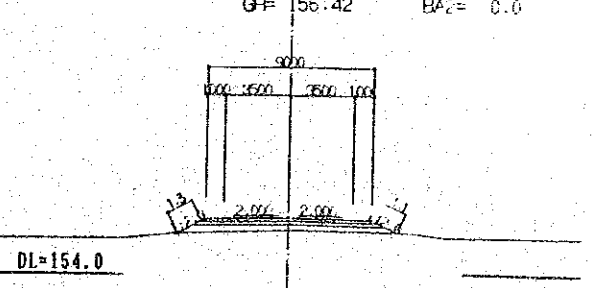
NO. 55+800.000

P+E= 156.875
P-F= 157.035
G-F= 156.47
BA1= 4.0
BA2= 0.0



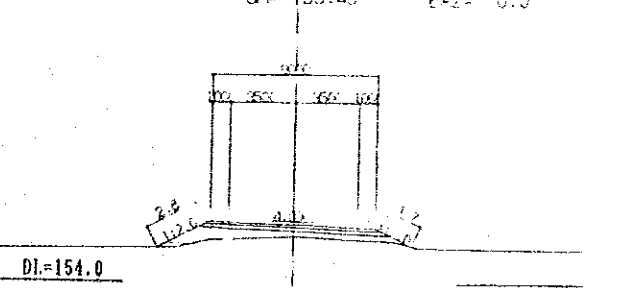
NO. 56+400.000

P+E= 156.92
P-F= 157.080
G-F= 156.42
BA1= 4.1
BA2= 0.0



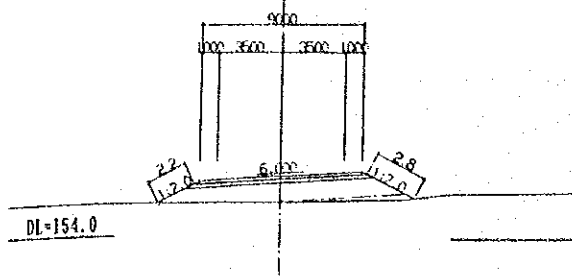
NO. 56+900.000

P+E= 156.956
P-F= 157.118
G-F= 156.45
BA1= 6.1
BA2= 0.0



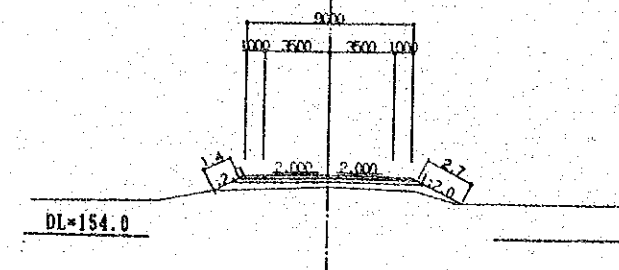
NO. 57+700.000

PE= 157.018
PF= 157.178
GF= 155.77
BA1= 11.09
BA2= 0.0



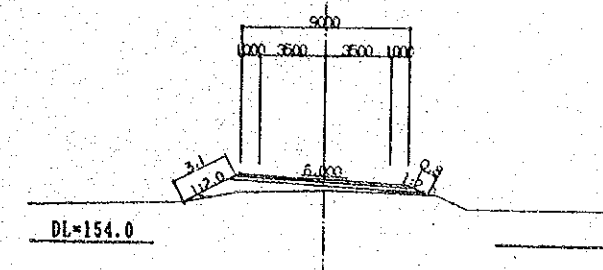
NO. 58+400.000

PE= 157.14
PF= 157.300
GF= 156.66
BA1= 5.0
BA2= 0.0



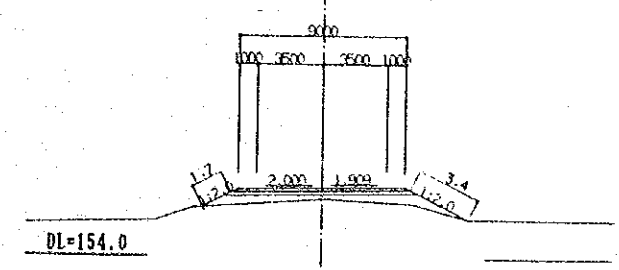
NO. 59+000.000

PE= 157.29
PF= 157.450
GF= 156.84
BA1= 4.06
BA2= 1.1



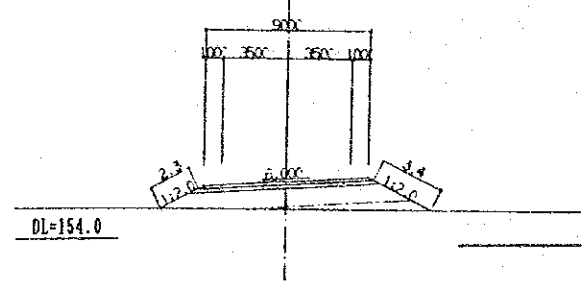
NO. 59+600.000

PE= 157.44
PF= 157.600
GF= 157.01
BA1= 7.4
BA2= 0.0



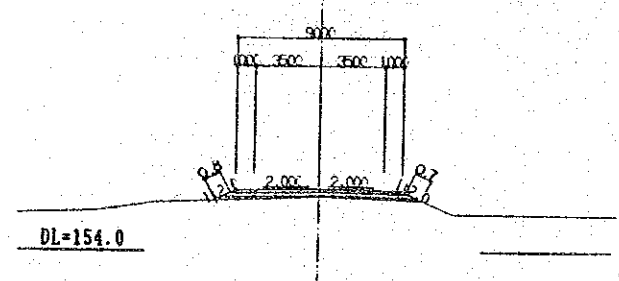
NO. 57+600.000

PE= 157.01
PF= 157.170
GF= 155.71
BA1= 11.27
BA2= 0.0



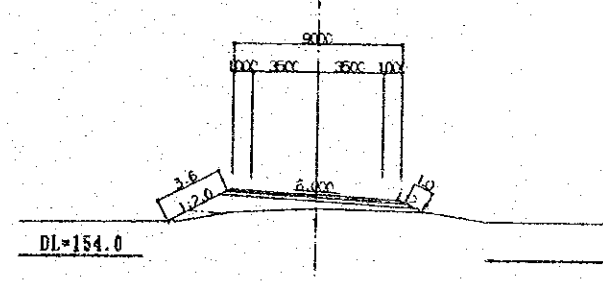
NO. 58+200.000

PE= 157.09
PF= 157.250
GF= 156.85
BA1= 2.3
BA2= 0.0



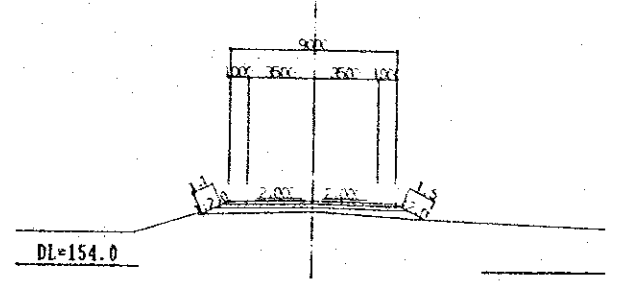
NO. 58+900.000

PE= 157.265
PF= 157.425
GF= 156.66
BA1= 5.54
BA2= 2.0



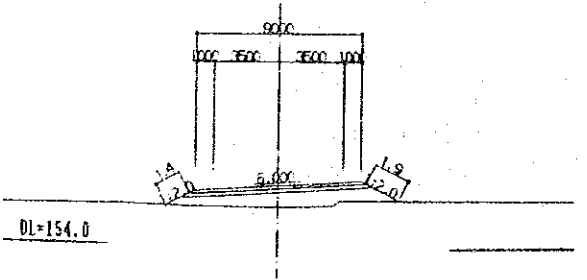
NO. 59+400.000

PE= 157.39
PF= 157.550
GF= 156.97
BA1= 4.8
BA2= 0.7



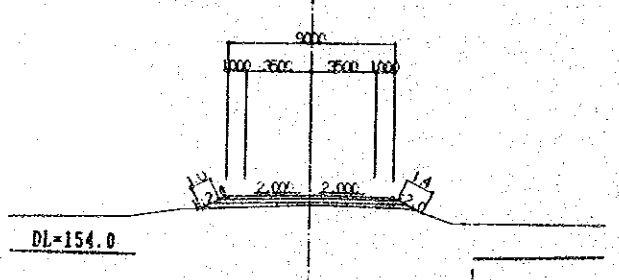
NO. 57+500.000

PE= 157.003
PF= 157.163
GF= 156.02
BA1= 7.5
BA2= 0.0



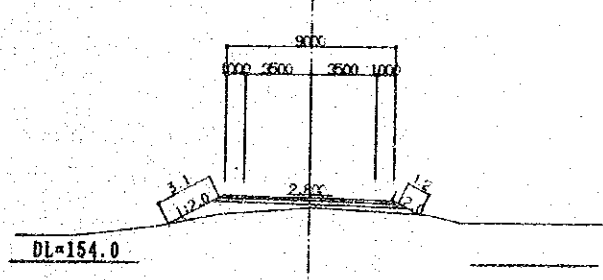
NO. 58+000.000

PE= 157.042
PF= 157.202
GF= 156.69
BA1= 3.0
BA2= 0.0



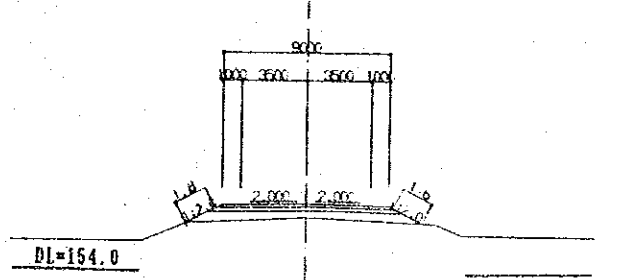
NO. 58+786.467

PE= 157.237
PF= 157.397
GF= 156.88
BA1= 6.3
BA2= 0.0



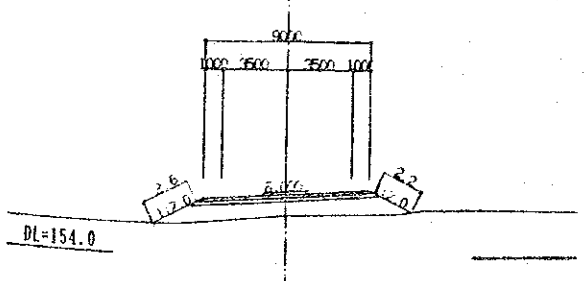
NO. 59+200.000

PE= 157.34
PF= 157.500
GF= 156.77
BA1= 6.9
BA2= 0.0



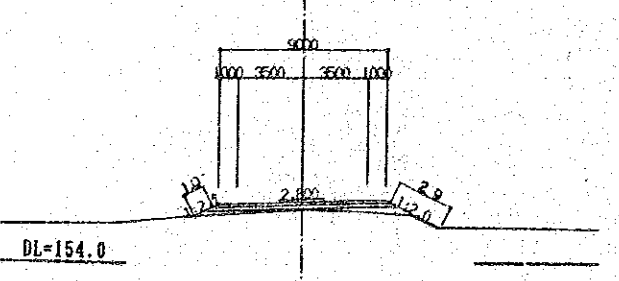
NO. 57+400.000

PE= 156.995
PF= 157.155
GF= 156.06
BA1= 10.4
BA2= 0.0



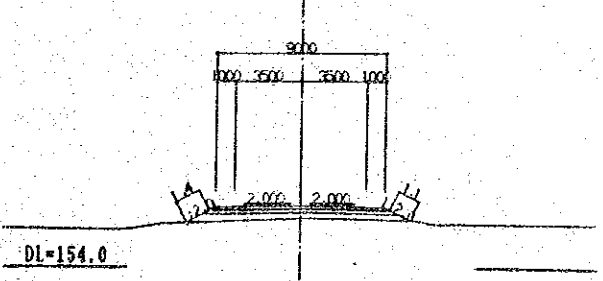
NO. 57+823.973

PE= 157.027
PF= 157.187
GF= 156.78
BA1= 4.1
BA2= 0.0



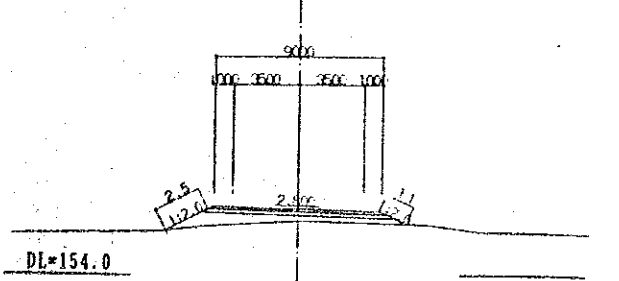
NO. 58+600.000

PE= 157.19
PF= 157.350
GF= 156.69
BA1= 4.6
BA2= 0.0



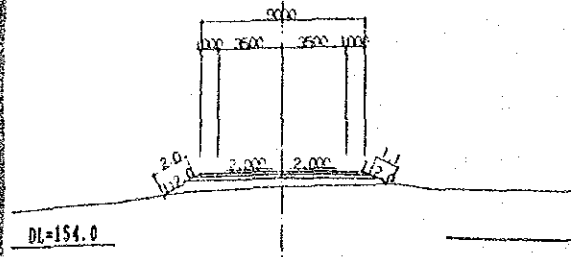
NO. 59+102.019

PE= 157.316
PF= 157.476
GF= 156.84
BA1= 6.2
BA2= 0.0



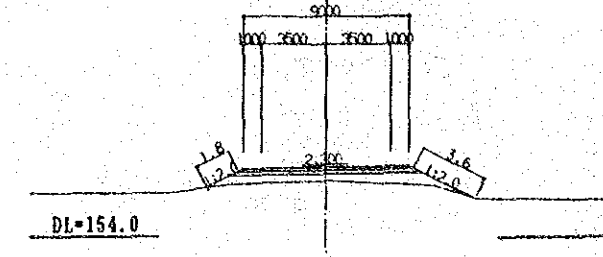
NO. 60+200.000

P-E= 157.54
P-F= 157.700
G-F= 156.90
BA1= 5.3
BA2= 0.0



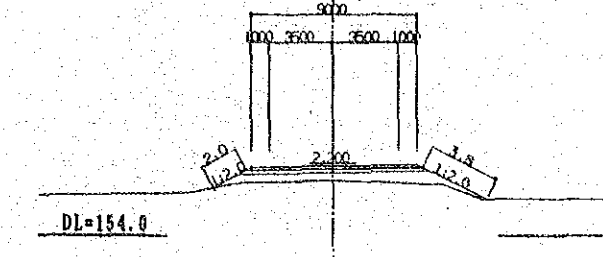
NO. 60+930.312

P-E= 157.54
P-F= 157.700
G-F= 156.98
BA1= 7.0
BA2= 0.0



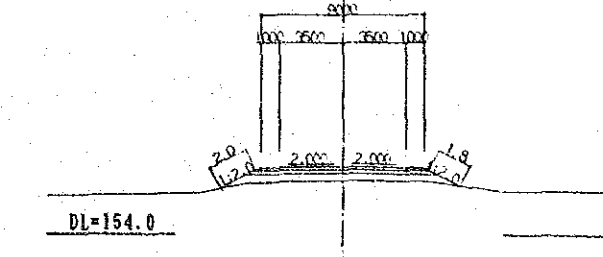
NO. 61+298.071

P-E= 157.54
P-F= 157.700
G-F= 156.93
BA1= 7.5
BA2= 0.0



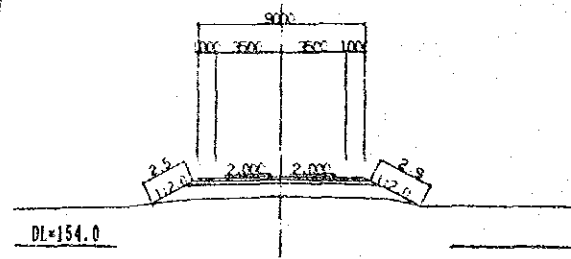
NO. 62+000.000

P-E= 157.54
P-F= 157.700
G-F= 156.96
BA1= 4.8
BA2= 0.0



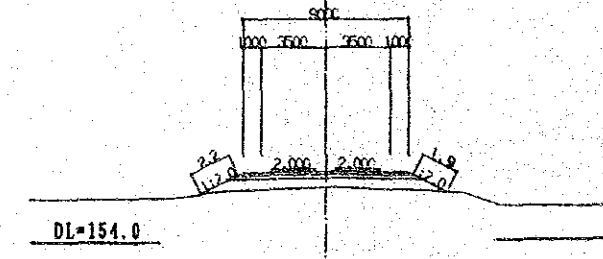
NO. 60+000.000

P-E= 157.537
P-F= 157.697
G-F= 156.64
BA1= 9.35
BA2= 0.0



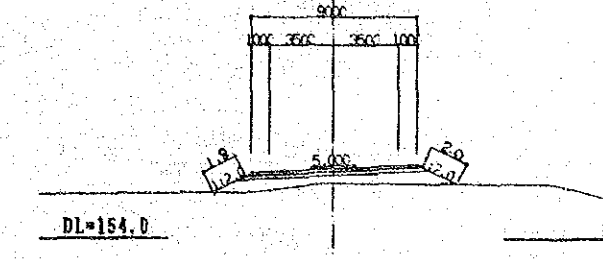
NO. 60+800.000

P-E= 157.54
P-F= 157.700
G-F= 156.85
BA1= 7.7
BA2= 0.0



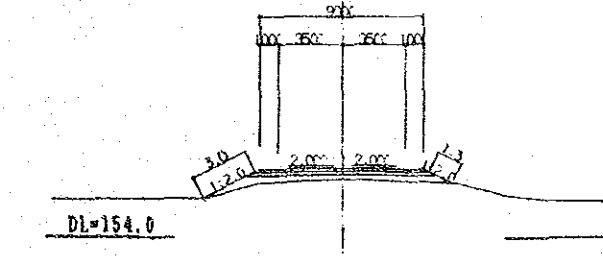
NO. 61+200.000

P-E= 157.54
P-F= 157.700
G-F= 156.92
BA1= 7.2
BA2= 0.0



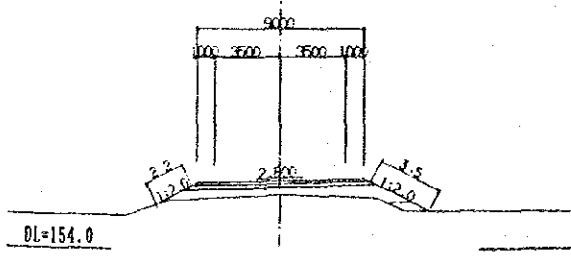
NO. 61+800.000

P-E= 157.54
P-F= 157.700
G-F= 157.10
BA1= 4.9
BA2= 0.0



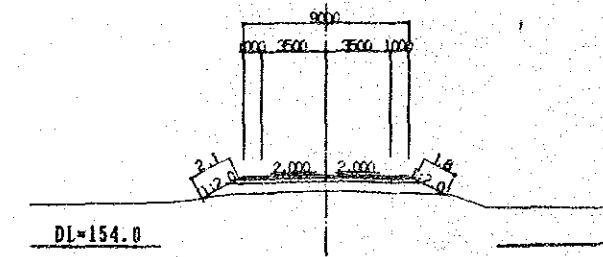
NO. 59+892.858

P-E= 157.513
P-F= 157.673
G-F= 156.93
BA1= 8.3
BA2= 0.0



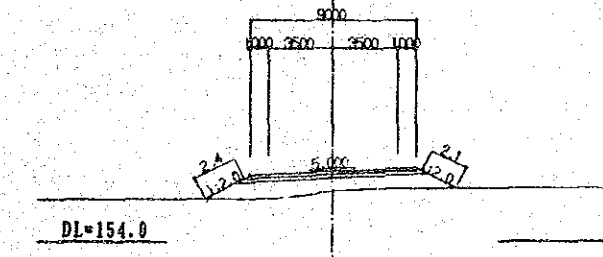
NO. 60+600.000

P-E= 157.54
P-F= 157.700
G-F= 156.84
BA1= 7.1
BA2= 0.0



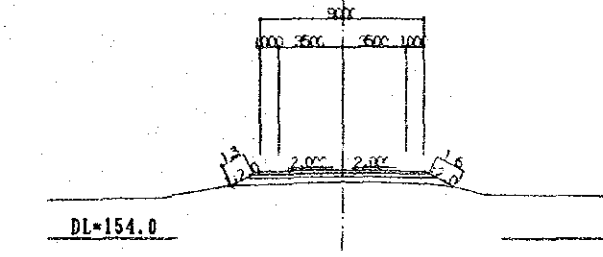
NO. 61+100.000

P-E= 157.54
P-F= 157.700
G-F= 156.65
BA1= 9.6
BA2= 0.0



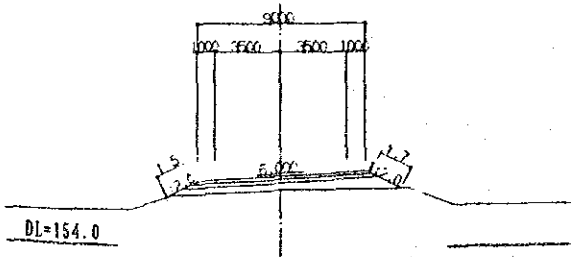
NO. 61+600.000

P-E= 157.54
P-F= 157.700
G-F= 157.07
BA1= 4.0
BA2= 0.0



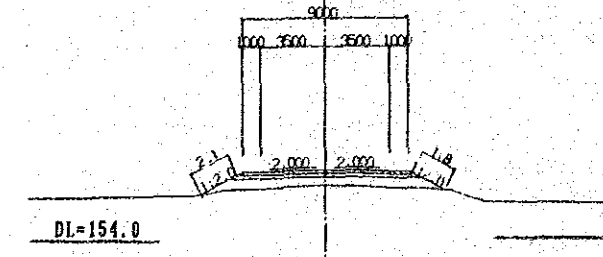
NO. 59+800.000

P-E= 157.49
P-F= 157.650
G-F= 156.92
BA1= 5.8
BA2= 0.0



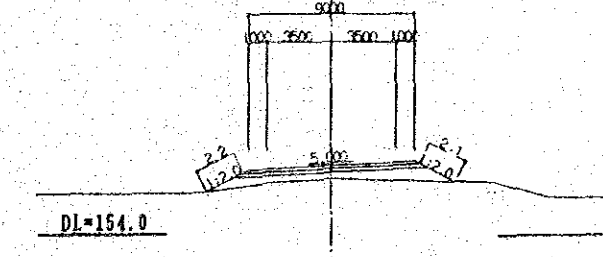
NO. 60+400.000

P-E= 157.54
P-F= 157.700
G-F= 156.90
BA1= 7.2
BA2= 0.0



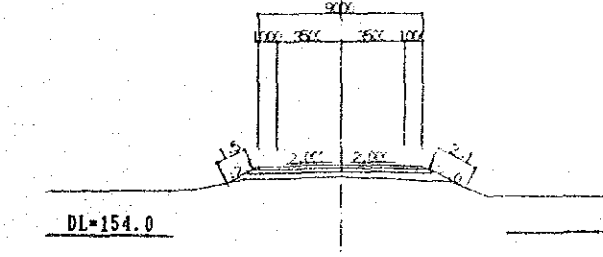
NO. 61+000.000

P-E= 157.54
P-F= 157.700
G-F= 156.99
BA1= 7.0
BA2= 0.0



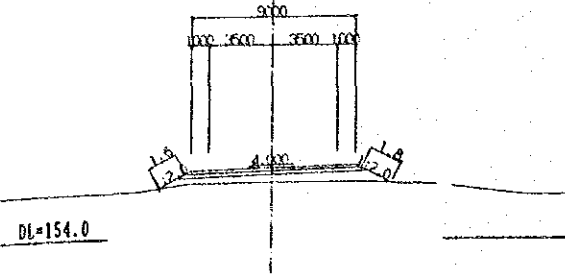
NO. 61+400.000

P-E= 157.54
P-F= 157.700
G-F= 157.07
BA1= 4.5
BA2= 0.0



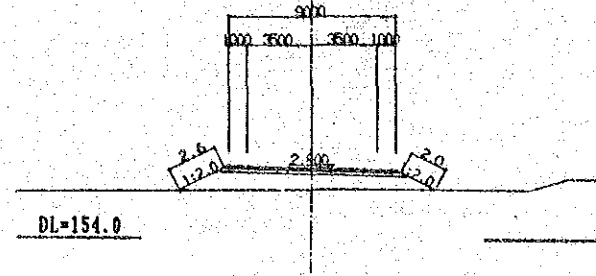
NO. 62+400.000

PtE= 157.54
PtF= 157.700
GtF= 156.93
BA1= 5.1
BA2= 0.0



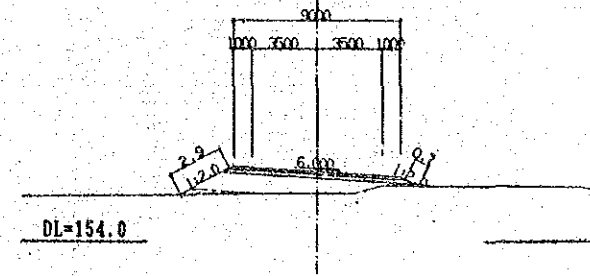
NO. 62+912.767

PtE= 157.54
PtF= 157.700
GtF= 156.57
BA1= 10.8
BA2= 0.0



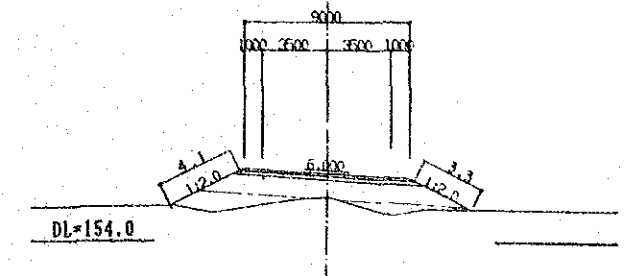
NO. 63+300.000

PtE= 157.54
PtF= 157.700
GtF= 156.55
BA1= 8.85
BA2= .1



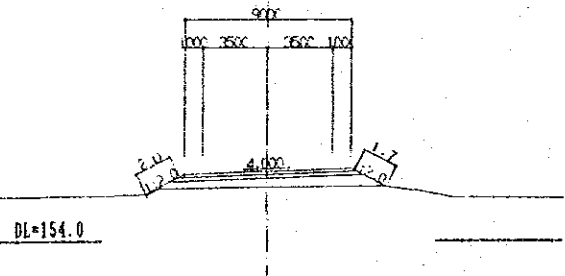
NO. 63+700.000

PtE= 157.54
PtF= 157.700
GtF= 156.46
BA1= 12.44
BA2= 7.9



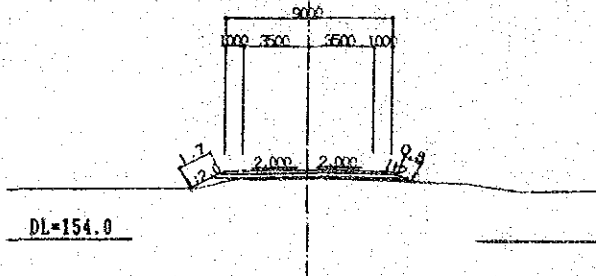
NO. 62+300.000

PtE= 157.54
PtF= 157.700
GtF= 156.88
BA1= 5.6
BA2= 0.0



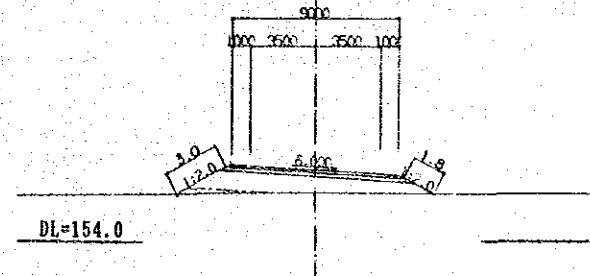
NO. 62+800.000

PtE= 157.54
PtF= 157.700
GtF= 157.24
BA1= 1.9
BA2= 0.0



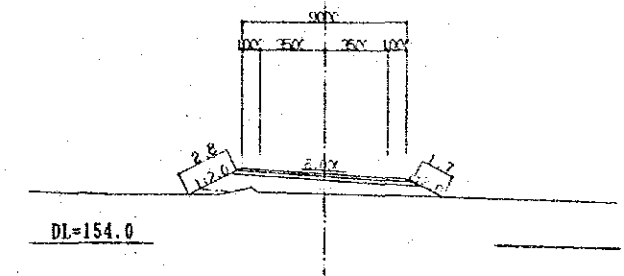
NO. 63+200.000

PtE= 157.54
PtF= 157.700
GtF= 156.50
BA1= 9.77
BA2= 1.5



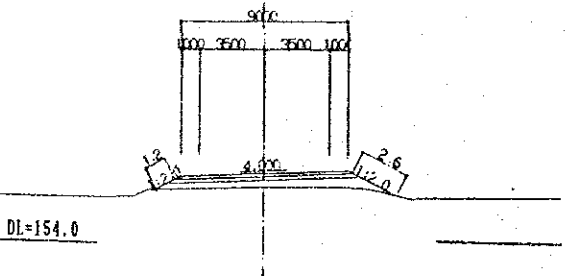
NO. 63+600.000

PtE= 157.54
PtF= 157.700
GtF= 156.62
BA1= 8.39
BA2= .4



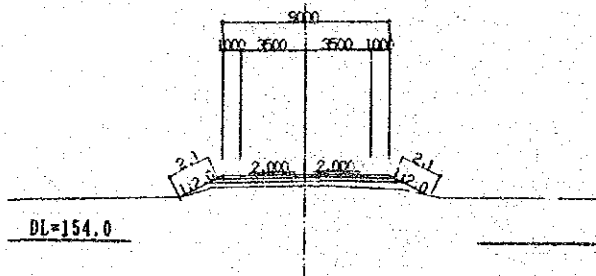
NO. 62+200.000

PtE= 157.54
PtF= 157.700
GtF= 156.99
BA1= 5.1
BA2= 0.0



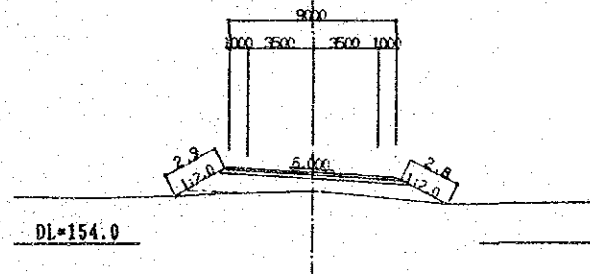
NO. 62+600.000

PtE= 157.54
PtF= 157.700
GtF= 157.07
BA1= 4.2
BA2= 0.0



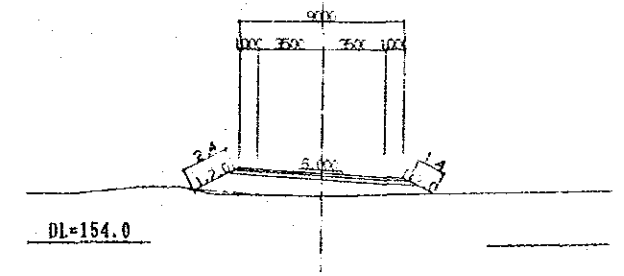
NO. 63+100.000

PtE= 157.54
PtF= 157.700
GtF= 156.70
BA1= 10.51
BA2= 4.9



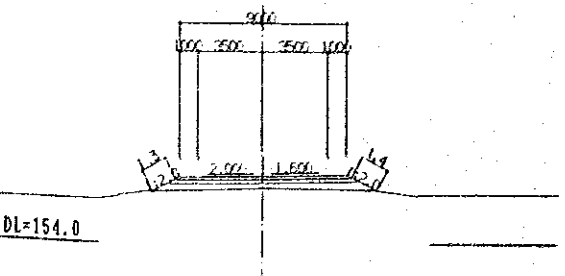
NO. 63+500.000

PtE= 157.54
PtF= 157.700
GtF= 156.48
BA1= 9.71
BA2= .1



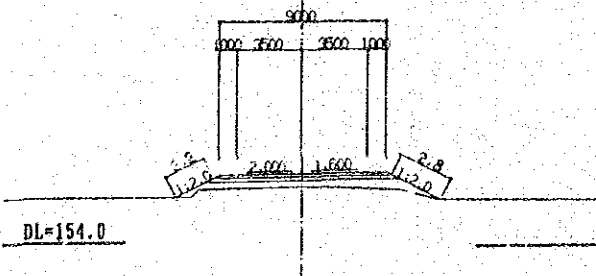
NO. 62+152.150

PtE= 157.54
PtF= 157.700
GtF= 157.08
BA1= 4.9
BA2= 0.0



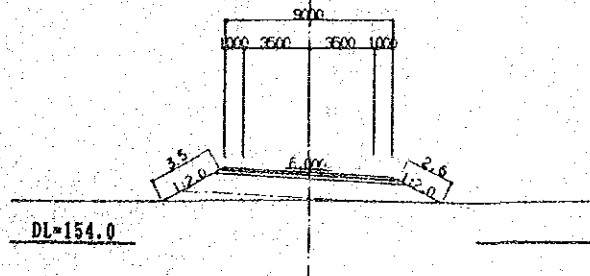
NO. 62+461.148

PtE= 157.54
PtF= 157.700
GtF= 157.01
BA1= 6.2
BA2= 0.0



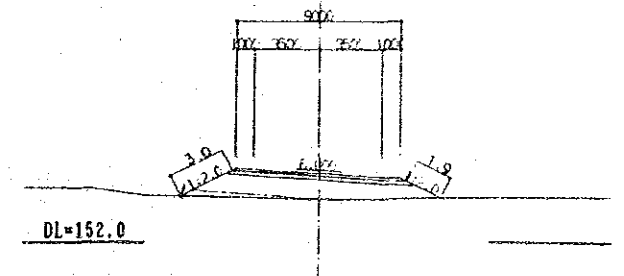
NO. 63+000.000

PtE= 157.54
PtF= 157.700
GtF= 156.21
BA1= 12.04
BA2= 3.7



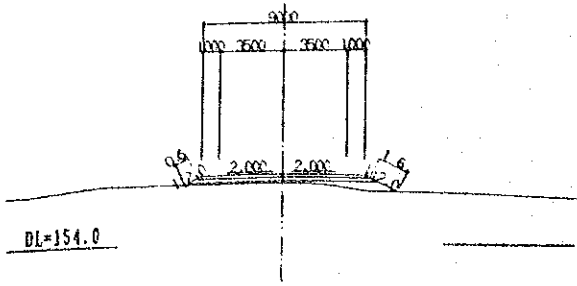
NO. 63+400.000

PtE= 157.54
PtF= 157.700
GtF= 156.31
BA1= 16.49
BA2= 1.7



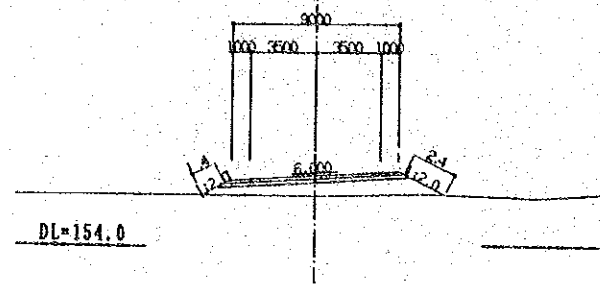
NO. 64+400.000

P+E= 157.54
P+H= 157.700
G+H= 157.24
BA1= 2.3
BA2= 0.0



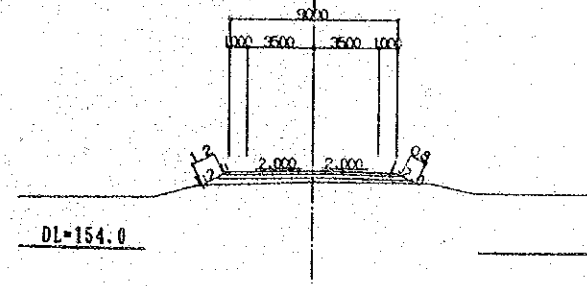
NO. 64+800.000

P+E= 157.549
P+H= 157.709
G+H= 156.64
BA1= 6.9
BA2= 0.0



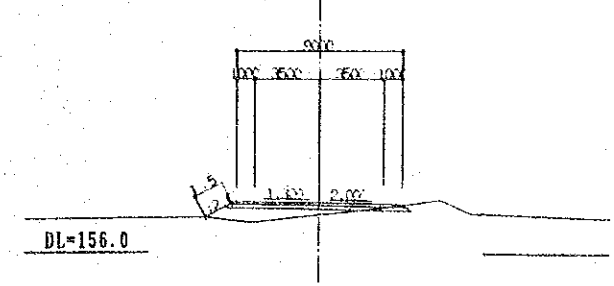
NO. 65+400.000

P+E= 157.96
P+H= 158.120
G+H= 157.53
BA1= 2.8
BA2= 0.0



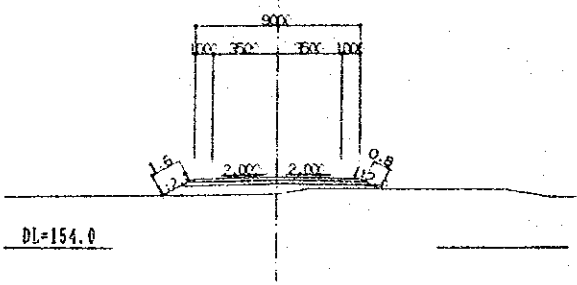
NO. 66+238.298

P+E= 158.52
P+H= 158.680
G+H= 158.05
BA1= 3.0
BA2= 0.0



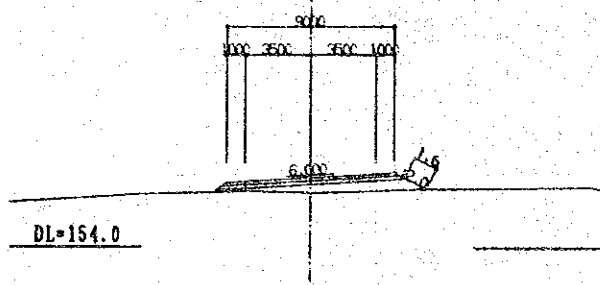
NO. 64+200.000

P+E= 157.54
P+H= 157.700
G+H= 156.79
BA1= 4.0
BA2= 0.0



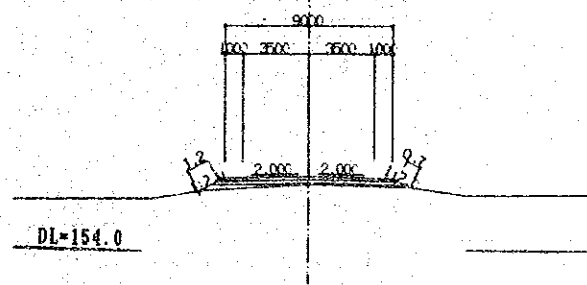
NO. 64+700.000

P+E= 157.54
P+H= 157.700
G+H= 156.89
BA1= 3.6
BA2= 0.0



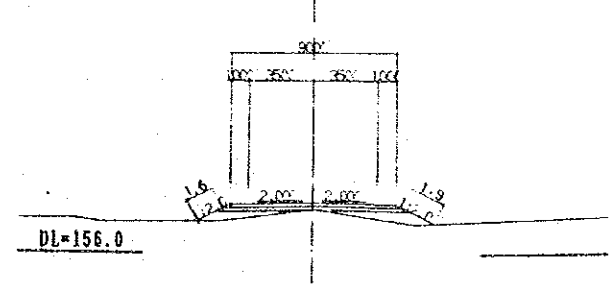
NO. 65+200.000

P+E= 157.82
P+H= 157.980
G+H= 157.56
BA1= 2.2
BA2= 0.0



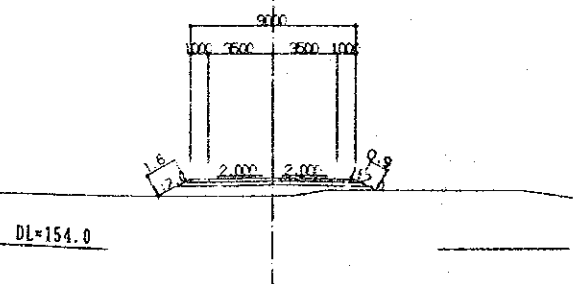
NO. 66+200.000

P+E= 158.51
P+H= 158.671
G+H= 158.30
BA1= 7.1
BA2= 0.0



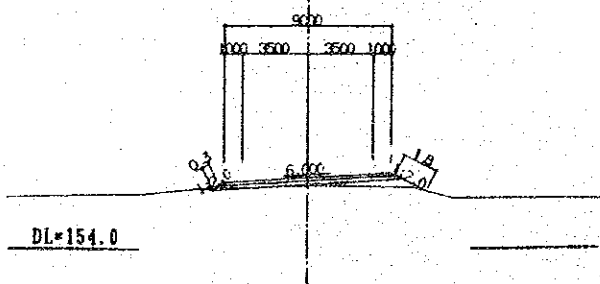
NO. 64+000.000

P+E= 157.54
P+H= 157.700
G+H= 156.75
BA1= 4.5
BA2= 0.0



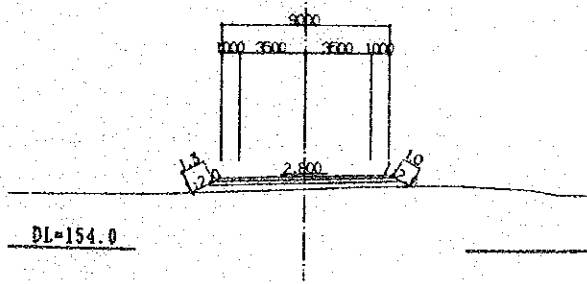
NO. 64+600.000

P+E= 157.54
P+H= 157.700
G+H= 157.28
BA1= 0.0
BA2= 0.0



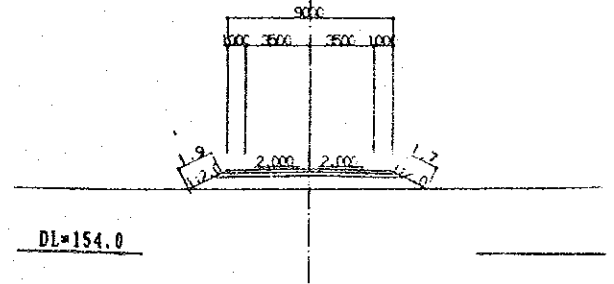
NO. 65+029.336

P+E= 157.701
P+H= 157.861
G+H= 157.18
BA1= 6.5
BA2= 0.0



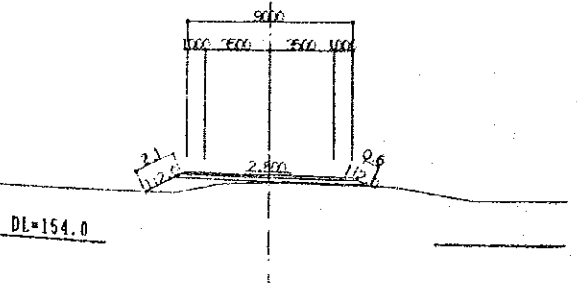
NO. 66+000.000

P+E= 158.38
P+H= 158.540
G+H= 157.47
BA1= 7.2
BA2= 0.0



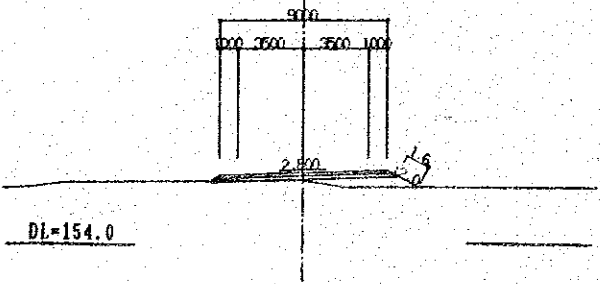
NO. 63+812.691

P+E= 157.54
P+H= 157.700
G+H= 157.29
BA1= 3.3
BA2= 0.0



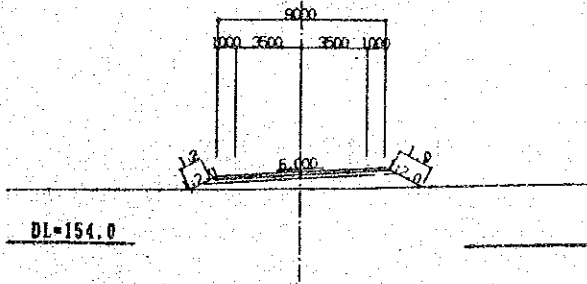
NO. 64+446.503

P+E= 157.54
P+H= 157.700
G+H= 157.28
BA1= 4.0
BA2= 0.0



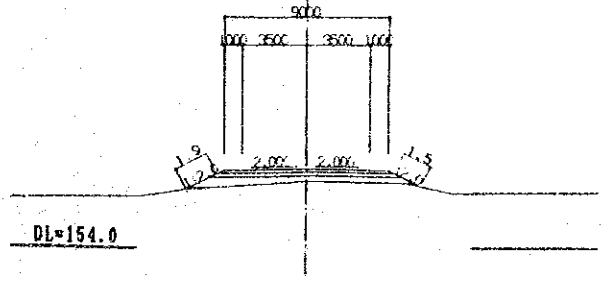
NO. 65+000.000

P+E= 157.68
P+H= 157.840
G+H= 156.93
BA1= 6.3
BA2= 0.0



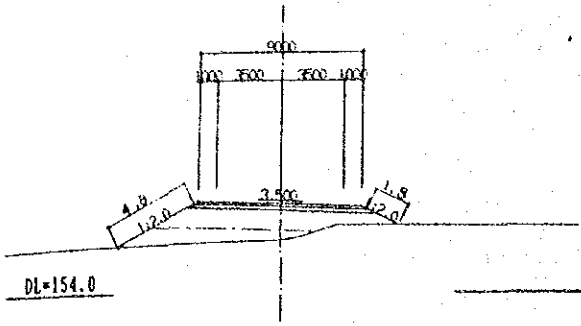
NO. 65+600.000

P+E= 158.1
P+H= 158.260
G+H= 157.61
BA1= 6.2
BA2= 0.0



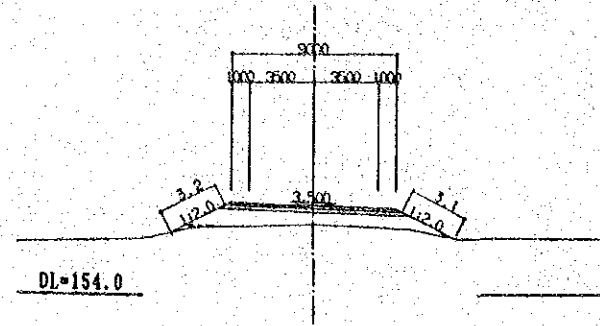
NO. 66+600.000

P/E= 158.52
P/F= 158.680
G/F= 156.75
BA1= 10.87
BA2= 5.9



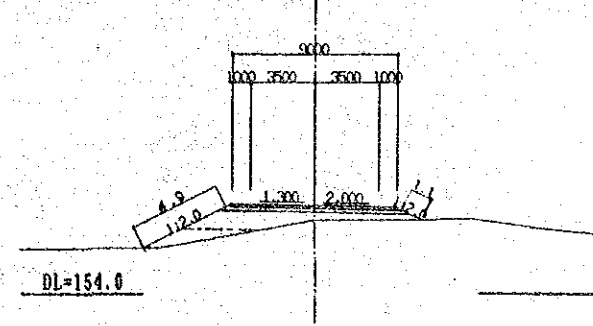
NO. 67+000.000

P/E= 158.52
P/F= 158.680
G/F= 157.69
BA1= 10.9
BA2= 0.0



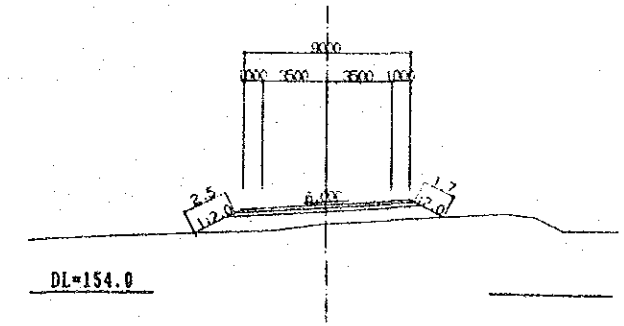
NO. 67+454.506

P/E= 158.52
P/F= 158.680
G/F= 157.91
BA1= 7.31
BA2= 4.8



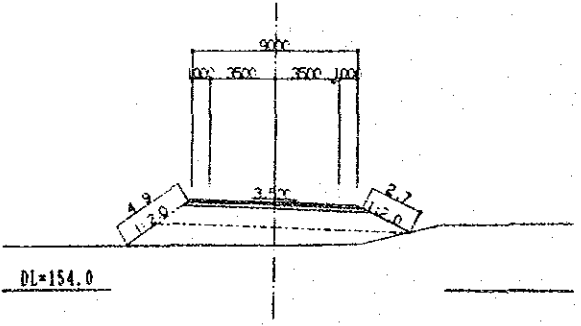
NO. 68+000.000

P/E= 158.52
P/F= 158.680
G/F= 157.67
BA1= 9.60
BA2= 0.0



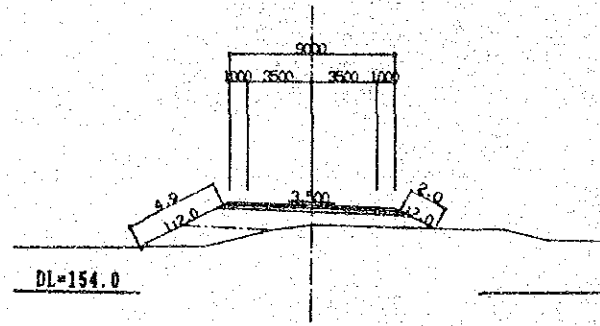
NO. 66+500.000

P/E= 158.52
P/F= 158.680
G/F= 156.37
BA1= 12.44
BA2= 13.0



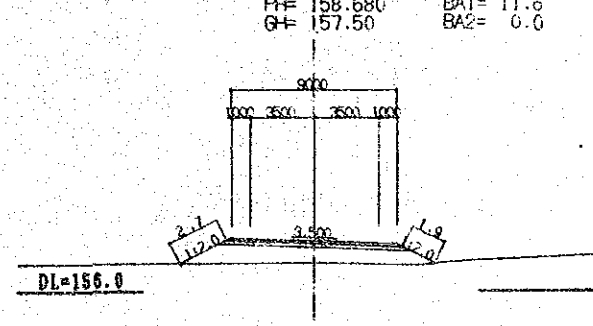
NO. 66+900.000

P/E= 158.52
P/F= 158.680
G/F= 157.62
BA1= 10.47
BA2= 5.2



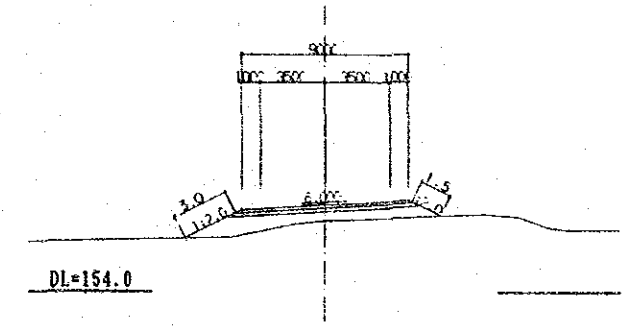
NO. 67+300.000

P/E= 158.52
P/F= 158.680
G/F= 157.50
BA1= 11.6
BA2= 0.0



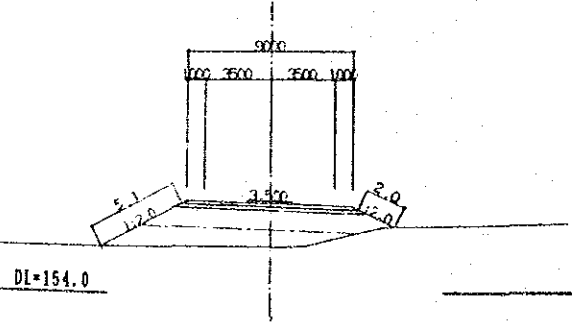
NO. 67+900.000

P/E= 158.52
P/F= 158.680
G/F= 157.85
BA1= 8.60
BA2= 0.0



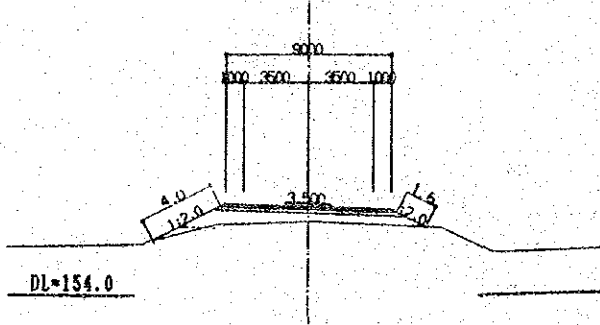
NO. 66+400.000

P/E= 158.52
P/F= 158.680
G/F= 156.36
BA1= 12.19
BA2= 11.3



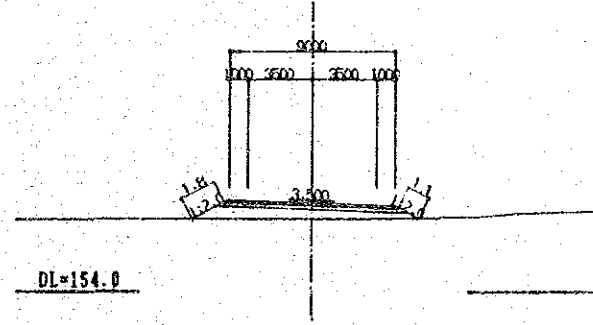
NO. 66+800.000

P/E= 158.52
P/F= 158.680
G/F= 157.89
BA1= 8.39
BA2= 0.0



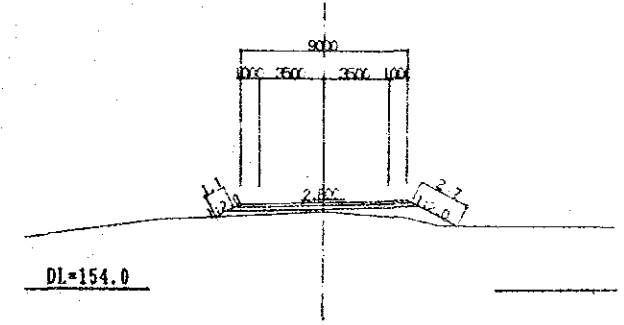
NO. 67+200.000

P/E= 158.52
P/F= 158.680
G/F= 157.82
BA1= 5.1
BA2= 0.0



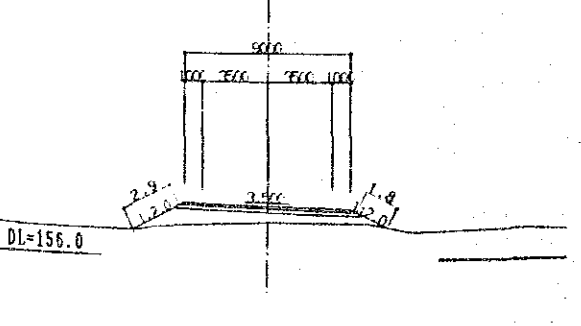
NO. 67+858.090

P/E= 158.52
P/F= 158.680
G/F= 158.18
BA1= 6.4
BA2= 0.0



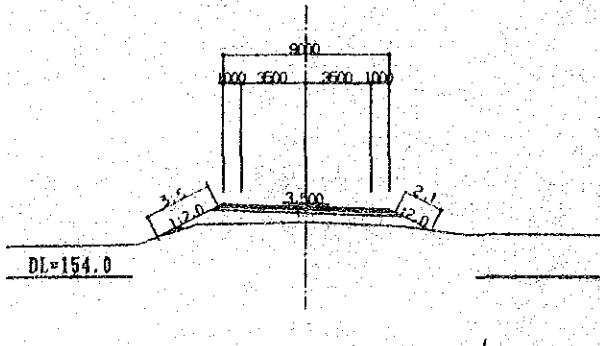
NO. 66+300.000

P/E= 158.52
P/F= 158.680
G/F= 157.82
BA1= 8.0
BA2= 0.0



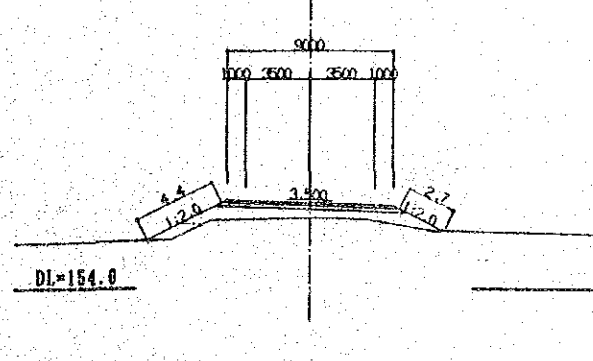
NO. 66+700.000

P/E= 158.52
P/F= 158.680
G/F= 157.85
BA1= 7.9
BA2= 0.0



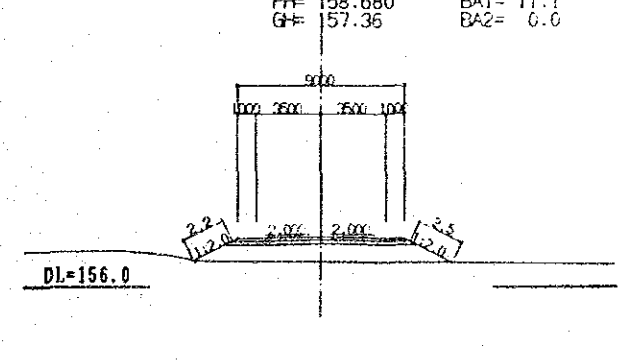
NO. 67+100.000

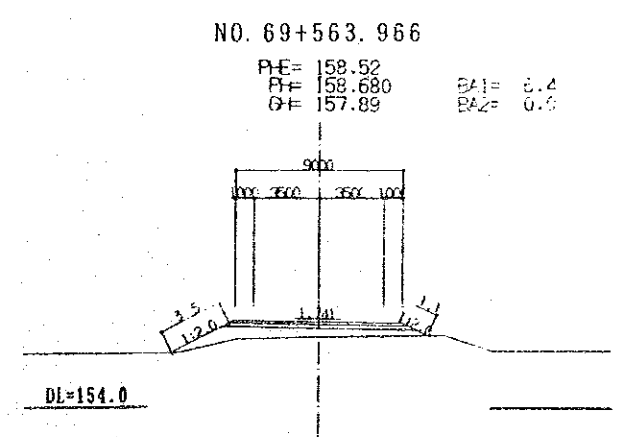
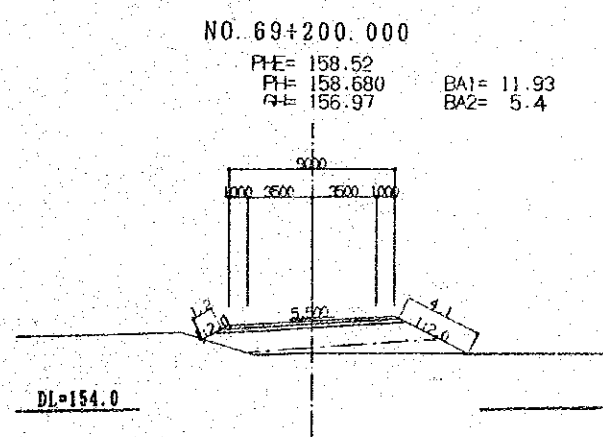
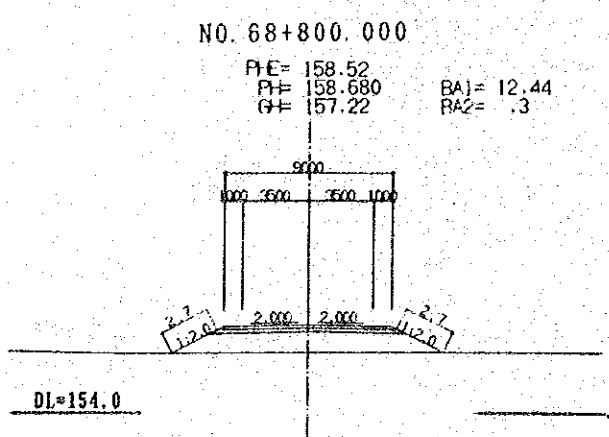
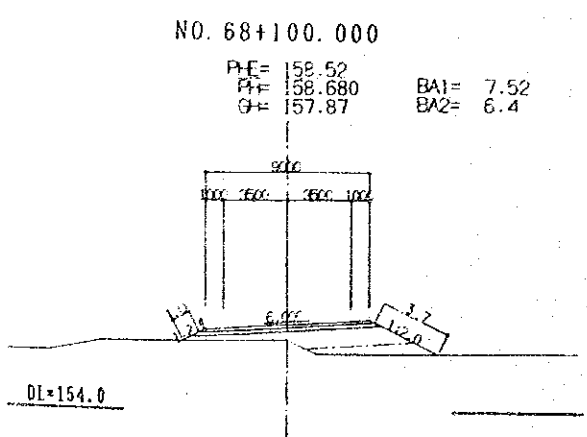
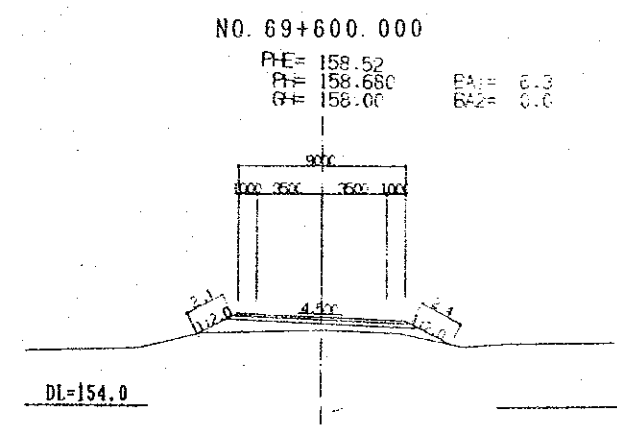
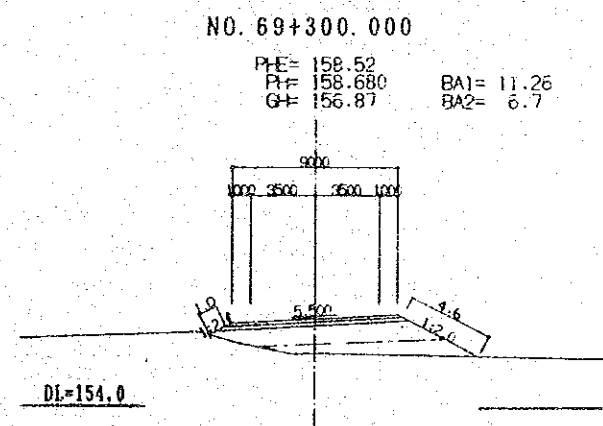
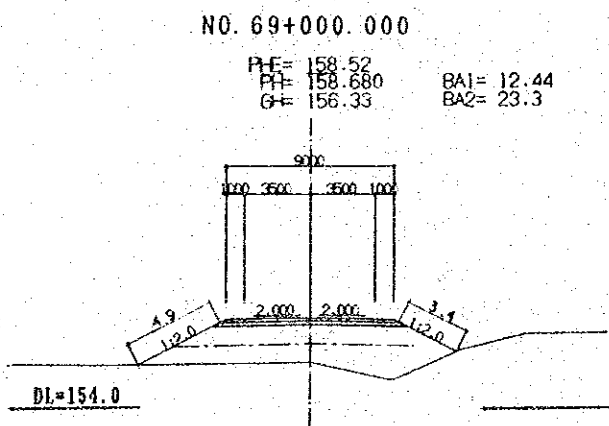
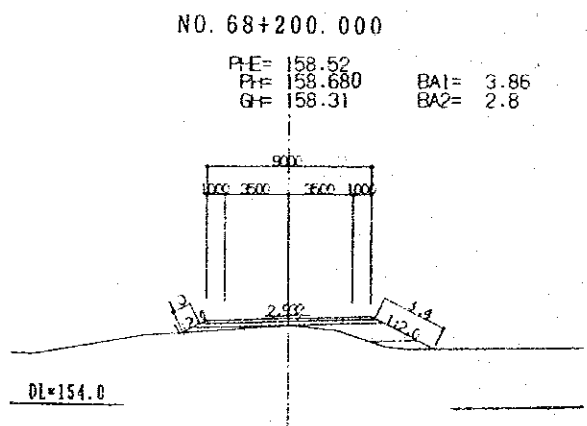
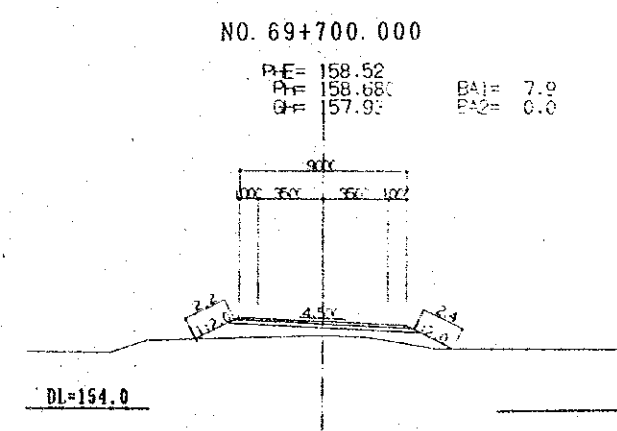
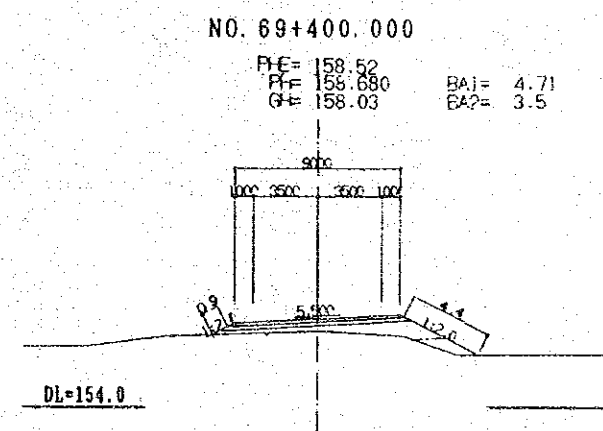
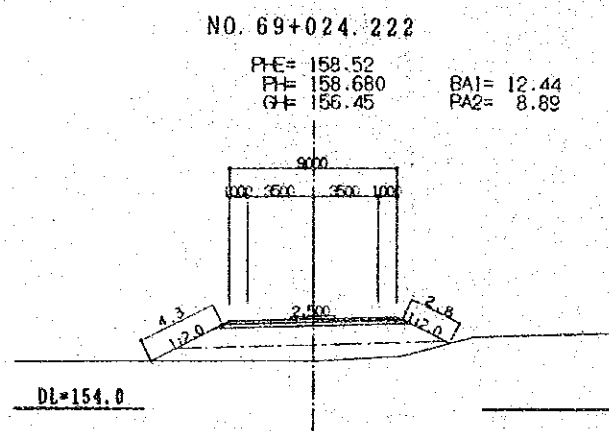
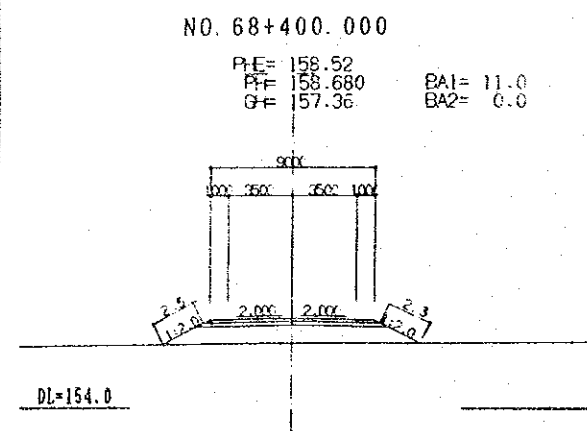
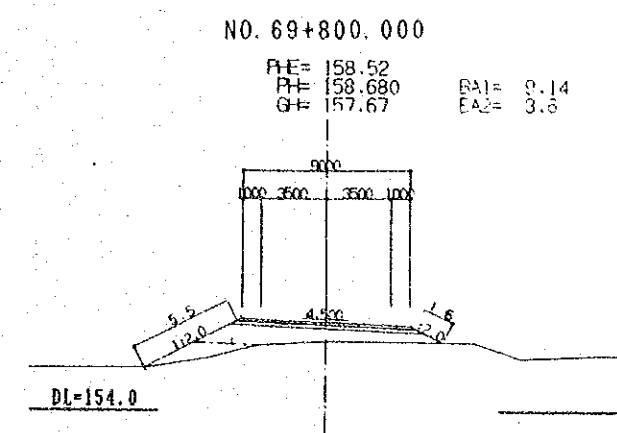
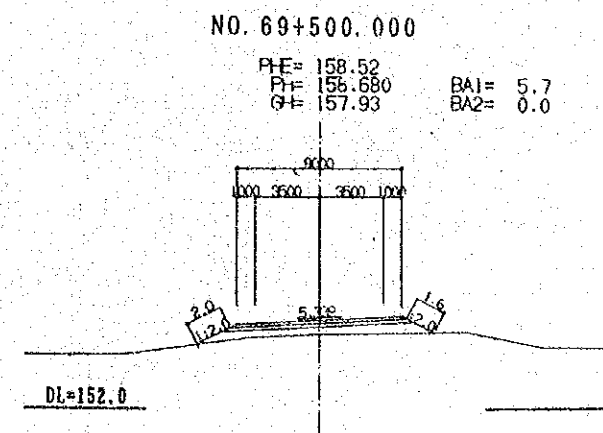
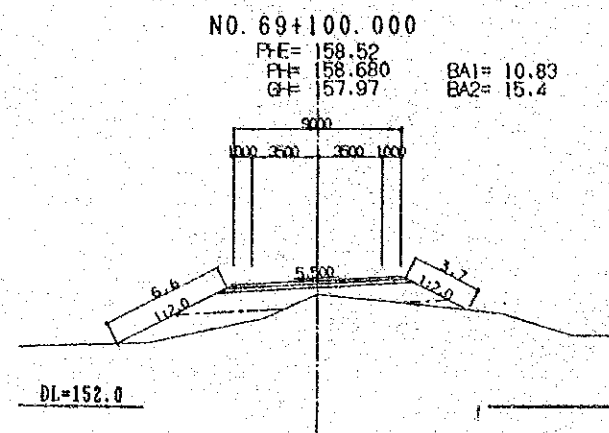
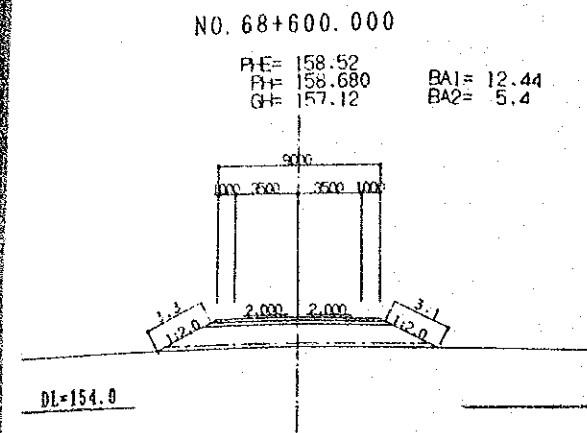
P/E= 158.52
P/F= 158.680
G/F= 157.88
BA1= 7.45
BA2= 1.2



NO. 67+800.000

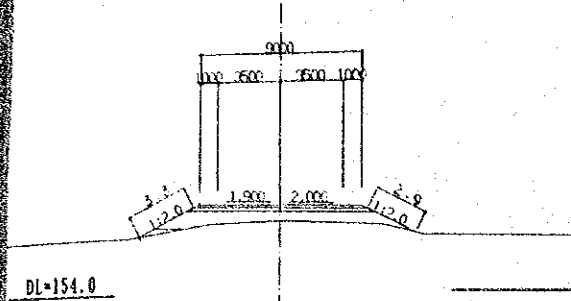
P/E= 158.52
P/F= 158.680
G/F= 157.36
BA1= 11.1
BA2= 0.0





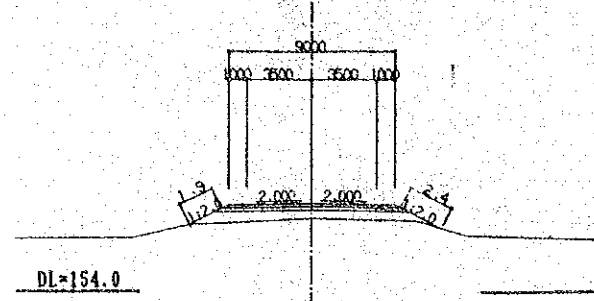
NO. 70+145.161

PtE= 158.52
Pt= 158.680
Gt= 157.83
BA1= 7.98
BA2= 1.0



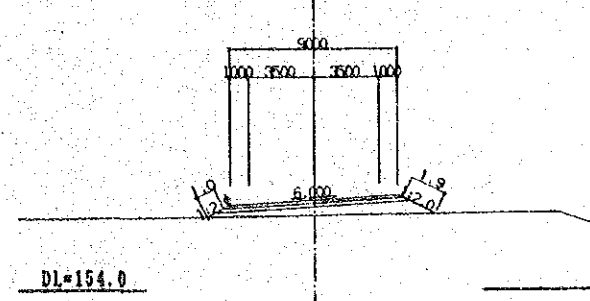
NO. 70+800.000

PtE= 158.55
Pt= 158.710
Gt= 157.91
BA1= 7.0
BA2= 0.0



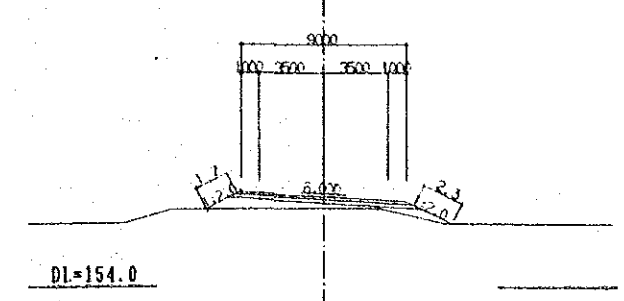
NO. 71+400.000

PtE= 158.61
Pt= 158.770
Gt= 157.96
BA1= 5.2
BA2= 0.0



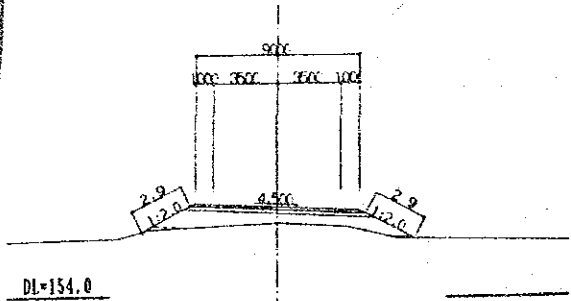
NO. 71+700.000

PtE= 158.64
Pt= 158.800
Gt= 158.19
BA1= 4.7
BA2= 0.0



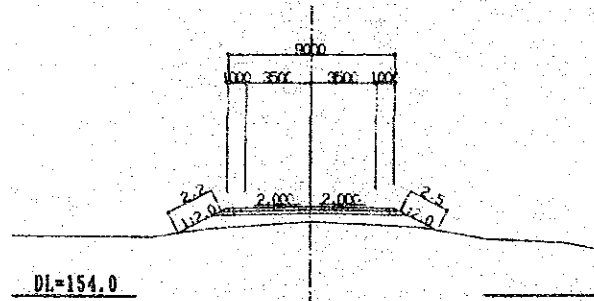
NO. 70+100.000

PtE= 158.52
Pt= 158.680
Gt= 157.81
BA1= 8.89
BA2= 0.0



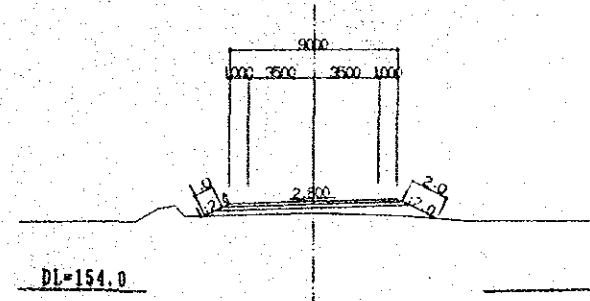
NO. 70+600.000

PtE= 158.53
Pt= 158.690
Gt= 157.89
BA1= 8.39
BA2= 0.0



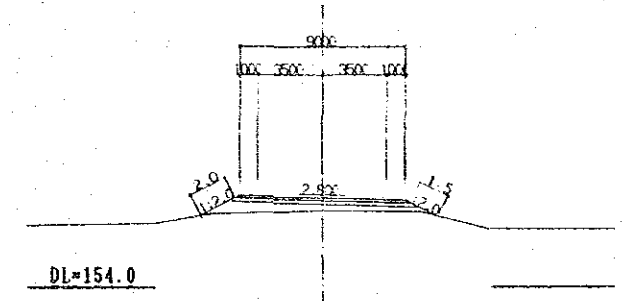
NO. 71+243.815

PtE= 158.594
Pt= 158.754
Gt= 158.11
BA1= 5.1
BA2= 0.0



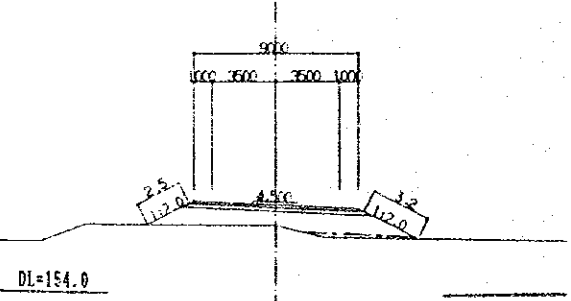
NO. 71+647.183

PtE= 158.635
Pt= 158.795
Gt= 158.11
BA1= 5.2
BA2= 0.0



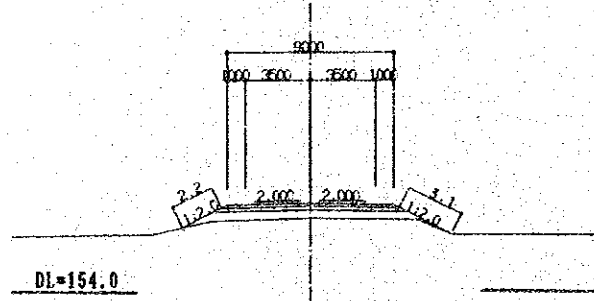
NO. 70+000.000

PtE= 158.52
Pt= 158.680
Gt= 157.59
BA1= 11.75
BA2= 4.0



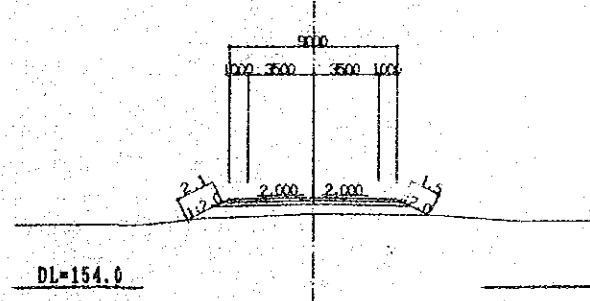
NO. 70+400.000

PtE= 158.52
Pt= 158.680
Gt= 157.89
BA1= 5.5
BA2= 0.0



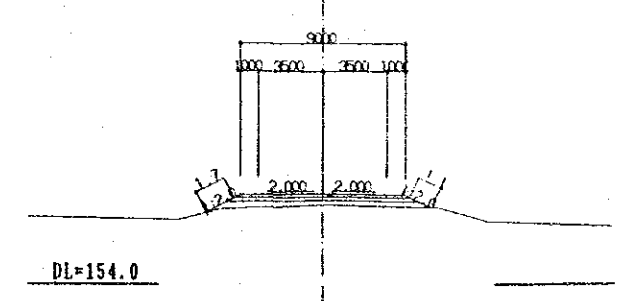
NO. 71+200.000

PtE= 158.59
Pt= 158.750
Gt= 157.86
BA1= 6.9
BA2= 0.0



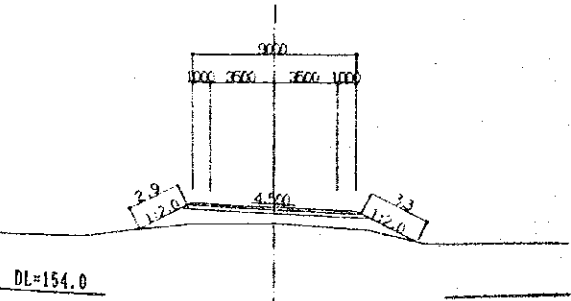
NO. 71+600.000

PtE= 158.63
Pt= 158.790
Gt= 158.19
BA1= 3.9
BA2= 0.0



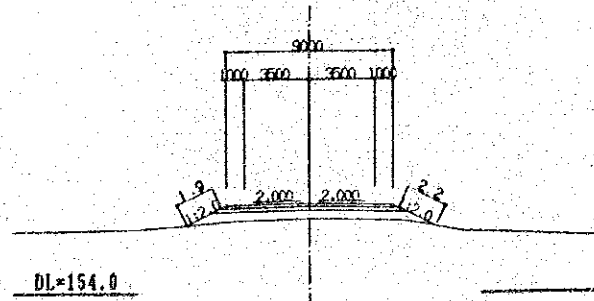
NO. 69+900.000

PtE= 158.52
Pt= 158.680
Gt= 157.81
BA1= 9.10
BA2= 0.0



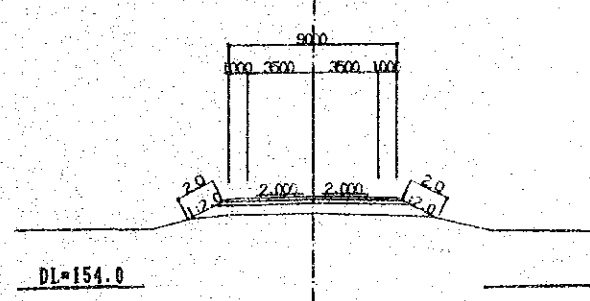
NO. 70+200.000

PtE= 158.52
Pt= 158.680
Gt= 157.86
BA1= 5.8
BA2= 0.0



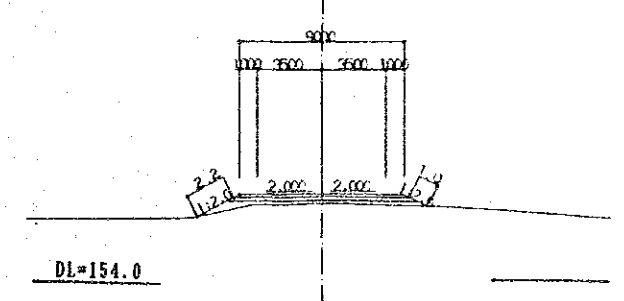
NO. 71+000.000

PtE= 158.57
Pt= 158.730
Gt= 157.83
BA1= 6.8
BA2= 0.0



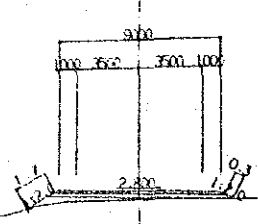
NO. 71+500.000

PtE= 158.62
Pt= 158.780
Gt= 158.26
BA1= 3.1
BA2= 0.0



NO. 72+146.768

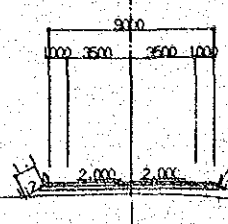
PIE= 158.685
 PI= 158.845
 GI= 158.39
 BA1= 1.5
 BA2= 0.0



DL=154.0

NO. 72+800.000

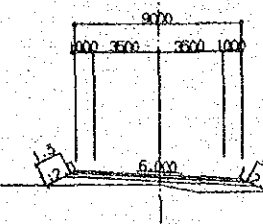
PIE= 158.75
 PI= 158.910
 GI= 158.29
 BA1= 4.1
 BA2= 0.0



DL=154.0

NO. 73+300.000

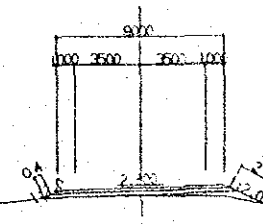
PIE= 158.8
 PI= 158.960
 GI= 158.43
 BA1= 5.7
 BA2= 0.0



DL=154.0

NO. 73+629.419

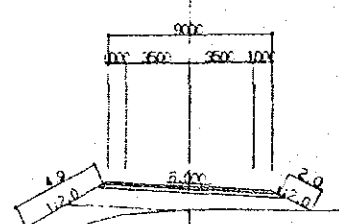
PIE= 158.874
 PI= 159.034
 GI= 158.63
 BA1= 1.6
 BA2= 0.0



DL=154.0

NO. 72+000.000

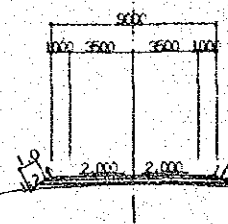
PIE= 158.67
 PI= 158.830
 GI= 157.60
 BA1= 10.47
 BA2= 5.7



DL=154.0

NO. 72+600.000

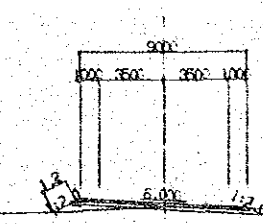
PIE= 158.73
 PI= 158.890
 GI= 158.48
 BA1= 2.6
 BA2= 0.0



DL=154.0

NO. 73+200.000

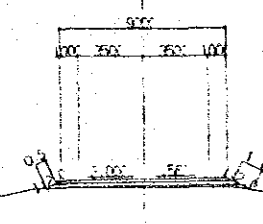
PIE= 158.79
 PI= 158.950
 GI= 158.76
 BA1= .2
 BA2= 0.0



DL=156.0

NO. 73+600.000

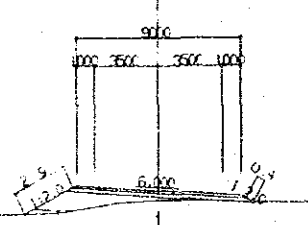
PIE= 158.862
 PI= 159.022
 GI= 158.58
 BA1= 1.0
 BA2= 0.0



DL=154.0

NO. 71+900.000

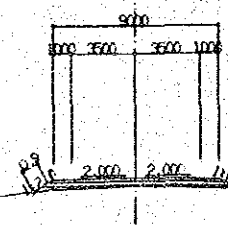
PIE= 158.66
 PI= 158.820
 GI= 158.30
 BA1= 5.0
 BA2= 0.0



DL=154.0

NO. 72+400.000

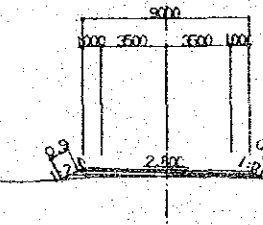
PIE= 158.71
 PI= 158.870
 GI= 158.44
 BA1= 2.5
 BA2= 0.0



DL=154.0

NO. 73+164.295

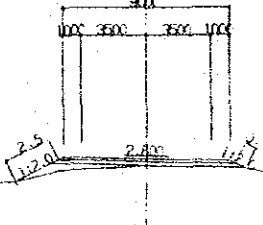
PIE= 158.786
 PI= 158.945
 GI= 158.62
 BA1= .4
 BA2= 0.0



DL=154.0

NO. 73+418.637

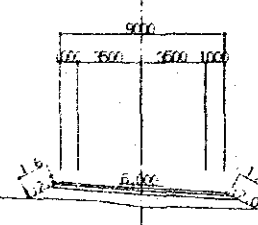
PIE= 158.812
 PI= 158.972
 GI= 158.58
 BA1= 2.4
 BA2= 0.0



DL=154.0

NO. 71+800.000

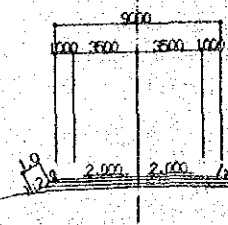
PIE= 158.65
 PI= 158.810
 GI= 157.80
 BA1= 5.1
 BA2= 0.0



DL=154.0

NO. 72+200.000

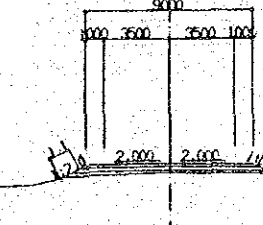
PIE= 158.69
 PI= 158.850
 GI= 158.32
 BA1= 2.5
 BA2= 0.0



DL=154.0

NO. 73+000.000

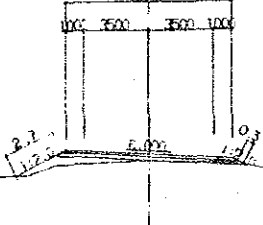
PIE= 158.77
 PI= 158.930
 GI= 158.44
 BA1= 2.3
 BA2= 0.0



DL=154.0

NO. 73+400.000

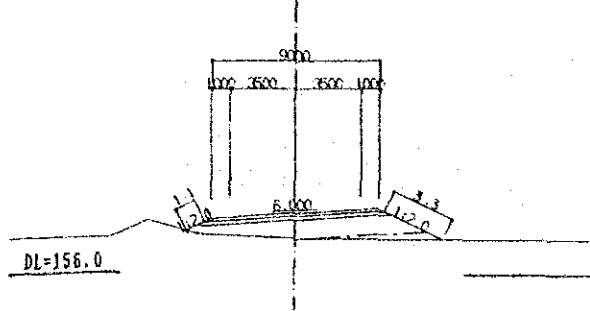
PIE= 158.81
 PI= 158.970
 GI= 158.60
 BA1= 0.5
 BA2= 0.0



DL=154.0

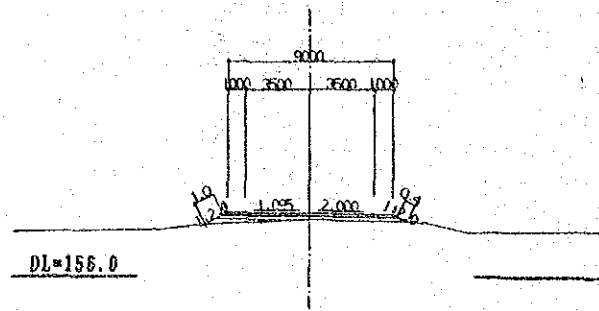
NO. 74+000.000

P-E= 159.03
P-F= 159.190
G-F= 157.85
BA1= 9.2
BA2= .4



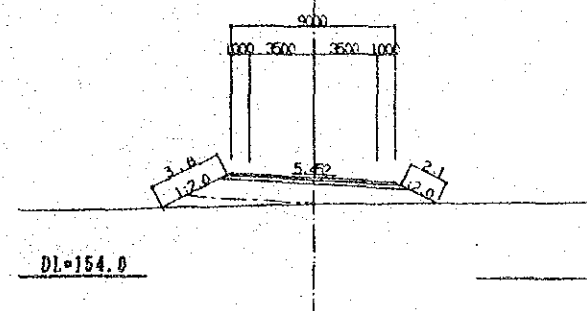
NO. 74+400.000

P-E= 159.198
P-F= 159.358
G-F= 159.04
BA1= 1.8
BA2= 0.0



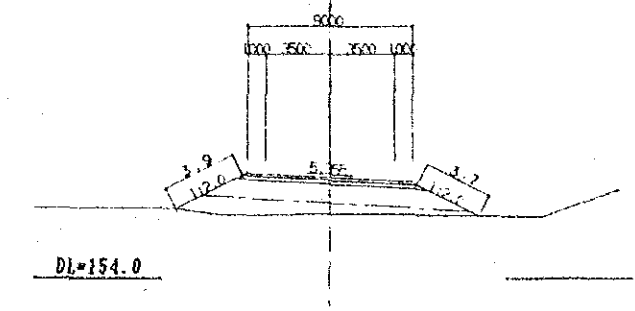
NO. 74+700.000

P-E= 158.24
P-F= 159.400
G-F= 157.99
BA1= 11.46
BA2= 4.9



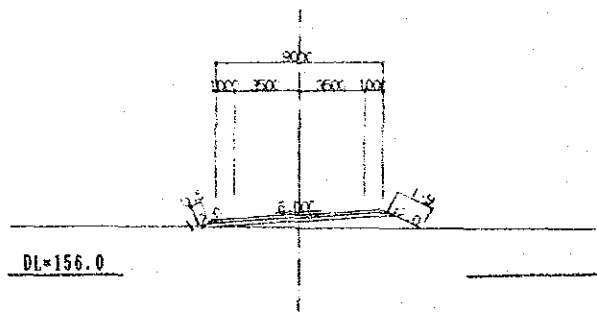
NO. 75+100.000

P-E= 159.24
P-F= 159.400
G-F= 157.47
BA1= 12.44
BA2= 10.4



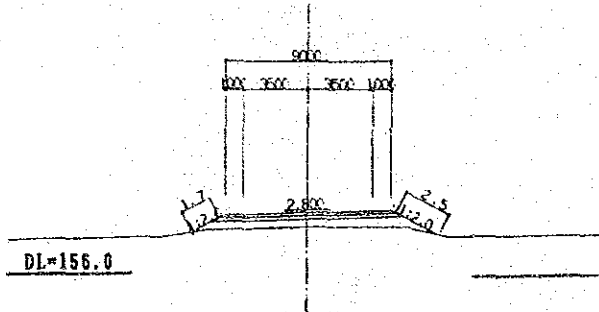
NO. 73+900.000

P-E= 158.988
P-F= 159.148
G-F= 158.43
BA1= 3.6
BA2= 0.0



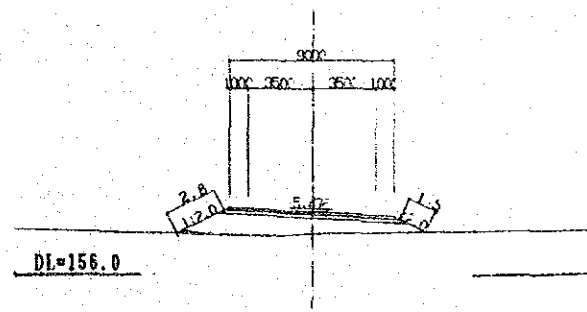
NO. 74+209.135

P-E= 159.118
P-F= 159.278
G-F= 158.52
BA1= 6.0
BA2= 0.0



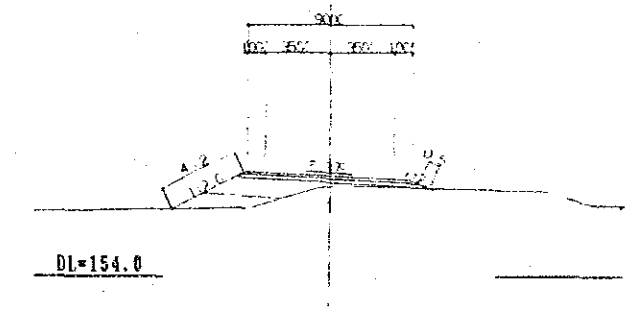
NO. 74+600.000

P-E= 159.24
P-F= 159.400
G-F= 158.22
BA1= 10.42
BA2= .4



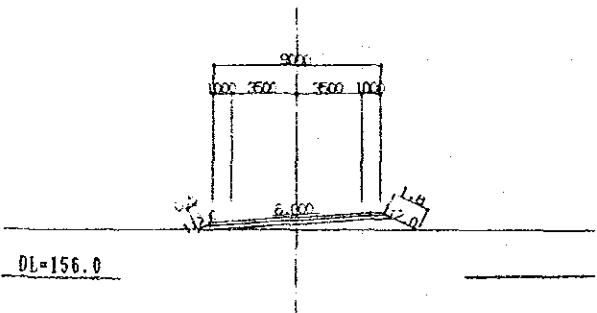
NO. 75+000.000

P-E= 159.24
P-F= 159.400
G-F= 158.85
BA1= 5.00
BA2= 3.3



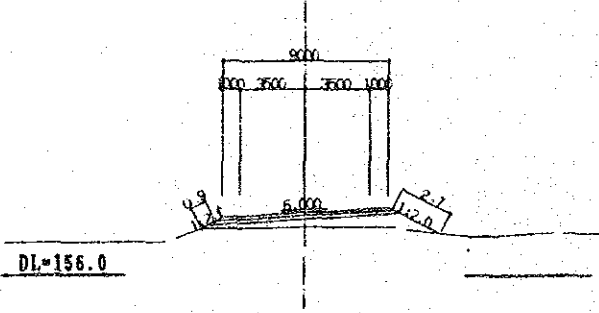
NO. 73+800.000

P-E= 158.946
P-F= 159.106
G-F= 158.44
BA1= 3.9
BA2= 0.0



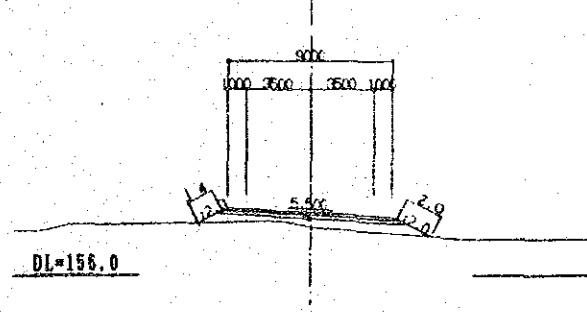
NO. 74+200.000

P-E= 159.114
P-F= 159.274
G-F= 158.50
BA1= 5.7
BA2= 0.0



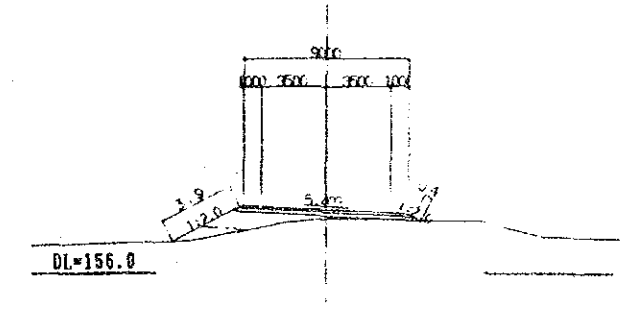
NO. 74+500.000

P-E= 159.235
P-F= 159.395
G-F= 158.58
BA1= 3.2
BA2= .8



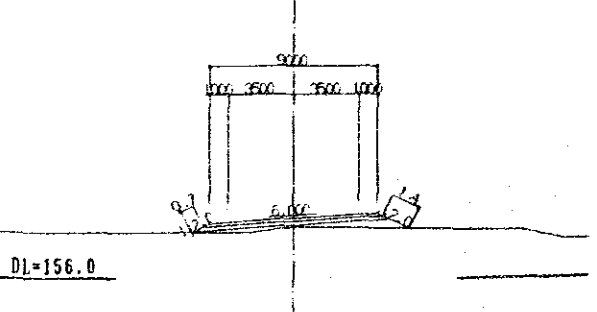
NO. 74+900.000

P-E= 159.24
P-F= 159.400
G-F= 158.91
BA1= 4.23
BA2= 1.6



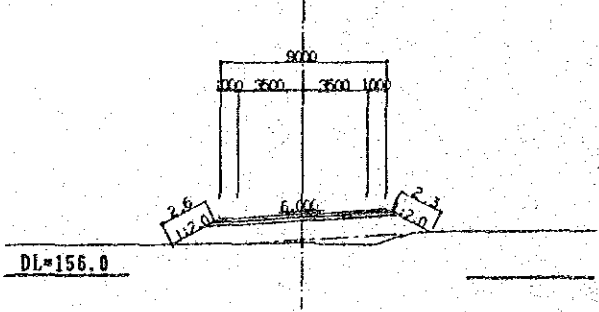
NO. 73+700.000

P-E= 158.904
P-F= 159.064
G-F= 158.66
BA1= 4.2
BA2= 0.0



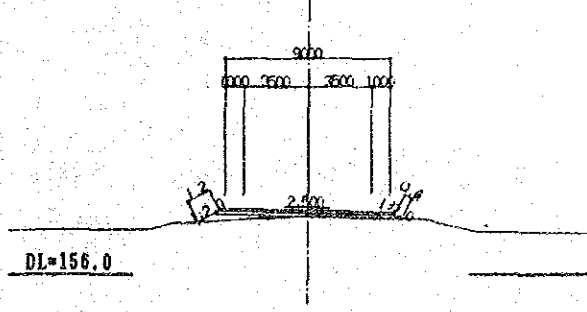
NO. 74+100.000

P-E= 159.072
P-F= 159.232
G-F= 157.70
BA1= 11.75
BA2= 3.2



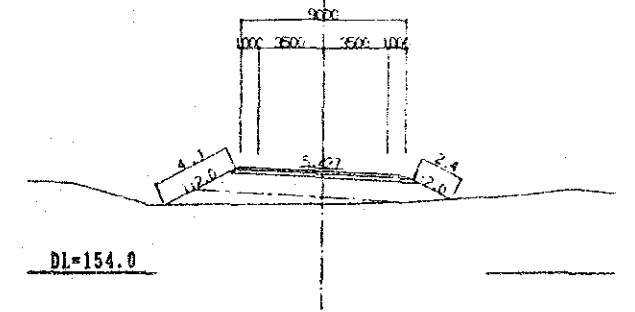
NO. 74+413.113

P-E= 159.204
P-F= 159.364
G-F= 159.06
BA1= 2.1
BA2= .3

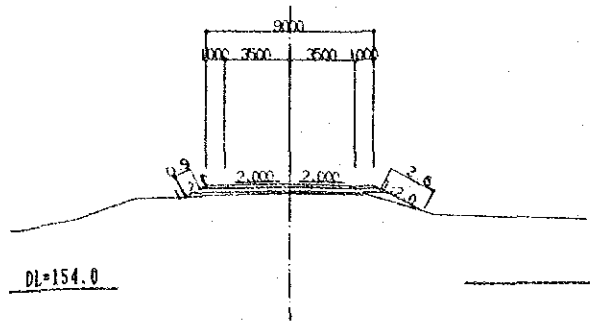


NO. 74+800.000

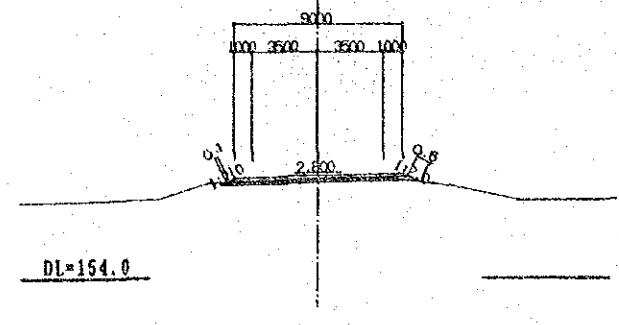
P-E= 159.24
P-F= 159.400
G-F= 157.65
BA1= 12.44
BA2= 5.4



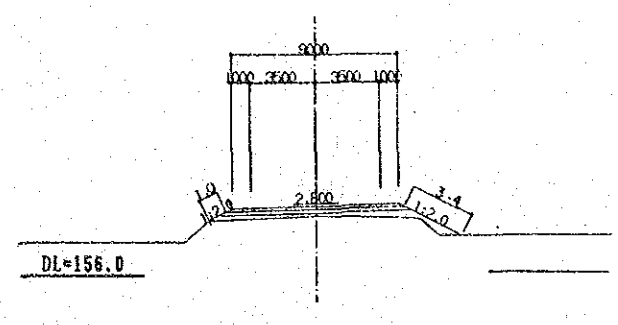
NO. 75+400.000
 P+E= 159.243
 P-F= 159.403
 G-F= 158.92
 BA1= 2.4
 BA2= 0.0



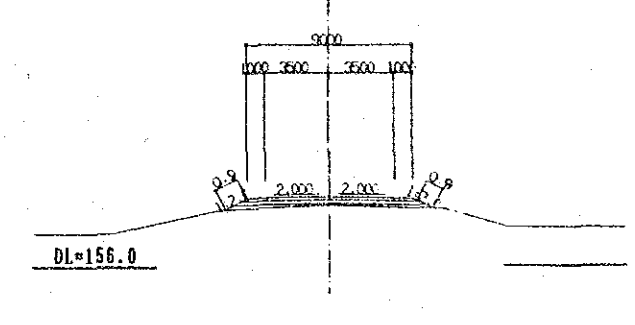
NO. 76+121.237
 P+E= 159.384
 P-F= 159.544
 G-F= 159.33
 BA1= 0.0
 BA2= 0.0
 CA= 1.02



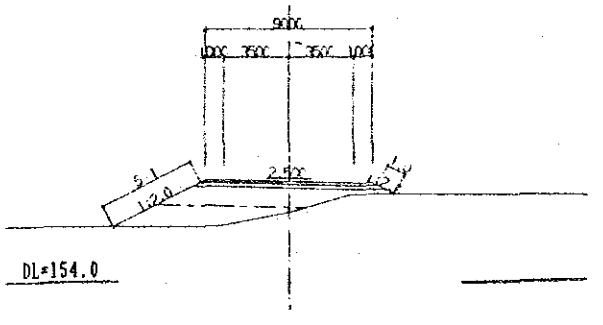
NO. 76+447.035
 P+E= 159.449
 P-F= 159.609
 G-F= 159.09
 BA1= 4.7
 BA2= 0.0



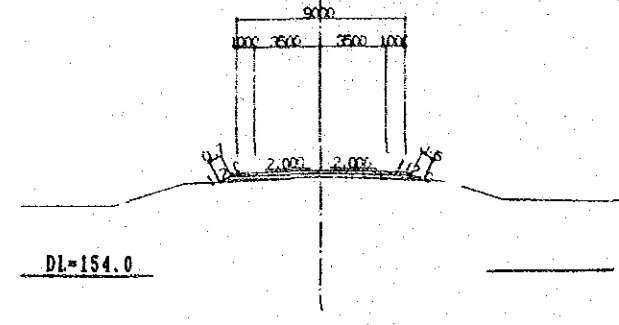
NO. 77+200.000
 P+E= 159.6
 P-F= 159.760
 G-F= 159.30
 BA1= 2.5
 BA2= 0.0



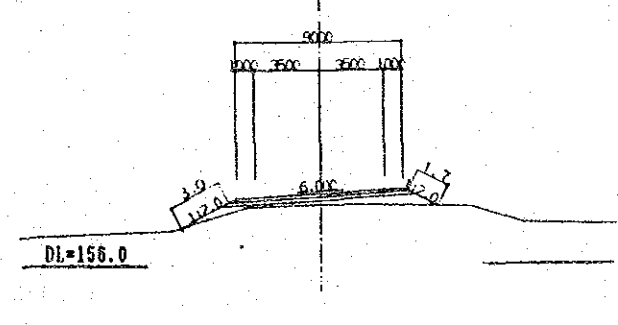
NO. 75+321.931
 P+E= 159.24
 P-F= 159.400
 G-F= 157.77
 BA1= 9.52
 BA2= 7.0



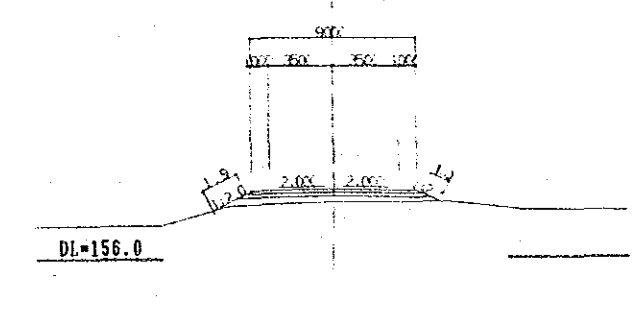
NO. 76+000.000
 P+E= 159.30
 P-F= 159.520
 G-F= 159.17
 BA1= 1.6
 BA2= 0.0



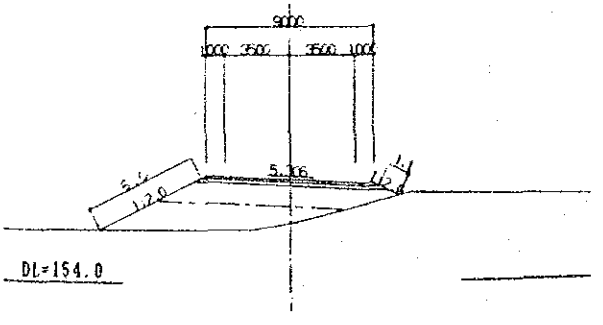
NO. 76+400.000
 P+E= 159.44
 P-F= 159.600
 G-F= 159.02
 BA1= 4.9
 BA2= 0.0



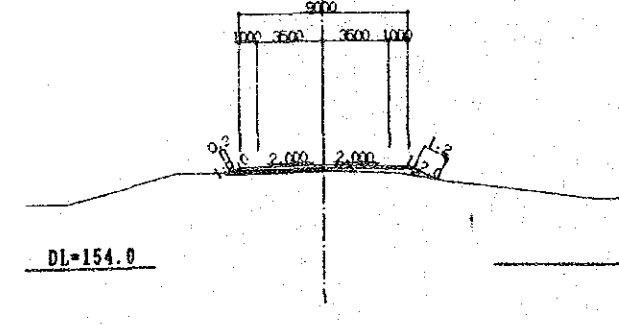
NO. 77+000.000
 P+E= 159.56
 P-F= 159.720
 G-F= 159.04
 BA1= 3.8
 BA2= 0.0



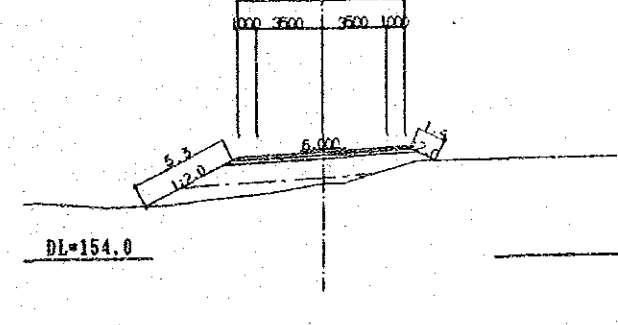
NO. 75+300.000
 P+E= 159.24
 P-F= 159.400
 G-F= 157.04
 BA1= 12.12
 BA2= 12.4



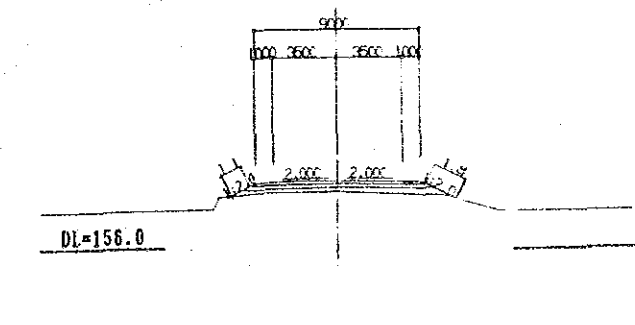
NO. 75+800.000
 P+E= 159.32
 P-F= 159.480
 G-F= 159.17
 BA1= 2
 BA2= 0.0



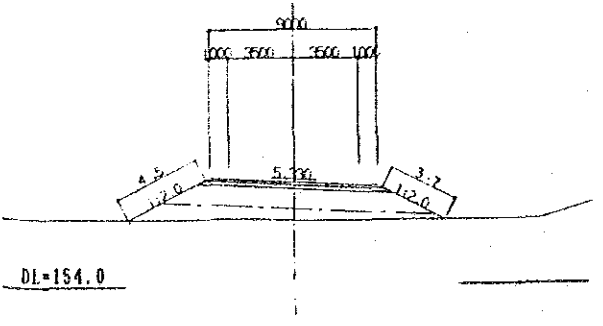
NO. 76+300.000
 P+E= 159.42
 P-F= 159.580
 G-F= 157.89
 BA1= 11.38
 BA2= 6.8



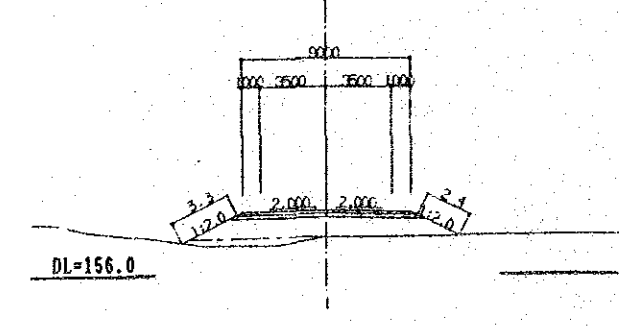
NO. 76+800.000
 P+E= 159.52
 P-F= 159.680
 G-F= 159.10
 BA1= 3.3
 BA2= 0.0



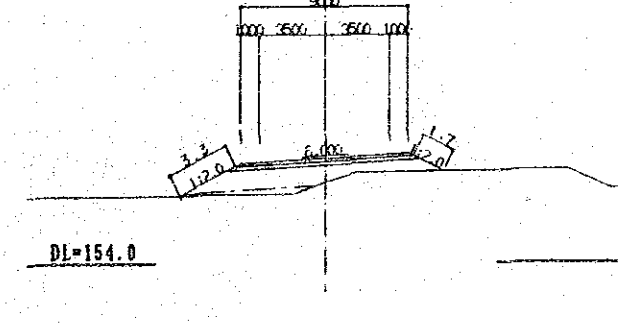
NO. 75+200.000
 P+E= 159.24
 P-F= 159.400
 G-F= 157.38
 BA1= 12.44
 BA2= 9.7



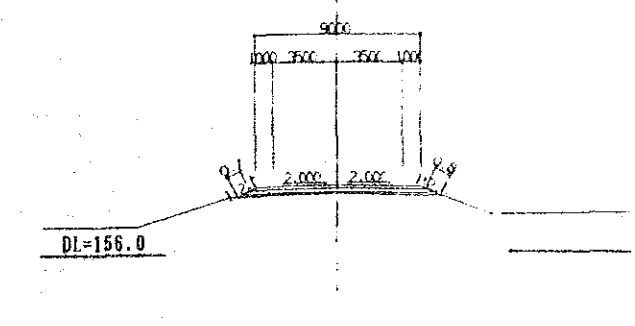
NO. 75+600.000
 P+E= 159.28
 P-F= 159.440
 G-F= 158.02
 BA1= 11.92
 BA2= 5.2

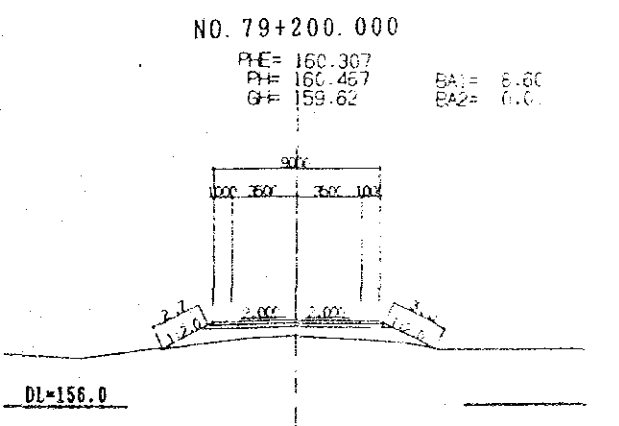
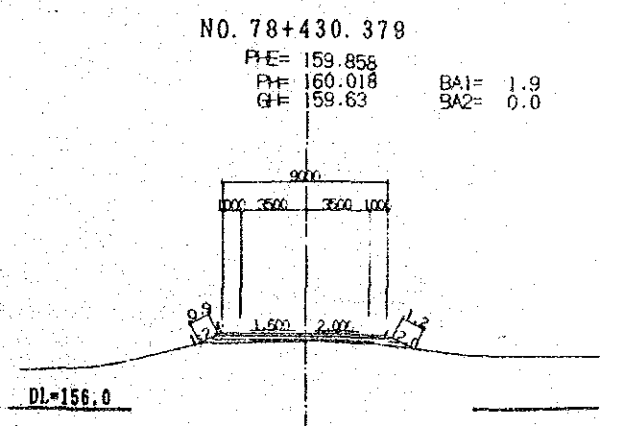
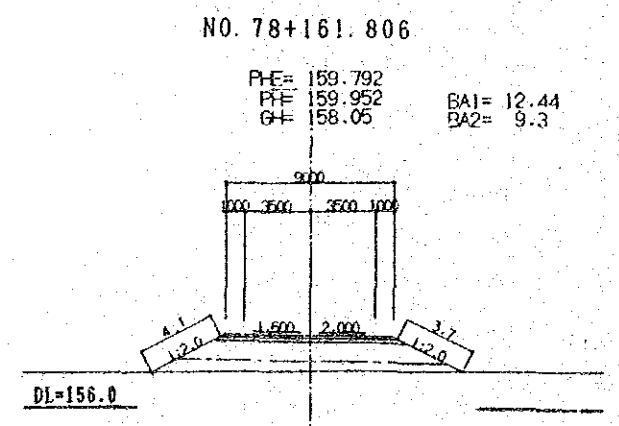
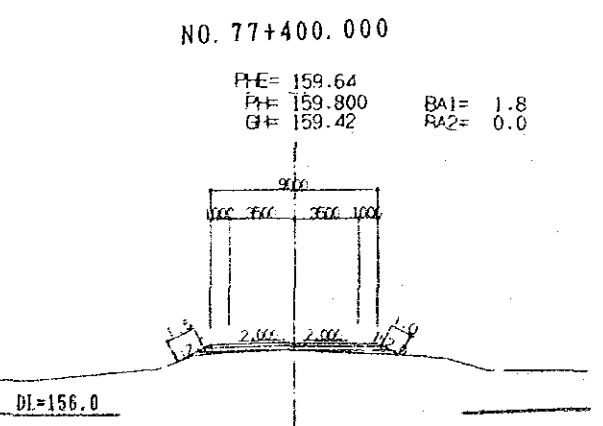
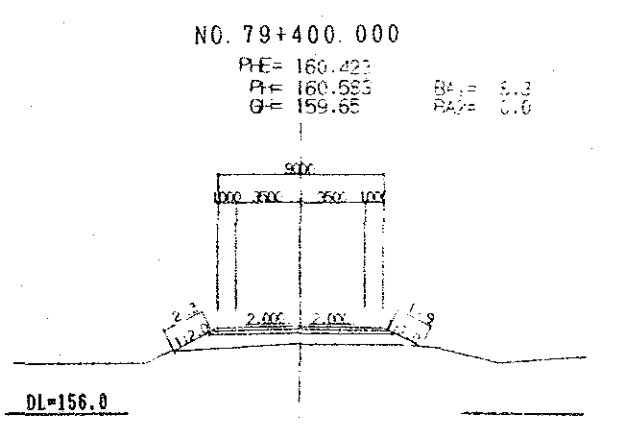
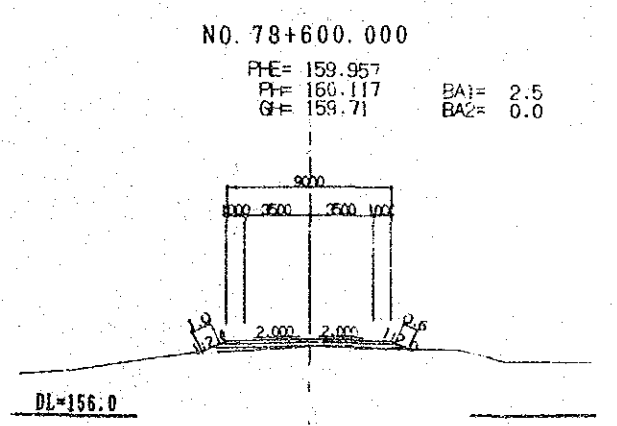
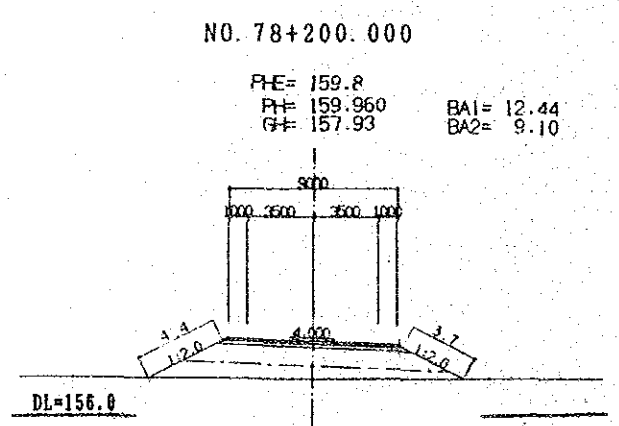
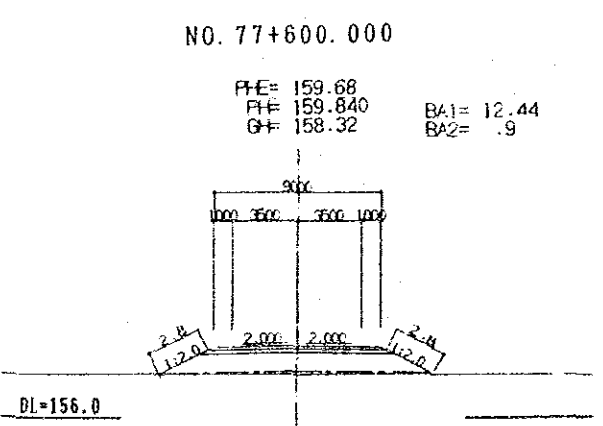
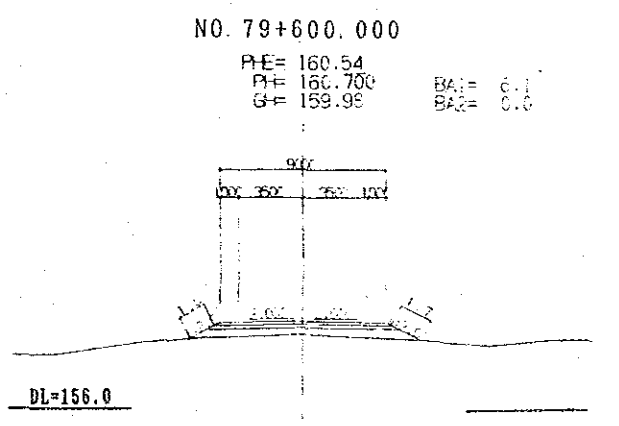
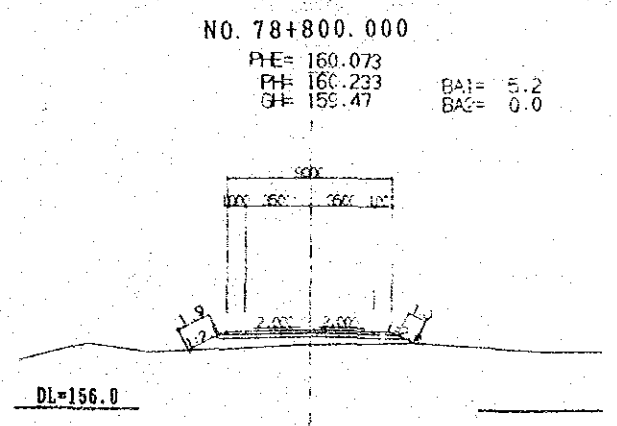
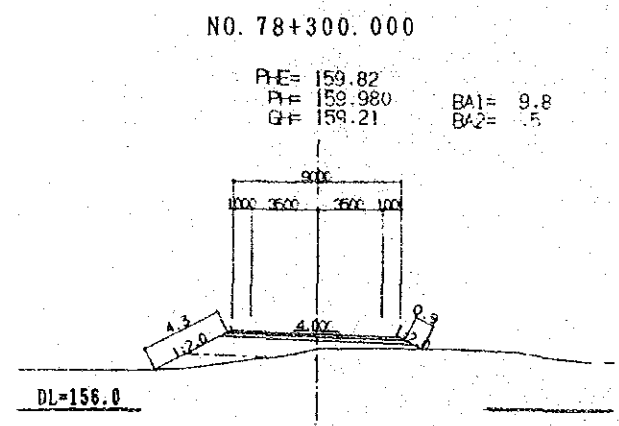
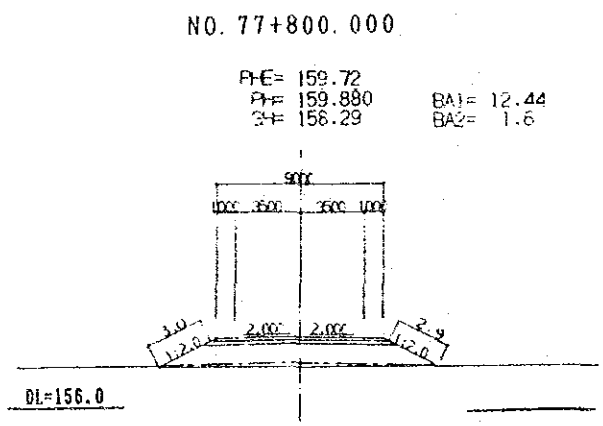
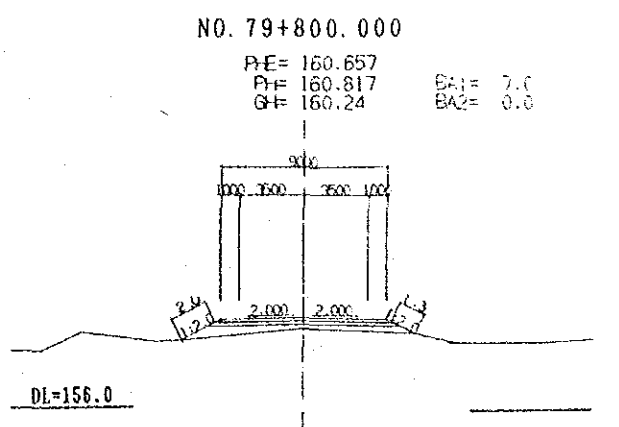
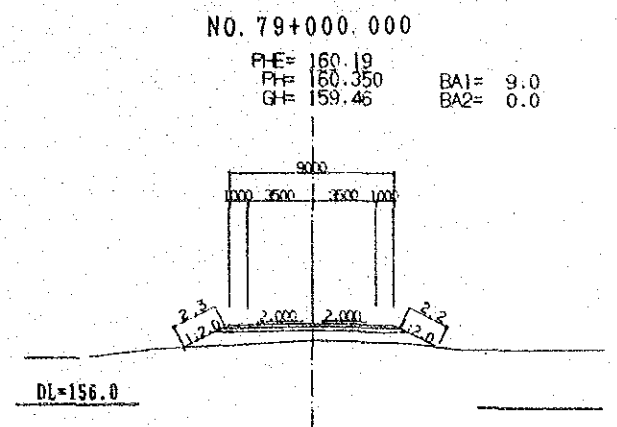
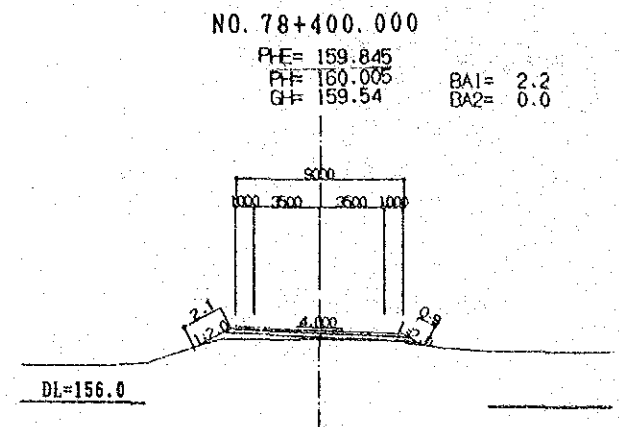
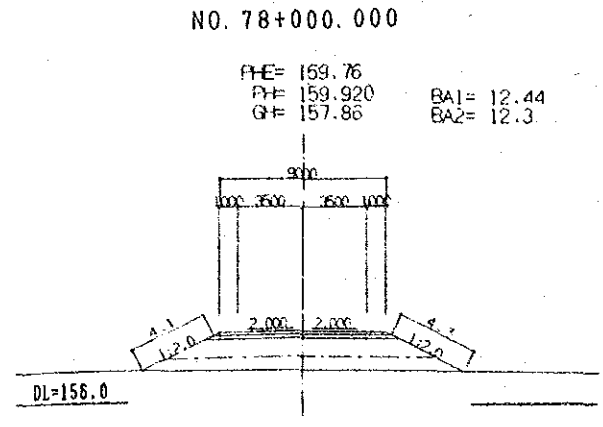


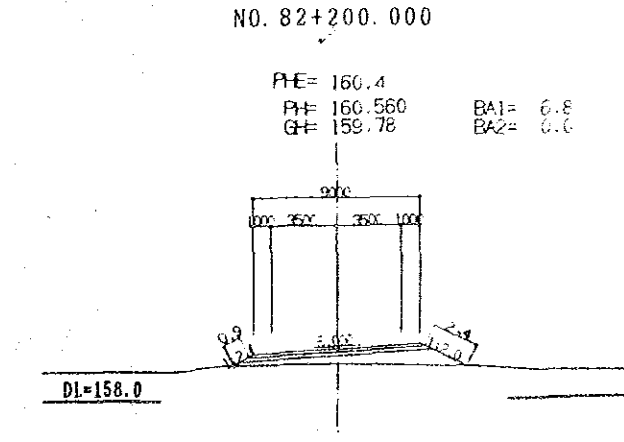
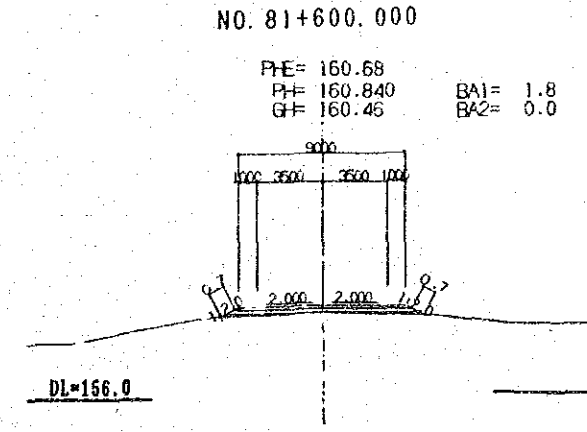
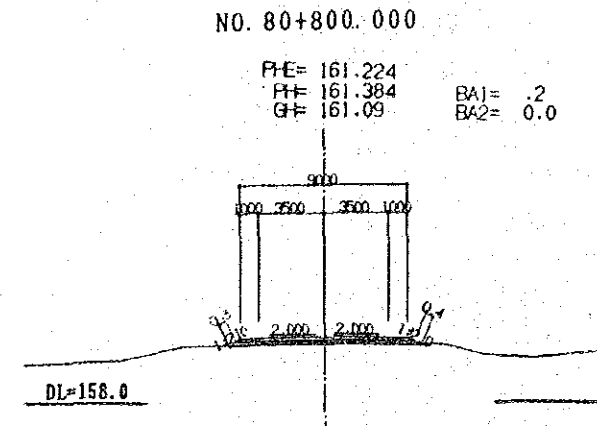
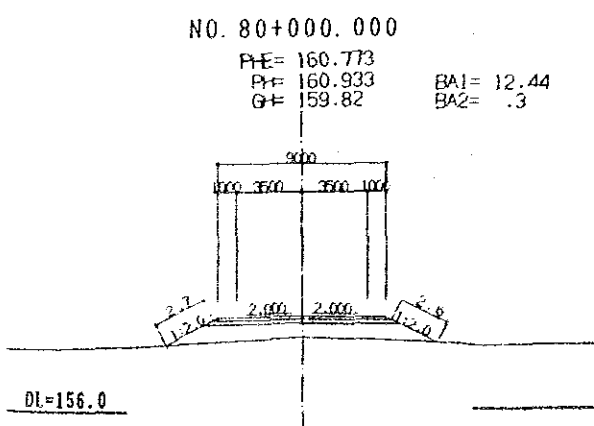
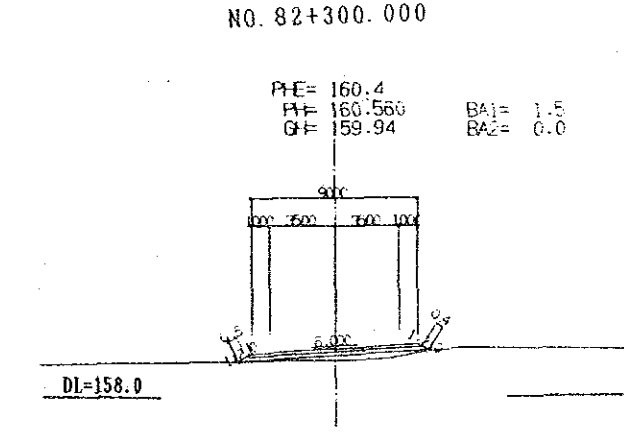
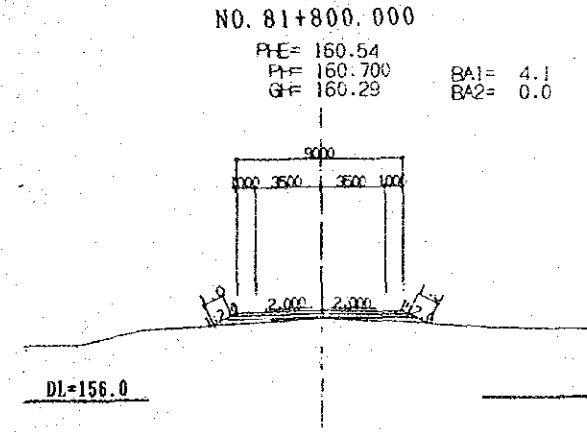
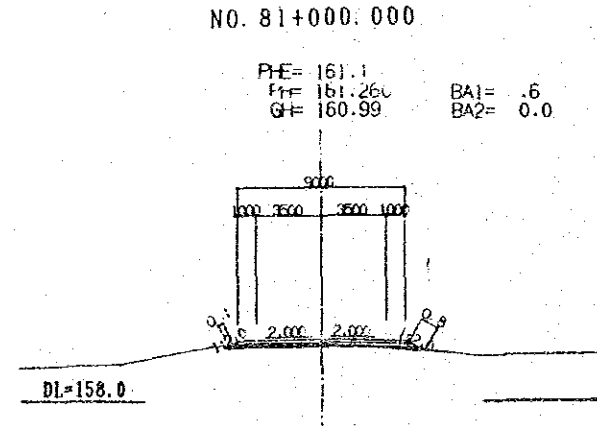
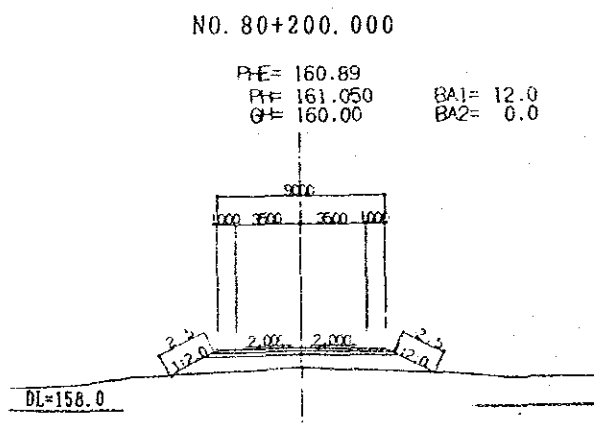
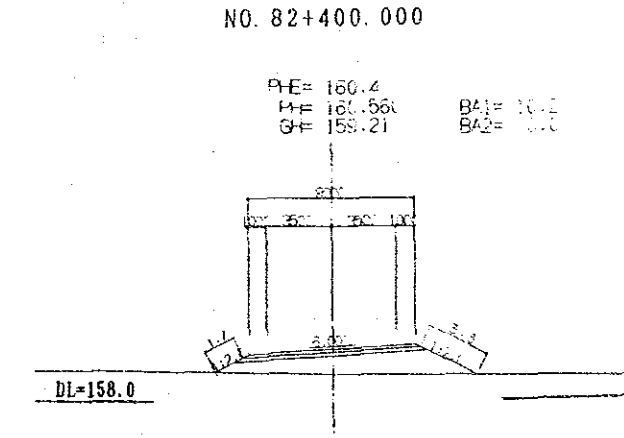
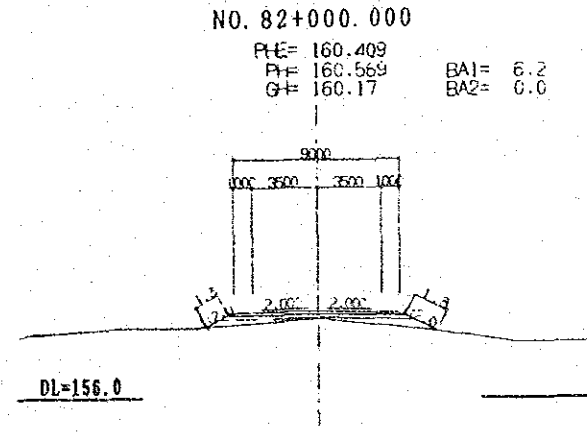
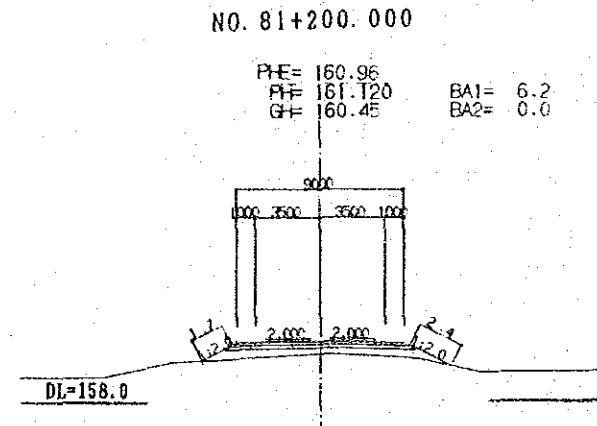
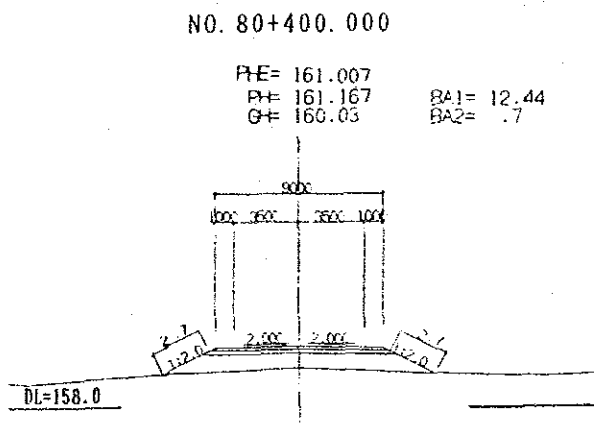
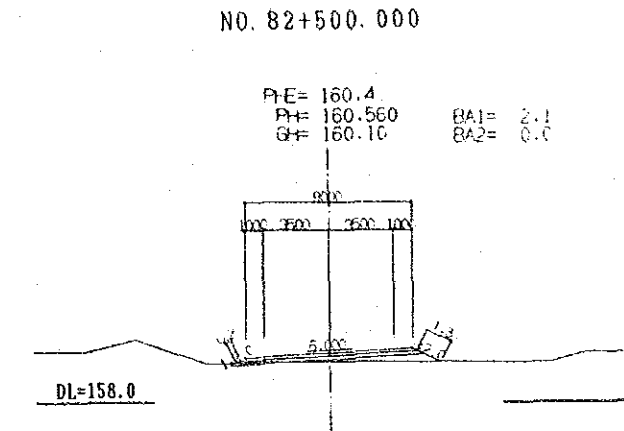
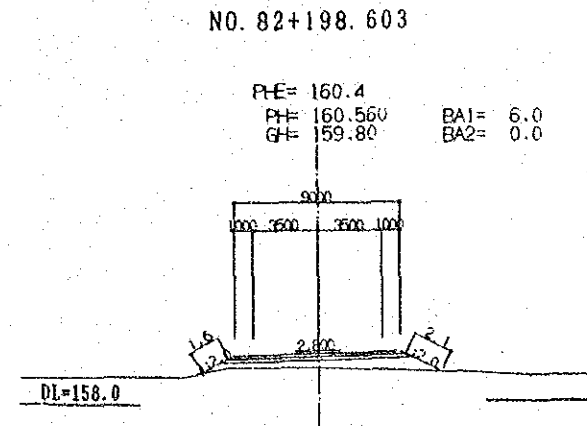
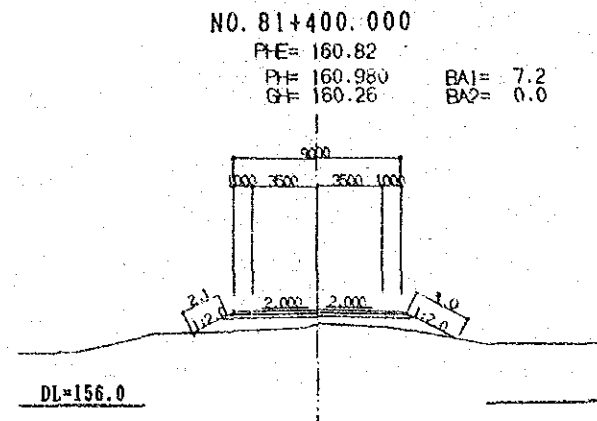
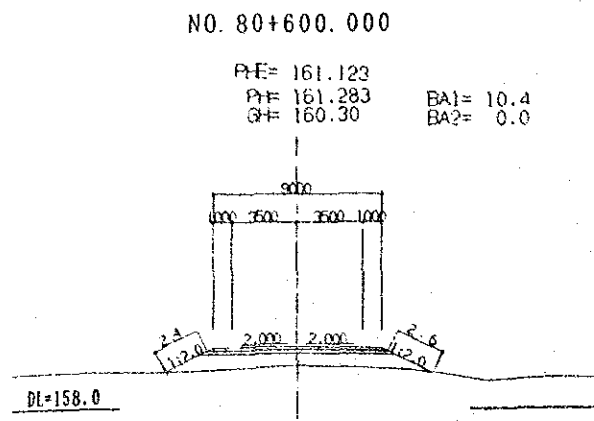
NO. 76+200.000
 P+E= 159.4
 P-F= 159.560
 G-F= 158.33
 BA1= 10.61
 BA2= 1.4



NO. 76+600.000
 P+E= 159.45
 P-F= 159.640
 G-F= 159.20
 BA1= 1.7
 BA2= 0.0

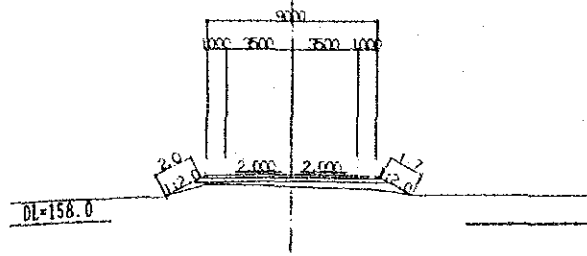






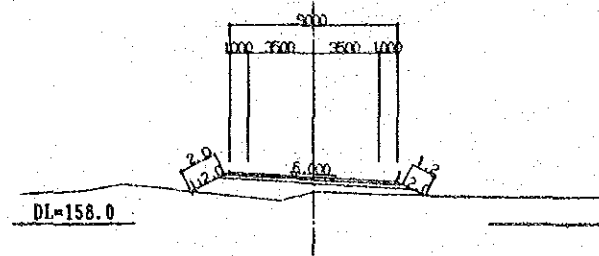
NO. 83+000.000

P+E= 160.4
P+H= 160.560
G+H= 159.91
BA1= 3.1
BA2= 0.0



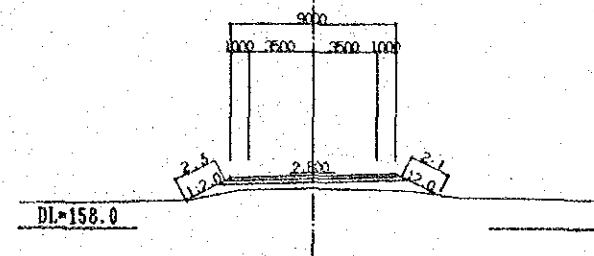
NO. 83+700.000

P+E= 160.4
P+H= 160.560
G+H= 159.80
BA1= 4.6
BA2= 0.0



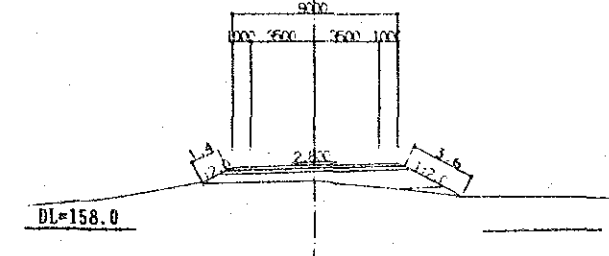
NO. 84+029.159

P+E= 160.658
P+H= 160.818
G+H= 160.13
BA1= 5.6
BA2= 0.0



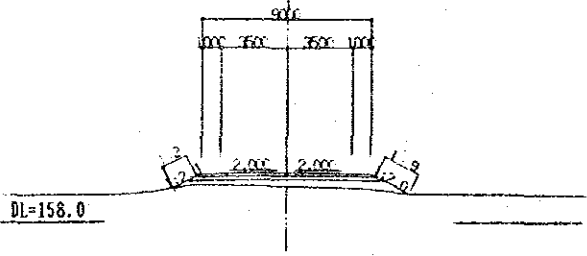
NO. 84+356.475

P+E= 161.2
P+H= 161.360
G+H= 160.50
BA1= 10.1
BA2= 0.0



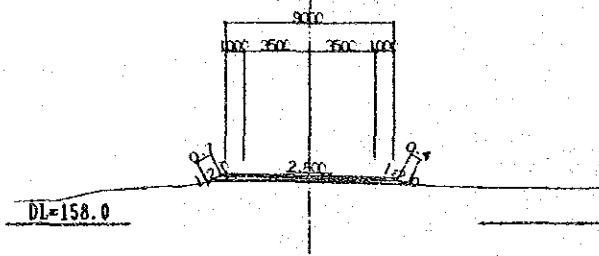
NO. 82+800.000

P+E= 160.4
P+H= 160.560
G+H= 159.82
BA1= 3.9
BA2= 0.0



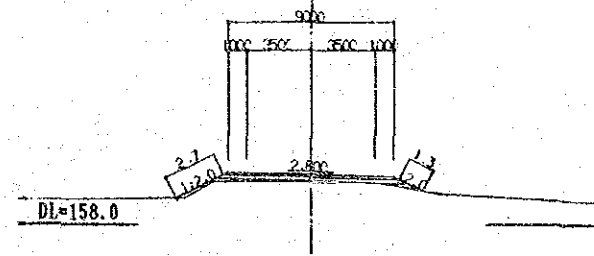
NO. 83+609.601

P+E= 160.4
P+H= 160.560
G+H= 160.27
BA1= .3
BA2= 0.0



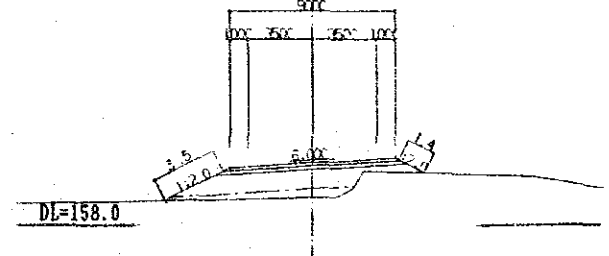
NO. 83+941.812

P+E= 160.484
P+H= 160.644
G+H= 160.26
BA1= 1.5
BA2= 0.0



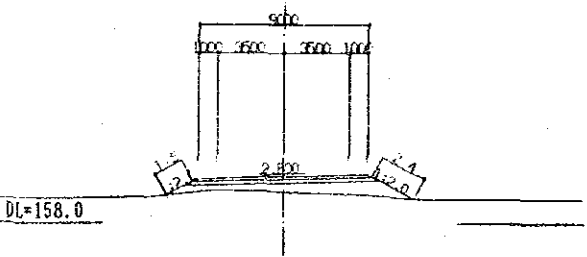
NO. 84+300.000

P+E= 161.175
P+H= 161.335
G+H= 159.46
BA1= 12.44
BA2= 1.5



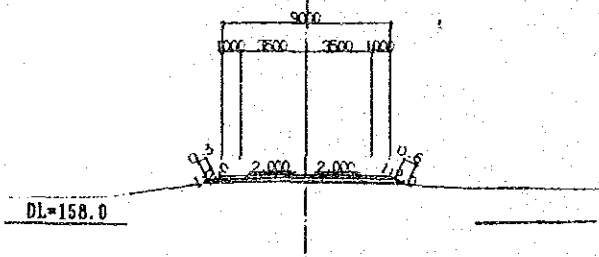
NO. 82+705.072

P+E= 160.4
P+H= 160.560
G+H= 159.73
BA1= 6.1
BA2= 0.0



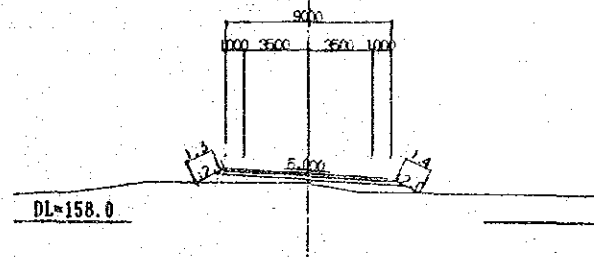
NO. 83+400.000

P+E= 160.4
P+H= 160.560
G+H= 160.15
BA1= 0.0
BA2= 0.0



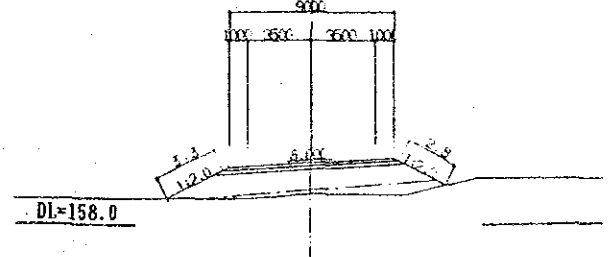
NO. 83+900.000

P+E= 160.425
P+H= 160.585
G+H= 160.05
BA1= 5.8
BA2= 0.0



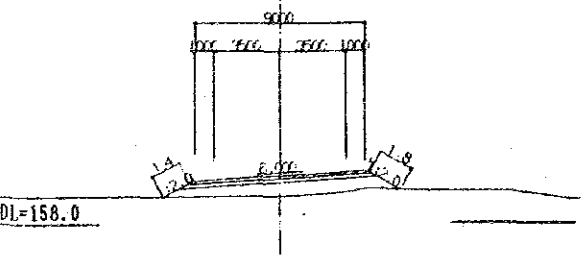
NO. 84+200.000

P+E= 161
P+H= 161.160
G+H= 159.49
BA1= 12.44
BA2= 6.6



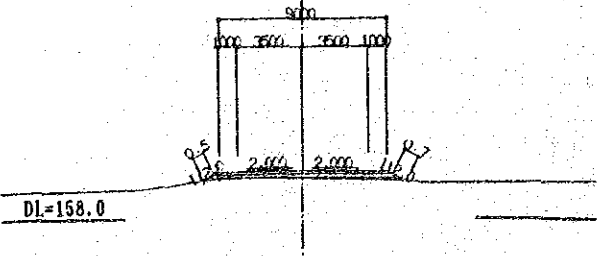
NO. 82+600.000

P+E= 160.4
P+H= 160.560
G+H= 159.48
BA1= 6.2
BA2= 0.0



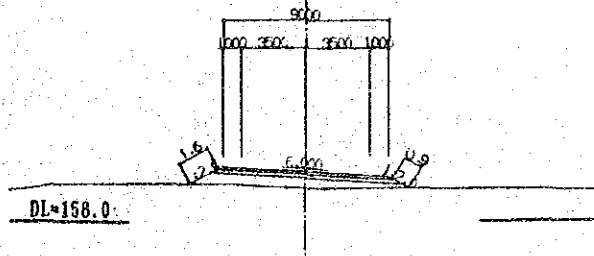
NO. 83+200.000

P+E= 160.4
P+H= 160.560
G+H= 160.19
BA1= .4
BA2= 0.0
CA= .67



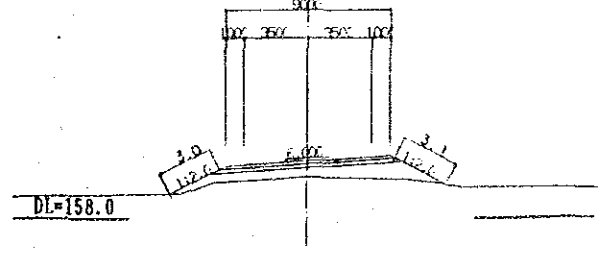
NO. 83+800.000

P+E= 160.4
P+H= 160.560
G+H= 159.69
BA1= 4.7
BA2= 0.0



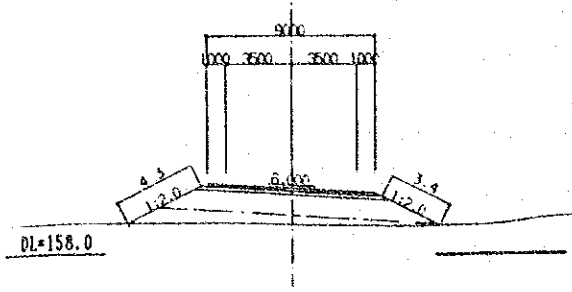
NO. 84+100.000

P+E= 160.8
P+H= 160.960
G+H= 160.11
BA1= 9.2
BA2= 0.0



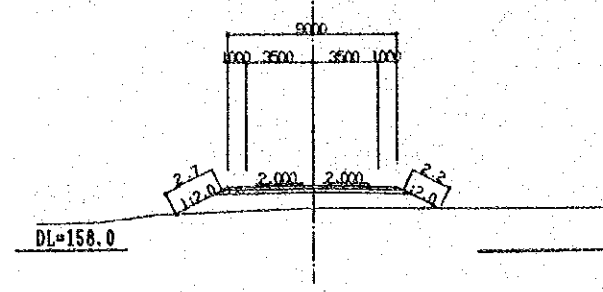
NO. 85+000.000

P+E= 161.2
P=F 161.360
G=F 159.44
BA1= 12.44
BA2= 8.60



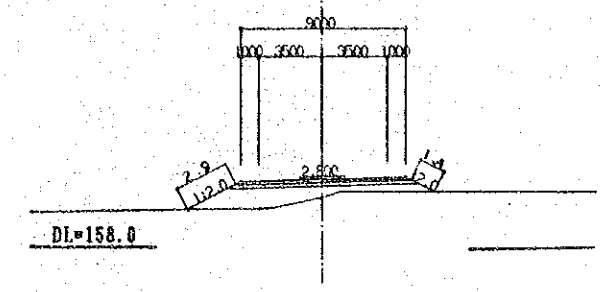
NO. 85+400.000

P+E= 161.211
P=F 161.371
G=F 160.18
BA1= 10.7
BA2= 0.0



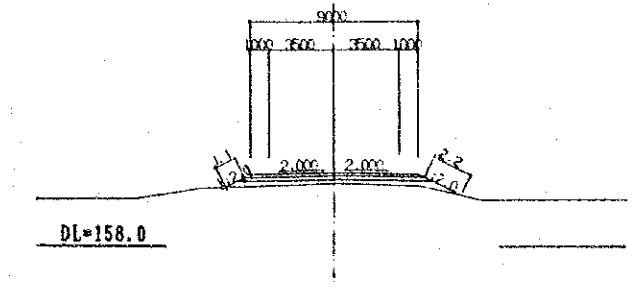
NO. 85+706.981

P+E= 161.465
P=F 161.630
G=F 160.67
BA1= 8.05
BA2= 0.0



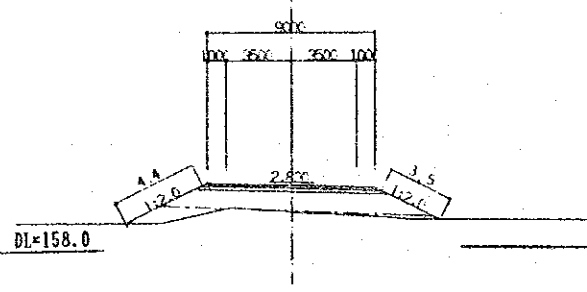
NO. 86+400.000

P+E= 161.635
P=F 161.800
G=F 161.23
BA1= 3.75
BA2= 0.0



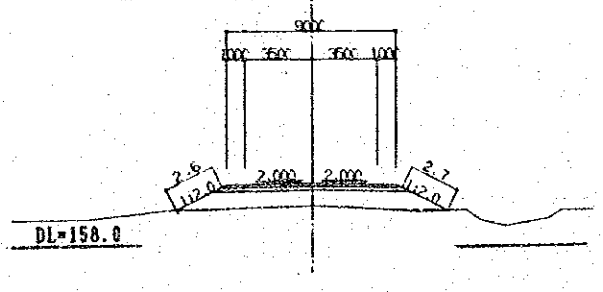
NO. 84+854.240

P+E= 161.2
P=F 161.360
G=F 159.93
BA1= 12.44
BA2= 3.5



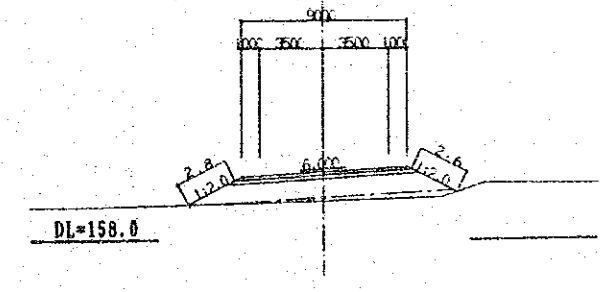
NO. 85+200.000

P+E= 161.2
P=F 161.360
G=F 160.16
BA1= 12.1
BA2= 0.0



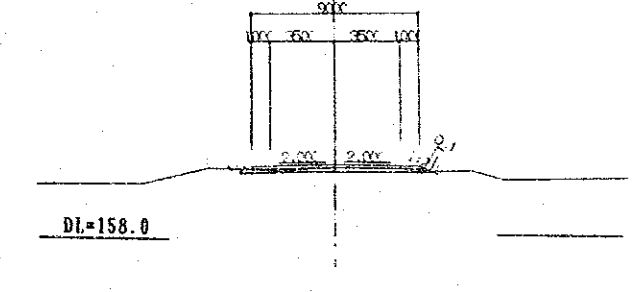
NO. 85+700.000

P+E= 161.459
P=F 161.624
G=F 160.08
BA1= 12.45
BA2= 2.0



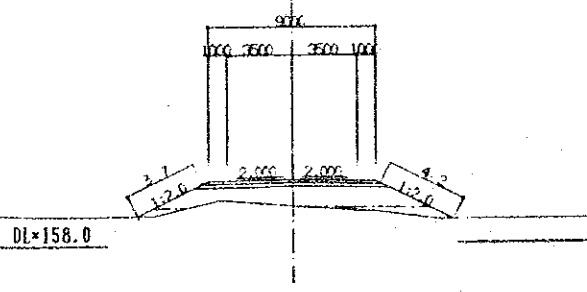
NO. 86+200.000

P+E= 161.635
P=F 161.800
G=F 161.38
BA1= 0.0
BA2= 0.0



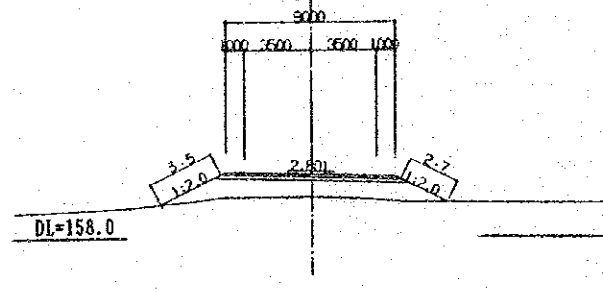
NO. 84+800.000

P+E= 161.2
P=F 161.360
G=F 159.93
BA1= 12.44
BA2= 1.7



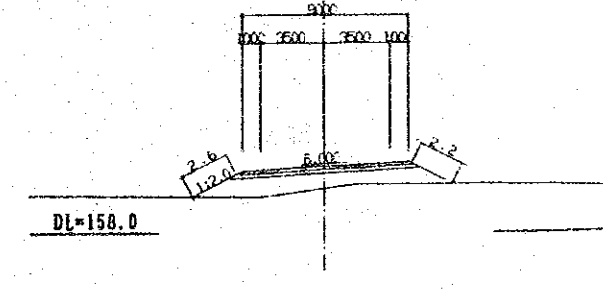
NO. 85+110.562

P+E= 161.2
P=F 161.360
G=F 160.14
BA1= 12.44
BA2= .2



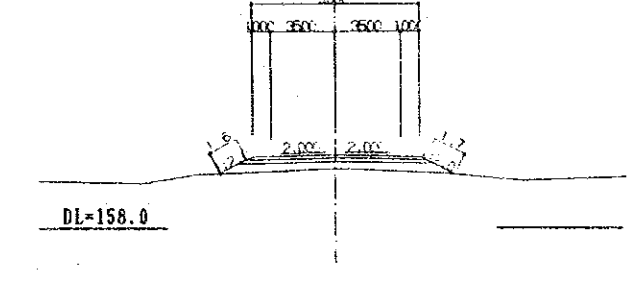
NO. 85+600.000

P+E= 161.371
P=F 161.536
G=F 160.35
BA1= 10.75
BA2= 0.0



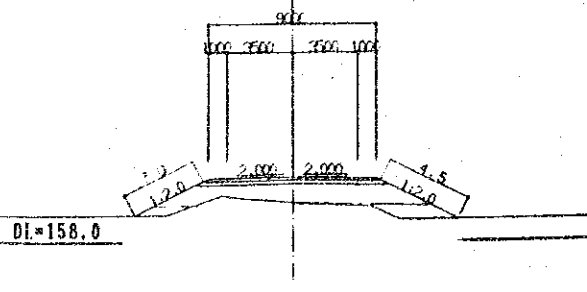
NO. 86+000.000

P+E= 161.635
P=F 161.800
G=F 161.06
BA1= 6.35
BA2= 0.0



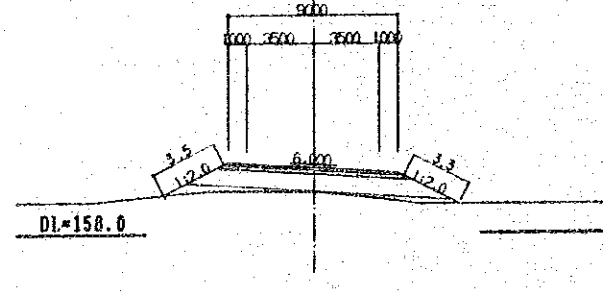
NO. 84+600.000

P+E= 161.2
P=F 161.360
G=F 159.99
BA1= 12.44
BA2= 2.3



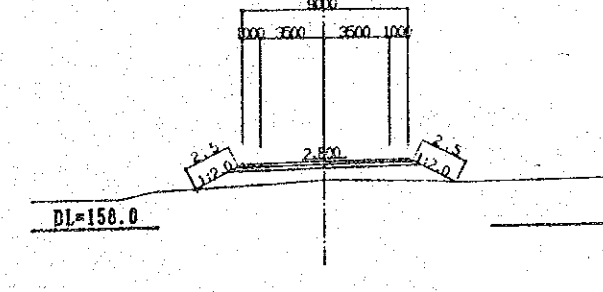
NO. 85+100.000

P+E= 161.2
P=F 161.360
G=F 160.05
BA1= 12.44
BA2= 2.6



NO. 85+489.326

P+E= 161.274
P=F 161.439
G=F 160.43
BA1= 10.9
BA2= .3



NO. 85+800.000

P+E= 161.547
P=F 161.712
G=F 161.12
BA1= 3.95
BA2= 0.0

