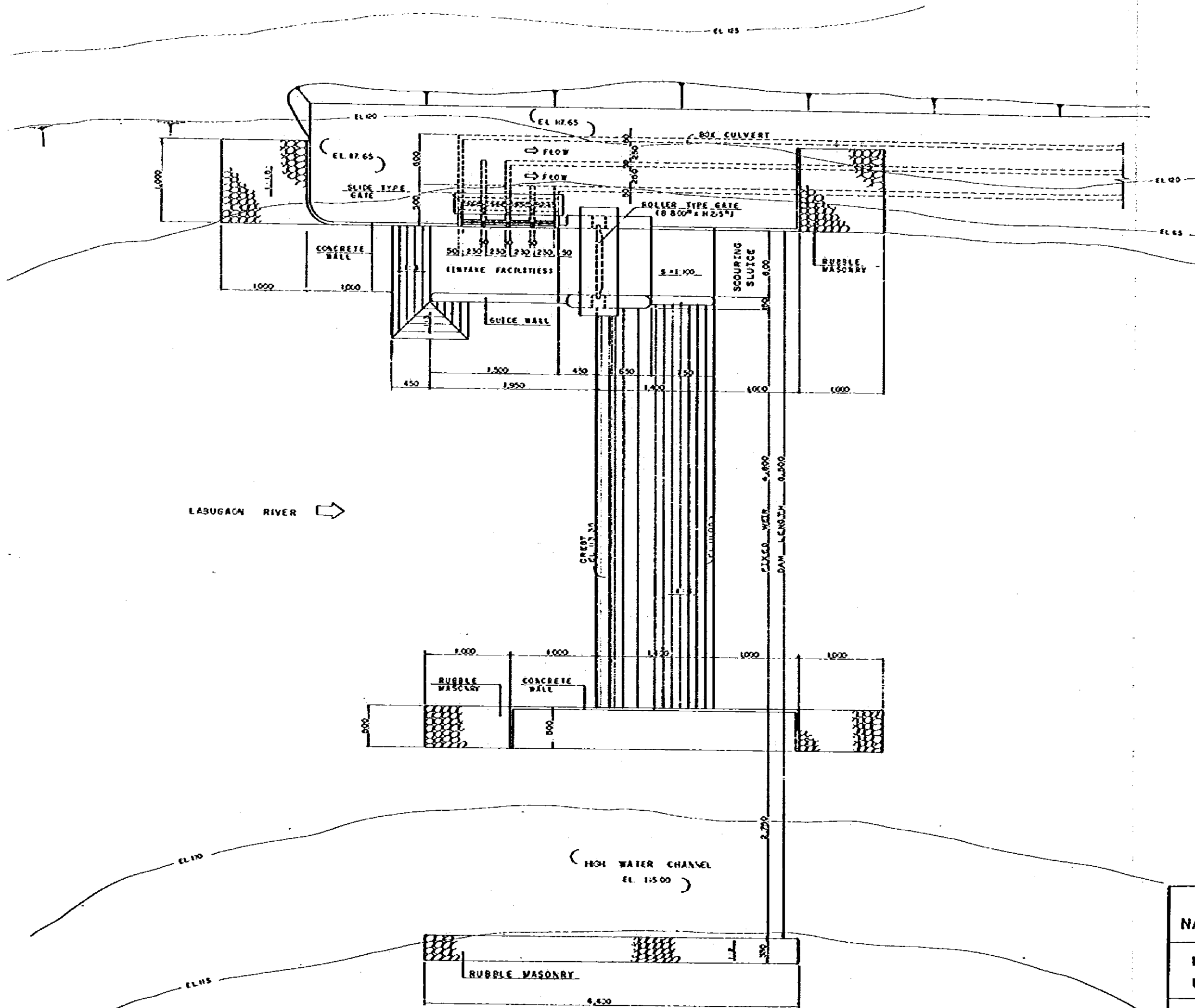
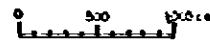


圖 面 目 錄

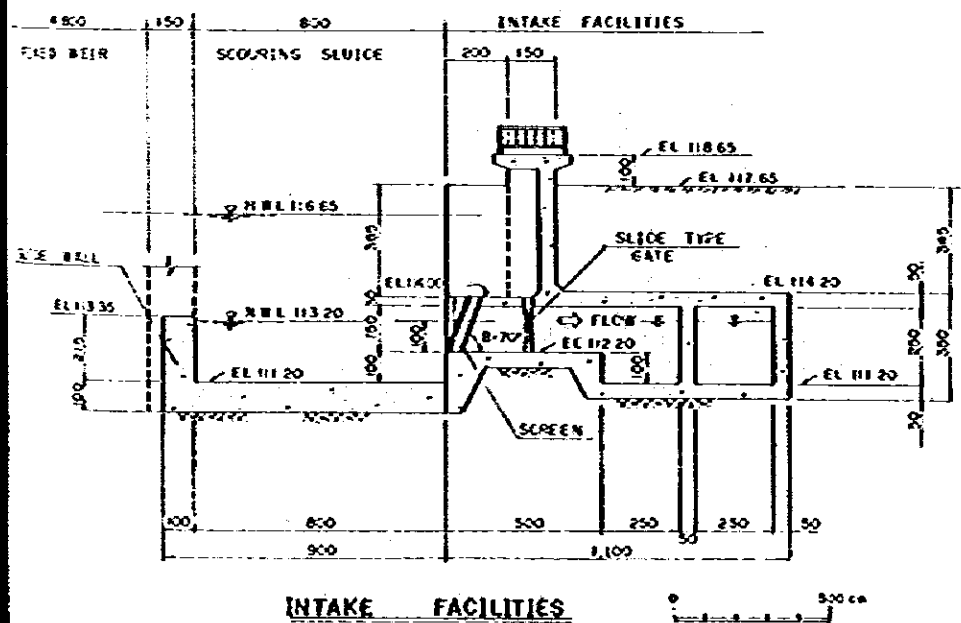
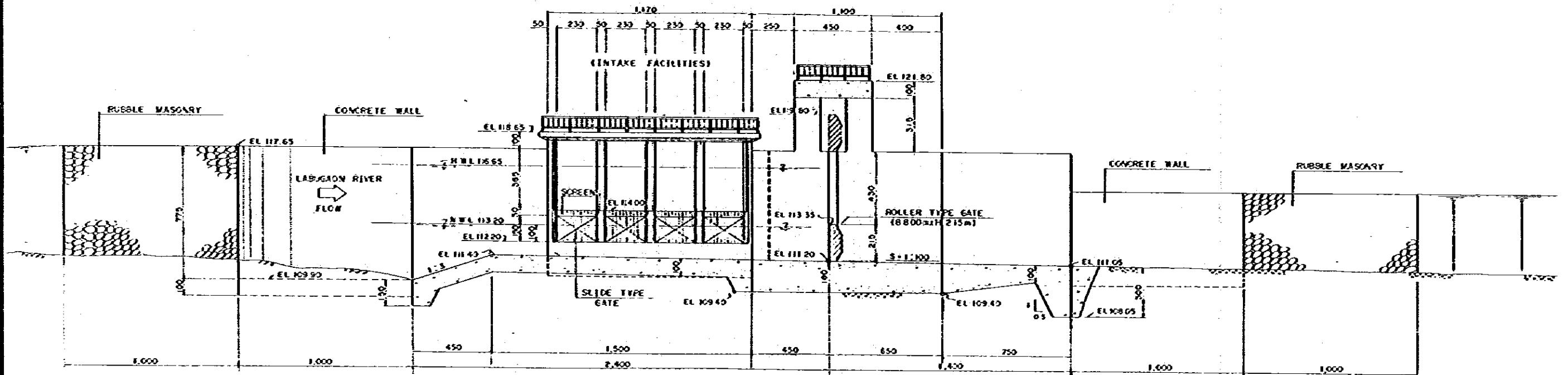
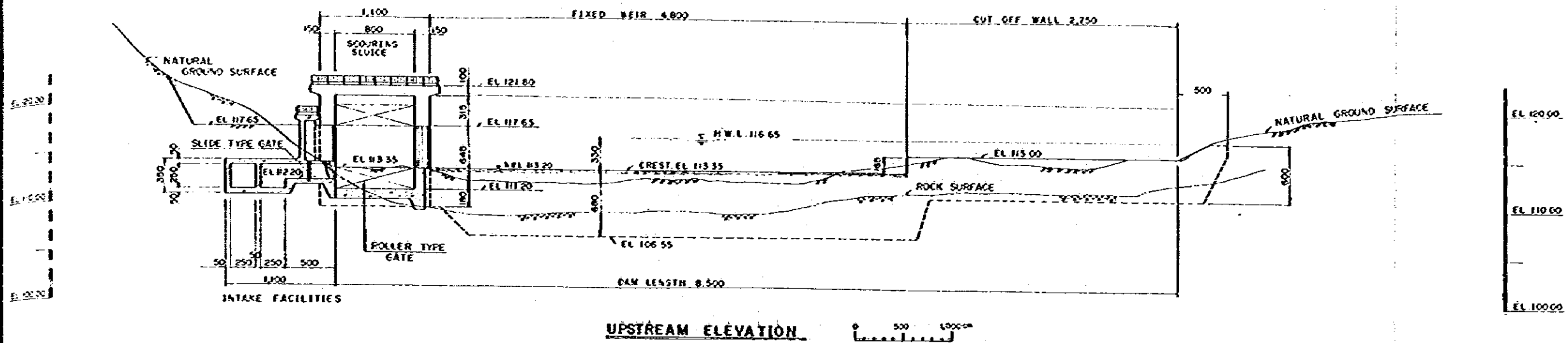
名 稱	番 号
1. LABUGAON DIVERSION DAM, GENERAL PLAN	INIS (I) - DD - 001
2. LABUGAON DIVERSION DAM, TYPICAL SECTION	INIS (I) - DD - 002
3. SOLSONA DIVERSION DAM, GENERAL PLAN	INIS (I) - DD - 003
4. SOLSONA DIVERSION DAM, TYPICAL SECTION	INIS (I) - DD - 004
5. MADONGAN DIVERSION DAM, GENERAL PLAN	INIS (I) - DD - 005
6. MADONGAN DIVERSION DAM, TYPICAL SECTION	INIS (I) - DD - 006
7. PAPA DIVERSION DAM, GENERAL PLAN	INIS (I) - DD - 007
8. PAPA DIVERSION DAM, TYPICAL SECTION	INIS (I) - DD - 008
9. NUEVA ERA DIVERSION DAM, GENERAL PLAN	INIS (I) - DD - 009
10. NUEVA ERA DIVERSION DAM, TYPICAL SECTION	INIS (I) - DD - 010
11. PROFILE OF MAIN CANAL (N _L - 1)	INIS (I) - IC - 011
12. PROFILE OF MAIN CANAL (M _R - 1)	INIS (I) - IC - 012
13. TYPICAL ROAD CROSSING WITH CHECK AND DROP	INIS (I) - IC - 013
14. TYPICAL RCP CROSSING	INIS (I) - IC - 014
15. TYPICAL SECTION OF IRRIGATION CANAL	INIS (I) - IC - 015
16. TYPICAL BOX SIPHON WITH CROSSING	INIS (I) - IC - 016
17. TYPICAL RCP SIPHON WITH CROSSING	INIS (I) - IC - 017
18. TYPICAL CHECK AND VERTICAL DROP	INIS (I) - IC - 018
19. TYPICAL SUB-LATERAL DROP	INIS (I) - IC - 019
20. TYPICAL HEADGATE WITH BOX CULVERT	INIS (I) - IC - 020
21. TYPICAL HEADGATE WITH PIPE CULVERT	INIS (I) - IC - 021
22. TYPICAL PARSHALL FLUME	INIS (I) - IC - 022
23. TYPICAL DRAINAGE CULVERT	INIS (I) - IC - 023
24. TYPICAL DRAINAGE INLET	INIS (I) - IC - 024
25. TYPICAL DRAINAGE CANAL SECTION	INIS (I) - DC - 025
26. TYPICAL DRAINAGE DROP	INIS (I) - DC - 026
27. TYPICAL ROAD SECTION	INIS (I) - RW - 027
28. LAYOUT OF ON-FARM FACILITY (SAMPLE AREA NO.1)	INIS (I) - OF - 028
29. LAYOUT OF ON-FARM FACILITY (SAMPLE AREA NO.2)	INIS (I) - OF - 029
30. TYPICAL TURN-OUT	INIS (I) - OF - 030
31. TYPICAL FARM DITCH SECTION AND DIVERSION BOX	INIS (I) - OF - 031



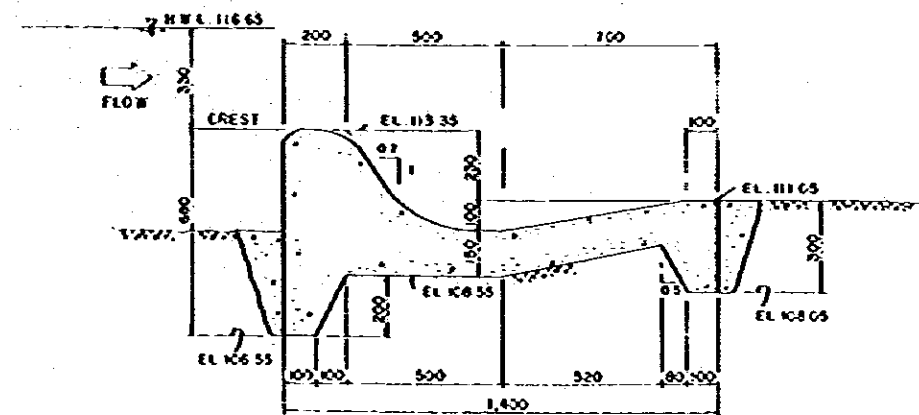
PLAN



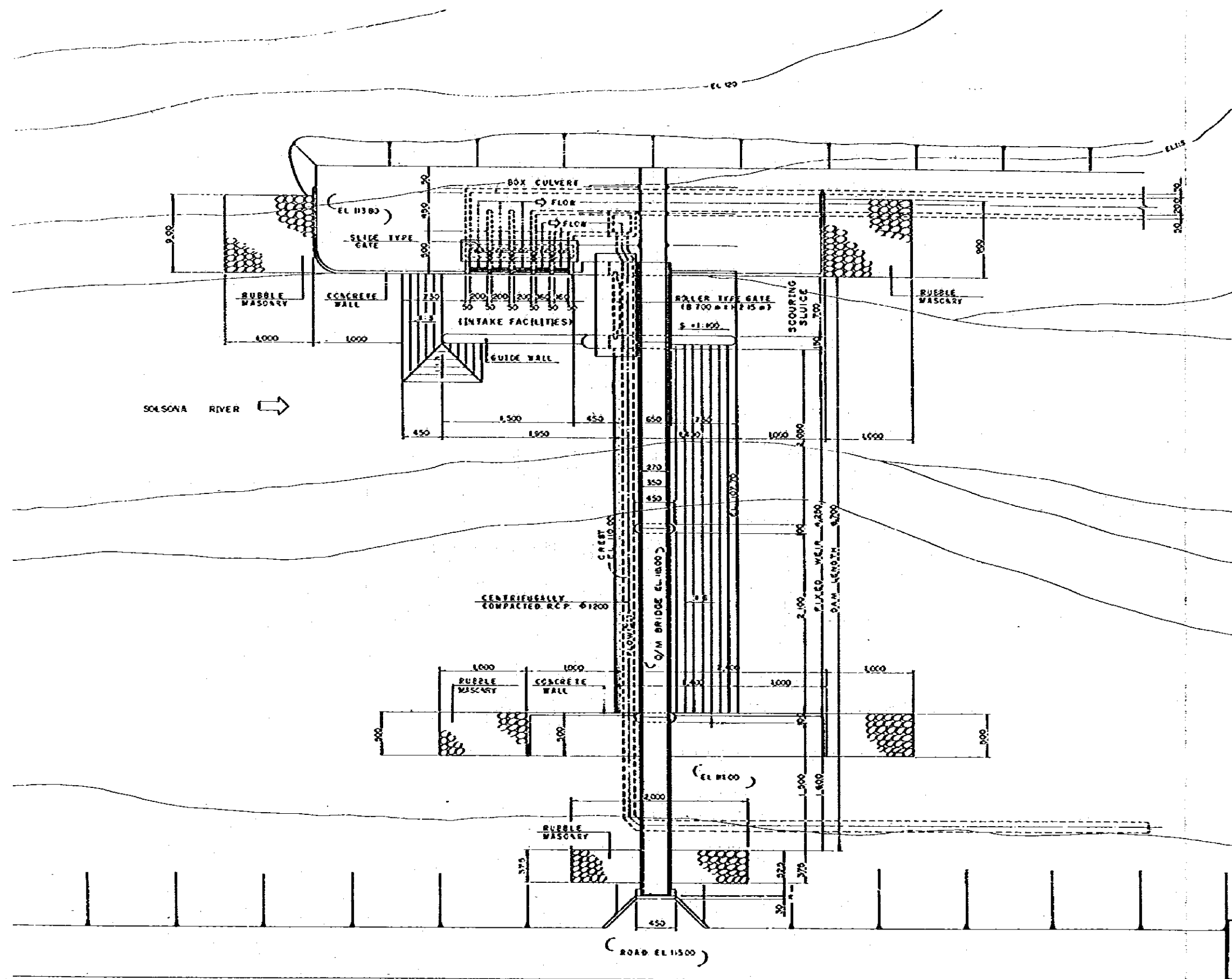
REPUBLIC OF THE PHILIPPINES NATIONAL IRRIGATION ADMINISTRATION	
INIP LABUGAON DIVERSION DAM, GENERAL PLAN	
DRAWING NO.	INIS (I) - DD - 001
JAPAN INTERNATIONAL COOPERATION AGENCY	



PROFILE OF SCOURING SLUICE



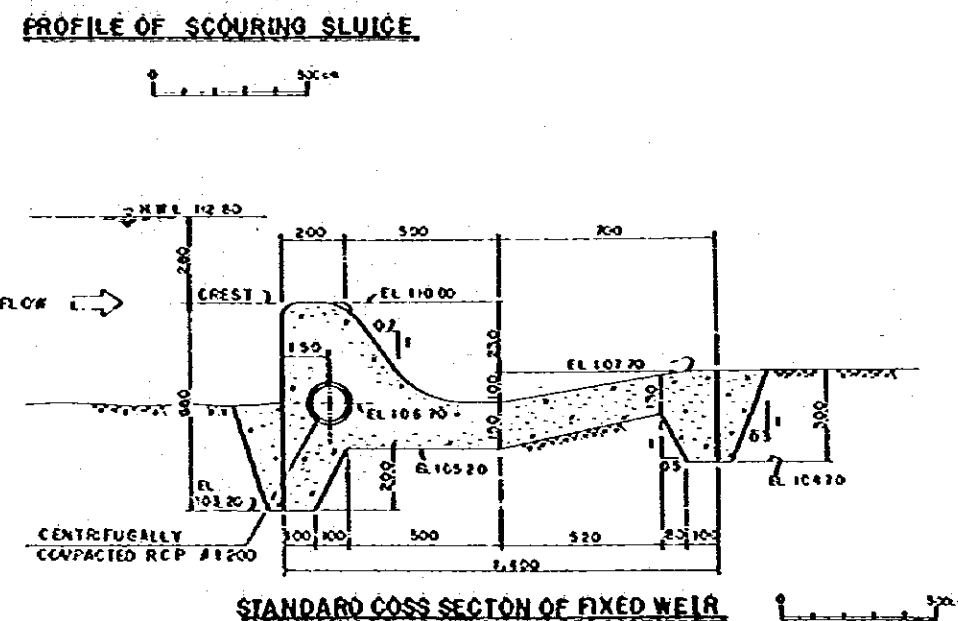
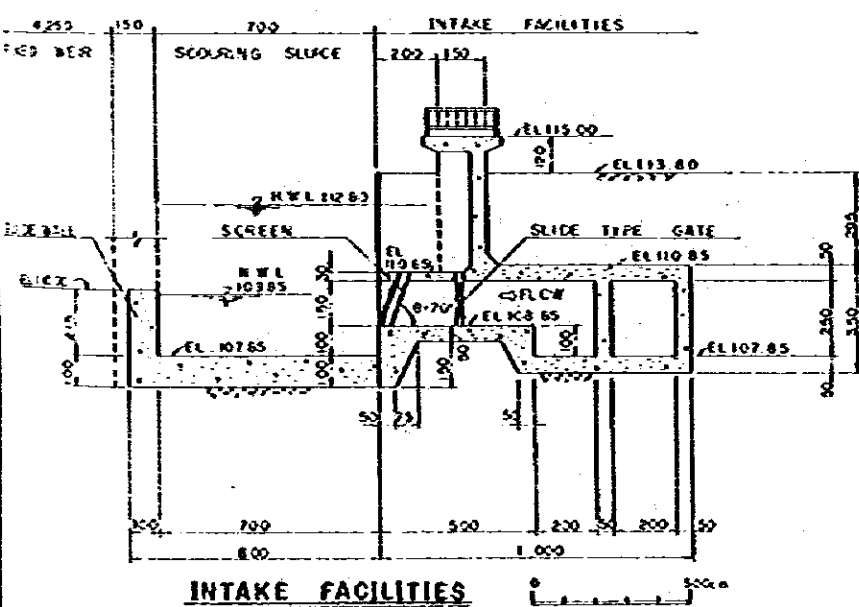
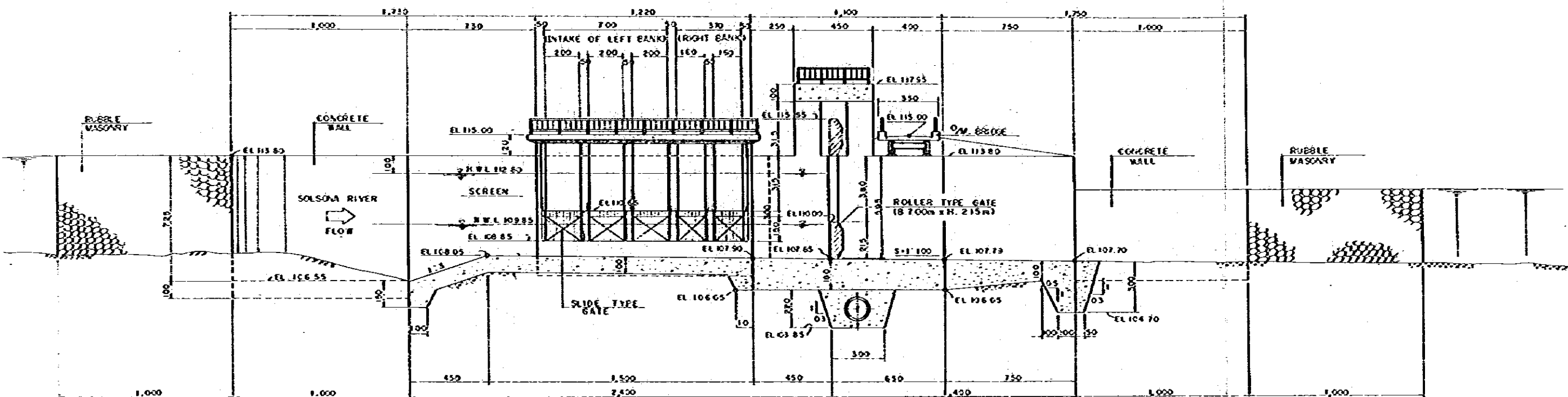
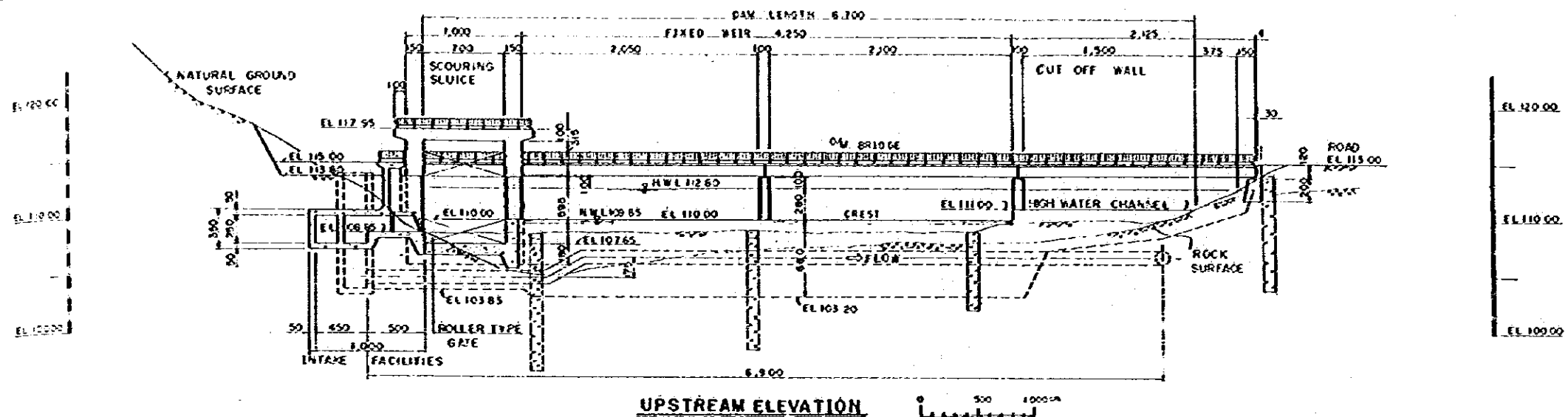
REPUBLIC OF THE PHILIPPINES
 NATIONAL IRRIGATION ADMINISTRATION
 INIP
 LABUGAN DIVERSION DAM, TYPICAL SECTION
 DRAWING NO. INIS (I) - DD - 002
 JAPAN INTERNATIONAL COOPERATION AGENCY



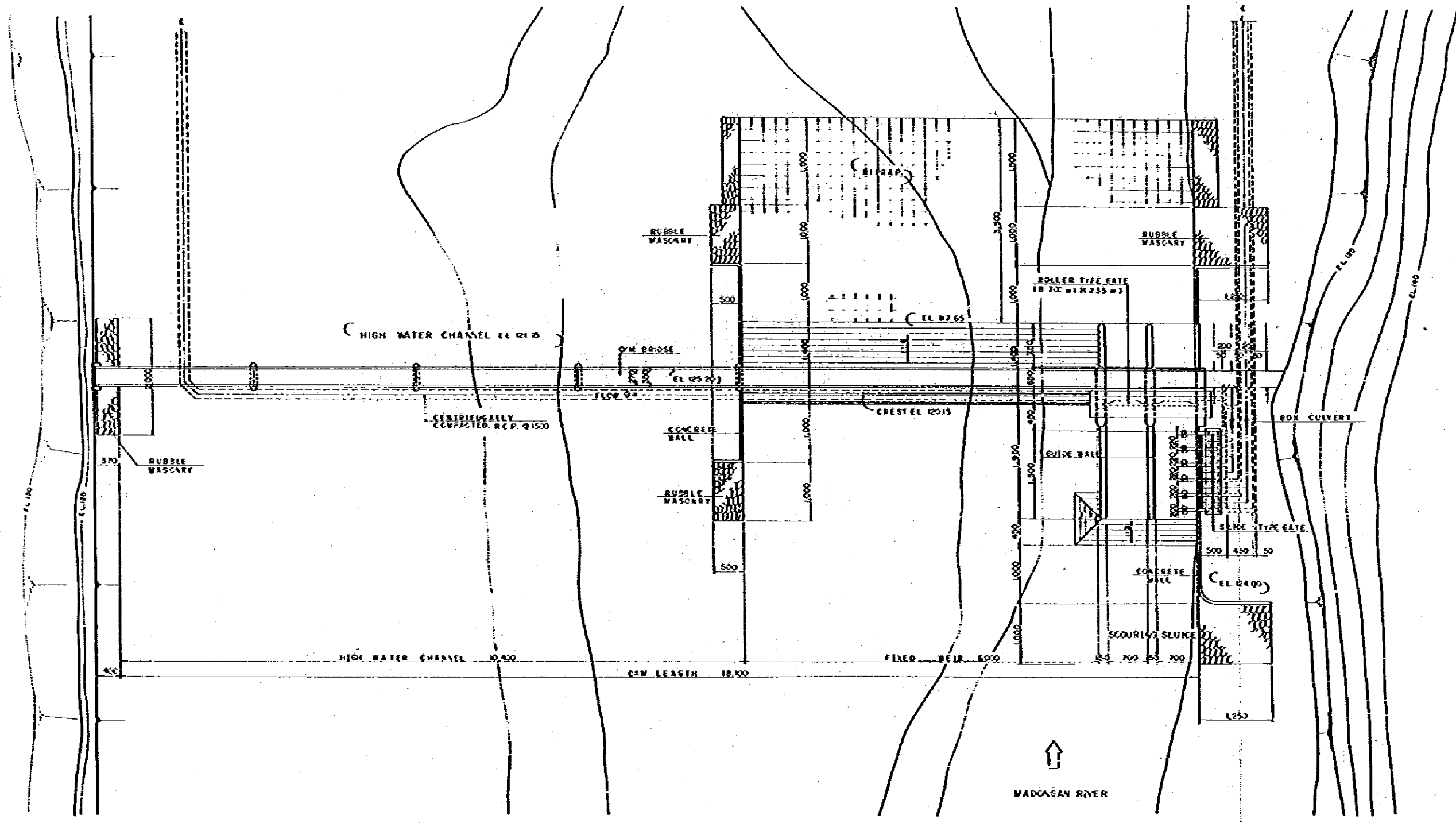
PLAN



REPUBLIC OF THE PHILIPPINES NATIONAL IRRIGATION ADMINISTRATION	
INIP SOLSONA DIVERSION DAM, GENERAL PLAN	
DRAWING NO.	INIS (II) - DD - 003
JAPAN INTERNATIONAL COOPERATION AGENCY	



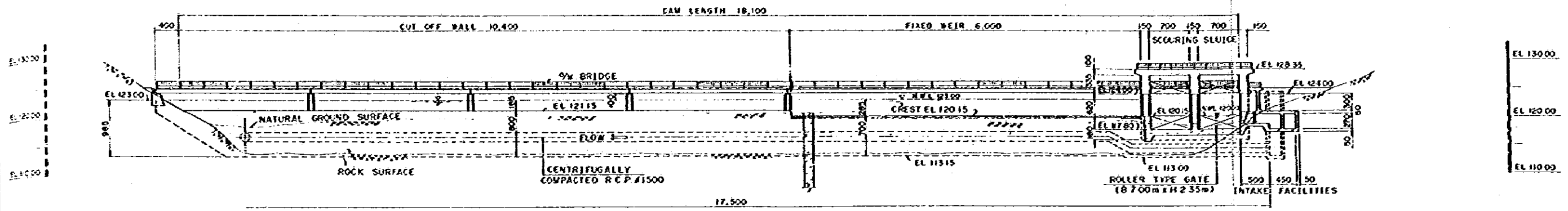
REPUBLIC OF THE PHILIPPINES NATIONAL IRRIGATION ADMINISTRATION	
INIP SOLSONA DIVERSION DAM, GENERAL PLAN	
DRAWING NO.	INIS (I) - DD - 004
JAPAN INTERNATIONAL COOPERATION AGENCY	



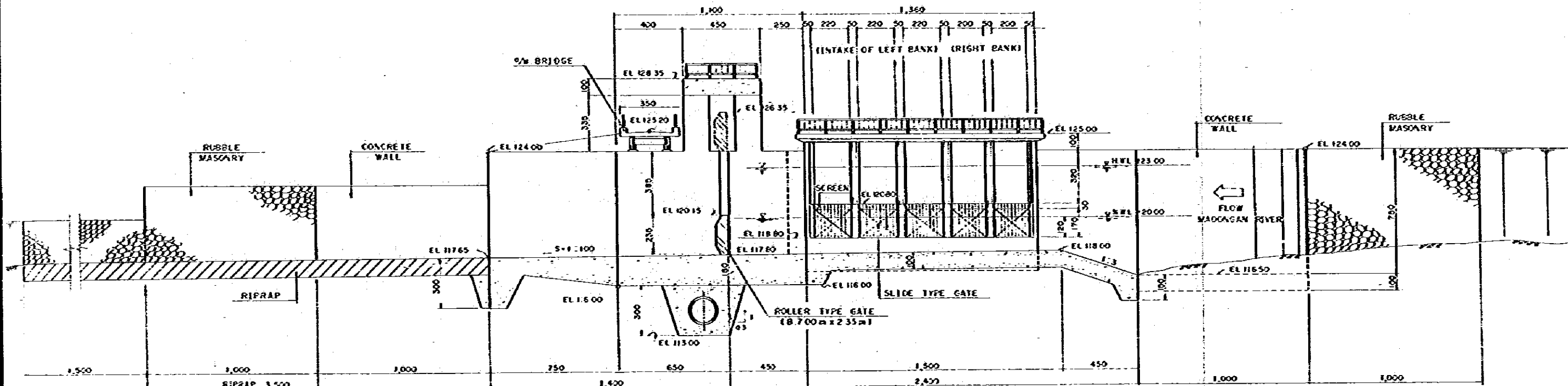
PLAN



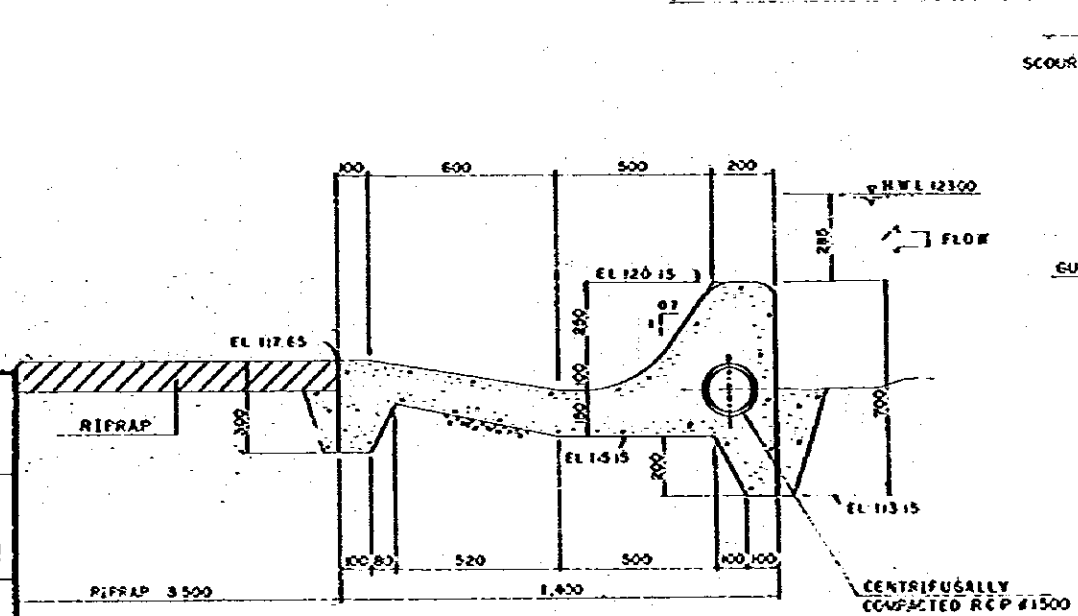
REPUBLIC OF THE PHILIPPINES NATIONAL IRRIGATION ADMINISTRATION	
INIP MADONGAN DIVERSION DAM, GENERAL PLAN	
DRAWING NO.	INIS (I) - DD - 005
JAPAN INTERNATIONAL COOPERATION AGENCY	



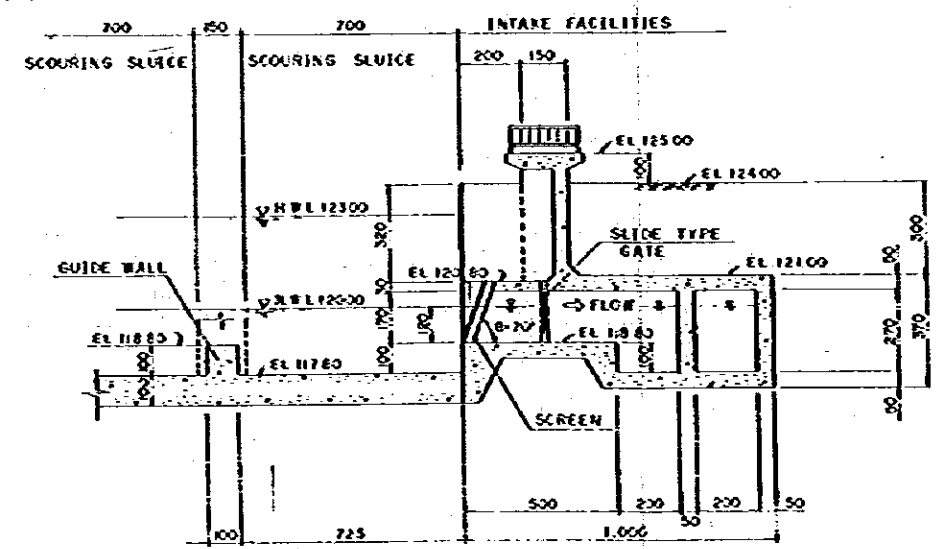
UPSTREAM ELEVATION



PROFILE OF SCOURING SLUICE

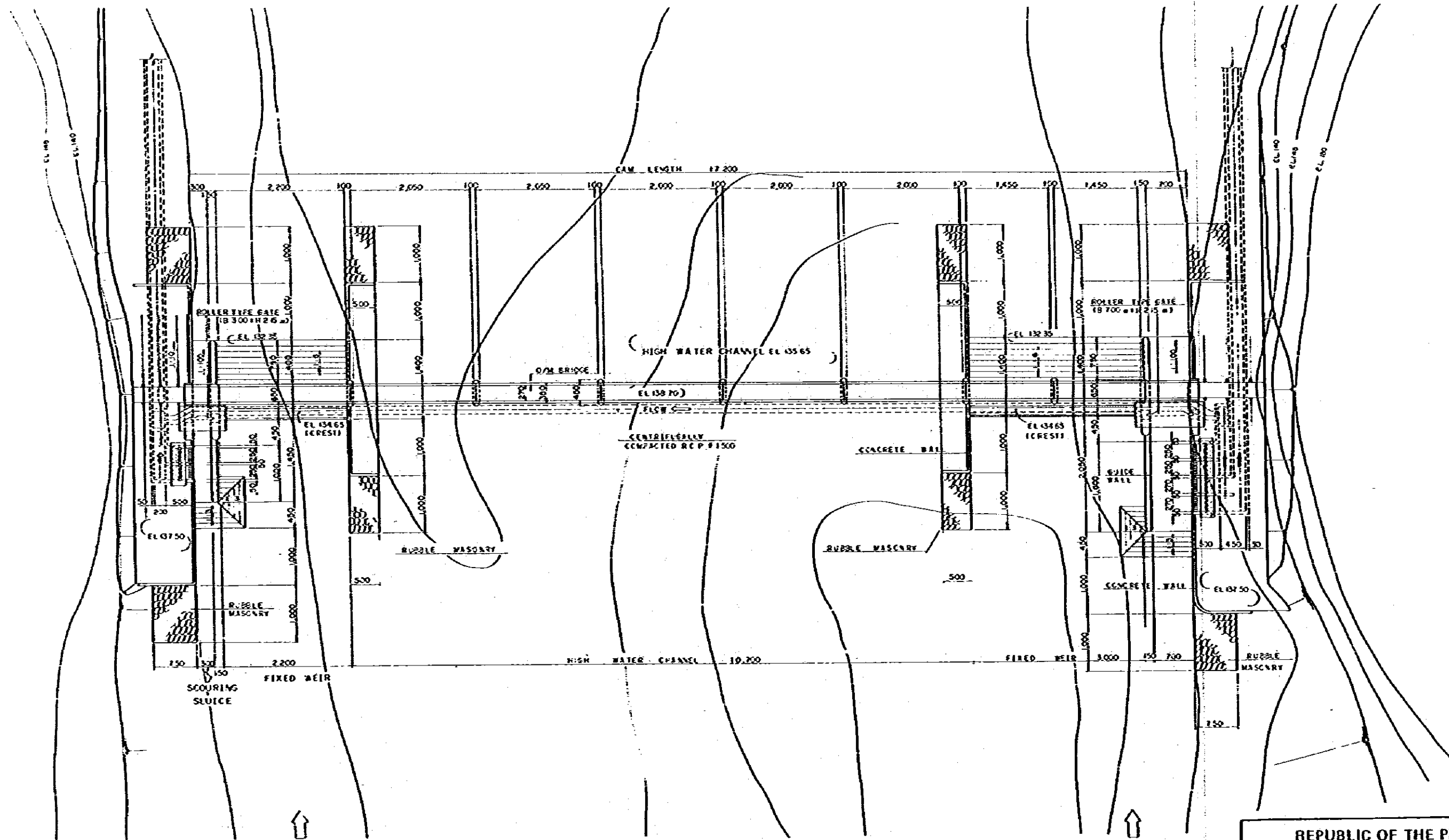


STANDARD CROSS SECTION OF FIXED WEIR

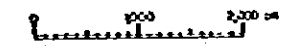


INTAKE FACILITIES

REPUBLIC OF THE PHILIPPINES
 NATIONAL IRRIGATION ADMINISTRATION
 IIP
 BOGANG DIVERSION DAM, TYPICAL SECTION
 DRAWING NO. INIS (I) - DD - 006
 INTERNATIONAL COOPERATION AGENCY

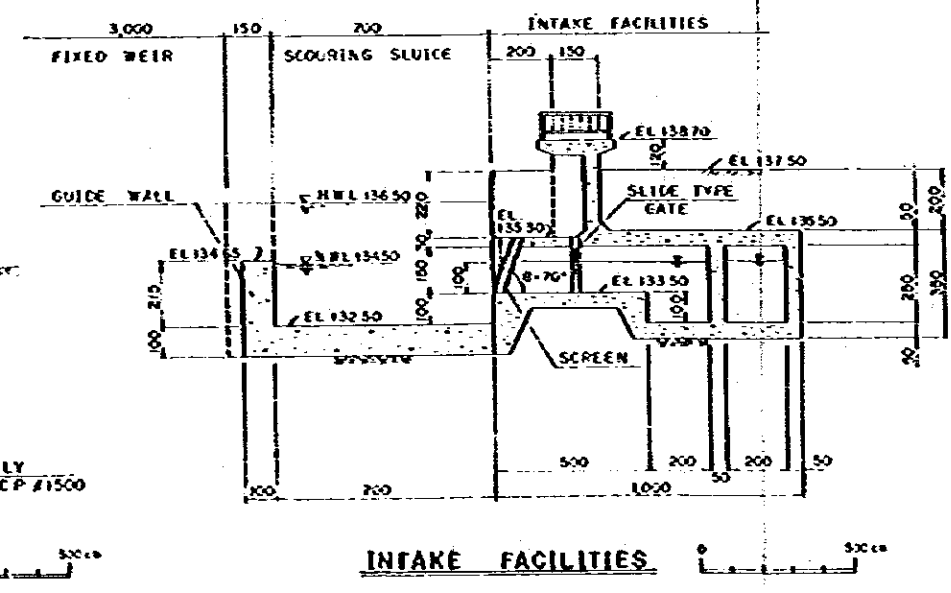
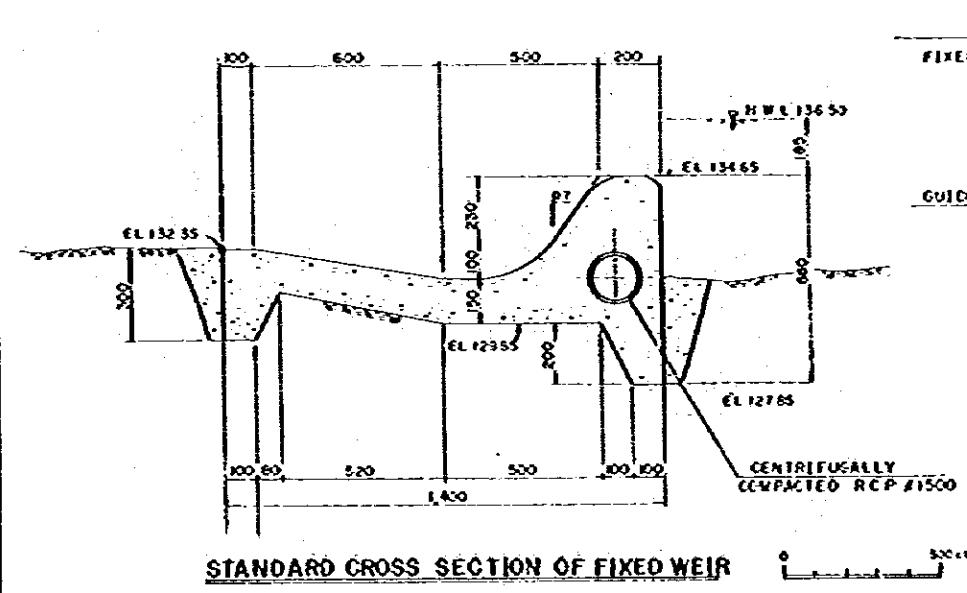
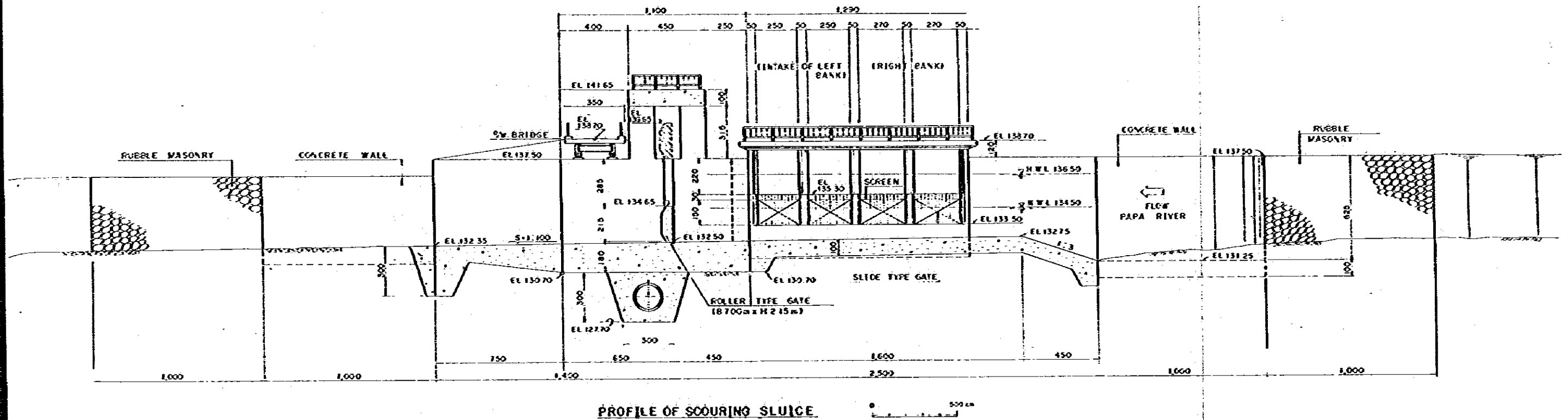
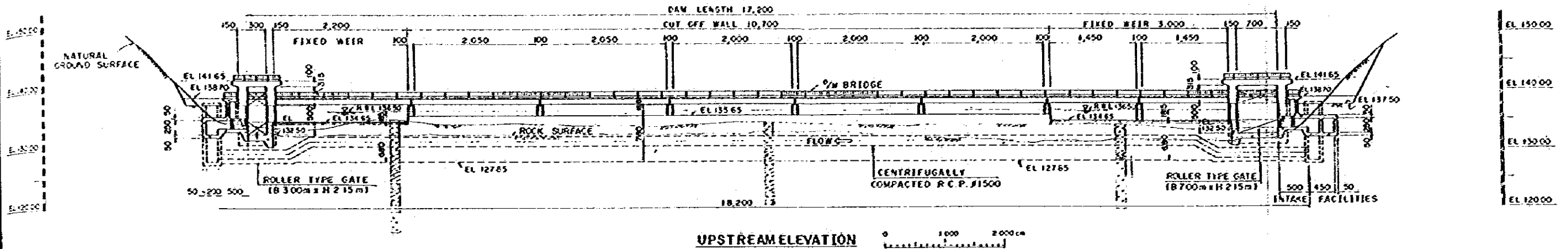


PLAN

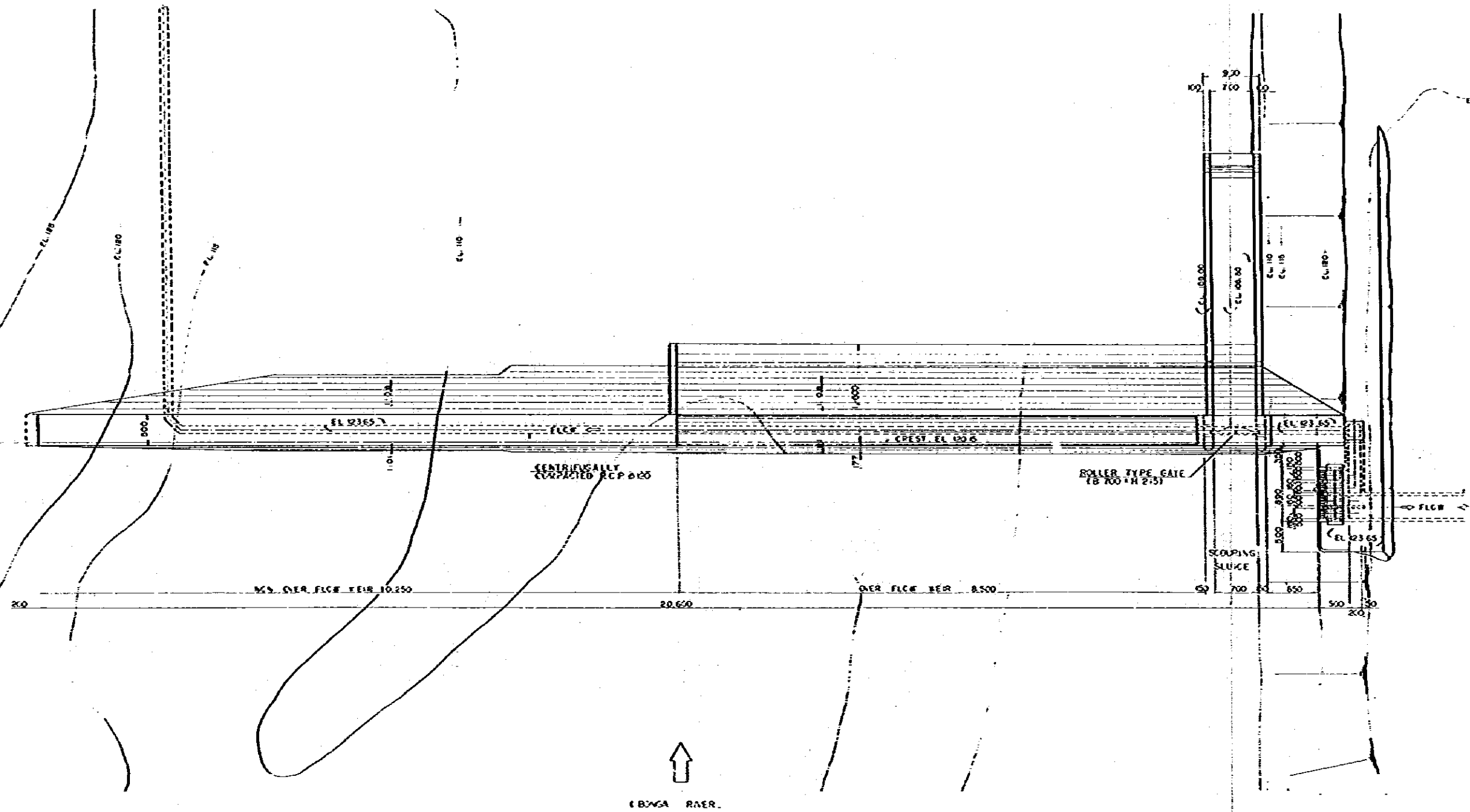


PAPA RIVER

REPUBLIC OF THE PHILIPPINES NATIONAL IRRIGATION ADMINISTRATION	
INIP PAPA DIVERSION DAM, GENERAL PLAN	
DRAWING NO.	INIS (I) - DD - 007
JAPAN INTERNATIONAL COOPERATION AGENCY	

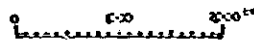


REPUBLIC OF THE PHILIPPINES
NATIONAL IRRIGATION ADMINISTRATION
INIP
PAPA DIVERSION DAM, TYPICAL SECTION
DRAWING NO. INIS (I) - DD - 008
SPAN INTERNATIONAL COOPERATION AGENCY

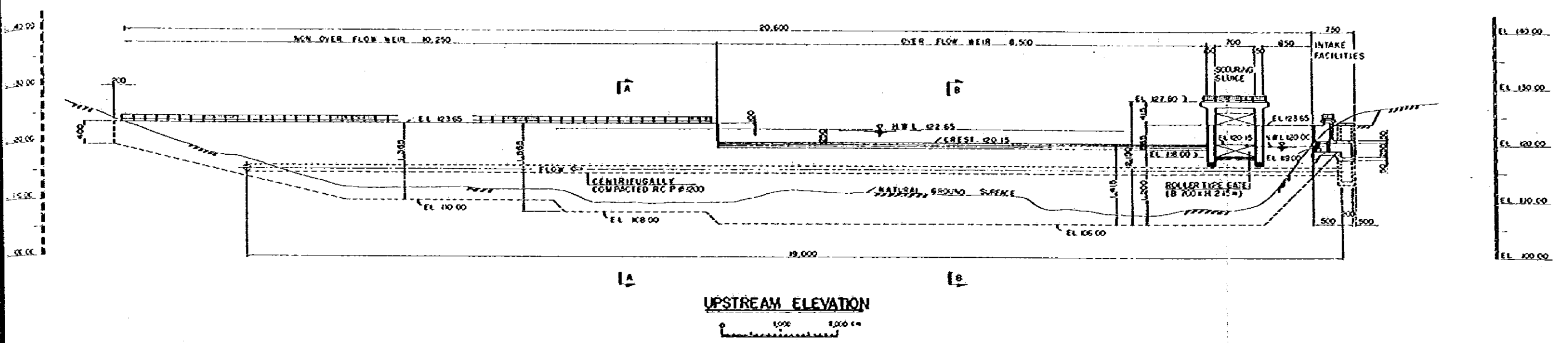


↑
BUNGA RIVER

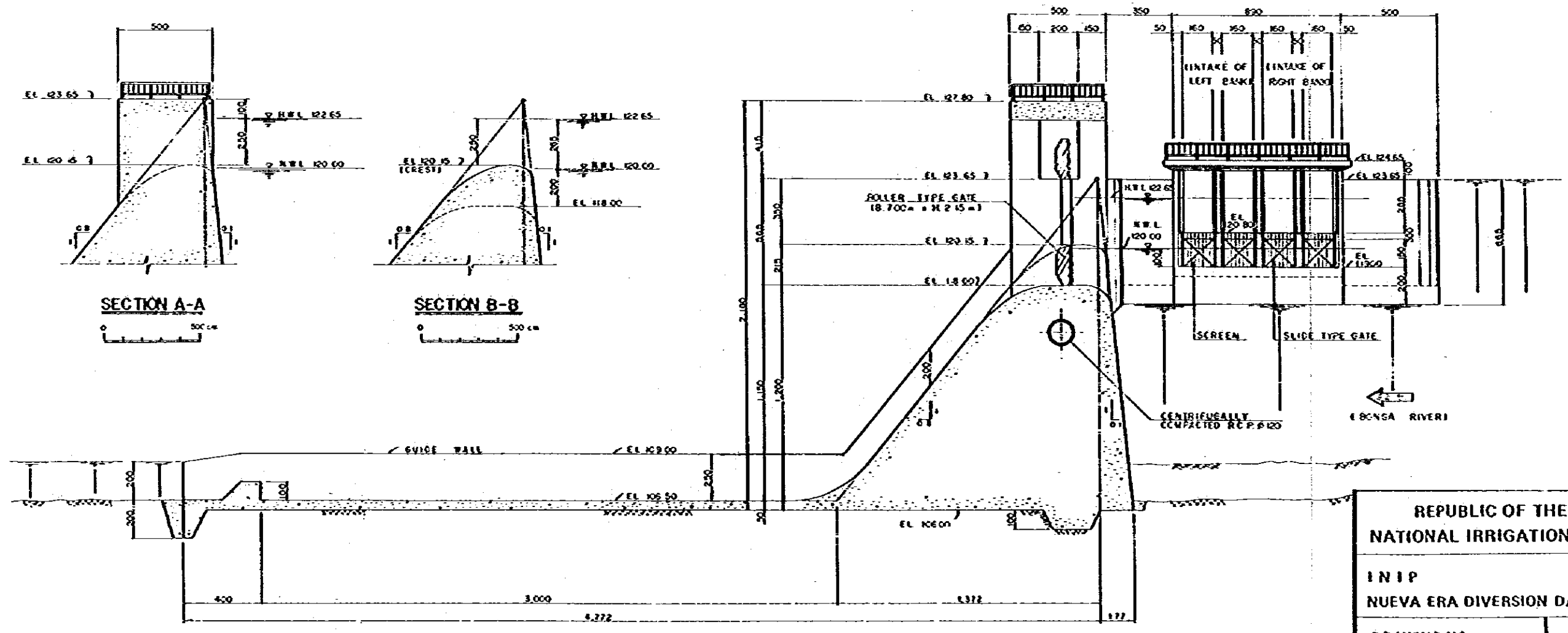
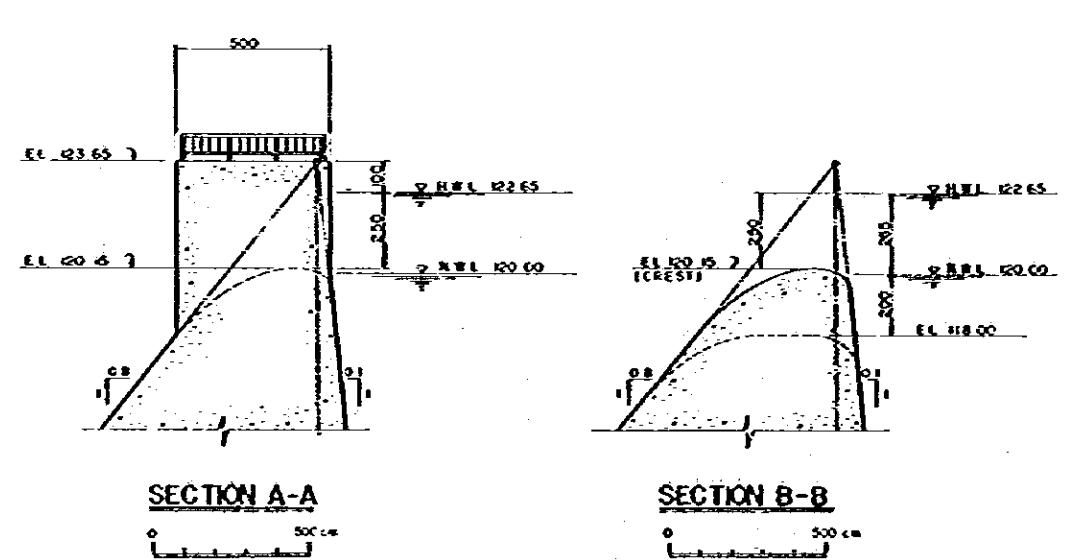
PLAN



REPUBLIC OF THE PHILIPPINES NATIONAL IRRIGATION ADMINISTRATION	
INIP NUEVA ERA DIVERSION DAM, GENERAL PLAN	
DRAWING NO.	INIS (I) - DD - 009
JAPAN INTERNATIONAL COOPERATION AGENCY	

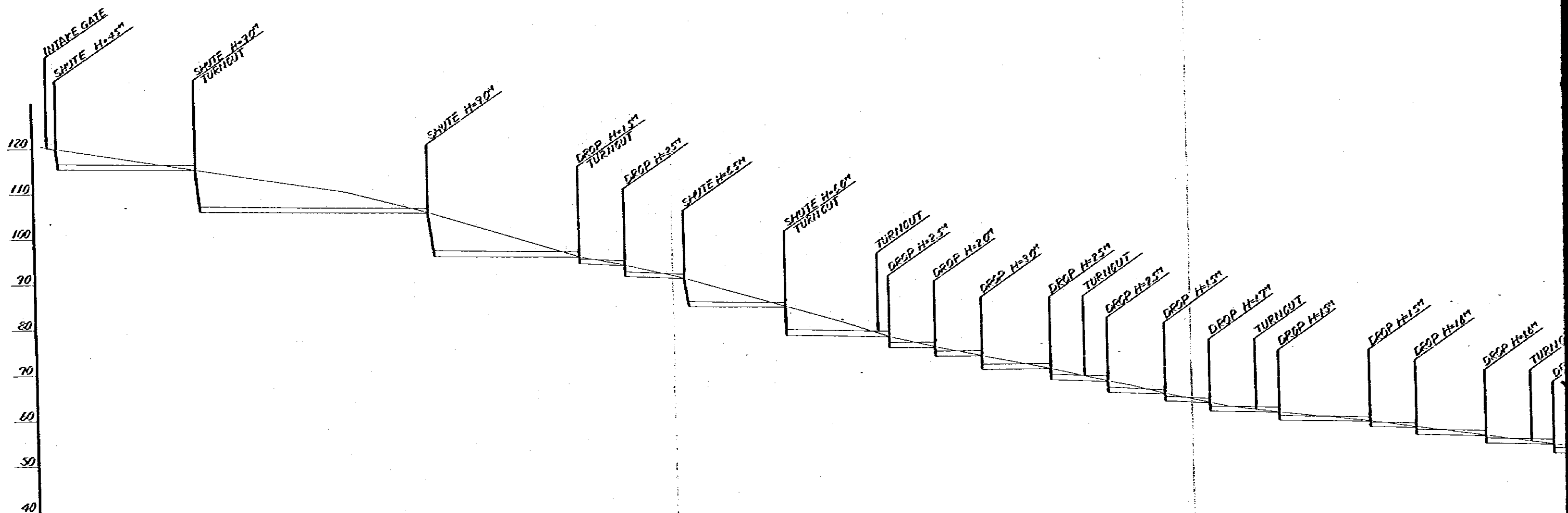


UPSTREAM ELEVATION



PROFILE OF SCOURING SLUICE

REPUBLIC OF THE PHILIPPINES
 NATIONAL IRRIGATION ADMINISTRATION
 INIP
 NUEVA ERA DIVERSION DAM, TYPICAL SECTION
 DRAWING NO. INIS (I) - DD - 010
 JAPAN INTERNATIONAL COOPERATION AGENCY

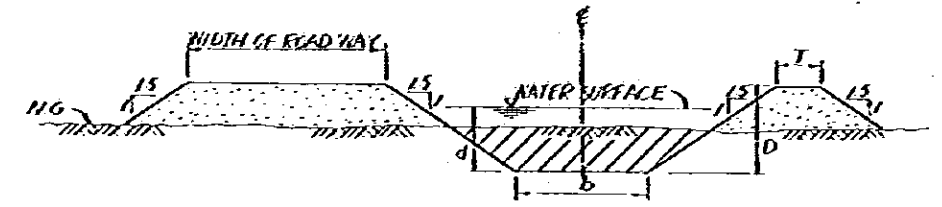


STA	DIST	NGS	CBZL	WSEL	SCOPE
0+00	0.00	120.0			
0+400	600	115.0	105.8	115.70	
1+250	650	110.0			
1+620	370	105.0	104.7	105.87	
1+930	370	100.0			
2+260	320	95.0	95.0	96.17	94.91
2+450	190	93.0	93.0	94.09	
2+710	260	90.0	90.0	91.5	
3+40	330	85.0			
3+150	440	83.5	83.5	84.87	78.87
3+370	340	80.0			
3+550	160	77.2	76.5	77.07	77.00
3+600	50	76.5	76.5	77.00	
3+800	200	74.0	74.0	74.30	72.30
4+000	200	72.0	72.0	72.5	71.5
4+200	300	69.0	69.0	69.5	67.0
4+450	150	67.2	66.2	66.67	
4+520	100	66.0	65.5	65.87	65.87
4+550	100	65.0			
4+800	150	63.0	63.0	63.89	61.99
5+000	200	61.0	61.0	61.49	59.79
5+80	80	60.0			
5+200	120	59.2	58.7	59.18	57.15
5+300	100	58.5	58.5	59.0	57.43
5+700	400	56.5	56.5	56.88	55.43
5+700	200	55.0	55.0	55.85	54.65
6+200	300	53.0	53.0	53.43	51.43
6+400	200	51.5	51.0	51.87	50.27
6+500	100	51.0	51.0	51.5	49.87

0.0006

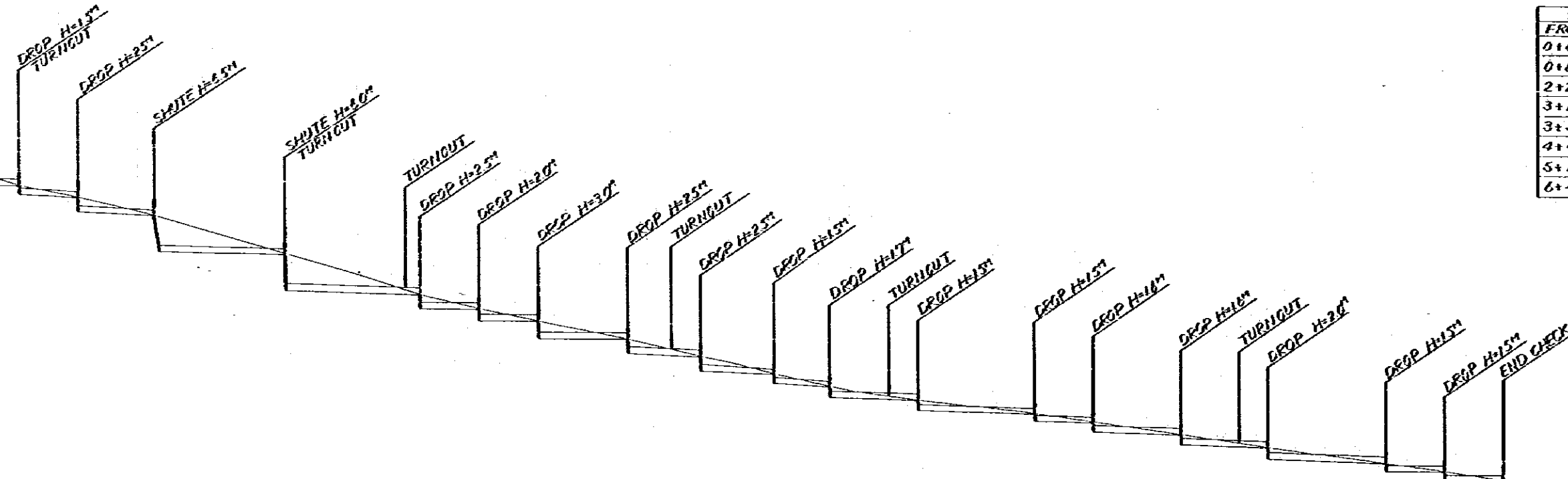
0.0008

0.001



TYPICAL CANAL SECTION

STATION FROM	TO	CANAL ELEMENTS							
		Q	V	A	b	d	D	n	S
0+000	0+000	4.626	0.833	557	300	1.18	170	0.025	1.0000
0+000	2+200	4.508	0.823	548	290	1.17	170	.	.
2+200	3+150	0.830	0.597	139	130	0.59	0.90	.	1.0000
3+150	3+550	0.757	0.587	130	140	0.59	0.90	.	.
3+550	4+450	0.632	0.632	100	130	0.50	0.80	.	1.0000
4+450	5+200	0.587	0.591	97.6	120	0.49	0.80	.	.
5+200	6+400	0.415	0.561	67.4	110	0.43	0.75	.	.
6+400	7+300	0.119	0.410	27.1	67.0	0.27	0.60	.	.



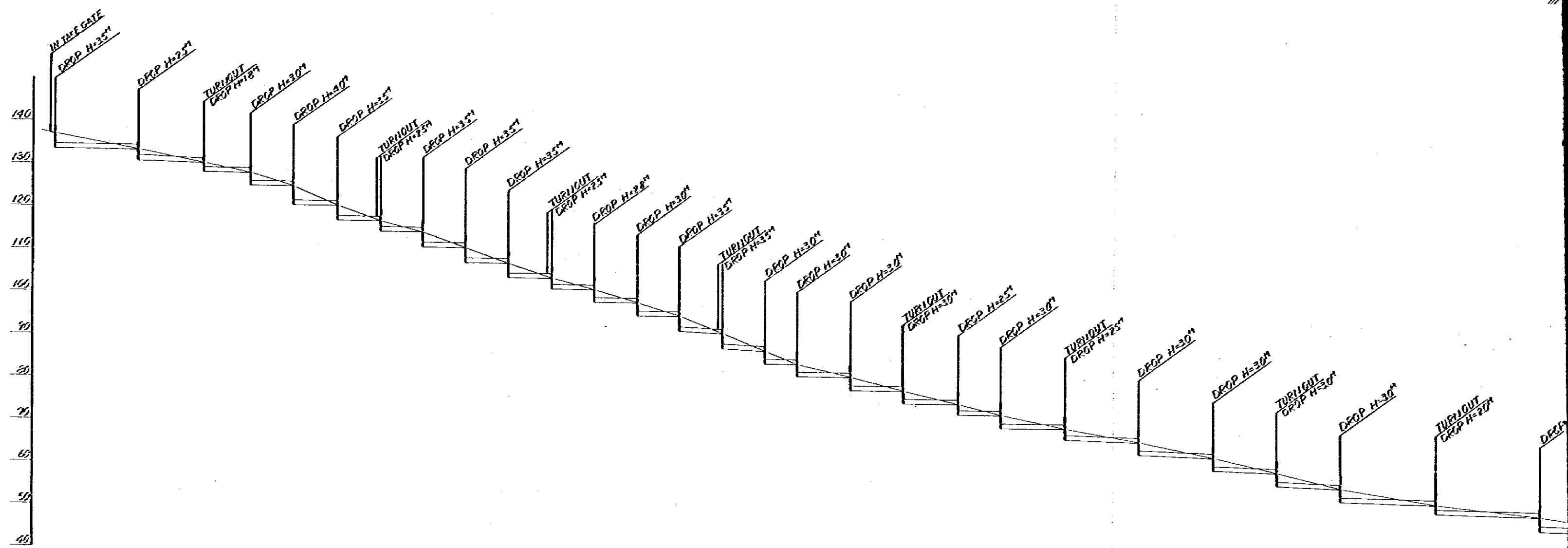
Station	Drop Height (m)	Drop Type	Width (m)	Depth (m)	Area (m²)	Volume (m³)	Flow (m³/s)	Velocity (m/s)
2+200	1.5	Drop	300	1.18	557	4.626	0.833	
2+400	2.5	Drop	290	1.17	548	4.508	0.823	
2+700	4.5	Spate	300	1.18	557	4.626	0.833	
3+400	2.5	Drop	290	1.17	548	4.508	0.823	
3+600	4.0	Spate	300	1.18	557	4.626	0.833	
3+800	2.0	Drop	270	1.15	530	4.350	0.800	
4+000	2.0	Drop	270	1.15	530	4.350	0.800	
4+300	3.0	Drop	270	1.15	530	4.350	0.800	
4+500	1.5	Drop	270	1.15	530	4.350	0.800	
4+700	1.0	Drop	270	1.15	530	4.350	0.800	
4+900	1.0	Drop	270	1.15	530	4.350	0.800	
5+100	1.5	Drop	270	1.15	530	4.350	0.800	
5+300	1.7	Drop	270	1.15	530	4.350	0.800	
5+500	1.8	Drop	270	1.15	530	4.350	0.800	
5+700	1.8	Drop	270	1.15	530	4.350	0.800	
6+000	1.5	Drop	270	1.15	530	4.350	0.800	
6+200	1.5	Drop	270	1.15	530	4.350	0.800	
6+400	2.0	Drop	270	1.15	530	4.350	0.800	
6+600	1.0	Drop	270	1.15	530	4.350	0.800	
6+800	1.5	Drop	270	1.15	530	4.350	0.800	
7+000	1.5	Drop	270	1.15	530	4.350	0.800	

REPUBLIC OF THE PHILIPPINES
NATIONAL IRRIGATION ADMINISTRATION

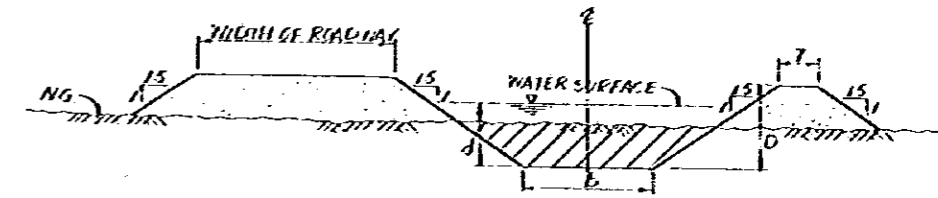
INIP
PROFILE OF MAIN CANAL (NL - 1)

DRAWING NO. INIS (I) - IC - 011

JAPAN INTERNATIONAL COOPERATION AGENCY

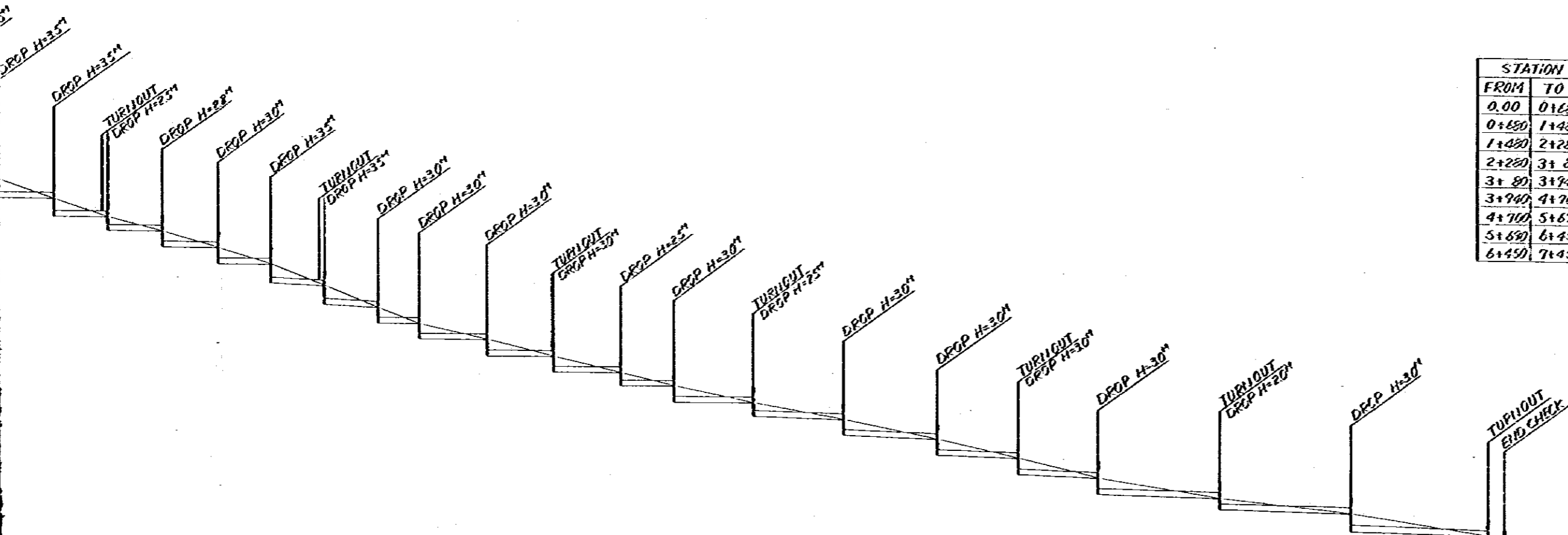


STA	DIST	NGS	VERT. CURVE DATA	VERT. CURVE DATA	VERT. CURVE DATA
0+00	0+00	1370			
0+60	60	1305	1305	1315	1325
0+70	70	1300	1287	1295	1305
1+120	350	1250			
1+320	210	1200			
1+380	150	1180	1175	1185	1195
1+390	20	1175	1165	1175	1185
1+670	360	1150			
1+970	300	1100			
2+280	310	1050	1045	1055	1065
2+300	330	1000	1020	1030	1040
2+920	290	950			
3+780	160	925	920	930	940
3+800	120	900	885	895	905
3+880	260	850			
3+890	390	800			
3+960	90	790	785	795	805
4+260	260	750			
4+700	460	700	704	710	715
4+760	60	700	689	695	700
5+310	570	650			
5+740	430	600	603	608	613
6+000	270	570	570	575	580
6+650	450	525	525	530	535
6+940	490	510			
7+000		480			



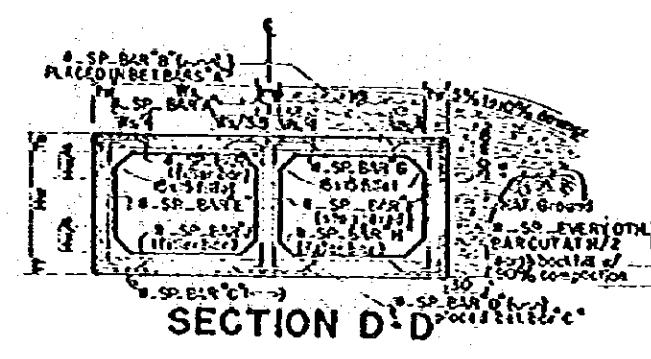
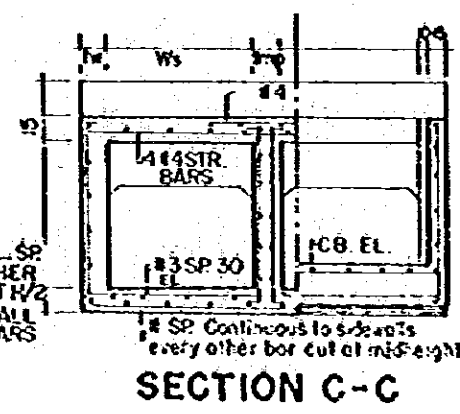
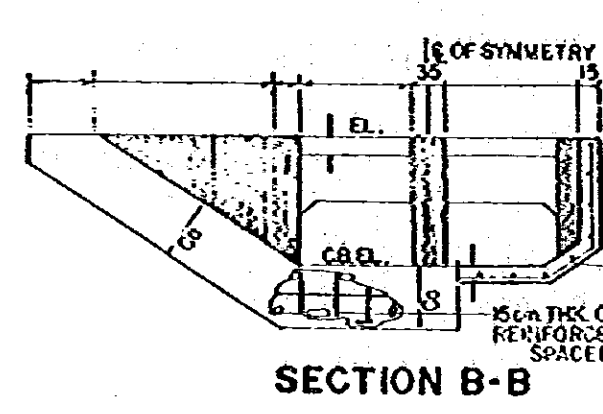
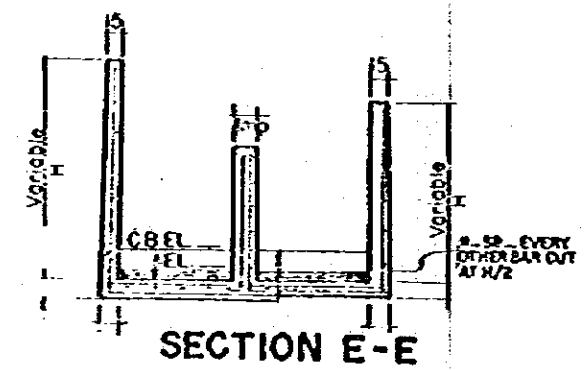
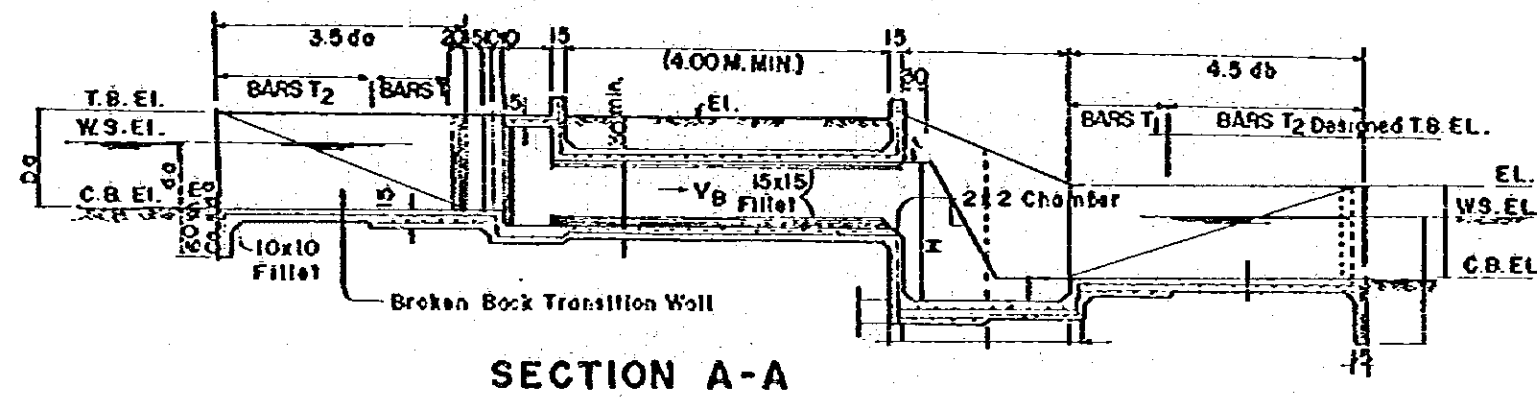
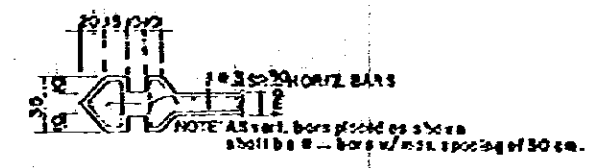
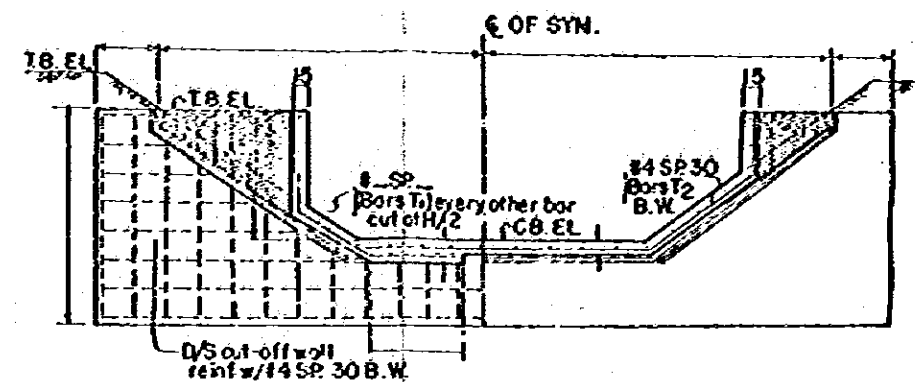
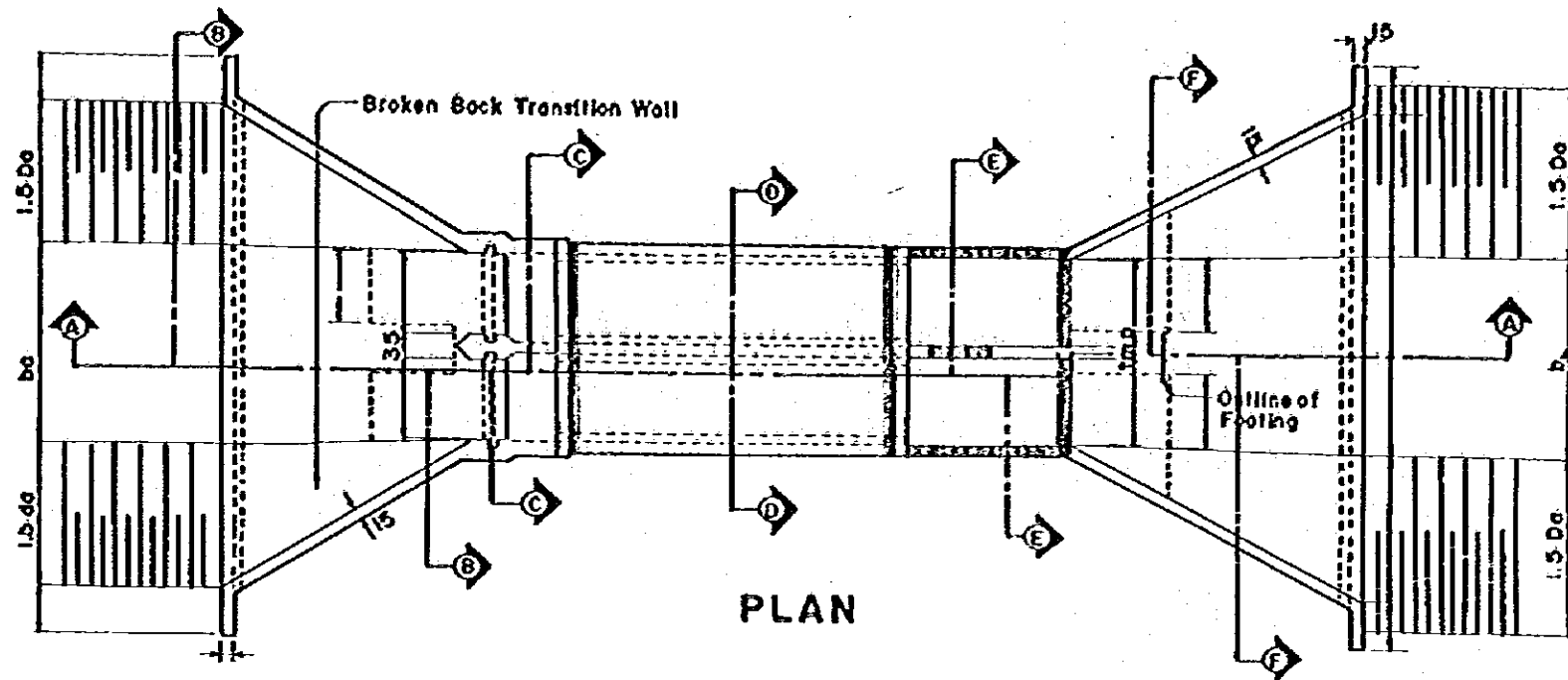
TYPICAL CANAL SECTION

STATION		CANAL ELEMENTS								
FROM	TO	Q	V	A	b	d	D	R	S	
0+00	0+880	3.122	0.751	4.16	2.00	1.02	1.50	0.025	1.0000	
0+880	1+480	1.009	0.840	2.25	1.90	0.75	1.10	*	1.0000	
1+480	2+280	1.547	0.710	2.19	1.90	0.74	1.10	*	*	
2+280	3+80	1.392	0.659	2.02	1.80	0.71	1.10	*	*	
3+80	3+940	1.207	0.652	1.85	1.70	0.68	1.00	*	*	
3+940	4+700	1.000	0.629	1.59	1.60	0.63	1.00	*	*	
4+700	5+890	0.754	0.644	1.17	1.40	0.54	0.80	*	1.0001	
5+890	6+450	0.503	0.592	0.85	1.20	0.46	0.80	*	*	
6+450	7+450	0.239	0.486	0.49	0.90	0.35	0.70	*	*	

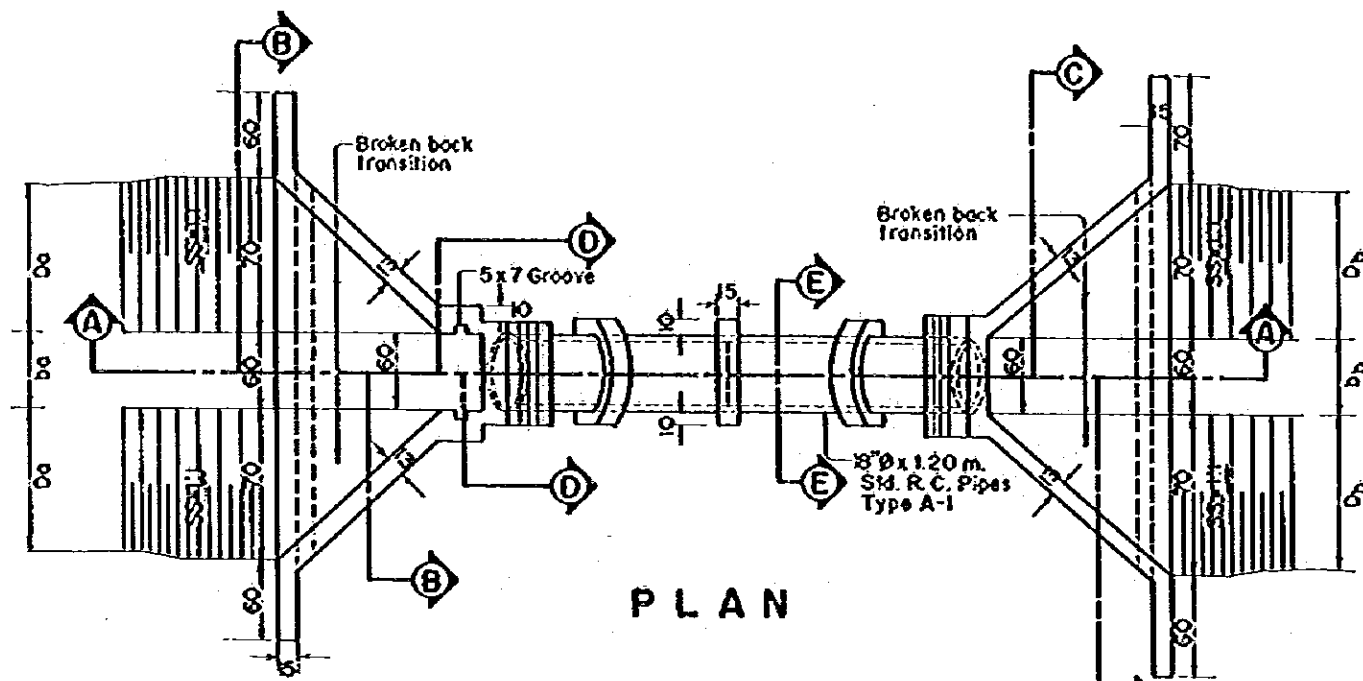


Station	Drop Height (m)	Turnout Drop Height (m)	Channel Bottom Elevation (m)	Water Surface Elevation (m)	Channel Top Elevation (m)	Channel Width (m)	Channel Depth (m)	Channel Area (m²)	Channel Slope (S)
0+00			71.03	71.03	71.03	2.00	1.02	4.16	0.0008
0+880	35		69.54	70.41	69.54	1.90	0.75	2.25	
1+480		25	68.04	68.04	68.04	1.90	0.74	2.19	
2+280	30		66.54	67.41	66.54	1.80	0.71	2.02	
3+80		35	65.04	65.04	65.04	1.70	0.68	1.85	
3+940	30		63.54	64.41	63.54	1.60	0.63	1.59	
4+700	25		62.04	62.04	62.04	1.40	0.54	1.17	
5+890	20		60.54	60.54	60.54	1.20	0.46	0.85	
6+450	15		59.04	59.04	59.04	0.90	0.35	0.49	
7+450			57.54	57.54	57.54	0.90	0.35	0.49	

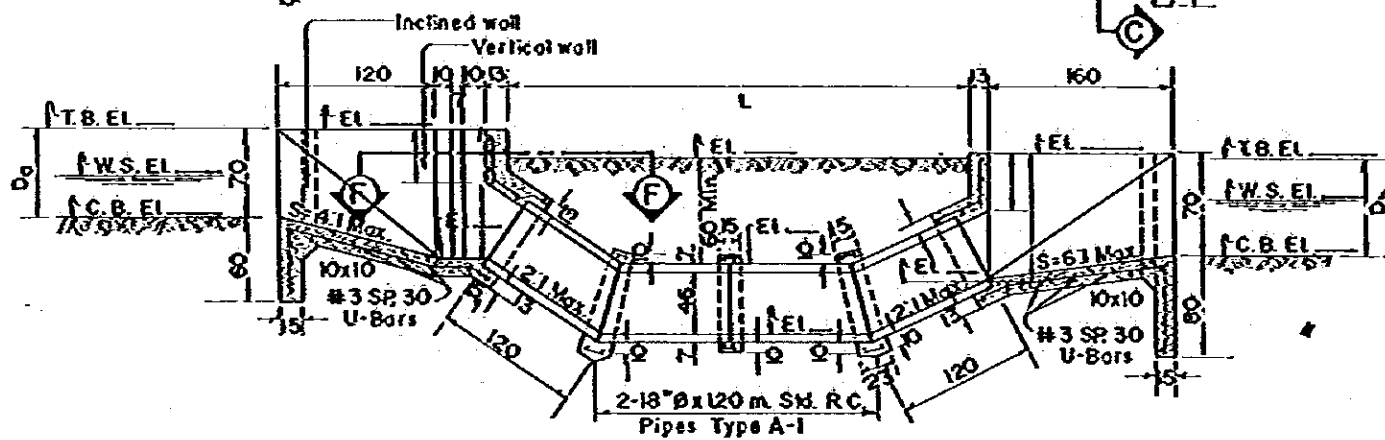
REPUBLIC OF THE PHILIPPINES
 NATIONAL IRRIGATION ADMINISTRATION
 INIP
 PROFILE OF MAIN CANAL (Mr - 1)
 DRAWING NO. INIS (I) - IC - 012
 JAPAN INTERNATIONAL COOPERATION AGENCY



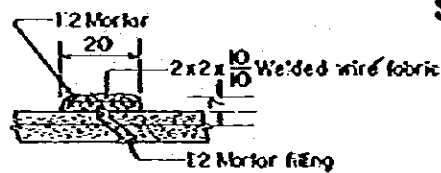
REPUBLIC OF THE PHILIPPINES NATIONAL IRRIGATION ADMINISTRATION	
INIP TYPICAL ROAD CROSSING WITH CHECK AND DROP	
DRAWING NO.	INIS (I) - IC - 013
JAPAN INTERNATIONAL COOPERATION AGENCY	



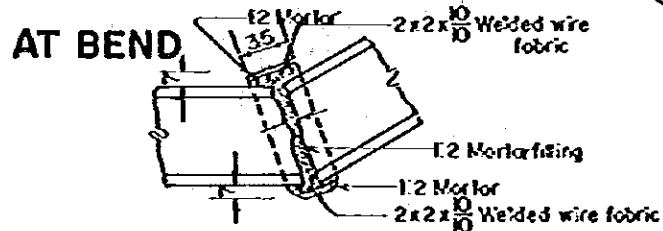
PLAN



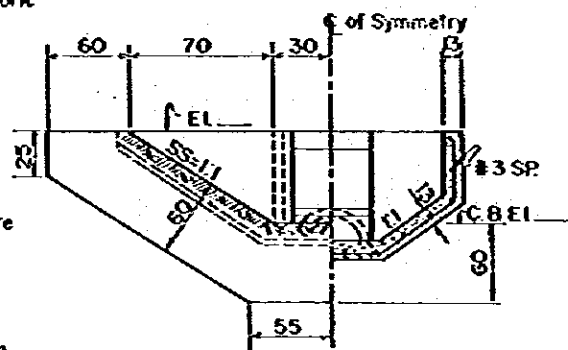
SECTION 'A-A'



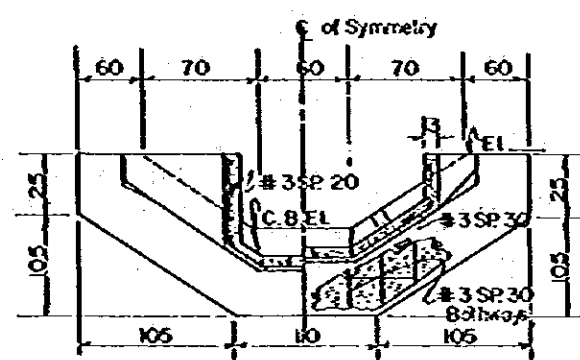
FOR HORIZONTAL JOINT



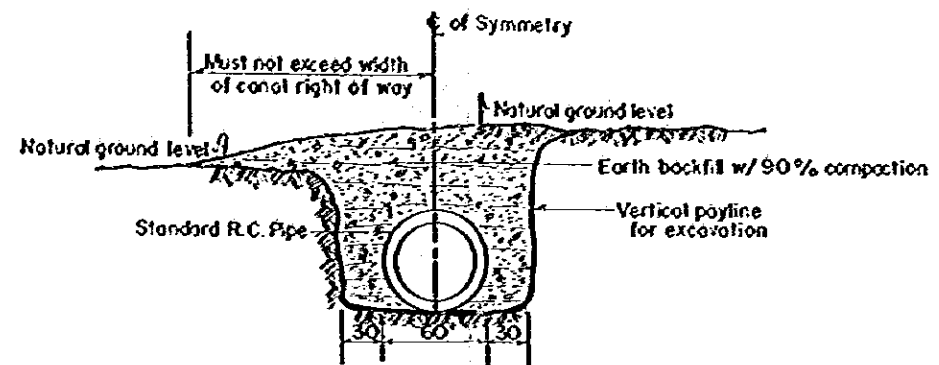
ALTERNATE PIPE COLLAR



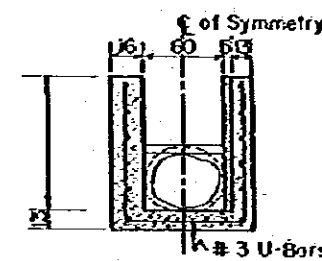
SECTION 'B-B'



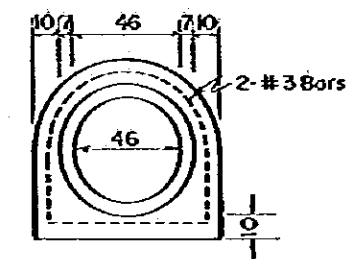
SECTION 'C-C'



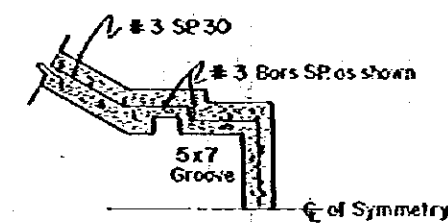
TYPICAL SECTION FOR LAYING PRECAST R.C. PIPE



SECTION 'D-D'

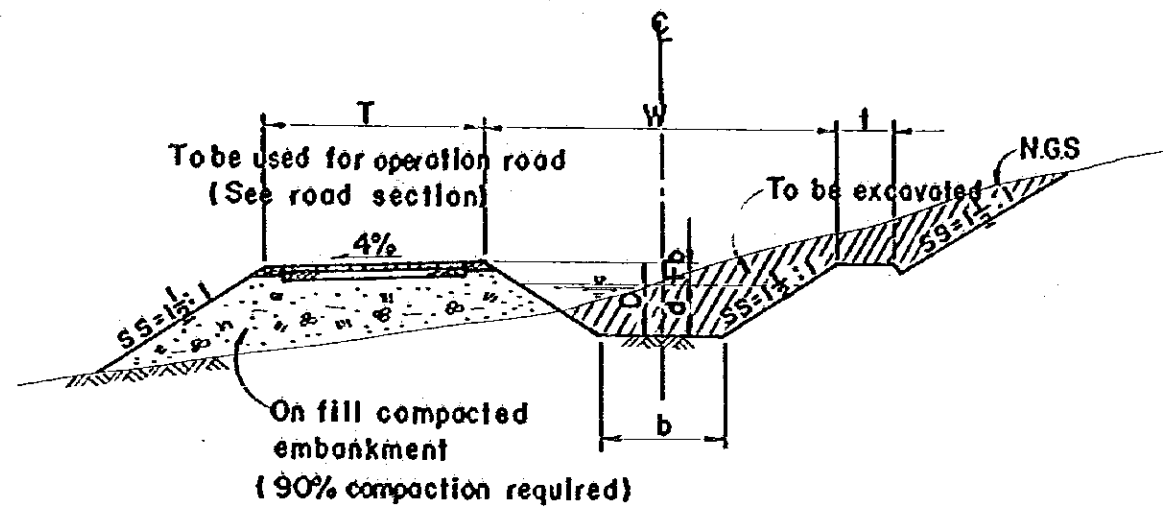


SECTION 'E-E'

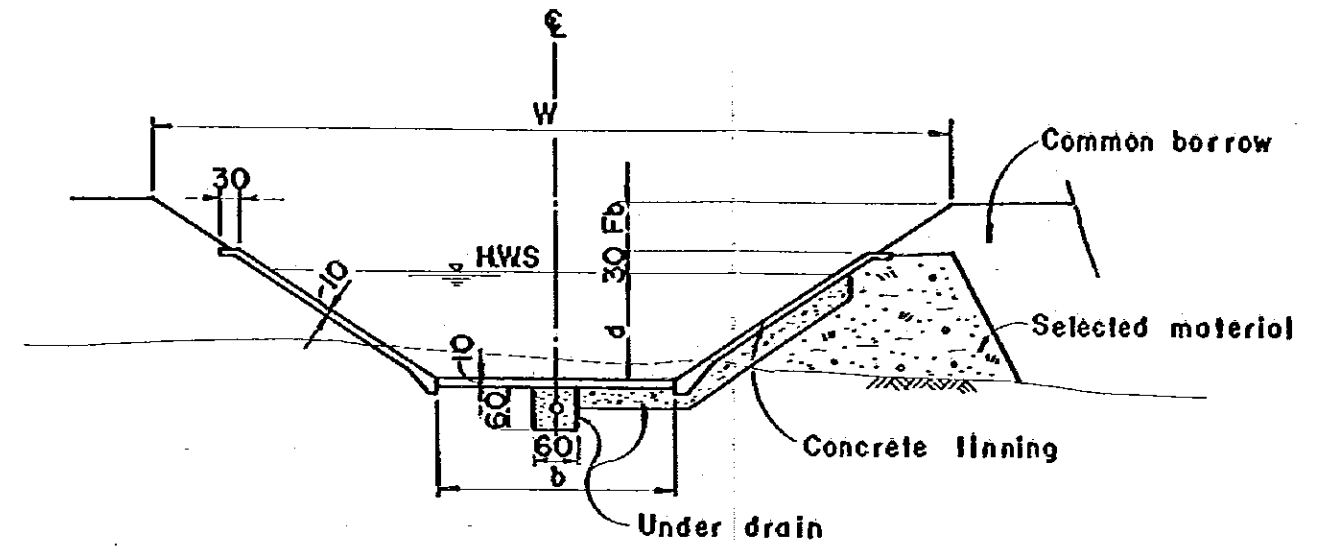


HALF SECTION 'F-F'

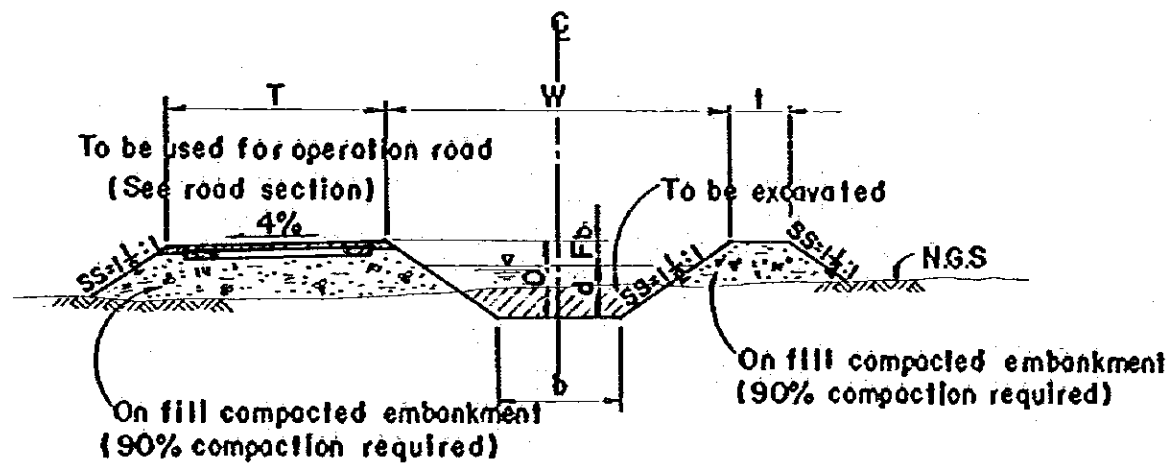
REPUBLIC OF THE PHILIPPINES NATIONAL IRRIGATION ADMINISTRATION	
INIP TYPICAL RCP CROSSING	
DRAWING NO.	INIS (I) - IC - 014
JAPAN INTERNATIONAL COOPERATION AGENCY	



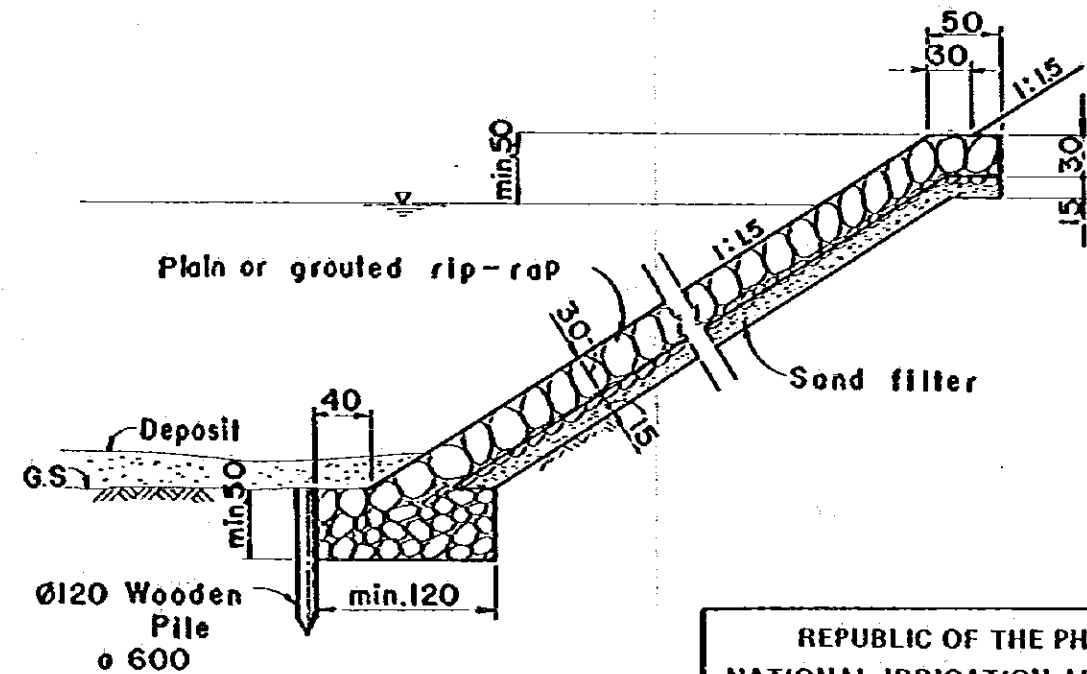
TYPICAL SECTION FOR INCLINED GROUND SURFACE



CONCRET LINNING

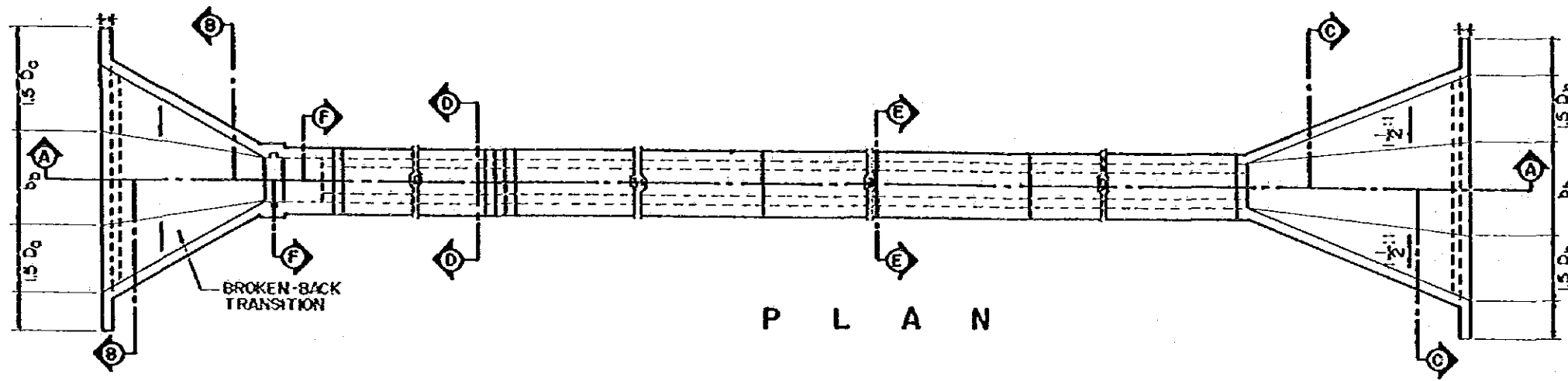


TYPICAL SECTION FOR FLAT GROUND SURFACE

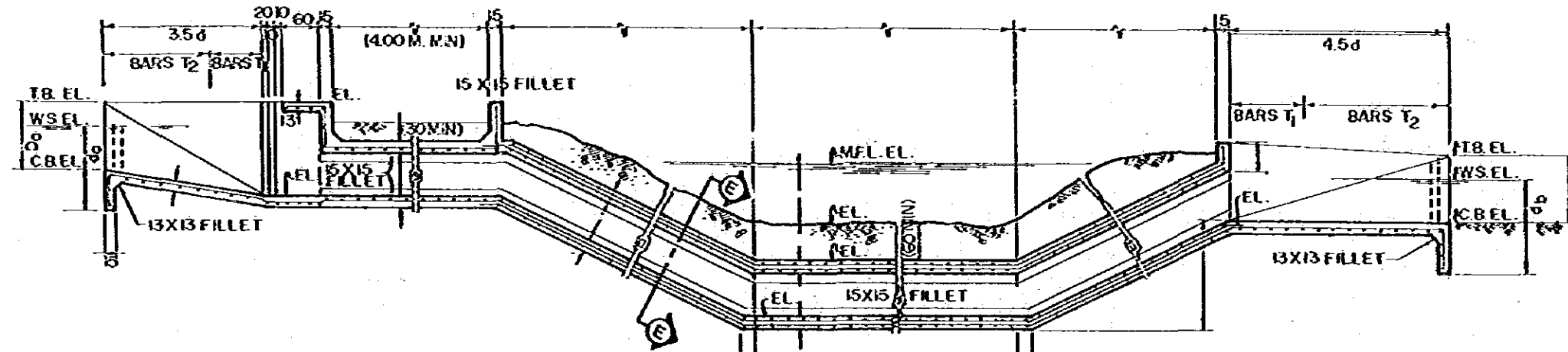


GRAVEL PAVEMENT

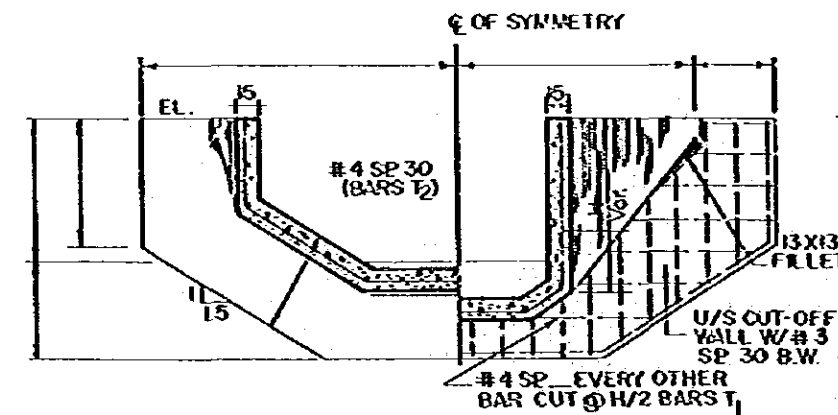
REPUBLIC OF THE PHILIPPINES NATIONAL IRRIGATION ADMINISTRATION	
INIP TYPICAL SECTION OF IRRIGATION CANAL	
DRAWING NO.	INIS (I) - IC - 015
JAPAN INTERNATIONAL COOPERATION AGENCY	



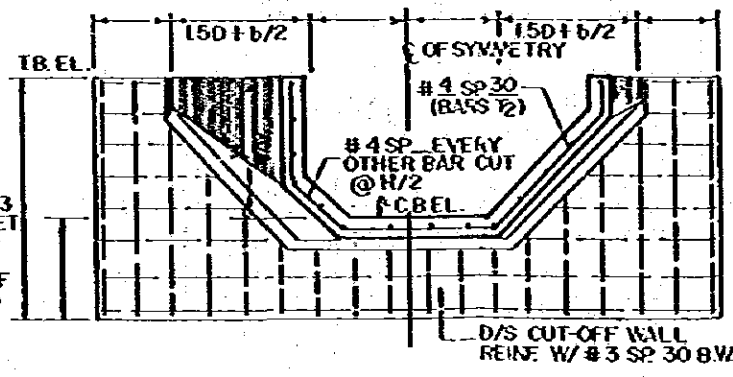
P L A N



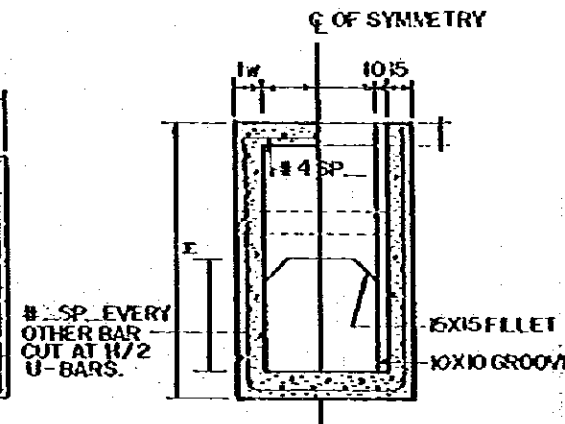
SECTION "A - A"



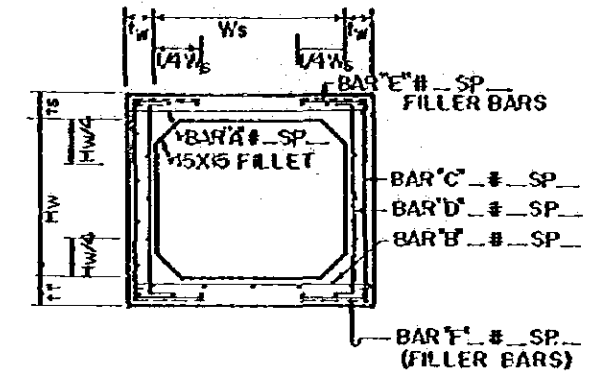
SECTION "B - B"



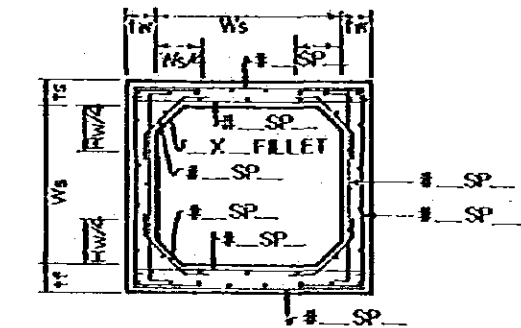
SECTION "C - C"



SECTION "F - F"



SECTION "D - D"



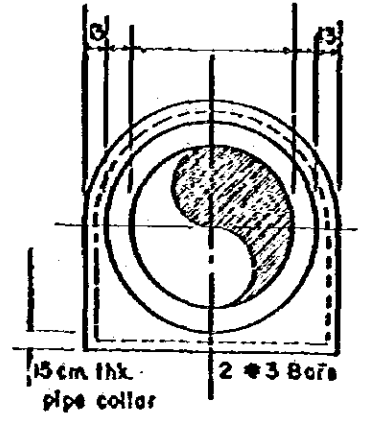
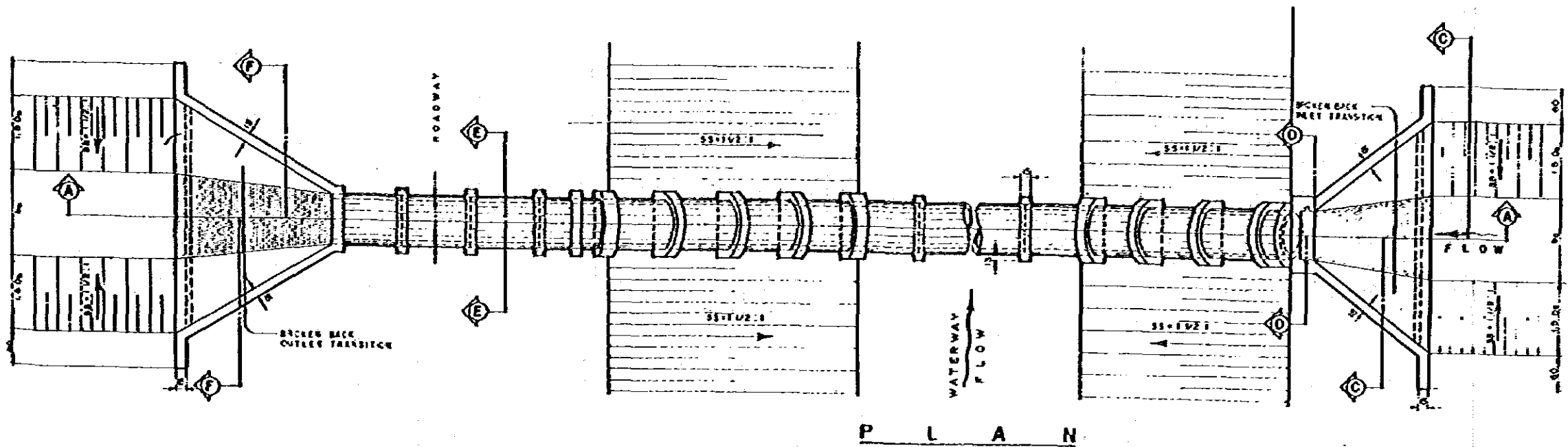
SECTION "E - E"

REPUBLIC OF THE PHILIPPINES
NATIONAL IRRIGATION ADMINISTRATION

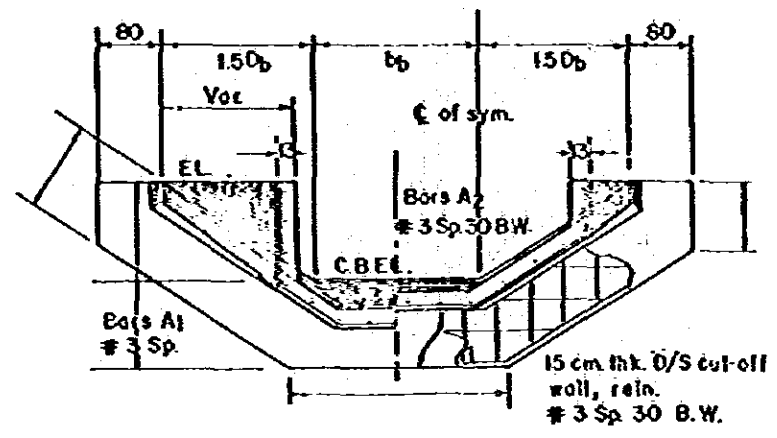
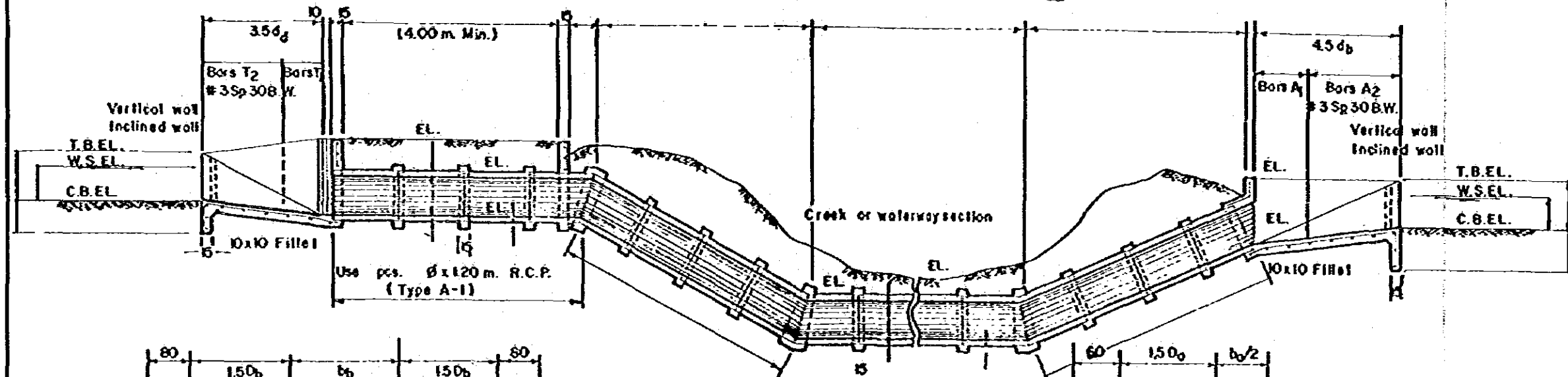
INIP
TYPICAL BOX SIPHON WITH CROSSING

DRAWING NO. INIS (I) - IC - 016

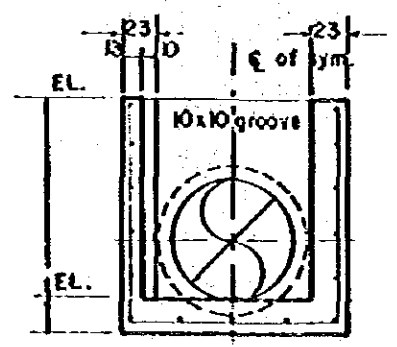
JAPAN INTERNATIONAL COOPERATION AGENCY



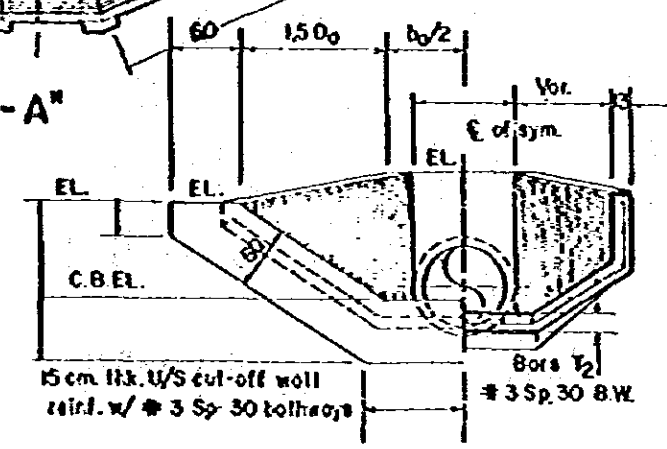
SECTION "E-E"



SECTION "F-F"

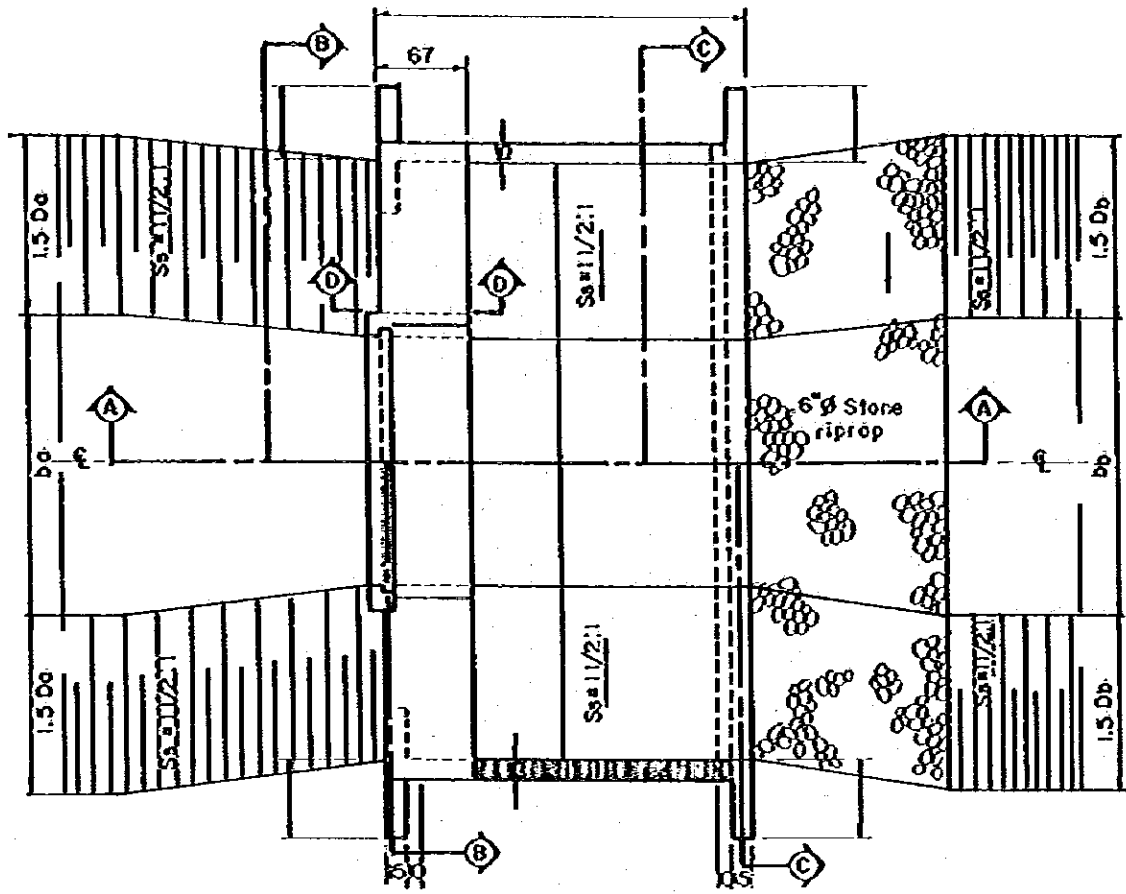


SECTION "D-D"

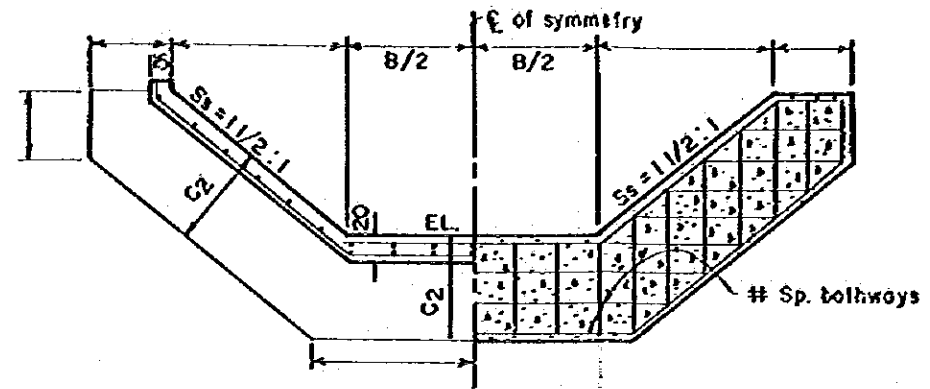


SECTION "C-C"

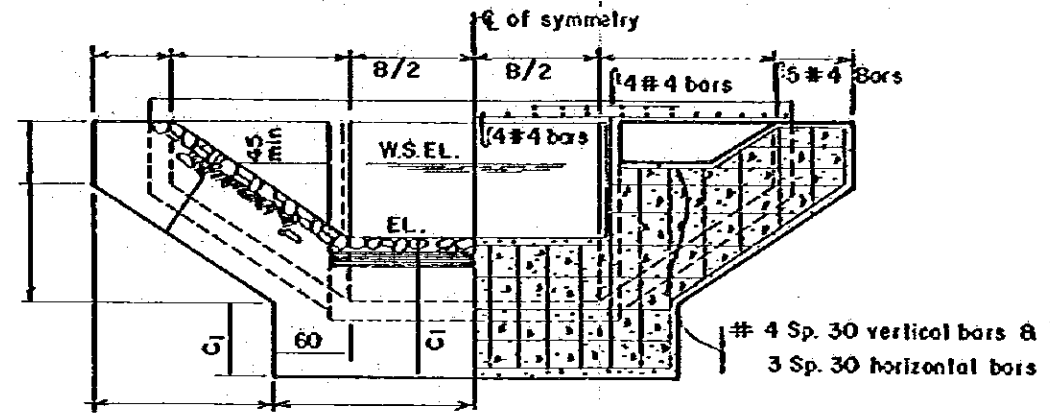
REPUBLIC OF THE PHILIPPINES NATIONAL IRRIGATION ADMINISTRATION	
INIP TYPICAL RCP SIPHON WITH CROSSING	
DRAWING NO.	INIS (I) - IC - 017
JAPAN INTERNATIONAL COOPERATION AGENCY	



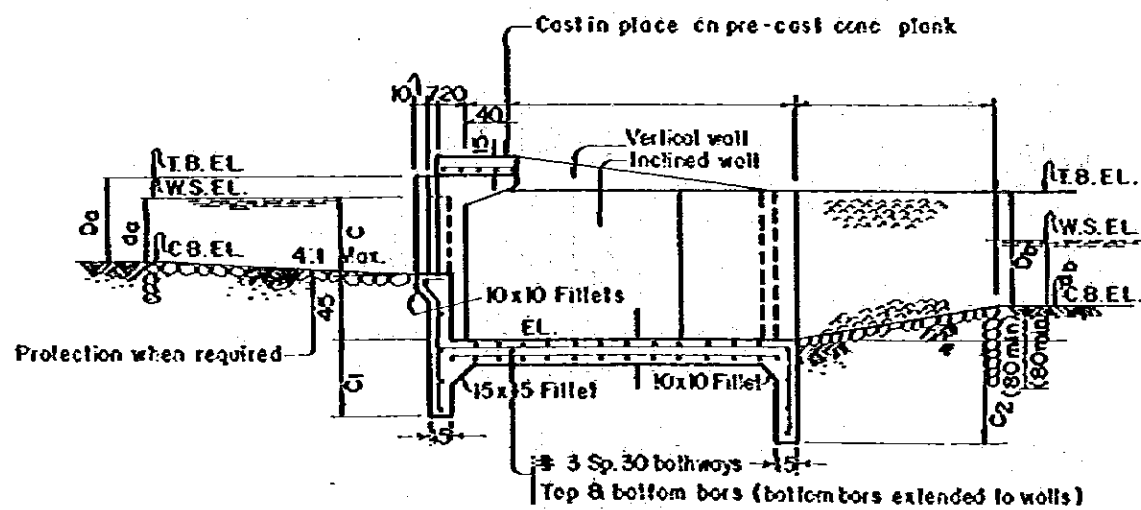
PLAN



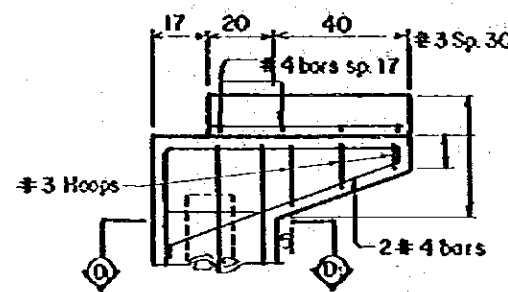
SECTION "C-C"



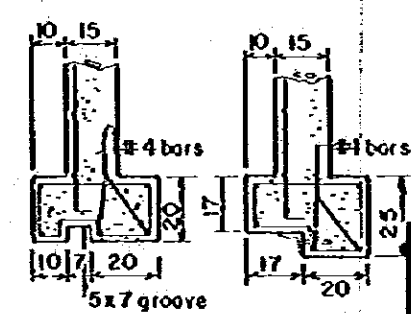
SECTION "B-B"



LONGITUDINAL SECTION "A-A"

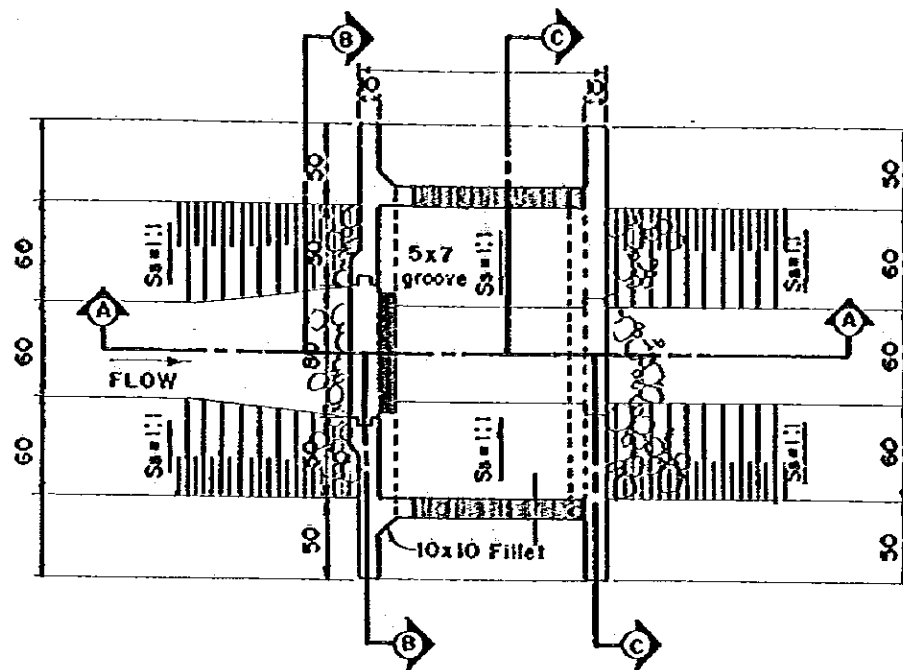


SECTION "D-D"

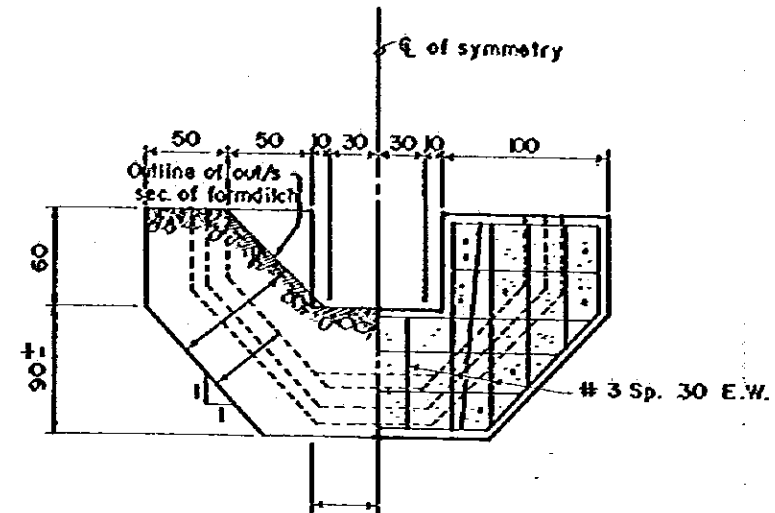


SECTION "D1-D1"

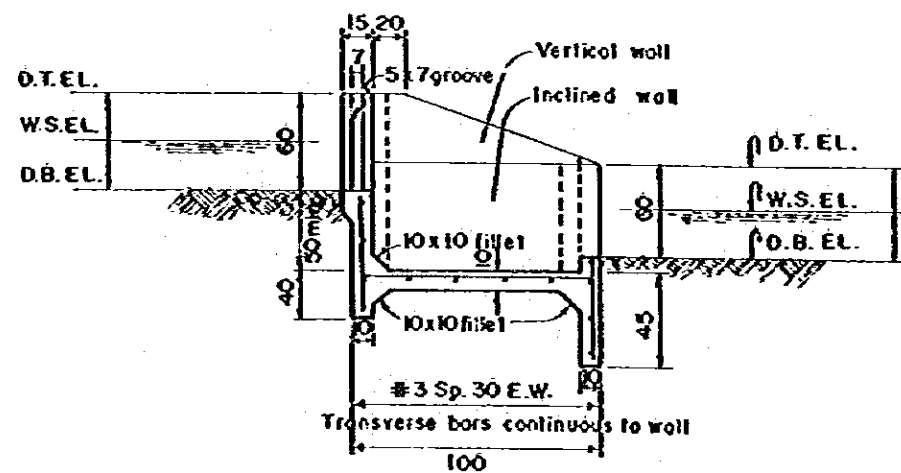
REPUBLIC OF THE PHILIPPINES NATIONAL IRRIGATION ADMINISTRATION	
INIP TYPICAL CHECK AND VERTICAL DROP	
DRAWING NO.	INIS (I) - IC - 018
JAPAN INTERNATIONAL COOPERATION AGENCY	



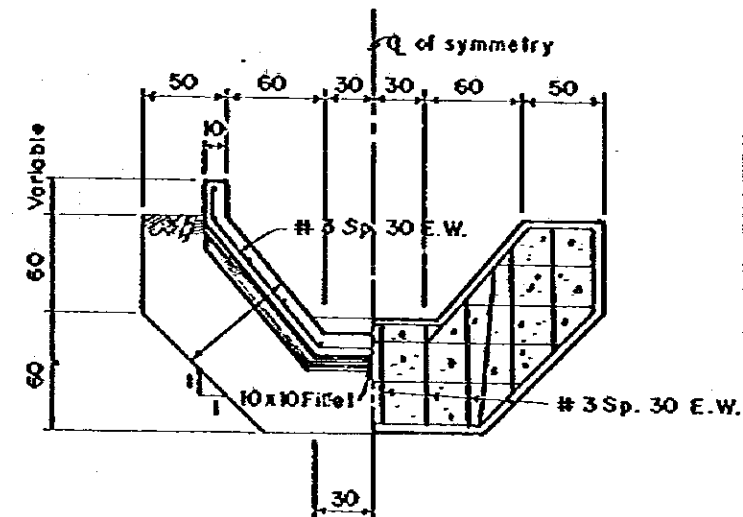
PLAN



SECTION "B-B"

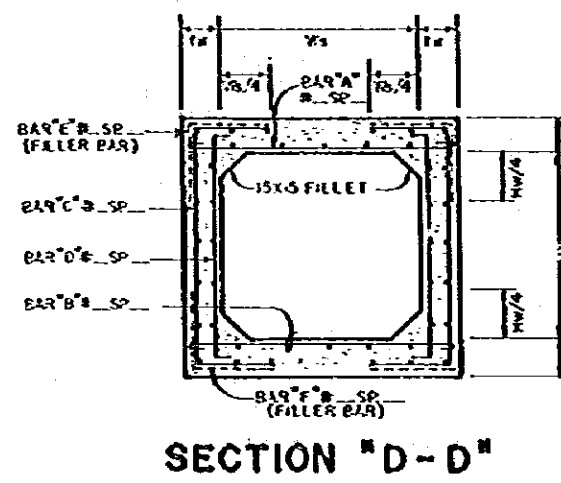
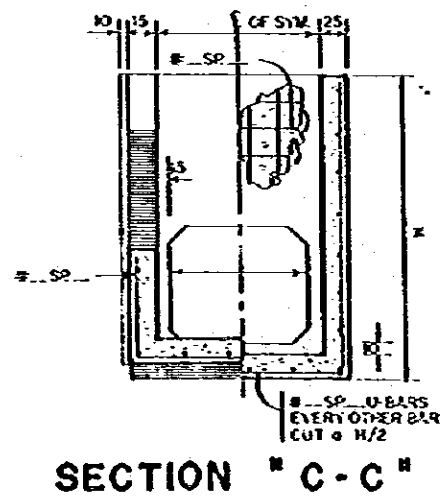
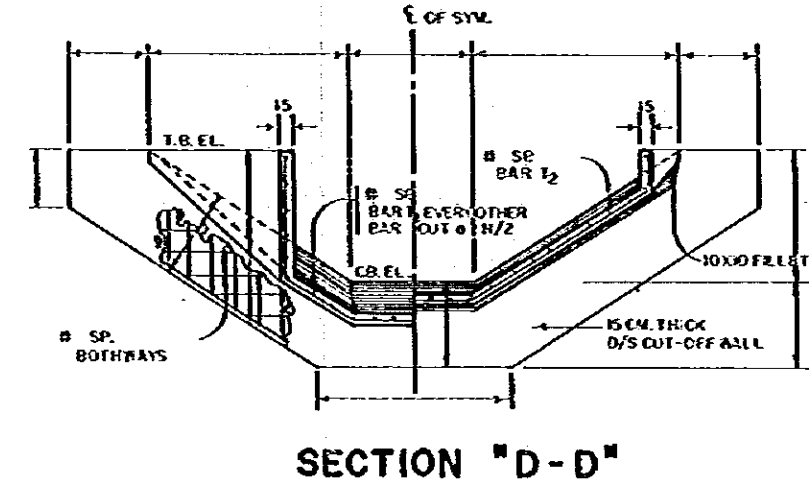
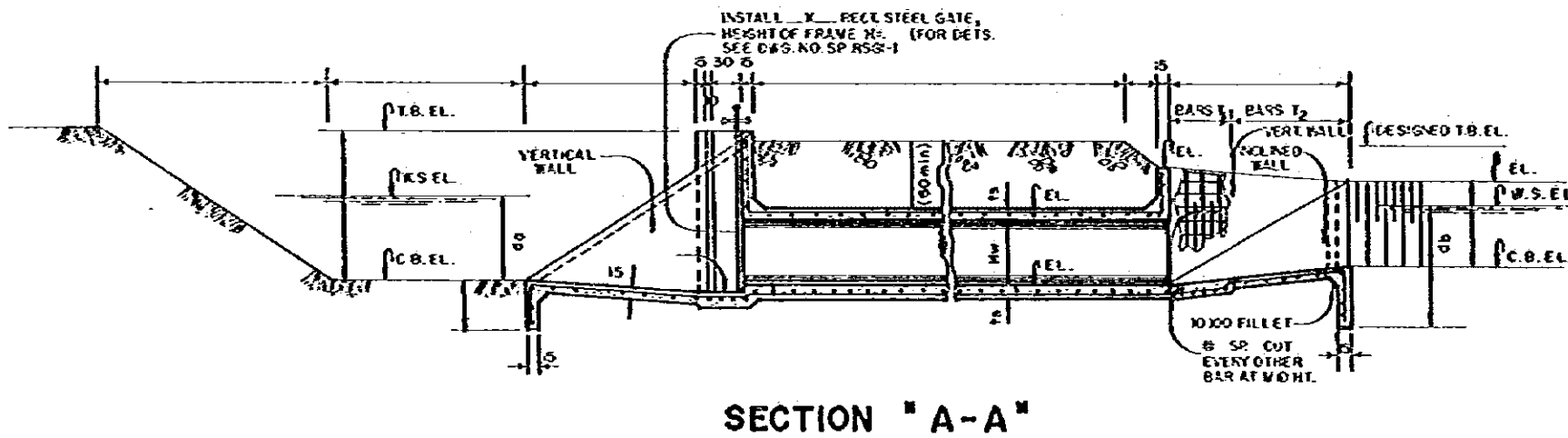
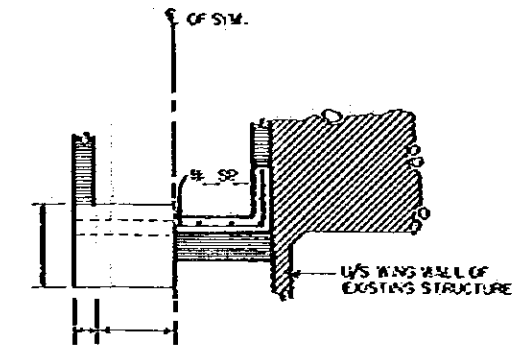
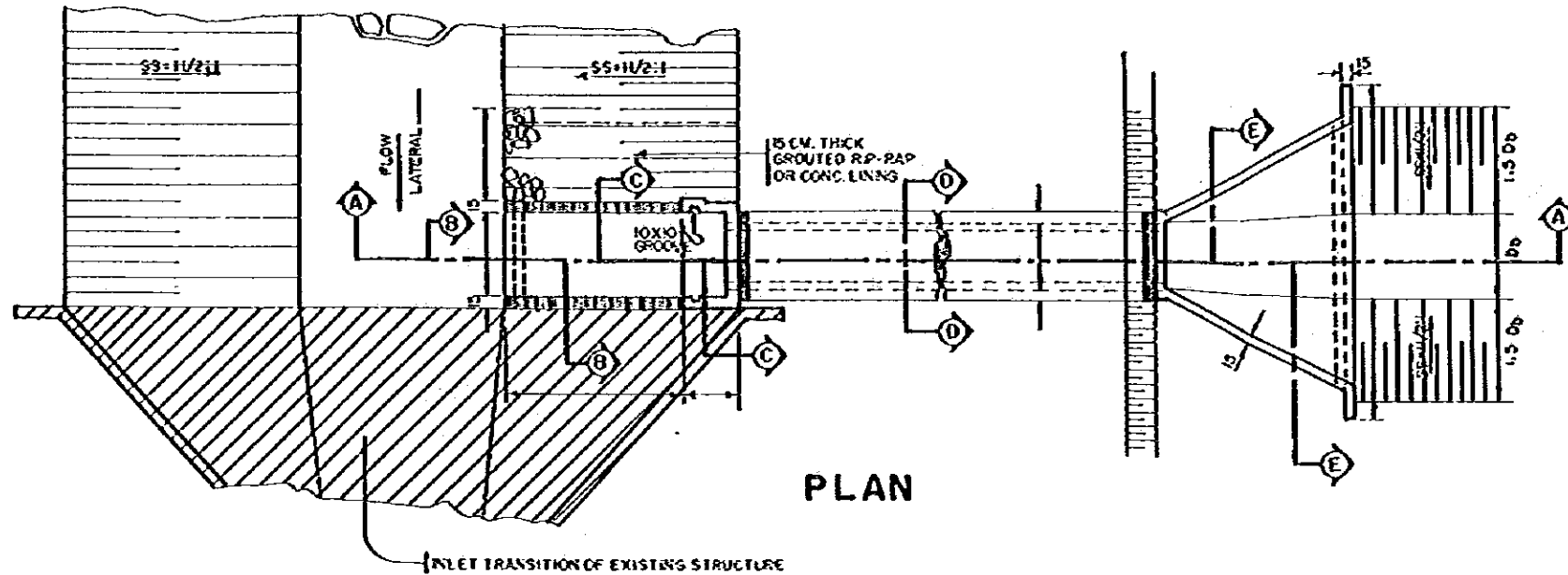


SECTION "A-A"



SECTION "C-C"

REPUBLIC OF THE PHILIPPINES NATIONAL IRRIGATION ADMINISTRATION	
INIP TYPICAL SUB-LATERAL DROP	
DRAWING NO.	INIS (I) - IC - 019
JAPAN INTERNATIONAL COOPERATION AGENCY	

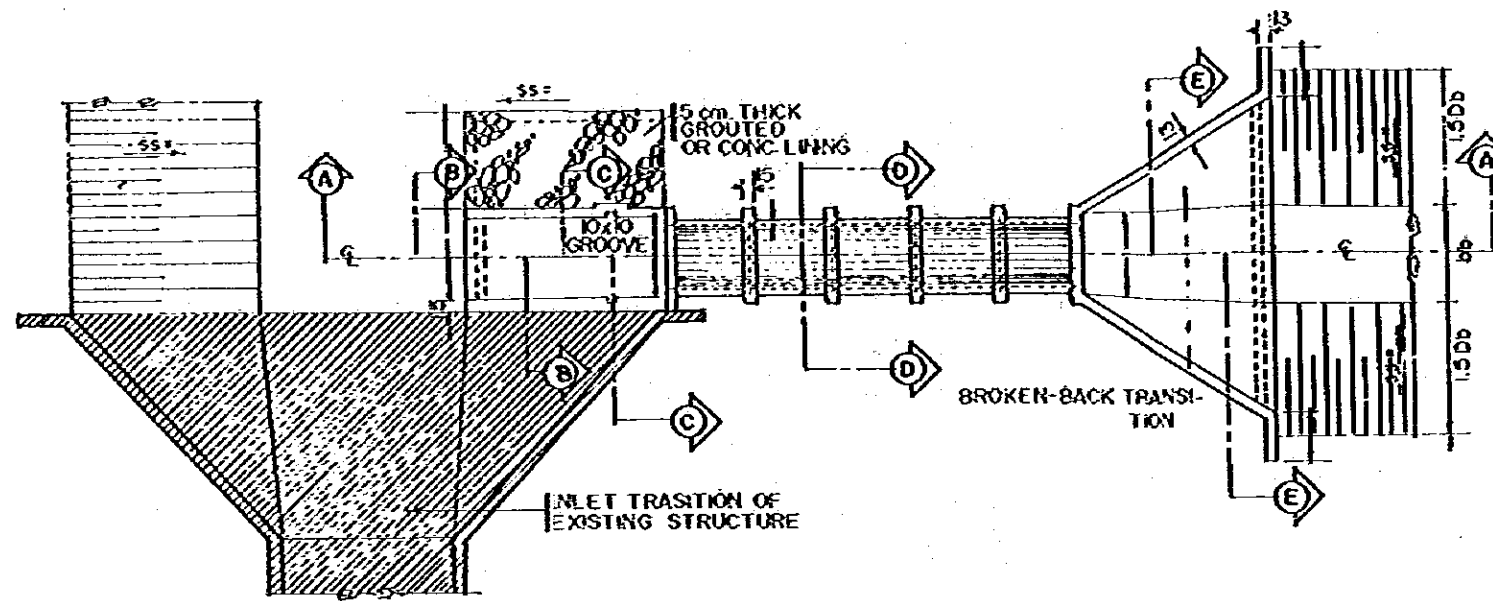


REPUBLIC OF THE PHILIPPINES
 NATIONAL IRRIGATION ADMINISTRATION

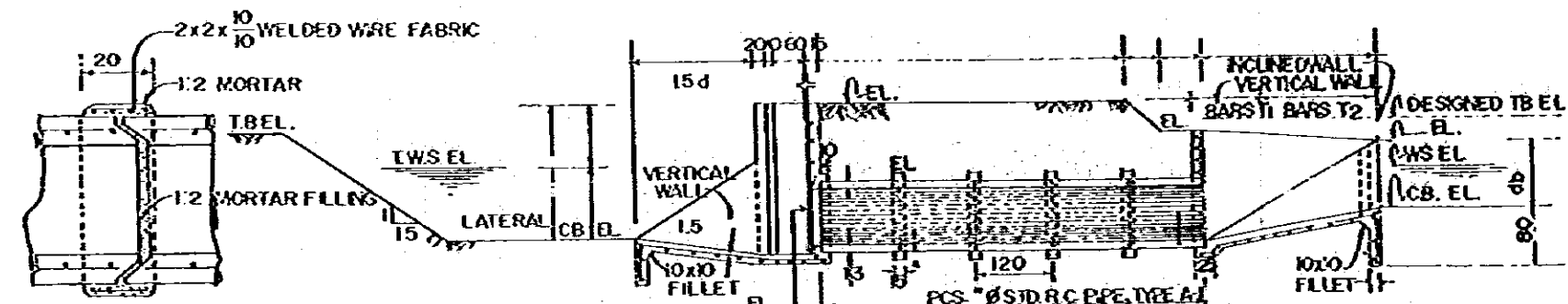
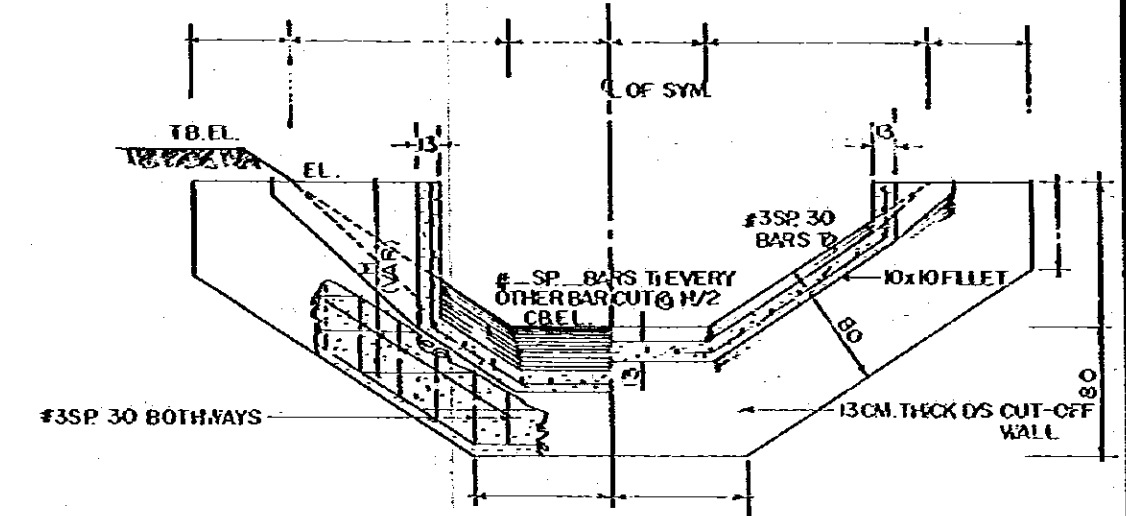
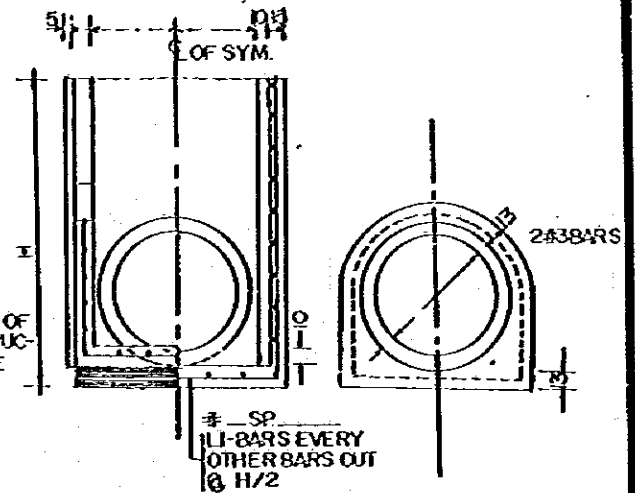
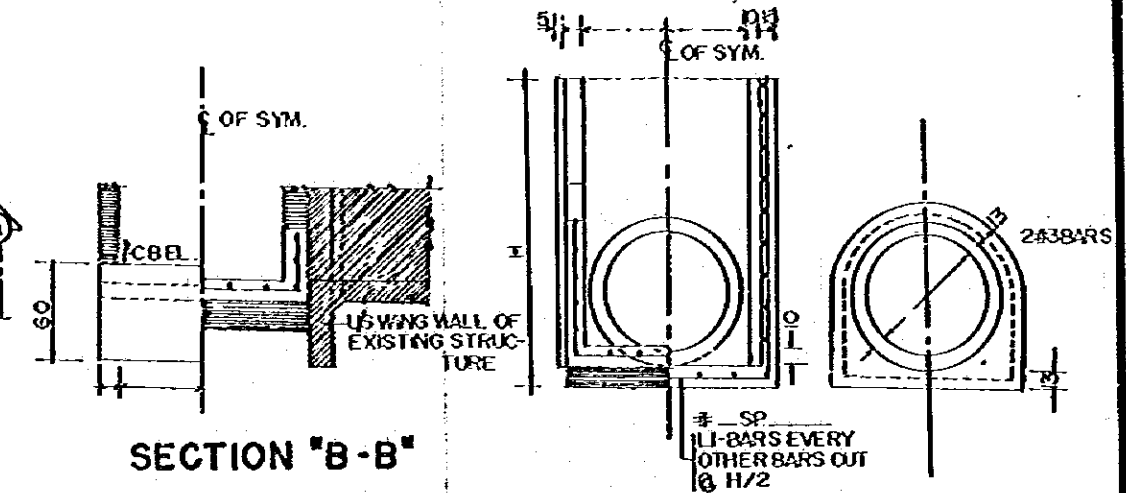
INIP
 TYPICAL HEADGATE WITH BOX CULVERT

DRAWING NO. INIS (I) - IC - 020

JAPAN INTERNATIONAL COOPERATION AGENCY

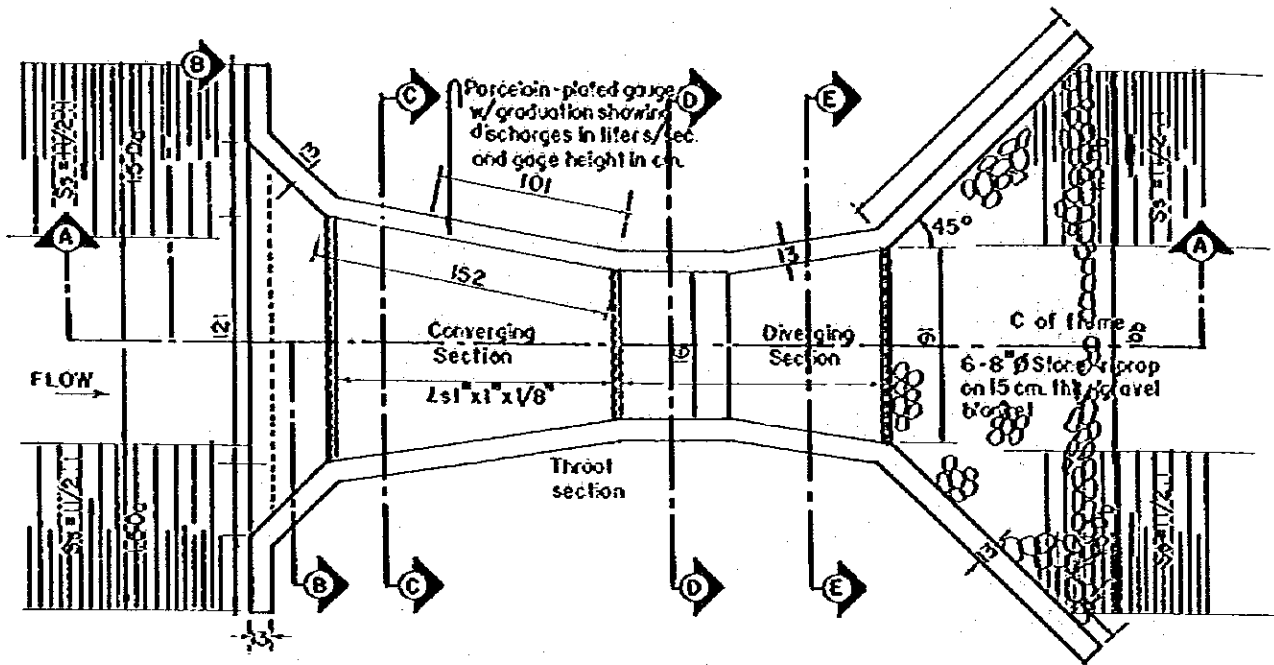


PLAN

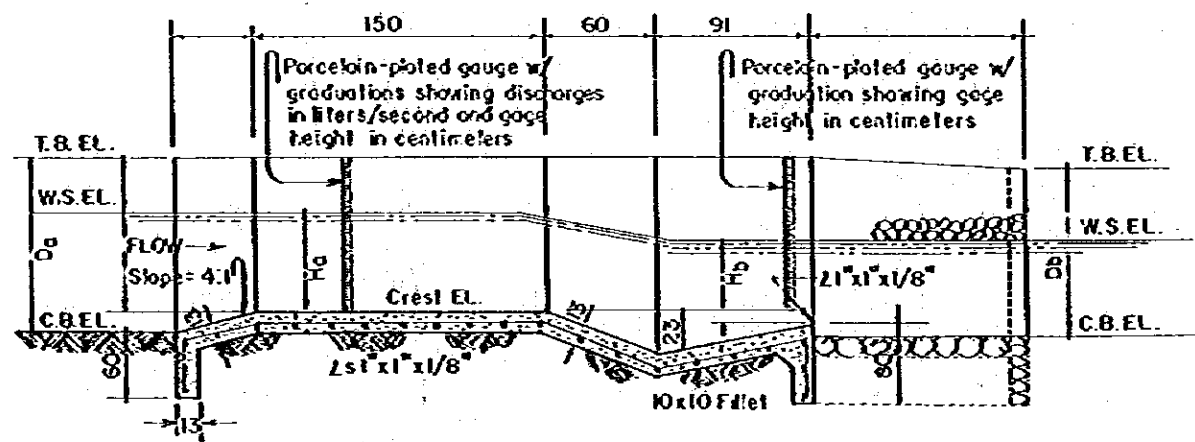


SECTION "A-A"

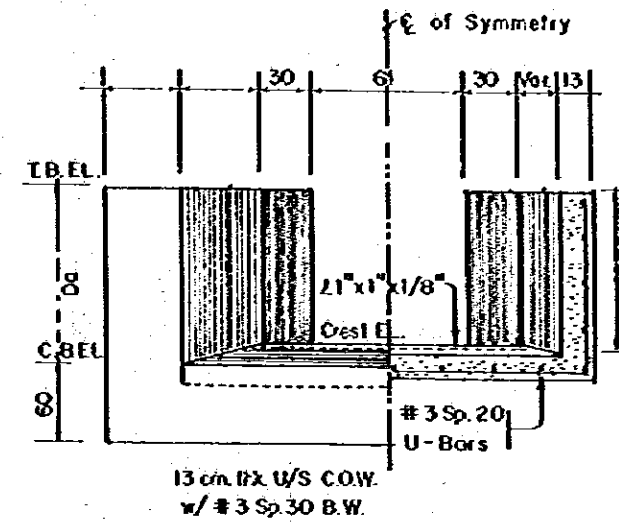
REPUBLIC OF THE PHILIPPINES NATIONAL IRRIGATION ADMINISTRATION	
INIP TYPICAL HEADGATE WITH PIPE CULVERT	
DRAWING NO.	INIS (I) - IC - 021
JAPAN INTERNATIONAL COOPERATION AGENCY	



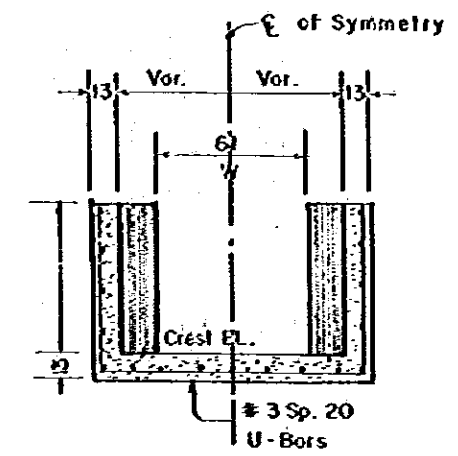
PLAN



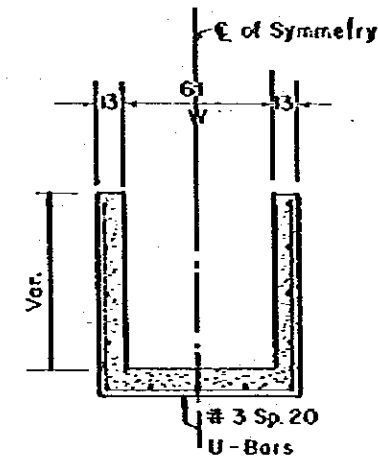
LONGITUDINAL SECTION "A-A"



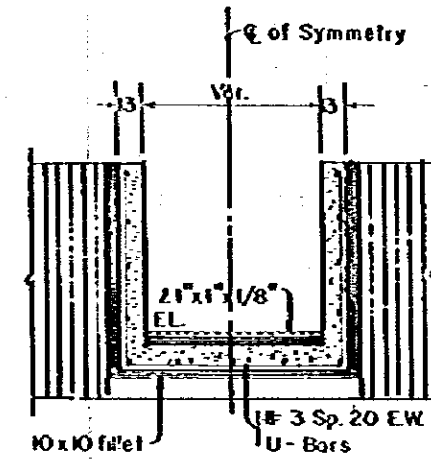
SECTION "B-B"



SECTION "C-C"

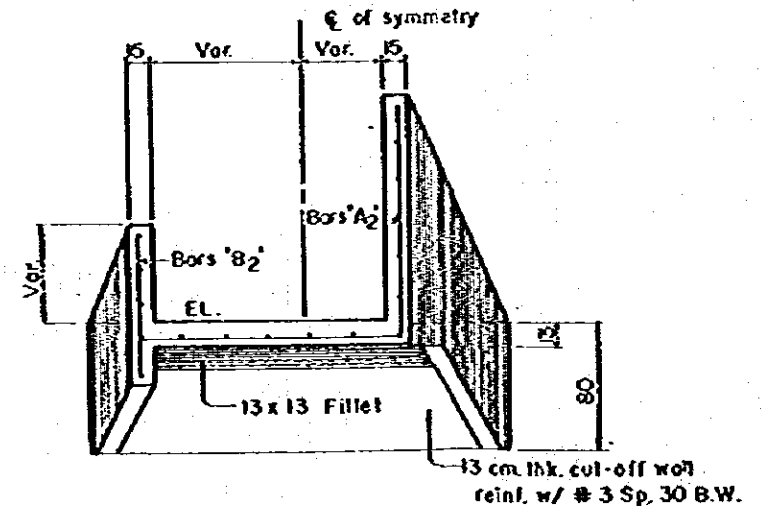
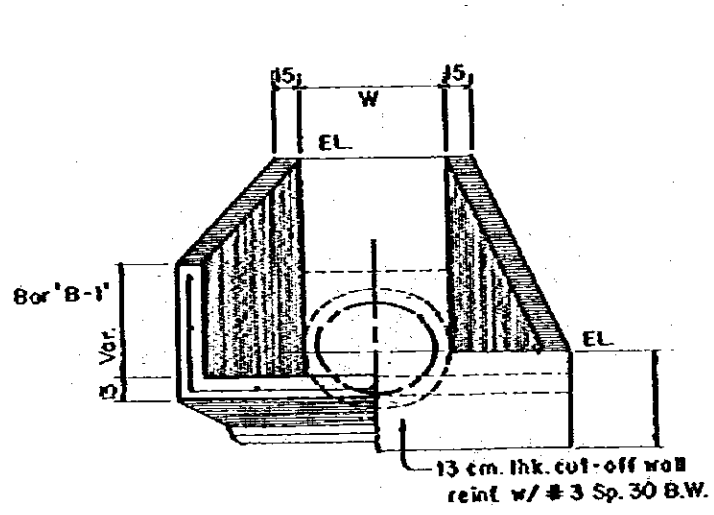
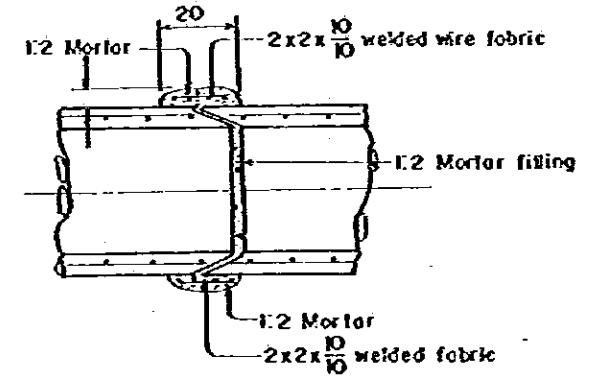
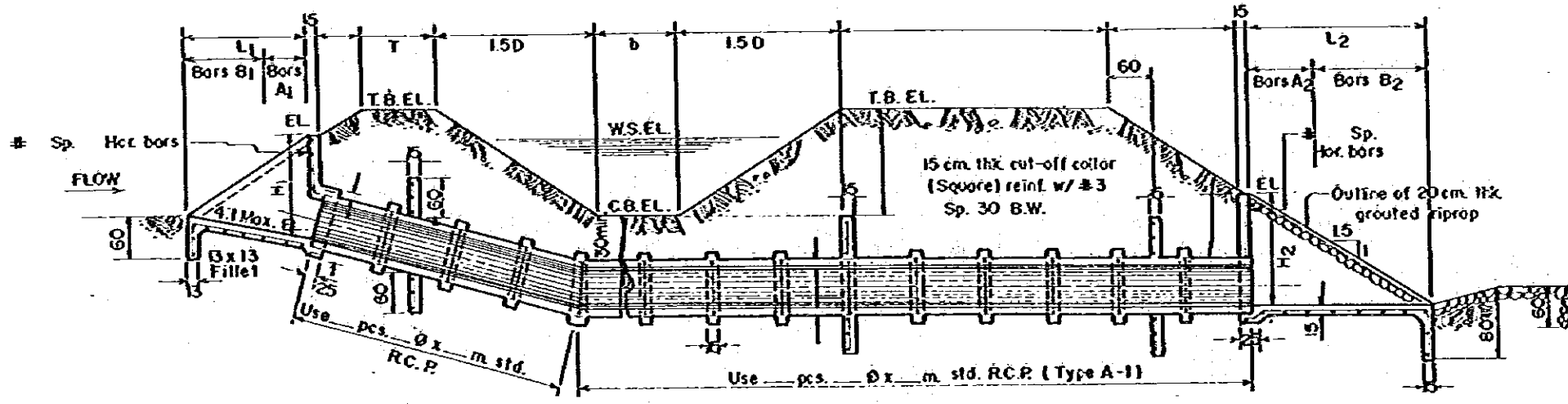
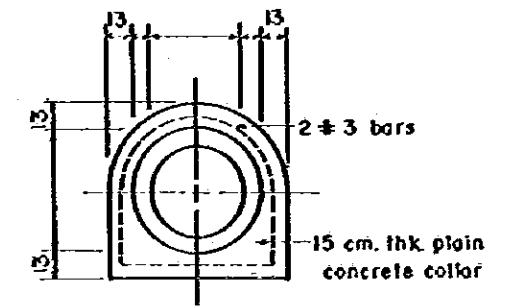
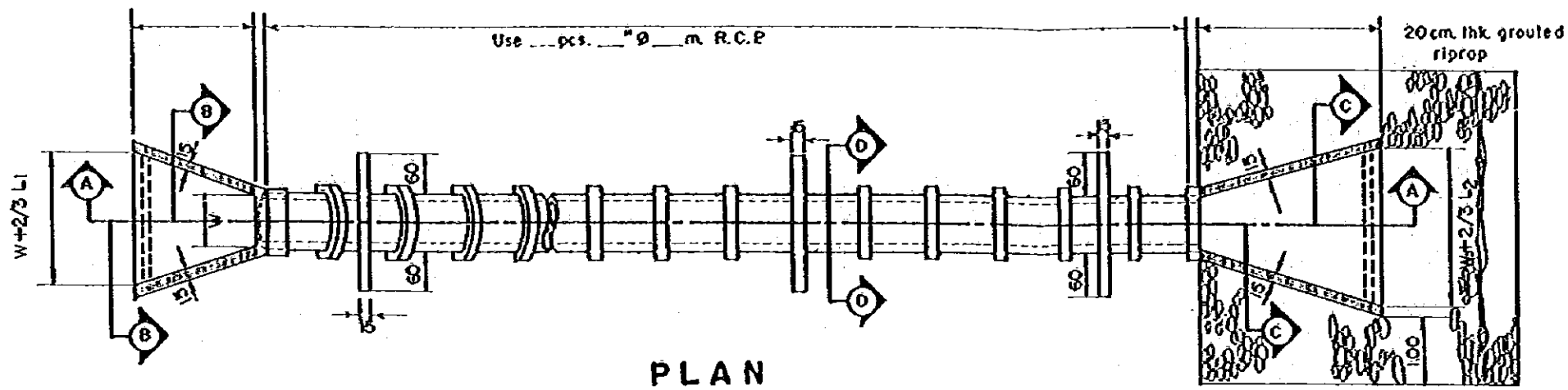


SECTION "D-D"

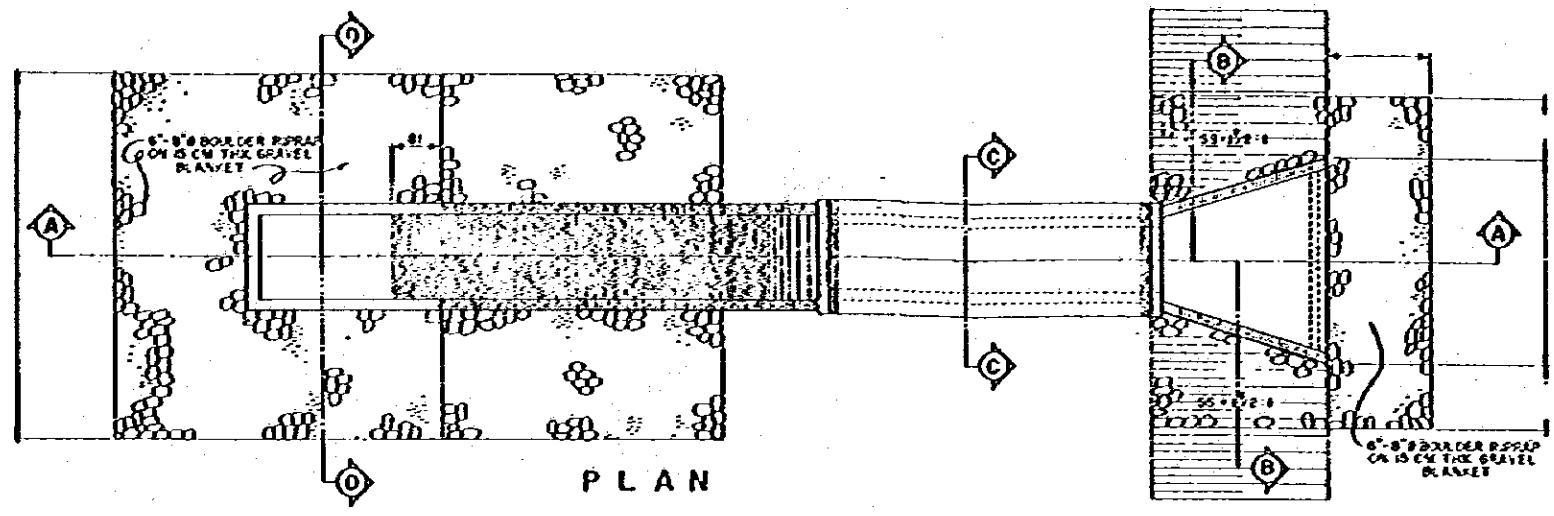


SECTION "E-E"

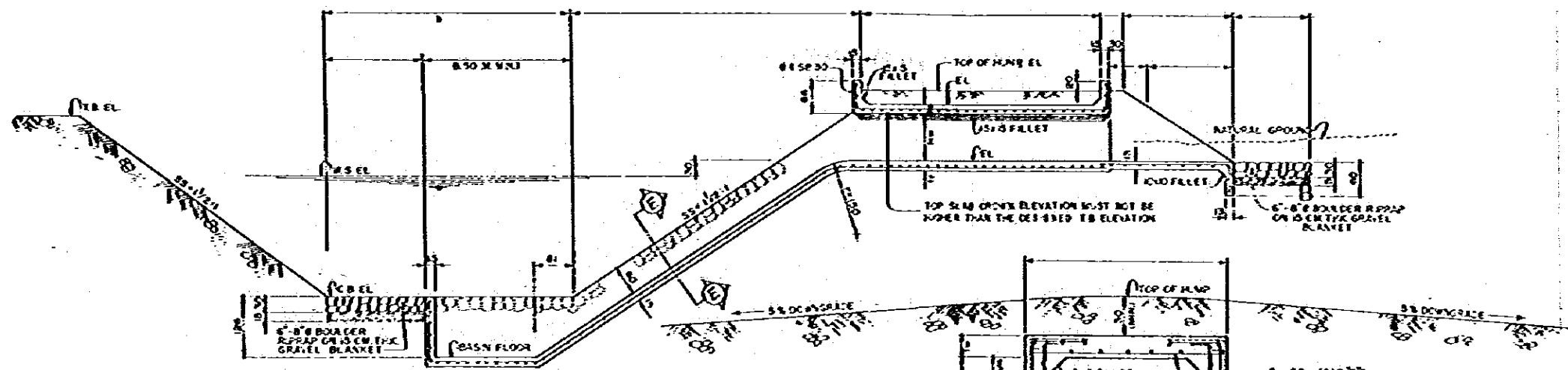
REPUBLIC OF THE PHILIPPINES NATIONAL IRRIGATION ADMINISTRATION	
INIP TYPICAL PARSHALL FLUME	
DRAWING NO.	INIS (I) - IC - 022
JAPAN INTERNATIONAL COOPERATION AGENCY	



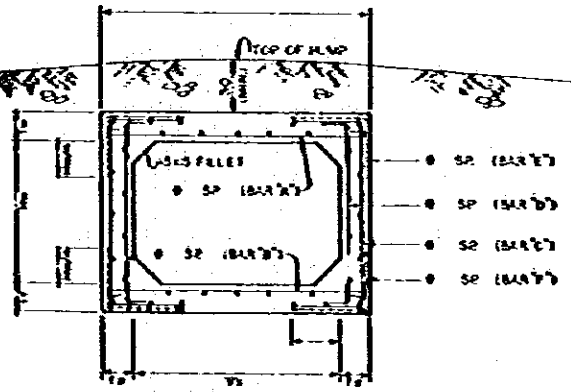
REPUBLIC OF THE PHILIPPINES NATIONAL IRRIGATION ADMINISTRATION	
INIP TYPICAL DRAINAGE CULVERT	
DRAWING NO.	INIS (I) - IC - 023
JAPAN INTERNATIONAL COOPERATION AGENCY	



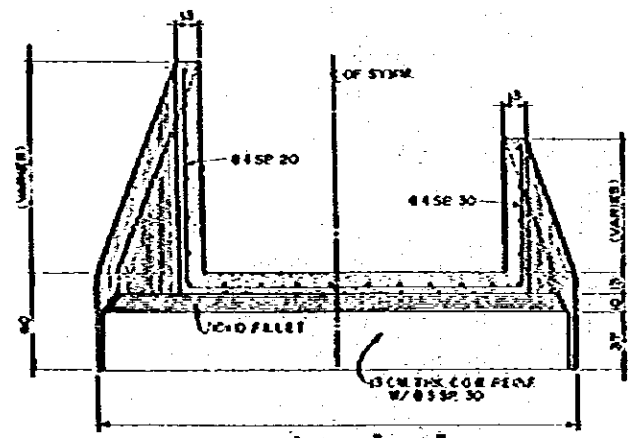
PLAN



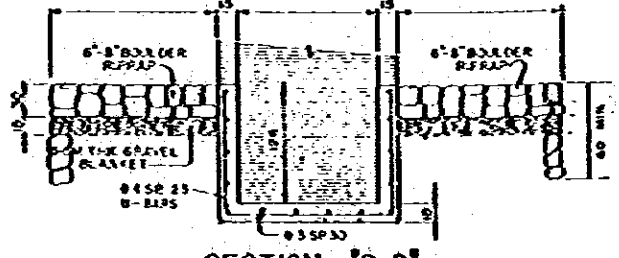
SECTION "A-A"



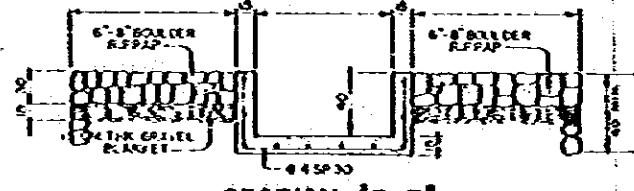
SECTION "C-C"



SECTION "B-B"

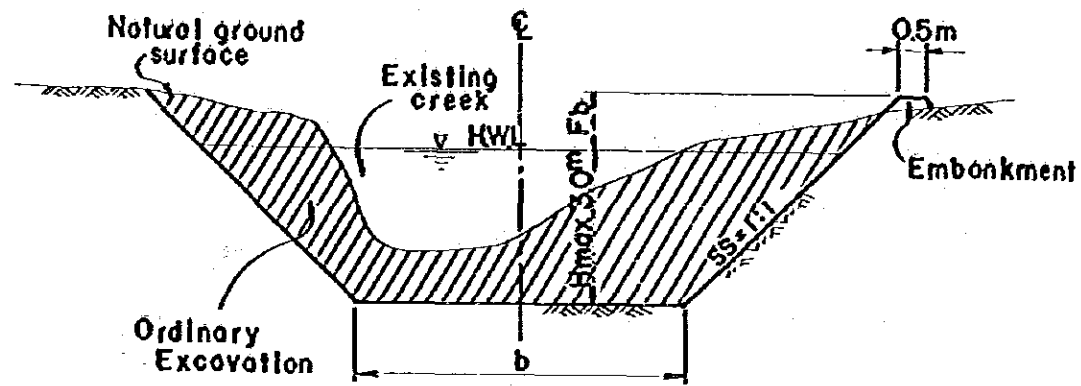


SECTION "D-D"

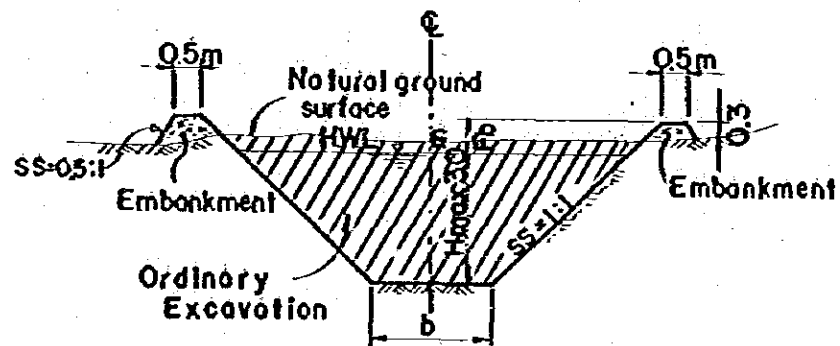


SECTION "E-E"

REPUBLIC OF THE PHILIPPINES NATIONAL IRRIGATION ADMINISTRATION	
INIP TYPICAL DRAINAGE INLET	
DRAWING NO.	INIS (I) - IC - 024
JAPAN INTERNATIONAL COOPERATION AGENCY	

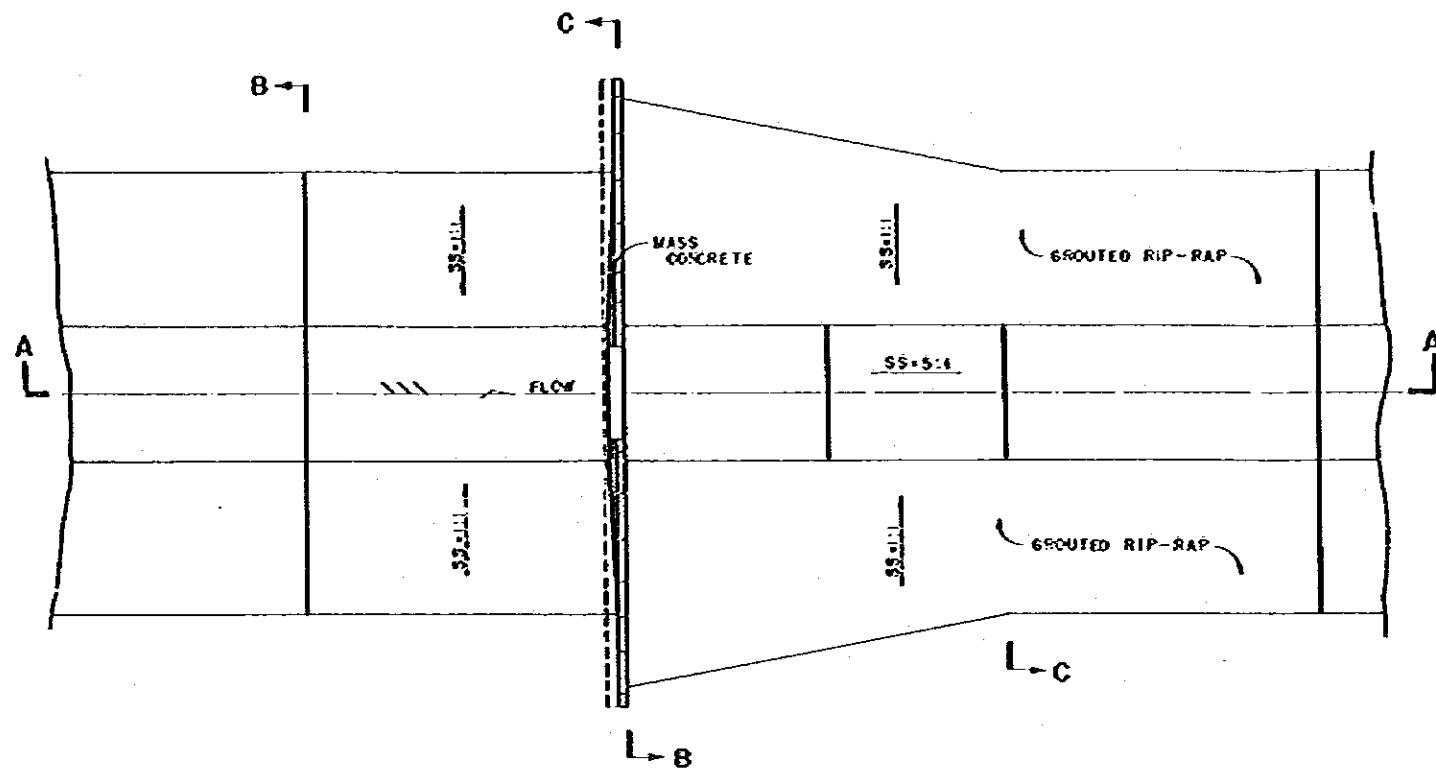


TYPICAL SECTION OF IMPROVEMENT CANALS

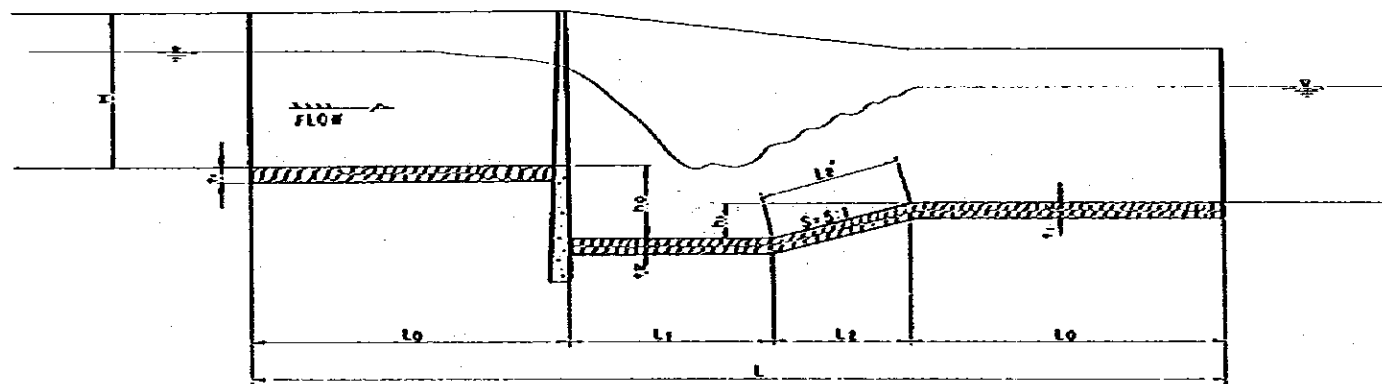


TYPICAL SECTION OF NEWLY CONSTRUCTED CANALS

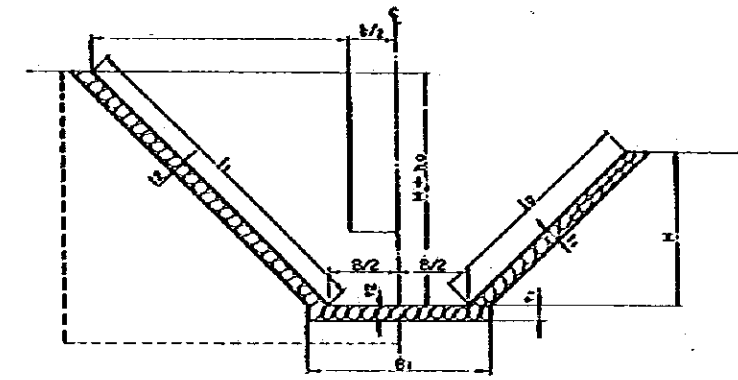
REPUBLIC OF THE PHILIPPINES NATIONAL IRRIGATION ADMINISTRATION	
INIP TYPICAL DRAINAGE CANAL SECTION	
DRAWING NO.	INIS (I) - DC - 025
JAPAN INTERNATIONAL COOPERATION AGENCY	



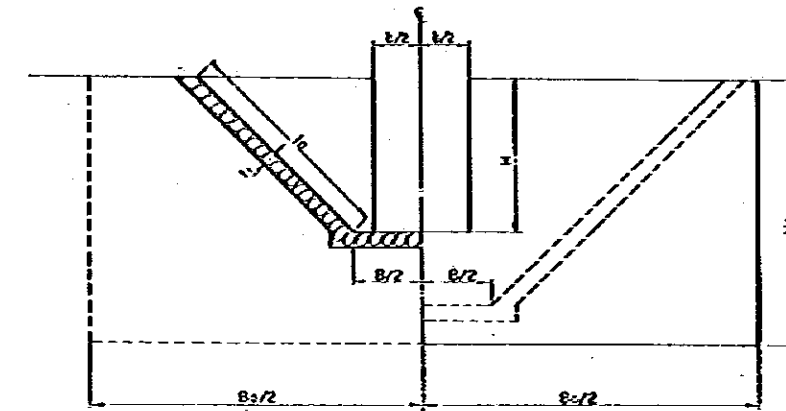
PLAN



SECTION "A-A"



SECTION "B-B"

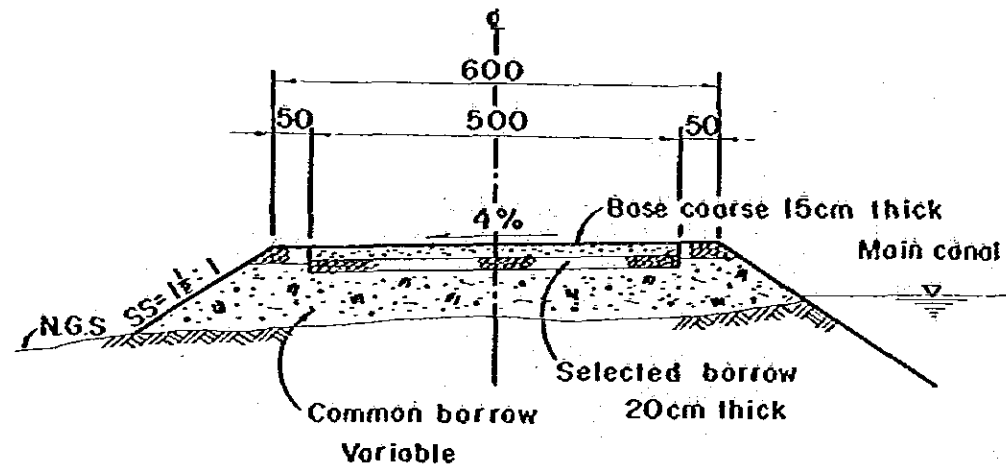


SECTION "C-C"

DIMENSION																				(UNIT m)	
TYPE	H	L ₀	L ₁	L ₂	L	H	B ₀	B ₁	B ₂	B	b	l ₀	H ₁	B ₀	B ₁	B ₂	l ₃	l ₄	L ₂		
I	3.0	8.0	5.2	4.5	25.7	4.0	1.9	0.9	0.4	0.4	3.5	2.4	4.0	7.3	16.3	5.9	4.63	0.15	0.6	4.59	
II	1.3	3.6	3.5	3.0	10.1	1.7	1.6	0.6	0.3	0.3	1.1	1.0	1.7	4.6	8.7	3.3	1.95	0.15	0.5	3.06	
III	0.9	2.8	2.9	2.5	8.2	1.2	1.5	0.5	0.3	0.3	0.9	0.7	1.2	4.0	7.3	2.7	1.55	0.15	0.4	2.55	

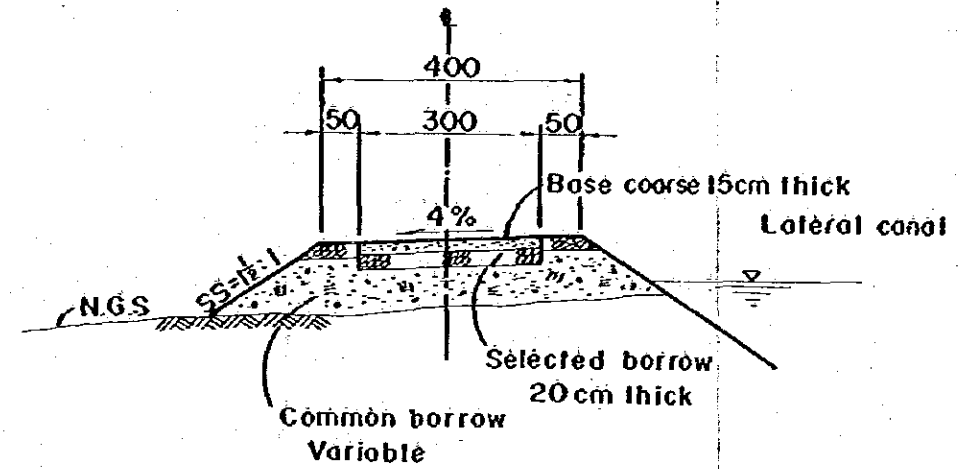
REPUBLIC OF THE PHILIPPINES
 NATIONAL IRRIGATION ADMINISTRATION
 INIP
 TYPICAL DRAINAGE DROP
 DRAWING NO. INIS (I) - DC - 026
 JAPAN INTERNATIONAL COOPERATION AGENCY

TYPE A



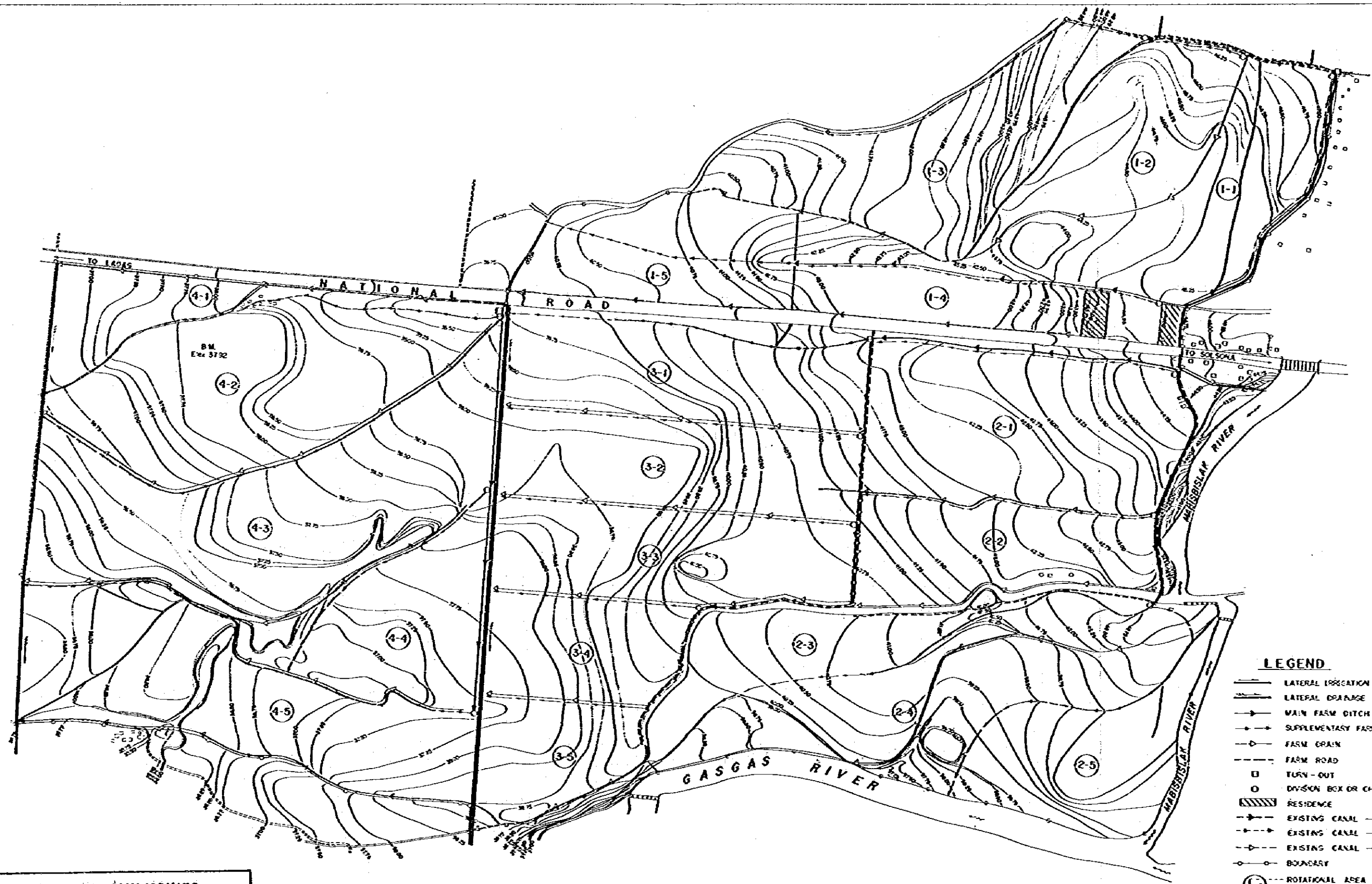
SERVICE ROAD ALONG MAIN CANALS

TYPE B



SERVICE ROAD ALONG LATERAL CANALS

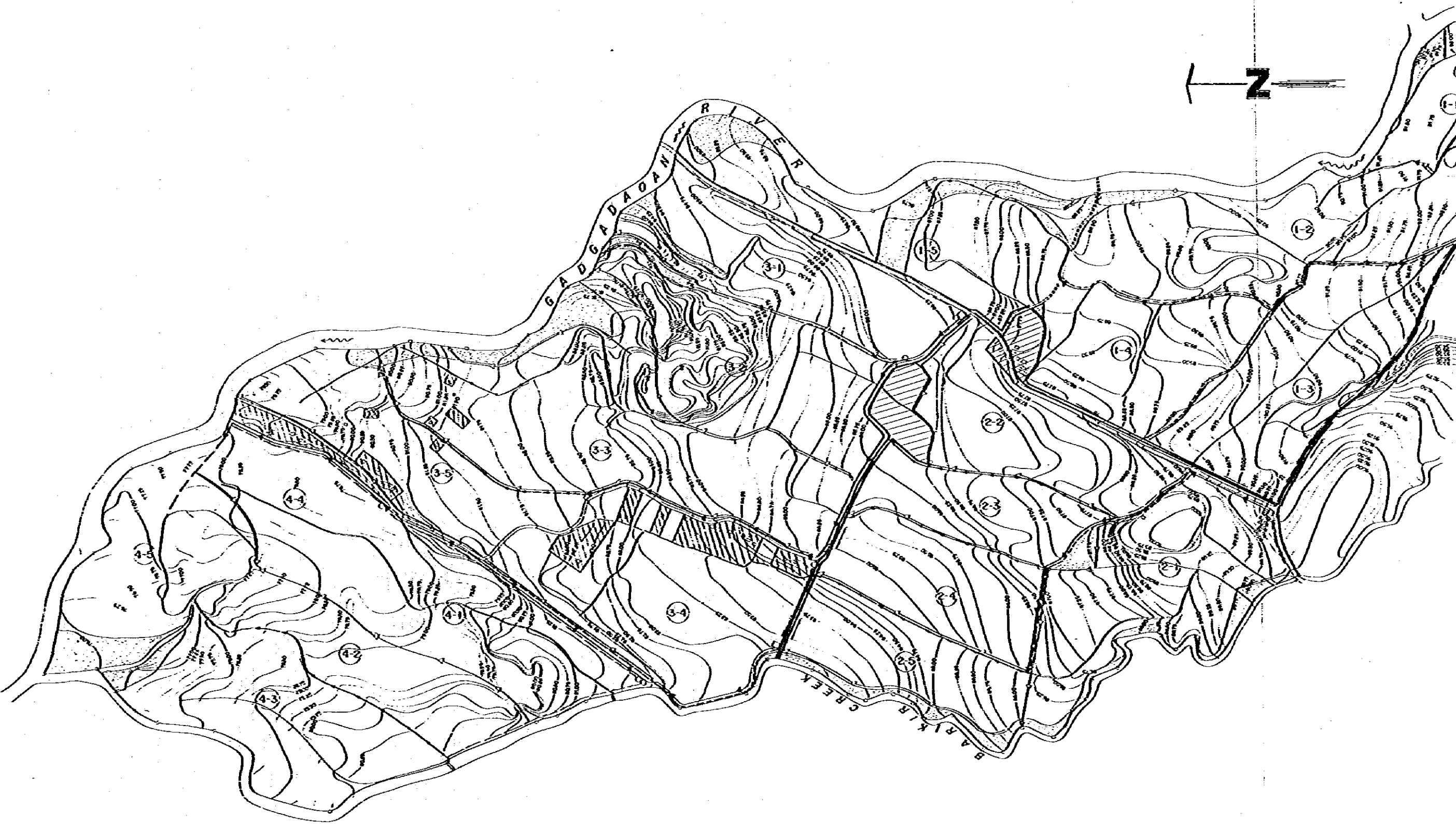
REPUBLIC OF THE PHILIPPINES NATIONAL IRRIGATION ADMINISTRATION	
INIP TYPICAL ROAD SECTION	
DRAWING NO.	INIS (I) - RW - 027
J/PAN INTERNATIONAL COOPERATION AGENCY	

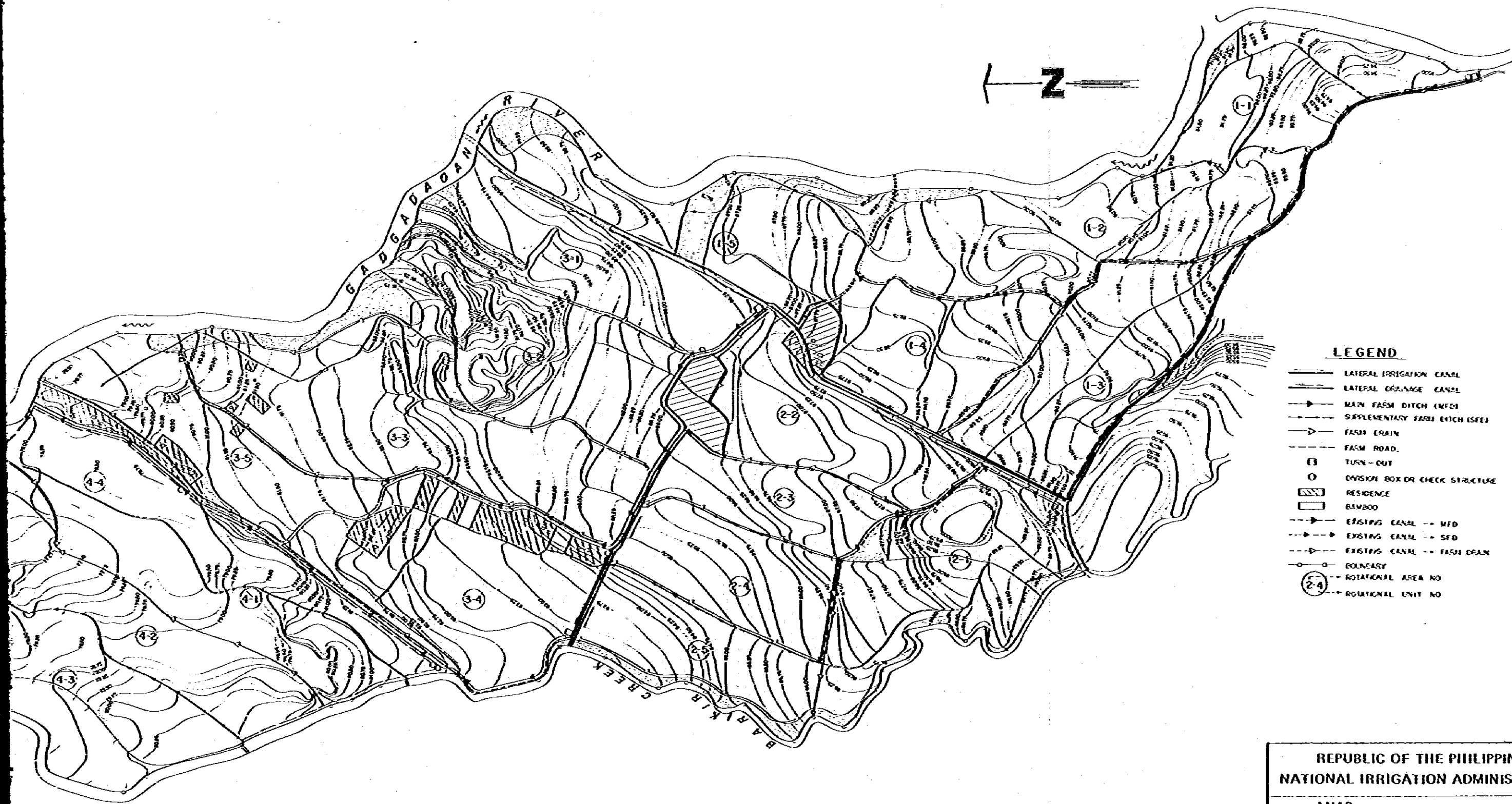


LEGEND

- LATERAL IRRIGATION CANAL
- LATERAL DRAINAGE CANAL
- MAIN FARM DITCH (MFD)
- SUPPLEMENTARY FARM DITCH (SFD)
- FARM GRAIN
- FARM ROAD
- TURN-OUT
- DIVISION BOX OR CHECK STRUCTURE
- ▨ RESIDENCE
- EXISTING CANAL → MFD
- EXISTING CANAL → SFD
- EXISTING CANAL → FARM DRAIN
- BOUNDARY
- ④ ROTATIONAL AREA NO.
- ④ ROTATIONAL UNIT NO.

REPUBLIC OF THE PHILIPPINES
 NATIONAL IRRIGATION ADMINISTRATION
 INIP
 LAYOUT OF ON-FARM FACILITY
 (SAMPLE AREA NO.1)
 DRAWING NO. INIS (I) - OF - 028
 JAPAN INTERNATIONAL COOPERATION AGENCY

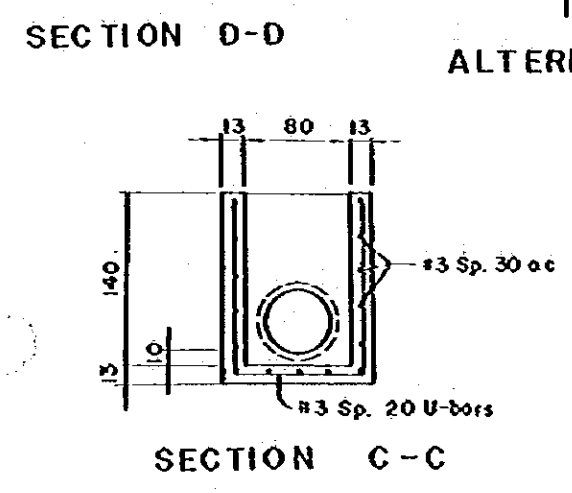
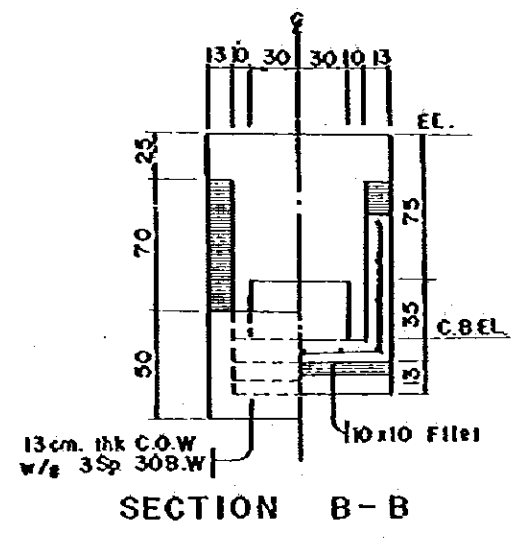
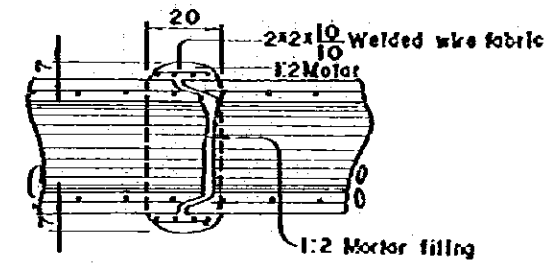
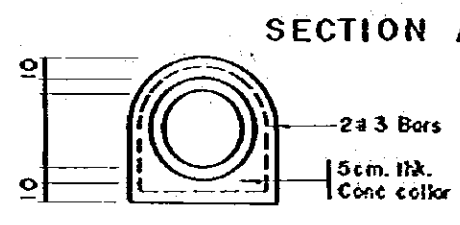
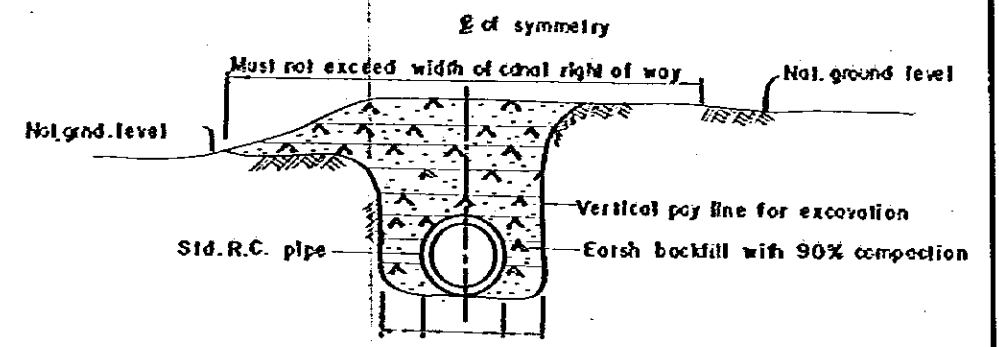
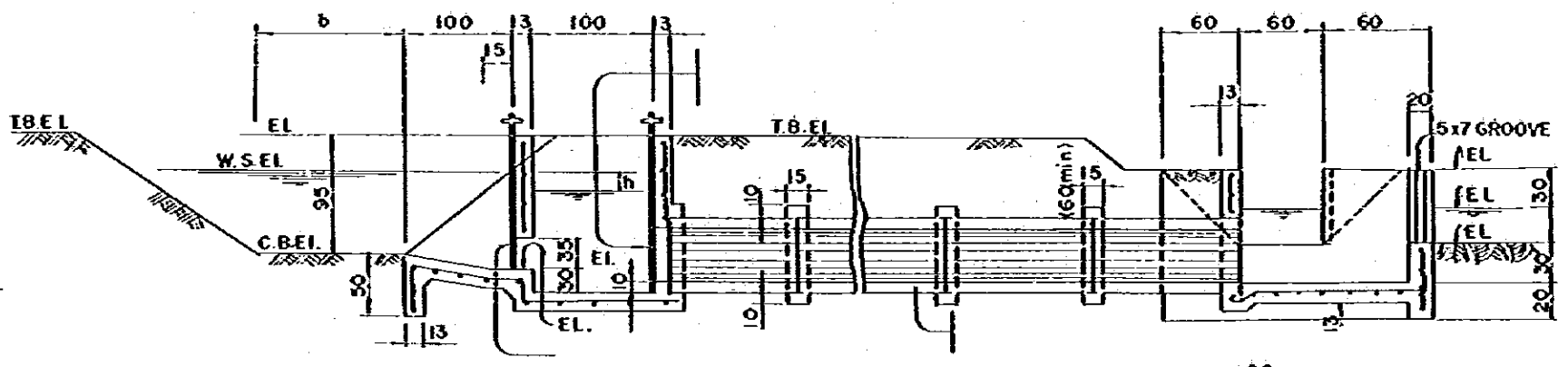
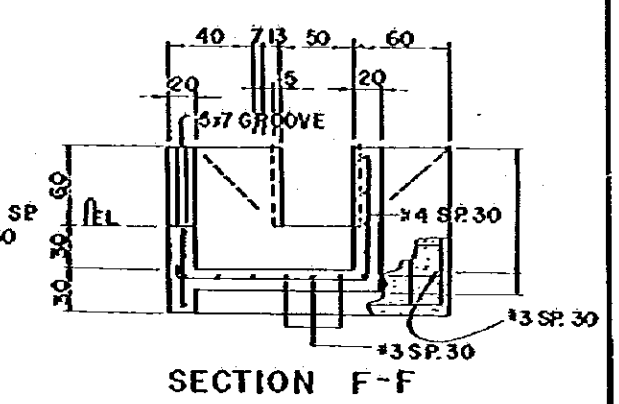
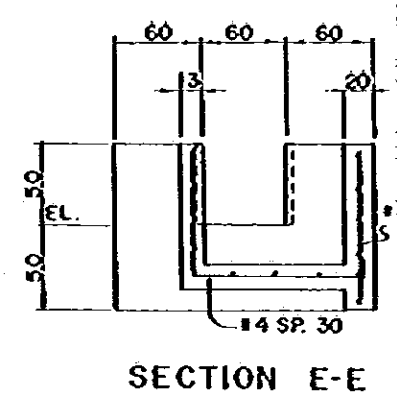
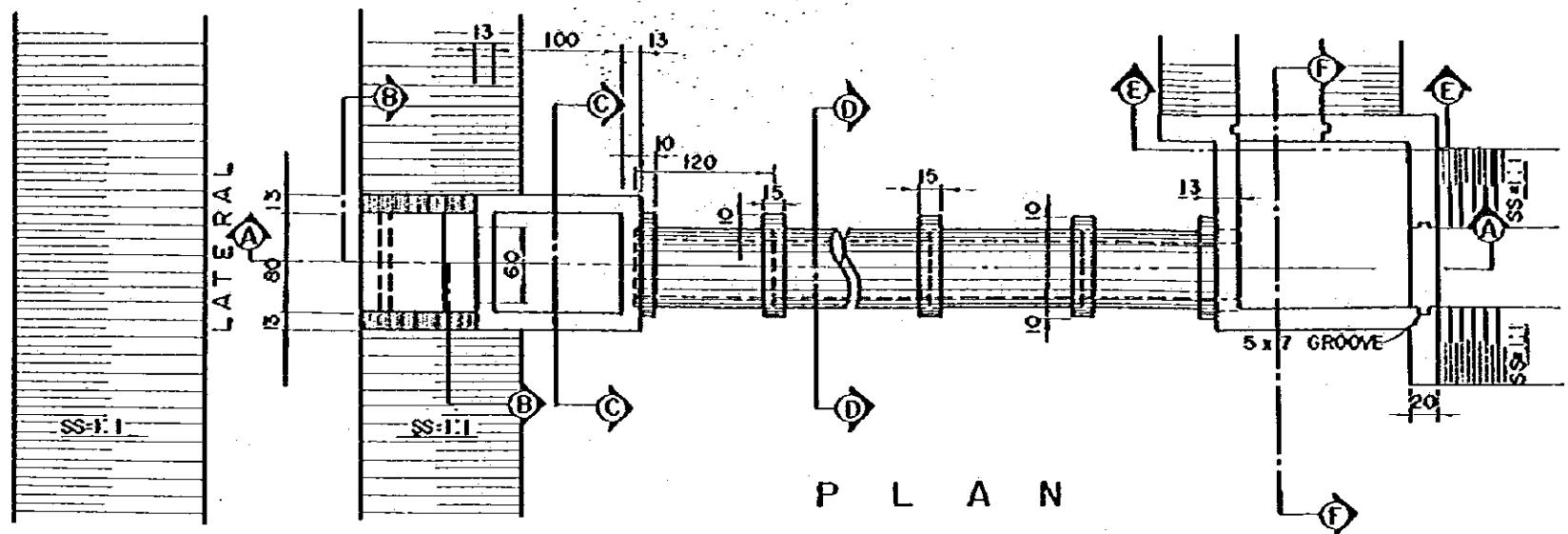




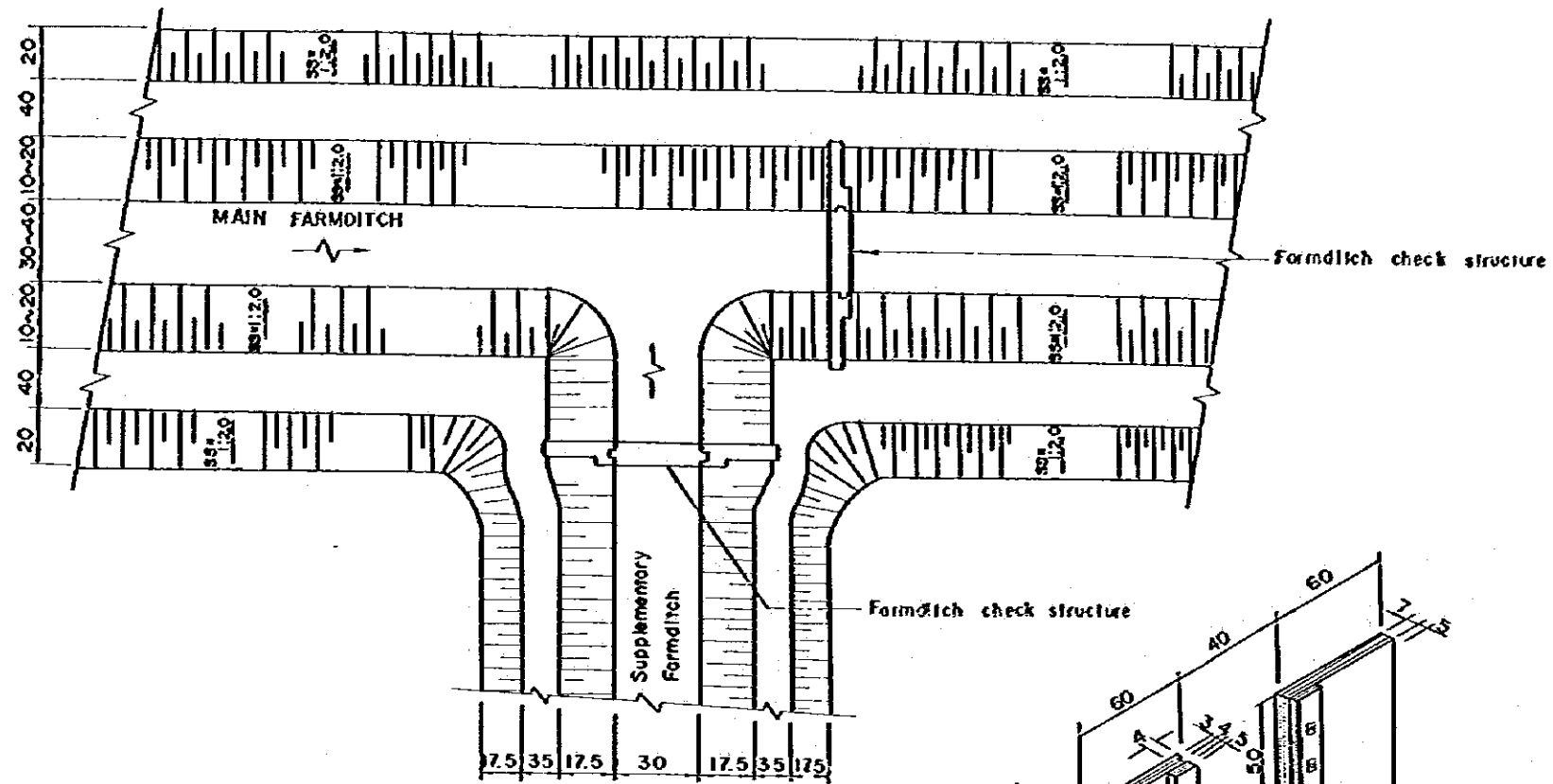
LEGEND

- LATERAL IRRIGATION CANAL
- LATERAL DRAINAGE CANAL
- MAIN FARM DITCH (MFD)
- SUPPLEMENTARY FARM DITCH (SFD)
- FARM ERAIN
- FARM ROAD
- TURN-OUT
- DIVISION BOX OR CHECK STRUCTURE
- ▨ RESIDENCE
- ▭ BAMBOO
- EXISTING CANAL -- MFD
- EXISTING CANAL -- SFD
- EXISTING CANAL -- FARM DRAIN
- BOUNDARY
- ② ROTATIONAL AREA NO
- ②-4 ROTATIONAL UNIT NO

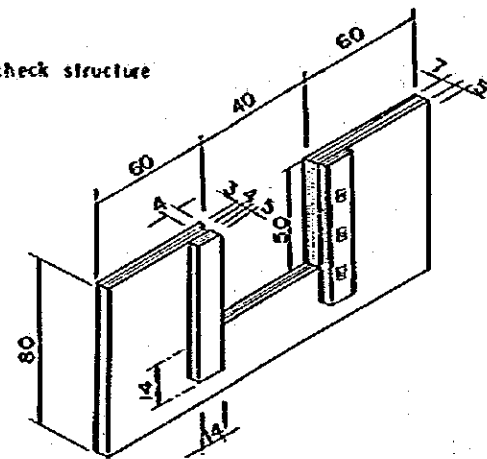
REPUBLIC OF THE PHILIPPINES NATIONAL IRRIGATION ADMINISTRATION	
INIP LAYOUT OF ON-FARM FACILITY (SAMPLE AREA NO.2)	
DRAWING NO.	INIS (I) - OF - 029
JAPAN INTERNATIONAL COOPERATION AGENCY	



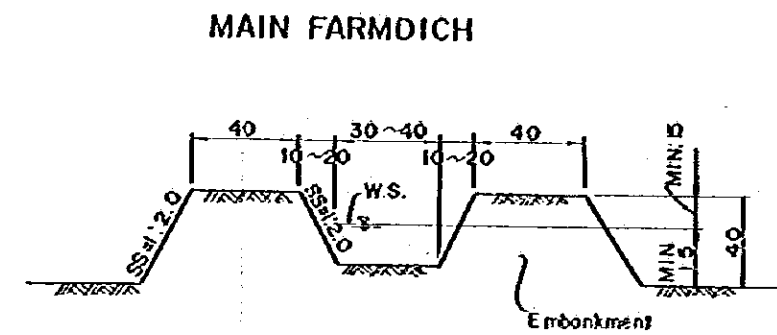
REPUBLIC OF THE PHILIPPINES NATIONAL IRRIGATION ADMINISTRATION	
INIP TYPICAL TURN-OUT	
DRAWING NO.	INIS (I) - OF - 030
JAPAN INTERNATIONAL COOPERATION AGENCY	



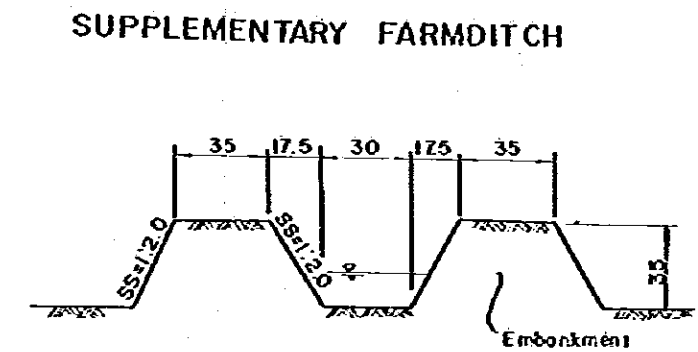
SCHMATIC PLAN FOR DIVISION BOX



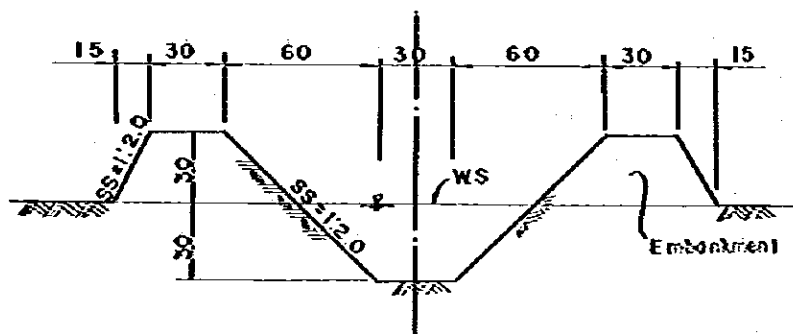
ISOMETRIC VIEW FARM DITCH CHECK STRUCTURE



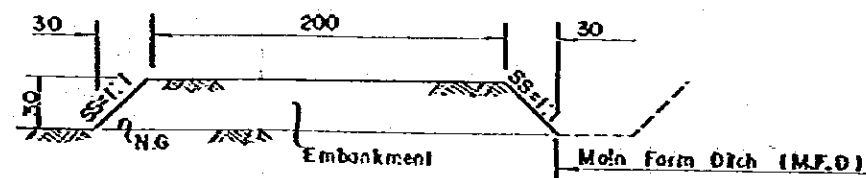
MAIN FARM DITCH



SUPPLEMENTARY FARM DITCH



FARM DRAIN



FARM ROAD

REPUBLIC OF THE PHILIPPINES NATIONAL IRRIGATION ADMINISTRATION	
INIP TYPICAL FARM DITCH SECTION AND DIVERSION BOX	
DRAWING NO.	INIS (I) - OF - 031
JAPAN INTERNATIONAL COOPERATION AGENCY	

JICA