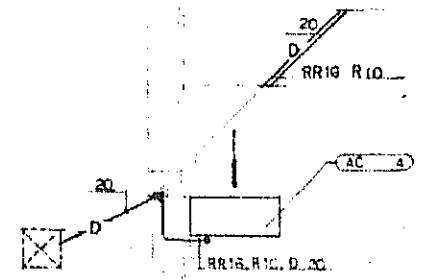
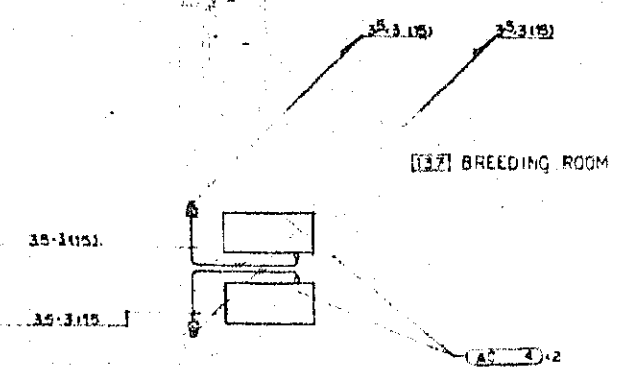


[136] WORK SHCP

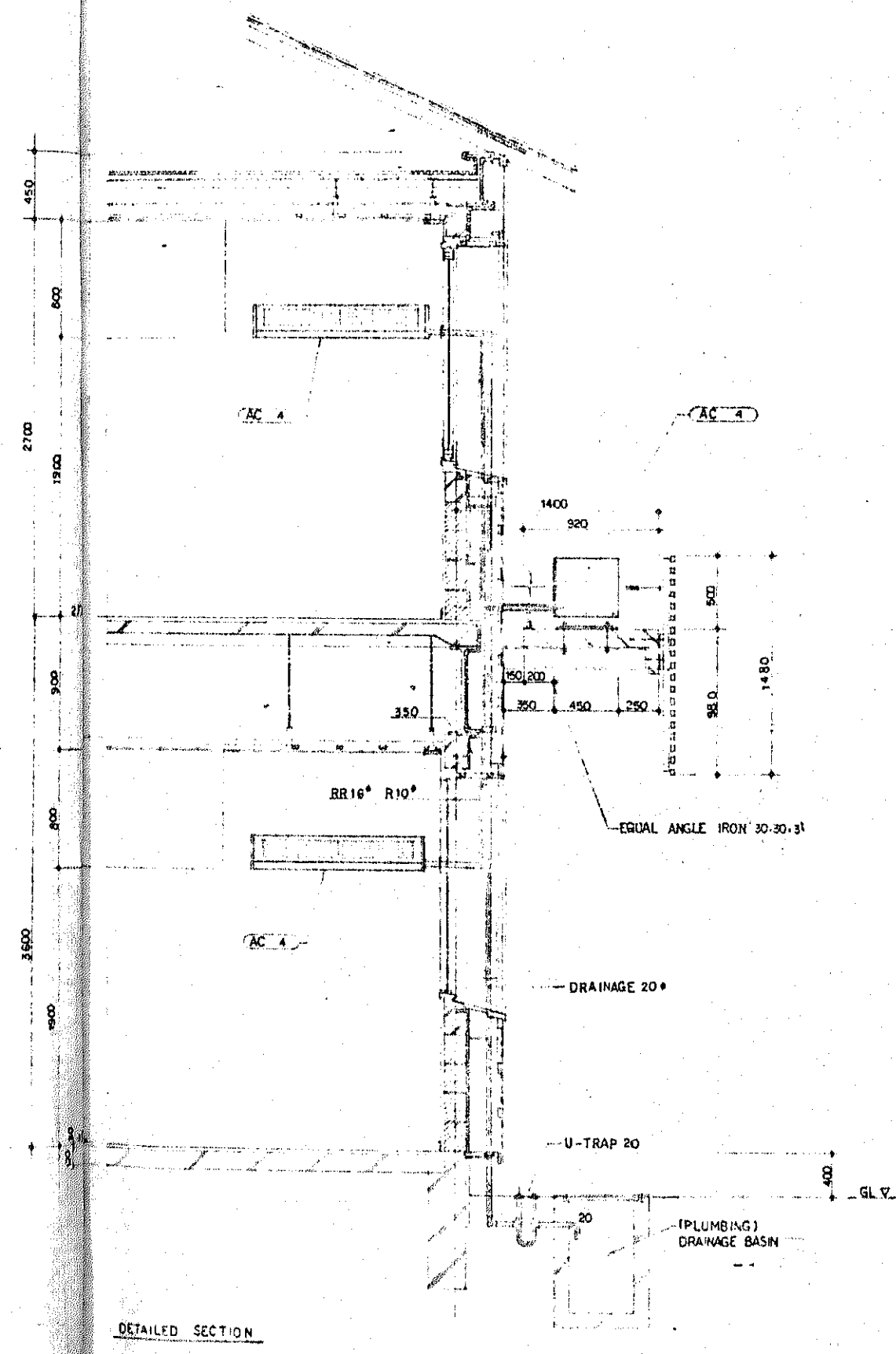


OPEN LOUNGE

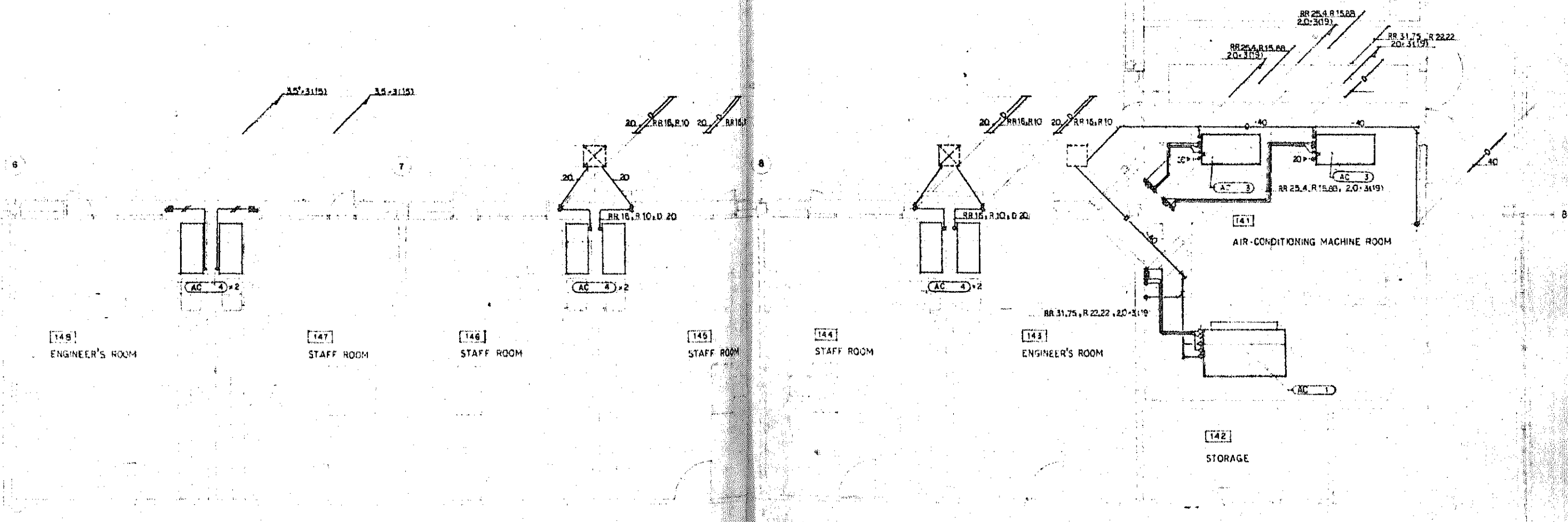
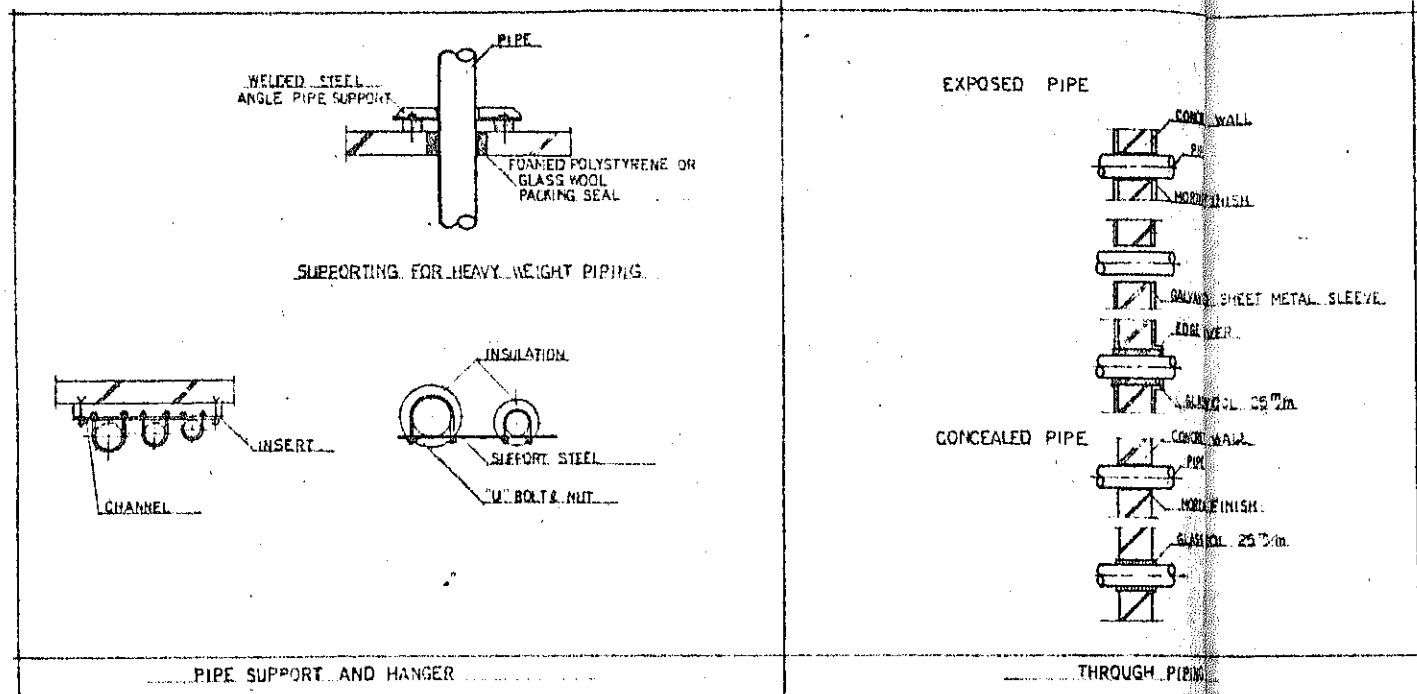
[137] BREEDING ROOM

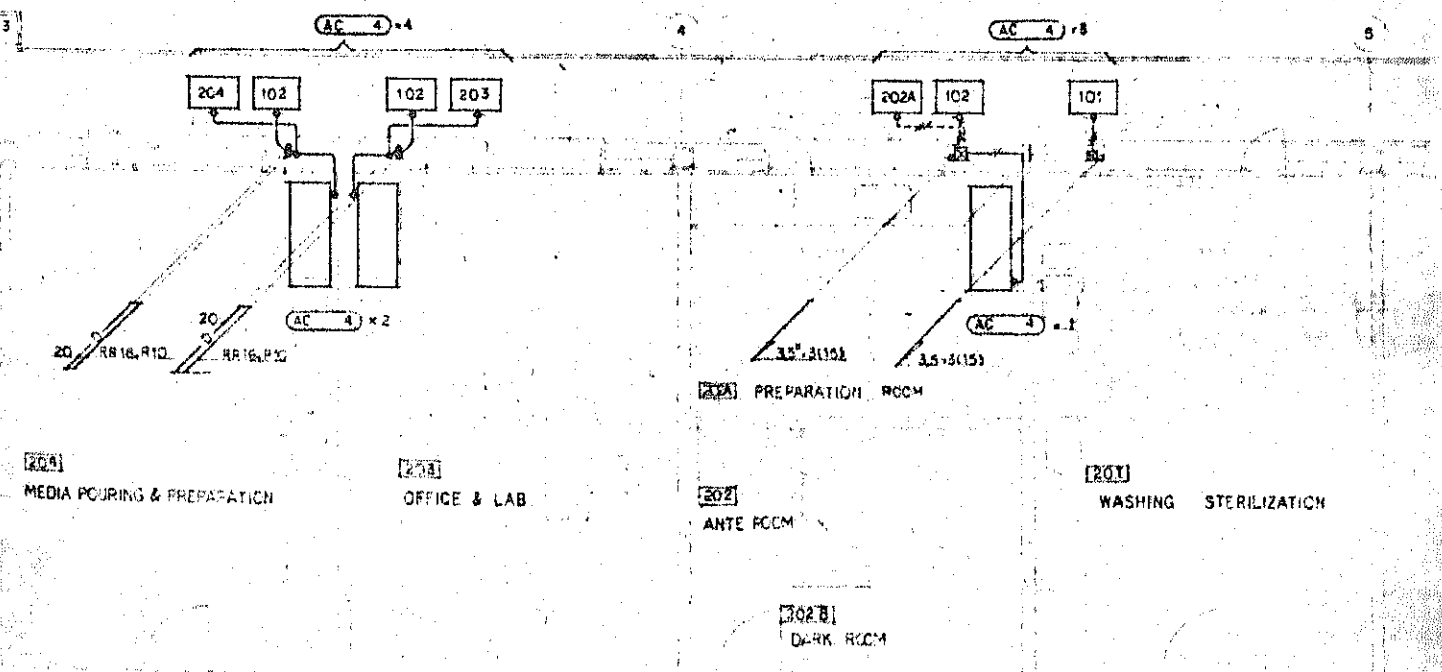
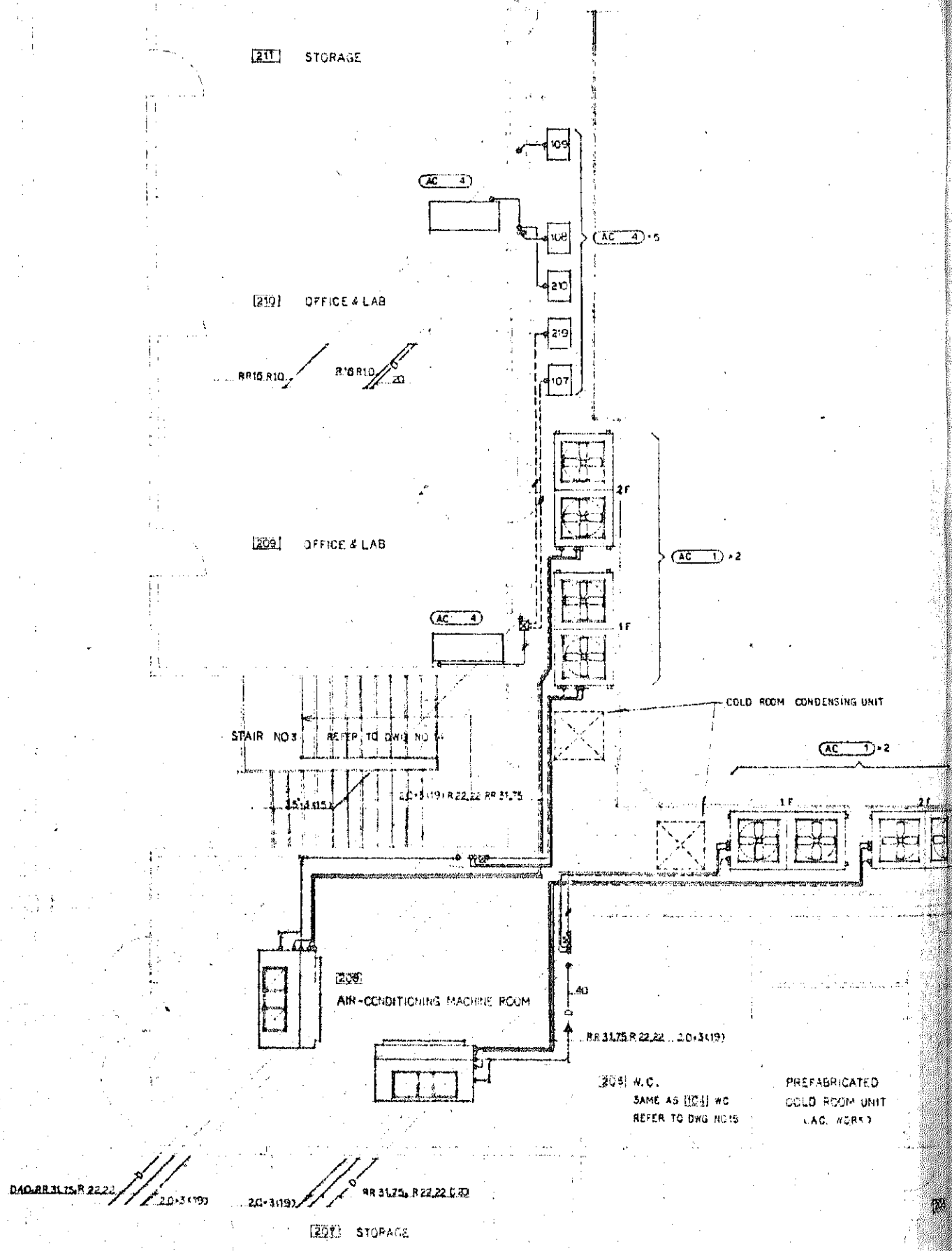


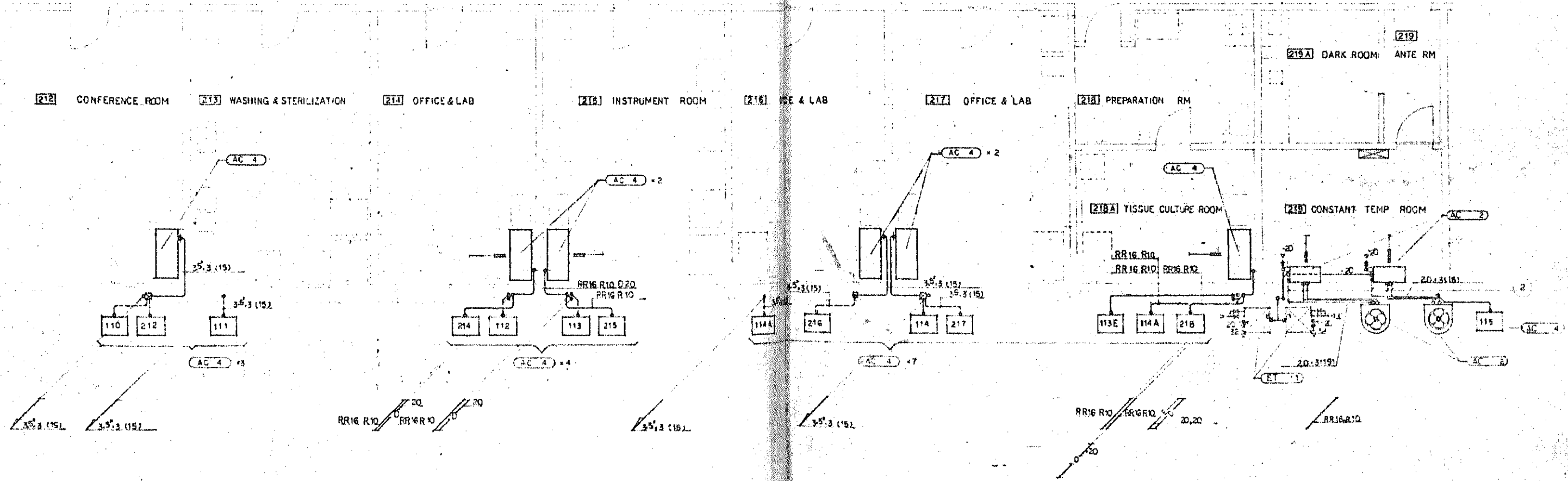
[138] ANIMAL OPERATION ROOM

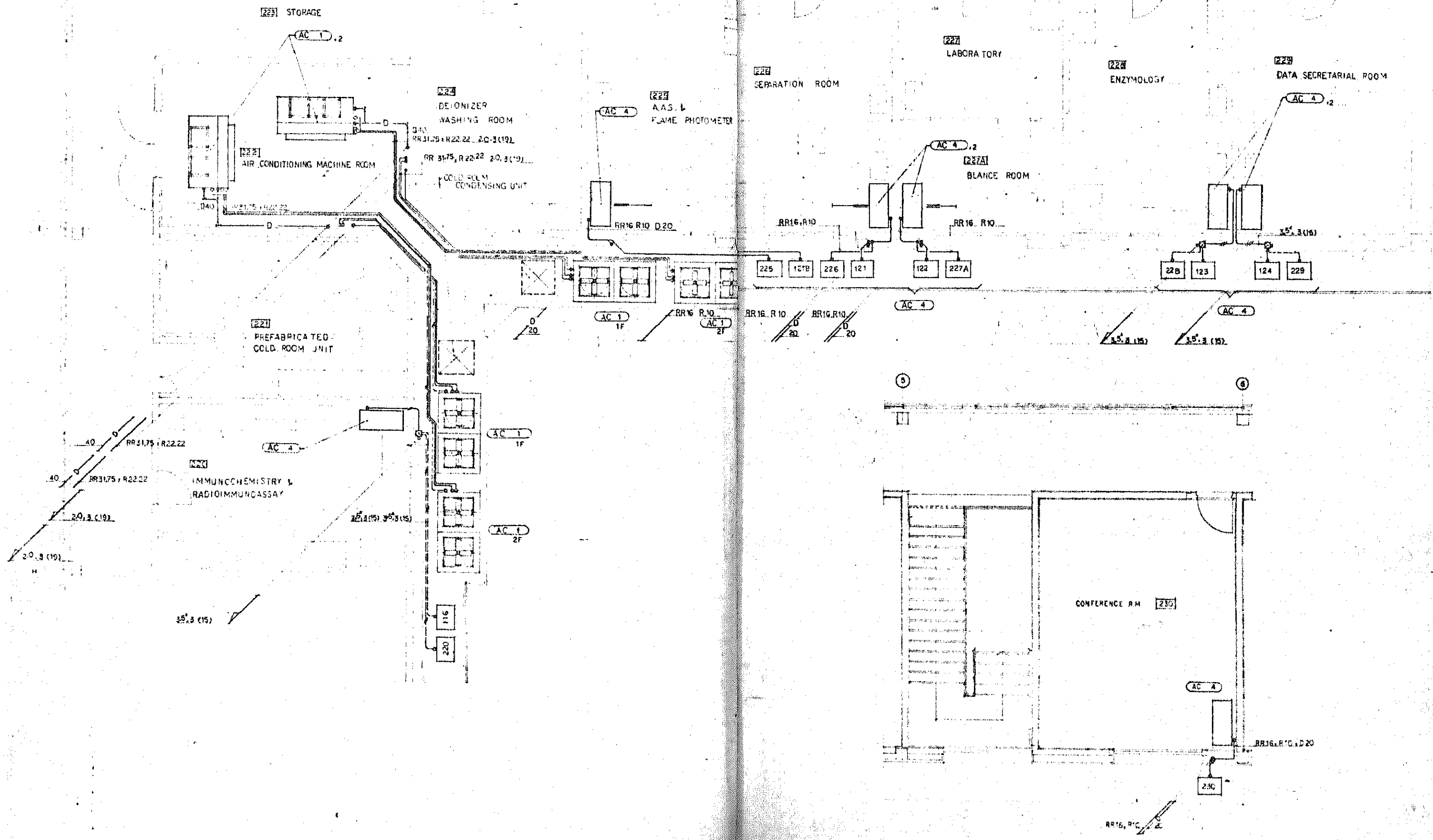


DETAILED SECTION









231 STAFF ROOM

232 DATA SECRETARIAL

233 PREPARATION

234 HISTO - CHEMISTRY  
MICROTOMY & STAINING

PREFABRICATED  
COLD ROOM UNIT

237 STORAGE

238 W.C.  
SAME AS 104 AC  
REFER TO PWG NO 15

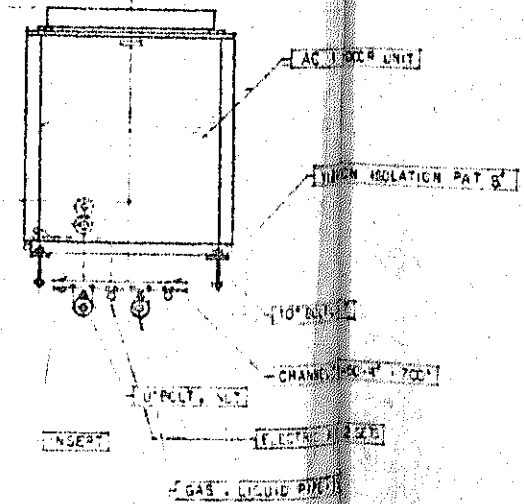
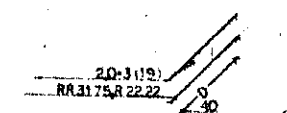
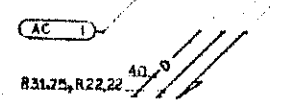
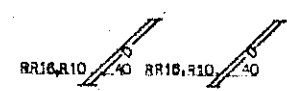
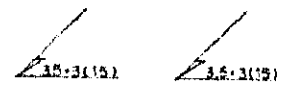
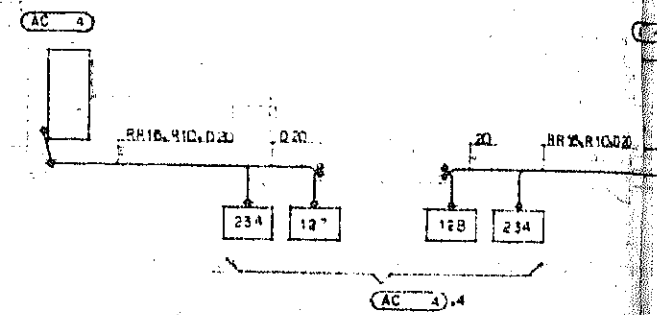
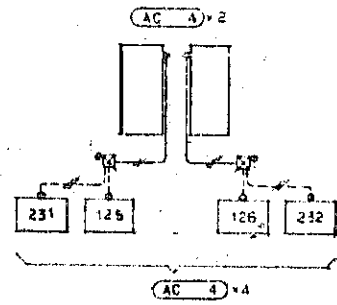
238 AIR CONDITIONING  
MACHINE ROOM

STAIRCASE D  
REFER TO PWG NO 14  
SAME AS STAIRCASE C

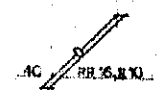
239 RECEPTION & PREPARATION

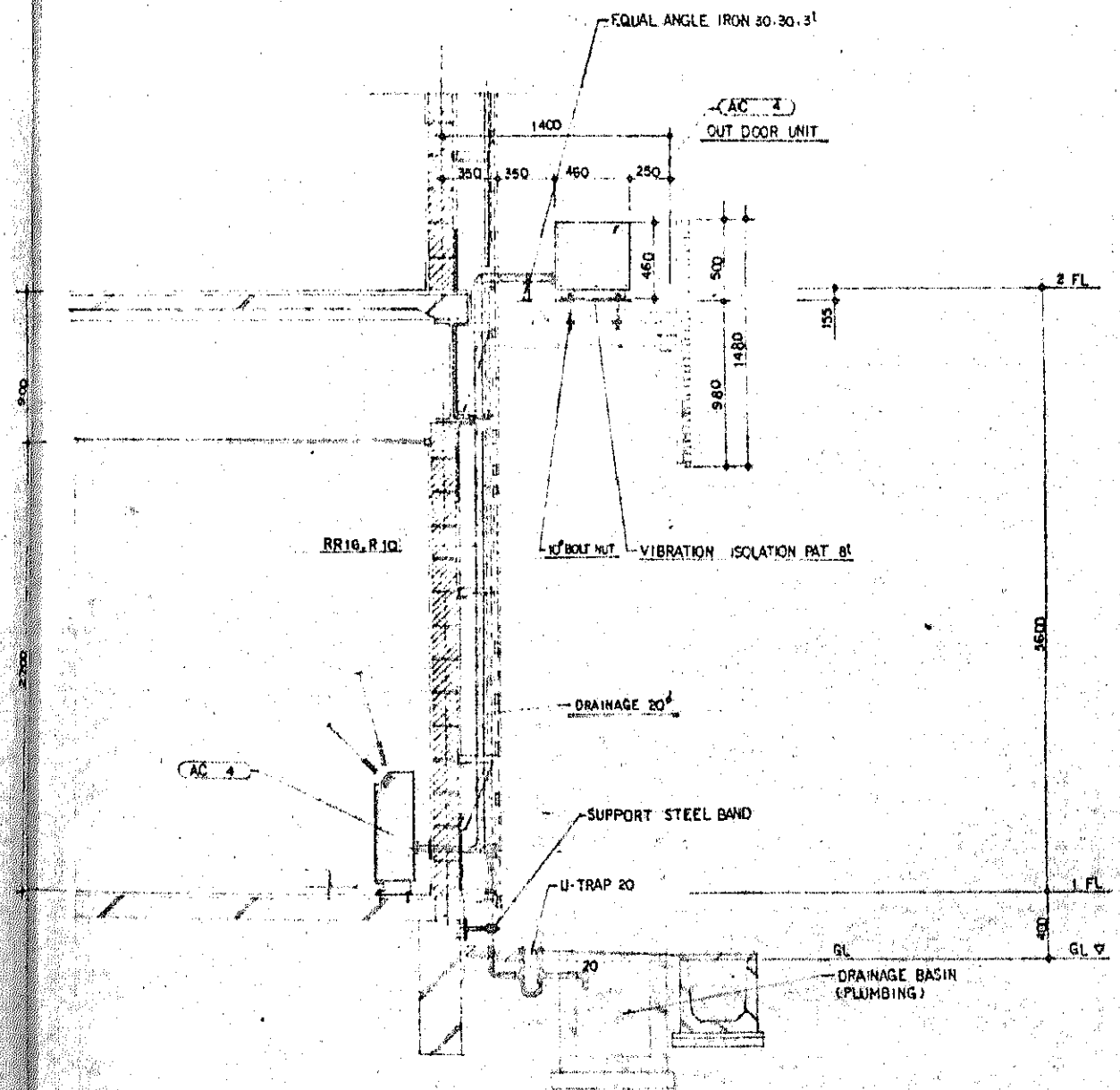
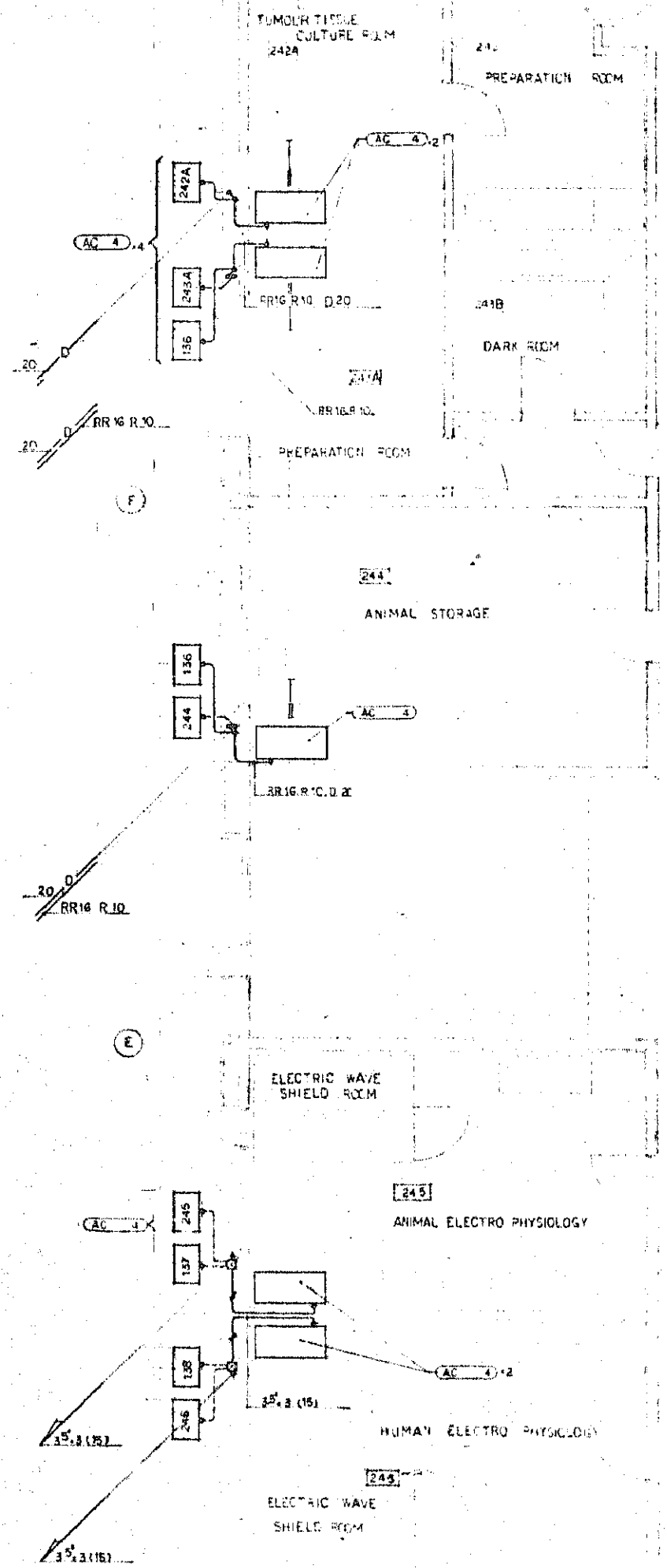
240 CYTOLOGY

241 WASHING ROOM

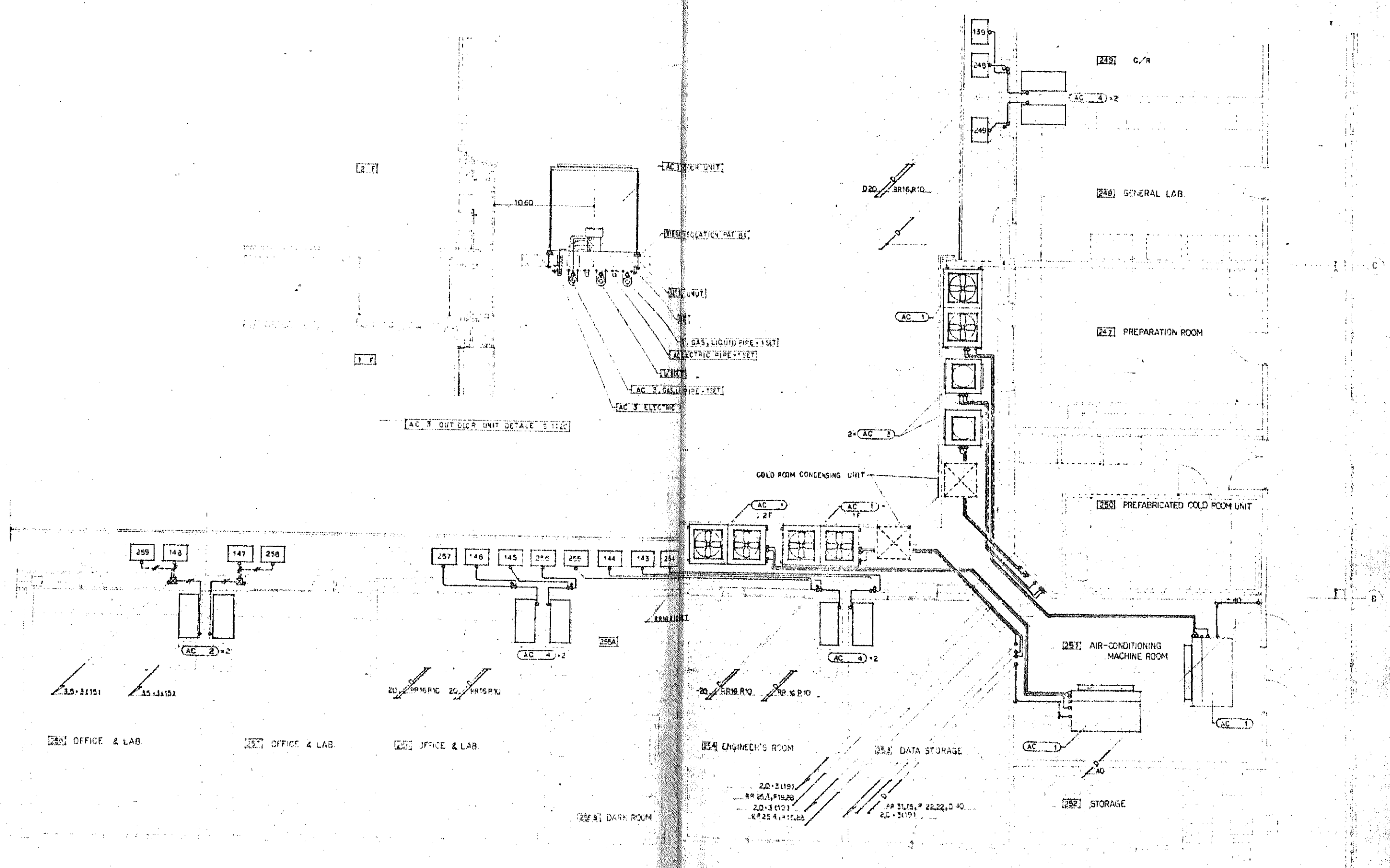


AC - 1 COY COGR UNIT DETAIL-25





DETAILED SECTION S 1:20





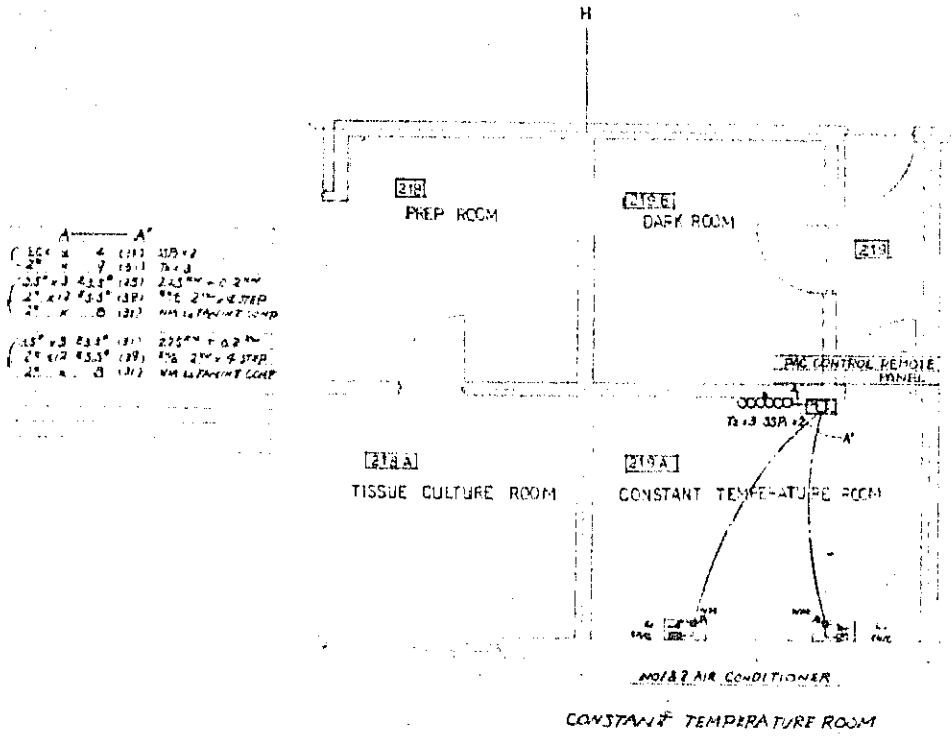


Table with 2 columns: A-A' and B-B'. It lists technical specifications for different components, including dimensions and material types.

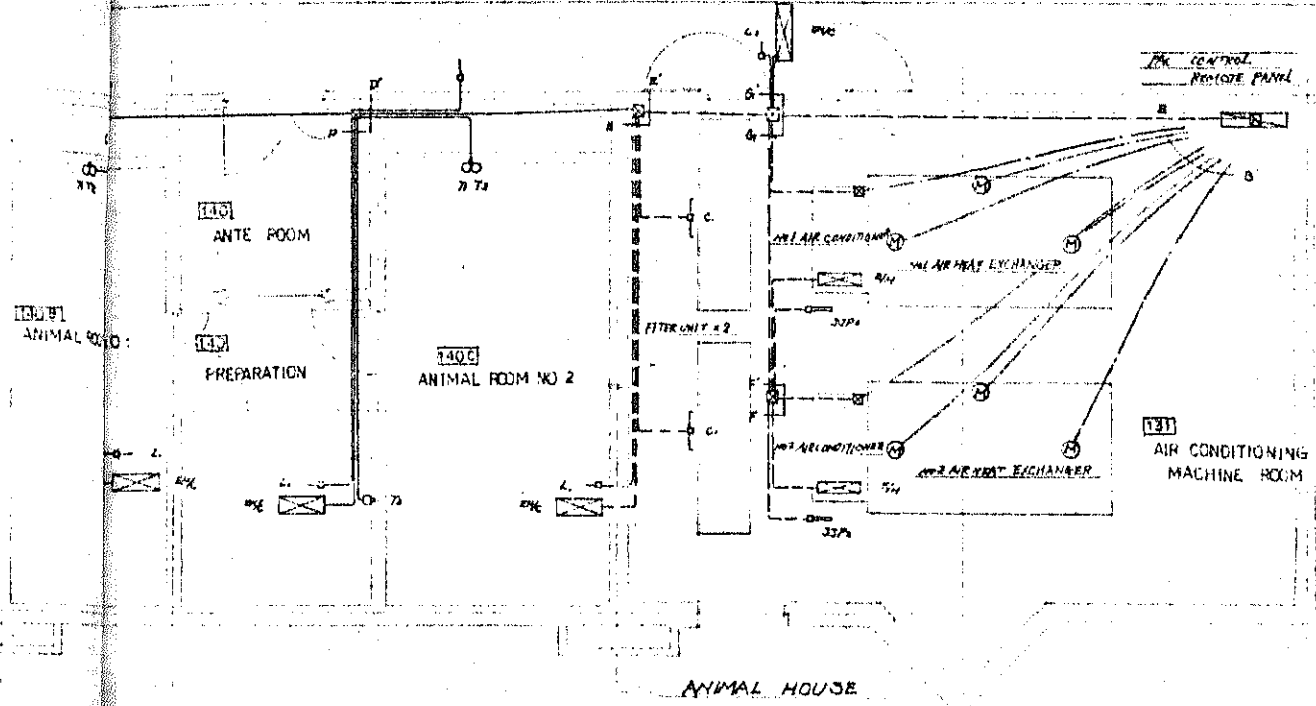


Table with 2 columns: B-B' and G-G'. It lists technical specifications for different components, including dimensions and material types.

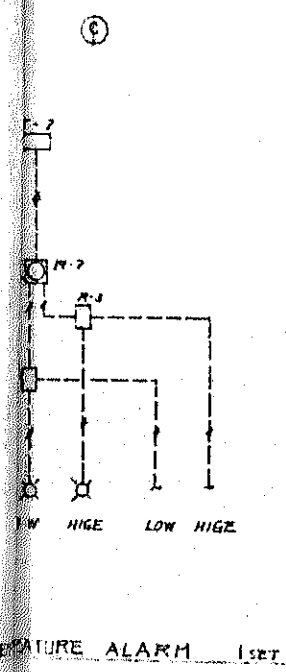
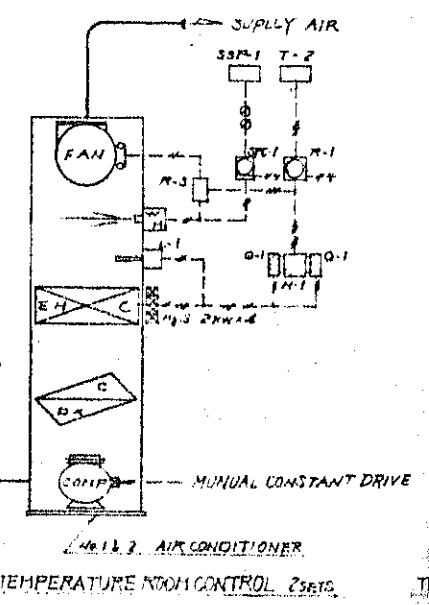
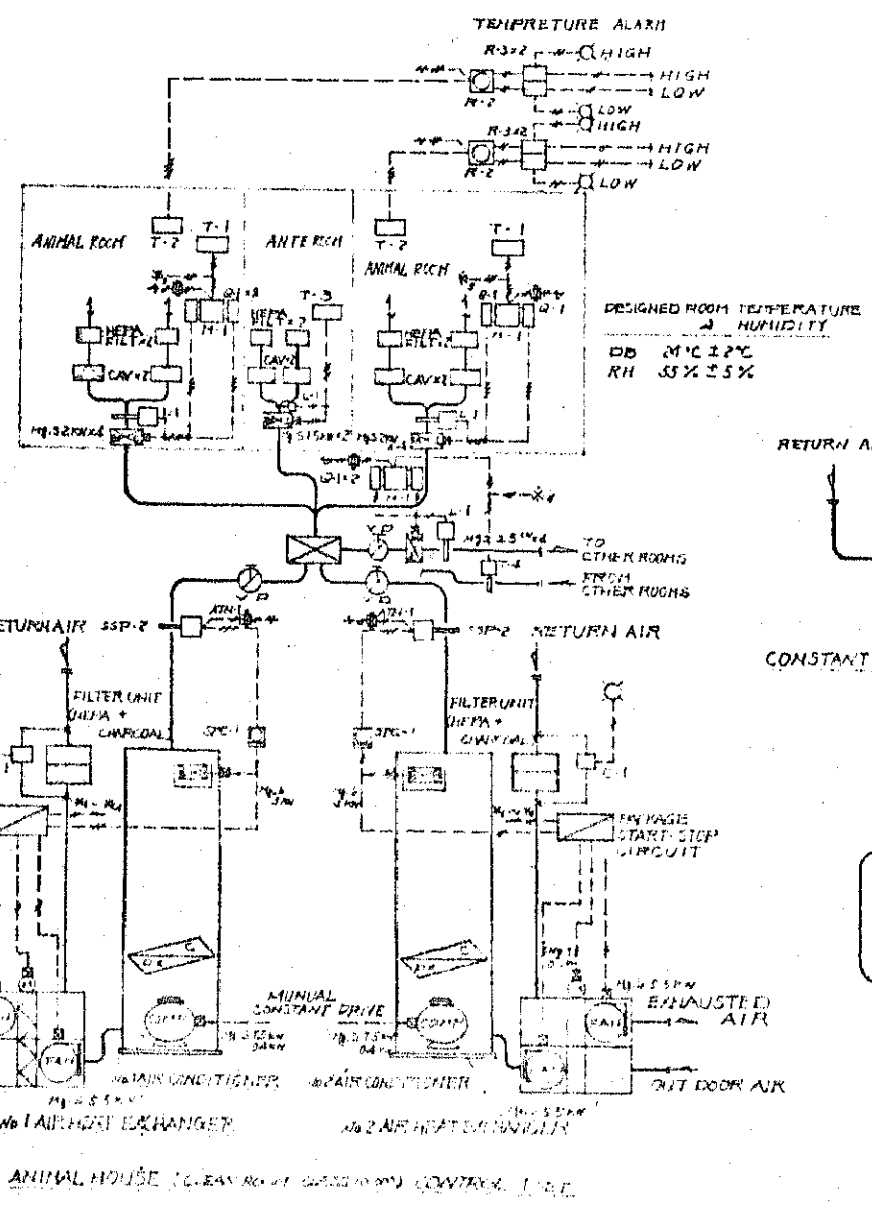
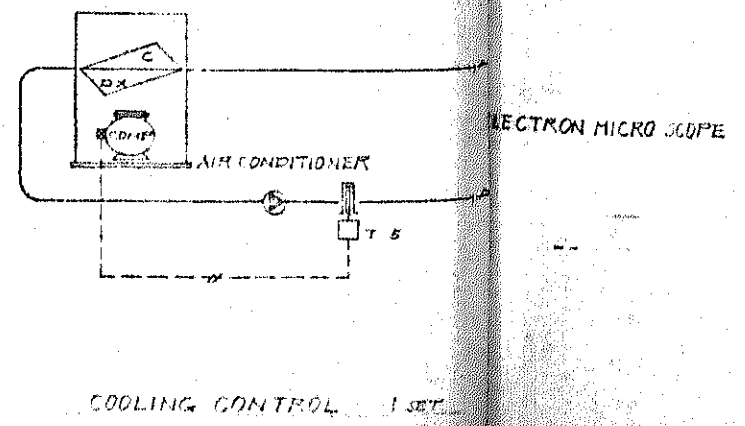


TABLE OF CONTENTS

SYMBOL	NAME	MODEL NO	QTY	NOTE
T-1	ROOM THERMOSTAT	T-921A	2	
T-2	ROOM RESISTANCE THERMOMETER	SPC 620A	5	
T-3	ROOM THERMOSTAT	T-42H	1	
T-4	INSERTION-TYPE TEMPERATURE CONTROLLERS	T-915C	1	W/WELL
T-5	"	T-675A	1	
SSP-1	HUMIDITY SENSOR	SSP135A	2	
SSP-2	TEMPERATURE SENSOR	SSP129D	6	
L-1	LIMIT CONTROLLER	L-4029E	6	
R-1	DIAL-TYPE TEMPERATURE INDICATING CONTROLLER	R-7372P	2	
R-2	"	R-7375F	3	
R-3	AUXILIARY RELAY	R-412C	8	
SPC-1	"MODUTRAN" PROPORTION	SPC 650C	4	
C-1	PRESSURE SWITCHES	C-645C	2	
Q-1	AUXILIARY SWITCHES	Q-631B	10	
M-1	"MODUTROL" MOTORS	M-945A	3	WATYZZ
M-2	"MODUTROL" MOTORS	M-945B	2	
ATN-1	POWER TRANSFORMER	ATN410J	2	

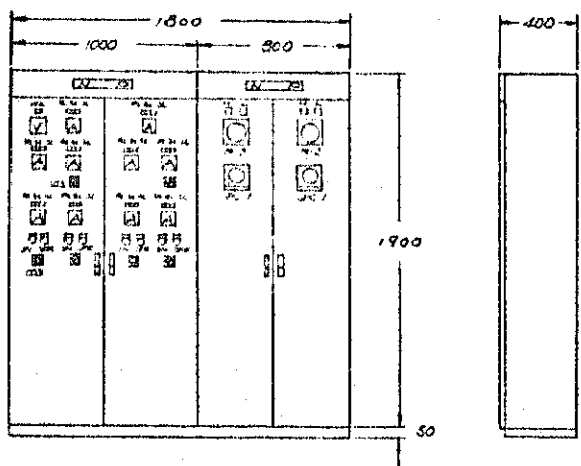
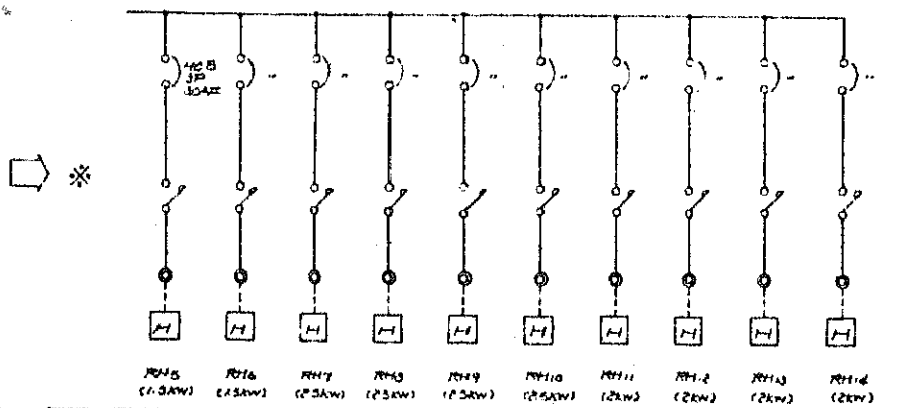
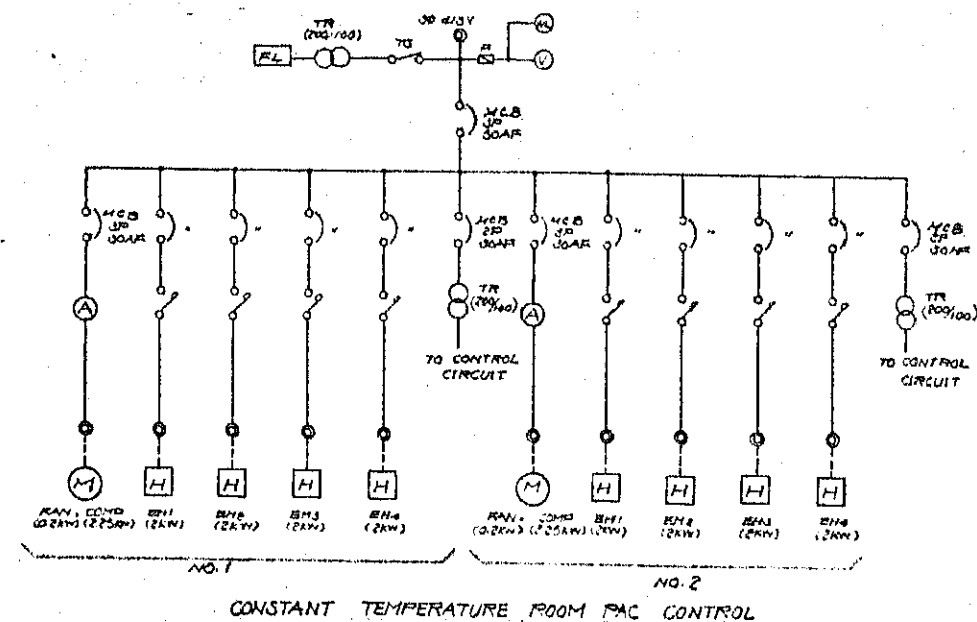
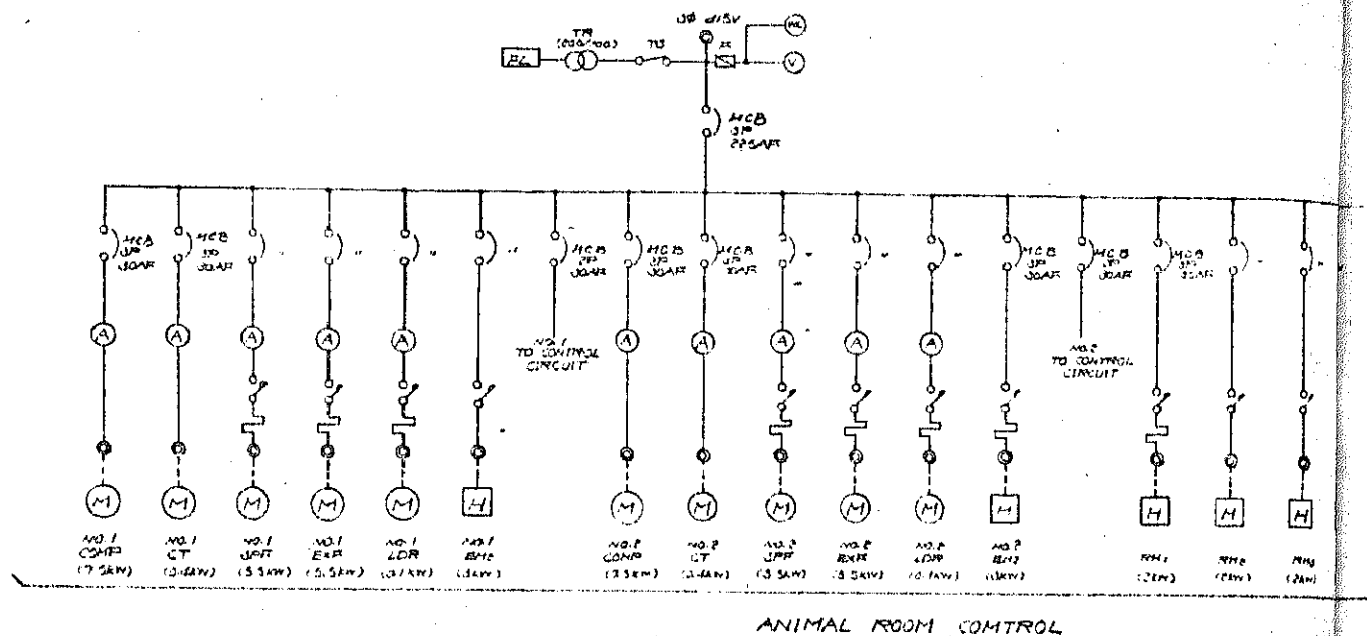
NOTE

- \*- 1V2" ~ 8"
- x- AC 415V
- oo- 50CV
- ON REMOTE PANEL

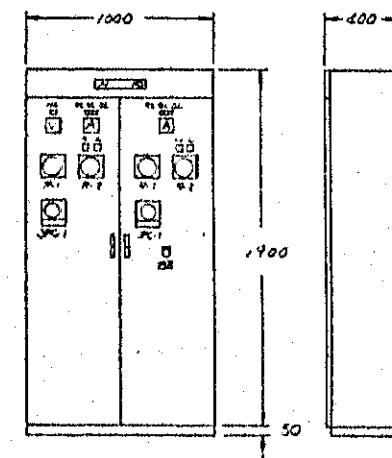


ELECTRON MICRO SCOPE

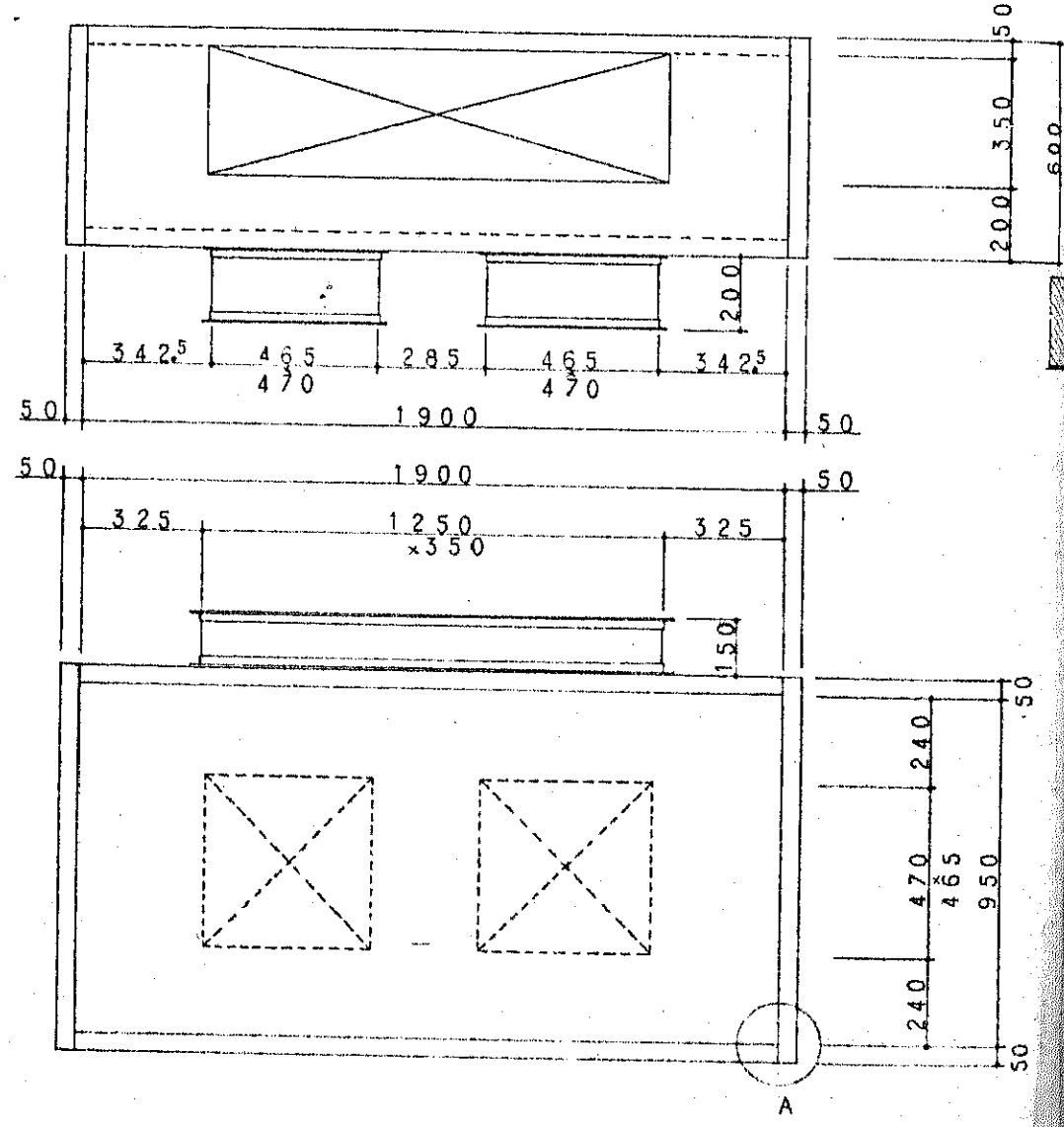
ANIMAL HOUSE (CLEAN ROOM) CONTROL 1 SET



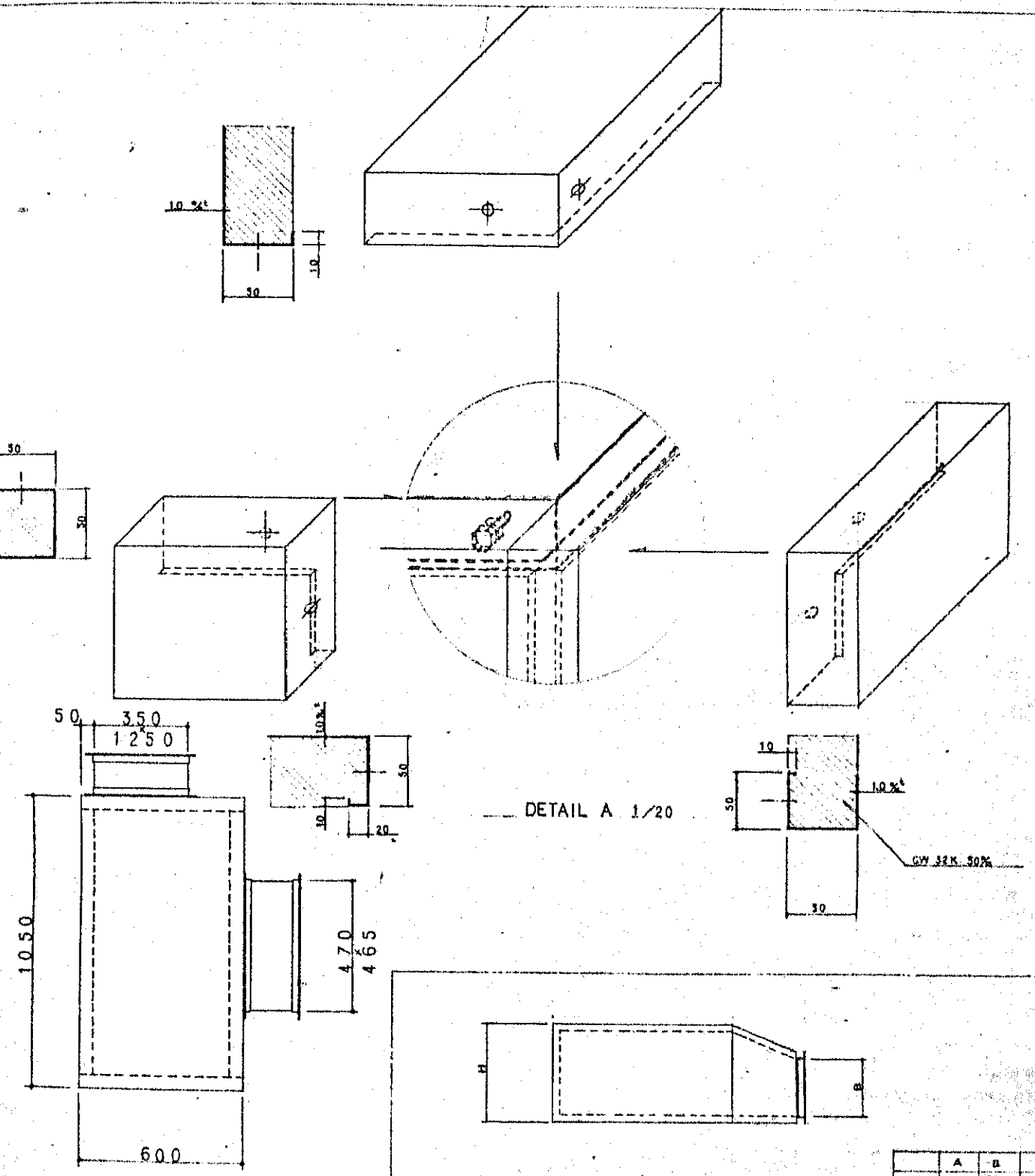
ANIMAL HOUSE CONTROL REMOTE PANEL 1 PIECE



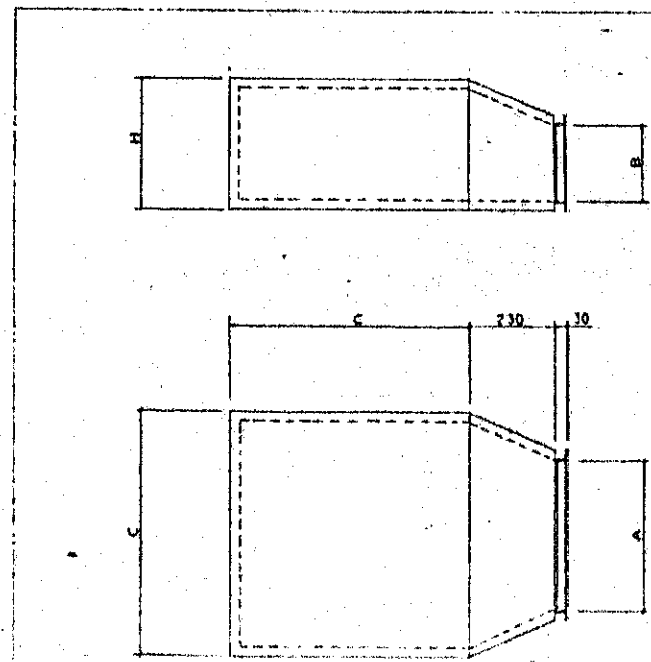
CONSTANT TEMPERATURE ROOM PAC CONTROL REMOTE PANEL 1 PIECE



SA. CHAMBER 1/10

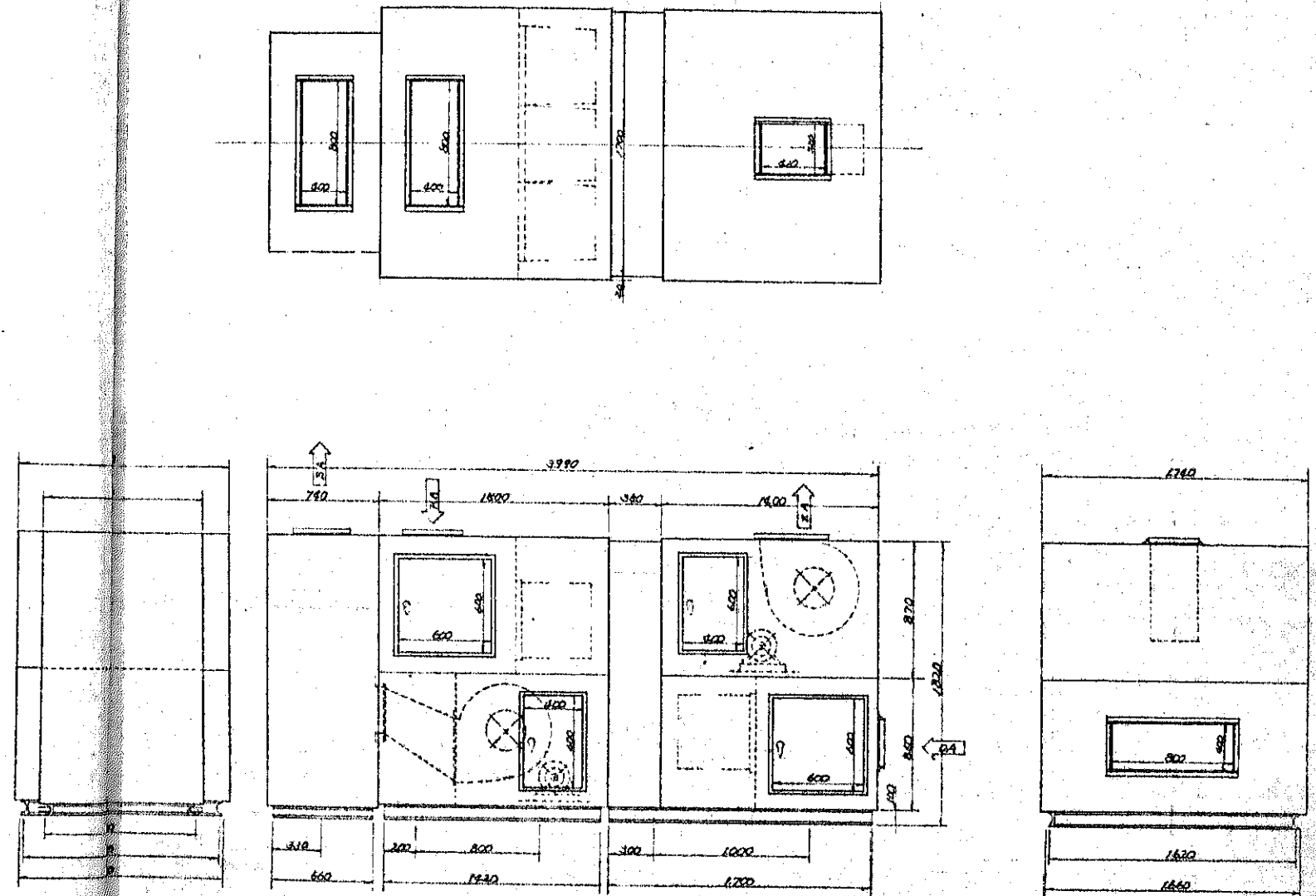
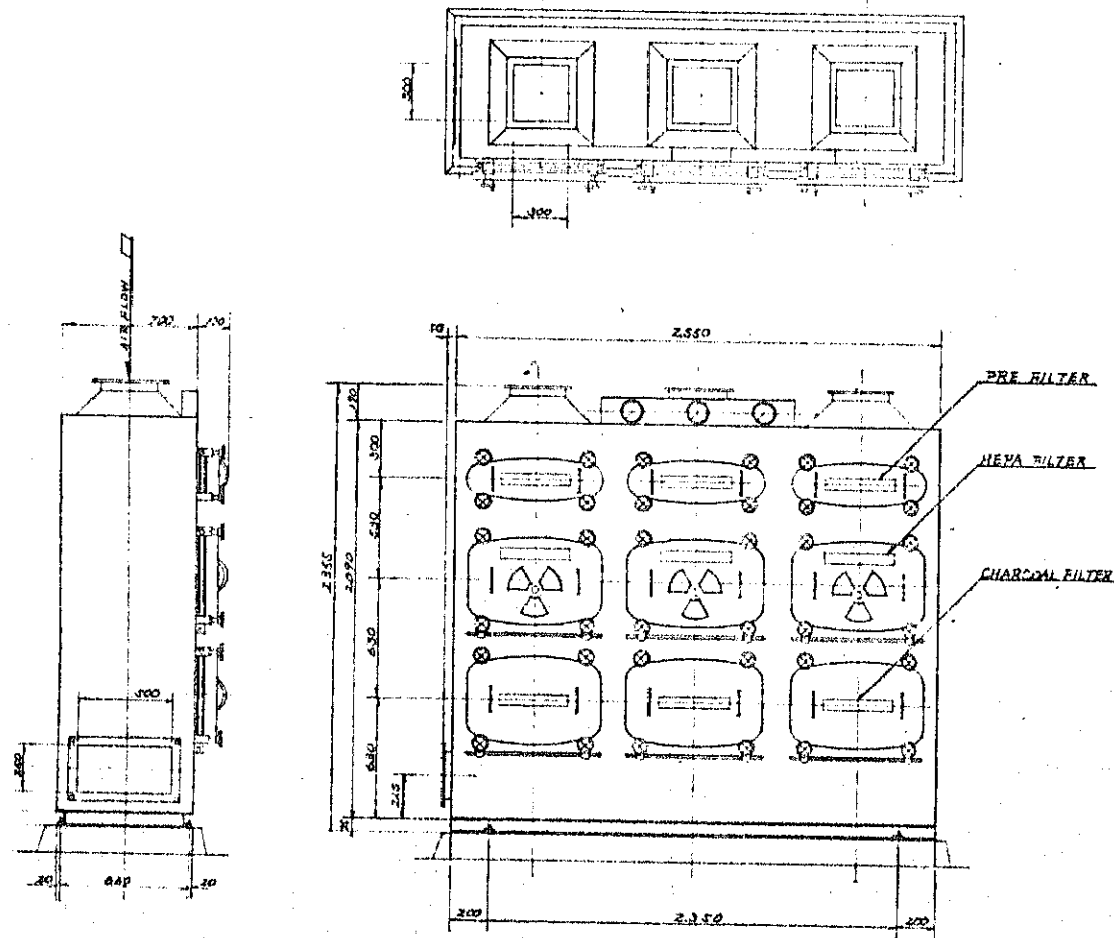


DETAIL A 1/20



CHAMBER FOR DIFFUSER 1/10

	A	B	C	H
NO 25	400	250	550	300
NO 30	400	250	650	350



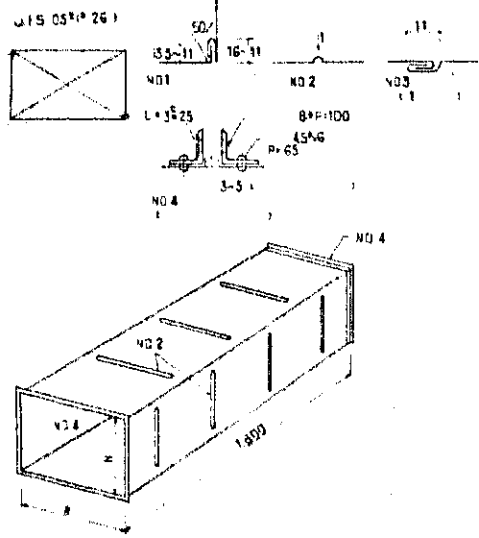
AIR FILTRATION SYSTEM FOR RADIOACTIVE CONTAMINANT

SPECIFICATIONS	EQUIPMENT SCHEDULE
1 RATED AIR FLOW	90 m <sup>3</sup> /min
2 FILTER	PRE FILTER TYPE NA-600 (510 x 610 x 50 mm) HEPA FILTER TYPE T-101-DF (410 x 610 x 292 mm) CHARCOAL TYPE T-101W MED DEPTH 25 mm
3 EFFICIENCY	PRE FILTER 99% (BY AT-10 GHT TEST METHOD) HEPA FILTER 99.997% HEPA FILTER 99.997% HOT DOP TEST METHOD 0.3 MICROMETER HOMOGENEOUS PARTICLES (IN ACCORDANCE WITH U.S. MILL-STD-282)
4 CLAMP MECHANISM FOR FILTERS	PRE FILTER SPRING SYSTEM HEPA FILTER FLOWING CAM SYSTEM CHARCOAL FILTER FLOWING CAM SYSTEM
5 PRESSURE GAGES DIFFERENTIAL	ONE OF EACH 0-30 mm W.G. 0-50 mm W.G. AND 0-100 mm W.G.
6 FILTER HOUSING	SKIN PLATE COLD ROLL STEEL ALL WELDED CONSTRUCTIONS REINFORCEMENT ANGLE L40 x 10 x 5 mm PAINTING POLY VINYL CHLORIDE
7 AIR FLOW RESISTANCE	PRE FILTER STARTING 1 mm W.G. FINAL 20 mm W.G. HEPA FILTER STARTING 15 mm W.G. FINAL 50 mm W.G. CHARCOAL FILTER 22.7 x 1.8 mm W.G.

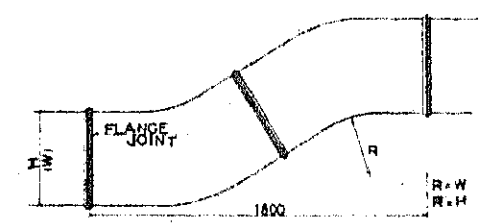
SPECIFICATIONS	EQUIPMENT SCHEDULE
ECONOMENT	
WATER COOLED REMOTE CONDENSER	
AIR FLOW RATE	AIR SUPPLY SIDE 4920 m <sup>3</sup> /min (S.A.) AIR RETURN SIDE 4920 m <sup>3</sup> /min (R.A.) AIR SUPPLY SIDE 4120 m <sup>3</sup> /min (O.A.) AIR RETURN SIDE 4920 m <sup>3</sup> /min (E.A.)
AIR SUPPLY SIDE FAN	NO 2 1/2 4920 m <sup>3</sup> /min - SP 10 mm/Hg
AIR RETURN SIDE FAN	NO 2 1/2 4920 m <sup>3</sup> /min - SP 25 mm/Hg
AIR SUPPLY SIDE MORTOR	5.5 kw
AIR RETURN SIDE MORTOR	5.5 kw
AIR FILTER	ULTRA-HIGH PERFORMANCE
500 x 500 x 500 x 6	NS FILTER W TYPE
VOLTAGES	3 $\phi$ 415V 50HZ

NET WEIGHT	
• ECONOMENT	290 kg
• O.A. CHAMBER	500 kg
• S.A. CHAMBER	550 kg
• PACKAGE	400 kg
<b>TOTAL</b>	<b>1740 kg</b>

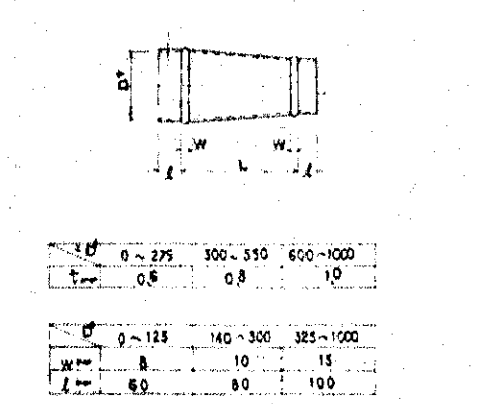
D-1 DUCT SIZE 0 ~ 300 LOW-VELOCITY AIR DUCT



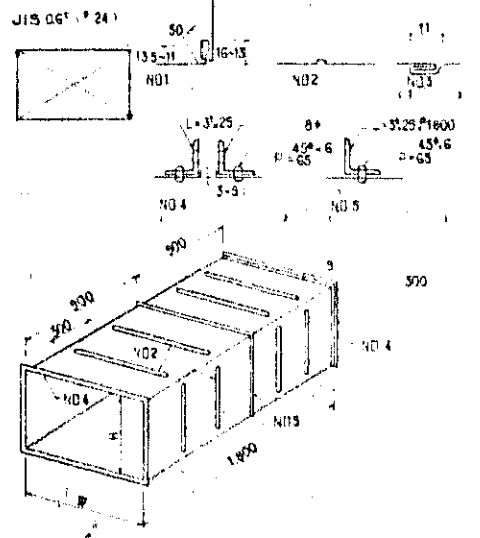
D-7 ELBOW DUCT



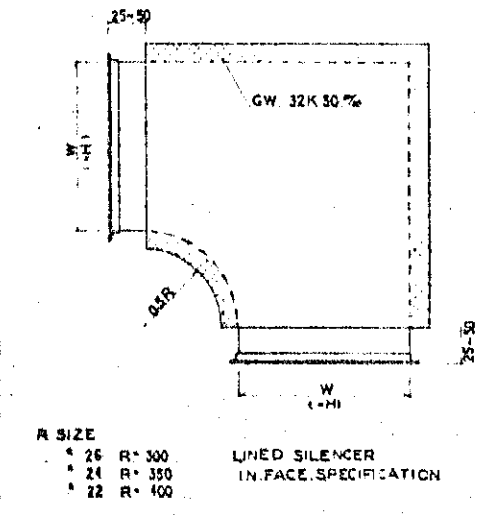
D-13 HOPPA (ROUND DUCT)



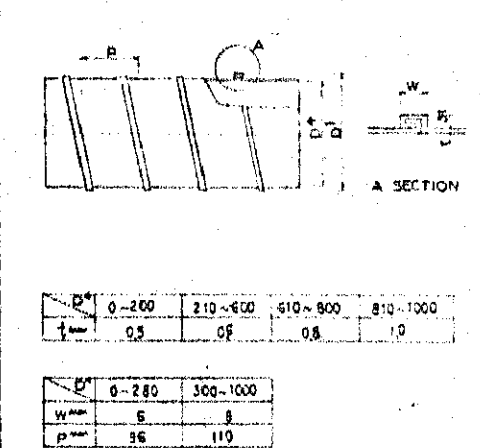
D-2 DUCT SIZE 110 ~ 750 LOW-VELOCITY AIR DUCT



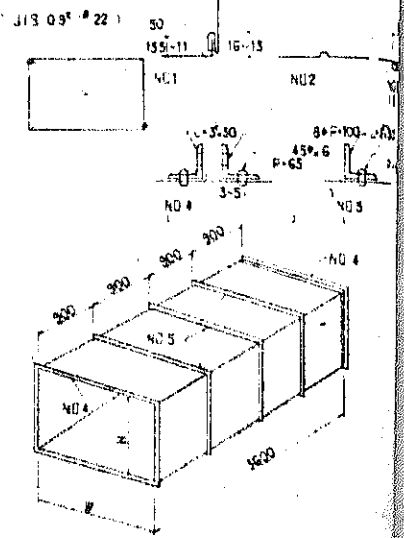
D-8 SILENCER ELBOW



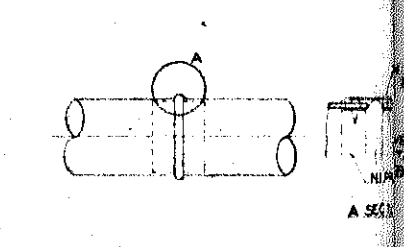
D-14 SPIRAL DUCT



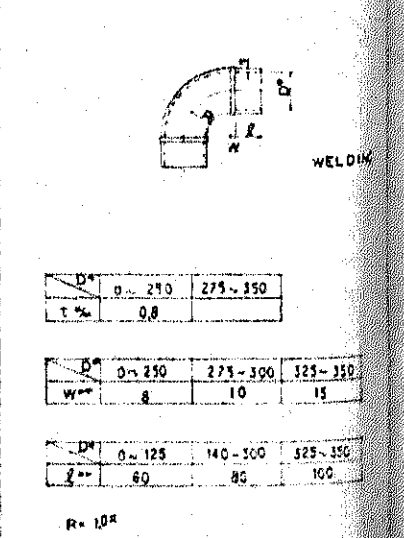
D-3 DUCT SIZE 760 ~ 1500 LOW-VELOCITY AIR DUCT



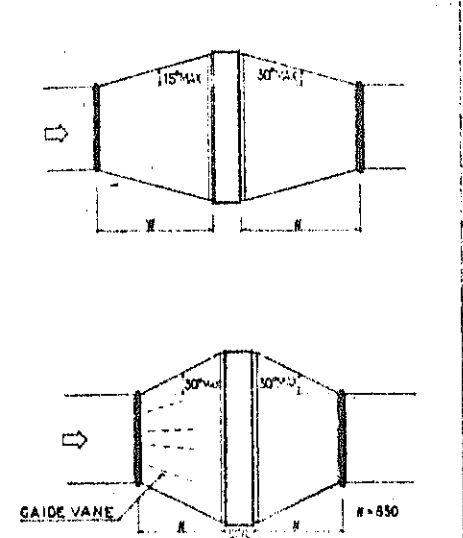
D-9 SPIRAL DUCT JOINT



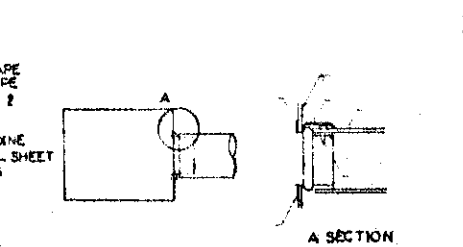
D-15 ELBOW (ROUND DUCT)



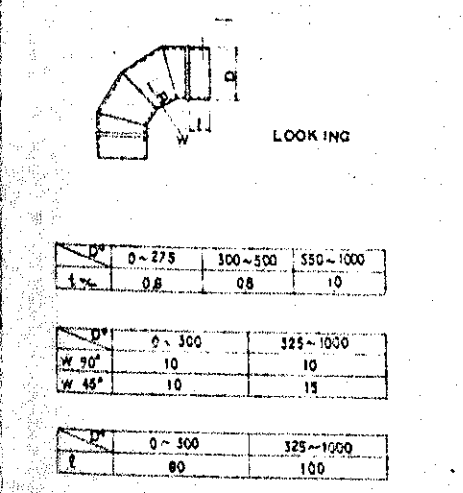
D-4 INCREASER OF DIMINISHING



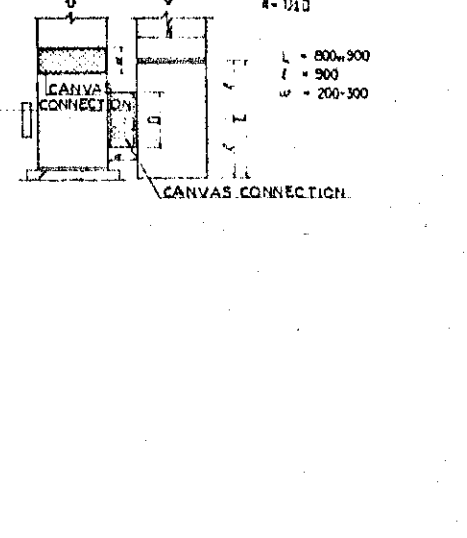
D-10 DUCT (square) CHAMBER JOINT



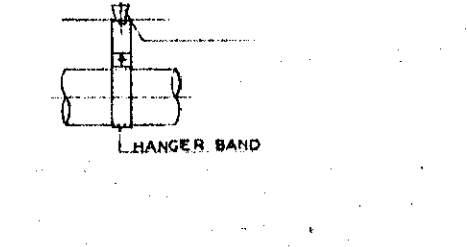
D-16 ELBOW (ROUND DUCT)



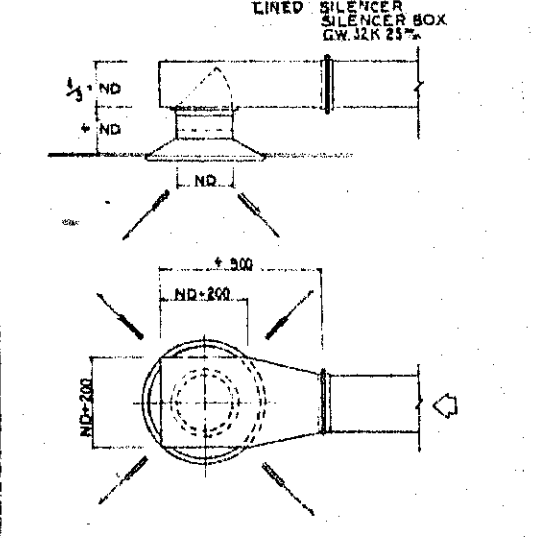
D-5 FAN INLET DUCT ROUGHING



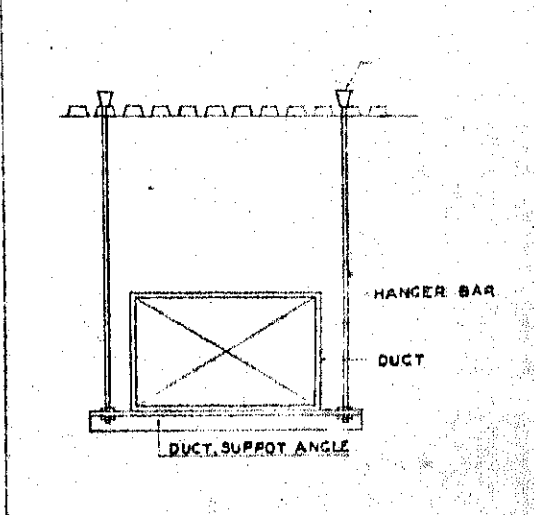
D-11 SPIRAL DUCT SUPPORT

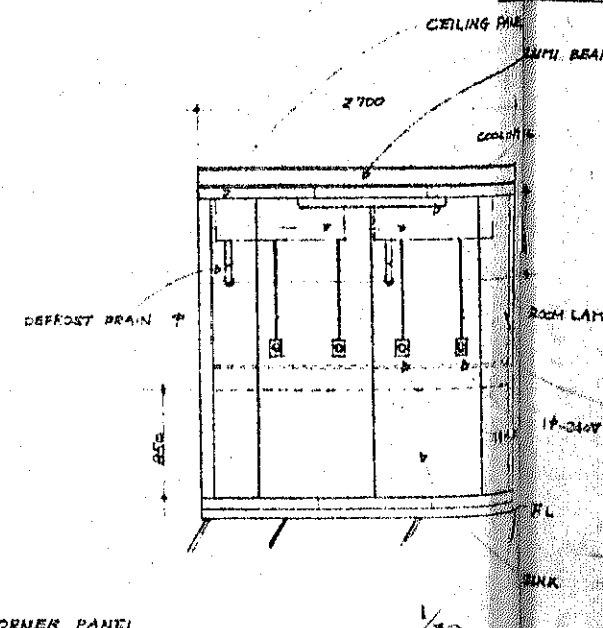
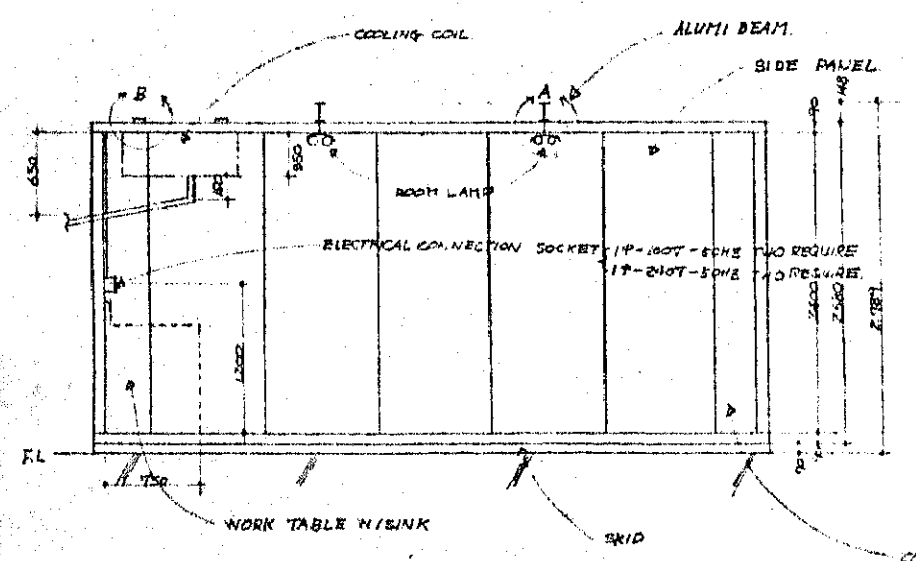
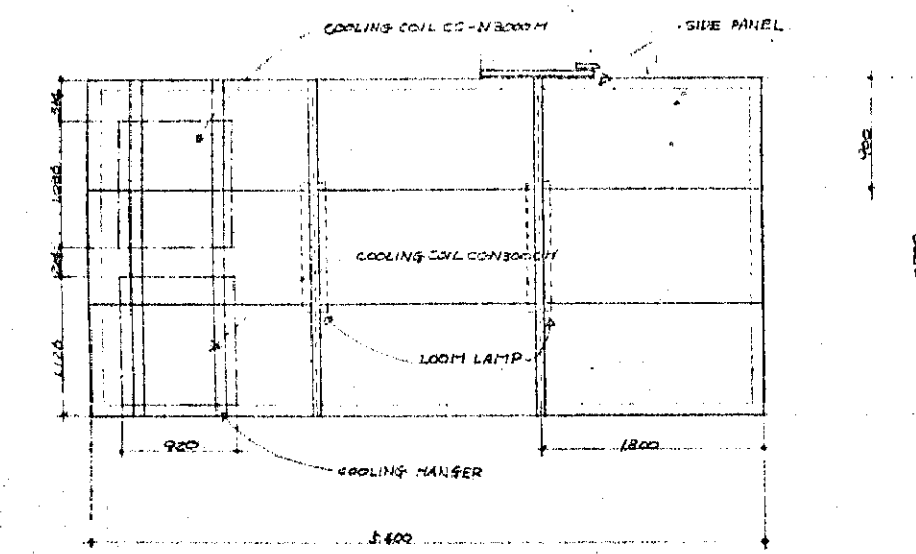
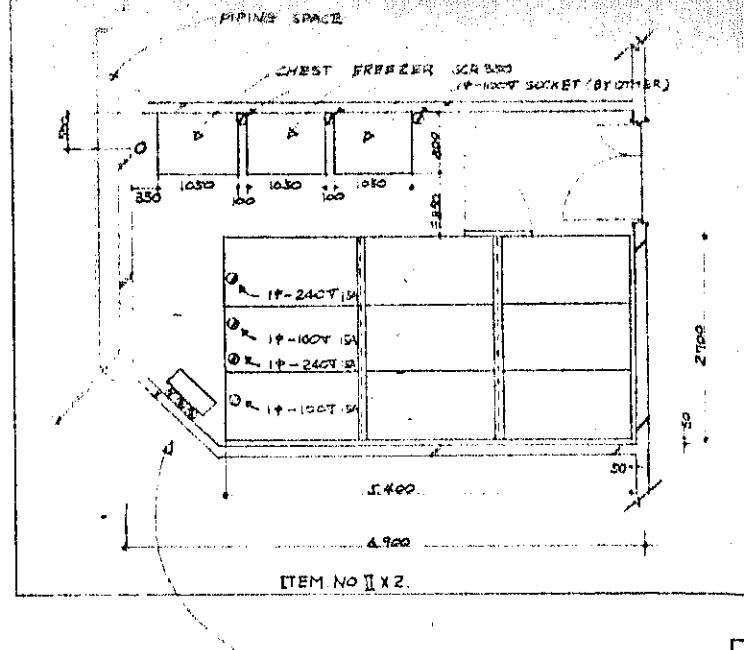
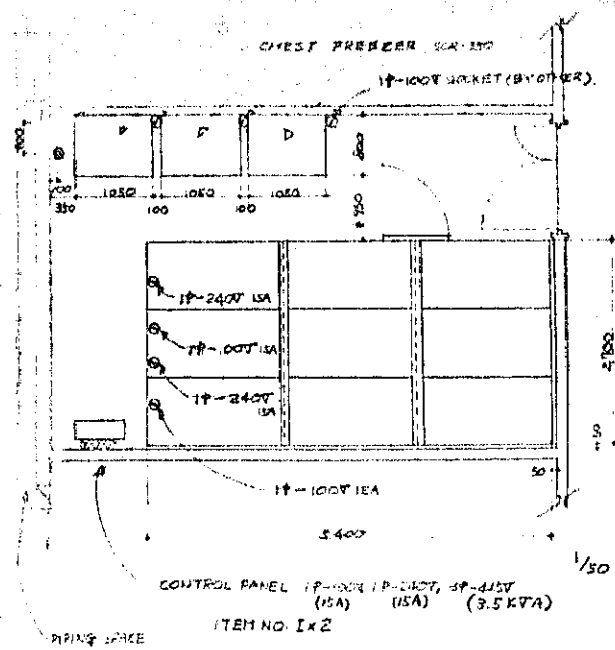


D-6 AIR-OUTLET (round) ROUGHING IN



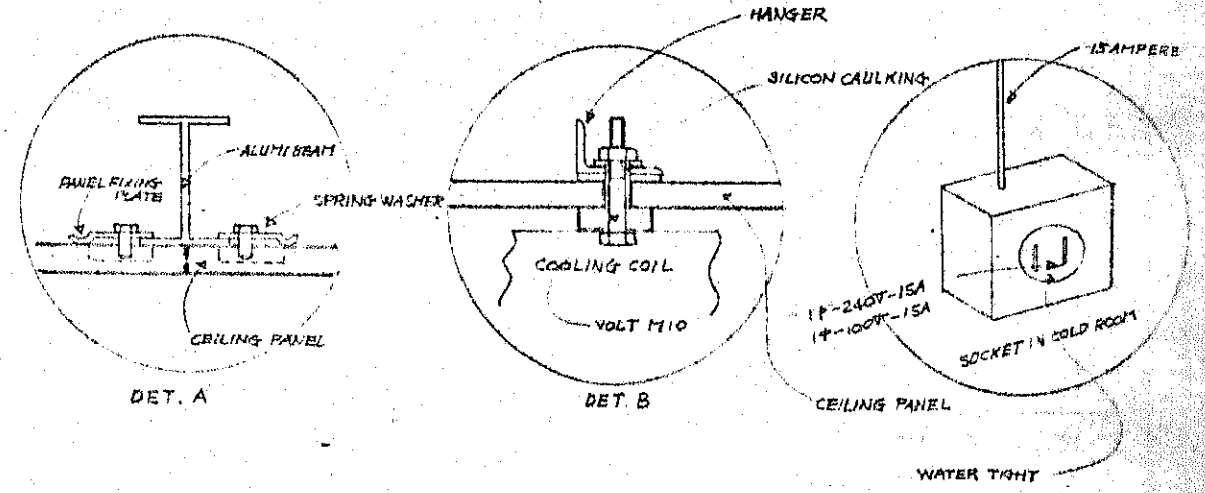
D-12 DUCT (square) SUPPORT

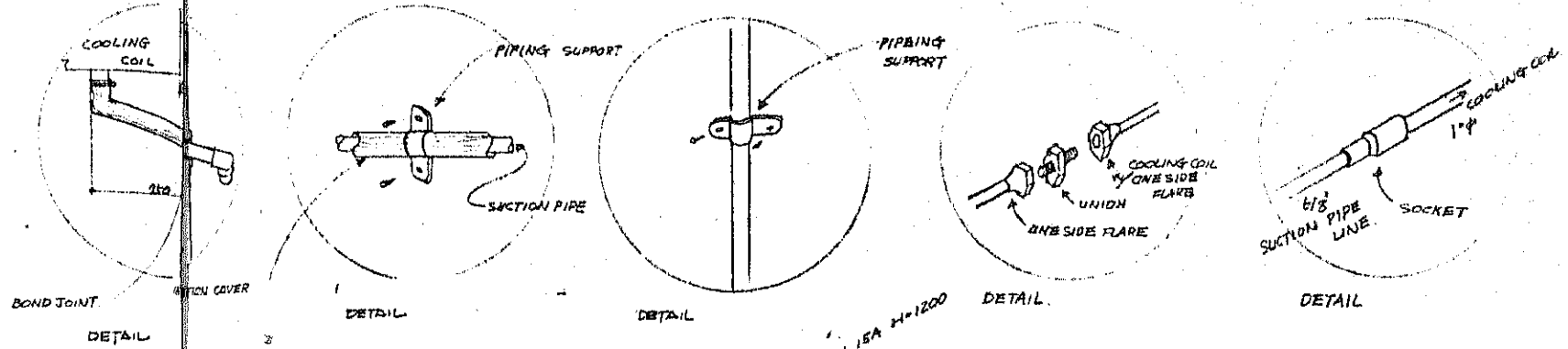
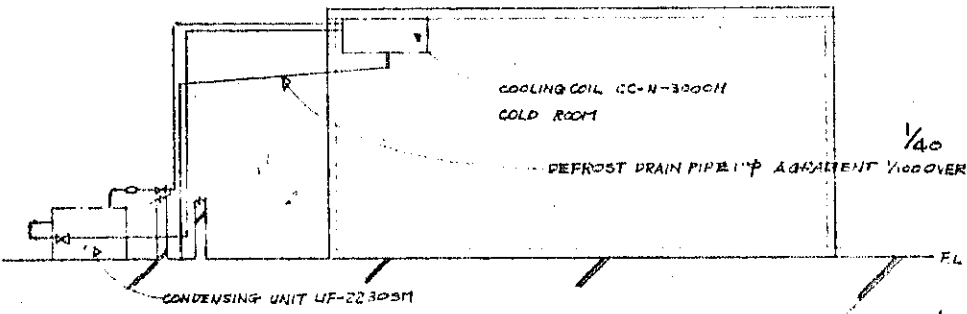
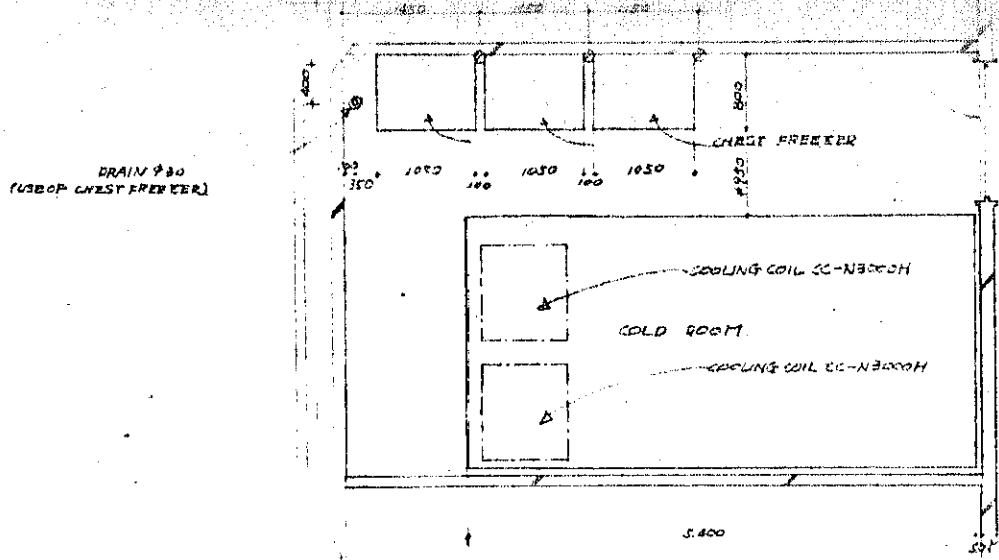




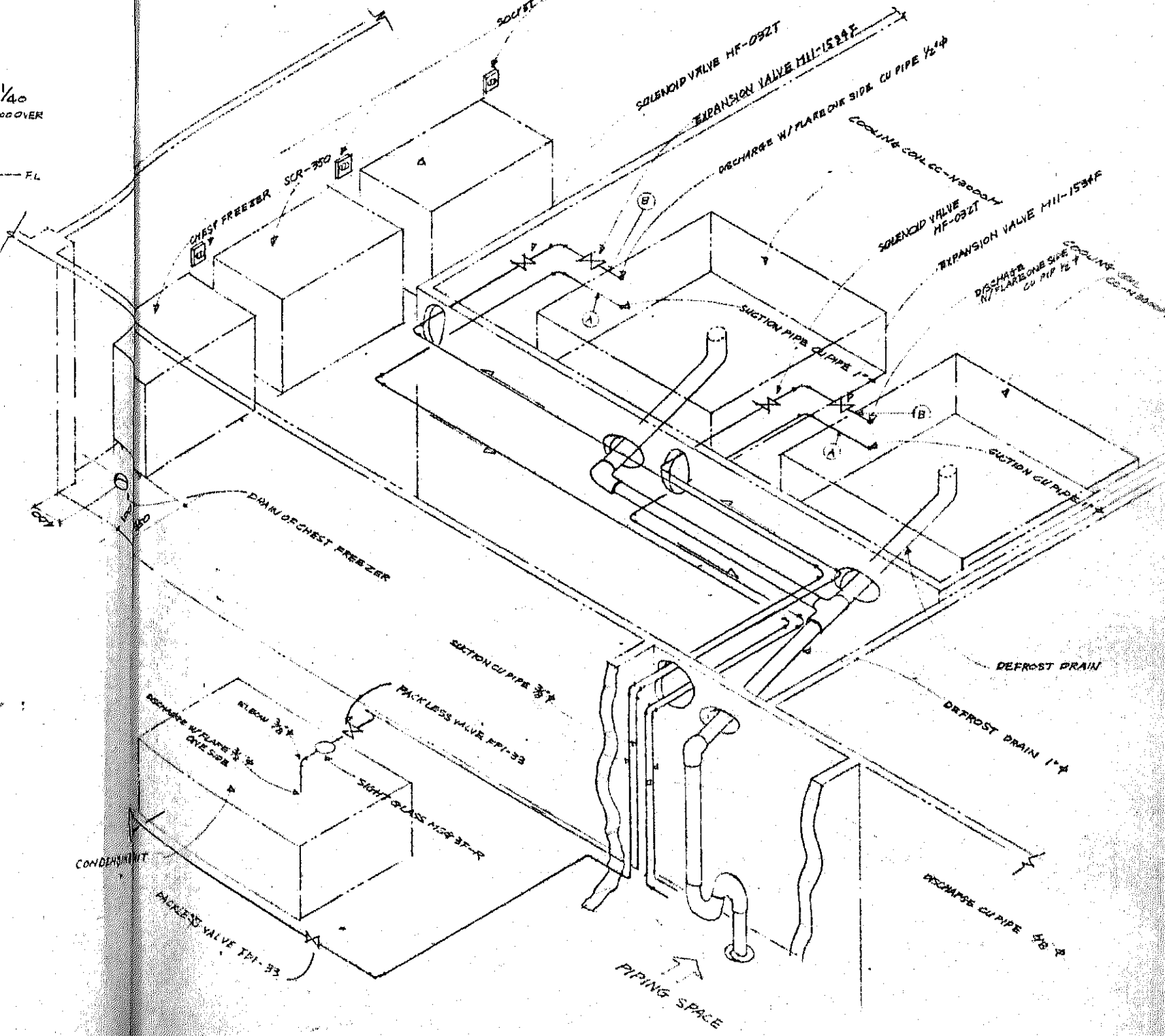
CONDENSER UNIT			
VOLTS	3P-415V		
PO	4		
H	OUT 1.5 KW IN 3.5 KVA		
REFRIGERANT	INTERNAL THERMO.		
REFRIGERANT	R-22		
ROOM TEMPERATURE	4°C/ONE UNIT		
CAPACITY (KCAL/H)			
AIRC. SOURCE	TEMPERATURE	-15°	2200K02
RATED VOLTAGE	60Hz	TEMPERATURE	
COOL COIL			
AIRC. SOURCE	TD 1°C	1685 Kcal/h.	
	TD 10°C	2170 Kcal/h.	
	TD 15°C	5055 Kcal/h.	
WATTAGE	3P-415V		
IN	237 W.		
REVEN	1490 (1P.H)		
REFRIG. MODEL NUMBER	UF-2230,SHB		

DESCRIPTION	WIDTH	DEEP	HEIGHT	MODEL NO	QTY	REMARK
Ceiling Panel	1800	700	40	MCL-99FB	2	
	1800	900	90	MCR-99FB	2	
	1800	900	90	MCT-99FB	2	
	1800	900	90	MCC-99FB	2	
	1800	900	90	MCM-99FB	1	
FLOOR PANEL	1800	900	90	MFL-99FB	2	
	1800	900	90	MFR-99FB	2	
	1800	900	90	MFT-99FB	2	
	1800	900	90	MFC-99FB	2	
	1800	900	90	MFM-99FB	1	
CORNER PANEL	450	450	2400	MKN-99FB	4	
SIDE PANEL	900	90	2400	MSC-99FB	13	
SPARE NO						
DOOR PANEL	900	90	2400	MPD-99FB	1	
SPARE NO						
SPARE NO						
ALUMI BEAM	2700	100	148	SCB-270A	2	
SKID				SCB-606SK	3	
SKID				SCB-603SK	3	
SILICONE CAULKING				MCB-45T	3	
HAND GUN				SCB-4HG	1	
SPACER	50	50			16	9L
HANGER OF COOLING	2700	60	60		4	5L
WASHER					20	
VOLT M10					10	
NUT M10					20	
TRANSFORMER	650	250	1000		1	
ROOM LAMP				FL40 TEIANYO	4	HITUBISHI 40W
ROOM LAMP SOCKET				PH-W4612R	2	HITUBISHI
SOCKET				1P-100V-15A	2	MADE IN JAPAN
SOCKET				1P-240V-15A	2	MADE IN JAPAN
CHEST FREEZER				SCR-350	3	SANYO
REFERENCE MODEL NUMBER						

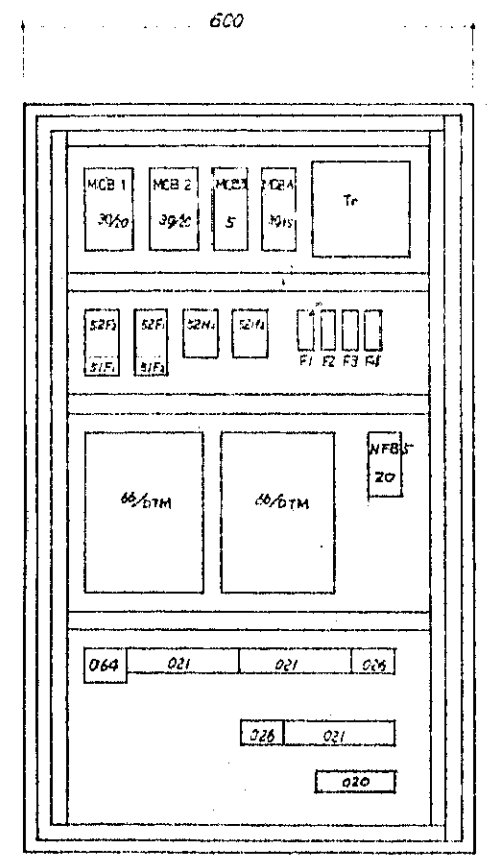




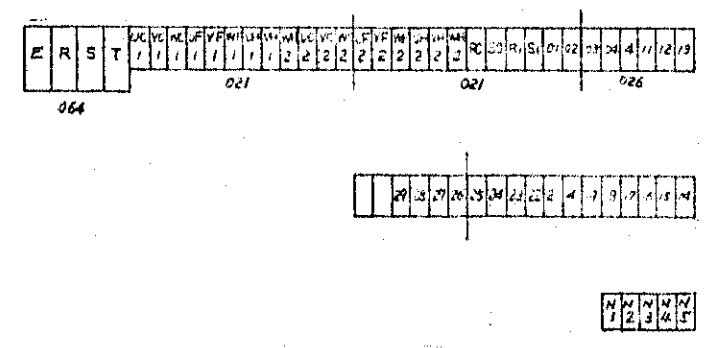
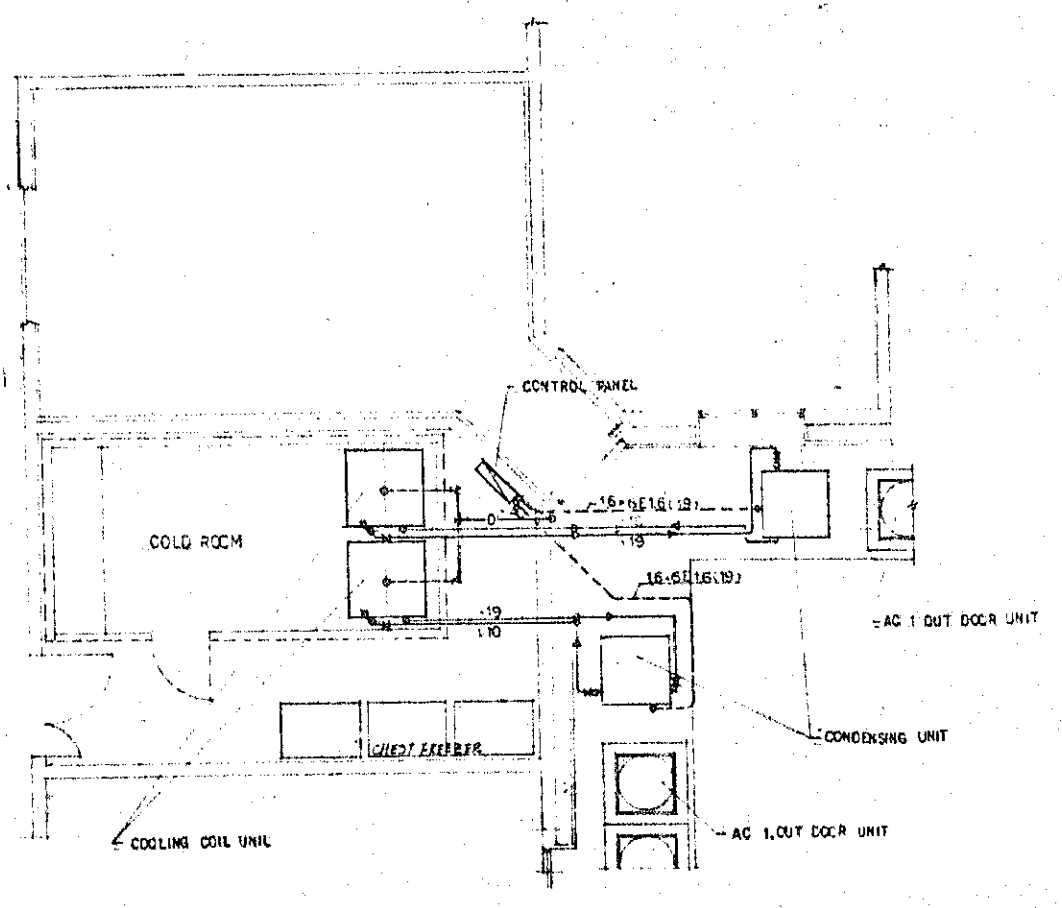
DESCRIPTION	MODEL NO.	QTY	REMARK
CONDENSING UNIT AIR COOL	UF-2230SM	2	
COOLING COIL	CC-N-3000H	2	
REFRIGERANT	R-22		
SIGHT GLASS	MSG-3P-R	2	
PACK LESS VALVE (D)	FP-33	2	
PACK LESS VALVE (S)	FP-35	2	
SOLENOID VALVE	HF-032T	2	
EXPANSION VALVE	MII-1534F	2	
TEMPERATURE CONTROL	TH-1	2	
SPARE	NO		
COPPER TUBE (S)	3/8" P x 15M	1	
COPPER TUBE (D)	3/8" P x 15M	1	
COPPER TUBE	1/2" P x 1M	1	
CONTROL PANEL	SSD-W-250x1200	1	
SPARE	NO		
ELBOW (S)	3/8" P	18	
LI TRAP CU TUBE (S)	3/8" P	2	
SOCKET CU TUBE (S)	3/8" P x 1"	2	
ONE SIDE FLARE (S)	3/8" P	2	
UNION (S)	1/2"	2	
ELBOW (D)	3/8" P	4	
VINYL TAPE (S)	3" WIDE	6	
INSULATION PIPE (S)	100 x 5/8" P	10	
PIPING SUPPORT	1 1/2" x 10	10	
DRAIN (DEFROST VINYL PIPE)	1" P x 10M	1	
ELBOW (VINYL PIPE) 90°	1" P	5	
ELBOW (VINYL PIPE) 45°	1" P	4	
TEES (VINYL PIPE)	1" P	1	
CHEST FREEZER	SCR-350	3	
CONNECTION	1"-100V-15A	3	N/CORP



CONTROL PANEL



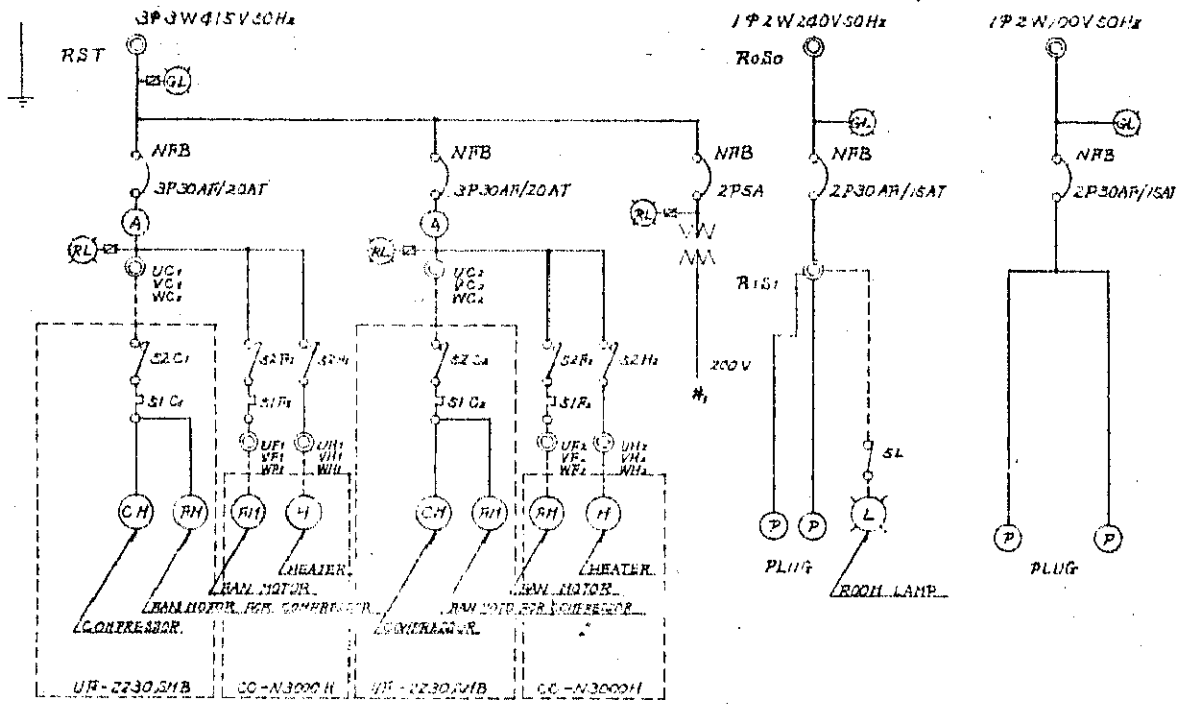
SYMBOL	NAME	MODEL
MCB 1	MCEDEC	3P. 30AF/20AT
2	"	2P. 30AF/20AT
3	"	2P. 5A
4	"	2P. 30AF/15AT
Tr	TRANSFORMER	
S2F1	MAGNETO. SWITCH	SPC 3931-2
S2F2	"	"
S1F1	THERMAL RELAY	
S1F2	"	
S2H1	MAGNETO. SWITCH	SPC 3931-0
S2H2	"	"
F1, F2	FUSE	
66/DTM	TIMER	
A	AMMETER	
GL 1	PILOT LAMP	
GL 2	"	
RL 1	"	
RL 2	"	
RL 3	"	
L 1	"	
L 2	"	
43	CHANG-OVER SWITCH	
GL 3	PILOT LAMP	



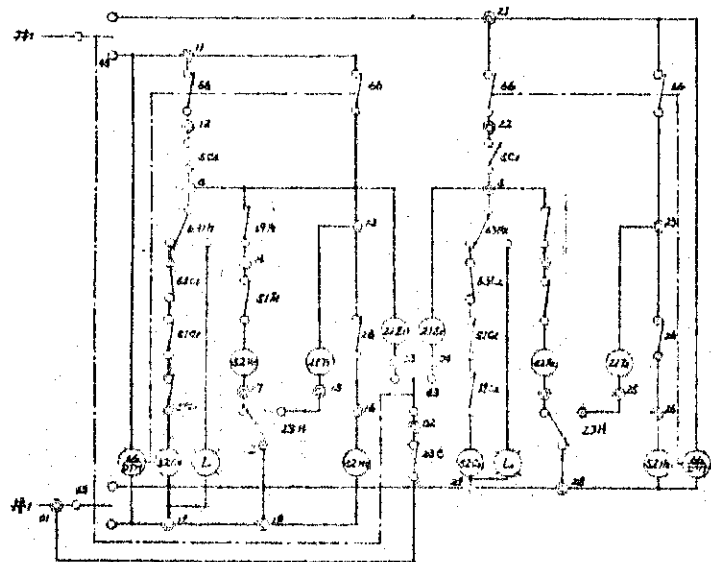


ELECTRIC WIRING DIAGRAM

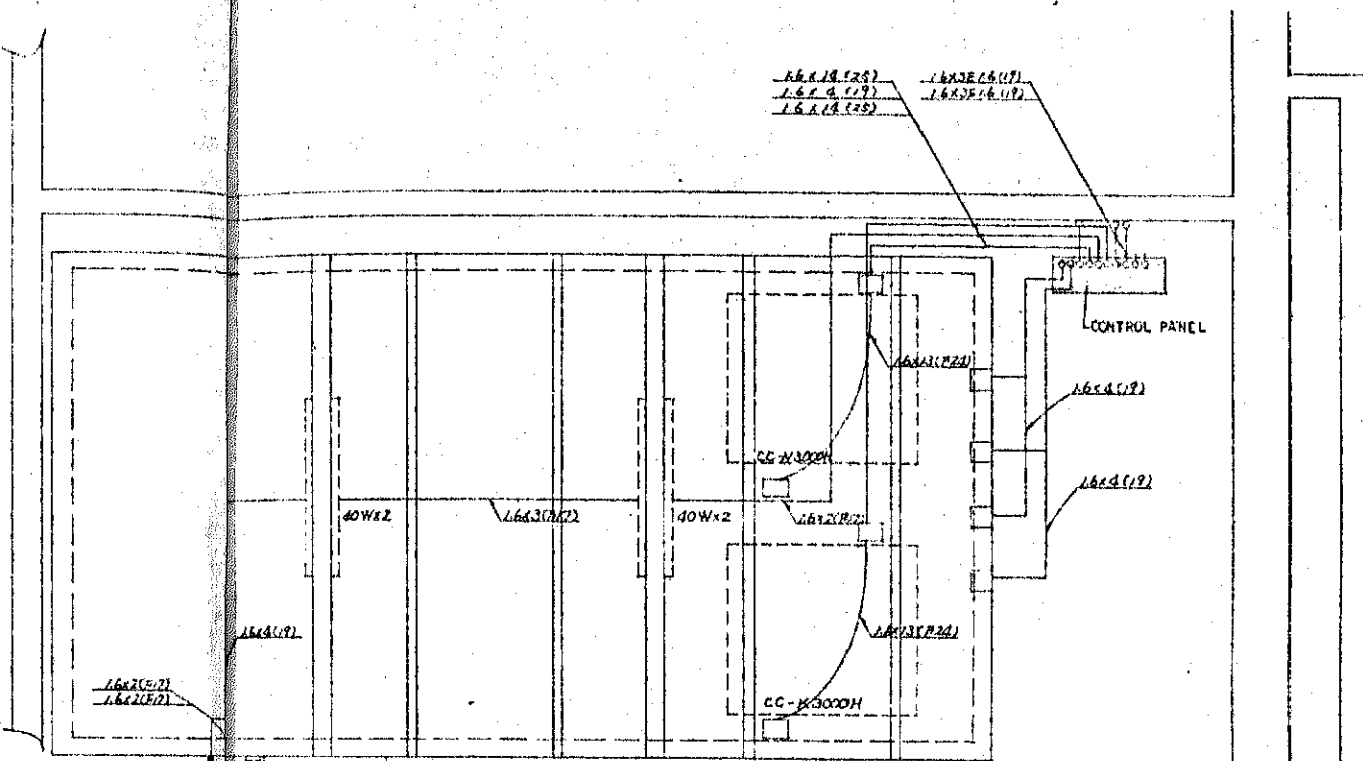
1. MAIN CIRCUIT



2. CONTROL CIRCUIT



SYMBOL	NAME OR TOOL	SYMBOL	NAME OR TOOL
○	TERMINAL PLATE	S2H	HEATER ELECTROMAGNETIC SWITCH
NFB	BREAKER	49C	PROTECTION THERMO FOR COMPRESSOR
⊠	A.M.P	49F	RAN MOTOR INTERNAL THERMO
⊞	FUSE	63L	LOW SWITCH
⊙	AMMETER	63H	HISE SWITCH
⊞	TRANSFORMER	SO	OVER LOAD PROTECTION
⊞	CHANGE-OVER SWITCH	SL	ROOM LAMP SWITCH
66/DTM	TIMER MOTOR	21T	SOLENOID COIL
66	TIMER CONTACT	21B	SOLENOID VALVE
S1C	COMPRESSOR OVERCURRENT PROTECTION RELAY	23H	THERMOSTAT
S1F	RAN MOTOR OVERCURRENT PROTECTION RELAY	23T	ROOM THERMOSTAT
S2C	COMPRESSOR ELECTROMAGNETIC SWITCH	26	OVER HEAT PROTECTOR
S2F	RAN MOTOR ELECTROMAGNETIC SWITCH		



ALL ELECTRIC WIRE IS 17 ELECTRIC WIRE

