

THE UNITED REPUBLIC OF TANZANIA

THE IMPLEMENTATION DESIGN

FOR

THE KILIMANJARO AGRICULTURAL DEVELOPMENT CENTER PROJECT

DESIGN DRAWINGS

TRIAL FARM

JUNE 1980

JAPAN INTERNATIONAL COOPERATION AGENCY

L416
80.7
ADT

ADT
JR
80-30

THE UNITED REPUBLIC OF TANZANIA

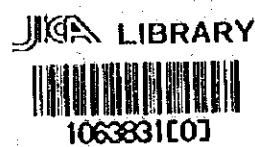
THE IMPLEMENTATION DESIGN

FOR

THE KILIMANJARO AGRICULTURAL DEVELOPMENT CENTER PROJECT

DESIGN DRAWINGS

TRIAL FARM



JUNE 1980

JAPAN INTERNATIONAL COOPERATION AGENCY

ADT
JR
80-30

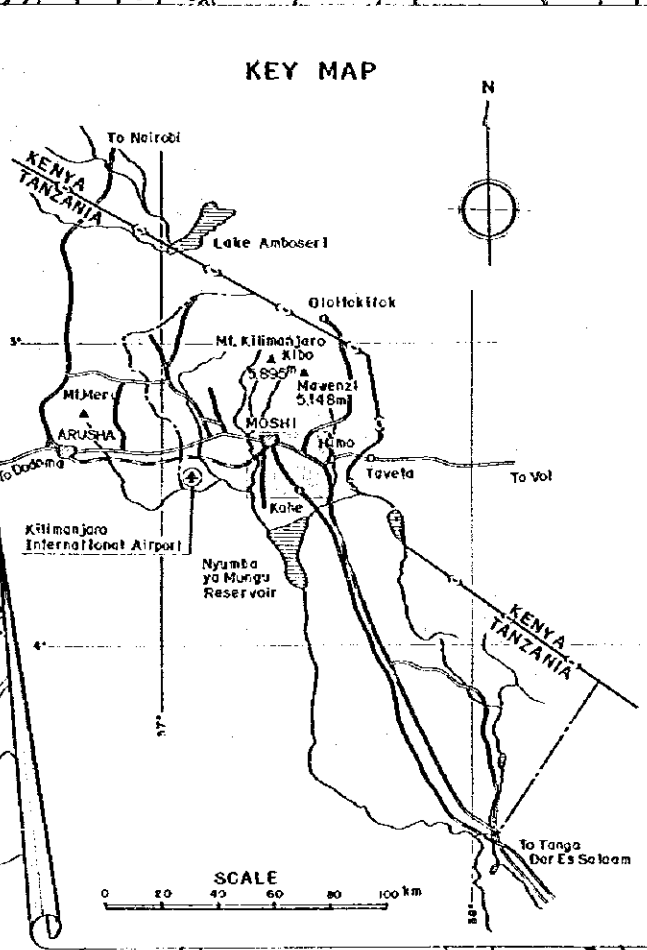
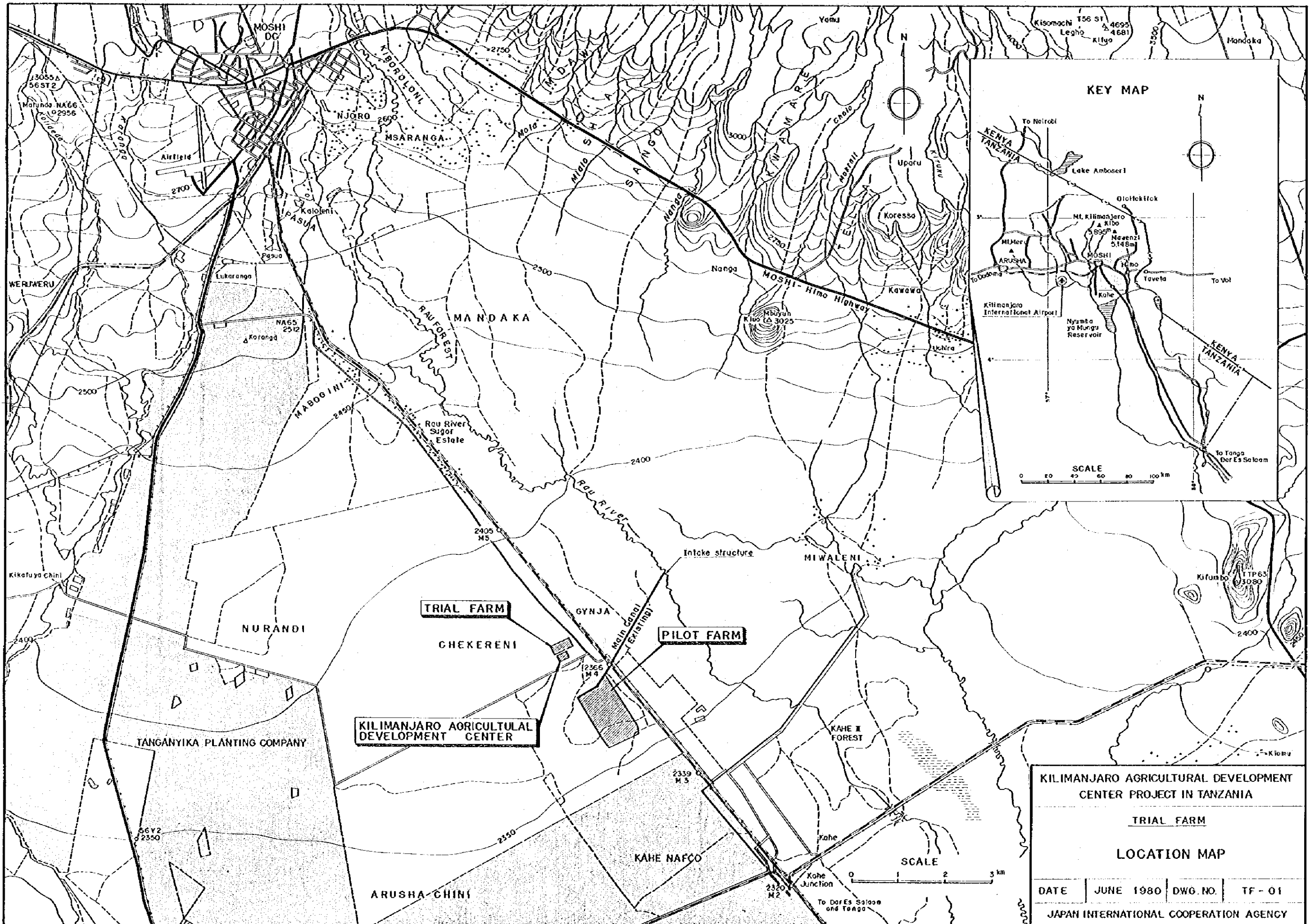
国際協力事業団		
受入 月日	87.1.20	L416
登録 No.	15921	80.7 ADT

THE IMPLEMENTATION DESIGN
OF
KILIMANJARO AGRICULTURAL DEVELOPMENT CENTER PROJECT

TRIAL FARM

LIST OF DRAWINGS

DWG. NO.	TITLE
TF-01	LOCATION MAP OF KADC PROJECT
TF-02	LAYOUT OF TRIAL FARM
TF-03	SECTIONS OF FARM
TF-04	PROFILE OF MAIN & No.1 PIPELINES
TF-05	PROFILE OF No.2 & No.3 PIPELINES
TF-06	PROFILE OF No.1, No.2 & No.3 DRAINS
TF-07	PROFILE OF No.4 & No.5 DRAINS
TF-08	PROFILE OF No.1 & No.2 FARM ROADS
TF-09	MAIN PUMP HOUSE
TF-10	BOOSTER PUMP HOUSE
TF-11	FARM POND
TF-12	INLET & OUTLET PITS
TF-13	SLUICE VALVE BOX & DISCHARGE METER BOX
TF-14	HYDRANT BOX
TF-15	BLOW OFF & AIR VALVE BOX
TF-16	CULVERT
TF-17	PLAN OF ELECTRIC DISTRIBUTION LINE
TF-18	DETAIL OF ELECTRIC DISTRIBUTION SYSTEM
TF-19	CONSTRUCTION TIME SCHEDULE



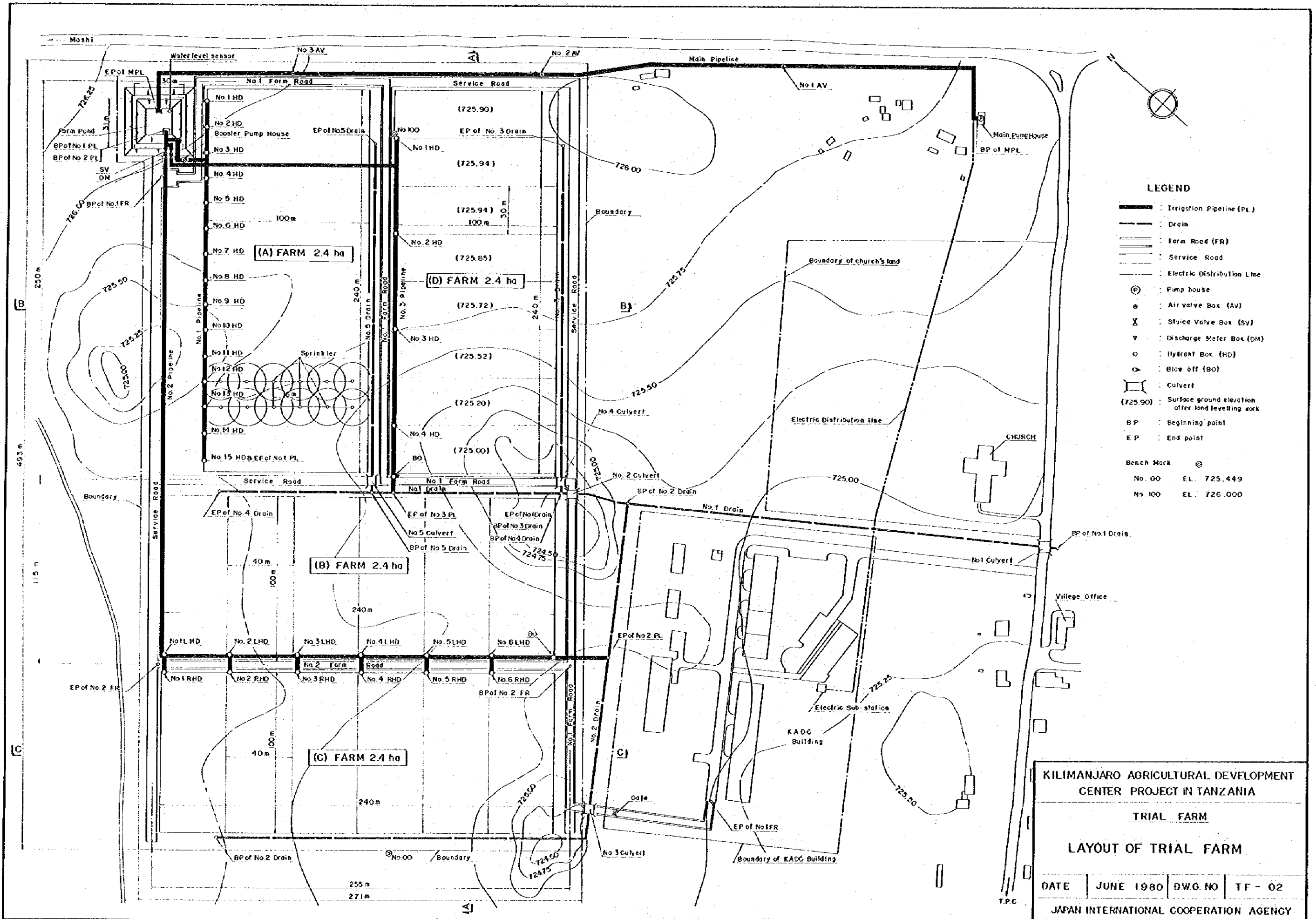
KILIMANJARO AGRICULTURAL DEVELOPMENT CENTER PROJECT IN TANZANIA

TRIAL FARM

LOCATION MAP

DATE	JUNE 1980	DWG. NO.	TF - 01
------	-----------	----------	---------

JAPAN INTERNATIONAL COOPERATION AGENCY



LEGEND

- : Irrigation Pipeline (PI)
- : Drain
- : Farm Road (FR)
- : Service Road
- : Electric Distribution Line
- : Pump house
- : Air valve Box (AV)
- : Sluice Valve Box (SV)
- : Discharge Meter Box (DM)
- : Hydrant Box (HD)
- : Blow off (BO)
- : Culvert
- (725.90) : Surface ground elevation after land levelling work
- BP : Beginning point
- EP : End point

- Bench Mark
 - No. 00 EL. 725.449
 - No. 100 EL. 726.000

KILIMANJARO AGRICULTURAL DEVELOPMENT
CENTER PROJECT IN TANZANIA

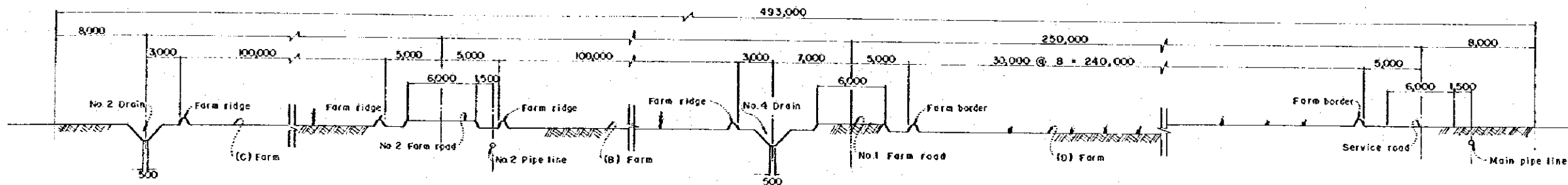
TRIAL FARM

LAYOUT OF TRIAL FARM

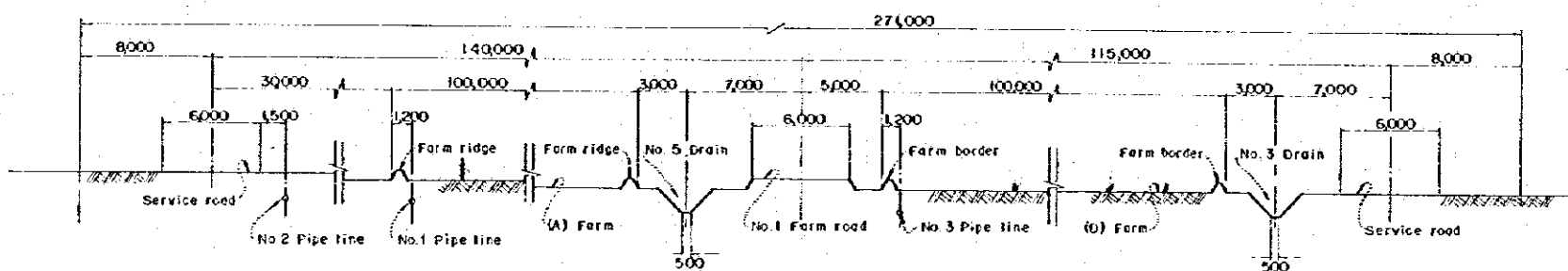
DATE	JUNE 1980	DWG. NO.	TF - 02
------	-----------	----------	---------

JAPAN INTERNATIONAL COOPERATION AGENCY

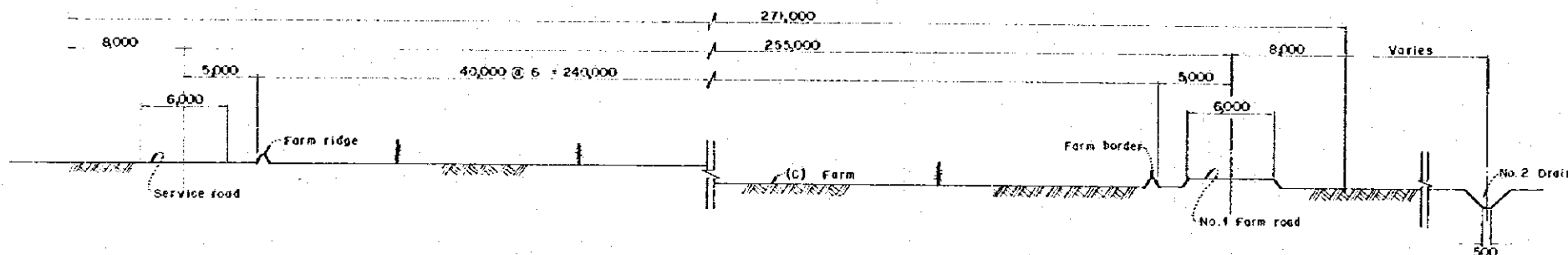
T.P.C



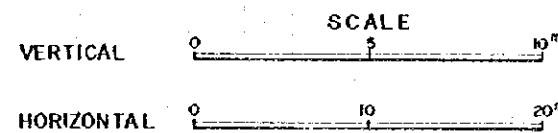
SECTION A - A



SECTION B - B



SECTION C - C



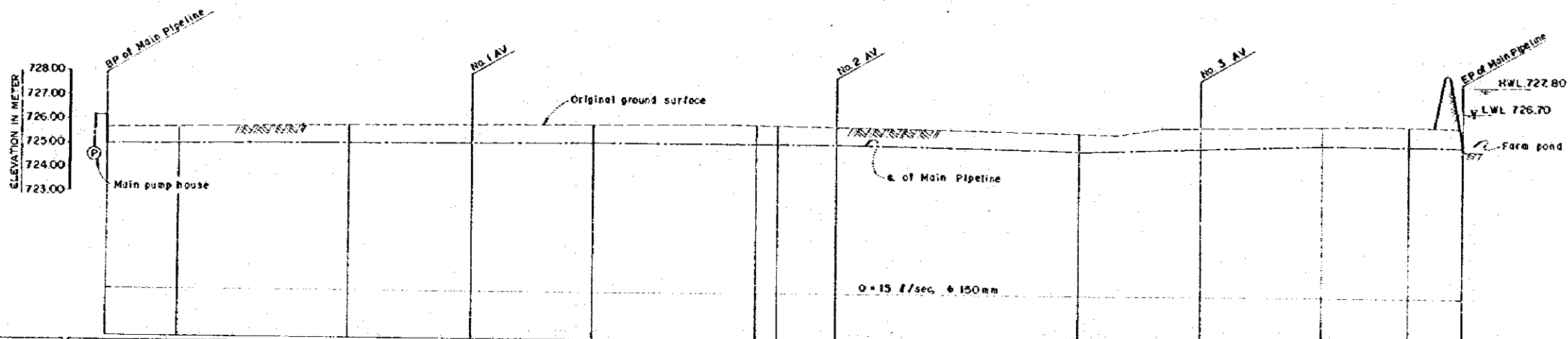
KILIMANJARO AGRICULTURAL DEVELOPMENT
CENTER PROJECT IN TANZANIA

TRIAL FARM

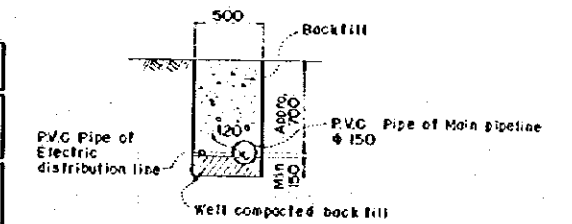
SECTIONS OF FARM

DATE | JUNE 1980 | DWG. NO. | TF-03

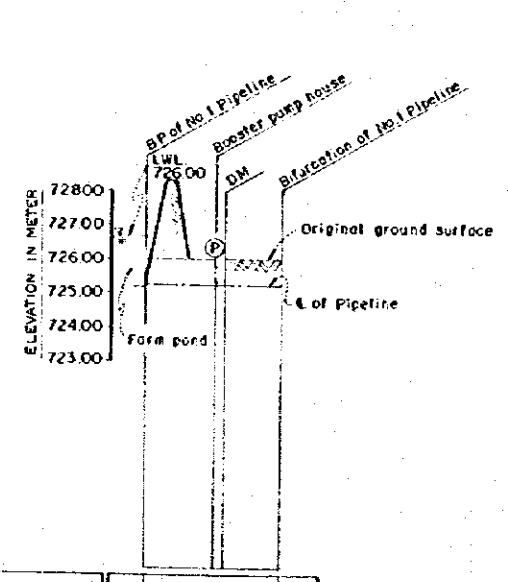
JAPAN INTERNATIONAL COOPERATION AGENCY



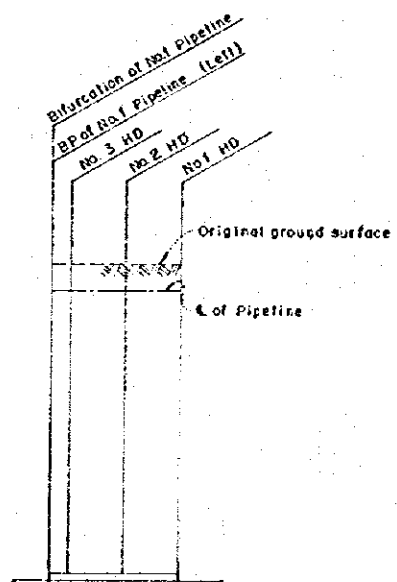
GRADIENT	1=0	1=0.0012		1=0	1=0.002		1=0.003		1=0
CENTER LINE OF PIPE LINE	725.00	725.00	725.08	725.14	725.20	725.20	725.20	725.20	725.30
GROUND SURFACE ELEVATION	725.70	725.75	725.80	725.85	725.95	726.00	726.00	726.00	726.10
REDUCED DISTANCE	0.00	30.00	100.00	150.00	200.00	267.00	276.00	450.00	500.00
DISTANCE	0.00	30.00	100.00	150.00	200.00	267.00	276.00	450.00	500.00
STATION	No.0	30.00 (IPI)	No.1	90.00	No.2	167.00 (IPI)	176.00	No.3	326.00



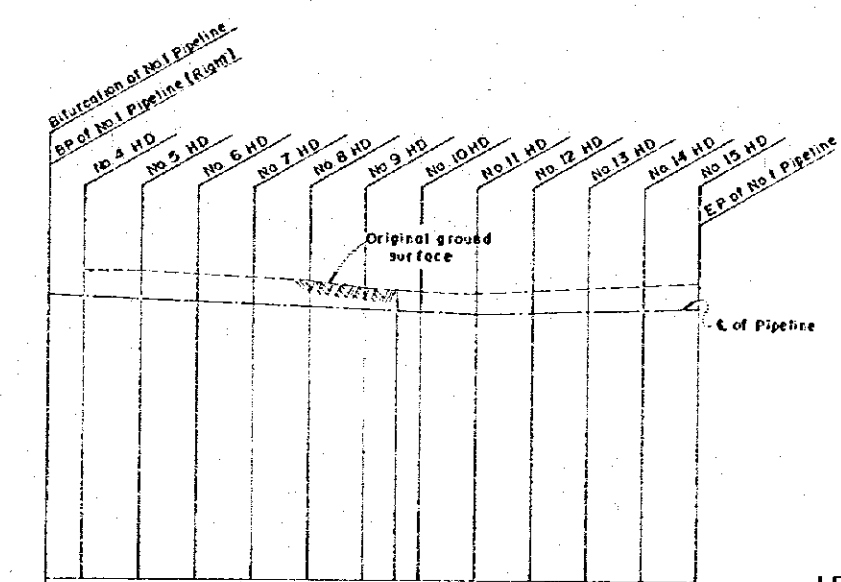
TYPICAL CROSS SECTION OF MAIN PIPELINE



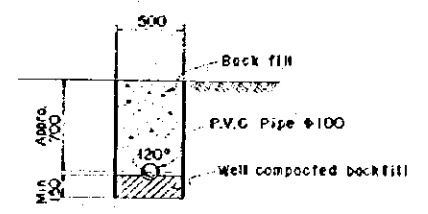
GRADIENT	1=0
CENTER LINE OF PIPE LINE	725.25
GROUND SURFACE ELEVATION	726.00
REDUCED DISTANCE	0.00
DISTANCE	0.00
STATION	No.0



GRADIENT	1=0
CENTER LINE OF PIPE LINE	725.25
GROUND SURFACE ELEVATION	726.00
REDUCED DISTANCE	0.00
DISTANCE	0.00
STATION	No.0



GRADIENT	1=0.0037	1=0.0031
CENTER LINE OF PIPE LINE	725.25	725.25
GROUND SURFACE ELEVATION	726.00	726.00
REDUCED DISTANCE	0.00	0.00
DISTANCE	0.00	0.00
STATION	No.0	No.15



TYPICAL CROSS SECTION OF NO. 1 PIPELINE

LEGEND
 A V : Air Valve Box
 D M : Discharge Meter Box
 H O : Hydrant Box
 C : Center line

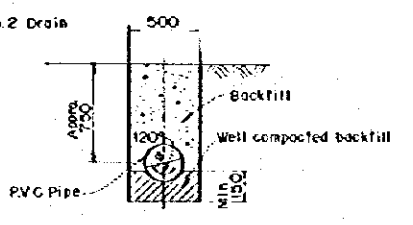
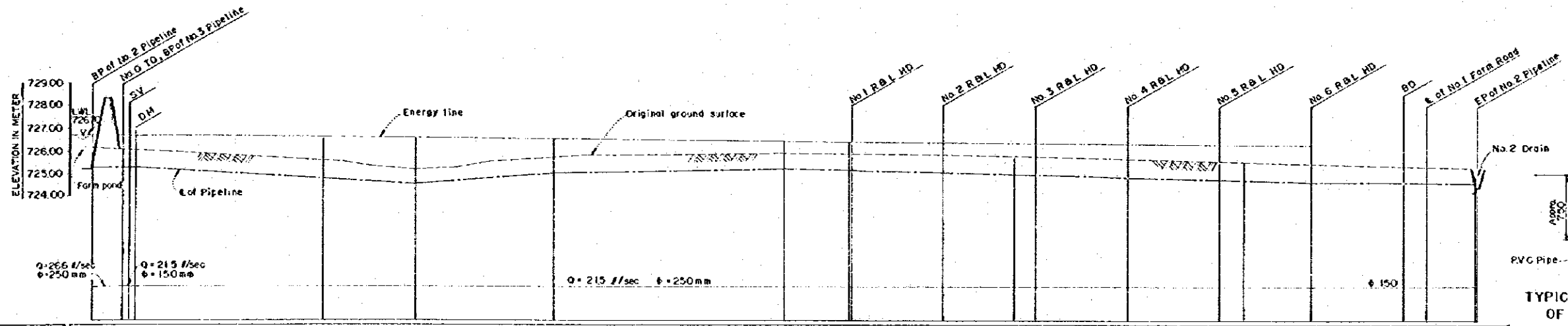
**KILIMANJARO AGRICULTURAL DEVELOPMENT
 CENTER PROJECT IN TANZANIA**

TRIAL FARM

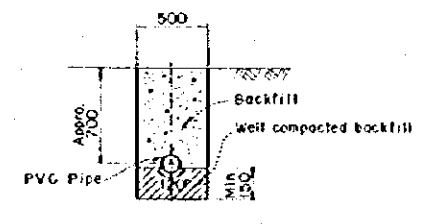
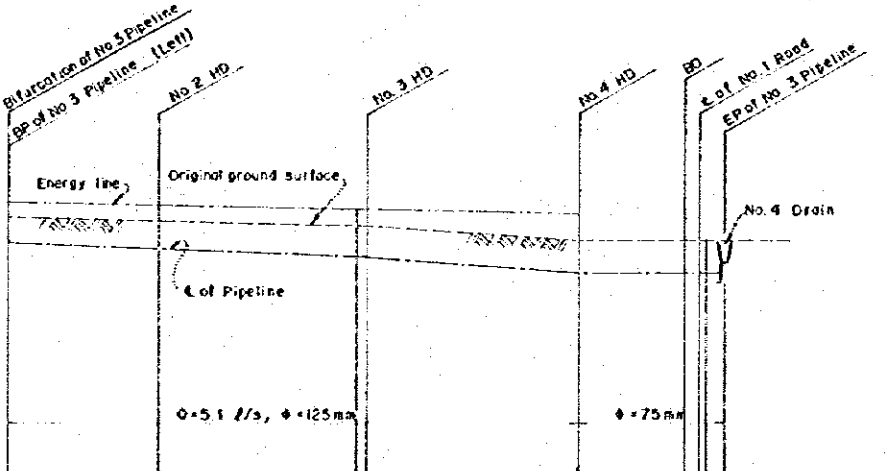
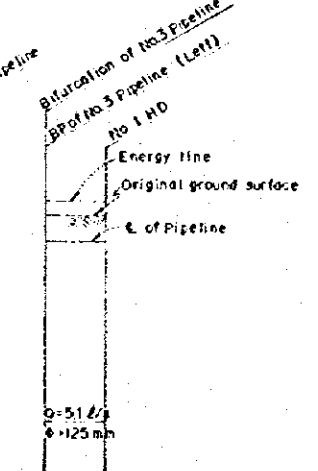
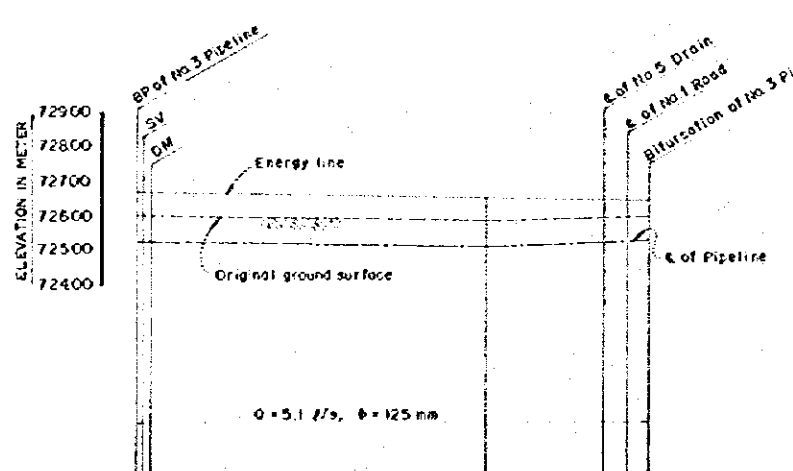
PROFILE OF MAIN & NO.1 PIPELINES

DATE: JUNE 1980 DWG. NO. TF - 04

JAPAN INTERNATIONAL COOPERATION AGENCY



ENERGY HEIGHT	GRADIENT	CENTER LINE OF PIPE LINE	GROUND SURFACE ELEVATION	REDUCED DISTANCE	DISTANCE	STATION
726.30	1=0	725.25	726.10	0.00	0.00	No. 0
726.68	1=0.0063	725.83	726.00	4.00	4.00	No. 1
		725.83	725.95	100.00	104.00	No. 2
	1=0.0083	724.75	725.10	140.00	144.00	No. 3
	1=0.0020	725.00	725.65	200.00	204.00	No. 4
		725.20	725.90	300.00	304.00	No. 5
726.37	1=0.0025	725.13	725.85	327.00	331.00	No. 6
726.37		725.13	725.85	329.00	333.00	No. 7
726.34		725.03	725.80	368.75	372.75	No. 8
726.31		724.95	725.70	400.00	404.00	No. 9
726.28		724.95	725.70	408.75	412.75	No. 10
726.23		724.73	725.50	488.75	492.75	No. 11
726.22	1=0	724.63	725.50	500.00	504.00	No. 12
		724.63	725.30	568.75	572.75	No. 13
		724.63	725.25	578.75	582.75	No. 14
		724.83	725.20	601.00	605.00	No. 15



ENERGY HEIGHT	GRADIENT	CENTER LINE OF PIPE LINE	GROUND SURFACE ELEVATION	REDUCED DISTANCE	DISTANCE	STATION
726.68	1=0	725.83	726.00	0.00	0.00	No. 0
	1=0.0016	725.83	725.80	100.00	104.00	No. 1
	1=0.0033	725.21	725.95	133.20	137.20	No. 2
		725.23	725.95	140.20	144.20	No. 3
		725.23	725.98	145.00	149.00	No. 4

ENERGY HEIGHT	GRADIENT	CENTER LINE OF PIPE LINE	GROUND SURFACE ELEVATION	REDUCED DISTANCE	DISTANCE	STATION
726.40	1=0	725.20	725.95	0.00	0.00	No. 1
726.37		725.25	726.00	17.00	17.00	No. 2

ENERGY HEIGHT	GRADIENT	CENTER LINE OF PIPE LINE	GROUND SURFACE ELEVATION	REDUCED DISTANCE	DISTANCE	STATION
726.40	1=0.004	725.08	725.90	145.90	149.90	No. 3
726.32		724.85	725.75	188.90	192.90	No. 4
726.22	1=0.0071	724.85	725.75	243.20	247.20	No. 5
726.11	1=0	724.40	725.35	308.90	312.90	No. 6

LEGEND
 S.V.: Sluice Valve Box
 D.M.: Discharge Meter Box
 H.D.: Hydrant Box
 B.O.: Blow off

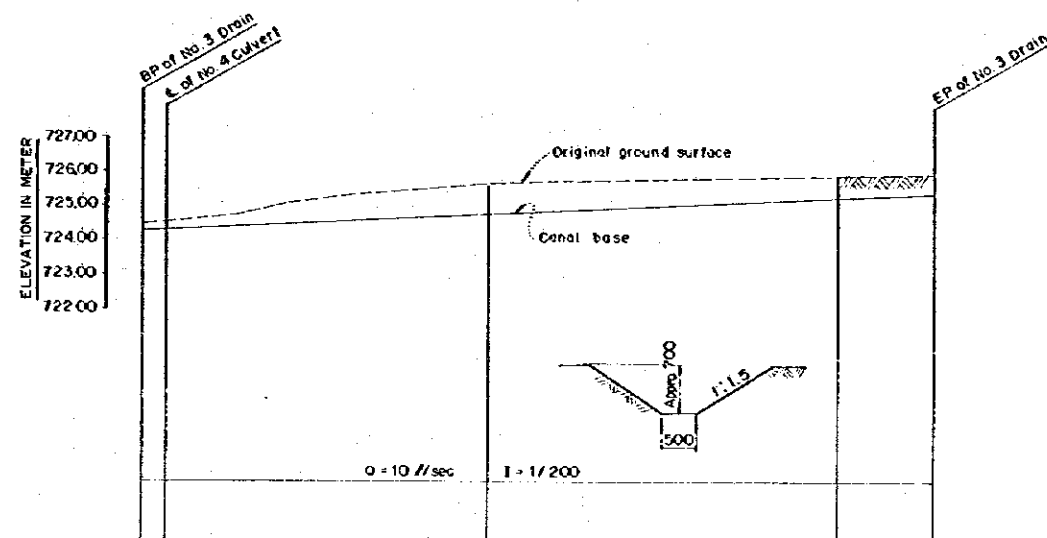
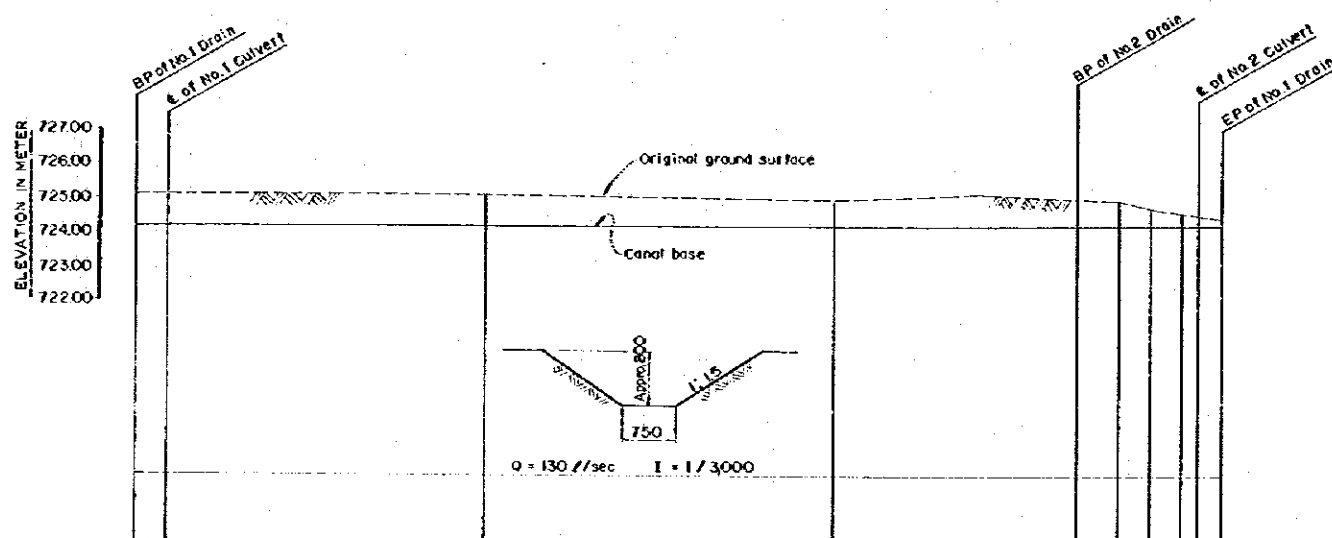
**KILIMANJARO AGRICULTURAL DEVELOPMENT
 CENTER PROJECT IN TANZANIA**

TRIAL FARM

PROFILE OF NO.2 & NO.3 PIPELINES

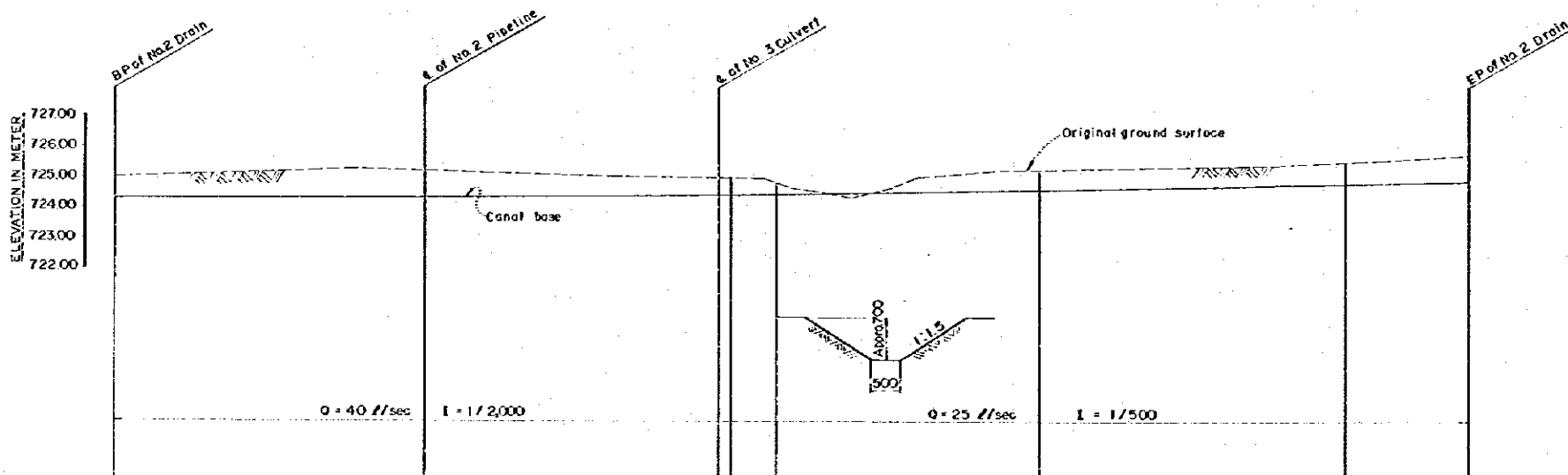
DATE: JUNE 1980 DWG. NO.: TF-05

JAPAN INTERNATIONAL COOPERATION AGENCY



CANAL BASE ELEVATION	724.20	724.20	724.23	724.27	724.29	724.29	724.29	724.29	724.30	724.30
GROUND SURFACE ELEVATION	723.10	723.10	723.10	723.05	723.05	723.00	724.29	724.29	724.55	724.50
REDUCED DISTANCE	0.00	9.00	100.00	200.00	270.00	282.00	291.00	300.00	305.00	312.00
DISTANCE	0.00	9.00	91.00	100.00	70.00	12.00	9.00	9.00	5.00	7.00
STATION	No. 0	9.00	No. 1	No. 2	70.00	82.00	91.00	No. 3	96.00	103.00

CANAL BASE ELEVATION	724.34	724.80	725.30	725.44
GROUND SURFACE ELEVATION	724.50	724.55	725.70	726.00
REDUCED DISTANCE	0.00	7.00	100.00	228.00
DISTANCE	0.00	7.00	93.00	128.00
STATION	No. 0	7.00	No. 1	No. 2



CANAL BASE ELEVATION	724.30	724.36	724.40	724.43	724.60	724.80	724.86
GROUND SURFACE ELEVATION	723.05	725.25	725.00	724.85	725.30	725.50	725.75
REDUCED DISTANCE	0.00	100.00	196.00	214.00	300.00	400.00	440.00
DISTANCE	0.00	100.00	96.00	10.00	86.00	100.00	40.00
STATION	No. 0	No. 1	No. 2	14.00 (SP 1)	No. 3	No. 4	40.00

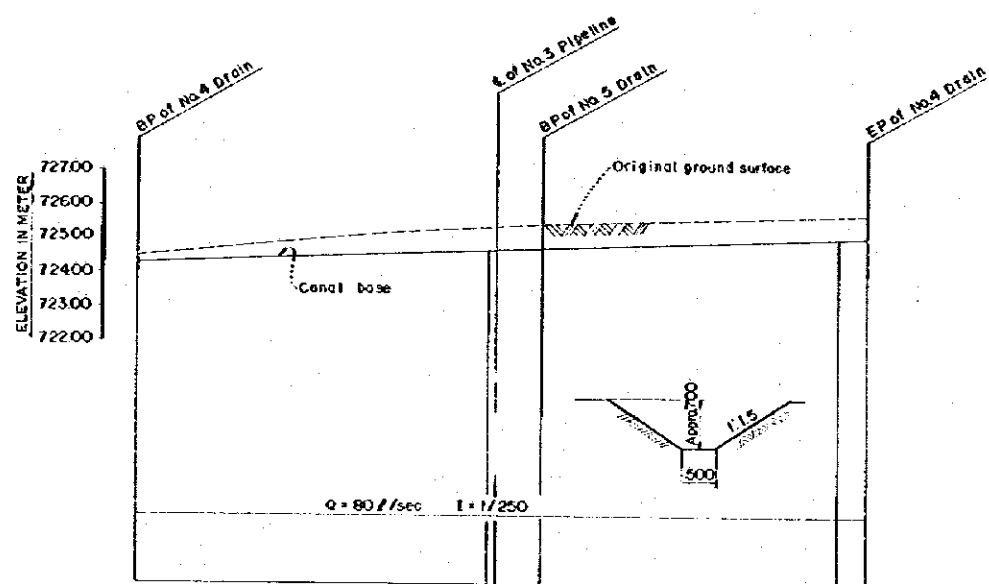
KILIMANJARO AGRICULTURAL DEVELOPMENT
CENTER PROJECT IN TANZANIA

TRIAL FARM

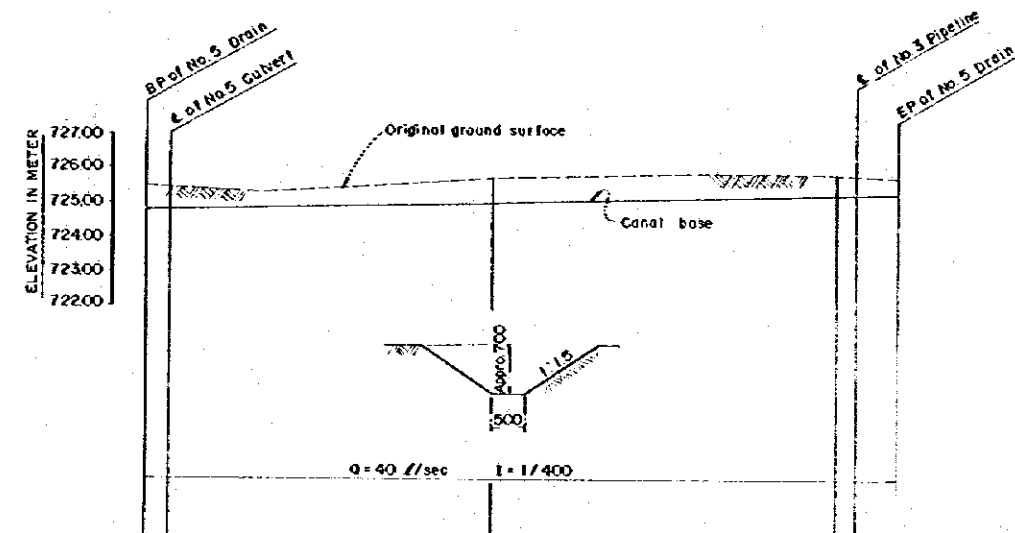
PROFILE OF NO.1, NO.2 & NO.3 DRAINS

DATE	JUNE 1980	DWG. NO.	TF - 06
------	-----------	----------	---------

JAPAN INTERNATIONAL COOPERATION AGENCY



CANAL BASE ELEVATION	No. 0	724.30	No. 1	724.70	No. 2	725.10
GROUND SURFACE ELEVATION	No. 0	724.30	No. 1	725.40	No. 2	725.80
REDUCED DISTANCE	No. 0	0.00	No. 1	100.00	No. 2	200.00
DISTANCE	No. 0	0.00	No. 1	2.25	No. 2	8.00
STATION	No. 0		No. 1	2.25	No. 2	8.00



CANAL BASE ELEVATION	No. 0	724.80	No. 1	725.00	No. 2	725.30
GROUND SURFACE ELEVATION	No. 0	725.50	No. 1	725.75	No. 2	725.90
REDUCED DISTANCE	No. 0	0.00	No. 1	100.00	No. 2	200.00
DISTANCE	No. 0	0.00	No. 1	6.00	No. 2	18.00
STATION	No. 0	7.00	No. 1	13.00	No. 2	21.00

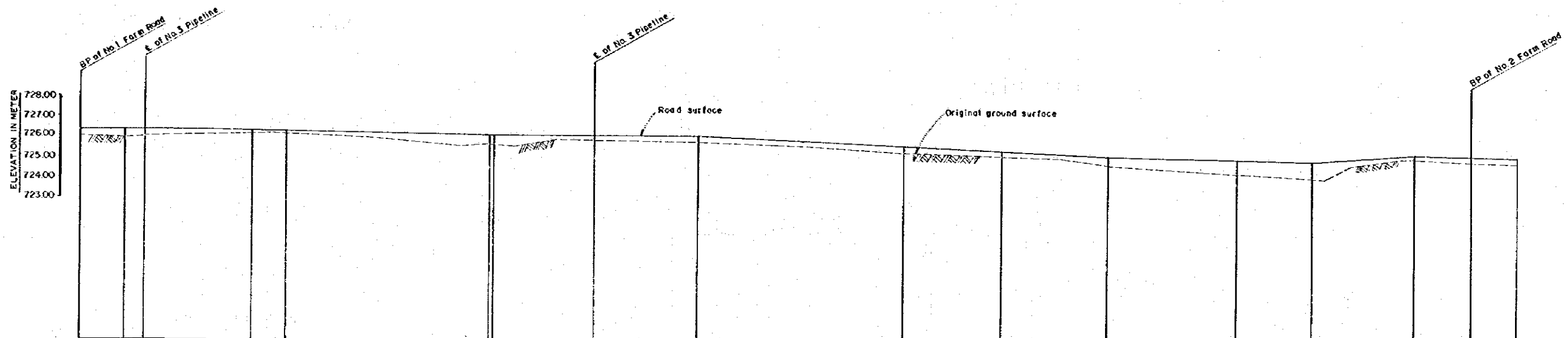
KILIMANJARO AGRICULTURAL DEVELOPMENT
CENTER PROJECT IN TANZANIA

TRIAL FARM

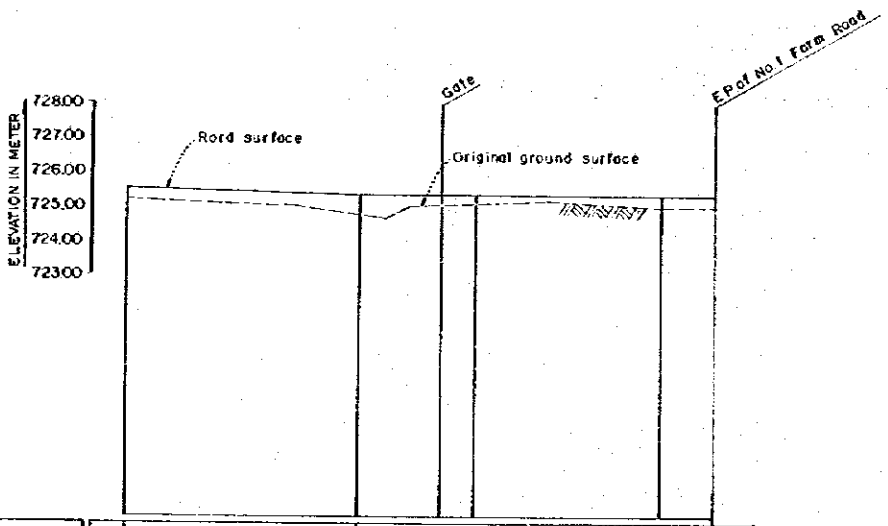
PROFILE OF NO.4 & NO.5 DRAINS

DATE | JUNE 1980 | DWG. NO. | TF - 07

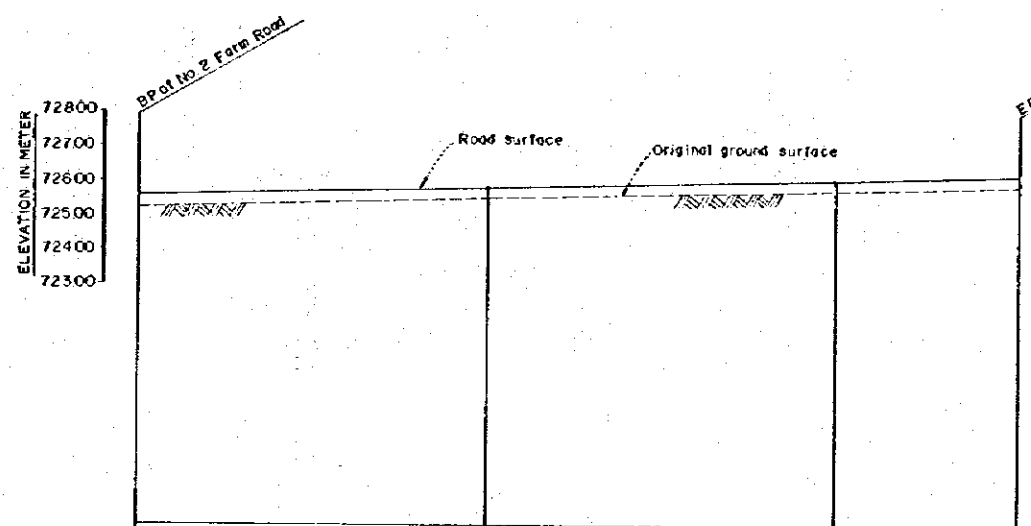
JAPAN INTERNATIONAL COOPERATION AGENCY



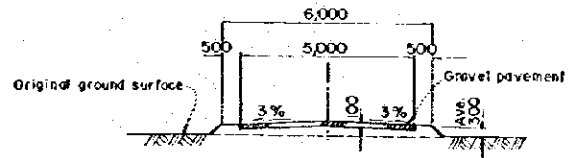
GRADIENT	1:0		1:0.001		1:0		1:0.004		1:0.002		1:0.006	1:0.0026
ROAD SURFACE ELEVATION	726.30	726.30	726.30	726.20	726.20	726.20	725.80	725.40	725.20	725.60	725.53	725.47
GROUND SURFACE ELEVATION	726.00	725.90	726.15	725.75	725.95	725.90	725.45	725.30	724.55	724.40	725.35	725.25
REDUCED DISTANCE	0.00	22.00	83.00	198.00	249.70	300.00	400.00	448.00	500.00	600.00	690.00	725.00
DISTANCE	0.00	22.00	105.00	203.00	249.70	300.00	400.00	448.00	500.00	600.00	690.00	725.00
STATION	No. 0	22.00 (EP)	83.00 (CP)	198.00 (CP)	249.70	300.00	400.00	448.00 (CP)	500.00	600.00	690.00 (CP)	725.00



GRADIENT	1:0.0026		1:0	
ROAD SURFACE ELEVATION	725.47	725.30	725.30	725.30
GROUND SURFACE ELEVATION	725.30	724.75	725.05	725.10
REDUCED DISTANCE	700.00	767.00	790.00	853.00
DISTANCE	722.00	834.00	868.00	921.00
STATION	No. 7	834.00 (CP)	868.00 (EP)	921.00 (EP)



GRADIENT	1:0.0027	
ROAD SURFACE ELEVATION	725.53	726.07
GROUND SURFACE ELEVATION	725.25	725.90
REDUCED DISTANCE	0.00	200.00
DISTANCE	0.00	200.00
STATION	No. 0	200.00 (EP)



TYPICAL CROSS SECTION

KILIMANJARO AGRICULTURAL DEVELOPMENT
CENTER PROJECT IN TANZANIA

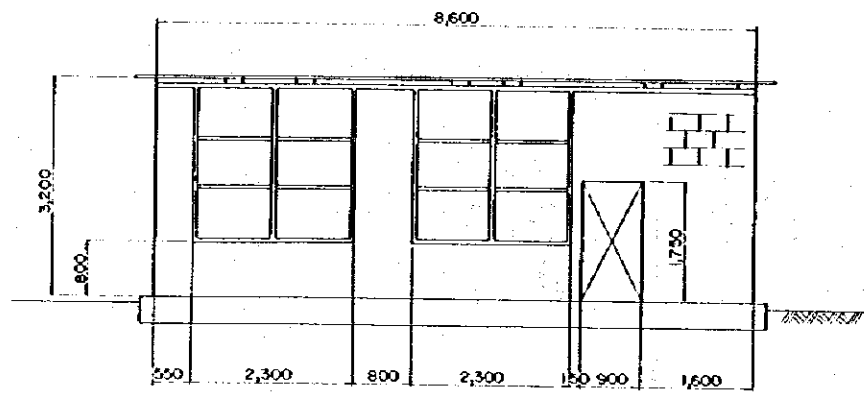
TRIAL FARM

PROFILE OF NO.1 & NO.2 FARM ROADS

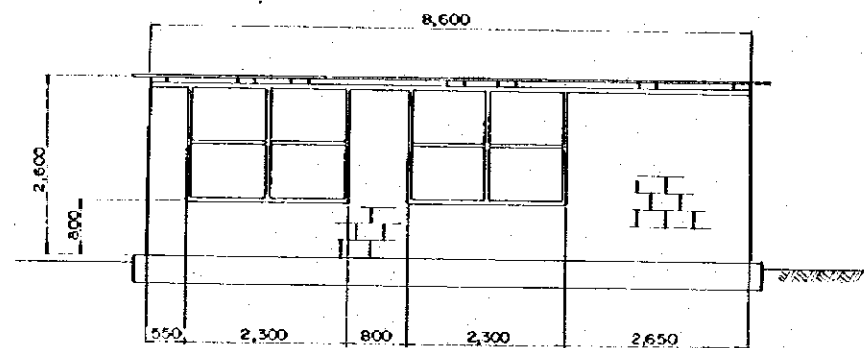
DATE	JUNE 1980	DWG. NO.	TF - 08
------	-----------	----------	---------

JAPAN INTERNATIONAL COOPERATION AGENCY

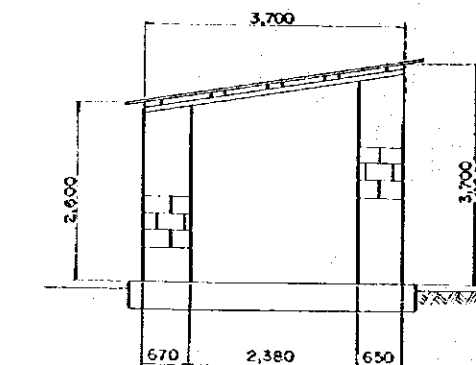
MAIN PUMP HOUSE (EXISTING)



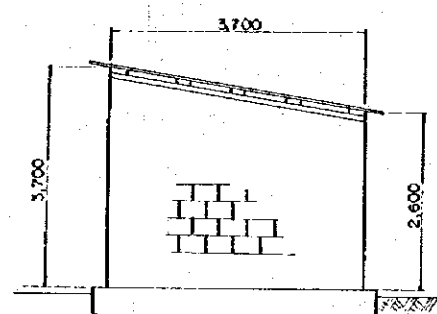
FRONT ELEVATION



REAR ELEVATION

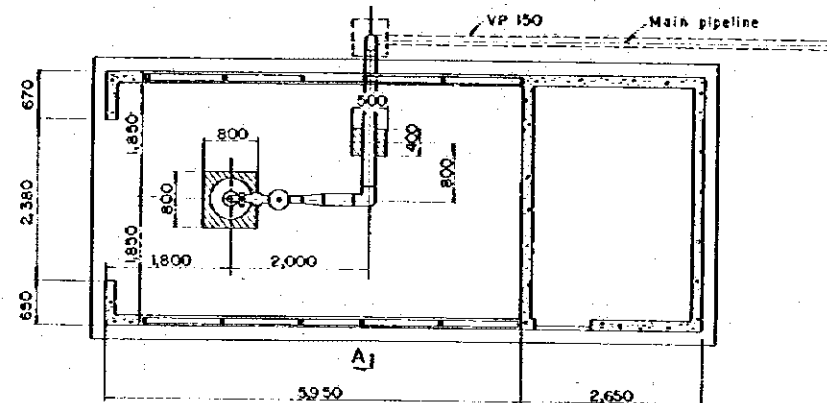


LEFT ELEVATION

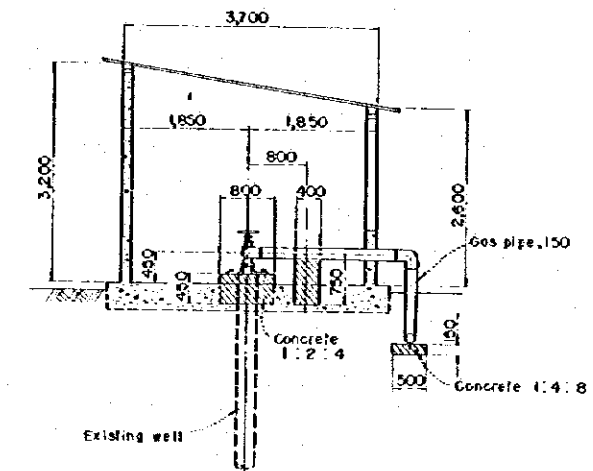


RIGHT ELEVATION

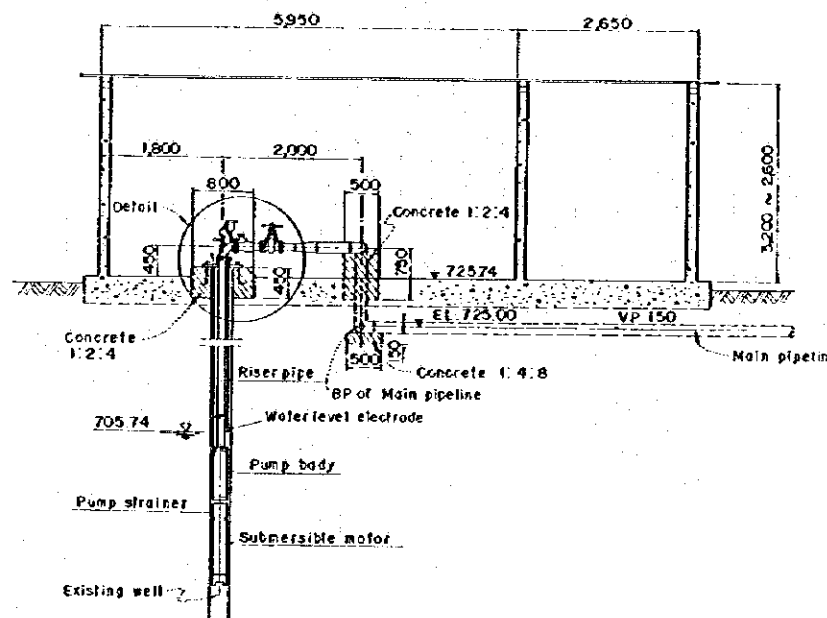
SUBMERSIBLE PUMP



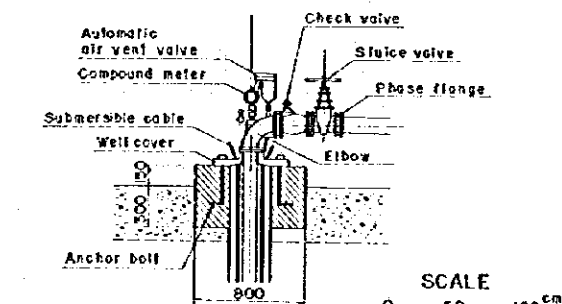
PLAN



SECTION A - A

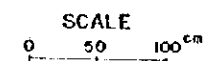
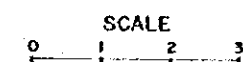


PROFILE



DETAIL

- Note :
1. The Contractor shall dismantle an existing pump and its accessories of the existing pump house under the direction of the Engineer, though the existing pump and its accessories are not shown above.
 2. The Contractor shall install the submersible pump and its accessories as shown above.
 3. Hatched part of concrete shown above shall be placed by the Contractor



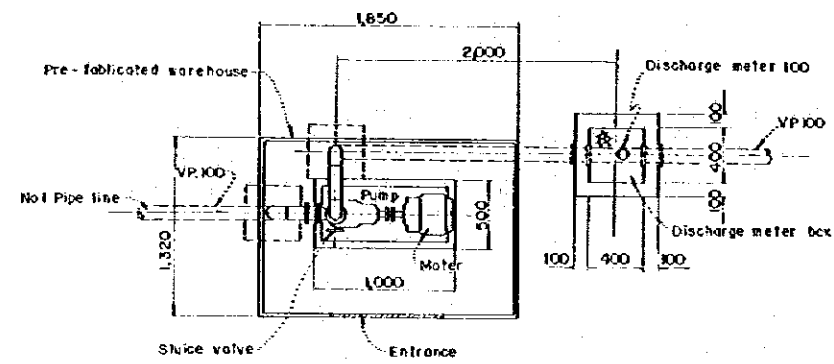
KILIMANJARO AGRICULTURAL DEVELOPMENT
CENTER PROJECT IN TANZANIA

TRIAL FARM

MAIN PUMP HOUSE

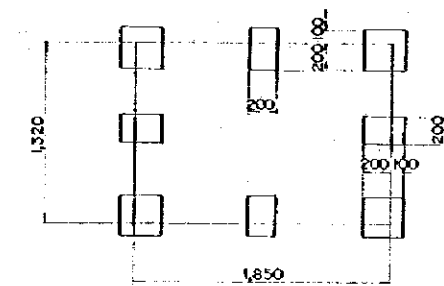
DATE JUNE 1980 DWG. NO. TF - 09

JAPAN INTERNATIONAL COOPERATION AGENCY

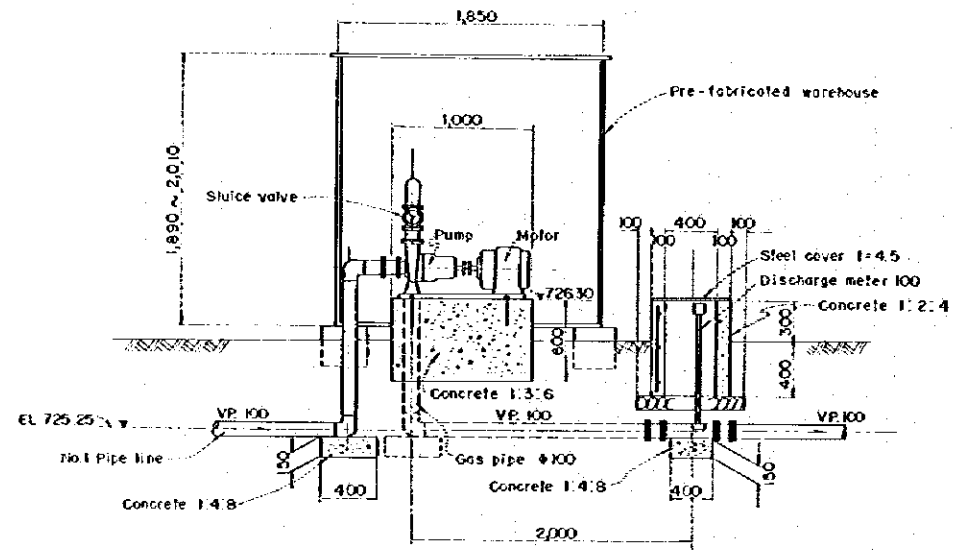


PLAN

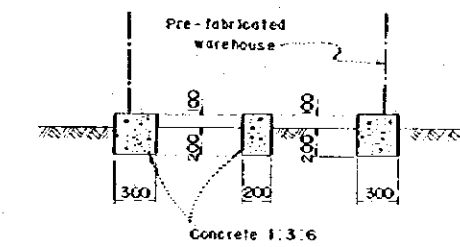
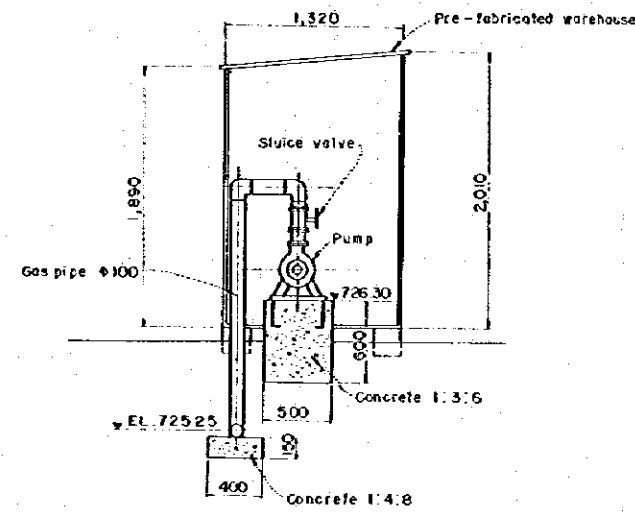
FOUNDATION OF HOUSE



PLAN



PROFILE



PROFILE

Note : All reinforcement bars shall be φ12mm and placed in a pitch of 250mm

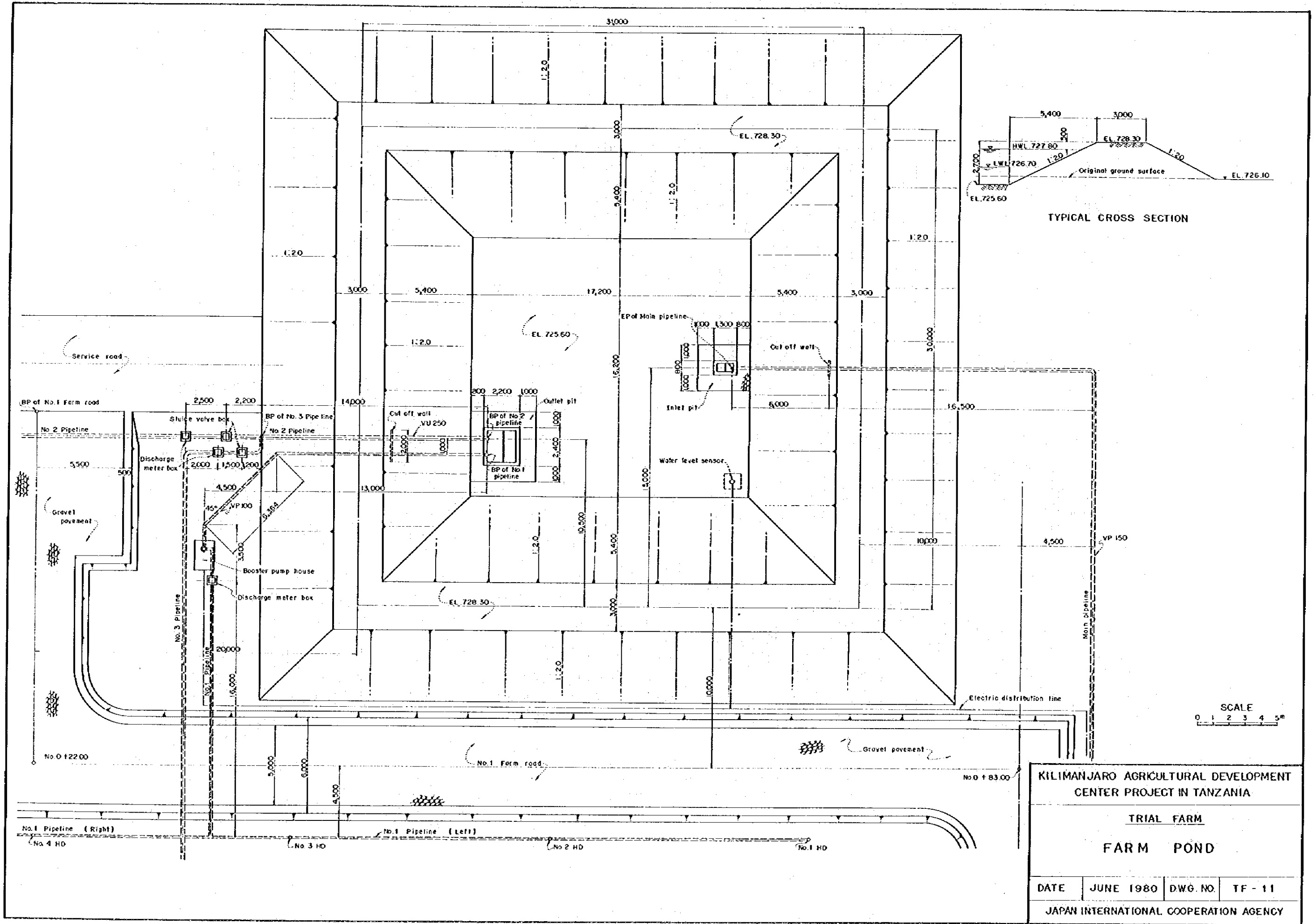


KILIMANJARO AGRICULTURAL DEVELOPMENT
CENTER PROJECT IN TANZANIA

TRIAL FARM
BOOSTER PUMP HOUSE

DATE	JUNE 1980	DWG. NO.	TF - 10
------	-----------	----------	---------

JAPAN INTERNATIONAL COOPERATION AGENCY



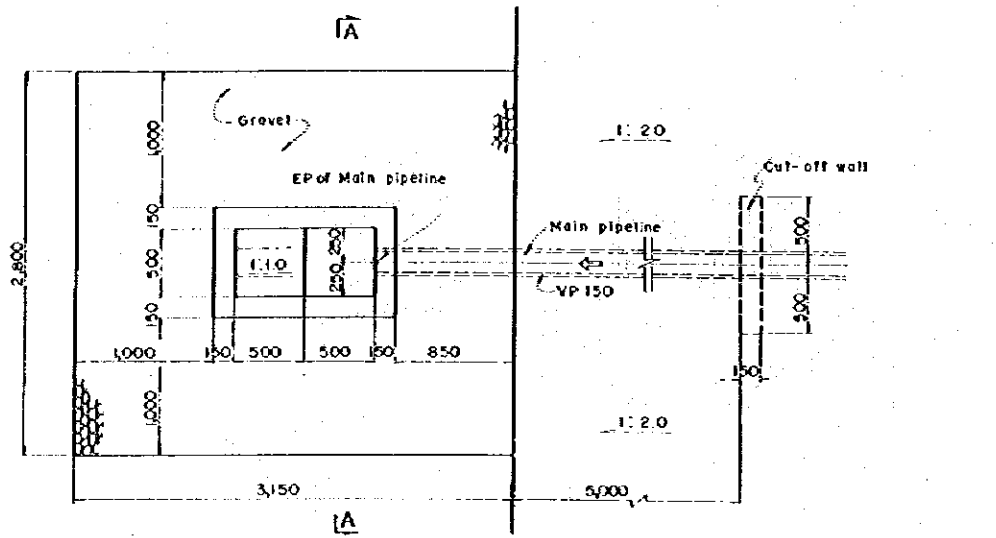
KILIMANJARO AGRICULTURAL DEVELOPMENT
 CENTER PROJECT IN TANZANIA

TRIAL FARM
 FARM POND

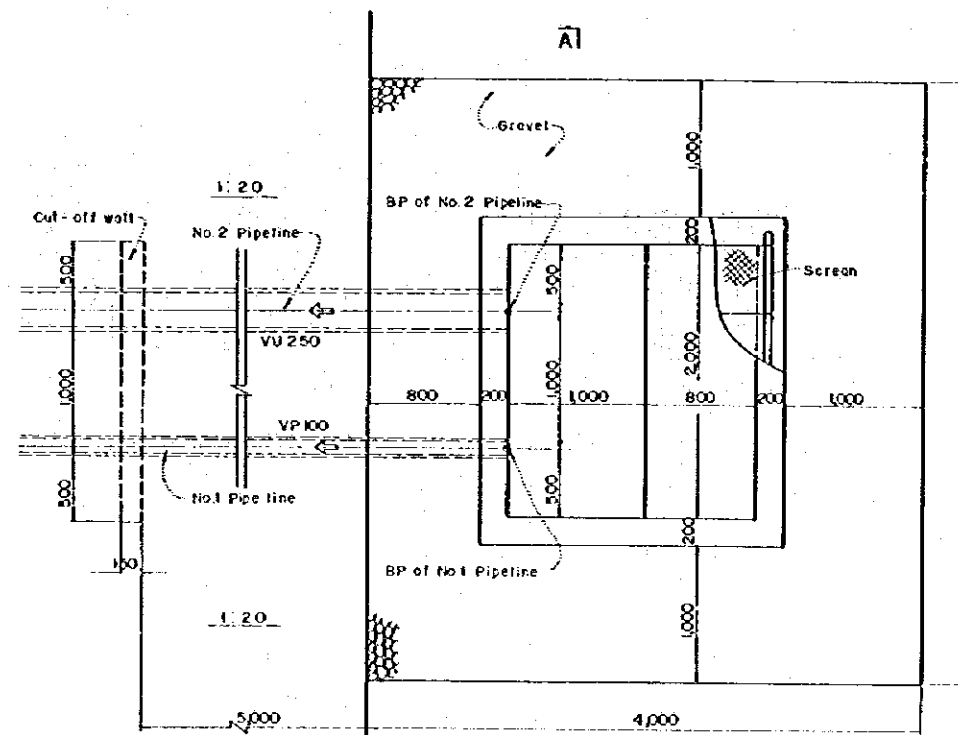
DATE	JUNE 1980	DWG. NO.	TF - 11
JAPAN INTERNATIONAL COOPERATION AGENCY			

INLET PIT

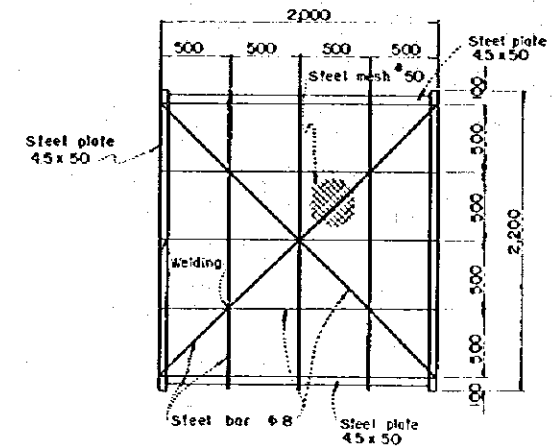
OUTLET PIT



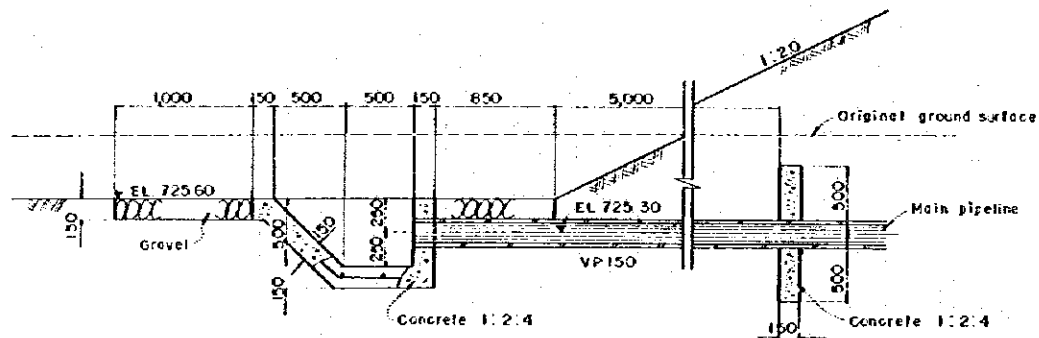
PLAN



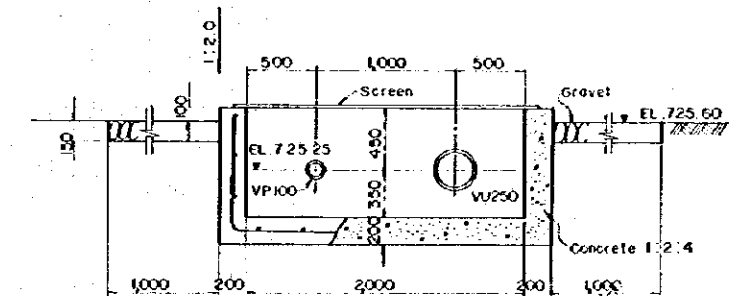
PLAN



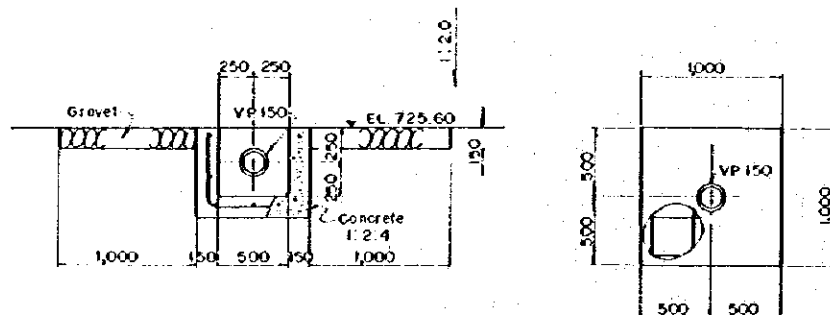
SCREEN



PROFILE

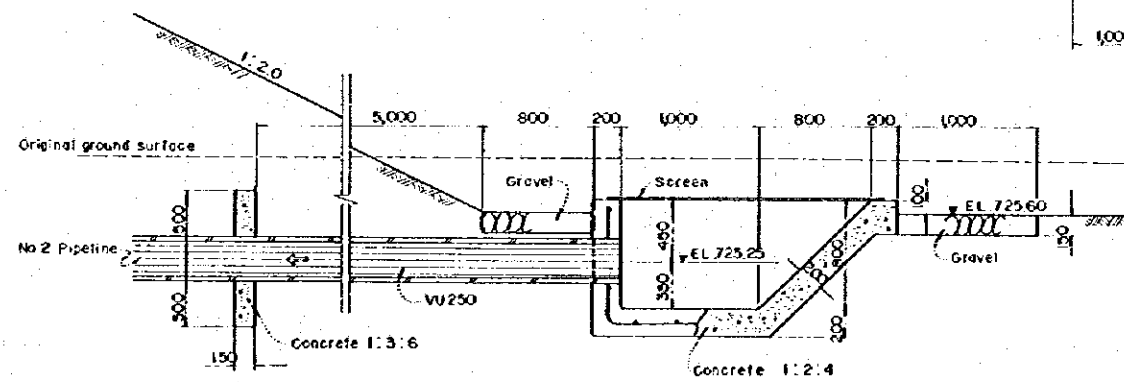


SECTION A - A

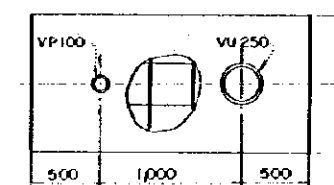


SECTION A - A

CUT-OFF WALL

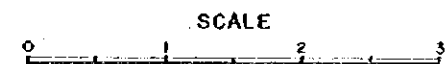


PROFILE



CUT-OFF WALL

- Note:
1. PVC pipes between cut-off wall and outlet pit/inlet pit shall be joined by rubber ring socket under the direction of the Engineer.
 2. All reinforcement bars shall be $\phi 12$ mm and placed in a pitch of 300 mm



SCALE

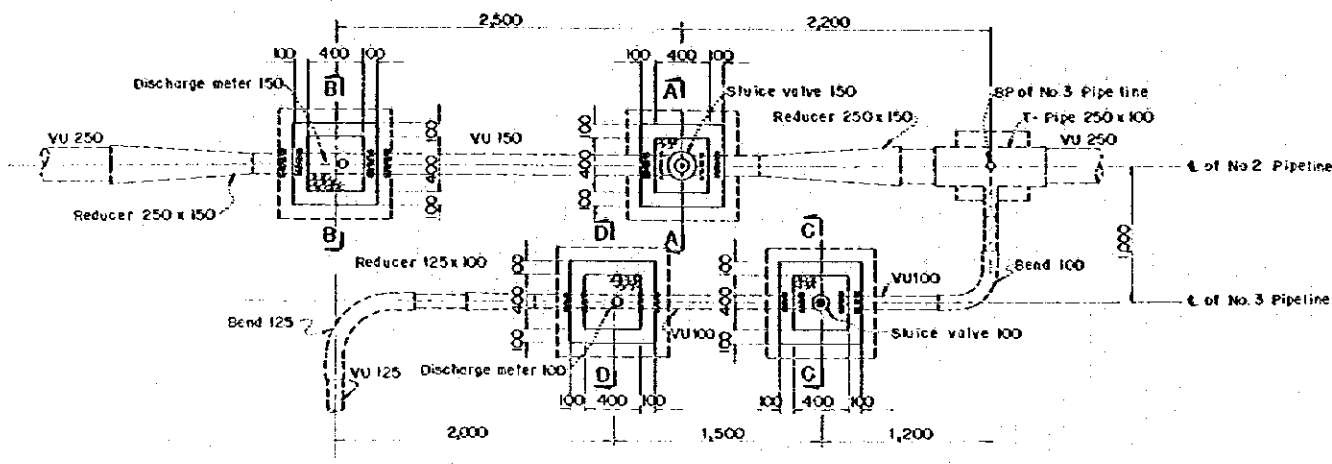
KILIMANJARO AGRICULTURAL DEVELOPMENT
CENTER PROJECT IN TANZANIA

TRIAL FARM

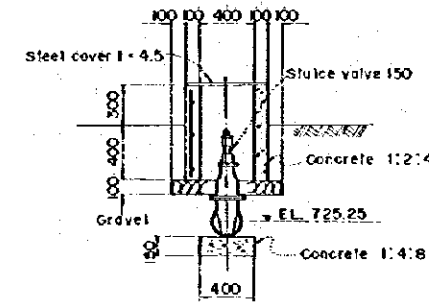
INLET & OUTLET PITS

DATE JUNE 1980 DWG. NO. TF - 12

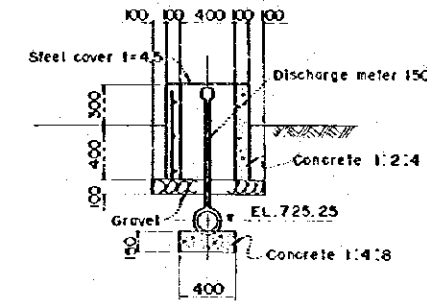
JAPAN INTERNATIONAL COOPERATION AGENCY



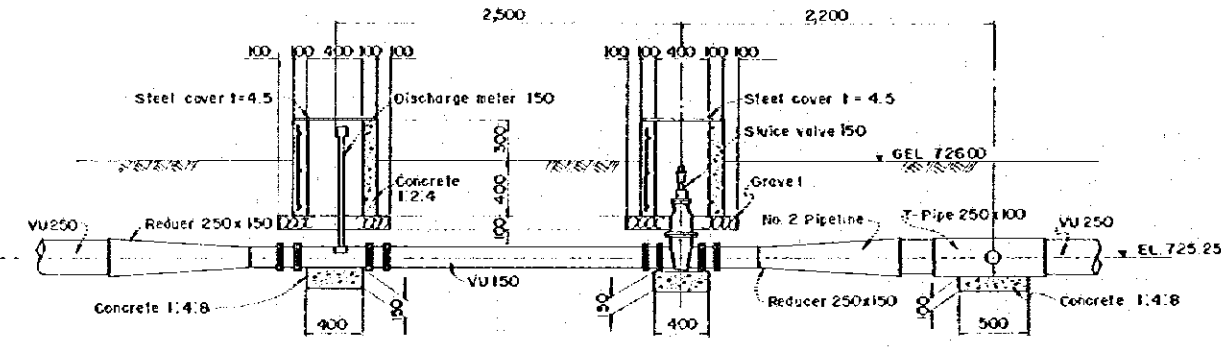
PLAN



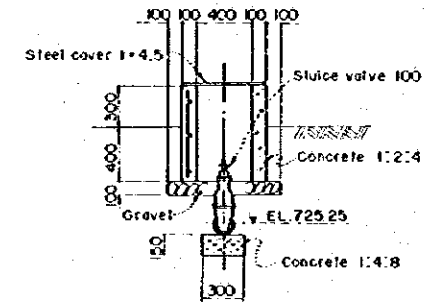
SECTION A-A



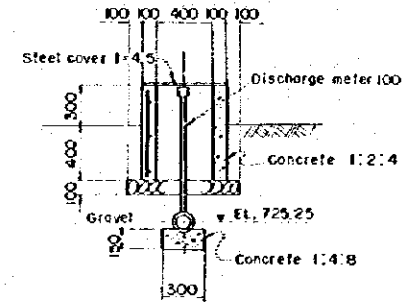
SECTION B-B



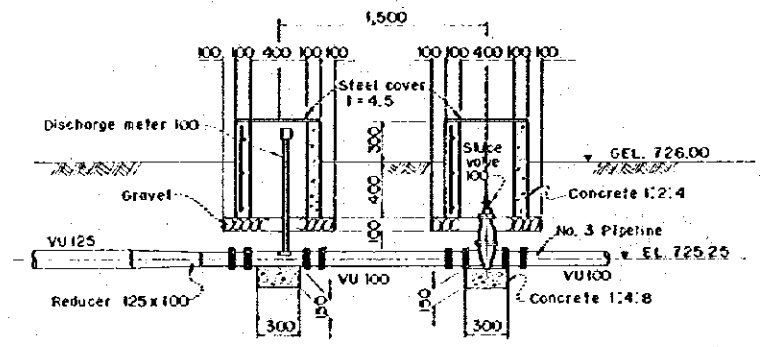
PROFILE OF NO. 2 PIPE LINE



SECTION C-C



SECTION D-D



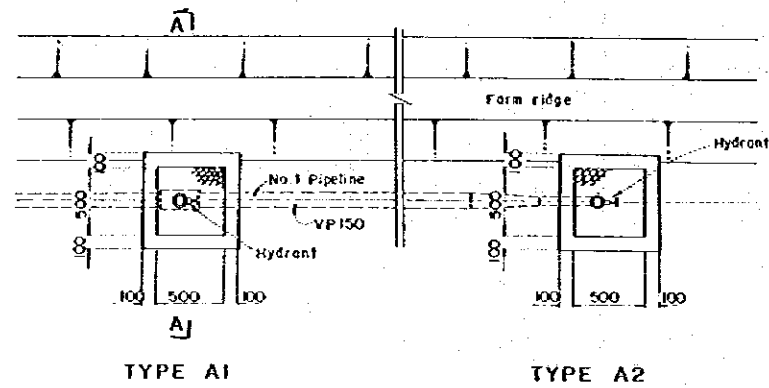
PROFILE OF NO. 3 PIPE LINE

Note : All reinforcement bars shall be $\phi 12$ mm and placed in a pitch of 250 mm

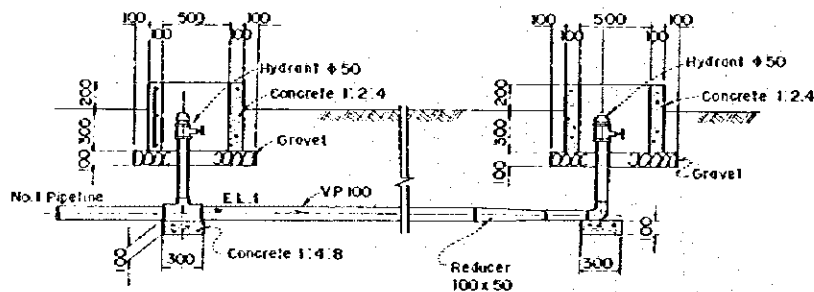


KILIMANJARO AGRICULTURAL DEVELOPMENT CENTER PROJECT IN TANZANIA			
TRIAL FARM			
SLUICE VALVE BOX & DISCHARGE METER BOX			
DATE	JUNE 1980	DWG. NO.	TF-13
JAPAN INTERNATIONAL COOPERATION AGENCY			

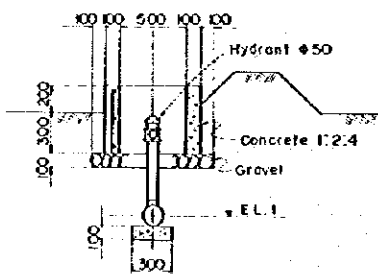
TYPE - A



PLAN



PROFILE

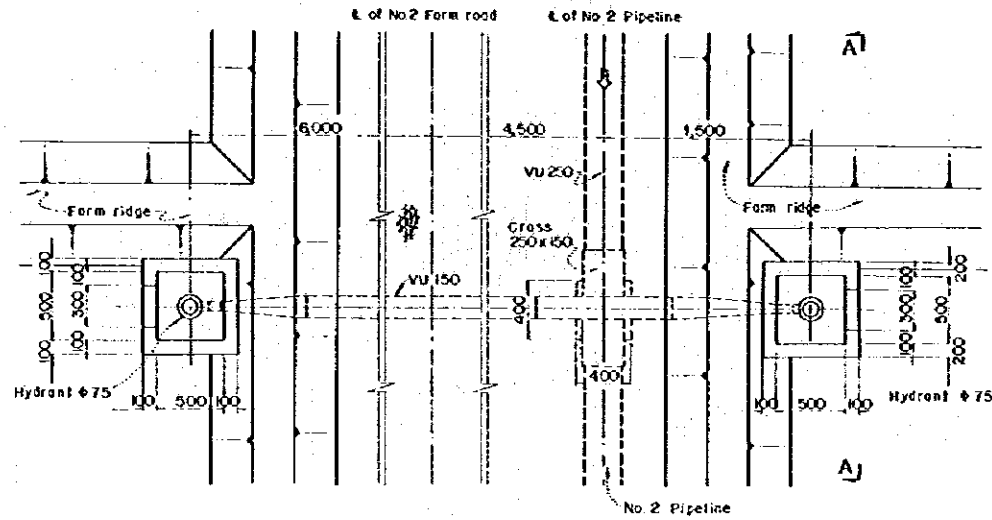


SECTION A-A

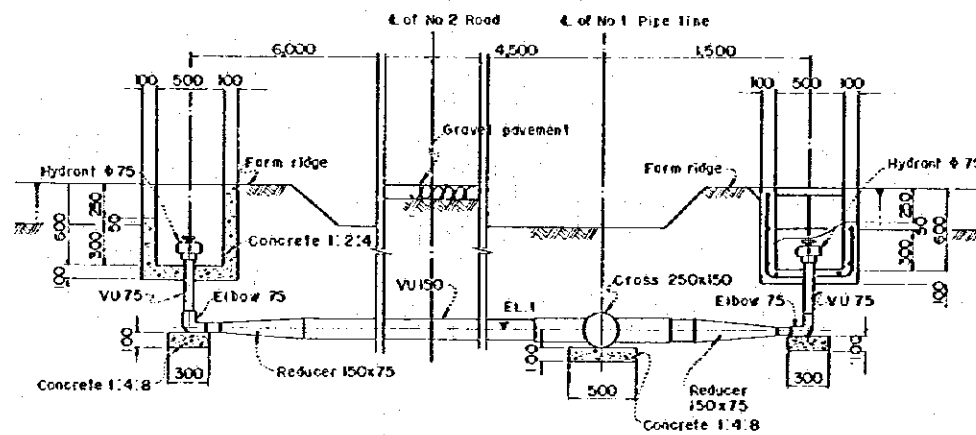
TABLE OF ELEVATION FOR TYPE - A

Hydrant Box of No. 1 Pipe Line	TYPE	EL. 1
No. 1	A 2	725.25
No. 2	A 1	725.25
No. 3	"	725.25
No. 4	"	725.21
No. 5	"	725.15
No. 6	"	725.09
No. 7	"	725.03
No. 8	"	724.97
No. 9	"	724.92
No. 10	"	724.86
No. 11	"	724.80
No. 12	"	724.85
No. 13	"	724.90
No. 14	"	724.95
No. 15	A 2	725.00

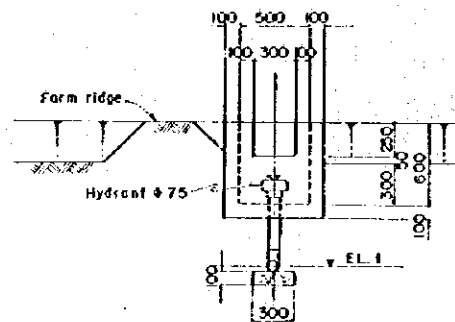
TYPE - B



PLAN



PROFILE



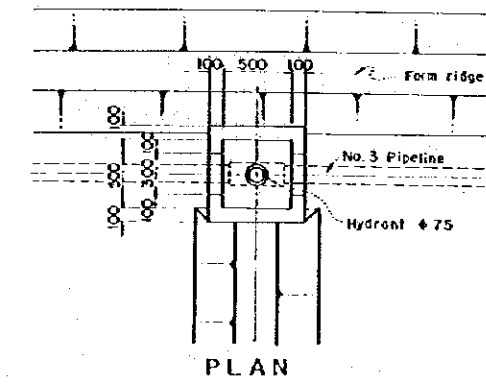
SECTION A-A

Note: All reinforcement bars shall be ϕ 12mm and placed in a pitch of 250 mm

TABLE OF ELEVATION FOR TYPE - B

Hydrant Box of No. 2 Pipe Line	EL. 1
No. 1L, No. 1 R	725.13
No. 2L, No. 2 R	725.03
No. 3L, No. 3 R	724.93
No. 4L, No. 4 R	724.85
No. 5L, No. 5 R	724.73
No. 6L, No. 6 R	724.63

TYPE - C



PLAN

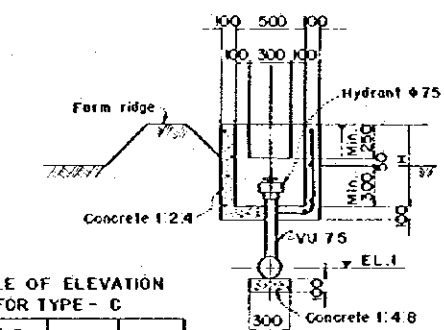
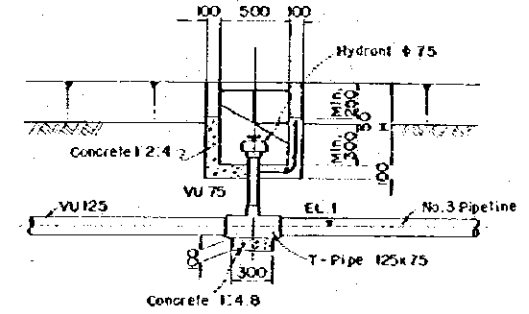
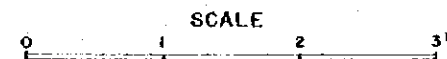


TABLE OF ELEVATION FOR TYPE - C

Hydrant Box of No. 3 Pipe Line	H	EL. 1
No. 1	650	725.25
No. 2	700	725.08
No. 3	800	724.85
No. 4	800	724.40



KILIMANJARO AGRICULTURAL DEVELOPMENT CENTER PROJECT IN TANZANIA

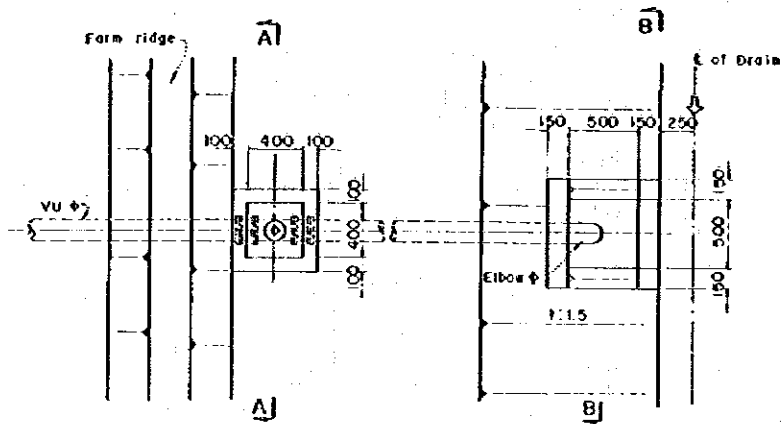
TRIAL FARM

HYDRANT BOX

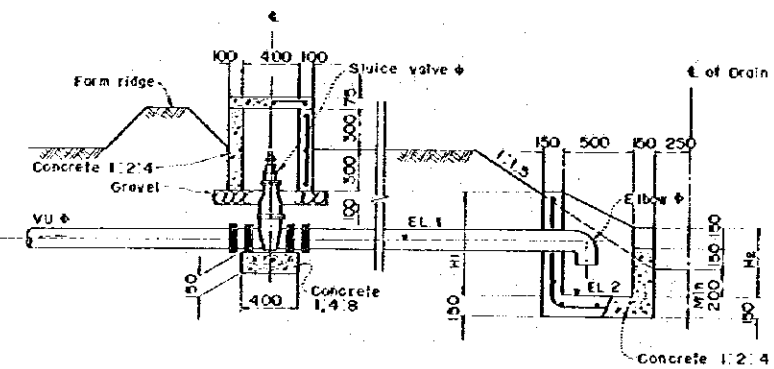
DATE JUNE 1980 DWG. NO. TF-14

JAPAN INTERNATIONAL COOPERATION AGENCY

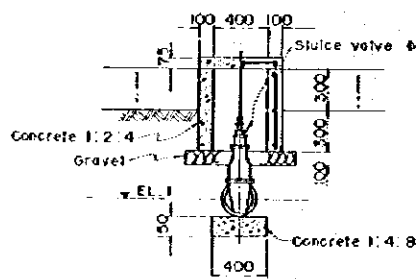
BLOW OFF



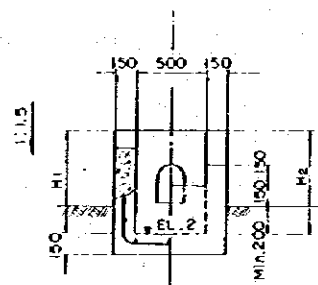
PLAN



PROFILE

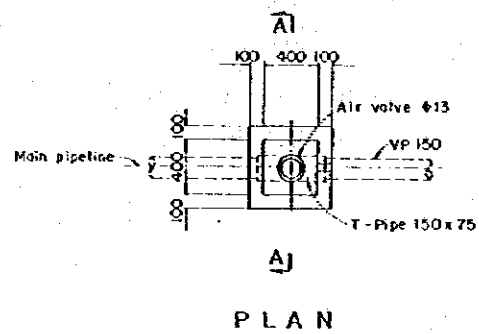


SECTION A-A

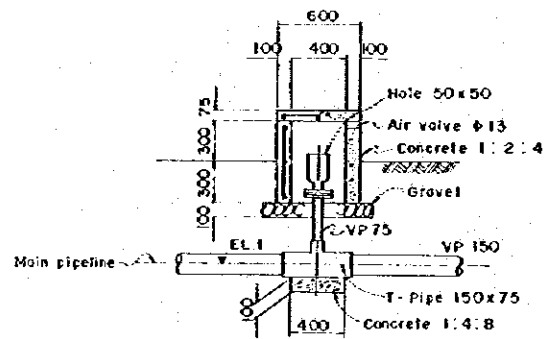


SECTION B-B

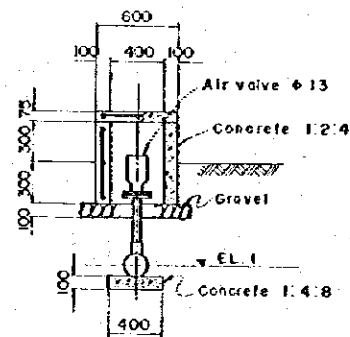
AIR VALVE BOX



PLAN



PROFILE



SECTION A-A

TABLE OF DIMENSION FOR BLOW OFF

Name of Pipeline	VU ϕ	Elbow ϕ	Sluice Valve ϕ	H ₁	H ₂	EL. 1	EL. 2
No. 2	150	150	150	750	500	724.63	724.15
No. 3	75	-	75	950	700	724.40	724.31

TABLE OF DIMENSION FOR AIR VALVE BOX

Air Valve	EL. 1
No. 1	725.14
No. 2	725.20
No. 3	725.15

Note: All reinforcement bars shall be $\phi 12$ mm and placed in a pitch of 250 mm

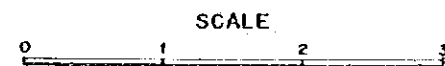
KILIMANJARO AGRICULTURAL DEVELOPMENT
CENTER PROJECT IN TANZANIA

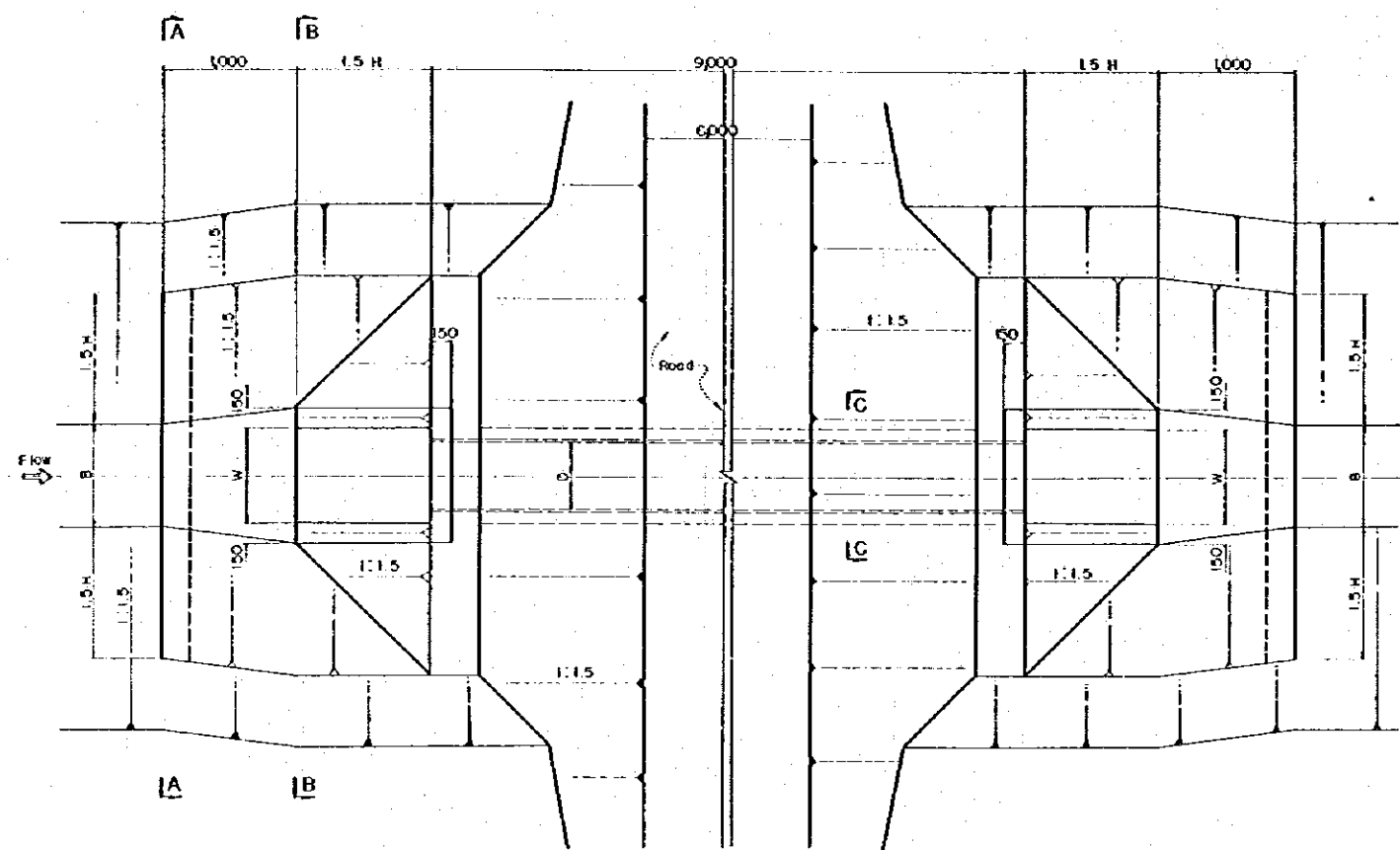
TRIAL FARM

BLOW OFF & AIR VALVE BOX

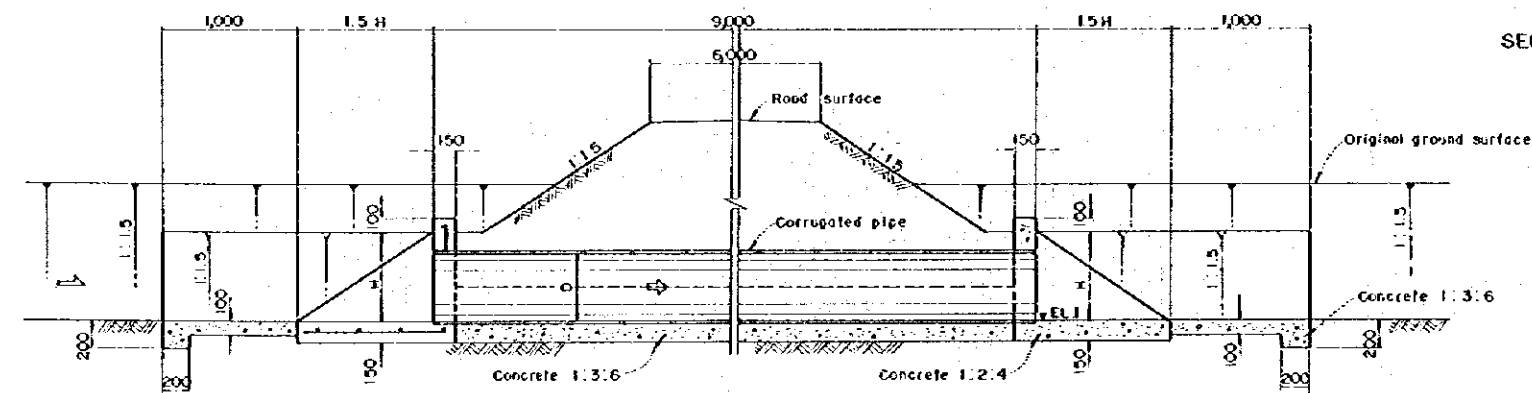
DATE JUNE 1980 DWG. NO. TF-15

JAPAN INTERNATIONAL COOPERATION AGENCY

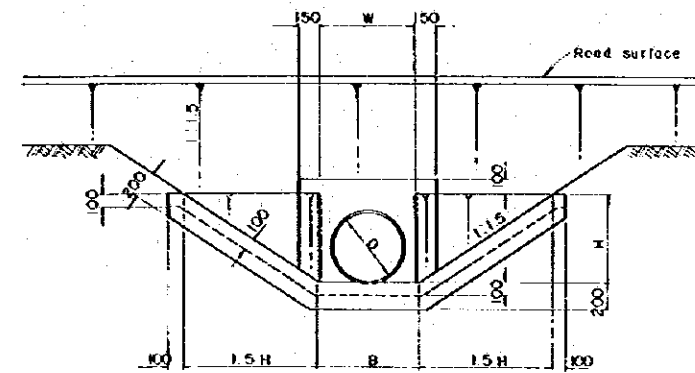




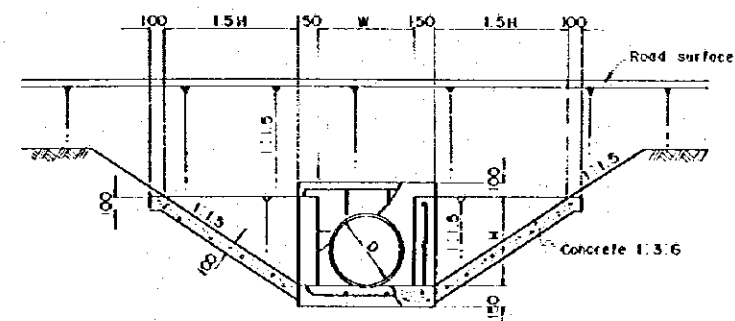
PLAN



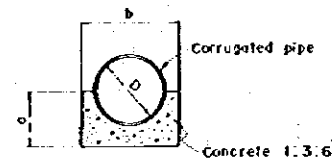
PROFILE



SECTION A-A



SECTION B-B

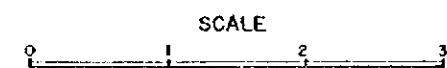


SECTION C-C

Note : All reinforcement bars shall be ϕ 12mm and placed in a pitch of 300mm

TABLE OF DIMENSION FOR CULVERT

Name of culvert	D	H	W	B	a	b	EL. I
No. 1	500	650	700	750	400	750	724.00
No. 2	500	650	700	750	400	750	724.30
No. 3	400	500	600	500	350	600	724.40
No. 4	400	500	600	500	350	600	724.34
No. 5	400	500	600	500	350	600	724.82



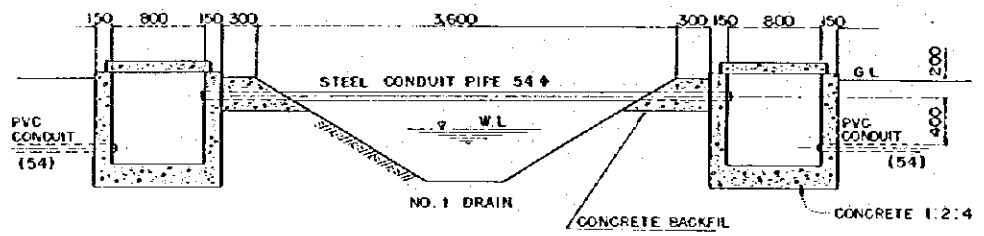
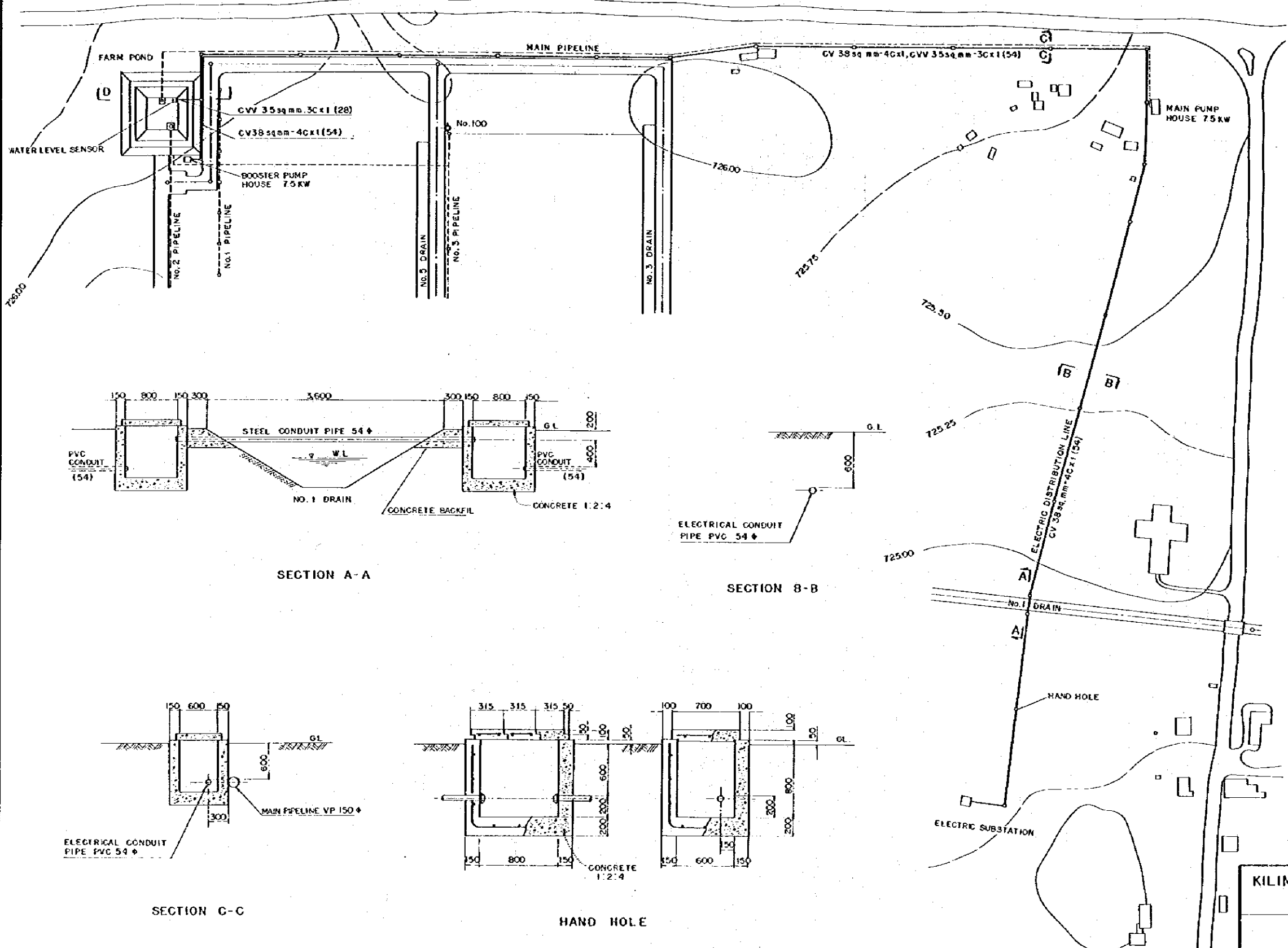
KILIMANJARO AGRICULTURAL DEVELOPMENT
CENTER PROJECT IN TANZANIA

TRIAL FARM

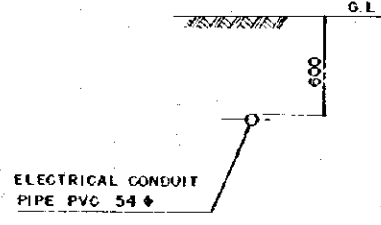
CULVERT

DATE JUNE 1980 DWG. NO. TF - 16

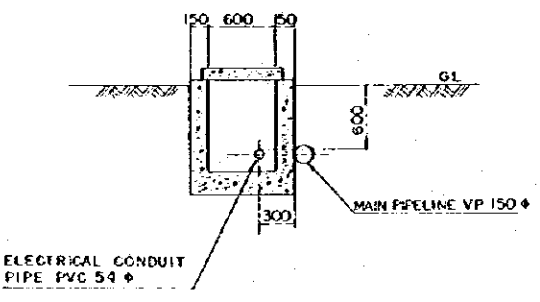
JAPAN INTERNATIONAL COOPERATION AGENCY



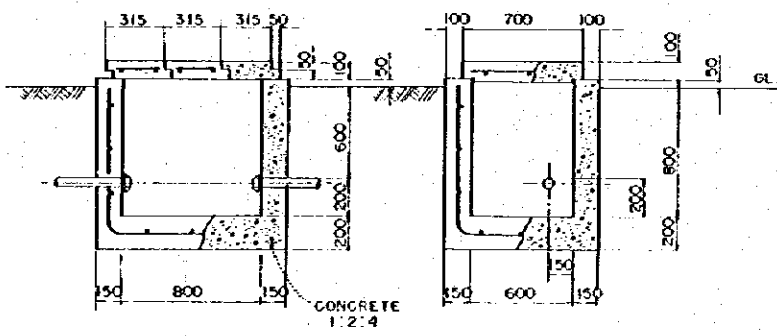
SECTION A-A



SECTION B-B



SECTION C-C

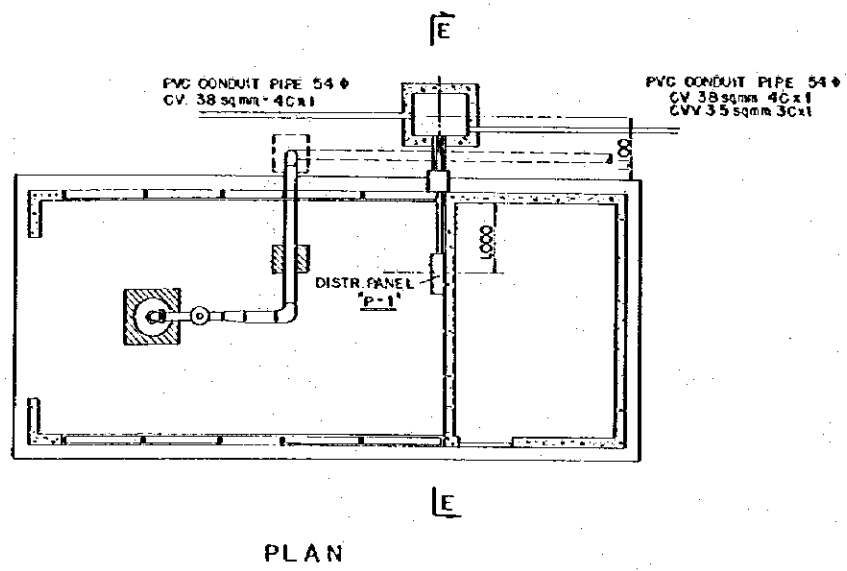


HAND HOLE

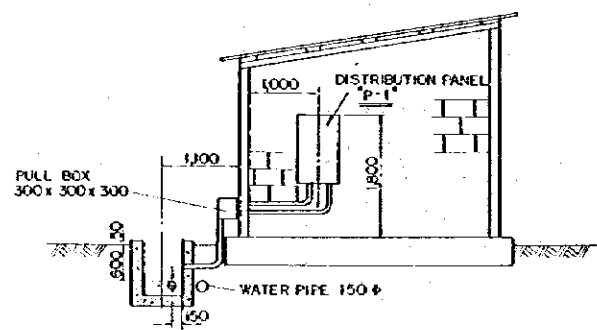
Note : All reinforcement bars shall be $\phi 12$ mm and placed in a pitch of 250 mm.

KILIMANJARO AGRICULTURAL DEVELOPMENT CENTER PROJECT IN TANZANIA			
TRIAL FARM			
PLAN OF ELECTRIC DISTRIBUTION LINE			
DATE	JUNE 1980	D.W.O. NO.	TF - 17
JAPAN INTERNATIONAL COOPERATION AGENCY			

MAIN PUMP HOUSE

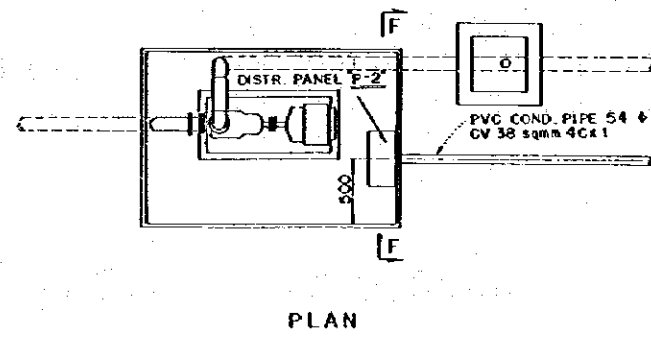


PLAN

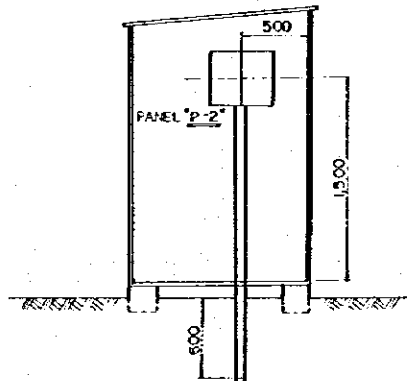


SECTION E-E

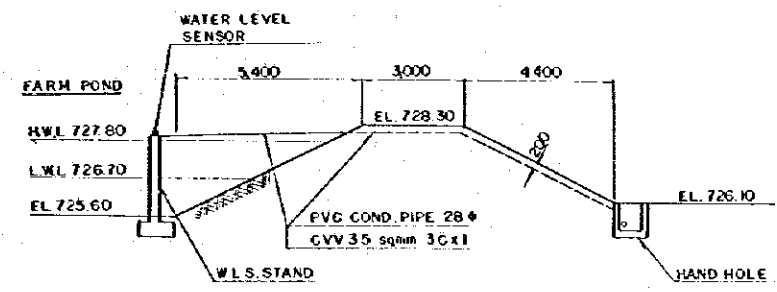
BOOSTER PUMP HOUSE



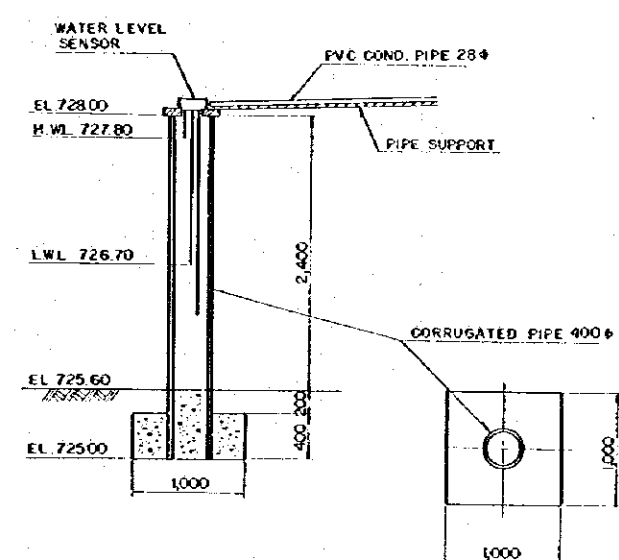
PLAN



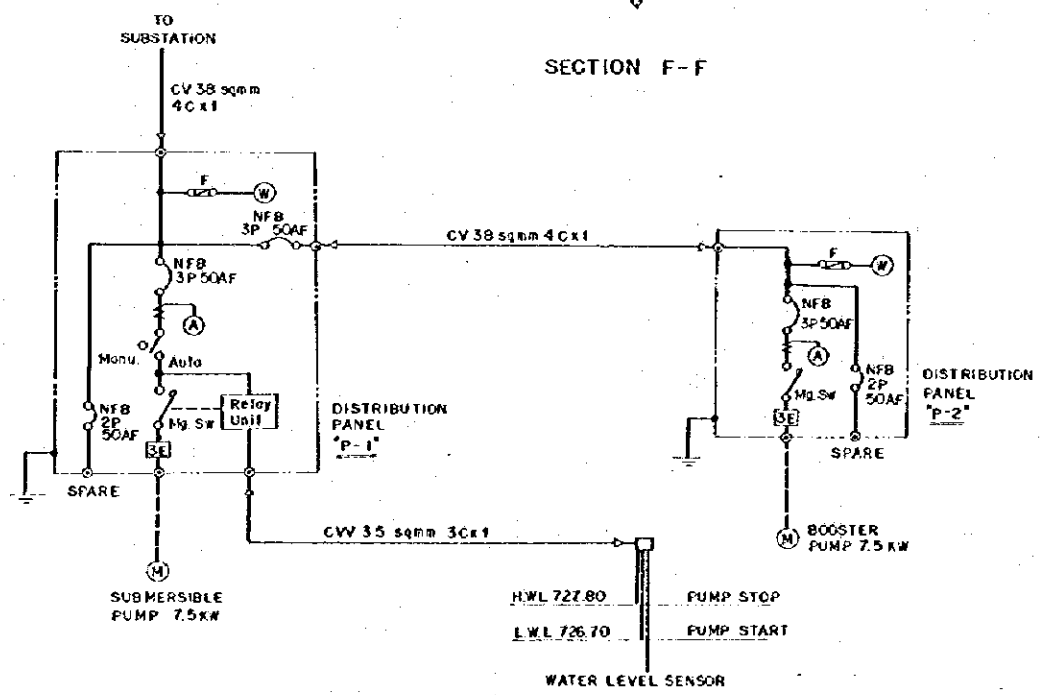
SECTION F-F



SECTION D-D



DETAIL OF W.L.S. STAND



SINGLE LINE DIAGRAM

KILIMANJARO AGRICULTURAL DEVELOPMENT CENTER PROJECT IN TANZANIA			
TRIAL FARM			
DETAIL OF ELECTRIC DISTRIBUTION SYSTEM			
DATE	JUNE 1980	DWG. NO.	TF-18
JAPAN INTERNATIONAL COOPERATION AGENCY			

Construction Time Schedule of Trial Farm.

Works	Month	0	1st. Month	2nd. Month	3rd. Month	4th. Month	5th. Month	6th. Month
Preparatory works		Transportation of equipment and materials						
Main & Booster pump house								
Farm pond								
Pipe lines								
Drainage canals and related structures								
Farm roads								
Land levelling, etc.								
Electric works								

Notes (1) Since the schedule is tentatively prepared, it will be finalized by the Engineer before tender announcement.

(2) It is noted that rainy season is not considered in the above schedule.

KILIMANJARO AGRICULTURAL DEVELOPMENT
CENTER PROJECT IN TANZANIA

TRIAL FARM

CONSTRUCTION TIME SCHEDULE

DATE	JUNE 1980	DWG. NO.	TF - 19
------	-----------	----------	---------

JAPAN INTERNATIONAL COOPERATION AGENCY

JICA