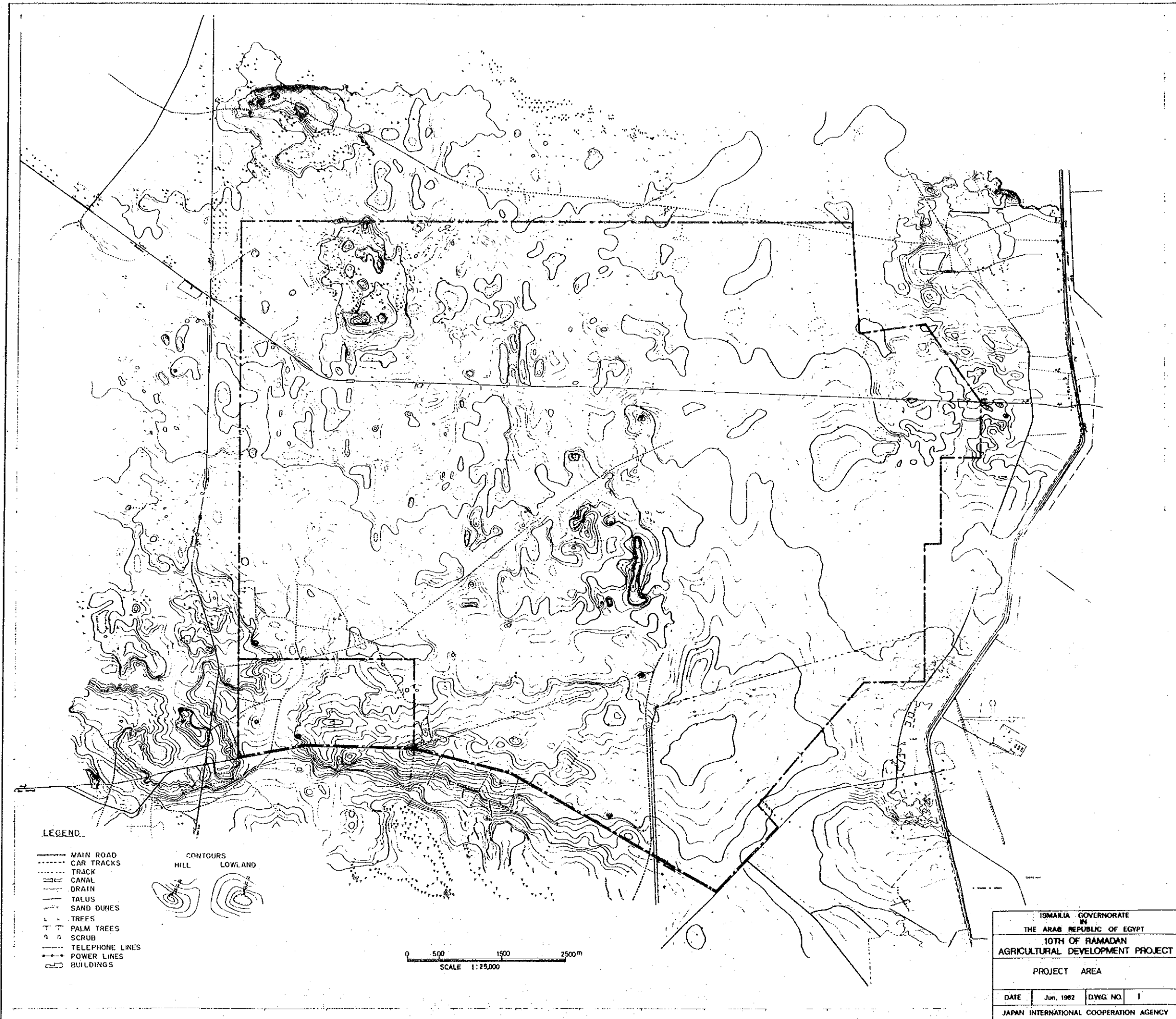


DRAWINGS

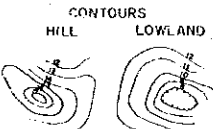
DRAWING LISTS

DWG. NO.	DRAWING TITLE	PAGE
1	PROJECT AREA	1
2	SOIL MAP	2
3	DISTRIBUTION SYSTEM	3
4-1	PROFILE OF PIPELINES	4
4-2	DITTO	5
4-3	DITTO	6
5	ROAD NETWORKS	7
6	WATER MANAGEMENT BLOCK	8
7	INTAKE STRUCTURE	9
8-1	MAIN PUMP STATION	10
8-2	DITTO	11
9	BOOSTER PUMP STATION	12
10	GENERATOR STATION (FOR MAIN PUMP)	13
11	DITTO (FOR BOOSTER PUMP)	14
12	FARM POND	15
13	HOUSING VILLAGE PLAN	16



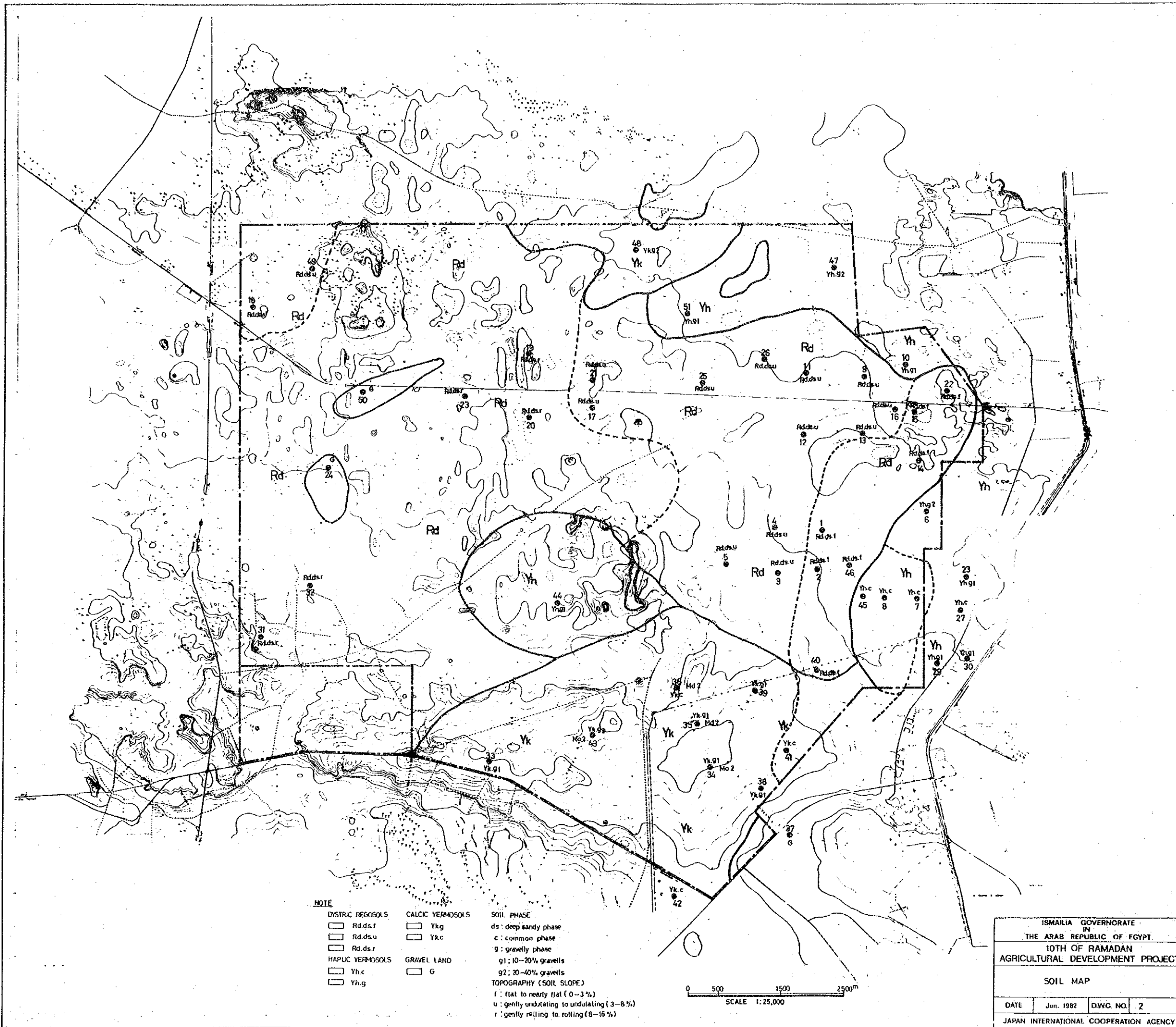
LEGEND

- MAIN ROAD
- CAR TRACKS
- TRACK
- CANAL
- DRAIN
- TALUS
- SAND DUNES
- ▲ TREES
- ▲ PALM TREES
- SCRUB
- TELEPHONE LINES
- POWER LINES
- BUILDINGS



0 500 1500 2500m
SCALE 1:25,000

ISMAILIA GOVERNORATE IN THE ARAB REPUBLIC OF EGYPT			
10TH OF RAMADAN AGRICULTURAL DEVELOPMENT PROJECT			
PROJECT AREA			
DATE	Jun. 1982	DWG. NO.	1
JAPAN INTERNATIONAL COOPERATION AGENCY			

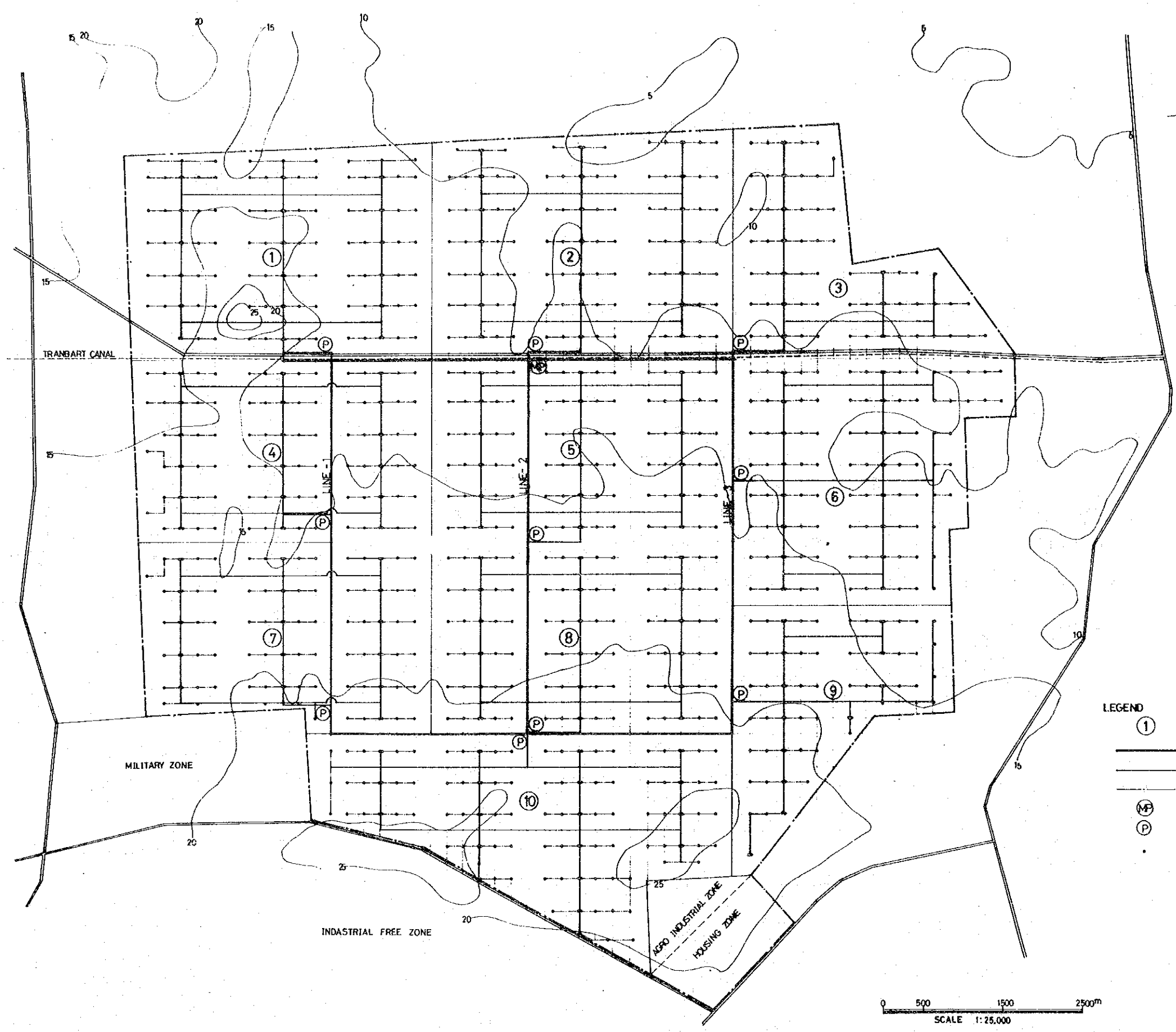


NOTE

DISTRICT REGOSOLS	CALCIC YERMOSOLS	SOIL PHASE
Rd.ds.f	Yk.g	ds: deep sandy phase
Rd.ds.u	Yk.c	c: common phase
Rd.ds.r		g: gravelly phase
HAPLIC YERMOSOLS	GRAVEL LAND	g1: 10-20% gravells
Yh.c	G	g2: 20-40% gravells
Yh.g		TOPOGRAPHY (SOIL SLOPE)
		f: flat to nearly flat (0-3%)
		u: gently undulating to undulating (3-8%)
		r: gently rolling to rolling (8-16%)

0 500 1500 2500m
SCALE 1:25,000

ISMAILIA GOVERNORATE IN THE ARAB REPUBLIC OF EGYPT 10TH OF RAMADAN AGRICULTURAL DEVELOPMENT PROJECT		
SOIL MAP		
DATE	Jun. 1982	DWG. NO. 2
JAPAN INTERNATIONAL COOPERATION AGENCY		



- LEGEND
- ① BLOCK NUMBER
 - MAIN PIPE LINE
 - SUB-MAIN PIPE LINE
 - BRANCH PIPE LINE
 - ⊙ MF MAIN PUMP STATION
 - ⊙ P BOOSTER PUMP STATION
 - HYDRANT

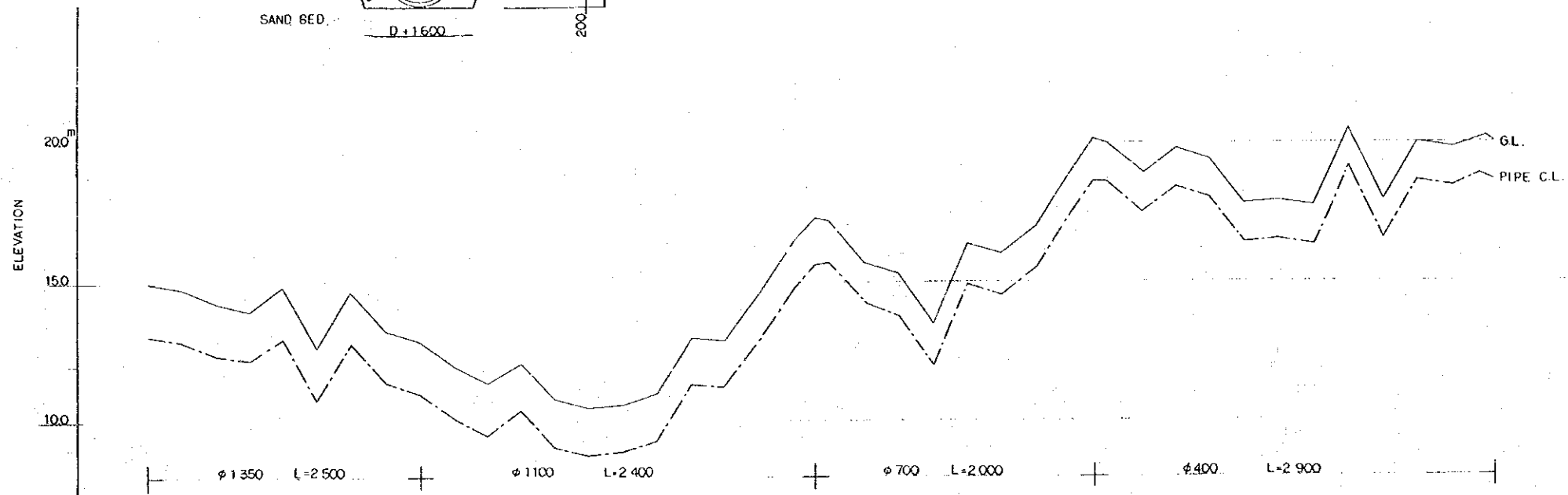
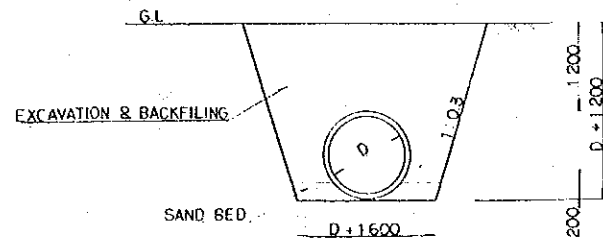
ISMAILIA GOVERNORATE		
IN		
THE ARAB REPUBLIC OF EGYPT		
10TH OF RAMADAN		
AGRICULTURAL DEVELOPMENT PROJECT		
DISTRIBUTION SYSTEM		
DATE	Jun. 1982	DWG. NO. 3
JAPAN INTERNATIONAL COOPERATION AGENCY		

PROFILE OF MAIN PIPE LINE

LINE -1

V=1/100 H=1/20,000

TYPICAL SECTION



CENTER OF PIPE	13.1 12.9 12.4 13.0 12.6 11.0 9.5 9.1 8.9 11.3 12.9 15.9 15.7 13.8 14.9 15.5 18.6 18.6
GROUND ELEVATION	15.0 14.8 14.3 14.9 14.7 12.9 11.4 10.8 10.6 13.0 14.6 17.8 17.2 15.3 16.4 17.0 20.1 20.0 19.8 17.8 17.7 17.9 19.8 20.2 20.0
REDUCED DISTANCE	0 250 500 1000 1500 2000 2500 3000 3500 4000 4500 4900 5000 5500 6000 6500 6900 7000 7500 8000 8500 9000 9500 9750 9800
DISTANCE	0 250 250 500 500 500 500 500 500 500 500 400 100 500 500 500 500 500 500 500 500 500 500 250 50
STATION	NO. 0 2 4 6 8 10 12 14 16 18 20 20 22 24 26 28 30 32 34 36 38 39 +50

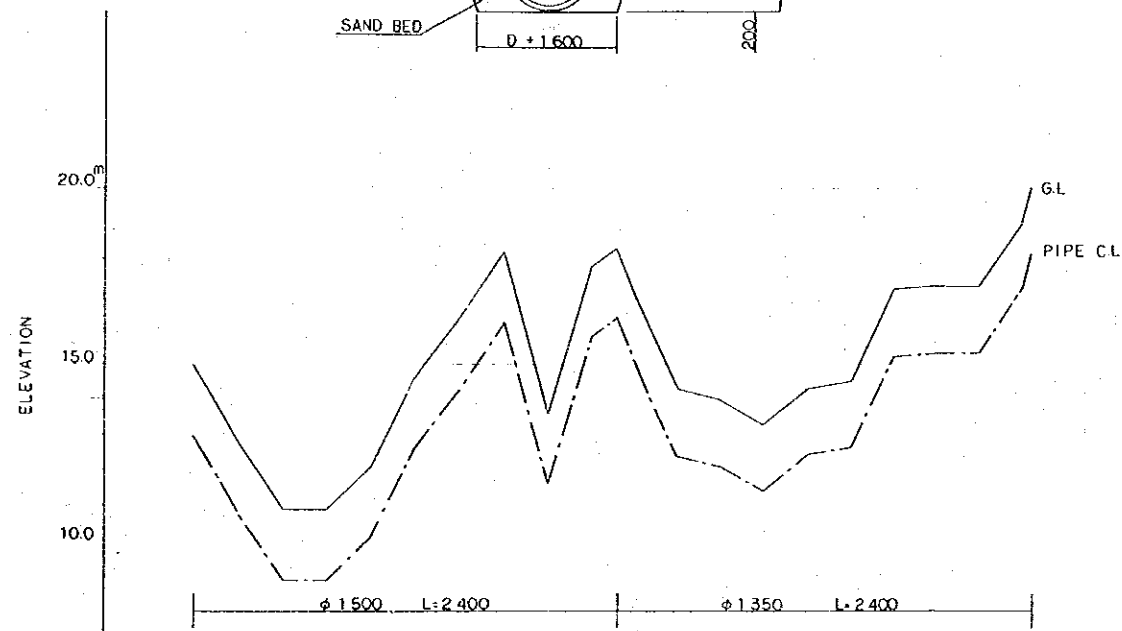
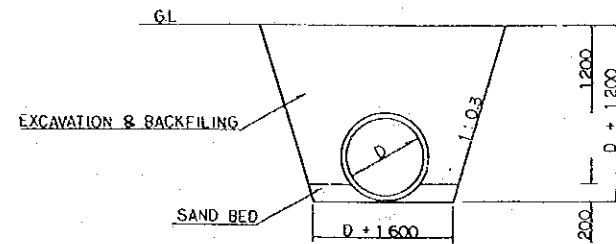
ISMALIA GOVERNORATE IN THE ARAB REPUBLIC OF EGYPT			
10TH OF RAMADAN AGRICULTURAL DEVELOPMENT PROJECT			
PROFILE OF PIPE LINE			
DATE	Jun, 1982	DWG. NO.	4-1
JAPAN INTERNATIONAL COOPERATION AGENCY			

PROFILE OF MAIN PIPE LINE

LINE - 2

V=1/100 H=1/20,000

TYPICAL SECTION



CENTER OF PIPE	15.0	8.9	10.1	14.3	11.6	16.3	15.1	12.1	12.4	15.2	15.3	17.1	16.1						
GROUND ELEVATION	15.0	10.9	12.1	16.3	13.6	18.3	17.0	14.0	14.3	17.1	17.2	18.0	20.0						
REDUCED DISTANCE	0	500	1000	1500	2000	2400	2500	3000	3500	4000	4500	4750	4800						
DISTANCE	0	500	500	500	500	400	100	500	500	500	500	250	50						
STATION	NO. C	2	4	6	8	+ 150m 10	12	14	16	18	+ 150m 19	+ 50m							

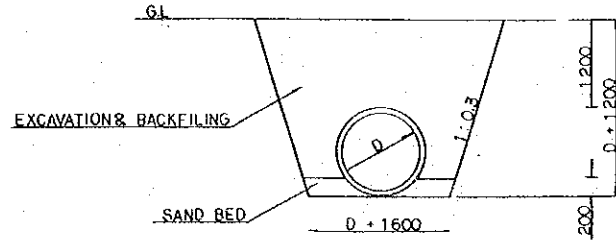
ISMAILIA GOVERNORATE			
IN THE ARAB REPUBLIC OF EGYPT			
10TH OF RAMADAN			
AGRICULTURAL DEVELOPMENT PROJECT			
PROFILE OF PIPE LINE			
DATE	Jun. 1982	DWG. NO.	4-2
JAPAN INTERNATIONAL COOPERATION AGENCY			

PROFILE OF MAIN PIPE LINE

LINE - 3

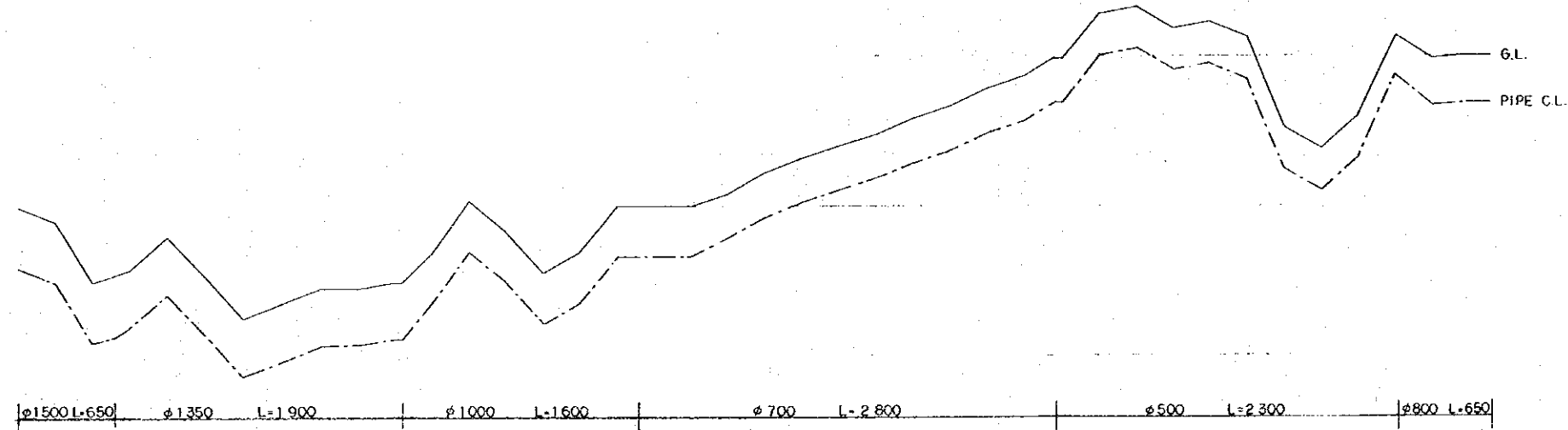
V=1/100 H=1/20,000

TYPICAL SECTION



ELEVATION

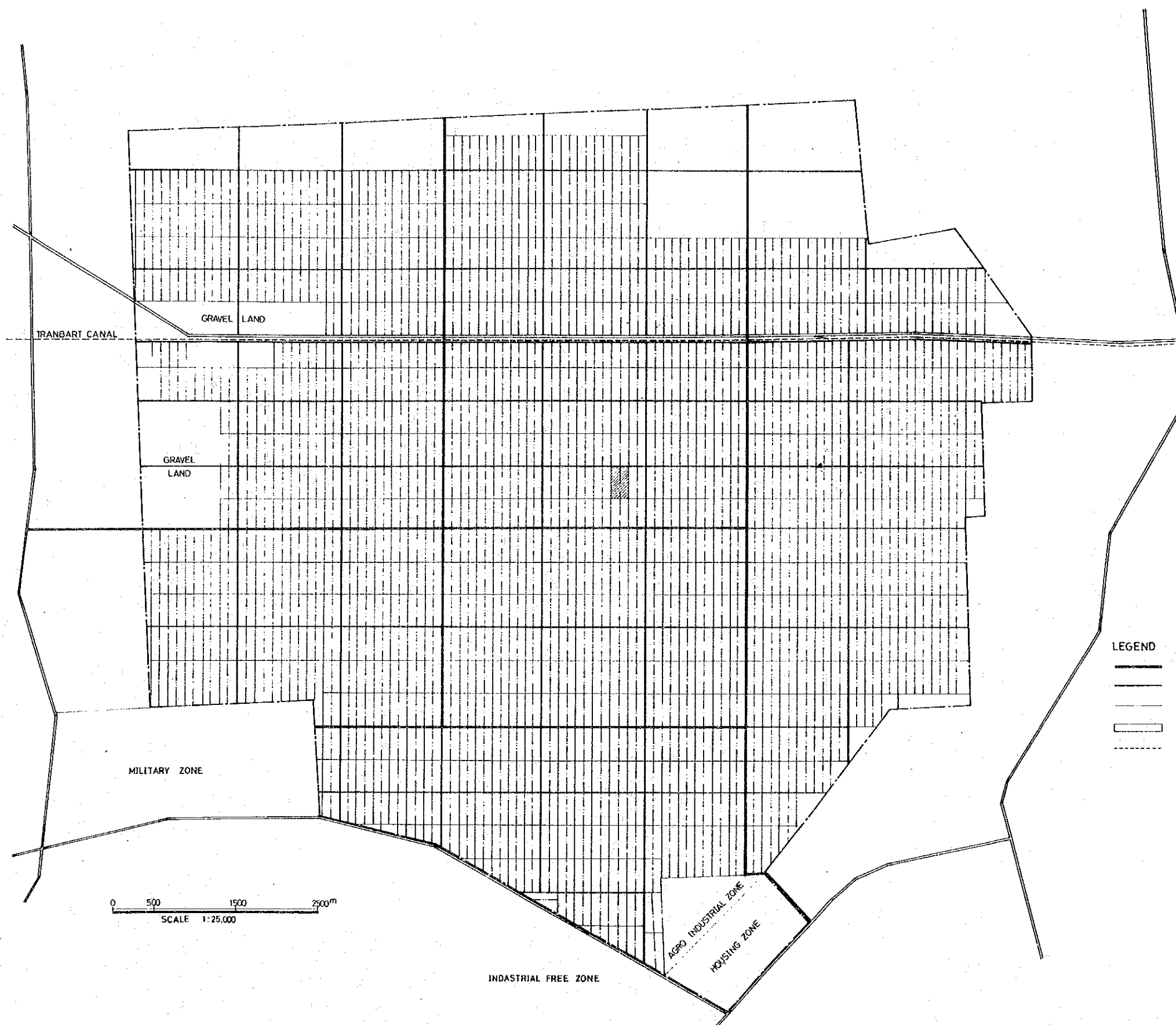
20.0
15.0
10.0



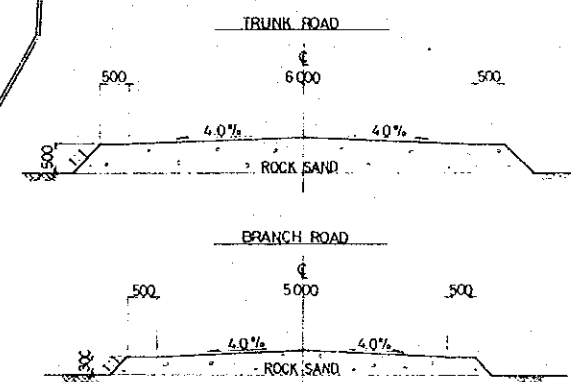
$\phi 1500$ L-650 $\phi 1350$ L-1900 $\phi 1000$ L-1600 $\phi 700$ L-2800 $\phi 500$ L-2300 $\phi 800$ L-650

CENTER OF PIPE	13.0	10.5	10.7	12.1	9.4	10.4	10.6	11.8	13.5	11.1	13.3	13.3	13.5	14.6	15.5	16.4	17.4	18.4	18.4	20.2	19.7	16.2	16.6	19.3	18.3	18.4	18.4
GROUND ELEVATION	15.0	12.5	12.7	14.0	11.3	12.8	12.5	12.5	15.2	12.8	15.0	15.0	15.0	16.1	17.0	17.9	18.9	19.8	19.9	21.6	21.1	17.6	18.0	20.7	19.9	20.0	20.0
REDUCED DISTANCE	0	500	650	1000	1500	2000	2500	2550	3000	3500	4000	4150	4500	5000	5500	6000	6500	6950	7000	7500	8000	8500	9000	9250	9500	9750	9900
DISTANCE	0	500	150	350	500	500	500	450	500	500	500	150	350	500	500	500	500	450	50	500	500	500	250	250	250	250	150
STATION	NO. 0	2	+ 150	4	6	8	+ 10	+ 50	12	14	16	+ 150	18	20	22	24	26	+ 200	28	30	32	34	36	37	38	39	+ 150

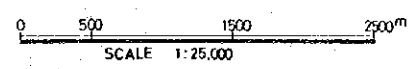
ISMAILIA GOVERNORATE IN THE ARAB REPUBLIC OF EGYPT			
10TH OF RAMADAN AGRICULTURAL DEVELOPMENT PROJECT			
PROFILE OF PIPE LINE			
DATE	Jun. 1982	DWG. NO.	4-3
JAPAN INTERNATIONAL COOPERATION AGENCY			



ROAD STANDARD SECTION s=1/60

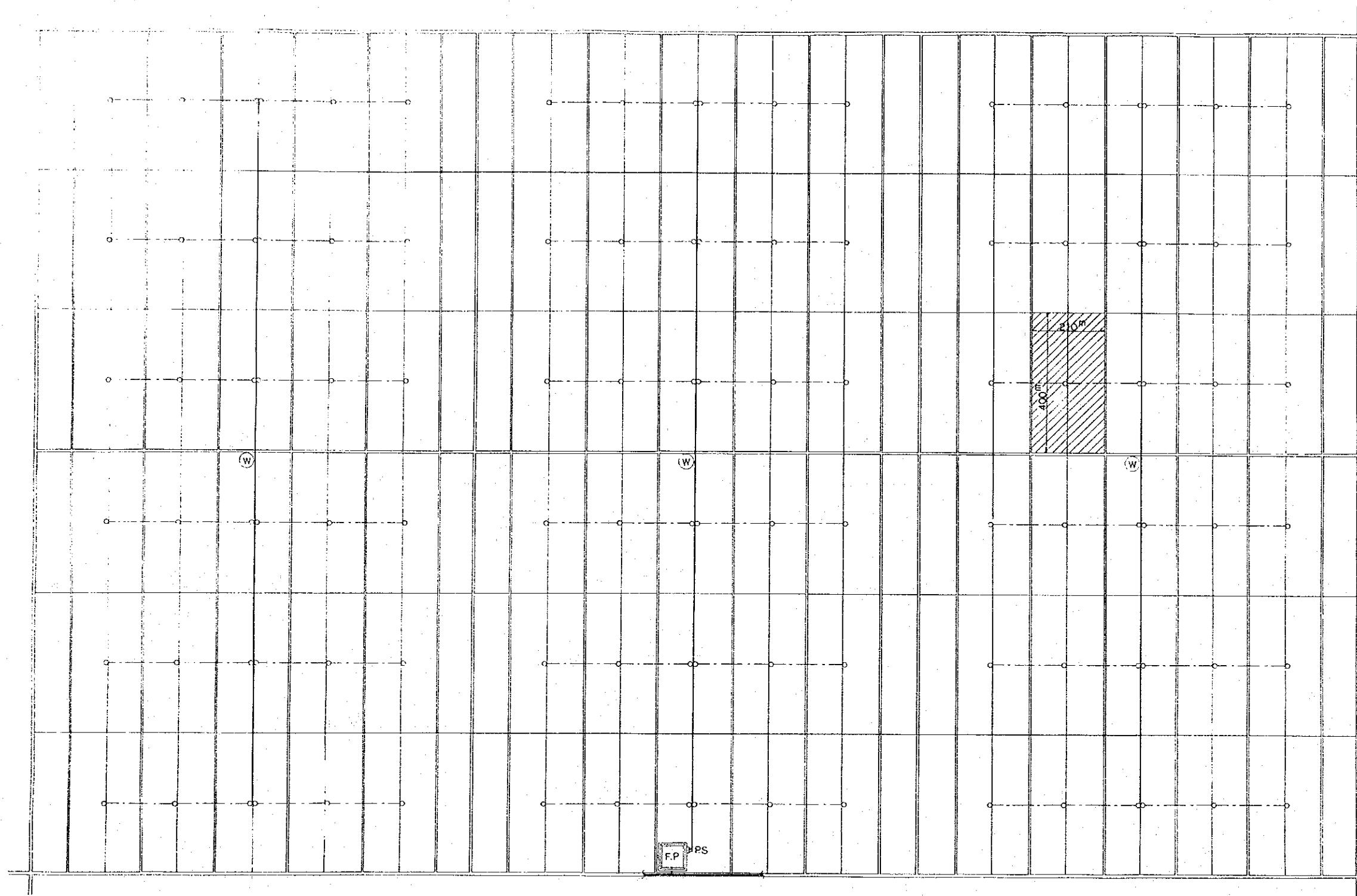


- LEGEND
- TRUNK ROAD
 - BRANCH ROAD
 - FARM ROAD
 - CULTIVATED BOUNDARY
 - - - OPEN CANAL



ISMAILIA GOVERNORATE		
IN		
THE ARAB REPUBLIC OF EGYPT		
10TH OF RAMADAN		
AGRICULTURAL DEVELOPMENT PROJECT		
ROAD NETWORKS		
DATE	Jun. 1982	D.W.G. NO. 5
JAPAN INTERNATIONAL COOPERATION AGENCY		

STANDARD BLOCK (BLOCK-8) S-1/600



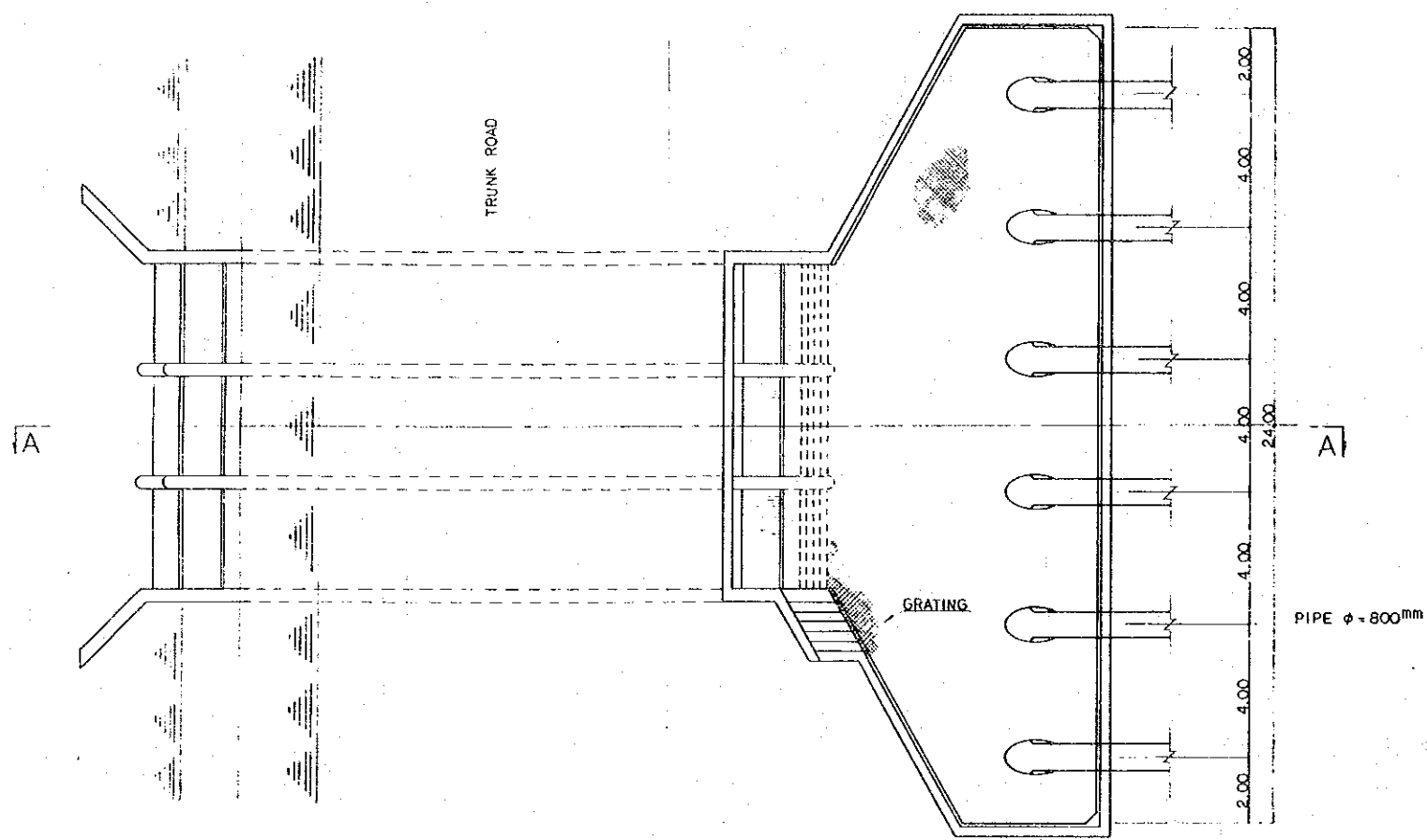
LEGEND

- CULTIVATED BOUNDARY
- FARM ROAD
- BRANCH ROAD
- TRUNK ROAD
- MAIN PIPE LINE
- SECONDARY PIPE LINE
- BRANCH PIPE LINE
- P.S. BOOSTER PUMP STATION
- ⊙ WELL
- HYDRANT
- ▭ FARM POND

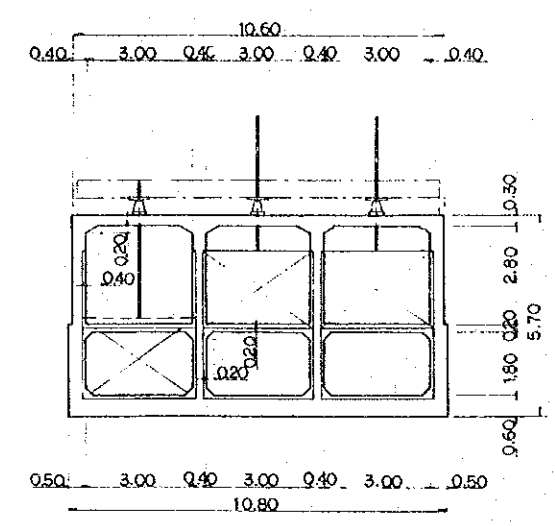
ISMAILIA GOVERNORATE			
IN			
THE ARAB REPUBLIC OF EGYPT			
10TH OF RAMADAN			
AGRICULTURAL DEVELOPMENT PROJECT			
WATER MANAGEMENT BLOCK			
DATE	Jun. 1982	D.W.G. NO.	6
JAPAN INTERNATIONAL COOPERATION AGENCY			

INTAKE STRUCTURE S-1/100

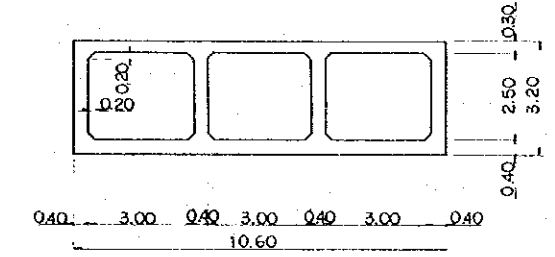
PLAN



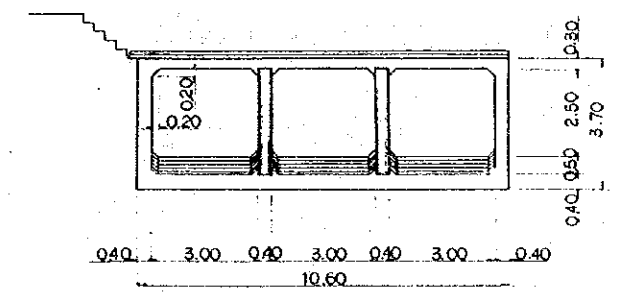
SECTION B-B S-1/100



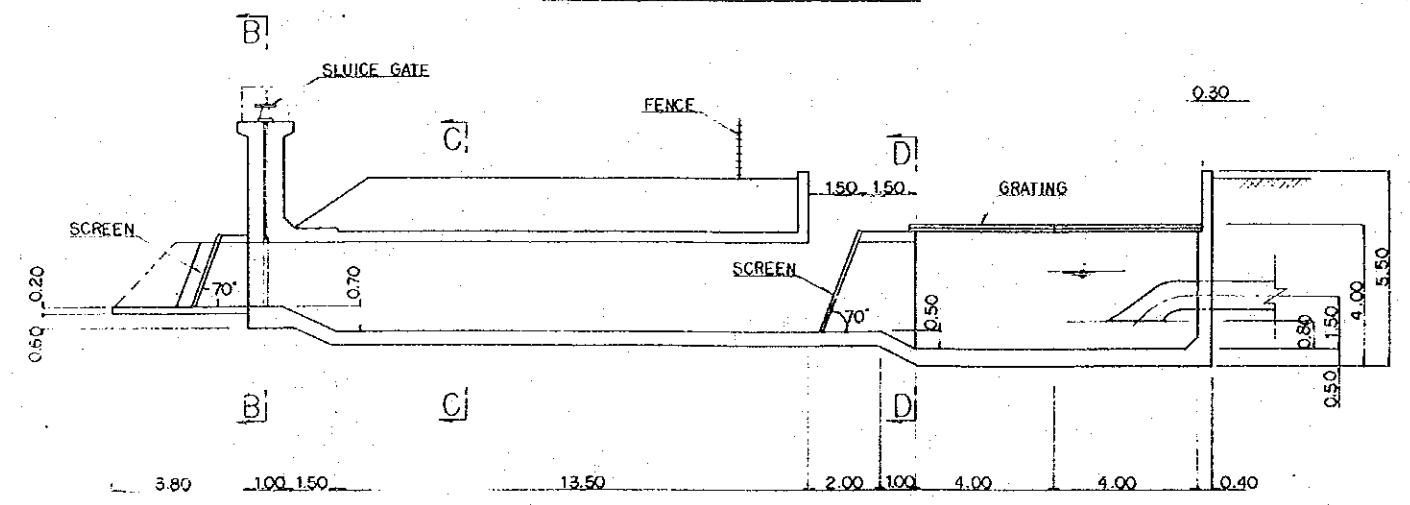
SECTION C-C S-1/100



SECTION D-D S-1/100

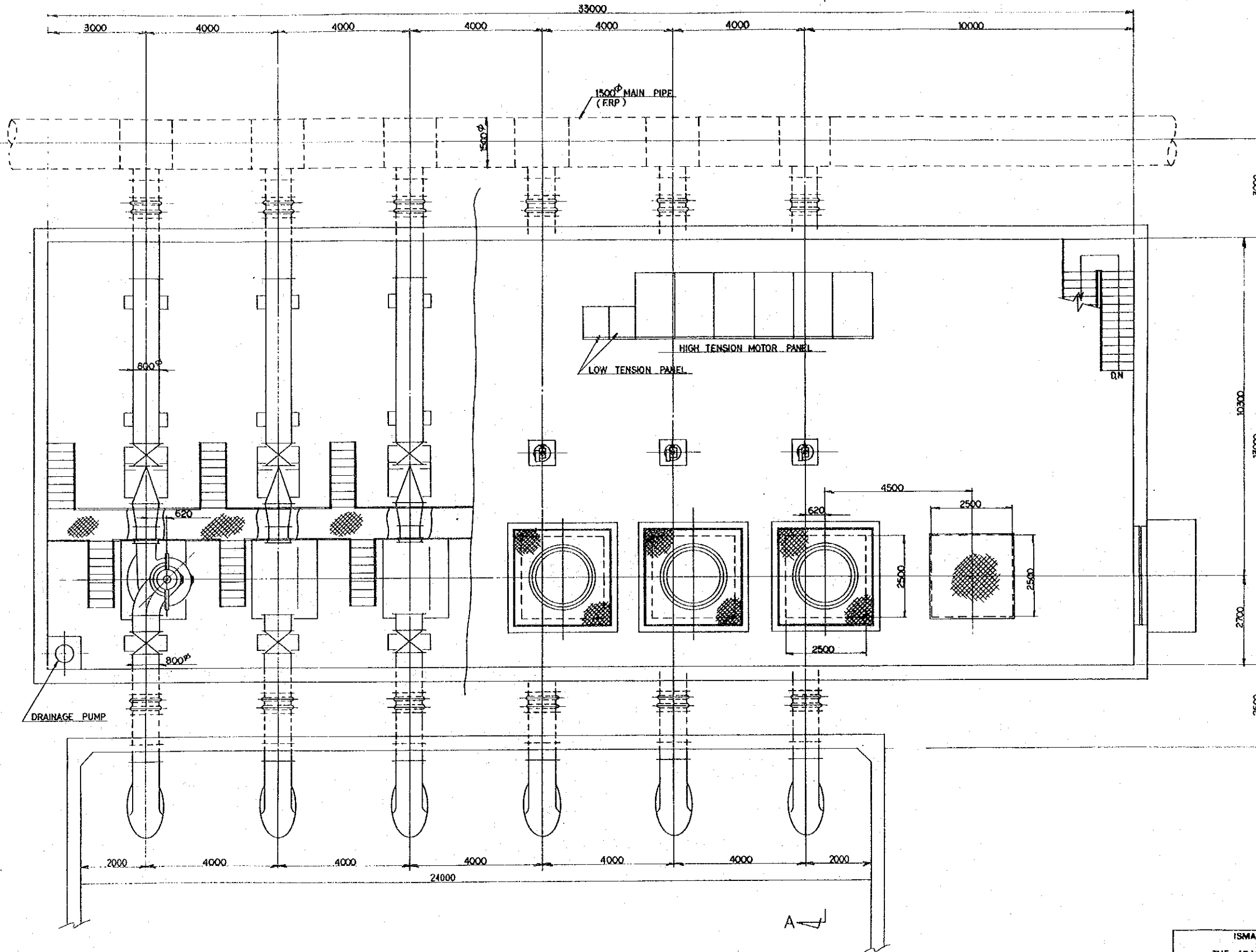


SECTION A-A S-1/100



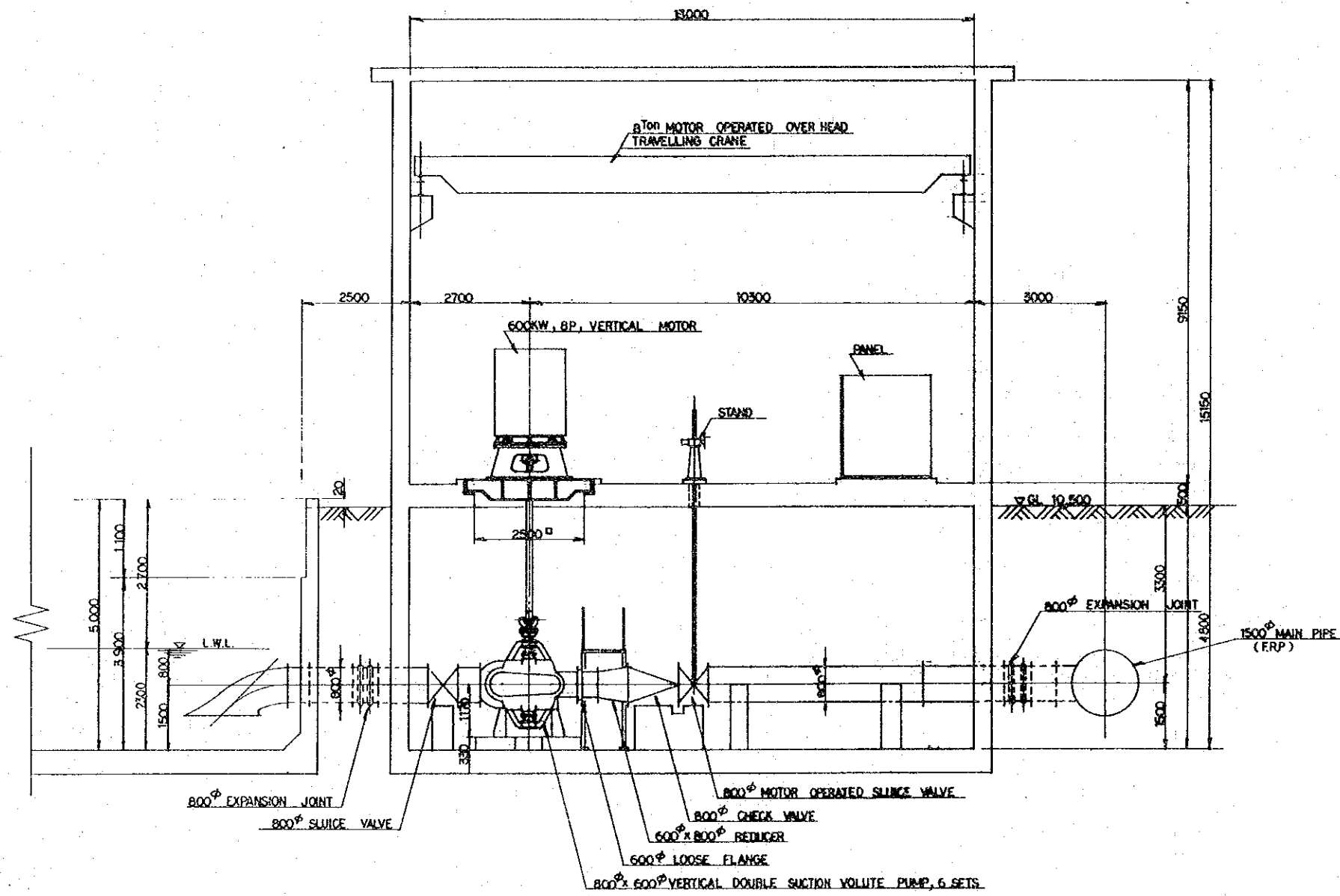
ISMAILIA GOVERNORATE IN THE ARAB REPUBLIC OF EGYPT			
10TH OF RAMADAN AGRICULTURAL DEVELOPMENT PROJECT			
INTAKE STRUCTURE			
DATE	Jun. 1982	DWG. NO.	7
JAPAN INTERNATIONAL COOPERATION AGENCY			

PLAN $s = \frac{1}{40}$



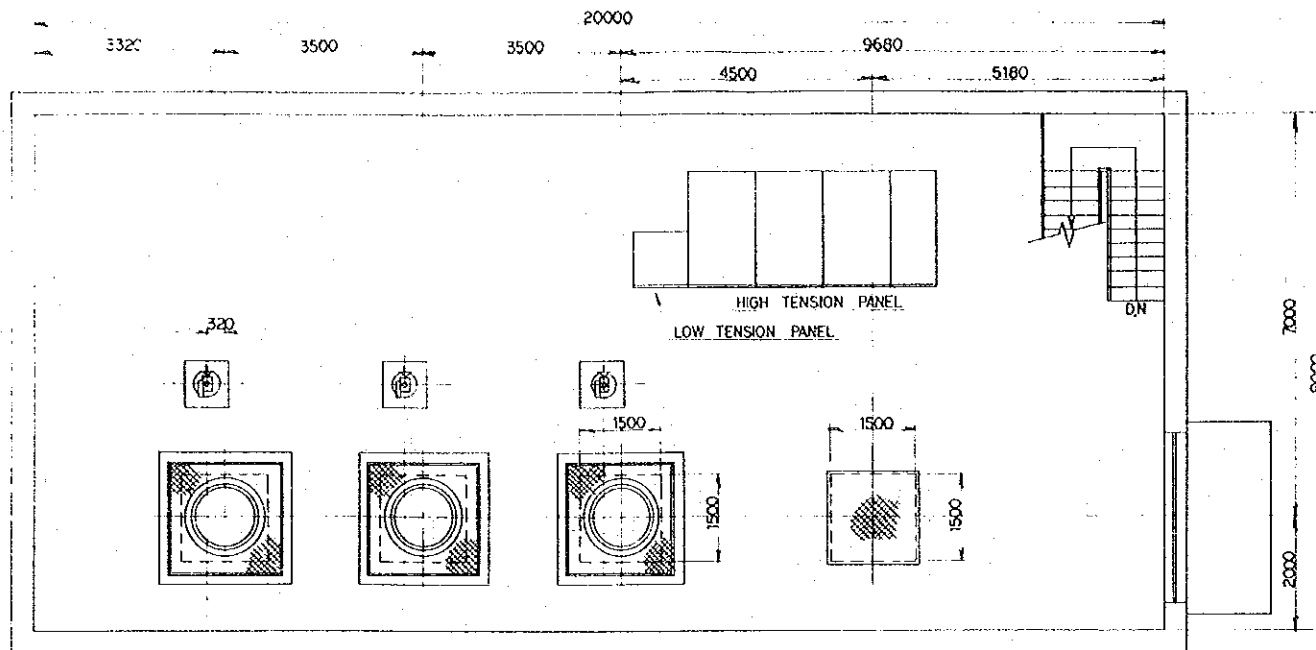
ISMAILIA GOVERNORATE IN THE ARAB REPUBLIC OF EGYPT			
10TH OF RAMADAN AGRICULTURAL DEVELOPMENT PROJECT			
MAIN PUMP STATION			
DATE	Jun. 1982	D.W.G. NO.	8-1
JAPAN INTERNATIONAL COOPERATION AGENCY			

SECTION A-A s=1/50

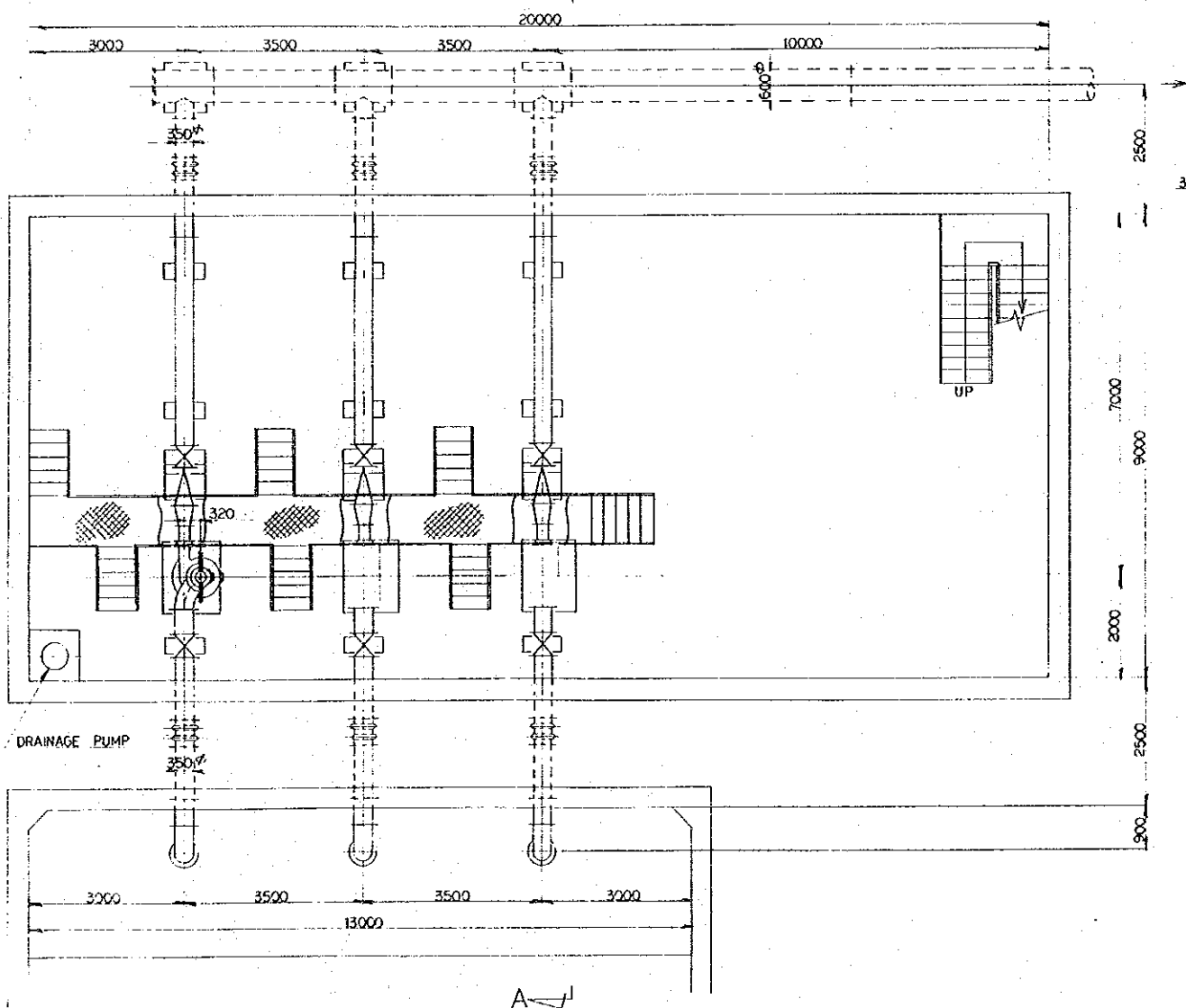


ISMAILIA GOVERNORATE		
IN		
THE ARAB REPUBLIC OF EGYPT		
10TH OF RAMADAN		
AGRICULTURAL DEVELOPMENT PROJECT		
MAIN PUMP STATION		
DATE	Jun. 1982	DWG. NO. 8-2
JAPAN INTERNATIONAL COOPERATION AGENCY		

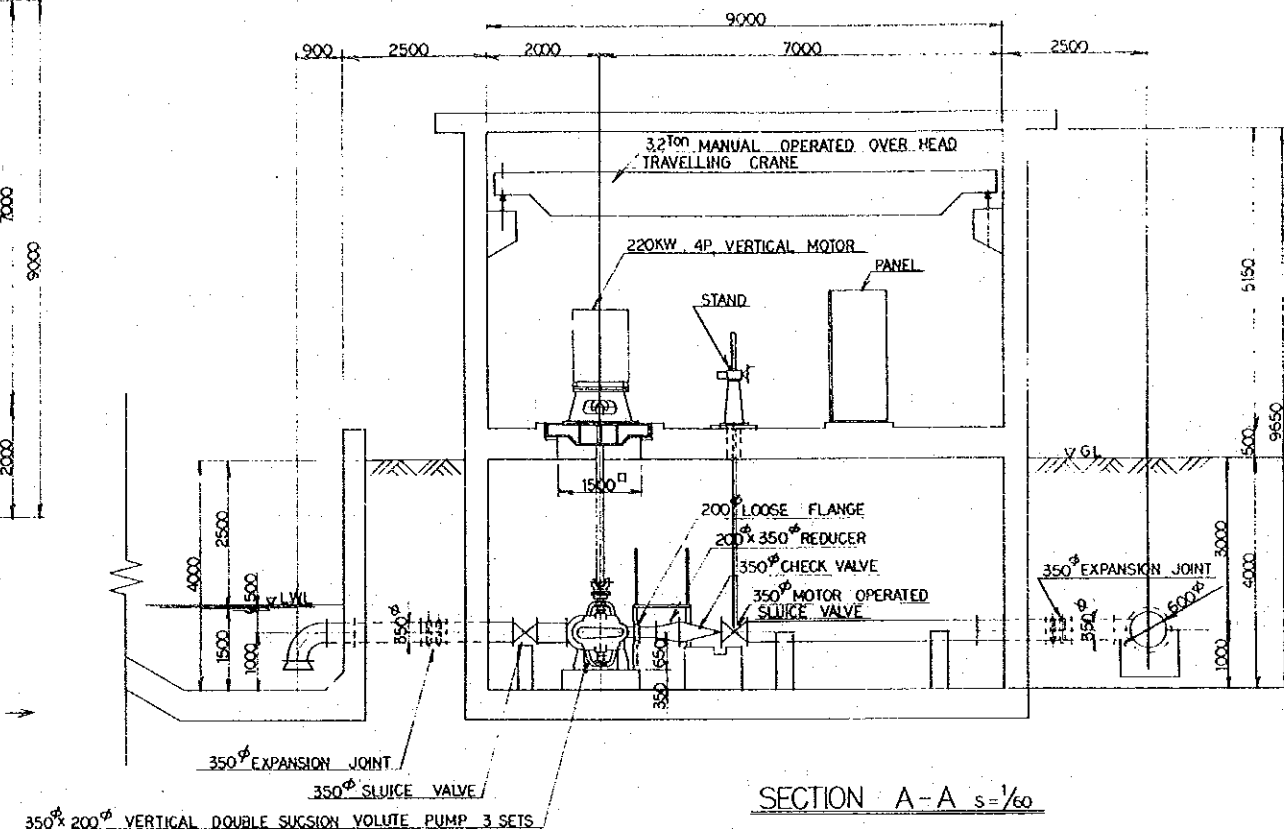
MOTOR ROOM PLAN $s=1/60$



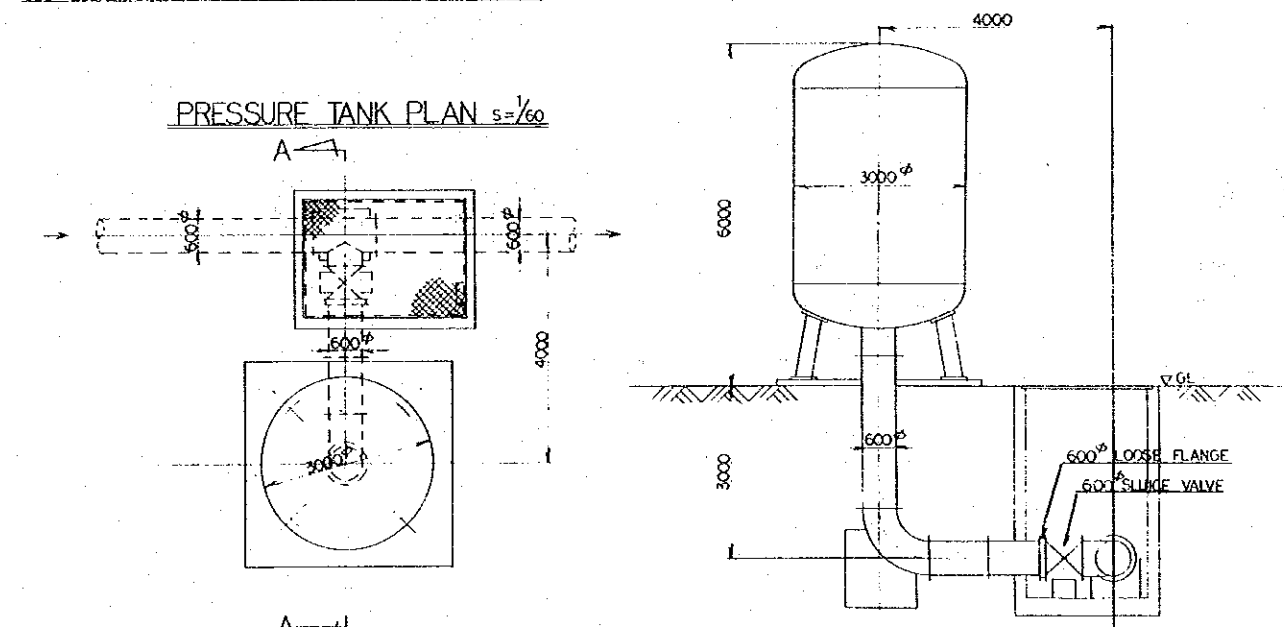
PUMP ROOM PLAN $s=1/60$



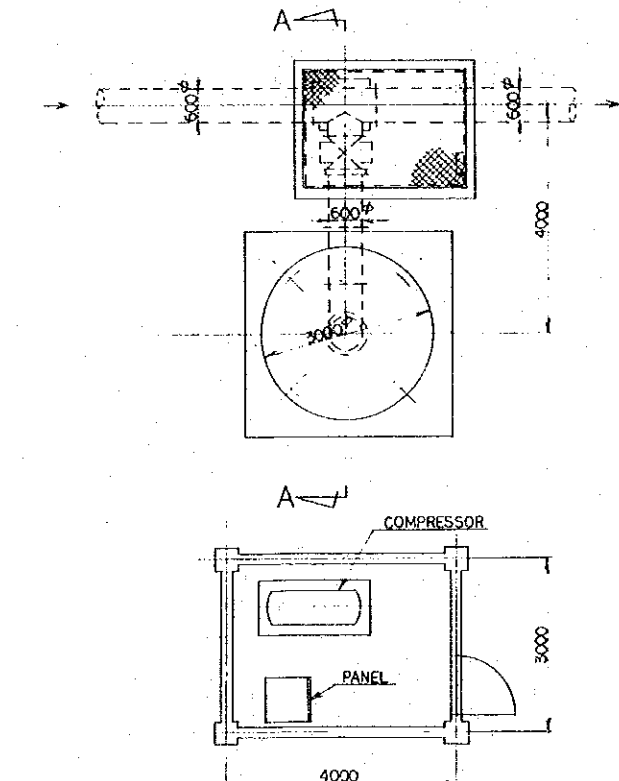
SECTION A-A $s=1/60$



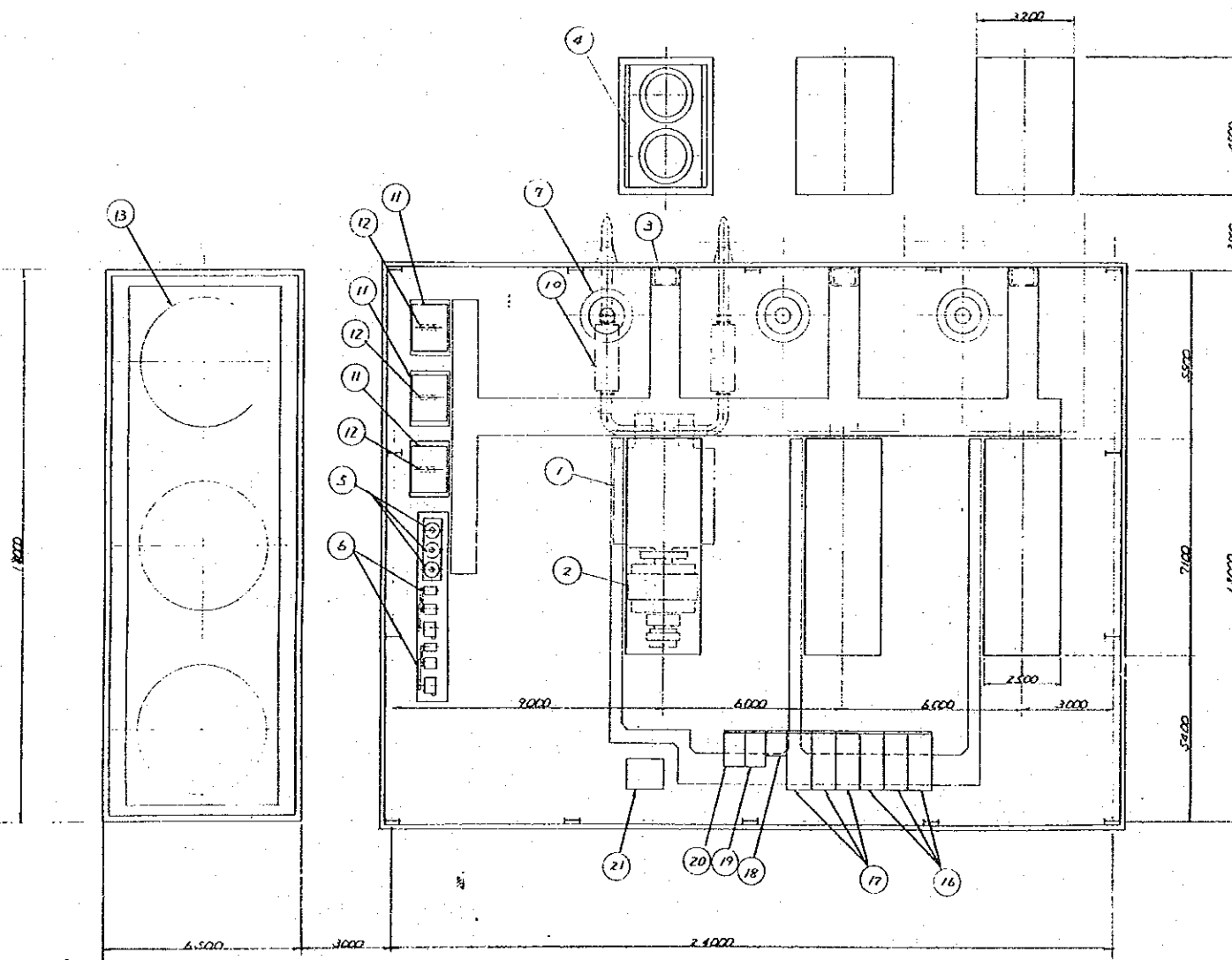
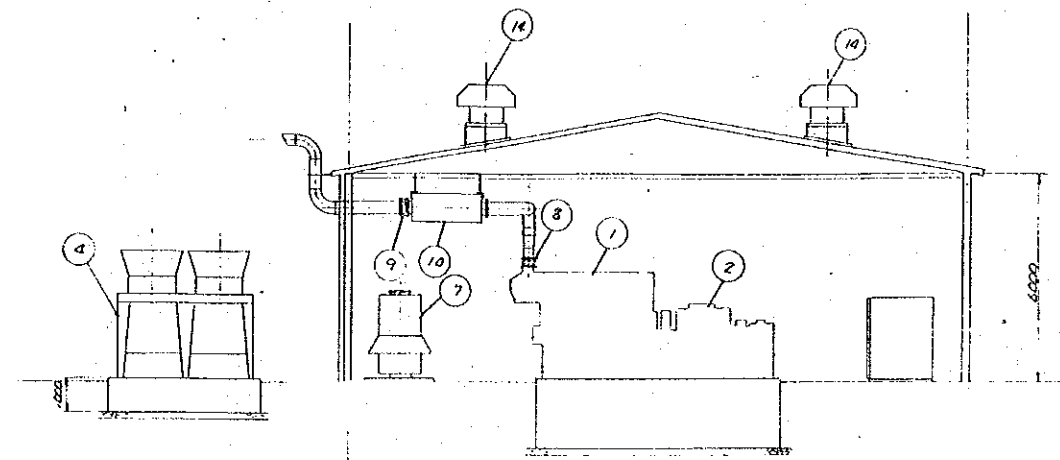
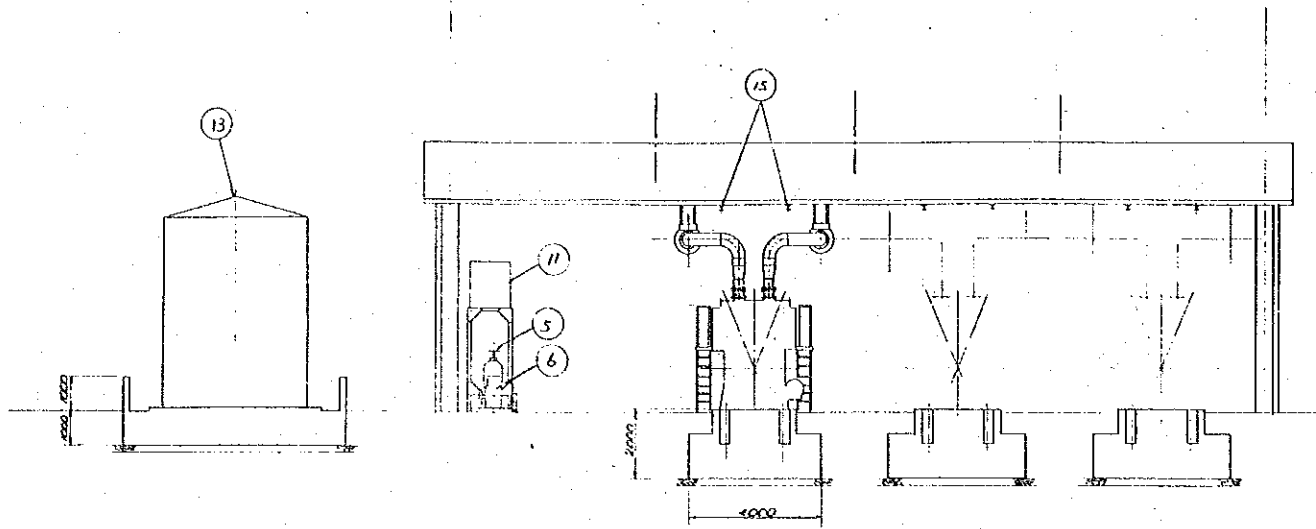
SECTION A-A $s=1/60$



PRESSURE TANK PLAN $s=1/60$

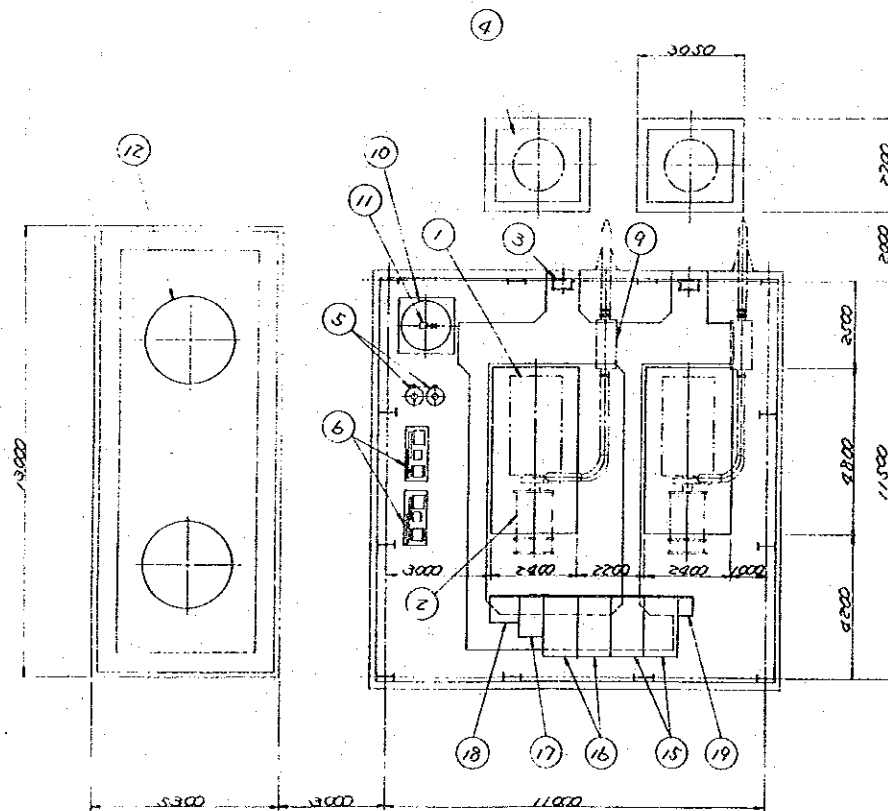
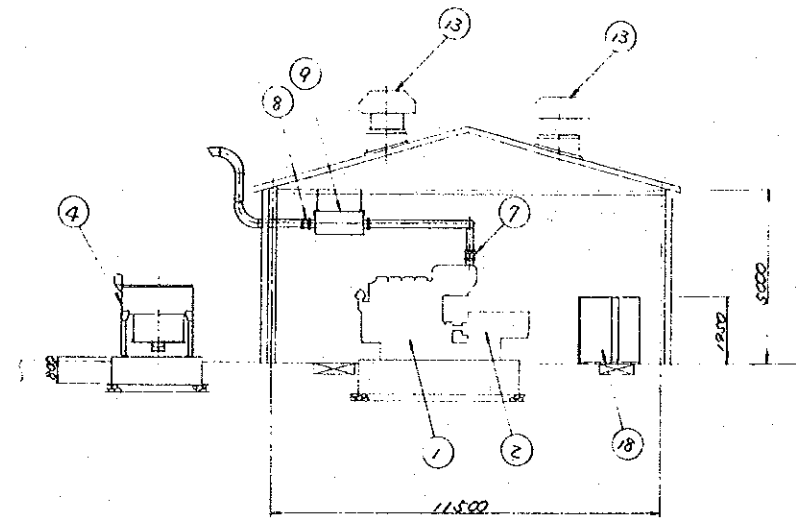
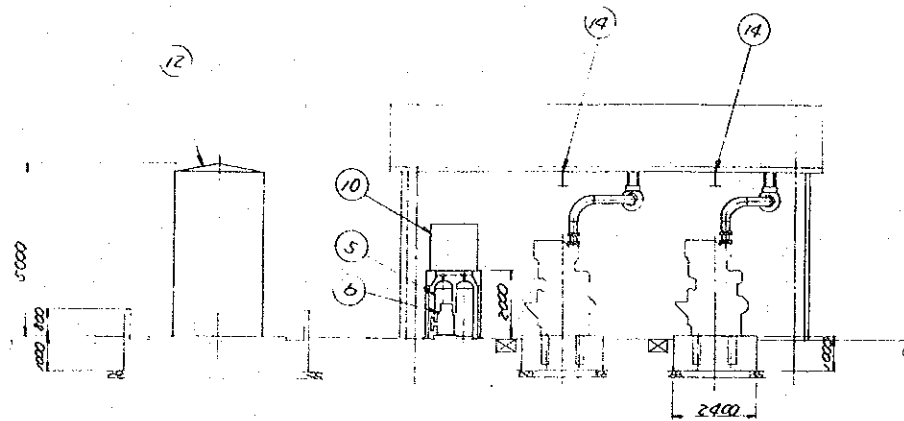


ISMAILIA GOVERNORATE IN THE ARAB REPUBLIC OF EGYPT		
10TH OF RAMADAN AGRICULTURAL DEVELOPMENT PROJECT		
BOOSTER PUMP STATION		
DATE	Jun. 1982	DWG. NO. 9
JAPAN INTERNATIONAL COOPERATION AGENCY		



N.O.	NAME	QTY	REMARKS
1	DIESEL ENGINE	3	750RPH x 2700PS
2	A.C. GENERATOR	3	1800 KVA
3	C.W EXPANSION TANK	3	200 L
4	RADIATOR	3	15KW x 2
5	AIR RECEIVER	3	250L
6	AIR COMPRESSOR	2	MOTOR & ENGINE DRIVEN
7	OIL BATH TYPE AIR FILTER	3	
8	EXPANSION JOINT	6	300A
9	"	6	350A
10	SILENCER	6	350A
11	FO DAILY TANK	3	2000 L
12	FO TRANSFER PUMP	3	1.5KW
13	FO STORAGE TANK	3	70000 L
14	ROOF VENTILATOR	6	2.2KW
15	I BEAM	6	
16	GENERATOR PANEL	3	
17	EXCITER PANEL	3	
18	BATTERY & BATTERY CHARGER	1	
19	TRANS PRIMARY PANEL	1	
20	TRANS SECONDARY PANEL	1	
21	200KVA TRANSFORMER	1	

ISMAILIA GOVERNORATE
IN
THE ARAB REPUBLIC OF EGYPT
10TH OF RAMADAN
AGRICULTURAL DEVELOPMENT PROJECT
GENERATOR STATION (FOR MAIN PUMP)
DATE Jun. 1982 DWG NO. 10
JAPAN INTERNATIONAL COOPERATION AGENCY

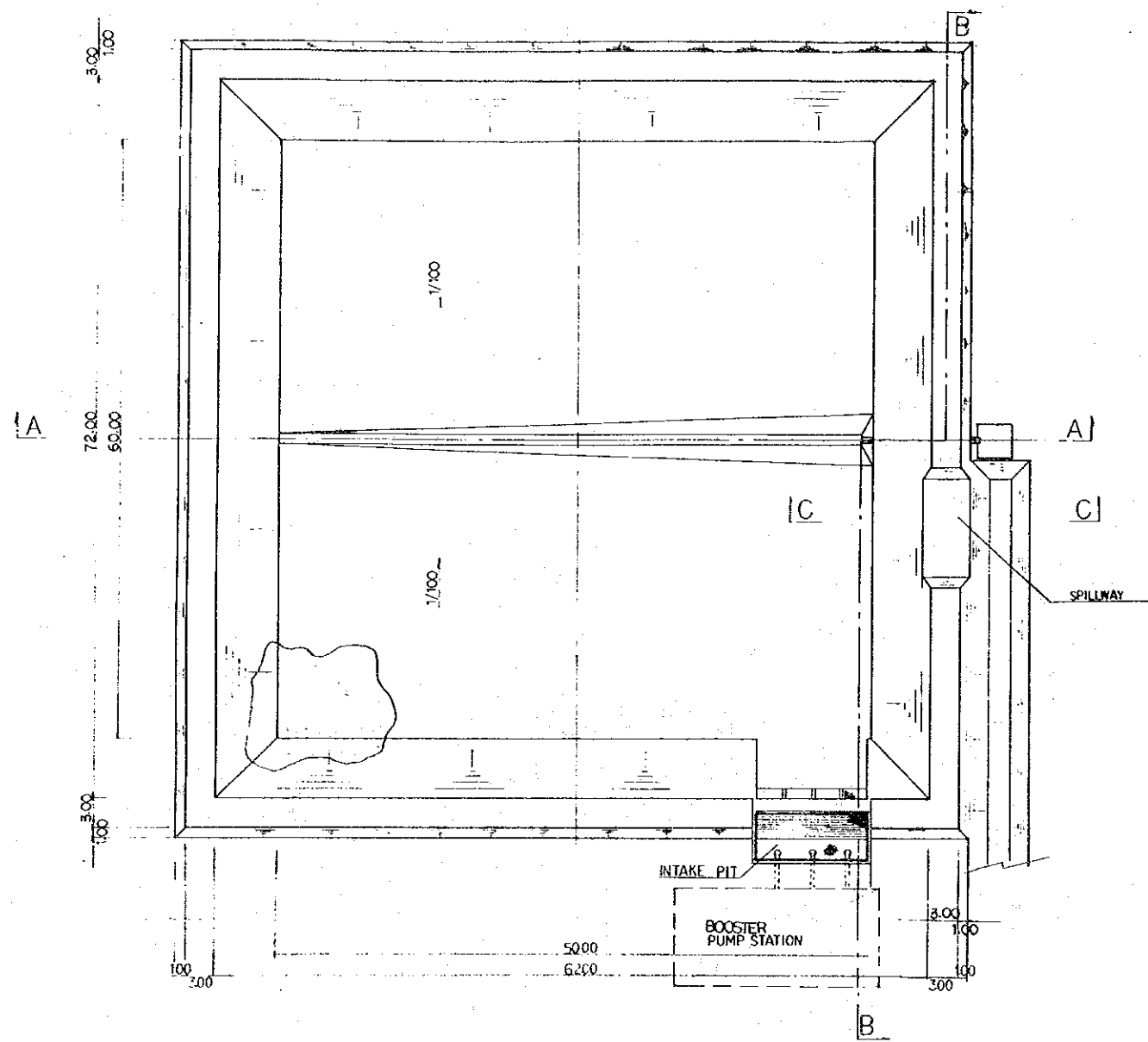


NO.	NAME	QTY	REMARKS
1	DIESEL ENGINE	2	1000 RPM x 700 PS
2	A.C. GENERATOR	2	600 KVA
3	C.W. EXPANSION TANK	2	100 L
4	RADIATOR	2	15 KW
5	AIR RECEIVER	2	300 L
6	AIR COMPRESSOR	2	MOTOR & ENGINE DRIVEN
7	EXPANSION JOINT	2	200 A
8	"	2	200 A
9	SILENCER	2	200 A
10	FO DAILY TANK	1	2000 L
11	FO TRANSFER PUMP	1	0.75 KW
12	FO STORAGE TANK	2	20000 L
13	ROOF VENTILATOR	2	2.2 KW
14	I BEAM	1	
15	GENERATOR PANEL	2	
16	EXCITER PANEL	2	
17	AUXILIARIES PANEL	1	
18	BATTERY & BATTERY CHARGER	1	
19	SYNCHRONIZING PANEL	1	

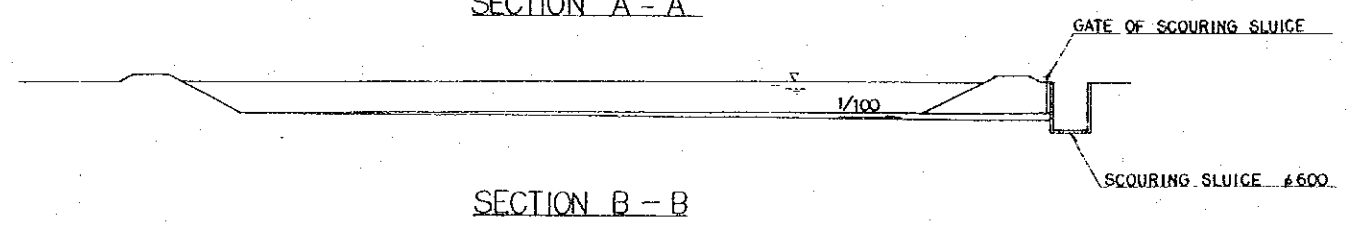
ISMAILIA GOVERNORATE
IN
THE ARAB REPUBLIC OF EGYPT
10TH OF RAMADAN
AGRICULTURAL DEVELOPMENT PROJECT
GENERATOR STATION (FOR BOOSTER PUMP)

DATE Jun. 1982 DWG. NO. 11
JAPAN INTERNATIONAL COOPERATION AGENCY

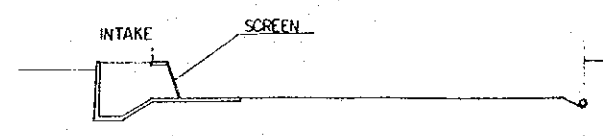
PLAN s-1/300



SECTION A - A

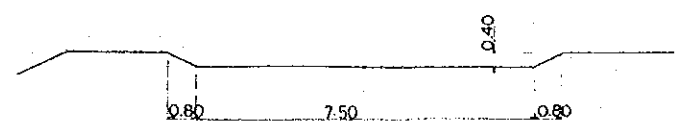


SECTION B - B

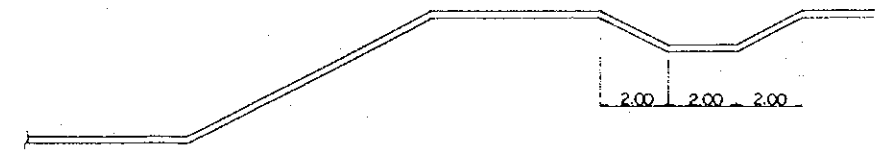


DETAILS

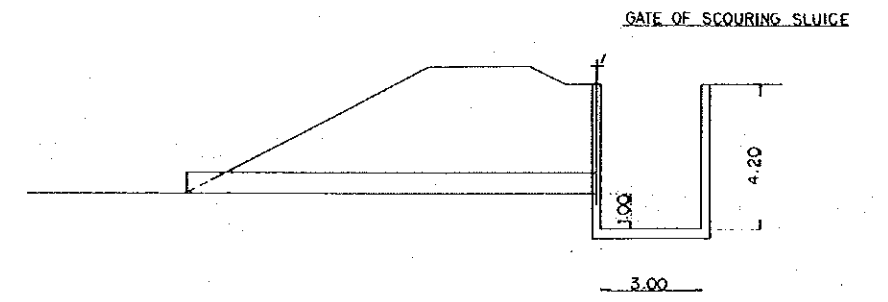
SECTION OF SPILLWAY s-1/100



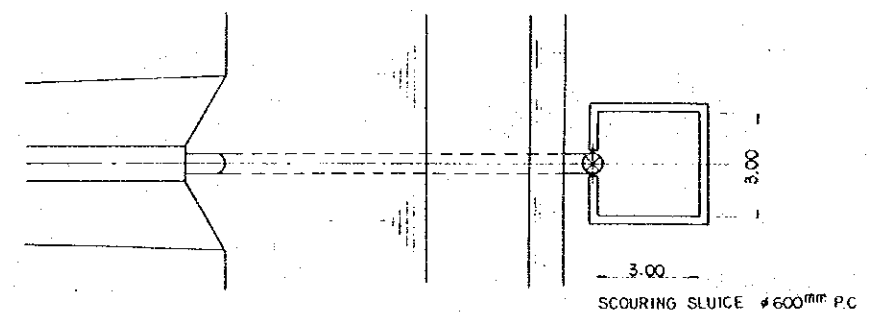
SECTION C-C



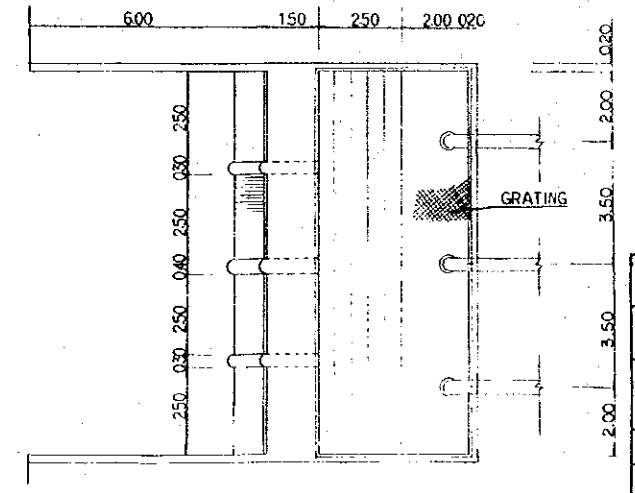
SECTION OF SCOURING SLUICE s-1/100



PLAN

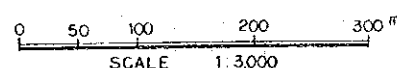
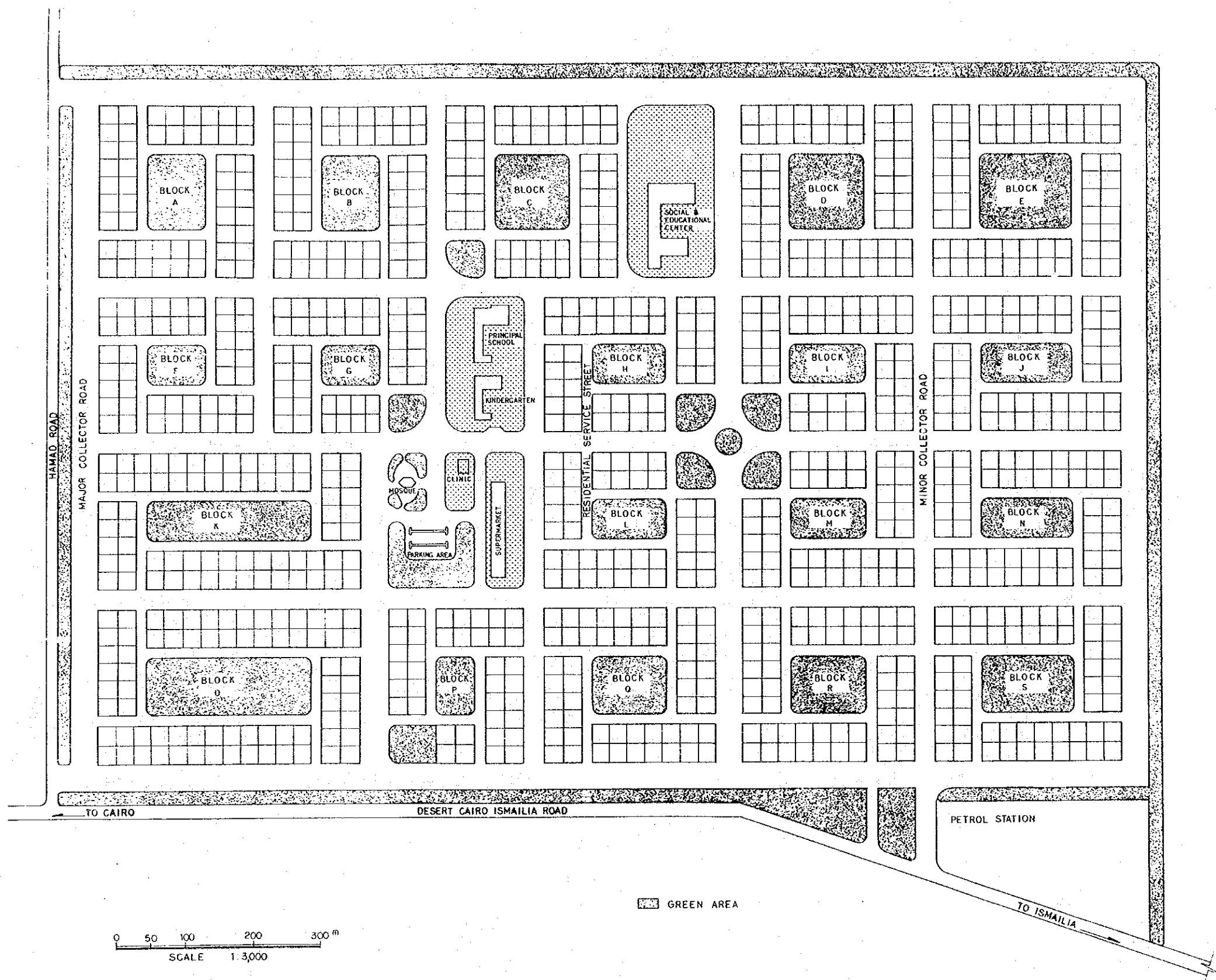
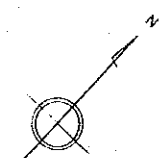


INTAKE PIT PLAN s-1/100



ISMAILIA GOVERNORATE			
IN			
THE ARAB REPUBLIC OF EGYPT			
10TH OF RAMADAN			
AGRICULTURAL DEVELOPMENT PROJECT			
FARM POND			
DATE	Jun. 1982	DWG. NO.	12
JAPAN INTERNATIONAL COOPERATION AGENCY			

HOUSING VILLAGE PLAN



GREEN AREA

ISMAILIA GOVERNORATE IN THE ARAB REPUBLIC OF EGYPT			
10TH OF RAMADAN AGRICULTURAL DEVELOPMENT PROJECT			
HOUSING VILLAGE PLAN			
DATE	Jun. 1982	DWG. NO.	13
JAPAN INTERNATIONAL COOPERATION AGENCY			

JICA