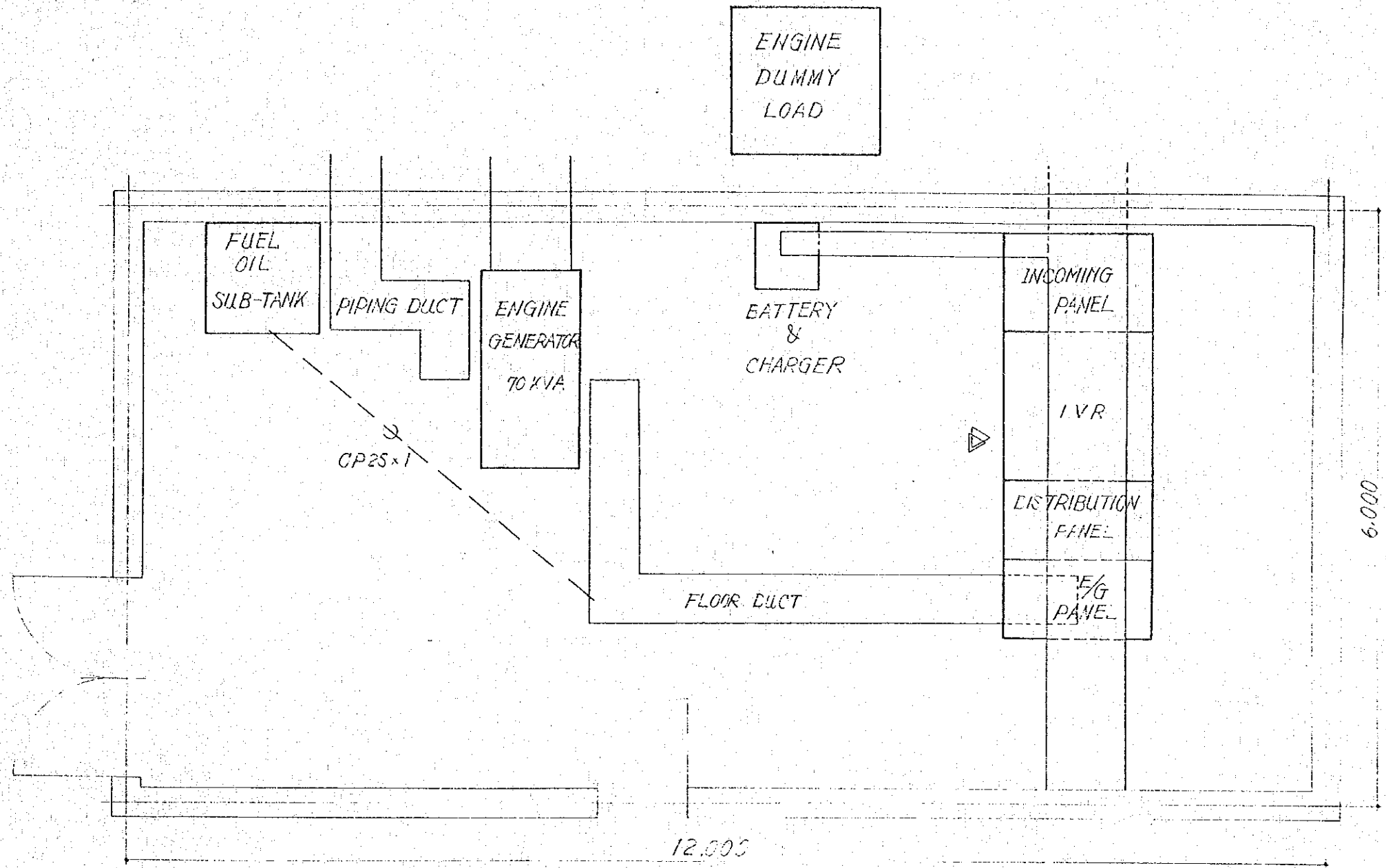
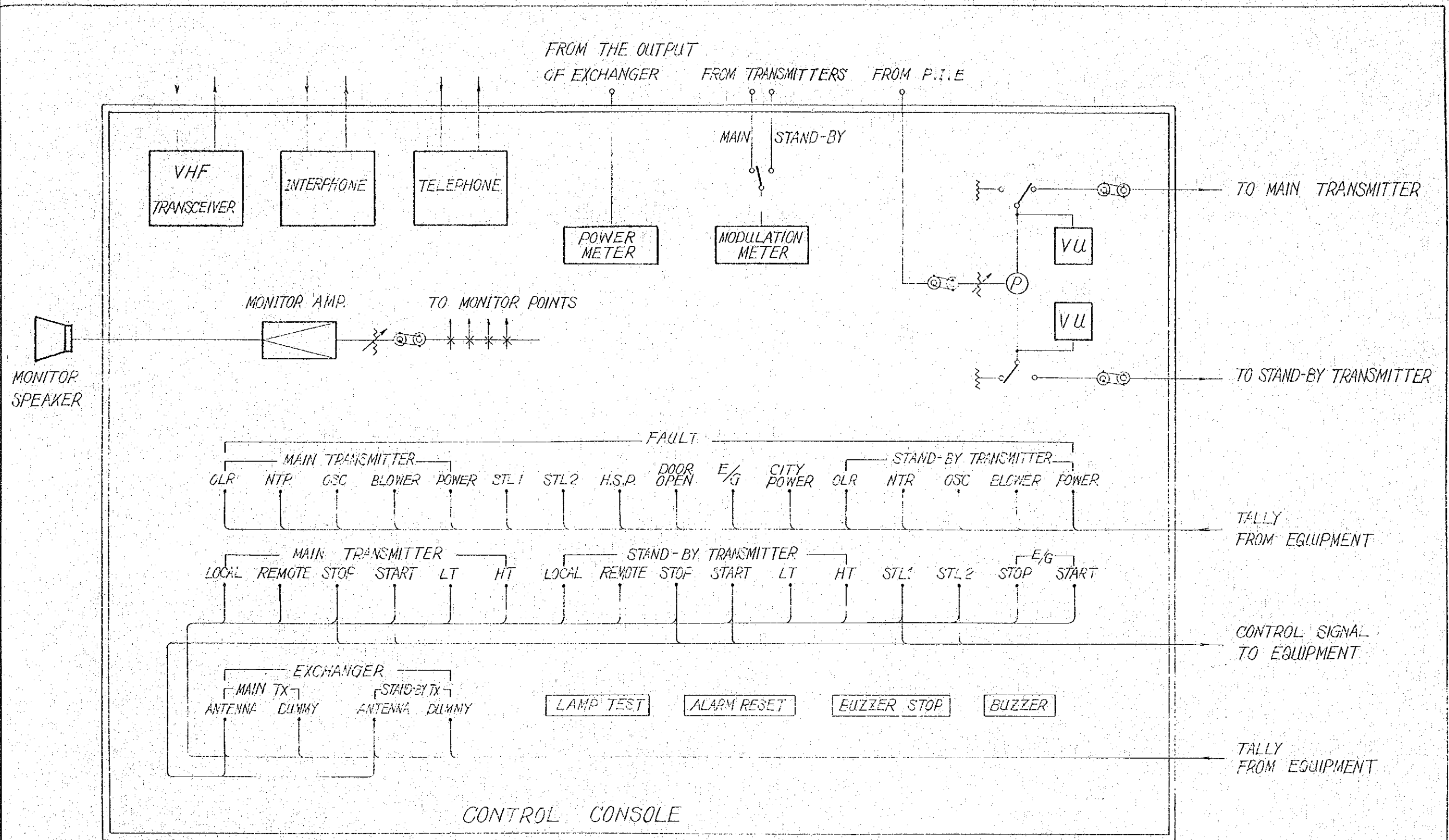


THE ESTABLISHMENT PROGRAMME OF MEDIUM WAVE RADIO BROADCASTING NETWORK IN THE KINGDOM OF NEPAL	
KATHMANDU/POKHARA TRANSMITTING STATION	DRAWING NO. KT/PT-004
FLOOR LAYOUT OF TRANSMITTER ROOM	DATE JAN. 1981



THE ESTABLISHMENT PROGRAMME OF MEDIUM WAVE RADIO BROADCASTING NETWORK IN THE KINGDOM OF NEPAL	
KATHMANDU / POKHARA TRANSMITTING STATION	DRAWING NO. KT/PT-005
FLOOR LAYOUT OF POWER ROOM	DATE JAN. 1981



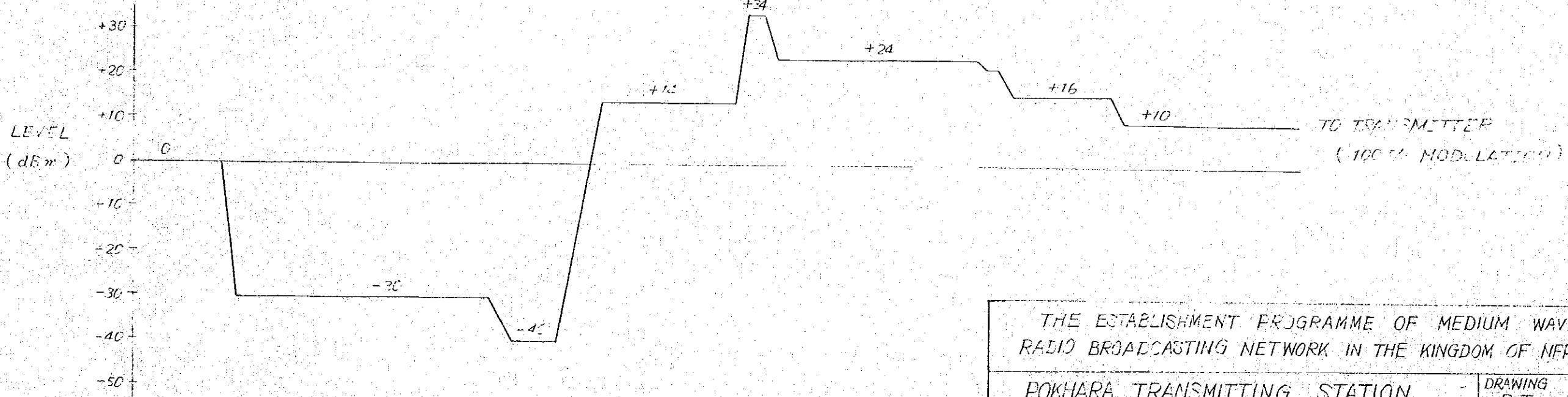
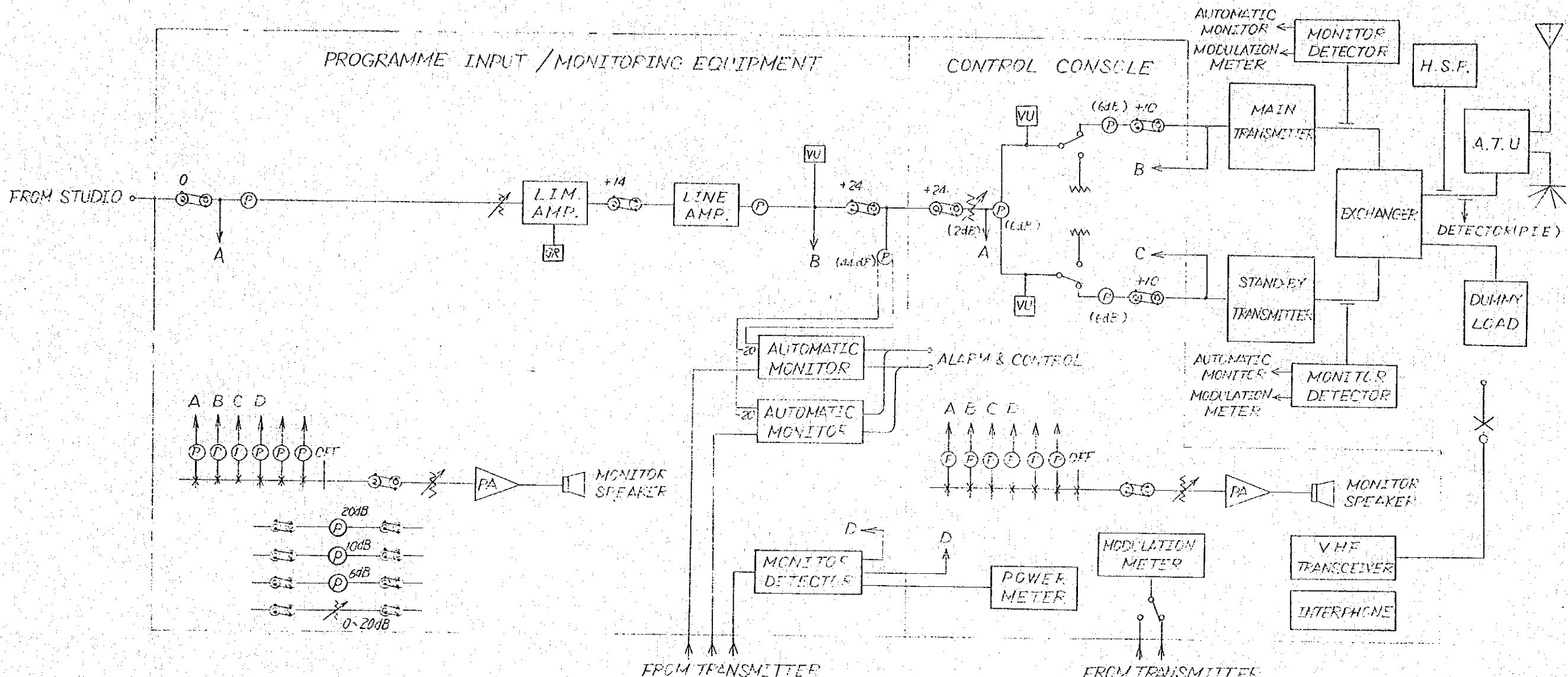
THE ESTABLISHMENT PROGRAMME OF MEDIUM WAVE
 RADIO BROADCASTING NETWORK IN THE KINGDOM OF NEPAL

KATHMANDU/POKHARA TRANSMITTING STATION

SCHEMATIC DIAGRAM OF
 CONTROL/MONITORING CONSOLE

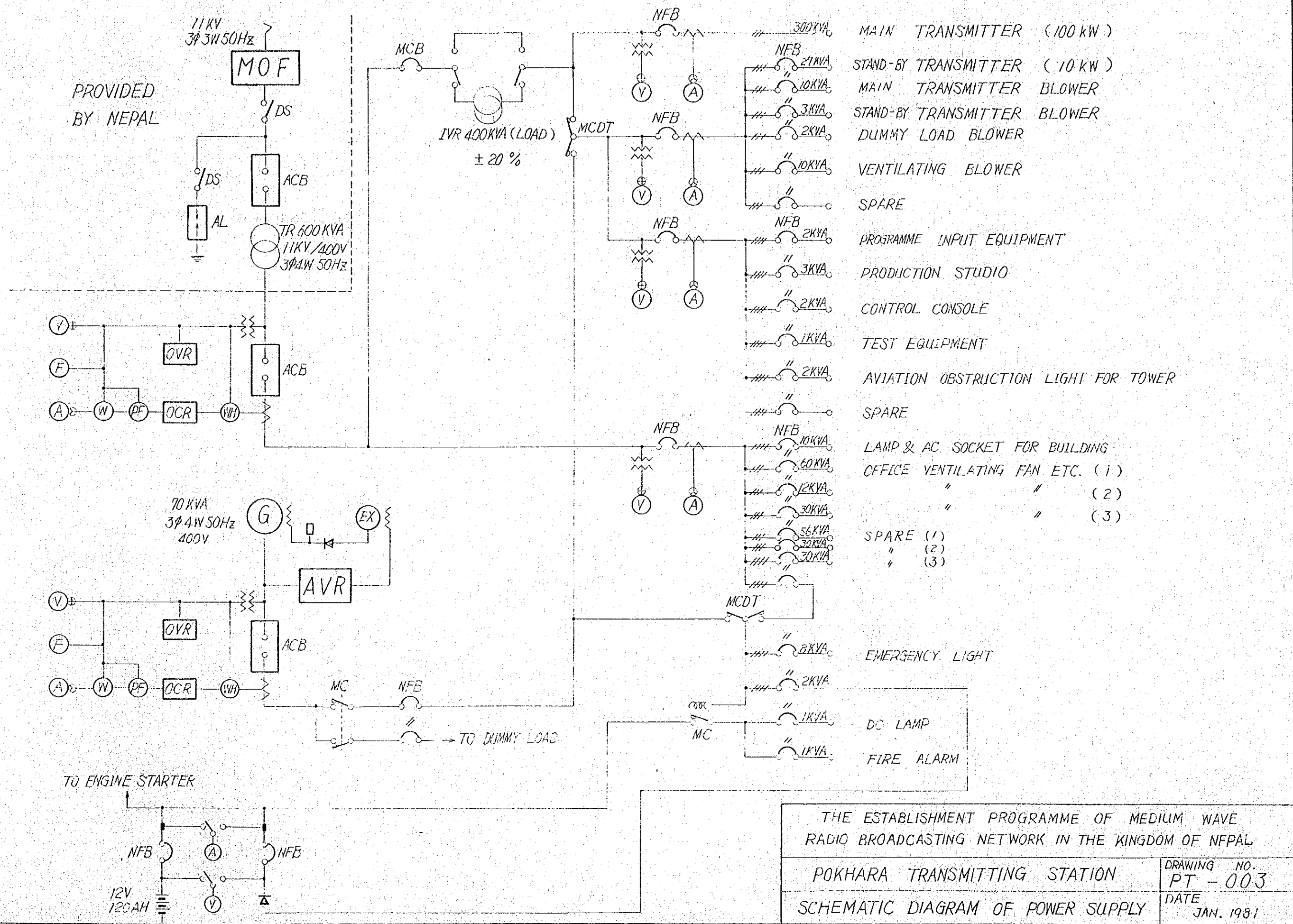
DRAWING NO.
 KT/PT-006

DATE
 JAN. 1981



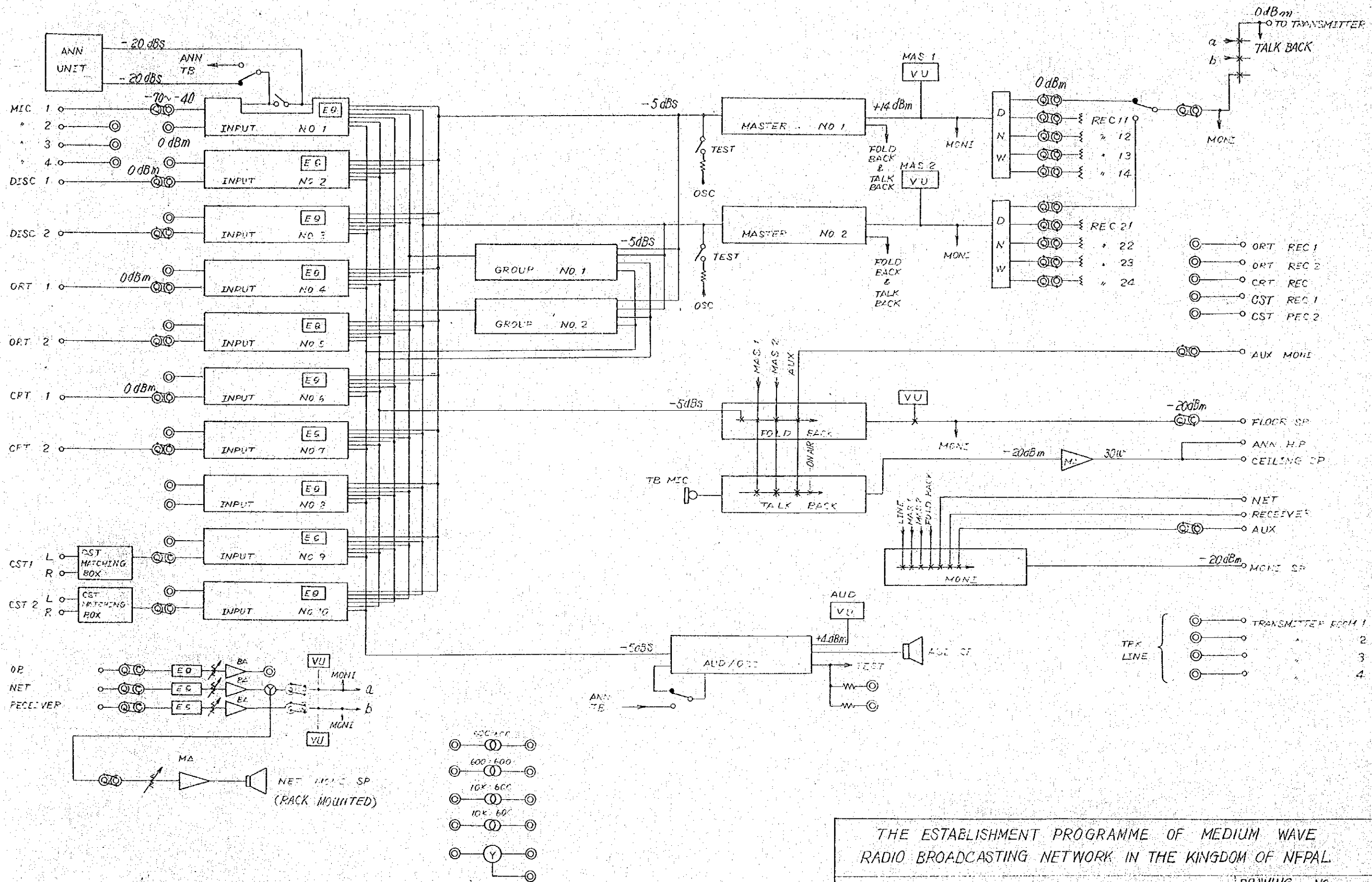
THE ESTABLISHMENT PROGRAMME OF MEDIUM WAVE
 RADIO BROADCASTING NETWORK IN THE KINGDOM OF NEPAL

POKHARA TRANSMITTING STATION	DRAWING No. PT-001
SCHEMATIC DIAGRAM OF POKHARA TRANSMITTING STATION	DATE JAN. 1981



- 300KVA MAIN TRANSMITTER (100 kW)
- 27KVA NFB STAND-BY TRANSMITTER (10 kW)
- 10KVA MAIN TRANSMITTER BLOWER
- 3KVA NFB STAND-BY TRANSMITTER BLOWER
- 2KVA DUMMY LOAD BLOWER
- 10KVA VENTILATING BLOWER
- SPARE
- 2KVA NFB PROGRAMME INPUT EQUIPMENT
- 3KVA PRODUCTION STUDIO
- 2KVA CONTROL CONSOLE
- 1KVA TEST EQUIPMENT
- 2KVA AVIATION OBSTRUCTION LIGHT FOR TOWER
- SPARE
- 10KVA NFB LAMP & AC SOCKET FOR BUILDING
- 60KVA OFFICE VENTILATING FAN ETC. (1)
- 12KVA " " (2)
- 30KVA " " (3)
- 5KVA SPARE (1)
- 30KVA " (2)
- 20KVA " (3)

THE ESTABLISHMENT PROGRAMME OF MEDIUM WAVE RADIO BROADCASTING NETWORK IN THE KINGDOM OF NEPAL	
POKHARA TRANSMITTING STATION	DRAWING NO. PT - 003
SCHEMATIC DIAGRAM OF POWER SUPPLY	DATE JAN. 1981



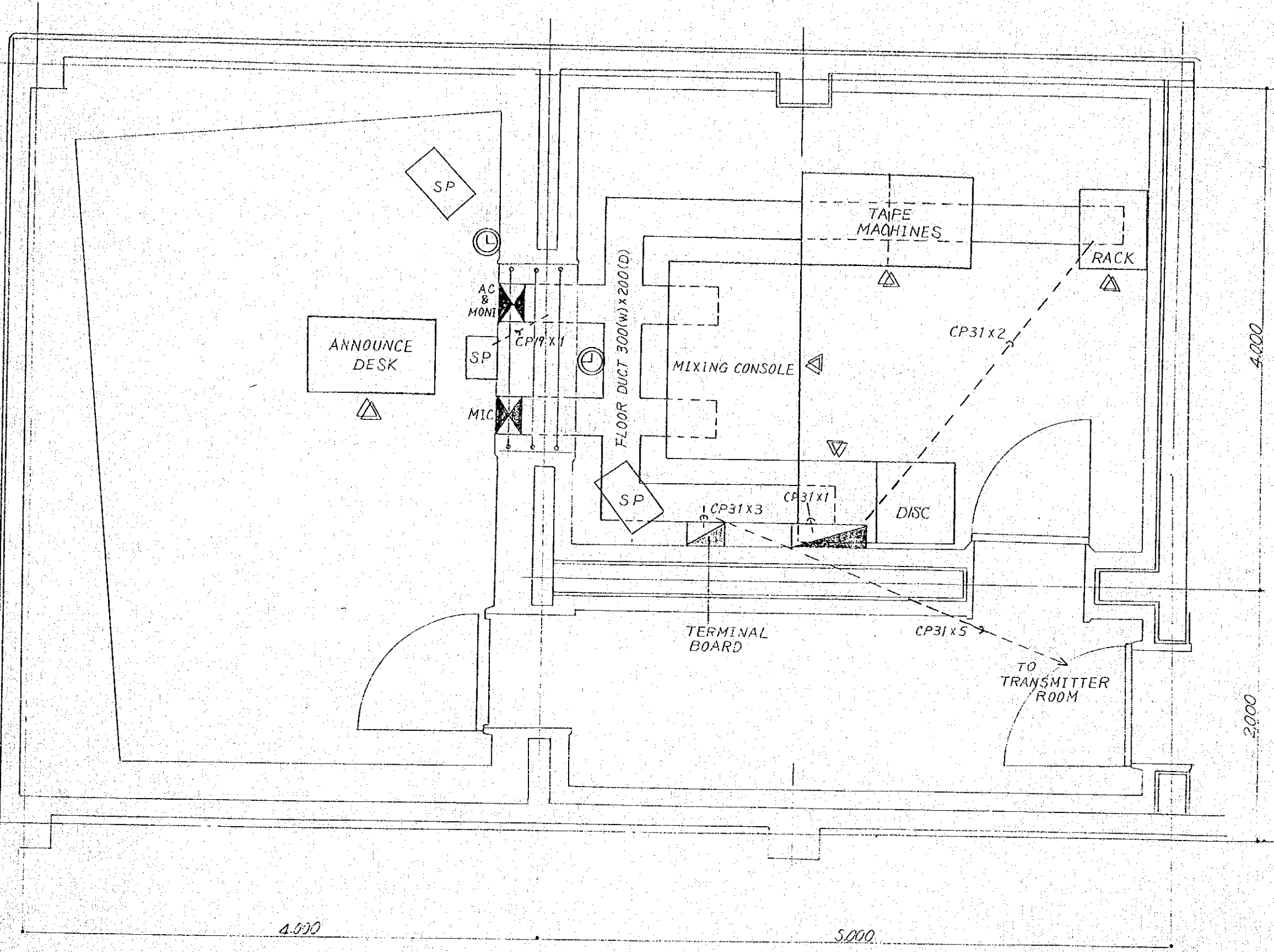
THE ESTABLISHMENT PROGRAMME OF MEDIUM WAVE
 RADIO BROADCASTING NETWORK IN THE KINGDOM OF NEPAL

POKHARA TRANSMITTING STATION

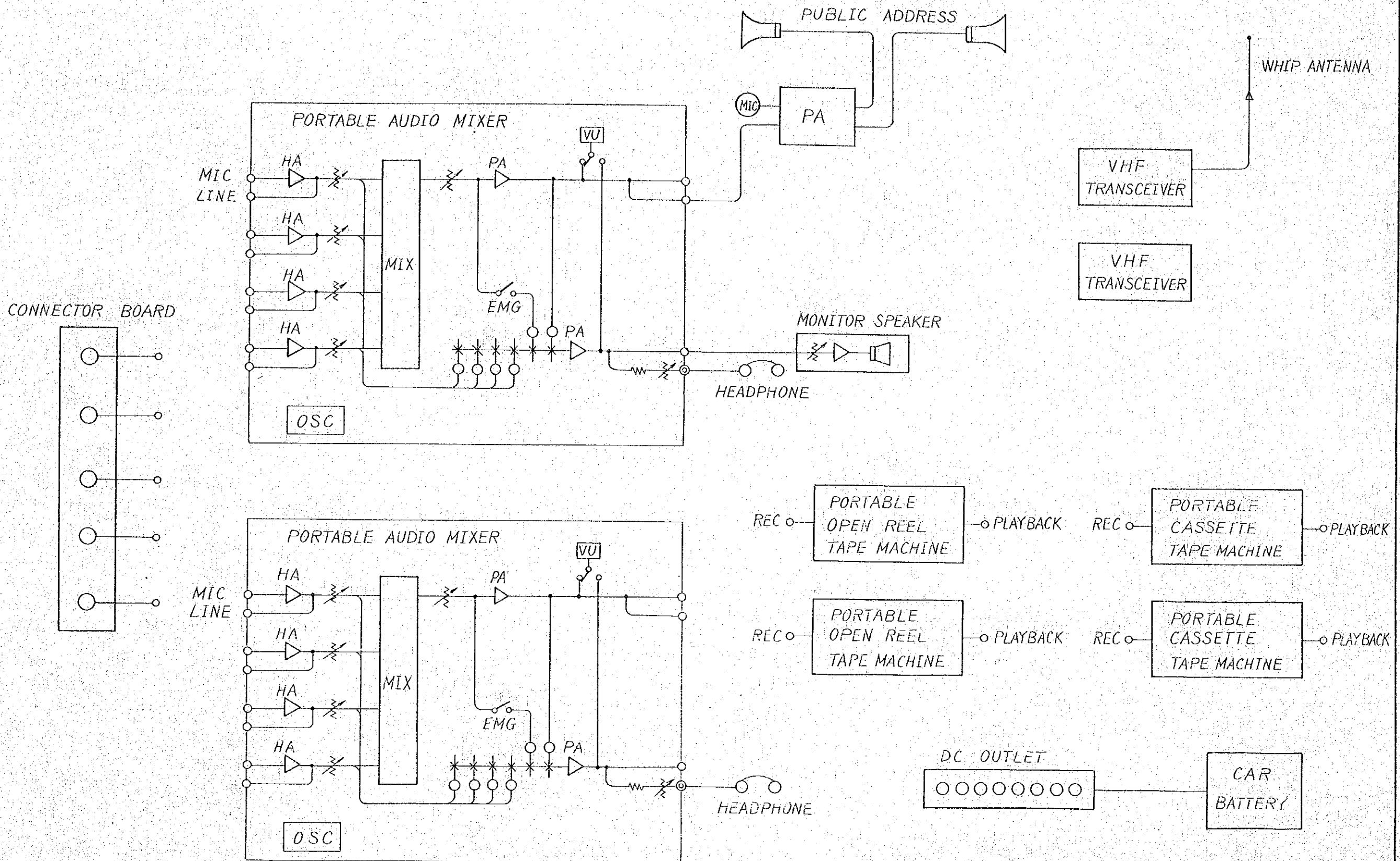
SCHMATIC DIAGRAM OF AUDIO SYSTEM
 - PRODUCTION STUDIO

DRAWING NO.
 PT - 007

DATE
 JAN. 1981



THE ESTABLISHMENT PROGRAMME OF MEDIUM WAVE RADIO BROADCASTING NETWORK IN THE KINGDOM OF NEPAL	
POKHARA TRANSMITTING STATION	DRAWING NO. PT-008
FLOOR LAYOUT OF PRODUCTION STUDIO	DATE JAN. 1981



THE ESTABLISHMENT PROGRAMME OF MEDIUM WAVE
 RADIO BROADCASTING NETWORK IN THE KINGDOM OF NEPAL

POKHARA TRANSMITTING STATION	DRAWING NO. PT - 009
SCHEMATIC DIAGRAM OF OB WAGON	DATE JAN. 1981



