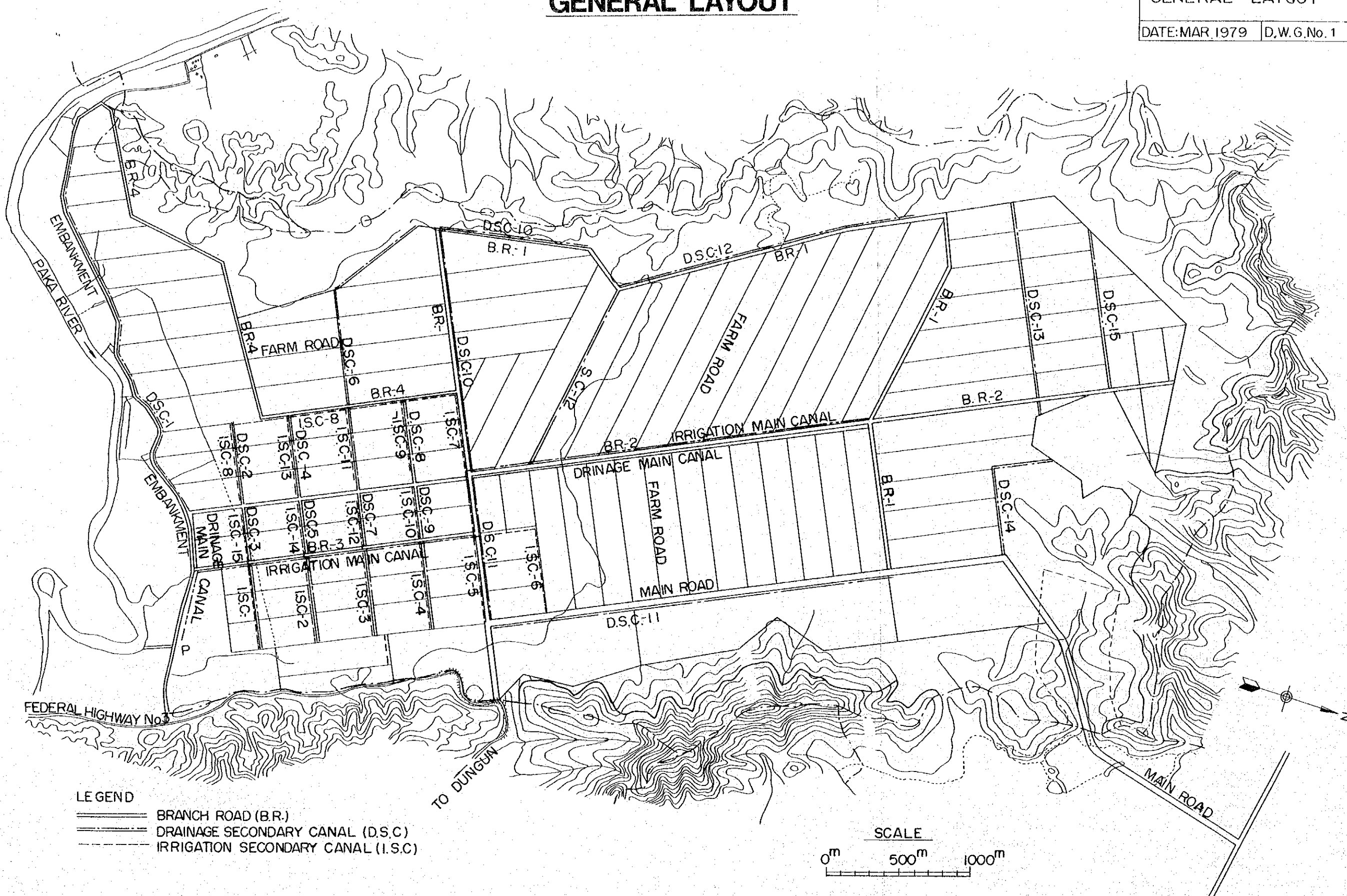


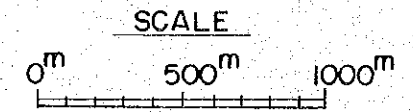
XV. DRAWINGS

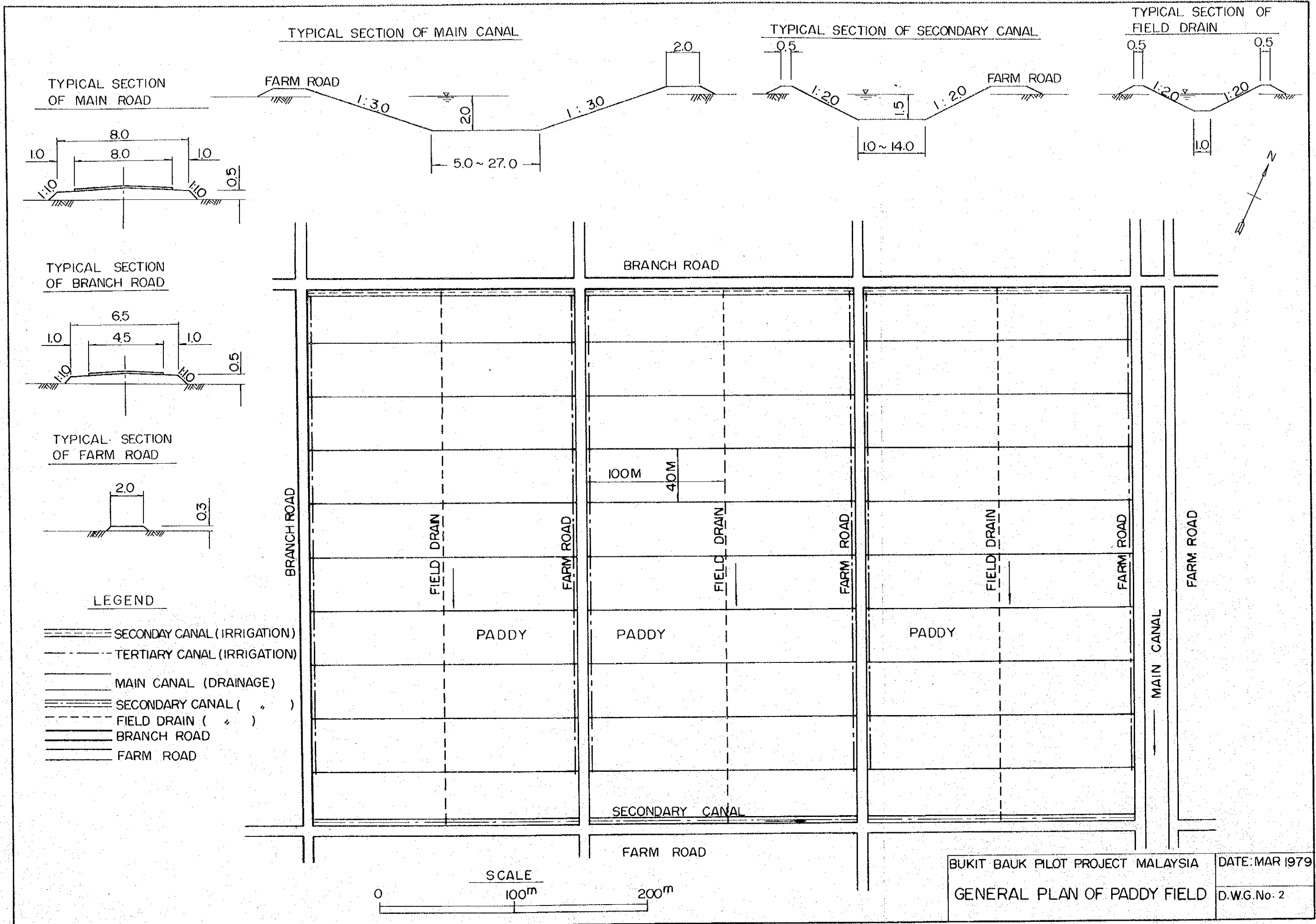
BUKIT BAUK PILOT PROJECT
 MALAYSIA
 GENERAL LAYOUT
 DATE: MAR 1979 | D.W.G.No. 1

GENERAL LAYOUT



- LE GEND
- ==== BRANCH ROAD (B.R.)
 - ==== DRAINAGE SECONDARY CANAL (D.S.C)
 - IRRIGATION SECONDARY CANAL (I.S.C)

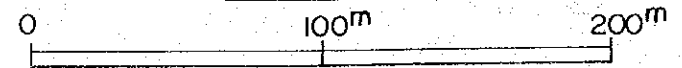




LEGEND

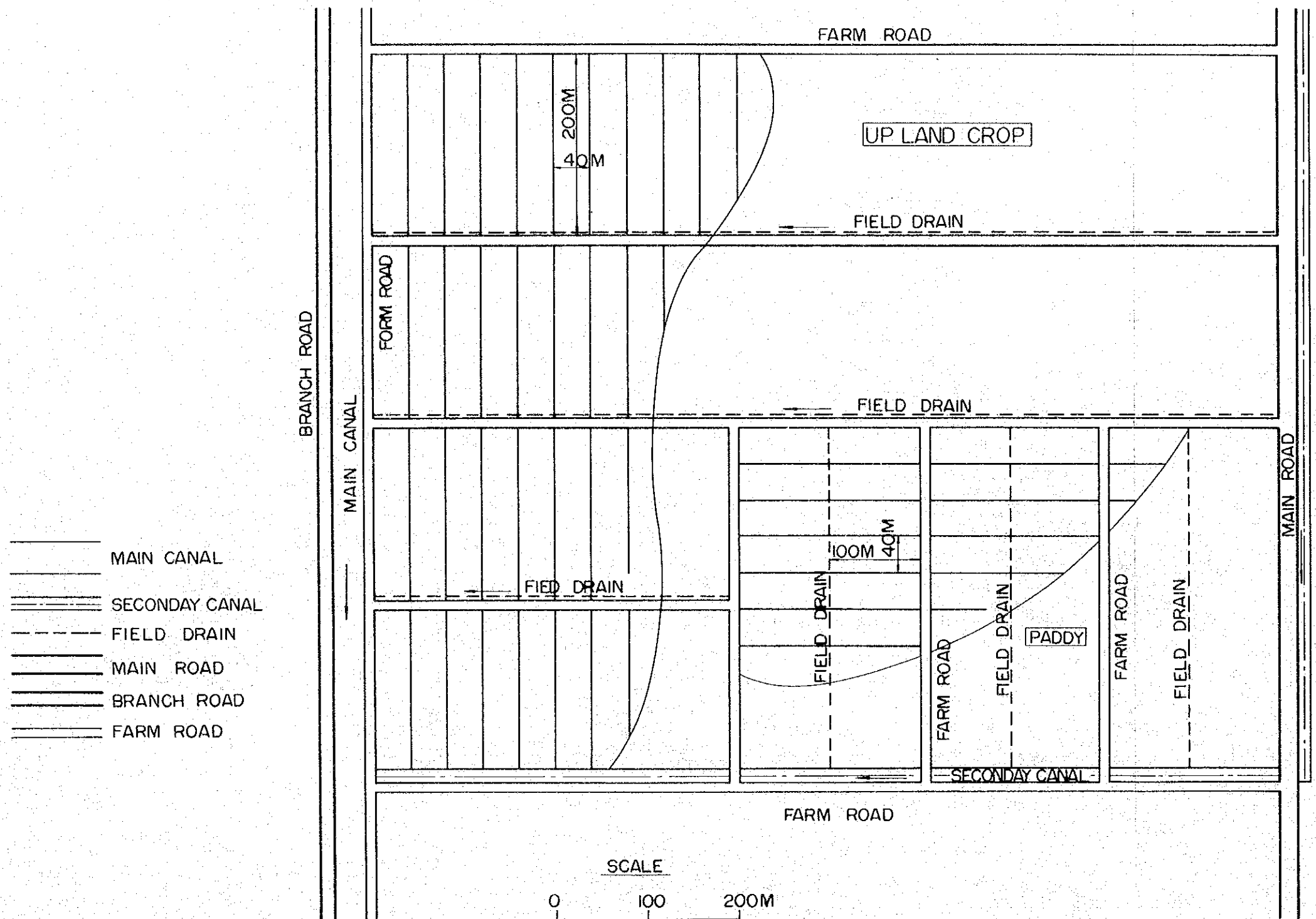
- ===== SECONDARY CANAL (IRRIGATION)
- TERTIARY CANAL (IRRIGATION)
- ===== MAIN CANAL (DRAINAGE)
- ===== SECONDARY CANAL ()
- FIELD DRAIN ()
- ===== BRANCH ROAD
- ===== FARM ROAD

SCALE



BUKIT BAUK PLOT PROJECT MALAYSIA DATE: MAR 1979

GENERAL PLAN OF PADDY FIELD D.W.G.No. 2



BUKIT BAUK PILOT PROJECT
MALAYSIA
GENERAL PLAN OF
UPLAND CROPS
DATE: MAR. 1979 | D.W.G. No. 3

DEMONSTRATION FARM

BUKIT BAUK PILOT PROJECT
MALAYSIA

DEMONSTRATION FARM

DATE: MAR. 1979 | D.W.G. No. 4

LEGEND

- ① OFFICE
- ② REFRIGERATOR
- ③ GENERATOR HOUSE
- ④ MACHINERY HOUSE
- ⑤ ⑥ STORE HOUSE
- ⑦-⑪ HOUSES FOR STAFF
- ⑫ ⑬ CATTLE PENS

--- BOUNDARY OF DEMONSTRATION FARM

DEMONSTRATION FARM
PADDY

MAIN ROAD

SECONDARY DRAINAGE CANAL

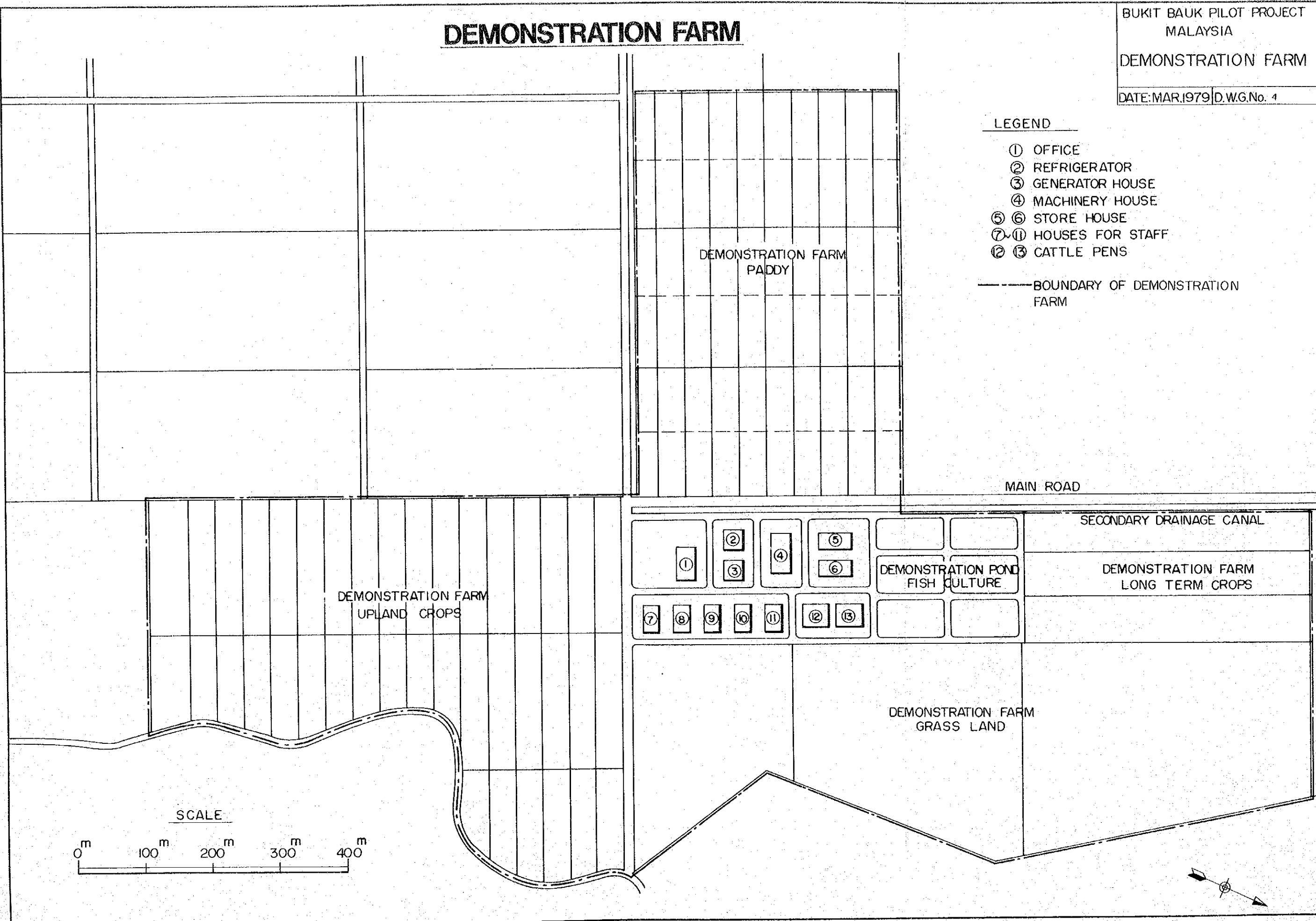
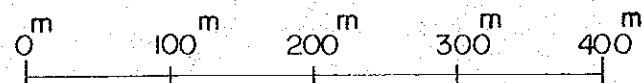
DEMONSTRATION FARM
UPLAND CROPS

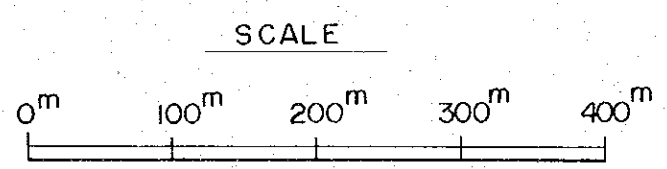
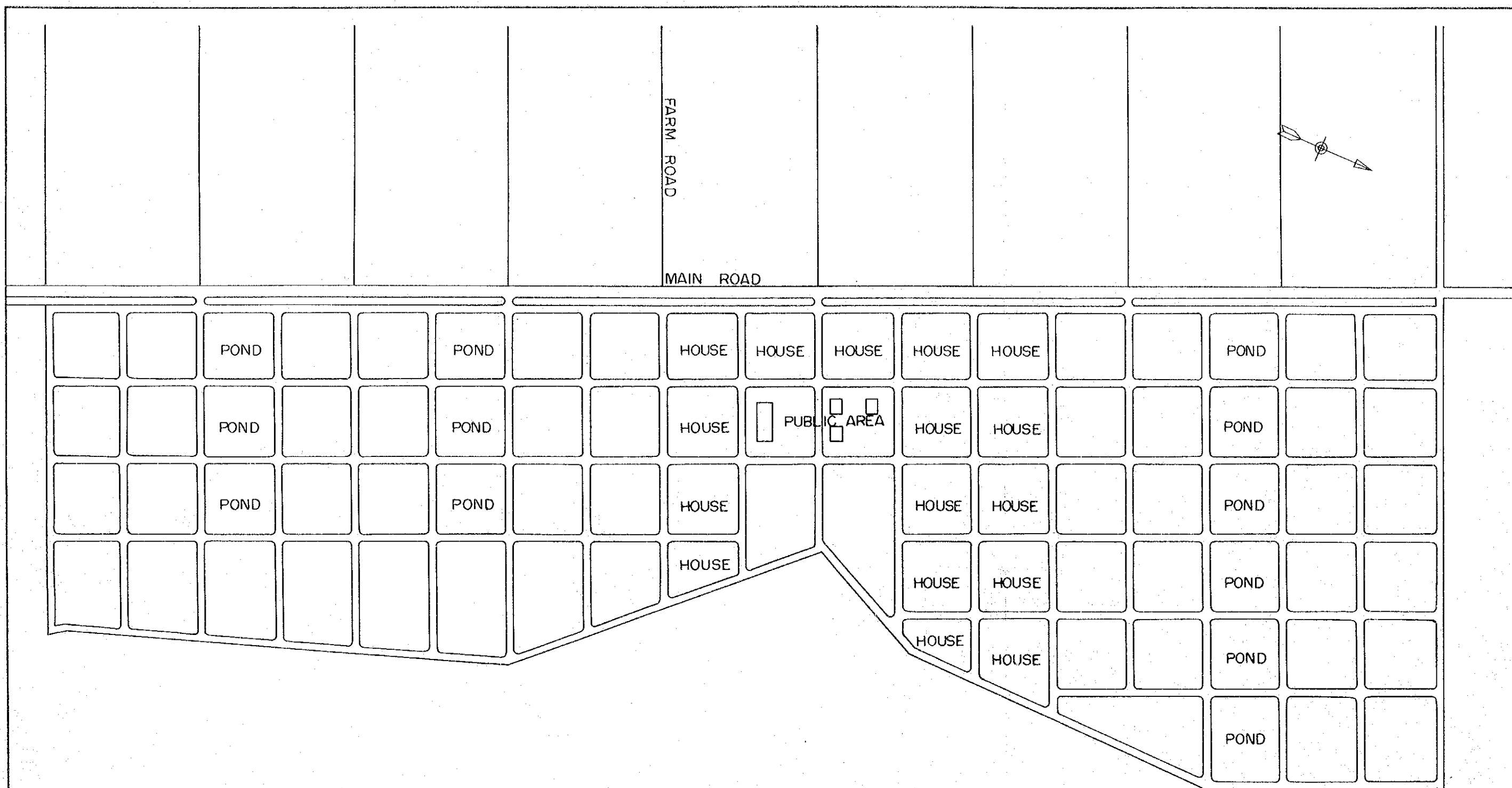
DEMONSTRATION POND
FISH CULTURE

DEMONSTRATION FARM
LONG TERM CROPS

DEMONSTRATION FARM
GRASS LAND

SCALE



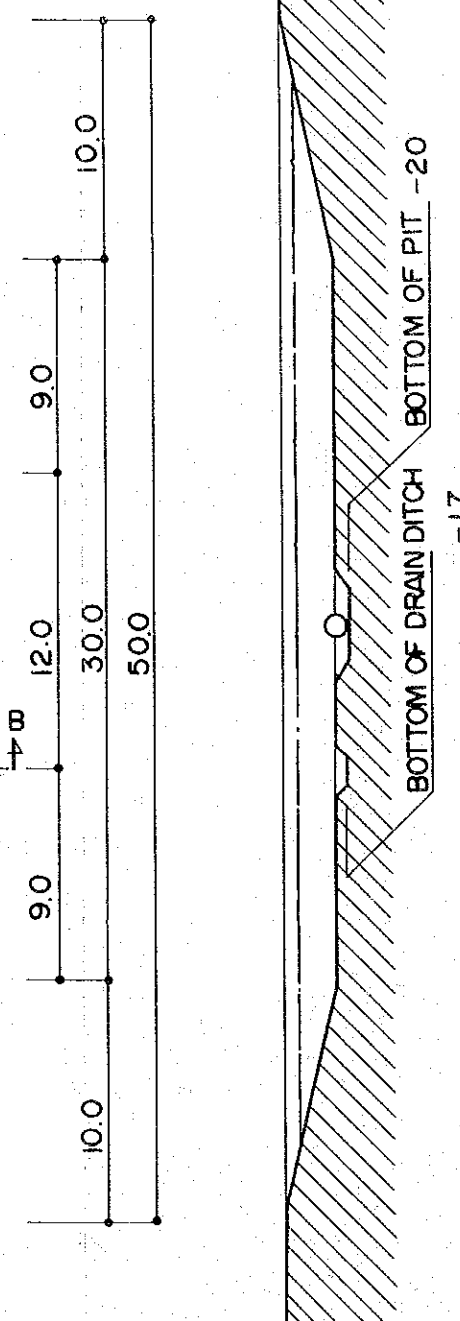
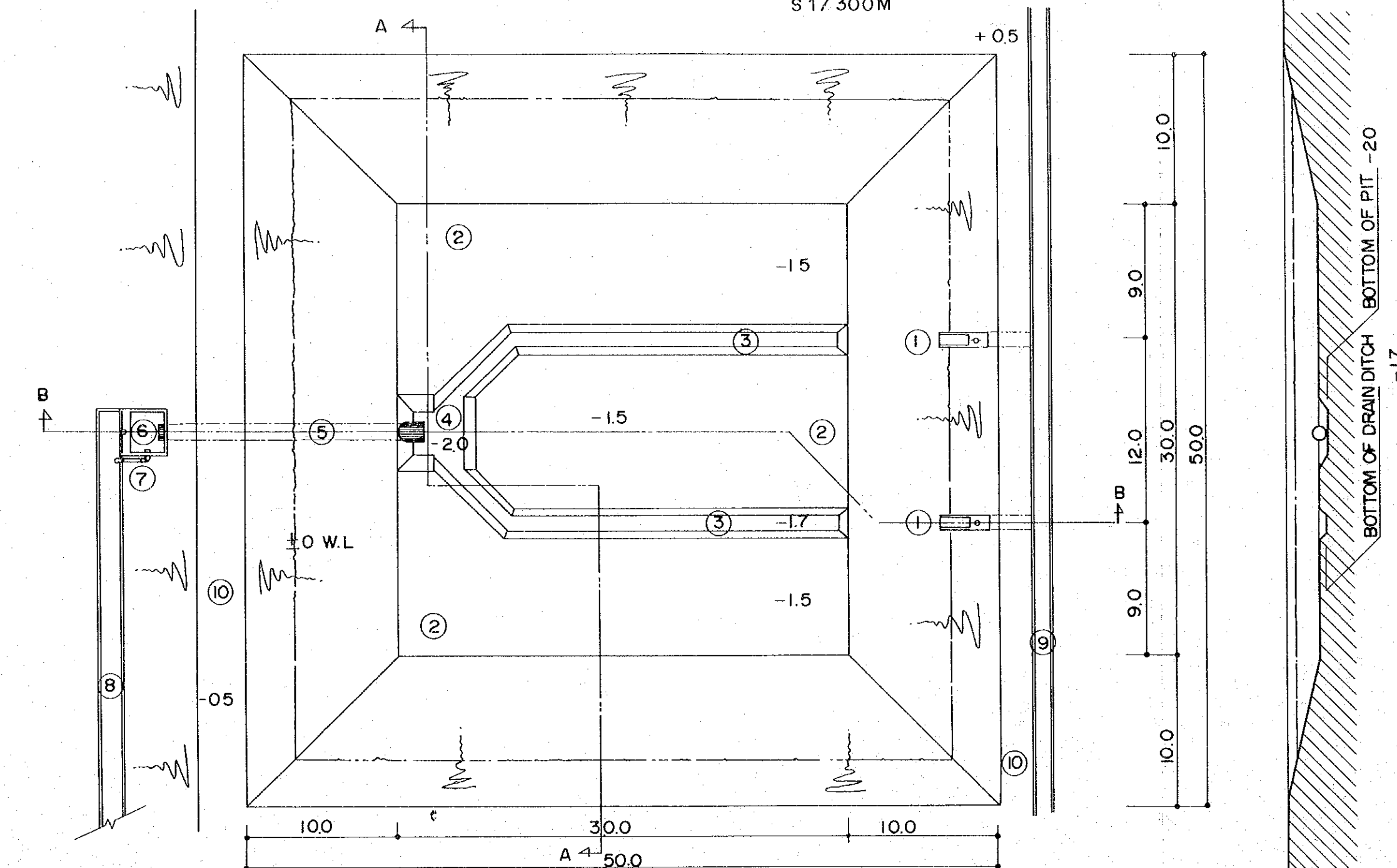


BUKIT BAUK PILOT PROJECT
MALAYSIA
HOMESTEAD
DATE: MAR. 1979 | D.W.G. No. 5

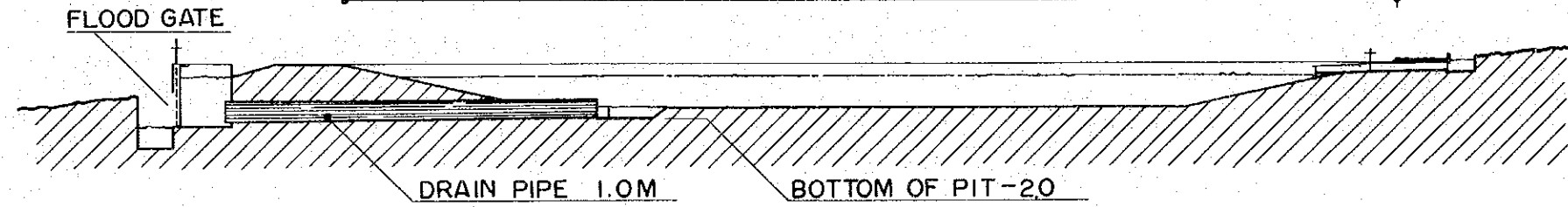
FRESHWATER FISH CULTUR POND PLAN

S 1 / 300M

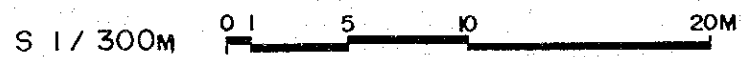
BUKIT BAUK PILOT PROJECT
MALAYSIA
FRESHWATER FISH
CULTUR POND PLAN
DATE: MAR. 1979 D.W.G.No. 6



A — SECTION



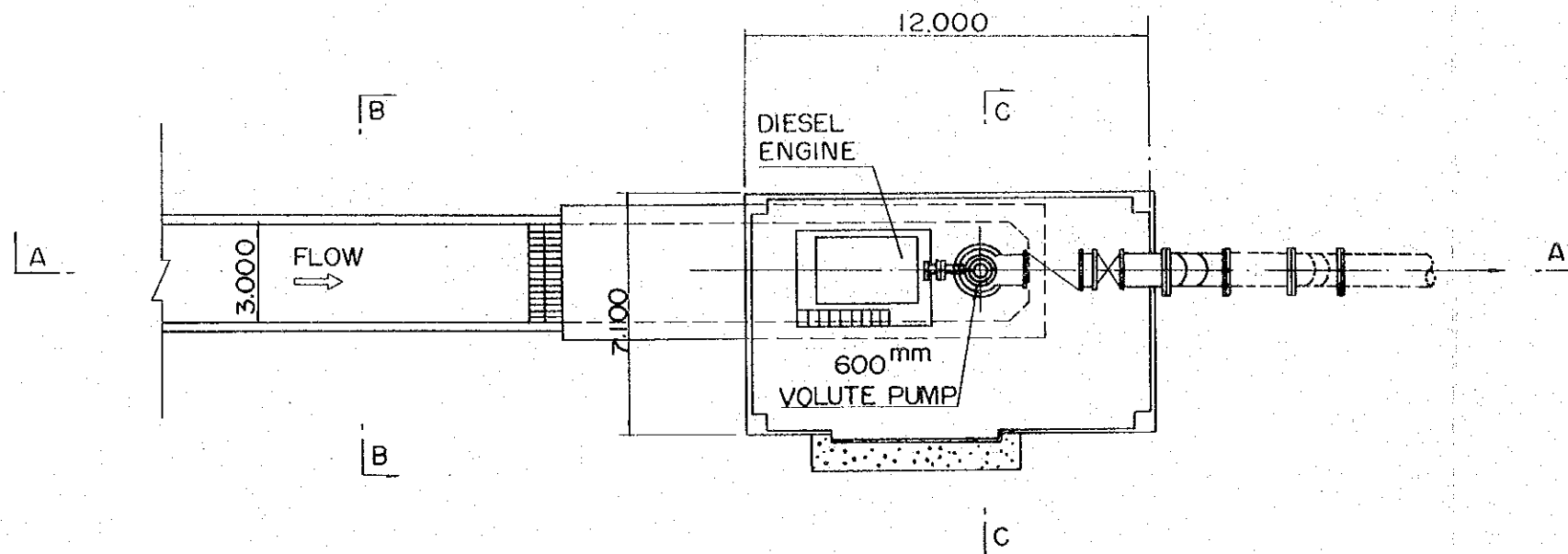
B — SECTION



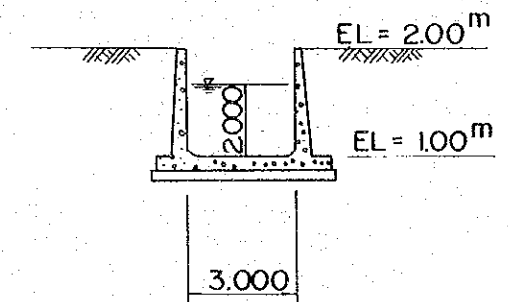
- 1 WATER INTAKE GATE
- 2 BOTTOM OF POND
- 3 DRAIN DITCH
- 4 DRAIN PIT
- 5 DRAIN PIPE
- 6 FLOODGATE
- 7 OVERFLOW PIPE
- 8 DRAIN CANAL
- 9 WATER SUPPLY CANAL
- 10 MAIN DIKE

TOP OF MAIN DIKE +05
WATER LEVEL ±00
BOTTOM OF POND -1.5

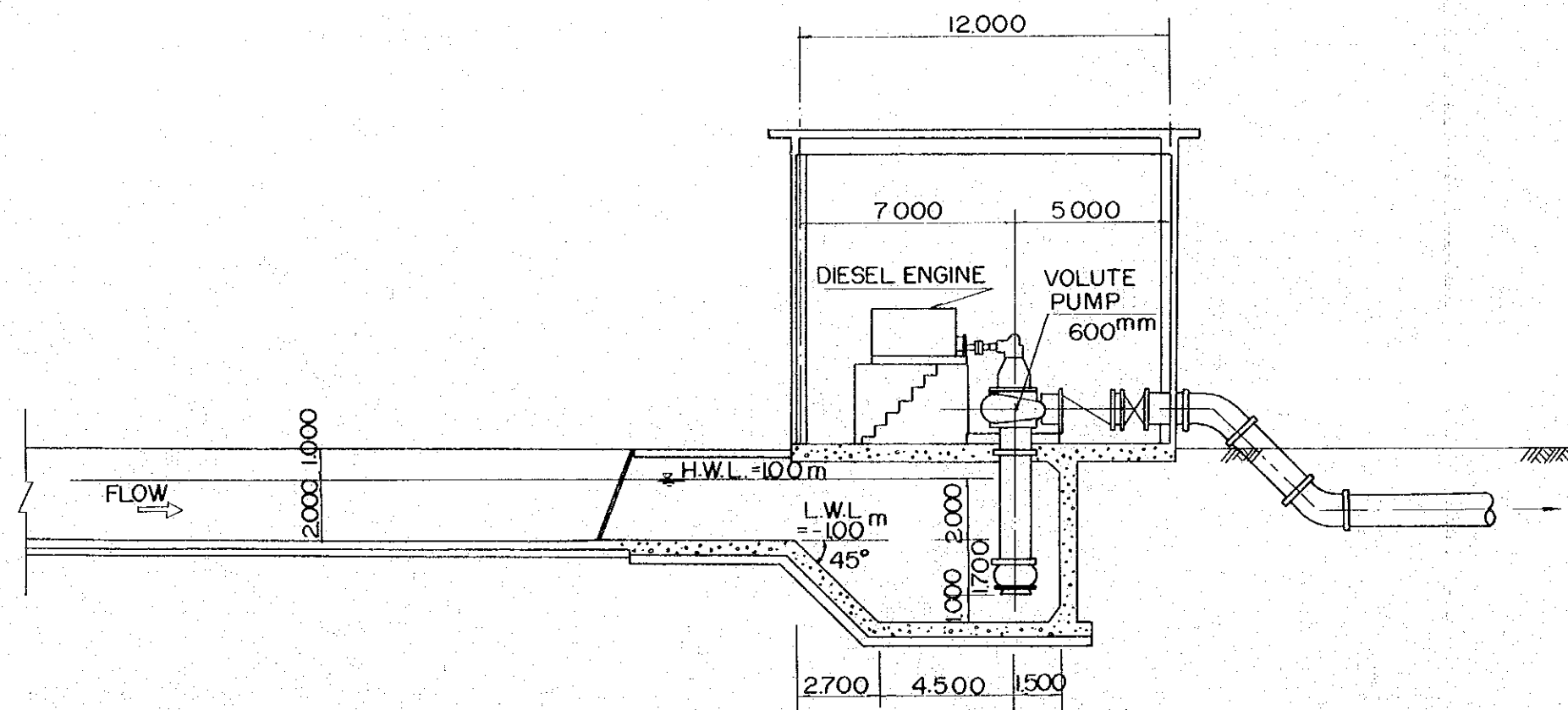
PUMP STATION



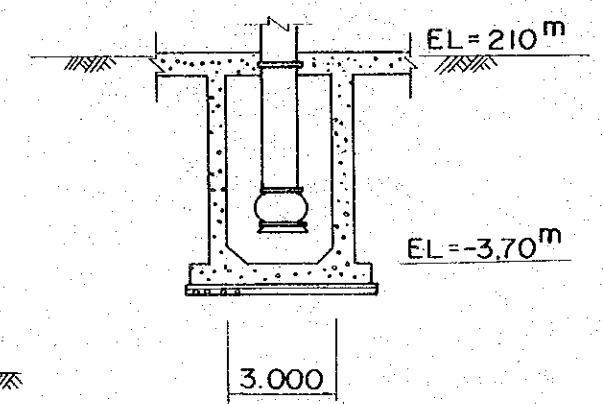
B-B SECTION



A-A SECTION



C-C SECTION



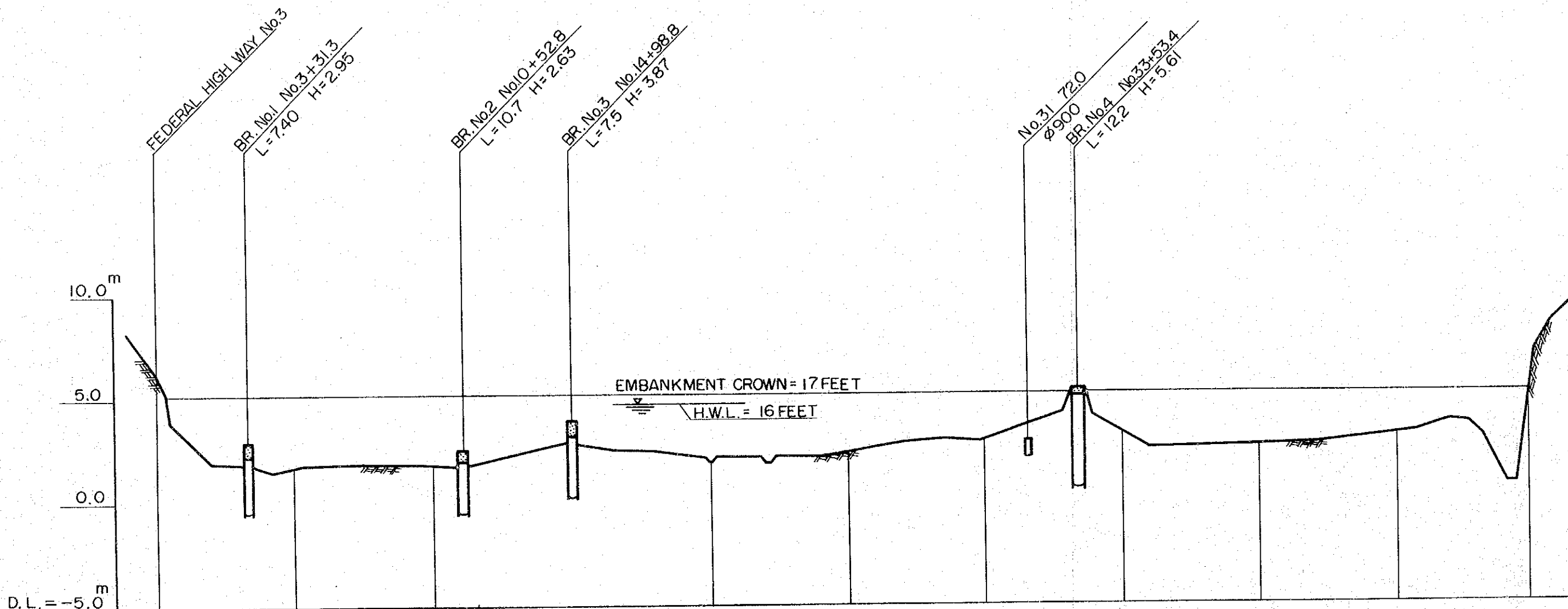
BUKIT BAUK PILOT PROJECT
MALAYSIA
GENERAL PLAN OF
PUMP STATION
DATE: MAR.1979 | D.W.G.No. 7

BUKIT BAUK PILOT PROJECT
MALAYSIA

VERTICAL SECTIONAL
VIEW OF EMBANKMENT

DATE: MAR. 1979 | D.W.G.No. 8

VERTICAL SECTIONAL VIEW OF EMBANKMENT



STATION NO.	DISTANCE	ACCUMULATED DISTANCE	GRAUD HIGHT
No.0	0.0	0.0	3.90
No.5	500.0	500.0	1.62
No.10	500.0	1,000.0	1.65
No.15	500.0	1,500.0	3.87
No.20	500.0	2,000.0	1.89
No.25	500.0	2,500.0	2.87
No.30	500.0	3,000.0	2.99
No.35	500.0	3,500.0	3.23
No.40	500.0	4,000.0	2.59
No.45	500.0	4,500.0	2.98
No.48 98.0	398.0	4,898.0	5.20

FEDERAL HIGH WAY No.3

BR. No.1 No.3+31.3
L=7.40 H=2.95

BR. No.2 No.10+52.8
L=10.7 H=2.63

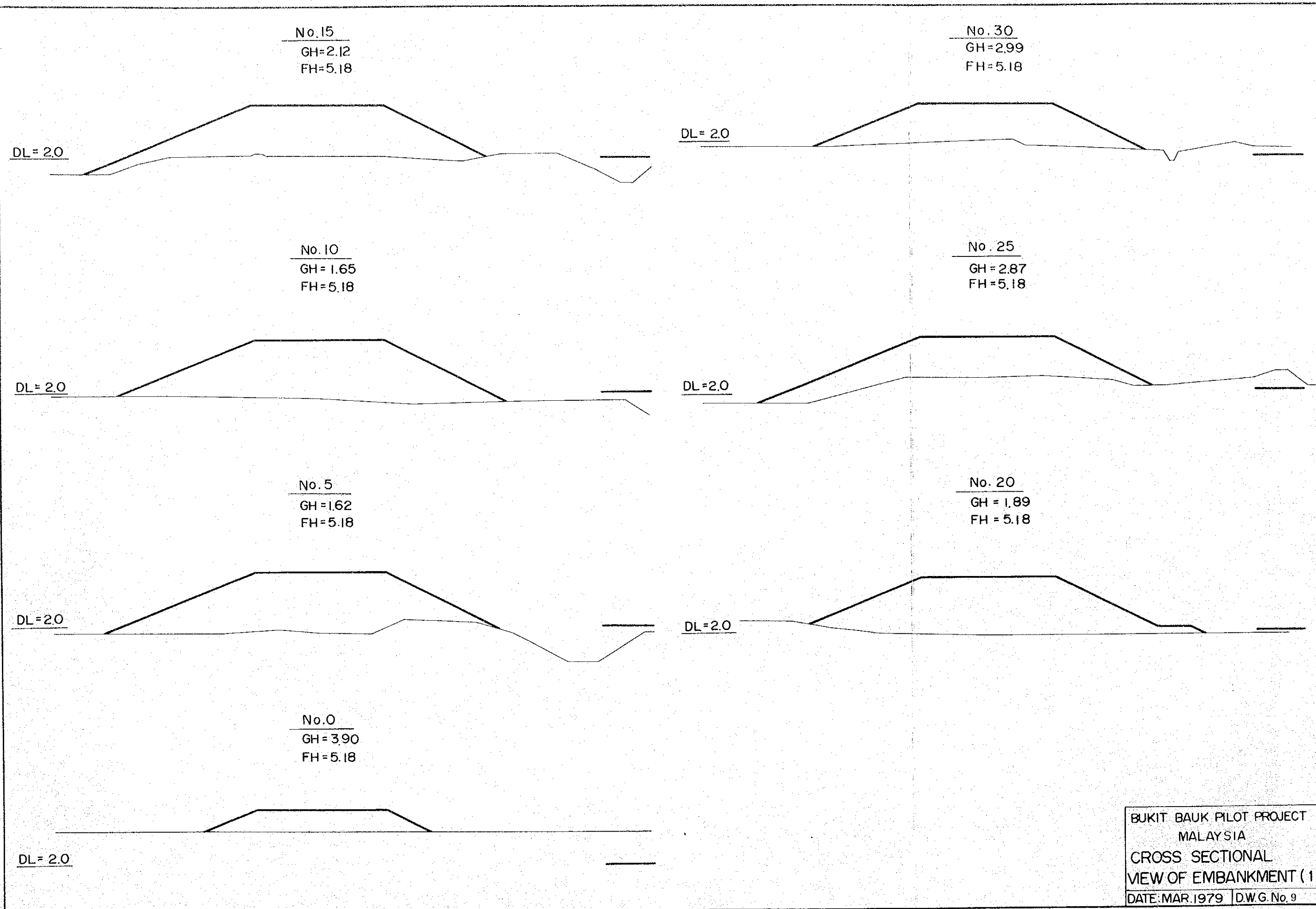
BR. No.3 No.14+98.8
L=7.5 H=3.87

No.31 72.0
ø900
BR. No.4 No.33+53.4
L=12.2 H=5.61

EMBANKMENT CROWN= 17 FEET
H.W.L.= 16 FEET

D.L. = -5.0 m

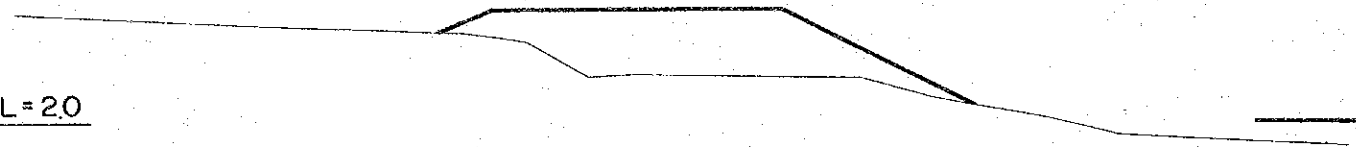
10.0 m
5.0
0.0
m



BUKIT BAUK PILOT PROJECT
MALAYSIA
CROSS SECTIONAL
VIEW OF EMBANKMENT (1)
DATE: MAR. 1979 | D.W.G. No. 9

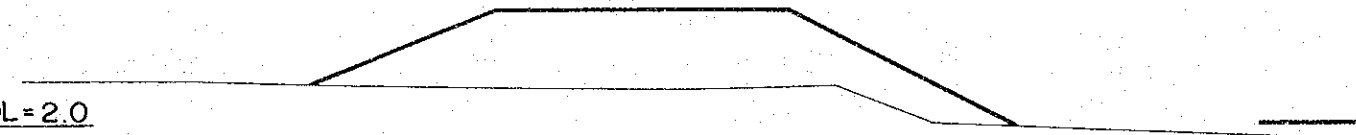
No. 48
GH= 3.40
FH=5.18

DL = 2.0



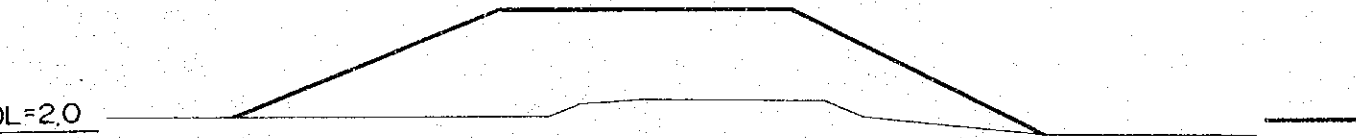
No. 45
GH= 2.98
FH= 5.18

DL = 2.0



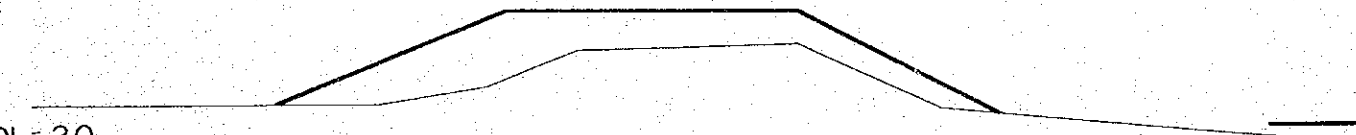
No. 40
GH= 2.59
FH= 5.18

DL = 2.0



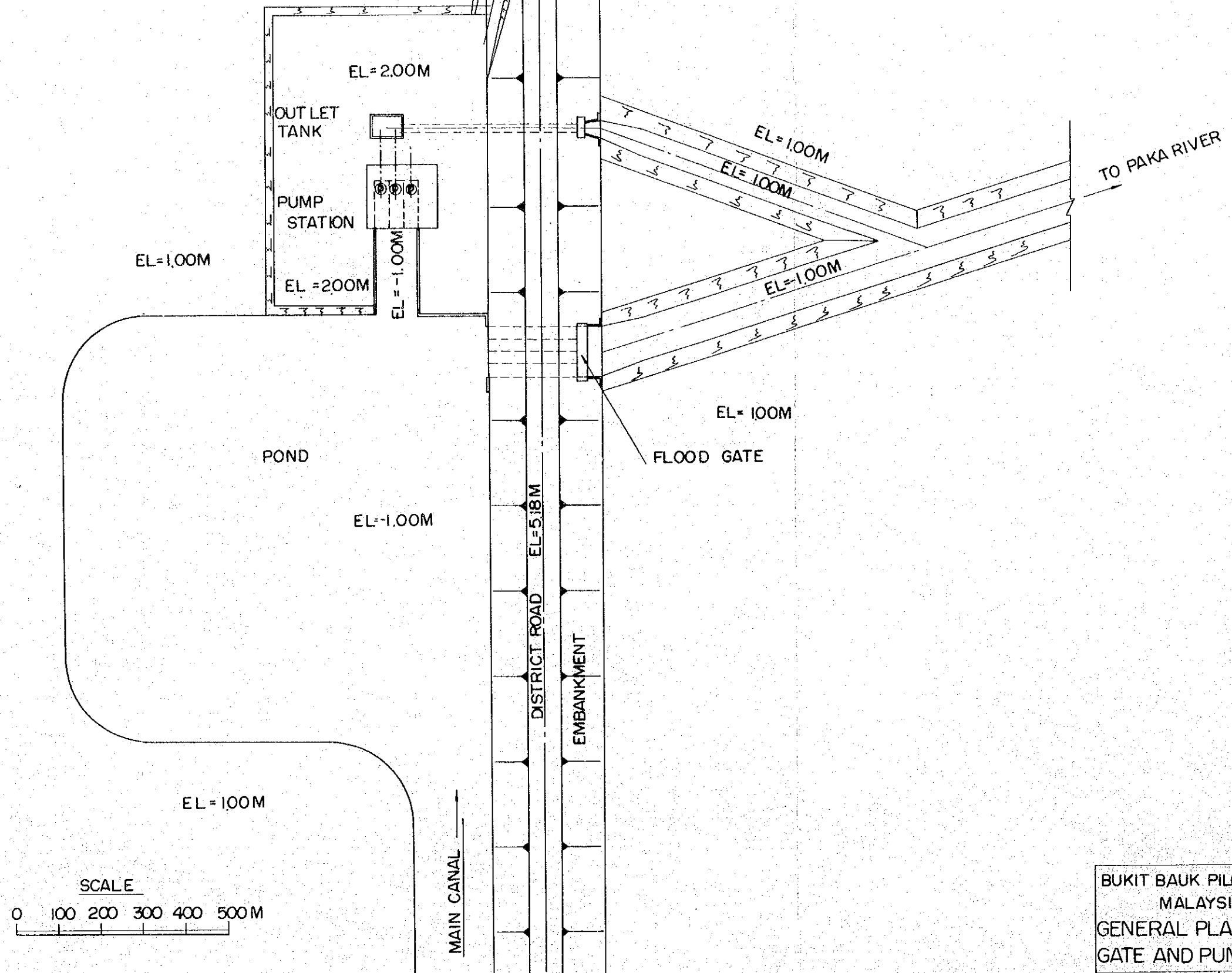
No. 35
GH= 3.23
FH= 5.18

DL = 2.0

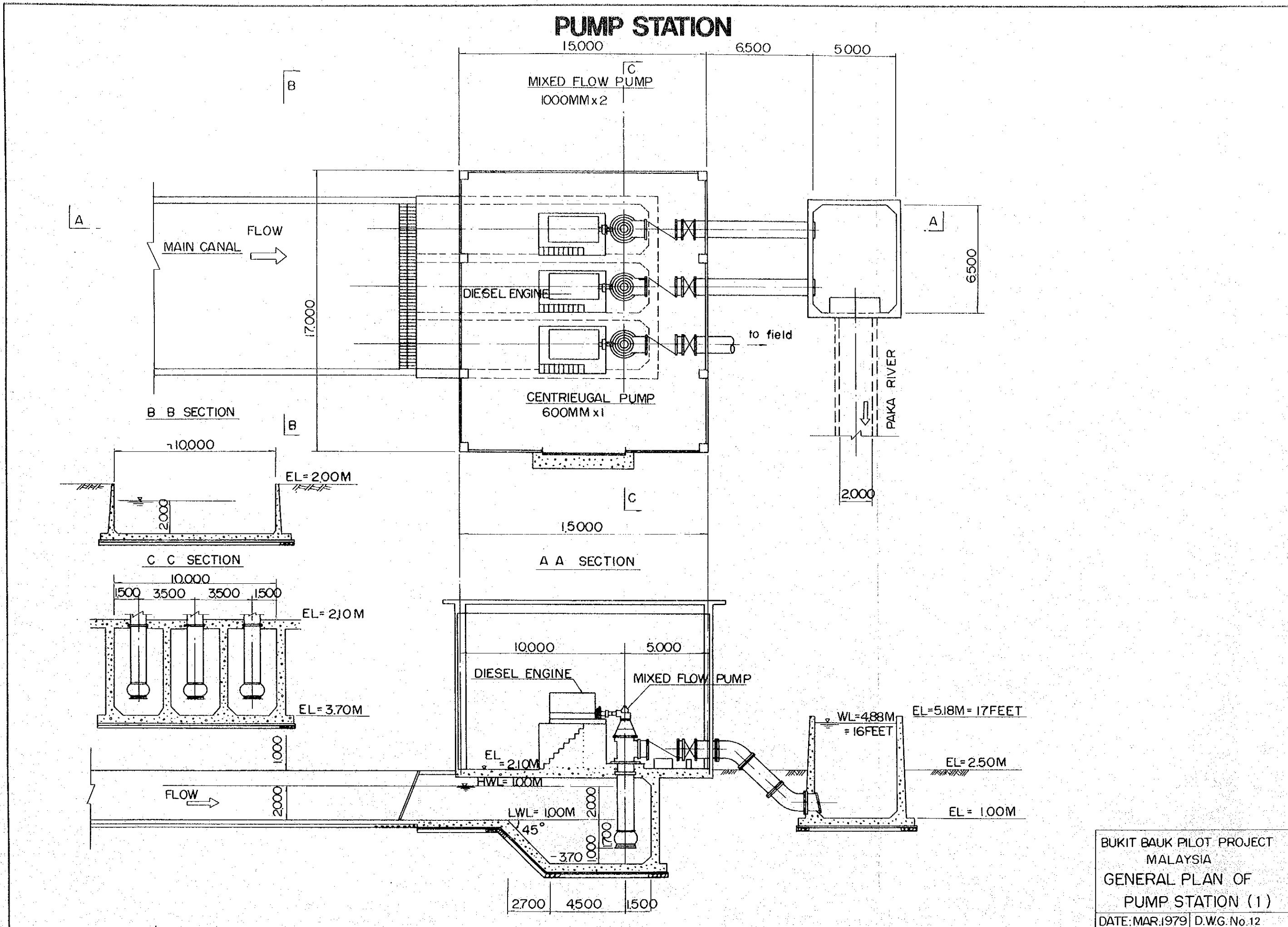


BUKIT BAUK PILOT PROJECT
MALAYSIA
CROSS SECTIONAL
VIEW OF EMBANKMENT(2)
DATE: MAR.1979 | D.W.G.No. 10

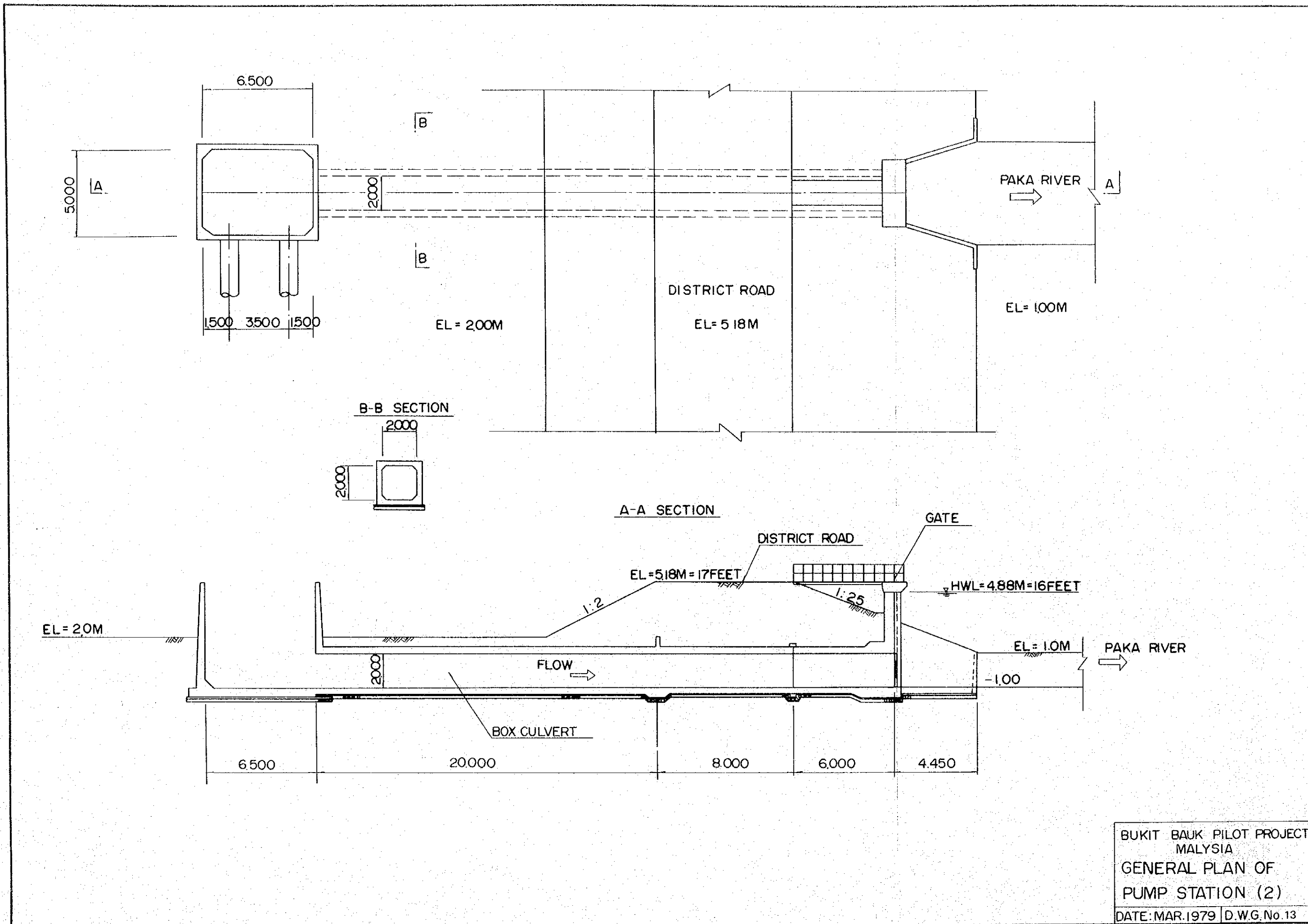
GENERAL PLAN OF FLOOD GATE AND PUMP STATION



BUKIT BAUK PILOT PROJECT
MALAYSIA
GENERAL PLAN OF FLOOD
GATE AND PUMP STATION
DATE: MAR. 1979 | D.W.G. No. 11

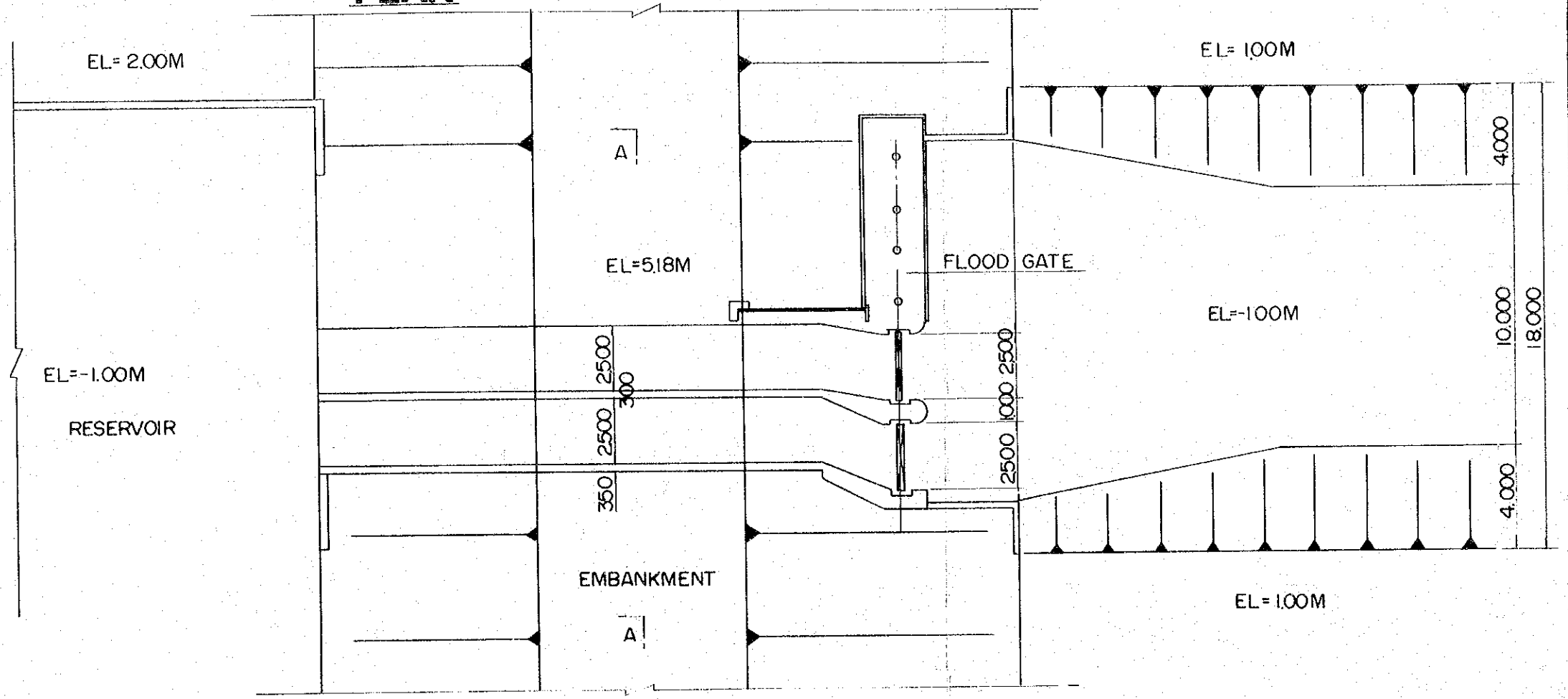


BUKIT BAUK PILOT PROJECT
 MALAYSIA
 GENERAL PLAN OF
 PUMP STATION (1)
 DATE: MAR.1979 | D.W.G. No.12

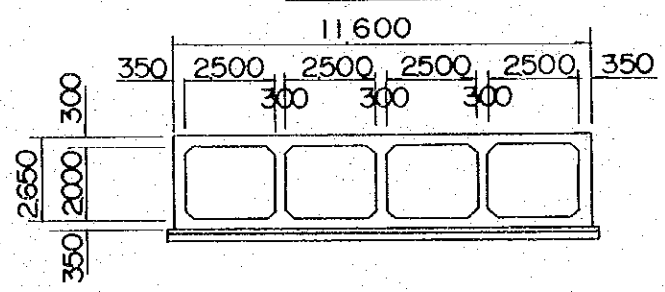


BUKIT BAUK PILOT PROJECT
MALAYSIA
GENERAL PLAN OF
PUMP STATION (2)
DATE: MAR. 1979 | D.W.G. No. 13

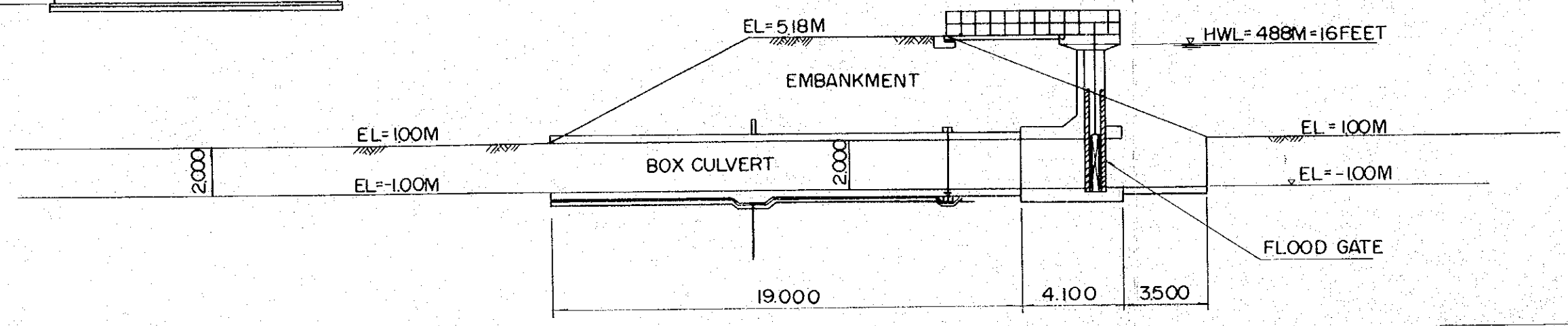
PLAN



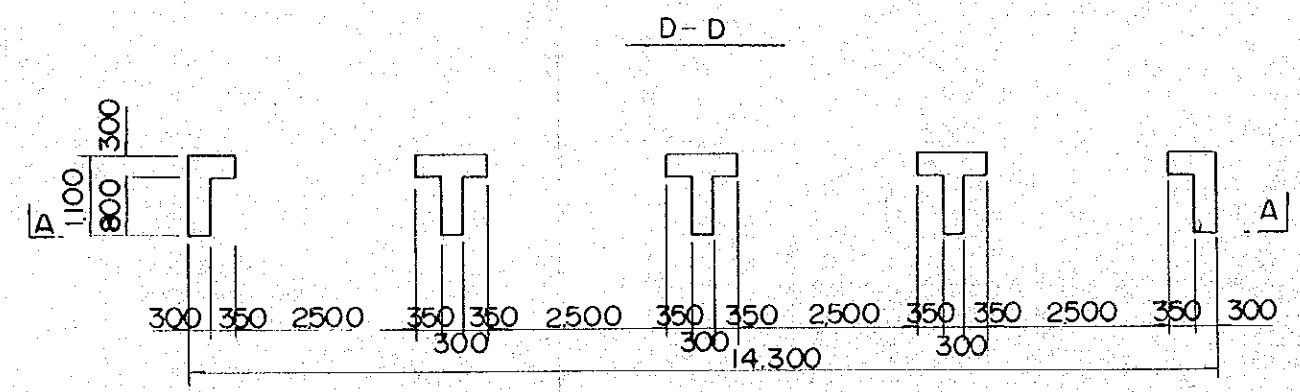
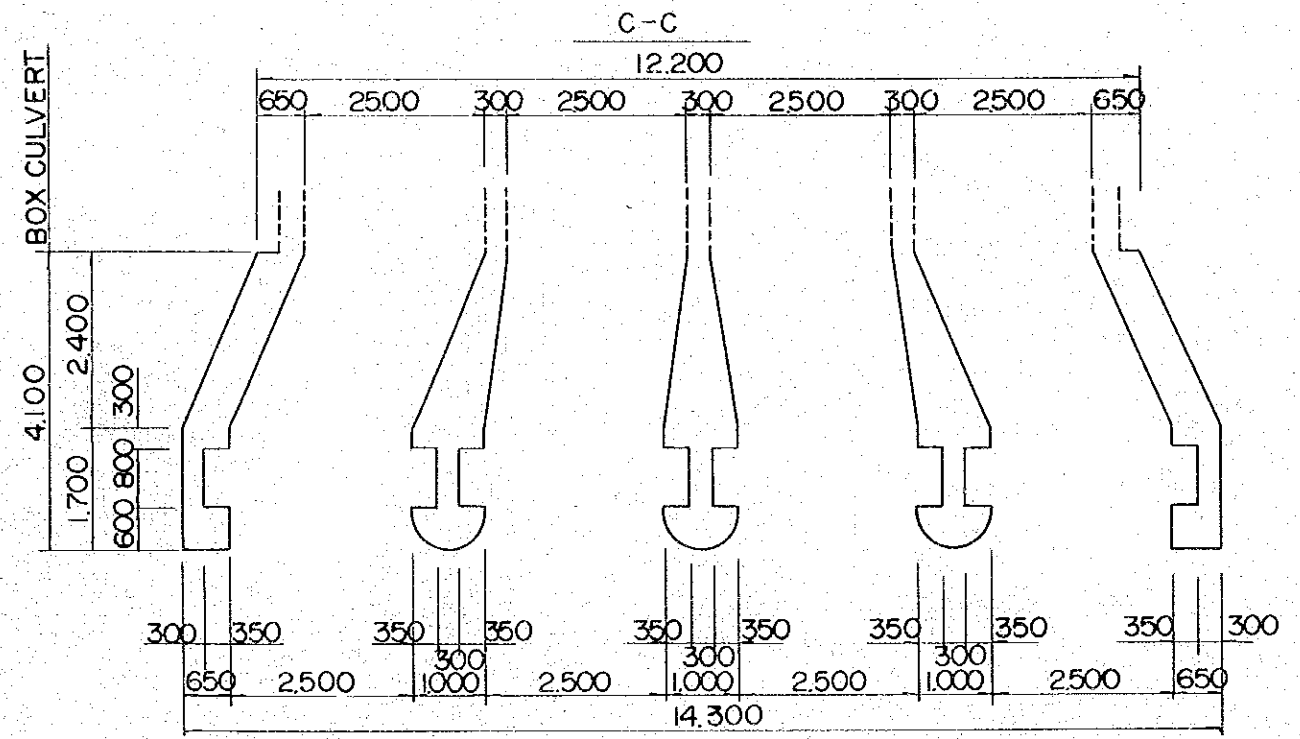
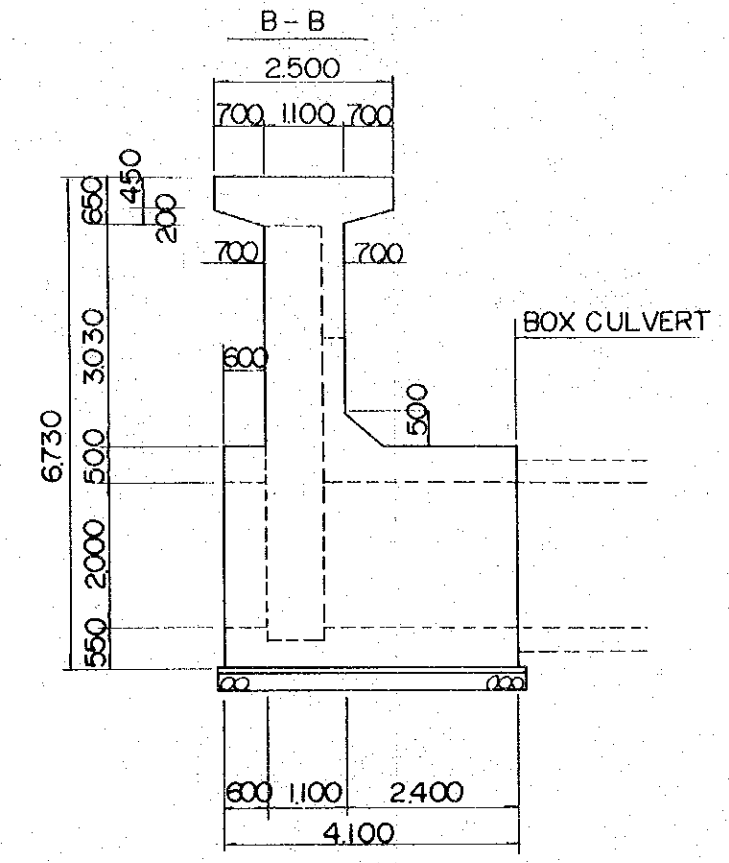
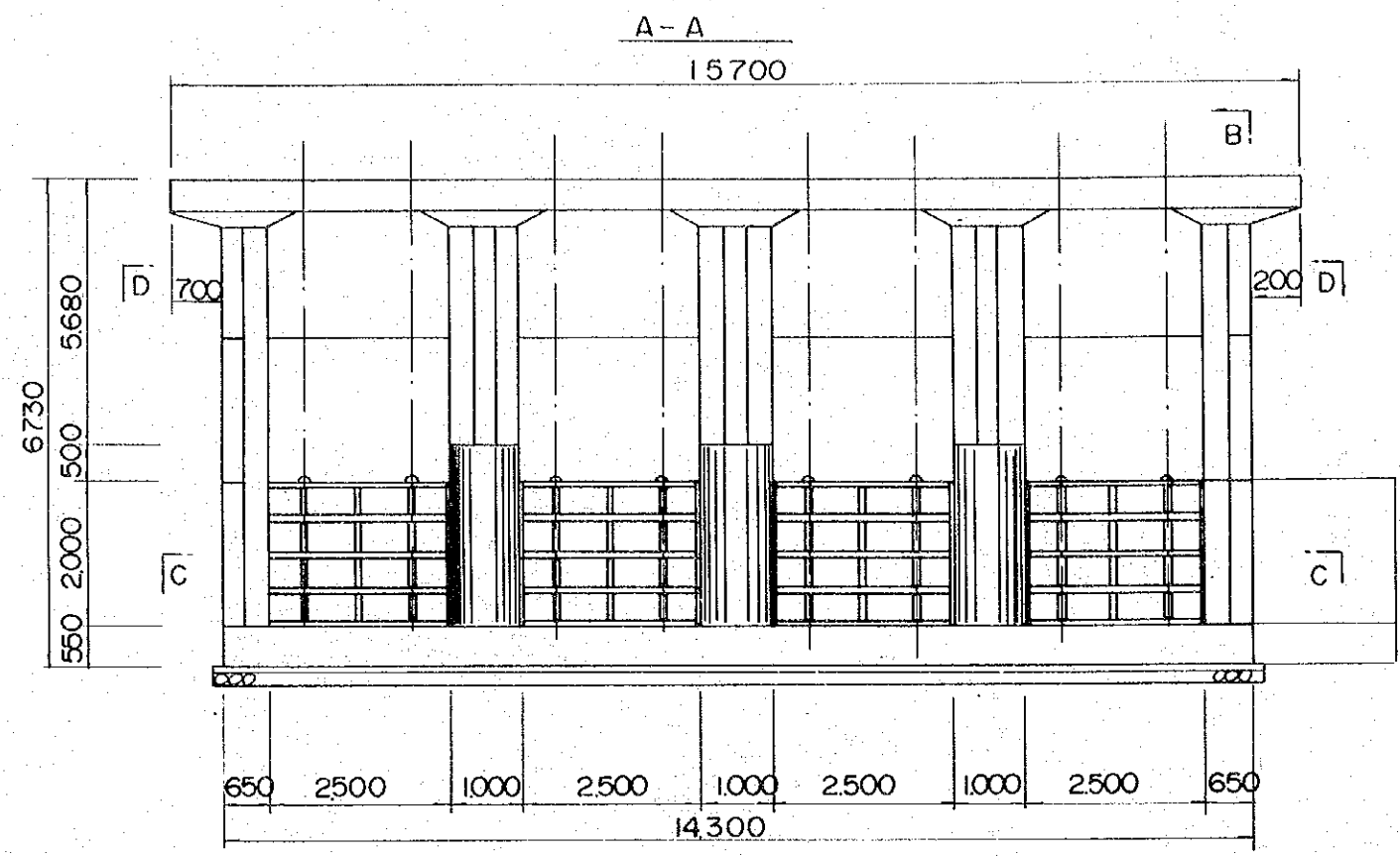
A - A



PROFILE



BUKIT BAUK PILOT PROJECT
MALAYSIA
GENERAL PLAN OF
FLOOD GATE (1)
DATE: MAR. 1979 | D.W.G. No. 14



BUKIT BAUK PILOT PROJECT
MALAYSIA
GENERAL PLAN OF
FLOOD GATE (2)
DATE: MAR. 1979 | D.W.G. No. 15

110