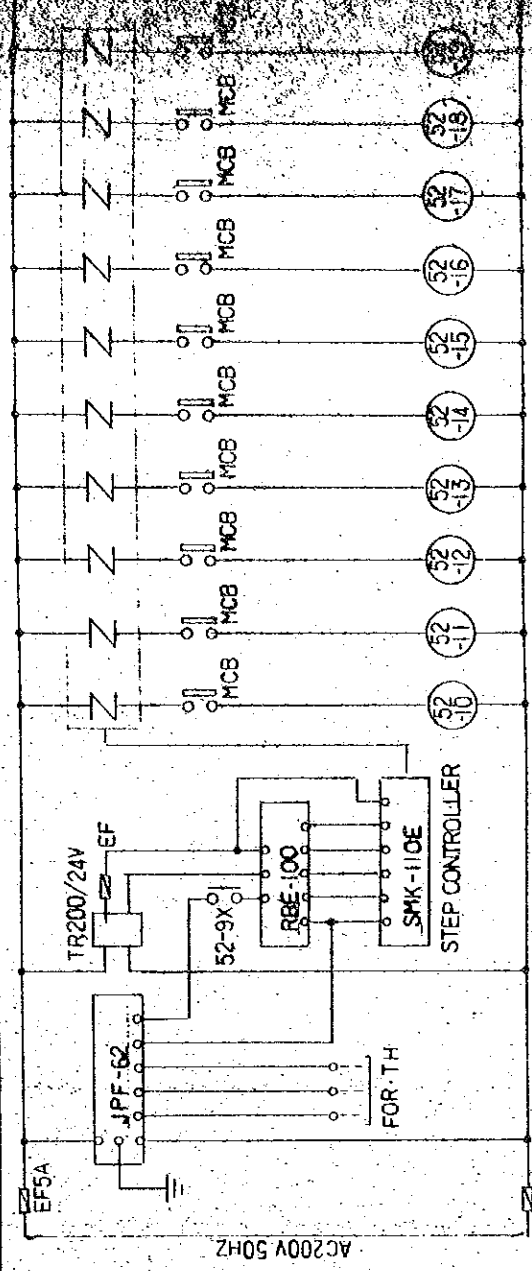
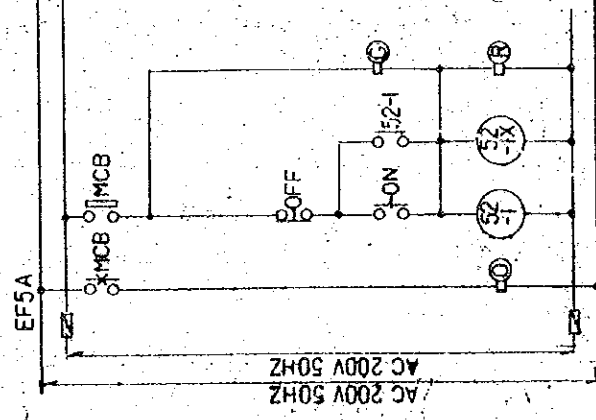


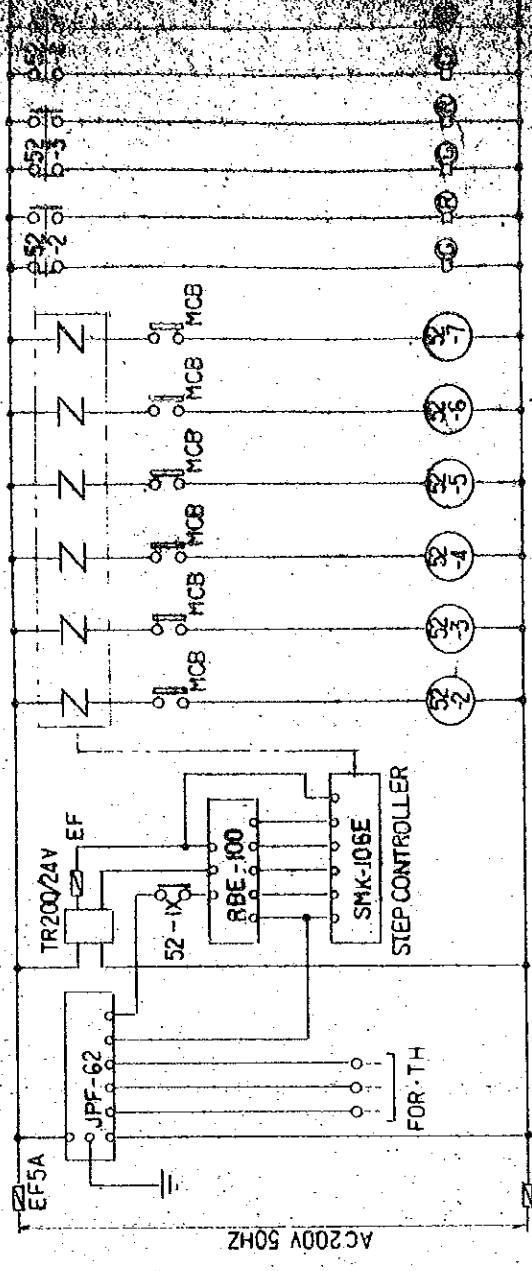
AHU-2 FAN 2.2KW



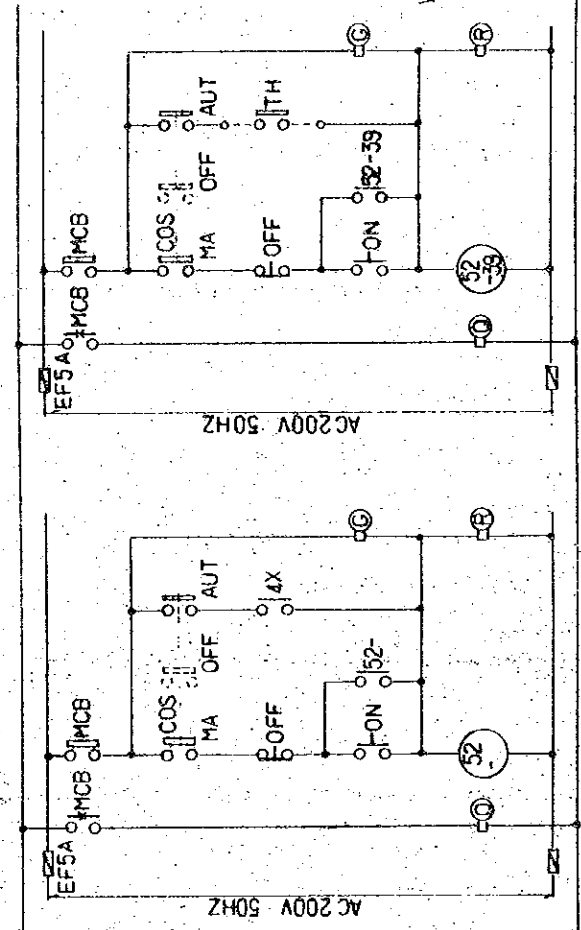
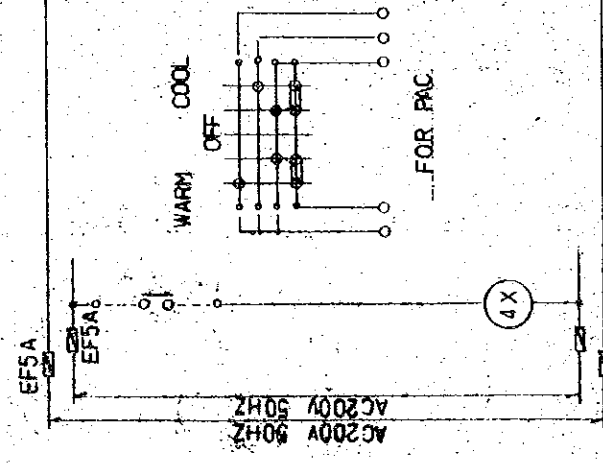
NO. 1 2 3 4 5 6 7 8 9 10
HEATER



AHU-1 FAN 2.2KW



NO.1 2 3 4 5 6
HEATER

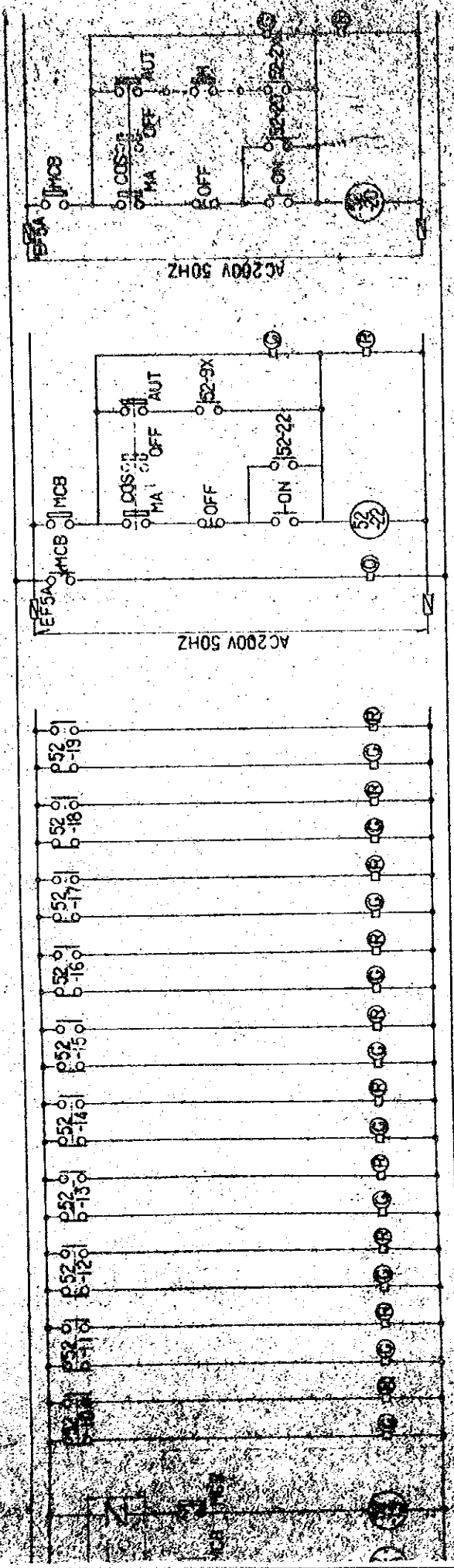


F-8 1.5KW

MOTOR DAMPER OTHER WORK (A.C. WIRE)

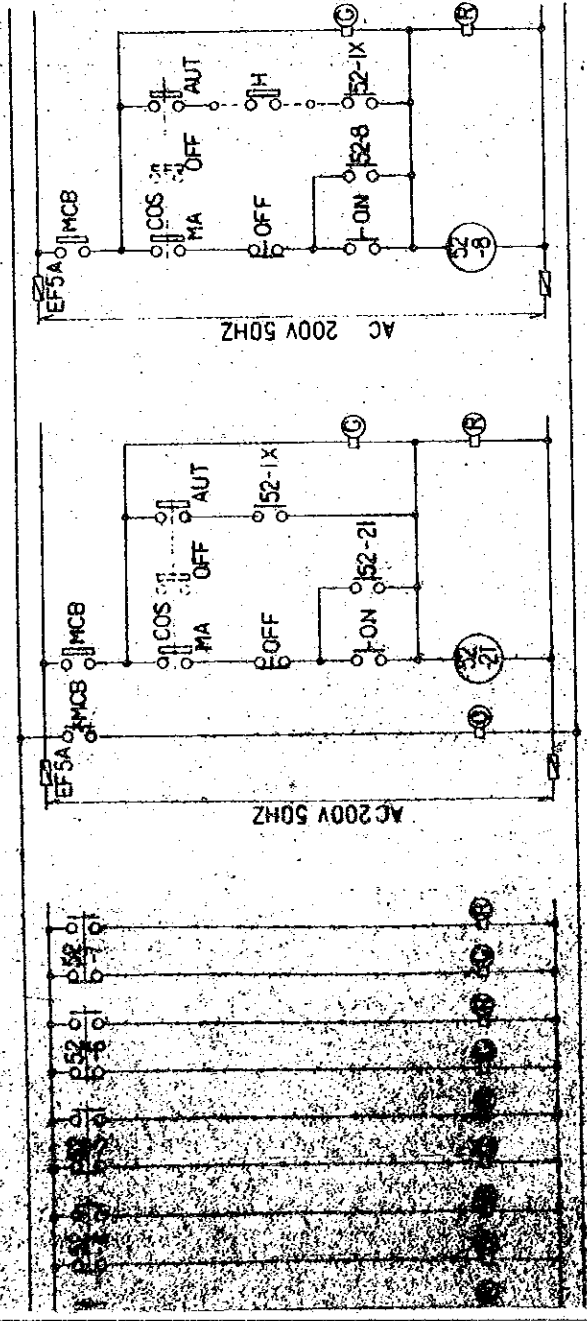
MCB ; MCB AUXILIARY SWITCH

NO	NAME	KW	INTER-ROCKING
32	F-3	5.5	PAC-1
33	F-4	5.5	PAC-1
34	F-7	0.2	PAC-2
36	F-5	5.5	PAC-2
37	F-6	5.5	PAC-2
38	F-9	0.4	PAC-2



F-2 2.2KW

AHU-2 200V 80W
HUMIDIFIER



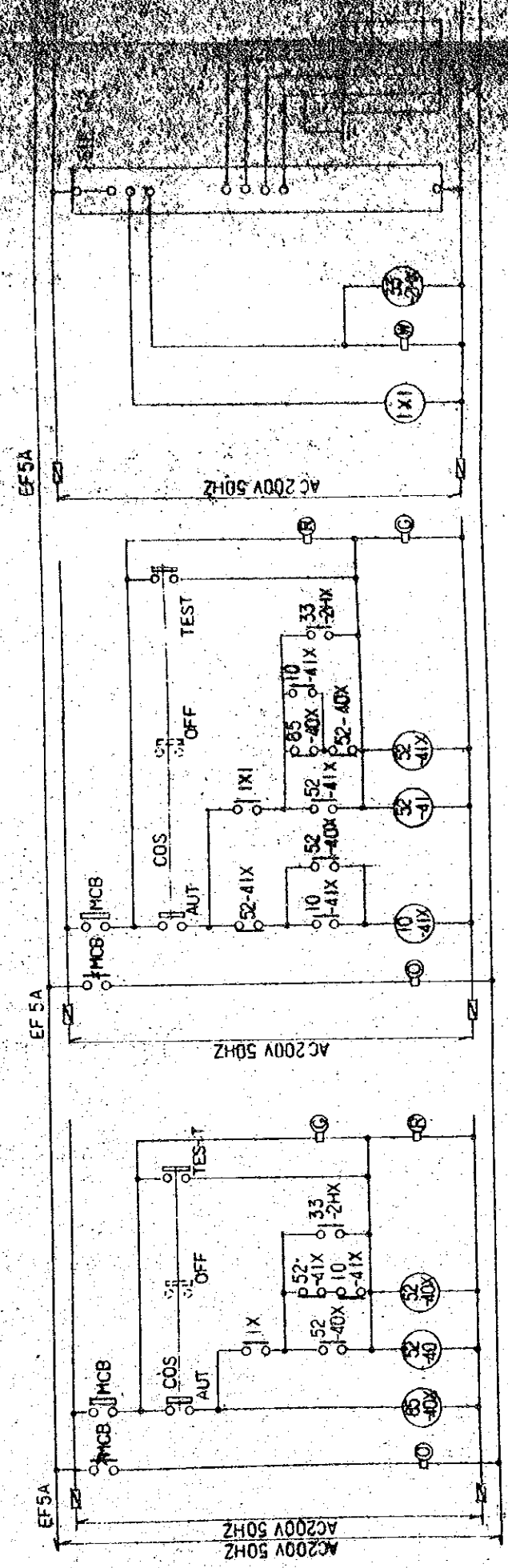
F-1 2.2KW

AHU 200V 80W

OR/A.C. WORO

SWITCH

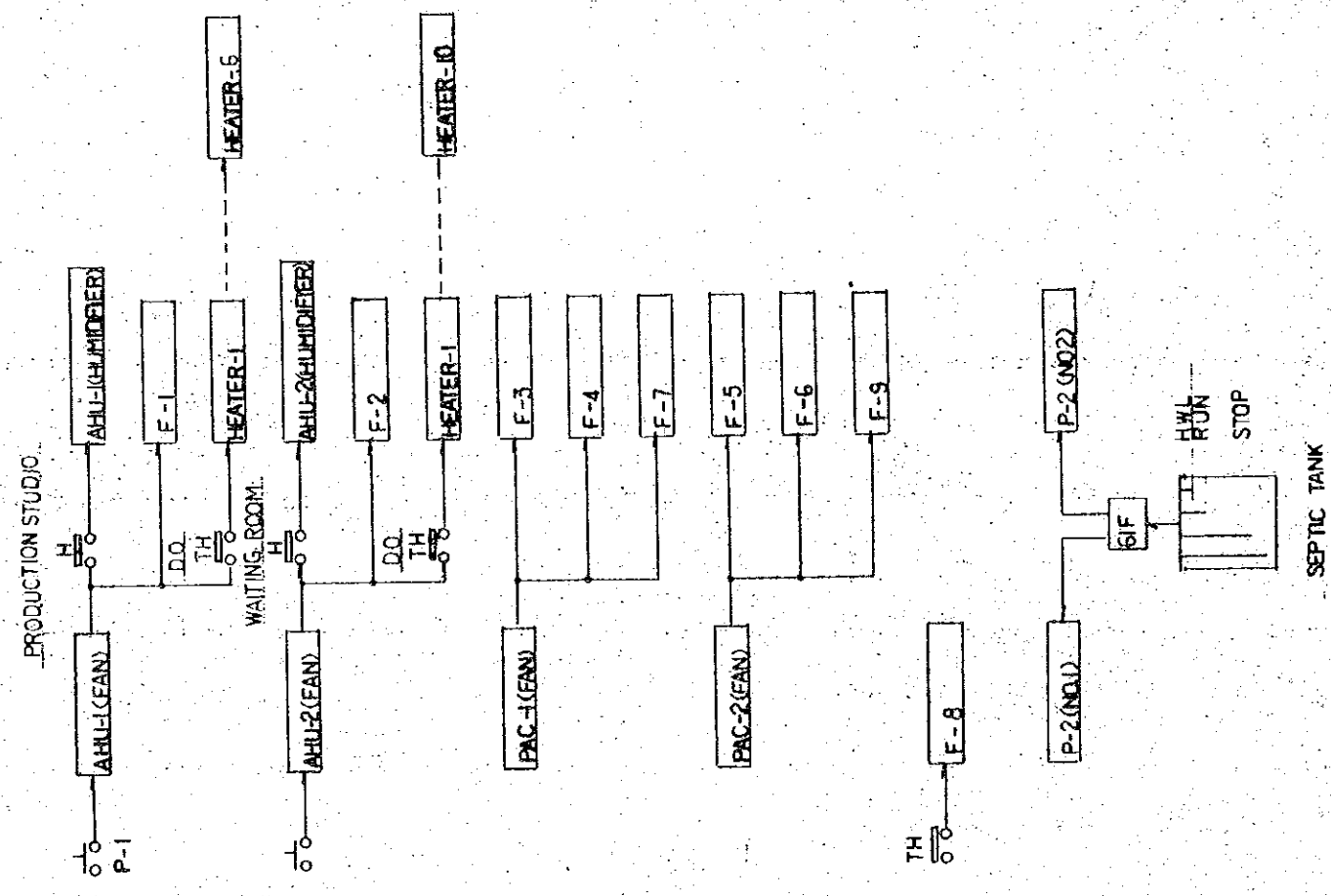
THE ESTABLISHMENT PROGRAMME OF MEDIUM WAVE BROADCASTING NETWORK IN THE KINGDOM OF NEPAL		DRAWING NO. 101
KATHMANDU STUDIO CENTRE		SCALE 1:1
TITLE OF DRAWING SEQUENCE DIAGRAM FOR POWER BOARD		DATE JAN 1981

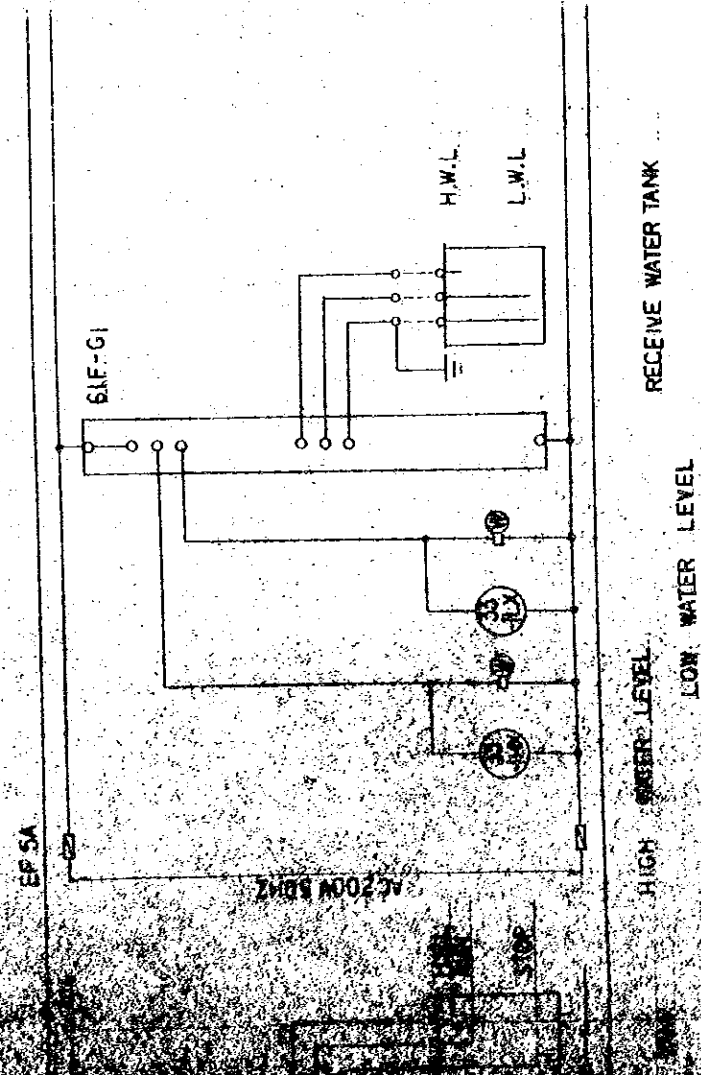


HIGH WATER LEVEL SECTION

P-2 (NO2) 1.5 KW

P-2 (NO1) 1.5 KW





THE ESTABLISHMENT PROJECT		DATE	
MEDIUM WAVE BROADCASTING NETWORK		DATE	
THE KINGDOM OF NEPAL		DATE	
KATHMANDU STUDIO CENTRE		DATE	
TITLE OF DRAWING		DATE	
SEQUENCE DIAGRAM FOR POWER BOARD (D)		DATE	
		JAN 1981	

SUB-CONTROL ROOM

PRODUCTION STUDIO

PRODUCTION STUDIO

CORRIDOR

TOILET (M)

SUB-CONTROL ROOM

TALK STUDIO

ENGINE GENERATOR ROOM POWER ROOM

WATER TANK BELOW

BUILDING EQUIPMENT ROOM

STORE (2)

MAINTENANCE MEN'S ROOM

Y6

Y5

Y4

Y3

Y2

Y1

X1

X2

X3

X4

X5

X6

0.000

30.000

0.000

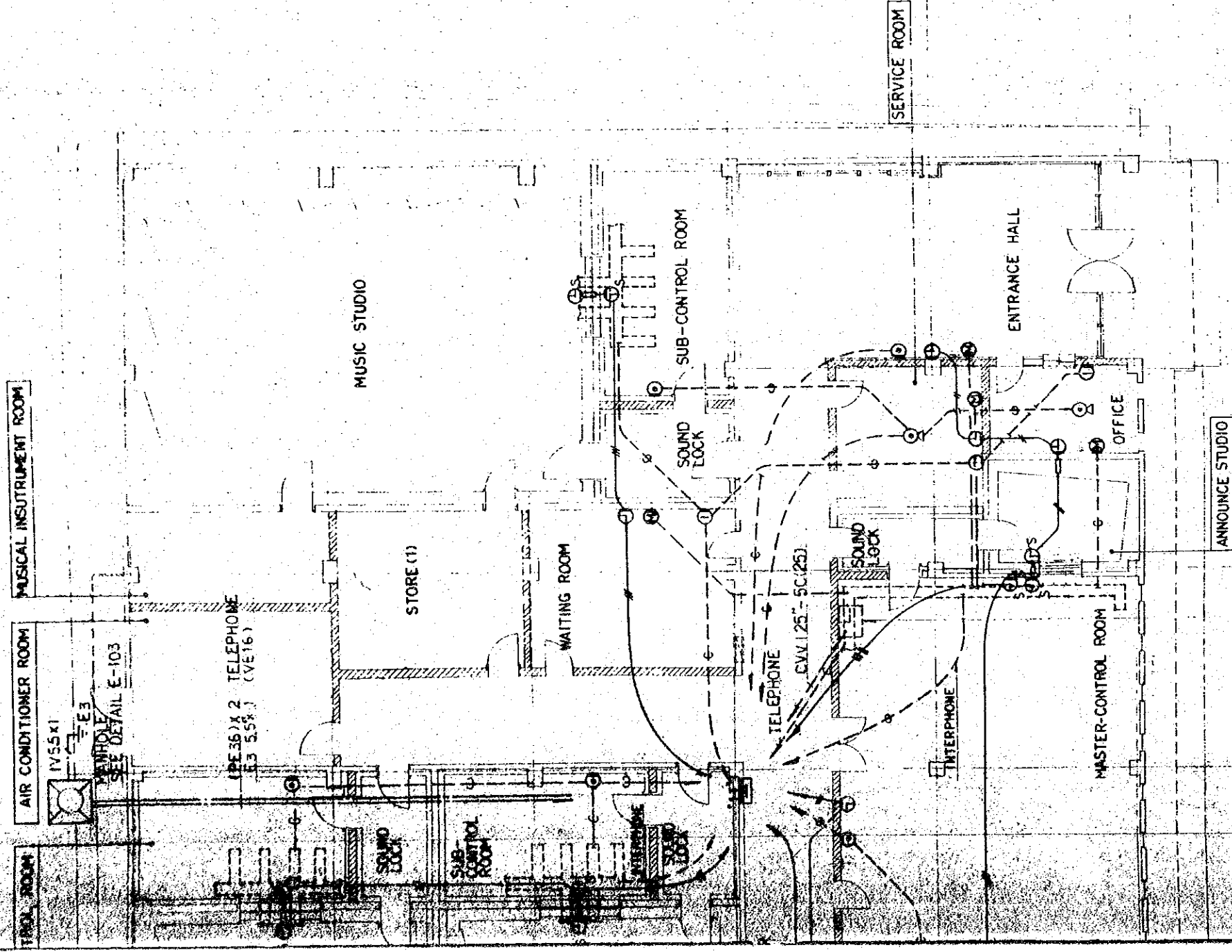
5.000

5.000

3.000

6.000

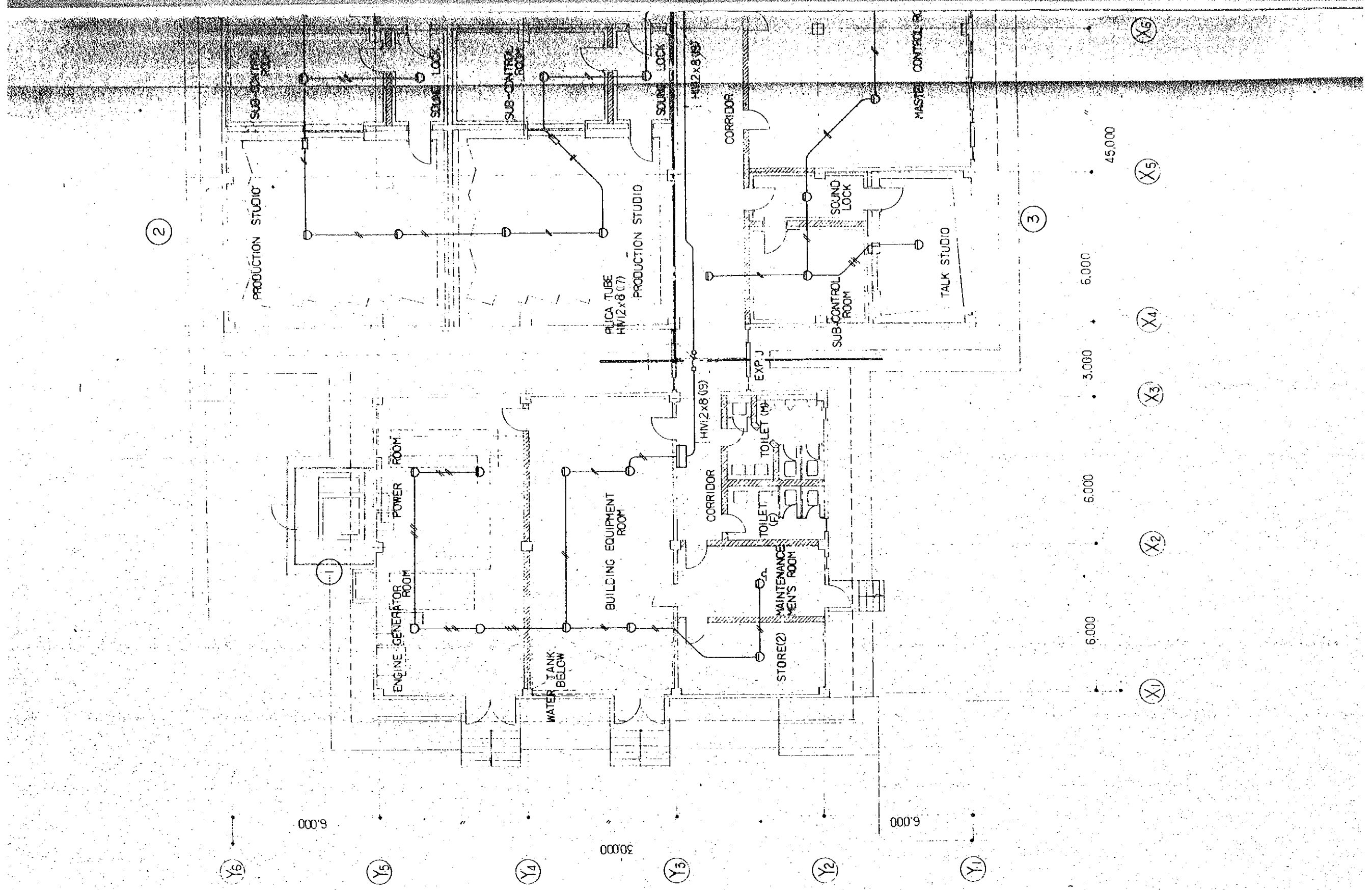
45.000



6000
L CLOCK... OTHER WORK (BROAD CASTING EQUIPMENT WORK) 6000

(X6) (X7) (X8) (X9)

THE ESTABLISHMENT PROGRAMME OF MEDIUM WAVE BROADCASTING NETWORK IN THE KINGDOM OF NEPAL		DRAWING NO. E-114
KATMANDU STUDIO CENTRE	SCALE 1:100	DATE JAN 1981
TITLE OF DRAWING PIPING WIRING FOR CLOCKS AND OTHER LIGHTELECTRIC APPLIANCES		



2

3

PRODUCTION STUDIO

PRODUCTION STUDIO

TALK STUDIO

ENGINE GENERATOR ROOM

POWER ROOM

BUILDING EQUIPMENT ROOM

WATER TANK BELOW

STORE(2)

MAINTENANCE MEN'S ROOM

TOILET (2)

TOILET (M)

EXP. J.

CORRIDOR

CORRIDOR

SUB-CONTROL ROOM

SOUND LOCK

MASTER CONTROL ROOM

SUB-CONTROL ROOM

SOUND LOCK

SUB-CONTROL ROOM

SOUND LOCK

SUB-CONTROL ROOM

SOUND LOCK

PULICA TUBE HV12x8 (17)

HV12x8 (9)

6,000 6,000 3,000 6,000 45,000

Y6

Y5

Y4

Y3

Y2

Y1

X1

X2

X3

X4

X5

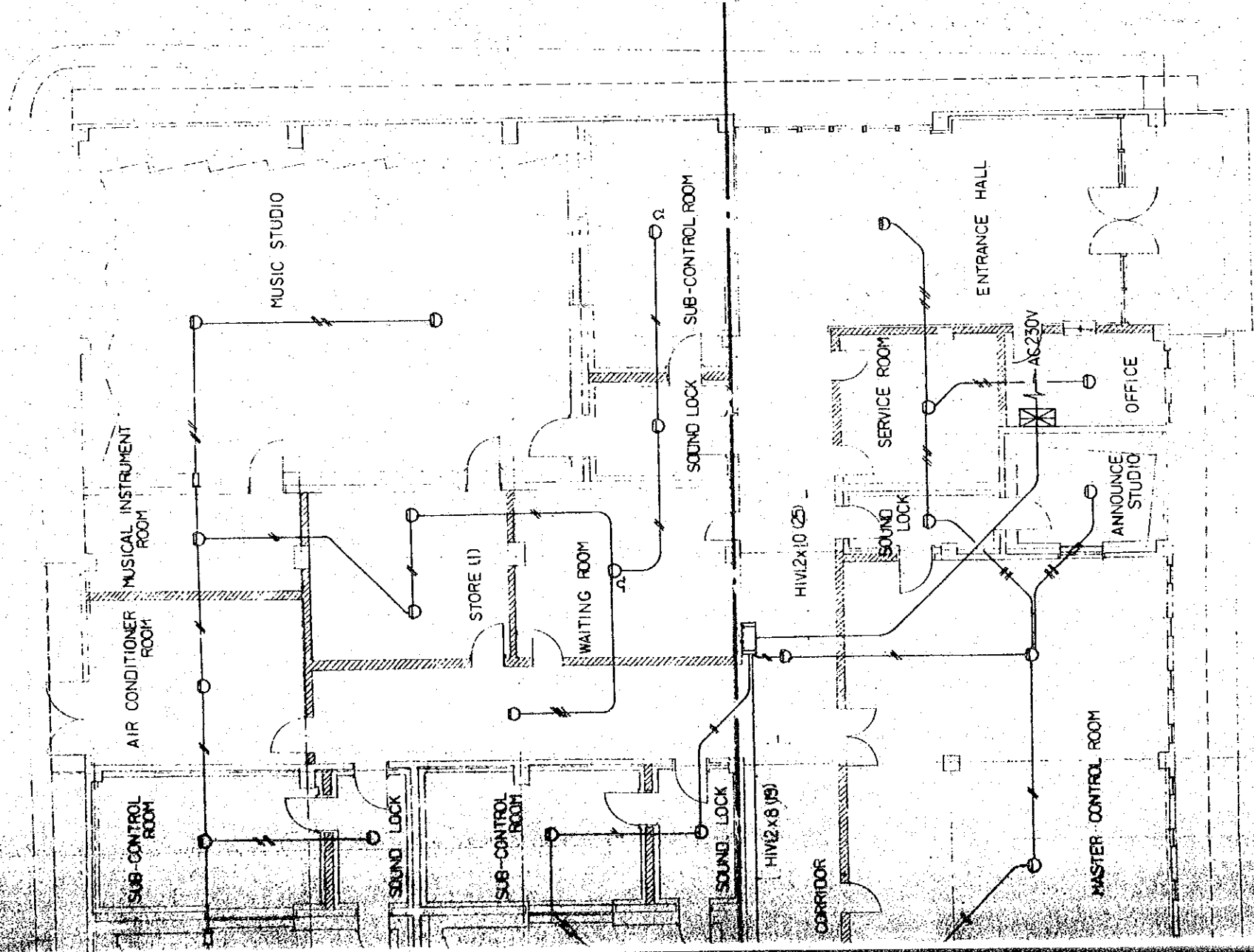
X6

6,000

30,000

6,000

1/8" = 1'-0"



NOTES.

- 1 UNLESS OTHERWISE SPECIFIED PIPING AND WIRING SHALL BE IN WIRES 12 mm. AND CONDUITS 19 mm.
- 2 ALL FIRE DETECTORS ARE PROVIDED WITH A RESPONSE LAMP.
- 3 THIS CONTROL PANEL SHALL BE PROVIDED WITH CONSTANT VOLTAGE SYSTEM FOR TELEPHONE CIRCUIT.

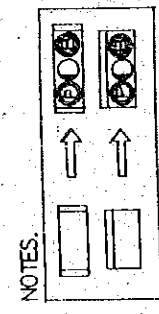
6.000

(X9)

(X8)

(X7)

(X6)



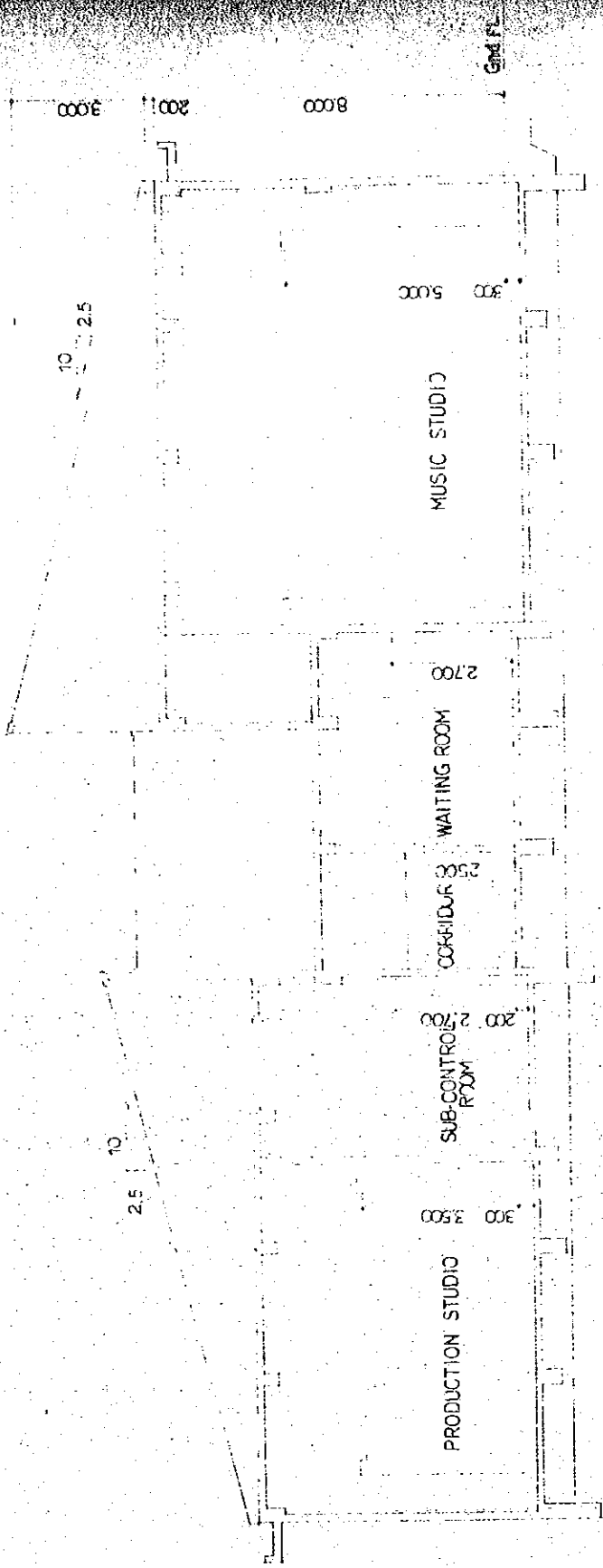
THE ESTABLISHMENT PROGRAMME OF MEDIUM WAVE BROADCASTING NETWORK IN THE KINGDOM OF NEPAL		DRAWING NO. E-115
KATHMANDU STUDIO CENTRE		SCALE 1:100
TITLE OF DRAWING PIPING AND WIRING FOR FIRE ALARM SYSTEM		DATE JAN '1981

LIST OF DRAWING

DWGS NO.	TITLE OF DRAWING
P - 101	LIST OF DRAWING
102	SITE PLAN , DETAIL OF PIT & BUILDING
103	LIST OF EQUIPMENT & IMPLEMENT LEGEND
104	GROUND FLOOR PLAN OF PIPING
105	DETAIL OF TOILET , PRESSURE TANK & PI
106	DETAIL OF FIRE HYDRANT
107	DETAIL OF SEPTIC TANK
108	DETAIL OF OIL TANK (2000 L)

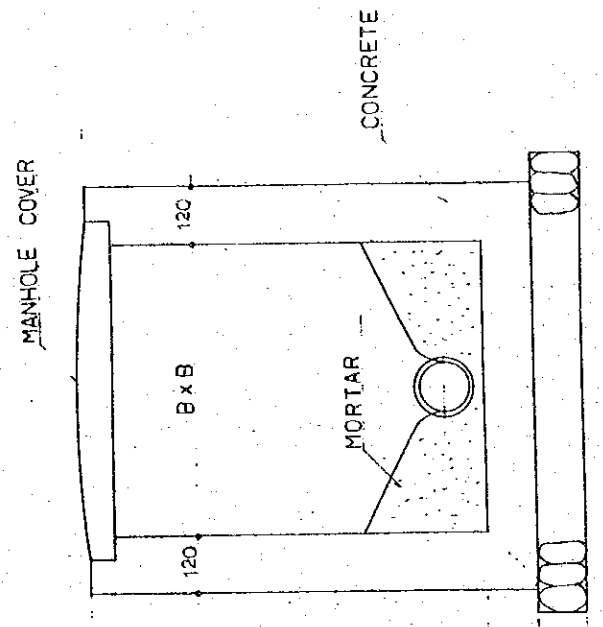
	SCALE
	—
BUILDING SECTION	1:100
PLUMBING LEGEND & FLOW DIAGRAM FOR PLUMBING	—
WATER TANK & PUMP	1:100
	1:50
	1:2, 1:5
	1:5, 1:20
	1:20

THE ESTABLISHMENT PROGRAMME OF MEDIUM WAVE BROADCASTING NETWORK IN THE KINGDOM OF NEPAL		DRAWING NO. P-101
KATHMANDU STUDIO CENTRE		SCALE —
TITLE OF DRAWING LIST OF DRAWING		DATE JAN 7 1981

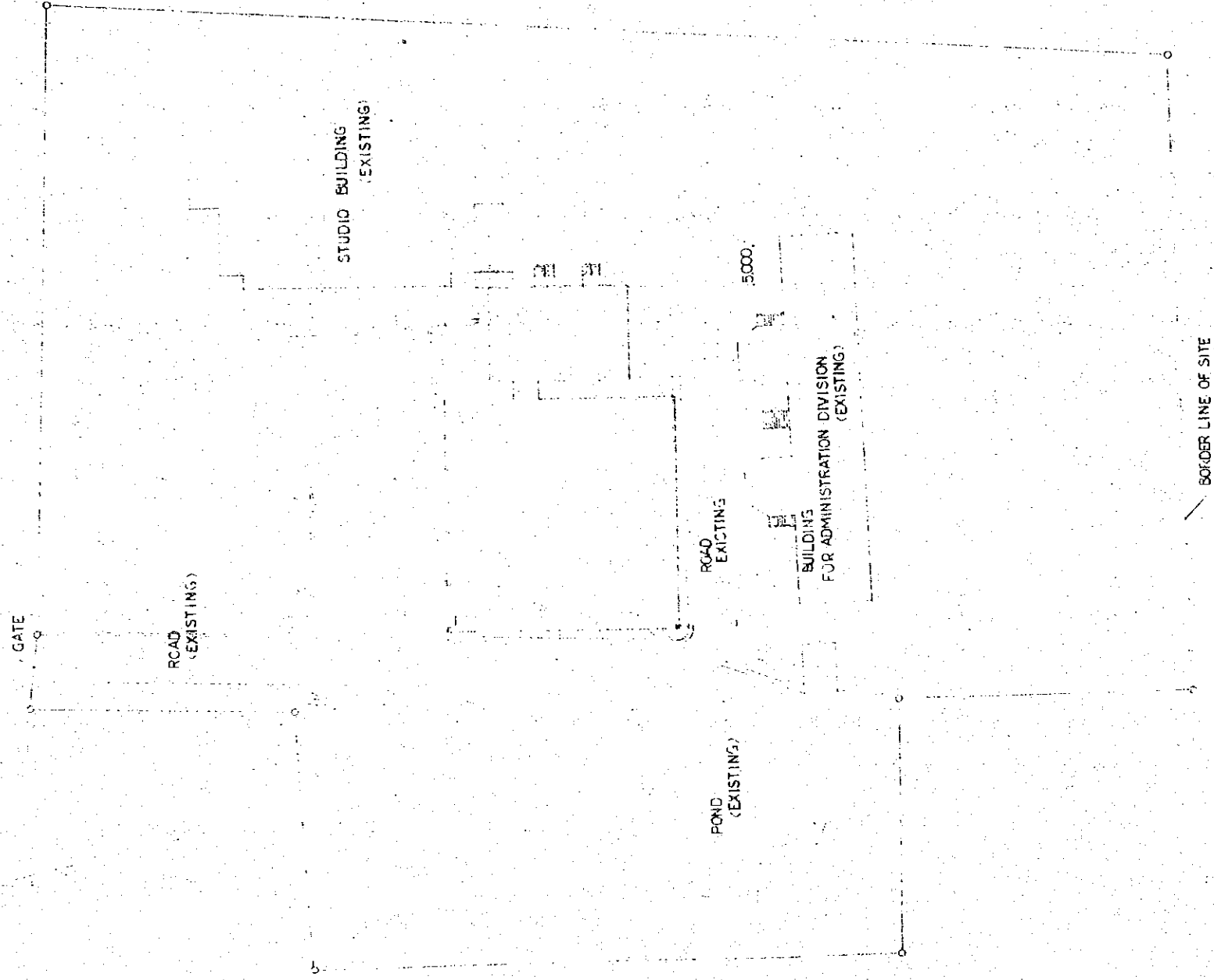


Y4 Y5 Y6 Y7 Y8 Y9

SECTION 1:100



DETAIL OF PIT

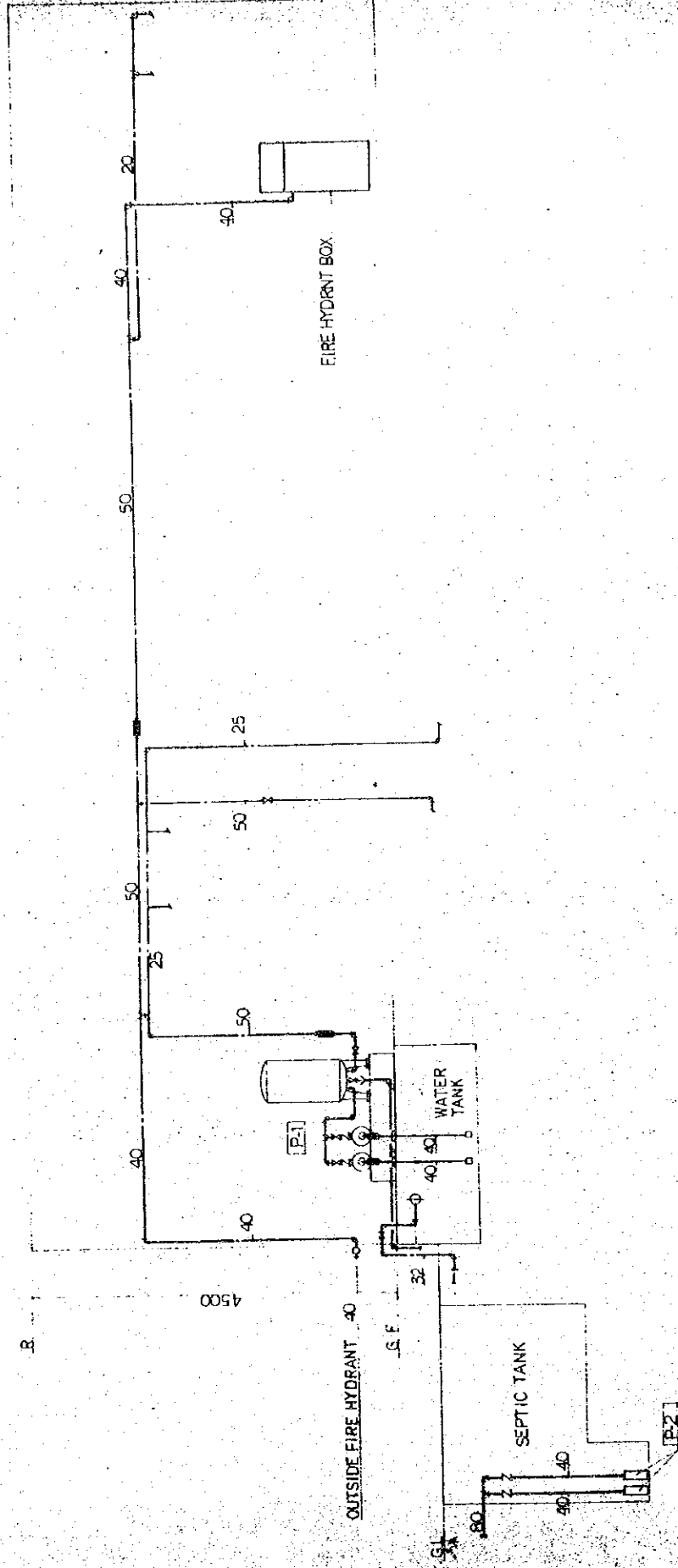


SITE PLAN 1:500

THE ESTABLISHMENT PROGRAMME OF MEDIUM WAVE BROADCASTING NETWORK IN THE KINGDOM OF NEPAL		DRAWING NO. P-102
KATHMANDU STUDIO CENTRE		SCALE 1:100 1:500 1:1000
TITLE OF DRAWING SITE PLAN, DETAIL OF PIT & BUILDING SECTION		DATE JAN 7 1981

LEGEND

SYMBOL	ITEM	REMARKS	SYMBOL	ITEM	REMARKS
—	WATER PIPE	POLYVINYLCHLORIDE L.P. JISG3452 K6742	⊙	FLUSH VALVE	
—	HOT WATER PIPE	COPPER PIPE	⊙	FLOOR DRAIN	
—	SOIL PIPE	CAST IRON PIPE MECHANICAL TYPE	⊙	CLEAN OUT	
—	DRAIN PIPE	GALVANIZED STEEL PIPE JISG 3452	⊙	WASTE FITTING	
—	VENT PIPE	DITTO	—	VENT CAP	
—	OIL PIPE	GAS STEEL PIPE JISG 3452	⊗	SOIL PIT	
—	DRAIN PIPE	LEAD PIPE	⊗	WASTE PIT	
—	VENT PIPE	POLYVINYL CHLORIDE PIPE	⊗	FIRE HYDRANT BOX	
—	DRAIN PIPE	CONCRETE PIPE			
—	GATE VALVE				
—	CHECK VALVE				
—	FLEXIBLE JOINT				
⊠	FAUCET				
		WATER			



FLOW DIAGRAM

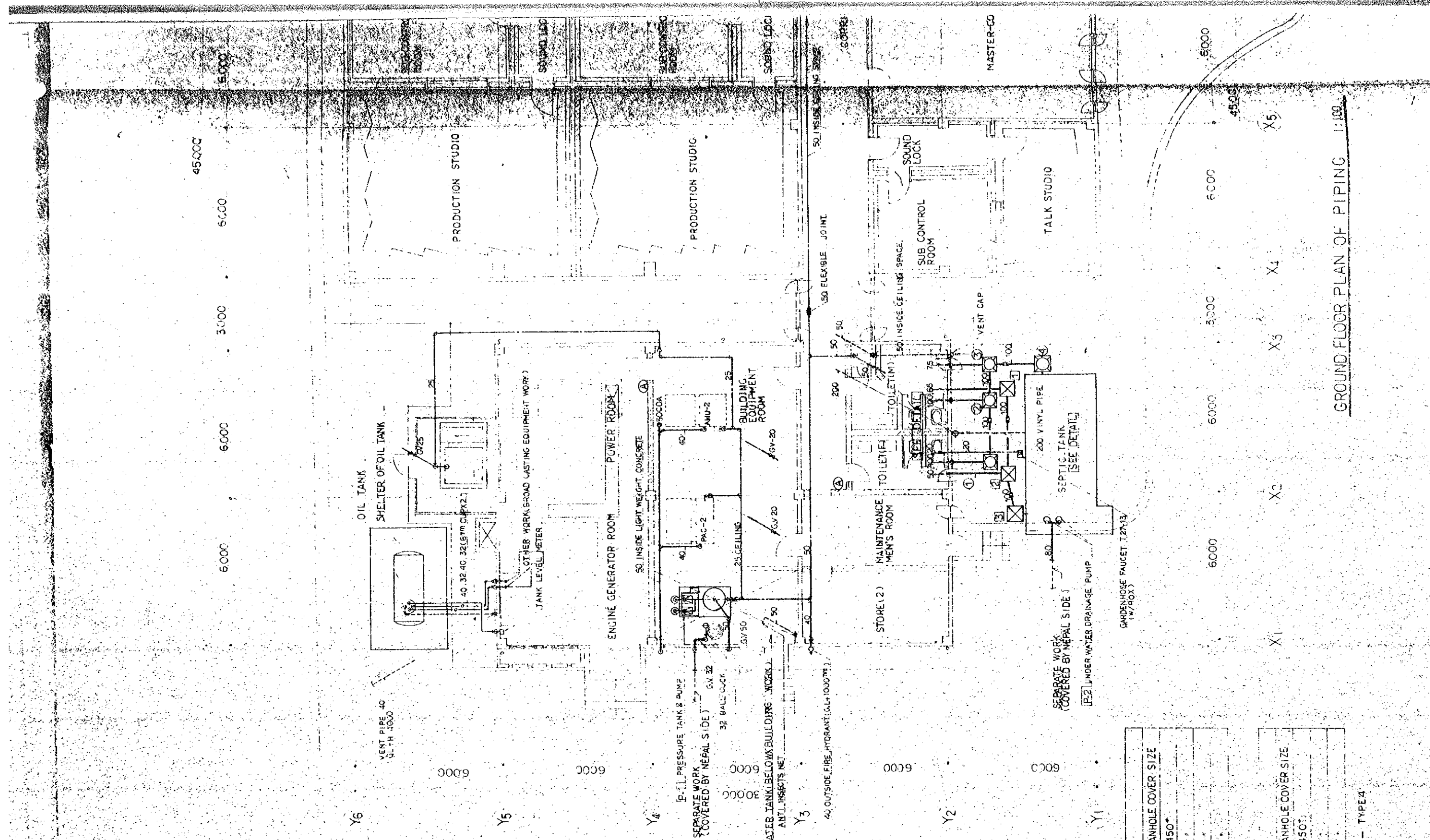
LIST OF IMPLEMENT

ITEM	TYPE	REMARKS	TOILET (F)	TOILET (H)	BUILDING EQUIPMENT ROOM	OUTSIDE	TOTAL
CLOSET	C-14 TVISONL		1	1			2
CLOSET	C-97V T15CNWV4		1	1			2
URINAL	U-57 T60P			3			3
LAVATORY	L-2300		2	2			4
SINK	SK-22A	S-TRAP		1			1
MIRROR	TS119AS5		2	2			4
GARDENHOSE FAUCET	T27-13C/BOX					1	1
FLOOR DRAIN	50T5A		1	1			2
CLEAN-OUT	100COA		1	1			2
	80COA			1			1
	65COA			1			1
	50COA		1	1			2

LIST OF EQUIPMENT

NO	ITEM	PARTICULARS	QTY	PHASE	VOLT	KW	REMARKS
P-1	PRESSURE TANK & PUMP	PRESSURE TANK 500 ^l 2-32 ^{cm} PUMP 40A x 2 QUANTITY 150 ^l /min	1	3	400	22	CONCRETE BASE (1200 x 2100 x 300H)
P-2	UNDER WATER DRAINAGE PUMP	BORE 40A QUANTITY 100 ^l /min HEAD 15m	2	3	400	1.5	

THE ESTABLISHMENT PROGRAMME OF MEDIUM WAVE BROADCASTING NETWORK IN THE KINGDOM OF NEPAL		DRAWING NO. P-103
KATHMANDU STUDIO CENTRE		SCALE 1:100
TITLE OF DRAWING LIST OF EQUIPMENT & IMPLEMENT LEGEND & FLOW DIAGRAM FOR PLUMBING		DATE JAN 1981



GROUND FLOOR PLAN OF PIPING 1:100

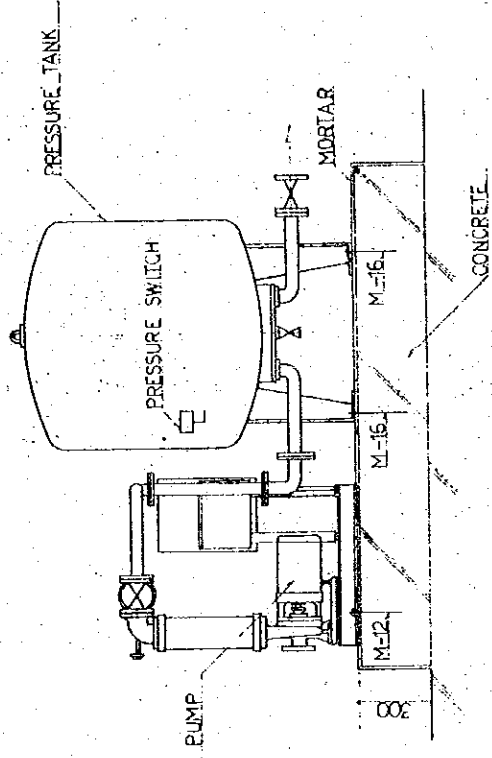
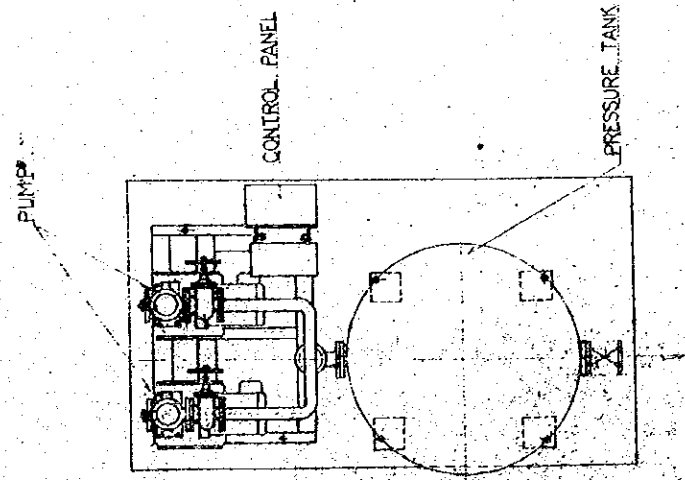
[LIST OF PIT]

NO	SOIL PIT SIZE	MANHOLE COVER SIZE
①	450 X 450 X 620	450
②	450 X 450 X 550	
③	450 X 450 X 670	
④	450 X 450 X 700	

WASTE PIT

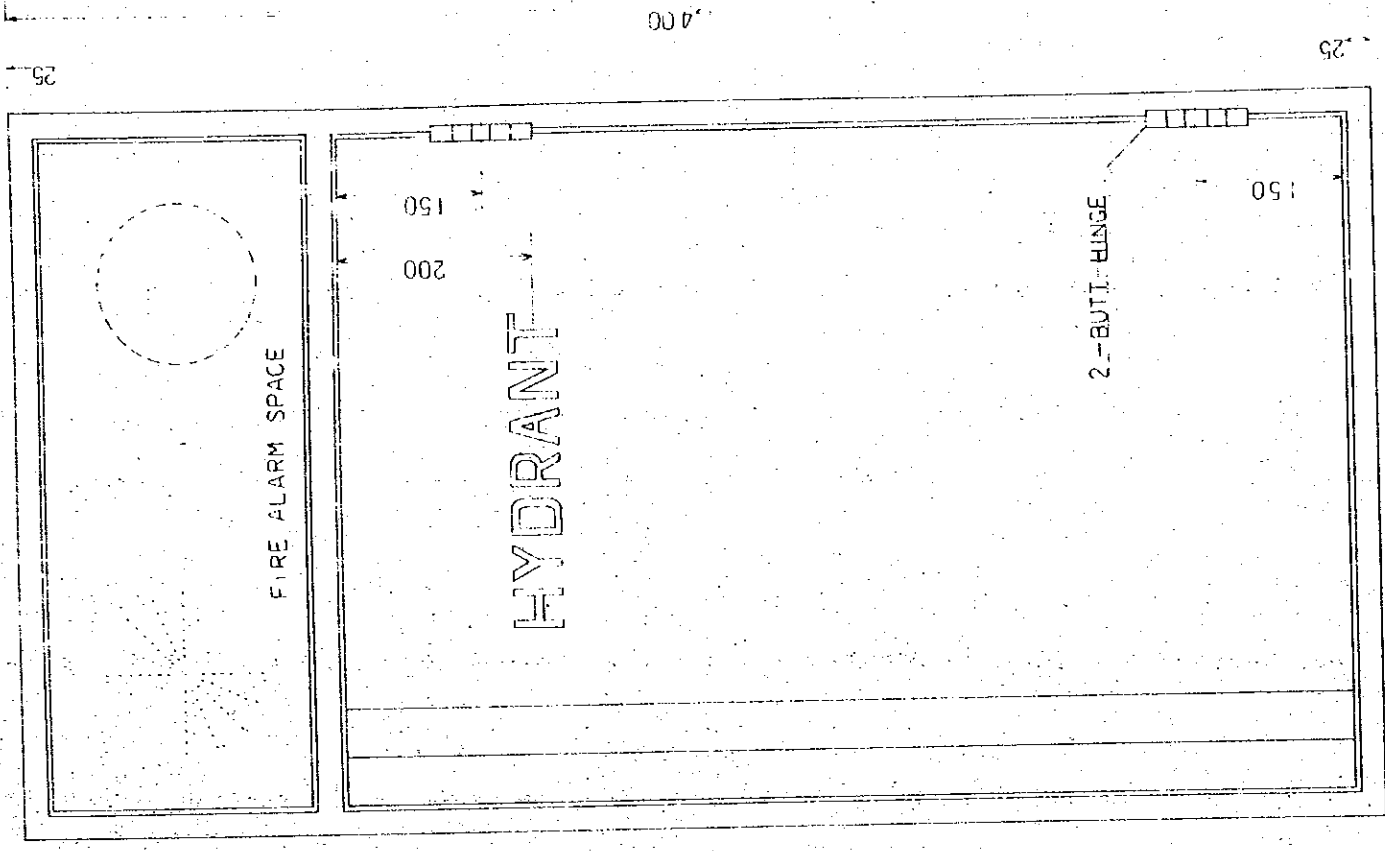
NO	SIZE	MANHOLE COVER SIZE
①	450 X 450 X 640	450
②	450 X 450 X 680	
③	450 X 450 X 700	

Ⓐ A.B.C. EXTINGUISHER - TYPE 4

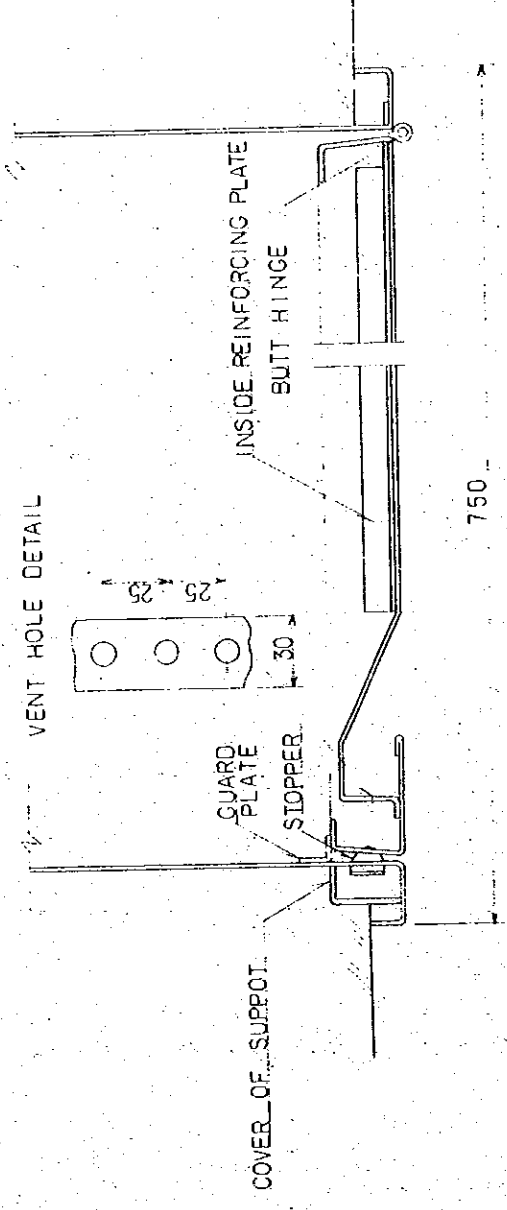


PRESSURE TANK & PUMP

THE ESTABLISHMENT PROGRAMME OF MEDIUM WAVE BROADCASTING NETWORK IN THE KINGDOM OF NEPAL		DRAWING NO. P-100
KATHMANDU STUDIO CENTRE		SCALE 1:50
TITLE OF DRAWING DETAIL OF TOILET, PRESSURE TANK & PUMP		DATE JAN 1981



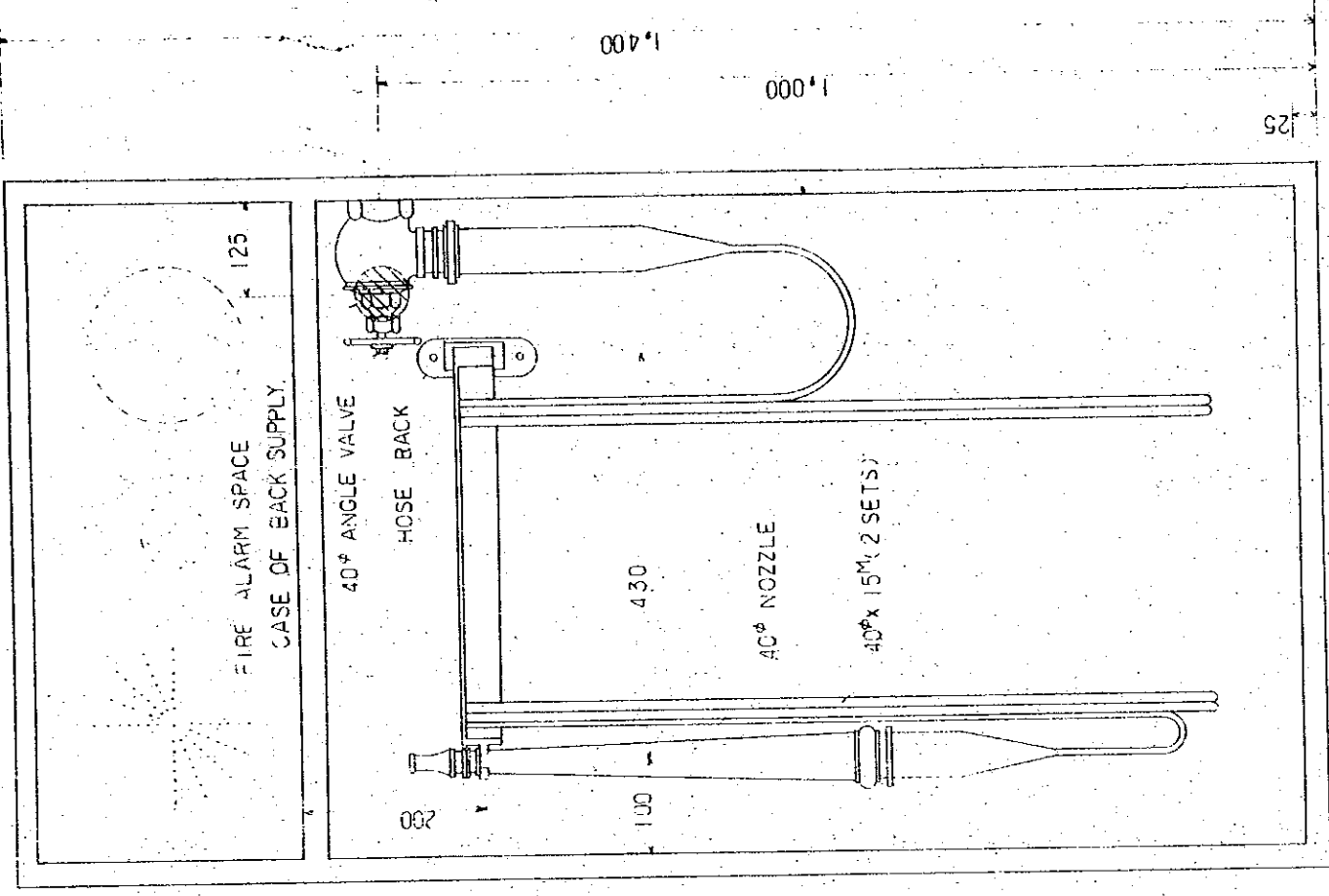
FRONT ELEVATION 1:5



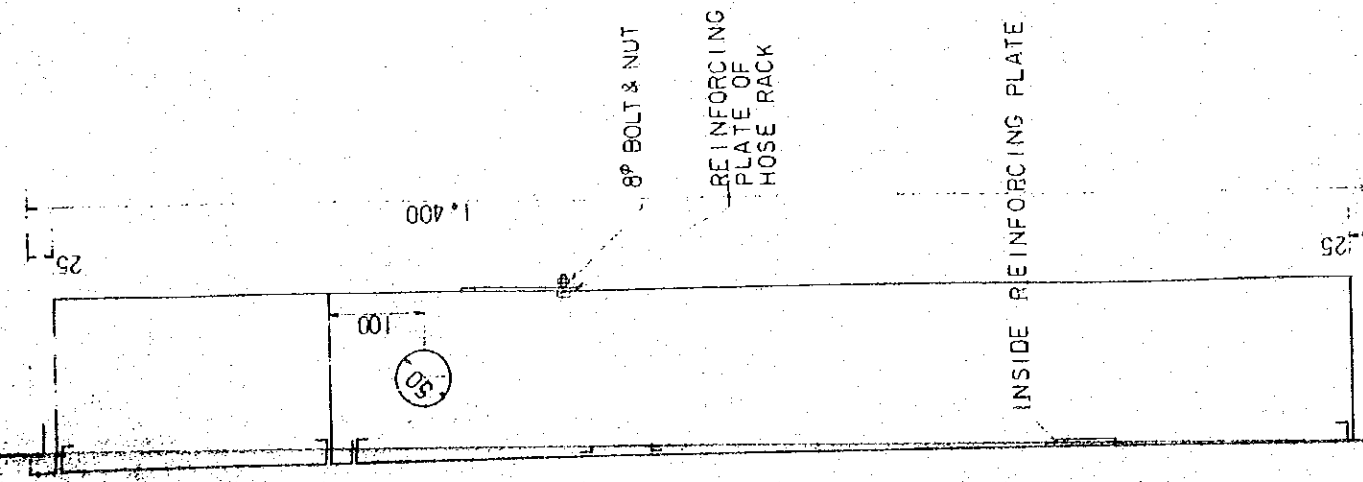
CROSS SECTION 1:2

SIDE SECTION 1:5

INS



INTERIOR ELEVATION 1:5



SECTION (FLUSH TYPE) 1:5

THE ESTABLISHMENT PROGRAMME OF MEDIUM WAVE BROADCASTING NETWORK IN THE KINGDOM OF NEPAL		DRAWING NO.	P-106
KATHMANDU STUDIO CENTRE		SCALE	1:2
TITLE OF DRAWING		UNIT	MM
DETAIL OF FIRE HYDRANT		DATE	JAN' 1981

LIST OF DRAWING

DWG'S NO.	TITLE OF DRAWING
H - 101	LIST OF DRAWING
102	SITE PLAN , LEGEND & BUILDING SECTION
103	LIST OF MACHINES & DIAGRAM OF DUCT S
104	GROUND FLOOR PLAN OF DUCT WE
105	DETAIL OF DUCT WORK IN AIR CONDITIO
106	DETAIL OF DUCT WORK IN MUSIC TUBIO
107	GROUND FLOOR PLAN OF AUTOME CONT
108	DETAIL OF AUTOMATIC CONTRG SYSTEM
109	DETAIL OF VIBRATION PROTECT N & SO
110	DETAIL OF AIR FILTER & FAN
111	DETAIL OF AIR HANDLING UNIT PACKA
112	DETAIL OF OUTLET , INLET

	SCALE
	—
PLUMBING SECTION	1:100, 1:500
MECHANICAL DUCT SYSTEM	—
MECHANICAL WORK	1:100
AIR CONDITIONER ROOM & POWER ROOM	1:50
MUSIC STUDIO	1:50
HEATING CONTROL SYSTEM	1:100
WATER SUPPLY SYSTEM	—
SECTION & SOUND ABSORBING DUCT	—
MECHANICAL	—
UNIT & PACKAGED AIR CONDITIONER	—
	—

THE ESTABLISHMENT PROGRAMME OF MEDIUM WAVE BROADCASTING NETWORK IN THE KINGDOM OF NEPAL		DRAWING NO. _____	DATE JAN 1981
KATHMANDU STUDIO CENTRE		SHEET NO. _____	DATE JAN 1981
TITLE OF DRAWING LIST OF DRAWING			