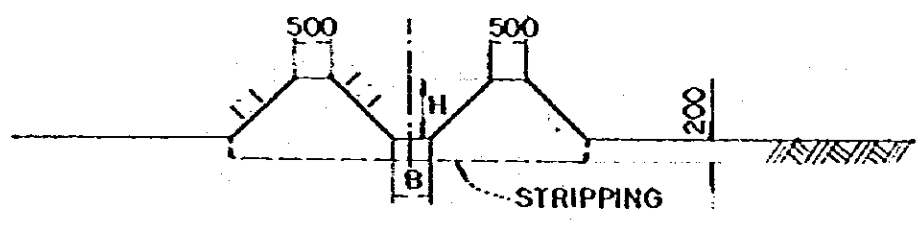
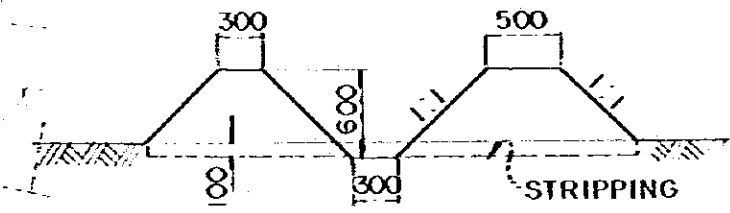
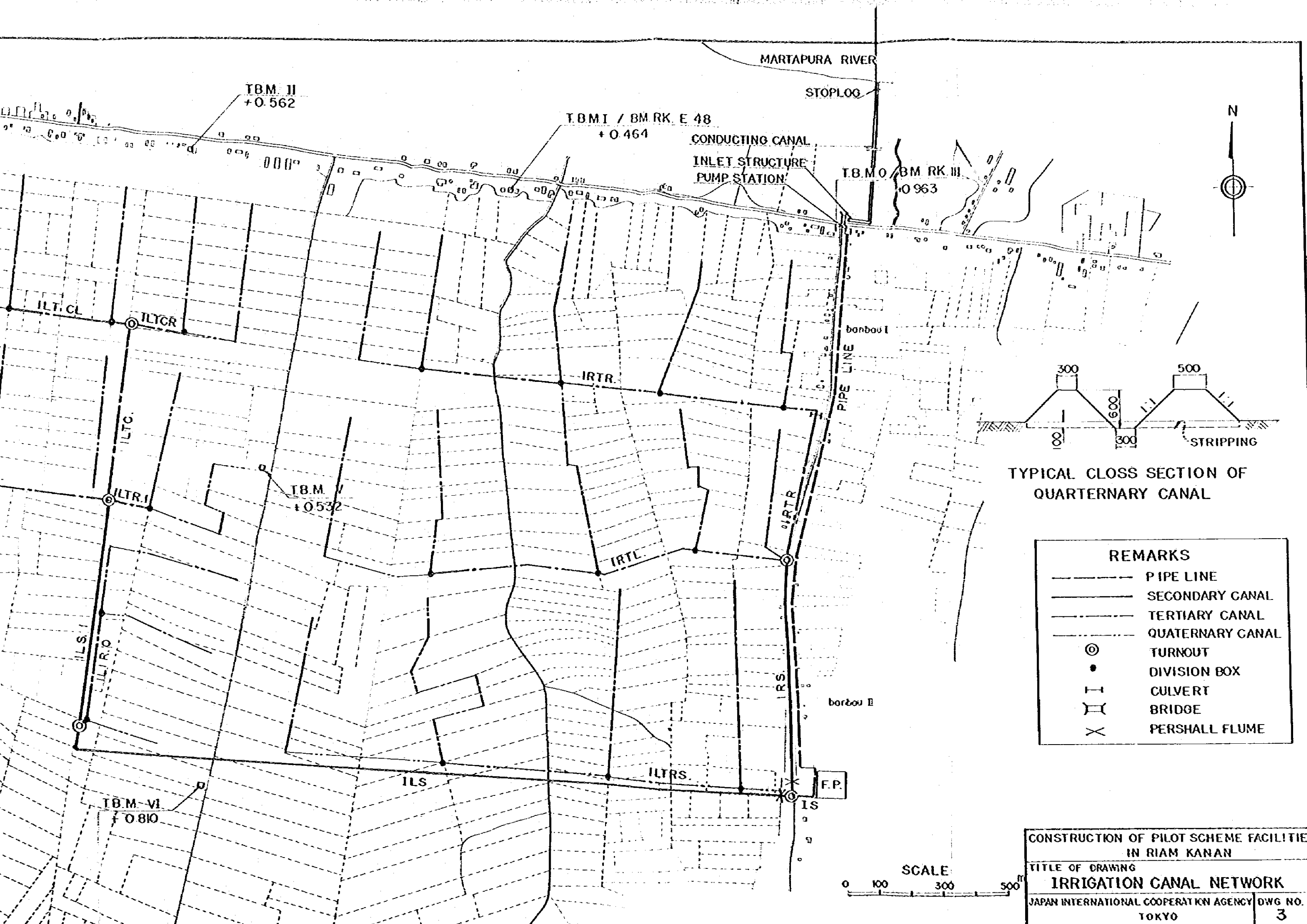


TYPICAL CROSS SECTION OF TERTIARY IRRIGATION CANAL WITH TERTIARY FARM ROAD

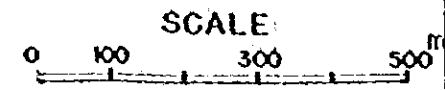


TYPICAL CROSS SECTION OF TERTIARY IRRIGATION CANAL



TYPICAL CROSS SECTION OF QUATERNARY CANAL

REMARKS	
	PIPE LINE
	SECONDARY CANAL
	TERTIARY CANAL
	QUATERNARY CANAL
	TURNOUT
	DIVISION BOX
	CULVERT
	BRIDGE
	PERSHALL FLUME



CONSTRUCTION OF PILOT SCHEME FACILITIES IN RIAM KANAN	
TITLE OF DRAWING IRRIGATION CANAL NETWORK	
JAPAN INTERNATIONAL COOPERATION AGENCY TOKYO	DWG NO. 3

MARTAPURA RIVER

STOPLOG

T.B.M. II
+0.562

T.B.M I / B.M.RK. E 48
+0.464

T.B.M O / B.M.RK. III
+0.963

CONDUCTING CANAL
INLET STRUCTURE
PUMP STATION

barbas I

barbas II

F.P.

IS

T.B.M. I
+0.532

T.B.M VI
+0.810

ILT.CL

ILYCR

ILTC

ILTR.1

ILS.I

ILTR.2

ILS

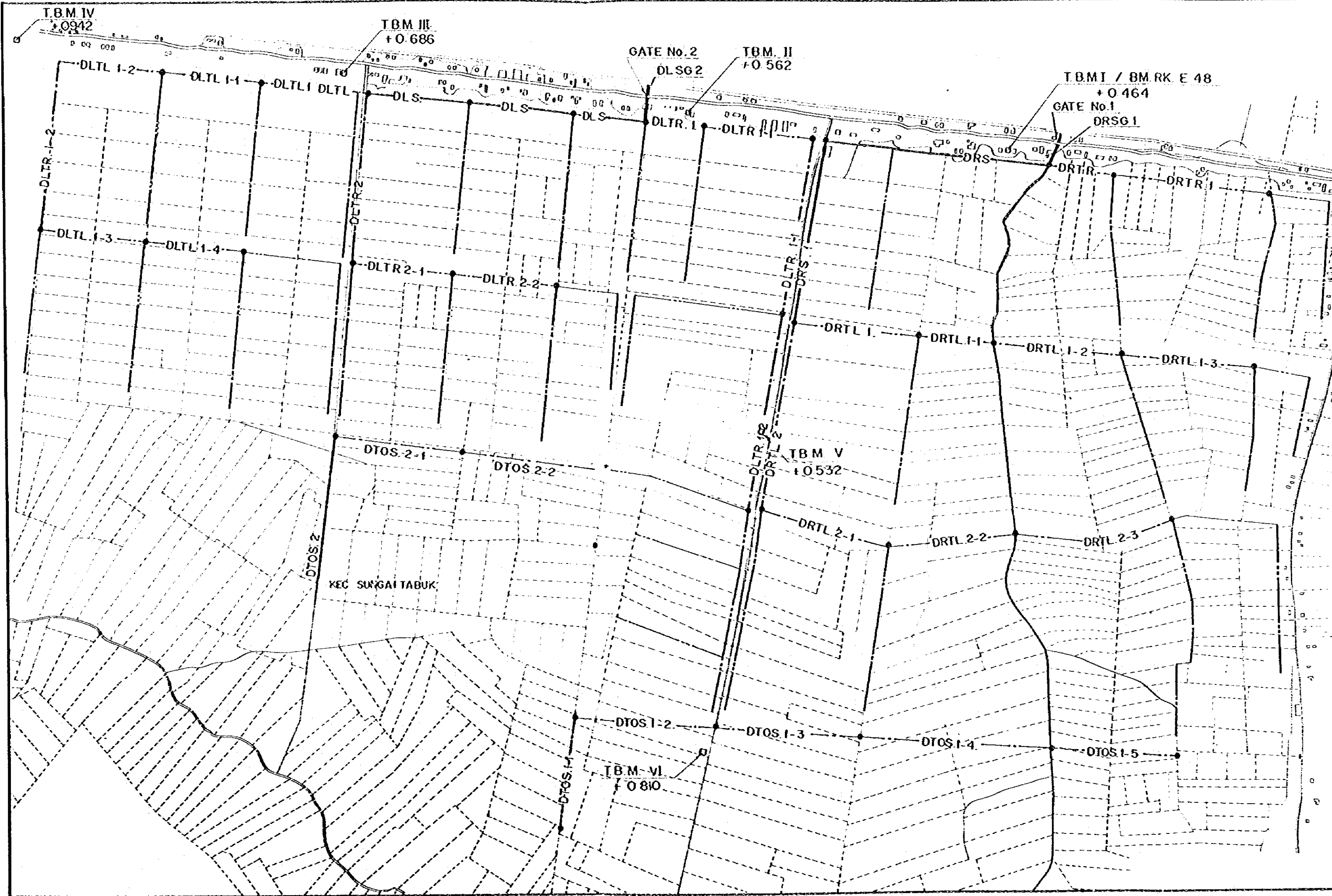
ILTRS

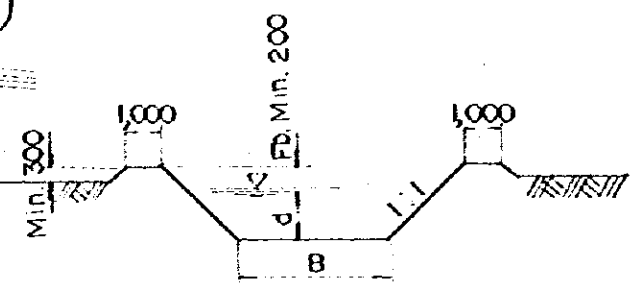
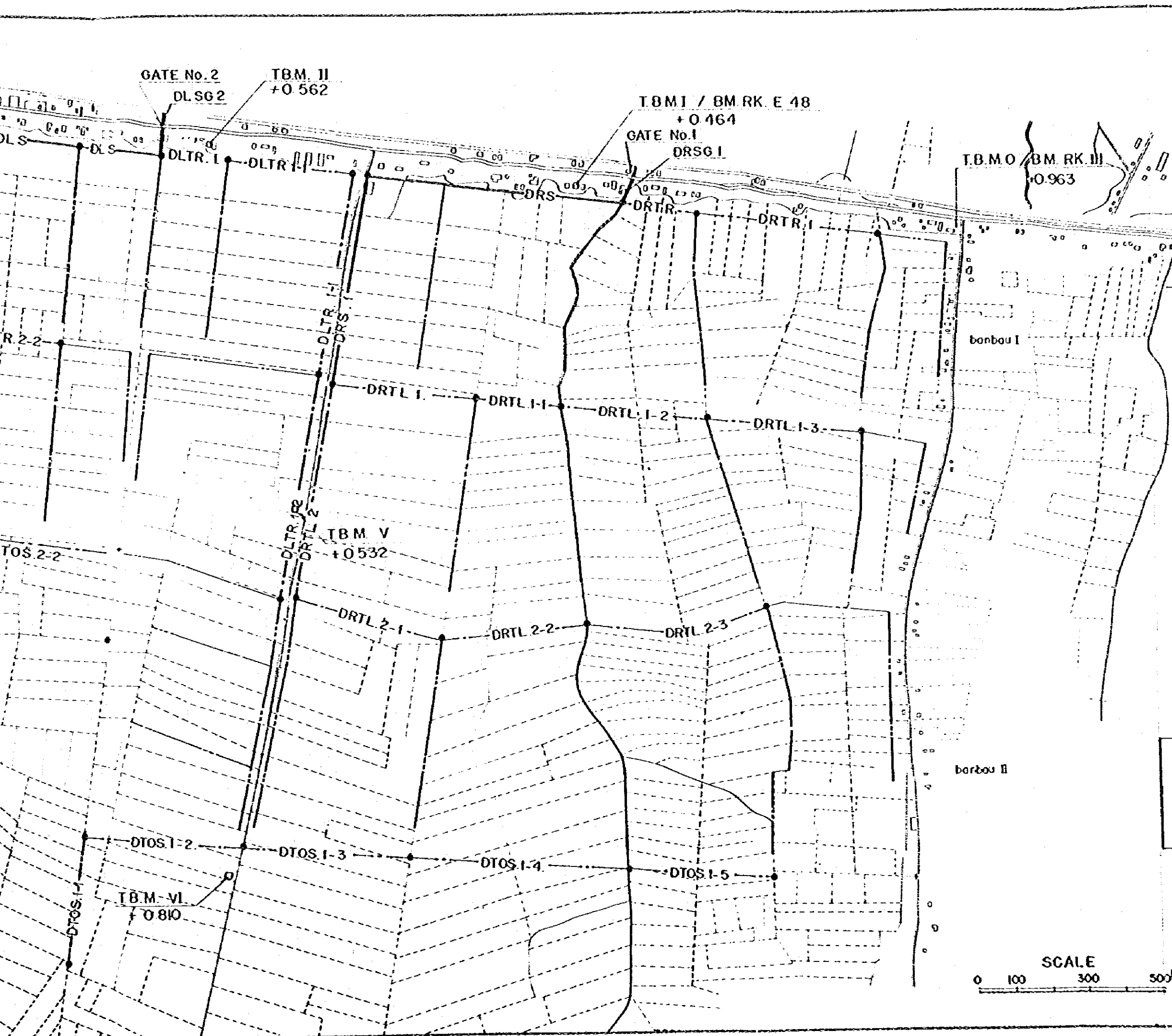
IRTR

IRTL

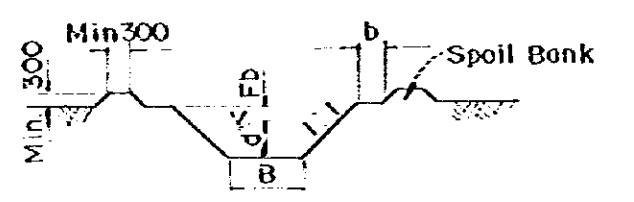
IRTR

IRS





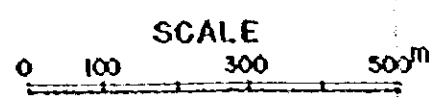
TYPICAL CROSS SECTION OF SECONDARY DRAINAGE CANAL



TYPICAL CROSS SECTION OF TERTIARY AND QUARTERNARY DRAINAGE CANAL

	Tertiary Dra Canal	Quarternary Dra Canal
Fb	Min. 200	600
b	Min. 100	300

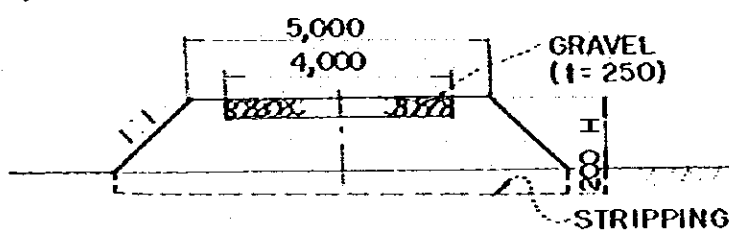
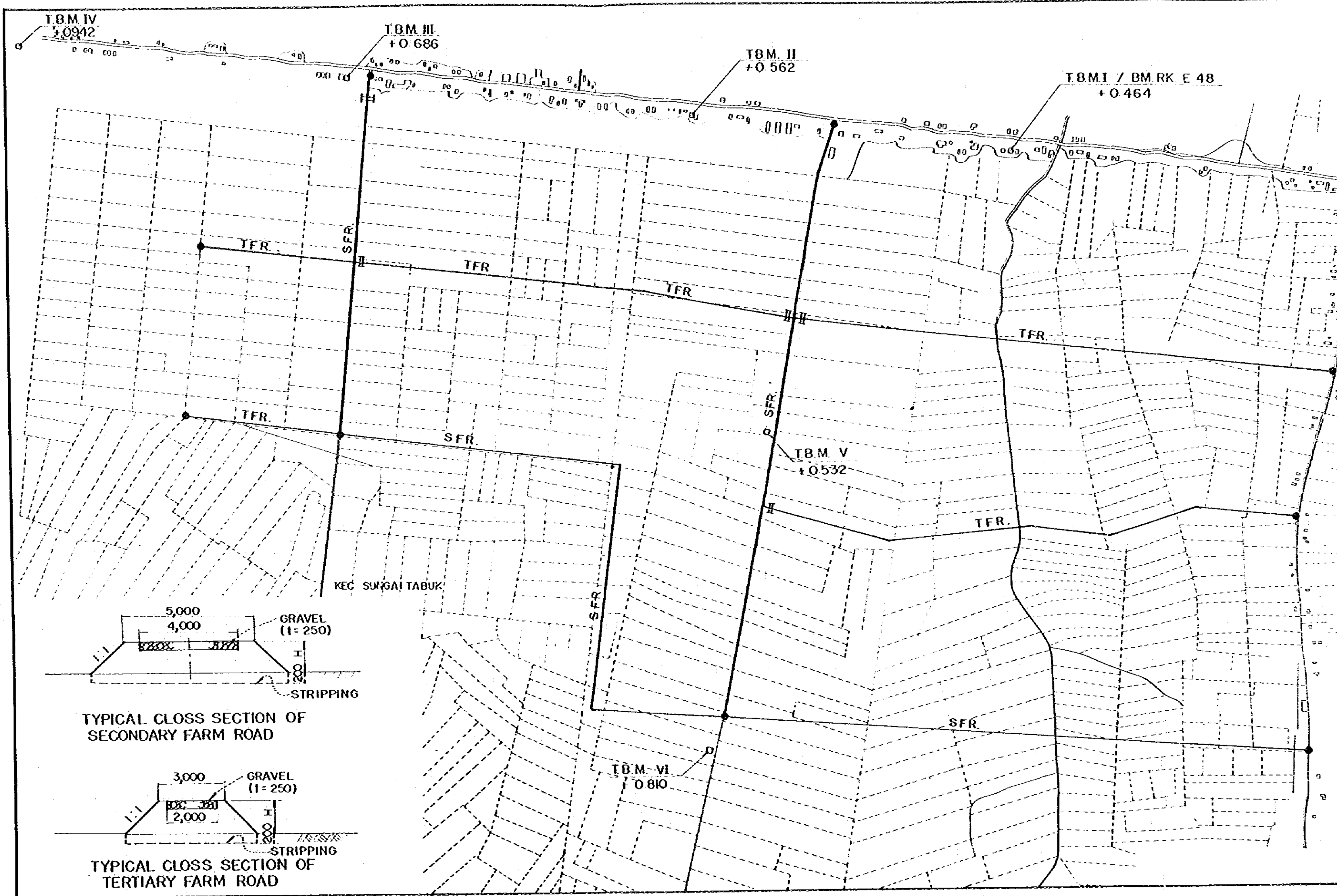
REMARKS	
	SECONDARY DRAINAGE CANAL
	TERTIARY DRAINAGE CANAL
	QUATERNARY DRAINAGE CANAL



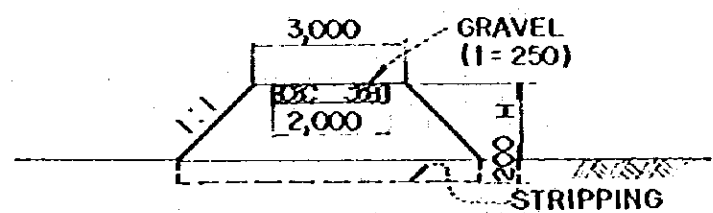
CONSTRUCTION OF PILOT SCHEME FACILITIES
IN RIAM KANAN

TITLE OF DRAWING
DRAINAGE CANAL NETWORK

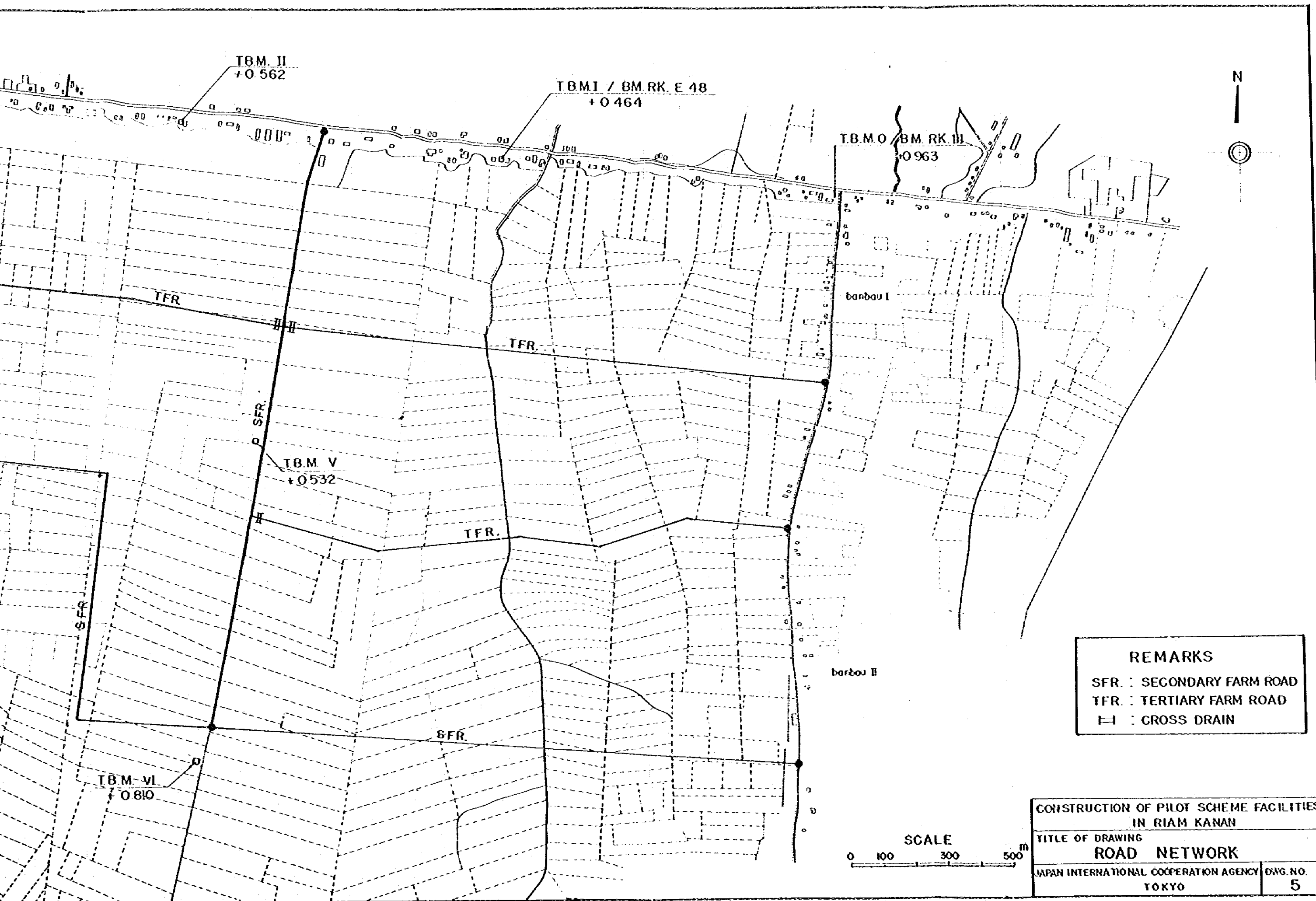
JAPAN INTERNATIONAL COOPERATION AGENCY DVG. NO.
TOKYO 4



TYPICAL CROSS SECTION OF
SECONDARY FARM ROAD



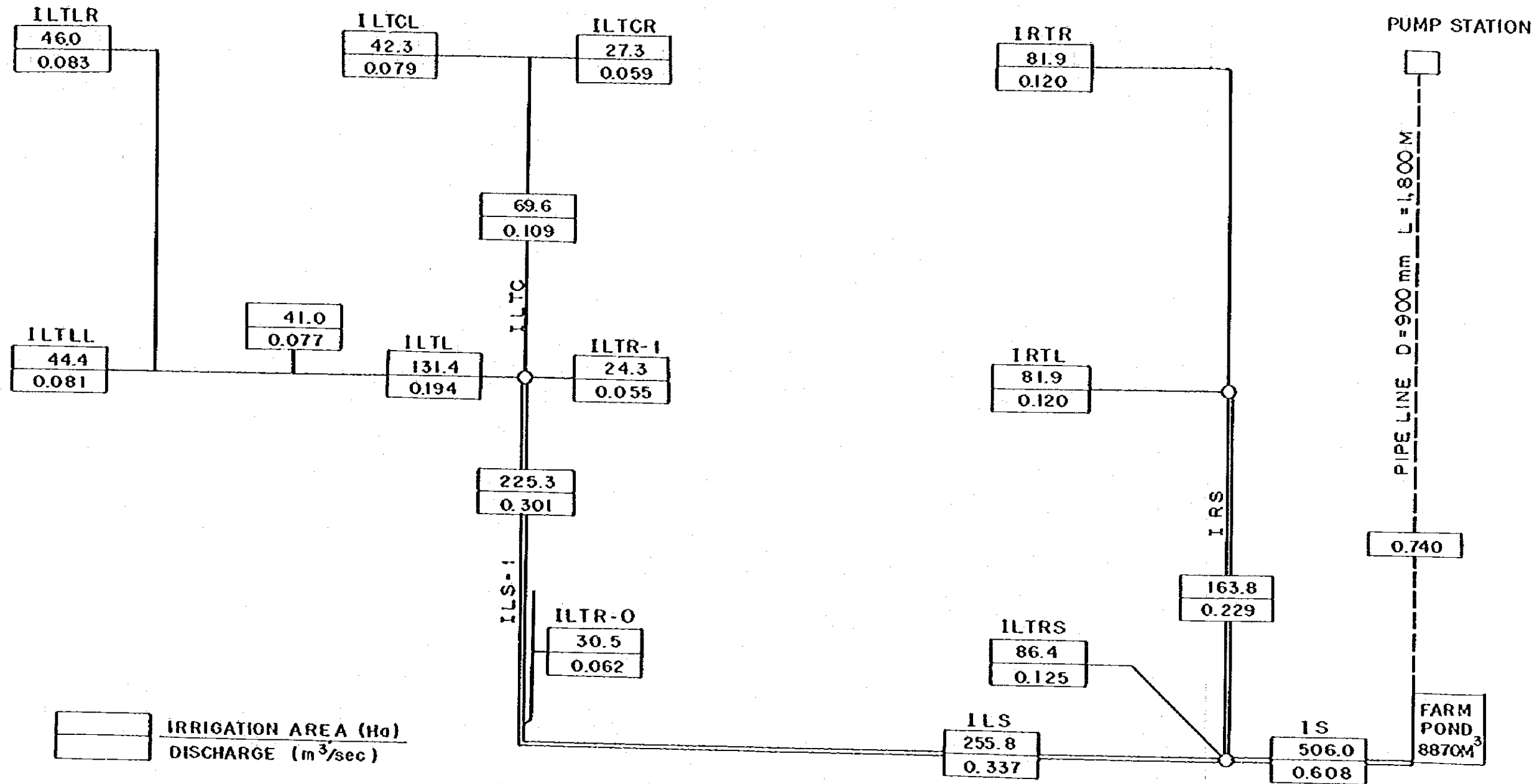
TYPICAL CROSS SECTION OF
TERTIARY FARM ROAD



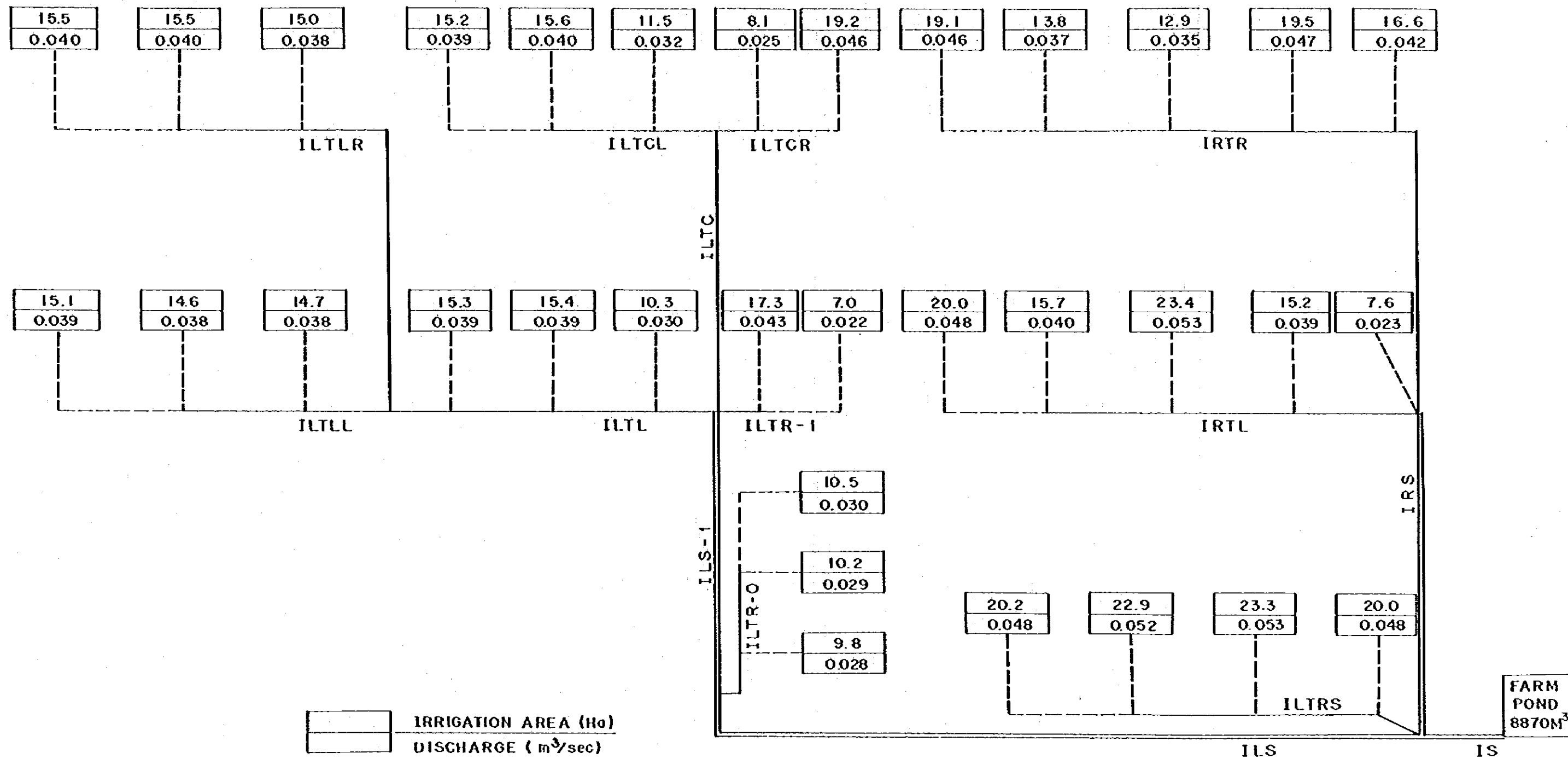
REMARKS
 SFR. : SECONDARY FARM ROAD
 TFR. : TERTIARY FARM ROAD
 □ : CROSS DRAIN

CONSTRUCTION OF PILOT SCHEME FACILITIES
 IN RIAM KANAN
 TITLE OF DRAWING
ROAD NETWORK
 JAPAN INTERNATIONAL COOPERATION AGENCY D.W.G. NO.
 TOKYO 5

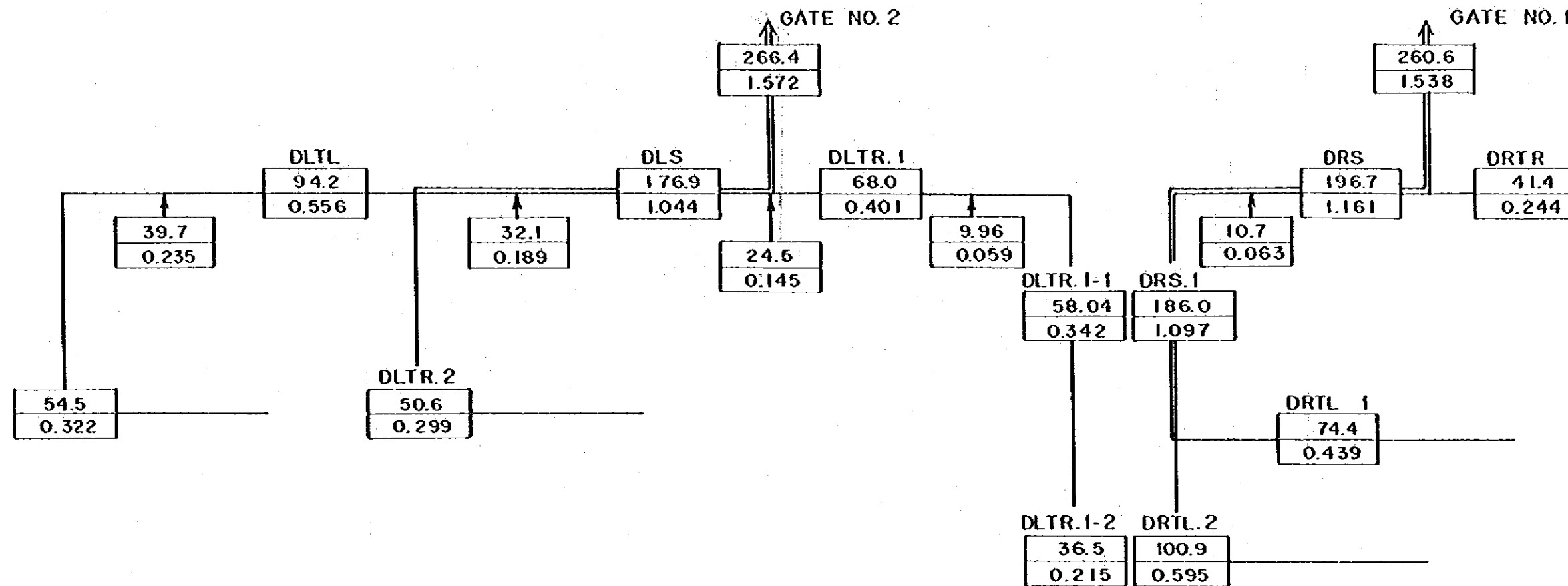
SCALE
 0 100 300 500 m



CONSTRUCTION OF PILOT SCHEME FACILITIES
 IN RIAM KANAN
 TITLE OF DRAWING
 FLOW DIAGRAM OF IRRIGATION SYSTEM(I)
 JAPAN INTERNATIONAL COOPERATION AGENCY TOKYO DWG NO.
 6

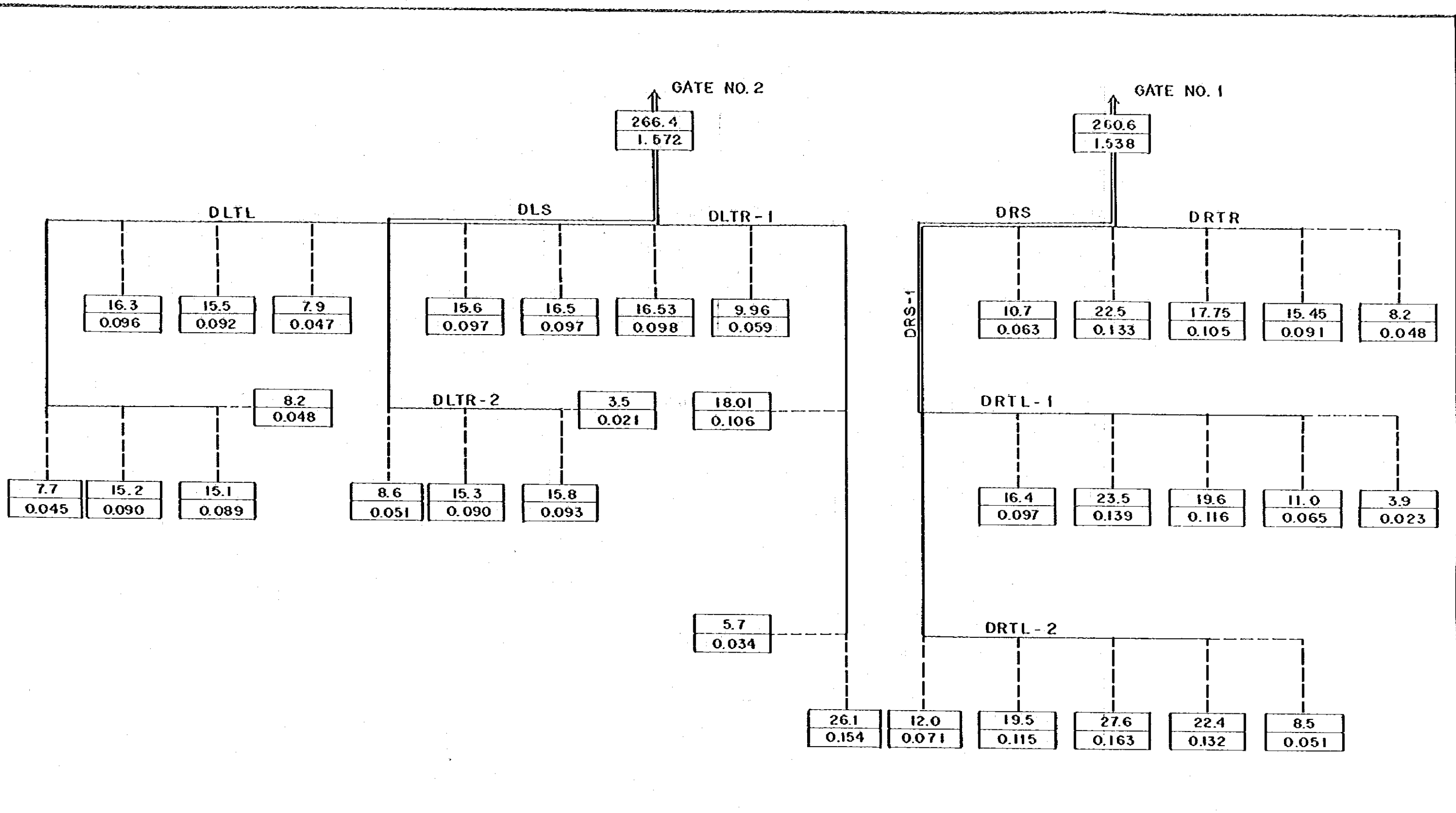


CONSTRUCTION OF PILOT SCHEME FACILITIES
 IN RIAM KANAN
 TITLE OF DRAWING
 FLOW DIAGRAM OF IRRIGATION SYSTEM (2)
 JAPAN INTERNATIONAL COOPERATION AGENCY D.W.G. NO.
 TOKYO 7



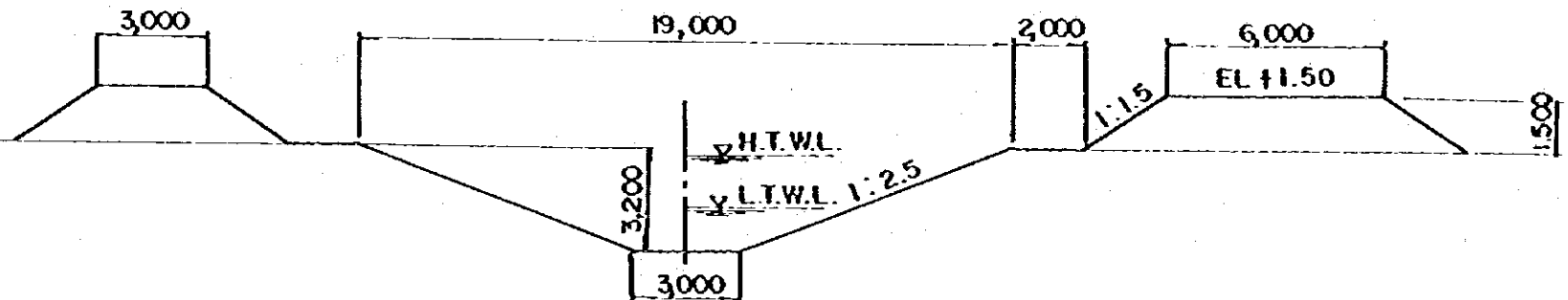
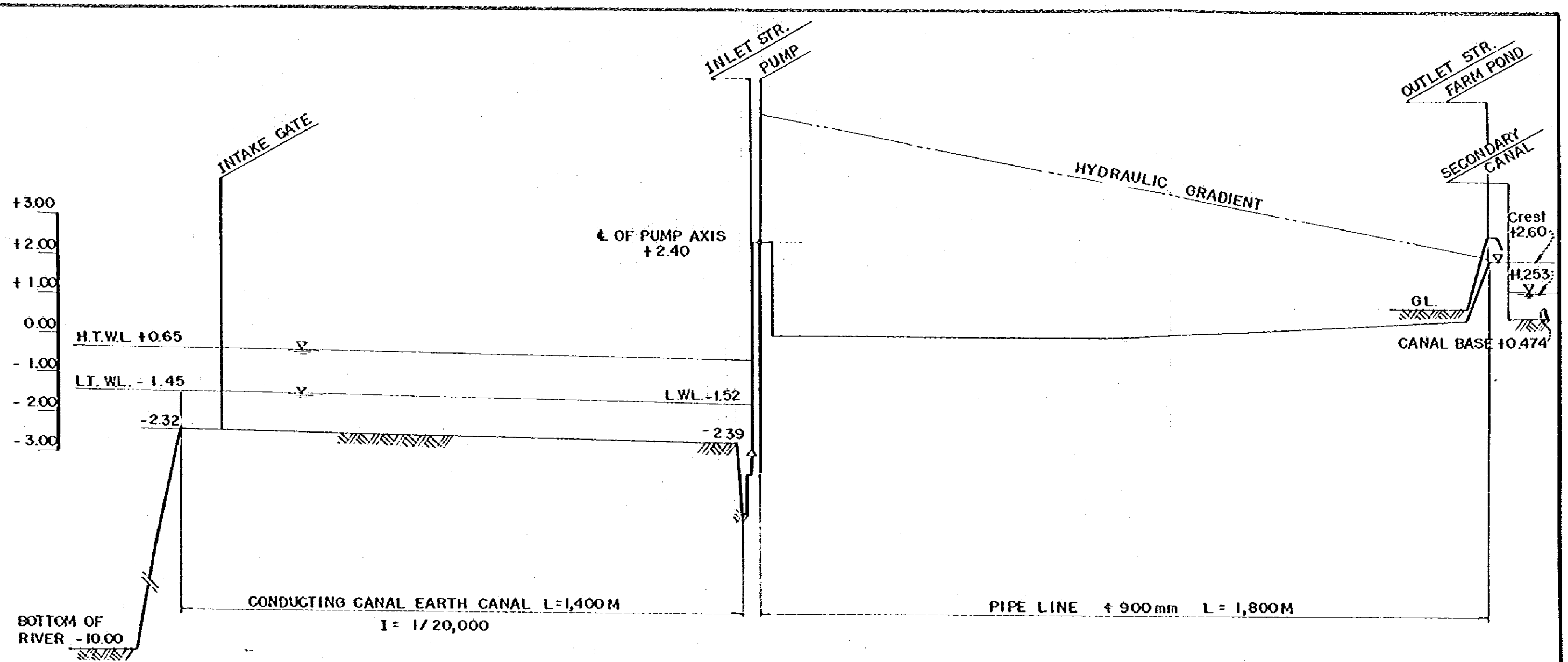
	CATCHMENT AREA (Ha)
	DISCHARGE (m ³ /sec)

CONSTRUCTION OF PLOT SCHEME FACILITIES IN RIAM KANAN	
TITLE OF DRAWING FLOW DIAGM OF DRAINAGE SYSTEM (1)	
JAPAN INTERNATIONAL COOPERATION AGENCY TOKYO	DWG. NO. 8

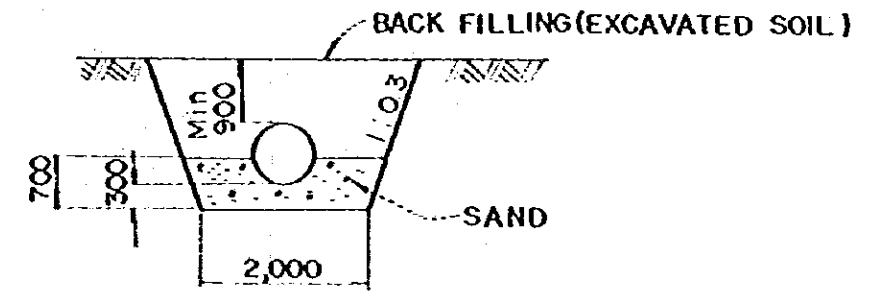


	CATCHMENT AREA (Ha)
	DISCHARGE (m ³ /sec)

CONSTRUCTION OF PILOT SCHEME FACILITIES IN RIAM KANAN	
TITLE OF DRAWING FLOW DIAGRAM OF DRAINAGE SYSTEM(2)	
JAPAN INTERNATIONAL COOPERATION AGENCY	DWG. NO.
TOKYO	9



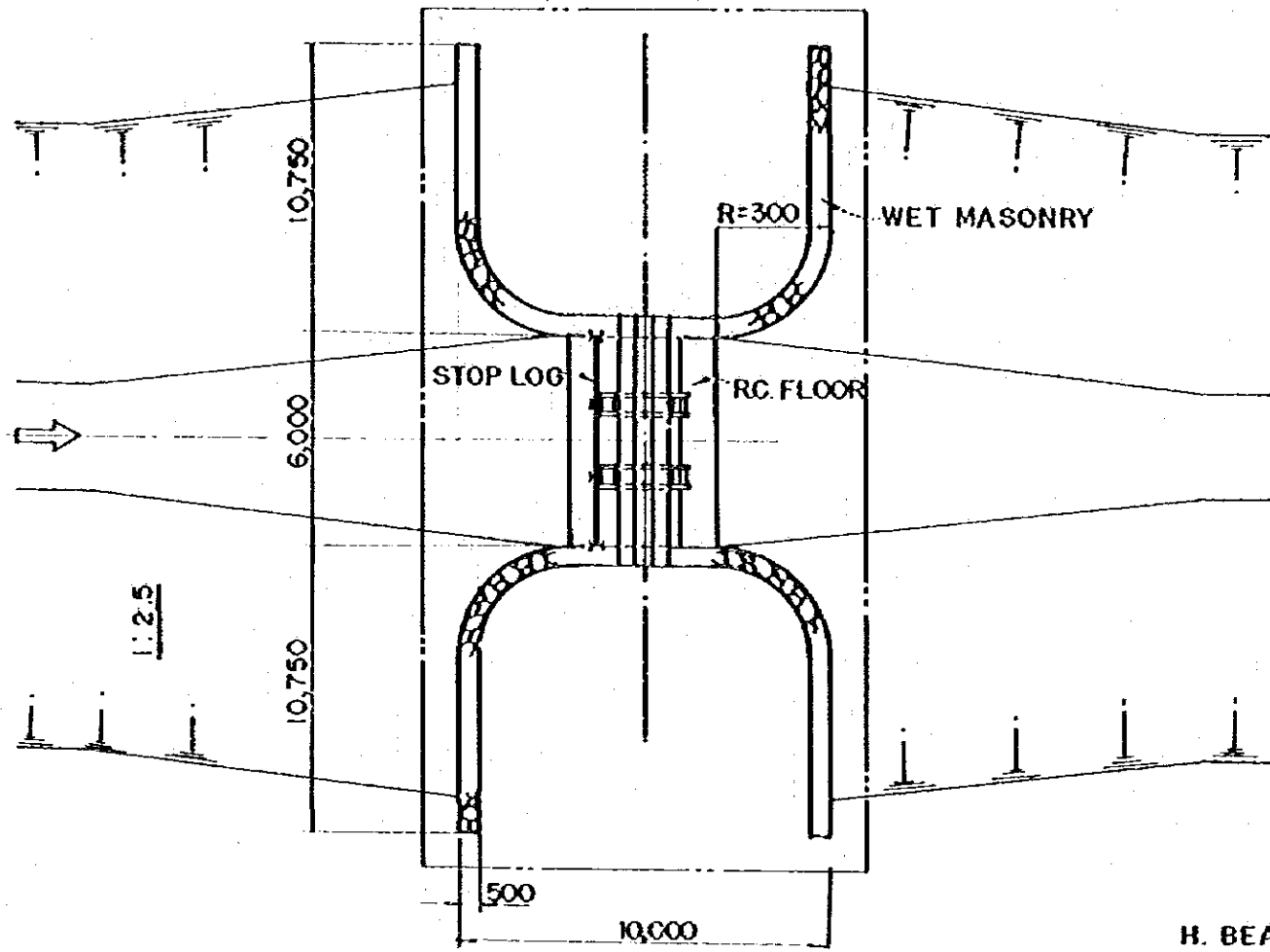
CONDUCTING CANAL
TYPICAL CROSS SECTION



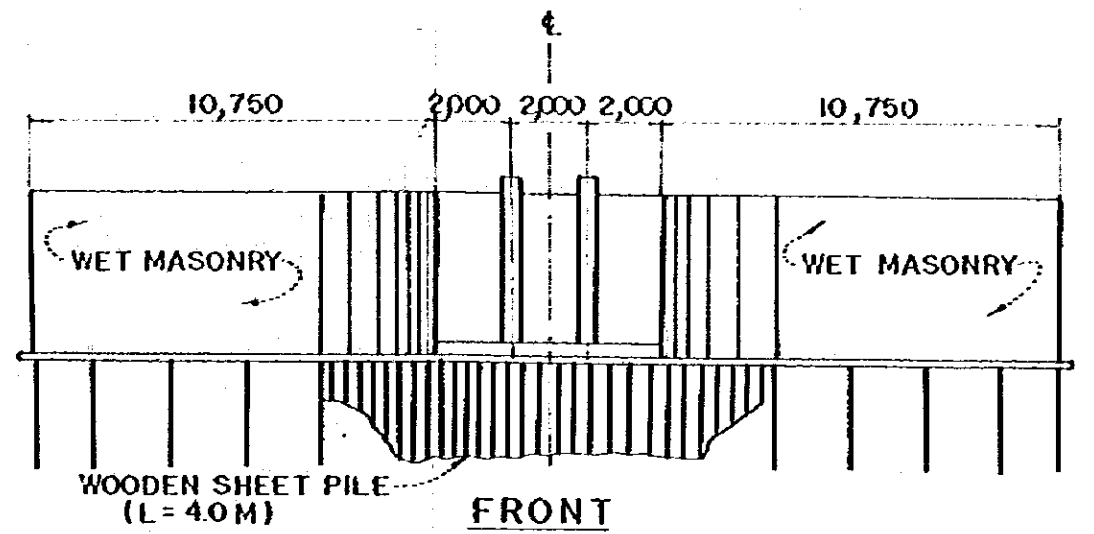
PIPE LINE
TYPICAL CROSS SECTION

CONSTRUCTION OF PILOT SCHEME FACILITIES IN RIAM KANAN	
TITLE OF DRAWING HYDRAULIC PROFILE	
JAPAN INTERNATIONAL COOPERATION AGENCY TOKYO	DWG NO. 10

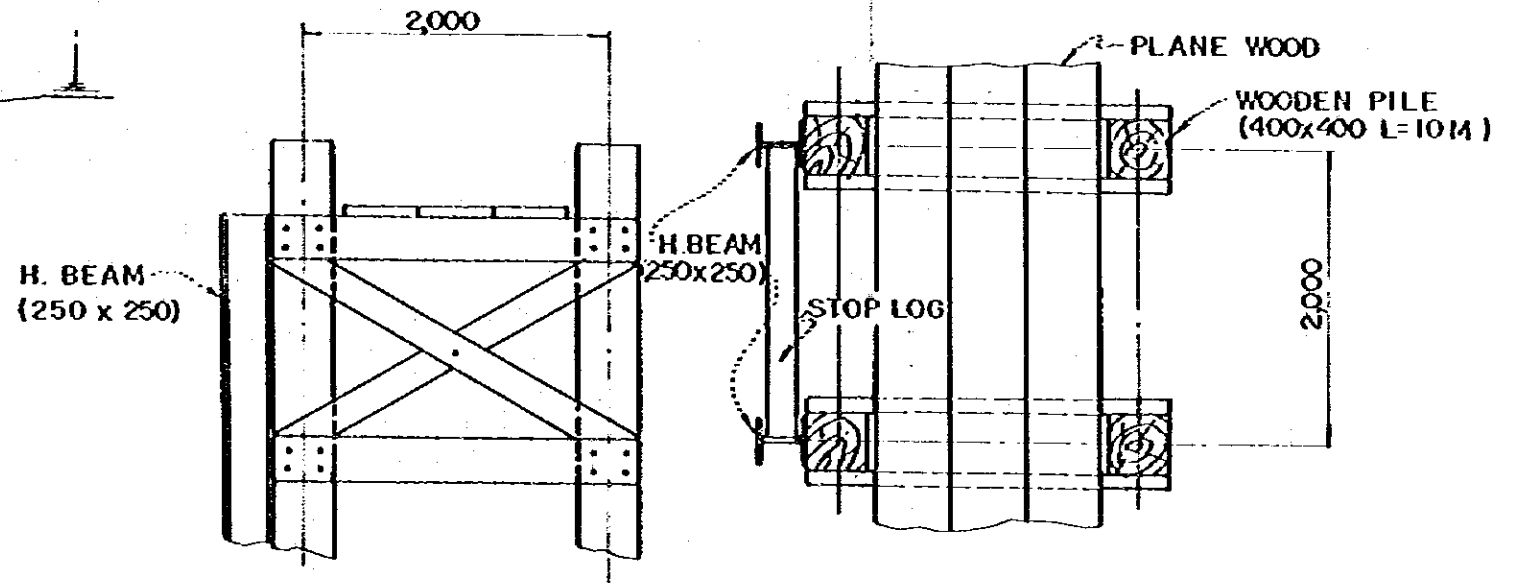
MARTAPURA RIVER



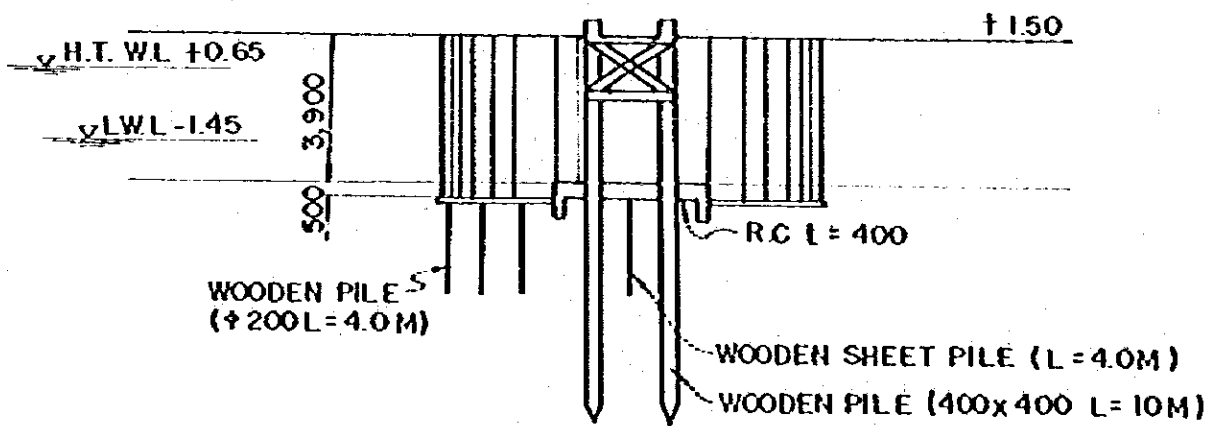
PLAN
S = 1/200 SCALE A



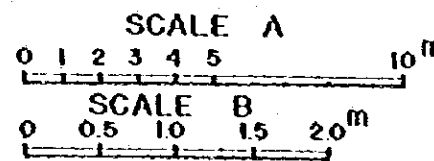
FRONT



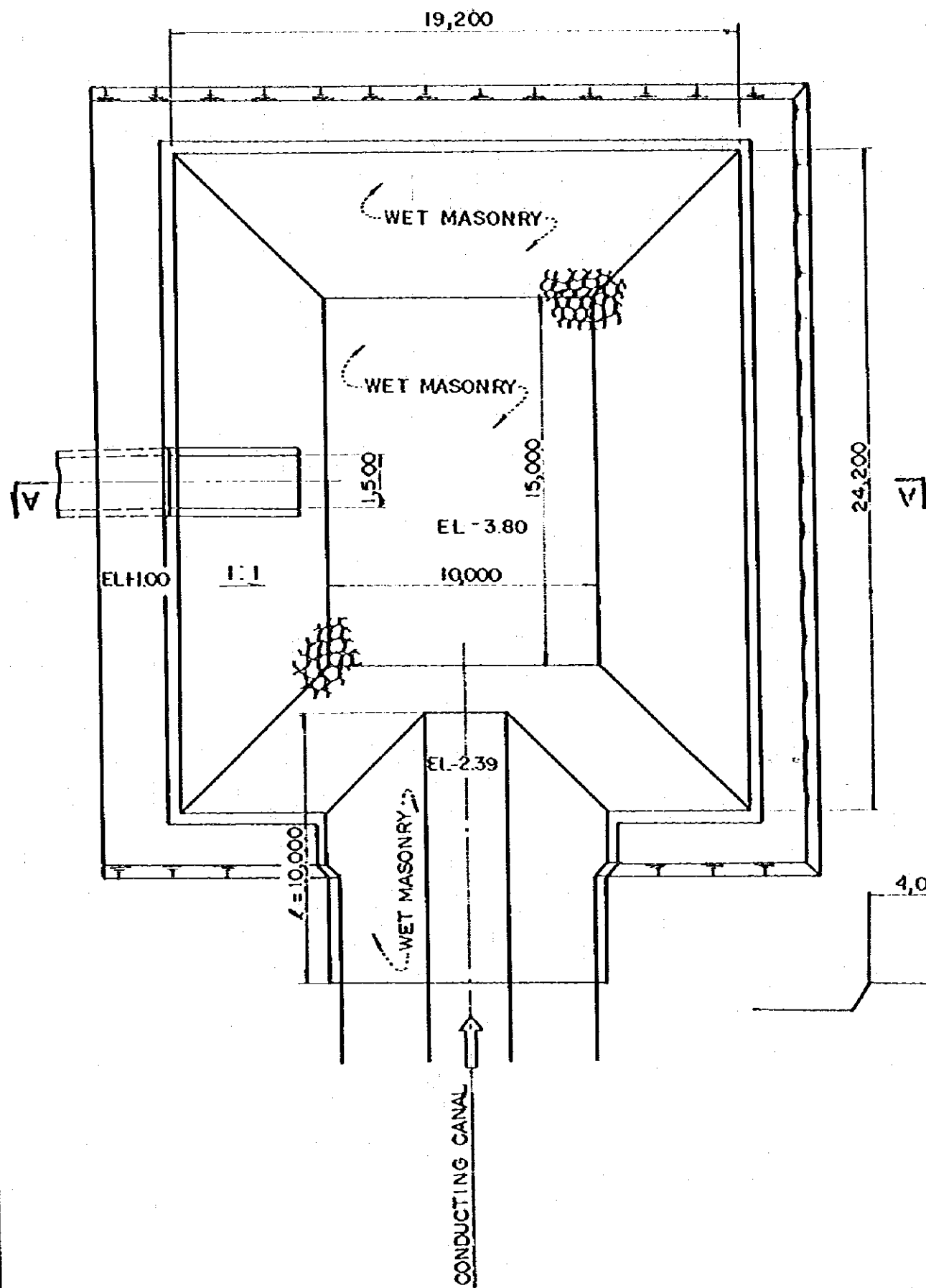
DETAIL
SCALE B



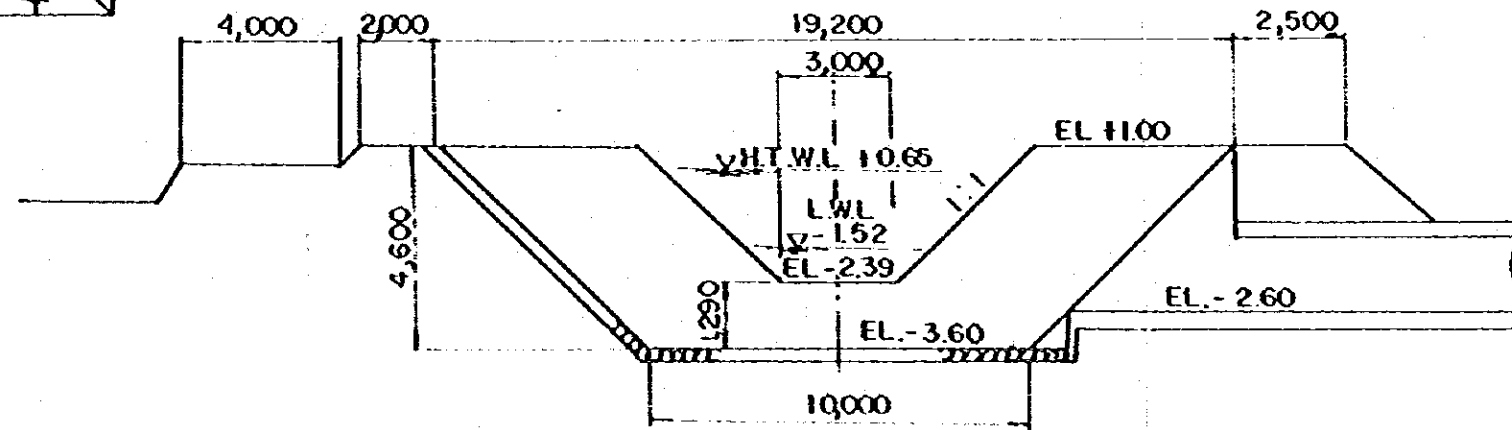
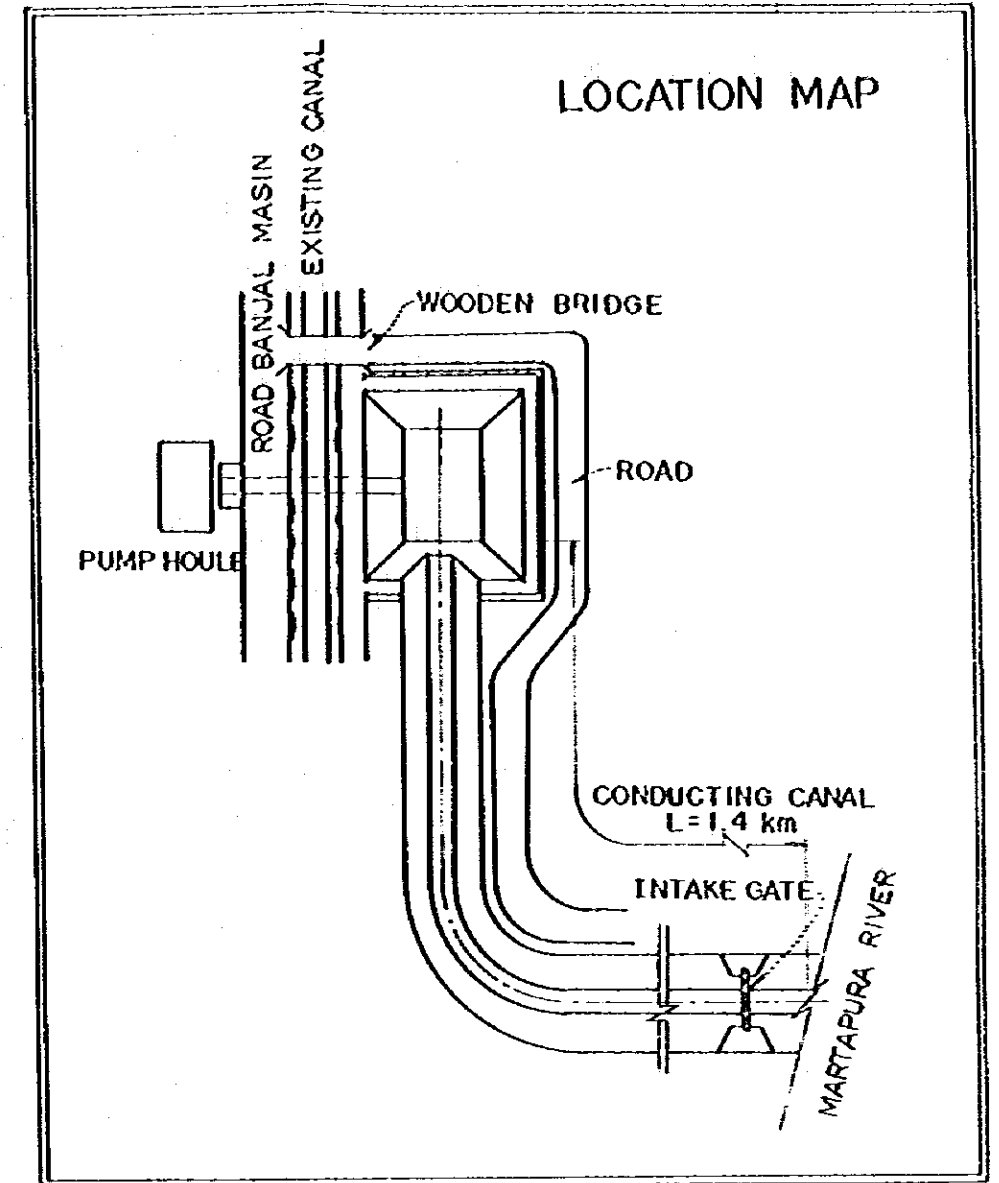
PROFILE
S = 1/200 SCALE A



CONSTRUCTION OF PILOT SCHEME FACILITIES IN RIAM KANAN	
TITLE OF DRAWING INTAKE GATE	
JAPAN INTERNATIONAL COOPERATION AGENCY TOKYO	DWG NO. 11

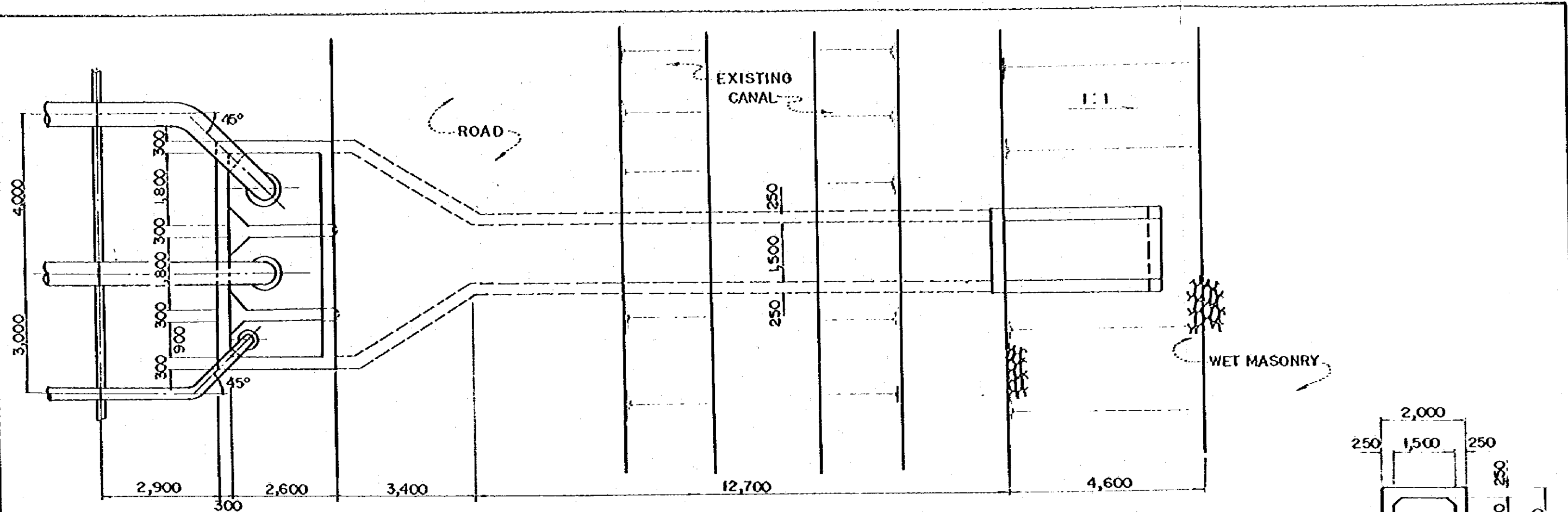


PLAN
S=1/200

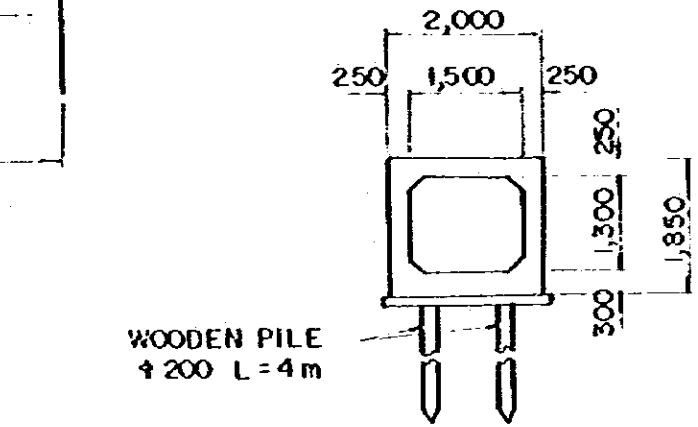


SECTION A-A
S=1/200

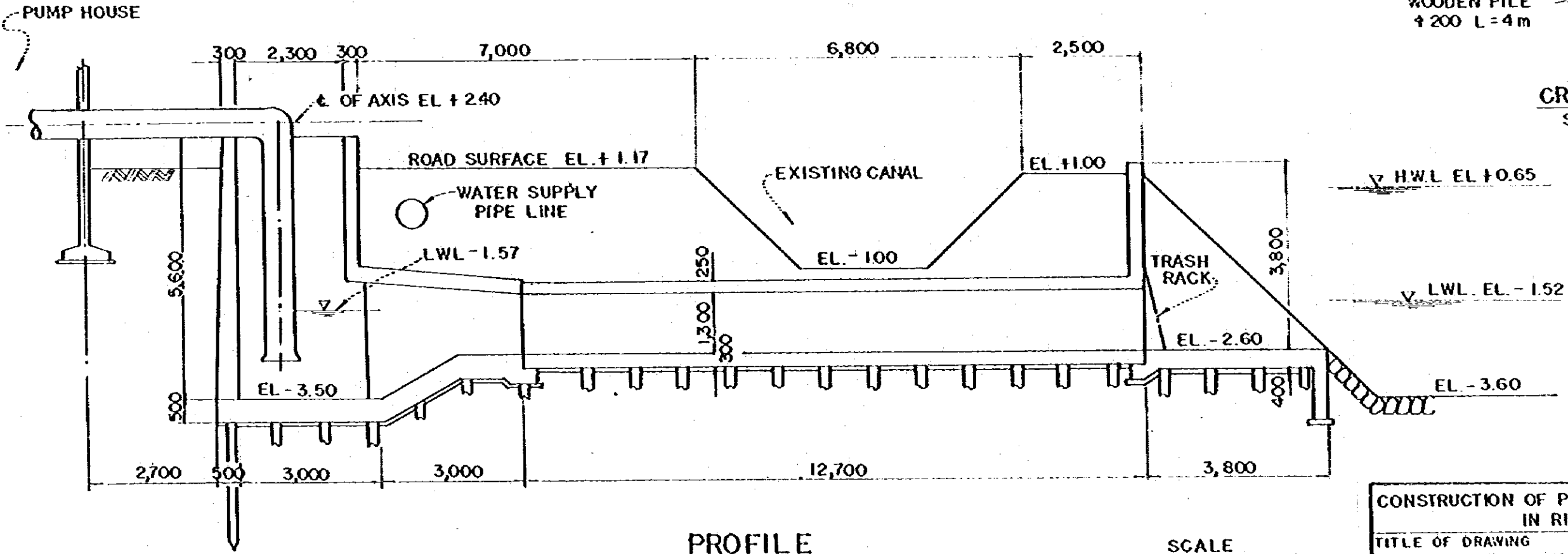
CONSTRUCTION OF PILOT SCHEME FACILITIES IN RIAM KANAN	
TITLE OF DRAWING INLET	
JAPAN INTERNATIONAL COOPERATION AGENCY TOKYO	DWG. NO. 12



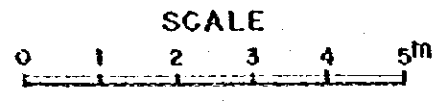
PLAN
S = 1/100



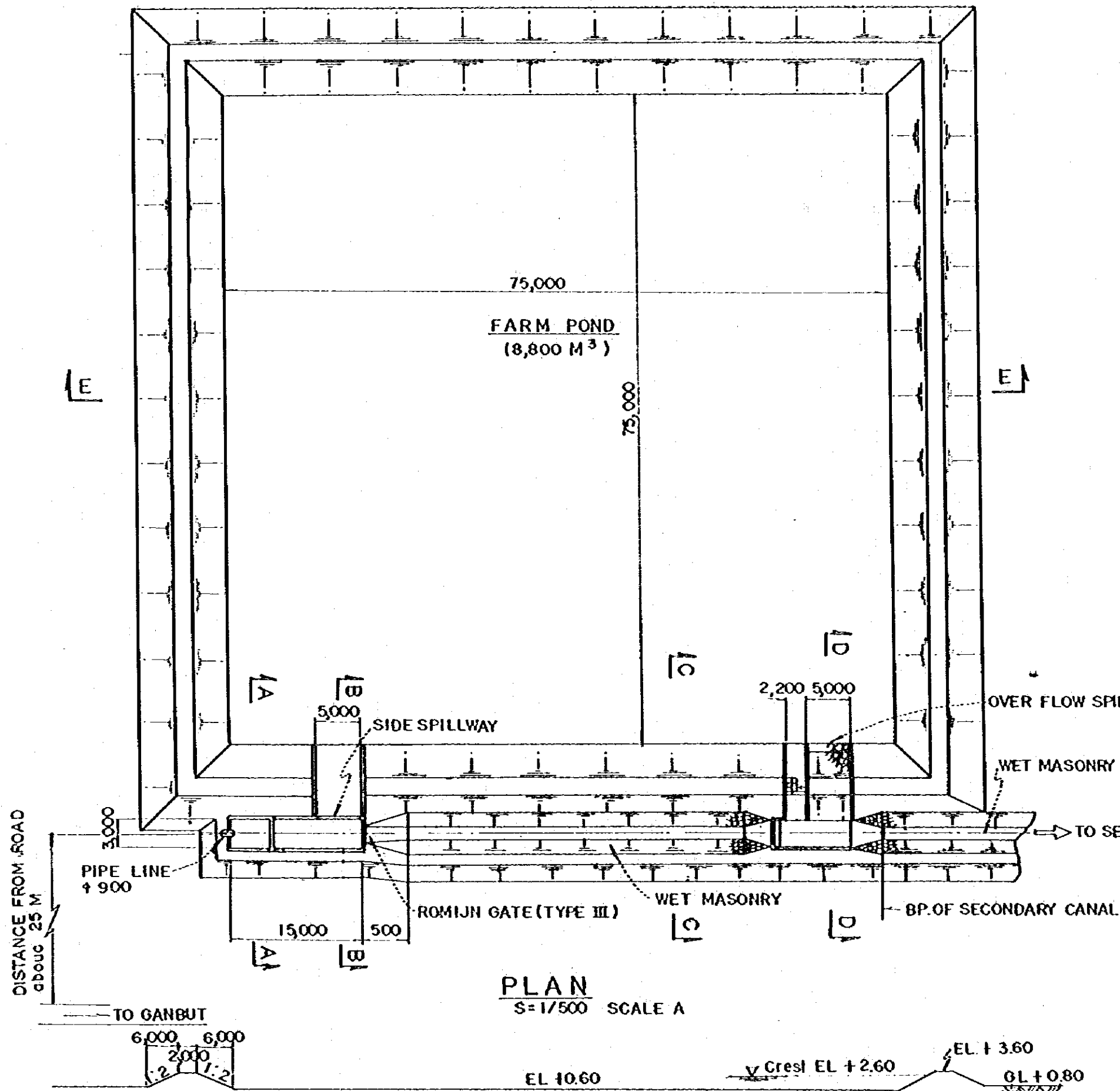
CROSS SECTION
S = 1/100



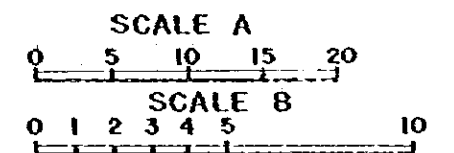
PROFILE
S = 1/100



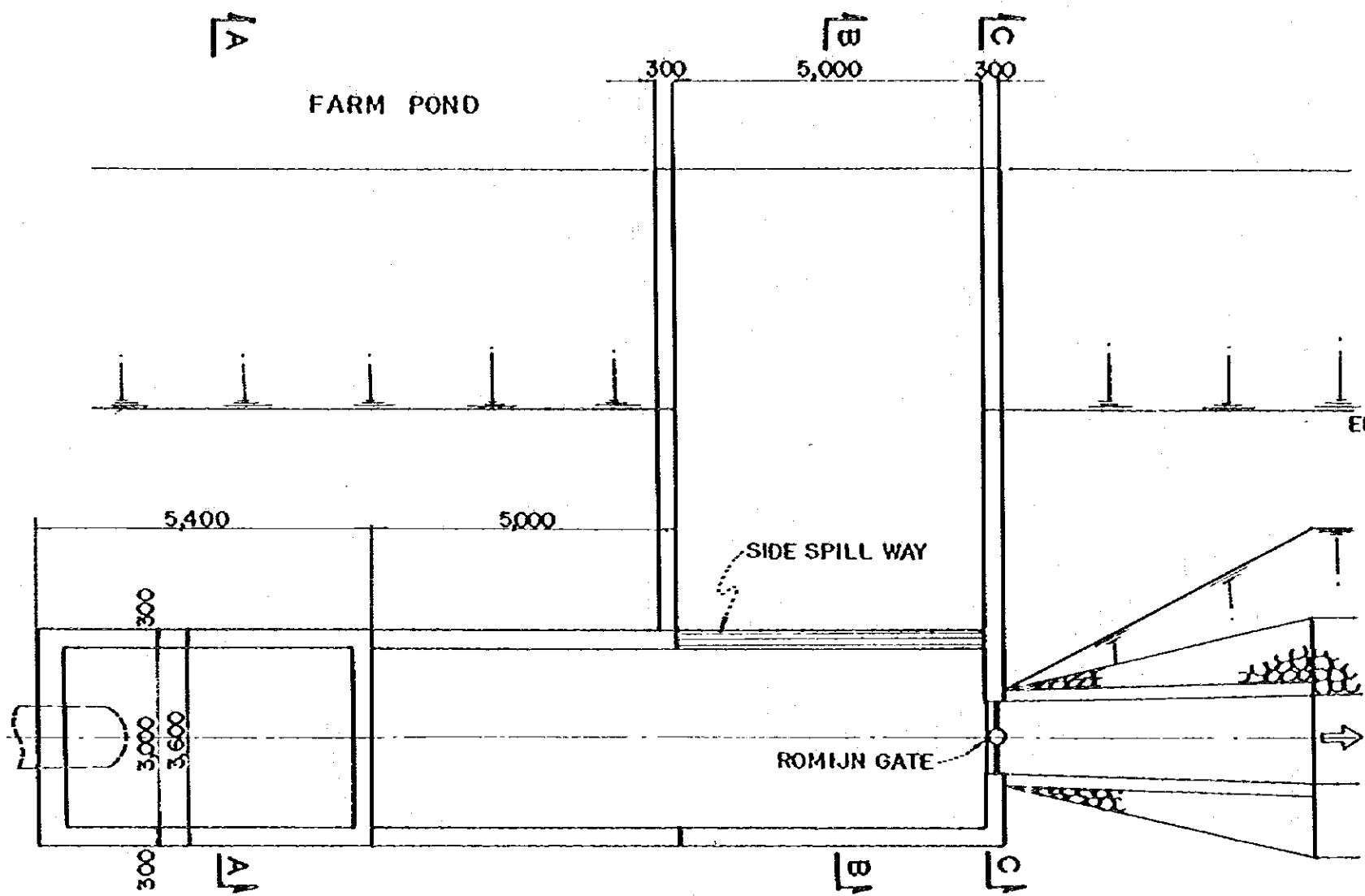
CONSTRUCTION OF PILOT SCHEME FACILITIES IN RIAM KANAN	
TITLE OF DRAWING SUCTION PIT	
JAPAN INTERNATIONAL COOPERATION AGENCY TOKYO	DWG NO. 13



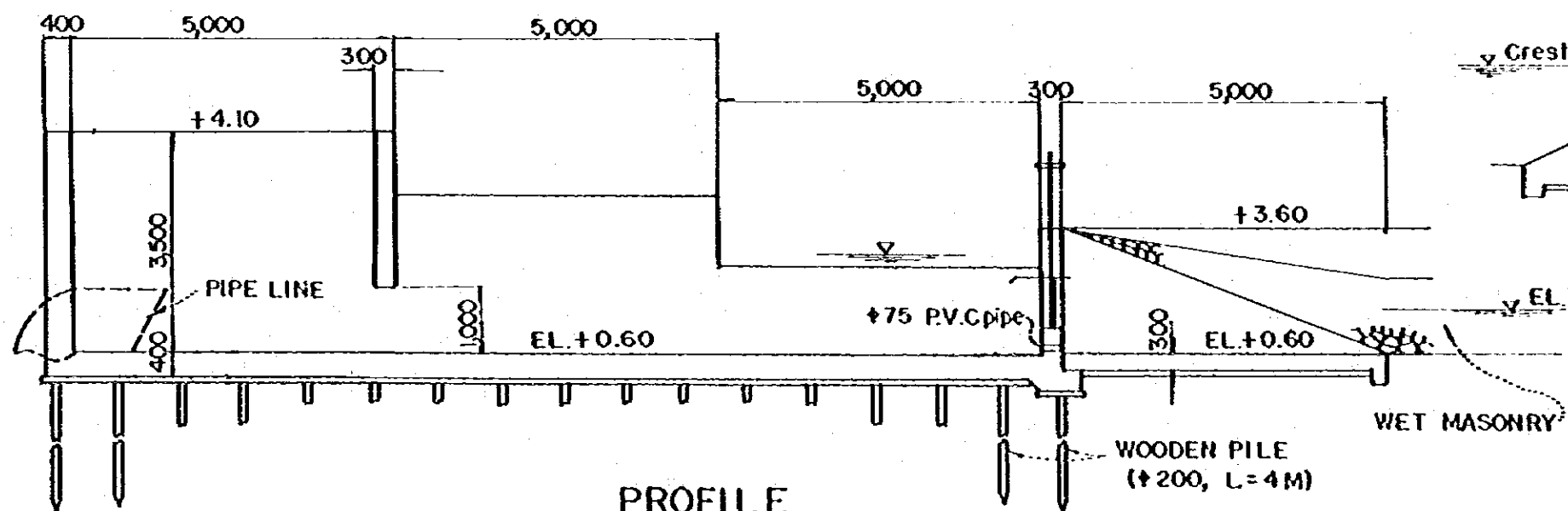
PROFILE
S=1/500



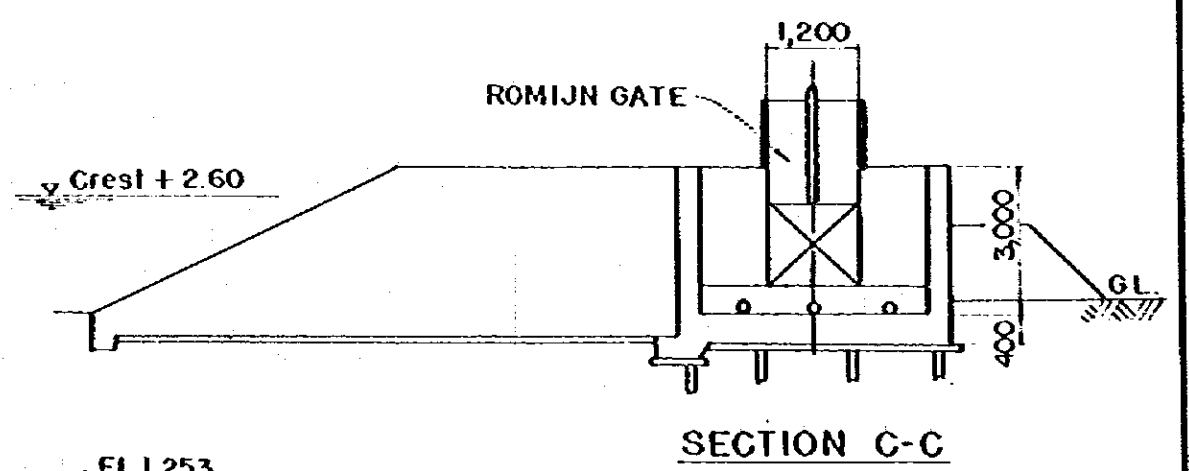
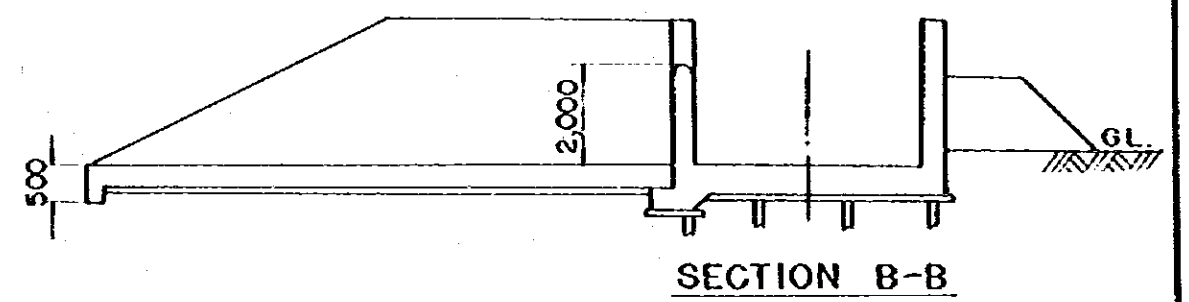
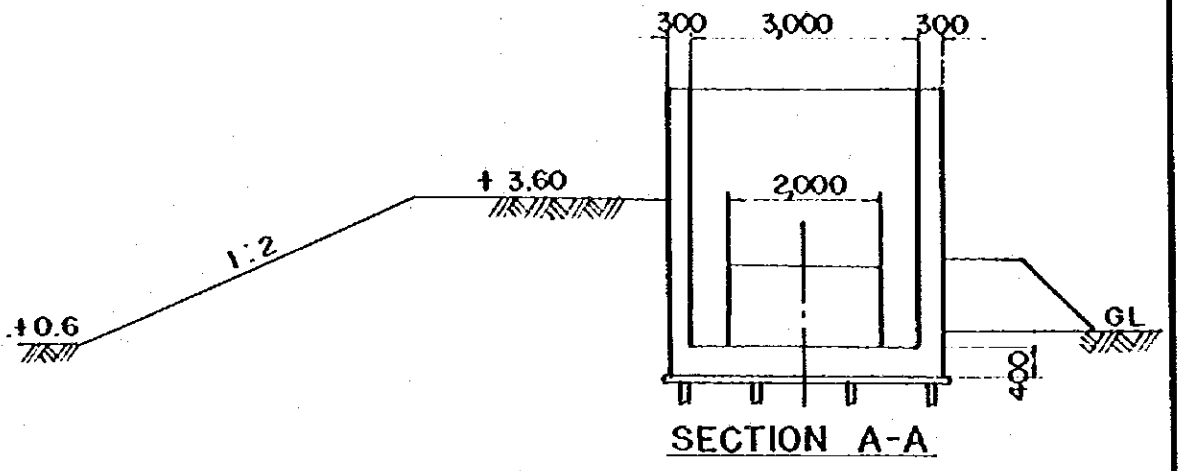
CONSTRUCTION OF PILOT SCHEME FACILITIES IN RIAM KANAN	
TITLE OF DRAWING FARM POND	
JAPAN INTERNATIONAL COOPERATION AGENCY TOKYO	DWG NO. 14



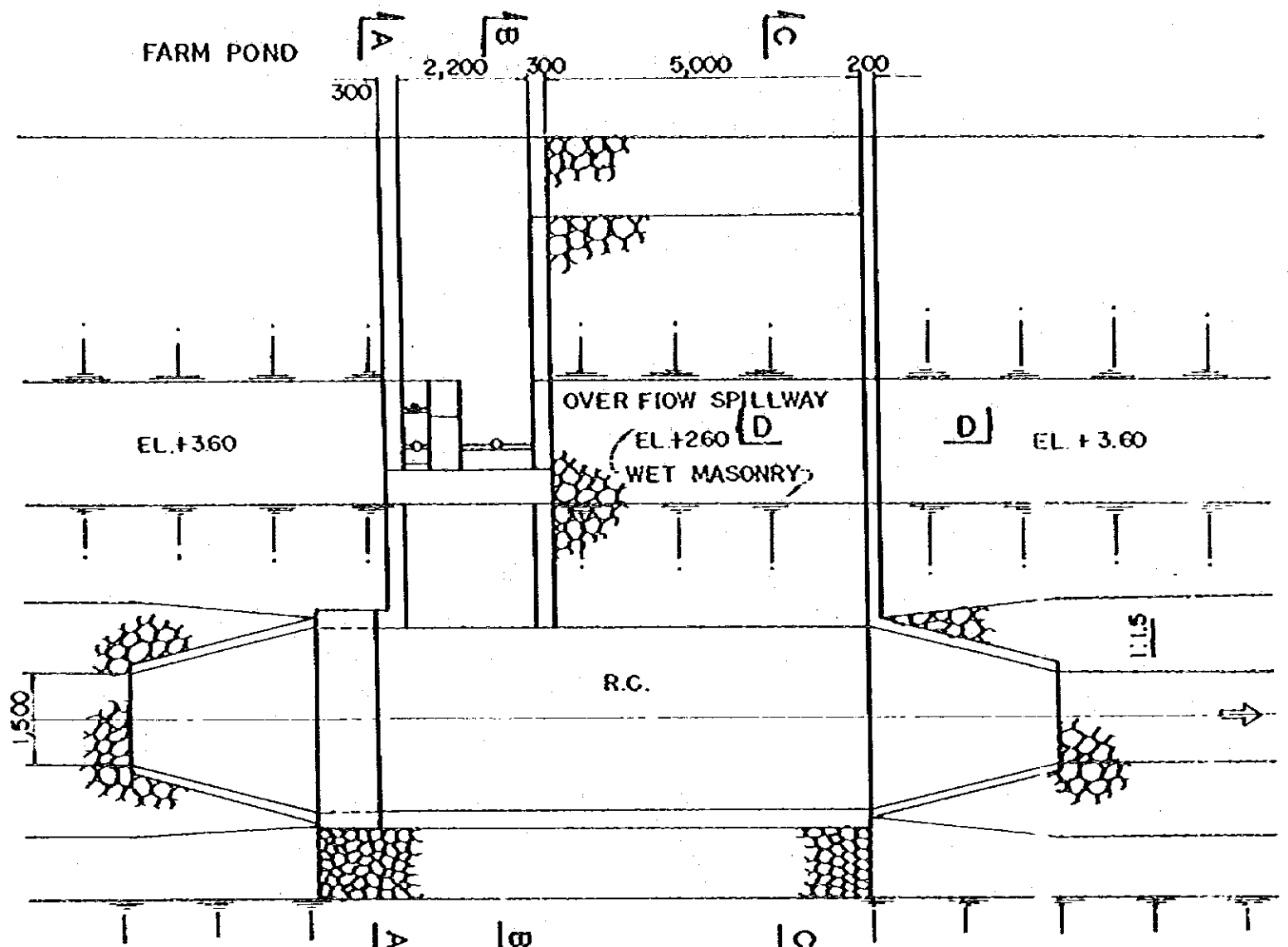
PLAN
S=1/100



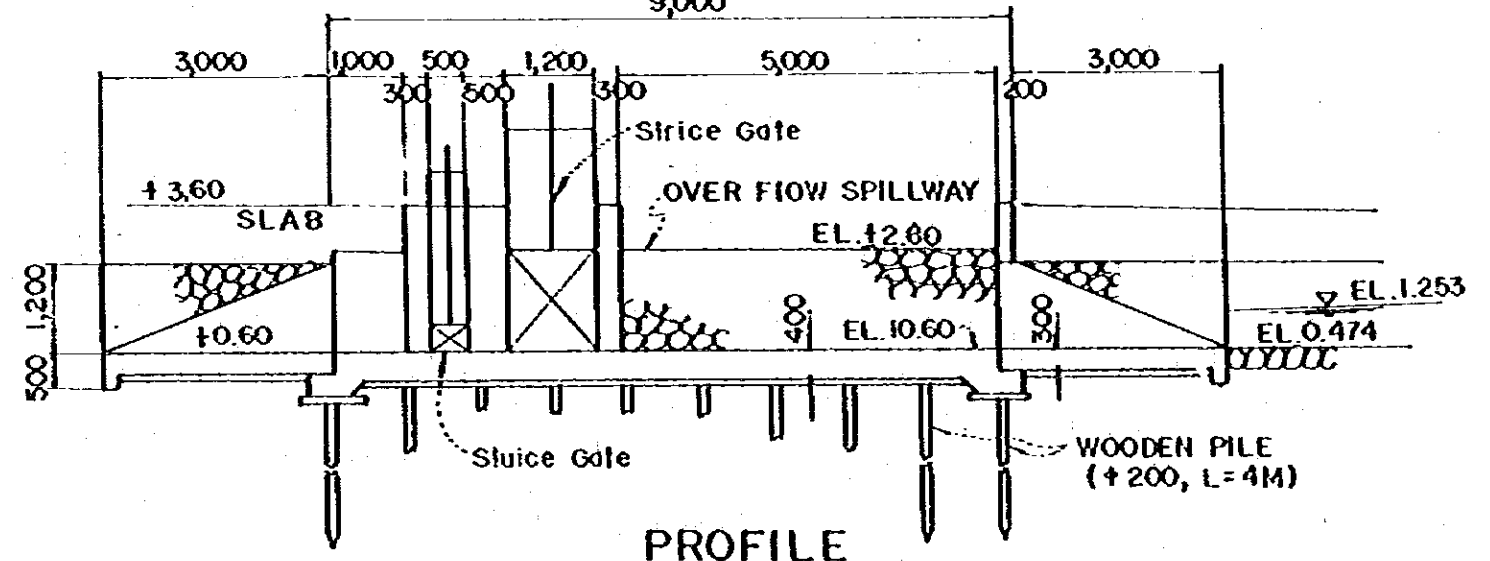
PROFILE
S=1/100



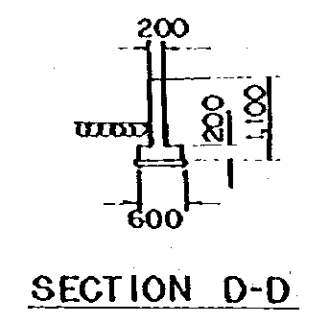
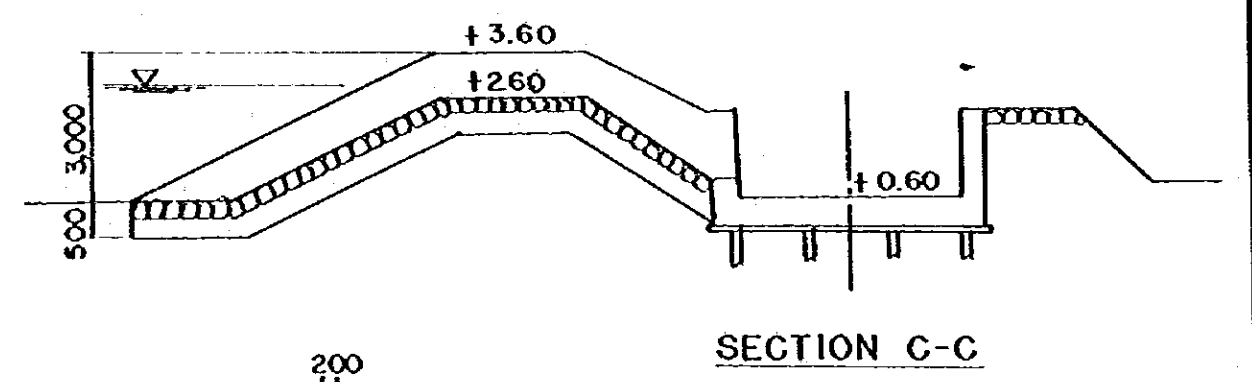
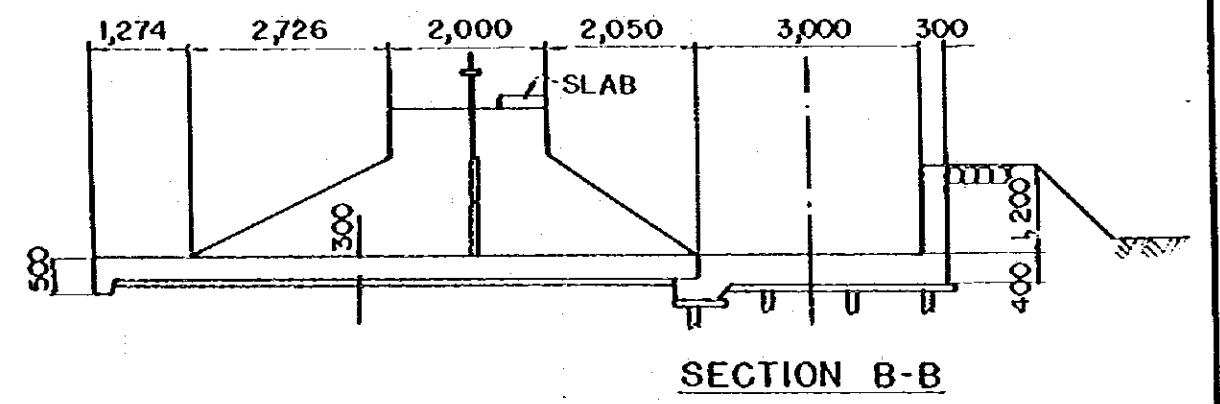
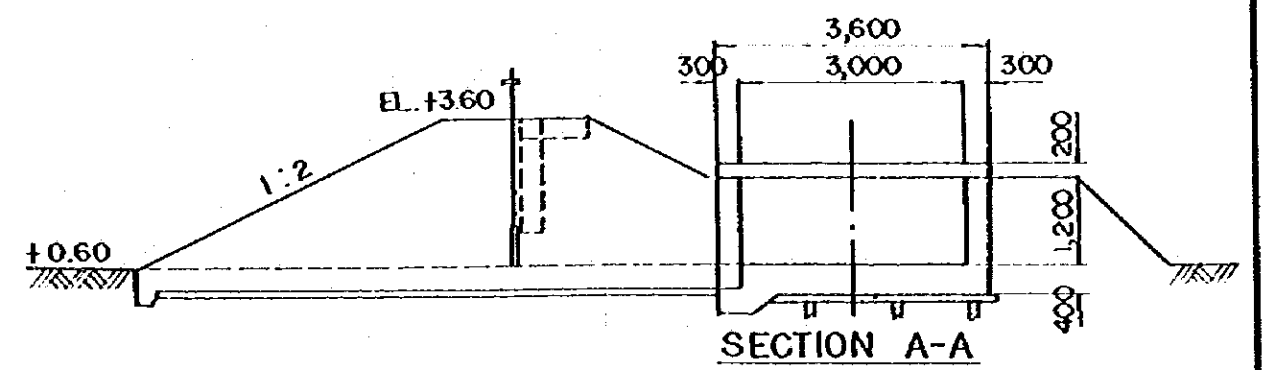
CONSTRUCTION OF PILOT SCHEME FACILITIES IN RIAM KANAN	
TITLE OF DRAWING OUTLET STRUCTURE (1)	
JAPAN INTERNATIONAL COOPERATION AGENCY TOKYO	DWG. NO. 15



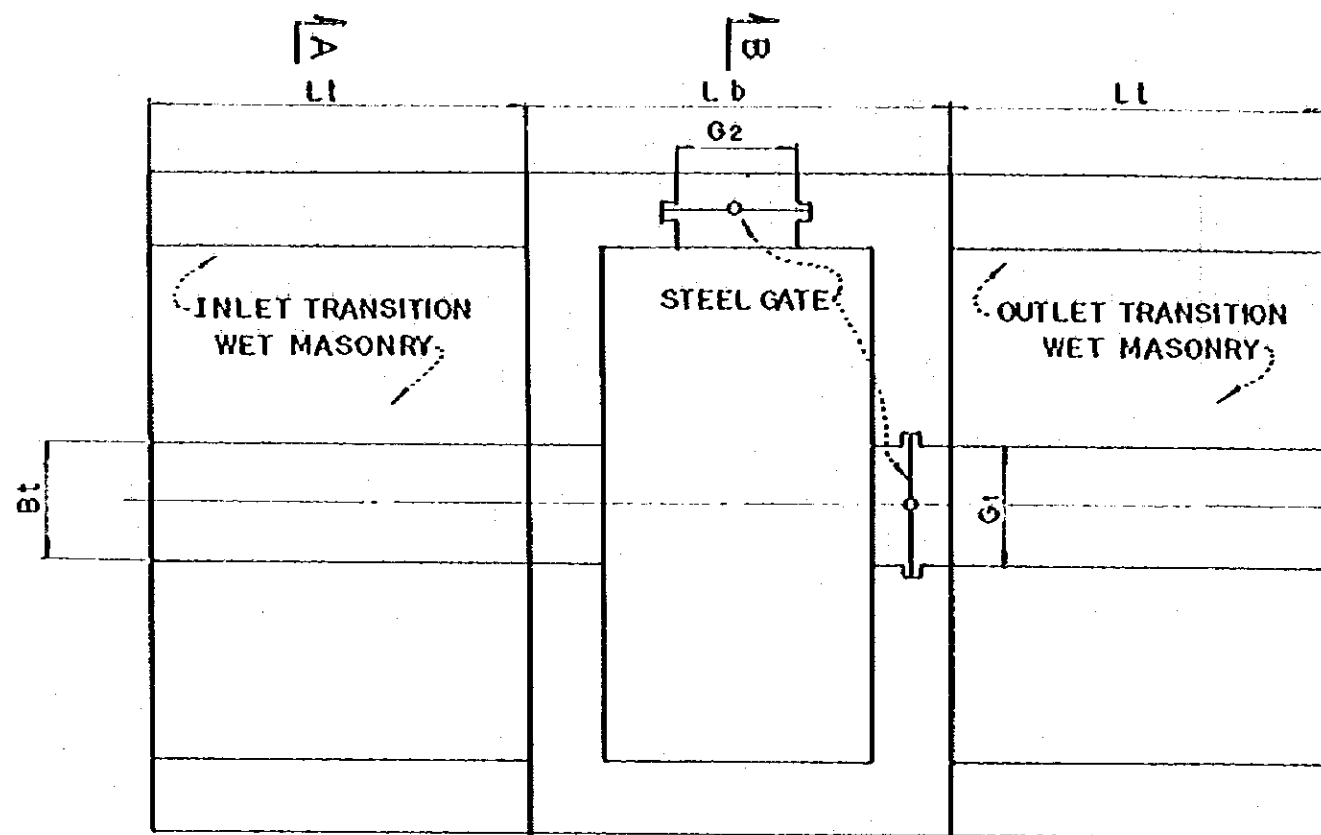
PLAN
S = 1/100
9,000



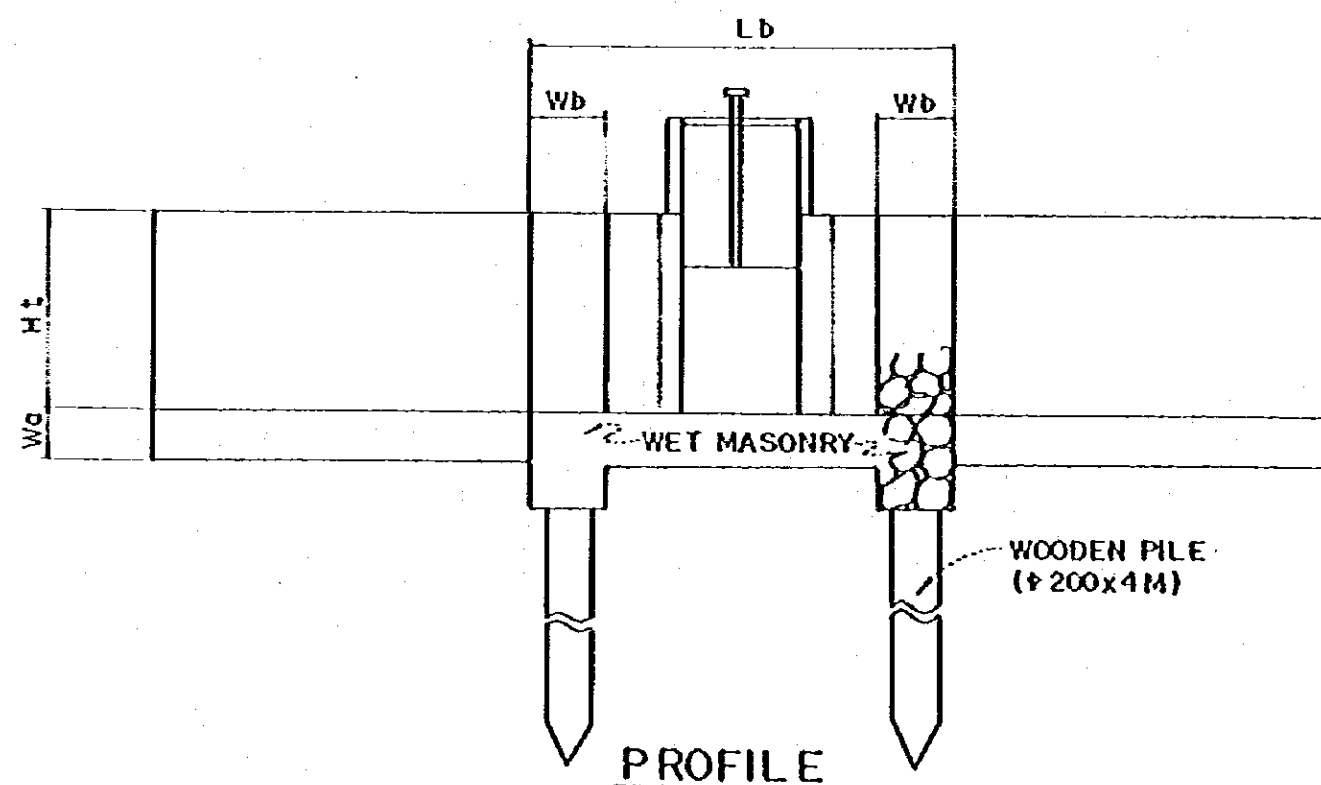
PROFILE
S = 1/100



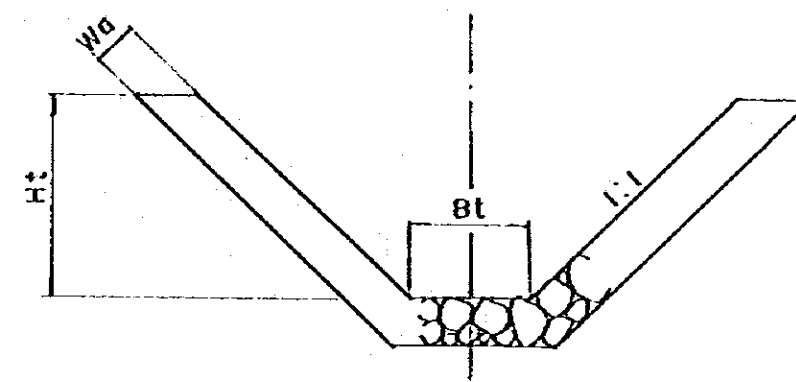
CONSTRUCTION OF PILOT SCHEME FACILITIES IN RIAM KANAN	
TITLE OF DRAWING OUTLET STRUCTURE (2)	
JAPAN INTERNATIONAL COOPERATION AGENCY	DWG NO.
TOKYO	16



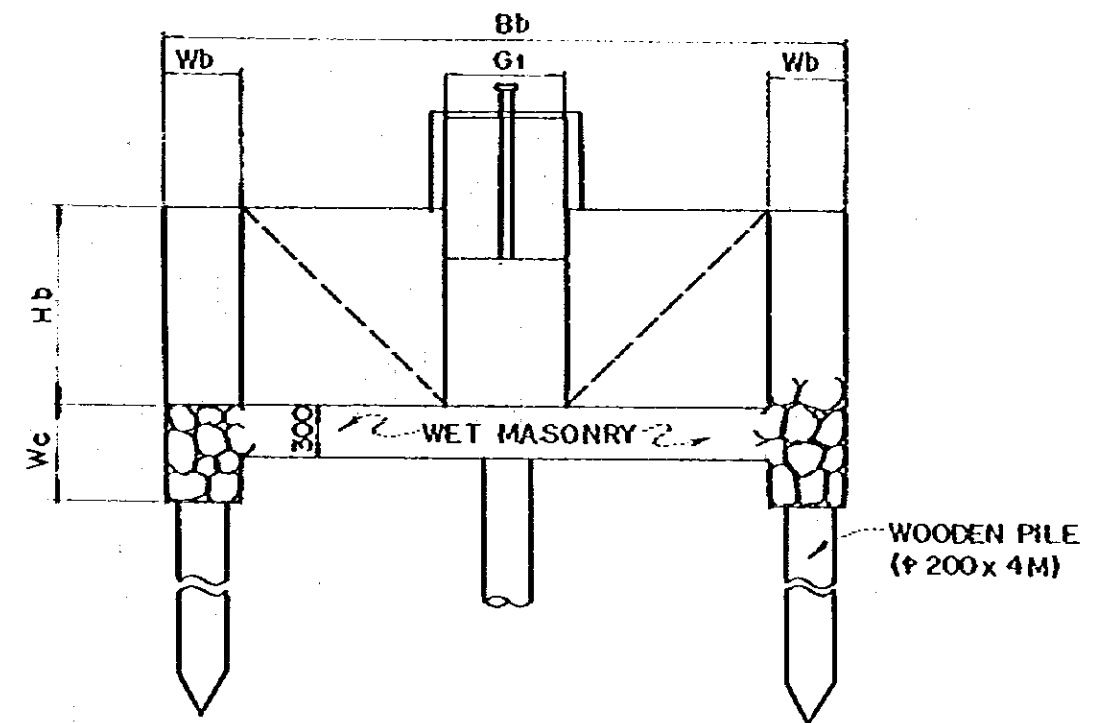
PLAN



PROFILE



SECTION A-A



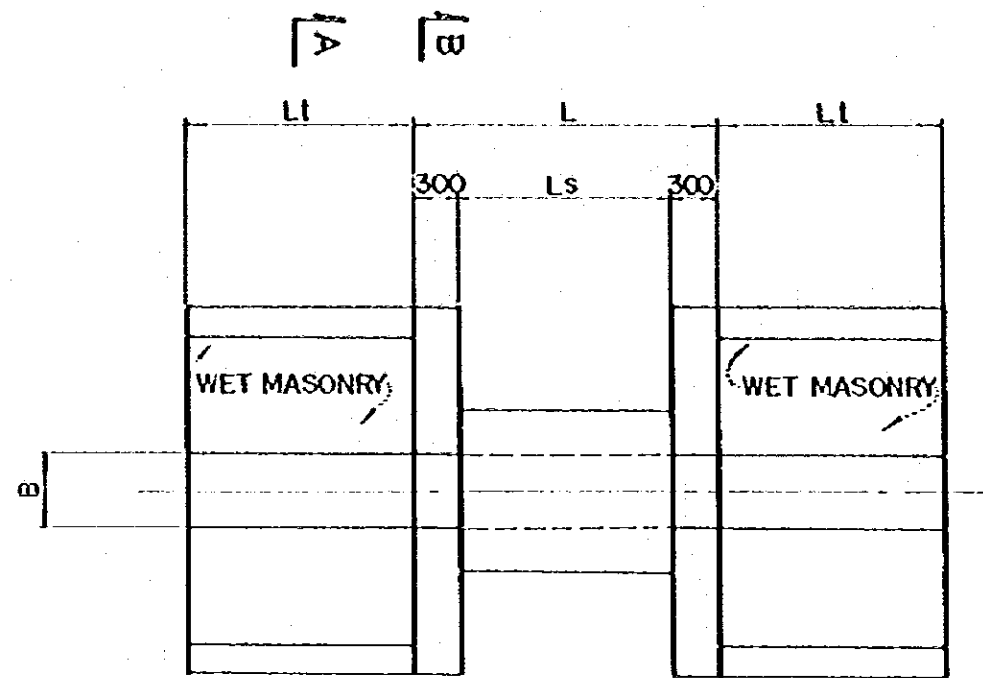
SECTION B-B

	(m)										
	Lt	Bt	Ht	Lb	Bb	Hb	G1	G2	Wd	Wb	Wc
TYPE I	1.5	0.3	0.6	1.4	2.1	0.6	0.3	0.3	0.3	0.3	0.5
II	1.5	0.4	0.7	1.4	2.4	0.7	0.4	0.3	0.3	0.3	0.5
III	1.5	0.5	0.8	1.6	2.7	0.8	0.5	0.3	0.3	0.3	0.5
IV	1.5	0.6	0.9	1.6	3.0	0.9	0.6	0.3	0.3	0.3	0.6
V	1.5	0.7	1.0	1.8	3.8	1.0	0.7	0.3	0.3	0.3	0.6

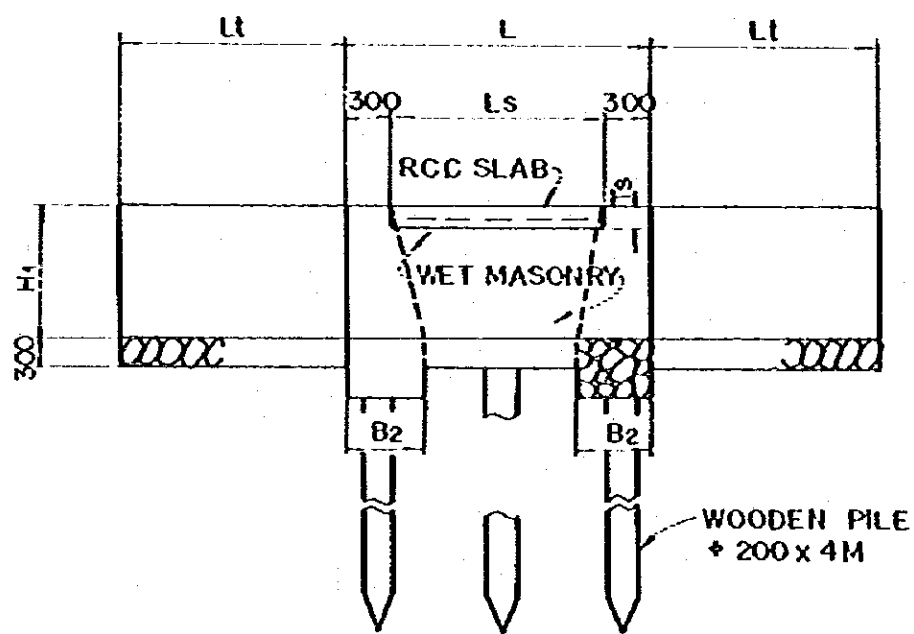
CONSTRUCTION OF PILOT SCHEME FACILITIES
IN RIAM KANAN

TITLE OF DRAWING
TYPICAL DRAWING OF DIVISION BOX

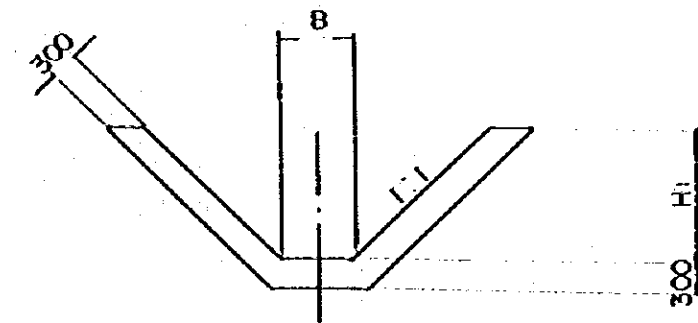
JAPAN INTERNATIONAL COOPERATION AGENCY DWG NO.
TOKYO 17



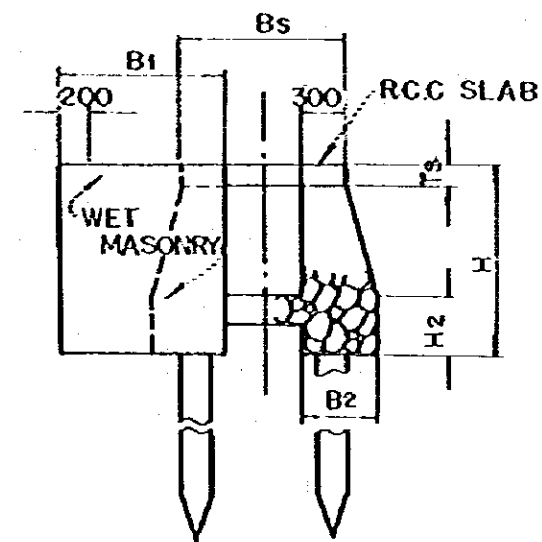
PLAN



PROFILE



SECTION A-A



SECTION B-B

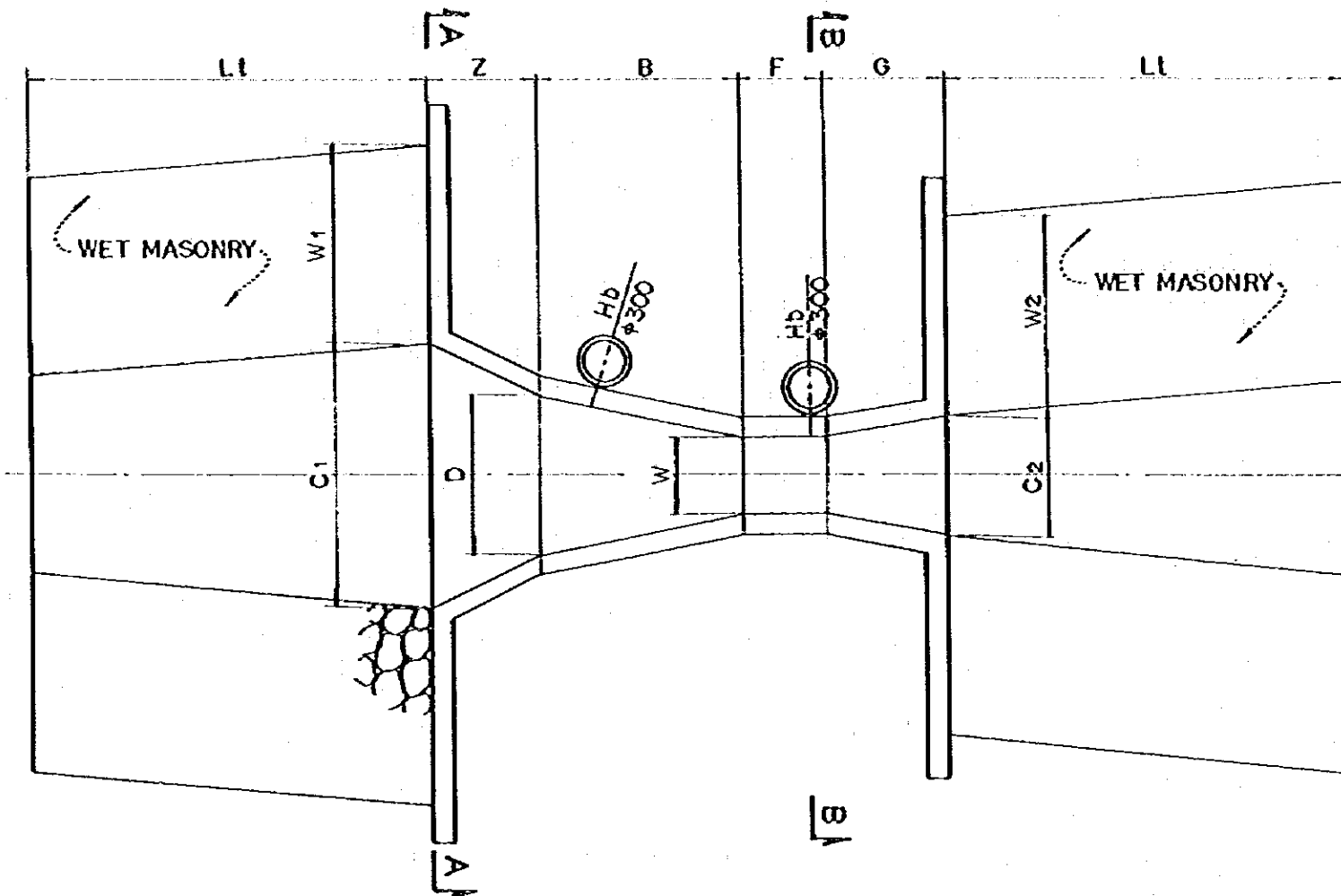
	L	Ls	Lt	B	B1	B2	H	H1	H2	Ts	Bs
TYPE I	2.6	2.0	1.5	0.3	0.8	0.5	1.1	0.6	0.5	0.15	0.9
II	2.6	2.0	1.5	0.4	0.9	0.5	1.2	0.7	0.5	0.15	1.0
III	2.6	2.0	1.5	0.5	1.0	0.6	1.3	0.8	0.5	0.15	1.1
IV	2.6	2.0	1.5	0.6	1.1	0.6	1.4	0.9	0.5	0.15	1.2
V	2.6	2.0	1.5	0.7	1.2	0.7	1.5	1.0	0.5	0.15	1.3

(m)

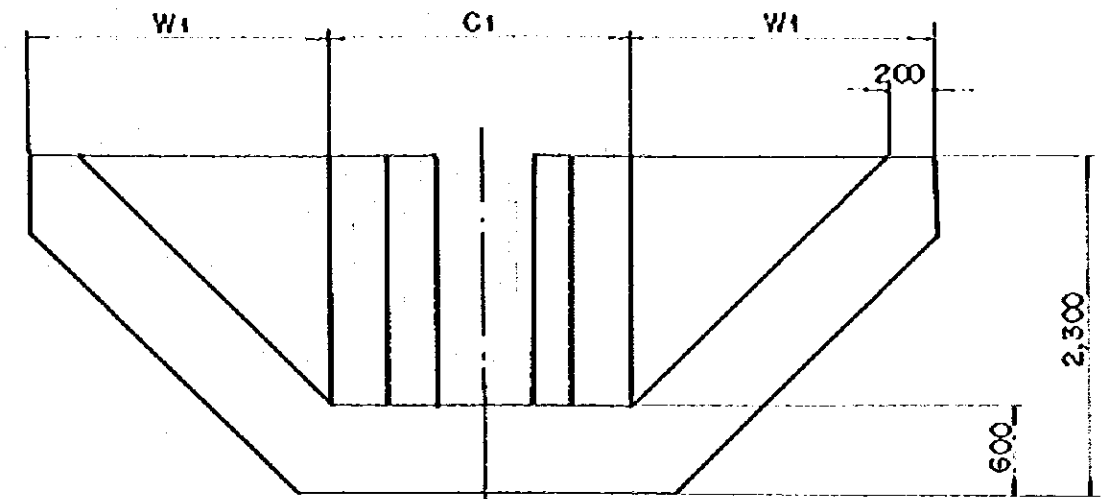
CONSTRUCTION OF PILOT SCHEME FACILITIES
IN RIAM KANAN

TITLE OF DRAWING
TYPICAL DRAWING OF CULVERT

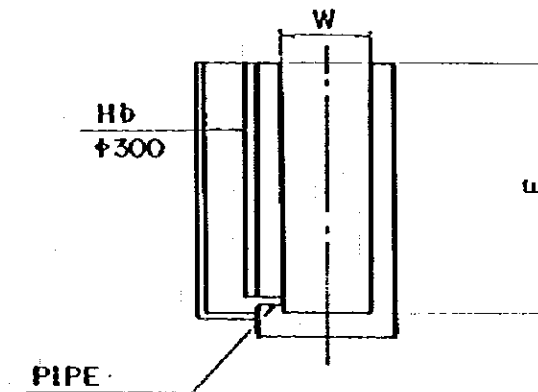
JAPAN INTERNATIONAL COOPERATION AGENCY DWG. NO.
TOKYO 18



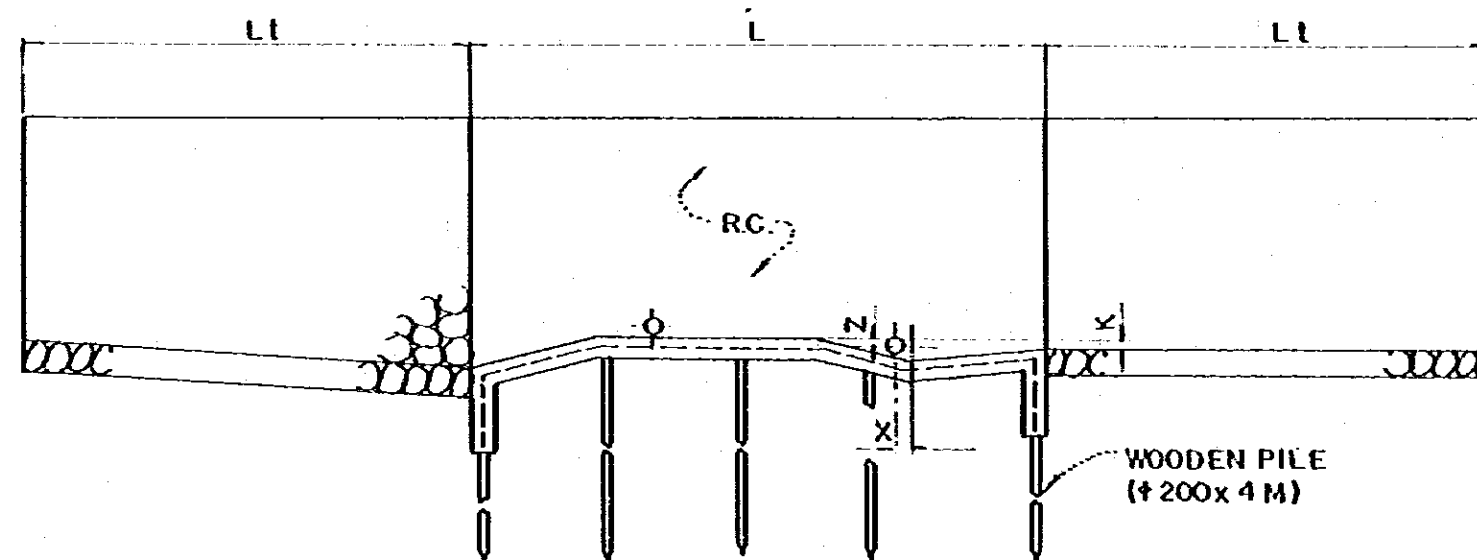
PLAN



SECTION A-A



SECTION B-B



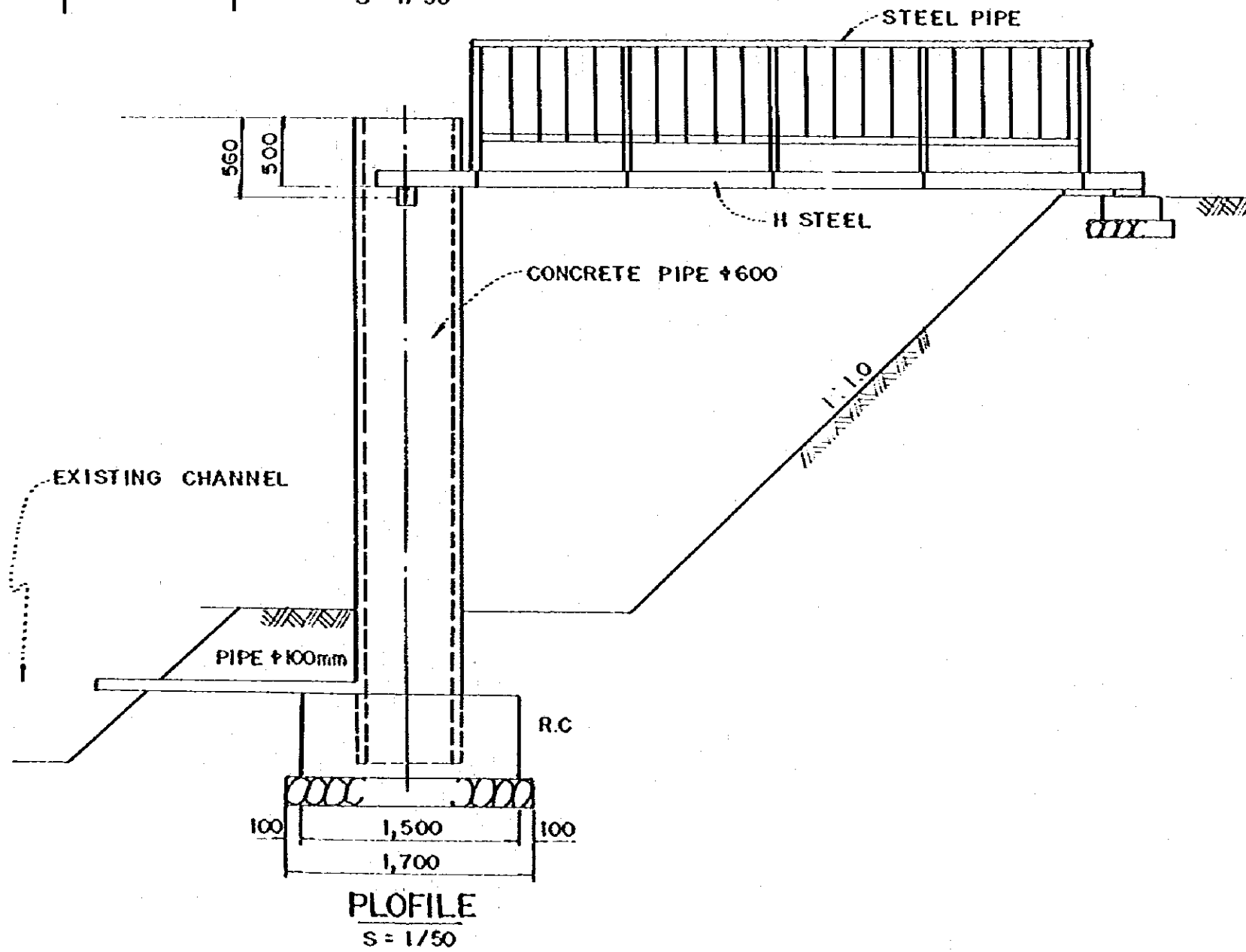
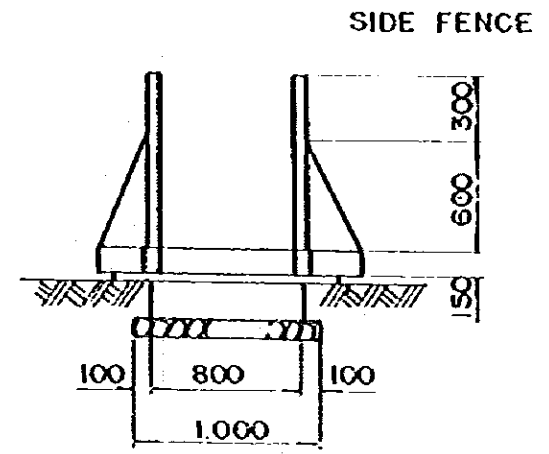
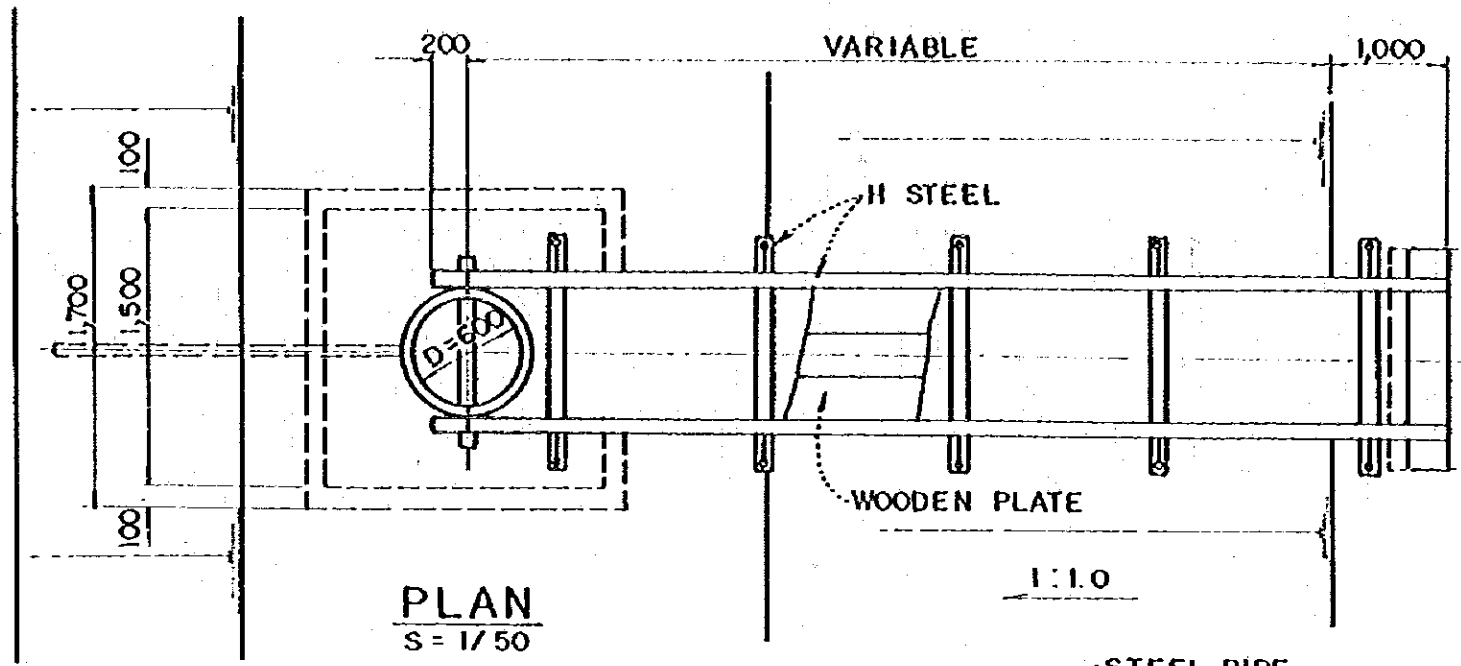
PROFILE

TYPE	W (m)	L	E	B	F	G	D	C	N	K	LI	Q^0 (m ³ /s)
4	0.610	3.50	0.914	1.495	0.61	0.914	1.206	0.914	0.229	0.076	3.0	0.02-0.937

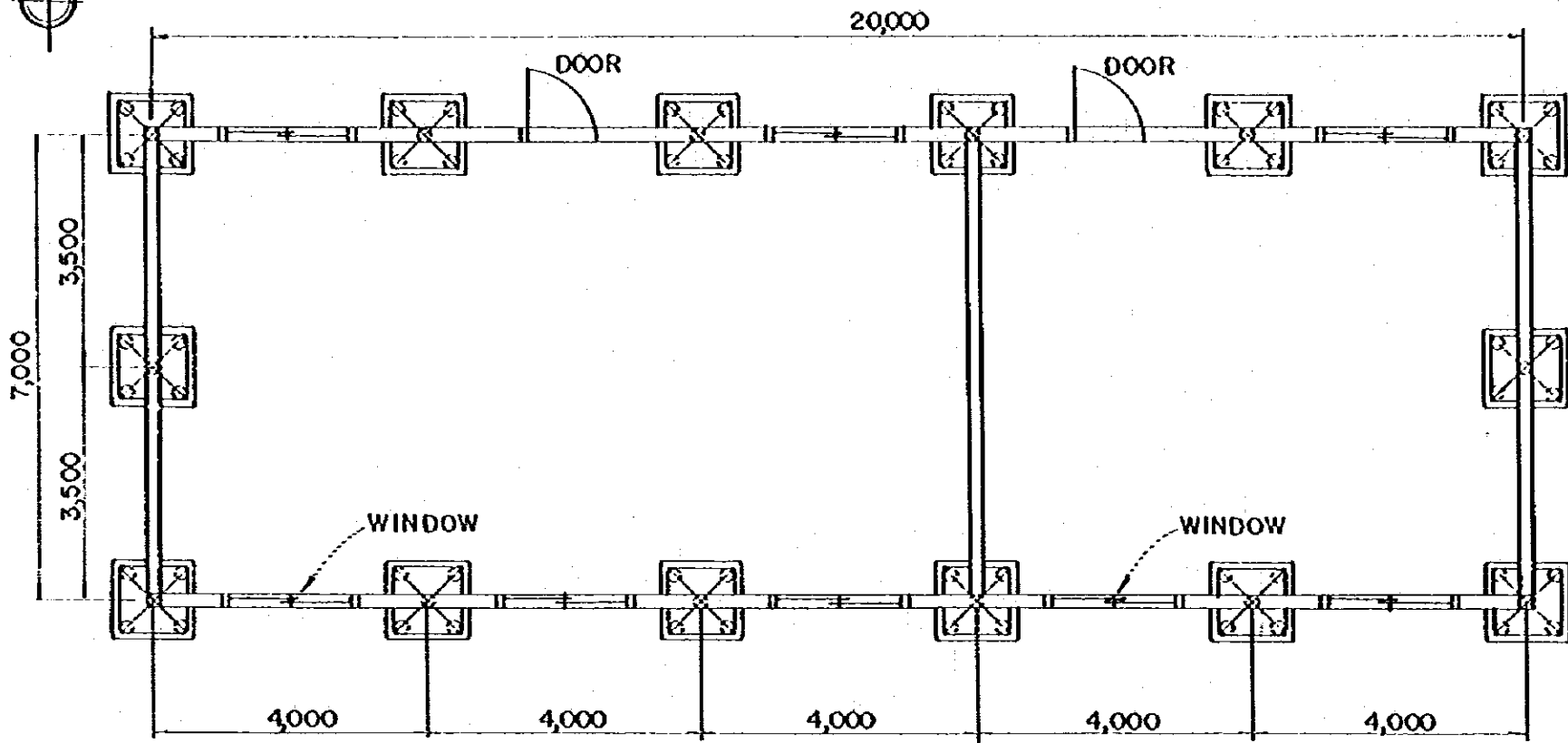
CONSTRUCTION OF PILOT SCHEME FACILITIES
IN RIAM KANAN

TITLE OF DRAWING
TYPICAL DRAWING OF PERSHALL FLUME

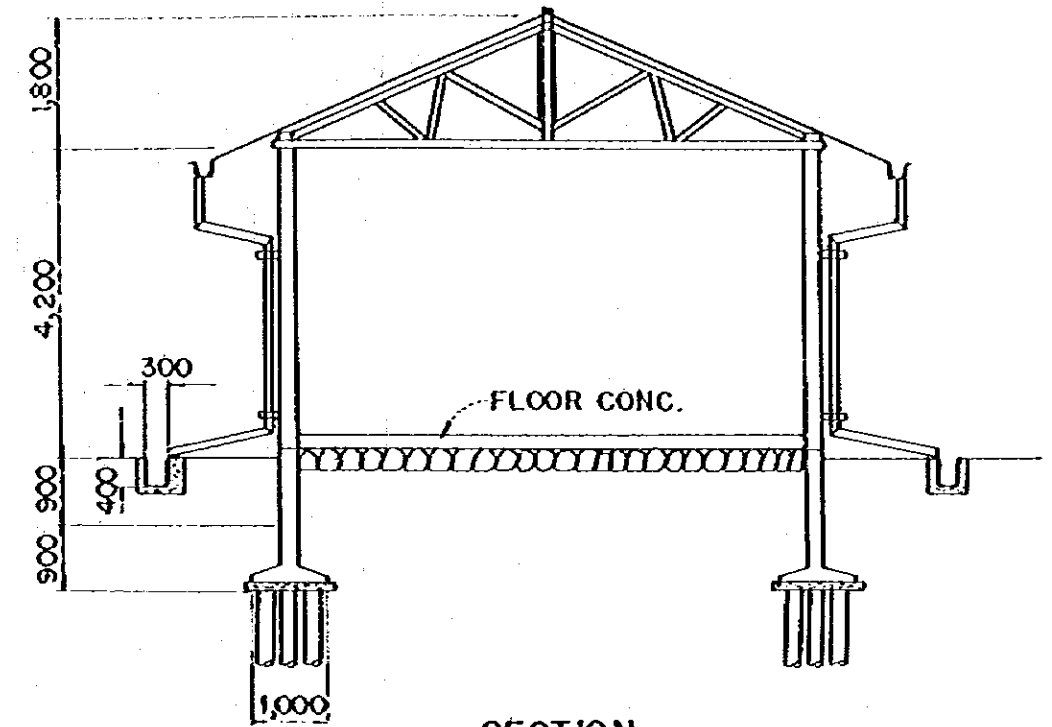
JAPAN INTERNATIONAL COOPERATION AGENCY DWG. NO.
TOKYO 19



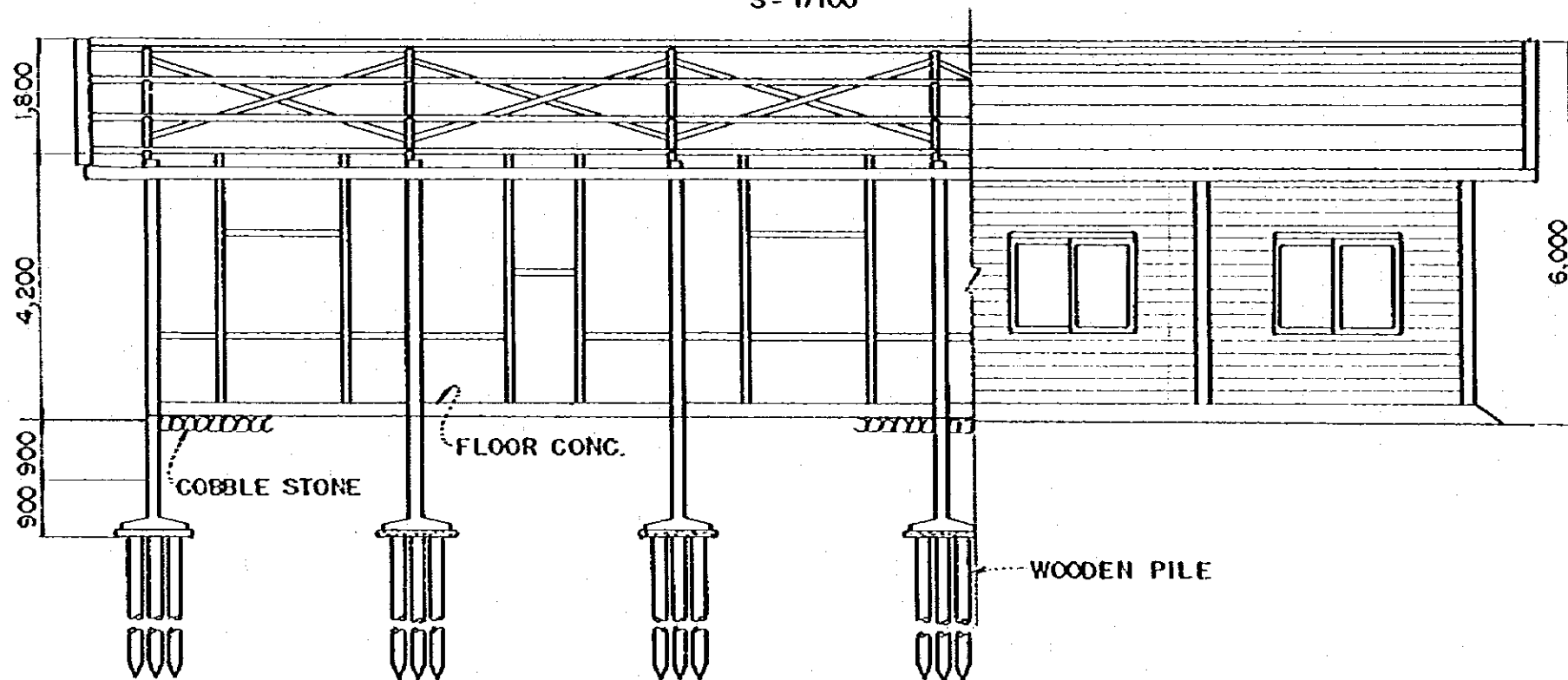
CONSTRUCTION OF PILOT SCHEME FACILITIES IN RIAM KANAN.	
TITLE OF DRAWING POST FOR WATER LEVEL RECORDER	
JAPAN INTERNATIONAL COOPERATION AGENCY	DWG. NO. 20
TOKYO	



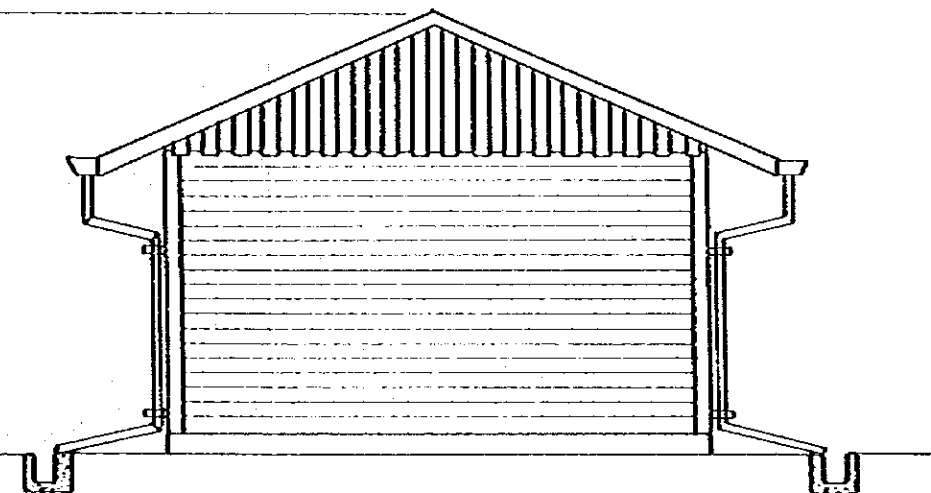
PLAN
S = 1/100



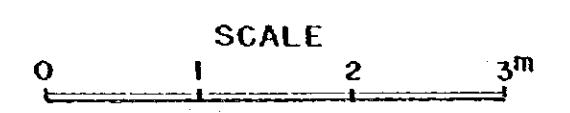
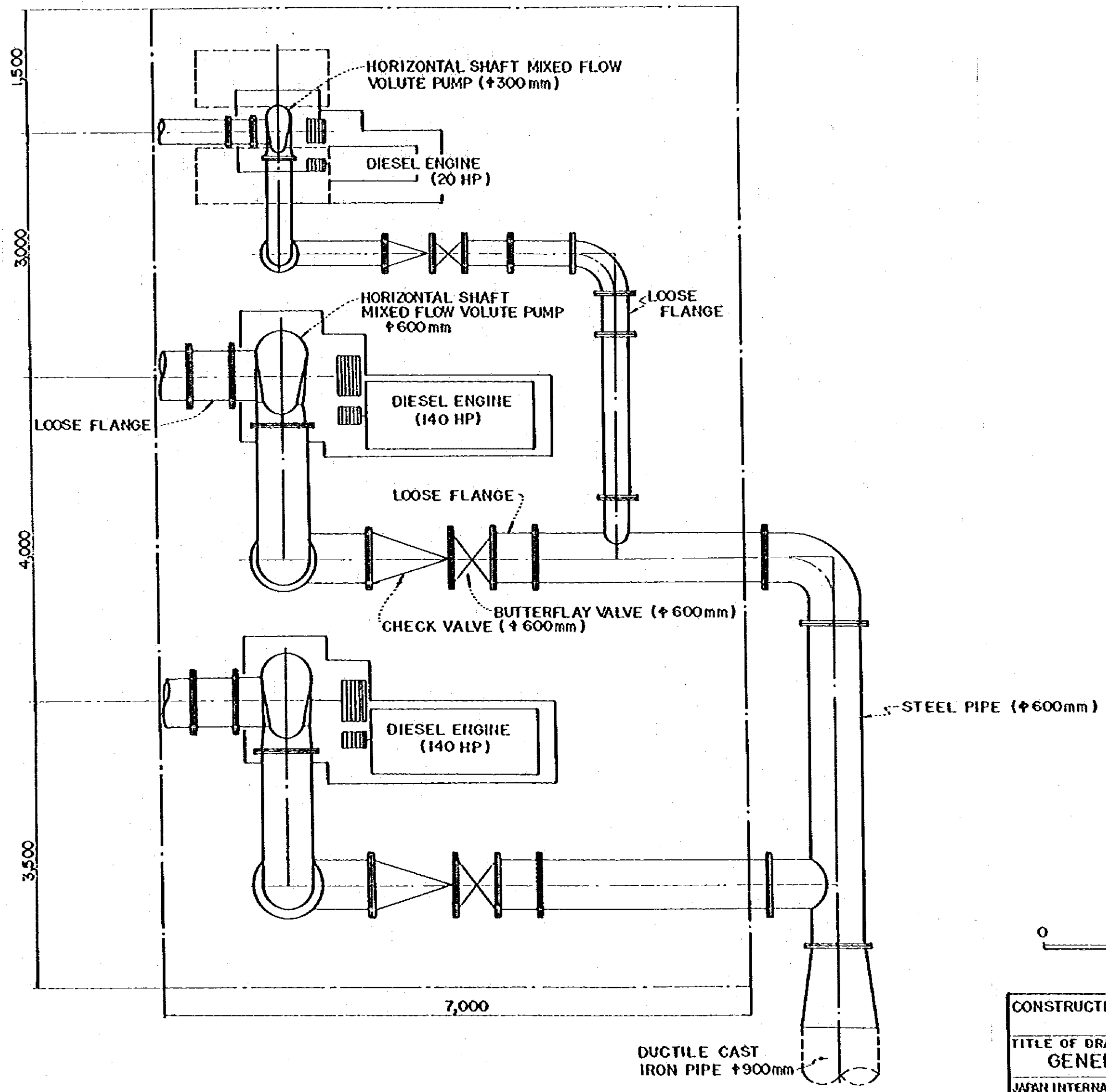
SECTION



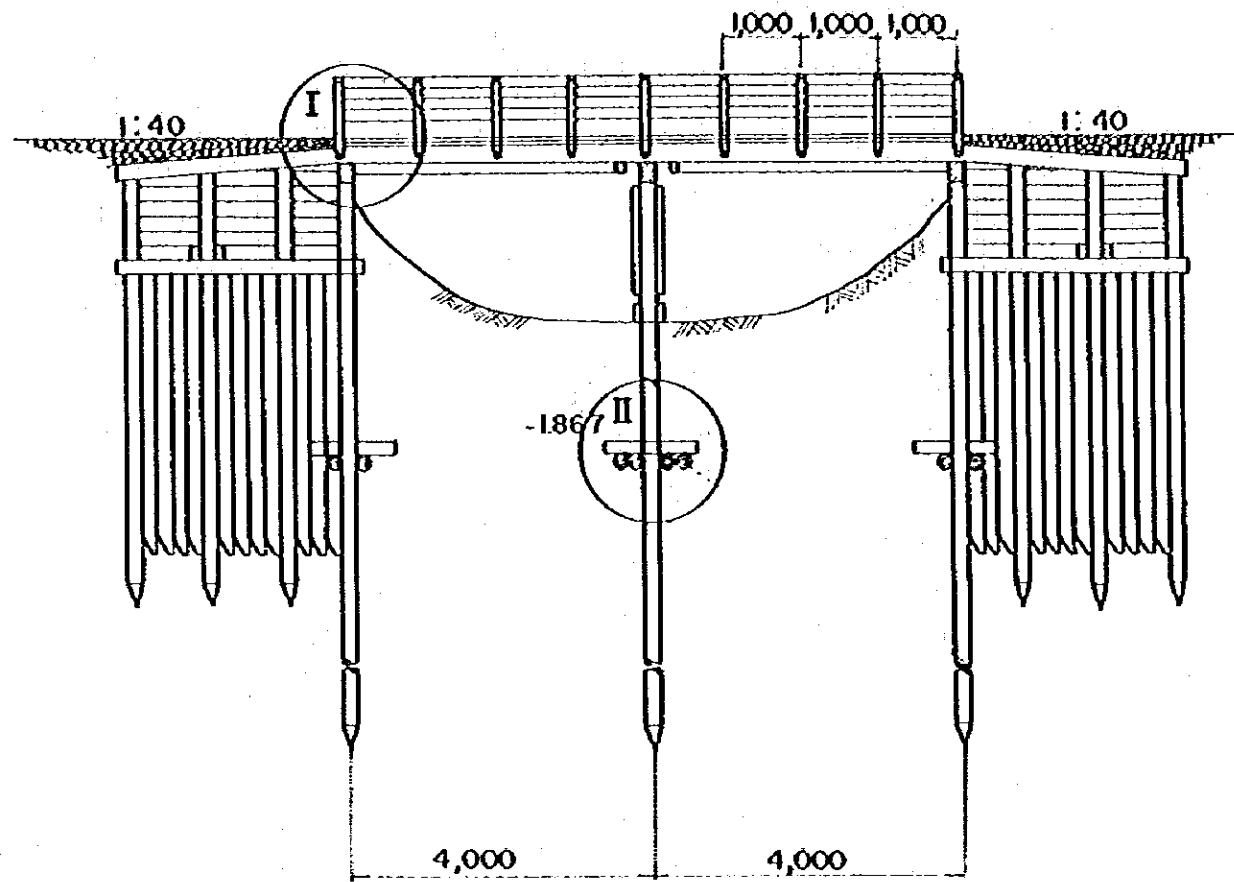
PROFILE
S = 1/100



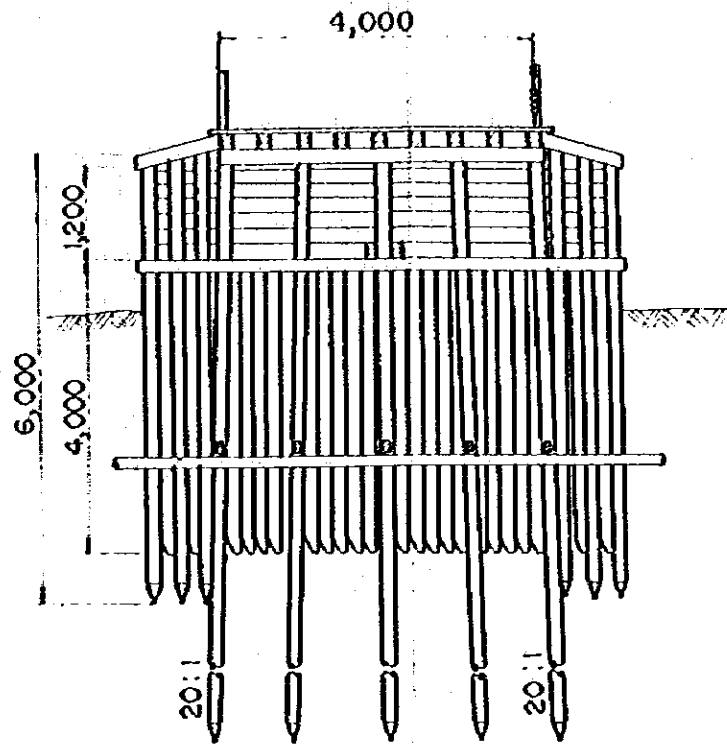
CONSTRUCTION OF PILOT SCHEME FACILITIES IN RIAM KANAN	
TITLE OF DRAWING OFFICE	
JAPAN INTERNATIONAL COOPERATION AGENCY	DWG NO. 21
TOKYO	



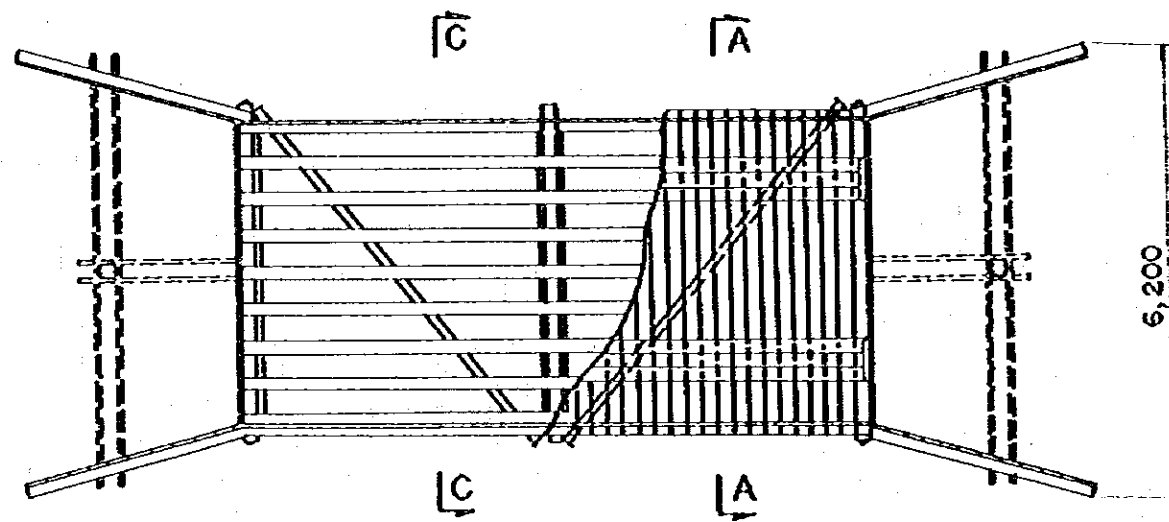
CONSTRUCTION OF PILOT SCHEME FACILITIES IN RIAM KANAN	
TITLE OF DRAWING GENERAL DRAWING OF PUMP	
JAPAN INTERNATIONAL COOPERATION AGENCY TOKYO	DWG NO. 22



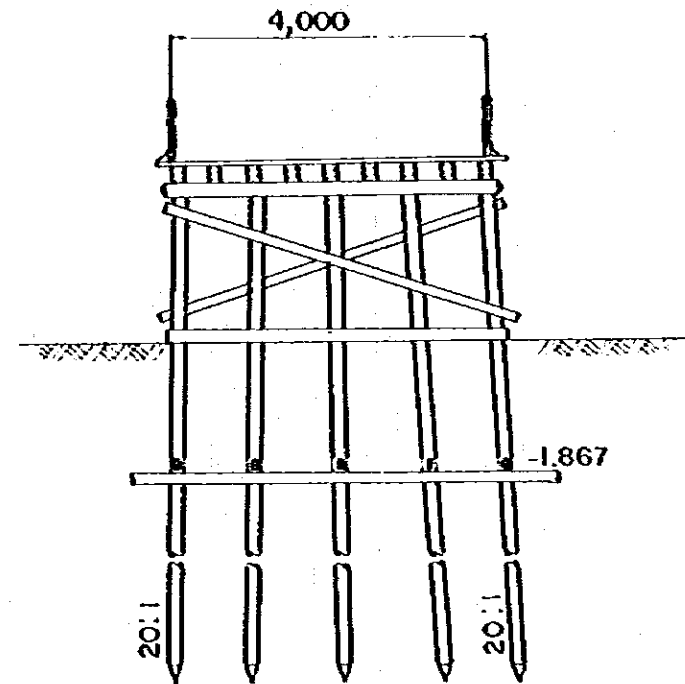
PROFILE
S = 1 : 100



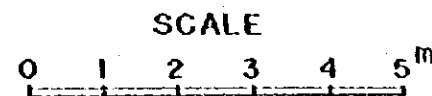
CROSS SECTION A - A
S = 1 : 100



PLAN
S = 1 : 100



CROSS SECTION C - C
S = 1 : 100



CONSTRUCTION OF PILOT SCHEME FACILITIES IN RIAM KANAN	
TITLE OF DRAWING GENERAL DRAWING OF BRIDGE	
JAPAN INTERNATIONAL COOPERATION AGENCY TOKYO	DWG NO. 23

[The page contains extremely faint and illegible text, likely due to low contrast or scanning quality. The text is arranged in several paragraphs across the page, but no specific words or phrases can be discerned.]

[The page contains extremely faint and illegible text, likely bleed-through from the reverse side of the document. No specific content can be transcribed.]

JICA