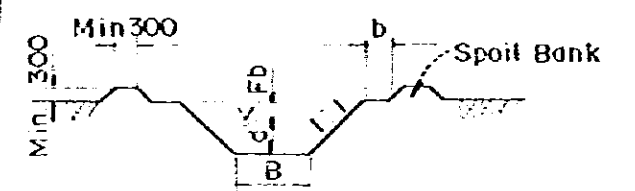


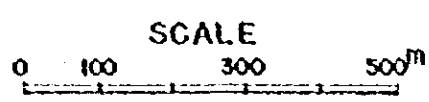
TYPICAL CROSS SECTION OF SECONDARY DRAINAGE CANAL



TYPICAL CROSS SECTION OF TERTIARY AND QUATERNARY DRAINAGE CANAL

	Tertiary Dra Canal	Quaternary Dra Canal
Fb	Min 200	600
b	Min 100	300

REMARKS	
	SECONDARY DRAINAGE CANAL
	TERTIARY DRAINAGE CANAL
	QUATERNARY DRAINAGE CANAL

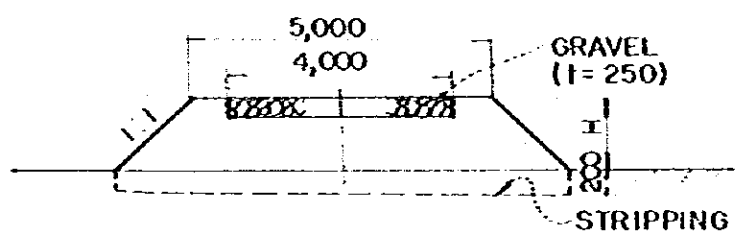
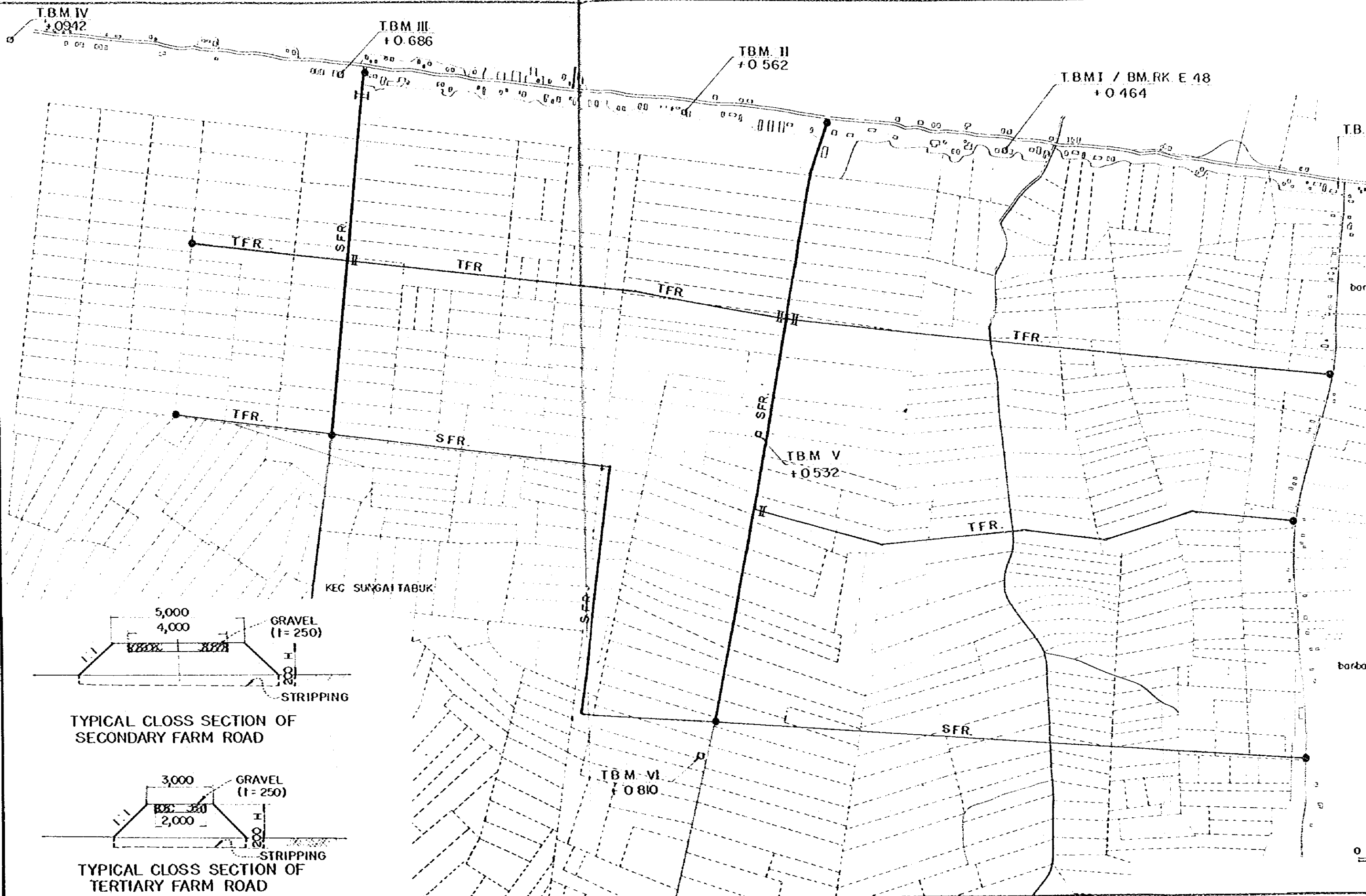


CONSTRUCTION OF PILOT SCHEME FACILITIES
IN RIAM KANAN

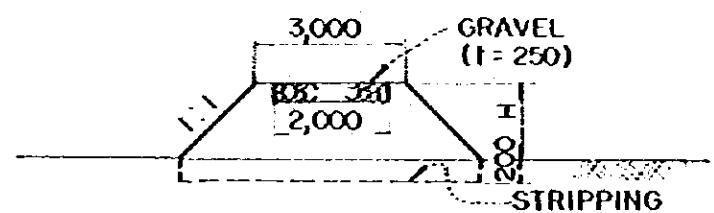
TITLE OF DRAWING
DRAINAGE CANAL NETWORK

JAPAN INTERNATIONAL COOPERATION AGENCY TOKYO

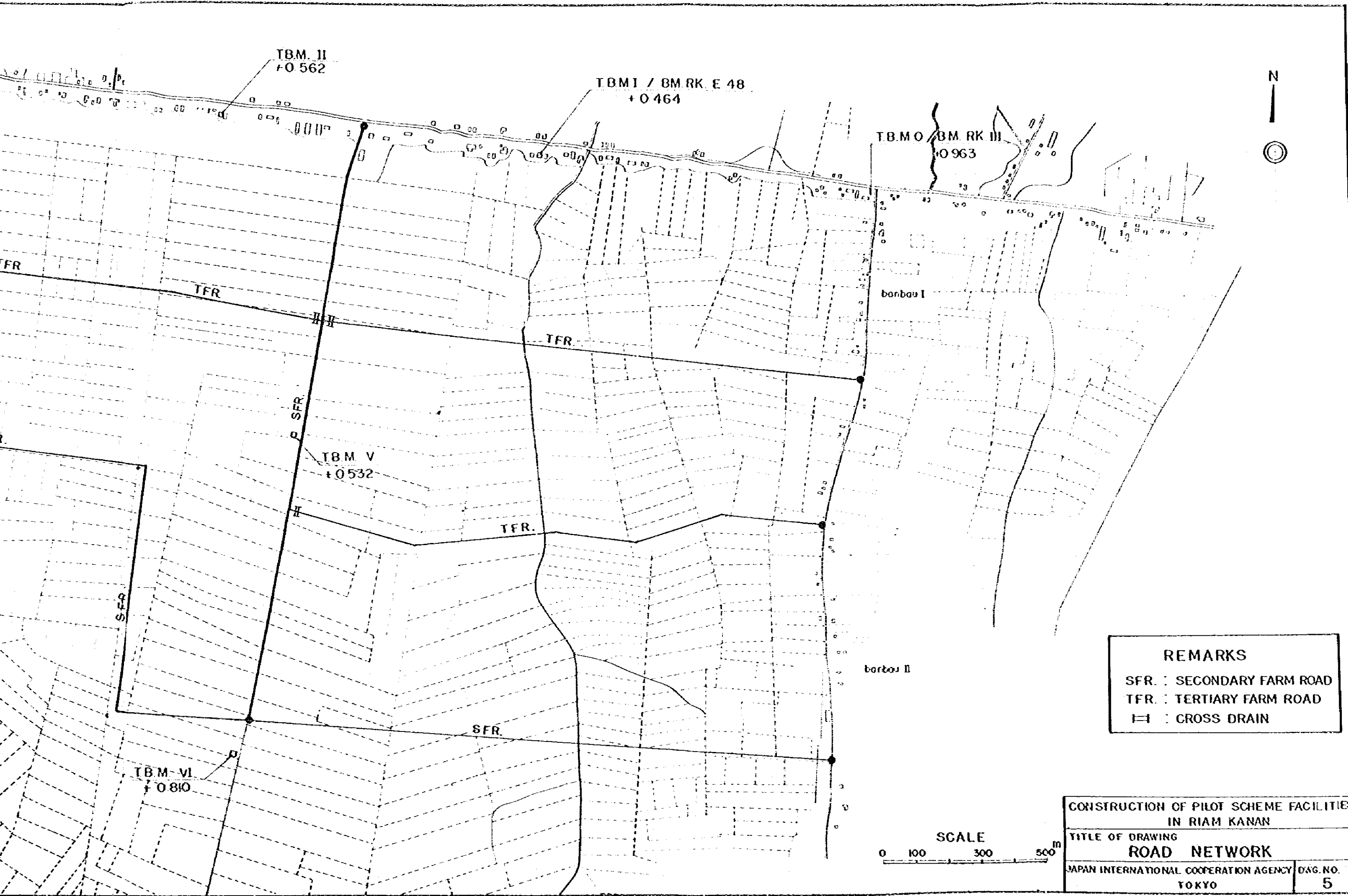
DWG. NO.
4



TYPICAL CROSS SECTION OF
SECONDARY FARM ROAD



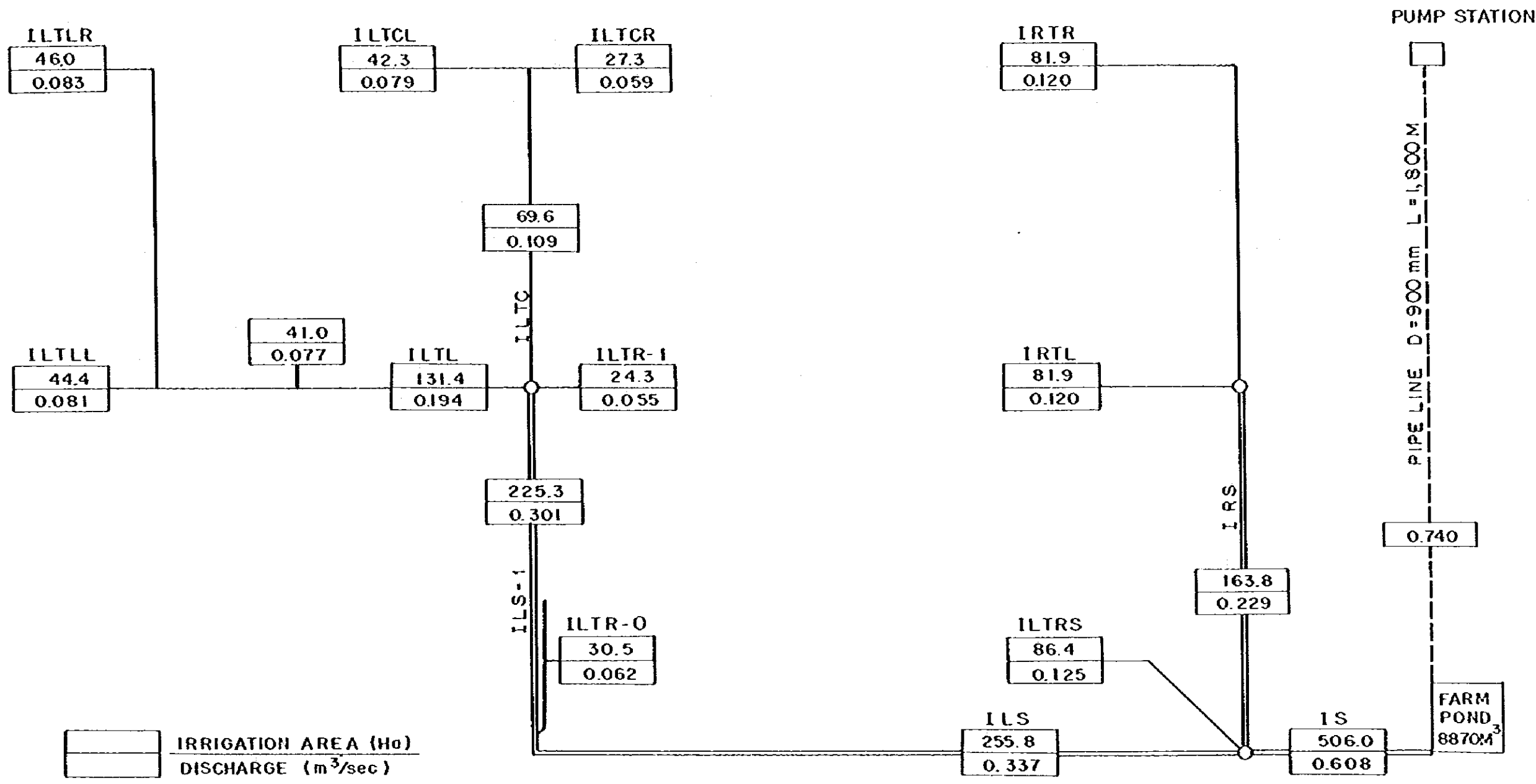
TYPICAL CROSS SECTION OF
TERTIARY FARM ROAD



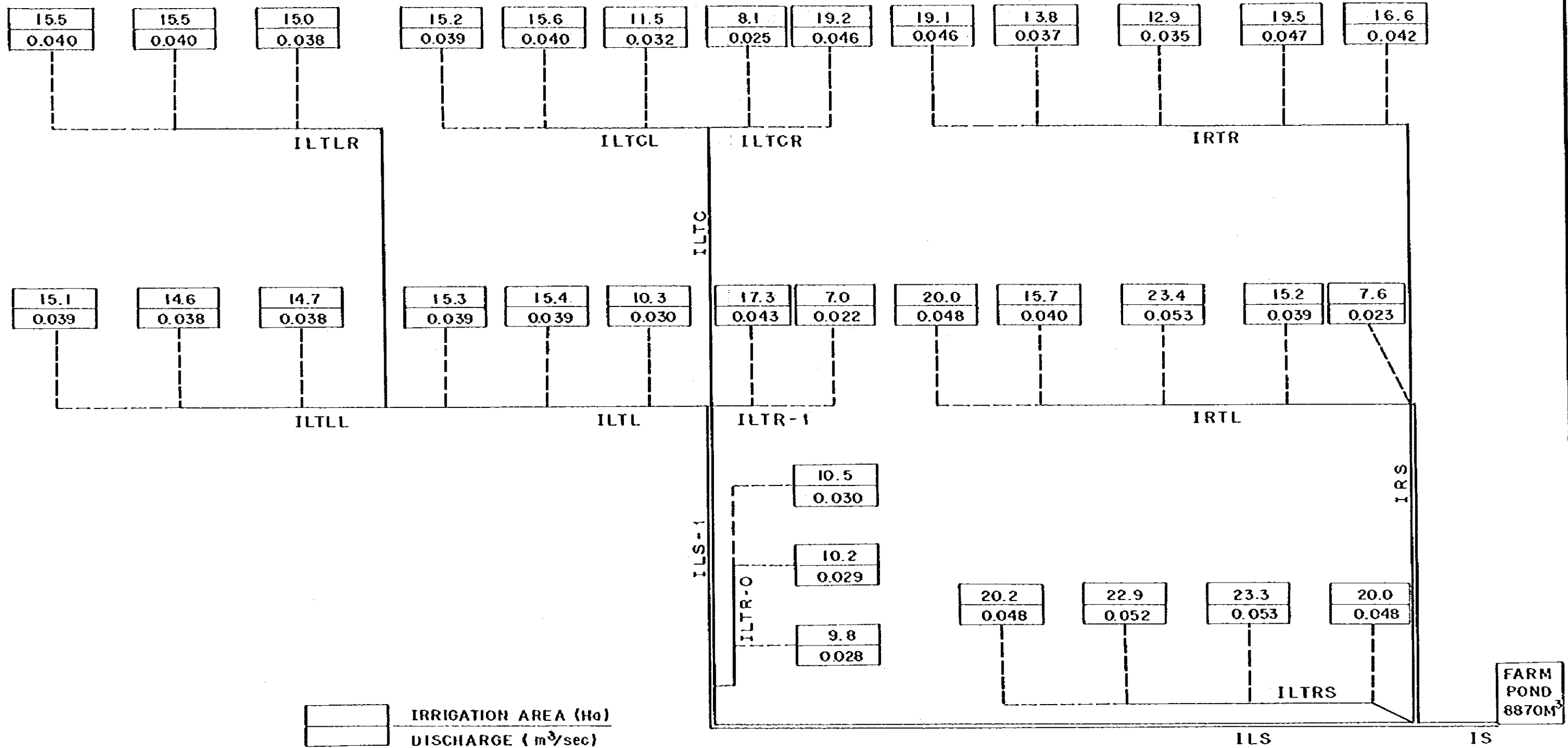
REMARKS
 SFR. : SECONDARY FARM ROAD
 TFR. : TERTIARY FARM ROAD
 H : CROSS DRAIN

CONSTRUCTION OF PILOT SCHEME FACILITIES
 IN RIAM KANAN
 TITLE OF DRAWING
ROAD NETWORK
 JAPAN INTERNATIONAL COOPERATION AGENCY D.A.G. NO.
 TOKYO 5

SCALE
 0 100 300 500m

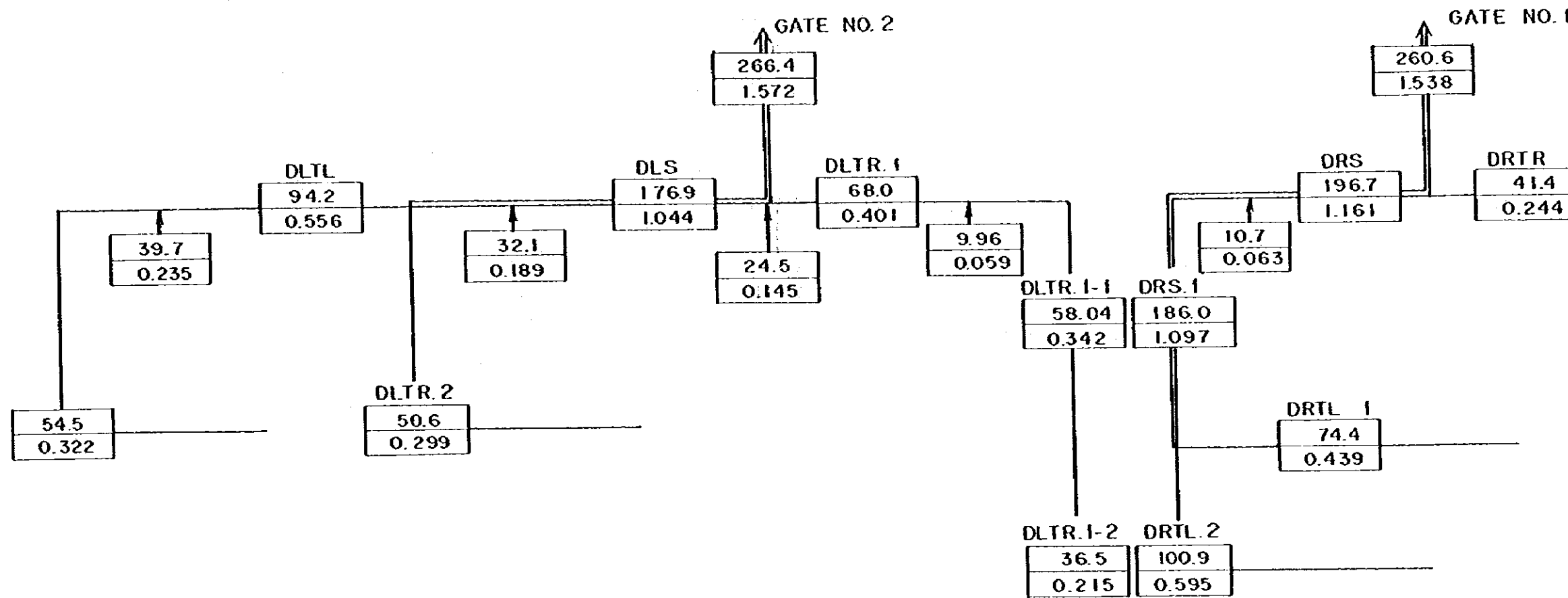


CONSTRUCTION OF PILOT SCHEME FACILITIES
 IN RIAM KANAN
 TITLE OF DRAWING
FLOW DIAGRAM OF IRRIGATION SYSTEM(I)
 JAPAN INTERNATIONAL COOPERATION AGENCY | DWG NO.
 TOKYO | 6



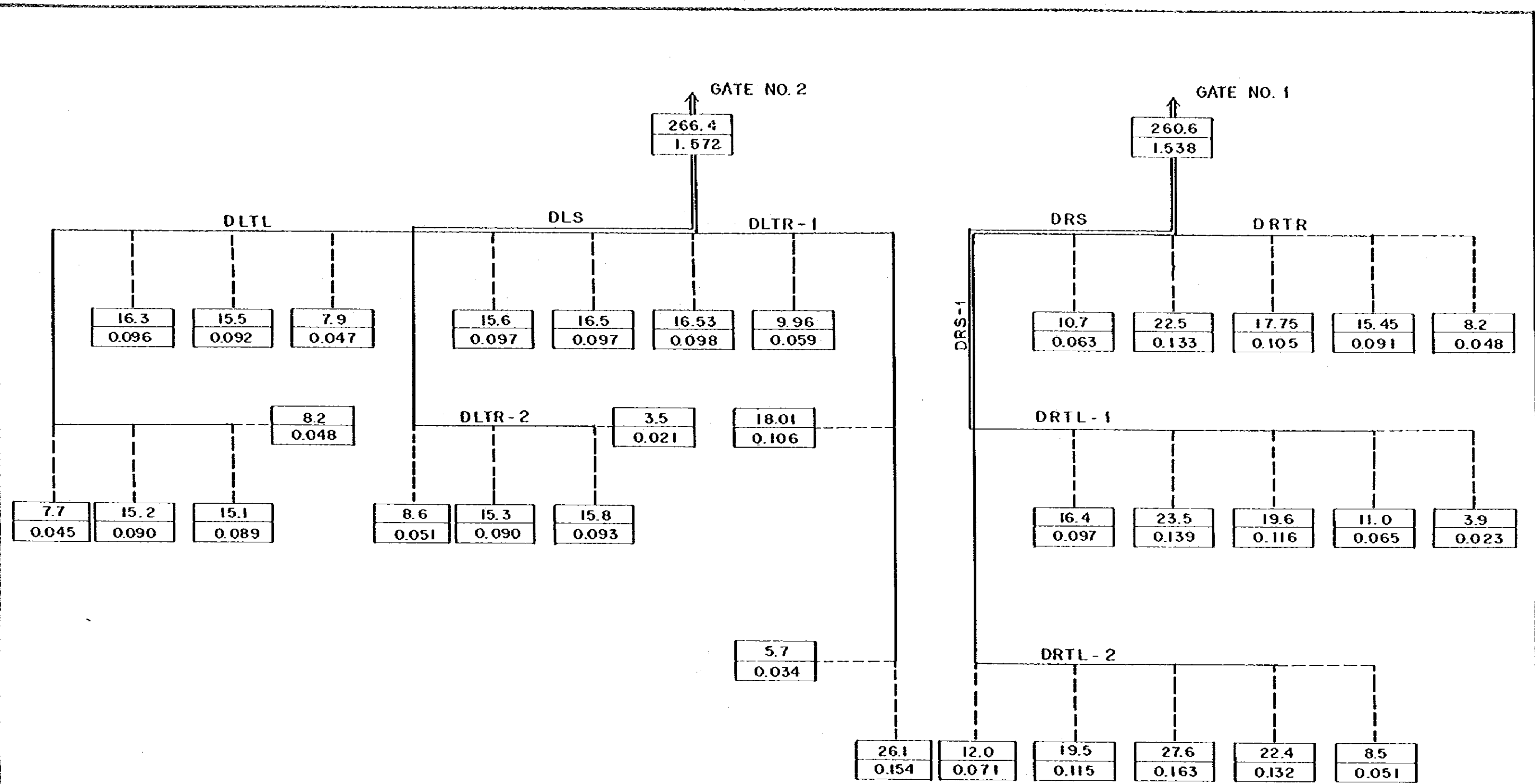
FARM POND 8870M³

CONSTRUCTION OF PILOT SCHEME FACILITIES
 IN RIAM KANAN
 TITLE OF DRAWING
FLOW DIAGRAM OF IRRIGATION SYSTEM (2)
 JAPAN INTERNATIONAL COOPERATION AGENCY TOKYO D.W.G. NO.
 7



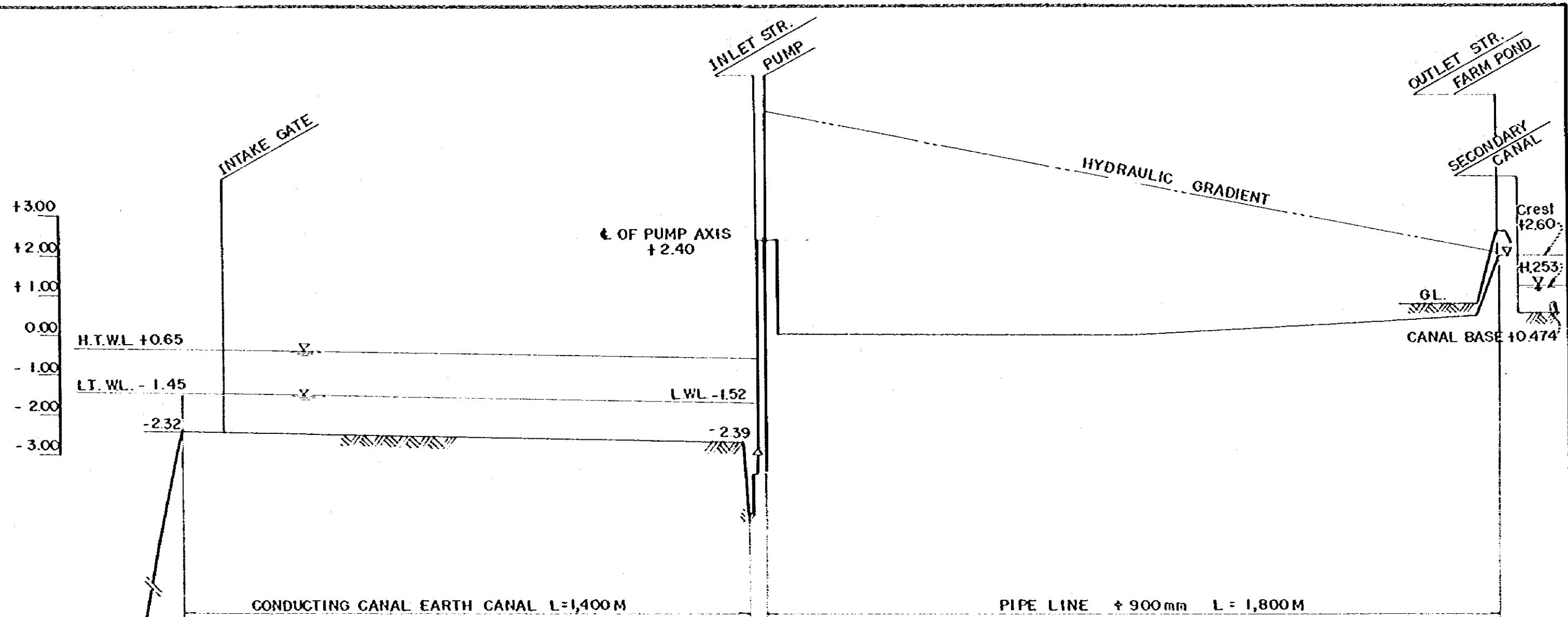
	CATCHMENT AREA (Ha)
	DISCHARGE (m ³ /sec)

CONSTRUCTION OF PLOT SCHEME FACILITIES IN RIAM KANAN	
TITLE OF DRAWING FLOW DIAGM OF DRAINAGE SYSTEM (1)	
JAPAN INTERNATIONAL COOPERATION AGENCY TOKYO	D.W.G. NO. 8



	CATCHMENT AREA (Ha)
	DISCHARGE (m ³ /sec)

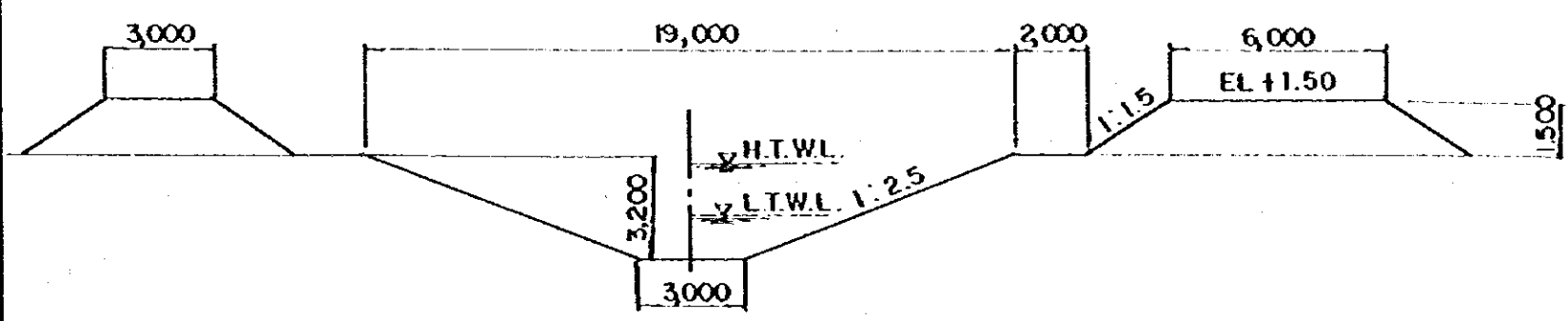
CONSTRUCTION OF PILOT SCHEME FACILITIES IN RIAM KANAN	
TITLE OF DRAWING FLOW DIAGRAM OF DRAINAGE SYSTEM(2)	
JAPAN INTERNATIONAL COOPERATION AGENCY	DWG. NO.
TOKYO	9



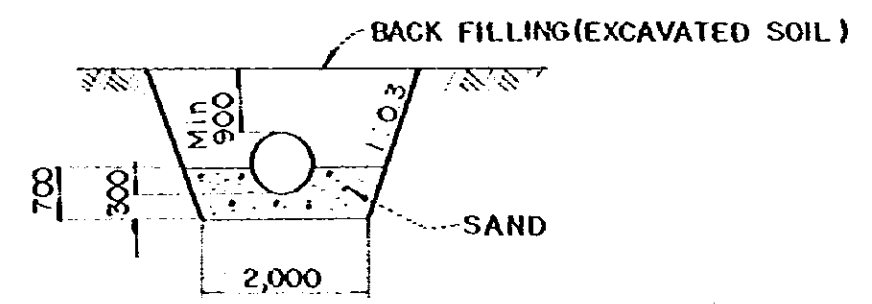
BOTTOM OF RIVER -10.00

CONDUCTING CANAL EARTH CANAL L=1,400M
I = 1/20,000

PIPE LINE φ 900mm L = 1,800M



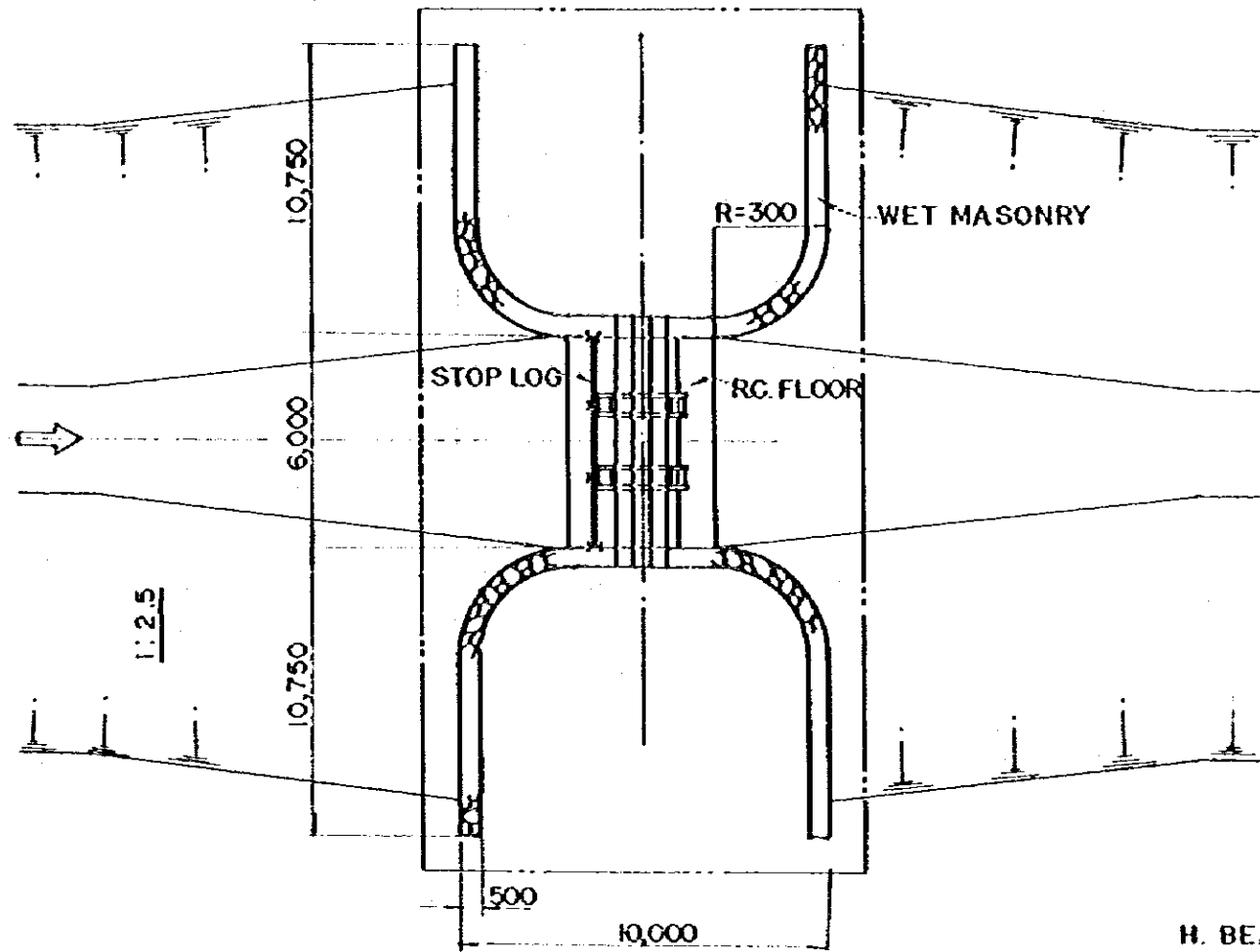
CONDUCTING CANAL
TYPICAL CROSS SECTION



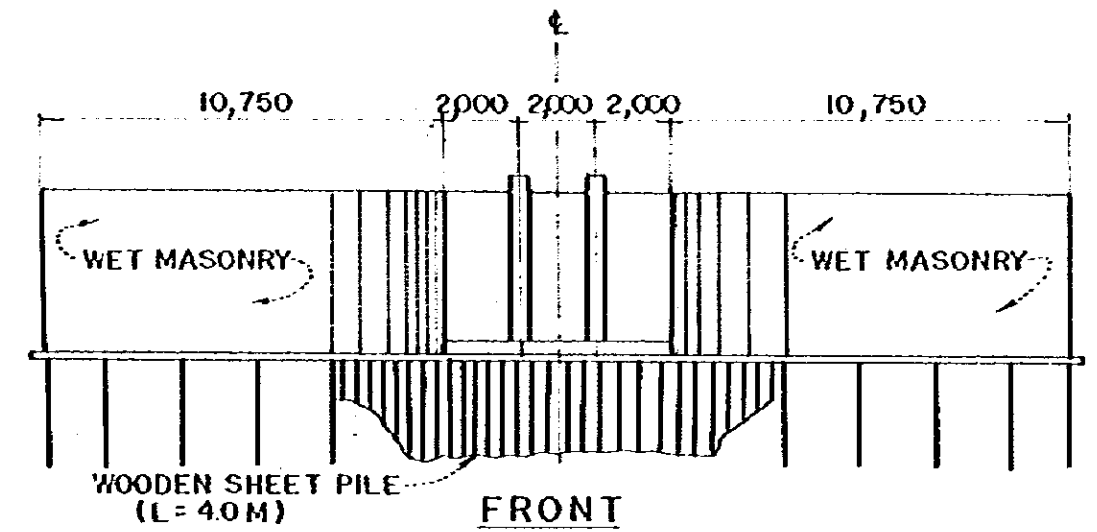
PIPE LINE
TYPICAL CROSS SECTION

CONSTRUCTION OF PILOT SCHEME FACILITIES IN RIAM KANAN	
TITLE OF DRAWING HYDRAULIC PROFILE	
JAPAN INTERNATIONAL COOPERATION AGENCY TOKYO	DWG NO. 10

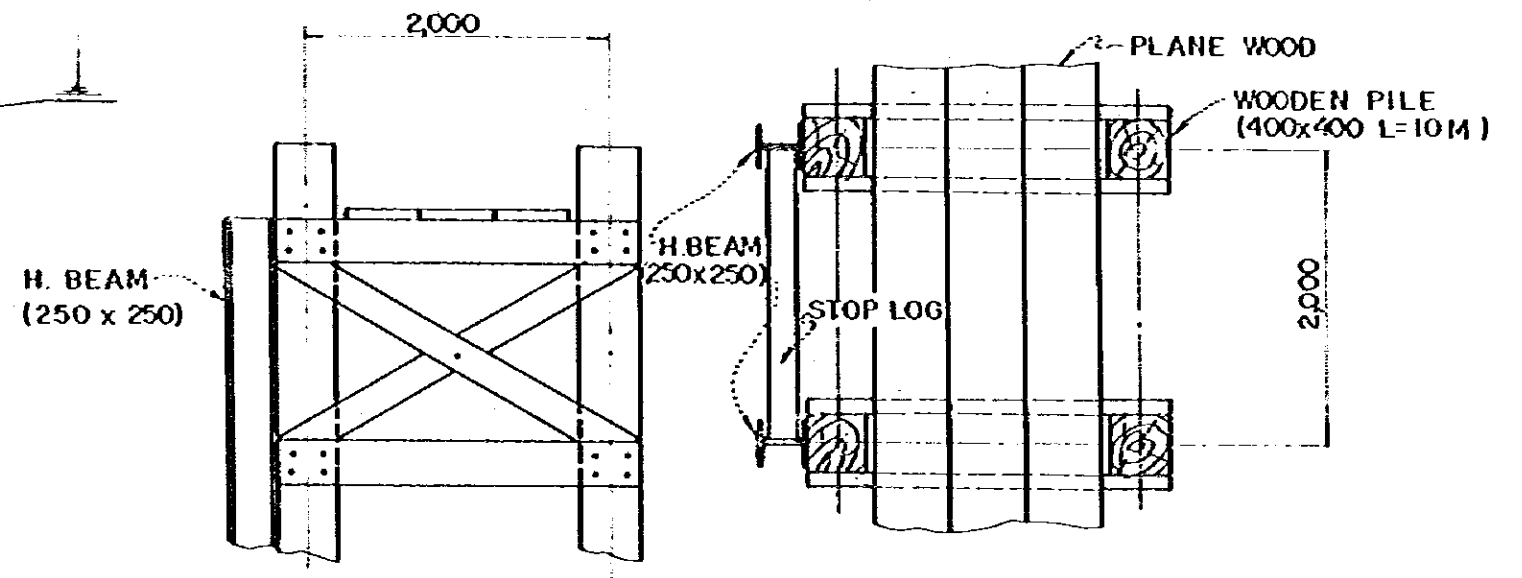
MARTAPURA RIVER



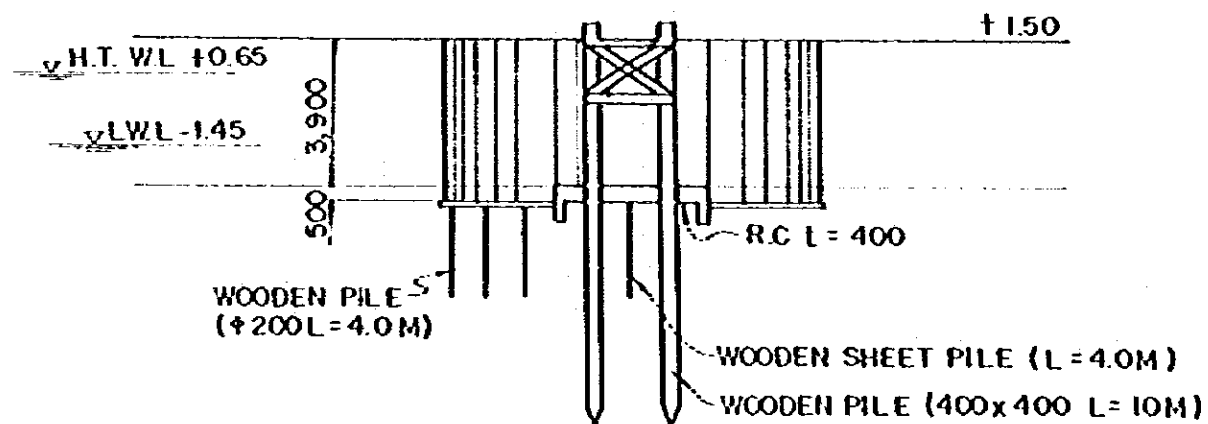
PLAN
S = 1/200 SCALE A



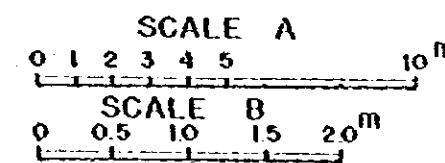
FRONT



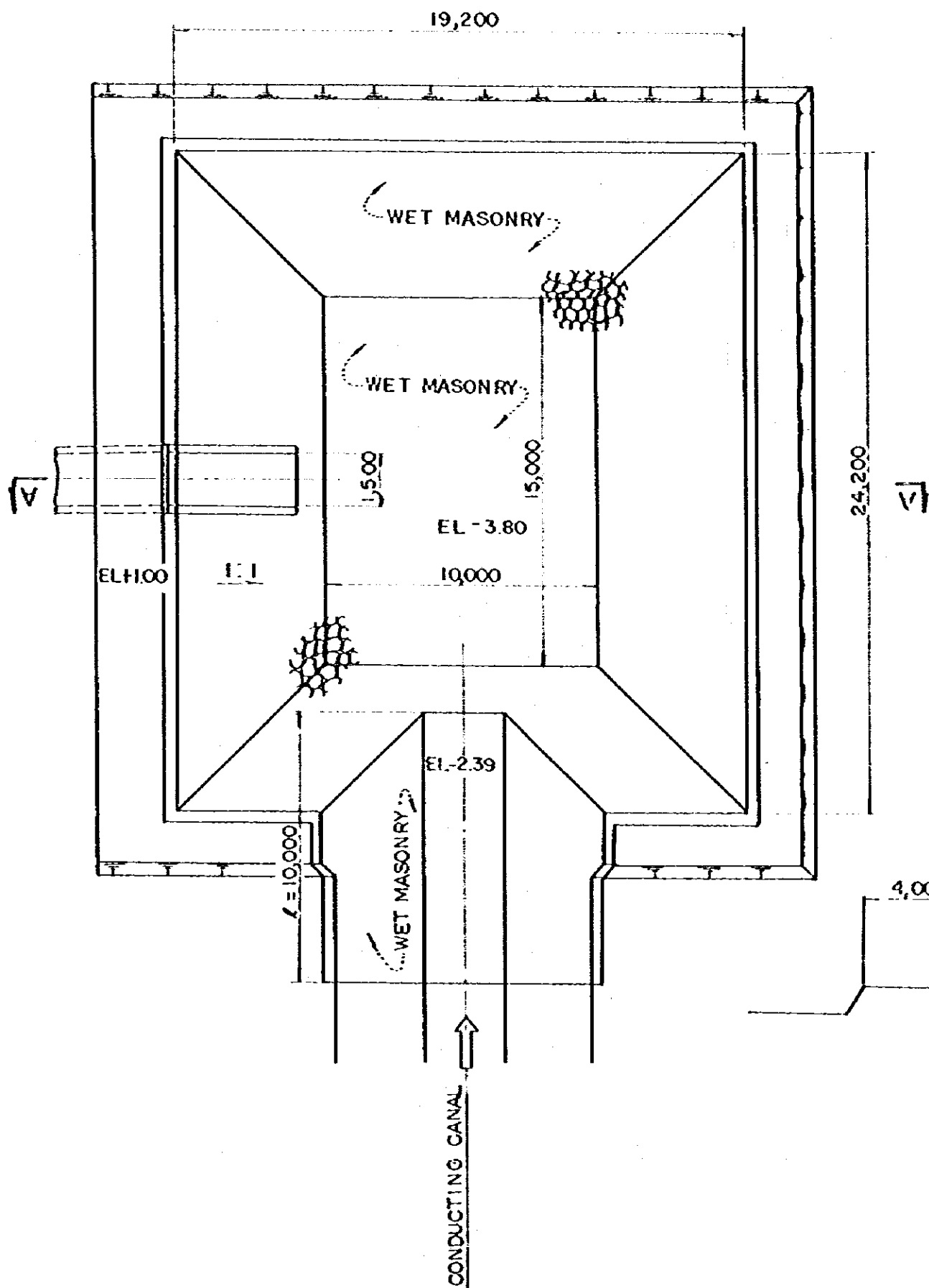
DETAIL
SCALE B



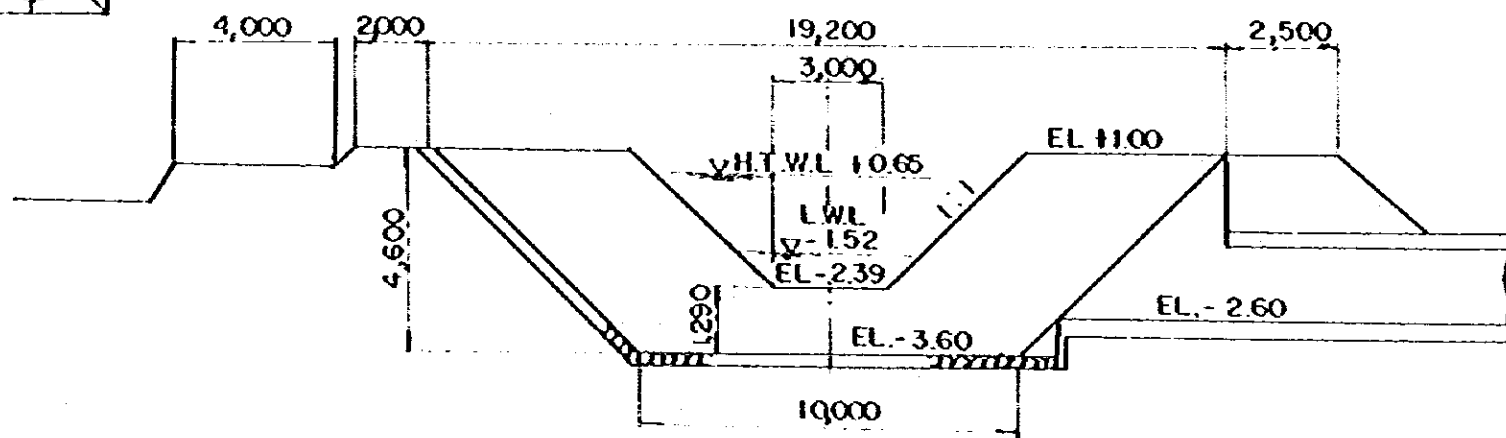
PROFILE
S = 1/200 SCALE A



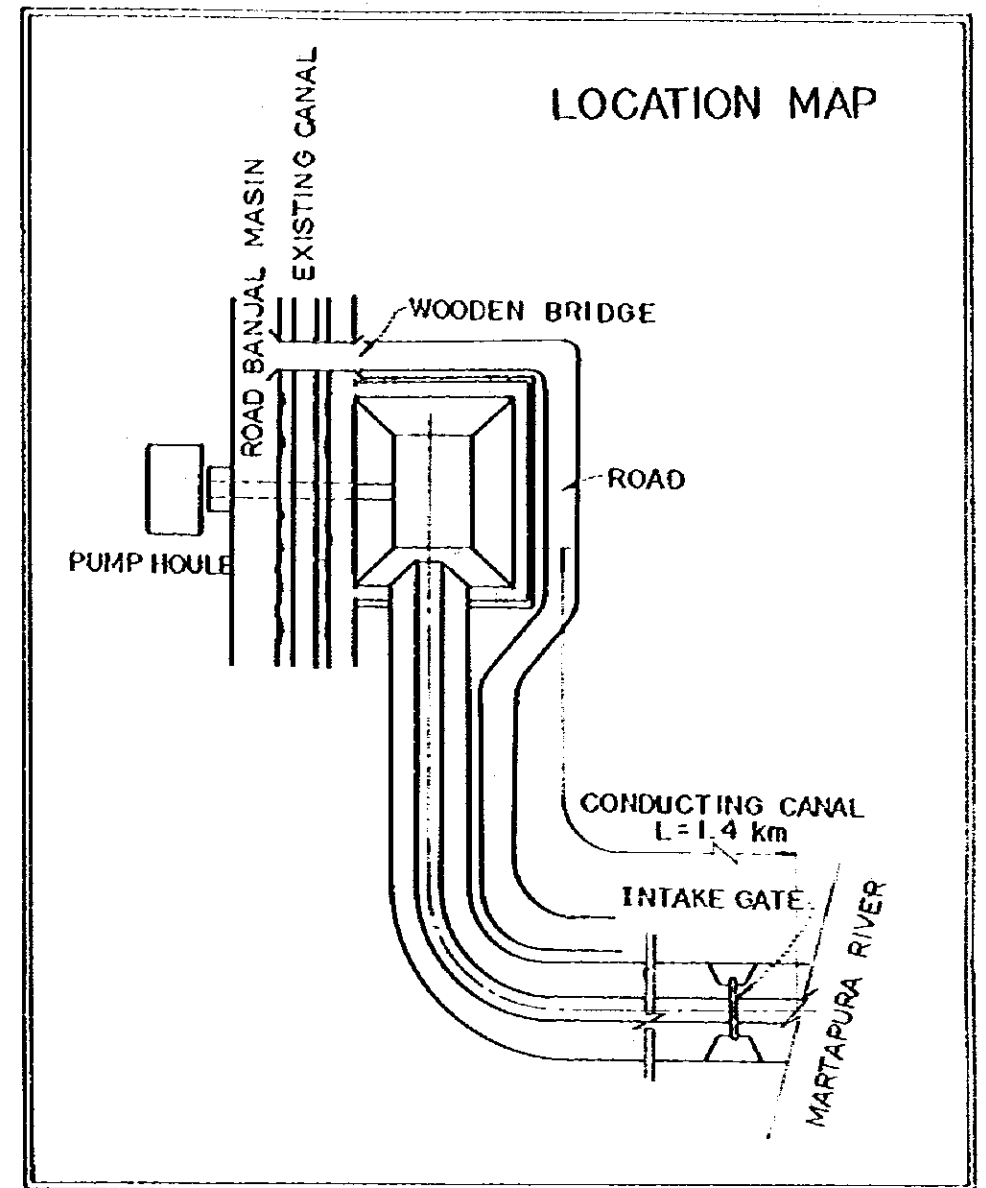
CONSTRUCTION OF PILOT SCHEME FACILITIES IN RIAM KAHAN	
TITLE OF DRAWING INTAKE GATE	
JAPAN INTERNATIONAL COOPERATION AGENCY TOKYO	DWG NO. 11



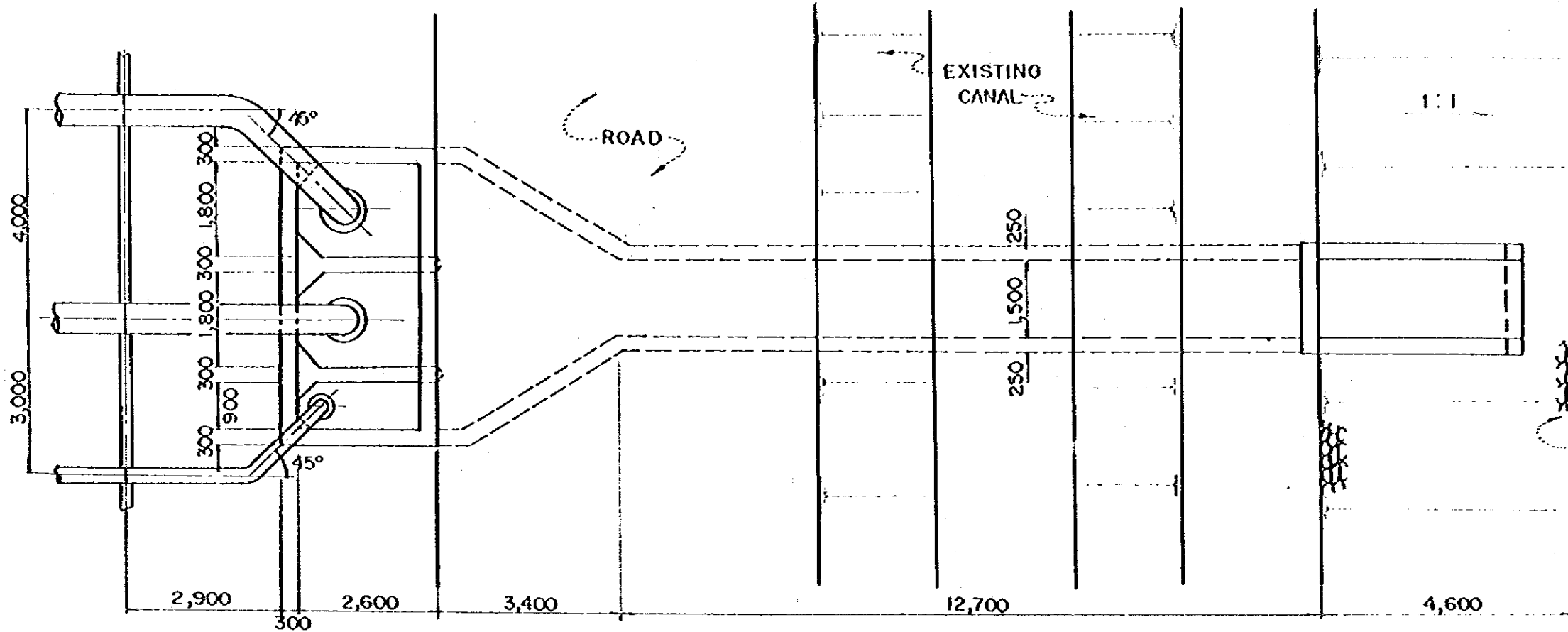
PLAN
S=1/200



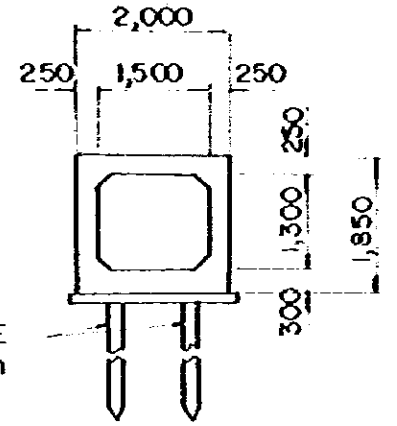
SECTION A-A
S=1/200



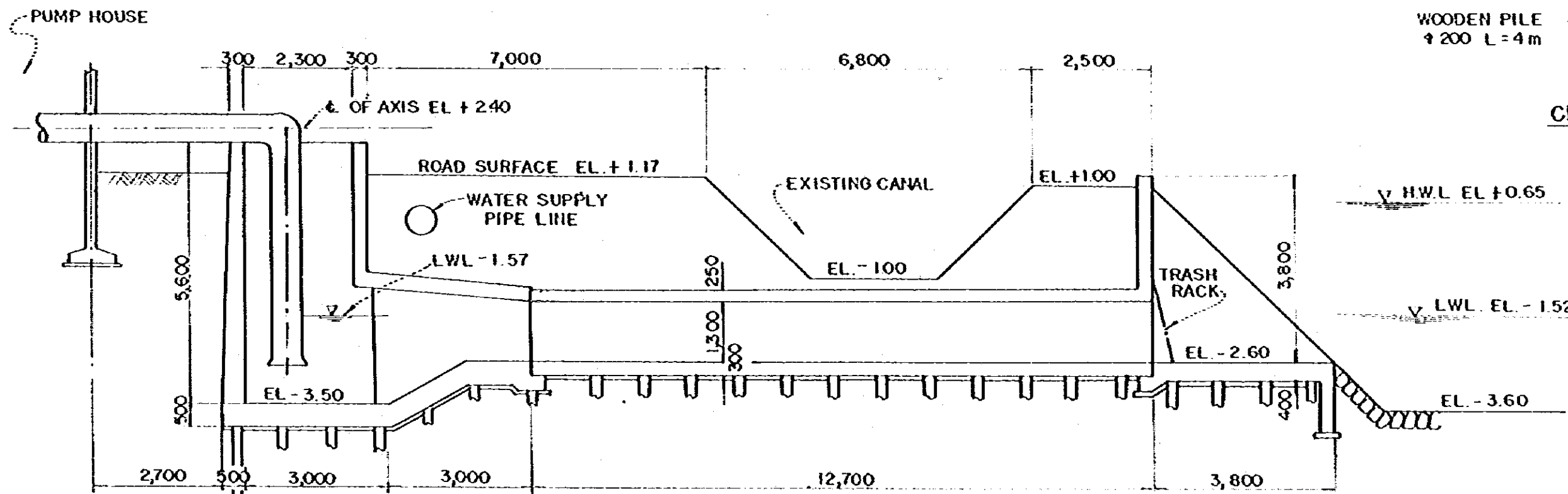
CONSTRUCTION OF PILOT SCHEME FACILITIES IN RIAM KANAN	
TITLE OF DRAWING	
INLET	
JAPAN INTERNATIONAL COOPERATION AGENCY TOKYO	DWG. NO. 12



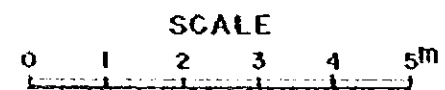
PLAN
S = 1/100



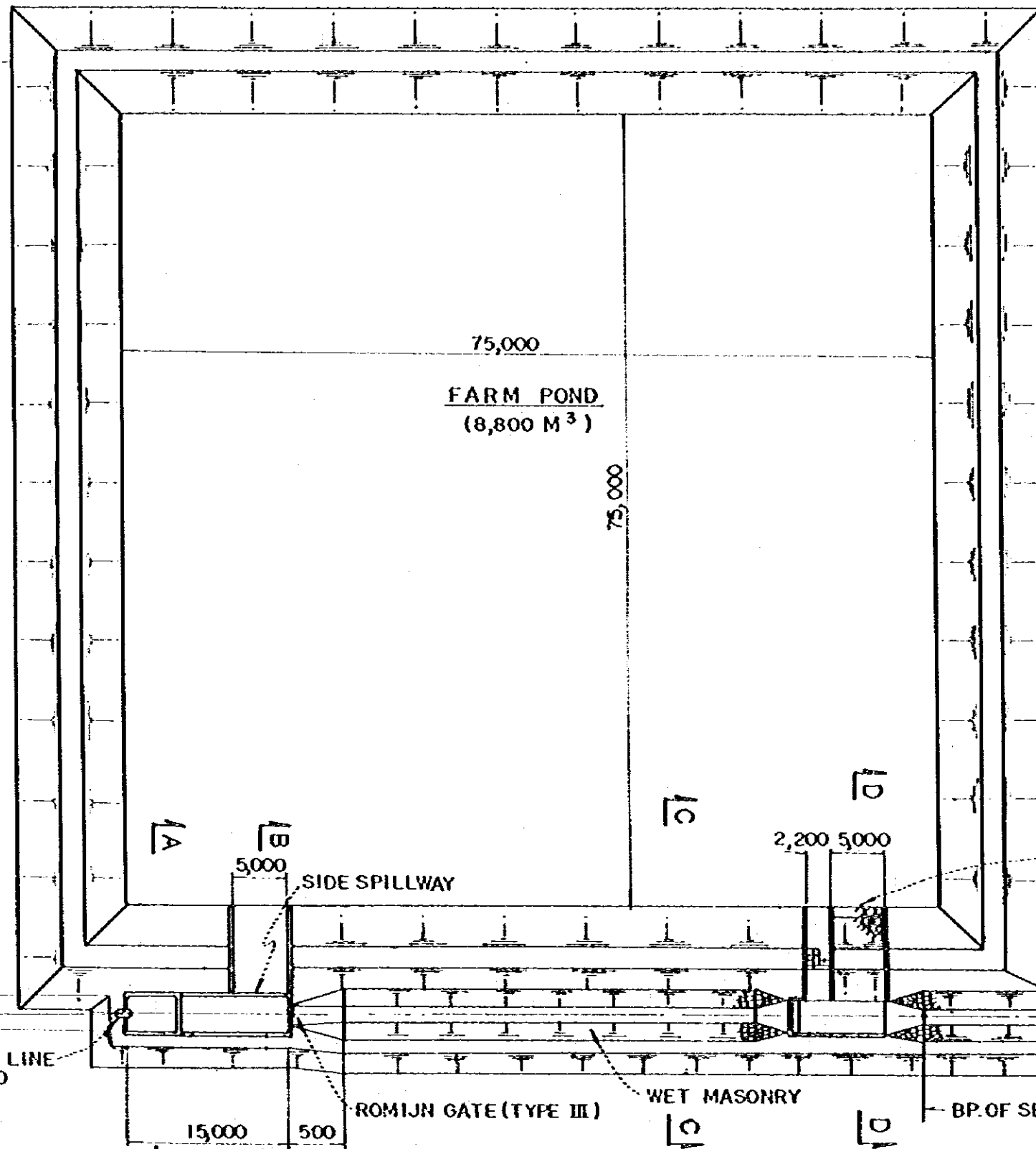
CROSS SECTION
S = 1/100



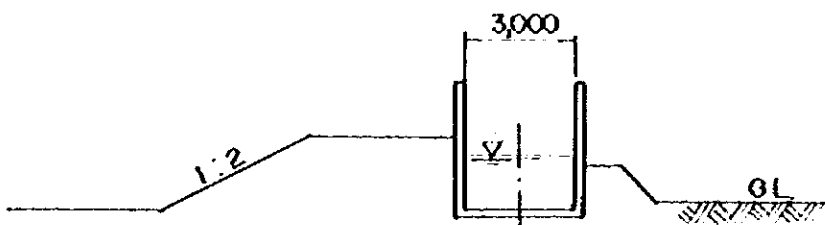
PROFILE
S = 1/100



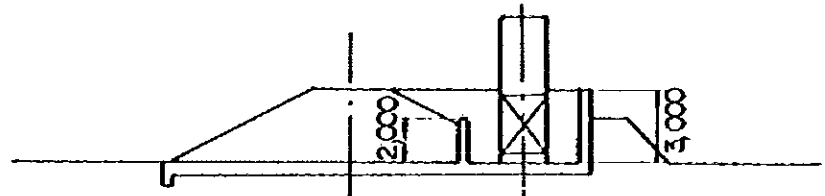
CONSTRUCTION OF PILOT SCHEME FACILITIES IN RIAM KANAN	
TITLE OF DRAWING	
SUCTION PIT	
JAPAN INTERNATIONAL COOPERATION AGENCY TOKYO	DWG NO. 13



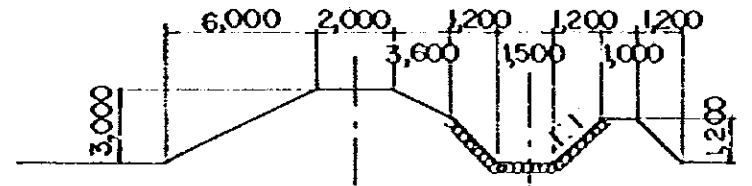
PLAN
S=1/500 SCALE A



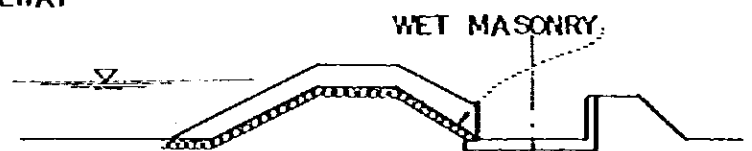
SECTION A-A
S=1/20 SCALE B



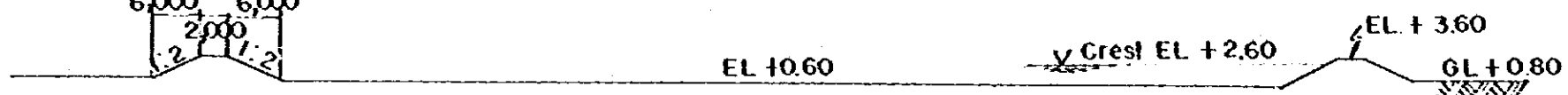
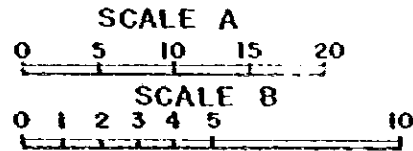
SECTION B-B



SECTION C-C

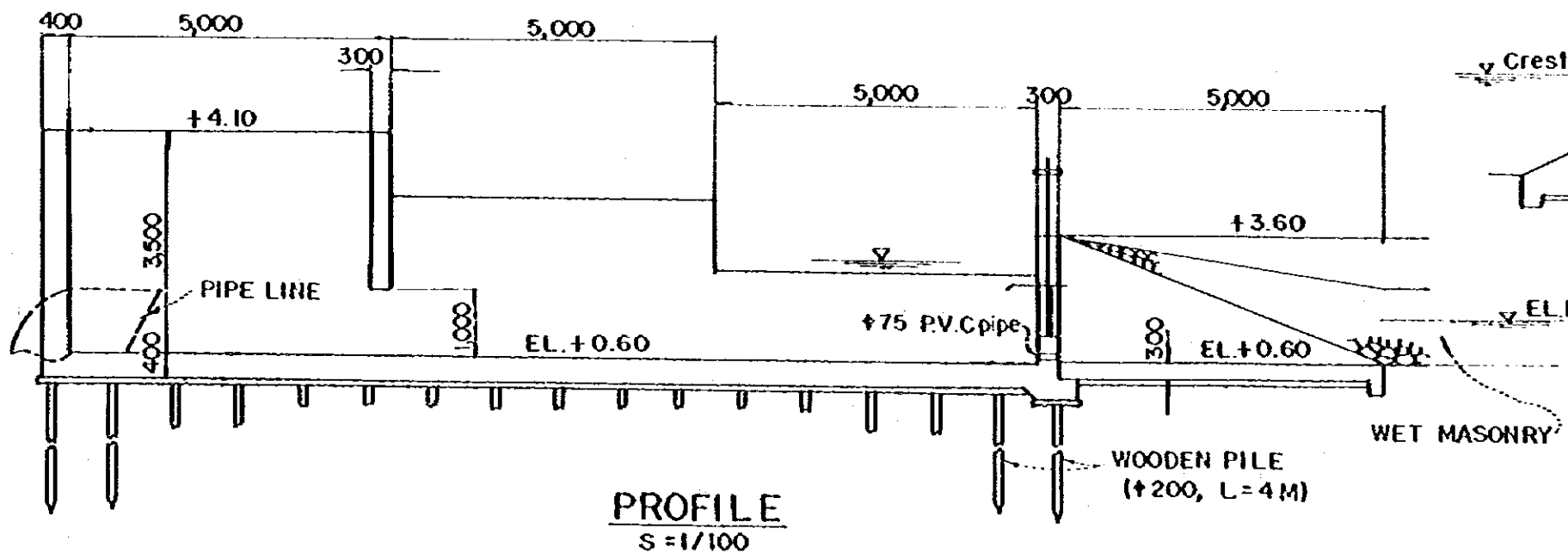
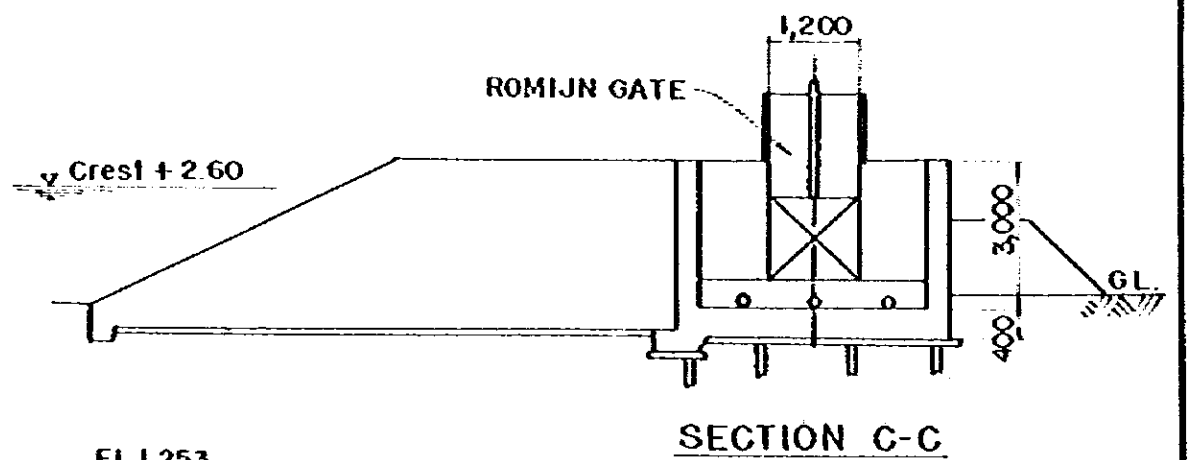
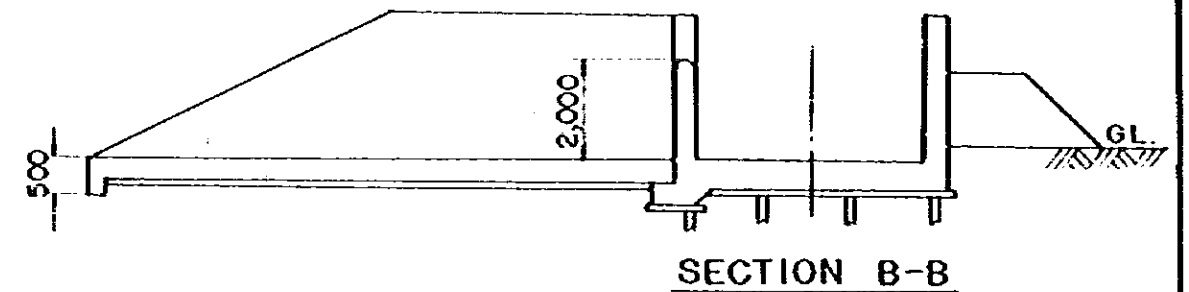
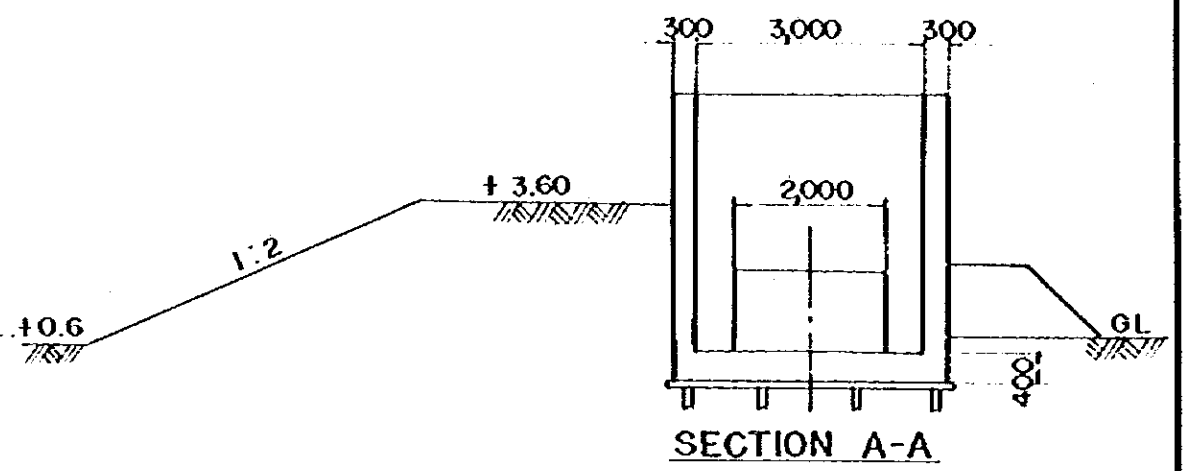
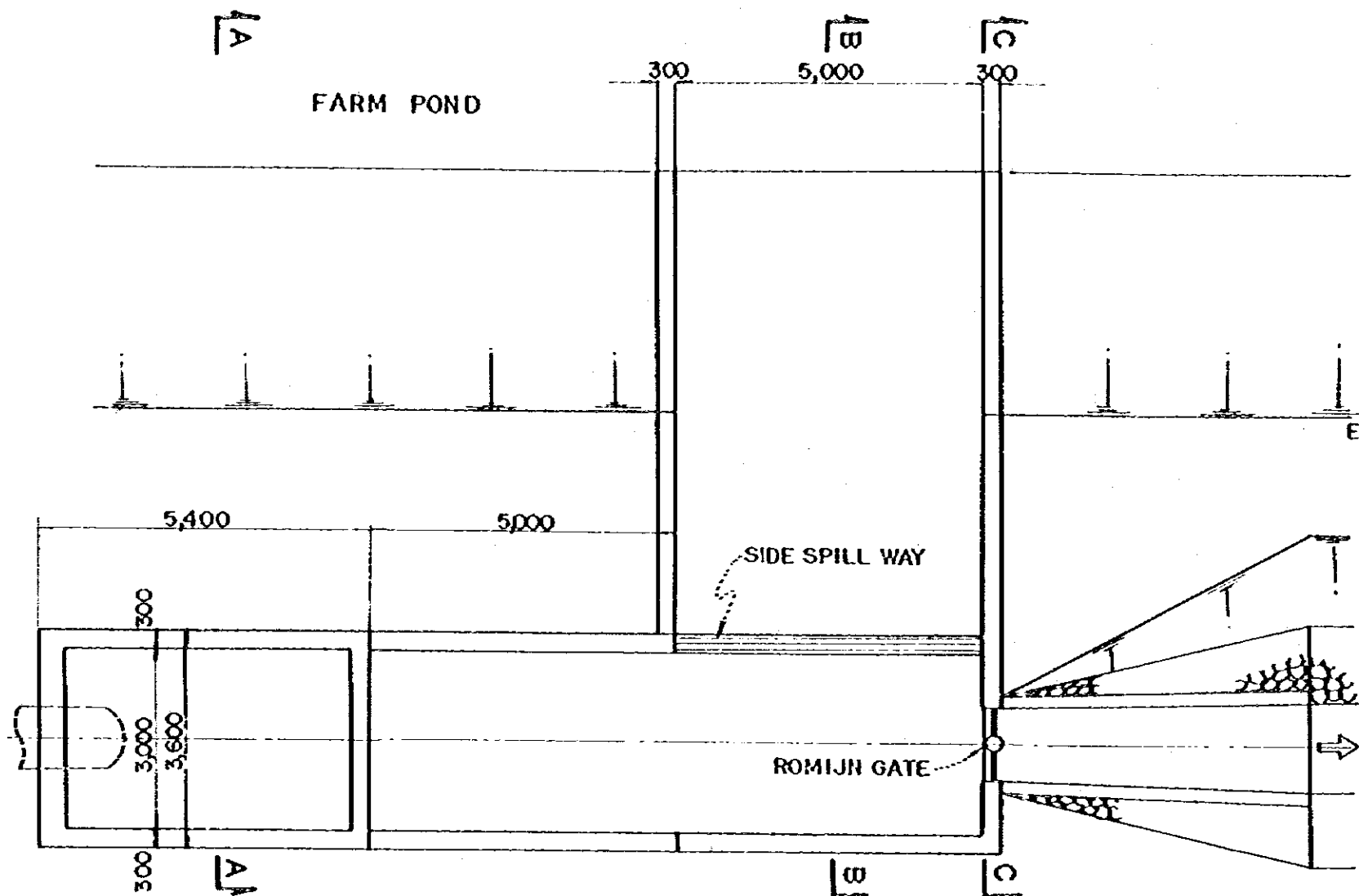


SECTION D-D

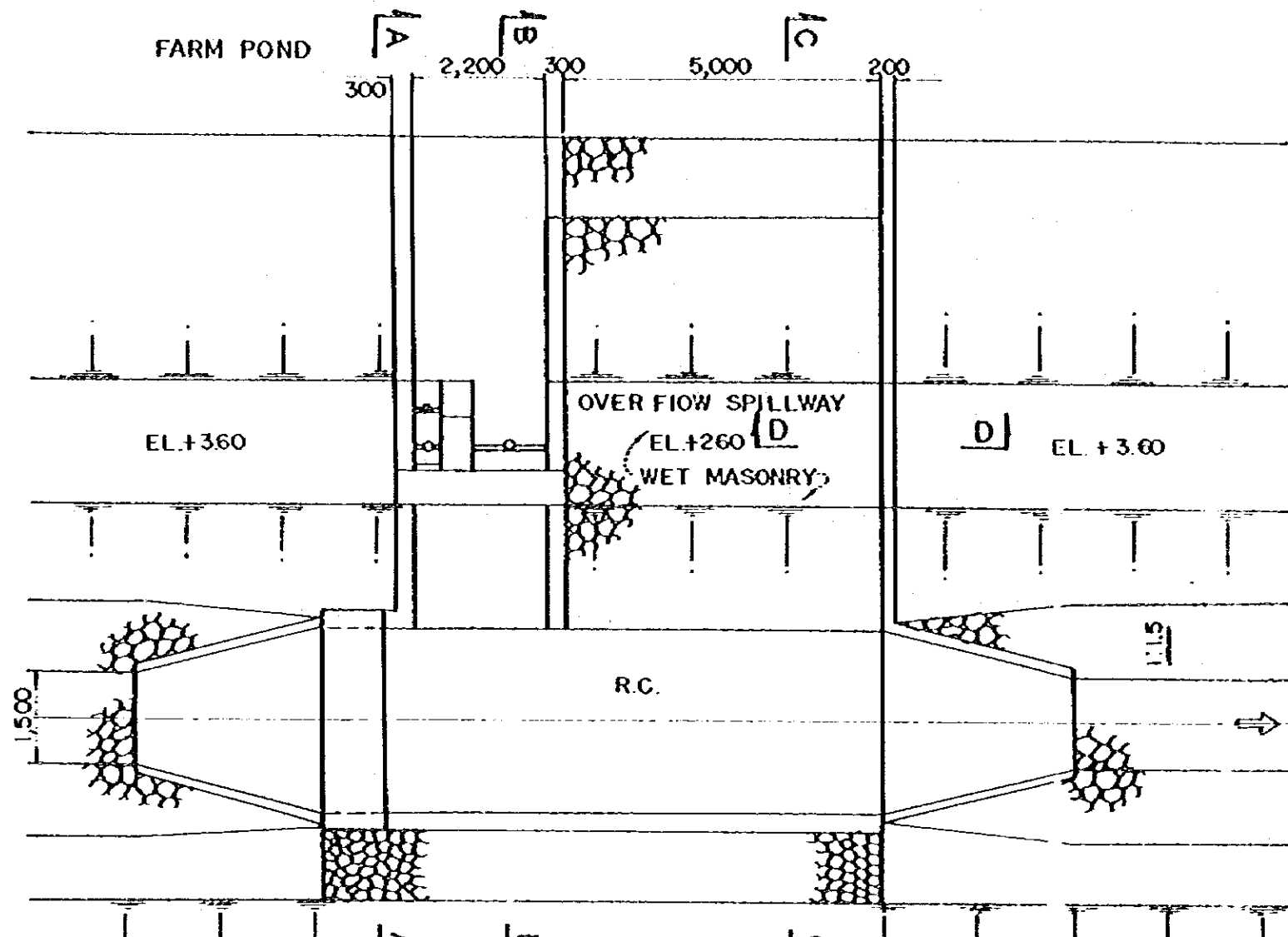


PROFILE
S=1/500

CONSTRUCTION OF PILOT SCHEME FACILITIES IN RIAM KANAN	
TITLE OF DRAWING FARM POND	
JAPAN INTERNATIONAL COOPERATION AGENCY TOKYO	DWG NO. 14



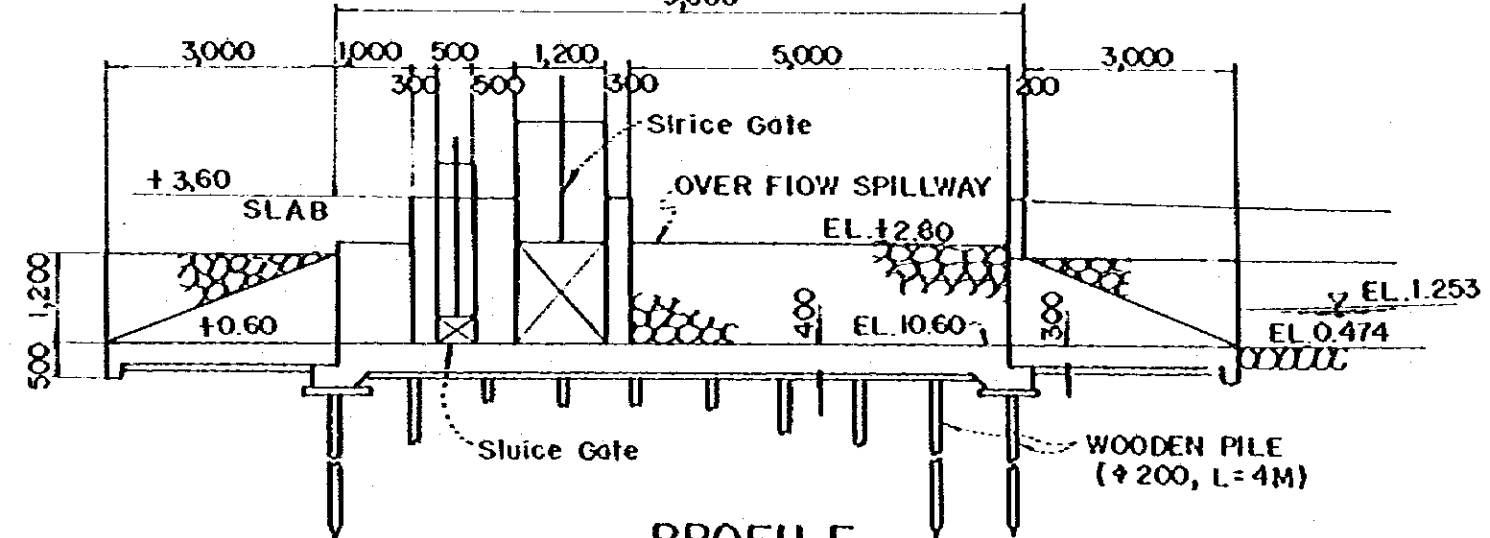
CONSTRUCTION OF PILOT SCHEME FACILITIES IN RIAM KANAN	
TITLE OF DRAWING OUTLET STRUCTURE (1)	
JAPAN INTERNATIONAL COOPERATION AGENCY TOKYO	DWG. NO. 15



PLAN

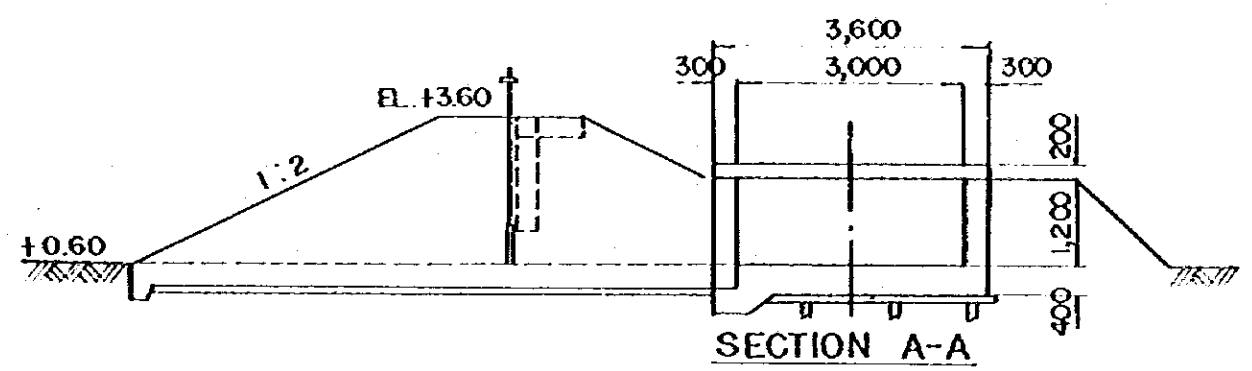
S = 1/100

9,000

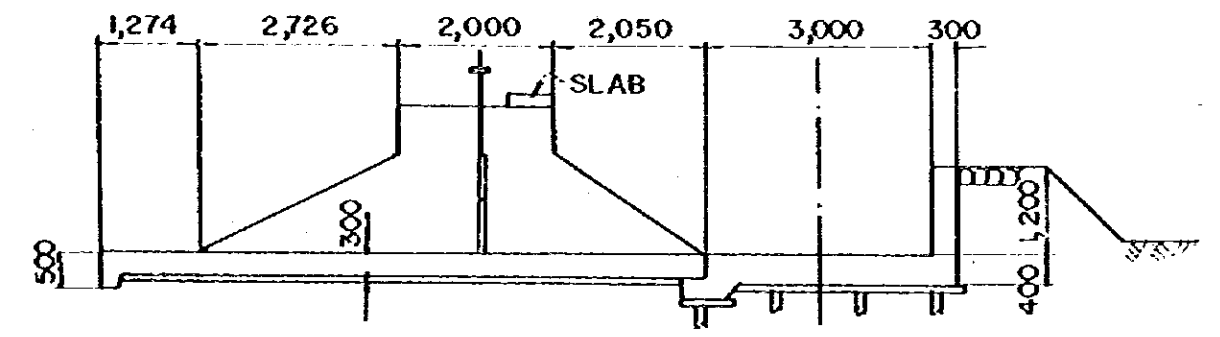


PROFILE

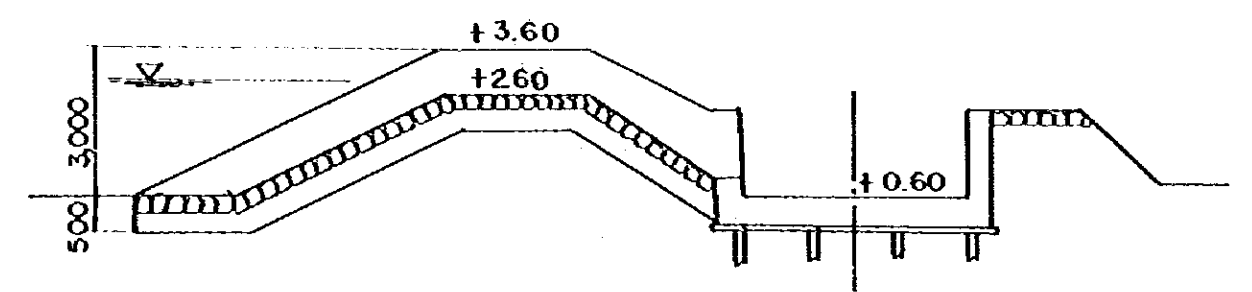
S = 1/100



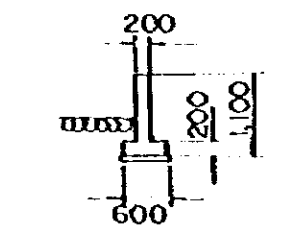
SECTION A-A



SECTION B-B

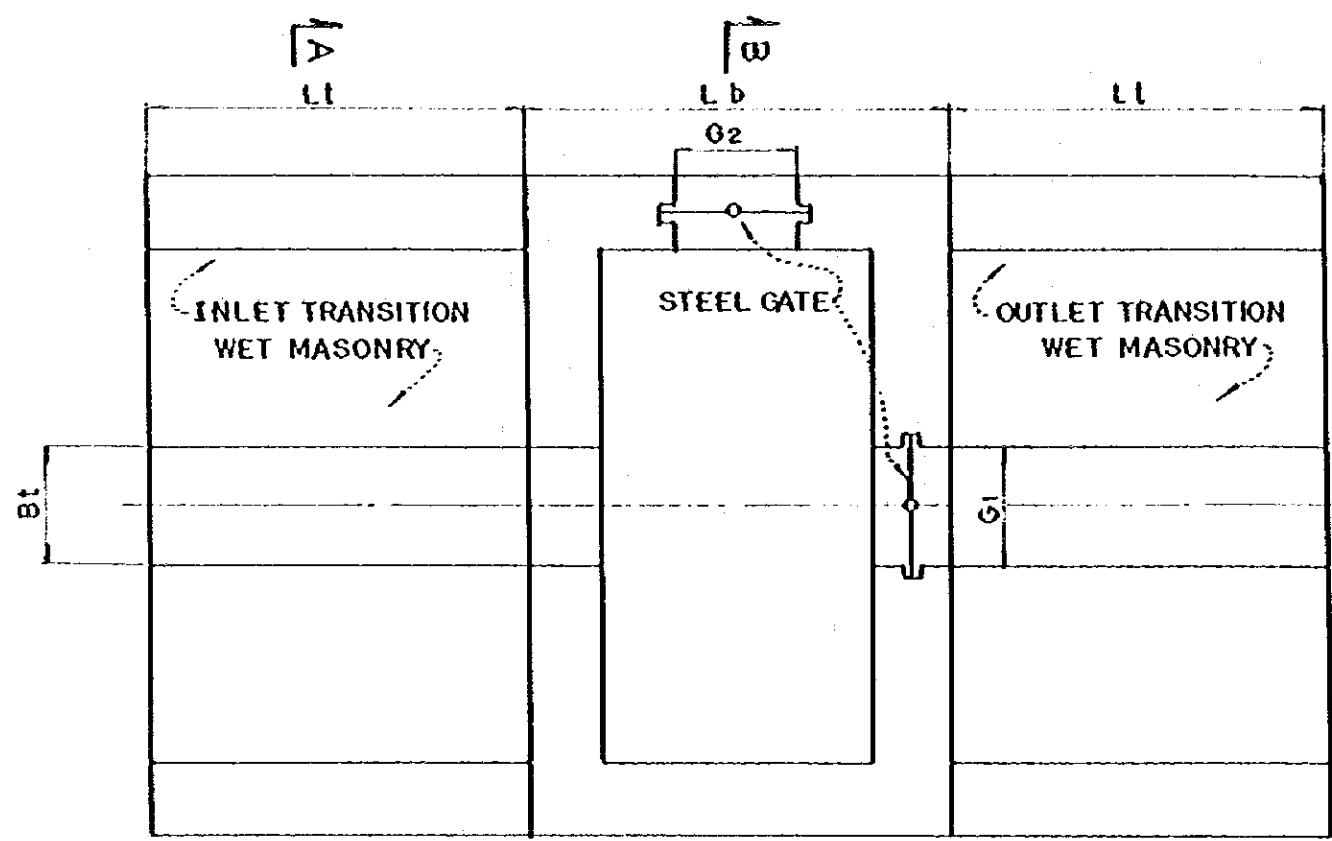


SECTION C-C

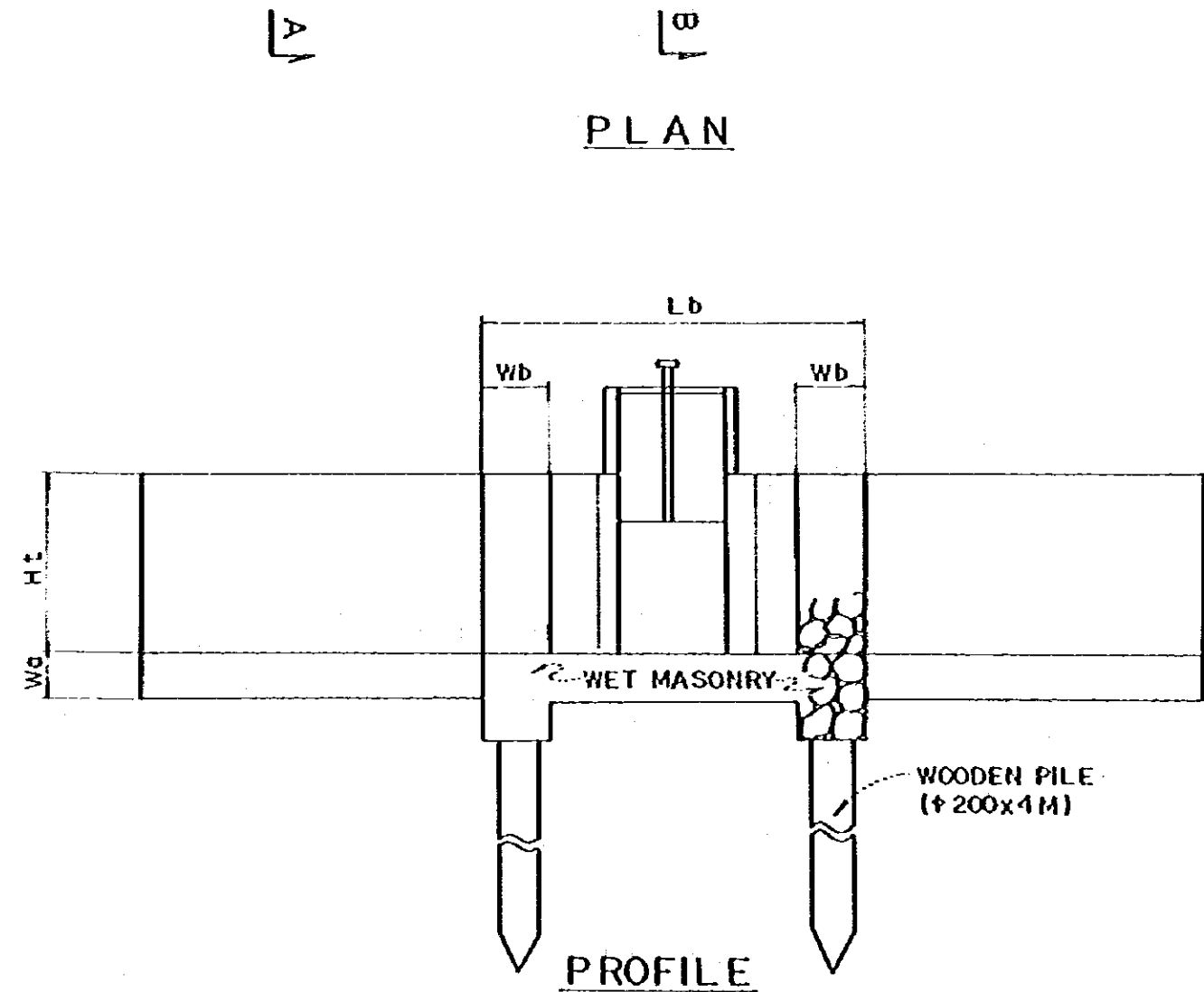


SECTION D-D

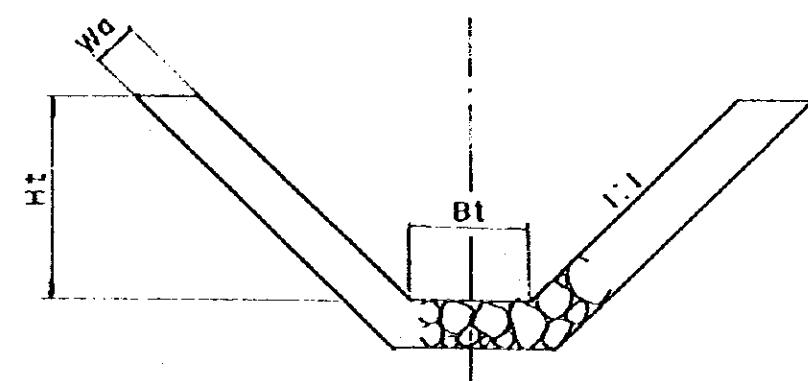
CONSTRUCTION OF PILOT SCHEME FACILITIES IN RIAM KANAN	
TITLE OF DRAWING OUTLET STRUCTURE (2)	
JAPAN INTERNATIONAL COOPERATION AGENCY	DWG NO.
TOKYO	16



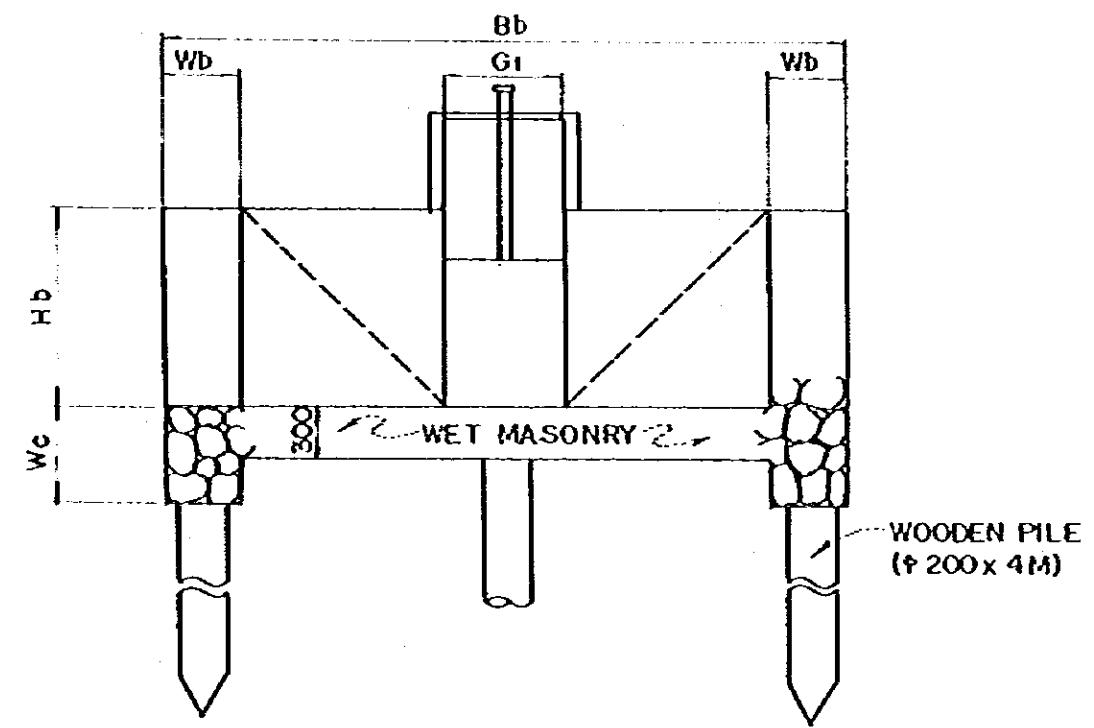
PLAN



PROFILE



SECTION A-A



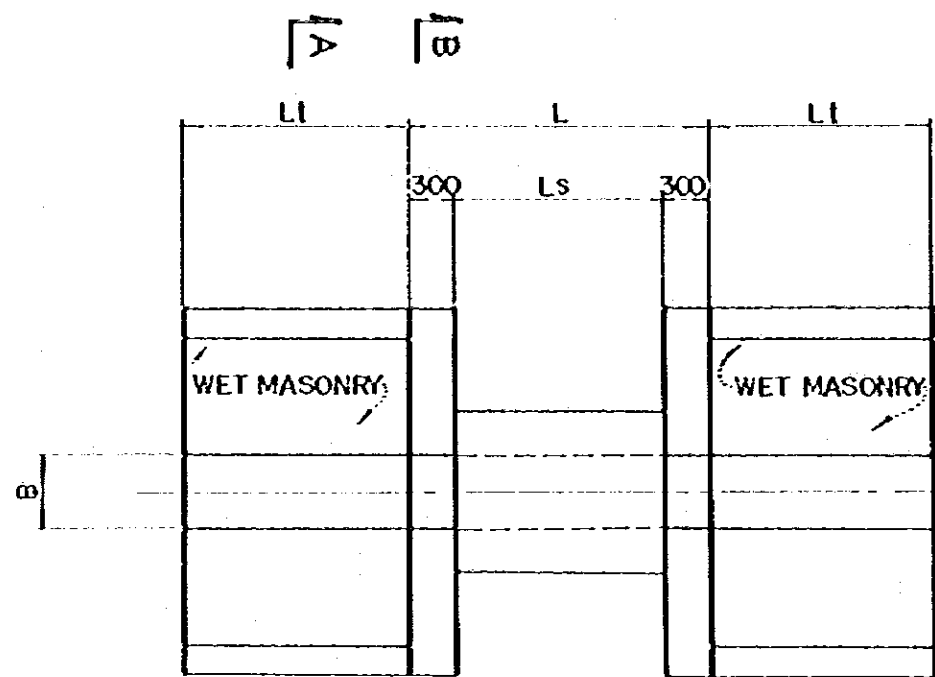
SECTION B-B

	(m)											
	Lt	Bt	Ht	Lb	Bb	Hb	G1	G2	Wc	Wb	Wc	
TYPE I	1.5	0.3	0.6	1.4	2.1	0.6	0.3	0.3	0.3	0.3	0.5	
II	1.5	0.4	0.7	1.4	2.4	0.7	0.4	0.3	0.3	0.3	0.5	
III	1.5	0.5	0.8	1.6	2.7	0.8	0.5	0.3	0.3	0.3	0.5	
IV	1.5	0.6	0.9	1.6	3.0	0.9	0.6	0.3	0.3	0.3	0.6	
V	1.5	0.7	1.0	1.8	3.8	1.0	0.7	0.3	0.3	0.3	0.6	

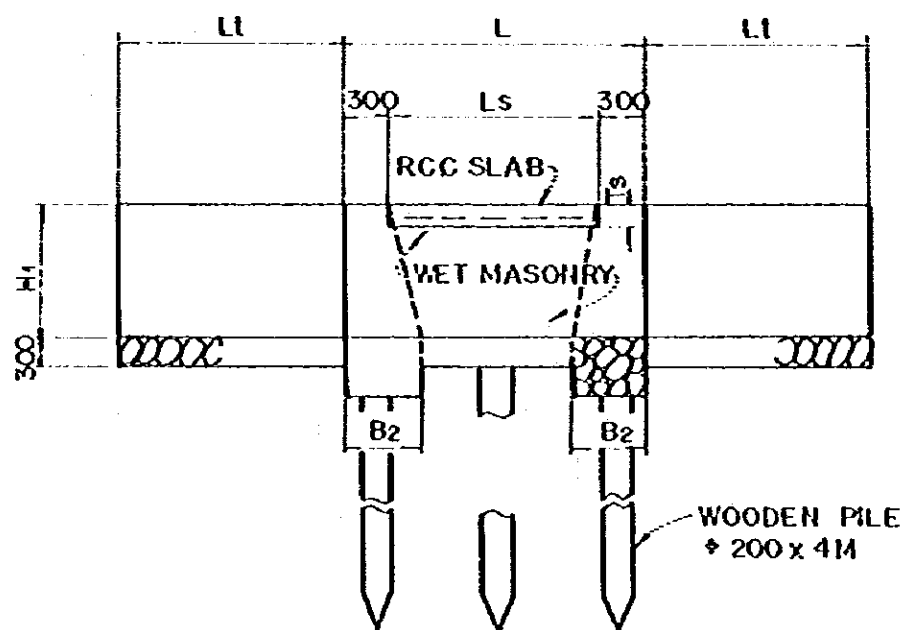
CONSTRUCTION OF PILOT SCHEME FACILITIES
IN RIAM KANAN

TITLE OF DRAWING
TYPICAL DRAWING OF DIVISION BOX

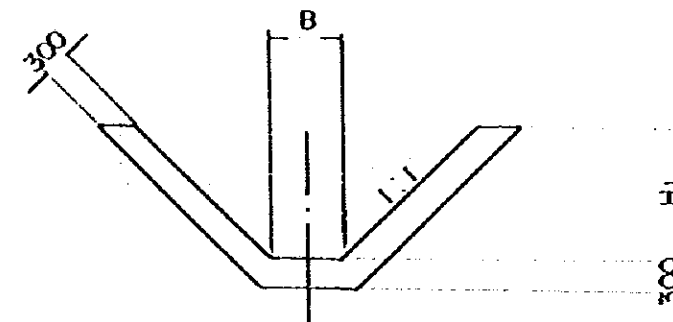
JAPAN INTERNATIONAL COOPERATION AGENCY DWG NO.
TOKYO 17



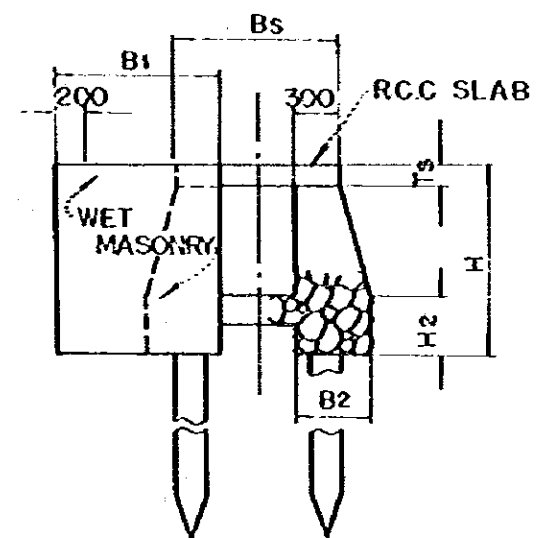
PLAN



PROFILE



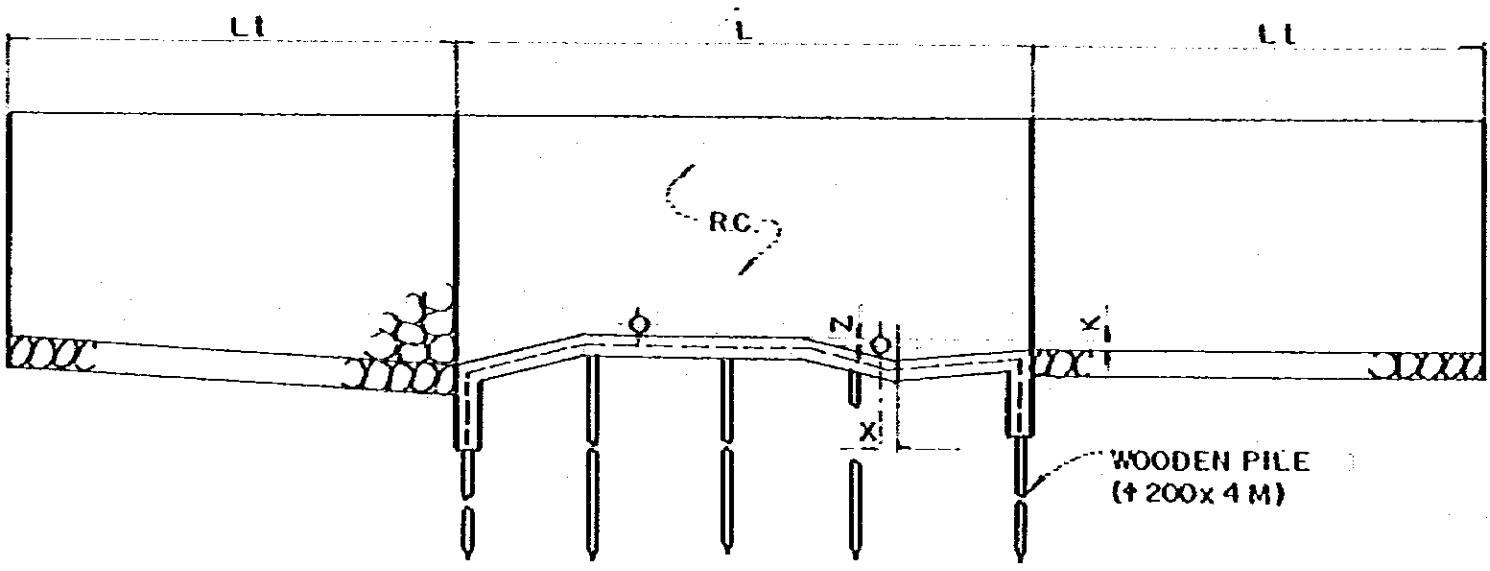
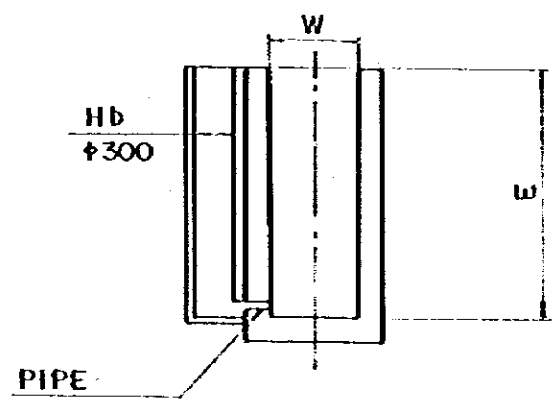
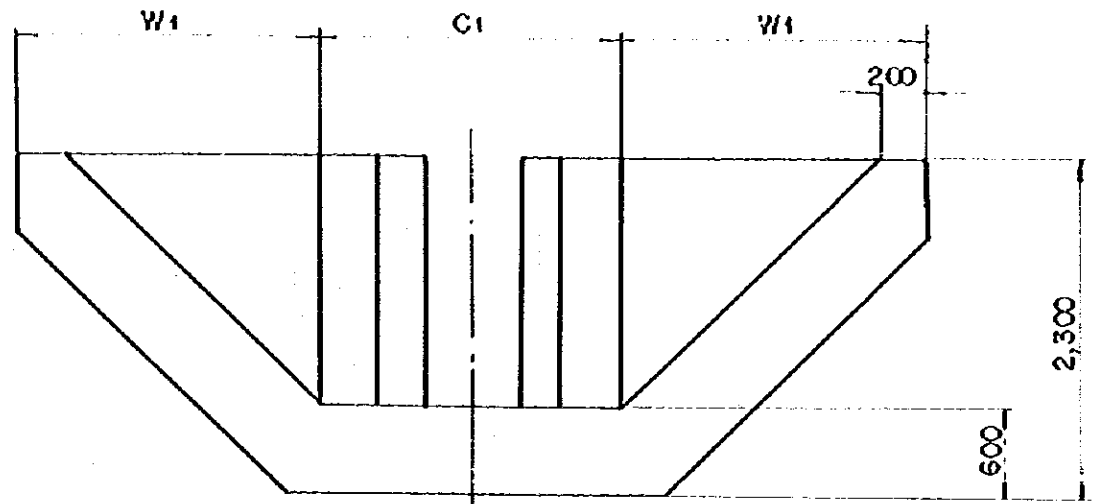
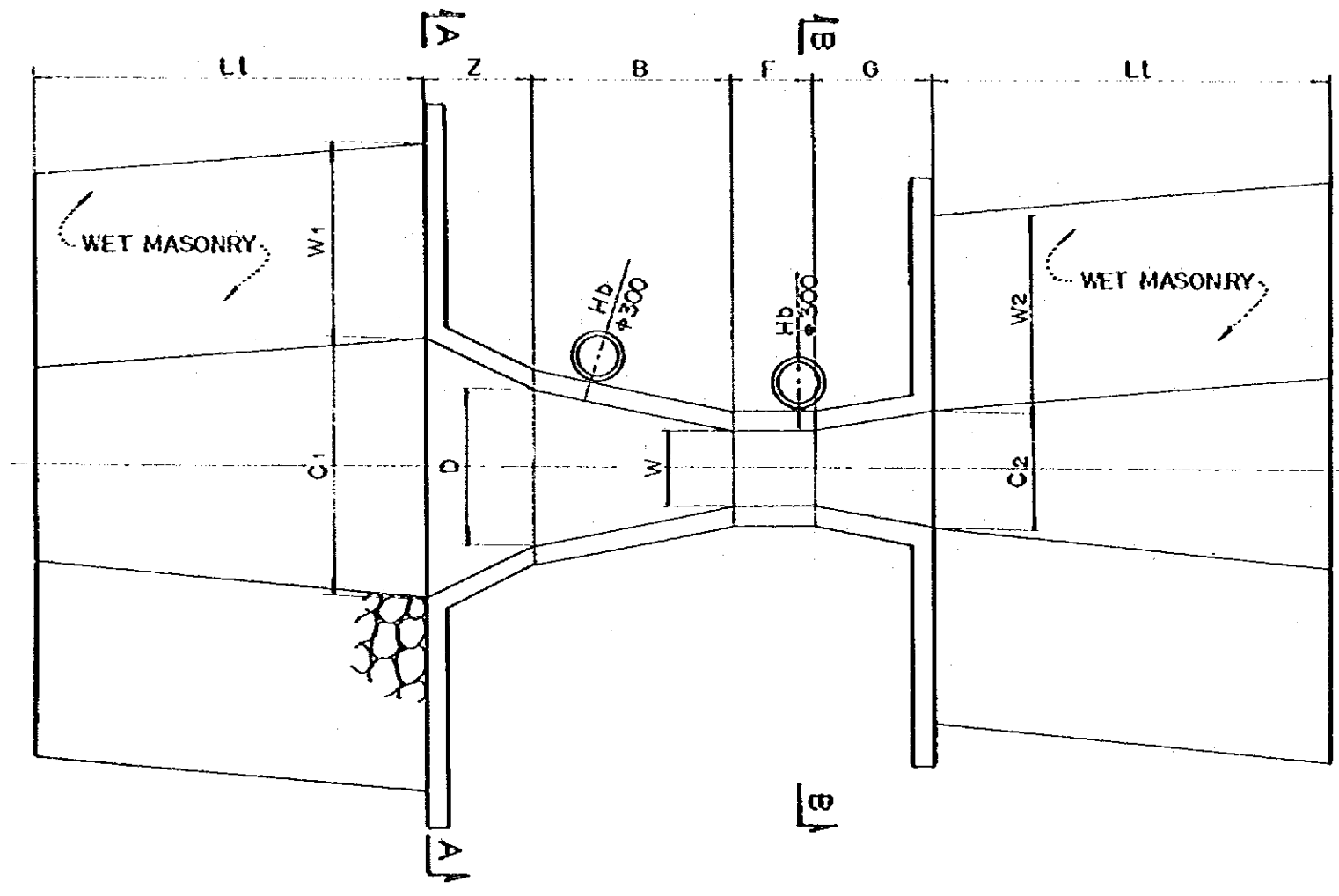
SECTION A-A



SECTION B-B

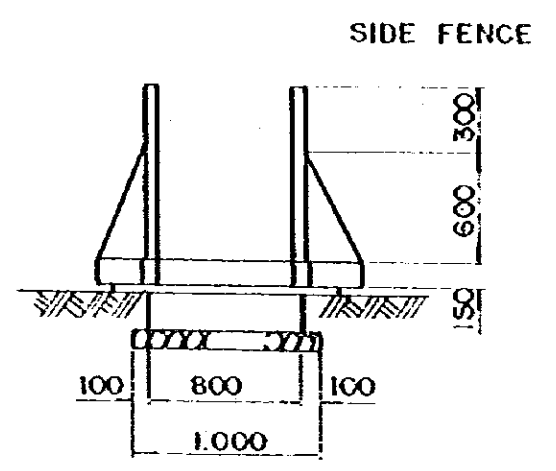
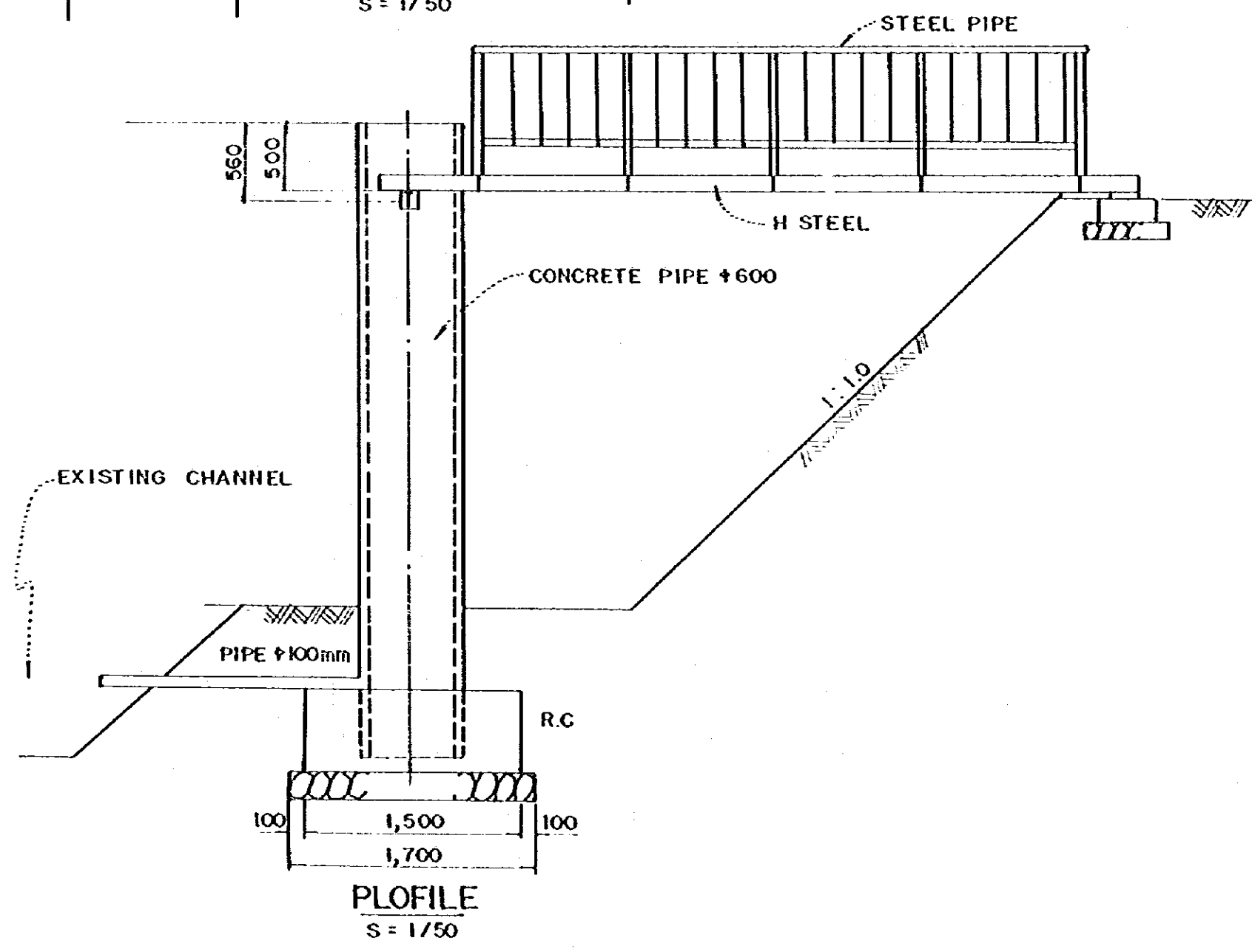
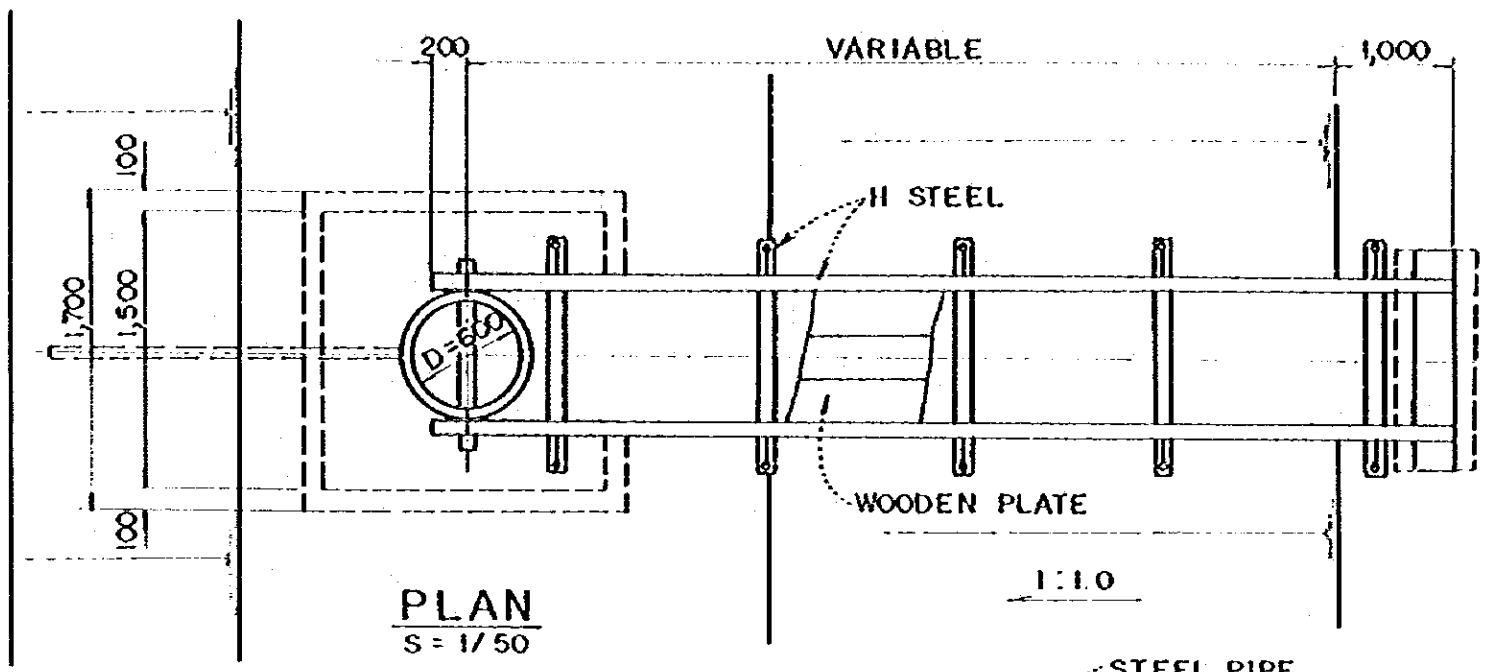
	L	Ls	Ll	B	B1	B2	H	H1	H2	Ts	Bs	(m)
TYPE I	2.6	2.0	1.5	0.3	0.8	0.5	1.1	0.6	0.5	0.15	0.9	
II	2.6	2.0	1.5	0.4	0.9	0.5	1.2	0.7	0.5	0.15	1.0	
III	2.6	2.0	1.5	0.5	1.0	0.6	1.3	0.8	0.5	0.15	1.1	
IV	2.6	2.0	1.5	0.6	1.1	0.6	1.4	0.9	0.5	0.15	1.2	
V	2.6	2.0	1.5	0.7	1.2	0.7	1.5	1.0	0.5	0.15	1.3	

CONSTRUCTION OF PILOT SCHEME FACILITIES
IN RIAM KANAN
TITLE OF DRAWING
TYPICAL DRAWING OF CULVERT
JAPAN INTERNATIONAL COOPERATION AGENCY DWG. NO.
TOKYO 18

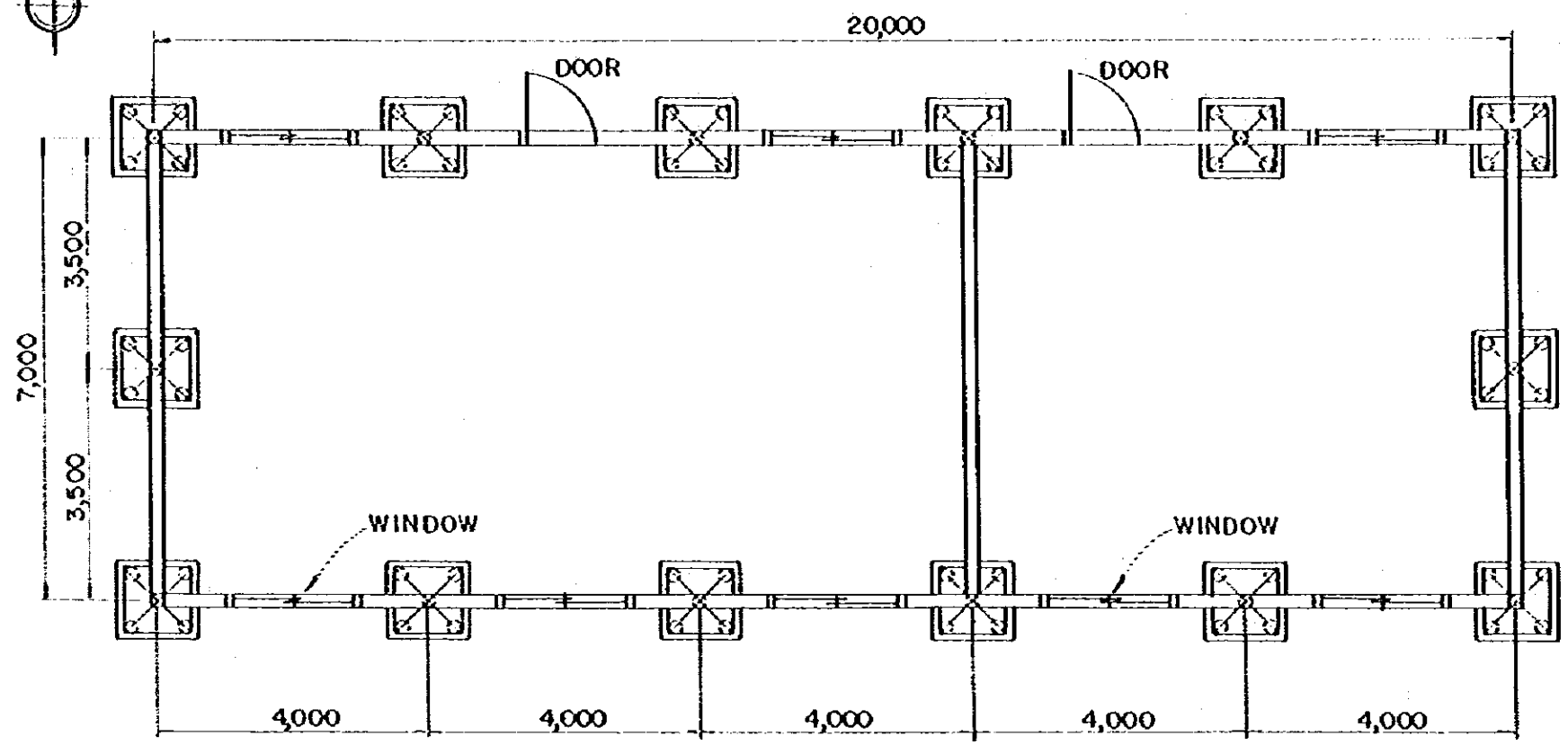


TYPE	W (m)	L	E	B	F	G	D	C	N	K	L1	Q (m ³ /S)
4	0610	3.50	0914	1495	061	0914	1206	0914	0229	0076	30	0012-0937

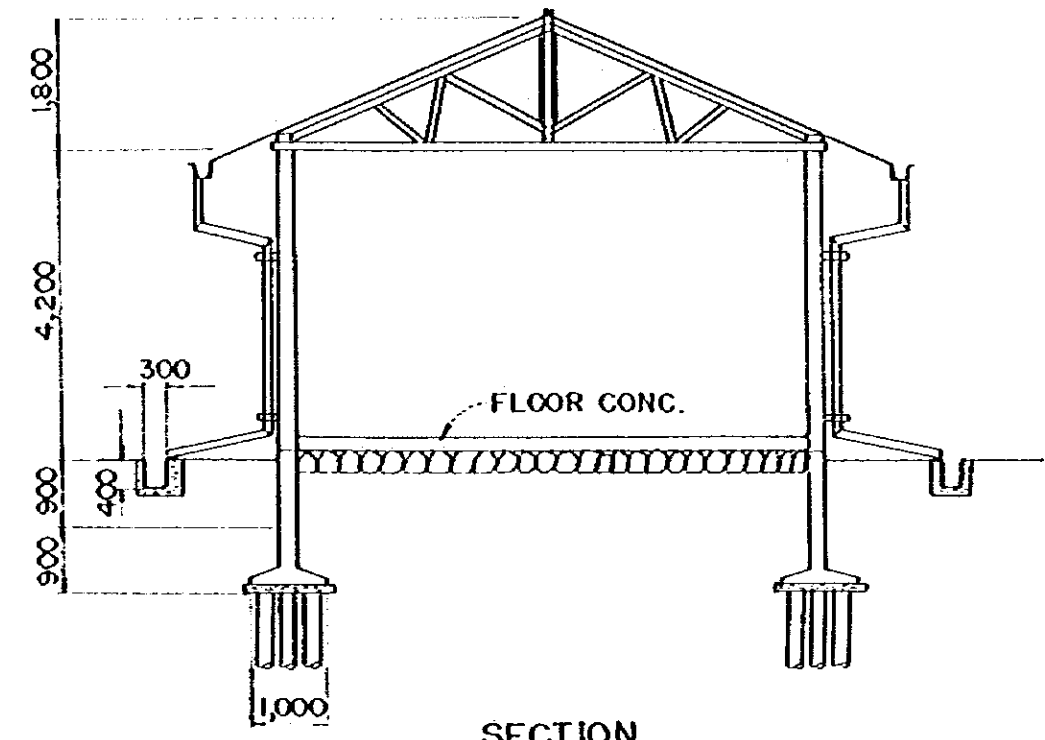
CONSTRUCTION OF PILOT SCHEME FACILITIES
 IN RIAM KANAN
 TITLE OF DRAWING
TYPICAL DRAWING OF PERSHALL FLUME
 JAPAN INTERNATIONAL COOPERATION AGENCY DWG. NO.
 TOKYO 19



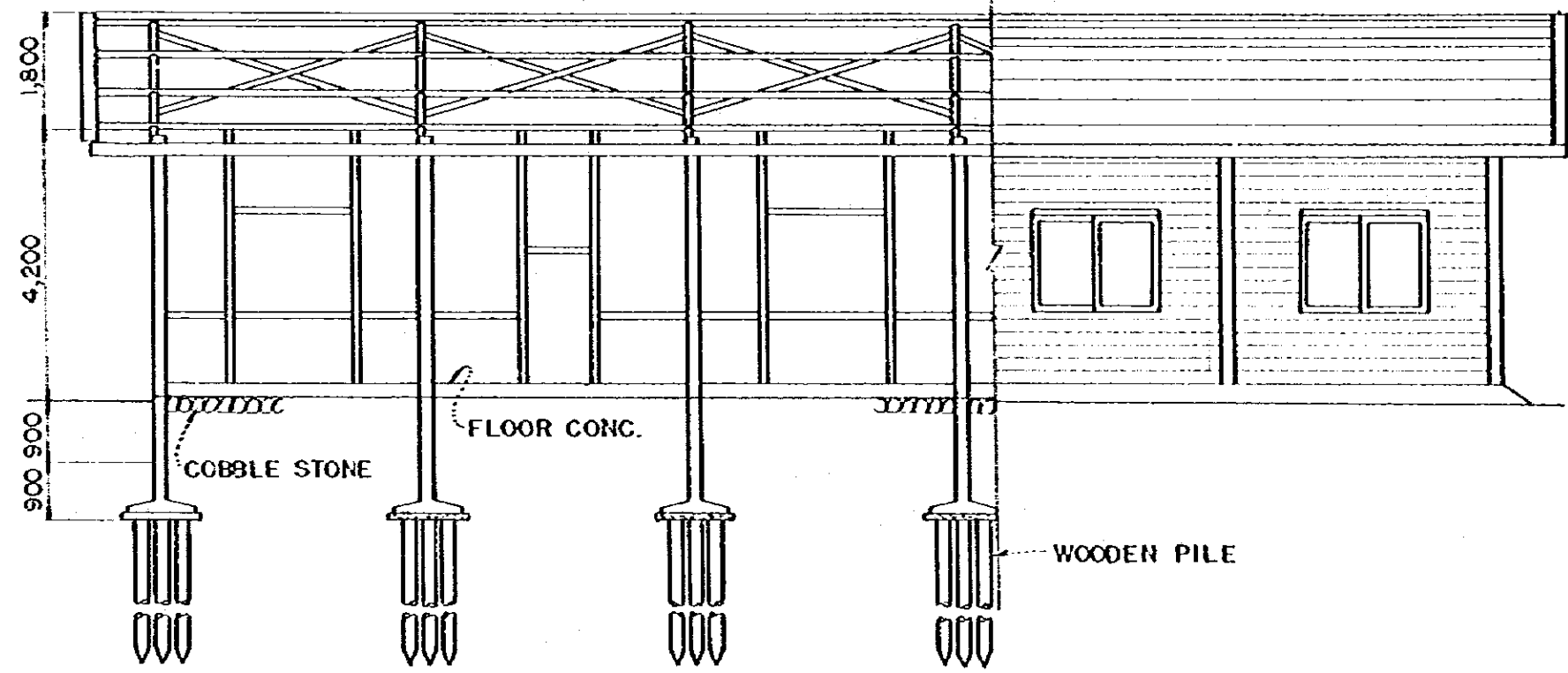
CONSTRUCTION OF PILOT SCHEME FACILITIES IN RIAM KANAN.	
TITLE OF DRAWING POST FOR WATER LEVEL RECORDER	
JAPAN INTERNATIONAL COOPERATION AGENCY	DWG. NO.
TOKYO	20



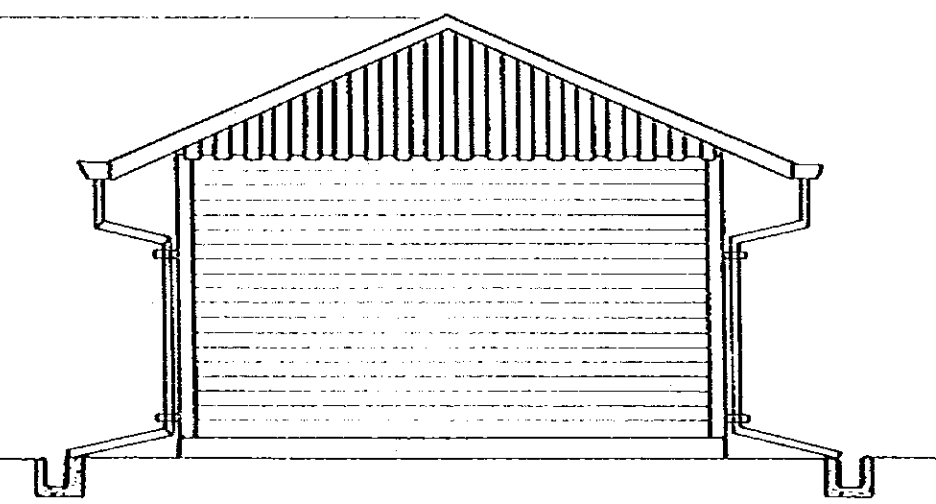
PLAN
S = 1/100



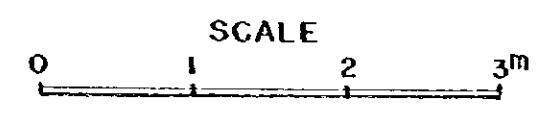
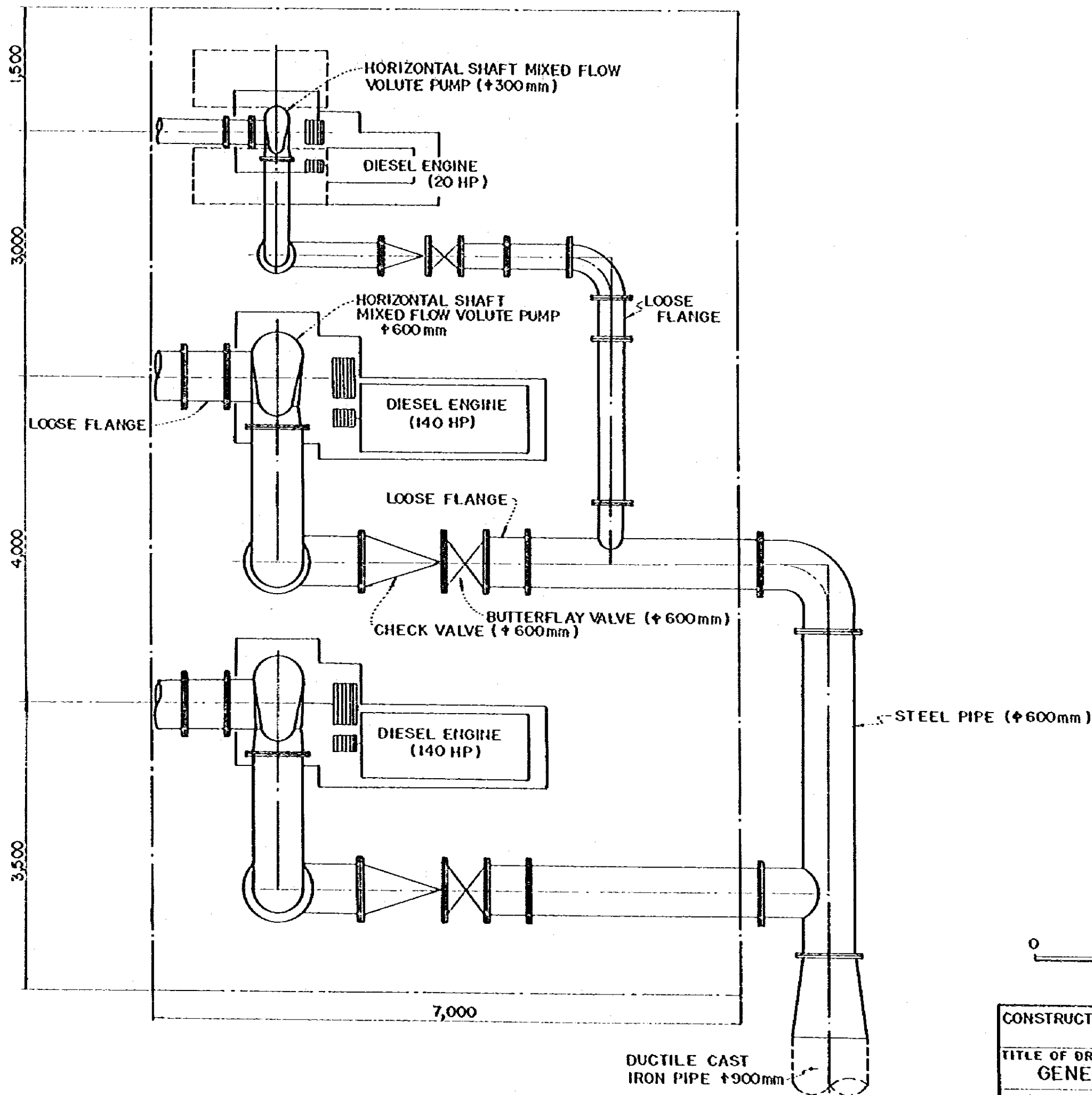
SECTION



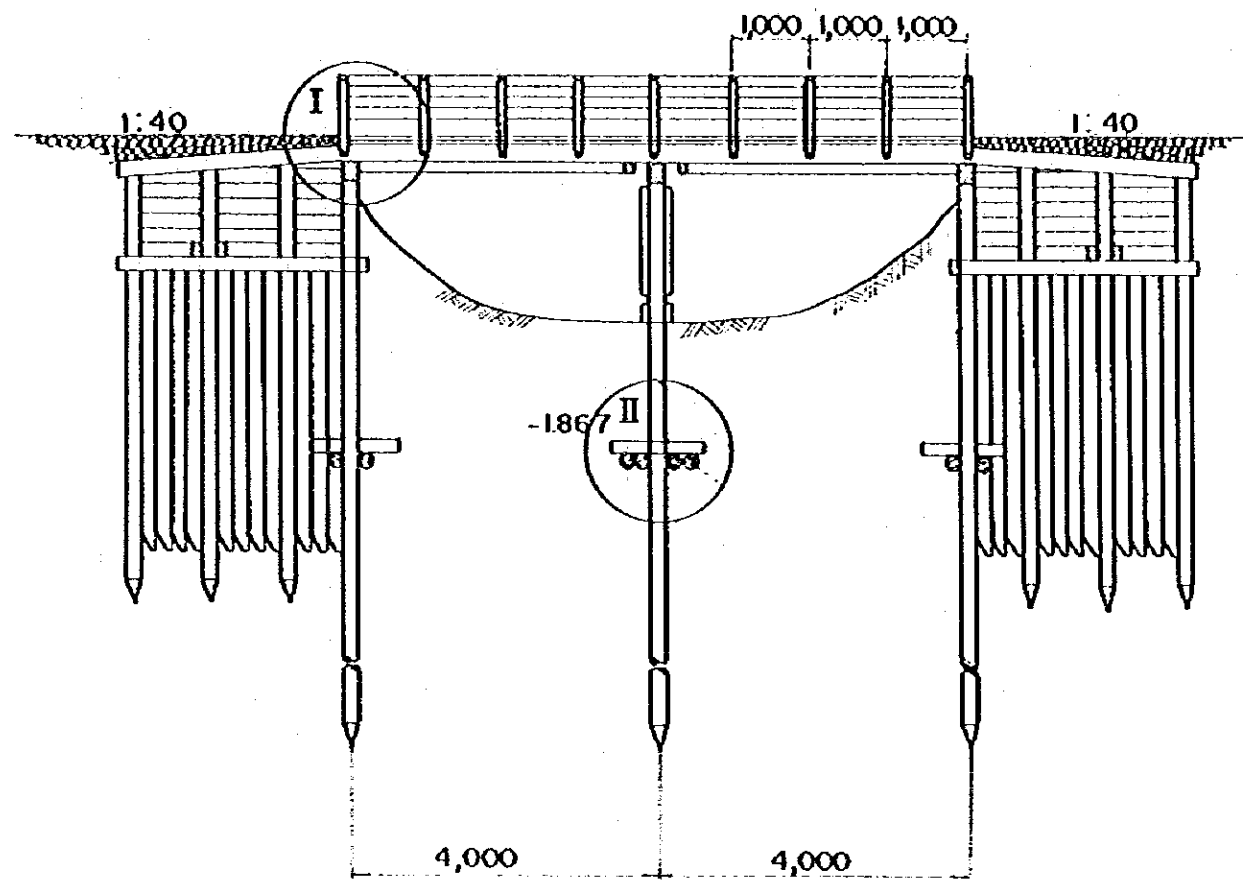
PROFILE
S = 1/100



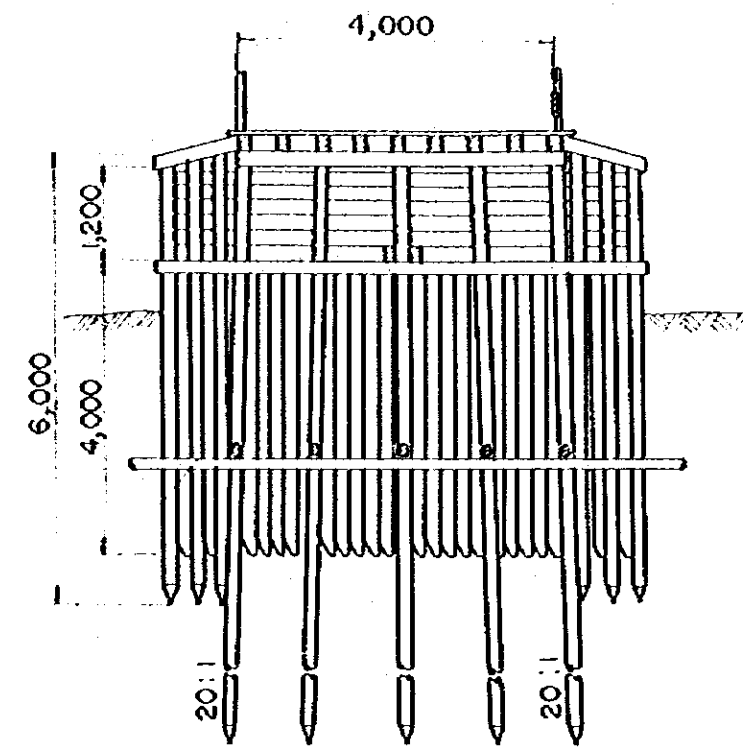
CONSTRUCTION OF PILOT SCHEME FACILITIES IN RIAM KANAN	
TITLE OF DRAWING OFFICE	
JAPAN INTERNATIONAL COOPERATION AGENCY	DWG NO. 21
TOKYO	



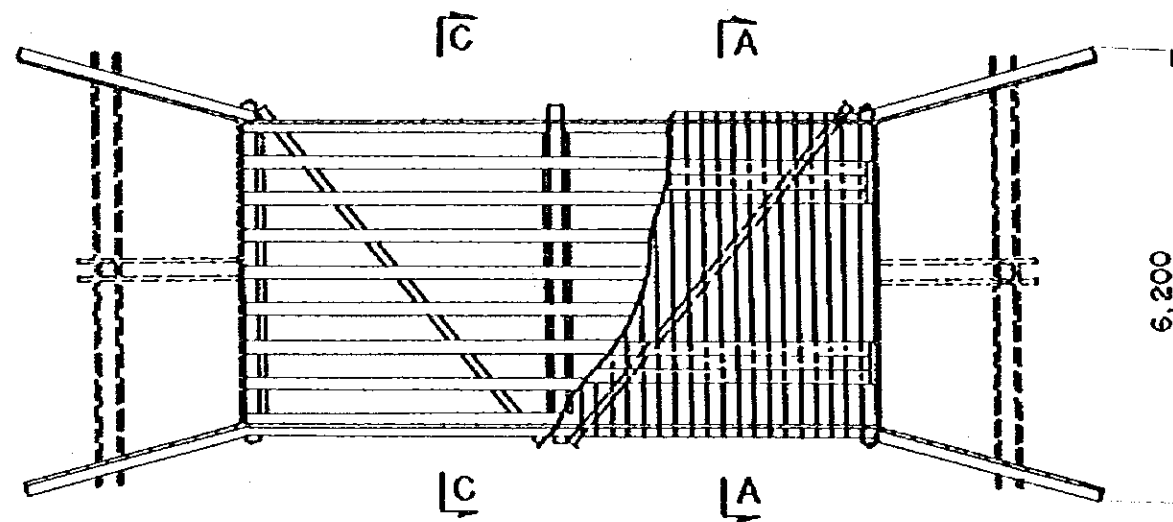
CONSTRUCTION OF PILOT SCHEME FACILITIES IN RIAM KANAN	
TITLE OF DRAWING GENERAL DRAWING OF PUMP	
JAPAN INTERNATIONAL COOPERATION AGENCY TOKYO	DWG NO. 22



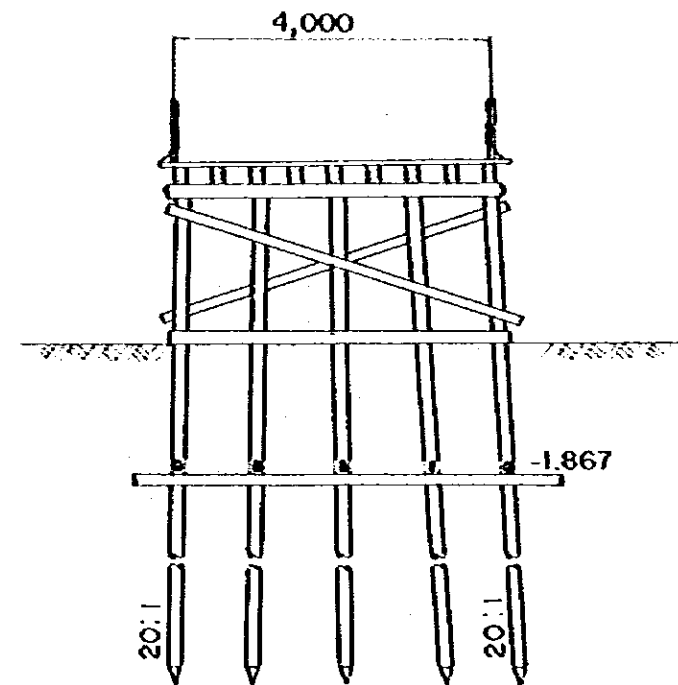
PROFILE
S = 1 : 100



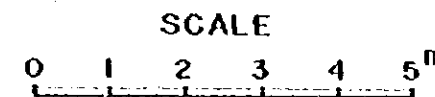
CROSS SECTION A-A
S = 1 : 100



PLAN
S = 1 : 100



CROSS SECTION C-C
S = 1 : 100



CONSTRUCTION OF PILOT SCHEME FACILITIES IN RIAM KANAN	
TITLE OF DRAWING GENERAL DRAWING OF BRIDGE	
JAPAN INTERNATIONAL COOPERATION AGENCY TOKYO	DWG. NO. 23

JICA