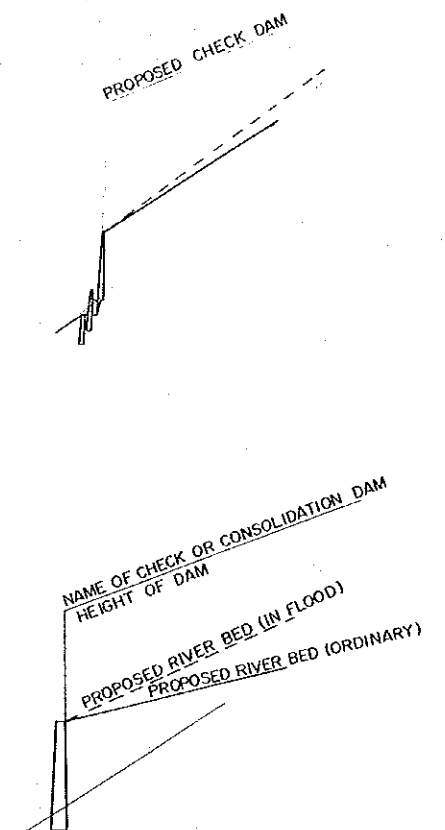
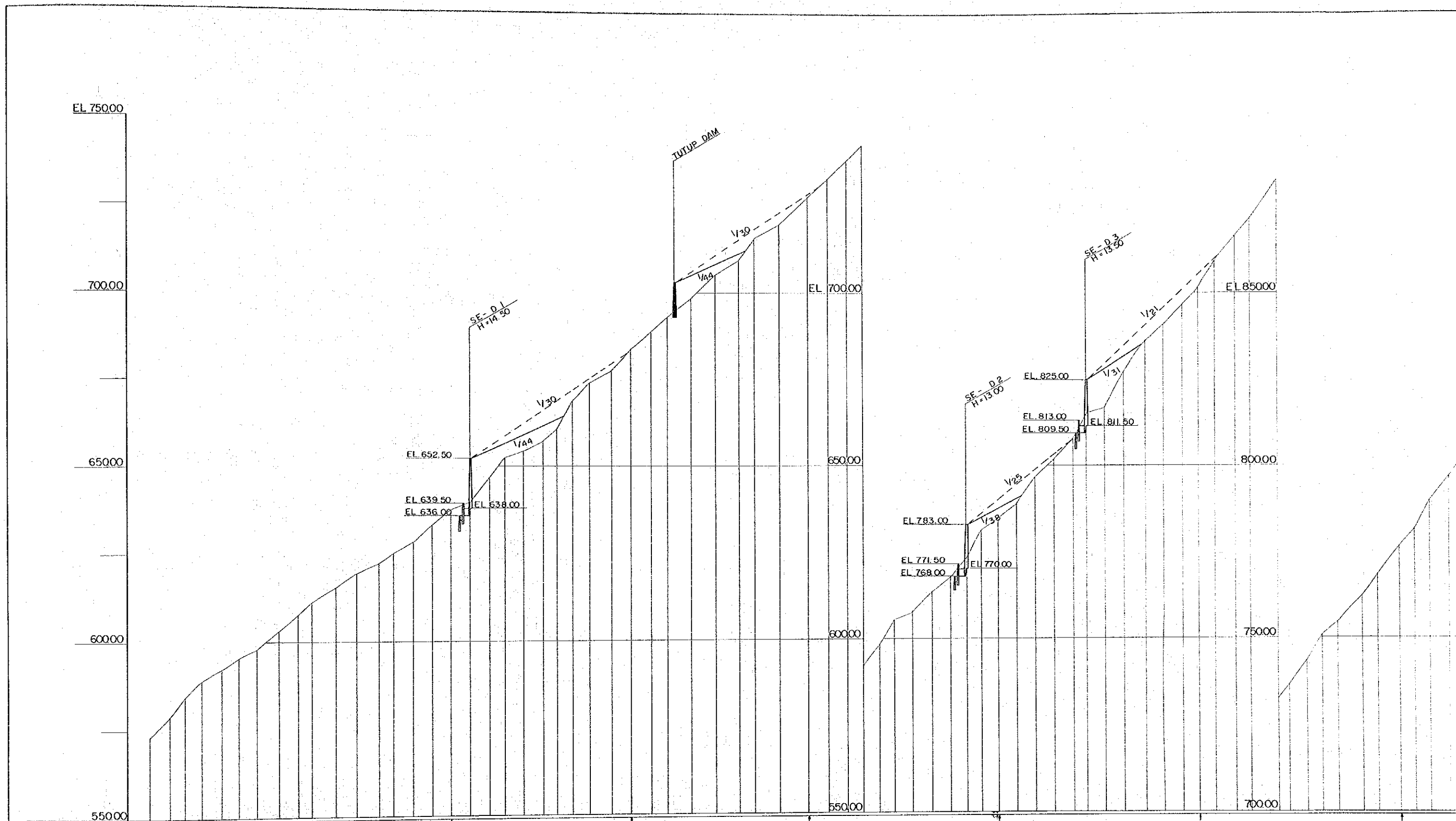


LEGEND

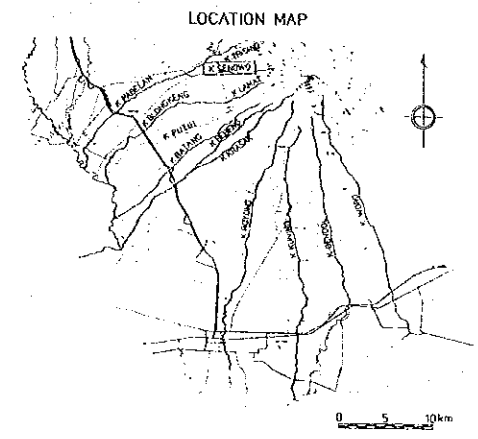


102	820	72.01
100	966	720.78
98	1023	724.73
96	1186	729.65
94	1224	736.20
92	1324	740.90
90	1424	746.25
88	1524	751.22
86	1630	757.90
84	1732	762.77
82	1832	769.20
80	1934	774.00
78	2034	780.15
76	2134	782.47
74	2235	787.77
72	2328	790.47
70	2428	796.84
68	2522	801.06
66	2624	806.55
64	2724	814.81
62	2822	819.74
60	2926	826.79
58	3020	834.81
56	3126	839.99
54	3228	846.46
52	3331	853.18
50	3431	861.20
48	3536	866.59
46	3636	873.49
44	3740	879.88
42	3842	887.19
40	3948	893.98
38	4046	901.07
36	4198	916.00
34	4398	930.00
32	4598	942.50
30	4798	956.00
28	4998	973.00
26	5198	991.00
24	5398	1007.50
22	5598	1021.90
20	5798	1040.60
18	5998	1055.00
16	6198	1073.50
14	6398	1090.00

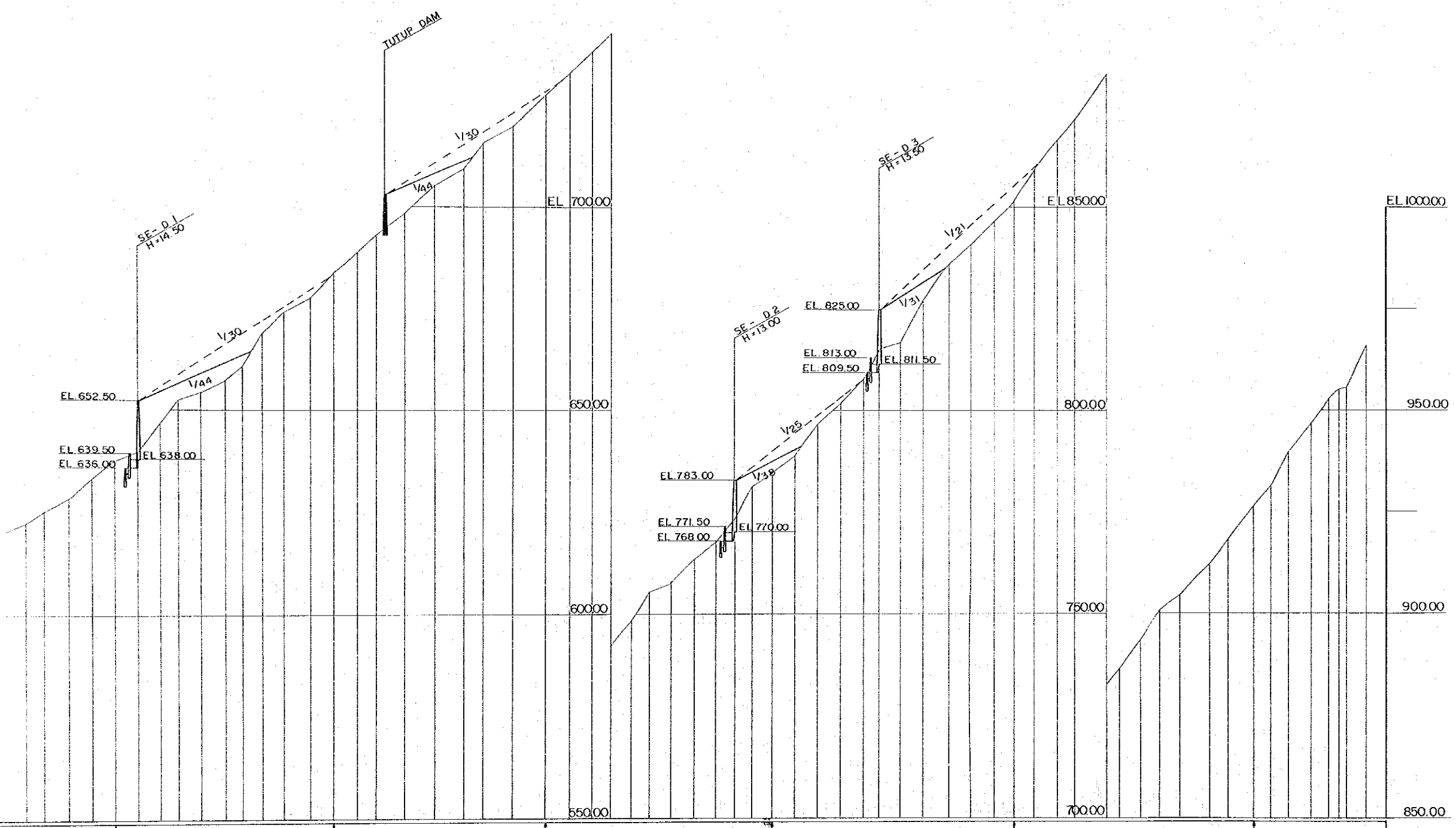
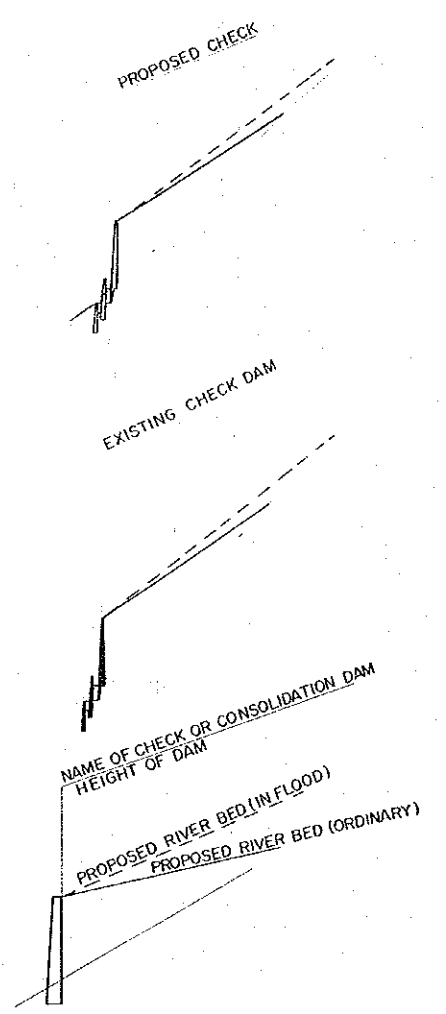
REPUBLIC OF INDONESIA	
MASTER PLAN FOR LAND EROSION AND VOLCANIC DEBRIS CONTROL IN THE AREA OF MT. MERAPI	
GENERAL LONGITUDINAL PROFILE OF K. TRISING	DATE MARCH, 1980
DWG. NO. 16	SCALE V=1:1000 H=1:2000 1/24
J.I.C.A. JAPAN INTERNATIONAL COOPERATION AGENCY	



STATION	DISTANCE	ACCUMULATED DISTANCE	LOWEST RIVER BED HEIGHT	GRADIENT OF ORIGINAL RIVER BED	DISTANCE FROM THE SUMMIT OF G MERAPI
73	0	0	573.48		11 K
72	110	110	572.76		
71	82	132	584.14		
70	92	224	599.14		
69	118	342	592.35		
68	98	440	595.76		
67	100	540	598.11		
66	124	664	603.40		
65	110	774	607.62		
64	78	852	611.32		
63	132	984	615.35		
62	118	1102	619.55		
61	130	1232	622.94		
60	85	1317	625.25		
59	115	1432	629.30		
58	108	1540	633.40		
57	109	1649	637.81		
56	110	1759	639.86		
55	110	1869	642.70		
54	88	1957	645.70		
53	109	2066	649.39		
52	115	2181	657.24		
51	80	2261	660.96	$L=122.2, e=22.5$	
50	92	2353	668.65		
49	102	2455	674.07		
48	124	2579	677.12		
47	114	2693	683.50		
46	116	2809	688.53		
45	90	2909	692.76		
44	140	3049	696.20		
43	142	3191	704.80		
42	140	3331	709.35		
41	90	3421	715.80		
40	142	3563	719.66		
39	163	3726	727.55		
38	120	3846	733.26		
37	108	3954	738.02		
36	88	4042	742.43		
35	95	4137	748.10		
34	88	4225	755.50		
33	108	4333	757.50		
32	114	4447	763.70		
31	107	4554	767.62		
30	93	4647	773.66		
29	83	4730	781.24	$L=116.9, e=14.01$	
28	98	4828	784.70		
27	110	4938	788.78		
26	109	5047	796.67		
25	107	5154	801.60		
24	110	5264	807.62		
23	75	5339	813.19		
22	104	5443	816.70		
21	110	5553	827.35		
20	125	5678	836.25		
19	107	5785	840.70		
18	110	5895	846.50		
17	90	5985	851.25		
16	100	6085	859.75		
15	114	6199	865.40		
14	84	6283	871.40		
13	152	6435	882.46		
12	64	6509	886.40	$L=115.9, e=21.46$	
11	100	6609	883.32		
10	96	6705	890.50		
9	94	6809	904.40		
8	140	6949	910.20		
7	88	7037	916.25		
6	120	7157	926.20		
5	82	7239	931.24		
4	86	7325	940.00		
3	110	7435	946.47		



LEGEND

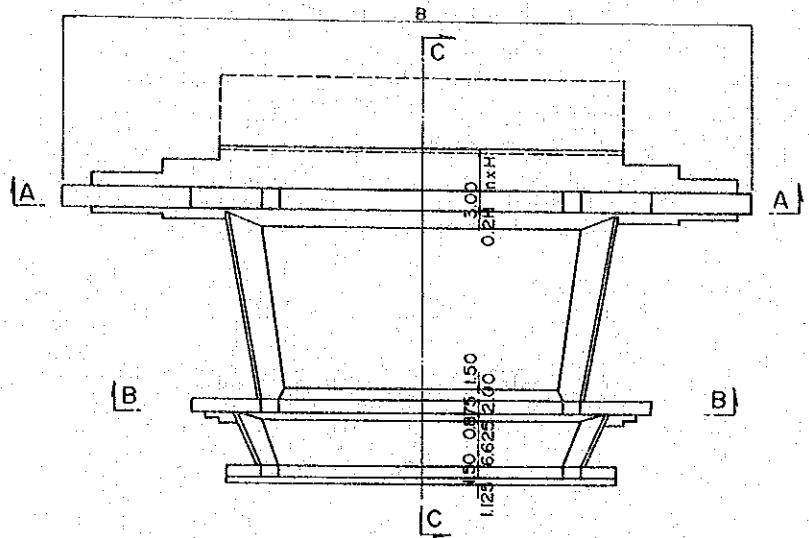


61	130	1292	622.44	1.1/22.2	2.275
60	85	1377	625.25		
59	115	1492	628.30		
58	108	1600	634.0		
57	105	1709	637.8		
56	110	1819	639.86		
55	110	1929	645.70		
54	88	2017	648.70		
53	109	2126	654.38		
52	115	2241	657.24		
51	80	2321	660.96		
50	92	2413	665.65		
49	102	2515	674.07		
48	124	2639	677.12		
47	114	2735	683.50		
46	116	2869	688.52		
45	90	2959	692.75		
44	140	3098	696.20		
43	142	3241	704.80		
42	140	3381	708.35		
41	90	3471	715.60		
40	142	3613	719.66		
39	163	3776	727.55		
38	120	3896	733.26		
37	108	4004	736.02		
36	88	4092	742.43		
35	95	4187	748.10		
34	88	4275	755.50		
33	108	4363	757.50		
32	114	4497	763.70		
31	107	4604	767.62		
30	93	4697	774.68		
29	83	4780	781.24		
28	98	4878	784.70		
27	110	4988	788.78		
26	109	5097	796.67		
25	107	5204	801.50		
24	110	5314	807.62		
23	75	5389	815.19		
22	104	5488	816.70		
21	110	5603	827.35		
20	125	5728	836.25		
19	107	5835	840.70		
18	110	5945	846.50		
17	90	6035	851.25		
16	100	6135	859.75		
15	114	6249	865.40		
14	84	6333	871.40		
13	152	6485	882.46		
12	64	6549	886.50		
11	100	6649	893.32		
10	96	6745	900.50		
9	94	6835	904.40		
8	140	6979	910.20		
7	88	7067	916.25		
6	120	7187	926.20		
5	82	7269	931.24		
4	86	7355	940.00		
3	110	7465	946.47		
2	86	7551	952.79		
1	50	7601	955.10		
0	38	7639	955.50		
	94	7733	963.85		

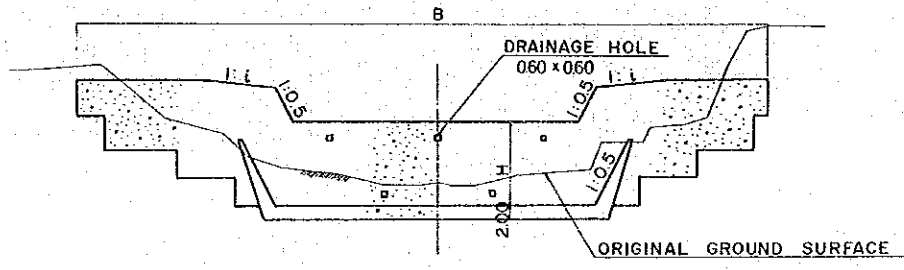
REPUBLIC OF INDONESIA		
MASTER PLAN FOR LAND EROSION AND VOLCANIC DEBRIS CONTROL IN THE AREA OF MT. MERAPI		
GENERAL LONGITUDINAL PROFILE OF K. SENOWO	DATE	MARECH.1980
	SCALE	V=1:1000 H=1:20000
DWG. NO. 17	17/24	
J.I.C.A JAPAN INTERNATIONAL COOPERATION AGENCY		

TYPE - 1 CHECK DAM

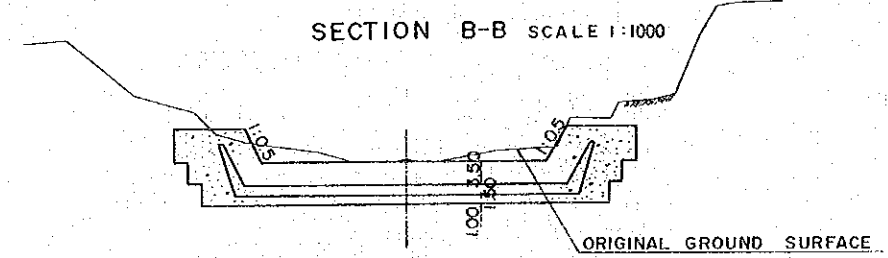
PLAN SCALE 1:1000



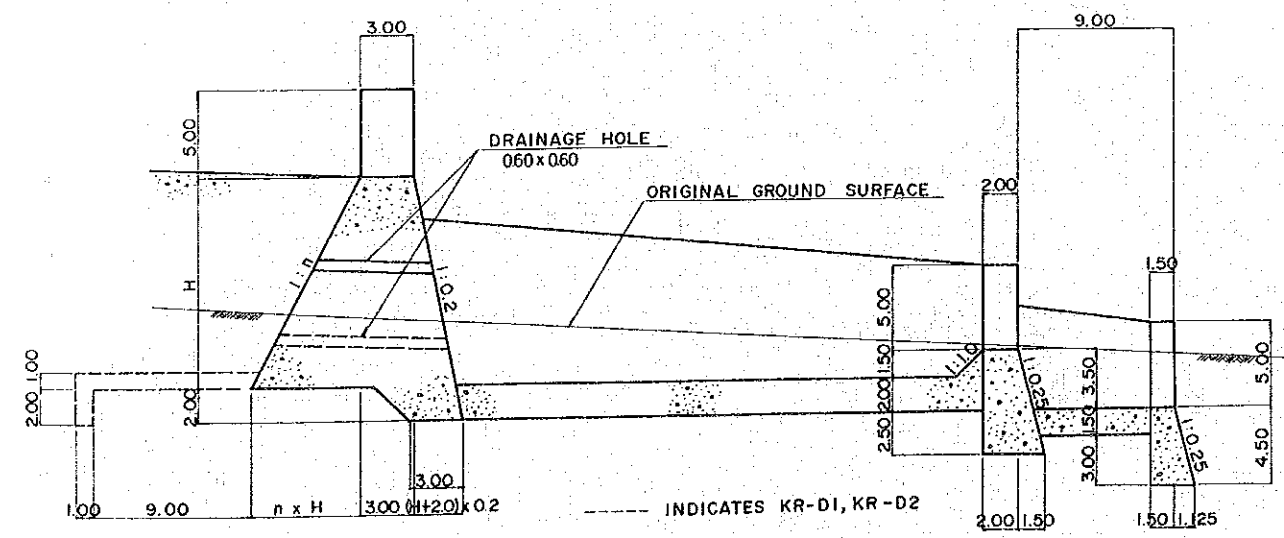
SECTION A-A SCALE 1:1000



SECTION B-B SCALE 1:1000

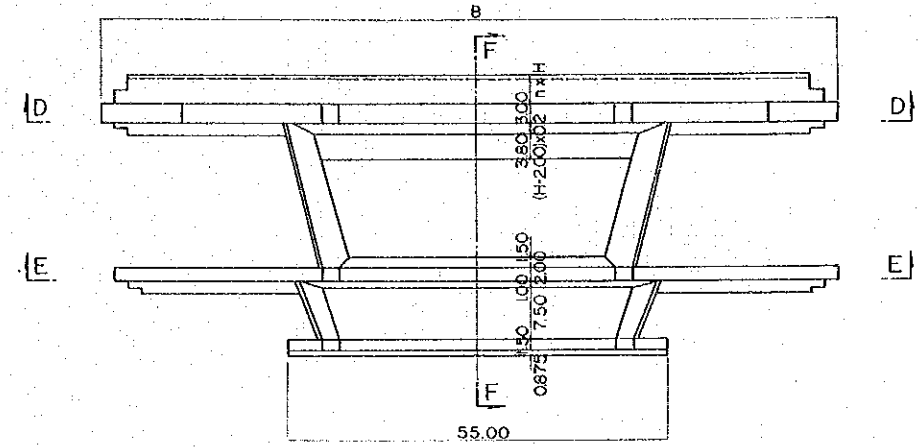


SECTION C-C SCALE 1:400

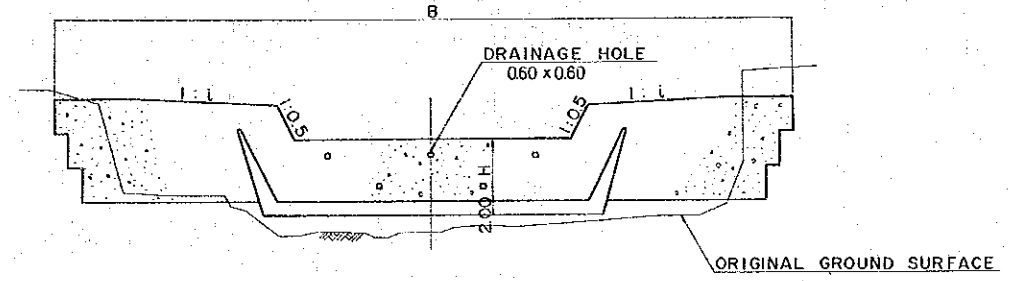


TYPE - 2 CHECK DAM

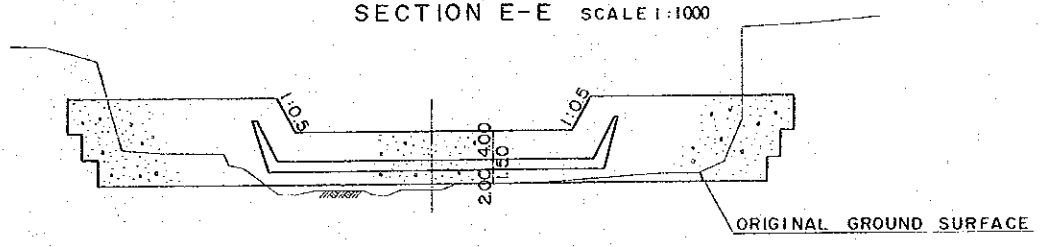
PLAN SCALE 1:1000



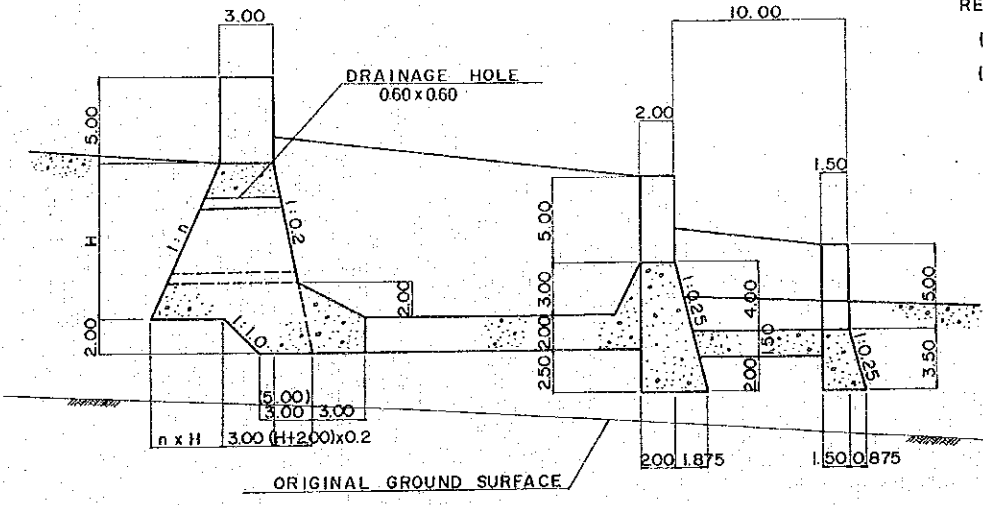
SECTION D-D SCALE 1:1000



SECTION E-E SCALE 1:1000



SECTION F-F SCALE 1:400



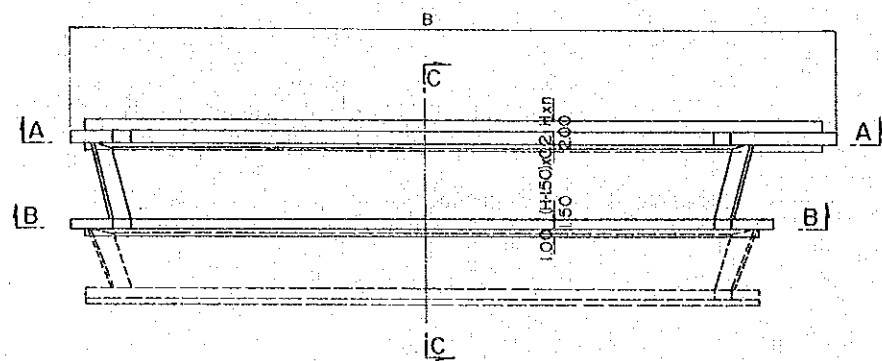
REMARK
 (1) TYPE-1 IS A STANDARD TYPE DAM
 (2) TYPE-2 IS THE DAM CONSTRUCTED ON THE STORED SEDIMENT

REPUBLIC OF INDONESIA	
MASTER PLAN FOR LAND EROSION AND VOLCANIC DEBRIS CONTROL IN THE AREA OF MT. MERAPI	
CHECK DAM, GENERAL SECTIONS	DATE MARECH.1980 SCALE 1:400, 1:1000
DWG. NO. 18	18/24
J.T.C. A JAPAN INTERNATIONAL COOPERATION AGENCY	

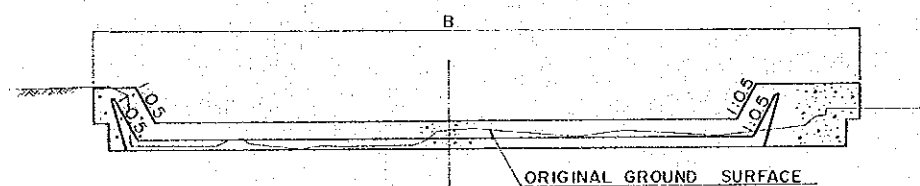
CONSOLIDATION DAM

TYPE - 1

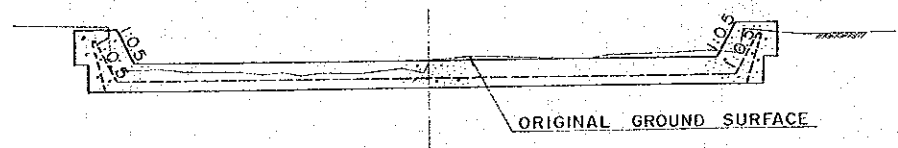
PLAN SCALE 1:1000



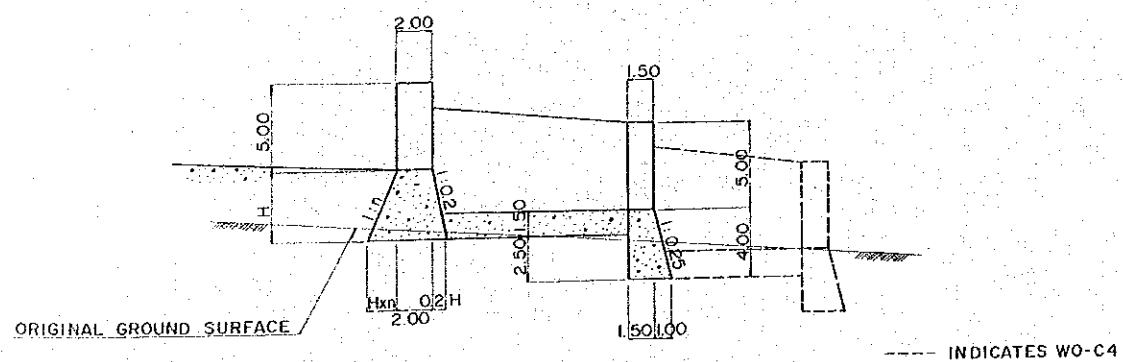
SECTION A-A SCALE 1:1000



SECTION B-B SCALE 1:1000

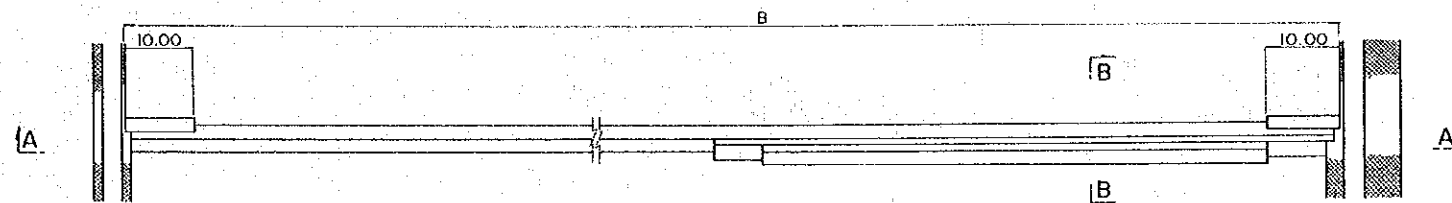


SECTION C-C SCALE 1:400

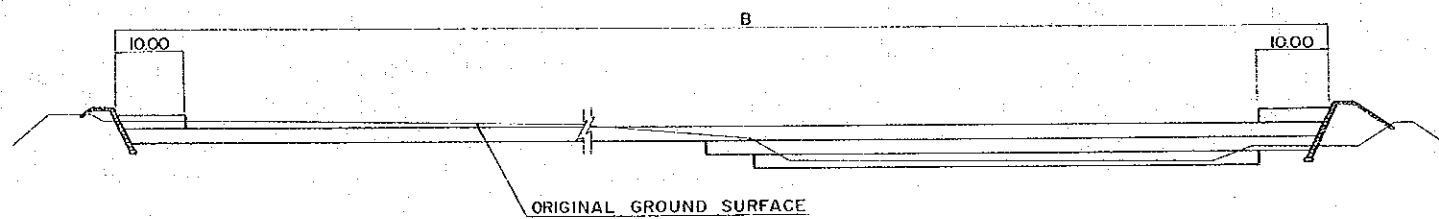


TYPE - 2

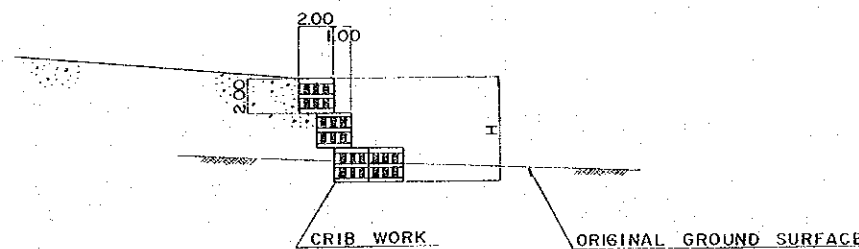
PLAN SCALE 1:1000



SECTION A-A SCALE 1:1000



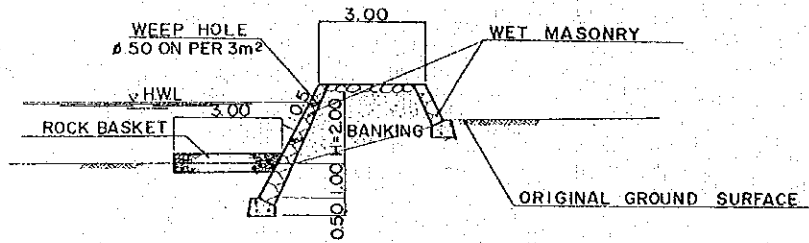
SECTION B-B SCALE 1:400



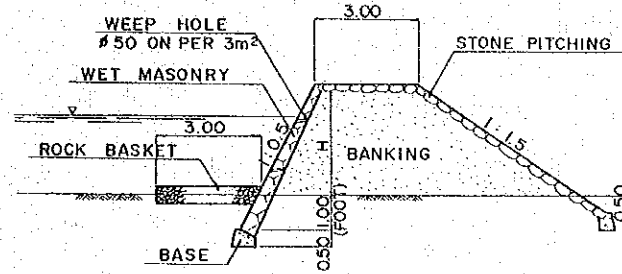
REPUBLIC OF INDONESIA		
MASTER PLAN FOR LAND EROSION AND VOLCANIC DEBRIS CONTROL IN THE AREA OF MT. MERAPI		
CONSOLIDATION DAM	DATE	MARECH.1980
GENERAL SECTIONS	SCALE	1:400 1:1000
DWG. NO. 19	19/24	
J.I.C.A. JAPAN INTERNATIONAL COOPERATION AGENCY		

EMBANKMENT AND REVETMENT

TYPE - A SCALE 1:200

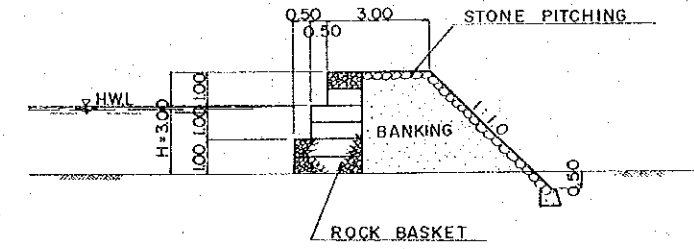


TYPE - B SCALE 1:200

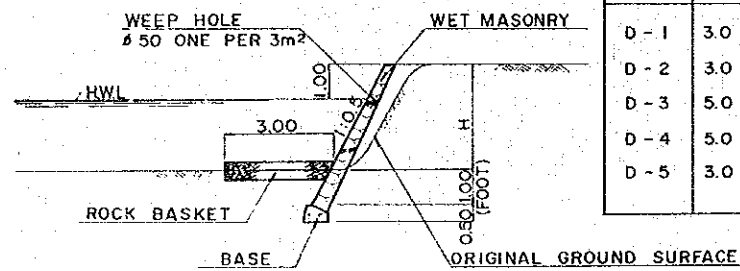


VARIETY	H (m)	REMARKS
B - 1	3.0	WITH FOOT AND BASE
B - 2	3.0	WITH FOOT BUT BASE
B - 3	5.0	WITH FOOT AND BASE
B - 4	5.0	WITH FOOT BUT BASE
B - 5	3.0	WITH OUT FOOT

TYPE - C SCALE 1:200

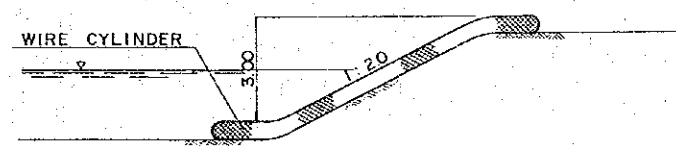


TYPE - D SCALE 1:200

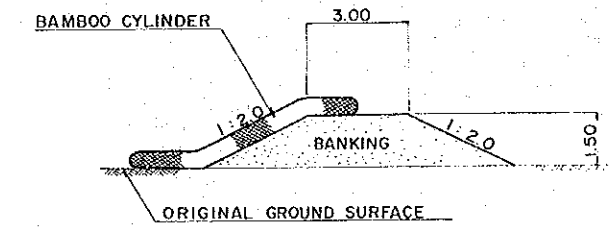


VARIETY	H (m)	REMARKS
D - 1	3.0	WITH FOOT AND BASE
D - 2	3.0	WITH FOOT BUT BASE
D - 3	5.0	WITH FOOT AND BASE
D - 4	5.0	WITH FOOT BUT BASE
D - 5	3.0	SAME AS D-1 BUT THE SLOPE IS 1:2

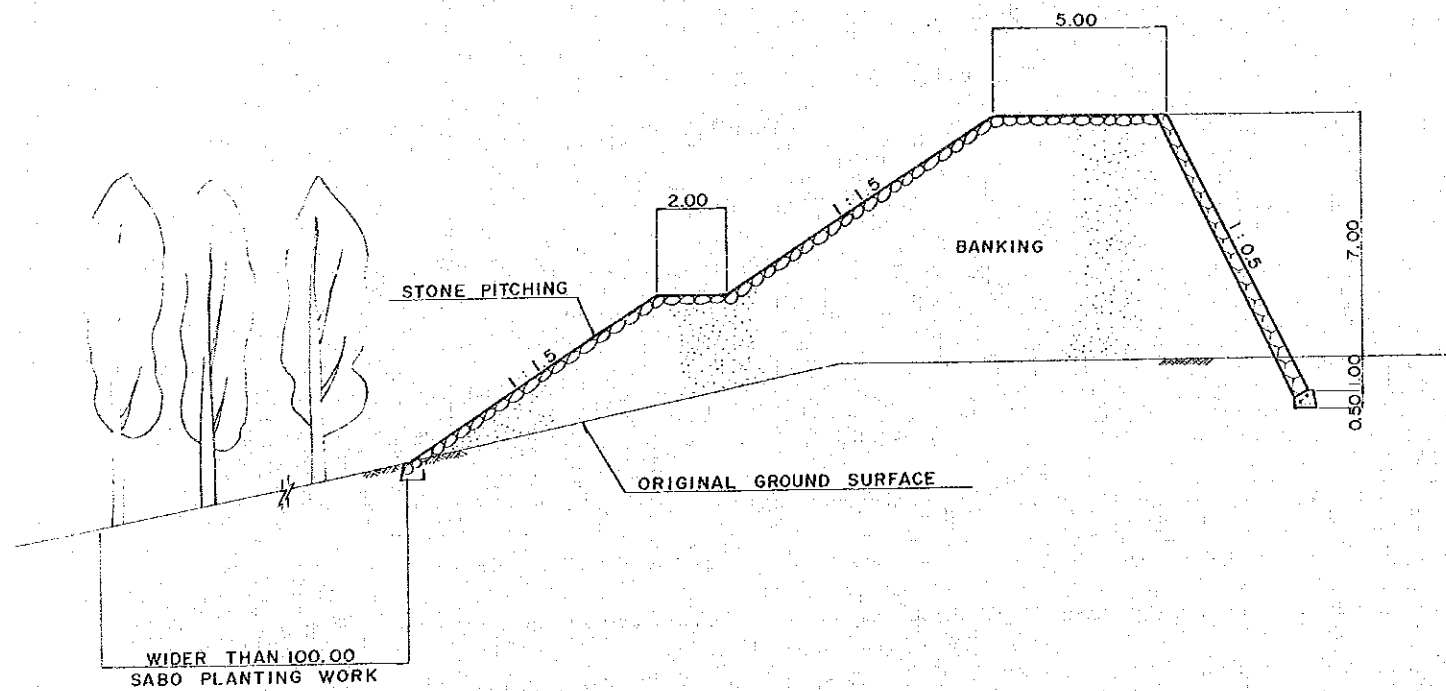
TYPE - E SCALE 1:200



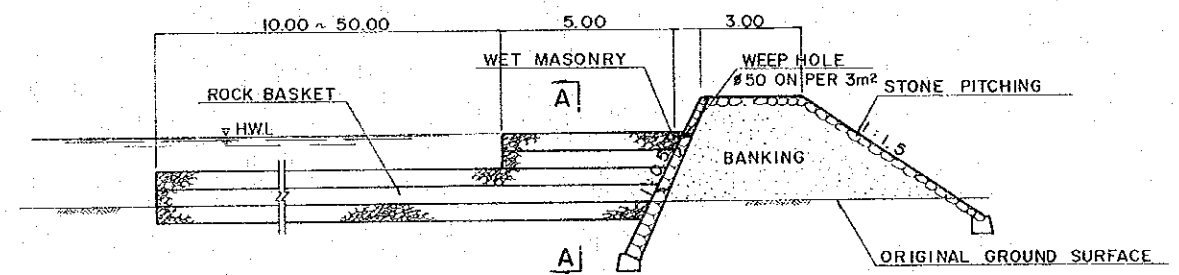
TYPE - F SCALE 1:200



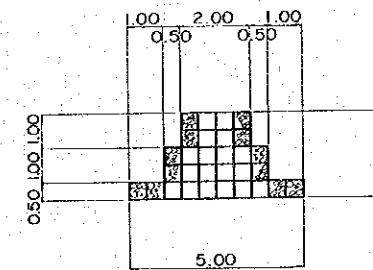
TRAINING LEVEE SCALE 1:200



GROIN SCALE 1:200



SECTION A-A SCALE 1:200



REPUBLIC OF INDONESIA

MASTER PLAN FOR LAND EROSION AND VOLCANIC DEBRIS CONTROL IN THE AREA OF MT. MERAPI

EMBANKMENT, REVELMENT, TRAINING LEVEE AND GROIN, STANDARD SECTIONS

DATE MARECH.1980

SCALE 1:200

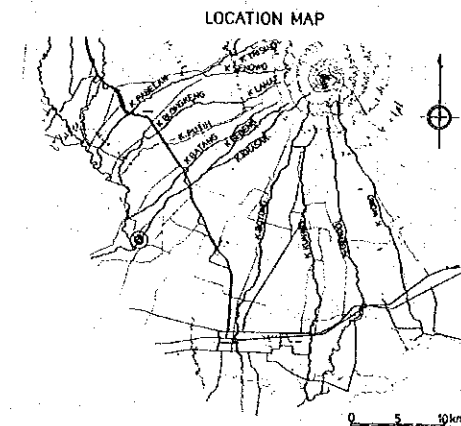
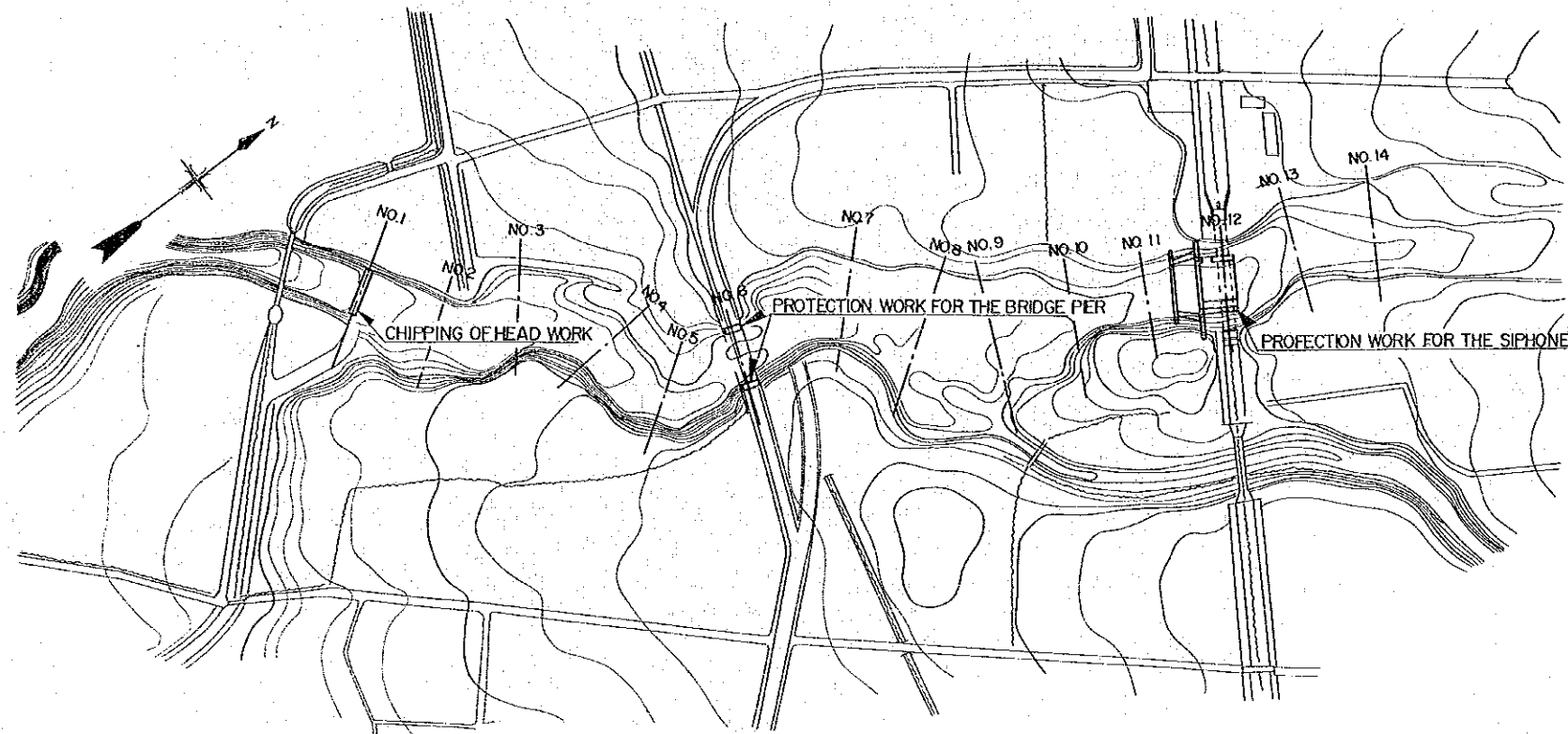
DWG. NO. 20

J.I.C.A. JAPAN INTERNATIONAL COOPERATION AGENCY

20/24

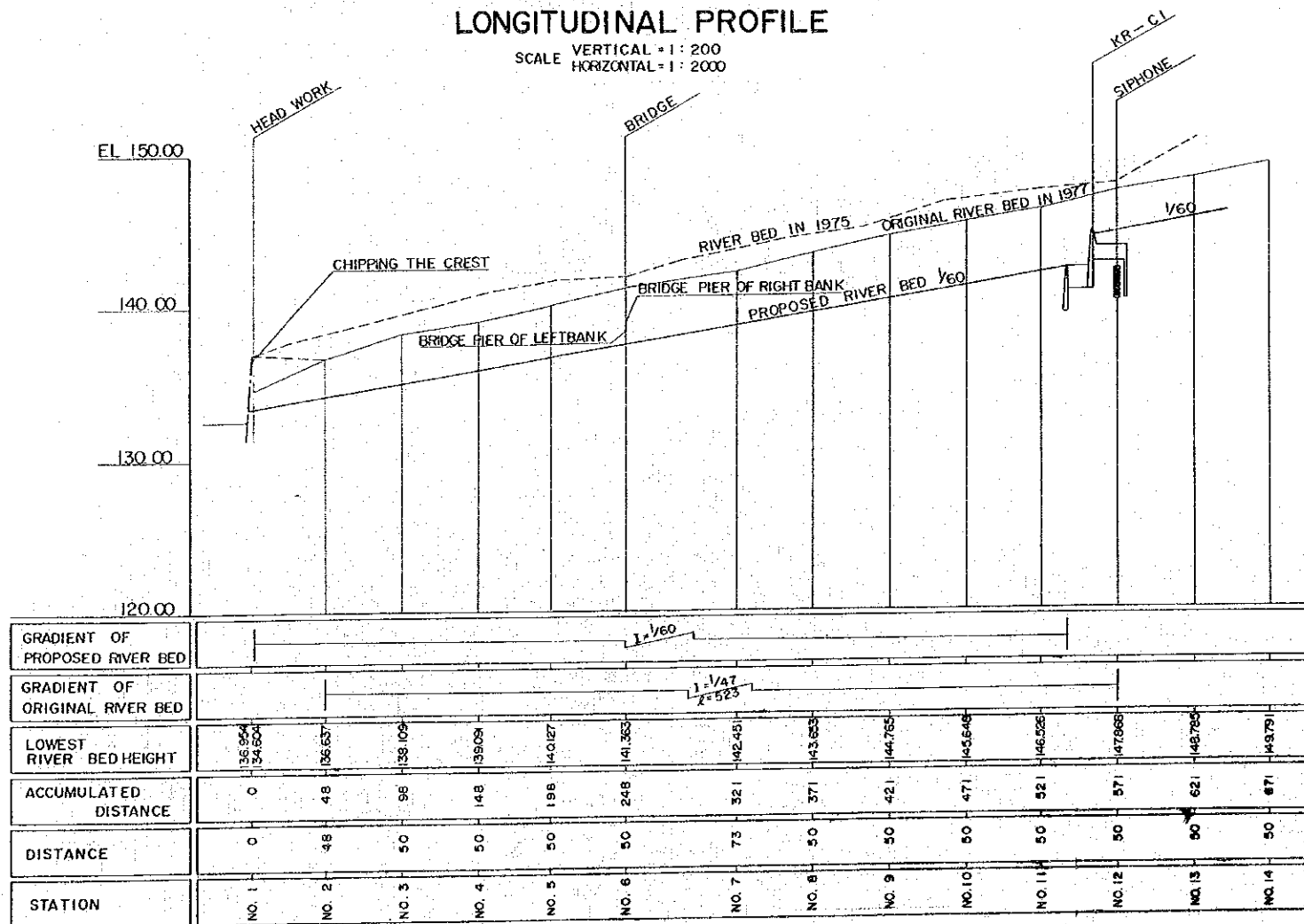
PLAN

SCALE = 1 : 2000



LONGITUDINAL PROFILE

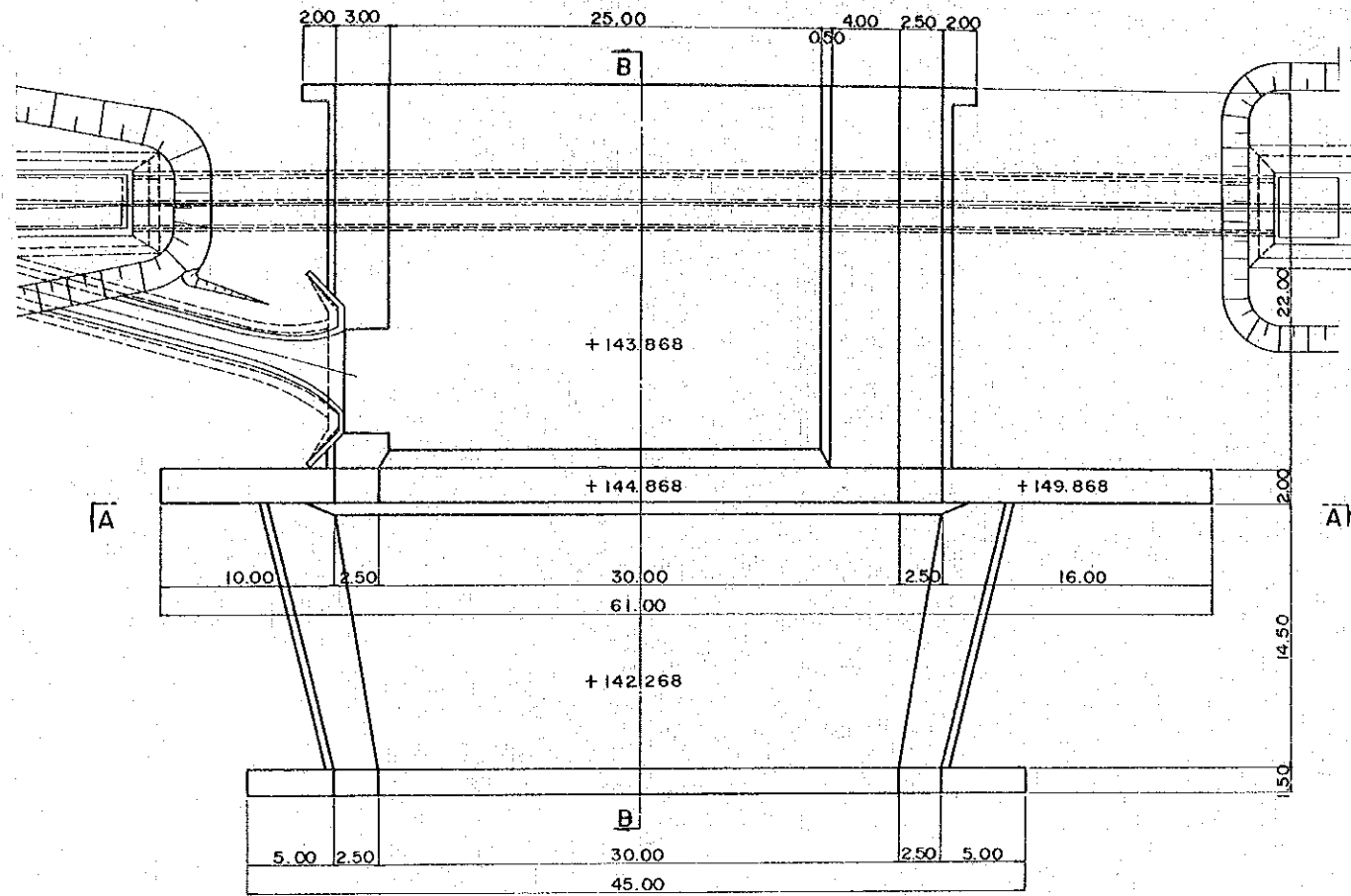
SCALE VERTICAL = 1 : 200
HORIZONTAL = 1 : 2000



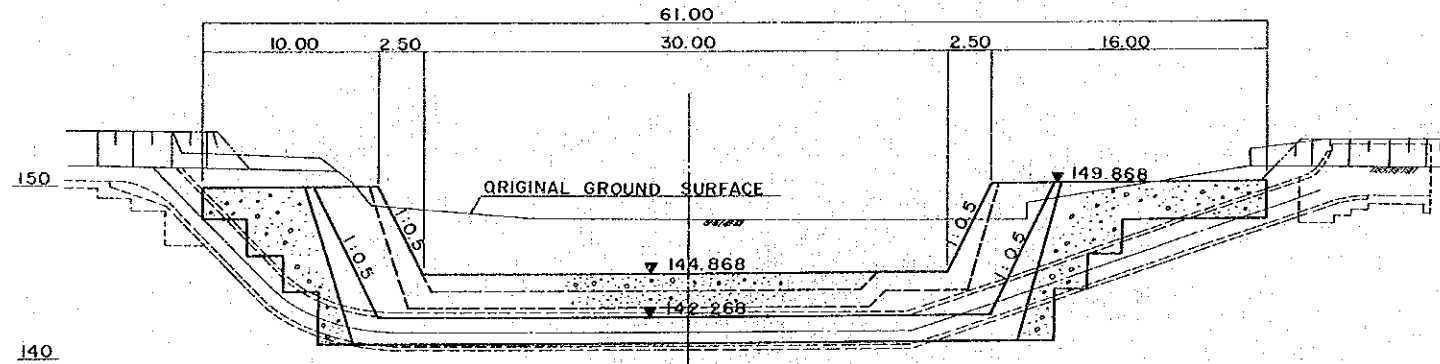
REPUBLIC OF INDONESIA	
MASTER PLAN FOR LAND EROSION AND VOLCANIC DEBRIS CONTROL IN THE AREA OF MT. MERAPI	
GENERAL PLAN AND GENERAL PROFILES OF K. KRASAK (BETWEEN HEAD WORK AND SIPHONE)	DATE MARECH.1980
	SCALE 1:400, 1:1000
DWG. NO. 21	21/24
J.I.C.A. JAPAN INTERNATIONAL COOPERATION AGENCY	

KR-C.1 (PROTECTION WORK FOR THE SIPHONE)

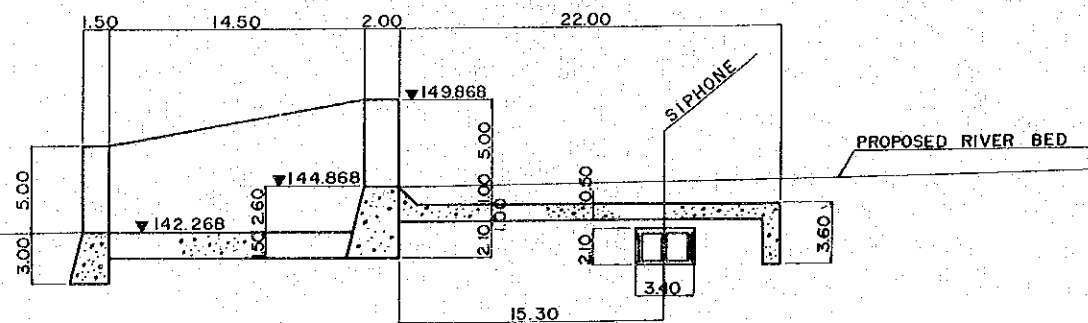
PLAN SCALE 1:400



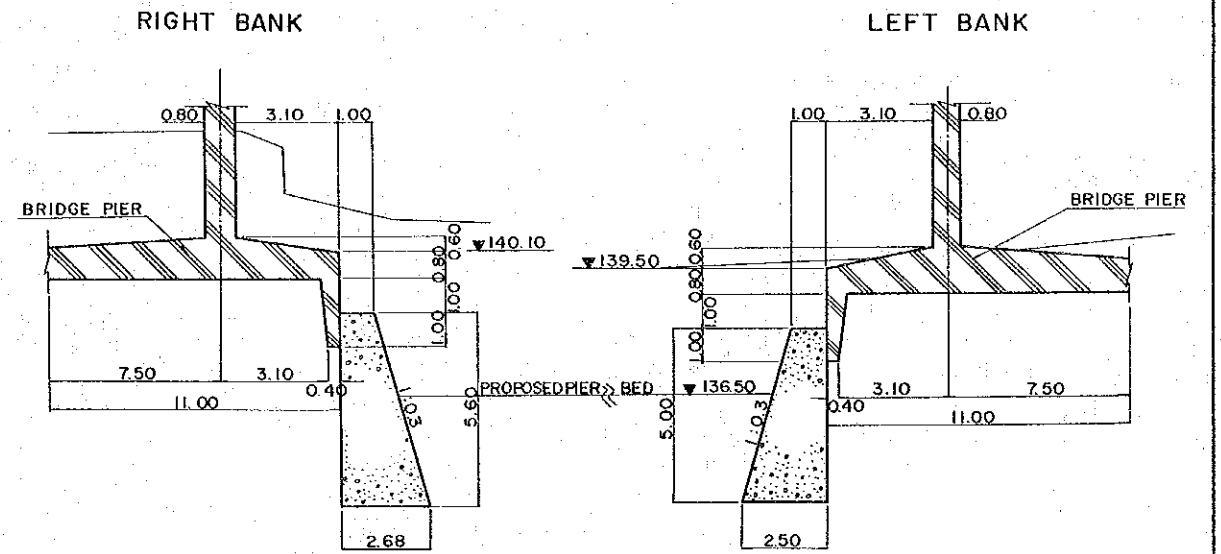
SECTION A-A



SECTION B-B

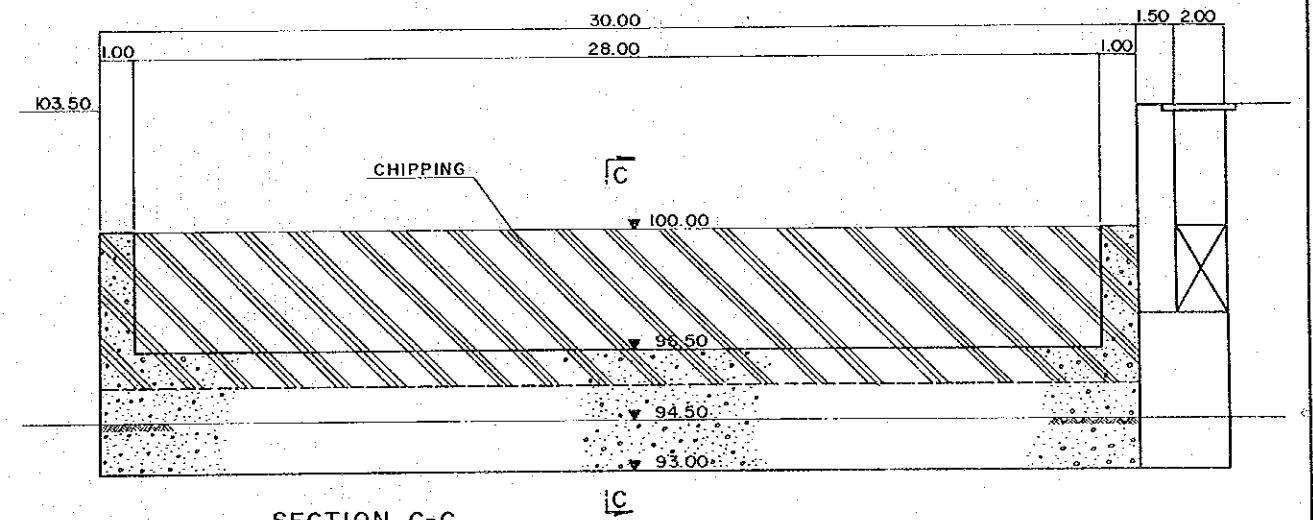


PROTECTION WORK FOR THE BRIDGE PIER SCALE 1:200

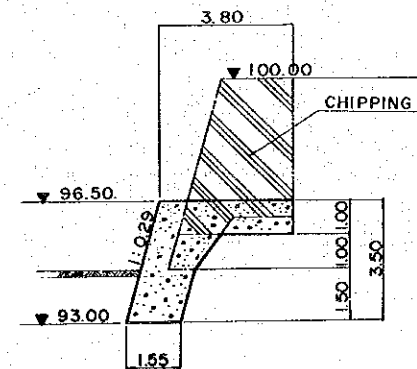


CHIPPING OF HEAD WORK SCALE 1:200

FRONT VIEW



SECTION C-C



REPUBLIC OF INDONESIA

MASTER PLAN FOR LAND EROSION AND VOLCANIC DEBRIS CONTROL IN THE AREA OF MT. MERAPI

PROTECTION OF ABUTS.
IMPROVEMENT OF HEAD WORK.
GENERAL SECTIONS

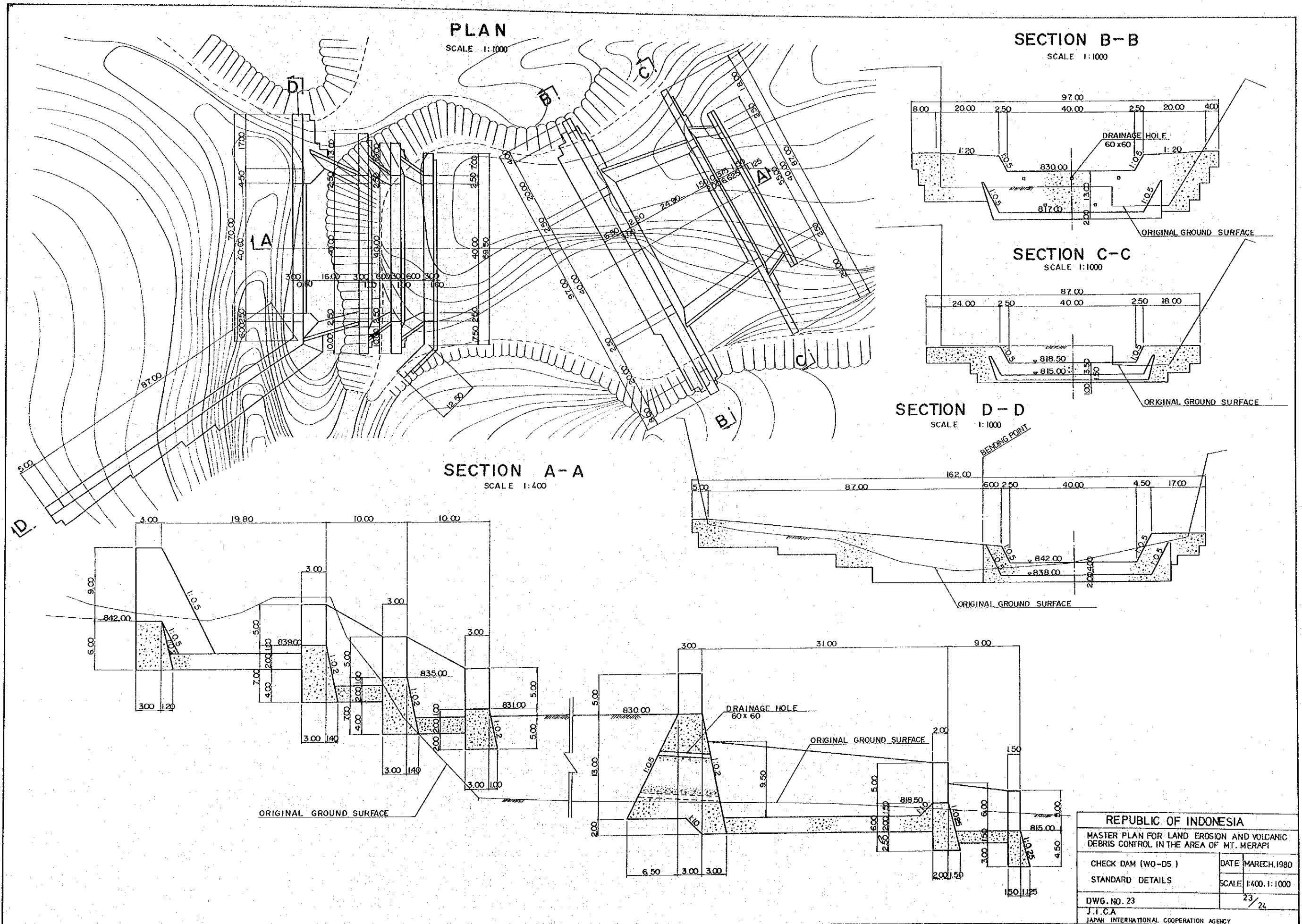
DATE: MARECH. 1980

SCALE: 1:200, 1:400

DWG. NO. 22

22/26

J. I. C. A.
JAPAN INTERNATIONAL COOPERATION AGENCY



PLAN
SCALE 1:1000

SECTION B-B
SCALE 1:1000

SECTION C-C
SCALE 1:1000

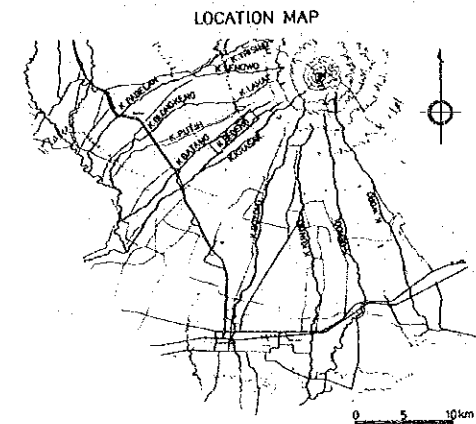
SECTION D-D
SCALE 1:1000

SECTION A-A
SCALE 1:400

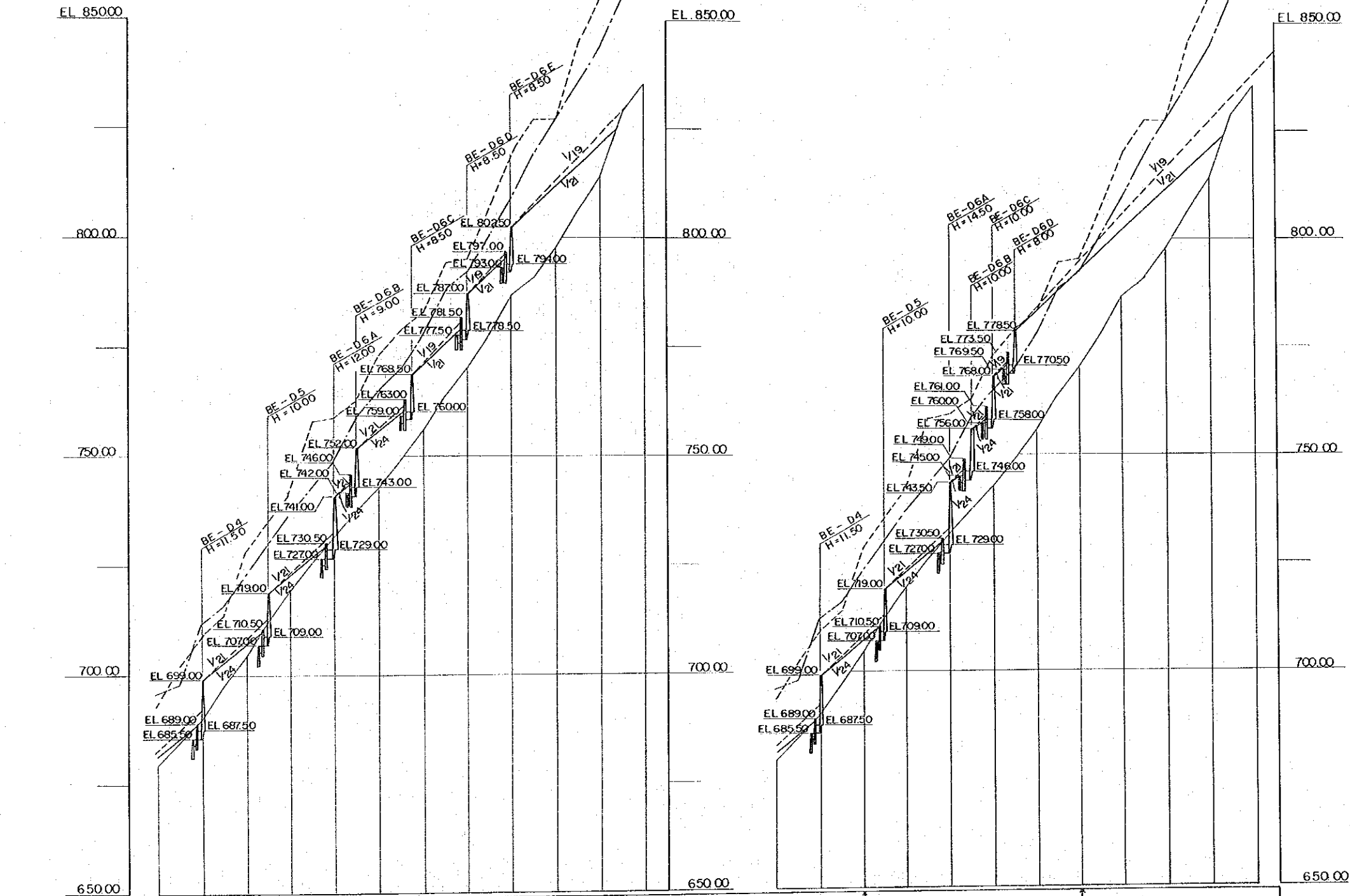
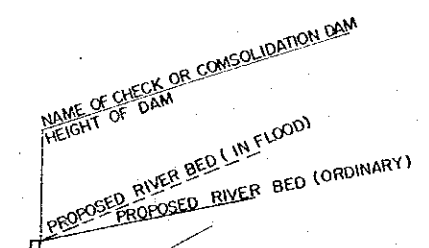
REPUBLIC OF INDONESIA	
MASTER PLAN FOR LAND EROSION AND VOLCANIC DEBRIS CONTROL IN THE AREA OF MT. MERAPI	
CHECK DAM (WO-D5 I)	DATE MARCH 1980
STANDARD DETAILS	SCALE 1:400, 1:1000
DWG. NO. 23	23/24
J.I.C.A. JAPAN INTERNATIONAL COOPERATION AGENCY	

ALTERNATIVE PLAN 1

ALTERNATIVE PLAN 2



LEGEND



DISTANCE FROM THE SUMMIT OF G. MERAPI	0	200	400	600	800	1000	1150	1200	1400	1500	1600	1700	1740	1780	2000	2400	2600	2800	2900	3000	3200	3300	3400	3500	3600	3800	4000	4200	4400	4600	
GRADIENT OF ORIGINAL RIVER BED																															
LOWEST RIVER BED HEIGHT	679.50	680.25	704.60	712.55	718.90	731.90	737.65	742.90	752.50	756.13	770.40	777.80	786.85	797.90	811.69	840.00	873.50	880.25	904.60	912.55	919.20	931.80	937.65	942.90	949.25	956.15	970.40	986.85	997.90	1011.69	1040.00
ACCUMULATED DISTANCE	0	200	400	500	600	800	900	1000	1150	1200	1400	1500	1600	1700	1740	2000	2400	2600	2800	2900	3000	3200	3300	3400	3500	3600	3800	4000	4200	4400	4600
DISTANCE	0	200	200	100	100	200	100	100	150	50	200	100	100	200	40	200	200	200	100	100	100	200	100	100	100	200	200	200	200	200	
STATION	9.40	9.20	9.00	8.90	8.80	8.60	8.50	8.40	8.25	8.20	8.00	7.90	7.80	7.60	7.43	7.40	7.20	6.40	6.20	6.00	5.80	5.60	5.40	5.30	5.20	5.00	4.80	4.60	4.40	4.20	

REPUBLIC OF INDONESIA

MASTER PLAN FOR LAND EROSION AND VOLCANIC DEBRIS CONTROL IN THE AREA OF MT. MERAPI

GENERAL LONGITUDINAL PROFILE OF K. BEBENG (ALTERNATIVE PLANS 1 AND 2)

DATE: MARCH 1980

SCALE: V=1:1000, H=1:20000

DWG. NO. 24

J.I.C.A. JAPAN INTERNATIONAL COOPERATION AGENCY

JICA