

ADIP
 SULFURIC ACID PLANT THERMO RECORDER OVERHAUL SCHEDULE

NO	ITEM	DATE	JUL																															RANGE	ELEMENT	TEST DATA	REMARKS
			1	2	3	4	5	6	7	8	9	10	11	12	13	14	15	16	17	18	19	20	21	22	23	24	25	26	27	28							
9	TR-868-3-3												▨	▨				▨						▨								250 ~ 500°C		250 300 350 400 450 500 () () () () () ()			
10	TR-868-1 ~ 4												▨																				50 ~ 600°C	I.C.	50 150 300 450 600 (/) (140) (300) (432) (/)		
	" -5,6												▨																				50 ~ 1600°C	PR	50 400 800 1200 1600 (/) (370) (800) (1200) (/)		
11	TR-861-2/1 ~ 6												▨	▨											▨								0 ~ 700°C	I.C.			
12	TR-411-01 (Adip)												▨																				0 ~ 200°C	Pt100Ω	0 50 100 150 200°C (4) (50) (100) (150) (200)		

AMMONIA PLANT CONTROLLER O.H. SCHEDULE

NO	ITEM	DATE	JUL								RANGE	PID Set	ACTION	TEST DATA	REMARKS	
			11	12	13	14	15	16	17	18						19
1	FIC-3-29-05		<input checked="checked" type="checkbox"/>												P:100+90%	

GASIFICATION PLANT VALVE CHECK SCHEDULE

NO	ITEM	DATE	JUL							VALVE LIFT TEST DATA					REMARKS						
			11	12	13	14	15	16	17	18	19	0%	25%	50%		75%	100%				
1	PCV-4																				
2	PCV-3 (NO.1 N ₂ COMPER)																				
3	PCV-4 (No.2 N COMPER)																				
4	PCV-19 I (SYN GAS BLOWER)																				
5	PCV-19 II (")																				
6	PCV-21 I (SYN GAS BOOSTER)																				
7	PCV-21 II (")																				
8	PCV-21 III (")																				
9	PCV-21 IV (")																				
10	FCV-6 (COMBUSTION AIR)																				
11	FCV-6A (NO.1 O ₂ BLOWER)																				

GASIFICATION PLANT VALVE CHECK SCHEDULE

NO	DATE ITEM	JUL							VALVE LIFT TEST DATA				REMARKS												
		11	12	13	14	15	16	17	18	19	20	21		22	23	24	25	26	27	28	0%	25%	50%	75%	100%
12	FCV-6B (NO.2 O2 BLOWER)	/	/																	0	25	50	75	100	Positioner changed
13	LCV-5 (STEAM DRUM)			/	/															0	25	50	75	100	Overhauled
14	HV-1A1 (O2 GASIFIER IN)	/	/	/																0				+100	
15	HV-1A2 (")	/	/																	0				100	
16	HV-1B1 (")	/	/																	0				95	
17	HV-1B2 (")	/	/																	0				100	
18	HV-2A1 (N2 GASIFIER IN)	/	/																	0				80	
19	HV-2A2 (")	/	/																	20				100	
20	HV-2B1 (")	/	/	/	/															0				100	Panel indicator changed
21	HV-2B2 (")	/	/	/																0				100	SW overhaul change better
22	HV-3 (SYN GAS FLARE)	/	/	/																0				84	Adjusted
																				0				100	

GASIFICATION PLANT VALVE CHECK SCHEDULE

NO	ITEM	DATE	JUL							AUG					VALVE LIFT TEST DATA				REMARKS			
			11	12	13	14	15	16	17	18	19	20	1	2	3	4	5	0%		25%	50%	75%
23	HV-4 (N ₂ SEAL POT IN)																0	0			+100	
24	HV-5 (N ₂ BY-PASS)																-0	0			+100	
25	HV-6 (SYN GAS BLOWER)																0	0	0	0	100	
26	HV-7A1 (PIV-GEAR)																0	0	0	0	100	Overhauled, motor changed
27	HV-7A2 (")																0	0			100	
28	HV-7B1 (")																0	0			100	
29	HV-7B2 (")																0	0			100	
30	HV-1 (BLOWER F2)																0	0			100	
31	HV-2 (BOOSTER F3)																0	0			100	
32	HV-3 (ROLLER FEED)																0	0			100	
33	HV-4 (ERKO BELT)																0	0			100	

DATE

GASIFICATION PLANT VALVE CHECK SCHEDULE

DATE		JUL																												VALVE LIFT TEST DATA					REMARKS
																														0%	25%	50%	75%	100%	
		11	12	13	14	15	16	17	18	19	20	21	22	23	24	25	26	27	28	0%	25%	50%	75%	100%											
NO	ITEM																																		
34	HV-5 (PRIMARY AIR)			█																								0					100	Good	
35	HV-6 (SECONDARY AIR)			█																								0					100		
36	HV-7 (ELECTRO FILTER OUT)				█																							0					100		
37	HV-8/1 (BEHIND SEPARATOR)				█																							0					100		
38	HV-8/2 (")				█																							0					100		
39	HV-9 (STARTING STACK)				█																							0					98		
40	HV-10 (FLUE GAS)				█																							0					100	Good	
41	HV-11 (N ₂ INERTISATION)					█																						0					100	Panel meter	

DATE

FEED WATER PLANT VALVE CHECK SCHEDULE

NO	ITEM	DATE	JUL							VALVE LIFT TEST DATA				REMARKS											
			11	12	13	14	15	16	17	18	19	20	21		22	23	24	25	26	27	28	0%	25%	50%	75%
1	PCV-3-65-01 (30K STEAM)							■												0	25	50	75	100	Changed to new type
2	PCV-3-65-02 (10K STEAM)							■												0	25	50	75	100	Overhauled
3	PCV-3-65-03 (3K STEAM)							■												0	25	50	75	100	"
4	TCV-3-65-01 (10K STEAM)							■												0	25	50	75	100	"
5	TCV-3-65-02 (3K STEAM)							■												0	25	50	75	100	"

DATE

ADIP PLANT VALVE CHECK SCHEDULE

NO	ITEM	DATE	JUL														VALVE LIFT TEST DATA					REMARKS	
			11	12	13	14	15	16	17	18	19	20	0%	25%	50%	75%	100%						
1	FCV-4-11-01 (in Abs ADIP)																10	35	60	85	90		
2	FCV-4-11-03 (REBOILER)																0	25	50	75	98		
3	LCV-4-11-02 (ABSORBER)						█										0	25	50	75	75	Overhauled	
																	0	30	50	75	95		
																	0	25	50	75	100		

EGAT BOILER PLANT VALVE CHECK SCHEDULE

NO	ITEM	DATE	JUL														VALVE LIFT TEST DATA				REMARKS																		
			1	2	3	4	5	6	7	8	9	10	11	12	13	14	15	16	17	18		19	20	21	22	23	24	25	26	27	28	0%	25%	50%	75%	100%			
1	No. 1 LCV- (STEAM DRUM)																					▨									0					-100			
2	No. 1 TCV- (SUPER HEATER OUTLET)																					▨									0					-100			
3	No. 2 LCV- (STEAM DRUM)																					▨									0					-100			
4	No. 2 TCV- (SUPER HEATER OUTLET)																					▨									0					+100			
																															0					-100			

DATE

AMMONIA PLANT VALVE CHECK SCHEDULE

NO	ITEM	DATE	JUL												VALVE LIFT TEST DATA					REMARKS					
			11	12	13	14	15	16	17	18	19	20	21	22	23	24	25	26	27		28	0%	25%	50%	75%
12	LCV-3-31-01 (CO ₂ SCRUBBER)																			0	25	50	75	100	Good
13	LCV-3-43-01 (COPPER SOLUTION)						█													40	75	100	100	100	Position repaired
14	LCV-3-43-03 (NH SCRUBBER)					█														15	35	60	80	85	"
15	LCV-3-52-01 (NH ₃ SEPARATOR)																			0	25	50	75	100	
16	LCV-3-52-03 (FLASH VESSEL)																			0	25	50	75	100	
17	LCV-3-52-04 (TAIL GAS SCRUBBER)							█												0	25	50	75	100	
18	LCV-3-52-05 (WASTE HEAT BOILER)							█												0	25	50	75	100	
19	HCV-3-52-02 (SYN GAS COMPER OUT)							█												0	25	40	40	40	indicator checked
20	HCV-3-52-03 (NH ₃ CONV)								█											0	25	50	75	100	"
21	HCV-3-52-04 (NH ₃ CONV)								█											0	25	50	75	100	"
22	HCV-3-52-05 (NH ₃ CONV)								█											0	15	45	75	95	"
																				0	25	50	75	100	

DATE			
------	--	--	--

AMMONIA PLANT VALVE CHECK SCHEDULE

NO	ITEM	DATE	JUL														VALVE LIFT TEST DATA				REMARKS						
			11	12	13	14	15	16	17	18	19	20	21	22	23	24	25	26	27	28		0%	25%	50%	75%	100%	
																	0	25	50	75		100					
23	HCV-3-52-06 (NH ₃ CONV)																			0	25	50	75	100			
24	HCV-3-52-07 (NH ₃ SEPARATOR)																			0	20	45	75	90	Position repaired		
25	HCV-3-52-08 (HN ₃ CONV BY PASS)																			0	25	50	75	100	Good		

SULPHURIC ACID PLANT VALVE CHECK SCHEDULE

NO	ITEM	DATE	JUL							VALVE LIFT TEST DATA				REMARKS													
			11	12	13	14	15	16	17	18	19	20	21		22	23	24	25	26	27	28	0%	25%	50%	75%	100%	
1	LCV- (STEAM DRUM)																				0	25	50	75	100		

AMMONIA
SULPHATE PLANT VALVE CHECK SCHEDULE

NO	ITEM	DATE	JUL																												VALVE LIFT TEST DATA					REMARKS					
			1	2	3	4	5	6	7	8	9	10	11	12	13	14	15	16	17	18	19	20	21	22	23	24	25	26	27	28	0%	25%	50%	75%	100%						
1	PCV-2-51-02 (NH ₃ GAS)																																0	25	50	75	100				
2	PCV-2-51-09 (COOLING WATER)																																						Overhaul		
3	LCV-2-51-02 (EVAPORATOR)																																						"		
4	TCV-2-51-09 (NH ₃ SUPER HEATER)																																						"		

DATE

ALL PLANT PG CHECK SCHEDULE

NO	ITEM	DATE	JUL																												REMARKS
			1	2	3	4	5	6	7	8	9	10	11	12	13	14	15	16	17	18	19	20	21	22	23	24	25	26	27	28	
1	GASIFICATION																													32 Set	
2	FEED WATER																													13 Set	
3	ADIP																													23 Set	
4	EGAT BOILER																													17 Set	
5	AMMONIA																													65 Set	
6	AIR SEPARATION																													23 Set	
7	SULPHURIC ACID																													8 Set	
8	AMMONIA SULPHATE																													7 Set	
																														188 pcs	

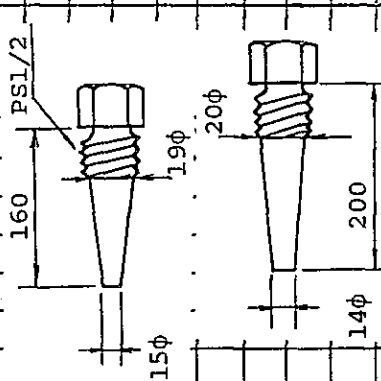
DATE

**BOILER
GASIFICATION, ADIP PLANT PROTECTION TUBE INSPECT SCHEDULE**

NO	ITEM	DATE	JUL																															RATING	LENGTH mm	REMARKS
			11	12	13	14	15	16	17	18	19	20	21	22	23	24	25	26	27	28																
			<input type="checkbox"/>	<input type="checkbox"/>	<input type="checkbox"/>	<input type="checkbox"/>	<input type="checkbox"/>	<input type="checkbox"/>	<input type="checkbox"/>	<input type="checkbox"/>	<input type="checkbox"/>	<input checked="" type="checkbox"/>	<input type="checkbox"/>	<input type="checkbox"/>	<input type="checkbox"/>	<input type="checkbox"/>	<input type="checkbox"/>	<input type="checkbox"/>	<input type="checkbox"/>	<input type="checkbox"/>	<input type="checkbox"/>	<input type="checkbox"/>	<input type="checkbox"/>	<input type="checkbox"/>	<input type="checkbox"/>	<input type="checkbox"/>	<input type="checkbox"/>	<input type="checkbox"/>	<input type="checkbox"/>	<input type="checkbox"/>	<input type="checkbox"/>	<input type="checkbox"/>	<input type="checkbox"/>			
	[BOILER]		<input checked="" type="checkbox"/>	<input type="checkbox"/>	<input type="checkbox"/>	<input type="checkbox"/>	<input type="checkbox"/>	<input type="checkbox"/>	<input type="checkbox"/>	<input type="checkbox"/>	<input type="checkbox"/>	<input type="checkbox"/>	<input type="checkbox"/>	<input type="checkbox"/>	<input type="checkbox"/>	<input type="checkbox"/>	<input type="checkbox"/>	<input type="checkbox"/>	<input type="checkbox"/>	<input type="checkbox"/>	<input type="checkbox"/>	<input type="checkbox"/>	<input type="checkbox"/>	<input type="checkbox"/>	<input type="checkbox"/>	<input type="checkbox"/>	<input type="checkbox"/>	<input type="checkbox"/>	<input type="checkbox"/>	<input type="checkbox"/>	<input type="checkbox"/>					
1	TI- AIR PREHEATOR OUT		<input type="checkbox"/>	<input type="checkbox"/>	<input type="checkbox"/>	<input type="checkbox"/>	<input type="checkbox"/>	<input type="checkbox"/>	<input checked="" type="checkbox"/>	<input type="checkbox"/>	<input type="checkbox"/>	<input type="checkbox"/>	<input type="checkbox"/>	<input type="checkbox"/>	<input type="checkbox"/>	<input type="checkbox"/>	<input type="checkbox"/>	<input type="checkbox"/>	<input type="checkbox"/>	<input type="checkbox"/>	<input type="checkbox"/>	<input type="checkbox"/>	<input type="checkbox"/>	<input type="checkbox"/>	<input type="checkbox"/>	<input type="checkbox"/>	<input type="checkbox"/>	<input type="checkbox"/>	<input type="checkbox"/>	<input type="checkbox"/>	<input type="checkbox"/>		1250	30 to 20 φ tapering good		
2	TI- FLUE GAS PREHEATER OUT		<input type="checkbox"/>	<input type="checkbox"/>	<input type="checkbox"/>	<input type="checkbox"/>	<input type="checkbox"/>	<input checked="" type="checkbox"/>	<input type="checkbox"/>	<input type="checkbox"/>	<input type="checkbox"/>	<input type="checkbox"/>	<input type="checkbox"/>	<input type="checkbox"/>	<input type="checkbox"/>	<input type="checkbox"/>	<input type="checkbox"/>	<input type="checkbox"/>	<input type="checkbox"/>	<input type="checkbox"/>	<input type="checkbox"/>	<input type="checkbox"/>	<input type="checkbox"/>	<input type="checkbox"/>	<input type="checkbox"/>	<input type="checkbox"/>	<input type="checkbox"/>	<input type="checkbox"/>	<input type="checkbox"/>	<input type="checkbox"/>	<input type="checkbox"/>		1250	" good		
	[GASIFICATION]		<input type="checkbox"/>	<input type="checkbox"/>	<input type="checkbox"/>	<input type="checkbox"/>	<input type="checkbox"/>	<input type="checkbox"/>	<input type="checkbox"/>	<input type="checkbox"/>	<input type="checkbox"/>	<input type="checkbox"/>	<input type="checkbox"/>	<input type="checkbox"/>	<input type="checkbox"/>	<input type="checkbox"/>	<input type="checkbox"/>	<input type="checkbox"/>	<input type="checkbox"/>	<input type="checkbox"/>	<input type="checkbox"/>	<input type="checkbox"/>	<input type="checkbox"/>	<input type="checkbox"/>	<input type="checkbox"/>	<input type="checkbox"/>	<input type="checkbox"/>	<input type="checkbox"/>	<input type="checkbox"/>	<input type="checkbox"/>	<input type="checkbox"/>					
1	TR-1/3 COAL SHAFT		<input checked="" type="checkbox"/>	<input type="checkbox"/>	<input type="checkbox"/>	<input type="checkbox"/>	<input type="checkbox"/>	<input type="checkbox"/>	<input type="checkbox"/>	<input type="checkbox"/>	<input type="checkbox"/>	<input type="checkbox"/>	<input type="checkbox"/>	<input type="checkbox"/>	<input type="checkbox"/>	<input type="checkbox"/>	<input type="checkbox"/>	<input type="checkbox"/>	<input type="checkbox"/>	<input type="checkbox"/>	<input type="checkbox"/>	<input type="checkbox"/>	<input type="checkbox"/>	<input type="checkbox"/>	<input type="checkbox"/>	<input type="checkbox"/>	<input type="checkbox"/>	<input type="checkbox"/>	<input type="checkbox"/>	<input type="checkbox"/>	<input type="checkbox"/>			OK		
2	TR-23/1 RADIATION BOILER IN		<input checked="" type="checkbox"/>	<input type="checkbox"/>	<input type="checkbox"/>	<input type="checkbox"/>	<input type="checkbox"/>	<input type="checkbox"/>	<input type="checkbox"/>	<input type="checkbox"/>	<input type="checkbox"/>	<input type="checkbox"/>	<input type="checkbox"/>	<input type="checkbox"/>	<input type="checkbox"/>	<input type="checkbox"/>	<input type="checkbox"/>	<input type="checkbox"/>	<input type="checkbox"/>	<input type="checkbox"/>	<input type="checkbox"/>	<input type="checkbox"/>	<input type="checkbox"/>	<input type="checkbox"/>	<input type="checkbox"/>	<input type="checkbox"/>	<input type="checkbox"/>	<input type="checkbox"/>	<input type="checkbox"/>	<input type="checkbox"/>	<input type="checkbox"/>		600	22 to 22 φ Protector and thermocouple both missed, closed by blind plate. To be installed.		
3	TR-23/4 TUBULAR BOILER OUT		<input checked="" type="checkbox"/>	<input type="checkbox"/>	<input type="checkbox"/>	<input type="checkbox"/>	<input type="checkbox"/>	<input type="checkbox"/>	<input type="checkbox"/>	<input type="checkbox"/>	<input type="checkbox"/>	<input type="checkbox"/>	<input type="checkbox"/>	<input type="checkbox"/>	<input type="checkbox"/>	<input type="checkbox"/>	<input type="checkbox"/>	<input type="checkbox"/>	<input type="checkbox"/>	<input type="checkbox"/>	<input type="checkbox"/>	<input type="checkbox"/>	<input type="checkbox"/>	<input type="checkbox"/>	<input type="checkbox"/>	<input type="checkbox"/>	<input type="checkbox"/>	<input type="checkbox"/>	<input type="checkbox"/>	<input type="checkbox"/>	<input type="checkbox"/>		600	22 to 22 φ good		
4	TR-24/3 SYN GAS BLOWER		<input checked="" type="checkbox"/>	<input type="checkbox"/>	<input type="checkbox"/>	<input type="checkbox"/>	<input type="checkbox"/>	<input type="checkbox"/>	<input type="checkbox"/>	<input type="checkbox"/>	<input type="checkbox"/>	<input type="checkbox"/>	<input type="checkbox"/>	<input type="checkbox"/>	<input type="checkbox"/>	<input type="checkbox"/>	<input type="checkbox"/>	<input type="checkbox"/>	<input type="checkbox"/>	<input type="checkbox"/>	<input type="checkbox"/>	<input type="checkbox"/>	<input type="checkbox"/>	<input type="checkbox"/>	<input type="checkbox"/>	<input type="checkbox"/>	<input type="checkbox"/>	<input type="checkbox"/>	<input type="checkbox"/>	<input type="checkbox"/>	<input type="checkbox"/>		250	New type change OK		
5	TR-23-3 [ADIP]		<input type="checkbox"/>	<input type="checkbox"/>	<input type="checkbox"/>	<input type="checkbox"/>	<input type="checkbox"/>	<input type="checkbox"/>	<input type="checkbox"/>	<input type="checkbox"/>	<input type="checkbox"/>	<input type="checkbox"/>	<input type="checkbox"/>	<input type="checkbox"/>	<input type="checkbox"/>	<input type="checkbox"/>	<input type="checkbox"/>	<input type="checkbox"/>	<input type="checkbox"/>	<input type="checkbox"/>	<input type="checkbox"/>	<input type="checkbox"/>	<input type="checkbox"/>	<input type="checkbox"/>	<input type="checkbox"/>	<input type="checkbox"/>	<input type="checkbox"/>	<input type="checkbox"/>	<input type="checkbox"/>	<input type="checkbox"/>	<input type="checkbox"/>		1100	22 φ to 22 φ The top corroded 1 mm. To be replaced next occasion.		
1	TR-4-11-1.15 ABSORBER OUT		<input checked="" type="checkbox"/>	<input type="checkbox"/>	<input type="checkbox"/>	<input type="checkbox"/>	<input type="checkbox"/>	<input type="checkbox"/>	<input type="checkbox"/>	<input type="checkbox"/>	<input type="checkbox"/>	<input type="checkbox"/>	<input type="checkbox"/>	<input type="checkbox"/>	<input type="checkbox"/>	<input type="checkbox"/>	<input type="checkbox"/>	<input type="checkbox"/>	<input type="checkbox"/>	<input type="checkbox"/>	<input type="checkbox"/>	<input type="checkbox"/>	<input type="checkbox"/>	<input type="checkbox"/>	<input type="checkbox"/>	<input type="checkbox"/>	<input type="checkbox"/>	<input type="checkbox"/>	<input type="checkbox"/>	<input type="checkbox"/>	<input type="checkbox"/>		200	good		
2	TR-4-11-01/2 ABSORBER OUT GAS		<input checked="" type="checkbox"/>	<input type="checkbox"/>	<input type="checkbox"/>	<input type="checkbox"/>	<input type="checkbox"/>	<input type="checkbox"/>	<input type="checkbox"/>	<input type="checkbox"/>	<input type="checkbox"/>	<input type="checkbox"/>	<input type="checkbox"/>	<input type="checkbox"/>	<input type="checkbox"/>	<input type="checkbox"/>	<input type="checkbox"/>	<input type="checkbox"/>	<input type="checkbox"/>	<input type="checkbox"/>	<input type="checkbox"/>	<input type="checkbox"/>	<input type="checkbox"/>	<input type="checkbox"/>	<input type="checkbox"/>	<input type="checkbox"/>	<input type="checkbox"/>	<input type="checkbox"/>	<input type="checkbox"/>	<input type="checkbox"/>	<input type="checkbox"/>		300	good		
3	TR-4-11-07		<input checked="" type="checkbox"/>	<input type="checkbox"/>	<input type="checkbox"/>	<input type="checkbox"/>	<input type="checkbox"/>	<input type="checkbox"/>	<input type="checkbox"/>	<input type="checkbox"/>	<input type="checkbox"/>	<input type="checkbox"/>	<input type="checkbox"/>	<input type="checkbox"/>	<input type="checkbox"/>	<input type="checkbox"/>	<input type="checkbox"/>	<input type="checkbox"/>	<input type="checkbox"/>	<input type="checkbox"/>	<input type="checkbox"/>	<input type="checkbox"/>	<input type="checkbox"/>	<input type="checkbox"/>	<input type="checkbox"/>	<input type="checkbox"/>	<input type="checkbox"/>	<input type="checkbox"/>	<input type="checkbox"/>	<input type="checkbox"/>	<input type="checkbox"/>		200	20 to 15 mmφ good		
4	TR-4-11-08		<input checked="" type="checkbox"/>	<input type="checkbox"/>	<input type="checkbox"/>	<input type="checkbox"/>	<input type="checkbox"/>	<input type="checkbox"/>	<input type="checkbox"/>	<input type="checkbox"/>	<input type="checkbox"/>	<input type="checkbox"/>	<input type="checkbox"/>	<input type="checkbox"/>	<input type="checkbox"/>	<input type="checkbox"/>	<input type="checkbox"/>	<input type="checkbox"/>	<input type="checkbox"/>	<input type="checkbox"/>	<input type="checkbox"/>	<input type="checkbox"/>	<input type="checkbox"/>	<input type="checkbox"/>	<input type="checkbox"/>	<input type="checkbox"/>	<input type="checkbox"/>	<input type="checkbox"/>	<input type="checkbox"/>	<input type="checkbox"/>	<input type="checkbox"/>		160	good		

SULPHURIC ACID
AMMONIUM SULPHATE PLANT PROTECTING TUBE INSPECT SCHEDULE

DATE		JUL														REMARKS			
NO	ITEM	11	12	13	14	15	16	17	18	19	20	21	22	23	24		25	26	27
	H ₂ SO ₄ PLANT																		
1	TI-861-1-1									■									
2	TI-861-1-5											■							
3	TI-861-1-10								■										
4	TI-868-11								■										
5	TI-861-1-7								■										
6	TI-861-1-2								■										
7	TI-868-								■										
	A. S PLANT																		
1	TR-01-4 (HEAD TANK OUT)																		
2	TIC-2-51-09 (NH ₃ SUPER HEATER)																		



AMMONIA
EGAT BOILER PLANT CHANGE THE NEW TYPE SCHEDULE

NO	ITEM	DATE	JUL															SPECK	REMARKS				
			11	12	13	14	15	16	17	18	19	20	21	22	23	24	25			26	27	28	
1	PCV-3-65-01																					VDC, 2 1/2 JPI600	
2	WIRING																					CWS 1.25 sq	
3	PK-32																						
4	PT 3-52-09																					Y/11GH 0 - 630 K	
5	PT 3-52-04																					" "	

AIR SEPARATION
AMMONIA PLANT N2 LINE CHANGE SCHEDULE

NO	ITEM	DATE	JUL																												REMARKS
			1	2	3	4	5	6	7	8	9	10	11	12	13	14	15	16	17	18	19	20	21	22	23	24	25	26	27	28	
1	PANEL MANUFACTURE		11	12	13	14	15	16	17	18	19	20	21	22	23	24	25	26	27	28		See 4-4-2-7									
2	PANEL RUN																														
3	FIC, PIC MANUFACTURE																														FIC-3-31-03, PIC-8-21-01
4	PT MANUFACTURE																														PIC-8-21-01 Lead pipe
5	PCV, FCV MANUFACTURE																														PCV-8-21-01, FCV-3-31-0
6	WIRING																														PANEL BACK BORD
7	TEST																														SYSTEM CHECK
8	I.A TAKE OUT																														PCV-8-21-01, PIC-8-21-01, FCV-3-31-03

GASIFICATION PLANT THERMOCOUPLE CHANGE SCHEDULE

		DATE							DATE											
NO	ITEM	JUL														SPEC	REMARKS			
		11	12	13	14	15	16	17	18	19	20	21	22	23	24			25	26	27
1	TRA-2-1 " -2,3,4,5	<input checked="" type="checkbox"/>	<input checked="" type="checkbox"/>																Pt 100Ω, PT-6-900-F100-5002-PT 1/4 Pt 100Ω, PT-6-400-F100-5002-PT 1/4	
2	TRA-3-1 " -2 ~ 4 " -5 " -6																		Pt 100Ω, PT-6-1150-D100-5002-PT 1/4 Pt 100Ω, PT-6-6500-D100-5002-PT 1/4 " -3950- " -300-F100- "	Recorder mai mee element not change
3	TR-20-1	<input checked="" type="checkbox"/>																	Pt 100Ω, PT-6-300-F100-5002-PT 1/4	Only one point
5	TR-24-1 ~ 3	<input checked="" type="checkbox"/>																	Pt 100Ω, PT-6-400-F100-5002-PT 1/4	

AMMONIA PLANT THERMOCOUPLE CHANGE SCHEDULE

NO	ITEM	DATE	JUL																															SPEC	REMARKS
			1	2	3	4	5	6	7	8	9	10	11	12	13	14	15	16	17	18	19	20	21	22	23	24	25	26	27	28					
1	TR-3-29-01-1 ~ 7																														I.C6.4φ T-96B-450-FJF-5008/5002-PF 3/4				
	" -8																														" -300-				
	" -9																														" -450-				
	" -10 ~ 12																														" -300-				
2	TI-3-29-02-1																														I.C6.4φ T-96B-300-FJF-5008/5002-PF 3/4	TI-3-29-02/2			
	" -2,3																														" -450-	400			
	" -4 ~ 8																														" -300-	Scar observed at the 15φ top, to be replaced within two years.			
3	TIC-3-29-04																														I.C6.4φ T-96B-300-FJF-5008/5002-PF 3/4				
4	TI-3-43-01-1 ~ 4																														I.C6.4φ T-96B-300-FJF-5008/5002-PF 3/4				
	" -5,6																														" -450-				
	" -7 ~ 11																														" -300-				
5	TIC-3-43-02																														I.C6.4φ T-96B-450-FJF-5008/5002-PF 3/4				

UREA PLANT CONTROL VALVE O.H SCHEDULE

NO	ITEM	DATE	AUG														RATING	TIGHT TEST	LEAKAGE TEST	TEST DATA (%)								
			7	8	9	10	11	12	13	14	15	16	17	18	19	20				21	22	23	24	0	25	50	75	100
1	TRC-3-57-02																			1.1505.5/11 25/60475 L25/4571 ES P093G	1	0 l/min.	0	25	50	75	100	
2	LICA-3-57-07																			1.1505.5/16 25/60480 4580/4112 E12 P4G	25 ND25/40	0 l/min.	0	25	50	75	100	
3	LICA-3-57-03																			1.15505.5/16 25/60480 45/80/4112 E12 P4G	25 ND25/40	0 l/min.	0	25	50	75	100	
4	LICA-3-57-01																				50 ND25/40	0 l/min.	0	25	50	75	100	
5	LIC-3-57-04																			1.1505.5/17 25/60481 4580/4112 E15 P6G	25 ND25/40	0.06 l/min.	0	25	50	75	100	
6	FRRC-3-57-06																			1.1505.5/12 20/60C76 4580/4571-H E4 P0.025G	20 ND25/40 4580	0 l/min.	0	25	50	75	100	
7	PRC-2-81-04																				25 ND25/40 GS	0 l/min.	0	25	50	75	100	
8	TRC-2-81-7																			1.1337-5/2 25160486 GS/4577-H E18 P9G	25 ND25/40	1.0 l/min.	0	25	50	75	100	

UREA PLANT CONTROL VALVE O.H SCHEDULE

NO	ITEM	DATE	AUG														RATING	TIGHT TEST	LEAKAGE TEST	TEST DATE (%)								
			7	8	9	10	11	12	13	14	15	16	17	18	19	20				21	22	23	24	0	25	50	75	100
																				0	25	50	75	100				
9	TRC-2-81-05																				1.1337.5/2 50/60/485 GS2571-H E32 P20G	50 ND25/40 GS	0.03 l/min.	0	25	50	75	100
10	TRC-3-57-10																				1.1505.5/17 25/60481 4580/4112 E15 P6G	25 ND25/40	0.09 l/min.	0	25	50	75	100

UREA PLANT CONTROL VALVE POSITION CHECK SCHEDULE

NO	ITEM	DATE	AUG																												DATE										
			14	15	16	17	18	19	20	21	22	23	24	25	26	27	28	29	30																						
1	PRC 3-57-16					<input checked="" type="checkbox"/>																												good	no adjust						
2	PRC 3-57-15					<input checked="" type="checkbox"/>																											"								
3	LICA 3-57-02							<input checked="" type="checkbox"/>																										BOFOR 0	25	50	75	95	overhaul better		
4	PRC 3-57-12							<input checked="" type="checkbox"/>																										AFTOR 0	25	50	75	95	by next time		
5																																	B	0	25	50	75	85			
6	PRC 3-57-05																																A	0	25	50	75	100	OK		
7	PICA 3-57-32								<input checked="" type="checkbox"/>																									B	0	25	50	75	95	no adjust	
8	LIC 3-57-04								<input checked="" type="checkbox"/>																									A	0	25	50	75	95	no adjust	
9	PIC 3-57-17								<input checked="" type="checkbox"/>																									B	20	35	60	75	100	adjust OK	
10	TRC 3-57-06																																	A	0	25	50	75	100	adjust OK	
11	TRC 3-57-08								<input checked="" type="checkbox"/>																										good by no adjust						
12	PRC 3-57-25																																	B	0	55	90	100	100	adjust OK	
									<input checked="" type="checkbox"/>																									A	0	25	50	75	90		

UREA PLANT CONTROL VALVE POSITION CHECK SCHEDULE

NO	ITEM	DATE	AUG												DATE							
			14	15	16	17	18	19	20	21	22	23	24	25		26						
13	LICA 3-57-08																0	25	50	75	95	Overhaul next occasion
14	LICA 3-57-09																					good
15	TIC 2-81-10																					good
16																						
17	FRC 2-81-01																					good, no adjust
18	PIC 2-81-11																					"
19	LIC-3-57-05																					"
20	PIC-3-57-32																					B
																						0
																						25
																						50
																						75
																						95
																						Overhaul should be practised.
																						A
																						0
																						30
																						60
																						75
																						100

UREA PLANT CONTROLLER O.H. SCHEDULE

NO	ITEM	DATE	AUG														RESET / DURATION								
			13	14	15	16	17	18	19	20	21	22	23	24	25	26		27	28	29	30				
1	PRC 3-57-16																								PB:100% → 95% RESET 1 min → 50 sec
2	FrcR 3-57-08																								PB:100% → 99% REST 2 min → 2 min 10 sec
3	FRC 3-57-02																								PB:100% → 95% REST 2 min → 1 min 50 sec
4	PRC 3-57-15																								PB:100% → 90% RESET OK
5	LICA 3-57-02																								PB: OK RESET 2 min → 1 min 30 sec
6	PRC-3-57-12																								PB: 100% → 90% RESET 2 min → 2 min 10 sec
7	TRC-3-57-10																								PB:100% → 90% RESET OK D:2 min → 2 min 20 sec
8	LICA-3-57-07																								PB:100% → 95% RESET OK
9	PRCA-3-57-05																								
10	LIC-3-57-05																								PB:100% → 90% RESET 2 min → 1 min 30 sec
11	LICA-3-57-01																								PB:100% → 85% RESET 5 min → 4 min 20 sec
12	PRCA-3-57-32																								PB:100% → 90% RESET 1 min → 1 min 30 sec

DATE			
------	--	--	--

REA PLANT CONTROLLER O.H SCHEDULE

NO	DATE ITEM	AUG														DATE					
		13	14	15	16	17	18	19	20	21	22	23	24	25	26		27	28	29	30	
13	LIC-3-57-03																				PB:100% → 95% RESET OK
14	TRC-3-57-06																				PB: OK RESET 2 min → 1 min 50 sec D: OK
15	LIC-3-57-04																				PB:100% → 90% RESET 1 min → 1 min 30 sec
16	TRC-3-57-08																				PB:100% → 90% RESET OK D: 2 min → 2 min 20 sec
17	PRC-3-57-25																				
18	LICA-3-57-08																				
19	LICA-3-57-09																				PB:100% → 95% RESET 2 min → 1 min 50 sec
20	TIC-2-81-10																				
21	PRC-2-81-04																				PB:100% → 95% RESET OK
22	FRRC-2-81-01																				
23	TRC-2-81-05																				PB:100% → 90% RESET OK D.ACTION no good

UREA PLANT CONTROLER O.H SCHEDULE

NO	ITEM	DATE		AUG														DATE																			
				13	14	15	16	17	18	19	20	21	22	23	24	25	26					27	28	29	30												
24	TRC-2-81-07															☒																					

PB: OK RESET 2 min + 1 min 30 sec D.ACTION No good

UREA PLANT TRANSMITTER CHECK SCHEDULE

NO		ITEM	DATE	AUG										BEFORE	AFTER	0-100 mm WS												
				14	15	16	17	18	19	20	21	22	23				24	25	26	27	28	29	30	31				
1		FR 3-57-03																	0.14	0.35	0.55	0.72	0.77	K	0.77	K	0-100 mm WS	
							See												0.2	0.4	0.6	0.8	1.0	K	1.0	K		
2		PRC 3-57-16																	0.25	0.45	0.62	0.89	1.09	K	1.09	K		
																			0.2	0.4	0.6	0.8	1.0	K	1.0	K		
3		FRC 3-57-08																	0.2	0.44	0.61	0.81	0.99	K	0.99	K		
																			0.2	0.4	0.6	0.8	1.0	K	1.0	K		
4		FRC 3-57-02																	0.08	0.28	0.48	0.68	0.87	K	0.87	K		
																			0.2	0.4	0.6	0.8	1.0	K	1.0	K		
5		FRC 3-57-15																	0.21	0.42	0.63	0.84	1.4	K	1.4	K		
																			0.2	0.4	0.6	0.8	1.0	K	1.0	K		
6		LICA 3-57-02																	OK	no	adjust							
7		PRC 3-57-12																	0.21	0.43	0.63	0.83	1.03	K	1.03	K		
																			0.2	0.4	0.6	0.8	1.0	K	1.0	K		
8		LICA-3-57-08																	OK	no	adjust							
9		FRC-3-57-07																	Indicating	pen	was	repaired						

DATE

UREA PLANT OVERHUAL FOR RECORDER SCHEDULE

NO	ITEM	DATE	AUG														SCALE										
			7	8	9	10	11	12	13	14	15	16	17	18	19	20		21	22	23	24						
1	FRC-3-57-02																				BEFORE	+1	+1	-1	-1	0	0 - 10 m ³ /H
																					AFTER	0	0	0	0	0	
2	FR-3-57-03																				B	-1	-1	0	-1	0	0 - 10 "
																					A	0	0	0	0	0	
3	FRR-3-57-07																				B	0	-1	0	0	0	0 - 100 x 0.02 m ³ /H
																					A	0	0	0	0	0	
4	FRC-2-81-01																				B	-1	-1	-1	-1	0	0 - 100 x 0.07 m ³ /H
																					A	0	0	0	0	0	
5	FRC-3-57-08																				B	0	+1	+1	0	0	0 - 100 x 0.002 m ³ /H
																					A	0	0	0	0	0	
6	FRC-3-57-05																				B	-1	-1	-1	0	0	0 - 40 kg/cm ² G
																					A	0	0	0	0	0	
7	FRC-3-57-12																				B	-1	-1	0	+1	-1	0 - 400 kg/cm ² G
																					A	0	0	0	0	0	
8	FRC-3-57-15																				B	-1	-1	0	-1	-1	0 - 6 kg/cm ² G
																					A	0	0	0	0	0	
9	FRC-3-57-16																				B	-2	-2	-2	-2	-2	0 - 6 kg/cm ² G
																					A	0	0	0	0	0	
10	FRC-3-57-25																				B	0	0	-1	-1	-1	0 - 4 kg/cm ² G
																					A	0	0	0	0	0	
11	FR-2-81-07																				B	0	0	0	-1	-1	
																					A	0	0	0	0	0	

UREA PLANT CO2 DRYING SCHEDULE

NO	ITEM	DATE	AUG															REMARKS
			5	6	7	8	9	10	11	12	13	14	15					
1	CYLINDER 6 SET		///														O.H	
2	3 WAY MAGNETIC VALVE		///														O.H Magnet valve inside coil changed	
3	LIMIT S.W. CO2 GAS					///											O.H	
4	TIA 3-44-01						///										Contact checked	
5	TIA 3-44-02																"	
6	MAGNETIC VALVE O2						///										O.H Magnetic valve inside coil changed	
7	FLOW LIMIT S.W.						///										New type change	

UREA PLANT INDICATOR CHECK SCHEDULE

NO	ITEM	DATE	AUG																												REMARKS	
			13	14	15	16	17	18	19	20	21	22	23	24	25	26	27	28	29	30												
1	LICA-3-57-02						☒																									
2	LICA-3-57-09						☒																									
3	LICA-3-57-08										☒																					
4	PI-2-81-07						☒																									
5	LICA-3-57-01															☒																
6	LIA-2-81-01																															
7	PRCA-3-57-05																															

UREA PLANT TRANSDUCER CHECK SCHEDULE

NO	ITEM	DATE	AUG														REMARKS					
			7	8	9	10	11	12	13	14	15	16	17	18	19	20		21	22	23	24	
																					0	37.5 75 112.5 150°C (I.C)
1	TRC-2-81-10					☒																B -1.05 2.95 7.1 mV B 0.16 0.43 0.55 0.7 0.98 K A 0.2 0.6 1.05 K
2	TRC-2-81-07					☒																50 75 100 125 150°C (I.C) 1.6 2.95 4.32 5.7 7.1 mV B 0.15 0.33 0.51 0.69 0.89 K A 0.21 0.395 0.595 0.79 1.0 K
3	TRC-2-81-05					☒																50 75 100 125 150°C (I.C) 1.6 2.95 4.32 5.7 7.1 mV B 0.18 0.37 0.56 0.75 0.96 K A 0.21 0.4 0.6 0.795 0.995 K
4	TRC-3-57-10														☒							0 75 150°C (I.C) -1.05 2.95 7.1 mV B 0.2 0.6 1.0 K
5	TRC-3-57-06														☒							0 50 100 150 200°C (I.C) -1.05 1.6 4.32 7.1 9.9 mV B 0.2 0.36 0.61 0.82 1.03 K A 0.19 0.39 0.6 0.81 1.01 K

DATE

UREA PLANT CHECK TO ALARM SCHEDULE

NO	ITEM	DATE	AUG							REMARKS												
			14	15	16	17	18	19	20		21	22	23	24	25	26	27	28	29	30	31	
1	LICA-3-57-09HL																				good	
2	LICA-3-57-01HL																					good lamp changed
3	LICA-3-57-02HL																					good
4	LICA-3-57-07HL																					good
5	PICA-3-57-32																					good
6	PRIA-3-57-05																					good indicator overhauled
7	LIA-2-81-01																					good "
8	LIA-3-57-01																					good "
9	FRCA-3-57-02																					lamp mai mee
10	TIA-3-57-12																					no good mai mee ANN Card
11	LICA-3-57-08																					good wiring
12	ARA-3-57-01																					

UREA PLANT CHECK TO LOOP SCHEDULE

NO	ITEM	DATE	AUG																															REMARKS	
			14	15	16	17	18	19	20	21	22	23	24	25	26	27	28	29	30	31															
1	FRC-3-57-07									<input checked="" type="checkbox"/>																							good	overhauled and adjusted the zero position	
2	LIC-3-57-03									<input checked="" type="checkbox"/>																							good	the flapper of d/p cell transmitter inspected	
3	PRC-3-57-16									<input checked="" type="checkbox"/>																							good		
4	PRC-3-57-25									<input checked="" type="checkbox"/>																								"	
5	FRC-3-57-08									<input checked="" type="checkbox"/>																								"	
6	LIC-3-57-05									<input checked="" type="checkbox"/>																								"	
7	LIC-3-57-04									<input checked="" type="checkbox"/>																								"	
8	FRC-2-81-01									<input checked="" type="checkbox"/>																								"	
9	PIC-3-57-32									<input checked="" type="checkbox"/>																								"	
10	LIC-3-57-07									<input checked="" type="checkbox"/>																								"	
11	LIA-2-81-01									<input checked="" type="checkbox"/>																								"	transmitter overhauled

UREA PLANT CHECK TO LOOP SCHEDULE

NO	ITEM	DATE	AUG							REMARKS												
			14	15	16	17	18	19	20		21	22	23	24	25	26	27	28	29	30	31	
12	LIC-3-57-02																				good	
13	FRC-3-57-02																					good
14	LIC-3-57-09																					good gauge for transmitter output overhauled
15	LIC-3-57-01																					good
16	PRC-3-57-05																					"
17	PRC-2-81-04																					"
18	PR-2-81-07																					"
19	LIA-2-81-04																					not used (no nozzle and no lead pipe)
20	LI-2-81-02																					not used (no lead pipe)
21	LICA-3-57-08																					good
22	PICA-3-57-32																					"



MOTOR LIST

BABCOCK PLANT

NO	SERVICE	TYPE	CONNE CTION	VOLT	AMP	CAPA CITY	RPM	REMARKS
1	F ₁ HS-MILL	OR3024-4D		6000 V	39 A	340 KW	1492 rpm	
2	F ₂ PAAWR FAN	2424-4B3	Δ	380 V	290 A	160 KW	1485 rpm	
3	F ₄ FD-FAN	OR1324-4	Δ	380 V	37 A	18.5KW	1460 rpm	
4	F ₃ BOVSTER FAN	"	"	"	"	"	"	
5	F ₇ ROLLES FEEDER	OR426-4	Δ/Y	220/ 380 V	6.4/ 3.7 A	1.5 KW	1410 rpm	
6	OIL PUMP NO.1	D-MOT80	Y/Δ	380/ 220 V	1.75/3 A	0.55KW	1400 u/min	
7	OIL PUMP NO.2	"	"	"	"	"	"	
8	PIT BIN	D-MOT	Δ/Y	220/ 380 V	1.73/1 A	0.37KW	2700 u/min	
9	RECLOINING MACHINE	OR524-4	Δ/Y	220/ 380 V	11.8/ 6.8 A	3 KW	1400 u/min	
10	BELT THE RECLAINING	624-4	Δ/Y	220/ 380 V		3 KW	1425 u/min	
11	O ₂ SUBNURGED	D-MOT -OR426-6	Δ	380 V	2.2 A	1.1 KW	910 u/min	
12	O ₁ PADOLE SHAFT	OR722-4	Δ	380 V	11.7 A	5.5 KW	1440 u/min	
13	PIV GEAR	OR424-4	Δ	380 V	2.8 A	1.1 KW	1400 u/min	
14	O ₅ CONVEYER	OR626-4	Δ	380 V	8.7 A	4 KW	1430 u/min	
15	N ₁ E-FILTER	YR93		220/ 380 V	0.77/ 0.44A	0.13KW		
16	HUMP CONVEYER	OR824-4	Δ/Y	220/ 380 V	38.7/ 22.4A	11 KW	1450 u/min	
17	F ₆ ROLLER FEEDER I	OR426-4	Δ/Y	220/ 380 V	6.4/ 3.7 A	1.5 KW	1410 rpm	
18	" II	"	"	"	"	"	"	
19	F ₈ NO.1	326-4	Δ/Y	220/ 380 V	3.4/ 1.95A	0.75 KW	1400 rpm	
20	F ₈ NO.2	"	"	"	"	"	"	
21	MOTOR VALVE	OPR2260-4	Δ/Y	220/ 380 V	1.05/ 0.6 A	0.1 KW	1320 u/min	

LIGNITE GRINDING AND DRYING PLANT

NO	SERVICE	TYPE	CONNECTION	VOLT	AMP	CAPACITY	RPM	REMARKS
1	WATER PUMP	AD80K2	Δ/Y	220/ 380 V	3.3/ 1.9A	0.75 KW	2840 u/min	
2	COOLING WATER II	OALY26-4	Δ	380 V	84 A	45 KW	1470 u/min	
3	" I	"	"	"	"	"	"	
4	THEISEN NO.2	OR2426-6	Δ	380 V	290 A	160 KW	985 rpm	
5	" NO.1	"	"	"	"	"	"	
6	N ₂ BLOWER NO.1	OR2024-4	Δ	380 V	139 A	75 KW	1480 rpm	
7	" NO.2	OR1324-4	Δ	380	37 A	18.5 KW	1460 rpm	
8	O ₂ BLOWER NO.1	OR2224-2	Δ	380	200 A	110 KW	2975 rpm	
9	" NO.2	"	"	"	"	"	"	
10	ASH EXTRACTOR		Δ/Y	220/ 380 V	9.8 A	2.2 KW	935 u/min	
11	SCREW UNIT B ₂	OR726-4	Δ/Y	220/ 380 V	27/ 15.6A	7.5 KW	1440 u/min	
12	" A ₂	"	"	"	"	"	"	
13	" B ₁	"	"	"	"	"	"	
14	" A ₁	"	"	"	"	"	"	
15	SYN-GAS BLOWER I	OR2026-2	Δ	380 V	16.5A	90 KW	2975 rpm	
16	" II	"	"	"	"	"	"	
17	BOOSTER NO.1	OR-2224-2	Δ	380 V	200 A	110 KW	2975 rpm	
18	" NO.2	"	"	"	"	"	"	
19	" NO.3	"	"	"	"	"	"	
20	" NO.4	"	"	"	"	"	"	
21	SPRAYING NO.1	KG250m/4	Δ	220 V	195 A	55 KW	1485 u/min	

NO	SERVICE	TYPE	CONNECTION	VOLT	AMP	CAPACITY	rpm	REMARKS
22	SPRAYING NO.2	KG250m/4	Δ	220 V	195 A	55 KW	1485 r/min	
23	" NO.3	"	"	"	"	"	"	
24	COOLING FOR QUENCHING I	1LA2066- 2AA	Δ/Y	220/ 380 V	4.2/ 8.2 A	4 KW	2880 r/min	
25	" II	"	"	"	"	"	"	
26	TRANS POT NO.1	OR524-4	Δ/Y	220/ 380 V	11.8/ 6.8 A	3 KW	1400 r/min	
27	" NO.2	1LA-2054/ 4AA	Δ/Y	"	"	"	"	
28	HORIZETAL NO.1	1LA2054/ 4AA	Δ/Y	220/ 380 V	11.8/ 6.8 A	3 KW	1400 r/min	
29	" NO.2	OR524-4	"	"	"	"	"	
30	WINCH	1LA2788- 4AA	Δ	380 V	30.3 A	15 KW	1450 r/min	
31	N ₂ COMP OIL	OR526-4	Δ/Y	220/ 380 V	88/ 5.1 A	2.2 KW	1410 r/min	
32	OIL PUMP NO.2	1LA2053- 6AA	Δ/Y	380 V	4.0 A	1.5 KW	925 r/min	
33	OIL O ₂ LOWER II	D-MOT OR424-4	Δ/Y	220/ 380 V	4.8/ 2.8 A	1.1 KW	1400 r/min	
34	" I	"	"	"	"	"	"	
35	VITREA NO.1	AK90SA-4H	Y	380 V	0.4 A	0.15 KW	1425 r/min	
36	" NO.2	"	"	"	"	"	"	
37	OIL PUMP NO.1	1LA2053- 6AA	Δ	380 V	4.0 A	1.5 KW	925 r/min	

AIR SEPARATION PLANT

NO	SERVICE	TYPE	CONNECTION	VOLT	AMP	CAPACITY	RPM	REMARKS
1	N ₂ BLOWER	COR726-2	Δ	380 V	12.3A	6.5 KW	2935 u/min	
2	AUX PUMP	COR624-4	Δ/Y	220/ 380 V	11.6/ 6.7 A	3 KW	1425 rpm	
3	OIL PUMP TURBIN 2	AM90S4	Δ/Y	220/ 380 V	4.9/ 2.8 A	1.1 KW	1410 rpm	
4	" 1	"	"	"	"	"	"	
5	CYLINDER LUBRI- CATION N ₂ COMP 2	COR424-6	Δ/Y	220/ 380 V	3.3/ 1.91A	0.65 KW	920 u/min	
6	1	"	"	"	"	"	"	
7	N ₂ COMP 1	CSOR3828- 16B	Y	6000 V	40 A	290 KW	370 rpm	
8	" 2	"	"	"	"	"	"	
9	OIL PUMP N ₂ COMP 2	626-4	Δ/Y	220/ 380 V	13.6/ 7.9 A	3.6 KW	1430 u/min	
10	" 1	"	"	"	"	"	"	
11	HEATING BLOWER	COR2226-6	Δ	380 V	16.5 A	90 KW	985 rpm	
12	EMERGENCY AIR COMP							
13	SWITCHING MACHINE	NF423	Δ/Y	220/ 380 V	3.2/ 1.84A	0.33	1500 rpm	
14	COOLING WATER PUMP 1	OR825-2	Δ	380 V	29 A	15 KW	2935 rpm	
15	" 2	"	"	"	"	"	"	
16	EXEITER	G492-4		115 V	17.4 A	2 KW	1500 rpm	
17	ASKANIA CONTROLLER	K351/4M	Δ/Y	220/ 380 V	3.6/ 2.08A	0.75	1390 rpm	
18	EXEITER	G1293-4		60 V	267 A	16 KW	1500	DC GENERATOR
19	LIQUID O ₂ PUMP	COR2026-4	Δ	380 V	165 A	90 KW	1480 rpm	
20	EXPANSION TURBINE 2							
21	" 1	COR2026-4	Δ	380 V	165 A	90 KW	1480 rpm	

AMMONIA PLANT

NO	SERVICE	TYPE	CONNECTION	VOLT	AMP	CAPACITY	RPM	REMARKS
1	FAN FOR SWITCH ROOM II	COR225-4	Δ/Y	220/ 380 V	1.32/ 0.77A	0.25 KW	1320 u/min	
2	" I	"	"	"	"	"	"	
3	BLOWER FOR SPRINGING BOX II	IMA2025- 2CA	Δ/Y	220/ 380 V	1.72/ 1.0 A	0.37 KW	2750 u/min	
4	" I	"	"	"	"	"	"	
5	COIL PUMP	OR824-2	Δ	380 V	18 A	9.5 KW	293.5 u/min	
6	WARM WATER I	"	"	"	"	"	"	
7	" II	"	"	"	"	"	"	
8	HP-NH ₃ MOTOR I	COR-1324- 4	Δ	380 V	34 A	17 KW	1465 rpm	
9	" II	"	"	"	"	"	"	
10	WB-PUMP	IMA2072- 4BA		380 V	10.5 A	5 KW	1445 rpm	
11	HP PUMP CONDENSATE	IMA2078- 4BA	Δ	380 V	14.1 A	6.8 KW	1445 rpm	
12	DRIVE MACHAINISUM I	COR724-4	Δ/Y	220/ 380 V	18.1/ 10.5A	5 KW	1445 rpm	
13	" II	"	"	"	"	"	"	
14	CENTRIFULGAL FOR NH ₃	IMA2046- 2BA	Δ	380 V	3.95 A	1.85 KW	2840 rpm	
15	CENTRIFULGAL C.U.S I	COR624-2	Δ/Y	220/ 380 V	8.6/ 5.0 A	2.5 KW	2900 u/min	
16	" II	"	"	"	"	"	"	
17	CYLINDER LUBRICATION LP I	COR325-4	Δ/Y	220/ 380 V	2.54/ 1.47A	0.55 KW	1390 rpm	
18	" LP II	"	"	"	"	"	"	
19	" HP I	COR526-4	Δ/Y	220/ 380 V	7.7/ 4.45A	2 KW	1420 rpm	
20	" HP II	"	"	"	"	"	"	
21	EXITER TRANSFORMER I, II, III							

NO	SERVICE	TYPE	CONNECTION	VOLT	AMP	CAPACITY	RPM	REMARKS
22	EXCITER TRANSFORMER I, II, III							
23	SYNTHESIS COMP I	EFS PFW. 580/18-24		6000 V	263 A	2500 KW	250 rpm	
24	" II	"		"	"	"	"	
25	HP CENTRIFUGAL TURBIN	1MA3 354-4B	Y	6000 V	127 A	1100 KW	1490 rpm	
26	GAS CIRCULATING COMP II	COR 2624-6	Δ	380 V	280 A	153 KW	990 rpm	
27	HYDRALIC OIL SUPPLY	COR 523-4DH	Δ	380 V	40 A	1.8 KW	1420 rpm	
28	HOT WATER PUMP I	COR 2024-2	Δ	380 V	118 A	64 KW	2970 rpm	
29	" II	"	"	"	"	"	"	
30	CIRCULATING WATER II	1LA2.204		380 V	139 A	75 KW	1480 rpm	
31	HP CUS-PUMP I	COR 2624-6	Δ	380 V	330 A	180 KW	990 rpm	
32	CIRCULATING WATER I	1LA2 204		380 V	139 A	75 KW	1480 rpm	
33	HP CUS PUMP II	COR 2624-6	Δ	380 V	330 A	180 KW	990 rpm	
34	GAS CIRCULATING COMP I	COR 2624-6	Δ	380 V	280 A	153 KW	990 rpm	
35	AMMONIA COMP I	COR 2426-4	Δ	380 V	310 A	175 KW	1490 rpm	
36	" II	"	"	"	"	"	"	
37	FAN INSTRUMENT I							
38	" II							
39	FAN CO ₂ NO.1	D547E/2021	Δ	380 V	17 A	10 HP	1455 rpm	
40	" NO.2	"	"	"	"	"	"	
41	" NO.3	"	"	"	"	"	"	
42	" NO.4	"	"	"	"	"	"	

SUBSTATION NO.1, 2, 3

NO	SERVICE	TYPE	CONNE CTION	VOLT	AMP	CAPA CITY	RPM	REMARKS
1	FAN FOR SUBSTA- TATION	COR 518-4	Δ/Y	220/ 380 V	5.9/ 3.4 A	1.4 KW	1415 u/min	
2	AIR FOR MAN	1LA 2046-4AA	Δ/Y	220/ 380 V	6.4/ 3.7 A	1.5 KW	1410 u/min	
3	FAN OF STARTING TRAUS	COR 426-4	Δ/Y	220/ 380 V	5.6/ 3.25A	1.35 KW	1410 u/min	
4	LIGHTING TRANSFORMER	1LA 2046-4AA	Δ/Y	220/ 380 V	6.4/ 3.7 A	1.5 KW	1410 u/min	
5	FAN TRANSFORMER 3	1LA2046- 4AA	Δ/Y	220/ 380 V	6.4/ 3.7 A	1.5 KW	1410 u/min	
6	"	2 COR 426-4	Δ/Y	220/ 380 V	5.6/ 3.25A	1.35 KW	1410 u/min	
7	"	1 "	"	"	"	"	"	
8	"	1 OR426-4	Δ/Y	220/ 380 V	6.3/ 3.7 A	1.5 KW	1410 rpm	
9	"	2 "	"	"	"	"	"	
10	"	3 "	"	"	"	"	"	
11	FAN	OR29S-2	Δ/Y	220/ 380 V	3.1/ 1.8 A	0.75 KW	2790 u/min	
12	FAN OF TRANSFORMER 1	OR426-4	Δ/Y	220/ 380 V	6.3/ 3.7 A	1.5 KW	1410 u/min	
13	"	2 "	"	"	"	"	"	
14	"	3 "	"	"	"	"	"	
15	FAN MOTOR LIGHTING 1	"	"	"	"	"	"	
16	FAN SUB 3	OR325-2	Δ/Y	220/ 380 V	3.2/ 1.85A	0.75 KW	2800 u/min	

UREA SYNTEHSIS PLANT

NO	SERVICE	TYPE	CONNE CTION	VOLT	AMP	CAPA CITY	RPM	REMARKS
1	VENTILATOR 2	COR824-6	Δ	380 V	15.3 A	6.6 KW	955 rpm	
2	" 3	"	"	"	"	"	"	
3	" 4	"	"	"	"	"	"	
4	" 1	"	"	"	"	"	"	
5	CONVEYER IN STORAGE 1	1MA 2778-4BA	Δ	380 V	15.3 A	6.8 KW	1460 rpm	
6	" 2	726-4	Δ	380 V	14.1 A	6.8 KW	1445 rpm	
7	SCREEN	COR523-4		380 V	4.4 A	2 KW	1425 rpm	
8	BUCKET ELEVATOR	COR626-4		380 V	7.9 A	3.6 KW	1430 rpm	
9	CONVEYER BELT	COR724-4		380 V	10.5 A	5 KW	1445 rpm	
10	PRILL RAKE	OR1526-4	Δ	380 V	42 A	22 KW	1470 rpm	
11	OIL OF PRILL RAKE	P141AZ	Y	380 V	1.89 A	116 W	1410 u/min	
12	PRILL CENTRIFUGE 2	COR822-8	Δ	380 V	8.8 A	3.5 KW	715 rpm	
13	" 1	"	"	"	"	"	"	
14	WASTE GAS BLOWER	COR326-2	Δ	380 V	2.5 A	1.1 KW	2860 rpm	
15	MELT PUMP 2	COR724-2	Δ	380 V	8.9 A	4.6 KW	2935 rpm	
16	" 1	"	"	"	"	"	"	
17	SOLUTION PUMP 2	COR626-2	Δ	380 V	6.6 A	3.3 KW	2900 rpm	
18	" 1	"	"	"	"	"	"	
19	NH ₃ CONDENSATE 1	COR523-4	Δ	380 V	4.4 A	2 KW	1425 rpm	
20	" 2	COR523-4	Δ	380 V	4.45 A	2 KW	1420 rpm	
21	N ₂ COMP	COR726-4	Δ	380 V	14.1 A	6.8 KW	1445 rpm	

NO	SERVICE	TYPE	CONNECTION	VOLT	AMP	CAPACITY	RPM	REMARKS
22	ABSOPTION PUMP	COR724-2		380 V	8.9 A	4.6 KW	2935 rpm	
23	CONDENSATE PUMP	"		"	"	"	"	
24	HP PLUSHING PUMP	COR726-6		380 V	11.6 A	4.8 KW	950 rpm	
25	OIL NH ₃ PUMP	CMA90L4EX	Δ/Y	220/ 380 V	6.2/ 3.6 A	1.35 KW	1420 rpm	
26	FEED WATER PUMP 1	COR824-2		380 V	18 A	9.5 KW	2935 rpm	
27	" 2	"		"	"	"	"	
28	NH ₃ PUMP	COR2224-4		380 V	190 A	100 KW	1488 rpm	
29	BOOSTER PUMP	COR1126-2		380 V	26 A	13 KW	2940 rpm	
30	LIFT	HN300		380 V	16.5/ 8.8 A	6.63 KW	1380/ 3360 rpm	
31	CO ₂ -COMP	CSPRY487	Y	6000 V	80 A	630 KW	295 rpm	
32	OIL CO ₂ -COMP	COR242-4	Δ/Y	220/ 380 V	4.25/ 2.45A	1.0 KW	1410 rpm	
33	PUMP INTERNAL LUBRICATION	COR626-4	Δ/Y	220/ 380 V	7.9 A	3.6 KW	1430 rpm	
34	AGITATOR DISSOLVING TANK	COR523-4	Δ	380 V	4.45 A	2 KW	1420 rpm	

MASS-EXTRACTION PLANT

NO	SERVICE	TYPE	CONNECTION	VOLT	AMP	CAPACITY	RPM	REMARKS
1	AIR BLOWER	COR1326-2	Δ	380 V	37 A	19 KW	2955 rpm	
2	SKOKING SCREW							
3	HOT AIR BLOWER							
4	PER PUMP 1							
5	" 2							
6	NH ₃ COMP 1	COR1724-4	Δ/Y	220/ 380 V	10.6/ 6.2 A	33 KW	1475 u/min	
7	" 2	"	"	"	"	"	"	
8	SIHI PUMP	COR1726-4	Δ/Y	220/ 380 V	5.6/ 3.25A	1.35 KW	1410 u/min	
9	CO ₂ BLOWER 1	COR1126-2	Δ	380 V	26 A	13 KW	2940 u/min	
10	" 2	"	"	"	"	"	"	
11		2788-4BA	Δ	380 V	28.5 A	13.5 KW	1465 rpm	

BAGGING PLANT

NO	SERVICE	TYPE	CONNECTION	VOLT	AMP	CAPACITY	RPM	REMARKS
1	AIR FAN	1MA 2066-2BA	Δ	380 V	6.6 A	3.3 KW	2900 rpm	
2	DISCHAGE CONVEYER	COR824-4	Δ	380 V	20.4 A	10 KW	1455 rpm	
3	BUCKET ELEVATER	"	"	"	"	"	"	
4	BAG CONVEYER 1	13-6KH	Δ/Y	220/ 380 V	2.6/ 1.5 A	0.4 KW	1340 u/min	
5	" 2	"	"	"	"	"	"	
6	" 3	"	"	"	"	"	"	
7	LUMP CRUSHER	COR1126-4	Δ	380 V	28 A	13.5 KW	1460 rpm	
8	AIR HEATER							
9	LIFT	COR824-4	Δ	380 V	20.4	10 KW	1455 rpm	
10	SCREW 1							
11	FAN FOR DUST COLBETING							
12	SCREW 2							
13	REVERSIBLE LOADING I	PT242	Δ/Y	220/ 380 V	5.9/ 3.4 A		1425 rpm	
14	" II	"	"	"	"		"	
15	CONVEYER BELT	1MA 2053-4BA	Δ	380 V	4.4 A	2 KW	1425 rpm	
16	BAG CONVEYER BELT 1	1MA 2054-4BA	Δ	380 V	6.3 A	2.8 KW	1420 rpm	
17	BAG CONVEYER 2	"	"	"	"	"	"	
18	" 3	"	"	"	"	"	"	
19	" 1	"	"	"	"	"	"	
20	BAG CONVEYER BELT 1	COR624-4	Δ	380 V	6.7 A	3 KW	1425 rpm	
21	" 2	"	"	"	"	"	"	

FEED WATER PLANT

NO	SERVICE	TYPE	CONNECTION	VOLT	AMP	CAPACITY	RPM	REMARKS
1	PUMP NaOH	COR624-4	Δ/Y	220/ 380 V	11.6/ 6.7 A	3 KW	1425 rpm	
2	HYDRAZING DOSING PUMP	DKF6406- 163	Y	380 V	0.78 A		1325 rpm	
3	WATER PUMP I	KM160L/4	Δ/Y	220/ 380 V	54/ 30.8A	15 KW	1450 rpm	
4	" II	"	"	"	52.6/ 30.4A	"	"	
5	DRAIN PUMP	COR626-4	Δ	380 V	7.9 A	3.6 KW	1430 rpm	
6	CONDENSATE PUMP	COR1324-2	Δ	380 V	31 A	16 KW	2955 u/min	
7	PUMP 1006/2	1MA 2066-2BA	Δ	380 V	6.6 A	3.3 KW	2900 rpm	
8	PUMP 1006/1	"	"	"	"	"	"	
9	FEED WATER PUMP 1	COR1526-2	Δ	380 V	48 A	25 KW	2960 u/min	
10	" 2	"	"	"	"	"	"	

WATER TREATMENT PLANT

NO	SERVICE	TYPE	CONNECTION	VOLT	AMP	CAPACITY	RPM	REMARKS
1	AGITATOR CaOH ₂	1LA-2046-6AA	Δ/Y	220/ 380 V	5.5/ 3.2A	1.1 KW	910 rpm	
2	BOOSTER PUMP 2	OR1326-2		380 V	43 A	22 KW	2945 u/min	
3	" 3	"	"	"	"	"	"	
4	" 4	"	"	"	"	"	"	
5	" 1	"	"	"	"	"	"	
6	AGITATOR FOR FLOWLATOR	CB/3-4D	Δ/Y	380/ 660 V	15.6/ 8.9 A	7.5 KW	1440 u/min	
7	ROTARY COMP	OR1526-2	Δ/Y	220/ 380 V	100/ 58 A	30 KW	2945 u/min	
8	DOSING PUMP FeCl ₃ 2	1LA2035-4	Δ/Y	220/ 380 V	2.6/ 1.5 A	0.55 KW	1380	
9	" 3	"	"	"	"	"	"	
10	AGITATOR FeCl ₃	1LA-2044-4AA	Δ/Y	220/ 380 V	4.8/ 2.8 A	1.1 KW	1400 u/min	
11	DOSING PUMP 1	1LA2036-4AA	Δ/Y	220/ 380 V	3.4/ 1.95A	0.75 KW	1400 u/min	
12	AGITATOR CaOH ₂ 2	1LA2046-6AA	Δ/Y	220/ 380 V	5.5/ 3.2 A	1.1 KW	910 rpm	
13	DOSING PUMP Ca(OH) ₂	1LA2036-4AA	Δ/Y	220/ 380 V	3.4/ 1.95A	0.75 KW	1400 rpm	

AMMONIUM SULPHATE

NO	SERVICE	TYPE	CONNECTION	VOLT	AMP	CAPACITY	RPM	REMARKS
1	DOSING PUMP	DF06-4EXC	Δ/Y	220/ 380 V	1.3/ 0.75A	0.25 KW		
2	DRIVE WITH COOLING ZONE FAN	COR726-6	Δ	380 V	9.7 A	4.0 KW	960 rpm	
3	DRIVE ANMLAR TRAY SYSTEM	COR626-6	Δ	380 V	4.9 A	1.9 KW	930 rpm	
4	CONVEYER BELT UNDER THE DRIVER	D142-116	Y	380 V	3.8 A	1.7 KW	1410 u/min	
5	CONVEYER BELT UNDER THE CONTRIFUGE	COR624-4	Δ	380 V	6.0 A	2.7 KW	1430 rpm	
6	OIL PUMP FOR CENTRIFUGE II	COR226-4	Δ/Y	220/ 380 V	1.9/ 1.1 A	0.37 KW	1365 rpm	
7	" I	"	"	"	"	"	"	
8	CENTRIFUGE NO.1	COR1326-4	Δ	380 V	40 A	20 KW	1465 rpm	
9	" NO.2	"	"	"	"	"	"	
10	AXIAL FAN	COR626-2	Δ	380 V	6.6 A	3.3 KW	2900 rpm	
11	SULPHURIC ACID PUMP 1	COR626-4	Δ	380 V	7.9 A	3.6 KW	1430 rpm	
12	" 2	"	"	"	"	"	"	
13	FAN	COR1526-4	Δ	380 V	7.9 A	2.7 KW	1475 rpm	
14	HOT BLOWER	1MA 2035-4CA	Δ/Y	220/ 380 V	2.54/ 1.47A	0.55 KW	1390 rpm	
15	LYE PUMP UNDER THE SATURATOR 1	COR726-4	Δ	380 V	14.1 A	6.8 KW	1445 rpm	
16	" 2	"	"	"	"	"	"	
17	LYE PUMP AT THE LYE TANK I	COR724-4	Δ	380 V	10.5 A	5 KW	1445 rpm	
18	BUCKET ELEVATOR	COR624-4	Δ	380 V	6.0 A	2.7 KW	1430 rpm	
19	CONVEYER BELT FOR AS 1	COR724-4	Δ	380 V	10.5 A	5 KW	1445 rpm	
20	" 2	COR726-4	Δ	380 V	14.1 A	6.8 KW	1445 rpm	
21	LYE PUMP AT THE LYE TANK II	COR724-4	Δ	380 V	10.5 A	5 KW	1445 rpm	

NO	SERVICE	TYPE	CONNECTION	VOLT	AMP	CAPACITY	RPM	REMARKS
22	AIR TURBO COMP	PFL340/32-4	Y	6000 V	230 A	2200 KW	1500	
23	AIR FILTER							

SULPHURIC AICD PLANT

NO	SERVICE	TYPE	CONNE CTION	VOLT	AMP	CAPA CITY	RPM	REMARKS
1	ACID PUMP DRYING TOWER	OR828S-4	Δ	380 V	30.3 A	15 KW	1450 rpm	
2	ACID PUMP DRYING	"	"	"	"	"	"	
3	"	"	"	"	"	"	"	
4	PRODUCTION PUMP 2	COR1526-4	Δ	380 V	57 A	30 KW	1470 rpm	
5	" 1	"	"	"	"	"	"	
6	ABSORPTION PUMP 3	OR1326-4	Δ	380 V	43 A	22 KW	1460 rpm	
7	" 1	"	"	"	"	"	"	
8	" 2	"	"	"	"	"	"	
9	BURNNER AIR BLOWER	824-2		380 V	21.6 A	1.1 KW		
10	MOTOR VALVE VELOA	ORB126-4V	Δ/Y	220/ 380 V	1.1/ 0.63A	0.18 KW	1320 rpm	
11	" 10W	OR226-6	Δ/Y	220/ 380 V	1.5/ 0.86A	0.25 KW		
12	BETY VENTILATION AIR							
13	MAIN AIR FAN 1	OR1992-4D	Δ	380 V	370 A	200 KW	1480 rpm	
14	" 2	"	"	"	"	"	"	
15	CONDENSATE PUMP 1	GD233	Δ/Y	220/ 380 V	4.5/ 2.6 A	1.1 KW	1430 rpm	
16	" 2	"	"	"	"	"	"	
17	FUEL PUMP 1	2046-2AA	Δ	380 V	3.7 A	1.5 KW	1410 rpm	
18	" 2	"	"	"	"	"	"	
19	AGITATOR MIXING VESSEL	COR523-6	Δ	380 V	1.0 A	1.3 KW	925 rpm	
20	S-PUMP MIXING	COR523-4	Δ	380 V	5.1 A	2.2 KW	1410 rpm	

NO	SERVICE	TYPE	CONNECTION	VOLT	AMP	CAPACITY	RPM	REMARKS
21	S-IMERSION PUMP 1	COR426-4	Δ	380 V	3.7 A	1.5 KW	1410 rpm	
22	" 2	626-4	Δ	380 V	8.7 A	4 KW	1430 rpm	
23	" 3	COR726-4	Δ	380 V	15.6 A	7.5 KW	1440 rpm	
24	ROTARY MIXER 1	OR1326-6	Δ	380 V	31 A	15 KW	970 rpm	
25	SULPHUER AGITATOR	COR1526-4	Δ	380 V	57 A	30 KW	1470 rpm	
26	IMMERSSION DRAIN PUMP							
27	CRANE MOTOR 1	ZKK180M-418	Y/Y	380 V	19/12 A	9.5/4.8 KW	1450/710	
28	CHAIN MOTOR 2	"	"	"	"	"	"	
29	" 3							
30	" 4	ME10	Δ/Y	220/ 380 V	0.52/ 0.3 A	8.5 W	2780 u/min	
31	" 5	"	"	"	"	"	"	
32	" 6							
33	DRAIN PUMP							

COOLING WATER STATION PLANT

NO	SERVICE	TYPE	CONNECTION	VOLT	AMP	CAPACITY	RPM	REMARKS
1	COOLING WATER PUMP I	OR3124-6P	Y	6000 V	43 A	360 KW	990 rpm	
2	OIL PUMP NO.1	D.MOT 71	Y/Δ	380/220	0.85/1.5 A	0.25 KW	1390 rpm	
3	COOLING WATER PUMP II	OR3124-6P	Y	6000 V	43 A	360 KW	990 rpm	
4	OIL PUMP NO.2	D.MOT71	Y/Δ	380/220 V	0.85/1.5 A	0.25 KW	1390 rpm	
5	COOLING WATER PUMP III	OR3124-6P	Y	6000 V	43 A	360 KW	990 rpm	
6	OIL PUMP NO.3	D.MOT71	Y/Δ	380/220 V	0.85/1.5 A	0.25 KW	1390 KW	
7	BASKET BAND SCREW 1	DII DR4	Δ/Y	380 V	3.6/4.5 A	0.9/1.8KW	720/1420 rpm	
8	" 2	"	"	"	"	"	"	
9	BAR SCREW NO.1	D.MAT.1MA 2044-4BA	Δ/Y	220/380 V	4/2.35 A	0.9 KW		
10	" NO.2	"	"	"	"	"		

STORAGE

NO	SERVICE	TYPE	CONNECTION	VOLT	AMP	CAPACITY	RPM	REMARKS
1	MOTOR SCHAPER 1	OR724-40H		380 V	11.1 A	5.5 KW	1440 u/min	
2	" 2	"		"	"	"	"	
3	MOTOR CONVEYER	DT343	Δ/Y	220/ 380 V	8.5 4.9 A			
4	MOTOR SCHAPER	"	"	"	"			
5	MOTOR SWING	19/11K-8	Δ/Y	220/ 380 V	6.5/ 3.75A	0.9 KW	720 u/min	
6	CONVEYER SCHAPER	OR1324-4		380 V	3.7 A	18.5 KW	1460 u/min	
7	FAN MOTOR	4NGA F12/5	Δ/Y	220/ 380 V	1.7/ 1.0 A	0.37 KW	1400 u/min	
8	MOTOR ON SCHAPER	24-14-K4	Δ/Y	220/ 380 V	35/26/ 22.5A	9/6.4/ 5.2 KW	1400/ 1420/ 1420 u/min	
9	LIFT	HN30CAR4/ 16		380 V	22/13 A	8.8 KW	1400/ 3300 rpm	
10	DRUM MOTOR	DT343	Δ/Y	220/ 380 V	3/1.05 A		50 rpm	

JICA