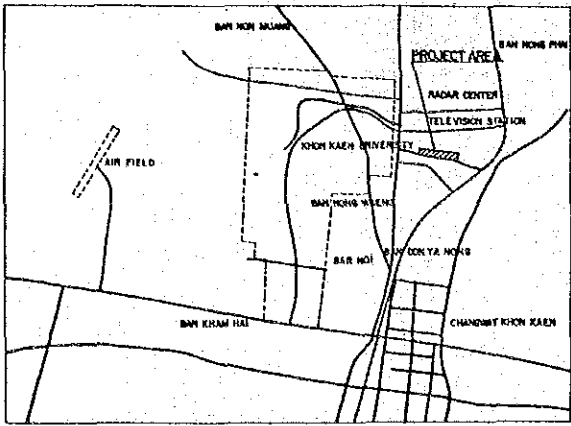


Drawings

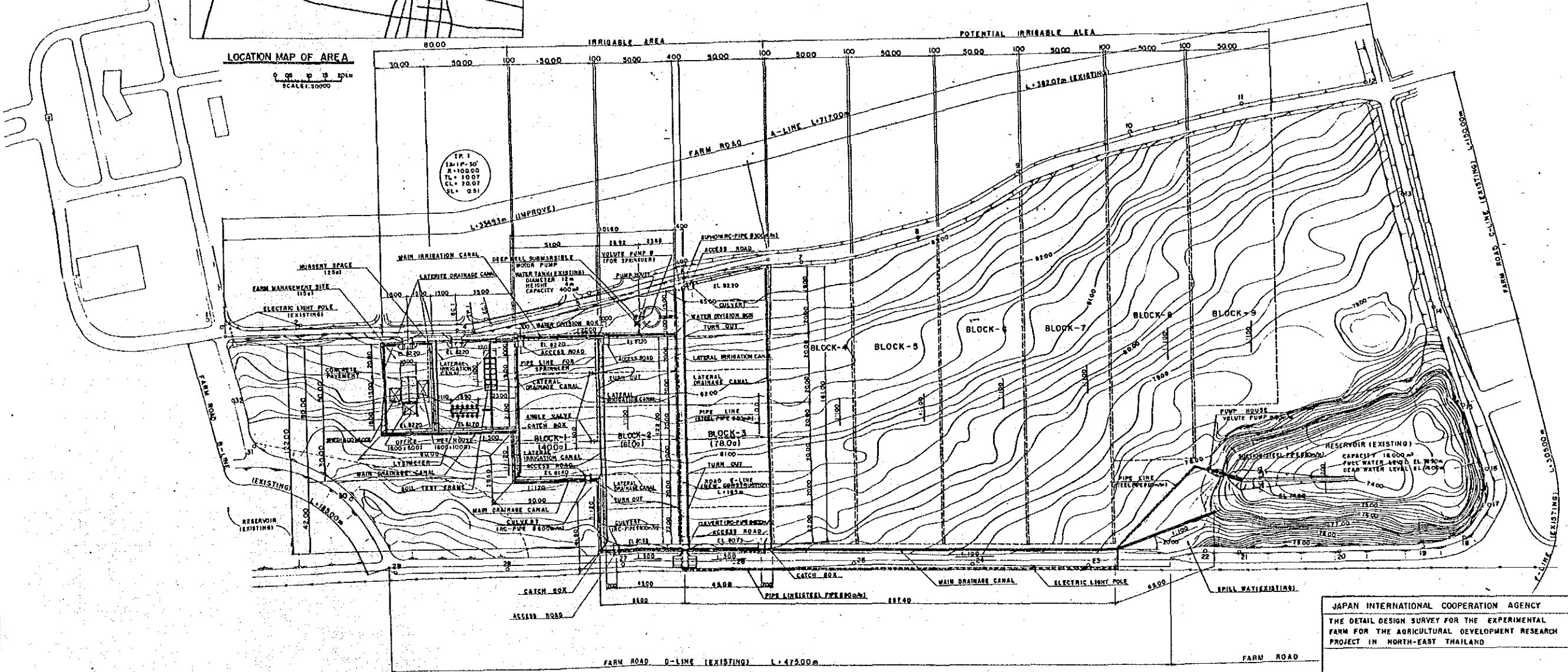
Drawings List

No	Title
101.	General Plan
102.	Farm Road (A-Line)
103.	Farm Road (E-Line)
104.	Main Irrigation Canal
105.	Main Drainage Canal
106.	Lateral Irrigation and Drainage Canals(1)
107.	Lateral Irrigation and Drainage Canals(2)
108.	Lateral Irrigation and Drainage Canals(3)
109.	Lateral Irrigation and Drainage Canals(4)
110.	Farm Cross Section(1)
111.	Farm Cross Section(2)
112.	Farm Management Site
113.	Structures of Lysimeter and Soil Test Frame
114.	Access Road (1)
115.	Access Road (2)
116.	Structures of Water Division Boxes and Catch Boxes(1)
117.	Structures of Water Division Boxes and Catch Boxes(2)
118.	Arrangement of Reinforcement(1)
119.	Arrangement of Reinforcement(2)
120.	Plan of Pump and Piping (1)
121.	Plan of Pump and Piping (2)
122.	Plan of Pump and Piping (3)
123.	Plan of Pump and Piping (4)
124.	Plan of Pump and Piping (5)
125.	Plan of Pump and Piping (6)
126.	Farm Management Houses
127.	Pump Houses



LOCATION MAP OF AREA

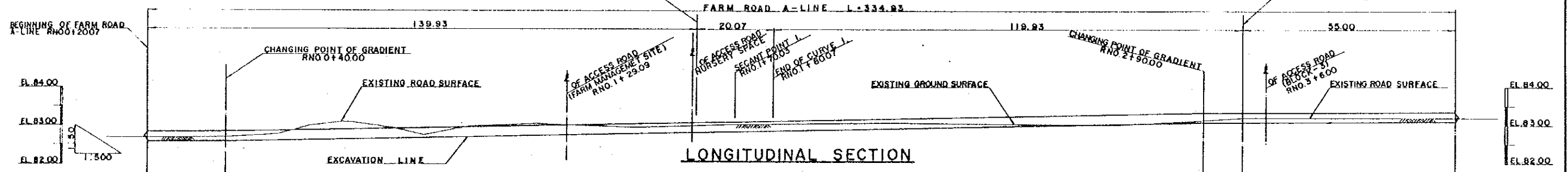
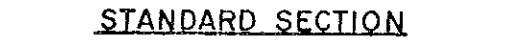
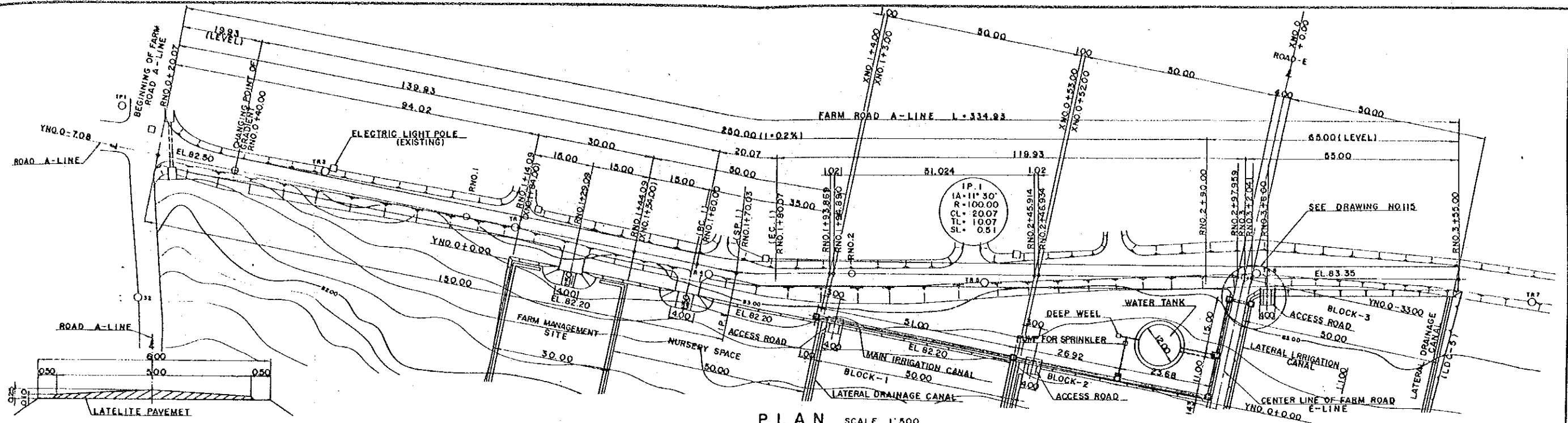
SCALE: 1:30000



JAPAN INTERNATIONAL COOPERATION AGENCY
 THE DETAIL DESIGN SURVEY FOR THE EXPERIMENTAL
 FARM FOR THE AGRICULTURAL DEVELOPMENT RESEARCH
 PROJECT IN NORTH-EAST THAILAND

GENERAL PLAN

PREPARED BY _____ DRAWING NO. _____
 CHECKED BY _____ 101



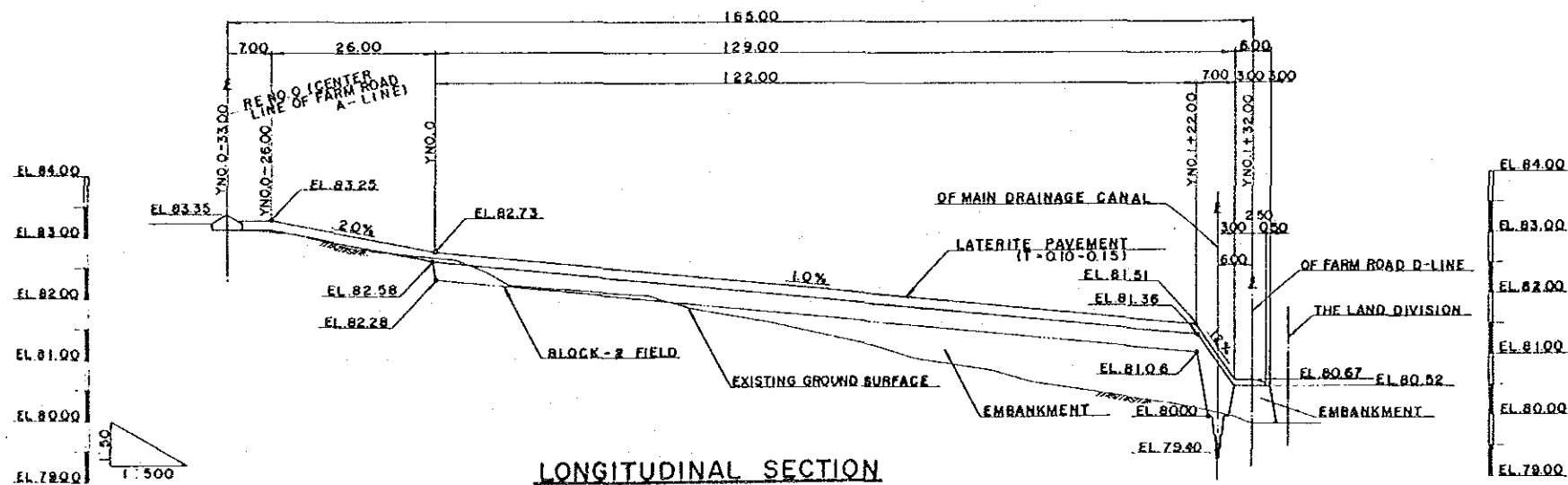
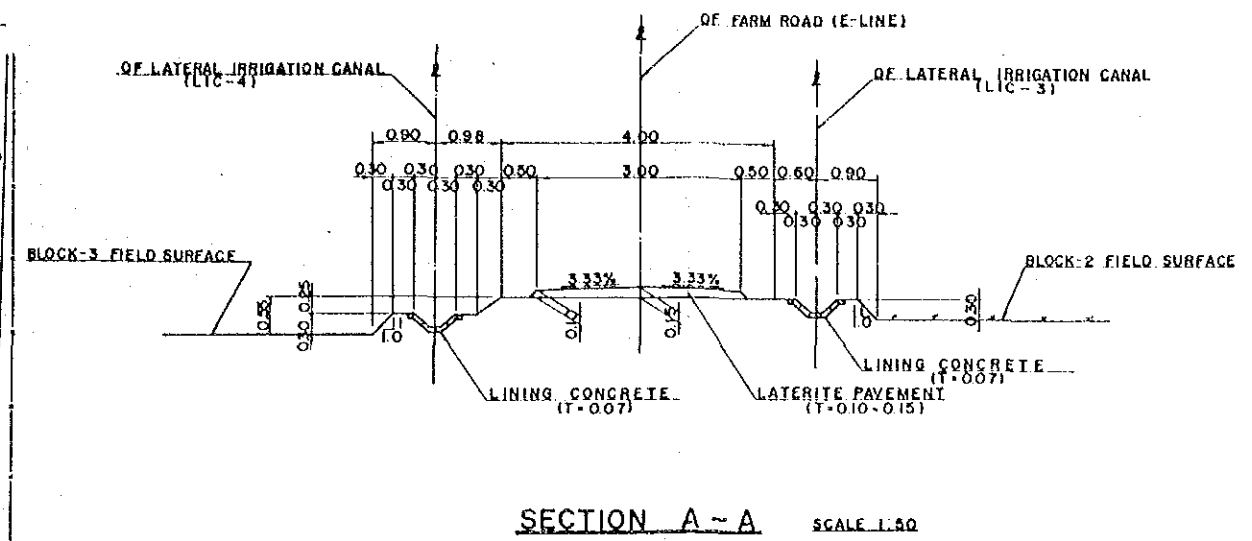
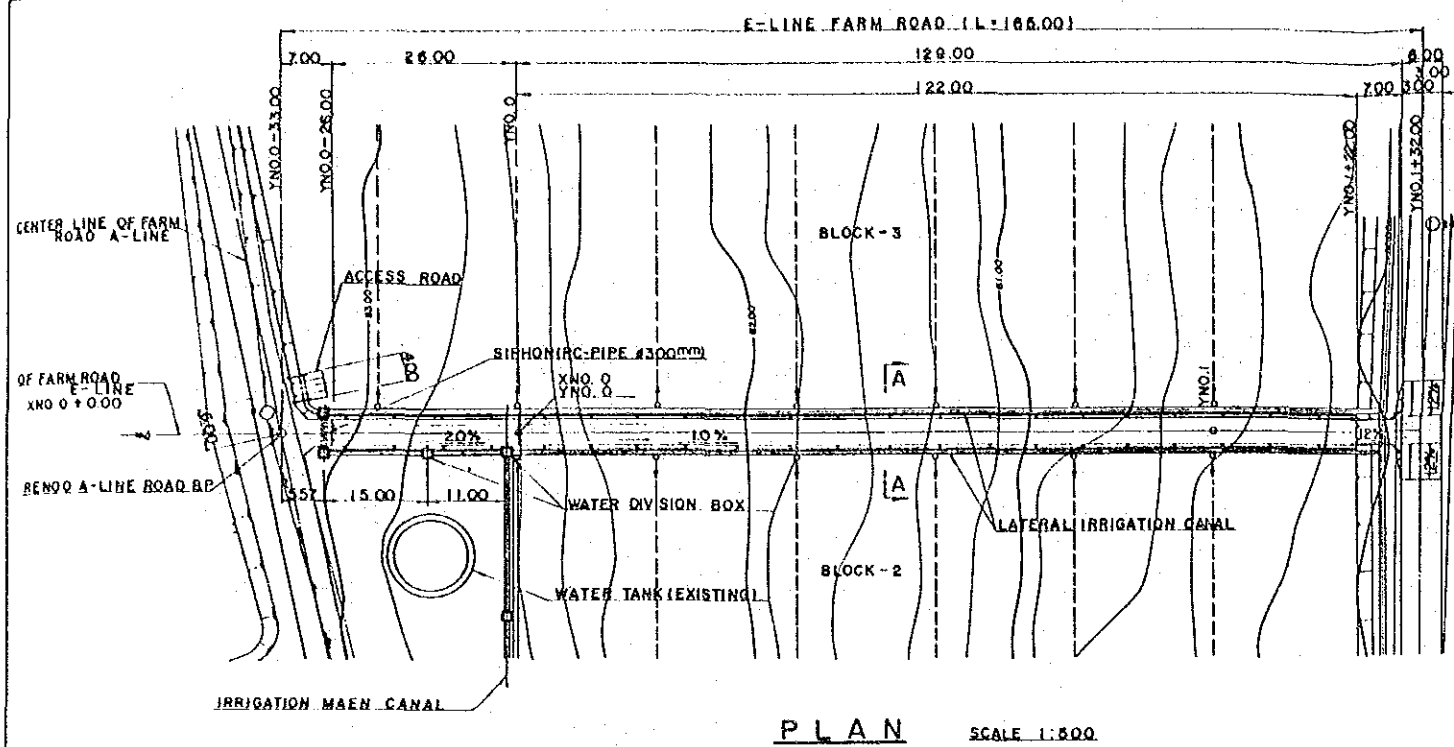
STATION	0+00	0+50	1+00	1+50	2+00	2+50	3+00	3+50	4+00	4+50	5+00	5+50	6+00	6+50	7+00	7+50	8+00	8+50	9+00	9+50	10+00	
SLOPE	1:50		LEVEL		1:50		LEVEL		1:50		LEVEL		1:50		LEVEL		1:50		LEVEL		1:50	
EMBANKMENT	82.65	82.85	82.87	82.87	82.87	82.87	82.87	82.87	82.87	82.87	82.87	82.87	82.87	82.87	82.87	82.87	82.87	82.87	82.87	82.87	82.87	82.87
EXCAVATION	82.40	82.40	81.62	81.62	81.62	81.62	81.62	81.62	81.62	81.62	81.62	81.62	81.62	81.62	81.62	81.62	81.62	81.62	81.62	81.62	81.62	81.62
GROUND ELEVATION	82.70	82.70	82.77	82.77	82.85	82.85	82.85	82.85	82.85	82.85	82.85	82.85	82.85	82.85	82.85	82.85	82.85	82.85	82.85	82.85	82.85	82.85
ACCUMULATED DISTANCE	0.00	18.93	28.93	28.93	178.93	178.93	178.93	178.93	178.93	178.93	178.93	178.93	178.93	178.93	178.93	178.93	178.93	178.93	178.93	178.93	178.93	178.93
DISTANCE	0.00	18.93	10.00	10.00	9.00	9.00	9.00	9.00	9.00	9.00	9.00	9.00	9.00	9.00	9.00	9.00	9.00	9.00	9.00	9.00	9.00	9.00
CURVE	-		-		-		-		-		-		-		-		-		-		-	

- NOTE.**
- BEFORE THE COURSE OF COMPACTION FOR ROAD THE CONTRACTOR SHALL TEST THE STANDARD COMPACTION TEST ACCORDING TO ASTM D-698-66 T METHOD A OR JIS A 1810-1970.
 - THE SAMPLING PLACES FOR THE STANDARD COMPACTION TEST ARE INDICATED BY THE INSPECTION COMMITTEE, AND THE CONTRACTOR SHALL TAKE MORE THAN 3 (THREE) SAMPLES FOR STANDARD COMPACTION TEST AT ANY PLACE INDICATED BY THE INSPECTION COMMITTEE.
 - THE CONTRACTOR SHALL SUBMIT THE RESULTS OF THE STANDARD COMPACTION TEST TO THE INSPECTION COMMITTEE, ACCORDING TO WHICH, THE INSPECTION COMMITTEE WILL DECIDE THE WORKABLE RANGE OF MOISTURE CONTENT FOR THE COMPACTION.
 - THE CONTRACTOR SHALL COMPACT EARTH IN CASE ACTUAL MOISTURE CONTENT IS OUT OF THE WORKABLE RANGE SHOULD THE CONTRACTOR TO COMPACT EARTH IN THE ABOVE-MENTIONED STATE, THE CONTRACTOR OBTAIN THE PRIOR PERMISSION OF THE INSPECTION COMMITTEE.

JAPAN INTERNATIONAL COOPERATION AGENCY
 THE DETAIL DESIGN SURVEY FOR THE EXPERIMENTAL FARM FOR THE AGRICULTURAL DEVELOPMENT RESEARCH PROJECT IN NORTH-EAST THAILAND

FARM ROAD (A-LINE)

PREPARED BY: _____ DRAWING NO. 102
 CHECKED BY: _____



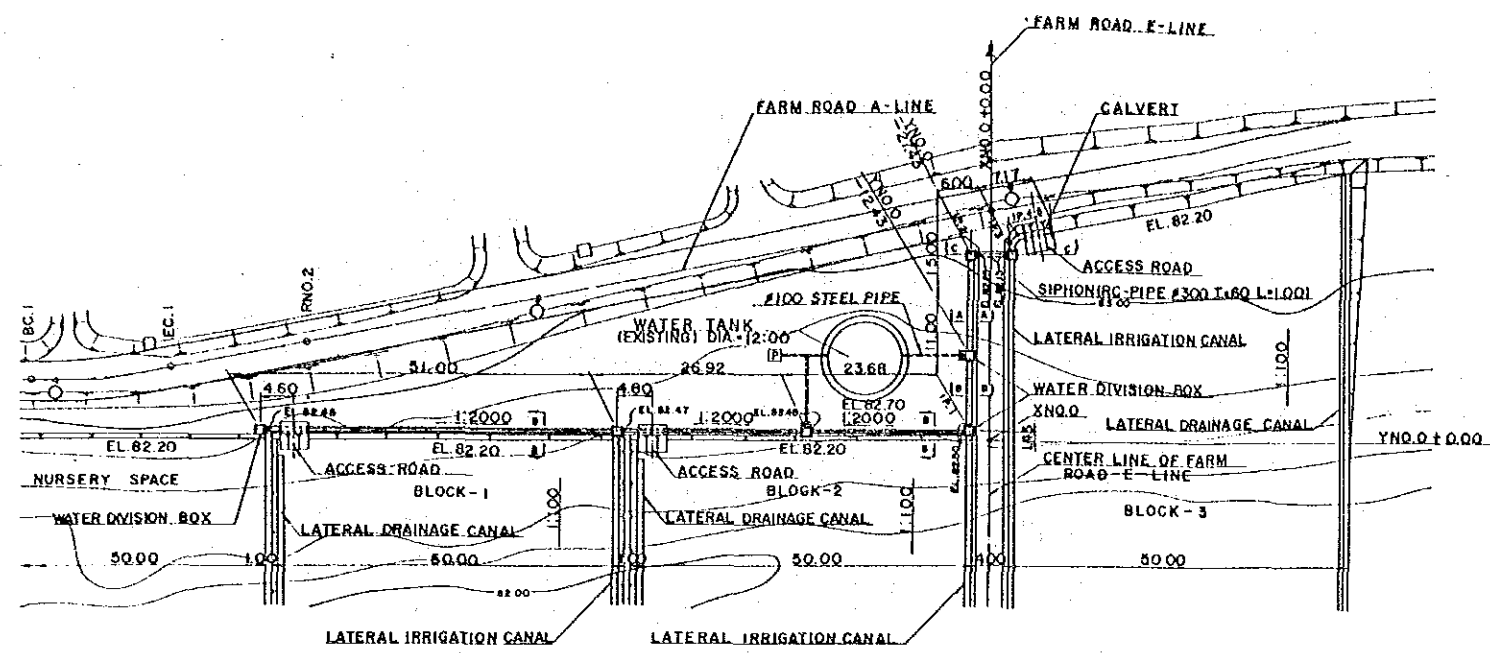
NOTE: 1. ALL DIMENSIONS ARE SHOWN IN METERS UNLESS OTHERWISE INDICATED
 2. ABBREVIATION AND SYMBOL
 E ; CENTER LINE
 EL ; ELEVATION

SLOPE										
EMBANKMENT	14.25	8.25	8.73	8.23	8.73	8.15	8.67	8.67	8.67	8.67
GROUND ELEVATION	83.00	81.10	82.44	81.65	80.32	80.10	80.00	79.90	79.80	79.80
ACCUMULATED DISTANCE	0.00	14.00	22.73	30.96	39.69	47.84	56.51	65.18	73.85	82.52
DISTANCE	7.00	19.00	0.00	8.00	9.00	2.00	7.00	3.00	2.00	0.00
STATION	+33.00	+24.00	+16.00	+8.00	0.00	+22.00	+29.00	+32.00	+34.00	+34.00
CURVE										

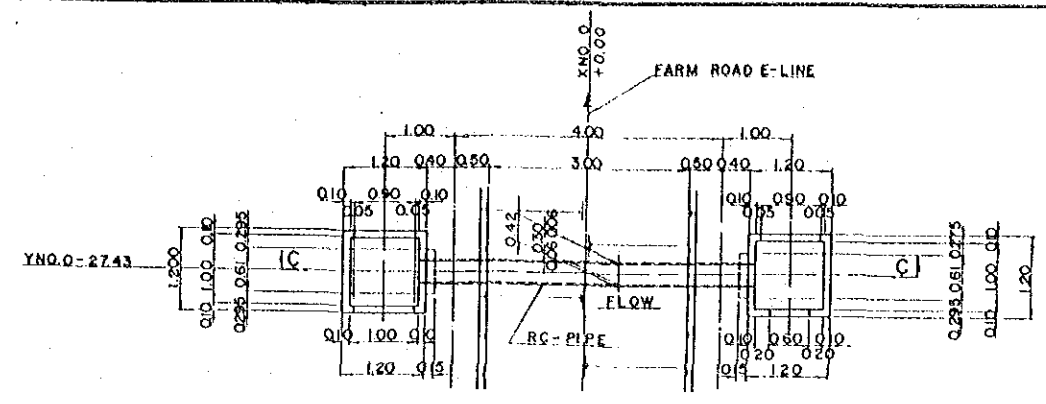
JAPAN INTERNATIONAL COOPERATION AGENCY
 THE DETAIL DESIGN SURVEY FOR THE EXPERIMENTAL FARM FOR THE AGRICULTURAL DEVELOPMENT RESEARCH PROJECT IN NORTH-EAST THAILAND

FARM ROAD (E-LINE)

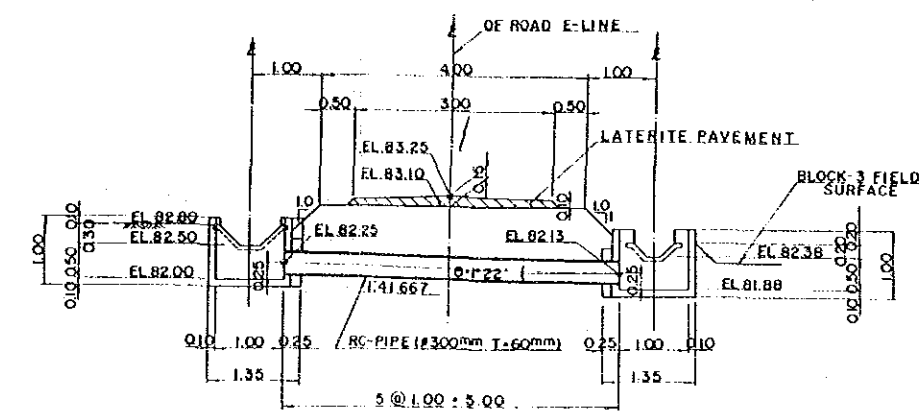
PREPARED BY: _____ DRAWING NO. 103
 CHECKED BY: _____



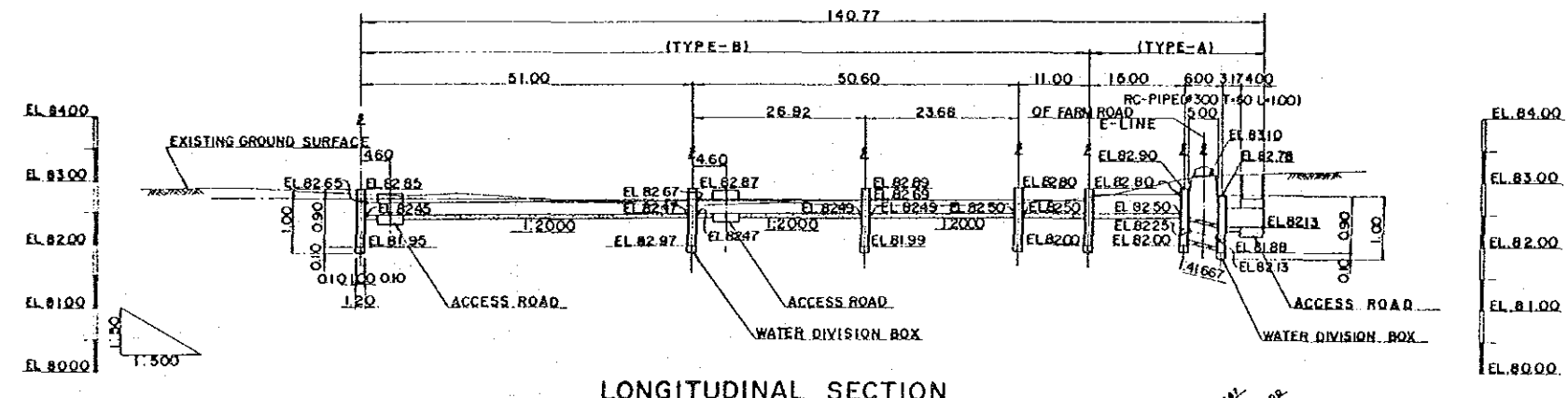
PLAN SCALE 1:500



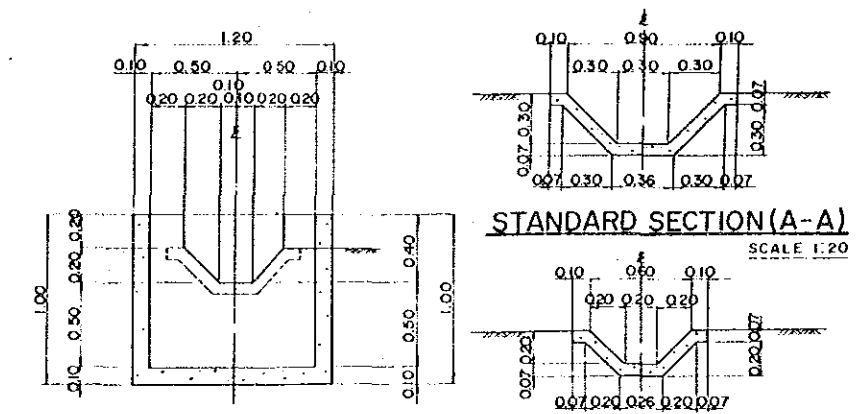
SIPHON SCALE 1:50



SECTION C-C SCALE 1:50



LONGITUDINAL SECTION



STANDARD SECTION (A-A) SCALE 1:20

STANDARD SECTION (B-B) SCALE 1:20

WATER DIVISION BOX STANDARD SECTION SCALE 1:20

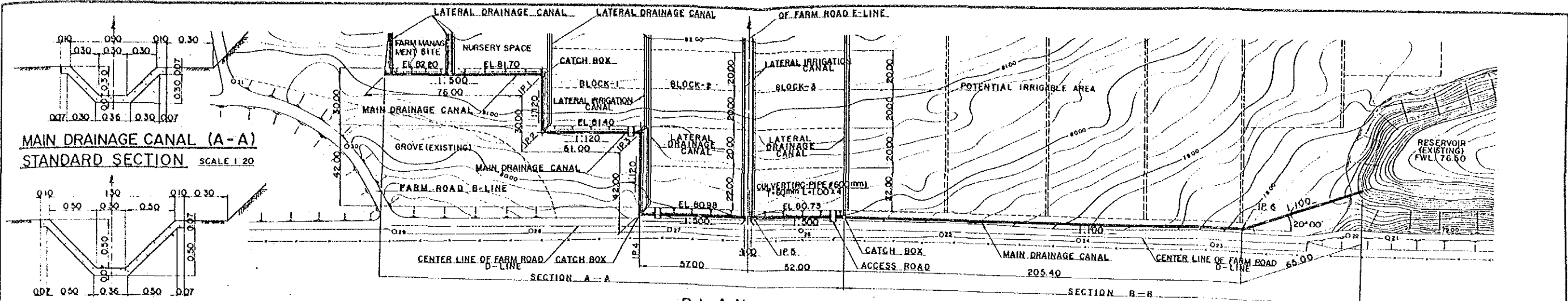
SLOPE		1:2000										LEVEL		
ELEVATION	CANAL BED	82.65	82.65	82.67	82.68	82.69	82.70	82.70	82.70	82.70	82.70	82.70	82.70	82.70
	GROUND ELEVATION	82.80	82.77	82.80	82.81	82.83	82.85	82.77	82.05	82.10	82.12	82.15	82.15	82.15
ACCUMULATED DISTANCE		150.00	126.00	78.80	76.00	32.44	28.00	18.00	3.00	3.00	3.00	3.17	10.17	
DISTANCE		4.00	46.00	3.00	23.20	23.68	11.00	15.00	3.00	3.00	3.17	4.00		
STATION		1782.00 1782.00 1782.00	1782.00 1782.00 1782.00	1782.00 1782.00 1782.00	1782.00 1782.00 1782.00	1782.00 1782.00 1782.00	1782.00 1782.00 1782.00	1782.00 1782.00 1782.00	1782.00 1782.00 1782.00	1782.00 1782.00 1782.00	1782.00 1782.00 1782.00	1782.00 1782.00 1782.00	1782.00 1782.00 1782.00	1782.00 1782.00 1782.00
CURVE		1:180° 02'												

NOTE. 1. ALL DIMENSIONS ARE SHOWN IN METERS UNLESS OTHERWISE INDICATED
 2. ABBREVIATION AND SYMBOL
 E; CENTER LINE
 EL; ELEVATION

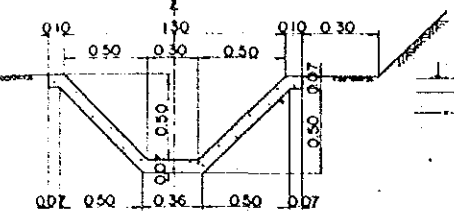
JAPAN INTERNATIONAL COOPERATION AGENCY
 THE DETAIL DESIGN SURVEY FOR THE EXPERIMENTAL FARM FOR THE AGRICULTURAL DEVELOPMENT RESEARCH PROJECT IN NORTH-EAST THAILAND

MAIN IRRIGATION CANAL

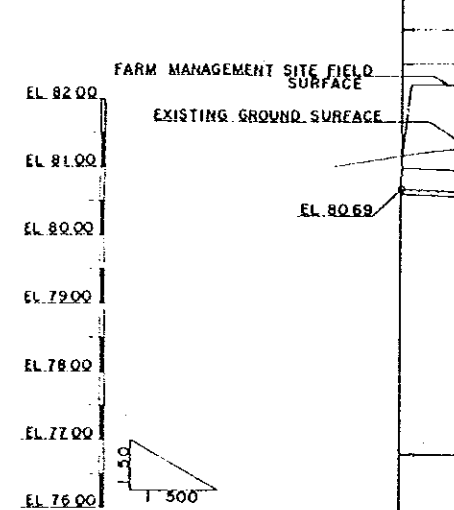
PREPARED BY: _____ DRAWING NO. 104
 CHECKED BY: _____



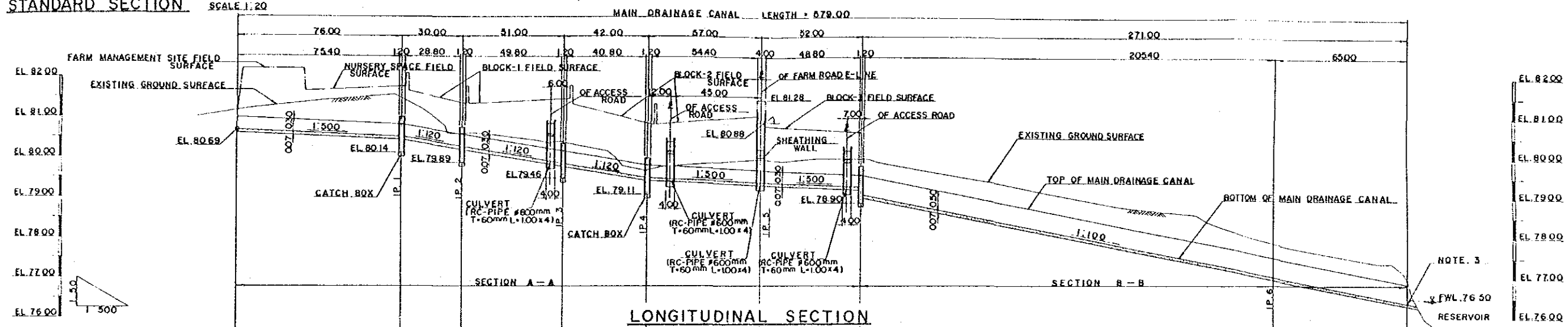
MAIN DRAINAGE CANAL (A-A)
STANDARD SECTION SCALE 1:20



MAIN DRAINAGE CANAL (B-B)
STANDARD SECTION SCALE 1:20



PLAN SCALE 1:500



LONGITUDINAL SECTION

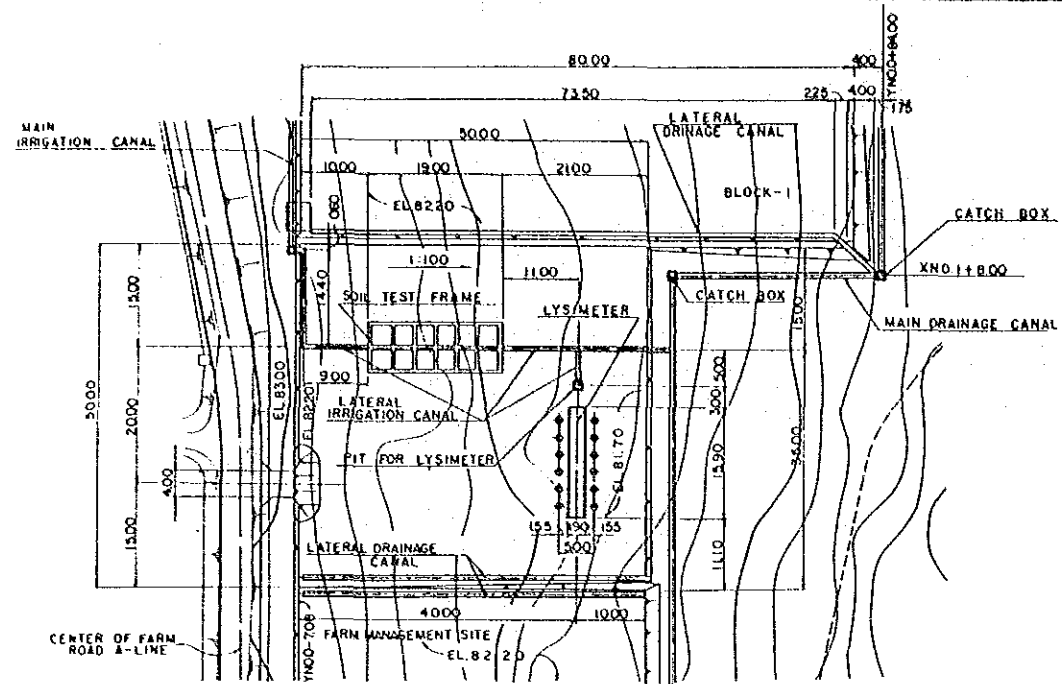
ELEVATION	SLOPE												
	1:100	1:100	1:100	1:100	1:100	1:100	1:100	1:100	1:100	1:100	1:100	1:100	1:100
CANAL BED	80.88	80.88	80.88	80.84	80.89	78.81	78.81	78.81	78.81	78.81	78.81	78.81	78.81
GROUND ELEVATION	81.14	81.20	81.48	81.48	80.00	80.47	80.47	80.47	80.47	80.47	80.47	80.47	80.47
ACCUMULATED DISTANCE	0.00	286.00	286.00	286.00	286.00	370.00	370.00	370.00	370.00	370.00	370.00	370.00	370.00
DISTANCE	0.00	0.00	20.00	30.00	40.00	8.00	1.00	1.00	1.00	1.00	1.00	1.00	1.00
STATION	0+00	0+286	0+306	0+336	0+376	0+384	0+385	0+386	0+387	0+388	0+389	0+390	0+391
CURVE						IP 2	IP 3	IP 4	IP 5	IP 6	IP 7	IP 8	

NOTE. 1. ALL DIMENSIONS ARE SHOWN IN METERS UNLESS OTHERWISE INDICATED
 2. ABBREVIATION AND SYMBOL
 E ; CENTER LINE
 EL ; ELEVATION
 3. OVER WITH CONCRETE TO PREAK EROSION

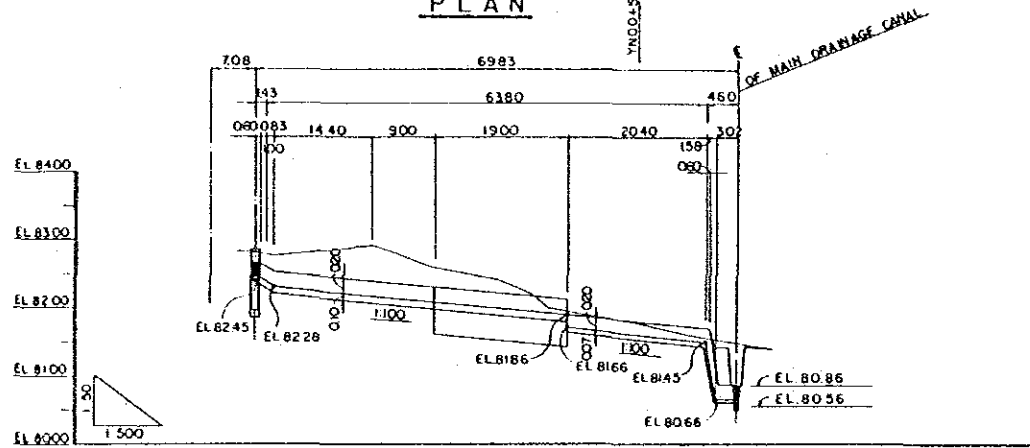
JAPAN INTERNATIONAL COOPERATION AGENCY
 THE DETAIL DESIGN SURVEY FOR THE EXPERIMENTAL FARM FOR THE AGRICULTURAL DEVELOPMENT RESEARCH PROJECT IN NORTH-EAST THAILAND

MAIN DRAINAGE CANAL

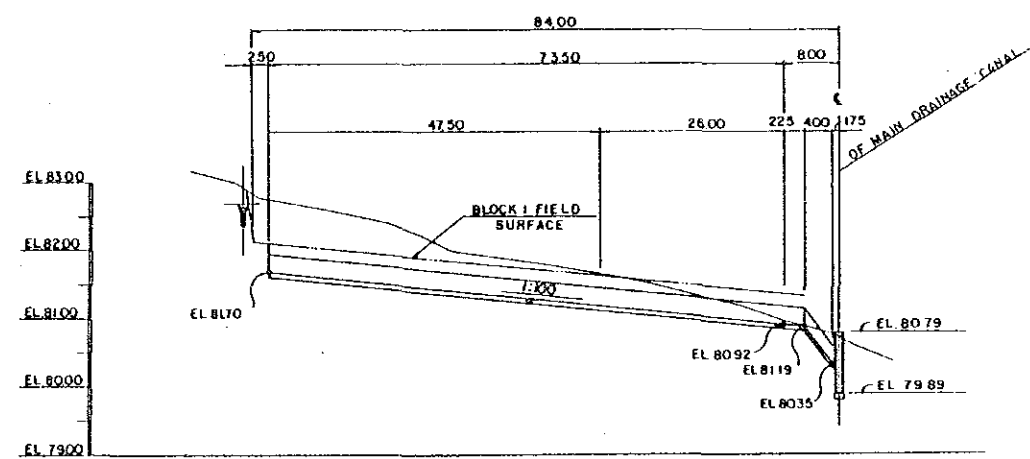
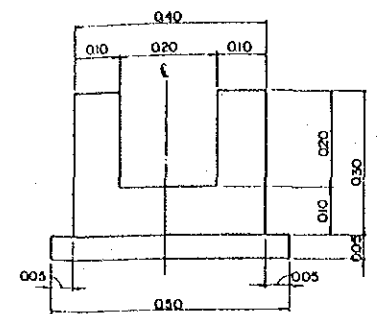
PREPARED BY: _____ DRAWING NO. 105
 CHECKED BY: _____



PLAN

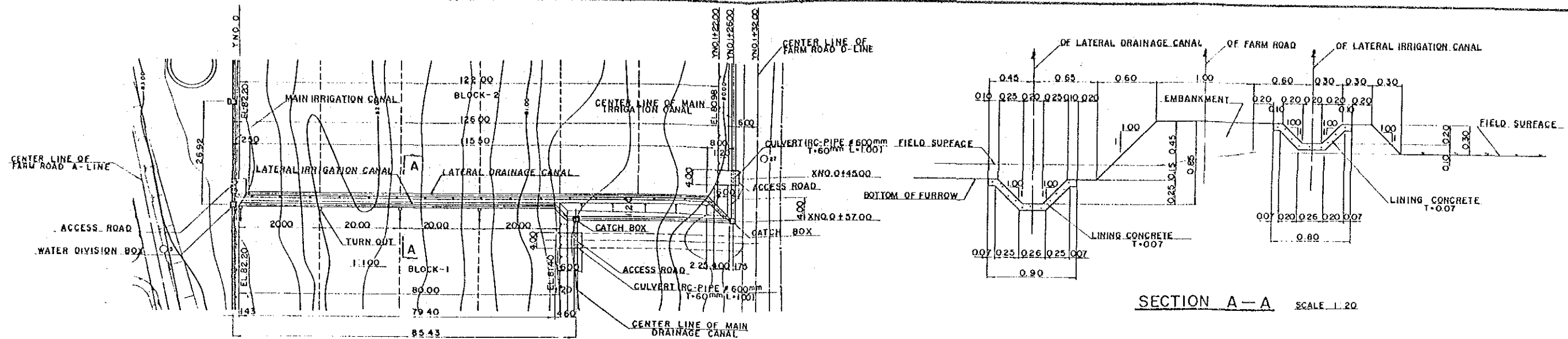


SLOPE						
ELEVATION	CANAL BED	82.45	82.14	82.03	81.86	81.45
	GROUND ELEVATION	82.97	82.80	82.58	81.93	81.53
ACCUMULATED DISTANCE		0.00	13.40	24.40	37.40	50.40
DISTANCE		0.00	13.40	10.00	13.00	13.00
STATION		708.00	721.40	731.40	744.40	757.40
CURVE						

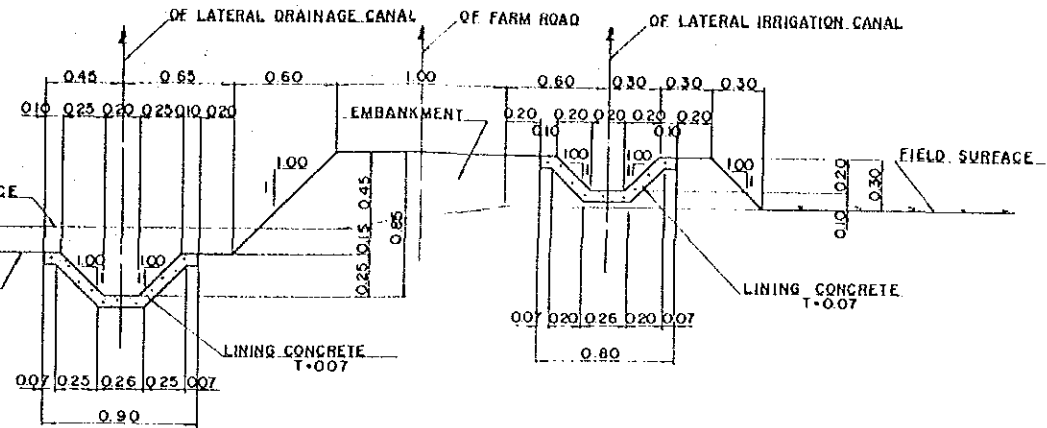


SLOPE						
ELEVATION	CANAL BED	81.70	81.23	80.97	80.94	80.75
	GROUND ELEVATION	82.90	81.65	80.95	80.90	80.75
ACCUMULATED DISTANCE		0.00	50.00	76.00	78.25	84.00
DISTANCE		0.00	47.50	26.00	2.25	5.75
STATION		750.00	800.00	826.00	828.25	844.00
CURVE						

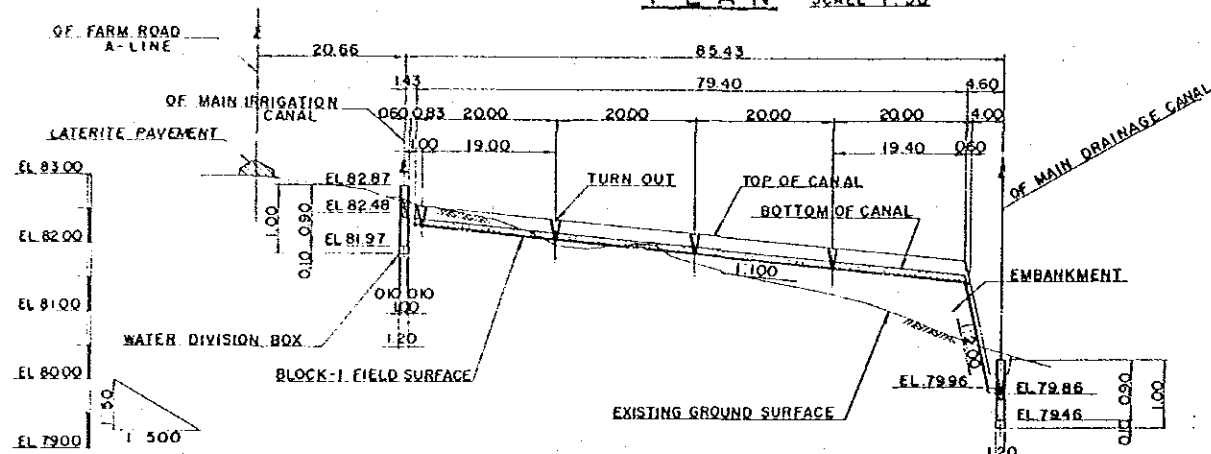
JAPAN INTERNATIONAL COOPERATION AGENCY
 THE DETAIL DESIGN SURVEY FOR THE EXPERIMENTAL
 FARM FOR THE AGRICULTURAL DEVELOPMENT RESEARCH
 PROJECT IN NORTH-EAST THAILAND
**LATERAL IRRIGATION
 AND DRAINAGE CANAL (I)**
 PREPARED BY _____ DRAWING NO. 106
 CHECKED BY _____



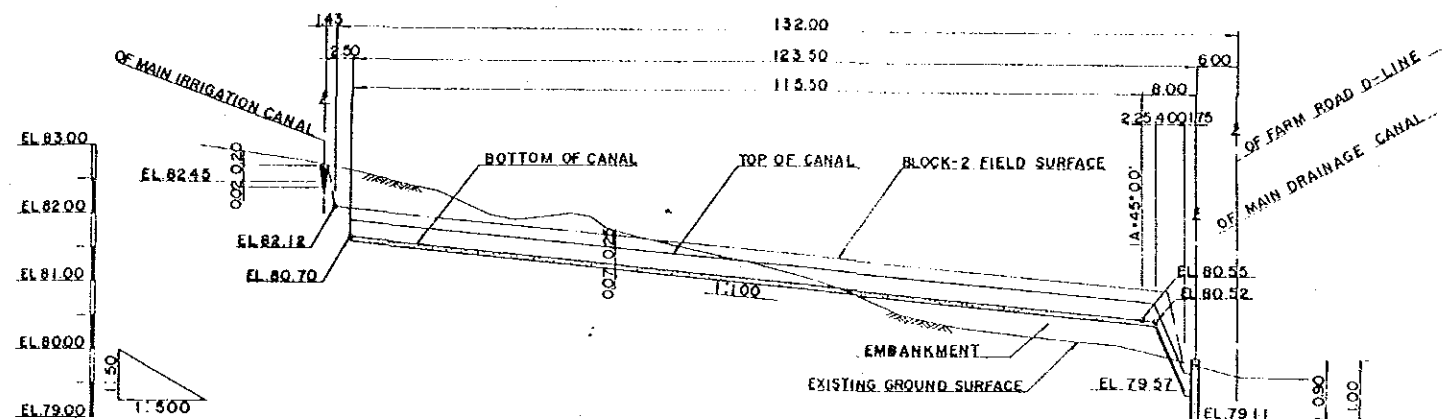
PLAN SCALE 1:50



SECTION A-A SCALE 1:20



LONGITUDINAL SECTION



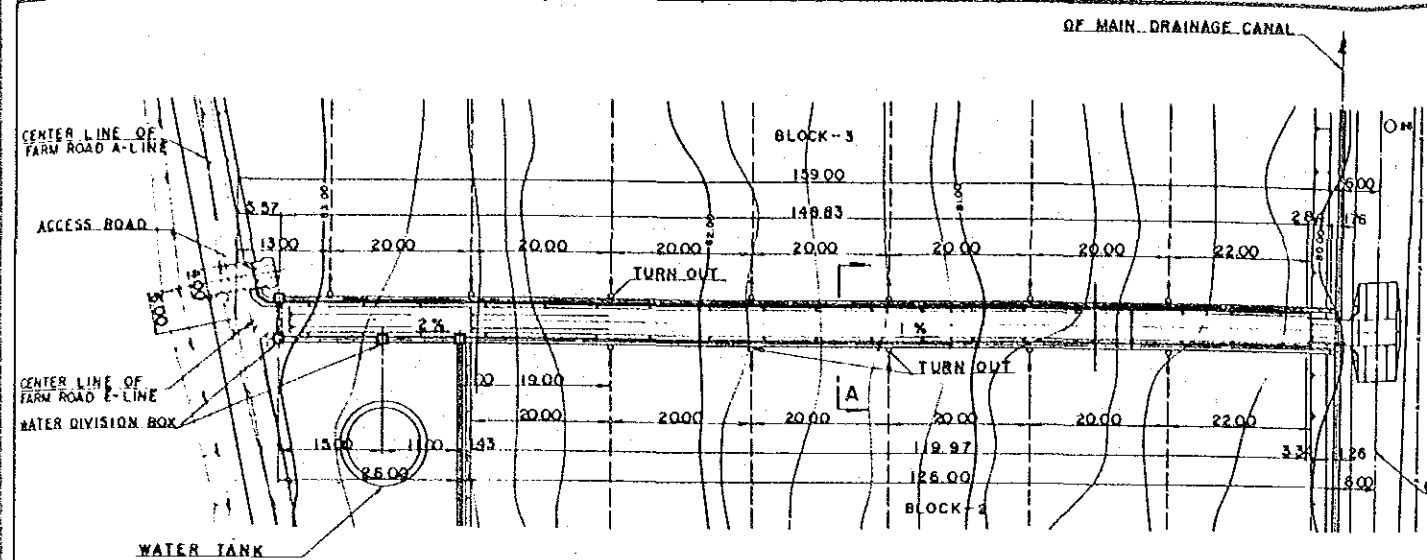
LONGITUDINAL SECTION

SLOPE		1:100.00 1.00%									
ELEVATION	CANAL BED	82.18	82.18	82.18	81.98	81.78	81.58	81.38	81.18	80.98	80.78
	GROUND ELEVATION	82.00	81.80	81.60	81.40	81.20	81.00	80.80	80.60	80.40	80.20
ACCUMULATED DISTANCE		0.00	20.00	40.00	60.00	80.00	100.00	120.00	140.00	160.00	180.00
DISTANCE		0.00	20.00	40.00	60.00	80.00	100.00	120.00	140.00	160.00	180.00
STATION		79.98	80.18	80.38	80.58	80.78	80.98	81.18	81.38	81.58	81.78
CURVE											

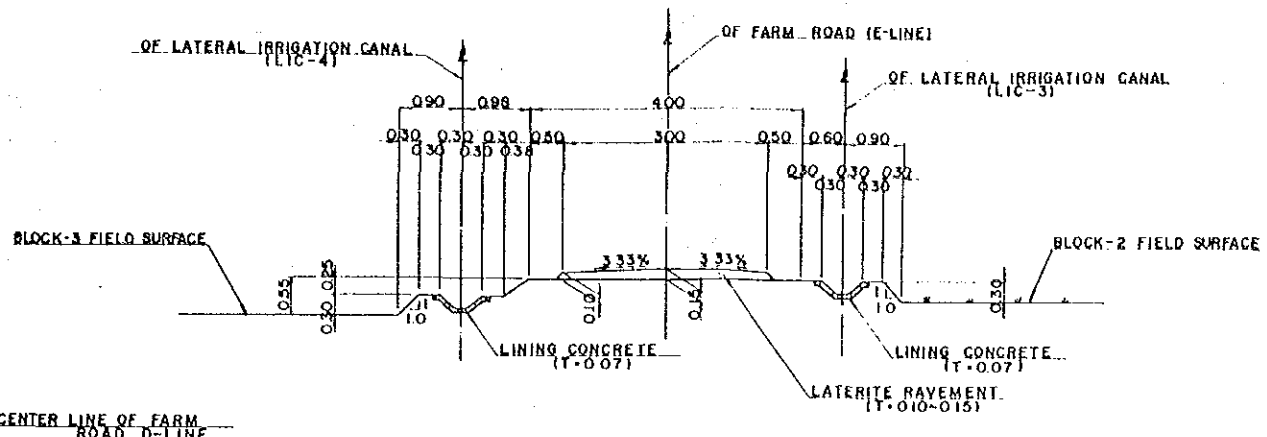
JAPAN INTERNATIONAL COOPERATION AGENCY
 THE DETAIL DESIGN SURVEY FOR THE EXPERIMENTAL FARM FOR THE AGRICULTURAL DEVELOPMENT RESEARCH PROJECT IN NORTH-EAST THAILAND

LATERAL IRRIGATION AND DRAINAGE CANALS (2)

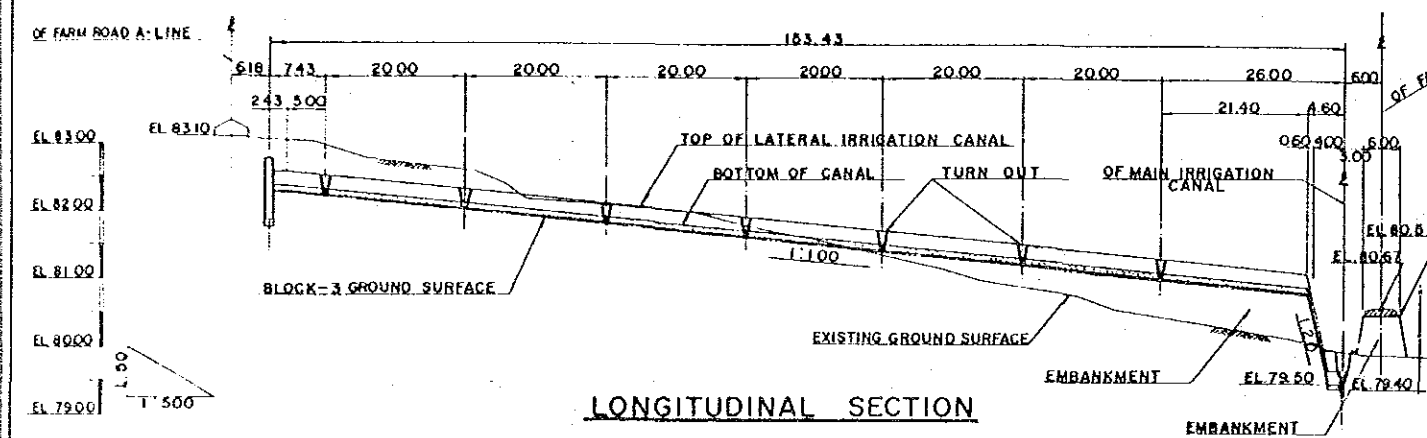
PREPARED BY _____ DRAWING NO. 107
 CHECKED BY _____



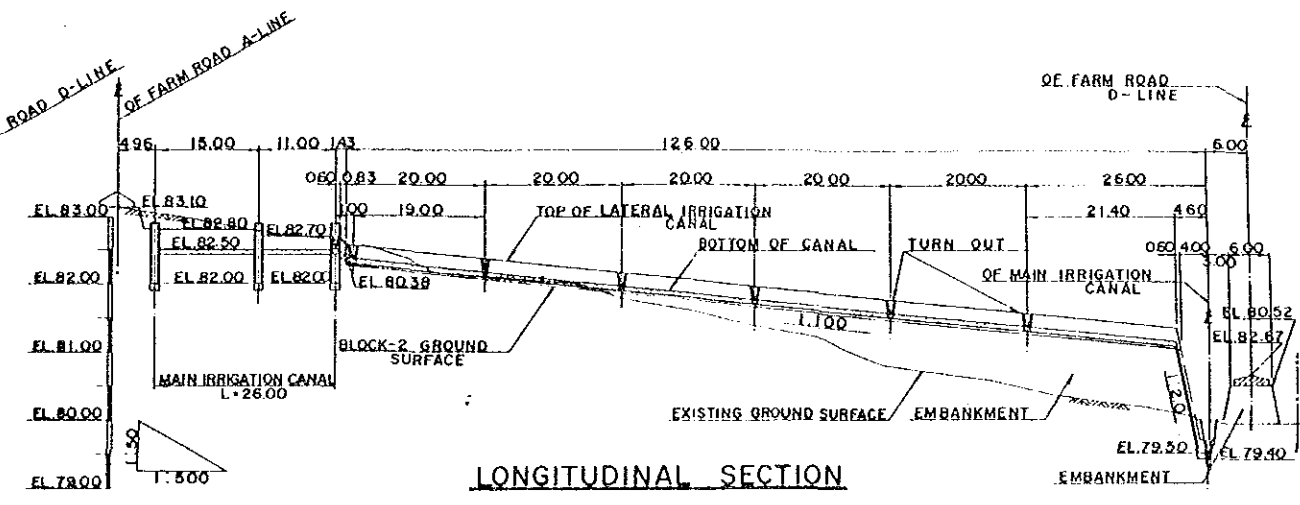
PLAN SCALE 1:500



SECTION A-A SCALE 1:50



LONGITUDINAL SECTION



LONGITUDINAL SECTION

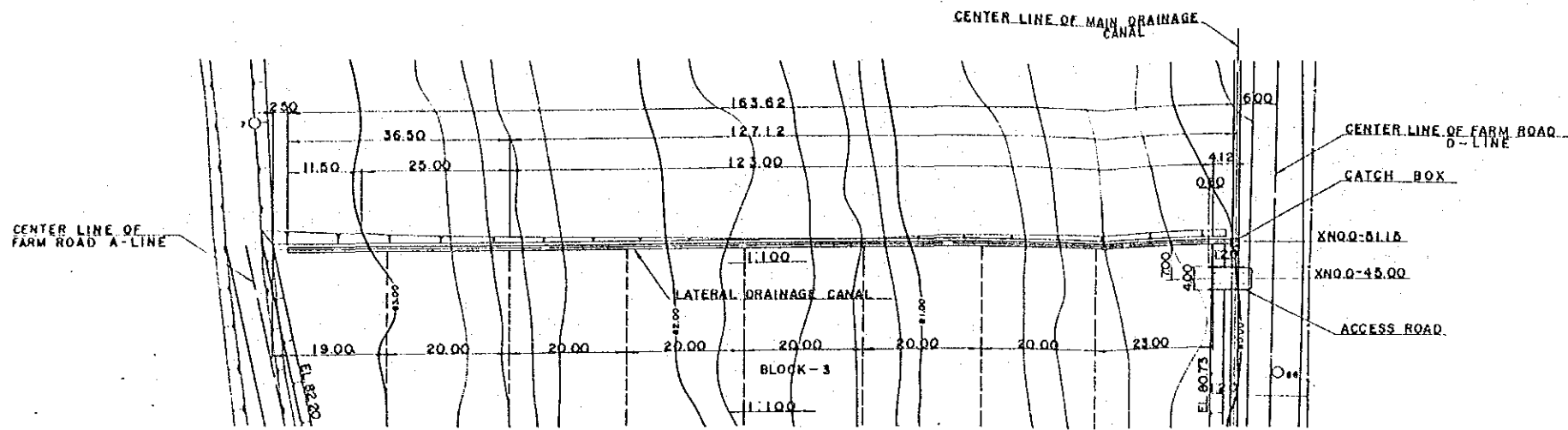
SLOPE	1:100.00 1.00%												
ELEVATION	CANAL BED	82.33	82.15	81.93	81.75	81.53	81.33	81.13	80.93	80.73	80.52	80.32	80.12
	GROUND ELEVATION	82.08	82.04	81.98	81.97	81.93	81.88	81.83	81.77	81.72	81.67	81.62	81.57
ACCUMULATED DISTANCE	33.00	27.43	23.00	20.00	16.00	12.00	8.00	4.00	0.00	0.00	0.00	0.00	0.00
DISTANCE	5.57	4.43	4.00	20.00	20.00	20.00	20.00	20.00	20.00	20.00	21.40	4.60	5.00
STATION	+21.00	+21.43	+23.00	+23.00	+43.00	+63.00	+83.00	+103.00	+123.00	+143.00	+164.40	+169.00	+174.00
CURVE	—												

SLOPE	1:100.00 1.00%												
ELEVATION	CANAL BED	82.33	82.15	81.93	81.75	81.53	81.33	81.13	80.93	80.73	80.52	80.32	80.12
	GROUND ELEVATION	82.08	82.04	81.98	81.97	81.93	81.88	81.83	81.77	81.72	81.67	81.62	81.57
ACCUMULATED DISTANCE	33.00	27.43	23.00	20.00	16.00	12.00	8.00	4.00	0.00	0.00	0.00	0.00	0.00
DISTANCE	5.57	4.43	4.00	20.00	20.00	20.00	20.00	20.00	20.00	20.00	21.40	4.60	5.00
STATION	+21.00	+21.43	+23.00	+23.00	+43.00	+63.00	+83.00	+103.00	+123.00	+143.00	+164.40	+169.00	+174.00
CURVE	—												

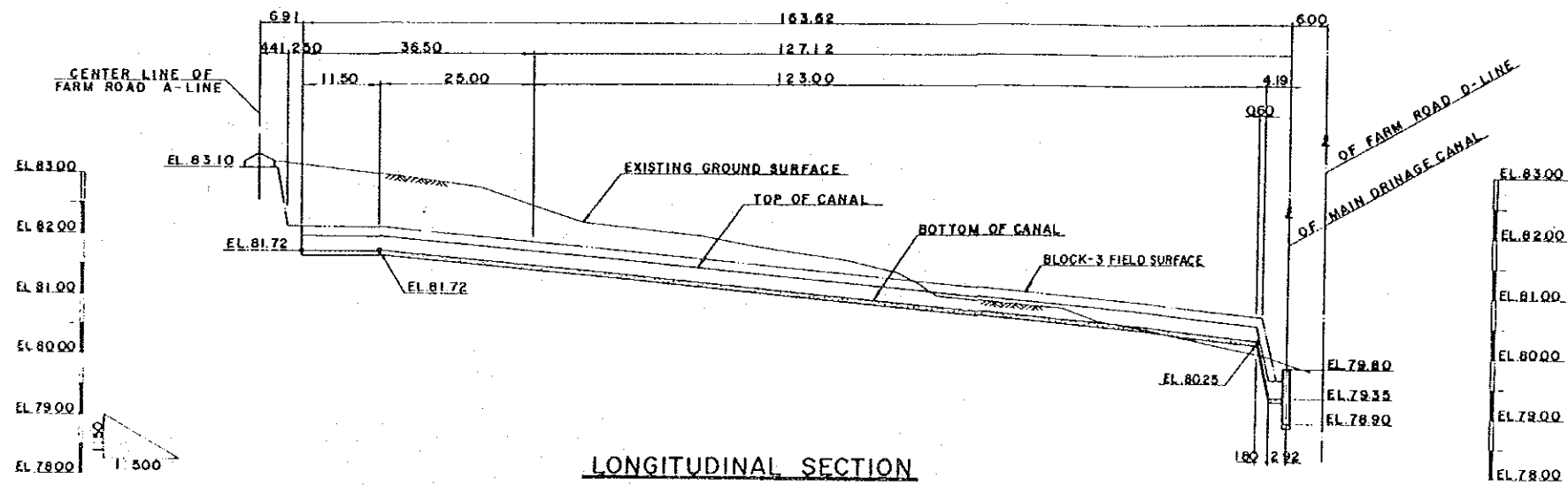
JAPAN INTERNATIONAL COOPERATION AGENCY
 THE DETAIL DESIGN SURVEY FOR THE EXPERIMENTAL
 FARM FOR THE AGRICULTURAL DEVELOPMENT RESEARCH
 PROJECT IN NORTH-EAST THAILAND

**LATERAL IRRIGATION
 AND DRAINAGE CANALS (3)**

PREPARED BY _____ DRAWING NO. 108
 CHECKED BY _____



PLAN SCALE 1:500



LONGITUDINAL SECTION

SLOPE	1:100									
ELEVATION	CANAL BED	81.72	81.72	81.67	80.87	80.47	80.25	79.35	78.90	
	GROUND ELEVATION	83.00	83.00	82.88	81.81	80.43	80.25	79.35	78.90	
ACCUMULATED DISTANCE	4.41	3.00	2.50	0.00	40.00	100.00	122.40	124.50	127.12	133.12
DISTANCE	4.41	2.50	1.10	2.50	0.00	20.00	45.50	1.90	2.36	4.00
STATION	+33.11	+30.00	+28.50	+26.00	+26.00	+26.00	+22.40	+20.50	+27.12	+31.12
CURVE	1									

NOTE 1. ALL DIMENSIONS ARE SHOWN IN METERS UNLESS OTHERWISE INDICATED

2. ABBREVIATION AND SYMBOL
 C, CENTER LINE
 EL, ELEVATION

JAPAN INTERNATIONAL COOPERATION AGENCY
 THE DETAIL DESIGN SURVEY FOR THE EXPERIMENTAL FARM FOR THE AGRICULTURAL DEVELOPMENT RESEARCH PROJECT IN NORTH-EAST THAILAND

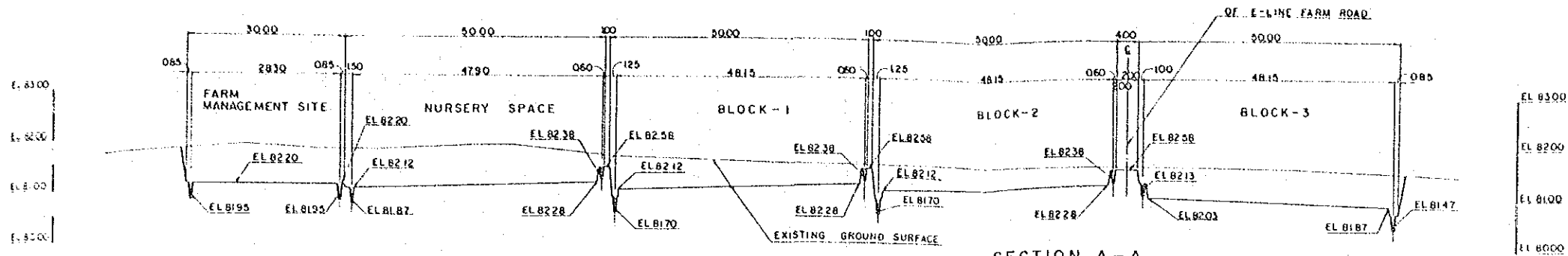
LATERAL DRAINAGE CANAL

PREPARED BY

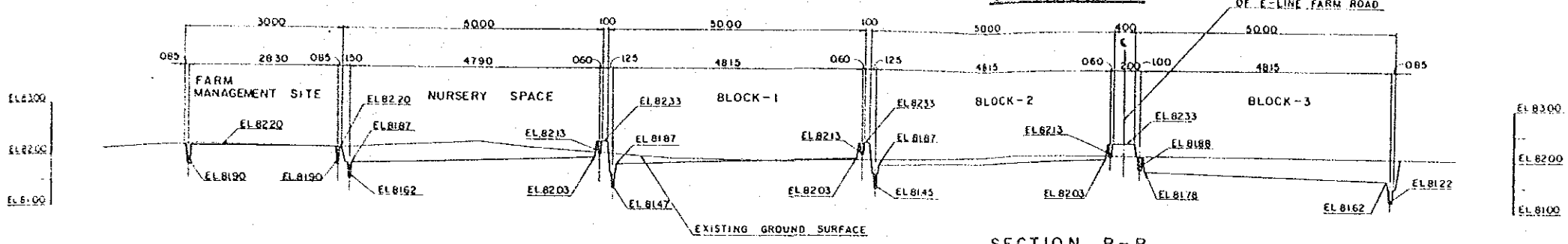
DRAWING NO.

CHECKED BY

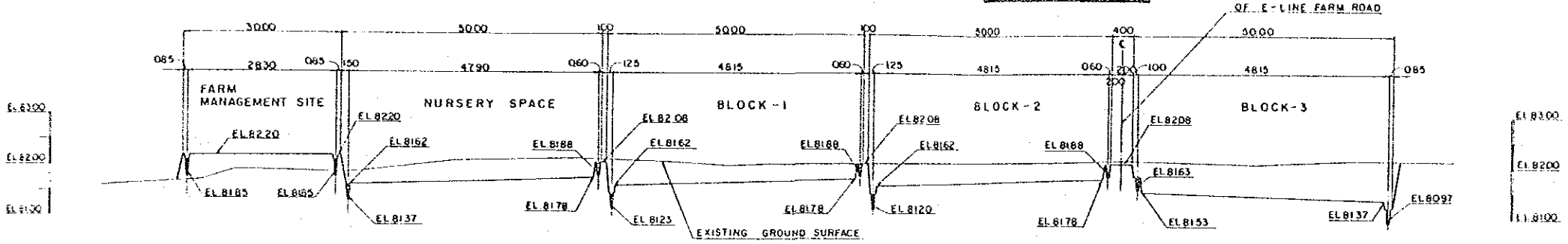
109



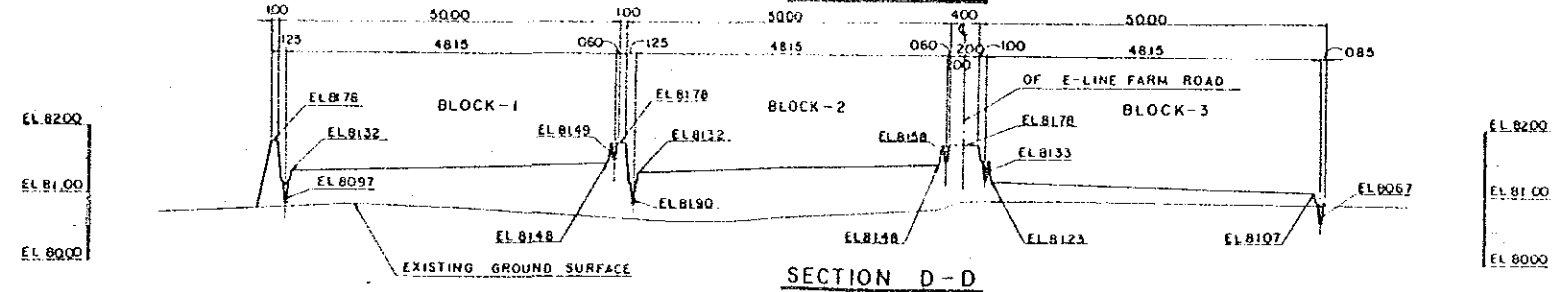
SECTION A-A



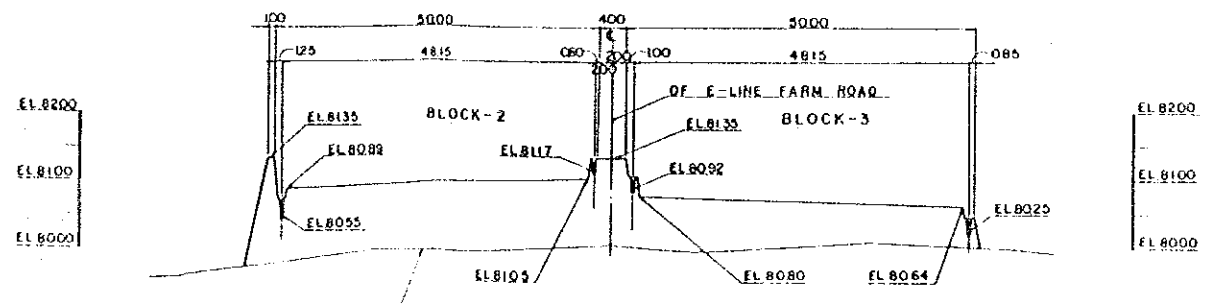
SECTION B-B



SECTION C-C

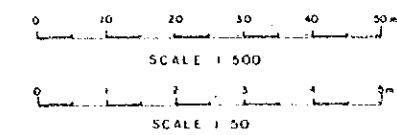


SECTION D-D



SECTION E-E

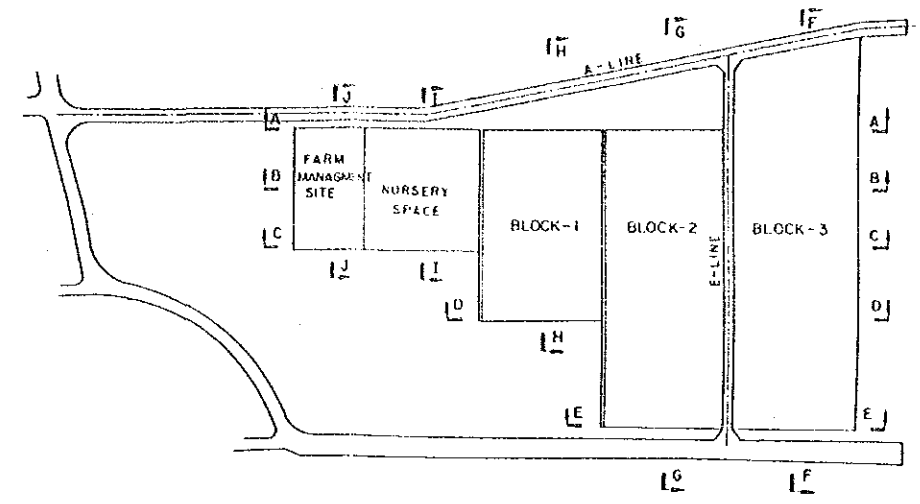
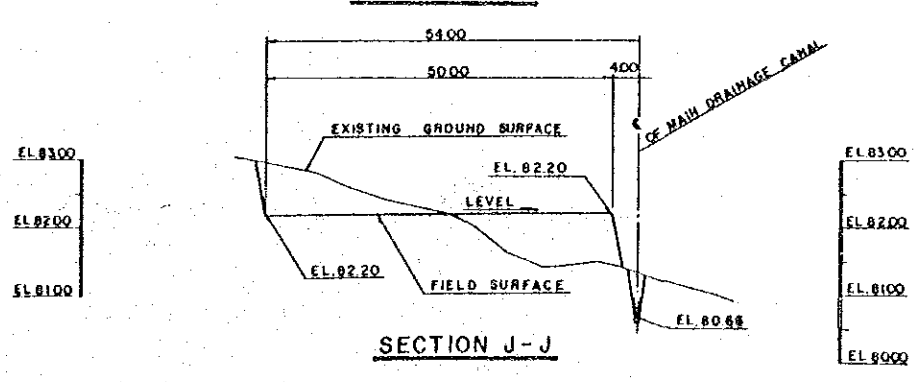
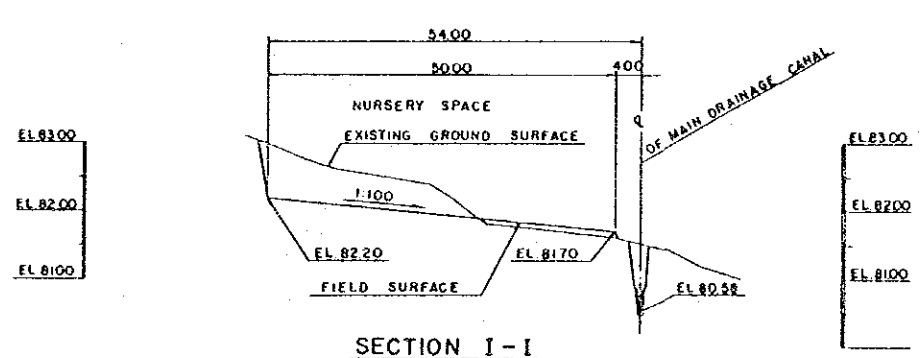
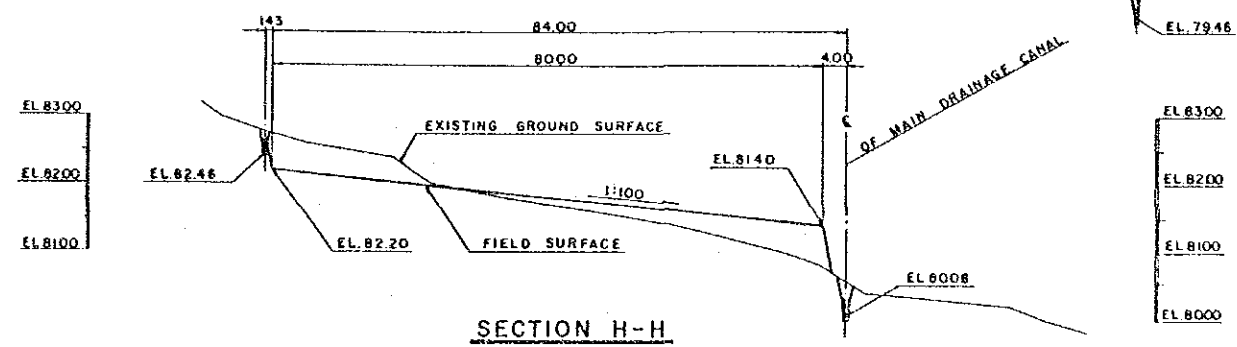
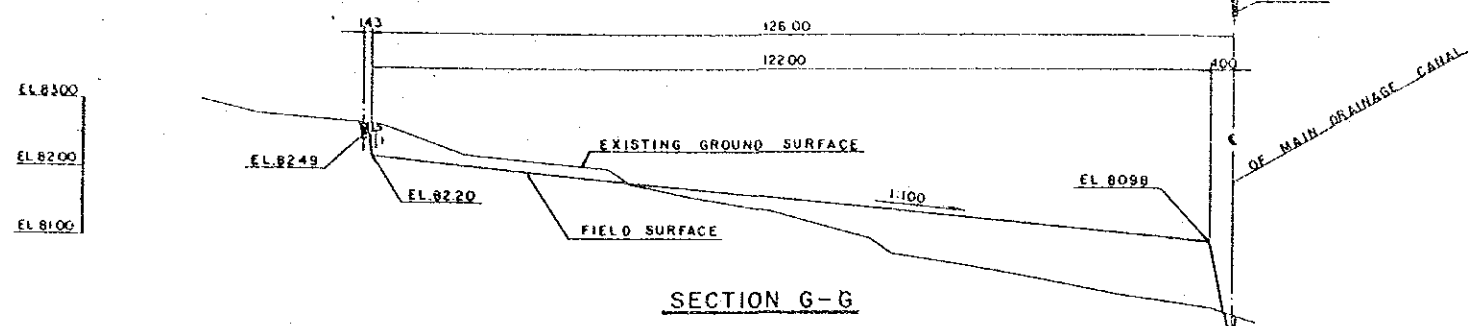
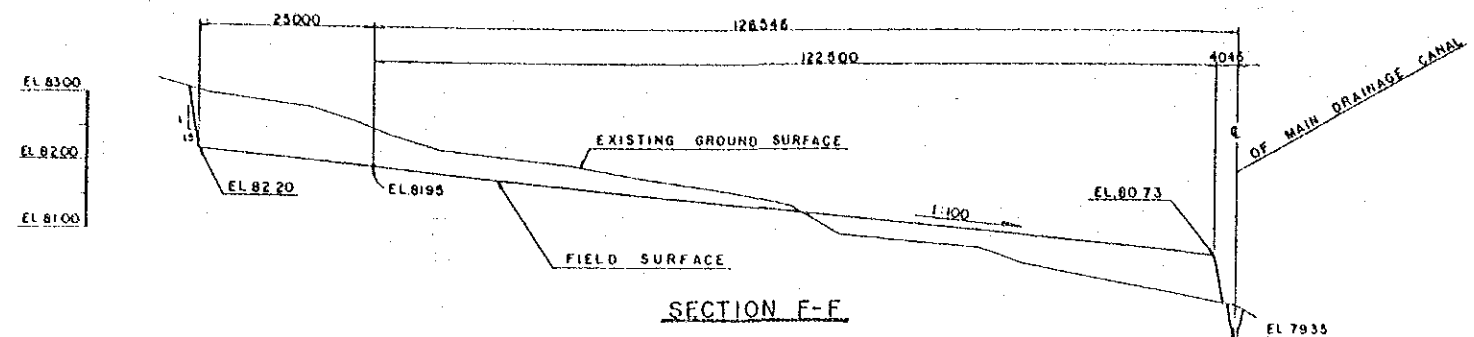
NOTE 1 ALL DIMENSIONS ARE SHOWN IN METERS
UNLESS OTHERWISE INDICATED
2 ABBREVIATION AND SYMBOL
EL ELEVATION
C CENTER LINE
3. WORK THIS DRAWING WITH NO. 111



JAPAN INTERNATIONAL COOPERATION AGENCY
THE DETAIL DESIGN SURVEY FOR THE EXPERIMENTAL
FARM FOR THE AGRICULTURAL DEVELOPMENT RESEARCH
PROJECT IN NORTH-EAST THAILAND

FARM CROSS SECTION (I)

PREPARED BY _____ DRAWING NO. _____
CHECKED BY _____ 110

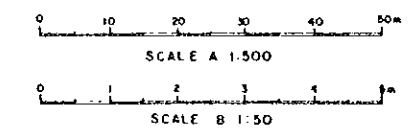


NOTE 1 ALL DIMENSIONS ARE SHOWN IN METERS
UNLESS OTHERWISE INDICATED

2. ABBREVIATION AND SYMBOL

EL . ELEVATION

C . CENTER LINE

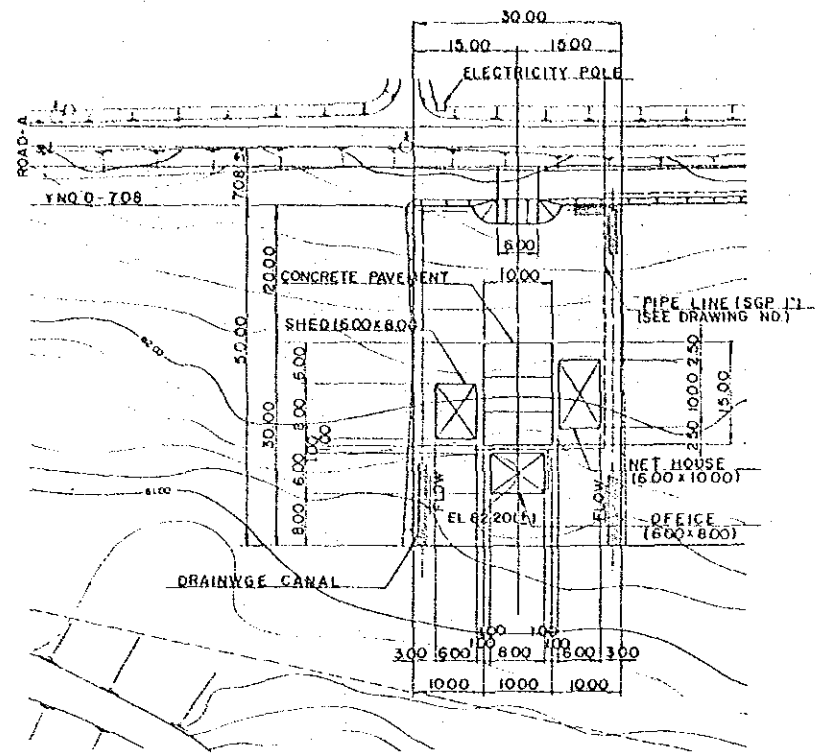


JAPAN INTERNATIONAL COOPERATION AGENCY

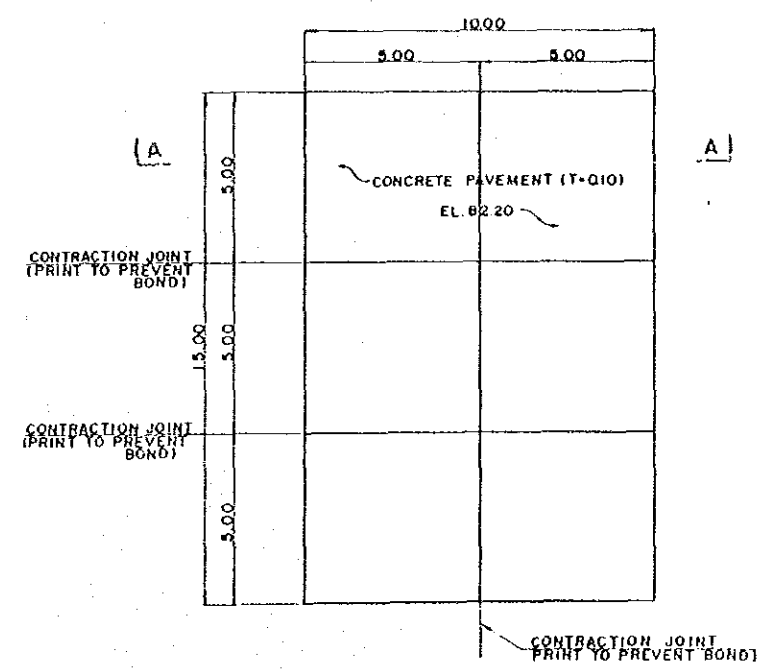
THE DETAIL DESIGN SURVEY FOR THE EXPERIMENTAL FARM FOR THE AGRICULTURAL DEVELOPMENT RESEARCH PROJECT IN NORTH-EAST THAILAND

FARM CROSS SECTION (2)

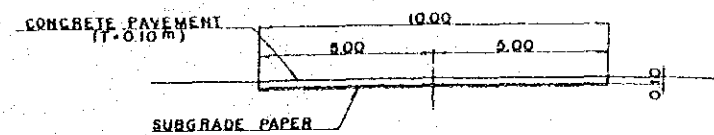
PREPARED BY	DRAWING NO
CHECKED BY	111



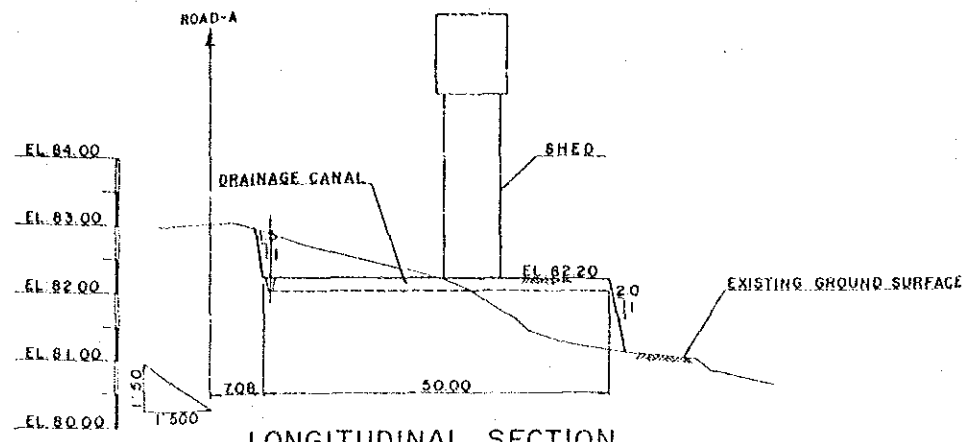
PLAN SCALE 1:500



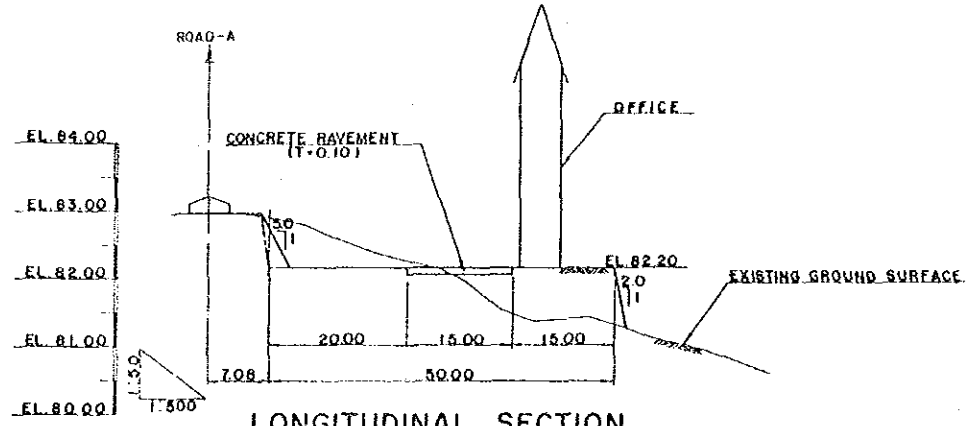
CONCRETE PAVEMENT SCALE 1:100



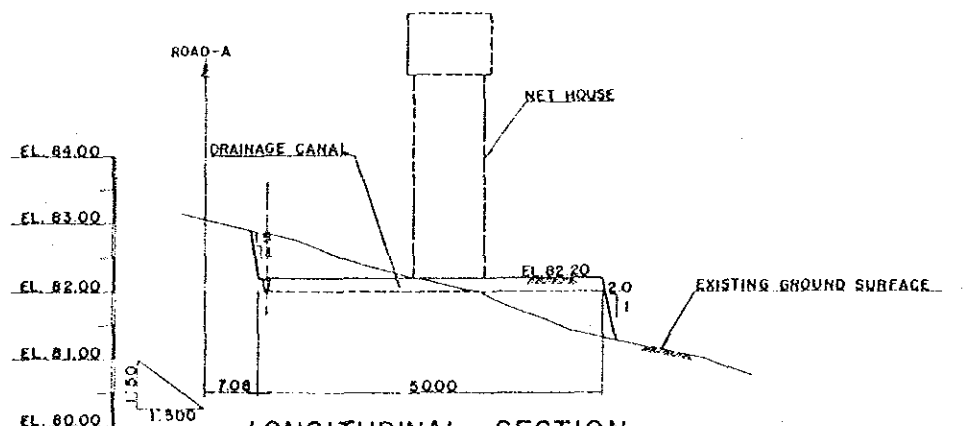
SECTION A-A SCALE 1:100



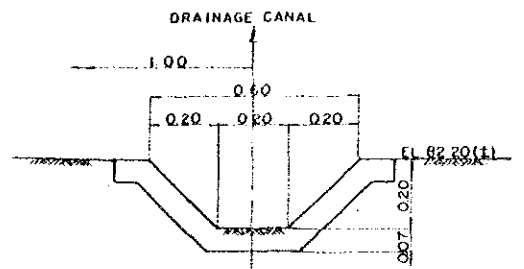
LONGITUDINAL SECTION XNO.1+84.00



LONGITUDINAL SECTION XNO.1+69.00



LONGITUDINAL SECTION XNO.1+54.00



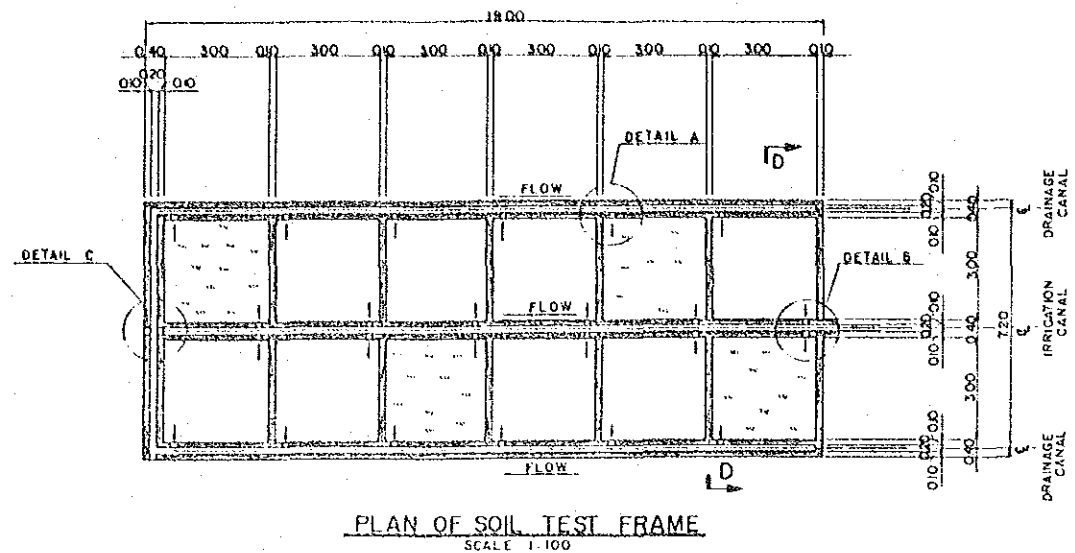
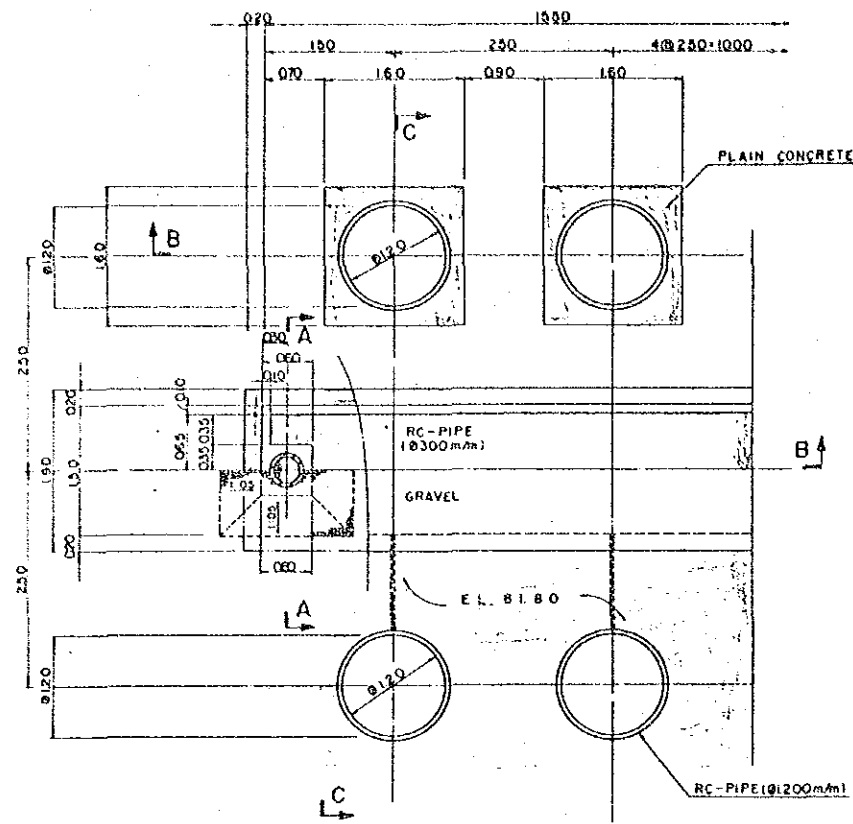
DRAINAGE CANAL SCALE 1:10

- NOTE
1. ALL DIMENSIONS ARE SHOWN IN METERS
 2. HOUSES ARE SHOWN IN DRAWING NO. 126

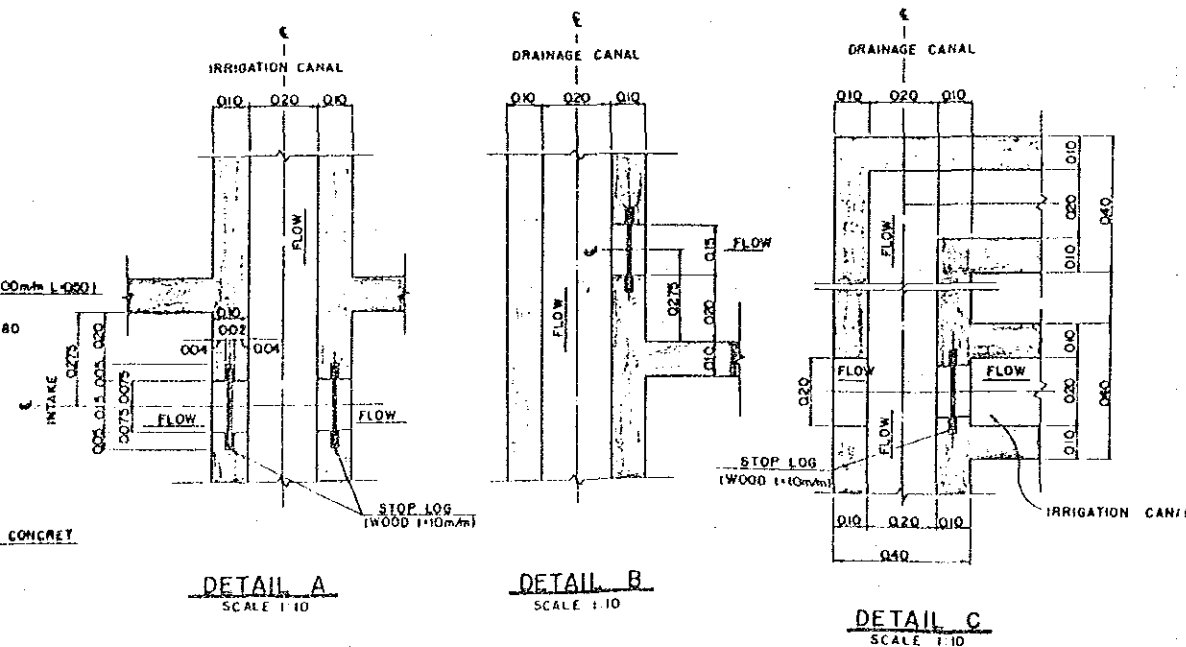
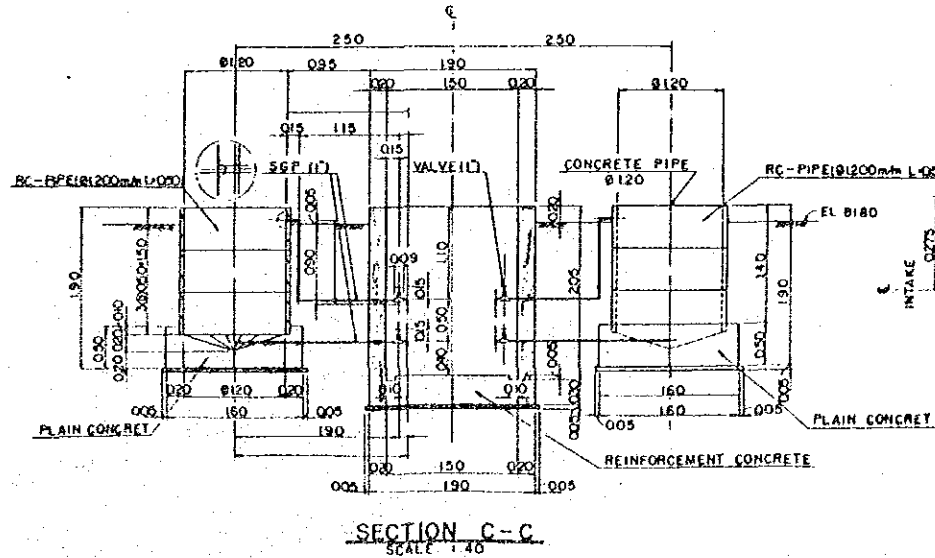
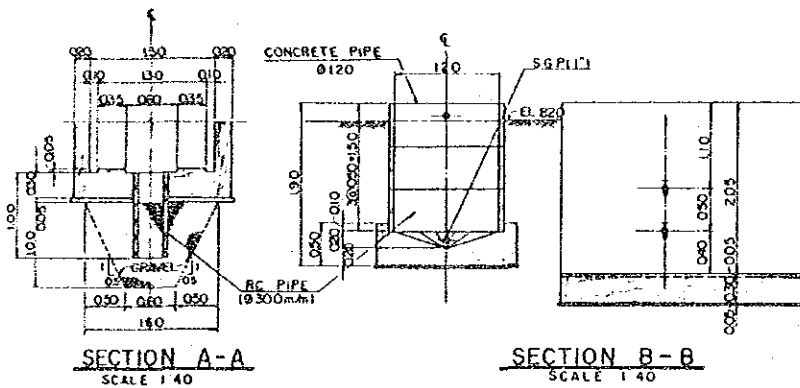
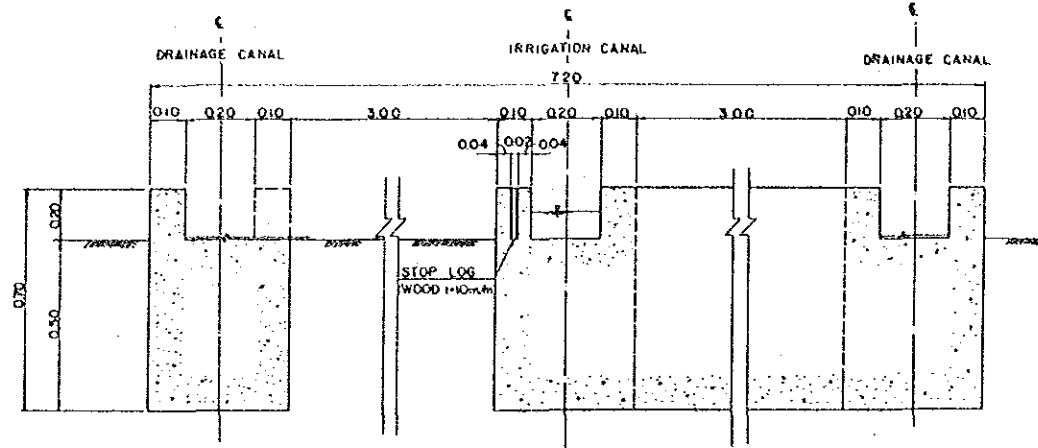
JAPAN INTERNATIONAL COOPERATION AGENCY
 THE DETAIL DESIGN SURVEY FOR THE EXPERIMENTAL FARM FOR THE AGRICULTURAL DEVELOPMENT RESEARCH PROJECT IN NORTH-EAST THAILAND

PLAN OF THE MANAGEMENT SITE

PREPARED BY _____ DRAWING NO. 112
 CHECKED BY _____



- NOTE 1 WORK THIS DRAWING WITH NO.106
 2. ALL DIMENSIONS ARE SHOWN IN METERS UNLESS OTHERWISE INDICATED
 3. ABBREVIATION AND SYMBOL
 CL CENTER LINE
 EL. ELEVATION
 4. BACKFILL DRAIN TRENCH WITH SELECTED GRAVEL (FROM 15 to 40mm)
 5. WOODEN PARTS SHALL BE TREATED WITH WATERPROOF CHEMICAL FOR AGENT.

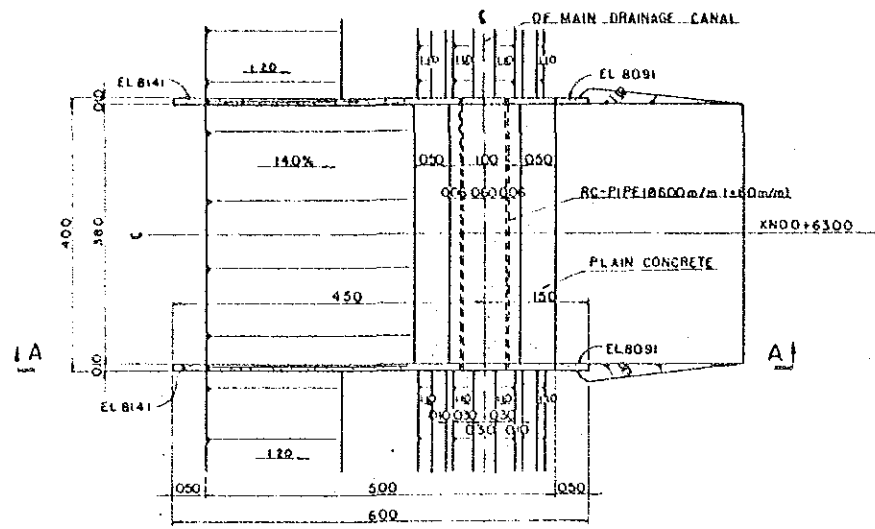


JAPAN INTERNATIONAL COOPERATION AGENCY
 THE DETAIL DESIGN SURVEY FOR THE EXPERIMENTAL FARM FOR THE AGRICULTURAL DEVELOPMENT RESEARCH PROJECT IN NORTH-EAST THAILAND

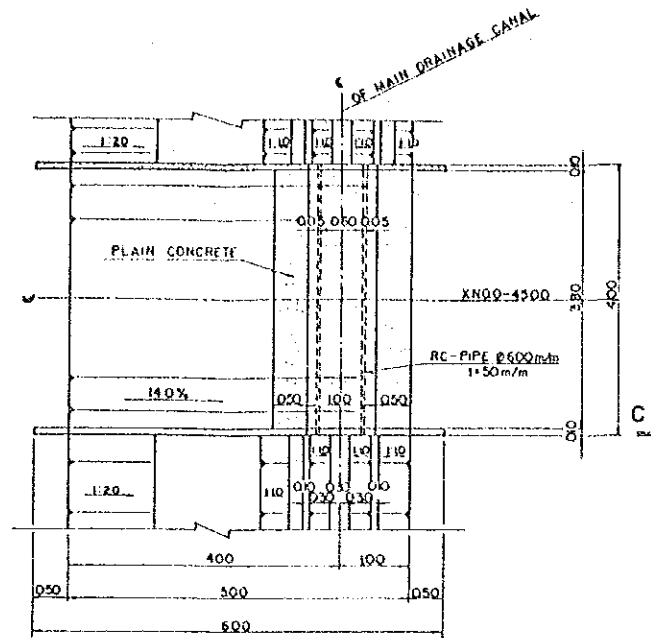
STRUCTURES OF LYSMETER
 SOIL TEST FRAME

PREPARED BY
 CHECKED BY

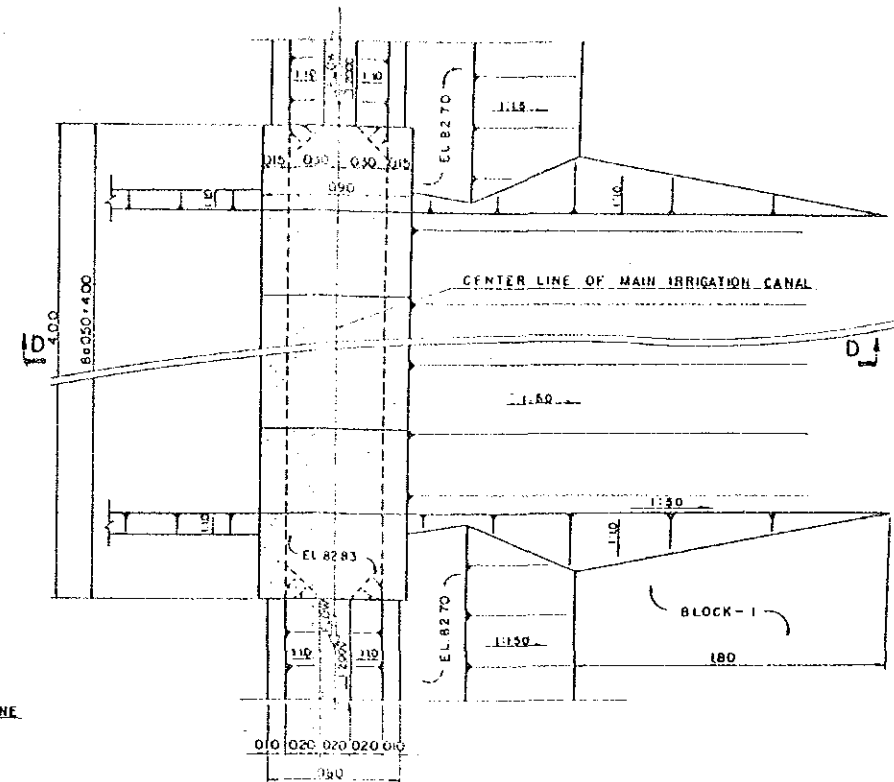
DRAWING NO
 113



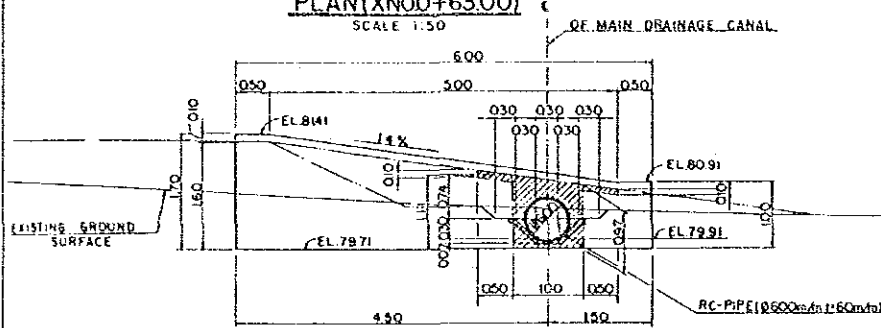
PLAN (XN00+63.00)
SCALE 1:50



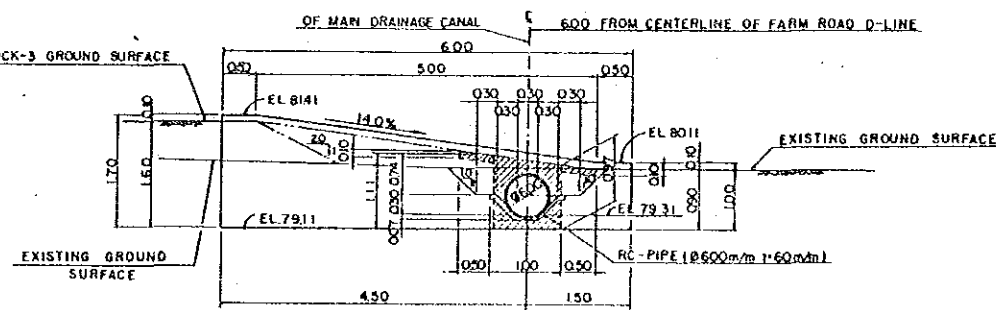
PLAN (XN00-45.00)
SCALE 1:50



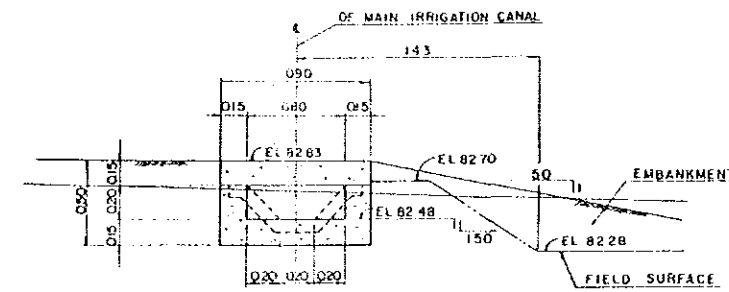
PLAN
SCALE 1:20



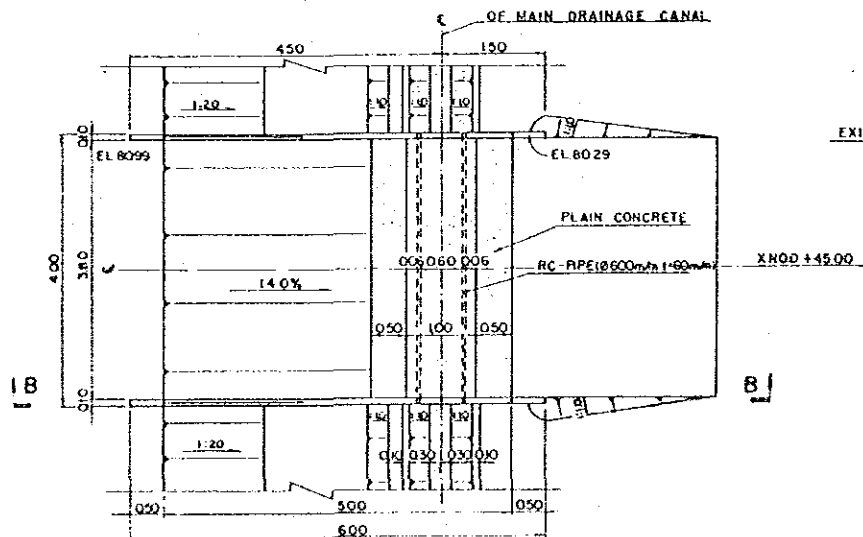
SECTION A-A (XN00+63.00)
SCALE 1:50



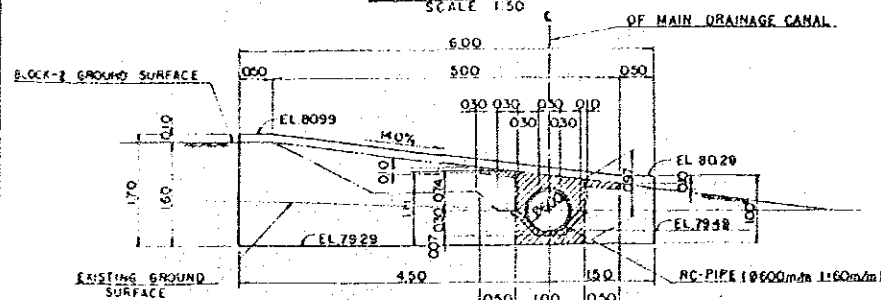
SECTION C-C (XN00-45.00)
SCALE 1:50



SECTION D-D
SCALE 1:20



PLAN (XN00+45.00)
SCALE 1:50



SECTION B-B (XN00+45.00)
SCALE 1:50

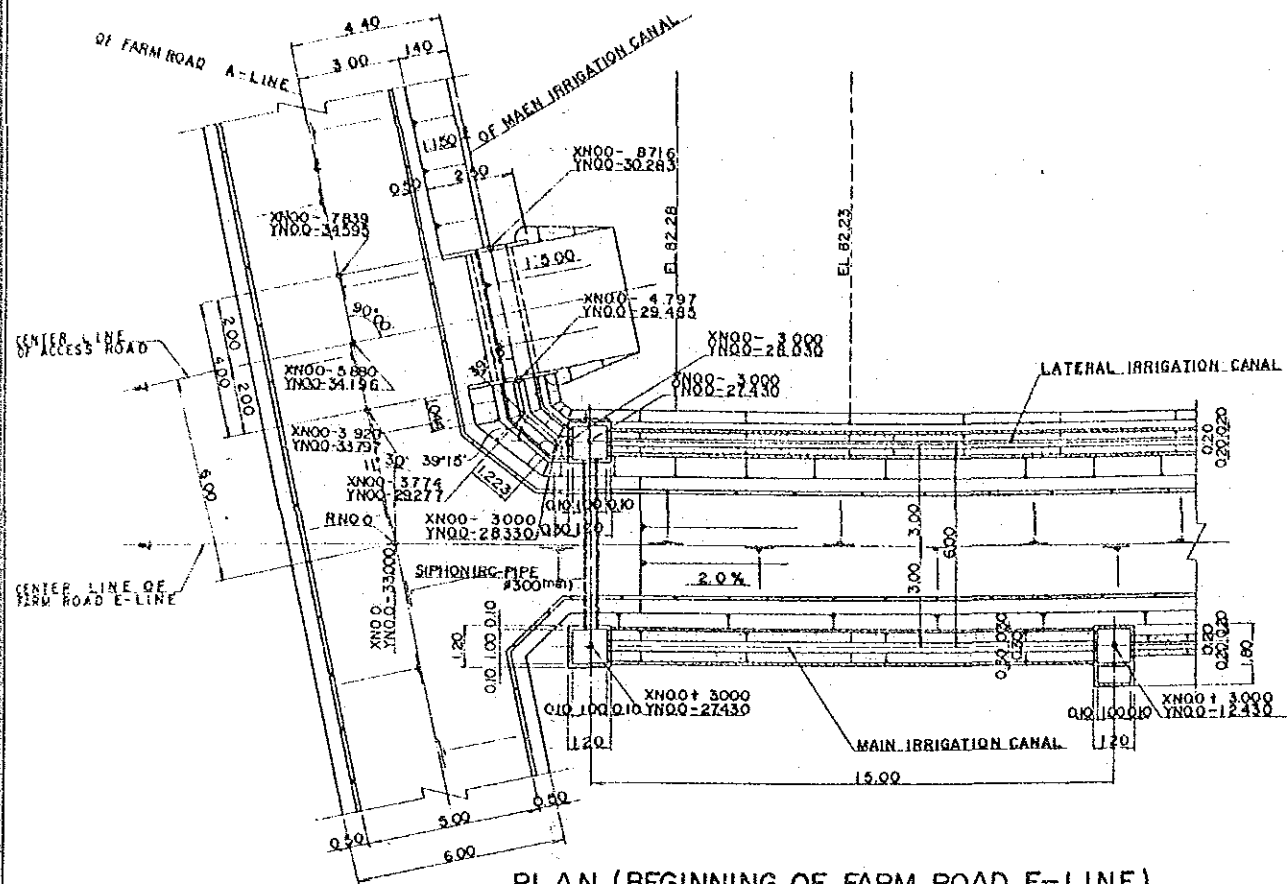
NOTE 1 ALL DIMENSIONS ARE SHOWN
IN METERS UNLESS OTHERWISE
INDICATED
2 ABBREVIATION AND SYMBOL
C . CENTER LINE
EL . ELEVATION

JAPAN INTERNATIONAL COOPERATION AGENCY
THE DETAIL DESIGN SURVEY FOR THE EXPERIMENTAL
FARM FOR THE AGRICULTURAL DEVELOPMENT RESEARCH
PROJECT IN NORTH-EAST THAILAND

ACCESS ROAD (1)

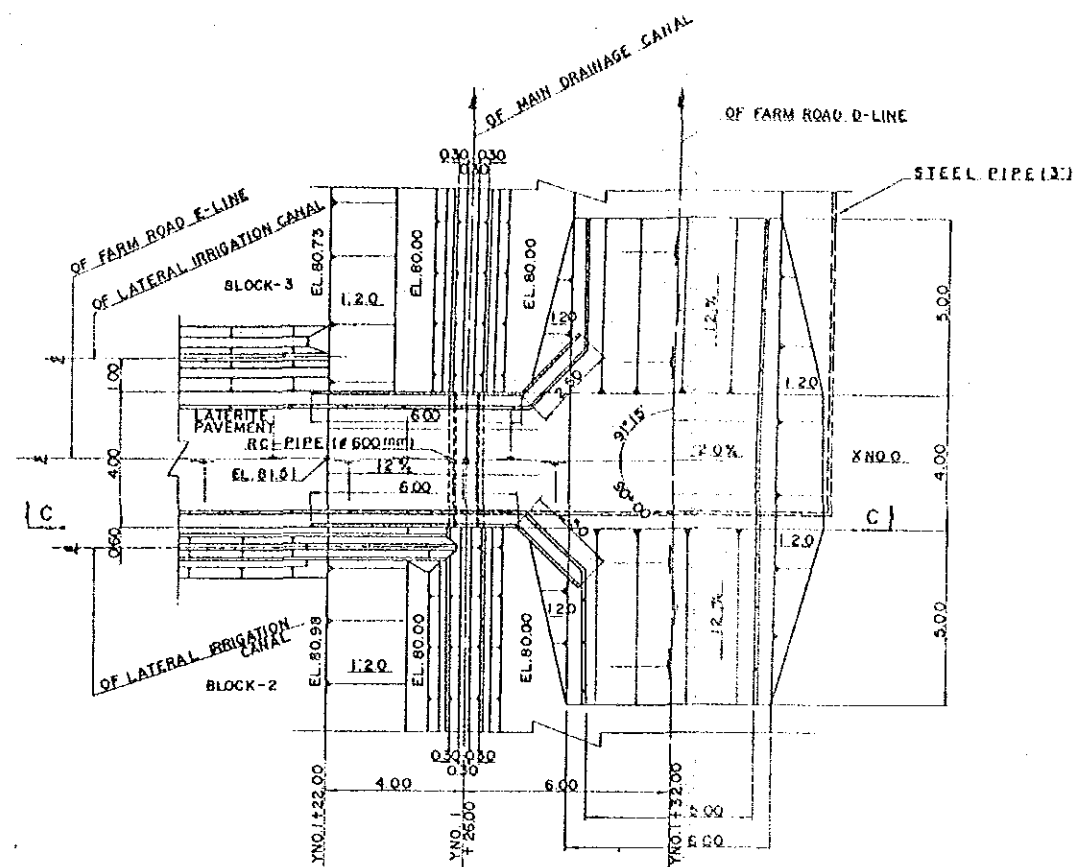
PREPARED BY
CHECKED BY

DRAWING NO
114



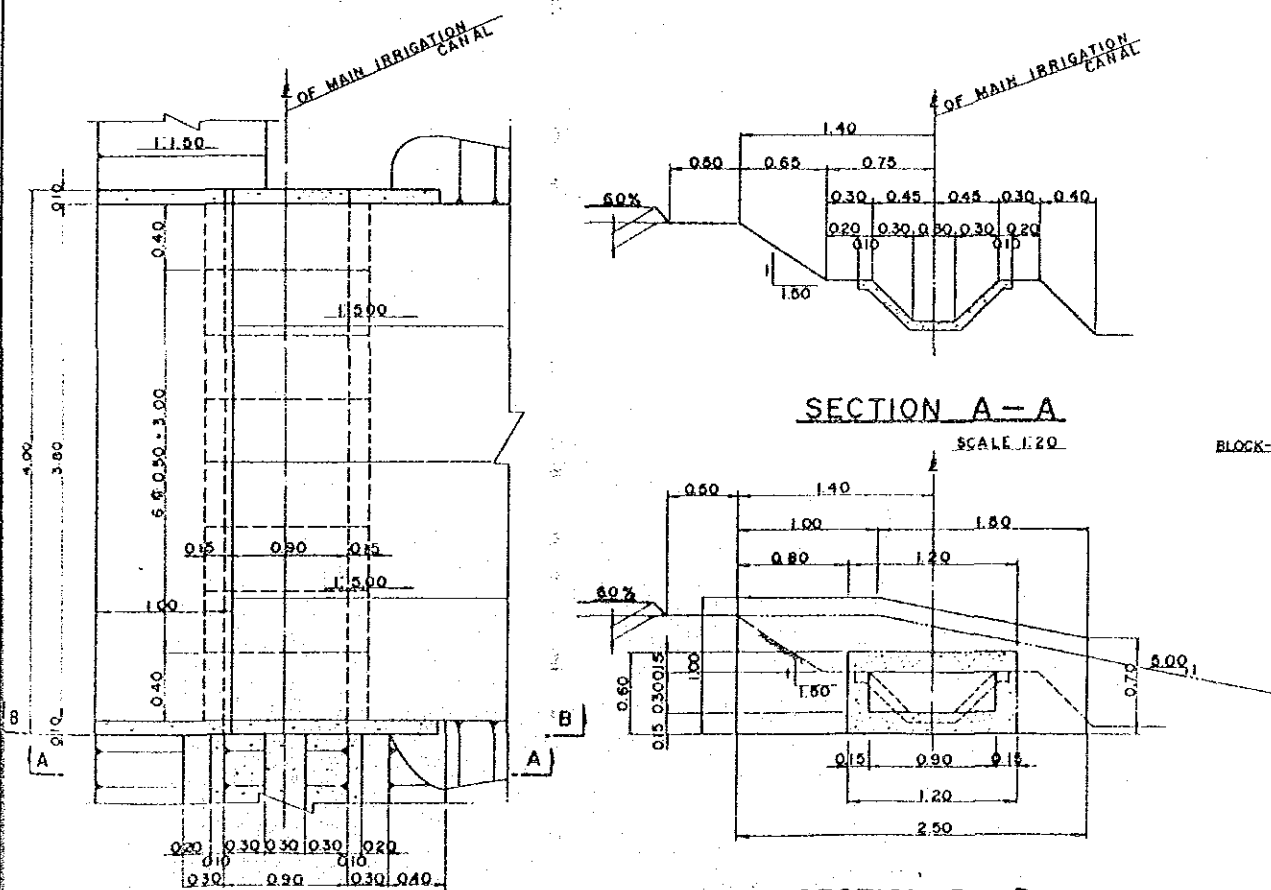
PLAN (BEGINNING OF FARM ROAD E-LINE)

SCALE 1:100



PLAN (END OF FARM ROAD E-LINE)

SCALE 1:100

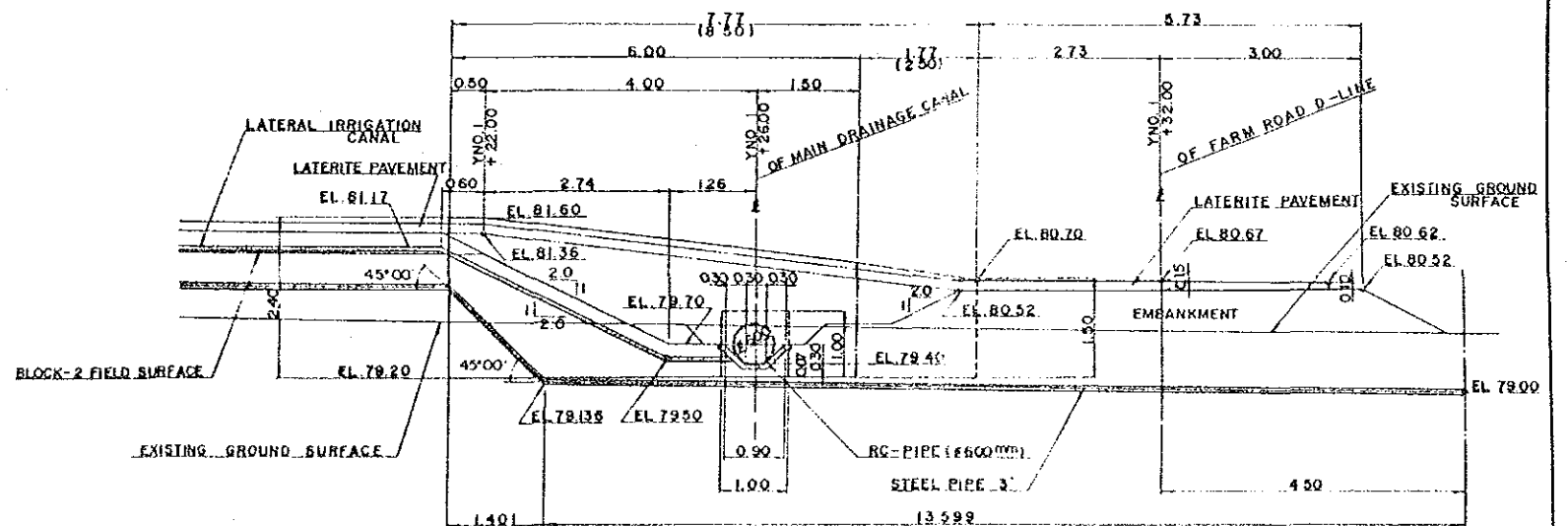


SECTION A-A

SCALE 1:20

SECTION B-B

SCALE 1:20



SECTION C-C

SCALE 1:50

NOTE 1. ALL DIMENSIONS ARE SHOWN IN METERS UNLESS OTHERWISE INDICATED

2. ABBREVIATION AND SYMBOL

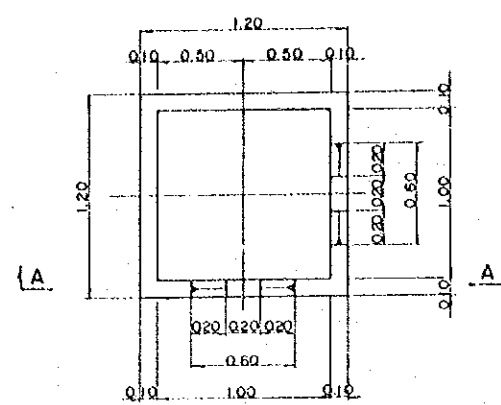
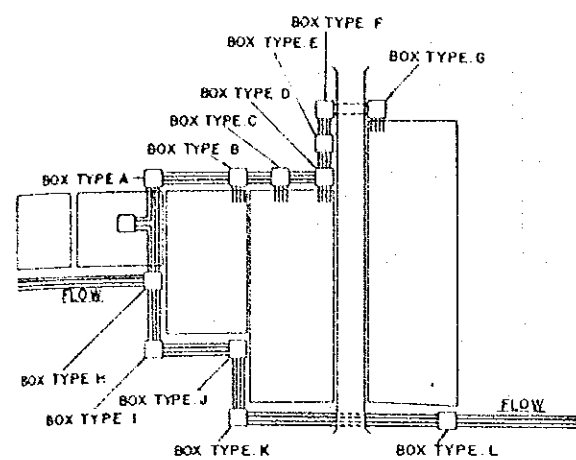
EL, CENTER LINE
EL, ELEVATION

JAPAN INTERNATIONAL COOPERATION AGENCY
THE DETAIL DESIGN SURVEY FOR THE EXPERIMENTAL FARM FOR THE AGRICULTURAL DEVELOPMENT RESEARCH PROJECT IN NORTH-EAST THAILAND

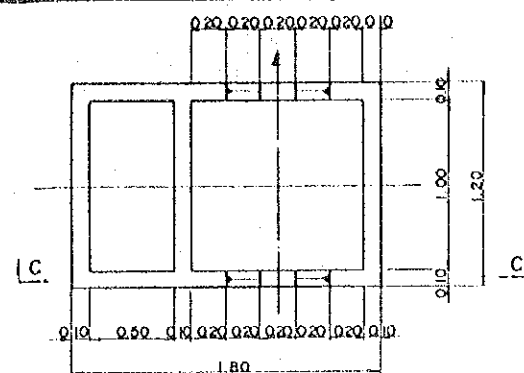
ACCESS ROAD (2)

PREPARED BY
CHECKED BY

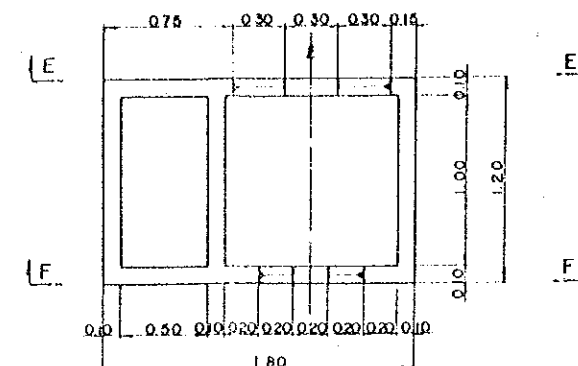
DRAWING NO
115



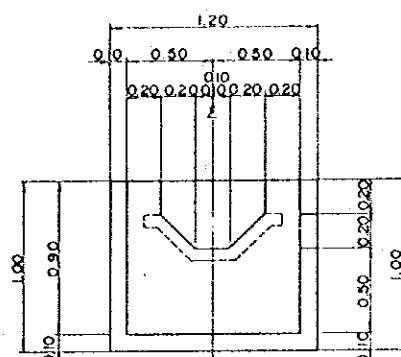
BOX TYPE A
SCALE 1:20



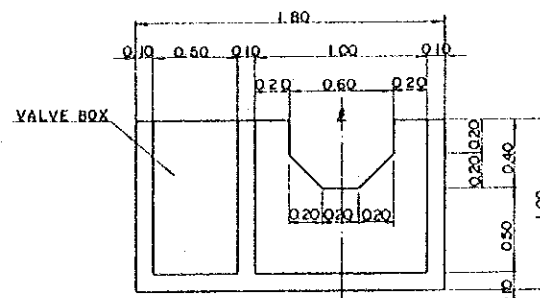
BOX TYPE C
SCALE 1:20



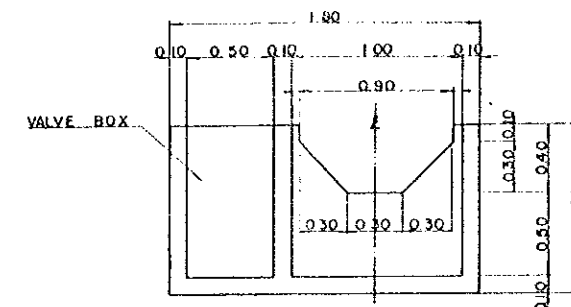
BOX TYPE E
SCALE 1:20



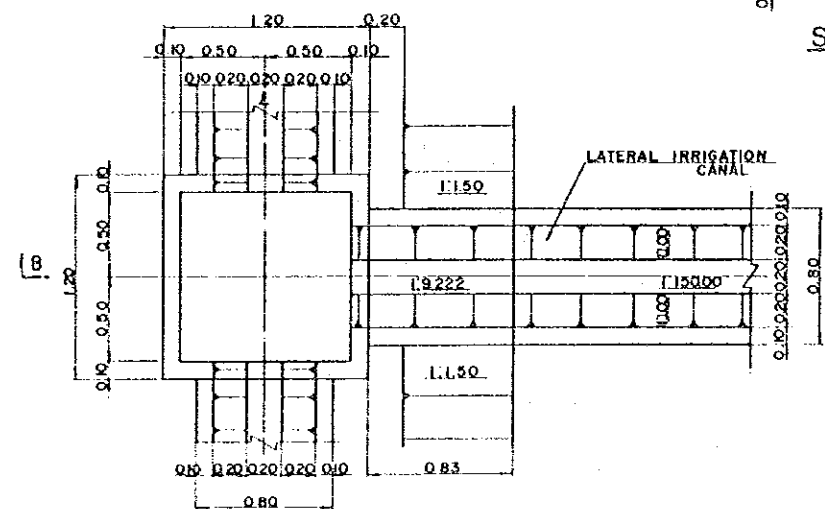
SECTION A-A
SCALE 1:20



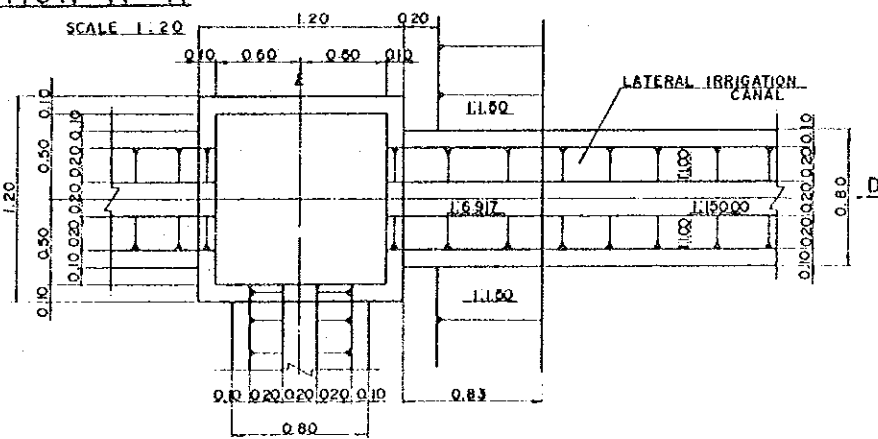
SECTION C-C
SCALE 1:20



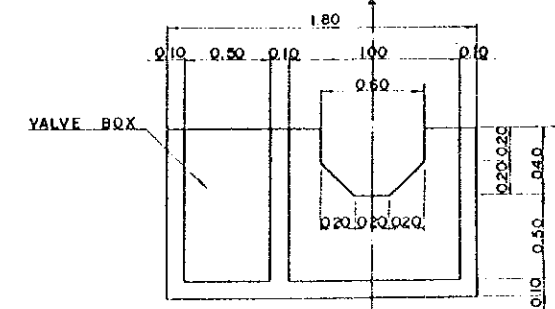
SECTION E-E
SCALE 1:20



BOX TYPE B
SCALE 1:20

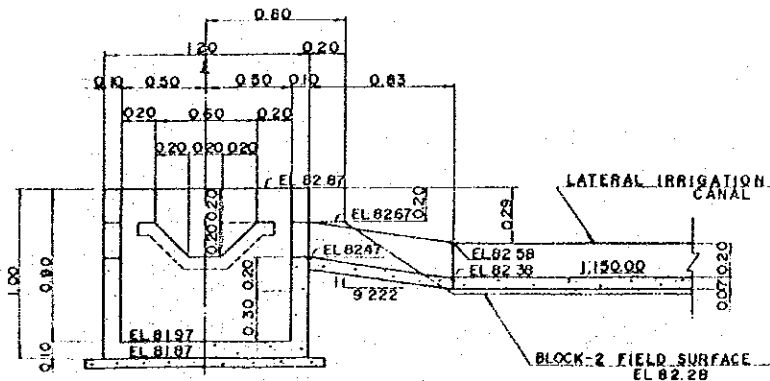


BOX TYPE D
SCALE 1:20

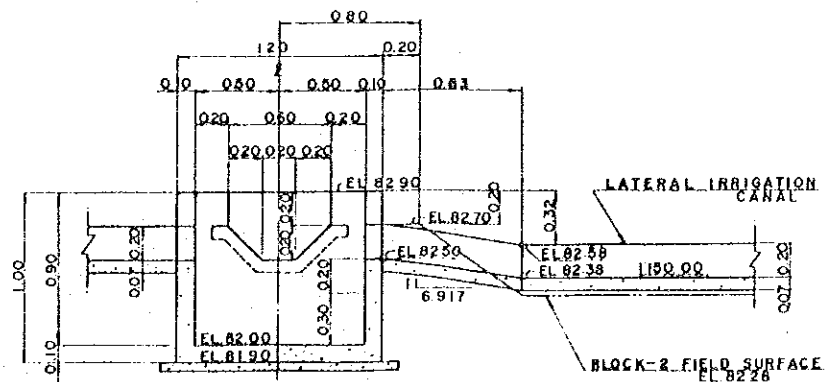


SECTION E-E
SCALE 1:20

- NOTE:
1. ALL DIMENSIONS ARE SHOWN IN METERS UNLESS OTHERWISE INDICATED
 2. ABBREVIATION AND SYMBOL
 Δ, CENTER LINE
 EL, ELEVATION
 3. NOT SHOWN VALVES AND STEEL PIPE (SEE DRAWING NO. 121, 122, 123)



SECTION B-B
SCALE 1:20

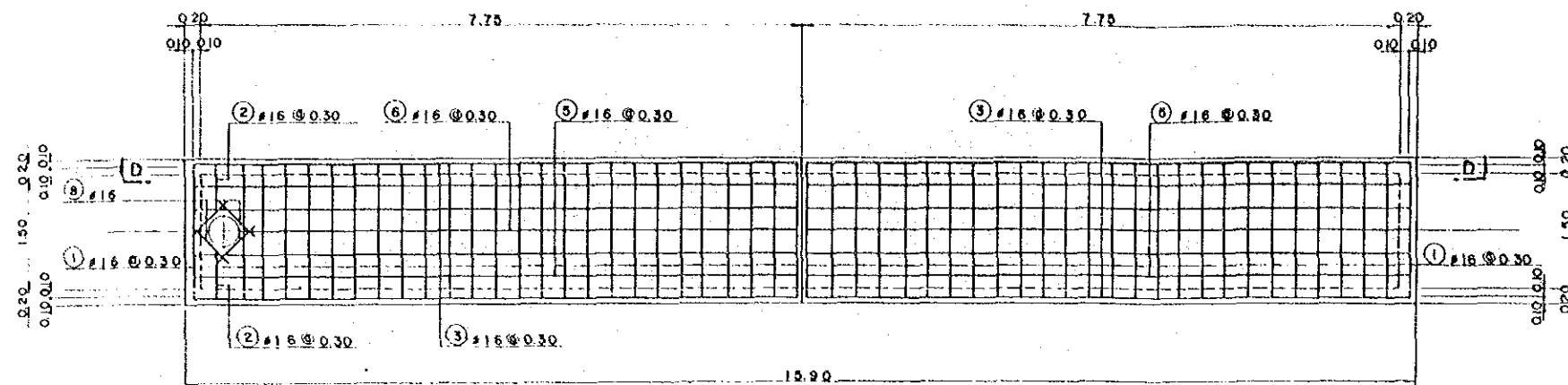


SECTION D-D
SCALE 1:20

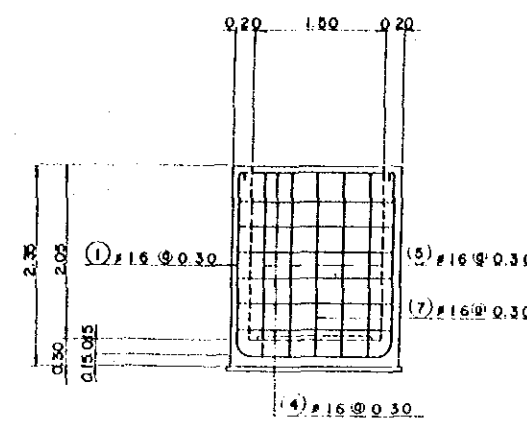
JAPAN INTERNATIONAL COOPERATION AGENCY
 THE DETAIL DESIGN SURVEY FOR THE EXPERIMENTAL FARM FOR THE AGRICULTURAL DEVELOPMENT RESEARCH PROJECT IN NORTH-EAST THAILAND

STRUCTURES OF WATER DIVISION BOXES AND CATCH BOXES (I)

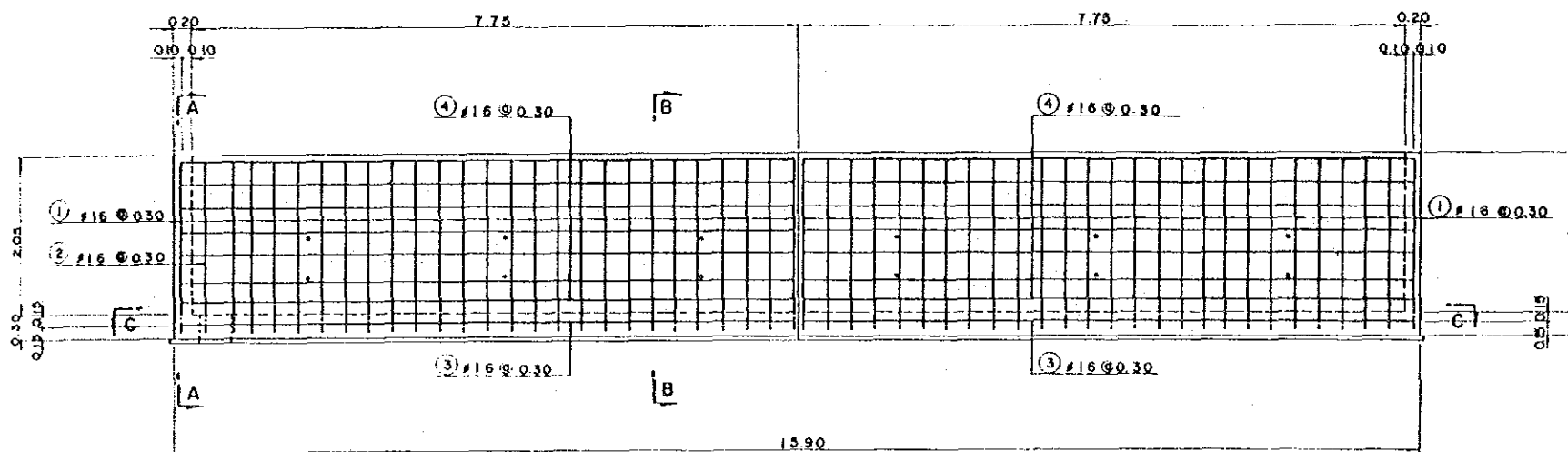
PREPARED BY
 CHECKED BY
 DRAWING NO. 116



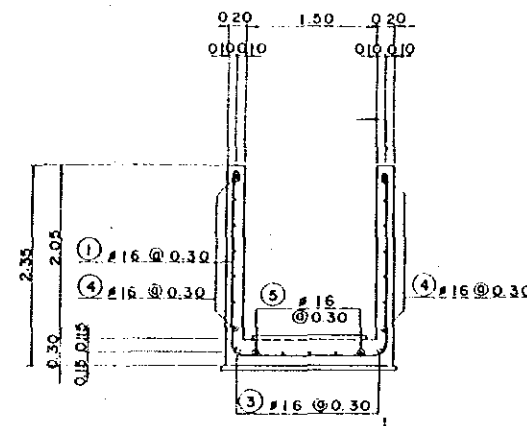
REINFORCING DETAIL OF INVERT SECTION C-C



SECTION A-A



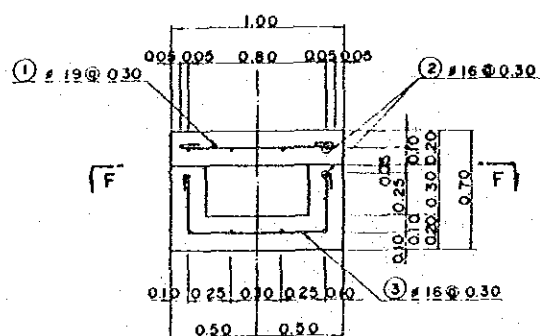
SECTION D-D



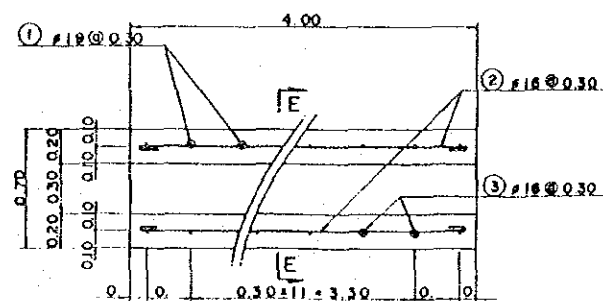
SECTION B-B

REINFORCING DETAIL OF LYSIMETER

SCALE 1:40



SECTION E-E



SECTION F-F

REINFORCING DETAIL OF ACCESS ROAD

SCALE 1:20

- NOTE:
- ALL DIMENSIONS ARE SHOWN IN METERS UNLESS OTHERWISE INDICATED
 - ALL REINFORCING STEEL TO BE PLAIN BAR WITH HOOKS EACH (AS FOLLOWS)
 $R = 2.5 \phi$
 $L = \text{LONGER THAN } 6\text{cm AND } 4 \phi$
 ϕ ; DIAMETER OF STEEL BAR
 R ; BEND RADIUS OF STEEL BAR
 - LENGTH OF LAP AND ANCHORAGE (USE SR35) 35 BAR DIAMETER (WITH HOOKS)
 - COVER FOR REINFORCING TO BE 5cm AT MINIMUM

JAPAN INTERNATIONAL COOPERATION AGENCY
 THE DETAIL DESIGN SURVEY FOR THE EXPERIMENTAL FARM FOR THE AGRICULTURAL DEVELOPMENT RESEARCH PROJECT IN NORTH-EAST THAILAND

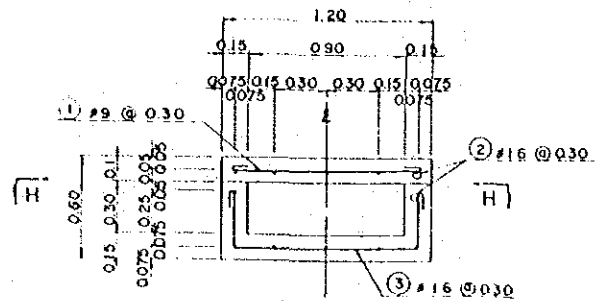
ARRANGEMENT OF REINFORCMENT (1)

PREPARED BY _____ DRAWING NO. 118
 CHECKED BY _____

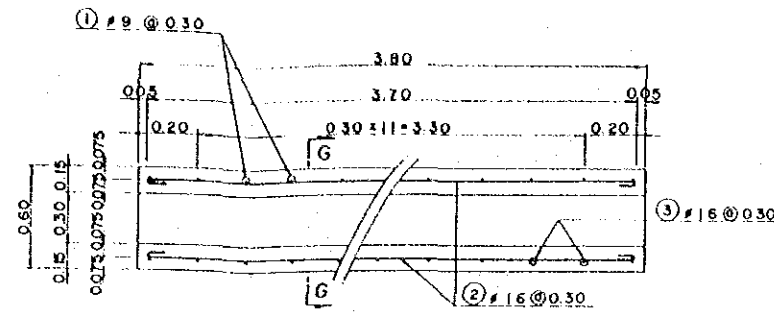
NOTE 1 ALL DIMENSIONS ARE SHOWN IN METERS UNLESS OTHERWISE INDICATED

2 ALL REINFORCING STEEL TO BE PLAIN BAR WITH HOOKS EACH (AS FOLLOWS)
 $R = 2.5 \phi$
 $L = \text{LONGER THAN } 6\phi \text{ AND } 4\phi$
 ϕ ; DIAMETER OF STEEL BAR
 R , BEND RADIUS OF STEEL BAR

3 LENGTH OF LAP AND ANCHORAGE (USE SR35) 35 BAR DIAMETER (WITH HOOKS)
 4 COVER FOR REINFORCING TO BE 5cm AT MINIMUM



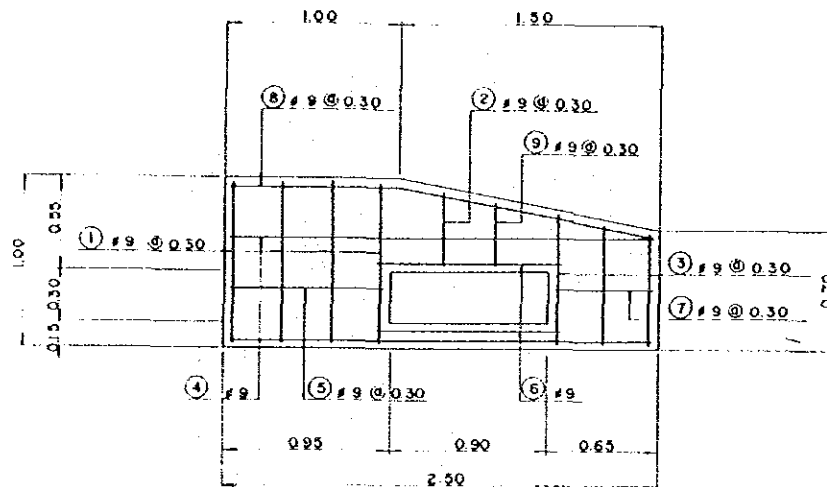
SECTION G-G



SECTION H-H

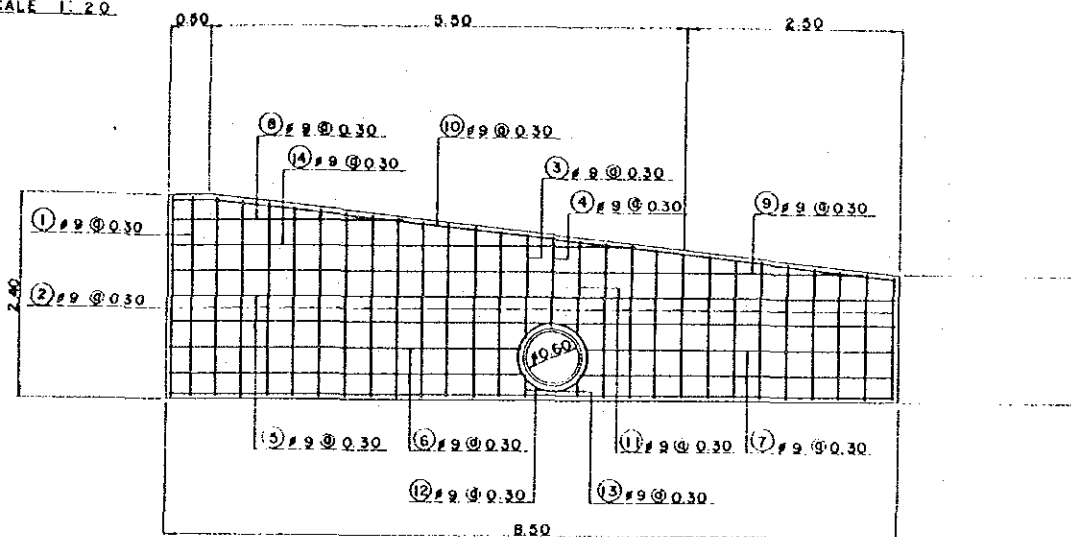
REINF. OF ACCESS ROAD (BLOCK-3)

SCALE 1:20



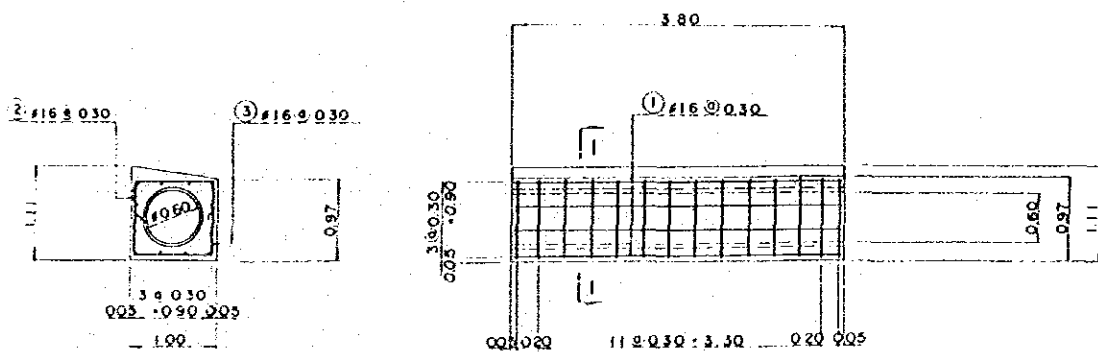
REINF. OF ACCESS ROAD (BLOCK-3)

SCALE 1:20



REINF. OF ACCESS ROAD (FARM ROAD E-LINE)

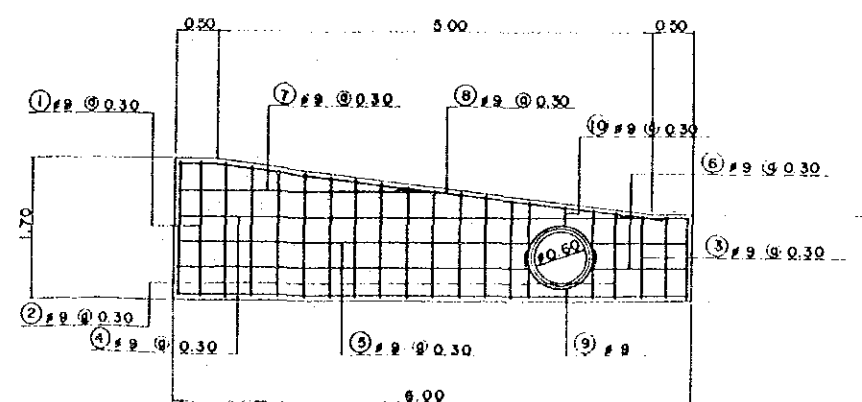
SCALE 1:40



SECTION I-I

REINF. OF CULVERT

SCALE 1:40



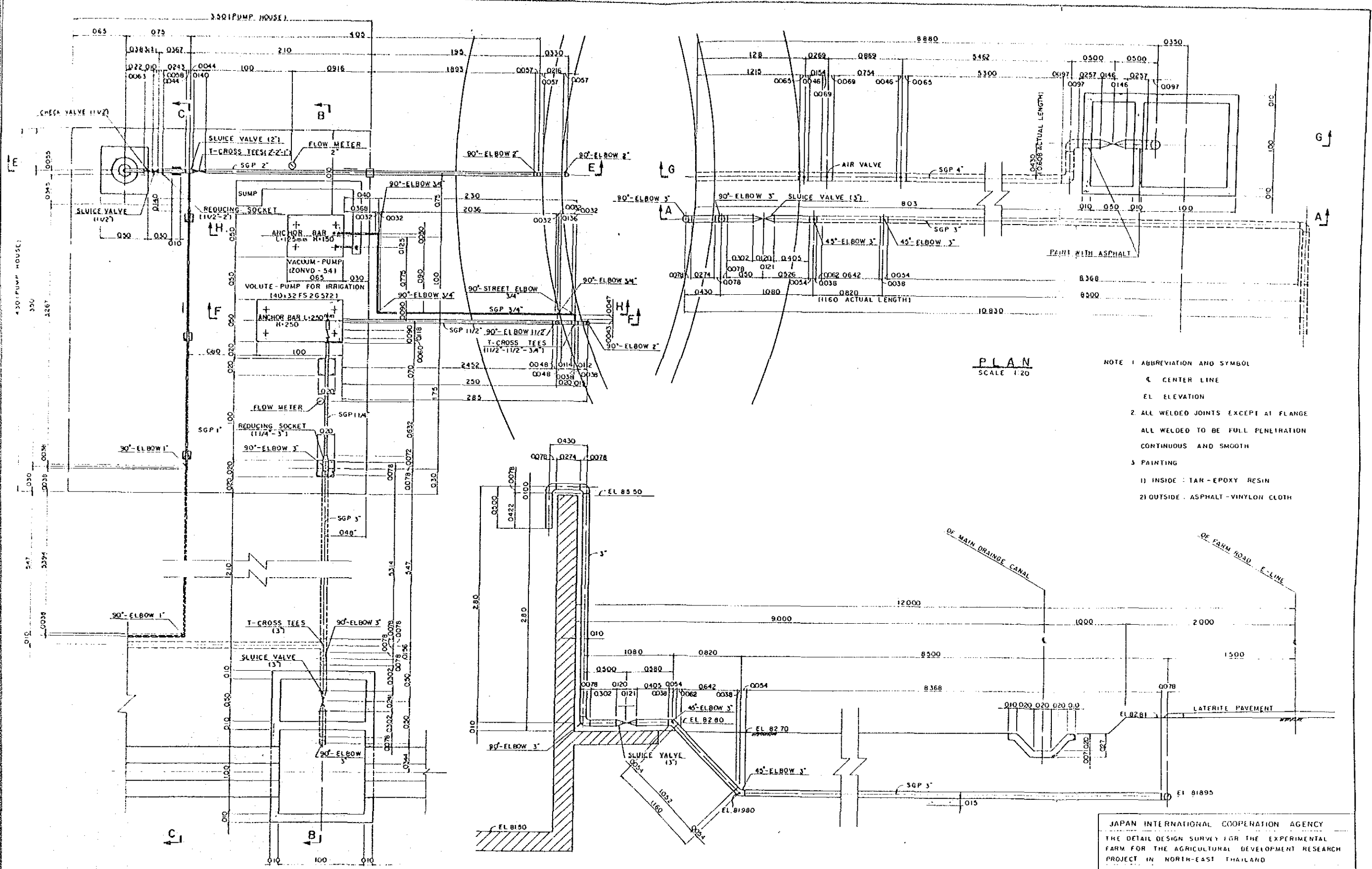
REINF. OF ACCESS ROAD (BLOCK-1,2,3)

SCALE 1:40

JAPAN INTERNATIONAL COOPERATION AGENCY
 THE DETAIL DESIGN SURVEY FOR THE EXPERIMENTAL
 FARM FOR THE AGRICULTURAL DEVELOPMENT RESEARCH
 PROJECT IN NORTH-EAST THAILAND

ARRANGEMENT OF REINFORCEMENT (2)

PREPARED BY _____ DRAWING NO. 119
 CHECKED BY _____



PLAN
SCALE 1:20

- NOTE 1 ABBREVIATION AND SYMBOL
- CL CENTER LINE
 - EL ELEVATION
 - 2 ALL WELDED JOINTS EXCEPT AT FLANGE
 - ALL WELDED TO BE FULL PENETRATION CONTINUOUS AND SMOOTH
 - 3 PAINTING
 - 1) INSIDE : TAR - EPOXY RESIN
 - 2) OUTSIDE : ASPHALT - VINYLON CLOTH

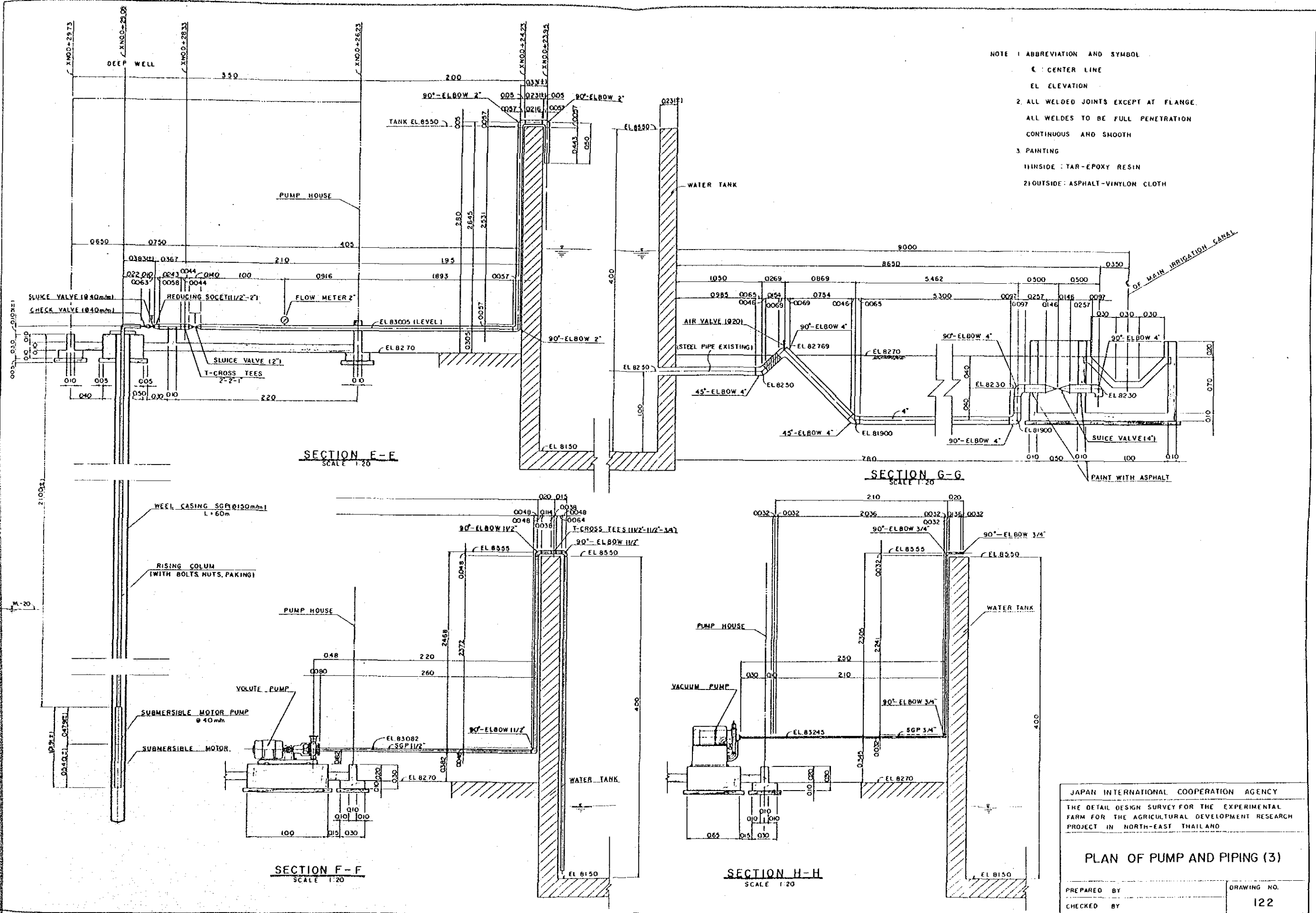
SECTION A-A
SCALE 1:20

JAPAN INTERNATIONAL COOPERATION AGENCY
 THE DETAIL DESIGN SURVEY FOR THE EXPERIMENTAL FARM FOR THE AGRICULTURAL DEVELOPMENT RESEARCH PROJECT IN NORTH-EAST THAILAND

PLAN OF PUMP AND PIPING (2)

PREPARED BY _____ DRAWING NO. _____
 CHECKED BY _____ 121

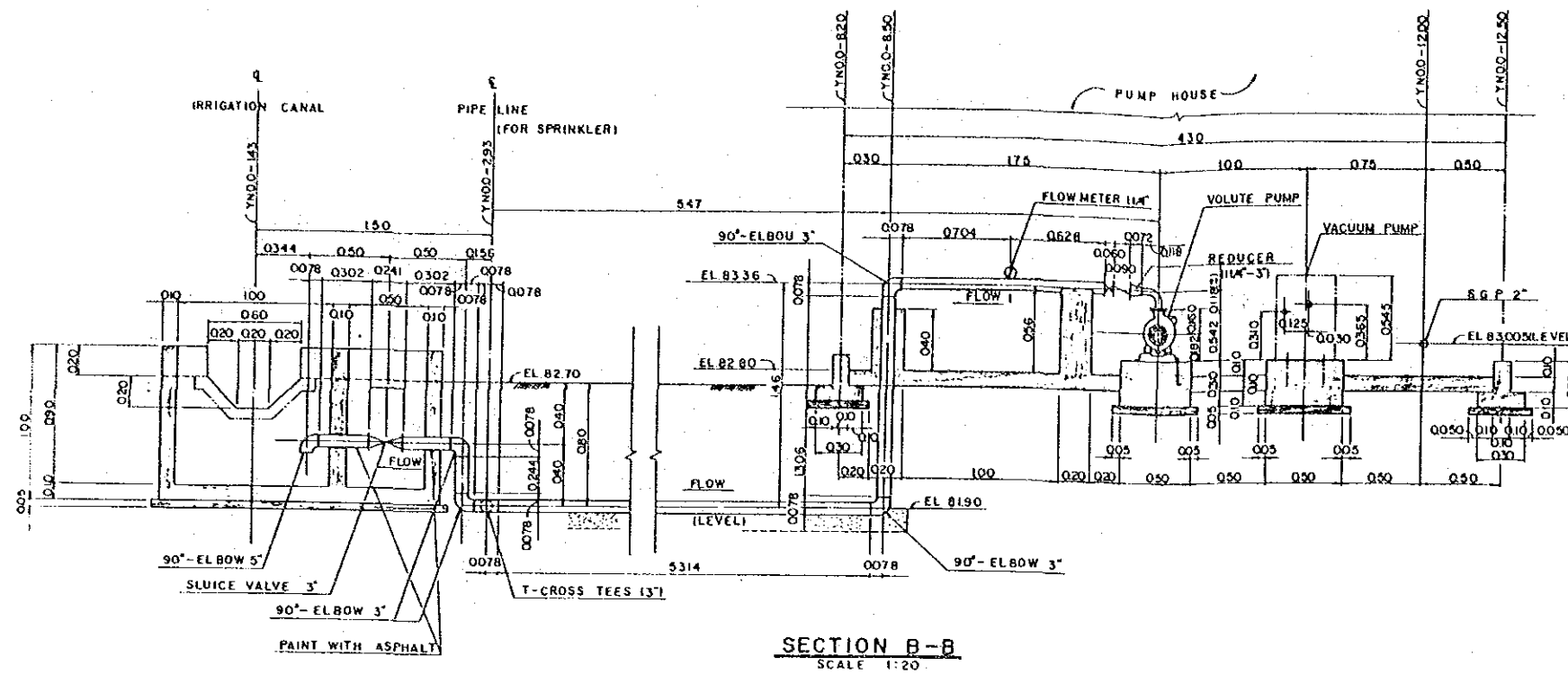
- NOTE 1 ABBREVIATION AND SYMBOL
 C CENTER LINE
 EL ELEVATION
 2. ALL WELDED JOINTS EXCEPT AT FLANGE
 ALL WELDES TO BE FULL PENETRATION
 CONTINUOUS AND SMOOTH
 3. PAINTING
 11 INSIDE: TAR-EPOXY RESIN
 21 OUTSIDE: ASPHALT-VINYLOX CLOTH



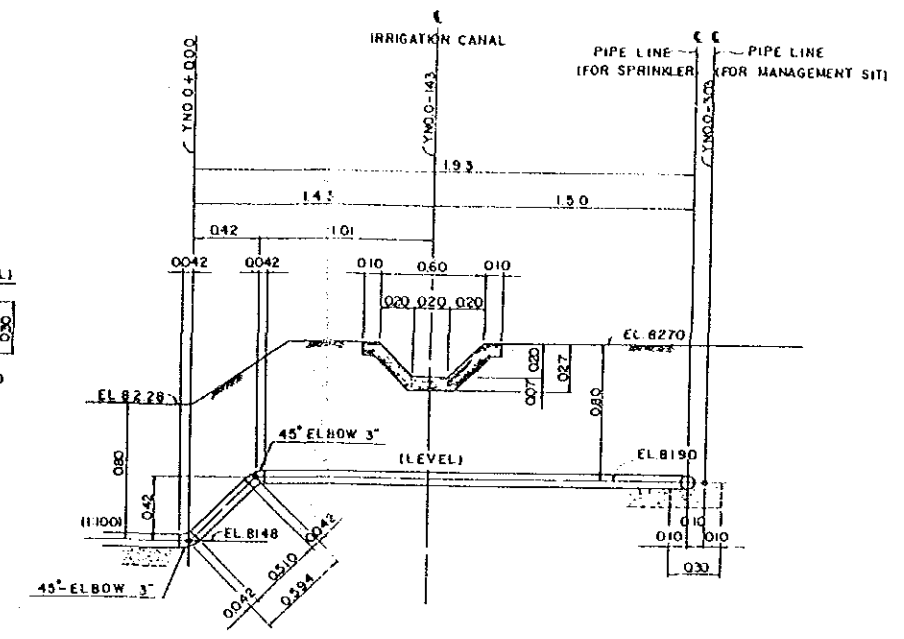
JAPAN INTERNATIONAL COOPERATION AGENCY
 THE DETAIL DESIGN SURVEY FOR THE EXPERIMENTAL
 FARM FOR THE AGRICULTURAL DEVELOPMENT RESEARCH
 PROJECT IN NORTH-EAST THAILAND

PLAN OF PUMP AND PIPING (3)

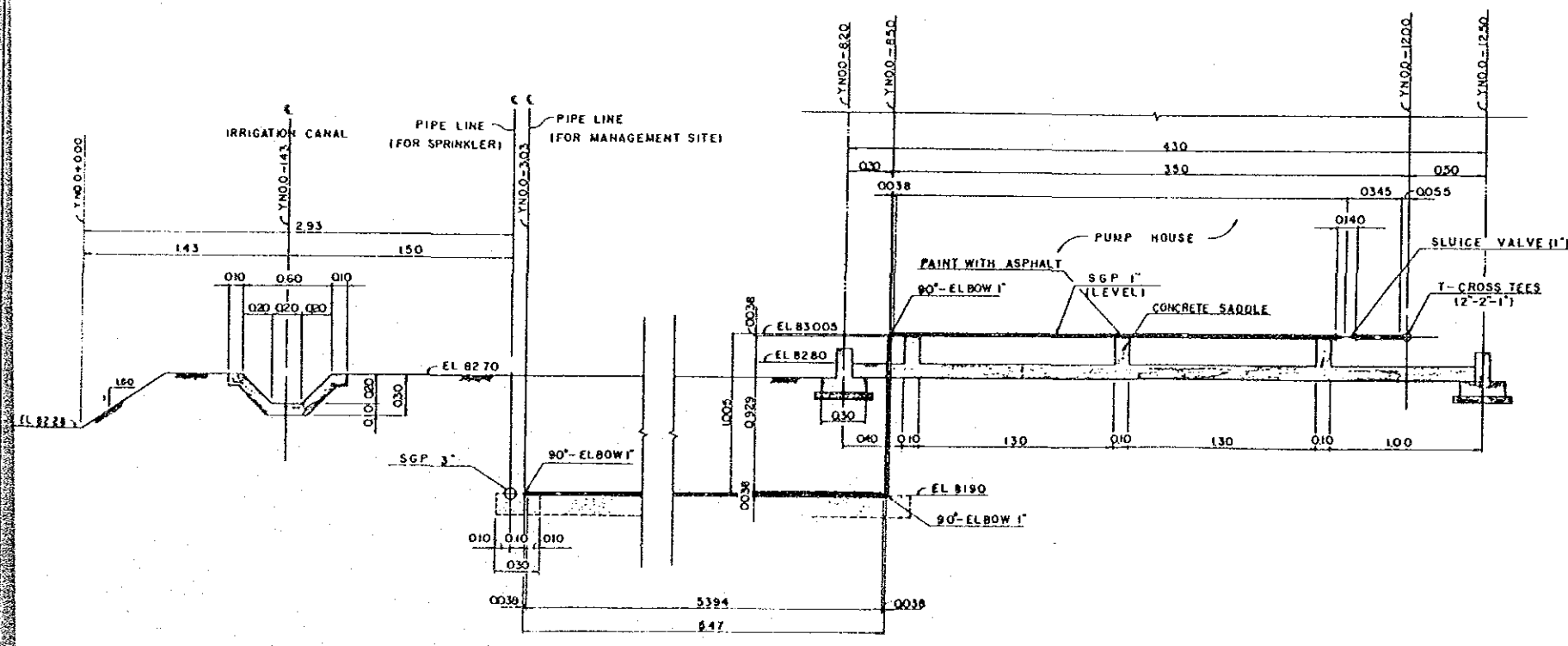
PREPARED BY _____ DRAWING NO. _____
 CHECKED BY _____ 122



SECTION B-B
SCALE 1:20



SECTION D-D
SCALE 1:20



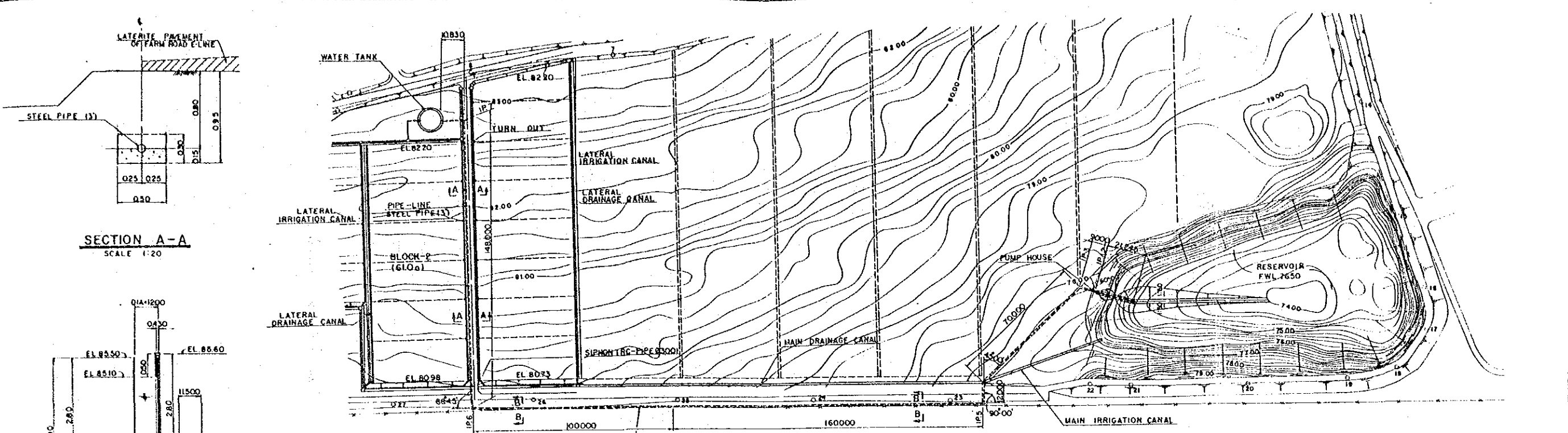
SECTION C-C
SCALE 1:20

- NOTE 1 ABBREVIATION AND SYMBOL
 CL : CENTER LINE
 EL : ELEVATION
 2 ALL WELDED JOINTS EXCEPT AT FLANGE
 ALL WELDED TO BE FULL RENETRATION CONTINUOUS AND SMOOTH
 3 PAINTING
 1) INSIDE : TAR-EPOXY RESIN
 2) OUTSIDE : ASPHALT-VINYLOX CLOTH

JAPAN INTERNATIONAL COOPERATION AGENCY
 THE DETAIL DESIGN SURVEY FOR THE EXPERIMENTAL FARM FOR THE AGRICULTURAL DEVELOPMENT RESEARCH PROJECT IN NORTH-EAST THAILAND

PLAN OF PUMP AND PIPING (4)

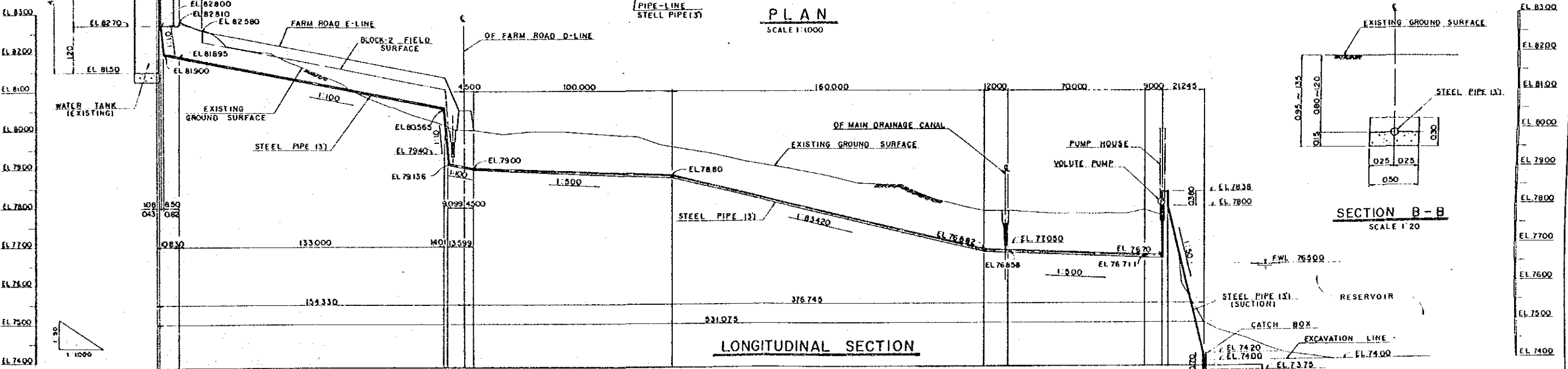
PREPARED BY	DRAWING NO
CHECKED BY	123



SECTION A-A
SCALE 1:20

PLAN
SCALE 1:1000

SECTION B-B
SCALE 1:20



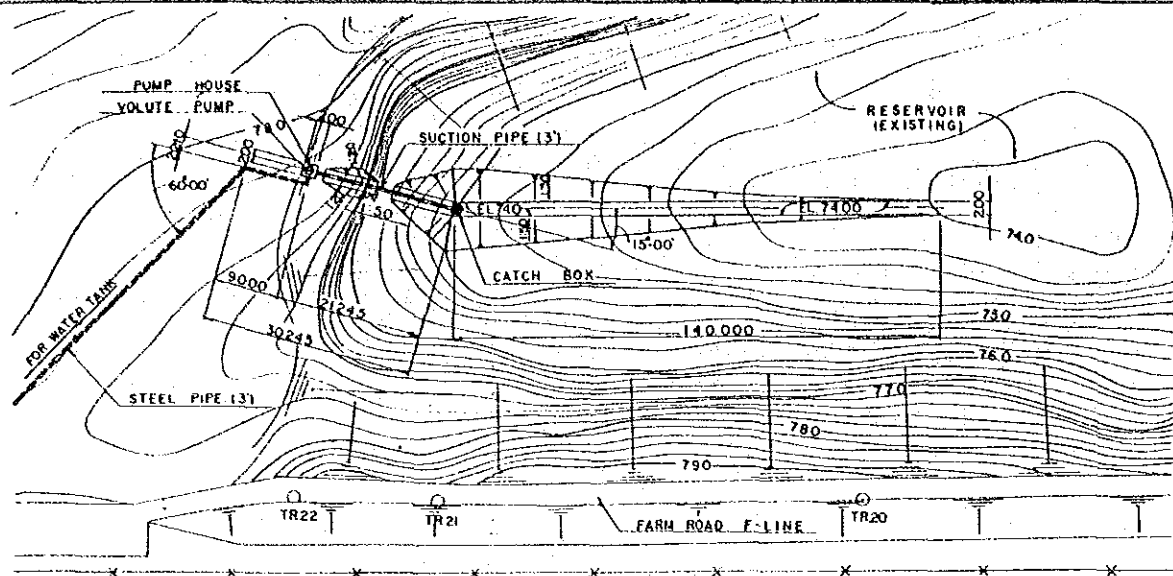
LONGITUDINAL SECTION

SLOPE																				
PIPE ELEVATION	81.300	81.300	81.480	80.840	80.380	80.380	79.800	79.800	78.255	77.635	77.094	76.887	76.836	76.836	74.500	74.500	74.500	74.500	74.500	74.500
GROUND ELEVATION	81.70	81.70	82.02	81.480	80.840	80.380	80.01	79.800	78.55	77.635	77.094	76.887	76.836	76.836	74.500	74.500	74.500	74.500	74.500	74.500
ACCUMULATED DISTANCE	0.000	0.000	100.000	200.000	300.000	383.800	430.000	430.000	500.000	600.000	700.000	740.000	768.336	768.336	840.000	940.000	1040.000	1140.000	1240.000	1340.000
DISTANCE	0.000	0.000	100.000	100.000	83.800	83.800	46.200	70.000	70.000	100.000	100.000	41.664	28.336	28.336	71.664	100.000	100.000	100.000	100.000	100.000
STATION	0+00	0+00	100+00	200+00	300+00	383.800	430+00	430+00	500+00	600+00	700+00	740+00	768.336	768.336	840+00	940+00	1040+00	1140+00	1240+00	1340+00
CURVE																				

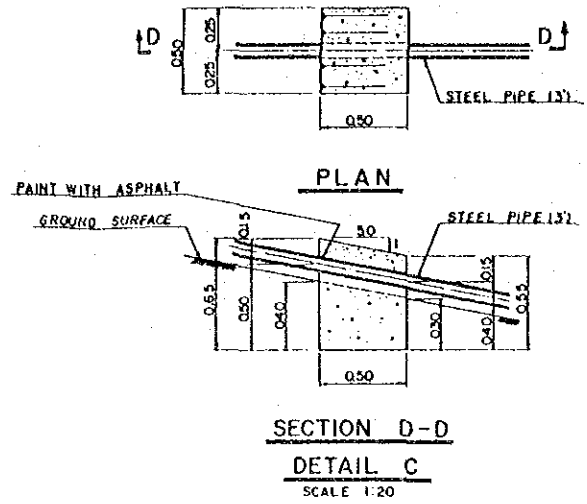
JAPAN INTERNATIONAL COOPERATION AGENCY
THE DETAIL DESIGN SURVEY FOR THE EXPERIMENTAL FARM FOR THE AGRICULTURAL DEVELOPMENT RESEARCH PROJECT IN NORTH-EAST THAILAND

PLAN OF PUMP AND PIPING (5)

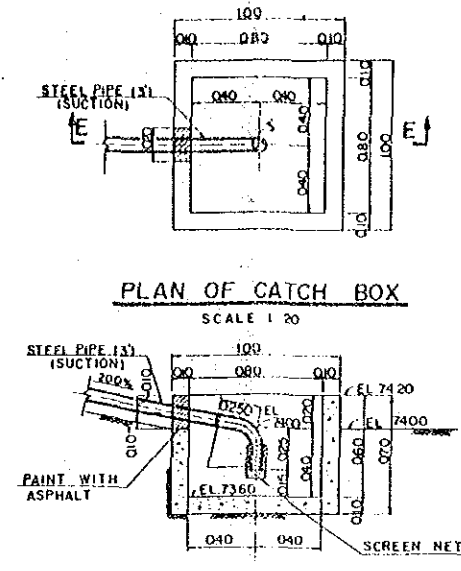
PREPARED BY _____ DRAWING NO. 124
CHECKED BY _____



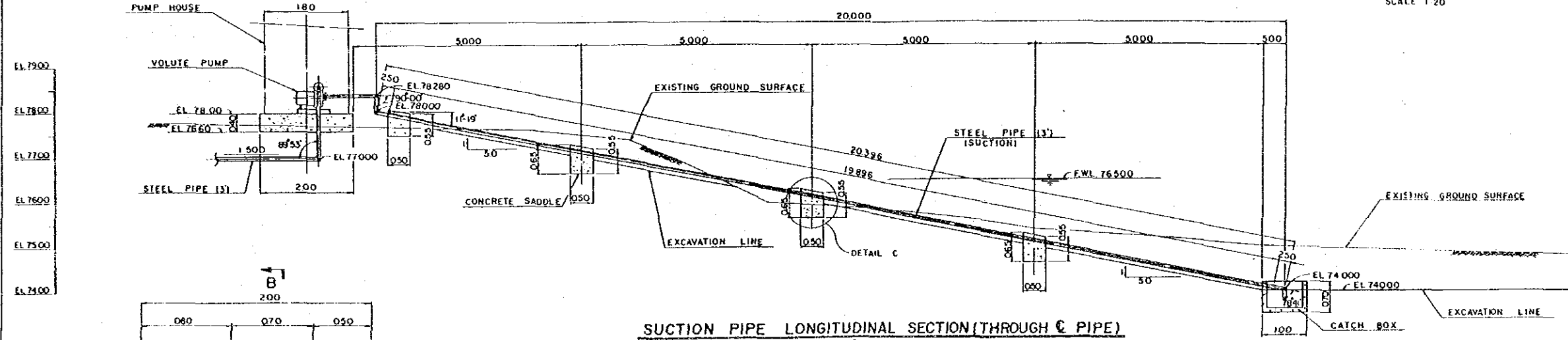
PLAN
SCALE 1:500



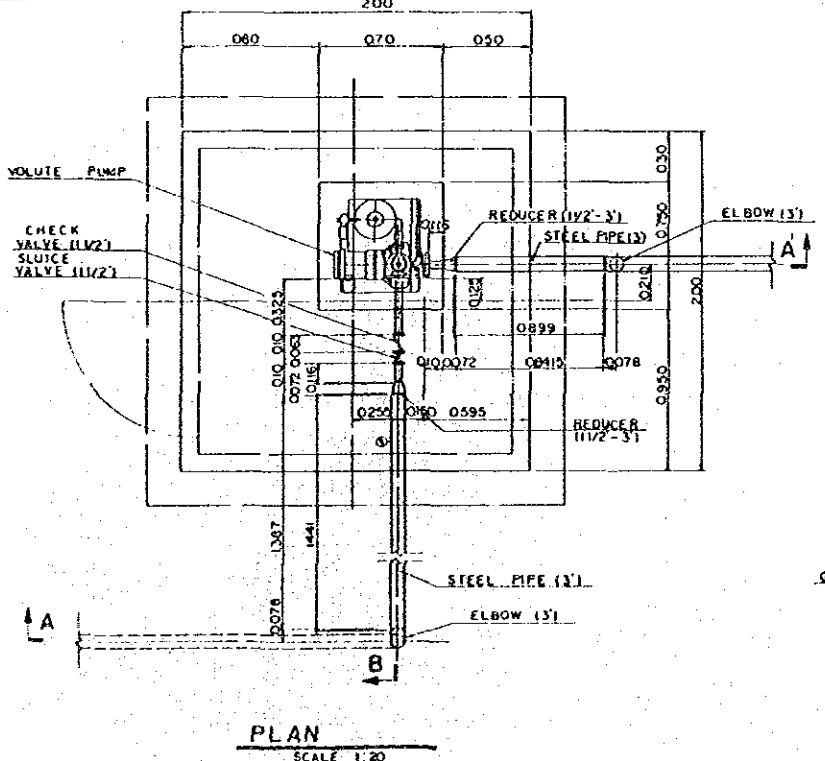
SECTION D-D
DETAIL C
SCALE 1:20



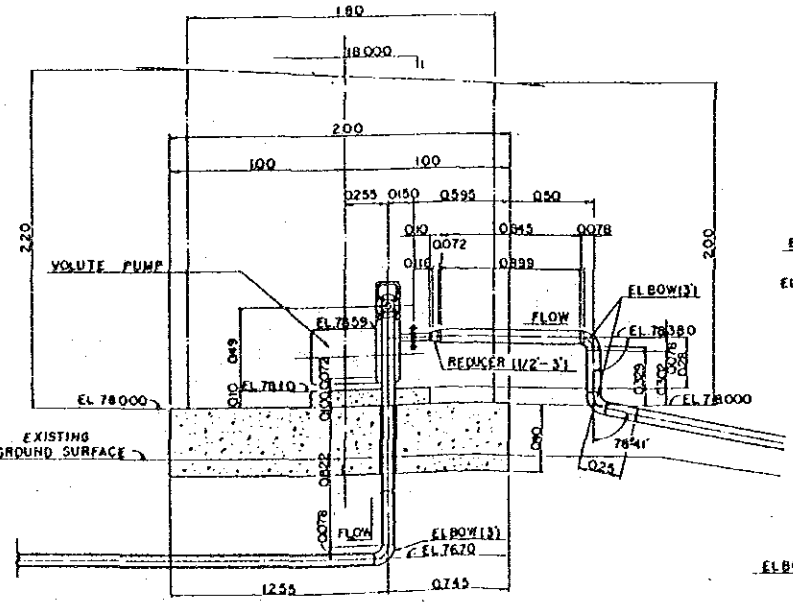
SECTION E-E
SCALE 1:20



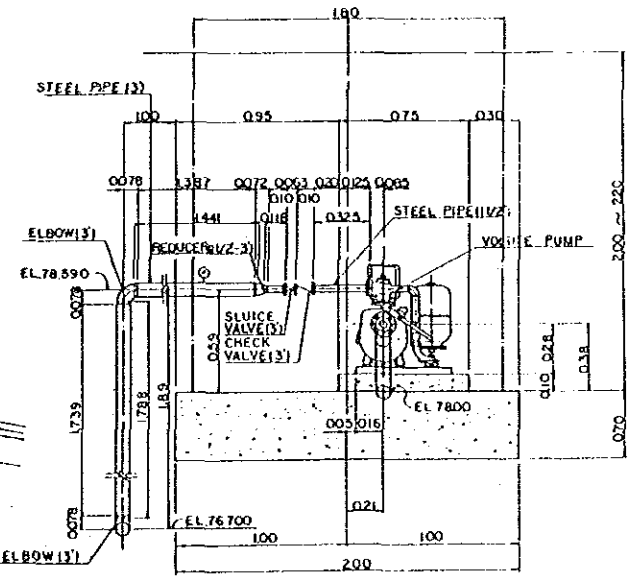
SUCTION PIPE LONGITUDINAL SECTION (THROUGH C PIPE)
SCALE 1:50



PLAN
SCALE 1:20



SECTION A-A
SCALE 1:20



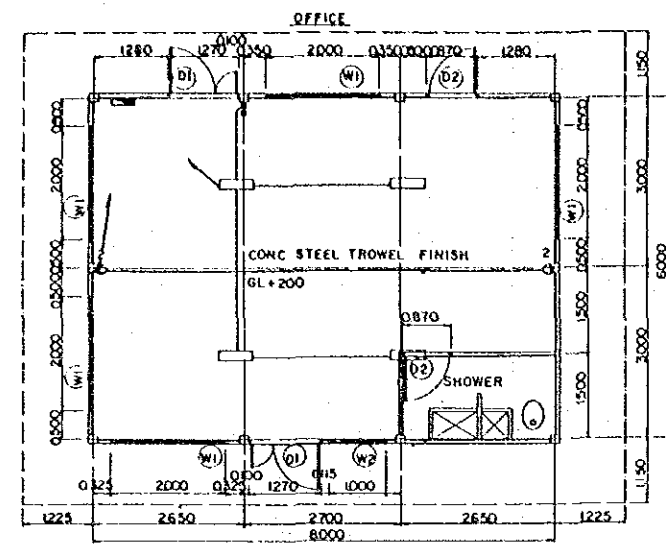
SECTION B-B
SCALE 1:20

- NOTE 1. ABBREVIATION AND SYMBOL
- C : CENTER LINE
 - EL : ELEVATION
 - 2. ALL WELDED JOINTS EXCEPT AT FLANGE ALL WELDED TO BE FULL PENETRATION CONTINUOUS AND SMOOTH
 - 3. PAINT
 - 1) INSIDE : TAR- EPOXY RESIN
 - 2) OUTSIDE : ASPHALT VINYLON CLOTH

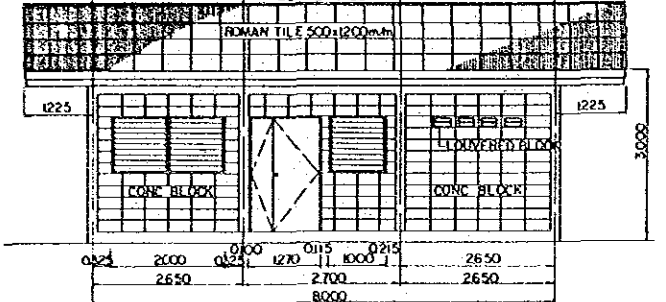
JAPAN INTERNATIONAL COOPERATION AGENCY
THE DETAIL DESIGN SURVEY FOR THE EXPERIMENTAL FARM FOR THE AGRICULTURAL DEVELOPMENT RESEARCH PROJECT IN NORTH-EAST THAILAND

PLAN OF PUMP AND PIPING (6)

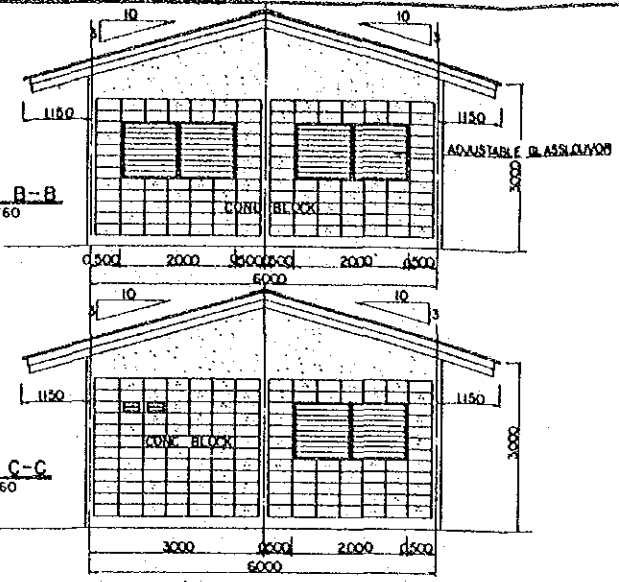
PREPARED BY _____ DRAWING NO. 125
CHECKED BY _____



FLOOR PLAN
SCALE 1:60

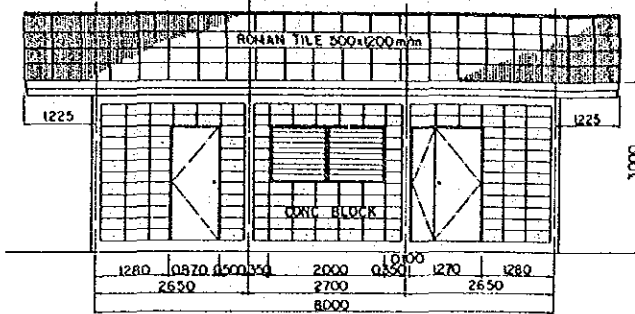


SECTION A-A
SCALE 1:60

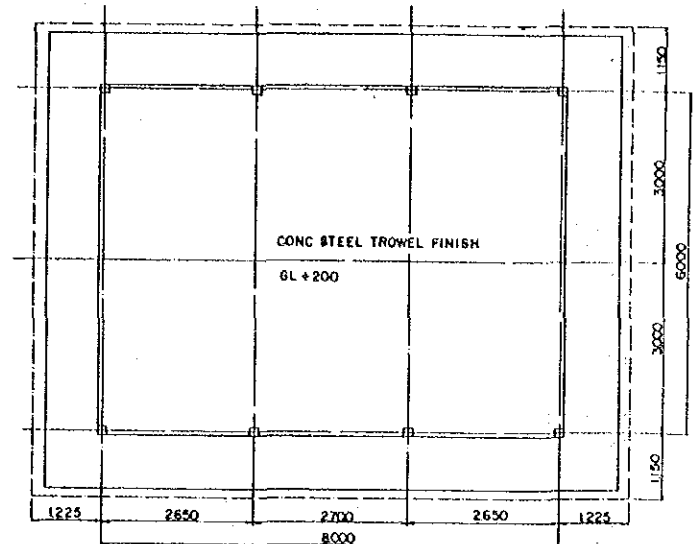


SECTION B-B
SCALE 1:60

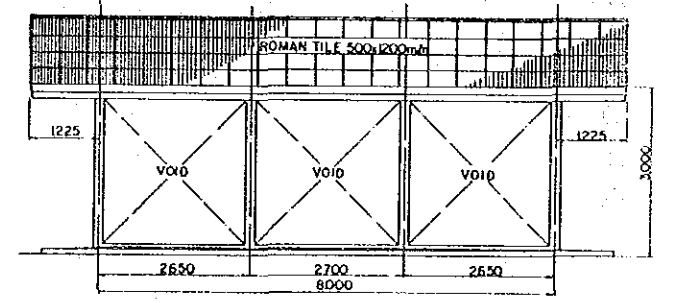
SECTION C-C
SCALE 1:60



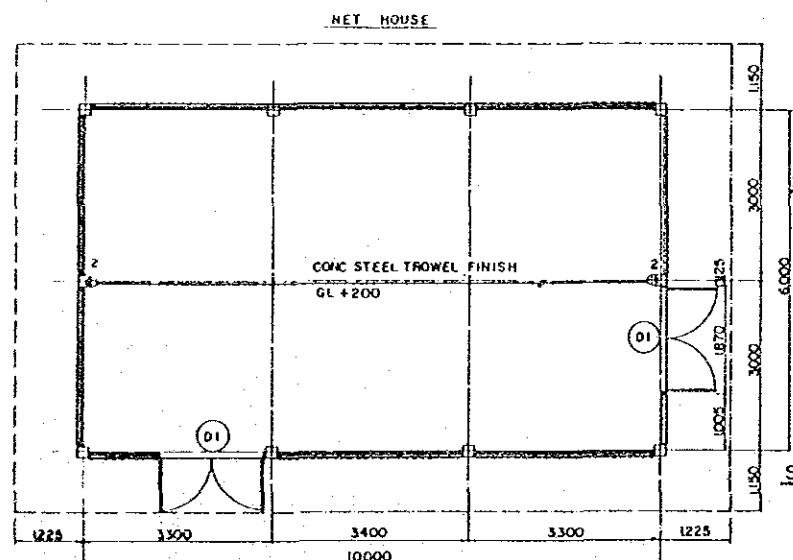
SECTION D-D
SCALE 1:60



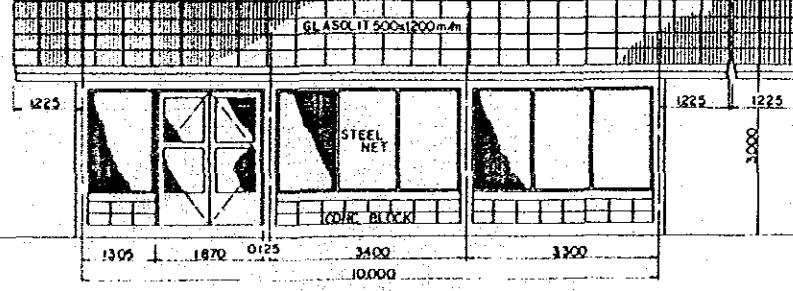
FLOOR PLAN
SCALE 1:60



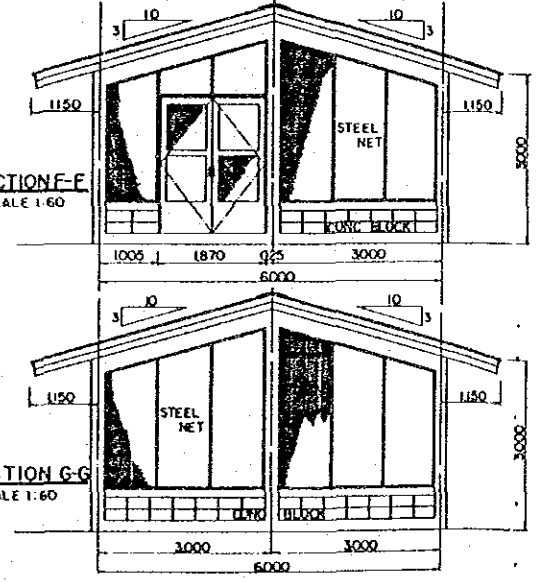
SECTION I-I
SCALE 1:60



FLOOR PLAN
SCALE 1:60

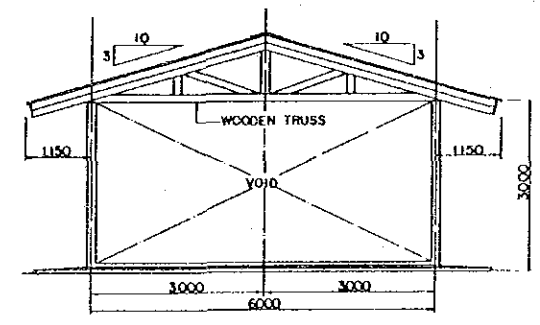


SECTION E-E
SCALE 1:60



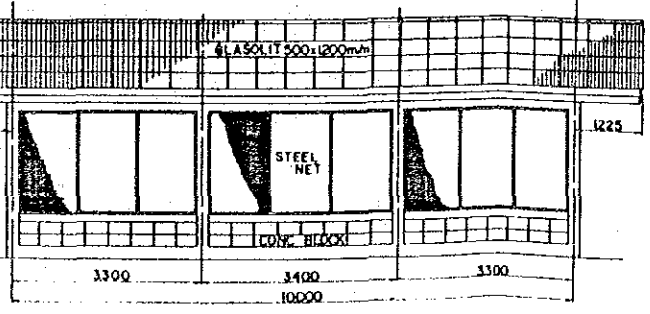
SECTION F-F
SCALE 1:60

SECTION G-G
SCALE 1:60



SECTION J-J
SCALE 1:60

SHEED



SECTION H-H
SCALE 1:60

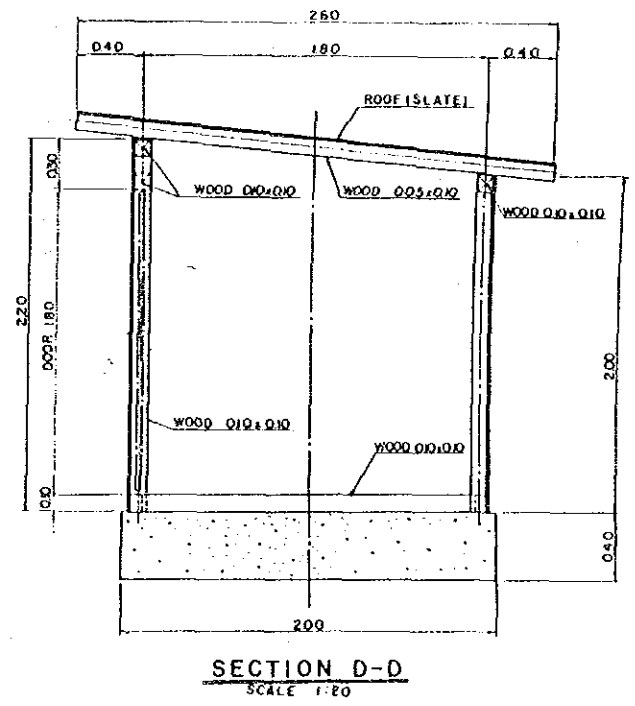
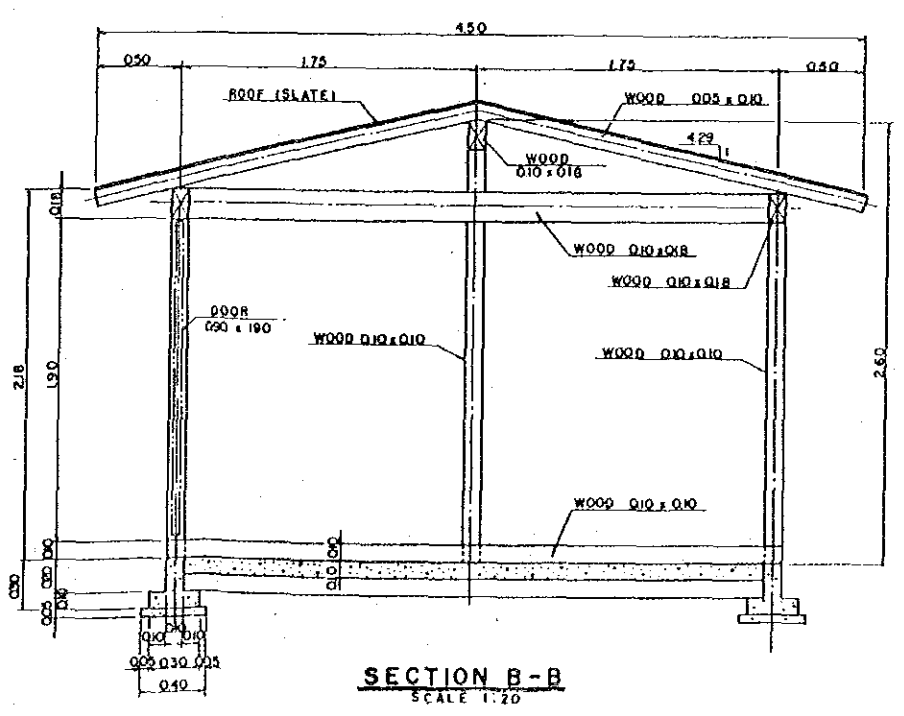
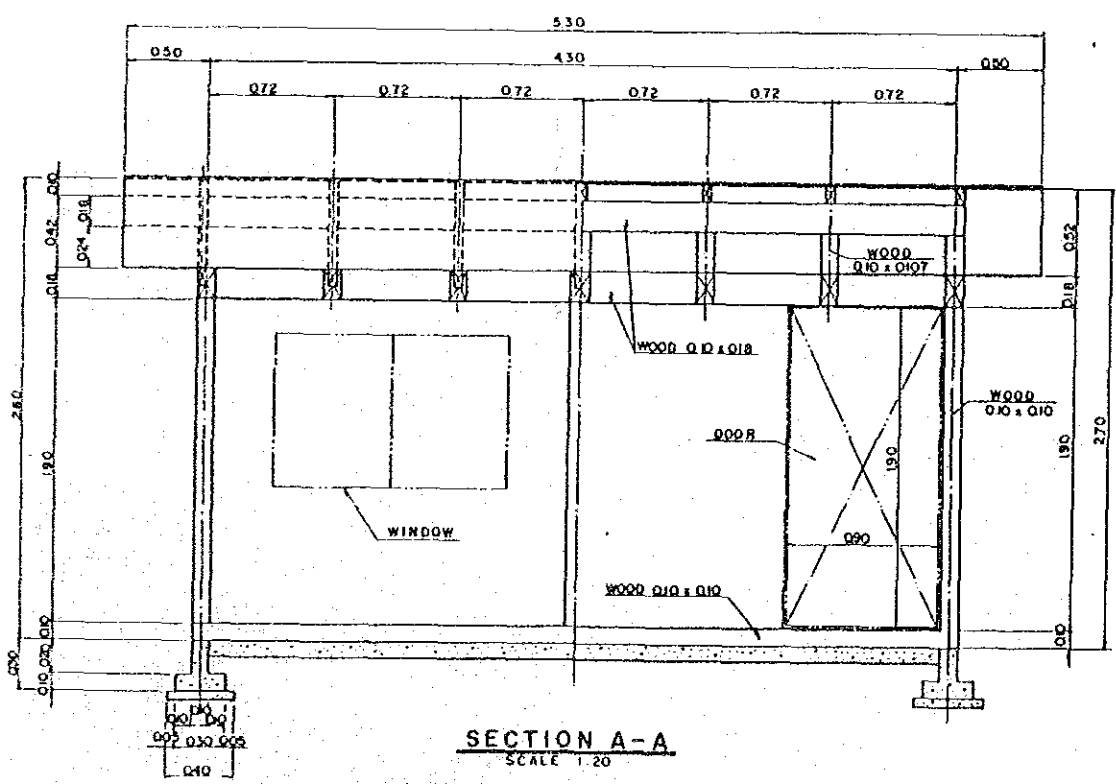
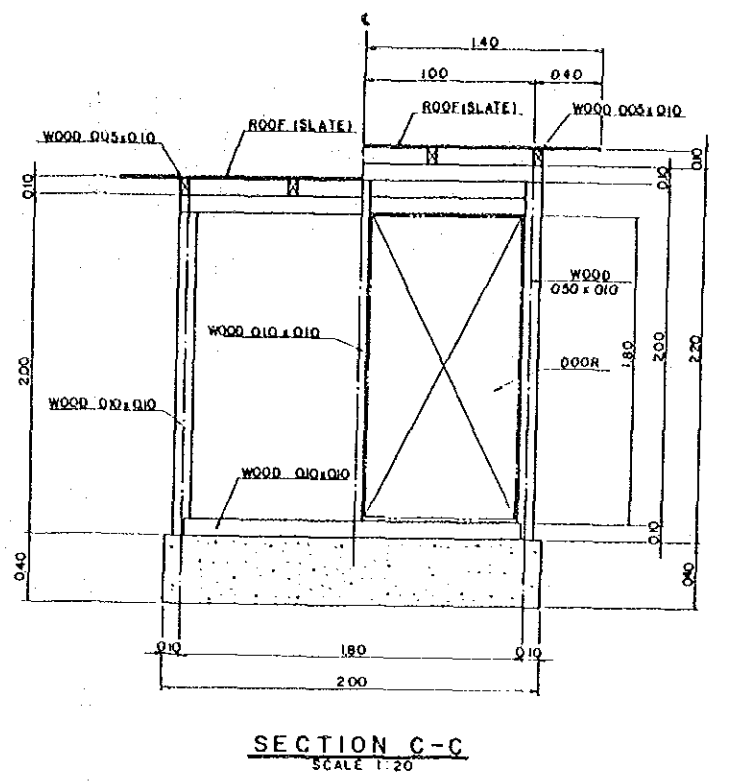
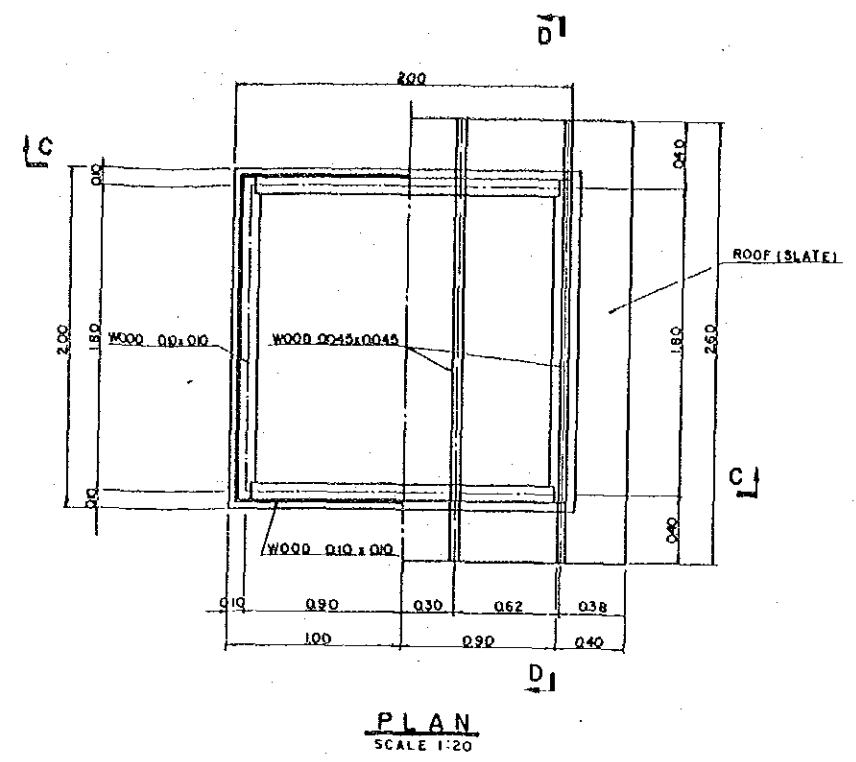
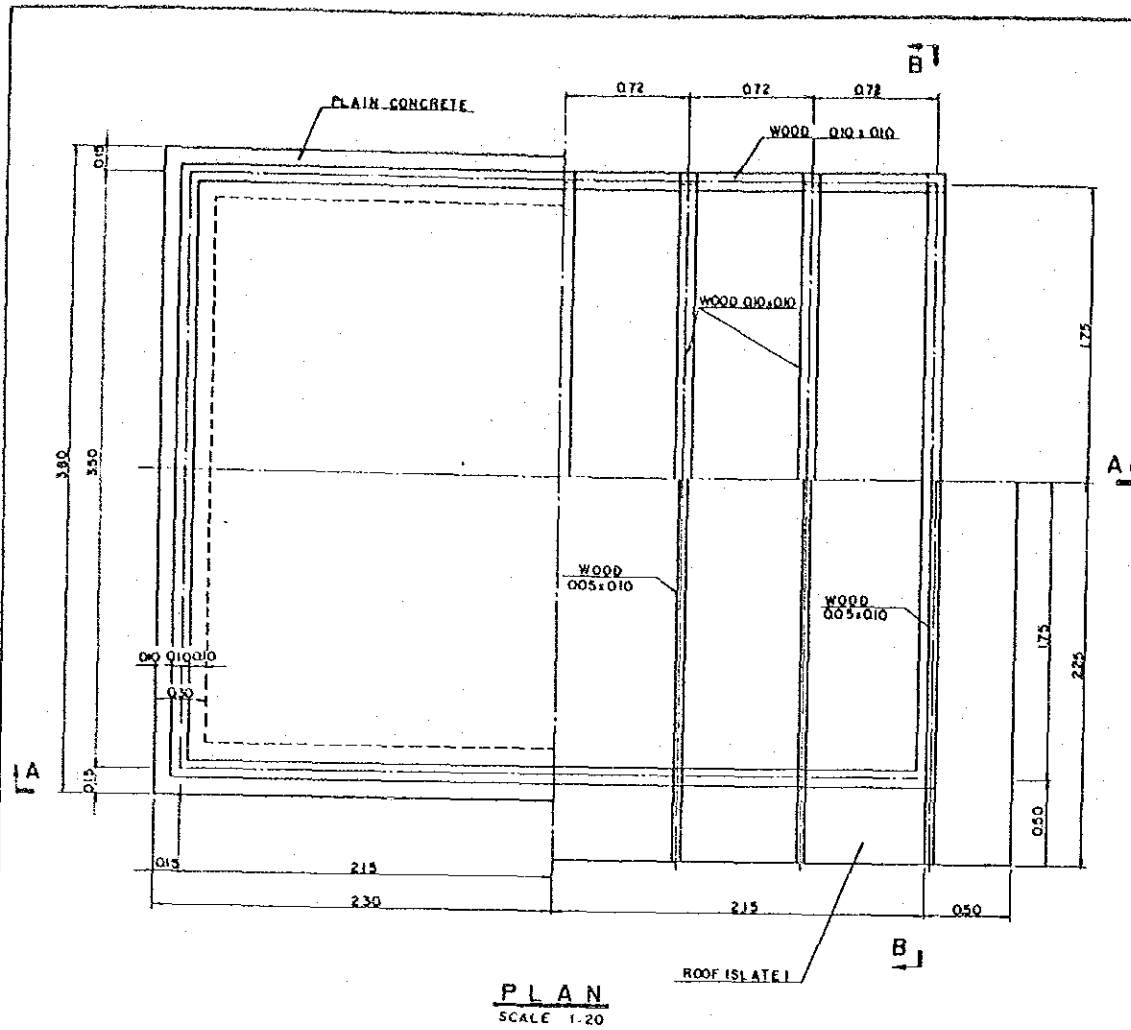
NOTE THE CONTRACTOR SHALL BE CHECKED AND APPROVED QUANTITY AND COLOR OF THE MATERIALS BY INSPECTION COMMITTEE BEFORE THEY USED

JAPAN INTERNATIONAL COOPERATION AGENCY
THE DETAIL DESIGN SURVEY FOR THE EXPERIMENTAL FARM FOR THE AGRICULTURAL DEVELOPMENT RESEARCH PROJECT IN NORTH-EAST THAILAND

HOUSE(MANAGEMENT SITE)

PREPARED BY
CHECKED BY

DRAWING NO.
126



JAPAN INTERNATIONAL COOPERATION AGENCY
THE DETAIL DESIGN SURVEY FOR THE EXPERIMENTAL
FARM FOR THE AGRICULTURAL DEVELOPMENT RESEARCH
PROJECT IN NORTH-EAST THAILAND

PUMP HOUSES

PREPARED BY _____ DRAWING NO. 127
CHECKED BY _____

JICA