

DECCA

195

# DECCA

## SCHEDULE OF DRAWING

RING NO	DRAWING NO	DESCRIPTION OF DRAWING
1	T 001	TRANSMITTING ANTENNA TOWER FOR DECCA . GENERAL VIEW
2	T 002	⋮ . TOWER ASSEMBLY
3	T 003	⋮ . ANTENNA AND GUY ASSEMBLY
4	T 004	⋮ . FOUNDATION AND ANCHORAGE DRAWING
5	T 005	PART OF GUYS (I)
6	T 006	PART OF GUYS (II)
7	T 007	GUY INSULATOR
8	T 008	TRANSMITTING ANTENNA TOWER FOR DECCA . ERECTION OF TOWER
9	T 009	RECEIVING ANTENNA ASSEMBLY
10	T 010	ANTENNA ASSEMBLY FOR COMMUNICATION

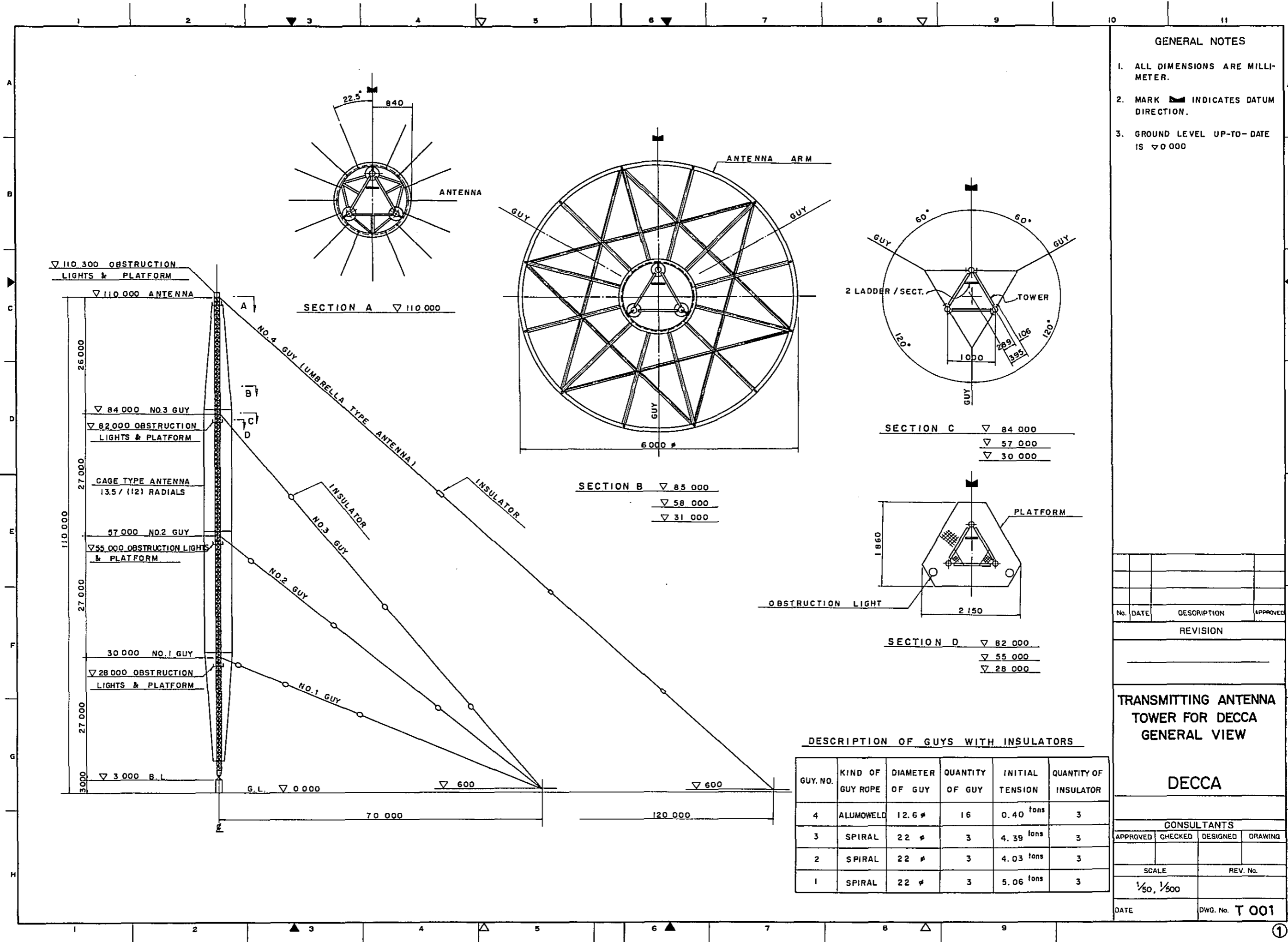
JICA LIBRARY



国際協力事業団  
 受入 月日 84.9.27  
 登録No. 09211  
 L100  
 64.7  
 SDC

### GENERAL NOTES

No.	DATE	DESCRIPTION	APPROVED
REVISION			
CONSULTANTS			
APPROVED	CHECKED	DESIGNED	DRAWING
SCALE		REV. No.	
DATE		DWG. No.	



**GENERAL NOTES**

1. ALL DIMENSIONS ARE MILLI-METER.
2. MARK INDICATES DATUM DIRECTION.
3. GROUND LEVEL UP-TO-DATE IS  $\nabla 0\ 000$

No.	DATE	DESCRIPTION	APPROVED
REVISION			

**TRANSMITTING ANTENNA TOWER FOR DECCA GENERAL VIEW**

**DECCA**

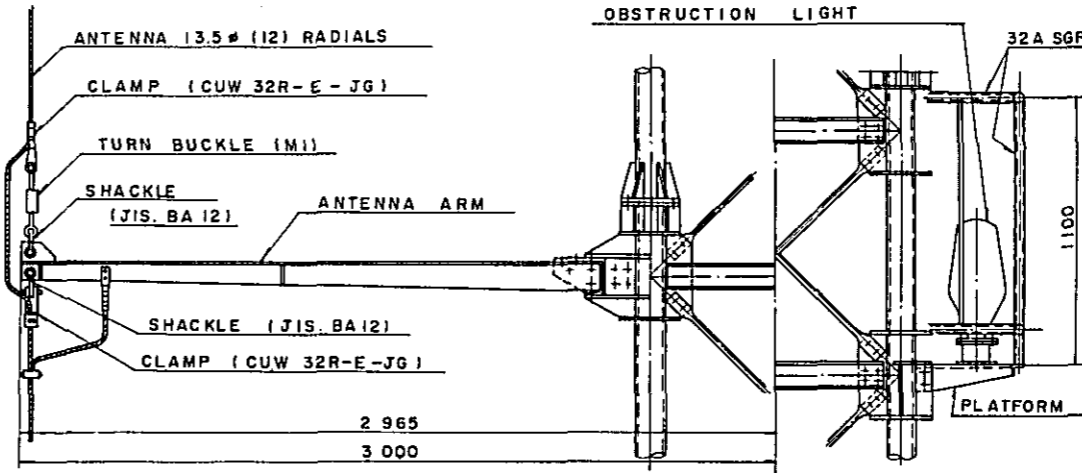
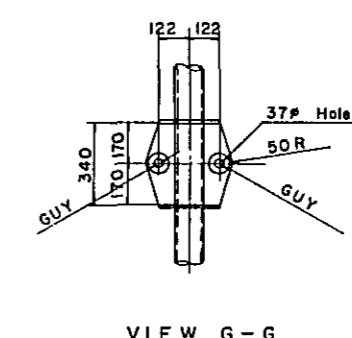
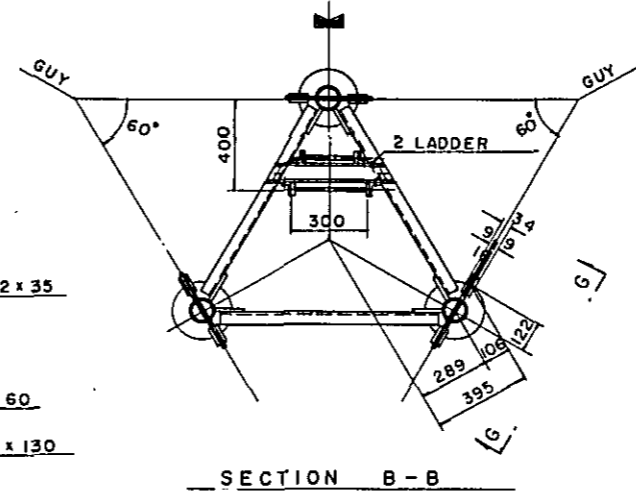
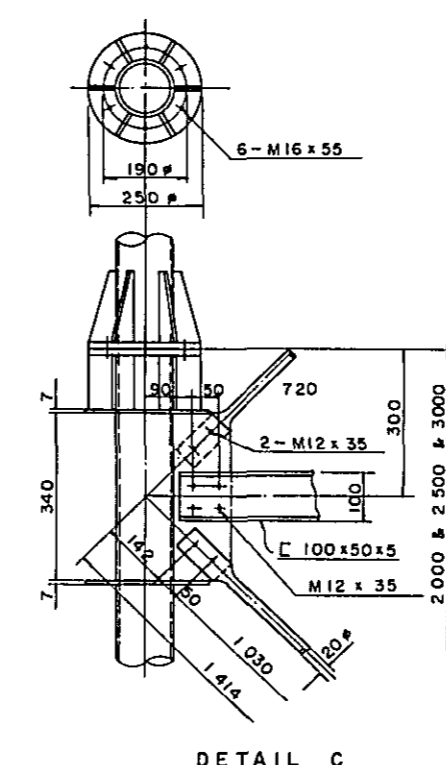
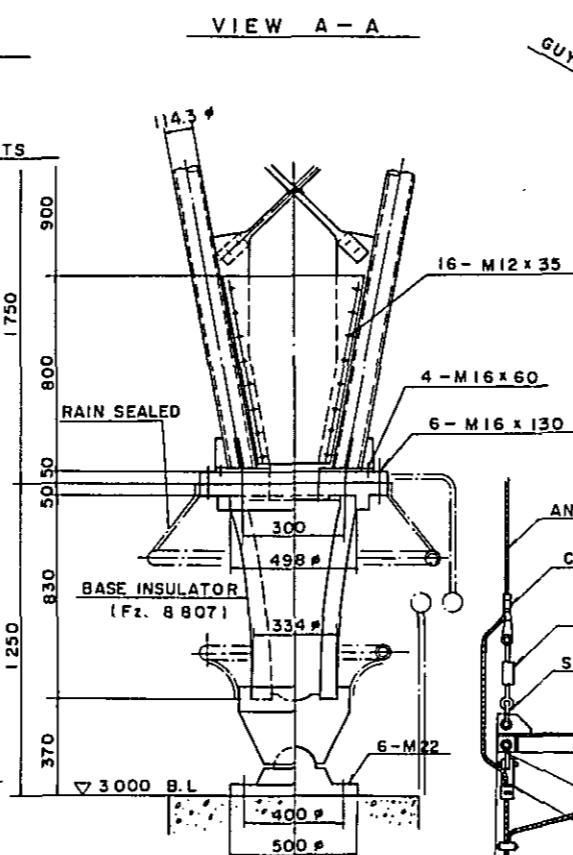
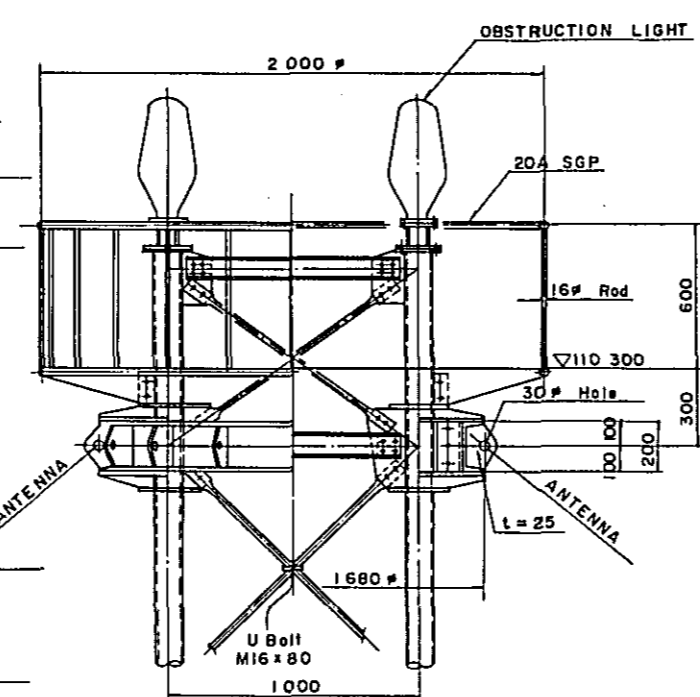
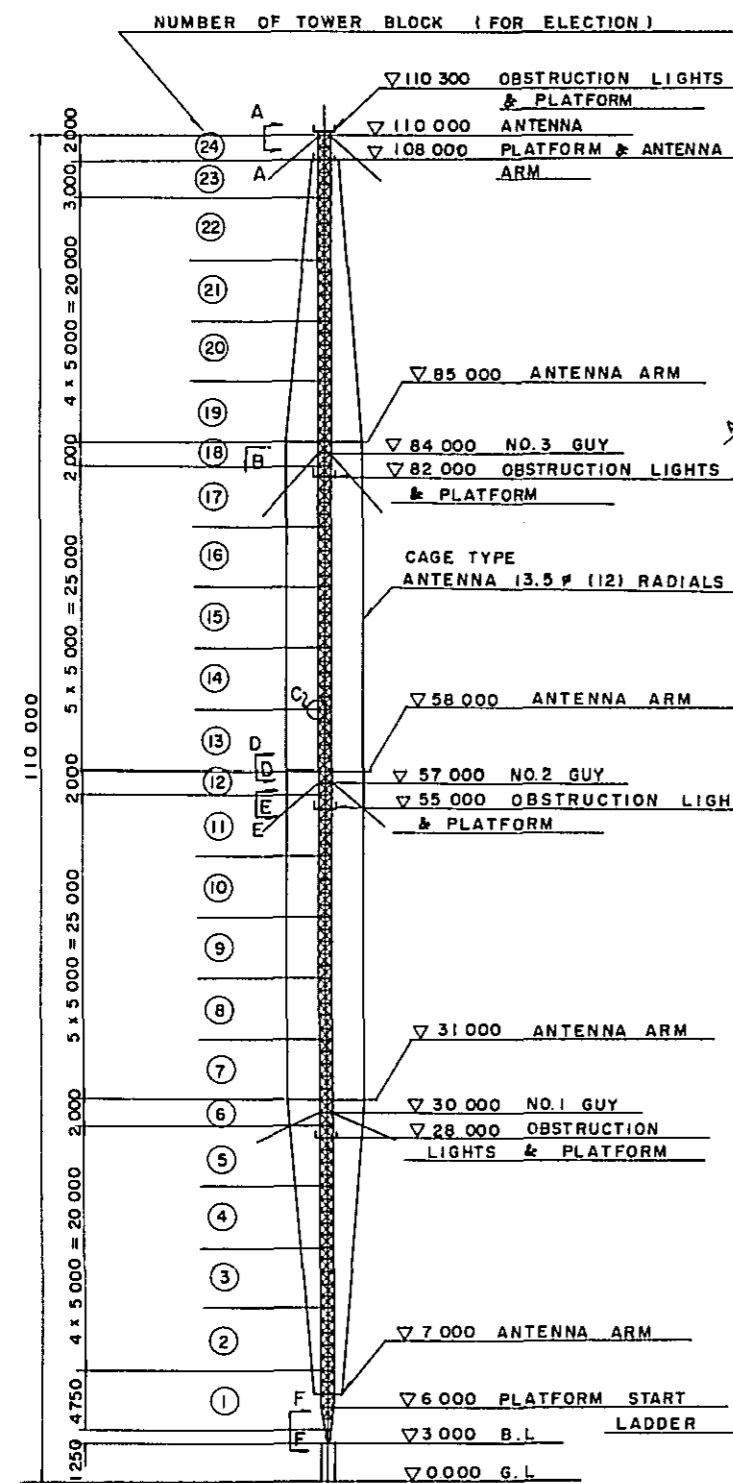
CONSULTANTS			
APPROVED	CHECKED	DESIGNED	DRAWING

SCALE	REV. No.
$\frac{1}{50}, \frac{1}{500}$	

DATE	DWG. No.
	T 001

**DESCRIPTION OF GUYS WITH INSULATORS**

GUY. NO.	KIND OF GUY ROPE	DIAMETER OF GUY	QUANTITY OF GUY	INITIAL TENSION	QUANTITY OF INSULATOR
4	ALUMOWELD	12.6 #	16	0.40 tons	3
3	SPIRAL	22 #	3	4.39 tons	3
2	SPIRAL	22 #	3	4.03 tons	3
1	SPIRAL	22 #	3	5.06 tons	3

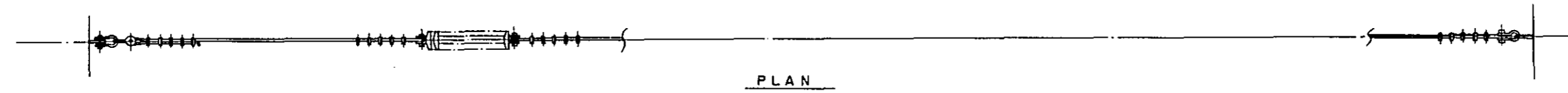
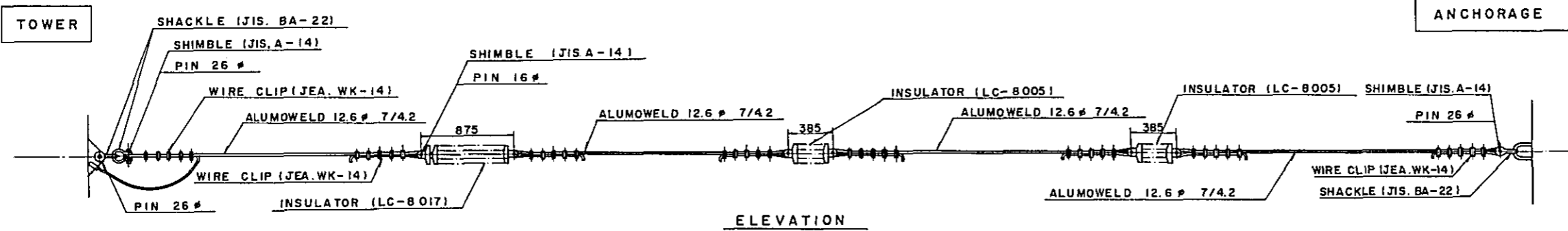


GENERAL NOTES

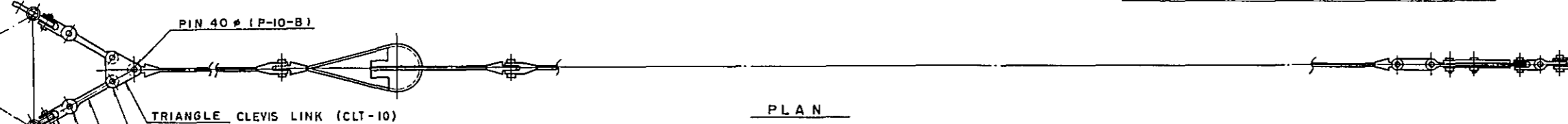
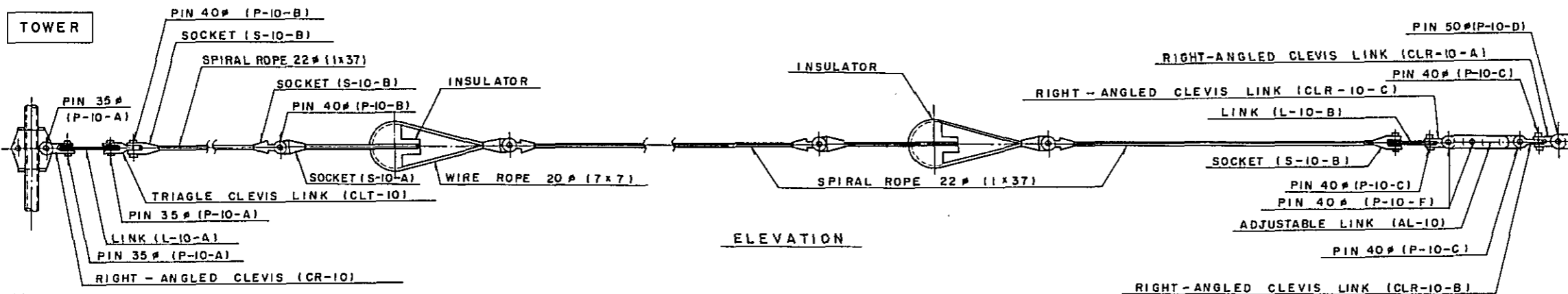
1. MARK INDICATES DATUM DIRECTION.

No.	DATE	DESCRIPTION	APPROVED
REVISION			
TRANSMITTING ANTENNA TOWER FOR DECCA TOWER ASSEMBLY			
DECCA			
CONSULTANTS			
APPROVED	CHECKED	DESIGNED	DRAWING
SCALE		REV. No.	
1/10, 1/20, 1/400			
DATE	DWG. No. T 002		

GENERAL NOTES



ANTENNA ASSEMBLY



GUY ASSEMBLY

No.	DATE	DESCRIPTION	APPROVED

REVISION

TRANSMITTING ANTENNA  
TOWER FOR DECCA  
ANTENNA AND GUY  
ASSEMBLY

DECCA

CONSULTANTS			
APPROVED	CHECKED	DESIGNED	DRAWING
SCALE		REV. No.	
DATE		DWG. No. T 003	

**GENERAL NOTES**

1. MATERIALS
  - (A) CONCRETE  
USE CONCRETE OF WHICH STRENGTH OF 28 DAYS IS HIGHER THAN  $\sigma_{ck} = 180 \text{ kg/cm}^2$ .
  - (B) MORTAR  
USE NO SHRINK TYPE MATERIALS.
  - (C) REINFORCE  
USE REINFORCING STEELS EQUIVALENT TO SS41 OR SD30.
  - (D) STEEL PIPE PILE AND CAPPING PLATES  
USE STEEL PIPES EQUIVALENT TO SS41.
2. PILE DRIVING  
LAY ON THE HARD LAYER MORE THAN  $150 \text{ kg/cm}^2$  OF THE STRENGTH OF CONE-PENETRATION RESISTANCES, AND SHALL BE TESTED BY OTHER BEARING TEST METHODS.
3. FILL IN WITH SELECTED MATERIALS AFTER EXCAVATIONS OF GUY ANCHORS AND ANTENNA ANCHORS. AND SHALL BE COMPACTED WITH COPACTORS OR BY HYDRAULIC FILLINGS.
4. ALL EXPOSED EDGES SHALL BE CUT 3 cm.
5. JOINTED LENGTH OF REINFORCING BAR SHALL BE 30 TIMES OF ITS DIAMETER.

No.	DATE	DESCRIPTION	APPROVED

**REVISION**

**TRANSMITTING ANTENNA TOWER FOR DECCA FOUNDATION AND ANCHORAGE DRAWING**

**DECCA**

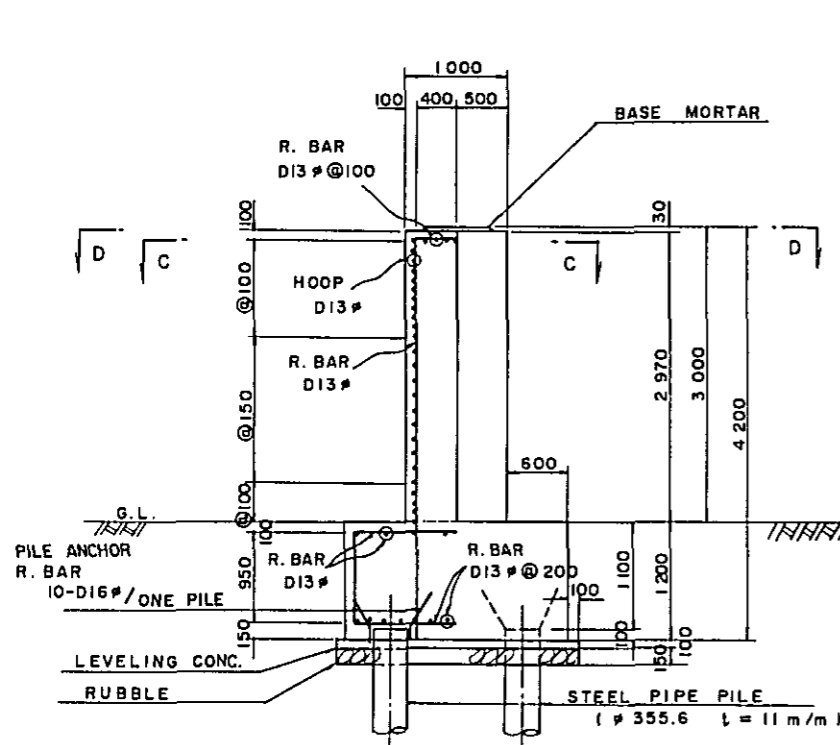
**CONSULTANTS**

APPROVED	CHECKED	DESIGNED	DRAWING

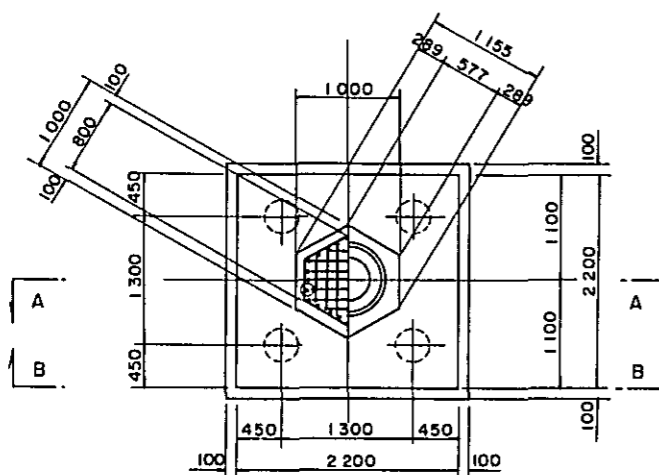
SCALE      REV. No.

1/50

DATE      DWG. No. T 004

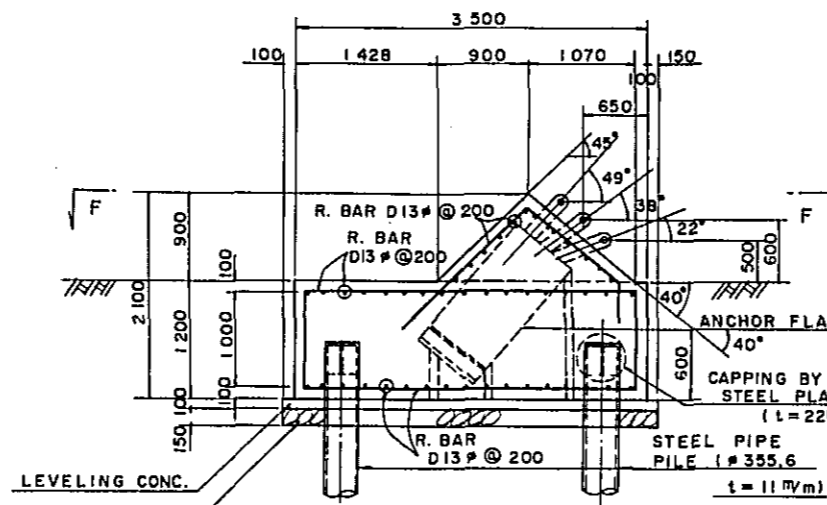


**SECTION A-A      SECTION B-B**

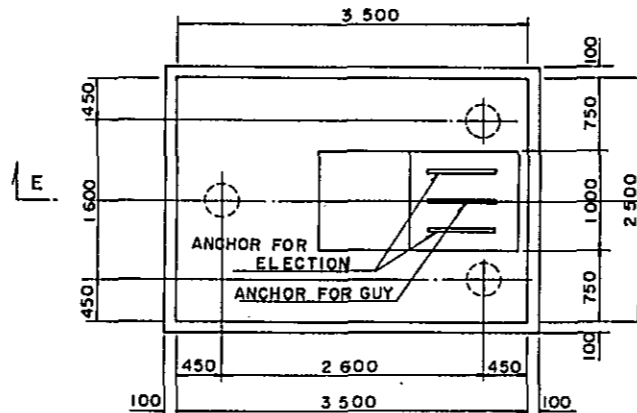


**SECTION C-C. SECTION D-D**

**TOWER FOUNDATION**

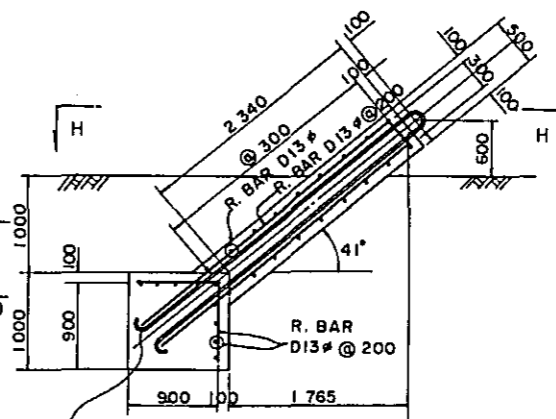


**SECTION E-E**

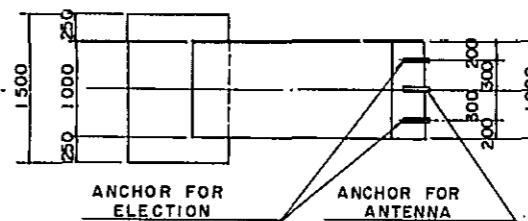


**SECTION F-F**

**GUY ANCHORAGE**



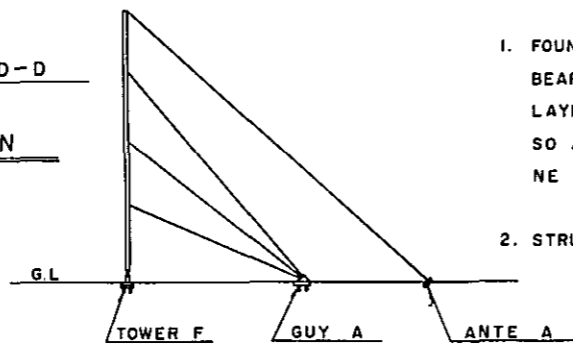
**SECTION G-G**



**SECTION H-H**

**ANTENNA ANCHORAGE**

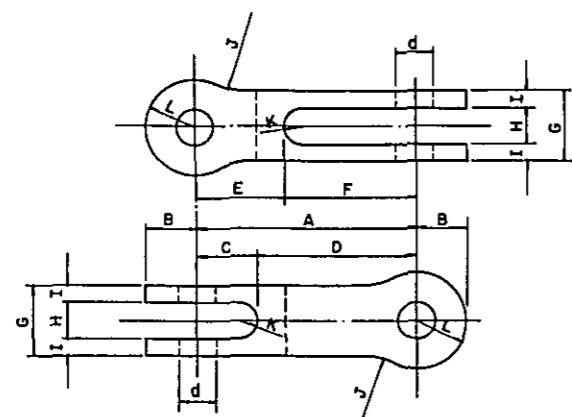
**MARKING**



**SPECIAL NOTES**

1. FOUNDATION AND ANCHORAGE ARE DESIGNED IN TYPICAL GEOGRAPHICAL CONDITION OF WHICH BEARING STRENGTH IS SMALLER THAN  $1 \text{ kg/cm}^2$  IN DUTCH CONE PENETRATION RESISTANCE LAYING UNDER 6 METRES ~ 12 METRES FROM THE GROUND LEVEL. SO AS TO BE AN EXTREMELY SOFT CONDITIONS. THEY SHOULD BE SUPPORTED BY CONE PENETRATION RESISTANCE LAYING UNDER 9 METRES ~ 15 METRES FROM THE GROUND.
2. STRUCTURAL DESIGN SHOULD BE ALTERED BY LOCAL GEOGRAPHICAL CONDITIONS.

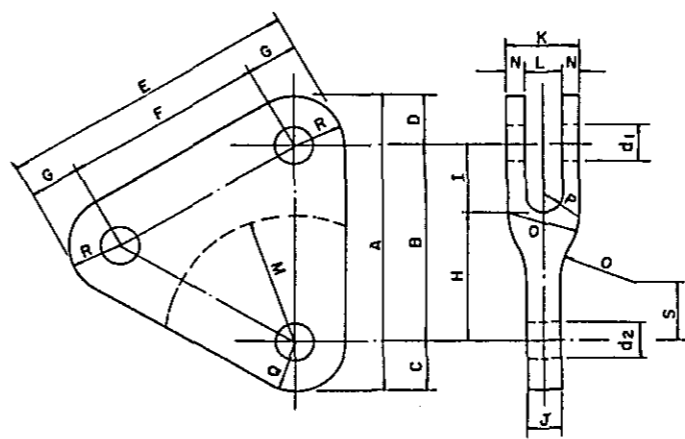
GENERAL NOTES



MATERIALS SC46 (JIS)

MARK	ALLOWABLE LOAD	d	A	B	C	D	E	F	G	H	I	J	K	L
CR-10	10 <sup>t</sup>	37#	220	50	60	160	90	130	72	36	18	75	18	50
CR-20	20 <sup>t</sup>	47#	280	60	90	190	130	150	100	52	24	75	26	60

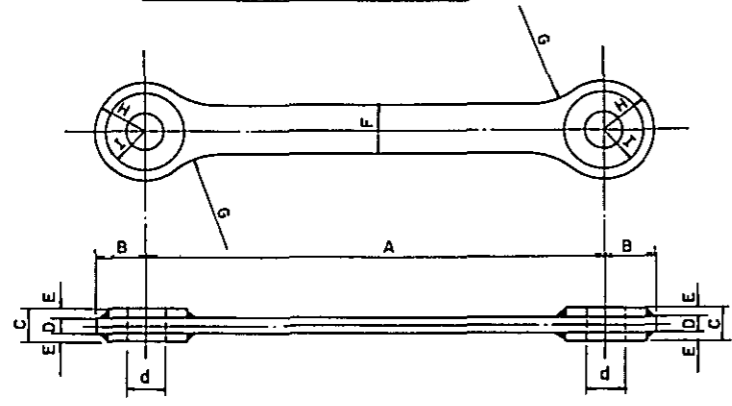
RIGHT-ANGLE CLEVIS



MATERIALS SC46 (JIS)

MARK	ALLOWABLE LOAD	d <sub>1</sub>	d <sub>2</sub>	A	B	C	D	E	F	G	H	I	J	K	L	M	N	O	P	Q	R	S
CLT-10	10 <sup>t</sup>	37#	42#	305	200	55	50	300	200	50	130	70	34	72	36	130	18	75	18	55	50	60
CLT-20	20 <sup>t</sup>	47#	52#	380	250	70	60	370	250	60	160	90	50	100	52	160	24	75	26	70	60	83

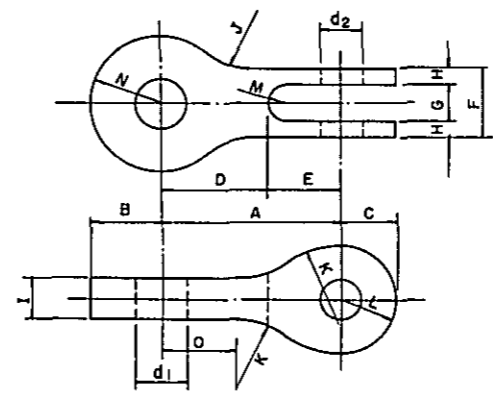
TRIANGLE CLEVIS LINK



MATERIALS SC46 (JIS)

MARK	ALLOWABLE LOAD	d	A	B	C	D	E	F	G	H	I
L-10-A	10 <sup>t</sup>	37#	458	50	34	16	9	50	75	50	40
L-20-A	20 <sup>t</sup>	47#	812	60	49	25	12	50	100	60	50

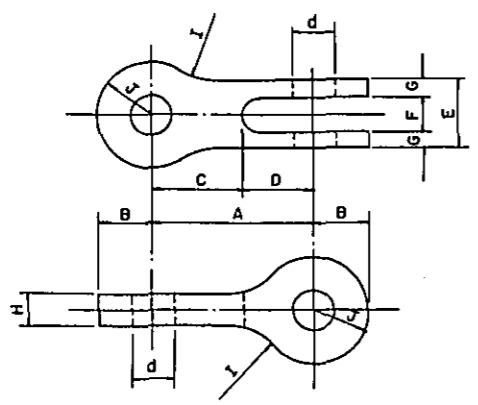
LINK



MATERIALS SC46 (JIS)

MARK	ALLOWABLE LOAD	d <sub>1</sub>	d <sub>2</sub>	A	B	C	D	E	F	G	H	I	J	K	L	M	N	O
CLR-10-A	10 <sup>t</sup>	52#	42#	180	70	55	110	70	72	36	18	42	75	75	55	18	70	100
CLR-20-A	20 <sup>t</sup>	65#	52#	220	80	70	120	100	100	52	24	70	75	50	70	26	80	90

RIGHT-ANGLE CLEVIS LINK



MATERIALS SC46 (JIS)

MARK	ALLOWABLE LOAD	d	A	B	C	D	E	F	G	H	I	J
CLR-10-B	10 <sup>t</sup>	42#	160	55	90	70	72	36	18	34	75	55
CLR-10-C	10 <sup>t</sup>	42#	160	55	90	70	72	36	18	32	75	55
CLR-20-B	20 <sup>t</sup>	52#	200	70	100	100	100	52	24	50	75	70

RIGHT-ANGLE CLEVIS LINK

No.	DATE	DESCRIPTION	APPROVED

REVISION

--	--	--	--

PARTS OF GUYS (I)

DECCA

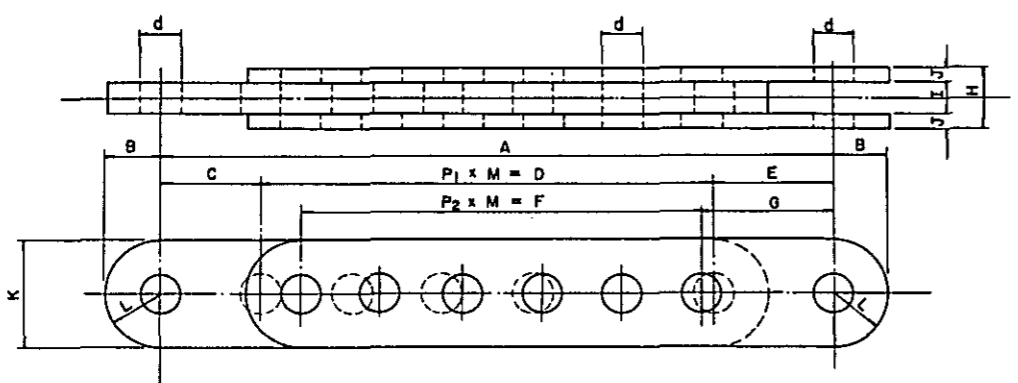
CONSULTANTS

APPROVED	CHECKED	DESIGNED	DRAWING

SCALE	REV. No.

DATE	DWG. No.
	T 005

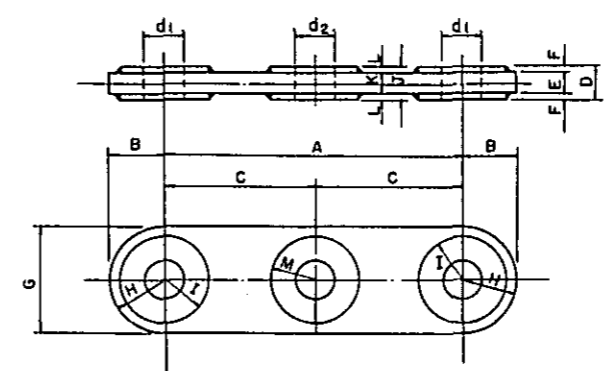
GENERAL NOTES



MATERIALS SS41 (JIS)

MARK	ALLOWABLE LOAD	d	A	B	C	D	E	F	G	H	I	J	K	L	P <sub>1</sub>	P <sub>2</sub>	M
AL-10	10 <sup>t</sup>	42#	620 <sup>+10</sup> <sub>-40</sub>	55	100	450	120	400	130	64	32	16	110	55	90	80	5
AL-20	20 <sup>t</sup>	52#	860 <sup>+10</sup> <sub>-40</sub>	70	150	550	160	500	170	100	50	25	140	70	110	100	5

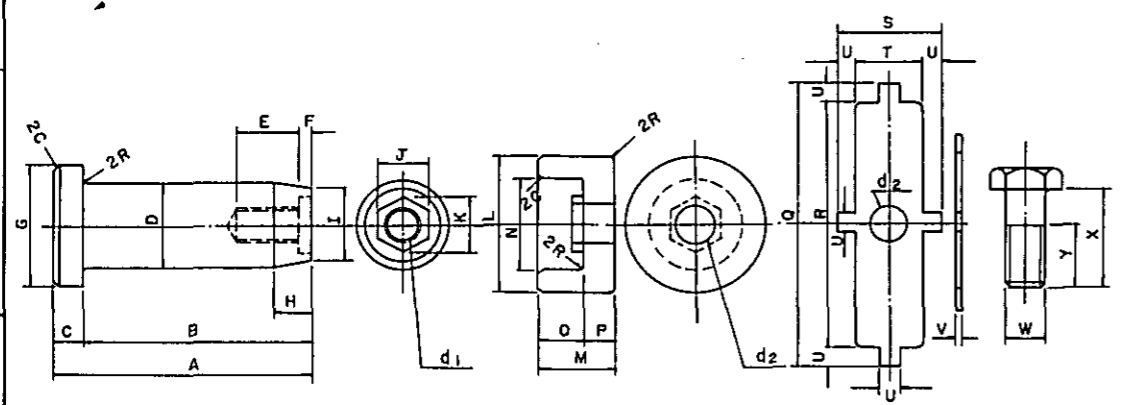
ADJUSTABLE LINK



MATERIALS SS41 (JIS)

MARK	ALLOWABLE LOAD	d <sub>1</sub>	d <sub>2</sub>	A	B	C	D	E	F	G	H	I	J	K	L	M
L-10-B	10 <sup>t</sup>	42#	42#	300	55	150	34	22	6	110	55	45	34	22	6	45
L-20-B	20 <sup>t</sup>	52#	37#	400	70	200	49	25	12	140	70	60	—	—	—	—

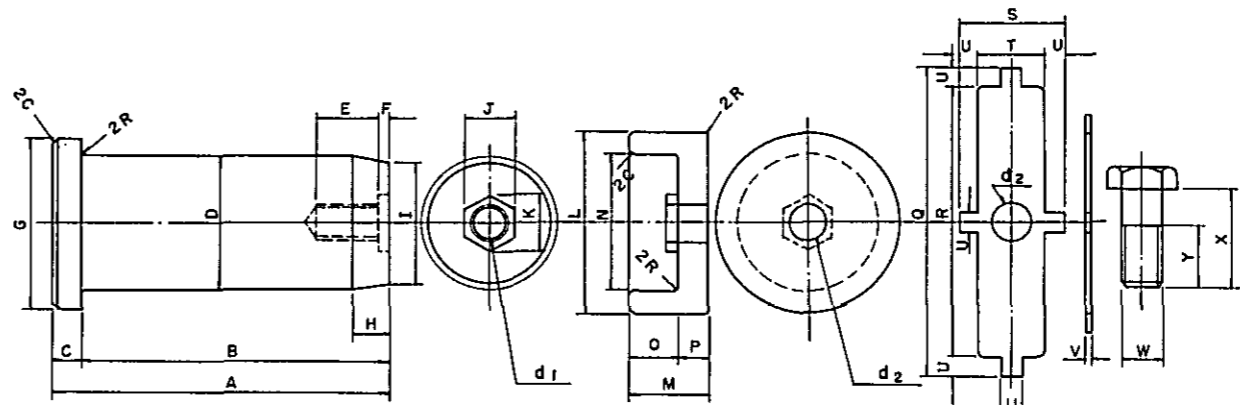
LINK



MATERIALS SNCN (JIS)

MARK	ALLOWABLE LOAD	d <sub>1</sub>	d <sub>2</sub>	A	B	C	D	E	F	G	H	I	J	K	L	M	N	O	P	Q	R	S	T	U	V	W	X	Y
P-10-A	10 <sup>t</sup>	14#	16#	105	93	12	35#	25	5	50#	15	25#	19	21.9	55#	30	37#	18	12	116	100	44	26	8	2	14#	40	25
P-10-B	10 <sup>t</sup>	14#	16#	115	103	12	40#	25	5	55#	15	30#	19	21.9	60#	30	42#	18	12	126	110	44	26	8	2	14#	40	25
P-10-C	10 <sup>t</sup>	14#	16#	105	93	12	40#	25	5	55#	15	30#	19	21.9	50#	30	42#	18	12	126	110	44	26	8	2	14#	40	25
P-10-D	10 <sup>t</sup>	14#	16#	110	108	12	50#	25	5	65#	15	40#	19	21.9	70#	30	52#	18	12	156	140	44	26	8	2	14#	40	25

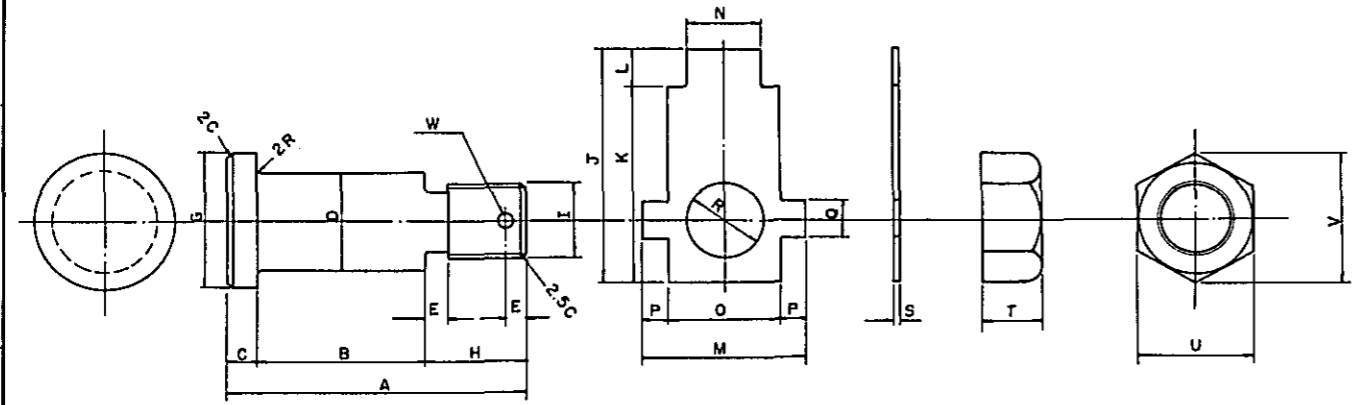
PIN



MATERIALS SNCN (JIS)

MARK	ALLOWABLE LOAD	d <sub>1</sub>	d <sub>2</sub>	A	B	C	D	E	F	G	H	I	J	K	L	M	N	O	P	Q	R	S	T	U	V	W	X	Y
P-20-A	20 <sup>t</sup>	14#	16#	130	118	12	45#	25	5	60#	15	35#	19	21.9	65#	30	47#	18	12	136	120	44	26	8	2	14#	40	25
P-20-B	20 <sup>t</sup>	14#	16#	130	118	12	50#	25	5	65#	15	40#	19	21.9	70#	30	52#	18	12	156	140	44	26	8	2	14#	40	25
P-20-C	20 <sup>t</sup>	14#	16#	175	163	12	65#	25	5	80#	15	55#	19	21.9	85#	30	67#	18	12	176	160	44	26	8	2	14#	40	25

PIN



MATERIALS SNCN (JIS)

MARK	ALLOWABLE LOAD	A	B	C	D	E	F	G	H	I	J	K	L	M	N	O	P	Q	R	S	T	U	V	W
P-10-E	10 <sup>t</sup>	120	68	12	40#	10	8	55#	40	30#	95	80	15	65	30	45	10	15	32#	2	24	46	53.1	6#
P-20-D	20 <sup>t</sup>	155	103	12	50#	10	8	65#	40	30#	150	135	15	65	30	45	10	15	32#	2	24	46	53.1	6#

PIN

MATERIALS SNCN (JIS)

No.	DATE	DESCRIPTION	APPROVED

REVISION

PARTS OF GUYS (I)

DECCA

CONSULTANTS

APPROVED	CHECKED	DESIGNED	DRAWING

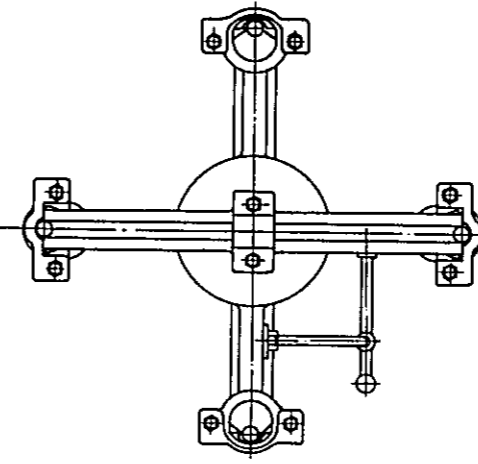
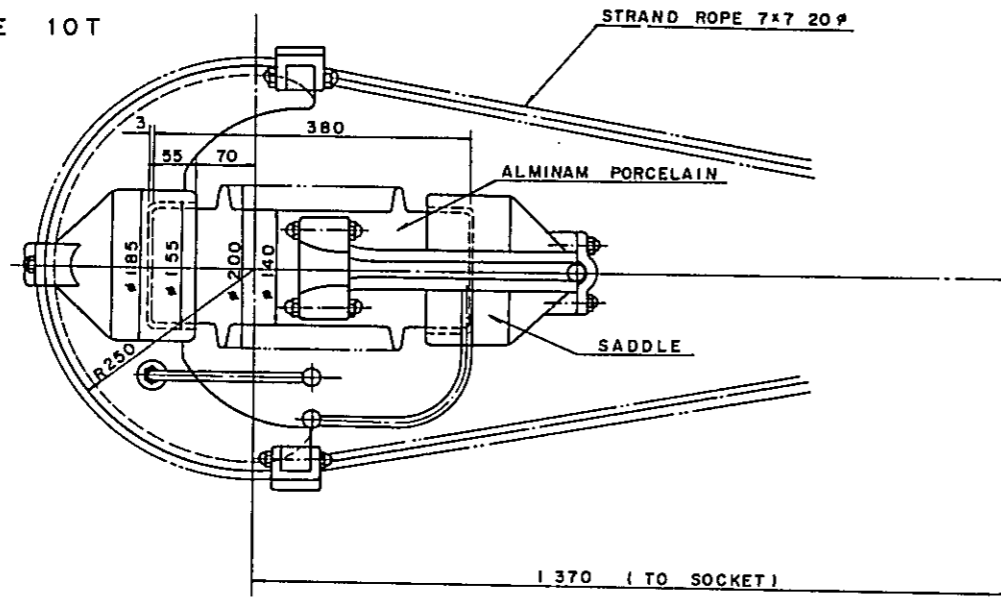
SCALE	REV. No.

DATE	DWG. No.
	T 006

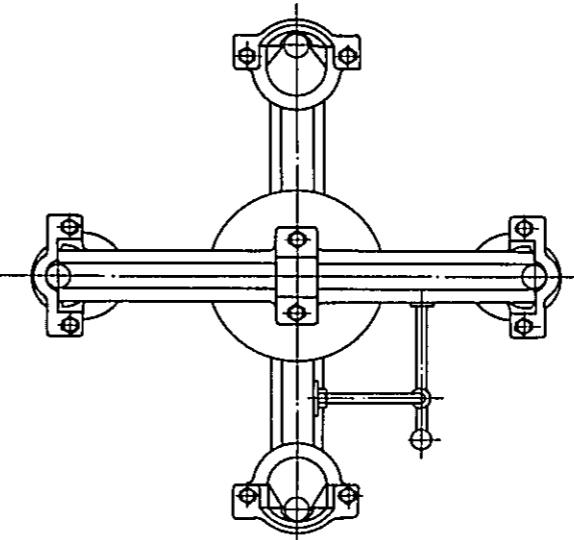
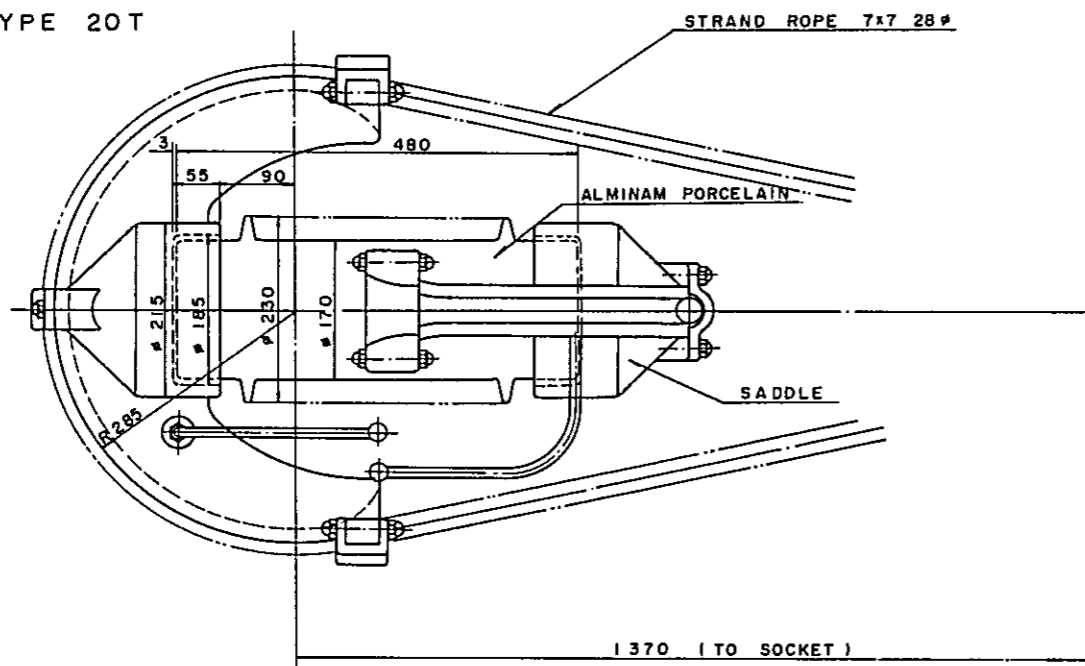


GUY INSULATOR

TYPE 10T



TYPE 20T



TYPE	TENSILE LOAD		FLASH OVER VOLTAGE	
	ALLOWABLE	BREAKING	DRY	WET
10 T	10 TONS	40 TONS	80 KV	50 KV
20 T	20	80	80	50

GENERAL NOTES

No.	DATE	DESCRIPTION	APPROVED

REVISION

GUY INSULATORS

DECCA

CONSULTANTS

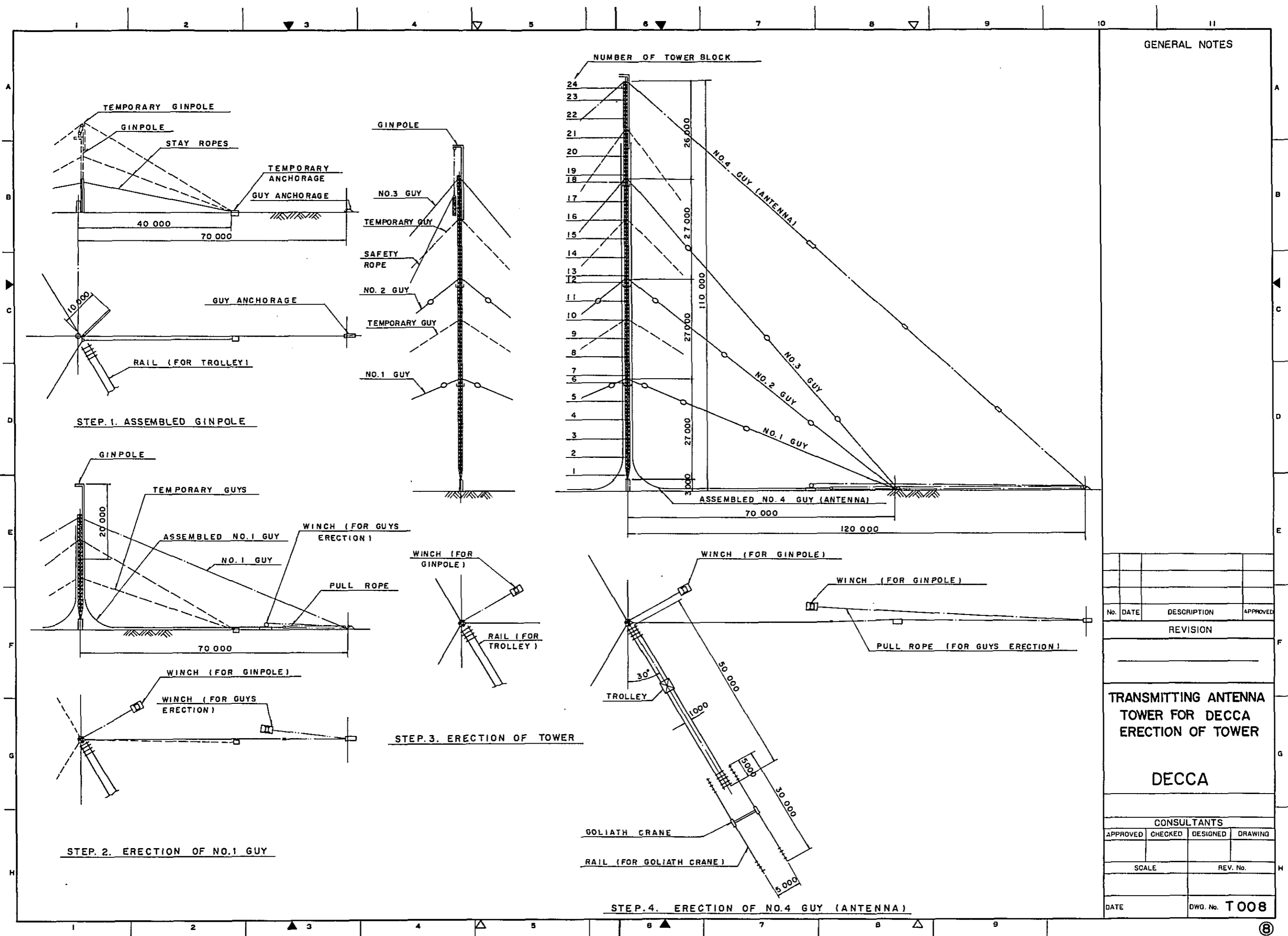
APPROVED	CHECKED	DESIGNED	DRAWING

SCALE

REV. No.

DATE

DWG. No. T 007



GENERAL NOTES

No.	DATE	DESCRIPTION	APPROVED

REVISION

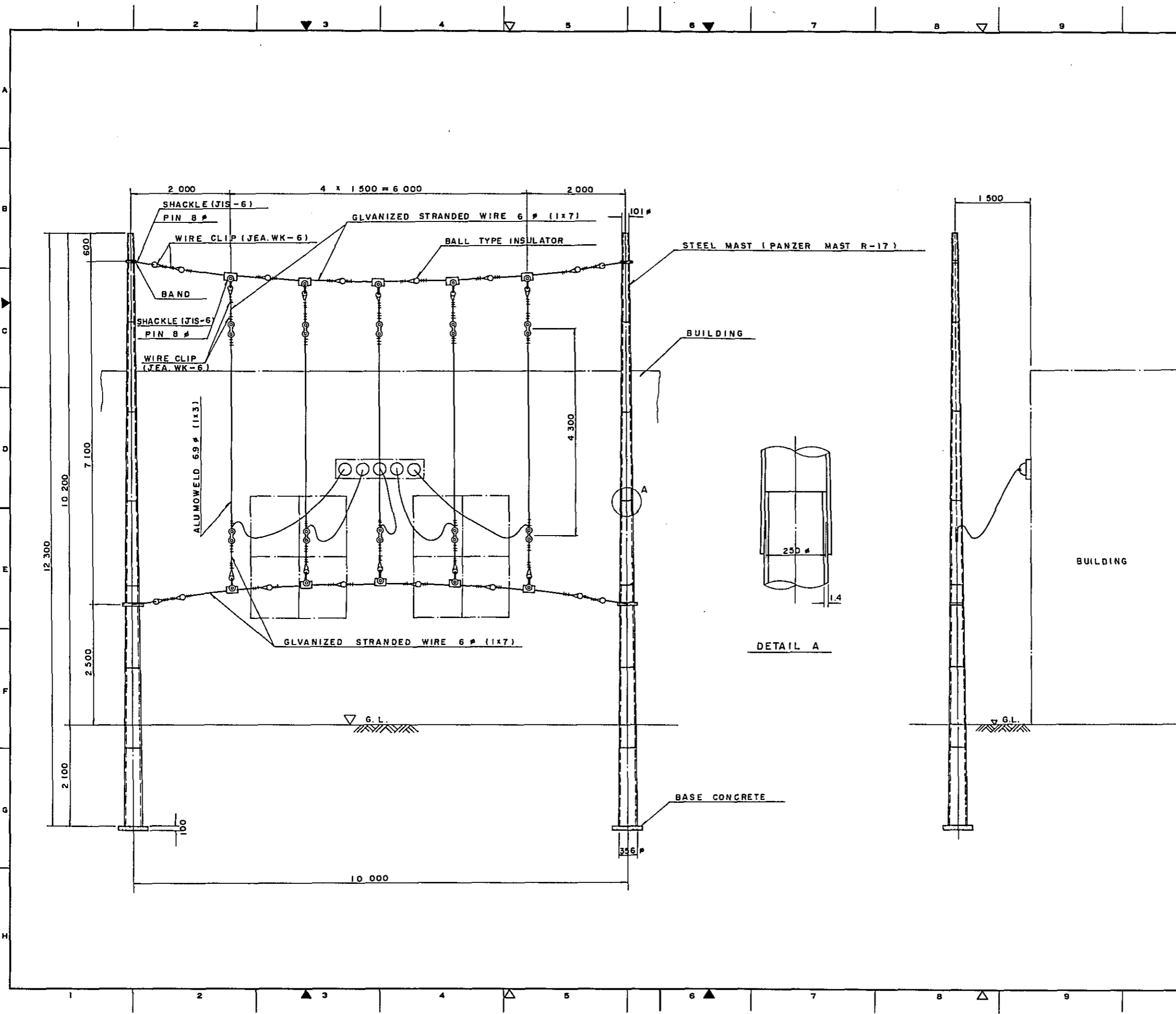
TRANSMITTING ANTENNA  
TOWER FOR DECCA  
ERECTION OF TOWER

DECCA

CONSULTANTS			
APPROVED	CHECKED	DESIGNED	DRAWING

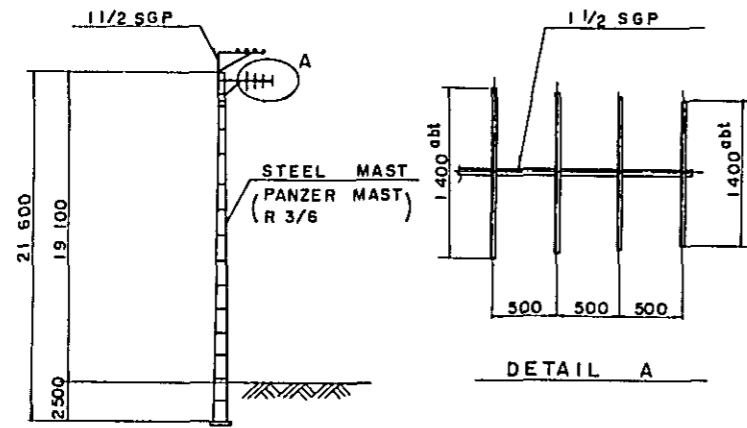
SCALE	REV. No.

DATE	DWG. No.
	T 008



GENERAL NOTES

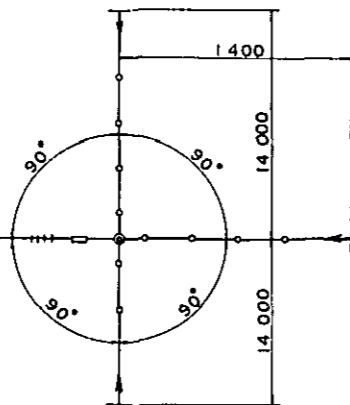
No.	DATE	DESCRIPTION	APPROVED
REVISION			
RECEIVING ANTENNA ASSEMBLY			
DECCA			
CONSULTANTS			
APPROVED	CHECKED	DESIGNED	DRAWING
SCALE		REV. No.	
DATE		DWG. No. T 009	



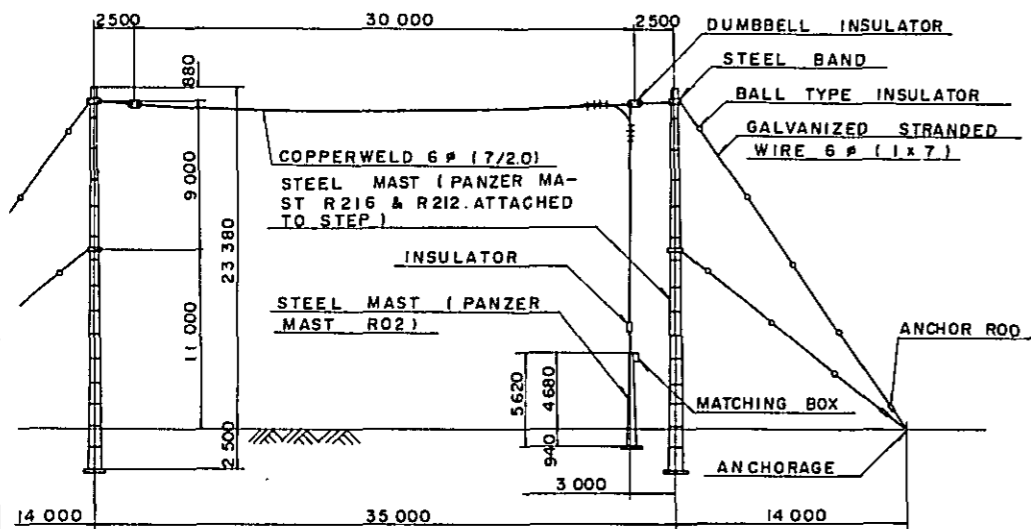
VHF ANTENNA ASSEMBLY FOR SINGAPORE

REMARKS

1. IN CASE OF DOUBLET TYPE ANTENNA CABLE SHOULD BE EXCHANGED TO REVERSED L-TYPE, NEGLECTING ONLY MATCHING BOX.

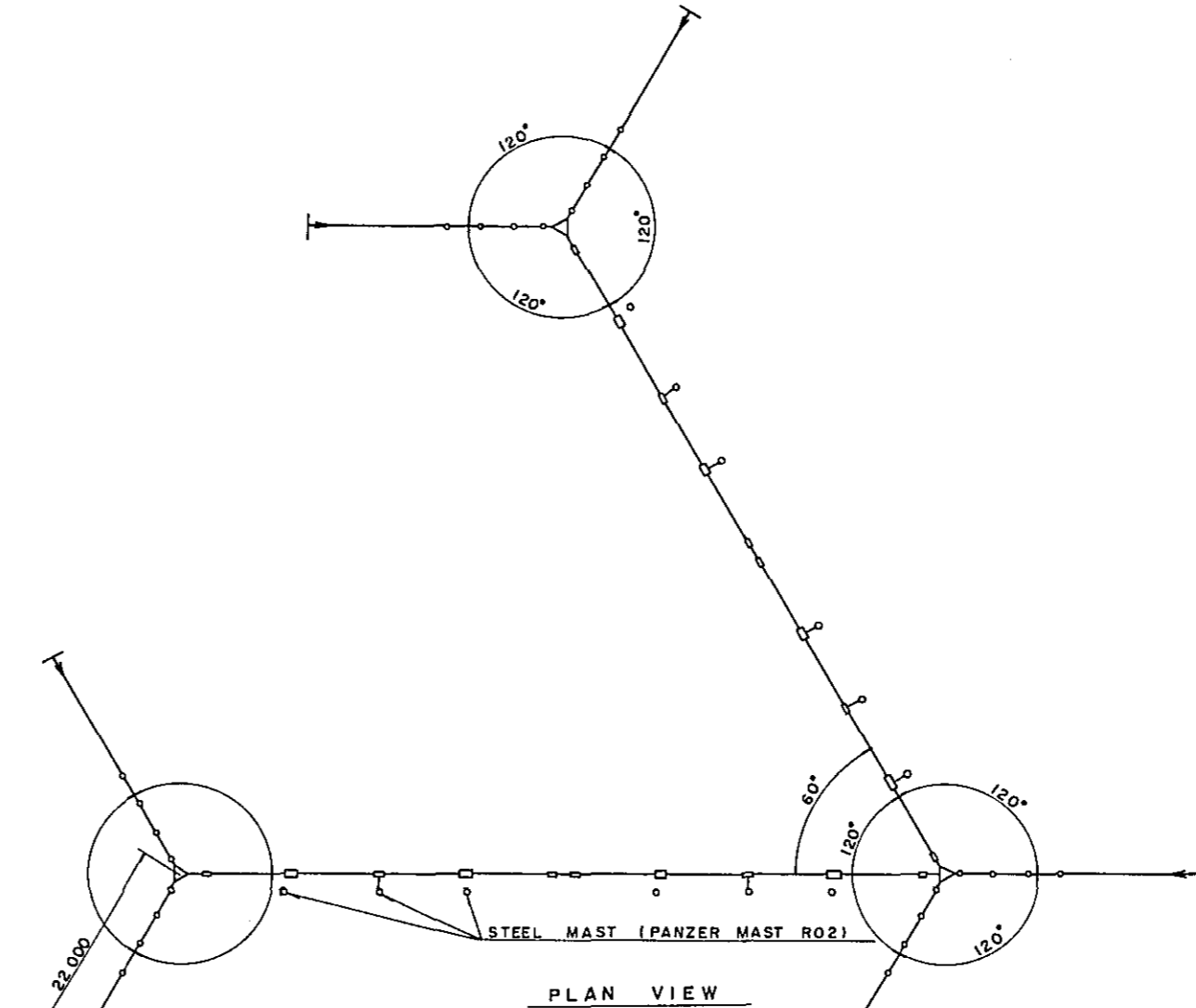


PLAN VIEW

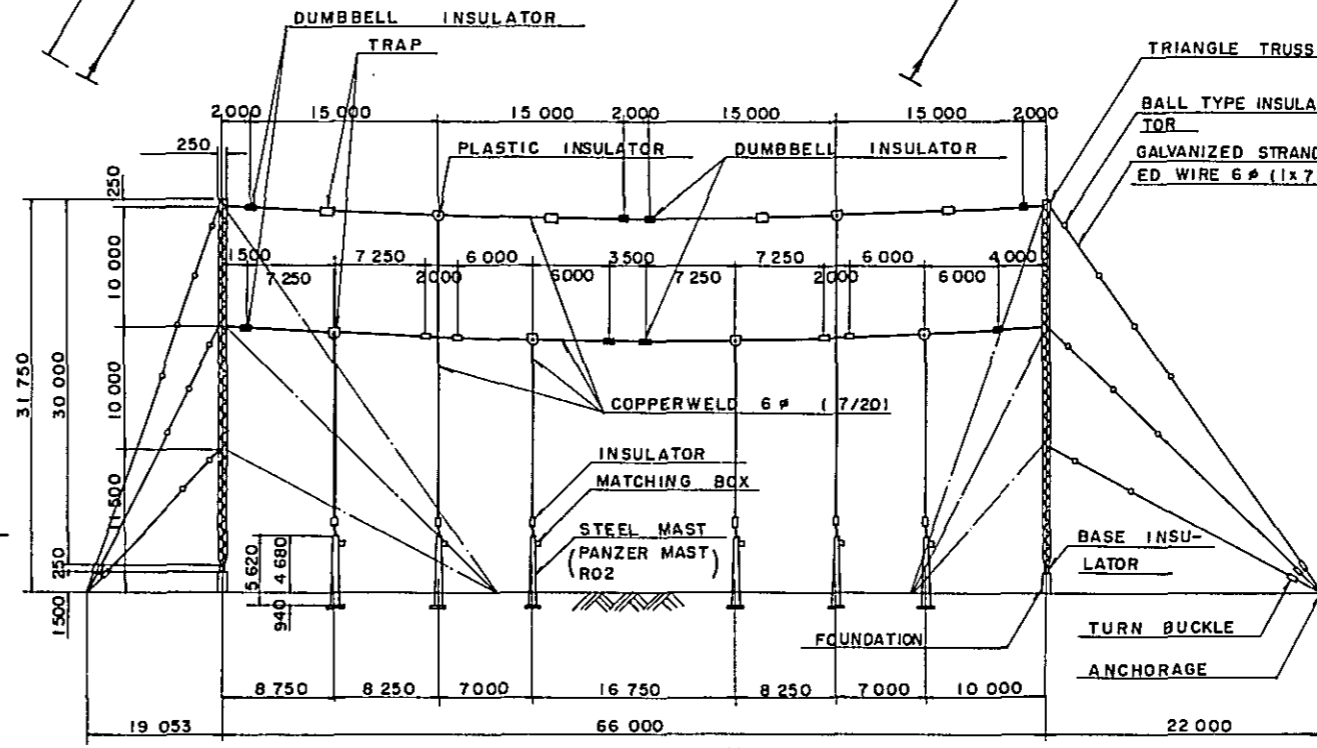


ELEVATION VIEW

ANTENNA ASSEMBLY FOR DECCA BRANCH DIVISION



PLAN VIEW



ELEVATION VIEW

ANTENNA ASSEMBLY FOR TRANSMITTING ANTENNA LORAN-C & DECCA MAIN DIVISION & HEAD QUARTER

GENERAL NOTES

No.	DATE	DESCRIPTION	APPROVED

REVISION

ANTENNA ASSEMBLY FOR COMMUNICATION

DECCA

CONSULTANTS

APPROVED	CHECKED	DESIGNED	DRAWING

SCALE REV. No.

1/300, 1/400

DATE DWG. No. T 010

# DECCA STATION

GENERAL NOTES

## SCHEDULE OF DRAWING

RING NO	DRAWING NO	DESCRIPTION OF DRAWING	
<b>DECCA STATION BUILDING</b>			
1	K001	EXTERIOR FINISH SCHEDULE	
2	K002	INTERIOR FINISH SCHEDULE	
3	K003	FLOOR PLAN	
4	K004	RIGHT & FRONT ELEVATION	
5	K005	LEFT & REAR ELEVATION	
6	K006	A-A & B-B SECTION	
7	K007	ELECTRICAL SITE PLAN. SKETCH OF LIGHTING FIXTURE SYMBOL LIST	
8	K008	FEEDER ONE-LINE DIAGRAM	
9	K009	PLUMBING SITE PLAN. FUEL OIL STORAGE TANK	
10	K010	AIR CONDITIONING, VENTILATION & PLUMBING LAYOUT PLAN	
11	K011	AIR CONDITIONING & VENTILATION SCHEMATIC DIAGRAM	
<b>COIL HOUSE</b>			
12	K012	EXTERIOR & INTERIOR FINISH SCHEDULE	
13	K013	FLOOR & ROOF PLAN. FRONT & RIGHT ELEVATION. A-A SECTION	
<b>QUARTERS BUILDING</b>			
14	K051	EXTERIOR FINISH SCHEDULE	
15	K052	INTERIOR FINISH SCHEDULE	
16	K053	FLOOR PLAN. ROOF PLAN (TYPE-A)	
17	K054	ELEVATION. A-A SECTION ( : )	
18	K055	FLOOR PLAN. ROOF PLAN (TYPE-B)	
19	K056	ELEVATION. A-A SECTION ( : )	
20	K057	FLOOR PLAN. ROOF PLAN (TYPE-C)	
21	K058	ELEVATION. A-A SECTION ( : )	
<b>WATER PUMP AND RESERVOIR HOUSE</b>			
22	K059	EXTERIOR & INTERIOR FINISH SCHEDULE	
23	K060	FLOOR PLAN. ROOF PLAN. ELEVATION. A-A SECTION	
24	K061	PUMP & PNEUMATIC TANK LAYOUT PLAN. WATER TREATMENT SCHEMATIC DIAGRAM	
<b>PROPANE GAS CYLINDER STORAGE</b>			
25	K062	EXTERIOR & INTERIOR SCHEDULE	
26	K063	FLOOR PLAN. ROOF PLAN. ELEVATION	
<b>LANDING PIAR &amp; ACCESS ROAD</b>			
27	K064	LANDING PIAR PLAN TYPICAL ACCESS ROAD SECTION	

No.	DATE	DESCRIPTION	APPROVED

REVISION

CONSULTANTS			
APPROVED	CHECKED	DESIGNED	DRAWING

SCALE	REV. No.

DATE	DWG. No.
------	----------

GENERAL NOTES										
RING NO	DRAWING N.O.	DESCRIPTION OF DRAWING								
DECCA	STATION BUILDING	(UNMANED SLAVE STATION)								
28	K014	EXTERIOR / INTERIOR FINISH SCHEDULE								
29	K015	FLOOR PLAN & ROOF PLAN								
30	K016	ELEVATION & A-A SECTION								
REVISION										
No.	DATE	DESCRIPTION						APPROVED		
CONSULTANTS										
APPROVED	CHECKED	DESIGNED	DRAWING							
SCALE				REV. No.						
DATE				DWG. No.						

# DECCA STATION BUILDING

EXTERIOR FINISH SCHEDULE			
PART	MATERIAL	FINISH	REMARKS
BASE BOARD	CONCRETE	CEMENT MORTAR STEEL TROWEL	H= GL +1.200 <sup>MM</sup>
WALL		BROOM FINISH & SPRAYED	
		STIPPLE FINISH	
ROOF		CONCRETE SLAB MORTAR FINISH	
		ASPHALT WATERPROOFING, LIGHTWEIGHT	
		CONCRETE TOPPING, WATERPROOFING	
		MORTAR TROWEL FINISHED	
SOFFIT	CONCRETE	WATER PROOFING MORTAR STEEL TROWEL	
		FINISHED	
ROOF DRAIN		CAST IRON	100 <sup>ϕ</sup>
DRAIN PIPE		GALVANIZED STEEL PIPE O.P	100 <sup>ϕ</sup>
VERANDA	CONCRETE	QUARRY TILE FINISH	RAILING : STAINLESS STEEL PIPE
WINDOW & DOOR	STAINLES STEEL STEEL ALUMINUM	OILPAINT MANUFACTURE FINISH	

TYPE OF CONSTRUCTION : THE BUILDING STRUCTURE SHALL BE OF REINFORCED CONCRETE CONSTRUCTION WITH CONCRETE FLOOR SLABS AND CONCRETE ROOF.

MECHANICAL

- AIR CONDITIONING : TRANSMITTER ROOM, PACKAGE TYPE AIR-CONDITIONER WITH COOLING TOWER.  
OFFICE ROOM, PACKAGE TYPE AIR-CONDITIONER WITH COOLING TOWER.
- MECHANICAL VENTILATION : ENGINE GENERATOR ROOM, AXIAL FLOW SUPPLY AND EXHAUST FANS.
- PLUMBING : PLUMBING FOR KITCHEN, TOILET AND SHOWERS.

ELECTRICAL

: LIGHTING FOR ALL ROOMS AND POWER FOR AIR-CONDITIONING EQUIPMENT.

GENERAL NOTES

ABBREVIATIONS NO.1

- A.C.B ASBESTOS CEMENT BOARD
- A.D ALUMINUM DOOR
- A.L ALUMINUM LOUVER
- A.W ALUMINUM WINDOW
- C.E.M CEMENT
- C.L.G CEILING
- CONC CONCRETE
- C.B CONCRETE BLOCK
- D.N DOWN
- D.W.G.S DRAWINGS
- ELECT ELECTRICAL
- E.X.T EXTERNAL
- F.L.R FLOOR
- F.L FIRST FLOOR
- FIN FINISH
- F.D.N FOUNDATION
- G.L GROUND LEVEL
- GYP GYPSUM
- HGT.H HIGHT
- I.N.T INTERIAL
- MAT MATERIAL
- MANUFACT MANUFACTURE
- MECH MECHANICAL
- M/M MILIMETER
- NO NUMBER
- O.P. OIL PAINT
- V.P. VINYL PAINT
- R.M ROOM
- R.S.L ROOF SLAB
- S SQUARE

No.	DATE	DESCRIPTION	APPROVED

REVISION

**DECCA STATION BUILDING**

**EXTERIOR FINISH SCHEDULE**

CONSULTANTS

APPROVED	CHECKED	DESIGNED	DRAWING

SCALE                      REV. No.

DATE                      DWG. No. **K 001**

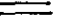

# DECCA STATION BUILDING

## INTERIOR FINISH SCHEDULE

ROOM NAME	FLOOR		BASE			WAINSCOT			WALL		CEILING			REMARKS
	MATERIAL	FINISH	MAT	FIN	HGT	MAT	FIN	HGT	MAT	FIN	MAT	FIN	HGT	
ENTRANCE	CEMENT MORTAR	QUARRY TILE	CEM. MORTAR	QUARRY TILE	—	—	—	—	CEM. MORTAR BROOM	SPRAYED STIPPLE	GYPSUM t=9mm	ROCKWOOL INSULATION ACOUSTIC TILE t=12mm	3.000	
HALL	"	SHEET VINYL FLOORING	WOOD	O.P	75	—	—	—	DECORATIVE PLYWOOD FINISH	MANUFACT FIN	"	"	3.000	CURTAIN RAIL BOX
HEAD OFFICE	"	CARPET	"	"	75	—	—	—	PLYWOOD UNDERLAYMENT	CLOTHS SHEET	PLYWOOD UNDERLAYMENT	CLOTHS SHEET	2.700	"
DINING KITCHEN	"	SHEET VINYL FLOORING	"	"	75	—	—	—	DECORATIVE PLYWOOD FINISH	MANUFACT FIN	GYPSUM t=9mm	V.P	2.700	WALL & BASE CABINET GAS TABLE STAINLESS STEEL SINK CURTAIN RAIL BOX
TOILET	CERAMIC MOSAIC TILE	MANUFACT FIN	—	—	—	—	—	—	CERAMIC GLAZED TILE	"	ASBESTOS CEM BOARD t=6mm	"	2.700	SCREEN : MELAMINE PLYWOOD
OFFICE	CEM. MORTAR	SHEET VINYL FLOORING	WOOD	O.P	75	—	—	—	DECORATIVE PLYWOOD FINISH	"	GYPSUM t=9mm	ROCKWOOL INSULATION ACOUSTIC TILE t=12mm	3.000	CURTAIN RAIL BOX
LOCKER ROOM	"	"	"	"	75	—	—	—	"	"	ASBESTOS CEM BOARD t=6mm	V.P	3.000	
REST ROOM	"	"	"	"	75	—	—	—	"	"	GYPSUM t=9mm	"	3.000	BED CURTAIN RAIL BOX
STORAGE ROOM	VINYL TILE	MANUFACT FIN	"	"	75	—	—	—	CEM. MORTAR	STEEL TROWEL V.P	STYROFOAM	WHITE CEMENT SPRAYED		
TRANSMITTER ROOM	CEMENT MORTAR	SHEET VINYL FLOORING	"	"	75	—	—	—	GYPSUM t=9mm	MANUFACT FIN	GYPSUM t=9mm	ROCKWOOL INSULATION ACOUSTIC TILE t=12mm	3.600	CABLE TRENCH
AIR-CONDITIONING EQUIPMENT ROOM	"	STEEL TROWEL	CEM MORTAR	STEEL TROWEL	200	—	—	—	CONCRETE	—	STYROFOAM	—		
BATTERY ROOM	"	STEEL TROWEL & ACID RESISTANT PAINT	"	STEEL TROWEL & ACID RESISTANT PAINT	75	—	—	—	CEM. MORTAR	STEEL TROWEL & ACID RESISTANT PAINT	"	—		
JANITOR ROOM	VINYL TILE	MANUFACT FIN	WOOD	O.P	75	—	—	—	DECORATIVE PLYWOOD FINISH	MANUFACT FIN	GYPSUM t=9mm	V.P	2.700	CURTAIN RAIL BOX
CORRIDOR	"	"	"	"	75	—	—	—	CEM. MORTAR	STEEL TROWEL V.P	"	"	2.700	
ENGINE GENERATOR ROOM	CEM. MORTAR	STEEL TROWEL	CEM. MORTAR	STEEL TROWEL	200	—	—	—	CONCRETE	—	STYROFOAM	—		
SHOWER ROOM	CERAMIC MOSAIC TILE	MANUFACT FIN	—	—	—	—	—	—	CERAMIC GLAZED TILE	MANUFACT FIN	ASBESTOS CEM BOARD t=9mm	V.P	2.700	SCREEN : MELAMINE PLYWOOD
GAS CYLINDER STORAGE	CEM. MORTAR	STEEL TROWEL	CEM. MORTAR	STEEL TROWEL	100	—	—	—	EXPOSED CONCRETE	—	EXPOSED CONCRETE	—		

GENERAL NOTES

ABBREVIATIONS NO.2

 REINFORCED CONCRETE  
 CONCRETE BLOCK

No.	DATE	DESCRIPTION	APPROVED

REVISION

DECCA STATION BUILDING  
INTERIOR FINISH SCHEDULE

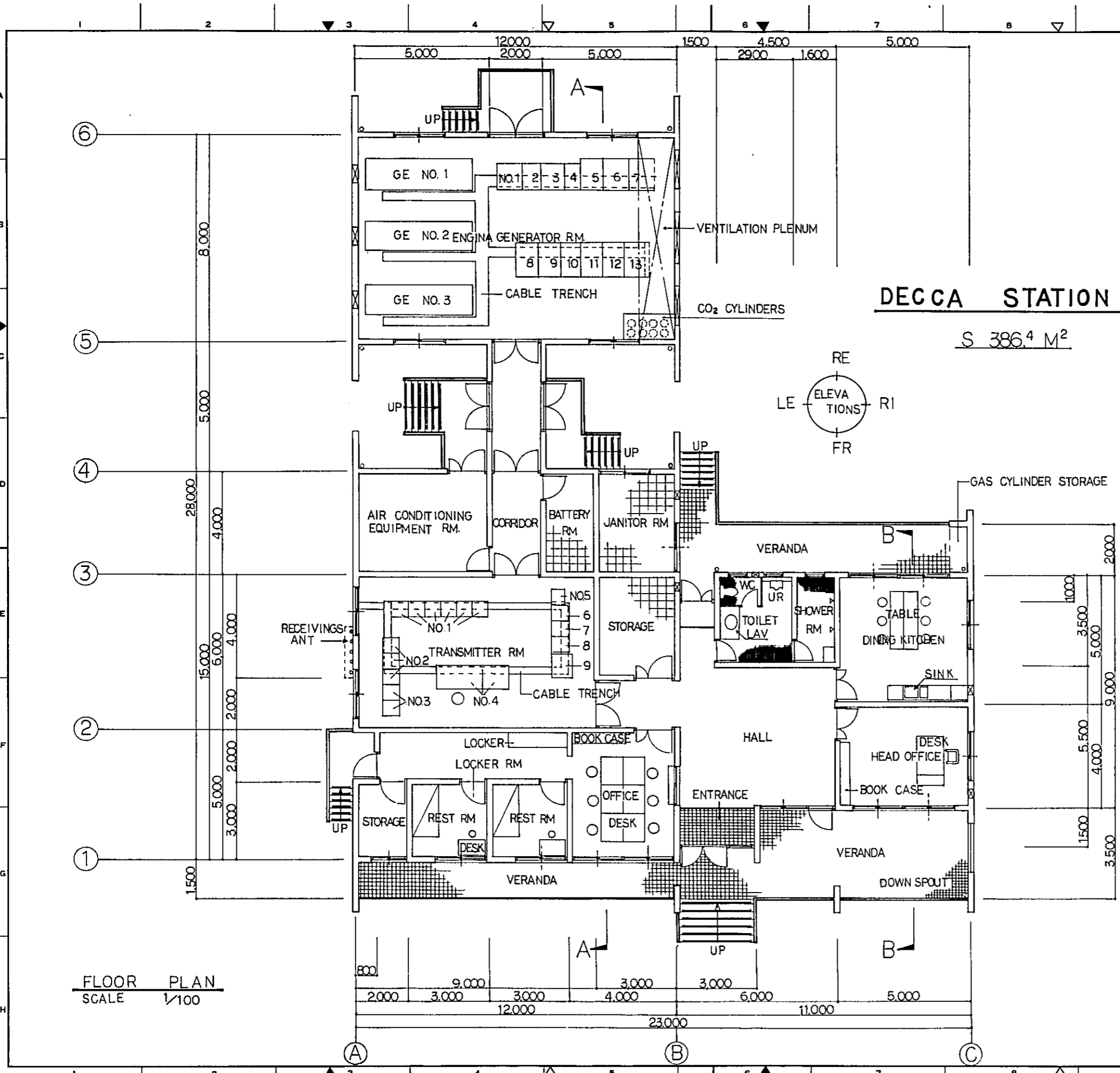
CONSULTANTS

APPROVED	CHECKED	DESIGNED	DRAWING

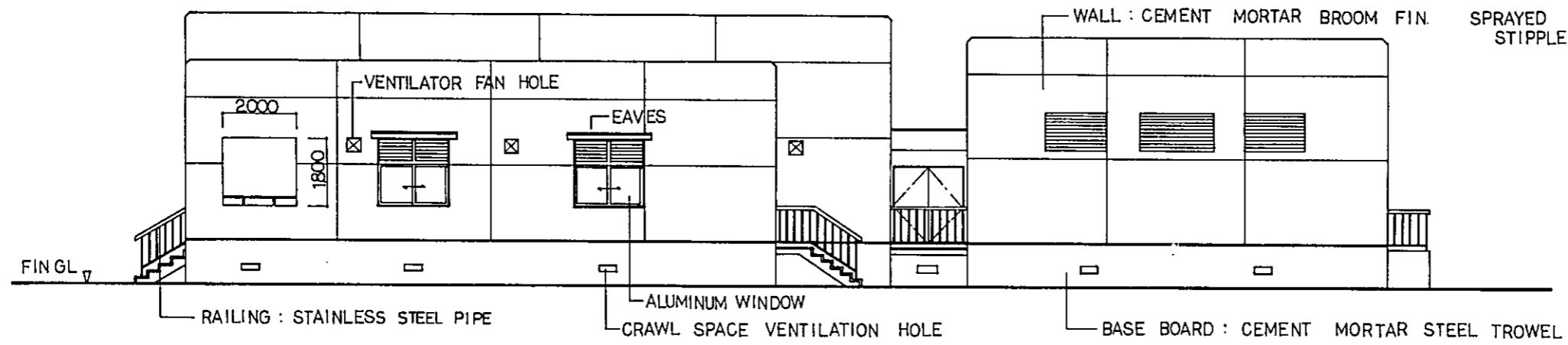
SCALE                      REV. No.

DATE                      DWG. No. K002

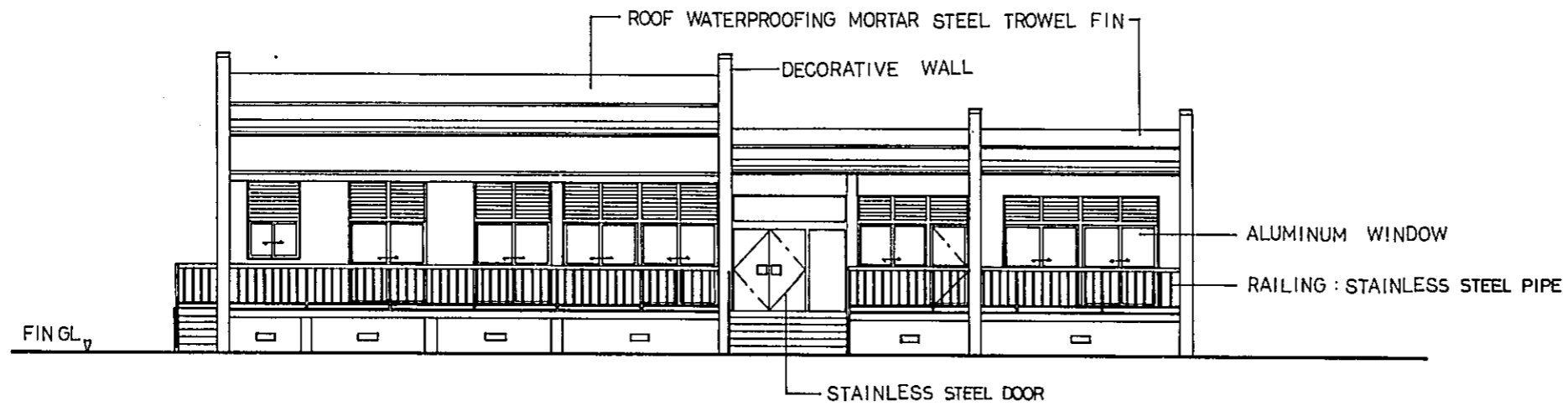




GENERAL NOTES			
<b>ENGINE GENERATOR R.M.</b>			
NO.	NAME		
1	NO1 NO BREAK	PANEL NO1	
2	POWER SUPPLY EQ	PANEL NO2	
3	NO2 NO BREAK	PANEL NO1	
4	POWER SUPPLY EQ	PANEL NO2	
5	GENERATOR MAIN CIRCUIT PANEL NO. 1		
6	GENERATOR MAIN CIRCUIT PANEL NO. 2		
7	GENERATOR MAIN CIRCUIT PANEL NO. 3		
8	DC SOURCE PANEL		
9	DISTRIBUTOR PANEL		
10	AUTOMATIC CHANGE-OVER PANEL		
11	AUTOMATIC STARTER PANEL NO. 1		
12	AUTOMATIC STARTER PANEL NO. 2		
13	AUTOMATIC STARTER PANEL NO. 3		
<b>TRANSMITTER R.M.</b>			
NO.	NAME		
1	TRANSMITTER PACK		
2	PHASE CONTROL PANEL		
3	MONITOR AND SWITCHING EQUIPMENT		
4	OPERATION CONSOLE		
5	DISTRIBUTION PANEL		
6	TRANSMITTER/RECEIVER (FOR COMUNICATION)		
7	UHF TRANSMITTER/RECEIVER		
8	TERMINAL EQUIPMENT		
9	TELETYPE		
No.	DATE	DESCRIPTION	APPROVED
REVISION			
<b>DECCA STATION BUILDING FLOOR PLAN</b>			
CONSULTANTS			
APPROVED	CHECKED	DESIGNED	DRAWING
SCALE		REV. No.	
1 : 100			
DATE	DWO. No. K003		



RIGHT ELEVATION : SCALE 1/100



FRONT ELEVATION : SCALE 1/100

GENERAL NOTES

No.	DATE	DESCRIPTION	APPROVED
REVISION			

DECCA STATION BUILDING

RIGHT & FRONT  
ELEVATION

CONSULTANTS

APPROVED	CHECKED	DESIGNED	DRAWING

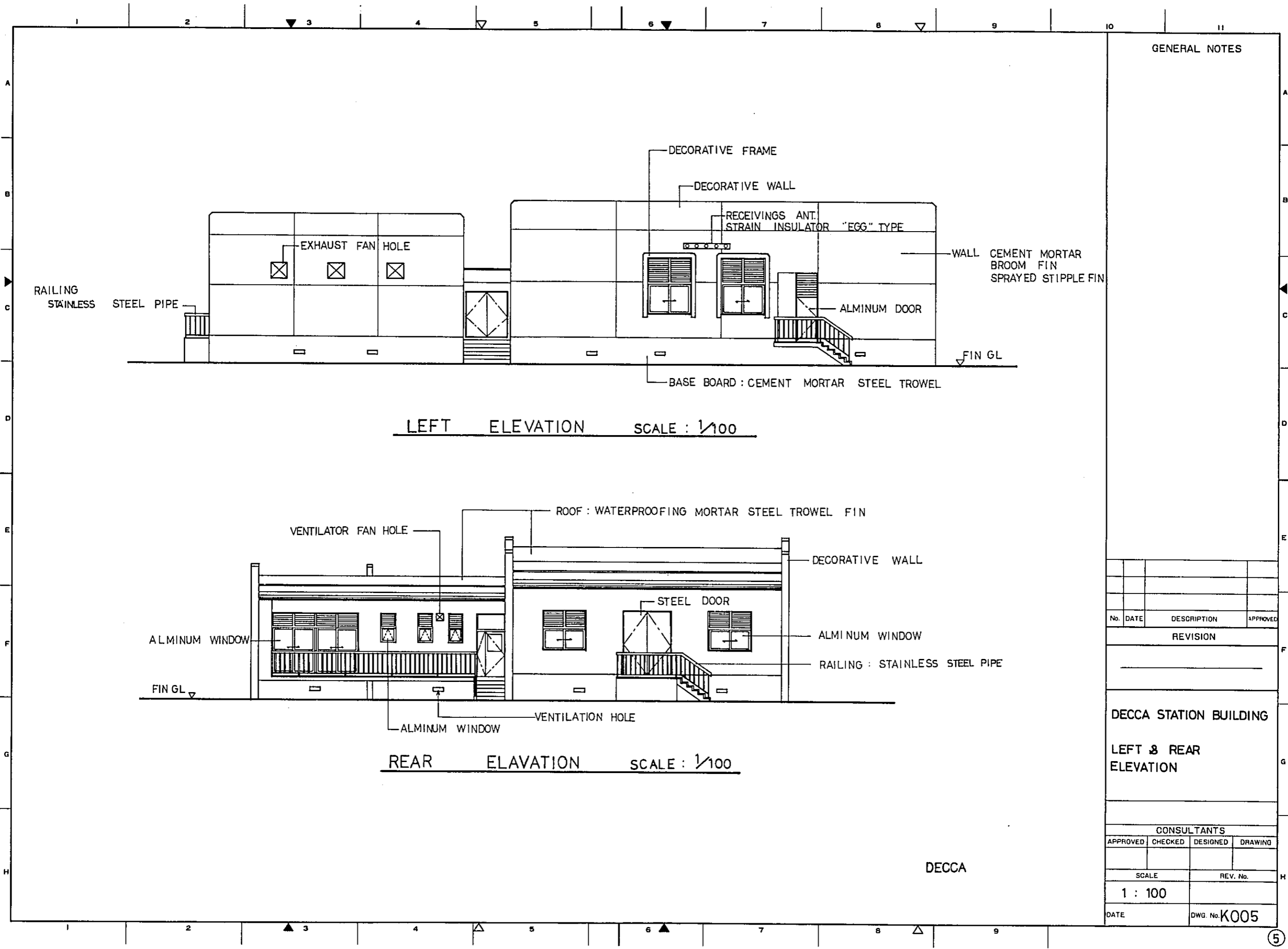
SCALE

REV. No.

1 : 100

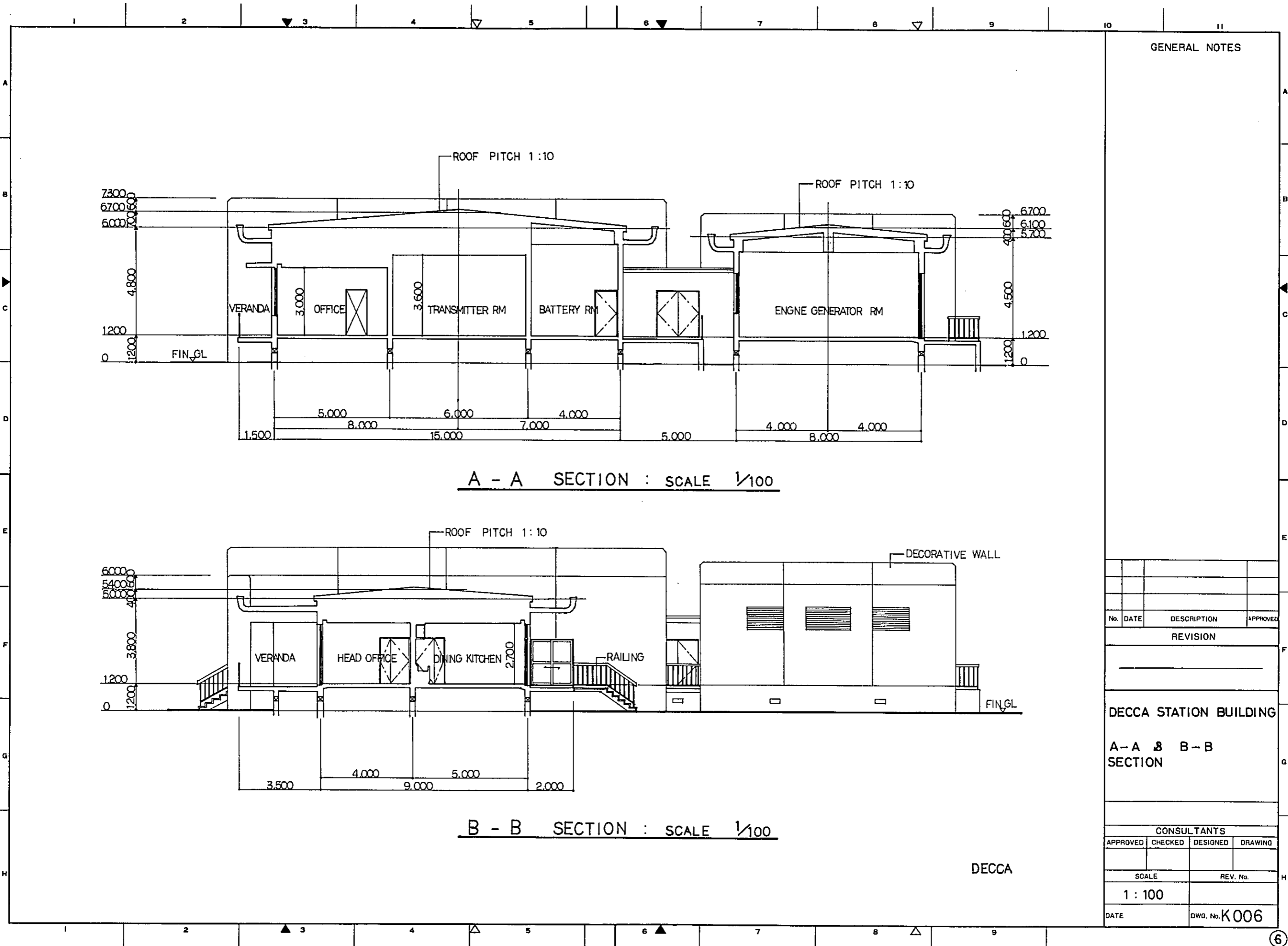
DATE

DWG. No. K 004



GENERAL NOTES

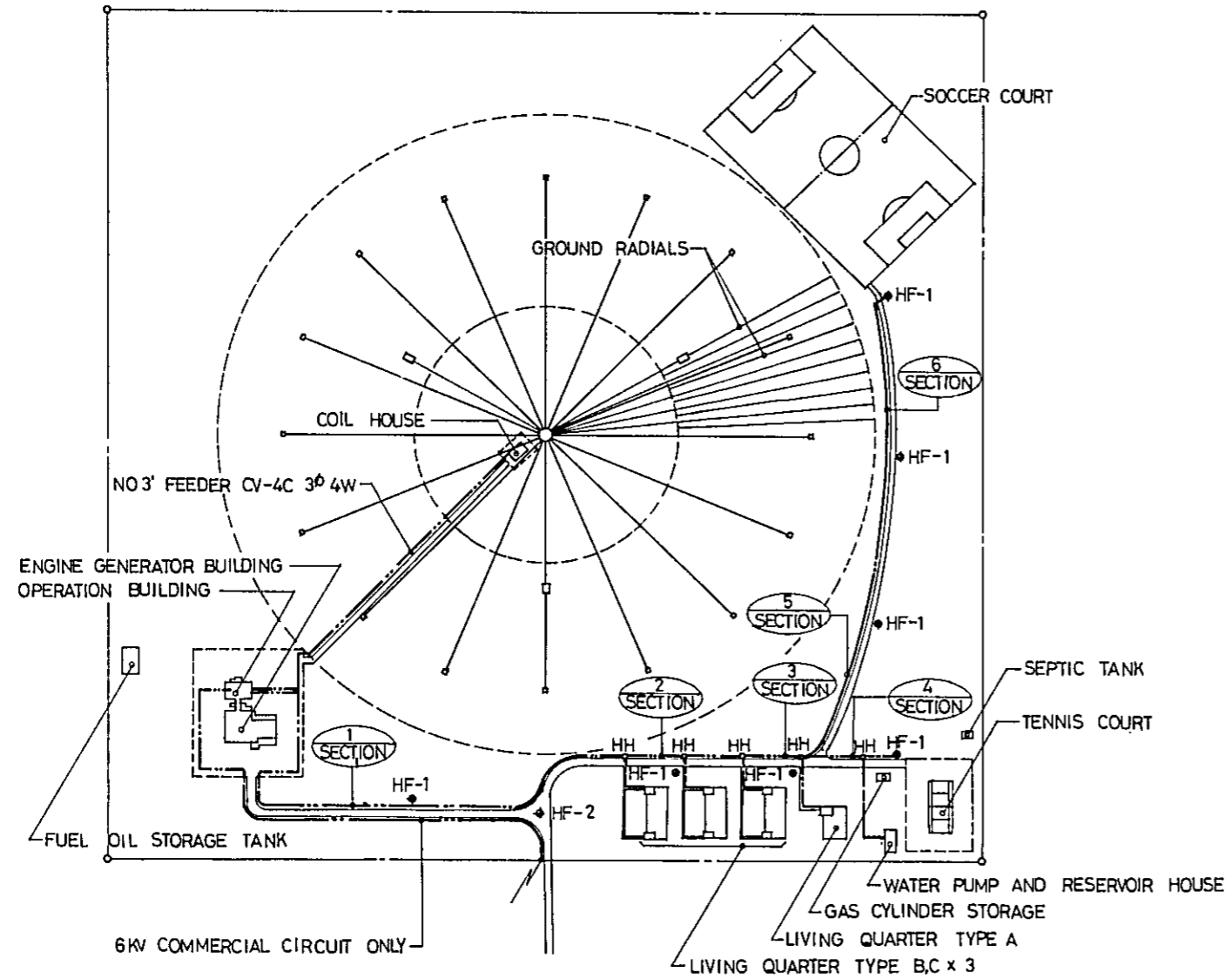
No.	DATE	DESCRIPTION	APPROVED
REVISION			
DECCA STATION BUILDING			
LEFT & REAR ELEVATION			
CONSULTANTS			
APPROVED	CHECKED	DESIGNED	DRAWING
SCALE		REV. No.	
1 : 100			
DATE		DWG. No. K005	



GENERAL NOTES

No.	DATE	DESCRIPTION	APPROVED
REVISION			
CONSULTANTS			
APPROVED	CHECKED	DESIGNED	DRAWING
SCALE		REV. No.	
1 : 100			
DATE		DWG. No. K006	

DECCA STATION BUILDING  
A - A & B - B SECTION



DECCA STATION SITE PLAN SCALE 1/2000

SYMBOL LIST

- FLUORESCENT LIGHTING FIXTURE (WITH 4 OR 6 LAMPS)
- ◻ . . . . . (WITH 2 LAMPS)
- ◻ . . . . . (WITH 1 LAMP)
- ◻ . . . . . (WALL MOUNTED)
- . . . . .
- INCANDESCENT LIGHTING FIXTURE
- ⊕ MERCURY-ARC LAMP
- ⊗ INCANDESCENT LIGHTING FIXTURE ON EMERGENCY POWER
- ⊙ DUPLICATE CONVENIENCE OUTLET
- ⊙ TELEPHONE OUTLET
- ⊙ INTERPHONE OUTLET
- ⊙ TELEVISION OUTLET
- HH HAND HOLE
- UNDERGROUND SYSTEM FEEDER CABLE
- ▭ LIGHTING DISTRIBUTION PANEL
- ▭ POWER DISTRIBUTION PANEL

GENERAL NOTES

OUTDOOR UNDERGROUND FEEDER SCHEDULE

1 SECTION	
NO 1 FEEDER	CV-4C 3φ 4W
NO 2	· · · · ·
NO 5	CV-3C 3φ 3W
2 SECTION	
NO 1 FEEDER	CV-4C 3φ 4W
NO 2	· · · · ·
NO 5	CV-3C 3φ 3W
3 SECTION	
NO 1 FEEDER	CV-4C 3φ 4W
NO 2	· · · · ·
NO 5	CV-3C 3φ 3W
4 SECTION	
NO 1 FEEDER	CV-4C 3φ 4W
NO 5	CV-3C 3φ 3W
5 SECTION	
NO 1 FEEDER	CV-4C 3φ 4W
6 SECTION	
NO 1 FEEDER	CV-4C 3φ 4W

No.	DATE	DESCRIPTION	APPROVED

REVISION

--	--	--	--

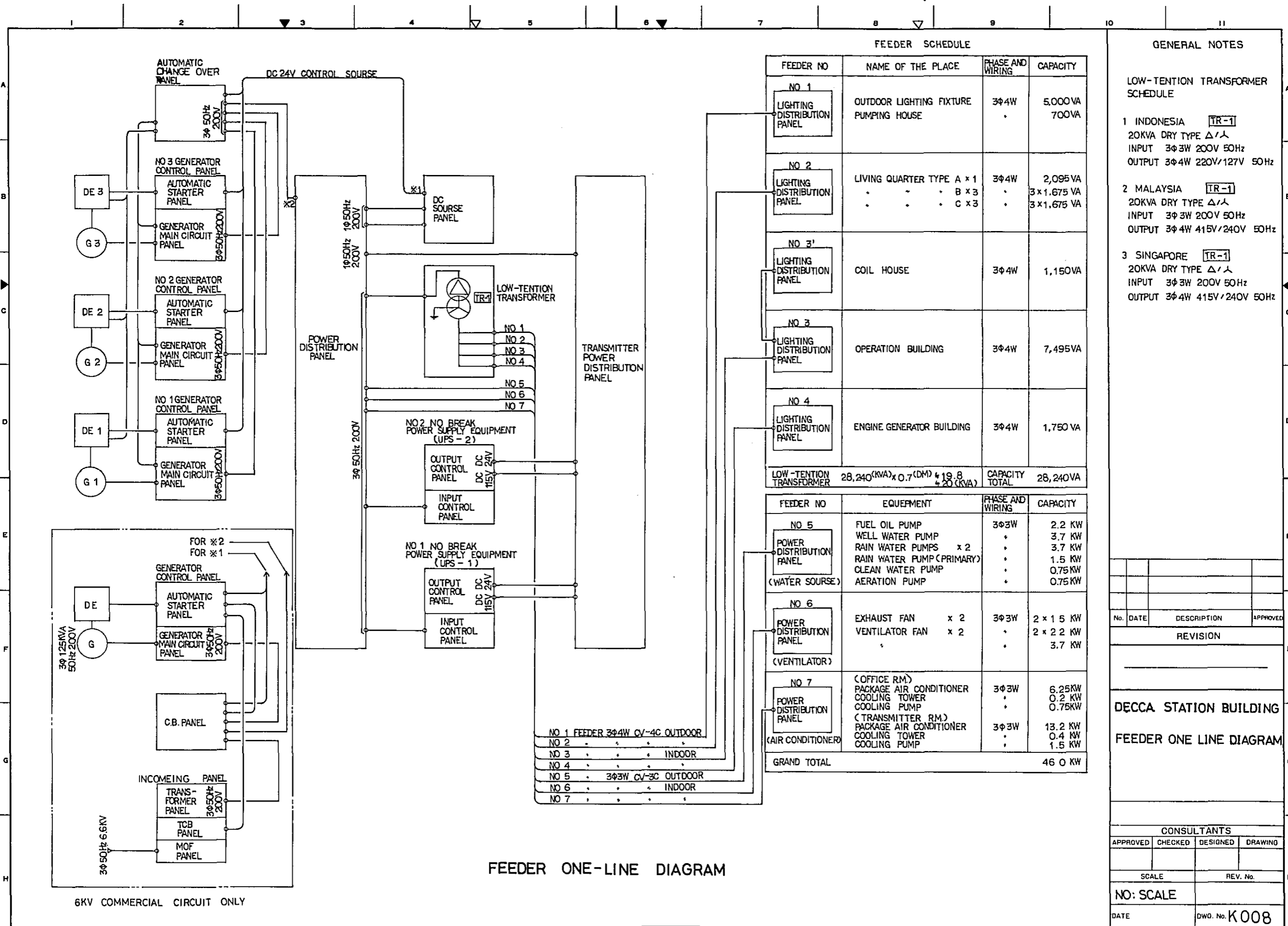
DECCA STATION BUILDING  
 ELECTRICAL SITE PLAN  
 SKETCH OF LIGHTING  
 FIXTURE  
 SYMBOL LIST

CONSULTANTS

APPROVED	CHECKED	DESIGNED	DRAWING

SCALE	REV. No.
1 : 2000	

DATE	DWG. No. K007
------	---------------



FEEDER SCHEDULE

FEEDER NO	NAME OF THE PLACE	PHASE AND WIRING	CAPACITY
NO 1	OUTDOOR LIGHTING FIXTURE PUMPING HOUSE	3Φ4W	5,000VA 700VA
NO 2	LIVING QUARTER TYPE A x 1 " " " B x 3 " " " C x 3	3Φ4W	2,095VA 3 x 1,675VA 3 x 1,675VA
NO 3	COIL HOUSE	3Φ4W	1,150VA
NO 3	OPERATION BUILDING	3Φ4W	7,495VA
NO 4	ENGINE GENERATOR BUILDING	3Φ4W	1,750VA
LOW-TENTION TRANSFORMER		28,240(KVA) x 0.7 (DM) + 19.8 + 20 (KVA)	CAPACITY TOTAL 28,240VA

FEEDER NO	EQUEPMENT	PHASE AND WIRING	CAPACITY
NO 5	FUEL OIL PUMP WELL WATER PUMP RAIN WATER PUMPS x 2 RAIN WATER PUMP (PRIMARY) CLEAN WATER PUMP AERATION PUMP	3Φ3W	2.2 KW 3.7 KW 3.7 KW 1.5 KW 0.75 KW 0.75 KW
NO 6	EXHAUST FAN x 2 VENTILATOR FAN x 2	3Φ3W	2 x 1.5 KW 2 x 2.2 KW 3.7 KW
NO 7	(OFFICE RM.) PACKAGE AIR CONDITIONER COOLING TOWER COOLING PUMP (TRANSMITTER RM.) PACKAGE AIR CONDITIONER COOLING TOWER COOLING PUMP	3Φ3W	6.25KW 0.2 KW 0.75KW 13.2 KW 0.4 KW 1.5 KW
GRAND TOTAL			46 0 KW

GENERAL NOTES

LOW-TENTION TRANSFORMER SCHEDULE

1 INDONESIA **TR-1**  
20KVA DRY TYPE Δ/Δ  
INPUT 3Φ3W 200V 50Hz  
OUTPUT 3Φ4W 220V/127V 50Hz

2 MALAYSIA **TR-1**  
20KVA DRY TYPE Δ/Δ  
INPUT 3Φ3W 200V 50Hz  
OUTPUT 3Φ4W 415V/240V 50Hz

3 SINGAPORE **TR-1**  
20KVA DRY TYPE Δ/Δ  
INPUT 3Φ3W 200V 50Hz  
OUTPUT 3Φ4W 415V/240V 50Hz

FEEDER ONE-LINE DIAGRAM

No.	DATE	DESCRIPTION	APPROVED

REVISION

DECCA STATION BUILDING  
FEEDER ONE LINE DIAGRAM

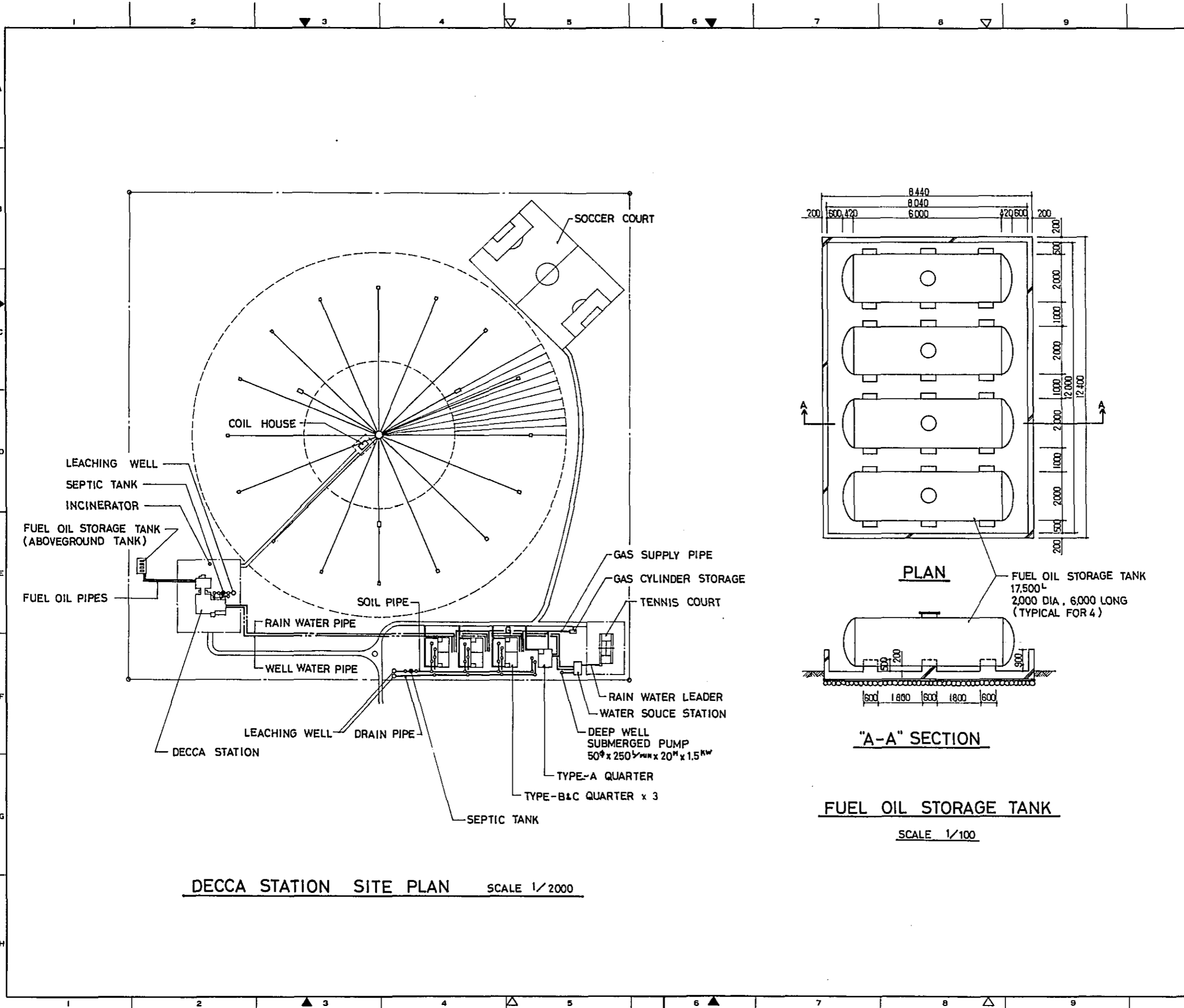
CONSULTANTS

APPROVED	CHECKED	DESIGNED	DRAWING

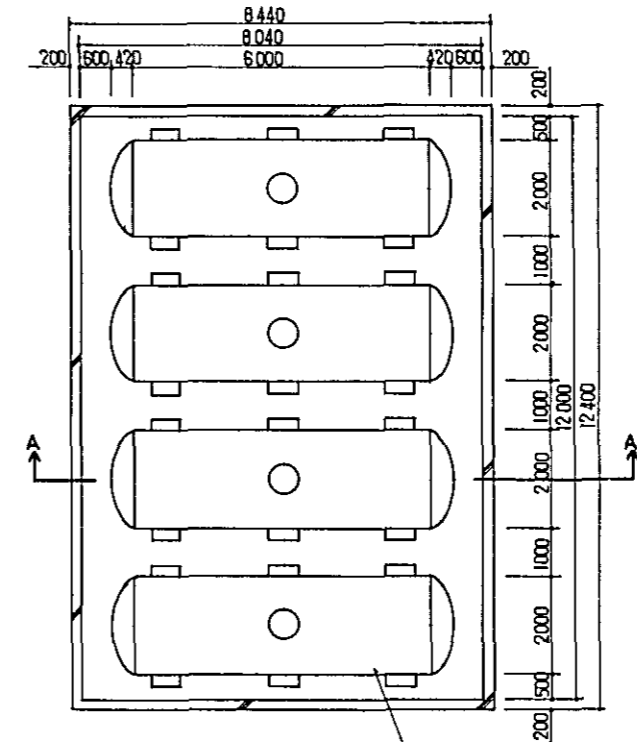
SCALE REV. No.

NO: SCALE

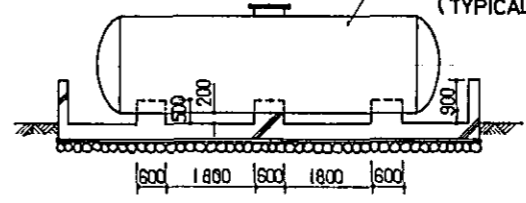
DATE DWG. No. K008



DECCA STATION SITE PLAN SCALE 1/2000



PLAN



"A-A" SECTION

FUEL OIL STORAGE TANK

SCALE 1/100

GENERAL NOTES

No.	DATE	DESCRIPTION	APPROVED
REVISION			

DECCA STATION BUILDING  
PLUMBING SITE PLAN  
FUEL OIL STORAGE TANK

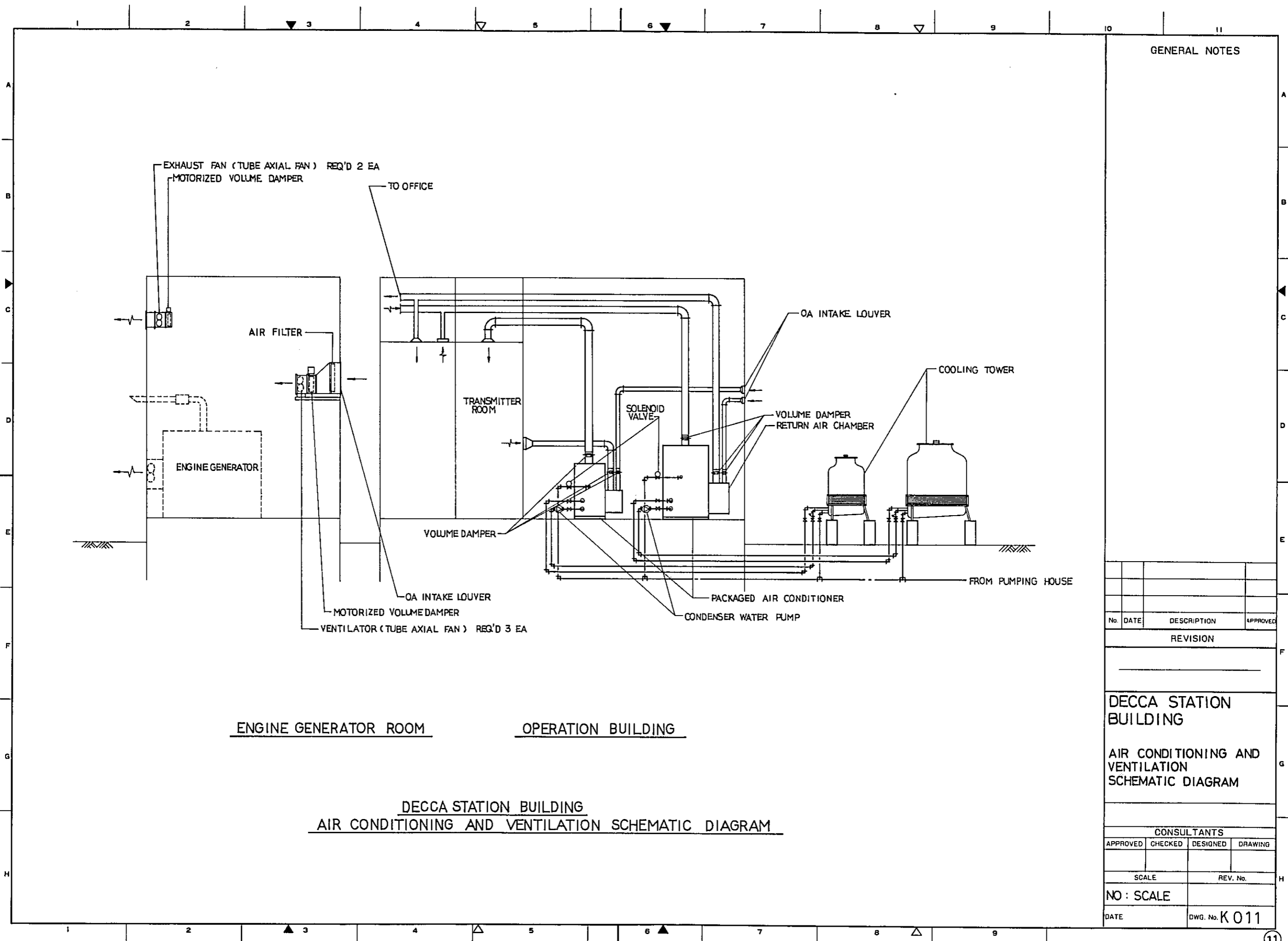
CONSULTANTS			
APPROVED	CHECKED	DESIGNED	DRAWING

SCALE 1:2000, 1:100

DATE \_\_\_\_\_ REV. No. \_\_\_\_\_ DWG. No. K009







GENERAL NOTES

No.	DATE	DESCRIPTION	APPROVED

REVISION			

DECCA STATION BUILDING  
 AIR CONDITIONING AND VENTILATION SCHEMATIC DIAGRAM

CONSULTANTS			
APPROVED	CHECKED	DESIGNED	DRAWING

SCALE	REV. No.
NO : SCALE	
DATE	DWG. No. K 011

ENGINE GENERATOR ROOM      OPERATION BUILDING

DECCA STATION BUILDING  
AIR CONDITIONING AND VENTILATION SCHEMATIC DIAGRAM

# DECCA STATION COIL HOUSE

## EXTERIOR FINISH SCHEDULE

PART	MATERIAL	FINISH	REMARKS
BASE BOARD	CONCRETE	CEMENT MORTAR STEEL TROWEL	H= 1.200MM
WALL	*	BROOM FINISH & SPRAYED STIPPLE	
ROOF	*	CONCRETE SLAB MORTAR FINISH, ASPHALT WATERPROOFING.	
		LIGHTWEIGHT CONCRETE, TOPPING WATERPROOFING	
		MORTAR STEEL TROWEL FINISH	
RAILING		STEEL PIPE O.P	
WINDOW & DOOR		STEEL O.P	

## INTERIOR FINISH SCHEDULE

ROOM NAME	FLOOR		BASE			WAINSCOT			WALL		CEILING			REMARKS
	MATERIAL	FINISH	MAT	FIN	HGT	MAT	FIN	HGT	MAT	FIN	MAT	FIN	HGT	
VESTIBULE	CEM. MORTAR	STEEL TROWEL	CEM. MORTAR	STEEL TROWEL V.P	100	—	—	—	CEMENT MORTAR	STEEL TROWEL V.P	EXPOSED CONCRETE	WHITE CEM SPRAYED		
COIL ROOM	VINYL TILE	MANUFACT FIN	VINYL TILE	MANUFACT FIN	100	—	—	—	ASBESTOS CEM BOARD t=6mm		ASBESTOS CEM BOARD t=6mm			COPPER SHIELDING

TYPE OF CONSTRUCTION : THE HOUSE SHALL BE CONSTRUCTED OF LOAD-BEARING CONCRETE BLOCK WITH REINFORCED CONCRETE FLOOR AND REINFORCED CONCRETE ROOF SLAB.

MECHANICAL : COIL ROOM, MECHANICAL VENTILATION.

ELECTRICAL : LIGHTING AND POWER.

### GENERAL NOTES

No.	DATE	DESCRIPTION	APPROVED

#### REVISION

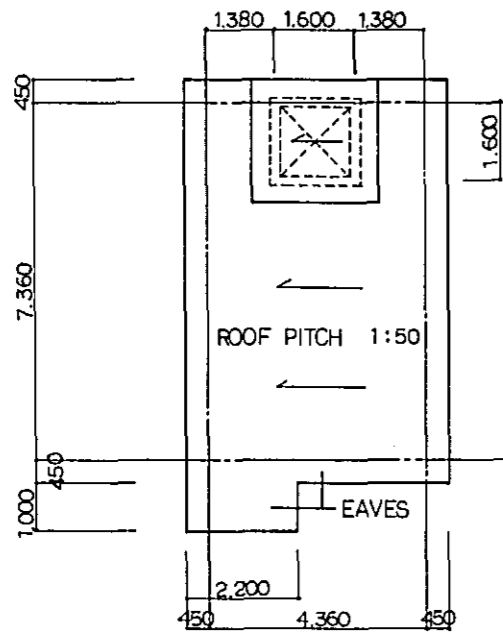
**DECCA STATION COIL HOUSE**  
**EXTERIOR & INTERIOR FINISH SCHEDULE**

#### CONSULTANTS

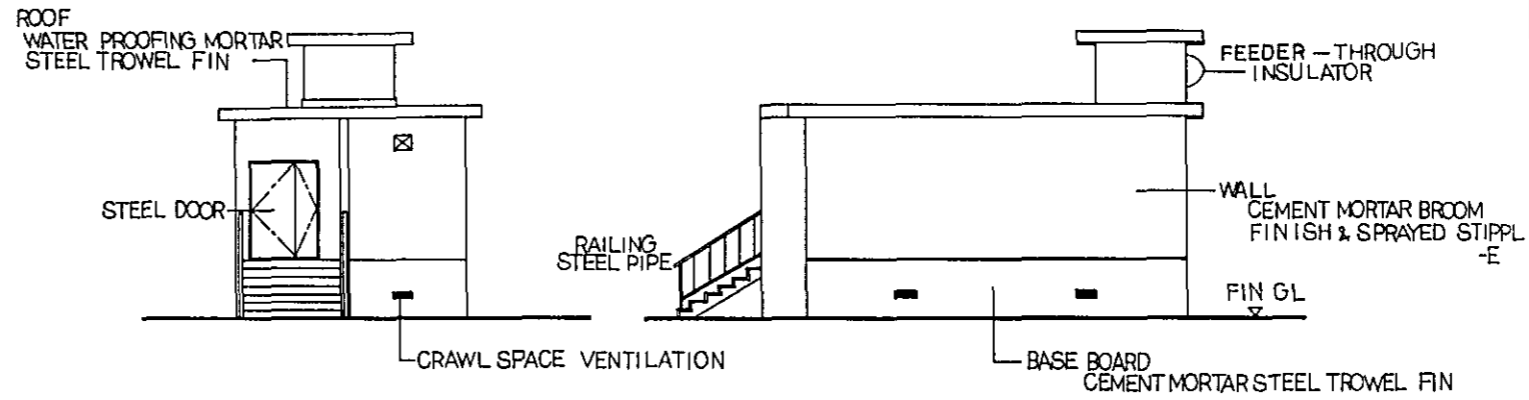
APPROVED	CHECKED	DESIGNED	DRAWING

SCALE                      REV. No.

DATE                      DWG. No. **K012**

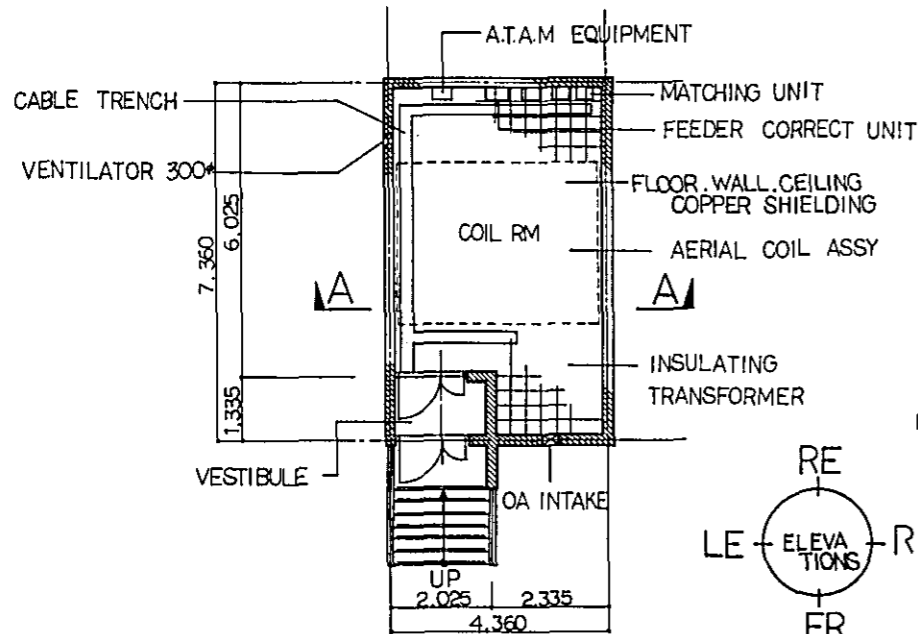


ROOF PLAN SCALE : 1/100

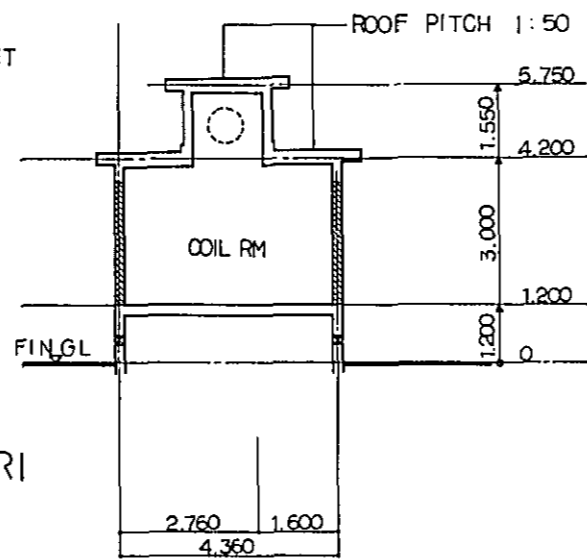


FRONT ELEVATION SCALE : 1/100

RIGHT ELEVATION SCALE : 1/100



FLOOR PLAN SCALE : 1/100



A - A SECTION SCALE : 1/100

DECCA STATION  
COIL HOUSE S : 32,0896 M<sup>2</sup>

GENERAL NOTES

No.	DATE	DESCRIPTION	APPROVED

REVISION

DECCA STATION  
COIL HOUSE  
FLOOR PLAN  
ROOF PLAN  
FRONT & RIGHT ELEVATION  
A - A SECTION

CONSULTANTS

APPROVED	CHECKED	DESIGNED	DRAWING

SCALE  
1 : 100

REV. No.

DATE  
DWG. No. K013

**DECCA STATION QUARTERS BUILDING (TYPE A·B·C)**

**EXTERIOR FINISH SCHEDULE**

PART	MATERIAL	FINISH	REMARKS
BASE BOARD	CONCRETE	CEMENT MORTAR STEEL TROWEL	H=G L+1.200 <sup>MM</sup>
WALL	.	BROOM FINISH & SPRAYED STIPPLE	
		FINISH	
ROOF	CONCRETE	CONCRETE SLAB MORTAR FINISH	
		ASPHALT WATERPROOFING LIGHTWEIGHT	
		CONCRETE TOPPING WATERPROOFING	
		MORTAR TROWEL FINISHED	
SOFFIT	CONCRETE	WATER PROOFING MORTAR STEEL TROWEL FINISHED	
ROOF DRAIN		CAST IRON	100 <sup>Ø</sup>
DRAIN PIPE			
VERANDA	CONCRETE	QUARRY TILE FINSH	RAILING : STAINLESS STEEL PIPE
WINDOW & DOOR	ALUMINUM	MANUFACTURE FINISH	

LIVING QUARTERS TYPE A : TYPE A UNITS SHALL BE A SINGLE DWELLING UNIT CONSTRUCTED OF CONCRETE BLOCK, WITH REINFORCED CONCRETE ROOF SLAB AND CONCRETE FLOOR SLAB.

LIVING QUARTERS TYPE B AND C : TYPE B AND C UNITS ARE CONCRETE BLOCK, WITH REINFORCED CONCRETE ROOF SLAB AND CONCRETE FLOOR SLAB.

MECHANICAL  
PLUMBING : HOT- AND COLD-WATER PIPING, LP GAS PIPING, AND HOT-WATER HEATER, PLUMBING FIXTURES.  
SANITARY SEWER PIPING.

ELECTRICAL  
LIGHTING : FLUORESCENT AND INCANDESCENT LIGHTING FIXTURES.

GENERAL NOTES

No.	DATE	DESCRIPTION	APPROVED

REVISION

DECCA STATION QUARTERS BUILDING

EXTERIOR FINISH SCHEDULE

CONSULTANTS

APPROVED	CHECKED	DESIGNED	DRAWING

SCALE

REV. No.

DATE

DWG. No. K051

**DECCA STATION QUARTERS BUILDING** (TYPE A·B·C)

**INTERIOR FINISH SCHEDULE**

ROOM NAME	FLOOR		BASE			WAINSCOT			WALL		CEILING			REMARKS
	MATERIAL	FINISH	MAT	FIN	HGT	MAT	FIN	HGT	MAT	FIN	MAT	FIN	HGT	
ENTRANCE	CEMENT MORTAR	QUARRY TILE	CEMENT MORTAR	QUARRY TILE	—	—	—	—	DECORATIVE PLYWOOD FIN	MANUFACT FIN	PLYWOOD UNDERLAYMENT	CLOTHS SHEET	3.000	COAT HOOK
LIVING ROOM	☺	CARPET	WOOD	O.P	60	—	—	—	☺	☺	☺	☺	2.700	CURTAIN RAIL BOX
DINING KITCHEN	WOOD PARQUET FLOORING	MANUFACT FIN	☺	☺	☺	—	—	—	☺	☺	ASBESTOS ACOUSTIC TILE t=9mm	MANUFACT FIN	2.700	STAINLESS SINK WORK TABLE WALL CABINET GAS TABLE
LIVING DINING KITCHEN	☺	☺	☺	☺	☺	—	—	—	☺	☺	☺	☺	2.700	☺
BED ROOM (TYPE B.C)	CEMENT MORTAR	CARPET	☺	☺	☺	—	—	—	☺	☺	☺	☺	2.700	BED CURTAIN RAIL BOX
BED ROOM (TYPE A)	☺	☺	☺	☺	☺	—	—	—	☺	☺	PLYWOOD UNDERLAYMENT	CLOTHS SHEET	2.700	☺
STORAGE ROOM	VINYL TILE	MANUFACT FIN	☺	☺	☺	—	—	—	CEMENT MORTAR	STEEL TROWEL V.P	STYROFOAM	WHITE CEMENT SPRAYED	—	
SHOWER ROOM	CERAMIC MOSAIC TILE	☺	—	—	—	—	—	—	CERAMIC GLAZED TILE	MANUFACT FIN	ASBESTOS CEMENT BOARD t=9mm	V.P	2.700	BATH WATER CLOSET

TYPE A : COMMANDING OFFICERS QUARTERS.  
 TYPE B : STAFF MEMBERS QUARTERS.  
 TYPE C : OTHER MEMBERS QUARTERS.

GENERAL NOTES

No.	DATE	DESCRIPTION	APPROVED

REVISION

**DECCA STATION QUARTERS BUILDING**

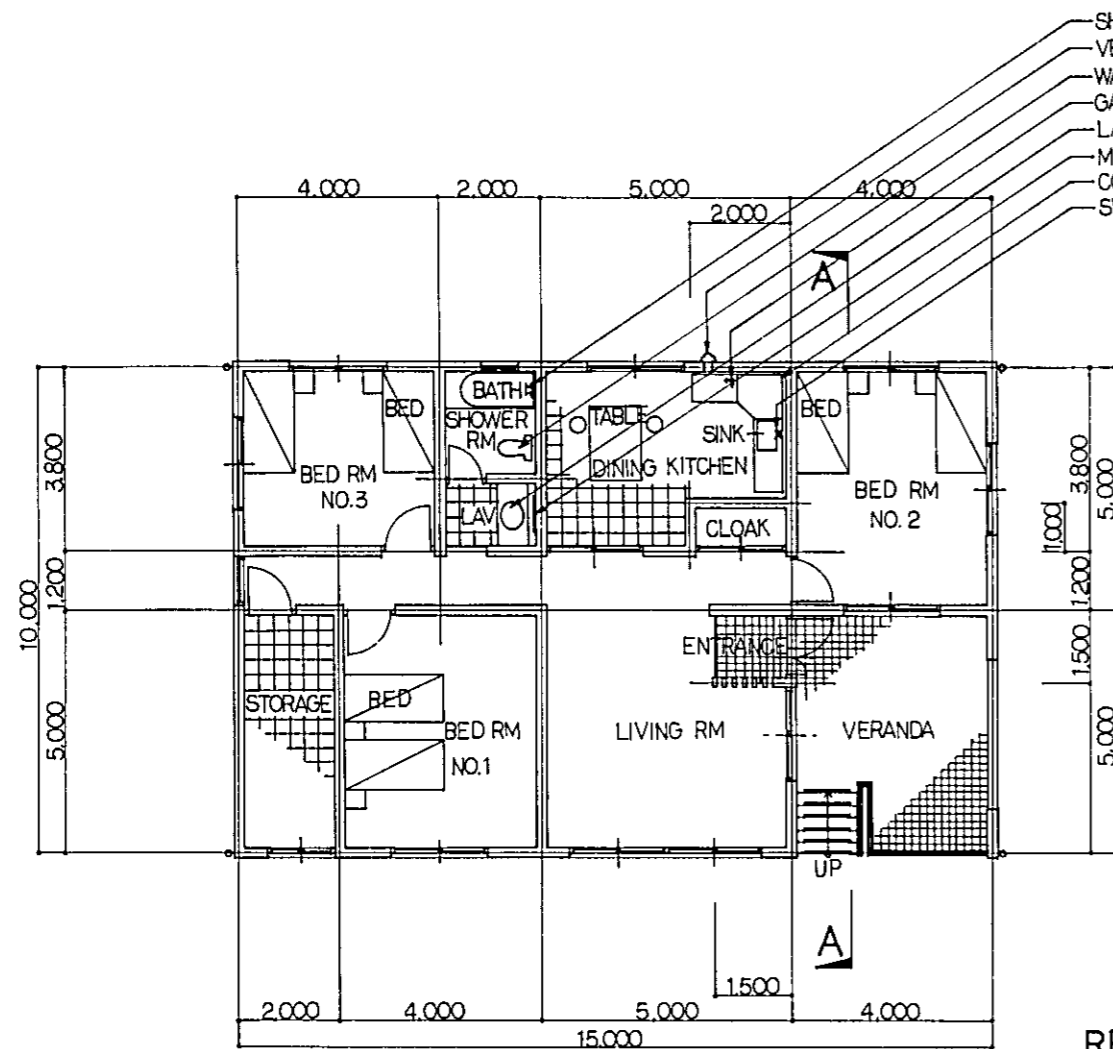
**INTERIOR FINISH SCHEDULE**

CONSULTANTS

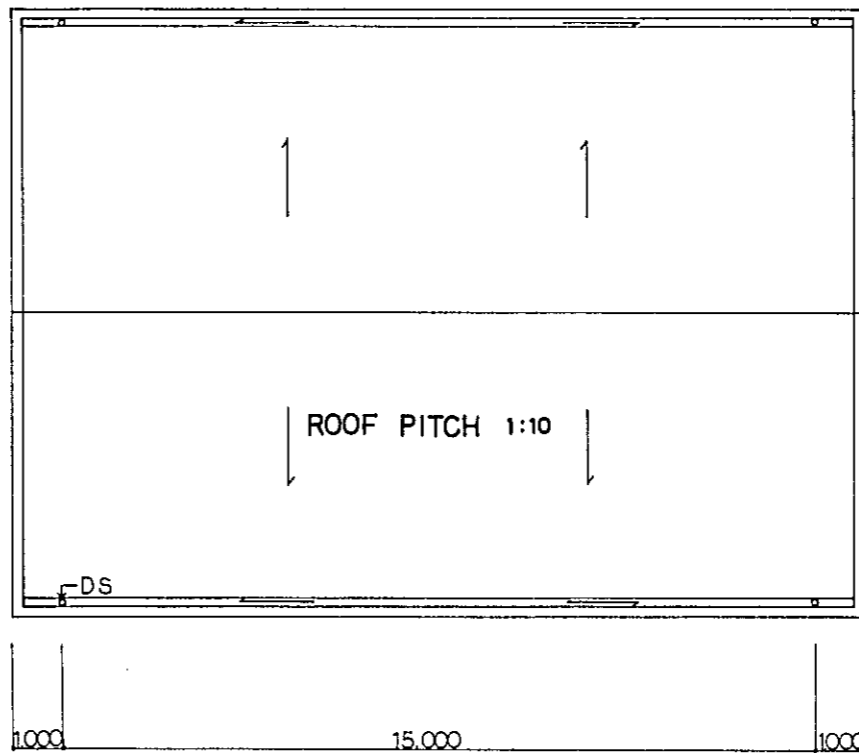
APPROVED	CHECKED	DESIGNED	DRAWING

SCALE                      REV. No.

DATE                      DWG. No. **K052**



- SHOWER BATH SET
- VENTILATOR 510x35 (CENTRIFUGAL)
- WATER CLOSET
- GAS-COCK DOUBLE OUTLETS
- LAVATORY
- MIRROR (912x404)
- CORNER TABLE
- SWING FAUSET

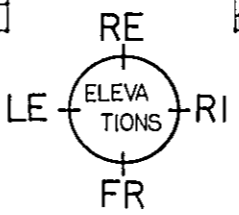


FLOOR PLAN SCALE : 1/100

ROOF PLAN SCALE : 1/100

TYPE A S 150 M<sup>2</sup> (130)

COMMANDING OFFICER'S QUARTER S : 150 M<sup>2</sup>



GENERAL NOTES

No	DATE	DESCRIPTION	APPROVED

REVISION

DECCA STATION QUARTERS BUILDING

FLOOR PLAN  
ROOF PLAN  
(TYPE - A)

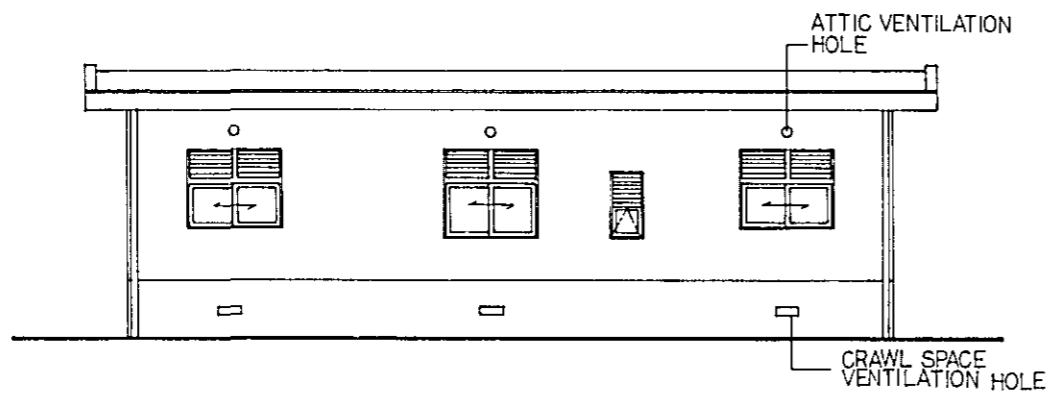
CONSULTANTS

APPROVED	CHECKED	DESIGNED	DRAWING

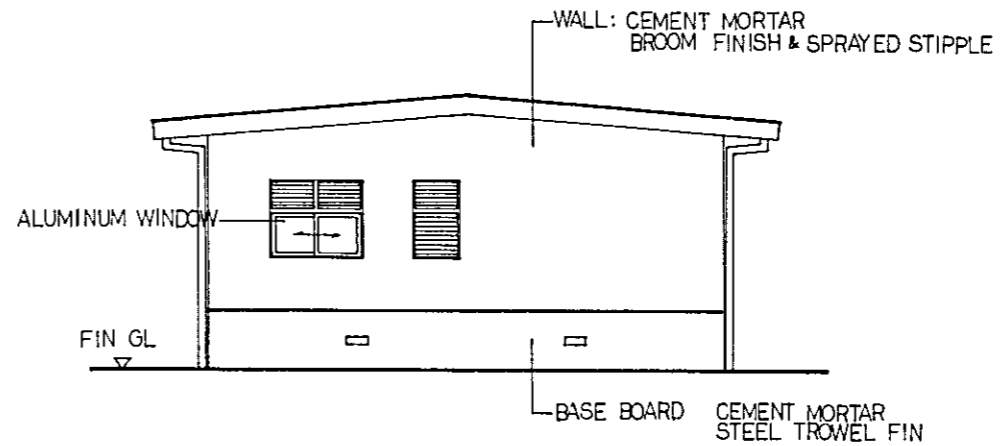
SCALE REV. No.

1 : 100

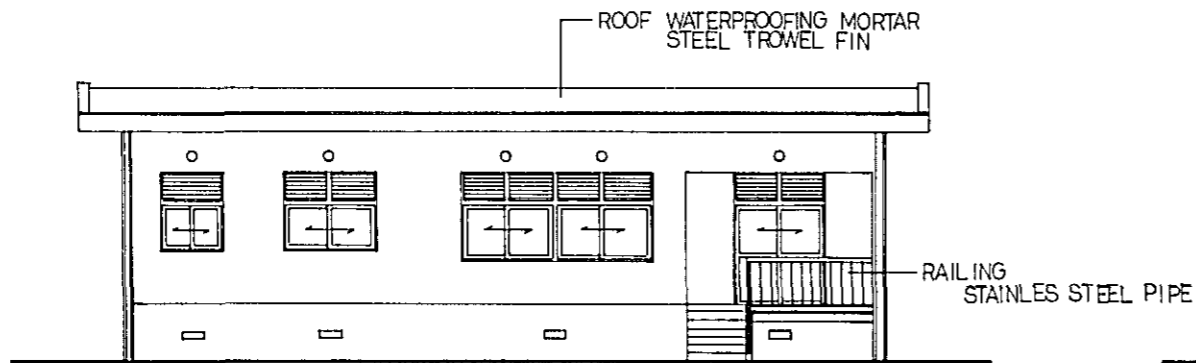
DATE DWG. No K 053



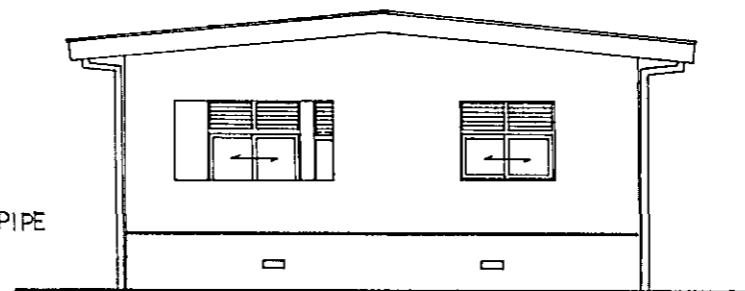
REAR ELEVATION SCALE : 1/100



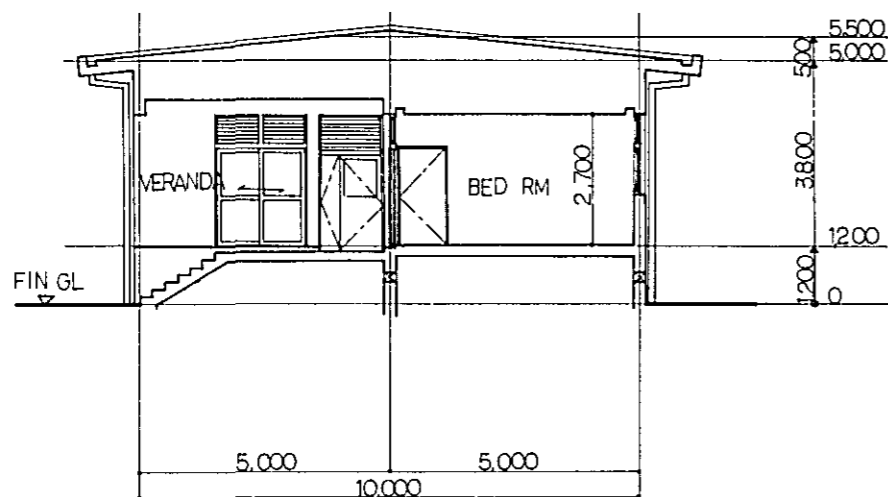
LEFT ELEVATION SCALE : 1/100



FRONT ELEVATION SCALE : 1/100



RIGHT ELEVATION SCALE : 1/100



A - A SECTION SCALE : 1/100

TYPE A

GENERAL NOTES

No.	DATE	DESCRIPTION	APPROVED

REVISION

DECCA STATION QUARTERS BUILDING

ELEVATION  
A - A SECTION  
(TYPE - A)

CONSULTANTS

APPROVED	CHECKED	DESIGNED	DRAWING

SCALE

REV. No.

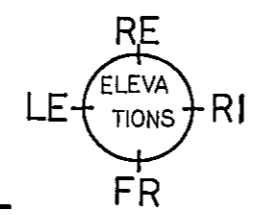
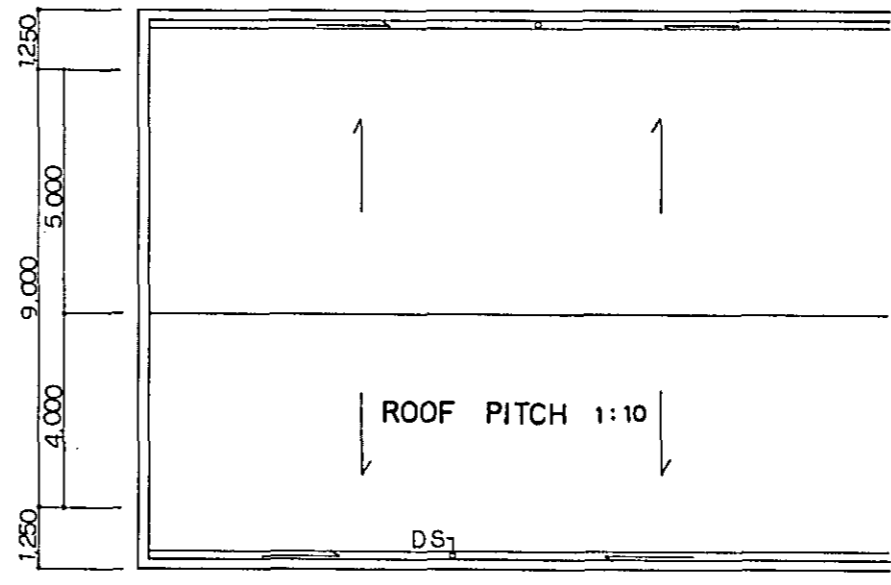
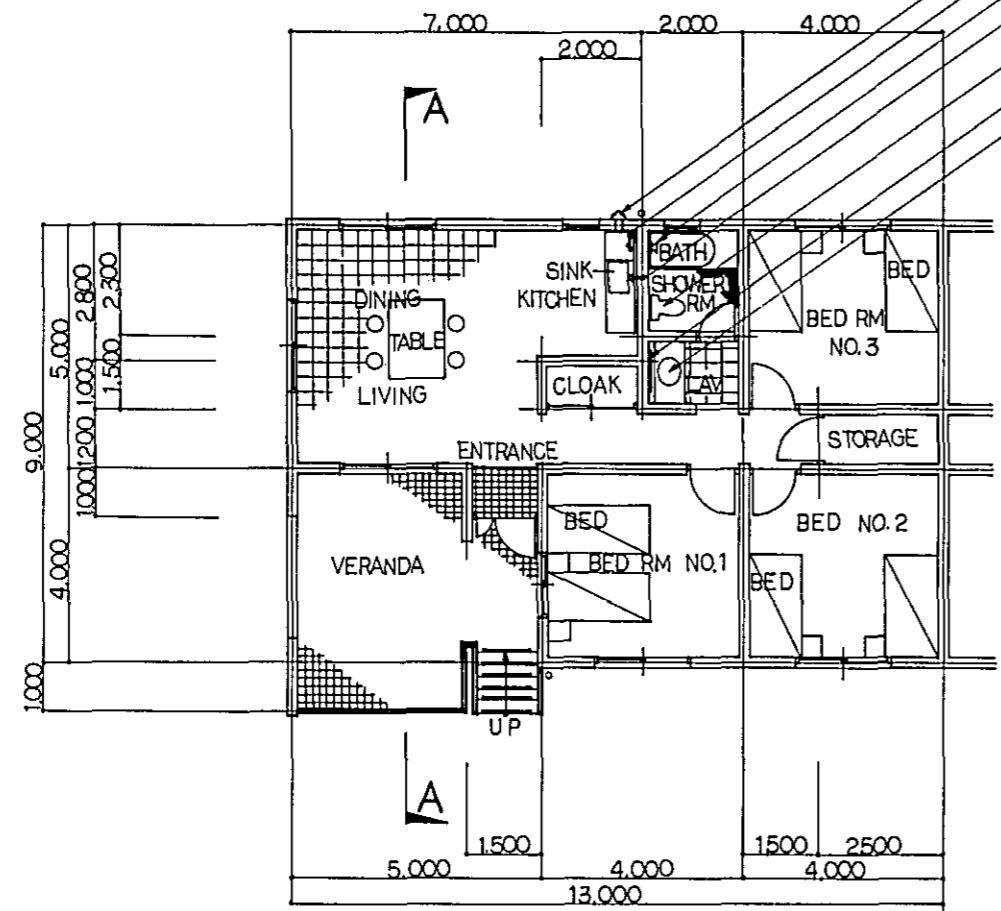
1 : 100

DATE

DWG. No. K 054

GENERAL NOTES

- VENTILATOR 510<sup>HR</sup> x 35 (CENTRIFUGAL)
- GAS-COCK DOUBLE OUTLETS
- SHOWER-BATH SET
- SWING FAUCET
- WATER CLOSET
- MIRROR (912x404)
- LAVATORY



FLOOR PLAN SCALE : 1/100

ROOF PLAN SCALE 1/100

TYPE B S122 M<sup>2</sup> (98<sup>5</sup>)

STAFF MEMBER'S QUARTER S:122 M<sup>2</sup>

No.	DATE	DESCRIPTION	APPROVED

REVISION			

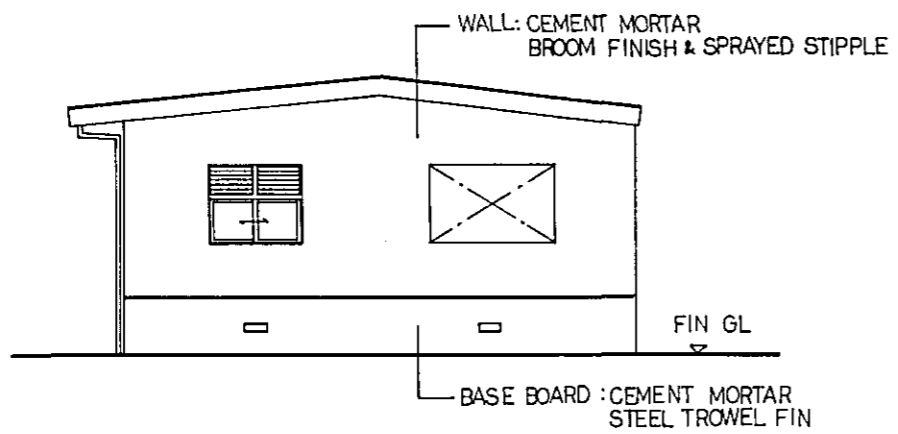
DECCA STATION QUARTERS BUILDING  
FLOOR PLAN  
ROOF PLAN  
(TYPE - B)

CONSULTANTS			
APPROVED	CHECKED	DESIGNED	DRAWING

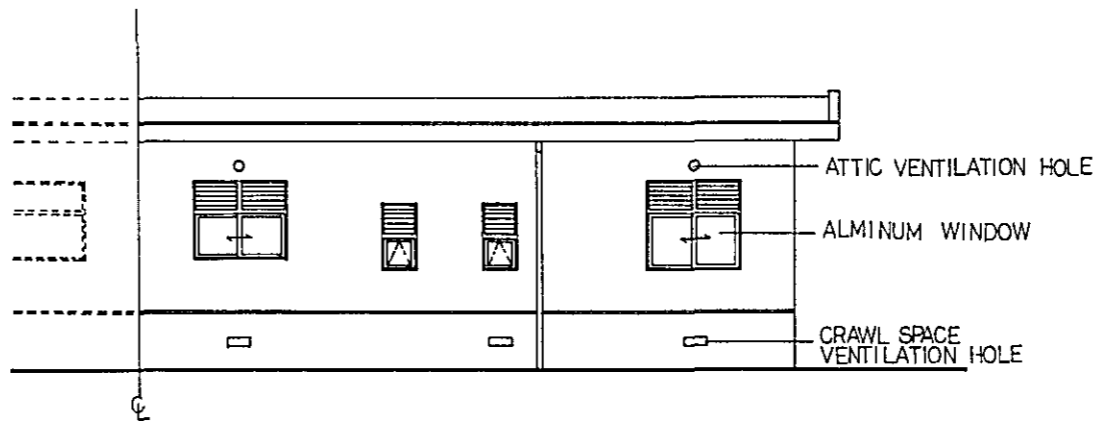
SCALE	REV. No.
1:100	

DATE	DWG. No.
	K055

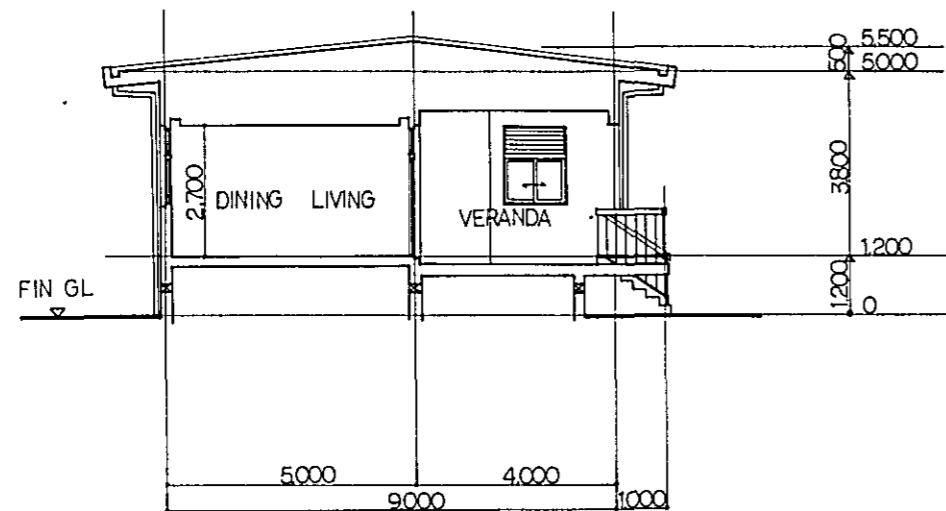




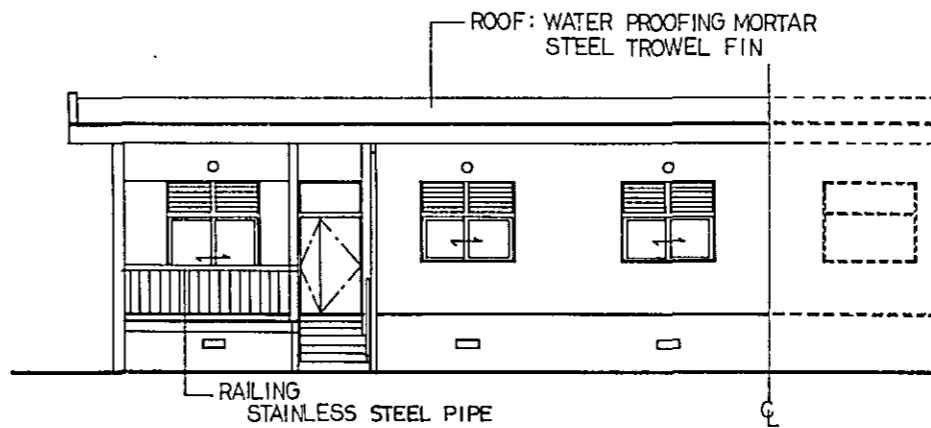
LEFT ELEVATION SCALE 1/100



REAR ELEVATION SCALE 1/100



A - A SECTION SCALE 1/100



FRONT ELEVATION SCALE 1/100

TYPE B

GENERAL NOTES

No	DATE	DESCRIPTION	APPROVED

REVISION

DECCA STATION QUARTERS  
BUILDING (TYPE-B)  
ELEVATIONS  
A-A SECTION

CONSULTANTS

APPROVED	CHECKED	DESIGNED	DRAWING

SCALE

REV. No.

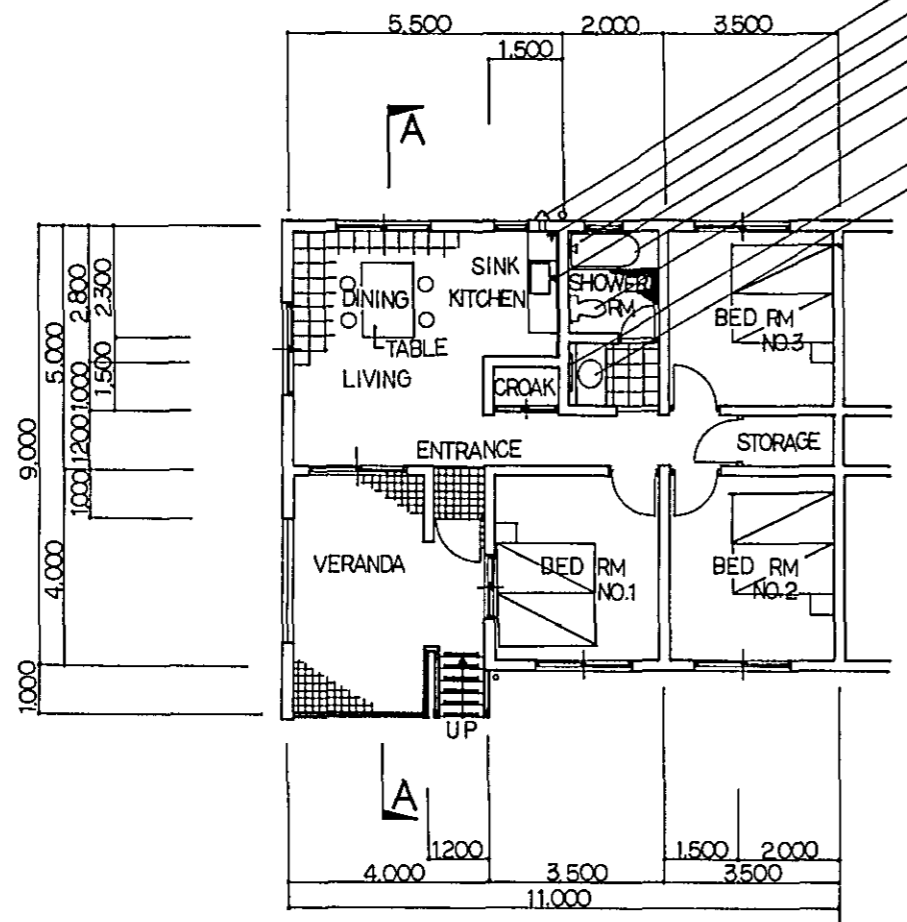
1: 100

DATE

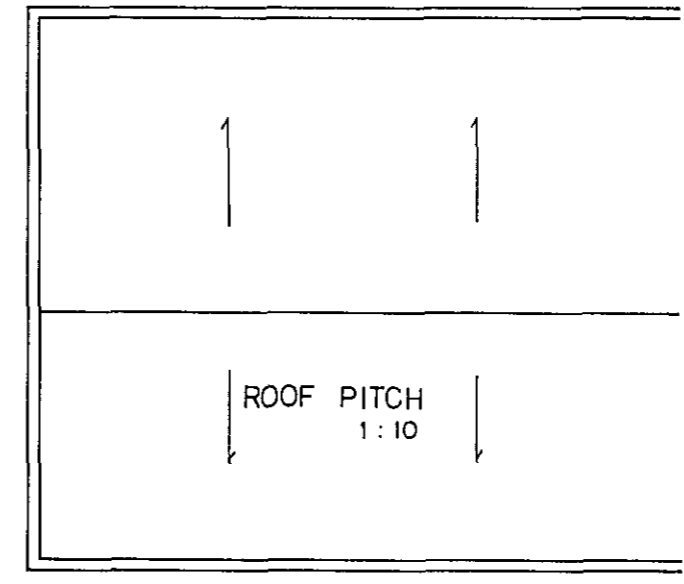
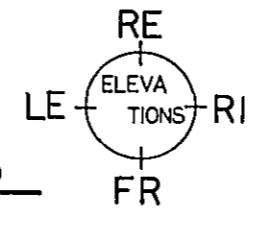
DWG. No. K 056

GENERAL NOTES

- VENTILATION 510 $\frac{1}{2}$  x 35" (CENTRIFUGAL)
- GAS-COCK DOUBLE OUTLETS
- SHOWER-BATH SET
- SWING FAUCET
- BATH
- WATER CLOSET
- MIRROR(912 x 404)
- LAVATORY



FLOOR PLAN SCALE 1/100



ROOF PLAN SCALE 1/100

TYPE C S 103 M<sup>2</sup> (84<sup>2</sup>)  
OTHER MEMBER'S QUARTERS S : 103 M<sup>2</sup>

No.	DATE	DESCRIPTION	APPROVED

REVISION

--	--	--	--

DECCA STATION QUARTERS BUILDING (TYPE-C)

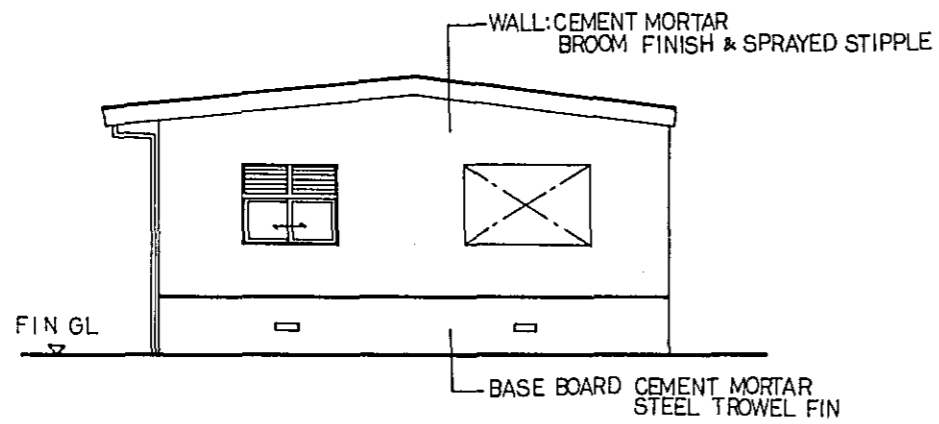
FLOOR PLAN  
 ROOF PLAN

CONSULTANTS

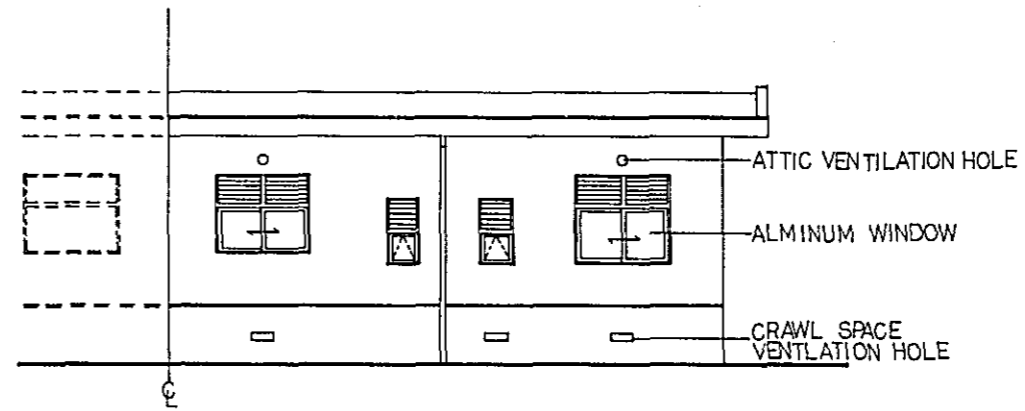
APPROVED	CHECKED	DESIGNED	DRAWING

SCALE 1:100 REV. No.

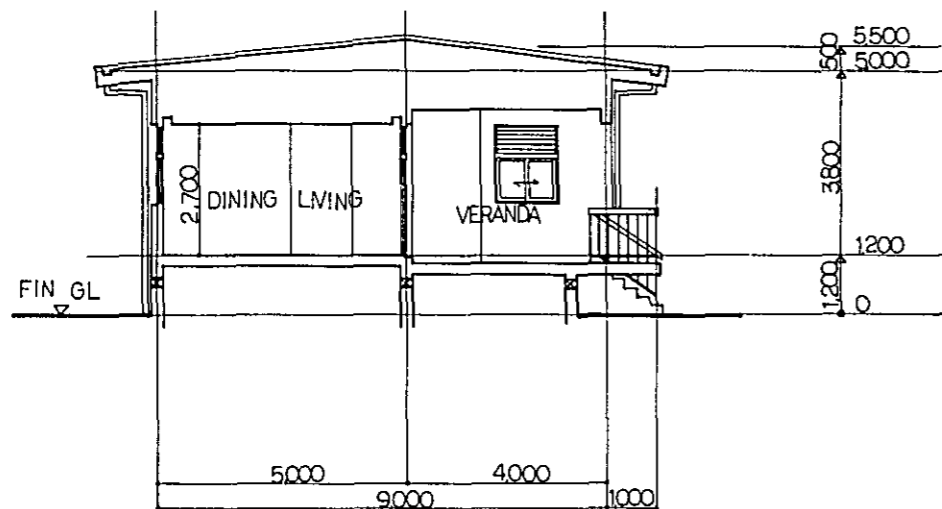
DATE DWG. No. K 057



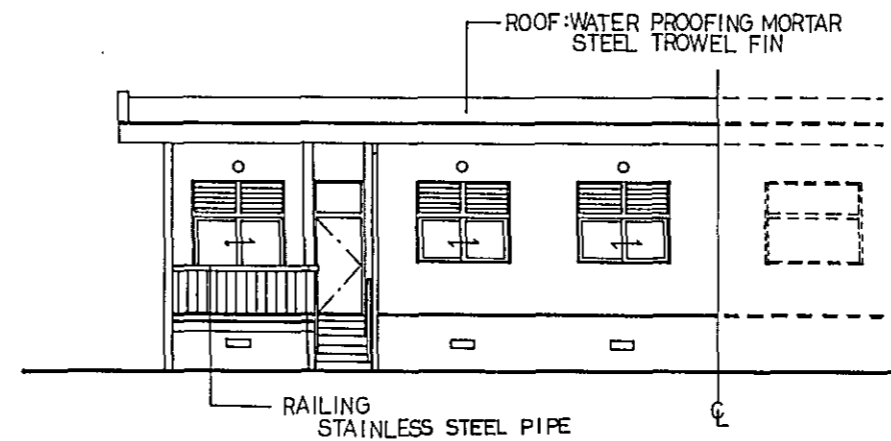
LEFT ELEVATION SCALE : 1/100



REAR ELEVATION SCALE : 1/100



A - A SECTION SCALE 1/100



FRONT ELEVATION SCALE : 1/100

TYPE C

GENERAL NOTES

No.	DATE	DESCRIPTION	APPROVED

REVISION

DECCA STATION QUARTERS BUILDING (TYPE-C)

ELEVATION A-A SECTIONS

CONSULTANTS

APPROVED	CHECKED	DESIGNED	DRAWING

SCALE

1 : 100

REV. No.

DATE

DWG. No. K058

GENERAL NOTES

DECCA STATION WATER PUMP AND RESERVOIR HOUSE

EXTERIOR FINISH SCHEDULE			
PART	MATERIAL	FINISH	REMARKS
BASE BOARD	CONCRETE	CEMENT MORTAR STEEL TROWEL	H= GL + 300 <sup>MM</sup>
WALL	CONCRETE BLOCK	---	
ROOF	CONCRETE	WATERPROOFING MORTAR STEEL TROWEL	
WINDOW & DOOR	STEEL ALUMINUM	OILPAINT MANUFACTURE FINISH	

INTERIOR FINISH SCHEDULE														
ROOM NAME	FLOOR		BASE			WAINSCOT			WALL		CEILING			REMARKS
	MATERIAL	FINISH	MAT	FIN	HGT	MAT	FIN	HGT	MAT	FIN	MAT	FIN	HGT	
RAIN WATER RESERVOIR	WATER-PROOFING MORTAR	STEEL TROWEL	---	---	---	---	---	---	WATER-PROOFING MORTAR	STEEL TROWEL	WATER-PROOFING MORTAR	STEEL TROWEL	---	LADDERS
PUMP HOUSE	.	.	WATER-PROOFING MORTAR	STEEL TROWEL	100	---	---	---	.	.	EXPOSED CONCRETE		---	FLOOR HATCH

WATER PUMP AND RESERVOIR HOUSE : THE WATER PUMP AND RESERVOIR HOUSE SHALL BE A CONCRETE BLOCK WITH REINFORCED CONCRETE ROOF SLAB.

MECHANICAL

PUMPS & PIPING

: WATER PUMPS RELATED CONTROLS, PIPING AND VALVES SHALL BE PROVIDED.

ELECTRICAL

POWER

: ELECTRICAL POWER FOR PUMPS SHALL BE PROVIDED.

LIGHTING

: PUMP ROOM LIGHTING SHALL BE PROVIDED.

No.	DATE	DESCRIPTION	APPROVED

REVISION

DECCA STATION  
WATER PUMP AND  
RESERVOIR HOUSE

EXTERIOR & INTERIOR  
FINISH SCHEDULE

CONSULTANTS

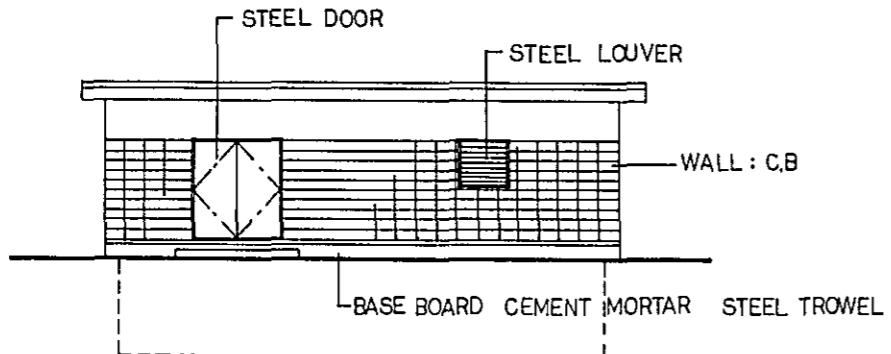
APPROVED	CHECKED	DESIGNED	DRAWING

SCALE

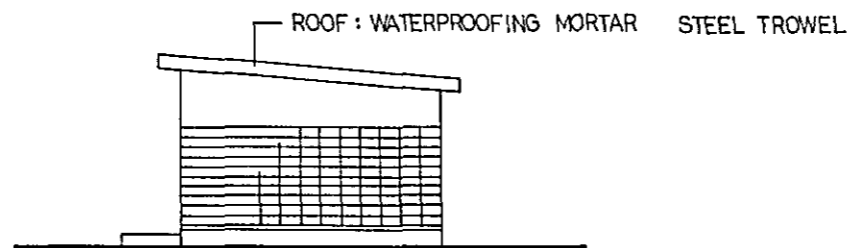
REV. No.

DATE

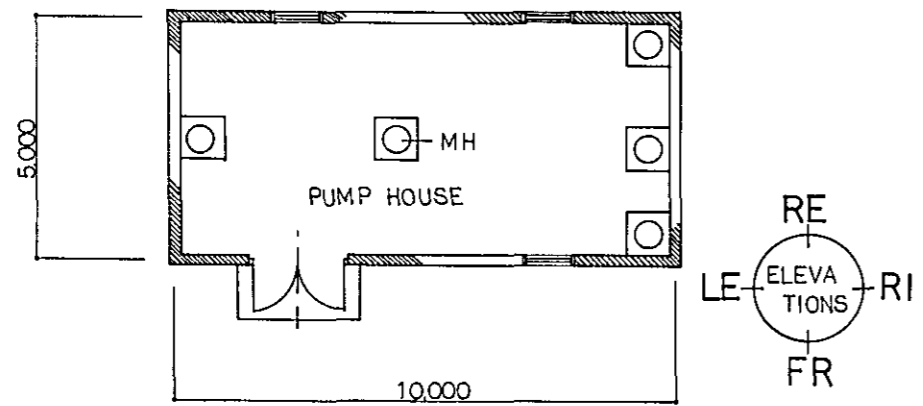
DWG. No. K 059



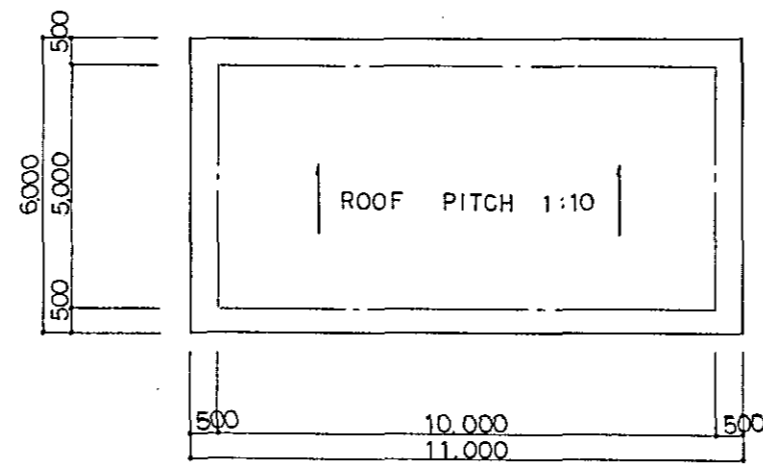
FRONT ELEVATION SCALE 1/100



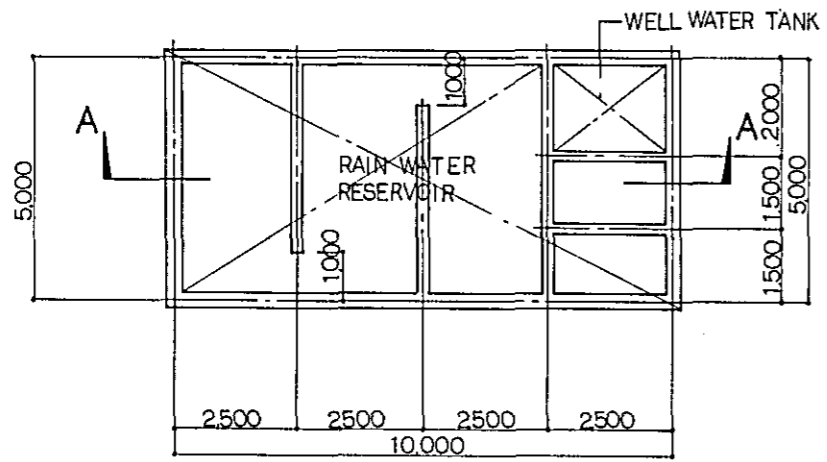
RIGHT ELEVATION SCALE 1/100



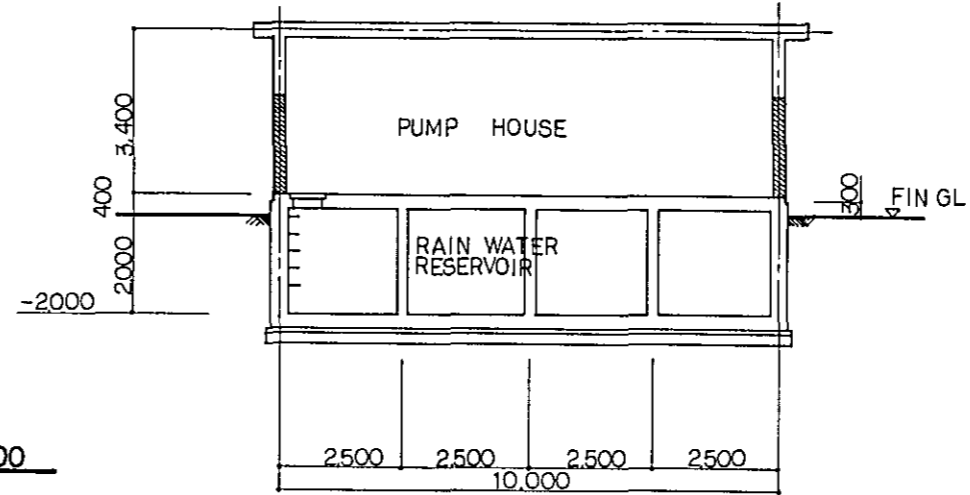
FLOOR PLAN SCALE 1/100



ROOF PLAN SCALE 1/100



RESERVOIR PLAN SCALE 1/100



A - A SECTION SCALE 1/100

GENERAL NOTES

No.	DATE	DESCRIPTION	APPROVED
REVISION			

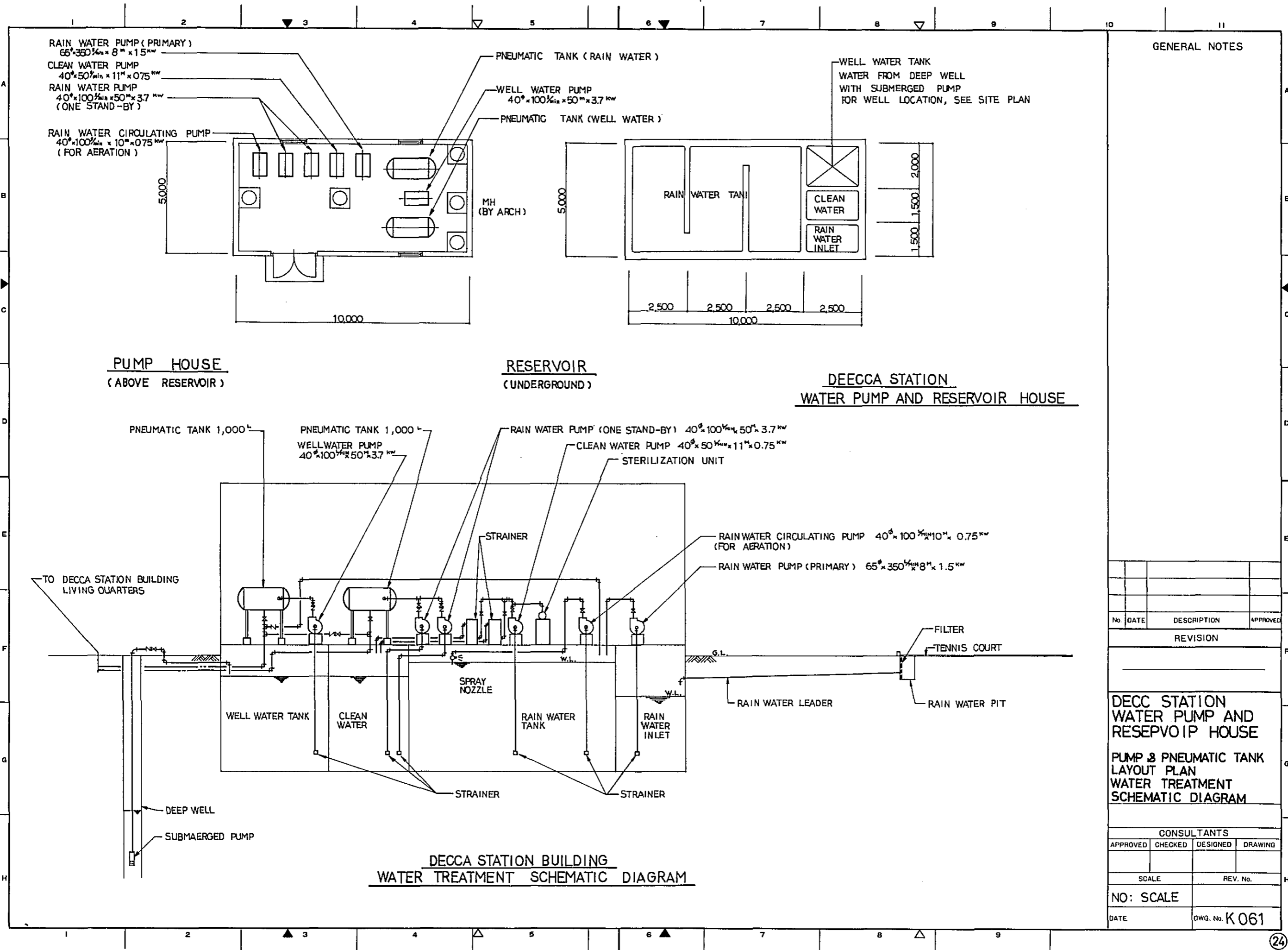
DECCA STATION  
 WATER PUMP & RESERVOIR  
 HOUSE  
 FLOOR PLAN  
 ROOF PLAN  
 ELEVATIONS  
 A-A SECTION

CONSULTANTS			
APPROVED	CHECKED	DESIGNED	DRAWING

SCALE 1 : 100

DATE                      DWG. No. K 060

DECCA STATION  
 WATER PUMP & RESERVOIR HOUSE    100.0 M<sup>2</sup>



**GENERAL NOTES**

No.	DATE	DESCRIPTION	APPROVED
REVISION			
CONSULTANTS			
APPROVED	CHECKED	DESIGNED	DRAWING
SCALE		REV. No.	
NO: SCALE			
DATE		DWG. No. K 061	

DECCA STATION PROPANE GAS CYLINDER STORAGE

EXTERIOR FINISH SCHEDULE			
PART	MATERIAL	FINISH	REMARKS
BASE BOARD	CONCRETE	CEMENT MORTAR STEEL TROWEL	H= G.L. + 300 <sup>MM</sup>
WALL	.	—	
ROOF	.	CORRUGATED ASBESTOS CEMENT ROOFING SHEET	LIGHT WEIGHT STEEL SUBSTRATE
DOOR		STEEL DOOR O.P	

INTERIOR FINISH SCHEDULE														
ROOM NAME	FLOOR		BASE			WAINSCOT			WALL		CEILING			REMARKS
	MATERIAL	FINISH	MAT	FIN	HGT	MAT	FIN	HGT	MAT	FIN	MAT	FIN	HGT	
GAS CYLINDER STORAGE	CEM. MORTAR	STEEL TROWEL	CEM. MORTAR	STEEL TROWEL	100	—	—	—	CEM. MORTAR	STEEL TROWEL	EXPOSED UNDERSIDE OF CORRUGATED ASBESTOS CEM.	—	—	SECURITY CHEEN & STOP

PROPANE GAS CYLINDER STORAGE : THE PROPANE GAS CYLINDER STORAGE SHALL BE CONCRETE BLOCK WITH CONCRETE FLOOR SLAB.

MECHANICAL  
GAS PIPING : MANIFOLD PIPING FOR COLLECTING OF GAS FROM LP GAS CYLINDERS.

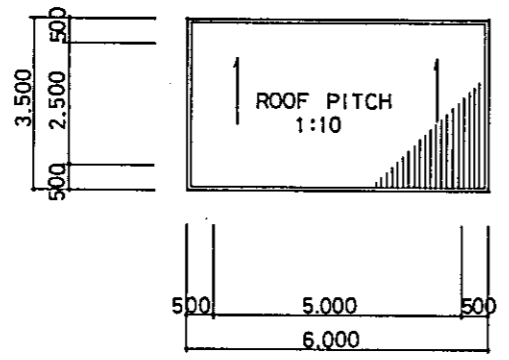
ELECTRICAL  
LIGHTING : INCANDESCENT LIGHTING FIXTURES.

GENERAL NOTES

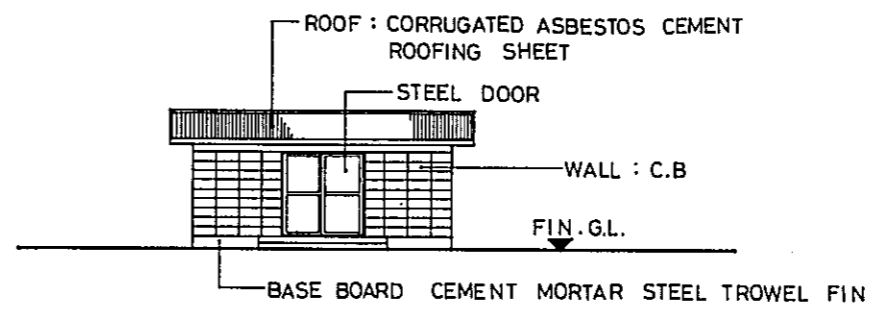
No.	DATE	DESCRIPTION	APPROVED
REVISION			
DECCA STATION			
PROPANE GAS CYLINDER STORAGE			
EXTERIOR & INTERIOR SCHEDULE			
CONSULTANTS			
APPROVED	CHECKED	DESIGNED	DRAWING
SCALE		REV. No.	
DATE		DWG. No. K062	

GENERAL NOTES

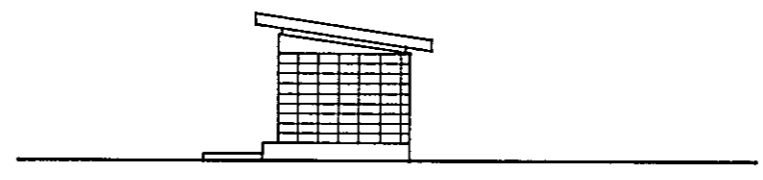
THE LPG STORAGE WILL PROVIDE FOR THE LIQUID-PROPANE GAS CYLINDERS FOR DOMESTIC COOKING AND HOT-WATER HEATING.



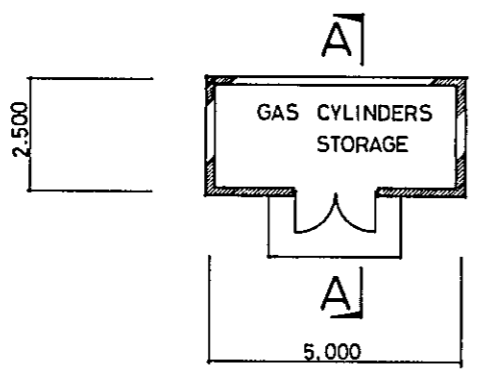
ROOF PLAN SCALE : 1/100



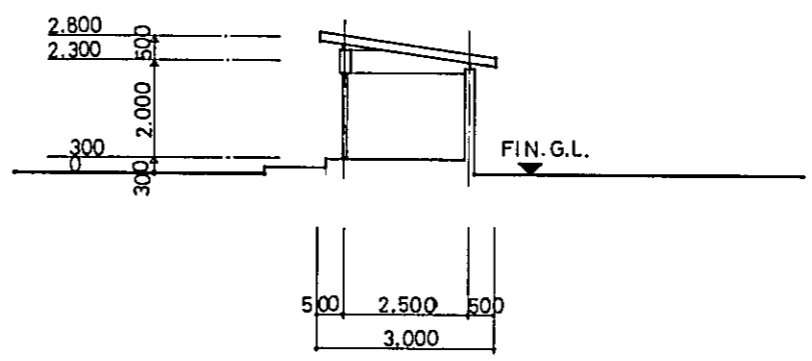
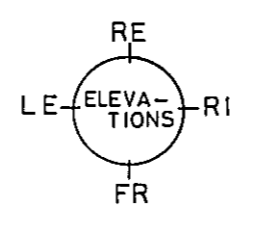
FRONT ELEVATION SCALE : 1/100



RIGHT ELEVATION SCALE : 1/100



FLOOR PLAN SCALE : 1/100



A-A SECTION SCALE : 1/100

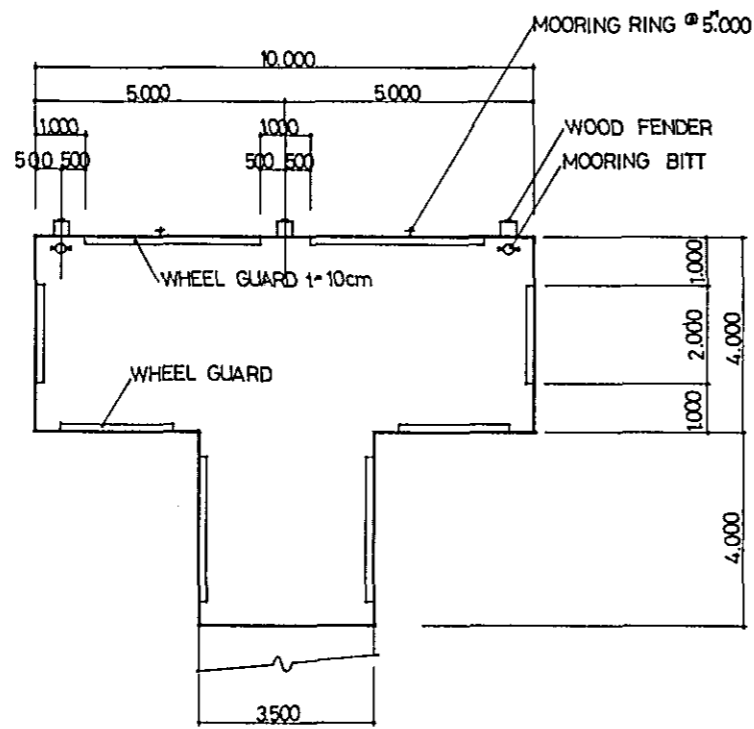
DECCA STATION  
GAS CYLINDER STORAGE s. 12.5 M<sup>2</sup>

No.	DATE	DESCRIPTION	APPROVED
REVISION			

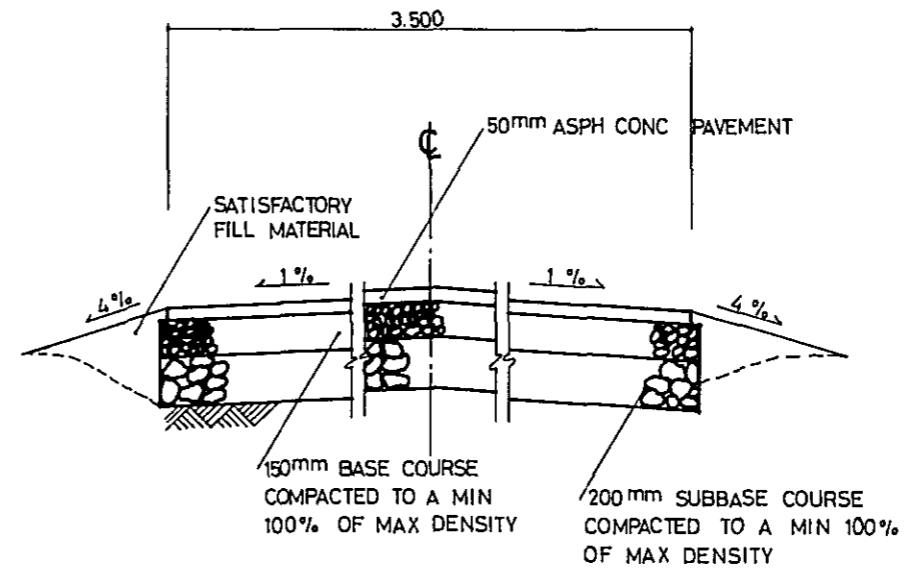
DECCA STATION  
GAS CYLINDER STORAGE  
FLOOR PLAN  
ROOF PLAN  
ELEVATIONS  
A-A SECTION

CONSULTANTS			
APPROVED	CHECKED	DESIGNED	DRAWING
SCALE		REV. No.	
1 : 100			
DATE		DWG. No. K063	



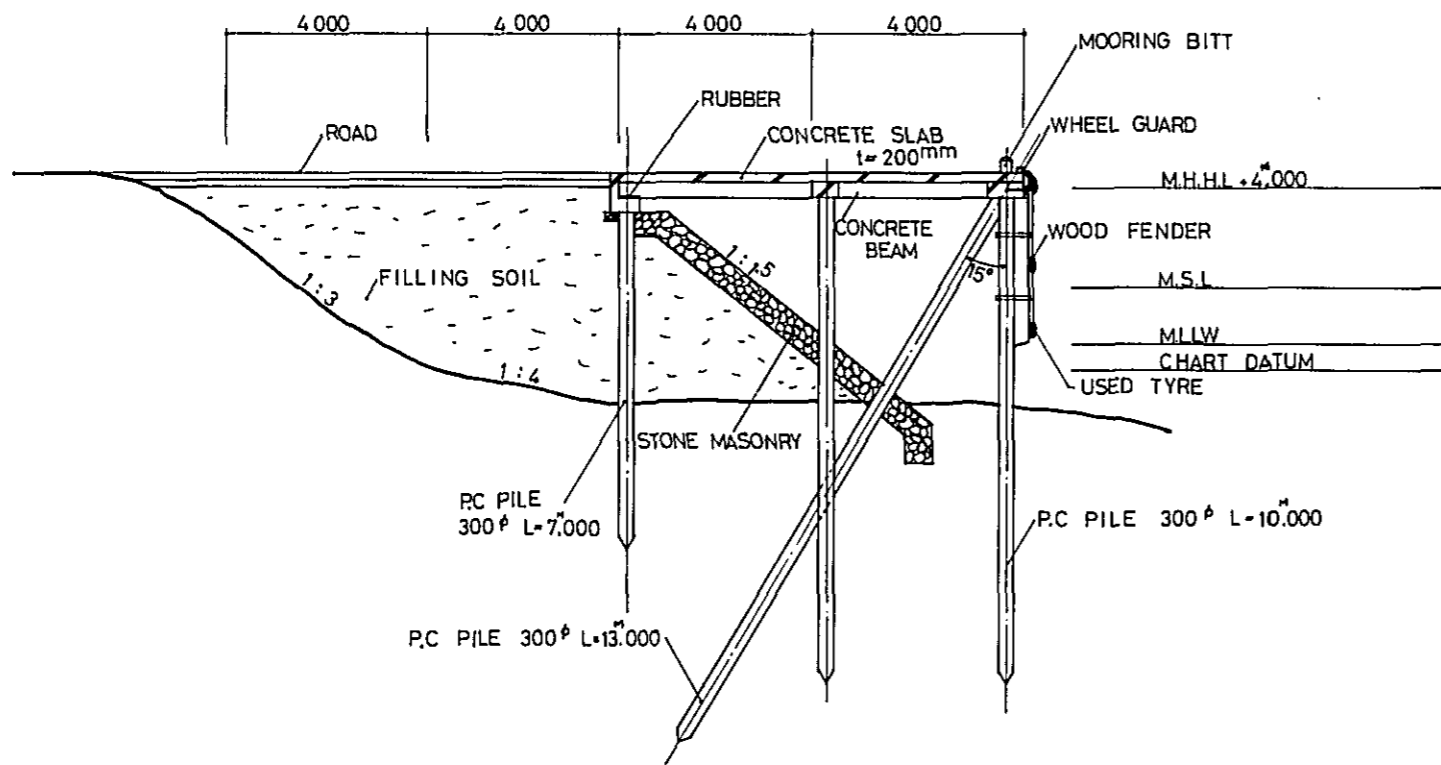


LANDING PLACE PLAN 1:100



TYPICAL ACCESS ROAD SECTION

NO SCALE



LANDING PLACE SECTION 1:100

NOTE

- M.H.H : MEAN HIGHS HIGH WATER
- M.S.L : MEAN SEA LEVEL
- M.L.L.W : MEAN LOWER LOW WATER
- CHART : NEARLY LOWEST LOW WATER DATUM

GENERAL NOTES

A PILE SUPPORTED LANDING PIER WILL PROVIDED WHERE REQUIRED

No.	DATE	DESCRIPTION	APPROVED
REVISION			
CONSULTANTS			
APPROVED	CHECKED	DESIGNED	DRAWING
SCALE		REV. No.	
1:100			
DATE		DWG. No. K064	

**DECCA STATION**

**LANDING PIAR PLAN**

**TYPICAL ACCESS ROAD SECTION**

DECCA STATION

LANDING PIAR PLAN

# DECCA STATION BUILDING (UNMANED SLAVE STATION)

EXTERIOR		FINISH		SCHEDULE	
PART	MATERIAL	FINISH		REMARKS	
BASE BOARD	CONCRETE	C.E.M.	MORTAR STEEL TROWEL	H = GL+600	
WALL WING WALL	DITTO	C.E.M.	MORTAR BROOM FINISH & SPRAYED STIPPLE FINISH		
ROOF	DITTO	CONCRETE SLAB MORTAR FIN.	ASPHALT WATERPROOFING.		
		LIGHTWEIGHT CONCRETE TOPPING.	WATERPROOFING C.E.M. MORTAR		
		STEEL TROWEL FIN.			
ROOF DRAIN		CAST IRON		100 <sup>Ø</sup>	
DRAIN PIPE		GALVANIZED STEEL PIPE	O.P	100 <sup>Ø</sup>	
WINDOW	STEEL	OIL PAINT			
& DOOR	ALUMINUM	MANUFACT FIN.			
	WOOD				

INTERIOR		FINISH		SCHEDULE										
ROOM NAME	FLOOR		BASE		WAINSCOT			WALL		CEILING			REMARKS	
	MATERIAL	FINISH	MAT	FIN	HGT	MAT	FIN	HGT	MAT	FIN	MAT	FIN		HGT
ENTRANCE	C.E.M. MORTAR	STEEL TROWEL	C.E.M. MORTAR	STEEL TROWEL	75	--	--	--	C.E.M. MORTAR	STEEL TROWEL	G.Y.P. t = 9mm	SPRAYED V.P.	2,700	
HALL & REST ROOM	DITTO	SHEET VINYL FLOORING	WOOD	O.P.	100	--	--	--	G.Y.P. t = 9mm	V.P.	DITTO	DITTO	2,700	BED
TRANSMITTER R.M.	DITTO	DITTO	WOOD	DITTO	100	--	--	--	DITTO	DITTO	COPPER PLATE	--	3,500	CABLE TRENCH
ENGINE GENERATOR R.M.	C.E.M. MORTAR	STEEL TROWEL	C.E.M. MORTAR	STEEL TROWEL	100	--	--	--	C.E.M. MORTAR	SPRAYED V.P.	DITTO	--	3,500	CABLE TRENCH
STORAGE R.M.	DITTO	DITTO	DITTO	DITTO	75	--	--	--	DITTO	STEEL TROWEL	DITTO	--	3,500	
BATTERY R.M.	DITTO	STEEL TROWEL & ACID RESISTANT PAINT	DITTO	STEEL TROWEL & ACID RESISTANT PAINT	75	--	--	--	DITTO	STEEL TROWEL & ACID RESISTANT PAINT	EXPOSED CONCRETE	--	2,000	
FRESH AIR R.M.	WATERPROOFING C.E.M. MORTAR	STEEL TROWEL	WATERPROOFING C.E.M. MORTAR	STEEL TROWEL	100	--	--	--	WATERPROOFING C.E.M. MORTAR	STEEL TROWEL	DITTO	--	1,800	
TOILET	DITTO	DITTO	--	--		--	--	--	C.E.M. MORTAR	DITTO	DITTO	SPRAYED V.P.	2,200	
GAS CYLINDER STORAGE	C.E.M. MORTAR	DITTO	C.E.M. MORTAR	DITTO	100	--	--	--	EXPOSED CONCRETE	--	DITTO	--	2,400	

GENERAL NOTES

ABBREVIATIONS

- C.E.M. : CEMENT
- MAT. : MATERIAL
- FIN. : FINISH
- HGT : HEIGHT
- G.L. : GROUND LEVEL
- G.Y.P. : GYPSUM
- R.M. : ROOM
- NO. : NUMBER
- O.P. : OIL PAINT
- V.P. : VINYL PAINT
- mm : MILLIMETER

No.	DATE	DESCRIPTION	APPROVED

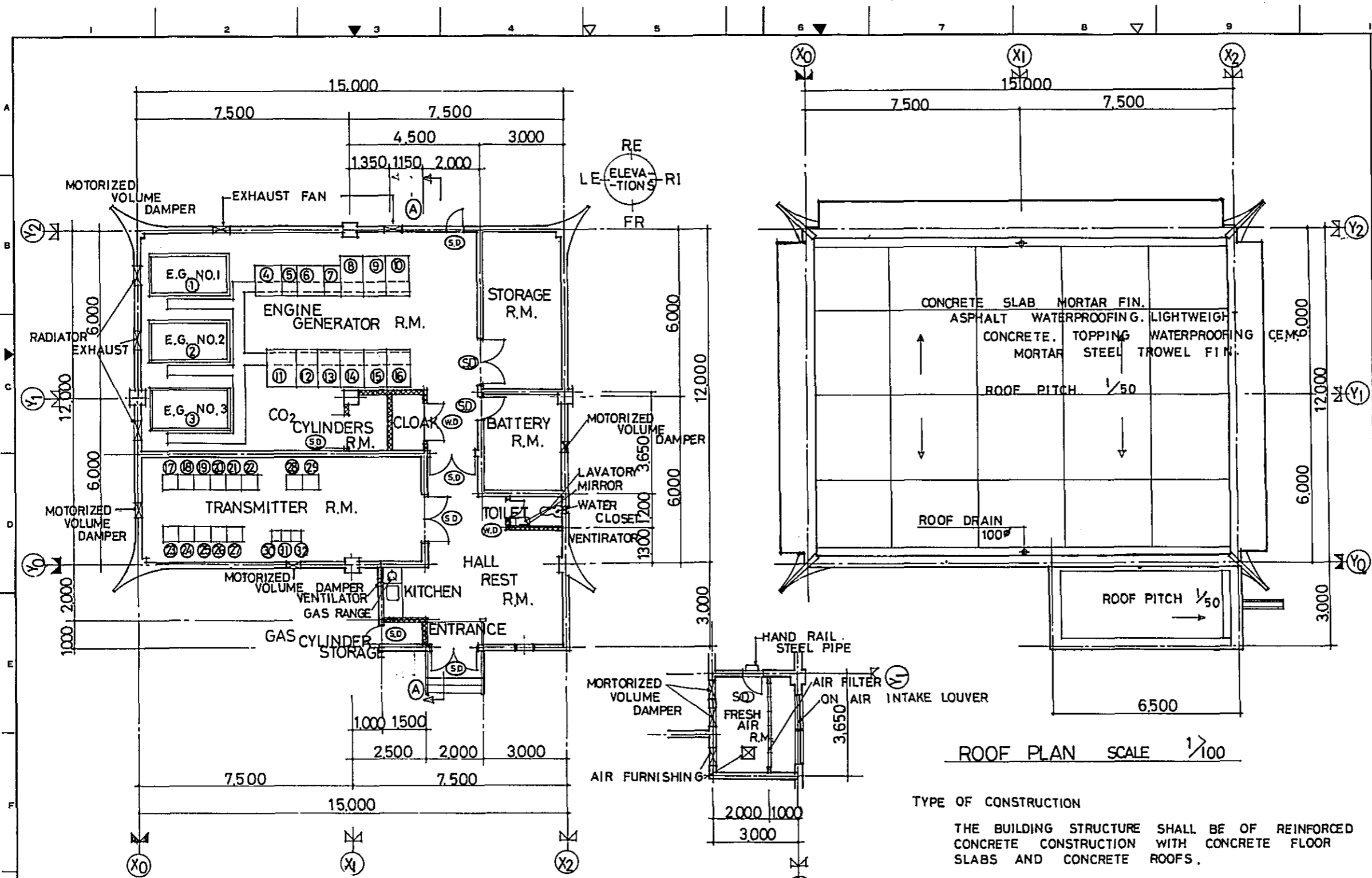
REVISION

EXTERIOR / INTERIOR  
FINISH SCHEDULE

CONSULTANTS			
APPROVED	CHECKED	DESIGNED	DRAWING

SCALE                      REV. No.

DATE                      DWG. No. **K014**



GENERAL NOTES

LEGEND

- EARTH
- CONCRETE
- HOLLOW CORE CONCRETE BLOCK 100mm THICK

FLOOR PLAN SCALE 1/100

MIDDLE 2ND FLOOR PLAN SCALE 1/100

ROOF PLAN SCALE 1/100

TYPE OF CONSTRUCTION

THE BUILDING STRUCTURE SHALL BE OF REINFORCED CONCRETE CONSTRUCTION WITH CONCRETE FLOOR SLABS AND CONCRETE ROOFS.

THE TOTAL FLOOR AREA IS 213.4 m<sup>2</sup>. THE DIMENSIONS OF EACH ROOM ARE AS SHOWN IN THE TABLE BELOW.

TABLE. DECCA TRANSMITTING STATION BUILDING. (UNMANNED SLAVE STATIONS)

NAME OF ROOM	AREA	NO-OF R.M.	REMARKS
ENTRANCE & HALL & REST R.M.	31.1 m <sup>2</sup>	1	3 ENGINE GENERATORS
TRANSMITTER R.M.	40.0	1	
ENGINE GENERATOR R.M.	90.6	1	
STORAGE R.M.	17.6	1	
BATTERY R.M.	10.9	1	
FRESH AIR R.M.	(10.9)	1	
TOILET	2.4	1	
GAS CYLINDER STORAGE	1.5	1	
CO <sub>2</sub> CYLINDER R.M.	3.1	1	
CLOAK	2.6	1	

NOTE

① ENGINE GENERATOR NO.1	⑭ AUTOMATIC STARTER PANEL NO.1
② DITTO NO.2	⑮ DITTO NO.2
③ DITTO NO.3	⑯ DITTO NO.3
④ NO BREAK POWER SUPPLY EQ. NO.1	⑰-⑱ DECCA TRANSMITTER
⑤ DITTO NO.2	⑲ SPARE RACK
⑥ NO BREAK POWER SUPPLY NO.1	⑳-⑳ MONITOR CHANGE EQUIPMENT
⑦ DITTO NO.2	㉑-㉑ PHASE CONTROL EQUIPMENT
⑧ GENERATOR MAIN CIRCUIT PANEL NO.1	㉒ REGISTER RACK
⑨ DITTO NO.2	㉓ DATA RECORDER RACK
⑩ DITTO NO.3	㉔ TRANSMITTER / RECEIVER (FOR COMMUNICATION)
⑪ DC CONTROL SOURCE PANEL	㉕ SPARE RACK
⑫ SWITCHING BOARD	㉖ DITTO
⑬ AUTOMATIC CHANGE OVER PANEL	

No.	DATE	DESCRIPTION	APPROVED

REVISION

FLOOR PLAN & ROOF PLAN

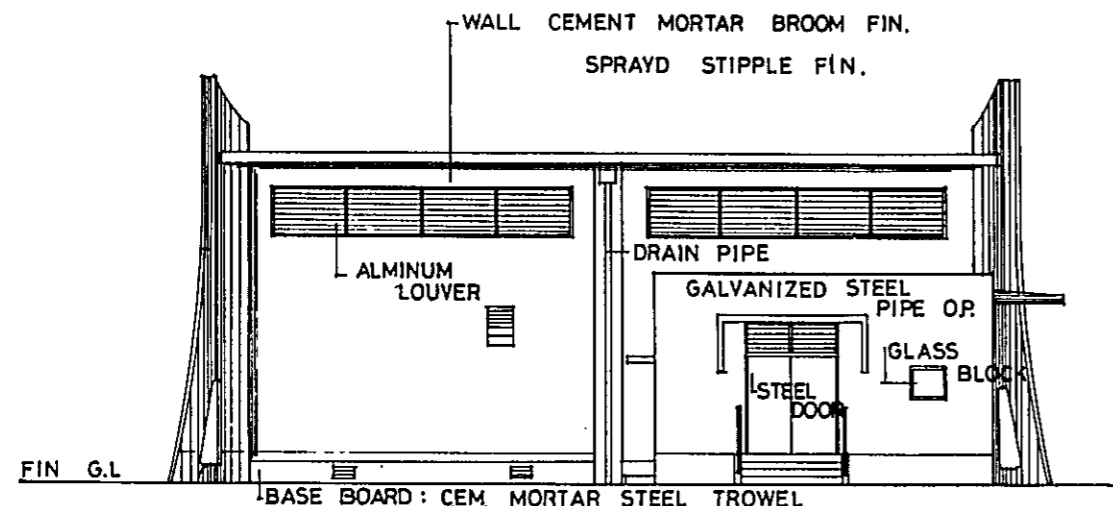
CONSULTANTS

APPROVED	CHECKED	DESIGNED	DRAWING

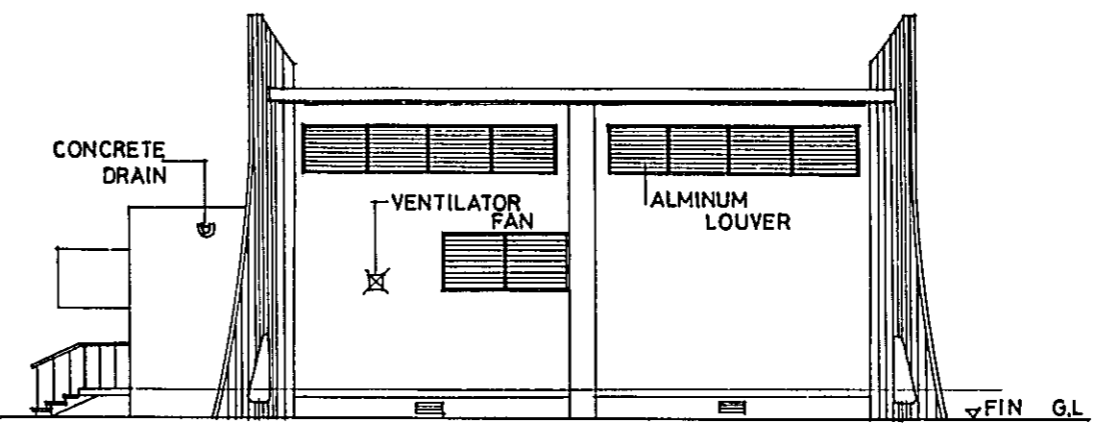
SCALE 1:100 REV. No.

DATE DWD. No. K015

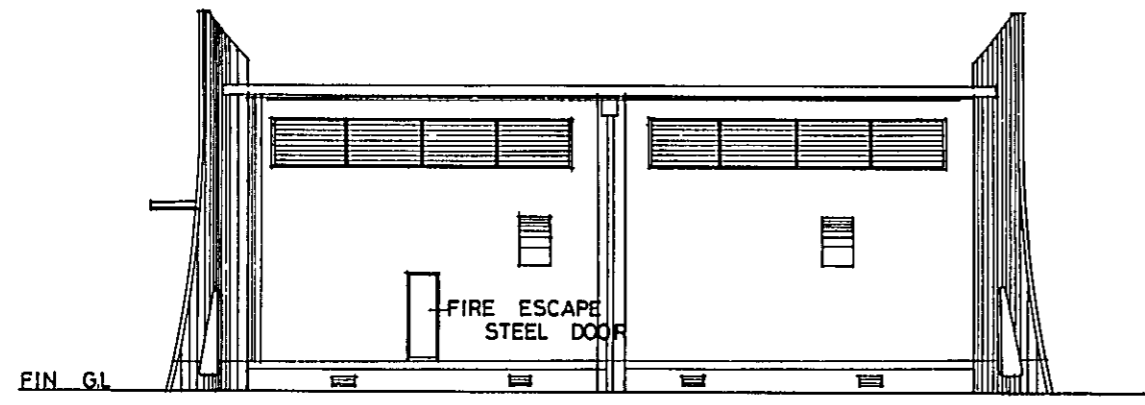
GENERAL NOTES



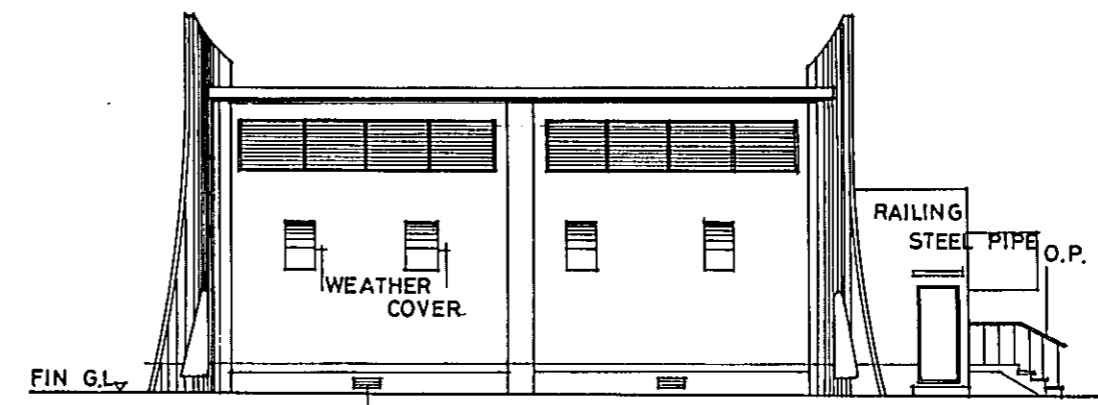
FRONT ELEVATION  
SCALE 1/100



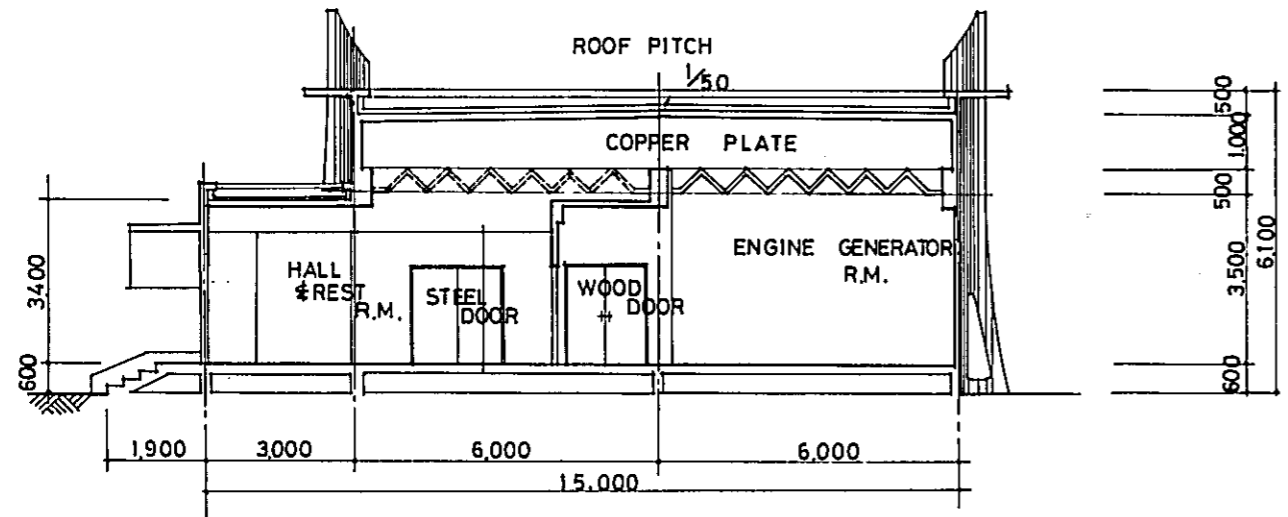
RIGHT ELEVATION  
SCALE 1/100



REAR ELEVATION  
SCALE 1/100



LEFT ELEVATION  
SCALE 1/100



A-A SECTION SCALE 1/100

No.	DATE	DESCRIPTION	APPROVED

REVISION

--	--	--	--

ELEVATION & A-A SECTION

CONSULTANTS

APPROVED	CHECKED	DESIGNED	DRAWING

SCALE 1:100 REV. No.

DATE DWG. No. K016

