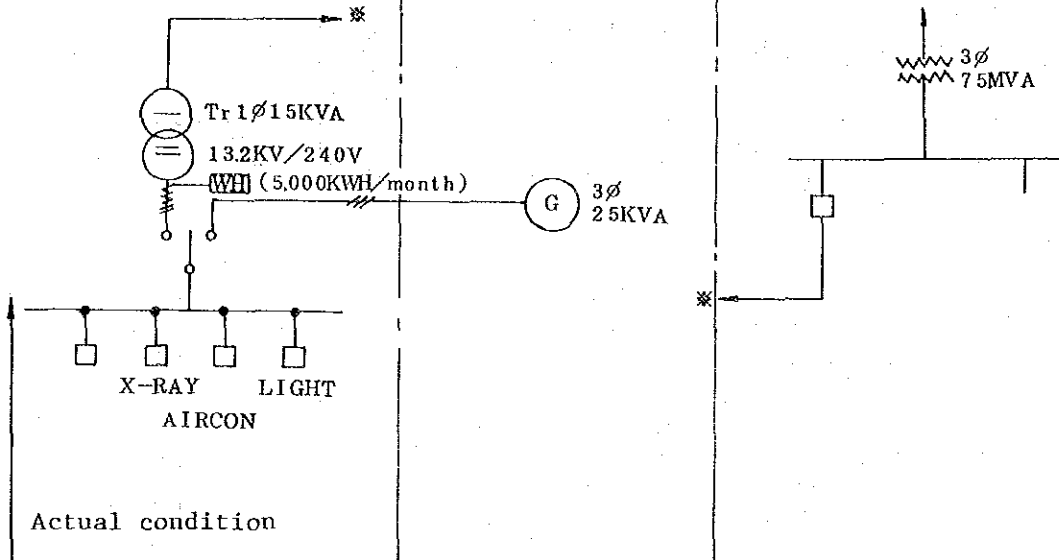


GABRIELA SILANG PROVINCIAL HOSPITAL

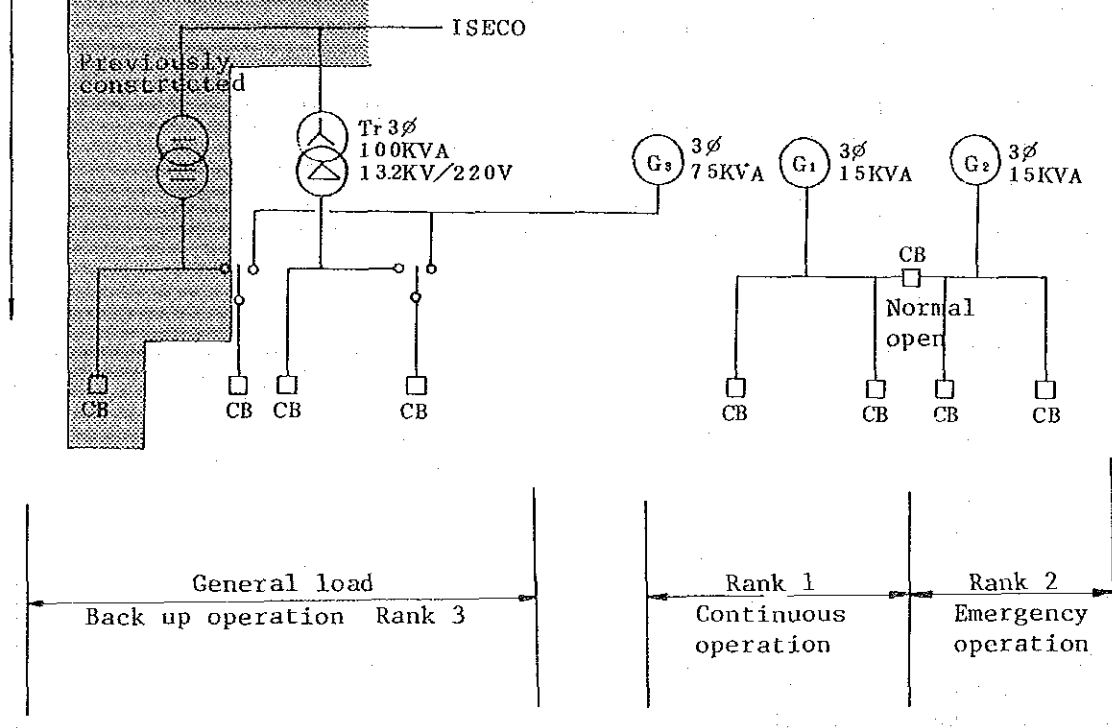
Installation of hospital

Generator

Power corporation



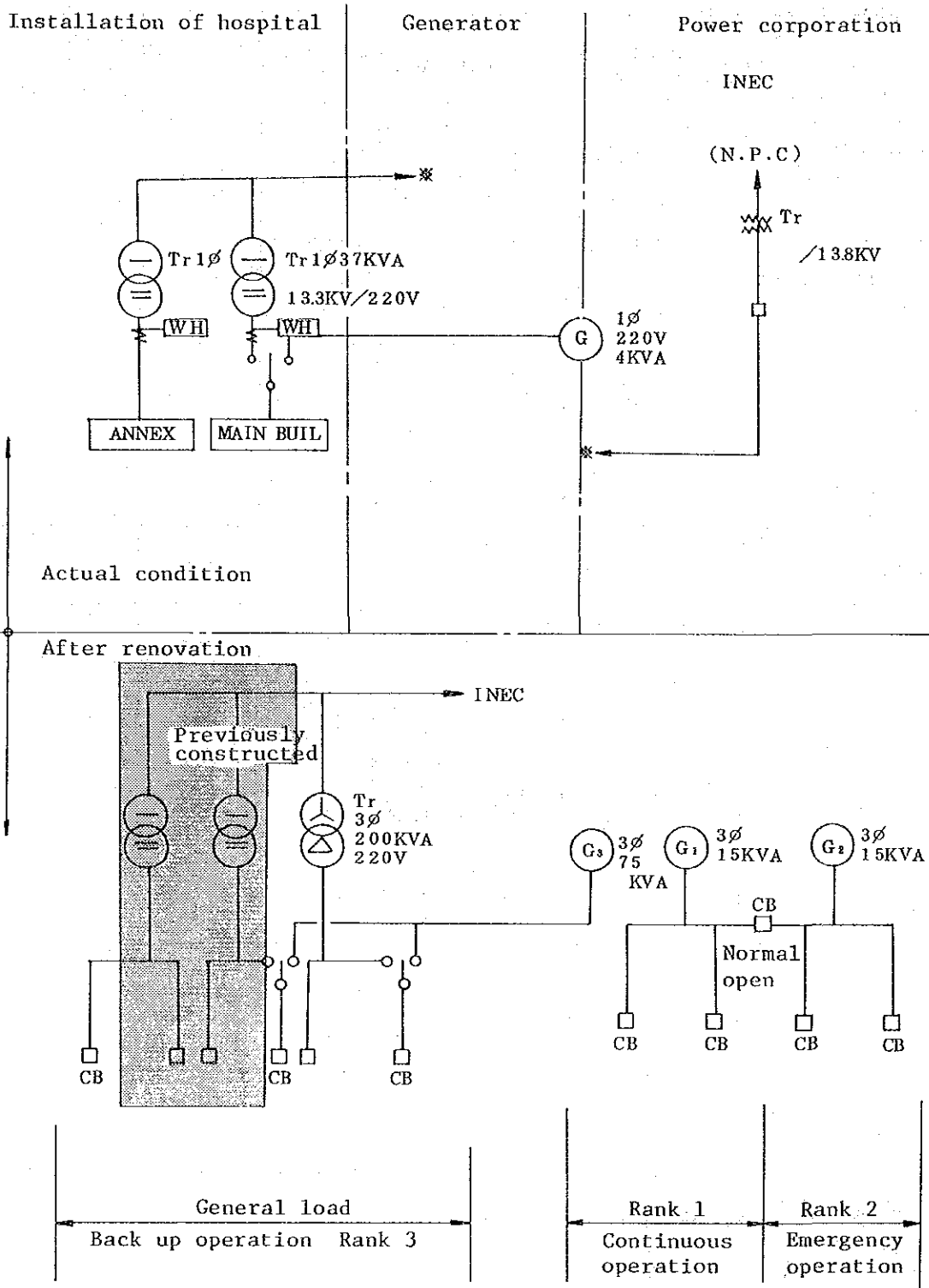
After renovation



ILOCOS NORTE PROVINCIAL HOSPITAL

Item \ D'T	Ward			ANC	OPD	ADM	Service 1	Service 2	Doctor Q.T.R. dormitory
	100	200	300						
Lighting & convenient outlet		○		○	○	○	○	○	○
Air condition power		○		○	—	—	○	○	—
Medical equipment		○		○	○	—	—	—	—
Telephone		○		○	○	○	—	—	—
Speaker		○		○	○	○	○	—	—
Nurse call		○		○	—	—	—	—	—
Interphone		○		○	○	○	○	—	○
Fire alarm		○		○	○	○	—	—	—
Lead in power	Showed other figure								
Generator	Type. 1			75 KVA 15 KVA 15 KVA			KVA KVA		
Distribution panel	Type. 2								
Legend	○ be installed based on standard ✕ not include this project								

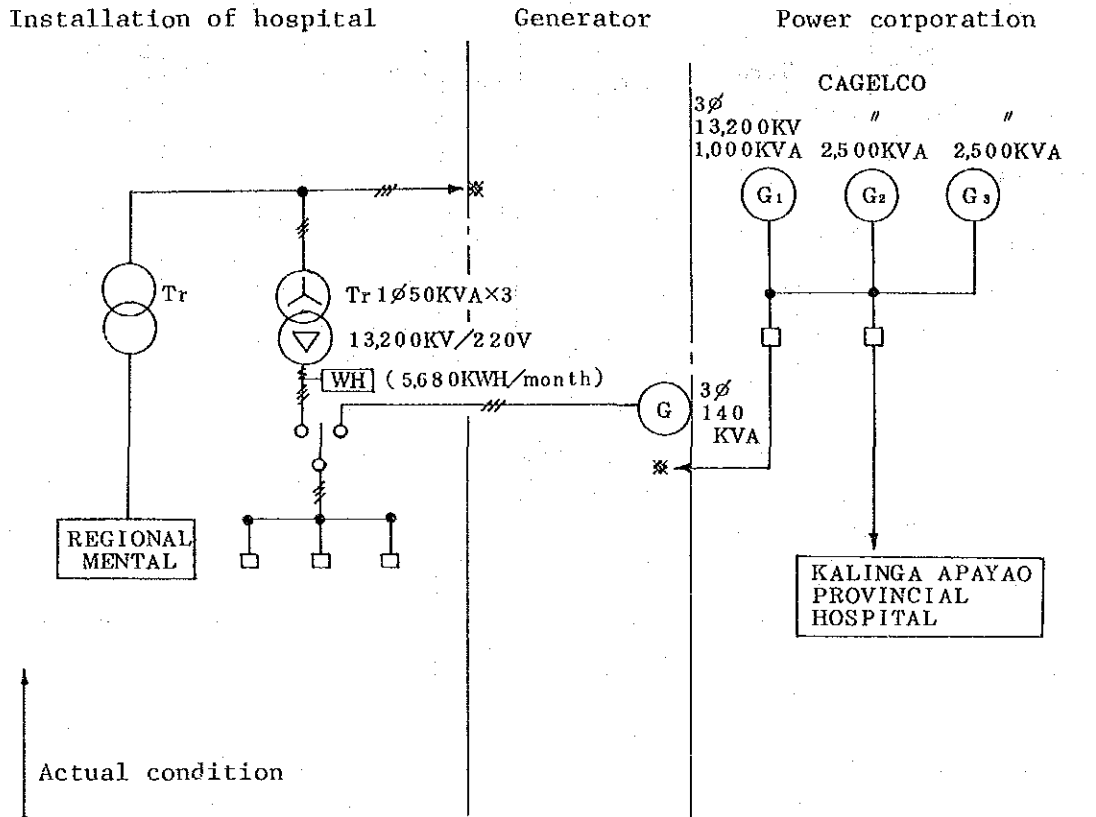
ILOCOS NORTE PROVINCIAL HOSPITAL



CAGAYAN REGIONAL HOSPITAL

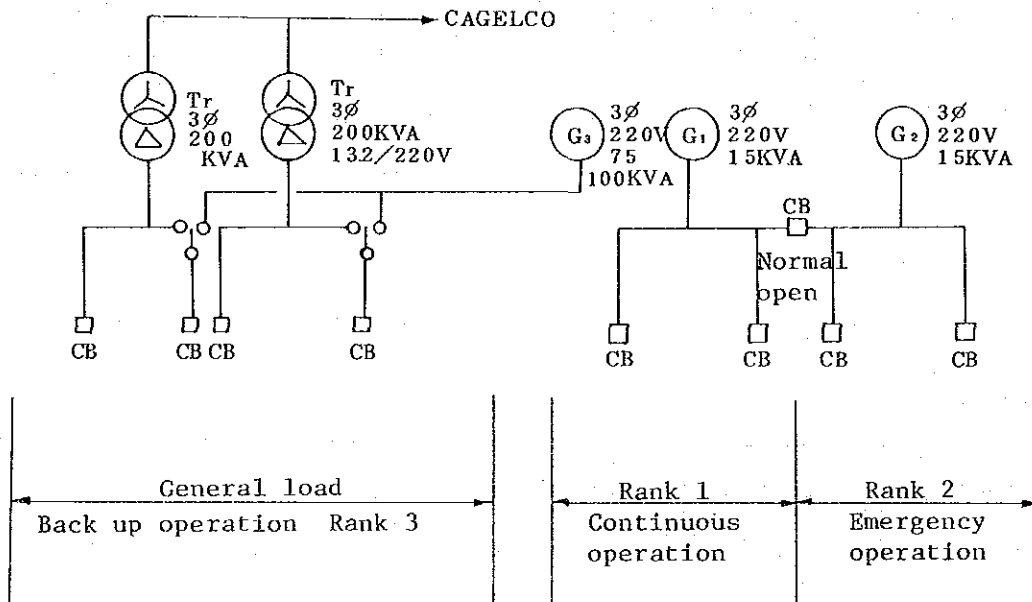
Item	D'T			ANC	OPD	ADM	Service 1	Service 2	Doctor Q.T.R. dormitory
	100	200	300						
Lighting & convenient outlet			○	○	○	○	○	○	○
Air condition power			○	○	—	—	○	○	—
Medical equipment			○	○	○	—	—	—	—
Telephone			○	○	○	○	—	—	—
Speaker			○	○	○	○	○	—	—
Nurse call			○	○	—	—	—	—	—
Interphone			○	○	○	○	○	—	○
Fire alarm			○	○	○	○	—	—	—
Lead in power	Showed other figure								
Generator	Type. 3			100 KVA 15 KVA 15 KVA			KVA KVA		
Distribution panel	Type. 3								
Legend	○ be installed based on standard ✕ not include this project								

CAGAYAN REGIONAL HOSPITAL



Actual condition

New site planning



KALINGA APAYAO PROVINCIAL HOSPITAL

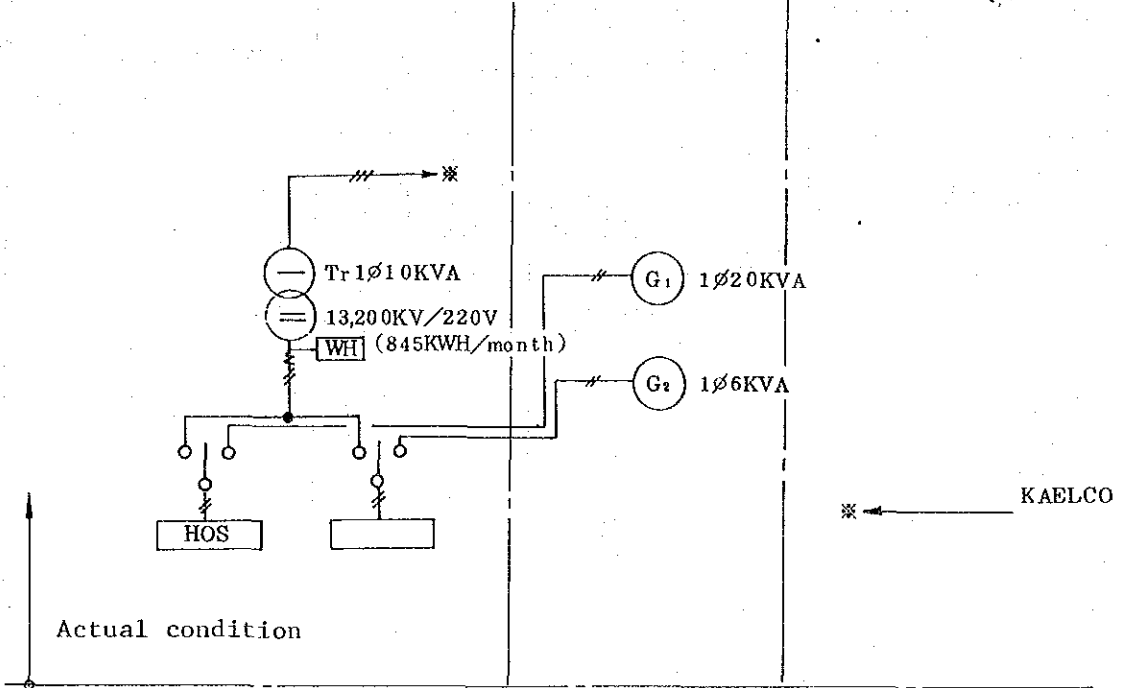
Item \ D'T	Ward			ANC	OPD	ADM	Service 1	Service 2	Doctor Q.T.R. dormitory
	100	200	300						
Lighting & convenient outlet	○			○	○	○	○	○	○
Air condition power	○			○	—	—	○	○	—
Medical equipment	○			○	○	—	—	—	—
Telephone	○			○	○	○	—	—	—
Speaker	○			○	○	○	○	—	—
Nurse call	○			○	—	—	—	—	—
Interphone	○			○	○	○	○	—	○
Fire alarm	○			○	○	○	—	—	—
Lead in power	Showed other figure								
Generator	Type. 1			75 KVA 15 KVA 15 KVA			KVA KVA		
Distribution panel	Type. 1								
Legend	○ be installed based on standard ✕ not include this project								

KALINGA APAYAO PROVINCIAL HOSPITAL

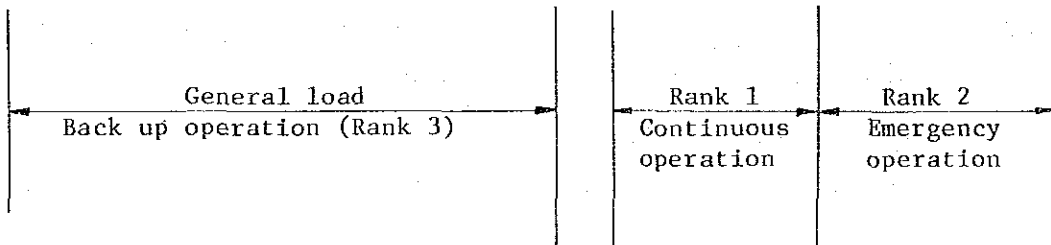
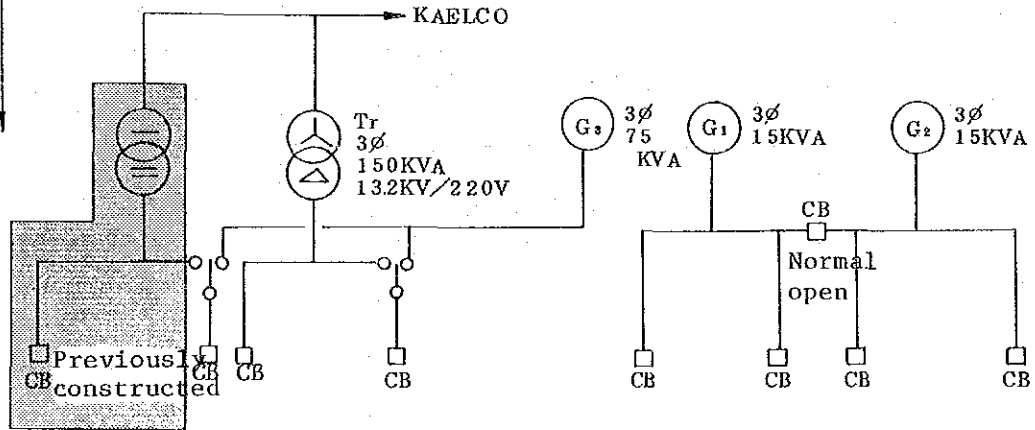
Installation of hospital

Generator

Power corporation



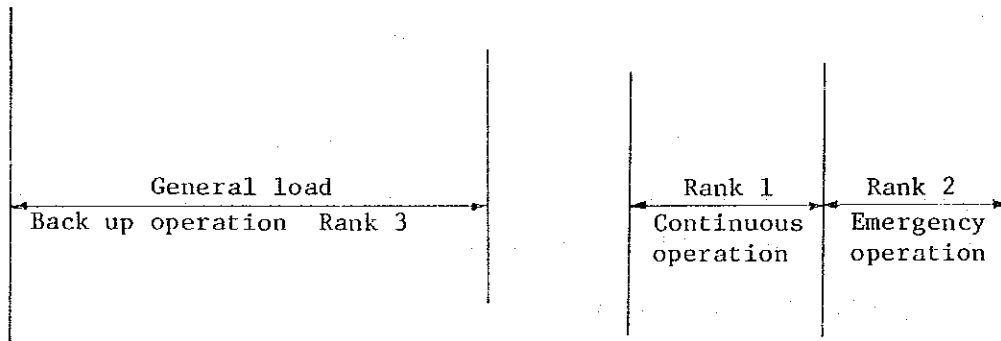
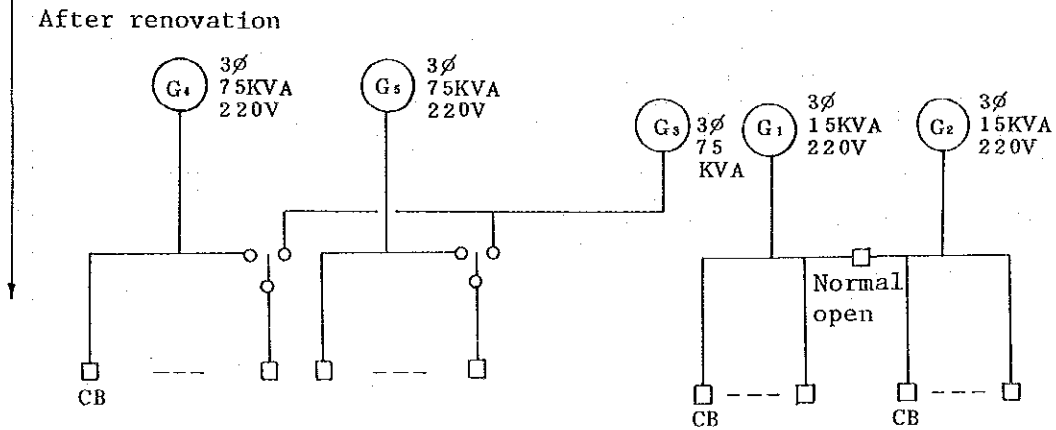
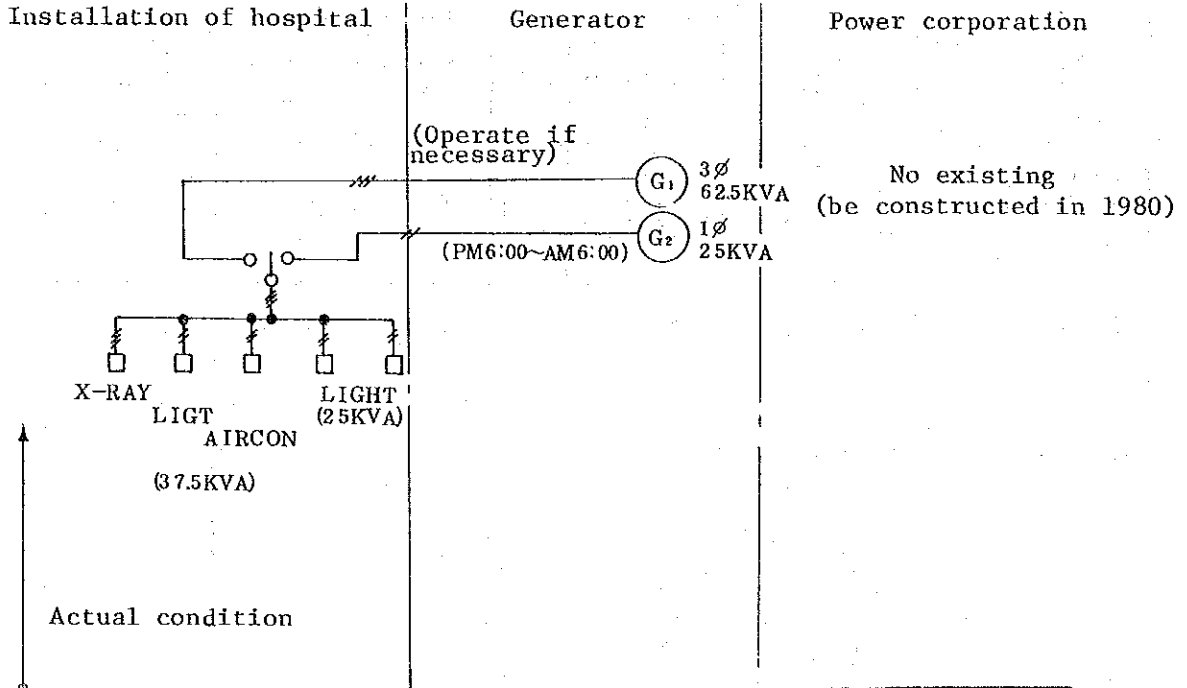
After renovation



ISABELA PROVINCIAL HOSPITAL

Item	D'T			ANC	OPD	ADM	Service 1	Service 2	Doctor Q.T.R. dormitory
	100	200	300						
Lighting & convenient outlet	○			○	○	○	○	○	○
Air condition power	○			○	—	—	○	○	—
Medical equipment	○			○	○	—	—	—	—
Telephone	○			○	○	○	—	—	—
Speaker	○			○	○	○	○	—	—
Nurse call	○			○	—	—	—	—	—
Interphone	○			○	○	○	○	—	○
Fire alarm	○			○	○	○	—	—	—
Lead in power	Showed other figure								
Generator	Type. 2			75 KVA 75 KVA 75 KVA			15 KVA 15 KVA		
Distribution panel	Type. 1								
Legend	○ be installed based on standard × not include this project								

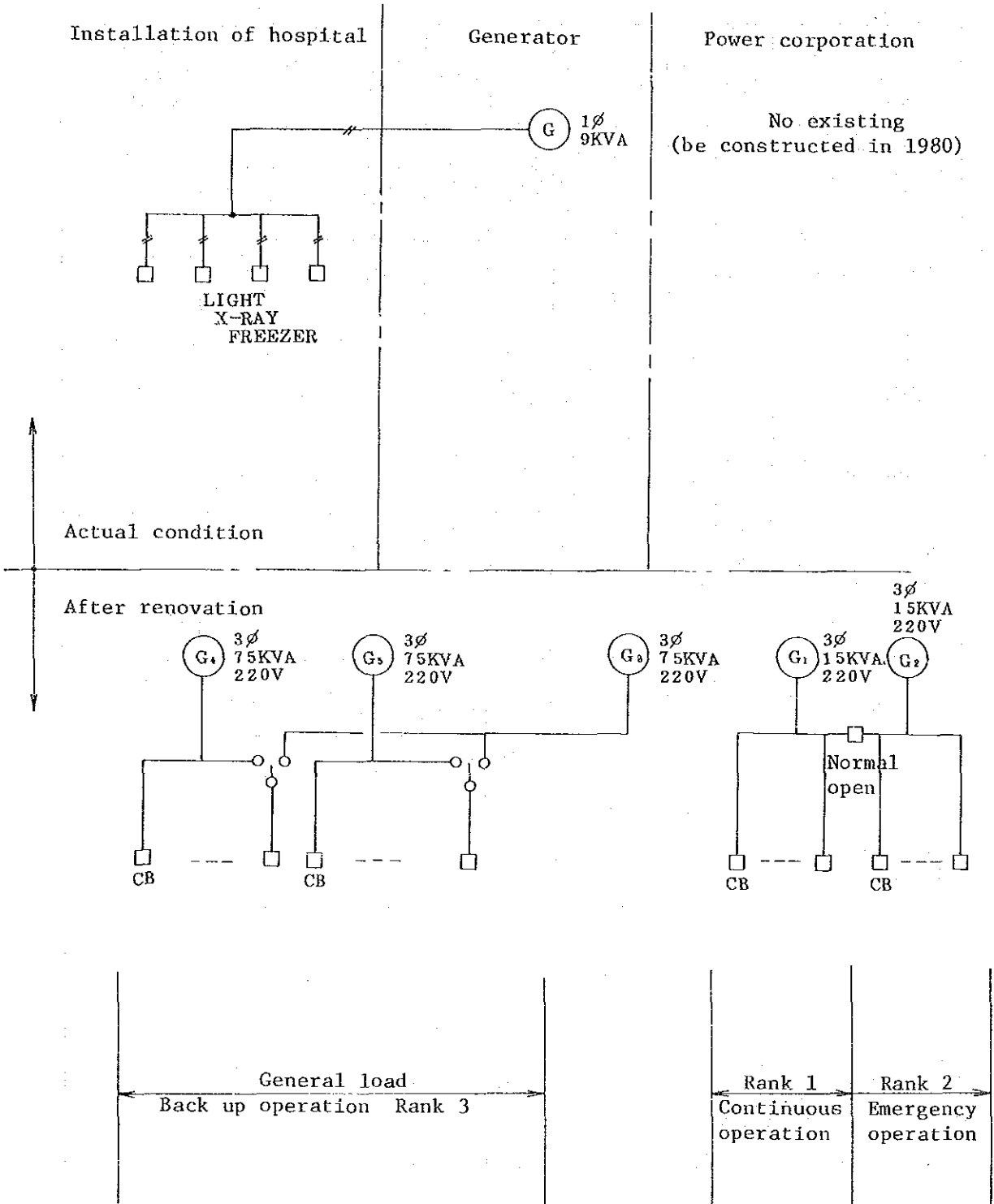
ISABELA PROVINCIAL HOSPITAL



QUIRINO PROVINCIAL HOSPITAL

Item	D'T			ANC	OPD	ADM	Service 1	Service 2	Doctor Q.T.R. dormitory
	100	200	300						
Lighting & convenient outlet	○			○	○	○	○	○	○
Air condition power	○			○	—	—	○	○	—
Medical equipment	○			○	○	—	—	—	—
Telephone	○			○	○	○	—	—	—
Speaker	○			○	○	○	○	—	—
Nurse call	○			○	—	—	—	—	—
Interphone	○			○	○	○	○	—	○
Fire alarm	○			○	○	○	—	—	—
Lead in power	Showed other figure								
Generator	Type. 2			75 KVA 75 KVA 75 KVA			15 KVA 15 KVA		
Distribution panel	Type. 1								
Legend	○ be installed based on standard ✕ not include this project								

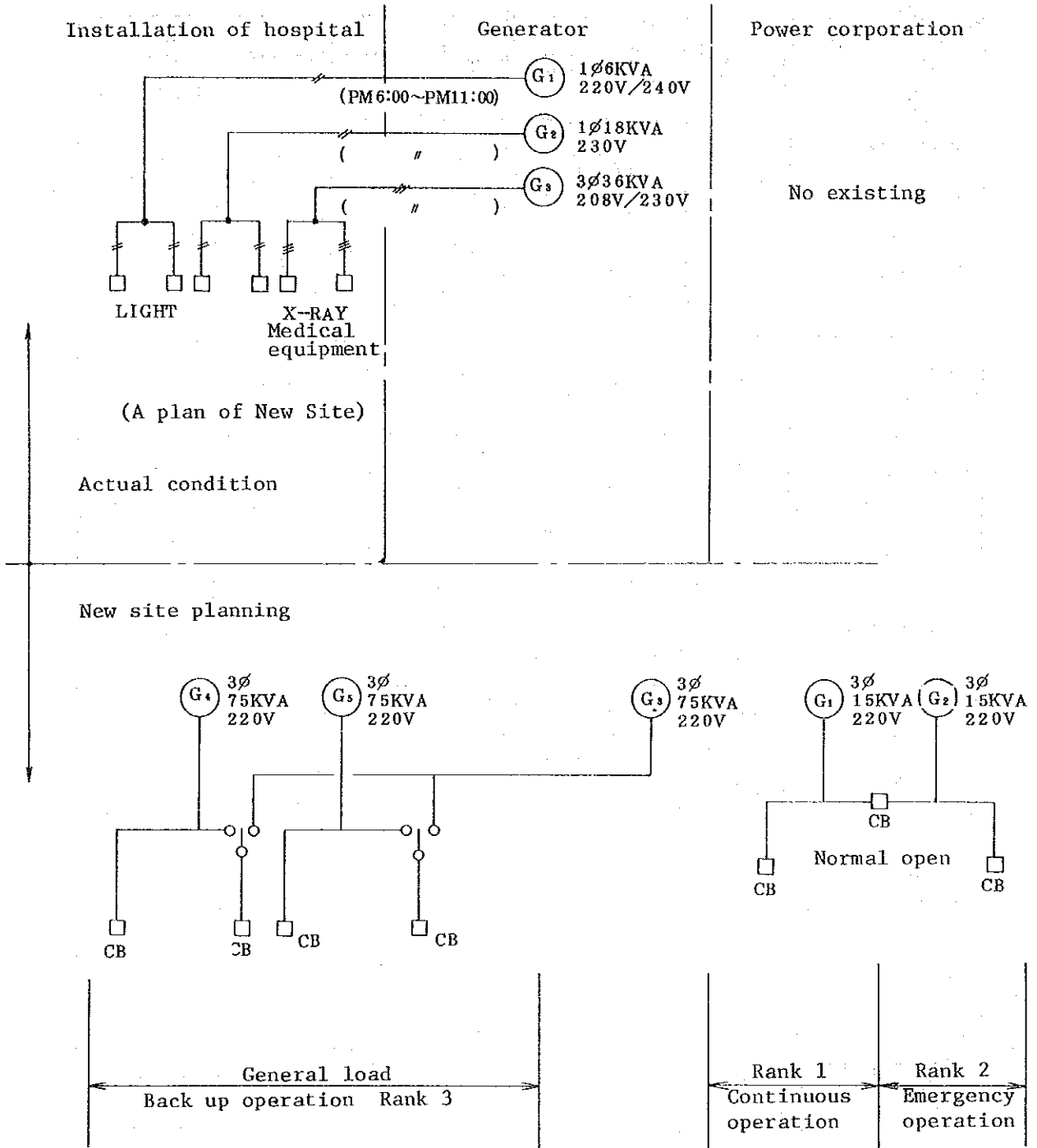
QUIRINO PROVINCIAL HOSPITAL



IFUGAO PROVINCIAL HOSPITAL

Item \ D'T	Ward			ANC	OPD	ADM	Service 1	Service 2	Doctor Q.T.R. dormitory
	100	200	300						
Lighting & convenient outlet	○			○	○	○	○	○	○
Air condition power	○			○	—	—	○	○	—
Medical equipment	○			○	○	—	—	—	—
Telephone	○			○	○	○	—	—	—
Speaker	○			○	○	○	○	—	—
Nurse call	○			○	—	—	—	—	—
Interphone	○			○	○	○	○	—	○
Fire alarm	○			○	○	○	—	—	—
Lead in power	Showed other figure								
Generator	Type. 2			75 KVA 75 KVA 75 KVA			15 KVA 15 KVA		
Distribution panel	Type. 1								
Legend	○ be installed based on standard ✕ not include this project								

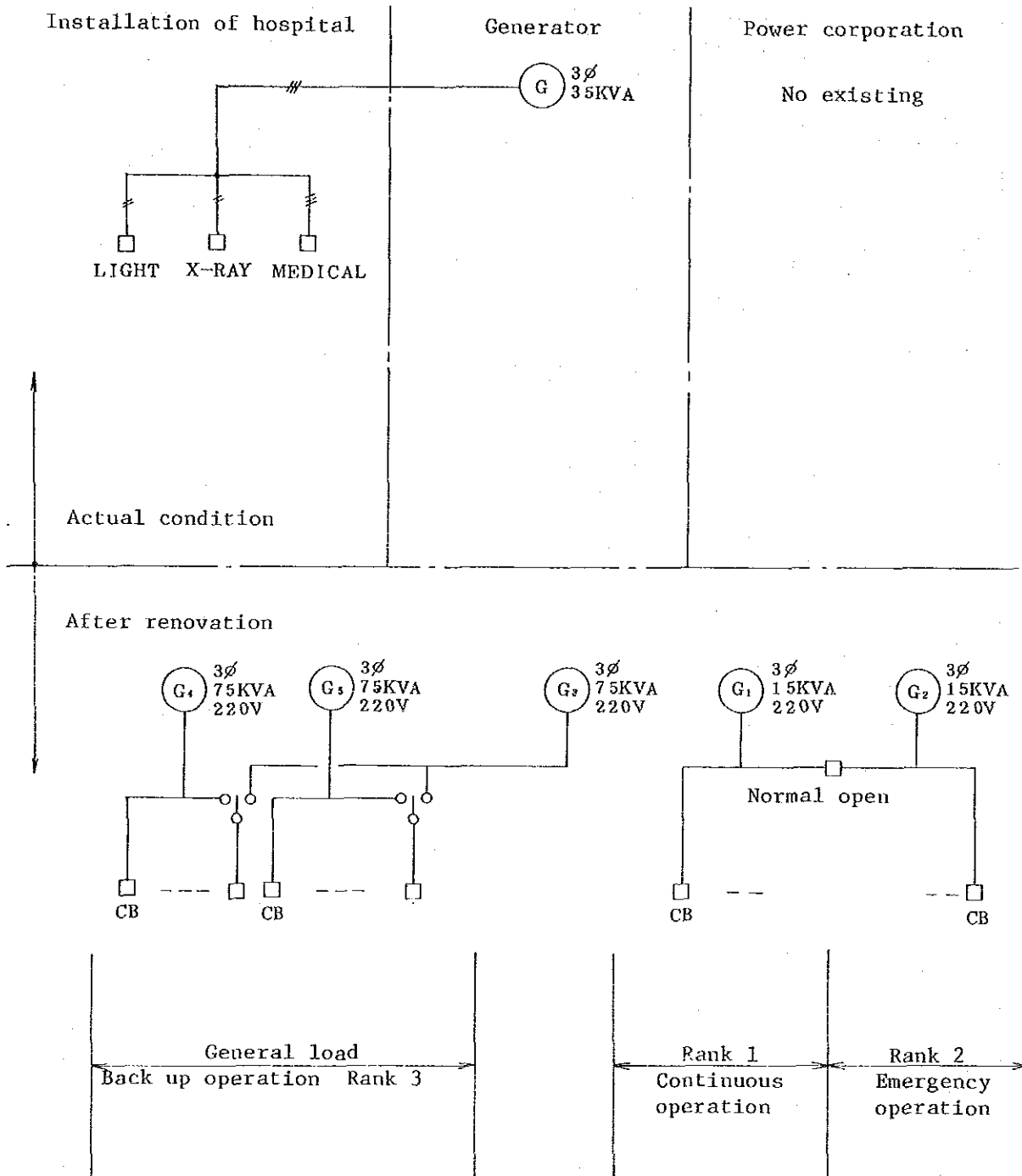
IFUGAO PROVINCIAL HOSPITAL



NUEVA VIZCAYA PROVINCIAL HOSPITAL

Item	D'T			ANC	OPD	ADM	Service 1	Service 2	Doctor Q.T.R. dormitory
	Ward 100	Ward 200	Ward 300						
Lighting & convenient outlet	○			○	○	○	○	○	○
Air condition power	○			○	—	—	○	○	—
Medical equipment	○			○	○	—	—	—	—
Telephone	○			○	○	○	—	—	—
Speaker	○			○	○	○	○	—	—
Nurse call	○			○	—	—	—	—	—
Interphone	○			○	○	○	○	—	○
Fire alarm	○			○	○	○	—	—	—
Lead in power	Showed other figure								
Generator	Type. 2			75 KVA 75 KVA 75 KVA			15 KVA 15 KVA		
Distribution panel	Type. 1								
Legend	○ be installed based on standard ✕ not include this project								

NUEVA VIZCAYA PROVINCIAL HOPITAL



BATANES PROVINCIAL HOSPITAL

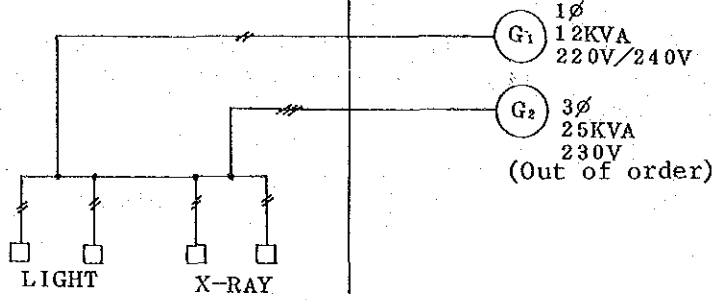
Item \ D'T	Ward			ANC	OPD	ADM	Service 1	Service 2	Doctor Q.T.R. dormitory
	100	200	300						
Lighting & convenient outlet	○			○	○	○	○	○	○
Air condition power	○			○	—	—	○	○	—
Medical equipment	○			○	○	—	—	—	—
Telephone	○			○	○	○	—	—	—
Speaker	○			○	○	○	○	—	—
Nurse call	○			○	—	—	—	—	—
Interphone	○			○	○	○	○	—	○
Fire alarm	○			○	○	○	—	—	—
Lead in power	Showed other figure								
Generator	Type. 2			75 KVA 75 KVA 15 KVA			15 KVA 15 KVA		
Distribution panel	Type. 1								
Legend	○ be installed based on standard ✕ not include this project								

BATANES PROVINCIAL HOSPITAL

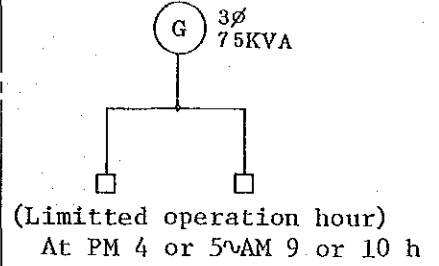
Installation of hospital

Generator

Power corporation

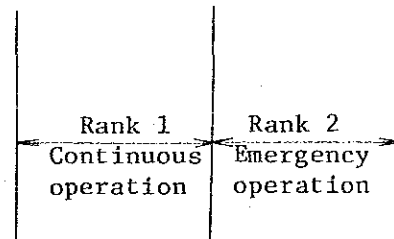
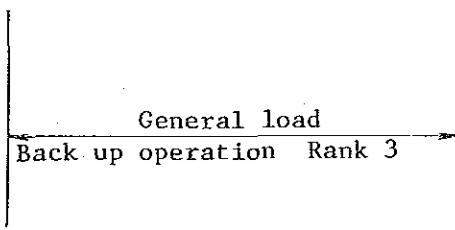
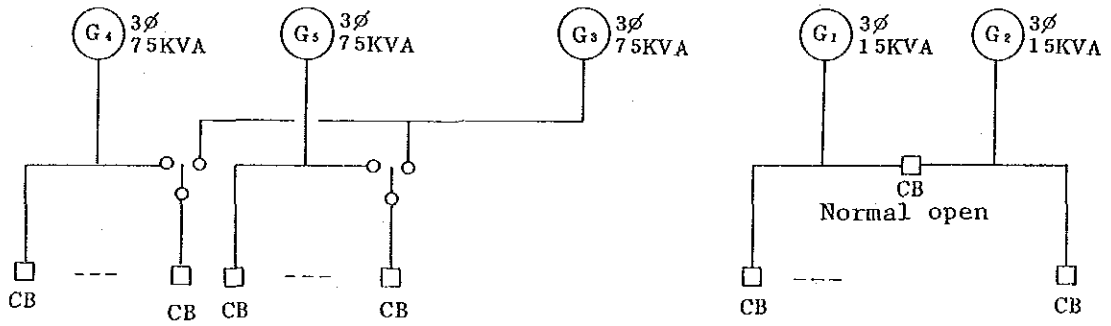


BASELCO



Actual condition

After renovation



V-7 AIR CONDITIONING AND PLUMBING

1. Basic Items of Upgrading

1) Water supply

Water supply facilities described in the standard plan are to be installed at each hospital according to the bed capacity.

The source of water supply is, as a rule, to be sought in a deep well except for Baguio which has the municipal water supply system.

The items to be examined in water source planning are given below.

CHECK LIST FOR WATER SOURCE PLANNING

Name of Hospital	
Pangasinan	Special precautions are necessary for the depth of well since new site is close to sea.
Bontoc	Upgrading of water distribution system by Water Department is very desirable but there is no such plan at present time. If construction of deep well is difficult due to improper ground conditions, water intake from river or effluent of river may be considered.
Baguio	There is no water problem since Water Department will complete upgrading of water supply facilities in 1979.
Benguet	Construction of well must be carefully performed since there is a possibility of ponding of hospital site during rainy season.
La Union	Water Department has a plan of constructing new water distribution system. This public water system should be utilized if completed before hospital site during rainy season.
Abra	Construction of well must be carefully performed since there is a possibility of ponding of hospital site during rainy season.
Gabriela Silang	BPW has completed water source investigation. (Within existing tennis court; depth is 245 feet.)
Don M. Marcos	_____
Ilocos Norte	Veins of water are presently being investigated.
Cagayan	Facility should be sufficiently large for the bed capacity (450 beds) of Regional Mental Hospital.
Kalinga-Apayao	
Aparri	_____
Isabela	

Name of Hopsital	
Quirino	BPW is presently constructing deep well. But its capacity is 5 gal/min, which is insufficient for hospital.
Ifugao	Upgrading of water distribution system by water Department is very desirable but there is no such plan at present time. If construction of deep well is difficult due to improper ground condition, water intake from river or spring should considered.
Maj. F. Marcos	_____
Nueva Vizcaya	If construction of deep well is difficult due to ground condition, use of spring should be considered.
Batanes	

2) Hot water supply

Hot water supply facilities described in the standard plan are to be installed at each hospital.

3) Drainage facilities

Drainage facilities Plan I or Plan II described in the standard plan is to be installed. Piping is to be installed to the nearest river or sea for discharge. In Baguio, however, since there is the municipal sewerage system, processed drainage is discharged into the system.

4) Air conditioning and ventilation facilities

Air conditioning and ventilation facilities described in the standard plan are to be installed at each hospital except Baguio and Bontac. Air conditioning for the cobalt room at Baguio is not included in the present improvement plan.

5) Kitchen facilities.

6) Laundry facilities.

7) Medical gas/LPG facilities.

8) Incineration facilities.

9) Fire fighting facilities

Those facilities described in the standard plan under 5) through 9) are to be installed at each hospital.

2. Improvement Plan for Each Hospital

Items of facilities for each hospital are given below. Code names in the table are those shown in the standardization plan described under IV-4-5. Accordingly, as for individual items, please refer to the standardization plan and Chapter XII.

	Hospital	a. Water supply	b. Hot water supply	c. Drainage facilities		d. Air conditioning and ventilation	Remarks
					Discharge		
I	1. Pangasinan MC (450B)	W-450	H-450	S-450	Sea	A-450	
	2. Bontoc PH (100B)	W-100	H-100	S-100	River	A-100 (Without AC)	
	3. Baguio MC (450B)	Direct connection with the municipal water supply system	H-450	S-450	Public sewerage	A-450 (Without AC)	Air conditioning for Cobalt Room not included.
	4. Benguet PH (100B)	W-100	H-100	S-100	River	A-100	
	5. La Union RH (250B)	W-300	H-300	S-300	Sea	A-300	
	6. Abra PH (100B)	W-100	H-100	S-100	River	A-100	
	7. Gabriela Silang PH (100B)	W-100	H-100	S-100	River	A-100	
	8. Don Mariano Marcos MH	W-100*	—	S-100*	River	—	*Figures do not include interior facilities of buildings under construction.
	9. Ilocos Norte PH (200B)	W-200	H-200	S-200	River	A-200	
II	1. Cagayan RH (300B)	W-450	H-300	S-450	River	A-300	*Figures do not include Mental hospitals interior facilities.
	2. Cagayan Mental H (150B)	*	—	*		—	
	3. Kalinga-Apayao PH (100B)	W-100	H-100	S-100	River	A-100	
	4. Cagayan PH (100B)	W-100	H-100	S-100	River	A-100	
	5. Isabela PH (150B)	W-200	H-200	S-200	River	A-200	
	6. Quirino PH (100B)	W-100	H-100	S-100	River	A-100	
	7. Ifugao PH (100B)	W-100	H-100	S-100	River	A-100	
	8. Maj. F. Marcos VH (200B)	W-200*	—	S-200*	River	—	*Figures do not include interior facilities of buildings under construction.
	9. Nueva Vizcaya PH (100B)	W-100	H-100	S-100	River	A-100	
	10. Batanes PH (75B)	W-100	H-100	S-100	River	A-100	

	Hospital	e. Kitchen	f. Laundry	g. Medical gas/LPG	h. Incineration	i. Fire fighting	
I	1. Pangasinan MC (450 ^B)	K-450	L-450	M-450	I-450	75 Units	
	2. Bontoc PH (100 ^B)	K-100	L-100	M-100	I-100	19	
	3. Baguio MC (450 ^B)	K-450	L-450	M-450	I-450	48	Processing of drainage from Cancer Center to be checked.
	4. Benguet PH (100 ^B)	K-100	L-100	M-100	I-100	31	
	5. La Union RH (250 ^B)	K-300	L-300	M-300	I-300	43	
	6. Abra PH (100 ^B)	K-100	L-100	M-100	I-100	31	
	7. Gabriela Silang PH (100 ^B)	K-100	L-100	M-100	I-100	31	
	8. Don Mariano Marcos MH	---	---	---	I-100	19	
	9. Ilocos Norte PH (200 ^B)	K-200	L-200	M-200	I-200	25	
II	1. Cagayan RH (300 ^B)	K-450	L-450	M-300	I-450	60	
	2. Cagayan Mental H (150 ^B)			---		40	
	3. Kalinga-Apayao PH (100 ^B)	K-100	L-100	M-100	I-100	36	
	4. Cagayan PH (100 ^B)	K-100	L-100	M-100	I-100	31	
	5. Isabela PH (150 ^B)	K-200	L-200	M-200	I-200	40	
	6. Quirino PH (100 ^B)	K-100	L-100	M-100	I-100	31	
	7. Ifugao PH (100 ^B)	K-100	L-100	M-100	I-100	31	
	8. Maj. F. Marcos VH (200 ^B)	K-200	L-200	---	I-200	39	
	9. Nueva Vizcaya PH (100 ^B)	K-100	L-100	M-100	I-100	20	
	10. Batanes PH (75 ^B)	K-100	L-100	M-100	I-100	35	

270

JICA